

—

7

## Panelboards

## Section 7

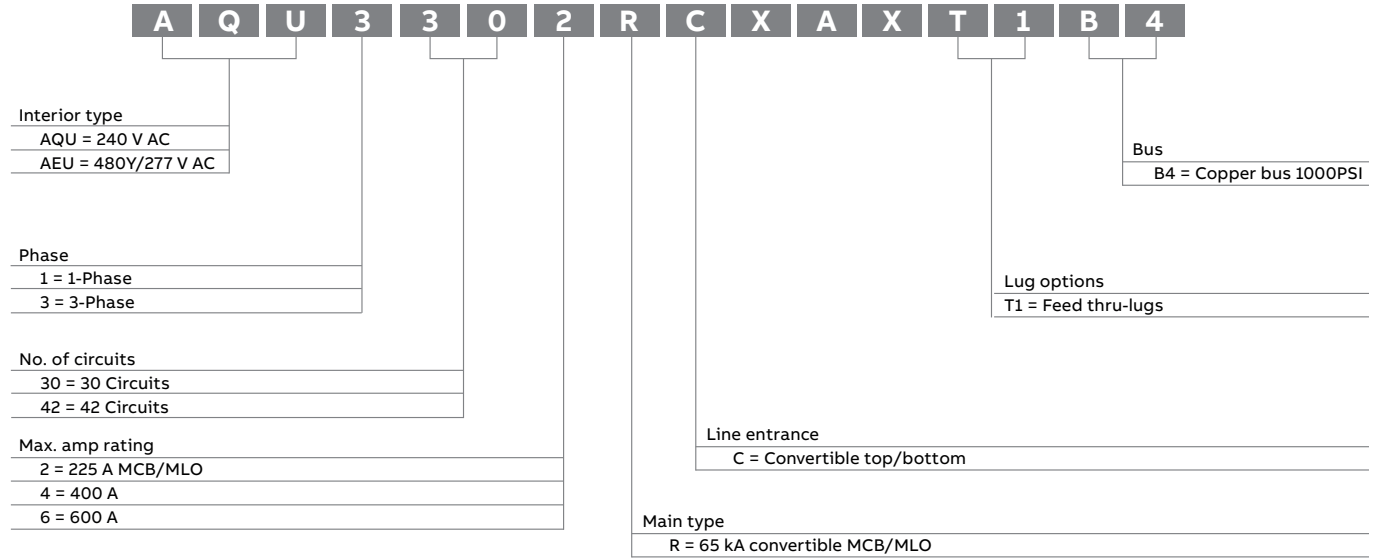
### Panelboards

#### Table of contents

<b>ReliaGear® Merchandised Lighting Panelboards</b>	
Ordering code construction	7-1
Interiors & grounds	7-2
Boxes & fronts	7-3
Main/sub-feed breaker kits, main lug kits and accessories	7-4
Branch breakers for RQ panels	7-8
Branch breakers for RE panels	7-9
<b>ReliaGear® Merchandised neXT SuperBox Power Panelboards</b>	
SuperBox panels	7-10
ReliaGear neXT breakers XT1-XT2	7-11
ReliaGear neXT XT4 circuit breakers	7-12
ReliaGear neXT breakers XT5-XT7	7-13
ReliaGear neXT breakers TEY & Record Plus FB	7-14
ReliaGear neXT breakers Formula A2	7-15
ReliaGear neXT breaker X-spacing	7-16
ReliaGear neXT breaker accessories	7-17
<b>ReliaGear® neXT circuit breaker testing fixture</b>	
ReliaGear® neXT circuit breaker testing fixture	7-18

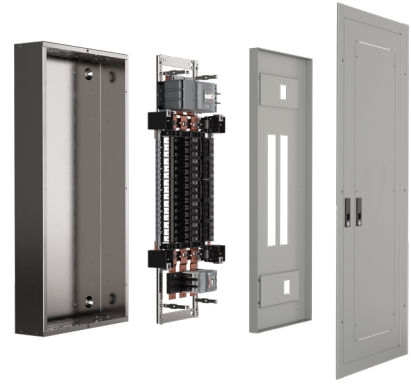
# ReliaGear® Merchandised Lighting Panelboards

## Ordering code construction



## ReliaGear® Merchandised Lighting Panelboards

### Step 1: Select Interior



Select the interior by panel rating, number of circuits and ampacity. Identify the box/front height for interior selected.

#### Feed-thru copper bus

Voltage	Rating (amps)	No. of circuits	Ordering code <sup>1</sup>	Box/front height (in.)	No. of TGL2 ground bars required <sup>2</sup>
240 V AC, 1-Phase	100-225	30	AQU1302RCXAXT1B4	43.5	3
		42	AQU1422RCXAXT1B4	49.5	4
	400	42	AQU1424RCXAXT1B4	76.5	4
		42	AQU1426RCXAXT1B4	76.5	4
208Y/120 V AC, 3-Phase	100-225	30	AQU3302RCXAXT1B4	43.5	3
		42	AQU3422RCXAXT1B4	49.5	4
	400	42	AQU3424RCXAXT1B4	76.5	4
		42	AQU3426RCXAXT1B4	76.5	4
480Y/277 V AC, 3-Phase	100-225	30	AEU3302RCXAXT1B4	43.5	3
		42	AEU3422RCXAXT1B4	49.5	4
	400	42	AEU3424RCXAXT1B4	76.5	4
		42	AEU3426RCXAXT1B4	76.5	4

<sup>1</sup> See table below for TGL20 ground lug quantities.

<sup>2</sup> For isolated ground, use EGS12. When using the EGS12, 5 and 7 ground lugs (TGL20s) are required for 30 and 42 circuit panels respectively.

<sup>3</sup> 600 A available as main lug only.

#### TGL20 ground lugs required by panel type

Interior type	100-225 A	400 A	600 A
Main lug only	1	1	2
Main lug and sub-feed	2	2	4
Main lug and feed-thru	2	2	4
Main breaker only	1	1	
Main breaker and sub-feed	2	2	
Main breaker and feed-thru	2	2	

## ReliaGear® Merchandised Lighting Panelboards

### Step 2-3: Select Box and Front



NEMA 1



NEMA 3R

Select a 20" wide box of correct height based on interior selected on Page 7-2.

Note: Boxes come with blank endwalls.

Box height (in.)	NEMA 1 ordering code	NEMA 3R ordering code
43.5	AB43B	AB433
49.5	AB49B	AB493
76.5	AB76B	AB763



Standard



Door within door



Standard with quarter-turn lock

For NEMA 1 enclosures only, select a front of correct height based on interior selected on Page 7-2 and box selected above.

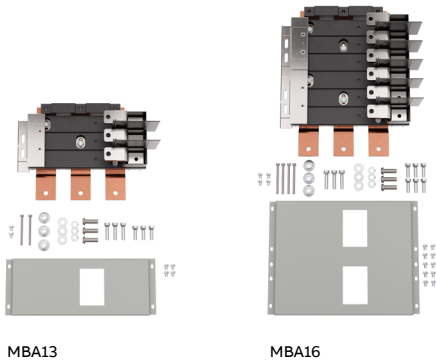
- Standard fronts are equipped with concealed hinges and trim adjusting screws hinges, trim adjusting screws and quarter-turn locks
- Door within door fronts are convenient for easy access to equipment from the front of the panel as it allows access to the gutters without removing the front
- Front hinged to box fronts are similar to door within door fronts for convenient access to gutters, but four screws must be removed to access the outer door

Front height (in.)	Standard	Standard	Door within door	Front hinged to box
	Flush ordering code	Surface ordering code	Surface ordering code	Surface ordering code
43.5	AF43F	AF43S	AF43SP	AF43SD
49.5	AF49F	AF49S	AF49SP	AF49SD
76.5 <sup>1</sup>	AF76FT	AF76ST	AF76SPT	AF76SDT

1) 76.5" fronts include quarter-turn lock, enabling applications with XT5 circuit breakers

## ReliaGear® Merchandised Lighting Panelboards

### Step 4: Select main and/or sub-feed breaker kit(s)



Select the main breaker kit appropriate for your interior type, amp rating and kAIC rating. If a sub-feed breaker is required, repeat the selection process.

Interior type	Ordering code <sup>1</sup>	Rating (amps)	No. of poles	Breaker short circuit rating (kAIC)						
				10	14	22	25	35	50	65
AQU1: 240 V AC, 1-Phase	MB612	100	2	THQB	-	THHQB	-	-	-	-
	MB614	100	4	(x2) THQB	-	(x2) THHQB	-	-	-	-
	MBA12	225	2	A2A	-	A2N <sup>2</sup>	-	-	-	-
	MBM324	400	2	-	-	-	-	-	-	XT5N
AQU3: 208Y/120 V AC, 3-Phase	MB613	100	3	THQB	-	THHQB	-	-	-	-
	MB616 <sup>4</sup>	100	6	(x2) THQB	-	(x2) THHQB	-	-	-	-
	MBA13	225	3	A2A	-	A2N <sup>2</sup>	-	-	-	-
	MBA16	400	6	(x2) A2A	-	(x2) A2N <sup>2</sup>	-	-	-	-
	MBB33	150	3	-	-	-	-	-	-	XT4N
	MBB33	225	3	-	-	-	-	-	-	XT4N
AEU3: 480Y/277 V AC, 3-Phase	MBB36 <sup>3</sup>	400	6 <sup>3</sup>	-	-	-	-	-	-	(x2) XT4N
	MBM334	400	3	-	-	-	-	-	-	XT5N
	MB423	100	3	-	TEY	-	-	-	-	-
	MB426	100	6	-	(x2) TEY	-	-	-	-	-
	MBC33	125	3	-	-	-	XT1N	XT1S	-	XT1H
	MBB33	150	3	-	-	-	XT4N	XT4S	-	XT4H
	MBB33	225	3	-	-	-	XT4N	XT4S	-	XT4H
	MBB36 <sup>3</sup>	400	6 <sup>3</sup>	-	-	-	(x2) XT4N	(x2) XT4S	-	(x2) XT4H
MBM334	400	3	-	-	-	-	XT5N	XT5S	XT5H	

<sup>1</sup> Breaker not included

<sup>2</sup> Actual breaker short circuit rating is 25 kAIC

<sup>3</sup> 6 poles of sub-feed applies only to 400 A and 600 A interiors

<sup>4</sup> Can use (2) 3-pole devices only, no 2-pole allowed

## ReliaGear® Merchandised Lighting Panelboards

### Step 5: Select main and/or sub-feed circuit breaker(s)

To correlate breaker types with the kAIC rating in specific panelboards, see the table for Step 4. For THQB and TEY main breakers, see branch breakers tables in Step 7.

**Tmax® XT breakers (3-pole) for use with appropriate main breaker or sub-feed breaker kit.**

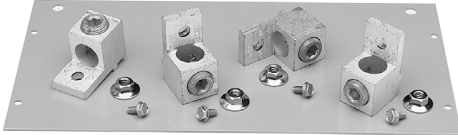
240 V kAIC	480 V kAIC	Breaker description	Wire range (Cu/Al)	Cables per lug	Ordering code
65	65	XT1H 125 TMF 30 amps 3P	Cu Al 1x14-2/0 AWG	1	XT1HU3030AFD000XXX
65	65	XT1H 125 TMF 60 amps 3P	Cu Al 1x14-2/0 AWG	1	XT1HU3060AFD000XXX
65	65	XT1H 125 TMF 100 amps 3P	Cu Al 1x14-2/0 AWG	1	XT1HU3100AFD000XXX
65	65	XT1H 125 TMF 125 amps 3P	Cu Al 1x14-2/0 AWG	1	XT1HU3125AFD000XXX
65	35	XT1S 125 TMF 100 amps 3P	Cu Al 1x14-2/0 AWG	1	XT1SU3100AFD000XXX
65	65	XT4H 250 TMF 150 amps 3P	Cu Al 1x4 AWG-300 kcmil	1	XT4HU3150AFJ000XXX
65	65	XT4H 250 TMF 200 amps 3P	Cu Al 1x4 AWG-300 kcmil	1	XT4HU3200AFJ000XXX
65	65	XT4H 250 TMF 225 amps 3P	Cu Al 1x4 AWG-300 kcmil	1	XT4HU3225AFJ000XXX
65	35	XT4S 250 TMF 175 amps 3P	Cu Al 1x4 AWG-300 kcmil	1	XT4SU3175AFJ000XXX
65	35	XT4S 250 TMF 200 amps 3P	Cu Al 1x4 AWG-300 kcmil	1	XT4SU3200AFJ000XXX
65	35	XT4S 250 TMF 225 amps 3P	Cu Al 1x4 AWG-300 kcmil	1	XT4SU3225AFJ000XXX
65	25	XT4N 250 Ekip DIP 60-150 amps 3P	Cu Al 1x4 AWG-300 kcmil	1	XT4NU3150FFJ000XXX
65	35	XT4S 250 Ekip DIP 100-250 amps 3P	Cu Al 1x4 AWG-300 kcmil	1	XT4SU3250FFL000XXX
65	65	XT4H 250 Ekip DIP 100-250 amps 3P	Cu Al 1x4 AWG-300 kcmil	1	XT4HU3250FFL000XXX
65	65	XT5H 400 TMA 400 amps 3P	Cu Al 2x2/0 AWG-500 kcmi	2	XT5HU340ABFN000XXX
65	50	XT5S 400 TMA 300 amps 3P	Cu Al 2x2/0 AWG-500 kcmi	2	XT5SU330ABFN000XXX
65	50	XT5S 400 TMA 400 amps 3P	Cu Al 2x2/0 AWG-500 kcmi	2	XT5SU340ABFN000XXX
65	35	XT5N 400 Ekip DIP 16-400 amps 3P	Cu Al 2x2/0 AWG-500 kcmi	2	XT5NU340AFFN000XXX
65	65	XT5H 400 Ekip DIP 16-400 amps 3P	Cu Al 2x2/0 AWG-500 kcmi	2	XT5HU340AFFN000XXX

**Main or sub-feed breakers for use with RQ panels (208Y/120 V AC 3-phase or 240 V AC 1-phase).**

Amp rating	2-pole		3-pole	
	10 kAIC	22 kAIC	10 kAIC	22 kAIC
	Ordering code	Ordering code	Ordering code	Ordering code
125	A2A125TL-2	A2N125TL-2	A2A125TT	A2N125TT
150	A2A150TL-2	A2N150TL-2	A2A150TT	A2N150TT
175	A2A175TL-2	A2N175TL-2	A2A175TT	A2N175TT
200	A2A200TL-2	A2N200TL-2	A2A200TT	A2N200TT
225	A2A225TL-2	A2N225TL-2	A2A225TT	A2N225TT

## ReliaGear® Merchandised Lighting Panelboards

Step 6: Select main and/or feed-thru lug kit(s)



Select lug kit(s) for main lug and/or feed-thru applications, if required.

### Main lug kits

Lug type	Amp rating	Wire range	Ordering code	200% Neutral ordering code
Mechanical	225	Standard: 6–350 kcmil	MLA1	NKA
	225	Oversized: 1–600 kcmil or (2) 1/0–250 kcmil	MLA2	
	400	Standard: 2–600 kcmil or (2) 1/0–250 kcmil	MLA41	NK4A <sup>1</sup>
	400	Oversized: 3/0–800 kcmil	MLA62	
	600	Standard: (2) 2/0–500 kcmil	MLA61	–
	600	Oversized: 3/0–800 kcmil	MLA62	

<sup>1</sup> For 200% neutral feed-thru, order NKA4FT, (GO-101P). Wire range (2) 2/0–600 kcmil or (4) 4–250 kcmil.



## ReliaGear® Merchandised Lighting Panelboards

### Step 7: Select bolt-on branch circuit breakers

Select branch circuit breakers from the tables below.

- THQB and THHQB breakers are only compatible with RQ panels.
- TEY and TEYF breakers are only compatible with RE panels.

#### Branch circuit breakers for use with RQ panels (208Y/120 V AC 3-phase or 240 V AC 1-phase)

Amp rating	10 kAIC			22 kAIC		
	1-pole Ordering code	2-pole Ordering code	3-pole Ordering code	1-pole Ordering code	2-pole Ordering code	3-pole Ordering code
15	THQB1115 <sup>1,2,3,4</sup>	THQB2115 <sup>1,4</sup>	THQB32015	THHQB1115 <sup>1,2,3,4</sup>	THHQB2115 <sup>1,4</sup>	THHQB32015
20	THQB1120 <sup>1,2,3,4</sup>	THQB2120 <sup>1,4</sup>	THQB32020	THHQB1120 <sup>1,2,3,4</sup>	THHQB2120 <sup>1,4</sup>	THHQB32020
25	THQB1125 <sup>1</sup>	THQB2125 <sup>1</sup>	THQB32025	THHQB1125 <sup>1</sup>	THHQB2125 <sup>1</sup>	THHQB32025
30	THQB1130 <sup>1,4</sup>	THQB2130 <sup>1,4</sup>	THQB32030	THHQB1130 <sup>1,4</sup>	THHQB2130 <sup>1,4</sup>	THHQB32030
35	THQB1135	THQB2135	THQB32035	THHQB1135	THHQB2135	THHQB32035
40	THQB1140	THQB2140 <sup>4</sup>	THQB32040	THHQB1140	THHQB2140	THHQB32040
45	THQB1145	THQB2145	THQB32045	THHQB1145	THHQB2145	THHQB32045
50	THQB1150	THQB2150	THQB32050	THHQB1150	THHQB2150	THHQB32050
60	THQB1160	THQB2160	THQB32060	THHQB1160	THHQB2160	THHQB32060
70	THQB1170	THQB2170	THQB32070	THHQB1170	THHQB2170	THHQB32070
80	-	THQB2180	THQB32080	-	THHQB2180	THHQB32080
90	-	THQB2190	THQB32090	-	THHQB2190	THHQB32090
100	-	THQB21100	THQB32100	-	THHQB21100	THHQB32100

<sup>1</sup> For ground fault, add 'GFT' suffix to breaker SKU

<sup>2</sup> For AFCI, add 'AF2' suffix to breaker SKU

<sup>3</sup> For AFCI/GFCI, add 'DF' suffix to breaker SKU

<sup>4</sup> For equipment ground fault, add 'GFEP' suffix to breaker SKU

#### Branch circuit breakers for use with RE panels (480Y/277 V AC 3-phase)

Amp rating	14 kAIC			18 KAIC		
	1-pole Ordering code	2-pole Ordering code	3-pole Ordering code	1-pole Ordering code	2-pole Ordering code	3-pole Ordering code
15	TEY115	TEY215	TEY315	TEYF115	TEYF215	TEYF315
20	TEY120	TEY220	TEY320	TEYF120	TEYF220	TEYF320
25	TEY125	TEY225	TEY325	TEYF125	TEYF225	TEYF325
30	TEY130	TEY230	TEY330	TEYF130	TEYF230	TEYF330
35	TEY135	TEY235	TEY335	TEYF135	TEYF235	TEYF335
40	TEY140	TEY240	TEY340	TEYF140	TEYF240	TEYF340
45	TEY145	TEY245	TEY345	TEYF145	TEYF245	TEYF345
50	TEY150	TEY250	TEY350	TEYF150	TEYF250	TEYF350
60	TEY160	TEY260	TEY360	TEYF160	TEYF260	TEYF360
70	TEY170	TEY270	TEY370	-	TEYF270	TEYF370
80	TEY180	TEY280	TEY380	-	TEYF280	TEYF380
90	TEY190	TEY290	TEY390	-	TEYF290	TEYF390
100	TEY1100	TEY2100	TEY3100	-	TEYF2100	TEYF3100

## ReliaGear® Lighting Panelboards

Branch breakers for RQ panels

### THQB and THHQB branch circuit breakers for use with RQ panels (208/120 V AC 3-phase)

Amp rating	10 kAIC			22 kAIC		
	1-pole	2-pole	3-pole	1-pole	2-pole	3-pole
	Ordering code	Ordering code	Ordering code	Ordering code	Ordering code	Ordering code
15	THQB1115 <sup>(1)</sup>	THQB2115 <sup>(1)</sup>	THQB32015	THHQB1115	THHQB2115	THHQB32015
20	THQB1120 <sup>(1,2,3)</sup>	THQB2120 <sup>(1,3)</sup>	THQB32020	THHQB1120 <sup>(1)</sup>	THHQB2120 <sup>(1)</sup>	THHQB32020
25	THQB1125	THQB2125	THQB32025	THHQB1125	THHQB2125	THHQB32025
30	THQB1130 <sup>(1,3)</sup>	THQB2130 <sup>(1,3)</sup>	THQB32030	THHQB1130	THHQB2130 <sup>(1)</sup>	THHQB32030
35	THQB1135	THQB2135	THQB32035	–	THHQB2135	THHQB32035
40	THQB1140	THQB2140 <sup>(3)</sup>	THQB32040	THHQB1140	THHQB2140	THHQB32040
45	–	THQB2145	THQB32045	–	–	THHQB32045
50	THQB1150	THQB2150	THQB32050	THHQB1150	THHQB2150	THHQB32050
60	THQB1160	THQB2160	THQB32060	–	THHQB2160	THHQB32060
70	–	THQB2170	THQB32070	–	–	THHQB32070
80	–	THQB2180	THQB32080	–	THHQB2180	THHQB32080
90	–	THQB2190	THQB32090	–	–	THHQB32090
100	–	THQB21100	THQB32100	–	THHQB21100	THHQB32100

<sup>(1)</sup> For ground fault, add 'GFT' suffix to breaker SKU

<sup>(2)</sup> For AFCI, add 'AF2' suffix to breaker SKU

<sup>(3)</sup> For equipment ground fault, add 'GFEP' suffix to breaker SKU

## ReliaGear® Lighting Panelboards

Branch breakers for RE panels

TEY and TEYF branch circuit breakers for use with RE panels (480Y/277 V AC 3-phase)

Amp rating	14 kAIC			18 KAIC		
	1-pole	2-pole	3-pole	1-pole	2-pole	3-pole
	Ordering code	Ordering code	Ordering code	Ordering code	Ordering code	Ordering code
15	TEY115	TEY215	TEY315	-	TEYF215	TEYF315
20	TEY120	TEY220	TEY320	TEYF120	TEYF220	TEYF320
25	TEY125	TEY225	TEY325	-	TEYF225	TEYF325
30	TEY130	TEY230	TEY330	-	TEYF230	TEYF330
35	TEY135	TEY235	TEY335	-	TEYF235	TEYF335
40	TEY140	TEY240	TEY340	-	TEYF240	TEYF340
45	TEY145	TEY245	TEY345	-	TEYF245	TEYF345
50	TEY150	TEY250	TEY350	-	TEYF250	TEYF350
60	TEY160	TEY260	TEY360	-	TEYF260	TEYF360
70	-	TEY270	TEY370	-	TEYF270	TEYF370
80	-	TEY280	TEY380	-	TEYF280	TEYF380
90	-	TEY290	TEY390	-	TEYF290	TEYF390
100	-	TEY2100	TEY3100	-	TEYF2100	TEYF3100

# ReliaGear® Merchandised neXT SuperBox Power Panelboards

## SuperBox panels

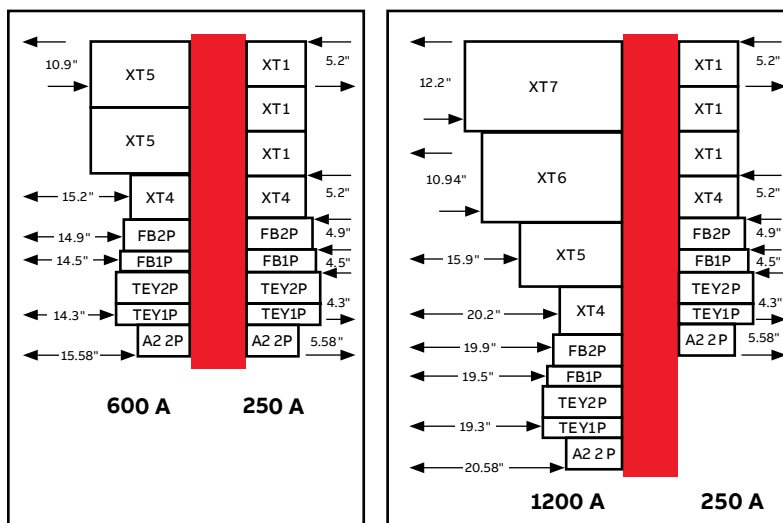


### ReliaGear® neXT SuperBox Power Panelboards

Ordering code	Description	Amps	Enclosure type	Main	Dimensions (H x W x D inches)	X-space left	X-space right
RNSB06L6040A	600A MLO NEMA 1 60 x 40 16X no breakers	600 A	NEMA 1	Main lugs (2x #2-600 kcmil)	60 x 40 x 11	12	12
RNSB06B6040A	600A MCB NEMA 1 60 x 40 16X no breakers	600 A	NEMA 1	Main breaker <sup>1</sup>	61 x 40 x 11	16	16
RNSB06L6040R	600A MLO NEMA 3R 60 x 40 16X no breakers	600 A	NEMA 3R	Main lugs (2x #2-600 kcmil)	59 x 40 x 14.5 <sup>2</sup>	12	12
RNSB06B6040R	600A MCB NEMA 3R 60 x 40 16X no breakers	600 A	NEMA 3R	Main breaker <sup>1</sup>	60 x 40 x 14.5 <sup>2</sup>	16	16
RNSB08L7245A	800A MLO NEMA 1 72 x 45 24X no breakers	800 A	NEMA 1	Main lugs (4x #2-600 kcmil)	72 x 45 x 11	20	20
RNSB08B7245A	800A MCB NEMA 1 72 x 45 24X no breakers	800 A	NEMA 1	Main breaker <sup>1</sup>	73 x 45 x 11	24	24
RNSB08L7245R	800A MLO NEMA 3R 72 x 45 24X no breakers	800 A	NEMA 3R	Main lugs (4x #2-600 kcmil)	71 x 45 x 14.5 <sup>2</sup>	20	20
RNSB08B7245R	800A MCB NEMA 3R 72 x 45 24X no breakers	800 A	NEMA 3R	Main breaker <sup>1</sup>	72 x 45 x 14.5 <sup>2</sup>	24	24
RNSB12L8445A	1200A MLO NEMA 1 84 x 45 32X no breakers	1200 A	NEMA 1	Main lugs (4x #2-600 kcmil)	84 x 45 x 11	28	28
RNSB12B8445A	1200A MCB NEMA 1 84 x 45 32X no breakers	1200 A	NEMA 1	Main breaker <sup>1</sup>	85 x 45 x 11	32	32
RNSB12L8445R	1200A MLO NEMA 3R 84 x 45 32X no breakers	1200 A	NEMA 3R	Main lugs (4x #2-600 kcmil)	83 x 45 x 14.5 <sup>2</sup>	28	28
RNSB12B8445R	1200A MCB NEMA 3R 84 x 45 32X no breakers	1200 A	NEMA 3R	Main breaker <sup>1</sup>	84 x 45 x 14.5 <sup>2</sup>	32	32

<sup>1</sup> X-space required for main breaker must be accounted for based on specific breaker selected.  
<sup>2</sup> Depth does not include 0.9" of hanger bracket.

### Available configurations and wire bend space



40" offset box

45" offset box

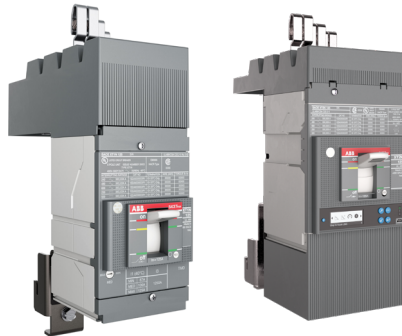
All ReliaGear® neXT panelboards are double sided. Wire bending space requirements restrict XT5-XT7 mounting to the left side of the interior.

#### Wire bend space

Breaker	Left mount space (in)	Right mount space (in)
<b>40" offset enclosure</b>		
XT5	10.9	-
XT4	15.2	5.2
XT1	15.2	5.2
FB 1-pole	14.5	4.5
FB 2-pole	14.9	4.9
TEY 1-pole	14.3	4.3
TEY 2-pole	14.3	4.3
A2 2-pole	15.58	5.58
<b>45" offset enclosure</b>		
XT7	12.2	-
XT6	10.94	-
XT5	15.9	-
XT4	20.2	5.2
XT1	20.2	5.2
FB 1-pole	19.5	4.5
FB 2-pole	19.9	4.9
TEY 1-pole	19.3	4.3
TEY 2-pole	19.3	4.3
A2 2-pole	20.58	5.58

## Power panelboards

### ReliaGear® neXT XT1-XT2 circuit breakers



Frame	Int. rating at 480 V AC	Trip unit	Poles	Amps	Load side lugs (AWG or kcmil)	Ordering code
XT1 <sup>3</sup>	N (25 kA)	TMF	3	15	1x #10-2/0	XT1NU3015AYD000XXX
XT1 <sup>3</sup>	N (25 kA)	TMF	3	20	1x #10-2/0	XT1NU3020AYD000XXX
XT1 <sup>3</sup>	N (25 kA)	TMF	3	30	1x #10-2/0	XT1NU3030AYD000XXX
XT1 <sup>3</sup>	N (25 kA)	TMF	3	40	1x #10-2/0	XT1NU3040AYD000XXX
XT1 <sup>3</sup>	N (25 kA)	TMF	3	50	1x #10-2/0	XT1NU3050AYD000XXX
XT1 <sup>3</sup>	N (25 kA)	TMF	3	60	1x #10-2/0	XT1NU3060AYD000XXX
XT1 <sup>3</sup>	N (25 kA)	TMF	3	70	1x #10-2/0	XT1NU3070AYD000XXX
XT1 <sup>3</sup>	N (25 kA)	TMF	3	100	1x #10-2/0	XT1NU3100AYD000XXX
XT1 <sup>3</sup>	N (25 kA)	TMF	3	125	1x #10-2/0	XT1NU3125AYD000XXX
XT1 <sup>3</sup>	S (35 kA)	TMF	3	15	1x #10-2/0	XT1SU3015AYD000XXX
XT1 <sup>3</sup>	S (35 kA)	TMF	3	20	1x #10-2/0	XT1SU3020AYD000XXX
XT1 <sup>3</sup>	S (35 kA)	TMF	3	30	1x #10-2/0	XT1SU3030AYD000XXX
XT1 <sup>3</sup>	S (35 kA)	TMF	3	40	1x #10-2/0	XT1SU3040AYD000XXX
XT1 <sup>3</sup>	S (35 kA)	TMF	3	50	1x #10-2/0	XT1SU3050AYD000XXX
XT1 <sup>3</sup>	S (35 kA)	TMF	3	60	1x #10-2/0	XT1SU3060AYD000XXX
XT1 <sup>3</sup>	S (35 kA)	TMF	3	70	1x #10-2/0	XT1SU3070AYD000XXX
XT1 <sup>3</sup>	S (35 kA)	TMF	3	100	1x #10-2/0	XT1SU3100AYD000XXX
XT1 <sup>3</sup>	S (35 kA)	TMF	3	125	1x #10-2/0	XT1SU3125AYD000XXX
XT1 <sup>3</sup>	H (65 kA)	TMF	3	15	1x #10-2/0	XT1HU3015AYD000XXX
XT1 <sup>3</sup>	H (65 kA)	TMF	3	20	1x #10-2/0	XT1HU3020AYD000XXX
XT1 <sup>3</sup>	H (65 kA)	TMF	3	30	1x #10-2/0	XT1HU3030AYD000XXX
XT1 <sup>3</sup>	H (65 kA)	TMF	3	35	1x #10-2/0	XT1HU3035AYD000XXX
XT1 <sup>3</sup>	H (65 kA)	TMF	3	40	1x #10-2/0	XT1HU3040AYD000XXX
XT1 <sup>3</sup>	H (65 kA)	TMF	3	50	1x #10-2/0	XT1HU3050AYD000XXX
XT1 <sup>3</sup>	H (65 kA)	TMF	3	60	1x #10-2/0	XT1HU3060AYD000XXX
XT1 <sup>3</sup>	H (65 kA)	TMF	3	70	1x #10-2/0	XT1HU3070AYD000XXX
XT1 <sup>3</sup>	H (65 kA)	TMF	3	80	1x #10-2/0	XT1HU3080AYD000XXX
XT1 <sup>3</sup>	H (65 kA)	TMF	3	90	1x #10-2/0	XT1HU3090AYD000XXX
XT1 <sup>3</sup>	H (65 kA)	TMF	3	100	1x #10-2/0	XT1HU3100AYD000XXX
XT1 <sup>3</sup>	H (65 kA)	TMF	3	110	1x #10-2/0	XT1HU3110AYD000XXX
XT1 <sup>3</sup>	H (65 kA)	TMF	3	125	1x #10-2/0	XT1HU3125AYD000XXX
XT2	H (65 kA)	TMA	3	80	1x #10-2/0	XT2HU3080BYD000XXX
XT2	H (65 kA)	TMA	3	100	1x #10-2/0	XT2HU3100BYD000XXX
XT2	H (65 kA)	TMA	3	125	1x #10-2/0	XT2HU3125BYD000XXX
XT2	L (100 kA)	TMA	3	100	1x #10-2/0	XT2LU3100BYD000XXX
XT2	N (25 kA)	Ekip DIP LSI	3	125	1x #10-2/0	XT2NU3125FYD000XXX
XT2	H (65 kA)	Ekip DIP LSI	3	60	1x #10-2/0	XT2HU3060FYD000XXX
XT2	H (65 kA)	Ekip DIP LSI	3	100	1x #10-2/0	XT2HU3100FYD000XXX
XT2	H (65 kA)	Ekip DIP LSI	3	125	1x #10-2/0	XT2HU3125FYD000XXX
XT2	L (100 kA)	Ekip DIP LSI	3	60	1x #10-2/0	XT2LU3060FYD000XXX
XT2	L (100 kA)	Ekip DIP LSI	3	100	1x #10-2/0	XT2LU3100FYD000XXX
XT2	L (100 kA)	Ekip DIP LSI	3	125	1x #10-2/0	XT2LU3125FYD000XXX

<sup>1</sup>Additional Tmax® XT plug-in circuit breakers and accessories are available. Contact your local ABB sales team for more information.

<sup>2</sup>All breakers are standard rated (standard circuit breakers design considers 80% of the rated load). In case a 100% rated breaker is needed, a factory assembled ReliaGear neXT configuration will be required.

<sup>3</sup>Separate mounting rail required. See details in accessories table.

## Power panelboards

### ReliaGear® neXT XT4 circuit breakers



Frame	Int. rating at 480 V	Trip unit	Poles	Amps	Load side lugs (AWG or kcmil)	Ordering code
XT4	N (25 kA)	TMF	3	150	1x 3/0-350	XT4NU3150AY8000XXX
XT4	N (25 kA)	TMF	3	175	1x 3/0-350	XT4NU3175AY8000XXX
XT4	N (25 kA)	TMF	3	200	1x 3/0-350	XT4NU3200AY8000XXX
XT4	N (25 kA)	TMF	3	225	1x 3/0-350	XT4NU3225AY8000XXX
XT4	N (25 kA)	TMF	3	250	1x 3/0-350	XT4NU3250AY8000XXX
XT4	S (35 kA)	TMF	3	150	1x 3/0-350	XT4SU3150AY8000XXX
XT4	S (35 kA)	TMF	3	175	1x 3/0-350	XT4SU3175AY8000XXX
XT4	S (35 kA)	TMF	3	200	1x 3/0-350	XT4SU3200AY8000XXX
XT4	S (35 kA)	TMF	3	225	1x 3/0-350	XT4SU3225AY8000XXX
XT4	S (35 kA)	TMF	3	250	1x 3/0-350	XT4SU3250AY8000XXX
XT4	H (65 kA)	TMF	3	150	1x 3/0-350	XT4HU3150AY8000XXX
XT4	H (65 kA)	TMF	3	150	1x 4-300	XT4HU3150AYJ000XXX
XT4	H (65 kA)	TMF	3	175	1x 3/0-350	XT4HU3175AY8000XXX
XT4	H (65 kA)	TMF	3	200	1x 3/0-350	XT4HU3200AY8000XXX
XT4	H (65 kA)	TMF	3	225	1x 3/0-350	XT4HU3225AY8000XXX
XT4	H (65 kA)	TMF	3	250	1x 3/0-350	XT4HU3250AY8000XXX
XT4	N (25 kA)	TMA	3	150	1x 4-300	XT4NU3150BYJ000XXX
XT4	N (25 kA)	TMA	3	175	1x 4-300	XT4NU3175BYJ000XXX
XT4	N (25 kA)	TMA	3	200	1x 4-300	XT4NU3200BYJ000XXX
XT4	N (25 kA)	TMA	3	225	1x 4-300	XT4NU3225BYJ000XXX
XT4	N (25 kA)	TMA	3	250	1x 3/0-350	XT4NU3250BY8000XXX
XT4	H (65 kA)	TMA	3	125	1x 4-300	XT4HU3125BYJ000XXX
XT4	H (65 kA)	TMA	3	150	1x 4-300	XT4HU3150BYJ000XXX
XT4	H (65 kA)	TMA	3	175	1x 4-300	XT4HU3175BYJ000XXX
XT4	H (65 kA)	TMA	3	200	1x 4-300	XT4HU3200BYJ000XXX
XT4	H (65 kA)	TMA	3	225	1x 4-300	XT4HU3225BYJ000XXX
XT4	H (65 kA)	TMA	3	250	1x 3/0-350	XT4HU3250BY8000XXX
XT4	L (100 kA)	TMA	3	100	1x 4-300	XT4LU3100BYJ000XXX
XT4	L (100 kA)	TMA	3	150	1x 4-300	XT4LU3150BYJ000XXX
XT4	L (100 kA)	TMA	3	175	1x 4-300	XT4LU3175BYJ000XXX
XT4	L (100 kA)	TMA	3	200	1x 4-300	XT4LU3200BYJ000XXX
XT4	L (100 kA)	TMA	3	225	1x 4-300	XT4LU3225BYJ000XXX
XT4	L (100 kA)	TMA	3	250	1x 3/0-350	XT4LU3250BY8000XXX
XT4	H (65 kA)	Ekip DIP LS/I	3	150	1x 4-300	XT4HU3150EYJ000XXX
XT4	H (65 kA)	Ekip DIP LS/I	3	225	1x 4-300	XT4HU3225EYJ000XXX
XT4	N (25 kA)	Ekip DIP LSI	3	100	1x 4-300	XT4NU3100FYJ000XXX
XT4	N (25 kA)	Ekip DIP LSI	3	225	1x 4-300	XT4NU3225FYJ000XXX
XT4	N (25 kA)	Ekip DIP LSI	3	250	1x 3/0-350	XT4NU3250FY8000XXX
XT4	S (35 kA)	Ekip DIP LSI	3	100	1x 4-300	XT4SU3100FYJ000XXX
XT4	S (35 kA)	Ekip DIP LSI	3	250	1x 3/0-350	XT4SU3250FY8000XXX
XT4	H (65 kA)	Ekip DIP LSI	3	100	1x 4-300	XT4HU3100FYJ000XXX
XT4	H (65 kA)	Ekip DIP LSI	3	150	1x 4-300	XT4HU3150FYJ000XXX
XT4	H (65 kA)	Ekip DIP LSI	3	225	1x 4-300	XT4HU3225FYJ000XXX
XT4	H (65 kA)	Ekip DIP LSI	3	250	1x 3/0-350	XT4HU3250FY8000XXX
XT4	L (100 kA)	Ekip DIP LSI	3	40	1x 14-1/0	XT4LU3040FYG000XXX
XT4	L (100 kA)	Ekip DIP LSI	3	60	1x 14-1/0	XT4LU3060FYG000XXX
XT4	L (100 kA)	Ekip DIP LSI	3	100	1x 4-300	XT4LU3100FYJ000XXX
XT4	L (100 kA)	Ekip DIP LSI	3	150	1x 4-300	XT4LU3150FYJ000XXX
XT4	L (100 kA)	Ekip DIP LSI	3	250	1x 3/0-350	XT4LU3250FY8000XXX

<sup>1</sup>Additional Tmax® XT plug-in circuit breakers and accessories are available. Contact your local ABB sales team for more information.

<sup>2</sup>All breakers are standard rated (standard circuit breakers design considers 80% of the rated load). In case a 100% rated breaker is needed, a factory assembled ReliaGear neXT configuration will be required.

## Power panelboards

### ReliaGear® neXT XT5-XT7 circuit breakers



Frame	Int. rating at 480 V	Trip unit	Poles	Amps	Load side lugs (AWG or kcmil)	Ordering code
XT5	N (25 kA)	TMA	3	300	2x 2/0-500	XT5NU330ABYN000XXX
XT5	N (25 kA)	TMA	3	400	2x 2/0-500	XT5NU340ABYN000XXX
XT5	N (25 kA)	TMA	3	500	2x 2/0-500	XT5NU350BBYN000XXX
XT5	N (25 kA)	TMA	3	600	2x 2/0-500	XT5NU360BBYN000XXX
XT5	S (35 kA)	TMA	3	300	2x 2/0-500	XT5SU330ABYN000XXX
XT5	S (35 kA)	TMA	3	400	2x 2/0-500	XT5SU340ABYN000XXX
XT5	S (35 kA)	TMA	3	600	2x 2/0-500	XT5SU360BBYN000XXX
XT5	H (65 kA)	TMA	3	300	2x 2/0-500	XT5HU330ABYN000XXX
XT5	H (65 kA)	TMA	3	400	2x 2/0-500	XT5HU340ABYN000XXX
XT5	H (65 kA)	TMA	3	500	2x 2/0-500	XT5HU350BBYN000XXX
XT5	H (65 kA)	TMA	3	600	2x 2/0-500	XT5HU360BBYN000XXX
XT5	L (100 kA)	TMA	3	300	2x 2/0-500	XT5LU330ABYN000XXX
XT5	L (100 kA)	TMA	3	400	2x 2/0-500	XT5LU340ABYN000XXX
XT5	L (100 kA)	TMA	3	600	2x 2/0-500	XT5LU360BBYN000XXX
XT5	N (25 kA)	Ekip DIP LSI	3	400	2x 2/0-500	XT5NU340AFYN000XXX
XT5	N (25 kA)	Ekip DIP LSI	3	600	2x 2/0-500	XT5NU360BFYN000XXX
XT5	S (35 kA)	Ekip DIP LSI	3	400	2x 2/0-500	XT5SU340AFYN000XXX
XT5	S (35 kA)	Ekip DIP LSI	3	600	2x 2/0-500	XT5SU360BFYN000XXX
XT5	H (65 kA)	Ekip DIP LSI	3	400	2x 2/0-500	XT5HU340AFYN000XXX
XT5	H (65 kA)	Ekip DIP LSI	3	600	2x 2/0-500	XT5HU360BFYN000XXX
XT5	L (100 kA)	Ekip DIP LSI	3	400	2x 2/0-500	XT5LU340AFYN000XXX
XT5	L (100 kA)	Ekip DIP LSI	3	600	2x 2/0-500	XT5LU360BFYN000XXX
XT6	N (25 kA)	TMA	3	800	3x 2/0-400	XT6NU3800BYU000XXX
XT6	S (35 kA)	TMA	3	800	3x 2/0-400	XT6SU3800BYU000XXX
XT6	H (65 kA)	TMA	3	800	3x 2/0-400	XT6HU3800BYU000XXX
XT6	N (25 kA)	Ekip DIP LSI	3	800	3x 2/0-400	XT6NU3800FYU000XXX
XT6	H (65 kA)	Ekip DIP LSI	3	800	3x 2/0-400	XT6HU3800FYU000XXX
XT7	S (35 kA)	Ekip DIP LSI	3	1000	4x 4/0-500	XT7SU310DFYW000XXX
XT7	S (35 kA)	Ekip DIP LSI	3	1200	4x 4/0-500	XT7SU312EFYW000XXX
XT7	H (65 kA)	Ekip DIP LSI	3	800	4x 4/0-500	XT7HU380CFYW000XXX
XT7	H (65 kA)	Ekip DIP LSI	3	1000	4x 4/0-500	XT7HU310DFYW000XXX
XT7	H (65 kA)	Ekip DIP LSI	3	1200	4x 4/0-500	XT7HU312EFYW000XXX
XT7	S (35 kA)	Ekip Touch LSI	3	1000	4x 4/0-500	XT7SU310DPYW000XXR
XT7	S (35 kA)	Ekip Touch LSI	3	1200	4x 4/0-500	XT7SU312EPYW000XXR
XT7	H (65 kA)	Ekip Touch LSI	3	1000	4x 4/0-500	XT7HU310DPYW000XXR
XT7	H (65 kA)	Ekip Touch LSI	3	1200	4x 4/0-500	XT7HU312EPYW000XXR
XT7	L (100 kA)	Ekip Touch LSI	3	1200	4x 4/0-500	XT7LU312EPYW000XXR

<sup>1</sup>Additional Tmax® XT plug-in circuit breakers and accessories are available. Contact your local ABB sales team for more information.

<sup>2</sup>All breakers are standard rated (standard circuit breakers design considers 80% of the rated load). In case a 100% rated breaker is needed, a factory assembled ReliaGear neXT configuration will be required.

<sup>3</sup>If 750 kcmil lugs are needed, a factory assembled ReliaGear neXT configuration will be required.

## Power panelboards

### ReliaGear® neXT TEY and Record Plus FB circuit breakers



1-pole FB



2-pole FB



1-pole TEY



2-pole TEY

Frame	Int. rating at 480 V	Trip unit	Poles	Amps	Phase	Load side lugs (AWG or kcmil)	Ordering code
TEY	D (25 kA)	TMF	1	20	A	#14-#10 (Cu), #12-#10 (Al)	TEYADED0AAXXXXXX
TEY	D (25 kA)	TMF	1	20	B	#14-#10 (Cu), #12-#10 (Al)	TEYADED0BAXXXXXX
TEY	D (25 kA)	TMF	1	20	C	#14-#10 (Cu), #12-#10 (Al)	TEYADED0CAXXXXXX
TEY	H (35 kA)	TMF	1	20	A	#14-#10 (Cu), #12-#10 (Al)	TEYAHED0AAXXXXXX
TEY	H (35 kA)	TMF	1	20	B	#14-#10 (Cu), #12-#10 (Al)	TEYAHED0BAXXXXXX
TEY	H (35 kA)	TMF	1	20	C	#14-#10 (Cu), #12-#10 (Al)	TEYAHED0CAXXXXXX
TEY	L (65 kA)	TMF	1	20	A	#14-#10 (Cu), #12-#10 (Al)	TEYALEDOAAXXXXXX
TEY	L (65 kA)	TMF	1	20	B	#14-#10 (Cu), #12-#10 (Al)	TEYALEDOBAXXXXXX
TEY	L (65 kA)	TMF	1	20	C	#14-#10 (Cu), #12-#10 (Al)	TEYALEDOCAXXXXXX
TEY	D (25 kA)	TMF	2	40	AB	#10-#6 (Cu), #8-#4 (Al)	TEYADFHABBXXXXXX
TEY	D (25 kA)	TMF	2	100	AB	#4-#1 (Cu), #2-1/0 (Al)	TEYADFQABDXXXXXX
TEY	D (25 kA)	TMF	2	40	BC	#10-#6 (Cu), #8-#4 (Al)	TEYADFHBCBXXXXXX
TEY	D (25 kA)	TMF	2	100	BC	#4-#1 (Cu), #2-1/0 (Al)	TEYADFQBCDXXXXXX
TEY	D (25 kA)	TMF	2	40	AC	#10-#6 (Cu), #8-#4 (Al)	TEYADFHACBXXXXXX
TEY	D (25 kA)	TMF	2	100	AC	#4-#1 (Cu), #2-1/0 (Al)	TEYADFQACDXXXXXX
FB	V (35 kA) <sup>3</sup>	TMF	1	20	A	#14-#10	NEFBV16TE020R2A
FB	V (35 kA) <sup>3</sup>	TMF	1	20	B	#14-#10	NEFBV16TE020R2B
FB	V (35 kA) <sup>3</sup>	TMF	1	20	C	#14-#10	NEFBV16TE020R2C
FB	N (65 kA) <sup>3</sup>	TMF	1	20	A	#14-#10	NEFBN16TE020R2A
FB	N (65 kA) <sup>3</sup>	TMF	1	30	A	#10-4	NEFBN16TE030R2A
FB	N (65 kA) <sup>3</sup>	TMF	1	20	B	#14-#10	NEFBN16TE020R2B
FB	N (65 kA) <sup>3</sup>	TMF	1	30	B	#10-4	NEFBN16TE030R2B
FB	N (65 kA) <sup>3</sup>	TMF	1	20	C	#14-#10	NEFBN16TE020R2C
FB	N (65 kA) <sup>3</sup>	TMF	1	30	C	#10-4	NEFBN16TE030R2C
FB	V (35 kA)	TMF	2	100	AB	#4-1/0	NEFBV26TE100R2AB
FB	V (35 kA)	TMF	2	100	BC	#4-1/0	NEFBV26TE100R2BC
FB	V (35 kA)	TMF	2	100	AC	#4-1/0	NEFBV26TE100R2AC
FB	N (65 kA)	TMF	2	20	AB	#14-#10	NEFBN26TE020R2AB
FB	N (65 kA)	TMF	2	30	AB	#10-4	NEFBN26TE030R2AB
FB	N (65 kA)	TMF	2	40	AB	#10-4	NEFBN26TE040R2AB
FB	N (65 kA)	TMF	2	50	AB	#10-4	NEFBN26TE050R2AB
FB	N (65 kA)	TMF	2	60	AB	#10-4	NEFBN26TE060R2AB
FB	N (65 kA)	TMF	2	100	AB	#4-1/0	NEFBN26TE100R2AB
FB	N (65 kA)	TMF	2	20	BC	#14-#10	NEFBN26TE020R2BC
FB	N (65 kA)	TMF	2	30	BC	#10-4	NEFBN26TE030R2BC
FB	N (65 kA)	TMF	2	40	BC	#10-4	NEFBN26TE040R2BC
FB	N (65 kA)	TMF	2	50	BC	#10-4	NEFBN26TE050R2BC
FB	N (65 kA)	TMF	2	60	BC	#10-4	NEFBN26TE060R2BC
FB	N (65 kA)	TMF	2	100	BC	#4-1/0	NEFBN26TE100R2BC
FB	N (65 kA)	TMF	2	20	AC	#14-#10	NEFBN26TE020R2AC
FB	N (65 kA)	TMF	2	30	AC	#10-4	NEFBN26TE030R2AC
FB	N (65 kA)	TMF	2	40	AC	#10-4	NEFBN26TE040R2AC
FB	N (65 kA)	TMF	2	50	AC	#10-4	NEFBN26TE050R2AC
FB	N (65 kA)	TMF	2	60	AC	#10-4	NEFBN26TE060R2AC
FB	N (65 kA)	TMF	2	100	AC	#4-1/0	NEFBN26TE100R2AC

<sup>1</sup>Additional TEY and FB plug-in circuit breakers and accessories are available. Contact your local ABB sales team for more information.

<sup>2</sup>All breakers are standard rated (standard circuit breakers design considers 80% of the rated load). In case a 100% rated breaker is needed, a factory assembled ReliaGear neXT configuration will be required.

<sup>3</sup>Interrupt rating at 240 V AC.



## Power panelboards

### ReliaGear® neXT Formula A2 circuit breakers



2-pole Formula A2

#### ReliaGear® neXT Formula A2 circuit breakers for branch feeder circuits<sup>1,2,3</sup>

Ordering code	Frame	Int. rating at 240 V	Trip unit	Poles	Amps	Phase	Cu load side lugs (AWG or kcmil)	Al load side lugs (AWG or kcmil)
A2A2125ABDXXXX	A2	A (10 kA)	TMF	2	125	AB	1x 1-250	1x 2/0-300
A2A2125ACDXXXX	A2	A (10 kA)	TMF	2	125	AC	1x 1-250	1x 2/0-300
A2A2150ABDXXXX	A2	A (10 kA)	TMF	2	150	AB	1x 1-250	1x 2/0-300
A2A2150ACDXXXX	A2	A (10 kA)	TMF	2	150	AC	1x 1-250	1x 2/0-300
A2A2200ABDXXXX	A2	A (10 kA)	TMF	2	200	AB	1x 1-250	1x 2/0-300
A2A2200ACDXXXX	A2	A (10 kA)	TMF	2	200	AC	1x 1-250	1x 2/0-300
A2N2125ABDXXXX	A2	A (10 kA)	TMF	2	125	AB	1x 1-250	1x 2/0-300
A2N2125ACDXXXX	A2	N (25 kA)	TMF	2	125	AC	1x 1-250	1x 2/0-300
A2N2150ABDXXXX	A2	N (25 kA)	TMF	2	150	AB	1x 1-250	1x 2/0-300
A2N2150ACDXXXX	A2	N (25 kA)	TMF	2	150	AC	1x 1-250	1x 2/0-300
A2N2200ABDXXXX	A2	N (25 kA)	TMF	2	200	AB	1x 1-250	1x 2/0-300
A2N2200ACDXXXX	A2	N (25 kA)	TMF	2	200	AC	1x 1-250	1x 2/0-300
A2N2250ABDXXXX	A2	N (25 kA)	TMF	2	250	AB	1x 1-250	—

<sup>1</sup> Additional Formula A2 plug-on circuit breakers are available. Contact your local ABB sales team for more information.

<sup>2</sup> All breakers are standard rated (standard circuit breakers design considers 80% of the rated load). In case a 100% rated breaker is needed, a factory-assembled ReliaGear neXT configuration will be required.

<sup>3</sup> 250 A Formula A2 plug-in breakers with 350 kcmil Al load side lugs available. Contact your local ABB sales team for more information.

## Power panelboards

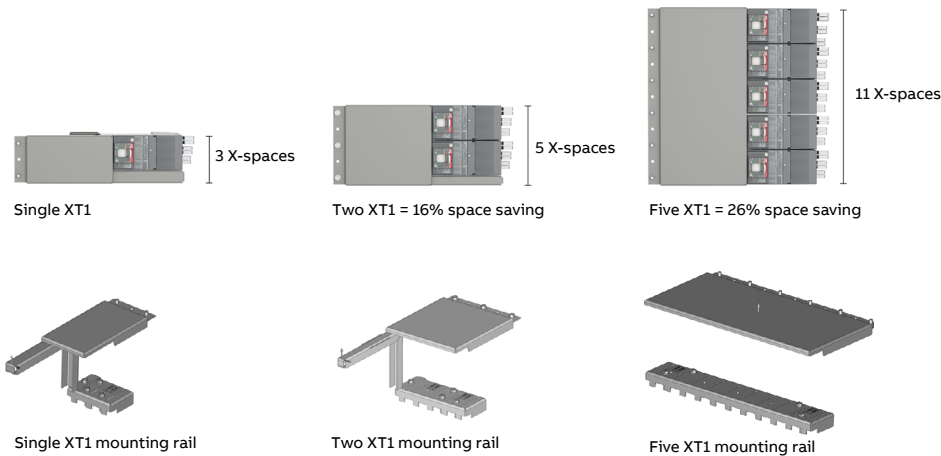
### ReliaGear® neXT circuit breaker X-spacing

Each circuit breaker frame has specific requirements for the number of mounting positions (**X-spaces**). Thanks to the optimized dimensions of the XT1, the mounting positions required are lower when two or five breakers are mounted

close to one another. RELTs also require **X-space**, since they are plug-in modules. Refer to the table below and add up the number of **X-spaces** required for each breaker frame.

Frame	Max. ampacity (A)	Poles	X-spaces
Single XT1	125	3	3
Two XT1	125	3	5
Five XT1	125	3	11
XT4	250	3	3
XT5 <sup>1</sup>	600	3	4
XT6	800	3	6
XT7	1200	3	6
FB	100	1	1
FB	100	2	2
TEY	70	1	1
TEY	125	2	2
A2	250	2	2
RELT	–	–	3

<sup>1</sup>Tmax® XT5 with electrical accessories requires 1 (one) additional X-space.



The small footprint of the XT1 allows this panel to offer multiple options to improve circuit breaker density. As you configure and order ReliaGear® neXT panelboards, you'll notice that XT1 are grouped in quantities of one, two or five. As part of this feature, unique mounting brackets are required when adding XT1 breaker assemblies. See above for X-space and mounting brackets required. These additional rails are not included with SuperBox configurations and must be ordered as accessories.

#### Order codes for XT1 mounting rails

- SR1XBF for 1 single XT1 breaker
- SR2XBF for 2 adjacent XT1 breakers
- SR5XBF for 5 adjacent XT1 breakers

## Power panelboards

### ReliaGear® neXT breaker accessories



Auxiliary contacts



Shunt trip



Fixed padlock



RELT



Mounting rail

Group	Type	Volts AC	XT1	XT2	XT4	XT5 <sup>2</sup>	XT6	XT7	TEY	FB	A2
Auxiliary contacts Q = Indication of the status of the circuit breaker SY = Bell alarm	AUX-C 1 Q + 1 SY	250				KXTAAXCQSYFP					
	AUX-C 2 Q + 1 SY	250				KXTAAXC2QSYFP					
	AUX-C 1 Q + 1 SY	24				KXTAAXCDQSYFP					
	AUX-C 3 Q + 1 SY	24				KXTDAXCD3QSYFP					
	AUX 4Q	24						ZE1AUX4D			
	AUX 4Q	400						ZE1AUX4			
Shunt trip	AUX 1 SY	24						ZE1BAD			
	AUX 1 SY	250						ZE1BA			
	Pre-cabled (except for XT7)	24		KXTASORCFPB			KXTFYOCFPD	ZEZSZ			
	Pre-cabled (except for XT7)	110		KXTASORCFPD			KXTFYOCFPD	ZEASE			
	Pre-cabled (except for XT7)	220		KXTASORCFPE				ZEASG			
	Undervoltage release	Pre-cabled (except for XT7)	24		KXTAUVRCFP1			KXTFYUC1	ZEUAU		
Pre-cabled (except for XT7)		110		KXTAUVRCFP4			KXTFYUC4	ZEUAU			
Pre-cabled (except for XT7)		220		KXTAUVRCFP5			KXTFYUC5	ZEUAU			
Fixed padlock <sup>1</sup>	Open position	-	KXTBPLLOP	KXTCPLLOP	KXT5P LLOP	KXT6P LLOP	KXT7P LLOP				
	Open/closed position	-	KXTBLLOPL	KXTCPLLOPL	KXT5P LLOPLC	KXT6P LLOPLC		TEYXPLD1	FB1PF		
Removable padlock	Open position: KA2LD	-									KA2LDOR
RELT	RELT kit <sup>4</sup>	120/240						RT04A			
	RELT kit <sup>4</sup>	480						RT04B			
	RELT kit <sup>4</sup>	600						RT04C			
	RELT wire connector	-						CN003			
Mounting rail	1 single Tmax® XT1	-	SR1XBF								
	2 adjacent Tmax® XT1	-	SR2XBF								
	5 adjacent Tmax® XT1	-	SR5XBF								
Blank and fillers	1X blank + filler	-									SR01BF
	1X blank only	-									SR01BB
	2X blank + filler	-									SR02BF
	2X blank only	-									SR02BB
	3X blank + filler	-									SR03BF
	3X blank only	-									SR03BB
	XT1 blank only	-	SRT1BB								

<sup>1</sup> Padlocks are not included in the kit.

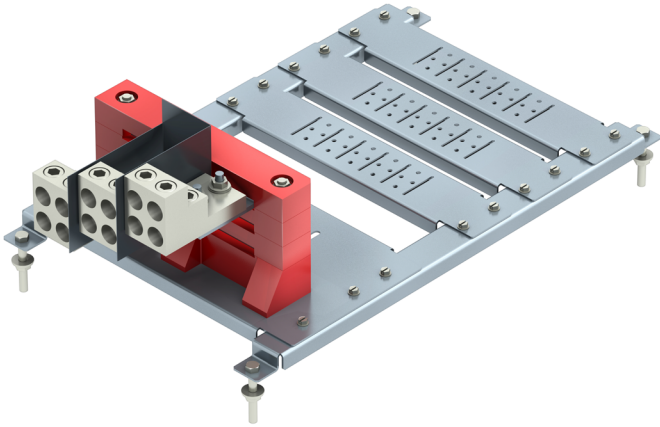
<sup>2</sup> Tmax® XT5 electrical accessories require 1 (one) extra X-space for installation.

<sup>3</sup> Additional Tmax XT accessories are available. Contact your local ABB sales team for more information.

<sup>4</sup> Requires XT7 equipped with Ekip Touch or above trip unit, 3 X-space factor required.

## Power panelboards

### ReliaGear® neXT circuit breaker test fixture



The ReliaGear® neXT circuit breaker test fixture simplifies ReliaGear neXT plug-in circuit breaker testing. With a specifically designed bus stack, quickly install and easily test ReliaGear neXT circuit breakers to confirm they are operational and within applicable standards and tolerances.

A single test fixture covers the complete ReliaGear neXT circuit breakers offering from XT1 to XT7.

Circuit Breaker Frame	Rating (A)	Ordering Code
XT1	125	
XT2	125	
XT4	250	
XT5	600	RGXTBTF
XT6	800	
XT7	1200	