

Busch-Welcome®

---

83121  
Video outdoor station, 1/2/3gang



1	Safety.....	3
2	Intended use .....	3
3	Environment.....	3
	3.1 Busch-Jaeger devices.....	3
4	User Manual.....	3
5	Operation.....	4
	5.1 Standard operation .....	4
	5.2 Cleaning.....	5
6	Technical data.....	6
7	Mounting / Installation .....	7
	7.1 Requirements for the electrician .....	7
	7.2 General installation instructions .....	7
	7.3 Mounting .....	8
	7.4 Camera setting.....	13
	7.4.1 Setting the camera .....	13
	7.4.2 Detection angle of the camera .....	13
	7.5 Connection.....	15
8	Dismantling .....	16
	8.1 Replacing the name plates.....	16
9	Addressing.....	18
	9.1 Addressing the stations.....	18
	9.1.1 Potentiometer .....	18
	9.1.2 Setting the address of the outdoor station:.....	18
	9.1.3 Assigning the doorbell push-button of an outdoor station .....	18
	9.1.4 Setting the address of the indoor station.....	18
	9.1.5 Setting of the "standard outdoor station".....	19
	9.2 Video for addressing the device.....	21

## 1 Safety



### Warning

Electric voltage!

Risk of death and fire due to electrical voltage of 230 V.

- Work on the 230V supply system may only be performed by authorised electricians!
- Disconnect the mains power supply prior to installation and/or disassembly!

## 2 Intended use

The outdoor station is an integral part of the BuschWelcome® door communication system and operates exclusively with components from this system. The device must only be used with suitable Busch-Jaeger flush-mounted and surface-mounted installation sockets.

## 3 Environment



Consider the protection of the environment!

Used electric and electronic devices must not be disposed of with domestic waste.

- The device contains valuable raw materials which can be recycled. Therefore, dispose of the device at the appropriate collecting depot.

### 3.1 Busch-Jaeger devices

All packaging and devices from Busch-Jaeger bear the markings and test seals for proper disposal. Always dispose of the packaging material and electric devices and their components via the authorized collecting depots and disposal companies.

Busch-Jaeger products meet the legal requirements, in particular the laws governing electronic and electrical devices and the REACH ordinance.

(EU-Directive 2002/96/EG WEEE and 2002/95/EG RoHS)

(EU-REACH ordinance and law for the implementation of the ordinance (EG) No.1907/2006)

## 4 User Manual

Detailed information for planning Busch-Welcome® systems is contained in the user manual. Download at [www.Busch-Jaeger.de](http://www.Busch-Jaeger.de).

## 5 Operation

### 5.1 Standard operation

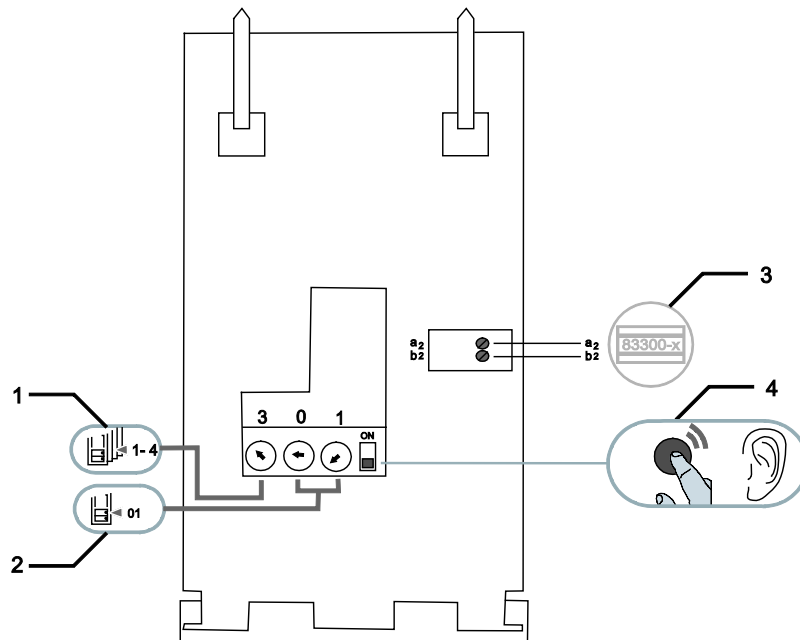


Fig. 1:

No.	Function
1	The left potentiometer at an outdoor station indicates the address of this station. - See also chapter Addressing, on page 18.
2	The next two potentiometers indicate the address of the topmost doorbell push-button of this station. The doorbell push-buttons below that are automatically numbered (consecutive). - See also chapter Addressing, on page 18.
3	<ul style="list-style-type: none"> <li>• Connection for the system controller</li> <li>• When using several outdoor stations: connection for the external bus</li> </ul>
4	The sliding switch activates or deactivates the return sound when the doorbell push-button is pressed. <ul style="list-style-type: none"> <li><input type="checkbox"/> The return sound is switched on</li> <li><input checked="" type="checkbox"/> The return sound is switched off</li> </ul>



## 5.2 Cleaning

**Caution**

Risk of damaging the surface of the device.

The surface of the device can be damaged by cleaning fluids or abrasive agents!

- Clean the surfaces using a soft cloth and commercially available glass cleaner.
- Never use abrasive cleaning agents.

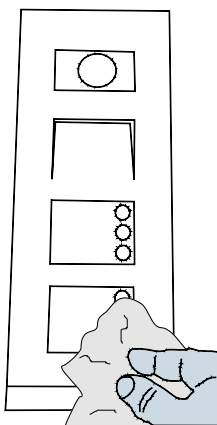


Fig 2: Cleaning

## 6 Technical data

Designation	Value
Operating temperature	-25°C to +55°C
Protection	IP 44
Single-wire clamps	2 x 0.6 mm <sup>2</sup> – 2 x 1 mm <sup>2</sup>
Fine-wire clamps	2 x 0.6 mm <sup>2</sup> – 2 x 0.75 mm <sup>2</sup>
Bus voltage	28 V- ±2 V

## 7 Mounting / Installation



### Warning

Electric voltage!

Risk of death and fire due to electrical voltage of 230 V.

- Low-voltage and 230 V cables must not be installed together in a flush-mounted socket!  
In case of a short-circuit there is the danger of a 230 V load on the low-voltage line.

### 7.1 Requirements for the electrician



### Warning

Electric voltage!

Install the device only if you have the necessary electrical engineering knowledge and experience.

- Incorrect installation endangers your life and that of the user of the electrical system.
- Incorrect installation can cause serious damage to property, e.g. due to fire.

The minimum necessary expert knowledge and requirements for the installation are as follows:

- Apply the "five safety rules" (DIN VDE 0105, EN 50110):
  1. Disconnect from power;
  2. Secure against being re-connected;
  3. Ensure there is no voltage;
  4. Connect to earth;
  5. Cover or barricade adjacent live parts.
- Use suitable personal protective clothing.
- Use only suitable tools and measuring devices.
- Check the type supply network (TN system, IT system, TT system) to secure the following power supply conditions (classic connection to ground, protective earthing, necessary additional measures, etc.).

### 7.2 General installation instructions

- Terminate all branches of the wiring system via a connected bus device (e.g., indoor station, outdoor station, system device).
- Do not install the system controller directly next to the bell transformer and other power supplies (to avoid interference).
- Do not install the wires of the system bus together with 230 V wires.
- Do not use common cables for the connecting wires of the door openers and wires of the system bus.
- Avoid bridges between different cable types.
- Use only two wires for the system bus in a four-core or multi-core cable.
- When looping, never install the incoming and outgoing bus inside the same cable.
- Never install the internal and external bus inside the same cable.

### 7.3 Mounting

- It can be installed in BuschWelcome® flush-mounted installation boxes or surface-mounted installation boxes.
- Ensure that the size is correct when selecting the installation box.
- For the installation in a hollow wall the flush-mounted installation box can be fitted with a special claw set (Article number 83511, order number 8300-0-0308).

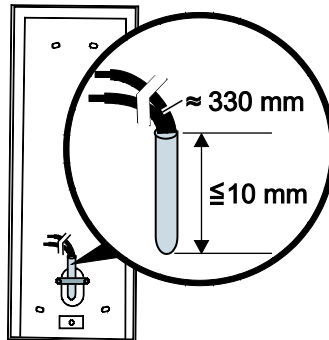
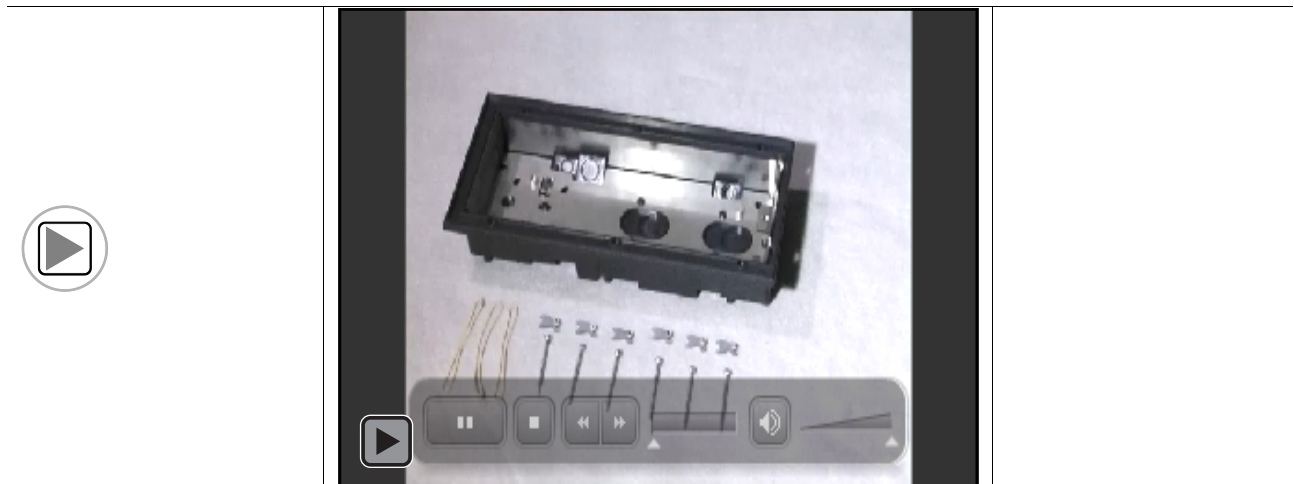


Fig. 3:

1. Prepare the installation box.
2. Strip the wires.
  - The insulated section of the cable end must not be longer than 10 mm.

Video for hollow wall fixing set



Video for mounting the device

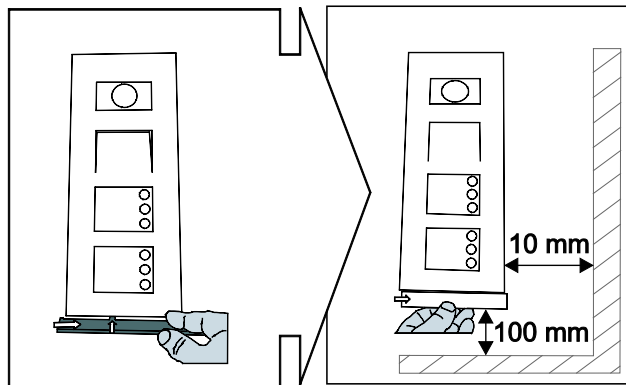


Fig. 4:

3. Remove the end strip.
  - Use the enclosed mounting tool for this purpose.
  - When selecting the installation site ensure that the minimum distance to the right side is adhered to for the removal of the end strip.
  - If the minimum distance toward the bottom cannot be adhered to, the device must be removed from the installation box when replacing the name plates.

Video for the disassembly of the end strip and the name plate

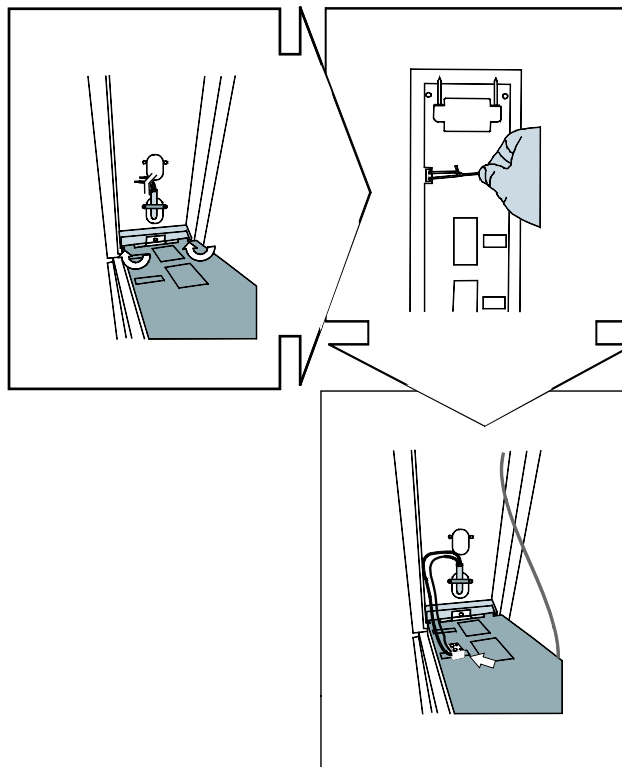
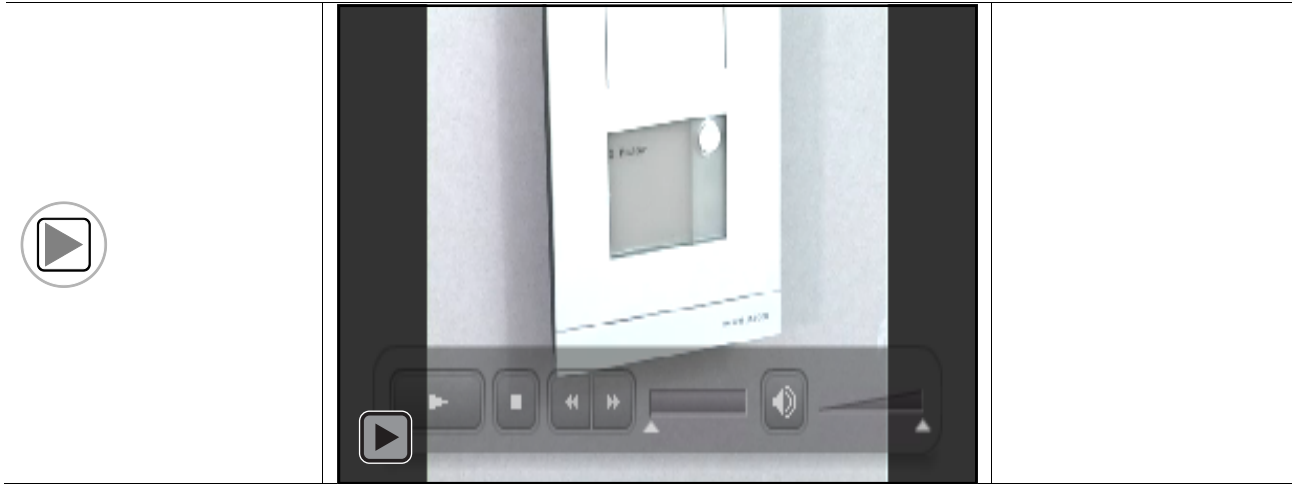


Fig. 5:

4. Hang the device into the installation socket.
5. Fasten the safety loop.
6. Connect the wires the the enclosed clamp.
7. Plug the clamp onto the contact pins.

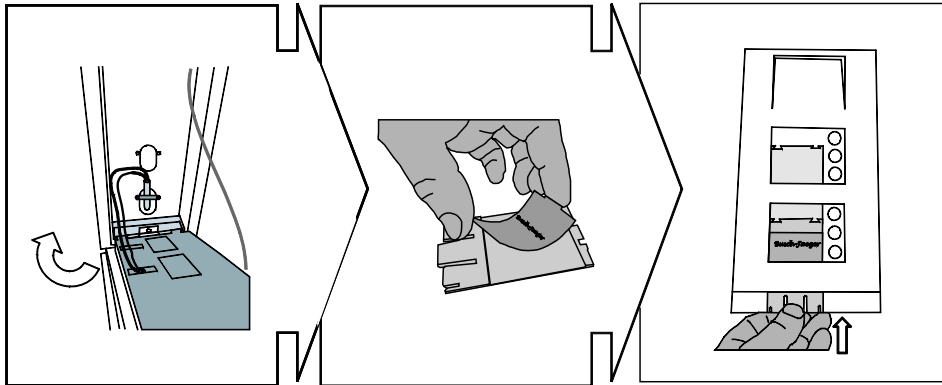


Fig. 6:

8. Fold the device shut until it snaps in audibly.
9. Remove the label holder.
10. Insert the name plate and remount the label holder.
  - If the text cannot be fixed directly at the mounting position, it can be done already prior to the installation.

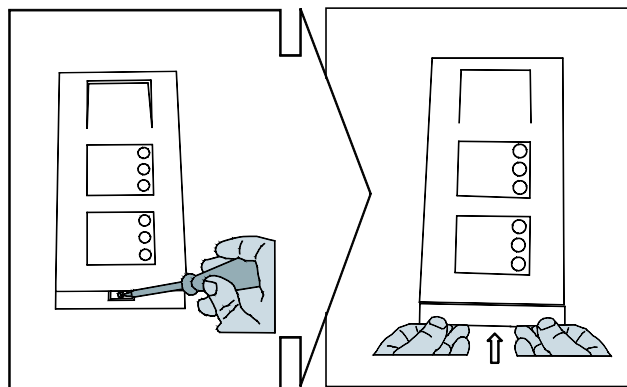


Fig. 7:

11. Screw on the front of the device.
12. Mount the end strip.
  - To do this, press the end strip into the holder from the front. The end strip will then snap into its end position by itself.

The installation of the outdoor station is now complete.

Video for mounting the name plate and the end strip



Alternative procedure:

Video for mounting the name plate and the end strip before the device is mounted.





7.4 Camera setting

7.4.1 Setting the camera

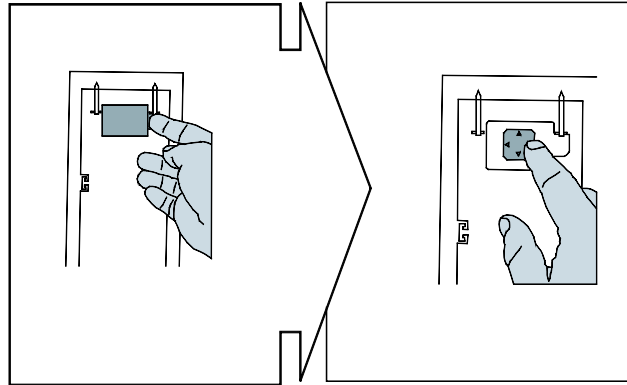


Fig. 8:

1. Open the lid of the camera on the rear of the device.
2. Set the camera.
  - The adjusting range is  $\pm 15^\circ$ .

The camera is now set.

7.4.2 Detection angle of the camera

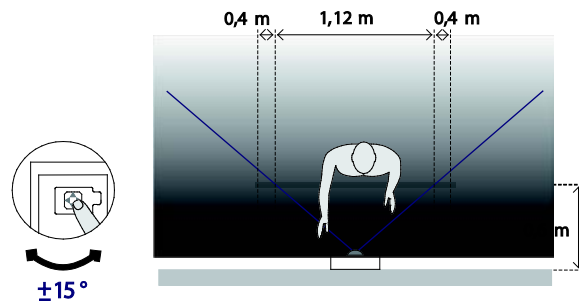


Fig. 9: Horizontal detection angle

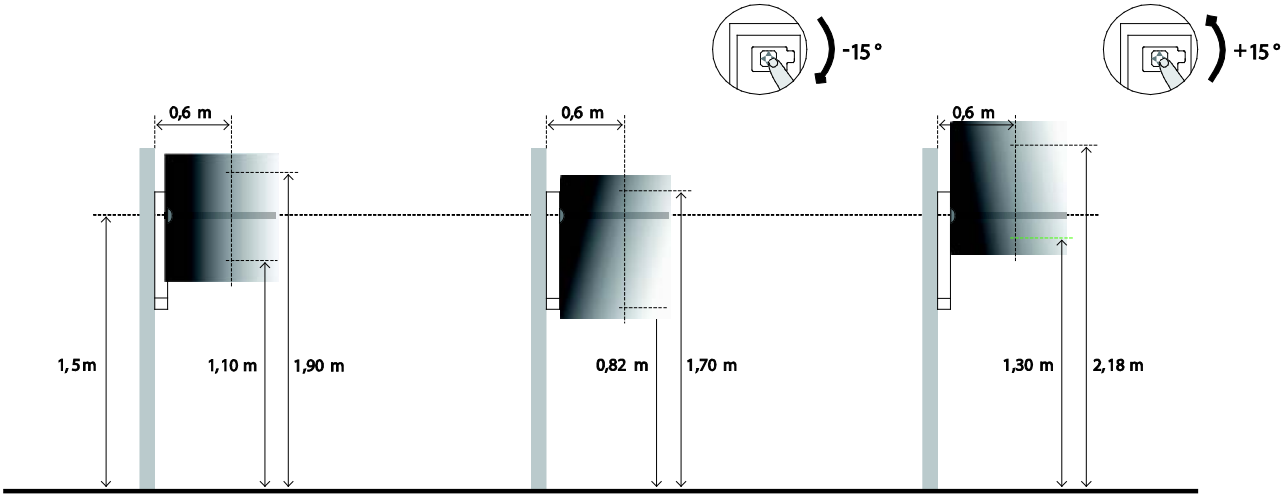


Fig. 10: Vertical detection angle

7.5 Connection

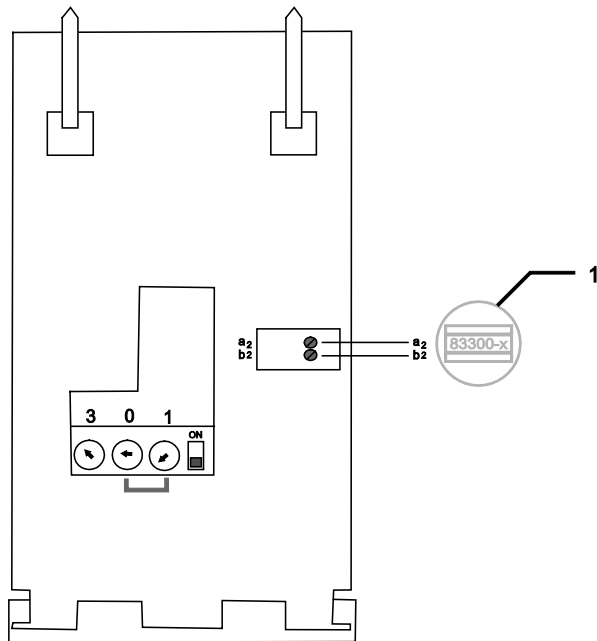


Fig. 11:

No.	Function
1	<ul style="list-style-type: none"> <li>• Connection for the system controller</li> <li>• When using several outdoor stations: connection for the external bus</li> </ul>

## 8 Dismantling

### 8.1 Replacing the name plates

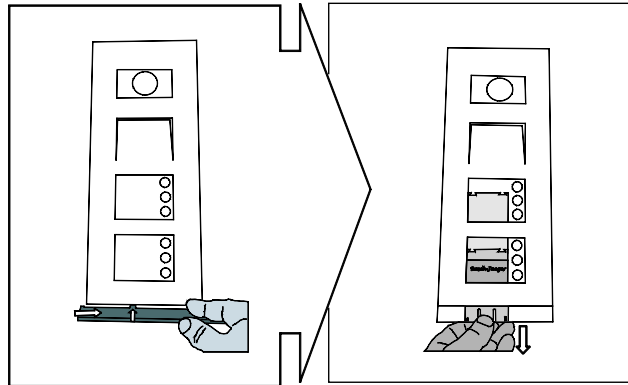


Fig. 12:

1. Remove the end strip.
  - Use the enclosed mounting tool for this purpose.
  - If the minimum distance toward the bottom cannot be adhered to, the device must be removed from the installation box when replacing the name plates.
2. Remove the label holder.

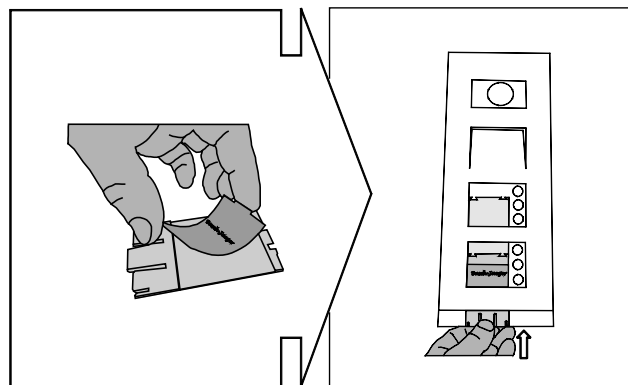


Fig. 13:

3. Insert the name plate and remount the label holder.

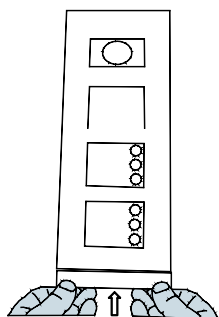


Fig. 14:

4. Mount the end strip.
  - To do this, press the end strip into the holder from the front. The end strip will then snap into its end position by itself.

The name plate has now been replaced.

## 9 Addressing

### 9.1 Addressing the stations

#### 9.1.1 Potentiometer

Before installing as system, it must be addressed.

For this "Addressing", three potentiometers have been fitted to the rear of the device. The digits 0 to 9 can be set on each potentiometer.

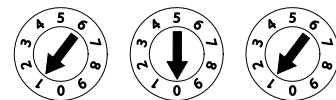


Fig. 15: Potentiometer for setting the stations

#### Outdoor station:

The left potentiometer (1) at an outdoor station indicates the address of this station.

The next two potentiometers (2) indicate the address of the **topmost** doorbell push-button of this station. The doorbell push-switches below that are automatically numbered (consecutive).

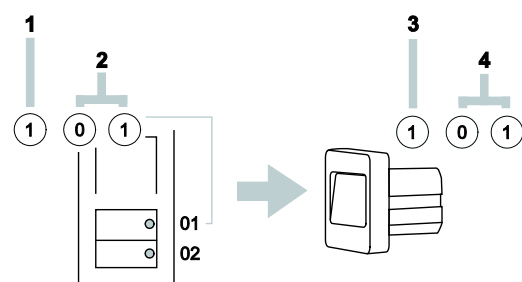


Fig. 16: The function of the potentiometers

#### Indoor station:

The left potentiometer (3) of the indoor station indicates the address of the preferred outdoor station. The next two potentiometers (4) indicate the address of this indoor station.

#### 9.1.2 Setting the address of the outdoor station:

The allocation to one of the four inputs of the system is made on the outdoor stations and the associated switch actuators for door and light via the setting of the address.

For this the potentiometer house/outdoors is set on an address between 1 and 4. The potentiometer is located on the rear of the outdoor station or the front of the MDRC switch actuator.

#### 9.1.3 Assigning the doorbell push-button of an outdoor station to an apartment

The doorbell push-buttons of an outdoor station are assigned to the apartments consecutively from top to bottom and left to right with the addresses 01, 02, etc.

This assignment applies equally to several outdoor stations in a system. This means that in Figure 18 on page 20, in each outdoor station push-button A is assigned to apartment 01, etc.

This factory setting is fixed via two potentiometers on the rear of the outdoor station. The middle potentiometer must be on "0" and the right one on "1".

#### 9.1.4 Setting the address of the indoor station

The apartment is assigned on the indoor station via the setting of the address. Up to 99 apartments can be addressed within one system. In each of these up to four indoor stations with the same rights can be located with the same address.

When pressing the assigned doorbell push-button, all four indoor stations are called. The address of an indoor station (e.g. "15") is set with the aid of the potentiometers on the indoor station, the middle one indicating the tens digit (here "1") and the right one the singles digit (here "5"). The potentiometer is located on the back or outside of the indoor stations.

9.1.5 Setting of the "standard outdoor station"

For several outdoor stations in a system the "standard outdoor station" must be set on the indoor stations. For this the potentiometer STATION is set on the address of the standard outdoor station - between 1 and 4. The potentiometer is located on the rear of the indoor stations.

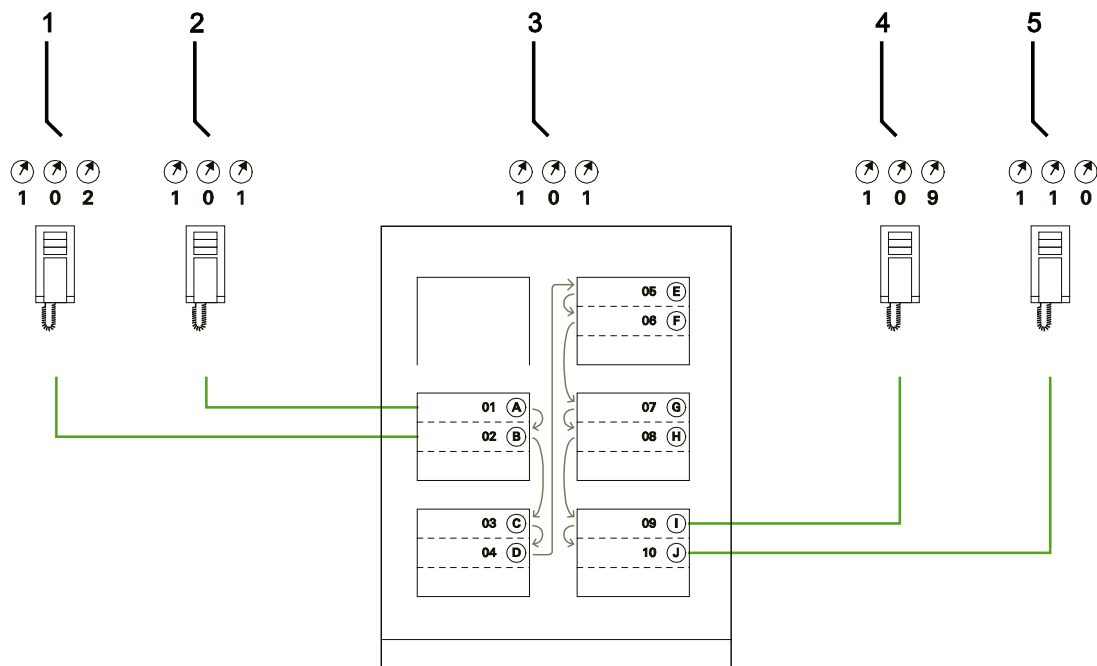


Fig. 17: Factory assignment of doorbell push-buttons

No.	Designation
1	Apartment 01
2	Apartment 01
3	Outdoor station
4	Apartment 09
5	Apartment 10

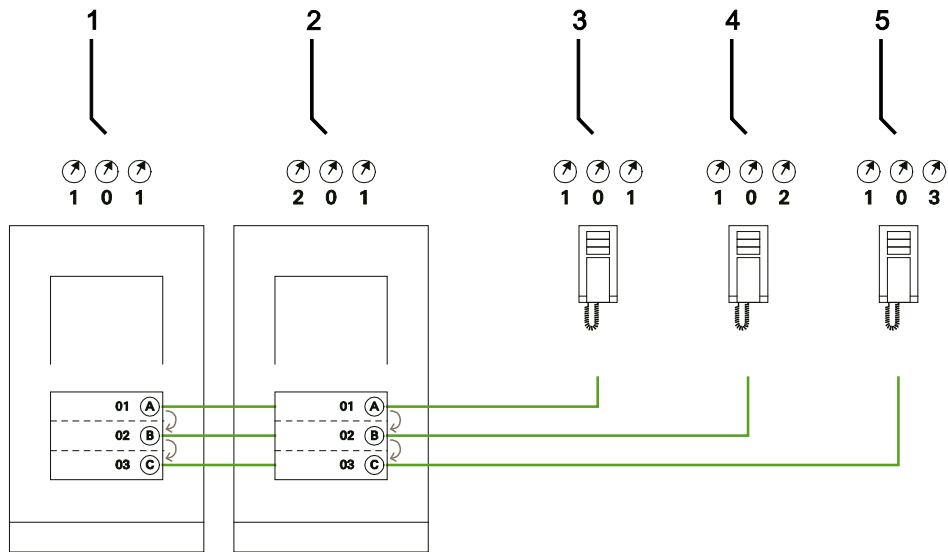


Fig. 18: Several outdoor stations with identical assignment

No.	Designation
1	Main entrance outdoor station
2	Side entrance outdoor station
3	Apartment 01
4	Apartment 02
5	Apartment 03



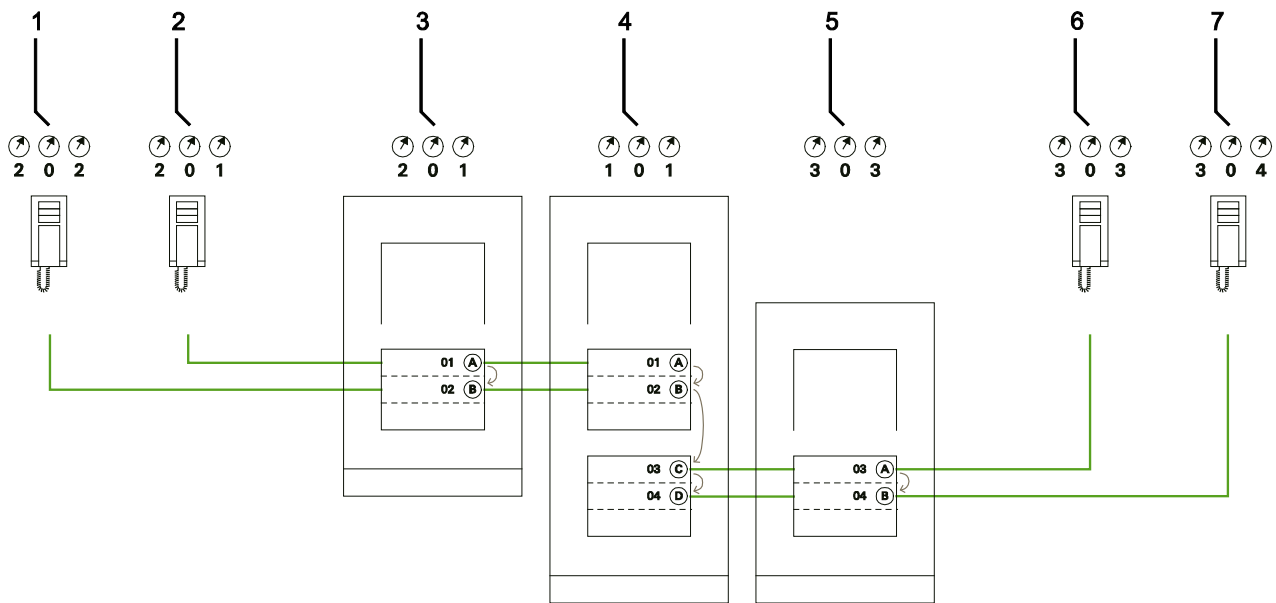
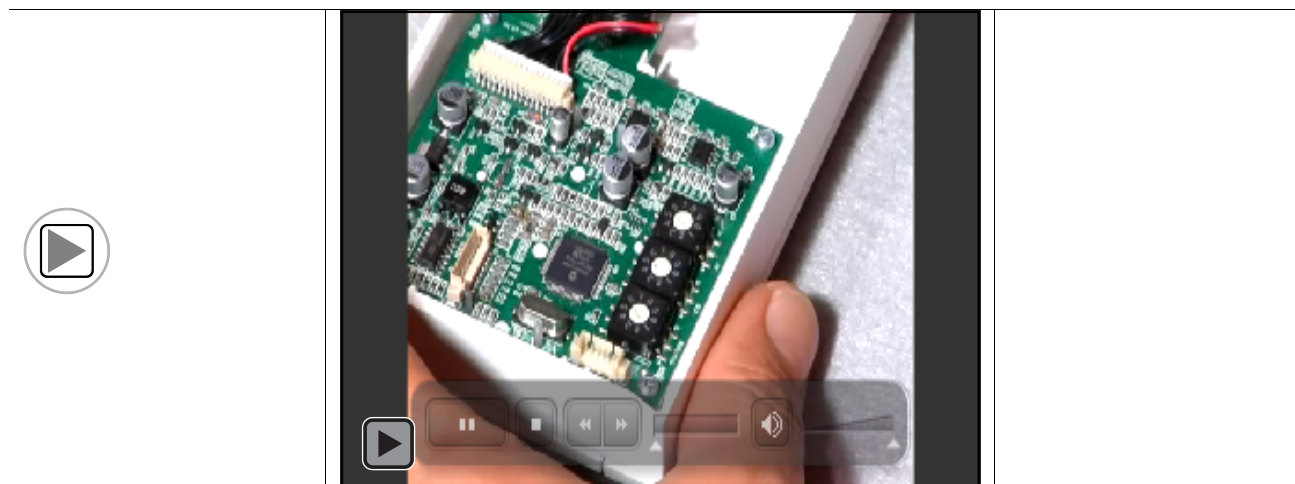


Fig. 19: Several outdoor stations with identical assignment

No.	Designation
1	Apartment 01
2	Apartment 02
3	Outdoor station of the left building
4	Outdoor station of the entrance gate
5	Outdoor station of the right building
6	Apartment 03
7	Apartment 04

## 9.2 Video for addressing the device



Video for addressing the device





Project name: \_\_\_\_\_

Mounting position for the outdoor station: \_\_\_\_\_

 <b>Floor 02</b>	 <b>01</b>
--	--








A member of the ABB Group

**Busch-Jaeger Elektro GmbH**

PO box  
58505 Lüdenscheid

Freisenbergstraße 2  
58513 Lüdenscheid  
Germany

**www.BUSCH-JAEGER.com**

info.bje@de.abb.com

**Central sales service:**

Phone: +49 180 5 669900

Fax: +49 180 5 669909

**Notice**

We reserve the right to at all times make technical changes as well as changes to the contents of this document without prior notice. The detailed specifications agreed to at the time of ordering apply to all orders. ABB accepts no responsibility for possible errors or incompleteness in this document.

We reserve all rights to this document and the topics and illustrations contained therein. The document and its contents, or extracts thereof, must not be reproduced, transmitted or reused by third parties without prior written consent by ABB.

Copyright© 2012 Busch-Jaeger Elektro GmbH  
All rights reserved