



Simple, Reliable, Value

medrad® Vistron Plus

Simple, Reliable, Value

Intuitive, icon-driven user touch screen with simple protocol management

Easy contrast loading

Easy syringe loading

Easy loading syringe is simply pushed into bayonet and rotated 90°

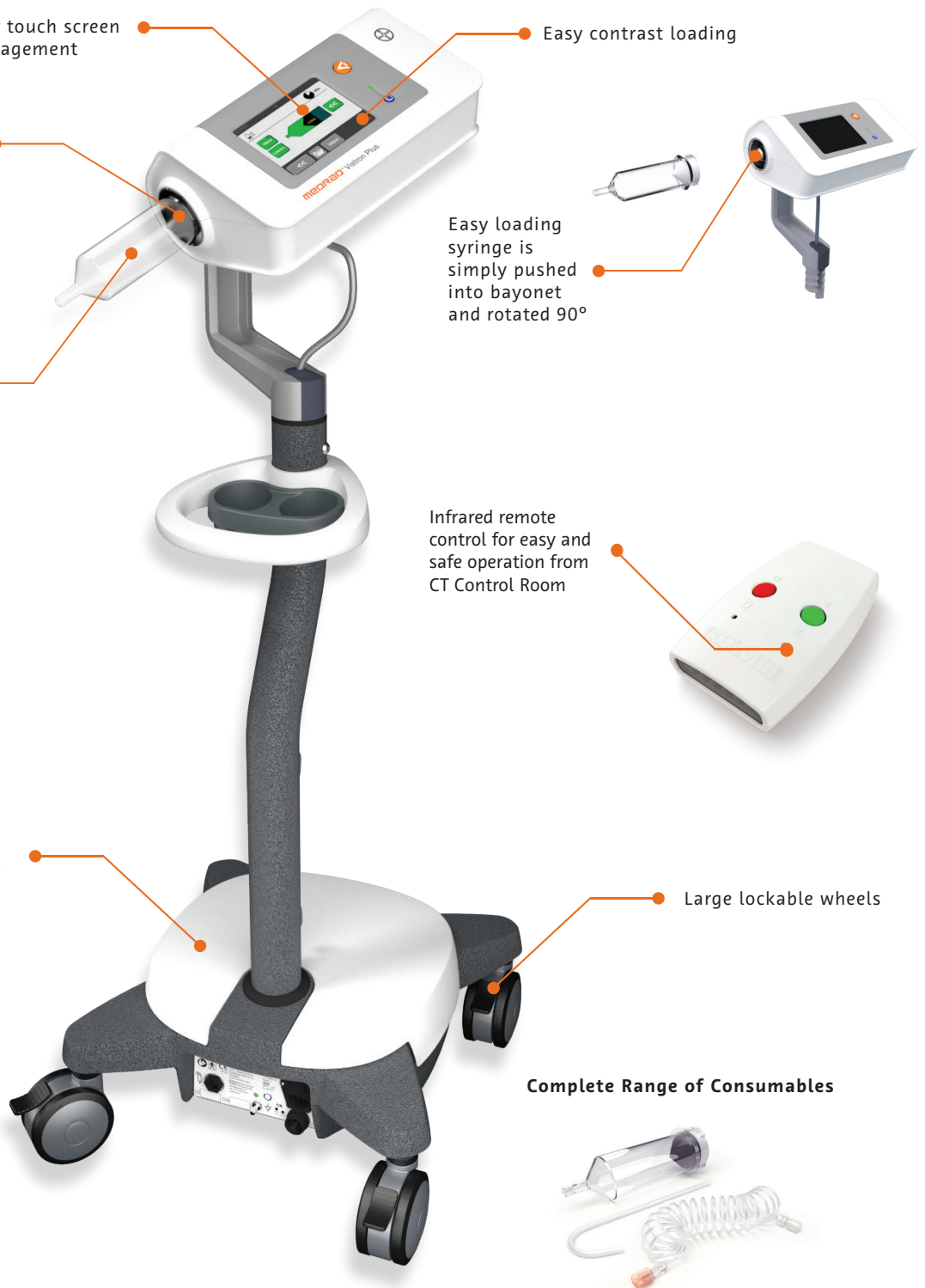
On-line or Optional off-line syringe filling

Infrared remote control for easy and safe operation from CT Control Room

Small footprint and light weight for better mobility

Large lockable wheels

Complete Range of Consumables



Vistron Plus Injector System

The VISTRON PLUS™ Injection System has been engineered to deliver safety and performance with superior lifetime value.

Ideal for your contrast injection needs, Vistron Plus brings innovation to CT suites by combining simplicity, reliability and value.



Clinical Highlights

Reliable, Reproducible Injection Protocols

Vistron Plus provides dependable, reproducible flow rates and pressures that can consistently deliver injection protocols.



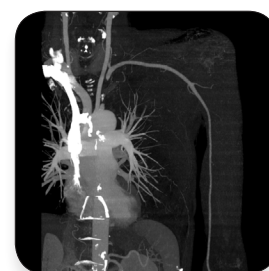
Flexible Protocol Management and Storage

Clinicians can create customized protocols (of up to 4 phases) to accommodate both simple and complex studies. Up to 20 customized injection protocols can be saved directly to the injector.



Injection and Procedure Review

Review the previous 40 injections at the injector headfor for analysis of injection profiles, volume, pressure and flow metrics.



Flexibility within Busy Clinical Workspaces

Vistron Plus's compact design allows flexibility of injector positioning in the CT suite and ease of storage when not in use.

¹ Images used with permission

MEDRAD Vistron Plus Injector

Specifications Overview

Functional

Maximum pressure	300 psi
Flow rate	0.1 to 10 ml/s
Maximum volume	190 ml
Multi-phase protocols	Up to four phases Storage for 20 different named protocols
Manual fill rate	Up to 10 ml/s
Auto fill rate	Up to 10 ml/s

Controls

Base	Line power IEC Inlet On/off switch
Head	5.7 LCD touch screen Arm button On/off soft switch
Hand switch (optional)	Inject now/stop
Foot switch (optional)	Inject now/stop
Infrared Remote control	Inject now/stop

Mechanical

Weight	21.7 kg
Height	1230 mm
Floor area	500 mm x 500 mm
No. of wheels	4 castors, all individually locking

Electrical

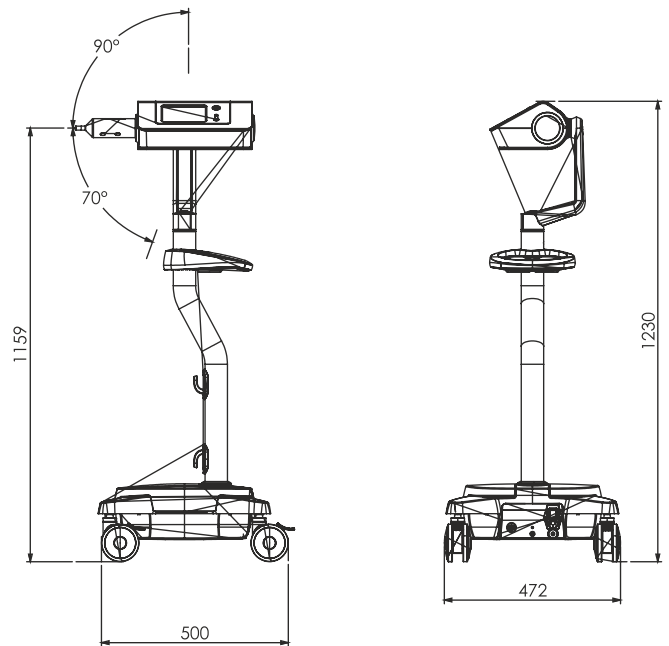
Mains power operation	
Line voltage	100 230 VAC
Line frequency	50/60 Hz
Contrast heat maintainer	37°C +/- 4°C, 5W <i>(one (1) included)</i>

Ordering Details

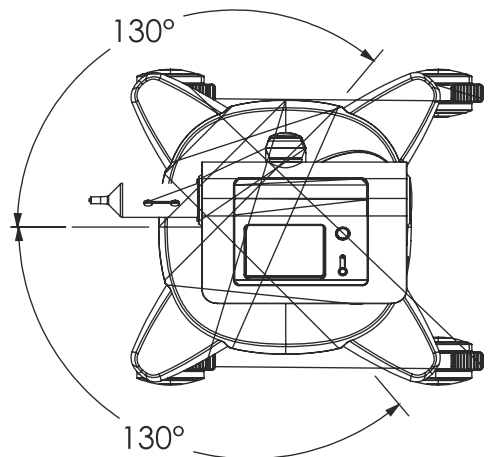
PART NAME	PART NO
Vistron Plus Injector	VP001
Connector Tubing Single (Box of 50)	ZY5151
Syringe with quick fill tube (Box of 50)	ZY6322
Syringe with fill spike (Box of 50)	ZY6323
Syringe with fill spike, single LPCT(Box of 50)	ZY6324
Syringe with quick fill tube, single LPCT(Box of 50)	ZY6325
Foot Switch	SF0004
Hand Switch	SF0005
Wall Loader	MDL001
Heat maintainer (one (1) included)	DC022
Operations Manual - Multilanguage CD (one (1) included)	MN150004

DIMENSIONS

Side View



Top View



Disclaimer: This LBL is circulated solely for informational purpose. The information contained herein should not be utilized to diagnose or treat a health problem or disease without referring to the full prescribing information for the product referenced.

For the use of registered medical practitioners or laboratory or hospital only.



Bayer Pharmaceuticals Private Limited,
Bayer House, Hiranandani Estate, Thane, India. Pin: 400 607 or
email - medicalinfo.india@bayerzyduspharma.com