



THRU THE WALL HEAT PUMPS
3000/5000 SERIES

Go Thru-the-Wall



Multi-Family Thru-the-Wall Heating & Cooling

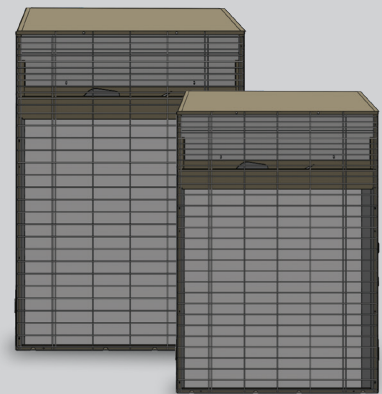
Features

- Units are compatible with NCP Air Handlers or certain other air handlers with ECM motors
- Heavy-Duty, Water Resistant Cabinet
- R-410A High Efficiency Compressor
- Easy Access Control Box
- Easy Access to Condenser Fan
- Long-Life Fan Motor
- High Efficiency Condenser Coil
- Brass Service Valves

Why Thru-the Wall?

- Easily serviced in any weather
- Less expensive installations
- Ground clutter elimination
- No theft or vandalism
- Less refrigerant charge
- No roof penetration
- Short copper tube runs
- Separate meter savings
- Better appearance

THRU THE WALL SPLIT SYSTEM HEAT PUMPS



**NATIONAL
COMFORT
PRODUCTS**

HEATING & A/C EQUIPMENT

National Comfort Products

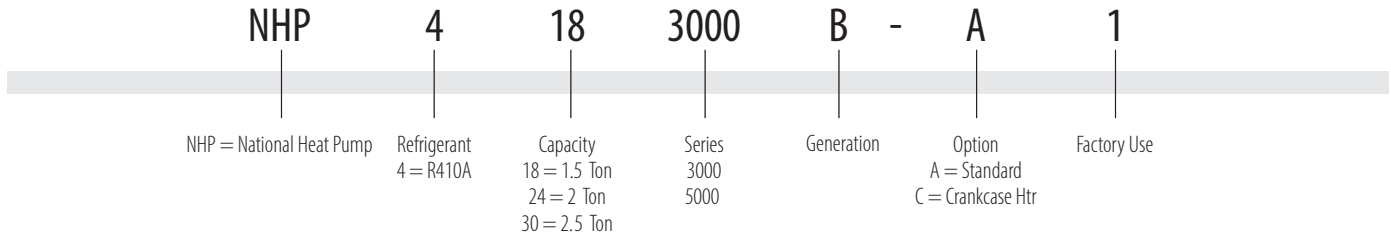
A Division of National Refrigeration and Air Conditioning Products, Inc.

539 Dunksferry Road • Bensalem, PA 19020-5908

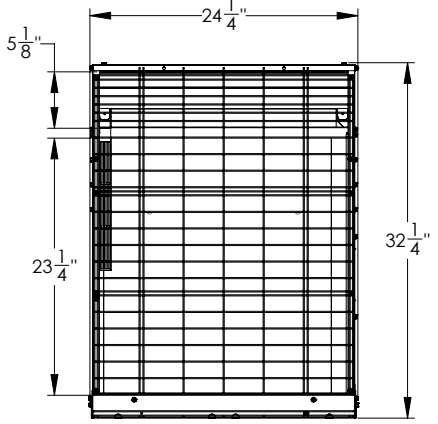
(800) 523-7138

www.NationalComfortProducts.com

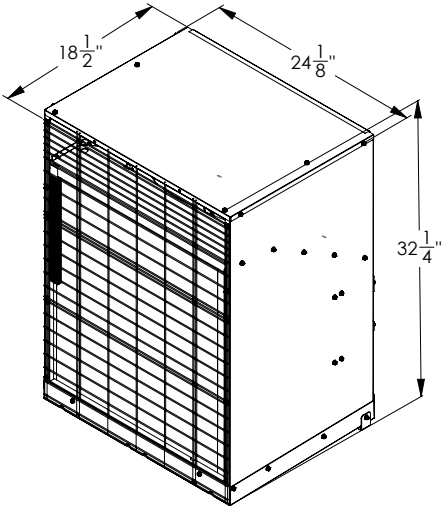
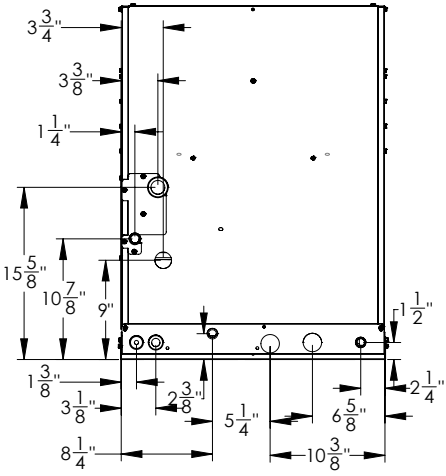
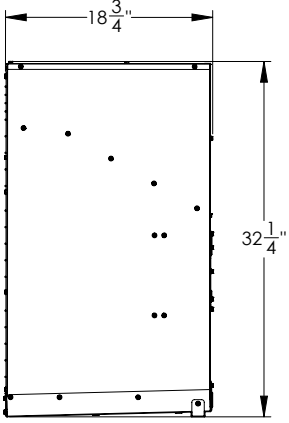
Nomenclature 2024



3000 Series w/matches up to 12.0 SEER2*					
All Units 208/230-1-60Hz					
Model	Shipping Weight (lbs)	Compressor		MCA	MOP
		RLA	LRA		
NHP4183000B-**	170	10.3	45.7	14.2	20
NHP4243000B-**	170	11.7	59.5	15.9	25
Cond. Fan Motor		1/4 HP, 1600 RPM, 1.3 FLA			
Condenser Coil		3.43 ft ² Face Area, 16 FPI			
Dimensions		24 1/8" W x 32" H x 18 1/2" D			
Liquid Valve		3/8"	Suction Valve	3/4"	



*When matched with NAH4**MF Air Handler

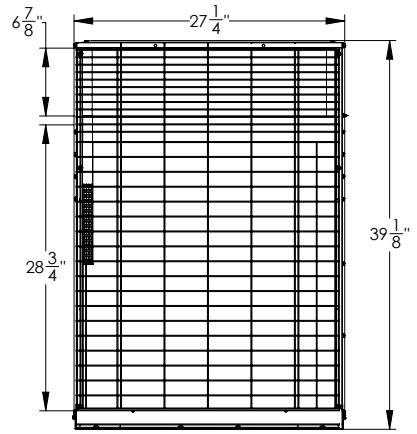


Note: Some dimensions that are shown in these drawings are measured between the edges of screw heads.

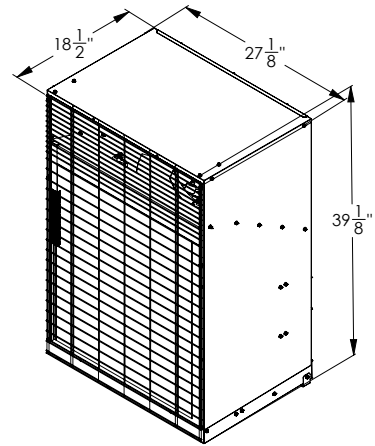
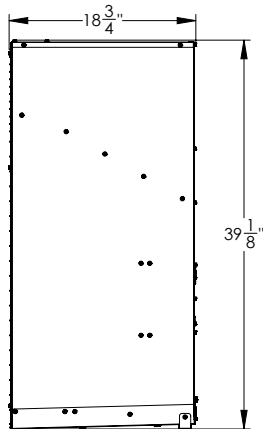
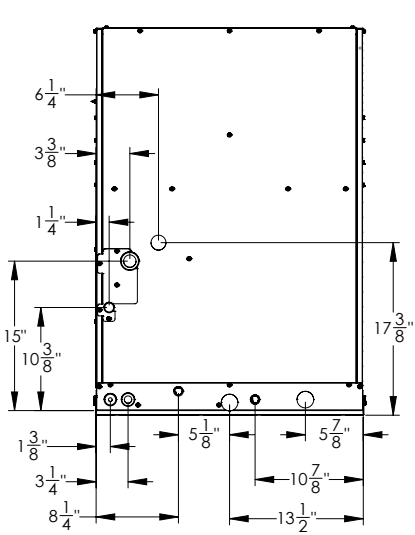
5000 Series w/ matches up to 13.5 SEER2*

All Units 208/230-1-60Hz

Model	Shipping Weight (lbs)	Compressor		MCA	MOP
		RLA	LRA		
NHP4185000B-**	190	10.3	45.7	14.7	20
NHP4245000B-**	200	11.5	59.5	16.2	25
NHP4305000B-**	205	12.8	65	17.8	30
Cond. Fan Motor		1/5 HP, 1650 RPM, 1.8 FLA			
Condenser Coil		4.49 ft ² Face Area, 16 FPI			
Dimensions		26 7/8" W x 38 7/8" H x 18 1/2" D			
Liquid Valve		3/8"	Suction Valve	3/4"	



*When matched with NAH4**MF Air Handler



Note: Some dimensions that are shown in these drawings are measured between the edges of screw heads.

NHP Thru the Wall Heat Pumps matched with Air Handler - Cooling Data

Outdoor Model	Indoor Model	Indoor Model Speed	Rated Capacity (Btu/h)	Rated EER2 ¹	Nominal Airflow ² (SCFM)	SEER2 ³	Liquid Subcool ⁴ (°F)	Suction Superheat ⁵ (°F)
3000 Series								
NHP4183000B-**	NAH424MFA-**	Black (2)	17,600	11	600	12	12-16	10-14
NHP4243000B-**	NAH424MFA-**	Blue (3)	22,200	11	770	12	12-16	11-15
5000 Series								
NHP4185000B-**	NAH424MFA-**	Black (2)	17,800	12	600	13.5	10-14	11-15
NHP4245000B-**	NAH424MFA-**	Blue (3)	23,000	11	770	13.5	7-11	13-17
NHP4305000B-**	NAH430MFA-**	Yellow (4)	26,800	11	890	12.5	12-16	8-12

1. EER2 is determined based on the Evaporator match listed in this table
2. Airflow values are determined at wet coil conditions
3. SEER2 is determined base on the Evaporator match listed in this table
4. Subcooling must be measured at condenser liquid valve
5. Superheat must be measured at evaporator outlet at suction line
6. Suction superheat may be achieved by adjusting the TXV in the indoor unit

NHP Thru the Wall Heat Pumps matched with Air Handler - Heating Data

Outdoor Model	Indoor Model	Indoor Motor Speed	Rated Capacity (47°F) (Btu/h)	Rated COP2 ¹	Nominal Airflow ² (SCFM)	Rated Capacity (35°F) (Btu/h)	Rated Capacity (17°F) (Btu/h)	HSPF2 ³	Liquid Subcool ⁴ (°F)	Suction Superheat ^{5,6} (°F)
3000 Series										
NHP4183000B-**	NAH424MFA-**	Black (2)	15,200	3.20	600	12,100	9,200	6.5	15-19	7-11
NHP4243000B-**	NAH424MFA-**	Blue (3)	19,200	3.50	770	15,200	11,400	6.5	13-17	7-11
5000 Series										
NHP4185000B-**	NAH424MFA-**	Black (2)	15,800	3.30	600	13,000	9,700	7.0	14-18	7-11
NHP4245000B-**	NAH424MFA-**	Blue (3)	20,800	3.60	770	17,200	13,100	7.0	13-17	8-12
NHP4305000B-**	NAH430MFA-**	Yellow (4)	23,800	3.50	890	19,400	14,800	7.0	13-17	8-12

1. COP2 is based on the air handler match listed in this table and is measured at 47 °F OD ambient
2. The airflow values are determined in heating mode
3. HSPF2 is based on the air handler match listed in this table
4. Subcooling must be measured at the outdoor service valve when running in heating mode at 47 °F OD ambient
5. Superheat must be measured at the compressor suction line using the suction port
6. Suction superheat may be achieved by adjusting the TXV in the outdoor unit



National Comfort Products
 A Division of National Refrigeration and Air Conditioning Products, Inc.
 539 Dunksferry Road • Bensalem, PA 19020-5908
 (800) 523-7138

HEATING & A/C EQUIPMENT www.nationalcomfortproducts.com



All specifications are subject to change without notice.

Spec NHP 3000/5000 2024