



L.T.F

Dimmable Low Voltage UniDriver- CLASS 2

15W DS15W UniDriver 100-305V Series Constant Current / Constant Voltage



Efficiency	higher than 85%
Power Factor	>95%
Case TC	90°C Max.
Protection	Input / Output
Storage	-30°C / +90°C
Humidity	95% RH Max.
IP Rating	IP 67
Class	Class 2 Power Supply
Dimming	Triac/ELV/0-10V



Intertek



RoHS



FCC Part 15
Class B compliant



FEATURES

- All-In-One dimming capabilities; Triac, ELV, and 0-10V dimming
- Universal input voltage; 100-305V AC
- Isolated output power per NEC and UL safety requirements
- UL and ETL recognized/ Listed, UL8750, UL1310
- Auto-reset ; Short circuit, Overload and Thermal protection
- Superior thermal performance
- Aluminum case with high W/m.K encapsulating material
- Low profile, small form factor, junction box mountable
- < 30% flicker with excellent dimming range
- Class 2 power supply and other than Class 2 options
- Efficient, high power factor, low THD, FCC Class B

ELECTRICAL SPECIFICATIONS

Constant Current				
Model #	Input	Output Voltage	Output Current	Available Form Factors
DS15W300C3050UD	100-305V AC 50/60Hz 0.09 Amp > 0.90 PF < 20% THD	30V-50VDC	300mA	SM1
DS15W3501642UD		16V-42VDC	350mA	SM1
DS15W4601532UD		15V-32VDC	460mA	SM1
DS15W5001430UD		14V-30VDC	500mA	SM1
DS15W5501227UD		12V-27VDC	550mA	SM1
DS15W7001021UD		10V-21VDC	700mA	SM1
DS15W830818UD		8V-18VDC	830mA	SM1
DS15W910716UD		7V-16VDC	910mA	SM1
DS15W1100613UD		6V-13VDC	1100mA	SM1
DS15W1330511UD		5V-11VDC	1330mA	SM1
DS15W1540410UD		4V-10VDC	1540mA	SM1
DS15W166049UD		4V-9VDC	1660mA	SM1

LED Driver - DS Series - Class 2



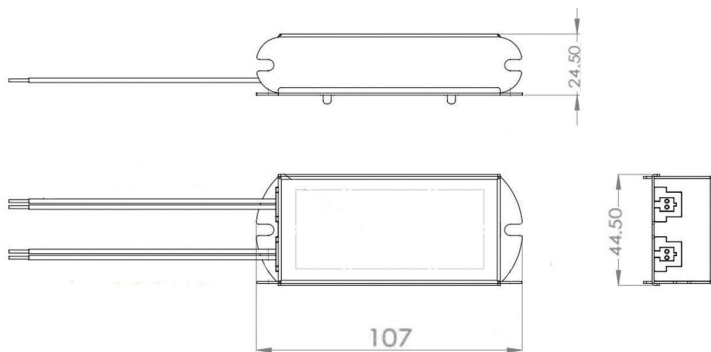
ELECTRICAL SPECIFICATIONS

Constant Voltage				
Model #	Input	Output Voltage	Output Current	Available Form Factors
DS15W12VUD	100-300V AC 50/60Hz 0.09 Amp > 0.90 PF < 20% THD	12V DC	1250mA	MB1, SM1
DS15W24VUD		24V DC	625mA	MB1 SM1

MECHANICAL SPECS.

Available Form Factors	Dimensions
SM1	107x44.5x24.5mm
MB1	68mm x 40mm x 22mm

SM1



MB1

