

# **DZIRE**

## **OWNER'S MANUAL & SERVICE BOOKLET**

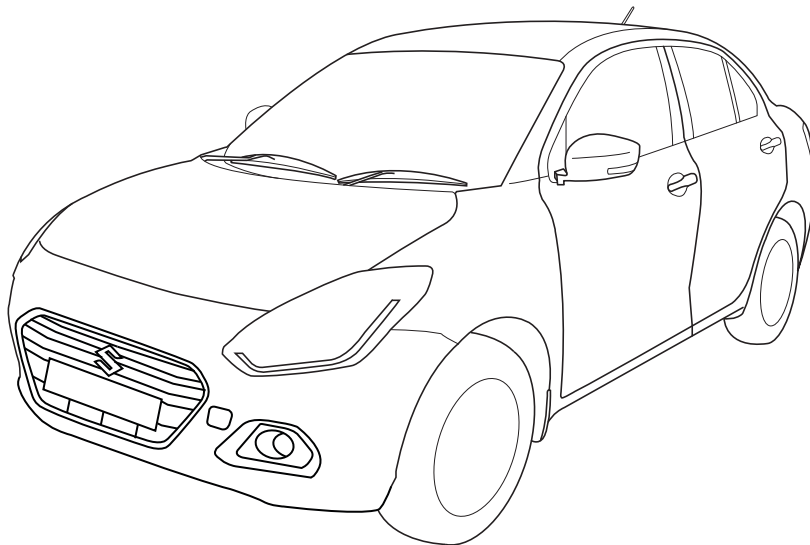
For vehicle fitted with CNG fuel system, use Dzire CNG Supplementary Owner's Manual, available with the vehicle.

Keep the booklet with the vehicle at all times.

Contains Warranty policy and important information on Safety, Operation & Maintenance.

Part No. 99011M56R14-74E  
October, 2023 **(ENG.)**

This Owner's Manual & Service Booklet applies to the DZIRE series  
produced by MARUTI SUZUKI INDIA LIMITED



NOTE: The illustrated model is one of the DZIRE series  
Accessories shown in the picture are not part of standard equipment

© Copyright 2023 **Maruti Suzuki India Limited**. All rights reserved.  
No part of this manual can be reproduced in any manner whatsoever or transmitted  
in any form or by any means without prior written consent of Maruti Suzuki India Limited.

---

## FOREWORD

This manual is an essential part of your vehicle and should remain with the vehicle when resold or otherwise transferred to a new owner or operator. Please read this manual carefully before operating your new MARUTI SUZUKI and review the manual from time to time. It contains important information on safety, operation and maintenance. You are invited to avail the three Free Inspection Services as described in the manual. Three free inspection coupons are attached to this manual. Please show this manual to your dealer workshop while you take your MARUTI SUZUKI for any Service.

To prolong the life of your vehicle and reduce maintenance cost, the periodic maintenance must be carried out according to "PERIODIC MAINTENANCE SCHEDULE" described in "INSPECTION AND MAINTENANCE" section of this manual. It is essential for preventing trouble and accidents to ensure your satisfaction and safety.

Daily inspection and care as per "DAILY INSPECTION CHECKLIST" described in the "OPERATING YOUR VEHICLE" section of this manual is essential for prolonging the life of the vehicle and for safe driving.

Vehicle and the available features/accessories therein should be used and plied by the owner/user in accordance with the applicable legal requirements.

MARUTI SUZUKI INDIA LIMITED believes in conservation and protection of Earth's natural resources.

To that end, we encourage every vehicle owner to recycle, trade-in or properly dispose of, as appropriate, used Engine Oil, coolant and other fluids, batteries and tyres etc.

### MARUTI SUZUKI INDIA LIMITED

---

**All information in this manual is based on the latest product information available at the time of publication. Due to improvements or other changes, there may be discrepancies between information in this manual and your vehicle. MARUTI SUZUKI INDIA LIMITED reserves the right to make production changes at any time, without notice and without incurring any obligation to make the same or similar changes to vehicles previously built or sold.**

**This vehicle may not comply with standards or regulations of other countries. Before attempting to register this vehicle in any other country, check all applicable regulations and make any necessary modifications.**

---

## IMPORTANT

### **WARNING/** **CAUTION/NOTICE/NOTE**

Please read this manual and follow its instructions carefully. To emphasize special information, the symbol and the words **WARNING**, **CAUTION**, **NOTICE** and **NOTE** have special meanings. Pay particular attention to messages highlighted by these signal words:

#### **WARNING**

Indicates a potential hazard that could result in death or serious injury.

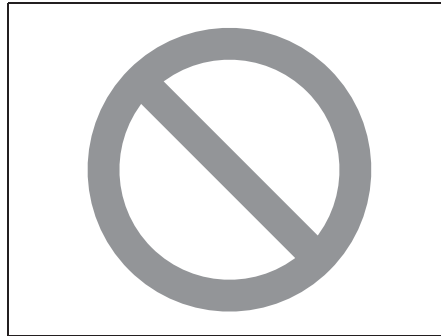
#### **CAUTION**

Indicates a potential hazard that could result in minor or moderate injury.

#### **NOTICE**

Indicates a potential hazard that could result in vehicle damage.

**NOTE:**  
Indicates special information to make maintenance easier or instructions clearer.



75F135

The circle with a slash in this manual means "Don't do this" or "Don't let this happen".

**NOTE:**

- Words like *car*, *model/variant* are invariably used in this manual to denote the "Vehicle".
- Pictorial representations used in this manual are for reference purposes only.

## MODIFICATION WARNING

### **WARNING**

Do not modify your vehicle. Modification could adversely affect safety, handling, performance, or durability and may violate governmental regulations. In addition, damage or performance problems resulting from modification shall not be covered under warranty.

#### **NOTICE**

Improper installation of mobile communication equipment such as cellular telephones, CB (Citizen's Band) radios may cause electronic interference with your vehicle's ignition system, resulting in vehicle performance problems. Consult your Maruti Suzuki authorised workshop or qualified service technician for advice on installing such mobile communication equipment.

#### **NOTICE**

The diagnostic connector of your vehicle is prepared only for the specific diagnostic tool for inspection and service purpose. Connecting any other tool or device may interfere with electronic parts operations and cause running out of batteries.

## “WARNING”



Vehicle may **break-down**, meet with an **accident** or **catch fire** due to

1. Installation of
  - High wattage bulbs
  - Non genuine lamps / horns
  - Modified suspension / wheels
  - Non genuine parts / accessories etc.
2. Retrofitment of LPG / CNG fuel systems/kits.
3. Usage of domestic LPG.
4. Short circuiting due to tampering of wiring harness.

CAUTION: DO NOT STORE OR CARRY INFLAMMABLE MATERIALS IN THE VEHICLE.



Avoid driving into or starting the vehicle in a heavily water logged area. Vehicle may **break-down** or **engine may fail** due to

1. Water entry into the engine (which may lead to hydrostatic lock).
2. Short circuiting of the electrical systems.

**If the vehicle is stuck in deep water, do not start / crank the vehicle until the level of water drops below the level of exhaust pipe.**

NOTE:  
IF THE VEHICLE IS SUBMERGED IN WATER, REPORT TO THE NEAREST AUTHORIZED WORKSHOP.

## “CAUTION”

1. Retro-fitting of LPG / CNG kit may deteriorate vehicle performance, reduce engine & engine related component's life and also warranty will be null and void for such vehicles.
2. Do not use domestic LPG/LPG cylinder for your factory fitted LPG vehicles.
3. Usage of domestic LPG for running vehicles is prohibited as per law.
4. Do not remove company fitted LPG/CNG kit to install some other kit. It may affect vehicle performance and may cause fire.
5. Drive slowly on wet roads. Tires may slip while braking at higher speeds due to aquaplaning.(reduced contact area between tire and road due to presence of water)
6. Do not leave engine running in garages or confined areas, with passengers inside. This may result in accumulation of carbon-monoxide in cabin and may lead to suffocation or breathing problems.
7. Do not park vehicle on dry leaves or grass. This may lead to fire due to hot catalytic converter, igniting the dry leaves/grass.
8. If the vehicle is equipped with CNG/LPG, ensure availability of fire extinguisher in the vehicle all the time.
9. Always wear seat belt at all the times.
10. Do not use mobile phone while driving.
11. Avoid Smoking in the car, live bud thrown in car may cause fire.
12. Do not put any body part under the vehicle when it is supported on a Jack.
13. Do not use non-genuine accessories in your vehicle.
14. Do not fit accessories from unauthorized workshops/sources.
15. Usage of non-approved electrical accessories in your vehicle may result in spark, fire or personal injury.
16. Do not use camphor, incense sticks inside cabin room. Doing so may cause fire.
17. Avoid usage of cellular phones while refueling. Electric current and/or electronic interference from cellular phones can potentially ignite fuel vapors and cause fire.
18. Avoid entry inside vehicle immediately once after you have begun refueling. You can generate a build up of static electricity by touching, rubbing or sliding against any item or fabric capable of producing static electricity. Static electricity discharge can ignite fuel vapors and may causing a fire.
19. Do not check the engine room / open the hood near the fire area (Outside the vehicle). Fuel, washer fluid, etc. are flammable oils that may cause fire.
20. Avoid driving when vehicle has met with an accident . Before driving, Please contact with authorized MSIL dealership.



**CUSTOMER SERVICE MAINTENANCE RECORD (to be filled by customer)**

INSPECTION SCHEDULE	DATE OF SERVICE	MILEAGE (KM)	NAME OF SERVICING WORKSHOP
1 <sup>st</sup> Free inspection service - 1 Month / 1000 KM*			
2 <sup>nd</sup> Free inspection service - 6 Months / 5000 KM *			
3 <sup>rd</sup> Free inspection service - 12 Months / 10000 KM*			
1 <sup>st</sup> Paid inspection service - 24 Months / 20000 KM*			
2 <sup>nd</sup> Paid inspection service - 36 Months / 30000 KM*			
3 <sup>rd</sup> Paid inspection service - 48 Months / 40000 KM*			
4 <sup>th</sup> Paid inspection service - 60 Months / 50000 KM*			
5 <sup>th</sup> Paid inspection service - 72 Months / 60000 KM*			
6 <sup>th</sup> Paid inspection service - 84 Months / 70000 KM*			
7 <sup>th</sup> Paid inspection service - 96 Months / 80000 KM*			
8 <sup>th</sup> Paid inspection service - 108 Months / 90000 KM*			
9 <sup>th</sup> Paid inspection service - 120 Months / 100000 KM*			
10 <sup>th</sup> Paid inspection service - 132 Months / 110000 KM*			
11 <sup>th</sup> Paid inspection service - 144 Months / 120000 KM*			
12 <sup>th</sup> Paid inspection service - 156 Months / 130000 KM*			

\* Interval: This interval should be judged by month(s) or odometer reading, whichever comes first.

**Maruti Suzuki Network can be viewed by installing below Mobile Apps:**

**Maruti Suzuki Rewards** app ensures a hassle free car ownership experience. Get easy access to all the services and information you need by downloading the app





**1ST. FREE INSPECTION COUPON**

(Customer's copy)

(1 MONTH or 1,000 KM  
whichever comes first)

Model Name											
Model Code*											
VIN											
Engine No.											
Mileage											
Invoice Date			D	D	M	M	Y	Y			
Date of Inspection			D	D	M	M	Y	Y			
Registration No.											
Customer Name											
Ph. No.											
Service workshop / MASS Code (fill below)											

**COST OF MATERIALS AND CONSUMABLES TO BE BORNE BY CUSTOMER**

Workshop In charge Signature
---------------------------------

**For periodic maintenance schedule,  
refer to "Inspection and Maintenance"  
section of this manual**

**1ST. FREE INSPECTION COUPON**

(Selling dealer copy)

(1 MONTH or 1,000 KM  
whichever comes first)

Model Name											
Model Code*											
VIN											
Engine No.											
Mileage											
Invoice Date			D	D	M	M	Y	Y			
Date of Inspection			D	D	M	M	Y	Y			
Registration No.											
Customer Name											
Ph. No.											
Service workshop / MASS Code (fill below)											

**COST OF MATERIALS AND CONSUMABLES TO BE BORNE BY CUSTOMER**

Workshop In charge Signature
---------------------------------

**1ST. FREE INSPECTION COUPON**

(Servicing W/S copy)

(1 MONTH or 1,000 KM  
whichever comes first)

Model Name											
Model Code*											
VIN											
Engine No.											
Mileage											
Invoice Date			D	D	M	M	Y	Y			
Date of Inspection			D	D	M	M	Y	Y			
Registration No.											
Customer Name											
Ph. No.											
Service workshop / MASS Code (fill below)											

**COST OF MATERIALS AND CONSUMABLES TO BE BORNE BY CUSTOMER**

Workshop In charge Signature
---------------------------------

**1ST. FREE INSPECTION COUPON**

(Servicing W/S copy) (1 MONTH or 1,000 KM  
whichever comes first)

Stamp of Selling dealer (Code & Full Address)

**For Servicing Workshop**

1. Please Fill up Model codes correctly.
2. Please fill up Complete VIN.
3. Please fill up customer name and Phone No. details legibly and correctly for the latest owner.
4. Free service coupon of selling dealer not operational at present, should be sent to MSIL on monthly basis.



Service Division  
Maruti Suzuki India Limited

**1ST. FREE INSPECTION COUPON**

(Selling dealer copy) (1 MONTH or 1,000 KM  
whichever comes first)

Stamp of Selling dealer (Code & Full Address)

**For Servicing Workshop**

1. Please Fill up Model codes correctly.
2. Please fill up Complete VIN.
3. Please fill up customer name and Phone No. details legibly and correctly for the latest owner.
4. Free service coupon of selling dealer not operational at present, should be sent to MSIL on monthly basis.



Service Division  
Maruti Suzuki India Limited

**1ST. FREE INSPECTION COUPON**

(Customer's copy) (1 MONTH or 1,000 KM  
whichever comes first)

Stamp of Selling dealer (Code & Full Address)

**For Servicing Workshop**

1. Please Fill up Model codes correctly.
2. Please fill up Complete VIN.
3. Please fill up customer name and Phone No. details legibly and correctly for the latest owner.
4. Free service coupon of selling dealer not operational at present, should be sent to MSIL on monthly basis.



Service Division  
Maruti Suzuki India Limited

**2ND. FREE INSPECTION COUPON**

(Customer's copy)

(6 MONTHS or 5,000 KM  
whichever comes first)

Model Name											
Model Code*											
VIN											
Engine No.											
Mileage											
Invoice Date											
Date of Inspection											
Registration No.											
Customer Name											
Ph. No.											
Service workshop / MASS Code (fill below)											

**COST OF MATERIALS AND CONSUMABLES TO BE BORNE BY CUSTOMER**

Workshop In charge Signature
---------------------------------

**For periodic maintenance schedule,  
refer to "Inspection and Maintenance"  
section of this manual**

**2ND. FREE INSPECTION COUPON**

(Selling dealer copy)

(6 MONTHS or 5,000 KM  
whichever comes first)

Model Name											
Model Code*											
VIN											
Engine No.											
Mileage											
Invoice Date											
Date of Inspection											
Registration No.											
Customer Name											
Ph. No.											
Service workshop / MASS Code (fill below)											

**COST OF MATERIALS AND CONSUMABLES TO BE BORNE BY CUSTOMER**

Workshop In charge Signature
---------------------------------

**2ND. FREE INSPECTION COUPON**

(Servicing W/S copy)

(6 MONTHS or 5,000 KM  
whichever comes first)

Model Name											
Model Code*											
VIN											
Engine No.											
Mileage											
Invoice Date											
Date of Inspection											
Registration No.											
Customer Name											
Ph. No.											
Service workshop / MASS Code (fill below)											

**COST OF MATERIALS AND CONSUMABLES TO BE BORNE BY CUSTOMER**

Workshop In charge Signature
---------------------------------

**2ND. FREE INSPECTION COUPON**

(Servicing W/S copy) (6 MONTHS or 5,000 KM whichever comes first)

Stamp of Selling dealer (Code & Full Address)

**For Servicing Workshop**

1. Please Fill up Model codes correctly.
2. Please fill up Complete VIN.
3. Please fill up customer name and Phone No. details legibly and correctly for the latest owner.
4. Free service coupon of selling dealer not operational at present, should be sent to MSIL on monthly basis.



Service Division  
Maruti Suzuki India Limited

**2ND. FREE INSPECTION COUPON**

(Selling dealer copy) (6 MONTHS or 5,000 KM whichever comes first)

Stamp of Selling dealer (Code & Full Address)

**For Servicing Workshop**

1. Please Fill up Model codes correctly.
2. Please fill up Complete VIN.
3. Please fill up customer name and Phone No. details legibly and correctly for the latest owner.
4. Free service coupon of selling dealer not operational at present, should be sent to MSIL on monthly basis.



Service Division  
Maruti Suzuki India Limited

**2ND. FREE INSPECTION COUPON**

(Customer's copy) (6 MONTHS or 5,000 KM whichever comes first)

Stamp of Selling dealer (Code & Full Address)

**For Servicing Workshop**

1. Please Fill up Model codes correctly.
2. Please fill up Complete VIN.
3. Please fill up customer name and Phone No. details legibly and correctly for the latest owner.
4. Free service coupon of selling dealer not operational at present, should be sent to MSIL on monthly basis.



Service Division  
Maruti Suzuki India Limited

**3RD. FREE INSPECTION COUPON**

(Customer's copy) (12 MONTHS or 10,000 KM whichever comes first)

Model Name											
Model Code*											
VIN											
Engine No.											
Mileage											
Invoice Date			D	D	M	M	Y	Y			
Date of Inspection			D	D	M	M	Y	Y			
Registration No.											
Customer Name											
Ph. No.											
Service workshop / MASS Code (fill below)											

**COST OF MATERIALS AND CONSUMABLES TO BE BORNE BY CUSTOMER**

Workshop In charge Signature
---------------------------------

**For periodic maintenance schedule, refer to "Inspection and Maintenance" section of this manual**

**3RD. FREE INSPECTION COUPON**

(Selling dealer copy) (12 MONTHS or 10,000 KM whichever comes first)

Model Name											
Model Code*											
VIN											
Engine No.											
Mileage											
Invoice Date			D	D	M	M	Y	Y			
Date of Inspection			D	D	M	M	Y	Y			
Registration No.											
Customer Name											
Ph. No.											
Service workshop / MASS Code (fill below)											

**COST OF MATERIALS AND CONSUMABLES TO BE BORNE BY CUSTOMER**

Workshop In charge Signature
---------------------------------

**3RD. FREE INSPECTION COUPON**

(Servicing W/S copy) (12 MONTHS or 10,000 KM whichever comes first)

Model Name											
Model Code*											
VIN											
Engine No.											
Mileage											
Invoice Date			D	D	M	M	Y	Y			
Date of Inspection			D	D	M	M	Y	Y			
Registration No.											
Customer Name											
Ph. No.											
Service workshop / MASS Code (fill below)											

**COST OF MATERIALS AND CONSUMABLES TO BE BORNE BY CUSTOMER**

Workshop In charge Signature
---------------------------------

**3RD. FREE INSPECTION COUPON**

(Servicing W/S copy) (12 MONTHS or 10,000 KM  
whichever comes first)

Stamp of Selling dealer (Code & Full Address)

**For Servicing Workshop**

1. Please Fill up Model codes correctly.
2. Please fill up Complete VIN.
3. Please fill up customer name and Phone No. details legibly and correctly for the latest owner.
4. Free service coupon of selling dealer not operational at present, should be sent to MSIL on monthly basis.



Service Division  
Maruti Suzuki India Limited

**3RD. FREE INSPECTION COUPON**

(Selling dealer copy) (12 MONTHS or 10,000 KM  
whichever comes first)

Stamp of Selling dealer (Code & Full Address)

**For Servicing Workshop**

1. Please Fill up Model codes correctly.
2. Please fill up Complete VIN.
3. Please fill up customer name and Phone No. details legibly and correctly for the latest owner.
4. Free service coupon of selling dealer not operational at present, should be sent to MSIL on monthly basis.



Service Division  
Maruti Suzuki India Limited

**3RD. FREE INSPECTION COUPON**

(Customer's copy) (12 MONTHS or 10,000 KM  
whichever comes first)

Stamp of Selling dealer (Code & Full Address)

**For Servicing Workshop**

1. Please Fill up Model codes correctly.
2. Please fill up Complete VIN.
3. Please fill up customer name and Phone No. details legibly and correctly for the latest owner.
4. Free service coupon of selling dealer not operational at present, should be sent to MSIL on monthly basis.



Service Division  
Maruti Suzuki India Limited

---

## WARRANTY POLICY

Maruti Suzuki India Limited (hereinafter called "Maruti Suzuki"), warrants that each new Maruti Suzuki vehicle distributed in India by Maruti Suzuki and sold by a Maruti Suzuki authorised dealer will be free, under normal use and service, from any defects in material and workmanship at the time of manufacture SUBJECT TO THE FOLLOWING TERMS AND CONDITIONS:

### (1) Qualification:

To qualify for this warranty the vehicle must be delivered by a Maruti Suzuki authorised dealer and set-up, and serviced by a Maruti Suzuki authorised workshop.

### (2) Term:

**The term of the warranty shall be twenty-four (24) months or 40,000 kilometers (whichever occurs first) from the date of invoice to the first owner.**

### (3) Maruti Suzuki Warranty Obligation:

If any defect(s) should be found in a Maruti Suzuki vehicle within the term stipulated above, Maruti Suzuki's only obligation is to repair or replace at its sole discretion any part shown to be defective, with a new part or the equivalent at no cost to the owner for parts or labour, when Maruti Suzuki acknowledges that such a defect is attributable to faulty material or workmanship at the time of manufacture. Such defective parts, which have been replaced, will become the property of Maruti Suzuki. The owner is responsible for any repair or replacements which are not covered by this warranty. The decision of Maruti Suzuki shall be final & binding.

### (4) Limitation:

This warranty shall not apply to:

- (a) Normal maintenance service required other than the three free services, including without limitation, oil and fluid changes, Consumables, headlight aiming, fastener retightening, wheel balancing, wheel alignment and tyre rotation, cleaning of injectors, adjustments of clutch and valve clearance.
- (b) The normal wear of parts including without limitation, bulbs, tyres\* and tubes, spark plugs, belts, hoses, filters, wiper blades, brushes, contact points, fuses, clutch disc, brake shoes, brake pads, cable and all rubber parts (except oil seal and glass run).
- (c) Any vehicle which has been used for competition, rallies or racing.
- (d) Any repairs or replacement arising from accidents or collision.
- (e) Any defect/ damage caused by misuse, negligence, abnormal use, insufficient care, vandalism, theft, riot, fire, flooding - not limited to entry of water in the components resulting in engine seizure, hydrostatic lock, etc. or external damages to the body/ components.
- (f) Any damage resulting due to usage of adulterated fuel/ lubricants/ oil/ coolant/ fluids/ polishing products and fuel/ lubricants/ oil/ coolant/ fluids used other than those specified in the Owner's Manual.
- (g) Any vehicle which has been modified or altered, including without limitation, the installation of performance accessories, enlargements of lights, other changes and external/ consequential reasons.
- (h) Any vehicle on which parts or accessories not approved by Maruti Suzuki (Non-MSGA, Non-MSGP) have been used.

(\* - If there is a complaint related to tyre, the customer may contact respective tyre manufacturer.)

- 
- (i) Any vehicle which has not been operated in accordance with the operating instructions in this Owner's Manual and Service Booklet.
  - (j) Any vehicle which has not received the service inspections prescribed in this Owner's Manual and Service Booklet.
  - (k) Any vehicle which has been assembled, disassembled, adjusted or repaired by other than a Maruti Suzuki authorised workshop.
  - (l) Any vehicle which has been used for purposes other than what it was designed for.
  - (m) Any damage or deterioration caused by airborne fallout, industrial fallout, acid rain, hail or hail storm, wind storm, lightning, bird droppings, rodents bite / rat bite and such other thing that result in damage to the vehicle.
  - (n) Insignificant defects / noise which do not affect the function of the vehicle including without limitation, sound, vibration and fluid seep.
  - (o) Any natural wear and tear including without limitation, ageing, wear & tear or deterioration such as discoloration, fading, deformation or blurring and fabric discoloration.
  - (p) Installation and usage of domestic LPG gas/LPG Cylinder.
  - (q) V-belts, hoses and gas leaks.
  - (r) Any vehicle retrofitted with LPG/CNG kits.
  - (s) Repainting including patchwork, bodywork and mouldings and interior trims.
  - (t) Corrosion, rusting of body parts and/ or components.
  - (u) Any vehicle on which odometer has been changed unauthorisedly or odometer reading has been modified/ tampered with/ or not matching the service records.
  - (v) The damage(s) caused to the vehicle being unattended despite knowledge that the defect exists and ignorance by the owner/ user of the vehicle.
  - (w) Any damage(s) caused to vehicle including battery/ tyre due to parking of the vehicle in idle condition for long duration of time periods.

- (x) Any vehicle on which the retro-fitment is not authorized and/ or type approved as per the standards prescribed by the relevant authority including but not limited to Automotive Standards of India.
- (y) Any vehicle on which the retro-fitment is such which directly or indirectly causes any damage to the vehicle or affects the functions of the vehicle in any manner whatsoever.

**(5) Extent of Warranty:**

This warranty is the entire written warranty given by Maruti Suzuki for Maruti Suzuki vehicles and no dealer or its or his agent or employee is authorised to extend or enlarge this warranty and no dealer or its or his agent or employee is authorised to make any oral warranty or representation or assurance on behalf of Maruti Suzuki.

Maruti Suzuki reserves the right to add any improvements or change the design of any model at any time with no obligation to make the same changes on units previously sold.

**(6) Warranty Service:**

To obtain warranty service, the complete vehicle must be presented at the owner's expenses to Maruti Suzuki authorised workshop.

The customer shall be responsible for his belongings or accessories fitted in the vehicle at the time of presenting the vehicle for service and no claim shall be entertained in any manner under any circumstances.



**(7) Owner's Warranty Obligations:**

**NOTICE**

**The owner shall not use the vehicle in a damaged condition and report the same immediately to the nearest Maruti Suzuki authorized workshop. This would result in early inspection and repair of the vehicle and any possible harm to the person or aggravation of damage to the vehicle can be prevented.**

It is responsibility of each owner to:

- Have performed, at his own expenses, by a Maruti Suzuki authorised workshop all the service inspections specified in the Maruti Suzuki "Owner's Manual and Service Booklet" and maintain adequate proof that such service inspections have been performed.
- Update and maintain the 'Customer service maintenance records' page in the "Owner's Manual and Service Booklet", whenever service inspection or warranty service is carried out on the vehicle in a Maruti Suzuki authorised workshop.
- Present the Maruti Suzuki "Owner's Manual and Service Booklet" to the Maruti Suzuki authorised workshop whenever requesting service inspections or warranty service.

If the "Owner's Manual and Service Booklet" should be lost or destroyed the owner should consult the Maruti Suzuki authorised dealer from whom the vehicle was purchased for instructions concerning replacement of the "Owner's Manual and Service Booklet".

**(8) Disclaimer of Consequential Damage:**

Maruti Suzuki assumes no responsibility for loss of vehicle, loss of time, inconvenience or any other indirect incidental or consequential damage resulting from the vehicle not being available to the owner because of any defect covered by this warranty.

**(9) Change of Owner**

Even if ownership of the vehicle changes, the remaining warranty period is effective for the new owner.

This warranty is applicable only in India and not transferable to any other country.

**NOTE:**

*Notwithstanding the warranty obligations, Maruti Suzuki may reuse reworked (refurbished) parts for undertaking rectification of recalled vehicles in terms of applicable laws.*

---

## EMISSION WARRANTY POLICY

Maruti Suzuki offers the Emission Warranty on all Maruti Suzuki vehicles (apart from the Regular Warranty and will run parallel to the regular product warranty) only in four metropolitan cities (**New Delhi, Kolkata, Mumbai and Chennai**) with effect from July 1st, 2001.

### Terms:

The Emission Warranty will be applicable for **80,000 kms or 3 years** (Whichever comes earlier) from the date of invoice to the first owner. The remaining warranty terms will be valid in case of any change in ownership provided the production of all valid documents.

### Conditions:

1. Under Emission Warranty, Warranty claims will be admitted for a prima-facie examination, in case vehicle fails to meet the Emission Standard as specified in sub rule (2) of rule no. 115 of Central Motor Vehicles Rules (CMVR), 1989.
2. The warranty claims will only be accepted after examination carried out by Maruti Suzuki or Maruti Suzuki authorised workshop which leads to firm conclusions that the
  - a) Original settings have not been tampered in any case.
  - b) Part (as given in Annexure - A) has a manufacturing defect.
  - c) Vehicle is unable to meet the Emission Standards (as given in 1.), in spite of the vehicle having been maintained and used in accordance with the instructions as specified in Owner's Manual and Service Booklet and the used fuel and different oils (Engine oil, Transmission oil, Brake oil etc.) are also as per specification.
3. The method of examination for deciding the warranty of the parts will be at the sole discretion of Maruti Suzuki and Maruti Suzuki authorised workshop and results of the examination will be final and binding. If after examination, the warrantable condition is not established, Maruti Suzuki and Maruti Suzuki authorised workshop has the right to charge all, or part of the cost of such examination.
4. Under Emission Warranty, the parts (as given in Annexure - A) will be changed free of cost, but the consumables will be charged as per actual.
5. If the part covered under Emission Warranty or the associated parts, are not independently replaceable, on account of these being integral parts of a complete assembly, Maruti Suzuki and Maruti Suzuki authorised workshop will have the sole discretion to replace either the entire assembly or by using some of the parts of the system through suitable repairs or modifications.
6. Any consequential repairs or replacement of parts which may be found necessary to establish compliance of Emission Warranty, will not be considered under warranty, unless the same is under product warranty. The consumable will be charged as per actual under such repair or replacement.
7. Maruti Suzuki will not be responsible for the cost of transportation of the vehicle to the nearest Maruti Suzuki authorised workshop or any loss due to non-availability of the vehicle during the period of lodging of a warranty claim and examination and/or repair by Maruti Suzuki authorised workshop.
8. Maruti Suzuki will not be responsible for any penalty that may be charged by statutory authorities on account of failure to comply with the EMISSION STANDARDS.
9. Emission Warranty will not be affected by the change of owner, provided all the documents are available.

- 
10. All maintenance actions (as specified in the Owner's Manual and Service Booklet) need to be followed and recorded in the manual for emission warranty.
  11. The customer needs to produce the PUC (Pollution Under Control) certificate valid for the period preceding the test during which the failure is discovered. The receipts (for the maintenance of the vehicle as per specification in Owner's Manual and Service Booklet from the date of original purchase of the vehicle) will also be required.

**Conditions under which the Emission Warranty is not APPLICABLE**

1. In the absence of valid PUC certificate.
2. Vehicle not serviced from Maruti Suzuki authorised workshop as per the schedule specified in the Owner's Manual.
3. Vehicle subjected to abnormal use (accident, motor race, rallies or for the purpose of establishing the records etc).
4. Use of non MSGP (Maruti Suzuki Genuine Part).
5. Vehicle that has been tampered with.
6. Tampering with odometer so that the actual kilometer reading cannot be determined.
7. Use of adulterated fuel and/or unspecified oils (Engine oil, Transmission oil and Brake oil etc).

**Annexure - A**

List of parts (if applicable) covered under Emission Warranty

1. Fuel Injection Assembly, Pressure Regulator, Throttle Body Assembly.
2. Electronic Control Module (ECM).
3. Intake Manifold.
4. EGR valve.
5. Ignition Coil.
6. Canister Assembly.
7. Vapour Liquid Separator.
8. Fuel Tank and Filler Cap.
9. PCV (Positive Crankcase Ventilation) Valve.
10. Oil Filler Cap.
11. Catalytic Converter.
12. Exhaust Manifold.
13. All Fuel Injection System related Sensors.
14. High Pressure Fuel Pump.
15. Glow Plug.
16. Glow Plug Controller.



---

## TABLE OF CONTENTS

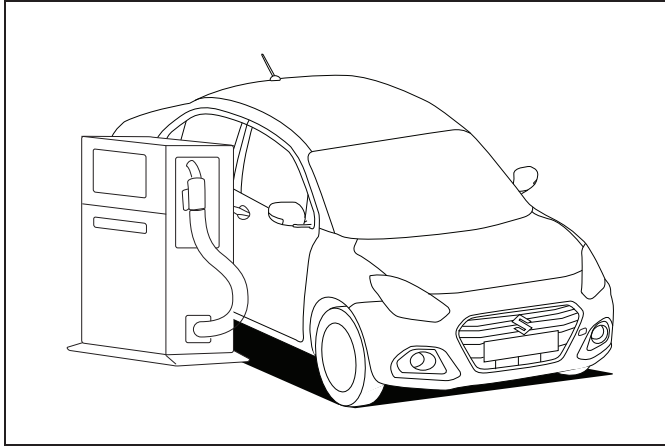
<b>FUEL RECOMMENDATION</b>	<b>1</b>
<b>BEFORE DRIVING</b>	<b>2</b>
<b>OPERATING YOUR VEHICLE</b>	<b>3</b>
<b>DRIVING TIPS</b>	<b>4</b>
<b>OTHER CONTROLS AND EQUIPMENT</b>	<b>5</b>
<b>VEHICLE LOADING AND TOWING</b>	<b>6</b>
<b>INSPECTION AND MAINTENANCE</b>	<b>7</b>
<b>EMERGENCY SERVICE</b>	<b>8</b>
<b>APPEARANCE CARE</b>	<b>9</b>
<b>GENERAL INFORMATION</b>	<b>10</b>
<b>SPECIFICATIONS</b>	<b>11</b>
<b>SERVICE NETWORK</b>	<b>12</b>



## FUEL RECOMMENDATION

1

Fuel Recommendation ..... 1-1



56RM01001

## FUEL RECOMMENDATION

---

### Fuel Recommendation

#### Petrol Engine

To avoid damaging catalytic converter, you must use unleaded petrol with an octane number (RON) of 91 or higher.

#### Gasoline/Ethanol blends

Blends of unleaded gasoline and ethanol, also known as gasohol, are commercially available in the country and can vary with location. Gasoline Ethanol blend up to E20 can be used as fuel for this vehicle.

#### Gasoline containing MTBE

Unleaded gasoline containing MTBE (methyl tertiary butyl ether) may be used in your vehicle if the MTBE content is not greater than 15%. This oxygenated fuel does not contain alcohol.

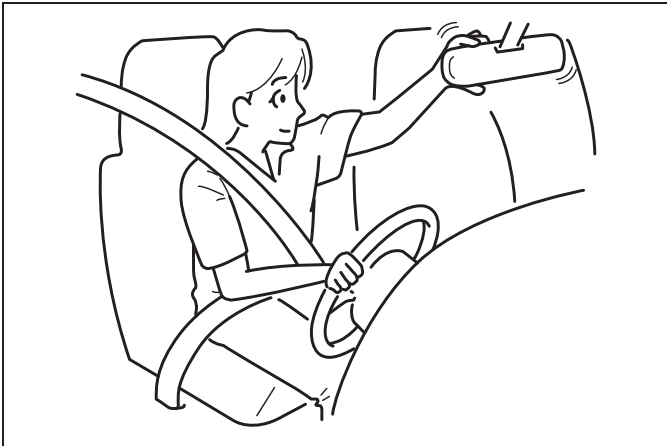
#### CAUTION

**Use of spurious, low quality, adulterated fuel can cause damage to the engine and engine auxiliaries, affect functioning of engine and degrade engine performance including but not limited to engine seizure.**

#### NOTICE

- The fuel tank has an air space to allow for fuel expansion in hot weather. If you continue to add fuel after the filler nozzle has automatically shut off or an initial blowback occurs, the air chamber will become full. Exposure to heat when fully fuelled in this manner will result in leakage due to fuel expansion. To prevent such fuel leakage, stop filling after the filler nozzle has automatically shut off, or when initial vent blowback occurs, if using an alternative non-automatic system.
- Be careful not to spill fuel containing alcohol while refueling. If fuel is spilled on the vehicle body, wipe it up immediately. Fuels containing alcohol can cause paint damage, which is not covered under the New Vehicle Limited Warranty.





60G404

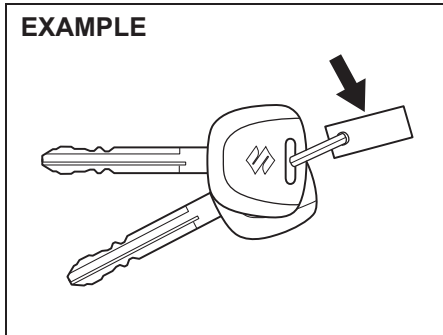
Keys .....2-1  
 Door locks .....2-2  
 Keyless push start system remote controller /  
 Keyless entry system transmitter (if equipped) .....2-5  
 Security system (if equipped) .....2-13  
 Theft deterrent light (if equipped) .....2-15  
 Windows .....2-16  
 Mirrors .....2-18  
 Front seats .....2-22  
 Rear seats .....2-25  
 Seat belts and child restraint systems .....2-26

**BEFORE DRIVING**

Supplemental restraint system (air bags) ..... 2-42  
 Instrument cluster (Type A) (if equipped) ..... 2-49  
 Speedometer ..... 2-50  
 Fuel gauge ..... 2-50  
 Brightness control ..... 2-50  
 Information display ..... 2-51  
 Instrument cluster (Type B) (if equipped) ..... 2-57  
 Speedometer ..... 2-58  
 Tachometer ..... 2-58  
 Fuel gauge ..... 2-58  
 Brightness control ..... 2-59  
 Information display ..... 2-59  
 Instrument cluster (Type C) (if equipped) ..... 2-70  
 Speedometer ..... 2-70  
 Tachometer ..... 2-70  
 Fuel gauge ..... 2-70  
 Temperature gauge ..... 2-71  
 Brightness control ..... 2-71  
 Information display ..... 2-72  
 Warning and indicator lights ..... 2-94  
 Lighting control lever ..... 2-101  
 Daytime running light (D.R.L.) system (if equipped).....2-105  
 Headlight leveling switch ..... 2-106  
 Turn signal control lever ..... 2-107  
 Hazard warning switch ..... 2-108  
 Windshield wiper and washer lever ..... 2-108  
 Tilt steering lock lever ..... 2-110  
 Horn ..... 2-110  
 Heated rear window switch (if equipped) ..... 2-110

## BEFORE DRIVING

### Keys



Your vehicle comes with a pair of keys. The key(s) may or may not be equipped with a transmitter depending on model variant. Keep the spare key in a safe place. One key can open all of the locks on the vehicle

The key identification number is stamped on a metal tag provided with the keys or on the keys. Keep the tag in a safe place. If you lose your keys, you will need this number to have new keys made. Write the number below for your future reference.

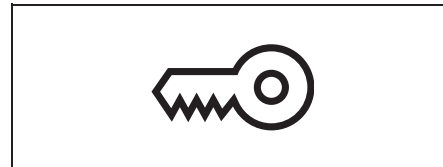
KEY NUMBER:

2-1

### Immobilizer system

This system is designed to help prevent vehicle theft by electronically disabling the engine starting system.

The engine can be started only with your vehicle's original immobilizer ignition key or keyless push start system remote controller, which has an electronic identification code programmed in it. The key or remote controller communicates the identification code to the vehicle when the ignition switch is turned to "ON" position or the engine switch is pressed to change the ignition mode to "ON". If you need to make spare keys or remote controllers, see your an authorised Maruti Suzuki workshop. The vehicle must be programmed with the correct identification code for the spare. A key made by an ordinary locksmith will not work.



If the immobilizer/keyless push start system warning light blinks or comes on when the ignition switch is in "ON" position or the ignition mode is "ON", the engine will not start.

### For vehicles without a keyless push start system

If this light blinks or comes on, turn the ignition switch to "LOCK" position, and then turn it back to "ON" position.

If the light still blinks after or comes on the ignition switch is turned back to "ON" position, there may be something wrong with your key or with the immobilizer system. Ask an authorised Maruti Suzuki workshop to have the system inspected.

### For vehicles with a keyless push start system

If this light blinks or comes on, change the ignition mode to "LOCK" (OFF), and then change it back to "ON". Also refer to "If the PUSH indicator light blinks or comes on and the engine cannot be started" in "Starting engine (vehicle with keyless push start system) (if equipped)" in "OPERATING YOUR VEHICLE" section.

If the light still blinks or comes on after the ignition mode is changed back to "ON", there may be something wrong with your key or with the immobilizer system. Ask an authorised Maruti Suzuki workshop to have the system inspected.

The immobilizer/keyless push start system warning light may also blinks or comes on if the remote controller is not in the vehicle when you close the door or attempt to start the engine.

**NOTE:**

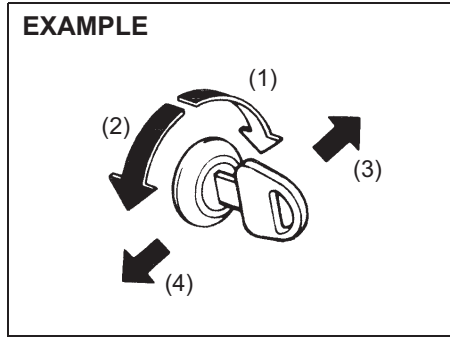
- If you lose your immobilizer ignition key or remote controller, ask an authorised Maruti Suzuki workshop as soon as possible to deactivate the lost one, and to make a new key or remote controller.
- If you own other vehicles with immobilizer keys, keep those keys away from the ignition switch or the engine switch when using your MARUTI SUZUKI vehicle. Otherwise, the engine may not be started because they may interfere with your MARUTI SUZUKI vehicle's immobilizer system.
- If you attach any metal objects to the immobilizer key or remote controller, it may not start the engine.

<b>NOTICE</b>
<p><b>The immobilizer key and remote controller are sensitive electronic instruments. To avoid damaging them:</b></p> <ul style="list-style-type: none"> <li>• Do not expose them to impacts, moisture or high temperature such as on the dashboard under direct sunlight.</li> <li>• Keep them away from magnetic objects.</li> </ul>

**Ignition key reminder (if equipped)**  
 A buzzer sounds intermittently to remind you to remove the ignition key if it is in the ignition keyhole when the driver's door is opened.

**Door locks**

**Side door locks**



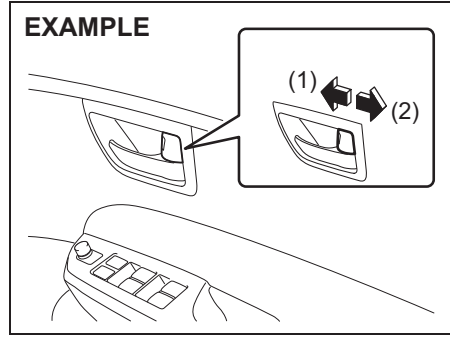
79MH0201

- (1) LOCK
- (2) UNLOCK
- (3) Front
- (4) Rear

To lock a front door from the outside of the vehicle:

- Insert a key and turn the top of the key toward the front of the vehicle, or
- Turn the lock knob forward, then pull and hold the door handle as you close the door.

To unlock a front door from the outside of the vehicle, insert the key and turn the top of the key toward the rear of the vehicle.



74LHT0201

- (1) LOCK
- (2) UNLOCK

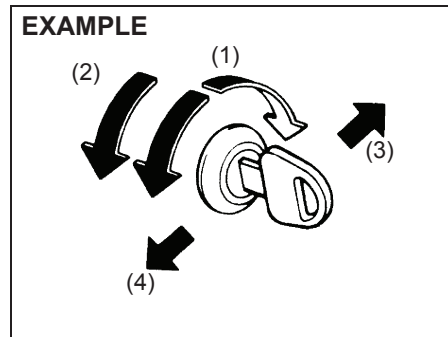
To lock a door from the inside of the vehicle, turn the lock knob forward. Turn the lock knob backward to unlock the door.

To lock a rear door from the outside of the vehicle, turn the lock knob forward and close the door. You do not need to pull and hold the door handle as you close the door.

**NOTE:**  
 Hold the door handle when you close a locked front door, or the door will not remain locked.

## BEFORE DRIVING

### Central door locking system (Vehicle with keyless entry system and keyless push start system)



- (1) LOCK
- (2) UNLOCK
- (3) Front
- (4) Rear

You can lock and unlock all doors simultaneously by using the key in the driver's door lock.

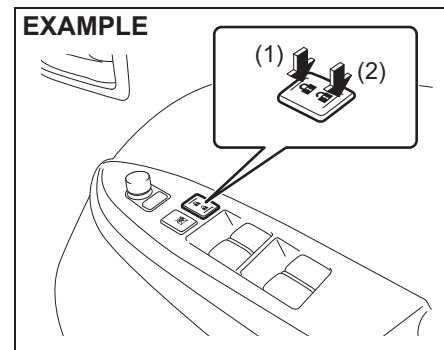
To lock all doors simultaneously, insert the key in the driver's door lock and turn the top of the key toward the front of the vehicle once.

To unlock all doors simultaneously, insert the key in the driver's door lock and turn the top of the key toward the rear of the vehicle twice.

**NOTE:**

You can switch the function that unlocks all doors from requiring two turns to requiring one turn, and vice versa, via the information display setting mode. For details on how to use the information display, refer to "Information display" in this section.

To unlock the driver's door only, insert the key in that door lock and turn the top of the key toward the rear of the vehicle once.



- (1) LOCK
- (2) UNLOCK

You can also lock or unlock all doors by pressing the front or rear of the switch, respectively.

**NOTE:**

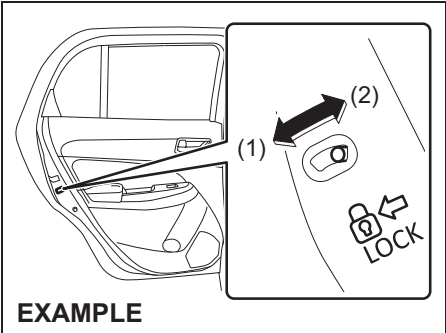
- You can also lock or unlock all doors by operating the transmitter or remote controller. Refer to "Keyless push start system remote controller / Keyless entry system transmitter (if equipped)" in this section.

- If your vehicle is equipped with the keyless push start system, you can also lock or unlock all doors by pushing the request switch. Refer to "Keyless push start system remote controller / Keyless entry system transmitter (if equipped)" in this section.

**NOTE:**

- All doors are automatically unlocked when you change the ignition mode to "LOCK" (OFF) or turn the ignition switch to "LOCK" position and pull out the key.
- All doors are automatically locked for safety when the vehicle speed reaches 15 km/h.
- You can change the automatic locking or unlocking function mentioned above via the setting mode of the information display. For details on how to use the information display, refer to "Information Display" in this section.

Child-proof locks (rear door)

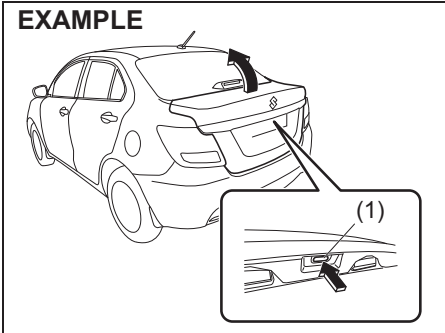


- (1) LOCK
- (2) UNLOCK

Each of the rear doors is equipped with a child-proof lock which can be used to help prevent unwanted opening of the door from inside the vehicle. When the lock lever is in LOCK position (1), the rear door can only be opened from outside. When the lock lever is in UNLOCK position (2), the rear door can be opened from inside or outside.

**⚠ WARNING**  
 Place the child-proof lock in **LOCK position** whenever children are seated in the rear.

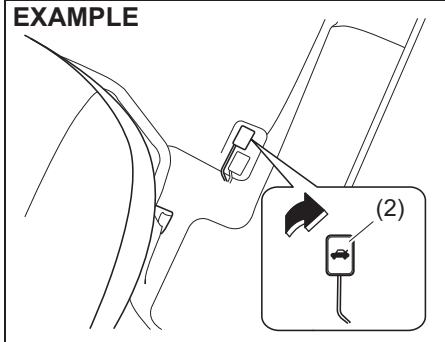
Trunk lid



(Vehicle with keyless entry system)  
 To unlock the all doors, push UNLOCK button twice on the keyless entry system transmitter. Push the trunk lid unlatch switch (1) and lift the trunk lid to open the trunk lid.

(Vehicle with keyless push start system)  
 Push the trunk lid unlatch switch (1) and lift the trunk lid to open the trunk lid. The trunk lid unlatch switch (1) operates when the keyless push start system remote controller is within the switch's operating range. If the remote controller is within the operating range, you can also unlatch and let the trunk lid slightly open by holding TRUNK LID UNLOCK button on the remote controller pressed for more than 1 second.

Refer to "Keyless push start system remote controller" in this section. The trunk lid unlatch switch (1) operates only to open the trunk lid. If you close the trunk lid with the keyless push start system remote controller left in the trunk with all the doors locked, the trunk will be automatically unlatched.



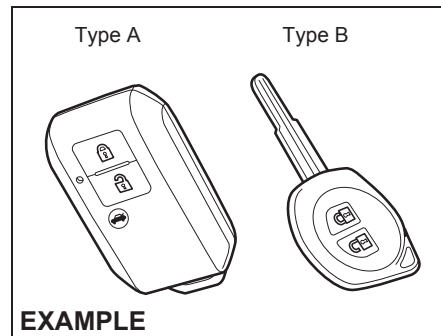
You can unlock the lid by pulling the trunk lid opener lever (2) located on the outboard side of the driver's side.

## BEFORE DRIVING

### ⚠ WARNING

Always make sure that the trunk lid is closed and latched securely. Otherwise, it may open unexpectedly while driving. Completely closing it also helps keep exhaust gases from entering the vehicle.

### Keyless push start system remote controller / Keyless entry system transmitter (if equipped)



56RM02003

Your vehicle is equipped with either a keyless push start system remote controller (Type A) or a keyless entry system transmitter (Type B). The remote controller has a keyless entry system and a keyless push start system. The transmitter has only a keyless entry system. For details, refer to the following explanations.

### ⚠ WARNING

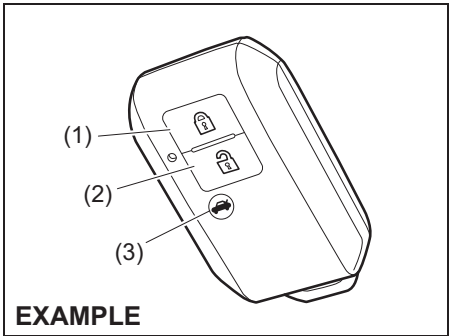
Radio waves from the keyless push start system antenna(s) may interfere with operation of electrical medical equipment such as pacemakers. Failure to take the precautions listed below can increase the risk of severe injury or death due to radio wave interference.

- Anyone who uses electrical medical equipment such as a pacemaker should consult the medical equipment supplier or their medical advisor about whether radio waves from the antenna(s) can interfere with the medical equipment.
- If radio wave interference is a concern, have the function of the antenna(s) disabled by an authorised Maruti Suzuki workshop.

**Keyless push start system remote controller (Type A)**

The remote controller enables the following operations:

- You can lock or unlock the doors by operating LOCK/UNLOCK buttons on the remote controller. Refer to the explanation in this section.
- You can lock or unlock the doors by pushing the request switch. For details, refer to the explanation in this section.
- You can start the engine without using an ignition key. For details, refer to "Engine switch (Vehicle with keyless push start system) (if equipped)" in "OPERATING YOUR VEHICLE" section.
- You can unlatch and let the trunk lid slightly open by pushing and holding TRUNK LID UNLOCK button on the remote controller. Refer to the explanation in this section.



56RM02004

- (1) LOCK button
- (2) UNLOCK button
- (3) TRUNK LID UNLOCK button

You can lock or unlock all doors simultaneously by operating the remote controller near the vehicle.

**Central door locking system**

- To lock all doors, push LOCK button (1) once.
- To unlock only the driver's door, push UNLOCK button (2) once.
- To unlock other doors, push UNLOCK button (2) once again.

**NOTE:**

*You can switch the function that unlocks all doors from requiring two pushes to requiring one push, and vice versa, via the information display setting mode. For details on how to use the information display, refer to "Information display" in this section.*

The turn signal lights will flash once and the siren will sound once when the doors are locked.

**When the doors are unlocked:**

- The turn signal lights will flash twice and the siren will sound twice.
- If the interior light switch is in DOOR position, the interior light will turn on for about 15 seconds and then fade out. If you press the engine switch during this

time, the light will start to fade out immediately.

Check that the doors are locked after you operate LOCK button (1).

**NOTE:**

*If no door is opened within about 30 seconds after UNLOCK button (2) is operated, the doors will automatically lock again.*

**TRUNK LID UNLOCK button (3) function**

Push and hold TRUNK LID UNLOCK button pressed for more than 1 second; the trunk lid will be unlatched and open slightly.

**Car locator function**

This function helps in locating the vehicle. Push both of LOCK button (1) and UNLOCK button (2) for more than 3 seconds. The turn signal lights will blink for about 27.5 seconds. Also, the siren will sound for about 27.5 seconds at the same time.

To cancel the car locator function, press any button (LOCK or UNLOCK).

You can also cancel the car locator function in any of the following operations.

- Press the engine switch to change the ignition mode to "ON".
- Bring the remote controller with you and press the request switch.

## BEFORE DRIVING

### NOTE:

The car locator function will not activate when the ignition mode is "ACC" or "ON" or pre warning / full blast warning by shock sensor or alarm is in activated condition.

### NOTE:

- If you lock the doors using the remote controller when the engine hood are open, the siren will sound 3 times to remind you.
- If the security system was triggered due to an unauthorised entry into the vehicle and then you unlock the doors using the remote controller, the siren will sound 4 times to remind you. If this happens, check whether your vehicle has been broken into while you were away from it.
- Once you push both of LOCK button (1) and UNLOCK button (2), then you push one of the buttons within 5 seconds, the siren will not sound. However, push one of the buttons 5 seconds later, the siren will sound.
- You can set whether the siren sounds when locking or unlocking the door(s) via the setting mode of the information display.
- For details on how to use the information display, refer to "Information Display" in this section.

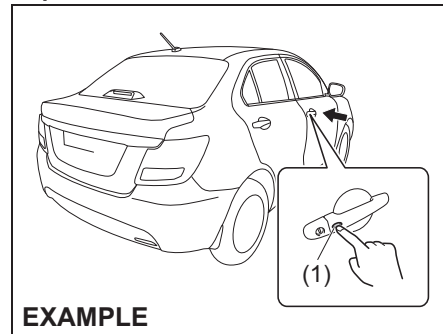
### NOTE:

- The maximum operating distance of the remote controller is about 5 m (16 ft.), but this can vary depending on the sur-

roundings, especially near other transmitting devices such as radio towers or CB (Citizen's Band) radios.

- The door locks cannot be operated with the remote controller if the ignition mode is in any other mode than the "LOCK" (OFF).
- When any door is open, if you push LOCK button on the remote controller, the siren will sound and doors cannot be locked.
- If you lose one of the remote controllers, ask an authorised Maruti Suzuki workshop as soon as possible for replacement. Have an authorised Maruti Suzuki workshop program the new remote controller code in your vehicle's memory so that the old code is erased.

### Keyless unlocking/locking using the request switches



EXAMPLE

56RH00208

When the remote controller is within the operating range described in this section, you can lock or unlock the doors by pushing the request switch (1) on the driver's door handle or front passenger's door handle.

When all doors are unlocked:

- To lock all doors, push one of the request switches once.

The turn signal lights will flash once and the siren will sound once when the doors are locked.

To unlock a door or all doors:

- Push one of the request switches once to unlock only one door.
- Push one of the request switches twice to unlock all doors.

### NOTE:

You can switch the function that unlocks all doors from requiring two pushes to requiring one push, and vice versa, via the information display setting mode. For details on how to use the information display, refer to "Information display" in this section.

When the doors are unlocked:

- The turn signal lights will flash twice and the siren will sound twice.
- If the interior light switch is in DOOR position, the interior light will turn on for about 15 seconds and then fade out. If you press the engine switch during this

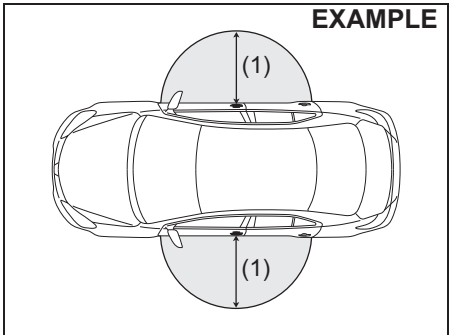


**BEFORE DRIVING**

time, the light will start to fade out immediately. Check that the doors are locked after you operate the request switch to lock the doors.

**NOTE:**

- The door locks cannot be operated by the request switch under the following conditions:
  - If any door is open or is not completely closed.
  - If the ignition mode is in any other mode than “LOCK” (OFF).
- If no doors are opened within about 30 seconds after unlocking the doors by pushing the request switch, the doors will be locked again automatically.



56RH00209

(1) 80 cm (2 1/2 feet)

When the remote controller is within approximately 80 cm (2 1/2 feet) from a front door handle, you can lock or unlock the doors by pushing the request switch.

**NOTE:**

- If the remote controller is outside the request switch operating range described above, you will not be able to operate the request switch.
- If the battery of the remote controller runs down or there are strong radio waves or noise, the request switch operating range may be reduced or the remote controller may be inoperative.
- If the remote controller is too close to the door glass, the request switches may not operate.
- If a spare remote controller is in the vehicle, the request switches may not operate normally.
- The remote controller will only operate a request switch if it is within the switch's operating range. For example, if the remote controller is within the operating range of the driver's door request switch but not the front passenger's door request switch, the driver's door switch can be operated but the front passenger's door switch cannot be operated.

<b>NOTICE</b>
<p>The remote controller is a sensitive electronic instrument. To avoid damaging the remote controller:</p> <ul style="list-style-type: none"><li>• Do not expose it to impacts, moisture or high temperature such as by leaving it on the dashboard under direct sunlight.</li><li>• Keep the remote controller away from magnetic objects such as a television.</li></ul>

**NOTE:**

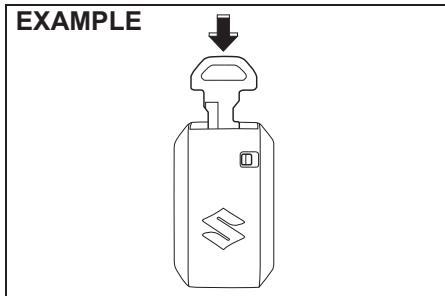
The keyless push start system may not function correctly in certain environments or under certain operating conditions such as the following:

- When there are strong signals coming from a television, power station or a cellular phone.
- When the remote controller is in contact with or covered by a metal object.
- When a radio wave type remote keyless entry is used nearby.
- When the remote controller is placed near an electronic device such as personal computer.

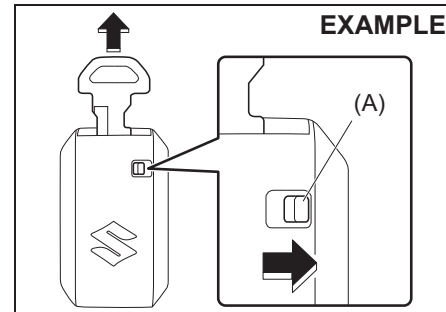
## BEFORE DRIVING

Some additional precautions you should take and information you should be aware of are:

- Check that the key is stowed in the remote controller. If the remote controller becomes unusable, you will not be able to lock or unlock the doors.
- Check that the driver always carries the remote controller.
- If you lose one of the remote controllers, ask an authorised Maruti Suzuki workshop as soon as possible for a replacement. Have an authorised Maruti Suzuki workshop program the new remote controller code in your vehicle's memory so that the old code is erased.
- You can use up to four remote controllers and the keys for your vehicle. Ask an authorised Maruti Suzuki workshop for details.
- The battery life of the remote controller is about two years, but it can vary depending on usage conditions.



To stow the key into the remote controller, push the key in the remote controller until you hear a click.



To remove the key from the remote controller, slide the lock knob (A) in arrow direction and pull the key out from the remote controller.

### Request switch warning buzzer

The exterior buzzer beeps for about 2 seconds in the following conditions to warn you that the request switch is not working:

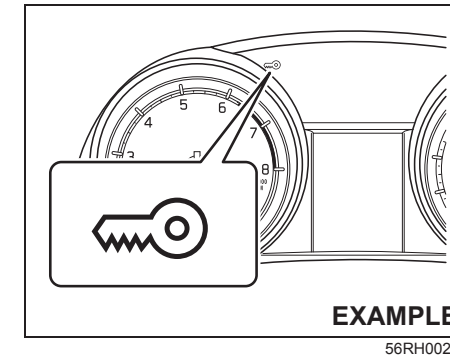
- The request switch is pressed after all doors are closed with the ignition mode changed to "ACC" or "ON" by pressing the engine switch.
- The request switch is pressed in any of the following conditions after changing the ignition mode to "LOCK" (OFF) by pressing the engine switch.
  - The remote controller is left inside the vehicle.

- Any door is open.

Press the request switch again after doing the following:

With the ignition mode changed to "LOCK" (OFF) by pressing the engine switch, bring out the remote controller if it is inside the vehicle and check that all doors are completely closed.

### Reminder function



If the remote controller is not in the vehicle under the following conditions, the buzzer sounds intermittently for about 2 seconds and the immobilizer/keyless push start system warning light on the instrument cluster blinks:

When one or more doors are opened and all of the doors are later closed with the ignition in any other mode than "LOCK" (OFF).

**BEFORE DRIVING**

The indicator light will turn off within several seconds after the remote controller is returned to an area of the vehicle other than the trunk.

If the remote controller is left in the vehicle and you lock the driver's door or front passenger's door as described below, the door will be automatically unlocked.

- If you open the driver's door and lock the door by turning the lock knob forward or pushing the power door locking switch, the driver's door will be automatically unlocked.
- If you open the front passenger's door and lock the door by turning the lock knob forward or pushing the power door locking switch, the front passenger's door will be automatically unlocked.

If you close the trunk lid with the remote controller left in the trunk with all the doors locked, the trunk will be automatically unlatched.

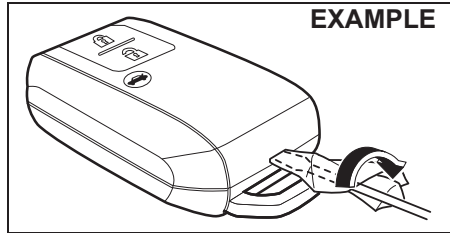
**NOTE:**

- *The reminder will not operate when the remote controller is on the instrument panel, in the glove box, in a storage compartment, in the sun visor or on the floor, etc.*
- *Check that the driver always carries the remote controller.*
- *Do not leave the remote controller in the vehicle when leaving the vehicle.*

**Battery replacement**

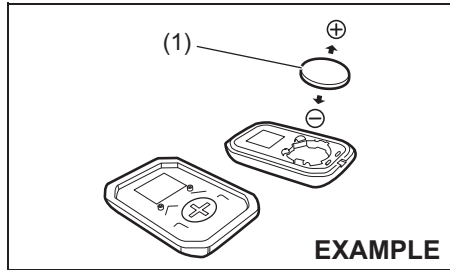
If the remote controller becomes unusable, replace the battery.

To replace the battery of the remote controller:



56RH00213

- 1) Insert a flat-bladed screwdriver covered with a soft cloth in the slot of the remote controller and pry it open.



56RH00214

- (1) Lithium disc type battery: CR2032 or equivalent

- 2) Replace the battery (1) so its "-" terminal faces the bottom of the case as shown in the illustration.
- 3) Close the remote controller firmly.
- 4) Check that the door locks can be operated with the remote controller.
- 5) Dispose of the used battery properly according to applicable rules or regulations. Do not dispose of lithium batteries with ordinary household trash.

**⚠ WARNING**

Swallowing a lithium battery may cause serious internal injury. Do not allow anyone to swallow a lithium battery. Keep lithium batteries away from children and pets. If swallowed, contact a physician immediately.

**NOTICE**

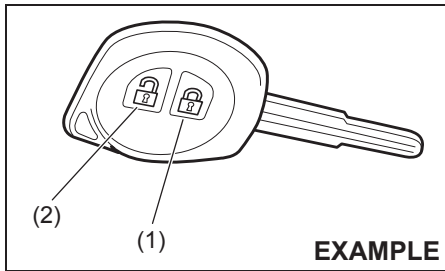
- The remote controller is a sensitive electronic instrument. To avoid damaging it, do not expose it to dust or moisture or tamper with internal parts.
- When replacing the battery by yourself, the remote controller could be damaged affected by static electricity. Discharge the static electricity built up in your body by touching metal before replacing the battery.

## BEFORE DRIVING

### NOTE:

Used batteries must be disposed of properly according to applicable rules or regulations and must not be disposed of with ordinary household trash.

### Keyless entry system transmitter (Type B)



- (1) LOCK button
- (2) UNLOCK button

You can lock or unlock all doors simultaneously by operating the transmitter near the vehicle.

### Central door locking system

- To lock all doors, push LOCK button (1) once.
- To unlock only the driver's door, push UNLOCK button (2) once.
- To unlock other doors, push UNLOCK button (2) once again.

### NOTE:

You can switch the function that unlocks all doors from requiring two pushes to requiring one push, and vice versa, via the information display setting mode. For details on how to use the information display, refer to "Information display" in this section.

The turn signal lights will flash once and the siren will sound once when the doors are locked.

When the doors are unlocked:

- The turn signal lights will flash twice and the siren will sound twice.
- If the interior light switch is in DOOR position, the interior light will turn on for about 15 seconds and then fade out. If you insert the key into the ignition switch during this time, the light will start to fade out immediately.

Check that the doors are locked after you operate LOCK button (1).

### NOTE:

If no door is opened within about 30 seconds after UNLOCK button (2) is operated, the doors will automatically lock again.

### NOTE:

- If you lock the doors using the transmitter when the engine hood is open, the siren will sound 3 times to remind you.
- If the security system was triggered due to an unauthorised entry into the vehicle and then you unlock the doors using the

transmitter, the siren will sound 4 times to remind you. If this happens, check whether your vehicle has been broken into while you were away from it.

- Once you push both of the LOCK button (1) and UNLOCK button (2), then you push one of the buttons within 5 seconds, the siren will not sound. However, push one of the buttons 5 seconds later, the siren will sound.
- You can set whether the siren sounds when locking or unlocking the door(s) via the setting mode of the information display. For details on how to use the information display, refer to "Information Display" in this section.

### NOTE:

- The maximum operating distance of the keyless entry system transmitter is about 5 m (16 ft.), but this can vary depending on the surroundings, especially near other transmitting devices such as radio towers or CB (Citizen's Band) radios.
- The door locks cannot be operated with the transmitter, if the ignition key is inserted in the ignition switch.
- When any door is open, the door locks can only be unlocked with the transmitter, and the turn signal light will not flash.
- If you lose one of the transmitters, ask your authorised Maruti Suzuki workshop as soon as possible for a replacement. Have your dealer program the new transmitter code in your vehicle's memory so that the old code is erased.

**NOTICE**

The transmitter is a sensitive electronic instrument. To avoid damaging the transmitter:

- Do not expose it to impacts, moisture or high temperature such as by leaving it on the dashboard under direct sunlight.
- Keep the transmitter away from magnetic objects such as a television.

**Car locator function**

This function helps in locating the vehicle. Push both of the LOCK button (1) and UNLOCK button (2) for more than 3 seconds.

The turn signal lights will blink for about 27.5 seconds. Also, the siren will sound for about 27.5 seconds at the same time.

To cancel the car locator function, press any button (LOCK or UNLOCK).

You can also turn the ignition switch to the "ON" position to cancel the car locator function.

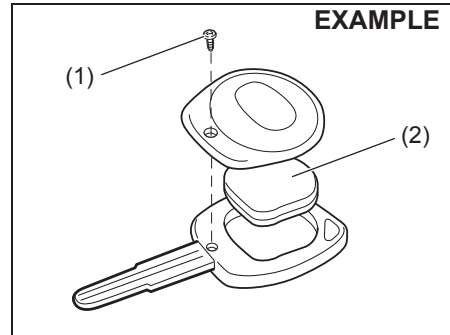
**NOTE:**

The car locator function will not activate when the key is in the ignition switch or pre warning / full blast warning by shock sensor or alarm is inactivated condition.

**Battery replacement**

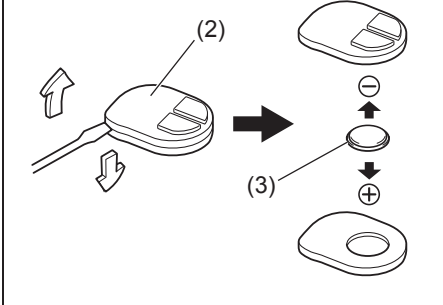
If the transmitter becomes unusable, replace the battery.

To replace the battery of the transmitter:



- 1) Remove the screw (1), and open the transmitter cover.
- 2) Remove the transmitter (2).

**EXAMPLE**



- (3) Lithium disc type battery: CR1616 or equivalent

- 3) Put the edge of a flat-bladed screwdriver in the slot of the transmitter (2) and pry it open.
- 4) Replace the battery (3) so its + terminal faces "+" mark of the transmitter.
- 5) Close the transmitter and install it into the transmitter holder.
- 6) Close the transmitter cover, install and tighten the screw (1).
- 7) Check that the door locks can be operated with the transmitter.
- 8) Dispose of the used battery properly according to applicable rules or regulations. Do not dispose of lithium batteries with ordinary household trash.

## BEFORE DRIVING

### **⚠ WARNING**

**Swallowing a lithium battery may cause serious internal injury. Do not allow anyone to swallow a lithium battery. Keep lithium batteries away from children and pets. If swallowed, contact a physician immediately.**

### **NOTICE**

- **The transmitter is a sensitive electronic instrument. To avoid damaging it, do not expose it to dust or moisture or tamper with internal parts.**
- **When replacing the battery by yourself, the transmitter could be damaged affected by static electricity. Discharge the static electricity built up in your body by touching metal before replacing the battery.**

#### *NOTE:*

*Used batteries must be disposed of properly according to applicable rules or regulations and must not be disposed of with ordinary household trash.*

### **Security system (if equipped)**

The security system is armed after you close and lock all doors (including engine hood and trunk lid) by using the keyless entry system transmitter, keyless push start system remote controller or request switch.

Once the system is armed, any attempt to open a door by using any other means (\*) than the keyless entry system transmitter, keyless push start system remote controller, request switch or open the engine hood, will cause the alarm to be triggered.

\* These means include the following:

- The key
- The lock knob on a door
- The central door locking switch
- The trunk lid unlatch switch

### **NOTICE**

**Do not modify or remove the theft deterrent alarm system. If modified or removed, the system may not work properly.**

Also, in case that you have set the shock sensor to enabled state and set sensitivity of the pre-warning function and full blast warning function to a level other than 0, the warning will be triggered in case of any attempt to tamper with the vehicle. The shock sensor can be selected enabled or disabled state, and sensitivity of each warning can be adjusted as desired. To set the shock sensor, ask your authorised

Maruti Suzuki workshop or use the setting mode of the information display.

#### *NOTE:*

- *The default setting of the shock sensor is in the disabled state. Set to the enabled state and adjust sensitivity of each warning according to your preference. For details on how to use the information display, refer to “Information Display” in this section.*
- *Your dealer may have already set the shock sensor of the vehicle to the enabled state before you purchase it. Consult your dealer for further information.*

#### *NOTE:*

- *The security system generates alarms when any of the predetermined conditions is met. However, the system does not have any function of blocking unauthorised entry into the vehicle.*
- *Always use the keyless entry system transmitter, keyless push start system remote controller or request switch to unlock the doors when the security system has been armed. Using a key instead will trigger the alarm.*
- *If a person who does not know the security system is going to drive the vehicle, we recommend you explain the system and its operation to the person. Mistakenly triggering the alarm may cause a nuisance to others.*

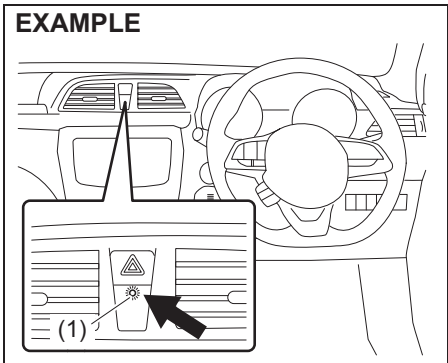
## BEFORE DRIVING

- Even if the security system is armed, you should still be careful to guard against theft. Do not leave money or things of value in the vehicle.
- The theft deterrent alarm system is maintenance-free.

### How to arm the security system

Lock all doors (including engine hood and trunk lid) using the keyless entry system transmitter, keyless push start system remote controller or request switch.

When the system is armed, the indicator continues to blink at intervals of approximately 2 seconds.



56RH00215

### NOTE:

- To prevent the alarm from being accidentally triggered, avoid arming it while anyone remains inside the vehicle. The alarm will be triggered if any person inside opens the door, trunk, engine

hood, or the warning may be triggered if anyone swings the vehicle (if the shock sensor is in the enabled state).

- The security system is not armed when all doors are locked using the key from outside, using the door lock knobs or the central door locking switch from inside.
- If any door is not operated within approximately 30 seconds after the doors have been unlocked using the keyless entry system transmitter, keyless push start system remote controller or request switch, the doors are automatically locked again. When the doors are locked, the security system will be armed.
- If the security system indicator (1) blinks when the ignition switch is in the "ON" position or the ignition mode is "ON", there may be something wrong with the security system. Ask your authorised Maruti Suzuki workshop to inspect the system.

### How to disarm the security system

Simply unlock the doors using the keyless entry system transmitter, keyless push start system remote controller or request switch. The security system indicator will go out, indicating that the security system is disarmed.

### How to stop the alarm

Should the alarm be triggered accidentally, the alarm will stop by the following operations.

- Press the engine switch to change the ignition mode to "ON" or turn the ignition switch to "ON" position in case of emergency.
- Unlock the doors using the keyless entry system transmitter, keyless push start system remote controller or request switch.

### NOTE:

- Even after the alarm has stopped, if you lock the doors using the keyless entry system transmitter, keyless push start system remote controller or request switch, the security system will be rearmed.
- If you disconnect the battery while the security system is in the armed condition or the alarm is actually in operation, the alarm will be re-triggered when the battery is then reconnected.
- Even after the alarm has stopped at the end of the predetermined operation time, it will be triggered again if any of the doors, trunk or engine hood is opened, without disarming the security system.

### Checking whether the alarm has been triggered during parking

If the alarm was triggered and you then turn the ignition switch to "ON" position or the ignition mode is "ON" the security system indicator will blink rapidly for about 8 seconds and a buzzer will beep 4 times during this period. If this happens, check

## BEFORE DRIVING

whether the vehicle has been broken into while you were away from it.

### Security system indication

- If any of the doors or trunk are opened without unlocking by the keyless entry system transmitter, keyless push start system remote controller or request switch, all turn signal lights start to blink and the interior buzzer beeps intermittently. After 5 seconds, the siren will sound for about 27.5 seconds. The security system indicator continues to blink during this time.
- If the engine hood is opened, all turn signal lights blink, and the siren sounds for about 27.5 seconds. The security system indicator continues to blink during this time.

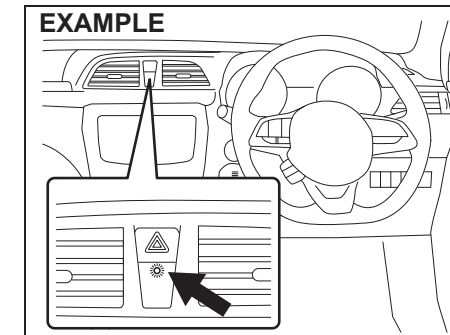
(If the shock sensor is in the enabled state)

- If the vehicle feels a shock higher than the pre-warning sensitivity, the siren sounds for about 2 seconds (pre-warning). If the vehicle feel a shock higher than the full blast warning sensitivity, the siren sounds for about 5 seconds (full blast warning). The security system indicator continues to blink during this time.

### NOTE:

*If you set the full blast warning sensitivity higher than the pre-warning sensitivity in the setting mode of the information display, or the vehicle feels such shock as to be able to trigger the full blast warning, the full blast warning will be triggered preferentially. In this case, the pre-warning will not be triggered.*

### Theft deterrent light (if equipped)



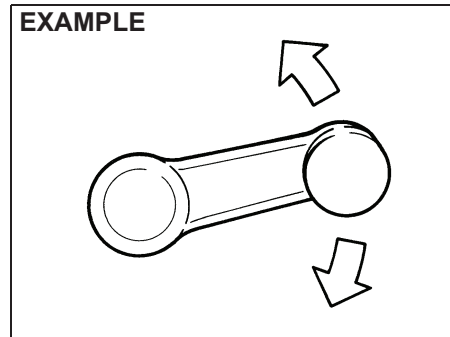
56RH00220

This light will blink with the ignition switch in "LOCK" or "ACC" position. The blinking light is intended to deter theft by leading others to believe that the vehicle is equipped with a security system.



**Windows**

**Manual window control  
(if equipped)**

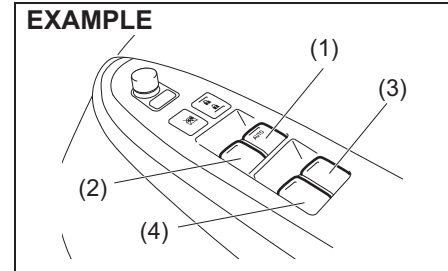


Raise or lower the door windows by turning the handle located on the door panel.

**Electric window controls  
(if equipped)**

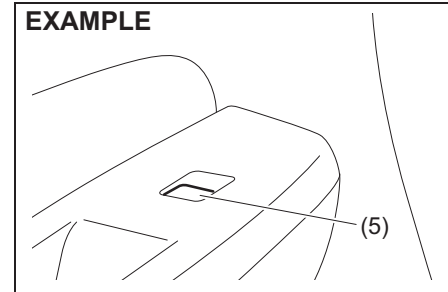
The electric windows can only be operated when the ignition switch is in "ON" position or the ignition mode is "ON".

**Driver's side**

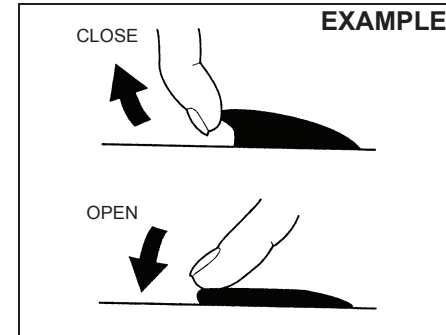


The driver's door has a switch (1) to operate the driver's window, and a switch (2) to operate the front passenger's window or there are switches (3), (4), to operate the rear right and left passenger windows, respectively.

**Passenger's door**



The passenger's door has a switch (5) to operate the passenger's window.



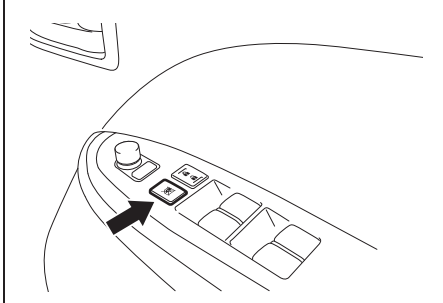
To open a window, push the top part of the switch. To close the window, lift up the top part of the switch.

The driver's window has AUTO-DOWN and AUTO-UP (if equipped) features for greater convenience (at toll booths or drive-through restaurants, for example). These features allow the driver to open or close the window without holding the window switch in DOWN or UP position. Press down or lift up the driver's window switch completely and release it. To stop the window before it reaches the FULL-DOWN or FULL-UP position, pull up or push down the switch briefly.

## BEFORE DRIVING

### Lock switch

#### EXAMPLE



56RH00223

The driver's door also has a lock switch for the passenger's window(s). When you push in the lock switch, the passenger's window(s) cannot be raised or lowered by operating any of the switches (2), (3), (4) or (5). To restore normal operation, release the lock switch by pushing it again.

#### **⚠ WARNING**

- **You should always lock the passenger's window operation when there are children in the vehicle. Children can be seriously injured if they get part of their body caught by the window during operation.**
- **To avoid injuring an occupant by window entrapment, check that no part of the occupant's body such as hands or head is in the path of the electric windows when closing them.**
- **Always remove the ignition key or take the keyless push start system remote controller with you when leaving the vehicle even only for a short time. Also do not leave children alone in a parked vehicle. Unattended children could use the electric window switches and get trapped by the window.**

#### NOTE:

*If you drive with one of the rear windows open, you may hear a loud sound caused by air vibration. To reduce the sound, open the driver's or front passenger's window, or narrow the rear window opening.*

### Pinching prevention function (if equipped)

The driver's window is equipped with a pinching prevention function. This function detects a foreign object that is caught in the window as it is being closed by AUTO-UP feature, which allows you to close the window without holding the window switch in UP position, and stops the window from closing to prevent damage.

#### **⚠ WARNING**

**To avoid injuring an occupant by window entrapment, check that no part of the occupant's body such as hands or head is in the path of the electric window when closing it. This function may not detect an object due to the size, hardness, or position of the object being caught in the closing window.**

**⚠ CAUTION**

- The pinching prevention function does not operate while you are holding the window switch in UP position.
- The pinching prevention function may not detect an object caught in the window just before the window is fully closed.

**NOTE:**

*Even if you cannot close the window by the AUTO-UP feature because there may be something wrong with the pinching prevention function, you can close the window by holding the window switch in UP position. If you drive in extreme off-road condition, the pinching prevention function may operate accidentally because the window reacts to vehicle jolting.*

**Pinching prevention function initialization**

When you disconnect and reconnect the battery or replace the fuse, the function will be deactivated. In this condition, the AUTO-DOWN feature will be deactivated, while the AUTO-UP feature may remain activated. The pinching prevention function needs to be initialized.

To initialize the pinching prevention function, use the following procedure:

- 1) Press the engine switch to change the ignition mode to "ON".
- 2) Open the driver's window fully by holding the window switch in DOWN position.
- 3) Close the driver's window by holding the switch in UP position, and keep holding the switch for 2 seconds after the window is fully closed.
- 4) Check the driver's window to see if the AUTO-DOWN/UP feature works.

**⚠ WARNING**

**Whenever you disconnect and reconnect the battery or replace the fuse, the pinching prevention function needs to be initialized. The pinching prevention function will not be activated until the initialization is completed.**

If the AUTO-DOWN/UP feature will not work after initialization, there might be something wrong with the pinching prevention function. Have your vehicle inspected by an authorised Maruti Suzuki workshop.

**Mirrors**

**⚠ WARNING**

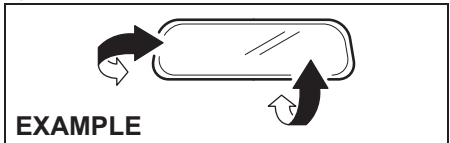
**Failure to observe following point may result in loss of vehicle control and cause an accident, leading to death or serious injury. Always follow below points while driving.**

- Do not adjust the mirrors while driving.
- Always unfold all the outside rearview mirrors and adjust properly before driving.
- Do not place objects in the rear of the vehicle which may hinder visibility or interfere with your vision from the rear window glass.

**Inside rearview mirror**

You can adjust the inside rearview mirror by hand to see the rear of your vehicle in the mirror.

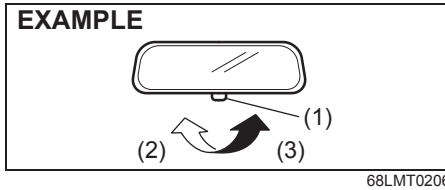
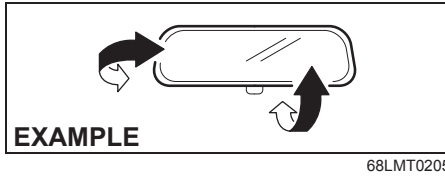
**Type A**



74LHT0235

## BEFORE DRIVING

### Type B



- (2) Day driving  
(3) Night driving

To adjust the mirror, set the selector tab (1) to the day position, and then move the mirror up, down or sideways by hand to obtain the best view.

When driving at night, you can move the selector tab to the night position to reduce glare from the headlights of vehicles behind you.

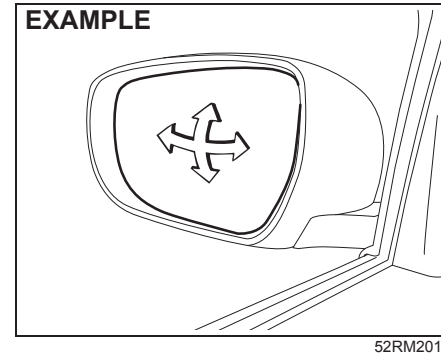
### ⚠ WARNING

- Always adjust the mirror with the selector set to the day position.
- Only use the night position if it is necessary to reduce glare from the headlights of vehicles behind you. Be aware that in this position you may not be able to see some objects that could be seen in the day position.

### ⚠ CAUTION

**Do not modify the inside rearview mirror or install a non-genuine wide mirror. It could result in injury during accident.**

### Outside rearview mirrors

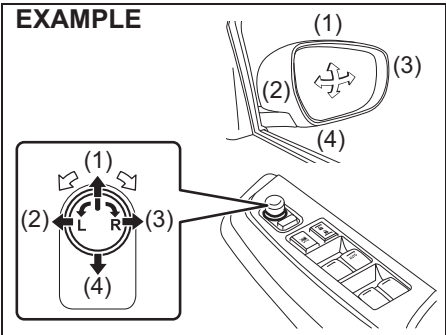


Adjust the outside rearview mirrors so you can just see the side of your vehicle in the mirrors.

### ⚠ WARNING

**Be careful when judging the size or distance of a vehicle or other object seen in the side convex mirror. Be aware that objects look smaller and appear farther away than when seen in a flat mirror.**

Electric mirrors (if equipped)



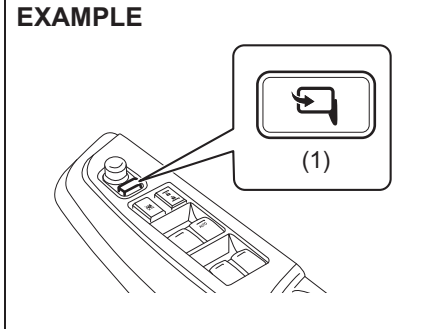
The switch to control the electric mirrors is located on the driver's door panel. You can adjust the mirrors when the ignition switch is in "ACC" or "ON" position, or the ignition mode is "ACC" or "ON". To adjust the mirrors:

- 1) Rotate the selector switch to the left or right to select the mirror you wish to adjust.
- 2) Push the side of the switch that corresponds to the direction in which you wish to move the mirror.
- 3) Return the selector switch to the center position to help prevent unintended mirror movement.

<b>NOTICE</b>
<ul style="list-style-type: none"> <li>• The electric type outside rearview mirror operates even though the ignition switch is in the ACC position. However, to prevent unnecessary battery discharge, do not adjust the mirrors longer than necessary while the engine is not running</li> <li>• The mirrors stop moving when they reach the maximum adjusting angles, but the motor continues to operate while the switch is pressed. Do not continue to press the switch in such a situation, as the motor may be damaged.</li> <li>• Do not attempt to adjust the outside rearview mirror by hand which may cause damage to the motor.</li> </ul>

Outside rearview mirror folding switch (if equipped)

<b>NOTICE</b>
<p>Do not fold the electrical foldable outside rearview mirror by hand. It could cause motor failure.</p>



You can fold the mirrors when you park the vehicle in a narrow space. When the ignition mode is "ACC" or "ON", push the folding switch (1) to fold and unfold the mirrors. Check that the mirrors are completely unfolded before you start driving.

<b>CAUTION</b>
<p>Moving mirrors can pinch and injure a hand. Do not allow anyone's hand to get near the mirrors when folding and unfolding the mirrors.</p>

## BEFORE DRIVING

### NOTE:

- If you press the folding switch to open the outside rearview mirrors and simultaneously start the engine, then the outside rearview mirrors may get stuck during that moment. In such a situation, to open the outside rearview mirrors completely, again press the folding switch after starting the engine.
- Slight time difference in opening of both outside rearview mirrors is due to angular positioning of the driver seat.

### Remote folding mirrors (if equipped)

When the outside rearview mirrors folding switch is in the unfolded position, the outside rearview mirrors are folded or unfolded in conjunction with the door locking or engine switch operation.

- When you lock the doors (including the tailgate) by using the remote controller or pushing the request switch, the mirrors will be folded automatically.
- To unfold the mirrors, push the engine switch to change the ignition mode to ACC or ON.
- The factory setting is that the function is enabled. You can switch the function from enabled to disabled, and vice versa. To switch the function for your preference, refer to "How to switch the remote folding mirrors function".

### NOTICE

In cold conditions when the mirrors are frozen, disable the function. If the mirrors are folded and unfolded repeatedly without thawing, the mirrors may be damaged.

### NOTE:

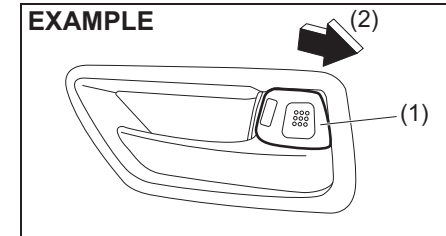
- If the doors are locked by using the key, lock knob on the door or power door locking switch, the mirrors will not be folded automatically.
- If the outside rearview mirrors folding switch is in the folded position, the mirrors will not be unfolded automatically, even when the engine switch is pushed to change the ignition mode to ACC or ON.
- If any of the doors is not opened within about 30 seconds after the doors are unlocked by using the keyless push start system remote controller or request switch, the doors will be locked again and the mirrors will be folded automatically.

### How to switch the remote folding mirrors function

When the ignition mode is "LOCK (OFF)", you can switch the function from the enabled state to the disabled state, and vice versa, using the following method.

- 1) Sit in the driver's seat and make sure that all doors are closed.

- If any door is open, the open door warning light comes on.

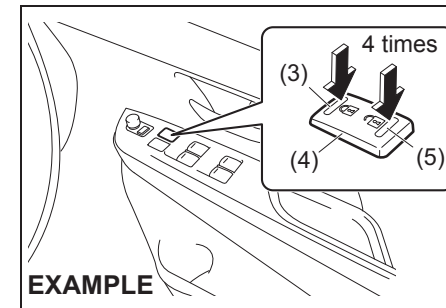


56RM02037

- 2) Turn the lock knob (1) on the driver's door rearward (2).

### NOTE:

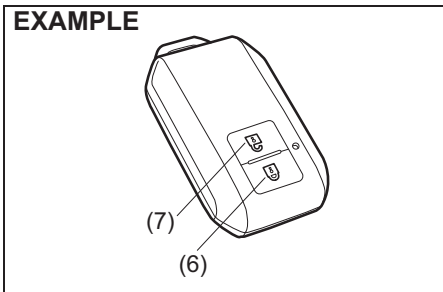
All operations included in the following steps 3) and 4) must be completed within 15 seconds.



56RM02038

Push the lock end (3) (forward end) of the power door lock switch (4) to lock the doors, and then the unlock end (5) (backward end) to unlock the doors. Repeat the operations of this step for 4 times.

**EXAMPLE**



56RM03030

- (6) Lock button
- (7) Unlock button

- 1) Push any of the buttons on the keyless push start system remote controller 3 times.
  - Push either lock button or unlock button described above you like.
  - During operation, the doors are not locked or unlocked.

Every time you perform the series of the above steps, the state of the remote folding mirrors function changes from the currently selected one to the other. You can check whether the system is enabled or disabled by the number of interior buzzer beeps at the end of the procedure as follows.

System state	Number of beeps
Enabled	Once
Disabled	2 times

If you cannot complete the operations in step 3) and 4) within 15 seconds correctly, the state of the remote folding mirrors function will not change and the interior buzzer does not beep. Perform the procedure again from the beginning.

**Front seats**

**Precaution for front passenger seat**  
Refer to the NOTICE in the “Front passenger’s seat belt reminder” section.

**Seat adjustment**

**⚠ WARNING**

Never attempt to adjust the driver’s seat or seatback while driving. The seat or seatback could move unexpectedly, causing loss of control. Check that the driver’s seat and seatback are properly adjusted before you start driving.

**⚠ WARNING**

To avoid excessive seat belt slack, which reduces the effectiveness of the seat belts as a safety device, check that the seats are adjusted before the seat belts are fastened.

**⚠ WARNING**

Do not leave cigarette lighters or spray cans on the floor. If a cigarette lighter or spray can is on the floor, it may light accidentally when luggage is loaded or the seat is adjusted, causing a fire.

## BEFORE DRIVING

---

### WARNING

- All seatbacks should always be in an upright position when driving, or seat belt effectiveness may be reduced. Seat belts are designed to offer maximum protection when seatbacks are in the upright position.

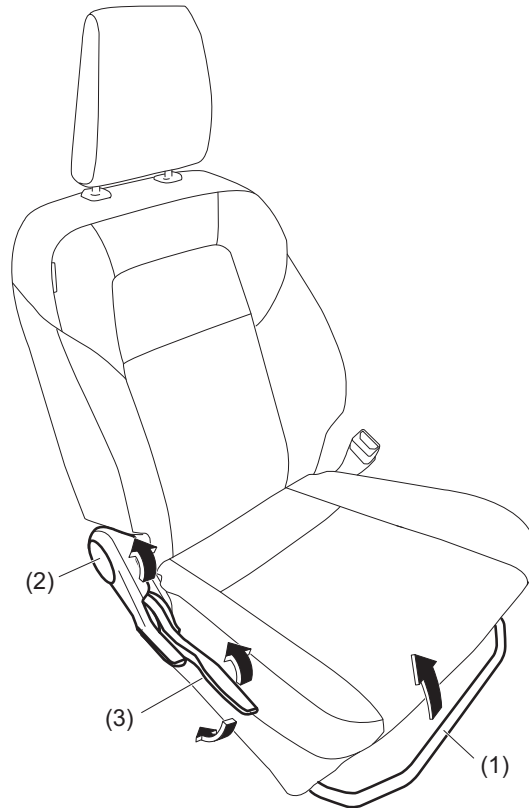
### WARNING

Do not place any object under the front seat. If an object gets stuck under the front seat, the seat shall not be latched properly and may cause injury.



## BEFORE DRIVING

### EXAMPLE



56RH00226

#### **Seat position adjustment lever (1)**

Pull the lever up and slide the seat.

#### **Seatback angle adjustment lever (2)**

Pull the lever up and move the seatback.

#### **Seat height adjustment lever (3) (if equipped)**

Pull the lever up to raise the seat. Push the lever down to lower the seat.

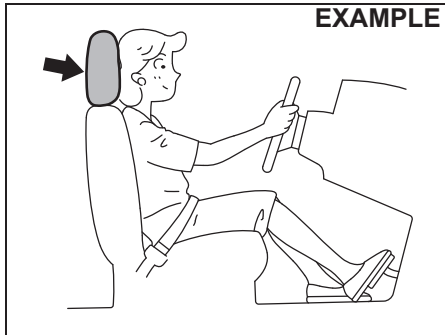
After adjustment, move the seat and seatback back and forth to check if it is securely latched.

#### **NOTE:**

*To operate the seat back smoothly, pull the seat back adjustment lever (2) in upward direction. Ensure to move seat back only after lever is moved to fully up position. After adjustment of seat back, release the lever gently. Check that seat back is locked by moving it forward and backward.*

## BEFORE DRIVING

### Head restraints (Adjustable type) (if equipped)



80J001

Head restraints are designed to help reduce the risk of neck injuries in the case of an accident. Adjust the head restraint to the position which places the center of the head restraint closest to the top of your ears. If this is not possible for very tall passengers, adjust the head restraint as high as possible.

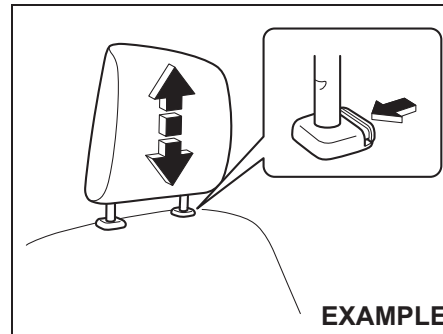
#### **⚠ WARNING**

- Never drive the vehicle with the head restraints removed.
- Do not attempt to adjust the head restraint while driving.

#### NOTE:

*It may be necessary to recline the seat-back to provide enough overhead clearance to remove the head restraint.*

#### Front



75RM004

To raise the front head restraint, pull upward the head restraint until it clicks. To lower the head restraint, push down the head restraint while holding in the lock lever. If a head restraint must be removed (for cleaning, replacement, etc.), push in the lock lever and pull the head restraint all the way out.

### Rear seats

#### Head restraints (if equipped)

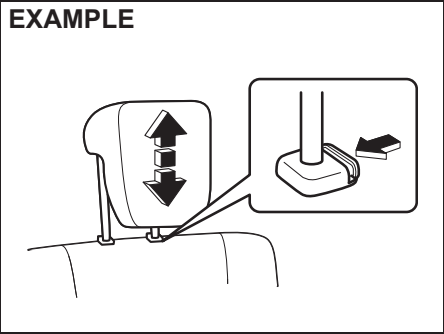
Head restraints are designed to help reduce the risk of neck injuries in the case of an accident.

#### **⚠ WARNING**

- Never drive the vehicle with the head restraints removed.
- Do not attempt to adjust the head restraint while driving.

Adjust the head restraint to the position which places the center of the head restraint closest to the top of your ears. If this is not possible for very tall passengers, adjust the head restraint as high as possible.

Rear

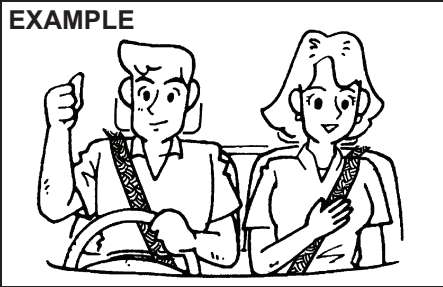


61MM0A033

To raise the rear head restraint, pull upward the head restraint until it clicks. To lower the head restraint, push down the head restraint while holding in the lock lever. If a head restraint must be removed (for cleaning, replacement, etc.), push in the lock lever and pull the head restraint all the way out.

When installing a child restraint system, adjust the height of the head restraint or remove it for fitting the child restraint, as necessary.

Seat belts and child restraint systems



65D231S

**WARNING**

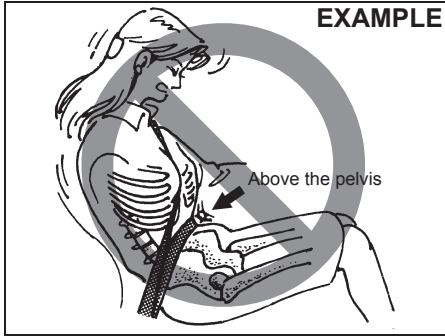
- Wear your seat belts at all times.
- An air bag supplements or adds to the frontal crash protection offered by seat belts. The driver and all passengers must be properly restrained by wearing seat belts at all times even if driving for a very short distance, whether or not an air bag is mounted at their seating position, to minimize the risk of severe injury or death in the event of a crash.

(Continued)

**WARNING**

(Continued)

- Do not modify, remove, disassemble seat belts. Doing so may prevent them from functioning properly and cause the risk of severe injury or death in the event of a collision.



65D606

**WARNING**

- Never allow persons to ride in the cargo area of a vehicle. In the event of an accident, there is a much greater risk of injury for persons who are not riding in a seat with their seat belt securely fastened.

(Continued)

## BEFORE DRIVING

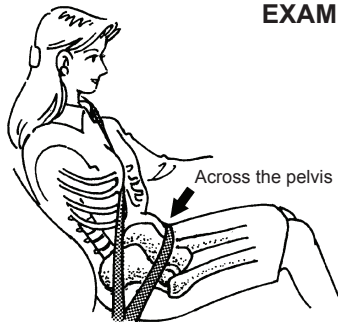
### ⚠ WARNING

(Continued)

- Ensure that all seat belts are worn correctly. An improperly worn seat belt increases the risk of injury or death if a collision occurs.
- Seat belts should always be adjusted as follows:
  - the lap portion of the belt should be worn low across the pelvis, not across the waist.
  - the shoulder straps should be worn on the outside shoulder only, and never under the arm.
  - the shoulder straps should be away from your face and neck, but not falling off your shoulder.

(Continued)

### EXAMPLE



65D201

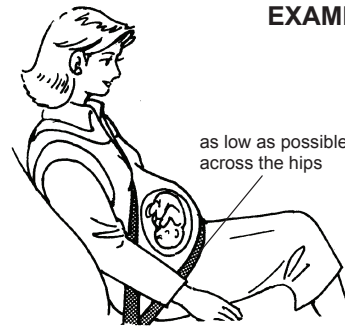
### ⚠ WARNING

(Continued)

- Seat belts should never be worn with the straps twisted and should be adjusted as tightly as is comfortable to provide the protection for which they have been designed. A slack belt will provide less protection than a snug belt.
- Check that seat belt latch plate (tongue) is inserted into the proper buckle especially in the rear seats. It is not possible to insert into the wrong buckles in the rear seats.

(Continued)

### EXAMPLE



65D199

### ⚠ WARNING

(Continued)

- Pregnant women should use seat belts, although specific recommendations about driving should be made by the woman's medical advisor. Remember that the lap portion of the belt should be worn as low as possible across the hips, as shown in the illustration.
- Do not wear seat belts over hard, fragile, or sharp items such as pens, keys, eyeglasses, etc. in pockets or on clothing. The pressure from seat belt on such items can cause injury in case of an accident.
- Never use the same seat belt for more than one occupant and never attach a seat belt over an infant or child being held on an occupant's lap. Such seat belt use could cause serious injury in the event of an accident.

(Continued)

**⚠ WARNING**

(Continued)

- Periodically inspect seat belt assemblies for excessive wear and damage. Seat belts should be replaced if webbing becomes frayed, contaminated or damaged in any way. It is essential to replace the entire seat belt assembly after it has been worn in a severe impact, even if damage to the assembly is not obvious.
- Children aged 12 and under should ride properly restrained in the rear seat.
- Infants and small children should never be transported unless they are properly restrained. Restraint systems for infants and small children can be purchased locally and should be used. Check that the system you purchase meets applicable safety standards. Read and follow all the directions provided by the manufacturer.
- For children, if the shoulder belt irritates the neck or face, move the child closer to the center of the vehicle.

(Continued)

**⚠ WARNING**

(Continued)

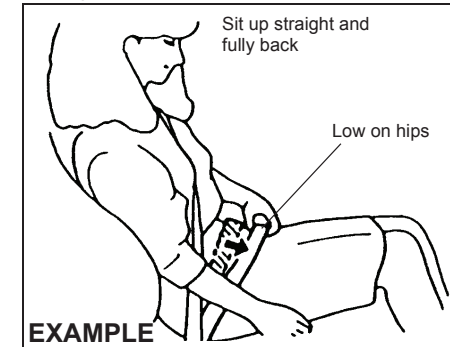
- Avoid contamination of seat belt webbing by polishes, oils, chemicals, and particularly battery acid. Cleaning may safely be carried out using mild soap and water.
- Do not insert any items such as coins and clips into the seat belt buckles, and be careful not to spill liquids into these parts. If foreign materials get into a seat belt buckle, the seat belt may not work properly.
- All seatbacks should always be in an upright position when driving, or seat belt effectiveness may be reduced. Seat belts are designed to offer maximum protection when seatbacks are in the upright position.

**Lap-shoulder belt**

**Emergency locking retractor (ELR)**

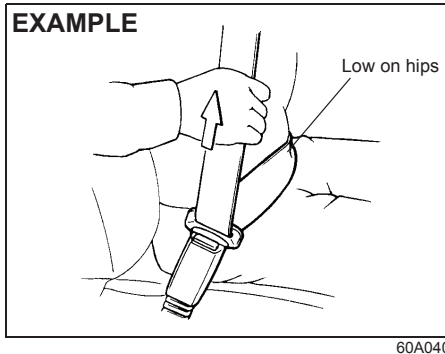
The seat belt has an emergency locking retractor (ELR), which is designed to lock the seat belt only during a sudden stop or impact. It also may lock if you pull the belt across your body very quickly. If this happens, let the belt go back to unlock it, and then pull the belt across your body more slowly.

**Safety reminder**



60A038

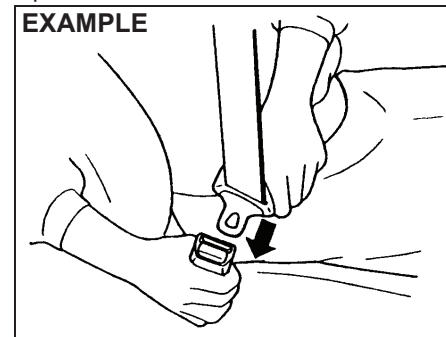
## BEFORE DRIVING



To reduce the risk of sliding under the belt during a crash, position the lap portion of the belt across your lap as low on your hips as possible and adjust it to a snug fit by pulling the shoulder portion of the belt upward through the latch plate. The length of the diagonal shoulder strap adjusts itself to allow freedom of movement.

### All seat belts except rear center

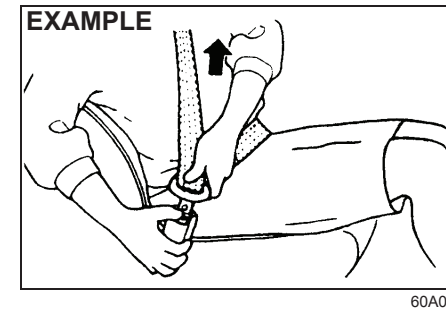
All seat belts except rear center are the lap-shoulder belt.



To fasten the seat belt, sit up straight and far back into the seat, pull the latch plate attached to the seat belt across your body and press it straight into the buckle until you hear a “click”.

#### NOTE:

*If the seat belt cannot be pulled from its fully retracted position, firmly pull the belt and release it. Then smoothly pull the belt out of the retractor.*



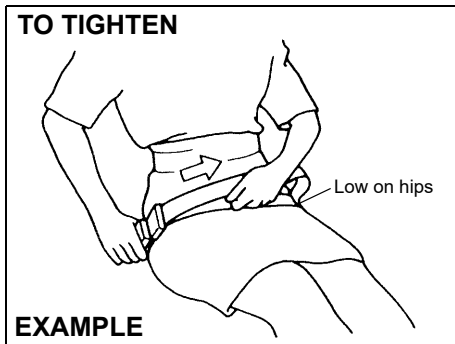
To unfasten the seat belt, push the red “PRESS” button on the buckle and retract the belt slowly while holding the belt or/and the latch plate.

### Lap belt

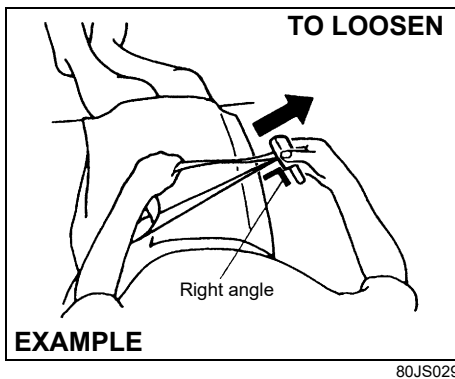
#### Rear center seat belt

Sit up straight and well back in the seat. To fasten the belt, pull the latch plate attached to the seat belt across your hips and press it straight into the buckle until you hear a “click”. To reduce the risk of sliding under the belt during a collision, position the belt across your lap as low on your hips as possible and adjust it to a snug fit.

**BEFORE DRIVING**



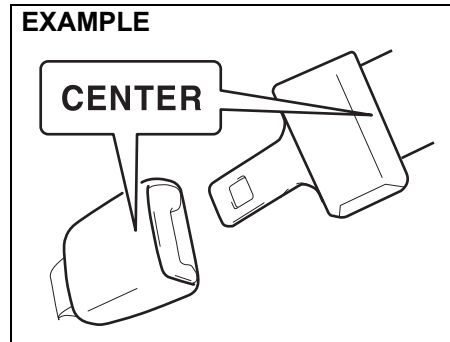
To tighten the belt, pull the free end of the belt across alongside the lap strap.



To lengthen, release the latch plate from the buckle, pull the latch plate (adjuster) in

the direction of the arrow, at right angles to the belt. The latch plate should then be refitted into the buckle and the belt tightened as previously described.

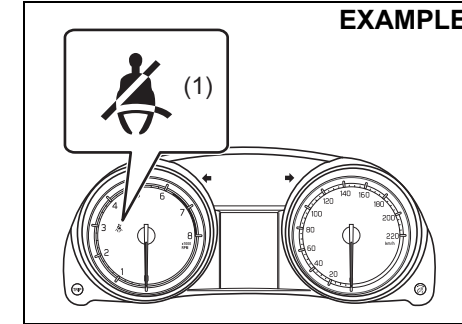
To unfasten the belt, press the release button on the buckle catch.



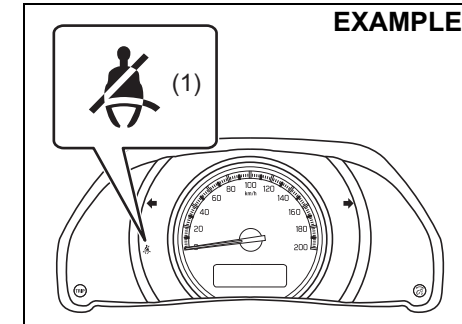
**NOTE:**  
The word "CENTER" is marked on the buckle and latch plate for the rear center belt. The buckles are designed so a latch plate cannot be inserted into the wrong buckle.

**Seat belt reminder**

**With tachometer**



**Without tachometer**



(1) Driver's seat belt reminder light / front passenger's seat belt reminder light / rear passenger's seat belt reminder light\*

## BEFORE DRIVING

When the driver and/or passenger (front passenger and/or rear passenger\*) do(does) not fasten their seat belts, the seat belt reminder lights will come on or blink and a buzzer will sound to remind the driver and/or passenger (front passenger and/or rear passenger\*) to fasten their seat belts. For more details, refer to the explanation below.

### **▲ WARNING**

**It is absolutely essential that the driver, front passenger and rear passenger fasten their seat belts at all times. Persons who are not wearing seat belts have a much greater risk of injury if an accident occurs. Make a regular habit of buckling your seat belt before starting the engine.**

#### **NOTE:**

*Along with the seat belt reminder light, a reminder message shall also come on the information display (if equipped), for unrestrained driver and/or front passenger.*

#### **NOTE:**

*The driver's seat belt reminder light / front passenger's seat belt reminder light / rear passenger's seat belt reminder light\* is for all the driver, front passenger and rear passenger.*

\*: If equipped

### **Driver's seat belt reminder**

If the driver's seat belt remains unbuckled when the ignition switch is turned to the "ON" position, the reminder works as follows:

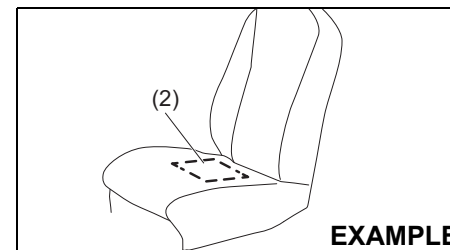
- 1) The driver's seat belt reminder light will come on.
- 2) After the vehicle's speed has reached about 15 km/h, the driver's seat belt reminder light will blink and a buzzer will sound for about 95 seconds.
- 3) The reminder light will remain on until the driver's seat belt is buckled.

If the driver has buckled his or her seat belt and later unbuckles the seat belt, the reminder system will be activated from Step 1) or 2) according to the vehicle's speed. When the vehicle's speed is less than 15 km/h, the reminder will start from Step 1). When the vehicle's speed is more than 15 km/h, the reminder will start from Step 2).

The reminder will be automatically canceled when the driver's seat belt is buckled or the ignition switch is turned off.

### **Front passenger's seat belt reminder**

If there is a person sitting in the front passenger seat and the front passenger seat belt is unbuckled when the ignition switch is turned to "ON" position, the front passenger's seat belt reminder will activate.



69RH203

- (2) The sensor of the front passenger's seat belt reminder

The seat belt reminder sensor (2) detects whether a person is sitting in the front seat. The sensor of the front passenger's seat belt reminder is located in the seat cushion. The front passenger's seat belt reminder works in the same manner as the driver's seat belt reminder.

### **NOTICE**

- The sensor of the front passenger's seat belt reminder is located in the seat cushion. If heavy or sharp objects are put on the seat cushion, or a removal, disassembly and modification of the passenger's seat are performed, the sensor may not work properly or can be damaged. Do not put heavy or sharp objects on the seat cushion. Do not remove, disassemble and modify the passenger's seat.

(Continued)



**NOTICE**

- Depending on the variety of seat cover, operation of the sensor may be adversely affected. MARUTI SUZUKI highly recommends that you use MARUTI SUZUKI genuine seat cover exclusively for this vehicle.
- If you spill liquid such as liquid aromatics, soft drinks or juice on the front passenger's seat cushion, the sensor of the front passenger's seat belt reminder located in the seat cushion can be damaged. Immediately wipe it dry with a soft cloth when spilled.
- When sitting on the front passenger's seat, it is very important that the passenger sits upright, leaning against the seat backrest and centered on the seat cushion in order for the seatbelt reminder system to function effectively. An occupant sitting improperly (slouches, turns sideways, sits forward or sideways) may hamper the functioning of this system as it may not detect the occupant.

**NOTE:**

- If you put an object on the passenger's seat, the weight of the object will be sensed by the sensor and the front passenger's seat belt reminder light will come on and then the interior buzzer may beep.
- If a child or a small sized person sits on the front passenger's seat or the cushion is put on the front passenger's seat, the weight may not be sensed by the sensor and the interior buzzer may not beep.

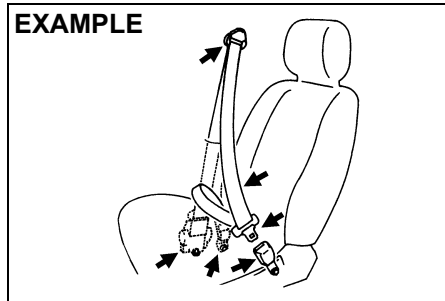
**Rear passenger's seat belt reminder**

If the ignition switch is turned to "ON" position or the engine switch is pressed to change the ignition mode to "ON", the seat belt reminder light comes on unless all rear passenger's seat belts are fastened for irrespective of the presence or absence of passenger. The rear passenger's seat belt reminder works in the same manner as the driver's seat belt reminder.

**NOTE:**

*Maruti Suzuki recommends use of Maruti Suzuki Genuine accessory of "Seat cover".*

**Seat belt inspection**



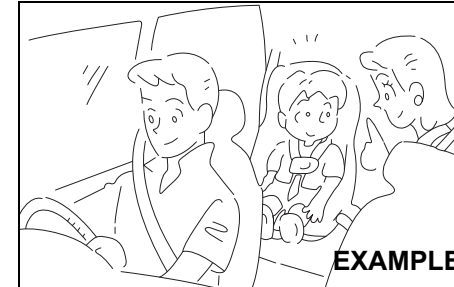
65D209S

Periodically check if the seat belts work properly and are not damaged. Check the webbing, buckles, latch plates, retractors, anchorages and guide loops. Replace any seat belts which do not work properly or are damaged.

**⚠ WARNING**

**Inspect all seat belt assemblies after any crash. Any seat belt assembly which was in use during a crash (other than a very minor one) should be replaced, even if damage to the assembly is not obvious. Any seat belt assembly which was not in use during a crash should be replaced if it does not function properly, it is damaged in any way or the seat belt pretensioners were activated (that is, if the front air bags were activated).**

**Child restraint systems**

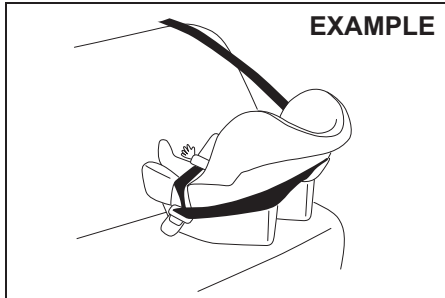


60G332S

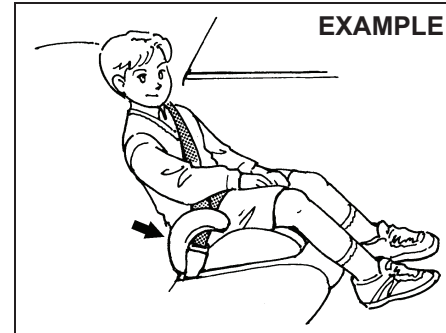
The following types of child restraint system are available generally.

## BEFORE DRIVING

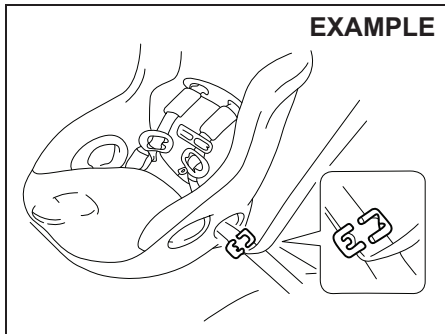
### Infant restraint - rear seat only



### Booster seat



### Child restraint

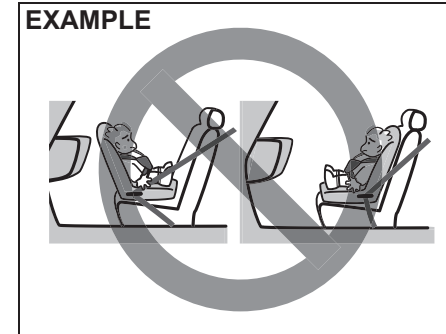


MARUTI SUZUKI highly recommends that you use a child restraint system to restrain infants and small children. Many different types of child restraint systems are available; check that the restraint system you select meets applicable safety standards.

All child restraint systems are designed to be secured in vehicle seats either by seat belts (the lap portion of lap-shoulder belts) or by special rigid lower anchor bars built into the seat.

**NOTE:**

Observe any statutory regulation about child restraints.



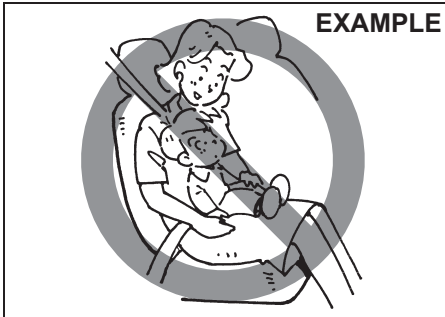
**⚠ WARNING**

Do not install a child restraint system on the front passenger's seat.

**⚠ WARNING**

If you install a child restraint system in the rear seat, slide the front seat far enough forward so that the child's feet do not touch the front seatback. This will help avoid injury to the child in the event of an accident.

**BEFORE DRIVING**



**⚠ WARNING**

Children could be endangered in a crash if their child restraint systems are not properly secured in the vehicle. When installing a child restraint system, follow the instructions below. Secure the child in the restraint system according to the manufacturer's instructions.

**⚠ WARNING**

In an accident or sudden stop, the rear seat armrest (if equipped) could fall forward. If there is a child in a rear-facing child restraint in the rear center seating position, the falling armrest could injure the child. Do not install a rear-facing child restraint in the rear center seating position.

**⚠ WARNING**

Do not hold a child on a passenger's lap when the vehicle is in motion. Even if the passenger holds the child tightly, he/she would not be supported enough in the event of an accident and it could result in a serious injury of the child.

**Installation with lap-shoulder seat belts**

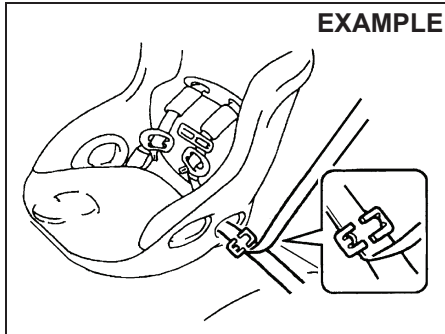
**⚠ CAUTION**

If you can adjust the position of rear head restraint (if equipped), adjust the height of the rear head restraint or remove it for fitting the child restraint, as necessary. However, if a booster cushion not equipped with the head restraint is fitted, the rear seat head restraint should not be removed. If the rear head restraint is removed for fitting the child restraint, you need to install it again after removing the child restraint. If the child restraint is fitted improperly, a child sitting in it could be injured in a crash.

*NOTE:*  
Stow the removed head restraint (if equipped) in the trunk so it will not cause inconvenience to the occupants.

## BEFORE DRIVING

### ELR type belt

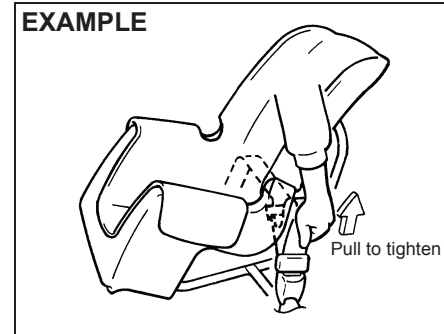


80JC021

Install your child restraint system according to the instructions provided by the child restraint system manufacturer.

Check that the seat belt is securely latched.  
Move the child restraint system in all directions to check that it is securely installed.  
When you put your child in the child restraint system, appropriately slide the front seat forward not to touch a part of your child's body.

### Installation with a lap belt

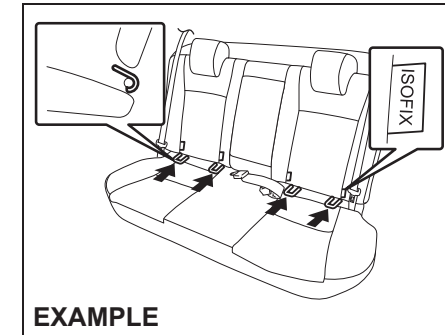


60G132A

Install your child restraint system according to the instructions provided by the child restraint system manufacturer.

To lengthen or tighten the belt, refer to the "**Lap-belt**" item in this "Seat belts and child restraint systems" section. After checking that the seat belt is securely latched, try moving the child restraint system in all directions, to check it is securely installed. If you need to tighten the belt, pull the free end of the webbing.

### Installation with ISOFIX type anchorages



56RH00229

Your vehicle is equipped with the lower anchorages in the rear seat outboard seating positions for securing a ISOFIX type of child restraints with the connecting bars. The lower anchorages are located where the rear of the seat cushion meets the bottom of the seatback.

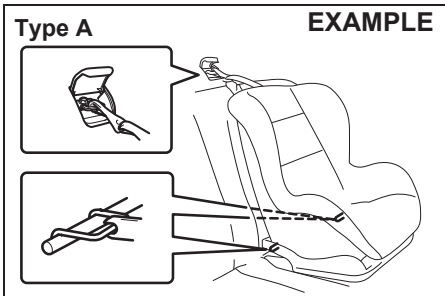
#### **WARNING**

**Install the ISOFIX type of child restraint(s) in the only outboard seating positions, not in the central position for the rear seat.**

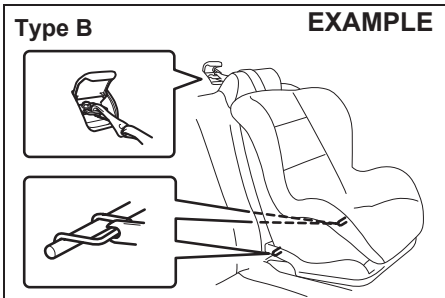
Install the ISOFIX type child restraint system according to the instructions provided by the child restraint system manufacturer. After installation, try moving the child

**BEFORE DRIVING**

restraint system in all directions especially forward to check that connecting bars are securely latched to the anchorages.



56RH00270



56RH00271

Your vehicle is equipped with the top tether anchorages. Use the top tether strap of the child restraint according to the instructions provided by the child restraint system manufacturer.

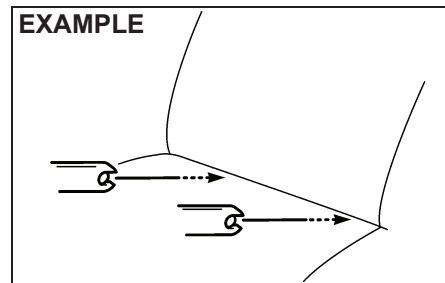
General instruction:

**CAUTION**

If you can adjust the position of rear head restraint, adjust the height of the rear head restraint or remove it for fitting the child restraint, as necessary. However, if a booster cushion not equipped with the head restraint is fitted, the rear seat head restraint should not be removed. If the rear head restraint is removed for fitting the child restraint, you need to install it again after removing the child restraint. If the child restraint is fitted improperly, a child sitting in it could be injured in a crash.

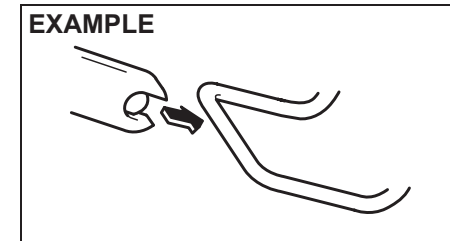
*NOTE:*

*Stow the removed head restraint in the trunk so it will not cause inconvenience to the occupants.*



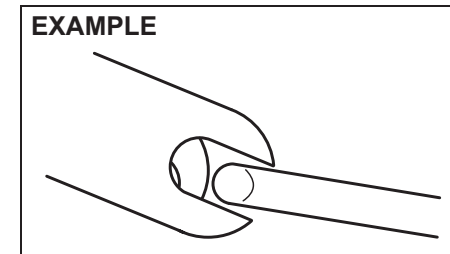
78F114

- 1) Place the child restraint in the rear seat, inserting the connecting bars to the anchorages between the seat cushion and the seatback.



68LM268

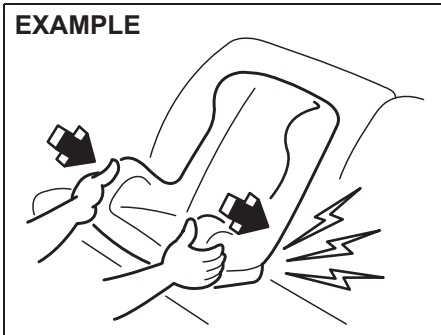
- 2) Use your hands to carefully align the connecting bar tips with the anchorages. Take care not to pinch your fingers.



54G184

- 3) Push the child restraint toward the anchorages so that the connecting bar tips are partially hooked to the anchorages. Use your hands to confirm the position.

## BEFORE DRIVING



54G185

- 4) Grasp the front of the child restraint and push the child restraint forcefully to latch the connecting bars. Check that they are securely latched by trying to move the child restraint system in all directions, especially forward.
- 5) Attach the top tether strap referring to "Installation of child restraint with top tether" section.  
When you put your child in the child restraint system, appropriately slide the front seat forward not to touch a part of your child's body.

### **NOTICE**

When installing a child restraint system to the rear seat, adjust the front seat position so that the front seat does not interfere with the child restraint system.

### Installation of child restraint with top tether

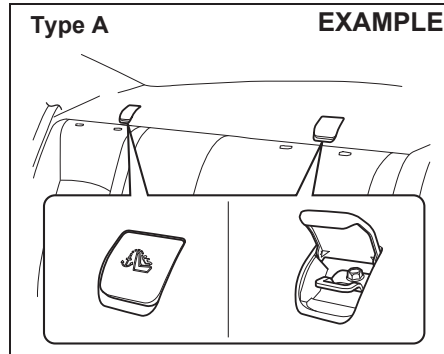
#### **CAUTION**

If you can adjust the position of rear head restraint, adjust the height of the rear head restraint or remove it for fitting the child restraint, as necessary. However, if a booster cushion not equipped with the head restraint is fitted, the rear seat head restraint should not be removed. If the rear head restraint is removed for fitting the child restraint, you need to install it again after removing the child restraint.

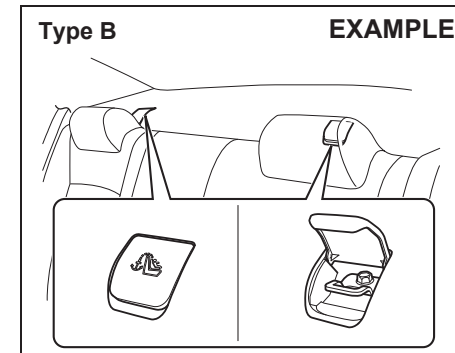
If the child restraint is fitted improperly, a child sitting in it could be injured in a crash.

#### *NOTE:*

*Stow the removed head restraint in the trunk so it will not cause inconvenience to the occupants.*



56RH00230



56RH00231

**BEFORE DRIVING**

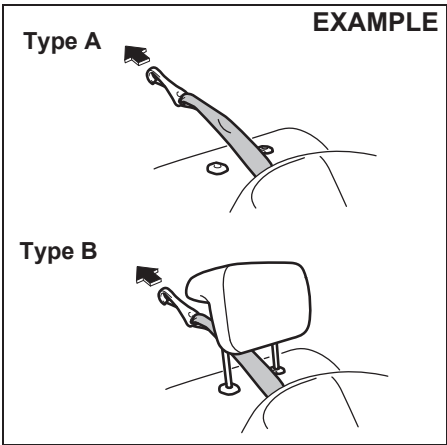
Some child restraint systems require the use of a top tether strap. Top tether anchorage brackets are provided in your vehicle at the locations shown in the illustrations. The number of the top tether anchorage brackets provided in your vehicle depends on the vehicle specification. Install the child restraint system as follows:

- 1) If you can adjust the position of head restraint, raise the head restraint to the most upper position.
- 2) Secure the child restraint on the rear seat using the procedure described above for securing a restraint system that does not require a top tether strap.
- 3) Open the cover that is marked with the top tether anchorage bracket symbol to access the top tether anchorage bracket. Close the cover when not using the top tether anchorage bracket.
- 4) Hook the top tether strap to the top tether anchorage bracket and tighten the top tether strap according to the instructions provided by the child restraint system manufacturer. Attach the top tether strap to the corresponding top tether anchorage bracket located directly behind the child restraint. Do not attach the top tether strap to the luggage restraint loops (if equipped).

**⚠ WARNING**  
Do not attach the child restraint top tether strap to the luggage restraint loops (if equipped). Incorrectly attached top tether strap will reduce the intended effectiveness of the child restraint system.

**NOTICE**  
When installing a child restraint system to the rear seat, adjust the front seat position so that the front seat does not interfere with the child restraint system.

*NOTE:*  
Maruti Suzuki recommends use of Maruti Suzuki Genuine accessory of "Child seat, ISOFIX".



86G032

- 5) When routing the top tether strap, pass the top strap as shown in the illustration. (Refer to "Head restraints" section for details on how to adjust height of head restraint or remove it.)

## BEFORE DRIVING

### Child Restraint System for India

#### Child Restraint

The suitability of each passenger's seat position for carriage of children and fitting of child restraint system is shown in the table below. Whenever you carry children up to 12 years of age, properly use the child restraints which conform to AIS 072, the standard for child restraints, referring to the table.

MASS GROUP	Seating position (or other site)				
	Front Passenger	Rear Outboard	Rear Centre	Intermediate Outboard	Intermediate Centre
Group 0 Up to 10 kg	X	U	X	N.A.	N.A.
Group 0+ Up to 13 kg	X	U	X	N.A.	N.A.
Group I 9 to 18 kg	X	U	X	N.A.	N.A.
Group II 15 to 25 kg	X	U	X	N.A.	N.A.
Group III 22 to 36 kg	X	U	X	N.A.	N.A.

Key of letters to be inserted in the above table:

U =Suitable for 'universal' category restraints approved for use in this mass group.

X =Seat position not suitable for children in this mass group.

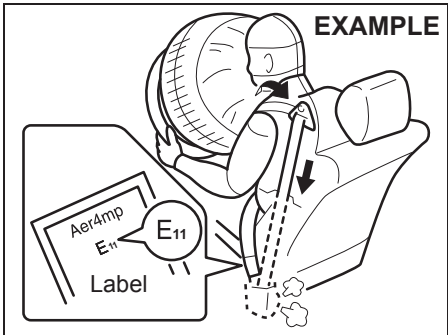
N.A = Seat position not available for children in this mass group.

NOTE: 'universal' is the category in the AIS 072.

: 'Outboard' indicates window side seat.



**Seat belt pretensioner system**



**⚠ WARNING**  
**This section describes your MARUTI SUZUKI vehicle's seat belt pretensioner system. Read and follow all these instructions carefully to minimize your risk of severe injury or death.**

To determine if your vehicle is equipped with a seat belt pretensioner system at the front seating positions, check the label on the seat belt at the bottom part. If the letters "E11" appear as illustrated, your vehicle is equipped with the seat belt pretensioner system. You can use the pretensioner seat belts in the same manner as ordinary seat belts.

Read this section and "Supplemental restraint system (air bags)" section to learn more about the pretensioner system.

The seat belt pretensioner system works with the supplemental restraint system (air bags). The crash sensors and the electronic controller of the air bag system also control the seat belt pretensioners. The pretensioners are triggered only when there is a frontal crash severe enough to trigger the air bags and the seat belts are fastened. For precautions and general information including servicing the pretensioner system, refer to "Supplemental restraint system (air bags)" section in addition to this "Seat belt pretensioner system" section, and follow all those precautions.

The pretensioner is located in each front seat belt retractor. The pretensioner tightens the seat belt so the belt fits the occupant's body more snugly in the event of a frontal crash. The retractors will remain locked after the pretensioners are activated. Upon activation, some noise will occur and some smoke may be released. These conditions are not harmful and do not indicate a fire in the vehicle.

The driver and all passengers must be properly restrained by fastening seat belts at all times, whether or not a pretensioner is equipped at their seating position, to minimize the risk of severe injury or death in the event of a crash.

Sit fully back in the seat; sit up straight; do not lean forward or sideways. Adjust the belt so the lap portion of the belt is worn low across the pelvis, not across the waist. Please refer to "Seat adjustment" section and the instructions and precautions about the seat belts in this "Seat belts and child restraint systems" section for details on proper seat and seat belt adjustments.

Please note that the pretensioners along with the air bags will activate in severe frontal crashes. They are not designed to activate in rear impacts, side impacts, roll-overs, or minor frontal side crashes. The pretensioners can be activated only once. If the pretensioners are activated (that is, if the air bags are activated), have the pretensioner system serviced by an authorised Maruti Suzuki workshop as soon as possible.

The pretensioner system or the airbag system may not work properly if any of the following conditions occurs.

- If the air bag light on the instrument cluster does not come on briefly, when the ignition switch is turned to the "ON" position or the engine switch is pressed to change the ignition mode to "ON".
- If the air bag light comes on and stays on for more than 10 seconds, when the ignition switch is turned to the "ON" position or the engine switch is pressed to change the ignition mode to "ON".
- If the air bag light comes on while driving.

## **BEFORE DRIVING**

---

Have both systems inspected by a Maruti Suzuki authorised workshop as soon as possible.

Service on or around the pretensioner system components or wiring must be performed only by an authorised Maruti Suzuki workshop who is specially trained. Improper service could result in unintended activation of pretensioners or could render the pretensioner inoperative. Either of these two conditions may result in personal injury.

To prevent damage or unintended activation of the pretensioners, check that the battery is disconnected and the ignition switch has been in "LOCK" position or the ignition mode has been "LOCK" (OFF) for at least 90 seconds before performing any electrical service work on your MARUTI SUZUKI vehicle.

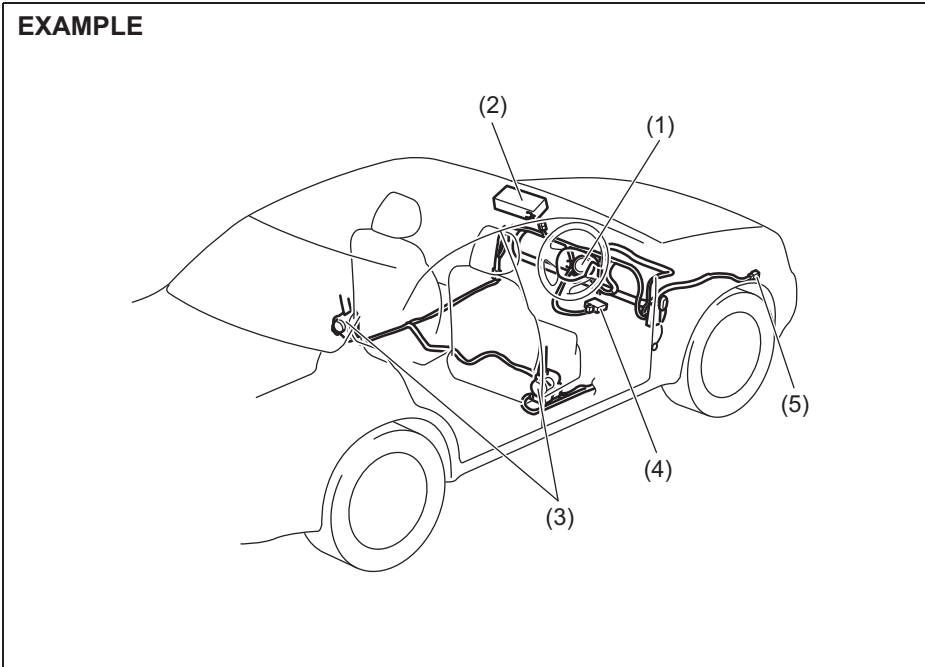
Do not touch pretensioner system components or wiring. The wires are wrapped with yellow tape or yellow tubing, and the couplers are yellow. When scrapping your MARUTI SUZUKI vehicle, ask an authorised Maruti Suzuki workshop, body repair shop, or scrap yard for assistance.

**Supplemental restraint system (air bags)**

**⚠ WARNING**  
This section describes the protection provided by your MARUTI SUZUKI vehicle's supplemental restraint system (air bags). Read and follow all instructions carefully to minimize your risk of severe injury or death in the event of a crash.

Your vehicle is equipped with a supplemental restraint system consisting of the following components in addition to a lap-shoulder belt at each seating position.

- (1) Driver's front air bag module
- (2) Front passenger's front air bag module
- (3) Front seat belt pretensioners
- (4) Air bag controller
- (5) Forward crash sensor



56RH00232

## BEFORE DRIVING

### **⚠ WARNING**

An air bag supplements or adds to the crash protection offered by seat belts. The driver and all passengers must be properly restrained by fastening seat belts at all times, whether or not an air bag is mounted at their seating position, to minimize the risk of severe injury or death in the event of a crash.

### AIR BAG light



63J030

If AIR BAG light on the instrument cluster does not blink or come on when the ignition switch is first turned to ON position, or the ignition mode is first changed to "ON", or AIR BAG light stays on, or comes on while driving, the air bag system (or the seat belt pretensioner system) may not work properly. Have the air bag system inspected by an authorised Maruti Suzuki workshop as soon as possible.

### Air bag symbol meaning

#### EXAMPLE



72M00150

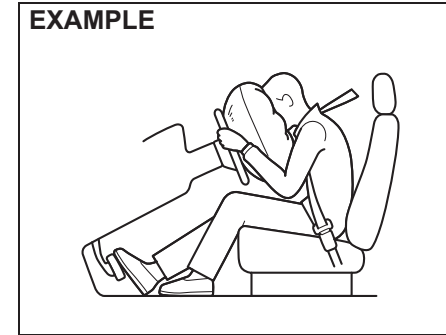
You may find this label on the sun visor.

### **⚠ WARNING**

**NEVER use a rearward facing child restraint on a seat protected by an ACTIVE AIRBAG in front of it, DEATH or SERIOUS INJURY to the CHILD can occur.**

### Front air bags

#### EXAMPLE



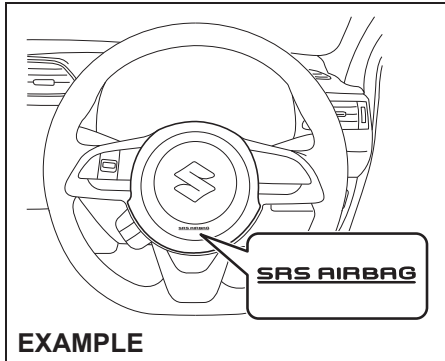
63J113

Front air bags are designed to inflate in severe frontal crashes when the ignition switch is in "ON" position or the ignition mode is "ON".

Front air bags are not designed to inflate in rear impacts, side impacts, rollovers or minor frontal crashes, since they would offer no protection in those types of accidents. Since an air bag deploys only one time during an accident, seat belts are needed to restrain occupants from further movements during the accident.

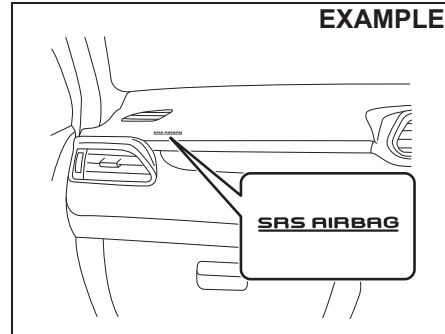
Therefore, an air bag is not a substitute for seat belts. To maximize your protection, always fasten your seat belts. Be aware that no system can prevent all possible injuries that may occur in an accident.

Driver's front air bag



56RH00233

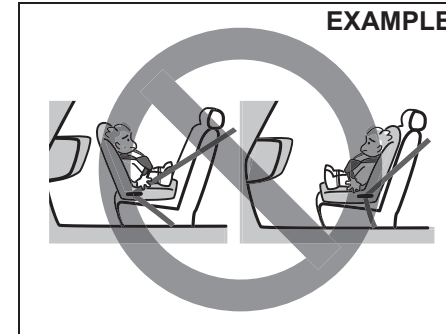
Front passenger's front air bag



56RH00234

The driver's front air bag is located behind the center pad of the steering wheel and the front passenger's front air bag is located behind the passenger's side of the dashboard.

The words "SRS AIRBAG" are molded into the air bag covers to identify the location of the air bags.



61M0241

**⚠ WARNING**

**Do not install a child restraint system on the front passenger's seat.**

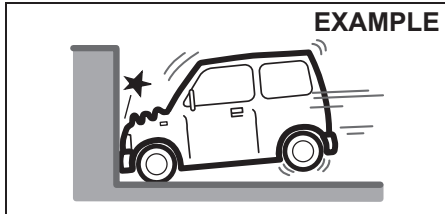
**⚠ WARNING**

**If the airbag location is damaged or cracked, the airbag system may not work properly, which could result in serious injury in the event of a collision. Have your vehicle inspected by a Maruti Suzuki authorised workshop.**

Refer to "Seat belts and child restraint systems" section for details on securing your child.

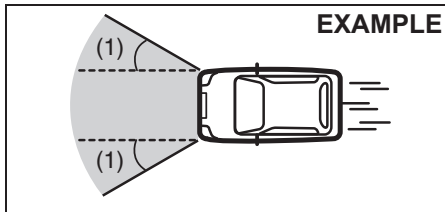
## BEFORE DRIVING

### Conditions of front air bags deployment (inflation)



80J097

- In frontal collision with a fixed wall that does not move or deform at more than about 25 km/h.

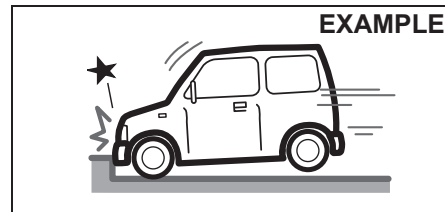


80J098E

- Strong impact equivalent to frontal collision such as above at left and right angles of about 30 degrees (1) or less from the front of your vehicle.

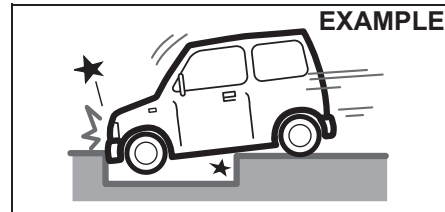
### Conditions when front air bags may inflate

Receiving a strong impact to the lower body of your vehicle, the front air bags may inflate.



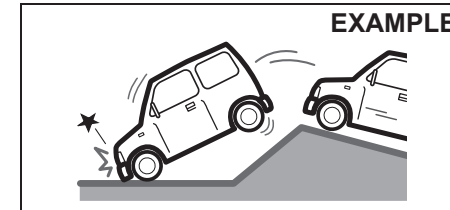
80J099

- Hitting a curb or medial strip.



80J100E

- Falling into a deep hole or ditch.



80J101

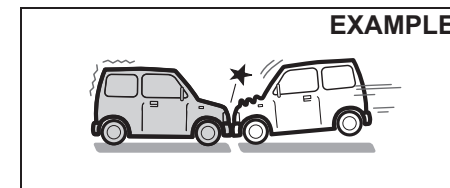
- Landing hard or falling.

### Front air bags may not inflate

The front air bags may not inflate when a strong impact has not occurred since the collision object (including living being like animals) was easy to be deformed or moved, or the collided portion of your vehicle was easy to be deformed.

Also, front air bags may not inflate in many cases when the crash angle is greater than about 30 degrees at left and right angles from the front of your vehicle.

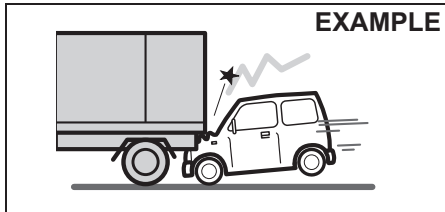
Also, in certain collisions at low speed, the air bags may not inflate.



80J102

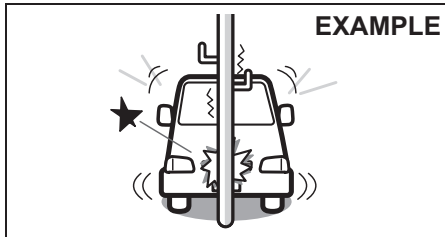
**BEFORE DRIVING**

- Frontal collision to a stopped vehicle at less than about 50 km/h.



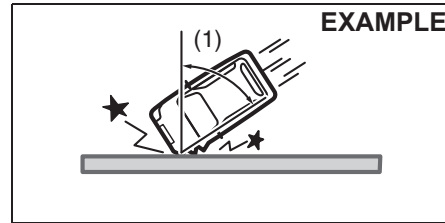
80J103

- Collision that the front of your vehicle goes under the bed of a truck etc.



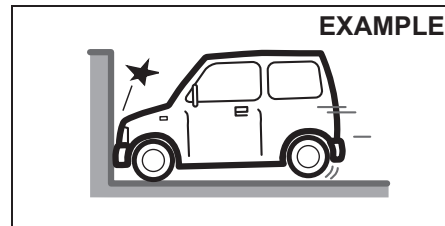
80J104

- Collision with a utility pole or stumpage.



80J105E

- Collision with a fixed wall or guardrail at left and right angles of greater than about 30 degrees (1) from the front of your vehicle.

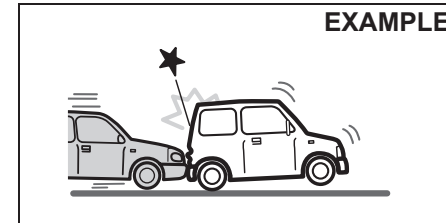


80J106

- Frontal collision with a fixed wall that does not move or deform at less than about 25 km/h.

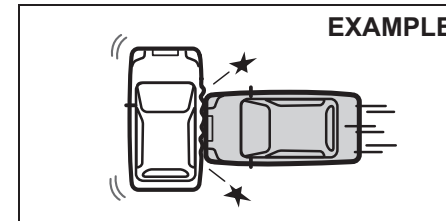
**Front air bags do not inflate**

Front air bags do not inflate in rear impacts, side impacts or rollovers, etc. However, these might inflate in a strong impact.



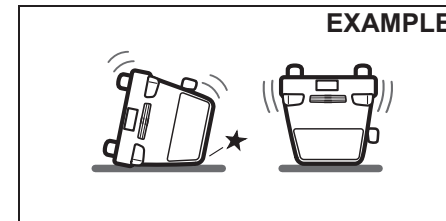
80J120

- Impact from the rear.



80J119

- Impact from the side.



80J110

- Vehicle rollover.

## BEFORE DRIVING

### How the system works

In a frontal crash, the crash sensors will detect rapid deceleration, and if the controller judges that the deceleration represents a severe frontal crash, the controller will trigger the inflators. The inflators inflate the appropriate air bags with nitrogen or argon gas. The inflated air bags provide a cushion for your head and upper body. The air bag inflates and deflates so quickly that you may not even realize that it has activated. The air bag will neither hinder your view nor make it harder to exit the vehicle.

Air bags must inflate quickly and forcefully in order to reduce the chance of serious or fatal injuries. However, an unavoidable consequence of the quick inflation is that the air bag may irritate bare skin, such as the facial area against a front air bag. Also, upon inflation, a loud noise will occur and some powder and smoke will be released. These conditions are not harmful and do not indicate a fire in the vehicle. Be aware, however, that some air bag components may be hot for a while after inflation.

A seat belt helps keep you in the proper position for maximum protection when an air bag inflates. Adjust your seat as far back as possible while still maintaining control of the vehicle. Sit fully back in your seat; sit up straight; do not lean over the steering wheel or dashboard. Front occupants should not lean on or sleep against the door. Refer to "Seat adjustment" sec-

tion and "Seat belts and child restraint systems" section in this section for details on proper seat and seat belt adjustments.



65D610

### ⚠ WARNING

- **The driver should not lean over the steering wheel. The front passenger should not rest his or her body against the dashboard, or otherwise get too close to the dashboard. In these situations, the out-of-position occupant would be too close to an inflating air bag, and may suffer severe injury.**

(Continued)

### ⚠ WARNING

(Continued)

- **Do not attach any objects to, or place any objects over, the steering wheel or dashboard. Do not place any objects between the air bag and the driver or front passenger. These objects may interfere with air bag operation or may be propelled by the air bag in the event of a crash. Either of these conditions may cause severe injury.**

Even though your vehicle is moderately damaged by a crash, it may not be severe enough to trigger air bags to inflate. If your vehicle sustains any front-end or side damage, have the air bag system inspected by an authorised Maruti Suzuki workshop to ensure that it works properly.

Your vehicle is equipped with a diagnostic module which records information about the air bag system if the air bags deploy in a crash. The module records information about overall system status, and which sensors activated the deployment, and for a certain vehicle only, whether the driver's seat belt was in use.



## BEFORE DRIVING

### **Servicing the air bag system**

If the air bags inflate, have the air bags and related components replaced by an authorised Maruti Suzuki workshop as soon as possible.

If your vehicle ever gets in deep water and the driver's floor is submerged, the air bag controller could be damaged. If this happens, ask an authorised Maruti Suzuki workshop to check the air bag system as soon as possible.

Special procedures are required for servicing or replacing an air bag. For that reason, only an authorised Maruti Suzuki workshop should be allowed to service or replace your air bags. Remind anyone who services your MARUTI SUZUKI vehicle that it has air bags.

Service on or around air bag components or wiring must be performed only by an authorised Maruti Suzuki workshop. Improper service could result in unintended air bag deployment or could render the air bag inoperative. Either of these two conditions may result in severe injury.

To prevent damage or unintended inflation of the air bag system, check that the battery is disconnected and the ignition switch has been in "LOCK" position or the ignition mode has been "LOCK" (OFF) for at least 90 seconds before performing any electrical service work on your MARUTI SUZUKI vehicle. Do not touch air bag system components or wires. The wires are wrapped

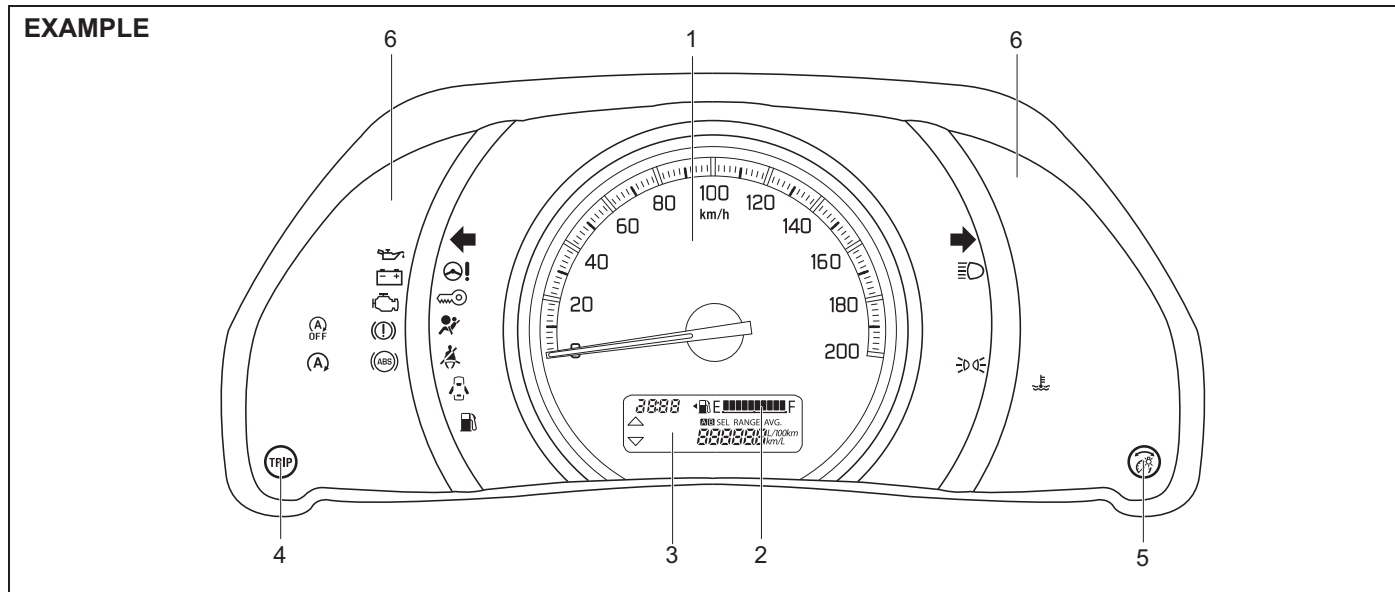
with yellow tape or yellow tubing, and the couplers are yellow for easy identification.

Scrapping a vehicle that has an uninflated air bag can be hazardous. Ask an authorised Maruti Suzuki workshop, body repair shop or scrap yard for help with disposal.

## BEFORE DRIVING

### Instrument cluster (Type A) (if equipped)

1. Speedometer
2. Fuel gauge
3. Information display
4. Trip meter selector knob
5. Indicator selector knob
6. Warning and indicator lights



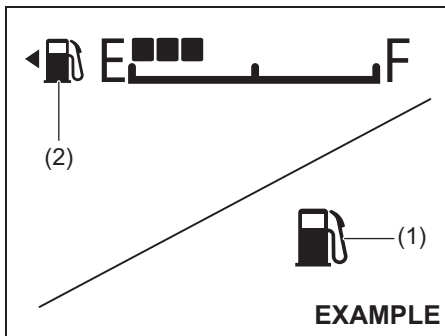
### Speedometer

The speedometer indicates vehicle speed in km/h.

### Speed Alert System

The speed alert system gives audible warning for alert of over-speed to driver. When vehicle speed exceeds about 80 km/h, primary level warning with two beeps will sound every minute. When the vehicle speed exceeds about 120 km/h, secondary level warning with continuous beeps will sound. If the vehicle speed is slowed down to about 118 km/h, primary warning will resume. If the vehicle speed is slowed down to about 78 km/h, speed alert warning will stop. This buzzer does not indicate any malfunction in vehicle.

### Fuel gauge



52RM20470

When the ignition switch is in "ON" position, this gauge give a rough indication of the amount of fuel in the fuel tank. "F" stands for full and "E" stands for empty.

If the fuel meter indicator shows only one segment to "E", refill the tank as soon as possible.

**NOTE:**

*If the last segment blinks, it means that the fuel is almost empty.*

If the low fuel warning light (1) comes on, refill the fuel tank immediately.

**NOTE:**

*The activation point of the low fuel warning light (1) varies depending on road conditions (for example, slope or curve) and driving conditions because of fuel movement in the tank.*

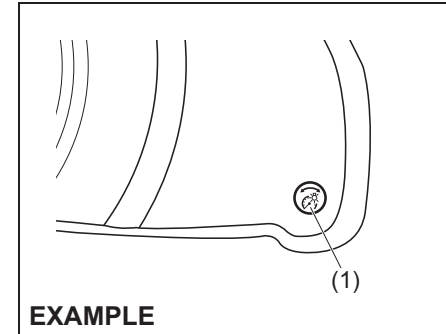
Refer to "Low fuel warning light" in "Warning and indicator lights" in this section for details.

The mark (2) indicates that the fuel filler door is located on the left side of the vehicle.

**NOTICE**

**To minimize the possibility of damage to catalytic converter or other components of the vehicle, avoid driving the vehicle near empty fuel tank level.**

### Brightness control



56RH00263

When the position lights and/or headlights are on, the instrument panel lights come on.

Your vehicle has a system to automatically dim the brightness of the instrument panel lights when the position lights or headlights are on.

When the position lights and/or headlights are on, you can adjust the meter illumination brightness.

To increase the brightness of the instrument panel lights, turn the indicator selector knob (1) clockwise.

To reduce the brightness of the instrument panel lights, turn the indicator selector knob (1) counterclockwise.

## BEFORE DRIVING

### **⚠ WARNING**

**Do not adjust the brightness of the instrument panel lights while driving.**

#### NOTE:

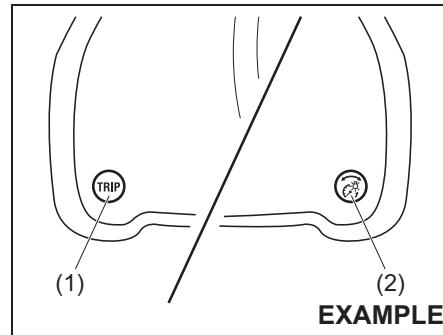
- If you do not turn the knob within several seconds of activating, the brightness control display will be canceled automatically.
- When you reconnect the battery, the brightness of the instrument panel lights will be reinitialized. Readjust the brightness according to your preference.

#### NOTE:

- If you adjust to the maximum brightness level when the position lights or headlights are on, the following functions will be canceled.
- The function which automatically dims the brightness of instrument panel lights
  - The function which operates with the brightness control, except maximum brightness level

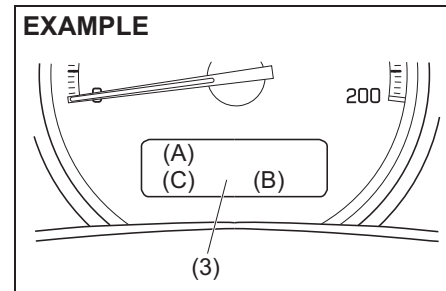
### Information display

Information display is shown when the ignition switch is turned to "ON" position.



56RH00264

- (1) Trip meter selector knob
- (2) Indicator selector knob



56RH00240

- (3) Information display

The information display shows the following information.

#### Display (A)

Clock

#### Display (B)

Trip meter / Odometer / Instantaneous fuel consumption / Average fuel consumption / Driving range

#### Display (C)

Gearshift indicator (if equipped)

#### Display (A) : Clock

The display (A) shows the time.

To change the time indication:

- 1) Push the trip meter selector knob (1) and the indicator selector knob (2) together.
- 2) To change the hour indication, turn the indicator selector knob (2) left or right repeatedly when the hour indication blinks. To change the hour indication quickly, turn and hold the indicator selector knob (2). To set the hour indication, push the indicator selector knob (2) and the minute indication will blink.
- 3) To change the minute indication, turn the indicator selector knob (2) left or right repeatedly when the minute indication blinks. To change the minute indication quickly, turn and hold the indicator selector knob (2). To set the minute indication, push the indicator selector knob (2).

**BEFORE DRIVING**

To select 12/24H format, refer to “setting mode” in this section.

**⚠ WARNING**

**If you attempt to adjust the display while driving, you could lose control of the vehicle.**

**Do not attempt to adjust the display while driving.**

**Display (B) :**  
**Trip meter / Odometer / Instantaneous fuel consumption / Average fuel consumption / Driving range**

The display (B) shows one of the following indications, trip meter A, trip meter B, odometer, instantaneous fuel consumption, average fuel consumption or driving range.

To switch the display indication (B), push the trip meter selector knob (1) or the indicator selector knob (2) quickly.

**EXAMPLE**

56RH00269

↑ ↓	Push the trip meter selector knob (1).
↑ ↓	Push the indicator selector knob (2).

- (a) Trip meter A
- (b) Trip meter B
- (c) Odometer
- (d) Average fuel consumption
- (e) Driving range
- (f) Instantaneous fuel consumption

**⚠ WARNING**

**If you attempt to adjust the display while driving, you could lose control of the vehicle.**

**Do not attempt to adjust the display while driving.**

**NOTE:**

- Indications will change when you push and release a knob.
- The display shows estimated values. Indications may not be the same as actual values.

## BEFORE DRIVING

### Trip meter

The trip meter can be used to measure the distance traveled on short trips or between fuel stops.

You can use the trip meter A or trip meter B independently.

To reset the trip meter, push and hold the trip meter selector knob (1) until the display shows 0.0.

#### NOTE:

*The indicated maximum value of the trip meter is 9999.9. When you run past the maximum value, the indicated value will return to 0.0.*

### Odometer

The odometer records the total distance the vehicle has been driven.

#### NOTICE

**Keep track of your odometer reading and check the maintenance schedule regularly for required services. Increased wear or damage to certain parts can result from failure to perform required services at the proper mileage intervals.**

### Instantaneous fuel consumption

The display shows the value of instantaneous fuel consumption only when the vehicle is moving.

#### NOTE:

- *The display does not show the value unless the vehicle is moving.*
- *Depending on the vehicle's specification, the fuel consumption units of initial setting are indicated as L/100km or km/L.*
- *For "L/100km" setting, the indicated maximum value of instantaneous fuel consumption is 30. No more than 30 will be indicated on the display even if the actual instantaneous fuel consumption is higher.*
- *For "km/L" setting, the indicated maximum value of instantaneous fuel consumption is 50. No more than 50 will be indicated on the display even if the actual instantaneous fuel consumption is lower.*
- *The indication on the display may be delayed if fuel consumption is greatly affected by driving conditions.*
- *The display shows estimated values. Indications may not be the same as actual values.*
- *For "L/100km" or "km/L" setting, you can change the units that instantaneous fuel consumption is displayed in. Refer to "Average fuel consumption" in this section.*

### Average fuel consumption

If you selected average fuel consumption the last time you drove the vehicle, the display shows the last value of average fuel consumption from previous driving when the ignition switch is turned to "ON" position. Unless you reset the value of average fuel consumption, the display indicates the value of average fuel consumption which includes average fuel consumption during previous driving.

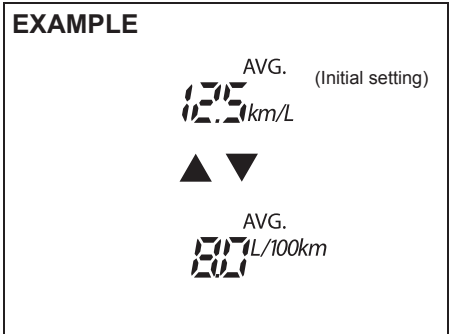
To reset the average fuel consumption, push and hold the indicator selector knob (2) for a while when the display shows the average fuel consumption.

#### NOTE:

*When you reset the indication or reconnect the negative (-) terminal to the battery, the value of average fuel consumption will be shown after driving for a while.*

**(For “L/100km” or “km/L” setting)**

To change the unit of average fuel consumption, while pushing and holding the trip meter selector knob (1), turn the indicator selector knob (2).



68PH02207

**NOTE:**  
When you change the units that average fuel consumption is displayed in, the instantaneous fuel consumption units will be changed automatically.

**Driving range**

If you selected driving range the last time you drove the vehicle, the display indicates “---” for a few seconds and then indicates the current driving range when the ignition switch is turned to “ON” position.

The driving range shown in the display is an indicative unit of the approximate distance you can drive until the fuel gauge indicates “E”, based on current driving conditions and the current fuel level in the fuel tank.

When the low fuel warning light comes on, the display “---” will appear.

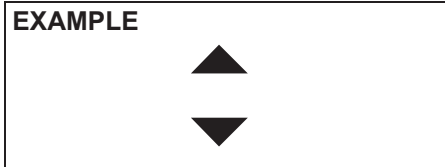
If the low fuel warning light comes on, fill the fuel tank immediately regardless of the value of driving range shown in the display.

When you refuel, the driving range is updated. However, if you only add a small amount of fuel the correct value will not be displayed.

- NOTE:**
- If you refuel when the ignition switch is in “ON” position, the driving range may not indicate the correct value.
  - When you reconnect the negative (-) terminal to the battery, the value of driving range will be shown after driving for a while.
  - If there are substantial changes in the driving pattern or vehicle usage, the displayed range may vary significantly.

**Display (C) : Gearshift indicator (if equipped)**

The display (C) show the gearshift indicator.



56RH00272

Refer to “Gearshift Indicator” in the “OPERATING YOUR VEHICLE” section.

## BEFORE DRIVING

### Display (B) : Setting mode

In the setting mode, you can set up and customize the following functions.

Indication		Functions
		Time indication of clock "CL"
		Additional flashes of the turn signal "L2"
		Initialization setting "dE-on"
		Exit the setting mode "End"

	Turn the indicator selector knob (2).
	Push the indicator selector knob (2).

#### How to operate the setting mode:

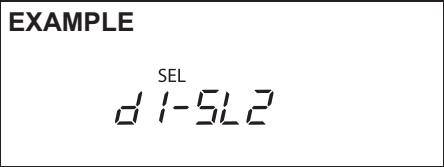
- 1) When the ignition switch is in "ON" position and the vehicle is stationary, push and hold the indicator selector knob (2) until the display shows "CLoCK".
- 2) Turn and/or push the indicator selector knob (2) to select a function that you want to set up according to the above chart.
- 3) Turn and/or push the indicator selector knob (2) to register settings of the following functions.

#### NOTE:

Depending on vehicle's specifications, some items may not be displayed.



**EXAMPLE**



68PM00272

**NOTE:**

- *As shown in the above illustration, “SEL” indicates on the display of currently setting item.*
- *To go back to the higher level display during operation, turn the indicator selector knob (2) to display “bRCH” or “-bRL” and then push the indicator selector knob (2).*

**Time indication of clock**

- *CL-12h: 12-hour format (default setting)*
- *CL-24h: 24-hour format*

**Additional flashes of the turn signal “L2”**

- *L2-5L1: Turn signal flashes three times after the turn signal lever is returned (default setting)*
- *L2-5L2: Disable the additional flashes of turn signal*

**Initialization setting “dE-on”**

- *dE-on: Initialize all settings*

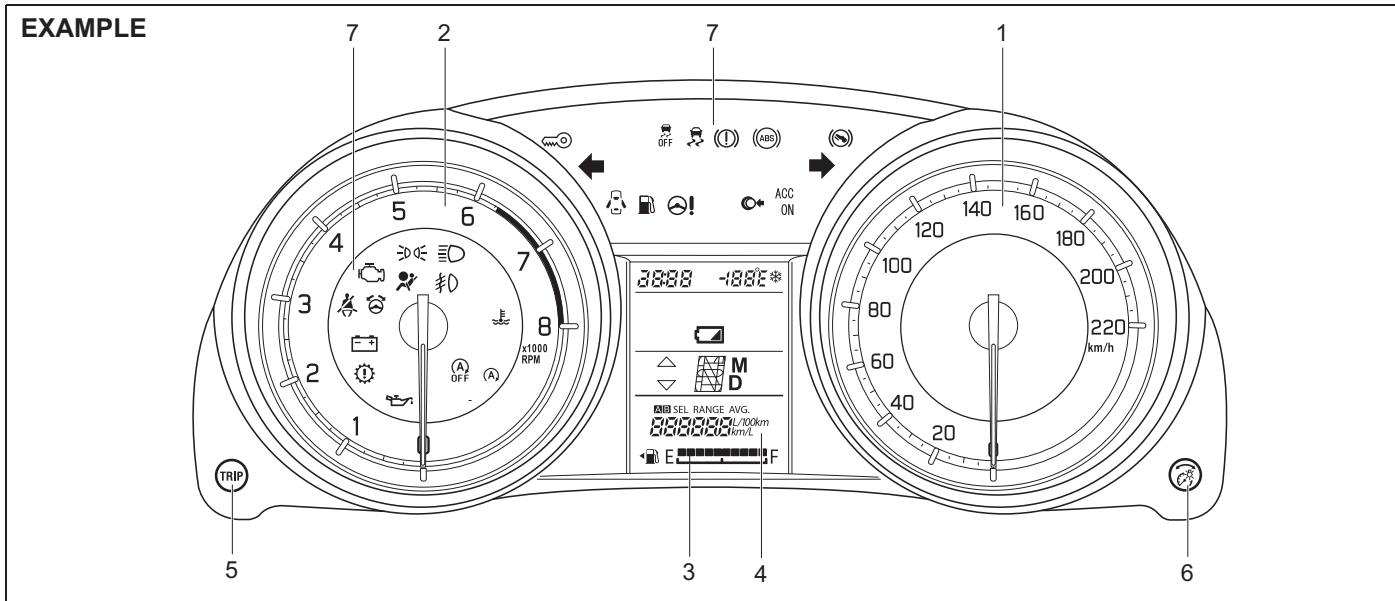
**How to exit the setting mode:**

Switch the display to show “End” and then push the indicator selector knob (2).

## BEFORE DRIVING

### Instrument cluster (Type B) (if equipped)

1. Speedometer
2. Tachometer
3. Fuel gauge
4. Information display
5. Trip meter selector knob
6. Indicator selector knob
7. Warning and indicator lights



56RM02031

**Speedometer**

The speedometer indicates vehicle speed in km/h.

**Speed Alert System**

The speed alert system gives audible warning for alert of over-speed to driver. When vehicle speed exceeds about 80 km/h, primary level warning with two beeps will sound every minute. When the vehicle speed exceeds about 120 km/h, secondary level warning with continuous beeps will sound. If the vehicle speed is slowed down to about 118 km/h, primary warning will resume. If the vehicle speed is slowed down to about 78 km/h, speed alert warning will stop. This buzzer does not indicate any malfunction in vehicle.

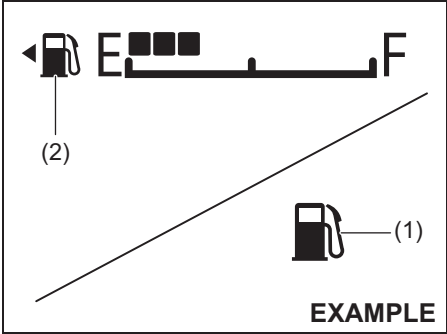
**Tachometer**

The tachometer indicates engine speed in revolutions per minute.

**NOTICE**

**Never drive the vehicle with the engine revving in the red zone or severe engine damage can result. Keep the engine speed below the red zone even when downshifting to a lower gear position. Refer to "Downshifting maximum allowable speeds" in "OPERATING YOUR VEHICLE" section.**

**Fuel gauge**



**EXAMPLE**  
52RM20470

When the ignition switch is in "ON" position or the ignition mode is "ON", this gauge gives a rough indication of the amount of fuel in the fuel tank. "F" stands for full and "E" stands for empty.

If the fuel meter indicator shows only one segment to "E", refill the tank as soon as possible.

*NOTE:*  
If the last segment blinks, it means that the fuel is almost empty.

If the low fuel warning light (1) comes on, refill the fuel tank immediately.

*NOTE:*  
The activation point of the low fuel warning light (1) varies depending on road conditions (for example, slope or curve) and driving conditions because of fuel movement in the tank.

Refer to "Low fuel warning light" in "Warning and indicator lights" in this section for details.

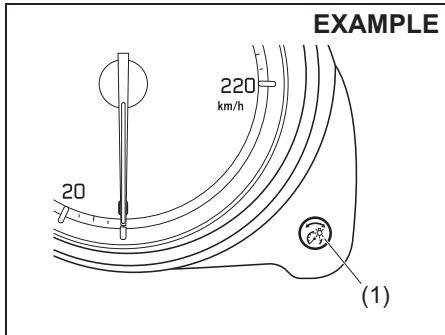
The mark (2) indicates that the fuel filler door is located on the left side of the vehicle.

**NOTICE**

**To minimize the possibility of damage to catalytic converter or other components of the vehicle, avoid driving the vehicle near empty fuel tank level.**

## BEFORE DRIVING

### Brightness control



When the ignition switch is turned to “ON” position or the ignition mode is “ON”, the instrument panel lights come on.

Your vehicle has a system to automatically dim the brightness of the instrument panel lights when the position lights or headlights are on.

When the position lights and/or headlights are on, you can adjust the meter illumination brightness.

To increase the brightness of the instrument panel lights, turn the indicator selector knob (1) clockwise.

To reduce the brightness of the instrument panel lights, turn the indicator selector knob (1) counterclockwise.

#### ⚠ WARNING

**Do not adjust the brightness of the instrument panel lights while driving.**

#### NOTE:

- If you do not turn the knob within several seconds of activating, the brightness control display will be canceled automatically.
- When you reconnect the battery, the brightness of the instrument panel lights will be reinitialized. Readjust the brightness according to your preference.

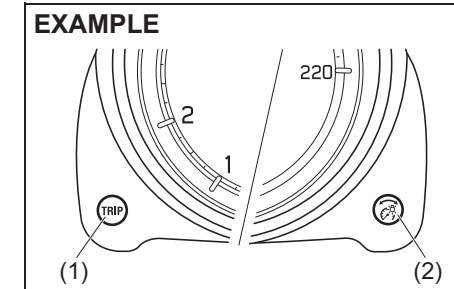
#### NOTE:

If you adjust to the maximum brightness level when the position lights or headlights are on, the following functions will be cancelled.

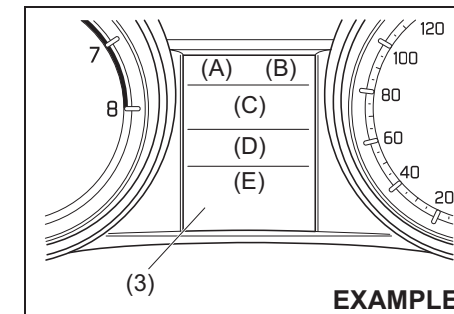
- The function which automatically dims the brightness of instrument panel lights
- The function which operates with the brightness control, except maximum brightness level

### Information display

The information display is shown when the ignition switch is in “ON” position or the ignition mode is “ON”.



- (1) Trip meter selector knob  
(2) Indicator selector knob



- (3) Information display

**BEFORE DRIVING**

The information display shows the following information.

**Display (A)**  
Clock

**Display (B)**  
Outside temperature

**Display (C)**  
Keyless push start system remote controller battery consumption warning indicator (for vehicles with keyless push start system)

**Display (D)**  
Gear position indicator (for Auto Gear Shift vehicles) (if equipped) / Gearshift indicator (if equipped)

**Display (E)**  
Trip meter / Odometer / Instantaneous fuel consumption / Average fuel consumption / Driving range / Setting mode

**Display (A) : Clock**  
The display (A) shows the time.

- To change the time indication:
- 1) Push the trip meter selector knob (1) and the indicator selector knob (2) together.
  - 2) To change the hour indication, turn the indicator selector knob (2) left or right repeatedly when the hour indication blinks. To change the hour indication quickly, turn and hold the indicator selector knob (2). To set the hour indi-

- cation, push the indicator selector knob (2) and the minute indication will flash.
- 3) To change the minute indication, turn the indicator selector knob (2) left or right repeatedly when the minute indication blinks. To change the minute indication quickly, turn and hold the indicator selector knob (2). To set the minute indication, push the indicator selector knob (2).

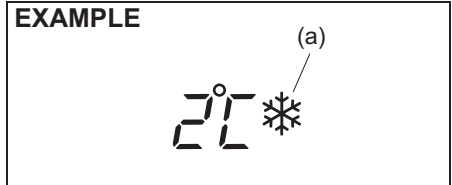
To select 12/24H format, refer to "setting mode" in this section.

**⚠ WARNING**

**If you attempt to adjust the display while driving, you could lose control of the vehicle. Do not attempt to adjust the display while driving.**

*NOTE:*  
When you reconnect the negative (-) terminal to the battery, the clock indication will be reinitialized. Change the indication again to your preference.

**Display (B) : Outside temperature**  
The display (B) shows the outside air temperature.



68PH02214

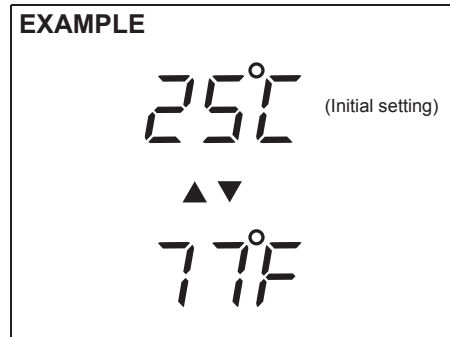
If the outside air temperature nears freezing condition, the mark (a) will appear on the display.

- NOTE:*
- The outside temperature indication is not the actual outside temperature when driving at low speed, or when stopped.
  - If there is something wrong with the thermometer, or just after the ignition switch is turned to "ON" position or the engine switch is pressed to change the ignition mode to "ON", the display may not indicate the outside temperature.

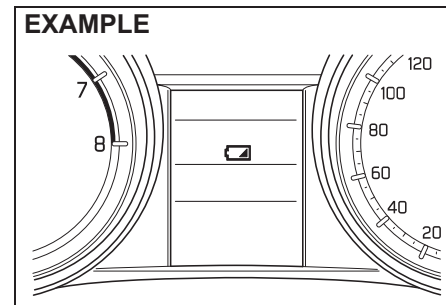
## BEFORE DRIVING

When the display (E) shows the driving range, you can change the unit of temperature.

To change the unit of temperature, while pushing and holding the trip meter selector knob (1), turn the indicator selector knob (2).

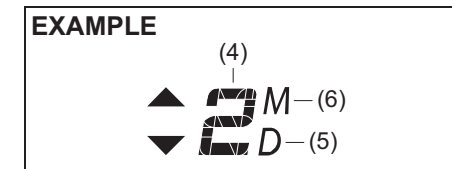


**Display (C) :**  
**Keyless push start system remote controller battery consumption warning indicator (if equipped)**



The display (C) shows the keyless push start system remote controller battery consumption warning indicator. If the remote controller becomes unreliable, this indicator comes on.

**Display (D) :**  
**Gear position indicator (for Auto Gear Shift vehicles) (if equipped) / Gearshift indicator (if equipped)**



The display (D) shows some of the following indications.

**Gear position indicator (for Auto Gear Shift vehicles) (if equipped)**

The display shows the current gear position (4).

**Drive mode indicator:**

When you are using the drive mode, the display shows the drive mode indicator (5).

**Manual mode indicator:**

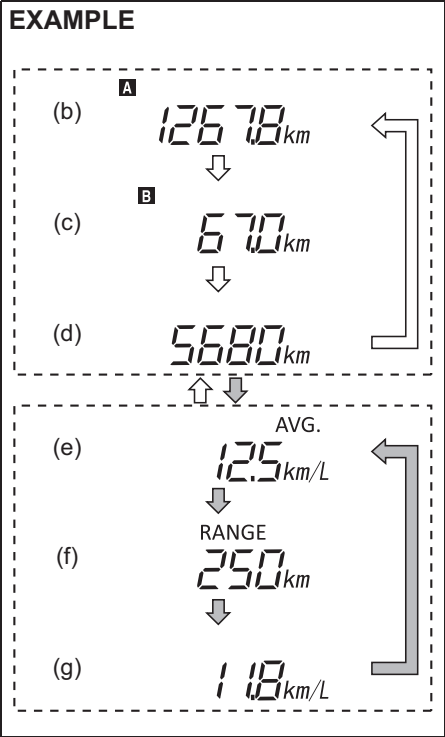
When you are using the manual mode, the display shows the manual mode indicator (6).

For details on how to use the transaxle, refer to "Using the transaxle" in the "OPERATING YOUR VEHICLE" section.

**Gearshift indicator (if equipped)**  
 Refer to "Gearshift Indicator" in the "OPERATING YOUR VEHICLE" section.

**Display (E) :  
 Trip meter / Odometer / Fuel consumption / Driving range**  
 The display (E) shows one of the following indications; trip meter A, trip meter B, odometer, instantaneous fuel consumption, average fuel consumption or driving range.

To switch the display indication (E), push the trip meter selector knob (1) or the indicator selector knob (2) quickly.



56RH00244

↑ ↓	Push the trip meter selector knob (1).
↑ ↓	Push the indicator selector knob (2).

- (b) Trip meter A
- (c) Trip meter B
- (d) Odometer
- (e) Average fuel consumption
- (f) Driving range
- (g) Instantaneous fuel consumption

**⚠ WARNING**  
 If you attempt to adjust the display while driving, you could lose control of the vehicle.  
 Do not attempt to adjust the display while driving.

**NOTE:**

- Indications will change when you push and release a knob.
- The display shows estimated values. Indications may not be the same as actual values.

## BEFORE DRIVING

### Trip meter

The trip meter can be used to measure the distance traveled on short trips or between fuel stops.

You can use the trip meter A or trip meter B independently.

To reset the trip meter, push and hold the trip meter selector knob (1) until the display shows 0.0.

#### NOTE:

*The indicated maximum value of the trip meter is 9999.9. When you run past the maximum value, the indicated value will return to 0.0.*

### Odometer

The odometer records the total distance the vehicle has been driven.

#### NOTICE

**Keep track of your odometer reading and check the maintenance schedule regularly for required services. Increased wear or damage to certain parts can result from failure to perform required services at the proper mileage intervals.**

### Instantaneous fuel consumption

If you selected instantaneous fuel consumption the last time you drove the vehicle, the display does not show the last value of instantaneous fuel consumption from previous driving when the ignition switch is turned to "ON" position or the engine switch is pressed to change the ignition mode to "ON". The display shows the value only when the vehicle is moving.

#### NOTE:

- *The display does not show the value unless the vehicle is moving.*
- *Depending on the vehicle's specification, the fuel consumption units of initial setting are indicated as L/100km or km/L.*
- *For "L/100km" setting, the indicated maximum value of instantaneous fuel consumption is 30. No more than 30 will be indicated on the display even if the actual instantaneous fuel consumption is higher.*
- *For "km/L" setting, the indicated maximum value of instantaneous fuel consumption is 50. No more than 50 will be indicated on the display even if the actual instantaneous fuel consumption is lower.*
- *The indication on the display may be delayed if fuel consumption is greatly affected by driving conditions.*
- *The display shows estimated values. Indications may not be the same as actual values.*

- *For "L/100km" or "km/L" setting, you can change the units that instantaneous fuel consumption is displayed in. Refer to "Average fuel consumption" in this section.*

#### ⚠ WARNING

**If you attempt to adjust the display while driving, you could lose control of the vehicle.**

**Do not attempt to adjust the display while driving.**

#### NOTE:

*When you reconnect the negative (-) terminal to the battery, the clock indication will be reinitialized. Change the indication again to your preference.*

### Average fuel consumption

If you selected average fuel consumption the last time you drove the vehicle, the display shows the last value of average fuel consumption from previous driving when the ignition switch is turned to "ON" position or the engine switch is pressed to change the ignition mode to "ON". Unless you reset the value of average fuel consumption, the display indicates the value of average fuel consumption which includes average fuel consumption during previous driving.

To reset the average fuel consumption, push and hold the indicator selector knob

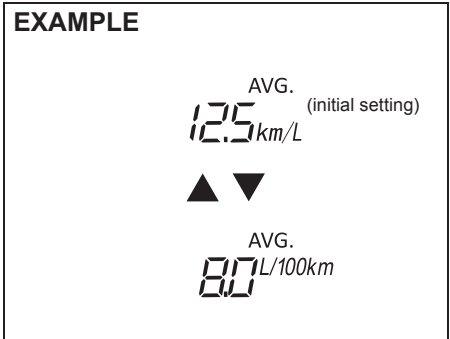


**BEFORE DRIVING**

(2) for a while when the display shows the average fuel consumption.

**NOTE:**  
When you reset the indication or reconnect the negative (-) terminal to the battery, the value of average fuel consumption will be shown after driving for a while.

**(For “L/100km” or “km/L” setting)**  
To change the unit of average fuel consumption, while pushing and holding the trip meter selector knob (1), turn the indicator selector knob (2).



68PH02217

**NOTE:**  
Depending on the vehicle’s specification, the fuel consumption units of initial setting are indicated as km/L or L/100km.

**NOTE:**

- When you change the units that average fuel consumption is displayed in, the instantaneous fuel consumption units will be changed automatically.
- When you reconnect the negative (-) terminal to the battery, the unit of the average fuel consumption will be reinitialized. Change the unit again to your preference.

**Driving range**  
If you selected driving range the last time you drove the vehicle, the display indicates “---” for a few seconds and then indicates the current driving range when the ignition switch is turned to “ON” position or the engine switch is pressed to change the ignition mode to “ON”.

The driving range shown in the display is an indicative unit of the approximate distance you can drive until the fuel gauge indicates “E”, based on current driving conditions and the current fuel level in the fuel tank.

When the low fuel warning light comes on, the display “---” will appear.

If the low fuel warning light comes on, fill the fuel tank immediately regardless of the value of driving range shown in the display.

When you refuel, the driving range is updated. However, if you only add a small amount of fuel the correct value will not be displayed.

**NOTE:**

- If you refuel when the ignition switch is in “ON” position or the ignition mode is “ON”, the driving range may not indicate the correct value.
- When you reconnect the negative (-) terminal to the battery, the value of driving range will be shown after driving for a while.
- If there are substantial changes in the driving pattern or vehicle usage, the displayed range may vary significantly.








## BEFORE DRIVING



### Display (E) : Setting mode

In the setting mode, you can set up and customize the following functions.

Indication		Functions
	CLoCK	Time indication of clock "CL"
	door	Central door locking system "d1"
	d1	Automatic door locking function "d2" (if equipped)
	d2	Automatic door unlocking function "d3" (if equipped)
	d3	Door locking and unlocking siren "d5" (if equipped)
	LIGHT	Additional flashes of the turn signal "L2"
		G1
G2		Lighting time of the "To home" function "G2" (if equipped)

**BEFORE DRIVING**

Indication		Functions
 SECURITY	 S2	Shock sensor "S2"
	 S3	Pre-warning sensitivity of the shock sensor "S3"
	 S4	Full blast warning sensitivity of the shock sensor "S4"
 default	 de-on	Initialization setting "de-on"
 End		Exit the setting mode "End"

	Turn the indicator selector knob (2).
	Push the indicator selector knob (2).

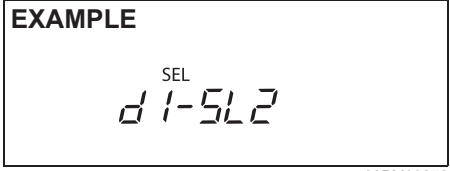
**How to operate the setting mode:**

- 1) When the ignition switch is in the "ON" position or press the engine switch to change the ignition mode to "ON" and the vehicle is stationary, push and hold the indicator selector knob (2) until the display shows "ELCH".
- 2) Turn and/or push the indicator selector knob (2) to select a function that you want to set up according to the above chart.
- 3) Turn and/or push the indicator selector knob (2) to register settings of the following functions.

**NOTE:**  
 Depending on vehicle's specifications, some items may not be displayed.

## BEFORE DRIVING

### EXAMPLE



SEL  
d1-5L2

68PM00272

### NOTE:

- As shown in the above illustration, “SEL” indicates on the display of currently setting item.
- To go back to the higher level display during operation, turn the indicator selector knob (2) to display “bRCH” or “-bRL” and then push the indicator selector knob (2).

### Time indication of clock “CL”

- CL-12h: 12-hour format (default setting)
- CL-24h: 24-hour format

### Central door locking system “d1”

- d1-5L1: Unlock all doors by turning the key, pushing the keyless entry system transmitter, keyless push start system remote controller or request switch once
- d1-5L2: Unlock all doors by turning the key, pushing the keyless entry system transmitter, keyless push start system remote controller or request switch twice (default setting)

### Automatic door locking function “d2” (if equipped)

- d2-5L1: Disable the automatic door locking function
- d2-5L2: Lock all doors when the vehicle speed reaches 15 km/h (default setting)

### Automatic door unlocking function “d3” (if equipped)

- d3-5L1: Disable the automatic door unlocking function (default setting of vehicle with keyless push start system)
- d3-5L2: (Vehicle with keyless entry system)  
Unlock all doors when the key is pulled out from the ignition switch (default setting of vehicle with keyless entry)

(Vehicle with keyless push start system)

Unlock all doors when the ignition mode is “LOCK” (OFF)

### Door locking and unlocking siren “d5” (if equipped)

- d5-5L1: Siren sounds when the door(s) is (are) locked or unlocked by using the keyless entry system transmitter, keyless push start system remote controller or request switch (default setting)

- d5-5L2: Siren does not sound when the door(s) is(are) locked or unlocked by using the keyless entry system transmitter, keyless push start system remote controller or request switch

### Additional flashes of the turn signal “L2”

- L2-5L1: Turn signal flashes three times after the turn signal lever is returned (default setting)
- L2-5L2: Disable the additional flashes of turn signal

### Lighting time of the “To car” function “G1” (if equipped)

- G1-5L1: Disable the “To car” function
- G1-5L2: 10 seconds (default setting)
- G1-5L3: 15 seconds
- G1-5L4: 20 seconds
- G1-5L5: 25 seconds

### Lighting time of the “To home” function “G2” (if equipped)

- G2-5L1: Disable the “To home” function
- G2-5L2: 10 seconds (default setting)
- G2-5L3: 15 seconds
- G2-5L4: 20 seconds
- G2-5L5: 25 seconds
- G2-5L6: 30 seconds

## BEFORE DRIVING

### Shock sensor “52”

- *52-5L1*: Enable the shock sensor
- *52-5L2*: Disable the shock sensor (default setting)

### Pre-warning sensitivity of the shock sensor “53”

- *53-L00*: Disable the pre-warning
- *53-L01* to *L15*:  
Adjust the pre-warning sensitivity of shock sensor (Lowest sensitivity level is L01 and highest is L15, and default setting is L14)

### Full blast warning sensitivity of the shock sensor “54”

- *54-L00*: Disable the full blast warning
- *54-L01* to *L15*:  
Adjust the full blast warning sensitivity of shock sensor (Lowest sensitivity level is L01 and highest is L15, and default setting is L09)

### Initialization setting “dE-on”

- *dE-on*: Initialize all settings

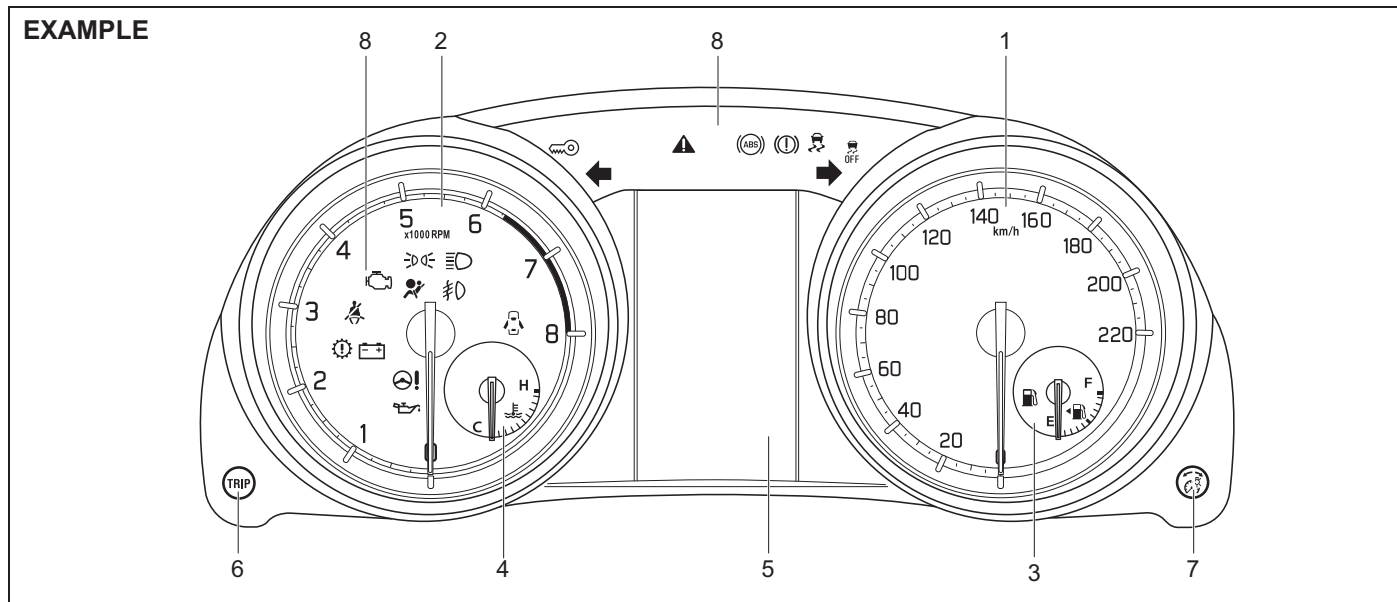
### How to exit the setting mode:

Switch the display to show “End” and then push the indicator selector knob (2).

## BEFORE DRIVING

### Instrument cluster (Type C) (if equipped)

1. Speedometer
2. Tachometer
3. Fuel gauge
4. Temperature gauge
5. Information display
6. Trip meter selector knob
7. Indicator selector knob
8. Warning and indicator lights



56RM02007

**Speedometer**

The speedometer indicates vehicle speed in km/h.

**Speed Alert System**

The speed alert system gives audible warning for alert of over-speed to driver. When vehicle speed exceeds about 80 km/h, primary level warning with two beeps will sound every minute. When the vehicle speed exceeds about 120 km/h, secondary level warning with continuous beeps will sound. If the vehicle speed is slowed down to about 118 km/h, primary warning will resume. If the vehicle speed is slowed down to about 78 km/h, speed alert warning will stop. This buzzer does not indicate any malfunction in vehicle.

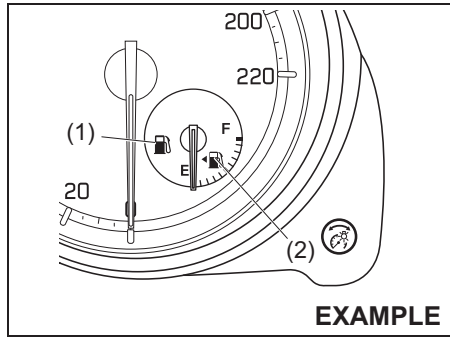
**Tachometer**

The tachometer indicates engine speed in revolutions per minute.

**NOTICE**

**Never drive the vehicle with the engine revving in the red zone or severe engine damage can result. Keep the engine speed below the red zone even when downshifting to a lower gear position. Refer to "Downshifting maximum allowable speeds" in "OPERATING YOUR VEHICLE" section.**

**Fuel gauge**



56RM02008

When the ignition mode is "ON", this gauge gives a rough indication of the amount of fuel in the fuel tank. "F" stands for full and "E" stands for empty.

If the indicator approaches a low level (near "E") on fuel gauge, refill the tank as soon as possible.

**NOTE:**

*The indicator moves a little depending on road conditions (for example, slope or curve) and driving conditions because of fuel moving in the tank.*

If the low fuel warning light (1) comes on, refill the fuel tank immediately.

**NOTE:**

*The activation point of the low fuel warning light (1) varies depending on road conditions (for example, slope or curve) and driving conditions because of fuel movement in the tank.*

Refer to "Low fuel warning light" in "Warning and indicator lights" in this section for details.

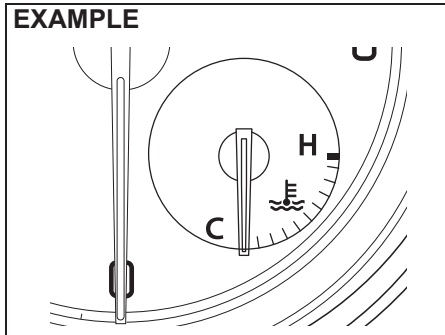
The mark (2) indicates that the fuel filler door is located on the left side of the vehicle.

**NOTICE**

**To minimize the possibility of damage to catalytic converter or other components of the vehicle, avoid driving the vehicle near empty fuel tank level.**

## BEFORE DRIVING

### Temperature Gauge



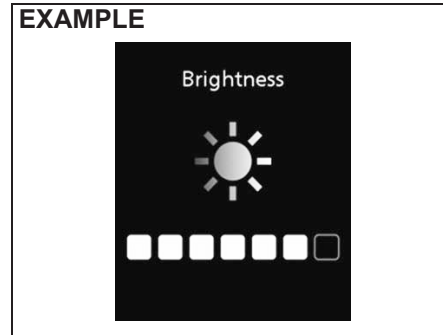
56RM02009

When the ignition mode is "ON", this gauge indicates the engine coolant temperature. Under normal driving conditions, the indicator should stay within the normal, acceptable temperature range between "H" and "C". If the indicator approaches "H", overheating is indicated. Follow the instructions for engine overheating in "EMERGENCY SERVICE" section.

#### NOTICE

Continuing to drive the vehicle when engine overheating is indicated can result in severe engine damage.

### Brightness control



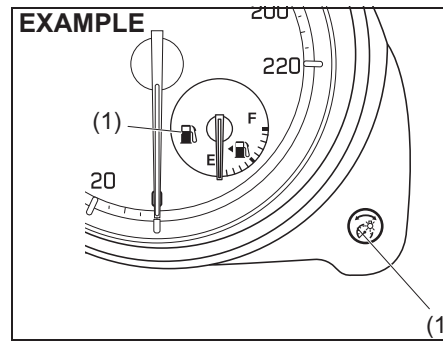
56RM02010

Your vehicle has a system to automatically dim the brightness of the instrument panel lights when the position lights or headlights are on.

When the position lights and/or headlights are ON, you can control the meter illumination intensity.

To increase the brightness of the instrument panel lights, turn the brightness control knob (1) clockwise.

To reduce the brightness of the instrument panel lights, turn the brightness control knob (1) counterclockwise.



56RM02040

When the ignition is pushed to "ON" mode, the instrument panel lights come on.



**⚠ WARNING**  
**Do not adjust the brightness of the instrument panel lights while driving. Otherwise, you could lose control of the vehicle.**

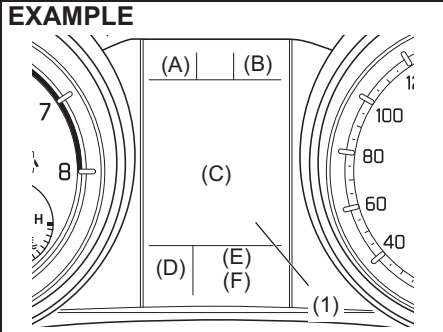
- If you do not turn the brightness control knob within several seconds of activating, the brightness control display will be canceled automatically.
- When you reconnect the battery, the brightness of the instrument panel lights will be reinitialized. Readjust the brightness according to your preference.

**NOTE:**  
 If you adjust to the maximum brightness level when the position lights or headlights are on, the following functions will be canceled.

- The function which automatically dims the brightness of instrument panel lights.
- The function which operates with the brightness control, except maximum brightness level.

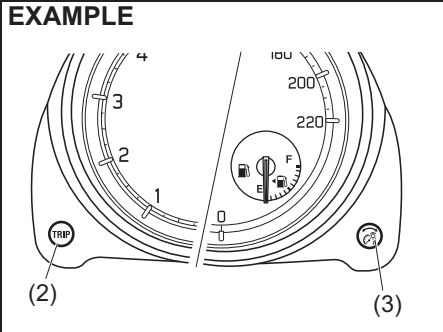
**Information Display**

The information display is shown when the ignition mode is "ON".



56RM02012

1. Information display



56RM02013

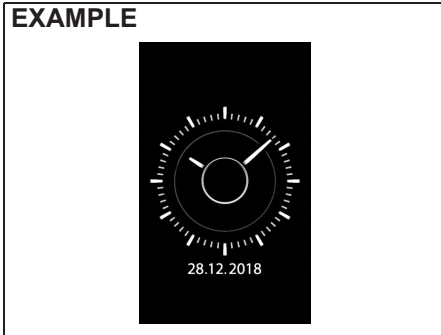
2. Trip meter selector knob
3. Indicator selector knob

The information display shows the following information.

- Display (A)**  
Clock
- Display (B)**  
Outside temperature
- Display (C)**  
Fuel consumption / Driving range / Average Speed / Driving time / Total idling stop time and Total idling fuel saved (if equipped) / Clock and date / Motion (if equipped) / Torque and power / Accelerator and brake (if equipped).
- Display (D)**  
Gear position indicator (for Auto Gear Shift vehicles) (if equipped) / Gearshift indicator (if equipped)
- Display (E)**  
Trip meter
- Display (F)**  
Odometer

## BEFORE DRIVING

### EXAMPLE



56RM02014

the ignition switch is turned "ON" or pushed to "ON" mode, clock and date will appear on display for several seconds.

Some warning and indicator messages may appear on the display when the ignition mode is "ACC" or "LOCK" (OFF).

### Clock

When the ignition mode is "ON", the display (A) shows the time.

To set the clock, follow "Setting mode" instructions in this section.

### ⚠ WARNING

**If you attempt to adjust the display while driving, you may lose control of the vehicle.  
Do not attempt to adjust the display while driving.**

### Outside temperature

When the ignition mode is "ON", the display (B) shows the outside air temperature.

### EXAMPLE



52RM21050

If the outside air temperature reaches freezing condition, the message shown in the above illustration will appear on the display.

### NOTE:

*The outside temperature indication is not the actual outside air temperature when driving at low speed, or when stopped.*

*The outside temperature may not be displayed under following conditions,*

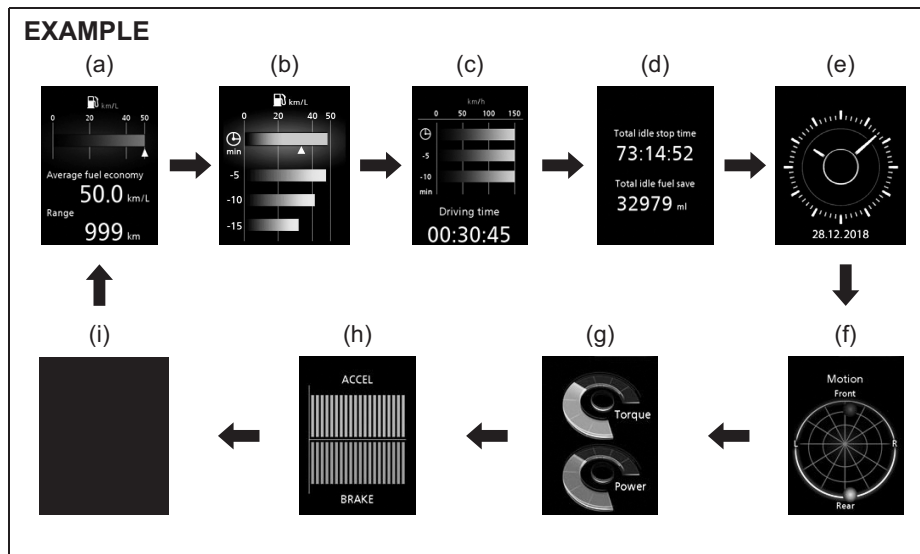
- *If there is some problem with the temperature sensor*
- *Immediately after the ignition switch is pressed to change from "ACC" to "ON" mode.*

You can change the unit of temperature. To change the unit of temperature, refer to "Setting mode" in this section.

### Fuel Consumption / Driving Range / Average speed/ Driving Time / Total Idling Stop Time and Total Idling Fuel Saved / Clock and Date / Motion (If equipped) / Torque and Power / Accelerator and Brake (If equipped)

When there are no warning or indicator messages on the display (C), you can select one of the following indications to appear on the display: instantaneous fuel consumption, average fuel consumption, driving range, average speed, driving time, total idling stop time and total idling fuel saved (if equipped), clock and date, motion (if equipped), torque and power, accelerator and brake (if equipped), or no indication.

## BEFORE DRIVING



56RM02015

- (a) Instantaneous fuel consumption / Average fuel consumption / Driving range
- (b) Instantaneous fuel consumption / Average fuel consumption / 5-minute average fuel consumption / 1-driving cycle average fuel consumption
- (c) Average speed / 5-minute average speed / Driving time
- (d) Total idling stop time / Total idling fuel saved (if equipped)
- (e) Clock and date
- (f) Motion (if equipped),
- (g) Torque and power
- (h) Accelerator and brake (if equipped),
- (i) No indication

To switch the display indication, push the indicator selector knob (3) quickly.

**NOTE:**

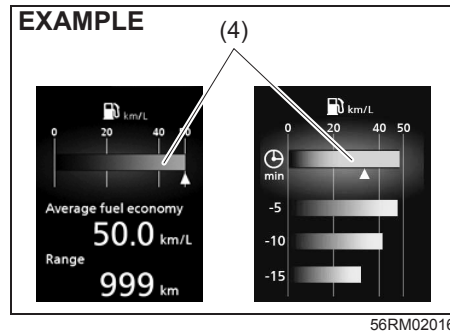
*The value of instantaneous fuel consumption, average fuel consumption, driving range, average speed, total idling fuel saved, motion (if equipped), torque and power, accelerator and brake (if equipped), shown on the display are affected by the following conditions;*

- road condition
- surrounding traffic condition
- driving condition
- vehicle condition
- a malfunction which causes the malfunction indicator light to come on or blink

## BEFORE DRIVING

### Instantaneous fuel consumption

The display shows instantaneous fuel consumption with a bar graph only when the vehicle is moving.



(4) Instantaneous fuel consumption

#### NOTE:

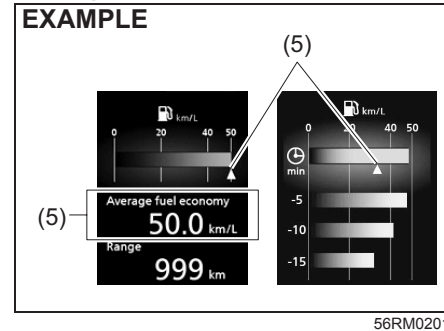
- The display does not show the bar graph unless the vehicle is moving.
- Depending on the vehicle's specification, the fuel consumption units of initial setting are indicated as L/100km, km/L, MPG (UK).
- The indicated maximum value of instantaneous fuel consumption is one of the followings. No more than the maximum value will be indicated on the display even if the actual instantaneous fuel consumption is higher.
  - For L/100km setting: 30
  - For km/L setting: 50
  - For MPG (UK) setting: 80

- The indication on the display may be delayed if fuel consumption is greatly affected by driving conditions.
- The display shows estimated values. Indications may not be the same as actual values.

### Average fuel consumption / 5-minute average fuel consumption / 1-driving cycle average fuel consumption

Average fuel consumption from previous reset and 5-minute average fuel consumption, and 1-driving cycle average fuel consumption are shown.

#### (Average fuel consumption)



(5) Average fuel consumption

If you selected average fuel consumption the last time you drove the vehicle, the display shows the last value of average fuel consumption from previous driving when the ignition is pushed to "ON" mode. Unless you reset the value of average fuel consumption, the display indicates the value of average fuel consumption based on the average fuel consumption during previous driving.

#### NOTE:

When you reconnect the negative (-) terminal to the battery, the value of average fuel consumption will be shown after driving for a period of time.

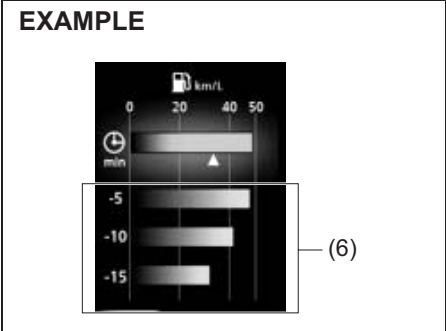
You can select the timing to reset the value of average fuel consumption by one of the following three methods;

- Reset after refuel: the value of average fuel consumption will be reset automatically by refueling.
- Reset with trip meter A: the value of average fuel consumption will be reset automatically by resetting trip meter A.
- Reset manually: the value of average fuel consumption will be reset by pushing and holding the indicator selector knob (3) when the display indicates the average fuel consumption.

To change the timing to reset the value of average fuel consumption, refer to "Setting mode" in this section.

**NOTE:**  
If you add only a small amount of fuel when you select "Reset after refuel", the average fuel consumption value may not be reset.

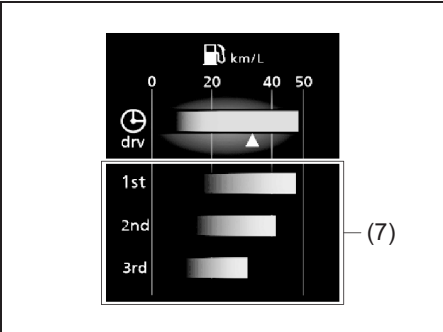
**(5-minute average fuel consumption)**



56RM02019

(6) 5-minute average fuel consumption

**(1-driving cycle average fuel consumption)**

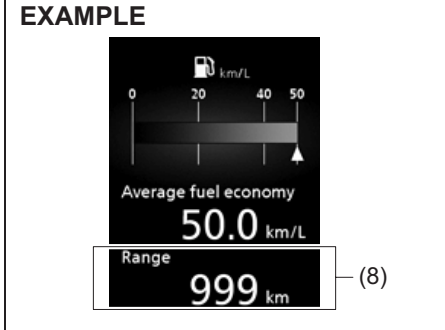


56RM02018

(7) 1-driving cycle average fuel consumption

You can check transition of average fuel consumption every 5 minutes before up to now. Also, you can check transition of average fuel consumption the past 3 driving cycles. Time indication and driving cycle indication can be changed. For details, refer to "Setting mode" in this section.

**Driving range**



56RM02020

(8) Driving range

If you selected driving range the last time you drove the vehicle, the display indicates "---" for a few seconds and then indicates the current driving range when the ignition is pushed to "ON" mode.

The driving range shown in the display is an indicative unit of the approximate distance you can drive until the fuel gauge indicates "E", based on current driving conditions and the current fuel level in the fuel tank.

When the low fuel warning light comes on, the display "---" will appear. If the low fuel warning light comes on, fill the fuel tank immediately regardless of the value of driving range shown in the display.

## BEFORE DRIVING

When you refuel, the driving range is updated. However, if you only add a small amount of fuel, the correct value will not be displayed.

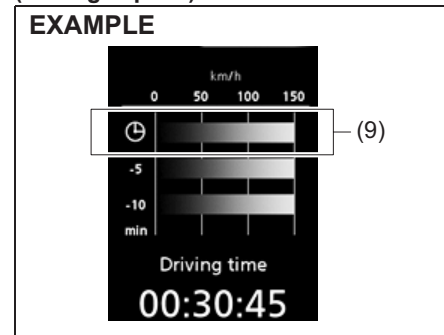
**NOTE:**

- If you refuel when the ignition mode is "ON", the driving range may not indicate the correct value.
- When you reconnect the negative (-) terminal to the lead-acid battery, the value of driving range will be shown after driving for a period of time.
- If there are substantial changes in the driving pattern or vehicle usage, the displayed range may vary significantly.

### Average speed / 5-minute average speed

Average speed from previous reset and 5-minute average speed are shown.

#### (Average speed)



56RM02021

(9) Average speed

If you selected average speed the last time you drove the vehicle, the display indicates the last value of average speed from previous driving when the ignition is pushed to "ON" mode. Unless you reset the value of average speed, the display indicates the value of average speed which includes average speed during previous driving.

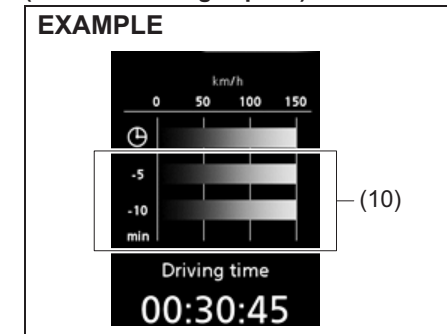
To reset the value of average speed, push and hold the indicator selector knob (3) for about 2 seconds when the display indicates an average speed. The average speed display is reset and then indicates a

new average speed after driving for a short time.

**NOTE:**

When you reconnect the negative (-) terminal to the lead-acid battery, the value of average speed will be shown after driving for a period of time.

#### (5-minute average speed)



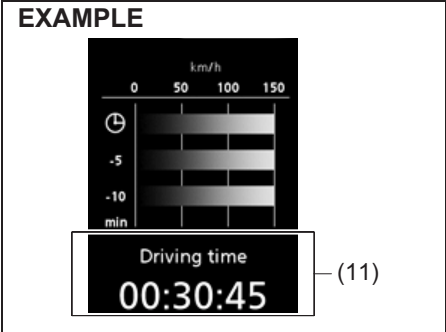
56RM02022

(10) 5-minute average speed

You can check transition of 5-minute average speed every 5 minutes from 10 minutes before up to now.

**BEFORE DRIVING**

**Driving time**



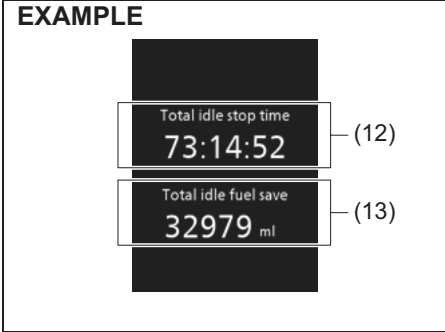
(11) Driving time

Driving time from previous reset is shown. To reset the driving time, push and hold the indicator selector knob (3) for about 2 seconds when the display indicates a driving time. The display shows “---” and then indicates a new driving time after driving for a short time.

**NOTE:**

- Disconnection of the lead-acid battery negative (-) terminal will reset the indication of the driving time.
- The indicated maximum value of driving time is 99:59:59. No more than this value will be indicated on the display until you reset the driving time.

**Total idling stop time and total idling fuel saved (if equipped)**



(12) Total idling stop time  
(13) Total idling fuel saved

The display shows the total duration (in hours, minutes and seconds) of engine stopping time and the total amount (in milliliters) of fuel conservation by ENG A-STOP system since the indication was reset.

- To reset the total idling stop time and the total idling fuel saved, push and hold the indicator selector knob (3) for a while when the display shows the total idling stop time and the total idling fuel saved.

**NOTE:**

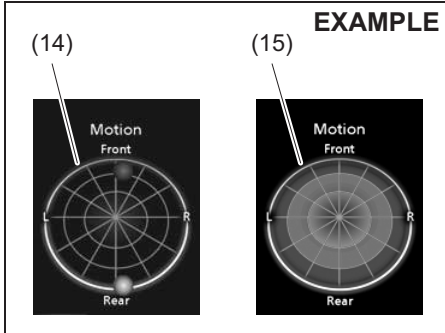
- The indicated maximum value of the total idling stop time is 99:59:59 and this value is fixed until it is reset.

- When you reconnect the negative (-) terminal to the lead-acid battery, the value of the total idling stop time and the total idling fuel saved will be reset.

**Clock and date**

Date and time are shown. For the setting procedure, refer to “Setting mode” in this section.

**Motion**



The meter indication is different depending on whether the vehicle is stopped or running.

When driving, real time movement of imaginal G position (center of gravity) is displayed on the globe (14), which is resultant with inertia force.

When stopped, historical data of imaginal G positions applied to the vehicle body

## BEFORE DRIVING

during the driving is shown as a graph (15).

G position history graph when the vehicle stopped can be changed to indicate or hide. For details, refer to “Setting mode” in this section.

**WARNING**  
Do not look in the display intensively while driving. Doing so may result in an accident.

### NOTE:

- If G position history graph at the vehicle stopped has been set in indication mode, the graph (15) is shown for several seconds when you change the ignition mode to “LOCK” (OFF) after driving.
- The graph is shown approximately and the actual movement may differ.

### Torque and power

Present engine torque and power are shown.

### Accelerator and brake (if equipped)

Present accelerator pedal depressing degree and brake line pressure are shown. The display is selectable to indicate or not to indicate. For details, refer to “Setting mode” in this section.

### Information shown after driving

When you press the engine switch to change the ignition mode to “LOCK” (OFF), the following information appears for several seconds on the information display.

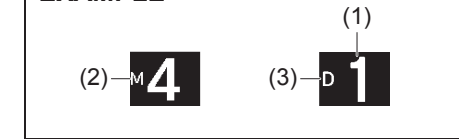
**EXAMPLE**

The image shows two screens of an information display. The top screen displays driving statistics: Driving time (00:02:23), Driving distance (4.0 km), Range (586 km), Idling stop time (01:36:45), and Idle stop fuel saved (230 ml). An arrow points down to the second screen, which shows a circular motion sensor indicator with 'Front' and 'Rear' labels.

56RM02026

### Gear position (for auto gear shift vehicles) / Gearshift Indicator (for manual transmission vehicles)

#### EXAMPLE



- (1) Gear position
- (2) Manual mode indicator
- (3) Drive mode indicator

### Gear position (for auto gear shift vehicles)

The display shows the current gear position (1).

### NOTE:

For Auto Gear Shift models, when the gearshift lever position and the gear position indication in the information display are unmatched, the indication will blink and the interior buzzer will sound. Refer to “Auto Gear Shift” in the “OPERATING YOUR VEHICLE” section for details.

### Manual mode indicator (for auto gear shift vehicles)

When you are using the manual mode, the display shows the manual mode indicator (2).



**NOTE:**

For Auto Gear Shift models, the manual mode indicator will only appear when the gearshift lever is in "M".

**Drive mode indicator (for auto gear shift vehicles)**

When the gearshift lever is in "D", the display shows the drive mode indicator (3).

For details on how to use the transaxle, refer to "Using transaxle" in the "OPERATING YOUR VEHICLE" section.

**Gearshift Indicator (for manual transmission vehicles)**

Refer to "Gearshift indicator" in "OPERATING YOUR VEHICLE" section.

**Trip meter**

The display (E) shows the trip meter.

The trip meter can be used to measure the distance traveled on short trips or between fuel stops.

You can use trip meter A or trip meter B independently.

To reset the trip meter, push and hold the trip meter selector knob for about 2 seconds when the display shows the trip meter.

**Odometer**

The display (F) shows the odometer.

The odometer records the total distance the vehicle has been driven.

**NOTICE**

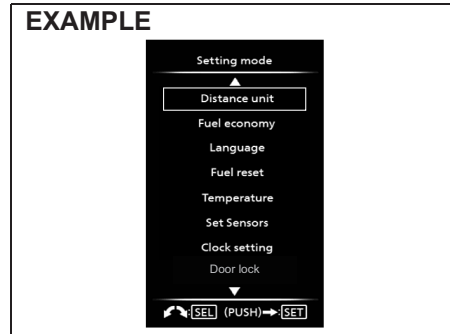
**Keep track of your odometer reading and check the maintenance schedule regularly for required services. Increased wear or damage to certain parts can result from failure to perform required services at the proper mileage intervals.**

**Setting Mode**

When the ignition switch is turned "ON" or pushed to "ON" mode, and the vehicle is stationary, you can enter into the setting mode of the information display by pushing and holding the indicator selector knob (3) for more than 3 seconds.

- To select the setting item that you want to change, turn the indicator selector knob (3) left or right.
- To change the setting, push the indicator selector knob (3).
- To exit the setting mode, select "Back" and push the indicator selector knob (3).

## BEFORE DRIVING



**NOTE:**

The currently selected setting item is surrounded by a frame.

**NOTE:**

- If you push and hold the indicator selector knob (3) to enter into the setting mode when the display (C) shows average fuel consumption, average speed, driving time, total idling stop time and total idling fuel saved (if equipped), the value will be reset simultaneously. If you do not want to reset the value, push the indicator selector knob quickly to switch the indication of the display.
- If you press the engine switch or start to move the vehicle when the display is in the setting mode, the setting mode will be canceled automatically.

### Distance unit

#### (Odometer / trip meter / driving range / average speed distance unit setting)

You can change the units in which odometer / trip meter / driving range / average speed distance is displayed.

### Fuel economy

#### (Fuel consumption unit setting)

You can change the units that fuel consumption is displayed in.

### Language

You can change the language of the information display.

### Fuel reset

#### (Average fuel consumption reset setting)

You can change when the value of average fuel consumption is reset.

### Temperature

#### (Temperature unit setting) (if equipped)

You can change the units that temperature is displayed in.

- To change the temperature unit, select "Temperature" in "Setting mode". Then, select "°C" or "°F".

**NOTE:**

When you change the units that temperature is displayed in, the automatic heating and air conditioning system temperature display units will be changed automatically.

### Set sensors

#### (Parking sensor setting)

The parking sensor can be switched between the normal mode and trailer mode.

### Clock setting

#### (Adjusting the clock)

- Adjust the clock by selecting "Clock setting" in "Setting mode". Then, select "Adjust clock".
- To change the hour indication, turn the indicator selector knob (3) left or right repeatedly when the hour indication blinks. To change the hour indication quickly, turn and hold the indicator selector knob (3). To set the hour indication, push the indicator selector knob (3) and the minute indication blinks.
- To change the minute indication, turn the indicator selector knob (3) left or right repeatedly when the minute indication blinks. To change the minute indication quickly, turn and hold the indicator selector knob (3). To set the minute indication, push the indicator selector knob (3).

#### (Selecting 12H/24H format)

- Switch the time indication between 12-hour and 24-hour format by selecting "Clock setting" in "Setting mode". Then, select "12H" or "24H".

**(Adjusting the date)**

- Adjust the date by selecting “Clock setting” in “Setting mode”. Then select “Adjust date”.
- To adjust year, month and day, operate the indicator selector knob (3) in the same way as adjusting the clock.

**Door lock (Door lock setting)****(Door unlock)**

- All Doors:  
Unlock all doors by keyless push start system remote controller or request switch once
- Driver Door:  
Unlock all doors by keyless push start system remote controller or request switch twice (default setting)

**(Auto lock)**

- Manual Lock:  
Disable the automatic door locking function
- Speed Syncro:  
Lock all doors when the vehicle speed reaches 15 km/h (default setting)

**(Auto unlock)**

- Syncro Off:  
Disable the automatic door unlocking function (default setting for the vehicle with the keyless push start system)
- IG-OFF Sync:  
Unlock all doors when the engine switch is pressed to change the ignition mode to LOCK (OFF) (default setting for the

vehicle without the keyless push start system)

**(Alarm)**

- You can turn off or on the siren sound when the door(s) is(are) locked or unlocked.

**Lights****(Lane change setting)**

The turn signal and its indicator can be set whether they flash three times even if you return the turn signal control lever immediately after moving it.

**(Guide me light setting) (if equipped)**

You can change the lighting time of “To car” function or “To home” function.

**Antitheft****(Shock sensor system setting)**

You can change the on/off of the shock sensor.

**(Shock sensor P setting)**

You can adjust the pre-warning sensitivity of shock sensor.

**(Shock sensor F setting)**

You can adjust the full blast warning sensitivity of shock sensor.

**IS A/C (if equipped)****(ENG A-STOP system setting)**

- When the automatic air conditioning system is turned ON, you can select one of the following engine auto stop settings.
  - Standard

- Economy
- Comfort

- When “Economy” is selected, compared with “Standard” the engine auto stop condition will occur more frequently, the stop time will be longer, leading to reduction of fuel consumption.
- When “Comfort” is selected, compared with “Standard” the engine auto stop condition will occur less frequently, the stop time will be shorter, leading to more comfortable cabin condition by the air conditioning system.

**Display item****(“Calendar dis” setting)**

You can select whether you show the calendar on the information display or not.

**(“Calendar form” setting)**

You can change the calendar form of the information display.

To change the calendar form, select “Calendar form” in “Display item”. Then, select the display order of date, month and year.

**(“Fuel eco hist” setting)**

Transitional indication of average fuel consumption can be switched to time indication and driving cycle indication.

**(“Motion hist” setting) (if equipped)**

Indication of G position history graph at the vehicle stopped can be selected to enable or disable.

## BEFORE DRIVING

---

### **(“Idling disp” setting) (if equipped)**

Display of ENG A-STOP operation with ignition mode “LOCK” (OFF) is selectable to indicate or not to indicate.

### **(“Idling warn” setting) (if equipped)**

You can switch whether the information display shows the warning and indicator messages related to the ENG A-STOP system.

### **(“Pedal op disp” setting) (if equipped)**

Display of “Accelerator and brake” is selectable to indicate or not to indicate.

### **Default**

#### **(initialization setting)**

If you select “YES” and push the indicator selector knob (3), all settings will be reinitialized.

### **Warning and Indicator Messages**

The display shows warning and indicator messages to let you know about certain vehicle problems.

A tone may also sound to alert you.

If warning and indicator messages appear on the display, follow the messages.

### **Master warning indicator light**



80P0382

When the display shows warning and indicator messages, the master warning indicator light may also blink.





#### **NOTE:**

- *When the problem that causes a message to appear is corrected, the message will disappear.*
- *If a message is displayed, and other problems requiring a message to be displayed, the message for each of the problems will be alternately displayed about every 5 seconds.*
- *When you push and hold the indicator selector knob (2) for about 2 seconds while a message is displayed, the message will disappear temporarily. If the problem that caused the message is not corrected, the message will appear again after 5 seconds.*

**BEFORE DRIVING**



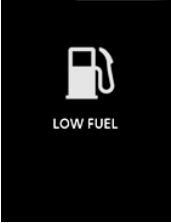
**Warning and indicator messages**

**All model**

Warning and indicator message	Master warning indicator light	Sound	Cause and remedy
 <p>56RM02029</p>	<p>Blinks (only while vehicle is in motion)</p> 	<p>Beep (one time from interior buzzer; only while vehicle is in motion)</p>	<p>A door or tailgate is not properly closed. Stop the vehicle in a safe place and close the door or tailgate properly. (#1)</p>
 <p>52RS005</p>	<p>Blinks</p> 	<p>Continuous beep (from interior buzzer)</p>	<p>The parking brake is not released. Stop the vehicle in a safe place and release the parking brake.</p>


(#1) This message will disappear after a while even if the problem that caused the message to appear is not corrected.

## BEFORE DRIVING

Warning and indicator message	Master warning indicator light	Sound	Cause and remedy
 <p>LIGHTS ON</p> <p>52RM21170</p>	<p>Blinks</p> 	<p>Continuous beep (from interior buzzer)</p>	<p>The headlights and/or the position lights are left ON when the ignition switch is in "LOCK" position or the ignition switch in "LOCK (OFF)" mode and the driver door is opened. Turn them OFF.</p>
 <p>LOW FUEL</p> <p>52RM21180</p>	<p>Off</p>	<p>Beep (one time from interior buzzer)</p>	<p>Fuel is low. Refill it immediately. (#1)</p>

(#1) This message will disappear after a while even if the problem that caused the message to appear is not corrected.


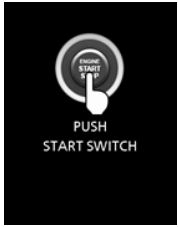
**BEFORE DRIVING**

<b>Warning and indicator message</b>	<b>Master warning indicator light</b>	<b>Sound</b>	<b>Cause and remedy</b>
 <p>52RM21190</p>	Off	Off	The road may be icy. Drive very carefully. (#1)

(#1) This message will disappear after a while even if the problem that caused the message to appear is not corrected.

## BEFORE DRIVING

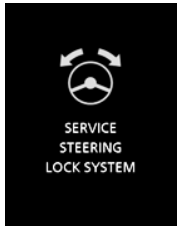

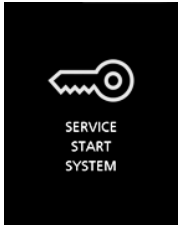

### Vehicle with keyless push start system

Warning and indicator message	Master warning indicator light	Sound	Cause and remedy
 <p>52RM21210</p>	Off	Off	This message is displayed when "ACC" position is selected as the ignition mode. (#1)
 <p>52RM21220</p>	Off	Off	The brake pedal (for automatic transmission models) or the clutch pedal (for manual transmission models) is depressed. Press the engine switch to start the engine.




(#1) This message will disappear after a while even if the problem that caused the message to appear is not corrected.






**BEFORE DRIVING**

Warning and indicator message	Master warning indicator light	Sound	Cause and remedy
 <p>SERVICE STEERING LOCK SYSTEM</p> <p>52RM21230</p>	<p>Blinks</p> 	<p>Beep (one time from interior buzzer)</p>	<p>There is a problem with the steering lock system. Have your vehicle inspected by a Maruti Suzuki authorised workshop.</p>
 <p>SERVICE START SYSTEM</p> <p>52RM21240</p>	<p>Blinks</p> 	<p>Beep (one time from interior buzzer)</p>	<p>There is a problem with the immobilizer/keyless push start system. Also, the vehicle lead-acid battery voltage may be decreased. When the message is displayed even if you start the engine with normal voltage of the vehicle lead-acid battery, have your vehicle inspected by a Maruti Suzuki authorised workshop.</p>

**BEFORE DRIVING**


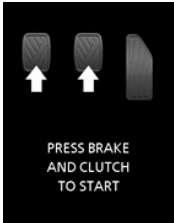
Warning and indicator message	Master warning indicator light	Sound	Cause and remedy
 <p>KEY FOB NOT DETECTED</p> <p>52RM21250</p>  <p>PLACE KEY FOB ON START SWITCH</p> <p>52RM21260</p>	<p>Blinks</p> 	<p>By certain conditions, some kind of sound you will hear from interior and/or exterior of the vehicle.</p>	<p>The remote controller may be outside the vehicle or its battery may have become discharged. Locate the remote controller or touch the engine switch with the remote controller. If the message still appears, replace the remote controller battery.</p>

**BEFORE DRIVING**

Warning and indicator message	Master warning indicator light	Sound	Cause and remedy
 <p>52RM21270</p>	Off	Off	This message is displayed when “ON” position is selected as the ignition mode. (#1)
 <p>52RM21280</p>	Blinks 	Beep (one time from interior buzzer)	The steering lock is not disengaged. While lightly turning the steering wheel in both directions, press the engine switch again.


(#1) This message will disappear after a while even if the problem that caused the message to appear is not corrected.

## BEFORE DRIVING

Warning and indicator message	Master warning indicator light	Sound	Cause and remedy
 <p>KEY FOB LOW BATTERY</p> <p>52RM21290</p>	Off	Off	The remote controller battery is about to become flat. Replace the battery. (#1)
<p>Manual transmission</p>  <p>PRESS BRAKE AND CLUTCH TO START</p> <p>52RM21300</p>	Off	Off	The engine switch is pressed without depressing the brake and clutch pedals. Try again as instructed by the message.





(#1) This message will disappear after a while even if the problem that caused the message to appear is not corrected.

**BEFORE DRIVING**

Warning and indicator message	Master warning indicator light	Sound	Cause and remedy
<p>Auto Gear Shift</p>  <p>52RM21310</p>	<p>Off</p>	<p>Off</p>	<p>The engine switch is pressed with the gear-shift lever in a position other than “N” and depressing the brake pedal. Try again as instructed by message.</p>

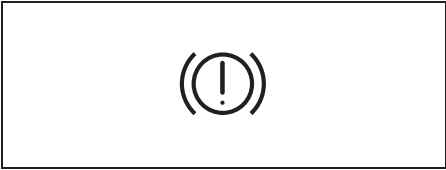
## BEFORE DRIVING

### Vehicle with ESP® system

Warning and indicator message	Master warning indicator light	Sound	Cause and remedy
 <p>ESP SERVICE ESP SYSTEM</p> <p>52RM21340</p>	<p>Blinks</p> 	<p>Beep (one time from interior buzzer)</p>	<p>There may be a problem with ESP® system. Have your vehicle inspected by a Maruti Suzuki authorised workshop.</p>
<p>Hill hold control system</p>  <p>ESP HILL HOLD DISABLE</p> <p>52RM21350</p>	<p>Blinks</p> 	<p>Beep (one time from interior buzzer)</p>	<p>There may be a problem with hill hold control system (if equipped). Have your vehicle inspected by a Maruti Suzuki authorised workshop.</p>

**Warning and indicator lights**

**Brake system warning light**



82K170

Three different types of operations exist depending on the vehicle's specification.

- The light comes on briefly when the ignition switch is turned to "ON" position or the engine switch is pressed to change the ignition mode to "ON".
- The light comes on when the parking brake is engaged with the ignition switch in "ON" position or the ignition mode is "ON".
- The light comes on under either or both of above two conditions.

The light also comes on when the fluid in the brake fluid reservoir falls below the specified level.

The light should go out after starting the engine and fully releasing the parking brake, if the fluid level in the brake fluid reservoir is adequate.

The light also comes on together with the ABS warning light when the rear brake

force control function (proportioning valve function) of the ABS system fails.

If the brake system warning light comes on while you are driving the vehicle, it may mean that there is something wrong with the vehicle's brake system.

If this happens:

- 1) Pull off the road and stop carefully.

**⚠ WARNING**

**Remember that stopping distance may be longer, you may have to push harder on the pedal, and the pedal may go down farther than normal.**

- 2) Test the brakes by carefully starting and stopping the vehicle on the shoulder of the road.
- 3) If you determine that it is safe, drive the vehicle cautiously at low speed to the nearest an authorised Maruti Suzuki workshop for repairs or tow the vehicle to the nearest an authorised Maruti Suzuki workshop for repairs.

**⚠ WARNING**

**If any of the following conditions occur, you should immediately ask an authorised Maruti Suzuki workshop to inspect the brake system.**

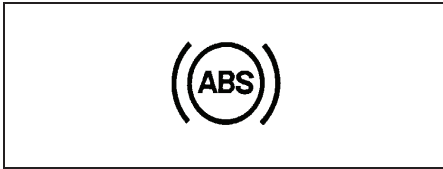
- If the brake system warning light does not go out after the engine has been started and the parking brake has been fully released.
- If the brake system warning light does not come on when the ignition switch is turned to "ON" position or the engine switch is pressed to change the ignition mode to "ON".
- If the brake system warning light comes on at any time during vehicle operation.

*NOTE:*  
Because the brake system is self-adjusting, the fluid level will drop as the brake pads become worn. Replenishing the brake fluid reservoir is considered normal periodic maintenance.

*NOTE:*  
Parking brake reminder buzzer  
A buzzer sounds intermittently to remind you to release the parking brake if you start the vehicle without releasing the parking brake. Check that the parking brake is fully released and the brake system warning light turns off.

## BEFORE DRIVING

### Anti-lock brake system (ABS) warning light



65D529

When the ignition switch is turned to "ON" position or the engine switch is pressed to change the ignition mode to "ON", this light comes on briefly so you can check that the light is working.

If the light stays on or comes on when driving, there may be something wrong with the ABS.

If this happens:

- 1) Pull off the road and stop carefully.
- 2) Turn the ignition switch to "LOCK" or change the ignition mode to "LOCK" (OFF) by pressing the engine switch and then start the engine again.

If the warning light comes on briefly and then turns off, the system is normal. If the warning light still stays on, something is wrong with the system.

If the light and the brake system warning light stay on or come on simultaneously when driving, your ABS system is equipped with the rear brake force control function (proportioning valve function) and there may be something wrong with both

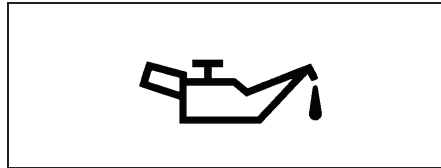
the rear brake force control function and the anti-lock function of the ABS system.

If one of the above occurs, have the system inspected by an authorised Maruti Suzuki workshop.

If the ABS becomes inoperative, the brake system will function as an ordinary brake system that does not have this ABS system.

For details of ABS system, refer to "Anti-lock brake system (ABS)" in "OPERATING YOUR VEHICLE" section.

### Oil pressure warning light



50G051

When the ignition switch is turned to "ON" position or the engine switch is pressed to change the ignition mode to "ON", this light comes on. When the engine is started, the light goes out. The light will come on and remain on if there is insufficient oil pressure. If the light comes on when driving, pull off the road as soon as you can and stop the engine.

Check the oil level and add oil if necessary. If there is enough oil, the lubrication system should be inspected by an authorised

Maruti Suzuki workshop before you drive the vehicle again.

### NOTICE

- If you operate the engine with this light on, severe engine damage can result.
- Do not rely on the oil pressure warning light to indicate the need to add oil. Periodically check the engine oil level.

### ESP® Warning Light (if equipped)



56RM02033

ESP® is a registered trademark of Daimler AG.

This light blinks 5 times per second when one of the following systems is activated.

- Stability control system
- Traction control system

If this light blinks, drive carefully.

When the ignition is pushed to "ON" mode, the light comes on briefly so you can check that the light is working. If the light stays on or comes on when driving, there may be something wrong with the ESP® systems



## BEFORE DRIVING

(other than ABS). You should have the system inspected by a Maruti Suzuki authorised workshop.

For details of the ESP<sup>®</sup> systems, refer to “Electronic Stability Program (ESP<sup>®</sup>) (if equipped)” in “OPERATING YOUR VEHICLE” section.

### **WARNING**

**The ESP<sup>®</sup> systems cannot prevent accidents. Always drive carefully.**

### **ESP<sup>®</sup> OFF Indicator Light (if equipped)**

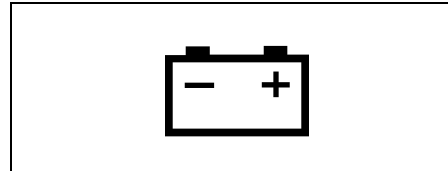


When the ignition is pushed to “ON” mode, this light comes on briefly so you can check that the light is working.

When the ESP<sup>®</sup> OFF switch is pushed to turn off the ESP<sup>®</sup> systems (other than ABS), the ESP<sup>®</sup> OFF indicator light comes on and stays on.

For details of the ESP<sup>®</sup> systems, refer to “Electronic Stability Program (ESP<sup>®</sup>) (if equipped)” in “OPERATING YOUR VEHICLE” section.

### **Charge warning light**



When the ignition switch is turned to “ON” position or the engine switch is pressed to change the ignition mode to “ON”, this light comes on. When the engine is started, the light goes out. The light will come on and remain on if there is something wrong with the battery charging system. If the light comes on when the engine is running, the charging system should be inspected immediately by an authorised Maruti Suzuki workshop.

### **Seat belt reminder light**



When the driver and/or passenger (front passenger and/or rear passenger\*) do(does) not buckle his or her seat belt, this light will come on and/or blink. For details about the seat belt reminder, refer to “Seat Belts and Child Restraint Systems” in this section.

\*: If equipped

#### **NOTE:**

*Along with the seat belt reminder light, a reminder message shall also come on the information display (if equipped), for unrestrained driver and/or front passenger.*

## BEFORE DRIVING

### AIRBAG light



63J030

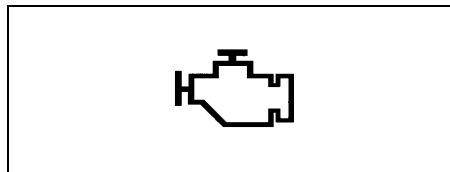
When the ignition switch is turned to "ON" position or the engine switch is pressed to change the ignition mode to "ON", this light blinks or comes on for several seconds so you can check that the light is working.

The light will come on and stay on if there is a problem in the air bag system or the seat belt pretensioner system.

#### **WARNING**

**If AIR BAG light does not blink or come on briefly when the ignition switch is turned to "ON" position or the engine switch is pressed to change the ignition mode to "ON", stays on for more than 10 seconds, or comes on while driving, the air bag system or the seat belt pretensioner system may not work properly, which could result in serious injury in the event of a crash. Have both systems inspected by an authorised Maruti Suzuki workshop.**

### Malfunction indicator light



65D530

Your vehicle has a computer-controlled emission control system. A malfunction indicator light is provided on the instrument cluster to indicate when it is necessary to have the emission control system serviced. When the ignition switch is turned to "ON" position or the engine switch is pressed to change the ignition mode to "ON", this light comes on. When the engine is started, the light goes out.

If the malfunction indicator light comes on or blinks when the engine is running, there is a damage in the emission control system.

Bring the vehicle to an authorised Maruti Suzuki workshop to have the damage fixed.

Also, if this light comes on when the engine is running, there is a problem with the Auto Gear Shift system. Ask an authorised Maruti Suzuki workshop to have the system inspected.

#### **NOTICE**

**Continuing to drive the vehicle when the malfunction indicator light is on or blinking can cause permanent damage to the vehicle's emission control system, and can affect fuel economy and driveability.**

### Transaxle warning light (if equipped)



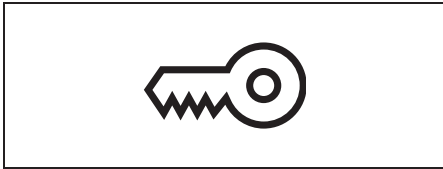
80J219

When the ignition switch is turned to "ON" position or the engine switch is pressed to change the ignition mode to "ON", this light comes on for several seconds so you can check that the light is working.

If this light comes on when the engine is running, there is a problem with the Auto Gear Shift system. Ask an authorised Maruti Suzuki workshop to have the system inspected.

#### **NOTE:**

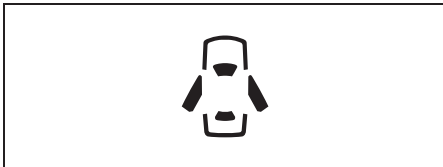
*If the Auto Gear Shift clutch temperature becomes too high, this light will blink. Stop the vehicle in a safe place and let the system cool down.*

**Immobilizer/keyless push start system warning light**

80JM122

When the ignition switch is turned to "ON" position or the engine switch is pressed to change the ignition mode to "ON", this light comes on briefly so you can check that the light is working. If this light stays on or blinks, there is a problem with the system.

If this light still stays on even if you start the engine with normal voltage of the vehicle battery, ask an authorised Maruti Suzuki workshop to have the system inspected.

**Open door warning light**

54G391

This light remains on until all doors are completely closed.

If any door is open when the vehicle is moving, a ding sounds to remind you to close all doors completely.

**Low fuel warning light**

54G343

If this light comes on, refuel the fuel tank as soon as possible.

When this light comes on, a ding sounds once to remind you to refuel.

If you do not refuel, a ding sounds every time when the ignition switch is turned to "ON" position or the engine switch is pressed to change the ignition mode to "ON".

**NOTE:**

*The activation point of this light varies depending on road conditions (for example, slope or curve) and driving conditions because of fuel movement in the tank.*

**Electric power steering light**

79J039

When the ignition switch is turned to "ON" position or the engine switch is pressed to change the ignition mode to "ON", this light comes on. When the engine is started, the light goes out.

If this light comes on while driving, the power steering system may not work properly. Have the system inspected by an authorised Maruti Suzuki workshop.

**NOTE:**

*The following steering wheel operations may gradually take more effort while parking or driving at a very low speed. This is not a malfunction of the steering system, but the power steering control system limits the power assist in order to prevent it from overheating.*

- *The steering wheel is operated very often.*
- *The steering wheel is kept in a fully turned position for a long while.*

*When the power steering control system cools down, the power steering system will return to its original condition.*

## BEFORE DRIVING

However, repeating these operations could cause damage to the power steering system.

**NOTE:**

If the power steering system does not work properly, it will require greater effort to steer, but you still will be able to steer.

**NOTE:**

If the steering is operated, you may hear noise caused by electric power steering operation. This is normal and indicates that the power steering system works properly.

### Engine coolant temperature warning light



54G344

When the ignition switch is turned to "ON" position or the engine switch is pressed to change the ignition mode to "ON", this light comes on briefly so you can check that the light is working.

This indicator has the following two following functions.

2-99

### Low engine coolant temperature light (blue color) - For petrol engine model

This light stays on while the engine is still cold and goes off when the engine has warmed up.

If this light blinks, there is a problem with the system. Have your vehicle inspected by an authorised Maruti Suzuki workshop.

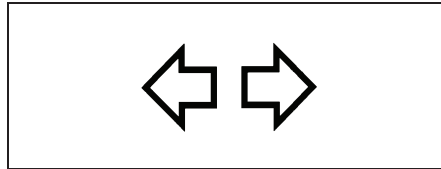
### High engine coolant temperature warning light (red color)

If this light blinks while driving, it means the engine is running hot. Avoid driving conditions that may lead to actual overheating. If the light stays on without blinking, then the engine is overheating. Follow the instructions in "Engine trouble: Overheating" of "EMERGENCY SERVICE" section.

**NOTICE**

Continuing to drive the vehicle when engine overheating is indicated can result in severe engine damage.

### Turn signal indicators



50G055

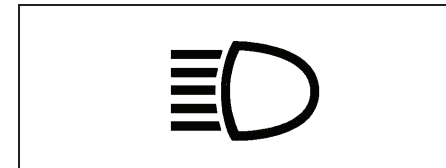
When you turn on the left or right turn signals, the corresponding green arrow on the

instrument cluster will flash along with the respective turn signal lights. When you turn on the hazard warning switch, both arrows will flash along with all of the turn signal lights.

**NOTE:**

If any abnormality of the turn signal is observed such as no illumination, illumination but no blinking or fast blinking there may be a malfunction in the turn signal systems. Ask your authorised Maruti Suzuki workshop to have the system inspected.

### Main beam (high beam) indicator light



50G056

This indicator comes on when headlight main beams (high beams) are turned on.

**BEFORE DRIVING**

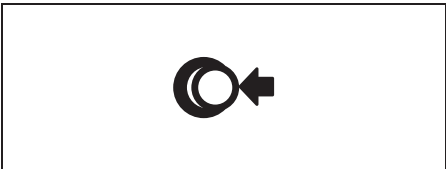
**Steering lock indicator light (if equipped)**



56RH00247

If this light comes on, the steering lock is not disengaged. While lightly turning the steering wheel in both directions, press the engine switch again.

**“PUSH” indicator light (if equipped)**



82K174

If this light comes on when depressing the brake pedal for Auto Gear Shift vehicles, or the clutch pedal for manual transaxle vehicles, you can start the engine.

**“ACC” indicator light (if equipped)**



82K097

This light comes on when the ignition mode is “ACC”.

**Ignition “ON” indicator light (if equipped)**



82K098

This light comes on when the ignition mode is “ON” with the engine off.

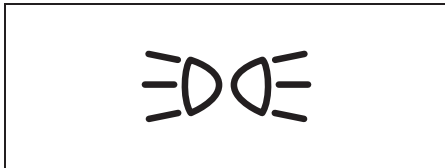
**Depress brake pedal indicator (if equipped)**



76MH0A047

Refer to “Auto Gear Shift” in the “OPERATING YOUR VEHICLE” section for details.

**Illumination indicator light**

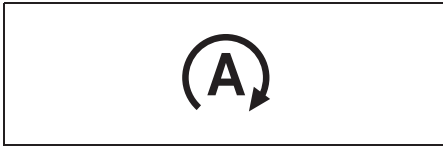


64J045

This indicator light comes on while the position lights, tail light and/or the headlights are on.

## BEFORE DRIVING

### ENG A-STOP Indicator Light (if equipped)



56RM02035

When the ignition switch is turned to "ON" position or the engine switch is pressed to change the ignition mode to "ON", this light comes on briefly so you can check that the light is working.

When the engine stops automatically, this light comes on.

For details, refer to "ENG A-STOP System (Engine Auto Stop Start System)" in "OPERATING YOUR VEHICLE" section.

### ENG A-STOP OFF Light (if equipped)



56RM02036

When the ignition switch is turned to "ON" position or the engine switch is pressed to change the ignition mode to "ON", this light comes on briefly so you can check that the light is working.

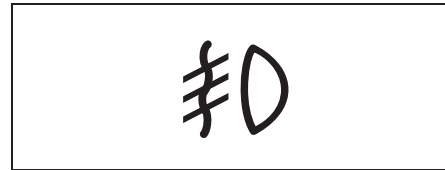
## 2-101

When you push the ENG A-STOP OFF switch, this light comes on.

If this light blinks when driving, there may be something wrong with the ENG A-STOP system. You should have the system inspected by a Maruti Suzuki authorised workshop.

For details, refer to "ENG A-STOP System (Engine Auto Stop Start System)" in "OPERATING YOUR VEHICLE" section.

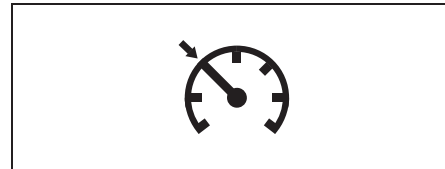
### Front fog light indicator light (if equipped)



68PM00268

The front fog light indicator light comes on when the front fog light operates.

### Cruise control indicator light (if equipped)



64MM02015

When the cruise control is on, this light will be on.

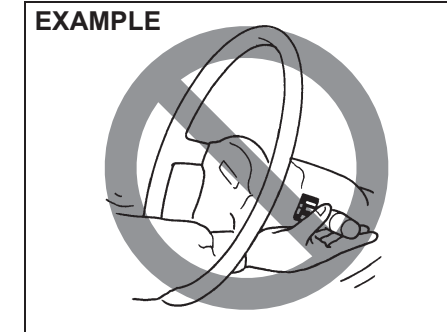
### "SET" indicator light (if equipped)



65D474

When a cruising speed of the cruise control is set, this light will be on.

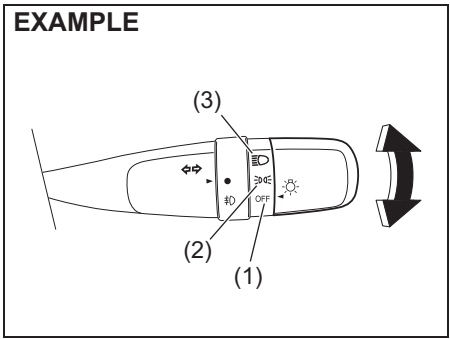
### Lighting control lever



65D611

**⚠ WARNING**  
**To avoid possible injury, do not operate controls by reaching through the steering wheel.**

**Lighting operation**



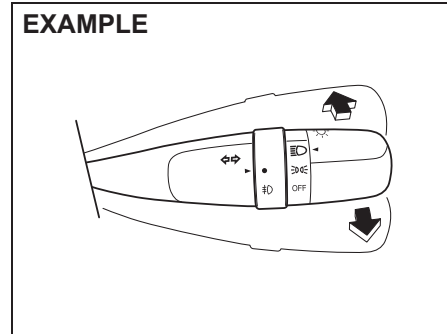
56RH00248

To turn the lights on or off, twist the knob on the end of the lever. There are three positions:

**OFF (1)**  
 All lights are off.

**☞ (2)**  
 Front position lights, tail lights, license plate light and instrument lights are on, but headlights are off.

**☞ (3)**  
 Front position lights, tail lights, license plate light, instrument lights and headlights are on.



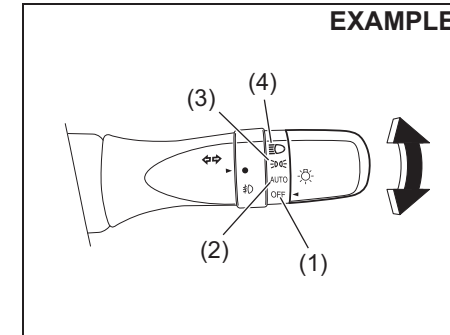
56RH00249

With the headlights on, push the lever forward to switch to the high beams (main beams) or pull the lever toward you to switch to the low beams. When the high beams (main beams) are on, a light on the instrument cluster will come on. To momentarily activate the high beams (main beams) as a passing signal, pull the lever slightly toward you and release it when you have completed the signal.

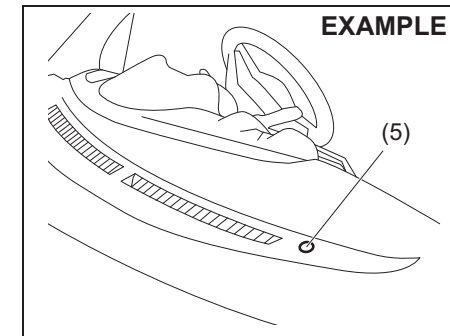
**NOTICE**

**Do not leave the headlamp ON in any position when the engine is not running, or the battery will discharge rapidly.**

**Automatic light operation (if equipped)**



56RH00250



56RH00251

To turn the lights on or off, twist the knob on the end of the lever. There are four positions:

## BEFORE DRIVING

### OFF (1)

All lights are off.

### AUTO (2)

This function works when or the engine switch is pressed to change the ignition mode to "ON". The headlights and position lights are turned on and off automatically according to the amount of outside light detected by a sensor. They go out automatically when you change the ignition mode to "ACC" or "LOCK" (OFF) by pressing the engine switch.

The light sensor (5) for sensing the amount of outside light is installed on the passenger's seat side instrument panel.

### CAUTION

If the light sensor area of the windshield is covered with mud, ice, or other similar substances, the headlights and position lights may be turned on even when it is still light outside.

#### NOTE:

- Avoid covering the light sensor area of the windshield with a sticker. The sticker may impair the performance of the sensor and make the system unable to control operation of the lights correctly.
- If you changed the ignition mode to "ON" by pressing the engine switch and "AUTO" position remains selected, the headlights and position lights come on

automatically as it gets dark outside, even with the engine not running. Leaving the lights lit for a long time may lead to a completely discharged battery.

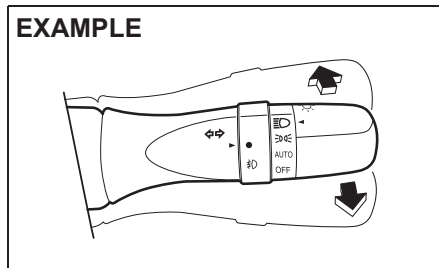
### ☰ (3)

Front position lights, tail lights, license plate light and instrument lights are on, but headlights are off.

### ☰ (4)

Front position lights, tail lights, license plate light, instrument lights and headlights are on.

### EXAMPLE



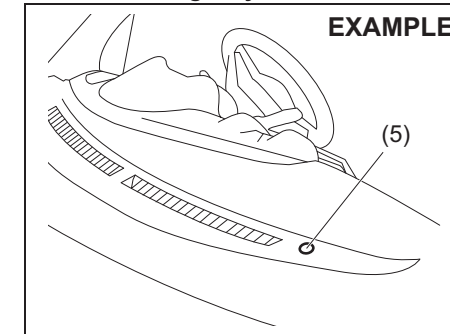
56RH00252

With the headlights on, push the lever forward to switch to the high beams (main beams) or pull the lever toward you to switch to the low beams. When the high beams (main beams) are on, a light on the instrument cluster will come on. To momentarily activate the high beams (main beams) as a passing signal, pull the lever slightly toward you and release it when you have completed the signal.

### NOTICE

Do not leave the headlamp ON in any position when the engine is not running, or the battery will discharge rapidly.

### Auto-on headlight system



56RH00251

The auto-on headlight system automatically turns on all lights that are operated by the lighting control lever on the steering column, when the following three conditions are all met.

Conditions for auto-on headlight system operation:

- 1) It is dark around the light sensor (5).
- 2) The lighting control lever is in "AUTO" position.
- 3) You press the engine switch to change the ignition mode to "ON".



**BEFORE DRIVING**

This system is activated by a signal from the light sensor (5) on the passenger side of Instrument panel. Do not cover the sensor (5). Otherwise, the system will not work correctly.

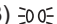

Your vehicle's lighting system is controlled by two main systems: the lighting switch and the auto-on headlight system (when the lighting switch is in "AUTO" position). The two systems work together to operate your lights as shown in the following chart:

**⚠ WARNING**

**It takes about 5 seconds for the light sensor to react to a change in lighting conditions. To help avoid an accident due to reduced visibility, turn on your headlights before driving into a tunnel, parking structure, etc.**

*NOTE:*  
The light sensor reacts even to infrared rays, so it may operate incorrectly when there are strong infrared rays.

**N: Lights ON**  
**LIGHT: When it is light around the light sensor (5).**  
**DARK: When it is dark around the light sensor (5).**

Lighting switch position	Main lights to be operated	Ignition mode "LOCK" (OFF) or "ACC"		Ignition mode "ON"	
		LIGHT	DARK	LIGHT	DARK
(1) OFF	Position lights, Tail lights	-	-	-	-
	Headlights	-	-	-	-
(2) AUTO	Position lights, Tail lights	-	-	-	ON
	Headlights	-	-	-	ON
(3) 	Position lights, Tail lights	ON	ON	ON	ON
	Headlights	-	-	-	-
(4) 	Position lights, Tail lights	ON	ON	ON	ON
	Headlights	ON	ON	ON	ON

## BEFORE DRIVING

### Light reminder buzzer

The interior buzzer continuously beeps if you open the driver's door without turning off the headlights and position lights. This function is triggered under the following condition:

The headlights and/or position lights are on even after the ignition switch is turned off, or the engine switch is pressed to change the ignition mode to "LOCK" (OFF).

The buzzer stops sounding when you turn off the headlights and position lights.

### Daytime running light (D.R.L.) system (if equipped)

When the engine is started, the daytime running lights are turned on by this system.

Conditions for D.R.L. system operation

- 1) The engine is running.
- 2) Headlights and front fog light (if equipped) are off.

**NOTE:**

*Brightness of the daytime running lights is different from the brightness of the position lights, but it is not a malfunction.*

### Guide me light (vehicle with automatic lights operation)

Guide me light has two functions of "To home" and "To car" for improving your visibility in the dark.

#### "To home" function

Even after you leave the car, the ground will be illuminated for a short while with this function. You can turn on the front position lights and the headlights in the low beam setting for about 10 seconds after the engine switch is pressed to change the ignition mode to "LOCK" (OFF).

To set the function:

- 1) Turn the lighting switch to "AUTO" position.
- 2) Press the engine switch to change the ignition mode to "LOCK" (OFF).

- 3) Pull the lighting control lever toward you once and open the driver's side door within 60 seconds. Or pull the lighting control lever toward you once while the driver's side door is open.

To cancel the function:

Perform any of the following operations.

- Pull the lighting control lever toward you once.
- Change the ignition mode to "ACC" or "ON" by pressing the engine switch.
- Turn the lighting switch to any other position than "AUTO" position.

**NOTE:**

- *When the "To home" is functioning, the front fog lights and the headlights (high beam) are not turned on.*
- *Lighting time of the "To home" function can be changed on the information display. Refer to "Information display" in this section.*

#### "To car" function

Before you get in the vehicle, the ground will be illuminated for a short while to easily lead the driver to the vehicle. If UNLOCK button of the keyless push start system remote controller is pressed while the lighting switch is positioned in "AUTO", the front position lights and the headlights in the low beam are turned on for 10 seconds.

**BEFORE DRIVING**

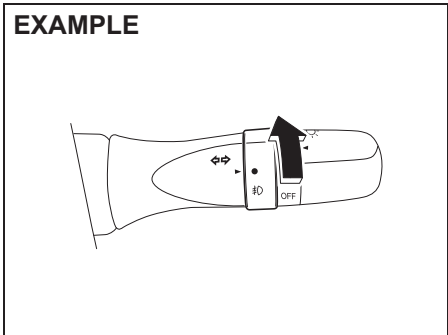
To cancel the function:  
Perform any of the following operations.

- Lock the doors by using the keyless push start system remote controller or the request switch, or the key in the driver's door lock.
- Change the ignition mode to "ACC" or "ON" by pressing the engine switch.
- Turn the lighting switch to any other position than "AUTO" position.

**NOTE:**

- When the "To car" is functioning, the front fog lights and the headlights (high beam) are not turned on.
- Lighting time of the "To car" function can be changed on the information display. Refer to "Information display" in this section.

**Front fog light switch (if equipped)**



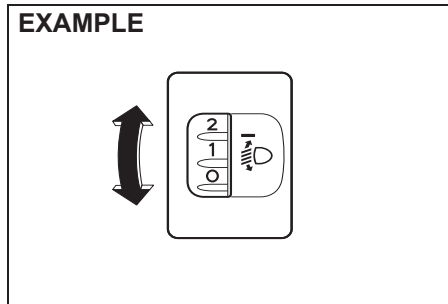
56RH00253

To turn the front fog light on, twist the knob as shown in the illustration with the position lights, tail lights and/or the headlights are on. When the front fog light is on, an indicator light on the instrument cluster will come on.

**NOTE:**

*In some countries the lighting operation may be different from the above description according to local regulations.*

**Headlight leveling switch**



75RM008

Level the headlight beam according to the load condition of your vehicle by turning this switch. The chart shows the appropriate switch position for different vehicle load conditions.

**Vehicle with the halogen headlights (for petrol model)**

Vehicle Load Condition	Switch Position
Driver only	0
Driver + 1 passenger (in front seat)	0
Driver + 4 passengers, no cargo	1.5
Driver + 4 passengers, cargo added	2.5
Driver + full cargo	4

**Vehicle with the halogen headlights (for CNG model)**

Vehicle Load Condition	Switch Position
Driver only	0
Driver + 1 passenger (in front seat)	0
Driver + 4 passengers, no cargo	1.5
Driver + 4 passengers, cargo added	NA
Driver + full cargo	NA

NA = Not applicable

\*: In case of CNG, luggage cannot be placed in trunk.

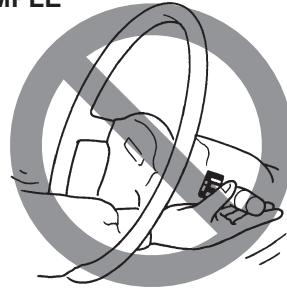
## BEFORE DRIVING

### Vehicle with the LED headlights

Vehicle Load Condition	Switch Position
Driver only	0
Driver + 1 passenger (in front seat)	0
Driver + 4 passengers, no cargo	2
Driver + 4 passengers, cargo added	2.5
Driver + full cargo	4

### Turn signal control lever

#### EXAMPLE



65D611

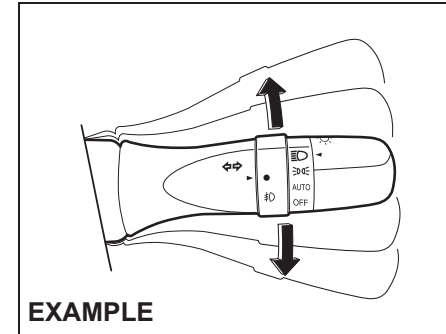
#### **⚠ WARNING**

To avoid possible injury, do not operate controls by reaching through the steering wheel.

#### Turn signal operation

With the ignition switch in "ON" position or the ignition mode "ON", move the lever upward or downward to activate the right or left turn signals.

### Normal turn signal

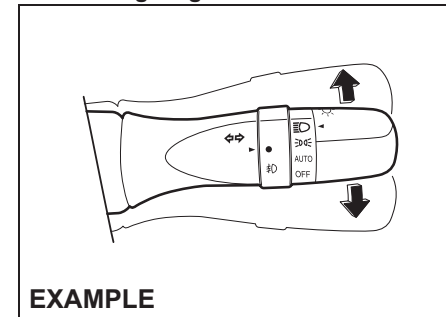


#### EXAMPLE

56RH00255

Move the lever all the way upward or downward to signal. When the turn is completed, the signal will cancel and the lever will return to its normal position.

### Lane change signal



#### EXAMPLE

56RH00256

Move the lever partially upward or downward to turn right or left and hold the lever in the moved position.

- The turn signal and its indicator flash while the lever is held at the moved position.

The turn signal and its indicator flash 3 times even if you returned the lever immediately after the activation.

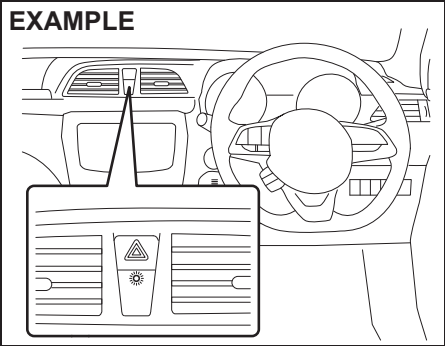
**NOTE:**

*The turn signal and its indicator can be set whether they flash 3 times after the turn signal lever is returned via the information display. Refer to "Information display" in this section.*

**NOTE:**

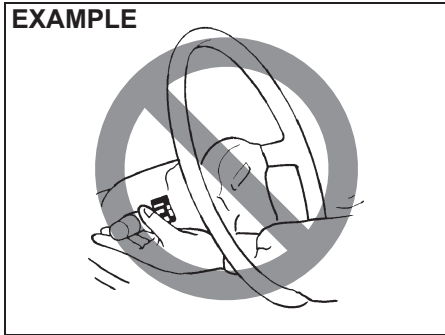
*You can customize the setting for the number of flashing times of the turn signal and its indicator (1 to 4 times). Please ask an authorised Maruti Suzuki workshop for the customization.*

**Hazard warning switch**



Push the hazard warning switch to activate the hazard warning lights. All turn signal lights and both turn signal indicators will flash simultaneously. To turn off the lights, push the switch again. Use the hazard warning lights to warn other drivers of possible risk of traffic hazard when you park your vehicle in case of emergency.

**Windshield wiper and washer lever**



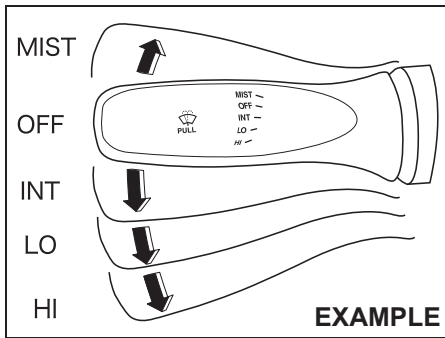
**⚠ WARNING**  
To avoid possible injury, do not operate controls by reaching through the steering wheel.

## BEFORE DRIVING

### Wiper and washer operation

When the ignition switch is in "ON" position or the ignition mode is "ON", you can use the wiper/washer lever.

### Windshield wipers



56RH00258

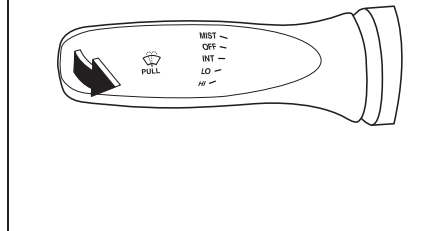
To turn the windshield wipers on, move the lever down to one of the three operating positions. In "INT" position, the wipers operate intermittently. The "INT" position is very convenient for driving in mist or light rain. In "LO" position, the wipers operate at a steady low speed. In "HI" position, the wipers operate at a steady high speed. To turn off the wipers, move the lever back to "OFF" position.

Move the lever up and hold it to "MIST" position, the windshield wipers will turn on continuously at low speed.

2-109

### Windshield washer

#### EXAMPLE



56RH00259

To spray windshield washer fluid, pull the lever toward you. The windshield wipers will automatically turn on at low speed if they are not already on and your vehicle is equipped with "INT" position.

#### WARNING

- To prevent windshield icing in cold weather, turn on the defroster to heat the windshield before and during windshield washer use.
- Do not use radiator antifreeze in the windshield washer reservoir. It can severely impair visibility when sprayed on the windshield, and can also damage your vehicle's paint.

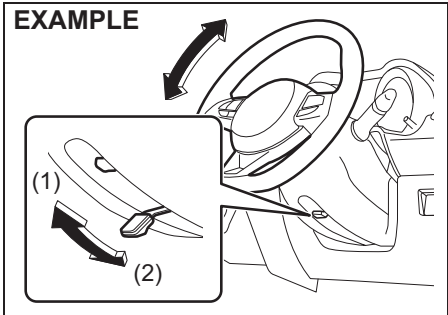
#### NOTICE

To help prevent damage to the windshield wiper and washer system components, you should take the following precautions:

- Do not continue to hold in the lever when there is no windshield washer fluid being sprayed or the washer motor can be damaged.
- Do not attempt to remove dirt from a dry windshield with the wipers or you can damage the windshield and the wiper blades. Always wet the windshield with washer fluid before operating the wipers.
- Clear ice or packed snow from the wiper blades before using the wipers.
- Check the washer fluid level regularly. Check it often when the weather is bad.
- Fill a reservoir to 3/4 level with washer fluid for its expansion, if temperature falls low enough to freeze the fluid.

56RH0-74E

Tilt steering lock lever



56RH00260

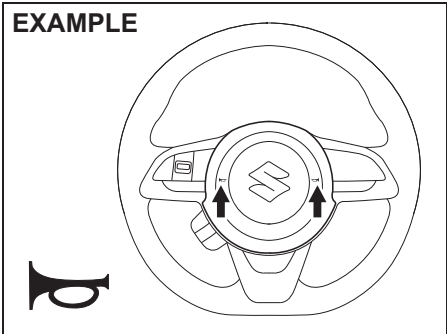
- (1) LOCK
- (2) UNLOCK

The lock lever is located under the steering column. To adjust the steering wheel height:

- 1) Push down the lock lever to unlock the steering column.
- 2) Adjust the steering wheel to the desired height and lock the steering column by pulling up the lock lever.
- 3) Try moving the steering wheel up and down to check that it is securely locked in position.

**⚠ WARNING**  
 Never attempt to adjust the steering wheel while the vehicle is moving or you could lose control of the vehicle.

Horn

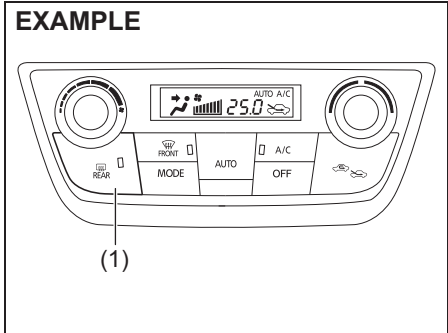


56RH00261

Press the horn button of the steering wheel to sound the horn. The horn will sound with the ignition switch in any position or any ignition mode.

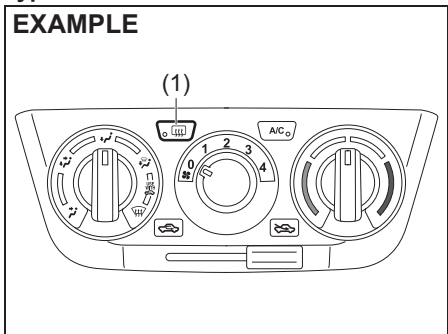
Heated rear window switch (if equipped)

Type A



56RH00262

Type B



56RH00273

## BEFORE DRIVING

---

When the rear window is misted, push this switch (1) to clear the window.

An indicator light will come on when the defogger is on. The defogger will work only when the engine is running. To turn off the defogger, push the switch (1) again.

<b>NOTICE</b>
---------------

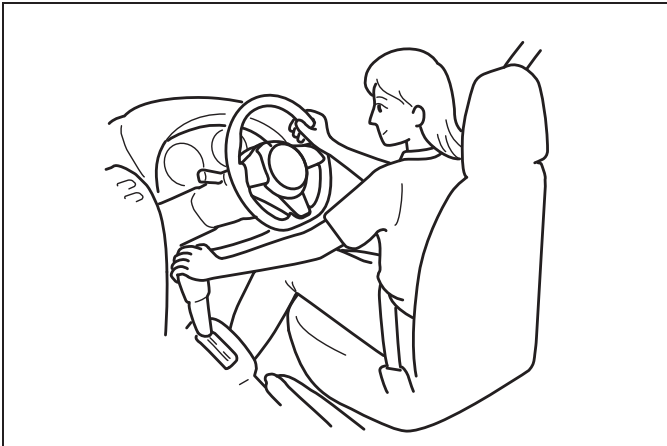
<b>The heated rear window use a large amount of electricity. Turn off the switch after the window and mirrors have become clear.</b>
--

**NOTE:**

- *The defogger will work only when the engine is running.*
- *The defogger will automatically turn off after the defogger remains on for 15 minutes to prevent discharging of the battery.*



OPERATING YOUR VEHICLE



56RM03015

- Exhaust gas warning ..... 3-1
- Daily inspection checklist ..... 3-2
- Engine oil consumption ..... 3-3
- Ignition switch  
(vehicle without keyless push start system) ..... 3-3
- Engine switch  
(vehicle with keyless push start system) ..... 3-5
- Keyless push start system (if equipped) ..... 3-6
- Parking brake lever ..... 3-9
- Pedal ..... 3-10
- Starting engine  
(vehicle without keyless push start system) ..... 3-11
- Starting engine  
(vehicle with keyless push start system) ..... 3-12
- Using transaxle ..... 3-15
- Gearshift Indicator (if equipped) ..... 3-25
- ENG A-STOP System (if equipped) ..... 3-27
- Cruise Control (if equipped) ..... 3-36
- Parking sensors ..... 3-38
- Rearview camera (if equipped) ..... 3-43
- Braking ..... 3-46
- Electronic stability program (ESP) (if equipped) ..... 3-48

## OPERATING YOUR VEHICLE

### Exhaust gas warning

#### EXAMPLE



56RM03018

#### ⚠ WARNING

Avoid breathing exhaust gases. Exhaust gases contain carbon monoxide, a potentially lethal gas that is colorless and odorless. Since carbon monoxide is difficult to detect by itself, take the following precautions to help prevent carbon monoxide from entering your vehicle.

- Do not leave engine running in garages or confined areas, with passengers inside. This may result in accumulation of carbon-monoxide in cabin and may lead to suffocation or breathing problems and lead to death.

(Continued)

#### ⚠ WARNING

(Continued)

- Do not park with the engine running for a long period of time, even in an open area. In case of long periods, danger of choking and death on being inside the vehicle is a possibility when the engine is running. If it is necessary to sit for a short time in a parked vehicle with the engine running, make sure that the air intake selector is set to "FRESH AIR" and the blower is at high speed.
- Avoid operating the vehicle with the tailgate or trunk open. If it is necessary to do so, make sure that the sunroof (if equipped) and all windows are closed, and the blower is at high speed with the air intake selector set to "FRESH AIR".
- To allow proper operation of your vehicle's ventilation system, keep the air inlet grill in front of the windshield clear of snow, leaves or other obstructions at all times.
- Keep the exhaust tailpipe area clear of snow and other material to help reduce the buildup of exhaust gases under the vehicle. This is particularly important when parked in blizzard conditions.

(Continued)

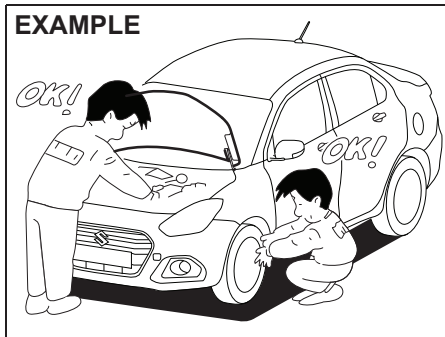
#### ⚠ WARNING

(Continued)

- Have the exhaust system inspected periodically for damage and leakage. Any damage or leakage should be repaired immediately.

**Daily inspection checklist**

**Before driving**



56RM03019

- 1) Make sure that windows, mirrors, lights and reflectors are clean and unobstructed.
- 2) Visually check the tires for the following points:
  - the depth of the tread groove
  - abnormal wear, cracks and damage
  - loose wheel nuts
  - existence of foreign material such as nails, stones, etc.
 Refer to "Tires" in "INSPECTION AND MAINTENANCE" section for details.
- 3) Look for fluid and oil leakage.

**NOTE:**

*It is normal for water to drip from the air conditioning system while and after use.*

- 4) Check that the hood is fully closed and latched.
- 5) Check the headlights, turn signal lights, brake lights and horn for proper operation.
- 6) Adjust the seat and head restraint (if equipped).
- 7) Check the brake pedal and the parking brake lever.
- 8) Adjust the mirrors.
- 9) Check that you and all passengers have properly fastened by the seat belts.
- 10) Check that all warning lights come on as the ignition switch is turned to "ON" position or the engine switch is pressed to change the ignition mode to "ON".
- 11) Check all gauges.
- 12) Check that the brake system warning light turns off when the parking brake is released.

Once a week, or each time you fill your fuel tank or before a long distance driving (like highway driving), perform the following under-hood checks:

- 1) Engine oil level
- 2) Coolant level
- 3) Brake fluid level
- 4) Battery solution level
- 5) Windshield washer fluid level

- 6) Hood latch operation  
Pull the hood release handle inside the vehicle. Check that you cannot open the hood further without releasing the secondary latch. Close the hood securely after checking for proper latch operation. See the item "All latches, hinges and locks" of "Chassis, body and others" in "Maintenance schedule" in "INSPECTION AND MAINTENANCE" section for lubrication schedule.

**⚠ WARNING**

**Make sure that the hood is fully closed and latched before driving. If it is not, it can fly up unexpectedly during driving, obstructing your view and resulting in an accident.**

Once a month, or each time you fill your fuel tank, check the tire pressure using a tire pressure gauge. Also check the tire pressure of the spare tire.

## OPERATING YOUR VEHICLE

### Engine oil consumption

It is normal for the engine to consume some engine oil during normal vehicle operation.

The amount of engine oil consumption depends on viscosity and quality of the oil and your driving conditions.

More oil is consumed during high-speed driving and when there is frequent acceleration and deceleration. Under high loads, your engine also will consume more oil.

A new engine also consumes more oil, since its pistons, piston rings and cylinder walls have not yet become conditioned. New engines reach the normal level of oil consumption only after approximately 5000 km driving.

#### Oil consumption:

**Max. 1.0 L per 1000 km**

When judging the amount of oil consumption, note that the oil may become diluted and it is difficult to judge the accurate oil level.

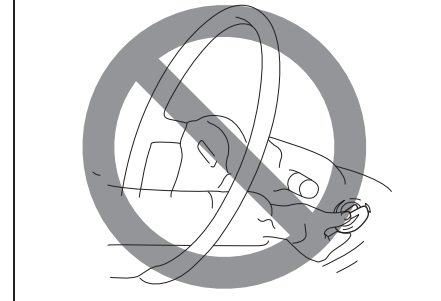
As an example, if a vehicle is used for repeated short trips, and consumes a normal amount of oil, the dipstick may not show any drop in the oil level at all, even after 1000 km or more of driving. This is because the oil gradually becomes diluted with fuel or moisture, making it appear that the oil level has not changed.

You should also be aware that the diluting ingredients evaporate out when the vehicle

is subsequently driven at high speeds, such as on an expressway, making it appear that oil is excessively consumed after high-speed driving.

### Ignition switch (vehicle without keyless push start system)

#### EXAMPLE

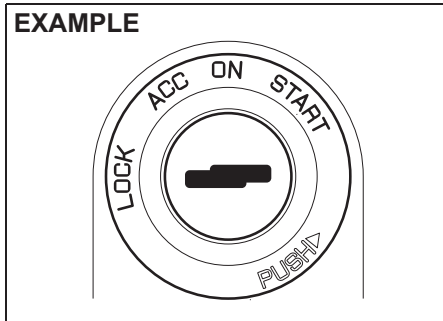


56RM03020

#### ⚠ WARNING

To avoid possible injury, do not operate controls by reaching through the steering wheel.

## OPERATING YOUR VEHICLE

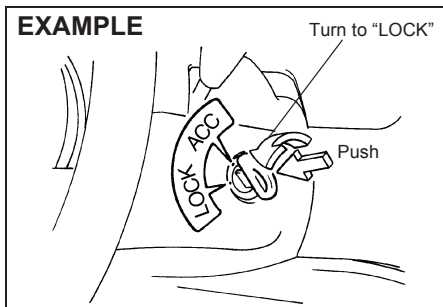


68PH00310

The ignition switch has the following four positions:

### LOCK

This is the normal parking position. It is the only position in which the key can be removed.



60G033

You must push in the key to turn it to "LOCK" position. It locks the ignition, and prevents normal use of the steering wheel after the key is removed.

To release the steering lock, insert the key and turn it clockwise to one of the other positions. If you have trouble turning the key to unlock the steering wheel, try turning the steering wheel slightly to the right or left while turning the key.

### ACC

Accessories such as the radio can operate, but the engine is off.

### ON

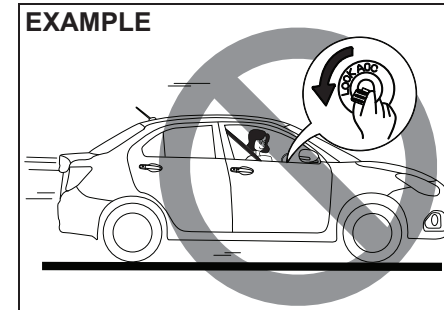
This is the normal operating position. All electrical systems are on.

### START

This is the position for starting the engine using the starter motor. The key should be released from this position as soon as the engine starts.

### Ignition key reminder

A buzzer sounds intermittently to remind you to remove the ignition key if it is in the ignition switch when the driver's door is opened.



56RM03021

### ⚠ WARNING

- Never return the ignition switch to "LOCK" position and remove the ignition key while the vehicle is moving. The steering wheel will lock and you will not be able to steer the vehicle.
- Always return the ignition switch to "LOCK" position and remove the ignition key when leaving the vehicle even only for a short time. Also do not leave children alone in a parked vehicle. Unattended children could cause accidental movement of the vehicle or could tamper with power windows or power sunroof. They also could suffer from heat stroke in warm or hot weather. These could result in severe injury or even death.

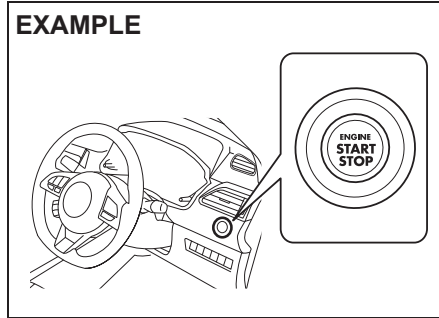
## OPERATING YOUR VEHICLE

### NOTICE

- Do not use the starter motor for more than 12 seconds at a time. If the engine does not start, wait 15 seconds before trying again. If the engine does not start after several attempts, make sure the fuel and ignition systems or consult an authorised Maruti Suzuki workshop.
- Do not leave the ignition switch in "ON" position if the engine is not running as the battery will discharge.

### Engine switch (vehicle with keyless push start system)

#### EXAMPLE



56RH00301

#### LOCK (OFF)

This mode is for parking the vehicle. When this mode is selected by pressing the engine switch and then any door is opened or closed, the steering will be locked automatically.

#### ACC

Press the engine switch to select this ignition mode to use such electric equipment as the audio system, outside rearview mirrors and accessory socket with the engine off. When this position is selected, the "ACC" indicator light in the instrument cluster comes on. Refer to "Warning and indicator lights" in "BEFORE DRIVING" section for details.

#### ON

##### • With the engine off

You can use such electric equipment as the power windows and wipers with the engine off. When this ignition mode is selected by pressing the engine switch, the ignition "ON" indicator light in the instrument cluster will come on.

##### • With the engine on

All electric equipment is operational. The vehicle can be driven when you have selected this ignition mode by pressing the engine switch.

#### START

Manual transaxle – Provided you have the keyless push start system remote controller with you, the engine automatically starts when you press the engine switch to select this ignition mode after shifting to "N" (Neutral) and depressing the brake and clutch pedals.

Auto Gear Shift – Provided you have the keyless push start system remote controller with you, the engine automatically starts when you press the engine switch to select this ignition mode after placing the gearshift lever in "N" (Neutral) position and depressing the brake pedal.

#### NOTE:

*You do not need to keep the engine switch pressed to until the engine start.*

**NOTICE**

Do not leave the engine switch in “ACC” or “ON” mode when the engine is not running. Avoid using the radio or other electric accessories for a long time when the engine switch is in “ACC” or “ON” mode when the engine is not running, otherwise the battery may discharge.

**NOTE:**

- The steering lock may not be released and the steering lock indicator light turns on if some load is acting on the steering wheel. If this happens, turn the steering wheel to the right or left to relieve it from the load before you press the engine switch again to change to the desired ignition mode.
- In the presence of strong radio wave or noise, you may not be able to change the ignition mode to “ACC” or “ON” or to start the engine using the engine switch.

**Keyless push start system (if equipped)**

Provided the keyless push start system remote controller is within the interior workable area (refer to the related explanation in this section), you can use the engine switch for starting the engine and selecting an ignition mode (“ACC” or “ON”). In addition, the following functions can be used:

- Keyless entry function. Refer to “Keyless push start system remote controller / keyless entry system transmitter (if equipped)” in “BEFORE DRIVING” section for details.
- Locking and unlocking doors using a request switch. Refer to “Keyless push start system remote controller / keyless entry system transmitter (if equipped)” in “BEFORE DRIVING” section for details.
- Immobilizer (anti-theft) function. Refer to “Immobilizer system” in “BEFORE DRIVING” section for details.

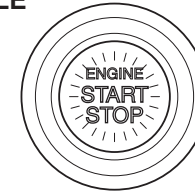
**Engine switch illumination**

The engine switch is illuminated (lit) in the following situations:

- When the engine is off and the driver’s door is open, or for 15 seconds after the driver’s door is closed. The illumination will fade out after 15 seconds passed.
- When the engine is off and the position lights are on. The illumination will go out when the position lights are turned off.
- When the engine is on and the position lights and/or the headlights are on. The

illumination will go out when the position lights and/or the headlights are turned off.

**EXAMPLE**



82K253

**NOTE:**

To save the battery, the illumination will be automatically turned off when both of the following conditions are simultaneously met:

- The headlights and position lights are turned off.
- 15 minutes has elapsed since opening the driver’s door.

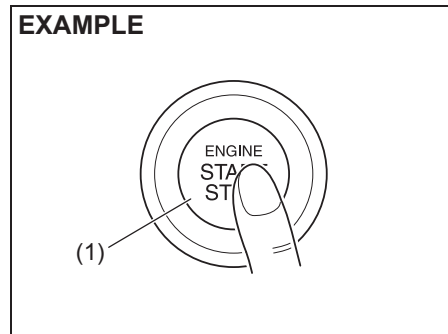
## OPERATING YOUR VEHICLE

### Selection of ignition modes

Press the engine switch to select “ACC” or “ON” mode as follows when you use an electric accessory or check the operation of instruments without running the engine.

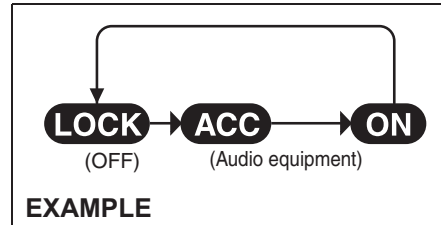
- 1) Bring the keyless push start system remote controller with you and sit in the driver’s seat.
- 2) Manual transaxle – Without depressing the clutch pedal, press the engine switch (1).

Auto Gear Shift – Without depressing the brake pedal, press the engine switch (1).



82K254

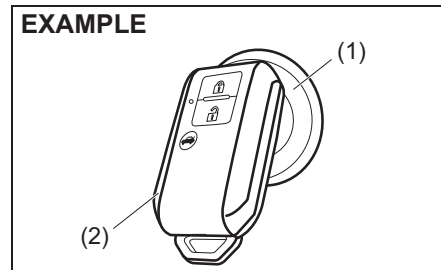
Every time you press the engine switch, the ignition mode changes as follows.



68PH00322

### If the “PUSH” indicator light blinks and the ignition modes cannot be selected

Your keyless push start system remote controller may not be sensed as being within the interior workable area (refer to the related explanation in this section). Try again after checking that you have the remote controller with you. If the ignition modes still cannot be selected, the battery of the remote controller may be discharged. To select an ignition mode, you must then use the following method:



56RH00302

- 1) Manual transaxle – Without depressing the clutch pedal, push the engine switch (1).  
Auto Gear Shift – Without depressing the brake pedal, press the engine switch (1).
- 2) Within about 10 seconds during which the “PUSH” indicator light in the instrument cluster is blinking, touch the engine switch with the lock switch end of the remote controller (2) for about 2 seconds.

### NOTE:

- If you still cannot select the ignition modes, there may be some problem with the keyless push start system. Contact an authorised Maruti Suzuki workshop for an inspection of the system.
- The immobilizer/keyless push start system warning light will come on for about 5 seconds while the “PUSH” indicator light is blinking. Refer to “Warning and indicator lights” in “BEFORE DRIVING” section for details.
- You may customize the system to cause the interior buzzer to sound once for warning that remote controller is out of sensing range. To incorporate this customization, please contact an authorised Maruti Suzuki workshop.
- If the battery of the remote controller is becoming discharged, the keyless push start system remote controller battery consumption warning indicator in the information display will come on for a



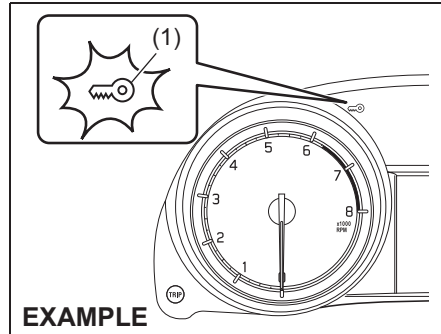
## OPERATING YOUR VEHICLE

few seconds when you press the engine switch to change the ignition mode to "ON". Refer to "Warning and indicator lights" in "BEFORE DRIVING" section for details. For details on replacing the battery, refer to "Keyless push start system remote controller / keyless entry system transmitter (if equipped)" in "BEFORE DRIVING" section.

### REMOTE CONTROLLER OUTSIDE warning

When either of the conditions described below is met, the system causes a REMOTE CONTROLLER OUTSIDE warning by sounding the interior and exterior buzzers. At the same time, the immobilizer/keyless push start system warning light comes on.

- Any door is opened and then closed while the remote controller is not inside the vehicle and the engine is running or the ignition mode has been changed to "ACC" or "ON" by pressing the engine switch.
- The remote controller is not inside the vehicle when you attempt to start the engine after changing the ignition mode to "ACC" or "ON" by pressing the engine switch.



EXAMPLE  
(1) Immobilizer/keyless push start system warning light (blinks)

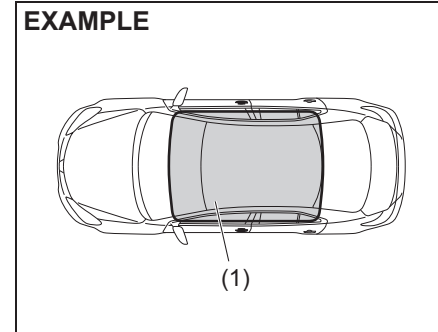
#### NOTE:

- If the warning is given, relocate the remote controller as soon as possible.
- Any attempt to start the engine will fail while the warning is active. Blinking of the immobilizer/keyless push start system warning light in the instrument cluster will also indicate this condition. Refer to "Warning and indicator lights" in "BEFORE DRIVING" section for details.
- Normally, the immobilizer/keyless push start system warning light should go out shortly after the remote controller is brought back inside the vehicle. If they remain lit and blinking, change the ignition mode to "LOCK" (OFF) by pressing the engine switch and then perform the engine starting operation. Refer to "Starting

engine (vehicle with keyless push start system) (if equipped)" in this section.

- Always keep the remote controller with you as the driver.

### Interior workable area for keyless push start system



EXAMPLE  
(1) Interior workable area

The interior workable area is defined as all the interior spaces except for the space above the instrument panel.

#### NOTE:

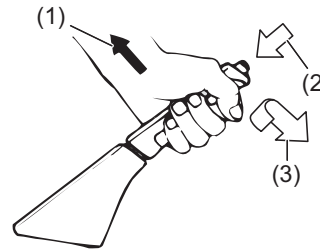
- Even when the remote controller is in the interior workable area, if it is in any of the following conditions, you may not be able to start the engine or select the ignition modes, and the REMOTE CONTROLLER OUTSIDE warning may be given.

## OPERATING YOUR VEHICLE

- The remote controller's battery is low.
- The remote controller is affected by strong radio wave or noise.
- The remote controller is in contact with or covered by a metallic object.
- The remote controller is in the secluded stowage such as the glove box or a door pocket.
- The remote controller is in the sun visor pocket or on the floor.
- Even when the remote controller is outside the interior workable area, if it is in any of the following conditions, you may be able to start the engine or select the ignition mode. The REMOTE CONTROLLER OUTSIDE warning may not be given at that time.
  - The remote controller is outside the vehicle but very close to a door.
  - The remote controller is in certain area on the instrument panel.

### Parking brake lever

#### EXAMPLE



68PHM3001

- (1) To set
- (2) To release
- (3) To release

The parking brake lever is located between the front seats. To set the parking brake, depress the brake pedal down and pull the parking brake lever all the way up. To release the parking brake, depress the brake pedal and, pull up slightly on the parking brake lever, push the button on the end of the lever with your thumb, and lower the lever to its original position.

#### ⚠ WARNING

- Never drive your vehicle with the parking brake on: rear brake effectiveness can be reduced from overheating, brake life may be shortened, or permanent brake damage may result.
- If the parking brake does not hold the vehicle securely or does not fully release, have your vehicle inspected immediately by an authorised Maruti Suzuki workshop.

#### ⚠ WARNING

Always set the parking brake fully before leaving your vehicle or it may move, causing injury or damage. When parking, check that the gear-shift lever is in one of the following positions;

- 1st gear or "R" (Reverse) for manual transaxle vehicles.
- "D", "M" or "R" for Auto Gear Shift vehicles. Also, make sure the instrument cluster to make sure that the transaxle is engaged in "1" or "R" position.

Remember, even though the transaxle is in gear, you must set the parking brake fully.

**⚠ WARNING**

When parking the vehicle in extremely cold weather, the following procedure should be used:

- 1) Set the parking brake.
  - 2) Manual transaxle – turn off the engine, then shift into reverse or first gear.  
Auto Gear Shift – shift into reverse or first gear and check the gear position indicator in the instrument cluster to make sure that the transaxle is engaged in 1st or reverse, then turn off the engine.
  - 3) Get out of the vehicle and put chocks under the wheels.
  - 4) Release the parking brake.
- When you return to your vehicle, first set the parking brake, and then remove the wheel chocks.

**NOTE:**

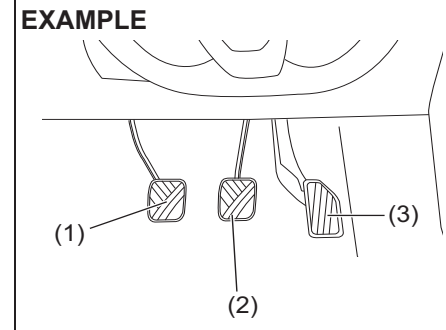
(For Auto Gear Shift Model) For details on how to use the gearshift lever to park the vehicle, refer to "Parking" in "Auto Gear Shift" in this section.

**Parking brake reminder buzzer**

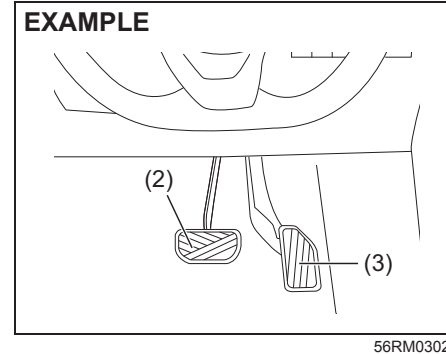
A buzzer sounds intermittently to remind you to release the parking brake if you start the vehicle without fully releasing the parking brake. Check that the parking brake is fully released and the brake system warning light turns off.

**Pedal**

**Manual transaxle**



**Auto Gear Shift**



**Clutch pedal (1)**

A clutch pedal is used to disengage the driving force to the wheels when starting the engine, stopping, or shifting the gearshift lever. Depressing the pedal disengages the clutch.

**⚠ WARNING**

Do not drive with your foot resting on the clutch pedal. It could result in excessive clutch wear, clutch damage, or unexpected loss of engine braking.

**NOTICE**

Do not pump the clutch pedal repeatedly. It may result in pressure built up in the clutch circuit and damage to the clutch system.

**Brake pedal (2)**

Your MARUTI SUZUKI vehicle is equipped with either disc brakes and rear drum brakes. Depressing a brake pedal applies both sets of brakes.

You may hear occasional brake squeal when you apply the brakes. This is a normal condition caused by environmental factors such as temperature, humidity or dust etc.

## OPERATING YOUR VEHICLE

### ⚠ WARNING

If brake squeal is excessive and occurs each time the brakes are applied, you should have the brakes checked by your authorised Maruti Suzuki workshop.

### ⚠ WARNING

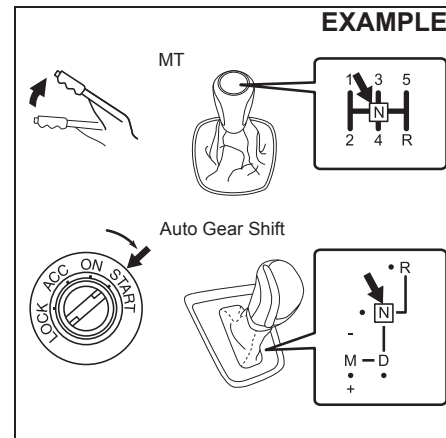
Do not apply brakes continuously or rest your foot on the brake pedal. This will result in overheating of the brakes which could cause unpredictable braking action, longer stopping distances, or permanent brake damage.

### Accelerator pedal (3)

An accelerator pedal controls the speed of the engine. Depressing the accelerator pedal increases power output and speed.

## Starting engine (vehicle without keyless push start system)

### Before starting engine



- 1) Make sure the parking brake is set fully.
- 2) Manual transaxle – Shift into “N” (Neutral). Hold the clutch pedal and brake pedal fully depress.  
Auto Gear Shift – Shift into “N” (Neutral) and depress the brake pedal. Hold the brake pedal while starting the engine.

### NOTE:

For Auto Gear Shift vehicles, if the engine cannot be started, make sure the gearshift lever is in “N” before restarting the engine.

### ⚠ WARNING

- Make sure that the parking brake is set fully and the transaxle is in Neutral before attempting to start the engine.
- For Manual Transaxle - Engine can be started only after depressing the clutch pedal. However, before depressing the clutch pedal make sure that the transaxle is in Neutral and brake pedal is depressed.

### Starting a cold and warm engine

With your foot taken off the accelerator pedal, crank the engine by turning the ignition key to “START”. Release the key when the engine starts.

**NOTICE**

- Stop turning the starter immediately after the engine has started or the starter system can be damaged. (For manual transmission models)
- For protection of a lead-acid battery and a starter motor, if you use the starter motor by turning the key to "START" for more than 12 seconds at a time, the starter motor stops automatically. Turn the key to "LOCK" position and wait for more than 30 seconds before trying again. If the engine does not start after several attempts, check the fuel and ignition system or consult a Maruti Suzuki authorised workshop.
- If the engine starts, the starter motor stops automatically.

(Continued)

**NOTICE**

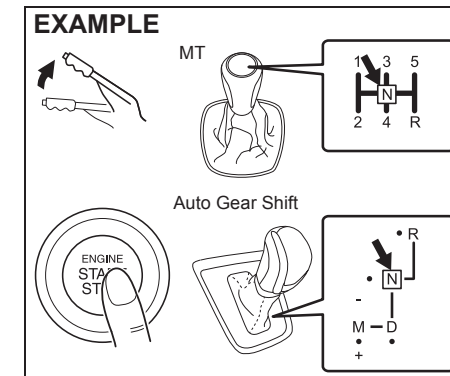
- (Continued)  
(For Auto Gear Shift models)
- For protection of a lead-acid battery and a starter motor, do not use the starter motor by turning the key to "START" for more than 12 seconds at a time. If the engine does not start, turn the key to "LOCK" position and wait for more than 30 seconds before trying again. If the engine does not start after several attempts, check the fuel and ignition system or consult a Maruti Suzuki authorised workshop.

For protection of a lead-acid battery and a starter motor, if you use the starter motor by turning the ignition mode to "START" for more than 12 seconds at a time, the starter motor stops automatically. Turn the key to "LOCK" position and wait for more than 30 seconds before trying again and then press down the accelerator pedal to 1/3 of its stroke capacity and try cranking the engine again. Release the key and accelerator pedal when the engine starts.

If the engine still does not start, depress the accelerator pedal all the way to the floor while cranking. This should clear the engine if it is flooded.

**Starting engine  
(vehicle with keyless push start system)**

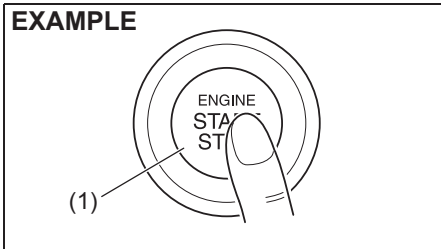
**Before starting engine**



56RH00306

- 1) Make sure the parking brake is set fully.
- 2) Manual transaxle – Shift into "N" (Neutral) and fully depress the clutch pedal. Hold the clutch and brake pedals fully depressed.  
Auto Gear Shift – Shift into "N" (Neutral) and depress the brake pedal. Hold the brake pedal while starting the engine.

## OPERATING YOUR VEHICLE



82K254

- 3) The "PUSH" indicator light in the instrument cluster will come on. Push the engine switch (1). When the engine is started, the starter motor will automatically stop.

**⚠ WARNING**

**Make sure that the parking brake is set fully and the transaxle is in Neutral before attempting to start the engine.**

**NOTICE**

- Do not depress the accelerator during the engine starting procedure.
- If the engine does not respond when you try to start it with the engine switch or if the engine switch repeats cycling through "LOCK" (OFF) - "ACC" - "ON" mode, the vehicle battery may be discharged. Check the voltage of the vehicle battery before trying again.

**NOTE:**

- You do not need to keep the engine switch pressed to start the engine.
- The engine of a manual transaxle vehicle will not start unless the clutch pedal is depressed.
- For Auto Gear Shift vehicles, if the engine cannot be started, make sure the gearshift lever is in "N" before restarting the engine.
- You should turn off such loads as the headlights and air conditioning system to facilitate starting of the engine.
- If the engine starts, the starter motor will stop turning automatically.
- Even if the engine does not start, the starter motor will stop turning automatically after a short time. After the starter motor has stopped automatically, press the engine switch to select LOCK(OFF)

mode and wait for more than 30 seconds before trying again. If there is some problem with the system, the engine does not start automatically. In this case, continue pressing the engine switch for a while (up to 12 seconds) until engine starts.

**Stopping engine**

- Depress the engine switch to stop the engine after the vehicle stopped completely.
- In case of emergency, you can stop the engine by quickly pushing the engine switch more than 3 times, or pushing and holding the engine switch for more than 2 seconds while the vehicle is in motion.

**NOTE:**

Except in cases of emergency, do not stop the engine while the vehicle is in motion. The steering and braking operation will require more effort when the engine is stopped. Refer to "Braking" in this section.

- If the engine remains stopped for while after it was stopped unexpectedly or was raced before stopping, a clicking sound may be heard from around the engine when it is restarted. This is not a malfunction. Always let the engine idle before stopping it.

**Starting a cold and warm engine**

With your foot taken off the accelerator pedal, crank the engine by pressing the engine switch to change the ignition mode to "START".

**NOTICE**

**If the engine does not start, press the engine switch to select LOCK (OFF) mode and wait for more than 30 seconds before trying again, for protection of lead-acid battery and starter motor. If the engine does not start after several attempts, consult a Maruti Suzuki authorised workshop.**

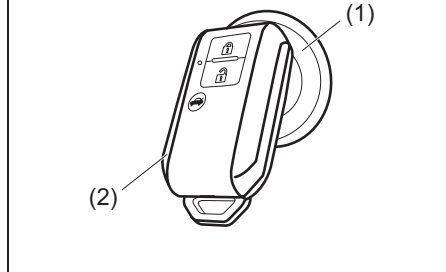
If the engine does not start, press the engine switch to select LOCK (OFF) mode and wait for more than 30 seconds before trying again, for protection of lead-acid battery and starter motor and then try again while keeping the engine switch pressed while pressing down the accelerator pedal 1/3 of its stroke capacity. Release the accelerator pedal when the engine starts.

If the engine still does not start, try holding the accelerator pedal all the way to the floor while cranking. If you are unable to start the engine using this procedure, consult an authorised Maruti Suzuki workshop.

**If the "PUSH" indicator light blinks and the engine cannot be started**

Your keyless push start system remote controller may not be sensed as being within the interior workable area. Try again after checking that you have the remote controller with you. If the engine still cannot be started, the battery of the remote controller may be discharged. You must then use the following method to be able to start the engine.

**EXAMPLE**



56RH00302

- 1) Make sure that the parking brake is set fully.
- 2) Manual Transaxle – Shift into "N" (Neutral). Hold the clutch and brake pedals fully depressed.  
Auto Gear Shift – Shift into "N" (Neutral) and fully depress the brake pedal. Hold the brake pedal fully depressed.

- 3) The "PUSH" indicator light in the instrument cluster will come on. Press the engine switch (1).
- 4) Within about 10 seconds of blinking of the "PUSH" indicator light in the instrument cluster, touch the engine switch with the lock switch end of the remote controller (2) for about 2 seconds.

**NOTE:**

- If you still cannot start the engine after several attempts using the above method, there may be a problem elsewhere, such as a low battery. Contact an authorised Maruti Suzuki workshop for inspection.
- The immobilizer/keyless push start system warning light will come on for about 5 seconds while the "PUSH" indicator light is blinking.
- You may customize the system to cause the interior buzzer to sound once for warning that remote controller is out of sensing range. Please contact an authorised Maruti Suzuki workshop for the customization.
- If the battery of the remote controller is about to become completely discharged, the keyless push start system remote controller battery consumption indicator in the information display will come on for a few seconds when the ignition mode is changed to "ON" by pressing the engine switch. For details on replacing the battery, refer to "Keyless push start system remote controller / keyless

## OPERATING YOUR VEHICLE

entry system transmitter (if equipped)" in "BEFORE DRIVING" section.

### Returning the ignition mode to "LOCK" (OFF)

#### NOTE:

Certain problems like a fault in engine system may prevent the engine switch from going back to "LOCK" (OFF) mode. If this happens, have the vehicle inspected by an authorised Maruti Suzuki workshop after doing the following:

- Lock the doors using the key to prevent theft. (The request switches and the keyless push start system remote controller cannot be used to lock them.)
- Disconnect the negative cable from the battery to prevent discharge.

### "LOCK" (OFF) mode reminder buzzer

If the driver's door is opened without returning the ignition mode to "LOCK" (OFF) by pressing the engine switch, a buzzer sounds to warn you of this condition.

- If you open the driver's door after pressing the engine switch to change the ignition mode to "ACC", the interior buzzer beeps intermittently.
- The buzzer will stop sounding if you then push the engine switch twice, thus bringing it back the ignition mode to "LOCK" (OFF).

#### NOTE:

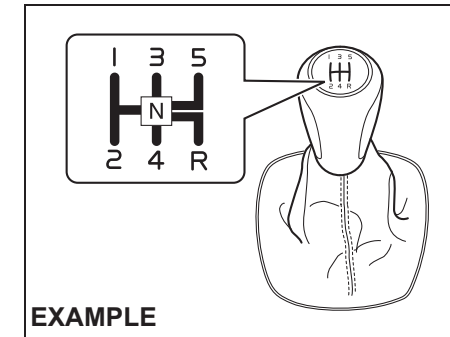
Whenever you leave the vehicle, check that you have returned the ignition mode to "LOCK" (OFF) using the engine switch and then lock the doors. Without returning the ignition mode to "LOCK" (OFF), you cannot use a request switch or keyless push start system remote controller to lock the doors.

### Steering lock warning buzzer

If the steering lock fails to engage due to a fault in the system when the ignition mode is turned to "LOCK" (OFF) by pressing the engine switch and then any door is opened or closed, the interior buzzer will warn you of this condition with repeated short beeps. If this happens, have the vehicle inspected by an authorised Maruti Suzuki workshop.

## Using the transaxle

### Manual transaxle



56RM03002

### Starting off

To start off, depress the clutch pedal all the way to the floor and shift into 1st gear. After releasing the parking brake, gradually release the clutch. When you hear a change in the engine's sound, slowly press the accelerator while continuing to gradually release the clutch.

### Shifting

All forward gears are synchronized and provide quiet and easy shifting. Always depress the clutch pedal all the way to the floor before shifting gears. Keep the engine speed from rising into the red zone of the tachometer.



**OPERATING YOUR VEHICLE**

**Downshifting maximum allowable speeds**

Downshifting	km/h
2nd to 1st	20
3rd to 2nd	85
4th to 3rd	130
5th to 4th	180*

*\*NOTE:  
You may not accelerate to the maximum allowable speed because of the driving situation and/or the vehicle condition.*

**NOTICE**  
Do not downshift to a lower gear at the speed faster than the maximum allowable speeds for the next lower speed, or severe damage to engine and transaxle can result.

**⚠ WARNING**  
• Reduce your speed and downshift to a lower gear before going down a long or steep hill. A lower gear will allow the engine to provide braking. Avoid riding the brakes or they may overheat, resulting in brake failure.

**⚠ WARNING**  
• When driving on slippery roads, slow down before downshifting. Excessive and/or sudden changes in engine speed may cause loss of traction, which could cause you to lose control.

**NOTICE**  
Before engaging reverse gear [R], check that the vehicle is completely stationary and gear lever is in neutral [N] position. After depressing clutch pedal fully, shift to [R].

*NOTE:  
If it is difficult to engage reverse gear [R], follow below procedure.*  
1. Put gear lever in neutral [N].  
2. Release clutch pedal once.  
3. Again depress the clutch pedal and shift from [N] to [R].

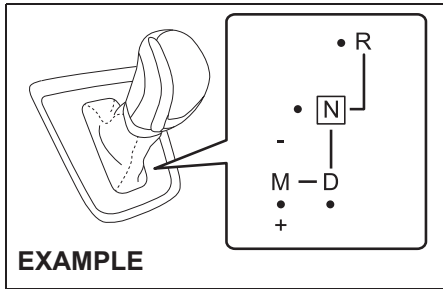
**NOTICE**  
• To help avoid clutch damage, do not use the clutch pedal as a foot-rest while driving or use the clutch to keep the vehicle stationary on a slope. Depress the clutch fully when shifting.  
• When shifting or starting off, do not race the engine. Racing the engine can shorten engine life and cause negative effect to smooth shifting.

**Auto Gear Shift**  
Auto Gear Shift is a 5-speed forward/reverse transaxle. Auto Gear Shift has the basic features of conventional manual transaxle, but clutch operation and transaxle gear shifting are controlled electronically.

**NOTICE**  
Do not depress both the brake pedal and accelerator pedal simultaneously. This can cause damage or overheating to the clutch.

*NOTE:  
When you open the driver's door, the Auto Gear Shift systems run automatically and you may hear an operating noise. This sound does not indicate malfunction.*

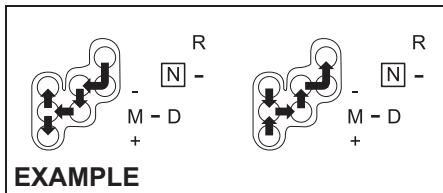
## OPERATING YOUR VEHICLE



56RM03003

- When starting the engine.
- When the engine is on and the gearshift lever is shifted from "N" position to "D", "M" or "R" position.
- When the ignition switch is in "ON" position or the ignition mode is "ON", and the engine is off, the gearshift lever is shifted into any position.

This light will also come on if one of the gears cannot be engaged and the system is unable to re-try shifting when you shift the gearshift lever from "N" position to "D", "M" or "R" position.



56RM03001

### Starting the engine

When starting the engine, always place the gearshift lever in the "N" position and depress the brake pedal firmly. The engine cannot be started unless the gearshift lever is in the "N" position and the brake pedal is depressed.

### Depress brake pedal indicator



76MH0A047

This light will come on if you do not depress the brake pedal in the following situations.

If you parked vehicle with gear engaged on last time (if you can see "1" or "R"), shift into "N" (Neutral) and depress the brake pedal. Hold the brake pedal while starting the engine. You can hear buzzer in short time.



76MH0A056

### CAUTION

- For the vehicles with the keyless push start system, if you cannot press the engine switch firmly, the engine may not start. Even if you shift the gearshift lever into "R" or "D" position without the engine running, the vehicle does not move.
- If you try to move your vehicle under the above-mentioned condition, the vehicle may move in unexpected directions on a slope, etc.
- This may cause an accident.
- When starting engine, press engine switch firmly. Also, make sure that the engine is running by checking engine sound or warning and indicator lights.

### NOTE:

- If you start the engine without the gearshift lever in the "N" position, the gear position indicator in the instrument cluster will blink.
- For vehicles with Eng A-STOP system, if the engine restarts automatically, the gear position indicator in instrument cluster may display "N" temporarily. This is a normal phenomenon.

### Clutch operation

You can select either the Drive (D) mode or the Manual (M) mode or the Reverse (R) mode. Since this vehicle controls clutch

## OPERATING YOUR VEHICLE

operation electronically in either mode, you do not need to operate the clutch.

### Creeping function

This vehicle has a creeping function that helps the vehicle to start smoothly by engaging the clutch. When the gearshift lever is in any of the positions “D”, “M” or “R”, and you release your foot from the brake pedal, the vehicle starts slowly without depressing the accelerator pedal. However, creep is not possible in manual (M) mode with 2nd gear engaged. The creeping function is disabled if you depress the brake pedal or pull up the parking brake lever.

#### NOTE:

*If the driver's door is opened and/or the parking brake lever is engaged with the gear in the “M”, “D” or “R” position, the creeping function will not operate.*

### Parking and Stopping the vehicle

Auto Gear Shift does not have a parking position. Park the vehicle with a gear engaged. Make sure that the gearshift lever is “D”, “M”, or “R”.

Also, check the instrument cluster to make sure that the transaxle is engaged in “1” or “R” position.

### NOTICE

**A buzzer will sound continuously if the vehicle is operated with the gearshift lever in-between of each shift positions. The vehicle will become inoperative if you continue to operate the vehicle with the gearshift lever in between shift positions.**

### Drive (D) mode

When the Drive (D) mode is activated, the most appropriate gear position is automatically selected upon operation of the accelerator pedal and variation of vehicle speed.

### Normal driving:

- 1) Start the engine as instructed in “Starting the engine” in this section.
- 2) With your foot on the brake pedal, shift the gearshift lever to the “D” position. When the gearshift lever is shifted to the “D” position, the gear will be shifted to 1st.

### EXAMPLE

The image shows a stylized representation of a gear indicator. It features a vertical bar with a diagonal line through it, and the number '1' is positioned to the left of the bar. To the right of the bar, the letter 'D' is displayed, indicating that the vehicle is in Drive mode.

#### NOTE:

- If 1st gear cannot be engaged even though the gearshift lever has been shifted from the “N” to the “D” position, the system will re-try shifting automatically. This will take some time, noise may be heard from the gears, and shifting gear shock may occur. However, they do not indicate malfunction.
- The “N” indicator will flash, the depress brake pedal indicator will come on and a warning buzzer (long pulse sound) will sound if any of the following cases occur;
  - If you shift the gearshift lever from the “N” to the “D” position without depressing the brake pedal
  - If the system is unable to re-try shiftingYou should depress the brake pedal and shift the gearshift lever to “N” position, then shift to “D” again.
- 3) Release the parking brake and brake pedal.
- 4) Depress the accelerator pedal slowly.

76MH0A057

## OPERATING YOUR VEHICLE

### **WARNING**

- While driving the vehicle, do not shift the gearshift lever to the “N” position. The engine brake may not work and you may get involved in an unexpected accident. If you return the gearshift lever from “N” to “D” because of unintended shifting, the gear position will be shifted according to the current vehicle speed.
- Always keep your foot on the brake pedal while stopped with the engine running. This operation prevents the vehicle from moving due to unintended activation of the creeping function.

### **NOTICE**

If the gearshift lever cannot shift into any position, or the gear is changed to “N” position automatically when the vehicle speed becomes less than 10 km/h, there may be a systematic malfunction. In this case, ask an authorised Maruti Suzuki workshop to inspect the Auto Gear Shift system as soon as possible.

### **NOTICE**

Do not operate the system as described below. The life cycle of the clutch may be reduced.

- Using the accelerator pedal to hold the vehicle on an uphill slope with the gearshift lever in the “D” or “M” position. If you perform this operation for a certain period of time, a warning buzzer will sound.
- Shifting the gearshift lever to the “D”, “M” or “R” position while racing the engine.
- Driving at low speed using a high gear.
- Holding the vehicle on an uphill slope using the creeping function. If you perform this operation for a certain period of time, a warning buzzer will sound.

### Starting off on an uphill/downhill:

### **CAUTION**

The hill hold control system will not activate while the parking brake is engaged.

### Uphill

- 1) Apply the parking brake firmly so that the vehicle does not roll backwards.

- 2) Shift the gearshift lever to the “D” position while depressing the brake pedal. Make sure that the gear position indicator in the instrumental cluster displays 1st gear.
- 3) Release the brake pedal and depress the accelerator pedal gradually, and when the vehicle starts to move, release the parking brake and depress the accelerator pedal to start off.

### **NOTICE**

On an uphill slope, never hold the vehicle at a stop using only the accelerator pedal or the creeping function. If you perform this operation for a certain period of time, a warning buzzer will sound, and in some cases the engine will stall. This can also cause excessive damage to the clutch.

### Downhill

- 1) Depress the brake pedal and shift the gearshift lever to the “D” position. Make sure that the gear is in 1st by checking the gear position indicator.
- 2) Release the brake pedal and depress the accelerator pedal slowly. Even if the accelerator pedal is not depressed, the clutch will be engaged when the vehicle speed increases.

## OPERATING YOUR VEHICLE

### Using engine braking:

When driving on a downhill slope, downshifting is recommended. So you can use engine braking.

By placing the gearshift lever in the “M” position, the Manual (M) mode is selected, and you can shift to a lower gear manually. For details of downshift operation, refer to “Upshift and downshift” in the “Manual (M) mode”.

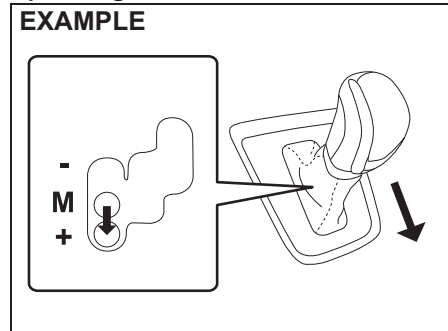
### Manual (M) mode

The gears are not shifted automatically. To shift the transaxle, the driver must operate the gearshift lever to the “+” or “-” direction.

As for conventional manual transaxle vehicles, releasing the accelerator pedal a little may help the transaxle to shift smoothly.

### Upshift and downshift:

#### Upshifting



56RH00309

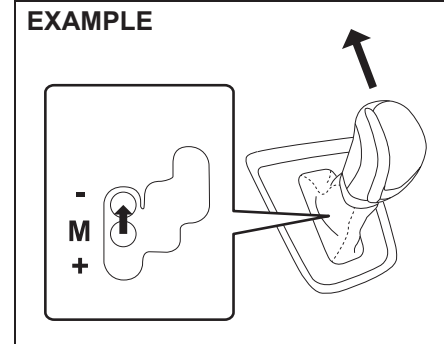
Pull the gearshift lever to the “+” direction and release it. Every time the lever is operated, the transaxle is upshifting 1 step in the order of 1st → 2nd → 3rd → 4th → 5th gear.

#### EXAMPLE

1<sup>M</sup> → 2<sup>M</sup> → 3<sup>M</sup> → 4<sup>M</sup> → 5<sup>M</sup>

76MH0A059

#### Downshifting



56RH00310

Push the gearshift lever to the “-” direction and release it. Every time the lever is operated, the transaxle is downshifted 1 step in the order 5th → 4th → 3rd → 2nd → 1st gear.

#### EXAMPLE

5<sup>M</sup> → 4<sup>M</sup> → 3<sup>M</sup> → 2<sup>M</sup> → 1<sup>M</sup>

76MH0A061

The gear position is displayed on the gear position indicator. The gear position indicator shows the transaxle gear position. Before starting off, always make sure transaxle is engaged in 1st or reverse gear and gear position indicator is showing the intended gear, then depress the accelerator pedal. It is possible to start vehicle in 2nd gear using manual mode, from stop condition.

#### NOTE:

- Always use 1st gear while starting off an uphill slope otherwise you can damage the clutch.
- To downshift smoothly, the engine runs fast in some cases. This is done intentionally by the system and is not malfunction.
- When driving down a hill, downshift and use the engine braking appropriately. If necessary, continuous downshifting is possible. However, if downshifting more than 3 steps, gear shifting will take more time.

## OPERATING YOUR VEHICLE

- When the gear is shifting, a noise can be heard in some case. This is not malfunction.

### WARNING

- Be careful when accelerating, upshifting, downshifting or braking on a slippery surface. Sudden acceleration or engine braking could cause the vehicle to spin or skid. While starting off on a slippery or snowy roads, please use 2nd gear (if required).
- To drive down a long or steep hill, reduce your speed and downshift. Remember, if you ride the brakes excessively, they may overheat and fail.
- While driving the vehicle, do not shift the gearshift lever to "N" position. The engine brake may not work and you may get involved in an unexpected accident. If you return the gearshift lever from "N" to "M" because of unintended shifting, the gear position will be shifted according to the current vehicle speed.
- Do not apply the parking brake while driving. Otherwise, it could cause a skid and you may get involved in an unexpected accident.

### NOTICE

- If the gearshift lever cannot shift into any position, or the gear is changed to "N" position automatically when the vehicle speed becomes less than 10 km/h, there may be a systematic malfunction. In this case, ask an authorised Maruti Suzuki workshop to inspect the Auto Gear Shift system as soon as possible.
- The manual (M) mode does not upshift even if the engine speed reaches the rev-limit.
- The system will not allow shifting up or down to a gear that would cause engine over-revving or under-revving.
- If frequently driving at low speed using a high gear position, the life cycle of the clutch may be reduced.
- Frequent downshifting (more than 3 positions consecutively) causes the reduction of transaxle life.

#### Starting off:

- 1) Start the engine as instructed in "Starting the engine" in this section.
- 2) With your foot on the brake pedal, shift the gearshift lever to the "M" position. When the gearshift lever is shifted to the "M" position, the gear will be shifted to 1st. Before starting off, always make sure that the intended gear is engaged

by checking the gear position indicator, then depress the accelerator pedal.

#### NOTE:

- If 1st gear cannot be engaged even though the gearshift lever has been shifted from the "N" to the "M" position, the system will re-try shifting automatically. This will take some time, noise may be heard from the gears, and shifting gear shock may occur. However, they do not indicate malfunction.
- The "N" indicator will flash, the depress brake pedal indicator will come on and a warning buzzer (long pulse sound) will sound if any of the following cases occur;
  - If you shift the gearshift lever from the "N" to the "M" position without depressing the brake pedal.
  - If the system is unable to re-try shifting.

You should depress the brake pedal and shift the gearshift lever to "N" position, then shift to "M" position again a few seconds later.

- 3) Release the parking brake and brake pedal. Depress the accelerator pedal slowly for smooth starting.

## OPERATING YOUR VEHICLE

### **⚠ WARNING**

Always keep your foot on the brake pedal while stopped with the engine running. These operations prevent the vehicle from starting due to unintended activation of the creeping function.

### **NOTICE**

Do not operate the system as described below. The life cycle of the clutch may be reduced.

- Using the accelerator pedal to hold the vehicle on an uphill slope operation with the gearshift lever in the “M” or “D” position. If you perform this operation for a certain period of time, a warning buzzer will sound.
- Shifting the gearshift lever to the “M”, “D” or “R” position while racing the engine.
- Driving at low speed using a high gear.
- Stopping on a slope using the creeping function. If you perform this operation for a certain period of time, a warning buzzer will sound.

### **Starting off on an uphill/downhill slope:**

#### **Uphill**

- 1) Apply the parking brake firmly so that the vehicle does not roll backwards.
- 2) Shift the gearshift lever to the “M” position while depressing the brake pedal. Make sure that the gear position indicator in the instrumental cluster displays 1st gear.
- 3) Release the brake pedal and depress the accelerator pedal gradually, and when the vehicle starts to move, release the parking brake and depress the accelerator pedal to start off.

### **NOTICE**

On an uphill slope, never hold the vehicle at a stop using only the accelerator pedal or creeping function. If you perform this operation for a certain period of time, a warning buzzer will sound, and in some cases the engine will stall. This can also cause excessive damage to the clutch. In case the warning buzzer is on, shifting to 2nd gear will not be possible in manual mode. Always use 1st gear while starting off on a uphill slope. Otherwise you may damage the clutch.

#### **Downhill**

- 1) Depress the brake pedal and shift the gearshift lever to the “M” position. Make sure the gear position indicator to make sure that the gear is in 1st.
- 2) Release the brake pedal and depress the accelerator pedal slowly. Even though the accelerator pedal is not depressed, the clutch will be engaged when the vehicle speed increases.

#### **Backing up**

After the vehicle has stopped completely, depress the brake pedal and shift the gearshift lever to the “R” position. Depress the accelerator pedal slowly as when starting off in 1st gear. Before backing up, make sure that reverse gear is selected by checking the gear position indicator.

### **EXAMPLE**



76MH0A062

## OPERATING YOUR VEHICLE

### NOTE:

- If reverse gear cannot be engaged even though the gearshift lever has been shifted from the “N” to the “R” position, the system will re-try shifting automatically. This will take some time, noise may be heard from the gears, and shifting gear shock may occur. However, they do not indicate malfunction.
- The “N” indicator will flash, the depress brake pedal indicator will come on and a warning buzzer (long pulse sound) will sound if any of the following cases occur;
  - If you shift the gearshift lever from the “N” to the “R” position without depressing the brake pedal.
  - If the system is unable to re-try shifting.

You should depress the brake pedal and shift the gearshift lever to “N” position, then shift to “R” position again a few seconds later.
- The system will not allow shifting to the “R” position if the vehicle speed is over about 3 km/h. If the gearshift lever is operated under this condition, the “N” indicator in the instrument cluster will blink. However, when the vehicle speed drops below about 3 km/h, the gear will be shifted to reverse. Make sure that the vehicle has stopped completely before shifting to the “R” position.

### NOTICE

On a downhill slope, never hold the vehicle at a stop using only the accelerator pedal or the creeping function. If you perform this operation for a certain period of time, a warning buzzer will sound, and in some cases the engine will stall. This can also cause excessive damage to the clutch.

### Stopping

The vehicle can be stopped by depressing the brake pedal regardless of the gear position. This is because the clutch is automatically disengaged to prevent the engine from stopping.

- If the gearshift lever is in the “D” position, the gear will be downshifted to 1st when the vehicle stops.
- If the gearshift lever is in the “M” position, the gear will be downshifted to 1st when the vehicle stops.

### ⚠ WARNING

- When stopping, for example, at a traffic light, be sure to depress the brake pedal firmly. For your safety, apply the parking brake, too, when stopping on a hill.
- When racing the engine, make sure that the gear is in the “N” position by checking the gear position indicator. If the accelerator is operated with the gear in any other position, the vehicle may move resulting in an unexpected accident.
- Do not leave your vehicle unattended while the engine is running.
- When leaving the vehicle, stop the engine and park the vehicle with a gear engaged. If you need to leave the vehicle with the engine running, apply the parking brakes firmly, and shift the gearshift lever to the “N” position. Otherwise, the vehicle may move unexpectedly and may cause an accident.



**NOTICE**

- On a slope, never hold the vehicle at a stop using only the accelerator pedal or the creeping function. If you perform this operation for a certain period of time, a warning buzzer will sound, and in some cases the engine will stall. This can also cause excessive damage to the clutch.
- If the gearshift lever is operated more than necessary, the system may not allow operation of the gearshift lever for a certain period of time, and the gear may not be shifted appropriately. Therefore, do not operate the gearshift lever if not necessary.

**Parking**

Unlike an automatic transaxle, Auto Gear Shift does not have a parking position. The vehicle can be parked with the gearshift lever at "D" or "R" position. Remember, even though the transaxle is in gear, you must set the parking brake firmly. Park the vehicle with a gear engaged.

- 1) Apply the parking brake firmly.
- 2) While depressing the brake pedal, shift the gearshift lever to the "R" position on a downhill slope, and to the 1st position in the drive (D) mode or the "M" position in the manual (M) mode on an uphill slope and confirm the gear position by checking the gear position indicator.
- 3) Stop the engine.
- 4) In the case of uphill/downhill slope, release the parking brake and brake pedal slowly in order to check the gear is engaged.
- 5) After check the vehicle stopped by the gear engaged, Apply the parking brake and the brake pedal firmly again.
- 6) Get out of the vehicle and put chocks under the wheels.

When you return to your vehicle, you must remember to remove the wheel chocks.

**NOTE:**

- *After the engine is stopped, the gear in the transaxle does not change even if you shift the gearshift lever in any position. Always shift the gearshift lever before stop the engine.*
- *Check the transaxle gear position by looking at the gear position indicator, then turn the ignition switch to "LOCK" position or press the engine switch to change the ignition mode to "LOCK" (OFF), to stop the engine. Release the brake pedal after a few seconds.*

**⚠ WARNING**

- If the gear is not engaged properly and completely before the ignition switch is turned to "LOCK" position or the engine switch is pressed to change the ignition mode to "LOCK" (OFF), the vehicle may not be parked with the gear engaged. Always confirm the gear position by checking the gear position indicator when parking.
- On a downhill slope, the gear should be put in reverse, and in 1st gear on an uphill slope. In case of uphill/downhill slope, after checking the vehicle stopped by the gear engaged, put the chocks under the wheels. Otherwise, the vehicle may move, and cause an unexpected accident. If the gear is left in the "N" position, the vehicle cannot be parked with a gear engaged.

**Parking cancel**

Depress the brake pedal, turn the ignition switch to the "ON" position or press the engine switch to change the ignition mode to "ON", and shift the gearshift lever to the "N" position. The gear will be disengaged.

**Warning functions**

A warning buzzer will sound or the indicator will blink under the following conditions.

## OPERATING YOUR VEHICLE

### Warning buzzer

- The clutch is heated due to excessive load.
- The creeping function is being activated for a long period of time.

### NOTICE

**In the above cases, pull over to the side of the road and stop the engine, and then ask an authorised Maruti Suzuki workshop to inspect your vehicle. Otherwise, the clutch disc may be damaged.**

- The ignition switch is turned to "LOCK" position or the engine switch is pressed to change the ignition mode to "LOCK" (OFF) with the gear in 2nd, 3rd, 4th or 5th. In this case, turn the ignition switch to "ON" position or press the engine switch to change the ignition mode to "ON", and shift the gearshift lever in the "N" position, shift it to the "D" or "M" or "R" position, then turn the ignition switch to "LOCK" position or press the engine switch to change the ignition mode "LOCK" (OFF).
- During a stop, the driver's door is opened with the gearshift lever in the "R", "D" or "M" position while the engine is running.

### "N" indicator blinking

When the gear indicator lamp blinks "N", you should depress the brake pedal and shift the gearshift lever to "N" position.

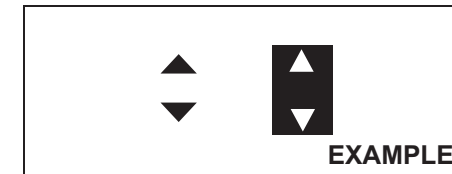
### "1st" indicator blinking

When the gear indicator lamp blinks "1st", you should depress the brake pedal and shift the gearshift lever to "N" position, then shift to "D" or "M" position again a few seconds later.

### "R" indicator blinking

When the gear indicator lamp blinks "R", you should depress the brake pedal and shift the gearshift lever to "N" position, then shift to "R" position again a few seconds later.

## Gearshift Indicator (if equipped)



56RM03028

In the following case, the gearshift indicator is indicated in the information display when the ignition switch is in the "ON" position or the ignition mode is "ON".

- When the gearshift lever is in a position other than "N" (Neutral).

The electronic control system monitors driving condition (such as vehicle speed and/or engine revolution), and it recommends gearshift for your driving with indications on display.

If UP/DOWN arrow is indicated on the display while driving, we recommend you to shift up or down. It is the optimal gear position for a driving condition that reduces the over revolution and stress to the engine, and improves fuel consumption.

## OPERATING YOUR VEHICLE

**NOTE:**

When cruise control system SET indicator is ON, GearShift Indicator may not be displayed.

For details on how to use the transaxle, refer to “Using the Transaxle” in this section.

**⚠ WARNING**



The gearshift indicator is designed to indicate optimal gear position for your driving, however, a driver will not be relieved from the duty of care of driving operation or gear change with this indicator.

To drive safe, do not gaze the gearshift indicator, pay attention to your driving situation and shift up or down if necessary.

**NOTE:**

- The gearshift indicator is not indicated when the gear position is in “N” (Neutral).
- If you depress the clutch pedal while UP/DOWN arrow is indicated, the indication will disappear.
- If you depress the accelerator pedal while UP/DOWN arrow is indicated, the indication will disappear.
- The indication of gearshift indicator timing may differ depending on the vehicle condition and/or driving situation even in the same vehicle speed and engine revolution.

**Example of the gearshift indicator**

Indication	Description
	Lower gear position is selected for the vehicle speed and/or engine revolution. Changing to a higher gear position is recommended.
	Higher gear position is selected for the vehicle speed and/or engine revolution. Changing to a lower gear position is recommended.

## OPERATING YOUR VEHICLE

### ENG A-STOP System (Engine Auto Stop Start System) (If Equipped)

The ENG A-STOP system (engine auto stop start system) automatically stops the engine while waiting briefly at a traffic light, etc., and automatically restarts the engine afterward. This system helps reduce emissions, improve fuel consumption and lower engine noise.

This system stops the engine temporarily under specific conditions. Before parking the vehicle for an extended period of time or leaving the vehicle, properly apply the parking brake and stop the engine with the engine switch.

Once the specific conditions are met, the engine will stop automatically after the vehicle has stopped. However, the engine will not be stopped automatically until confirmation of the system function is finished.

**NOTE:**

*If your vehicle is equipped with automatic heating and air conditioning system, you can change the automatic engine stop condition via the information display. Refer to "Information display" in "BEFORE DRIVING" section.*

#### CAUTION

- Do not get out of the vehicle while the engine is automatically stopped by the ENG A-STOP system. Doing so may lead to an accident.
  - Manual transmission vehicle – If the driver's seat belt is unfastened and the driver's door is opened, the engine will stall.
  - Auto Gear Shift vehicle – If the driver's seat belt is unfastened, even if the brake pedal is pressed down, or the driver's door is opened, the engine will be restarted to warn you that the engine was stopped automatically by the ENG A-STOP system.
- If the engine does not restart automatically after having been stopped automatically by the ENG A-STOP system, push the engine switch to start the engine. Trying to move the vehicle when the engine has not yet restarted requires a strong force to turn the steering wheel or depress the brake pedal, potentially leading to an accident.

#### NOTICE

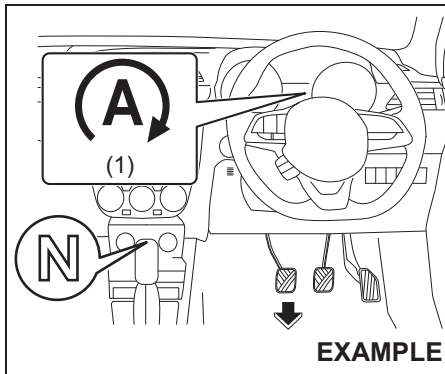
The vehicle equipped with this system uses a dedicated high-performance battery that supports ENG A-STOP system. Accordingly, observe the instructions listed below. If these instructions are not observed, the system may not actuate properly or the battery may die prematurely.

- When replacing the battery, use a MARUTI SUZUKI genuine battery specified in the Specification.
- Do not draw power from the battery terminals for electrical products.

**Automatic Stopping/Restarting of the Engine**

**Manual transmission vehicle**

1) With the brake pedal depressed, decelerate the vehicle.



56RM03004

2) After the vehicle has stopped with the clutch pedal depressed and the gearshift lever shifted to "N", and then release the clutch pedal, the engine will stop automatically.

The ENG A-STOP indicator light (green) (1) will come on.

- The ENG A-STOP system will not stop the engine automatically if all the automatic engine stop conditions are not met. For details, refer to the section, "Automatic engine stop conditions".

- During the automatic engine stop, the engine may shut down, accompanied by an interior buzzer or restarted, to ensure safety.

For details, refer to the section, "Points to note during the automatic engine stop".

**NOTICE**

**During the automatic engine stop condition,**

- Do not shift the gearshift lever to a position other than "N" without depressing the clutch pedal. If the gear shift lever is in a position other than "N", the engine will not restart automatically even if the clutch pedal is depressed.
- If the driver unfastens the seat belt, the engine does not restart automatically even if the clutch pedal is depressed. Also a buzzer will sound to alert the driver. In this case, fasten the seat belt.

**NOTE:**

The ENG A-STOP system will not operate and engine does not stop automatically under the following conditions:

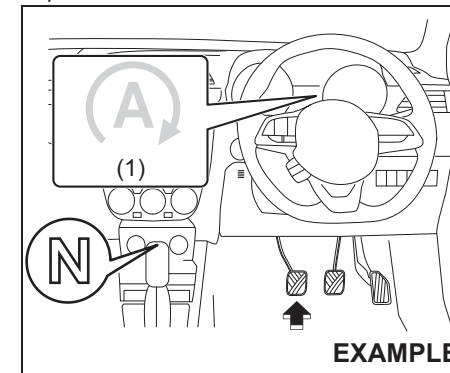
- Engine auto stop function will be ready once the vehicle runs at a speed exceeding 6km/h after restart of the engine.
- The audio and other electrical component can be used during the automatic

engine stop, but the air conditioner will switch to the fan mode.

- If the vehicle is equipped with automatic heating and air conditioning system, the fan speed will be limited during the automatic engine stop (only in the auto control mode) to keep the cabin air-conditioned for a longer time.

**NOTE:**

For manual transaxle vehicles, if the engine stalled by a rapid clutch operation, the engine will restart with the gear positioned "N" (neutral) and the clutch pedal depressed.



56RM03005

3) Regardless of whether the vehicle has stopped or not, depressing the clutch pedal will restart the engine and ENG A-STOP indicator light (green) (1) will go off.

## OPERATING YOUR VEHICLE

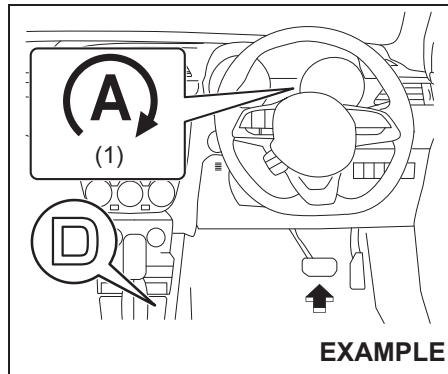
While the engine is stopped automatically, depressing the clutch pedal will restart the engine consuming fuel. Therefore, for fuel economy, it is recommended to depress the clutch pedal just before the vehicle start.

- Without depressing the clutch pedal, the engine may restart automatically if the automatic engine restart conditions are met.

For details, refer to the section, "Automatic engine restart conditions".

### Auto Gearshift vehicle

- 1) With the brake pedal depressed, stop the vehicle.



- 2) While depressing the brake pedal, place the gearshift lever in "D" position. "ENG A-STOP" indicator light (green)

(1) in the instrument cluster will illuminate and the engine will stop automatically.

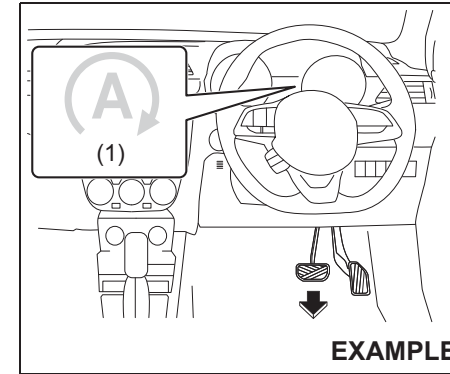
- The ENG A-STOP system will not stop the engine automatically if all the automatic engine stop conditions are not met. For details, refer to the section, "Automatic engine stop conditions".
- During the automatic engine stop, the engine may shut down, accompanied by an interior buzzer or restarted, to ensure safety.

For details, refer to the section, "Points to note during the automatic engine stop".

### NOTE:

*The ENG A-STOP system will not operate and engine does not stop automatically under the following conditions:*

- *Engine auto stop function will be ready once the vehicle runs at a speed exceeding 6km/h after restart of the engine.*
- *The audio and other electrical component can be used during the automatic engine stop, but the air conditioner will switch to the fan mode.*
- *The fan speed will be limited during the automatic engine stop (only in the auto control mode) to keep the cabin air-conditioned for a longer time.*



- 3) Remove your foot from the brake pedal. "ENG A-STOP" indicator light (green) (1) in the instrument cluster will be turned off and the engine will restart automatically.

When restarting the engine, keeping brake force temporarily prevents the vehicle from moving forward by the creeping function. Also, this prevents the vehicle from rolling downward on a hill. For details, refer to the section "Hill hold control system".

### NOTE:

*When the engine is restarted automatically, the following conditions may be found as the hill hold control system is activated, but this is not a malfunction.*

- *You may hear a sound from the engine room.*

- As brake pedal becomes heavy, it may be difficult for you to depress it.

**NOTE:**

When the engine does not restart automatically when the brake pedal is released, an interior buzzer will sound and the engine will come out of the automatic engine stop mode and shut down. The ENG A-STOP indicator light (green) will go off.

**Points to note during the automatic engine stop**

- When the following operations are performed during the automatic engine stop, the engine may shut down, accompanied by an interior buzzer or restarted, to ensure safety.
- When the hood is opened, an interior buzzer will sound intermittently and the engine will come out of the automatic engine stop mode and shut down. The ENG A-STOP indicator light (green) will go off.
  - For manual transmission model, when the driver releases the seat belt and opens the driver's door, the buzzer sounds for 2.5 seconds and the ENG A-STOP indicator light (green) turns off and then the engine will stall.
  - For Auto Gear Shift vehicle, if the engine does not start 2 seconds after the brake is released, the buzzer will sound, the ENG A-stop light will go off, and the engine will stall.

**NOTE:**

The power steering warning light, oil pressure warning light and charge warning light on the meter panel do not come on during the automatic engine stop, but they will come on once the engine shuts down.

**NOTICE**

**The ENG A-STOP system will not operate and engine does not restart automatically or the engine stalls with warning buzzer under the following conditions:**

- Engine hood is open.

**For manual transaxle vehicle**

- Driver's seat belt is not fastened and driver's door is open.
- The gearshift lever is moved to a position other than "N" (Neutral) position without depressing the clutch pedal.

**When the engine stalls, restart the engine by usual operation.**

**Refer to "Starting the engine (vehicle with keyless push start system)" or "Starting engine (vehicle without keyless push start system)" in this section for details.**

**NOTE:**

For manual transaxle vehicles, if the engine stalled by a rapid clutch operation, the engine will restart with the gear positioned "N" (neutral) and the clutch pedal depressed

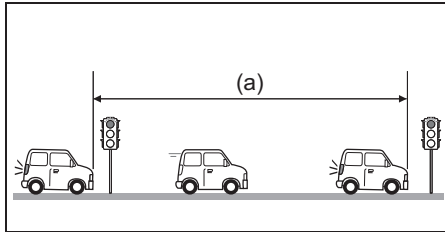
**Actuation conditions for ENG A-STOP system**

**Standby conditions**

When all of the following conditions are met while the vehicle is traveling, ENG A-STOP system will be permitted:

- The engine is started with the hood completely closed.
- The hood is completely closed.
- The ENG A-STOP OFF switch has not been pressed to deactivate the ENG A-STOP system.
- The battery is fully charged and the temperature inside the battery is within the specified range (#1).
- The engine has warmed up and the engine coolant temperature is within the specified range.
- The driver is wearing seat belts.
- The driver's door is completely closed.
- The hood is completely closed.
- No electronically controlled system besides the ENG A-STOP system is issuing a signal to inhibit stopping of the engine (#2).
- For the vehicle equipped with automatic heating and air conditioning system, the temperatures at air-conditioner outlets are sufficiently low in the cooling mode or sufficiently high in the heating mode.
- For the vehicle equipped with automatic heating and air conditioning system, the defroster is turned off.
- The negative pressure of the brake booster is normal.

## OPERATING YOUR VEHICLE



55RH03001

- The ABS or ESP® has not been activated during one driving cycle (a) from the engine start to the vehicle start and stop.
- The gearshift lever is in “N” (Neutral) position (for manual transmission vehicle).
- The gearshift lever is in “D” or “N” (for auto gearshift vehicle).

#1 If the vehicle has not been in use for an extended period of time or the audio or other electrical component was used for an extended period of time while the engine was stopped, the battery may have discharged and it may take some time before the standby mode is achieved.

#2 If any of the warning and indicator lights affecting the ENG A-STOP system come on, the engine will not be stopped automatically.

### Automatic engine stop conditions

When all of the following conditions are met under the standby conditions, the

engine will stop automatically after the vehicle has stopped:

- The gearshift lever is in “N” (Neutral) position (for manual transmission vehicle).
- The clutch pedal is released (for manual transmission vehicle).
- The vehicle has stopped.
- The accelerator pedal is not depressed.
- The vehicle is not stopped on a steep hill (for auto gear shift vehicle).
- The gearshift lever is in “D” or “N” position (for auto gearshift vehicle).
- The brake pedal is depressed appropriately (for auto gearshift vehicle).

### NOTICE

**For auto gearshift vehicle, the ENG A-STOP system will not operate, if the brake pedal is depressed weakly or very strongly.**

### Automatic engine restart conditions

If one of the following operations is performed or the vehicle enters one of the following modes during the automatic engine stop, the engine will restart automatically and the ENG A-STOP indicator light (green) will go off:

- The clutch pedal is depressed (for manual transmission vehicle).
- When the brake pedal is released (for auto gearshift vehicle).

- The ENG A-STOP OFF switch is pressed to deactivate the ENG A-STOP system.
- The battery has discharged substantially (#).
- A malfunction of the system is detected (#).
- The negative pressure of the brake booster has dropped (#).
- For the vehicle equipped with automatic heating and air conditioning system, the temperatures at air conditioner outlets have changed considerably after the automatic engine stop to the point of affecting the cooling/heating performance (#).
- For the vehicle equipped with automatic heating and air conditioning system, the temperature selector has been turned considerably to the COOL side in the cooling mode or to the HOT side in the heating mode (#).
- For the vehicle equipped with automatic heating and air conditioning system, the defroster is turned on (#).
- The accelerator pedal depressed (for auto gearshift vehicle)
- The gearshift lever is put in “R” or in “M” position (for auto gear shift vehicle)
- After the gearshift lever is shifted to “N”, it is returned to “D” (for auto gear shift vehicle)
- The driver releases the seat belt (for auto gearshift vehicle) (#).
- The driver’s door is opened (for auto gearshift vehicle) (#).



## OPERATING YOUR VEHICLE

- The vehicle starts to move on a slope, etc. (#).
- Some time (2 minutes or so) has elapsed after the start of the automatic engine stop (#).

# The ENG A-STOP indicator light (green) will blink and then go off.

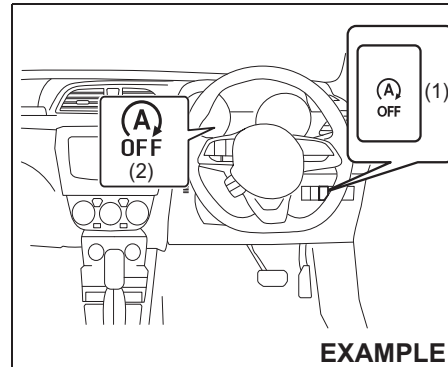
### NOTICE

**For manual transmission vehicle, if driver's seat belt is not fastened or the gear shift lever is in a position other than "N", the engine will not be restarted automatically.**

### ENG A-STOP OFF Switch (if equipped)

The ENG A-STOP system can be deactivated.

- To deactivate the system, press the ENG A-STOP OFF switch (1) to turn on ENG A-STOP OFF light (2).
- To activate the system once again, press the switch (1) again to turn off the indicator.
- Every time the engine is stopped manually, the system is enabled again and the ENG A-STOP OFF light (2) goes off.



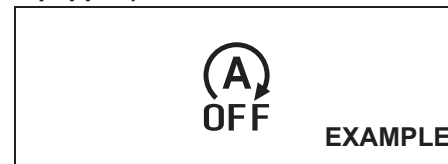
EXAMPLE

56RM03008

### NOTE:

Pressing the ENG A-STOP OFF switch (1) during the automatic engine stop will restart the engine automatically and the ENG A-STOP OFF light (2) will come on.

### ENG A-STOP OFF Light (if equipped)



EXAMPLE

56RM03012



EXAMPLE

52RM30460

This indicator comes on in the information display.

- This indicator comes on when the ENG A-STOP system is deactivated.
- The indicator blinks when the engine switch is pressed to change the ignition mode to ON, if one of the conditions listed below is met.
- The ENG A-STOP system does not actuate correctly while the indicator is blinking. Have the system inspected by a Maruti Suzuki authorised workshop.
  - There may be something wrong with the ENG A-STOP system.
  - An engine component or the battery is due for replacement.

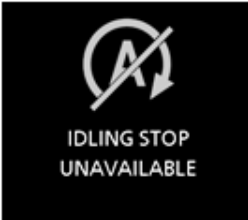
### NOTE:

If the indicator blinks during the automatic engine stop, the engine may shut down.



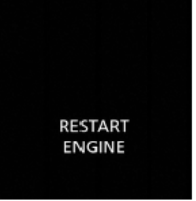
## OPERATING YOUR VEHICLE

### Information message (if equipped)

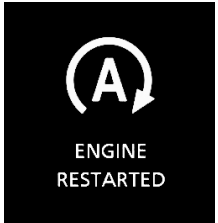

The information display shows the messages to let you know certain problems of the ENG A-STOP system.

Information message	Sound	Cause and remedy
 <p>52RM30650</p>	Off	<p>The ENG A-STOP system cannot stop the engine automatically because one of the following automatic engine stop conditions is not met.</p> <ul style="list-style-type: none"> <li>• When the engine is started with the hood open.</li> <li>• When the temperature of the vehicle battery is either low or high.</li> <li>• When the vehicle battery performance is low.</li> <li>• When the blower speed selector is set to the ON mode and the inside of the vehicle has not sufficiently cooled and warmed (for the vehicle with automatic air conditioning).</li> <li>• When the defrost switch is set to the ON mode (for the vehicle with automatic air conditioning).</li> <li>• During or after the ABS or ESP<sup>®</sup> system is activated, and the vehicle is stopped.</li> <li>• When the brake booster vacuum pressure is low.</li> <li>• When the accelerator pedal is depressed.</li> <li>• When the clutch pedal is not depressed and the gearshift lever is in a position other than "N" (Neutral).</li> <li>• When the driver's door is not closed.</li> <li>• When the driver's seat belt is not fastened.</li> <li>• When the engine hood is not closed.</li> <li>• The engine has warmed up and the engine coolant temperature is within the specified limit</li> <li>• No electronically controlled system besides the ENG A-STOP system is issuing a signal to inhibit stopping of the engine.</li> <li>• The gearshift lever is in a position other than "D" or "N" (for auto gearshift vehicle).</li> </ul>

**OPERATING YOUR VEHICLE**

Information message	Sound	Cause and remedy
 <p>52RM30660</p>	Off	<p>The engine is restarting automatically because one of the following automatic engine restart conditions is met.</p> <ul style="list-style-type: none"> <li>• The temperatures at air conditioner outlets have changed considerably after the automatic engine stop to the point of affecting the cooling/heating performance.</li> <li>• The lead-acid battery has discharged substantially.</li> <li>• Some time has elapsed after the start of the automatic engine stop.</li> </ul>
 <p>56RM03027</p>	Off	<p>The engine restarted automatically.</p>
 <p>56RM03127</p>	ON	<p>The engine does not restart automatically or the engine stalls under the following conditions:</p> <ul style="list-style-type: none"> <li>• When the hood is opened while the engine is stopped automatically, and then the hood is closed after the engine stall</li> <li>• For manual transmission vehicle, while the engine is stopped automatically, if the driver's door is opened and the driver's seat belt is unfastened, and then close the driver's door and fastened driver's seat belt after the engine stall.</li> </ul>

## OPERATING YOUR VEHICLE

Information message	Sound	Cause and remedy
 <p data-bbox="613 679 703 695">52RM30670</p>	<p data-bbox="725 437 864 536">Beep (5 seconds from interior buzzer)</p>	<p data-bbox="891 437 1803 485">The engine restarted automatically because the following automatic engine restart condition is met.</p> <ul data-bbox="891 488 1505 609" style="list-style-type: none"> <li>• When the vehicle coasts down a slope.</li> <li>• The negative pressure of the brake booster has dropped.</li> <li>• The defroster is turned on.</li> <li>• The door is opened.</li> <li>• The seat belt is unfastened.</li> </ul>
 <p data-bbox="613 957 703 973">52RM30690</p>	<p data-bbox="725 713 864 812">Beep (two times from interior buzzer)</p>	<p data-bbox="891 713 1803 786">This message appears in the display for manual transmission vehicle (without keyless push start system), if the gearshift lever is shifted to a position other than "N" (Neutral) without depressing the clutch pedal during an engine stall.</p> <p data-bbox="891 790 1803 837">To restart the engine, place the gearshift lever in "N" (Neutral) position and depress the clutch pedal.</p>

### Cruise Control

The cruise control system allows you to maintain a steady speed without keeping your foot on the accelerator pedal. The controls for operating the cruise control system are on the steering wheel.

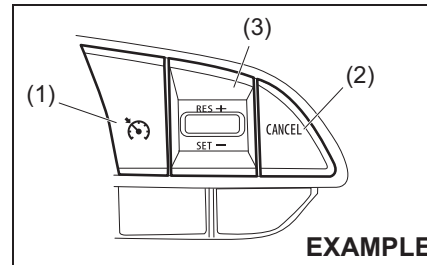
You can use the cruise control system under the following conditions:

- For manual transmission vehicle, the gear position is in 3rd, 4th or 5th.
- For auto gearshift vehicle, the gearshift lever is in "D" position or the gear position is in 3rd, 4th, 5th, or 6th in the manual mode.
- The vehicle speed is about 40 km/h or higher.

**WARNING**  
To help avoid loss of vehicle control, do not use the cruise control system when driving in heavy traffic, on slippery or winding roads, or on steep downhills.

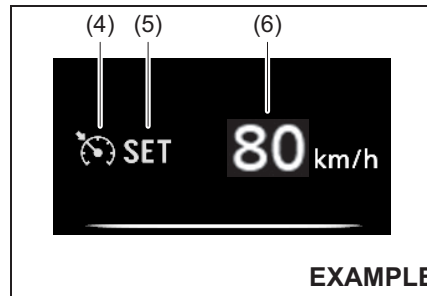
### Setting Cruising Speed

#### Cruise control switch



56RM0301

- (1) Cruise switch
- (2) "CANCEL" switch
- (3) "RES +/SET -" switch



56RM0301

- (4) Cruise control indicator
- (5) "SET" indicator
- (6) Set speed indication

- 1) Turn on the cruise control system by pushing cruise switch (1). When the cruise indicator (4) comes on, you can set cruising speed.
- 2) Accelerate or decelerate to the desired speed.
- 3) Push down the "RES +/SET -" switch (3), "SET" indicator (5) comes on. Also, set speed indication (6) comes on at the same time. Take your foot off the accelerator pedal and the set speed will be maintained.

**WARNING**  
If the cruising speed is set by accident, you cannot decelerate or could lose control of the vehicle. This could lead to an accident, resulting in severe injury or death. Turn off the cruise control system and check that cruise indicator (4) is off when the system is not in use.

**NOTE:**  
Established cruising speed may differ a little from the speed meter indication depending on the road conditions.

#### Changing Speed Temporarily

When the cruising speed is maintained, you can temporarily accelerate or decelerate.

## OPERATING YOUR VEHICLE

To accelerate, depress the accelerator pedal. When you take your foot off the pedal, your vehicle will return to the set speed.

To decelerate, depress the brake pedal. The set speed will be canceled and "SET" indicator (5) will go off.

To resume the previously set speed, push up the "RES +/SET -" switch (3) and "SET" indicator (5) again when vehicle speed is above 40 km/h. The vehicle will accelerate to the previously set speed and maintain its speed.

**NOTE:**

*For auto gear shift vehicle, when the cruising speed is maintained, you cannot decelerate by using the engine brake even if you downshift from higher gear to 3rd in the manual mode.*

*To decelerate while the cruise control is on, depress the brake pedal or push down the "RES +/SET -" switch (3).*

### Changing Cruising Speed

#### Using the accelerator pedal

To reset at a faster cruising speed, accelerate to the desired speed using the accelerator pedal and push down the "RES +/SET -" switch (3). The new speed will be maintained.

#### Using the brake pedal

To reset at a slower cruising speed, decelerate to the desired speed using the brake pedal and push down the "RES +/SET -" switch (3). The new speed will be maintained.

**NOTE:**

*When the brake pedal is depressed, "SET" indicator (5) will go off until you reset the cruising speed.*

#### Using "RES +/SET -" switch

To reset at a faster cruising speed, press repeatedly or hold push up the "RES +/SET -" switch (3). Vehicle speed will steadily increase. When you release the switch, the new speed will be maintained.

To reset at a slower cruising speed, press repeatedly or hold push down the "RES +/SET -" switch (3) until the vehicle has slowed to the desired speed, and then release the switch. The new speed will be maintained.

**NOTE:**

- You can adjust the set speed by approximately 1 km/h by pushing "RES +/SET -" switch quickly.
- When the current vehicle speed is about 10 km/h or more faster than the previously set speed, you cannot adjust a faster cruising speed by using the "RES +/SET -" switch (3).
- When the current vehicle speed is about 10 km/h or more slower than the previously set speed, you cannot adjust a slower cruising speed by using the "RES +/SET -" switch (3).

### Cancelling Cruise Control

"SET" indicator (5) will go off and the cruise control will be canceled temporarily with the following conditions:

- Push "CANCEL" switch (2).
- Depress the brake pedal.
- For manual transmission, depress the clutch pedal.
- For auto gearshift vehicles, down-shift from 3rd to 2nd gear in the manual mode.
- The vehicle speed falls more than about 20 percent from the set speed.
- Any time the vehicle speed falls below 40 km/h.
- When the vehicle skids and ESP® is activated.

To resume the previously set speed, push up the "RES +/SET -" switch (3) and turn on "SET" indicator (5). The vehicle speed

must be above 40 km/h when the vehicle is not under the above conditions.

To turn off the cruise control system, push cruise switch (1) and check that the cruise indicator (4) is off.

Also, if the malfunction indicator light in the instrument cluster comes on or blinks, the cruise control system will be turned off.

**NOTE:**  
*If you turn off the cruise control system, the previously set speed in the memory is cleared. Reset your cruising speed again.*

### Parking sensors

- The parking sensor system uses ultrasonic sensors to detect obstacles near the rear bumper. If obstacles are sensed while you are parking or moving the vehicle slowly, the system warns you by sounding a buzzer.
- The system emits an ultrasonic wave and the relevant sensor detects the return of the wave reflected by an obstacle. The system measures the time taken by the ultrasonic wave to reach the obstacle and return from it, from which it determines the obstacle's position.
- The parking sensor function can be used when the engine switch is pressed to change the ignition mode to "ON", the gearshift lever is in the "R" position. This function is helpful in the following cases: pulling over to the curb; parallel-parking the vehicle; steering the vehicle into a garage; driving along an alley; and moving slowly in a place with obstacles.

#### WARNING

- **The parking sensor warns you of obstacles with buzzers. However, you must still pay full attention yourself while driving.**
- **The sensors can detect obstacles only within a limited area and only when the vehicle is moving within a limited speed range. So, in tricky areas, you must move the vehicle slowly while checking around it using your direct vision or rearview mirrors. There is increased risk of an accident if you control the vehicle relying only on the parking sensor.**

**NOTE:**  
*When the gearshift lever is shifted to the "R" position, a buzzer will sound once.*

#### NOTICE

**Parking sensors are only for driver's assistance.**

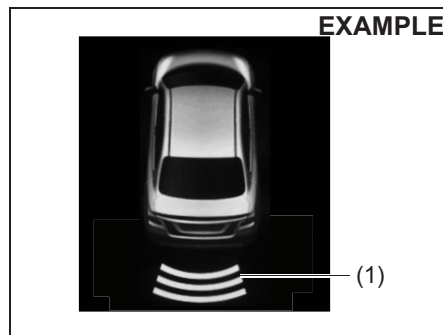
## OPERATING YOUR VEHICLE

### Vehicle with Instrument Cluster (Type A and Type B)

When the gearshift lever is shifted to the reverse for manual transmission vehicles or the "R" position for auto gearshift vehicles, a buzzer will sound.

### Vehicle with Instrument Cluster (Type C)

#### Information display symbol



56RM03029

(1) Symbol representing an obstacle detected by parking sensor\*

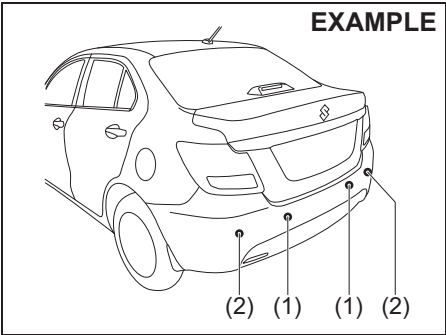
\* This symbol shows that an obstacle is located on the rear centre of vehicle.



**OPERATING YOUR VEHICLE**

**Sensor locations**

**On rear bumper**



56RH00312

- (1) Rear center sensors (2 places)
- (2) Rear corner sensors (2 places)

**NOTICE**

- Avoid hitting the sensor areas or directing the nozzle of a high-pressure car washer onto the sensor areas. Otherwise, the sensors may be damaged.
- If the bumper hits a hard object, the sensors on it may not work properly. If this occurs, have the sensors inspected by an authorised Maruti Suzuki workshop.

**Working sensors**

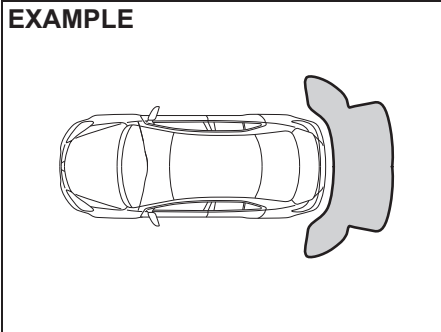
The sensors work depending on the gearshift lever position as follows:

Gearshift lever position		Manual transaxle		Auto Gear Shift	
		R	N, 1st – 5th	R	N, D or M
Rear sensors	Center	On	Off	On	Off
	Corner	On	Off	On	Off

## OPERATING YOUR VEHICLE

### Approximate areas where obstacles can be detected

#### EXAMPLE



79MH0308

- An obstacle within about 20 cm (8 in) from a sensor or just below a sensor is not detectable.

The sensors can detect obstacles such as a wall up to about 1.5 m (5 ft) from the rear of vehicle.

#### **⚠ WARNING**

- Under the following conditions, the parking sensor system may not work normally because the sensors cannot detect obstacles correctly.
  - Sensors are covered with mud, ice or other materials (Such materials must be removed for normal operation).

(Continued)

#### **⚠ WARNING**

(Continued)

- Sensors are wet from water splashes or heavy rain.
- Sensors are covered by a hand, sticker, accessory, etc.
- There is an accessory or other object attached within the sensor's sensing area.
- Items such as tow hooks, commercially available corner poles, radio antenna, etc. are installed on the bumper.
- The height of the bumper is changed due to alteration to the suspension or other causes.
- The sensor areas are extremely hot from direct sunlight or cold due to freezing weather.
- The vehicle is on a rough surface, slope, gravel road or grass field.
- The vehicle is at a steep angle.
- Sensors have intercepted ultrasonic noise from another vehicle's horn, engine, air braking system (large vehicles), or parking sensor.
- Obstacles are too close to the sensors.

(Continued)

#### **⚠ WARNING**

(Continued)

- Sensors are at an angle to a highly reflective object such as glass (Ultrasonic waves are not reflected back from the obstacle).
- Sensors may not be able to correctly detect the following types of obstacles:
  - Objects made of a thin material like wire netting and ropes.
  - Square-shaped curbstones or other objects with sharp edges.
  - Tall objects with a large upper part like a road sign.
  - Low-profile objects such as curbstones.
  - Sound-absorbing objects such as cotton and snow.

#### NOTE:

- Thin poles or obstacles lower than the sensors may become undetectable as the vehicle moves closer to them even if they have been detected from longer distances.
- The system may calculate the distance to a road sign or similar obstacle to be shorter than the actual distance.

## OPERATING YOUR VEHICLE

### Obstacle indication by parking sensor

Upon detecting an obstacle, the parking sensor causes an interior buzzer to sound.

- A buzzer located behind the rear seat sounds when a sensor at the rear detects an obstacle.
- Warnings when obstacles are detected by corner sensors

Distance (approx.)	Buzzer
45 – 60 cm (18 – 24 in.)	Short beeps at short intervals
35 – 45 cm (14 – 18 in.)	Short beeps at very short intervals
Less than 35 cm (14 in.)	Continuous beep

- Warnings when obstacles are detected by center sensors

Distance (approx.)	Buzzer
60 – 150 cm (24 – 59 in.)	Short beeps at long intervals
45 – 60 cm (18 – 24 in.)	Short beeps at short intervals
35 – 45 cm (14 – 18 in.)	Short beeps at very short intervals
Less than 35 cm (14 in.)	Continuous beep

### Warning and indicator messages

#### Vehicle with Instrument Cluster (Type A and Type B)

If there is a problem or warning regarding the parking sensor system, a buzzer and the status of the indicator on the parking sensor inform it. Follow its instruction.

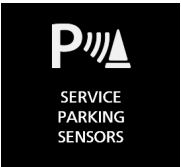

The buzzer sounds intermittently. The indicated sensor is contaminated. Wipe it clean with a soft cloth. If the buzzer does not stop after wiping, there may be problem with the parking sensor system.

Have your vehicle inspected by an authorised Maruti Suzuki workshop.

## OPERATING YOUR VEHICLE

### Vehicle with Instrument Cluster (Type C)

If there is a problem or warning regarding the parking sensor system, a message is displayed on the information display in the instrument cluster, and a symbol blinks and the buzzer sounds. If a message is displayed, follow its instruction.

Message	Symbol	Buzzer	Probable cause and remedy
	Two blinking lines in a sensor location.	Series of double beeps	There may be a problem with the parking sensor system. Have your vehicle inspected by Maruti Suzuki authorised workshop.
	One blinking line in a sensor location.	Series of single beeps	The indicated sensor is contaminated. Wipe it clean with a soft cloth.

### Rearview camera (if equipped)

When the gearshift lever is shifted to "R" position while the ignition mode is "ON", the rearview camera system automatically shows the view behind the vehicle on the display.

#### **WARNING**

The distance viewed in the rearview camera may differ from the actual distance according to the condition of road or the load the vehicle is carrying. Since the camera display area is also limited, backing up by only looking at the display may cause an accident or a crash with an object.

The rearview camera cannot replace the driver's attention. The driver alone is responsible for parking and similar driving maneuvers.

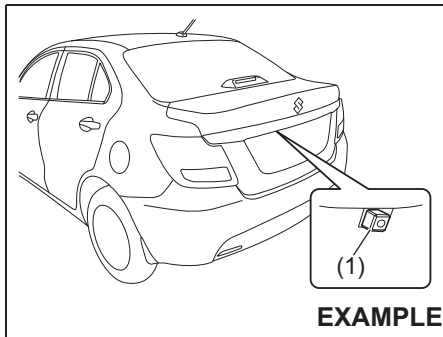
- Use the rearview camera only to provide driving assistance.
- Always drive carefully confirming the safety of the rear and the surrounding conditions by looking directly with your eyes and using the rear view mirror.
- Check that the trunk lid is securely closed when backing up.

## OPERATING YOUR VEHICLE

### NOTICE

If you use the rearview camera for a long time when the ignition mode is "ON", but the engine is not running, the battery may discharge. Do not leave the ignition mode "ON" for a long time when the engine is not running.

### Rearview camera location



56RH00315

(1) Rearview camera

The rearview camera is installed beside the license plate light.

### NOTICE

The rearview camera is a precision instrument. If you strike the camera, it may be broken and cause damage resulting in a catch fire or a malfunction.

- Do not strike the camera.
- Do not remove snow or mud on the camera lens with a stick.

### NOTICE

If water enters the rearview camera, it may cause a malfunction or catch fire.

Do not use high pressure water around the camera.

### NOTICE

This lens is hard coated to prevent damage or discoloration. Damage or discoloration of lens may obscure the image.

- Do not use a brush to clean lens.
- Do not use alcohol, benzene or thinner to clean the lens.
- Do not use wax on the camera lens.

### NOTE:

If body wax gets on the camera lens, wipe off the wax with a clean cloth dampened with mild detergent diluted with water, and then wipe the lens with a dry cloth.

### How to use rearview camera

- 1) Press the engine switch to change the ignition mode to "ON".
- 2) Shift the gearshift lever in "R" position.
  - The display automatically shows the view behind the vehicle.
  - When the gearshift lever is shifted from "R" to another gearshift lever position, the display returns to the previous display.

### NOTE:

The rearview camera display has first priority in any display mode. However, the rearview camera display does not show the rear view while the system is initializing.

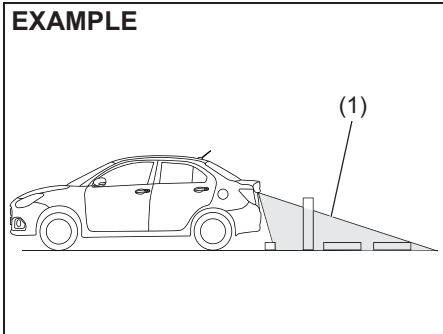
### Display range of rearview camera

The rearview camera display shows the area behind the rear end of the bumper. The display cannot show objects which are close to the bumper or under the bumper. The rearview camera display cannot show obstacles which are higher than the camera. Upper parts of tall objects such as road signs cannot be viewed on the display.

## OPERATING YOUR VEHICLE

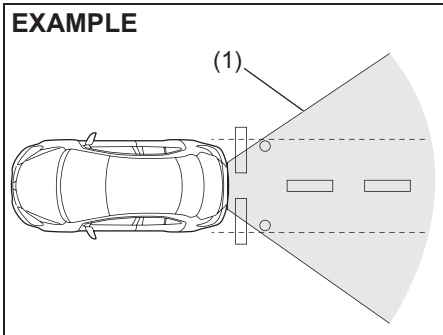
### Display range of rearview camera

#### EXAMPLE



56RM03024

#### EXAMPLE



57L210302

(1) Display range

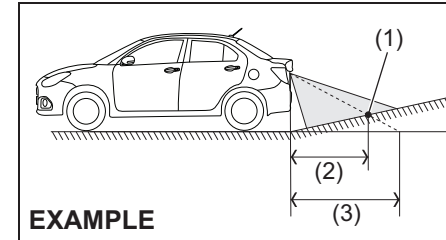
#### NOTE:

- Images shown on the display from the rearview camera are reversed images (mirror images).
- The colors of objects on the rearview camera may differ from the actual object colors.
- The rearview camera display may be difficult to see under the following conditions, but this is not a system malfunction.
  - In dark areas, on a rainy day or at night.
  - When the temperature around the lens is too high/low, or the camera is wet such as on a rainy day or during periods of high humidity (dew condensation may occur on the camera lens).
  - When a foreign object such as mud or a drop of water is stuck around the camera lens.
  - When strong light directly enters the camera (vertical lines may be seen on the display).
  - Under fluorescent light (The display may flicker).
  - When the outside temperature is low (the image on the display may be darkened).

#### Rearview camera screen indication

The distance viewed in the rearview camera may differ from the actual distance according to the condition of the road or the load the vehicle is carrying.

### Uphill incline behind the vehicle



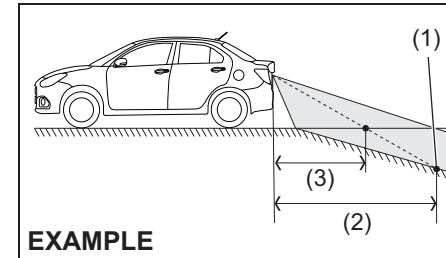
#### EXAMPLE

56RM03025

- (1) Object
- (2) Actual distance
- (3) Distance on the display

When there is an uphill incline behind the vehicle, the object shown on the display appears farther away than the actual distance.

### Downhill incline behind the vehicle



#### EXAMPLE

56RM03026

- (1) Object
- (2) Actual distance
- (3) Distance on the display

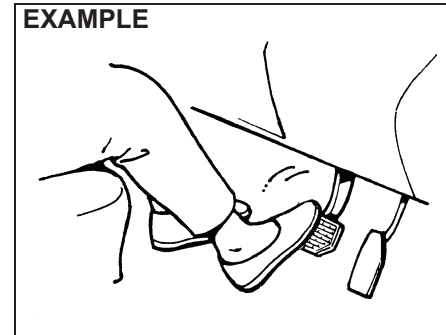
When there is a downhill incline behind the vehicle, the object shown on the display appears closer than the actual distance.

**If the rear view from the rearview camera is not shown or there is a poor image**

- If the rear view from the rearview camera is not shown.
  - Check that the ignition mode is “ON”.
  - Check that the gearshift lever is shifted to “R” position.
- If the image from the rearview camera is poor.
  - Check that the camera lens is not dirty.
  - Check that light from the sun or the beam of the headlights from the vehicle behind is not shining directly into the lens.

If the rearview camera system is still not working properly after checking the above, have the system inspected by an authorised Maruti Suzuki workshop as soon as possible.

**Braking**



The distance needed to bring any vehicle to a halt increases with the speed of the vehicle. The braking distance needed, for example, at 60 km/h will be approximately 4 times greater than the braking distance needed at 30 km/h. Start to depress the brake pedal when there is plenty of distance between your vehicle and the stopping point, and slow down gradually.

**⚠ WARNING**

If water gets into the brake devices, brake performance may become poor and unpredictable. After driving through water or washing the underside of the vehicle, test the brakes while driving at a slow speed to see if they have maintained their normal effectiveness. If the brakes are less effective than normal, dry them by repeatedly applying the brakes while driving slowly until the brakes have regained their normal effectiveness.

**Power-assisted brakes**

Your vehicle has power-assisted brakes. If power assistance is lost due to a stalled engine or other failures, the system is still fully operational on reserve power and you can bring the vehicle to a complete stop by pressing the brake pedal once and holding it down. The reserve power is partly used up when you depress the brake pedal and reduces each time the pedal is pressed. Apply smooth and even pressure to the pedal. Do not pump the pedal.

## OPERATING YOUR VEHICLE

### **⚠ WARNING**

Even without reserve power in the brake system, you can still stop the vehicle by pressing the brake pedal harder than normally required. However, the stopping distance may be longer.

### **Brake assist system (if equipped)**

When you slam the brakes on, the brake assist system determines it to be an emergency stop and provides more powerful braking for a driver who cannot hold down the brake pedal firmly.

#### **NOTE:**

If you quickly and forcefully depress the brakes, you may hear a clicking sound in the brake pedal. This is normal and indicates that the brake assist system is activated properly.

### **Anti-lock brake system (ABS)**

ABS will help you avoid skidding by electronically controlling braking pressure. It will also help you maintain steering control when braking on slippery surfaces or when braking hard.

The ABS works automatically, so you do not need any special braking technique. Just push the brake pedal down without pumping. The ABS will operate whenever it senses that the wheels are locking up.

You may feel the brake pedal move a little while the ABS is operating.

#### **NOTE:**

- The ABS will not work if vehicle speed is under about 9 km/h.
- If the ABS system is activated, you may hear a clunking noise and/or feel pulsating in the brake pedal. This is normal and indicates that the brake fluid pressure is being controlled properly.
- You may hear an operation sound when you start the engine or after the vehicle begins to move. This means that the above systems are in the self-check mode. This sound does not indicate a malfunction.

### **⚠ WARNING**

- On some types of loose surfaces (such as gravel, snow-covered roads, etc.), the stopping distance required for a vehicle with ABS may be slightly greater than the one required for a comparable vehicle with a conventional brake system. With a conventional brake system, skidding tires are able to plow the gravel or snow layer, shortening the stopping distance. ABS minimizes this resistance effect. Allow for extra stopping distance when driving on loose surfaces.

(Continued)

### **⚠ WARNING**

(Continued)

- On regular paved roads, some drivers may be able to obtain slightly shorter stopping distances with conventional brake systems than with ABS.
- In both of the above conditions, ABS will still offer the advantage of helping you maintain directional control. However, remember that ABS will not compensate for bad road or weather conditions or poor driver judgment. Use good judgment and do not drive too fast.

### **EXAMPLE**



54MM069

- (1) ABS warning light  
(2) Brake system warning light



**⚠ WARNING**

- If the ABS warning light (1) on the instrument cluster comes on and stays on while driving, there may be a problem with the ABS system. Ask an authorised Maruti Suzuki workshop to inspect the ABS system immediately. If the ABS system becomes inoperative, the brake system will function as an ordinary brake system that has no ABS.
- If the ABS warning light (1) and the brake system warning light (2) on the instrument cluster simultaneously stay on or come on while driving, both anti-lock function and rear brake force control function (proportioning valve function) of the ABS system may have failed. If so, the rear wheels may easily skid or the vehicle can even spin in the worst case when braking on a slippery road or when hard braking even on a dry paved road. Ask an authorised Maruti Suzuki workshop to inspect the ABS system immediately. Drive carefully, avoiding hard braking as much as possible.

**How ABS works**

A computer continuously monitors wheel speed. The computer compares the changes in wheel speed when braking. If the wheels slow suddenly, indicating a skidding situation, the computer will change braking pressure several times each second to prevent the wheels from locking. When you start your vehicle or when you accelerate after a hard stop, you may hear a momentary motor or clicking noise as the system resets or checks itself. "This is absolutely normal and indicates that ABS is functioning properly".

**⚠ WARNING**

The ABS may not work properly if tires or wheels other than those specified in the owner's manual are used. This is because the ABS works by comparing changes in wheel speed. When replacing tires or wheels, use only the size and type specified in this owner's manual.

**Electronic stability program (ESP®) (if equipped)**

ESP® is a registered trademark of Daimler AG.

The Electronic Stability Program (ESP®) helps to control the vehicle during cornering if front wheels or rear wheels skid. It also assists you in maintaining traction while accelerating on loose or slippery road surfaces. It does this by regulating the engine's output, and by selectively applying the brakes. In addition, ESP® helps to avoid skidding by controlling braking pressure.

**⚠ WARNING**

The ESP® cannot enhance the vehicle's driving stability in all situations and does not control your vehicle's entire braking system. The ESP® cannot prevent accidents, including those resulting from excessive speed in turns, or hydroplaning. Only safe and attentive drive can prevent accidents. The capabilities of an ESP®-equipped vehicle must never be used as a substitute for careful driving.

The ESP® totally manages following four systems, (stability control, traction control, ABS and Brake assist) to help enhance vehicle stability in response to various driving conditions;

## OPERATING YOUR VEHICLE

### Stability control system

The vehicle stability control system helps provide integrated control of systems such as anti-lock brakes, traction control, engine control, etc. This system automatically controls the brakes and engine to help prevent the vehicle from skidding when cornering on a slippery road surface or when turning the steering wheel abruptly.

### Traction control system

The traction control system automatically helps prevent the spinning of wheels when the vehicle is started or accelerated on slippery road surfaces. The system operates only if it senses that some of the wheels are spinning or beginning to lose traction. When this happens, the system operates the front or rear brakes and reduces engine power to limit wheel spin.

#### NOTE:

*You may hear an operation sound when you start the engine or after the vehicle begins to move. This means that the above systems are in the self-check mode. This sound does not indicate a malfunction.*

### Anti-Lock Brake System (ABS)

ABS will help you avoid skidding by electronically controlling braking pressure. It will also help you maintain steering control when braking on slippery surfaces or when braking hard. The ABS works automatically, so you do not have to use any special braking technique. Just push the brake

pedal down without pumping. The ABS will operate whenever it senses that wheels are locking up. You may feel the brake pedal pulsate while the ABS is operating. (For more information on ABS, see "Braking" in this section.)

#### NOTE:

- *The ABS will not work if vehicle speed is under about 9 km/h.*
- *If the ABS system is activated, you may hear a clunking noise and/or feel pulsating in the brake pedal. This is normal and indicates that the brake fluid pressure is being controlled properly.*

### Brake assist system

When you step on the brake pedal, the brake assist system determines it to be an emergency stop and provides more powerful braking for a driver who cannot hold down the brake pedal firmly.

#### NOTE:

*If you quickly and forcefully depress the brakes, you may hear a clicking sound in the brake pedal. This is normal and indicates that the brake assist system is activated properly.*

### ⚠ WARNING

- **The ESP<sup>®</sup> may not work properly if tires or wheels other than those specified in the owner's manual are used. When replacing tires or wheels, use only the size and type specified in this owner's manual.**
- **The ESP<sup>®</sup> may not work properly if tires are not inflated to the recommended tire pressure.**
- **The ESP<sup>®</sup> may not work properly if tires are fitted with tire chains.**
- **The ESP<sup>®</sup> may not work properly if the tires are excessively worn. Replace tires when the tread wear indicators in the grooves appear on the tread surface.**
- **The ESP<sup>®</sup> is not a substitute for winter tires or tire chains on a snow-covered road.**

### ⚠ WARNING

- **The ESP<sup>®</sup> may not work properly if engine related parts such as the muffler are not equivalent to standard equipment or are extremely deteriorated.**
- **Do not modify the vehicle's suspension since the ESP<sup>®</sup> may not work properly.**

## OPERATING YOUR VEHICLE

### NOTE:

- If the ESP<sup>®</sup> system is activated, you may hear a clunking noise and/or feel pulsating in the brake pedal. This is normal and indicates that the brake fluid pressure is being controlled properly.
- You may hear an operation sound when you start the engine or after the vehicle begins to move. This means that the above systems are in the self-check mode. This sound does not indicate a malfunction.

The ESP<sup>®</sup> indicator lights are described below:

### ESP<sup>®</sup> warning light (if equipped)



56RM03011

This light blinks 5 times per second when one of the following systems is activated.

- Stability control system
- Traction control system

If this light blinks, drive carefully.

When the ignition is pushed to "ON" mode, this light comes on briefly so you can check that the light is working.

### NOTICE

**If the ESP<sup>®</sup> warning light comes on and stays on while driving, there may be a malfunction of the ESP<sup>®</sup> systems (other than ABS). You should have the systems inspected by a Maruti Suzuki authorised workshop.**

### NOTE:

When the ESP<sup>®</sup> warning light comes on and stays on while driving, indicating a malfunction of the ESP<sup>®</sup> systems (other than ABS), the brake system will function as an ordinary ABS with no additional ESP<sup>®</sup> functions.

### ESP<sup>®</sup> OFF indicator light (if equipped)

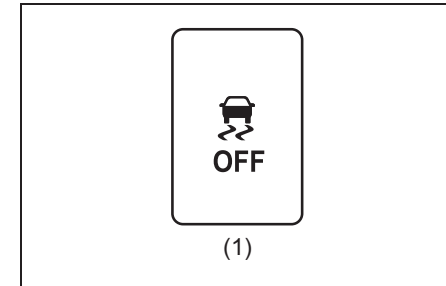


56RM03010

You should turn the ESP<sup>®</sup> on during your ordinary driving, so that you have the benefits of all of the ESP<sup>®</sup> systems.

It may be required to turn the ESP<sup>®</sup> systems (other than ABS) off if your vehicle is stuck in sand, mud, or snow, where wheel spin is necessary.

### ESP<sup>®</sup> OFF switch (if equipped)



(1)

56RM03009

(1) ESP<sup>®</sup> OFF switch

When the ESP<sup>®</sup> OFF switch located at the instrument panel is pushed and held to turn off the ESP<sup>®</sup> systems (other than ABS), the ESP<sup>®</sup> OFF indicator light in the instrument cluster comes on.

When you have turned the ESP<sup>®</sup> systems (other than ABS) off, turn them back on before resuming ordinary driving.

When you push the ESP<sup>®</sup> OFF switch again, the ESP<sup>®</sup> OFF indicator light will go out and all of the ESP<sup>®</sup> systems will be activated.

## OPERATING YOUR VEHICLE

### ABS warning light / brake system warning light

See "Braking" in this section.

### Hill hold control system (if equipped)

The hill hold control system is designed to assist you in starting to move up hills. When you start to move up a hill, the system helps to prevent the vehicle from rolling downward (for approximately 2 seconds) while you move your foot from the brake pedal to the accelerator pedal.

#### WARNING

- **Do not rely excessively on the hill hold control system. The hill hold control system may not prevent the vehicle from rolling downward on a hill under all load or road conditions. Always be prepared to depress the brake pedal to prevent the vehicle from rolling downward. Failure to pay attention and depress the brake pedal to hold the vehicle on a hill when necessary, may result in loss of control or an accident.**
- **The hill hold control system is not designed to stop the vehicle on a hill.**
- **After you release your foot from the brake pedal, accelerate the vehicle to move up immediately. If you release your foot from the brake pedal over 2 seconds, the hill hold control system will be canceled. If so, the vehicle may roll downward, which can result in an accident depending on the degree of slope. And, the engine may stall and the power assist for the steering and brakes will not work so steering and braking will be much harder than usual which can result in an accident or vehicle damage.**

The hill hold control system activates for a maximum of about 2 seconds if your foot is moved from the brake pedal when the following conditions are all met.

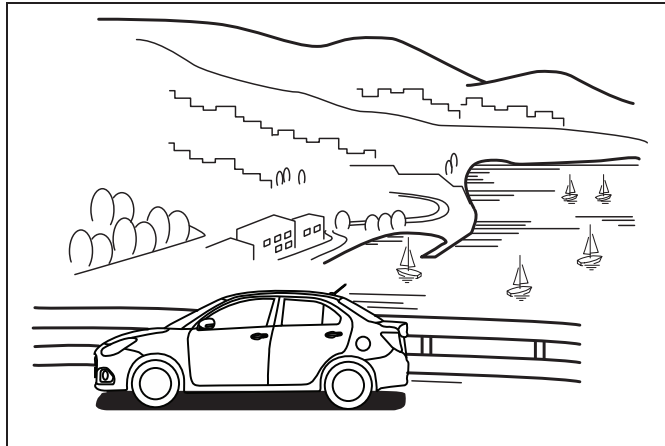
- 1) The gearshift lever is in a forward gear or reverse gear.
- 2) The parking brake is released.
- 3) The vehicle is on an upward incline.

The hill hold control system is activated when the engine is restarted after being stopped automatically, even if the previous conditions are not met.

#### NOTE:

*When the hill hold control system is activated, the following conditions may be found, but this is not a malfunction.*

- *You may hear a sound from the engine room.*
- *As brake pedal becomes heavy, it may be difficult for you to depress it.*



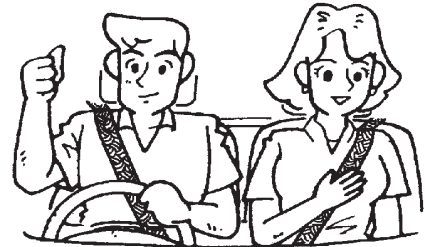
56RM04001

## DRIVING TIPS

Running-in .....	4-1
Catalytic converter .....	4-1
Improving fuel economy .....	4-2
Highway driving .....	4-3
Driving on hills .....	4-3
Driving on slippery roads .....	4-4
Driving on wet roads .....	4-5
Off-road driving .....	4-6
When Encountering a Flooded Area .....	4-6
Do's and Dont's for save driving .....	4-7
Margin for safety .....	4-9

## DRIVING TIPS

### EXAMPLE



68PHM4001

### ⚠ WARNING

- Fasten your seat belts at all times. Even though air bags are equipped at the front seating positions, the driver and all passengers should be properly restrained at all times, using the seat belts provided. Refer to “Seat belts and child restraint systems” section for instructions on proper use of the seat belts.
- Never drive under the influence of alcohol or other drugs. Alcohol and drugs can seriously impair your ability to drive safely, greatly increasing the risk of injury to yourself and others. You should also avoid driving when you are tired, sick, irritated or under stress.

## Running-in

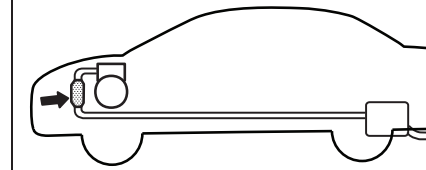
### NOTICE

The future performance and reliability of the engine depends on the care and restraint exercised during its early life. It is especially important to observe the following precautions during the first 960 km of vehicle operation.

- After starting, do not race the engine. Warm it up gradually.
- Avoid prolonged vehicle operation at a constant speed. Moving parts will break in better if you vary your speed.
- Start off from a stop slowly. Avoid full throttle starts.
- Avoid hard braking, especially during the first 320 km of driving.
- Do not drive slowly with the trans-axle in a high gear.
- Drive the vehicle at moderate engine speeds.
- Do not tow a trailer.

## Catalytic converter

### EXAMPLE



56RM04002

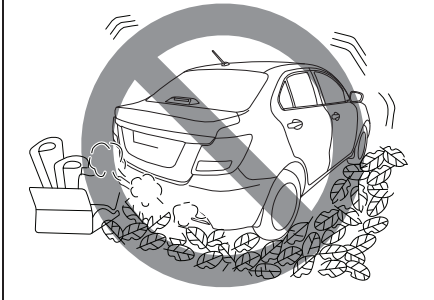
The purpose of the catalytic converter is to minimize the amount of harmful pollutants in your vehicle's exhaust. Use of leaded fuel in vehicles equipped with catalytic converters is prohibited, because lead deactivates the pollutant-reducing components of the catalyst system.

The converter is designed to last the life of the vehicle under normal usage and when unleaded fuel is used. No special maintenance is required on the converter. However, it is very important to keep the engine properly tuned. Engine misfiring, which can result from an improperly tuned engine, may cause overheating of the catalytic converter. This may result in permanent heat damage to the catalytic converter and other vehicle components.

**NOTICE**

To minimize the possibility of catalytic converter or other vehicle damage:

- Maintain the engine in the proper operating condition.
- In the event of an engine malfunction, particularly one involving engine misfire or other apparent loss of performance, have the vehicle serviced promptly.
- Do not turn off the engine or interrupt the ignition when the transaxle is in gear and the vehicle is in motion.
- Do not try to start the engine by pushing or towing the vehicle, or coasting down a hill.
- Do not idle the engine with any spark plug wires disconnected or removed, such as during diagnostic testing.
- Do not idle the vehicle for prolonged periods if idling seems rough or there are other malfunctions.
- Do not allow the fuel tank to get near the empty level.

**EXAMPLE**

54G584S

**⚠ WARNING**

Be careful where you park and drive; the catalytic converter and other exhaust components can get very hot. As with any vehicle, do not park or operate this vehicle in areas where combustible materials such as dry grass or leaves can come in contact with a hot exhaust system.

**Improving fuel economy****NOTE:**

Fuel economy (mileage) of the vehicle may vary due to several factors i.e., driving habits - gear change pattern, usage of A.C., Air pressure in the tyres, wind speed, traffic conditions, fuel quality- non adulterated standard fuel, maintenance of vehicle, road conditions, braking etc.

The following instructions will help you improve fuel economy.

**Avoid excessive idling**

If you park your vehicle for more than one minute, stop the engine and start it again later. When warming up a cold engine, do not allow the engine to idle or apply full throttle until the engine has reached operating temperature. Allow the engine to warm up by driving.

**Avoid sudden acceleration**

Sudden acceleration starting from rest or while driving will consume fuel unnecessarily and shorten engine life. Start off slowly.

**Avoid unnecessary stops**

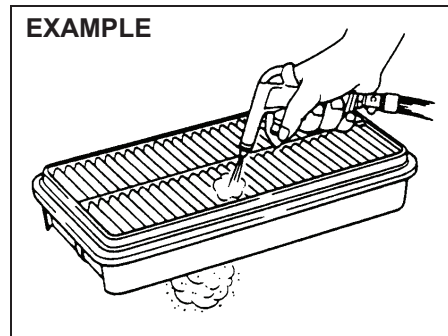
Avoid unnecessary deceleration and stopping. Try to maintain a moderate, steady speed whenever possible. Slowing down and then accelerating again uses more fuel.

## DRIVING TIPS

### Keep a steady cruising speed

Drive at a constant speed that road and traffic conditions will permit.

### Keep the air cleaner clean



If the air cleaner is clogged with dust, there will be greater intake resistance, resulting in decreased power output and increased fuel consumption.

### Keep weight to a minimum

The heavier the load is, the more fuel the vehicle consumes. Unload any unnecessary luggage or cargo.

### Keep tire pressures correct

Under-inflation of the tires can waste fuel due to increased rolling resistance of the tires. Keep your tires inflated to the correct pressure shown in the label on the driver's door lock pillar.

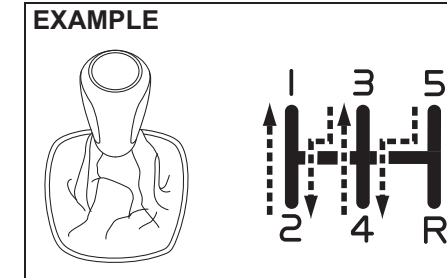
## Highway driving

When driving at highway speeds, pay attention to the following:

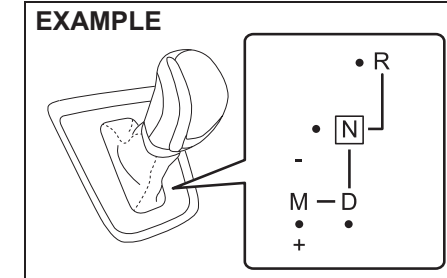
- Stopping distance progressively increases with vehicle speed. Apply the brakes far enough ahead of the stopping point to allow for the extra stopping distance.
- On rainy days, hydroplaning can occur. Hydroplaning is the loss of direct contact between the road surface and the vehicle's tires due to a water film forming between them. Steering or braking the vehicle during hydroplaning can be very difficult, and loss of control can occur. Keep speed down when the road surface is wet.
- At high speeds, the vehicle may be affected by side winds. Therefore, reduce speed and be prepared for unexpected buffeting, which can occur at the exits of tunnels, when passing by a cut of a hill, or when being overtaken by large vehicles, etc.

## Driving on hills

### Manual transaxle



### Auto Gear Shift



- When driving on steep hills, the vehicle may begin to slow down and show a lack of power. If this happens, you should shift to a lower gear so that the engine will again be operating in its higher power range. Shift rapidly to prevent the vehicle from losing momentum.



## DRIVING TIPS

- When driving down a hill, the engine should be used for braking by shifting to the next lower gear.

### While moving uphill/gradient from a stand still condition

(For manual transmission models)

- Apply the parking brake firmly so that the vehicle does not roll backwards.
- Depress the Clutch pedal and Shift the gearshift lever to 1st Select position..
- When ready to start, depress the accelerator pedal while at the same time releasing the clutch pedal slowly. When the vehicle starts to move, gradually release the parking brake.

(For Auto Gear Shift models)

Refer to “Using transmission” in the “OPERATING YOUR VEHICLE” section.

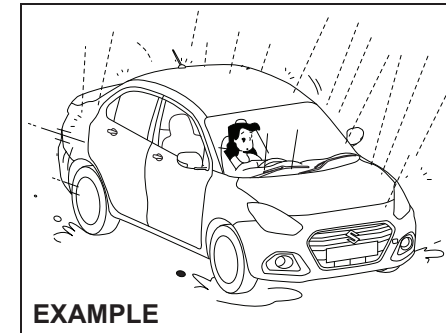
### WARNING

**Do not hold the brake pedal down too long or too often while going down a steep or long hill. This could cause the brakes to overheat, resulting in reduced braking efficiency. Failure to take this precaution could result in loss of vehicle control.**

### NOTICE

**When descending a downhill, Never turn the ignition key to “LOCK” position or press the engine switch to change the ignition mode to “LOCK” (OFF). Emission control system damage may result.**

## Driving on slippery roads



56RM04004

On wet roads, you should drive at a lower speed than you do on dry roads due to possible slippage of tires during braking. When driving on icy, snow-covered or muddy roads, reduce your speed and avoid sudden acceleration, abrupt braking, or sharp steering movements.

### Tire chains

Tire chains should only be used if they are needed to increase traction or are required by law. Check that the chains you use are the correct size for your vehicle's tires. Also check that there is enough clearance between the fenders and the chains as installed on the tires.

Install the chains on the front tires tightly, according to the chain manufacturer's instructions. Re-tighten the chains after

## DRIVING TIPS

driving about 1.0 km if necessary. With the chains installed, drive slowly.

### NOTICE

- If you hear the chains hitting against the vehicle body while driving, stop and tighten them.
- If your vehicle is equipped with full wheel caps, remove the wheel caps before installing the chains or the wheel caps can be damaged by the chain bands.

### Stuck vehicle

If your vehicle gets stuck in snow, mud or sand, follow the directions below:

- 1) Shift the transaxle back and forth between a forward range (or first gear for manual transaxle) and reverse. This will create a rocking motion which may give you enough momentum to free the vehicle. Press gently on the accelerator to keep wheel spinning to a minimum wheel rpm. Remove your foot from the accelerator while shifting.  
Do not race the engine. Excessive wheel spin will cause the tires to dig deeper, making it more difficult to free the vehicle.
- 2) If your vehicle remains stuck after a few minutes of rocking, we recommend you to consult an authorised Maruti Suzuki workshop or a roadside assistance service. If a towing service is not available in an emergency, your vehicle may be

temporarily towed by other vehicle with a towing cable or chain secured to the towing hook either on the front of the vehicle or on the rear of the vehicle. Refer to "Frame hooks" in "OTHER CONTROLS AND EQUIPMENT" section.

### ⚠ WARNING

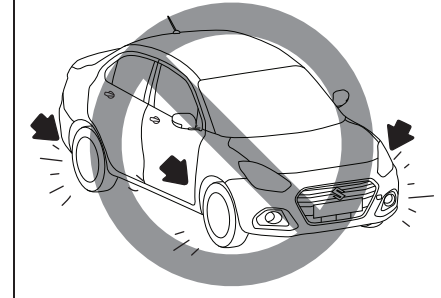
Do not allow anyone to stand near the vehicle when you are rocking it, and do not spin the wheels faster than an indicated 40 km/h on the speedometer. Personal injury and/or vehicle damage may result from spinning the wheels too fast.

### NOTICE

Do not continue rocking the vehicle for more than a few minutes. Prolonged rocking can cause engine overheating or transaxle damage.

## Driving on wet roads

### EXAMPLE



56RM04005

### NOTICE

- When driving on wet roads, avoid driving through large amount of standing water on the road. Large amount of water entering the engine compartment may cause damage to the engine and or electrical components.
- If stuck in deep water, do not start the engine.
- Water is incompressible substance, water inside engine is harmful to the engine.

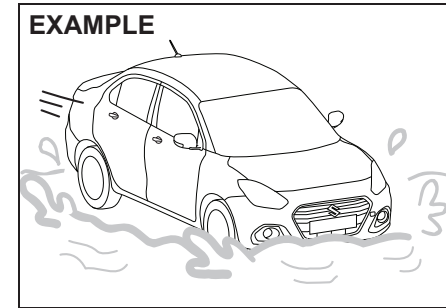
**⚠ WARNING**

In addition to following the driving tips in this section, it is important to observe the following precautions.

- Check that your tires are in good condition and always maintain the specified tire pressure. Refer to "Tires" in the "INSPECTION AND MAINTENANCE" section for details.
- Do not use tires other than those specified by MARUTI SUZUKI. Never use different sizes or types of tires on the front and rear wheels. For information regarding the specified tires, refer to the tire information label located on the driver's door lock pillar.
- Never use oversized tires or special shock absorbers and springs to raise (jack up) your vehicle. This will change the handling characteristics. Oversized tires may also rub against the fender over bumps, causing vehicle damage or tire failure.
- After driving through water, test the brakes while driving at a slow speed to see if they have maintained their normal effectiveness. If the brakes are less effective than normal, dry them by repeatedly applying the brakes while driving slowly until the brakes have regained their normal effectiveness.

**Off-road driving****Do not drive in the field covered with grown grass**

If you drive in the field covered with grass, it may cause unexpected accident or vehicle damage by getting caught in grown grass.

**When Encountering a Flooded Area****EXAMPLE**

56RM04010

Avoid driving in a flooded area or a deep puddle. If driving in a flooded area is unavoidable, go slowly in the lowest gear. In case that you have driven in a flooded area, stop the vehicle in a safe and non flooded place while checking the brake effectiveness. Then, ask a Maruti Suzuki authorised workshop to check the following inspection items.

- Function of brake
- Function of electrical components
- Changes in oil level and quality for engine and transmission. In case that the oil is turbid whitish, water has been mixed in the oil and an oil change is required.
- Lubricant condition of the bearings, suspension joints, etc.

## DRIVING TIPS

### NOTICE

- **Avoid driving in a flooded area or a deep puddle. It may cause an engine stall, short in electrical components, engine and transmission damages, etc.**
- **If the vehicle gets stuck in deep water do not start the engine.**

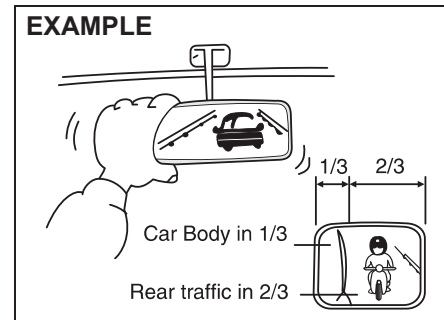
### Do's and Dont's for safe driving

Exercise care in handling your vehicle. Be conscious of not only your own safety but also the safety of others on the road, and thus enjoy the best and most comfortable driving experience.

Following are basic rules for safe driving. Read them carefully for good understanding of the content so that you can enjoy safe and pleasant driving in your vehicle.

#### Starting

- 1) Adjust the driver's seat for the proper driving posture.
- 2) Adjust the rear view mirror so as to obtain the best possible rear view.

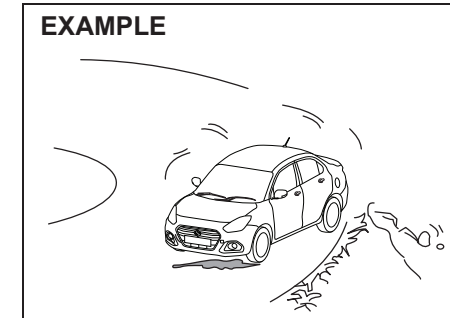


- 3) Before moving, look around your vehicle to confirm safety.
- 4) Don't accelerate suddenly, since it is dangerous and wastes fuel.

#### General Driving

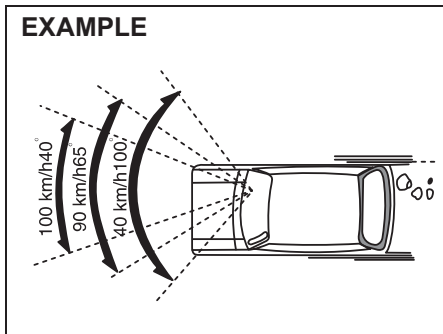
- 1) Be sure to stop before a stop light or stop sign. When moving into an intersection without any traffic lights or signs, drive slowly to confirm safety.
- 2) Always follow other vehicles at a safe distance in order to prevent a rear-end collision, in case the vehicle ahead makes a sudden stop.

### EXAMPLE



- 3) Turn ON the turn signal at least 30 meters before making a turn or changing the lane so as not to be hit.
- 4) Before entering a corner, decelerate to a safe speed. Don't apply brakes during cornering, or skidding may occur.

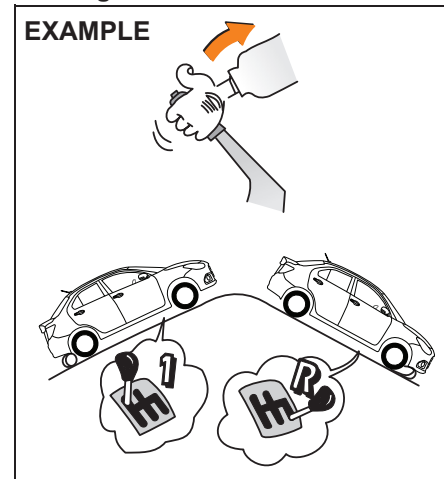
- 5) When overtaking other vehicles, watch out for oncoming vehicles and carefully ensure safety.
- 6) Don't attempt zigzag driving as it will hinder your control over the vehicle and may cause an accident.
- 7) Avoid reckless high speed driving and try to drive at a safe speed suitable for the road conditions while maintaining a constant speed.
- 8) The higher the speed, the narrower the driver's visual range becomes. In such a state, it is difficult to anticipate any hazard and the driver feels fatigued.



72F-08-015

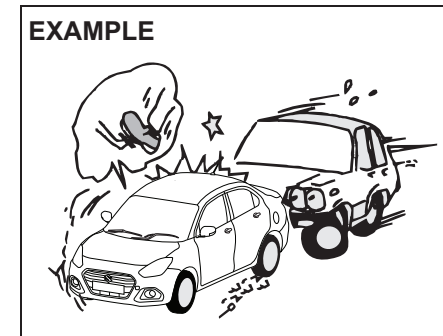
- 9) Do not attempt sharp handling during high speed driving. You may lose your control over your vehicle.
- 10) When overtaking or changing lanes while driving at a high speed, keep ample vehicle-to-vehicle distance.

### Braking



56RM04007

- 1) Use the parking brake when parking your vehicle and shift the gear shift lever into the first gear or reverse gear position for the sake of safety.
- 2) Don't use hand-braking unless unavoidable. It causes the vehicle to skid and a collision may occur. It is especially dangerous when the tyres are worn out as they skid more.



56RM04008

Use foot brake in three stages

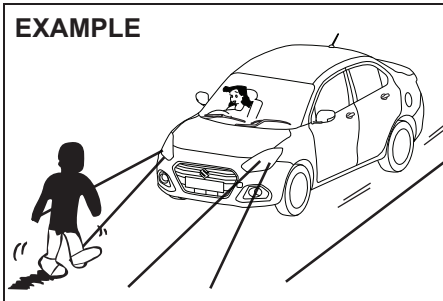
1. Warn the vehicle behind you.
  2. Gradually apply the brake.
  3. Bring the vehicle to a halt.
- 3) When driving downhill, try not to apply the brake but use the engine brake effectively. Overuse of the foot-brake may result in reduction of brake effectiveness.

### Long Distance Driving

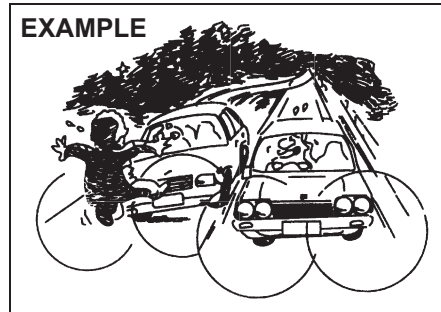
- 1) Be sure to perform safety checks before starting a trip.
- 2) Take rest at regular intervals to prevent accidents which may occur due to feeling sleepy or tired.

## DRIVING TIPS

### Night Time Driving



- 1) Drive at lower speeds during the night than in the daytime, as the visual range is restricted at night.
- 2) Avoid overtaking other vehicles at night. Darkness bothers your sense of speed and hinders your judgment of vehicle-to-vehicle distance.



- 3) Don't use headlights on high beam unless its use is inevitable. It may cause visual impairment to the driver of the oncoming vehicle or the vehicle ahead of you, which may cause an accident.
- 4) Always keep the window glasses clean. Don't operate the windshield wiper when the windshield glass is dry else the wiper blade and glass may get damaged.

### Margin for safety

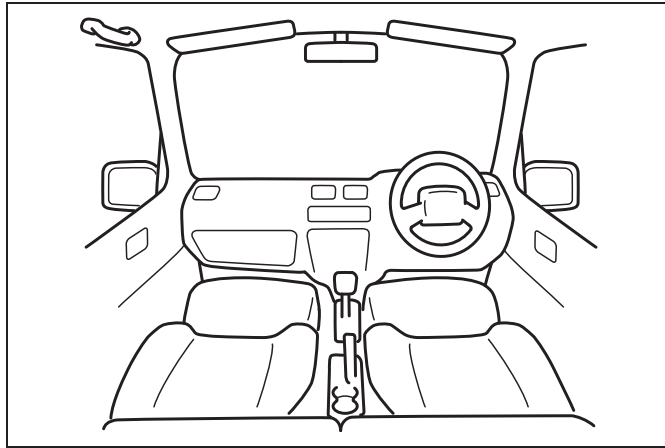
It is important to allow yourself a margin for safety during driving so that you can cope with erroneous or unexpected driving of other drivers. For that, observe the following.

- Drive at a safe speed.
- Maintain a sufficient distance between your vehicle and the vehicle ahead.
- Don't force yourself to overtake other vehicles.
- Don't accelerate suddenly, steer sharply or stop suddenly.
- Keep ample gaps between driving schedules.
- Observe traffic rules and regulations.

### Conclusion

A perfect driver does not exist. The endeavour of every motorist should be to strive for perfection. Safety consciousness not only ensures your safety and the safety of other road users, it also helps reduce the wear and tear on your vehicle, lengthens its life, gives better fuel efficiency and ensures a comfortable driving experience. **Follow the do's and don'ts listed, and driving will never be the same again.**

OTHER CONTROLS AND EQUIPMENT

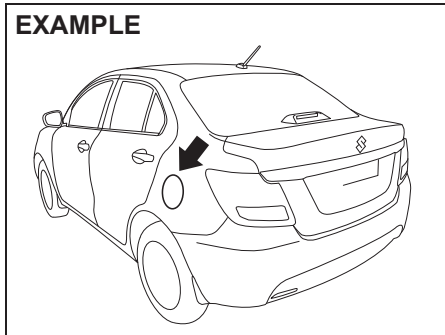


60G407

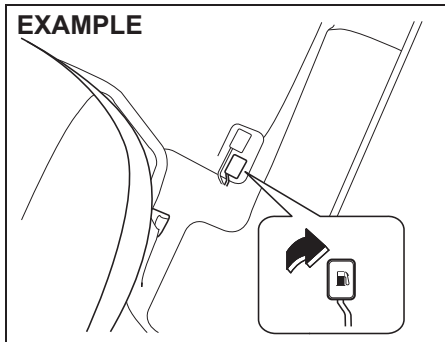
Fuel filler cap .....	5-1
Engine hood .....	5-2
Sun visor .....	5-3
Interior light .....	5-4
Accessory socket .....	5-6
AUX/USB socket (if equipped) .....	5-7
Assist grips .....	5-7
Glove box .....	5-7
Cup holder and storage area .....	5-8
Footrest (if equipped) .....	5-10
Floor mats (if equipped) .....	5-10
Luggage compartment board .....	5-11
Frame hooks .....	5-11
Heating and air conditioning system .....	5-14
Manual heating and air conditioning system .....	5-17
Automatic heating and air conditioning system (climate control) .....	5-22
Radio antenna .....	5-29
Installation of radio frequency transmitters .....	5-29
Audio system (if equipped) .....	5-30

## OTHER CONTROLS AND EQUIPMENT

### Fuel filler cap

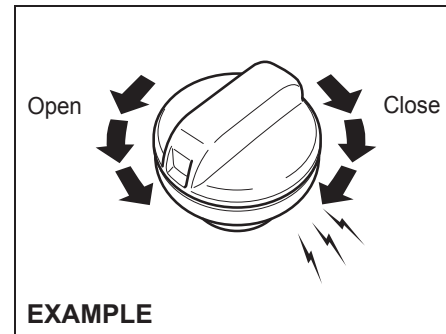


56RH00501



56RH00502

A fuel filler cap is located on the left rear side of the vehicle. The fuel filler door can be unlocked by pulling up the opener lever located on the outboard side of the driver's seat and locked by simply closing the door.



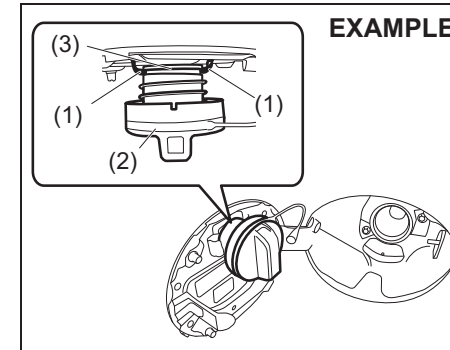
57L51093

To remove the fuel filler cap:

- 1) Stop the engine and close all doors and windows while refueling.
- 2) Open the fuel filler door.
- 3) Remove the cap by turning it counter-clockwise.

#### **CAUTION**

Remove the fuel filler cap slowly. The fuel may be under pressure and may spray out, causing injury.



52RM50030

**NOTE:**

The cap holder (1) holds the fuel filler cap (2) by hooking the groove (3) when refueling.

To reinstall the fuel filler cap:

- 1) Turn the cap clockwise until you hear several clicks.
- 2) Close the fuel filler door.

#### **WARNING**

Fuel is extremely flammable. Do not smoke when refueling, and check that there are no open flames or sparks in the area.



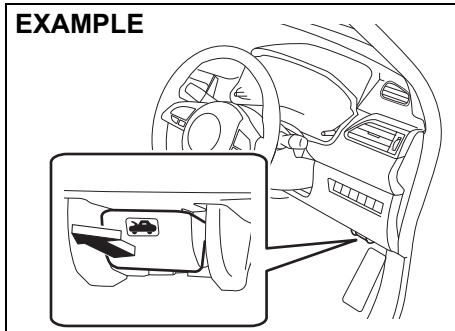
## OTHER CONTROLS AND EQUIPMENT

### **▲ WARNING**

If you need to replace the fuel cap, use a MARUTI genuine cap. Use of an improper cap can result in a malfunction of the fuel system or emission control system. It may also result in fuel leakage while driving and in the event of an accident.

### Engine hood

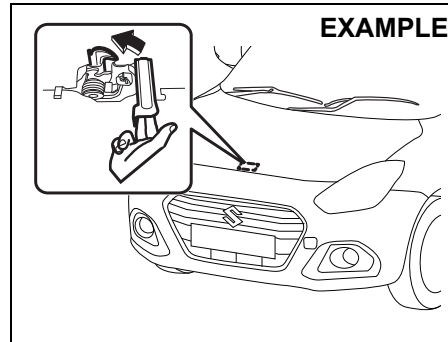
#### EXAMPLE



56RH00504

To open the engine hood:

- 1) Pull the hood release handle located on the outboard side of the driver's side of the instrument panel. This will disengage the engine hood lock halfway.



56RM05012

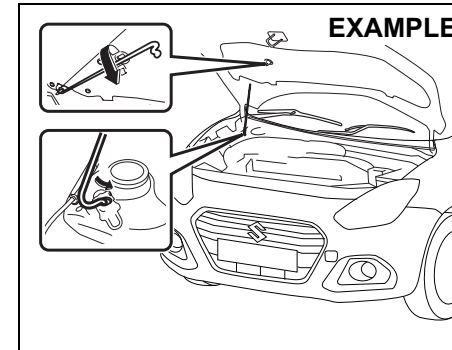
- 2) Push the under-hood release lever sideways with your finger, as shown in the illustration. While pushing the lever, lift up the engine hood.

### **▲ CAUTION**

The release lever and its peripheral, or engine hood can be hot enough to burn your finger right after driving. Touch after it becomes cool enough.

### **NOTICE**

Check that the wiper arms are not raised before you lift up the engine hood to avoid damaging the wiper arms and the engine hood.



56RM05013

- 3) While holding the hood, pull the prop rod out from the holding clip, and then insert the end of the rod into the designated hole.

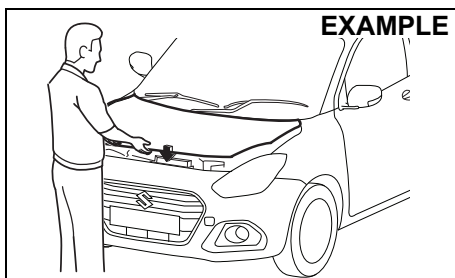
### **▲ CAUTION**

- The prop rod can be hot enough to burn your finger right after driving. Touch the rod after it becomes cool enough.
- Insert the end of the rod into the hole securely. If the rod slips out, you may get caught in the closing hood.
- The rod may slip out when the hood is blown by wind. Be careful on windy days.

## OTHER CONTROLS AND EQUIPMENT

To close the engine hood:

- 1) Lift the hood up slightly and remove the prop rod from the hole. Put the prop rod back into the holding clip.



- 2) Lower the hood to about 20 cm above the hood latch, and then let it drop down. Check that the hood is securely latched after closing.

### **⚠ WARNING**

**Check that the hood is fully closed and latched before driving. If it is not, it can fly up unexpectedly during driving, obstructing your view and resulting in an accident.**

### **⚠ CAUTION**

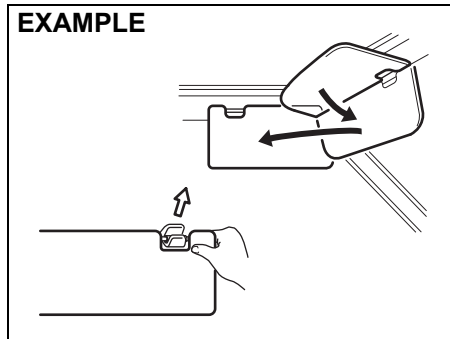
**To avoid injury, check that no part of the occupant's body such as hands or head is in the path of the hood when closing it.**

### **NOTICE**

**Pressing the hood from the top may damage it.**

### **Sun visor**

#### **EXAMPLE**

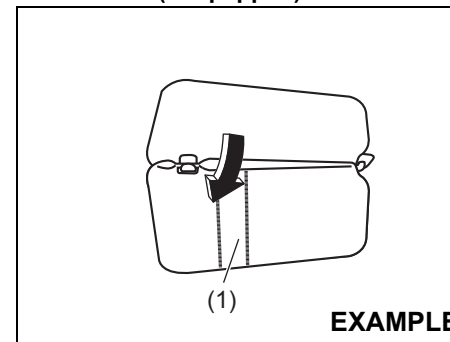


The sun visors can be pulled down to block glare coming through the windshield, or they can be unhooked and turned to the side to block glare coming through the side window.

### **NOTICE**

**When unhooking and hooking a sun visor, handle it by the hard plastic parts or the sun visor can be damaged.**

### **Card holder (if equipped)**



- (1) Card holder

You can put a card in the card holder (1) on the back of the sun visor.

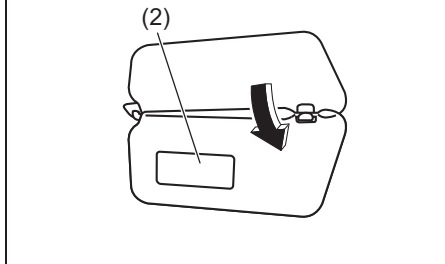
### **NOTICE**

**When you park your vehicle outdoors in direct sunlight or in hot weather, do not leave plastic cards in the holder. The heat may distort them.**

## OTHER CONTROLS AND EQUIPMENT

### Vanity mirror (if equipped)

#### EXAMPLE



74LHT0532

(2) Vanity mirror

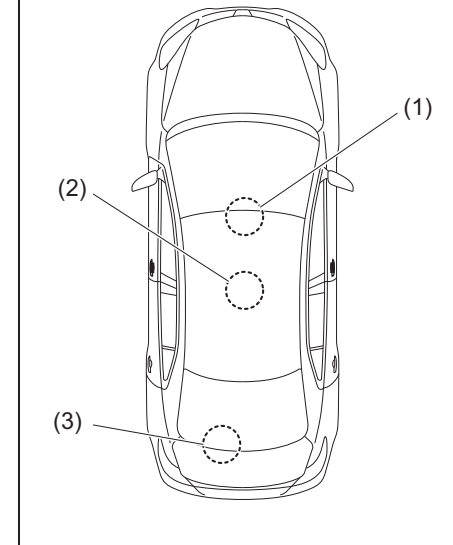
There is a vanity mirror (2) on the back of the sun visor.

#### **⚠ WARNING**

- Do not use the mirror while driving your vehicle or else you may lose control of the vehicle.
- When using the vanity mirror, do not move too close to a front air bag location or lean against it. If the front air bag is accidentally inflated, it could hit you hard.
- Do not place any object on the location where an airbag is stored or come close to the location where airbag is stored, when using a vanity mirror. Doing so may cause the airbag to deploy and cause serious injury due to the impact of airbag.

### Interior light

#### EXAMPLE



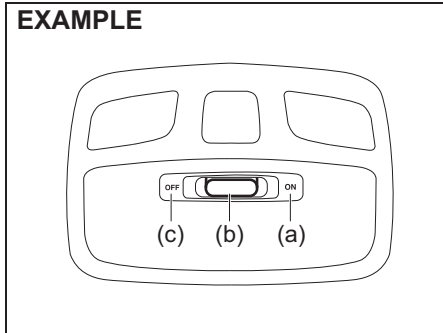
56RM05009

- (1) Front (if equipped)
- (2) Center
- (3) Trunk lid (if equipped)

## OTHER CONTROLS AND EQUIPMENT

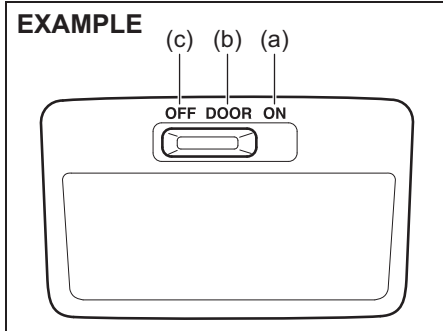
### Front (if equipped) (1)

#### EXAMPLE



### Center (2)

#### EXAMPLE



These light switches have three positions which function as described below:

#### ON (a)

The light comes on and stays on regardless of whether the door is open or closed.

#### NOTE:

*If your vehicle is equipped with the keyless push start system or the keyless entry system, the light will automatically be turned off to prevent the battery from discharging when the following conditions are simultaneously met:*

- The ignition switch is in "LOCK" position, or the ignition mode is "LOCK" (OFF).
- The hazard warning lights, the position lights and the headlights are off.
- After about 15 minutes of the light on.

#### DOOR (b)

- The light comes on while any of the doors is opened. After closing all doors, the light will remain on for about 15 seconds and then fade out.
- If all doors are closed, the light comes on for about 15 seconds when the ignition key is pulled out from the ignition switch or the engine switch is pressed to change the ignition mode from "ON" to "LOCK" (OFF). After 15 seconds, the light will fade out.
- To save the battery, the light will be automatically turned off when a period of 15 minutes has elapsed after any of the doors is opened and other operations are not done.

If you perform any of the following procedures before the light fading out, the light will start to fade out immediately.

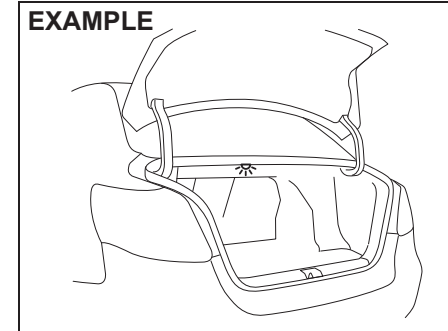
- Inserting the ignition key into the ignition switch or pressing the engine switch to change the ignition mode to "ACC" or "ON".
- Locking all doors by operating the key, keyless entry transmitter, keyless push start system remote controller, power door locking switch or request switch.

#### OFF (c)

The light remains off even when the door is opened.

### Trunk lid (if equipped) (3)

#### EXAMPLE



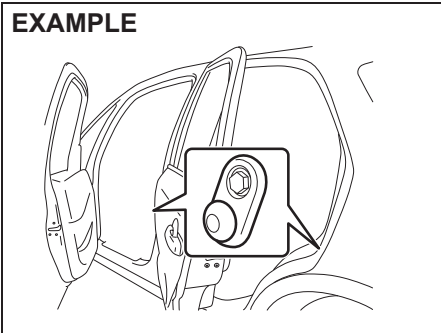
When you open the trunk lid, the trunk light comes on and remains on as long as you keep the lid open.

## OTHER CONTROLS AND EQUIPMENT

**NOTE:**

If you leave trunk lid open, the light will automatically be turned off after about 15 minutes to prevent the battery from discharging.

**EXAMPLE**



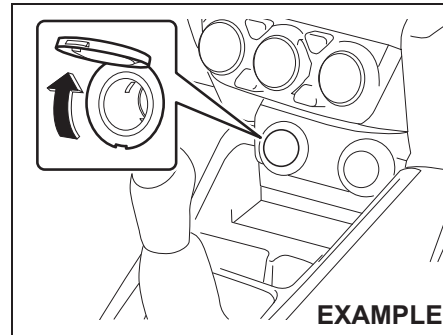
56RH00511

**NOTE:**

The number of doors involved in the lighting operation of the interior light depends on the vehicle specification. If there is a switch (rubber protrusion) at the door opening as shown, the door is involved in the lighting operation. The trunk lid is not involved in this operation.

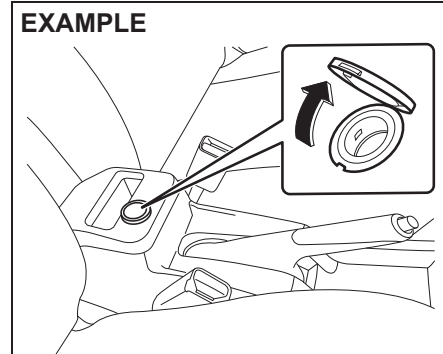
### Accessory socket

#### Center console



56RH00512

#### Floor console (if equipped)



56RM05002

The accessory socket will work when the ignition switch is in "ACC" or "ON" position, or the ignition mode is "ACC" or "ON".

Each socket can be used to provide 12 volt/120 watt/10 ampere power for electrical accessories when used alone. Check that the cap remains on the socket when the socket is not in use.

**NOTICE**

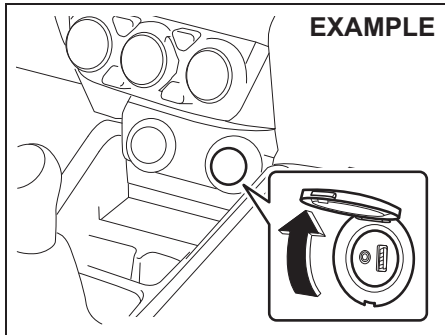
Use of inappropriate electrical accessories can cause damage to your vehicle's electrical system. Check that any electrical accessories you use are designed to plug into this type of socket.

**WARNING**

If you pay too much attention to operating the Accessory socket while driving, an accident can occur.

## OTHER CONTROLS AND EQUIPMENT

### AUX/USB socket (if equipped)



56RH00514

Connect your portable digital music player, etc. to this socket to enjoy music through the vehicle's audio system. Refer to "Audio system (if equipped)" in this section.

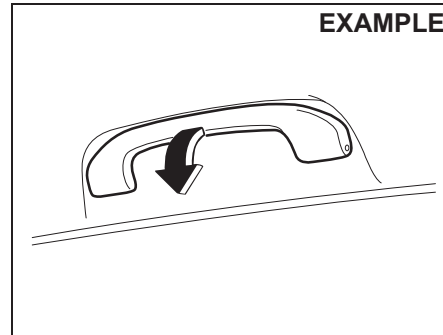
#### **NOTICE**

Always close the rubber cap when not in use, since entry of foreign material, dust, water, conductive liquids may damage the audio system or USB device.

#### **⚠ WARNING**

If you pay too much attention to operating the AUX/USB socket while driving, an accident may occur.

### Assist grips



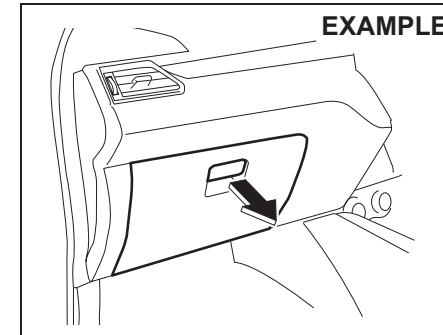
56RM05006

Assist grips are provided for convenience.

#### **NOTICE**

To avoid damaging the assist grip and the molded headlining, do not hang down the assist grip.

### Glove box



56RH00515

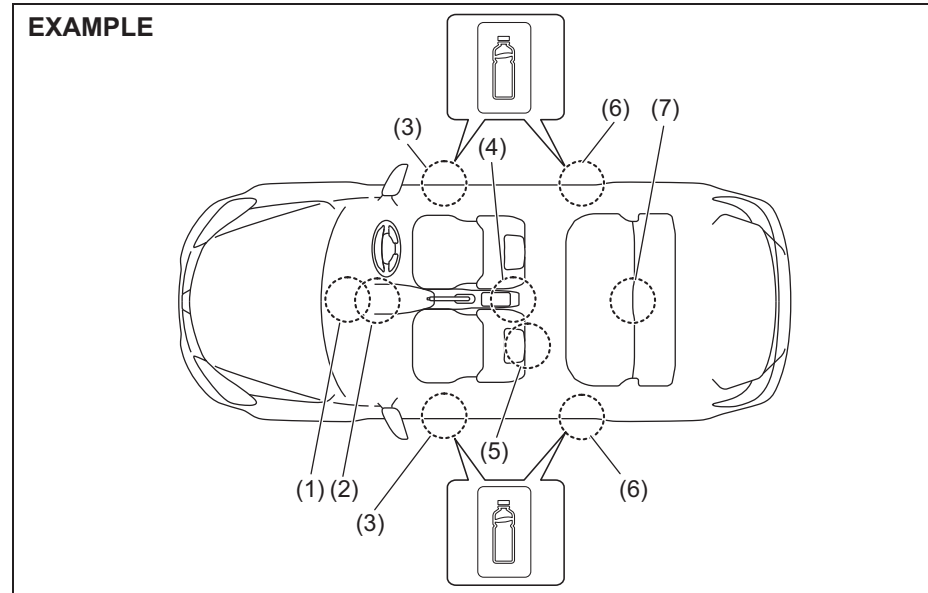
To open the glove box, pull the latch lever. To close it, push the lid until it latches securely.

#### **⚠ WARNING**

Never drive with the glove box lid open. It could cause injury if an accident occurs.

## OTHER CONTROLS AND EQUIPMENT

### Cup holder and storage area



- (1) Center console tray
- (2) Front cup holders
- (3) Front bottle holder
- (4) Rear cup holder (if equipped)
- (5) Front seat back pocket (if equipped)
- (6) Rear bottle holder
- (7) Rear armrest with cup holders (if equipped)

### Center console tray (1)

#### **▲ WARNING**

Do not place any objects which may fall out from the tray when the vehicle is moving. Failure to take the precaution may result in an object interfering with the pedals and causing a loss of vehicle control or an accident.

## OTHER CONTROLS AND EQUIPMENT

### Front cup holders (2) / Rear cup holder (if equipped) (4)

Use the rear cup holder to put a cup with a lid or a bottle with a cap. Also, you can put small articles in the rear cup holder.

#### **⚠ WARNING**

Failure to take the precautions listed below could cause personal injury or vehicle damage.

- Be careful when you are using the cup holders to hold a cup containing hot liquid. Spilling out hot liquid can cause burn injury.
- Do not use the cup holders to hold sharp-edged, hard or breakable objects. Objects in the cup holders may be thrown about during a sudden stop or impact, and could cause personal injury.
- Be careful not to spill liquid or insert any foreign materials into the moving part of the gearshift lever, or any electrical components. Liquid or foreign materials may damage these parts.

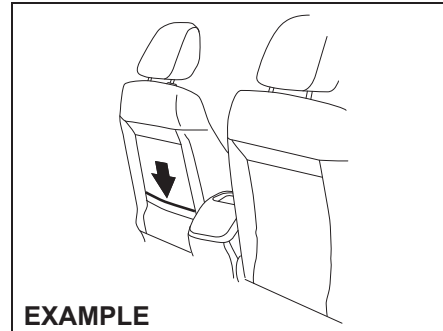
### Front bottle holder (3) / Rear bottle holder (6)

You should only place a bottle with a cap in the holder.

**NOTE:**

*Maruti Suzuki recommends to use maximum 1 liter capacity of bottle.*

### Front seat back pocket (if equipped) (5)



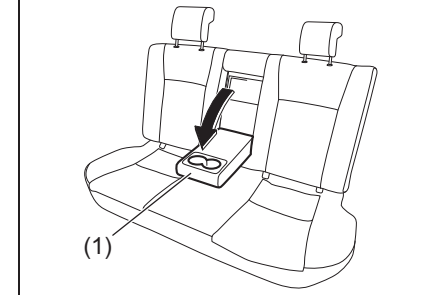
This pocket is provided for holding light and soft things such as gloves, newspapers or magazines.

#### **⚠ CAUTION**

Do not put hard or breakable objects in the pocket. If an accident occurs, objects such as bottles, cans, etc. can injure the occupants in the rear seat.

### Rear armrest with cup holders (if equipped) (7)

#### **EXAMPLE**

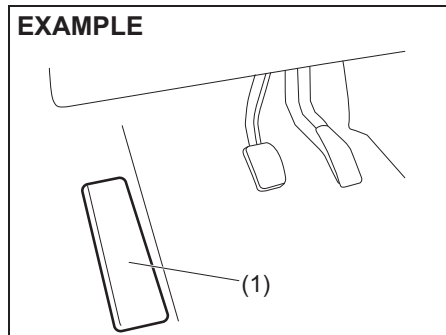


(1) Cup holders

The rear armrest is stowed in the center of the seatback. Tilt it down forward to use.



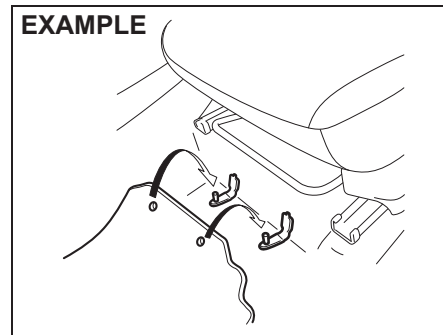
**Footrest (if equipped)**



56RM05001

Use the footrest (1) (driver side only) as a support for your left foot only.

**Floor mats (if equipped)**



68LM554

To prevent the driver's side floor mat from sliding forward and possibly interfering with the operation of the pedals, MARUTI genuine floor mats are recommended.

Whenever you put the driver's side floor mat back in the vehicle after it has been removed, hook the floor mat grommets to the fasteners and position the floor mat properly in the footwell.

When you replace the floor mats in your vehicle with a different type such as all-weather floor mats, we highly recommend to use MARUTI genuine floor mats for proper fitting.

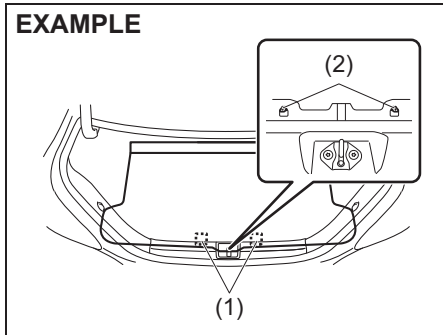
**⚠ WARNING**

Failure to take the following precautions may result in the driver's side floor mat interfering with the pedals and causing a loss of vehicle control or an accident.

- Check that the floor mat grommets are hooked to the fasteners.
- Never place additional floor mats on top of the existing floor mat.
- Never use a floor mat which does not fit the floor as the same may cause hindrance/damage in vehicle and its functioning.
- Never use damaged floor mats.

## OTHER CONTROLS AND EQUIPMENT

### Luggage compartment board



When installing the luggage compartment board, please hook the grommets (1) of the board on the hook (2) of the vehicle.

### Frame hooks

It is not recommend that you use the frame hooks for towing another vehicle. They were originally designed to tow your vehicle in emergency situation. If your vehicle needs to be towed in an emergency, refer to "Towing" in "EMERGENCY SERVICE" section.

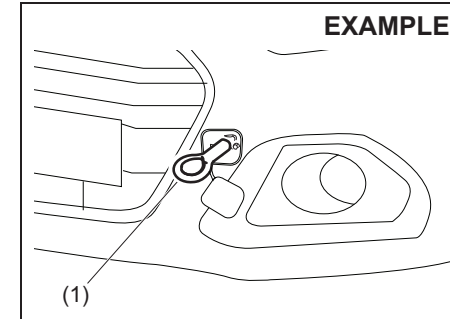
#### **⚠ WARNING**

Observe the following instructions when using frame hooks. The towing hook or vehicle body may break and cause serious injury or damage:

- Do not use the frame hooks for towing another vehicle.
- Avoid pulling the vehicle to get out of severe snowy, muddy or sandy conditions, sudden starts or erratic driving maneuvers which could cause excessive stress on the towing hook.

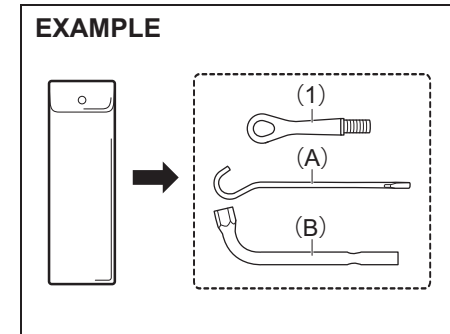
In such case, we recommend that you contact a professional service.

### Front



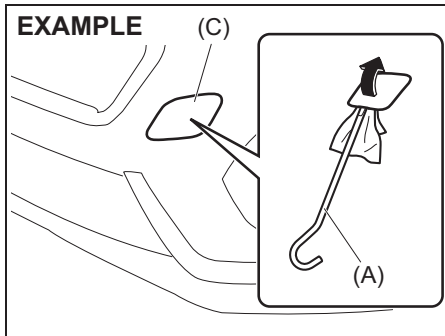
The towing hook (1) is provided on the front of the vehicle for use in emergency situations and sea shipping purposes only.

To install the hook (1), follow the procedure below.



**OTHER CONTROLS AND EQUIPMENT**

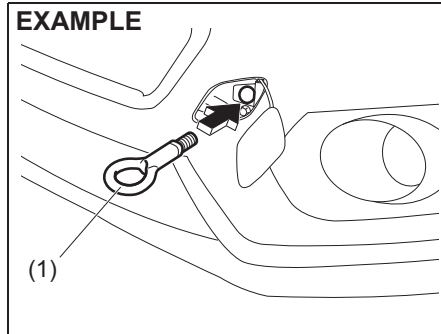
- 1) Pick up the towing hook (1), jack handle (A) and wheel wrench (B) from the luggage compartment.



56RM05016

- 2) Remove the cover (C) from front bumper by using a jack handle (A) covered with a soft cloth as shown in the illustration.

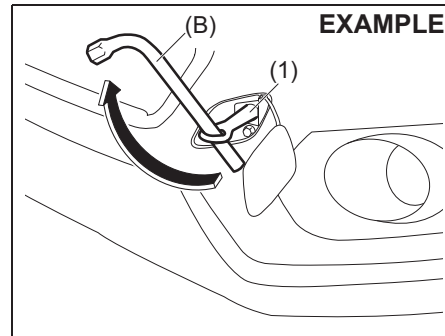
**NOTE:**  
Do not use excessive force as it may damage the cover strap.



56RM05017

- 3) Screw in the towing hook (1) by hand.

**NOTE:**  
It is recommend to secure the cover with tape to prevent damage during towing.



56RM05018

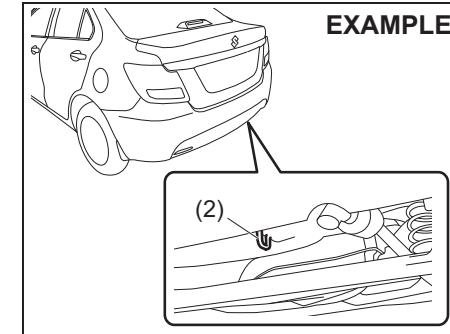
- 4) To tighten the towing hook (1), turn it clockwise by using a wheel wrench (B) until the hook (1) is securely installed.

To remove the towing hook (1), reverse the installation procedure.

**NOTICE**

To prevent damage to the vehicle, never use the towing hook (1) for trailer / train shipping.

**Rear**



56RH00520

The frame hook (2) is provided on the rear of the vehicle for use in emergency situations and sea shipping purposes only.

## OTHER CONTROLS AND EQUIPMENT

---

### ***NOTICE***

When you use the frame hook (2), avoid the driving that gives significant physical shock on hook. Such operation can damage the hook, the vehicle body or the drive system.

- Do not accelerate suddenly.
- Do not tow the vehicle heavier than your vehicle.

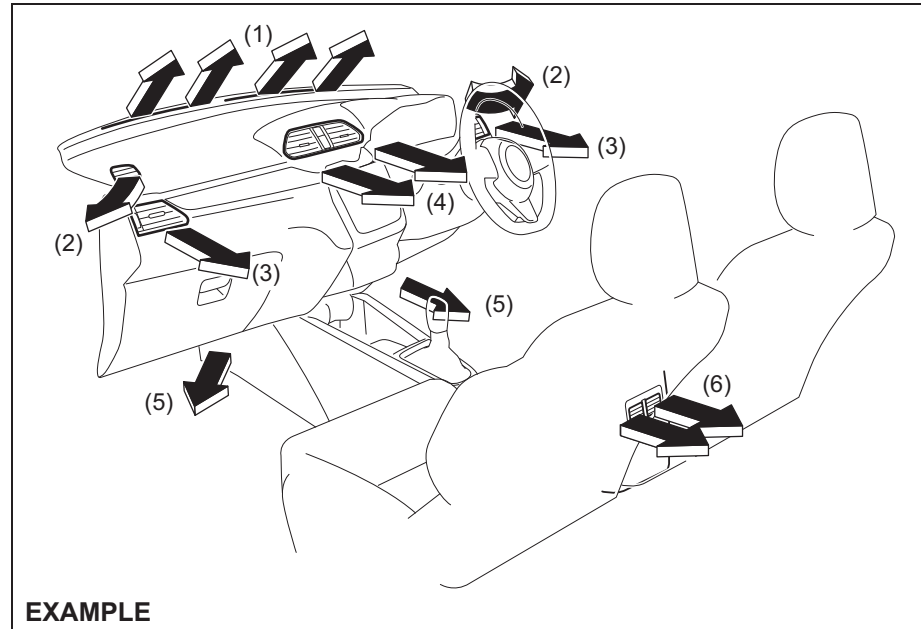
To tow your vehicle on the road or highway, follow the instruction of "Towing" in "EMERGENCY SERVICE" section.

### Heating and air conditioning system

There are two types of heating and air conditioning systems as follows:

- Manual heating and air conditioning system
- Automatic heating and air conditioning system (climate control)

#### Air outlet



EXAMPLE

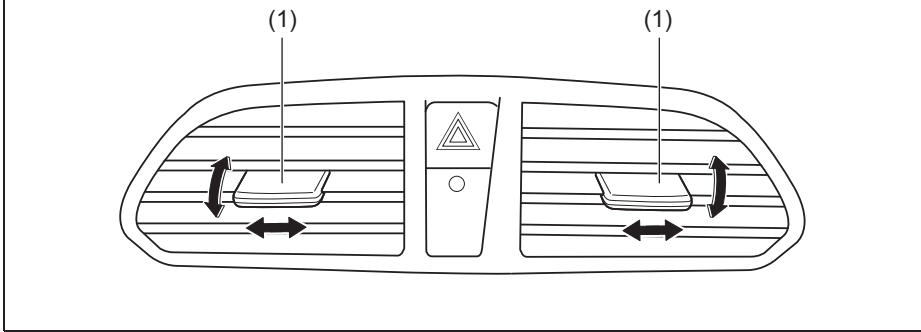
56RH00521

- (1) Windshield defroster outlet
- (2) Side defroster outlet
- (3) Side outlet
- (4) Center outlet
- (5) Floor outlet
- (6) Rear outlet (if equipped)

## OTHER CONTROLS AND EQUIPMENT

### Center outlet

#### EXAMPLE

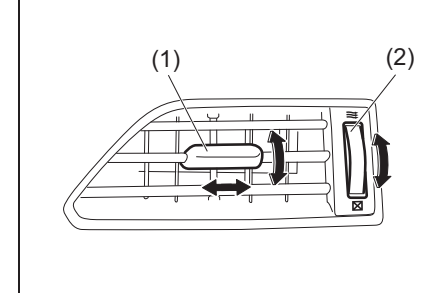


56RM05003

Move the knob (1) vertically or horizontally, to adjust the direction of airflow as desired.

### Side outlet

#### EXAMPLE



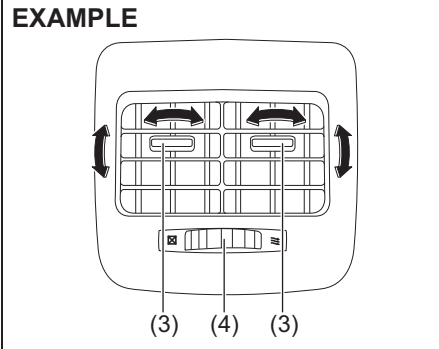
56RM05005

When open, air comes out regardless of the air flow selector position.

Move the knob (1) vertically or horizontally, to adjust the direction of airflow as desired. The side outlet opens when you turn the dial (2) upward and closes when you turn it downward.

## OTHER CONTROLS AND EQUIPMENT

### Rear outlet (if equipped)



Move the knob (3) vertically or horizontally to adjust the direction of airflow as desired. The rear outlet opens when you turn the dial (4) to the right and closes when you turn it to the left.

**NOTE:**

*The airflow from the rear outlet can be increased by fully moving the center outlet knob (1) to the inner side.*

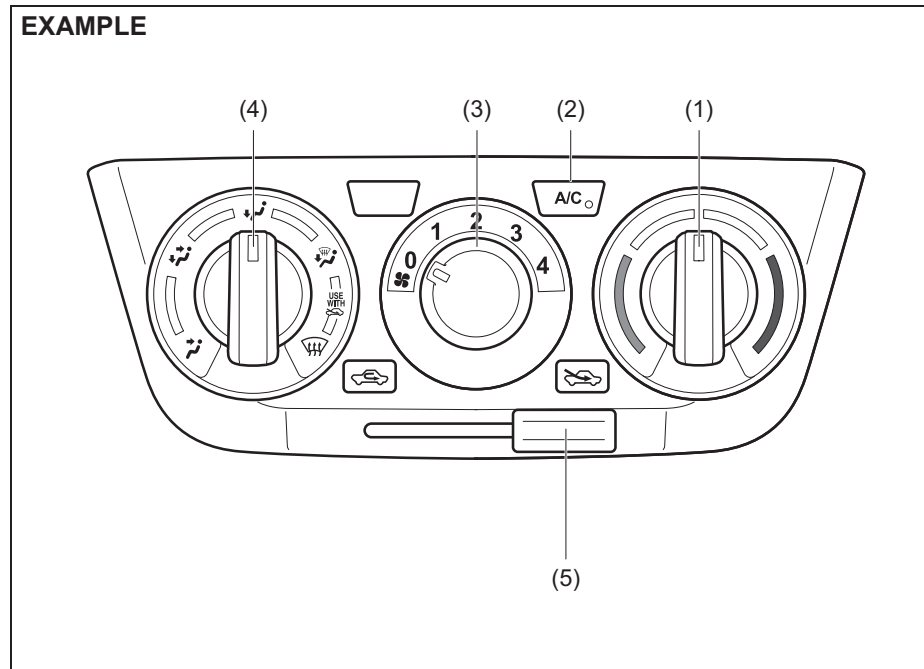
**⚠ CAUTION**

Prolonged exposure to hot air from the heater or air conditioner could result in low temperature burns. All vehicle occupants, particularly children, the elderly, those with special needs, individuals with delicate skin, and sleeping individuals, should maintain sufficient distance from the air outlets to prevent prolonged exposure to hot airflow.

## OTHER CONTROLS AND EQUIPMENT

### Manual heating and air conditioning system

#### Description of controls



56RH00525

- (1) Temperature selector
- (2) Air conditioning switch
- (3) Blower speed selector
- (4) Air flow selector
- (5) Air intake selector



## OTHER CONTROLS AND EQUIPMENT

### Temperature selector (1)

This is used to adjust the temperature.

### Air conditioning switch (2)

To turn on the air conditioning system, set the blower speed selector to a position other than off and push in "A/C" switch. With this "A/C" switch operation, an indicator light will come on when the air conditioning system is working. To turn off the air conditioning system, push "A/C" switch again.

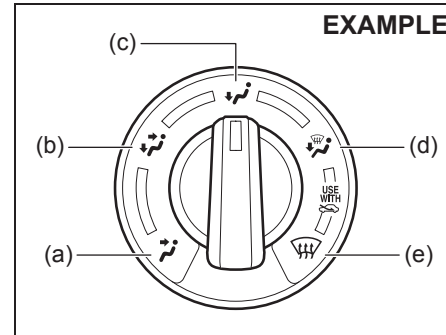
During operation of the air conditioner, you may notice slight changes in engine speed. These changes are normal, the system is designed so that the compressor turns on or off to maintain the desired temperature.

Less operation of the compressor results in better fuel economy.

### Blower speed selector (3)

This is used to turn on the blower and to select blower speed.

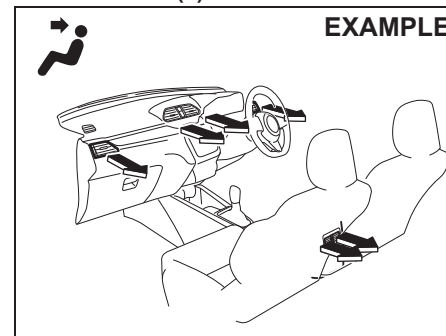
### Air flow selector (4)



68PM00533

This selector is used to select the following mode.

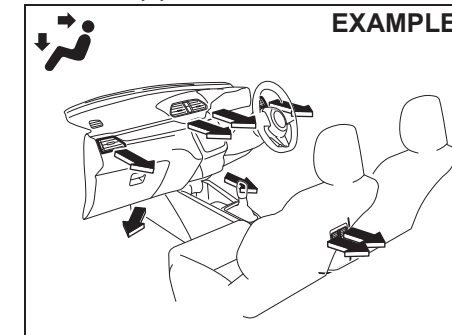
#### VENTILATION (a)



56RH00526

Temperature-controlled air comes out of the center, side and rear (if equipped) outlets.

#### BI-LEVEL (b)

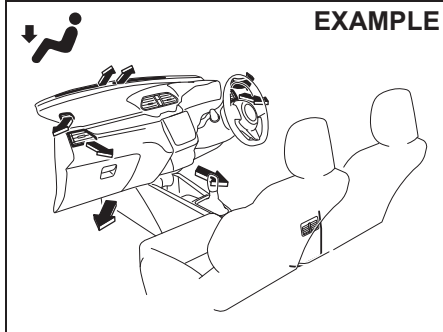


56RH00527

Temperature-controlled air comes out of the floor outlets and cooler air comes out of the center, side and rear (if equipped) outlets. When the temperature selector (1) is in the fully cold position or fully hot position, however, the air from the floor outlets and the air from the center, side and rear (if equipped) outlets will be the same temperature.

## OTHER CONTROLS AND EQUIPMENT

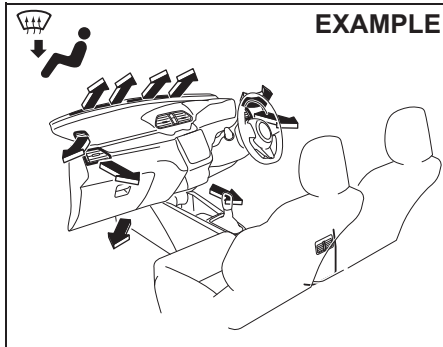
### HEAT (c)



56RH00528

Temperature-controlled air comes out of the floor outlets and the side outlets, also comes out of the windshield defroster outlets and also comes slightly out of the side defroster outlets.

### HEAT & DEFROST (d)

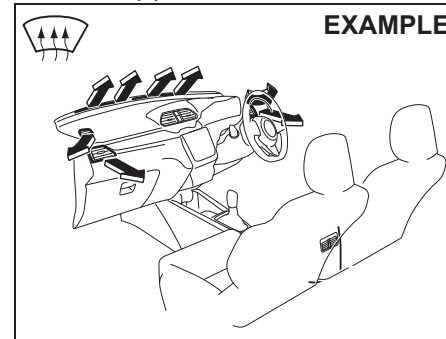


5-19

56RH00529

Temperature-controlled air comes out of the floor outlets, the windshield defroster outlets, the side defroster outlets and the side outlets.

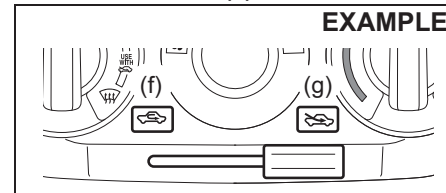
### DEFROST (e)



56RH00530

Temperature-controlled air comes out of the windshield defroster outlets, the side defroster outlets and the side outlets.

### Air intake selector (5)



56RH00531

This selector is used to select the following modes.

### FRESH AIR (g)

When this mode is selected by moving the lever to right, outside air is used.

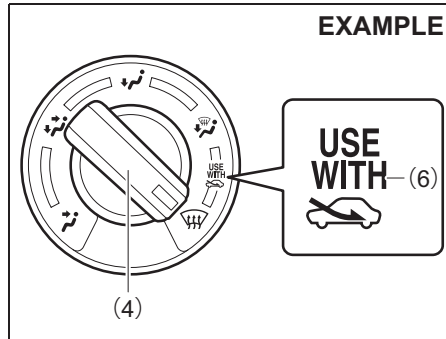
### RECIRCULATED AIR (f)

When this mode is selected by moving the lever to left, outside air is shut out and inside air is recirculated. This mode is suitable when driving through dusty or polluted air such as in a tunnel, or when attempting to quickly cool down the interior or to reduce unwanted odor from entering the vehicle.

### NOTE:

*If you select RECIRCULATED AIR for an extended period of time, the air in the vehicle may become contaminated. Therefore, you should occasionally select FRESH AIR.*

## OTHER CONTROLS AND EQUIPMENT



**NOTE:**

The mark of "USE WITH" (6) is used to clear fog on the windshield and/or the side windows quickly, set the air flow selector (4) to "HEAT & DEFROST" or "DEFROST" and air intake selector (5) to "FRESH AIR". These positioning will clear the fogged windshield and/or the side windows faster than the "RECIRCULATED AIR".

### System operating instructions

#### Natural ventilation

Select VENTILATION and FRESH AIR, the temperature selector to the desired temperature position, and the blower speed selector to off. Fresh air will flow through the vehicle during driving.

#### Forced ventilation

The base settings are the same as for natural ventilation except you set the blower speed selector to a position other than off.

#### Normal heating (using outside air)

Select HEAT and FRESH AIR, the temperature selector to the desired temperature position and the blower speed selector to the desired blower speed position. Setting the blower speed selector to a higher blower speed position increases heating efficiency.

#### Quick heating (using recirculated air)

The base settings are the same as for normal heating except you select RECIRCULATED AIR. If you use this heating method for an extended period of time, the air in the vehicle may become contaminated and the windows can become misty. Therefore, use this method only for quick heating and change to the normal heating method as soon as possible.

#### Head cooled/Feet warmed heating

Select BI-LEVEL and FRESH AIR, the temperature selector to the desired temperature position, and the blower speed selector to the desired blower speed position. Unless the temperature selector is in the fully cold position or fully hot position, the air that comes out of the center, side and rear (if equipped) outlets will be cooler than the air that comes out of the floor outlets.

#### Normal cooling

Set the air flow selector to VENTILATION, the temperature selector to the desired temperature position and the blower speed selector to the desired blower speed position, and turn on "A/C" switch. Setting the blower speed selector to a higher blower speed position increases cooling efficiency.

You can switch the air intake selector to either FRESH AIR or RECIRCULATED AIR as you desire. Choosing RECIRCULATED AIR increases cooling efficiency.

#### Quick cooling (using recirculated air)

The base settings are the same as for normal cooling except you select RECIRCULATED AIR and the highest blower speed.

## OTHER CONTROLS AND EQUIPMENT

### NOTE:

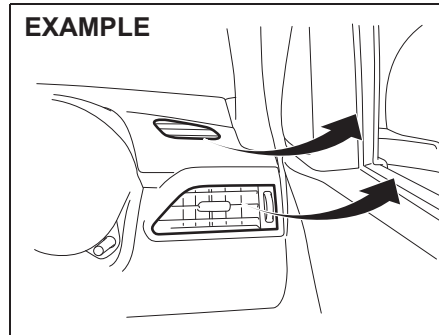
- If you select **RECIRCULATED AIR** for an extended period of time, the air in the vehicle may become contaminated and the windows tend to get misted. Therefore, you occasionally select **FRESH AIR** whenever possible.
- If your vehicle has been left in the sun with the windows closed, it will cool faster if you open the windows briefly while you operate the air conditioner with the air intake selector at **FRESH AIR** and the blower at high speed.

### Dehumidifying

Set the air flow selector to a desired air flow selector position, the temperature selector to the desired temperature position and the blower speed selector to the desired blower speed position. Also select **FRESH AIR** and turn on "A/C" switch.

### NOTE:

Because the air conditioner dehumidifies the air, turning it on will help keep the windows clear, even when blowing heated air using **DEFROST** or **HEAT & DEFROST** functions.



56RH00532

### NOTE:

If you need maximum defrosting:

- select **DEFROST** and **FRESH AIR**,
- set the blower speed selector to high,
- adjust the temperature selector to the hot end,
- turn on "A/C" switch, and
- adjust the side outlets so the air blows on the side windows.

### Maintenance

If you do not use the air conditioner for a long period, such as during winter, it may not give the best performance when you start using it again. To help maintain optimum performance and durability of your air conditioner, it needs to be run periodically. Operate the air conditioner at least once a month for one minute with the engine idling. This circulates the refrigerant and oil and helps protect the internal components.

If your air conditioner is equipped with air filters, clean or replace them as specified in "Maintenance schedule" in "INSPECTION AND MAINTENANCE" section. Have this job done by a Maruti Suzuki authorised workshop as the lower glove box must be lowered for this job.

### NOTE:

Your vehicle uses the air conditioning refrigerant **HFC-134a**, commonly called "**R-134a**". **R-134a** replaced **R-12** around 1993 for automotive applications. Other refrigerants are available, including recycled **R-12**, but only **R-134a** should be used in your vehicle.

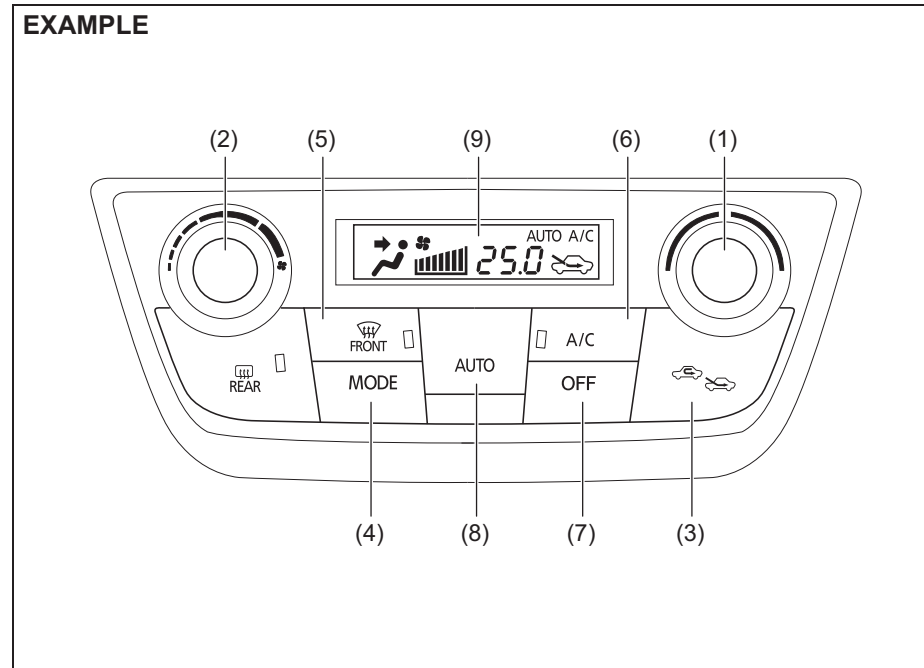
### NOTICE

Using the wrong refrigerant may damage your air conditioning system. Use **R-134a** only. Do not mix or replace the **R-134a** with other refrigerants.

## OTHER CONTROLS AND EQUIPMENT

### Automatic heating and air conditioning system (climate control)

#### Description of controls

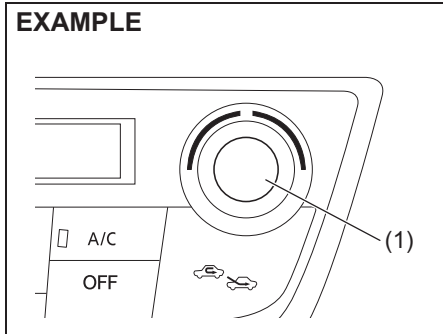


56RH00533

- (1) Temperature selector
- (2) Blower speed selector
- (3) Air intake selector
- (4) Air flow selector
- (5) Defrost switch
- (6) Air conditioning switch
- (7) "OFF" switch
- (8) "AUTO" switch
- (9) Display

## OTHER CONTROLS AND EQUIPMENT

### Temperature selector (1)



56RH00534

Turn the temperature selector (1) to adjust the temperature.

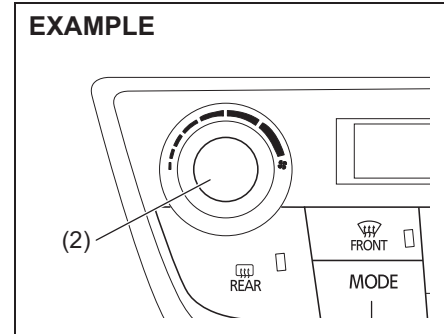
**NOTE:**

If you turn the temperature selector (1) until "HI" or "LO" appears on the display, the climate control system will operate at maximum heating or cooling. The temperature of the air from the outlets may change suddenly while "LO" or "HI" is displayed, but this is normal.

**NOTE:**

When you change the unit of temperature in the information display, the unit of temperature in the air conditioning system will be changed. Refer to "Information display" in the "BEFORE DRIVING" section for details.

### Blower speed selector (2)

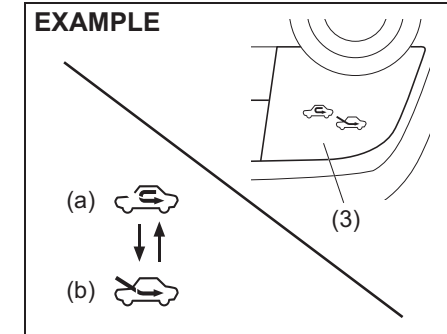


56RH00535

The blower speed selector (2) is used to turn on the blower and to select blower speed.

If "AUTO" switch (8) is pushed, the blower speed will vary automatically as the climate control system maintains the selected temperature.

### Air intake selector (3)



56RH00536

Push the air intake selector (3) to change between the recirculated air and fresh air mode.

If "AUTO" switch (8) is pushed, the air intake will vary automatically as the climate control system maintains the selected temperature.

**NOTE:**

When the recirculated air mode is selected, the automatic operation system is deactivated even if you push "AUTO" switch (8).

## OTHER CONTROLS AND EQUIPMENT

### RECIRCULATED AIR (a)

When this mode is selected, outside air is shut off and inside air is recirculated. This mode is suitable when driving through dusty or polluted air such as a tunnel, or when attempting to quickly cool down or warm up interior or to reduce unwanted odor from entering the vehicle.

### FRESH AIR (b)

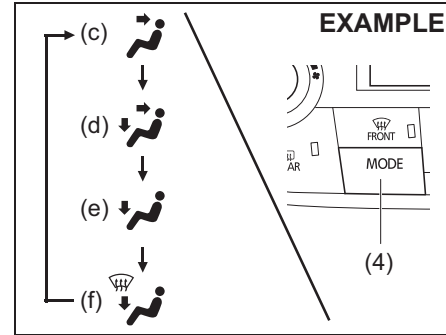
When this mode is selected, outside air is introduced.

FRESH AIR and RECIRCULATED AIR are selected alternately each time the air intake selector is pushed.

#### NOTE:

*If you select RECIRCULATED AIR for an extended period of time, the air in the vehicle may become contaminated and the windows tend to get misted. Therefore, you should select FRESH AIR whenever possible.*

### Air flow selector (4)

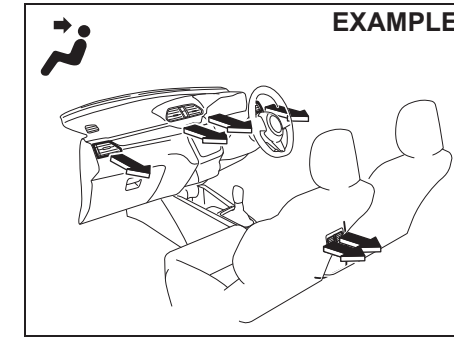


56RH00537

Push the air flow selector (4) to change among the following functions. The indication of the selected mode appears in the display.

If "AUTO" switch (8) is pushed, the air flow will vary automatically as the climate control system maintains the selected temperature.

### VENTILATION (c)

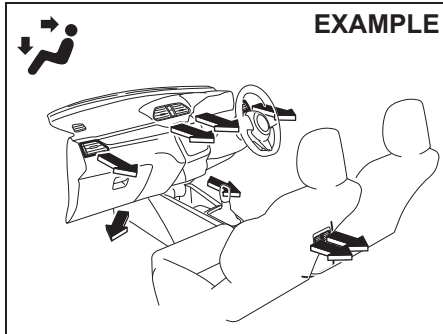


56RH00526

Temperature-controlled air comes out of the center, side and rear outlets.

## OTHER CONTROLS AND EQUIPMENT

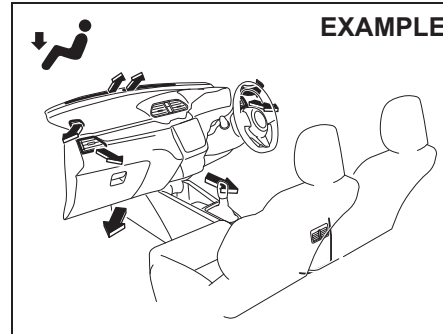
### BI-LEVEL (d)



56RH00527

Temperature-controlled air comes out of the floor outlets and cooler air comes out of the center, side and rear outlets. When the temperature selector (1) is in the fully cold position or fully hot position, however, the air from the floor outlets and the air from the center, side and rear outlets will be the same temperature.

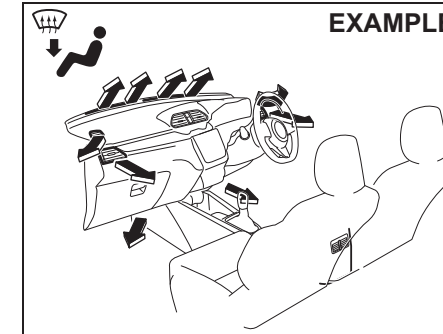
### HEAT (e)



56RH00528

Temperature-controlled air comes out of the floor outlets and the side outlets, a small amount of air comes out of the windshield defroster outlets and also comes slightly out of the side defroster outlets.

### HEAT & DEFROST (f)



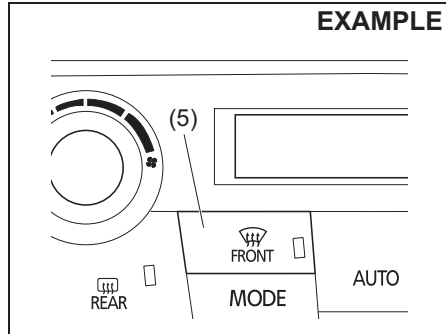
56RH00529

Temperature-controlled air comes out of the floor outlets, the windshield defroster outlets, the side defroster outlets and the side outlets.



## OTHER CONTROLS AND EQUIPMENT

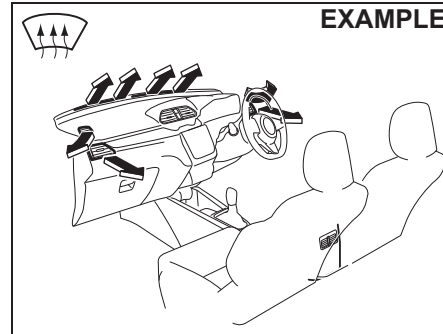
### Defrost switch (5)



56RH00538

Push the defrost switch (5) to turn on the defroster.

### DEFROST



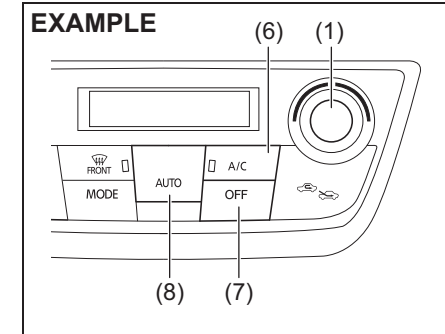
56RH00530

Temperature-controlled air comes out of the windshield defroster outlets, the side defroster outlets and the side outlets.

#### NOTE:

*When the defrost switch (5) is pushed to turn on the defroster, the air conditioning system will operate and FRESH AIR mode will be selected automatically. In very cold weather, however, the air conditioning system will not operate.*

### Air conditioning switch (6)



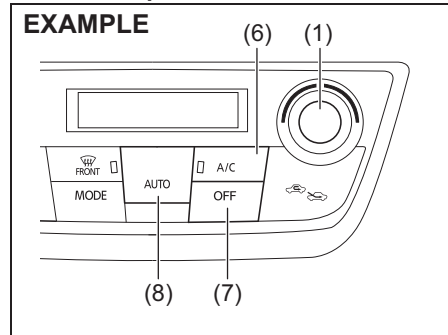
56RH00540

The air conditioning switch (6) is used to turn on and off the air conditioning system only when the blower is on. To turn on the air conditioning system, push in the switch and "A/C" will appear in the display. To turn off the air conditioning system, push in the switch again and "A/C" will go off.

## OTHER CONTROLS AND EQUIPMENT

### System operating instructions

#### Automatic operation



You can let the climate control system work automatically. To set the system for fully-automatic operation, follow the procedure below.

- 1) Start the engine.
- 2) Push "AUTO" switch (8).
- 3) Set the desired temperature by turning the temperature selector (1).

The blower speed, air intake and air flow are controlled automatically to maintain the set temperature. However, the air flow is not changed to DEFROST position automatically.

#### NOTE:

When the recirculated air mode is selected, the automatic operation system is deactivated even if you push "AUTO" switch (8).

You can use the air conditioning switch (6) to manually turn the air conditioner on or off according to your preference. When you turn the air conditioning switch off, the climate control system cannot lower the inside temperature below outside temperature.

To turn the climate control system off, push "OFF" switch (7).

#### NOTE:

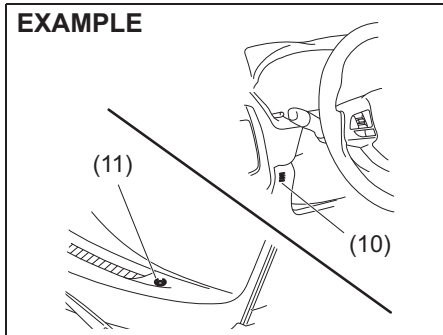
If "AUTO" in the display blinks, there is a problem in the heating system and/or air conditioning system. You should have the system inspected by an authorised Maruti Suzuki workshop.

#### NOTE:

- To find the temperature at which you are most comfortable, start with the 25°C (75°F) setting.
- If you turn the temperature selector (1) until "HI" or "LO" appears on the display, the climate control system will operate at maximum heating or cooling and the blower will run at full speed.
- To avoid blowing cold air in cold weather or hot air in hot weather, the system will delay turning on the blower until warmed or cooled air is available.

- If your vehicle has been left in the sun with the windows closed, it will cool faster if you open the windows briefly.
- Even under the automatic operation, you can set individual selectors to the manual mode. The manually selected functions are maintained, and the other functions remain under automatic operation.
- If the windshield and/or the front door windows are fogged, push the defrost switch (5) to turn on the defroster, or push the air flow selector (4) to change the air flow to HEAT & DEFROST position to defog the windows.
- To return the blower speed selector (2), air intake selector (3), and air flow selector (4) to automatic operation, push "AUTO" switch (8).

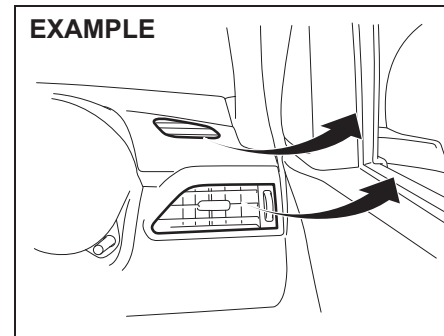
## OTHER CONTROLS AND EQUIPMENT



Be careful not to cover the interior temperature sensor (10) located between the steering wheel and the climate control panel, or the sunlight sensor (11) located at the top of the driver's side dashboard. These sensors are used by the automatic system to regulate temperature.

### Manual operation

You can manually control the climate control system. Set the selectors to the desired positions.



### NOTE:

*If you need maximum defrosting:*

- *push the defrost switch (5) to turn on the defroster (the air conditioning system will operate and FRESH AIR mode will be selected automatically),*
- *set the blower speed selector to high,*
- *adjust the temperature selector to "HI" indication on the display, and*
- *adjust the side outlets so the air blows on the side windows.*

### Models with ENG A-STOP System (if equipped)

- If the heating performance can no longer perform at a sufficient level due to automatic stopping of the engine, press the ENG A-STOP OFF switch to deactivate the ENG A-STOP system. (The engine will automatically restart and their air conditioning performance will be restored).
- If the windshield and/or the driver's side/passenger side door windows are fogged during automatic stopping of the engine, stop the ENG A-STOP system and restart the engine. Then, push the air flow selector (4) to change the air flow to HEAT & DEFROST or DEFROST position to defog the windows.

## OTHER CONTROLS AND EQUIPMENT

### Maintenance

If you do not use the air conditioner for a long period, such as during winter, it may not give the best performance when you start using it again. To help maintain optimum performance and durability of your air conditioner, it needs to be run periodically. Operate the air conditioner at least once a month for one minute with the engine idling. This circulates the refrigerant and oil and helps protect the internal components.

If your air conditioner is equipped with air filters, clean or replace them as specified in "Maintenance schedule" in "INSPECTION AND MAINTENANCE" section. Have this job done by an authorised Maruti Suzuki workshop as the lower glove box must be lowered for this job.

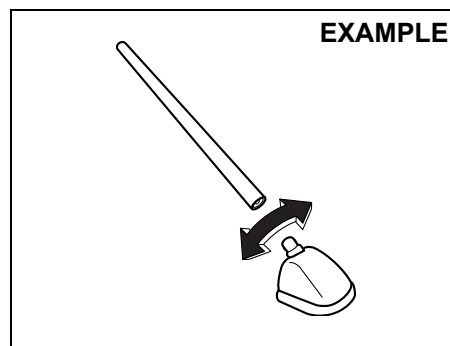
#### NOTE:

*Your vehicle uses the air conditioning refrigerant HFC-134a, commonly called "R-134a". R-134a replaced R-12 around 1993 for automotive applications. Other refrigerants are available, including recycled R-12, but only R-134a should be used in your vehicle.*

#### NOTICE

Using the wrong refrigerant may damage your air conditioning system. Use R-134a only. Do not mix or replace the R-134a with other refrigerants.

### Radio antenna



63J055

The radio antenna on the roof is removable. To remove the antenna, turn it counterclockwise. To reinstall the antenna, turn it clockwise firmly by hand.

#### NOTICE

To avoid damage to the radio antenna:

- Remove the antenna when using an automatic car wash.
- Remove the antenna when the antenna hits anything such as a low ceiling in a parking garage or putting a car cover over your vehicle.

#### NOTE:

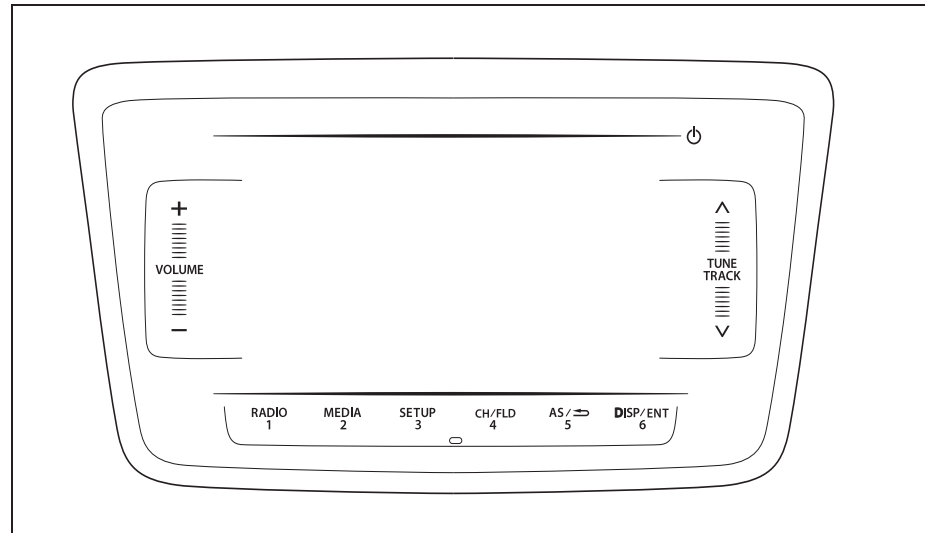
*Due to poor quality of FM/AM signal, some disturbance/noise may be heard from speakers. It is recommended to switch off the tuner system to prevent the said disturbance/noise in the speaker.*

### Installation of radio frequency transmitters

We recommend that you always ask an authorised Maruti Suzuki workshop about frequency band, max output power, antenna position of vehicle and specific conditions for installation and/or use before installing a radio transmitter in your vehicle. Such equipments may cause the electronic control system to malfunction if they are incorrectly installed or they are not suited for the vehicle.

## OTHER CONTROLS AND EQUIPMENT

### Audio system (if equipped)



55RM05060

**NOTE:**

*For vehicle equipped with SMARTPLAY INFOTAINMENT SYSTEM, refer to the audio manual available with the vehicle. Remote controller is not provided with the vehicles equipped with SMARTPLAY INFOTAINMENT SYSYTEM.*

## OTHER CONTROLS AND EQUIPMENT

### Safety Information

#### **WARNING**

If you pay too much attention to operating the audio system or watching the audio system display while driving, an accident can occur. If you set the sound volume too loud, it could prevent you from being aware of road and traffic conditions.

- Keep your eyes on the road and your mind on the drive. Avoid paying too much attention to operating the audio system or watching the audio system display.
- Familiarize yourself with the audio system controls and operation of the audio system before driving.
- Preset your favorite radio stations before driving so that you can quickly tune to them using the presets.
- Set the sound volume to a level that will allow you to continue to be aware of surrounding road and traffic conditions while driving.

#### **NOTICE**

- Avoid spraying or spilling of cleaning solutions, perfumes, car fresheners, beverages, chemicals or any liquids on the audio system surface. Also ensure that any liquid does not enter the system, it can damage the screen and the system. The warranty of the system will be void, if liquid ingress marks are observed inside the system.
- Avoid exposure of the audio system to water or excessive moisture as it can cause electric shocks, fire or other damages.

#### **Bluetooth®**

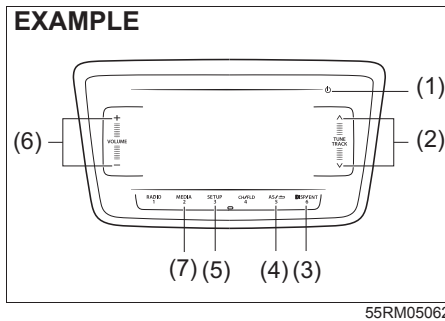
The Bluetooth® word mark and logo are registered trademarks and are owned by the Bluetooth SIG, Inc.

#### **Stop using this unit and a Bluetooth® ready device whenever requested.**

This unit shares the communication frequency with other private or public wireless communication equipment such as a wireless LAN and other wireless communication radios.

You should stop using this unit immediately whenever you are notified that your unit disturbs other wireless communication.

**Basic Operations**



- (1) POWER button
- (2) "TUNE/TRACK" Up/Down button
- (3) "ENT" (enter) button
- (4) BACK button
- (5) "SETUP" button
- (6) "VOLUME" button
- (7) "MEDIA" button

**Turning power on/off**

Touch the POWER button (1).  
The audio system starts in the function mode it was in when the power was turned off last.

- Touching the POWER button (1) for 1 second or longer can turn off the audio system.

**Slide touch operation**

Operate several functions with the slide touch operation. Touch the panel and slide up or down with your finger for increase/decrease or up/down operation.



**NOTE:**

*Pay caution to the following content regarding slide touch operation:*

- *The touch button may not operate properly when the touch panel or your fingers are wet. Remove any liquid before operating.*
- *Depending on the operation method it may react without touching.*
- *It may not react properly when operated with gloves on.*
- *When metal objects are placed near the touch panel it may cause a malfunction. Do not attach protective film. Otherwise, the touch panel may not operate properly.*



## OTHER CONTROLS AND EQUIPMENT

### Functions available with the slide touch operation

Mode	Function		
Common	Volume up/down	○	–
	Item selection	–	○
Radio	TUNE up/down	–	○
USB	File up/down	–	○
	Folder up/down (folder operation mode)	–	○
iPod®	TRACK up/down	–	○
	Category selection (iPod® menu)	–	○
Bluetooth® audio	TRACK up/down	–	○
	Group up/down (Group operation mode)	–	○
Hands-free	Reception/ringtone/incoming call volume up/down	○	–
	Switching pages of the speed dial selection screen	–	○

### Adjusting the volume

Touch or slide the “VOLUME” button (6).

- To increase the volume, touch  or slide upwards.
- To decrease the volume, touch  or slide downwards.

#### NOTE:

*While driving, adjust the volume to an extent that sound and/or noise coming from outside can be heard.*

### Sound settings

- 1) Touch the “SETUP” button (5).
  - Touch for 1 second or longer when using radio mode.
- 2) Touch or slide the “TUNE/TRACK” Up/Down button (2), select “Sound”, and touch the “ENT” button (3).
  - The sound setting screen will be displayed.
- 3) Touch or slide the “TUNE/TRACK” Up/Down button (2), select the desired item, and touch the “ENT” button (3).
  - The sound settings will change as follows:
    - EQ ↔ Bass ↔ Treble ↔ Balance ↔ Fader ↔ AVC
- 4) Touch the BACK button (4) after setting the Sound.

### Preset EQ

The preset EQ can set various types of sounds depending on the type of music.







- 1) Touch or slide the “TUNE/TRACK” Up/Down button (2) from the “Sound” screen, select “EQ”, and touch the “ENT” button (3).
- 2) Touch or slide the “TUNE/TRACK” Up/Down button (2), select the desired item, and touch the “ENT” button (3).
  - The preset EQ settings will change as follows:
    - Off (Flat) ↔ Jazz ↔ Rock ↔ Pop ↔ Classic ↔ Hip-hop
- 3) Touch the BACK button (4) after setting the preset EQ.



## OTHER CONTROLS AND EQUIPMENT

### Adjusting bass/treble/balance /fader

The preset EQ can set various types of sounds depending on the type of music.

- 1) Touch or slide the "TUNE/TRACK" Up/Down button (2) from the "Sound" screen, select "Bass", "Treble", "Balance", or "Fader" and touch the "ENT" button (3).
- 2) Touch or slide the "TUNE/TRACK" Up/Down button (2), adjust to the desired settings and touch the "ENT" button (3).
  - "Bass"/"Treble":
    - Can be adjusted in stages from -6 to 0 to +6.
    - Touch  to emphasize the low or high sounds, and touch  to quiet.
  - "Balance":
    - Can be adjusted in 9 stages left to right.
    - Touch  to emphasize the right speaker, and touch  to emphasize the left speaker.
  - "Fader":
    - Can be adjusted in 9 stages back to front.
    - Touch  to emphasize the front speaker, and touch  to emphasize the rear speaker.
- 3) Touch the BACK button (4) after adjusting.

### Adjusting the AVC (Auto volume control)

The Auto Volume Control (AVC) function automatically adjusts (increases/decreases) the sound volume in accordance with vehicle speed. The AVC control is provided with three selectable levels (LEVEL OFF, 1, 2, 3). The range of volume adjustment increases together with the LEVEL number.

- 1) Touch or slide the "TUNE/TRACK" Up/Down button (2) from the "Sound" screen, select "AVC", and touch the "ENT" button (3).
- 2) Touch or slide the "TUNE/TRACK" Up/Down button (2), select the desired level, and touch the "ENT" button (3).
  - The AVC will change as follows:  
Off ↔ Level 1 ↔ Level 2 ↔ Level 3
- 3) Touch the BACK button (4) after adjusting.

### Switching the mode

- 1) Press the "MEDIA" button (7) for 1 second or more.
- Each time you press the "MEDIA" button, you can switch between the radio mode and the media mode.

### System settings

Change the "Beep", "Slide", and "SW Sensitivity" settings.

- 1) Touch the "SETUP" button (5).
  - Touch for 1 second or longer when using radio mode.
- 2) Touch or slide the "TUNE/TRACK" Up/Down button (2), select "System", and touch the "ENT" button (3).
  - The system setting screen will be displayed.
- 3) Touch or slide the "TUNE/TRACK" Up/Down button (2), select the desired item, and touch the "ENT" button (3).
  - The system settings will change as follows:  
Beep ↔ Slide ↔ SW Sensitivity
- 4) Touch the BACK button (4) after completing the system settings.

### BEEP on/off

- 1) Touch or slide the "TUNE/TRACK" Up/Down button (2) from the "System" screen, select "Beep", and touch the "ENT" button (3).
- 2) Touch or slide the "TUNE/TRACK" Up/Down button (2), select on or off, and touch the "ENT" button (3).
- 3) Touch the BACK button (4) after selecting.

## OTHER CONTROLS AND EQUIPMENT

### Slide touch operation settings

Turn the slide operation on/off.

- 1) Touch or slide the "TUNE/TRACK" Up/Down button (2) from the "System" screen, select "Slide", and touch the "ENT" button (3).
- 2) Touch or slide the "TUNE/TRACK" Up/Down button (2), select on or off, and touch the "ENT" button (3).
- 3) Touch the BACK button (4) after selecting.

### Touch panel sensitivity settings

Change the touch panel sensitivity.

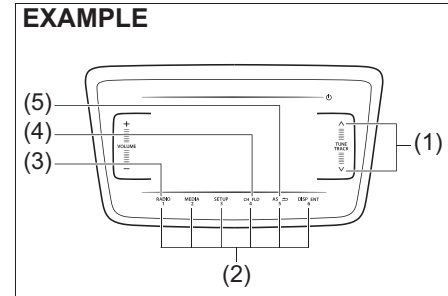
- 1) Touch or slide the "TUNE/TRACK" Up/Down button (2) from the "System" screen, select "SW Sensitivity", and touch the "ENT" button (3).
- 2) Touch or slide the "TUNE/TRACK" Up/Down button (2), select Low or High, and touch the "ENT" button (3).
- 3) Touch the BACK button (4) after selecting.

#### NOTE:

If the touch button sensitivity is too high, select "Low".

### Radio

#### EXAMPLE



55RM05062

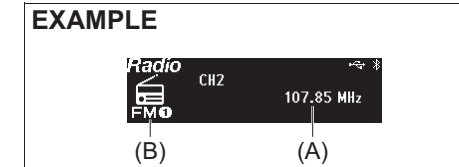
- (1) "TUNE/TRACK" Up/Down button
- (2) Preset button
- (3) "RADIO" button\*1
- (4) "CH" (channel) button
- (5) "AS" (auto store) button

\*1 Use this button to switch between manual preset and auto preset.

### Display

Manual preset

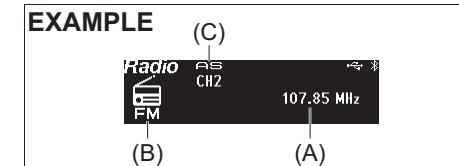
#### EXAMPLE



55RM05063

Auto preset

#### EXAMPLE



55RM05064

- (A) Frequency
- (B) Band
- (C) Auto Store mode display

#### NOTE:

##### Radio Reception

Radio reception can be affected by environment, atmospheric conditions, or radio signal's power and distance from the station. Nearby mountains and buildings may interfere or deflect radio reception, causing poor reception. Poor reception or radio static can also be caused by electric current from overhead wires or high voltage power lines.

## OTHER CONTROLS AND EQUIPMENT

### Selecting the band

- 1) Touch the "RADIO" button (3) for 1 second or longer.
- Each time the button is touched, the mode will change as follows:
  - AM → FM1 → FM2 → AM (AS) → FM (AS)

### Seek tuning

- 1) Touch the "TUNE/TRACK" Up/Down button (1) for 1 second or longer.
- The audio system stops searching for a station at a frequency where a broadcast station is available.

### Manual tuning

- 1) Touch the "TUNE/TRACK" Up/Down button (1) to select the desired station.

### Storing the station

#### Manual store

- 1) Select the station and frequency.
- 2) Touch and hold the "CH" button (4) for at least 1 second.
- 3) Hold down a desired button ([1] to [6]) of the Preset buttons (2) to which you want to store the station for 2 seconds or longer.

#### NOTE:

6 stations can be stored for AM, and 6 stations for each of FM1 and FM2, thus 18 stations can be stored in total.

### Auto store

- 1) Touch the "AS" button (5) for 1 second or longer.
- Start searching from a station whose frequency is the lowest. When a broadcast station that can be received with a sufficient strength is discovered, it will be assigned to the AM (AS)/FM (AS) band's preset button (2). Once this process is completed the tuner will return to the first stored broadcast station.

#### NOTE:

- Auto store can be released by touching the "AS" button (5) while auto store is under way.
- When the auto store is performed, the station previously stored in the memory at the position is overwritten.
- 6 stations can be preset for FM, and 6 stations for AM in auto store mode.

### Select from the preset channels

#### Manual preset channel

- 1) Select the radio station and frequency.
- 2) Touch the "CH" button (4) for 1 second or longer.
- 3) Touch a desired button ([1] to [6]) of the Preset buttons (2).

#### NOTE:

Touch and hold the "CH" button (4) for at least one second to select from the preset channel list.

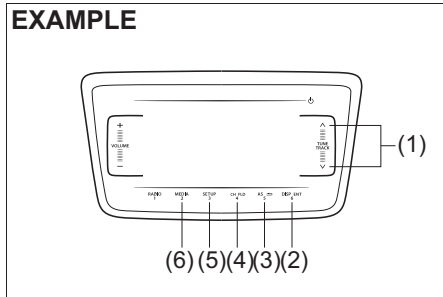
#### Auto preset channel

- 1) Touch the "RADIO" button (3) for 1 second or longer and select AM (AS) or FM (AS).
  - 2) Touch the "CH" button (4) for 1 second or longer.
- The preset channel list is displayed. Touch a desired button ([1] to [6]) of the Preset buttons (2).

## OTHER CONTROLS AND EQUIPMENT

### USB

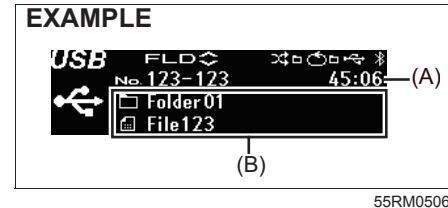
#### EXAMPLE



- (1) "TUNE/TRACK" Up/Down button
- (2) "DISP/ENT" (display/enter) button
- (3) BACK button
- (4) "FLD" (folder operation) button
- (5) "SETUP" (random/repeat) button
- (6) "MEDIA" button

### Display

#### EXAMPLE



- (A) Play time
- (B) Text information display

#### ⚠ WARNING

**Do not connect any USB device other than a USB memory or a USB audio player. Do not connect multiple USB devices to the USB connector using a USB hub, etc. Supplying power to multiple USB devices from the connector could cause overheating and smoking.**

### Selecting a USB device mode

- 1) Press the "MEDIA" button (6) for 1 second or more for changing from radio mode, or Touch the "MEDIA" button (6) if the audio is in other than radio mode.
- 2) Each time the button is touched, the mode will change as follows:  
USB (iPod®) (if equipped) → Bluetooth® audio (if equipped) → AUX (if equipped)...

### Fast-forwarding/fast-rewinding a track



- 1) Hold down the "TUNE/TRACK" Up/Down button (1).
  - : Hold down the Up button for 1 second or longer to fast-forward the track.
  - : Hold down the Down button for 1 second or longer to fast-rewind the track.
  - Releasing the button can stop the fast-forwarding/fast-rewinding.

### Selecting a track

- 1) Touch the "TUNE/TRACK" Up/Down button (1).
  - : Touch the Up button to listen to the next track.
  - : When the Down button is touched once, the track currently being played will start from the beginning again. Touch the Down button twice to listen to the previous track.

## OTHER CONTROLS AND EQUIPMENT

### Selecting a folder

- 1) Touch the "FLD" (folder operation) button (4).
- 2) Touch the "TUNE/TRACK" Up/Down button (1).
  -  : Touch the Up button to move to the next folder.
  -  : Touch the Down button to move to the previous folder.

### Repeat playback

- 1) Touch the "SETUP" (random/repeat) button (5).
- 2) Touch or slide the "TUNE/TRACK" Up/Down button (1), select "Repeat", and touch the "DISP/ENT" button (2).
  - Each time the "DISP/ENT" button (2) is touched, the mode will change as follows:  
Off → One song repeat → Folder repeat ...

### Random playback

- 1) Touch the "SETUP" (random/repeat) button (5).
- 2) Touch or slide the "TUNE/TRACK" Up/Down button (1), select "Random", and touch the "DISP/ENT" button (2).  
Each time the "DISP/ENT" button (2) is touched, the mode will change as follows:  
Off → Folder random → All random ...

### Display change

- 1) Touch the "DISP/ENT" button (2).
  - Each time the button is touched, display will change as follows:  
MP3/AAC:  
Artist name/Track title → Album name/Track title → Folder name/File name...  
WMA:  
Artist name/Track title → Folder name/File name ...

#### NOTE:

- "NO TITLE" will be displayed when there is no text information in the USB device currently being played.
- "... " is displayed if all text data cannot be displayed. Touch and hold the "DISP/ENT" button (2) for at least 1 second to automatically display the rest of the text data.

### Notes on USB device

#### Compatible USB devices

- USB Mass Storage Class  
For details as to whether your USB memory/USB Audio is compatible with USB Mass Storage Class, please contact the USB memory/USB Audio manufacturer.
- Audio file  
MP3 (.mp3)/WMA (.wma)/AAC (.m4a)/AAC (.aac)
- File System  
FAT 12/16/32, VFAT (supporting long file name)
- USB Standard Compatibility  
1.1/2.0 Full Speed
- If a USB hub or extension cable is connected to the audio system, it may not be recognized. In this case, directly connect the USB device to the audio system.
- Devices such as MP3 players/mobile phones/digital cameras may not be recognized as audio systems for playing music.

## OTHER CONTROLS AND EQUIPMENT

### USB device connection

- When connecting a USB device, make sure that the connector is pushed all the way into the port.
- Depending on the USB flash drive that you are using, (non-brand product, USB flash drive that has been externally damaged) it may disable connection or cause unstable operation.
- Do not leave the USB device for long periods of time in places inside the vehicle where the temperature can rise too high.
- Back up any important data beforehand. We cannot accept responsibility for any lost data.
- It is recommended not to connect a USB device that contains data files other than MP3/WMA format.

### Recording MP3/WMA/AAC files on a USB device

- Playback or display may not be possible depending on the type of USB device in use or the condition of the recording.
- Depending on the connected USB memory, the files may be played in different order from the order that the files were stored.
- The DRM (Digital Rights Management) file cannot be played.

### Compression formats

#### MP3

- Bit rate
  - MPEG1 Audio Layer III: 32 up to 320 kbps
  - MPEG2 Audio Layer III: 8 up to 160 kbps
  - MPEG2.5 Audio Layer III: 8 up to 160 kbps
- VBR: up to 384 kbps (MAX.)
- Sampling frequency
  - MPEG1 Audio Layer III: 32/44.1/48 kHz
  - MPEG2 Audio Layer III: 16/22.05/24 kHz
  - MPEG2.5 Audio Layer III: 8/11.025/12 kHz
- Channel
  - Stereo/Joint stereo/Dual channel/Monaural
- ID3 tag
  - ID3v1.x/ID3v2.x

#### WMA

- Windows Media Audio Ver.7/Ver.8/Ver.9 Standard compliant
- Bit rate: 32 up to 320 kbps
- VBR: up to 384 kbps (MAX.)
- Sampling frequency: 32/44.1/48 kHz
- WMA tag: Ver.8.0
- Channel: 2 Channels

#### AAC

- Bit rate: 16 up to 320 kbps
- VBR: up to 320 kbps (MAX.)
- Sampling frequency: 32/44.1/48 kHz
- AAC tag: iTunes m4a metadata

### Maximum number of files/folders

- Maximum number of files: 2500
- Maximum number of files in a folder: 255
- Maximum number of folders: 255
  - Root folder and empty folder are included.
- Maximum depth of tree structure: 8

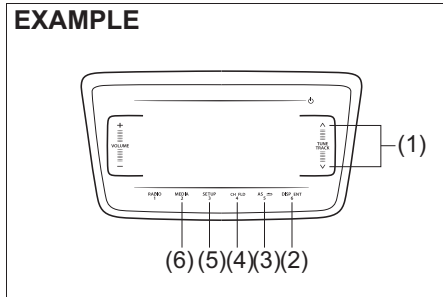
### NOTICE

**Never use “.mp3”, “.wma” or “.m4a” as a file name extension if it is not in the MP3/WMA/AAC format file. Failure to observe this may result in damage to the speaker due to noise production.**

## OTHER CONTROLS AND EQUIPMENT

### iPod®

#### EXAMPLE

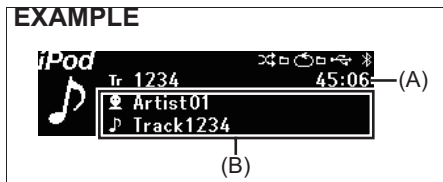


55RM05065

- (1) "TUNE/TRACK" Up/Down button
- (2) "DISP/ENT" button
- (3) BACK button
- (4) "FLD" (iPod® menu) button
- (5) "SETUP" (shuffle/repeat) button
- (6) "MEDIA" button

### Display

#### EXAMPLE



55RM05067

- (A) Play time
- (B) Text information display

### Selecting an iPod® mode

- 1) Touch the "MEDIA" button (6).

- Each time the button is touched, the mode will change as follows:  
USB (iPod®) (if equipped) → Bluetooth® audio (if equipped) → AUX (if equipped)

### Fast-forwarding/fast-rewinding a track

- 1) Hold down the "TUNE/TRACK" Up/Down button (1).

- ▲ : Hold down the Up button for 1 second or longer to fast-forward the track.
- ▼ : Hold down the Down button for 1 second or longer to fast-rewind the track.
- Releasing the button can stop the fast-forwarding/fast-rewinding.

### Selecting a track

- 1) Touch the "TUNE/TRACK" Up/Down button (1).

- ▲ : Touch the Up button to listen to the next track.
- ▼ : When the Down button is touched once, the track currently being played will start from the beginning again. Touch the Down button twice to listen to the previous track.

### Select a category

- 1) Touch the "FLD" (iPod® menu) button (4).

- 2) Touch or slide the "TUNE/TRACK" Up/Down button (1), select the desired category, and touch the "DISP/ENT" button (2).

- The Song selection mode for each category will be displayed as follows.
  - Playlists: Playlists → Songs
  - Artists: Artists → Albums → Songs
  - Songs: Songs
  - Genres: Genres → Artists → Albums → Songs
  - Radio: Station
  - Audiobooks: Audiobooks
  - Podcasts: Podcasts → Episodes
  - iTunes U: iTunes U → Episodes

### NOTE:

*Categories is not displayed if the no files in the category.*

### Repeat playback

- 1) Touch the "SETUP" (shuffle/repeat) button (5).

- 2) Touch or slide the "TUNE/TRACK" Up/Down button (1), select "Repeat", and touch the "DISP/ENT" button (2).

- 3) Touch the "DISP/ENT" button (2). Each time the button is touched, display will change as follows:

The repeat mode will vary depending on your device.

Off → 1 song repeat → All repeat ...

## OTHER CONTROLS AND EQUIPMENT

### Random playback

- 1) Touch the “SETUP” (shuffle/repeat) button (5).
  - 2) Touch or slide the “TUNE/TRACK” Up/Down button (1), select “Shuffle”, and touch the “DISP/ENT” button (2).
- Touch the “DISP/ENT” button (2). Each time the button is touched, display will change as follows:  
Off → Shuffle → Album shuffle ...

### Display change

- 1) Touch the “DISP/ENT” button (2).
- Each time the button is touched, display will change as follows:  
Artist name/Track title → Album name/Track title → Playlist name/Track title ...

### NOTE:

- “NO TITLE” is displayed if the file currently being played has no text data.
- “...” is displayed if all text data cannot be displayed. Touch and hold the “DISP/ENT” button (2) for at least one second to automatically display the rest of the text data.
- “Playlist name/song name” is only displayed by the “FLD” (Menu) button (4) when music is selected from Playlists.

### Notes on iPod®

#### Supported iPod®

- iPod® nano:
  - iPod® nano (7th generation)
- iPod® touch:
  - iPod® touch (6th generation)
  - iPod® touch (5th generation)
- iPhone®:
  - iPhone® 5
  - iPhone® 5s
  - iPhone® 5c
  - iPhone® 6
  - iPhone® 6 Plus
  - iPhone® 6s
  - iPhone® 6s Plus
  - iPhone® SE
  - iPhone® 7
  - iPhone® 7 Plus
  - iPhone® 8
  - iPhone® 8 Plus
  - iPhone® X

### NOTE:

Some functions may not be available depending on the model of iPod®.

### iPod®



55RM05068

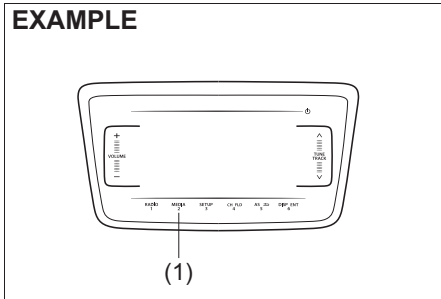
- “Made for iPod®” and “Made for iPhone®” means that an electronic accessory has been designed to connect specifically to iPod® or iPhone®, respectively, and has been certified by the developer to meet Apple performance standards. Apple is not responsible for the operation of this unit or its compliance with safety and regulatory standards.
- Please note that the use of this accessory with iPod® or iPhone® may affect wireless performance.
- iPhone®, iPod®, iPod® classic, iPod® nano, and iPod® touch are trademarks of Apple Inc., registered in the U.S. and other countries.
- Lightning® is a trademark of Apple Inc.



## OTHER CONTROLS AND EQUIPMENT

### AUX

#### EXAMPLE



(1) "MEDIA" button

### Display

#### EXAMPLE



#### NOTICE

- Before connection, mute the unit, and also keep the volume of the auxiliary audio source within a range that will not cause distortion.
- When the audio source is turned off, noise may be emitted. Be sure to turn off the unit or switch to another mode before turning off the audio source.

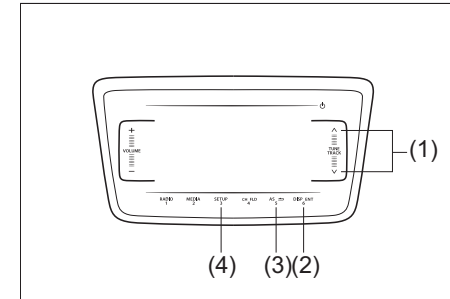
#### AUX selection

- 1) Touch the "MEDIA" button (1).
- Each time the button is touched, the mode will change as follows:  
 USB (iPod®) (if equipped) → Bluetooth® audio (if equipped) → AUX (if equipped)

#### NOTE:

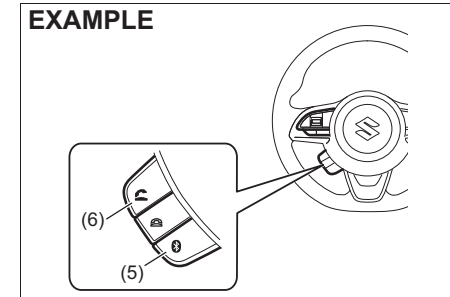
- Please consult your place of purchase for details about whether a given auxiliary audio source can be connected and the proper auxiliary cord to use.

### Setting of Bluetooth® devices



### Steering switch (if equipped)

#### EXAMPLE



## OTHER CONTROLS AND EQUIPMENT

- (1) "TUNE/TRACK" Up/Down button
- (2) "ENT" (enter) button
- (3) BACK button
- (4) "SETUP" button
- (5) Bluetooth® button
- (6) Off-hook button

### ⚠ CAUTION

**Do not register or set the Bluetooth® device while driving. Stop your vehicle in a safe area before registering the device.**

#### Registration of Bluetooth® devices

To use Bluetooth® devices (Bluetooth® audio or mobile phone) on the audio system, it is required to register the Bluetooth® devices to the audio system. Up to 5 Bluetooth® devices can be registered.

#### NOTE:

- Some Bluetooth® enabled phones may not be compatible fully and or partially with the audio unit.
- Bluetooth® / Telephone setup mode can be entered only when the vehicle is stationary.
- Certain functions cannot be used depending on the Bluetooth® device.
- Refer to the user manual included with your device regarding the operation method of Bluetooth® devices.
- If the pairing cannot be established, the connection operation is canceled.  
For the Bluetooth® device pairing

method, refer to the user manual included with your device or try pairing again.

- 1) The Bluetooth® setting screen will be displayed.
    - From the panel button:  
Touch the "SETUP" button (4).  
Touch or slide the "TUNE/TRACK" Up/Down button (1), select "Bluetooth", and touch the "ENT" button (2).
    - From the steering switch  
Press the Bluetooth® button (5).
  - 2) Touch or slide the "TUNE/TRACK" Up/Down button (1), select "Setup Bluetooth", and touch the "ENT" button (2).
  - 3) Touch or slide the "TUNE/TRACK" Up/Down button (1), select "Pairing", and touch the "ENT" button (2).
    - The passkey will be displayed.
  - 4) Operate and register the Bluetooth® device.
    - Secure Simple Pairing (SSP) incompatible Bluetooth® device:**  
Enter the passkey into the Bluetooth® device.
    - Secure Simple Pairing (SSP) compatible Bluetooth® device:**  
Select "Yes" to register the Bluetooth® device.
- It is possible to automatically register devices depending on the type of Bluetooth® device.

#### NOTE:

- If the Bluetooth® device contains music player and mobile phone function, both functions will be registered simultaneously. When deleting a Bluetooth® device, both functions will be deleted simultaneously.
- If a mobile phone is not registered and the off-hook button (6) is pressed and the telephone mode is selected, it will automatically switch to "Pairing".
- When pairing with a mobile phone is established, it is possible to automatically transfer the phonebook and call history. If you wish to conduct an automatic transfer press "YES" and if not, press "NO".

#### Set from the list of mobile phones

The list of paired mobile phones is displayed and the various settings can be changed.

- 1) The Bluetooth® setting screen will be displayed.
  - From the panel button:  
Touch the "SETUP" button (4).  
Touch or slide the "TUNE/TRACK" Up/Down button (1), select "Bluetooth", and touch the "ENT" button (2).
  - From the steering switch:  
Press the Bluetooth® button (5).
- 2) Touch or slide the "TUNE/TRACK" Up/Down button (1), select "Setup Bluetooth", and touch the "ENT" button (2).

## OTHER CONTROLS AND EQUIPMENT

- 3) Touch or slide the “TUNE/TRACK” Up/Down button (1), select “List Phone”, and touch the “ENT” button (2).

### **Connect a registered mobile phone**

- 1) Touch or slide the “TUNE/TRACK” Up/Down button (1) from the “List Phone” screen, select the name of the desired mobile phone, and touch the “ENT” button (2).
- 2) Touch or slide the “TUNE/TRACK” Up/Down button (1), select “Select”, and touch the “ENT” button (2).

### **Disconnect a connected mobile phone**

- 1) Touch or slide the “TUNE/TRACK” Up/Down button (1) from the “List Phone” screen, select the name of the desired mobile phone, and touch the “ENT” button (2).
- 2) Touch or slide the “TUNE/TRACK” Up/Down button (1), select “Disconnect”, and touch the “ENT” button (2).
- 3) Touch or slide the “TUNE/TRACK” Up/Down button (1), select “YES”, and touch the “ENT” button (2).

### **Delete a registered mobile phone**

- 1) Touch or slide the “TUNE/TRACK” Up/Down button (1) from the “List Phone” screen, select the name of the desired mobile phone, and touch the “ENT” button (2).
- 2) Touch or slide the “TUNE/TRACK” Up/Down button (1), select “Delete”, and touch the “ENT” button (2).
- 3) Touch or slide the “TUNE/TRACK” Up/Down button (1), select “YES”, and touch the “ENT” button (2).

### **Set from the Bluetooth® audio list**

The list of paired Bluetooth® audio is displayed and the various settings can be changed.

- 1) The Bluetooth® setting screen will be displayed.
  - From the panel button:  
Touch the “SETUP” button (4).  
Touch or slide the “TUNE/TRACK” Up/Down button (1), select “Bluetooth”, and touch the “ENT” button (2).
  - From the steering switch:  
Press the Bluetooth® button (5).
- 2) Touch or slide the “TUNE/TRACK” Up/Down button (1), select “Setup Bluetooth”, and touch the “ENT” button (2).
- 3) Touch or slide the “TUNE/TRACK” Up/Down button (1), select “List Audio”, and touch the “ENT” button (2).

### **Connect a registered Bluetooth® audio**

- 1) Touch or slide the “TUNE/TRACK” Up/Down button (1) from the “List Audio” screen, select the name of the desired Bluetooth® audio, and touch the “ENT” button (2).
- 2) Touch or slide the “TUNE/TRACK” Up/Down button (1), select “Select”, and touch the “ENT” button (2).

### **Disconnect a registered Bluetooth® audio**

- 1) Touch or slide the “TUNE/TRACK” Up/Down button (1) from the “List Audio” screen, select the name of the desired Bluetooth® audio, and touch the “ENT” button (2).
- 2) Touch or slide the “TUNE/TRACK” Up/Down button (1), select “Disconnect”, and touch the “ENT” button (2).
- 3) Touch or slide the “TUNE/TRACK” Up/Down button (1), select “YES”, and touch the “ENT” button (2).

### **Delete a registered Bluetooth® audio**

- 1) Touch or slide the “TUNE/TRACK” Up/Down button (1) from the “List Audio” screen, select the name of the desired Bluetooth® audio, and touch the “ENT” button (2).
- 2) Touch or slide the “TUNE/TRACK” Up/Down button (1), select “Delete”, and touch the “ENT” button (2).
- 3) Touch or slide the “TUNE/TRACK” Up/Down button (1), select “YES”, and touch the “ENT” button (2).

## OTHER CONTROLS AND EQUIPMENT

### NOTE:

- In case audio device does not re-connect after following above steps, delete your audio device from registered list of audio by following steps 1) to 3) of "Delete a registered Bluetooth® audio" mentioned above. Register the audio device again by referring to "Registration of Bluetooth® devices" and follow steps 1) to 4).
- Some audio device may not re-connect automatically. For such cases, follow steps 1) to 2) of "Connect a registered Bluetooth® audio" mentioned in further pages of this section.

### Select a connection method

It is possible to switch connection methods when the Bluetooth® audio is registered to the audio system and the audio system and Bluetooth® audio are not connected.

- 1) Touch or slide the "TUNE/TRACK" Up/Down button (1) from the "List Audio" screen, select the name of the desired Bluetooth® audio, and touch the "ENT" button (2).
- 2) Touch or slide the "TUNE/TRACK" Up/Down button (1), select "Connect Method", and touch the "ENT" button (2).
- 3) Touch or slide the "TUNE/TRACK" Up/Down button (1), select the connection method, and touch the "ENT" button (2).

- From Car:  
Operate from the audio system to connect to the Bluetooth® device.
- From Audio:  
Operate from the Bluetooth® device to connect to the audio system.

### Change of Passkey

- 1) The Bluetooth® setting screen will be displayed.
  - From the panel button:  
Touch the "SETUP" button (4).  
Touch or slide the "TUNE/TRACK" Up/Down button (1), select "Bluetooth", and touch the "ENT" button (2).
  - From the steering switch  
Press the Bluetooth® button (5).
  - 2) Touch or slide the "TUNE/TRACK" Up/Down button (1), select "Setup Bluetooth", and touch the "ENT" button (2).
  - 3) Touch or slide the "TUNE/TRACK" Up/Down button (1), select "Passkey", and touch the "ENT" button (2).
  - 4) Touch or slide the "TUNE/TRACK" Up/Down button (1), select "YES", and touch the "ENT" button (2).
  - 5) Touch or slide the "TUNE/TRACK" Up/Down button (1), select a number between 0 and 9, and touch the "ENT" button (2).  
Repeat this operation several times.
- Enter the passkey one digit by one digit.
  - The passkey must be between 4 to 8 digits.

- In order to cancel the number that you entered and return to the previous digit, touch the BACK button (3).
- If you do not enter a number that is 4 or more digits and re-touch the "ENT" button (2), the passkey will be registered.

### Automatic connection with the Bluetooth® device

If the "Bluetooth Power" is set to ON, turning the ignition switch to ACC will automatically connect the registered Bluetooth® device.

- With the automatic connection, the Bluetooth® device that was connected last will be prioritized.
- 1) The Bluetooth® setting screen will be displayed.
  - From the panel button:  
Touch the "SETUP" button (4).  
Touch or slide the "TUNE/TRACK" Up/Down button (1), select "Bluetooth", and touch the "ENT" button (2).
  - From the steering switch:  
Press the Bluetooth button (5).
  - 2) Touch or slide the "TUNE/TRACK" Up/Down button (1), select "Setup Bluetooth", and touch the "ENT" button (2).
  - 3) Touch or slide the "TUNE/TRACK" Up/Down button (1), select "Bluetooth Power", and touch the "ENT" button (2).
- Touch or slide the "TUNE/TRACK" Up/Down button (1), select "On" or "Off", and touch the "ENT" button (2).

## OTHER CONTROLS AND EQUIPMENT

### NOTE:

- When “Bluetooth Power” is set to “OFF”, the audio system disconnects from the registered Bluetooth® device.
- If “Bluetooth Power” is set to “Off”, the audio system will not automatically reconnect the next time the ignition is switched on.

### The device status will be displayed

- 1) The Bluetooth® setting screen will be displayed.
  - From the panel button:
    - Touch the “SETUP” button (4).
    - Touch or slide the “TUNE/TRACK” Up/Down button (1), select “Bluetooth”, and touch the “ENT” button (2).
  - From the steering switch:
    - Press the Bluetooth button (5).
- 2) Touch or slide the “TUNE/TRACK” Up/Down button (1), select “Setup Bluetooth”, and touch the “ENT” button (2).
- 3) Touch or slide the “TUNE/TRACK” Up/Down button (1), select “Bluetooth Info”, and touch the “ENT” button (2).
- 4) Touch or slide the “TUNE/TRACK” Up/Down button (1), select the desired status, and touch the “ENT” button (2).
  - To display the device name, select “Device Name”.
  - To display the device address, select “Device Address”.

### Initialize

It is possible to initialize the audio system's Bluetooth® settings or device information.

#### CAUTION

- Do not initialize the settings while driving. Stop your vehicle in a safe area before initializing the device.
- Initialize with caution. Initialized settings and history cannot be restored.

- 1) The Bluetooth® setting screen will be displayed.
  - From the panel button:
    - Touch the “SETUP” button (4).
    - Touch or slide the “TUNE/TRACK” Up/Down button (1), select “Bluetooth”, and touch the “ENT” button (2).
  - From the steering switch:
    - Press the Bluetooth button (5).
- 2) Touch or slide the “TUNE/TRACK” Up/Down button (1), select “Setup Bluetooth”, and touch the “ENT” button (2).
- 3) Touch or slide the “TUNE/TRACK” Up/Down button (1), select “Initialize”, and touch the “ENT” button (2).
- 4) Touch or slide the “TUNE/TRACK” Up/Down button (1), select the item that you want to initialize item, and touch the “ENT” button (2).

- HF Sound Setting:
  - Reception/ringtone volume
  - Incoming call volume
- Vehicle Device Info:
  - Passkey
- All Initialize:
  - Reception/ringtone volume
  - Incoming call volume
  - Bluetooth audio volume
  - Pairing registration
  - Phonebook/history
  - Speed dial
  - Connect Method
  - Bluetooth Power
  - Auto Transfer
- 5) Touch or slide the “TUNE/TRACK” Up/Down button (1), select “YES”, and touch the “ENT” button (2).

## OTHER CONTROLS AND EQUIPMENT

### Notes on Bluetooth®

#### EXAMPLE



73R0209

- The Bluetooth® word mark and logos are registered trademarks owned by Bluetooth SIG, Inc. and any use of such marks by Denso Ten Limited is under license. Other trademarks and trade names are those of their respective owners.  
This telecommunication equipment conforms to the requirements of the National Telecommunications Commission.
- Stop using this unit and a Bluetooth® ready device whenever requested.  
This unit shares the communication frequency with other private or public wireless communication equipment such as a wireless LAN and other wireless communication radios.  
You should stop using this unit immediately whenever you are notified that your unit disturbs other wireless communication.

### Profile

- SSP (Secure Simple Pairing)
- PBAP (Phone Book Access Profile)
- OPP (Object Push Profile)
- HFP (Hand-Free Profile)
- A2DP (Advanced Audio Distribution Profile)
- AVRCP (Audio/Video Remote Control Profile)

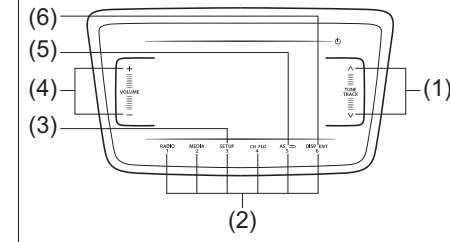
### Disclaimer for Bluetooth® function

- Depending on the mobile phone models, some phones may not be compatible fully or partially (some function may be restricted).
- Media playback through third-party applications may have limited support.
- Playback, display contents, connectivity or voice quality etc. may get affected depending on circumstances.
- After the ignition switch is turned to the "ON" position, the audio system takes few seconds to detect and connect to the Bluetooth® device (if already paired).
- Make sure that you are aware of all applicable local laws and accordingly use Bluetooth® device.

### Bluetooth® hands-free (if equipped)

To use Bluetooth® devices (Bluetooth® audio or mobile phone) on the audio system, it is required to register the Bluetooth® devices to the audio system by "Bluetooth Settings".

#### EXAMPLE



55RM05071

- (1) "TUNE/TRACK" Up/Down button
- (2) Speed dial button (1-6)
- (3) "SETUP" button
- (4) "VOLUME" button
- (5) BACK button
- (6) "DISP/ENT" button

### Display

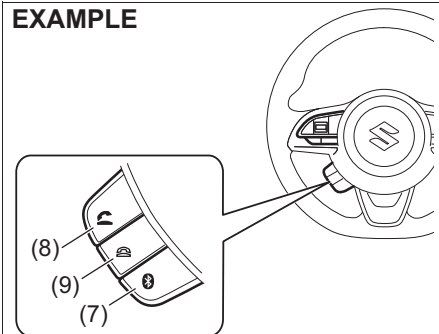
#### EXAMPLE



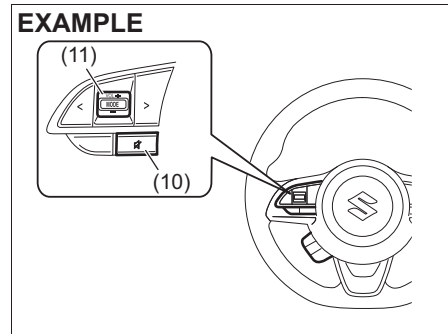
73R0151

## OTHER CONTROLS AND EQUIPMENT

### Steering switch



55RM05056



55RM05057

- (1) "TUNE/TRACK" Up/Down button
- (2) Speed dial button (1-6)
- (3) "SETUP" button
- (4) "VOLUME" button
- (5) BACK button

- (6) "ENT" (enter) button
- (7) Bluetooth® setting button
- (8) Off-hook button
- (9) On-hook button
- (10) Mute button
- (11) "VOL" (volume) button

### NOTICE

- Do not leave your mobile phone inside your vehicle. If the temperature inside the vehicle increases, it may damage your mobile phone.
- When disposing your vehicle, make sure to delete all personal information saved to the audio system.
- The following hands-free data must be deleted from the audio system.
  - Speed dial
  - Reception history/Incoming call history
  - Bluetooth® phonebook data

### NOTE:

- Please keep your phone volume low. The person's voice who you are talking to may be heard outside of the vehicle and increase the voice echo. When talking on the phone, speak clearly towards the microphone.
- In the following cases, your voice may not be heard clearly by the person on the other line:
  - When driving on unpaved roads. (If there is loud traffic noise.)
  - When driving at high speeds.

- When driving with the window open.
- If the air conditioner is blowing directly towards the microphone.
- When the sound of the air conditioner fan is loud.
- When there is an adverse effect to the sound quality of the phone or network that you are using.
- The audio system may not function under the following conditions.
  - When the phone power is not turned on.
  - When the mobile phone is out of service.
  - When the mobile phone is not connected.
  - When the mobile phone battery is low
- The Bluetooth's hands-free operation is dependent upon the mobile phone's compatibility.
- The Bluetooth's hands-free performance is affected by the driving conditions of mobile phone networks, handsets and vehicles.
- The audio system's performance may be restricted due to the model of your mobile phone.

It is possible to register a mobile phone and register the phone number to the audio system as follows:

- Up to 1,000 phone numbers can be saved for every registered mobile phone.

## OTHER CONTROLS AND EQUIPMENT

- Up to 30 phone numbers can be saved to the call history menu (missed calls/incoming/outgoing calls.)
  - When the call history exceeds 30 calls, they are deleted from the oldest one first, and the latest call history information is displayed in descending order.
- Up to 6 phone numbers can be saved to the speed dial list.

### Answer the phone

- 1) Press the off-hook button (8).
- When you press the on-hook button (9) during an incoming call, you can block the call. (Only for compatible phone units)

### NOTE:

- *If you receive a call from a registered phone, the caller's name will appear on the screen.*
- *If you receive a call from an unregistered phone, only the caller's phone number will appear on the screen.*

### Hang up the phone

- 1) When the call is finished, press the on-hook button (9).

### Make a call on call waiting

When the screen is displayed during a call, it is possible to hold the call and answer the other incoming call.

- 1) When an incoming call is received during a call, press the off-hook button (8).
- When the call is on hold, it will connect to the other incoming call.
  - To end the call waiting, press the off-hook button (8).
  - When the call waiting is completed, the call on hold will connect.
  - When switching the caller, press the off-hook button (8) again while using the call waiting.

### NOTE:



*This function can only be used with phone units that are compatible with call waiting.*

### Mute the ringtone volume

- 1) Press the mute button (10).
- To deactivate the mute volume, press the mute button (10).

### Adjust the volume



#### Adjust the reception volume

- 1) Touch or slide the "VOLUME" button (4) or press the "VOL" button (11) during a call.
- To increase the volume, touch  or slide upwards.
  - To decrease the volume, touch  or slide downwards.

### NOTE:

*The volume and microphone sensitivity settings vary depending on the specifications of each mobile phone.*

### Adjust the ringtone volume



- 1) Touch or slide the "VOLUME" button (4) or press the "VOL" button (11) during an incoming call.
- To increase the volume, touch  or slide upwards.
  - To decrease the volume, touch  or slide downwards.

### Adjust the volume with the Bluetooth® settings

- 1) Display the Bluetooth® setup menu.
  - From the panel button:
    - Touch the "SETUP" button (3).
    - Touch or slide the "TUNE/TRACK" Up/Down button (1), select "Bluetooth", and touch the "ENT" button (6).
  - From the steering switch:
    - Press the Bluetooth® button (7).
- 2) Touch or slide the "TUNE/TRACK" Up/Down button (1), select "Setup Telephone", and touch the "ENT" button (6).
- 3) Touch or slide the "TUNE/TRACK" Up/Down button (1), select "HF Sound Setting", and touch the "ENT" button (6).
- 4) Touch or slide the "TUNE/TRACK" Up/Down button (1), select the item that you want to adjust, and touch the "ENT" button (6).
  - Call Volume: Reception/ringtone volume
  - Ringtone Volume: Incoming call volume



## OTHER CONTROLS AND EQUIPMENT

- 5) Touch or slide the “VOLUME” button (4).
- To increase the volume, touch  or slide upwards.
  - To decrease the volume, touch  or slide downwards.

### Make a call

Press the off-hook button (8) to enter the telephone mode.

### Use the phonebook

- 1) Touch or slide the “TUNE/TRACK” Up/Down button (1), select “Phonebook”, and touch the “ENT” button (6).
  - 2) Touch or slide the “TUNE/TRACK” Up/Down button (1), select the desired initials, and touch the “ENT” button (6).
  - 3) Touch or slide the “TUNE/TRACK” Up/Down button (1), select the contact number, and touch the “ENT” button (6).
- If there are multiple phone numbers for a single contact, touch or slide the “TUNE/TRACK” Up/Down button (1), select the phone number, and touch the “ENT” button (6).
- 4) Touch or slide the “TUNE/TRACK” Up/Down button (1), select “Yes”, and touch the “ENT” button (6) or press the off-hook button (8).

### Use the call history

- 1) Touch or slide the “TUNE/TRACK” Up/Down button (1), select “All Calls,” “Missed Calls,” “Incoming Calls” or “Outgoing Calls” and touch the “ENT” button (6).
- 2) Touch or slide the “TUNE/TRACK” Up/Down button (1), select the contact number, and touch the “ENT” button (6).
- 3) Touch or slide the “TUNE/TRACK” Up/Down button (1), select “Yes”, and touch the “ENT” button (6) or press the off-hook button (8).

### Use the speed dial

- 1) Press the Off-hook button (8) for 1 second or longer.
- 2) Touch the desired speed dial button (2) (1-6).
- 3) Touch or slide the “TUNE/TRACK” Up/Down button (1), select “YES”, and then touch the “ENT” button (6) or press the Off-hook button (8).

### NOTE:

*Speed dial numbers must be registered before this function can be used.*

### Transfer/delete the phonebook

- 1) Display the Bluetooth® setup menu.
- From the panel button:
    - Touch the “SETUP” button (3).
    - Touch or slide the “TUNE/TRACK” Up/Down button (1), select “Bluetooth”, and touch the “ENT” button (6).
  - From the steering switch:
    - Press the Bluetooth® button (7).
- 2) Touch or slide the “TUNE/TRACK” Up/Down button (1), select “Setup Telephone”, and touch the “ENT” button (6).
  - 3) Touch or slide the “TUNE/TRACK” Up/Down button (1), select “Setup Phonebook”, and touch the “ENT” button (6).

### Transfer all contacts from your mobile phone

- 1) Touch or slide the “TUNE/TRACK” Up/Down button (1) from the “Setup Phonebook” screen, select “Add Contacts”, and touch the “ENT” button (6).
  - 2) Touch or slide the “TUNE/TRACK” Up/Down button (1), select “Overwrite All”, and touch the “ENT” button (6).
- Touch or slide the “TUNE/TRACK” Up/Down button (1), select “YES”, and touch the “ENT” button (6).

## OTHER CONTROLS AND EQUIPMENT

### Transfer 1 contact from your mobile phone

- 1) Touch or slide the "TUNE/TRACK" Up/Down button (1) from the "Setup Phonebook" screen, select "Add Contacts", and touch the "ENT" button (6).
- 2) Touch or slide the "TUNE/TRACK" Up/Down button (1), select "Add One Contact", and touch the "ENT" button (6).
- 3) Touch or slide the "TUNE/TRACK" Up/Down button (1), select "YES", and touch the "ENT" button (6).

### Delete the registered phonebook

- 1) Touch or slide the "TUNE/TRACK" Up/Down button (1) from the "Setup Phonebook" screen, select "Delete Contacts", and touch the "ENT" button (6).
- 2) Touch or slide the "TUNE/TRACK" Up/Down button (1), select the desired initials from the list or "All", and touch the "ENT" button (6).
  - When you select "All", it will transition to step 4.
- 3) Touch or slide the "TUNE/TRACK" Up/Down button (1), select the desired name from the list, and touch the "ENT" button (6).
- 4) Touch or slide the "TUNE/TRACK" Up/Down button (1), select "YES", and touch the "ENT" button (6).

### Transfer/delete the call history

- 1) Display the Bluetooth® setup menu.
  - From the panel button:  
Touch the "SETUP" button (3).  
Touch or slide the "TUNE/TRACK" Up/Down button (1), select "Bluetooth", and touch the "ENT" button (6).
  - From the steering switch:  
Press the Bluetooth® button (7).
- 2) Touch or slide the "TUNE/TRACK" Up/Down button (1), select "Setup Telephone", and touch the "ENT" button (6).
- 3) Touch or slide the "TUNE/TRACK" Up/Down button (1), select "Setup Call History", and touch the "ENT" button (6).

### Transfer the call history

- 1) Touch or slide the "TUNE/TRACK" Up/Down button (1) from the "Setup Call History" screen, select "Overwrite History", and touch the "ENT" button (6).
- 2) Touch or slide the "TUNE/TRACK" Up/Down button (1), select "YES", and touch the "ENT" button (6).

### Delete the call history

- 1) Touch or slide the "TUNE/TRACK" Up/Down button (1) from the "Setup Call History" screen, select "Delete History", and touch the "ENT" button (6).
- 2) Touch or slide the "TUNE/TRACK" Up/Down button (1), select "All Calls", "Missed Calls", "Incoming Calls" or "Outgoing Calls" and touch the "ENT" button (6).
- 3) Touch or slide the TUNE/TRACK Up/Down button (1), select the desired data from the history or select "All", and then touch the "ENT" button (6).
- 4) Touch or slide the "TUNE/TRACK" Up/Down button (1), select "YES", and touch the "ENT" button (6).

### Registration / deletion of speed dial

- 1) Display the Bluetooth® setup menu.
  - From the panel button:  
Touch the "SETUP" button (3).  
Touch or slide the "TUNE/TRACK" Up/Down button (1), select "Bluetooth", and touch the "ENT" button (6).
  - From the steering switch:  
Press the Bluetooth® button (7).
- 2) Touch or slide the "TUNE/TRACK" Up/Down button (1), select "Setup Telephone", and touch the "ENT" button (6).
- 3) Touch or slide the "TUNE/TRACK" Up/Down button (1), select "Setup Speed Dials", and touch the "ENT" button (6).

## OTHER CONTROLS AND EQUIPMENT

### Registration in speed dial

- 1) Touch or slide the "TUNE/TRACK" Up/Down button (1) from the "Setup Speed Dials" screen, select "Add Speed Dial", and touch the "ENT" button (6).
- 2) Touch or slide the "TUNE/TRACK" Up/Down button (1), select the phonebook or call history, and touch the "ENT" button (6).
  - When you select the call history, it will transition to step 4.
- 3) Touch or slide the "TUNE/TRACK" Up/Down button (1), select the desired initials from the list and touch the "ENT" button (6).
- 4) Touch or slide the "TUNE/TRACK" Up/Down button (1), select the contact number, and touch the "ENT" button (6).
  - If there are multiple phone numbers for a single contact, touch or slide the "TUNE/TRACK" Up/Down button (1), select the phone number, and touch the "ENT" button (6).
- 5) Touch or slide the "TUNE/TRACK" Up/Down button (1), select the speed dial number that you want to register, and touch the "ENT" button (6).

### Deletion of speed dial

- 1) Touch or slide the "TUNE/TRACK" Up/Down button (1) from the "Setup Speed Dials" screen, select "Delete Speed Dials", and touch the "ENT" button (6).
- 2) Touch or slide the "TUNE/TRACK" Up/Down button (1), select the speed dial number that you want to delete, and touch the "ENT" button (6).
- 3) Touch or slide the "TUNE/TRACK" Up/Down button (1), select "YES", and touch the "ENT" button (6).

### Automatic transfer of the phonebook/call history

When registering the mobile phone, you can select to automatically transfer the phonebook and call history from your device. Select according to the following steps.

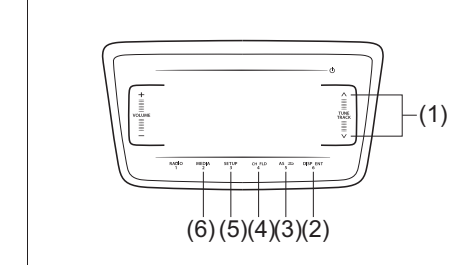
- 1) Display the Bluetooth® setup menu.
  - From the panel button:
    - Touch the "SETUP" button (3).
    - Touch or slide the "TUNE/TRACK" Up/Down button (1), select "Bluetooth", and touch the "ENT" button (6).
  - From the steering switch:
    - Press the Bluetooth® button (7).
- 2) Touch or slide the "TUNE/TRACK" Up/Down button (1), select "Setup Telephone", and touch the "ENT" button (6).
- 3) Touch or slide the "TUNE/TRACK" Up/Down button (1), select "Auto Transfer", and touch the "ENT" button (6).

- 4) Touch or slide the "TUNE/TRACK" Up/Down button (1), select "On" or "Off", and touch the "ENT" button (6).

### Bluetooth® audio

To use Bluetooth® devices (Bluetooth® audio or mobile phone) on the audio system, it is required to register the Bluetooth® devices to the audio system by "Bluetooth® Settings".

### EXAMPLE

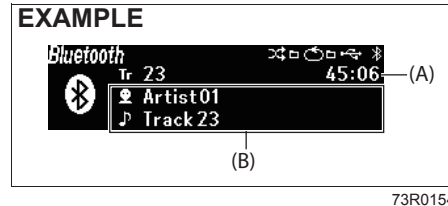


55RM05065

- (1) "TUNE/TRACK" Up/Down button
- (2) "DISP/ENT" (display/enter) button
- (3) BACK button
- (4) "FLD" (group operation) button
- (5) "SETUP" (random/repeat) button
- (6) "MEDIA" button

## OTHER CONTROLS AND EQUIPMENT

### Display



(A) Playback time

(B) Text information display

#### NOTE:

*Some functions may not be usable on some Bluetooth® devices.*

### Selecting the Bluetooth® audio

- 1) Press the “MEDIA” button (6) for 1 second or more for changing from radio mode, or Touch the “MEDIA” button (6) if the audio is in other than radio mode.
- Touch the “MEDIA” button (6). Each time the button is touched, the mode will change as follows:  
USB (iPod®) (if equipped) → Bluetooth® audio (if equipped) → AUX (if equipped)

### Fast forwarding/Rewinding a track

- 1) Hold down the “TUNE/TRACK” Up/Down button (1).
- : Hold down the Up button for 1 second or longer to fast forward the track.
  - : Hold down the Down button for 1 second or longer to fast rewind the track.

- Releasing the button can stop the fast forwarding/rewinding.

### Selecting a track

- 1) Touch the “TUNE/TRACK” Up/Down button (1).
- : Touch the Up button to listen to the next track.
  - : When the Down button is touched once, the track currently being played will start from the beginning again. Touch the Down button twice to listen to the previous track.

### Selecting a group (only for supported models)

- 1) Touch the “FLD” (group operation) button (4).
  - 2) Touch the “TUNE/TRACK” Up/Down button (1).
- : Touch the Up button to go to the next group.
  - : Touch the Down button to go to the previous group.

### Repeat playback

- 1) Touch the “SETUP” (random/repeat) button (5).
  - 2) Touch or slide the “TUNE/TRACK” Up/Down button (1), select “Repeat”, and touch the “DISP/ENT” button (2).
- Each time the “DISP/ENT” button (2) is touched, display will change as follows:  
Off → One song repeat →  
Group repeat (if available) ...

### Random playback

- 1) Touch the “SETUP” (random/repeat) button (5).
  - 2) Touch or slide the “TUNE/TRACK” Up/Down button (1), select “Random”, and touch the “DISP/ENT” button (2)
- Each time the “DISP/ENT” button (2) is touched, display will change as follows:  
Off → Group random → All random ...

### Display change

- 1) Touch the “DISP/ENT” button (2).
- Each time the button is touched, display will change as follows:  
Artist name/Track title → Album name/Track title ...

#### NOTE:

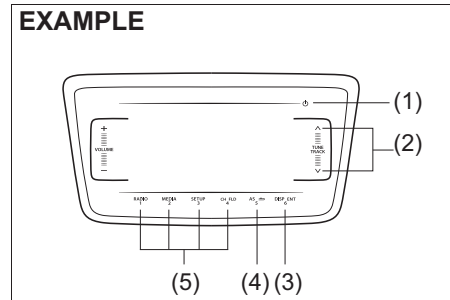
- “NO TITLE” will be displayed when there is no text information in the USB device currently being played.  
“...” is displayed if all text data cannot be displayed. Touch and hold the “DISP/ENT” button (2) for at least one second to automatically display the rest of the text data.

**Anti-Theft Feature**

The anti-theft function is intended to discourage thefts, such as that the audio system becomes inoperable when it is installed on other vehicles.

This function works by entering a Personal Identification Number (PIN).

When the unit is disconnected from its power source, such as when the audio system is removed or the lead-acid battery is disconnected, the unit will become inoperable until the PIN is reentered.



55RM05072

- (1) POWER button
- (2) List selection button
- (3) "ENT" (enter) button
- (4) BACK button
- (5) PIN entry button (1-4)

**Display**

**EXAMPLE**



73R0156

**Setting the Anti-Theft Function**

- 1) Touch the POWER button (1) for 1 second or longer to power off the audio system.
- 2) Hold down the button numbered [1] of the PIN entry button (5) and the "ENT" button (3) and touch the POWER button (1).
  - "SECURITY" will be displayed.
- 3) Hold down the Up button of the List selection button (2) and the button numbered [1] of the PIN entry button (5).
  - "----" will be displayed.
- 4) Enter a 4-digit number to be registered as PIN using the buttons numbered [1] - [4] of the PIN entry button (5).
- 5) Touch the "ENT" button (3) for 1 second or longer.
  - "COMPLETE" will be displayed, and the power will turn off after 3 seconds.

**NOTE:**

Take a note of the registered PIN and keep it for the future use.

**Canceling the anti-theft feature**

To cancel the anti-theft function, delete the registered PIN.

- 1) Touch the POWER button (1) for 1 second or longer to power off the audio system.
- 2) Hold down the buttons numbered [1] of the PIN entry button (5) and the "ENT" button (3) and touch the POWER button (1).
  - "PIN ENTRY" will be displayed.
- 3) Hold down the Up button of the List selection button (2) and the button numbered [1] of the PIN entry button (5).
  - "----" will be displayed.
- 4) Enter a 4-digit number to be registered as PIN using the buttons numbered [1] - [4] of the PIN entry button (5).
- 5) Touch the "ENT" button (3) for 1 second or longer.
  - If an incorrect PIN is entered, "ERROR\* (ERR Number)" will be displayed for 3 seconds, then the audio system will go back to step 2.
  - "----" is displayed on the screen, and the power will turn off after 3 seconds.


**NOTE:**

- To change your PIN, first delete your current PIN, then set a new one.
- If an incorrect PIN is entered 10 times or more, "HELP" will be displayed and the audio system will become inoperable. In this case, contact Maruti Suzuki authorised workshop.

## OTHER CONTROLS AND EQUIPMENT

### Confirming the Personal Identification Number (PIN)

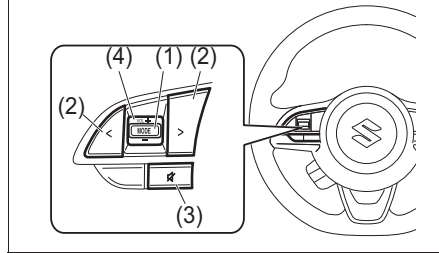
When the main power source is disconnected such as when the lead-acid battery is replaced, etc, it is required to enter the PIN to make the unit operable again.

- 1) Set the ignition switch to the ACC position.
  - "SECURITY" will be displayed.
- 2) Hold down the Up button of the List selection button (2)  and the button numbered [1] of the PIN entry button (5).
  - "----" will be displayed.
- 3) Enter the registered 4-digit PIN number using the buttons numbered [1] - [4] of the PIN entry button (5).
- 4) Touch the "ENT" button (3) for 1 second or longer.
  - If an incorrect PIN is entered, "ERROR\* (ERR Number)" will be displayed for 3 seconds, then the audio system will go back to step 2.
  - After 3 seconds, the power of the audio system will be turned off automatically and it will become operable again.

### Steering Switch (if equipped)

Use the steering wheel button to operate the basic functions of the audio system.

#### EXAMPLE



55RM05058

- (1) "MODE" button
- (2) Selection button
  - Selecting the radio station
  - Selecting the track (USB (iPod®), Bluetooth® audio mode)
- (3) Mute button
- (4) "VOL" (volume) button

#### MODE button (1)

- Each time the button is pressed, the mode will change as follows:  
AM → FM1 → FM2 → USB (iPod®) (if equipped) → Bluetooth® audio (if equipped) → AUX (if equipped)






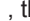
#### Selection button (2)

- FM1, FM2, AM mode:
  - Press > to transfer to the next preset channel.
  - Press < to transfer to the previous preset channel.
  - Press > for 1 second or longer, it will search for receivable stations at a high frequency.
  - Press < for 1 second or longer, it will search for receivable stations at a low frequency.
- USB (iPod®), Bluetooth® audio mode:
  - Press > to transfer to the next song. With the folder operation mode, it will transfer to the next folder.
  - Press < to return to the beginning of the currently playing song. Pressing it twice consecutively will return to the previous song. With the folder operation mode, it will return to the previous folder.
  - Press > for 1 second or longer to fast-forward the song. When the button is released, it will stop fast-forwarding.
  - Press < for 1 second or longer to rewind the song. Releasing the button can stop rewinding.

Mute button (3)

- Hands-free mode  
Each time you press the button the mute will switch from ON/OFF
- USB (iPod®), Bluetooth® audio mode:  
Press the button during playback to temporarily stop the playback.

“VOL” button (4)

- Hands-free mode:
  - Press  during an outgoing or incoming call, the reception/ringtone sound will increase.
  - Press  during an outgoing or incoming call, the reception/ringtone sound will decrease.
  - Press  during an outgoing call, the ringtone sound will increase.
  - Press  during an outgoing call, the ringtone sound will decrease.
- Radio, USB (iPod®), Bluetooth® audio, AUX mode:  
Press , the volume will increase.  
Press , the volume will decrease.

Remote Controller

**▲ CAUTION**

**Operational precautions regarding remote controller use:**

- Because of its small size and light weight, use the remote controller with care. Dropping the remote controller or hitting it against hard surfaces may degrade the battery and cause malfunction.
- Do not expose the remote controller to humidity, dust, or moisture. Do not subject the remote controller to shock.
- Do not place the remote controller on the dashboard or other places that can be exposed to high temperatures, such as near heater vents. Exposing the remote controller to conditions in which it may overheat may cause the case to deform or other issues.
- Do not operate the remote controller while driving. Doing so may result in an accident.
- Direct the remote controller towards the remote controller receiver when using the remote controller.
- The receiver may not operate correctly when exposed to direct sunlight or other sources of bright light.

(Continued)

**▲ CAUTION**

(Continued)

- Remove the battery from the remote controller if the remote controller will not be used for extended periods of time.

**▲ CAUTION**

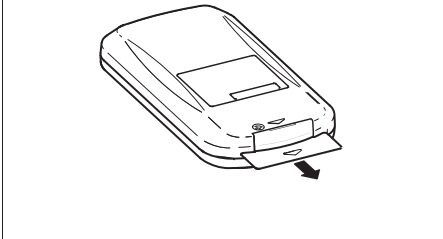
**Cleaning the remote controller:**

- Use a dry cloth to clean the remote controller. If the remote controller becomes excessively soiled, use a cloth dampened lightly with a diluted liquid detergent.
- Never use organic solvents, such as benzene cleanser or thinner. Use of these substances will damage the case and finish.

## OTHER CONTROLS AND EQUIPMENT

### Before using the remote controller

#### EXAMPLE

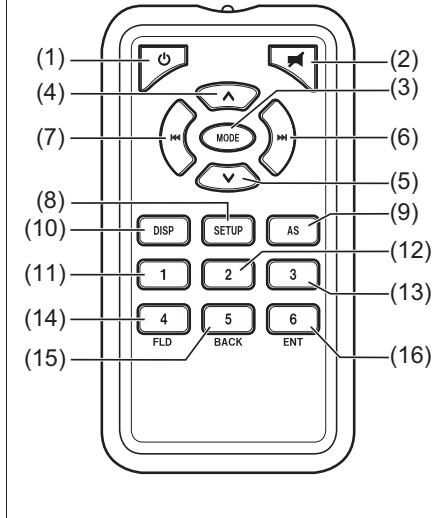


72R0091

Pull out the battery insulated sheet tab from the remote controller in the direction indicated by the arrow.

### Remote controller operation







#### EXAMPLE





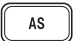

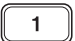
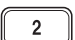
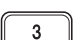
72R0092




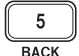

## OTHER CONTROLS AND EQUIPMENT

No.	Button	Function
(1)		<b>POWER button:</b> <ul style="list-style-type: none"> <li>• Turns the power to the audio system on / off (press and hold)</li> </ul>
(2)		<b>Mute button:</b> <ul style="list-style-type: none"> <li>• Sound mute on / off</li> </ul>
(3)		<b>MODE button:</b> <ul style="list-style-type: none"> <li>• Switches between audio sources               <ul style="list-style-type: none"> <li>– The mode changes in the following order each time the button is pressed:                    AM → FM1 → FM2 → USB (iPod®) (if equipped) → Bluetooth® audio → AUX (if equipped) ...</li> </ul> </li> </ul> <p><i>NOTE:</i>            “No Audio” will be displayed when there is no Bluetooth device connected.</p>
(4)		<b>Volume buttons:</b> <ul style="list-style-type: none"> <li>• Volume up / Continuous volume up (press and hold)</li> </ul>
(5)		<b>Volume buttons:</b> <ul style="list-style-type: none"> <li>• Volume down / Continuous volume down (press and hold)</li> </ul>
(6)		<b>TUNE/TRACK up button:</b> <ul style="list-style-type: none"> <li>• RADIO:               <ul style="list-style-type: none"> <li>– Tune up / Seek up (press and hold)</li> </ul> </li> <li>• USB, iPod®, and Bluetooth® audio:               <ul style="list-style-type: none"> <li>– Normal mode: Track (file) up / Fast up (press and hold)</li> <li>– FLD mode (USB and Bluetooth® audio): Folder (Group) up / Fast up (press and hold)</li> <li>– FLD mode (iPod®): List up / Continuous list up (press and hold)</li> </ul> </li> <li>• FUNCTION mode (various settings):               <ul style="list-style-type: none"> <li>– Configures functions / Change values</li> </ul> </li> </ul>

## OTHER CONTROLS AND EQUIPMENT

No.	Button	Function
(7)		<b>TUNE/TRACK down button:</b> <ul style="list-style-type: none"> <li>• RADIO: Tune down / Seek down (press and hold)</li> <li>• USB, iPod®, and Bluetooth® audio: <ul style="list-style-type: none"> <li>– Normal mode: Track (file) down / Fast down (press and hold)</li> <li>– FLD mode (USB and Bluetooth® audio): Folder (Group) down / Fast down (press and hold)</li> <li>– FLD mode (iPod®): List down / Continuous list down (press and hold)</li> </ul> </li> <li>• FUNCTION mode (various settings): Configures functions / Change values</li> </ul>
(8)		<b>SETUP button:</b> <ul style="list-style-type: none"> <li>• Switch to the System setting mode</li> </ul>
(9)		<b>Auto Store button:</b> <ul style="list-style-type: none"> <li>• RADIO: Switches between manual preset and AS mode / Auto Store (press and hold)</li> </ul>
(10)		<b>DISP button:</b> <ul style="list-style-type: none"> <li>• Changes text displays / Changes automatic text display pages (press and hold)</li> </ul>
(11)		<b>Preset [1] button:</b> <ul style="list-style-type: none"> <li>• RADIO: Calls preset channels / Stores channel as preset (press and hold)</li> </ul>
(12)		<b>Preset [2] button:</b> <ul style="list-style-type: none"> <li>• RADIO: Calls preset channels / Stores channel as preset (press and hold)</li> </ul>
(13)		<b>Preset [3] button:</b> <ul style="list-style-type: none"> <li>• RADIO: Calls preset channels / Stores channel as preset (press and hold)</li> </ul>

## OTHER CONTROLS AND EQUIPMENT

No.	Button	Function
(14)		<b>Preset [4] / FLD button:</b> <ul style="list-style-type: none"><li>• RADIO: Calls preset channels / Stores channel as preset (press and hold)</li><li>• USB, iPod®, and Bluetooth® audio: Switches between Folder operation / iPod® menus / Group operation mode</li></ul>
(15)		<b>Preset [5] / BACK button:</b> <ul style="list-style-type: none"><li>• RADIO: Calls preset channels / Stores channel as preset (press and hold)</li><li>• USB, iPod®, Bluetooth® audio, and settings: Switches back to the previous screen</li></ul>
(16)		<b>Preset [6] / ENTER button:</b> <ul style="list-style-type: none"><li>• RADIO: Calls preset channels / Stores channel as preset (press and hold)</li><li>• USB, iPod®, Bluetooth® audio, and settings: Sets the selected item</li></ul>

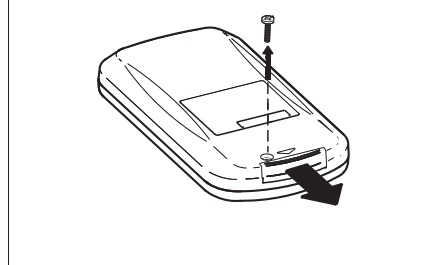
## OTHER CONTROLS AND EQUIPMENT

### Battery replacement

#### CAUTION

- Store batteries in their original packaging out of reach of children until ready for use. Discard used batteries immediately. Seek medical attention immediately if swallowed.
- Do not place batteries in locations near fire or exposed to direct sunlight. Doing so may result in fire, explosion, or excessive heat.
- Do not place the remote controller on the dashboard or other places that can be exposed to high temperatures.
- Accidentally replacing batteries with lithium-ion batteries may result in explosion. Always replace batteries with the same type.

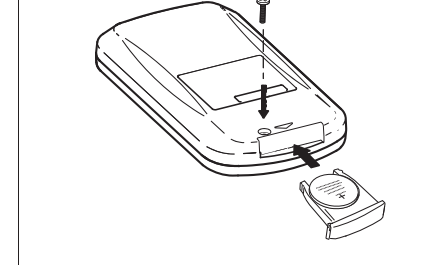
#### EXAMPLE



72R0088

- 1) Use a Phillips screwdriver (sold separately) of the proper size to remove the screw and pull out the battery slot cover in the direction indicated by the arrow.

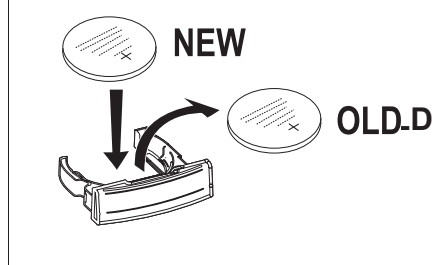
#### EXAMPLE



72R0090

- 3) Press the battery slot cover to the direction indicated by the arrow completely and then fully tighten the screw.

#### EXAMPLE



72R0089

- 2) Remove the old battery and place the new battery (CR2025) into the battery slot cover with the + mark facing upwards.

## OTHER CONTROLS AND EQUIPMENT

### Troubleshooting

When encountered a problem, check and follow the instructions as described below.

If the described suggestions do not solve the problem, it is recommended to take the unit to a Maruti Suzuki authorised workshop.

Problem	Possible cause	Possible solution
---------	----------------	-------------------

#### Common

Unable to operate	The security function is on.	When "SECURITY" is displayed, enter the ID. When "HELP" is displayed, contact a Maruti Suzuki authorised workshop.
Unable to turn on the power (no sound). (No sound is produced)	Fuse is blown.	Contact a Maruti Suzuki authorised workshop.

#### Radio

Much noise	It may not be exactly tuned in to the station.	Tune it in exactly to the station.
Unable to receive by auto tuning	There may be no station emitting signals powerful enough.	Pick up a station by manual tuning.

#### USB

Playback does not start when the USB device is connected.	There is no supported format file to play on this unit.	Check the file format.
	The current consumption of the USB device exceeds 1.0 A.	Use an USB device with a current consumption lower than 1.0 A.
Sound skips or noise produced	Sound skipping may occur when playing VBR (Variable Bit Rate) files.	It is not recommended to play VBR files.

## OTHER CONTROLS AND EQUIPMENT

Problem	Possible cause	Possible solution
---------	----------------	-------------------

### Bluetooth®

Pairing failed	The distance between this unit and the Bluetooth® ready device is too far, or a metallic object may be located between the Bluetooth® ready device and this unit.	Change the location of the Bluetooth® ready device.
	The Bluetooth® function of the Bluetooth® ready device is off.	Refer to the manual of the Bluetooth® ready device. (Some devices have the power saving function that automatically activates after a certain time.)
Unable to receive a call	Your current location may be out of service area.	Drive your vehicle to the service area of the phone.
The voice quality of hands-free is low (Distortion, noise etc.)	Another wireless device may be located near the unit.	Switch off the wireless device or keep it away from the unit.

## OTHER CONTROLS AND EQUIPMENT

### Error Display Messages

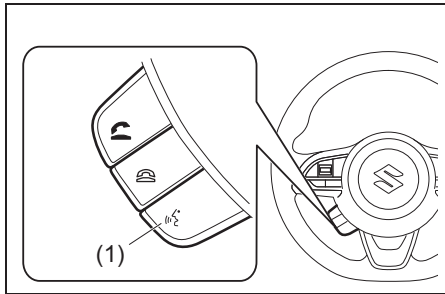
The following messages (flashing) will be displayed onto the screen depending on the condition of the audio system.

Message	Description
Reading	When the USB device or iPod® file format is being read, this message will be displayed.
ERROR 1	When the USB device or iPod® reading error occurs, this message will be displayed. Reconnect the USB device or iPod® connection cable. When the Bluetooth® audio playback malfunction occurs, this message will be displayed. Check the Bluetooth® audio body.
ERROR 2	When the USB device or iPod® communication error occurs, this message will be displayed. Reconnect the USB device or iPod® connection cable.
ERROR 3	When the USB device or iPod® issues are detected, this message will be displayed. Remove the USB device or iPod®, and check the USB device or the iPod®.
ERROR 4	If the USB device or iPod® does not operate due to an over current, this message will be displayed. Remove the USB device or iPod®, and check the USB device or the iPod®.
ERROR 5	When the data playback fails with the USB device or iPod® connected, or there are data unable to be transferred, this message will be displayed. Remove the USB device or iPod®, and check the USB device or the iPod®.
ERROR 6	When the USB HUB is connected, this message will be displayed. Disconnect the USB HUB.
UNSUPPORTED	When an unsupported USB device or iPod® is connected, this message will be displayed. Connect the supported USB device or iPod®.
No Music	When an empty USB device or a USB device containing files with the extension unable to be played is connected, this message will be displayed. Connect the USB device containing files with the playable extension.
No Songs	When an iPod® is connected, this message will be displayed.

## OTHER CONTROLS AND EQUIPMENT

---

### Talk button (if equipped)



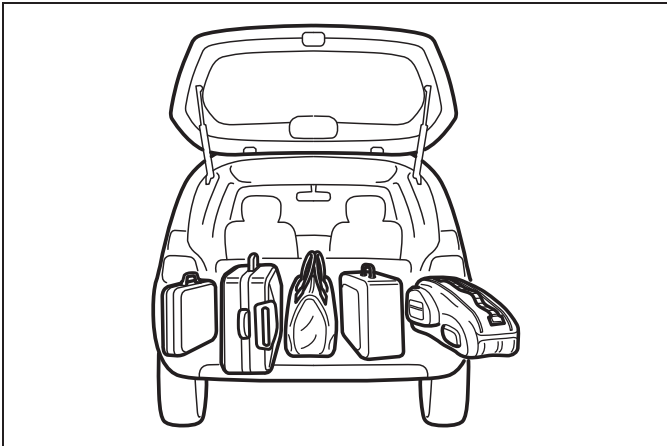
#### (1) Talk button

It can be used with a device having a voice recognition function. To use the function, it is necessary to perform a corresponding setting on your device. For operation of the audio system or the navigation system, refer to the supplementary manual provided along with it.



**VEHICLE LOADING AND TOWING**

Vehicle loading ..... 6-1  
Trailer towing ..... 6-1



54G215

## VEHICLE LOADING AND TOWING

---

### Vehicle loading

Your vehicle was designed for specific weight capacities. The weight capacities of your vehicle are indicated by the Gross Vehicle Weight Rating (GVWR) and the Permissible maximum Axle Weight (PAW, front and rear). The GVWR and PAW (front and rear) are listed in "SPECIFICATIONS" section.

GVWR – Maximum permissible overall weight of the fully loaded vehicle (including all the occupants, accessories and cargo plus the trailer nose weight if towing a trailer).

PAW (front and rear) – Maximum permissible weight on an individual axle.

Actual weight of the loaded vehicle and actual loads at the front and rear axles can only be determined by weighing the vehicle. Compare these weights to the GVWR and PAW (front and rear). If the gross vehicle weight or the load on either axle exceeds these ratings, you must remove enough weight to bring the load down to the rated capacity.

#### WARNING

**Never overload your vehicle. The gross vehicle weight (sum of the weights of the vehicle, all the occupants, accessories, cargo plus trailer nose weight if towing a trailer) must never exceed the Gross Vehicle Weight Rating (GVWR). In addition, never distribute a load so that the weight on either the front or rear axle exceeds the Permissible maximum Axle Weight (PAW).**

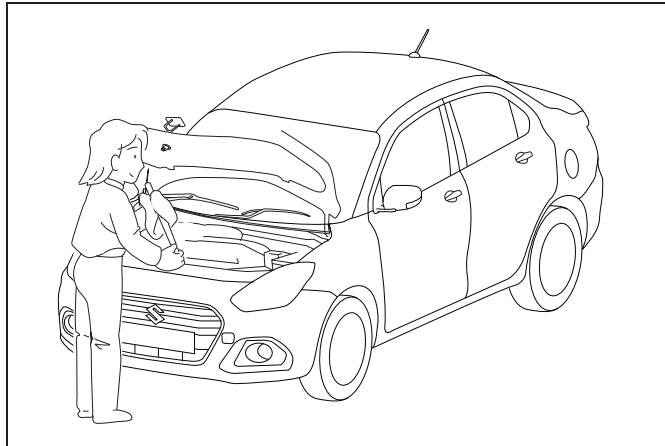
#### WARNING

**Always distribute cargo evenly. To avoid personal injury or damage to your vehicle, always secure cargo to prevent it from shifting if the vehicle moves suddenly. Place heavier objects on the floor and as far forward in the cargo area as possible. Never pile cargo higher than the top of the seat backs.**

### Trailer towing

Your MARUTI SUZUKI was originally designed to carry people and a normal amount of cargo, not to tow a trailer.

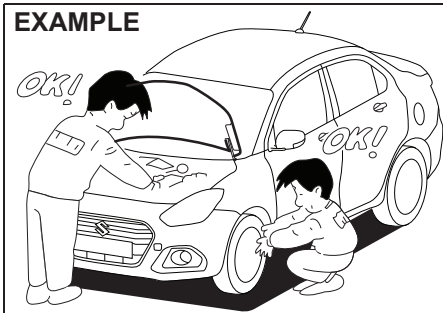
## INSPECTION AND MAINTENANCE



56RM07021

Maintenance schedule .....	7-2
Periodic Maintenance Schedule .....	7-2
Drive belt .....	7-6
Engine oil and filter .....	7-6
Engine coolant .....	7-9
Air cleaner .....	7-11
Spark plugs .....	7-11
Gear oil .....	7-12
Clutch pedal .....	7-13
Brakes .....	7-13
Steering .....	7-15
Tires .....	7-15
Battery .....	7-19
Fuses .....	7-20
Headlight aiming .....	7-25
Bulb replacement .....	7-25
Wiper blades .....	7-30
Windshield washer fluid .....	7-32
Air conditioning system .....	7-33

## INSPECTION AND MAINTENANCE



**⚠ WARNING**

Take extreme care when working on your vehicle to prevent accidental injury. Carefully observe the following precautions:

- To prevent damage or unintended activation of the air bag system or seat belt pretensioner system, check that the battery is disconnected and the ignition switch has been in "LOCK" position or the ignition mode has been "LOCK" (OFF) for at least 90 seconds before performing any electrical service work on your MARUTI SUZUKI vehicle. Do not touch air bag system components, seat belt pretensioner system components or wires.

(Continued)

**⚠ WARNING**

(Continued)

The wires are wrapped with yellow tape or yellow tubing, and the couplers are yellow for easy identification.

- Do not leave the engine running in garages or other confined areas.
- When the engine is running, keep hands, clothing, tools, and other objects away from the fan and drive belt. Even though the fan may not be moving, it can automatically turn on without warning.
- When it is necessary to perform service work with the engine running, check that the parking brake is set fully and the transaxle is in Neutral.
- Do not touch ignition wires or other ignition system parts when starting the engine or when the engine is running, or you could receive an electric shock.
- Be careful not to touch a hot engine, exhaust manifold and pipes, muffler, radiator and water hoses.
- Do not allow smoking, sparks, or flames around fuel or the battery. Flammable fumes are present.
- Do not get under your vehicle if it is supported only with the portable jack provided in your vehicle.

(Continued)

**⚠ WARNING**

(Continued)

- Be careful not to cause accidental short circuits between the positive and negative battery terminals.
- Keep used oil, coolant, and other fluids away from children and pets. Dispose of used fluids properly; never pour them on the ground, into sewers, etc.

### Maintenance Schedule

The following table shows the times when you should perform regular maintenance on your vehicle. This table shows in kilometers and months when you should perform inspections, adjustments, lubrication and other services.

**⚠ WARNING**

**MARUTI SUZUKI recommends that maintenance on your Maruti Suzuki vehicle should be performed by authorised Maruti Suzuki workshop.**

**NOTICE**

**Whenever it becomes necessary to replace parts on your vehicle, it is recommended that you use MARUTI genuine replacement parts or their equivalent.**

### Periodic Maintenance Schedule

- “C”: Clean
- “R”: Replace or Change
- “I”: Inspect, clean, adjust, lubricate or replace as necessary
- “L”: Lubricate
- “T”: Tighten to Specified Torque
- “O”: Rotate

*NOTE:*

*This table includes services as scheduled up to 80,000 km mileage. Beyond 80,000 km, carry out the same services at the same intervals respectively.*

## INSPECTION AND MAINTENANCE

Interval: This interval should be judged by odometer reading or months, whichever comes first.		FREE INSPECTION			PERIODIC MAINTENANCE AT COST							
		km (x1000)	1	5	10	20	30	40	50	60	70	80
		months	1	6	12	24	36	48	60	72	84	96
<b>ENGINE</b>												
1-1.	Water pump drive belt (Tension, Wear)	-	-								R	
1-2.	Engine coolant (Level, Leakage)				R		R		R		R	
1-3.	Engine oil, engine oil filter and drain plug gasket (Level, Leakage)			R	R	R	R	R	R	R	R	
1-4.	Cooling system hoses and connections (Leakage and Damage)											
1-5.	Engine mounting and manifold fixing (Loose Damage)	-	-		-		-		-		-	
1-6.	Exhaust system (Noise, Leakage etc.)	-		-		-		-		-		
1-7.	Positive crank case ventilation system (Hoses, Connections and Valve)	-		-		-		-		-		
<b>IGNITION</b>												
2-1.	Ignition wire (Damage, Deterioration)	-	-	-		-		-		-		
2-2.	Spark plug	For petrol	Replace every 100,000 KM or 84 months whichever comes first									
		For CNG	Replace every 50,000 KM or 48 months whichever comes first									
<b>FUEL</b>												
3-1.	Air cleaner filter element	Paved-road	Clean every 5,000 KM. Replace after every 40,000 KM.									
		Dusty Condition	Clean every 2,500 KM or as required. Replace after every 40,000 KM.									
3-2.	Fuel tank cap, fuel lines and connections (Leakage and Damage)	-		-	-	-		-	-	-		
3-3.	Fuel filter (Leakage)						R				R	
<b>CLUTCH AND TRANSMISSION</b>												
4-1.	Clutch pedal (Play)											
4-2.	Clutch slipping (Dragging or Excess Damage)											
4-3.	Manual transmission oil / Auto Gear Shift oil (Level, Leakage)											
4-4.	Gear shifter (Operation)											

## INSPECTION AND MAINTENANCE

Interval: This interval should be judged by odometer reading or months, whichever comes first.		FREE INSPECTION			PERIODIC MAINTENANCE AT COST							
		km (x1000)	1	5	10	20	30	40	50	60	70	80
		months	1	6	12	24	36	48	60	72	84	96
<b>DRIVE SHAFT</b>												
5-1.	Drive shaft noise											
5-2.	Drive shaft boot (Damage)	-										
<b>BRAKE</b>												
6-1.	Brake fluid (Level, Leakage)											
		Replace every 40,000 KM or 24 months whichever comes first										
6-2.	Brake pedal (Pedal - carpet clearance)											
6-3.	Parking brake lever and cable (Play, Damage)											
6-4.	Brake disc and pad (Wear)	-										
6-5.	Brake drum and shoes (Wear)	-	-									
6-6.	Master cylinder, wheel cylinder, caliper piston (Fluid leakage, Boot/Seal damage)											
6-7.	Brake hoses and pipes (Fluid leakage, Damage)											
<b>WHEEL</b>												
7-1.	Tyres (Air pressure, Abnormal wear, Crack and Rotation)		I&O	I&O	I&O	I&O	I&O	I&O	I&O	I&O	I&O	
7-2.	Wheels (Damage)											
7-3.	Front/Rear wheel bearing (Loose, Damage)											
<b>FRONT / REAR SUSPENSION</b>												
8-1.	Suspension strut (Oil leakage, Damage)											
8-2.	Suspension arms / Knuckle support and Torsion rods (Loose, Damage)	-										
8-3.	Rear spring (Damage)											
8-4.	Shock absorbers (Oil leakage, Damage)											
8-5.	All bolts and nuts (Loose)	-	T	T	T	T	T	T	T	T	T	

## INSPECTION AND MAINTENANCE

Interval: This interval should be judged by odometer reading or months, whichever comes first.		FREE INSPECTION				PERIODIC MAINTENANCE AT COST						
		km (x1000)	1	5	10	20	30	40	50	60	70	80
		months	1	6	12	24	36	48	60	72	84	96
<b>STEERING</b>												
9-1.	Steering wheel (Play, Loose)											
9-2.	All rods and arms (Loose, Damage, Wear)											
9-3.	Tilt steering (Operation)											
<b>ELECTRICAL</b>												
10-1.	Battery - Electrolyte (Level, Leakage) and voltage											
10-2.	Wiring harness connection (Loose, Damage)	-										
10-3.	Lighting system (Operation, Stains, Damage)											
10-4.	Wiper (Operation)											
10-5.	Horn (Operation)											
10-6.	AUX, USB and accessory socket (Operation)	-										
<b>BODY</b>												
11-1.	All chassis bolts and nuts (Tighten)	-	T	T	T	T	T	T	T	T	T	
11-2.	All latches, hinges and locks (Function)		I&L	I&L	I&L	I&L	I&L	I&L	I&L	I&L	I&L	
<b>ROAD TEST</b>												
12-1.	Operation of Brakes, gear shifting and speedometer											
12-2.	Body and chassis noise											
<b>AIR CONDITIONER</b>												
13-1.	Check belt tension											
13-2.	Tighten compressor mounting bolt	-	T	T	T	T	T	T	T	T	T	
13-3.	All hose joint (Check, Tighten)											
13-4.	Check functioning of recirculating flap											
13-5.	Clean condenser with low pressure water	-	C	C	C	C	C	C	C	C	C	
13-6.	Check belt for frayed edges											
13-7.	Check all mounting bolts											
13-8.	Air conditioner filter element (if equipped)					R			R			

7-5



## INSPECTION AND MAINTENANCE

### Drive belt

#### **⚠ WARNING**

**When the engine is running, keep hands, hair, clothing, tools, etc. away from the moving fan and drive belts.**

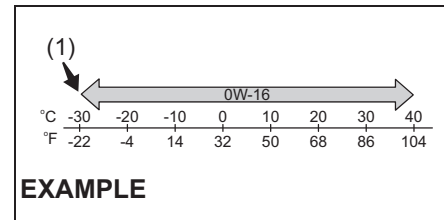
Check that the drive belt tension is correct while the engine is stopped. If the belt is too loose, insufficient battery charging, engine overheating, poor air conditioning, or excessive belt wear can result.

The drive belts tension is adjusted automatically.

If you need to replace or adjust the belt have it done by an authorised Maruti Suzuki workshop.

### Engine oil and filter

#### Specified oil



#### EXAMPLE

56RM07013

(1) Recommended

Check that the engine oil you use comes under the quality classification of API SN. Select the appropriate oil viscosity according to the above chart.

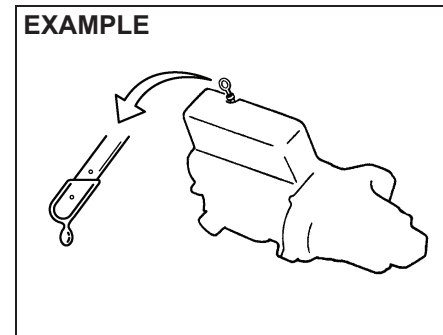
SAE 0W-16 (1) is the best choice for good fuel economy and good startability in cold weather.

#### NOTE:

We recommend that you use **MARUTI genuine oil**. To purchase it, visit an authorised Maruti Suzuki workshop.

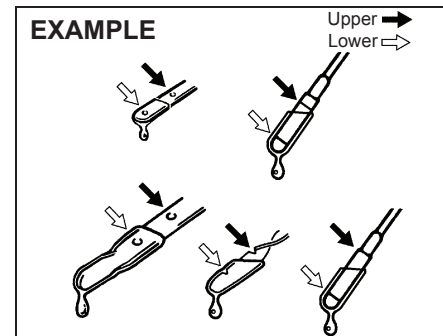
#### Oil level check

##### EXAMPLE



80G064

##### EXAMPLE



52D084

## INSPECTION AND MAINTENANCE

- (1) MIN
- (2) MAX
- (3) Engine oil dipstick

It is important to keep the engine oil at the correct level for proper lubrication of your vehicle's engine. Check the oil level with the vehicle on a level surface. The oil level indication may be inaccurate if the vehicle is on a slope. The oil level should be checked either before starting the engine or at least 5 minutes after stopping the engine.

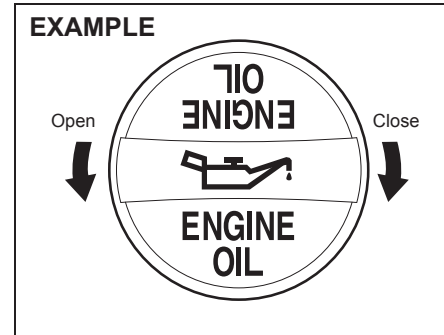
The handle of the engine oil dipstick is colored with yellow for easy identification.

Pull out the oil dipstick, wipe the oil off with a clean cloth, insert the dipstick all the way into the engine, and then remove it again. The oil on the stick should be between the upper and lower limits shown on the stick. If the oil level indication is near the lower limit, add enough oil to raise the level to the upper limit.

### NOTICE

Failure to check the oil level regularly could lead to serious engine trouble due to insufficient oil.

### Refilling



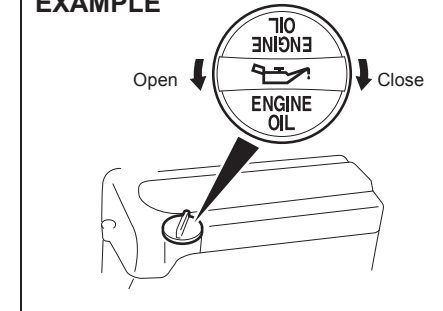
68PH00762

Remove the oil filler cap and pour oil slowly through the filler hole to bring the oil level to the upper limit on the dipstick. Be careful not to overfill the oil. Too much oil is almost as bad as too little oil. After refilling, start the engine and allow it to idle for about a minute. Stop the engine, wait about 5 minutes and check the oil level again.

### Changing engine oil and filter

Drain the engine oil while the engine is still warm.

### EXAMPLE

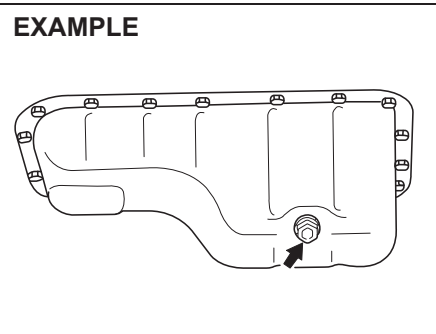


68PM00703

- 1) Remove the oil filler cap.
- 2) Place a drain pan under the drain plug.
- 3) Using a wrench, remove the drain plug and drain the engine oil.

### CAUTION

The engine oil temperature may be high enough to burn your fingers when the drain plug is loosened. Wait until the drain plug is cool enough to touch with your bare hands.



**Tightening torque for drain plug**  
**35 Nm (3.6 kg-m, 25.8 lb-ft)**

**⚠ WARNING**

Engine oil can be hazardous. Children and pets may be harmed by swallowing new or used oil. Keep new and used oil and used oil filters away from children and pets. Repeated, prolonged contact with used engine oil may cause skin cancer. Brief contact with used oil may irritate skin.

(Continued)

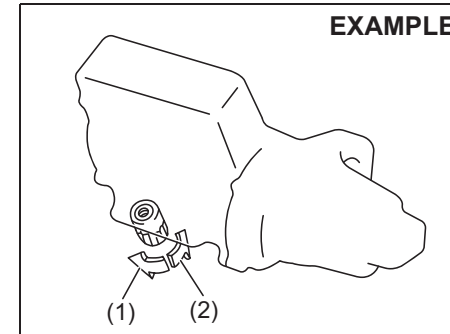
**⚠ WARNING**

(Continued)  
 To minimize your exposure to used oil, wear a long-sleeve shirt and moisture-proof gloves (such as dish-washing gloves) when changing oil. If oil contacts your skin, wash thoroughly with soap and water. Launder any clothing or rags if it is with oil.  
**Recycle or properly dispose of used oil and oil filters.**

- 4) Reinstall the drain plug with new gasket. Tighten the plug with a wrench to the specified torque.

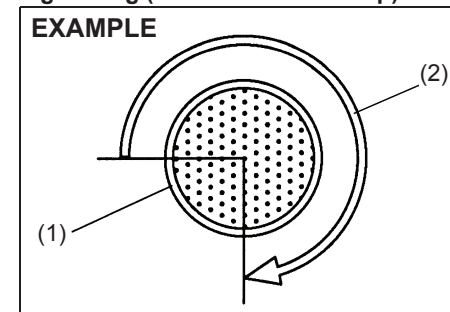
**Oil filter replacement**

- 1) Using an oil filter wrench, turn the oil filter counterclockwise and remove it.
- 2) Using a clean rag, wipe off the mounting surface on the engine where the new filter will be seated.
- 3) Smear a small amount of engine oil around the rubber gasket of the new oil filter.
- 4) Screw the new filter by hand until the filter gasket contacts the mounting surface.



- (1) Loosen
- (2) Tighten

**Tightening (viewed from filter top)**



- (1) Oil filter
- (2) 3/4 turn

## INSPECTION AND MAINTENANCE

### NOTICE

To tighten the oil filter properly, it is important to accurately identify the position at which the filter gasket first contacts the mounting surface.

- 5) Tighten the filter as specified below from the point of contact with the mounting surface (or to the specified torque) using an oil filter wrench.

**Tightening torque for oil filter**  
3/4 turn or 14 Nm (1.4 kg-m, 10.3 lb-ft)

### NOTICE

To prevent oil leakage, check that the oil filter is tight, but do not over-tighten it.

### Refill with oil and oil leakage check

- 1) Pour oil through the filler hole and install the filler cap.  
For the approximate capacity of the oil, refer to "Recommended fuel / lubricants and capacities (approx.)" in "SPECIFICATIONS" section.
- 2) Start the engine and carefully check the oil filter and the drain plug for leakage. Run the engine at various speeds for at least 5 minutes.
- 3) Stop the engine and wait about 5 minutes. Check the oil level again and add

oil if necessary. Check for leakage again.

### NOTICE

- When replacing the oil filter, it is recommended that you use a MARUTI genuine replacement filter. If you use an aftermarket filter, check that it is of equivalent quality and follow the manufacturer's instructions.
- Oil leakage from the periphery of the oil filter or drain plug indicate incorrect installation or gasket damage. If you find any leakage or are not sure that the filter has been properly tightened, have the vehicle inspected by an authorised Maruti Suzuki workshop.

## Engine coolant

### Selection of coolant

To maintain optimum performance and durability of your engine, use MARUTI genuine coolant or equivalent.

This type of coolant is the best for cooling system for the following reasons:

- The coolant helps maintain proper engine temperature.
- It gives proper protection against freezing and boiling.
- It gives proper protection against corrosion and rust.

Failure to use the proper coolant can damage your cooling system. An authorised Maruti Suzuki workshop can help you select the proper coolant.

**NOTICE**

To avoid damaging your cooling system:

- Always use a high quality ethylene glycol base non-silicate type coolant diluted with distilled water at the correct mixture concentration.
- Make sure that the proper mix is 30/70 (Petrol) and in no case higher than 70/30. Concentrations greater than 70/30 coolant to distilled water will cause overheating conditions.
- Do not use straight coolant nor plain water.
- Do not add extra inhibitors or additives. They may not be compatible with your cooling system.
- Do not mix different types of base coolants. Doing so may result in accelerated seal wear and/or the possibility of severe overheating and extensive engine damage.

**Coolant level check**

Check the coolant level at the reservoir tank, not at the radiator. With the engine cool, the coolant level should be between "FULL" and "LOW" marks.

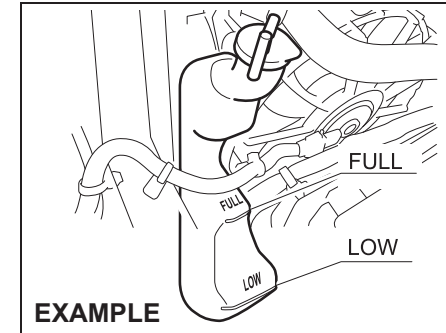
**Adding coolant****⚠ WARNING**

Swallowing engine coolant can cause severe injury or death. Inhaling coolant mist or vapors or getting coolant in your eyes could result in severe injury.

- Do not drink antifreeze or coolant solution. If swallowed, do not induce vomiting. Immediately contact a poison control center or a physician.
- Avoid inhaling coolant mist or hot vapors. If inhaled, remove to a fresh air area.
- If coolant gets in the eyes, flush with water and seek medical attention.
- Wash thoroughly after handling coolant.
- Keep engine coolant out of the reach of children and pets.

**NOTICE**

- The mixture you use should contain 50% concentration of antifreeze.
- If the lowest ambient temperature in your area is expected to be  $-35^{\circ}\text{C}$  ( $-31^{\circ}\text{F}$ ) or below, use higher concentrations up to 60% following the instructions on the antifreeze container.



68PM00704

If the coolant level is below "LOW" mark, more coolant should be added. While the engine cool, remove the reservoir tank cap and add coolant until the reservoir tank level reaches "FULL" mark. Never fill the reservoir tank above "FULL" mark.

**NOTICE**

When putting the cap on the reservoir tank, line up the mark on the cap and the mark on the tank. Failure to follow this can result in coolant leakage.

## INSPECTION AND MAINTENANCE

### **⚠ WARNING**

**It is hazardous to remove the reservoir tank cap when the water temperature is high, because scalding fluid and steam may be blown out under pressure. Wait until the coolant temperature has lowered before removing the cap.**

If the coolant level is below "LOW" mark, more coolant should be added. When the engine is cool, remove the degassing tank cap by turning it counterclockwise slowly to release any pressure. And add coolant until the degassing tank level reaches "FULL" mark. Never fill the degassing tank above "FULL" mark.

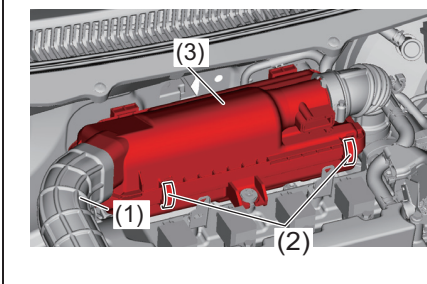
### **Coolant replacement**

Since special procedures are required, ask your authorised Maruti Suzuki workshop for this job.

### **Air cleaner**

If the air cleaner is clogged with dust, there will be greater intake resistance, resulting in decreased power output and increased fuel consumption.

#### **EXAMPLE**



56RM07018

- 1) Remove air cleaner suction hose (1).
- 2) Unhook air cleaner case clamps (2).
- 3) Open air cleaner case (3) and then remove air cleaner filter.

### **Spark plugs**

#### **Replacing and inspection of spark plugs**

Since special procedures, materials and tools are required, it is recommended that you trust this job to your Maruti Suzuki authorised workshop.

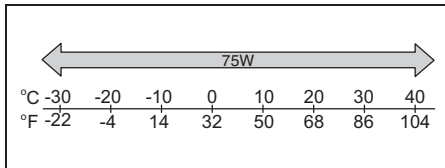
**Gear oil**

**Manual transmission oil / Auto Gear Shift oil**

When adding gear oil, use gear oil with the appropriate viscosity and grade as shown in the chart below.

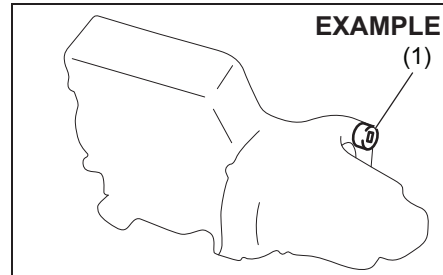
We highly recommend you use “MARUTI GENUINE GEAR OIL 75W” for manual transmission oil.

**Manual transmission oil / Auto Gear Shift oil**



56RM07006

**Gear oil level check**



68KH073

(1) Oil filler and level plug

**To check the gear oil level, use the following procedure:**

- 1) Park the vehicle on a level surface with the parking brake applied. Then, stop the engine.
- 2) Remove the oil filler and level plug.
- 3) If gear oil flows from the plug hole, the oil level is correct. Reinstall the plug. If gear oil does not flow from the plug hole, add oil through the filler plug hole until oil flows a little from the plug hole.

**Tightening torque for oil filler and level plug**

**Manual transmission (1) or (3)**  
 21 Nm (2.1 kg-m, 15.5 lb-ft)  
**Auto Gear Shift (1) or (2)**  
 21 Nm (2.1 kg-m, 15.5 lb-ft)

**CAUTION**

After driving the vehicle, the gear oil temperature may be high enough to burn you. Wait until the oil filler and level plug are cool enough to touch with your bare hands before inspecting gear oil level.

**NOTICE**

When tightening the plug, apply the following sealing compound or equivalent to the plug threads to prevent oil leakage.

MARUTI SUZUKI Bond No. “1217G”

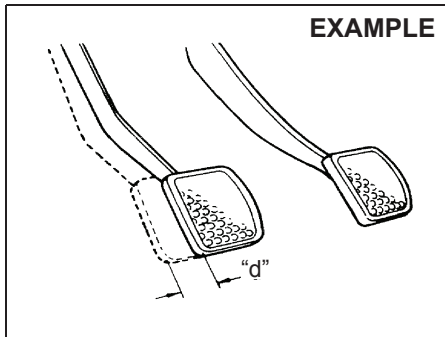
**Gear oil change**

Since special procedures, materials and tools are required, ask an authorised Maruti Suzuki workshop for this job.

## INSPECTION AND MAINTENANCE

### Clutch pedal

#### Cable control clutch



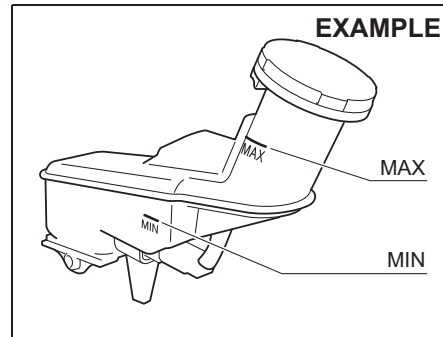
54G274

#### Clutch pedal play "d": 10 - 15 mm (0.4 - 0.6 in.)

Measure the clutch pedal play by moving the clutch pedal with your hand and measuring the distance it moves until you feel slight resistance. The play in the clutch pedal should be between the specified values. If the play is more or less than the above, or clutch dragging is felt with the pedal fully depressed, have the clutch inspected by an authorised Maruti Suzuki workshop.

### Brakes

#### Brake fluid



68PM00707

Check the brake fluid level by looking at the reservoir in the engine compartment. Check that the fluid level is between "MAX" and "MIN" lines with Maruti Genuine Brake Fluid (MGBF) or DOT 3. We highly recommend to use "Maruti Genuine Brake Fluid" (MGBF).

#### NOTICE

If your brake fluid level is near the "MIN" line, there is a possibility of brake pad and/or shoe wear and brake fluid leakage. Consult with your authorised Maruti Suzuki workshop regarding this possibility before filling the reservoir.

#### ⚠ WARNING

Failure to follow the guidelines below can result in personal injury or serious damage to the brake system.

- If the brake fluid in the reservoir drops below a certain level, the brake warning light on the instrument cluster will come on (the engine must be running with the parking brake fully disengaged). Should the light come on, immediately ask an authorised Maruti Suzuki workshop to inspect the brake system.
- A rapid fluid loss indicates leakage in the brake system which should be inspected by an authorised Maruti Suzuki workshop immediately.
- Do not use any fluid other than Maruti Genuine Brake Fluid (MGBF) or DOT 3. Do not use reclaimed fluid or fluid that has been stored in old or open containers. It is essential that foreign particles and other liquids are kept out of the brake fluid reservoir.

#### ⚠ CAUTION

Brake fluid can harm your eyes and damage painted surfaces. Be careful when refilling the reservoir.



**⚠ WARNING**

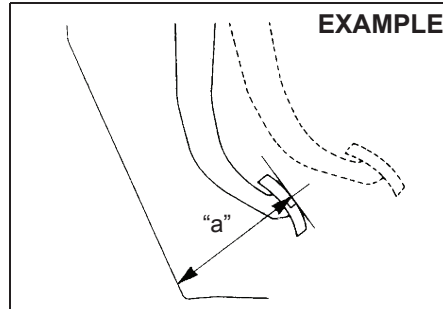
Brake fluid is harmful or fatal if swallowed, and harmful if it comes in contact with skin or eyes. If swallowed, do not induce vomiting. Immediately contact a poison control center or a physician. If brake fluid gets in eyes, flush eyes with water and seek medical attention. Wash thoroughly after handling. Solution can be poisonous to animals. Keep out of reach of children and animals.

**NOTE:**

- The fluid level can be expected to gradually fall as the brake pads and/or shoe wear.
- Brake fluid absorbs water over time and brake fluid with high water content may cause vapor lock or brake system malfunction. Replace your brake fluid in accordance with the maintenance schedule in your Owner's Manual.

**Brake pedal**

Check brake pedal stroke. If the stroke is so large, have the brake system inspected by an authorised Maruti Suzuki workshop. If you doubt the brake pedal is at its normal height, check it as follows:



54G108

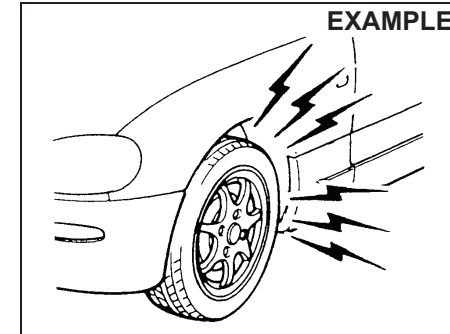
**Minimum distance between brake pedal and floor carpet "a": 53 mm (2.1 in.)**

With the engine running, measure the distance between the brake pedal and floor carpet when the pedal is depressed with approximately 30 kg (66 lbs) of force. The minimum distance required is as specified. Since your vehicle's brake system is self-adjusting, there is no need for pedal adjustment.

If the pedal to floor carpet distance as measured above is less than the minimum distance required, have your vehicle inspected by an authorised Maruti Suzuki workshop.

**NOTE:**

When measuring the distance between the brake pedal and floor wall, be sure not to include the floor mat or rubber on the floor wall in your measurement.



60G104A

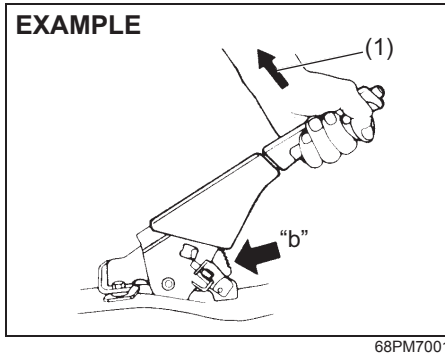
**⚠ WARNING**

If you experience any of the following problems with your vehicle's brake system, have the vehicle inspected immediately by an authorised Maruti Suzuki workshop.

- Poor braking performance
- Uneven braking (brakes not working uniformly on all wheels.)
- Excessive pedal travel
- Brake dragging
- Excessive noise

## INSPECTION AND MAINTENANCE

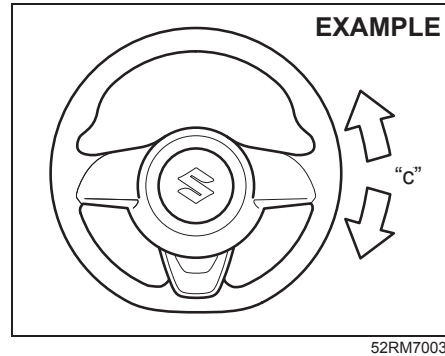
### Parking brake



**Ratchet tooth specification "b":**  
**4th – 9th**  
**Lever pull force (1):**  
**200 N (20 kg, 45 lbs)**

Check the parking brake for proper adjustment by counting the number of clicks made by the ratchet teeth as you slowly pull up on the parking brake lever to the point of full engagement. The parking brake lever should stop between the specified ratchet teeth and the rear wheels should be securely locked. If the parking brake is not properly adjusted or the brakes drag is suspected after the lever has been fully released, have the parking brake inspected and/or adjusted by an authorised Maruti Suzuki workshop.

### Steering

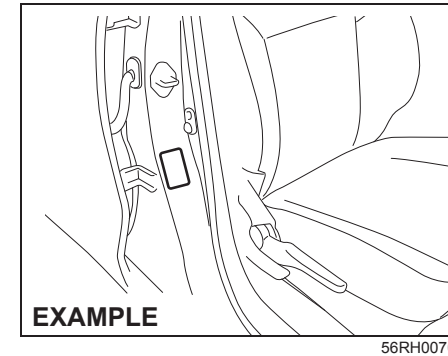


**Steering wheel play "c":**  
**0 – 30 mm (0.0 – 1.2 in.)**

Check the play of the steering wheel by gently turning it from left to right and right to left, with wheels in straight ahead position and engine in OFF condition. Measure the distance that the steering moves before you feel slight resistance. The play should be between the specified values.

Check that the steering wheel turns easily and smoothly without rattling by turning it all the way to the right and to the left while driving very slowly in an open area. If the amount of free play is not as specified or you find anything else to be wrong, an inspection must be performed by an authorised Maruti Suzuki workshop.

### Tires



The front and rear tire pressure specifications are listed in the tire information label. Both front and rear tires should have the specified tire pressure.

#### Tire inspection

Inspect your vehicle's tires at least once a month or before long trip by performing the following checks:

- 1) Measure the air pressure with a tire gauge. Adjust the pressure if necessary. Remember to check the spare tire, too.

## INSPECTION AND MAINTENANCE

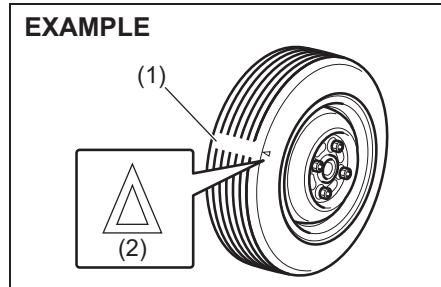
### ⚠ WARNING

- Air pressures should be checked when the tires are cold or you may get inaccurate readings.
- Check the inflation pressure from time to time while inflating the tire gradually, until the specified pressure is obtained.
- Never under-inflate or over-inflate the tires.

Under-inflation can cause unusual handling characteristics or can cause the rim to slip on the tire bead, resulting in an accident or damage to the tire or rim.

Over-inflation can cause the tire to burst, resulting in personal injury. Over-inflation can also cause unusual handling characteristics which may result in an accident.

### EXAMPLE



52KM110

- (1) Tread wear indicator
- (2) Indicator location mark

- 2) Check that the depth of the tread groove is more than 1.6 mm (0.06 in.). To help you check this, the tires have molded-in tread wear indicators in the grooves. When the indicators appear on the tread surface, the remaining depth of the tread is 1.6 mm (0.06 in.) or less and the tire should be replaced.
- 3) Check for abnormal wear, cracks and damage. Any tires with cracks or other damage should be replaced. If any tires show abnormal wear, have them inspected by an authorised Maruti Suzuki workshop.

### ⚠ CAUTION

Hitting curbs and running over rocks can damage tires and affect wheel alignment. Have tires and wheel alignment checked periodically by an authorised Maruti Suzuki workshop.

- 4) Check for loose wheel nuts.
- 5) Check that there are no nails, stones or other objects sticking into the tires.

## INSPECTION AND MAINTENANCE

### ⚠ WARNING

- Your MARUTI SUZUKI vehicle is equipped with tires which are all the same type and size (Except spare tire. Which may be dependent on vehicle variant). This is important to ensure proper steering and handling of the vehicle. Never mix tires of different size or type on the four wheels of your vehicle. The size and type of tires used should be only those approved by MARUTI SUZUKI as standard or optional equipment for your vehicle.
- Replacing the wheels and tires equipped on your vehicle with certain combinations of after market wheels and tires can significantly change the steering and handling characteristics of your vehicle.
- Therefore, use only those wheel and tire combinations approved by MARUTI SUZUKI as standard or optional equipment for your vehicle.

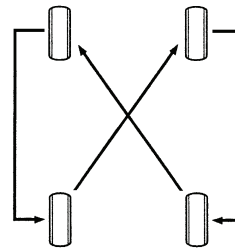
### NOTICE

Replacing the original tires with tires of a different size may result in false speedometer or odometer readings. Check with an authorised Maruti Suzuki workshop before purchasing replacement tires that differ in size from the original tires.

#### Tire rotation

**4-tire rotation**  
(Vehicle with 185/65R15 88T and 185/65R15 88H tire)

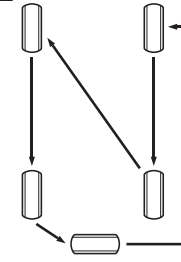
#### EXAMPLE



54G114

**5-tire rotation**  
(Vehicle with 165/80R14 85T tire)

#### EXAMPLE



68PH00755

To avoid uneven wear of your tires and to prolong their life, rotate the tires as illustrated. Tires should be rotated every 10000 km. After rotation, adjust front and rear tire pressures to the specification listed in your vehicle's tire information label.

#### Wheel Balancing

If the vehicle vibrates abnormally on smooth road, have the wheel balanced at Maruti Suzuki Authorized Workshop.

#### Wheel Alignment

In case of abnormal tire wear or pulling towards one side, have the wheel aligned at Maruti Suzuki Authorized Workshop.

#### Tubeless Tires

The vehicle is equipped with Tubeless Tires. In tubeless tire, a thin layer of butyl rubber is used for lining the inside of the

tubeless tire. This layer is to prevent air loss and fulfilling the purpose of tube. The air pressure is maintained by the sealing between tire bead and wheel rim. Tubeless tires are having advantage of slow air loss and preventing sudden deflation while driving.

#### Care and maintenance tips for tubeless tires

- 1) Always maintain recommended inflation pressure. Driving continuously at low inflation pressure can lead to tire damage.
- 2) In case any leakage is found, check for any nail penetration/valve core damage or rim bent. Damaged wheel must not be used.
- 3) In case tire has run at low pressure, it must be inspected for any defect.
- 4) Whenever new tire is fitted, replace the valve.
- 5) If continuous high speed driving is required, increase tires pressure by 5 psi over recommended inflation pressure.
- 6) Never run the tire beyond TWI (Tread wear indicator). The tire is recommended to be replaced when the remaining tread has worn to this point. The indicators are spaced across the tread around the tire marked by a triangular symbol (TWI).
- 7) Always prefer tubeless tire mounting machine. In case of manual mounting-tire/wheel rim damage may occur.
- 8) In case of any problem, please get in touch with authorised Maruti Suzuki workshop.

#### Temporary spare tire (if equipped)

Your vehicle comes equipped with the temporary spare tire. It is only intended for temporary emergency use, until the conventional tire can be repaired or replaced. The inflation pressure of the temporary spare tire should be checked at least monthly. At the same time, check that the tire is stored securely. If it is not, tighten it.

Note that two or more temporary spare tires should not be used on one vehicle simultaneously.

#### WARNING

The temporary spare tire and wheel are intended for temporary emergency use only. Continuous use of this spare can result in tire failure and loss of control. Always observe these precautions when using this spare:

- Your vehicle will handle differently with this temporary spare.
- Do not exceed 80 km/h speed (only vehicle with 185/65R15 88T, 185/65R15 88H tire).
- Replace this spare with a standard tire and wheel as soon as possible.
- Use of this spare may reduce ground clearance.
- Set the specified tire pressure indicated on the tire information label located on the driver's door lock pillar.
- Do not use tire chains on the temporary spare. If you must use tire chains, rearrange the wheels so standard tires and wheels are fitted to the front axle.
- The temporary spare tire has a much shorter tread life than the conventional tires on your vehicle. Replace the tire as soon as the tread wear indicator appears.
- When replacing the temporary spare tire, use a replacement tire with the exact same size and construction.

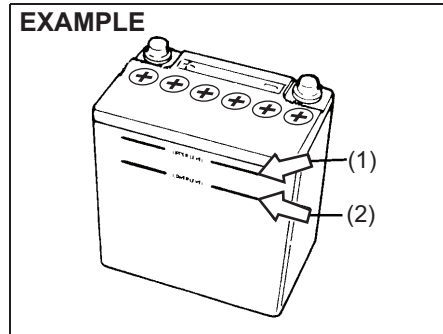
## INSPECTION AND MAINTENANCE

### Battery

#### ⚠ WARNING

- Batteries produce flammable hydrogen gas. Keep flames and sparks away from the battery or an explosion may occur. Never smoke when working near the battery.
- When checking or servicing the battery, disconnect the negative cable. Be careful not to cause a short circuit by allowing metal objects to contact the battery posts and the vehicle at the same time.
- To avoid harm to yourself or damage to your vehicle or battery, follow the jump-starting instructions in “EMERGENCY SERVICE” section if it is necessary to jump-start your vehicle.
- Diluted sulfuric acid spilled from battery can cause blindness or severe burns. Use proper eye protection and gloves. Flush eyes or body with ample water and get medical care immediately if suffered. Keep batteries out of reach of children.

#### EXAMPLE



56RM07007

For maintenance-free battery (cap-less type), you need not add water. For traditional type battery, which has water filler caps, the level of the battery solution must be kept between the upper level (1) and the lower level lines (2) at all times. You should periodically check the battery, battery terminals, and battery hold-down bracket for corrosion. Remove corrosion using a stiff brush and ammonia mixed with water, or baking soda mixed with water. After removing corrosion, rinse with clean water.

If your vehicle is not going to be driven for a month or longer, disconnect the cable from the negative terminal of the battery to help prevent discharge.

#### ⚠ WARNING

If the battery is used with battery level being less than the lower level line (2), it may cause reduced battery life, an exothermic heat, or an explosion by hydrogen gas occurring from the battery. Do not use the battery with battery level being less than the lower level line (2).

#### NOTICE

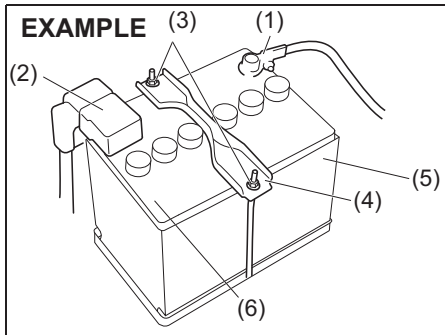
If the battery liquid is added more than the upper level line (1), liquid may leak by vibrations during driving or liquid may spray out in some case depending on the condition of battery charging. These may cause damage to the parts near the battery. If the battery liquid overflows, immediately wash away with water. Do not add the battery liquid more than the upper level line (1).

#### NOTE:

The battery liquid is consumed when the battery is used. If the level is found to be less than the center of upper level (1) and lower level (2), add distilled water till it reaches the upper level line (1).

## INSPECTION AND MAINTENANCE

### Replacement of the battery



To remove the battery:

- 1) Disconnect the negative cable (1).
- 2) Disconnect the positive cable (2).
- 3) Remove the retainer nuts (3) and remove the retainer (4).
- 4) Remove the battery cover (5) and battery (6).

To install the battery:

- 1) Install the battery in the reverse order of removal.
- 2) Tighten the bracket bolt and battery cables securely.

**NOTE:**

- When the battery is disconnected, some of the vehicle's functions will be initialized and/or deactivated.

*These functions must be required to reset after the battery is reconnected.*

- Do not disconnect the battery terminals for at least one minute after the ignition switch is turned off, or the engine switch is pressed to change the ignition mode to "LOCK" (OFF).

### ⚠ WARNING

**Batteries contain toxic substances including sulfuric acid and lead. They could have potential negative consequences for the environment and human health. Used batteries must be disposed of or recycled according to applicable rules or regulations and must not be disposed of with ordinary household trash. Make sure not to tip over the battery when you remove it from the vehicle. Otherwise, sulfuric acid could run out and you might get injury.**

### NOTICE

**After stopping the engine, controller and system are operated for a while. Therefore, before removing the battery, wait for more than one minute after turning the ignition switch to "OFF" or changing the ignition mode to "LOCK" (OFF).**

### Fuses

Your vehicle has three types of fuses, as described below:

#### Main fuse

The main fuse takes current directly from the lead-acid battery.

#### Primary fuses

These fuses are between the main fuse and individual fuses, and are for electrical load groups.

#### Individual fuses

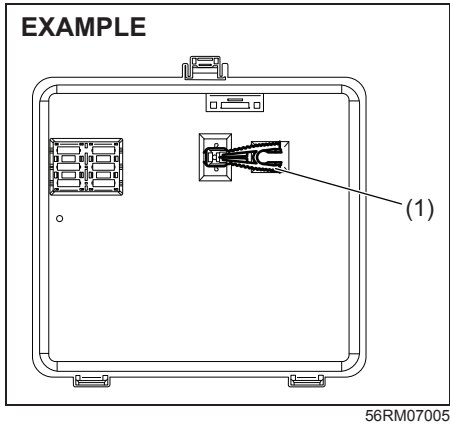
These fuses are for individual electrical circuits.

**NOTE:**

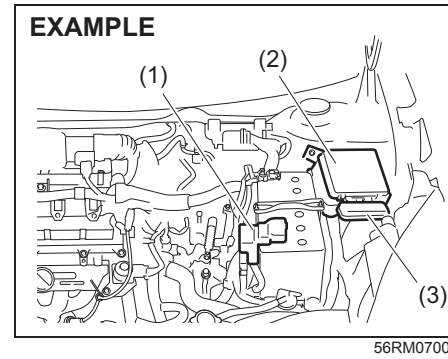
- "Blank" indicates that fuse is not applicable, even though name of fuse might be available on cover.
- Some fuse may not be applicable to your vehicle according to the variant of vehicle.

## INSPECTION AND MAINTENANCE

To remove a fuse, use the fuse puller provided in the fuse box cover.

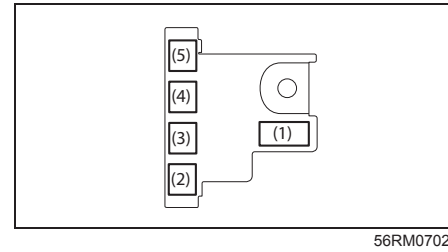


### Fuses in engine compartment

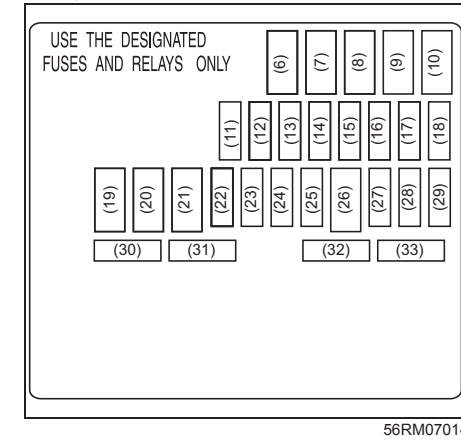


- (1) Main fuse box
- (2) Relay box
- (3) Sub relay box

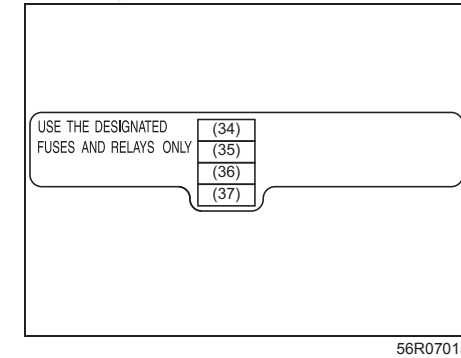
### Main fuse box



### Relay box



### Sub relay box





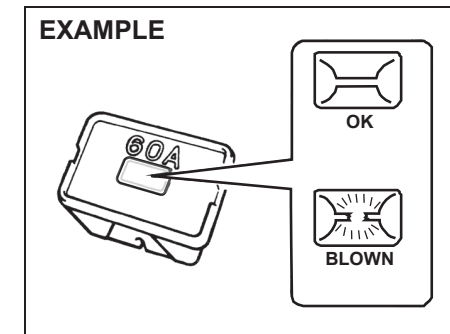
## INSPECTION AND MAINTENANCE

MAIN FUSE / PRIMARY FUSE		
(1)	120 A	FL1
(2)	100 A	FL2
(3)	80 A	FL3
(4)	100 A	FL4
(5)	50 A	FL5
(6)	30 A	ST (starting motor)
(7)	30 A	BLW (blower fan)
(8)	40 A	BTRY (battery)
(9)	40 A	ABS MOT (ABS motor)
(10)	40 A	IGN (ignition switch)
(11)	30 A	B/U (battery backup)
(12)	–	SUB BAT (sub battery)
(13)	–	Blank
(14)	–	Blank
(15)	25 A	ABS SOL (ABS solenoid)
(16)	15 A	H/L L (headlight (Left))
(17)	15 A	H/L R (headlight (Right))
(18)	30A	DCDC2
(19)	30 A	RDTR (radiator fan)
(20)	40 A	T/M PUMP (AGS pump)

(21)	60 A	P/S (power steering)
(22)	–	ECM (electronic control module)
(23)	–	F/P (fuel pump)
(24)	20 A	FR FOG (front fog light)
(25)	10 A	CPRSR (A/C compressor)
(26)	50 A	IGN2 (Ignition switch 2)
(27)	15 A	T/M (auto transmission)
(28)	15 A	FI (fuel injection)
(29)	15 A	Transmission2 (AGS)
(30)	–	Blank
(31)	–	Blank
(32)	5 A	ST SIG 2 (starting signal)
(33)	–	Blank
(34)	–	Blank
(35)	25 A	H/L HI (headlight HI)* <sup>1</sup>
(36)	15 A	H/L HI R (headlight HI (Right))* <sup>1</sup>
(37)	15 A	H/L HI L (headlight HI (Left))* <sup>1</sup>

\*1: Models with LED headlights

The main fuse, primary fuses and some of the individual fuses are located in the engine compartment. If the main fuse blows, no electrical component will function. If a primary fuse blows, no electrical component in the corresponding load group will function. When replacing the main fuse, a primary fuse or an individual fuse, use a MARUTI genuine replacement. To remove a fuse, use the fuse puller provided in the fuse box cover. The amperage of each fuse is shown in the back of the fuse box cover.



68PH00723

## INSPECTION AND MAINTENANCE

### ⚠ WARNING

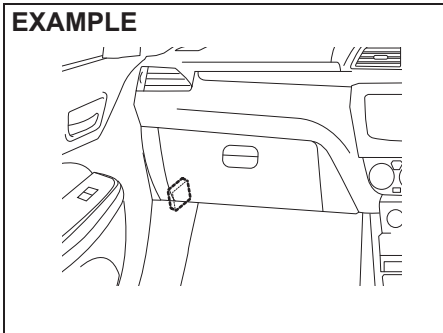
If the main fuse or a primary fuse blows, have your vehicle inspected by an authorised Maruti Suzuki workshop. Always use a MARUTI genuine replacement. Never use a substitute such as a wire even for a temporary repair, or extensive electrical damage and a fire can result.

#### NOTE:

Check that the fuse box always carries spare fuses.

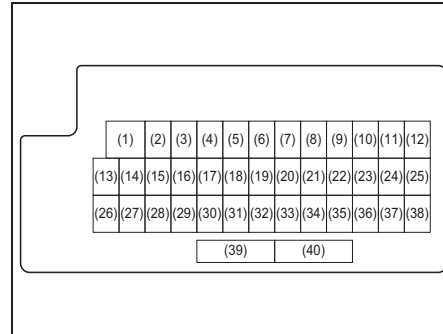
### Fuses under dashboard

#### EXAMPLE



56RH00706

### Type A



56RM07002

#### PRIMARY FUSE

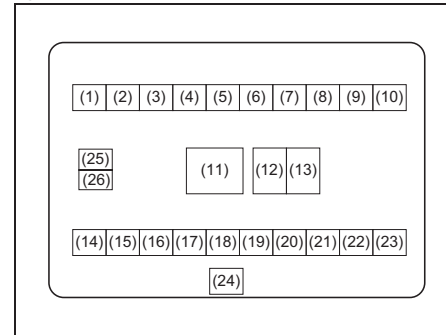
(1)	30 A	P/W (power window)
(2)	10 A	MTR (meter)
(3)	15A	IG (ignition coil)
(4)	5A	IG1 SIG2 (ignition-1 signal 2)
(5)	20 A	SHIFT (shift lever)
(6)	20A	S/R (sun roof) (if equipped)
(7)	–	Blank
(8)	20 A	D/L (door lock)
(9)	15 A	STL (steering lock)

(10)	10 A	HAZ (hazard warning light)
(11)	5A	A-STOP (auto stop)
(12)	10A	RR FOG (rear fog light)
(13)	5 A	ABS (anit-lock brake controller)
(14)	15A	R-A/C (rear air conditioner)
(15)	5A	IG1 SIG3 (ignition-1 signal 3)
(16)	10 A	DOME2 (dome light-2)
(17)	5 A	DOME (dome light)
(18)	15 A	RADIO (radio)
(19)	5 A	CONT (gateway controller)
(20)	5 A	KEY 2 (key 2)
(21)	20 A	P/W T (power window timer)
(22)	5 A	KEY (key)
(23)	15 A	HORN (horn)
(24)	5 A	TAIL L (tail light (Left))
(25)	10 A	TAIL (tail light)
(26)	10 A	A/B (air bag)
(27)	10 A	IG1 SIG (ignition-1 signal)

## INSPECTION AND MAINTENANCE

(28)	10 A	BACK (back up light)
(29)	5 A	ACC-3 (accessory-3)
(30)	20 A	RR DEF (rear defogger)
(31)	10A	MRR HTR (mirror heater) (if equipped)
(32)	15 A	ACC-2 (accessory-2)
(33)	5 A	ACC (accessory)
(34)	10 A	Wiper (rear wiper)
(35)	5 A	IG2 SIG (ignition-2 signal)
(36)	15 A	WASH (washer)
(37)	25 A	FR WIP (front wiper)
(38)	10 A	STOP (stop light)
(39)	–	Blank
(40)	25 A	RR DEF2 (rear defogger)

### Type B



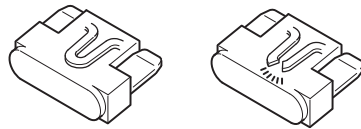
### PRIMARY FUSE

(1)	10 A	BACK (back-up light)
(2)	15 A	IG (ignition)
(3)	10 A	METER (meter)
(4)	5 A	CONT (gateway controller)
(5)	5 A	IG2 SIG (ignition-2 signal)
(6)	15 A	WASH (washer)
(7)	25 A	FR WIPER (front wiper)
(8)	10 A	TAIL (tail light)
(9)	10 A	HAZ (hazard warning light)

(10)	10 A	STOP (stop light)
(11)	30 A	P/W (power window)
(12)	15 A	ACC-2 (accessory-2)
(13)	5 A	ACC (accessory)
(14)	5 A	ST SIG (starting signal)
(15)	10 A	IG SIG (ignition signal)
(16)	10 A	A/B (air bag)
(17)	5 A	ABS/ESP (anti-lock brake controller)
(18)	15 A	HORN (horn)
(19)	20 A	D/L (door lock)
(20)	5 A	ACC-3 (accessory-3)
(21)	15 A	RADIO (radio)
(22)	5 A	DOME (dome light)
(23)	10 A	DOME-2 (dome light-2)
(24)	10 A	WIPER (rear wiper)
(25)	–	Blank
(26)	25 A	RR DEF (rear defogger)

## INSPECTION AND MAINTENANCE

### EXAMPLE



OK

BLOWN

81A283

### ⚠ WARNING

Always replace a blown fuse with a fuse of the correct amperage. Never use a substitute such as aluminum foil or wire to replace a blown fuse. If you replace a fuse and the new one blows in a short period of time, you may have a major electrical problem. Have your vehicle inspected immediately by your authorised Maruti Suzuki workshop.

### Headlight aiming

Since special procedures are required, ask an authorised Maruti Suzuki workshop for this job.

### Bulb replacement

#### ⚠ CAUTION

- Light bulbs can be hot enough to burn your finger right after turning off lights. This is true especially for halogen headlight bulbs. Replace the bulbs after they become cool enough.
- The headlight bulbs are filled with pressurized halogen gas. They can burst and injure you if they are hit or dropped. Handle them carefully.
- To avoid injury by sharp-edged parts of the body, wear gloves and a long-sleeved shirt when replacing light bulbs.

#### NOTICE

The oils from your skin may cause a halogen bulb to overheat and burst when the lights are on. Grasp a new bulb with a clean cloth.

#### NOTICE

- Frequent bulb replacement indicates the need for an inspection of the electrical system. This should be carried out by your authorised Maruti Suzuki workshop.
- During bulb replacement, always use same bulb number as used in the vehicle which is mentioned in SPECIFICATIONS and/or imprinted on the bulb/unit/

#### NOTE:

Mist may form on the lenses of exterior lights (Headlight, Rear combination light etc.) during or after driving in the rain or after car washing. This is a natural phenomenon which occurs due to temperature difference between lamp inside and outside. Temporary mist on the lens is not a malfunction and will not cause any discomfort during vehicle driving.

The mist would get cleared when the environmental condition change to sunny or when headlamp is kept on. However if there is water leakage inside the lamp, contact your authorised Maruti Suzuki workshop.

## INSPECTION AND MAINTENANCE

### Headlights

#### Vehicle with the LED headlights

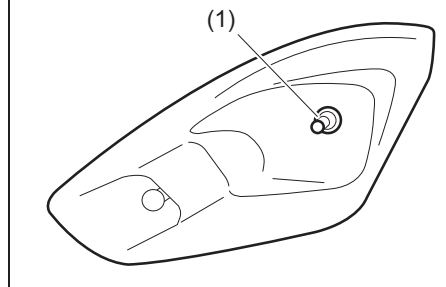
Since special procedures are required, we recommend you take your vehicle to an authorised Maruti Suzuki workshop for bulb replacement.

#### ⚠ WARNING

Never attempt to replace the bulb of a discharge headlight, or you could suffer an electric shock from the high-voltage circuit in the headlight system. Always have a discharge headlight bulb replaced by an authorised Maruti Suzuki workshop.

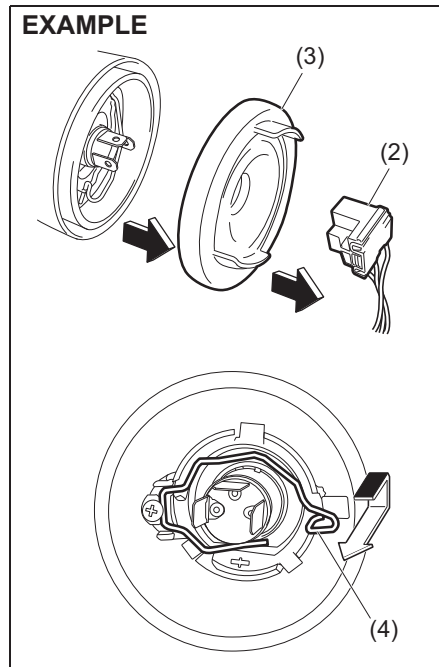
#### Vehicle with the halogen headlights

##### EXAMPLE



52RM70220

(1) Headlight (high/low beam)



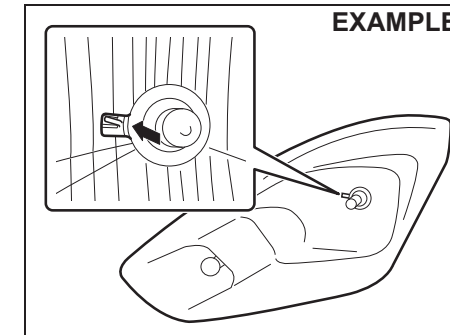
56RH00710

Open the engine food. Disconnect the coupler (2). Remove the sealing rubber (3).

Push the retaining spring (4) forward and unhook it. Then remove the bulb. Install a new bulb in the reverse order of removal.

#### NOTE:

Ensure that coupler (2) is not twisted during installation.



52RM70230

#### NOTE:

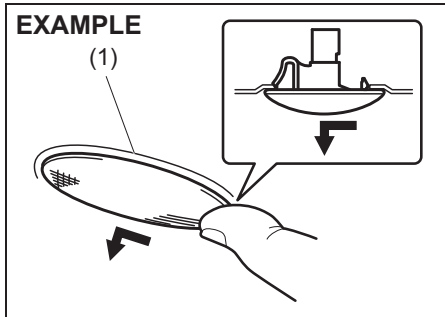
You can see the position of retaining spring from the hole of headlight.

#### Daytime Running Light (DRL) (if equipped)

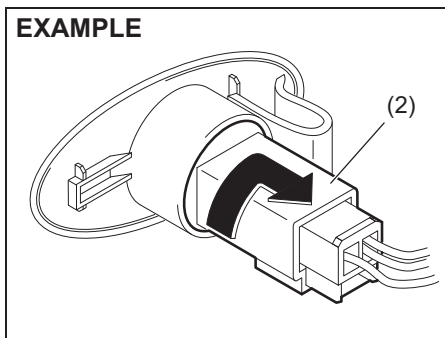
For DRL replacement, we recommend you to take your vehicle to the authorised Maruti Suzuki workshop as special procedure for the same is required.

## INSPECTION AND MAINTENANCE

### Side turn signal light (on fender) (if equipped)

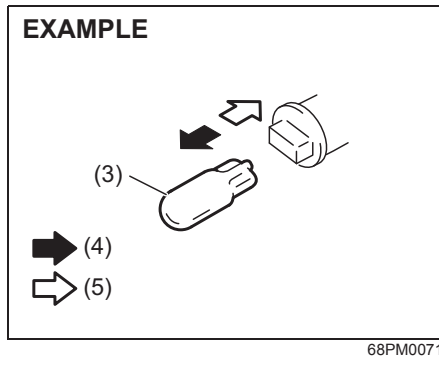


- 1) Remove the light housing (1) by sliding to left with your finger.



- 2) Turn the bulb holder (2) clockwise and pull it out from the light housing.

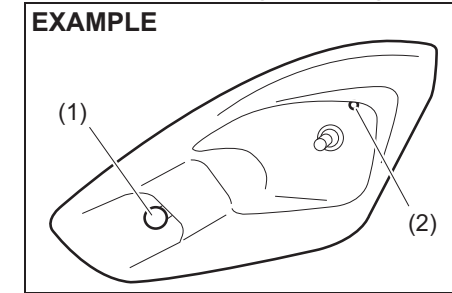
7-27



- (4) Removal
  - (5) Install
- 3) To remove and install the bulb of the side turn signal light (3), simply pull out or push in the bulb.

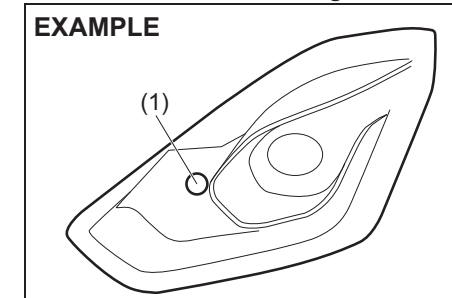
### Front turn signal light and front position light

#### Vehicle with the halogen headlights



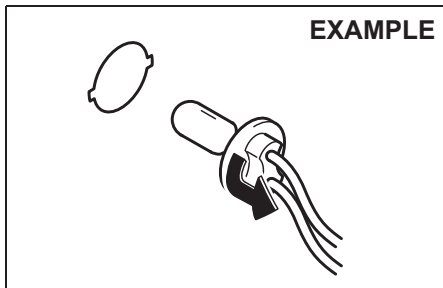
- (1) Front turn signal light
- (2) Front position light

#### Vehicle with the LED headlights



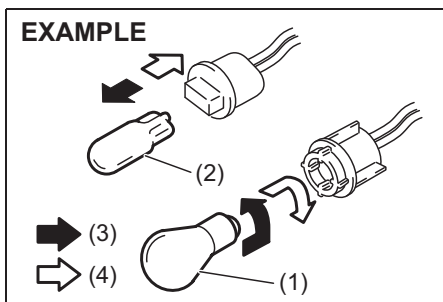
- (1) Front turn signal light

## INSPECTION AND MAINTENANCE



68PH00732

- 1) Open the engine hood. To remove the bulb holder of the front turn signal light or the front position light from the light housing, turn the holder counterclockwise and pull it out.



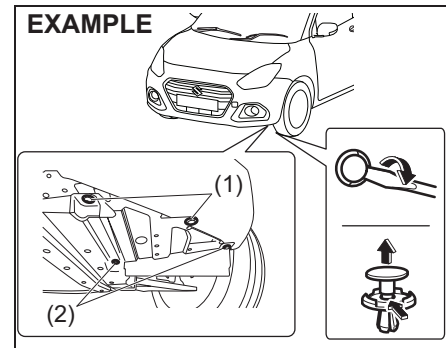
68PM00721

- (3) Removal
- (4) Installation

- 2) To remove the bulb of the front turn signal light (1) from the bulb holder, push in the bulb and turn it counterclockwise. To install a new bulb, push it in and turn it clockwise. To remove and install the bulb of the front position light (2), simply pull out or push in the bulb.

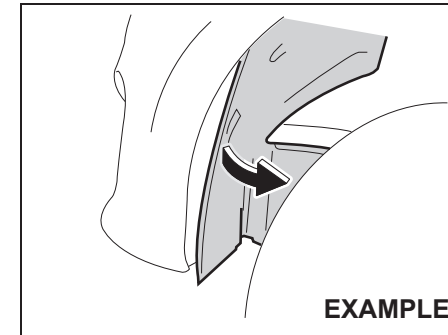
### Front fog light (if equipped)

- 1) Start the engine. Turn the steering wheel to the opposite side of the fog light to be replaced to replace the bulb easily. Then turn off the engine.



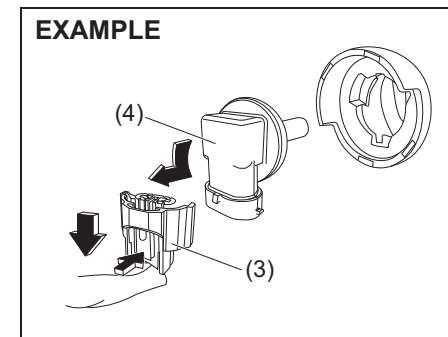
56RM07017

- 2) Remove the clips (1) and screws (2) at the bottom of bumper. For removing the clip, use a flat blade screwdriver as show in the illustration.



52RM70250

- 3) Open the end of the cover inside the fender.

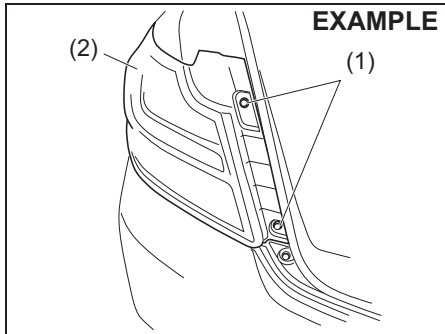


52R70140

- 4) Disconnect the coupler (3) by pushing the lock release. Turn the bulb holder (4) counterclockwise and remove it.

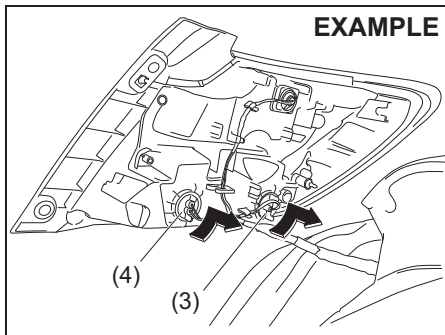
## INSPECTION AND MAINTENANCE

### Rear combination light



56RH00712

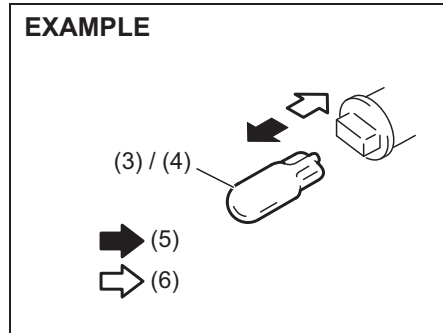
- 1) Remove the bolts (1) and pull the light housing (2) straight.



56RH00717

- 2) To remove the bulb holder of the rear turn signal light (3) or the reversing light (4)

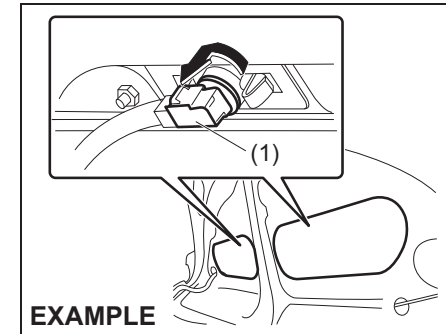
- (4) from the light housing, turn the holder counterclockwise and pull it out.



56RH00718

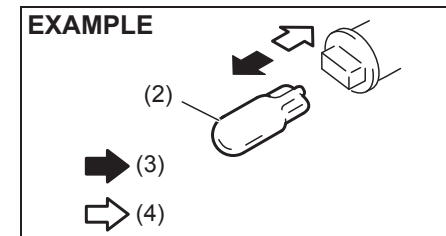
- (5) Removal
  - (6) Installation
- 3) To remove and install the bulb of the rear turn signal light (3) or the reversing light (4), simply pull out or push in the bulb.

### License plate light



56RH00719

- 1) Open the trunk lid. Turn the bulb holder of the license light (1) counterclockwise and remove it.



56RH00720

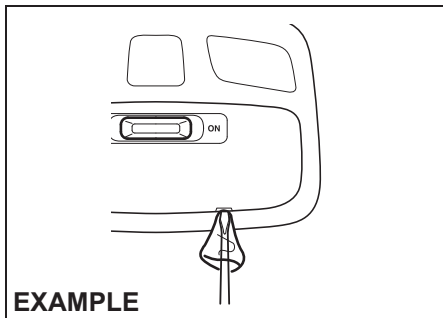
- (3) Removal
  - (4) Installation
- 2) To remove and install the bulb of the license light (2), simply pull out or push in the bulb.



**Interior light**

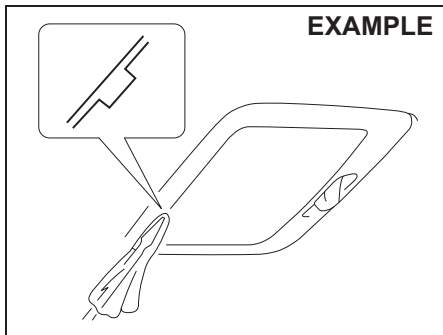
Remove the lens by using a flat-bladed screwdriver covered with a soft cloth as shown. To install it, simply push it back in.

**Front**



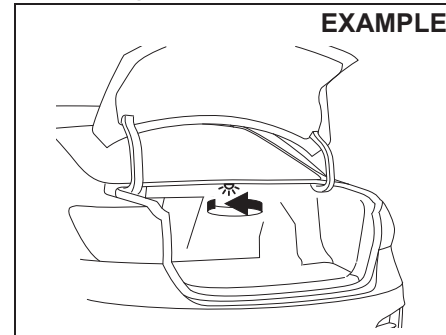
76MH0A139

**Center**



56RM07011

**Trunk lid light (if equipped)**

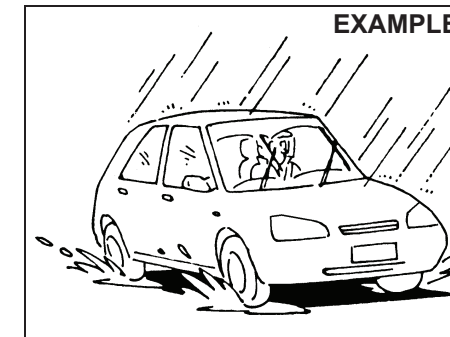


56RH00722

- 1) Open the trunk lid and remove the lens by turning it counterclockwise.
- 2) To remove and install the bulb of trunk lid, simply pull out or push in the bulb.

After replacement of bulb, perform the operation 1) in reverse order to restore to original state.

**Wiper blades**



54G129

If the wiper blades become brittle or damaged, or make streaks when wiping, replace the wiper blades.

To install new wiper blades, follow the procedures below.

**NOTICE**

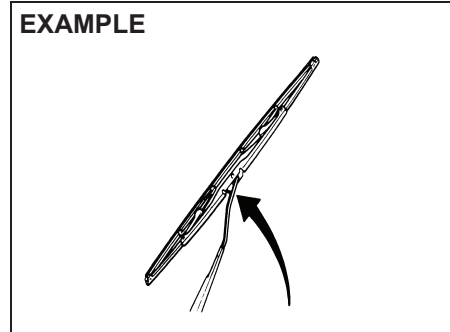
To avoid scratching or breaking the window, do not let the wiper arm strike the window while replacing the wiper blade.

## INSPECTION AND MAINTENANCE

**NOTE:**

Some wiper blades may be different from the ones described here depending on vehicle specifications. If so, consult your authorised Maruti Suzuki workshop for proper replacement method.

**For windshield wipers:**



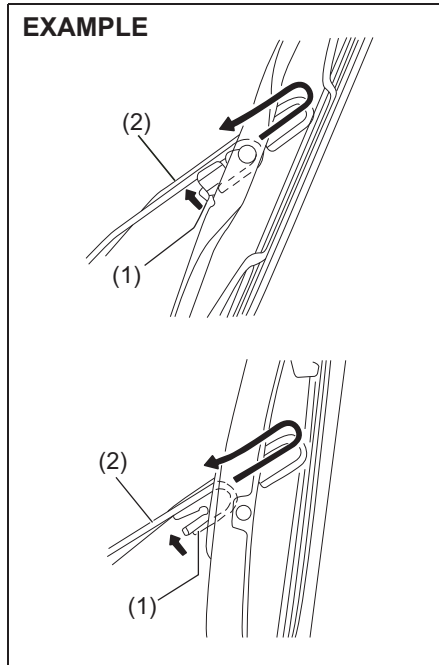
70G119

- 1) Hold the wiper arm away from the window.

**NOTE:**

When raising both of the front wiper arms, pull the driver's side wiper arm up first. When returning the wiper arms, lower the passenger's side wiper arm first. Otherwise, the wiper arms may interfere with each other.

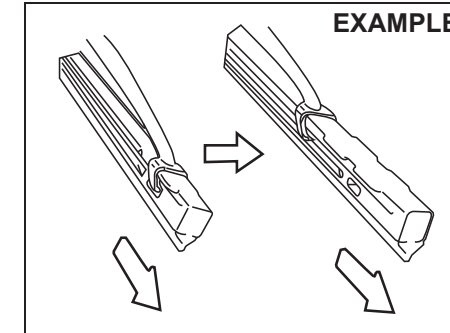
7-31



68PH00750

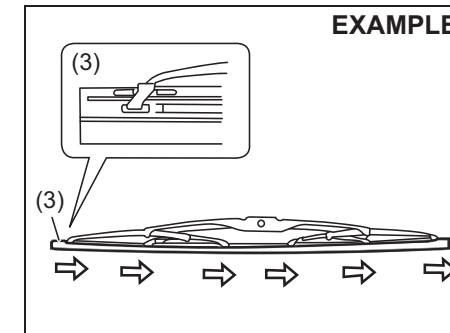
- 2) Squeeze lock (1) towards wiper arm (2) and remove the wiper frame from the arm as shown.
- 3) Unlock the lock end of the wiper blade and slide the blade out as shown.

**Removal**



68PH00751

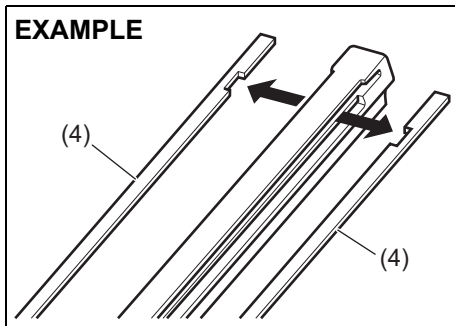
**Installation**



68PH00752

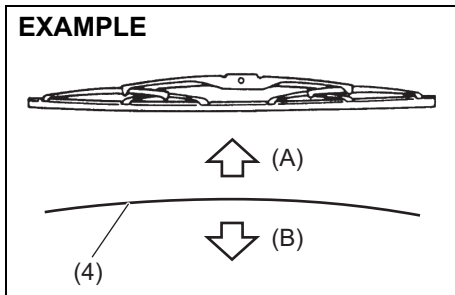
- (3) Locked end

## INSPECTION AND MAINTENANCE



(4) Retainer

- 4) If the new blade is provided without the two metal retainers (4), move them from the old blade to the new one.



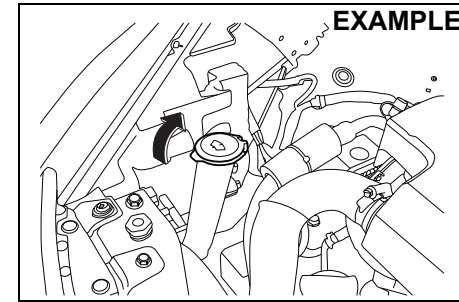
- (A) Up  
(B) Down

**NOTE:**

When you install the metal retainers (4), check that the direction of metal retainers is as shown in the above illustrations.

- 5) Install the new blade in the reverse order of removal, with the locked end positioned toward the wiper arm. Check that the blade is properly retained by all the hooks. Lock the blade end into place.
- 6) Reinstall wiper frame to arm, checking that the lock lever is snapped securely into the arm.

### Windshield washer fluid



Check that there is washer fluid in the tank. Refill it if necessary. Use a good quality windshield washer fluid, diluted with water as necessary.

**⚠ WARNING**

Do not use radiator antifreeze in the windshield washer reservoir. This can severely impair visibility when sprayed on the windshield, and also can damage your vehicle's paint.

**NOTICE**

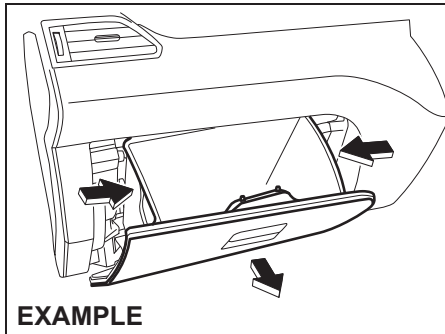
- Damage may result if the washer motor is operated with no fluid in the washer tank.
- Avoid use of hard water to prevent building of lime scale on the vehicle.

## INSPECTION AND MAINTENANCE

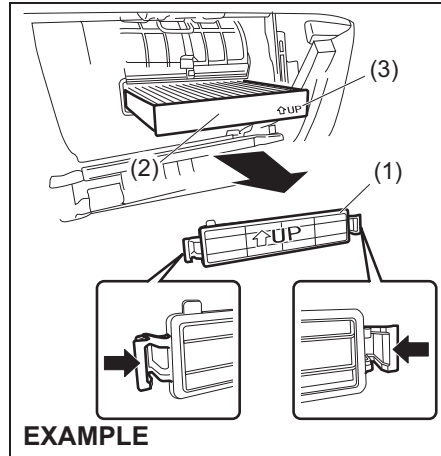
### Air conditioning system

If you do not use the air conditioner for a long period, such as during winter, it may not give the best performance when you start using it again. To help maintain optimum performance and durability of your air conditioner, it needs to be run periodically. Operate the air conditioner at least once a month for one minute with the engine idling. This circulates the refrigerant and oil and helps protect the internal components.

### Air conditioner filter replacement (if equipped)



- 1) To approach the air conditioner filter, remove the glove box. Press inward on both sides of the glove box, pull it forward and remove it.

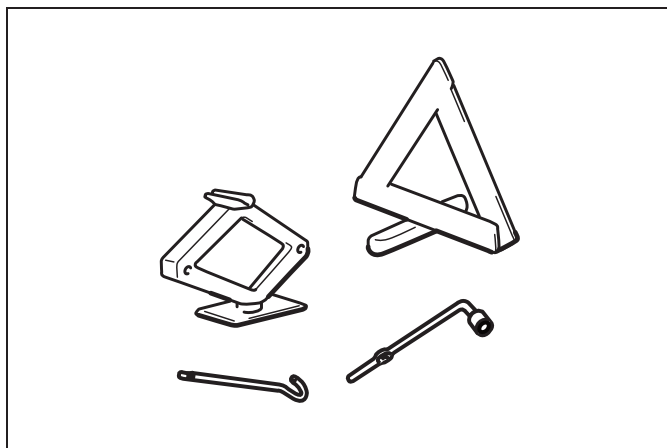


- 2) Remove the cover (1) and pull out the air conditioner filter (2). Install a new filter in reverse order of removal.

**NOTE:**

*When you install a new filter, check that the UP mark (3) faces upward.*

## EMERGENCY SERVICE

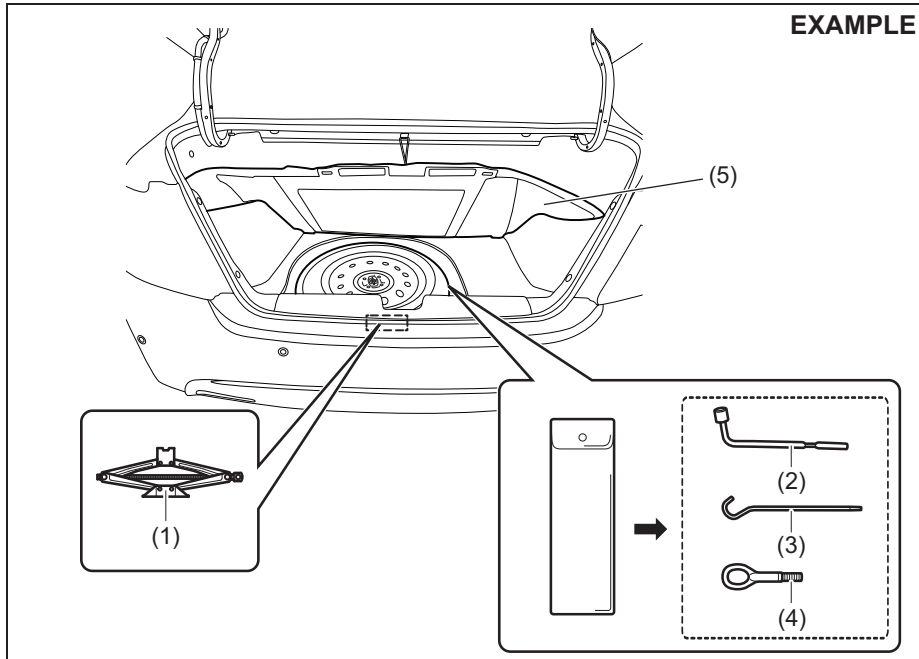


60G411A

Tire changing tool .....	8-1
Jacking instructions .....	8-3
Jump-starting instructions .....	8-7
Towing .....	8-8
Engine trouble: Starter does not operate .....	8-9
Engine trouble: Flooded engine .....	8-9
Engine trouble: Overheating .....	8-10
Warning triangle .....	8-11

## EMERGENCY SERVICE

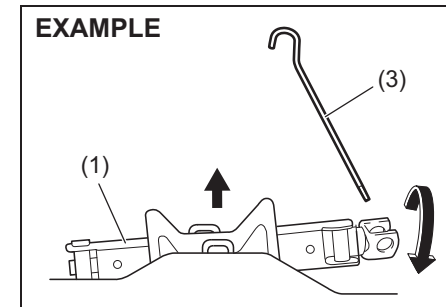
### Tire changing tool



56RM08001

- (1) Jack
- (2) Wheel wrench
- (3) Jack handle
- (4) Towing hook
- (5) Luggage compartment board

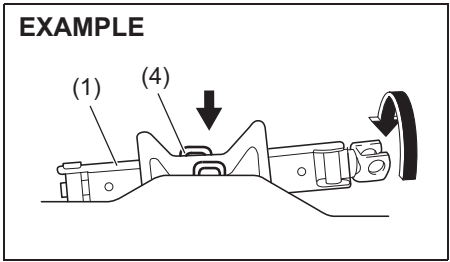
The tire changing tools are stowed in the luggage compartment, below the luggage compartment board (5). Pull the thread of the luggage compartment board upwards. The luggage compartment board can be held open by hanging the thread on the hook as shown in the above illustration.



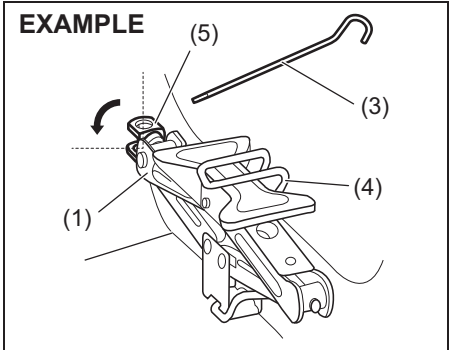
56RH00805

To remove the jack (1), turn its shaft counterclockwise by using jack handle (3) and pull the jack out of the storage bracket.

**EMERGENCY SERVICE**



To stow the jack (1), place it in the storage bracket (4) and turn the shaft clockwise with hand.



After temporarily holding the jack (1) until it contacts the storage bracket (4), turn the shaft (5) approximately 90° to 180° by using jack handle (3) to securely hold the jack in place.

**NOTICE**

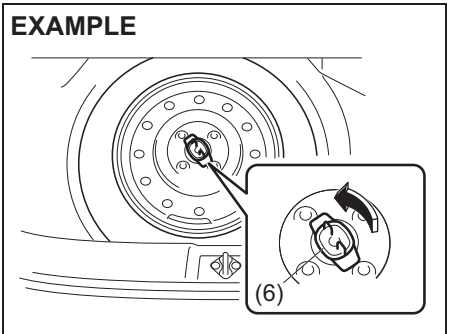
To avoid damaging the storage bracket, do not expand the jack excessively.

**WARNING**

After using the tire changing tools, stow them securely or they can cause injury if an accident occurs.

**CAUTION**

The jack should be used only to change wheels. It is important to read the jacking instructions in this section before attempting to use the jack.



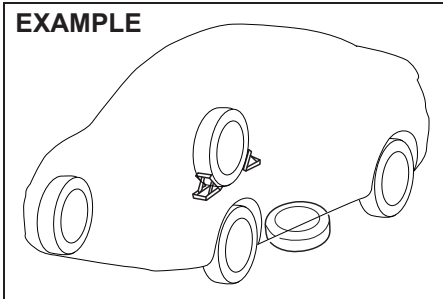
To remove the spare tire, turn its bolt (6) counterclockwise and remove it. While replacing tire with alloy wheel make sure to remove the wheel cap before keeping the tire in the trunk.

**NOTICE**

Be sure that spare tire does not move after tightening the holder bolt.

## EMERGENCY SERVICE

### Jacking instructions



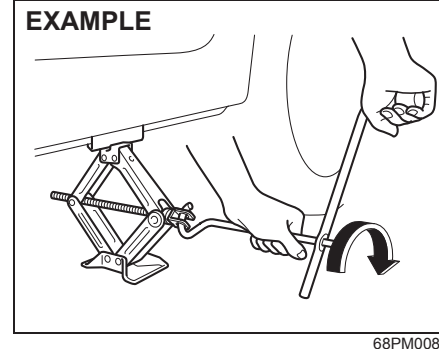
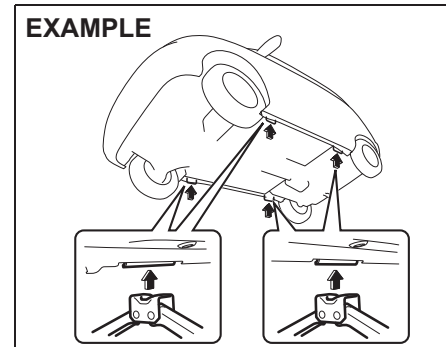
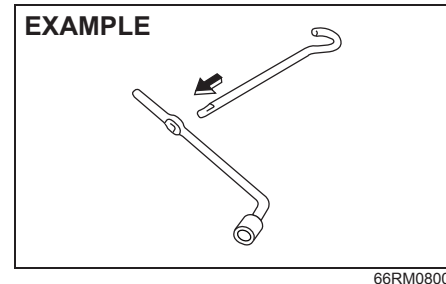
- 1) Place the vehicle on level, hard ground.
- 2) Set the parking brake firmly and shift into "R" (Reverse) if your vehicle has a manual transaxle or Auto Gear Shift.

**⚠ WARNING**

- Shift into "R" (Reverse) for a manual transaxle or Auto Gear Shift vehicle when you jack up the vehicle.
- Never jack up the vehicle with the transaxle in "N" (Neutral). Otherwise, unstable jack may cause an accident.

- 3) Turn on the hazard warning flasher if your vehicle is near traffic.
- 4) Block the front and rear of the wheel diagonally opposite of the wheel being lifted.

- 5) Place the spare wheel near the wheel being lifted as shown in the illustration in case the jack slips.



- 6) Position the jack at an angle as shown in the illustration and raise the jack by turning the jack handle clockwise until the jack-head groove fits around the jacking bar beneath the vehicle body.
- 7) Continue to raise the jack slowly and smoothly until the tire clears the ground. Do not raise the vehicle more than necessary.



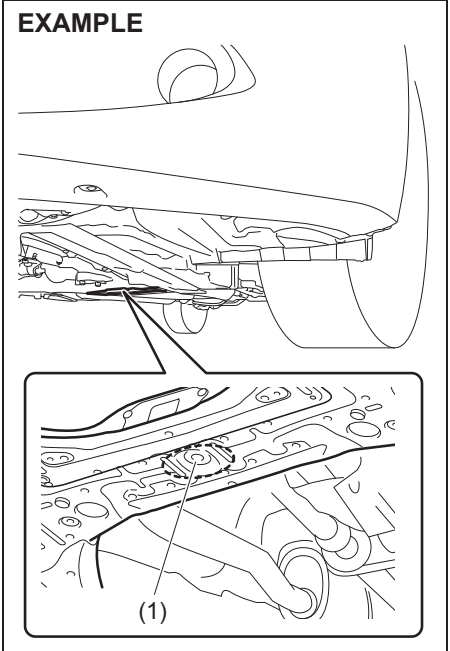
**⚠ WARNING**

- Use the jack only to change wheels on level, hard ground.
- Never jack up the vehicle on an inclined surface.
- Never raise the vehicle with the jack in a location other than the specified jacking point (shown in the illustration) near the wheel to be changed.
- Check that the jack is raised at least 25 mm (1 inch) before it contacts the flange. Use of the jack when it is within 25 mm (1 inch) of being fully collapsed may result in failure of the jack.
- Do not use wooden blocks or similar objects as a jack underlay
- Never get under the vehicle when it is supported by the jack. Never place your hands and feet under the raised vehicle when it is supported by a jack.
- Never run the engine when the vehicle is supported by the jack and never allow passengers to remain in the vehicle.

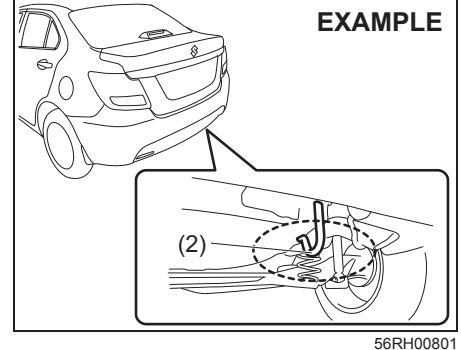
**Raising vehicle with garage jack**

- Apply the garage jack to one of the points indicated below.
- Always support the raised vehicle with jack stands (commercially available) at the points indicated below.

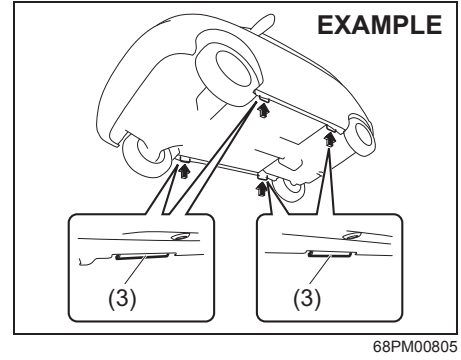
**Front jacking point for garage jack (1)**



**Rear jacking point for garage jack (2)**



**Application point for jack stand (3) or two-column lift**



## EMERGENCY SERVICE

### NOTICE

Never apply a garage jack to the exhaust pipe, side under spoiler (if equipped) or rear torsion beam.

#### NOTE:

For more details, contact an authorised Maruti Suzuki workshop.

### Changing wheels

#### WARNING

Never change a wheel in traffic lane. Always move the vehicle off the road on level, hard ground away from traffic for changing a wheel. For any further assistance contact your nearest Maruti Suzuki authorised workshop

To change a wheel, use the following procedure:

- 1) Prepare the jack, tools and spare tire.
- 2) Loosen, but do not remove the wheel nuts.
- 3) Jack up the vehicle (follow the jacking instructions in this section).

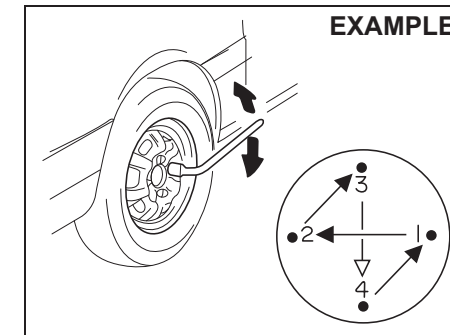
#### WARNING

- Shift into "R" (Reverse) for a manual transaxle or Auto Gear Shift vehicle when you jack up the vehicle.
- Never jack up the vehicle with the transaxle in "N" (Neutral). Otherwise, unstable jack may cause an accident.

#### CAUTION

Immediately after the vehicle has been driven, the wheels, the wheel nuts and the area around the brakes might be extremely hot. Touching these areas may cause burn injury. Do not touch these areas immediately after the vehicle has been driven.

- 4) Remove the wheel nuts and wheel.
- 5) Before installing the new wheel, clean any mud or dirt off from the surface of the wheel and hub with a clean cloth. Clean the hub carefully; it may be hot from driving.
- 6) Install the new wheel and replace the wheel nuts with their cone shaped end facing the wheel. Tighten each nut snugly by hand until the wheel is securely seated on the hub.



**Tightening torque for wheel nut  
100 Nm (10.2 kg-m, 74.0 lb-ft)**

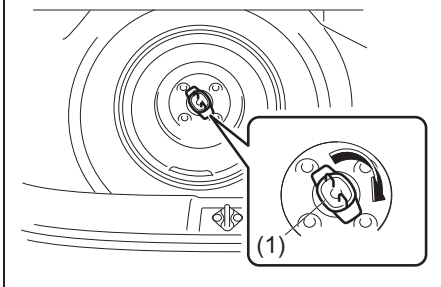
- 7) Lower the jack and fully tighten the nuts with a wrench in numerical order as shown in the illustration.

## EMERGENCY SERVICE

### **⚠ WARNING**

Use genuine wheel nuts and tighten them to the specified torque as soon as possible after changing wheels. Incorrect wheel nuts or improperly tightened wheel nuts may come loose or fall off, which can result in an accident. If you do not have a torque wrench, have the wheel nut torque checked by an authorised Maruti Suzuki workshop.

### **EXAMPLE**



56RM08003

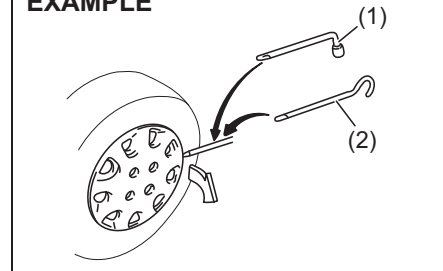
Return the spare tire back into the luggage compartment in the reverse order of removal and tighten its bolt (1) clockwise as shown in the above illustration.

### **NOTICE**

Make sure that the spare tire is fixed securely on the floor. Loosely fixed tire may cause noise during driving and damage paint on vehicle body.

### **Full wheel cover (if equipped)**

### **EXAMPLE**



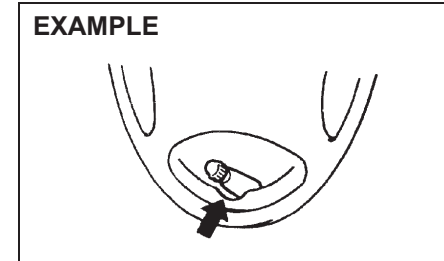
60G309

(1) or (2) Flat end tool

Your vehicle includes two tools, a wheel wrench and a jack crank, one of which has a flat end.

Use the tool with the flat end to remove the full wheel cap, as shown above.

### **EXAMPLE**



54P000803

Install the full wheel cover not to cover or foul the air valve.

## EMERGENCY SERVICE

### Jump-starting instructions

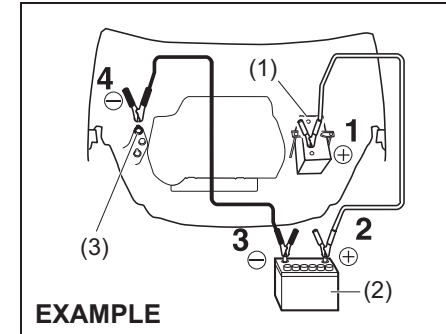
#### **⚠ WARNING**

- Never attempt to jump-start your vehicle if the battery appears to be frozen. Batteries in this condition may explode.
- When making jump lead connections, check that your hands and the jump leads remain clear from pulleys, belts or fans.
- Batteries produce flammable hydrogen gas. Keep flames and sparks away from the battery or an explosion may occur. Never smoke when working near the battery.
- If the booster battery you use for jump-starting is installed in another vehicle, check that the two vehicles are not touching each other.
- If your battery discharges repeatedly, for no apparent reason, have your vehicle inspected by an authorised Maruti Suzuki workshop.
- To avoid harm to yourself or damage to your vehicle or battery, follow the jump-starting instructions below.  
If you are in doubt, call for qualified road service.

#### **NOTICE**

Your vehicle should not be started by pushing or towing. This starting method could result in permanent damage to the catalytic converter. Use jump leads to start a vehicle with a weak or discharged battery.

- 1) Use only a 12-volt battery to jump-start your vehicle. Position the good 12-volt battery close to your vehicle so that the jump leads will reach both batteries. When using a battery installed on another vehicle, check that two vehicles do not touch each other. Set the parking brakes fully on both vehicles.
- 2) Turn off all vehicle accessories, except those necessary for safety reasons (for example, headlights or hazard lights).



- 3) Connect jump leads as follows:
  1. Connect one end of the first jump lead to the positive (+) terminal of the discharged battery (1).
  2. Connect the other end to the positive (+) terminal of the booster battery (2).
  3. Connect one end of the second jump lead to the negative (-) terminal of the booster battery (2).
  4. Make the final connection to an unpainted, heavy metal part (i.e. engine mount bolt (3)) of the engine of the vehicle with the discharged battery (1).

## EMERGENCY SERVICE

### WARNING

Never connect the jump lead directly to the negative (-) terminal of the discharged battery, or an explosion may occur.

### CAUTION

Connect the jump lead to the engine mount bracket securely. If the jump lead disconnects from the engine mount bracket because of vibration at the start of the engine, the jump lead could be caught in the drive belts.

- 4) If the booster battery you are using is fitted to another vehicle, start the engine of the vehicle with the booster battery. Run the engine at moderate speed.
- 5) Start the engine of the vehicle with the discharged battery.
- 6) Remove the jump leads in the exact reverse order in which you connected them.

## Towing

If you need to have your vehicle towed, contact a professional service. Your dealer can provide you with detailed towing instructions.

### NOTICE

Observe the following instructions when towing your vehicle.

- To help avoid damage to your vehicle during towing, proper equipment and towing procedures must be used.
- Using the frame hook, tow your vehicle on paved roads for short distances at low speed.

## 2-wheel drive (2WD) manual transaxle or Auto Gear Shift

Manual transaxle vehicles or Auto Gear Shift may be towed using either of the following methods.

- 1) From the front, with the front wheels lifted and the rear wheels on the ground. Before towing, check that the parking brake is released.
- 2) From the rear, with the rear wheels lifted and the front wheels on the ground, provided the steering and drivetrain are in operational condition. Before towing, check that transaxle is in neutral, the steering wheel is unlocked (vehicle without keyless push start system - the ignition key should be in

“ACC” position) (vehicle with keyless push start system - the ignition mode is “ACC”), and the steering wheel is secured with a clamping device designed for towing service.

### NOTICE

After shifting the Auto Gear Shift gearshift lever to the “N” position, always check the gear position indicator in the instrument cluster shows the “N” position to make sure that the transaxle is disengaged.

If the transaxle cannot be put in neutral, turn the key from “LOCK” to “ON” position or press the engine switch to change the ignition mode to “ON”, and move the Auto Gear Shift gearshift lever from “N” to “D”, “M” or “R”, then back to “N” again. Then turn the key from “ON” to “LOCK” position or press the engine switch to change the ignition mode to “LOCK” (OFF).

These procedures may help put the transaxle in neutral. If the transaxle still cannot be put in neutral, you cannot tow the vehicle without using a towing dolly.

## EMERGENCY SERVICE

---

### NOTICE

**The steering column is not strong enough to withstand shocks transmitted from the front wheels during towing. Always unlock the steering wheel before towing.**

### Engine trouble: Starter does not operate

- 1) Try turning the ignition switch to "START" position or try pressing the engine switch to change the ignition mode to "START" with the headlights turned on to determine the battery condition. If the headlights go excessively dim or go off, it usually means that either the battery is discharged or the battery terminal contact is poor. Recharge the battery or correct battery terminal contact as necessary.
- 2) If the headlights remain bright, check the fuses. If the reason for failure of the starter is not obvious, there may be a major electrical problem. Have the vehicle inspected by your authorised Maruti Suzuki workshop.

### Engine trouble: Flooded engine

If the engine is flooded with fuel, it may be hard to start. If this happens, press the accelerator pedal all the way to the floor and hold it there while cranking the engine.

- Do not operate the starter motor for more than 12 seconds.

#### NOTE:

*For keyless push start system, if the engine refuses to start, the starter motor automatically stops after a certain period of time. After the starter motor has automatically stopped or if there is anything abnormal in the engine starting system, the starter motor runs only while the engine switch is held pressed.*

**Engine trouble: Overheating**

The engine could overheat temporarily under severe driving conditions. If the high engine coolant temperature warning light comes on as overheating during driving:

- 1) Turn off the air conditioner, if equipped.
- 2) Take the vehicle to a safe place and park.
- 3) Run the engine at a normal idle speed for a few minutes until the high engine coolant temperature warning light goes off.

**⚠ WARNING**

If you see or hear escaping steam, stop the vehicle in a safe place and immediately turn off the engine to cool it. Do not open the hood when steam is present. When the steam can no longer be seen or heard, open the hood to see if the coolant is still boiling. If it is, you must wait until it stops boiling before you proceed.

If the high engine coolant temperature warning light does not go off:

- 1) Turn off the engine and check that the water pump belt and pulleys are not damaged or slipping. If any abnormality is found, correct it.
- 2) Check the coolant level in the reservoir. If it is found to be lower than "LOW" line, check radiator, water pump, radiator hoses and heater hoses for leakage.

If leakage that may cause overheating is found, do not run the engine until these problems have been corrected.

- 3) If leakage is not found, carefully add coolant to the reservoir and then the radiator, if necessary. (Refer to "Engine coolant" in "INSPECTION AND MAINTENANCE" section.)

**NOTE:**

*If engine overheats and you are not sure what to do, contact your authorised Maruti Suzuki workshop.*

**EXAMPLE**

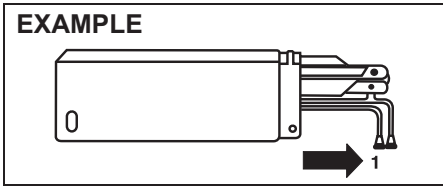
79J007

**⚠ WARNING**

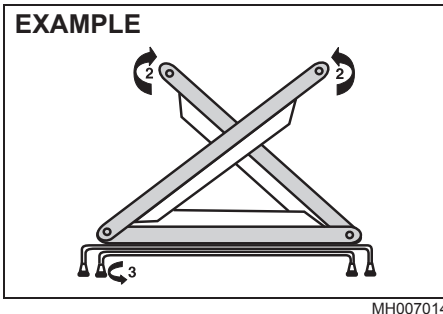
- It is hazardous to remove the radiator cap (or degassing tank cap for a diesel engine) when the water temperature is high, because scalding fluid and steam may be blown out under pressure. The cap should only be taken off when the coolant temperature has lowered.
- To help prevent personal injury, keep hands, tools and clothing away from the engine cooling fan and air-conditioner fan (if equipped). These electric fans can automatically turn on without warning.

## EMERGENCY SERVICE

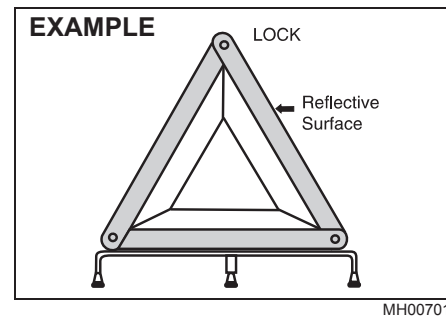
### Warning Triangle



In case of vehicle break-down or during emergency stopping, where, your vehicle could become a potential traffic hazard, keep the warning triangle, provided with your vehicle, on the road free from any obstacles behind your vehicle so as to warn the approaching traffic, at an approximate distance of 50-100 m. The reflecting side of the triangle should face the on coming traffic. Please activate the hazard warning lamps before alighting the vehicle to keep the warning triangle.



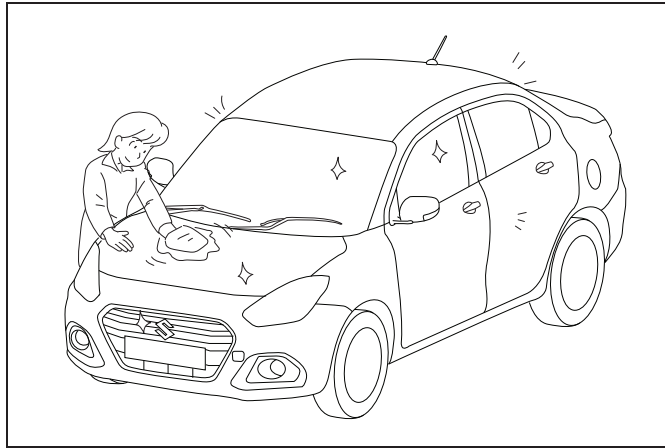
- Remove the warning triangle carefully from the cover as shown by arrow 1.
- Open both the reflector arms as shown by arrow and lock the arms with each other with the clip provided in the right arm. Open the bottom stand in counter clock-wise direction as shown by arrow 3. Position the warning triangle behind the vehicle on a plain surface.
- Reverse the removal procedure for keeping inside the cover.





## APPEARANCE CARE

Corrosion prevention ..... 9-1  
Vehicle cleaning ..... 9-2



56RM09004

## APPEARANCE CARE

### Corrosion prevention

It is important to take good care of your vehicle to protect it from corrosion. Listed below are instructions for how to maintain your vehicle to prevent corrosion. Please read and follow these instructions carefully.

#### Important information about corrosion

##### Common causes of corrosion

- 1) Accumulation of road salt, dirt, moisture or chemicals in hard-to-reach areas of the vehicle underbody or frame.
- 2) Chipping, scratches and any damage to treated or painted metal surfaces resulting from minor accidents or abrasion by stones and gravel.
- 3) Any or all of the below mentioned points:
  - continuous exposure to sunlight
  - hard water & Sea water coming in contact with vehicle
  - foot rubbing (skirting).

##### Environmental conditions which accelerate corrosion

- 1) Road salt, dust control chemicals, sea breeze or industrial pollution will all accelerate the corrosion of metal.
- 2) High humidity will increase the rate of corrosion particularly when the temperature range is just above the freezing point.
- 3) Moisture in certain areas of a vehicle for an extended period of time may pro-

mote corrosion even though other body sections may be completely dry.

- 4) High temperatures will cause an accelerated rate of corrosion to parts of the vehicle which are not well-ventilated to permit quick drying.

This information illustrates the necessity of keeping your vehicle (particularly the underbody) as clean and dry as possible. It is equally important to repair any damage to the paint or protective coatings as soon as possible.

#### How to help prevent corrosion

##### Wash your vehicle frequently

The best way to preserve the finish on your vehicle and to help avoid corrosion is to keep it clean with frequent washing.

Wash your vehicle at least once during the winter and once immediately after the winter. Keep your vehicle, particularly the underside, as clean and dry as possible.

If you frequently drive on salted roads, your vehicle should be washed at least once a month during the winter. If you live near the ocean, your vehicle should be washed at least once a month throughout the year.

For washing instructions, refer to “Vehicle cleaning” section.

##### Remove foreign material deposits

Foreign material such as salts, chemicals, road oil or tar, tree sap, bird droppings and industrial fall-out may damage the finish of

your vehicle if it is left on painted surfaces. Remove these types of deposits as quickly as possible. If these deposits are difficult to wash off, an additional cleaner may be required. Check that any cleaner you use is not harmful to painted surfaces and is specifically intended for your purposes. Follow the manufacturer's directions when using these special cleaners.

##### Repair finish damage

Carefully examine your vehicle for damage to the painted surfaces. Should you find any chips or scratches in the paint, touch them up immediately to prevent corrosion from starting. If the chips or scratches have gone through to the bare metal, have a qualified body shop make the repair.

##### Keep passenger and luggage compartments clean

Moisture, dirt or mud can accumulate under the floor mats and may cause corrosion. Occasionally, check under these mats to ensure that this area is clean and dry. More frequent checks are necessary if the vehicle is used for off-road driving or in wet weather.

Certain cargos such as chemicals, fertilizers, cleaners, salts, etc. are extremely corrosive by nature. These products should be transported in sealed containers. If they are spilled or leaked, clean and dry the area immediately.

## APPEARANCE CARE

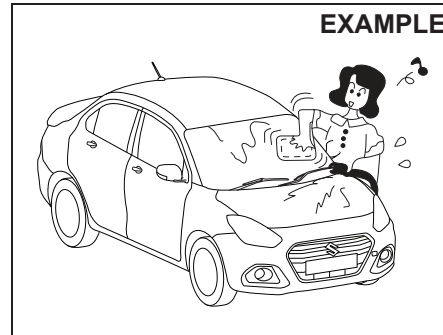
### Park your vehicle in a dry, well-ventilated area

Park your vehicle to save it from continuous exposure to direct sunlight. Do not park your vehicle in a damp, poorly-ventilated area. If you often wash your vehicle in the garage and place it there in wet condition, your garage may be damp. The high humidity in the garage may cause or accelerate corrosion. A wet vehicle may corrode even in a heated garage if the ventilation is poor.

#### **⚠ WARNING**

**Do not apply additional undercoating or rust preventive coating on or around exhaust system components such as the catalytic converter and exhaust pipes. A fire could be started if the undercoating substance becomes overheated.**

### Vehicle cleaning



#### **⚠ WARNING**

**When cleaning the interior or exterior of the vehicle, do not use flammable solvents such as lacquer thinners, petrol and benzene. Also, do not use cleaning materials such as bleaches and strong household detergents. The materials could cause personal injury or damage to the vehicle.**

### Cleaning interior

#### Vinyl upholstery

Prepare a solution of soap or mild detergent dissolved in warm water. Apply the solution to the vinyl with a sponge or soft cloth and let it soak for a few minutes to loosen dirt.

Rub the surface with a clean, damp cloth to remove dirt and the soap solution. If some dirt still remains on the surface, repeat this procedure.

#### Fabric upholstery (Except front passenger seat)

Remove loose dirt with a vacuum cleaner. Using a mild soap solution, rub stained areas with a clean damp cloth. To remove soap, rub the areas again with a cloth dampened with water. Repeat this until the stain is removed, or use a commercial fabric cleaner for tougher stains. If you use a fabric cleaner, carefully follow the manufacturer's instructions and precautions.

## APPEARANCE CARE

### ▲ CAUTION

- Do not spill liquid or semi-solid on the front passenger's seat. If you spill it on the front passenger's seat, immediately wipe it dry with a soft cloth. Contact of liquid with sensor may impact the function of seat belt reminder sensor.
- Do not place any sharp or heavy object on passenger seat which can penetrate through seat upholstery and can cause damage to sensor.

#### Fabric upholstery (For front passenger seat)

Do not use liquid for cleaning as it may penetrate the fabric and damage the seat sensor.

#### Leather upholstery

Remove loose dirt with a vacuum cleaner. Using a mild soap or saddle soap solution, wipe dirt off with a clean damp soft cloth. To remove soap, wipe the areas again with a soft cloth dampened with water. Wipe the areas dry with a soft dry cloth. Repeat this until the dirt or stain is removed, or use a commercial leather cleaner for tougher dirt or stains. If you use a leather cleaner, carefully follow the manufacturer's instructions and precautions. Do not use solvent type cleaners or abrasive cleaners.

#### NOTE:

- In order to keep leather upholstery looking good, it should be cleaned at least twice a year.
- If leather upholstery becomes wet, immediately wipe it dry with tissue paper or a soft cloth. Water may cause leather to harden and shrink if it is not wiped off.
- When parking on sunny days, select a shady place or use a sunshade. If leather upholstery is exposed to direct sunlight for a long time, it may discolor and shrink.
- As is common with natural materials, leather is inherently irregular in grain and cowhide has spots in its natural state. These do not affect the performance of the leather in any way.

#### Seat belts

Clean seat belts with a mild soap and water. Do not use bleach or dye on the belts. They may weaken the fabric in the belts.

### ▲ CAUTION

- Do not spill liquid or semi-solid on the front passenger's seat. If you spill it on the front passenger's seat, immediately wipe it dry with a soft cloth. Contact of liquid with sensor may impact the function of seat belt reminder sensor.
- Do not place any sharp or heavy object on passenger seat which can penetrate through seat upholstery and can cause damage to sensor.

#### Vinyl floor mats

Ordinary dirt can be removed from vinyl with water or mild soap. Use a brush to help loosen dirt. After the dirt is loosened, rinse the mat thoroughly with water and dry it in the shade.

#### Carpets

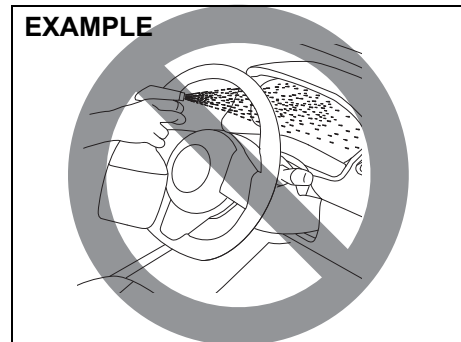
Remove dirt and soil as much as possible with a vacuum cleaner. Using a mild soap solution, rub stained areas with a clean damp cloth. To remove soap, rub the areas again with a cloth dampened with water. Repeat this until the stain is removed, or use a commercial carpet cleaner for tougher stains. If you use a carpet cleaner, carefully follow the manufacturer's instructions and precautions.

**Instrument panel and console**

Remove loose dirt with a vacuum cleaner. Gently wipe dirt off with a tightly squeezed damp clean cloth. Repeat this until the dirt is removed.

**⚠ WARNING**

Do not use chemical products that contain silicon to wipe electrical components such as the air conditioning system, audio, navigation system, or other switches. These will cause damage to the components. Do not spray water or any liquid directly on instrument cluster or any other electrical or electronic components. This may cause damage and/or lead to non-functioning of the part or may cause fire.



81RM08005

**Cleaning exterior**

**NOTICE**

It is important that your vehicle be kept clean and free from dirt. Failure to keep your vehicle clean may result in fading of the paint or corrosion to various parts of the vehicle body.

**Caring for aluminum wheels**

**NOTE:**

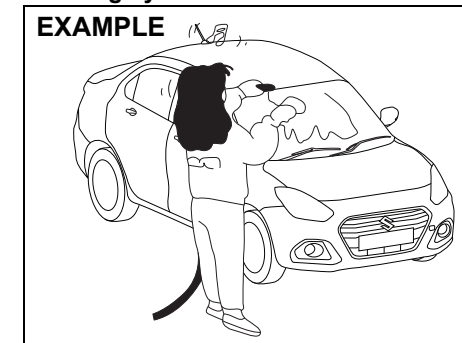
- Do not use an acidic or alkaline detergent, or a cleaner containing petroleum solvent to wash aluminum wheels. These types of cleaner will cause permanent spots, discoloration and cracks on finished surfaces and damage to center caps.
- Do not use a bristle brush and soap containing an abrasive material. These will damage finished surfaces.

**Washing**

**⚠ WARNING**

- Never attempt to wash and wax your vehicle with the engine running.
- When cleaning the underside of the body and fender, where there may be sharp-edged parts, wear gloves and a long-sleeved shirt to protect your hands and arms from being cut.
- After washing your vehicle, carefully test the brakes before driving to check that they have maintained their normal effectiveness.

**Washing by hand**



56RM09002

## APPEARANCE CARE

When washing the vehicle, park it in the place where direct sunlight does not fall on it and follow the instructions below:

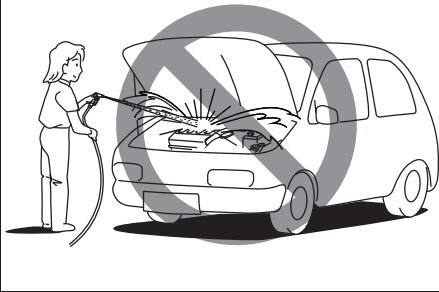
- 1) Flush the underside of body and wheel housings with pressurized water to remove mud and debris. Use plenty of water.

### NOTICE

**When washing the vehicle:**

- Avoid directing steam or hot water of more than 80°C (176°F) on plastic parts.
- To avoid damaging engine components, do not use pressurized water in the engine compartment.

### EXAMPLE



81RM08006

- 2) Rinse the body to loosen the dirt. Remove dirt and mud from the body exterior with running water. You may

use a soft sponge or brush. Do not use hard materials which can scratch the paint or plastic. Remember that the headlight covers or lenses are made of plastic in many cases.

### NOTICE

**To avoid damage to the paint or plastic surface, do not wipe the dirt off without ample water. Follow the above procedure.**

- 3) Wash the entire exterior with a mild detergent or car wash soap using a sponge or soft cloth. The sponge or cloth should be frequently soaked in the soap solution.

### NOTICE

**When using a commercial car wash product, observe the cautions specified by the manufacturer. Never use strong household detergents or soaps.**

- 4) Once the dirt has been completely removed, rinse off the detergent with running water.
- 5) Wipe off the vehicle body with a wet chamois or cloth and allow it to dry in the shade.
- 6) Check carefully for damage to painted surfaces. If there is any damage, touch

up the damage following the procedure below:

1. Clean all damaged spots and allow them to dry.
2. Stir the paint and touch up the damaged spots lightly using a small brush.
3. Allow the paint to dry completely.

Washing by an automatic car wash

**NOTICE**

If you use an automatic car wash, check that your vehicle's body parts, such as spoilers, cannot be damaged. If you are in doubt, consult the car wash operator for advice.

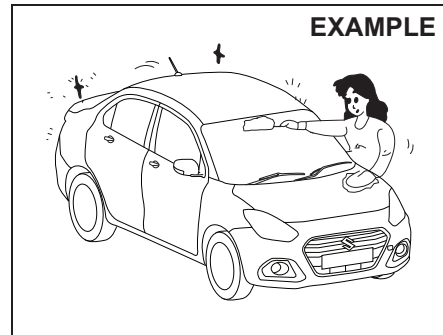
Washing by a high-pressure cleaner

**NOTICE**

If you use a high-pressure cleaner, keep away the nozzle from your vehicle sufficiently.

- Bringing the nozzle to your vehicle too close or pointing the nozzle to the opening of front grill or bumper etc. can cause damage and malfunction of the vehicle body and parts.
- Pointing the nozzle to the weather-strip of door glasses, doors and the sunroof (if equipped) can allow water to enter the cabin.

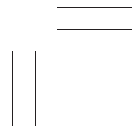
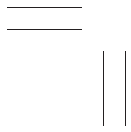
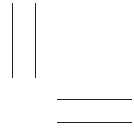
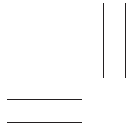
Waxing



56RM09003

After washing the vehicle, waxing and polishing are recommended to further protect and beautify the paint.

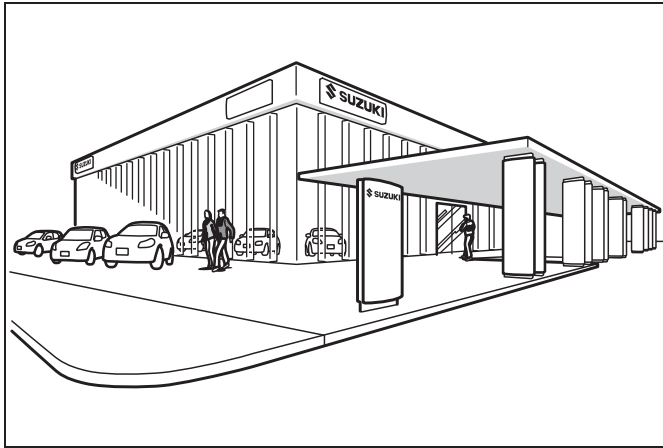
- Only use waxes and polishes of good quality.
- When using waxes and polishes, observe the precautions specified by the manufacturers.





## GENERAL INFORMATION

Vehicle identification .....	10-1
FASTag (if equipped) .....	10-1
High Security Registration Plate (HSRP).....	10-3

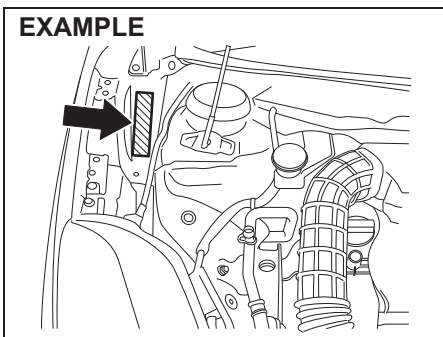
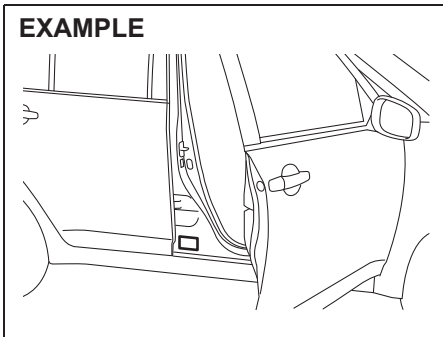


84MM01001

## GENERAL INFORMATION

### Vehicle identification

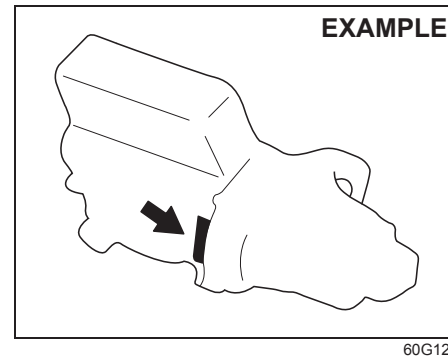
#### Chassis serial number



The chassis and/or engine serial numbers are used to register the vehicle. They are

also used to assist your dealer when ordering or referring to special service information. Whenever you have occasion to consult your authorised Maruti Suzuki workshop, remember to identify your vehicle with this number. Should you find the number difficult to read, you will also find it on the identification plate.

#### Engine serial number

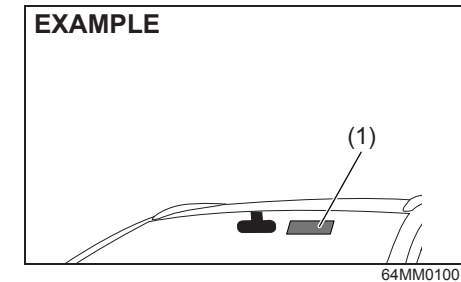


The engine serial number is stamped on the cylinder block as shown in the illustration.

### FASTag (if equipped)

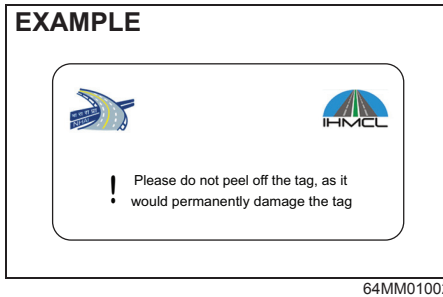
As per Ministry of Road Transport and Highways, the FASTag (1) is mandatory for each vehicle for the purpose of electronic toll collection or any other purpose as may be defined by the Government of India.

In case of any damage to FASTag or replacement of front windscreen, please contact your nearest authorised Maruti Suzuki workshop.



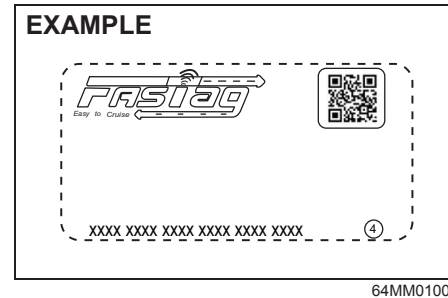
## GENERAL INFORMATION

### As seen from inside of the vehicle



**NOTE:**  
*The picture shown is for indicative purpose only. Internal structure of actual device mounted on vehicle may be different.*

### As seen from outside of the vehicle



**NOTE:**  
*The picture shown is for indicative purpose only. Internal structure of actual device mounted on vehicle may be different.*

**NOTE:**

- Any attempt to remove the tag from the windscreen will result in permanent damage to the tag.
- Use of chemical cleaners to clean the windscreen area where the tag is mounted can damage the tag.
- Use of any sharp objects on the tag can damage the tag.

## GENERAL INFORMATION

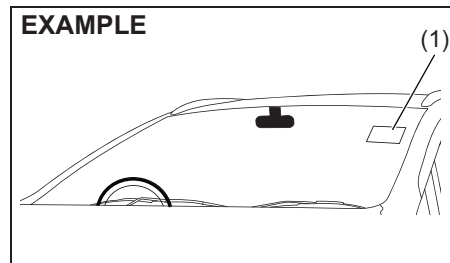
### High Security Registration Plate (HSRP)

As per Ministry of Road Transport and Highways, every new vehicle must have HSRP.

HSRP contains;

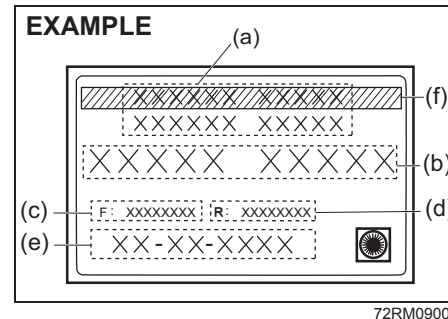
- Front and rear HSRP, which will be fitted with 2 snap-locks each on number plate area.
- Third license plate on front windshield.

### Third License Plate



(1) Third license plate

Third license plate - As seen from outside of the vehicle



- (a) HSRP issuing authority name
- (b) Vehicle registration number
- (c) Unique laser number - Front plate
- (d) Unique laser number - Rear plate
- (e) Date of 1st registration (in DD-MM-YYYY format)
- (f) Green strip (BS6 vehicle)

NOTE:

The picture shown is for indicative purpose only. Internal structure of actual label mounted on vehicle may be different.

NOTE:

- Any attempt to remove the third license plate from the windshield will result in permanent damage to the label.
- Use of chemical cleaners to clean the windshield area where the label is mounted can damage the same.
- Use of any sharp objects on the label can damage the label.

- In the event of any replacement of the third license plate, may please contact the approved authority.

Third license plate - As seen from inside of the vehicle



NOTE:

The picture shown is for indicative purpose only.

NOTE:

Color of third license plate (back) is as per HSRP regulation as defined by Ministry of Road Transport and highways.

## SPECIFICATIONS

### SPECIFICATIONS

**NOTE:**

*Specifications are subject to change without notice.*

M/T: Manual transaxle

ITEM: Dimensions		UNIT: mm	
Overall length			3995
Overall width			1735
Overall height			1515
Wheelbase			2450
Track	Front	165/80R 14 tire	1530
		185/65R 15 tire	1520
	Rear	165/80R 14 tire	1530
		185/65R 15 tire	1520

ITEM: Mass (weight)		UNIT: kg	
Curb mass (weight)	M/T		880 – 910
	Auto Gear Shift		905 – 915
Gross vehicle mass (weight) rating			1335
Permissible maximum axle weight	Front		720
	Rear		740

11

11-1

56RH0-74E

## SPECIFICATIONS

---

<b>ITEM: Engine</b>	
Type	K12N(DOHC)
Number of cylinders	4
Bore	73.0 mm (2.87 in.)
Stroke	71.5 mm (2.81 in.)
Piston displacement	1197 cm <sup>3</sup> (1197 cc, 73.0 cu.in)
Compression ratio	12.0: 1

<b>ITEM: Electrical</b>		
Standard spark plug		NGK ILZKR6F11
Battery	Petrol	ISS M42 (for ENG A-STOP model), 34B19L
	CNG	34B19L
Fuses		See "INSPECTION AND MAINTENANCE" section.

## SPECIFICATIONS

ITEM: Lights		WATTAGE	BULB No.
Headlight	Halogen	12V 60/55W	H4
	LED	LED	–
Front fog light (if equipped)		12V 19W	H16
Position light (Vehicle with the halogen headlights)		12V 5W	W5W
Position light & Daytime running light (Vehicle with the LED headlights)		LED	–
Turn signal light	Front	12V 21W	PY21W
	Rear	12V 21W	WY21W
Side turn signal light	(on fender)	12V 5W	WY5W/W5W
	(on outside rearview mirror)	LED	–
Tail/brake light		LED	–
High mount stop light		LED	–
Reversing light		12V 16W	W16W
License plate light		12V 5W	W5W
Interior light	Front (if equipped)	12V 10W	C10W
	Center	12V 10W	–
	Trunk lid (if equipped)	12V 5W	W5W

## SPECIFICATIONS

<b>ITEM: Wheels and tires</b>	
Tire size, front and rear	165/80R14 85T <sup>*1</sup> , 185/65R15 88T <sup>*1</sup> , 185/65R15 88H <sup>*1</sup>
Rim size	165/80R14 tire: 14X5J 185/65R15 tire: 15X5 1/2J
Tire pressures	For the specified tire pressure, see the tire information label located on the driver's door lock pillar.
Recommended snow tire	165/80R14 <sup>*2</sup> or 185/65R15 <sup>*2</sup>
Tire size, spare <sup>*3</sup>	165/80R14 85T (Steel wheel)

\*1 If you cannot prepare tires with the specified load index rating and speed symbol, prepare tires with higher load index rate and speed symbol.

\*2 If you prepare snow tires;

- Check that they are tires of the same size, structure and load capacity as the originally installed tires.
- Mount the snow tires on all four wheels.
- Understand that the maximum permissible speed of snow tires is generally less than the originally installed tires.

\*3 -

- The spare wheel provided with alloy wheel variant is of steel wheel rim, hence follow 4 tire rotation only (Refer: Section Inspection and Maintenance).
- The provision of different spare wheel is as per government notification/regulation (MORTH notification vide GSR 625 (E)).



## SPECIFICATIONS

<b>ITEM: Recommended fuel / lubricants and capacities (approx.)</b>			
Fuel		See "FUEL RECOMMENDATION" section.	37 L <sup>#</sup>
Engine oil	For Petrol	Classification: API SN Viscosity: SAE 0W-16	3.3 L (replacement with oil filter)
	For CNG		3.7 L (replacement with oil filter)
Engine coolant		See "INSPECTION AND MAINTENANCE" section.	4.2 L (including reservoir tank)
Manual transaxle oil	M/T	"MARUTI GENUINE GEAR OIL 75W"	1.5 L
	Auto Gear Shift		1.5 L
Brake fluid / Clutch fluid		MARUTI GENUINE BRAKE FLUID (MGBF) or DOT 3.	Refill to the proper oil level according to the instructions in "INSPECTION AND MAINTENANCE" section.

# The fuel tank capacity is slightly more than the recommended quantity of fuel that you can fill. The additional voluminous space is provided for safety and scientific reasons.

## SERVICE NETWORK (AS ON 31.05.2023)

- **MARUTI SUZUKI AUTHORISED DEALER WORKSHOP** : SALES, SERVICE, WARRANTY & SPARE PARTS
- **MARUTI SUZUKI NEXA DEALER WORKSHOP** : SALES, SERVICE, WARRANTY & SPARE PARTS
- **MARUTI SERVICE MASTER (MSM)** : SERVICE, WARRANTY & SPARE PARTS
- **MARUTI SERVICE ZONE (MSZ)** : SERVICE, WARRANTY & SPARE PARTS
- **MARUTI AUTHORISED SERVICE STATIONS (MASSs)** : 'A' CATEGORY MASSs (\*\*MARKED)  
Free & paid Service, Major repairs & Accidental repairs
- 'B' CATEGORY MASSs (\* MARKED)  
Free & paid Service & Major repairs
- 'C' CATEGORY MASSs (##MARKED)  
Free & paid Service & Minor repairs
- 'D' CATEGORY MASSs (#MARKED)  
Free Service & Minor repairs

**NOTE:**

Certain MASSs are not authorised to undertake Warranty jobs. Customers are requested to approach only Maruti Suzuki Authorised Dealer Workshop / Maruti Suzuki Nexa Dealer Workshop / Maruti Service Master / Maruti Service Zone for Warranty jobs.

The charges and services may vary depending upon service network and location.

For latest Service Network details kindly visit [www.marutisuzuki.com](http://www.marutisuzuki.com) or contact our regional office / area office as mentioned below.

REGIONAL OFFICE	AREA COVERED
REGIONAL OFFICE (NORTH-I) MARUTI SUZUKI INDIA LIMITED 2nd FLOOR, 157 DIVINE , RAJPUR ROAD, DEHRADUN, UTTARAKHAND - 248001 PH:- 0135-2738549	UTTARAKHAND AND PART OF U.P.
REGIONAL OFFICE (NORTH-II) MARUTI SUZUKI INDIA LIMITED SCO: 39-40, SECTOR 8C, MADHYA MARG, CHANDIGARH - 160009 PH. NO.- 0172-2780056	PUNJAB, CHANDIGARH, PANCHKULA, ZIRAKPUR, MOHALI, JAMMU AND KASHMIR & LADAKH
REGIONAL OFFICE (NORTH-III) MARUTI SUZUKI INDIA LIMITED 4TH FLOOR, SUMMIT, PLOT NO. TCG 3/3, VIBHUTI KHAND, GOMTI NAGAR – LUCKNOW - 226010	PART OF U.P.
REGIONAL OFFICE (NORTH-IV) MARUTI SUZUKI INDIA LIMITED S.C.O. 81, FIRST FLOOR, SECTOR 5, PANCHKULA (HARYANA)-134109 PH : (0172) 2590056, 2580056	PART OF HARYANA AND HIMACHAL PRADESH
REGIONAL OFFICE (EAST-I) MARUTI SUZUKI INDIA LIMITED PLOT NO IID/15, ACTION AREA IID, NEW TOWN KOLKATA-700156	WEST BENGAL, SIKKIM, ANDAMAN & NICOBAR
REGIONAL OFFICE (EAST-II) MARUTI SUZUKI INDIA LIMITED 4TH FLOOR, ROHINI, OPP. HOTEL APSARA, 56, CIRCULAR ROAD, LALPUR RANCHI - 834001, JHARKHAND PH.: - 0651-2563931/61	BIHAR, JHARKHAND
REGIONAL OFFICE (EAST-III) MARUTI SUZUKI INDIA LIMITED 5A, 5TH FLOOR, PEACE ENCLAVE 724, ULUBARI, G.S.ROAD, GUWAHATI-781007 (ASSAM) TELE: 0361-2734308/10/11/12	ARUNACHAL PRADESH, ASSAM, MANIPUR, MEGHALYA, MIZORAM, NAGALAND, TRIPURA

## SERVICE NETWORK (AS ON 31.05.2023)

REGIONAL OFFICE (WEST-I) MARUTI SUZUKI INDIA LIMITED Plot No-GEN 25 + 25 B/2, TTC INDUSTRIAL AREA, PAWANE VILLAGE, THANE BELAPUR ROAD, NAVI MUMBAI- 400705 PH NO-022 45042300	PART OF MAHARASHTRA AND GOA
REGIONAL OFFICE (WEST-II) MARUTI SUZUKI INDIA LIMITED SACRED WORLD, 7TH FLOOR, NORTH BLOCK, UNIT NUMBER 708-715; JAGTAP CHOWK, WANAWADI, PUNE – 411 040 (MAHARASHTRA) PH. (020) 26856037 / 38 / 39	PART OF MAHARASHTRA
REGIONAL OFFICE (WEST-III) MARUTI SUZUKI INDIA LIMITED 211-213, 2ND FLOOR, ISCON MALL, ABOVE STAR INDIA BAZAR, SATELLITE, AHMEDABAD - 380015 PH NO - 079 – 40036660	GUJARAT, DADRA & NAGAR HAVELI, DAMAN AND DIU
REGIONAL OFFICE (SOUTH-I) MARUTI SUZUKI INDIA LIMITED 10th Floor, Block A, Gopal Infocity Park, No.40, Anna Nedunchalai, Kandanchavadi, Perungudi, Chennai, Tamil Nadu – 600096 PH. - 044 - 28233050 – 53	TAMILNADU AND PONDICHERY
REGIONAL OFFICE (SOUTH-II) MARUTI SUZUKI INDIA LIMITED #204, 2ND FLOOR, EMBASSY CLASSIC BUILDING, VITTAL MALLYA ROAD, BANGALORE- 560001, KARNATAKA. PH: (080) 41120018	KARNATAKA
REGIONAL OFFICE (SOUTH-III) MARUTI SUZUKI INDIA LIMITED 2ND FLOOR, TUTUS TOWERS, 32/1787 NH47- BYE PASS, PADIVATTOM, COCHIN- 682024	KERALA
REGIONAL OFFICE (SOUTH EAST-I) MARUTI SUZUKI INDIA LIMITED 101-102 FIRST FLOOR MAHAVIR CHAMBERS, LIBERTY SQUARE STANZA, HIMAYATH NAGAR, HYDERABAD-500029, TELANGANA CONTACT NO: 040-667299999	ANDHRA PRADESH, TELANGANA
REGIONAL OFFICE (SOUTH EAST-II) MARUTI SUZUKI INDIA LIMITED UTKAL SIGNATURE, UNIT NO. 605 & 606 (6TH FLOOR) NH-5, PAHAL, CUTTACK-BHUBANESWAR ROAD, BHUBANESWAR-752101, ODISHA PH. 0674-2914129, 0674-2914139 & 0674-2914229	ODISHA AND CHHATTISGARH
REGIONAL OFFICE (CENTRAL-I & II) MARUTI SUZUKI INDIA LIMITED Nelson Mandela Marg, Vasant Kunj II, Vasant Kunj, New Delhi, Delhi - 110070	DELHI
REGIONAL OFFICE (CENTRAL-III) MARUTI SUZUKI INDIA LIMITED 7TH POOJA TOWER, 3 GOPALPURA BYEPASS, TONK ROAD JAIPUR (RAJASTHAN)- 302018, CONTACT NO.: 0141-2550888	RAJASTHAN
REGIONAL OFFICE (CENTRAL-IV) MARUTI SUZUKI INDIA LIMITED 3RD FLOOR, COMMERCE HOUSE, 7 RACE COURSE ROAD INDORE (M.P) PIN CODE: 452001 CONTACT NO.: 07314069481/852/385.	MADHYA PRADESH

**SERVICE NETWORK (AS ON 31.05.2023)**

<b>DETAILS OF AREA OFFICES</b>	
<b>Area Office Location</b>	<b>Area Office Address</b>
Agra	Maruti Suzuki India Limited, 7th Floor, B-15/8, Shri Vrindavan Tower, Sanjay Place, Agra-282001 Ph:-0562-4052646/47
Bhopal	Maruti Suzuki India Limited, 522, 5th Floor Corporate Zone, Ashima Mall, Hoshangabad Road, Bhopal (M.P) Pin Code: 462 026 Contact : 0755 6051555
Calicut	Maruti Suzuki India Limited, Ground Floor, Aarpees Arcade, YMCA Cross Road, Opp. Indusind Bank, Kozhikode, Kerala -PIN 673001 Phone:- 0495-2723151
Coimbatore	Maruti Suzuki India Limited, Srivari Gokul Towers, First floor, (East wing), No.108/3, Race course, Coimbatore - 641018 Ph.- 0422-2221091
Hubli	Maruti Suzuki India Limited, Shiva Avenue, 2nd Floor, Gokul Road, Hubli - 580030, Ph: 0836-4259447
Jammu	Maruti Suzuki India Limited, Hall no: 315, A2,3rd Floor, South Block, Bahu Plaza, Jammu-180012 M: 9622066444/9622524343
Ludhiana	Maruti Suzuki India Limited, SCO No. 16/17, 4Th Floor, Fortune Chambers, Feroze Gandhi Market, Ludhiana-141001, Ph: 0161-4649764
Madurai	Maruti Suzuki India Limited, 3rd floor, ADR towers, Kalavasal, Theni Bye pass road, Madurai-625016 Ph. - 0452-4200203
Mangalore	Maruti Suzuki India Limited, F - 4,5,6, 1st Floor, Classic Gateway, Mahaveer Circle Pumpwell Mangalore – 575002 Ph. 0824 - 4112111

## SERVICE NETWORK (AS ON 31.05.2023)

DETAILS OF AREA OFFICES	
Area Office Location	Area Office Address
Nagpur	Maruti Suzuki India Limited, Plot No.244, 1st Floor, Narayani House, Hill Road, Dharampeth Extension, Nagpur - 440010 (Maharashtra) Ph. (0712) 2225808
Nashik	Maruti Suzuki India Limited, Plot No.202, Rushiraj Towers, Jehan Circle, Gangapur Road, Nashik - 422 005 (Maharashtra) Ph. (0253) 6698551
Patna	Maruti Suzuki India Limited, 307-308, Vasundhara Metro Mall, Rajapur Pul, East Boring Canal Road, Patna - 800001, Bihar Phone - 0612-2559145
Raipur	Maruti Suzuki India Limited, 629-630, Magneto Offizo,Magneto The Mall, Labhandi, Raipur, Chhattisgarh, Pin - 492001 Ph.- 0771-4039643
Siliguri	Maruti Suzuki India Limited, Unit 401, 4th Floor, Quantum Siliguri, Parivahan Nagar, Matigara Siliguri - 734010 West Bengal
Surat	Maruti Suzuki India Limited, 304, Shivalik Western, Above TGB Restaurant, L.P. Savani Road, Adajan Surat - 395009
Trivandrum	Maruti Suzuki India Limited, 8th Floor, KEK Tower, Opp. Police Head Quarters, Vazhuthacadu, Trivandrum - 695010, Phone:- 0471-2322366
Udaipur	Maruti Suzuki India Limited, 302 & 303, 3rd Floor. Manglam's Fun Square, Durga Nursery Road. Udaipur, (Rajasthan) 313001
Vijayawada	Maruti Suzuki India Limited, Vaishinavi Complex, 4th Floor, Unit 2, Opposite Executive Club, Vijayawada, -530002,
Visakhapatnam	Maruti Suzuki India Limited, Door No. 10-50-58/1, 3rd Floor, Waltair Main Road, Ramnagar, Above westside store, RK Estates, Visakhapatnam-530002, Andhra Pradesh Contact No: 0891 2745299

**ANDAMAN AND NICOBAR ISLANDS**

**DIGLIPUR**

1. AGENCY HOUSE (A & N ISLANDS) PVT. LTD. (PU01-PU-01), MADHUPUR VILLAGE, TEHSIL DIGLIPUR, NORTH ANDAMAN - 744202 PH :271056.

**PORTBLAIR**

2. AGENCY HOUSE (A & N ISLANDS) PVT. LTD. (E102-E1-01), GARACHRAMA, PORT BLAIR - 744105 PH :251980, 253586, 211590.
3. AGENCY HOUSE (A & N ISLANDS) PVT. LTD. (E102-E1-02), NAYAGEN, PORTBLAIR - 744101 PH :227104, 211682.

**RANGAT**

4. AGENCY HOUSE (A & N ISLANDS) PVT. LTD. (E102-FJ-03), NIMBUTULLA, PO RANGAT, DIST. MIDDLE ANDMAN, - 744201 PH :211546.

**ANDHRA PRADESH**

**AMALAPURAM**

5. S.B. MOTOR CORPORATION (BTS1-BTS-01), #241/2B, BESIDE: BAPUJI PRIMARY SCHOOL MAIN ROAD, OPP. RR NAGAR, BANDARULANKA, AMALAPURAM, EAST GODAVARI (DIST) - 533201 PH :8374303303.

**AMARAVATI**

6. JAYALAKSHMI AUTOMOTIVES PVT. LTD (CVB1-CVB-01), SURVEY NO. 29, TOWNSHIP-16, SECTOR-137, COLONY-539, BLOCK-2029, PLOT NO. 1, SUB-DIVISION-L40, MALKAPURAM LIMITS, MANDAL - THULLURU, AMARAVATI-CITY, DIST.-GUNTUR, ANDHRA PRADESH. - 522237 PH :8374847777.

**ANAKAPALLE**

7. JAYABHERI AUTOMOTIVES PVT. LTD. (0N01-0N-01), SURVEY NO.822/1 & 2, NH-5 ROAD, ANAKAPALLE, DISTT. VISHAKHAPATNAM. - 531001 PH :7093575555.

**ANANTAPUR**

8. SRI DURGA AUTOMOBILES PVT. LTD. (1B01-1B-01), 17/377-A, GOOTY ROAD, ANANTAPUR - 515001 PH :910984249.

**ANNAVARAM**

9. VARUN MOTORS (SJH1-SJH-01), DO-NO : 5/116, SURVEY NO - 59., CHALAMAYYA NAGAR, RAILWAY STATION ROAD, NEAR SMP BAJAJ SHOWROOM, ANNAVARAM, EAST GODAVARI DISTRICT, ANDHRA PRADESH. - 533406 PH :9885511911.

**ARAKU**

10. VARUN MOTORS (SJG1-SJG-01), SURVEY NO 33-9/A, RAVULAGADDA VILLAGE, BESIDE GOVT DEGGRE COLLEGE, ARAKU, VISHAKAPATNAM, ANDHRAPRADESH - 531151 PH :7799499931.

**BHIMAVARAM**

11. NOVELTY REDDY & REDDY MOTORS PVT LTD (7M01-7M-01), NEAR BYEPASS ROAD, UNDI ROAD, BHIMAVARAM - 534202 PH :7799771777.

**BOBBILI**

12. VARUN MOTORS PVT. LTD. (CAM1-CAM-01), D. NO. 4-64, SURVEY NO. 219/8, VILLAGE - MALLAMMAFETA, BESIDE GROWTH CENTRE, BOBBILI, DISTRICT - VIZIANAGARAM, ANDHRA PRADESH. - 535558 PH :9885280772.

**CHALLAPALLI**

13. MITHRA AUTO AGENCIES PVT LTD (CSX1-CSX-01), D.NO.9-30, 9TH BLOCK, LAKSHMIPURAM LIMITS, RAMANAGARAM, CHALLAPALLI MANDALAM, DISTT. KRISHNA - 521126 PH :8886063526.

**CHILKALURIPET**

14. JAYALAKSHI (SFT1-SFT-01), M/S JAYALAKSHMI AUTO, SURVEY NO 457/C3, CHILKALURIPET, NADENLA MANDAL, GUNTUR, ANDHRA PRADESH - 522616 PH :9889144344.

**CHINTALAPUDI**

15. REDDY AND REDDY MOTORS (BY01-BY-01), RS NO 698/2 MARUTI NAGAR COURT CENTRE, ELURU-CHINTALAPUDI HIGHWAY, CHINTALAPUDI MANDAL, ANDHRA PRADESH - 534460 PH :9912341624, 9948827555.

**CHIRALA**

16. JAYALAKSHMI AUTOMOTIVES PVT. LTD (G502-NT-04), 9-1-92, CHURCH ROAD, CHIRALA, - 523157 PH :7331151661.

**CHITTOOR**

17. BHARGAVI AUTO PVT. LTD. (A801-1C-03), 22-241/A, KATTAMANCHI TIRUPATI ROAD, CHITTOOR, - 517001 PH :8463955558.

**CHODAVARAM**

18. VARUN MOTORS (SHT1-SH-01), SURVEY:NO : 108-2-A, 108-3-A & 108-4, GOVCHODAVARAM, DIST. VISAKHAPATNAM. - 531036 PH :#REF!.

**CUDDAPAH**

19. MSA MOTORS (C201-1D-03), K.T. BYE PASS ROAD, CUDDAPAH, ANDHRA PRADESH. - 516001 PH :7396865628.

**ELURU**

20. REDDY & REDDY MOTORS (1E01-1E-01), OLD NH-5 ROAD, BESIDES C R REDDY WOMEN'S COLLEGE OLD NH-5, ELURU, - 534001 PH :9705311566.

**GAJAPATINAGARAM**

21. JAYABHERI AUTOMOTIVES (SNN1-SNN-01), SURVEY NO 50-14, D.NO 3-1/C, BONDAPALLI MANADALAM, GAJAPATHINAGARAM, ANDHRA PRADESH. - 535270 PH :9100818111.

**GAMBHEERAM**

22. JAYABHERI AUTOMOTIVES PVT. LTD. (BQ01-GJF-02), PLOT NO. 40-45 & 48, GREEN INDUSTRIAL PARK, GAMBHERAM, ANANDPURAM, VISHAKAPATNAM. - 530052 PH :9644296789.

**GUDIVADA**

23. VARUN MOTORS PVT. LTD. (2603-CL-02), D.NO. 1-621, AUTONAGER 1ST LANE, GUDIVADA - 521301 PH :9885651383.

**GUDUR**

24. BHARGAVI AUTO PVT. LTD. (IS01-IS-01), SURVEY NO.1619/3A, GUDUR BYPASS, GUDUR RURAL, GUDUR DISTT. NELLORE, A.P. - 524101 PH :9652984999.

**GUNTAKAL**

25. SRI DURGA AUTOMOBILES PVT. LTD. (BJA1-BJA-01), SURVEY NO. 407, D. NO. 20/342-19, BELLARY ROAD, GUNTAKAL, DIST. -ANANTPUR, ANDHRA PRADESH. - 515801 PH :8142847353.

**GUNTUR**

26. JAYALAKSHMI AUTOMOTIVES PVT. LTD (G502-G5-01), D-N-8-24-31, MANGALAGIRI ROAD, GUNTUR - 522001 PH :789311711/0863-2241000.
27. JAYALAKSHMI (G502-G5-05), AT 1-14-114, OPP. HINDU COLLEGE, BANDLAMUDI GARDENS, AMARAVATI ROAD, GUNTUR-522003, AP - 522203 PH :9848131133/9625255555.
28. JAYALAKSHMI AUTO (G502-G5-06), SURVEY NO 509, D.NO 25-11-50 TOWN, WARD NO 22, OPPOSITE ITC BUILDING, R AGRAHARAM, NAGARAPALAM ROAD, GUNTUR, - 522004 PH :8374847777.

**HANUMAN JUNCTION**

29. SANTOSH MOTORS (SHB1-SHB-1), SY NO. 569/1 BESIDES NH5, VELURU VILLAGE, BAPULAPADU MANDAL, HANUMAN JUNCTION KRISHNA DISTRICT PIN 521105 - 521115 PH :9703637555.

**HINDUPUR**

30. SRI DURGA AUTOMOBILES PVT. LTD. (1B01-36-02), PLOT NO.83, NEAR RELIANCE PETROL BUNK, BYE PASS ROAD, HINDUPUR - 515201 PH :9849773030.

**ICHAPURAM**

31. JAYABHERI AUTOMOTIVES PVT. LTD. (GLL1-GLL-01), SURVEY NO. 105/3, 105/4 AND 229/7, ICHAPURAM, BALAKRISHNAPURAM PANCHAYAT, MUNIBHADRA VILLAGE, ANDHRA PRADESH. - 532312 PH :9394006666, 8142933666.

**JAGGAIAHPETA**

32. VARUN MOTORS PVT. LTD. (2603-PC-05), DOOR NO. 2-20, MUTHYALAMMA GUDI STREET JAGGAIAHPET TOWN, JAGGAIAHPET, KRISHNA DISTT. - 521175 PH :9642437099.

**JANGAREDDYGUDEM**

33. REDDY & REDDY MOTORS (1E01-HQ-02), NEAR R&B GUEST HOUSE, ELURU ROAD, JANGAREDDYGUDEM, - 534447 PH :9912563666.

**KAIKALURU**

34. SANTOSH AUTOMOTORS PVT. LTD. (CLW1-CLW-01), SY. NO. 12777 &9, OPP. NAIDU COMPLEX, AATAPAKA, KAIKALURU MANDAL, DIST. KRISHNA - 521333 PH :7799787969.

**KAKINADA**

35. S B MOTORS (W701-W7-01), D. NO. 52-10-38/3, NEAR AMAR GHATI CENTER, KARAPA ROAD, KAKINADA - 533001 PH :988519888.

**KANCHIKACHERLA**

36. VARUN MOTORS PVT. LTD. (GJD1-GJD-01), SURVEY NO 510/5, DOOR NO. 13-144, 146, 13TH WARD, KANCHIKACHERLA VILLAGE AND MANDAL, KRISHNA DIST., ANDHRA PRADESH. - 521180 PH :9703096444.

**KANDUKURU**

37. JAYALAKSHMI AUTOMOTIVES PVT. LTD (BEY1-BEY-01), SURVEY NO. 414, MAHADEVAPURAM VILLAGE, O. V. ROAD, KANDUKURU MANDAL, DISTRICT - PRAKASHAM, ANDHRA PRADESH. - 523105 PH :9848131133.

## Dealer Workshop (AS ON 30.05.2023)

### KANIGIRI

38. JAYALAKSHMI AUTOMOTIVES PVT. LTD (SCC1-SCC-01), SURVEY NO 793, PLOT NO 11,12 , KANIGIRI, PRAKASHAM DISTRICT, ANDHRA PRADESH - 523230  
PH :9848131133, 9052457512.

### KAVALI

39. BHARGAVI AUTO PVT. LTD. (A801-PF-05), KAVALI NELLORE, ANDHRA PRADESH - 524201  
PH :9248702667.

### KURNOOL

40. MSA MOTORS (C201-C2-01), AUTO NAGAR, INDUSTRIAL ESTATE, NH-7, KURNOOL - 518004  
PH :9959513945.

### MACHERLA

41. JAYALAKSHMI AUTOMOTIVES PVT. LTD (CEY1-CEY-01), D.NO. 343/7, 343/5-3, 15-2-3, MACHERLA, MACHERLA MUNICIPALITY. - 522426  
PH :9848131133, 9705261801.

### MACHILIPATNAM

42. MITHRA AUTO AGENCIES PVT LTD (2604-0K-04), NARASIMHA NAGAR, MACHILIPATNAM, ANDHRA PRADESH - 521001  
PH :9886063526.

### MADANAPALLI

43. BHARGAVI AUTO PVT. LTD. (AAT1-AAT-01), SURVEY NO.762, BASIKONDA VILLAGE, MADANPALLI, CHITTOOR DISTT. ANDHRA PRADESH - 524101  
PH :9959893434.

### MADHURAWADA

44. JAYABHERI AUTOMOTIVES PVT. LTD. (BQ01-BQ0-01), PLOT NO. 5, SURVEY NO. 4/P, KOMMADI ROAD, MADHURAWADA, VISHAKAPATNAM, ANDHRA PRADESH - 530048  
PH :9886669985.

### MALKIPIURAM

45. VARUN MOTORS (SEH1-SEH1-01), SURVEY NO 49/6A, MALKIPIURAM VILLAGE AND MANDAL, EAST GODAVARI DISTRICT, ANDHRA PRADESH - 533250  
PH :9154255226.

### MANDAPETA

46. S B MOTOR CORPORATION (BJC1-BJC-01), BLOCK NO. 4, D. NO. 4-1-64, MANDAPETA, DISTRICT - EAST GODAVARI, ANDHRA PRADESH - 533306  
PH :9886664090.

### MARKHAPURAM

47. JAYALAKSHMI AUTOMOTIVES PVT. LTD (OFF1-OFF-01), D. NO. 4-515/12, SURVEY NO. 1167, OPP. INDUSTRIAL ESTATE, ONGOLE ROAD, MARKAPURAM, DISRT.-PRAKASAM, ANDHRA PRADESH - 523316  
PH :9848131133, 7331151674.

### MYLAVARAM

48. VARUN MOTORS PVT. LTD. (GKL1-GKL-01), D NO. 2-176/2, MAIN ROAD, MYLAVARAM, KRISHNA DISTRICT, PIN-521230, ANDHRA PRADESH - 521230  
PH :9581337222.

### NAKKAPALLI

49. VARUN MOTORS (SFR1-SFR-01), SURVEY NO 202/3, 203/4, PEDGUMMULURU GRAM PANCHAYAT, RAYAVARAM MANDAL, NAKKAPALLI, VISHAKAPATNAM, ANDHRA PRADESH - 531081  
PH :9885317344.

### NANDIGAMA

50. VARUN MOTORS PVT. LTD. (CUB1-CUB1-01), RE SURVEY NO. 601/1B, NH-9 ROAD, NANDIGAMA, DIST.-KRISHNA, ANDHRA PRADESH - 521185  
PH :9642225287.

### NANDYAL

51. MSA MOTORS (CKB1-CKB-01), SURVEY NO. 333, VUDUMALPURAM, MANDAL - NANDYAL, OPP. AUTO NAGAR, NANDYAL, DISTRICT - KURNOOL - 518501  
PH :7337292622.

### NARASARAOPET

52. JAYALAKSHMI AUTOMOTIVES PVT. LTD (G502-JT-03), NEAR RELIANCE PETROL PUMP BUNK, VINUKONDA ROAD, NARASARAOPET, GUNTUR, - 522603  
PH :7680000502/9100791343.

### NARSAPURAM

53. NOVELTY REDDY & REDDY (SIU1-SIU-01), SY NO. 98/7, NARSAPURAM- CHINCHINDA BYPASS ROAD, NARSAPURAM, PALAKOLLA MANDAL, WEST GODAVARI DISTRICT T, ANDHRA PRADESH - 534206  
PH :9703900011.

### NARSIPATNAM

54. JAYABHERI AUTOMOTIVES PVT. LTD. (WT01-WT-01), OPP. RDO BUNGLAW, BANK COLONY, VISAKHAPATNAM ROAD, NARSIPATNAM - 531116  
PH :7702333513.

### NELLORE

55. BHARGAVI AUTO PVT. LTD. (A801-A8-01), D.NO.25/11/97 INDUSTRIAL ESTATE, A.K. NAGAR, P.B.NO.18, NELLORE(A.P.) - 524004  
PH :9248742225.

56. BHARGAVI AUTO PVT. LTD. (A801-A8-04), A2, INDUSTRIAL ESTATE, A.K. NAGAR, NELLORE, - 524004  
PH :9248727888.

57. VISHNU CARS PVT. LTD. (A802-A8-01), FIELD NO. 628 /SURVEY NO. 877, 878/A/4 AND 883/A/1A, NELLORE BIT-II, BESIDES GSR GARDENS, BALAJI NAGAR, NH-16, NELLORE CITY - 542002  
PH :7337340778.

### NUZIVIDU

58. VARUN MOTORS PVT. LTD. (2603-CN-03), RS NO:880/2, MUNICIPAL, D NO:25-12, WRD NO:25, BLOCK NO:25, BESIDE S SQUIRE CONVENTION HANUMAN JUNCTION ROAD, NIZVID , ANDHRA PRADESH - 521201  
PH :9581337222.

### ONGOLE

59. JAYALAKSHMI AUTOMOTIVES PVT. LTD (8Y01-8Y-02), THROVAGUNTA COMPANY CENTRE, NH-5, GUNTUR ROAD, ONGOLE, PRAKASAM DISTRICT. - 523003  
PH :9701055955.

### PALAKONDA

60. VARUN MOTORS PVT. LTD. (CKO1-CKO-01), SURVEY NO. 8, ANAVARAM GRAMAM, PALAKONDA, SRIKAKULAM DISTRICT, ANDHRA PRADESH - 532440  
PH :9966877033, 9885317344.

### PALASA

61. JAYABHERI AUTOMOTIVES PVT. LTD. (BWH1-BWH-01), SURVEY NO. 63 OF VILLAGE - PURUSHOTTAPURAM, PALASA MANDAL, KASIBUGGA MUNICIPALITY, DISTRICT - SRIKAKULAM, ANDHRA PRADESH - 532221  
PH :9849054442, 8790946464.

### PATHAPATNAM

62. VARUN MOTORS (CODE UNDER CREATIONS-CODE UNDER CREATIONS-CODE UNDER CREATIONS), D NO 4-245, SURVEY NO 264/1A, PATHAPATNAM, SRIKAKULAM, ANDHRA PRADESH - 532213  
PH :9885317344.

### PENDURTHI

63. VARUN MOTORS PVT. LTD. (BAP1-BAP-01), SURVEY NO.107/1B, VELAMPETA, ANAKAPALLI TO PENDURTHI HIGHWAY, NEAR BRIDGE, PENDURTHI DISTT: VISAKAPATNAM - 530047  
PH :9160445699.
64. VARUN MOTORS PVT LTD (BAP1-BAP-02), SURVEY NO 240/1,2 & 241, PENDURTHI, VIZAG - 531173  
PH :9642403366.

### PIDUGURALLA

65. JAYALAKSHMI AUTOMOTIVES PVT. LTD (BFN1-BFN-01), SURVEY NO. 897/16, PIDUGURALLA, DISTRICT - GUNTUR, ANDHRA PRADESH - 522413  
PH :9848131133, 9100787058.

### PITHAPURAM

66. S B MOTORS (CTS1-CTS-01), NO. 11-2-114, 11TH WARD, KAKINADA-KATHIPUDI ROAD, PITHAPURAM, EAST GODAVARI DIST., ANDHRA PRADESH - 533 450  
PH :8886677759, 8886677754.

### PONNUR

67. JAYALAKSHMI AUTOMOTIVES PVT. LTD (CFC1-CFC-01), PLOT NO. 4, D.NO. 213-1, VAISHNAVI NAGAR, PONNUR, GUNTUR, ANDHRA PRADESH - 522124  
PH :9849445639, 9121141913.

### RAJAHMUNDRY

68. S.B. MOTOR CORPORATION (C501-C5-01), OPP.FCI GOWDUN, JAILROAD, LALACHERUVLI, RAJAMUNDRY - 533101  
PH :08885585667.
69. S B MOTORS (C501-C5-03), D. NO. 3-243, NH-5, ROAD, HUKUMPETA, RAJAHMUNDRY - 533 107  
PH :08885886262.
70. VARUN MOTORS PVT. LTD. (C502-C5-01), SURVEY NO. 660, PALACHERLA VILLAGE OF RANAJANAGRAM MANDAL, RAJAHMUNDRY, EAST GODAVARI DSIT. - 533102  
PH :8886616717.

### RAJAM

71. VARUN MOTORS PVT. LTD. (BLJ1-BLJ-01), PLOT NO. 44, SARATHI NAGAR, RAJAMNAGAR PANCHAYAT, RAJAM, DISTRICT - SRIKAKULAM, ANDHRA PRADESH - 532127  
PH :7799669998.

### RAMPACHODAVARAM

72. VARUN MOTORS (SOK1-SOK-01), SURVEY NO 14/1, IRLAPALLY VILLAGE, RAMPACHODAVARAM, ANDHRA PRADESH - 533288  
PH :9885511911.

### REPALLE

73. JAYALAKSHMI (SKA1-SKA-01), D.NO 430, BESIDE ESAR PETROL BUNK, REPALLE, DISTRICT: GUNTUR, ANDHRA PRADESH - 522265  
PH :8374847777.

### S KOTA

74. JAYABHERI (SIV1-SIV-01), SURVEY NO 113/3,MALLIPUDI MADHURA VENKATARAMANAPETA, SRUNGAVARAPUKOTA, VIZIANAGARAM, ANDHRA PRADESH - 535145 PH - 9100818111.

**SOMPETA**

75. VARUN MOTORS PVT LTD (GLX1-GLX-01), KHATA NO 406,407,408 DENOTED IN SURVEY NO 241/1,MOGILIKOTURU VILLAGE, SOMPETA, SRIKAKULAM, ANDHRA PRADESH - 532284 PH :8142331166.

**SRIKAKULAM**

76. VARUN MOTORS PVT. LTD. (4603-W6-09), NH-16, BESIDE EENADU UNIT OFFICE, PEDDA PADDU-VILL,ARASAVILLI (P.O.),SRIKAKULAM, - 532001 PH :9703119797.

77. JAYABHERI AUTOMOTIVE (4606-W6-04), SURVEY NO 2277P,22/8 AND SURVEY NO 29/12,16,17, BALAGA RURAL,SRIKAKULAM CITY, DISTRICT. SRIKAKULAM - 532001 PH :9100818111.

**SULLURPETA**

78. BHARGAVI AUTO PVT. LTD. (BZA1-BZA-01), KEERTI ENCLAVE,NEAR RTO OFFICE,NH-5,SULLURPETA - 524121 PH :9848602345, 7997998516.

**TADA**

79. VISHNU CARS PVT.LTD. (SFW1-SFW-01), SURVEY NO 58/3,TADA, NELLORE DISTRICT - 524401 PH :7995088868.

**TANUKU**

80. NOVELTY REDDY & REDDY MOTORS PVT LTD (BAR2-BAR-01), NH-5 ROAD, NEAR WOMEN'S COLLEGE, BESIDE IOC PETROL PUMP, TANUKU, DISTT: WEST GODAVARI(ANDHRA PRADESH) - 534211 PH :9912341624.

**TENALI**

81. JAYALAKSHMI AUTOMOTIVES PVT. LTD (PE01-PE-01), KAVI RAJA NAGAR, GUNTUR ROAD, TENALI, GUNTUR DISTT. - 522002 PH :226100/ 9866111788.

**THAGARAPUVALASA**

82. VARUN MOTORS PVT. LTD. (COV1-COV-01), SURVEY NO.11/2B,11/3,NAGARAMPALEM VILLAGE, NH-16, NAGARAMPALEM GRAMA PANCHAYAT LIMITS, THAGARAPUVALASA, BHEEMUNIPATNAM MANDAL, VISHAKAPATNAM, - 531162 PH :9885317344, 9885280772.

**TIRUPATI**

83. BHARGAVI AUTO PVT. LTD. (A801-N9-02), 11/66/1,TIRUPATI RENIGUNTA ROAD,TIRUPATI, - 517507 PH :7997969946.

84. BHARGAVI AUTO PVT. LTD. (A801-N9-06), SURVEY NO. 2/B3, ADJACENT TO PARK HOTEL, RENIGUNTA ROAD, TIRUPATI. - 517501 PH :7997969919.

85. VISHNU CARS (N902-N9-01), SURVEY NO. 192/3A2A, 200' CHENNAI – TIRUPATI HIGHWAY, KOTRAMANGALAM,RENIGUNTA MANDAL, TIRUPATI - 517520 PH :9154971551.

**TIRUVURU**

86. SANTOSH AUTOMOTORS PVT. LTD. (CIM1-CIM-01), D NO. 23-1/5, OPP. AYYAPA SWAMY TEMPLE, MAIN ROAD, TIRUVURU. - 521235 PH :7799787969.

**TUNI**

87. SATTIBABU MOTORS (PVT) LTD. (KY01-KY-01), D. NO. 65-31-15/1, OPP. FCI GODOWNS, NARAYANAPURAM, TUNI, EAST GODAVARI, ANDHRA PRADESH - 533401 PH :7661893888.

**VENKATAGIRIKOTA**

88. BHARGAVI AUTO PVT. LTD. (CD11-CD1-01), M/S BHARGAVI AUTOMOBILES, BESIDE INDIAL OIL BUNK,GMR FUNTION HALL,DARASALLA,PALLIKUPPAM,KUPPAM ROAD,V KOTA - 517242 PH :9848602345, 7799997720.

**VENKATAPGIRI**

89. BHARGAVI AUTOMOBILES (SOL1-SOL-01), SURVEY NO 166,169/1,169/2,RTC COLONY,VENKATAGIRI, NELLORE, ANDHRA PRADESH - 524132 PH :9248747777.

**VIJAYAWADA**

90. MITHRA AUTO AGENCIES PVT LTD (2604-26-01), 40-17-3, PICHIAIAH STREET,GANDHI COLONY,VIJAYAWADA - 520001 PH :888963507.

91. VARUN MOTORS PVT. LTD. (2603-26-01), 48-17-4/1,RING ROAD,VIJAYAWADA - 520008 PH :9885576802.

92. VARUN MOTORS PVT. LTD. (2603-26-06), SURVEY NO.561/1, 562/5 & 561/3, 562/6 KESARAPALLY,VIJAYAWADA, KRISHNA DISTRICT. A.P. - 521102 PH :9581480099.

93. SANTOSH AUTOMOTORS PVT. LTD. (2607-26-01), SURVEY NO. 223/5, D. NO. 11-61/2, KANURU PANCHAYAT, PENAMALURU MANDAL, VIJAYAWADA, KRISHNA DISTRICT, ANDHRA PRADESH. - 520010 PH :7799787459/7799787918.

94. VARUN MOTORS PVT. LTD. (2603-26-07), DOOR NO. 1-4-208 AND 1-4-208(1), IN R.S. NO. 33/3A, BHAVANIPURAM,VIJAYAWADA, MUNICIPAL CORPORATION, VIJAYAWADA, ANDHRA PRADESH. - 520012 PH :8297241177.

95. SANTOSH AUTOMOTORS PVT. LTD (2607-26-02), D.NO. 77-42-16A, OPP. NUNNA FIRE STATION, PRAKASH NAGAR, INNER RING ROAD, VIJAYAWADA - 520 015 PH :7799787932.

**VISHAKAPATNAM**

96. VARUN MOTORS PVT. LTD. (4603-46-0E), PLOT NO 88,BESIDES POLICE STATION,SRIINAGAR,GAJUWAKA - 530026 PH :9703843737.

97. VARUN MOTORS PVT. LTD. (4603-46-08), DOOR NO. 58/2,BLOCK NO. 6,BALAJI NAGAR, OPP. ANDHRA UNIVERSITY, SIRIPURAM - 580003 PH :7799124243.

98. VARUN MOTORS PVT. LTD. (4603-46-0F), D-25, INDUSTRIAL ESTATE, MARRIPALEM, BESIDES COLA MANCHU KONDA GARDENS, VISHAKHAPATNAM., - 530007 PH :9581444477.

99. JAYABHERI AUTOMOTIVES PVT. LTD. (4606-46-01), PLOT NO. A-9, INDUSTRIAL ESTATE, VISHAKAPATANAM, ANDHRA PRADESH - 530018 PH :8886332209.

100. JAYABHERI AUTOMOTIVES PVT. LTD. (4606-46-02), D.NO:51-17-2, NH-5, KRANTHINAGAR, VISAKHAPATNAM,(ANDHRA PRADESH). - 530013 PH :7799727272.

101. VARUN MOTORS PVT. LTD. (4607-46-01), S. NO. 8, KAPPARADA VILLAGE, BESIDE IOCL PETROL BUNK, MANCHUKONDA GARDENS, MURALI NAGAR, NATIONAL HIGHWAY, VISHAKHAPATNAM. - 530007 PH :7799124243.

102. JAYABHERI AUTOMOTIVES PVT. LTD. (4606-46-03), SURVEY NO. 119/6, KURMANNAPALEM, GAJUWAKA MANDAL, VIZAG, ANDHRA PRADESH. - 530046 PH :8897541234.

103. VARUN MOTORS PVT. LTD. (4603-46-0K), SURVEY NO. 394 & 395, PLOT NO. 7 AT VILLAGE – DUPPITURU, MANDAL – ACHUTAPURAM, DISTRICT – VISHAKHAPATNAM, ANDHRA PRADESH. - 531011 PH :9966877133.

104. VARUN MOTORS PVT. LTD. (4603-46-0L), SURVEY NO. 408/1 OF MADHURAWADA VILLAGE, RUSHIKONDA ITI SEZ, VISHAKHAPATNAM RURAL MANDAL, VISHAKHAPATNAM DISTRICT, ANDHRA PRADESH. - 530045 PH :9885315344.

105. VARUN MOTORS PVT. LTD. (4603-46-1B), SURVEY NO. 2/A, SECTOR XI, MVP COLONY, VISHAKHAPATNAM. - 530 017 PH :07901644535.

**VISSANAPETA**

106. VARUN MOTORS (SNO1-SNO-01), RS NO. 434/10, WARD NO. 10, VISSANAPETA, KRISHNA DISTRICT, ANDHRA PRADESH - 522125 PH :9851337222.

**VIZAG**

107. VARUN MOTORS (4603-46-10), SURVEY NO 228/22A, WARD NO 19, AGNAMPUDI,VIZAG - 533053 PH :9885438455.

**VIZIANAGARAM**

108. VARUN MOTORS PVT. LTD. (4603-N8-0C), OPPOSITE SUN SCHOOL, 100 FEET RING ROAD, VIZIANAGARAM, VIZIANAGARAM - 535001 PH :8886721213.

109. JAYABHERI AUTOMOTIVES PVT. LTD. (N801-N8-01), PLOT NO.8-1,DOOR NO.8-32-1,SURVEY NO.108/12A & 109/2A, INDUSTRIAL ESTATE, VANTITHADI AGRAHARAM VILLAGE, VIZIANAGARAM, ANDHRA PRADESH - 535001 PH :7702333514.

**YANAM**

110. SB MOTORS (CTR1-CTR-01), SURVEY NO 82-2,TALLAREVU MANDAL,YANAM, EAST GODAVARI DISTRICT - 533463 PH :8886677759.

**YELAMANCHILI**

111. JAYABHERI AUTOMOTIVES PVT. LTD. (GJR1-GJR-01), SURVEY NO. 19-1, 2, 3, 45/1, 45/2/3, KOKIRAPALLI, YELAMANCHILI, NARSIPATNAM, VIZAG DIST., ANDHRA PRADESH. - 531055 PH :9849445639, 9642502345.

**YELESWARAM**

112. VARUN MOTORS (CODE UNDER CREATIONS-CODE UNDER CREATIONS-CODE UNDER CREATIONS), VARUN MOTORS P.LTD.DO-NO – 2-4-41,BESIDE GOLLAJI GARU BUNK,YERRAVARAM ROAD,YELESWARAM – 533429 - 533429 PH :9885511911.

**ARUNACHAL PRADESH BHALUKPONG**

113. DY MOTORS (YT01-YT-01), NEAR SBI UPPER MARKET, BHALUKPONG, WEST KAMENG , ARUNACHAL PRADESH - 790114 PH :8415075164.



## Dealer Workshop (AS ON 30.05.2023 )

### ITANAGAR

114. BUISHI YADA MOTORS (7501-75-01), A' SECTOR, NAHARLAGUN, ARUNACHAL PRADESH. - 791110  
PH :9436268870.
115. BUISHI YADA MOTORS (7501-75-04), MODEL VILLAGE, BEFORE GOVERNMENT HIGHER SECONDARY SCHOOL, NAHARLAGUN, ITANAGAR - 791110  
PH :8257075033.
116. D Y MOTORS (7502-75-01), LPC NO - DC/IC/IPC, BORUM VILLAGE, PO/PS- NAHARLAGUN, PAPUM PARE DIST, ARUNACHAL PRADESH - 791100  
PH :8415075164.

### PASSIGHAT

117. BUISHI YADA MOTORS (7501-8A-03), PASSIGHAT BAZAR, PASSIGHAT, ARUNACHAL PRADESH - 791102  
PH :9402878414.

### RUKSIN

118. DY MOTORS (SHZ1-SHZ-01), RUKSIN IN EAST SIANG DISTRICT, ARUNACHAL PRADESH - 787060  
PH :8415075164.

### ZIRO

119. BUISHI YADA MOTORS (CHM1-CHM-01), HAPOLI, NEAR TELECOMMUNICATION CENTRE, ZIRO, ARUNACHAL PRADESH. - 791120  
PH :9732010858.

## ASSAM

### BAIHATA CHAIRALI

120. PALLAVI MOTORS PVT LTD (BNL1-BNL-01), DAG NO. 1042, PATTA NO. 17, MOUZA – BORBANKHAR, P.S. – BAIHATA CHAIRALI, DISTRICT – KAMRUP, ASSAM - 781381  
PH :9864052488.

### BARAMA

121. MITTAL AUTOZONE (SOX1-SOX-01), VILLAGE - BARJAR, PO & PS - BARAMA, ASSAM - 781346 - 781346  
PH :8638487401.

### BARPETA

122. BHARATI MOTORS PVT. LTD. (7N01-7Z-02), SIMULGURI,NH-31.DISTRICT-BARPETA, ASSAM - 781313  
PH :7002819523.

### BIOJYNAGAR

123. PODDAR CAR WORLD (IA01-IA-01), AT/PO - BIOJYNAGAR, INDIAN OIL PETROL PUMP, KAMRUP DIST. BIOJYNAGAR - 781125  
PH :9864209733.

### BISWANATH CHAIRALI

124. RAMLAL DURGADUTT MOTORS PVT LTD (BX11-BX1-01), DAG NO- 7,8,9 PERIODIC PATTA NO -24, REVENUJE VILLAGE, BRAHMAPUTRA CHAPORI, MOUZA - BAGHMORA - 784176  
PH :8724087940.

### BONGAIGAON

125. BHARATI MOTORS PVT. LTD. (7N01-7N-01), CHAPAGURI ROAD, BONGAIGAON - 7833830  
PH :7002350887/9864427573.

### CHAMATA

126. PALLAVI MOTORS PVT LTD (CE11-CE1-01), DAG NO.1137, PATTA NO.376, MOUZA – DAHRAMAPUR, CHAMATA DISTT. NALBARI, ASSAM - 781306  
PH :9864052488.

### DHEKIAJULI

127. RAMLAL DURGADUTT MOTORS PVT LTD (BRX1-BRX-01), DAG NO.242, K.P. PATTA NO.88, VILLAGE-BHAKUAMARI, MOUZA-BORCHOLA, BESIDES-NH15, DHEKIAJULI, DISTT. SONITPUR, ASSAM. - 784110  
PH :9706568722.

### DHEMAJI

128. SAIKIA AUTO PVT. LTD. (7P01-UD-02), NALANIPAM KONCH GAON,NH-52,DHEMAJI (ASSAM) - 787057  
PH :8638725209.

### DIBRUGARH

129. JAYBEE AUTO AGENCIES PVT. LTD. (C101-C1-01), CHIRING CHAPARI, T.R. PHUKAN ROAD, P.O. DIBRUGARH (ASSAM) - 786001  
PH :9954799273.
130. BIMAL AUTO AGENCY (C102-C1-01), DAG NO. 104, GHARBANDICHUK JARUA GAON, MOUZA - MANKHATTA KANIKAR, DIST.-DIBRUGARH, ASSAM. - 786004  
PH :9864074525, 7003901301.

### DIGBOI

119. VISHAL CAR WORLD PVT LTD (BYD1-BYD-01), BORBIL NO. 1, NEAR LIONS CLUB, NH-38, P.O. – DIGBOI, DISTRICT – TINSUKIA , ASSAM. - 786171  
PH :9435860000..

### DIPHU

132. RAMLAL DURGADUTT MOTORS PVT LTD (1P01-1P-01), MANJA ROAD, DILLAJI, DIPHU, KARBI ANGLONG, ASSAM - - 782460  
PH :9707556868.

### DULIAJAN

133. JAYBEE AUTO AGENCIES PVT. LTD. (ADA1-ADA-01), JAYBEE AUTO AGENCIES, TIPLING TINIALI, DULIAJAN DIST. DIBRUGARH - 786602  
PH :7002722358.

### GOALPARA

134. BHARATI MOTORS PVT. LTD. (YN01-YN-01), PO: KALYANPUR, VILLAGE: SOLMARI, P/S: AGIA, NH: 37. DISTRICT: GOALPARA, ASSAM - 781301  
PH :9101940372.

### GOLAGHAT

135. RAMLAL DURGADUTT MOTORS PVT LTD (J303-J3-01), DAG NO. - 718, 684 & 706, PATTA NO 213, 168 & 192, KURUKA GAON, P.O - MORANGI, P.S -GOLAGHAT, DIST: GOLAGHAT, ASSAM PIN-785702 - 785702  
PH :7002099547.

### GORAIMARI

136. BAJRANG CAR WORLD (A UNIT OF MAA VAISHNAVI AUTOMOTIVE PVT. LTD.) (GMB1-GMB-01), DAG NO- 3, KP PATTA NO - 11, VILLAGE- CHALABASTI, MOUZA- GORAIMARI - 783390  
PH :7002279100.

### GUWAHATI

137. BIMAL AUTO AGENCY (0901-09-01), JHALUKBARI, GUWAHATI. - 781014  
PH :9864074525.
138. PALLAVI MOTORS PVT LTD (0902-09-01), DAG NO. 1&2,NEXT TO DEPTT. OF FAMILY WELFARE,SIX MILE. KHANAPARA G.S. ROAD, GUWAHATI - 781022  
PH :9864210937.
139. BIMAL AUTO AGENCY (0903-09-01), CHANDMARI, BAMUNI MAIDAN, OPP SBI NEW GUWAHATI BRANCH, GUWAHATI - 781021  
PH :9864489722.
140. PODDAR CAR WORLD PVT LTD (0904-09-01), HENGRABARI, VIP ROAD,GUWAHATI - 781036  
PH :9508746340.
141. BIMAL AUTO AGENCY (0901-09-02), BEHARBARI,BEHIND DHOOM RESTAURANT, NH-37,GUWAHATI - 781028  
PH :9864040406.
142. PODDAR CAR WORLD (0905-09-01), NH-37, NEAR, GORCHUK CHAIRALI, GUWAHATI (ASSAM). - 781029  
PH :7002929414.
143. BIMAL AUTO AGENCY (0903-09-03), BESIDE NRL PETROL PUMP, RGB ROAD, ZOO ROAD, GUWAHATI, ASSAM - 781005  
PH :7578005159.
144. MITTAL AUTOZONE (0908-09-01), NH-37, BELTOLA, NEAR HANUMAN KANTA, GUWAHATI - 781028  
PH :9864296666.
145. PALLAVI MOTORS PVT LTD (0902-09-02), DAG NO. 2201, PATTA NO. 237, VILLAGE – JYOTIKUCHI, MOUZA – BELTOLA, AK AZAD ROAD, GUWAHATI, DISTRICT – KAMRUP, ASSAM. - 781034  
PH :9864052488.

### HOJAI

146. RAMLAL DURGADUTT MOTORS PVT LTD (ARA1-ARA-01), KHATIYAN NO.: 3123/F, HOJAI MAIN ROAD, NEAR UCO BANK, SHANKARDEVNAGAR, HOJAI, DISTRICT – NAGAON , ASSAM - 782435  
PH :7002680534.

### HOWLY

147. PODDAR CARWORLD (GKW1-GKW-01), PATTA NO. 601, DAG NO. 1567, HOWLI TOWN, MOUZA GHILAJARI, DISTT BARBETA, ASSAM - 781316  
PH :8085957586.

### HOWRAGHAT

148. BAJRANG CARWORLD (SGR1-SGR-01), HOWRAGHAT TOWN, KARBI ANGLONG, ASSAM - 782481 - 782481  
PH :9864191169.

### JAGI ROAD

149. RAMLAL DURGADUTT MOTORS PVT LTD (7J01-RB-02), JAGIROAD,MORIGAON,NALAOW,ASSAM - 782410  
PH :9365884355.

### JORHAT

150. RAMLAL DURGADUTT MOTORS PVT LTD (G902-G9-01), DAG NO. 7 & 8 OF P.P NO. 33, DAG O. 9 OF P.P NO. 61, DAG NO. 382 OF P.P NO. 206, VILLAGE - PAKIMURI HABIGAON, MOUZA - SARAIBAHAL, JORHAT. - 785006  
PH :7002099547.

### KALGACHIA

151. MITTAL AUTO (SLB1-SLB-01), VILL - KALGACHIA, PO - KALGACHIA , DIST BARPETA - 781319  
PH :8638487401.

### KARIMGANJ

152. JAIN UDYOG (6901-1S-04), STEAMER GHAT ROAD, KARIMGANJ, ASSAM - 788710  
PH :9435179025.

### KHATKHATI

153. PODDAR CAR WORLD PVT. LTD. (CAZ1-CAZ-01), NEAR TELEPHONE EXCHANGE, NH-39, KHATKHATI, DISTRICT – KARBI ANGLONG. - 782460  
PH :600900381.

### LANKA

154. RAMLAL DURGADUTT MOTORS PVT LTD (SDD1-SDD-01), DAG NO 95 OF PP NO 59, DAG NO 98 OF PP NO 26 & DAG NO 418 OF PP NO 73 KISAM LAKHIMPUR, MOUZA - LANKA, DIST - HOJAI, ASSAM. - 782442  
PH :9707556868.

### MANGALDOI

155. PODDAR CAR WORLD (YW01-YW-01), PUNIA, NH-52, MANGALDOI, DISTT. DARRANG - 784115  
PH :9706970132.

**MARGHERITA**

156. VISHAL CAR WORLD PVT LTD (YR01-YR-01), MARGERITA TOWN, BEHIND IOCL PETROL PUMP, NH-38, MARGHERITA, ASSAM - 786181  
PH :9435860000.

**MORIGAON**

157. RAMLAL DURGADUTT MOTORS PVT LTD (RB01-RB-01), DAG NO. 423 OF PP NO. 221, KISSAM BACHNAGHAT, MORIGAON, ASSAM - 782105  
PH :7002239592.

**NAGAON**

158. RAMLAL DURGADUTT MOTORS PVT LTD (7J01-7J-01), KHUTIKHATIA, HAIBARGON, NAGAON - 782202  
PH :9706007918.

159. BAJRANG CAR WORLD (A UNIT OF MAA VAISHNAVI AUTOMOTIVE PVT. LTD.) (7J03-7J-01), DAG NO. 255, 1508(N)254(O), 1509(N)257(O) AND 291, PATTA NO. 506(N)15(O), 507(N)15(O), 507(N)97(O) AND 98, VILLAGE - DEODHAR, MOUZA - PAKHIMORIA, DIST - NAGAON - 782002  
PH :943506047/9864191169.

160. RAMLAL DURGADUTT MOTORS PVT LTD (7J01-7J-03), PAKHIMURIA, NEAR BHUGDOI DHABA, NAGAON, ASSAM - 782003  
PH :9706007918.

**NAHARKATIYA**

161. JAYBEE AUTO AGENCIES PVT. LTD. (C101-CJ-03), NAHARKATIYA TOWN PART NO. 4, MOUZA - JAYPORE, NEAR ST. MARY'S SCHOOL, DISTRICT - DIBRUGARH, ASSAM - 786610  
PH :7002722358.

**NALBARI**

162. BIMAL AUTO AGENCY (9201-92-01), CHOWKBAZAR, NALBARI HAJO ROAD, NALBARI DIST. NALBARI - 781335  
PH :7576842484.

**NORTH LAKHIMPUR**

163. SAIKIA AUTO PVT. LTD. (7P01-7P-01), HATILUNG, NH-52 ROAD, NORTH LAKHIMPUR, ASSAM - 787031  
PH :8473946336.

164. SAIKIA AUTO PVT. LTD. (7P01-7P-03), KHELMATI, WARD NO. 14, NH -52, NORTH LAKHIMPUR, ASSAM - 787001  
PH :7002571073.

**PATHSALA**

165. PODDAR CAR WORLD PVT. LTD (CLD1-CLD-01), DAG NO. 451, PATTA NO. 151 KMP, PATHSALA, DIST. BARPETA, ASSAM. - 781325  
PH :8009002256.

**RAJGARH**

166. JAYBEE AUTO AGENCIES PVT. LTD. (CIJ1-CIJ-01), DAG NO.182, PP NO.140 OF 2 NO. BHAGATIA GAON, LAT NO.11, RAJGARH, MOUZA-TINKHONG, DISTT. DIBRUGARH, ASSAM - 786611  
PH :9954799273.

**RANGIA**

167. PODDAR CAR WORLD PVT. LTD. (6X01-6X-01), RANGIA TOWN, WARD NO. 5, SHANTIPUR, BHUTAN ROAD, NEAR POLYCLINIC HOSPITAL, RANGIA DISTT. KAMRUP (ASSAM) - 781354  
PH :8724877892.

**SHIBSAGAR**

168. RAMLAL DURGADUTT MOTORS PVT LTD (G902-L9-02), RANGHAR CHARALI, DHAPROTA, AT ROAD, OPPOSITE RANGHAR, SHIVASAGAR - 785640  
PH :7002099547.

**SILCHAR**

169. JAIN UDYOG (6901-J2-02), KAUSHAL COMPLEX, SONAI ROAD, SILCHAR, ASSAM - 788006  
PH :9706002524.

**SORBHOG**

170. MITTAL AUTOZONE (SGS1-SGS-01), VILLAGE DAHALAPARA, KISMAT DWARIKA, PS SORBHOG, SUB DIVISION- BARPETA- ASSAM. - 781317  
PH :8011042222.

**TANGLA**

171. BIMAL AUTO AGENCY (CHO1-CHO-01), DAG NO :121, PATTA NO,101/320, VILLAGE BULLARPARA, MOUZA TANGLA - 784521  
PH :9954387619.

**TEZPUR**

172. RAMLAL DURGADUTT MOTORS PVT LTD (T102-T1-01), NEAR DON BASCO SCHOOL, P.O. NIKAMULSATRA, TEZPUR, ASSAM - 784154  
PH :8724087940.

173. RAMLAL DURGADUTT MOTORS PVT LTD (T102-T1-02), GORAIMARI, VILLAGE - SOLGAON, TEZPUR, ASSAM. - 784001  
PH :9830636157.

**TINSUKIA**

174. VISHAL CAR WORLD PVT LTD (J401-J4-01), LAIPULY, A.T. ROAD, TINSUKIA, DIST - TINSUKIA, ASSAM - 786183  
PH :9435860000.

**BIHAR**

**ARARIA**

175. SEEMANCHAL MOTORS PVT. LTD. (O701-O7-01), NEAR BUS STAND, JAGDISH RICE MILL COMPOUND, HOSPITAL ROAD, FORBESGANJ, DISTT. ARARIA, BIHAR - 854318  
PH :8797096013.

**ARRAH**

176. PEARL CARS (VU01-VU-01), (A UNIT OF VINHYVAVASINI AUTOMOBILES PVT. LTD.), DHANUPRA, NEAR GANPAT CHOUDHARY DWAR, NH-30, ARRAH (BIHAR) - 802301  
PH :8294634604.

**AURANGABAD**

177. KARLO AUTOMOBILES (SNG1-SNG-01), KARLO AUTOMOBILES PVT LTD. , GT ROAD, NEAR, RAIPURA MORE, BABHANDI, AURANGABAD - 824101  
PH :7019085212.

**BANKA**

178. SEEMANCHAL MOTORS PVT. LTD. (CEQ1-CEQ-01), KHATA NO. 134, KHESRA NO. 118, BEHIND MARUTI SHOWROOM, STATION ROAD, BANKA, BIHAR. - 813101  
PH :8797096020.

**BEGUSARAI**

179. GS MOTORS PVT. LTD. (1U01-1U-01), HARHAR MAHADEV CHOWK, NH 31, BEGUSARAI, BIHAR - 851101  
PH :87246756206.

**BETTIAH**

180. SHREE GOPAL AUTO PVT. LTD. (O401-O4-01), BEETIAH - MOTIHARI HIGHWAY , NH-28 B, NEAR MACHALI LOK, BEETIAH (BIHAR) - 845438  
PH :9771486183.

**BHAGALPUR**

181. SEEMANCHAL MOTORS PVT. LTD. (G802-G8-01), BAUSI ROAD, ALIGANJ, NEAR SAINT TRESA SCHOOL, ALIGANJ, BHAGALPUR. - 812005  
PH :8797096020.

**BIHARSHARIF**

182. REESHAV AUTOMOBILES (MG01-TG-03), PATNA RANCHI ROAD, NR GAGAN DIWAN SOGARA SCHOOL, THANA-LAHERI MURARPUR, BIHARSHARIF, DISTRICT-NALANDA, BIHAR - 803101  
PH :8263632175.

**BUXAR**

183. PEARL CARS (VV01-VV-01), C/O DEVDHTRHA UPDDHYA, SYNDICATE, BYE PASS ROAD, BUXAR - 802101  
PH :8294634605/8294634602.

**CHAKIA**

184. RAM KRISHNA MOTORS PVT. LTD. (CWA1-CWA-01), OJHA TOLA, NEW BYPASS, CHAKIA -845412, PURVI CHAMPARAN DISTT., BIHAR - 845412  
PH :9801773716.

**CHAPRA**

185. REESHAV AUTOMOBILES (MG01-TH-02), 146, PLOT NO. 381, VILLAGE RAUJJA, CHAPRA PATNA ROAD, NEAR BHIKHARI CHOWK, CHAPRA, BIHAR - 841301  
PH :7061295296.

**DANAPUR**

186. ALANKAR AUTO SALES & SERVICE PVT LTD (1504-NN-02), ADJASCENT ARYA SAMAJ MANDIR, NEAR SAGUNA MORE, DANAPUR, - 800018  
PH :9386898458.

**DANAPUR, PATNA**

187. ALANKAR AUTO SALES & SERVICE PVT LTD (1504-NN-05), TOUZI NO. 5057, THANA NO. 35, MOUZA - BABAKKARPUR, DANAPUR, PATNA, - 801503  
PH :9334415434.

**DARBHANGA**

188. RAJKRISHNA MOTORS LLP (1V02-1V-01), KHATA NO.61936, RAUSHAN CHOWK, BAJITPUR, B.M.P.-13, ROAD, DARBHANGA, BIHAR - 846009  
PH :7004529271.

189. RAJKRISHNA MOTORS LLP (1V02-1V-02), VIP ROAD, ALLALPATTI, DARBHANGA (BIHAR) - 846003  
PH :9693127351.

**DEHRI ON SONE**

190. PEARL CARS (1X01-MK-02), MOUZA - KHASRA, KHATA NO. 141, PLOT NO. 186, SAAT KATDA THANA - DEHRI-ONE-SONE, DIST.-ROHTAS, BIHAR. - 821307  
PH :8294634602.

**GAYA**

191. KARLO AUTOMOBILES PVT LTD (Y601-Y6-01), BODH GAYA, GAYA. - 824231  
PH :7004574631/8539063615.

192. DMC CARS (A UNIT OF DHANRAAJ AGENCIES PVT LTD (Y602-Y6-01), DHANRAAJ AGENCIES PRIVATE LIMITED, MARUTI SUZUKI ARENA SHOWROOM, OPPOSITE AIRPORT RUNWAY, GAYA-DOBHI ROAD,GAYA, PIN 823004 - 823004  
PH :9031011806/9900024001.

**GOPALGANJ**

193. SHREE GOPAL AUTO PVT. LTD. (O301-O3-01), NH-28, DANAPUR, TEHSIL-MANJAGARH,GOPALGANJ (BIHAR) - 800023  
PH :9771486170/9771486139.

## Dealer Workshop (AS ON 30.05.2023 )

### HAJIPUR

194. REESHAV AUTOMOBILES (MG01-MG-01), KHATA 617 & KHASHRA 354/1605, NEAR RELIANCE PETROL PUMP, M G SETU ROAD, HAJIPUR (VAISHALI), - 844101  
PH :9060945038.

### KATI HAR

195. SEEMANCHAL MOTORS PVT. LTD. (O601-O6-01), NEAR SBP VIDYA VIHAR SCHOOL, SIRSAR, KATI HAR PURNEA ROAD, KATI HAR - 854105  
PH :7762893700.

### KISHANGANJ

196. SEEMANCHAL MOTORS PVT. LTD. (PX01-PX-01), PASCHIM PALI ROAD, COLLEGE ROAD, THANA:KNE, WARD NO.1, KISHANGANJ (BIHAR) - 855101  
PH :8797096019.

### LAKHISARAI

197. GS MOTORS PVT. LTD. (CHU1-CHU-01), TAUZI NO. 39, KHATA NO. 3, KHEERA NO. 496, MOUZA - JAINAGAR, ANCHAL - LAKHISARAI, DIST. -LAKHISARAI, BIHAR - 811311  
PH :9204756206.

### MADHUBANI

198. RAJKRISHNA MOTORS LLP (CAJ2-CAJ-01), BHOWRA TOLA, BARDIBAN, MADHUBANI, BIHAR - 847211  
PH :9304481978  
9693127351.

### MOHANIA

199. PEARL CARS (VW01-VW-01), MOHANIA-BUXAR ROAD ,SH-14,MOHANIA - 821109  
PH :8294634602/8294634649.

### MOTIHARI

200. RAJIV AUTOMOBILES PVT LTD (T401-FH-03), NEAR CHHATAUNI CHOWK, BESIDE NH 28 A, MOTIHARI TOWN , BIHAR - 845401  
PH :9234609669.

### MUZAFFARPUR

201. RAJIV AUTOMOBILES PVT LTD (T401-T4-01), RAMDAYALU NAGAR, PATNA HAZIPUR ROAD, MUZAFFARPUR, BIHAR - 842002  
PH :9910347908.

202. RAM KRISHNA MOTORS PRIVATE LTD. (T402-T4-01), KRISHNA TALKIES CAMPUS, AKHARAGHAT ROAD, MUZAFFARPUR, BIHAR. - 842001  
PH :9102173333.

203. RAJIV AUTOMOBILES PVT LTD (T401-T4-04), KHABRA POKHAR LANE NO -1, PANCHAYAT -KHABRA, CITY- MUZAFFARPUR - 843146  
PH :9234609671.

### NAUGACHIA

204. SEEMANCHAL MOTORS PVT. LTD. (CFS1-CFS-01), NEAR GAYATRI PLY ROOM, NH-31, NAUGACHIA MARKET, NAUGACHIA, DISTRICT - BHAGALPUR, BIHAR - 853204  
PH :8797096014, 8797096020.

### NAWADA

205. REESHAV AUTOMOBILES (MG01-TJ-04), 191 & 400, KHSARA NO. 3105 & 3102, NEAR DMS OFFICE, PATNA-RANCHI MAIN ROAD, NAWADA, BIHAR - 805110  
PH :6206162228.

### PATNA

206. VAU'S AUTOMOBILE (1503-15-01), BESIDES GODAVARI APPARTMENT, ASHIANA ROAD, PATNA, - 800014  
PH :9771446012.

207. KARLO AUTOMOBILES PVT LTD (1502-15-04), NEAR BATA GUNJ, DINGA PATNA, BIHAR, - 800013  
PH :09304212119/7004573547.

208. ALANKAR AUTO SALES & SERVICE VPT LTD (1504-15-03), PLOT NO.118-119, BEHIND DURGA MARINE DRIVE APARTMENTS, DUJRA DEVI STHAN, ASHOK RAJPATH, PATNA - 800001  
PH :9934020200.

209. REESHAV AUTOMOBILES PVT.LTD. (1506-15-01), PLOT NO.25/1581 KHATA NO.494, MOUZA KUMHRAR, PARGANA AZEEMABAD, KANKARBAGH, PATNA. - 800004  
PH :7632995356.

210. KARLO AUTOMOBILES PVT LTD (1502-15-05), JAGDEOPATH , NEAR SAI CORPORATE PARK, PATNA - 801506  
PH :9264190675.

211. ALANKAR (1504-15-06), ALANKAR COMPOUND, BESIDE ALANKAR SUN CITY, SANDALPUR, KUMHRAR, PATNA - 800006 - 800006  
PH :9304403916.

### PURNEA

212. SEEMANCHAL MOTORS PVT. LTD. (6V01-6V-01), NH-31, NEAR MARKETING YARD, GULAB BAGH, PURNEA (BIHAR) - 854326  
PH :8797096014.

### SAHARSA

213. GS MOTORS PVT. LTD. (AAP1-AAP-02), PATUAHA, NH 107 SAHARSA, BIHAR - 852201  
PH :9263638456.

### SAMASTIPUR

214. RAJKRISHNA MOTORS LLP (1W02-1W-01), KHEERA NO. 3190-95, KHATA NO. 76, HERPUR ALLOTH, SAMASTIPUR, BIHAR - 848101  
PH :9204552405.

### SASARAM

215. PEARL CARS (1X01-1X-01), PLOT NO.7, 9 & 11, NH-2 MORE SARAI, SASARAM (BIHAR) - 821115  
PH :8294634602/8294634649.

### SITAMARHI

216. RAJIV AUTOMOBILES PVT. LTD. (EO01-EO-01), DUMRA ROAD, SHANTI NAGAR, SITAMARHI - 843301  
PH :9234609671  
7280074124.

### SIWAN

217. SHREE GOPAL AUTO PVT. LTD. (O501-O5-01), CHAPRA ROAD, NEAR CHAPDHALA, NH 85, SIWAN - 841236  
PH :9771486132.

## CHANDIGARH

### CHANDIGARH

218. MODERN AUTOMOBILES (0702-07-01), 4 M.W. INDL AREA, CHANDIGARH - 160002  
PH :9646000190.

219. AUTOPACE NETWORK PVT LTD (0705-07-01), PLOT #112-113, INDUSTRIAL AREA, PHASE-1, CHANDIGARH - 160002  
PH :9878422201.

220. TRICITY AUTOS (9M01-07-02), PLOT NO 29/6, INDUSTRIAL AREA PHASE-2, CHANDIGARH - 160002  
PH :9988882335.

221. NAVDESH AUTO LLP (0708-07-01), PLOT NO. 42, INDUSTRIAL AREA PHASE-1, CHANDIGARH - 160002  
PH :7087035482.

## CHHATTIGARH

### PENDRA

222. M SQAURE (SCZ1-SCZ-01) - M SQUARE MOTORS, NEAR SEMRA CLOCK MAIN ROAD, PENDRA, GOURELA PENDRA MARWAHI-495119 - 495119  
PH :7987590484.

## CHHATTISGARH

### AMBIKAPUR

223. MAHAMAYA AUTOCARS PVT LTD (AE01-AE-01), MANEDRAGARH ROAD, AMBIKAPUR, CHATTISGARH - 497001  
PH :7987741432.

### BAGBAHARA

224. HDN MOTORS (SEB1-SEB-01), M/S HDN MOTORS, BESIDE R.N RICE MILL, NEW MAHAVEER COMPLEX, MAHASAMUND ROAD, BAGBAHARA - 493449  
PH :7909800004.

### BAIKUNTHPUR

225. MAHAMAYA AUTOCARS PVT LTD (CQU1-CQU-01), WARD NO.01, KHATA NO.91/6, TEHSIL - BAIKUNTHPUR, DISTT. - KORIYA, CHHATTISGARH - 497335  
PH :9179350707.

### BALOD

226. CHOUHAN (SFE1-SF-01), H.NO 185, WARD NO 25, NAYA MARKET, DALLIRAJHARA, BALOD -491228 - 491228  
PH :9837325267.

### BALODA BAZAR

227. SKY AUTOMOBILES (6001-GJ-04), AMBEDKAR CHOWK, RAIPUR ROAD, BALODA BAZAR, CHATTISGARH. - 493332  
PH :9893307429.

### BEMETRA

228. CHOUHAN AUTOMOBILES LLP (CBC2-CBC-01), KHASRA NO. 88/2, CHOUHAN AUTOMOBILE LLP, KAWARDHA ROAD, NAVGHAD CHOWK, BEMETRA CHATTISGARH - 491335  
PH :626200222.

### BHATAPARA

229. SPARSH AUTOMOBILES (BBJ1-BBJ-01), RAIPUR ROAD, BHATAPARA (CHATTISGARH) - 493118  
PH :8921326361/9285505780.

### BHILAI

230. CHOUHAN AUTOMOBILES LLP (8305-83-01), PLOT NO.1 & 34, SHIVNATH COMPLEX, BEHIND CHOUHAN ESTATE, G.E. ROAD, SUPELA, BHILAI - 490023  
PH :9111100140.

231. SPARSH AUTOMOBILES PVT LTD (8304-83-01), R-17, INDUSTRIAL AREA, NANDNI ROAD, CHHAWANI CHOWK, BHILAI, CHHATTISGARH - 490026  
PH :8779064848.

232. CHOUHAN AUTOMOBILES LLP (8305-83-02), NH-6, DURG BYPASS ROAD, KHASRA NO.1/14, 1/23, 1/192, VILLAGE-KATULBOD, BHILAI, TEHSIL & DISTT. DURG, BHILAI, CHHATTISGARH - 491001  
PH :626200222.

### BHILLAI

233. SPARSH AUTOMOBILES (8304-83-02), M/S. SPARSH AUTO, VEERSAVARKAR MARKET, G.E ROAD, SUPELA, BHILLAI-490023 - 490023  
PH :9926626662.

### BILASPUR

234. SATYA AUTO PVT LTD (C303-C3-01), SECTOR C, PLOT NO. 42, SIRGITTI INDUSTRIAL AREA, BILASPUR, CHATTISGARH - 495001  
PH :9109194833.

235. SATYA AUTO PVT LTD (C303-C3-02), PLOT NO. 848/20, 848/26, 848/40, MOPKA BYPASS ROAD, BILASPUR, CHHATTISGARH. - 495006  
PH :9977879698.

236. M SQUARE MOTORS ( A UNIT OF MAHAVIR MOTORCORP PRIVATE LIMITED) (C302-C3-01), KHASRA NO. 420 AND 414/1, NEAR RELIANCE PETROLEUM PUMP, BESIDES TRANSPORT NAGAR GATE, RAIPUR ROAD, PARSADA, BILASPUR - 495223 PH : 992622560.

**DALLIRAJHARA**

237. CHOUHAN (SMZ1-SMZ-01), H.NO 185, WARD NO 25, NAYA MARKET ,DALLIRAJHARA,BALOD DISTRICT-491228 - 491228 PH :6262000222.

**DEOBHOG**

238. SPARSH AUTO (SIQ1-SIQ-01), M/S SPARSH AUTOMOBILES PVT LTD SANTOSHI NAGAR,NEAR BHARAT PETROL PUMP, DHARAMGARH ROAD, DEOBHOG – 493389 - 493389 PH :9926626662.

**DHMTARI**

239. SKY AUTOMOBILES (7V01-7V-01), KASRA NO.238/2, SEHARA RAIPUR, RAIPUR ROAD, DHAMTARI-493773 CHHATTISGARH - 492009 PH :888998612.

**DURG**

240. SPARSH AUTOMOBILES PVT LTD (7W03-7W-01), OPP. JAINAM PLACE, BEFORE PULGAON CHOWK, PULGAON NAKA, DURG, CHHATTISGARH - 491001 PH :9840437544.

**GARIYABANDH**

241. SPARSH AUTOMOBILES (CCH1-CCH-01), NEAR HP PETROL PUMP, RAIPUR ROAD, GARIYABAND, CHHATTISGARH. - 756032 PH :9669638883.

**JAGDALPUR**

242. SKY AUTOMOBILES (EC01-EC-01), GEEDAM ROAD, JAGDALPUR, CHHATTISGARH. - 494001 PH :9109996511.

**JANJIGIR**

243. SATYA AUTO PVT LTD (9N02-9N-01), NEAR KHOKSHA RAILWAY CROSSING, CHAMPA ROAD, NH-200, JANJIGIR - 495668 PH :7747000446.

**KANKER**

244. SKY AUTOMOBILES (5001-KG-06), RAZA NAGAR, SINGARBHAT, NH-30, KANKER , DISTRICT – KANKER, CHHATTISGARH - 494334 PH :888998625.

**KAWARDHA**

245. CHOUHAN AUTOMOBILES LLP (DI02-DI-01), KHASRA NO. 100/6, TALPUR BILASPUR ROAD, KAWARDHA, CHHATTISGARH. - 491 995 PH :6262000222.

**KHAIRAGARH**

246. SPARSH AUTOMOBILES PVT LTD (GMG1-GMG-01), KHAIRAGARH -JHALBANDHA ROAD,AMLIPARA, OPP - BIJALI OFFICE, KHAIRAGARH -491881 - 491881 PH :9926626662.

**KHARSIA**

247. SATYA AUTO (SET1-SET-01), M/S SATYA AUTO , BESIDE GOVT HIGH SCHOOL, RANISAGAR, KHARSIA, DISTRICT: RAIGARH, CHHATTISGARH - 496661 PH :9993092051.

**KONDAGAON**

248. SKY AUTO (SDF1-SDF-01), – M/S SKY AUTO, NH-90 RAIPUR ROAD, NEAR INDIAN OIL PETROL PUMP, KONDAGAON, CHHATTISGARH - 494226 PH :9425204051.

**KORBA**

249. SATYA AUTO PVT LTD (U702-U7-01), SHED NO. 1, INDUSTRIAL AREA, KORBA - 495681 PH :8462000861.

**MAHASAMUND**

250. SPARSH AUTOMOBILES (5002-9P-02), BARONDA CHOWNK, BAGSAHRA ROAD, MAHASAMUND. - ?? PH :9926280700.

**MANENDRAGARH**

251. MAHAMAYA AUTOCARS PVT LTD (AE01-BCE-02), WARD NO.21, NH-43, AMBIKAPUR ROAD, NEAR HP PETROL PUMP, MANENDRAGARH, DISTT. KORIYA - 497442 PH :9584136234.

**MUNGELI**

252. SATYA AUTO PVT LTD (BLE2-BLE-01), KHASRA NO. 270/2, BILASPUR ROAD, MUNGELI, CHHATTISGARH - 861468 PH :8462000844.

**PATHALGAON**

253. MAHAMAYA AUTOCARS PVT LTD (BXO1-BXO-01), KHASRA NO. 567/2, PHATALGAON, DISTRICT – JASPUR, CHHATTISGARH. - 496118 PH :9752195523.

**PITHORA**

254. SPARSH AUTOMOBILES (CCG1-CCG-01), PLOT NO. 284/1, RAMSAGAR PARA, RAIPUR ROAD, PITHORA, CHHATTISGARH. - 761008 PH :9926280700.

**RAIGARH**

255. SATYA AUTO PVT LTD (7Y03-7Y-01), JINDAL ROAD, RAIGARH - 496001 PH :7024398350.

**RAIPUR**

256. SKY AUTOMOBILES (5001-50-01), G.E.ROAD, MOHABA BAZAR, RAIPUR. - 492010 PH :9584433102.

257. SKY AUTOMOBILES (5001-50-02), K.K. ROAD, MOUDHAPARA, RAIPUR. - 492001 PH :9584460290.

258. SPARSH AUTOMOBILES (5002-50-01), PACHPADI NAKA, OPP. DUTTA DRY CLEANER, DHAMKARI, JAGDALPUR ROAD, RAIPUR. - 492001 PH :9669792000.

259. SKY AUTOMOBILES (5001-50-05), NEAR R.K. MALL, KOTA ROAD, RAIPUR - 492001 PH :9853000161.

260. SKY AUTOMOBILES (5003-50-01), AVANTI/VIHAR ROAD, TELEBANDHA, RAIPUR (C.G) - 492006 PH :9522314155.

261. SPARSH AUTOMOBILES (5002-50-04), OPP. UNION BANK, MAIN ROAD, PANDRI, RAIPUR - 492004 PH :9009666400.

262. SPARSH AUTOMOBILES (5002-50-05), PLOT - 31, INDUSTRIAL ESTATE, OPP MAHESH COLD STORAGE, BHANPURI, RAIPUR - ?? PH :9977220395.

263. SKY AUTOMOBILES (5001-50-07), ADJOINING WALLFORT CITY, BHATGAON, RING ROAD NO. 2, RAIPUR, CHHATTISGARH. - 492013 PH :9584460289.

264. HDN MOTORS PVT. LTD. (5005-50-01), BESIDES BHARAT BENZ SHOWROOM, DURG-BHILAI ROAD, TATIBANDH, RAIPUR, CHHATTISGARH. - 492001 PH :7909800093.

265. VISHWABHARTI AUTOMOBILES PRIVATE LIMITED (5004-50-01), VIDHAN SABHA ROAD, MOWA, RAIPUR DISTT. CHHATTISGARH - 492005 PH :6262620057.

**RAJIM**

266. SPARSH AUTOMOBILES (5002-MO-03), RAIPUR ROAD, NEAR AMMANI PETROL PUMP, NAYAPARA, RAJIM. - 493881 PH :966963883.

**RAJNANDGAON**

267. SPARSH AUTOMOBILES PVT LTD (LQ02-LQ-01), NEAR HANUMAN TEMPLE, VILL-MANKI , NH-6, RAJNANDGAON, CHHATTISGARH - 491441 PH :7887518100.

**SARAIPELLI**

268. SKY AUTOMOBILES PVT. LTD. (BUF1-BUF-01), KHASRA NO.482/5 AND 482/6, RAIPUR ROAD, SARAIPELLI, DIST-MASAMUND, SARAIPELLI - 493558 PH :7000723259.

**SARANGARH**

269. SATYA AUTO PVT LTD (BUC2-BUC-01), KASRA NO. 71/4, 73/2, 74/2, 75/1 AND 76/2, SARANGARH BIKAS KHAND, SARANGARH, DISTT. RAIGARH. - 733751 PH :8462000841.

**TILDA**

270. SKY AUTOMOBILES (CWR1-CWR-01), KASRA NO. 29/31, TILDA, DIST-RAIPUR, CHHATTISGARH. - 493 114 PH :9425204051.

**TITLAGARH**

271. ODYSSEY MOTORS (SQE1-SQE-01), M/S PLOT NO 687/1216, MOUZA PIPALPADAR, TITLAGARH,BALANGIR, ODISHA - 767033 PH :9439314464.

**DADRA AND NAGAR HAVELI**

**SILVASSA**

272. KATARIA AUTOMOBILES PVT. LTD. (ED01-ED-01), NEAR ATHAL CHAR RASTA,DADAR & NAGAR HAVELI, SILVASSA - 396230 PH :9723816223.

**DAMAN AND DIU**

**DAMAN**

273. KATARIA AUTOMOBILES PVT. LTD. (0104-98-08), NEAR AKASWANI CENTER, RINGANWADA, NANI DAMAN , DAMAN UNION TERRITORY - 396210 PH :9924130655.

**DELHI**

**DELHI**

274. SATYA AUTOMOBILES PVT. LTD. (0808-08-03), A 21-22, G.T.KARNAL ROAD, NEW DELHI - 110033 PH :47088888.

275. BAGGA LINK MOTORS PVT LTD. (0811-08-01), 395 PATPAR GANJ INDL AREA,PATPARGANJ NEW DELHI - 110092 PH :46488830, 46488831.

276. BAGGA LINK MOTORS PVT LTD. (0811-08-02), LINK ROAD,NEAR BAGGA PETROL PUMP),KAROL BAGH NEW DELHI - 110005 PH :23524646, 23522626.

277. DD MOTORS (A DIVISION OF D.D. PREM PVT.LTD.) (08F1-08-01), A-100 MAYAPURI,PHASE-II,NEW DELHI - 110064 PH :41845000, 49305232.

278. COMPETENT AUTOMOBILES CO. LTD. (0806-08-03), PLOT NO.3,GAZIPUR,DELHI. - 110096 PH :45300000.

279. T.R. SAWHNEY MOTORS PVT LTD (0819-08-02), B-6 INDUSTRIAL AREA, PHASE I, OPP SECTOR 18, BADLI, NEW DELHI - 110042 PH :71118333.

## Dealer Workshop (AS ON 30.05.2023 )

280. DD MOTORS (A DIVISION OF D.D. PREM PVT.LTD.) (08F2-08-01), 5, WAZIRPUR, INDUSTRIAL AREA, ADJACENT TO WAZIRPUR DEPOT, RING ROAD, NEW DELHI - 110034  
PH : 27153996-99, 27151466-67.
281. ROHAN MOTORS LTD. (0886-08-01), F-9/B-1, MOHAN COOPERATIVE INDUSTRIAL ESTATE, MATHURA ROAD, DELHI - 110044  
PH : 40567900, 41679252-259.
282. T.R. SAWHNEY MOTORS PVT LTD (0819-08-01), 33 & 34, HARCHAND MELARAM COMPLEX, EAST GOKULPUR, WAZIRABAD ROAD, DELHI - 110094  
PH : 71115333.
283. RANA MOTORS PVT LTD (08A1-08-02), C-47, OKHLA INDUSTRIAL AREA, PHASE-II, NEW DELHI - 110020  
PH : 41707777.
284. MAGIC AUTO PVT. LTD. (0888-08-01), A-93, PHASE-2, MAYAPURI INDL AREA, DELHI - 110064  
PH : 41847777.
285. DD MOTORS (A DIVISION OF D.D. PREM PVT.LTD.) (08F3-08-01), A-1 UDYOG VIHAR, NEW ROHTAK ROAD, PEERAGARHI, DELHI - 110041  
PH : 25963535, 48616500.
286. T.R. SAWHNEY MOTORS PVT LTD (0819-08-04), PLOT NO.-508, FUNCTIONAL INDUSTRIAL ESTATE, PATPARGANJ - 110092  
PH : 9873851333.
287. MAGIC AUTO PVT. LTD. (08B7-08-01), PLOT NO. 68/3, MOTINAGAR, NEW DELHI, - 110015  
PH : 43777777, 43777721.
288. SHREYASH AUTOMOTIVES PRIVATE LIMITED (08F8-08-01), PLOT NO.9, SSI INDUSTRIAL ESTATE, GT KARNAL ROAD, NEW DELHI. - 110063  
PH : 43288888.
289. SAYA AUTOMOBILES (0808-08-2B), KHASRA NO.2,G.T. KARNAL ROAD,OPP. GURUDUARA HARGOVIND SINGH,SIRAS PUR BADLI,DELHI - 110033  
PH : 27731325, 27731856.
290. COMPETENT AUTOMOBILES CO. LTD. (0806-08-05), B-83 MAYAPURI PHASE I, NEW DELHI - 110015  
PH : 47289980.
291. BAGGA LINK MOTORS PVT LTD. (0811-08-03), PLOT NO 4,6,8,10 NEAR FORTIS HOSPITAL, OPPOSITE NIKULAS, BABA POTERY COMPOUND, ARUNA ASAF ALI ROAD, VASANT KUNJ, NEW DELHI - 110070  
PH : 45688888, 45688911.
292. RANA MOTORS PVT LTD (08A1-08-04), B-6/6, OKHLA INDUSTRIAL AREA PHASE-II, NEW DELHI - 110020  
PH : 40877777, 26389930.
293. COMPETENT AUTOMOBILES CO. LTD. (0806-08-06), 14, SHIVAJI MARG, NAGAFGARH ROAD, NEW DELHI - 110 015  
PH : 9377079808/1/02.
294. PREM MOTORS PVT. LTD. (08D4-08-01), KH. NO.804/2, MAHIPALPUR MATA CHOWK, DELHI - 110037  
PH : 42390000.
295. AAA VEHICLEADES PVT. LTD. (08B9-08-03), VILLAGE GHEVARA, KHASRA NO.87/3, 87/8 & 87/13/1, DELHI-ROHTAK ROAD, METRO PILLAR NO.616, MUNDKA, NEW DELHI - 110041  
PH : 66118888.
296. RANA MOTORS PVT LTD (08A1-08-05), A-8, RAJASTHANI UDYOG NAGAR, NEAR AZADPUR FRUIT MARKET, G.T. KARNAL ROAD, OPP. METRO PILLAR NO.119, DELHI. - 110033  
PH : 41609999, 42474444.
297. SHREYASH AUTOMOTIVES PRIVATE LIMITED (08F9-08-01), A-3, WAZIRPUR INDUSTRIAL AREA, DELHI. - 110052  
PH : 42020000, 9910114255.
298. T.R. SAWHNEY MOTORS PVT LTD (08D2-08-01), B-19, MAYAPURI INDUSTRIAL AREA, PHASE-1, NEW DELHI. - 110064  
PH : 71119333, 9999049337.
299. DD MOTORS (A DIVISION OF D.D. PREM PVT.LTD.) (08F1-08-02), 9/55 KIRTI NAGAR, INDUSTRIAL AREA, NEW DELHI - 110015  
PH : 999903888.
300. MAGIC AUTO PVT. LTD. (08D5-08-01), PLOT NO. 449 & 450, PATPARGANJ INDUSTRIAL AREA, NEW DELHI. - 110092  
PH : 9818741741.
301. DD MOTORS (A DIVISION OF D.D. PREM PVT.LTD.) (08F1-08-03), 85B RANAJI ENCLAVE, NAGLI SAKRAWATI, NAJAFGARH, NEW DELHI. - 110043  
PH : 9999127840/9999127947.
302. DD MOTORS (A DIVISION OF D.D. PREM PVT.LTD.) (08F5-08-01), 36/22/2 AND 36/19, PANA UDHYAN, NARELA, NEW DELHI. - 110040  
PH : 8660637358.
303. DD MOTORS (A DIVISION OF D.D. PREM PVT.LTD.) (08F1-08-04), 32/19, MATIALA, BEHIND DELHI PUBLIC SCHOOL, SECTOR-3, DWARKA, NEW DELHI. - 110059  
PH : 9873173005.
304. FAIR DEAL WHEELS PVT. LTD (08E3-08-01), PLOT NO.25, KHATA KHATAUNI NO.97/98, KHASRA NO.49/17, OPP. BRAHMSHAKTI HOSPITAL, BUDH VIHAR, POOTH KALAN, MAIN KANJAWALA ROAD, DELHI - 110086  
PH : 9711993801.
305. COMPETENT AUTOMOBILES CO. LTD. (0806-08-07), 23/2, MATIALA PHIRNI, POKKET C, SECTOR 3, DWARKA, DELHI. - 110059  
PH : 9582797774.
306. JAGMOHAN AUTOMOTIVES (08F6-08-01), PLOT NO. 69/2, WAZIRPUR INDUSTRIAL AREA, NEW DELHI, PIN-110052  
PH : 9650790351.
307. RANA MOTORS (08A1-08-08), B-83, GTK ROAD INDUSTRIAL AREA, DELHI. - 110033  
PH : 9873400386.
308. AAA VEHICLEADES (08B9-08-01), KHASRA NO. 204, MAIN CHHATARPUR ROAD, CHHATARPUR, NEAR SAI BABA MANDIR, DELHI, PIN-110030 - 110030  
PH : 9829342761.
309. VIPUL MOTORS (08F7-08-01), B-26, JHILMIL INDUSTRIAL AREA, DELHI -110095 - 110095  
PH : 9811233385.

### OKHLA, DELHI

310. AAA VEHICLEADES PVT LTD (08B4-08-01), B243, OKHLA PHASE-1, OKHLA, DELHI - 110020  
PH : 8448582912.

### WAZIRPUR - DELHI

311. DD MOTORS (08F1-08-05), A-90, WAZIRPUR INDUSTRIAL AREA, NEW DELHI-110052 - 110052  
PH : 9310367233.

### GOA

#### BICHOLIM

312. SAI SERVICE PRIVATE LIMITED (BHN1-BHN-01), CITY SURVEY NO. 46/1, MUSLIM WADDO, BICHOLIM, GOA - 403529  
PH : 23855000, 9881746566.

#### CANACONA

313. CHOWGULE INDUSTRIES PVT. LTD. (IT01-IT-01), PLOT NO.40, CANCONA INDUSTRIAL ESTATE, SHREESTAL, CANCONA, SOUTH GOA - 403702  
PH : 0832-2633010/8805024916.

#### CUNCOLIM

314. SAI SERVICE PRIVATE LIMITED (3402-AAO-06), SURVEY NO.64/7, SHOP NO.3-A-II, CANCNAMEODDI, CUNCOLIM, SOUTH GOA - 403703  
PH : 2763062, 2763063, 9850398057.

#### DHARBANDORA

315. CHOWGULE INDUSTRIES PVT. LTD. (3408-GO-07), AT- KHANDEPAR- USGAON, TAL-DHARBANDORA, SOUTH GOA - 403401  
PH : 0832-6623477/788004357.

#### MAPUSA

316. SAI SERVICE PRIVATE LIMITED (3402-8Z-05), D-2/9,MAPUSA INDUSTRIAL ESTATE,MAPUSA, GOA, - 403507  
PH : 22670000, 8660432266.
317. CHOWGULE INDUSTRIES PVT. LTD. (3408-8Z-03), PLOT NO. 19/20, THIVIM INDUSTRIAL ESTATE, KARASWADA, MAPUSA, GOA - 403507  
PH : 0832-6631666/6631608/8888817955.

### MARGAO

318. CHOWGULE INDUSTRIES PVT. LTD. (3408-1Y-01), OPP.DAMODAR TEMPLE,FATORDA,MARGOA,GOA - 403602  
PH : 0832-6623444/4207796630235.
319. SAI POINT CARS PVT LTD (3408-1Y-01), H.NO.17,WARD NO.5,SURVEY NO.34/3,34/4,MARGAONA PONDA HIGHWAY,SONFATOR AMBORA,CAMURLIN,SALCETE ,GOA - 403722  
PH : 9545454826/8380013499.
320. SAI SERVICE PRIVATE LIMITED (3402-1Y-02), SURVEY NO. 212/4,VILLAGE - VERNA,TAL : SALCETE ,NEXT TO AGNEL POLYTECHNIC, MARGAO - 403718  
PH : 2883000, 2791195,9834399086.
321. CHOWGULE INDUSTRIES PVT. LTD. (3408-1Y-08), PLOT NO. M-58 AND M-59, PHASE 3B, VERNA INDUSTRIAL ESTATE, MARGAO, VERNA, SALCETE SOUTH GOA, GOA - 403722  
PH : 0832-6621800/9922950800.

### PANAJI

322. CHOWGULE INDUSTRIES PVT. LTD. (3408-P1-02), D.B BANDODKAR MARG, CAMPAL, PANAJI, GOA - 403001  
PH : 9922950798/9922925701.
323. SAI SERVICE PRIVATE LIMITED (3402-P1-07), SHED NO.18/329, PLOT NO.5A, SURVEY NO.117/6, TELEIGAOIN, ST. INEZ, PANJIM, GOA-403 002. - 403001  
PH : 22229222/2222522,9923865179.

### PERNEM

324. CHOWGULE INDUSTRIES PVT. LTD. (CUA1-CUA-01), SURVEY NO. 258/1-B & 258/1-C, OPPOSITE INDIUTRIAL TRAINING INSTITUTE, TALUKA - PERNEM, DIST.-NORTH GOA. - 403512  
PH : 8380082893.

### POLEM

325. CHOWGULE INDUSTRIES (SHO1-SHO-01), DULGAL-SHELM,VILLAGE POLEM-LOLIEIM ,SOUTH GOA,403728 - 403728  
PH :#REF!

### PONDA

326. SAI SERVICE PRIVATE LIMITED (3402-34-03), OFF PANJIM HIGHWAY,PONDA,GOA. - 403401  
PH : 2324106, 2311499, 2324120, 9518349559.

### PORVORIM

327. SAI SERVICE PRIVATE LIMITED (3402-P1-01), SURVEY NO: 36/1,PENHA DE FRANCE,TAL : BARDEZ, ALTO PCRVORIM,GOA - 403501  
PH : 2412900, 2414324, 9881746567.

### SANVORDEM

328. CHOWGULE INDUSTRIES PVT. LTD. (BTK1-BTK-01), SURVEY NO. 4, SUBDIVISION-3, VILLAGE - CACORA, TALUKA -- CURCHOREM, SANVORDEM, DIST. - SOUTH GOA, GOA. - 403706  
PH :9850477607.

**SATTARI**

329. CHOWGULE INDUSTRIES PVT. LTD. (3408-BOP-10), SURVEY NO. 60, SUB DIV NO. 05, VILLAGE ARVALEM, VILLAGE PANCHAYAT ARVALEM, TALUKA SATTARI, NORTH GOA, GOA - 403505  
PH :9923464422.

**TALEIGAOIN**

330. CHOWGULE INDUSTRIES PVT. LTD. (3408-NP-06), SURVEY NO. 122, MAHBOS, NEAR SHANKARWADI TEMPLE, SHANKARWADI, TALEIGAOIN, - 403001  
PH :9922950798/9922925701.

**VASCO**

331. SAI SERVICE PRIVATE LIMITED (3402-CP-04), NEXT TO SHIKALIM CHURCH,SHIKALIM,VASCO,GOA - 403802  
PH :2542561/2526008/2526000/9850398058.

332. CHOWGULE INDUSTRIES PVT. LTD. (3408-CP-09), OPP BHRAMASTAL TEMPLE, PATRONG BAINA, VASCO,GOA - 403802  
PH :0832-250047/427/9921943608/9850986904.

**GUJARAT**

**AHMEDABAD**

333. KIRAN MOTORS LTD (0102-01-01), SARKHEJ - GANDHINAGAR HIGHWAY,OPP. RAJUPATH CLUB,AHMEDBAD - 380054  
PH :9624055445.

334. KATARIA AUTOMOBILES PVT. LTD. (0104-01-01), D/8 BEHIND ESI HOSPITAL,OUTSIDE DARIAPUR DARWAJA,AHMEDABAD - 380016  
PH :9825453500.

335. POPULAR WHEELERS (INDIA) PVT. LTD. (0105-01-01), PATEL TRUST BUILDING, AVTAR HALL,NAROL, NARODA HIGHWAY,ISANPURA ROAD,AHMEDABAD - 382443  
PH :61903232.

336. KIRAN MOTORS LTD (0102-01-02), BEHIND L&T GODOWN,SARKHEJ SANAND HIGHWAY, AHMEDABAD - 382210  
PH :26891863, 26891009, 26891294.

337. KATARIA AUTOMOBILES PVT. LTD. (0104-01-05), NEAR KOKHRA BRIDGE,MANINAGAR - 380008  
PH :7567568182.

338. KATARIA AUTOMOBILES PVT. LTD. (0110-01-01), BEHIND ADANAL PUMP, NEAR MAKARBA CROSSING, MAKARBA,SG HIGHWAY - 380051  
PH :7069054900.

339. POPULAR WHEELERS (INDIA) PVT. LTD. (0111-01-01), BESIDE SOLA ROAD BRIDGE,S. G. HIGHWAY SOLA,AHMEDABAD - 380054  
PH :65058111.

340. KIRAN MOTORS LTD (0112-01-01), SURVEY NO. 82/1/1, NEAR H.P. PETROL PUMP, MOTERA ROAD, CHANDKHEDA, AHMEDABAD - 380005  
PH :8347491800/9824023122.

341. UDAY AUTOLINK PVT. LTD. (0113-01-01), NEAR GALAXY SPACIA, OPP. DASTAN FARM, S. P. RING ROAD, KATHWADA, AHMEDABAD, GUJARAT - 382430  
PH :7567229999.

342. NANDA AUTOMOBILES PVT. LTD. (0114-01-01), SURVEY NO. 229/3, OPP. GOKULESH PETROL PUMP, NAROL - ASLALI ROAD, NAROL, AHMEDABAD, GUJARAT. - 382405  
PH :8666558787 / 8460088883.

343. STARLINE CARS (AHMEDABAD) PVT LTD (0115-01-01), PLOT NO. 103/2, NANDA CHILODA, NEAR RAILWAY CROSSING, KRISHNANAGAR ROAD, NARODA, AHMEDABAD - 382330  
PH :9824601729.

344. KIRAN MOTORS LTD (0112-01-02), FINAL PLOT NO.33/1/1, NEAR SHRUSHTI LAVISH, OPP. SHYAM VILLA-II, NARODA-NIKOL ROAD, NIKOL DISTT. AHMEDABAD - 382330  
PH :7069868374/9173840458/7383651643/9173044104

345. KIRAN MOTORS LTD (0102-01-04), SURVEY NO. 245/3, TP SCHEME NO. 43, NEAR KARGIL PETROL PUMP, SCIENCE CITY ROAD, AHMEDABAD - 380060  
PH :9327617447, 9327214890.

346. POPULAR WHEELERS (INDIA) PVT. LTD. (0109-01-01), BEHIND G. B. SHAH COLLEGE, NEAR SWAMINARAYAN PARK, VAISHALI TOWNSHIP ROAD, VASNA, AHMEDABAD, GUJARAT. - 380007  
PH :9099993830.

347. PEGASUS (A UNIT OF VISUAL AUTOLINK PVT. LTD.) (0129-01-01), PLOT NO. 116, BOPAL - AMBIL ROAD, BOPAL, AHMEDABAD, DISTRICT - AHMEDABAD, GUJARAT. - 380058  
PH :7211140026, 7211130053.

348. TANU MOTORS PVT. LTD. (0118-01-01), SURVEY NO. 1155/1-2, 1154 & 1156, PLOT NO. 39, SARKHEJ-SANAND ROAD, SANAND, AHMEDABAD (GUJARAT) - 382110  
PH :9512009110.

349. PEGASUS (A UNIT OF VISUAL AUTOLINK PVT. LTD.) (0117-01-01), PLOT NO.116 & 118/2, SARDAR PATEL RING ROAD, VASTRAL, AHMEDABAD - 382418  
PH :7623089000.

350. STARLINE CARS PVT. LTD. (D101-01-09), SR NO - TP - 57, PLOT NO. 67, NEAR GOTTA FLYOVER BRIDGE, OPP. SHANKU FARM HOUSE, S.G. HIGHWAY, GOTTA, AHMEDABAD. - 382481  
PH :9824601729.

351. KATARIA AUTOMOBILES PVT. LTD. (0110-01-02), SR NO. 112, 116 & 119, SURVEY NO. 283/3.7.10, BIH SILVER STAR, BESIDE HARI VILLA BUNGLAWS, GOTTA ROAD, CHANDLODIYA, AHMEDABAD. - 382481  
PH :9824000378.

352. DB MOTORS PRIVATE LIMITED (0119-01-01), SURVEY NO. 131A, NH-8, ASLALI, OPP-OCTROI NAKA, AHMEDABAD. - 382427  
PH :9726031111.

353. POPULAR WHEELS (0111-01-02), SAVAN SQUARE, SHOP NO. 1, 2, 3, 4, 5, SERVE NO. 39/1, F.P. NO. 92, T.P. NO. 66/A, CHENPUR, NEW RANIP, AHMEDABAD. - 382 427  
PH :9925203344.

354. DB MOTORS PRIVATE LIMITED (0119-01-02), PLOT NO. 718, ASHRAM ROAD, OPPOSITE GANDHI ASHRAM, OLD VADAJ, HRIDAYA KINJ, AHMEDABAD. - 380013  
PH :9909048260.

**AMBAJI**

355. TANU MOTORS (SKQ1-SKQ-01), OPP KUMBHARIYA JAIN DERASAR, GUDJ ROAD, AMBAJI, DIST-BANASKANTHA, GUJARAT 385110 - 385110  
PH :#REF1.

**AMOD**

356. RAVIRATNA MOTORS (F801-ZE-03), ROYAL PARK, JAMBUSAR-BHARUCH ROAD, AMOD, DISTRICT: BHARUCH, GUJARAT. - 392110  
PH :9687691106/9687699383.

**AMRELI**

357. ALPHA AUTOLINK LLP (9E02-9E-01), LATHI BY PASS ROAD, AMRELI, GUJARAT. - 365601  
PH :9978938858/9978938833.

**ANAND**

358. AMAR CARS PVT. LTD. (F702-F7-01), JANTHA CROSSING,SOJITRA ROAD,ANAND - 388121  
PH :9909960772.

359. KATARIA AUTOMOBILES PVT. LTD. (F703-F7-01), SURVEY NO. 189/1+2/A+3/A/K 190/P, OPP. OLD JAKAT NAKA, NEAR RAILWAY OVERBRIDGE, ANAND-CHIKHODRA ROAD, ANAND, GUJARAT. - 388 120  
PH :7698954466.

**ANKLAV**

360. KATARIA AUTOMOBILES (SEO1-SEO-01), AMBICA COMPLEX, GROUND FLOOR SHOP NO. B, C AND D, ASODAR CHOKDI, TAL. ASODAR, CITY ANKLAV, DIST. ANAND, PIN-388510, GUJARAT - 388510  
PH :7227917151.

**ANKLESHWAR**

361. RAVIRATNA MOTORS PVT LTD (P901-P9-01), PLOT NO. 624/2/B/A, GIDC, VALIA ROAD, ANKLESHWAR - 393002  
PH :9687691063.

**BAGODRA**

362. NANDA AUTOMOBILES PVT. LTD. (CVQ1-CVQ-01), SHOP NO. 9, 10, 11, 12, KAMDHENU COMPLEX, BAGODRA HIGHWAY, NR. SBI BANK, BAGODRA. - 382240  
PH :9727822000, 9726269111.

**BALASINOR**

363. AMAR CARS PVT. LTD. (CJE1-CJE-01), SR. NO. 1451, OPP. OIC PETROL PUMP, AHMEDABAD HIGHWAY (NH-47), KANTHARJINA MUWADA, VILLAGE - VADALA, TALUKA - BALASINOR, DISTRICT - MAHISAGAR, GUJARAT. - 388255  
PH :7211109960.

**BARDOLI**

364. DHRU MOTORS (4002-Q1-02), G.I.D.C.SURAT BARDOLI ROAD,BARDOLI, - 394601  
PH :9825413113/9879104454.

365. KATARIA AUTOMOBILES PVT. LTD. (Q106-Q1-02), BLOCK NO.13, NANDIDA CROSS ROAD, BARASADI VILLAGE, SURAT-BARDOLI ROAD, BARDOLI, GUJARAT - 394310  
PH :7698022665/9924138860.

**BAREJA**

366. KATARIA AUTOMOBILES PVT. LTD. (BAN1-BAN-01), 5/6/7, ADITYA COMPLEX NATIONAL HIGHWAY-8, BAREJA, TALUKA - DASKROI, DISTRICT - AHMEDABAD, GUJARAT - 382425  
PH :7046079997.

**BARWALA (AHMEDABAD)**

367. UDAY AUTOLINK PVT. LTD. (4401-14-01), OPP. HILTON HOTEL, BHAVNAGAR HIGHWAY, TA BARWALA, DIST. AHMEDABAD - 382450  
PH :7567449999/9687677611.

**BAVLA**

368. KATARIA AUTOMOBILES PVT. LTD. (0104-RX-07), NEAR ESSAR PETROL PUMP, BAVLA -AHMEDABAD HIGHWAY, BAVLA - 382220  
PH :9824344889.

**BECHARJI**

369. STARLINE CARS PVT. LTD. (GJM1-GJM-01), R.S. NO. 336 PAIKI, MOJE-BECHAR (BECHARAJI), TALUKA - BECHARAJI, DIST.-MEHSANA. - 384210  
PH :9909043244.

**BHABHAR**

## Dealer Workshop (AS ON 30.05.2023)

370. STARLINE CARS (CWD1-CWD-01), SHOP NO. 7, 8, 9, SIDDIHI VINAYAK BUSINESS HUB, R.S. NO. 225, PANJAPUR POLE ROAD, BHABAR, DIS. BHANASKANTHA, GUJARAT - 385320 PH. 99099043244, 9824601729.	380. KATARIA AUTOMOBILES (AP03-AP-19), PLOT NO.13, SURVEY NO 33.34, AND 35 PAIKKI VILLAGE, HADADAD, OPP. PATEL HYUNDAI SHOWROOM, PALIYAD BOTAD ROAD - 384710 PH. 9558060658.	<b>DABHOI</b> 389. KATARIA AUTOMOBILES PVT. LTD. (UU01-UU-01), OPP. VEGA BUS STOP, NEAR VEGA CROSS ROAD, DABHOI-BODELI ROAD, DABHOI, TA:DABHOI, DI:VADODARA - 391110 PH .8156000463.	398. TANU MOTORS PVT. LTD. (CQ02-CQ-01), SURVEY NO. 722, OPPOSITE RANI RUDY MATAJI MANDIR, DHOLKA KALKINDU HIGHWAY, DHOLKA, GUJARAT - 382 225 PH. 9512009104.
<b>BHACHAU</b> 371. K.D. MOTORS (P501-JP-02), SUNRISE MALL,OPP. BUS STAND,BHACHAU BHUJ ROAD, BHACHAU, GUJARAT - 370140 PH. 9909953036, 9879390919.	<b>CHANASMA</b> 381. STARLINE CARS (CVF1-CVF-01), 16/17, PASABHI COMPLEX, NEAR ROYAL PALACE HOTEL, MEHSANA HIGHWAY, CHANASMA. - 384220 PH. 99099043244, 9824601729.	<b>DAHOD</b> 390. R B CARS PVT. LTD. (2C01-PL-02), NEAR SIMANDHAR JAIN TEMPLE, OLD INDORE HIGHWAY,DAHOD - 389151 PH. 9099043715, 9727700823.	<b>DHORAJI</b> 399. PERFECT AUTO SERVICE (5502-DL-09), JETPUR ROAD, OPP. SHRINATHJI SOCIETY, DHORAJI - - 360410 PH. 9099027402, 8200969617.
<b>BHANVAD</b> 372. ATUL MOTORS JAM LLP (BND2-BND-01), R.S. NO.439, PLOT NO.19, BHANVAD (GUJARAT) - 360510 PH. 95740005964 / 9574004714.	<b>CHANDKHEDA - AHMEDABAD</b> 382. KATARIA AUTOMOBILES PVT. LTD. (0104-01-10), SURVEY NO. 247, TP NO. 73, OPP. PAVITRA ENCLAVE, MANSAROVER ROAD, NEAR HARI OM FARM, TRAGAD, CHANDKHEDA, AHMEDABAD. - 382470 PH. 9723302111.	<b>DEESA</b> 391. TANU MOTORS PVT. LTD. (Q801-UQ-03), NH-14, NR. ESSAR PETROL PUMP, RADHANPUR HIGHWAY, HANUMAN NAGAR, MALGADH, DEESA - 385535 PH. 99099006099.	<b>DHRANGDHRA</b> 400. DREAM VEHICLES PVT LTD (IM01-IM-01), PLOT NO. 79, SURENDRANAGAR- DHRANGADHRA ROAD, OPP. ARMY WORKSHOP, DISTRICT-SURENDRANAGAR. - 363310 PH. 9227775725.
<b>BHARUCH</b> 373. RAVIRATNA MOTORS (F801-F8-01), NH 8, OPP YOGI PETROL PUMP P O, ZADESHWAR, BHARUCH - 392011 PH. 9687691044; 9687632647.	<b>CHANDRALA</b> 383. NANDA AUTOMOBILES PVT. LTD. (GLT1-GLT-01), HIMMATNAGAR HIGHWAY NO.8, NEAR DEVANSHI PARTY PLOT, CHANDRALA, DIST- GANDHINAGAR, GUJARAT - 382320 PH. 9725062187, 9727726003.	<b>DEHGAM</b> 392. NANDA AUTOMOBILES PVT. LTD. (2B01-NR-03), NEAR UMIYA MATAJI TEMPLE, COLLEGE ROAD,AHMEDABAD ROAD, DEHGAM - 382305 PH. 234567.	<b>DIYODAR</b> 401. TANU MOTORS (SFU1-SFU-01), NR.HP PETROL PUMP, BHESANA CROSS ROAD, BHABHAR HIGHWAY DIYODAR-385330 - 385330 PH. #REF!.
<b>BHAVNAGAR</b> 374. KATARIA AUTOMOBILES (C902-C9-01), SURVEY NO 137/2, PLOT NO 301/2&3 AND 301/4&5, VERTEJ GIDC, NARI CHOWKDI, RAJKOT ROAD, BHAVNAGAR. - 364004 PH. 9426168286.	<b>CHANGODAR</b> 384. PEGASUS (A UNIT OF VISUAL MOTORS PVT. LTD.) (CTD2-CTD-01), SURVEY NO.393, VILLAGE - MORAIYA, CHANGODAR, TALUKA - SANAND, SUN DISTT - AHMEDABAD. - 382210 PH. 7211120014.	<b>DETROJ</b> 393. PEGASUS (A UNIT OF VISUAL AUTOLINK PVT LTD) (GLC1-GLC-01), PLOT NO-61,MILKAT NO-2534, AT-DETROJ,TALUKA-DETROJ-RAMPURA-382120 - 382120 PH. #REF!.	<b>DWARKA</b> 402. ATUL MOTORS JAM LLP (CJG2-CJG-01), SURVEY NO. 41, NEAR, SHRI SANANT SEVA MANDAL, CORNER PLOT OF STATION ROAD AND HIGHWAY ROAD, DWARKA, DISTRICT - DWARKA - - 361335 PH. 9712219200 / 9597400474.
375. KATARIA AUTOMOBILES (C902-C9-02), PLOT NO-29, NR. TALAJA OCTROI CIRCLE, JAKATNAKA, AT-ADHEWADA, DISTT-BHAVNAGAR, GUJARAT - 364002. - 364002 PH. 9638884422.	<b>CHIKHLI</b> 385. KATARIA AUTOMOBILES PVT. LTD. (BCB1-BCB-01), SURVEY NO.461, VILLAGE-MAJIGAM, TALUKA-CHIKHALLI, DISTT-NAVSARI, GUJARAT - 396521 PH. 7698953899.	<b>DEVGADH BARIA</b> 394. R B CARS PVT. LTD. (2C01-AOA-05), BESIDE ARIHANT PETROL PUMP, PIPLOD ROAD, DEVGADH BARIA - 389380 PH. 9099049344, 6352384846, 9099043715.	<b>GANDHIDHAM</b> 403. B M AUTOLINK (7702-77-01), EAST OF PLOT NO. 30-35,NATIONAL HIGHWAY, GANDHIDHAM - 370201 PH. 9727725723.
<b>BHUJ</b> 376. K.D. MOTORS (P501-P5-01), PLOT NO. 56/14, UMANAGAR,MIRZAPUR HIGHWAY ROAD , BHUJ, GUJARAT - 370001 PH. 02832-232534/5, 9879889799, 8780351870.	<b>CHILODA</b> 386. PEGASUS (A UNIT OF VISUAL AUTOLINK PVT. LTD.) (GJO1-GJO-01), PLOT NO. 332, BESIDES GALLOPS TATA, NH-8, CHILODA-HIMMATNAGAR HIGHWAY, CHILODA. - 382355 PH. 7211168938, 7623039000.	<b>DHANERA</b> 395. TANU MOTORS PVT. LTD. (BZW1-BZW-01), 01 & 02, MARUTI NANDAN COMPLEX, NEAR ESSAR PETROL PUMP, DHANERA-DEESA HIGHWAY, DHANERA - 385310 PH. 99099006099, 8401784018.	404. B M AUTOLINK (7702-77-03), SURVEY NO.129/26 P. GALPADAR HIGHWAY, GANDHIDHAM , DISTT.KACHCHH, GUJARAT. - 370110 PH. 9727725723, 9727739550.
<b>BODELI</b> 378. KIRAN MOTORS LTD (0R01-0R-01), OPP.NARMADA GUEST HOUSE,DABHOI ROAD, BODELI, TALUKA: SANKHEDA,VADODARA - 391135 PH. 9714592999.	<b>CHOTILA</b> 387. DREAM VEHICLES PVT LTD (CF11-CF1-01), SURVEY NO. 31, PLOT NO. 1, NILKANTH SOCIETY, NH NO. 8A, AHMEDABAD-RAJKOT, AT & PO - CHOTILA, DISTRICT - SURENDRANAGAR, GUJARAT. - 363520 PH. 9227775709.	<b>DHARAMPUR</b> 396. KATARIA AUTOMOBILES PVT. LTD. (BSK1-BSK-01), SURVEY NO.29/3/P1, VILLAGE ASHURA NR. ASHURA CIRCALE, DHARAMPUR DISTT. VALSHAD, GUJARAT - 396050 PH. 9723455291.	<b>GANDHINAGAR</b> 405. NANDA AUTOMOBILES PVT. LTD. (2B01-2B-01), 1003,SECTOR-28,GANDHI NAGAR - 382028 PH. (079)23212692 / 93 / 94.
<b>BORSAD</b> 379. AMAR CARS PVT. LTD. (BJM1-BJM-01), BORSAD - TARAPUR HIGHWAY, BORSAD , DISTRICT - ANAND, GUJARAT - 388540 PH. 9586477744.	<b>CHUDA</b> 388. DREAM AUTOMOBILES (SOC1-SOC-01), NR. GOVT HOSPITAL,CHATARLIYA ROAD,CHUDA,SURENDRANAGAR. - 363410 PH. 9313802500.	<b>DHARI</b> 397. ALPHA AUTOLINK LLP (GG02-GG-01), PLOT NO. 9, DHARI - KHAMBHA ROAD, NEAR RAILWAY FATAK DHARI, TALUKA - DHARI, DIST. - AMRELI, GUJARAT. - 365640 PH. 9904549999/997893858.	406. NANDA AUTOMOBILES PVT. LTD. (2B01-2B-05), PLOT NO. 805, GIDC, SECTOR-28, GANDHINAGAR. - 382028 PH. 079-23212692/93/94 9727726003.
<b>BOTAD</b>		<b>DHOLKA</b>	407. R B CARS PVT. LTD. (2C01-2C-01), PLOT NO. 112/11, 12-VAVDIG.GODARA - DAHOD HIGHWAY, GODHRA, PANCHMAHAL, GUJARAT - 389001 PH. 9099043715, 9727700823.
			408. R B CARS PVT. LTD. (2C01-2C-04), SURVEY NO.107, LUNAWADA ROAD, GIDC, GODHRA, DISTT. PANCHMAHAL-389001. - 389001 PH. 9099043715, 9727700823.

**GONDAL**

409. ATUL MOTORS PVT LTD (5503-AD-05), 8-B NATIONAL HIGHWAY, OPP. DAULAT OIL MILL, NR. NILKANTH VIRUDASHRAM, RAJKOT HIGHWAY,GONDAL - 360311  
PH :9904922333.

**GOZARIA**

410. VIMCO MOTORS PVT. LTD. (GJN1-GJN-01), 1597/339 P4 VISHNAGAR-GOZARIYA ROAD, GOZARIYA, DIST.-MEHSANA. - 382825  
PH :7016623842.

**HALOL**

411. R B CARS PVT. LTD. (BKC1-BKC-01), PLOT NO. 104/6 & 104/8, VADODARA – GODHRA HIGHWAY, NEAR NAVJIVAN HOTEL, HALOL, DISTRICT – PANCHMAHAL, GUJARAT - 389350  
PH :9099043715, 9727700823.

**HALVAD**

412. DREAM VEHICLES PVT LTD (GX01-GX-01), PLOT NO 5 & 6, NAKLANKDHAM TOWNSHIP, OPP. HONEST RESTAURANT, AHMEDABAD HIGHWAY, HALVAD DISTT. SURENDRANAGAR (GUJARAT) - 363330  
PH :8238000965.

**HANSOT**

413. RAVIRAJ HANSOT (BGQ1-BGQ-01), AT UTRAJ, RATNAPUR, DISTRICT - BHARUCH. - 393030  
PH :9687691063.

**HIMMATNAGAR**

414. KIRAN MOTORS LTD (P601-P6-01), NEAR G.I.D.C.MOTIPURA, HIMMATNAGAR - 383001  
PH :9824576711.

**IDER**

415. KIRAN MOTORS LTD (UX01-UX-01), SURVEY NO.69 IDAR-AMBAJI ROAD, IDAR DIST: SABARKANTHA - 383430  
PH :8155994111.

**JAMNAGAR**

416. ATUL MOTORS JAM LLP (F402-F4-01), SURVEY NO.422, PLOT NO. 16,17 & 19, JAMNAGAR, GUJARAT - 361001  
PH :9574004710 / 9574004716.

417. STARLINE CARS PVT. LTD. (D101-Q9-02), CHANASMA HIGHWAY, PATAN - 384265  
PH :7046046187.

418. ATUL MOTORS JAM LLP (F402-F4-02), C-36, MP SHAH ARUN UDYOG, SARUSECTION ROAD, JAMNAGAR - 361002  
PH :9574004704 / 9574004717.

**JASDAN**

419. ATUL MOTORS PVT LTD (5503-OB-09), SURVEY NO. 1253, PLOT NO. 4, NEAR KALYAN PETROL PUMP, JASDAN-ATKOT HIGHWAY, JASDAN, DIST. RAJKOT, GUJARAT. - 360050  
PH :9265404142.

**JHALOD**

420. R B CARS PVT. LTD. (CJF1-CJF-01), SURVEY NO. 2550B/10, 11, AT - JHALOD, TALUKA- JHALOD, DISTRICT - DAHOD. - 389170  
PH :9099684363, 9099043715.

**JUNAGADH**

421. PERFECT AUTO SERVICES (5502-K8-06), SURVEY NO.45/1, PLOT NO. 214-C/D/E/F, GIDC-I, DOLATPARA, JUNAGADH - 362001  
PH :9879518052, 7043999073, 9909022618.

**JUNAGARH**

422. PERFECT AUTO SERVICES (5502-K8-02), PLOT NO. 81-82, G.I.D.C. DOLATPURA,RAJKOT-JUNAGARH HIGHWAY, JUNAGARH - 362001  
PH :9909006980, 7043999073, 9909022618.

**KADI**

423. STARLINE CARS PVT. LTD. (D101-UR-07), OPP. COTTON MARKETING YARD, KADI-CHATRAL ROAD, TAL: KADI, DIST: MEHSANA - 382715  
PH :8160707156.

**KAKANPUR**

424. RB CARS (SDN1-SDN-01), SURVEY NO.618/2, PAIKI PLOT NO. 29,30,31 AT. KAKANPUR, TAL. GODHRA, DISTRICT. PANCHMAHAL PIN-388713. - 388713  
PH :9099049347.

**KALOL**

425. NANDA AUTOMOBILES PVT. LTD. (2801-FW-02), PLOT NO. - 162-168, GIDC, KALOL MEHSANA HIGHWAY, NEAR CHIRAG CINEMA ROAD, KALOL - 383028  
PH :220781 / 82 / 83.

**KAPADVANJ**

426. AMAR CARS PVT. LTD. (NC01-NC-01), SAMARTH SQUARE, SHOP NO. 1, MODASA KAPADVANJ ROAD, KAPADVANJ, GUJARAT-387620 - 387620  
PH :9909960761.

**KARJAN**

427. AMAR CARS PVT. LTD. (UZ01-UZ-01), SURVEY NO.851/787 BESIDE PMT TOOLS, KANDARI, N.H. -8, KARJAN, DISTT-VADODRARA (GUJARAT) - 391210  
PH :7567299666/99252462929.

**KATHLAL**

428. AMAR CARS PVT. LTD. (CXA1-CXA-01), MAHAVEER AUTO SHOWROOM, NADIAD ROAD, JB PLAZA, KATHLAL, GUJARAT. - 387 630  
PH :9909960761.

**KESHOD**

429. PERFECT AUTO SERVICES (BZY1-BZY-01), R S NO. 125/1, GODOWN NO. 01, SONDARDA, TALUKA – KESHOD, DISTRICT – JUNAGADH, GUJARAT. - 362220  
PH :7043999073.

**KHAMBHAT**

430. AMAR CARS PVT. LTD. (BNF1-BNF-01), PLOT NO. 178/9, RAJMAHAL PARK, OPP. SARDAR CHATRALAY, LAL DARWAJA, GAYATRINAGAR ROAD, KHAMBHAT, TALUKA KHAMBHAT, ANAND DISTRICT, GUJARAT - 388620  
PH :9909960772.

**KHEDA**

431. AMAR CARS PVT. LTD. (BNA1-BNA-01), S.NO.708, PLOT NO.1, VILLAGE-SOKHDA, TAL: MATER, DISTT. KHEDA, GUJARAT - 387570  
PH :9909960761.

**KHERALU**

432. STARLINE CARS (SN02-SN-01), R S NO. 4962 MAHAVIR COMPLEX, KHERALU, DIST. -MEHSANA. - 384325  
PH :9909043244, 9824601729.

**KIM**

433. KATARIA AUTOMOBILES PVT. LTD. (UW01-UW-01), PLOT NO. 116-121, DAL MILL COMPOUND, OPP. SURAT JILLA SANGH, KIM CROSS ROAD, NH-8, KIM - 394110  
PH :9723555185.

**KODINAR**

434. PERFECT AUTO SERVICES (A DIVISION OF PERFECT RETREADS PVT LTD) (CS01-CS0-01), R.S.NO.222, PLOT NO.2, 3 SHOPS, KODINAR-362720 DISTT. JUNAGADH, GUJARAT - 362720  
PH :7043992893, 7043340792.

**KUKARWADA**

435. STARLINE CARS PVT. LTD (CSC1-CSC-01), SHOP NO.1741, 1742 AND PLOT NO.1752, KUKARWADA TALUKA, VIJAPUR, DISTT MAHESANA (GUJARAT) - 382830  
PH :9909043244, 9824601729.

**LAVANA**

436. RB MOTORS (SLW1-SLW-01), AT PO -LAVANA, NEAR BABILIYA CROSSING, MODASA ROAD, LAVANA-389230 - 389230  
PH :9860999470.

**LIMBDI**

437. DREAM VEHICLES PVT LTD (BSG1-BSG-01), SURVEY NO.276/1, NEAR PANCHVATI HOTEL, LIMDI CROSS ROAD, AHMEDABAD-RAJKOT HIGHWAY, LIMDI, DISTT. SURENDRANAGAR, GUJARAT. - 363421  
PH :02753-261262/ 9227775728.

**LUNAWADA**

438. R B CARS PVT. LTD. (BYN1-BYN-01), SURVEY NO.90, AT-BHAYASAR, GODHRA-LUNAWADA HIGHWAY, LUNAWADA , TALUK-LUNAWADA, DISTT-MAHSAGAR, GUJARAT. - 389230  
PH :9099043715, 9727700823.

**MAHUVA (BHAVNAGAR)**

439. KATARIA AUTOMOBILES (IV03-IV-01), V.P. COMPLEX, BUNDER RD, NR. GAUSHALA, BARPARA, MAHUVA, GUJARAT 364290 - 364290  
PH :8357327534.

**MANAVADAR**

440. PERFECT AUTO SERVICE (CUI1-CUI-01), RS NO. 13/1, 14, PLOT NO. 48, BHAKTINAGAR, TALUKA - MANAVADAR, DIST.-JUNAGADH. - 362 630  
PH :7043999073.

**MANDAL**

441. KIRAN MOTORS LTD (IW01-IW-01), SURVEY NO. 708, MANDAL - DETROJ HIGHWAY, NR. RELIANCE PETROL PUMP, MANDAL , DI: AHMEDABAD, GUJARAT. - 382130  
PH :9408003925.

**MANDVI**

442. K.D. MOTORS (UY01-UY-01), PLOT NO.25.26 & 27, RAJ COMMERCIAL, SURVEY NO.246, NEAR "THE BEACH RESORT", MANDVI NALIYA ROAD, MANDVI-KUTCH - 370465  
PH :99099953088, 9825353679.

**MANGROL**

443. KATARIA AUTOMOBILES PVT. LTD. (CAH1-CAH-01), PLOT NO. 12-28, MOSALI, MANGROL, DISTRICT-SURAT. - 394410  
PH :6357017775.

**MANSA**

444. NANDA AUTOMOBILES PVT. LTD. (2801-OL-04), OPP. GIDC, VISNAGAR ROAD, MANSA, DISTRICT-GANDHINAGAR, GUJARAT - 382845  
PH :9727921000.

**MEHMADABAD**

445. AMAR CARS PVT. LTD. (BRA1-BRA-01), PATEL FALIYA, KHATRAJ, MEHMADABAD, DIST. -KHEDA, GUJARAT. - 387130  
PH :9909960761.

**MEHSANA**

446. STARLINE CARS PVT. LTD. (D101-D1-01), NAGALPUR HIGHWAY,MAHESANA , GUJRAT - 384002  
PH :9909043635.

447. TANU MOTORS PVT. LTD. (Q801-D1-04), SURVEY NO.78, NEAR SUNRISE AUTOMOBILES (AMW DEALER), GUJARAT STATE HIGHWAY NO.41, MEHSANA - 384002  
PH :9909060076.



## Dealer Workshop (AS ON 30.05.2023 )

448. VIMCO MOTORS PVT. LTD. (D103-D1-01), SURVEY NO. 104 & 104 PAIKI 1, AT P.O. - PALAVASANA, MEHSANNA, GUJARAT. - 384 002 PH :9909953333.

### METODA

449. ATUL MOTORS PVT LTD (5503-BLW-08), PLOT NO. 2328, GATE NO. 2, METODA GIDC, METODA, TALUKA LODHIKA, DISTRICT - RAJKOT, GUJARAT - 360021 PH :8140909095, 9924688774.

### MODASA

450. KIRAN MOTORS LTD (P601-CR-02), SHAMLAL JI ROAD,SABARKANTHA DIST., MODASA - 383315 PH :8155951111.

### MORBI

451. PERFECT AUTO SERVICES (5502-X5-07), SURVEY NO. 351/2, PLOT NO. 10, DHARTI INDUSTRIAL AREA, RAJPURA ROAD, SANALA, MORBI, TEHSIL-MORBI, DISTT.-MORBI, GUJARAT. - 363841 PH :9099058044, 9925199569, 9879499088.

452. DREAM VEHICLES (LC01-X5-03), NR. PRIME FILLINGS, PLOT-6 ,DHARMA SIDDIHI VILLAGE,MAHENDRANAGAR, TALUKA: MORBI, DIST.:MORBI. - 363642 PH :7069089532.

### MOTI KHAVADI

453. ATUL MOTORS JAM LLP (AAU2-AAU-01), PLOT NO.22 & 29, NEAR PADANA POLICE STATION, JAMNAGAR-KHAMBHALIYA HIGHWAY, MOTI KHAVDI, ZANKHAR, TA: LALPUR, DIST - JAMNAGAR, GUJARAT. - 361140 PH :9574004709 / 9574004743.

### MUNDRA

454. B M AUTOLINK (7702-AJ-02), PRAGPAR ROAD, MUNDRADISTRICT-KUTCH, GUJARAT, - 370421 PH :9687632631, 9978940978.

### NADIAD

455. AMAR CARS PVT. LTD. (F702-P7-02), NEAR RAJHANS MULTIPLEX,NADIAD-UTTARSANDA ROAD - 387370 PH :9909960761.

### NAKHATARANA

456. KD MOTORS (CMV1-CMV-01), PLOT NO-1, RS NO-19, AT-NANA ANGIYA, TALUKA,NAKHATRARANA, KUTCH - 370615 PH :#REF!.

### NALIYA

457. KD MOTORS (SLX1-SLX-01), AT PO - SHAKTI SOCIETY, MAHAVIR NAGAR, PLOT(1), OPP. BANK OF BARODA, NALIYA, TAL-ABDASA, KUTCH. - 370655 PH :9909953119.

### NANA PONDHA

458. AMAR CAR (SEL1-SEL-01), SHOP NO 7-11, JALASHAI SHOPPING CENTER, AT-NANA PONDHA, TALUKA- KAPRADA, DIST-VALSAD - 396126 PH :7227971155.

### NASWADI

459. RAVIRATNA MOTORS (SCV1-SCV-01), HOUSE NO-301,302,303, IN VALPURA-RAMLALNAGAR, VILLAGE AT-NASWADI, DIST: CHOTTA UDEPUR - 391150 PH :9687691047.

### NAVSAARI

460. KATARIA AUTOMOBILES PVT. LTD. (Q701-Q7-01), PLOT NO.-891, OPP PAUVA MILL, NH-8,NEAR, GANESH SISODRA CHOKDI,GANESH SISODIA NAVSARI, GUJRAT - 396463 PH :9723430012.

### NETRANG

461. RAVIRATNA MOTORS (CUZ1-CUZ-01), SURVEY NO. 184, PLOT NO. 1 & 2, VILLAGE - NETRANG, TALUKA - VALIA, DIST.-BHARUCH. - 393130 PH :9687691063.

### OLPAD

462. COMET CAR SALES & SERVICE PVT LTD (4006-ZZ-02), 1906/1907, OPP. KUMBHAVAD, JUNA PURA, OLPAD - 394540 PH :9099916099.

### PADRA

463. AMAR CARS PVT. LTD. (2205-OC-02), NEAR WESTERN BYPASS, AT SAMIYALA, PADRA, DIST - VADODARA, GUJARAT - 391440 PH :9890036200, 8980006795.

### PALANPUR

464. TANU MOTORS (Q801-Q8-01), OPP.DHARTI RESORT, ABU- AHMEDABAD HIGHWAY, PALANPUR - 385001 PH :9099017756.

465. STARLINE CARS PVT. LTD. (D101-Q8-08), SURVEY NO.4 & 5/2, OPPOSITE L K PETROL PUMP, PALANPUR-DEESA HIGHWAY, PALANPUR-385001, DISTT BANASKANTHA, GUJARAT - 385001 PH :9824601793.

### PALEJ

466. RAVIRATNA MOTORS (BGR1-BGR-01), PLOT NO. 626/6, GIDC AREA, PALEJ, DISTRICT - BHARUCH - 392220 PH :9687691044; 9687632647.

### PALITANA

467. KATARIA AUTOMOBILES (CSD2-CSD-01), PLOT NO 15, YASOVJIJAYNAGAR, NEAR RAILWAY CROSSING, PALITANA HIGHWAY, PALITANA-364270 DIST BHAVNAGAR. - 364270 PH :#REF!.

### PALSANA

468. KATARIA AUTOMOBILES PVT. LTD. (4004-ZF-07), BESIDE SAINATH COMPLEX, KADODARA AHMEDABAD ROAD , NH-8, UMBHEL GAM,TALUKA: PALSANA KADODARA, SURAT. - 382721 PH :9924446895.

### PATDI

469. DREAM VEHICLES PVT LTD (BFS1-BFS-01), R.S. NO.1614/2, PLOT NO.16, PATDI TALUKA DASADA, DISTT. SURENDRANAGAR, GUJARAT - 382765 PH :9227775709.

### PAVI JETPUR

470. PERFECT AUTO SERVICES (PK01-PK-01), NEAR ANKUR HOTEL, OPP. DHARESHWAR GEB STATION, PITHADIA, RAJKOT HIGHWAY, JETPUR (GUJARAT). - 360370 PH :9099027402, 8200969617.

### PETLAD

471. AMAR CARS PVT. LTD. (CMW1-CMW-01), SURVEY NO :396/2, RANGAIPUR VILLAGE, PETLAD, DIST.-ANAND. - 388450 PH :9099017068.

### PORBANDAR

472. ATUL MOTORS JAM LLP (T601-T6-01), PLOT NO. 208, GIDC VANANA, NATIONAL HIGHWAY , PORBANDAR, DIST. PORBANDAR GUJARAT - 360577 PH :9574004746 / 7228819123.

### PRANTIJ

473. KIRAN MOTORS LTD (AA1-AAI-01), NO.6/P, OPP. VEGETABLE MARKET, PRANTIJ HIGHWAY, VILLAGE-KHAMALPUR, TALUKA-PRANTIJ, DISTT. SABARKANTHA, GUJARAT - 383205 PH :962401888.

### RADHANPUR

474. STARLINE CARS PVT. LTD. (BNI1-BNI-01), SURVEY NO. 206/A, MOUJA - RADHANPUR, RADHANPUR MAIN ROAD, DISTRICT - PATAN, GUJARAT. - 385340 PH :9909043244, 9824601729.

### RAJKOT

475. PERFECT AUTO SERVICES (5502-55-01), PERFECT HOUSE,GONDAL ROAD,VANDI,RAJKOT - 360004 PH :9879499077, 9909006982, 9825304940.

476. ATUL MOTORS PVT LTD (5503-55-01), PLOT NO.49/1 & 2, GIDC, BHAKTI NAGAR INDUSTRIAL ESTATE, RAJKOT. - 360002 PH :8140909093

477. PERFECT AUTO SERVICES (5502-55-04), 150 RING ROAD,OPP. GANDHIGRAM POLICE CHOWKI,RAJKOT - 360005 PH :9925238691, 9925117104.

478. ATUL MOTORS PVT LTD (5503-55-02), BEHIND HP PUMP,UNIVERSITY ROAD ,NEAR SNK SCHOOL, RAJKOT - 360005 PH :8347005382.

479. ATUL MOTORS PVT LTD (5503-55-06), RAJKOT AHMEDABAD HIGHWAY, NR. CHANDARANA PETROL PUMP, OPP. GUJARAT SAMACHAR PRESS, AT. NAVAGAM RAJKOT - 360003 PH :9924688774.

480. PERFECT AUTO SERVICES (5502-55-08), R.S. NO. 50/1, 150 FEET RING ROAD, RAIL NAGAR, RONKI, RAJKOT, GUJARAT. - 360006 PH :9979861995, 9925117104.

481. KATARIA AUTOMOBILES PVT. LTD. (5504-55-01), S. NO. 10/1, TPS NO. - 10, KALAVAD ROAD, MOTAMAVA, RAJKOT, GUJARAT. - 360001 PH :7573870001.

### RAJPARDI

482. RAVIRATNA MOTORS PVT. LTD. (CAI1-CAI-01), R.S.NO.973, CTS NO. 1298, SHOPS PLOT NO.29 & 30, MOJE RAJPARDI, TALUKA-JHAGADIA, DISTT. BHARUCH - 393115 PH :9687691044; 9687632647.

### RAJPIPLA

483. RAVIRATNA MOTORS PVT. LTD. (9X01-9X-01), OPP. JALARAM SAW MILL, NEAR HARSIDDHI MATAJI TEMPLE, RAJPIPLA, DIST: NARMADA, GUJARAT - 393145 PH :9687691062;9687645880.

### RAPAR

484. B.M. AUTOLINK (SCO-1-SCO-01), PARAGPAR CHAAR RASTA RAPAR-GANDHIDHAM KUTCH - 370165 PH :9727725723.

### SAMI

485. STARLINE CARS (BNH1-BNH-01), SHOP NO. 55-56, AMBESHWAR PLAZA, SAMI-HARIJ ROAD. - 384240 PH :9909043244, 9824601729.

### SANTEJ

486. NANDA AUTOMOBILES PVT. LTD. (CXC1-CXC-01), SUB PLOT NO. 05, SHOP NO. 3 & 4, BLOCK NO. 1162, SANTEJ, KALOL. - 380060 PH :9727822000.

### SANTRAMPUR

487. R B CARS PVT. LTD. (2C01-RY-03), NEAR PTC COLLEGE, SANT ROAD, SANTRAMPUR, DISTT. - PANCHMAHAL - 389260  
PH :9890585851, 9099043715.

**SAVLI**

488. KIRAN MOTORS LTD (CFD1-CFD-01), SURVEY NO. 2592/1 PAKKI 2, NEAR RELIANCE PETROL PUMP, BHADRVA CHOWKDI, SAVLI – TIMBA ROAD, SAVLI, TALUK – SAVLI, DISTRICT – VADODARA, GUJARAT. - 391770  
PH :7984799054.

**SAYAN**

489. KIRAN MOTORS LTD (OO01-OO-01), PLOT NO.6 TO 10 OF R BLOCK, SURVEY NO.209, VILLAGE PARIA, TALUKA: OLPAD, SAYAN - 394130  
PH :8155888862/9662330480.

**SAYLA**

490. DREAM VEHICLES (SJM1-SJM-01), LALGURU COMPLEX, SUDAMDA ROAD, SAYLA, DISTRICT SURENDRANAGAR, GUJARAT PIN 363430 - 363430  
PH :9227775709.

**SHANKESHWAR**

491. STARLINE CARS (SLY1-SLY-01), MANIBHADRA SHOPPING CENTRE, SHANKESHWAR HIGHWAY, SHANKESHWAR (GUJARAT) - DIST: PATAN - 384246  
PH :9824601729.

**SHAPAR**

492. ATUL MOTORS PVT LTD (BQ21-BQZ-01), SHOP NO. 1 TO 4, SURVEY NO. 305/1, PLOT NO. 169, SHAPAR, DISTRICT – RAJKOT, GUJARAT - 360024  
PH :9714008492, 9624711397.

**SIDDPUR**

493. STARLINE CARS PVT. LTD. (CMY1-CMY-01), PLOT NO. 140-12857, SIDHPUR, TALUKA – VADGAM, DISTRICT – PATAN. - 384151  
PH :9909043244, 9824601729.

**SINOR**

494. RAVIRATNA MOTORS PVT LTD (GML1-GML-01), NEAR SEVGA CHOKDI, SEVGA DABHOI ROAD, AT AND POST SEVGA, TALUKA SINOR, DIST. VADODARA, PIN-391105, GUJARAT - 391105  
PH :727055065.

**SITAPUR**

495. STARLINE CARS PVT LTD (SFV1-SFV-01), SHOP NO. 2, RUDRA ARCADE, REVENUE SURVEY NO. 129, VITHLAPUR (SITAPUR) BECHARAJI – VIRAMGAM HIGHWAY, DIST. AHMEDABAD, PIN CODE: 382120 - 382120  
PH :9909043244.

**SONGADH**

496. COMET CAR SALES & SERVICE PVT LTD (CWE1-CWE-01), LAXMI PLAZA, SHOP NO. 21 & 22, SURAT DHULYA HIGHWAY, TALUKA – SONGADH, DIST. -TAPI. - 384220  
PH :9099916099.

**SUPEDI**

497. KATARIA AUTOMOBILES (SEM1-SEM-01), SURVEY NO-4827, PAIKI PLOT NO-18, MATRAVAD ROAD, GRAM-SUPEDI, DIST - RAJKOT - 360440  
PH :9049497902.

**SURAT**

498. KIRAN MOTORS LTD (4001-40-01), SURAT-BARDOLI ROAD, DUMBHAL, NEAR PUNA JAKAT NAKA, SURAT - 395010  
PH :992448715/9924637898.

499. DHRU MOTORS (4002-40-01), JEEVAN GANGA NAGAR, NEAR JEEVAN JYOT THEATRE, UDHNA MAIN ROAD, SURAT - 394210  
PH :9925155911/9925155907.

500. KIRAN MOTORS LTD (4001-40-02), PANDESARA, BAMROLI ROAD, SURAT - 395002  
PH :9824603880.

501. KATARIA AUTOMOBILES PVT. LTD. (4004-40-04), TP NO. 6, SURVEY NO. 3172, FINAL PLOT NO. 39, OPP SMS GARDEN, NEAR VIP ROAD, VESU, SURAT - 395007 - 395007  
PH :9714612700, 9924401000.

502. DHRU MOTORS (4002-40-1B), 207, NEW INDUSTRIAL ESTATE, ROAD NO. 6, UDHNA UDYOG NAGAR, SURAT - 394210  
PH :0261-2272118/9978900862.

503. KATARIA AUTOMOBILES PVT. LTD. (4004-40-05), KATARIA ARCADE, OPP. RAJHANS CINEMA, DUMAS ROAD, PIPLOD, SURAT - 395007  
PH :7698022449/9624477252.

504. COMET CAR SALES & SERVICE PVT LTD (4006-40-01), CHIKUWADI COMPLEX, GHB ROAD, PANDESARA, SURAT. - 394221  
PH :9099915995.

505. KATARIA AUTOMOBILES PVT. LTD. (4004-40-08), BLOCK NO.233, TP NO.8, OPP. SHREE LEKHA RESIDENCY, PALANPORE, ADAJAN, SURAT - 394310  
PH :9924119020.

506. KIRAN MOTORS LTD (4005-40-01), PLOT NO. 443, FP NO. 26 MOJIE PALGAM, ADAJAN, SURAT - 395009  
PH :9824611153/9824701590.

507. AMAR CARS PVT. LTD. (4009-40-02), PLOT NO.108/11, SURVEY NO.7 & 9, SONARAS COMPOUND, NEAR DGVCL OFFICE, KARMINATH MAHADEV TEMPLE LANE, KAPODARA, VARACHHA ROAD, SURAT - 395006  
PH :7069026512.

508. COMET CAR SALES & SERVICE PVT LTD (4006-40-03), R. S. NO. 311, T. P. SCHEME-3, FINAL PLOT NO. 102/A, KATARGAM, SURAT, DISTRICT – SURAT, GUJARAT. - 395004  
PH :9099916099.

509. DHRU MOTORS (4002-40-03), PLOT NO.54/A, LAXMINARAYAN INDUSTRIAL ESTATE, UDHNA, SURAT-394210 - 394210  
PH :9REFI

**SURENDRANAGAR**

510. DREAM VEHICLES PVT LTD (LC01-LC-01), 261/P, OPP MARKETING YARD, GIDC AREA, WADHWAN CITY, SURENDRANAGAR - 363030  
PH :02752-241314 / 02752-651516/ 9227775721.

511. DREAM VEHICLES (LC01-LC-02), PLOT NO-504/B, GIDC PHASE-3, WADHWAN, SURENDRANAGAR, GUJARAT-363030 - 363030  
PH :9227775724.

**TALAJA**

512. KATARIA (BCI2-BCI-01), SURVEY NO-168, DHANJIBHAI BALADHYA NI VADI, NEAR MAHUVA PALITANA CROSS ROAD, MAHUVA BHAVNAGAR HIGHWAY, TALAJA-364140. - 364140  
PH :9816626475.

**TANKARA**

513. ATUL MOTORS PVT LTD (BQY1-BQY-01), PLOT NO. 8/1, S. NO. 107, VILLAGE – JABALPUR, TALUKA – TANKARA, SUB DISTRICT – MORBI, DISTRICT – RAJKOT. - 363650  
PH :9714008492, 9624711397.

**TARAPUR**

514. AMAR CARS PVT. LTD. (GH01-GH-01), NEAR N K STEEL, TARAPUR ROAD, TARAPUR, DIST. -ANAND - 388180  
PH :9909960772.

**THARA**

515. TANU MOTORS PVT. LTD. (0V01-0V-01), SHOP NO.17 & 18, SIHORI HIGHWAY, R.B. THAKKAR COMPLEX, THARA, KAKREJ TALUKA, BANASKANTHA DISTT. - 385555  
PH :9909006099, 9913830329.

**THARAD**

516. TANU MOTORS PVT. LTD. (CDM1-CDM-01), PLOT NO. 21 & 22, VAJEGADH, DEESA HIGHWAY, THARAD, DIST.-BANASKANTHA - 384220  
PH :9909006099, 9724219565.

**THASARA**

517. KATARIA AUTOMOBILES (SIM1-SIM-01), PLOT NO 1 & 2, GIDC THASRA, BESIDES NARMADA VASAHAT, DAKORE THASRA ROAD, GUJARAT-388250 - 388250  
PH :794092780.

**UMERGAON**

518. KATARIA AUTOMOBILES PVT. LTD. (BNB1-BNB-01), PLOT NO. 239, LORD COMPLEX, SHOP NO. B-9 AND B-10, UMERGAON, DISTRICT – VALSAD, GUJARAT. - 396170  
PH :9624001794.

**UMRETH**

519. AMAR CARS PVT. LTD. (CFE1-CFE-01), R. S. NO. 30/2, NADIAD-DAKOR ROAD, UMRETH , DIST.-ANAND, GUJARAT. - 388220  
PH :9909960772.

**UNA**

520. PERFECT AUTO SERVICES (BFD1-BFD-01), SURVEY NO. 113, PLOT NO. 6, OPP. SWAMI VIVEKANAND VIDYALAYA, NEAR BANSIDHAR PETROL PUMP, BHAVNAGAR HIGHWAY, VAYAJPUR, UNA, DISTRICT – GIR SOMNATH, GUJARAT. - 362560  
PH :7043992893, 7043340792.

**UNJHA**

521. TANU MOTORS (Q801-GR-02), OPP. DHANA DAL FACTORY, MEHSANA PALANPUR HIGHWAY, UNJHA - 384170  
PH :9727762079.

**UPLETA**

522. PERFECT AUTO SERVICE (CH01-CH-01), S. NO. 184/1, PLOT NO. 15-16, UPLETA, GUJARAT - 360 490  
PH :9099027402, 8200969617.

**VADNAGAR**

523. VIMCO MOTORS PVT LTD (GKU1-GKU-01), SHILALEKH COMPLEX, BLOCK-D, SURVEY NO-2713, VADNAGAR-VISNAGAR HIGHWAY, NEAR FOOD PARADISE HOTEL, VADNAGAR, GUJARAT. - 385355  
PH :7016623842.

**VADODARA**

524. KIRAN MOTORS LTD (2201-22-01), 909/A, G.I.D.C.MAKARPURA, VADODARA - 390010  
PH :9624472899.

525. KIRAN MOTORS LTD (2201-22-02), PLOT NO. 160, SUB-NUTAN GUJ.INDL.ESTATE, OLD CHHANI ROAD, VADODARA - 390002  
PH :982407889.

526. AMAR CARS PVT. LTD. (2203-22-01), GORWA ROAD, VARODARA, GUJARAT. - 390016  
PH :9081311990, 9723742425, 8980036184.

527. AMAR CARS PVT. LTD. (2203-22-02), KALA GHODA, OPP. KIRTI MANDIR, VADODARA, DIS: VADODARA, GUJARAT - 390001  
PH :7211109952.

528. KATARIA AUTOMOBILES PVT. LTD. (2204-22-01), 984/4, GIDC, OLD NH-8, MAKARPURA ROAD, VADODARA, GUJARAT - 390010  
PH :9904033422.

## Dealer Workshop (AS ON 30.05.2023 )

529. AMAR CARS PVT. LTD. (2205-22-01), VARASIYA AIRPORT ROAD, OPP POONAM CINEMA, KARELBAJC, VADODARA, GUJARAT - 390016 PH :8980060756	539. PERFECT AUTO SERVICES (5502-AH-05), NR. BALIYA HANUMAM,VERAVAL - JUNAGADH HIGHWAY, JUNAGADH, GUJARAT - 362285 PH :9998994550, 9898121122.	548. MODERN AUTOMOBILES (1801-18-02), NEAR AMAR PALI RESTAURANT, G. T. ROAD, AMBALA - 134003 PH :9215016044.	558. DINCO 4 WHEELS LLP (AUTO VIBES) (BB02-BBD-01), KHATA NO. 326 AND KHATAUNI NO. 362, OPPOSITE PRATHAM HOUSING, NH-8, BAWAL, DISTRICT -REWARI, HARYANA. - 123501 PH :7082100250.
530. KIRAN MOTORS LTD (2201-22-03), C/O ARBUDA COLD STORAGE, 823 POWER CABLE ROAD, DHARMSINH ROAD, OPP. UMA AMAR PARTY PLOT, NEAR CHHANI JAKAT NAKA, VADODARA - 390002 PH :27711122.	<b>VIJAPUR</b> 540. STARLINE CARS PVT. LTD. (D101-V2-04), HIMMATNAGAR HIGHWAY, ANANDPURA CHAR RASTA, VIJAPUR - 382870 PH :9909043635.	549. EAKANSH WHEELS (1802-18-01), STONE NO. 126, JAGADARI ROAD, VILLAGE TEPLA, AMBALA - 133001 PH :9991703000.	<b>BHIWANI</b> 559. JAGMOHAN MOTORS PVT LTD (X301-X3-01), DELHI ROHTAK ROAD, NEAR RADHA SWAMI SATSANG MANDIR, BHIWANI - 127021 PH :8685005692.
531. KATARIA AUTOMOBILES PVT. LTD. (2204-22-02), OPPOSITE SHARDA MANDIR HIGH SCHOOL, VINOBA BHAVE ROAD, SALATWADA, VADODARA - 390001 PH :8156017770.	<b>VIRAMGAR</b> 541. KIRAN MOTORS LTD (AAB1-AAB-01), SURVEY NO.319/P, NILKI CHOKDI, VIRAMGAR, DISTT: AHMEDABAD, GUJARAT. - 382150 PH :8156016222.	550. EAKANSH WHEELS (1802-18-03), PLOT NO. 8, BASANT VIHAR, BEHIND SWASTIK MARBLE, NEAR MOTOR MARKET, AMBALA CITY, HARYANA - 133001 PH :88813874888.	<b>BILASPUR</b> 560. PANDIT AUTOMOBILES PVT. LTD. (BGH1-BGH-01), NEAR GRAMIN BANK, JAGADHRI ROAD, BILASPUR, DISTRICT - YAMUNANAGAR, HARYANA. - 135102 PH :9992113854.
532. RAVIRATNA MOTORS PVT LTD (2206-22-01), SURVEY NO. 1581, MILES HOUSE, ATLADARA ROAD, VADODARA. - 390012 PH :7227055065, 7227055064.	<b>VISNAGAR</b> 542. STARLINE CARS PVT. LTD. (D101-RW-05), VISNAGAR -AMBAJI ROAD, OPP. DHAROI COLONY, VISNAGAR, DISTT.- MEHSANA - 384315 PH :7046046174.	551. TR SAWHNEY (1803-18-01), JAGGI GARDEN, BALDEV NAGAR, OPPOSITE AMBALA PASSPORT OFFICE, AMBALA - 134003 PH :9990110068.	<b>BILASPUR (HARYANA)</b> 561. PLATINUM MOTOCORP LLP (2L04-CLA-02), KHASRA NO.5467, CHOUDHARY NIHAL SINGH MARKET, BILASPUR, CHOWK, NH-8, BILASPUR, DISTRICT - GURUGRAM, - 122413 PH :9953345329/9953345403.
<b>VALOD</b> 533. DHRU MOTORS (CSW1-CSW-01), PLOT NO.5 TO 9, TAIYABA PARK SOCIETY, AT & PO - VALOD, TALUKA - VALOD, DISTT. - TAPI, GUJARAT. - 394640 PH :9712984522.	<b>VYARA</b> 543. COMET CAR SALES & SERVICE PVT LTD (BIY1-BIY-01), SHOP NO. 11 & 12, BLOCK NO. 175/1/A, RS NO. 113, VYARA-SURAT ROAD, VYARA, DISTRICT - TAPI, GUJARAT - 394650 PH :9099916099.	<b>ASSANDH</b> 552. KARNAL MOTORS PVT. LTD. (8906-CS-04), OPP. NEW GRAIN MARKET, KARNAL ROAD ASSANDH, DISTT. KARNAL - 272032 PH :7082111325.	<b>CHARKHI DADRI</b> 562. JAGMOHAN MOTORS PVT LTD (X301-CT-02), BHIWANI LOHARU ROAD, CHARKHI DADRI, BHIWANI - 127306 PH :8659900538.
<b>VALSAD</b> 534. KATARIA AUTOMOBILES PVT. LTD. (0104-ZE-06), SURVEY NO. 211,ATUL-ALSAD ROAD,PARNERA,AVALSAD, GUJARAT - 396020 PH :9904133306.	<b>WAGHODIA</b> 544. KATARIA AUTOMOBILES PVT. LTD. (BZZ1-BZZ-01), OPPOSITE BHARAT PETROLEUM, WAGHODIA, TALUKA – WAGHODIA, DISTRICT - VADODARA, GUJARAT. - 391760 PH :7203013712.	<b>BABARPUR</b> 553. AUTO GALLERY(A UNIT OF RKH AUTOMOBILES P LTD) (CKX1-CKX-01), G. T. ROAD, NEAR PARK RESIDENCY, SHIMLA MAULANA, BADOLI, BABARPUR, DISTT. PANIPAT - 132103 PH :7009396727.	<b>CHEEKA</b> 563. EAKANSH MOTORS PVT. LTD. (U802-HU-04), MARBLE MARKET, PATIALA ROAD, CHEEKA, HARYANA, - 136034 PH :8053086000.
<b>VANSDA</b> 535. KATARIA AUTOMOBILES PVT. LTD. (Q701-SB-02), JAMNABA PARK, VANSDA HANUMAN BARI CHAR RASTA, VANSDA-DHARAMPUR ROAD, RANI FALIYA, VANSDA, DISTRICT - NAVSARI, GUJARAT - 396980 PH :7624088188.	<b>WANKANER</b> 545. ATUL MOTORS PVT LTD (BAL1-BAL-01), RAJKOT-WANKANER HIGHWAY, NEAR JADESHWAR CHAMBERS, NEAR INTERNATIONAL CERAMIC, WANKANER (GUJARAT) - 363621 PH :9904922333.	<b>BAHADURGARH</b> 554. COMPETENT AUTOMOBILES CO. LTD. (2G02-2G-01), PLOT NO. 1202, MIE PART B, BAHADURGARH, HARYANA - 124 507 PH :8929648144.	<b>CHHACHHRAULI</b> 564. PANDIT AUTOMOBILES PVT. LTD. (COQ21-COQ-01), HB NO. 311, NEAR MDAV SCHOOL, TEHSIL – CHHACHHRAULI, DISTRICT – YAMUNA NAGAR, - 135103 PH :9812455895.
<b>VAPI</b> 536. KATARIA AUTOMOBILES PVT. LTD. (0104-97-03), PLOT NO. C-29,NATIONAL HIGHWAY-8,G. I. D. C., VAPI, TAL. PARDI - 396195 PH :9924204423.	<b>HARYANA</b> <b>ADAMPUR (HARYANA)</b> 546. SARAOGI AUTOMOBILES (P) LTD. (CWW2-CWW-01), KEWAT NO. 663, KHAT NO. 1147, KHESRI NO. 44/21/1/2(1-0), MANDI ADAMPUR, TEHSIL - ADAMPUR, DIST.-HISSAR, STATE - HARYANA. - 125052 PH :8607777153.	<b>BAPOLI</b> 555. AUTO GALLERY(A UNIT OF RKH AUTOMOBILES P LTD) (CWI1-CWI-01), KHEWAT NO. 136, VILLAGE – JHAMBA, TEHSIL – BAPOLI, DISTRICT – PANIPAT. - 132103 PH :9053400583.	<b>DADRI TOE</b> 565. COMPETENT AUTOMOBILES CO. LTD. (BVH2-BVH-01), KHEWAT NO. – 270 MIN, KHATONI NO. – 319, DADRI TOYE, DISTT. JHAJJAR, HARYANA PIN 124103 - 124103 PH :9891308849.
537. KATARIA AUTOMOBILES PVT. LTD. (0104-97-09), PLOT NO. 304/2, VILLAGE BALITHA, NH-8, OPP BABA SITARAM TEMPLE, NEAR SWAMINARAYAN SCHOOL, SALAV, VAPI , DISTRICT -VALSAD, GUJARAT - 369191 PH :9723426212.	<b>AMBALA</b> 547. MODERN AUTOMOBILES (1801-18-01), MODEL TOWN CROSSING, G.T.ROAD, AMBALA, HARYANA. - 134003 PH :9215016044.	<b>BARAR</b> 556. EAKANSH WHEELS (NX01-NX-01), SH-4, KALA AMB - SHAHBAD - BARARA ROAD, BARARA - 133201 PH :9991478100.	<b>DAHINA</b> 566. DINCO 4 WHEELS LLP (AUTO VIBES) (GLH1-GLH-01), REWARI MAHENDERGARH ROAD, NEAR RAILWAY STATION, DAHINA, REWARI - 123411 PH :7082100201.
<b>VERAVAL</b>		<b>BARWALA</b> 557. MODERN AUTOMOBILES (BSA2-BSA-01), KHEWAT/KHOTONI NO. 388, KHASARA NO. 46/9, 10, OPPOSITE AXIS BANK, VILLAGE BATAPUR, P.O. BARWALA, TEHSIL AND DISTT. PANCHKULA, HARYANA - 134118 PH :9896217059.	<b>DHAND</b>

567. EAKANSH MOTORS (BEU1-BEU-01), PANCHMUKHI CHOWK, KARNAL ROAD, DHAND, DISTT. KAITHAL, HARYANA. - 136020 PH: 9395906111.

**DHARUHERA**

568. DINCO 4 WHEELS LLP (AUTO VIBES) (CRP1-CRP-01), KHASRA NO. 57, KILLA NO. 7, SOHNA-DHARUHERA ROAD, OFF SECTOR-4A, DHARUHERA, DIST.-REWARI. PH :7082100270.

**ELLENABAD**

569. SHAKTI MOTORS PVT.LTD. (E401-IN-03), SURERA CHOWNK, NEAR CHAUDHARI MANI RAM COLLEGE, SIRSA ROAD, ELLENABAD - 125055 PH :8222900250.

**FARIDABAD**

570. VIPUL MOTORS PVT. LTD. (5801-58-01), 27/5 KM, MAIN MATHURA ROAD, FARIDABAD - 121002 PH :26550111 2555013 97114 14556.

571. VIPUL MOTORS PVT. LTD. (5801-58-03), UNIT-II, PLOT NO. 1A 19/6, MATHURA ROAD, FARIDABAD - 121006 PH :4286000 4286024 4286024 9311321419.

572. TCS AUTOMOBILES (5804-58-01), PLOT NO-1A, SECTOR-6, FARIDABAD, - 121001 PH :4292929; 7503036200.

573. FAIR DEAL PREMIUM WHEELS PVT.LTD. (5807-58-01), PLOT NO.-17A, NIT INDUSTRIAL AREA, NIT FARIDABAD - 121003 PH :8448296686.

574. TCS AUTOWORLD PVT. LTD. (TCS & ASSOCIATES PVT. LTD. ) (5804-58-02), 20.4 KMS MILESTONE, BHASKAR COMPOUND, AMAR NAGAR, MAIN MATHURA ROAD, FARIDABAD, HARYANA. - 121003 PH :2277225; 7290082911.

575. AUTO NATION (A UNIT OF TAYAL INDIA MOTORS PVT. LTD) (5806-58-01), 15/3, MATHURA ROAD, NEAR SECTOR-28, METRO STATION, FARIDABAD - 121003 PH :4180500 7290032501.

576. AUTO NATION (A UNIT OF TAYAL INDIA MOTORS PVT. LTD) (5806-58-02), BYE PASS ROAD, PLOT NO. 12 SECTOR-9, FARIDABAD. - 121006 PH :74287 48467.

**FARRUKHNAGAR**

577. PLATINUM MOTOCORP LLP (KE01-KE-01), KHEVAT NO. 299, MUSTIL NO.-12, KHASRA NO. -19/5 AND 222, VILLAGE - SEHADPUR MOHAMADPUR, TEHSIL - FARRUKHNAGAR, DISTRICT - GURGAON. - 122506 PH :9599007357/9953345380.

**FATEHABAD**

578. SHAKTI MOTORS PVT.LTD. (2H02-2H-01), NH-10, SIRSA ROAD, FATEHABAD - 125050 PH :8222900217.

**GANAUR**

579. JAGMOHAN AUTOMOTIVES PVT. LTD. (NA04-NA-01), RAILWAY ROAD, GANAUR - 131101 PH :8199911106.

**GHARAUNDA**

580. KARNAL MOTORS PVT. LTD. (8906-MR-05), WARD NO.-1, BEHIND GOVT. SR. SEC. SCHOOL COLONY, GHARAUNDA, - 132114 PH :8222022321.

**GOHANA**

581. JAGMOHAN AUTOMOTIVES PVT. LTD. (CU03-CU-01), NEAR KHANPUR CHOWNK, ROHTAK PANIPAT HIGHWAY, GOHANA, DISTT. - SONEPAT - 131301 PH :8685005521.

**GURGAON**

582. PASCO AUTOMOBILES (9506-95-01), PASCO HOUSE, 6 PALAM GURGAON ROAD, INDUSTRIAL ESTATE, GURGAON - 122006 PH :09650790323/7290069623/9999239959/4952100.

583. VIPUL MOTORS PVT. LTD. (5801-95-02), 504, UDYOG VIHAR, PHASE-III, GURGAON - 122001 PH :4395701 4395704 8448487921.

584. COMPETENT AUTOMOBILES CO. LTD. (9505-95-01), A-25, INFOCITY, SECTOR-33, GURGAON - 122004 PH :42500002, 9582797735.

585. PASCO AUTOMOBILES (9506-95-02), SECTOR 17-18, DIVIDER ROAD, GURGAON, HARYANA, - 122015 PH :07015804442/7982087767/9650701958/

586. ROHAN MOTORS LTD. (8508-95-01), 2482/8A, SECTOR-52A, WAZIRABAD VILLAGE, OPP. AARDI CITY MALL, GURGAON - 122001 PH :08860076163/8130593202/8130593201/813059320 3.

587. VIPUL MOTORS PVT. LTD. (5801-95-04), PLOT NO.5/221, SARHAUL VILLAGE,SECTOR-18, MAIN ROAD, GURGAON. (HARYANA) - 201102 PH :4395800 4395806 844848936.

588. PREM MOTORS PVT. LTD. (9511-95-01), PLOT NO.101, SAINI PLAZA MARKET, OPP. H BLOCK, NEAR RAM MANDIR, PALAM VIHAR, GURGAON - 122017 PH :4337900, 7065003445.

589. PREM MOTORS PVT. LTD. (9512-95-01), PLOT NO. 3, IDC, OPPOSITE SECTOR-14, GURGAON - 122001 PH :70650003373, 7065003377, 0124-4319000.

590. RANA MOTORS PVT LTD (9509-95-02), PLOT NO.60, IDC, GURGAON - 122001 PH :4867777, 9873400882.

591. PASCO AUTOMOBILES (9510-95-01), PLOT NO. 34/3, DINESH JAIN COMPLEX, DELHI-AJMER EXPRESSWAY (NH-8), RAJIV CHOWK, GURGAON, HARYANA. - 122001 PH :9953689444/9953689222.

592. PREM MOTORS PVT. LTD. (9512-95-02), PLOT NO. 122, PALAM VIHAR EXTENSION, NEAR KRISHNA CHOWK, GURUGRAM - 122017 PH :4337933, 7065003442.

593. PLATINUM MOTO CORP (2L04-95-03), 5/13 SOHNA ROAD WILL-TIKRI ADJACENT TO PLOLARIS HOSPITAL GURGAON HARYANA - 122018 PH :9953345370/9899118867.

594. PREM MOTORS (9512-95-01), QILA NUMBER 8/2, MUSTAKIL NO. - 25, SECTOR 17-18, DIVIDING ROAD, GURGAON, - 122015 PH :8800000817.

**HANSI**

595. JAGMOHAN MOTORS PVT LTD (GT02-GT-01), G. T. HIGHWAY ROAD, MAIN ROHTAK HANSI ROAD, NEAR HOLLAND TRACTORS AGENCY & HP PETROL, HANSI - 124001 PH :8059900546.

**HISAR**

596. MODERN AUTOMOBILES (7602-76-01), OPP. VIDYUT NAGAR, DELHI ROAD, HISAR, - 125005 PH :9355473000.

597. SARAOGI AUTOMOBILES (P) LTD. (7604-76-01), 5TH KM STONE, SIRSA ROAD, HISSAR, HARYANA - 125001 PH :8607777043.

598. MODERN AUTOMOBILES (7602-76-02), OPP. BMB, HISSAR DELHI ROAD, HISSAR - 125001 PH :9355473000.

599. UNIQUE MOTORS PVT. LTD. (7603-76-01), OPP. BHANU INDUSTRIES, DELHI ROAD, VILLAGE: SATROD, HISSAR (HARYANA) - 125006 PH :8818055535.

**HODAL**

600. ROHAN MOTORS (EE01-UE-02), KILA NO. 8/2(7-11), 9(5-06), 12(5-0), 13(8-0), HIGHWAY ROAD, NEAR RAILWAY BYEPASS CHOWK, TEHSIL - HODAL, DIST.-PALWAL. PH :8930202088 ; 9413080376.

**ISMAILABAD**

601. KARNAL MOTORS PVT. LTD. (901-19-01), KHEVAT NO. 928, KHASRA NO. 2760(5-14), 2761(800), VILLAGE - ISMAILABAD, TEHSIL - PEHOW, DIST.-KURUKSHETRA, HARYANA. - 136 129 PH :7082007138.

**ISRANA**

602. AUTO GALLERY (A UNIT OF RKH AUTOMOBILES PRIVATE LIMITED) (802-18-01), MUSHTIL NO. -119, NEAR MANDI MOD, MAIN GOHANA ROAD, ISRANA - 132107 PH :9053400417.

**JHAJJAR**

603. COMPETENT (0B02-0B-01), PLOT NO 5, NEAR GOVT POLYTECHNIC COLLEGE, JHAJJAR-BAHADURGARH ROAD, JHAJJAR, HARYANA - 124101 PH :9999493040.

**JIND**

604. EAKANSH MOTORS PVT. LTD. (2K01-2K-01), ROHTAK ROAD, NATIONAL HIGHWAY-71, OPP. GRAIN MARKET, JIND, HARYANA - 126102 PH :7876008184.

**JULANA**

605. EAKANSH MOTORS PVT. LTD. (MA01-MA-01), JIND ROHTAK MAIN ROAD, OPP. NEW BUS STAND, JULANA, DIST. JIND, HARYANA - 126101 PH :8618602111.

**KAITHAL**

606. EAKANSH MOTORS PVT. LTD. (U802-U8-01), AMBALA ROAD, NH-65, KAITHAL - 136027 PH :9671788801.

**KALANAU**

607. JAGMOHAN MOTORS (SPO1-SPO-01), BHIWAN ROAD, KALANAU, DISTRICT ROHTAK. - 124113 PH :9812000425.

**KALAYAT**

608. EAKANSH MOTORS PVT. LTD. (BJP1-BJP-01), NEAR BUS STAND, KAITHAL-KALAYAT ROAD, VILLAGE-KALAYAT, DISTT. KAITHAL (HARYANA) - 136117 PH :9671788801.

**KALKA**

## Dealer Workshop (AS ON 30.05.2023 )

609. MODERN AUTOMOBILES (EG02-EG-01), ADJOINING INDIAN OIL PETROL PUMP, RAM NAGAR, NH-22, KALKA, DISTRICT – PANCHKULA, HARYANA - 133302 PH: 9896217059.	619. KARNAL MOTORS PVT. LTD. (CRA1-CRA-01), KHEWAT NO.197, KHATONI NO.233, KHASRA NO.27/17/1,27/14, LADWA-KURUKSHETRA ROAD, VILLAGE – LADWA, TEHSIL THANESAR, DISTT. KURUKSHETRA - 136132 PH :7082007182.	628. EAKANSH WHEELS (1802-CV-02), NH-72, AMBALA-KALA AMB ROAD, NEAR ADARSH FILLING STATION, NARAINGARH - 134203 PH -9991143700.	638. PLATINUM MOTOCORP LLP (BY03-BY-01), HALI MANDI ROAD, OPPOSITE SHIV MURTI, PATAUDI, DIST. - GURGAON - 122503 PH -9953345381/9953345488/9953345330.
<b>KARNAL</b>	<b>LOHARU</b>	<b>NARNAUL</b>	<b>PEHOWA</b>
610. KARNAL MOTORS PVT. LTD. (8906-89-01), 71/3 MILESTONE ,G.T.ROAD, KARNAL - 132001 PH :8222022399.	620. JAGMOHAN MOTORS (HB02-HB-01), BHIWANI ROAD , OPP. ITI, CITY: LOHARU - 127201 PH :9812000425.	629. PLATINUM MOTOCORP LLP (9Q02-9Q-01), KAILASH NAGAR, REWARI ROAD, NARNAUL, HARYANA, - 123001 PH :09053088460/9582226838/9053088501/905308845 1/9053088500.	639. KARNAL MOTORS PVT. LTD. (2M02-2M-01), NEAR SHARMA SERVICE STATION, KURUKSHETRA ROAD, PEHOWA - 136128 PH :8053906011.
611. KARNAL MOTORS PVT. LTD. (8906-89-02), KHEWAT NO. 59, JHANJHARI GT ROAD, KARNAL - 132001 PH :8222022430.	<b>MADLAUDA</b>	<b>NARNAUND</b>	<b>PUNDIR</b>
612. MODERN AUTOMOBILES (8907-89-01), NEAR NAMASTE CHOWK, OLD G.T.ROAD, KARNAL - 132001 PH :7419900042.	621. AUTO GALLERY (A UNIT OF RKH AUTOMOBILES PRIVATE LIMITED) (CFK2-CFK-01), VILLAGE-BHALSI, ASSANDH-PANIPAT ROAD, MADLAUDA, PIN-132113, HARYANA - 132113 PH :9053400524.	630. JAGMOHAN MOTORS (SDK1-SDK-01), KHASRA NO. 234, HANSI ROAD, NARNAUND, DISTT. HISAR, HARYANA. - 125039 PH :9812000471.	640. EAKANSH MOTORS PVT. LTD. (BFF1-BFF-01), KILA NO. 3/10, KHEWAT 2147 OPP. HARCHARAN FILLING STATION, KATHAL ROAD, PUNDIRI DIST. KATHAL, HARYANA - 136026 PH :9671788801.
<b>KATHURA</b>	<b>MAHENDARGARH</b>	<b>NARWANA</b>	<b>PUNHANA</b>
613. JAGMOHAN AUTOMOTIVES (SFJ1-SFJ-01), GOHANA MAHAM ROAD, KATHURA, GOHANA. - 131301 PH :8685005400.	622. PLATINUM MOTO CORP (DP01-DP-01), KHEWAT NO. 187, KILLA NO. 51/8, REVENUE ESTATE OF VILLAGE REWASA, DADRI ROAD, TEHSIL & DISTRICT, MAHINDERGARH, PIN-123029, HARYANA - 123029 PH :9566136120, 9053088490.	631. EAKANSH MOTORS PVT. LTD. (U802-CW-03), OPP. HAFED GOWDN-2, NH-65 AKHERAM NAGAR, NARWANA - 126116 PH :9813583100.	641. PASCO AUTOMOBILES (BIU1-01-BIU-01), KILA NO. 4/22, PUNHANA, DIST.-MEWAT, HARYANA - 122508 PH :9991300950, 8059730879.
<b>KHARKHODA</b>	<b>MANDI DABWALI</b>	<b>NUH</b>	<b>RADAUR</b>
614. JAGMOHAN AUTOMOTIVES PVT. LTD. (BU02-BU-01), NEAR KANYA GURUKUL MAHAVIDYALYA, DELHI ROAD, NEAR UNION BANK, KHARKHODA (HARYANA) - 131402 PH :8685005593.	623. SHAKTI MOTORS PVT.LTD. (E401-KU-02), SANGARIA ROAD, DABWALI, DISTT.-SIRSA - 125104 PH :8229200209.	632. PASCO AUTOMOBILES (7L02-7L-01), MAIN DELHI – ALWAR ROAD, NEAR SHAHEED PARK, NH -248A, NUH, DISTRICT - MEWAT, HARYANA - 122107 PH :9810014947.	642. PANDIT AUTOMOBILES PVT. LTD. (D201-EN-02), OPP. JMIT ENGG. COLLEGE, NEAR BUS STAND, RADAUR, DISTRICT-RADAUR, HARYANA - 135001 PH :9992113854.
<b>KOSLI</b>	<b>MANESAR</b>	<b>PALWAL</b>	<b>RAJOUND</b>
615. DINCO 4 WHEELS LLP (AUTO VIBES) (CAN1-CAN-01), OPPOSITE RAJIV GANDHI STADIUM, TEHSIL ROAD KOSLI, DISTRICT – REWARI, HARYANA . - 123302 PH :7082100202.	624. PLATINUM MOTOCORP LLP (2L04-2L-01), PLOT NO.282, SEC 6, IMT MANESAR DISTT. GURGAON - 122052 PH :09953345326/9953345324/9910100341.	633. ROHAN MOTORS LTD. (EE01-EE-01), SANWAL COLONY, MAIN MATHURA ROAD, NEAR SDM COURT, PALWAL - 121101 PH :304100 ; 304107/8930202060.	643. EAKANSH MOTORS (SHV1-SHV-01), MITTAL KHAL BHANDAR, RAJOUND, DISTT KATHAL - 136044 PH :9671788801.
<b>KUND</b>	<b>MEHAM</b>	<b>PANCHKULA</b>	<b>REWARI</b>
616. DINCO 4 WHEELS LLP (AUTO VIBES) (CJL1-CJL-01), NEAR KUND BARRIER, OPP. SBI BANK, NARNAUL ROAD, VILLAGE - MANETHI, KUND, DISTRICT - REWARI, HARYANA. - 123102 PH :8059908928, 97082100000.	625. JAGMOHAN MOTORS PVT LTD (A601-NZ-08), MAIN MARKET, NATIONAL HIGHWAY-10, ROHTAK-HISSAR ROAD, MEHAM, DISTRICT-ROHTAK - 124101 PH :8059900592.	634. MODERN AUTOMOBILES (0702-K3-03), PLOT NO. 318, INDUSTRIAL AREA, PHASE-2, PANCHKULA - 134113 PH :9846000165.	644. DINCO 4 WHEELS LLP (AUTO VIBES) (U102-U1-01), BAWAL ROAD, NEAR BYE PASS ROAD, REWARI (HARYANA) - 123401 PH :7082100200/7082100204/7082100201.
<b>KUNDLI</b>	<b>MOHNA</b>	635. AUTOPACE NETWORK PVT LTD (0705-K3-03), PLOT NO. 5, INDUSTRIAL AREA, PHASE-1, PANCHKULA, HARYANA. - 134113 PH :7087119847.	<b>ROHTAK</b>
617. JAGMOHAN AUTOMOTIVES PVT. LTD. (GU03-GU-01), 34 E, SECTOR 57, PHASE 4 , KUNDLI INDUSTRIAL AREA, KUNDLI - 131001 PH :8059900518.	626. TCS & ASSOCIATES PVT LTD (CRT1-CRT-01), YAMUNA PUL ROAD , NEAR GYATRI PETROL PUMP , VPO-MOHANA,TEHSIL BALLABGARH , DISTT FARIDABAD - 121004 PH :9911573130, 8929579400.	636. AUTO VOGUE PVT. LTD. (K303-K3-01), PLOT NO- 388, INDUSTRIAL AREA PHASE-1, PANCHKULA, HARYANA. - 134113 PH :8558813181.	645. JAGMOHAN MOTORS PVT LTD (A601-A6-01), SONEPAT ROAD, ROHTAK - 124001 PH :9467465035.
<b>KURUKSHETRA</b>	<b>MUSTAFABAD</b>	<b>PANIPAT</b>	646. JAGMOHAN MOTORS PVT LTD (A601-A6-09), SWAN GARDEN, DELHI ROAD, ROHTAK - 124001 PH :9812000357.
618. KARNAL MOTORS PVT. LTD. (8906-U6-03), PLOT NO.156, INDUSTRIAL AREA, SECTOR-2, KURUKSHETRA - 136 118 PH :8222022371.	627. PANDIT AUTOMOBILES PVT. LTD. (CDX1-CDX-01), KHATUNI NO. 205/287, KHASRA NO. 39-17/2, VILLAGE - MANSURPUR, THANA - CHAPPER, MUSTAFABAD, DIST.-YAMUNA NAGAR, STATE - HARYANA. - 133 103 PH :9992113854.	637. AUTO GALLERY(A UNIT OF RKH AUTOMOBILES P LTD) (D302-D3-01), KHASRA NO. 43/6, 44/9 & 10, VILLAGE – JATTIPUR, NEAR HOTEL SWARNA MAHAL, NH-1, PANIPAT, HARYANA. - 132103 PH :9053400515.	647. UNIQUE AUTO LEAD LLP (A602-A6-01), KHASRA NO- 35/7 JIND ROAD, JIND CHOWK, ROHTAK, HARYANA - 124001 PH :#REF!.
<b>LADWA</b>	<b>NARAINGARH</b>	<b>PATAUDI</b>	<b>SAFIDON</b>
			648. EAKANSH MOTORS PVT. LTD. (U802-JU-05), NEAR BRSK SCHOOL , OPPOSITE RELIANCE PETROL PUMP, PANIPAT ROAD, SAFFIDON, DISTRICT- JIND - 126112 PH :9416616603.

**SAMPLA**

649. JAGMOHAN MOTORS PVT LTD (NY01-NY-01), NEAR VASUNDRA CAFÉ, DELHI ROHTAK ROAD, SAMPLA, DISTT. ROHTAK - 124501 PH :9812000351.

**SATNALI**

650. PLATINUM (SLH1-SLH-01), KHEVAT NO.605, KHATONI NO-1134 KILLA NO.167, VILL: SATNALI, NEAR BHARAT PETROL PUMP MAHENDRAGARH ROAD, HARYANA -123024 (LOCATION: MAHENDRAGARH) - 123024 PH :9910100341.

**SHAHABAD**

651. KARNAL MOTORS PVT. LTD. (CCR2-CCR-01), KHEWAT NO. 460, KATONI NO. 486, KHASRA NO. 170, TEHSIL - SHAHABAD, DIST.- KURUKSHETRA - 136135 PH :9222022338.

**SIRSA**

652. SHAKTI MOTORS PVT.LTD. (E401-E4-01), DABBALI RD., SIRSA, HARYANA - 125055 PH :8222900201.

**SIWANI**

653. SARAOGI AUTOMOBILES (P) LTD. (HA03-HA-01), OPP GOVT HOSPITAL ,SIWANI BYPASS CHOWK,HISSAR ROAD ,SIWANI,DIST.BHIWANI -127046 HARYANA - 127046 PH :8607777149.

**SOHNA**

654. PASCO AUTOMOBILES (9506-KZ-03), 56, KILLA NO. 13 (4-10), 18(4-8), 19 (8-0), 22 (8-0), 23 (4-2), VILLAGE - ALUPUR, SOHNA GURUGRAM ROAD, TEHSIL - SOHNA , DISTRICT -GURUGRAM - 122103 PH :08683000902/9873711127/8683000919.

**SONIPAT**

655. JAGMOHAN AUTOMOTIVES PVT. LTD. (J502-J5-01), BAHALGARH-DELHI ROAD, OPP. POWER HOUSE, SONIPAT - 131001 PH :9992200372.

656. JAGMOHAN AUTOMOTIVES PVT. LTD. (J502-J5-02), GAYATRI GARDEN, MURTHAL ROAD, SONEPAT (HARYANA) - 131001 PH :8685005686.

657. JAGMOHAN AUTOMOTIVES PVT. LTD. (J502-J5-03), O-11 INDUSTRIAL AREA, SONIPAT, HARYANA - 131001 PH :9812615000.

**TAURU**

658. PASCO AUTOMOBILES (BIV1-BIV-01), KILA NO. 34/1/2, REWARI ROAD, TAURU, DIST.-MEWAT, HARYANA - 122015 PH :8683000902, 9873001497, 8683000954, 9671150250, 9034926253.

**TIGAON**

659. TCS (5804-SJY-01), TCS AUTOWORLD, ARYAN PLAZA, NEEMKA BHUPGARH, TIGAON-BALLABGARH ROAD, FARIDABAD, PIN-121004, HARYANA - 121004 PH :9971422444.

**TOHANA**

660. SHAKTI MOTORS PVT.LTD. (XP01-XP-01), NEAR GREEN VALLEY PUBLIC SCHOOL, RATIA ROAD, TOHANA - 125120 PH :8572800991.

**TOSHAM**

661. JAGMOHAN MOTORS PVT LTD (0Y01-0Y-01), BHIWANI ROAD, TEH. TOSHAM, DIST. BHIWANI - 127040 PH :8059900566.

**YAMUNANAGAR**

662. PANDIT AUTOMOBILES PVT. LTD. (D201-D2-01), GOVINDPURI ROAD, JAGADRI, YAMUNANAGAR - 135001 PH :9812455896.

663. PANDIT AUTOMOBILES PVT. LTD. (D201-D2-03), PLOT NO.E-8, INDUSTRIAL AREA, ITI ROAD, YAMUNA NAGAR (HARYANA) - 135001 PH :9812455896.

**HIMACHAL PRADESH**

**ALAMPUR**

664. KANGRA VEHICLEADES (RL01-RL-01), KHASRA NO. 1606/1582, STATE HIGHWAY PALAMPUR-SUJANPUR AT JANGAL, VILLAGE - ALAMPUR, DIST.-KANGRA - 176082 PH :8998002269.

**BADDI**

665. GOYAL MOTORS PVT LTD (7D01-CIF-04), KHATA/KHATAUNI NO. 26/26, KHASRA NO. 93/56/32 AND 94/56/32, KITAS 2, REVENUE MAUZA – CHAK JANGI, HADBAST NO. 203, TEHSIL – BADDI, DISTRICT – SOLAN, HIMACHAL PRADESH - 173205 PH :9418076972.

**BAIJNATH**

666. KANGRA VEHICLEADES (BBC1-BBC-01), TASHI JONG, PAPROLA-BAIJNATH, NH-20, KANGRA -MANDI ROAD, TEHSIL BAIJNATH, DISTT. KANGRA - 176115 PH :8628820603.

**BANIKHET**

667. PATHANKOT VEHICLEADES PVT. LTD. (BWN1-BWN-01), KHASRA NO.709, KHATA KHATOOINI NO 23, BANIKHET, THE-DALHOUSIE, DISTT. CHAMBA - 176303 PH :254186, 232036, 9418048803.

**BILASPUR**

668. COMPETENT AUTOMOBILES CO. LTD. (BY01-BY-01), KHEWAT NO. 8/8 KHATAUNI, KHASRA NO. 137/30, 31, MAUZA KOTHI, PARGANA 9, P. O. – CHANDPUR, TEHSIL – SADR, DIST - BILASPUR, HIMACHAL PRADESH - 174001 PH :7807166832, 7807800330 / 7807800440.

**CHAMBA**

669. KANGRA VEHICLEADES (D902-JF-03), MOHALLA SULTANPUR, BALU BRIDGE, CHAMBA - 176310 PH :9418059252, 9418045778.

670. KANGRA VEHICLEADES (D902-JF-05), KHASRA NO. 88/96.1 & KHASRA NO.628/276, VILLAGE & PO SAROO, THE. & DISTT. CHAMBA, HIMACHAL PRADESH - 176310 PH :9418059252, 9418013810.

**CHOWARI**

671. PATHANKOT VEHICLEADES PVT. LTD. (CWV1-CWV-01), KHATA KHATNI NO. 24/32 MIN, KHASRA NO. 90, VILLAGE - LAHRU, P.O. – PARCHHORE, TEHSIL - BHATTIYAT, DIST. -CHAMBA, HAMACHAL PRADESH - 144416 PH :8894569632.

**DEHRA**

672. KANGRA VEHICLEADES (D902-HT-02), VILLAGE & P.O. SUNHET, TEHSIL DEHRA, DIST. KANGRA - 177101 PH :9817013058.

**GAGGAL**

673. KANGRA VEHICLEADES (BBV1-BBV-01), NATIONAL HIGHWAY -20 , ZAMANABAD ROAD, ICHHI, GAGGAL, DISTT. KANGRA , HIMACHAL PRADESH - 176209 PH :9418988832.

**HAMIRPUR**

674. COMPETENT AUTOMOBILES CO. LTD. (W901-W9-01), VILLAGE TIKKAR, P.O DIDWIN TEHSIL & DISTT, HAMIRPUR - 177401 PH :9805510276.

**INDORA**

675. PATHANKOT VEHICLEADES PVT. LTD. (BHE1-BHE-01), VILLAGE CHANDOR, PO & TEHSIL INDORA, DISTT. KANGRA, PIN-176401, HIMACHAL PRADESH - 176401 PH :9418008627.

**JAISINGHPUR**

676. KANGRA VEHICLEADES (BVA1-BVA-01), HARSU PATTAN ROAD, OPP. SABJI MANDI, TEHSIL – JAISINGHPUR, DIST. – KANGRA, HIMACHAL PRADESH - 176095 PH :9418477756.

**JAWALI**

677. PATHANKOT VEHICLEADES PVT. LTD. (BXE1-BXE-01), VILLAGE - TIUKARI, NEAR MAHAVIR HOSPITAL LUBH ROAD, TEHSIL - JAWALI, DIST.-KANGRA, HAMACHAL PRADESH. - 176023 PH :9418195333.

**JOGINDER NAGAR**

678. COMPETENT AUTOMOBILES CO. LTD. (BBO1-BBO-01), VILL. DHELU PO DOHAG, JOGINDER NAGAR (H.P.) - 175015 PH :9805005754.

**JWALAMUKHI**

679. KANGRA VEHICLEADES (CND1-CND-01), KHASRA 880/613, MAUJA BOHAN, TEHSIL JWALAMUKHI, DISTRICT KANGRA - 176031 PH :9418488999.

**KULLU**

680. COMPETENT AUTOMOBILES CO. LTD. (20Q1-2Q-01), PLOT 3&4, INDUSTRIAL AREA, SHAMSHI, KULLU (HP) - 175126 PH :7018035136.

**KUINHAR**

681. GOYAL MOTORS PVT LTD (BBX1-BBX-01), KHATA NO. – 77, VILLAGE KOTHI, P.O. KUNINHAR, TEHSIL – ARKI, DISTRICT – SOLAN, HIMACHAL PRADESH - 173207 PH :9418312472.

**MANALI**

682. COMPETENT AUTOMOBILES CO. LTD. (BKU1-BKU-01), VILL. CHOURI VIHAR (AALU GROUND), P.O. & THESEL -MANALI, DIST. KULLU, (H.P.) - 175131 PH :9418387465.

**MANDI**

683. COMPETENT AUTOMOBILES CO. LTD. (B301-B3-01), GUTKAR INDUSTRIAL AREA, DELHI MANDI ROAD, N.H.21 GUTKAR, MANDI - 124501 PH :9805513208/9816664891.

**NADAUN**

684. COMPETENT AUTOMOBILES CO. LTD. (BXA1-BXA-01), VILLAGE JALAN, KHASRA NO.183, PO & TEHSIL NADAUN, DISTT. HAMIRPUR, HIMACHAL PRADESH - 177041 PH :9805737436.

**NAGROTA**

685. KANGRA VEHICLEADES (D902-D9-01), MALAN, NAGROTA - BAGWAN, KANGRA, H.P. - 176047 PH :7018268819.

**NAGROTA BAGWAN**

## Dealer Workshop (AS ON 30.05.2023 )

686. KANGRA VEHICLEADES (D902-D9-06), JHKL1 AMBARI, MOUZA AMBARI, MALAN, NAGROTA BAGWAN, TEHSIL & DISTT. KANGRA, HIMACHAL PRADESH - 176047 PH :7018268819.

### NAGROTA SURIAN

687. KANGRA VEHICLEADES (BG11-BG1-01), KHEWAT NO. 115, KHATAUNI NO. 127, KHASRA NO. 2037, MAHAL BASSA, SUB TEHSIL - NAGROTA SURIAN, DISTRICT - KANGRA. - 176027 PH :9418488999.

### NALGARH

688. GOYAL MOTORS PVT LTD (IB02-IB-01), NEAR HP PETROL PUMP, VILLAGE PEERSTHAN, P.O & TEHSIL NALGARH, DISTT. SOLAN (H.P.) - 174101 PH :9418704572.

### NERWA

689. GOYAL MOTORS PVT LTD (CRS1-CRS-01), KHASRA NO. 482, VILLAGE - KEDI, TEHSIL - NERWA, DISTRICT - SHIMLA, HIMACHAL PRADESH. - 171210 PH :9418663572.

### NURPUR

690. KANGRA VEHICLEADES (D902-JG-04), VILLAGE JACHH, PO JASSUR, TEHSIL NURPUR, DISTT. KANGRA - 176201 PH :9418195333 , 9418041778.

### PALAMPUR

691. KANGRA VEHICLEADES (2T01-2T-01), NEAR IOCL PUMP, KANGRA MANDI ROAD, PALAMPUR, DISTT. KANGRA, HIMACHAL PRADESH. - 176061 PH :9418222622/ 9463265072.

### PAONTA SAHIB

692. GOYAL MOTORS PVT LTD (A901-8G-02), OPP BIBIJEET KAUR SENIOR SECONDARY SCHOOL, SHAMSHERPUR , NH-72, PAONTA SAHIB - 173025 PH :9459210872.

### RAJGARH

693. GOYAL MOTORS PVT LTD (BJX1-BJX-01), KHATA NO. 517/505, 478/3, KHASRA NO. - 38/98 VILLAGE NERI RATAULI, P.O. RAJGARH TEHSIL - RAJGARH, DISTRICT - SIRMAUR , HIMACHAL PRADESH- 173101 PH :9418312472.

### RAMPUR

694. GOYAL MOTORS PVT LTD (CEZ1-CEZ-01), KHASRA NO. 824/825, MINN NO. 155/396, 163/411, NAGLI, ROHRU ROAD, RAMPUR, TEHSIL - RAMPUR, DISTRICT - SHIMLA. - 172001 PH :9459296572.

### ROHRU

695. GOYAL MOTORS PVT LTD (JZ01-JZ-01), CHARGAON SHIMLA ROAD, ROHRU, DISTRICT -SHIMLA - 171207 PH :9418016072.

### SALOONI

696. PATHANKOT VEHICLEADES (SES1-SEJ-01), KHASRA NO. 299/174, VILLAGE. MANJEER, TEHSIL-SALOONI, DISTT. CHAMBA, PIN-176320, HIMACHAL PRADESH - 176320 PH :9418059252.

### SHAHPUR

697. KANGRA VEHICLEADES (SCR1-SCR-01), VILLAGE MANJHGRAN, P.O. DRAMMAN, TEHSIL SHAHPUR, DISTT. KANGRA, HIMACHAL PRADESH - 176206 PH :9459900241.

### SHIMLA

698. GOYAL MOTORS PVT LTD (A901-A9-01), TARADEVI, SHIMLA,(H.P.) - 171010 PH :9418663572.

### SOLAN

699. GOYAL MOTORS PVT LTD (7D01-7D-01), DEON GHAT, SOLAN - 173211 PH :9418138772.

### UNA

700. COMPETENT AUTOMOBILES CO. LTD. (QD01-QD-01), VILLAGE RAINSARY,P.O JHALERA,TEHSIL & DISTRICT-UNA - 174303 PH :9805737436.

## JAMMU

### MARH

701. JAMKASH VEHICLEADES PVT. LTD (BPM1-BPM-01), KHASRA NO. 269, LOWER MUTHI DHARMAL, DIST.-JAMMU, STATE - JAMMU & KASHMIR. - 181205 PH :7006898474.

## JAMMU & KASHMIR

### CHOWKI CHOURA

702. JAMU MOTORS (SDY1-SDY-01), KHASRA NO. 37 MIN. ADJACENT TO J&K BANK, JAMMU POONCH HIGHWAY, CHOWKI CHOURA, JAMMU & KASHMIR - 185154 PH :9596975060.

### MAHANPUR

703. JAMMU MOTORS (SPK1-SPK-01), MAHANPUR, DISTRICT KATHUA, TEHSIL MAHANPUR - JAMMU & KASHMIR. - 184202 PH :9596975060.

### MANJAKOTE

704. JAMKASH VEHICLEADES (CODE UNDER CREATIONS-CODE UNDER CREATIONS-CODE UNDER CREATIONS); NEAR PHC ROAD MANJAKOTE, TEHSIL MANJAKOTE, DISTRICT RAJOURI, J&K - 185131 PH :7006014395.

### VIJAYPUR

705. JAMMU MOTORS (OZ02-01-OZ-01), JAMMU PATHANKOT HIGHWAY, VIJAYPUR (SAMBA), J&K - 184120 PH :9596975060.

## JAMMU AND KASHMIR

### AKHNOOR

706. JAMMU MOTORS PVT. LTD. (2X02-2X-01), MAIN ROAD DASKAL, TEHSIL - AKHNOOR, DISTRICT - JAMMU - 181201 PH :9419118393.

### ANANTNAG

707. PEAKS AUTO PVT. LTD. (2Y01-2Y-01), NH-1A, MOUZA UROONHALL, THE & DISTT. ANANTNAG - 228165 PH :9519275151.

### BANDIPIORA

708. JAMKASH VEHICLEADES (KASHMIR) PVT LTD (1205-OA-04), AJAR BANDIPIORA , J&K - 193502 PH :9149726427.

### BARAMULLA

709. JAMKASH VEHICLEADES (KASHMIR) PVT LTD (8C01-8C-01), VILLAGE SANGRAMA,WAGAROO, BARAMULLA - 193101 PH :7889612218.

### BHADRAWAH

710. J&K VEHICLEADES PVT. LTD (AKA1-AKA-01), KHASRA NO.2863, LOWER SUNGLI UNIVERSITY ROAD, BHADERWAH, DISTT. DODA, J&K - 182222 PH :9419796821.

### BHASOLI

711. JAMKASH VEHICLEADES PVT. LTD. (GLK1-GLK-01), ZERO MORTH, BASHOLI, DISTT. KATHUA, BASHOLI, PIN-184201, JAMMU & KASHMIR - 184201 PH :9018847230.

### BUDGAM

712. HIGHLAND AUTOMOBILES PVT.LTD (1202-CJG-04), KHASRA NO. 208 MIN, KHEWAT NO. 9 AND KHATTA NO. 55, MOUZA - PALLAR, TEHSIL AND DIST.-BUDGAM. - 191111 PH :9419019898.

### DAYALACHAK

713. JAMKASH VEHICLEADES PVT. LTD (BFH1-BFH-01), KHASRA NO. 183, KHEWAT NO 14, KHATTA NO 74, VILLAGE CHAK SAKTA, DAYALACHAK, TEHSIL & DISTT. KATHUA , JAMMU & KASHMIR - 184121 PH :88492849170.

### DODA

714. J&K VEHICLEADES PVT. LTD (2Z02-2Z-01), MINTO CAR CARE, AKHYARABAD, MAIN ROAD, DODA CITY, DODA (J&K) - 182202 PH :9419796821.

### GANDBAL

715. JAMKASH VEHICLEADES (KASHMIR) PVT LTD (ZA01-ZA-01), MALSHAI BAGH, GANDBAL (J&K) - 191201 PH :9419000828.

### HANDWARA

716. JAMKASH VEHICLEADES (KASHMIR) PVT LTD (BYA1-BYA-01), KHEWAT NO-31, KHATTA NO-298, SURVEY NO- 3764/1816, MOZA BRARIPORA, TEH- HANDWARA, DIST- KUPWARA, J&K - 193221 PH :262322, 9419074012.

### JAMMU

717. JAMKASH VEHICLEADES PVT. LTD (3306-33-01), NH-1A, BYE PASS, OPP CHANNI HIMMAT, JAMMU - 180015 PH :6006801639.

718. JAMKASH VEHICLEADES PVT. LTD (3306-33-02), NEAR GENERAL BUS STAND, OPP. PHE OFFICE, B.C. ROAD, JAMMU - 180001 PH :9419224014.

719. JAMKASH VEHICLEADES PVT. LTD (3306-33-04), SUNJWAN, DISTT. JAMMU - 180011 PH :7006018600.

720. PEAKS AUTO JAMMU PVT. LTD. (3312-33-01), GANGVAL INDUSTRIAL AREA, BEHIND COCA COLA FACTORY, JAMMU - 180010 PH :9697001125.

721. JAMMU MOTORS PVT. LTD. (3308-33-01), 6, AKHNOOR ROAD, JAMMU. - 180001 PH :9419118393.

722. JAMMU MOTORS PVT. LTD. (3308-33-02), PLOT NO.2, RAJPURA CHUNGI OPP AG OFFICE, AKHNOOR ROAD, JAMMU - 180002 PH :9419118393.

723. PEAKS AUTO JAMMU PVT. LTD. (3312-33-02), KHASRA NO.425 & 426, KHATA NO.425 & 426, TOPE SHRKHANIAN (BACKSIDE OF BEST PRICE), AKNOOR ROAD, JAMMU. - 180001 PH :9697001125.

724. JAMKASH VEHICLEADES PVT. LTD (3306-33-07), KHEWAT NO. 25, KHATA NO. 355, KHASRA NO. 544 MIN PALOURA ROAD, JANIPUR, JAMMU. - 180007 PH :9419191502.

### KATHUA

725. JAMMU MOTORS PVT. LTD. (3802-3B-01), WARD NO.13, CHAK PARTAP SINGH HATLI MORH, NH-1A, KATHUA TEHSIL KATHUA - 184101 PH -9419118393.

**KULGAM**

726. PEAKS AUTO PVT. LTD. (OY01-OY-01), NEAR GRID STATION,MAIN ROAD, KULGAM - 191202 PH -9519275151.

**KUPWARA**

727. JAMKASH VEHICLEADES (KASHMIR) PVT LTD (1205-AX-03), JAMKASH VEHICLEADES, NEAR GM FILLING STATION, DC OFFICE ROAD KUPWARA - 193223 PH -9622499902.

**MAGAM**

728. JAMKASH VEHICLEADES PVT. LTD (GLS1-GLS-01), KHASRA NO. 34, MOUZA - CHICHILORA, MAGAM, GULMARG ROAD, TEHSIL - KWARHAMA, DIST. BARAMULLA, JAMMU & KASHMIR. - 193 401 PH -8825016046.

**PHINTER**

729. JAMKASH VEHICLEADES PVT. LTD (BHV1-BHV-01), KHASRA NO.2293/405 AND KHEWAT NO.81/98, GURHA KALYAL, PHINTER, TEHSIL RAMKOT, DISTT. KATHUA, J&K - 184203 PH -9419187583.

**POONCH**

730. JAMKASH VEHICLEADES PVT. LTD (AAW1-AAW-01), VILLAGE KUNUYIAN, TEHSIL HAVELI POONCH, JAMMU & KASHMIR. - 185121 PH -7006014395.

**PULWAMA**

731. PEAKS AUTO PVT. LTD. (1204-MU-03), MUGHAL ROAD, GUNGOO, PULWAMA - 192301 PH -9519275151.

**RAJOURI**

732. JAMKASH VEHICLEADES PVT. LTD (3306-KS-06), KALAKOTE ROAD, VILLAGE BADOL, RAJOURI - 185131 PH -7006014395.

**RS PURA**

733. JAMKASH VEHICLEADES PVT. LTD (3306-JN-03), GAGAIN MORTH, R S PURA, JAMMU. - 181102 PH -9419190370.

**SHOPIAN**

734. PEAKS AUTO PVT. LTD. (AAA1-AAA-01), AGLAR SOFANAMAN, SHOPIAN - 192303 PH -9519275151.

**SIDHRA**

735. JAMKASH VEHICLEADES PVT. LTD (CDL1-CDL-01), KHASRA NO.80 & KHATA NO.100, VILLAGE SIDHRA, NH1A, NEAR BHARAT PETROLEUM PETROL PUMP, TEH. & DISTT. JAMMU - 180019 PH -9419134144.

**SRINAGAR**

736. HIGHLAND AUTOMOBILES PVT.LTD (1202-12-01), SONWAR, SRINAGAR - 190001 PH -9419057564.  
737. JAMKASH VEHICLEADES (KASHMIR) PVT LTD (1205-12-01), HYDERPURA BY PASS CROSSING, SRINAGAR - 190015 PH -7006037255.  
738. PEAKS AUTO PVT. LTD. (1204-12-01), BYE PASS ROAD, NH - 1A, NEAR HOTAL SILVER STAR, SRINAGAR - 191101 PH -9519275151.  
739. JAMKASH VEHICLEADES (KASHMIR) PVT LTD (1205-12-05), NARBAL CROSSING, NH-1A, SRINAGAR, JAMMU & KASHMIR - 190017 PH -9796700750.

**SUNDERBANI**

740. PEAKS AUTO JAMMU PVT. LTD. (AAM3-AAM-01), MOUZA THANDA PANI, TEH. SUNDERBANI - 185153 PH -9697001125.

**SURANKOTE**

741. PEAKS AUTO JAMMU PVT. LTD. (TY03-TY-01), NEAR KNIEIT KING FILLING STATION, BHARAT PETROLEUM, POONCH MUGHAL ROAD, SURANKOTE, DISTT: POONCH - 185101 PH -9697001125.

**THANA MANDI**

742. JAMKASH VEHICLEADES PVT. LTD. (SO01-SO-01), HASPLOTE(CHRUNG), TEHSIL THANAMANDI, DISTRICT RAJOURI -185212 - 185212 PH -9419267607.

**UDHAMPUR**

743. J&K VEHICLEADES PVT. LTD (D801-D8-01), NATIONAL HIGHWAY 1A, NEAR DAK BANGLOW, UDHAMPUR - 182101 PH -7006881028.

**URI (CHAAL BONIYAAR)**

744. JAMKASH VEHICLEADES (KASHMIR) PVT LTD (CCK1-CCK-01), KHASRA NO.346/118, KEWAT NO.15, KHATA NO.30, MOUZE-CHALAL (URI), TEHSIL-BONIYAR, DISTT. BARAMULLA - 193123 PH -9419074012.

**JHARKHAND**

**BAGODAR**

745. RELIABLE INDUSTRIES PVT. LTD. (BHA1-BHA-01), SONTURPI, GT ROAD, GAIDA, BAGODAR, GIRIDIH, JHARKHAND. - 825322 PH -9507102036 9835814404.

**BALIAPUR**

746. CARONE (SNI1-SNI-01), WARD NO 53, HOLDING NO - SAF3797, KANDRA SINDRI, BALIAPUR. - 828123 PH -7980074787.

**BOKARO**

747. HINDUSTAN AUTO AGENCY (B501-B5-02), R1, CITY CENTRE, SECTOR-4, BOKARO STEEL CITY, BOKARO - 827004 PH -9831550033/7070403002/9431128683.  
748. HINDUSTAN AUTO AGENCY (B501-B5-03), M2, SECTOR-4, CITRY CENTRE, BOKARO STEEL CITY (JHARKHAND) - 827004 PH -9431127983/9431128683.

**CHAIBASA**

749. PEBCO MOTORS (BOY1-BOY-01), KOLHAN TIMBER MERCHANT, NEAR RAILWAY CROSSING, TATA ROAD, CHAIBASA, DISTRICT - WEST SINGHDHUM, JHARKHAND. - 833201 PH -7070449718.

**CHANDWA**

750. HILLTOP MOTORS (A UNIT OF HIRALAL MOTORS PVT LTD) (SCS1-SCS-01), HILLTOP MOTORS, MAIN ROAD, CHANDWA, PO AND PS, CHANDWA - 829203, DIST - LATEHAR, JHARKHAND - 829203 PH -7061157502.

**CHIRKUNDA**

751. RELIABLE INDUSTRIES (CQT1-CQT-01), PLOT NO. 109-110, KHAITAN NO. 12, MOUZA NO. 251, P.S. - CHIRKUNDA, DISTRICT - DHANBAD, JHARKHAND. - 828202 PH -9905937751 9835814404.

**DALTONGANJ**

752. PREMSONS MOTORS UDYOG PVT LTD (5103-MP-02), KACEHRI ROAD, DALTONGANJ, PALAMU - 822101 PH -9835507004.

**DEOGHAR**

753. RELIABLE INDUSTRIES (5202-KR-03), SHAHEED ASHRAM ROAD, JHAUNSAGARHI, DEOGHAR. - 814112 PH -6207129088 7001553251.  
754. RELIABLE INDUSTRIES (KR02-KR-01), MOUZA - CHAKRIPAHARI, NO. 587, WARD NO. 36, DEOGHAR, JHARKHAND. - 814114 PH -9835811220, 9835814404.

**DHANBAD**

755. RELIABLE INDUSTRIES (5202-52-01), KATRAS ROAD, DHANBAD, JHARKHAND. - 826001 PH -9835830202 7369945040.

756. RELIABLE INDUSTRIES (5202-52-02), BEHIND PRABHAT KHABAR, AT: KOLAKUSMA, P O K.G. ASHRAM, SARAIIDHELA , DHANBAD - 828127 PH -8102333474 7369945043.

757. RELIABLE INDUSTRIES (5202-52-06), SUGIADIH, HIRAK ROAD, SARAIIDHELA, DHANBAD, JHARKHAND. - 828127 PH -9334094940.

758. CAR ONE (A UNIT OF RAJHANS AUTOMOBILES PRIVATE LIMITED) (5205-52-01), NH-2, GT ROAD, SAHARJOIRI, BARWADA, DHANBAD. - 828 109 PH -9006828000, 9835740433.

759. RELIABLE INDUSTRIES (5202-52-09), TILAKRAIDIH, K G ASHRAM, NH-32, GOVINDPUR, DHANBAD, JHARKHAND - 828109 PH -9031096662.

**DUMKA**

760. RELIABLE INDUSTRIES (L701-L7-01), OPP DUDHANI PETROL PUMP, DEOGHAR-PAKUR ROAD.DUMKA ( JHARKHAND) - 814101 PH -8205161170.

**GARHWA**

761. PREMSONS MOTOR UDYOG PVT. LTD. (VX01-VX-01), KHATA NO. 4, KHESRA NO. 108, 109, THANA NO. 342, PIPRAKALIA, GARHWA, JHARKHAND. - 822114 PH -8862828002, 9835507004.

**GHATSHILA**

762. PEBCO MOTORS LTD. (AIA1-AIA-01), PLOT NO. 68, KHASRA NO.128, MAUZA PAORA, NH-33, NEAR FULL-DUNGRI CHOWK,GHATSHILA, EAST SINGHBHUM (JHARKHAND) - 832303 PH -9308433388.

**GIRIDIH**

763. RELIABLE INDUSTRIES (5202-3D-04), MOHANPUR, PACHAMBA ROAD, GIRIDIH. - 815301 PH -8102924860 8102924858.

764. RELIABLE INDUSTRIES PVT. LTD (5202-3D-08), PLOT NO. 7, HALKA NO. 12, KHATA NO. 2, THANA NO. 266, MOUZA - CHATRO, GIRIDIH, JHARKHAND. - 815301 PH -9835835101.

**GODDA**

765. RELIABLE INDUSTRIES (5202-EJ-05), ASANBANI CHOWK, MAIN ROAD, GODDA. - 814133 PH -6207129088.

**GUMLA**



## Dealer Workshop (AS ON 30.05.2023 )

766. PREMSONS MOTOR UDYOG PVT. LTD. (5103-20-04), VANASTHALI COMPLEX PUGUCHAMPANA NAGAR,NH-23,SISAI ROAD,GUMLA - 835207 PH :9835507004.	776. HINDUSTAN AUTO AGENCY (VR01-VR-01), AT LALMAN DIGTHU, BESIDE KRISHNA SURYA COLD STORAGE, JHUMRI TILAIYA, P.S - TILAIYA, DISTRICT - KODERMA, JHARKHAND. - 825409 PH :6201998936.	787. HILLTOP MOTORS (A UNIT OF HIRALAL MOTORS PVT LTD) (5109-51-02), NEAR KATHAL MORE, ARGORA RANCHI RD, NEAR EKLABBA TOWER, DHIPATOLI, ARGORA, RANCHI - 834004 PH :7061157502.	796. MANDOVI MOTORS PVT LTD. (0201-02-07), 17A-283 IND.SUBURB.IIND STAGE, GORGUNTEPALAYA, TUMKUR ROAD, YESHWANTHPUR, BANGALORE - 560022 PH :9845235537.
<b>HAZARIBAGH</b>	<b>LOHARDAGA</b>	<b>KARNATAKA</b>	797. MANDOVI MOTORS PVT LTD. (0201-02-05), NO 2/106 (NEXT TO KASSIA BLDG.),17TH CROSS,MAGADI CHORD ROAD EXTN, VIJAYANAGAR,BANGALORE - 560079 PH :9845235529.
767. HINDUSTAN AUTO AGENCY (Y901-Y9-01), NEAR SBI MAIN BRANCH, MAIN ROAD, HAZARIBAGH - 825301 PH :9304051949, 9263631327.	777. SUDHA MOTORS(A UNIT OF SUDHA BUSINESS ENTERPRISES PVT LTD) (CX01-CX-01), PLOT NO. 14P, 15, 23, RIADA, LOHARDAGA, JHARKHAND. - 835302 PH :9534199997.	<b>ANEKAL</b>	798. RNS MOTORS (7301-02-03), 2275 TUMKUR ROAD, GURGUNTEPALYA, YESHWANTPUR, BANGALORE - 560022 PH :9606933236.
768. HINDUSTAN AUTO AGENCY (Y901-Y9-02), MASIPIRHI, BABHANBAY, HAZARIBAGH , JHARKHAND. - 825301 PH :9216888118 9263631327..	<b>MURI</b>	<b>ANKOLA</b>	799. RNS MOTORS (7301-02-04), HOSUR ROAD,BOMMANAHALLI,MADIVALA POST,BANGALORE - 560068 PH :9148001412.
<b>JAMSHEDPUR</b>	778. HILLTOP MOTORS (CODE UNDER CREATIONS-CODE UNDER CREATIONS-CODE UNDER CREATIONS), NEAR BANK OF INDIA, SILLI MAIN ROAD, MURI, PIN - 835102 - 835102 PH :7061157502.	789. BHARATH AUTO CARS PVT. LTD. (FC02-FC-01), NEAR NARAYANA TEMPLE KAKKAR MUTTA, BELEGULI CROSS, ANKOLA, UK DISTRICT - 581314 PH :7829567400.	800. MANDOVI MOTORS PVT LTD. (0201-02-08), NO. 70 SARAKKI INDUSTRIAL LAYOUT,J.P NAGAR,3RD PHASE, BANGALORE - 560078 PH :9845235522.
769. PEBCO MOTORS LTD. (3101-31-01), MEDIUM SECTOR, INDUSTRIAL AREA, ADITYAPUR, JAMSHEDPUR - 831001 PH :9308433388.	<b>RAMGARH</b>	<b>ATHANI</b>	801. PRATHAM MOTORS PVT. LTD (0205-02-01), 16, BALLANDUR, SARJAPUR RING ROAD, BANGALORE - 560037 PH :9845540126.
770. PEBCO MOTORS LTD. (3101-31-02), 16 BALICHALA, CONTRACTORS & GOWDAN AREA, SONARI, JAMSHEDPUR - 831011 PH :9308433388.	779. HINDUSTAN AUTO AGENCY (AV01-AV-01), MARAR, RANCHI ROAD (NH-33), RAMGARH - 829122 PH :9263631345.	790. SHANTESHA MOTORS (BWA1-BWA-01), RS NO. 605, SHIVAYOGI NAGAR, BIJAPUR ROAD, ATHANI, DIST. - BELGAUM. - 591304 PH :8884472587.	802. BIMAL AUTO AGENCY INDIA PVT. LTD. (0216-02-02), NO. 69/2, SARAKKI, KANAKAPURA ROAD, BANGALORE - 560078 PH :9872398139.
771. MOTOR WORLD (3102-31-01), N.H-33, NEAR PARDIH CHOWK, MANGO, JAMSHEDPUR - 831012 PH :9431347164, 9570168342.	<b>RANCHI</b>	<b>ATHRADI</b>	803. BIMAL AUTO AGENCY INDIA PVT. LTD. (0218-02-01), NO - 60/3, VENKATALA VILLAGE, YELAHANKA HOBLI, BANGALORE NORTH TALUK - 560064 PH :9845541034.
<b>JAMTARA</b>	780. PREMSONS MOTORS UDYOG PVT LTD (5103-51-01), 502, KANKE ROAD, RANCHI. - 834008 PH :9304807355.	791. ABHARAN MOTORS PVT LTD (G601-UK-04), HERABETTU ROAD ATHARDI UDUPI - 576107 PH :9845472500.	804. BIMAL AUTO AGENCY INDIA PVT. LTD. (0216-02-01), 60/2, MAHADEVPUR, WHITE FIELD ROAD, BANGALORE - 560048 PH :98723 98105.
772. RELIABLE INDUSTRIES (BOX1-BOX-01), PLOT NO. 483, PARWAT BIHAR, DUMKA ROAD, JAMTARA, JHARKHAND. - 815351 PH :9835814404.	781. PREMSONS MOTOR UDYOG PVT. LTD. (5103-51-03), 10P, NAMKUM INDUSTRIAL ESTATE,BEHIND HIGH TENSION INSULATOR FACTORY, LOWER CHUTIA, RANCHI - 834010 PH :9262899003.	<b>ATTIBELE</b>	805. PRATHAM MOTORS PVT. LTD (0205-02-02), STHANIKAM'S ARCADE, OPP. ST THERESA HOSPITAL, DR. RAJ KUMAR ROAD, A BLOCK,RAJAJINAGAR 2 STAGE, BANGALORE - 560010 PH :9900061378.
<b>KATRAS</b>	782. PREMSONS MOTOR UDYOG PVT. LTD. (5103-51-05), PLOT NO.31 & 134, JOHNSON MORH, TUPUDANA INDUSTRIAL AREA, TUPUDANA, RANCHI - 834003 PH :9835507004.	<b>BAGALKOT</b>	806. KALYANI MOTORS PVT. LTD. (0211-02-01), MYSORE ROAD,PANTHARAPALYA,KENGR HOBLI,BANGALORE - 583201 PH :9538867078.
773. CAR ONE (A UNIT OF RAJHANS AUTOMOBILES PRIVATE LIMITED) (GLP1-GLP-01), RAJHANS REFRATORIES, OPP. LIC OFFICE, RAJGANJ ROAD, KATRAS, DISTT. DHANBAD, JHARKHAND-828114 - 828114 PH :89190090556.	783. SUDHA MOTORS(A UNIT OF SUDHA BUSINESS ENTERPRISES PVT LTD) (5107-51-02), PLOT NO. 74, OPPOSITE OTC GROUND, HEHAL, RATU ROAD, RANCHI, JHARKHAND - 834005 PH :9534199997, 8227996660.	793. VIJAY MOTOWINGS (ZL01-ZL-01), 180/4-2,BELGUM RAICHUR ROAD,NEAR APMC MARKET YARD, BAGALKOT - 587103 PH :9481289167.	807. BIMAL AUTO AGENCY INDIA PVT. LTD. (0216-02-03), NO.711, KALANAGRAHARA VILLAGE, MOUNT ST. JOSEPHI TRAINING COLLEGE FOR JESUITS COMPOUND, IIMB POST, BANNERGHATTA RD. , BANGALORE - 560076 PH :9845166612.
<b>KHELARI</b>	784. SUDHA MOTORS(A UNIT OF SUDHA BUSINESS ENTERPRISES PVT LTD) (CFO1-CFO-01), PLOT 113, MOUZA- BUKBURA, BESIDE PAHADI MANDIR, KHELARI, RANCHI - 829205 PH :6458222, 9534199997.	<b>BAGEPALLI</b>	
774. SUDHA MOTORS(A UNIT OF SUDHA BUSINESS ENTERPRISES PVT LTD) (CFO1-CFO-01), PLOT 113, MOUZA- BUKBURA, BESIDE PAHADI MANDIR, KHELARI, RANCHI - 829205 PH :6458222, 9534199997.	785. SUDHA MOTORS(A UNIT OF SUDHA BUSINESS ENTERPRISES PVT LTD) (5107-51-03), PLOT NO. 39, NEAR BOOTY MORE, RANCHI-RAMGARH ROAD, RANCHI. - 835217 PH :9534199997.	794. BIMAL AUTO AGENCY INDIA PVT. LTD. (BTV1-BTV-01), H.L. NO. 423 AND 436 SRI SATHYA SAI NAGAR, ON NH-7, THIMAKALAPALLI BLOCK-II, PARAGODU GRAM PANCHAYATH, KASABA HOBLI, BAGEPALLI TALUK, CHIKKABALLAPUR DIST. - 561 207 PH :9742458888.	
<b>KHUNTI</b>	786. PREMSONS MOTOR UDYOG PVT. LTD. (5103-51-06), PLOT NO.14 (P) KOKAR INDUSTRIAL AREA KOKAR, RANCHI. - 834001 PH :9835507004.	<b>BANGALORE</b>	
775. PREMSONS MOTOR UDYOG PVT. LTD (BOL1-BOL-01), PLOT NO. 747, KHATA NO. 2, DAHUGUTU, CHAIBISRA ROAD, KHUNTI, JHARKHAND. - 835 210 PH :9835507004.	787. HILLTOP MOTORS (A UNIT OF HIRALAL MOTORS PVT LTD) (5109-51-01), KHATA NO. 247, MOUZA - PUNDAG,P.S. - PUNDAG, RANCHI, JHARKHAND. - 834004 PH :7061157502.	795. MANDOVI MOTORS PVT LTD. (0201-02-01), 2414,7TH MAIN,WILSON GARDENS,BANGALORE - 560027 PH :9945235511.	
<b>KODARMA</b>			

808.	BIMAL AUTO AGENCY INDIA PVT. LTD. (0218-02-04), 6TH CROSS, OFF OLD AIRPORT ROAD, HAL 2ND STAGE POST, BANGALORE - 560038 PH :9972398106.	821.	PRATHAM MOTORS PVT. LTD (0205-02-05), #58/5 KUDLU VILLAGE, NEXT TO ZEE SCHOOL, SARAJAPUR HOBLI, ANEKAL TALUK, BANGALORE - 560034 PH :9900058466.	833.	VARUN MOTORS PVT. LTD. (0292-02-02), BEARING NO. 27/1 & 27/2, SURVEY NO. 41/3 & 42/7 BACALAGUNTA, HESSARGHATTA MAIN ROAD, NEAR WIDIA SCHOOL, BUS STOP, NAGASANDRA POST, BANGALORE. - 560073 PH :7338286729.	843.	MANDOVI MOTORS (0201-02-09), MUNICIPAL NO. 133 (OLD NO S 133 & 133/1), BULL TEMPLE ROAD, BBMP WARD NO. 49, K G NAGAR, BANGALORE, KARNATAKA-560018. - 560018 PH :9945235516.
809.	MANDOVI MOTORS PVT LTD. (0201-02-0C), NO 1 TO 5, NAVODAYA HBSC, 4TH STAGE, 4TH MAIN, RAJAJINAGAR INDUSTRIAL TOWN, BASAWESHWAR NAGAR - 560044 PH :9945235537.	822.	RNS MOTORS LIMITED (7301-02-0H), PLOT NO.129, KIADB INDUSTRIAL AREA, HEBBAGODI VILLAGE, BOMMASANDRA, JIGINI LINK ROAD, BANGALORE - 562158 PH :9538965771.	834.	MANDOVI MOTORS PVT LTD. (0201-02-0J), SITE NO. 58/1, J.B. KAVAL, MAJOR SANDEEP UNNIKRISHNAN ROAD, VIDYARANYAPURA, BANGALORE. - 560097 PH :9945235514.	<b>BANGALORE (HEBBAGODI )</b>	
810.	KALYANI MOTORS PVT. LTD. (0211-02-04), 119/1, 11TH CROSS, MALLESHWARAM, BANGALORE, - 560003 PH :9886026519.	823.	KALYANI MOTORS PVT. LTD. (0291-02-02), 10/1, HEBBAL , AMANIKERE KASABA HOBLI, YOGESH NAGAR, BANGALORE - 560024 PH :9740985324 , 7760983887.	835.	KATARIA AUTOMOBILES PVT. LTD. (0293-02-01), SURVEY NO. 8/3, 10/4, 10/2, VILLAGE – THALAGHATTAPURA, KANAKAPURA MAIN ROAD, NEAR NANDI TOYOTA, UTTARAHALLI HOBLI, TALUK - BENGALURU SOUTH, BANGALORE, KARNATAKA. - 560109 PH :8884434340.	844.	RNS MOTORS (0210-02-01), SURVEY NO. 48, HEBBAGODI, HOSUR MAIN ROAD, ANEKAL TALUK, BANGALORE URBAN DIST, KARNATAKA - 560 099 PH :6366938829.
811.	MANDOVI MOTORS PVT LTD. (0201-02-0D), 6/8, SHREE GANGA GARDEN, GANGA NILAYA, HENNUR CROSS, KALYANAGAR POST - 560043 PH :9845132048.	824.	BIMAL AUTO AGENCY INDIA PVT. LTD. (0286-02-01), #184/185, OPP. FORUM VALUE MALL, WHITE FIELD MAIN ROAD, BANGALORE - 560066 PH :9900245979.	836.	RNS MOTORS LIMITED (7301-02-0J), SY. NO. 11/2 & 12/1, VILLAGE – ARAKERE, BEGUR HOBLI, BANNERGHATTA ROAD, BANGALORE – 560 076. - 560076 PH :7760982836.	<b>BANGALORE- KP ROAD</b>	
812.	MANDOVI MOTORS PVT LTD. (0201-02-0E), SY NO.26, AMBLIPURA VILLAGE, VATHUR HOBLI, BANGALORE, EAST TALUKA. - 560102 PH :9945235518.	825.	SURAKSHAA CAR CARE PVT. LTD. (0280-02-04), PLOT NO. 8 & 9, NEXT TO BDA COMPLEX, 4TH BLOCK, 100 FT ROAD, KORAMANGALA, BANGALORE, KARNATAKA - 560034 PH :8884419010.	837.	SURAKSHAA CAR CARE PVT. LTD. (0280-02-05), SURVEY NO.2/6, BERTENA AGRAHARA, OPP. METRO CASH & CARRY, HOSUR MAIN ROAD, BANGALORE. - 560100 PH :8884471200.	845.	KALYANI MOTORS (0213-02-06), (NEAR) NO. 67, NH-209, NAVARATAN GARDENS, SURVEY IOCL PETROL BUNK) DODDAKALASANDRA VILL., UTTARAHALLI HOBLI, KONANAKUNTE, KANAKAPURA-KENGERI ROAD, BANGALORE, KARNATAKA - 560062 PH :9900039844/9900073254.
813.	MANDOVI MOTORS PVT LTD. (0201-02-0B), PLOT NO.-25771-13, BANNERGHATTA ROAD, N.S. PALYA, BANGALORE - 560076 PH :9945235559.	826.	KALYANI MOTORS PVT. LTD. (0287-02-01), # 10/5, NAGADEVANHALLI, KENGERI, MYSORE ROAD, BANGALORE, KARNATAKA - 560056 PH :9900019961.	838.	KALYANI MOTORS PVT. LTD. (0211-02-05), SY NO.8/4, G HOSAHALLI MAIN ROAD, GOLLARAHATTI, V N POST, YESHWANTPURA HOBLI, MAGADI MAIN ROAD, BANGALORE - 560091 PH :9900080229.	<b>BANGARPET</b>	
814.	KALYANI MOTORS PVT. LTD. (0213-02-02), SY. NO.58/1A & 61/22, AVALAHALLI, NH-4, K.R. PURAM, BANGALORE. - 560049 PH :9900037122.	827.	BIMAL AUTO AGENCY INDIA PVT. LTD. (0216-02-06), PLOT NO. 82, DODDA BANASWADI MAIN ROAD, BEHIND IOC PETROL PUMP, NEXT TO AIYAPPA TEMPLE, BANASWADI, BANGALORE, KARNATAKA - 560033 PH :9738501996.	839.	SURAKSHA CAR CARE (0280-02-06), BEARING NO. 54/4-320/2, BEGUR HOBLI, BOMMANAHALLI VILLAGE, BEGUR HOBLI, BANGALORE, KARNATAKA. - 560 068 PH :9449865665.	<b>BANGLORE - BOMMANAHALLI</b>	
815.	SURAKSHAA CAR CARE PVT LTD (0280-02-01), 30/3 K AGRAHARA, HOSUR MAIN ROAD, ELECTRONIC CITY, BANGALORE - 580100 PH :9449865605.	828.	MANDOVI MOTORS PVT LTD. (0201-02-0H), BBMP NO.4C, WARD NO.83, JOLLY ESTATE, OLD MADRAS ROAD, NAGAWARAPALYA, BANGALORE - 560093 PH :9945235533.	840.	PRATHAM MOTORS PVT. LTD (0205-02-07), SUVEY NO. 43/1, ON SH-35, VILLAGE - YAMARE, SARAJAPUR MAIN ROAD, POST - DOMMASANDRA, TALUKA - ANEKAL, BENGALURU RURAL, KARNATAKA. - 562125 PH :9611834659.	847.	VARUN MOTORS PVT LTD (0292-02-03), SY NO: 136 ( OLD NO 54/8) SANGEGURUVANAHALLI(VP) KAMAKSHIPALAYA, WARD NO: 17, VRISHABHAVATHI NAGAR, MAGADI ROAD, BANGALORE NORTH THALUK, BANGALORE, KARNATAKA - 560079 PH :9513683052.
816.	KALYANI MOTORS PVT. LTD. (0213-02-03), NO.129/4, KUNDALAHALLI VILLAGE, OPP. TO BROOKE FIELD HOSPITAL, BROOKFIELD, BENGALURU. - 574239 PH :9900038119.	829.	VARUN MOTORS PVT. LTD. (0292-02-01), HNO. 72/19-6 & HNO. 67/2, YESHWANTPUR INDUSTRIAL SUBURB, WARD NO. 10, RAJAJI NAGAR, BANGALORE. - 560022 PH :7337834582.	841.	SURAKSHAA CAR CARE PVT. LTD. (0280-02-07), SURVEY NO 106/2A, CHANDAPURA MUNICIPAL TOWN, MUTHASANDRA HOSUR MAIN ROAD, ANEKAL TQ, BANGALORE, KARNATAKA - 560099 PH :94498 65666.	<b>BANTWAL</b>	
817.	SURAKSHAA CAR CARE PVT. LTD. (0280-02-02), #54/1, BOMMANAHALLI, HOSUR MAIN ROAD, BANGALORE - 560068 PH :9449865655.	830.	KALYANI MOTORS PVT. LTD. (0213-02-05), PLOT NO. 74/5, HORMAVU MAIN ROAD, NEAR BBMP OFFICE, KR PURAM HOBLI, BANGALORE. - 560043 PH :9900037114.	842.	KALYANI MOTORS (0291-02-03), SURVEY NO. 194/6, HUNSEMARANAHALLI, JALA HOBLI, DEVANAHALLI TALUK, (YELAHANKA NEW TALUK), NEW KEMPEGOWDA INTERNATIONAL AIRPORT ROAD, NORTH PH :9740985324.	848.	MANDOVI MOTORS PVT LTD. (TR01-TR-01), NH-75, PANEMANGALORE, B.C. ROAD, BANTWAL, KARNATAKA - 574231 PH :9908810123.
818.	KALYANI MOTORS PVT. LTD. (0213-02-04), 250/1, BILEKAHALLI, BANNERGHATTA ROAD, BENGALURU - 560076 PH :9686445406.	831.	KATARIA AUTOMOBILES PVT. LTD. (0234-02-01), NO. 5, 15TH CROSS, KOLANDAPPA GARDEN, ANEPALYA, POST – AADUGODI, BANGALORE. - 560030 PH :7349291802.	<b>BELGAUM</b>		849.	SHANTESHA MOTOR (P) LTD (E801-E8-01), MUJAWAR COMPOUND, NEHRU NAGAR, BELGAUM. - 590010 PH :9902043711.
819.	BIMAL AUTO AGENCY INDIA PVT. LTD. (0218-02-04), PLOT NO.37/38, 2ND STAGE, PEENYA INDUSTRIAL AREA, BANGALORE - 560058 PH :9945237213.	832.	MANDOVI MOTORS PVT LTD. (0201-02-0I), KATHA NO.4, SITUATED AT GANAKAL DHAKALE, SRINIVASPURA, KENGERI HOBLI, UTTARAHALLI, BANGALORE - 560060 PH :9945235516.	850.	SHANTESHA MOTOR (P) LTD (E801-E8-04), PLOT NO. 8, SURVEY NO. 251/51, HAVLOCK ROAD CAMP, BELGAUM - 290010 PH :9588645387.	851.	SHANTESHA MOTOR (P) LTD (E801-E8-03), CTS NO. 519, 520, BESIDE PARATA CORNER, CONGRESS ROAD, TILAKWADI, BELGAUM - 590006 PH :8884433911.
820.	RNS MOTORS (7301-02-0G), 106/7, BELLARY ROAD, NEAR IOC PETROL BUNK, AMRUTHAALLI, NEAR HEBBAL FLYOVER, BENGALLURU (KARNATAKA) - 560092 PH :6364884787.			852.	SHANTESHA MOTORS (P) LTD (E801-E8-06), PLOT NO. 2/1, RS NO. 29, KIADB INDUSTRIAL AREA, KIADB BAUXITE ROAD, KANGRALI BK, BELGAUM. - 590010 PH :9731396805.		

## Dealer Workshop (AS ON 30.05.2023 )

### BELLARY

853. K.P.F. PVT. LTD. (G201-G2-01), P.B. NO. 58, BELLARY HOSPET ROAD, ALLIPURA, BELLARY - 583101  
PH : 9449876025.

### BELTHANGADY

854. BHARATH AUTO CARS PVT. LTD. (4503-HM-04), MAIN ROAD, BELTHANGADY, BELTHANGADY TALUK, DK DISTRICT - 574214  
PH : 9886543230.

### BHADRAWATI

855. SHRUTI MOTORS (FB01-FB-01), SURVEY NO. 18/4, BH ROAD, KADADAKATTE HOBLI, KADADAKATTE, BHADRAWATI, SHIMOGA DIST., KARNATAKA - 577229  
PH : 7899885404.

### BHATKAL

856. BHARATH AUTO CARS PVT. LTD. (CEF1-CEF-01), SURVEY NO. 157/2A, SUSGADI VILLAGE, NH66, BHATKAL, UTTARKANNADA DISTRICT, KARNATAKA - 581320  
PH : 9008693940.

### BIDAR

857. LAHOTI MOTORS PVT. LTD (EX01-EX-01), SI 50/51, PRATAP NAGAR, UDGIR ROAD, KIADB INDUSTRIAL AREA, NAUBAD, BIDAR - 585402  
PH : 8884412049.
858. LAHOTI MOTORS PVT. LTD (EX01-EX-02), PLOT NO. 58, NAUBAD INDUSTRIAL AREA, PRATAP NAGAR, BIDAR - 585 401  
PH : 9108707709.

### BIJAPUR

859. RNS MOTORS (7301-T7-01), SURVEY NO 25K/1, CHITRADURGA SHOLAPUR ROAD, VIJAYPURA, BIJAPUR DISTT. KARNATAKA - 586109  
PH : 8861208998.

### BUDHIGERE

860. BIMAL (SGM1-SGM-SGM1-01), KHATTA NO.115, SY. NO. 128/33, MANDUR MAIN ROAD, BUDHIGERE CROSS, MANDUR VILLAGE, NEXT TO IOCL PETROL BUNK, BANGALORE EAST TALUK, BANGALORE - 560049  
PH : 9742259528.

### BYNDOOR

861. ABHARAN MOTORS PVT LTD (BUH1-BUH-01), 3-256 & 3-257, SOUPARNIKA COMPLEX, NH 66, VILLAGE - YEDATHRE, BYNDOOR, KUNDAPUR TALUK, UDUPI DISTT. - 576214  
PH : 7899751777.

### CHALLAKERE

862. SAKETH AUTOMOBILES (CKN1-CKN-01), SITE NO. 9 & 10, SY. NO. 96/1, OPP. SUJIMALLESHWARA NAGAR, BELLARY ROAD, CHALLAKERE - 577522  
PH : 9686550312.

### CHAMARAJANAGAR

863. MANDОВI MOTORS PVT LTD. (0E01-0E-01), RAJ KAMAL BUILDING, SATHYAMANGALA ROAD, KUVEMPU EXTENSION, CHAMARAJANAGAR (KARNATAKA) - 571313  
PH : 9845445586.

### CHANNAGIRI

864. SHRUTI MOTORS (BUQ1-BUQ-01), SURVEY NO.5, MACHANAYAKANAHALLI, OPP. FIRE STATION, CHITRADURGA ROAD, N.H.13, CHANNAGIRI DISTT. DAVANGERE - 577213  
PH : 7899934143.

### CHANNAPATNA

865. KALYANI MOTORS PVT. LTD. (BSX1-BSX-01), PROPERTY NO.58, MALUR GRAMA, CHINTAMANI HOBLI, CHANNAPATNA TALUKA RAMANAGARA DISTRICT - 562160  
PH : 9845066682.

### CHANNARAYAPATNA

866. VENKAT MOTORS (HC01-HC-01), PLOT NO. 389, 36/3, 132/1, BESIDES THIRUMALA RICE MILL, MYSORE ROAD, CHANNARAYAPATNA, DISTRICT: HASSAN, KARNATAKA - 573116  
PH : 8147077144.

### CHICKBALLAPUR

867. BIMAL AUTO AGENCY INDIA PVT. LTD. (KJ02-KJ-01), NO. 169/1, AMMANI KANDAVARAKERE VILLAGE, KASABA HOBLI, CHIKBALLAPURA DISTRICT - 562101  
PH : 9742262499.

### CHICKMAGALUR

868. SHRUTI MOTORS (B701-3F-02), AIT CIRCLE, KM ROAD, CHIKMANGALUR - 577102  
PH : 9909157446.

### CHIKODI

869. SHANTESHA MOTORS (E801-ZB-05), OPP. IOC PUMP, NEAR B.K.COLLEGE, MIRAJ ROAD, CHIKKODI, KARNATAKA - 591201  
PH : 7829925790.

### CHINTAMANI

870. PRATHAM MOTORS PVT. LTD (0205-BQ-06), SURVEY NO. 33, NEXT TO VIJAYA P U COLLEGE, OPP. GOPASANDRA LAKE, SREENIVASPURA MAIN ROAD, CHINTAMANI, KARNATAKA - 563125  
PH : 7899761301.

### CHITRADURGA

871. SAKETH AUTOMOBILES (AL01-AL-01), NEAR VEDA COMPLEX, NH-4, M H ROAD, CHITRADURGA - 572130  
PH : 9686550313.

### DAVANGERE

872. SHRUTI MOTORS (S101-S1-01), NEAR PANCHDEVASTHANA, P. B. ROAD, DAVANGERE, KARNATAKA - 577004  
PH : 9880401284.

### DAVENGERE

873. SHRUTI MOTORS (S101-S1-02), DOOR NO. 473/1, SURVEY NO. 18/1, BESIDE GMIT COLLEGE, OPP. M&M SHOWROOM, OLD P. B. ROAD, DAVANGERE, KARNATAKA - 577001  
PH : 9880401284.

### DEVANAHALLI

874. BIMAL AUTO AGENCY INDIA PVT. LTD. (VH01-VH-01), SURVEY NO.241/114/6, 11TH WARD, BB ROAD, DEVANAHALLI, BANGALORE DISTT. - 562110  
PH : 9742262514.

### DHARWAD

875. REVANKAR MOTORS PVT. LTD. (BIX1-BIX-01), SURVEY NO.1, PLOT NO. 10, OLD PB ROAD, OPP. KVG BANK, SAYDAPUR VILLAGE, DHARWAD, KARNATAKA - 580001  
PH : 8861006707.

### DODDABALLAPUR

876. PRATHAM MOTORS PVT. LTD. (BUA1-BUA-01), PLOT NO. 50, OBADENAHALLI INDUSTRIAL AREA, DODDABALLAPUR 3RD PHASE, SY. NO. 107, AREHALLI GUDDADAHALLI, KASABA HOBLI TALUK - DODDABALLAPUR, DISTRICT - BENGALURU RURAL. - 561203  
PH : 9886671687.

### GADAG

877. RNS MOTORS (7301-RK-0E), PLOT NO. 64, DIAGONALLY OPP. REGIONAL TRANSPORT OFFICE, HUBLI GADAG MAIN ROAD, GADAG - 582103  
PH : 9538925602.

### GANGAVATI

878. MUNEER ENTERPRISES PVT. LTD. (N701-KA-03), JAGANMATHA COMPLEX, RAICHUR ROAD, GANGAVATI, - 583227  
PH : 9449870754.

### GAURIBIDANUR

879. MANDОВI MOTORS PVT LTD. (BUY1-BUY-01), NO.592/522, E DIVISION, OPP. PUSHPANJALI TALKIES, B.H. ROAD, GAURIBIDANUR TOWN, DISTT. CHIKBALLAPUR - 561210  
PH : 8217453513.

### GOKAK

880. SHANTESHA MOTORS PVT. LTD. (IR01-IR-01), RS NO.108/30/2A, APMC ROAD, GOKAK, BELGAUM DISTT. - 591307  
PH : 7829925760.

### GONIKOPPAL

881. MANDОВI MOTORS PVT LTD. (2501-U3-07), KAIKERY VILLAGE, GONIKOPPAL, - 571213  
PH : 9900064873.

### GUDIBANDHA

882. BIMAL AUTO AGENCY INDIA PVT. LTD. (SGT1-SGT-01), DOOR NO:160, 1ST WARD, OPP TO GOVERNMENT BUS STAND, BAGEPALLI ROAD, GUDIBANDHA, CHICKABALLAPURA DISTRICT KARNATAKA - 561209  
PH : 9742261903.

### GULBARGA

883. LAHOTI MOTORS PVT. LTD (E902-E9-01), LAHOTI GARDENS, NEAR KMF, HUMNABAD ROAD, GULBARGA - 585104  
PH : 9490825014.
884. LAHOTI MOTORS PVT. LTD (E902-E9-02), DOOR NO. 7-12-11, 2ND BLOCK, OPP. GUNJ BUS STAND, HUMNABAD ROAD, GULBARGA, KARNATAKA - 585104  
PH : 7619342035.

### GUNDLUPET

885. FRIENDLY MOTORS (INDIA) PVT. LTD. (BPU1-BPU-01), ASSESSMENT NO. 249/1 N. NO. 51/1, 2, 3, N.S. 11 AND ASSESSMENT NO. 249/4/S. NO. 51/1 N.S. 11, MYSORE-ODDY ROAD, GUNDLUPET. - 571111  
PH : 9686865799.

### HAGARIBOMMANAHALLI

886. MUNEER ENTERPRISES PVT. LTD. (BUX1-BUX-01), SITE NO.112A/2 & 112A/3, BLOCK NO.2, WARD NO.3, HAGARIBOMMANAHALLI PANCHAYAT, BELLARY DISTRICT. - 583212  
PH : 9481343007.

### HALIYAL

887. RNS MOTORS (SFM1-SFM-01), SURVEY NO: 347P/27, DOOR NO.B1180/15 & B1180/16, HANUMAN COMPLEX, HALIYAL CIRCLE, MAIN ROAD, HALIYAL TOWN & TALUK, UTTARA KANNADA DISTRICT, KARNATAKA - 581329  
PH : 8284200200.

### HARAHOLLI

888. SURAKSHA (SIH1-SIH-SIH1-01), SURVEY NO. 404, HOSAKOTE VILLAGE, HAROHALLI HOBLI, KANAKAPURA TALUK, RAMANAGARA, - 562112  
PH : 9449865608.

### HASSAN

889. VENKAT MOTORS (C802-C8-01), NO. 326, HASSAN GROWTH CENTRE, H.N. PURA ROAD, HASSAN - 573201  
PH :9840440038.

**HAVERI**

890. REVANKAR MOTORS PVT LTD (BBM1-BBM-01), NEAR TMAE SOCIETY CAMPUS, IJARILAKKAMPUR, PB ROAD, HAVERI - 581110  
PH :7022016903.

**H-CROSS**

891. BIMAL AUTO AGENCY INDIA PVT. LTD. (CRQ1-CRQ-01), PART NO.1, SITE NO.36, SBT COMPLEX, HOSKOTE-BANGALORE ROAD, KARIYANAPURA, H CROSS, SHIOLAGHATTA TALUK, BANGALORE RURAL DISTT. CHIKKABALLAPURA - 562122  
PH :9738948126.

**HEBRI**

892. ABHARAN MOTORS PVT LTD (BGD1-BGD-01), SURVEY NO. 61-7C1P1 & 61-2P1, VILLAGE & TALUK - HEBRI, KARKALA, DIST.-UDUPI, KARNATAKA - 576112  
PH :9900077605.

**HEGGADADEVANA KOTE (H D KOTE)**

893. FRIENDLY MOTORS (INDIA) PVT. LTD. (CJC1-CJC-01), SURVEY NO. 5/4, VILLAGE - YARAHALLI, KASABA HOBLI, TALUK - H.D.KOTE, DISTRICT - MYSORE. - 571125  
PH :9686855799.

**HESSARGHATA**

894. BIMAL (SGN1-SGN-01), SY NO 294/3, HESARGHATTA VILLAGE YELAHANKA TALUK, BENGALURU,KARNATAKA - 560088  
PH :9743658662.

**HOSDURGA**

895. SAKETH AUTOMOBILES (BWO1-BWO-01), ASSESSMENT NO. 9310/6, PLOT NO. 6, HOSADURGA TOWN, SARASWATI BADAVANE, HOSADURGA, DIST.-CHITRADURGA, KARNATAKA - 577 527  
PH :7625089846.

**HOSKOTE**

896. BIMAL AUTO AGENCY INDIA PVT. LTD. (0216-SM-05), NO. 205/108, SITUATED AT HOSKOTE TALUK, KASABA HOSKOTE TOWN, DISTT. - BANGALORE - 562114  
PH :9742281726.

**HOSPET**

897. MUNEER ENTERPRISES PVT. LTD. (N701-N7-01), BELLARY ROAD,SANKLAPUR,HOSPET , - 583203  
PH :7619505001.

**HUBLI**

898. RNS MOTORS (7301-73-01), PUNE - BANGALOR ROAD, UNKAL, HUBLI - 580025  
PH :9538965302

899. RNS MOTORS (7301-73-0F), GOKUL ROAD MUREDESHWAR BHAVAN , HUBLI - 580030  
PH :8861208532.

900. REVANKAR MOTORS PVT. LTD. (7303-73-01), CTS NO.165/A, WARD NO.III, DESHPANDE NAGAR, HUBLI (KARNATAKA) - 580029  
PH :8792008301.

**HUNSUR**

901. FRIENDLY MOTORS(INDIA) PVT. LTD. (GLI1-GLI-01), M-18 & M-19, KSSIDC INDUSTRIAL ESTATE, BM BYPASS ROAD, HUNSUR, MYSORE DISTRICT, KARNATAKA - 571105  
PH :7022696999.

**JEWARGI**

902. LAHOTI (SLI1-SLI-01), S NO: 125, PLOT NO.7, FILTER BED ROAD, OPP. BUS DEPOT, JEWARGI, KALABURGI DISTRICT (FORMERLY GULABARGA) , KARNATAK-585310 - 585310  
PH :9480825004.

**KADABA**

903. MANDOVI MOTORS PVT LTD. (BYE1-BYE-01), SURVEY NO.-11/20, KALARA, KADABA POST, DAKSHIN KANNADA DISTT. , KARNATAKA - 574221  
PH :9740912365.

**KADUR**

904. SHRUTI MOTORS (BOS1-BQS-01), SHOP NO. 1 & 2, DAGA COMPLEX, LILIKINAKALLU, NEAR PEARLS CLUB, B.H. ROAD, KADUR, DISTRICT - CHIKMAGALUR. - 577548  
PH :8904823736.

**KANAKAPURA**

905. KALYANI MOTORS PVT. LTD. (BXY1-BXY-01), SURVEY NO. 447/1B, KASABA HOBLI, BUDIGUPPE GRAMA, TALUKA- KANAKAPURA, DISTRICT- RAMANAGARA. KARNATAKA. - 562117  
PH :9900599933.

**KARKALA**

906. ABHARAN MOTORS PVT LTD (G601-HY-03), NH-13, MANGALORE KUDREMUKH ROAD, PULKERI, KARKALA - 574104  
PH :9880232666.

**KARWAR**

907. BHARATH AUTO CARS PVT. LTD. (8J01-8J-01), SURVEY NO. 459/2B, 456/2B AND 456/3, CHITTKAKULA VILLAGE, KARWAR TALUKA, UTTARKANNADA DISTRICT, KARNATAKA - 581301  
PH :7829567400.

**KITTUR, BELGAUM**

908. SHANTESHA (SFO1-SFO-01), PLOT NO. 219, KITTUR INDUSTRIAL AREA (KIADB), POONA BANGALORE HIGHWAY (NH-4),KITTUR TOWN AND TALUK, BELGAUM DISTRICT , - 591115  
PH :9731396808.

**KOLAR**

909. MANDOVI MOTORS PVT LTD. (0201-QU-0F), 67/3 BANGALORE-CHENNAI HIGHWAY, KONDARAJANA HALLI, OPP HOTEL SHANTHI SAGAR, KOLAR. - 563101  
PH :9740020734.

**KOPPAL**

910. K.P.F. PVT. LTD. (ER01-ER-01), SL. 283/10, NEAR MINI VIDHAN SOUDHA, KOPPAL HOSPET ROAD NH63, KOPPAL - 583238  
PH :9449876027.

**KRISHNARAJANAGARA (KRNGARA)**

911. FRIENDLY MOTORS(INDIA) PVT. LTD. (SCQ1-SCQ-01), NO.D, DORNAHALLI,DODDEKOPPALU GRAMA PANCHAYAT,KASABA HOBLI, KRISHNARAJANAGARA, MYSORE DISTRICT,KARNATAKA - 571602  
PH :8971159430.

**KRISHNARAJAPET**

912. MANDOVI MOTORS PVT LTD. (BMP1-BMP-01), KHATA NO.3094, SY. NO.278, MYSORE CHENNERAYAPATNA ROAD (OPP. TO K.B.C. FUEL STATION), KRISHARAJAPET TOWN, TALUK MANDYA DISTT. KARNATAKA - 571423  
PH :9845132038.

**KUMTA**

913. BHARATH AUTO CARS PVT. LTD. (AFA2-AFA-01), MALLYYA'S COMPOUND, NH-66, ALFEKODI KALBAGH VILLAGE, KUMTA (KARNATAKA) - 581334  
PH :9448979530.

**KUNDAPUR**

914. ABHARAN MOTORS PVT LTD (G601-CY-02), NH-17, THAKKATTE, KUNDAPURA - 272877  
PH :9880197524.

**KUNIGAL**

915. SAKETH AUTOMOBILES (VQ01-VQ-01), NEAR KRS AGRAHARA,BM ROAD, KUNIGAL, TUMKUR DISTRICT, KARNATAKA - 572130  
PH :9686550127.

**KUSHAL NAGAR**

916. MANDOVI MOTORS PVT LTD. (VN01-VN-01), SY NO:88,MADAPATANA,KUSHAL NAGAR,SOMVARPUR,NORTH KODAGU, KARNATAKA - 571234  
PH :9900080893.

**LINGASUGUR**

917. MUNEER ENTERPRISES PVT. LTD. (BOC1-BOQ-01), PLOT NO. 11, BASAMMA COMPLEX, RAICHUR ROAD, LINGSUGUR, RAICHUR, KARNATAKA - 584122  
PH :9480830255.

**MADDUR**

918. MANDOVI MOTORS PVT LTD. (BMK1-BMK-01), SURVEY NO 802/2A4B, NEAR SANJAY THEATRE, BM ROAD, MADDUR TOWN,MANDYA DISTRICT, KARNATAKA - 571428  
PH :90080 31608.

**MADIKERI**

919. FRIENDLY MOTORS (INDIA) PVT. LTD. (2502-QX-02), BASAPPA THEATURE BUILDING, DASAWAL ROAD,MADIKERI KODAGU DISTRICT. - 571201  
PH :98606073867.

**MAGADI**

920. PRATHAM MOTORS PVT. LTD. (BHX1-BHX-01), SY NO:922, THIRUMALAI VILLAGE, KASABA HOBLI, MAGADI TOWN & TALUK, RAMANAGARA DISTRICT, KARNATAKA - 562120  
PH :9900058483.

**MANDYA**

921. MANDOVI MOTORS PVT LTD. (2501-BD-06), 1660/A, KALLAHALLI EXTENSION, M.C. ROAD. - 571401  
PH :9611165873.

**MANGALORE**

922. MANDOVI MOTORS PVT LTD. (4502-45-01), ARVIND BUILDING, BALMATTA ROAD, HAMPANKATTA, MANGALORE - 575001  
PH :9845107701.

923. MANDOVI MOTORS PVT LTD. (4502-45-03), NO., HASSAN GROWTH CENTRE,ADYAR.N.H.-48,,MANGALORE - 575007  
PH :9845514146.

924. BHARATH AUTO CARS PVT. LTD. (4503-45-01), NH-17, KUNTIANG JUNCTION, DEREBAIL, NEAR A.J. HOSPITAL, MANGALORE - 575004  
PH :9886785730.

925. MANDOVI MOTORS PVT LTD. (4502-45-07), BALLAL INDUSTRIAL ESTATE, YAYYADI, MANGALORE,KARNATAKA - 575008  
PH :9890079235.

926. BHARATH AUTO CARS PVT. LTD. (4503-45-06), PLOT NO.290/1, 291/1, KODIALBALI VILLAGE, NEXT TO BHARATH BEEDI WORKS PVT. LTD., BUNTS HOSTEL, KADRI ROAD, MANGALORE, KARNATAKA - 575002  
PH :9886333030.

927. MANDOVI MOTORS PVT LTD. (4502-45-08), DOOR NO. 2-63/4, SUJITH BAGH LANE, YEYYADE, MANGALORE, DISTRICT - DAKSHINA KANNADA, KARNATAKA - 575008  
PH :9880278077.

## Dealer Workshop (AS ON 30.05.2023)

928. BHARATH AUTO CARS PVT. LTD. (4503-45-08), S. NO. 1378/1-41, 1375/41-2-A1P1, 2A1P3, 1373/1-40, 1369/1-40-A2, KASABA BAZAR, KANDADAPALLI, KUDROLI, TALUK MANGALORE, MANGALORE, KARNATAKA. - 575003 PH :9886785730.	938. FRIENDLY MOTORS (INDIA) PVT. LTD. (BYK1-BYK-01), 4340/4159/4, HULLAHALLI ROAD, NANJANGUD, DISTRICT - MYSORE, KARNATAKA. - 571301 PH :9686855799.	<b>RANEENNUR</b> 947. REVANKAR MOTORS (BXV1-BXV-01), SCHEDULE A-2. OPP. STJIT ENGINEERING COLLEGE, P B ROAD, RANEENUR, KARNATAKA. - 581115 PH :8839047883.	957. MUNEER ENTERPRISES PVT. LTD. (CTN1-CTN-01), SITE NO:31C/1B & PLOT NO.1, BELLARY - SIRUGUPPA MAIN ROAD, SIRUGUPPA TALUK, BELLARY DISTRICT. - 583121 PH :7619505001.
<b>MUDBIDRI</b> 929. BHARATH AUTO CARS PVT. LTD. (4503-HN-03), BHARATH BEEDI COMPOUND, NEAR ALVAR'S HOSPITAL, MOODBIDRI - 574227 PH :9886785430.	<b>NARASIMHARAJAPURA</b> 939. SHRUTI MOTORS (SPP1-SPP-01), SURVEY NO # SURVEY NO.173,/P KOPPA ROAD, NAGALAPURA VILLAGE,NARASIMHARAJAPURA, CHIKMAGALU R DIST.,KARNATAKA - 577134 PH :8310187660.	<b>SAGAR</b> 948. SHRUTI MOTORS (WF01-WF-01), BESIDE H GANAPATHIYAPPA PETROL BUNK (BP), B H ROAD, NH-206, SAGAR, SHIMOGA DISTT. - 577401 PH :9740014703.	<b>SOMMARPET</b> 958. MANDOVI MOTORS PVT LTD. (CSG1-CSG-01), SURVEY NO.130 SITUATED AT MADIKERI ROAD, NAGROOR VILLAGE, BALAGUNDA POST, SOMMARPET TALUK, NORTH KODAGU DISTT. - 571236 PH :9845115665.
<b>MUDHOL</b> 930. VIJAY MOTOWINGS (ET01-ET-01), PLOT NO. 3B, IN NARS NO. 15-2, WARD NO. 5, VISHWESHWAR COLONY, LOKAPUR ROAD, MUDHOL TOWN, BAGALKOT DIST. - 587 313 PH :9606046173.	<b>NELAMANGALA</b> 940. RNS MOTORS LIMITED (BBH1-BBH-01), NO.167/2, TUMKUR ROAD, KASABA HOBLI, NH4, NELAMANGALA, BANGALORE RURAL DT., BENGALURU, KARNATAKA - 562123 PH :7259875385.	<b>SAKLESHPUR</b> 949. VENKAT MOTORS (BPW1-BPW-01), SITE NO. 19, 3RD WARD, SARASWATHIPURAM, SAKLESHPUR TOWN, DISTRICT - HASSAN. - 573134 PH :7892809634.	<b>SRINIVASAPURA</b> 959. SURAKSHAA CAR CARE PVT. LTD. (BUR1-BUR-01), SY NO. 40, VPRD NO. 86, PROPERTY NO. 84 & 87, CHALDIGANA HALLI GRAMA PANCHAYATH, PANNASAMAKANA HALLI VILLAGE, SRINIVASAPURA POST & TALUK, DIST.-KOLAR, KARNATAKA - 563 135 PH :9449865601.
<b>MULKI</b> 931. BHARATH AUTO CARS PVT. LTD. (4503-QV-05), BHARATH BEEDI COMPOUND, NH-17 MULKI - 574154 PH :9986020730.	<b>NELYADI</b> 941. BHARATH AUTO CARS PVT. LTD. (BPF1-BPF-01), SURVEY NO. 97/11P AND SURVEY NO. 97/9, VILLAGE - HOSAMAJJALU KAUKRADY, POST - NELYADI, TALUK - PUTTUR, DIST.-DAKSHIN KANNADA - 574229 PH :9886072730.	<b>SARJAPURA</b> 950. PRATHAM MOTORS PVT. LTD. (BSY1-BSY-01), SURVEY NO. 476/3, SARJAPUR TOWN, TALUKA - ANEKAL, SARJAPUR HOBLI, DISTRICT - BANGALORE URBAN, KARNATAKA. - 562125 PH :7760962890.	<b>SULLIYA</b> 960. MANDOVI MOTORS PVT LTD. (4502-EW-04), ODABAI SULLIA,MANGALORE MYSORE ROAD,KARNATAKA - 574239 PH :9900002325.
<b>MURUDESHWAR</b> 932. RNS MOTORS (7301-T8-02), NH-17, MANGALORE-BOMBAY ROAD, MURUDESHWAR, KARNATAKA - 581350 PH :9539965969.	<b>OORGAUMPET</b> 942. BIMAL AUTO AGENCY (CODE UNDER CREATIONS-CODE UNDER CREATIONS-CODE UNDER CREATIONS), SITE NO-10, NEW KATHA NO: 25/1, ROBERTSONPET, KGf, OORGAUMPET, KOLAR DIST, KARNATAKA- 563122 - 563122 PH :9513748707.	<b>SHIMOGA</b> 951. SHRUTI MOTORS (B701-B7-01), K.NO 599, SHANKARMUTT ROAD, SHIMOGA - 577201 PH :9880401283. 952. SHRUTI MOTORS (B701-B7-03), BLOCK L-1, INDUSTRIAL ESTATE, BEHIND HP PETROL BUNK, SAGAR ROAD, SHIMOGA. - 577204 PH :9886829239. 953. SHRUTI MOTORS (B701-B7-05), SURVEY NO. 41/3 & 41/4, HONNALI ROAD, SHANTHI NAGAR, SHIMOGA. - 577201 PH :9986825115.	<b>SURATHKAL</b> 961. MANDOVI MOTORS PVT LTD. (4502-7G-02), KANA ROAD, SURATHKAL - 574158 PH :9845514143.
<b>MYSORE</b> 933. MANDOVI MOTORS PVT LTD. (2501-25-01), NO: 5 K.R.S.ROAD, MYSORE - 570005 PH :9945248860. 934. MANDOVI MOTORS PVT LTD. (2501-25-05), NO.182/145/C, BANNER ROAD, SIDHARTHA NAGAR, MYSORE, KARNATAKA - 570011 PH :9845939936. 935. FRIENDLY MOTORS (INDIA) PVT. LTD. (2502-25-01), MANATHAVADI ROAD, VIDYARANYA PURAM, MYSORE - 570008 PH :7259255558. 936. MANDOVI MOTORS PVT LTD. (2501-25-08), 217/2,, HUNSUR ROAD, HINKAL POST, MYSORE, KARNATAKA - 570017 PH :9845939937.	<b>PADUBIDRI</b> 943. ABHARAN MOTORS PVT LTD (CSI1-CSI-01), PLOT NO. 51/20, VILLAGE - PADUBETTU, PADUBIDRI TOWN, TALUKA & DISTRICT - UDUPI, KARNATAKA. - 574111 PH :9880232999.	<b>SIDDAPUR</b> 954. BHARATH AUTO CARS PVT. LTD. (BPY1-BPY-01), SURVEY NO. 211, NEAR IOCL PETROL BUNK, JOG ROAD, VILLAGE - HOSUR, TALUK - SIDDAPUR, DISTRICT - UTTARA KANNADA - 581355 PH :9449402730.	<b>T. NARASIPURA</b> 962. MANDOVI MOTORS (SFL1-SFL-01), KHATA NO:472/473/474, OPP TO SRI RAGHAVENDRA SWAMY MUTT, CHAMARAJANAGAR ROAD, T. NARASIPURA TOWN, MYSORE DISTRICT, KARNATAKA - 571124 PH :9845132038.
<b>NAGAMANGALA</b> 937. MANDOVI MOTORS PVT LTD (SFK1-SFK-01), SURVEY NO:3316/2327,VISHALAXAMMA COMPLEX, T B BADAVANE B M ROAD, NAGAMANGALA TOWN, MANDYA DISTRICT, KARNATAKA - 571432 PH :9845132038.	<b>PADUBIDRI</b> 943. ABHARAN MOTORS PVT LTD (CSI1-CSI-01), PLOT NO. 51/20, VILLAGE - PADUBETTU, PADUBIDRI TOWN, TALUKA & DISTRICT - UDUPI, KARNATAKA. - 574111 PH :9880232999.	<b>SIRISI</b> 955. RNS MOTORS LTD (MQ01-MQ-01), SURVEY NO 43/B, LANDAKANALLI VILLAGE, DODNALLI GRAMA, SIRSI TALUK AND HOBLI, UTTAR KANNADA, KARNATAKA - 581402 PH :9895979023.	<b>THIRTHAHALLI</b> 963. SHRUTI MOTORS (BOR1-BOR-01), PLOT NO. 1507/2/187, OPP. TO HEGDE PETROL PUMP, AGUMBE ROAD, THIRTHAHALLI . - 577432 PH :7795851011.
<b>NANJANGUD</b>	<b>PUTTUR</b> 944. BHARATH AUTO CARS PVT. LTD. (4503-CZ-02), NEAR RAIWAY STATION, HARADY, PUTTUR - 517583 PH :9886072730.	<b>SIRSI</b> 956. RNS MOTORS (7301-MQ-0D), K H B COLONY, SIRSI - 581402 PH :9538925606.	<b>THOKOTU</b> 964. BHARATH AUTO CARS PVT. LTD. (QW01-QW-01), NH-66, KAPIKAD, ULLAL-THOKOTTU, DAKSHINA KANNADA DISTT. - 575017 PH :9538796330.
	<b>RAICHUR</b> 945. MUNEER ENTERPRISES PVT. LTD. (N701-3K-02), #12-10-64, GOUSHAL ROAD,SIYA TALAB AREA,RAICHUR - 584101 PH :9480830264.	<b>SIRSI</b> 956. RNS MOTORS (7301-MQ-0D), K H B COLONY, SIRSI - 581402 PH :9538925606.	<b>TIPTUR</b> 965. SAKETH AUTOMOBILES (H101-HV-03), BANDIHALLI INDUSTRIAL ESTATE, N.H.:206, TIPTUR, KARNATAKA - 572201 PH :9945301023.
	<b>RAMANAGARAM</b> 946. KALYANI MOTORS PVT. LTD. (0211-JB-02), #K1318/2034C,OPP TO ROTARY HOSPITAL,BM ROAD, RAMNAGARAM - 571511 PH :9686689007.	<b>SIRUGUPPA</b>	<b>TUMKUR</b>

966. SAKETH AUTOMOBILES (H101-H1-01), SIRA ROAD, TUMKUR - 572106  
PH :9686550323.

**UDUPI**

967. ABHARAN MOTORS PVT LTD (G601-G6-01), N.H. 17, NITTUR, UDUPI - 576103  
PH :9880232999.  
968. ABHARAN MOTORS PVT LTD (G601-G6-05), NO. 305/1C, DOOR NO. 5-51A, RAILWAY STATION ROAD, INDRALI, UDUPI, DISTT. - UDUPI. - 576101  
PH :9686694341.

**UJIRE**

969. BHARATH AUTO CARS PVT. LTD. (BWT1-BWT-01), SURVEY NO.237-2B1, MANGALORE-CHARMADY ROAD, NEAR INDIAN OIL PETROL PUMP, SAMPIGE NAGAR, UJIRE, BELTHANGAD TALUKA, DISTT. DAKSHINA KANNADA, KARNATAKA. - 574240  
PH :9886176130.

**UPPINANGADI**

970. MANDОВI MOTORS PVT LTD. (4502-NL-05), NR.PADMA VIDYA IOC PETROL STATION-34, NEKKLADY, UPPINANGADY - 574241  
PH :9740912365.

**VIJAYPURA**

971. BIMAL AUTO AGENCY (BTZ1-BTZ-01), DOOR NO 563, MARUTHI NAGAR, CHIKKABALLAPUR ROAD, VIJAYAPURA TOWN, DEVANAHALLI TALUK, BANGALORE RURAL DISTRICT KARNATAKA. - 562135  
PH :9884433996.

**VITTAL**

972. MANDОВI MOTORS PVT LTD. (CCE1-CCE-01), DOOR NO. 1-287 (9), JISHAN COMPLEX, VITTAL TOWN, TALUKA - BANTWAL, DISTRICT - DAKSHIN KANNADA - 574243  
PH :9008810123.

**YADGIR**

973. LAHOTI MOTORS (SFP1-SFP-01), SURVEY NO. 101/1, GULSARAM VILLAGE, YADGIR TOWN & DISTT. SHAHPUR TALUKA, KARNATAKA PH :9480825031.

**YELLAPUR**

974. REVANKAR MOTORS PVT. LTD (CUR1-CUR-01), PLOT NO. 4 A1A1A1 GR 5, UDYAM NAGAR, YELLAPUR POST, BALGIMANI, HUBLI ANKOLA, YELLAPUR TOWN, UTTARA KANNADA DIST., KARNATAKA. - 581359  
PH :7090772121.

**KERALA**

**ADOOR**

975. INDUS MOTOR COMPANY PRIVATE LIMITED (2702-CJ-0A), M. C. ROAD, MITHRAPURAM, ADOOR, PATHANMTHITTA - 689518  
PH :974598303.

976. AVG MOTORS LTD. (Y501-CJ-02), KOTTAMUKAL, K.P. ROAD, ADOOR PO, PATHANMTHITTA, KERALA - 691523  
PH :9446355900.

**ALANALLUR**

977. KVR AUTOCARS PVT LTD (CIW1-CIW-01), BUILDING NO. 10/1050, CHANDAPPADI, MANNARKAD ROAD, POST - ALANALLUR, TALUKA - MANNARKAD, DISTRICT - PALAKKAD, KERALA. - 678601  
PH :9747020582.

**ALATHIYOOR**

978. A M MOTORS (E601-CVJ-11), RE SURVEY NO. 160/3, 161/7 (OLD SURVEY NO. 359/1), VILLAGE - ALATHIYOOR, TIRUR PONNAI ROAD, TALUKA - TIRUR, DIST. -MALAPPURAM, KERALA - 676102  
PH :9895940000 , 9072998833.

**ALATHUR**

979. BRD CAR WORLD LIMITED (BRW1-BRW-01), SURVEY NO. 456/8, 455/8, 455/9, ERATTUKKULAM, KATTUSSERY VILLAGE, ALATHUR TALUKA, PALAKKAD DISTRICT, KERALA - 678682  
PH :9745634999.

**ALLEPPY**

980. INDUS MOTOR COMPANY PRIVATE LIMITED (2702-E5-12) BLOCK NO. 145, RE-SURVEY NO. 79, ALAPPUZHA WEST VILLAGE, AMBALAPPUZHA TALUK, ALAPPUZHA DIST. KERALA-699002. - 699002  
PH :9745977744.

**ALLEPY**

981. POPULAR VEHCILES (E502-E5-01), BUILDING NO. XVIII/135, DOOR NO. 13/449, CCSB ROAD, PALACE WARD, CHUNGAM, ALAPPUZHA, KERALA-688011. - 688011  
PH :9778698161.

**ALUVA**

982. BRD CAR WORLD LIMITED (A404-CBQ-09), RE SURVEY NO.330/7, NH-47, KUNNUMPURAM, PO-DESHAM PANCHAYATH, CHENGAMANAD, ALUVA. - 683102  
PH :9745907100.

**ANCHAL**

983. SARATHY AUTO CARS (BOT1-BQT-01), SURVEY NO. 371/9, VILLAGE - IDAMULAKKAL, P.O. - ANCHAL, TALUK - PUNALUR, DISTRICT - KOLLAM. - 691306  
PH :9526906665.

984. POPULAR VEHICLE (1601-BQT-14), RE SURVEY NO 581/5, BLOCK NO 33, ANCHAL VILLAGE, NEAR ALBILAL DRIVING SCHOOL, KATHADY JUNCTION, ANCHAL, KERALA - 691306  
PH :9778698200.

**ANGAMALY**

985. INDUS MOTOR COMPANY PRIVATE LIMITED (2702-JW-0F), ANGAMAALY KALADY ROAD, MC ROAD, ANGAMALY - 683572  
PH :9745998434.

986. POPULAR VEHICLES & SERVICES LTD. (2701-JW-0D), 182-AIRPORT JUNCTION NAGAR, M. C. ROAD,ANGAMALY - 683572  
PH :8086078886.

**ATTINGAL**

987. POPULAR VEHICLES & SERVICES LTD. (1601-SX-07), PALAMKONAM, PERUNKULAM,VIA- ALAMCODE, ATTINGAL - 695102  
PH :8086078788.

988. SARATHY AUTODRIVES PVT LTD (SX05-SX-01), SURVEY NO. 2952/17 & 2952/4, KIZHUVILLAM VILLAGE, ATTINGAL, CHARAYINKEEZHU TALUK, TRIVANDRUM DIST., KERALA. - 695 104  
PH :9526052785.

989. INDUS MOTOR COMPANY PRIVATE LIMITED (SX01-SX-01), SY. NO. 54/13, 14, 15, 16, (OLD SY. NO. 22, 22/13, 16), IN BLOCK NO. 3 OF VELLOOR VILLAGE, EASTERN SIDE OF NATIONAL HIGHWAY 47, NEAR INTERNATIONAL SCHOOL, CHEMBAKMANGALAM, KORANI PO, ATTINGAL, TRIVANDRUM DIST., KERALA. - 695104  
PH :9747550888.

**BALARAMPURAM**

990. POPULAR VEHICLES & SERVICES LTD. (1601-AQA-11), POOVAR ROAD, VAZHIMUKKU, BALARAMAPURAM P.O., TRIVANDRUM DISTRICT - 695501  
PH :8943345922.

**CALICUT**

991. INDUS MOTOR COMPANY PRIVATE LIMITED (4701-47-01), MARUTI WORKSHOP, PANIKKER ROAD, CALICUT, NADAKKAVE - 673011  
PH :9745998019.

992. POPULAR VEHICLES & SERVICES LTD. (4702-47-02), BEHIND MIMS, EASWARAMANGALAM ROAD, GOVINDAPURAM P.O., CALICUT - 673016  
PH :9846298813.

993. INDUS MOTOR COMPANY PRIVATE LIMITED (4701-47-06), KOYA ROAD JUNCTION, PUTHYANCADI, POST WEST HILL, CALICUT - 673005  
PH :9745998020.

994. INDUS MOTOR COMPANY PRIVATE LIMITED (4701-47-08), NEAR STEEL COMPLEX, NALLALAM, CALICUT - 673855  
PH :9745998019.

995. POPULAR VEHICLES & SERVICES LTD. (4702-47-07), NH-17 P.E. PASS,PACHAKKIL, MALAPARAMBU P.O., KOZHIKODE, CALICUT - 673009  
PH :9288012082.

996. CARINO MOTORS (CARINO AUTO INFRA PVT. LTD.) (4704-47-01), RE SURVEY NO. 13, BUILDING NO. 5/548, KRISHNARJUNA BUILDING, AREEKAD, VILLAGE AND PANCHAYATH - CHERUVANNUR, P.O. - NALLALAM, CALICUT (KOZHIKODE) , KERALA. - 673027  
PH :7592898888, 7594997888.

**CHALAKUDY**

997. BRD CAR WORLD LIMITED (ZJ02-ZJ-01), MURINGOOR P.O., CHALAKUDY - 680316  
PH :9645176999.

998. INDUS MOTOR COMPANY PRIVATE LIMITED (ZJ03-ZJ-01), SURVEY NO. 53/1, 53/2 & 55/1, PANAMBILLY COLLEGE JUNCTION, VILLAGE-PERAMBRA, POTTA, TALUKA CHALAKKUDY, DISTT. THRISSUR, PIN-680307, KERALA - 680307  
PH :9747557355.

**CHALAKUDY/ CHILLAKUDDY/ THRISSUR**

999. POPULAR VEHICLES & SERVICES LTD. (2701-SU-0C), OPPOSITE CCMK HOSPITAL, VELLIKULAM ROAD, CHALAKUDY, KERALA - 680307  
PH :9072609600.

**CHANGARAMKULAM**

1000. A M MOTORS (VH01-VH-01), MELE MANTHADAM, ALANKODE, P.O., CHANGARAMKULAM, MALAPPURAM DISTT, KERALA - 679585  
PH :9895576008.

**CHAVAKKAD**

1001. BRD CAR WORLD LIMITED (A404-OJ-06), ORUMANAYOOR P.O.CHAVAKKAD, DISTRICT-THRISSUR - 680512  
PH :9645963999.

1002. SAI SERVICE PRIVATE LIMITED (OJ02-OJ-01), SURVEY NO. 26/5, MULLANTHARA PARAMBU, OVUNGAL, KUNNAMKULAM ROAD, TALUK - GURUVAYUR, CHAVAKKAD.) - 680506  
PH :9495883852.

**CHENGANNUR**

1003. SARATHY AUTO CARS (C701-UL-06), PRAYUMKOD, THIRUVANVANDOOR P.O. CHENGANNUR TALUK, ALAPPUZHA (DIST) - 689124  
PH :9447002647.

## Dealer Workshop (AS ON 30.05.2023 )

1004. SAI SERVICE (UL03-UL-01), SURVEY NO. 276/2,11,13,13-2-2, NEAR BPCL PUMP AND SURVEY NO. 276/12, M C ROAD, NEAR LABHAM MAVELI STORE,CHENGANNUR PO & MUNICIPAL, CHENGANUR VILL & TALUK, ALAPUZA DIST., KERALA-689121 - 689121 PH :9288024220.

### CHERPULASSERY

1005. KVR AUTOCARS PVT LTD (NB01-NB-01), SURVEY NO. 154/4, RS NO. 154/4, VILLAGE – CHERUPPULASSERY, TALUK – OTTAPPALAM, DISTRICT – PALAKKAD - 679503 PH :9774020582, 280100.

### CHERTHALA

1006. INDUS MOTOR COMPANY PRIVATE LIMITED (VL03-VL-01), OPPOSITE TO S.N. COLLEGE, S.N. PURAM P.O., KANJIKUZHICHERTHALA, ALAPPUZA-DIST. - 688552 PH :9745997633.

1007. POPULAR VEHICLES & SERVICES PVT. LTD. (VL02-VL-01), RE-SURVEY NO. 1502/1-1,147/3, BUILDING NO.KP-18/80, N.H. KANJIKUZHICH VILLAGE, CHERTHALA, ALAPPUZA DISTTT. - 688582 PH :9072530127.

### CHINGAVANAM

1008. POPULAR (I602-16-I602-01), BUILDING NO. VI 461, RE SURVEY NO. 290/9, GOMATHI JUNCTION, MAVILANGU KARA, CHINGAVANAM P.O., DISTT. KOTTAYAM, KERALA - 686531 PH :9778690817.

### CHITTUR

1009. INDUS MOTOR COMPANY PRIVATE LIMITED (BOX1-BOX-01), S.NO.719/3 AND 721/1, RE SURVEY NO.67/11/10, VELLIYAVALLAMPATHY VILLAGE, KOZHINAMPARA, CHITTUR, PALAKKAD DISTT. - 678555 PH :9745991560.

### CHULLIMANOOR

1010. POPULAR VEHICLES (1601-BAI-16), RE-SURVEY NO. 43/7, VILLAGE-ANAND, CHULLIMANOOR TOWN, TALUKA-NEDUMANGAD, DIST. TRIVANDRUM, PIN-695541, KERALA - 695541 PH :9778690745.

### COCHIN

1011. POPULAR VEHICLES & SERVICES LTD. (2701-27-01), PERANDOR ROAD, PUNNAKAL, ELAMAKKARA, COCHIN - 682025 PH :9846017725.

1012. SAI SERVICE PRIVATE LIMITED (2705-27-02), NH-47 ,PATHADIPALAM,EDAPPALLY,COCHIN - 682024 PH :9645105057.

1013. POPULAR VEHICLES & SERVICES LTD. (2701-27-04), NEAR LISI HOSPITAL, OPP. IMA BLOOD BANK, COCHIN, - 682018 PH :9846298618.

1014. INDUS MOTOR COMPANY PRIVATE LIMITED (2702-27-02), BEHIND COMMERCIAL SALES TAX, M.G. ROAD, COCHIN, - 682015 PH :9745998040.

1015. SAI SERVICE PRIVATE LIMITED (2705-27-01), 50/1 15L., CHERANALLOOR ROAD,EDAPPALLY,COCHIN - 682024 PH :9645106339.

1016. INDUS MOTOR COMPANY PRIVATE LIMITED (2702-27-09), PALARIVATTOM KAKANAD ROAD, KAKANAD, COCHIN, - 682030 PH :9745998013.

1017. SAI SERVICE PRIVATE LIMITED (2705-27-08), KETTEZHUTHUM KADAVU, INTUC JUNCTION, NETTOOR, ERNAKULAM, COCHIN (KERALA) - 682040 PH :8129496818.

1018. GEORGE MAIJO AUTOMOBILES PVT. LTD. (2709-27-01), DOOR NO.5/452, 5/452A, 5/453, OLD ELOOR ROAD, ELOOR JUNCTION, NORTH KALAMASSERY, DISTRICT - ERNAKULAM, COCHIN, - 683104 PH :7559979864, 4237700.

1019. INDUS MOTOR COMPANY PRIVATE LIMITED (2702-27-0L), SURVEY NO. 30-A/32, KARIKKAD ROAD, THEKUMBHAGAM, PUTHIYAKAVU, TRIPUNITHURA, ERNAKULAM, KERALA - 682301 PH :9745992070.

1020. GEORGE MAIJO AUTOMOBILES PVT. LTD. (2709-27-02), PLOT NO.2/316, NH-47, MARADU VILLAGE, KANNIKAD, NEAR SAROVARAN, KUNDANOOR, COCHIN (KERALA) - 607001 PH :7994763336.

### EDAPPAL

1021. POPULAR VEHICLES & SERVICES LTD. (4702-AM-05), KOZHIKODA ROAD, KAVILPADY, EDAPPAL, MALAPPURAM - 679582 PH :9946104680.

### EDAVANNAPPARA

1022. POPULAR VEHICLES (GKP1-GKP-01), SURVEY NO. 77/16-1 & 77/2-4 ,BUILDING NO.18/152-B, CHEEKODE VILLAGE,EDAVANNAPARA KONDOTTY ROAD, CHERUVAYAPAR PO, MALLAPPURAM DISTRICT, KERALA-673645 - 673645 PH :#REF1.

### FORT KOCHI

1023. SAI SERVICE PRIVATE LIMITED (BR51-BRS-01), PLOT NO.83/1,2 OPPOSITE TO KUMAR PETROL PUMP, STATUE ROAD, CHULLIKKAL POST, FORT KOCHI - 682005 PH :9645106330.

### GURUVAYUR

1024. INDUS MOTOR COMPANY PRIVATE LIMITED (2702-AA-08), KUNAMKULLAM CHAVAKKAD ROAD, OPPOSITE CHOOLPURAM MOSQUE, GURUVOOR, THRISSUR - 680505 PH :9745998015.

### IRINJALAKUDA

1025. BRD CAR WORLD LIMITED (A404-KQ-05), KARUPADANNA P.O., IRINJALAKUDA, THRISSUR - 680670 PH :9539060999.

### IRITTY

1026. INDUS MOTOR COMPANY PRIVATE LIMITED (RO02-VJ-02), SURVEY NO. 48, BUILDING NO. 214, PERUPARAMBA, IRITTY, KANNUR, KERALA - 670703 PH :9747554929.

### IRITY

1027. POPULAR VEHICLE (VJ02-VJ-01), RE-SURVEY NO. 14/4, 11/2, NEAR JABBAR KADAVU BRIDGE, KEEZHUR VILL., PERAVOOR ROAD, IRITTY MUNICIPAL, KANNUR DIST. KERALA - 670703 PH :7902473741.

### KAIPAMANGALAM

1028. SAI SERVICE PRIVATE LIMITED (2705-RP-07), VAZHIYAMBALAM PO, KAIPAMANGALAM,THRISSURE - 680681 PH :8129496846.

### KALAMASSERY/ ERNAKULAM

1029. INDUS MOTOR COMPANY PRIVATE LIMITED (2702-Q3-07), KALAMASSERY, ALUVA WEST, ERNAKULAM DIST, KERALA - 683106 PH :9745998012.

### KALLAMBALAM

1030. POPULAR (QZ02-QZ-01), BUILDING NO. 5/472, NH-47, KADUVAPPALLY, THOTTAKAD P.O, KALLAMBALAM, TRIVANDRUM DIST., KERALA - 695605 PH :8096078788.

### KALPETA

1031. INDUS MOTOR COMPANY PRIVATE LIMITED (4701-JE-0C), MEENANGADI, KAKKAVAYAL P.O., NORTH KALPETTA,WAYAND - 673591 PH :9745998592.

1032. KVR (JE02-JE-C1), BUILDING NOS. 363, 364, 365, 366,367,368 AND 369 CONSTRUCTED ON THE PLOT COMPRISED IN RESURVEY NOS. 719/6, 722/3, 722/22, 722/6, 722/8, 722/10, 722/21, SITUATED AT MUTTIL NORTH VILLAGE, VYTHIRI TALUK, KALPETTA SUB-DISTRICT, WAYANAD DISTRICT, KERALA - 673 122 PH :9747021902.

### KANHAGAD

1033. KVR CARS (3L01-K2-02), ARANGADI, P.O. KANHANGAD, DIST. KASARGOD, - 671315 PH :9605040999.

1034. POPULAR VEHICLES & SERVICES LTD. (4702-K2-06), HIGHWAY JUNCTION,KANHANGAD SOUTH P.O.,KANHANGAD - 689641 PH :9946104685.

### KANHANGAD

1035. INDUS MOTOR COMPANY PRIVATE LIMITED (4701-K2-0F), SURVEY NO.491/3A1 AND 491/3A2, AJANUR VILLAGE, KANHANGAD, HOSADURGA TALUK, KASARGOD DISTT, KERALA. - 671541 PH :9745998024.

### KANJIRAPPALLY

1036. INDUS MOTOR COMPANY PRIVATE LIMITED (7E01-9Y-02), VADAKUMBHAGAM KARAYIL, KUNNAMBHAGAM P.O. , KANJIRAPPALLY - 686506 PH :9745998009.

1037. AVG MOTORS LTD. (9Y03-9Y-01), NEW SURVEY NO. 187/2 (OLD SURVEY NO. 299/1, 299/11), KANJIRAPPALLY VILLAGE & TALUKA, KOTTAYAM DISTRICT, KERALA - 686512 PH :8606071155.

### KANNUR

1038. HAR CARS (K101-K1-01), HAR AVENUE, KANNOTHUMCHAL, CHOVA POST, KANNUR - 670006 PH :9539009480.

1039. HAR CARS (K101-K1-03), POTTIAN SHEKHARAN ROAD, MAKKANY , SOUTH BAZAR, KANNUR - 670002 PH :9539009443.

1040. INDUS MOTOR COMPANY PRIVATE LIMITED (4701-K1-0E), BALANKINAR JN., KATTAMPALLY.P.O, KANNUR - 690011 PH :9745998023.

1041. KVR CARS (3L01-K1-04), CP-3-651-B, OPP. DHANRAJ TALKIES, PUTHIYATHERU, CHIRAKKAL POST, KANNUR, KERALA - 670011 PH :956034333.

1042. POPULAR VEHICLES & SERVICES LTD. (4702-K1-0F), PLOT NO.82/6A, NEAR CHARAPPURAM SREEMUTHAPPAN KAVU, KAPPAD ROAD, THAZHE CHOVVA (PO), KANNUR - 670018 PH :9846062796.

### KARIKKAD

1043. BRD CAR WORLD LIMITED (A404-GE-02), BRD INDUSTRIAL ESTATE,KARIKKAD, KUNNAMKULAM - 680519 PH :995804599.

### KARUNAGAPPALLY

1044. SARATHY AUTO CARS (C701-AQ-05), K.S. PURAM,NEELIKULAM, KARUNAGAPPALLY,KOLLAM, - 690544 PH :9526691565.

1045. INDUS MOTOR COMPANY PRIVATE LIMITED (AQ03-AQ-01), SY NO.243/1, 243/10, 243/16, 243/14, 243/15, 243/18, EDAPPALLY KOTTA JUNCTION, NEAR TITANIUM, CHAVARA POST, KARUNAGAPALLY, DISTT. KOLLAM. - 691583 PH :974598006
1046. SARATHY (C701-AQ-11), SURVEY NO. 15/3, SIDCO INDUSTRIAL AREA, EDAKULANGARA PO, NEAR KARUNAGAPALLY RAILWAY STATION, KARUNAGAPALLY, KERALA. - 690 562 PH :9526691565

**KASARGOD**

1047. KVR CARS (3L01-3L-01), ANANGUR, VIDYANAGAR (PO), NH17, KASARGOD - 671123 PH :9747021205
1048. POPULAR VEHICLES & SERVICES LTD. (4702-3L-0D), MUNDAKULAM, CHEMMANAD (PO), KASARGOD - 671371 PH :9946104621.
1049. INDUS MOTOR COMPANY PRIVATE LIMITED (RO02-3L-03), 18/304A & 18/304B, SY. NO. 39/3B, RE SY. NO. 57/6,MOGRAL, MANJESHWAR TALUK, KASARGOD, KERALA - 671541 PH :9747550747.

**KATTAPANA**

1050. INDUS MOTOR COMPANY PRIVATE LIMITED (ZN01-ZN-01), KATTAPPANA-IDUKKI KAVALA, BYE PASS ROAD, KATTAPPANA, IDUKKI (DIST.). - 685508 PH :9746743460.
1051. POPULAR VEHICLES (ZN02-ZN-01), RE-SURVEY NO. 81/3, VILLAGE & TOWN - KATTAPPANA, TALKU & DIST-IDUKKI, KERALA. - 685 515 PH :9746818407.

**KAYAMKULAM**

1052. INDUS MOTOR COMPANY PRIVATE LIMITED (2702-BL-05), KARIYILAKULANGARA, KAYAMKULAM P.O., ALAPPUZHA DISTT. - 690572 PH :9745998005.
1053. POPULAR VEHICLES & SERVICES LTD. (B802-BL-03), NH 47, KOTTUKULANGARA, KAYAMKULAM P.O., ALAPPUZHA DISTT. - 690502 PH :9946105601.

**KODUNGALLUR**

1054. SAI SERVICE PRIVATE LIMITED (27005-8K-03), NH-17, T.K.S.PURAM,KODUNGALLOOR - 680667 PH :9645106571.

1055. INDUS MOTOR COMPANY PRIVATE LIMITED (8K02-8K-01), RE-SURVEY NO. 118/1-6, 118/2-5, BUILDING NO: 560/A, WARD NO. VII, AALA VILLAGE, (OLD VILLAGE-SREENARAYANAPURAM), KODUNGALLUR TALUK, MADHILAKOM SRO, SANTHIPURAM PO, THRISSUR DIST., KERALA - 680 008 PH :9747513444.

**KODUVALLY**

1056. A M MOTORS (BGX1-BGX-01), SURVEY NO:91/9, 91/10,NALLANKADY, VAVAD POST, KODUVALLY, KOZHIKODE DISTRICT, KERALA - 673572 PH :9895979023.

**KOLANCHERRY**

1057. SAI SERVICE (SJO1-SJO-01), SURVEY NO.138/7, BR-85, WARD-8, KOLENCHERY TOWN, NH-85, AIKARANADU NORTH VILL., KUNNATHUNADU TALUK, ERNAKULAM DIST., KERALA-682311 - 682311 PH :7356605955.

**KOLLAM**

1058. SARATHY AUTO CARS (C701-C7-01), NH-47 BYE PASS AYATHIL(P.O.),QUILON - 691017 PH :9744552265.
1059. POPULAR VEHICLES & SERVICES LTD. (1601-Q4-04), H & C COMPOUND, MUNDDACKAL, KOLLAM - 680006 PH :7594977550.
1060. INDUS MOTOR COMPANY PRIVATE LIMITED (1602-Q4-03), OLD SARATHY THEATRE, PUNALLOOR ROAD, KOLLAM - 691005 PH :9745998004.
1061. SARATHY AUTO CARS (C701-C7-13), SURVEY NO. 431/13-42, NEAR SN PUBLIC SCHOOL, VADAKKEVILA, AYATHIL, KILLIKLOOR PO, PUNTHALATHAZHAM-PALATHARA ROAD, KOLLAM, KERALA - 691004 PH :8606430765.

**KOLLAM/QUILON**

1062. SARATHY AUTO CARS (C701-C7-08), SURVEY NO. (SIDCO) 318/1, SHED NO. B12, Umayanallur SIDCO INDUSTRIAL ESTATE, KOLLAM. - 691589 PH :9947127565.
1063. SARATHY AUTO CARS (C701-C7-12), BUILDING NO. 15/620, SURVEY NO. 234/1, 235/2, SITHARA JUNCTION, ADICHANALLOOR VILLAGE, KOTTIYAM PO, KOLLAM DIST., KERALA. - 691571 PH :9847936165.

**KODDOTTY**

1064. INDUS MOTOR COMPANY PRIVATE LIMITED (1002-ID-01), SURVEY NO. 16/1, BLOCK NO. 36 (OLD SURVEY NO. 100/1), NEDYIRUPPU VILLAGE, KONDOTTY PO, ERNAD TALUKA, MALAPURAM DISTRICT, KERALA - 683573 PH :9746743178.

**KOOTHATTUKULAM**

1065. SAI SERVICE PRIVATE LIMITED (VM01-VM-01), EDAPUTHUSSERY BUILDING, M.C. ROAD, OPP. MARYGIRI PUBLIC SCHOOL, KOOTHATHUKULAM P.O., ERNAKULAM DT. - 686662 PH :9645106258.

**KOPPAM**

1066. AM MOTORS (CUU1-CUU-01), SURVEY NOS: 331/3-6, 331/3-10, NEAR SALAFIYYA TRAINING COLLEGE, PERINTHALMANNA-PATTAMBI ROAD, KARINGANDU, VILAYUR POST, KOPPAM, PALLAKKAD DIST., KERALA-679309 - 679309 PH :9048666635.

**KOTHAMANGALAM**

1067. POPULAR VEHICLES & SERVICES LTD. (2701-9V-0B), NEAR BSNL OFFICE, THANGALAM, KOTHAMANGALAM, KERALA - 686691 PH :9846027990.
1068. INDUS MOTOR COMPANY PRIVATE LIMITED (7E01-9V-03), PALAKKADAN BUILDING,CHANKLAM,KOTHAMANGALAM - 686691 PH :9745998479.

**KOTTAKKARA**

1069. INDUS MOTOR COMPANY PRIVATE LIMITED (S804-S8-02), RE-SURVEY NO. 141/3-4, 142/1-2, 15-16, 143/1-2, 143/2, 143/3-15-2, 143/15-2-2, BEARING NOS. 25/36 & 38, KOTTARAKKARA VILLAGE, KOTTARAKKARA TALUK, KOLLAM DISTRICT, KERALA- 691506 - 691506 PH :9747562299.

**KOTTAKKAL**

1070. INDUS MOTOR COMPANY PRIVATE LIMITED (4701-8M-09), NEAR MATHRUBHUMI PRESS, P.O. KOTTAKKAL, MALAPPURAM DIST. - 676503 PH :9746998017.
1071. POPULAR VEHICLES & SERVICES LTD. (4702-8M-03), NH-17, CHANDAPARAMBU, RANBATHANI P.O. MALAPPURAM, KOTTAKAL - 676510 PH :9946104631.

**KOTTARAKARA**

1072. POPULAR (S801-S8-S801-02), BUILDING NO. MP/207/49,20/426, 20/748, INCHAKADU, KALAYAPURAM VILLAGE, MYLOM PANCHAYATH, KOTTARAKKARA TALUKA, KOLLAM DISTRICT, KERALA- 691560 - 691560 PH :8086073466.

**KOTTARAKARA**

1073. POPULAR VEHICLES & SERVICES LTD. (S801-S8-01), MYLOM, MC ROAD, KOTTARAKKARA, DISTT-KOLLAM, KERELA - 691531 PH :8086073466.
1074. SARATHY AUTO CARS (S802-S8-01), WARD NO.40, MELILLIA PANCHAYATH, IPPALLOOR LOWER KARIKAM, KOTTARAKARA DISTT. KOLLAM (KERALA) - 691531 PH :9847423365.
1075. INDUS MOTOR COMPANY PRIVATE LIMITED (S804-S8-01), RE SURVEY NO.207/3-2, KIZHAKKARA MURIYIL, KNS HOSPITAL JUNCTION, KOTTARAKKARA VILLAGE AND TALUKA, KOLLAM DISTT., - 691531 PH :9747562299.

**KOTTAYAM**

1076. AVG MOTORS LTD. (B801-B8-01), ERAYILKADAVU, KOTTAYAM - 686801 PH :7510962222.
1077. INDUS MOTOR COMPANY PRIVATE LIMITED (2702-B8-04), MULANKUZZHA JN., NATTAKOM P.O., KOTTAYAM, KERALA - 686013 PH :9746998148.
1078. POPULAR VEHICLES & SERVICES LTD. (B802-B8-01), NEAR ST. THOMAS CHURCH, S.H. MOUNT, P.O. KOTTAYAM - 686006 PH :8086073454.
1079. INDUS MOTOR COMPANY PRIVATE LIMITED (2702-B8-0C), MANIPPUZHA, NATTAKOM P.O.,KOTTAYAM - 686013 PH :9745998007.

**KOZHENCHERRY**

1080. AVG MOTORS LTD. (W801-AS-03), KOZHENCHERRY, COLLEGE JUNCTION, DISTRICT- PATHANAMTHITTA. - 689641 PH :9446092995.

**KUNNAMKULAM**

1081. POPULAR VEHICLES & SERVICES LTD. (2701-8N-07), CHOONDAL,TRISSUR ROAD, KUNNAMKULAM, TRISSUR DIST - 680502 PH :9946105695.

**LAKKIDI PERUR**

1082. A M MOTORS (CER1-CER-01), 217/7, 217/2, 278/2, 278/1, PALAPPURAM, P.O. OTTAPPALAM, LEKKIDI PERUR DISTT. PALAKKAD, - 679302 PH :8086305555.

**MALAPURAM**



## Dealer Workshop (AS ON 30.05.2023)

1083. A M MOTORS (E601-E6-01), VARANGODE, DOWNHILL, MALAPURAM, - 676519 PH -9895705325.	1093. POPULAR VEHICLES (B802-B8-10), BUILDING NO. 10/115-A, WARD NO. 10, CHENNITHALA VILL. AND TOWN, SHANTIVANAM JUNCTION, CHERUKOLE P.O., MAVELIKKARA TALUK, ALAPPUZHA DIST., KERALA- 690104. PH -9778690833.	1102. POPULAR VEHICLES & SERVICES (AF02-AF-01), RE-SURVEY NO: 6/1 BLOCK NO. 76, CHEMMARAN, MADUVATH PO, WANDLOOR ROAD NILAMBUR, MALAPPURAM DIST., KERALA - 679328 PH :7738094999.	1112. INDUS MOTOR COMPANY PRIVATE LIMITED (Y202-Y2-01), DOOR NO: 5/366 & 367, NH 47, KOOTUPATHA, CHANDRANAGAR POST, PALAKKAD - 678007 PH -9747519500.
<b>MALLAPPALLY</b>			<b>PANDIKKAD</b>
1084. INDUS MOTOR COMPANY PRIVATE LIMITED (I201-I2-01), THOPPI COMPLEX, MALLAPPALLY KOTTAYAM RD, MALLAPPALLY WEST, MALLAPPALLY (KERALA) - 689585 PH -9747541400.	<b>MORAYUR</b>	<b>NILAMEL</b>	1113. AM MOTORS (CUV1-CUV-01), SURVEY NOS: 333/2-2, 333/3-2,CHOORAKKAVU, PERINTHALMANNA ROAD, NEAR INDIAN OIL PETROL PUMP, PANDIKKAD TOWN & POST, MALAPPURAM DISTRICT, KERALA - 676 521 PH -9539999570.
<b>MANATHAVADY</b>	1094. A M MOTORS (CUJ1-CUJ-01), SURVEY NO. 328/1, VILLAGE – MORAYUR, VALENCHERY, DISTRICT – MALAPPURAM, KERALA. - 673642 PH -8086526666.	1103. INDUS MOTOR COMPANY PRIVATE LIMITED (DA02-DA-01), SURVEY. NO. 195/10, 195/3-1,2, 195/3-2-1, 195/8, 195/14, 195/9-1, 195/11-1, BLOCK NO. 32, ATTINGAL MUNICIPALITY, PAZHAYAKUNNAMEL VILLAGE, CHIRAYINKIL TALUK, (BORDER OF NILAMEL TOWN), TRIVANDRUM DIST., KERALA - 695601 PH -9745993331.	<b>PARAPPANGANADI</b>
1085. INDUS MOTOR COMPANY PRIVATE LIMITED (IE02-IE-01), SURVEY NO. 1/2A1, A1, B1, RY 1/210, 1/99, MYSORE ROAD, CHETTAPALAM, MANATHAVADY CITY & TALUK, WYANAD DIST., KERALA. - 670645 PH -9745997002.	<b>MUVATTUPOUZA</b>	1104. POPULAR (DA03-DA-01), BUILDING NO. 10/279 TO 288, M. C. ROAD, KANNANCODU, NILAMEL PO, KOLLAM (DIST.), KERALA- 691535 - 691535 PH :8714606483.	1114. A M MOTORS (CTK1-CTK-01), SURVEY NO.66/6, 66/7, KODAPPADI, POST-CHETTIPPADY, PARPANGADI, MALAPPURAM. - 676319 PH -9895900466.
<b>MANJERI</b>	1095. INDUS MOTOR COMPANY PRIVATE LIMITED (7E01-7E-01), NH-49, MUVATUPUZA KODAMANGALAM ROAD, NEAR R.K. HOSPITAL, MUVATUPUZA, ERNAKULAM DIST. - 686661 PH -97459998011.	<b>OTTAPALAM</b>	<b>PARAVUR</b>
1086. A M MOTORS (E601-8V-05), THURAKKAL BYEPASS, MANJERI, MALAPURAM, KERALA - 676121 PH -9895756035.	1096. POPULAR VEHICLES & SERVICES LTD. (2708-7E-02), MUTHUKALLU JUNCTION,PERUMPALLUR P.O., MUVATTUPOUZA, KERALA - 686673 PH :7356988840.	1105. INDUS MOTOR COMPANY PRIVATE LIMITED (PA01-PA-01), BUILDING NO.23/667, 23/669, PALAKKAD-OTTAPPALM ROAD, OTTAPPALAM VILLAGE, OTTAPPALAM TALUKA, PALAKKAD DIST., KERALA - 679101 PH -9747544454.	1115. POPULAR VEHICLES & SERVICES LTD. (ZS01-ZS-01), SURVEY NO. 340/1-76.77.78, NEAR HP PETROL PUMP, PARAVUR-MANJALI MAIN ROAD, MANNAM PO, NORTH PARAVUR MUNICIPAL, ERNAKULAM DIST. 683520, KERALA - 683520 PH -9072609638.
1087. KVR AUTOCARS PVT LTD (8V02-8V-01), CH BYE PASS ROAD, MANJERI, MALAPPURAM, KERALA - 676123 PH -9747020801.	<b>NEDUMANGAD</b>	<b>PALA</b>	<b>PATHANAMTHITTA</b>
1088. POPULAR VEHICLES & SERVICES LTD. (4702-8V-0E), NARUKARA VILLAGE, RAJIV GANDHI BYEPASS JN., THURUKKAL, MANJERI (KERALA) - 676121 PH :8589992406.	1097. POPULAR VEHICLES & SERVICES LTD. (Z001-Z0-01), RE-SURVEY NO - 855/29, 855/14/1 (OLD SURVEY NO. 1583/1), KARIPPUR VILLAGE, NEDUMANGAD TALUK, TRIVANDRUM DIST.,KERALA-695541. - 695541 PH -9846036696.	1106. POPULAR VEHICLES & SERVICES LTD. (B802-GN-04), 12TH MILE,PALA-PONKUNNAM ROAD,PALA - 686575 PH -9072609475.	1116. AVG MOTORS LTD. (W801-W8-02), JUNNUGAPADY, MYLAPRA ROAD, PATHANAMTHITTA, - 689671 PH -9446002987.
<b>MANNARKAD</b>	<b>NEYYANTINKARA</b>	1107. INDUS MOTOR COMPANY PRIVATE LIMITED (7E01-GN-05), OPP. ALPHONSA COLLAGE ARUNAPURAM(PO), PALA, KOTTAYAM - 686574 PH -9745998878.	1117. INDUS MOTOR COMPANY PRIVATE LIMITED (1602-W8-13), KUMBAZHA, PATHANAMTHITTA - 689663 PH -9745998008.
1089. A M MOTORS (E601-RA-07), NH-213, MANNARKAD, DIST.-PALAKKAD - 678582 PH -9895979048.	1098. INDUS MOTOR COMPANY PRIVATE LIMITED (AT01-AT-01), INDUS MOTOR CO. PVT. LTD., OLD M.V THEATRE, NEAR KSRTC BUS STATION, NEYYANTINKARA, DIST. TRIVANDRUM - 695121 PH -9747544500.	1108. AVG MOTORS LTD. (GN03-GN-01), SURVEY NO.670/1, BLOCK-21, LALAM VILLAGE, ANTHINADU MEENANCHIL, PALA, KOTTAYAM DIST. - 686651 PH -9447137246.	1118. POPULAR VEHICLES & SERVICES LTD. (B802-W8-05), T.K. ROAD, NEAR COLLECTORATE,PATHANAMTHITTA - 689645 PH -9539009734.
1090. INDUS MOTOR COMPANY PRIVATE LIMITED (2702-RA-0K), ANAKATTY ROAD, AANDIPPADAM, NELLIPPUZA-PO, MANNARKAD,KERALA - 678583 PH -9745995946.	<b>NEYYATTINKARA</b>	1109. INDUS MOTOR COMPANY PRIVATE LIMITED (7E01-GN-07), SURVEY NO. 176, BLOCK NO. 16, HIGHWAY JUNCTION, ETTUMANOOR-POOJAR HIGHWAY, CHERPUNKAL, PALA, KOTTAYAM DISTRICT - 686584 PH -9747516934.	1119. INDUS MOTOR COMPANY PRIVATE LIMITED (1602-W8-12), SURVEY NO. 11-13/12/11, KARIMPANKUZHAY ROAD, NEAR SAROJ GAS AGENCY, MAKKANKUNNU, PATHANAMTHITTA, KERALA - 689645 PH -9745999858.
<b>MAVELIKARA</b>	1099. POPULAR VEHICLES (1601-16-1601-15), BUILDING NO. 11/562, KP-IX-843, NH 47, KOTTAMOM, KOLLAYIL PANCHAYAT, PANVEL - KOCHI - KANYAKUMARI HIGHWAY, KOTTAMOM, NEYYATTINKARA, TRIVANDRUM, KERALA- 695122 - 695122 PH -9946104602.	<b>PALAKKAD</b>	<b>PATHIRAPALLY</b>
1091. POPULAR VEHICLES & SERVICES LTD. (B802-S9-02), KONNAYIL SUVAKO INDUSTRIAL COMPLEX, SHED A-1, KOLLAKADAVU INDUSTRIAL ESTATE, KOCHAL MOODU, KALLIMEL P.O., MAVELIKKARA, KERALA - 690570 PH -9400052338.	<b>NILAMBUR</b>	1110. POPULAR VEHICLES & SERVICES LTD. (2701-Y2-09), OPP. PALANA HOSPITAL,KODUVAYOOR ROAD,KINASSERY P.O.,PALAKKAD - 678707 PH -9946105613.	1120. POPULAR VEHICLES & SERVICES LTD (E502-E5-02), BUILDING NO. X/832 TO 834, X/837 TO 838, OPP. UDAYA STUDIO, PATHIRAPALLY TOWN, AMBALAPUZHA TALUK, NH-47, ALAPPUZHA DIST., KERALA-688521. - 688521 PH -9778698169.
1092. INDUS MOTOR COMPANY PRIVATE LIMITED (1602-S9-07), NEAR PRATHIBA THEATRE, PUTTHIYAKAVU, MAVELIKKARA - 690101 PH -9745998137.	1100. INDUS MOTOR COMPANY PRIVATE LIMITED (4701-AF-0A), MINERVA JUNCTION, NILAMBUR , KERALA - 679329 PH -9745998396.	1111. INDUS MOTOR COMPANY PRIVATE LIMITED (2702-Y2-G2), VADAKKUMURI-NH-47, KANNADI, KUZHALMAMMAM (P.O.), PALAKKAD. - 678701 PH -9745998590.	<b>PATTAMBI</b>
<b>MAVELIKKARA</b>	1101. INDUS MOTOR COMPANY PRIVATE LIMITED (4701-AF-0D), MANAVEDHAM HIGH SCHOOL ROAD, CHANDAKUNNU - NILAMBUR PO, NILAMBUR, MALAPURAM DIST. - 679329 PH -9745998396.		1121. A M MOTORS (E601-8P-04), SHORANUR ROAD, PATTAMBI, DISTRICT-PALAKKAD, - 679306 PH -9567866059.

1122. INDUS MOTOR COMPANY PRIVATE LIMITED (2702-8P-0B), PERINTHALMANNA ROAD, THEKKUMURI, PATTAMBI - 679303 PH :9745998295

1123. A M MOTORS (E601-8P-09), CHERPULASSERY ROAD, KOOMBAN KALLU, KARIMPULLI, MELE PATTAMBI POST, PALAKKAD DISTT., KERALA. - 679306 PH :9567866059.

**PAYANNUR**

1124. POPULAR VEHICLES & SERVICES LTD. (4702-9Z-04), N H 17, EZHILODE P O, ,PAYANNUR - 670309 PH :9946104701.

1125. POPULAR VEHICLES & SERVICES LTD. (9Z01-9Z-01), SY. NO. 218/1, CHERUTHAZHAM VILLAGE, EZHILODE (NEAR COLONY BUS STOP), PAYANNUR KANNUR NH, PAYANNUR TALKU, KANNUR DISTRICT, KERALA – 670 309. PH :9946104701.

**PAYYANUR**

1126. INDUS MOTOR COMPANY PVT. LTD. (9Z02-9Z-01), SURVEY NO.-289/117, 290/105, KARIVELLUR PERALAM GRAM PANCHAYAT (NEAR PALATHARA BRIDGE), PAYYANUR TALUK, KANNUR DISTRICT, KERALA-PIN-670521 - 670521 PH :9745998204.

**PERINTHALMANNA**

1127. KVR AUTOCARS PVT LTD (7H01-7H-01), SURVEY NO. 87/8-15, CALCICUT ROAD, NEAR ITC, THIRURKAD, PERINTHALMANNA - 679351 PH :9747020573.

1128. A M MOTORS (E601-7H-03), NEAR FIRE STATION, HOSPITAL ROAD, PERINTHALMANNA - 679322 PH :8129818235.

1129. KVR AUTOCARS PVT LTD (7H01-7H-06), OOTY ROAD, PERINTHALMANNA, MALAPPURAM(DT.), KERALA - 679322 PH :9747020837.

**PERUMBAVOOR**

1130. SAI SERVICE PRIVATE LIMITED (2705-8W-04), M.C.ROAD,PERUMBAVOOR,ERNAKULAM DIST,KERALA - 683542 PH :7034258335.

1131. INDUS MOTOR COMPANY PRIVATE LIMITED (8W03-8W-01), SURVEY NO. 722-3, 723-3, TALUK - KUNNATHUNADU, VILLAGE - RAYAMANGALAM, SUB DIST.-PERUMBAVOOR, DIST.ERNAKULAM. - 683 541 PH :9747591803.

**PIROVAM**

1132. SAI SERVICE (BQW1-BQW-01), SUVEY NO. 788/12-2-5, NEAR PIRAVOM GOVT. HOSPITAL, PIRAVOM TOWN & MUNICIPALITY, MUVATTUPUZHA TALUK, ERNAKULAM DIST., KERALA. - 686 664 PH :9645106198.

**POINACHI**

1133. KVR CARS (3L01-GF-03), CHOWKI, MAILLATTY(P.O.), (VIA) UDUMA, POINACHI, KERALA - 671319 PH :9747021026.

**PUNALUR**

1134. SARATHY AUTO CARS (C701-8Q-03), NH-208, Q.S. ROAD,ELAMPAL POST,PUNALUR, KOLLAM DIST - 691322 PH :9744400265.

1135. INDUS MOTOR COMPANY PRIVATE LIMITED (8Q02-8Q-01), SY. NO. 48/1/42, OLD. SY. NO. 231A/3324, (OLD RAMRAJ TILES FACTORY), THALICODE, PATHANAPURAM TALUK, PUNALUR ANCHAL ROAD. - 691 305 PH :9747638885.

**QUILANDY**

1136. INDUS MOTOR COMPANY PRIVATE LIMITED (3001-30-01), BUILDING NO.13/53 A, CHENGOTTUKKAVE VILLAGE, QUILANDY, KOZHIKODE DISTT. - 673306 PH :9745997875.

**RAMANATTUKKARA**

1137. A M MOTORS (E601-KB-06), NEAR RED CRESCENT HOSPITAL, FEROKE, CHUNGAM, CALCICUT DISTRICT, RAMANATTUKARA. - 673632 PH :9567866144.

**RANNI**

1138. INDUS MOTOR COMPANY PRIVATE LIMITED (7E01-JX-06), CHELLAKKAD-PO, PATHANAMTHITTA(DISTRICT), RANNI - 689677 PH :9745998737.

**SASTHAMKOTTAH**

1139. INDUS MOTOR COMPANY PRIVATE LIMITED (1602-RT-09), NO. SP IX/661, 662, 663, KADAPUZHA ROAD, PORUVAZHY P.O., BHARANIKUVU, SASTHAMKOTTAH, KOLLAM - , KERALA - 690520 PH :9745998849.

**SHORNUR**

1140. POPULAR VEHICLES & SERVICES LTD. (2701-1I-0E), PALAKKAD PATTAMBI ROAD, KULAPPULLY JUNCTION, VADANAMKURUSSI, SHORNUR - 679124 PH :8589992432.

**SULTHAN BATHERY**

1141. POPULAR VEHICLES (VK01-VK-01), SURVEY NO. 421/5, 421/6, BLOCK NO. 22, KRISHNAGIRY VILLAGE, PATHIRIPALAM, KOLACAPPARA (PO), TALKU & TOWN - SULTHAN BATHERY, WYANAD DIST., KERALA. - 673 591 PH :7584977551.

**TALIPARAMBA**

1142. HAR CARS (K101-9W-02), SREEKANDAPURAM MAIN ROAD, KANNUR (DIST), KERALA, THALIPARAMBA - 670141 PH :9539009473.

**THALASSERY**

1143. INDUS MOTOR COMPANY PRIVATE LIMITED (R002-RO-01), NETTUR POST, KODUVALLY, THALASSERY, KANNUR DISTRICT - 670105 PH :9945998022.

**THALASSERY/ TELlicherry**

1144. INDUS MOTOR COMPANY PRIVATE LIMITED (4701-Y3-04), TEMPLE GATE, MAKKOOTAM, THALAYI, TELlicherry , KERALA - 670102 PH :9747520100.

**THALAYOLAPARAMBU**

1145. INDUS MOTOR COMPANY PRIVATE LIMITED (2702-WN-0J), THODUPUZHA ROAD, THALAYOLAPARAMBU, VAIKOM(TALUK), DISTRICT-KOTTAYAM, KERALA - 686605 PH :9746743003.

**THAMARASSERY**

1146. INDUS MOTOR COMPANY PRIVATE LIMITED (PB06-PB-01), RE-SY. NO. 44/5A, 44/6, RAROTH VILLAGE, (NEAR CHUNGAM), THAMARASSERY PANCHAYAT & TALUK, CALCICUT DIST., KERALA - 673573 PH :9747553362.

1147. POPULAR (PB07-PB-10), SURVEY NO.43/4 BLOCK NO.005 , RAROTH VILLAGE , THAMARASSERY TALUK , KOZHIKODE DISTRICT, KERALA - 673573 PH :9846397060.

**THIRUVALLA**

1148. AVG MOTORS LTD. (Y501-Y5-01), M.C ROAD, PERUMTHURUTHI, THIRUVALLA , PATHANAMTHITTA DISTT - 689107 PH :9446323999.

1149. POPULAR VEHICLES & SERVICE (B802-Y5-06), KAVUMBHAGOM P.O, THIRUVALLA, PATHANAMTHITTA (DIST.), KERALA - 689103 PH :8066073489.

**THODUPUZHA**

1150. INDUS MOTOR COMPANY PRIVATE LIMITED (7E01-HZ-04), PALA ROAD, THODUPUZHA - 685584 PH :9745998631.

1151. POPULAR VEHICLES & SERVICES LTD. (H202-HZ-01), SY.NO.124/7A-1, 124/7A-2, THODUPUZHA EHLLOOR MAIN ROAD, VILLAGE & TOWN, THODUPUZHA, DISTT. IDUKKI - 685585 PH :9752530120.

**THRISSUR**

1152. POPULAR VEHICLES & SERVICES LTD. (2701-AA-05), KUNNATHUMKARA, PARAVATTANI, THRISSUR, KERALA - 680655 PH :622306495.

1153. SAI SERVICE PRIVATE LIMITED (2705-AA-06), 17/30,POOTHOLE, THRISSUR,KERALA - 680004 PH :9645105051.

1154. BRD CAR WORLD LIMITED (A404-A4-01), NH 47,BYE PASS,KONIKARRA POST,THALORE, THRISSUR - 680031 PH :9995807141.

1155. INDUS MOTOR COMPANY PRIVATE LIMITED (2702-AA-0D), JYOTHI COMPLEX, GURUVAYOOR ROAD, WEST FORT, THRISSUR - 680004 PH :9745998014.

1156. BRD CAR WORLD LIMITED (A404-AA-07), GURUVAYOOR ROAD, PUNKUNNAM P.O., PUZHAKKAL, THRISSUR - 680002 PH :9746476529.

**THRITHALLUR**

1157. BRD CAR WORLD LIMITED (A404-SS-04), PO-THRITHALLUR, NH-17, THRITHALLUR THRISSUR - 680619 PH :9539197888.

**TIRUR**

1158. A M MOTORS (E601-Y4-02), SATELLITE AUTO WORKS, PAYYANAGADI POST, TIRUR - 676101 PH :995879706.

1159. KVR AUTOCARS PVT LTD (7H01-Y4-05), T.P 7/204-B, TANUR ROAD,MOOCHIKKAL, MEENADATHUR P.O., TIRUR, DISTRICT-MALAPPURAM, KERALA - 676307 PH :9747020673.

1160. A M MOTORS (E601-Y4-08), THALAKKADATHOOR PO, MALAPPURAM,MALAPPURAM DISTT. - 676103 PH :9895705323.

1161. INDUS MOTOR COMPANY PRIVATE LIMITED (Y403-Y4-01), SURVEY NO. 119/3, 4, 9A, OLD MODERN PHARMACEUTICALS PVT. LTD., THRIKANDIYOOR VILLAGE, CHAMBAVATTOM ROAD, TIRUR, KERALA. - 676105 PH :9747518883.

**TRIPPUNTHURA**

1162. SAI SERVICE PRIVATE LIMITED (2705-AK-05), HILL PALACE ROAD,KARINGACHIRA,COCHIN - 682301 PH :9645105067.

**TRIPRAYAR**

## Dealer Workshop (AS ON 30.05.2023 )

1163. POPULAR VEHICLES & SERVICES LTD.  
(2701-BR-08), SURVEY NO. 296/5,8, 296/9,  
296/9-1, NATIKA VILLAGE, NEAR CIVIL  
STATION, POLY JUNCTION, TRIPPRAYAR TOWN,  
THRISSUR TALUK & DISTRICT, KERALA-680566  
- 680566  
PH :9846699245.

### TRIVANDRUM

1164. INDUS MOTOR COMPANY PRIVATE LIMITED  
(1602-16-01), T.C. 24/885 THYCAUD P.O.,  
THYCAUD P.O., METTUKUDA, TRIVANDRUM -  
695014  
PH :9745998001.

1165. POPULAR VEHICLES & SERVICES LTD.  
(1601-16-01), C.I.T. ROAD, KILLIPALAM,  
KARAMANA P.O, TRIVANDRUM - 695002  
PH :9946104601.

1166. SARATHY AUTODRIVES PVT LTD (1607-16-02),  
KOVALAM BYEPASS,SN NAGAR, MANACAUD  
(PO), TRIVANDRUM - 695009  
PH :9947270665.

1167. INDUS MOTOR COMPANY PRIVATE LIMITED  
(1602-16-02), NH BYE PASS ROAD,  
VEMPALAVATTOM, TRIVANDRUM - 695029  
PH :9745998003.

1168. INDUS MOTOR COMPANY PRIVATE LIMITED  
(1602-16-05), G.G. MEDICAL COLLAGE P.O.,  
MURINJAPALAM, TRIVANDRUM,  
MURINJAPALAM, - 695011  
PH :9745998002.

1169. POPULAR VEHICLES & SERVICES LTD.  
(1601-16-05), OPP. ST. JUDE CHURCH,CIT  
ROAD, KILLIPPALAM,TRIVANDRUM - 695002  
PH :9846298610.

1170. INDUS MOTOR COMPANY PRIVATE LIMITED  
(1602-16-11), SURVEY NO.3, TC-7/1069/9),  
MARUTHAMKUZHI, SASTHAMANGALAM  
VILLAGE, PTP NAGAR ROAD, KANJIRAMPARA  
P.O., TRIVANDRUM - 695030  
PH :9747503922.

1171. SOUTH PARK MOTORS PVT. LTD. (1604-16-01),  
SURVEY NO. 985/3-4-5-6, VILLAGE  
KADAKAMPALLY, CHACKAI BYPASS, TALUKA -  
TRIVANDRUM, TRIVANDRUM, KERALA - 695029  
PH :9526100008.

1172. SARATHY AUTODRIVES PVT LTD (1607-16-03),  
77/2-11, NEMOM VILLAGE, PAPPANMOCODU  
INDUSTRIAL AREA, TALUKA AND DISTRICT-  
THIRUVANANTHAPURAM, KERALA - 695019  
PH :9961665865.

1173. POPULAR VEHICLES (1601-16-12), RE-SURVEY  
NO. 26/4-1, MANANTHALA STADIUM ROAD,  
NEAR SURYAPRABHA AUDITORIUM, ULOOR  
VILLAGE, MANANTHALA, TRIVANDRUM DIST.,  
KERALA. - 695 015  
PH :9846498605.

1174. POPULAR VEHICLES (1601-16-17), BUILDING  
NO. 13/632,632-A, 633,633-A1, 633-A2,634-636,  
6TH MILE STONE, VAZHAYILA PO,  
PEROORKADA, THIRUVANANTHAPURAM,  
KERALA - 695521 - 695521  
PH :9288023313.

1175. SARATHY AUTODRIVES PVT LTD (1607-16-01),  
SURVEY NO. 2448/4, VILL. MUTTATHARA, NH  
BYE PASS ROAD, KALLUMOOD JN.,  
VALLAKADAU PO, ENCHAKKAL,  
THIRUVANANTHAPURAM, KERALA-695008 -  
695008  
PH :9562416665.

### TRIVANDRUM-MANANTHALLA

1176. INDUS MOTOR COMPANY PRIVATE LIMITED  
(1602-16-08), NEAR MUSLIM JUMA MASJID,  
MUKKAM FLAMOODIE,  
VATTAPPARA-MANNANTHALA M C ROAD,  
VATTAPPARA PO,  
MANNANTHALA,TRIVANDRUM - 695028  
PH :9747540100.

### UPPALA

1177. POPULAR VEHICLES & SERVICES LTD.  
(4702-4I-0A), N.H.17, KAIKAMPA, UPPALA P.O.,  
KASARGOD (KERALA) - 671322  
PH :8086078864.

1178. KVR CARS (4102-4I-01), NH 17, BANDIYODE,  
MANGALAPADI (PO), UPPALA, KASARGOD  
DISTT.,KERALA - 671324  
PH :9526021676.

### VADAKARA

1179. INDUS MOTOR COMPANY PRIVATE LIMITED  
(4701-8S-07), BYE PASS  
JN,VATAKARA-673104,CALICUT, - 673104  
PH :9745998021.

1180. POPULAR VEHICLES AND SERVICES  
(8S02-8S-01), NEAR MADAPPALLY GOVT.  
COLLEGE, MADAPPALLY, P.O. VADAKARA,  
KOZHIKODE (KERALA) - 673102  
PH :8943345935.

### VALENCHERRY

1181. A M MOTORS (CUK1-CUK-01), SURVEY NO.  
132/4, KOLAMANGALAM, PERINTHALMANNA  
ROAD, VALANCHERY, DIST.-MALAPPURAM. -  
676552  
PH :9745986666.

### VETTICHIRA

1182. KVR AUTOCARS PVT LTD (7H01-M2-03), AP IV,  
75A TO G, NH-17, CHUNKAM, DIST.  
MALAPPURAM, VETTICHIRA, - 676552  
PH :9747020023.

### WADAKKANCHERY

1183. BRD CAR WORLD LIMITED (A404-MX-03),  
VAZHAKODE, CHELAKARA ROAD,  
MULLUKKARA P.O., WADAKKANCHERY,  
THRISSUR DIST - 680583  
PH :9567869403.

## KERLA

### EDAKKARA

1184. KVR (GMN1-GMN-01), SURVEY NO. 1087/1C-91,  
VAZHAKADAVU VILLAGE, OOTY ROAD, MUNDA,  
EDAKKARA TOWN, NILAMBUR TALUK,  
MALAPPURAM DIST., KERALA - 679 331  
PH :9747020777.

## LADAKH

### LEH

1185. DRUK AUTOZONE (9S02-9S-01), AIRPORT  
ROAD, LEH (LADAKH), DISTT. LADAKH, LEH -  
194101  
PH :8082800205.

## MADHYA PRADESH

### AGAR

1186. UNITARA MOTORS (BJT2-BJT-01), 27, UJJAIN  
ROAD,  
NEAR MARKETING FUEL STATION,  
AGAR, MADHYA PRADESH (465669) - 465669  
PH :9770018283.

### ALIRAJPUR

1187. RUKMANI MOTORS PVT. LTD. (GLY1-GLY-01),  
WARD NO 1, JHABUA ROAD, ALIRAJPUR,  
MADHYA PRADESH, MP - 457887  
PH :9755549200  
9109978301.

### ANUPPUR

1188. SHUBH MOTORS PVT. LTD. (BIB1-BIB-01), NEAR  
HDFC BANK, TEHSIL ROAD, ANUPPUR - 484224  
PH :9303884800.

### ASHOK NAGAR

1189. PREM MOTORS PVT. LTD. (DS01-DS-02),  
SURVEY NO. 67/2/3, SINGAKHEDI HOUSE GUNA  
BYPASS NEAR RAJ MATA CIRCLE,  
ASHOKNAGAR, MADHYA PRADESH. - 473331  
PH :9626809856.

### ASHTA

1190. JEEWAN MOTORS PVT. LTD. (BSF1-BSF-01),  
KHASRA NO.111/1 NEAR RELIANCE PETROL  
PUMP, BHOPAL ROAD, ASHTA, DISTT. SEHORE  
(M.P.) - 466001  
PH :9826429604  
6264918307  
8718911222.

### BADNAWAR

1191. PATEL MOTORS (INDORE) PVT. LTD.  
(BPT1-BPT-01), KHASRA NO. 2194/1, BADNAGAR  
ROAD, BADI CHOUPATI, OPPOSITE BSNL  
TOWER, BADNAWAR, DISTT. - DHAR, MADHYA  
PRADESH. - 454660  
PH :9826932221.

### BADWAH / BARWAHA (BOTH NAMES ARE OK)

1192. NIMAR MOTORS PVT. LTD. (AU01-UJ-05),  
NIRMAL COMPLEX ,INDORE ROAD , BARWAH -  
451001  
PH :7770878726, 9669569496.

### BALAGHAT

1193. KUNAL MOTORS (U501-TP-04), KH NO.-1/56,  
JHULELAL DHARMSHALA ROAD, BALAGHAT,  
MADHYA PRADESH - 4811001  
PH :8345992181.

### BAREILJ

1194. RAJRPUR MOTOR JUNCTION (A UNIT OF RMJ  
MOTORS PVT. LTD.) (I303-I3-01), SURVEY 423/2,  
VILLAGE KAMTON, NH 12, BAREILJ, RAISEN,  
MADHYA PRADESH. - 464668  
PH :9826333501.

### BARHI

1195. SHUBH MOTORS PVT. LTD. (GMK1-GMK-01),  
1286/2, BARHI, DIST. - KATNI, MADHYA  
PRADESH - 483770  
PH :9755580253.

### BARNAGAR

1196. YUG CARS (A UNIT OF RUKMARANI CARS  
INDORE PVT. LTD) (BBK2-BBK-01), RUNJIA  
ROAD, BARNAGAR CITY, DISTRICT UJJAIN -  
456771  
PH :9755512100/7898900224.

### BARWANI

1197. NIMAR MOTORS PVT. LTD. (AU01-SA-02),  
ANJAD ROAD, VILLAGE -KARAIH, BARWANI,  
MADHYA PRADESH - 451151  
PH :7770804492, 9669569496.

### BEGAMGANJ

1198. RAJRPUR MOTOR JUNCTION (A UNIT OF RMJ  
MOTORS PVT. LTD.) (CIL1-CIL-01), IN FRONT OF  
DUSHERRA MAIDAN, SAGAR BHOPAL ROAD,  
BEGAMGANJ, DIST - RAISEN , MADHYA  
PRADESH - 464881 - 464881  
PH :9826333501.

### BEOHARI

1199. SHUBH MOTORS PVT. LTD. (BKA1-BKA-01),  
REEVA ROAD, NEAR AARRA MACHINE,  
BEOHARI, DIST.-SHAHDOL, MADHYA PRADESH.  
- 484774  
PH :9755580253.

### BERASIA

1200. RAJRUP MOTOR JUNCTION (A UNIT OF RMJ MOTORS PVT. LTD.) (CKG1-CKG-01), BHOPAL ROAD, OPP. BERASIA HOSPITAL, BERASIA, DISTRICT – BHOPAL, MADHYA PRADESH. - 463106  
PH :7909997570.

**BETMA**

1201. OCEAN MOTORS PVT. LTD. (BVR1-BVR-01), OPPOSITE MPEB OFFICE, INDORE-AHEMDABAD ROAD, BETMA, DISTRICT – INDORE, MADHYA PRADESH . - 453001  
PH :7389936477.

**BETUL**

1202. KUNAL MOTORS (U501-U5-02), BHOPAL - NAGPUR NATIONAL HIGHWAY, NEAR BADORA CHOWK., BETUL - 460001  
PH :8349999177.

1203. KAMTHI MOTORS (GKF1-HHI-01), KAMTHI MOTORS LLP(SERVICE CENTER) NEAR SUNITA COLONY NEAR FOREST NAKA, SONAGHATI, ITARSI ROAD, BETUL - 460001  
PH :7329918424.

**BHAVRA**

1204. RUKMANI MOTORS (SPT1-SPT-01), GRAM PANCHAYAT, KALIYAVAHO, OPP SUNKER MANDIR, BHAVRA TEHSIL, ALIRAJPUR DISTRICT, MADHYA PRADESH - 457882. - 457882  
PH :9755549200  
9109978301.

**BHOPAL**

1205. DAGA MOTORS (A UNIT OF DAGA HEIGHTS) (0309-03-01), 4/1, DAGA HEIGHTS, NEAR BUDHNA MANDIR, MAIN ROAD KOLAR ROAD, CHUNABHATTI, BHOPAL, MADHYA PRADESH. - 462016  
PH :9109990400.

1206. JEEWAN MOTORS PVT. LTD. (0302-03-01), 9E SECTOR A, INDUSTRIAL AREA, GOVINDPURA, BHOPAL - 462024  
PH :9826017799  
9826429605.

1207. JEEWAN MOTORS PVT. LTD. (0302-03-04), KHASRA NO. 54-55/1/1, NEAR RELIANCE FRESH, CHUNA BHATTI MAIN ROAD, INDIAN OIL PETROL PUMP, BHOPAL (M.P.) - 462036  
PH :8718802178.

1208. RAJRUP MOTOR JUNCTION (A UNIT OF RMJ MOTORS PVT. LTD.) (0308-03-01), 8A, SECTOR-C, J. K. ROAD, GOVINDPURA INDUSTRIAL AREA, BHOPAL, MADHYA PRADESH - 462023  
PH :9826333501  
9826032579.

1209. SATYAM MOTORS (0307-03-01), NH-12, SUVEESHA NAGAR, HOSHANGABAD ROAD, MISRODAD - 462040  
PH :6261900423  
6261900696.

**BIAORA**

1210. UNITARA (0F02-0F-01), OLD AB ROAD, KACHNARIA, BIAORA (M.P) - 465674  
PH :9770018283.

**BINA**

1211. ADINATH CARS PRIVATE LIMITED (BHQ2-BHQ-01), PLOT NO. 2/3/4/5 AMANTIGEL LAND SEMI URBAN INDUSTRIAL AREA, BINA, KHURAI ROAD (NH 26) BINA, DISTRICT – SAGAR, MADHYA PRADESH - 470113  
PH :9009780047.

**BURHANPUR**

1212. NIMAR MOTORS PVT. LTD. (BRR1-BRR-01), KHASRA NO. 654/15-16, BASEMENT OF HOTEL AMBIKA RESIDENCY, OPP. PAKIZA SHOWROOM, SANJAY NAGAR, AMRAVATI ROAD, BURHANPUR, MADHYA PRADESH - 450331  
PH :7694011374, 9669569496.

**CHAKGHAT**

1213. CITY CARS (UNIT OF AGARWAL WHEELS) (GKQ1-GKQ-01), GRAM AND POST - CHANDAI, CHAKGHAT, TEHSIL - TEONATHER, PRAGRAJ ROAD, NH 27, DIST- REWA, MP – 486226. - 486226  
PH :9754301199.

**CHATTARPUR**

1214. ADINATH CARS PRIVATE LIMITED (8B02-8B-01), MAHOBA ROAD, NEAR BUS STAND, CHHATARPUR, DISTT SAGAR - 471001  
PH :9009785577.

**CHHINDWARA**

1215. KAMTHI MOTORS LLP (U502-U5-01), KHASRA NO.1/53, BESIDE MVM SCHOOL, NAGPUR ROAD, VILL.-SARRA, DISTT. CHHINDWARA, MADHYA PRADESH - 480001  
PH :911488444/ 9111535777.

1216. KUNAL MOTORS (U501-U5-03), OPP. KUNAL MOTORS SHOWROOM, ,LAL BAGH TIRAHA, BEHIND TRUE VALUE OUTLET, NASIRABAD ROAD, CHHINDWARA(MP), - 480001  
PH :9981852239.

1217. KUNAL MOTORS (U501-U5-06), PLOT NO. 546, LAHGARUA NEAR MULLU BABA MANDIR, NARSINGHPUR ROAD, CHINDWARA, MADHYA PRADESH - 480002  
PH :9981852239.

**CHITRAKOOT**

1218. CITY CARS (UNIT OF AGARWAL WHEELS) (GKS1-GKS-01), PILLIKOTHI CHOURAHA, BESIDE SINGH AUTOMOBILE, A HERO AGENCY, CHITRA ROAD, CHITRAKOOT, DISTRICT-SATNA (MADHYA PRADESH)- 485334 - 485334  
PH :9754301199.

**DABRA**

1219. PREM MOTORS PVT. LTD. (BOR1-BOR-01), PICHHORE TIRAHA, GWALIOR JHANSI ROAD, DABRA, DIST -GWALIOR. - 475110  
PH :9340059606.

**DAMOH**

1220. ADINATH CARS PRIVATE LIMITED (RD02-RD-01), SAGAR JABALPUR BYPASS ROAD, DAMOH (M.P.), - 470661  
PH :9009780035.

**DATIA**

1221. PREM MOTORS PVT. LTD. (3003-WE-05), NR. BHOJPURIA MOTORS, BHANDER ROAD, DATIA, MADHYA PRADESH - 475661  
PH :9928609803.

**DEORI**

1222. ADINATH CARS PRIVATE LIMITED (CUO1-CUO-01), C/O VISHWANATH DIXIT, VIJAYSHRI GAS SERVICE, NEAR GOVT. HIGH SCHOOL, NARSINGHPUR ROAD, VILLAGE KHEER, DEORI DISTT. SAGAR (M.P.) - 470226  
PH :9009787562.

**DEPALPUR**

1223. OCEAN MOTORS PVT. LTD. (WB01-WB-03), NEAR LEELA RESIDENCY, INDORE ROAD, DEPALPUR, DISTT. INDORE-MP - 453115  
PH :7389936488.

**DEWAS**

1224. UNITARA MOTORS PVT LTD (3Q02-3Q-01), SURVEY NO 255, A.B. ROAD, RASULPUR SQUARE, DEWAS, MADHYA PRADESH PIN 455001 - 455001  
PH :9770018283.

**DHAMNOD**

1225. KATHED MOTOCORP(A UNIT OF KATHED MOTORS PVT. LTD.) (UT01-UT-01), KHASRA NO. 484/1/2, OLD A B ROAD, OPPOSITE HP PETROL PUMP, DHAMNOD, DIST.-DHAR, MADHYA PRADESH. - 454552  
PH :9109199032  
7471111132.

**DHAR**

1226. RUKMANI MOTORS (P) LTD (5304-LM-02), 41/2 MAGAJPURA, DHAR., - 454001  
PH :9755549200  
9109978301.

**DINDORI**

1227. STANDARD AUTO AGENCIES (AVA1-AVA-01), SUKKHAR WARD 1, NEAR DHURVE PETROL PUMP, DINDORI - 481661  
PH :9131343928.

**FALI**

1228. OCEAN MOTORS (SGH1-SGH-01), NH 47, NEAR GRAM - FALI, TEHSIL KHUDEL, INDORE, MADHYA PRADESH. - 452016  
PH :7389936477.

**GADARWA**

1229. STANDARD AUTO AGENCIES (BOI2-BOI-01), KHASRA NO. 130/31A & 131/2, HALKA NO. 18/1, NO. 119, GADARWA, DISTRICT – NARSINGHPUR . - 487551  
PH :7771003374.

**GANU BASODA**

1230. DAGA MOTORS (A UNIT OF DAGA HEIGHTS) (AE2-AE-A-01), LAL BAGH, BARETH ROAD, GANU BASODA, VIDISHA, 464221. - 464221  
PH :9425148584.

**GARRA**

1231. KAMTHI MOTORS LLP (GJC1-GJC-01), LALBARRA ROAD, GARRA INDUSTRIAL AREA, GARRA, BALAGHAT, MADHYA PRADESH. - 481331  
PH :7723020684.

**GAUTAMPURA**

1232. OCEAN MOTORS PVT. LTD. (CFW1-CFW-01), RUNJI CHOURAHA, GAUTAMPURA, TEHSIL - DEPALPUR, DISTT.-INDORE, MADHYA PRADESH. - 453220  
PH :7389936477.

**GOTEGAON**

1233. STANDARD AUTO AGENCIES (BLY1-BLY-01), JABALPUR ROAD, OPP. NEW KRISHI UPJ MANDI, TEHSIL - GOTEGAON, DIST. -NARSINGHPUR. - 443 001  
PH :7771003374.

**GUNA**

1234. PREM MOTORS PVT. LTD. (S301-S3-01), OPP R.T.O., A.B. ROAD, GUNA, - 473001  
PH :268015.

**GWALIOR**

1235. NIKUNJ MOTORS (3006-30-01), GOLE KA MANDIR SQUARE, AIRPORT ROAD, GWALIOR, MADHYA PRADESH - 474005 - 474005  
PH :9109105599.

1236. PREM MOTORS PVT. LTD. (3003-30-01), M. L. B. ROAD, GWALIOR., - 474002  
PH :9928609803.

1237. PREM MOTORS PVT. LTD. (3005-30-01), SHIVPURI LINK ROAD, GWALIOR - 474002  
PH :9928609803.

**HALALPURA - BHOPAL**

## Dealer Workshop (AS ON 30.05.2023 )

1238. DAGA MOTORS (0309-03-02), KHASRA NO. 80/1/K, VILLAGE - HALALPURA, TEHSIL - HUZUR, DISTRICT - BHOPAL, MADHYA PRADESH. - 452030 PH :9109900365.	1247. KTL AUTOMOBILES (5309-53-C1), PLOT NO.5/R.C, SCHEME NO 134,MR 10,VILLAGE KHAURANA, DIST INDORE-452010,MADHYA PRADESH- 452010 PH :8889433301.	1259. RUKMANI MOTORS (P) LTD (5304-53-04), MANGAL COMPOUND, GODOWN NO. 11-12, VILLAGE 15/1, PIPLIYA KUMAR, MR 11 RING ROAD, DEWAS NAKA, INDORE, MADHYA PRADESH. - 452010 PH :9810782226 9109978301.	1269. RUKMANI MOTORS (SOA1-SOA-01), BYEPASS ROAD, OPPOSITE JP COLLEGE, JOBAT, MP – 457990 - 457990 PH :8755549200 9109978301.
<b>HANSA KHEDI</b>	1248. OCEAN MOTORS PVT. LTD. (5306-53-01), SCHEME NO 97, PLOT NO 49, PART - 4, COMMERCIAL MANDI, RING ROAD, NEAR CAT SQUARE, RAJENDRA NAGAR, INDORE, MADHYA PRADESH 452012 - 452001 PH :7389936513.	<b>JABALPUR</b>	<b>KARERA</b>
1239. KATHED MOTORCORP (SG1-SGI-01), MAIN DHARMAT ROAD, HANSA KHEDI (CHANDRAWATI GANJ), TEHSIL –SANSWER, DISTRICT –INDORE, MADHYA PRADESH. - 453551 PH :7471111132.	1249. OCEAN MOTORS PVT. LTD. (5306-53-02), NEAR QUEENS COLLEGE,ASHARAM BAPU ASHRAM, KHANDWA ROAD,INDORE - 452017 PH :8085916505.	1260. MAA GAYTRI (AGGARWAL) (5404-54-01), MOUZA KARMETA N.B. 497, P.H. NO 23/26, KHASRA NO. 497 & DIV. KHASRA NO. 484/6, DIV. SHEET NO 2, PLOT NO 63/1, JABALPUR-PATAN ROAD, JABALPUR. - 482002 PH :7489901021.	1270. PREM MOTORS (SMO1-SMO-01), GRAM - JHASI ROAD, KARERA, DISTRICT - SHIVPURI, MADHYA PRADESH - 473660. - 473660 PH :9226823596.
<b>HARDA</b>	1250. OCEAN MOTORS PVT. LTD. (5306-53-03), 171A, 174A, 175A, 180A, 181A, 82A, 182A, BRAJESHWARI EXTENSION, PIPLIYAHANA, INDORE - 452001 PH :7389936451.	1261. SHUBH MOTORS (5403-54-01), MAHANADDA, MADAN MAHAL ROAD, JABALPUR, MADHYAPRADESH - 482001 PH :9755581438.	<b>KATNI</b>
1240. INFINITY CARS (A UNIT OF FOUZDAR CARS PVT. LTD) (KM01-VY-02), NEAR RTO,INDORE HIGHWAY ROAD,HARDA MP - 461331 PH :8889281113.	1251. OCEAN MOTORS PVT. LTD. (5306-53-04), SCHEME NO 97, PLOT NO 142 & 151, PART - 4, COMMERCIAL MANDI, RING ROAD, NEAR CAT SQUARE, RAJENDRA NAGAR, INDORE, MADHYA PRADESH 452012 - 452012 PH :9285100697.	1262. SHUBH MOTORS (5403-54-03), 156/5/1, 156/3KA, 156/3KHA, 156/3GHA, BEHIND OM PETROLEUM, ADHARTAL TIRAHA, JABALPUR, MADHYA PRADESH - 482002 PH :9755594512.	1271. SHUBH MOTORS PVT LTD (FK01-FK-01), KHASRA NO.850, NH-7, JHINJARI, INFRONT OF POLICE STATION, JABALPUR ROAD, KATNI, MADHYA PRADESH. - 483501 PH :9755515839.
<b>HATOD</b>	1252. PATEL MOTORS (INDORE) PVT. LTD. (5303-53-01), 428/3/3, NIRANJANPUR, A B ROAD, INDORE - 452010 PH :9826360699.	1263. STANDARD AUTO AGENCIES (5405-54-07), NEW WARD NO. 71, IN FRONT OF ORIENTAL COLLEGE, KATNI BYPASS, JABALPUR, MP. - 482003 PH :6387098013.	<b>KHANDWA</b>
1241. OCEAN MOTORS PVT. LTD. (BVT1-BVT-01), 726/6, INDORE-DEPALPUR MAIN ROAD, OPP. HP GAS AGENCY, HATOD DISTT. INDORE - 453111 PH :7389936477.	1253. PATEL MOTORS (INDORE) PVT. LTD. (5303-53-02), 176/1,PIPLYA RAU, A.B. ROAD J,INDORE - 452017 PH :9826360699.	1264. STANDARD AUTO AGENCIES (5405-54-01), OPPOSITE ALLAHABAD BANK,DELITE TALKIES ROAD,CIVIL LINES, JABALPUR - 482001 PH :7771014822 9074360320.	1272. NIMAR MOTORS PVT. LTD. (AU01-3R-03), BEFORE VIKAS UDYOG, INDORE ROAD, KHANDWA - 450001 PH :9575105697, 9669569496.
<b>HATTA</b>	1254. PATEL MOTORS (INDORE) PVT. LTD. (5303-53-03), M.O.G. LINES, NEAR GANGWAL BUS STAND, DHAR ROAD, INDORE (M.P.) - 452006 PH :9826360699.	1265. STANDARD AUTO AGENCIES (5405-54-03), DEENDAYAL CHECK, DAMOH NAKA, JABALPUR - 482002 PH :7771006920.	<b>KHARGONE</b>
1242. ADHINATH MOTORS (SKK1-SKK-01), NEAR NAVODAYA SCHOOL, DAMOH ROAD, HATTA, DISTT. DAMOH (M.P.) - 470775. - 470775 PH :9009787562.	1255. PATEL MOTORS (INDORE) PVT. LTD. (5303-53-05), SURVEY NO. 174/5 AND 174/6, PIPLIYA RAO, INDORE, MADHYA PRADESH. - 452012 PH :9826360699.	1266. STANDARD AUTO AGENCIES (5405-54-06), CHIMNEY PLOT, MADAN MAHAL, NEAR GULZAR HOTEL, JABALPUR - 482001 PH :9302525012.	1273. NIMAR MOTORS PVT. LTD. (AU01-AU-01), JETAPUR,SANAWAD ROAD,KHARGAONE, - 451001 PH :9669569504, 9669569496.
<b>HOSHANGABAD</b>	1256. RANA MOTORS (5308-53-01), KHASRA NO. 293/2, 299/1, TEJAPUR, GADBADI PUL, A.B. ROAD, INDORE - 452009 PH :9109975566.	<b>JAORA</b>	1274. NIMAR MOTORS PVT. LTD. (AU01-AU-06), PH. NO. 35, VILLAGE – DANAPUR, TEHSIL – KHARGONE, DISTRICT – KHARGONE, MADHYA PRADESH. - 451001 PH :7694011436, 9669569496.
1243. INFINITY CARS (A UNIT OF FOUZDAR CARS PVT. LTD) (KM01-KM-01), 185, RAMJIBABA GROUND, HOSHANGABAD, MADHYA PRADESH - 461001 PH :8889281113.	1257. RUKMANI MOTORS (P) LTD (5304-53-01), 2-3, A.B. ROAD,INDORE - 452001 PH :9039088702 9109978301.	1267. PATEL MOTORS (INDORE) PVT. LTD. (P801-BFR-04), SURVEY NO.57/1/1/1, RATLAM ROAD, RATLAM NAKA, OPP. KOTHARI AGRIKO, INDUSTRIAL AREA, INFRONT OF ST. PAUL SCHOOL, JAORA, DISTT. RATLAM, MADHYA PRADESH - 457226 PH :243399, 7089901505, 9926932221.	<b>KHATEGAON</b>
<b>ICHHAWAR</b>	1258. RUKMANI MOTORS (P) LTD (5304-53-03), NO. 4/5, MANORAMA GANJ, INDORE - 452001 PH :9109107171 9109978301.	<b>JHABUA</b>	1275. UNITARA (BXB2-BXB-01), NEMAWAR-INDORE ROAD, KHATEGAON, M.P. - 455336 - 455336 PH :9770018283.
1244. RAJRUP MOTOR JUNCTION (A UNIT OF RMJ MOTORS PVT. LTD.) (CIK1-CIK-01), SEHORE NADAN ROAD, NEAR SARASWATI SCHOOL, ICHHAWAR, DISTRICT – SEHORE, MADHYA PRADESH. - 466115 PH :9826333501.		1268. PATEL MOTORS (INDORE) PVT. LTD. (AAR1-AAR-01), INDORE AHMEDABAD ROAD, MEGHNAGAR NAKA, JHABUA ,MADHYA PRADESH. - 457661 PH :9826634449.	<b>KOTMA</b>
<b>INDERGARH</b>		<b>JOBAT</b>	1276. SHUBH MOTORS (DO01-DO-01), WARD NO.7, ANNUPPUR KOTMA ROAD, DISTT. ANNUPPUR, KOTMA (M.P.) - 484336 PH :9303884800.
1245. PREM MOTORS (SPU1-SPU-01), NEAR KHERAPATI GARDEN, INDERGARH, MP - 475675 PH :9926809818.			<b>KUKSHI</b>
<b>INDORE</b>			1277. OCEAN MOTORS PVT. LTD. (BIO1-BIO-01), SURVEY NO.593/5/1, 593/6/1, BARWANI ROAD, TOLL KANTE KE PASS, TEHSIL-KUKSHI - 454331 PH :7389936477, 8085999990.
1246. KATHED MOTOCORP(A UNIT OF KATHED MOTORS PVT. LTD.) (5307-53-01), PLOT NO. 483/2/2, MAIN DHAR ROAD, NEAR CHANDAN NAGAR POLICE STATION, INDORE, MADHYA PRADESH. - 452002 PH :7471111132.			<b>LAKHNADON</b>
			1278. KAMTHI MOTORS LLP (SCL1-SCL-01), RANI DURGAVATI CHOWK, NH-7, WARD NO. - 05, JABALPUR ROAD, LAKHNADON, MADHYA PRADESH. - 480886 PH :9285506128.
			<b>MAHESHWAR</b>

1279. NIMAR MOTORS (SHH1-SHH-01), OPPOSITE DEVRAJ HOTEL, MAIN MANDLESHWAR-DHAMNOD ROAD, MAHESHWAR, MP - 451224  
PH :9689566504, 9754979019.

**MAHIDPUR**

1280. YUG CARS (A UNIT OF RUKMARANI CARS INDORE PVT. LTD) (CWN1-CWN-01), 264/3, BHIMAKHEDA, MAHIDPUR, UJJAIN - 456443  
PH :9755044300 9755512100.

**MAIHAR**

1281. CITY CARS (UNIT OF AGARWAL WHEELS) (D702-GI-04), UNIT OF AGARWAL WHEELS PVT. LTD., NEAR RELIANCE PETROL PUMP, NH-7, REWA ROAD, MAIHAR (M.P.) - 485771  
PH :9754301199.

**MAJHAULI**

1282. CITY CARS (SPN1-SPN-01), WARD NUMBER 14, NAGAR PARISAD MAJHAULI, DIST. SIDHI (M.P.) - 486666. - 486666  
PH :9754301199.

**MANASA**

1283. PATEL MOTORS (INDORE) PVT. LTD. (BZX1-BZX-01), 982/1, RAMPURA ROAD, MANASA, DIST. NEEMUCH, MADHYA PRADESH. - 458110  
PH :9977703139.

**MANAWAR**

1284. OCEAN MOTORS PVT. LTD. (BVS1-BVS-01), NEAR SHANTIKUNJ COLONY, INDORE-MANAWAR MAIN ROAD, TEHSIL - MANAWAR, DISTRICT - DHAR. - 454335  
PH :7389936477.

**MANDLA**

1285. STANDARD AUTO AGENCIES (5405-WD-04), KATARA ROAD, MANDLA, DIST. MANDLA MP - 481661  
PH :8959280989.

**MANDSAUR**

1286. PATEL MOTORS (INDORE) PVT. LTD. (WC01-WC-01), NEAR SHIVANA BRIDGE,RATLAM MANDSAUR ROAD,MANDSAUR - 458001  
PH :9977703139.

1287. PATEL MOTORS (INDORE) PVT. LTD. (WC01-WC-02), BLOCK 'C', SHED-5, WARD NO. 1, INDUSTRIAL AREA, CITY - MANDSAUR, MADHYA PRADESH. - 458001  
PH :9977704817.

**MANPUR**

1288. PATEL MOTORS (INDORE) PVT. LTD. (BRL1-BRL-01), KHASRA NO. 302/1/3, AB ROAD, MANPUR, DIST- INDORE - 453661  
PH :9826390699.

**MAUGANJ**

1289. CITY CARS (SEY1-SEY-01), NEAR SENGAR PETROL PUMP ,CHACK MODE WARD NUMBER 03,NH 7 ,MAUGANJ, DISTT - REWA, MADHYA PRADESH - 486331 . - 486331  
PH :975301199.

**MHOW**

1290. OCEAN MOTORS PVT. LTD. (WA01-WA-01), A.B. ROAD, NEAR KISANGANJ POLICE STATION, MHOW - 453441  
PH :7389936514.

**MORENA**

1291. PREM MOTORS PVT. LTD. (RG01-RG-01), NEAR SALES TAX BARRIER SQUARE, AB ROAD MORENA - 476001  
PH :9926809803.

**NAGDA**

1292. YUG CARS (A UNIT OF RUKMARANI CARS INDORE PVT. LTD) (CHR2-CHR-01), PLOT NO. 17, STATE HIGHWAY NO.17, INDORYIA ROAD, NAGDA, DISTRICT - UJJAIN, MADHYA PRADESH. - 456335  
PH :9755044300/9755512100.

**NARAYANGARH**

1293. PATEL MOTORS (SFN1-SFN-01), 1742/11, NARAYANGARH, TEHSIL - MALHARGARH, DISTRICT- MANDSAUR, MADHYA PRADESH. - 458553  
PH :9977703139.

**NARSINGHPUR**

1294. STANDARD AUTO AGENCIES (BB01-BB-01), KH. NO. 82/44 & 83/44, NB NO.519, PC NO. 19/42), OLD 46 (NEW) MOUZA RONSRA R.I.M. 2, TEHSIL & DISTRICT - NARSINGHPUR, MADHYA PRADESH. - 487001  
PH :9179779400.

**NASRULLAGANJ**

1295. JEEWAN MOTORS PVT. LTD. (CIN1-CIN-01), KHASRA NO. 458, VILLAGE - RALA, TEHSIL - NASRULLAGANJ, DISTRICT - SEHORE, MADHYA PRADESH. - 466331  
PH :9303894800.

**NEEMUCH**

1296. PATEL MOTORS (INDORE) PVT. LTD. (P801-3T-02), MHOW-NEEMUCH ROAD,NEEMUCH(MP),, - 458441  
PH :9977703907.

**NIWARI**

1297. ADINATH MOTORS (SFC1-SFC-01), ATKHASRA NO 2017/1, NEAR HDFC BANK MAIN ROAD, NIWARI, MADHYA PRADESH -472442. - 472442  
PH :9009787562.

**PANDHURNA**

1298. KAMTHI MOTORS (SFG1-SFG-01), SHANKAR NAGAR, PANDHURNA, DIST. - CHHINDWARA, MADHYA PRADESH - 480334. - 480334  
PH :9111535777.

**PANNA**

1299. CITY CARS (UNIT OF AGARWAL WHEELS) (EQ01-EQ-01), KHASRA NO. 378, MOHAN RAJ VILAS CHOURAHA, BESIDE MOHAN RAJ HOTEL, CIVIL LINE NH-75, PANNA, MADHYA PRADESH . - 488001  
PH :9754301199.

**PARASIA**

1300. KAMTHI MOTORS LLP (GKF1-GKF-01), KHIRSAODHMAL, PARASIA, CHHINDWARA. MP - 480441  
PH :9285506109.

**PATAN**

1301. MAA GAYATRI (SHP1-SHP-01), BESIDE KRISHI UPAJ MANDI, PATAN, PIN-483119, MADHYA PRADESH - 483119  
PH :7489901021.

**PAWAI**

1302. CITY CARS (UNIT OF AGARWAL WHEELS) (SIX1-SIX-01), NEAR ETORI PETROL PUMP, PANNA ROAD, PAWAI, DIST. - PANNA, MP. 488446 - 488446  
PH :9754301199.

**PETLAWAD**

1303. PATEL MOTORS (INDORE) PVT. LTD. (CJD1-CJD-01), NEAR H. P. PETROL PUMP, THANDLA ROAD, PETLAWAD, DISTRICT - JHABUA, MADHYA PRADESH. - 457773  
PH :9926932221.

**PIPARIYA**

1304. INFINITY CARS (A UNIT OF FOUZDAR CARS PVT. LTD) (CGB1-CGB-01), HATHWAS TIRAHA, SHOBHAPUR ROAD, PIPARIYA, MADHYA PRADESH. - 461775  
PH :8889281113.

**PITHAMPUR**

1305. PATEL MOTORS (INDORE) PVT. LTD. (5303-BVD-04), 254-A, SECTOR-1, INDUSTRIAL AREA, PITHAMPUR, DISTT. DHAR - 454775  
PH :9826360699.

**RAISEN**

1306. JEEWAN MOTORS (RF02-RF-01), WARD NO 14, PATANDEV, SAGAR ROAD, RAISEN, MADHYA PRADESH - 464551  
PH :9644712135.

1307. RAJRUP MOTORS (RF03-RF-01), OPPOSITE S P OFFICE, NEAR ST. FRANCIS SCHOOL, VIDISHA ROAD, RAISEN, MADHYA PRADESH. - 464551  
PH :9826335901.

**RAJGARH**

1308. RUKMANI MOTORS (P) LTD (GKE1-GKE-01), CHANDRA SHEKHAR AZAD MARG, NEAR TRIMURTI NAGAR, RAJGARH, DIST. - DHAR, MP. - 454116  
PH :9755549200 9109978301.

**RATLAM**

1309. PATEL MOTORS (INDORE) PVT. LTD. (P801-P8-01), 76 C,D&E,INDUSTRIAL AREA,RATLAM - 457001  
PH :99269-32221/93404-31858.

1310. PATEL MOTORS (INDORE) PVT. LTD. (P801-P8-03), 181/17/18,DOSHI GOAN,INDUSTRIAL AREA ,JAORA ROAD,RATLAM - 457001  
PH :99269-32221/93404-31858.

**REWA**

1311. CITY CARS (UNIT OF AGARWAL WHEELS) (D702-M2-03), NYPASS CHURHATA, DIST. REWA - 482001  
PH :9754301199.

1312. SHUBH MOTORS (5403-M2-05), VILLAGE - RATHARA, TEHSIL - HUZUR, DISTRICT - REWA, MADHYA PRADESH - 486003 - 486003  
PH :9755582351.

**SADALPUR**

1313. OCEAN MOTORS (SPS1-SPS-01), JAIN SHRI SUPER MARKET, SERVICE ROAD, MHOW-NEEMUCH ROAD, SADALPUR, DISTRICT DHAR (M.P.) - 454001. - 454001  
PH :7389936477.

**SAGAR**

1314. ADINATH CARS PRIVATE LIMITED (G102-G1-01), STATION ROAD, TILAK GANJ, SAGAR (M.P.) - 470001  
PH :9009780030.

**SANWER**

1315. RANA MOTORS PVT LTD (CWX1-CWX-01), S.NO. 356/3/1, OLD UJJAIN BYPASS ROAD, TALUKA SANWER, DIST.-INDORE, MADHYA PRADESH. - 453551  
PH :9109975566.

**SATNA**

1316. CITY CARS (UNIT OF AGARWAL WHEELS) (D702-D7-05), (A UNIT OF AGRAWAL WHEELS PVT. LTD.), BESIDE BHASKAR PRESS, BEHIND MARUTI SHOWROOM, WARD NO.27, AMOUDHA KALA, PANNA ROAD, SATNA - 485001  
PH :9754301199.

**SASUAR**

## Dealer Workshop (AS ON 30.05.2023 )

1317. KAMTHI MOTORS (CODE UNDER CREATIONS-CODE UNDER CREATIONS-CODE UNDER CREATIONS), BESIDE SAUSAR COTTON INDUSTRIES, CIVIL LINE, NAGPUR-CHINDWARA ROAD, SAUSAR, DIST-CHINDWARA, M.P. – 480106. - 480106 PH :9111535777.

### SEHORE

1318. JEEWAN MOTORS PVT. LTD. (0302-EH-02), 869/1/2, OFFICERS COLONY, IN FRONT OF CHURCH GROUND, BHOPAL, INDORE ROAD - 486001 PH :9617990992.

### SENDHWA

1319. NIMAR MOTORS PVT. LTD. (CIH1-CIH-01), KHASARA NO. 286/10 AND 287/14, HALKA NO. 11, VARLA ROAD, SENDHWA, TEHSIL – SENDHWA, DISTRICT – BARWAN, MADHYA PRADESH. - 451666 PH :7694011408, 9669569496.

### SEONI

1320. KUNAL MOTORS (U501-8X-05), JYARAT NAKA, JABALPUR NAGPUR ROAD, SEONI (M.P.) - 480661 PH :8349999269.

### SHADOL

1321. SHUBH MOTORS (MF01-MF-01), JAMUA, NEAR GYAN GUPTA, BUDHAR ROAD, SHAHDOL, - 484771 PH :9755595423.

### SHAHPURA

1322. STANDARD AUTO AGENCIES (CRD1-CRD-01), KHASARA NO.172/3, BHERAV MATA MANDIR NEAR TOLL NAKA MAIN ROAD, JABALPUR NARSINGHPUR ROAD, SHAHPURA, - 483119 PH :7771003374.

### SHAJAPUR

1323. UNITARA (RH03-RH-01), LAL GHATI, A B ROAD, SHAJAPUR, MP - 465001 PH :9770018283.

### SHAMGARH

1324. PATEL MOTORS (INDORE) PVT. LTD. (BF21-BF2-01), KHASARA NO. 1179/1, MOHALLA MAROTH, TEHSIL – SHAMGARH, DISTRICT – MANDSAUR, MADHYA PRADESH. - 458883 PH :9977703139.

### SHIVPURI

1325. PREM MOTORS PVT. LTD. (3003-3U-04), A B ROAD, SHIVPURI, - 473551 PH :9926809976.

### SHUJALPUR

1326. UNITARA (BGP2-BGP-01), KISHONI, OPPOSITE HP FUEL STATION, SHUJALPUR, M.P. - 465333 - 465333 PH :9770018283.

### SHYAMPUR

1327. DAGA MOTORS (SJK1-SJK-01), NEAR MAHADEV RESTAURANT, NH-12, SHYAMPUR, DISTRICT – SEHORE, MADHYA PRADESH - 466651. - 466651 PH :9752880210.

### SIDHI

1328. CITY CARS (UNIT OF AGARWAL WHEELS) (BKM1-BKM-01), ADHIYAR KHOH, NEAR GYAN DHARAMKATA, SIDHI, MADHYA PRADESH. - 486661 PH :9754301199.

### SIHORA

1329. SHUBH MOTORS PVT. LTD. (CIG1-CIG-01), KHASARA NO. 31/1, P.H. – 11, MOUZA – GHAT SIMARIYA, TEHSIL – SIHORA, DISTRICT – JABALPUR, MADHYA PRADESH., - 483440 PH :9755580253.

### SIMROL

1330. RUKMANI MOTORS (BZV2-BZV-01), AMRIT SAGAR COLONY, SIMROL, DIST. - INDORE, MADHYA PRADESH - 452020 - 452020 PH :9109978301.

### SINGHOLI

1331. PATEL MOTORS (SEQ1-SEQ-01), BEGHU CHITTORGARH ROAD, SINGOLI, NEEMUCH, MP – 458228 - 458228 PH :9977703907.

### SIRONJ

1332. RAJPUR MOTOR JUNCTION (A UNIT OF RMJ MOTORS PVT. LTD.) (CVM1-CVM-01), OPPOSITE BALAJI DHAM, LINK ROAD, SIRONJ, MADHYA PRADESH. - 464228 PH :9826333501.

### SITAMAU

1333. PATEL MOTORS (SLL1-SLL-01), MAUKHEDA, TEHSIL - SITAMAU, DISTRICT - MANDAU, MADHYA PRADESH - 458990 - 458990 PH :9977703139.

### TARANA

1334. YUG CARS (A UNIT OF RUKMARANI CARS INDORE PVT. LTD) (CHQ2-CHQ-01), HOUSE NO. 1/6, WARD NO. 10, TOTLA MARG, TARANA-UJJAIN ROAD, TARANA, MADHYA PRADESH. - 456665 PH :9893563031/9755512100.

### TENDUKHEDA

1335. STANDARD AUTO AGENCIES (CRC1-CRC-01), KHASARA NO. 49/6, MOUZA – TENDUKHEDA, DISTRICT – NARSINGHPUR. - 470880 PH :7771003374.

### THIKRI

1336. NIMAR CAR (SED1-SED-01), OPPOSITE OF SHREE BALAJI TYRE SALES & SERVICE, SHREE NAGAR, THIKRI, MADHYA PRADESH –451660. - 451660 PH :9109202186.

### TIKAMGARH

1337. ADINATH CARS PRIVATE LIMITED (RE02-RE-01), NEAR MAU CHUNGI NAKA, TIKAMGARH (M.P.) - 472001 PH :9009987440.

### UDAIPURA

1338. JEEWAN (SCI1-SCI-01), WARD NO 3, NH-12, UDAIPURA, DIST. - RAISEN, MADHYA PRADESH - 464770 PH :8718911777.

### UJJAIN

1339. YUG CARS (3W03-3W-02), 54/3/2, AGAR NAKA, NEAR VARDHAN HOTEL, MAKODI AM CHAURAHA, INDIRA NAGAR, UJJAIN, MADHYA PRADESH. - 456001 PH :9755512100, 7024235298.

1340. YUG CARS (A UNIT OF RUKMARANI CARS INDORE PVT. LTD) (3W03-3W-01), SURVEY NO. 59/3, DEWAS ROAD, UJJAIN - 456010 PH :9755512100, 7869911945.

### UMARIA

1341. SHUBH MOTORS (5403-BVY-04), 8/2 GRAM BHAGRA, KIRANTAL KHURD, UMARIA DISTRICT UMARIA (MADHYA PRADESH) - 484661 PH :9755505888.

### VIDISHA

1342. DAGA MOTORS (A UNIT OF DAGA HEIGHTS) (AY02-AY-01), PLOT NO 59/1, VILLAGE RANGAL, VIDISHA, MADHYA PRADESH - 464001 PH :9109900374.

### VIDISHA

1343. RAJPUR (AY03-AY-01), UDAYNAGAR COLONY, NEAR OIL FACTORY, SAGAR ROAD, VIDISHA, DISTRICT-VIDISHA (M.P.) - 464001 - 464001 PH :7869975501.

### WAIDHEN

1344. CITY CARS (UNIT OF AGARWAL WHEELS) (D702-JJ-02), NEAR VIJAY BANDHU PETROL PUMP, KACHANI, THE. WAIDHEN, DISTRICT, SINGRAULI, MADHYA PRADESH - 486886 PH :9754301199.

## MAHARASHTRA

### AHMEDNAGAR

1345. KANKARIYA AUTOMOBILES PVT. LTD. (A501-A5-01), SARDA MILLS, SAVEDI ROAD, AHMEDNAGAR, MAHARASHTRA - 414001 PH :7410024227

1346. KANKARIYA AUTOMOBILES PVT. LTD. (A501-A5-05), MIDC, AHMEDNAGAR - 414003 PH :7447700029.

### AJARA

1347. SAI SERVICE PRIVATE LIMITED (CIR1-CIR-01), GAT NO. 30, PLOT NO. 24, GP MILKAT NO. 906/3, NEAR MAYUR PETROL PUMP, AJARA, DISTRICT – KOLHAPUR. - 416505 PH :7778837717, 9673331977.

### AKLJ

1348. CHAVAN MOTORS DIVISION INDIA PVT LTD (B102-RU-04), PLOT NO. 15/3A, PANCHVATI STOP, MALINAGAR ROAD, AKLJ - 413101 PH :0217-223033/8805986848.

### AKOLA

1349. KHANDELWAL AUTOWHEELS PVT. LTD. (F101-F1-01), TIRUPATI CHAMBERS, CONVENT ROAD, AKOLA - 444005 PH :9767892552/9122205551.

1350. KHANDELWAL AUTOWHEELS PVT. LTD. (F101-F1-02), PLOT NO E/12-13-MIDC PHASE-2, AKOLA. - 444001 PH :9767892552/9112220551.

### ALEPHATA

1351. THE KOTHARI WHEELS (CSZ1-CSZ-01), GAT NO.446, MATOSHRI PRIDE, NEAR SADHANA BANK, KALYAN ROAD, A/P – ALEPHATA, TALLUKA – JUNNAR, DISTT. PUNE, PIN-412411 PH :8421753278.

### ALIBAUG

1352. SIMRAN MOTORS PVT. LTD. (7S01-3X-05), SURVEY NO. 30/1, OPP. RCF COLONY, VILLAGE – VESHVI, ALIBAUG, DISTRICT – RAIGAD, MAHARASHTRA - 402201 PH :9223161512, 9270888786.

### AMALNER

1353. MANRAJ MOTORS (EL01-EL-01), PRASAD MOTORS, RAVI NAGAR, NEAR NAYARA PETROL PUMP, DHULE ROAD, AMALNER, DIST. JALGAON-425401. - 425401 PH :#REF!

### AMBERNATH

1354. AHER AUTOPRIME LLP (COP1-COP1-01), PLOT NO-24,26,27/17, MIDC, KALYAN-BADLAPUR ROAD, VILLAGE - KHOJ, KHUNTAVALI, AMBERNATH - 421501 PH :8422871720.

### AMRAVATI

1355. ASPA BANDSONS AUTO PVT. LTD. (F201-F2-01), SATURNA BADNERA ROAD, AMRAVATI, MAHARASHTRA. - 444807 PH :9423123665

1356. ASPA BANDSONS AUTO PVT. LTD. (F201-F2-05), A1/A2, OLD VY PASS ROAD, MIDC, AMRAVATI, DIST: AMRAVATI, MAHARASHTRA. - 444607 PH :9423339601.

**APTA**

1357. K.T.S. AUTOMOTORS PVT. LTD. (0582-7S-01), VILLAGE: APTA, OPP. APTA RAILWAY STATION, LADIWALI, DIST: RAIGAD, PANVEL (MAHARASHTRA) - 410207 PH :9420611356/94206611326.

**AURANGABAD**

1358. AUTOMOTIVE MANUFACTURERS PVT. LTD. (2102-21-01), PLOT NO. 1,P.B.NO. 716,CHIKALTHANA,AURANGABAD - 431210 PH :9158000046.

1359. PAGARIYA AUTO PVT. LTD. (2103-21-01), OPP. OLD HIGH COURT, NEAR HOTEL ASHOKA EXECUTIVE, JALANA ROAD, AURANGABAD - 431005 PH :02406659902.

1360. AUTOMOTIVE MANUFACTURERS PVT. LTD. (2102-21-03), C-27,MIDC, CHIKALTHANA , N/R LUPIN LABORATORIES, AURANGABAD, MAHARASHTRA - 431006 PH :9158000059.

1361. PAGARIYA AUTO PVT. LTD. (2103-21-05), GAT NO. 46, PLOT NO. 50, NEAR MASTER COOK RESTAURANT (KAILASH HOTEL) BEEB BYPASS ROAD, AURANGABAD, MAHARASHTRA - 431005 PH :9860998484/9860999468.

1362. PAGARIYA AUTO PVT. LTD. (2103-21-06), PLOT NO.A-35 MIDC, NEAR MAIN RAILWAY STATION, AURANGABAD - 431001 PH :9408886768/7387279311.

**BADLAPUR**

1363. PRAKASH AUTO PVT. LTD. (9001-90-01), SHOP NO. 2, S. NO. 16, PLOT NO. 25 & 26, KRISHNA WATER SUPPLY, OPP. INDIAN OIL PETROL PUMP, MIDC ROAD, KATRAP, BADLAPUR (EAST) - 421503 PH :8655791288/9870453155.

**BALLARPUR**

1364. TRISTAR CARS (H302-ZH-04), PLOT NO.11, BEHIND ZAWERI PETROL PUMP, NEAR GURU NANAK COLLEGE, ALLAPALLI ROAD, BAMNI, TAH. BALLARPUR - DIST. - 442701 PH :7447473304.

**BARAMATI**

1365. MAHALAXMI AUTOMOTIVES PVT. LTD. (7R01-7R-01), BARAMATI- PHALTAN RD., KASBA, BARAMATI, DIST. PUNE - 413102 PH :9881370310.

**BARSHI**

1366. CHAVAN MOTORS DIVISION INDIA PVT LTD (BBA1-BBA-01), GAT NO.1407/1, LATUR ROAD, NEAR ESSAR PETROL PUMP, BARSHI. - 413401 PH :8378983726.

**BEEED**

1367. PAGARIYA AUTO PVT. LTD. (V602-V6-01), GUT NO. 61, VILLAGE – GHOSAPUR, TALUKA AND DISTRICT – BEEED, MAHARASHTRA. - 431122 PH :9834161614/02442256058/02442256056/02442256057/.

**BHANDARA**

1368. AUTOMOTIVE MANUFACTURERS PVT. LTD. (2001-FG-03), JINDAL'S BLDG, NEAR NAVKAR PETROL PUMP, SAINATH NAGAR, NH-6, BHANDARA - 441904 PH :7030932330/9673004280.

**BHOR**

1369. SEHGAL AUTORIDERS PVT. LTD. (BSV1-BSV-01), GUT NO. 929/1, UTTROLI, BHOR, TALUKA – BHOR, DISTRICT – PUNE, MAHARASHTRA. - 412206 PH :9527771016.

**BOISAR**

1370. SHIVAM AUTO ZONE (ES02-ES-01), PLOT NO. J-240, MIDC ROAD, BOISAR, TARAPUR INDUSTRIAL, MUMBAI, PIN-401501, MAHARASHTRA - 401501 PH :8082551155.

**BRAMHAPURI**

1371. TRISTAR CARS PVT LTD (H302-TW-02), 165, NAVEGANGA, NEAR VIDYANIKETAN SCHOLL, WADSA ROAD, BRAMHAPURI, DIST: CHANDARPUR, MAHARASHTRA - 441206 PH :7745883000.

**BULDHANA**

1372. MANRAJ MOTORS PVT LTD (COU1-COU-01), GAT NO. 94, PLOT NO. 11, SUNDERKHEDE, BULDHANA, MAHARASHTRA. - 443 001 PH :7875051521.

**CHALISGAON**

1373. MANRAJ MOTORS PVT LTD (AAE1-AAE-01), SL. NO 406, PLOT NO. 2, NEAR HOTEL RANI PARK, DHULE ROAD, CHALISGAON, DIST: JALGAON, MAHARASHTRA. - 424101 PH :8408889861.

**CHANDGAD**

1374. SAI SERVICE PRIVATE LIMITED (BT1F-BTF-01), GAT NO 360, G.P.M NO.157, A/P HALKARNI TALUKA CHANDGAD, DISTT. KOLHAPUR, MAHARASHTRA. - 416507 PH :9673339103.

**CHANDRAPUR**

1375. TRISTAR CARS PVT LTD (H302-H3-01), NR. HOTEL KUNDAN PLAZA,NAGPUR ROAD,CHANDRAPUR - 442401 PH :7722068612.

1376. TRISTAR CARS PVT LTD (H302-H3-03), NAGPUR ROAD, CHANDRAPUR - 442401 PH :7722068603.

**CHIPLUN**

1377. JAGRUT MOTORS PVT LTD (9A01-9A-01), SURVEY NO-543, NH-17, MUMBAI-GOIA HIGHWAY,AT-KALAMBASTE,TAL-CHIPLUN, DIST-RATNAGIRI,MAHARASHTRA - 415605 PH :7083687172/8308917693.

**DAHANU**

1378. SAI SERVICE PRIVATE LIMITED (V901-TD-03), DAHANU-JAWAHAR ROAD, DAHANU(E), TAL-DAHANU, DIST. TAHNE - 401602 PH :9730302821/9167980005/9594952211.

**DAPOLI**

1379. JAGRUT MOTORS PVT LTD (G301-VG-06), AT/POST-DAPOLI, DAPOLI-KHEED ROAD,DAPOLI.DIST RATANAGIRI. - 415712 PH :8309816572/7447752372.

**DHAMANGAON**

1380. ASPA (SFZ1-SFZ-01), RAMDEVBABA NAGAR, ANJANISINGH ROAD, DHAMANGAON RAILWAY, DIST: AMRAVATI - 444709 PH :9800333558.

**DHULE**

1381. SEVA AUTOMOTIVE LTD. (P301-P3-01), GATE NO. 90,AWADHAN,MUMBAI AGRA ROAD,DHULE - 424001 PH :02562-281128/29.

**DINDORI**

1382. AUTOMOTIVE MANUFACTURERS PVT. LTD. (AAF1-AAF-01), S.NO.753, NEAR PANDAV PETROL PUMP,NASIK DINDORI ROAD, TAL. DINDORI, DISTT. NASIK - 422202 PH :9673003132 / 9673006390.

**DOMBIVALI**

1383. AUTOMOTIVE MANUFACTURERS PVT. LTD. (3901-JS-02), PLOT NO. B-43, PHASE-1,DOMBIVALI INDUSTRIAL AREA, DOMBIVALI,DISTT-THANE, MAHARASHTRA, - 421201 PH :9879050913/9769206095/9769206101.

1384. FORT POINT AUTOMOTIVE (CARS) PVT. LTD. (3906-JS-02), SURVEY NO.13, NEAR PIMPLESHWAR TEMPLE, OPP. MAHANAGAR CNG PUMP, KALYAN-SHILPATA ROAD, MANGAON, SONARPADA, DOMBIVLI EAST. - 421203 PH :8422800740, 8422978490.

**GADCHIROLI**

1385. ARYA CARS (UNIT OF BARBATE AUTOMOTIVE (I) PVT. LTD) (ZK02-ZK-01), PLOT NO. 10, GANESH NAGAR, MUL ROAD, GADCHIROLI , MAHARASHTRA - 442702 PH :8669929188.

**GADINGLAJ**

1386. SAI SERVICE PRIVATE LIMITED (3802-DB-04), 581/7B, PLON NO-12, SANKESHWAR ROAD, OPP. HOTEL NEELKAMAL, TAL. GADINGLAJ - 416502 PH :02327-222239.

**GONDIA**

1387. ARYA CARS (UNIT OF BARBATE AUTOMOTIVE (I) PVT. LTD) (2004-4C-02), ITI ROAD,NR. FULCHUR NAKA,OPP LAXMI FLOUR MILL,GONDIA - 441601 PH :8888837023/8888859487.

1388. ARYA CARS (UNIT OF BARBATE AUTOMOTIVE (I) PVT. LTD) (2004-4C-03), ITI KAWLEWADA ROAD, NEAR HIMGIRI LAYOUT, KARANJA, GONDIA, MAHARASHTRA. - 441 601 PH :8888837023/8888859487.

**GUHAGAR**

1389. JAGRUT MOTORS PVT LTD (BJV1-BJV-01), SURVEY NO. 23A, SHRUNGALTALI, GUHAGAR-CHIPLUN ROAD, GUHAGAR, RATNAGIRI, MAHARASHTRA - 415703 PH :7218548798/7447752072.

**HINGANGHAT**

1390. SEVA AUTOMOTIVE PVT. LTD. (CD21-CDZ-01), PLOT NO. P-1, HINGANGHAT INDUSTRIAL AREA, NH-7, AJANTI, HINGANGHAT, TALUK – HINGANGHAT, DISTRICT – WARDHA, MAHARASHTRA. - 442301 PH :7722067843.

**HINGOLI**

1391. PAGARIYA AUTO PVT. LTD. (IF03-IF-01), PLOT NO.5,7 & 8, SURVEY NO.29/2, AKOLA BY PASS ROAD, HINGOLI. - 431513 PH :8411961177.

**HUPARI**

1392. SAI SERVICE PRIVATE LIMITED (CIQ1-CIQ-01), GAT NO.925/8K/2, PLOT NO.7, HUPARI TO YALGUD ROAD, HUPARI, TAL-HATKANANGALE, DISTRICT – KOLHAPUR. - 416203 PH :9923208454.

**ICHALKARANJI**

1393. SAI SERVICE PRIVATE LIMITED (4D01-4D-01), GATE NO. 107, KOLHAPUR ROAD,KABNOOR,ICHALKARANJI - 416122 PH :0230-2425282.

**INDAPUR**



## Dealer Workshop (AS ON 30.05.2023)

1394. MAHALAXMI AUTOMOTIVES PVT. LTD.  
(7R01-NQ-02), STATE HIGHWAY NO. 151,  
INDAPUR - 412219  
PH :8308807314.

### ISLAMPUR

1395. CHOWGULE INDUSTRIES PVT. LTD.  
(PJ02-PJ-01), GATE NO.905/A/3, NEAR BOMBAY  
RAYAN, PUNE-BANGALORE HIGHWAY (NH-4),  
ISLAMPUR TALUKA : WALVA, DIST:SANGLI -  
415409  
PH :02342-225757.

### JALGAON

1396. MANRAJ MOTORS PVT LTD (C401-C4-01),  
AJINTA ROAD, MIDC INDL AREA, JALGAON -  
425003  
PH :9423969538.

### JALNA

1397. AUTOMOTIVE MANUFACTURERS PVT. LTD.  
(2102-BL-02), PLOT NO. 4 & 5, CTS NO.  
114271A-A. BALAJI COMPLEX,  
JALNA-AURANGABAD ROAD, JALNA, - 431203  
PH :9158000063.

### JATH

1398. CHOWGULE INDUSTRIES PVT. LTD.  
(J102-BLX-05), PLOT NO. 12, SAWANT ESTATE,  
MORE COLONY, OPP. CATTLE BAZAR, SATARA  
ROAD, JATH, DISTRICT SANGLI,  
MAHARASHTRA - 416404  
PH :02344-246598.  
1399. SIDHI WHEELS (BLX1-BLX-01), GAT NO- 27/1B,  
POST-RAMPUR, JATH-SANGLI ROAD, TALUKA-  
JATH, DISTRICT-SANGLI - 416404  
PH :9856454526.

### JAYSINGPUR

1400. SAI SERVICE PRIVATE LIMITED (ASA1-ASA-01),  
GATE NO. 1239, NEAR ACHRYA TULSI BLOOD  
BANK, A/P UDGAON(JAYSINGHPUR),  
TALUKA:SHIROL, DIST: KOLHAPUR - 416134  
PH :9673339762.

### JEJURI

1401. EXCELL AUTO VISTA (SKY1-SKY-01), GAT NO -  
224, AT POST-SAKURDE, JEJURI,  
TALUKA-PURANDHAR, DISTRICT-PUNE,  
PIN-412303, - 412303  
PH :9146052651.

### KALWAN

1402. SHAAN CARS PRIVATE LIMITED  
(BNW1-BNW-01), GAT NO. 189, PLOT NO. 7,  
MALEGAON ROAD, A/P KALWAN, NASHIK. -  
423501  
PH :9075028780, 9689003988.

### KALYAN

1403. AHER AUTOPRIME LLP (CFV1-CFV-01), SURVEY  
NO.53 & 54, HIND MILL, OPPOSITE STATE BANK  
OF INDIA, ANDHARWADI ROAD, KALYAN,  
MUMBAI - 421301  
PH :9819705444/8657402204/9769927505.  
1404. AHER AUTOPRIME LLP (CFV1-CFV-02), SURVEY  
NO.31B,MOHANE ROAD ,NEAR SHAHAD  
RAILWAY STATION,SHAHAD,KALYAN. - 421103  
PH :8422871720/8657402204/9833993076.

### KANKAVALI

1405. JAGRUT MOTORS PVT LTD (G301-V7-05), PLOT  
NO.32-33, SURVEY NO.-1886/1, MUMBAI-GOA  
HIGHWAY  
(NH-17),JANAVLI,KANKAVLI,MAHARASHTRA -  
416002  
PH :7499051071/9021095805.

### KARAD

1406. CHOWGULE INDUSTRIES PVT. LTD.  
(F303-4E-02), 112/3, PUNE-BANGALORE ROAD,  
NEAR RELIANCE GAS PUMP, A/P MALKAPUR,  
TAL. KARAD, DISTT. SATARA - 415110  
PH :9922569835.

### KARJAT

1407. SIMRAN MOTORS PVT. LTD. (7S01-TA-03),  
PANVEL-KARJAT ROAD, KARJAT, DIST. RAIGAD -  
410201  
PH :8691988895, 8108181978.  
1408. KANKARIYA AUTOMOBILES PVT. LTD.  
(GJV1-GJV-01), KARJAT-NAGAR ROAD, KARJAT,  
MAHARASHTRA - 414402  
PH :9890843771.

### KARMAD

1409. PAGARIYA (CEB1-CEB-01), GAT NO-245, BHAKTI  
COMPLEX, BEHIND BHARAT PETROL PUMP,  
AURANGABAD ROAD, KARMAD - 431007, -  
431007  
PH :7575077181 / 9687668929.

### KARMALA

1410. CHAVAN MOTORS DIVISION INDIA PVT LTD  
(GJQ1-GJQ-01), GAT NO. 105, SURVEY NO.  
3961, KARMALA-NAGAR ROAD, A/P. KARMALA,  
TALUKA - KARMALA, DIST.-SOLAPUR. - 413202  
PH :8806665691.

### KAVATE MAHANKAL

1411. CHOWGULE INDUSTRIES PVT. LTD.  
(SC02-SC-01), MAHANKALI BAAZAR, KAVATE  
MAHANKAL-JAT ROAD, KAVATE MAHANKAL,  
SANGLI, MAHARASHTRA - 416405  
PH :02341-222102.

### KHAMGAON

1412. MANRAJ MOTORS PVT LTD (BXU1-BXU-01), GAT  
NO 41, OLD SURVEY NO. 12/1A, NEAR AMRUT  
PETROL PUMP, AKOLA ROAD, KHAMGAON ,  
MAHARASHTRA - 444303  
PH :07623-250002/3.

### KHANAPUR (SANGLI)

1413. CHOWGULE INDUSTRIES LTD (SNM1-SNM-01),  
KHANAPUR VITA ROAD, KHANAPUR,  
TAL-KHANAPUR, DIST-SANGLI - 415307  
PH :75079 66715.

### KHARGHAR

1414. EXCELL AUTOVISTA PVT LTD (AAC1-AAC-01),  
SURVEY NO.742/439, KOPRA VILLAGE,,  
SECTOR-10, SION-PANVEL HIGHWAY,  
KHARGHAR, DIST. RAIGAD - 410210  
PH :7666703636 / 9594153308 / 8422991300 /  
9320357300.

### KHED

1415. JAGRUT MOTORS (COR1-COR-01), GAT NO -  
43/B, MAUZA-BHARNE NAKA, TALUKA-KHED,  
DIST-RATNAGIRI. - 415709  
PH :9689533472.

### KHOPOLI

1416. KIRAN MOTORS (9C02-9C-01), PLOT NO-68,  
VILLAGE-MULGAON, KHOPOLI INDUSTRIAL  
ESTATE, KHOPOLI, TALUKA-KHALAPUR  
DIST-RAIGARH - 410204  
PH :8976791922, 8976791920.

### KOLHAPUR

1417. SAI SERVICE PRIVATE LIMITED (3802-38-01),  
PLOT NO. 1, E WARD, BEHIND PARVATI  
TALKIES, SHIVAJI UDYAMNAGAR, KOLHAPUR -  
416008  
PH :0231-2661676.  
1418. SAI SERVICE PRIVATE LIMITED (3803-38-01),  
C-6, SHIROLI MIDC, MENON OPP MENON  
PISTONS,NH-4, KOLHAPUR - 416122  
PH :0230-2468376.  
1419. SAI SERVICE PRIVATE LIMITED (3802-38-06), R  
S NO. 1018/1, PLOT NO. 28, APATE NAGAR,  
KALAMBA RING ROAD, KOLHAPUR,  
MAHARASHTRA. - 416012  
PH :0231-2329494.  
1420. KR MOTORS KOLKOHUR PVT LTD (3804-38-01),  
PLOT NO. 216/2, 216/3, 216/5, MUMBAI  
BANGALORE HIGHWAY,, GOKUL SHIRGAON,  
KOLHAPUR. - 416234  
PH :7447755586, 7447755504.

### KONGAON

1421. PRAKASH AUTO PVT. LTD. (3903-AZ-02),  
SURVEY NO.126/127,98/38,AT & POST  
KONGAON. - 421302  
PH :9702809689/9870453155.

### KOPARGAON

1422. SHAAN CARS PRIVATE LIMITED (COV1-COV-01),  
SURVEY NO. 15/36 GAWARE PATIL ESTATE,  
NAGAR MANMAD HIGHWAY, NEAR ASHOKA  
HOTEL, KOPARGAON. - 423 601  
PH :9075028780.

### KOREGAON BHIMA

1423. SAI SERVICE (BUO1-BUO-01), GAT NO-373,  
VILLAGE-KOREGAON BHIMA, TALUKA-SHIRUR,  
DIST-PUNE. - 415501  
PH :7774997005.

### KUDAL

1424. JAGRUT MOTORS PVT LTD (9B01-9B-01),  
SURVEY NO. 50/5, 51/5, A/P PINGULI,  
TEMBDHURI, TALUKA - KUDAL, DISTRICT -  
SINDUDURG, MAHARASHTRA - 416520  
PH :8806664572/8208965235.

### KURUNDWADI

1425. CHAVAN MOTORS DIVISION INDIA PVT LTD  
(CUF1-CUF-01), GAT NO :256, BYPASS ROAD,  
A/P KURDA, TALUKA-MADHA, DISTT. SOLAPUR.  
- 413208  
PH :8806665691.

### KURUNDWAD

1426. SAI SERVICE PVT. LTD. (BHO1-BHO-01), GAT  
NO. 250, AT POST - KURUNDWAD, TALUKA -  
SHUROO, DIST.-KOLHAPUR. - 416106  
PH :9673339695.

### LANJA

1427. JAGRUT MOTORS (SER1-SER-01), GAT NO-663,  
TALUKA-LANJA, DIST - RATNAGIRI,  
MAHARASHTRA -416701 - 416701  
PH :8108718346.

### LASALGAON

1428. SHAAN CARS PRIVATE LIMITED (BZM1-BZM-01),  
PLOT NO. 337, LASALGAON MAIN ROAD,  
LASALGAON, TALUKA - NANDGAON, DISTRICT  
- NASHIK. - 422306  
PH :9075028780, 7720094847.

### LATUR

1429. AUTOMOTIVE MANUFACTURERS PVT. LTD.  
(V801-V8-01), CITY SURVEY NO. 2960, NANNED  
ROAD, OPP. TIRUPATHI LODGE, LATUR -  
413512  
PH :9607999095.

1430. AUTOMOTIVE MANUFACTURERS PVT. LTD.  
(V801-V8-02), PLOT NO. 28, 29, 30, SURVEY NO.  
36, VARVATTI VILLAGE, LATUR - BARSHI ROAD,  
LATUR - 413512  
PH :9607999091/9607999092/9607999093/9607999094  
/9607999097.

### LONAVALA

1431. SEHGAL AUTORIDERS PVT. LTD.  
(CGA1-CGA-01), GATE NO. 120/1, VILLAGE -  
WAKSAI, TALUKA - MAVAL LUNAVALA,  
DISTRICT - PUNE, MAHARASHTRA. - 410405  
PH :89753 73431.

### MAHAD

1432. SIMRAN MOTORS PVT. LTD. (7S01-TX-04), NEAR RELIANCE PUMP, PANVEL-GOIA ROAD, MAHAD, DIST. RAIGAD - 402301  
PH :9870404323.

**MALEGAON**

1433. SHAAN CARS PRIVATE LIMITED (3703-FF-02), PLOT NO. 572/81, CHANDANPUR SHIVAR, OLD MUMBAI, AGRA ROAD, DIST- NASIK, MALEGAON - 423203  
PH :9922296920/9922296956.

**MANCHAR**

1434. THE KOTHARI WHEELS (1906-AGA-04), SOHAM NAGARI, A-WING, SHOP NO.8 & 16, PUNE NASIK HIGHWAY, A/P MANCHAR, TALUKA: AMBEGAON, DISTT: PUNE, MAHARASHTRA - 410503  
PH :8411003608.

**MANGALVEDHA**

1435. CHAVAN MOTORS (CODE UNDER CREATIONS-CODE UNDER CREATIONS-CODE UNDER CREATIONS), NEAR SWARAJYA HOTEL, PANDHARPUR ROAD, CHOKAMELANAGAR, MANGALVEDHA, MAHARASHTRA, PIN-413305 - 413305  
PH :8805778881.

**MANGAON**

1436. SIMRAN MOTORS PVT. LTD. (BAM1-BAM-01), SURVEY NO.97, AT-POST-NANORE, NH-17, MUMBAI-GOIA HIGHWAY, MANGAON, RAIGAD, MAHARASHTRA. - 402104  
PH :9223181120.

**MANMAD**

1437. SHAAN CARS PRIVATE LIMITED (BNX1-BNX-01), GAT NO. 11/3, PLOT NO. 1 AND SHOP NO. 3 & 4, NANDGAON ROAD, MANMAD. - 423104  
PH :9075028780, 8888832369.

**MANOR**

1438. SAI SERVICE PRIVATE LIMITED (CRE1-CRE-01), GUT NO. 37, NEAR MSEB POWER STATION, PALGHAR MANOR ROAD, AT POST - TAKVAHAL, DISTRICT - PALGHAR, MANOR. - 401403  
PH :9167980005.

**MIRA ROAD, THANE**

1439. SUPREME AUTOMOBILES (3915-39-01), BRILLIANT COMPLEX, WESTERN EXPRESS HIGHWAY, MIRA ROAD, THANE- 401107. - 401107  
PH :8591942704.

**MIRAJ**

1440. CHOWGULE INDUSTRIES PVT. LTD. (J102-SD-03), 42C ,OPP. WHISPERING WOODS, MIDC AREA, TALUKA MIRAJ, DISTT. SANGLI, MAHARASHTRA - 416410  
PH :0233-2643221,0233-264322.

**MORGAON**

1441. MAHALAXMI AUTO (CODE UNDER CREATIONS-CODE UNDER CREATIONS-CODE UNDER CREATIONS), GAT NO-179, MORGAON, - TALUKA- BARAMATI, DIST-PUNE - 412304  
PH :9850994014.

**MUMBAI**

1442. SAI SERVICE PRIVATE LIMITED (0504-05-01), 462 SENAPATI BAPAT MARG, WORLI NAKA, LOWER PAREL, MUMBAI - 400013  
PH :9594952122/9594952088/9167980082.

1443. SAI SERVICE PRIVATE LIMITED (0504-05-02), ARVIND CHAMBERS, 194 ANDHERI KURLA ROAD, ANDHERI(EAST), MUMBAI - 400069  
PH :43030606 /600, 95949552341 / 9594952084 / 9594952250.

1444. VITESSE PRIVATE LIMITED (0503-05-01), SHAH INDL ESTATE, PLOT 11 LINK ROAD, ANDHERI (WEST), MUMBAI - 400058  
PH :02226730787/02226730280/02226730296/02261642500/02261642500.

1445. VITESSE PRIVATE LIMITED (0503-05-02), 77 AF PALKY GULLY, OFF VEER SAVARKAR MARG, PRABHADEVI, MUMBAI - 400025  
PH :24229747/24223933/9821894915.

1446. SAH & SANGHI AUTO AGENCIES PVT.LTD (0505-05-01), PRAKASH MILLS COMPOUND, OFF. GLOBE MILLS PASSAGE, WORLI, MUMBAI - 400013  
PH :02224925452/02224925453/02224925454.

1447. SAI SERVICE PRIVATE LIMITED (0504-05-04), C/O SHAKTI INDUSTRIAL WIRE COMPOUND, DATTI PADA ROAD, BORIVILI (EAST), MUMBAI - 400066  
PH :28707000 / 9594057006 / 9594952344 / 9594952417.

1448. EXCELL AUTOVISTA PVT LTD (0510-05-01), RESHAM SINGH COMPOUND, CST ROAD, KALINA, SANTACRUZ EAST, MUMBAI - 400098  
PH :67743888, 26653242, 43, 46 / 7666703636 / 9594972889 / 7715804477.

1449. AUTOMOTIVE MANUFACTURERS PVT. LTD. (3901-05-04), PLOT NO. 108, BAZAR WARD, KURLA(WEST) , MUMBAI - 400070  
PH :61563734 / 61563744 / 61563713 /9167773925.

1450. FORT POINT AUTOMOTIVE (CARS) PVT. LTD. (0521-05-02), D-9, STREET NO. 21, OPP PATNI COMPUTERS, SEEPZ, MIDC, ANDHERI, MUMBAI - 400096  
PH :9694973889, 8428200747.

1451. SHIVAM AUTO ZONE (I) PVT. LTD. (0531-05-01), CHARKOP INDUSTRIAL ESTATE, KANDIVLI(WEST), MUMBAI, MAHARASHTRA - 400067  
PH :7718893072/9152001329/8082551017/9870938888

1452. VITESSE PRIVATE LIMITED (0503-05-07), PLOT NO A59, KANDIVALI INDUSTRIAL CO-OP. SOC., GOVERNMENT INDUSTRIAL ESTATE, CHARKOP, KANDIVALI (W), MUMBAI - 400067  
PH :0222674753.

1453. FORT POINT AUTOMOTIVE (CARS) PVT. LTD. (0521-05-03), C/O VARUN STEEL INDUSTRIES, AAM TOOL COMPOUND, BOAT HURT ROAD, BEHIND SEWARI POLICE STATION, DARUKHANA, REAY ROAD, MUMBAI - 400010  
PH :9594974678, 8691045341.

1454. SHIVAM AUTO ZONE (I) PVT. LTD. (0531-05-02), PLOT NO. 4&5, RAMCHANDRA LANE EXTN., OFF LINK ROAD, KANCHPADA, MALAD-WEST, MUMBAI, 400064, - 400064  
PH :8082551115/9362721124/9870938888.

1455. VELOX MOTORS (A UNIT OF CARCRAFT AUTOMOBILES PVT LTD) (05A3-05-01), PLOT NO.115/116/117 MIVERVA INDUSTRIAL ESTATE, MULUND-WEST, MUMBAI - 400080  
PH :810498939/8104989847.

1456. KIRAN MOTORS (05A7-05-01), CTS NO. 170 & 4081, BOMBAY AGRA ROAD, LB SHASTRI MARG, GHATKOPAR (WEST), MUMBAI, MAHARASHTRA, PINCODE: 400086. - 400086  
PH :9152004223/7700888886.

1457. MY CAR (PUNE) PVT LTD (05A8-05-01), PLOT NO-10, CHANDIVALI ESTATE, CHANDIVALI FARM ROAD, OPP LAKE HOMES, ANDHERI EAST, MUMBAI, MAHARASHTRA - 400072  
PH :8104907081.

**MURBAD**

1458. PRAKASH AUTO PVT. LTD. (BYO1-BYO-01), SURVEY NO. 612, KALYAN - MURBAD ROAD, VILLAGE - DAHAGAON, TALUKA - MURBAD, DISTRICT - THANE, MAHARASHTRA. - 421605  
PH :7798725726.

**MURGUD**

1459. SAI SERVICE PRIVATE LIMITED (AWA1-AWA-01), R.S. NO. 188/4, A/P MURGUD, TALUKA: KAGAL, DIST: KOLHAPUR - 416219  
PH :02325-265553.

**MURTIZAPUR**

1460. KHANDELWAL AUTOWHEELS (SHE1-SHE-01), SURVEY NO 38, MAUJA SONORI, NH 06, NEAR HOTEL DEVA, MURTIZAPUR, DISTRICT-AKOLA - 444107  
PH :#RFEI.

**NAGPUR**

1461. SEVA AUTOMOTIVE LTD. (2002-20-01), 34/3, KACHIMET AREA, NEAR VAYUSENA NAGAR BUS STOP, WADI, AMRAVATI ROAD, NAGPUR - 440023  
PH :0712-8652863.

1462. AUTOMOTIVE MANUFACTURERS PVT. LTD. (2001-2-02), 575 KAMPTEE ROAD, NAGPUR-26,, - 440026  
PH :9673004226/9673004223.

1463. SEVA AUTOMOTIVE LTD. (2002-20-03), PLOT NO. 33A, CENTRAL MIDC, HINGNA ROAD, NAGPUR, MAHARASHTRA. - 440016  
PH :0712-866444.

1464. ARYA CARS (UNIT OF BARBATE AUTOMOTIVE (I) PVT. LTD) (2004-20-01), NEAR PARDY NAKA (OUTSIDE), NH-6, BHANDARA ROAD, NAGPUR - 440035  
PH :8888859506/8888859534.

1465. AUTOMOTIVE MANUFACTURERS PVT. LTD. (2001-20-05), PLOT NO. 38/1, NEAR BOUDDHA VIHAR, OPP. DELHI PUBLIC SCHOOL, KAMPTEE ROAD, NAGPUR, MAHARASHTRA - 441001  
PH :91868699701/9673004277.

1466. ARYA CARS (UNIT OF BARBATE AUTOMOTIVE (I) PVT. LTD) (2007-20-01), PLOT NO. 4, NEW COTTON MARKET, GHAT ROAD, NAGPUR, MAHARASHTRA - 440018  
PH :8888859542.

1467. ARYA CARS (UNIT OF BARBATE AUTOMOTIVE (I) PVT. LTD) (2007-20-02), PLOT NO. 131, NH-6, BHANDARA ROAD, MAHALGAON, NAGPUR, MAHARASHTRA. - 441202  
PH :8888820312.

1468. SEVA AUTOMOTIVE PVT. LTD. (2002-20-04), PLOT NO.05, 12, 13A, 13B CHANDRABHAGA GRUHA NIRMAN SAHAKARI LIMITED, KH NO.45/3, CITY SURVEY NO.570, MANEWADE RING ROAD, NAGPUR, MAHARASHTRA - 440027  
PH :8390446644.

1469. ARUN MOTORS (2008-20-01), PLOT NO-9&10, PATNI PLAZA, KHAMLA RING ROAD, SAWARKAR NAGAR, NAGPUR, MAHARASHTRA - 440025  
PH :7757988800/7028688800.

1470. ARUN MOTORS (2008-20-02), C-48/1, MIDC HINGNA MAIN ROAD, WADI, NAGPUR, PIN-440028, MAHARASHTRA - 440028  
PH :7757988800.

**NALASOPARA**

1471. SHIVAM AUTO (CUH1-CUH-01), SURVEY NO. 91.92, PLOT NO. 7, VILLAGE- DHANIV, NALASOPARA, DIST. PALGHAR, MAHARASHTRA. - 401209  
PH :9152001458/7777002930.

**NANDED**

1472. SEVA AUTOMOTIVE LTD. (6801-68-01), NANDED HYDERABAD ROAD, NANDED - 431604  
PH :7447415607.

## Dealer Workshop (AS ON 30.05.2023 )

### NANDURBAR

1473. SEVA AUTOMOTIVE LTD. (P301-KW-02), P.NO.  
-324, BASILAL NAGAR SHAHADABYPASS  
ROAD, NEAR HOTEL KAREN GARDEN,  
CHAUFULLY NANDURBAR-425412 - 425412  
PH :7720017528.

### NARAYANGAON

1474. THE KOTHARI WHEELS (1906-FV-02), GATE NO.  
747, PUNE NASIK HIGHWAY, WARULWADI,  
NARAYANGAON - 410504  
PH :8411003608.

### NASHIK

1475. AUTOMOTIVE MANUFACTURERS PVT. LTD.  
(3702-37-01), P-1-12, ADDITIONAL NASIK INDL.  
AREA, AMBAD, NASIK - 422010  
PH :9673000262 / 9673000822 / 9673000842.
1476. SEVA AUTOMOTIVE LTD. (3701-37-01), PLOT  
NO. X - 46, MIDC, AMBAD, NASIK - 422010  
PH :0253-664444.
1477. SHAAN CARS PRIVATE LIMITED (3703-37-01),  
E-3 MIDC AREA, SATPUR,  
NASIK, MAHARASHTRA - 422007  
PH :9075028780, 9922969646.
1478. SHAAN CARS PRIVATE LIMITED (3703-37-04),  
03/8/10, NEAR NASARDI BRIDGE, WADALA  
ROAD, NASIK ROAD, NASIK - 422011  
PH :0253-2236080.
1479. SEVA AUTOMOTIVE LTD. (3701-37-06), SEVA  
FARMS, GATE NO. 82/2, AMBE BAHULA ROAD,  
VILHOLI, TALUKA & DISTRICT: NASIK,  
MAHARASHTRA - 422010  
PH :9146000709.
1480. SEVA AUTOMOTIVE PVT LTD (3701-37-07),  
PLOT NO A-23, NICE INDUSTRIAL AREA, MIDC,  
SATPUR, NASIK (MAHARASHTRA) - 422006  
PH :0253-663444.
1481. SEVA AUTOMOTIVES PVT LTD (3701-37-08),  
SHOP NO. 1 & 2, SER. NO. 241/1-B-1/2,  
OPPOSITE NMC SCHOOL, DINDORI ROAD,  
MAHSRUL, NASHIK, MAHARASHTRA - 422004  
PH :0253-665444.

### NAVI MUMBAI

1482. AUTOMOTIVE MANUFACTURERS PVT. LTD.  
(3901-9K-01), D-234 MIDC TTC INDL  
AREA, SHIRVANE NERUL, NEW BOMBAY, -  
400706  
PH :66143900/66133923/66143924.
1483. SIMRAN MOTORS PVT. LTD. (3913-9K-01),  
CAMEO FABRIC COMPANY, GEN 16, NEAR  
SULZER COMPANY, DIGHA, TTC AREA, AIROLI -  
400701  
PH :8788582329, 8369658212.

### NEVASA

1484. KANKARIYA AUTOMOBILES PVT. LTD.  
(BSU1-BSU-01), BELOW ADARSHI GRAMIN  
BANK, OPP. ILAKSHI MOTORS, NEVASA PHATA,  
AURANGABAD ROAD, TALUKA - NEVASA,  
DISTRICT - AHMEDNAGAR. - 414603  
PH :9420494601.

### NIPHAD

1485. SHAAN CARS PVT. LTD. (COX1-COX-01), GAT  
NO. 99/3, RASALPUR AURANGABAD HIGHWAY,  
NIPHAD, DISTRICT - NASHIK, MAHARASHTRA. -  
422303  
PH :9075028780.

### OSMANABAD

1486. CHAVAN MOTORS DIVISION INDIA PVT LTD  
(B102-LW-03), PLOT NO. A-53, INDUSTRIAL  
AREA, MIDC, OSMANABAD - 413501  
PH :8888867861.

### PABAL

1487. MAHALAXMI (SKB1-SKB-01), 3733, SHINALKAR  
WASTI,  
PABAL, TALUK SHIRUR,  
PUNE, PIN 412403 - 412403  
PH :8956288087.

### PAITHAN

1488. PAGARIYA AUTO PVT. LTD. (BNQ1-BNQ-01),  
GAT NO-277, MAUZA- PAITHAN, TALUKA-  
PAITHAN, DIST - AURANGABAD 431107. - 431107  
PH :9922994237.

### PALGHAR

1489. SAI SERVICE PRIVATE LIMITED (TE01-TE-01),  
SURVEY NO. 86/1, TEMBHODE, MANOR-MAHIM  
ROAD, PALGHAR, DISTRICT: THANE - 401404  
PH :9167980042/9167980005/9594952211.

### PALUS

1490. CHOWGULE INDUSTRIES PVT. LTD.  
(J102-02-04), PLOT NO B-3, MIDC AREA, TALUKA  
PALUS, DISTT. SANGLI. - 416308  
PH :8888870122.

### PANDHARPUR

1491. CHAVAN MOTORS DIVISION INDIA PVT LTD  
(B102-0H-05), GAT NO.56, ESABAW - 413000  
ROAD, TAL-PANDERPUR, SOLAPUR - 413001  
PH :7774997005.

### PANVEL

1492. SIMRAN MOTORS PVT. LTD. (7S01-7S-01),  
PLOT2-8, SECTOR-15, OPP. HOTEL GARDEN,  
OLD MUMBAI PUNE  
HIGHWAY, PANVEL - 410206  
PH :8291957798, 8657443202.

1493. AUTOMOTIVE MANUFACTURERS PVT. LTD.  
(3901-7S-03), PLOT NO.92/1, VILLAGE KOLAKHA,  
MUMBAI-GOA HIGHWAY, PANVEL, DISTT.  
RAIGAD - 410206  
PH  
:9769202055/9769206045/9769206018/8291467042

### PARATWADA

1494. ASPA BANDSONS AUTO PVT. LTD.  
(CF21-CF2-01), SURVEY NO. 26/4A, RAMGAON,  
AMRAVATI PARATWADA ROAD, NEAR JAWARDI  
PHATA, PARATWADA TALUKA - ACHALPUR,  
DISTRICT - AMRAVATI . - 444 805  
PH :7720097106.

### PARBHANI

1495. PAGARIYA AUTO PVT. LTD. (LN02-LN-01),  
SURVEY NO-301, PLOT NO-86/A, OPP  
GULMOHAR LODGE, BASMAT ROAD, PARBHANI  
- 431401  
PH :9511868433.

### PATAS

1496. MAHALAXMI AUTOMOTIVES PVT. LTD.  
(7R01-PR-03), PUNE, SOLAPUR HIGHWAY,  
PATAS, TALUKA DAUND DISTT.-PUNE - 413106  
PH :8888890957.

### PEN

1497. SIMRAN MOTORS (9101-91-01), AT SURVEY NO  
75, PLOT NO 2, MUMBAI-GOA HIGHWAY,  
WADHKAL (PEN) - 402107  
PH :9503381198.

### PHALTAN

1498. CHOWGULE INDUSTRIES PVT. LTD.  
(KH02-KH-01), PLOT NO.83/1B/1, LONAND-PUNE  
ROAD, PHRANANDWADI, TALUKA,PHALTAN,  
DISTRICT: SATARA, MAHARASHTRA. - 415523  
PH :888886301.

### PIMPLEGAON

1499. AUTOMOTIVE MANUFACTURERS PVT. LTD.  
(BAY1-BAY-01), GAT NO.517/P NEAR MARKET  
COMMITTEE, MUMBAI AGRA HIGHWAY, NH3  
A/P PIMPALGAON BASWANT, TALUKA: NIPHAD,  
DIST-NASHIK - 422202  
PH :9673000844 / 9673001204.

### PIRANGUT

1500. MY CAR (SEC1-SEC-01), GIRANG-314, AT  
VILLAGE-KASAR AMBOLI, GIRANGUT, TALUKA  
-AMBOLI, DIST-PUNE, PIN-412108. - 412108  
PH :9325424613.

### PUNE

1501. SAI SERVICE PRIVATE LIMITED (1901-19-01),  
BOMBAY PUNE ROAD, FUGEWADI, PUNE -  
411012  
PH :020-46404440/020-46404448.

1502. SAI SERVICE PRIVATE LIMITED (1901-19-02),  
889/90 J.M.ROAD, DECCAN GYMKHANA, PUNE -  
411004  
PH :9923208347.

1503. CHOWGULE INDUSTRIES PVT. LTD.  
(1908-19-02), S.NO. 53,PUNE SATARA  
HIGHWAY,KATRAJ,PUNE - 411046  
PH :020-66786200.

1504. SAI SERVICE PRIVATE LIMITED (1901-19-03),  
S.NO.15A GIOWANI COMPOUND, KONDWI  
BUDRUK, HAVELI, PUNE - 411046  
PH :9923208345.

1505. WONDER CARS PVT LTD (1903-19-02), 12, NPS  
LINES,SOLAPUR ROAD, OLD POOL  
GATE,CAMP, PUNE - 411001  
PH :020-26332934/35.

1506. THE KOTHARI WHEELS (1906-19-01), 110/A,  
PUNE SOLAPUR ROAD, NEAR FATIMA NAGAR,  
PUNE - 411039  
PH :7498272309.

1507. MY CAR (PUNE) PVT. LTD. (1907-19-01),  
SURVEY NO. 131, MUMBAI BANGALORE  
HIGHWAY, WAKAD, PUNE - 411057  
PH :020-67922900.

1508. ACE KUDALE CAR PVT. LTD. (1910-19-01),  
36/2C/1, MANURI BUDRUK, PUNE-SOLHAPUR  
ROAD, TALUKA HAVELI, DISTRICT PUNE -  
412201  
PH :9552582454.

1509. CHOWGULE INDUSTRIES PVT. LTD.  
(1911-19-01), S.NO.1, NEXT TO PODDAR  
INTERNATIONAL SCHOOL, KATRAJ BYPASS  
ROAD, AMBEGAON-B, TALUKA-HAVELI, PUNE -  
411046  
PH :0206680355/02066803500.

1510. SAI SERVICE PRIVATE LIMITED (1901-19-05),  
NEAR NIGDI-BHOSARI ROAD, CHINCHWAD,  
PUNE - 411019  
PH :020-46605999/020-46605995.

1511. SEHGAL AUTORIDERS PVT. LTD. (1913-19-01),  
SURVEY NO. 51, BAVDHAN KHRUD, TAL:  
HAVELI, DIST: PUNE - 411021  
PH :8308304444, 020-41463625, 020-41463627.

1512. SAI SERVICE PRIVATE LIMITED (1901-19-06),  
SURVEY NO.244/1, PHASE-II, NEAR BANK OF  
MAHARASHTRA, HINGEWADI, TAL - MULSHI,  
DISTRICT-PUNE, MAHARASHTRA - 411057  
PH :9923208302.

1513. ACE KUDALE CAR PVT. LTD. (1910-19-02),  
ATLAS TANKS VESSELS, SR. NO 232/2,  
PUNE-NASIK ROAD, KHANDOBAMAL, BHOSARI,  
PUNE. - 411039  
PH :9552193904.

1514. THE KOTHARI WHEELS (1906-19-03), PLOT NO.  
2B, D1 BLOCK, CHINCHWAD, PUNE, DIST. PUNE  
- 411019  
PH :9168662302.

1515. MAHALAXMI AUTOMOTIVES PVT. LTD. (1912-19-03), 59A, MUNDHWA KHARADI ROAD, OPP. MUNDHWA POLICE STATION, MUNDHWA, PUNE, MAHARASHTRA - 411036  
PH : 8888874890.
1516. WONDER CARS PVT LTD (1903-19-03), PLOT NO.52/1 BLOCK F2, MIDC, PIMPRI, PUNE. - 411018  
PH :020-46608888.
1517. SAI SERVICE PRIVATE LIMITED (1901-19-07), 4/A/1A, 1/3 A, SALUNKE VIHAR ROAD, BORADE NAGAR, KONDWA, PUNE, MAHARASHTRA. - 411048  
PH :9923208358.
1518. MAHALAXMI AUTOMOTIVES PVT. LTD. (1912-19-04), NO.485/1, CTS NO.104/1, OM SUPER MARKET, GHOKALE CROSS ROAD, MODEL COLONY, SHIVAJI NAGAR, PUNE - 411016  
PH : 8888842887.
1519. CHOWGULE INDUSTRIES PVT. LTD. (1908-19-05), 129/2/B/1, NEW PUNE MUMBAI HIGHWAY, KATRAJ DEHU ROAD BYPASS, TATHWADE, TAL-MULASHI, DISTT. PUNE (MAHARASHTRA) - 411033  
PH :020-67915700/7385265700.
1520. SAI SERVICE PRIVATE LIMITED (1901-19-08), SURVEY NO. 37, HISSA NO. 2. SITUATED AT WADGAON KHURD, NEAR NANDED CITY, SINHAGAD ROAD, TALUKA - HAVELI, DISTRICT - PUNE, MAHARASHTRA. - 411 041  
PH :9923208312.
1521. THE KOTHARI WHEELS (1906-19-05), PLOT NO. 24/B, HADAPSAR INDUSTRIAL ESTATE, PUNE. - 411028  
PH :8411002005, 8087060432.
1522. CHOWGULE INDUSTRIES PVT. LTD. (1908-19-06), SR. NO. - 43/44/S, 7 PARVATI INDUSTRIAL ESTATE, OPP. ADINATH SOCIETY, PUNE- SATARA ROAD, PUNE. - 411009  
PH :020-67273200.
1523. EXCELL AUTOVISTA PVT LTD (1917-19-01), GATE NO.1232, 10TH MALL, PUNE SASWAD ROAD, VILLAGE – WADKI, TAL – HAVELI, DIST PUNE. - 412308  
PH :9594632888/9146052651.
1524. THE KOTHARI WHEELS (1906-19-06), SURVEY NO.46, HISSA 9/1 (CITY SURVEY NO.6181+6180), WADGAON SHERI, CHANDAN NAGAR, PUNE NAGAR ROAD, TAL-HAVELI, PUNE. - 411014  
PH :8411003631.
1525. ACE KUDALE CAR PVT. LTD. (1910-19-03), SURVEY NO. 272, 1/4, NEAR MOSHI TOLL PLAZA, MOSHI GAON, TALUKA – HAVELI, DISTRICT – PUNE. - 412105  
PH :7767814381.

1526. SUMANKIRTI CARS PVT. LTD. (1915-19-02), SURVEY NO. 9, NEAR BALEWADI SPORTS STADIUM MUMBAI-BANGALORE HIGHWAYS, MAHALUNGE PUNE, MAHARASHTRA. - 411045  
PH :8551990106.
1527. MY CAR (PUNE) PVT. LTD. (1918-19-01), GAT NO. 625, HISSA NO. 1/3/1, VILLAGE – KURULI, TALUKA – KHED, CHAKAN, DISTRICT – PUNE. - 410501  
PH :7755900000.
1528. WONDER CARS PVT LTD (1903-19-04), SURVEY NO. 20, HISSA NO. 1/1/2, THERGAON, BAL KRISHNA MANGAL KARYALAYA, TALUKA – MULSHI, DANGE CHOWK, PUNE – 411 033. - 411033  
PH :7887883311.

**RAHATA**

1529. KANKARIYA AUTOMOBILES PVT. LTD. (ZV03-ZV-01), SHIRDI ROAD, SAKORI, RAHATA, - 423107  
PH :8275033313.

**RAHURI**

1530. KANKARIYA AUTOMOBILES PVT. LTD. (COZ1-COZ-01), TRIMURTI CRANE SERVICE, NAGAR-MANMAD ROAD, RAHURI, MAHARASHTRA. - 413705  
PH :9130026767.

**RAJAPUR**

1531. JAGRUT MOTORS PVT LTD (AHA1-AHA-01), SURVEY NO. 14/8, TARALWADI, RAJAPUR, DIST: RATNAGIRI - 416702  
PH :9527623663/8806665572.

**RAJGURUNAGAR**

1532. MY CAR (PUNE) PVT. LTD. (CBZ1-CBZ-01), SURVEY NO.94, SANDBHORWADI, NEAR TUKAI MANDIR, PUNE-NASIK HIGHWAY, TAL-KHED, RAJGURUNAGAR DISTT. PUNE. - 410505  
PH :9112231553.

**RATNAGIRI**

1533. JAGRUT MOTORS PVT LTD (G301-G3-01), D-25, MIDC MIRJOLE, MAHARASTRA, RATNAGIRI - 415639  
PH :2352228380/9130013172.

**ROHA**

1534. EXCELL AUTOVISTA (COS1-COS-01), SHOP NO. 1 & 2, PANCHARATNA APARTMENTS, ROHA, ROHA KOLAD ROAD, RAIGAD - 402109  
PH :9209200073.

**SANGAMNER**

1535. SHAAN CARS PRIVATE LIMITED (HE03-HE-01), GAT NO. 173/4/5/6, A/P VELHALE, NASHIK PUNE HIGHWAY, SANGAMNER , DIST AHMEDNAGAR, MAHARASHTRA - 422605  
PH :02425-259197.

**SANGLI**

1536. CHOWGULE INDUSTRIES PVT. LTD. (J102-J1-01), GAT NO.243 SANGLI KOLHAPUR ROAD, OPP. TO GAJANAN MAHARAJ MANDIR, ANKALI, TAL-SANGLI, DISTT. SANGLI - 416416  
PH :9850966805.
1537. SIDDIH WHEELS (J104-J1-01), SR NO. 917/2/B, SANGLI MIRAJ ROAD, MIRAJ, DISTRICT - SAGLI. - 416410  
PH :9371727001, 0233-2211610/1620/1630.

**SANGOLA**

1538. CHAVAN MOTORS DIVISION INDIA PVT LTD (CUE1-CUE-01), GAT NO. 276/14/A, MAIN ROAD, KOLHAPUR HIGHWAY, A/P & TALUKA - SANGOLA, DIST.-SOLAPUR. - 413307  
PH :8806665691.

**SASWAD**

1539. CHOWGULE INDUSTRIES PVT. LTD. (1908-PH-03), PLOT NO 74/2/A/P, BEHIND PURANDAR HIGH SCHOOL, BESIDE MAHADA COLONY, SASWAD, TALUKA PURANDAR, PUNE - 412301  
PH :02115224450/02115225210.

**SATANA**

1540. SHAAN CARS (BSW1-BSW-01), GAT NO 322/2/A/7, PUNDLIK NAGAR MALEGAON ROAD, AT POST SATANA DIST NASHIK - 423301 - 423301  
PH :9922969656.

**SATARA**

1541. CHOWGULE INDUSTRIES PVT. LTD. (F303-F3-01), PLOT NO. B-2, OLD MIDC, SATARA - 415002  
PH :9011015066/9850966823.

**SAVNER**

1542. ARYA CARS (UNIT OF BARBATE AUTOMOTIVE (I) PVT. LTD) (BTJ1-BTJ-01), PLOT NO -2 MADANE LAYOUT MOUZA GUJARKHEDI NEAR INDIAN PETROL PUMP NAGPUR ROAD SAONER - 441107  
PH :8888859546.

**SAWANTWADI**

1543. JAGRUT MOTORS PVT LTD (BBL1-BBL-01), SHIVSHAMBHO APARTMENT, 1190, A/P KOLGAON, SURVEY NO.187, HISSA NO.33B, TAL-SAWANTWADI, DISTT. SINDHUDURG. - 416510  
PH :9970654699, 9689533472.

**SHAHAPUR**

1544. SHIVAMI AUTO ZONE (I) PVT. LTD. (BZU1-BZU-01), DR. DESHPANDE COMPOUND, NEAR BHATS COLONY, VILLAGE – GOTHEGHAR, TALUKA – SHAHPUR, DISTRICT – THANE, MAHARASHTRA - 421601  
PH :7718893483.

**SHAHUWADI**

1545. SAI SERVICE (BFT1-BFT-01), GATE NO. 1213, RIAT DONOLI, TALUKA - SHAHUWADI, DIST. -KOLHAPUR. - 416 213  
PH :9923208448.

**SHILPATA**

1546. VELOX MOTORS (SGJ1-SGJ-01), SURVEY NO- 99/2B, VILLAGE-DAIGHAR, KALYAN SHIL-PHATA ROAD, NEAR DATTA MANDIR, POST-PADALE, DIST-THANE, PIN-421204. - 421204  
PH :8419984188.

**SHIRUR**

1547. MAHALAXMI AUTOMOTIVES PVT. LTD. (ZD01-ZD-01), 1023/1, NEXT INDIAN OIL PETROL PUMP, SARADWADI, PUNE-AHMEDNAGAR HIGHWAY, TAL: SJIRUR, DIST: PUNE, MAHARASHTRA - 412210  
PH :8888837082 /9011038662.

**SHIRWAL**

1548. CHOWGULE INDUSTRIES PVT. LTD. (BSD1-BSD-01), GAT NO.175, A/P SHINDEWADI, SHIRWAL-BHOR ROAD, SHIRWAL, TAL KHANDALA, DISITT. SATARA - 412801  
PH :9637399003.

**SHRIRAMPUR**

1549. KANKARIYA AUTOMOBILES PVT. LTD. (LV03-LV-01), S.NO. 139/1/3, NEAR NAKA NO.4, SANGAMNER ROAD, SHRIRAMPUR DISTT. AHMEDNAGAR - 413709  
PH :9420494543.

**SIKRAPUR**

1550. EXCELL AUTOVISTA PVT LTD (GKJ1-GKJ-01), AT POST SHIKARPUR MALTHAN PHATA, OPP. CHAURASIYA CHANA CENTER, PUNE NAGAR ROAD, TALUKA SHIRUR, DIST. PUNE, PIN-412208, PUNE - 412208  
PH :9146194973.

**SILLOD**

1551. PAGARIYA AUTO PVT. LTD. (2103-ZG-04), PLOT NO. 19/20, SURVEY NO. 386, AURANGABAD NAKA, SILLOD, AURANGABAD - 431112  
PH :8600037213.

**SINNAR**

1552. SHAAN CARS PRIVATE LIMITED (3703-FU-03), A-24, MIDC AREA MALEGAON, SINNAR TAL- SINNAR. , - 422103  
PH :02551-230305.

**SOLAPUR**

1553. CHAVAN MOTORS DIVISION INDIA PVT LTD (B102-B1-02), 150, AKALKOT ROAD, OPP. SVCS HIGH SCHOOL, SOLAPUR. - 413006  
PH :0217-2606666/8805986818.
1554. CHAVAN MOTORS DIVISION INDIA PVT LTD (B102-B1-01), 18,39, INDUSTRIAL ESTATE, HOTAGI ROAD, SOLAPUR. - 413224  
PH :8805778881.

## Dealer Workshop (AS ON 30.05.2023 )

1555. CHAVAN MOTORS DIVISION INDIA PVT LTD  
(B102-81-06), PLOT NO.95, IND. ESTATE,  
HOTAJI ROAD, SOLAPUR. - 413003  
PH. -8805986826.

### TALASARI

1556. SHIVAM AUTO ZONE (I) PVT. LTD. (BIN1-BIN-01),  
SURVEY NO. 191/1 PLOT NO. 5, AT-POST –  
VADAVALI, NH-8, TALASARI, THANE,  
MAHARASHTRA - 401606  
PH :6355248143/7777002930.

### TALEGAON

1557. MY CAR (PUNE) PVT. LTD. (4K01-4K-01),  
SR.NO.113, HISSA NO.1/3/2/A, MUMBAI PUNE  
OLD HIGHWAY, MAVAL, TALEGAON - 410506  
PH :9730858585.

### TALOJA

1558. EXCELL AUTOVISTA PVT LTD (AAC1-9K-02),  
PLOT NO-9 MIDC,NAVADE,TALOJA,  
TAL-PANVEL, DIST-RAIGAD - 410208  
PH. 9136948195/9320357300.

### TASGAON

1559. SIDDIH WHEELS (A UNIT OF TARALEKAR  
MOTORS PVT. LTD.) (GKB1-GKB-01), SHETKARI  
MARKET, NEAR ISHA HOTEL,  
TASGAON-SANGLI ROAD, TALUKA - TASGAON,  
DIST. -SANGLI. - 416312  
PH :8275030748.

### THANE

1560. FORT POINT AUTOMOTIVE (CARS) PVT. LTD.  
(3906-39-01), KOTHARI WAREHOUSE NO.  
111,POKHARAN ROAD NO. 11,MANPADA,  
CHATALSAR,THANE - 400607  
PH :9594974656, 8691039873..

1561. NAVNEET MOTORS (3908-39-02), B R T PLOT  
,THANE (W) ,MAHARASHTRA - 400607  
PH :9664496732, 9167215178.

1562. VELOX MOTORS (A UNIT OF CARCRAFT  
AUTOMOBILES PVT LTD) (0543-39-02), NEW  
SURVEY NO. 171/1B, NEAR BLUE ROOF CLUB,  
VILLAGE - OWALE, GHODBUNDER ROAD,  
THANE (W). - 400615  
PH :8104989847,96536 88455.

### TITWALA

1563. AHER AUTOPRIME (BYP2-BYP-01), SURVEY NO.  
23/2, SHOP NO. 3, NEAR GOVELI, TITWALA  
ROAD, GHOTSAI, TITWALA, PIN-421301,  
MAHARASHTRA - 421301  
PH :18008334369.

### TURBHE

1564. SAI SERVICE (0504-9K-06), D 42, TTC  
INDUSTRIAL AREA, NAVI MUMBAI, PIN-400705 -  
400705  
PH :022-28861111/ 897699060.

### ULHASNAGAR

1565. PRAKASH AUTO PVT. LTD. (3903-39-01), U  
NO-3,SHEET NO. 30,VITHALWADI STATION  
ROAD, ULHASNAGAR - 421003  
PH :987992127/9870453155.

### URALI KANCHAN

1566. EXCELL AUTOVISTA PVT LTD (GK11-GKI-01),  
GAT NO-244, VILLAGE-SORTAPADI, TALUKA  
-HAVELI, URULI KANCHAN, DIST-PUNE,  
PIN-412201 - 412201  
PH :9226089614.

### VADUJ

1567. CHOWGULE INDUSTRIES PVT. LTD.  
(F303-GQ-03), KALEVASTI, VADUJ DAHIWADI  
ROAD - VADUJ - 415506  
PH :8888866659.

### VALJAPUR

1568. PAGARIYA AUTO PVT. LTD. (BNR1-BNR-01),  
NEAR SUBHASH BUNGLOW, STATION ROAD,  
VALJAPUR, AURANGABAD. - 423701  
PH :9922994237.

### VASAI

1569. SAI SERVICE PRIVATE LIMITED (V901-V9-01),  
ANDRADESH BHAVAN, SURVEY #27 A.NEAR  
UMELA PHATAK, VASAI (WEST), DIST. THANE,  
MAHARASHTRA - 401202  
PH :9167980080/9167980036/9594952211.  
1570. SAI SERVICE PRIVATE LIMITED (0504-V9-03),  
C/O MR. KENNETH NICHOLAS D'SOUZA,  
SURVEY NO-89, SATIVALI ROAD,  
VILLAGE-WALIV, VASAI (EAST), DIST-PALGHAR,  
MAHARASHTRA, PIN-410208 - 401208  
PH :9167980004/9167980084/9594950000.

### VASHI

1571. MY CAR (PUNE) PVT. LTD. (0544-05-01), A-751/2,  
MIDC TTC, TURBHE MAHAPE ROAD, PAWANE,  
NAVI MUMBAI - 400 071  
PH :8104906953, 9372802861, 9326713481.

### VELHE

1572. SUMANKIRTI CARS (SLO1-SLO-01), MAUZA  
NO-492/2, A/P-VELHA, TAL- VELHA,  
DIST-PUNE-412212 - 412212  
PH :8554981603/8550995444.

### VIKRAMGADH

1573. SHIVAM AUTOZONE (SKV1-SKV-01), NEAR  
GOVERNMENT DISPENSARY HOSPITAL,  
DAHANU ROAD, TEHSIL-VIKRAMGADH,  
DIST-PALGHAR-401605 - 401605  
PH :#REF!.

### VIRAR

1574. SAI SERVICE PRIVATE LIMITED (V901-PG-02),  
SURVEY NO.16, AGASHI ROAD, PADMAN  
NAGAR, VIRAR-WEST, DIST. PALGHAR. -  
401301  
PH :9594952343/9167980036/9594952211.

### VITA

1575. CHOWGULE INDUSTRIES PVT. LTD.  
(BSE1-BSE-01), S NO. 900, HISSA NO. 1.2,3/1/2,  
SANGLI VITA ROAD, VITA, TALUKA –  
KHANAPUR, DISTRICT – SANGLI,  
MAHARASHTRA - 415311  
PH :8888870120.

### WAGHOLI

1576. SAI SERVICE PRIVATE LIMITED (1901-AB-04),  
GAT NO 2406/1440, VILLAGE- WAGHOLI,TAL-  
HAVELI, DIST-PUNE - 412207  
PH :992320831/9923208221/9923208133.

### WAI

1577. CHOWGULE INDUSTRIES PVT. LTD.  
(BYC1-BYC-01), GAT NO. 407, A/P  
SHENDURJANE, MIDC ROAD, NEAR HOTEL  
GANDHARVA, OPP. DHOM LEFT CANAL, TAL –  
WAI, DIST.T. SATARA - 412803  
PH :8390080501.

### WALUJ

1578. PAGARIYA AUTO PVT. LTD. (2103-MC-03),  
E-16,WALLUJ,AURANGABAD - 431001  
PH :9860999466.

### WARANANAGAR

1579. SAI SERVICE PRIVATE LIMITED (CRB1-CRB-01),  
GAT NO.:1122/A, KODOLI, TALUKA: PANHALA,  
DIST. KOLHAPUR - 416114  
PH :9923204173.

### WARDHA

1580. SEVA AUTOMOTIVE LTD. (2002-AC-02), GOPURI  
CHOWK., OPP. BANK OF INDIA COLONY,  
NAGPUR ROAD, WARDHA - 442001  
PH :07152-253545/253525.  
1581. SEVA AUTOMOTIVE PVT. LTD. (2002-AC-05),  
PLOT NO. 177, WARDHA-NAGPUR HIGHWAY,  
AT. PAVNAR, TEHSIL – WARDHA, DIST. -  
WARDH, PIN-442111, MAHARASHTRA - 442111  
PH :7720009444.

### WARUD

1582. ASPA BANDSONS AUTO PVT. LTD.  
(F201-UG-04), SURVEY NO. 50/3,  
SETURJANAGHAT ROAD, TALUKA: WARUD,  
DIST. AMRAWATI - 444906  
PH :7248925687.

### WASHIM

1583. ASPA BANDSONS AUTO PVT. LTD. (F201-9D-02),  
NEAR RAILWAY CROSSING,HIGOLI  
ROAD,WASHIM. - 444505  
PH :9922500981/ 9146191534.

### YAVATMAL

1584. HIMALAYA CARS (4M01-4M-01), OPPOSITE  
RAJUL PETROL PUMP, DARWHA ROAD,  
YAVATMAL, MAHARASHTRA - 445001  
PH :9011014729.

### YEOLA

1585. SEVA AUTOMOTIVES PVT LTD (BST1-BST-01),  
GAT NO. 65-A, PLOT NO. 41, AHMED  
NAGAR-MANMAD ROAD, NEAR TEHSIL OFFICE,  
YEOLA, TALUKA – YEOLA, DISTRICT – NASHIK,  
MAHARASHTRA. - 423401  
PH :9130033944.

### YEAWAT

1586. MAHALAXMI AUTOMOTIVES PVT. LTD.  
(AZA1-AZA-01), SOLAPUR PUNE NATIONAL  
HIGHWAY, SAHAJAPUR, YEAWAT, TALUKA:  
DAUND, DIST:T. PUNE (MAHARASHTRA). -  
412202  
PH :8308818946.

## MANIPUR

### BISHNUPUR

1587. EASTERN MOTORS (CSA1-CSA-01),  
BISHNUPUR BAZAR, TIDIM ROAD, BISHNUPUR  
DISTT. MANIPUR. - 795126  
PH :8415945626.

### CHANDEL

1588. EASTERN MOTORS (CSB1-CSB-01), KAKHING  
LAMKHA, AH1 (INDO BURMA ROAD), CHANDEL  
(MANIPUR) - 795103  
PH :8415945626.

### CHURACHANDPUR

1589. EASTERN MOTORS (BBE1-BBE-01), HMUIA  
VENG, TEDDIM ROAD, CHURACHANDPUR,  
MANIPUR - 795128  
PH :03874235969, 9862555472.

### IMPHAL

1590. EASTERN MOTORS (7401-74-01),  
CHINGMEIRONG EAST, IMPHAL, MANIPUR - 795  
001  
PH :8415945626.

1591. EASTERN MOTORS (7401-74-02), NH,39,  
CHINGMEIRONG, WEST, IMPHAL. - 795010  
PH :8415945626.

1592. SAMADON ENTERPRISE (7402-74-01), 82 GHARI  
MAKHA LEIKAI, IMPHAL WEST, MANIPUR - 795  
140  
PH :7005987123.

### JIRIBAM

1593. EASTERN MOTORS (SMG1-SMG-01), AT  
HLIGHT, IMPHAL SILCHAR ROAD, JIRIBAM -  
788104  
PH :8415945626.

### SENAPATI

1594. EASTERN MOTORS (CNN1-CNN-01), DIST.  
-COUNCIL (POULEA) VILLAGE, P.O. - SENAPATI,  
SENAPATI, MANIPUR - 795 106  
PH :8415945626.

### THOUBAL

1595. EASTERN MOTORS (BJL1-BJL-01), THOUBAL ATHOKPAM KHUNOU, NEAR D.C. OFFICE COMPLEX, THOUBAL, MANIPUR - 795138 PH :9862662225.

**UKHRUL**

1596. SAMADON ENTERPRISE (SCK1-SCK-01), KAMPHASOM, UKHRUL, MANIPUR - 795142 PH :9774216305.

**MEGHALAYA**

**BHOIRYMBONG**

1597. RANI MOTORS (CHP1-CHP-01), VILLAGE – UMROI MADAN, DISTRICT – RI BHOI, MEGHALAYA. - 793103 PH :9774478281.

**JOWAI**

1598. RANI MOTORS (3101-3I-01), LADTHADLABHO, OPP. PWD OFFICE, JOWAI, DIST - JAINTIA HILLS, MEGHALAYA - 793150 PH :7085849525.

**KHLEHRIAT**

1599. BANALARI WORLD CARS (8502-PZ-03), JOWAI-SICHAR ROAD, MEGHALAYA, KHLEHRIAT - 793150 PH :7005757760/7005569550.

**MAWKYRWAT**

1600. RANI MOTORS (CGR1-CGR-01), DAK BANGLA, MAWKYRWAT, WEST KHASI HILLS, MEGHALAYA - 793114 PH :9856000554.

**MAWNGAP**

1601. BANALARI WORLD CARS (CBK1-CBK-01), LAITPYNTER, SHILLONG NONGTION ROAD, MAWNGAP, DIST.-EAST KHASI HILLS, MEGHALAYA. - 793121 PH :7005757760/7005569550.

**MYLLEM**

1602. BANALARI WORLD CARS (CSK1-CSK-01), MADANING SYIEM, MYLLEM, SHILLONG CHERRAPUNJI ROAD, DISTT: EAST KHASI HILLS, MEGHALAYA. - 793009 PH :7005757760/7005569550.

**NONGPOH**

1603. RANI MOTORS (8501-TN-05), NEAR D.T.O. OFFICE, G. S. ROAD, NONGHPOH, RIBHOI DISTT. - 793102 PH :9774478281.

**NONGSTOIN**

1604. RANI MOTORS (8501-0P-04), OPP.IRANI PETROL PUMP, NEW NONGSTEIN, DISTRICT-WEST KHASI HILLS, MEGHALAYA - 793119 PH :9856000554.

**PYNURSULA**

1605. BANALARI CAR WORLD (CBJ1-CBJ-01), PHLANGSHLAIN MAIN ROAD, SHILONG DAWKI, PYNURSULA, DISTRICT - EAST KHASI HILLS, MEGHALAYA - 793110 - 793110 PH :8415942700.

**SHILLONG**

1606. RANI MOTORS (8501-85-01), SUNNY HILLS, GARIKHANA, G.S.ROAD, SHILLONG - 793014 PH :9862099400.  
1607. RANI MOTORS (8501-85-02), MAWBLEI, NH-44, SHILLONG JOWAI ROAD, MEGHALAYA - 793021 PH :8014734780.  
1608. BANALARI WORLD CARS (8502-85-01), MAWLAI NONGKWAR, G.S. ROAD, SHILLONG - 793017 PH :7005757760/7005569550.

**TURA**

1609. RANI MOTORS (CLF1-CLF-01), AGILLANGRE, ARAIMILE, PO NEW TURA, TURA - 794101 PH :7005563791.

**UMSAW**

1610. BANALARI WORLD CARS (CHZ1-CHZ-01), UMSAWKHWAN RAID MAWBUH, MYLLEM SYIEMSHIP, RI BHOI DISTRICT, MEGHALAYA. - 793123 PH :7005757760/7005569550.

**MIZORAM**

**AIZAWL**

1611. G.I.G. MOTORS (9103-91-01), EDENTHAR, AIZAWL, MIZORAM. - 796001 PH :8974559065.

**MP**

**NAINPUR**

1612. STANDARD AUTO (SEZ1-SEZ-01), MANJU SAHU, MANDLA ROAD, NEAR MPEB OFFICE, ADJOINING TO BAJAJ SHOW ROOM, NAINPUR, DISST MANDLA, MADHYA PRADESH -481776. - 481776 PH :7771003374.

**NAGALAND**

**DIMAPUR**

1613. PROGRESSIVE MOTORS (3201-32-01), OPPOSITE AIRPORT, N.H.39, DIMAPUR KOHIMA ROAD, DIMAPUR - 797112 PH :7005254089.

**KOHIMA**

1614. SEYIE AUTO (4N02-4N-01), TSIECIE, NH-29, PHEK ROAD, KOHIMA, NAGALAND - 797001 PH :7005867051.

**MOKOKCHUNG**

1615. PROGRESSIVE MOTORS (CGL1-CGL-01), SUNGKONMEN ROAD, MOKOKCHUNG, NAGALAND. - 798601 PH :8787732534.

**WOKHA**

1616. PROGRESSIVE MOTORS (SFH1-SFH-01), NIROPEN COLONY, WOKHA-797111, NAGALAND - 797111 PH :9774070707.

**ODISHA**

**ANANDAPUR**

1617. JYOTE MOTORS PVT LTD (CIU2-CIU-01), KHATA NO. 246/407, PLOT NO. 76, P. S. – GHASIPURA, MOUZA – SUDUSUDIA, DISTRICT – KEONJHAR, ANANDPUR, ODISHA . - 758021 PH :7381028525.

**ANGUL**

1618. ODYSSEY MOTORS PVT LTD (W101-W1-01), AT/PO KULAD (NEAR NALCO CPP PLANT), KANDASAR, NALCO NAGAR, ANGUL (DISTT: ANGUL). - 759145 PH :9439817308.

**BALASORE**

1619. JYOTE MOTORS (BALASORE) PVT. LTD (L501-L5-01), PLOT NO. 278, GANESHWARPUR,NH-5, POST-JANUGANJ VIA REMUNA, DIST.-BALASORE - 756019 PH :7381072800.

**BALUGAON**

1620. JYOTE MOTORS (CWG1-1-CWG-01), M/S PLOT NO 758/31,KHATA NO 350/30,MOUZA-GOBARDHANPUR,BALUGAON, DISTRICT-KHORDA,ODISHA-752030 - 752030 PH :9776615001.

**BAMRA**

1621. ODYSSEY MOTORS (SIA1-SIA-01), M/S ODYSSEY MOTORS,NEAR SATSANG KENDRA, DUMERMUNDA COLLEGE ROAD, BAMRA,GOVINDPUR-768221. - 768221 PH :9439314464.

**BARGARH**

1622. ODYSSEY MOTORS PVT LTD (D401-SJ-04), AT/PO -BARGARH, NH-6, DISTT.-BARGARH, ORISSA - 769028 PH :8908944206.

**BARIPADA**

1623. JYOTE MOTORS (BALASORE) PVT. LTD (L501-RQ-02), PLOT NO. 90/523/904, SWARUP VILLA, NH-5, BARIPADA - 757001 PH :7381072624.

**BERHAMPUR**

1624. SKY AUTOMOBILES (E203-E2-01), PLOT NO.80/1191 DHARMA NAGAR, MAIN ROAD, BERHAMPUR - 760002 PH :7381266600.

1625. SKY AUTOMOBILES (E203-E2-02), PLOT NO. 876, WESTERN ROW NH-5, KONISI HATO, VILLAGE – KONISI, BERHAMPORE, GANJAM, ODISHA. - 761008 PH :7381266600.

**BHADRAK**

1626. JYOTE MOTORS (BALASORE) PVT. LTD (I201-IZ-01), PLOT NO. 14/4837, KHATA NO. 1345/1087, TRISHALPUR, CHARMPA, BHADRAK , ODISHA - 756011 PH :9776345311.

**BHAWANIPATNA**

1627. LEGEND CARS PVT. LTD. (SW01-TB-02), NH-201, KESINGA ROAD, BHAWANIPATNA - 766001 PH :9937198684.

**BHUBANESHWAR (NAYAPALLI)**

1628. JYOTE MOTORS PVT LTD (0405-04-01), A/62, NAYAPALLI NH-5,BHUBANESHWAR,ORISSA-751003 - 751003 PH :7381028525.

**BHUBANESWAR**

1629. NARAYANI MOTORS PVT. LTD. (0403-04-01), 217, CUTTACK ROAD, JHARPARA, BHUBANESWAR - 751006 PH :9583022031.

1630. JYOTE MOTORS PVT LTD (0402-04-01), A-62, NAYAPALLI,NEAR CRPF SQUARE, BHUBANESWAR - 751003 PH :7084493302.

1631. SKY AUTOMOBILES (0404-04-01), PLOT NO. -435/1866, NEAR KIIT SQUARE PATIA, BHUBANESHWAR. - 751022 PH :8117829611.

1632. NARAYANI MOTORS PVT. LTD. (0403-04-02), PLOT NO 56 AND 57, SARULGARH, BHUBANESHWAR, ODISHA - 751010 PH :9583022046.

1633. JYOTE MOTORS PVT LTD (0402-04-04), PLOT NO. 22 & 23, SECTOR-A, ZONE-D, MANCHESWAR INDUSTRIAL ESTATE AREA, BHUBANESHWAR. - 751010 PH :7978910223.

1634. SKY AUTOMOBILES (0404-04-02), KHATA NO. 457/675, PLOT NO. 543, 756, 789 AND 546, SRIVIHAR, INFRONT OF IOCL OFFICE, P. S. -CHADRASHEKARPUR, BHUBANESHWAR, ODISHA. - 751 024 PH :7440011604.

**BOLANGIR**

1635. ODYSSEY MOTORS PVT LTD (D401-MW-03), NH-201, MADHIAPALI, SAMBALPUR ROAD, BOLANGIR, ORISSA - 767001 PH :8895418122.

**CHANDIKHOLE**

## Dealer Workshop (AS ON 30.05.2023 )

1636. SKY AUTOMOBILES (BXL1-BXL-01), PLOT NO.285/3, SHANTI MANDAP MOUZA -SUNGUDA, TEHSIL-DARPAANI, PO CHANDIKHOL, DIST. -JAJPUR, ODISHA, - 755044 PH. 9776645798.

### CUTTACK

1637. SKY AUTOMOBILES (6701-67-02), BHANPUR, NH-5, CUTTACK - 753011 PH. 9776645798.

1638. TUSHI MOTORS PVT. LTD. (6702-67-01), PLOT NO. C-14, PLOT NO.C-13 ,INDUSTRIAL ESTATE ,KHAUPURIA,TAHASIL - CUTTACK SADAR ,CUTTACK DISTRICT,BHUBANESWAR - 753001 PH. 9692912345.

### DEOGARH

1639. ORBIT MOTORS PVT. LTD. (CBB1-CBB-01), KHATA NO. 270, OI MOUZA, DEOGARH, ODISHA - 768108 PH. 9437607865.

### DHENKANAL

1640. SKY AUTOMOBILES (6701-4P-04), PLOT NO.136/1103, KATHAGARA , NEARASSAM OIL, NH-42, DHENKANAL. - 759001 PH. 7440025919.

### GANDAI

1641. SPARSH AUTOMOBILES (SHU1-SHU-01), M/S SPARSH AUTOMOBILES ,WARD NO - 7, NEAR KRISHI UPAJ MANDI, GANDAI RAJNANDGAON ROAD,GANDAI - 491888 - 491888 PH. 9926626662.

### JAGATSingHPUR

1642. NARAYANI MOTORS PVT. LTD. (CFM1-CFM-01), KHATTA NO. 827/221 & 827/222, PLOT NO. 1197 & 1199/3065, MOUZA-MARKHANDPUR, PO PUNABGA, DISTT. JAGATSingHPUR, ODISHA - 754103 PH. 9556511213.

### JAJPUR

1643. SKY AUTOMOBILES (6701-RZ-05), P.O JAHNA, P.S KORAI, KEONJHAR ROAD, JAJPUR, ORISSA - 7553019 PH. 9583011010.

### JALESWAR

1644. JYOTE MOTORS (BALASORE) PVT. LTD (BXP1-BXP-01), KHATA NO. 422/744, PLOT NO. 2304 AT P.O. - NAVABAZAR, JALESWAR, DIST. -BALASORE, ODISHA. - 756032 PH. 7381072600.

### JEYPORE

1645. LEGEND CARS PVT. LTD. (SW01-SW-03), SOURAGUDA,JEYPORE,DISTT-KORAPUT,ORISSA,INDIA - 764001 PH. 9437575188.

### JHARSUGUDA

1646. ODYSSEY MOTORS PVT LTD (BJU1-BJU-01), KHATA NO. 466/502, PLOT NO. 966, JHARSUGUDA TOWN, UNIT NO. 7, SARBAHAL P.S. JHARSUGUDA, ORISSA - 768201 PH. 9439548823.

### KEONJHAR

1647. JYOTE MOTORS PVT LTD (7U01-7U-01), NH 215, DHRUPADA, BARBIL ROAD, KEONJHAR. - 758001 PH. 7064499047.

### NAYAGARH

1648. JYOTE MOTORS PVT LTD (0402-DC-02), PLOT NO. 1319/3750, KHANDAPADA, NAYAGARH - 752069 PH. 7064499048.

### NIMPARA

1649. NARAYANI MOTORS PVT. LTD. (CFL1-CFL-01), PLOT NO. 345/1344, GANESH ZABAR, NIMPARA, DISTRICT - PURI, ODISHA. - 752106 PH. 7381093622.

### PALLAHARA

1650. ODYSSEY MOTORS PVT LTD (CHV1-CHV-01), KHATA NO. 280, PLOT NO. 998/3720, PAHALLARA, ODISHA. - 759119 PH. 9439817308.

### PARADEEP

1651. NARAYANI MOTORS PVT. LTD. (OE01-OE-01), PLOT NO. 1438, UDAYA VIHAR, NEAR DO CHOWKI SQUARE, PARADEEP, ODISHA. - 754141 PH. 9583022020.

### PARLAKHEMUNDI

1652. SKY AUTOMOBILES (CLG1-CLG-01), PLOT NO. 273, KHATA NO. 78, WARD NO. 1, PARLAKHEMUNDI, GAJAPATI, ORISSA. - 761211 PH. 9776999977.

### PURI

1653. NARAYANI MOTORS PVT. LTD. (4Q01-4Q-01), PLOT NO.1797/2449, KHATA NO.187A/32, AT. BATAMANGLA,PO HAREKRISHNAPUR, BATAGAON, PURI, ODHISA - 752002 PH. 9583022220.

### RAIRANGPUR

1654. JYOTE MOTORS (BALASORE) PVT. LTD (CES1-CES-01), PLOT NO.1077/2466, PURNAGHATI, RAIRANGPUR, DISTT: MAYURBHANJ, ODISHA - 757046 PH. 7064499936.

### RAYAGADA

1655. LEGEND CARS (YB01-YB-01), M/S LEGEND CARS, JK PUR ROAD, KOMTALPETA, NEAR ENFIELD SHOWROOM, RAYAGADDA, ODISHA - 765001 PH. 7008771180.

### ROURKELA

1656. ORBIT MOTORS PVT. LTD. (8701-87-01), VIDVEYAS, NEAR PAAHADI BAR, ROURKELA,ORISSA - 769041 PH. 9437061040.

### SAMBALPUR

1657. ODYSSEY MOTORS PVT LTD (D401-D4-01), AINTHAPALI, SAMBALPUR, ORISSA - 768004 PH. 7381083571.

### SORO

1658. JYOTE MOTORS (SQF1-SQF-01), PLOT NO 15/1269, KHATA NO 442, SORO, BALASORE, ODISHA STATE. - 756045 PH. 9776615001.

### SUBARNAPUR

1659. ODYSSEY MOTORS PVT LTD (BUK1-BUK-01), KHATA NO. 32, MOUZA - SANJHINIK, SONEPUR (ALSO KNOWN AS SUBARNAPUR), DISTRICT - SUBARNPUR, ODISHA - 767017 PH. 8895418122.

### SUNDERGARH

1660. ORBIT MOTORS PVT. LTD. (BWJ1-BWJ-01), M/S ORBIT MOTORS, AT - PATRAPALI, PO SUNDERGARH, BY PASS ROAD, NEAR BJP OFFICE, SUNDERGARH - 770001 PH. 8249354447.

### UDALA

1661. JYOTE MOTORS (BALASORE) PVT. LTD (CHW1-CHW-01), MOUZA - UDALA, TOWN UNIT NO. 7, NAGBANI, TEHSIL NO. 325, THANA NO. 110, DIST.-MAYURBHANJ, ODISHA. - 757041 PH. 8249877935.

## ODISHAN

### NIRGUNDI

1662. NARAYANI (0403-SIP-4), KHATA NO 251/255, PLOT NO 233 MALGOWDINI-MOUZA BLITERUA, NIRGUNDI,DISTRICT-CUTTACK, ORISSA. - 754025 PH. 9583001877.

## ORISSA

### BHUBANESWAR

1663. NARAYANI (0403-04-03), KHATA NO-652,PLOT NO 4493, MAUZA PANDRA THANA-RASULGARH,BHUBANESHWAR - 751025 PH. 9583001877.

### KENDRAPARA

1664. JYOTE MOTORS (SFI1-SFI-01), M/S JYOTE MOTORS, KHATA NO: 351/85, PLOT NUMBER 633, MOUZA-ALBANKA, KENDRAPARA, ODISHA - 754209 PH. 9776615001.

### KUCHINDA

1665. ODYSSEY MOTORS (SLN1-SLN-01), /S ODYSSEY MOTORS, PLOT NO 146,KHATA NO 76/9,MOUZA-KUNDAPOSHI,NEAR KUNDESHWAR MANDIR,KUCHINDA,SAMBALPUR. - 768222 PH. 9439314464.

### PADAMPUR

1666. ODYSSEY MOTORS (SFB1-SFB-01), M/S ODYSSEY MOTORS, CHARPALLI,PADAMPUR, NEAR REGENCY HOTEL,DISTRICT-BARGARH, ORISSA - 770039 PH. 9439314464.

## PUDUCHERRY

### KARAIKAL

1667. SHENBAKA CARS PVT. LTD. (CCF1-CCF-01), R. S. NO. 173/3PT, T. S. NO. 9/5, WARD, L-BLOCK, NO. 3, KARAIKAL NAGORE MAIN ROAD, VILLAGE - ODUTHURAI REVENUE, NERAVY COMMUNE, KARAIKAL MUNICIPALITY, KARAIKAL - 609602 PH. 04368-227800/1/2.

### MADAGADIPET

1668. SHENBAKA CARS PVT. LTD (CUD1-CUD-01), SURVEY NO. 129/4/A/2, MADAGADIPET REVENUE VILLAGE, MADAGADIPET, PONDICHERRY - 605 107 PH. 8220046178.

### PONDICHERRY

1669. SHENBAKA CARS PRIVATE LIMITED (9601-96-01), 133/1A, MOOLAKULAM, VILLUPURAM MAIN ROAD, PONDICHERRY - 605010 PH. 0413-2293391/92/93.

## PUNJAB

### ABOHRAR

1670. TARA AUTOMOBILES (ABOHRAR) (H501-H5-01), SHREE GURU JAMBHESHWAR CHOWK, MALOUT SHREE GANGA NAGAR BYPASS, ABOHRAR, PUNJAB - 152116 PH. 9876047847.

### ADAMPUR

1671. LOVELY AUTOS (CHA1-CHA-01), KHASRA NO 107/71, JALANDHAR-HOSHARPUR HIGHWAY, ADAMPUR DISTT. JALANDHAR - 144102 PH. 8288050777.

### AJNALA

1672. SWANI MOTORS PVT. LTD. (CBP1-CBP-01), KHASRA NO. 71, AJNALA-AMRITSAR ROAD, VILLAGE - BHARKA TARA SINGH, TEHSIL - AJNALA, DISTRICT - AMRITSAR, PUNJAB, - 143102  
PH :8872001731.

**AMRITSAR**

1673. SWANI MOTORS LTD. (1701-17-01), 81,COURT ROAD, AMRITSAR - 143001  
PH :9877482175, 8872000000.

1674. JAYCEE MOTORS (1704-17-01), 274 EAST MOHAN NAGAR, G.T.ROAD, AMRITSAR - 143006  
PH :9780038335.

1675. RISHABH FOURWHEELS PVT. LTD. (1703-17-01), ADARSH SOAP COMPLEX, BATALA ROAD, AMRITSAR - 143004  
PH :9914841577.

**ANANADPUR SAHIB**

1676. CM AUTOSALES PVT. LD. (OF01-OF-01), VILLAGE MIYANPUR, NAINA DEVI ROAD, ANANADPUR SAHIB,TEHSIL ANANADPUR SAHIB, DISTT. ROPAR,PUNJAB - 140123  
PH :9915022897.

**APRA**

1677. LOVELY AUTOS (CVW1-CVW-01), SAMRAI CHOWK PHILLLAUR ROAD, VILLAGE - APRA, TEHSIL - PHILLLAUR, DIST.-JALANDHAR, STATE - PUNJAB. - 144416  
PH :9915020515.

**AUR**

1678. LOVELY AUTOS (CVY1-CVY-01), KHATUNI NO. 479/588, KHASRA NO. 27/20(4/2-18), 21/2(2-10), VILLAGE - AUR, TEHSIL - NAWASHAR, DIST. -SBS NAGAR, STATE - PUNJAB. - 144417  
PH :9915020510.

**BAGHA PURANA**

1679. REMIRA MOTORS PVT. LTD. (BAH2-BAH-01), BUILDING NO.68, OPP. SHINA ENCLAVE, MOGA ROAD, BAGHA PURANA, DISTT. MOGA, PIN-142038 - 142038  
PH :7087025009.

**BALACHAUR**

1680. LOVELY AUTOS (XV01-XV-01), NEAR MCDONALD - GHUGGI JUNCTION), VPO-GARHI KANUGO, NAWANSHAHR CHANDIGARH HIGHWAY, CHANDIGARH ROAD, BALACHAUR, DISTRICT-S.B.S NAGAR, PUNJAB (NAWANSHAHR) - 144521  
PH :9878427910.

**BALBEHRA**

1681. HIRA AUTOWORLD (SOG1-SOG-01), NEAR HDFC BANK LTD., SAMANA ROAD, BALBEHRA - 147101  
PH :9888341118.

**BANGA**

1682. LOVELY AUTOS (3503-M3-03), NAWASEHAR-JALANDHAR ROAD, BANGA - 144505  
PH :9915028625.

**BANUR**

1683. TRICITY AUTOS PVT. LTD. (BRT1-BRT-01), SANDHU MARKET NEAR SALES TAX BARRIER, BANUR RAJPURA HIGHWAY, BANUR, PUNJAB - 140601  
PH :9988882330.

**BARNALA**

1684. MAX AUTOMOBILES (4S02-4S-01), NR. HANDIYAN CHOWK,MANSA BYE PASS,BARNALA,PUNJAB - 151001  
PH :285022, 9216529220.

**BATALA**

1685. PATHANKOT VEHICLEADES PVT. LTD. (A701-V5-05), NEAR VMS INSTITUTE, SAID MUBARAK, GT ROAD, BATALA - 143505  
PH :9417900850 , 9417900918.

**BEGOWAL**

1686. MARWAHA AUTOS (BHF2-BHF-01), PELIA TOWN, BHADAS ROAD, WARD NO. 11, JALANDHAR ROAD, VPO, BEGOWAL, KAPURTHALA, PIN-144621, PUNJAB - 144621  
PH :9779166004.

**BHADSON**

1687. HIRA AUTOMOBILES LTD (BAG1-BAG-01), VILLAGE CHASWAL, NABHA ROAD, BHADSON - 147202  
PH :9217048236, 9217048250.

**BHAGTA BHAI KA**

1688. TARA AUTOMOBILES (BHG1-BHG-01), NEAR SARPANCH HOUSE, BHAGTA BHAI KA, DISTRICT - BHATINDA. - 151206  
PH :8437030666.

**BHATINDA**

1689. TARA AUTOMOBILES (BHATINDA) (7002-70-01), MANSA ROAD, OPP. I.T.I, BATHINDA - 151001  
PH :0164-2235349, 50.

**BHIKHIWIND**

1690. RISHABH FOURWHEELS PVT. LTD. (BPK1-BPK-01), KHASRA NO. 67/3(2, 4/1, 7/2, 8/1, 8/2, PIND BHIKHIWIND, TEHSIL - PATTI, DISTRICT - TARN TARAN, PUNJAB. - 143303  
PH :9914708577.

**BHOGPUR**

1691. LOVELY AUTOS (BRU2-BRU-01), KHASRA NO. 31/114, 172 18/2 23, MAIN JALANDHAR-PATHANKOT HIGHWAY,OPP- AJIT PALACE, BHOGPUR - 144201  
PH :9872030006.

**BHULATH**

1692. LOVELY AUTOS (CHB1-CHB-01), WARD NO. 1, NADALA-BEGOWAL ROAD, VPO BHULATH, DISTRICT - KAPURTHALA, PUNJAB. - 144622  
PH :9876541065, 8288050777.

**BILGA**

1693. LOVELY AUTOMOBILES (SPM1-SPM-01), VPO BILGA, NEAR GOVT. PRIMARY SCHOOL, TEHSIL PHILLLAUR, JALANDHAR. - 144036  
PH :9815069814.

**CHUNNI KALAN**

1694. HOSHIARPUR AUTOMOBILES (CFG1-CFG-01), NEAR RAJINDER MOTORS, SIRHIND-CHANDIGARH ROAD, VILLAGE CHUNNI, DIST. FATEHGARH SAHIB. - 140307  
PH :248005, 9815131766.

**DASUYA**

1695. HOSHIARPUR AUTOMOBILES (H402-8D-04), OPP CHEEMA PETROL PUMP, G.T. ROAD, DASUYA - 144205  
PH :9815131766, 9872312371.

**DERABASSI**

1696. AUTOPACE NETWORK PVT LTD (0705-AW-02), AT NH-2, NEAR DERABASSI, TOLL BARRIER-DERABASSI - 140507  
PH :9815011669.

**DEVIGARH**

1697. HIRA AUTOMOBILES LTD (OG01-OG-01), CHANNA MOUR, PEHOWA PATIALA ROAD, DEVIGARH, DISTT. PATIALA (PUNJAB) - 147111  
PH :8872034118, 9217048250.

**DHILWAN**

1698. MARWAHA AUTOS (SGU1-SGU-01), MIANI BAKPUR,AMRITSAR ROAD, OPP-INDIAN OIL PETROL PUMP, DHILWAN DISTT KAPURTHALA - 144804  
PH :9779166004.

**DORAHA**

1699. GULZAR MOTORS (QC02-QC-01), G.T. ROAD, NEAR ARRICHAN CHOWK, DORAHA, DISTT. LUDHIANA, PUNJAB. - 141421  
PH :9841191122.

**FARIDKOT**

1700. MAPSKO AUTO INDIA PVT. LTD. (4U02-4U-01), FARIDKOT- KOTKAPURA ROAD, FARIDKOT, PUNJAB - 151204  
PH :01639- 264001,7347000520.

**FATEHGARH CHURIAN**

1701. PATHANKOT VEHICLEADES PVT. LTD. (BAO1-BAO-01), KHASRA NO. 17 R, DERABABA NANAK ROAD, FATEHGARH CHURIAN, TEHSIL - BATALA, DIST.-GURDASPUR, STATE - PUNJAB. - 143 602  
PH :9417900850, 9875930180.

**FAZILKA**

1702. TARA AUTOMOBILES (H501-4V-03), NH-10, NEAR SARVHITKARI BAL VIDYA MANDIR, FAZILKA - 152116  
PH :9878047847.

**FEROZEPUR**

1703. BABA AUTOS (7C01-7C-01), MOGA ROAD, FEROZEPUR CANTT - 152002  
PH :9872013211.

**GARHSHANKAR**

1704. HOSHIARPUR AUTOMOBILES (H402-V4-02), OPP. COOT, CHANDIGARH ROAD, GARHSHANKAR, DIST. HOSHIARPUR - 144527  
PH :9815131766, 9781543131.

**GHANAUR**

1705. HIRA AUTOWORLD LLP (CVX2-CVX-01), WARD NO. 1, OPPOSITE OLD PETROL PUMP GHANAUR PATIALA ROAD, SUB TEHSIL - GHANAUR, TEHSIL - RAJAJURA, DIST.-PATIALA, STATE - PUNJAB. - 140401  
PH :9871048437.

**GHAROTA**

1706. PATHANKOT VEHICLEADES (SFF1-SFF-01), VILLAGE AND PO GHAROTA, OPPOSITE PUNJAB GRAMIN BANK, TEHSIL & DISTT. PATHANKOT - 143533. - 143533  
PH :8264105000.

**GHOMAN**

1707. PATHANKOT VEHICLEADES PVT. LTD. (CUL1-CUL-01), KHEWAT NO. 36, KHATAUNI NO. 122, KHASRA NO. 11/25 (7-18), VILLAGE - BALRAMPUR ADDA, KHASBA - GHOMAN. - 143514  
PH :8054500130.

**GIDDARBAHA**

1708. HIRA AUTOMOBILES LTD (AUA1-AUA-01), NEAR BHARU CHOWK, BATHINDA-MALOUT ROAD, GIDDERBAHA, DISTT. SRI MUKTSAR SAHIB (PUNJAB) - 152101  
PH :231510, 9217048250.

**GORAYA**

1709. LOVELY AUTOS (BJR1-BJR-01), NEAR MILAN PALACE, G.T. ROAD, GORAYA. - 144409  
PH :9417804049.

**GURDASPUR**

1710. PATHANKOT VEHICLEADES PVT. LTD. (A701-4X-03), V.P.O. BABRI NH-15, DIST. GURDASPUR - 143521  
PH :9417900870, 9878050710.

1711. PATHANKOT VEHICLEADES PVT. LTD. (A701-4X-06), VPO - JEEWANWAL BABRI, NH-15, GURDASPUR (PUNJAB) - 143521  
PH :9417900870.

**HOSHIARPUR**



## Dealer Workshop (AS ON 30.05.2023 )

1712. HOSHIARPUR AUTOMOBILES (H402-H4-01), SINGRIWALA, JALLANDHAR ROAD, HOSHIARPUR, - 146001 PH: 9815131766, 9878632537.	1723. MARWAHA AUTOS (A UNIT OF INDERJIT MARWAHA AUTOS PVT. LTD.) (4202-4Z-01), SIDHU COMPLEX, CIRCLE ROAD - KAPURTHALA, PUNJAB - 144602 PH: 9779166004.	1734. LOVELY AUTO (6209-62-01), BABA NAND SINGH NAGAR, NEAR AYALLI CHOWK, FEROEZPUR ROAD, LUDHIANA - 141001 - 141001 PH: 9875928451, 9875928450.	1745. RISHAB (CDS1-CDS-01), KHASRA NO. 343, BABA BAKALA ROAD, VILLAGE MEHTA CHOWK, TEHSIL- BABA BAKALA, DIST AMRITSAR, PUNJAB - 143114 PH: 7760315710.
<b>JAGRAON</b>	<b>KATHU NANGAL</b>	1735. LOVELY AUTOS (6209-62-02), GILL ROAD, NEAR CANAL BRIDGE, LUDHIANA, PUNJAB - 141003 PH: 9815069814.	<b>MOGA</b>
1713. SANDHU AUTOMOBILES (6206-LT-05), NATIONAL HIGHWAY-64, JAGRAON - 142026 PH: 9815020515.	1724. JAYCEE MOTORS (CSP2-CSP-01), KHASRA NO. 12/20/2, 21/1 KHATA NO.212/186/229 GILL KHETI STORE, GT ROAD, VILLAGE-KATHUNANGAL, DISTT. AMRITSAR, PUNJAB - 143502 PH: 9780038335.	1736. LOVELY AUTOS (6209-62-03), OPPOSITE BHAI BALA SAHIB GURUDWARA, VILLAGE DAD, PAKHOWAL ROAD, LUDHIANA, PIN-141001, PUNJAB - 141001 PH: 9815069814.	1746. REMIRA MOTORS PVT. LTD. (H602-H6-01), INDUSTRIAL AREA, OPPOSITE ITI, GT ROAD, MOGA. - 142001 PH: 7087025402.
<b>JAITU</b>	<b>KHANNA</b>	1737. LOVELY AUTOS (6209-62-04), EURO MART COMPLEX, HAMBAN ROAD, NEAR RADHA SWAMI SATSANG BHAWAN - 141008 PH: 9815069814.	<b>MOHALI</b>
1714. MAPSKO AUTO INDIA PVT. LTD. (YX02-YX-01), NEAR CANAL, BATHINDA ROAD, JAITO, DISTRICT - FARIDKOT. - 151202 PH: 7347000520.	1725. HOSHIARPUR AUTOMOBILES (N302-N3-01), VILLAGE-KAUNI, NEAR GILL PETROL PUMP, GT ROAD, KHANNA, DIST.-LUDHIANA, PUNJAB. - 141401 PH: 9888716261.	<b>MACHIWARA</b>	1747. NAVDESH AUTOS LLP (L105-L1-01), PLOT NO. C-89, INDUSTRIAL AREA, PHASE-7, MOHALI - 160059 PH: 8872016453.
<b>JALALABAD</b>	<b>KHARAR</b>	1738. HOSHIARPUR AUTOMOBILES (9T03-9T-01), SAMRALA ROAD, MACHIWARA, NEAR SHEEVA MARRIAGE PALACE - 141115 PH: 9875900147.	1748. CM AUTOSALES PVT. LTD. (0706-L1-03), PLOT NO. B-64, INDUSTRIAL AREA PHASE-7, MOHALI - PUNJAB - 140110 PH: 8284800597.
1715. TARA AUTOMOBILES (H501-8E-02), F.F. ROAD, NEAR THANA SADAR, JALALABAD - 152024 PH: 9876047847.	<b>KHARAR</b>	<b>MAHILPUR</b>	<b>MORINDA</b>
<b>JALANDHAR</b>	1726. CM AUTOSALES PVT. LTD. (7K01-JH-03), NH-95, MORINDA ROAD, KHANPUR, KHARAR. DIST. MOHALI - 140301 PH: 9915022878.	1739. HOSHIARPUR AUTOMOBILES (H402-DD-05), NEAR NEW BUS STAND, CHANDIGARH ROAD, MAHILPUR, DIST. HOSHIARPUR - 146105 PH: 9914720424.	1749. CM AUTOSALES PVT. LTD. (BHH1-BHH-01), KHASRA NO. 1092, CHANDIGARH-SAMRALA ROAD, MORINDA, DIST.-ROPAR, PUNJAB. - 140101 PH: 9915022811.
1716. LOVELY AUTOS (3503-35-01), DR. AMBEDKAR CHOWK, JALANDHAR CITY - 144001 PH: 9915020515.	<b>KILANWALI</b>	<b>MAJITHA</b>	<b>MUKERIAN</b>
1717. MARWAHA AUTOS (A UNIT OF INDERJIT MARWAHA AUTOS PVT. LTD.) (3506-35-01), OPP DPS SCHOOL, G.T. ROAD, JALANDHAR - 144010 PH: 9779166004.	1727. HIRA AUTOMOBILES LTD (BFV1-BFV-01), GT ROAD (NH NO. 09), NEAR GURU NANAK COLLEGE, KILANWALI, TEHSIL - MALOUT, DISTRICT - MUKTSAR SAHIB - 152107 PH: 8872034131.	1740. RISHAB FOURWHEELS PVT. LTD. (CDR1-CDR-01), PLOT NO.130, OPP. DANA MANDI, AMRITSAR ROAD, MAJITHA. - 143601 PH: 9914841577.	1750. HOSHIARPUR AUTOMOBILES (IP01-IP-01), VILL. TALWANDI KALAN, GT ROAD, MUKERIAN - 144211 PH: 9815131766, 8437919900.
1718. LOVELY AUTOS (3505-35-01), KHASRA NO. 24/20/4, B D ENCLAVE, VILLAGE - JALANDHAR, DIST.-JALANDHAR, PUNJAB. - 144001 PH: 9876044001, 9915020515.	<b>KOTKAPURA</b>	<b>MALERKOTLA</b>	<b>MUKTSAR</b>
<b>JANDIALA GURU</b>	1728. MAPSKO AUTO INDIA PVT. LTD. (BIS2-BIS-01), MOGA ROAD, NEAR GREEN DHABA OPPOSITE FUN PLAZA, KOTKAPURA, DISTRICT - FARIDKOT - 151204 PH: 7347000518.	1741. MAX AUTOMOBILES (CC2-CC1-01), MALERKOTLA-LUDHIANA MAIN ROAD, VILLAGE - BHOGI WAL, MALERKOTLA, DIST.-SANGRUR, PUNJAB. - 148023 PH: 9814403131, 9056903131.	1751. HIRA AUTOMOBILES LTD (6302-J8-03), BHAI COMPLEX, MALOUT ROAD, MUKTSAR, PUNJAB - 152026 PH: 9217048250, 9056900042.
1719. BABA AUTOS (7C01-GL-03), GT ROAD, NEAR TARN TARAN BYE PASS, JANDIALA GURU - 143115 PH: 8872013029.	<b>LALRU</b>	<b>MALOUT</b>	<b>MULLANPUR</b>
<b>JANDIALA MANJKI</b>	1729. AUTOPACE NETWORK PVT LTD (BRJ1-BRJ-01), VILLAGE - LALRU, DERA BASSI, SAS NAGAR MOHALI, PUNJAB. - 140501 PH: 9815011669.	1742. HIRA AUTOMOBILES LTD (6302-LE-05), TINKONI CHOWK, NEAR LIC BUILDING, MALOUT - 152107 PH: 299524, 264724, 9988417000.	1752. SANDHU AUTOMOBILES (YY01-YY-01), OPPOSITE DHAKA ROAD, FEROEZPUR ROAD, MULLANPUR - 141101 PH: 8437025969.
1720. LOVELY AUTOS (BJS1-BJS-01), SANT MARKET, JANDIALA-BUNDALA ROAD, VILLAGE - JANDIALA MANJKI, TEHSIL - NOORMAHAL, DISTRICT - JALANDHAR, PUNJAB. - 144033 PH: 7087439797.	<b>LUDHIANA</b>	<b>MANDI GOBINDGARH</b>	<b>MULLANPUR GARIBDASS</b>
<b>KAHNUWAN</b>	1730. GULZAR MOTORS LTD. (6204-62-01), G.T.ROAD, DHOLEWAL, OPP. MILITARY CAMP, LUDHIANA - 141003 PH: 9814160099.	1743. HOSHIARPUR AUTOMOBILES (U903-U9-01), PLOT GOYAL MOTORS, NEAR YES BANK, MANDI SIRHIND ROAD, NH-1, MANDIGOBINDGARH, PUNJAB. - 147301 PH: 9815131766, 9914119292.	1753. NAVDESH AUTOS LLP (CV22-CVZ-01), H NO. 341, POST OFFICE - MULLANPUR GARIBDASS, TEHSIL - MAJRI, DIST.-SAS NAGAR, STATE - PUNJAB. - 140901 PH: 8872004676.
1721. PATHANKOT VEHICLELEADS PVT. LTD. (CGM1-CGM-01), KHASRA NO.606, VPO-KAHNUWAN, THE. & DISTT. GURDASPUR. - 143528 PH: 8288993301.	1731. SANDHU AUTOMOBILES (6206-62-01), DHOLEWAL CHOWK, LINK ROAD, LUDHIANA - 141203 PH: 9815600095.	<b>MANSANA</b>	<b>NABHA</b>
<b>KALA SANGHAN</b>	1732. LIBRA AUTO CAR CO. LTD (6207-62-01), G.T. ROAD, NEAR AIRPORT, LUDHIANA - 141020 PH: 0160-2512701, 03.	1744. TARA AUTOMOBILES (7002-TL-02), BALATA ROAD, NEAR ARVIND NAGAR, MANSANA, PUNJAB - 151505 PH: 01652-216042.	1754. HIRA AUTOMOBILES LTD (6302-UF-06), RADHA SWAMI ROAD, NABHA - 147201 PH: 9317000004, 9217048250.
1722. MARWAHA AUTOS (SPL1-SPL-01), MAIN CHOWK, KALA SANGHAN, DISTRICT KAPURTHALA, PUNJAB - 144623 PH: 9779166004.	1733. LIBRA AUTO CAR CO. LTD (6207-62-02), G.T. ROAD, NEAR AIRPORT, LUDHIANA. - 141020 PH: 0160-25035130.	<b>MEHTA</b>	<b>NAKODAR</b>
<b>KAPURTHALA</b>			1755. LOVELY AUTOS (3503-5B-04), JALANDHAR ROAD, NEAR MALARI GATE, NAKODAR - 144040 PH: 9915028603.

**NANGAL**

1756. CM AUTOSALES PVT. LTD. (7K01-8F-02), PLOT#36,AJOLI MOR, FOCAL POINT INDUSTRIAL AREA, NAPA NANGAL ,PUNJAB - 140126  
PH :9592916811.

**NAWANSHAHR**

1757. LOVELY AUTOS (3503-J7-02), NAWANSHAHR CHANDIGARH ROAD, VILL.-LANGROHA, DISTT.-NAWANSHAHR, PUNJAB - 144514  
PH :9915028682

**NIHAL SINGH WALA**

1758. REMIRA MOTORS PVT LTD (QB02-QB-01), BARNALA ROAD, NEAR DEAR BABA SEWA DASS, TEHSIL-NIHALSINGHWALA, DIST.-MOGA. - 142 055  
PH :7067025009.

**PATHANKOT**

1759. PATHANKOT VEHICLEADES PVT. LTD. (A701-A7-01), NEAR MAMOON CHOWK, DALHOUSE ROAD, PATHANKOT, - 145001  
PH :8264105000, 9417900883.

1760. PATHANKOT VEHICLEADES PVT. LTD. (A701-A7-04), NEAR A. B. COLLEGE, PATAHANKOT - 145001  
PH :9417900828, 9417900842.

**PATIALA**

1761. HIRA AUTOMOBILES LTD (6302-63-01), 13-B, FACTORY AREA, PATIALA - 147001  
PH :2360131, 2360562,9217048250.

1762. HIRA AUTOMOBILES LTD (6302-63-04), C-20 & C-45, FOCAL POINT, PATIALA, PUNJAB - 147001  
PH :2232377, 9217048234, 9217048250.

1763. HIRA AUTOMOBILES LTD (6302-63-07), D-1A, INDUSTRIAL FOCAL POINT, PATIALA (PUNJAB). - 147001  
PH :2232295, 2232296, 9217048250.

1764. ATELIER AUTOMOBILES (6304-63-01), VILLAGE MITHUMAJRA, RAJPURA-PATIALA ROAD, NEAR CASABA RESORT, PATIALA - 147001  
PH :7527000106, 7527000111.

**PATRAN**

1765. HIRA AUTOMOBILES LTD (6302-V3-02), NARWANA ROAD, PATRAN, PUNJAB. - 147105  
PH :244445, 245788, 9217048250.

**PATTI**

1766. JAYCEE MOTORS (BQA2-BQA-01), KHASRA NO. 64/19/2/1 KA 16/49 & KHASRA NO. 64/20 KA 29/94, NEAR RADHA SWAMI, TARN TARAN ROAD, VILLAGE - PATTI, DISTT.-TARN TARAN, PUNJAB - 143416  
PH :9780038335.

**PHAGWARA**

1767. MARWAHA AUTOS (A UNIT OF INDERJIT MARWAHA AUTOS PVT. LTD.) (5C02-5C-01), PLOT NO.62, INDUSTRIAL AREA, NEAR JCT BRIDGE LUDHIANA - 141001  
PH :9779196604.

**PHILLAUR**

1768. LOVELY AUTO (XU01-XU-01), OLD NAWANSHAHR ROAD CIVIL LINE, PHILLAUR, DISTRICT JALANDHAR - 144410  
PH :9815069814.

**RAIKOT**

1769. GULZAR MOTORS PVT LTD (XT02-XT-01), BARNALA BY PASS ROAD, RAIKOT - 141109  
PH :9814160099.

**RAJPURA**

1770. HIRA AUTOWORLD LLP (HK02-HK-01), VILLAGE BADHAK, RAJPUR PATIALA ROAD, RAJPURA - 140401  
PH :244881-84, 9217048437,9217048250.

**RAMPURA PHUL**

1771. TARA AUTOMOBILES (XR01-XR-01), RAMPURA -BARNALA ROAD, RAMPURA PHUL - 151103  
PH :01651-266643.

**RAYYA**

1772. RISHABH FOURWHEELS PVT. LTD. (CAK1-CAK-01), NH-1, GT ROAD RAYYA, TEHSIL - BABA BAKALA, DISTRICT - AMRITSAR. - 143112  
PH :9914708577.

**ROPAR**

1773. CM AUTOSALES PVT. LTD. (7K01-7K-01), CHANDIGARH ROPAR ROAD, ROPAR - 140001  
PH :9915022802.

**SAMANA**

1774. HIRA AUTOMOBILES LTD (BFU1-BFU-01), KEWAT NO. 948/950, KHATUNI NO. 1427, KHASRA NO. 101/27(4-7), PATIALA SAMANA ROAD, SAMANA, DIST.-PATIALA, STATE PUNJAB. - 147101  
PH :9217048236.

**SANGRUR**

1775. MAX AUTOMOBILES (G402-G4-01), DHURI ROAD, SANGRUR, - 148024  
PH :01672-239627.

**SHAHKOT**

1776. LOVELY AUTOS (BHT1-BHT-01), PUBLIC SCHOOL ROAD, SHAHKOT, DISTRICT - JALANDHAR, PUNJAB. - 144702  
PH :8437936811.

**SIRHIND**

1777. HOSHIARPUR AUTOMOBILES (TF03-TF-01), KHEWAT KHATONI NO. 802/1049 & 821/1070 KHEWAT KHAS NO. 431/2/1 (T-0), BESIDE SBI BANK, BASSI ROAD, SIRHIND, TEHSIL AND DISTRICT - FATEHGARH SAHIB - 140406  
PH :9815131766, 7527082471.

**SULTANPUR LODHI**

1778. MARWAHA AUTOS (A UNIT OF INDERJIT MARWAHA AUTOS PVT. LTD.) (ZY02-ZY-01), NEAR TALWADI BRIDGE, TALWADI ROAD, SULTANPUR LODHI, DISTRICT -KAPURTHALA - 144626  
PH :9779196604.

**TALWANDI BHAI**

1779. BABA AUTOS (GMF1-GMF-01), FEROZEPUR ROAD, NEAR FUNISLAND, TALWANDI BHAI, DISTT. FEROZEPUR - 142050  
PH :8872013002.

**TALWANDI SABO**

1780. TARA AUTOMOBILES (ON01-ON-01), TALWANDI RAMA MAIN ROAD, NEAR VILLAGE-JAJJAL, RAMAMANDI,TALWANDI SABO, BHATINDA - 1551302  
PH :9646691047, 8437008666.

**TALWARA**

1781. HOSHIARPUR AUTOMOBILES (H402-LR-07), DAM ROAD, NEAR KALI MATA MANDIR, VILLAGE-NAGAR, TALWARA, PUNJAB - 144216  
PH :9815131766, 9781842244.

**TANDA**

1782. HOSHIARPUR AUTOMOBILES (H402-DE-06), VILL.PULPUKHATA, MIANI ROAD, TANDA - 144203  
PH :9815131766, 8437430400.

**TARAGARH**

1783. PATHANKOT VEHICLEADES PVT. LTD. (BVC1-BVC-01), VILLAGE - RAHIMPUR, VPO-TARAGARH, TEHSIL & DISTT. PATHANKOT, HIMACHAL PRADESH - 143534  
PH :9988639963.

**TARN TARAN**

1784. JAYCEE MOTORS (BLP2-BLP-01), VILLAGE - KAKKA, KANDIALA, NEAR SANDHU PETROL PUMP, AMRITSAR ROAD, TARN TARAN, PUNJAB - 143401  
PH :9780038039.

**ZIRA**

1785. BABA AUTOS (7C01-GK-02), FEROZEPUR ROAD, ZIRA - 142047  
PH :8872013230.

**ZIRAKPUR**

1786. TRICITY AUTOS (9M01-9M-01), PATIALA HIGHWAY,VILLAGE - NABHA, ZIRAKPUR, PUNJAB - 140603  
PH :9988982330.

**RAJASHTHAN**

**JAIPUR**

1787. AURIC MOTORS (1116-11-C1), COMMERCIAL PLOT NO. J4, COMMERCIAL BELT B, VT ROAD, NEW SANGNER ROAD, MANSAROVAR SCHEME, JAIPUR, RAJASTHAN 302020 - 302020  
PH :9571105651.

**RAJASTHAN**

**ABU ROAD**

1788. NAVNEET MOTORS (OQ01-OQ-01), PLOT NO. E-26, RIICO AMBAJI INDUSTRIAL AREA, PALANPUR HIGHWAY, ABU ROAD DISTT. SIROHI - 307026  
PH :9950156579.

**ACHROL**

1789. KTL AUTOMOBILE PVT. LTD. (GKD1-GKD-01), #REF! - 303002  
PH :7412077022.

**AHORE**

1790. AURIC MOTORS (SHN1-SHN-01), MADHOPURA, NEAR KARNAWATI HOSPITAL, AHORE, DISTRICT - JALORE, RAJASTHAN PIN CODE: 307029 - 307029  
PH :#REF!.

**AJMER**

1791. AJMER AUTO AGENCIES PVT. LTD. (B201-B2-01), SRINAGAR ROAD,AJMER (RAJASTHAN) - 305001  
PH :9314955201.

1792. RELAN MOTORS (B203-B2-01), NEAR BIRLA WATER TANK, PARABATPURA BYPEPASS, AJMER - 305001  
PH :95876 87000, 84400 41027.

1793. RELAN MOTORS (B203-B2-02), F-243 RIICO INDUSTRIAL AREA, PALRA, AJMER - 305001  
PH :95876 87000, 87400 16329.

1794. AJMER AUTO AGENCIES PVT. LTD. (B201-B2-05), KHASRA NO.343/2, 344, 345, 347 GHUGHRA GHATI, JAIPUR ROAD, AJMER. - 305001  
PH :9314955201.

**AKLERA**

1795. BHATIA AND COMPANY (SGK1-SGK-01), NH-52, RAM NAGAR COLONY, AKLERA, JHALAWAR, PIN-326033, RAJASTHAN - 326033  
PH :9057047891.

**ALWAR**

## Dealer Workshop (AS ON 30.05.2023)

1796. MG MOTORS (F901-F9-01), MUKESH GENERAL FINANCE COMPANY, ROAD NO. 2, NEAR MEO BOARDING, ALWAR - 301001  
PH :9001795520
1797. MG MOTORS (F901-F9-02), KHASRA NO.803/198, BHUGORE TIRAHA, NEAR ALWAR PUBLIC SCHOOL, JAIPUR ROAD, ALWAR - 301001  
PH :9001795520.

### ANOOPGARH

1798. AURIC MOTORS (A UNIT OF AUDI MOTORS PVT LTD) (BFE1-BFE-01), PLOT NO. AMEDKAR CHARAHARA,RAILWAY STATION ROAD ,ANUPGARH (ANOOPGARH ),DISTT SRI GANGANAGAR . - 335701  
PH :9982638516.

### ANTA

1799. BHATIA & COMPANY (A UNIT OF BHATIA CORPORATION PVT. LTD.) (CTG2-CTG-01), KOTA-BARAN ROAD, ANTAH, DIST.-BARAN. - 325502  
PH :9414032859.

### ASIND

1800. CHAMPION CARS (SID1-SID-01), DEV TOWERS, BEAWAR ROAD, ASIND, DISTRICT – BHILWARA, RAJASTHAN - 311301 - 311301  
PH :7073461987.

### BAGRU

1801. PREM MOTORS PVT. LTD. (US02-US-01), JAIPUR-AJMER HIGHWAY, BAGRU, DISTRICT-JAIPUR - 303007  
PH :01414711118,8058411181.

### BALESAR

1802. AURIC MOTORS (A UNIT OF AUDI MOTORS PVT LTD) (CWO1-CWO-01), KHASRA NO. 2167 JODHPUR JAISALMER ROAD, VILL:- BALESAR SATTA, TEH:- BALESAR , DIST:- JODHPUR ( RAJ) - 342203  
PH :7412087344.

### BALOTRA

1803. LMJ SERVICES LTD. (6502-9G-05), JODHPUR BALOTRA ROAD,BALOTRA, RAJASTHAN - 344022  
PH :8005898360.

### BANSUR

1804. FORTUNE CARS (A UNIT OF JYOTI AUTOMOBILES PVT LTD) (BQP1-BQP-01), KOTPUTLI ROAD, NEAR SUBHASH CHOWK, BANSUR, RAJASTHAN - 301402  
PH :8875005116.

### BANSWARA

1805. NAVNEET MOTORS (X903-X9-01), NEAR J.C. MILL,OPPOSITE AKASHWANI,DAHOD ROAD,BANSWARA - 327001  
PH :86023 83260.

### BARAN

1806. BHATIA & COMPANY (A UNIT OF BHATIA CORPORATION PVT. LTD.) (6101-PM-03), BESIDE OJHA METAL, ATRU ROAD, BARAN - 325205  
PH :9413379013.

### BARMER

1807. LMJ SERVICES LTD. (6502-SH-06), G-216, RIICO INDUSTRIAL AREA, BARMER - 344001  
PH :8005898360.
1808. LMJ SERVICES LTD. (SH01-SH-01), NH# 68, OPP. SADAR THANA - 344001  
PH :8005898360.

### BASSI

1809. PREM MOTORS PVT. LTD. (VF02-VF-01), MOHAN PURA BASSI, JAIPUR, RAJASTHAN - 303301  
PH :01414711118,8058794151.

### BAYTU

1810. LMJ SERVICES (SIT1-SIT-01), NH-8 ,NEAR JAGDAMBA PETROL PUMP , BAYTU - 344034  
PH :8094011126.

### BEAWAR

1811. RELAN MOTORS (FL03-FL-01), PLOT NO 1, INDIRA GANDHI UDYOGPURI , AJMER ROAD ,BEAWAR, RAJASTHAN - 305202  
PH :9857687000.

### BEGUN

1812. BHATIA & CO (BTD1-BTD-01), BHATIA & CO. (A UNIT OF BHATIA CORPORATION PVT LTD),IN FRONT OF GURUKUL, CHITTOR ROAD,BEGUN, TEHSIL – BEGUN, DISTRICT CHITTORGARH, 312023 - 312023  
PH :95097 06827.

### BEHROR

1813. MG MOTORS (FQ01-FQ-01), B-168, RIICO INDUSTRIAL AREA, PHASE-II, OPP. APEX TUBE, BEHROR, DISTT: ALWAR. - 301701  
PH :9001795520.

### BHADRA

1814. AURIC MOTORS (A UNIT OF AUDI MOTORS PVT LTD) (BIF1-BIF-01), CHAK NUMBER-8,BARANI, NEAR HISAR BYEPASS BHADRA -BALSAMAND ROAD ,BHADRA - 335501  
PH :9166712222, 9413311745.

### BHARATPUR

1815. TM MOTORS PVT. LTD. (5J01-5J-01), BRIJ VIHAR COLONY,MADARPUR ROAD,BHARATPUR,RAJASTHAN - 321001  
PH :9251423392.

### BHAWANI MANDI

1816. SUWALKA MOTORS PVT LTD (SDB1-SDB-01), K.NO. 327 MANDAVI OPPOSITE SDM OFFICE JHALAWAR ROAD , BHAWANIMANDI,JHALAWAR- 326502 - 326502  
PH :9116178571.

### BHILWARA

1817. LOHA AUTOMOBILES (E301-E3-01), AJMER ROAD,NEAR OCTROI POST,BHILWARA - 311001  
PH :82094 11856.
1818. CHAMPION CARS (UNIT OF PREM CARS PVT. LTD) (E302-E3-01), NEAR GRAM BHARTI, CHITTORGARH ROAD, BHILWARA, RAJASTHAN. - 311001  
PH :7073461987.
1819. LOHIA AUTOMOBILES (E301-E3-03), PLOT NO. H-11, EVERGREEN TEXTILE PARK, RIICO INDUSTRIAL AREA, PUR ROAD, BHILWARA. - 311001  
PH :82094 11856.

### BHINDER

1820. TECHNOY MOTORS INDIA PVT. LTD. (CBS1-CBS-01), NEAR RAILWAY STATION,SALUMBAR CHOURAHA, BHINDER - 313603  
PH :9001234056.

### BHINMAL

1821. SHRI KRISHNA AUTOSALES PVT LTD (CQN1-CQN-01), KHASRA NO. 2281, KARADA CROSSING, BHINMAL, DISTRICT - JALORE, RAJASTHAN.  
PH :9610242790.

### BHIWADI

1822. FORTUNE CARS (A UNIT OF JYOTI AUTOMOBILES PVT LTD) (9H01-9H-01), OPP. INDAG RUBBER,MAIN ROAD ,BHIWADI - 301019  
PH :9214794326,8875005116.
1823. FORTUNE CARS (A UNIT OF JYOTI AUTOMOBILES PVT LTD) (9H01-9H-02), F-458-C,RIICO,INDUSTRIAL AREA,BHIWADI - 301019  
PH :9214794326,8875005116.
1824. FORTUNE CARS (A UNIT OF JYOTI AUTOMOBILES PVT LTD) (9H01-9H-04), KHASRA NO. 656/431, ALWAR ROAD, BHIWADI. - 301019  
PH :9214794326,8875005116.

### BJAJYNAGAR

1825. AJMER AUTO AGENCIES PVT LTD (GLF1-GLF-01), KHASRA NO 39 ,AJMER -BHILWARA HIGHWAY CITY -BUAJYNAGAR DISTRICT – AJMER ,RAJASTHAN - 305624  
PH :8890902472.

### BIJOLIA

1826. LOHIA AUTOMOBILES (E301-UA-02), R/O GOLDEN CORRIDOR, OPP. ASHOK LEYLAND W/S, CHITTOR-BIJOLIA HIGHWAY, BIJOLIA, DIST. -BHILWARA - 311602  
PH :82094 11856.

### BIKANER

1827. AURIC MOTORS (A UNIT OF AUDI MOTORS PVT LTD) (7101-71-01), OPP. URMUL DAIRY PLANT,GANGANAGAR ROAD,BIKANER - 334004  
PH :1512253984,9414138511.
1828. AURIC MOTORS (A UNIT OF AUDI MOTORS PVT LTD) (7101-71-04), JAIPUR BYE PASS,BIKANER - 334004  
PH :1512230384,8875010507.
1829. AURIC MOTORS (A UNIT OF AUDI MOTORS PVT LTD) (7101-71-05), OPP. AVVYAPPA TEMPLE, K. K. COLONY, BIKANER - 334003  
PH :7014063193,9413311949.
1830. DUDI AUTOMOBILES (A UNIT OF DMAS AUTOMOBILES) (7102-71-01), KHASRA NO. 376/33, JAIPUR ROAD, NH-11, BIKANER, RAJASTHAN. - 334001  
PH :8929834417.

### BILARA

1831. LMJ SERVICES LTD. (BZB1-BZB-01), BANGANGA MOD, JODHPUR ROAD, BILARA , RAJASTHAN - 342602  
PH :8104689835.

### BUNDI

1832. BHATIA & COMPANY (A UNIT OF BHATIA CORPORATION PVT. LTD.) (6101-EF-02), SUMAN PLAZA, NEAR TEACHER'S COLONY, CHITTOR ROAD, OPPOSITE ICICI ATM, BUNDI - 323001  
PH :9413353099.

### CHAKSU

1833. K P AUTOMOTIVES PVT LTD (1104-JM-03), TONK ROAD, CHAKSU - 303901  
PH :0141-4071111, 40711101,8696934973.

### CHANDAN

1834. LMJ SERVICES LTD. (SHR1-SHR-01), JAISALMER ROAD ,CHANDAN , DISTT JAISALMER, RAJASTHAN - 345031  
PH :8094011126.

### CHIRAWA

1835. AURIC MOTORS (A UNIT OF AUDI MOTORS PVT LTD) (SY02-SY-01), NEAR PILANI CIRCLE, LOHARU ROAD, STATE HIGHWAY-8, CHIRAWA - 333026  
PH :01596-217163,7230081668.

### CHITTORGARH

1836. BHATIA & COMPANY (A UNIT OF BHATIA CORPORATION PVT. LTD.) (K901-K9-01), PLOT NO. 1001/1-1002/1,NIMBAHERA ROAD,CHITTORGARH - 312001  
PH :7854 61267.

**CHOMU**

1837. KTL AUTOMOBILES (HW02-HW-01), KHARSA NO.695, JAIPUR SIKAR BYPASS ROAD, CHOMU, RAJASTHAN. - 303702  
PH :7412077034.
1838. SATNAM MOTORS (HW03-HW-01), NEAR CM CHOPRA HOSPITAL, JAIPUR ROAD, CHOMU, DISTRICT – JAIPUR, RAJASTHAN - 303702  
PH :8302090000.

**CHURU**

1839. AURIC MOTORS (A UNIT OF AUDI MOTORS PVT LTD) (MD03-MD-01), NEAR DTO OFFICE, JAIPUR ROAD, CHURU - 331001  
PH :8696543584.

**DATA RAMGARH**

1840. JAMU AUTOMOBILES PVT LTD (CTQ1-CTQ-01), KHASRA NO. 1016/256, VILLAGE - RAMGARH, TEHSIL - DATAH RAMGARH, DIST.-SIKAR. - 332703  
PH :9799501048.

**DAUSA**

1841. VIPUL MOTORS PVT. LTD. (1102-FM-03), AGRA JAIPUR ROAD, DAUSA - 303303  
PH :9672211333.

**DEGANA**

1842. SHRI MANGALAM (SDJ1-SDJ-01), NEAR NAGAUR FATAK, STATION ROAD, DEGANA - 341512  
PH :7230055955.

**DEOLI**

1843. K P AUTOMOTIVES PVT LTD (Z001-Z0-01), KOTA- JAIPUR HIGHWAY, NH-12, DEOLI - 304804  
PH :8696292529.

**DEVGARH**

1844. LOHIA AUTOMOBILES (CUQ1-CUQ-01), NEAR KRISHI MANDI, KAMLIGHAT ROAD, TEHSIL – DEVGARH, DISTRICT – RAJSAMAND, RAJASTHAN. - 313331  
PH :8306009399.

**DHARIYAWAD**

1845. BHATIA & CO. (SMC1-SMC-01), PRATAPGARH ROAD, DHARIYAWAD , DIST. - PRATAPGARH, RAJASTHAN - 313605 - 313605  
PH :98287 46677.

**DHOLPUR**

1846. TM MOTORS PVT. LTD. (5K01-5K-01), TM MOTORS PVT. LTD., GT ROAD DHOLPUR, RAJASTHAN - 328001  
PH :8094777862.

**DIDWANA**

1847. SHRI MANGLAM AUTO PVT. LTD. (FT03-FT-01), DIDWANA BYPASS, MAIDASAR CHORAHA, DIDWANA - 341303  
PH :7230055924.

**DUDU**

1848. PREM MOTORS PVT. LTD. (BRY1-BRY-01), KHASRA NO.1107 & 1108, OPPOSITE POWER HOUSE SERVICE LANE, NH-8, DUDU. - 303008  
PH :8058411181.

**DUNGURPUR**

1849. NAVNEET MOTORS (4902-GP-02), G-71, INDUSTRIAL AREA, DUNGURPUR - 314001  
PH :94141 04833.

**FALNA**

1850. LMJ SERVICES LTD. (BBR1-BBR-01), OPPOSITE PRAKASH DINING HOTEL, FALNA - 306116  
PH :#REF!.

**FATEHNAGAR**

1851. TECHNOY MOTORS INDIA PVT. LTD. (4903-SV-03), PLOT NO.15, FATEHNAGAR SANWAR ROAD, UDAIPUR-CHITTORGARH HIGHWAY NO.76, FATEHNAGAR-313205 DISTT. UDAIPUR - 313205  
PH :9829793402.

**GANGAPUR CITY**

1852. PREM MOTORS PVT. LTD. (BUT1-BUT-01), KHASRA NO. 5854, 5858, 5860, 5861, VILLAGE UDAI KALAN, THE GANGAPUR CITY - 322201  
PH :8058794122.

**GUDHAGORJI**

1853. AURIC MOTORS (A UNIT OF AUDI MOTORS PVT LTD) (CGC1-CGC-01), BHORKI ROAD, GUDHAGORJI, DISTRICT – JHUNJHUNU, RAJASTHAN - 333022  
PH :7412059848.

**HANUMANGARH**

1854. AURIC MOTORS (A UNIT OF AUDI MOTORS PVT LTD) (7101-S7-03), JUNCTION TOWN ROAD, HANUMANGARH - 335512  
PH :01552-231295,9168712222, 9413311745.

**HINDAUN**

1855. FORTUNE CARS (A UNIT OF JYOTI AUTOMOBILES PVT LTD) (S002-S0-01), KHASRA NO. 737, VILLAGE – PATTI NARAINPUR, NEAR HANUMAN MANDIR, HINDAUN-MAHWA ROAD, HINDAUN. - 322230  
PH :7017024146,7017024146.

**JAIPUR**

1856. VIPUL MOTORS PVT. LTD. (1102-11-01), F-124A,MALVIYA INDUSTRIAL AREA,MALVIYA NAGAR,JAIPUR - 302017  
PH :9269117654,8949686508.

1857. K P AUTOMOTIVES PVT LTD (1104-11-01), E-198, SANGANER INDUSTRIAL AREA,MANSAROVAR,JAIPUR - 302020  
PH :0141-40711111, 4071101,6377203709, 6377203731.

1858. PREM MOTORS PVT. LTD. (1112-11-02), 12 13,SUDARSHANPURA INDUSTRIAL AREA, JAIPUR - 302006  
PH :0141-4711111,8058703388 , 8058794122.

1859. SANGA AUTOMOBILES PVT. LTD. (1110-11-01), SECTOR 35, PRATAP NAGAR,SANGANER, JAIPUR - 302033  
PH :9772210922.

1860. VIPUL MOTORS PVT. LTD. (1102-11-05), 29, INDUSTRIAL AREA, JHOTWARA, JAIPUR - 302012  
PH :0141-3524203,9672211333.

1861. PREM MOTORS PVT. LTD. (1112-11-01), PLOT NO. E101/A, VKI , JAIPUR - 302039  
PH :01414411123,8929409921.

1862. SATNAM MOTOCORP PVT. LTD. (1113-11-01), PLOT NO. E-524, SITAPURA INDUSTRIAL AREA, JAIPUR – 302 022, RAJASTHAN - 302022  
PH :1412771976,8302390000.

1863. KTL AUTOMOBILE PVT. LTD. (1115-11-01), PLOT NO. 13B, JHOTWARA INDUSTRIAL AREA, JAIPUR - 302012  
PH :7412077022.

1864. PREM MOTORS PVT. LTD. (1112-11-03), PLOT NO. B-12, MALVIYA NAGAR, JAIPUR - 302017  
PH :8358715550,8929409921.

1865. KTL AUTOMOBILES (1115-11-02), KHASRA NO 1210-1216/2959 , BHANKROTA , TEH SANGANER , DISTRICT JAIPUR. - 302026  
PH :7412077007.

1866. KTL AUTOMOBILES (1115-11-03), ORBIT MALL CIVIL LINES METRO STATION AJMER ROAD ,JAIPUR. - 302006  
PH :7412077007.

1867. K.P. AUTOMOTIVE (1104-11-G1), B-1, GOVIND MARG, ADARSH NAGAR, JAIPUR – 302004 - 302004  
PH :9549656559.

1868. KTL AUTOMOBILES (1115-11-04), CHOKDI HAWALI SHAHAR, SHIRKI SHAHAR, NEAR IDGAH, BILOCHOYAN MOHALLA, TRANSPORT NAGAR, DELHI ROAD, JAIPUR - 302002 - 302002  
PH :9772210922.

**JAISALMER**

1869. LMJ SERVICES LTD. (5L01-5L-01), PLOT NO.36, 37, MAHESH REFUGEE COLONY,HDC SOCIETY, DABLA ROAD, JAISALMER (RAJASTHAN) - 345001  
PH :8005898360.

**JAITARAN**

1870. LMJ SERVICES LTD. (BNY1-BNY-01), KHASRA NO. 784, JAIPUR-JODHPUR BYE PASS ROAD, JAITARAN, DIST.-PALI. - 306302  
PH :9269971266.

**JALORE**

1871. SHRI KRISHNA AUTOSALES PVT LTD (VD01-VD-01), KHASRA NO.6809/2616, 2623, INDUSTRIAL AREA, JALORE-BHINMAL ROAD, JALORE - 343001  
PH :2973211613,9829203644.

**JAMWA RAMGARH**

- K P AUTOMOTIVES PVT LTD (BZL1-BZL-01), KHASRA NUMBER -228/169,OPP UDAY AUTOMOBILES,JAIPUR ALWAR ROAD –JAMWA RAMGRAH. - 303109  
PH :6377203709,6377203731.

**JHADOL**

- TECHNOY MOTORS (SKO1-SKO-01), KHASRA NO. 186/1, NH # 8, NEAR ASHOK LEVLYAND WORKSHOP, SARDARPURA, SOJAT, PIN-306104, RAJASTHAN - 306104  
PH :7728609510.

**JHALAWAR**

1874. BHATIA & COMPANY (A UNIT OF BHATIA CORPORATION PVT. LTD.) (6102-RV-02), OPP. BALAJI KI CHHATRI , KHEL CIRCLAR STADIUM, BUS STAND ROAD, JHALAWAR - 326001  
PH :9414034728.

**JHUNJHUNU**

1875. AURIC MOTORS (A UNIT OF AUDI MOTORS PVT LTD) (FN03-FN-02), E1-2, AUTOMOBILES SERVICE SECTOR, RIICO INDUSTRIAL AREA, PHASE-2, SIKAR JAIPUR ROAD, JHUNJHUNU. - 333001  
PH :01592-250045,7412087489.

**JOBNER**

1876. PREM MOTORS PVT. LTD. (BRD1-BRD-01), KHASRA NO. 758 & 754, BABER WALON KI DHANI, JOBNER, TEHSIL – PHULERA, DISTRICT – JAIPUR, RAJASTHAN - 303328  
PH :8058411181.

**JODHPUR**

1877. LMJ SERVICES LTD. (6502-65-01), PRATAP NAGAR,JODHPUR - 340002  
PH :9950496202.
1878. LMJ SERVICES LTD. (6502-65-04), OPP TO RFC OFFICE NEW POWER HOUSE ROAD,JODHPUR - 342003  
PH :8094011127.
1879. SHRI KRISHNA AUTOSALES PVT LTD (6503-65-01), 32-A.HEAVY INDUSTRIAL AREA,NR FCI GODOWNS, JODHPUR - 342005  
PH :2912748402,9001894669.

## Dealer Workshop (AS ON 30.05.2023 )

1880. LMJ SERVICES LTD. (6502-65-09), B-8,9,10, MARUDHAR INDUSTRIAL AREA, PHASE 1, BASNI, JODHPUR - 342008  
PH :8094011147.
1881. LMJ SERVICES LTD. (6502-65-0C), 21/1, PAL MAIN BALOTRA ROAD, NEAR D.P.S. CIRCLE, JODHPUR - 342002  
PH :723005721.
1882. AURIC MOTORS (A UNIT OF AUDI MOTORS PVT LTD) (6504-65-01), C-62 BASNI INDUSTRIAL AREA, PHASE-1, JODHPUR - 342005  
PH :7412059839.
1883. LMJ SERVICES LTD. (6502-65-0D), PARSHWANATH COLONY, KAYLANA ROAD, JODHPUR. - 342 001  
PH :8696916455.
1884. LMJ SERVICES LTD. (6502-65-10), KHASRA NO. 357/5, BANAR ROAD, OPPOSITE VIDHYA PUBLIC SCHOOL, JODHPUR, RAJASTHAN - 342 003  
PH :7222002424.
- KAPRAIN**
1885. BHATIA & COMPANY (A UNIT OF BHATIA CORPORATION PVT. LTD.) (BGG1-BGG-01), MEGA HIGHWAY ROAD, NEAR PETROL PUMP, KAPRAIN DISTT. BUNDI - 323301  
PH :9587894896.
- KEKRI**
1886. AJMER AUTO AGENCIES PVT. LTD. (B201-GZ-03), KOTA SAWAR ROAD, KEKRI - 305404  
PH :9314955201.
- KHAJUWALA**
1887. AURIC MOTORS (SJC1-SJC-01), DANTOR ROAD, KHAJUWALA, DIST. - BIKANER, RAJASTHAN. - 3340323  
PH :9982299866.
- KHANDAR**
1888. PREM MOTORS (CODE UNDER CREATIONS-CODE UNDER CREATIONS-CODE UNDER CREATIONS), SAWAI MADHOPUR-KHANDAR RD., KHANDAR, RAJASTHAN - 322025. - 322025  
PH :8058899960.
- KHERLI**
1889. MG MOTORS (BZE1-BZE-01), KHERLI KATHUMAR ROAD, VILLAGE KHERLI, DISTT. ALWAR, RAJASTHAN - 321606  
PH :9001795520.
- KHERWARA**
1890. TECHNOY MOTORS (SEE1-SEE-01), OPP. ATITHI PALACE, VILLAGE BADLA, NH 8, KHERWARA, TEHSIL - KHERWARA, DISTRICT - UDAIPUR, RAJASTHAN PIN CODE: 313803 - 313803  
PH :7726809510.

## KISHANGARH

1891. AJMER AUTO AGENCIES PVT LTD (TU01-TU-01), R K LINK ROAD, - 305802  
PH :9314391011.

## KISHANGARH BAS

1892. FORTUNE CARS (A UNIT OF JYOTI AUTOMOBILES PVT LTD) (9H01-TU-03), KISHANGARH BIWADI HIGHWAY, NEAR KISHANGARH, DISTRICT ALWAR - 301405  
PH :8875007753,8875007753.

## KOTA

1893. BHATIA & COMPANY (A UNIT OF BHATIA CORPORATION PVT. LTD.) (6101-61-01), 13-16 B.INDUSTRIAL ESTATE, KOTA - 324007  
PH :9414085574.
1894. BHATIA & COMPANY (A UNIT OF BHATIA CORPORATION PVT. LTD.) (6102-61-01), AUTO MOBILE ZONE G-11/12 INDUSTRIAL AREA, KOTA - 324005  
PH :9001027933.
1895. BHATIA & COMPANY (A UNIT OF BHATIA CORPORATION PVT. LTD.) (6101-61-04), 3(K) CHAMBAL INDUSTRIAL AREA, KOTA, RAJASTHAN - 324007  
PH :9414077682.
1896. BHATIA & COMPANY (A UNIT OF BHATIA CORPORATION PVT. LTD.) (6101-61-05), E-46, CHAMBAL INDUSTRIAL AREA, KOTA - 324007  
PH :9414085574.
1897. BHATIA & COMPANY (A UNIT OF BHATIA CORPORATION PVT. LTD.) (6101-61-06), PLOT NO. E-222, ROAD NUMBER 5, INDRAPRASTHA INDUSTRIAL AREA, KOTA, RAJASTHAN. - 324005  
PH :9116108613.
1898. SUWALKA MOTORS PVT. LTD. (6104-61-01), RIDDHI SIDDIHI NAGAR, KUNHARI, BUNDI ROAD, KOTA, RAJASTHAN - 324008  
PH :9116178516.

## KOTPUTLI

1899. PREM MOTORS PVT. LTD. (MH09-MH-01), NH-8, BUCHARA COLONY, OPP. SHAKTI VIHAR, KOTPUTLI, JAIPUR - 303108  
PH :01414711118,8058411181.
1900. PREM MOTORS PVT. LTD. (MH09-MH-02), KHASRA NO- 636, KOTPUTLI, DIST. JAIPUR, RAJASTHAN - 303108  
PH :01414711118,8058411181.

## KUCHAMAN

1901. SHRI MANGLAM AUTO PVT. LTD. (VA02-VA-01), SUDHRSHAN NAGAR, BUDSU ROAD KHASRA NO.148 KUCHAMAN - 341508  
PH :7230055928.

## LADNU

1902. SHRI MANGLAM AUTO PVT. LTD. (CUP1-CUP-01), KHASRA NO. 1011 SUJANGARH ROAD, LADNU - 341206  
PH :7412044506.

## LALSOT

1903. VIPUL MOTORS PVT. LTD. (BZF1-BZF-01), PLOT NO.22.23, KHASRA NO.1502-03, NARAYAN VIHAR, SAWAI MADHOPUR ROAD, LALSOT, RAJASTHAN - 303502  
PH :9672211333.

## LOSAL

1904. JAMU MOTORS (SMD1-SMD-01), LOSAL-SALASAR-DIDWANA ROAD, OPPOSITE SHIV MANDIR, WARD NO. 1, LOSAL, RAJASTHAN - 332025. - 332025  
PH :9571959931.

## LUNI

1905. LMJ SERVICES (SFD1-SFD-01), NEAR SBI BANK, SALAWAS ROAD, LUNI, TEHSIL - LUNI, DISTRICT - JODHPUR, RAJASTHAN PIN CODE: 342802 - 342802  
PH :8094011126.

## MAHWA

1906. VIPUL MOTORS PVT. LTD. (BKZ1-BKZ-01), KHASRA NO.37/384, BHARATPUR ROAD BYE-PASS, N.H.-11, MAHWA, DISTT. DAUSA (RAJASTHAN) - 321608  
PH :9672211333.

## MAKRANA

1907. SHRI MANGLAM AUTO PVT. LTD. (CFX1-CFX-01), MANGLANA ROAD, MAKRANA - 341512  
PH :7230055934.

## MALPURA

1908. K P AUTOMOTIVES PVT LTD (BLB1-BLB-01), PLOT NO.07, SHRI KALYAN NAGAR COLONY, JAIPUR-KEKRI ROAD, MALPURA - 304502  
PH :8696925262.

## MANDALGARH

1909. CHAMPION (SHA1-SHA-01), OPP. MODEL SCHOOL, BIJOLIA ROAD, MANDALGARH, DISTRICT - BHILWARA, PIN-311604, RAJASTHAN - 311604  
PH :7073461987.

## MERTA

1910. SHRI MANGLAM MOTORS (NG03-NG-01), KHASRA NO.1679, NH89, MERTA - 341015  
PH :9116007201.

## NAGAUR

1911. SHRI MANGLAM AUTO PVT. LTD. (HL03-HL-01), KHASRA NO.1479/982 & 1478/83 BIKANER ROAD, NAGAUR - 341001  
PH :9116008624.

## NAINWA

1912. BHATIA & COMPANY (A UNIT OF BHATIA CORPORATION PVT. LTD.) (CTJ1-CTJ-01), UNIARA ROAD, OPP. PETROL PUMP, NAINWA, DISTT. KOTA - 323801  
PH :9413379001.

## NASIRABAD

1913. AJMER AUTO AGENCIES PVT. LTD. (B201-VB-04), CHAVANI BOARD NO:1613, HAWA CHAKKI, NASIRABAD ROAD, NASIRABAD, DISTT. AJMER - 305601  
PH :9314955201.

## NATHWARA

1914. LOHIA AUTOMOBILES (X201-TZ-02), NH-8, LAL BAG, NATHWARA, DISTRICT: RAJASTHAN - 313301  
PH :8306009399.

## NAWALGARH

1915. AURIC MOTORS (SIE1-SIE-01), KHATA NO. 76, PUNIA KI DHANI, SIKAR ROAD, NAWALGARH, DISTRICT - JHUNJHUNU, RAJASTHAN PIN CODE: 333042 - 333042  
PH :9928720360.

## NEEM KA THANA

1916. JAMU AUTOMOBILES PVT LTD (K701-TV-03), NEAR TOLL PLAZA, KOTPUTLI ROAD, NEEM KA THANA, SIKAR - 332713  
PH :9529178046.

## NEEMRANA

1917. FORTUNE CARS (A UNIT OF JYOTI AUTOMOBILES PVT LTD) (OP01-OP-01), F-42 & 42(B), PHASE-1, NEEMRANA, TEHSIL: BEHROR, DISTT. ALWAR - 301705  
PH :9610715222,9636139386.

## NIMBAHERA

1918. BHATIA & COMPANY (A UNIT OF BHATIA CORPORATION PVT. LTD.) (CTH1-CTH-01), PLOT NO. 7-8, 33-34, 35-36, NIMBAHERA, DIST. -CHITTORGARH. - 312601  
PH :97854 61267.

## NIWAI

1919. K P AUTOMOTIVES PVT LTD (BLA1-BLA-01), VANASTHALI CIRCLE, NEAR PRATEEK GAS AGENCY, TONK ROAD, NIWAI, DISTRICT - TONK. - 304021  
PH :8696925262.

## NOHAR

1920. AURIC MOTORS (A UNIT OF AUDI MOTORS PVT LTD) (VE02-VE-01), OPP. RAILWAY STATION, NOHAR, DISTRICT-HANUMANGARH - 335523  
PH :0155-5221485,7412059821, 8875010541.

## NOKHA

1921. AURIC MOTORS (A UNIT OF AUDI MOTORS PVT LTD) (I501-I5-01), F-46, RIICO EXTENSION, NOKHA, INDUSTRIAL AREA, NOKHA DISTT- BIKANER (RAJASTHAN) - 334803 PH :7412059805.

**PADAMPUR**

1922. DUDI MOTORS (SGC1-SGC-01), NEAR BASANT PLACE, BHAGAT SINGH CHOWK, KARANPUR ROAD, PADAMPUR SRI GANGANAGAR 335041 - 335041 PH :8619215475.

**PALI**

1923. LMJ SERVICES LTD. (6502-J9-03), KHASRA NO. 771/1, JODHPUR PALI ROAD, PALI - 306401 PH :9269971266.

**PAOTA**

1924. K P AUTOMOTIVES PVT LTD (BRH1-BRH-01), PATTA SANKHYA 31, MISAL SANKHYA 89, NEAR BAMBORIA PETROL PUMP, NH-8, PAOTA, RAJASTHAN - 303106 PH :6377203709, 6377203731.

**PARBATSAR**

1925. SRI MANGLAM (SKT1-SKT-01), NEAR IFL HOUSING FINANCE CO, KISHAN - 341512 PH :8740909096.

**PARTAPUR**

1926. NAVNEET MOTORS (BKY1-BKY-01), AAASHAPURA CHARAUHA, BHAGORA MOR, NEAR AAASHAPURA MANDIR, PARTAPUR ,RAJASATHAN - 327024 PH :94140 10306.

**PHALODI**

1927. SHRI KRISHNA AUTOSALES PVT LTD (BQ11-BQ1-01), OPP. RCP GUEST HOUSE, NAGAUR KHICHAN ROAD, PHALODI, RAJASTHAN - 342301 PH :9116011958.

**PHULERA**

1928. KTL AUTOMOBILE PVT. LTD. (CUS1-CUS-01), KHASRA NO. 21 TO 24 AND PLOT NO. 189 IN RAM VIHAR COLONY, PANCHBHATI, PHULERA, DISTRICT - JAIPUR, RAJASTHAN - 303338 PH :7412077022.

**PINDWARA**

1929. NAVNEET MOTORS (CQP1-CQP-01), OPPOSITE WOLKEM FACTORY, SIROHI ROAD, PINDWARA, DIST. - SIROHI. - 307022 PH :86197 44672.

**PIPAR**

1930. LMJ SERVICES LTD. (BT11-BT1-01), KHASRA NO. 1095, PIPAR CITY, DIST.-JODHPUR. - 342601 PH :9462616288.

**PISANGAN**

1931. AJMER AUTO AGENCIES PVT. LTD. (CTL1-CTL-01), PLOT NO.11, SHIV VIHAR COLONY, MANGLIYAWAS ROAD, PISANGAN, DISTRICT - AJMER, RAJASTHAN. - 305204 PH :9314955201.

**POKHRAN**

1932. LMJ SERVICES (BOA1-BOA-01), SUNDER NAGAR, TEHSIL POKHRAN, DISTRICT - JAISALMER, RAJASTHAN. - 345021 PH :9610115660.

**PRATAPGARH (RAJASTHAN)**

1933. BHATIA & COMPANY (A UNIT OF BHATIA CORPORATION PVT. LTD.) (PN01-PN-01), CHITTORGARH-PRATAPGARH ROAD, GRAM-BAMBOTARA, PRATAPGARH (RAJASTHAN) - 312605 PH :97723 78682.

**RAIPUR**

1934. LMJ SERVICES LTD. (CRZ1-CRZ-01), NATIONAL HIGHWAY, PALI ROAD, VILLAGE - RAIPUR, DISTRICT - PALLI. - 306304 PH :9269971266.

**RAISINGHNAGAR**

1935. AURIC MOTORS (A UNIT OF AUDI MOTORS PVT LTD) (BHK1-BHK-01), PLOT NO. H-2, INDUSTRIAL AREA, RAISINGHNAGAR, DISTRICT - SRIGANGANAGAR. - 335051 PH :9962638516.

**RAJGARH**

1936. MG MOTORS (IY01-IY-01), ALWAR SIKANDRA MEGA HIGHWAY, VILLAGE DIGAWARA, TEHSIL RAJGARH DISTT. ALWAR - 301408 PH :9001795520.

1937. AURIC MOTORS (A UNIT OF AUDI MOTORS PVT LTD) (CGD1-CGD-01), NH-65, OPP. BHAGAT SINGH CHOWK, RAJGARH DISTT. CHURU. - 331023 PH :9602261977.

**RAJSAMAND**

1938. LOHIA AUTOMOBILES (X201-X2-01), BHILWARA ROAD, KHANKROLI, RAJSAMAND DISTT, RAJSAMAND - 313301 PH :8306009399.

**RAMGANJMANDI**

1939. BHATIA & COMPANY (A UNIT OF BHATIA CORPORATION PVT. LTD.) (BAZ1-BAZ-01), KHAIRABAD ROAD, KHASARA NO. 753, A.S.I COLONY, RAMGANJ MANDI - 326519 PH :9414085790.

**RANIWARA**

1940. SHRI KRISHNA AUTOMOBILES (SGX1-SGX-01), NEAR RAILWAY GATE, BHINMAL ROAD ,RANIWARA, TEHSIL - RANIWARA, DISTRICT - JALORE, RAJASTHAN,PIN CODE- 343040 - 343040 PH :9928377669.

**RATANGARH**

1941. AURIC MOTORS (A UNIT OF AUDI MOTORS PVT LTD) (BHJ1-BHJ-01), PLOT NO. AREA F-186 INDUSTRIAL AREA, RATANGARH. - 331 022 PH :7412087301.

**RAWATBHATA**

1942. BHATIA & COMPANY (A UNIT OF BHATIA CORPORATION PVT. LTD.) (JQ01-JQ-01), NEAR INDIAN OIL PETROL PUMP, KOTA ROAD, RAWATBHATA , DIST. CHITTORGARH, RAJASTHAN. - 323307 PH :9001027933.

**RAWATSAR**

1943. AURIC MOTORS (A UNIT OF AUDI MOTORS PVT LTD) (SDA1-SDA-01), CHAK 21-22,DWD,PLOT NUMBER -10 & 11, RAWATSAR (RAJASTHAN). - 335524 PH :9166712222, 9413311745.

**REENGUS**

1944. JAMMU MOTORS (SGL1-SGL-01), REENGUS HIGHWAY, REENGUS DISTT. SIKAR -332404 - 332404 PH :9785030973.

**RENWAL MANJHI**

1945. PREM MOTORS PVT. LTD. (GKZ1-GKZ-01), KHASRA NUMBER 2286/110,OPP ROHINI NAGAR 1 ,JAIPUR BHILWARA HIGHWAY ,RENWAL,TEHSIL PHAGI JAIPUR ,RAJASTHAN (303904) - 303904 PH :01414711118,9928494441.

**REVDAR**

1946. TECHNOY MOTORS INDIA PVT. LTD. (CRY1-CRY-01), OPP. TIRUPATI PETROL PUMP, KAROTI ROAD, REVDAR, DISTT. SIROHI, RAJASTHAN. - 307514 PH :9530396882.

**SAGWARA**

1947. TECHNOY MOTORS INDIA PVT. LTD. (CK01-CK-01), BANSWARA ROAD, CHUNGINAKA, NR. CENTRAL JAIL, SAGWARA, DUNGARPUR DISTT., RAJASTHAN - 314025 PH :9694970143.

**SALUMBAR**

1948. NAVNEET MOTORS (BZH1-BZH-01), GANESH GHATI, BANSWARA ROAD, SALUMBAR, DISTRICT - UDAIPUR. - 313027 PH :76652 01980.

**SAMBHAR**

1949. KTL AUTOMOBILE PVT. LTD. (CVD1-CVD-01), PLOT NUMBER -C1 NEAR SHAKUMARI PG COLLEGE , PHULERA ROAD , SAMBHAR 303604 - 303604 PH :7412077022.

**SANCHORE**

1950. SHRI KRISHNA AUTOSALES PVT LTD (GY01-GY-01), PLOT NO. 217, KHASRA NO. 844, 865, 867, MANMOHAN SINGH PARK, NH-15, BARMER ROAD, SANCHORE, DIST.-JALORE. - 343041 PH :9636224546.

**SANGARIA**

1951. AURIC MOTORS (A UNIT OF AUDI MOTORS PVT LTD) (GKK1-GKK-01), HANUMANGARH ROAD NEAR KARMA PETROL PUMP - 335035 PH :7412059827.

**SANGOD**

1952. BHATIA & COMPANY (A UNIT OF BHATIA CORPORATION PVT. LTD.) (GLG1-GLG-01), KHASRA NO 1637 , SANGOD BAPAPUR MAIN ROAD, SANGOD - 325601 PH :9251641358.

**SARDARSHAHR**

1953. AURIC MOTORS (A UNIT OF AUDI MOTORS PVT LTD) (BID1-BID-01), KHASRA NO.134, MOTOR MARKET, RATANGARH SARDARSHAHR ROAD, SARDARSHAHR DISTT. CHURU, RAJASTHAN - 331403 PH :9799833995.

**SAWAI MADHOPUR**

1954. PREM MOTORS PVT. LTD. (FY03-FY-01), PLOT NO.14, RIICO INDUSTRIAL AREA, KHERDA, SAWAI MADHOPUR - 322001 PH :01414711118,9358725409.

**SAYALA**

1955. AURIC MOTORS (SHM1-SHM-01), NEAR PETROL PUMP, HANUMAN MANDIR SOUTH STYLE, MAIN ROAD SAYALA, SAYALA TEHSIL - SAYALA, DISTRICT - JALORE, RAJASTHAN PIN CODE: 343022 - 343022 PH :9607399993.

**SHAHPURA**

1956. K P AUTOMOTIVES PVT LTD (1104-NH-05), VILLAGE RAJAPURA, GRAM PANCHAYAT BIDARA, NH-8, SHAHPURA - 303103 PH :0141-40711111, 4071101,8696934964, 9358220012.

1957. LOHIA AUTOMOBILES (CCP1-CCP-01), OPPOSITE LIC OFFICE, BHILWARA ROAD, SHAHPURA DISTT. BHILWARA - 311404 PH :7568378555,9462979238.

**SHEO**

## Dealer Workshop (AS ON 30.05.2023 )

1958. LMJ SERVICES LTD. (SDO1-SDO-01), NEAR RIDDI SIDDIH HOTEL , OPPOSITE HP PETROL PUMP ,TEH SHEO, DISTT – BARMER - 335521  
PH :8094011144.

### SIKAR

1959. JAMU AUTOMOBILES PVT LTD (K701-K7-01), F-54 ,JAIPUR ROAD (NH-11),SIKAR - 332001  
PH :9057400761.

### SIROHI

1960. NAVNEET MOTORS (4902-LK-03), PLOT NO. 8,BHADRANAGAR NAGAR, ANADRA ROAD, SIROHI - 307001  
PH :9166261788.

### SIWANA

1961. LMJ SERVICES LTD. (CCO1-CCO-01), BALOTRA ROAD, SIWANA, DISTRICT - JODHPUR, RAJASTHAN - 344044  
PH - 8005898360.

### SOJAT

1962. LMJ SERVICES LTD. (BWI1-BWI-01), KHASRA NO. – 186/1, NH-8, NEAR ASHOK LEYLAND WORKSHOP, SARDARPURA, SOJAT , RAJASTHAN - 306104  
PH :9269971266.

### SRI DUNGARGARH

1963. AURIC MOTORS (A UNIT OF AUDI MOTORS PVT LTD) (BIG1-BIG-01), 1563/1273, NH-11, MOMASAR BASS, DUNGARGARH, DISTRICT - BIKANER, RAJASTHAN. - 331803  
PH :9414138511.

### SRI KARANPUR

1964. AURIC MOTORS (SDL1-SDL-01), PADAMPUR ROAD, NEAR DHAN MANDI, SRI KARANPUR, TEHSIL – SRI KARANPUR, DISTRICT – SRI GANGANAGAR,RAJASTHAN, PIN CODE: 335073 - 322243  
PH :8875088998.

### SRI MADHOPUR

1965. JAMU AUTOMOBILES PVT LTD (BZD1-BZD-01), WARD NO.4, RINGUS ROAD, SRI MADHOPUR DISTT. SIKAR. - 332715  
PH :9672822166.

### SRIGANGANAGAR

1966. AURIC MOTORS (A UNIT OF AUDI MOTORS PVT LTD) (U201-U2-01), NEW AUTOMOBILE MARKET,SURATGARH-HANUMANGARH ROAD, SRIGANGANAGAR - 335001  
PH :0154-2465226.7412059837.

1967. AURIC MOTORS (A UNIT OF AUDI MOTORS PVT LTD) (U201-U2-03), CHAK 1G CHOTI, NH15, SRIGANGANAGAR, RAJASTHAN - 335001  
PH :8875911503.

### SUJANGARH

1968. AURIC MOTORS (A UNIT OF AUDI MOTORS PVT LTD) (BRB1-BRB-01), KHASRA NO.459/9333, SALASAR ROAD, NEAR ANAJ MANDI, SUJANGARH , DISTT. CHURU - 331507  
PH :8875011561.

### SULTANPUR

1969. SUWALKA MOTORS PRIVATE LIMITED (GKY1-GKY-01), KHASRA NUMBER 485, NEAR PETROL PUMP , SULTANPUR ROAD , SULTANPUR , DISTT KOTA - 325204  
PH :9116178594.

### SUMERPUR

1970. LMJ SERVICES LTD. (6502-VC-08), G-14 JAKHAMATA INDUSTRIAL AREA, OPP. DASHAREA GROUND, SUMERPUR - 306902  
PH :8094002633.

### SURATGARH

1971. AURIC MOTORS (A UNIT OF AUDI MOTORS PVT LTD) (U201-LG-02), OPP. RELIANCE PETROL PUMP,NH-15, SURATGARH- 335804  
PH :8875012667.

### TONK

1972. K P AUTOMOTIVES PVT LTD (GM01-GM-01), F-94, RIICO INDUSTRIAL AREA, TONK , RAJASTHAN - 304001  
PH :9549651972.

### TUNGA

1973. PREM MOTORS (SMB1-SMB-01), VILLAGE GWALANI, BASSI-LALSOT ROAD, TUNGA, TEHSIL- BASSI, JAIPUR - 303302 - 303302  
PH :8058998123.

### UDAIPUR

1974. NAVNEET MOTORS (4901-49-01), 7 CITY STATION ROAD,UDAIPUR - 313001  
PH :90017 58531.  
1975. NAVNEET MOTORS (4902-49-01), S-140,MADRI INDUSTRIAL AREA,OPP. BSNL OFFICE, UDAIPUR - 313002  
PH :95888 86349.  
1976. TECHNOY MOTORS INDIA PVT. LTD. (4903-49-02), NH-8, GOVERDHAN VILLAS, DEVALI, NEAR JEEVAN TARA RESORT, UDAIPUR - 313002  
PH :9414165429.  
1977. TECHNOY MOTORS INDIA PVT. LTD. (4903-49-04), KHASRA NO. 546, 547, 554 AND 555, NEAR CHITRAKOOT NAGAR, OPP. BHIRAVGARH HOTEL, SUKHER, TEHSIL – BADGAON, UDAIPUR, RAJASTHAN. - 313001  
PH :9530396896.

### VIRATNAGAR

1978. K.P. AUTOMOTIVES PVT. LTD. (SCB1-SCB-01), KHASRA NUMBER 1156 ,OPP HOTEL GULMOHAR , JAIPUR ROAD ,VIRATNAGAR,DISTT JAIPUR - 303102  
PH :0141-4071111, 4071101,9358220012.

### SIKKIM

### GANGTOK

1979. ENTEL MOTORS (B901-B9-01), 6TH MILE, P.O.TADONG, GANGTOK, SIKKIM - 737102  
PH :9933031828  
9933032059.

### JORTHANG

1980. ENTEL MOTORS (B901-B9-02), PIPELEY ROHTAK, NEAR JNU SCHOOL, WEST SIKKIM, JORTHANG - 737121  
PH :9733164882  
9933009934.

### ALANDURAI

1981. AADHI CARS PVT. LTD. (CTO1-CTO-01), NO.69/1 A, SIRUVANI MAIN ROAD, URIPALLAM PUDHUR, ALANDURAI, COIMBATORE (TAMIL NADU)- 641101  
PH :8754045816.

### ALANGULAM

1982. AADHI CARS PVT. LTD. (SJF1-SJF-01), SURVEY NO. 495/7, TIRUNELVELI - TENKASI ROAD, ALANGULAM, TIRUNELVELI DISTRICT, TN - 627851  
PH :8754044143.

### AMBASAMUDRAM (AMBAI)

1983. AADHI CARS PVT. LTD. (BXT1-BXT-01), DOOR NO. 2/253, SURVEY NO. 104/2, RTO OFFICE ROAD, VILLAGE - VAGAIKULAM, AMBASAMUDRAM. - 627 401  
PH :7397188858.

### ANAMALAI

1984. ABT (CHE1-CHE-01), SITE NO. 6/12, NEAR ABT SAMUGA KOODAM, SETHUMADAI ROAD, ANAMALAI, COIMBATORE DISTRICT, TAMILNADU - 642 104  
PH :9788174244.

### ANNUR

1985. JAIRISHNAA AUTOSALES PVT. LTD. (DN01-DN-01), SF NO.266/1B, OTTRAPALAYAM VILLAGE, OPP. TO KG SCHOOL, ANNUR,COIMBATORE (DISIT), TAMILNADU - 641653  
PH :9788850733.

### ANTHIYUR

1986. SREE SARADHAMBAL AUTOMOBILES PVT LTD (CUX1-CUX-01), SURVEY NO.495/4, OLD NO 724B, KANCHI THOTTI THOTTAM, BHAVANI MAIN ROAD,ANTHIYUR. - 638901  
PH :8754086777.

### ARAKKONAM

1987. GANESH CARS PVT. LTD. (BKQ1-BKQ-01), SURVEY NO. 556A/3, VILLAGE – ICHIPUDHUR, TALUKA – ARAKKONAM, VELLORE. - 631003  
PH :9842345399.

### ARIYALUR

1988. PILLAI & SONS MOTOR CO. (EB01-EB-01), NO.1/1 , NEAR ULAVAR SANTHALI, JAYAMKONDAM ROAD, ARIYALUR (TAMIL NADU). - 621704  
PH :04329-228300, 9442281302.

### ARNI

1989. GANESH CARS PVT. LTD. (BKP1-BKP-01), DOOR NO. 1151/3, VELLORE MAIN ROAD, OPPOSITE TO HERO MOTORS SHOWROOM, RATHNAMANGALAM BUS STOP, ARNI, THIRUVANMALAI, TAMIL NADU. - 632301  
PH :9585553266.

### ARUPPUKOTTAI

1990. ASIR AUTOMOBILES PVT LTD (CWF1-CWF-01), SURVEY NO. 205/1, 5/5C, NEHRU NAGAR, ARUPPUKOTTAI TO MADURAI BYPASS ROAD, ARUPPUKOTTAI, DIST.-VIRUDHUNAGAR. - 626 101  
PH :9944059911.

### ATTUR

1991. S.M.CAR PVT. LTD. (QT02-QT-01), SF NO. 351/10A, SALEM TO CHENNAI BY PASS ROAD, APPAMASAMUDRAM, ATTUR, SALEM. - 636108  
PH :7094440057.

### AVADI

1992. VISHNU CARS PVT. LTD. (5P01-5P-01), SURVEY NO. 146, 147/1F & 147/G, NO. 17 VILLAGE – KAVARAPALAYAM, CTH ROAD, AVADI, DISTRICT – THIRUVALLUR, CHENNAI, TAMIL NADU - 600054  
PH :7338888021,  
7358024470.

### AVINASHI

1993. SHASHTI CAR PVT LTD (CLK1-CLK-01), SURVEY NO. 375/1E, THEEKU THOTTAM, NALLIGOUNDANPALAYAM, PALANGARAI, KUPQUDAMPALAYAM POST, NH ROAD, AVINASHI EAST, TIRUPPUR DISTRICT, TAMILNADU - 641654  
PH :9942903319.

### BHAVANI

1994. SREE SARADHAMBAL AUTOMOBILES PVT LTD (H701-IG-05), NO.5/1072, LAKSHMI NAGAR, NH-47, YASAVI COLLEGE (P.O.), BHAVANI, ERODE (DIST), TAMIL NADU. - 638316 PH :9797365777.

**CHENGALPETTU**

1995. AIE CARS (A UNIT OF AI ENTERPRISES PVT LTD) (BBS1-BBS-01), PLOT NO. 98/1, PULIPAKKAM VILLAGE, CHENGALPETTU, DISTRICT-KACHEEPURAM, TAMIL NADU. - 603002

PH :7299057387.

1996. AIE CARS (A UNIT OF AI ENTERPRISES PVT LTD) (BBS1-BBS-02), DOOR NO. 41, GST ROAD, PULIPAKKAM, CHANGALPET, TAMILNADU - 603202

PH :7299057387.

**CHENGAM**

1997. GANESH CARS PVT. LTD. (BUP1-BUP-01), SURVEY NO. 293/3A, 3A1,VILLAGE - THUKAPETTAI, CHENGAM, DIST. -TIRUVANNAMALAI - 606 701 PH :7397395289.

**CHENNAI**

1998. ABT LIMITED (1401-14-01), 102, MOUNT ROAD, GUINDY, CHENNAI - 600032 PH :044-42254544, 42254554.

1999. KHIVRAJ MOTORS PVT LTD. (1404-14-01), 623 MOUNT ROAD, CHENNAI - 600006 PH :9043014530.

2000. CARS INDIA PVT. LTD. (1403-14-01), 16 & 17 INDUSTRIAL ESTATE, AMBATTUR, CHENNAI - 600058 PH :9952000089.

2001. CARS INDIA PVT. LTD. (1403-14-02), NO.17, LATTICE BRIDGE ROAD, ADYAR, CHENNAI - 600020 PH :044-24462020.

2002. POPULAR VEHICLES & SERVICES LTD. (1410-14-02), OLD NO.155, NEW NO.123, PONRANJITHAM COMPLEX, MEDAVAKKAM MAIN ROAD, NEAR BUS TERMINUS, KEEKATTALAI, CHENNAI - 600117 PH :9178906334, 9178906335, 9178906336.

2003. CARS INDIA PVT. LTD. (1403-14-03), 4/321, OLD MAHABALIKURAMP RD., KOTTIVAKKAM, CHENNAI - 600040 PH :044-24540182 (43590913).

2004. POPULAR VEHICLES & SERVICES LTD. (1410-14-01), NO.11, ARUNACHALAM ROAD, SALIGRAMAM, CHENNAI - 600093 PH :9282405819, 9282348331, 8939915206.

2005. ABT LIMITED (1401-14-01), NO. 422, KOLAPERUMAL SCHOOL STREET, POONMA MALLE HIGH ROAD, CHENNAI - 600106 PH :044-42267628/604.

2006. ABT LIMITED (1401-14-05), A/A2, BHARANI STUDIO COMPLEX, DR. BHANUMATHI KRISHNA ROAD 22, ARCOT ROAD, SALIGRAMAM, CHENNAI - 600093 PH :044-23650488, 23650490.

2007. ABT LIMITED (1401-14-06), NO. 1 & 2, VASANTHA PRESS,ROAD, OPPOSITE MALAR HOSPITAL, ADYAR, CHENNAI - 600020 PH :044-24465814, 24465815.

2008. CRESCO (A UNIT OF NEXGEN VENTURES PVT LTD), (1493-14-01), 5,THIRUMURUGAN ST, KOYAMBEDU, CHENNAI - 600107 PH :7305087055.

2009. ABT LIMITED (1411-14-01), 29, WALLES ROAD, OPP. ALBERT THEATER, EGMORE, AMBATTUR, CHENNAI - 600058 PH :044-42281707 / 714 / 719 / 720 / 721 / 737/.

2010. CARS INDIA PVT. LTD. (1403-FP-04), NO.503, G.N.T. ROAD, REDHILLS, CHENNAI - 600066 PH :9952000078.

2011. VISHNU CARS PVT. LTD. (1427-14-02), 176/1, LUZ CHURCH ROAD, NEAR KAMADHENU THEATRE MYLAPORE, CHENNAI - 600004 PH :0427-24661973/74/75.

2012. VISHNU CARS PVT. LTD. (1427-14-01), NO. 91, GST ROAD, ALWITONE ESTATE, BEHIND LAXMI THEATRE, PALLAVARAM, CHENNAI - 600043 PH :044-68813729/7338880000.

2013. POPULAR VEHICLES & SERVICES LTD. (1410-14-03), NO. 3, 200 RING ROAD, RETTERI JUNCTION, RETTERI, CHENNAI - 600099 PH :1484814726/23/33.

2014. CARS INDIA PVT. LTD. (1403-14-05), PLOT NO.- 80, BABU JAGAGEVAN RAM STREET, GERUGAMBAKKAM, CHENNAI - 600112 PH :9952000079.

2015. KHIVRAJ MOTORS PVT LTD. (1404-14-03), SURVEY NO. A1& A2, SIDCO INDUSTRIAL ESTATE, GUINDY, CHENNAI - 600032 PH :7299971978.

2016. ABT LIMITED (1401-14-0D), NO.2/170, ECR ROAD, INJAMBAKKAM, CHENNAI TAMIL NADU. - 600041 PH :044-24490584 / 585 / 586.

2017. AIE CARS (A UNIT OF AI ENTERPRISES PVT LTD) (1484-14-01), PLOT NO.1,2,3 & 4, SURVEY NO.91/2, B1, A2 & B, NEELANKARAI, EAST COAST ROAD, CHENNAI - 600115 PH :7401211553.

2018. RAJALAKSHMI CARS PVT. LTD. (1486-14-01), OLD DOOR NO.89, NEW DOOR NO.20,GRAND NELLORE TRUNK ROAD, MADHAVARAM, CHENNAI - 600060 PH :8939995454/8939995404.

2019. KHIVRAJ MOTORS PVT LTD. (1480-14-02), PLOT NO.119 & 120, ELECTRICAL & ELECTRONICS INDUSTRIAL ESTATE, PERUNGUDI, CHENNAI - 600096 PH :98414 23569.

2020. ABT LIMITED (1401-14-0E), NO. 1/132, RAJEEV GANDHI SALAI, SHOLINGANALLUR, DISTRICT – CHENNAI, TAMIL NADU - 600119 PH :044-24502185 / 87 / 88 / 89. -

2021. VISHNU CARS PVT. LTD. (1427-14-03), 4/13 LOYAL GARDEN, KALAHATHAMMAN KOVIL STREET, RAMAPURAM, CHENNAI, TAMIL NADU. - 600089 PH :8754440002/ 9677244332.

2022. VISHNU CARS PVT. LTD. (1487-14-01), NO.203 TO 206 MOUNT POONAMALLE ROAD, KATTUPAKKAM, CHENNAI - 600056 PH :967127432.

2023. VISHNU CARS PVT. LTD. (1487-14-02), NO.120, MAMBAKKAM MAIN ROAD, MADAVAKKAM, CHENNAI - 600100 PH :9840929994/ 9840944478.

2024. VISHNU CARS PVT. LTD. (1427-14-04), NEW S. NO. 314/1B1A, PALLAVARAM – THORAIPAKKAM RADIAL ROAD, NEAR OLD CHETTINADU CEMENT GODDOWN, KEELAKATTALAI, CHENNAI - 600117 PH :9940057775.

2025. VISHNU CARS PVT. LTD. (1427-14-06), PLOT NO. 4, MORISON 4 STREET, ALANDUR, CHENNAI - 600016 PH :044-45590293.

2026. RAJALAKSHMI CARS PVT. LTD. (1486-14-02), OLD NO. 27, NEW NO. 22A, ALAPAKKAM MAIN ROAD, MADURAVOYAL, CHENNAI - 600095 PH :9841427572/9500125083.

2027. CRESCO (A UNIT OF NEXGEN VENTURES PVT LTD), (1493-14-03), PLOT NO. G30, 3RD MAIN ROAD, 9TH STREET, AMBATTUR INDUSTRIAL ESTATE, DIAGONALLY TO TELEPHONE EXCHANGE, CHENNAI - 600058 PH :7305087033.

2028. POPULAR VEHICLES AND SERVICES LTD (1410-14-06), PLOT NO. 10, NEW SURVEY NO. 88/1A1, 88/1C, 88/1B & 88/2B, NOOMBAL MAIN ROAD, VANAKARAM, CHENNAI. - 600 077 PH :044-61343434, 46490006/9.

2029. AIE CARS (A UNIT OF AI ENTERPRISES PVT LTD) (1484-14-02), PLOT NO. L-1 SIDCO INDUSTRIAL ESTATE, VILLIVAKKAM, CHENNAI, TAMIL NADU. - 600 049. PH :9841742926.

2030. VISHNU CARS PVT. LTD. (1427-14-07), SURVEY NO. 19/1A2, 83/18, DOOR NO. 113, NEAR PARIMALAM THEATER, KUNDRATHUR MAIN ROAD, MANWADY THALAI, NALLUR, SAMEA THALAI, MOONRAMKATTALAI VILLAGE, ONDI COLONY, KUNDRATHUR, CHENNAI - 600069 PH :95000 82346 .

2031. VISHNU CARS PVT. LTD. (1427-14-08), SURVEY NO. 62/2B, DOOR NO. 1/63, AGARAM MAIN ROAD, THIRUVAKCHERRY VILLAGE, TAMBARAM TALUK, SELAIYUR, KANCHIPURAM DIST. CHENNAI , TAMIL NADU. - 600 073 PH :8056280022.

2032. ABT LIMITED (1401-14-10), S. NO. 32/2, NANDAMBAKKAM, PADMINI GARDEN, CHENNAI - 600089, TN. - 600089 PH :044-23230161, 8220011558.

**CHEYEAR**

2033. GANESH CARS PVT. LTD. (BUD1-BUD-01), NO.16, KANCHEEPURAM ROAD, CHEYYAR, TIRUVANNAMALAI DISTT. - 604407 PH :9787669339.

**CHIDAMBARAM**

2034. VISHNU CARS PVT. LTD. (CPK1-CPK-01), SURVEY NO. 102/2 & 102/5, BHUVANAGIRI MAIN ROAD, KEERAPALAYAM, CHIDAMBARAM TOWN, CUDALORE, TAMIL NADU. - 608 602 PH :041-44241334/7358004555.

**COIMBATORE**

2035. ABT LIMITED (4101-41-06), 744, PULIYAKULAM ROAD, P. N. PALAYAM, COIMBATORE - 641037 PH :9944400987.

2036. SREE SARADHAMBAL AUTOMOBILES PVT LTD (4103-41-01), IYER HOSPITAL PREMISES, TRICHY ROAD, COIMBATORE - 641005 PH :8220862666.

2037. ABT LIMITED (4101-41-08), 15/55-C, ALAGESAN ROAD (EAST), METTUPPALAYAM ROAD, COIMBATORE - 641043 PH :96009 66056.

2038. ABT LIMITED (4101-41-05), LAKSHMI THEATRE BUILDING, T.S. NO. 1199/2, TS URD NO. 3, KEMPATTY COLONY, SOUTH UKKADAM, COIMBATORE - 641001 PH :044-4232660, 4232666.

2039. SREE SARADHAMBAL AUTOMOBILES PVT LTD (4103-41-03), 555, NSR ROAD, SAIBABA COLONY, COIMBATORE - 641011 PH :9047055687.

2040. JAIKRISHNA AUTOSALES PVT. LTD. (4107-41-01), 8/60-C&8/62-D, METTUPPALAYAM ROAD, G.N.MILLS POST, NEARJOHN BOSCO CHURCH,COIMBATORE - 641029 PH :044-4519140.

2041. SREE SARADHAMBAL AUTOMOBILES PVT LTD (4103-41-07), NO.44, KANUSAMY GOUNDER STREET, OORGOUNDER THOTTAM, SANGANUR, COIMBATORE - 641027 PH :9655219900.

2042. SREE SARADHAMBAL AUTOMOBILES PVT LTD (4103-41-08), SF-94, SATHY MAIN ROAD, VISWASAPURAM, SARAVANNAMPATTI, COIMBATORE. - 641013 PH :9585877775.



## Dealer Workshop (AS ON 30.05.2023 )

2043. JAIKRISHNAA AUTOSALES PVT. LTD.  
(4107-41-02), DOOR NO. 48, KAMARAJAR ROAD,  
LAKSHMIPURAM, PEELAMEDU, COIMBATORE,  
TAMIL NADU - 641004  
PH :0422-383220.
2044. SREE SARADHAMBAL AUTOMOBILES PVT LTD  
(4103-41-0D), 98/1 VILANKURICHI MAIN ROAD,  
THANEER PANDAL ROAD, COIMBATORE -  
641004  
PH :9655345775.
2045. AADHI CARS PVT. LTD. (4108-41-01), SURVEY  
NO.469/2,DOOR NO: 46-2,SATHY MAIN ROAD,  
RAMAKRISHNAPURAM, GANAPATHY,  
COIMBATORE - 641035  
PH :0422-4006000.
2046. ABT LIMITED (4101-41-0D), 36-A GANDHI  
NAGAR, SUNDARAPURAM, COIMBATORE (DIST)  
COIMBATORE - 641024  
PH :78457 74069.
2047. AADHI CARS PVT. LTD. (4108-41-02), NEAR  
KOVAI MEDICAL CENTRE & HOSPITAL,  
AVINASHI ROAD, CIVIL AERODROME POST,  
CHINNIYAMPALAYAM, COIMBATORE - 641004  
PH :0422-3007701.
2048. AADHI CARS PVT. LTD. (4108-41-03), NO.71, OLD  
SRIRAM THEATRE COMPLEX, MARUDHA MALAI  
MAIN ROAD, VADAVALLI, COIMBATORE - 641041  
PH :0422-3000201.
2049. AADHI CARS PVT. LTD. (4108-41-04), PLOT  
NO.295, RADHA RANI THEATER COMPLEX,  
NEAR JAYASHANTHI THEATER, TRICHY ROAD,  
ONDIPUDUR, COIMBATORE.- 641005  
PH :0422-4000777.
2050. SREE SARADHAMBAL AUTOMOBILES PVT LTD  
(4103-41-0E), PLOT NO. 210, PALAKAD ROAD,  
BK PUDUR, COIMBATORE, TAMIL NADU. -  
641008  
PH :0422-2251225.
2051. AADHI CARS PVT. LTD. (4108-41-06), SF NO.  
14/78-A, RENJUKA SHELTERS, VILANKURICHI  
MAIN ROAD, KALAPATTI, COIMBATORE, TAMIL  
NADU-641048. - 641 006  
PH :8754045840.
2052. SREE SARADHAMBAL AUTOMOBILES PVT. LTD.  
(4103-41-11), PLOT NO. 1, RAJA STREET,  
KALLIMADAI, NANAJPPA NAGAR, COIMBATORE,  
TAMIL NADU - 641005  
PH :9344870035.
- COONOOR**
2053. SREE SARADHAMBAL AUTOMOBILES PVT LTD  
(3G01-3G-01), 78 E, BRINDAVAN SCHOOL ROAD,  
CONOOR, NILGRIS DIST- TN - 643102  
PH :95852 77775.
- CUDDALORE**
2054. ABT LIMITED (5Q01-5Q-01), K. V. SUBRAMANIAM  
NAGAR, CHIDAMBARAM MAIN ROAD,  
CUDDALORE O. T - 607003  
PH :04142-224567.
2055. VISHNU CARS PVT. LTD. (5Q02-5Q-01), SURVEY  
NO. 35/8, 35/8A, 35/21, 35/6, 35/6A/1A, 35/20,  
VILLAGE - PERIYA KANANGAKUPPAM,  
CUDDALORE - 607 001  
PH :7338884131.
- CUMBUM**
2056. MEENAKSHI AUTO ZONE PVT. LTD.  
(CJS1-CJS-01), PATTI NO. 4388, SURVEY NO.  
1003/2 & 1003, VILLAGE - UTHAMPURAM, SUB  
DIST.-CUMBUM, TAMIL NADU. - 625516  
PH :9940094881.
- DEVAKOTTAI**
2057. SIVA AUTOMOTIVE TRADING PVT LTD  
(GKV1-GKV-01), SURVEY NO. 5/1A, MULL  
IGUNDU (SOMANENTHAL VILLAGE),  
DEVAKOTTAI TALUK, SIVAGANGAI  
DISTRICT,TAMILNADU - 630 303  
PH :7094688870.
- DHARAPURAM**
2058. SREE SARADHAMBAL AUTOMOBILES PVT LTD  
(H701-QN-04), OPP. TO ANJANEYAR TEMPLE,  
NEAR FIVE CORNER, MADURAI ROAD,  
DHARAPURAM - 638656  
PH :9597550777.
- DHARMAPURI**
2059. SRI AMMAN CARS INDIA PVT. LTD.  
(7Q01-SR-02), NEAR COLLECTOR BUNGALOW,  
OLD HOSUR ROAD, JETTITHALLI (PO),  
DHARMAPURI , TAMILNADU - 636807  
PH :9750938892/ 9159086222.
- DINDIGUL**
2060. PLA MOTORS (S401-S4-01), NO. 5, TRICHY  
MADURAI BY PASS ROAD, NH-45, DINDIGUL -  
624001  
PH :7010075200.
- EDAYARPALAYAM, COIMBATORE**
2061. SREE SARADHAMBAL AUTOMOBILES PVT LTD  
(CJk1-CJk-01), SITE NO. 2, SY. NO. 404/1A/1,  
THADAGAM ROAD, TVS NAGAR,  
EDAYARPALAYAM, COIMBATORE. - 641025  
PH :9047081914.
- ERODE**
2062. SREE SARADHAMBAL AUTOMOBILES PVT LTD  
(H701-H7-01), 23/1, PERUNDU, URAI ROAD,  
ERODE, - 638011  
PH :9677987777
2063. SREE SARADHAMBAL AUTOMOBILES PVT LTD  
(H701-H7-06), SURVEY NO. 1363/3, 1363/5,  
1363/6, BEHIND MANIKAVASAKAR COLONY BUS  
STOP, OPPOSITE TO CANARA BANK, KARUR  
BYPASS ROAD, SOLAR, ERODE. - 638 002  
PH :6385805777.
2064. SRI CITY AUTO (A UNIT OF CITY AUTO PVT  
LTD)(H702-H7-01), OLD G.S. NO. 337 (1 TO 4),  
RS NO. 259/1A,10,9,8., SATHY ROAD, PERIYA  
SEMUR VILLAGE, ERODE,TAMILNADU - 638003  
PH :9171791991
2065. SRICITY AUTO (H702-H7-02), R.S. NO:1098/3,  
VINAYAGAR KOVIL STREET, TELEPHONE  
NAGAR, POONDURAI MAIN ROAD , ERODE,  
TAMILNADU - 638002  
PH :9626671444.
- GOBICHETTIPALAYAM**
2066. SREE SARADHAMBAL AUTOMOBILES PVT LTD  
(H701-QM-03), NO. 318, CUTCHERY,  
GOBICHETTIPALAYAM - 638476  
PH :9597560777.
- GUDIYATAM**
2067. GANESH CARS PVT. LTD. (CQW1-CQW-01),  
SURVEY NO.250/1, NEAR NH-75, GANDHI  
NAGAR, SETHUVADAI, GUDIYATTAM. - 653803  
PH :04171-290172.
- GUDDUVANCHERY**
2068. VISHNU CARS PVT. LTD. (BAD1-BAD-01), 52,  
THAILAVARAM VILLAGE, BEHIND HOTEL  
PATTIKADU, GUDDUVANCHERRY,  
KANCHEEPURAM DISTT. - 603203  
PH :9500121553/ 9677122225.
- GUMMIDIPOONDI**
2069. RAJALAKSHMI CARS PVT. LTD. (BIZ1-BIZ-01),  
PLOT NO. F-13, SURVEY NO. 262/2, SIPCOT  
INDUSTRIAL COMPLEX, VILLAGE -  
PAPPANAKUPPAM, GUMMIDIPOONDI,  
THIRUVALLUR - 601201  
PH :044-27922060.
- HARUR**
2070. SRI AMMAN CARS INDIA PVT. LTD.  
(AAV1-AAV-01), 429/9, HARUR SALEM MAIN  
ROAD, HARUR POST, DHARMAPURI, TAMIL  
NADU - 636903  
PH :8220014360/7339071500.
- HOSUR**
2071. SRI AMMAN CARS INDIA PVT. LTD.  
(7Q01-7Q-01), P.O.-PERANDAPALLI,NH-7,  
KRISHNAGIRI MAIN ROAD, HOSUR, TAMILNADU  
- 635109  
PH :9790036377/8883259555.
- IDAPPADI**
2072. THRIVENI CAR COMPANY PVT LTD. (H101-H1-01),  
SURVEY NO.330/3B1B, AVANI PERUR  
KILMUGAM VILLAGE, IDAPPADI DISTT. SALEM -  
637101  
PH :9003311488.
- KALLAKURICHI**
2073. ABT LIMITED (CHG1-CHG-01), SURVEY NO.  
215/4,NEAR AKT SCHOOL, DURUGAM ROAD,  
NEAR DOORDARSHAN BLDG,  
NEELAMANGALAM VILLAGE., KALLAKURICHI  
TALUK & DIST., TAMILNADU - 606 202  
PH :9047514890.
2074. S M CARS (CHG2-CHG-01), SF: 31/3B, NO. 19  
EMAPPER VILLAGE, KALLAKURICHI,  
TAMILNADU - 606213  
PH :7094440010.
- KANCHEEPURAM**
2075. GANESH CARS PVT. LTD. (C601-JA-02), ANBU  
NAGAR, DHIMMA SAMUDRAM POST, NEAR  
VELLA GATE, CHENNAI BANGALORE NH-4,  
KANCHEEPURAM - 631502  
PH :9842306061.
- KANGAYAM**
2076. SREE SARADHAMBAL AUTOMOBILES PVT LTD  
(GJ11-GJ1-01), NO. 407/263, THIRUPPUR ROAD,  
KANGAYAM TALUK & TOWN, TIRUPPU DIST.  
.TAMIL NADU. - 638701  
PH :7708531777.
- KARAIKUDI**
2077. ABT LIMITED (4202-HX-05), 42-43 KOVILLOOR  
ROAD, OPP. TNSTC DEPOT - 630302  
PH :4565-232484, 232486.
- KARUMATHAMPATTI**
2078. SREE SARADHAMBAL AUTOMOBILES PVT LTD  
(CJQ1-CJQ-01), SF. NO.281/B, NEAR BHARAT  
PETROL BUNK, VILLAGE - VAGUTHANKADU,  
SOMANUR ROAD, KARUMATHAMPATTI TOWN,  
TALUK-PALLADAM, DISTT. COIMBATORE. -  
641650  
PH :9159210008.
- KARUNGAL**
2079. ATHEN (SGE1-SGE-01), SURVEY NO. 639/5,  
KARUNGAL TOWN, VILAVANCODE TALUK,  
KANYAKUMARI DISTRICT, TAMILNADU - 629157  
PH :7094434179.
- KARUNGALPALAYAM, ERODE**
2080. SREE SARADAMBAL AUTOMOBILES PVT. LTD.  
(H701-H7-08), RF. NO. 17/1, 2, CAVERI ROAD,  
KARUNGALPALAYAM, ERODE ,TAMILNADU -  
638003  
PH :8098825000.
- KARUR**
2081. ABT LIMITED (K401-K4-01), SF NO. 529/1, SALEM  
BY PASS ROAD, VENGAMEDU CIRCLE,  
SEMMADAI - 639002  
PH :04324-222261/62/63.
- KATPADI**
2082. GANESH CARS PVT. LTD. (C601-APA-04), 170/2B  
THIRUVALLAM ROAD, ARUMPARUTHI VILLAGE,  
KATPADI, VELLORE DISTT. - 632004  
PH :9842313139.

**KATTUMANNARKOIL**

2083. VISHNU CARS (SKG1-SKG-01), SURVEY NO. 6& 7, PERIYAKULAM VADA KARAI, OPP TO GNAVINAVINAYAGAR KOIL, KATTUMANNARKOIL TOWN AND TALUK, CUDDALORE DIST., TAMILNADU - 608301  
PH :7358004555.

**KELAMBAKKAM**

2084. CRESCO (A UNIT OF NEXGEN VENTURE PVT LTD) (SJV1-SJV-01), AGP MAHALA, SURVEY NO 43, OMR, 60 FEET VEERANAM HIGH ROAD, PADUR, KELAMBAKKAM, CHENGALPATTU DISTRICT, TAMIL NADU - 603 103  
PH :7305087002.

**KINATHUKADAVU**

2085. AADHI CARS PVT. LTD. (BBI1-BBI-01), NO.212, KAMARAJ NAGAR, SOLAVALAM PALAYAM PANJAYATH, KINATHUKADAVU DISTT. COIMBATORE (T.N.) - 642109  
PH :0422-3000506/ 3000505.

**KODUMUDI**

2086. SREE SARADHAMBAL AUTOMOBILES PVT LTD (CUY1-CUY-01), SURVEY NO.548/A, KARUR MAIN ROAD, NEAR BUS STAND, KODUMUDI. - 638151  
PH :8754756777.

**KOTAGIRI**

2087. AADHI CARS PVT. LTD. (BAS1-BAS-01), SURVEY NO.89/79, OOTY MAIN ROAD, KOTAGIRI, DISTT. NILGIRIS, TAMIL NADU. - 643217  
PH :8754045891/ 8754045442.

**KOVLIPATTI**

2088. ASIR AUTOMOBILES PVT LTD (NO01-NO-01), OLD NO. 1, NEW NO. 13, SATTUR MAIN ROAD, KOVLIPATTI (TAMIL NADU) - 628501  
PH :4632-232220.

**KRISHNAGIRI**

2089. SRI AMMAN CARS INDIA PVT. LTD. (7Q01-QL-03), NH-7,NR. AAVIN DAIRY,MOTTUR,SALEM BYE PASS ROAD, KRISHNAGIRI, TAMILNADU - 635001  
PH :9500202416/ 8220004270.

**KUMBAKONAM**

2090. PILLAI & SONS MOTOR CO. (E701-N4-02), 369/2 B, KUMBAKONAM CHENNAI MAIN ROAD, KUMBAKONAM , TANJAVUR - 612501  
PH :0435-2442566, 2442565, 9443264696.

**MADURAI**

2091. ABT LIMITED (4202-42-02), MADURAI-DINDIGAL BYE PASS ROAD,NEAR FATHIMA COLLEGE,MADURAI - 625018  
PH :9994400615.

2092. ABT LIMITED (4202-42-04), 09, 109A, GST ROAD, TIRUPARANKUNDRAM, MADURAI - 625005  
PH :9609096164.

2093. SIVA AUTOMOTIVE TRADING PVT. LTD. (4205-42-01), 2C, GATE LOCK ROAD, NEAR NEW RAMNAD ROAD, MADURAI - 625016  
PH :7402780000.

2094. SIVA AUTOMOTIVE TRADING PVT. LTD. (4205-42-02), NO. 6-A, TPK ROAD, NEAR SAIBABA TEMPLE, ANDALPURAM, MADURAI - 625003  
PH :7402788840.

2095. ASIR AUTOMOBILES PVT LTD (4206-42-01), D. NO. 28/5B, MELUR MAIN ROAD, UTHANKUDI, MADURAI. - 625107  
PH :9944059911.

2096. MEENAKSHI AUTO ZONE PVT. LTD. (4207-42-01), PLOT NO. 25 D, SIDCO INDUSTRIAL ESTATE, KAPPALAR, MADURAI, TAMIL NADU. - 625008  
PH :9442799581.

2097. MEENAKSHI AUTO ZONE PVT. LTD. (4207-42-02), SURVEY NO. 238/2A, PLOT NO. 36, 37, 38, TALLAKULAM VILLAGE, SIVAGAMI NAGAR, NATHAM MAIN ROAD, MADURAI - 652 014  
PH :9940224881.

**MADURANTHAKAM**

2098. AIE CARS (A UNIT OF AI ENTERPRISES PVT LTD) (CEW1-CEW-01), SURVEY NO. 38/3 A2B, NH-45, MADURANTHAKAM, KANCHIPURAM. - 603306  
PH :7401212797.

**MALLASAMUDRAM**

2099. SREE SARADHAMBAL AUTOMOBILES PVT LTD (CWY1-CWY-01), SF NO. 194/3C, MALLASAMUDRAM MAIN ROAD, MALLASAMUDRAM TOWN, TIRUCHENGODE TALUK, NAMAKKAL DIST., TAMIL NADU. - 637503  
PH :9894932019.

**MALLUR**

2100. THRIVENI CAR COMPANY PVT LTD. (CDH1-CDH-01), SURVEY NO 50/4A, AMANI AMMAPALAYAM VILLAGE, DISTT.: DADHAGAPATTY SUB REGISTRATION , MALLUR DISTT, SALEM - 636309  
PH :0427-2422399.

**MANAMADURAI**

2101. ABT LIMITED (CHF1-CHF-01), NO. 35, OLD RAMNAD ROAD, MANAMADURAI TOWN, DISTRICT – SIVGANGAI. - 630606  
PH :9994450331.

**MANAPPARAI**

2102. PILLAI AND SONS MOTOR COMPANY (SKV1-SKW-01), PLOT NO.262, TRICHY DINDIGUL BYPASS ROAD, VENGAIKURUCHI VILLAGE,MANAPPARAI, TRICHY,TN - 621307  
PH :8489900908.

**MANGALAPURAM**

2103. SREE SARADHAMBAL AUTOMOBILES PVT LTD (CLX1-CLX-01), DOOR NO. 1/518, SURVEY NO. 75/1, ATTUR MAIN ROAD, MANGALAPURAM (POST), TALUK – RASIPURAM, DISTRICT – NAMAKKAL. - 636202  
PH :7094447871.

**MANNARGUDI**

2104. PILLAI & SONS MOTOR CO. (BKR1-BKR-01), NO. 37, THIRUTHURAIPOONDI ROAD, MANNARGUDI, THIRUVARUR DISTRICT, TAMIL NADU. - 614001  
PH :7094411675.

**MAYILADUTHURAI**

2105. PILLAI & SONS MOTOR CO. (E701-AG-04), 46,VELLALAGARAM VILLAGE, MAYILADUTHURAI, TAMILNADU - 609007  
PH :04364-251767, 251765, 9442141703.

**MECHERI**

2106. SM CARS (CVK1-CVK-01), SURVEY NO. 139A/5, PATTI NO. 653, AMANI M.KALIPATTY VILLAGE, MECHERI TOWN, METTUR TALUK, SALEMIN DIST., TAMIL NADU. - 636 453  
PH :7094401010.

**MELUR**

2107. SIVA AUTOMOTIVE TRADING PVT. LTD. (CHC1-CHC-01), OLD SN. 138/1, SURVEY WARD C, BLOCK NO. 1, T.S. NO. 21/7, VILLAGE AND TOWN – MELUR, MELUR , DIST.-MADURAI. - 625109  
PH :8098120000.

**METTUPALAYAM**

2108. ABT LIMITED (4101-EU-0C), PLOT NO. 6 TO 9 PONVIZHA NAGAR, KARAMADAI KOVAI MAIN ROAD, METTUPALAYAM - 641043  
PH :95009 45094.

**MINJUR**

2109. RAJALAKSHMI CARS PVT. LTD. (BPE1-BPE-01), PLOT NO. 27, SRI JANAKI RATHINA NAGAR, VILLAGE AND TOWN – MINJUR, PONNERI – 601 203, DISTRICT – THIRUVALLUR. - 601203  
PH :044-27933331.

**NAGAPATTINAM**

2110. PILLAI & SONS MOTOR CO. (CQQ1-CQQ-01), NO.181, KEELA ANTHANAPETTAI, ANTHANAPETTAI, P.O. - MANJAKOLLA, PUTHUR, NAGAPATTINAM DISTT. TAMIL NADU - 611106  
PH :4365220250.

**NAGARCOIL**

2111. ATHEN (S503-S5-01), RESURVEY NO. G.3/9-7, BUILDING NO. 254-A/3 & 4 K.P ROAD ,PARAVATHIPURAM, NAGERCOIL ,KANYAKUMARI DISTRICT TAMILNADU - 629003  
PH :8012029777.

**NAMAKKAL**

2112. SREE SARADHAMBAL AUTOMOBILES PVT LTD (X401-X4-01), SURVEY NO. 1/10-11, NEAR MURUGAN TEMPLE, SALEM ROAD, NAMAKKAL - 637001  
PH :937164888.

2113. SREE SARADHAMBAL AUTOMOBILES PVT LTD (X401-X4-03), 1/412/1 NEAR PON NAGAR, MUDALAI PATTY, SALEM ROAD, NH-7, NAMAKKAL (TAMIL NADU) - 637001  
PH :737192888.

**NATRAMPALLI**

2114. GANESH CARS PVT. LTD. (SPR1-SPR-01), NO.8/12-1, NEAR ARJUNA SULOCHANA MAHAL, BENGALURU- CHENNAI MAIN ROAD,VELAKALATHAM, NATRAMPALLI, TIRUPATTUR DIST. TAMIL NADU - 635854. - 635854  
PH :73977 53146.

**NEGAMAM**

2115. ABT LIMITED (CHD1-CHD-01), 68, 69, ABT BUS STAND, PALLADAM ROAD, PERIA NEGAMAM, POLLACHI, TAMIL NADU - 642120  
PH :99948 76794.

**OMALUR**

2116. SRI AMMAN CARS INDIA PVT. LTD. (7Q01-UM-04), 123, 3B, NH-7, BANGALORE BYE PASS ROAD, KOTTAMETUPATTI, OMALUR, SALEM (DIST.), TAMIL NADU - 636012  
PH :8220010070/8883529888.

2117. THRIVENI CAR COMPANY PVT LTD. (UM01-UM-01), PLOT NO. 44 & 45, PALANIYAPPA NAGAR LAYOUT, NH-7, KAMALAPURAM VILLAGE, OMALUR, DISTRICT – SALEM, TAMIL NADU - 636309  
PH :4290-222711.

**OOTY**

2118. SREE SARADHAMBAL AUTOMOBILES PVT LTD (4103-Y1-05), VIJAYANAGARAM FARM ROAD, NEAR ROSE GARDEN, OOTY - 643001  
PH :97511 09229.

**P.N. PALAYAM, COIMBATORE**

2119. JAIKRISHNAA AUTOSALES PVT. LTD. (4107-0H-04), NO.12/190 SRKV PORT, MTR ROAD, P.N. PALAYAM, COIMBATORE - 641020  
PH :0422-698899.

**PADAPPAI**

## Dealer Workshop (AS ON 30.05.2023 )

2120. VISHNU CARS PVT. LTD. (CRO1-CRO-01), SURVEY NO.368/2A/1, 368/2A/2, VANDALLUR-WALAJABAD MAIN ROAD, PADAPPAL EAST, CHENNAI. - 601301 PH. 8754417168.
- PALANI**
2121. PLA MOTORS (S401-GLR-02), NO.13-1-11C-1, WEST AYAKUDI, DINDIGUL ROAD, PALANI, DINDIGUL DISTRICT, TAMIL NADU - 624613 PH :04545-290900.
- PARAMATHIVELUR**
2122. SREE SARADHAMBAL AUTOMOBILES PVT LTD (CC01-CC-01), SURVEY NO. 171, NEAR KONGU SCHOOL, NAMAKKAL BYPASS ROAD, PADAMUDI PALAYAM, TALUKA – PARAMATHIVELUR, NAMAKKAL , TAMIL NADU. - 638182 PH :8870666599.
- PATTUKOTTAI**
2123. PILLAI & SONS MOTOR CO. (CJA1-CJA-01), SURVEY NO. 85/6, 85/4, 84/6, DOOR NO.314/11, SRI JANAGALAKSHMI NAGAR, THANJAVUR ROAD, ALADIKUMULAI VILLAGE, TALUK PATTUKOTTAI, THANJAVUR. - 614615 PH :97150443074.
- PAVITHRAM**
2124. SREE SARADHAMBAL AUTOMOBILES PVT LTD (TWT1-TWT-01), SURVEY NO. 102/1B, NAMAKKAL MAIN ROAD, PAVITHRAM - 637 021 PH :9600320888.
- PENNAGARAM**
2125. SRI AMMAN CARS INDIA PVT. LTD. (BX21-BX2-01), SURVEY NO. 419/1, VILLAGE – PARUVADHANAAALI, PENNAGARAM, DHARMAPURI. - 636810 PH :9715044700.
- PERAMBALUR**
2126. PLA MOTORS (2305-DQ-04), SURVEY NO.88/1, A3,NH45, ELAMBALUR VILLAGE, PERAMBALUR, TAMILNADU - 621212 PH :8870004960.
- PERNAMBU**
2127. SRI AMMAN CARS INDIA PVT LTD (CODE UNDER CREATIONS-CODE UNDER CREATIONS), SURVEY NO.708,PLOT NO: 87,88 & 89, PERNAMBU TO GUDIYATTAM ROAD, PERNAMBU,VELLORE DISTRICT, TAMIL NADU - 635810 - 635810 PH :7094403100.
- PERUNDURAI**
2128. SREE SARADHAMBAL AUTOMOBILES PVT LTD (BTX1-BTX-01), SF NO.542/1, KOVAI MAIN ROAD, PERUNDURAI VILLAGE, PERUNDURAI DISTT. ERODE, TAMIL NADU - 638052 PH :9597490777.
- POCHAMPALLI**
2129. SRI AMMAN CARS PVT. LTD. (CUW1-CUW-01), NEW SURVEY NO. 561/5, VILLAGE – JUMBUKUTTANPATTI, POUCHAMPALLI, KRISHNAGIRI. - 635206 PH :9600466988.
- POLLACHI**
2130. ABT LIMITED (L301-L3-01), NACHIMUTHU POLYTECHNIC CAMPUS, UDUMALPET ROAD, POLACHI - 642003 PH :99944 53265.
- POLUR**
2131. GANESH CARS PVT. LTD. (GLV1-GLV-01), AZHAGO COMPLEX, SURVEY NO.77/1, CUDDALOR TO CHITTOOR ROAD, POLUR, THIRUVANNAMALAI DISTRICT,TAMILNADU - 608803 PH :9842345200.
- PUDUKOTTAI**
2132. PLA MOTORS (2305-UJ-02), NO. 10, MARIAMALAI NAGAR, ALANGUDI- THIRUMAYAM ROAD, PUDUKOTTAI. - 622003 PH :04322-265566/67.
- PUNJAI PULIAMPATTI**
2133. SREE SARADHAMBAL AUTOMOBILES PVT LTD (BKO1-BKO-01), SURVEY NO. 250/1, PANKAU PULIYAMPATTU MUNICIPALITY, PUNJAI PULIYAMPATTI - 638459, SATHY THALUK, ERODE. - 638459 PH :6385810777.
- RAJAPALAYAM**
2134. MEENAKSHI (5V02-01), DOOR NO. 96, COTTON MARKET, TENKASI-MADURAI ROAD, RAJAPALAYAM, VIRUDHUNAGAR DIST., TAMILNADU - 626117 PH :9443785681.
- RAMANATHAPURAM**
2135. SIVA AUTOMOTIVE TRADING PVT. LTD. (0U02-UJ-01), SURVEY NO. 172/1B2C, 172/2C, VILLAGE - ACHUNTHANVAYAL, ACHUNTHANGAL GROUP, TALUK - RAMANATHAPURAM, RAMANATHAPURAM. - 623502 PH :8098110000.
- RAMESHWARAM**
2136. SIVA AUTOMOTIVE (SKI1-SKI-01), NO.2307, SURVEY NO.279/3A, RAMNAD ROAD, ARIYANKADU, RAMESHWARAM, RAMANATHAPURAM DISTRICT, TAMILNADU - 623529 PH :7402788898.
- RANIPET**
2137. GANESH CARS PVT. LTD. (CJJ1-CJJ-01), SURVEY NO. 44/1, PLOT NO. 484, OPPOSITE TO THIRUMALAI CHEMICALS, SIPCOT LAYOUT OF HOUSE SITES, SIPCOTS INDUSTRIAL COMPLEX, RANIPET , TAMIL NADU. - 632403 PH :9842330388.
- RASIPURAM**
2138. SREE SARADHAMBAL AUTOMOBILES PVT LTD (BSJ1-BSJ-01), SURVEY NO.41/1 B1A, MOOLAKADU VILLAGE, MASAKALIPATTI, SALEM MAIN ROAD, RASIPURAM DISTT. NAMAKKAL - 637401 PH :4286-231402/7539972888.
- SALEM**
2139. ABT LIMITED (4101-A2-03), 32 THAMANA CHETTY ROAD, ARISIPALAYAM, SALEM - 636009 PH :0427-4066988, 406999.
2140. THRIVENI CAR COMPANY PVT. LTD. (A203-A2-01), 12/2E1, SUBRAMANIA NAGAR, 2ND GATE, JUNCTION ROAD, SALEM. - 636005 PH :0427-2440000.
2141. S.M.CARS PVT. LTD. (A204-A2-01), SF NO. 64/2C3, ATTUR SALEM BYPASS ROAD, PINANGUKARAR THOTTAM, SEELANIKANPATTY, SALEM. - 636202 PH :7094448000, 7034449000.
2142. THRIVENI CAR COMPANY PVT. LTD. (A203-A2-03), SURVEY NO. 57, VILLAGE - MASINAICKENPATTY, AYOTHIPATTINAM, AMMAPET, SALEM. - 636103 PH :0427-2291000.
2143. S M CAR PRIVATE LIMITED (A204-A2-02), DOOR NO. 50/28, SF NO. 1/10B, SARADHA COLLEGE MAIN ROAD, ALAGAPURAM PUDHUR VILLAGE, HASTHAMPATTY, SALEM, TAMILNADU - 636007 PH :7094440053.
- SANKAGIRI**
2144. THRIVENI CAR COMPANY PVT LTD. (BTN1-BTN-01), SURVEY NO.171/5B, KCK PLAZA, KACHERIDADU, DEPUTY COLLECTCTOR ROAD, SALEM, SANKAGIRI (TAMIL NADU) - 637301 PH :+914283242600 +914283242601.
- SANKARANKOVIL**
2145. AADHI CARS PVT. LTD. (BXS1-BXS-01), PLOT NO. 132/H, OPPOSITE TO NEW TALUK OFFICE, TIRUVENGADAM ROAD, SANKARANKOVIL. - 627756 PH :7397728025.
- SATHY ROAD, ERODE**
2146. SREE SARADAMBAL AUTOMOBILES PVT. LTD. (H701-H7-09), SF-NO:245, KANDHAIYAN THOTTAM, SOOLAI, SATHY ROAD, VEERAPPANCHATTIRAM, ERODE, TAMILNADU - 638004 PH :9655240486.
- SATHYAMANGALAM**
2147. SREE SARADHAMBAL AUTOMOBILES PVT LTD (BGU1-BGU-01), SURVEY NO. 51, 54 & SR NO. 37, KOTTUVEERAMPALAYAM VILLAGE, SATHYAMANGALAM - 638 401, DISTRICT – ERODE, TAMIL NADU - 638401 PH :9597592777.
- SATTUR**
2148. MEENAKSHI AUTO ZONE PVT. LTD. (SDR1-SDR-01), SURVEY NO. 18/10,CHATRAPATTI VILLAGE, MADURAI KANYAKUMARI NATIONAL HIGHWAYS, SATTUR, VIRUDHUNAGAR DISTRICT,TAMILNADU - 626203 PH :9940094881.
- SEYDUNGANALLUR**
2149. ASIR AUTOMOBILES PVT LTD (S603-GJG-02), SURVEY NO. 59/3C, TIRUCHENDUR ROAD, SEYDUNGANALLUR TOWN, TALUK - SRIVAIKUNTAM, TUTICORIN DIST., TAMIL NADU. - 628809 PH :8344992220.
- SHOLINGUR**
2150. GANESH CARS PVT. LTD. (GLU1-GLU-01), NO.401, ARAKKONAM MAIN ROAD,OPPOSITE TYS FOUNDARY, PANDIYANELLORE,SHOLINGHUR,WALAJA TALUK, RANIPET DISTRICT, TMILANADU - 631102 PH :7397395259.
- SIVAKASI**
2151. MEENAKSHI AUTO ZONE PVT. LTD. (X602-X6-01), 372 D & E, ARUNACHALAM COMPLEX, THIRUTHANGAL ROAD, SIVAKASI. - 626123 PH :4562-231281.
- SRIPERUMBUDUR**
2152. RAJALAKSHMI CARS PVT. LTD. (7B01-7B-01), SURVEY NO. 150/1A, DOOR NO 1C, THERADI STREET, NEW VILLAGE NO 42, SRIPERUMBADUR, KANCHEEPURAM DISTRICT, TAMIL NADU. - 602105 PH :8939995469.

**SRIVILLIPUTHUR (RAJAPALYAM)**

2153. ABT LIMITED (4202-5V-03), NO. 10/32, PADIKKASUVATHANPATTI , NEAR RTN OFFICE, SRIVILLIPUTHUR, VIRUDHUNAGAR, TAMIL NADU - 626125  
PH :95009 05020.

**SULUR**

2154. JAIKRISHNAA AUTOSALES PVT. LTD. (4107-TK-05), DOOR NO. 37 F, RANGANATHAPURAM, TRICHY ROAD, SULUR - 641 402  
PH :0422-3199901.

**TENKASI**

2155. AADHI CARS PVT. LTD. (BXR1-BXR-01), DOOR NO. 3/50-1, SURVEY NO. 447B, TIRUNELVELI MAIN ROAD, VILLAGE – KUNARAMANALLUR, TENKASI - 627814  
PH :9500991475.  
2156. AADHI CARS PVT. LTD. (BXR1-BXR-02), DOOR NO. 47, MADHALAMPARAI, TENKASI AMBAI HIGHWAY, TENKASHI, TIRUNELVELI DIST., TAMILNADU. - 627 814  
PH :9500991475.

**THAMMAPATI**

2157. SM CARS (SNH1-SNH-01), SURVEY NO # SF: 328/11, NAGIAMPATTI, THAMMAPATTI,SALEM DISTRICT, TAMILNADU - 636113. - 636113  
PH :7094440010.

**TANJAVUR**

2158. PILLAI & SONS MOTOR CO. (E701-E7-01), 12A, SELVAM NAGAR, TANJAVUR, TAMILNADU - 613007  
PH :04362-271723, 271724, 9443264164.

**THARAMANGALAM**

2159. THRIVENI (CSO1-CSQ-01), NO. 1/122, KATTAMPATTI, JALAKANDAPURAM, THARAMANGALAM, SALEM DIST., TAMIL NADU. - 636501  
PH :9159355999/9003504760.

**THENI**

2160. MEENAKSHI AUTO ZONE PVT. LTD. (9U02-9U-01), DOOR NO. 871/1, RATHINAM NAGAR, PERIYAKULAM MAIN ROAD, THENI TOWN, DISTRICT – THENI - 625531  
PH :9789703881.

**THIRUMULLAIVOYAL**

2161. CRESCO (A UNIT OF NEXGEN VENTURES PVT LTD). (CDW2-CDW-01), NO. 48, BALAJI NAGAR, NEW SIR IRVANSTADE FORD HOSPITAL, THIRUMULLAIVOYAL DISTT. CHENNAI - 600062  
PH :7305087044.

**THIRUVALLUR**

2162. KHIVRAJ MOTORS PVT LTD. (1404-HH-04), 2151, KAKKULUR ROAD, THIRUVALLUR - 602001  
PH :99520 78443

2163. KHIVRAJ MOTORS PVT LTD. (1404-HH-05), PLOT NOS 218,219,220,225,226,227,228 AND S.NOS.18/5, 18/6, EMPIRE CITY PART-3, KAKKALLUR VILLAGE, THIRUVALLUR THALUK, THIRUVALLUR - 602001  
PH :97103 94818.

**THIRUVANNAMALAI**

2164. GANESH CARS PVT. LTD. (C601-LX-03), NO.-5, NH-78, KRISHANAGIRI PONDY ROAD, CHINA KANKEYANUR, OPP SKP ENGG. COLLEGE, THIRUVANNAMALAI - 606601  
PH :9842305072.

**THIRUVARUR**

2165. PILLAI & SONS MOTOR CO. (E701-LJ-03), THANJAI NAGARI ROAD, OPP. TO S. P. OFFICE - 610001  
PH :04366-250250, 9442163707.  
2166. PILLAI & SONS MOTOR COMPANY (LJ01-LJ-01), NO. 9, WARD NO.-4, BLOCK NO. 10, NEW SY. NO. 601/6B1, SUNDRAMAVILAGAM, NARSINGHAMPET, THIRUVARUR TOWN & DIST., TAMIL NADU - 610001  
PH :9442163509.

**THISAYANVILLAI**

2167. AADHI CARS PVT. LTD. (CVL1-CVL-01), SURVEY NO. 240/1, 7/1, HIGHWAYS ROAD, OPP. TO VO OFFICE, SELVA MARUTHUR, THISAYANVILLAI. - 627 657  
PH :7339511187.

**THUCKALAY**

2168. ATHENS (BWQ2-BWQ-01), DOOR NO. 5/76B, (RE SURVEY NO-530/7) THIRUVITHANGODE ROAD, KERALAPURAM, MUTHALAKURICHI, VILLAGE – MUTHALAKURUCHI, KALKULAM-TALUK, THUCKALAY, DISCTRICT – KANYAKUMARI, TAMILNADU - 629174  
PH :8012029888.

**THURAIYUR**

2169. PLA MOTORS (CSE1-CSE-01), D.NO.-5/300, SINGALANDHAPURAM VILLAGE, THURAIYUR DISTT. TRICHY (TAMIL NADU) - 621010  
PH :9486763725.

**THIRUCHENDUR**

2170. ASIR AUTOMOBILES PVT LTD (CCJ1-CCJ-01), SURVEY NO. 220/1D1A, 221/3, 221/4, 221/5, 221/5A, 221/5B, PODHIGAI NAGAR, VILLAGE-VEERAPANDIYAPATINAM, THIRUCHENDUR, TUTUCORIN - 628215  
PH :7373900220.

**THIRUCHENGODE**

2171. SREE SARADHAMBAL AUTOMOBILES PVT LTD (X401-QP-02), PLOT NO-10, OPP TO PONNUSWAMY KALYANA MANDAPAM, KOOTAPALLI COLONY, THIRUCHENGODE - 637001  
PH :4288-282292.

**TIRUNELVELI**

2172. AADHI CARS PVT. LTD. (A303-A3-01), PLOT NO. 261, MADURAI MAIN ROAD, KARAIERUPPU, TIRUNELVELI , TAMIL NADU - 627357  
PH :9500991610.

2173. AADHI CARS PVT. LTD. (A303-A3-03), DOOR NO. 37, RAMNAGAR, KTC NAGAR, TIRUNELVELI, TAMIL NADU. - 627 011.  
PH :9500991610.

**TIRUNELVI**

2174. AADHI CARS PVT. LTD. (A303-A3-04), SF NO:161/4, SF NO: 893/2, NORTH BYEPASS ROAD, GALAXY HOSPITAL BACKSIDE, PALAYANKOTTAI, TIRUNELVELI, TAMILNADU - 627001  
PH :95009 91479.

**TIRUPATHUR**

2175. GANESH CARS PVT. LTD. (BPD1-BPD-01), SURVEY NO.54/4, TIRUPATHUR TO KRISHNAGIRI ROAD, PALLIPET VILLAGE, TIRUPATHUR DISTT. VELLORE - 636601  
PH :9842308909.

**TIRUPATTUR (SIVANGANGAI)**

2176. ABT LIMITED (GHH1-CHH-01), DOOR NO. 8/2/29A, KARAIKUDI ROAD, TIRUPATHUR, DISTRICT – SIVANGANGAI. - 630211  
PH :9994450331.

**TIRUPUR**

2177. ABT LIMITED (4101-Y7-09), NO. 4, SABHAPATHI PURAM, NEAR TMF HOSPITAL, TIRUPUR - 641601  
PH :95009 98368.  
2178. SHASHTI CAR PVT LTD (Y701-Y7-01), SRI PADMINI GARDENS, KANGEYAM ROAD, OPP. ST JOSEPH SCHOOL, TIRUPUR - 641604  
PH :044-2430275/ 2430276.

**TIRUTHANI**

2179. CARS INDIA PVT. LTD. (CIC1-CIC-01), NO. 9/13, CHENNAI BY PASS ROAD, OLD CHENNAI ROAD, DISTT. THIRUVALLUR, TIRUTHANI, TAMILNADU - 631209  
PH :7358773860.

**TIRUVANNAMALAI**

2180. SRI AMMAN CARS INDIA PVT LTD. (LX02-LX-01), 2A/2, SURVEY NO. 3676/3, ANNA SALAI, TIRUVANNAMALAI-CHENNAI NH-101, TIRUVANNAMALAI TOWN AND DIST., TAMILNADU - 602601  
PH :7094471293.

**TONDI**

2181. SIVA AUTOMOTIVES (SHW1-SHW-01), SURVEY NO: 85/16, WARD 10/78, SOUTH THOPI STREET, ECR MAIN ROAD, ECR, THONDI, RAMANATHAPURAM DISTRICT, TAMIL NADU - 623409  
PH :7402788820.

**TRICHY**

2182. ABT LIMITED (2302-23-02), 4140, COLLECTOR OFFICE ROAD, CANTONMENT, TRICHY - 620001  
PH :0431-4221620.  
2183. PLA MOTORS (2305-23-01), NO. 18/2, NA-45, DHEERAN NAGAR, TRICHY-DINDUGAL MAIN ROAD, TRICHY - 620009  
PH :9994599777/9600950960.  
2184. ABT LIMITED (2302-23-03), MADRAS TRUNK ROAD, MAMBALASALAI, TRICHY - 620005  
PH :0431-4221555.  
2185. PLA MOTORS (2305-23-03), 10A & B, ALXANDRIA ROAD, CANTONMENT, TRICHY - 620001  
PH :0431-2411540/530.  
2186. PILLAI & SONS MOTOR CO. (2306-23-01), SURVEY NO. 10B, 1A/D, CHENNAI TRICHY (BY-PASS ROAD, VILLAGE - THIRUNALLUR, TRICHY. - 620002  
PH :8489900902, 9384826814.

**TUTICORIN**

2187. ASIR AUTOMOBILES PVT LTD (S603-S6-01), SURVEY NO. 25/1B, MAPPELLAIURINI VILLAGE, ETTAYAPURAM ROAD, TUTICORIN, TAMIL NADU - 628002  
PH :7373501220.

**UDUMALPET**

2188. ABT LIMITED (OR01-OR-01), 2/3, PERIYAKOTTAI PIRUVU, S.V. MILL POST, UDUMALPET - 642126  
PH :99944 41645.

**UTHANGARAI**

2189. SRI AMMAN CARS INDIA PVT. LTD. (CFY1-CFY-01), SURVEY NO. 104/1, 104/1B, VILLAGE – THANDIYAPANNUR, UTHANGARAI, KRISHNAGIRI. - 635304  
PH :9715044600.

**UTHUKOTTAI**

2190. KHIVRAJ MOTORS PVT LTD. (CUC1-CUC-01), SURVEY NO. 442/1, NEHRU BAZZAR STREET, UTHUKOTTAI, DIST.-THIRUVALLUR - 602 026  
PH :7299635536.

**VALLIUR**

2191. AADHI CARS PVT. LTD. (BXQ1-BXQ-01), DOOR NO. 314A/11-14, WITHIN VADAKU VALLILOOR, REVENUE VILLAGE, VADAKU VALLILOOR PANCHAYAT, RADHAPURAM TALUK, VALLILOOR. - 627002  
PH :7373091462.

**VANDAVASI**

## Dealer Workshop (AS ON 30.05.2023 )

2192. GANESH CARS PVT. LTD. (CRN1-CRN-01), SURVEY NO.272, KEELSATHAMANGALAM VILLAGE, CHETPET ROAD, VANDAVASI, TIRUVANNAMALAI, DISTT. T.N. - 604408 PH :7395802484.

### VANIYAMBADI

2193. GANESH CARS PVT. LTD. (BJY1-BJY-01), NO. 197/1B1, NH-46 (AH-7), PETHAKALLUPALLI VILLAGE, NEAR TOLL GATE, VANIYAMBADI , VELLORE (DIST), TAMIL NADU. - 635801 PH :9842327709.

### VELLORE

2194. GANESH CARS PVT. LTD. (C601-C6-01), 91 NEW BY-PASS ROAD, VELLORE - 632004 PH :9842377110.

2195. SRI AMMAN CARS INDIA PVT. LTD. (C602-C6-01), DOOR NO. 68, SURVEY NO. 66/7, NEAR RANGALAYA KALYANA MANDAPAM, VELLORE-KATPADI ROAD, KALINJUR VILLAGE, KATPADI TALUKA, GANDHINAGAR, VELLORE DIST., TAMIL NADU. - 632006 PH :7094471320, 7094471321.

2196. SRI AMMAN CARS INDIA PVT. LTD. (C602-C6-02), SURVEY NO. 316/3B2, 316/8A, 316/8B, NEAR SHELL PETROL PUMP, MELMONAVUR VILLAGE, VELLORE TALUK & DIST. ON NH48 (CHENNAI – BENGALURU HIGHWAY), VELLORE, TAMILNADUR - 632010 PH :7094471320.

### VILLUPURAM

2197. ABT LIMITED (SQ01-QQ-02), 264/1, GINGEE MAIN ROAD, AYINAMPALAYAM, VILLUPURAM - 605602 PH :04146-225509 / 225590.

### VIRUDHACHALAM

2198. ABT LIMITED (BMA1-BMA-01), PLOT NO. 56, JUNCTION ROAD, NEAR SHANMUGA LODGE, VIRUDHACHALAM, DISTRICT – CUDDALORE, TAMIL NADU. - 606101 PH :04143-262631/262632/262633.

### VIRUDHUNAGAR

2199. MEENAKSHI AUTO ZONE PVT LTD (SCF1-SCF-0A), DOOR NO:6/504, SURVEY NO. 11/6, PELAMPATTI VILLAGE, VIRUDHUNAGAR MADURAI HIGH WAY, OPPOSITE TO VVV COLLEGE , TALUK & DIST. VIRUDHUNAGAR, TAMILNADU - 626001 PH :9940094881.

## TAMILNADU

### CHENNAI

2200. VISHNU CARS (1488-14-01), DOOR NO. 8, NP INDUSTRIAL ESTATE, JAWAHARLAL NEHRU ROAD, EKKAUTHTANGAL, CHENNAI, TN - 600032 PH :7550360444.

### CHENNAI- MAMBAKKAM

2201. KHIVRAJ MOTORS (1404-14-G1), SURVEY NO:76/A, NO:27, PLOT NO. D-2, KEELAKOTTAYUR, VANDALUR TO KEELAMBAKKAM MAIN ROAD, MAMBAKKAM, CHENGALPET, CHENNAI, TN - 600127 PH :9841591558.

### CHETPET

2202. GANESH CARS (SGY1-SGY-01), DOOR NO: 35/C, CHETPET TOWN, CHETPET TALUKA, TIRUVANNAMALAI DIST., TAMILNADU, - 606 801 PH :98423 06337.

### CHINNAMANUR

2203. ABT LIMITED (SKX1-SKX-01), SF NO. 446 /1A, WARD A, BLOCK-2, TS NO.8/15, PERIYAKULAM TO CHINNAMANUR MAIN ROAD, KEELAPOOLANANDHAPURAM, CHINNAMANUR MUNICIPAL TOWN & TALUK, THENI DIST., TN- 625515 - 625515 PH :9715863213.

### DENKANIKOTTAI

2204. AMMAN CARS (SDT1-SDT-01), SURVEY NO:766/ 1B11, THABLAGOUNDAN THOTTI, DENKANIKOTTAI, KRISHNAGIRI DISTRICT, TAMILNADU - 635107 PH :9585599935.

### GANGAVALI

2205. THRIVENI CARS (SOS1-SOS-01), SURVEY NO # SF NO. 22/3A1A,106 ATTUR MAIN ROAD, GANGAVALLI, SALEM, TN - 636105 PH :9159722999.

### KAWALKINARU

2206. AADHI CARS PVT. LTD. (CSU1-CSU-01), SURVEY NO:1943/1, SURESH COMPLEX, KANYAKUMARI BYEPASS ROAD, KAVALKINARU JUNCTION, KAVALKINARU (VADAKANKULAM), TIRUNELVELI, - 627105 PH :7339111259.

### KUMBAKONAM

2207. PILLAI AND SONS MOTOR CO. (E701-E7-06), D. NO. HP-1, GOVT. INDUSTRIAL ESTATE, SIDCO, THIRUBHUVANAM TOWN & POST, KUMBAKONAM, THANJAVUR DISTRICT, TAMILNADU - 612103 PH :8489900136.

### NEYVELI

2208. VISHNU CARS (CPN1-CPN-01), SURVEY NO:545/2A1A, NH-45C, OPP. NATIONAL COLLEGE, KUMBAKONAM - CHENNAI HIGH WAY, NEAR NEYVELI ARCH GATE, NEYVELI T.S, KEELAKOLLA, MARUNJUR POST, PANRUTI, CUDDALORE DISTRICT, TAMILNADU - 607103 PH :9384059575.

### SIVAGANGAI

2209. ASIR AUTOMOBILES (SDC1-SDC-01), S. NO: 144/1, SIVAGANGAI-THONDI ROAD, PAIYAIRPILLAIWAIYAL, SIVAGANGAI, TAMILNADU - 630561 PH :9750372220.

### THANJAVUR

2210. PLA MOTORS FIRM (E702-E7-01), SURVEY NO. 173/6B4, TRICHY-THANJAVUR ROAD, NANJIKOTTAI BYPASS, THANJAVUR, TAMILNADU - 613005 PH :9344006439/9344003877.

### THOPPUR

2211. SRI AMMAN CARS (SLU1-SLU-01), SITE NO. 422 /2A, BANGALORE TO SALEM HIGH WAY, AMMANI, THOPPUR VILLAGE & TOWN, NALLAMPALLE TK, DHARMAPURI DISTRICT, - 636352 PH :9790004273.

### TINDIVARAM

2212. VISHNU CARS (SDI1-SDI-01), SURVEY NO. 50/4, 50/5 & 63, NEAR RTD OFFICE, MOLASUR, TINDIVANAM, VILUPPURAM, TAMILNADU - 604102 PH :9500039023.

### TIRUPPUVANAM

2213. MEENAKSHI AUTO ZONE PVT LTD (CODE UNDER CREATIONS-CODE UNDER CREATIONS), NO:21, BAKHYA NAGAR, WARD NO:1, MANDAPAM MAIN ROAD, TIRUPPUVANAM, SIVAGANGA DISTRICT, TAMIL NADU - 630611 PH :9442799581.

### UTHIRAMERUR

2214. AIE CARS (SHG1-SHG-01), SURVEY NO:383/3B-B2, UTHIRAMERUR MAIN ROAD, UTHIRAMERUR, KANCHEEPURAM DISTRICT, TAMILNADU - 603406 PH :7299057387.

### VELLAKOVIL

2215. SRI CITI AUTO (SGO1-SGO-01), SURVEY NO:502/C & 371/D, NO. 196, 197, KOVAI KARUR MAIN ROAD, VELLAKOVIL, TIRUPUR DIST. , TAMILNADU - 638111 PH :9994606000.

## TELANGANA

### ADILABAD

2216. ADARSHA AUTOMOTIVES PVT LTD (BTM1-BTM-01), SURVEY NO:131/6 & 131/7, NH-44, ADILABAD TOWN ROAD, MAVALA, ADILABAD, TELANGANA. - 504001 PH :9133307724.

### ARMUR

2217. VARUN MOTORS PVT. LTD. (BBN1-BBN-01), SURVEY NO.277, ARGUL VILLAGE, JAKARANPALLY (MANDAL), ARMUR, NIZAMABAD DISTT. (A.P.) - 503224 PH :8142281424, 9052901888.

### BATCHUPALLY , HYDERABAD

2218. SAI SERVICE PRIVATE LIMITED (1011-10-09), SURVEY NO 499/1, MIYAPUR TO BACHUPALLY ROAD, BACHUPALLY, HYDERABAD. - 500090 PH :7330771111.

### BHUPALAPALLY

2219. ADARSHA AUTOMOTIVES PVT LTD (D502-BCF-04), 6-113, JAWAHAR NAGAR, MAIN ROAD, SBH MAIN BRANCH ROAD, BHUPPALPALLY, DISTRICT - WARANGAL, ANDHRA PRADESH - 506169 PH :7799790526.

### BODHAN

2220. VARUN MOTORS PVT. LTD. (O801-O8-01), PLOT NO. 5/2, ACHANAPALLY CROSS ROAD, OPP : APNA FUNCTION HALL, BODHAN, DIST. -NIZAMABAD, TELANGANA. - 503 185 PH :9581966691 8142077222.

### CHEVELLA

2221. GEM MOTORS (INDIA) PVT. LTD. (CBL1-CBL-01), SURVEY NO. 17/A, MANDAL – CHEVELLA, DISTRICT – RANGA REDDY, TELANGANA. - 510101 PH :9912899128, 9912834567.

### ETUNAGARAM

2222. WIN MOTORS (SOJ1-SOJ-01), H.NO 12-412 & 12-413, AKULAVARI GHANPUR, ETUNAGARAM, MULLUGU DISTRICT, TELANGANA - 506165 PH :8688828005.

### GADWAL

2223. SRI JAYARAMA MOTORS PVT. LTD. (WPO1-BHR-02), PLOT NO. 5 & 6, BESIDE RURAL POLICE STATION, KURNUL ROAD, MAHABUB NAGAR DISTRICT, ANDHRA PRADESH - 500125 PH :8096990074, 8096996671.

### GAJWEL

2224. ACER MOTORS (A DIVISION OF KRISHNAIAH MOTORS PVT. LTD) (BYU1-BYU-01), SURVEY NO.220, VILLAGE – PRAGNAPUR, GAJWEL, DISTRICT – MEDAK, TELANGANA. - 502311 PH :8885088071.

### GHATKESAR

2225. ACER MOTORS (A DIVISION OF KRISHNAIAH MOTORS PVT. LTD) (BYL1-BYL-01), 3-21, JODIMETLA, CHOUDA RIGD VILLAGE GHATKESAR MANDAL, DISTRICT – RANGA REDDY. - 501301 PH :8885088075.

**HUSNABAD**

2226. ADARSHA AUTOMOTIVES PVT LTD (GJE1-GJE-01), SURVEY NO. 202/E, H. NO. 12-1/4 & 12-1/A, VILLAGE & MANDAL - HUSNABAD, DIST.-SIDDIPET, TELANGANA. - 505467  
PH :8886092222, 7998535552.

**HYDERABAD**

2227. THE MITHRA AGENCIES (1002-10-01), 1-8-670, NEAR RTC CROSS ROAD, AZAMABAD INDUSTRIAL AREA, HYDERABAD, - 500020  
PH :966838294.

2228. RKS MOTORS PVT. LTD. (1003-10-01), SABOO TOWERS, RAJBAHAN ROAD, SOMAJIGUDA, HYDERABAD - 500482  
PH :040 44454443, 9010811166.

2229. RKS MOTORS PVT. LTD. (1003-10-02), B-4/A/IDA BLOCK, INDUSTRIAL ESTATE, UPPAL, HYDERABAD - 500039  
PH :040 23434504, 9010822210.

2230. VARUN MOTORS PVT. LTD. (4603-10-04), B-11 CO-OPERATIVE INDUSTRIAL ESTATE, BALANAGAR, HYDERABAD, - 500037  
PH :9885208555, 9985745222.

2231. VARUN MOTORS PVT. LTD. (4603-10-0B), ADITYA NAGAR COLONY, ,ADITYA NAGAR COLONY, TOLICHOWKI, SHAIKPET (VILLAGE, HYDERABAD, HYDERABAD - 500008  
PH :64551700, 8896114656.

2232. VARUN MOTORS PVT. LTD. (1010-10-01), PLOT NO. VI - VII A & B UNDER WARD NO. 10, AUTONAGAR, VANASTALIPURAM, HYDERABAD, R. R. DISTT - 500070  
PH :9885208555.

2233. RKS MOTORS PVT. LTD. (1003-10-04), H: NO 16-9-409/P, PLOT NO.4/1,4/2,SY.NO. 97,98,OLD MALAKPET OPP GOLNAKA BRIDGE, MOOSARAMBAGH, HYDERABAD - 500036  
PH :9010811192.

2234. THE MITHRA AGENCIES (1002-10-03), PLOT NO. 3-4-10, NEAR MADHAPUR POLICE STATION, MADHAPUR, HYDERABAD - 500081  
PH :04023113399  
04023113388  
9959912702.

2235. RKS MOTORS PVT. LTD. (1003-10-05), 11-6-191/192, OPP. HOTEL HARSHA, PUBLIC GARDEN ROAD, NAMPALLY, HYDERABAD - 500001  
PH :9848811158.

2236. VARUN MOTORS PVT. LTD. (4603-10-06), SHOP NO.31, SRIKRUPA MARKET, D.NO. 16-10-1/F/31, MALAKAPET, HYDERABAD - 500036  
PH :4553395, 4547676, 9885093360.

2237. VARUN MOTORS PVT. LTD. (4603-10-0A), 1-11-200, SHAMLALA BUILDING BEGUMPET, HYDERABAD - 500016  
PH :9895206555.

2238. THE MITHRA AGENCIES (1002-10-04), 8-18-138, PLOT NO. 8, NEAR MARGADARSI CHIT FUND, L.B. NAGAR RING ROAD, RR DIST, HYDERABAD - 500074  
PH :9963551265.

2239. GEM MOTORS (INDIA) PVT. LTD. (1009-10-01), RAGHUVENDRA SOCIETY, KONDAPUR, HYDERABAD , ANDHRA PRADESH - 500084  
PH :9912899128.

2240. GEM MOTORS (INDIA) PVT. LTD. (1009-10-02), 2-11, SURVEY NO: 165,172, HYDERNAGAR, KUKATPALLY, HYDERABAD, ANDHRA PRADESH - 500072  
PH :9912344538.

2241. SAI SERVICE PRIVATE LIMITED (1011-10-01), 6-6-29/5/1/NR, VIMANA PURI, QUTBULLAPUR, HYDERABAD, TELANGANA 500055 - 500055  
PH :9010827755.

2242. THE MITHRA AGENCIES (1002-10-05), PLOT NO. 19,20 & 21, ROAD NO. 10, IDA NACHARAM, HYDERABAD - 500076  
PH :04027176999  
04027177999

2243. VARUN MOTORS PVT. LTD. (1012-10-01), MARUTI AUTHORISED DEALER, SURVEY NO.115, IT PARK, NANAKRAMGUDA, GACHIBOWLI, HYDERABAD - 500008  
PH :9985104860, 69997979.

2244. RKS MOTORS PVT. LTD. (1003-10-08), D.NO.1-10-1/285/1, OPP. VEGITABLE MARKET, ECIL CROSS ROADS, KUSAGUDA, HYDERABAD - 500062  
PH :7799779810.

2245. SAI SERVICE PRIVATE LIMITED (1011-10-04), H.NO.16-2-839/4/10, SAIDABAD, L.B.NAGAR, HYDERABAD, - 500059  
PH :7799352000.

2246. VARUN MOTORS PVT. LTD. (4603-10-0G), 1-10-28/1 SY. NO.285, KUSHAIGUDA, NEAR ECIL X ROADS, HYDERABAD - 500062  
PH :7799600093.

2247. VARUN MOTORS PVT. LTD. (4603-10-0H), PLOT NO. 1354/1, ROAD NO. 1, NEAR IOC PETROL PUMP, JUBLEE HILLS, HYDERABAD, ANDHRA PRADESH - 500033  
PH :8886322776.

2248. VARUN MOTORS PVT. LTD. (4603-10-0J), PLOT NO. 1-45, SY.NO.1 TO 7, GOPINATH COMPLEX, TARANAGAR, LINGAMPALLY, HYDERABAD, RANGAREDDY DISTRICT, TELANGANA STATE - 500019  
PH :8886067847.

2249. SAI SERVICE PRIVATE LIMITED (1011-10-07), PLOT NO B-21 & B-34, BHEL ANCILLARY INDUSTRIAL ESTATE, RAMACHANDRAPURM, HYDERABAD - 502032  
PH :9703811411.

2250. ADARSHA AUTOMOTIVES PVT LTD (1014-10-01), 18-2-45 NEAR FLYOVER, CHANDRAYANGUTTA "X" ROAD, HYDERBAD - 500005  
PH :8142326633.

2251. RKS MOTORS PVT. LTD. (1003-10-09), SURVEY NO.434, 5-6-33/19, BEHIND HUDA TRUCK PARKING, KUKATPALLY, DISTT: RANGAREDDY, HYDERABAD - 500072  
PH :9010811131.

2252. SAI SERVICE PRIVATE LIMITED (1011-10-08), DOOR NO.7-2-C33 & C34, INDUSTRIAL ESTATE, SANATH NAGAR, HYDERABAD - 500018  
PH :7799360003.

2253. KALYANI MOTORS PVT. LTD. (1018-10-01), PLOT NO. A-23 & A31/1, I.D.A, NACHARAM, HYDERABAD, - 500076  
PH :9100056490.

2254. GEM MOTORS (INDIA) PVT. LTD. (1009-10-03), SURVEY NO. 135/A & 135/AA, MANIKONDA, RAJENDRA NAGAR MANDAL, RANGAREDDY DISTRICT, HYDERABAD, TELANGANA. - 500089  
PH :9912341524.

2255. ADARSHA AUTOMOTIVES PVT LTD (1014-10-02), H. NO. 8-64/1, RUDRA COLONY, SHAMSHABAD, HYDERABAD - 501218  
PH :9603296633.

2256. JAYABHERI AUTOMOTIVES PVT. LTD. (1017-10-01), PLOT NO. 113, 114, 115 IN LUMBINI ENCLAVE CB SQUARE, VILLAGE - GACHIBOWLI, SHERLINGAMPALLY MNADAL, HYDERABAD, TELANGANA STATE. - 500032  
PH :9100909401.

2257. JAYABHERI AUTOMOTIVES PVT. LTD. (1017-10-02), SURVEY NO.11/36, PLOT NO.32, 39 & 40, NEAR N CONVENTION CENTRE, KHANAMET, HYDERABAD, SHERLINGAMPALLY MANDAL, HYDERABAD. - 500081  
PH :7799916666.

2258. KALYANI MOTORS PVT. LTD. (1018-10-02), M/S VIDHATA BINNY MODERN RICE MILL, BEARING NO. 8-4-15 IN SURVEY NO. 239 & 240 OF VILLAGE - KARMANGHAT, MANDAL - SAROORNAGAR, DISTRICT - RANGA REDDY, HYDERABAD. - 500079  
PH :9100223777.

2259. ADARSHA AUTOMOTIVES PVT LTD (1019-10-01), H. NO. 2-4-43/15, SURVEY NO. 34, SOGBOWLI (PILLER NO. 185 OF P.V. NARSIMHA RAO EXPRESSWAY), RAJENDRANAGAR, UPPERPALLY, ATTAPUR, RANGA REDDY, HYDERABAD, TELANGANA. - 500048  
PH :9705436333, 8297426633.

2260. THE MITHRA AGENCIES (1002-10-06), SURVEY NO.57, D.NO.8-2-108, BIRAMALGUDA, KARMANGHAT NAGARJUN SAGAR ROAD, HYDERABAD, TELANGANA. - 500079  
PH :8886621232.

2261. VARUN MOTORS PVT. LTD. (4603-10-0M), KSN GARDENS, 5-162-6, BORABANDA MAIN ROAD, HYDERABAD. - 500018  
PH :9885579623.

2262. JAYABHERI AUTOMOTIVES PVT. LTD. (1017-10-03), SURVEY NO.283, PLOT NO.P-46 & 47, PHASE-V, IDA, JEEDIMETLA, QUTBULLAPUR MANDAL, RANGA REDDY DISTT., HYDERABAD (TELANGANA). - 500055  
PH :7799784567.

2263. ADARSHA AUTOMOTIVES PVT LTD (1014-10-03), SURVEY NO. 220/A, AMBEDKAR ROAD, OPP HERITAGE FRESH, NEAR AMBAEDKAR STATUE, NEAR ALWAL, SECUNDERABAD, - 500 010  
PH :9291859954.

2264. KALYANI MOTORS PVT. LTD. (1018-10-03), SURVEY NO. 305, NIZAMPET, MANDAL - QUTBULLAPUR, DIST.-RANGA REDDY, HYDERABAD. - 500 072  
PH :72079 33677.

2265. THE MITHRA AGENCIES (1002-10-07), SURVEY NO.12,13,148,15, MEDIPALLY, GHATKESAR MANDAL, RANGA REDDY DISTRICT, HYDERABAD, TELANGANA - 500098  
PH :8886697954.

**IBRAHIMPATNAM**

2266. PAVAN MOTORS PVT. LTD (CSF1-CSF-01), S.NO.123/E, MPP PATEL GUDA, IBRAHIMPATNAM, RANGA REDDY - 501506  
PH :8790144499.

**JAGTIAL**

2267. ADARSHA AUTOMOTIVES PVT LTD (N601-NU-04), HOUSE NO.-1-5-216/A, OPPOSITE TO KVA SUBSTATION, KARIMNAGAR ROAD, JAGTIAL. - 505327  
PH :8886152222.

**JANGAON**

2268. ADARSHA AUTOMOTIVES PVT LTD (K101-K1-01), H.NO.339, HYDERABAD ROAD, JANGAON. - 506167  
PH :7799626633.

**KAMAREDDY**

2269. VARUN MOTORS PVT. LTD. (KX01-KX-01), H.NO.11-107/61, BESIDE-GURU RAGHAVENDRA COLONY, CHINNA MALLAREDDY VILLAGE, KAMAREDDY. - 503111  
PH :9985557570  
8142551166.

**KARIMNAGAR**

## Dealer Workshop (AS ON 30.05.2023 )

2270. ADARSHA AUTOMOTIVES PVT LTD (N601-N6-01), H.NO. 8-6-313/1, HYDERABAD ROAD, BY-PASS JUNCTION, KARIMNAGAR - 505001  
PH :8886600315.
2271. ADARSHA AUTOMOTIVES PVT LTD (N601-N6-05), H.NO 8-6-301/18, BY-PASS ROAD, AUTONAGAR, KARIM NAGAR, TELANGANA. - 505001  
PH :8886152222.
2272. VARUN MOTORS PVT. LTD. (N603-N6-01), BEARING NO. 1-81/3/10/2, SURVEY NO. 221 & 222, REKURTHY VILLAGE, KARIMNAGAR-JAGTIAL ROAD, KARIMNAGAR MANDAL & DIST. , TELANGANA. - 505001  
PH :888619373.
2273. VARUN MOTORS (N603-N6-2), SURVEY NO. 277,278/B, AREPALLY VILLAGE, TEEGALAGUTTAPALLI GRAM PANCHAYAT, KARIMNAGAR - 505001  
PH :91549 03258.
- KEESARA**
2274. JAYABHERI AUTO (SEI1-SEI-01), H-NO 3-56/9/6A, SURVEY NO 5,KEESARA, MEDCHAL-MALKAJIRI, TELANGANA - 501301  
PH :9676076666.
- KHAMMAM**
2275. MITHRA AUTO AGENCIES PVT LTD (2804-1G-02), SURVY NO. 182,WARANGAL ROAD, OPP. FCI GODOWNS,PEDA THANDA,KHAMMAM - 507003  
PH :8886063527.
- KODAD**
2276. PAVAN MOTORS PVT. LTD (BRP2-BRP-01), SURVEY NO. 42, KOMARBANDA REVENUE LIMITED, KODAD , DISTRICT – NALGONDA, TELANGANA - 508206  
PH :8790902114.
- KOLLAPUR**
2277. SRI JAYARAMA (SHC1-SHC-01), SURVEY NO 259/AA2, 259/E2,KOLLAPUR, NAGAR KURNOL DISTRICT, TELANGANA - 509102  
PH :9985880015.
- KOTHAGUDEM**
2278. VARUN MOTORS PVT. LTD. (2803-HF-04), DOOR NO. 5-35/4/B, LAKSHMIDAVI PALLI,BHADRACHALAM ROAD, KOTTHAGUDEM - 507101  
PH :9581494499.
- MAHABUBABAD**
2279. ADARSHA AUTOMOTIVES PVT LTD (CQS1-CQS-01), SY. NO.38/A, MAHBUBABAD REVENUE VILLAGE AND MANDAL, MAHBUBABAD. - 506101  
PH :9177746333, 7799700525.
- MAHABUBNAGAR**
2280. SRI JAYARAMA MOTORS PVT. LTD. (WP01-WP-01), PLOT NO.C1 & C2, INDUSTRIAL ESTATE, METTUGADA, MEHBOOBNAGAR - 504001  
PH :8096998846.
- MAHESHWARAM**
2281. ADARSHA AUTOMOTIVES PVT LTD (CQR1-CQR-01), (BEARING #5-187, SURVEY NO.-336/A1, VILLAGE & MANDAL: MAHESHWARAM DISTT. RANGA REDDY - 501359  
PH :8142326633, 9703152222.
- MANCHERIAL**
2282. ADARSHA AUTOMOTIVES PVT LTD (N601-CM-03), BEHIND MAHINDRA TRACTORS SHOWROOM,BELLAMPALLY ROAD, MANCHIRIAL , DISTT. ADILABAD - 504208  
PH :8886302222.
- MEDAK**
2283. VARUN MOTORS PVT. LTD. (KF01-KF-01), SY.NO.:1486/A3, HYDERABAD ROAD, MEDAK (MDL & TOWN) - 502110  
PH :9154953337.
- MEDCHAL**
2284. AUTOFIN LIMITED (CID1-CID-01), H. NO. 11-27/1, SURVEY NO.401, MEDCHAL VILLAGE AND MANDAL, DIST. - MEDCHAL - 501401  
PH :8885040020.
- METAPALLY**
2285. ADARSHA (BJF1-BJF-01), SURVEY NO. 401/2 CHOULAMADHI, METPALLY PIN CODE 505325 - 505325  
PH :8886092222.
- MIRYALGUDA**
2286. PAVAN MOTORS PVT. LTD (WR01-WR-01), SURVEY NO-940 &943, (OPPOSITE TO MINA ENGINEERING COLLEGE) NARKETPALLY ADDANKI BY-PASS ROAD,MIRYALGUDA ,NALGONDA DISTRICT,ANDHRA PRADESH - 508207  
PH :8790900399.
- MOINABAD**
2287. GEM MOTORS (INDIA) PVT. LTD. (CFN1-CFN-01), SURVEY NO. 70, PLOT NO. 4, VILLAGE AND GRAM PANCHAYAT – HIMAYATH NAGAR, MANDAL – MOINABAD, DISTRICT – RANGA REDDY. - 500075  
PH :9912899128, 7997994845.
- NAGARKURNOOL**
2288. SRI JAYARAMA MOTORS PVT. LTD. (EV01-EV-01), SURVEY NO.44/A AND 45/A, UYYALWADA VILLAGE, NAGARKURNOOL, TELANGANA - 509209  
PH :8096990074.
- NALGONDA**
2289. PAVAN MOTORS PVT. LTD (AN01-AN-01), CHERLAPALLY VILLAGE, NALGONDA ROAD, NALGONDA - 508001  
PH :8790902146.
- NARAYANKHED**
2290. VARUN MOTORS PVT. LTD. (CG1-CG1-01), D. NO. 1-6-111/25/B/5/A/1, SY NO. 57/2, BHUMAN COLONY, GRAM PANCHAYAT & MANDAL - NARAYANKHED, DISTRICT – MEDAK, TELANGANA - 502286  
PH :9885210555.
- NARAYANPET**
2291. SRI JAYARAMA MOTORS PVT. LTD. (BPG1-BPG-01), SURVEY NO. 468/4, MAHABUBNAGAR ROAD, NARAYANPET TOWN, DIST.-MAHABUBNAGAR, STATE - TELANGANA. - 509210  
PH :8096997701, 7893177448.
- NARSAPUR**
2292. KALYANI MOTORS PVT. LTD. (SCX1-SCX-01), SURVEY NO 66, BLOCK NO-19,NARSAPUR,DISTRICT:MEDAK, TELANGANA. - 534275  
PH :9573179790.
- NIRMAL**
2293. ADARSHA AUTOMOTIVES PVT LTD (N601-AA-02), H. NO. 1-1-131, SHASTRINAGAR, MANCHIRIAL ROAD, DISTT. ADILABAD, NIRMAL - 504106  
PH :8886342222.
- NIZAMABAD**
2294. VARUN MOTORS PVT. LTD. (1H02-1H-01), PLOT NO. GP 1-51/4/1,PANGARA BORGON,NIZAMABAD, TELANGANA - 503230  
PH :8297848999, 9052080444.
- PALWANCHA**
2295. VARUN MOTORS PVT. LTD. (HF01-CSS-01), SURVEY NO.758 & 757, NEHRU NAGAR, PALWANCHA, (NEW POLANCHA) MANDAL & TOWN, BHADRADRI KOTHAGUDEM DISTT., TELANGANA. - 507115  
PH :9642225288.
- PARGI**
2296. VARUN MOTORS PVT. LTD. (CBO1-CBO-01), HOUSE NO. 2-356 JANGAIAH COMPLEX, SURVEY NO. 217/E4, JAYANTHI NAGAR COLONY,MANDAL – PARGI, DISTRICT – RANGA REDDY. - 510501  
PH :988521055, 9885200000.
- PARKAL**
2297. ADARSHA (SEK1-SEK-01), SY.NO 946, H.NO 5-127, VIKAS NAGAR, PARKAL,WARANGAL. - 506164  
PH :8886742222.
- PEDAPALLY**
2298. ADARSHA AUTOMOTIVES PVT LTD (GKN1-GKN-01), SURVEY NO 142, H NO 185, RANGAMPALLI VILLAGE, PEDDAPALLI , TELANGANA - 505172  
PH :888618155, 8886672222.
- RAMAGUNDAM**
2299. ADARSHA AUTOMOTIVES PVT LTD (BGA1-BGA-01), 5-6-172 SURVEY NO. – 259/B, MEDIPALLY SHIVAR, RAMAGUNDAM MUNICIPALITY, DISTRICT – KARIM NAGAR, ANDHRA PRADESH - 505209  
PH :886144550.
- RAMAYAMPET**
2300. VARUN MOTORS PVT. LTD. (CDO1-CDO-01), SURVEY NO. 1626 & 1626/2 SITUATED AT BLOCK NO. 16, RAMAYAMPET, DISTRICT – MEDAK. - 502101  
PH :9885208555, 9703803399.
- SADHASHIVPET**
2301. SAI SERVICE (SFQ1-SFQ-01), PLOT NO. 2, SY NO. 974, GURUNAGAR COLONY, OLD BOMBAY HIGHWAY ROAD, SADASHIVPET, SANGAREDDY DIST. 502291. - 502291  
PH :9966377888.
- SANGAREDDY**
2302. SAI SERVICE PRIVATE LIMITED (1011-OI-05), H.NO.4-8-92/1/4/5, AHMED NAGAR, OPP.GOV'T.I.TI, SANGAREDDY, MEDAK (DIST), ANDHRA PRADESH - 502001  
PH :7661811000.
- SATAPALLI**
2303. MITHRA AUTO AGENCIES PVT LTD (SHD1-SHD-01), SURVEY NO. 75 NEAR VIVEKANANDA STATUE,SATHUPALLI, KHAMMAM. - 507303  
PH :8886063508.
- SECUNDERABAD**
2304. ACER MOTORS (A DIVISION OF KRISHNAIAH MOTORS PVT. LTD) (K601-K6-01), A1, MOTI VALLEY,TRIMULGHERRY,SECUNDERABAD, - 500015  
PH :8885088080.

2305. AUTOFIN LIMITED (K606-K6-01), SURVEY NO. 33, MEDCHAL ROAD, BOWENPALLY, SECUNDERABAD - 500011  
PH :8885040130

2306. VARUN MOTORS PVT. LTD. (4803-K6-01), 1-10-178/1, BEHIND VARUN TOWERS-1, OPP. HYDERABAD PUBLIC SCHOOL, BEGUMPET, SECUNDERABAD, HYDERABAD, TELANGANA STATE. - 500016  
PH :998552452

2307. RKS MOTORS PVT. LTD (K605-K6-01), PLOT NO. 207, TADBUND, SECUNDERABAD - 500003  
PH :9010801004.

2308. AUTOFIN LIMITED (K606-K6-02), SURVEY NO. 177/B & 178/C SITUATED AT VILLAGE – KOMPALLY, MANDAL – QUTHBULLAPUR, HYDERABAD. - 500090  
PH :8885040126.

2309. PAVAN MOTORS PVT. LTD (K608-K6-02), PLOT NO. 1-12, 749, 750, SURVEY NO. 751/2, VENKATADRI NAGAR, NEW MIRJALGUDA, MALKAJIGIRI, SECUNDERABAD, TELANGANA - 500047  
PH :9121293690.

#### SHAD NAGAR

2310. SRI JAYARAMA MOTORS (P) LTD. (WS01-WS-01), SERVEY NO.445, FAROOQ NAGAR, SHADNAGAR, MAHABUB NAGAR DISTT. ANDHRA PRADESH. - 500216  
PH :8869996671.

#### SHAMIRPET

2311. RKS MOTOR PVT. LTD. (SDE1-SDE-01), SHED NO 2-242, MAJEEDPUR CROSS ROADS,SHAMIRPET, MEDCHAL-MALKAJIGIRI,TELANGANA - 500078  
PH :9848866618

#### SHANKARPALLY

2312. SAI SERVICE PRIVATE LIMITED (CEX1-CEX-01), SURVEY NO. 203, HYDERABAD ROAD OPP. SM FUNCTION HALL ROAD, SHANKARPALLY, RANGA REDDY DISTT. - 501203  
PH :9969377888, 9912899128, 9703811011.

#### SIDDIPET

2313. ADARSHA AUTOMOTIVES PVT LTD (CAL1-CAL-01), SURVEY 197/A, VILLAGE – PONNALA, SIDDIPET, DISTRICT – MEDAK, TELANGANA. - 502103  
PH :09703716633, 9160746633.

#### SIRCILLA

2314. ADARSHA AUTOMOTIVES PVT LTD (BYW1-BYW-01), H. NO. 10-1-7/2, 10-1-7/3, 10-1-7/3/A/1, KARIMNAGAR ROAD, SIRCILLA, DISTRICT – KARIMNAGAR, TELANGANA - 505301  
PH :8886618155, 8142244131.

#### SURYAPET

2315. PAVAN MOTORS PVT. LTD (BLC1-BLC-01), SURVEY NO. 493, THALLAGADDA, SURYAPET MANDAL, NALGONDA DISTRICT, ANDHRA PRADESH. - 508213  
PH :8790902545.

#### TALLADA

2316. MITHRA AUTO (SOU1-SOU-01), SURVEY NO 890/A, D.NO 7-8, NARAYANAPURAM, TALLADA, TELANGANA - 507167  
PH :8886063527.

#### TANDUR

2317. VARUN MOTORS PVT. LTD. (CFR1-CFR-01), H. NO. 2-1-20/3, 2-1-20/3/A & 2-1-20/9, PLOT NO. 45, 46, 47, SURVEY NO. 57 OF MALREDDYPALLY VILLAGE, TANDUR MUNICIPALITY, VIKARABAD DISTRICT, TELANGANA. - 501141  
PH :8886619370.

#### THORRUR

2318. ADARSHA AUTOMOTIVES PVT LTD (BYV1-BYV-01), SURVEY NO 1. TO 5, BEARING M. NO 4-153/1, VILLAGE & MANDAL THORRUR DISTT. WARANGAL - 506163  
PH :9059438007, 7799790527.

#### TOOPRAN

2319. ADARSHA (SEJ1-SEJ-1), PLOT NO 7&8, SY NO 185, 184, 179U, NAGULAPALLY VILLAGE, TOOPRAN MANDAL, TELANGANA STATE: TELANGANA CITY: TOOPRAN PIN : 502334 CITY CATEGO - 502334  
PH :9291859954.

#### VIKARABAD

2320. GEM MOTORS (INDIA) PVT. LTD. (BYM1-BYM-01), SHOP NO. 3-2-93/2, VILLAGE – YENNAPALLY, VIKARABAD MUNICIPALITY, VIKARABAD, DISTRICT – RANGA REDDY, TELANGANA. - 501101  
PH :9912349840.

#### WANAPARTHY

2321. SRI JAYARAMA MOTORS (P) LTD. (WQ01-WQ-01), SURVEY NO.1149, KURNOOL ROAD, WANAPARTHY (A.P.) - 509103  
PH :8096903879.

#### WARANGAL

2322. ADARSHA AUTOMOTIVES PVT LTD (D502-D5-02), PLOT NO.10, INDUSTRIAL AREA, MULUGU ROAD, WARRANGAL - 508007  
PH :8886132222.

2323. ADARSHA AUTOMOTIVES PVT LTD (D502-D5-03), OPPOSITE TO URUGALLU FILLING STATION, HUNTER ROAD, SHAYAMPET, HANAMKONDA, WARANGAL - 506001  
PH :8886492222.

2324. WIN MOTORS (A UNIT OF BHADRAKALI AUTOCARE PVT. LTD) (D503-D5-01), SURVEY NO. 16, 16/A & 16/B, OPPOSITE KAKATIYA UNIVERSITY GATE-2, LASHKERSINGARAM REVENUE VILLAGE, HANAMKONDA MANDAL, WARANGAL. - 506 001  
PH :8688828010.

2325. WIN MOTORS (A UNIT OF BHADRAKALI AUTOCARE PVT. LTD) (D503-D5-02), PLOT NUMBER 9,10,11 & 13/A ,SURVEY NUMBER 148/A&B OF BHEEMNAR VILLAGE, WARANGAL. - 506015  
PH :8688828015.

#### ZAHIRABAD

2326. SAI SERVICE PRIVATE LIMITED (BAT1-BAT-01), PLOT NO-5, NEAR IBP PETROL BUNK, NH-5A LIPUR,ZAHIRABAD,MEDAK (DIST),ANDHRA PRADESH - 502220  
PH :7660005206.

### TELENGANA

#### KAGHAZNAGAR

2327. ADARSHA AUTOMOTIVES (SCN1-SCN-01), H.NO 1-61/3,BORIGAON,KAGHAZNAGAR,KOMARAMB HEEM - 504296  
PH :8886992222.

#### PALAKURTHY

2328. WIN MOTORS (SCY1-SCY-01), SURVEY NO 537/B,MAIN RAOD, PALAKURTHY,JANGAON DISTRICT,TELANGANA. - 506317  
PH :8688838005.

### TRIPURA

#### AGARTALA

2329. JAIN UDYOG (6901-69-01), ARUNDHUTI NAGAR, OPP. INDUSTRIAL ESTATE, AGARTALA - 799003  
PH :8662149275.

2330. JAIN UDYOG (6901-69-05), 58-B/C, INDUSTRIAL AREA ARUNDHUTI NAGAR, AGARTALA. - 799003  
PH :70057 12126.

2331. JAIN UDYOG (6901-69-06), KHATIAN NO. 1843, MOUJA & TEHSIL – KHAYERPUR, JIRANIA SUBDIVISION, AGARTALA - 799008  
PH :97746 16831.

#### AMARPUR

2332. JAIN UDYOG (CVR1-CVR-01), NEAR MOTOR STAND, AMARPUR,TRIPURA - 799101  
PH :97748 45751.

#### AMBASSA

2333. JAIN UDYOG (CDT1-CDT-01), A.A. ROAD, OPPOSITE OF CHANDRAI PARA HS SCHOOL, AMBASSA, DHALAI, TRIPURA. - 799289  
PH :70052 88437.

#### DHARMANAGAR

2334. JAIN UDYOG (6901-RN-03), DHARMANAGAR COLLEGE ROAD, DHARMANAGAR, TRIPURA(NORTH) - 799250  
PH :97747 93164.

#### UDAIPUR

2335. JAIN UDYOG (YU01-YU-01), DHWAJANAGAR INDUSTRIAL ESTATE,UDAIPUR,TRIPURA (SOUTH) - 799116  
PH :9774020152.

### UP

#### BULANDSHAHR

2336. SK UNIVERSE (M502-M5-02), KHASRA NO.2261, NEAR T POINT , BYPASS SIKARPUR ROAD ,BULANDSHAHR - 203001  
PH :7055118430.

#### DIBYAPUR

2337. KULDEEP MOTORS (SLA1-SLA-01), AURAIYYA ROAD, DIBYAPUR - 206244  
PH :9235258425.

#### MEERUT

2338. TR SAWHNEY (4808-48-01), MUNICIPAL NO 101, KHASRA NO 1926/ MINJUMLA & 1927/1, MAHAL LEKHRAJ MUBJITA, MAIN DELHI ROAD, MEERUT, UP - 250002 - 250002  
PH :9999163125.

#### MOOSANAGAR

2339. MY CAR (SLP1-SLP-01), VILL GAUSGANJ, POST MOOSANAGAR, KANPUR DEHAT, UTTAR PRADESH. - 209208  
PH :97929 70005.

### UTTAR PRADESH

#### AGRA

2340. MADHUSUDAN MOTORS PVT LTD (6603-66-02), GANESH GANJ, PRATAPPURA, AGRA - 282001  
PH :9837097887

2341. MADHUSUDAN MOTORS PVT LTD (6603-66-01), B-5 LAWYERS COLONY, BYE PASS ROAD, AGRA - 282005  
PH :531102-05.

2342. MADHUSUDAN MOTORS PVT LTD (6603-66-03), 6-A, VIBHAV INDUSTRIAL STATE, AGRA - 282007  
PH :3299221.

2343. MADHUSUDAN MOTORS PVT LTD (6603-66-04), 26/253, SULTAN GANJ KI PULIA, MAUZA LASKARPUR, AGRA - 283203  
PH :9837097894.

2344. PREM MOTORS PVT. LTD. (6605-66-01), KHASRA NO.382,386,387,388, VILLAGE ARTHONI, DELHI-AGRA HIGHWAY, NH-2, AGRA, UTTAR PRADESH - 282007  
PH :9690010839.

2345. KTL PVT. LTD. (6606-66-01), MUGHAL ROAD, KAMLA NAGAR, AGRA - 282004  
PH :8449715033,8449715099.



## Dealer Workshop (AS ON 30.05.2023 )

2346. PREM MOTORS PVT. LTD. (6607-66-01), 45, OPPOSITE AGRA COLLEGE, GOKULPURA, AGRA, UTTAR PRADESH - 282002  
PH :9690010795.
2347. KTL PVT. LTD. (6606-66-02), KHASRA NO. 171, SEWLA JAT, GWALIOR ROAD, AGRA, UTTAR PRADESH - 282001  
PH :8449715099.
2348. MERAK VEHICLES (6609-66-01), KHASRA NO 65 & 74, MAUZA MOHAMMADPUR, AGRA-DELHI ROAD (NH-2), SIKANDRA, AGRA UTTAR PRADESH-282007. - 282007  
PH :9690486139.
- AKBARPUR**
2349. KTL PVT. LTD. (2201-LH-03), KANPUR ROAD, AKBARPUR - 209206  
PH :7408409348.
2350. SMARTWHEELS PVT. LTD. (7201-LH-08), TANDA ROAD, VILL-BUDHAEEPUR, PO-KATRIYA YAKOOPUR, AKBARPUR, DIST-AMBEDKAR NAGAR (U.P.) - 224122  
PH :7705803248.
- ALIGARH**
2351. DEV MOTORS (P) LTD (B601-B6-01), NEAR BANNA DEVI, G.T.ROAD, ALIGARH - 202001  
PH :521771.
2352. DEV MOTORS (B601-B6-04), PLOT NO 97, VILLAGE SIKANDERPUR, BHUKRAVALI, GT ROAD BYE PASS, ALIGARH - 202002  
PH :7351345577.
- ALLAHABAD**
2353. AMITDEEP MOTORS (2901-29-01), 26 SULEM SARAI, G.T ROAD, ALLAHABAD - 211001  
PH :8948122749, 9026111339, 7738556692, 9839890333, 9936413399.
- AMETHI**
2354. KTL AUTOMOBILE PVT. LTD. (BBB2-BBB-01), PLOT NO - E 32, INDUSTRIAL AREA TEKARIA, UPSIDC, GAURIGANJ, DIST: C.S.M.NAGAR - 227409  
PH :7379557377.
- AMROHA**
2355. AKANKSHA AUTOMOBILES PVT. LTD. (A001-A0-01), AMROHA - JOYA ROAD, NEAR PUNJAB NATIONAL BANK, AMROHA, UTTAR PRADESH, PIN CODE: 244221 - 244221  
PH :7895400003.
- ANPARA**
2356. STAR CARS (A UNIT OF SARASWATI VEHICLES LLP) (NJ02-NJ-01), KAHUWA NALA, AURI-BINA ROAD, AURI ANPARA, DISTRICT - SONEBHADRA - 232101  
PH :7052547903, 9721905002, 9151154306, 9450544961.
- AONLA**
2357. KAVISHA MOTORS PVT LTD (CV11-CV1-01), COMMERCIAL PLOT, RAN NAGAR ROAD, NEAR MUNICIPALITY OFFICE, TEHSIL - AONLA, DIST., BAREILLY, STATE: UTTAR PRADESH. - 243301  
PH :07895980222, 07895980300.
- AURAI**
2358. VARANASI MOTORS PVT LTD (CBM1-CBM-01), KHATA / KHATAUNI NO. 00045, GT ROAD (EHAK BHAURA), OPP. CHINI MILL,VILLAGE & TEHSIL AURAI, DISTT: BHADHOI, UTTARPRADESH, PIN 2221 301 - 2221301  
PH :9838360662, 7617002786.
- AURAIYA**
2359. KULDEEP MOTORS (QJ01-QJ-01), NEAR INDIAN OIL TIRAHA, KANPUR ROAD, AURAIYA. - 206241  
PH :9235358444.
- AZAMGARH**
2360. DEEP MOTORS (K501-K5-01), HARBANSAPUR NARALI, AZAMGARH - 276001  
PH :9838072905.
- BABRALA**
2361. AKANKSHA AUTOMOBILES PVT. LTD. (SJU1-SJU-01), CHANDAUSI ROAD, BABRALA, DISTRICT SAMBHAL, UTTAR PRADESH. - 243751  
PH :9837649177.
- BACHRAWAN**
2362. KTL AUTOMOBILE PVT. LTD. (CGX2-CGX-01), VISHNUPUR, PHARWAN, RAEBARELI-LUCKNOW ROAD, DIST. -RAEBARELI. - 229301  
PH :99184512222.
- BAH**
2363. KTL PVT. LTD. (CH11-CH-01), 16B, DHOBAIR, VILLAGE - BAH, DIST.-AGRA, UTTAR PRADESH. - 283104  
PH :7055707169, 8449715033.
- BAHERI**
2364. KAVISHA MOTORS PVT LTD (BSB1-BSB-01), KASRA NO. 530, 531, 532, 533, NAINITAL ROAD, OPP. RAMLILA GROUND, BAHERI, DISTRICT - BAREILLY, UTTAR PRADESH - 243201  
PH :8756000000, 7607696666.
- BAHRAICH**
2365. ANAND MOTORS AGENCIES LTD (1301-5Z-05), LUCKNOW ROAD, BEHRAICH, UTTAR PRADESH - 271801  
PH :9519596080.
- BALLIA**
2366. DEEP MOTORS (K501-BA-03), MAIDEYPUR, RAJDHANI ROAD, BALLIA - 277001  
PH :9838072917.
- BALRAMPUR**
2367. ANAND MOTORS AGENCIES LTD (XB01-XB-01), NEAR BALRAMPUR CHINI MILLS, GONDA ROAD, BALRAMPUR-UTTAR PRADESH - 271201  
PH :6307995976.
- BANDA**
2368. MY CAR PVT. LTD. (2803-KV-03), KALUKUAN, TINDWARI ROAD, BANDA - 210001  
PH :9792971223.
2369. SUMITRA DS MOTORS (SPB1-01-SPB-01), PURANPUR ROAD, BANDA, TEHSIL BANDA, THANA BANDA, DISTT. SHAHJAHANPUR - U.P. - 242042  
PH :9336408074.
- BANSI**
2370. ARBIT AUTOMOBILES PVT LTD (GMD1-GMD-01), KHASRA NO. 66 M, GRAM: BHAWNI, TAPPA: KUNDARANA, PARGANA: BANSI EAST, TEHSIL BANSI, DISTT : SIDARTHANAGAR - 272153  
PH :89534 12821.
- BANTHRA**
2371. MEGA MOTORS (SGQ1-SGQ-01), KHASRA NO. 1628 AMARPUR, SIKANDARPUR MARKET, BANTHRA, KANPUR ROAD LUCKNOW - 226401  
PH :9919101456.
- BARABANKI**
2372. BRIGHT 4 WHEEL SALES PVT. LTD. (1305-6A-03), VILL. DHARSANIA, LUCKNOW ROAD, NAWABGANJ, BARABANKI - 225001  
PH :9838075900.
- BARAUT**
2373. TANYA AUTOMOBILES (LL02-LL-01), 240/2 SHAHPUR, BADOLI, DELHI SAHARANPUR ROAD, BARAUT, BAGHPAT, UTTAR PRADESH. - 250611  
PH :7055300019.
- BAREILLY**
2374. CORAL MOTORS (P) LTD. (6602-56-01), STATION ROAD, BAREILLY - 243001  
PH :559191.
2375. CORAL MOTORS (P) LTD. (6602-56-03), PILIBHIT BYE PASS ROAD, EXECUTIVE CLUB CROSSING, BAREILLY, UTTAR PRADESH - 243002  
PH :0581-2554922.
2376. KAVISHA MOTORS PVT LTD (5601-56-01), 4TH KM, RAMPUR ROAD, CLUTTER BUCKGANJ, BAREILLY - 243502  
PH :8756000000, 7607696666.
2377. ETERNITY MOTORS LLP (5603-56-01), KHASRA NO. 803/2, PILIBHIT BYPASS ROAD, PEER BAHORA, OPP. FUN CITY, BAREILLY, UTTAR PRADESH. - 243001  
PH :9105555746.
- BASTI**
2378. SMARTWHEELS PVT. LTD. (7201-6B-05), MANORI CHAURAHA, DUMARIYA GANJ, ROAD, BASTI - 270002  
PH :286294.
- BEHTA**
2379. MEGA MOTORS (A UNIT OF AKM MOTORS PVT. LTD) (GMI1-GMI-01), KHASRA NO. 254, OPPOSITE SANGAM MOTORS, KURSI ROAD, BEHTA - 226206  
PH :6388901514.
- BHADODHI**
2380. VARANASI MOTORS PVT. LTD. (8402-TT-02), VARNASI ROAD, BHADODHI - 221401  
PH :9838360662.
- BHINGA**
2381. ANAND MOTORS (BVG1-BVG-01), PATNAKHARGAURA, BHINGA, SHRAVASTI - 271831  
PH :9415013059.
- BHOJPUR**
2382. MOTORCRAFT SALES INDIA PVT LTD (SDQ1-SDQ-01), OPPOSITE PRIMARY GOVERNMENT SCHOOL, HAPUR ROAD, VILLAGE BHOJPUR, TEHSIL - MODINAGAR, DISTRICT - GHAZIABAD. - 201204  
PH :9410038456.
- BIJNOR**
2383. SHAKUMBARI AUTOMOBILES (P) LTD (BD01-BD-01), PLOT & KHASRA NO. 253/3 & 258/1 ADJACENT KHEDI CHAURAHA, NEAR PULKIT HOSANGET, DELHI-BIJNOR HIGHWAY, BIJNOR, DIST. - BIJNOR, UTTAR PRADESH. - 246701  
PH :8630881409.
- BILARI**
2384. AKANKSHA AUTOMOBILES PVT. LTD. (SDM1-SDM-01), 2KM-BILARI NH 509, NEAR SBS SCHOOL, BILARI, MORADABAD 244001 - 244001  
PH :9927459707.
- BILASPUR**
2385. AKANKSHA AUTOMOBILES PVT. LTD. (BCN1-BCN-01), NH-87, OPPOSITE SHAGUN BANQUET HALL, NEAR MILTON ACADEMY SCHOOL, RAMPUR NAINITAL ROAD, BILASPUR, DISTRICT - RAMPUR. - 244921  
PH :9917745000.
- BISALPUR**
2386. CORAL MOTORS PVT LTD (CXB1-CXB-01), KHASRA NO. 668, VILLAGE : BISALPUR, DISTT: PILIBHIT, UTTAR PRADESH - 262201  
PH :9837891846.
- BISWAN**

2387. CONCEPT CARS LIMITED (SEW1-SEW-01),  
BILJHARIYA, OPPOSITE-555, BRICK FIELD,  
BISWAN - 261201 - 261201  
PH :7607696666.

**BUDAUN**

2388. CORAL MOTORS (P) LTD. (5602-NF-04), PLOT  
NO. - 72, BAREILY-MATHURA HIGHWAY,  
BUDAUN, UTTAR PRADESH - 132103  
PH :9837891846.

**BULANSHAHR**

2389. SK UNIVERSE (M502-M5-01), KHASRA NO 561 ,  
BHOOR, OPP PANDIT PETROL PUMP ,  
BULANSHAHR - 203001  
PH :9219694600.

**CHAKIA**

2390. STAR CARS (A UNIT OF SARASWATI VEHICLES  
LLP) (CJH1-CJH-01), KATHSILA NAHER, NEAR  
SAINT JOHN'S SCHOOL CHAKIA, DISTRICT –  
CHANDAUJI. - 232101  
PH :9450544961.

**CHANDAUSI**

2391. AKANKSHA AUTOMOBILES PVT. LTD.  
(XA01-XA-01), AZAD ROAD, NEAR ROADWAYS,  
CHANDAUSI (BHEEM NAGAR) - 202412  
PH :7247800008.

**CHAURI CHAURA**

2392. ARBIT AUTOMOBILES (SIR1-SIR-01), ARAZI NO  
561 DOMARI KHURD, CHAURI CHAURA,  
GORAKHPUR - 273201  
PH :8953412821.

**CHIBRAMAU**

2393. KTL PVT. LTD. (BMY1-BMY-01), PLOT GHATA  
NO. 70, MAJJA - LALAKPUR, VILLAGE -  
CHHIBRAMAU, DIST.-KANNAJU, UTTAR  
PRADESH. - 209721  
PH :7408409200, 94141113666.

**CHITRASENPUR**

2394. AGR (SMM-SMM-01), KHASRA  
NO-194,CHITRASENPUR, KACHHUWA ROAD,  
VARANASI, PIN -221313 - 221313  
PH :9889803355.

**DALMAU**

2395. KTL AUTOMOBILES (SGZ1-SGZ-01), DALMAU  
ROAD, OPPOSITE BHAGIRATHI GUEST HOUSE -  
229203  
PH :9918451222.

**DANKAUR**

2396. MOTORCRAFT SALES (HG01-HG-01), OPP. SHRI  
DRONACHARYA DEGREE COLLEGE, DANKAUR,  
DIST. - GAUTAM BUDH NAGAR, HARYANA. -  
203201  
PH :9810289355.

**DEOBAND**

2397. ATELIER AUTOMOBILES (XK02-XK-01),  
OPPOSITE CIVIL COURT, MUZZAFARNAGAR  
HIGHWAY, DEOBAND - 247001  
PH :7500220011.

**DEORIA**

2398. SMARTWHEELS PVT. LTD. (M601-M6-01), PLOT  
NO. C-7, AND SHED NO. D-3, GOVERNMENT  
INDUSTRIAL ESTATE MEHRA, DEORIA, DIST.  
-DEORIA, UTTAR PRADESH. - 274001  
PH :7705800602.

**DHAMPUR**

2399. SHAKUMBARI AUTOMOBILES (P) LTD  
(CPQ1-CPQ-01), KHASRA NO. 205, OPPOSITE,  
UHSA SMARAK SCHOOL, MORADABAD ROAD,  
TEHSIL - DHAMPUR, MOJA - ALEHPUR, DIST.  
-BIJNOR, UTTAR PRADESH. - 246761  
PH :8630881458.

**DOMARIAGANJ**

2400. SMARTWHEELS (SMW1-SMW-01), VILL & POST  
– CHAUKHARA, DOMARIAGANJ, DISTT –  
SIDDHARTH NAGAR - 272193  
PH :7705800602.

**ETAH**

2401. MADHUSUDAN VEHICLES PRIVATE LTD.  
(XG01-XG-01), 472 ASROLI, GT ROAD, ETAH -  
207125  
PH :9837097894.

**ETAWAH**

2402. KULDEEP MOTORS (6E01-6E-01), PAKKA BAGH,  
KANPUR ROAD, ETAWAH - 206001  
PH :257029.

**FAIZABAD**

2403. SMARTWHEELS PVT. LTD. (7201-F5-02),  
SAHADAT GANJ, LUCKNOW ROAD, FAIZABAD,  
UTTAR PRADESH. - 224001  
PH :7705803245.

**FARIDPUR**

2404. KAVISHA MOTORS PVT LTD (CEM1-CEM-01),  
GATE NO. 216, KASBA SARAI, TEHSIL –  
FARIDPUR, DISTRICT – BAREILLY, UTTAR  
PRADESH. - 243503  
PH :07895980222, 07895980300.

**FARRUKHABAD**

2405. MY CAR PVT. LTD. (2803-TS-04), NEKPUR  
KALAN, FARRUKHABAD - 209625  
PH :9792970093.

**FATEHABAD**

2406. KTL PVT. LTD. (BLQ1-BLQ-01), KHASRA NO.  
730/731, GRAM MAJJA, MADAYNA SIKRARA  
MODE, FATEHABAD, DISTRICT – AGRA, UTTAR  
PRADESH - 283111  
PH :9754979019.

**FATEHPUR**

2407. KTL PVT. LTD. (2801-TM-04), NH-2, OPP. RTO  
OFFICE, KANPUR ROAD, FATEHPUR - 212601  
PH :7408409383, 7408400000.

**FEROZABAD**

2408. MADHUSUDAN VEHICLES PRIVATE LTD.  
(DF01-DF-01), 746, ALI NAGAR KEJRA , NEAR  
RAJA KA TAL CROSSING, NH 2, FERAZABAD -  
283203  
PH :9890003077.

**GAJRAULA**

2409. AKANKSHA AUTOMOBILES PVT. LTD.  
(XK01-XF-01), JHANAKPUR OPPOSITE  
RELIANCE PETROL PUMP, DELHI ROAD,  
GAJRAULA - 244235  
PH :9690518865.

**GHAZIABAD**

2410. ROHAN MOTORS LTD. (5904-59-01), 432  
MUKAND NAGAR, G.T.ROAD, GHAZIABAD -  
201001  
PH :9971466644  
011-204170810, +911204170816, +911204170826,  
+911204170819.

2411. REGENT AUTOLINKS (P) LTD (5902-59-01),  
A-10/9 INDUSTRIAL AREA, SITE NO 3, MEERUT  
ROAD, GHAZIABAD - 201001  
PH :0120-4641900, 904.911.8744042111, 9999740464.9  
71127008.

2412. ROHAN MOTORS (5904-59-02), PLOT NO.46,  
MEERUT-DELHI ROAD, MORTA, GHAZIABAD -  
201102  
PH :09310404354 , 9971466644.

2413. T.R. SAWHNEY MOTORS PVT LTD (5905-59-01),  
PLOT NO. 96, RAJINDER NAGAR INDUSTRIAL  
AREA, MOHAN NAGAR, GHAZIABAD, DISTT. -  
GHAZIABAD, U.P. - 201007  
PH :9999052148; 9999130612.

2414. SNV AUTO (5906-59-01), PLOT NO. 15, SOUTH  
SIDE GT ROAD INDUSTRIAL AREA, GHAZIABAD,  
UTTAR PRADESH - 201001 - 201001  
PH :9650324325.

**GHAZIPUR**

2415. AGR AUTOMOBILES PVT. LTD. (8403-KT-03),  
RKKB PETROL PUMP, NEAR BANSI BAZAR,  
GAZIPUR - 2333001  
PH :2361136.

**GHIROER**

2416. KULDEEP MOTORS (CVA1-CVA-01), KARHAL  
ROAD, TEHSIL – GHIROER, DISTRICT –  
MAINPURI, UTTAR PRADESH. - 205121  
PH :9536755555.

**GONDA**

2417. SMARTWHEELS PVT. LTD. (7201-FZ-07), JANKI  
NAGAR, OPP INDIAN OIL DEPOT, BAHRAICH  
ROAD, GONDA, UTTAR PRADESH. - 271001  
PH :7705803261.

**GORAKHPUR**

2418. SMARTWHEELS PVT. LTD. (7201-72-01),  
MOHADDIPUR, (NEAR RAMGARH TAL),  
GORAKHPUR (U.P.) - 273012  
PH :7705803152.

2419. SMARTWHEELS PVT. LTD. (7201-72-06), NEAR T  
B HOSPITAL, LACHCHIPUR, NEPAL ROAD,  
GORAKHPUR - 273012  
PH :7705803109.

2420. SMARTWHEELS PVT. LTD. (7202-72-01), PLOT  
NO.AL-4, SECTOR-9, GIDA, GORAKHPUR. -  
273209  
PH :9235401004.

2421. ARBIT AUTOMOBILES PVT LTD (7203-72-01),  
ARAZI NO. 66/1/1 MI & 66/2/1MI, 66 MI, MAUZA -  
MAHEWA MUSTAKIL, NEAR FALMANDI CHOWK,  
TRANSPORT NAGAR, GORAKHPUR, UTTAR  
PRADESH. - 273016  
PH :8953412821.

**GOSAIGANJ**

2422. BRIGHT 4 WHEEL SALES PVT. LTD.  
(CWK1-CWK-01), KHASRA NO. 24, VILLAGE -  
SHEKHANPUR, PARGANA MOHANLALGANJ,  
TEHSIL - MOHANLALGANJ, DIST.-LUCKNOW,  
UTTAR PRADESH. - 226501  
PH :9838075929.

**GREATER NOIDA**

2423. ROHAN MOTORS LTD. (T201-T2-01), 63-A,  
UDYOY VIHAR, GREATER NOIDA, UTTER  
PRADESH - 201306  
PH :4513739, 4513736, 4513734,  
4513700/9958506111.

**HAIDERGARH**

2424. BRIGHT 4 WHEEL SALES PVT. LTD.  
(CVU1-CVU-01), PROPERTY SHOP NO. 5, 6 AND  
7, VILLAGE - GOTAUJA, PARGANA -  
HAIDERGARH, TEHSIL - HAIDERGARH,  
DISTRICT - BARABANKI. - 225124  
PH :9935275786, 9838075929.

**HAMIRPUR**

2425. KTL PVT. LTD. (QH01-QH-01), VILLAGE  
RAMEDI,KANPUR ROAD, HAMIRPUR - 210301  
PH :7704907587.

**HAPUR**

2426. ROHAN MOTORS (6G01-6G-01), DELHI-HAPUR  
ROAD, OPPOSITE SSV INTERCOLLEGE,HAPUR,  
DISTRICT- GHAZIABAD - 245101  
PH :8476853930, 9536129292.

**HARDOI**

2427. CONCEPT CARS PVT. LTD. (QE01-QE-01),  
NANAK GANJ, LUCKNOW ROAD, HARDOI -  
241001  
PH :8756000000, 7607696666.

## Dealer Workshop (AS ON 30.05.2023)

2428. CONCEPT CARS PVT. LTD. (0E01-0E-04), PLOT NO. 1609 & 1605 GANGA BUX PURVA, BILGRAM ROAD, HARDOI KANPUR HIGHWAY, HARDOI, UTTAR PRADESH. - 241001 PH :7607696666, 8756000000.	<b>KANNAUJ</b> 2438. KTL PVT. LTD. (2801-EM-05), PLOT NO. - 377, AKBARPUR, KANNAUJ - 209725 PH :7408409305.	2451. SUMITRA DS (SHY1-SHY-01), GRAM: SAALPUR NAVADIYAM, NH24, KATRA, TEHSIL - TILHAR, SHAHJAHANPUR - 242301 PH :9336408074.	2461. SUMITRA DS (M301-M3-01), GATE NO 604, PALIA ROAD, NEAR FCI WEAR HOUSE, VILLAGE - BHARDSARIYA, KHERI, LAKHIMPUR - 262702 PH :7522888333, 9415770000.	
<b>HATHRAS</b> 2429. DEV MOTORS (P) LTD (B601-LP-03), NEAR NAGLA UMMED, ALIGARH ROAD, HATHRAS - 204101 PH :9917435500.	<b>KANPUR</b> 2439. KTL PVT. LTD. (2801-28-01), 9/46, BENAJHABAR ROAD, HARSH NAGAR, KANPUR - 208002 PH :7408409341. 2440. MY CAR PVT. LTD. (2803-28-02), C-16, SITE-1, PANKI INDUSTRIAL AREA, KANPUR - 208022 PH :9792970088. 2441. MY CAR PVT. LTD. (2803-28-01), 84/54 C, JARIB CHOWKI, G.T. ROAD, KANPUR - 208003 PH :9792970511. 2442. KTL PVT. LTD. (2801-28-02), SHVAATRA KRISHNA NAGAR, G T ROAD, KANPUR - 208007 PH :7408409253. 2443. S B CARS PVT.LTD (2806-28-01), 77B , FAZALGANJ, KANPUR - 208012 PH :2241660. 2444. MY CAR PVT. LTD. (2803-28-05), 88, BLOCK-T, FACTORY AREA, FAZALGANJ, KANPUR - 208004 PH :9792970081. 2445. S B CARS PVT.LTD (2806-28-05), 1/6-7 AMBEDKAR PURAM, AWAS VIKASH, KALYANPUR, KANPUR - 208017 PH :7408525252. 2446. KULDEEP MOTORS KANPUR LLP. (2808-28-01), BUKHAND NO.756, 756A, 757, BLOCK. W, YOJNA: 2, JUHI KALAN, BARRA BYE PASS, KANPUR. - 208017 PH :9076608701. 2447. KTL PVT. LTD. (2801-28-07), ARAZI NO. 1110, VILLAGE BAIRI, AKBARPUR, KACHHAR, INDIRA NAGAR, KANPUR, UTTAR PRADESH - 208 026 PH :7408409379.	<b>KAYAMGANJ</b> 2452. MY CAR PVT. LTD. (CBV1-CBV-01), BYE PASS ROAD , NEAR KHAN PETROL PUMP, VILLAGE : KAYAMGANJ , DISTT : FARUKHABAD - 209502 PH :9839029868, 9792970391.	<b>KHAIR</b> 2453. DEV MOTORS (SHQ1-SHQ-01), PLOT 117, ALIGARH PALWAL ROAD, VILLAGE CHAMAN NAGARIYA, KHAIR - 202138 PH :7351345577.	<b>LALGANJ</b> 2462. KTL AUTOMOBILE PVT. LTD. (CSL2-CSL-01), JEEWAN DEEP COMPOUND, ALLAHABAD ROAD, LALGANJ, DISTT. RAIBARELLI - 229206 PH :9918451222.
<b>IGLAS</b> 2430. DEV MOTORS (SOD1-01-SOD-01), MATHURA ROAD, IGLAS, DISTRICT ALIGARH. - 202124 PH :9837549000.	<b>ITUNJA</b> 2431. BRIGHT 4 WHEEL (SJD1-01-SJD-01), 90M GATA GRAM MANDOLI, ITTAINJA, LUCKNOW, UTTAR PRADESH-226203. - 226203 PH :7011482503.	<b>KHANDAULI</b> 2454. MADHUSUDAN MOTORS PVT LTD (BVV1-BVV-01), KHASRA NO. 97, AGRA-SADAAB, HATHRAS ROAD, OPP. HDFC BANK, VILL- KHANDAULI, TEHSIL ETHMADPUR, DIST. AGRA, UTTAR PRADESH. - 283126 PH :9837097863, 9690003034.	<b>LALITPUR</b> 2463. SURI AUTOMOBILES (6001-6J-03), JAHANSI SAGAR ROAD, LALITPUR - 284001 PH :9451496015.	
<b>JAGDISHPUR</b> 2432. BRIGHT 4 WHEEL SALES PVT. LTD. (XC01-XC-01), KATHORA,MUSAFIRKHANDA,LUCKNOW SULTANPUR ROAD,JAGDISHPUR-UTTAR PRADESH - 227817 PH :9721526961 , 9628374814.	<b>JAGNER</b> 2433. MERAK VEHICLES (SPJ1-SPJ-01), SHRI RAM GARDEN, AGRA ROAD, NEAR RADHA KRISHNA MANDHIR, JAGNER, UTTAR PRADESH, 283115 - 283115 PH :7896500400.	<b>KHUTAR</b> 2455. SUMITRA DS MOTORS PVT LTD (CIO1-CIO-01), VILLAGE - NARAINPUR, VIKRAMPUR GOLA ROAD, KHUTAR, DISTRICT - SHAHJAHANPUR, UTTAR PRADESH. - 242405 PH :9336408074.	<b>LUCKNOW</b> 2464. ANAND MOTORS AGENCIES LTD (1301-13-01), 11TH KMS, FAIZABAD ROAD, CHINHAT, LUCKNOW - 227105 PH :7080000462. 2465. KTL AUTOMOBILE PVT. LTD. (1311-13-01), MATIYARI CHAURAHA, CHINNCHAT, FAIZABAD ROAD, LUCKNOW - 227105 PH :7408411453. 2466. ANAND MOTORS AGENCIES LTD (1301-13-02), 47, NEHRU ROAD, SADAR BAZAR, LUCKNOW - 226016 PH :3098257, 7080000463. 2467. BRIGHT 4 WHEEL SALES PVT. LTD. (1305-13-01), 11/CP- 6, VIKAS NAGAR, RING ROAD, LUCKNOW - 226022 PH :2739501. 2468. ONE UP MOTORS INDIA PVT. LTD. (1306-13-01), C-16A,TRANSPORT NAGAR,KANPUR ROAD, LUCKNOW, KANPUR ROAD, LUCKNOW - 228012 PH :9918100801. 2469. KTL AUTOMOBILE PVT. LTD. (1311-13-02), INDRA NAGAR, OPP. HALFAIZABAD ROAD, LUCKNOW, UTTAR PRADESH - 226016 PH :7408411478. 2470. KTL AUTOMOBILE PVT. LTD. (1311-13-03), BEHIND N S KOHLI PETROL PUMP, SARDARI KHEDA, KANPUR ROAD, ALAMBAGH, LUCKNOW - 226005 PH :9918451222. 2471. ANAND MOTORS AGENCIES LTD (1301-13-04), G-3, LDA MARKET, ALIGANJ, LUCKNOW - 226024 PH :4103406/407/408, 7080000464. 2472. ONE UP MOTORS INDIA PVT. LTD. (1306-13-03), CHHANNIAL CROSSING, MANDIR MARG, LUCKNOW - 226005 PH :9918500451. 2473. BRIGHT 4 WHEEL SALES PVT. LTD. (1305-13-02), PARGANNA MOHANNNA, STP ROAD, CHATMEEEL, LUCKNOW - 226021 PH :9838075960.	
<b>JALALABAD</b> 2434. SUMITRA DS MOTORS PVT. LTD. (GJX1-GJX-01), GRAM: SUJAWALPUR, BAREILLY ROAD, TEHSILL: JALALBAD, DIST. SHAHJHANPUR - 242221 PH :9336408074, 9897019488.	<b>KARWI</b> 2448. MY CAR PVT. LTD. (CBU1-CBU-01), ARAJI NO. 58, MAUJA - AMANPUR, TEHSIL - KARWI, DIST. -CHITRAKOOT, UTTAR PRADESH. - 210205 PH :9839029868, 9792970391.	<b>KIRAOI</b> 2456. PREM MOTORS PVT. LTD. (BJZ1-BJZ-01), GOVIND PALACE, NEAR KIRAWALI TEHSIL, AGRA - JAIPUR HIGHWAY, KIRAWALI, DISTRICT - AGRA, UTTAR PRADESH. - 283122 PH :9690010799.	<b>LUCKNOW</b> 2469. ANAND MOTORS AGENCIES LTD (1301-13-03), G-3, LDA MARKET, ALIGANJ, LUCKNOW - 226024 PH :4103406/407/408, 7080000464. 2472. ONE UP MOTORS INDIA PVT. LTD. (1306-13-03), CHHANNIAL CROSSING, MANDIR MARG, LUCKNOW - 226005 PH :9918500451. 2473. BRIGHT 4 WHEEL SALES PVT. LTD. (1305-13-02), PARGANNA MOHANNNA, STP ROAD, CHATMEEEL, LUCKNOW - 226021 PH :9838075960.	
<b>JAUNPUR</b> 2435. KIRTIKUNJ AUTOMOBILES PVT. LTD. (6H01-6H-01), KHANPUR AKBAR, KUTTUPUR TIRAHA - 222001 PH :954951026.	<b>KASGANJ</b> 2449. MADHUSUDAN VEHICLES PRIVATE LTD. (BVX1-BVX-01), ARAJI NO. 646, SAURO ROAD, KASGANJ, DISTRICT - KASGANJ, UTTAR PRADESH. - 207123 PH :9837097863, 9690003034.	<b>KOSI</b> 2457. UMA MOTORS PVT. LTD. (CPV1-CPV-01), KHASRA NO. 245, CITY - KOSI, DIST.-MATHURA - 281004 PH :9997683333, 9997511006.	<b>LUCKNOW</b> 2469. ANAND MOTORS AGENCIES LTD (1301-13-04), G-3, LDA MARKET, ALIGANJ, LUCKNOW - 226024 PH :4103406/407/408, 7080000464. 2472. ONE UP MOTORS INDIA PVT. LTD. (1306-13-03), CHHANNIAL CROSSING, MANDIR MARG, LUCKNOW - 226005 PH :9918500451. 2473. BRIGHT 4 WHEEL SALES PVT. LTD. (1305-13-02), PARGANNA MOHANNNA, STP ROAD, CHATMEEEL, LUCKNOW - 226021 PH :9838075960.	
<b>JHANSI</b> 2436. SURI AUTOMOBILES (6001-60-01), BALAJI UNNA ROAD, ANSAL COLONY, JHANSI PIN - 284002 - 284002 PH :8881811383. 2437. VELOCITY CARS (A UNIT OF BASERA VELOCITY AUTOHUH PVT. LTD) (6002-60-01), PLOT NO 486, 487, 488, 489 AND 477 (PATTA NUMBERS), MAUZA - KOCCHABHANWAR, BLOCK - BADAGAON, TEHSIL AND DISTT - JHANSI. - 284128 PH :9889440999.	<b>KASIA</b> 2450. ARBIT AUTOMOBILES PVT LTD (GMJ1-GMJ-01), MAUJA BHAIASA, HETIMPUR KASIA, KUSHINAGAR, UTTAR PRADESH - 274206 PH :8953412821.	<b>KUNDA</b> 2459. SARASWATI MOTORS (CBF2-CBF-01), ALLAHABAD-LUCKNOW HIGHWAY, KUNDA, DISTRICT PRATAPGARH. - 230204 PH :8090854005.	<b>LUCKNOW</b> 2469. ANAND MOTORS AGENCIES LTD (1301-13-03), G-3, LDA MARKET, ALIGANJ, LUCKNOW - 226024 PH :4103406/407/408, 7080000464. 2472. ONE UP MOTORS INDIA PVT. LTD. (1306-13-03), CHHANNIAL CROSSING, MANDIR MARG, LUCKNOW - 226005 PH :9918500451. 2473. BRIGHT 4 WHEEL SALES PVT. LTD. (1305-13-02), PARGANNA MOHANNNA, STP ROAD, CHATMEEEL, LUCKNOW - 226021 PH :9838075960.	
	<b>KATRA</b> 2460. SUMITRA DS MOTORS PVT LTD (W201-M3-02), GATA NO. 66, LRP ROAD, TOWARDS GOLA, LAKHIMPUR KHERI - 242001 PH :7522888333, 9415770000.	<b>LAKHIMPUR</b> 2460. SUMITRA DS MOTORS PVT LTD (W201-M3-02), GATA NO. 66, LRP ROAD, TOWARDS GOLA, LAKHIMPUR KHERI - 242001 PH :7522888333, 9415770000.		

2474. BRIGHT 4 WHEEL SALES PVT. LTD. (1305-II-04), PLOT NO: 57 TO 60, KAUSHALABAD, BADHAULI BKT. PARGANA MOHANNA, SITAPUR ROAD, BAKSHI KA TALAB, LUCKNOW - 226020  
PH :7317049000.
2475. BRIGHT 4 WHEEL SALES PVT. LTD. (1305-13-05), PLOT NO. 68, BUTLER GANJ, BAALU ADDA, LUCKNOW - 226001  
PH :8756000000, 7607696666.
2476. MEGA MOTORS (A UNIT OF AKM MOTORS PVT. LTD) (1313-13-01), CP1 (COMMERCIAL PLOT 1), VIBHAV KHAND, GOMTI NAGAR, LUCKNOW. - 226 010  
PH :9935096417, 7054631666.
2477. KTL AUTOMOBILE PVT. LTD. (1311-13-07), B-6/1A, AMAUSI INDUSTRIAL AREA, NADARGANJ, LUCKNOW, UTTAR PRADESH. - 226008  
PH :7800007376.
2478. BRIGHT 4 WHEEL SALES PVT. LTD. (1305-13-06), KHASRA NO. 418, MISHRAPUR PARGANA MAHONA, KURSI ROAD, LUCKNOW. - 226022  
PH :9935275786.
2479. ONE UP MOTORS INDIA PVT. LTD. (1314-13-01), KHASRA NO. 20 TO 25, 30, 35, 37, 42, 43, 45, 47, 48, 49, 67, 68, 71 & 99, RAJJABGANJ, HARDOI ROAD, LUCKNOW. - 226003  
PH :9821026545, 7800005200.
2480. MEGA MOTORS (A UNIT OF AKM MOTORS PVT. LTD) (1313-13-02), KHASRA NO. 614, VILLAGE: BHADRAKUH, VIP CANNEL RINGI ROAD, DEVI KHERA, TELIBAGH (VIP ROAD), TEHSIL: SAROJNI NAGAR, LUCKNOW, U. AR PRADESH 226002 - 226002  
PH :6388901514.
- MADHOGANJ**
2481. CONCEPT CARS PVT. LTD. (BHI1-BHI-01), KANPUR ROAD, NEAR RAILWAY CROSSING, MADHOGANJ, DIST. HARDOI. - 241001  
PH :220016, 220064, 7607696666.
- MAHARAJGANJ**
2482. SMARTWHEELS PVT. LTD. (EI01-EI-01), NEAR PHARENDA TAXI STAND, NAHAR ROAD, PIPAR DEORA, MAHARAJGANJ, DIST. MAHARAJGANJ, UTTAR PRADESH. - 273303  
PH :7705800602, 7705803109.
2483. KTL AUTOMOBILE PVT. LTD. (CSM2-CSM-01), MUNNA MARKET HAIDERGARH ROAD TOWN AREA, TEHSIL - MAHARAJGANG, DISTRICT - RAIBAREILLY, UTTAR PRADESH. - 229306  
PH :99184512222.
- MAHMUDABAD**
2484. CONCEPT CARS PVT. LTD. (AAN1-AAN-01), IN FRONT OF POWER HOUSE, SIDAULI ROAD, MAHMUDABAD (U.P.) - 261203  
PH :7607696666, 8756000000.

- MAHOBAB**
2485. SURI AUTOMOBILES (6001-RM-02), NEAR PARMANAND CHOWK, GANDHINAGAR, MAHOBAB, UTTAR PRADESH. - 284001  
PH :244344, 9451496015.
2486. VELOCITY MOTORS (RM02-RM-01), BAJRANG CHOWK, SAGAR-KANPUR HIGHWAY, MAHOBAB - 210427  
PH :9560998709.
- MAHOLI**
2487. CONCEPT CARS PVT. LTD. (CWS1-CWS-01), MUSKAN TRACTORS, NEAR MELA MAIDAN, SHAHJHANPUR ROAD, MAHSUNIYAGANJ, MAHOLI, DIST.-SITAPUR, UTTAR PRADESH. - 261141  
PH :7607696666.
- MAHRONI**
2488. SURI AUTOMOBILES (CGN1-CGN-01), LALITPUR ROAD, MEHRONI, DISTRICT - LALITPUR, UTTAR PRADESH. - 384405  
PH :7705000558, 8881811383.
- MAINPURI**
2489. KULDEEP MOTORS (6E01-SG-02), SKP-4A, MAINPURI - 205001  
PH :9235258444.
- MALIHABAD**
2490. ONE UP MOTORS INDIA PVT. LTD. (BOD1-BOD-01), KHASRA NO. 326/1 AND 327, VILLAGE PARGANA, TEHSIL - MALIHABAD, DISTRICT - LUCKNOW, UTTAR PRADESH. - 227111  
PH :9918100781.
- MANDURI**
2491. DEEP MOTORS (K501-K5-04), VILLAGE - BALDEV MADURI, TEHSIL - SAGR1, DISTRICT - AZAMGARH, UTTAR PRADESH. - 278138  
PH :09838072902.
- MATHURA**
2492. UMA MOTORS PVT. LTD. (H801-H8-01), 68, MAHOLI NEAR JAI GURUDEV TEMPLE, NH-2, KM STONE 146, MATHURA - 281004  
PH :2463043/ 6290700.
- MATI**
2493. MEGA MOTORS (A UNIT OF AKM MOTORS PVT. LTD) (SCG1-SCG-01), GATA NO 761, NEAR MATI POLICE CHOWKI, VILLAGE- MATI, PARGANA- DEWA, TEHSIL- NAWABGANJ, BARABANKI, UTTAR PRADESH - 225 003  
PH :6388901514.
- MAURANIPUR**

2494. VELOCITY CARS (A UNIT OF BASERA VELOCITY AUTOHUB PVT. LTD) (GJJ1-GJJ-01), BASERA CITY, MAURANIPUR - GARUTHA ROAD, MAURANIPUR, DISTT. JHANSI, UTTAR PRADESH. - 284204  
PH :8299202863.
- MAWANA**
2495. RADHA GOVIND AUTOMOBILES PVT LTD (CW21-CWZ-01), MAIN SHANTI NAGAR ROAD, MAWANA KALAN, SUBDIVISION HASTINAPUR, TEHSIL MAWANA, DISTRICT MEERUT - 250401  
PH :9012575727.
- MEERUT**
2496. TANYA AUTOMOBILES PVT. LTD. (4802-48-01), GOVT. INDUSTRIAL TRAINING INSTITUTE, BACHHA PARK, MEERUT - 250001  
PH :9837077003.
2497. TANYA AUTOMOBILES PVT. LTD. (4802-48-03), 90, NAUCHANDI GROUND, GARH ROAD, MEERUT - 250001  
PH :9837077004.
2498. RADHA GOVIND AUTOMOBILES PVT. LTD. (4807-48-01), VILLAGE - BARAL, KUNDA GATE NEAR YOGI FARM HOUSE, PARTAPUR, DELHI ROAD, MEERUT. - 250002  
PH :9821217610.
2499. TANYA AUTOMOBILES PVT. LTD. (4802-48-04), MUNICIPAL NO. 9, 9/2, 9/3, 9/4, 11, 11/1, VILLAGE - ROSHANPUR DORLI, OPP. KONARK COLONY, NEAR RAJAMANDIR MANDAP, ROORKEE ROAD, TEHSIL - SARDHANA, MEERUT, U.P. - 250001  
PH :7900201515.
- MIRZAPUR**
2500. STAR CARS (6K02-6K-01), PILI KOTHI, STATION ROAD, MIRZAPUR, UTTAR PRADESH - 231001  
PH :7052547903, 9721905002, 9151154306, 9450544961.
- MISHRIKH**
2501. CONCEPT CAR (SKJ1-SKJ-01), NEAR ARYAVART BANK, SITAPUR ROAD, MISHRIKH, SITAPUR, U.P., PINCODE: 261401 - 261401  
PH :7607696666.
- MODINAGAR**
2502. MOTORCRAFT SALES PVT. LTD. (5903-M7-02), OPPOSITE SONIA ENCLAVE, ADJACENT SUMAN CINEMA, NH-58, MODINAGAR - 201204  
PH :09557338222 & 07042427140.
- MOHANLALGANJ**
2503. BRIGHT 4 WHEEL SALES PVT. LTD. (BWU1-BWU-01), KHASARA PLOT NO.581, VILLAGE PURSANI, PARGANA AND TEHSIL MOHANLALGANJ, LUCKNOW DISTT. . UTTAR PRADESH - 227305  
PH :7571905966.
- MORADABAD**

2504. AKANKSHA AUTOMOBILES PVT. LTD. (B401-B4-01), DELHI ROAD, 5TH.KM, MORADABAD (U.P.) - 244001  
PH :7247800008
2505. AKANKSHA AUTOMOBILES PVT. LTD. (B401-B4-03), 5TH KM DELHI ROAD, MORADABAD - 244001  
PH :7895600007.
2506. AKANKSHA AUTOMOBILES PVT. LTD. (B401-B4-04), KHASRA NO. 569-570, VILLAGE - KAJIPIRA, KANTAR ROAD, MORADABAD, UTTAR PRADESH. - 244001  
PH :7895500007.
- MUZAFFARNAGAR**
2507. RADHA GOVIND (H903-H9-01), NH -58 ,121 KM STONE, BY-PASS ROAD, NEAR TRANSPORT NAGAR, MUZAFFARNAGAR - 251001  
PH :8760092009.
- NAJIBABAD**
2508. SHAKUMBARI AUTOMOBILES (P) LTD (CPS1-CPS-01), NEAR BUS STAND, BIJNORE BYPASS ROAD, NAJIBABAD, DIST.-BIJNORE, UTTAR PRADESH. - 246 701  
PH :9045815209.
- NAUGARH**
2509. SMARTWHEELS PVT. LTD. (QG01-QG-01), NEAR PAKARI CHAURAHA, NAUGARH ROAD, SIDDHARTHNAGAR - 272205  
PH :7705803129.
- NAUTANWA**
2510. SMARTWHEELS PVT LTD (SDW1-SDW-01), OPP. RAJIV GANDHI DEGREE COLLEGE, BYPASS ROAD, NAUTANWA, DISTT - MAHARAJGANJ - 273164  
PH :77058 00602.
- NAWABGANJ**
2511. KAVISHA MOTORS PVT LTD (CHT1-CHT-01), VILLAGE - EIDH JAGIR NEAR GURUDWARA AT NH-74, TEHSIL - NAWABGANJ, DISTRICT - BAREILLY. - 262406  
PH :07895980222, 07895980300.
- NIGOHA**
2512. BRIGHT 4 WHEELS (SGV1-SGV-01), GATA NO 146, VILL NIGOHA, TEHSIL MOHANLALGANJ, LUCKNOW - 226302  
PH :7011482503.
- NOIDA**
2513. ROHAN MOTORS LTD. (A102-A1-01), C-8/9, SECTOR - I, NOIDA - 201301  
PH :4071900, 4071909, 4071931, 4071932, 4071209, 4071949/9582210152.
2514. ROHAN MOTORS LTD. (A102-A1-02), C-11, SECTOR-1, NOIDA, UTTAR PRADESH - 201301  
PH :4071900, 209,31,32/9582210152.

## Dealer Workshop (AS ON 30.05.2023 )

2515. FAIR DEAL PREMIUM WHEELS PVT.LTD.  
(A108-A1-01), D-39, SEC-10, NOIDA - 201301  
PH :0844829694 & 09654326008.

2516. VIPUL MOTORS PVT. LTD. (A101-A1-02), B-124 & B-125, SECTOR - 5, NOIDA, UTTAR PRADESH - 201301  
PH :4603100/28/33/8527835888.

2517. VIPUL MOTORS PVT. LTD. (A106-A1-01), J-14, SECTOR-63, NOIDA, DISTT. GAUTAM BUDDH NAGAR (U.P.) - 201301  
PH :4758600/102/8448589759.

2518. MOTORCRAFT SALES PVT. LTD. (5903-A1-04), PLOT NO.15, SECTOR-140, NOIDA (U.P.) - 201305  
PH :09818532222 & 09971733233.

2519. MOTORCRAFT SALES (5903-A1-05), PLOT NO 19 ECOTECH 12 GREATER NOIDA WEST ,GB NAGAR , UP - 201306  
PH :8826312222.

**ORAI**  
2520. S B CARS PVT.LTD (2806-LU-02), KANPUR ROAD, ORAI - 285001  
PH :9307219303.

**PADRONA**  
2521. SMARTWHEELS PVT. LTD. (BGJ1-BGJ-01), AARJI NO. 37 & 38, MAUJA - BELWA MISRA, TAPPA PAKDI, PARAGNA - SIDHUA JAUBNA, TEHSIL - PADRAUNA, DIST.-KUSHINAGAR, UTTAR PRADESH. - 274304  
PH :7705803259.

**PANWARI**  
2522. SURI AUTOMOBILES (SLC1-SLC-01), PANWARI, NEAR RAM LEELA GROUND, TEHSIL KULPAHAR, DISTRICT MAHOBA. - 210429  
PH :9452287690.

**PAPHUNDA**  
2523. TANYA AUTOMOBILES (4802-SIB-05), 354/1, MAIN HAFUR ROAD, PAPHUNDA. - 245206  
PH :93193 24588.

**PEPPANGANJ**  
2524. ARBIT AUTOMOBILES PVT LTD (GKG1-GKG-01), GHATA NO. 466, 465 & 472, PEPPANGANJ, MOUZA - SAHABGANJ, TEHSIL - CAMPIERGANJ, DISTT: GORAKHPUR - 273165  
PH :99534 12621.

**PILIBHIT**  
2525. CORAL MOTORS (P) LTD. (IL01-IL-01), BISALPUR ROAD, PILIBHIT, U.P. - 262001  
PH :9837891846.

**PRAYAGRAJ**  
2526. SARASWATI MOTORS (2904-29-01), PLOT NO 24, INDUSTRIAL AREA MNIT COLLEGE, TELIYARGANJ, PRAYAGRAJ, UTTAR PRADESH. - 211004  
PH :8090854053.

2527. BRIGHT 4WHEELS (2905-29-01), ARAZI NO 390 AND 389 AT KATKA, ANDAWA SAHSON BYPASS, PRAYAGRAJ - 211002  
PH :9415324201.

**PURANPUR**  
2528. CORAL MOTORS (P) LTD. (CAD1-CAD-01), KHASRA NO. 768 & 770, VILLAGE - KHAMIRIYA PATTI, PURANPUR - PILIBHIT ROAD, TEHSIL AND PARGANA - PURANPUR, DIST. PILIBHIT. - 262124  
PH :9837891846, 99270011120.

**RAIBAREILLY**  
2529. KTL AUTOMOBILE PVT. LTD. (HS07-HS-01), PLOT NO. 1550, GULLUPUR, P O KATWARA, HIJARCHANDRAPUR, RAIBAREILLY - 229303  
PH :7800001601.

**RAM SANEHI GHAT**  
2530. BRIGHT 4WHEELS (SDH1-SDH-01), GATA NO 76, VILLAGE - BHENDUWA BRAHMANAN, TEHSIL - RAM SANEHI GHAT, BARABANKI, UTTAR PRADESH, PIN 225409 - 225409  
PH :9935275786.

**RAMNAGAR**  
2531. BRIGHT 4 WHEEL SALES PVT. LTD. (BRK1-BRK-01), KHASRA NO. 629, VILLAGE - BUDHAWAL, TEHSIL - RAMNAGAR, DIST. -BARABANKI, UTTAR PRADESH. - 225205  
PH :9935275786, 9838075929.

**RAMPUR**  
2532. AKANKSHA AUTOMOBILES PVT. LTD. (B401-6L-02), SHAHZAD NAGAR BAREILLY ROAD RAMPUR UTTAR PRADESH - 244901  
PH :7248000002.

**RAYA**  
2533. UMA MOTORS PVT. LTD. (BXX1-BXX-01), CHAUDHARY PADAM SINGH MARKET, NEAR INDIA INTER COLLEGE, RAYA - MAANT ROAD, RAYA, DISTT. MATHURA (U.P.) - 281204  
PH :9997683333, 9997511006.

**ROBERTSGANJ**  
2534. STAR CAR (CTY1-CTY-01), UMRAURA, PIMPRI ROAD, ROBERTSGANJ, UTTAR PRADESH. - 231 216  
PH :7052547903, 9721905002, 9151154306, 9450544961.

**SAHARANPUR**  
2535. ATELIER AUTOMOBILES (S203-S2-01), NEAR BARI NAHAR, AMBALA ROAD, SAHARANPUR - 247001  
PH :7500250042.

**SAHIBABAD**

2536. FAIR DEAL WHEELS PVT. LTD (08E1-M9-01), 12/67, SITE 4, INDUSTRIAL AREA, SAHIBABAD, GHAZIABAD - 110095  
PH :4740409/102/436, 886088669.

2537. MOTORCRAFT SALES PVT. LTD. (5903-M9-01), S-7 SITE-IV, SAHIBABAD INDUSTRIAL AREA, NEAR DABUR CHOWK, SAHIBABAD - 201010  
PH :4172222/21402222, 09958562222 & 09560605122.

2538. T.R. SAWHNEY MOTORS PVT LTD (0819-M9-03), 28/1/1, SITE-IV, SAHIBABAD INDUSTRIAL AREA, DISTT- GHAZIABAD, UTTAR PRADESH - 201010  
PH :9999399152; 9999939143.

**SALEMUR**  
2539. SMARTWHEELS PVT LTD (GKA1-GKA-01), GHATA NO. 48, GRAM: DEVPAR, TEHSILL: SALEMUR, PARGANA: SALEMUR MAUJHAULI, DISTT: DEORIA - 274509  
PH :7705800602, 7705803321.

**SALON**  
2540. KTL AUTOMOBILES (SCP1-SCP-01), SALON BYPASS, PARSHEDAPUR ROAD, SALON, DISTRICT RAIBARELLI, UTTAR PRADESH - 229127  
PH :9918451222.

**SAMBHAL**  
2541. AKANKSHA AUTOMOBILES PVT. LTD. (BBP1-BBP-01), PLOT NO. 303, NEAR TAJ MILK FACTORY, MORADABAD SAMBHAL ROAD, SAMBHAL, UTTAR PRADESH - 244302  
PH :9997776876.

**SANDILA**  
2542. CONCEPT CARS PVT. LTD. (WY01-WY-01), PLOT NO.371, SARAY MARUFPUR, LUCKNOW ROAD, SANDILA-241204 DISTT. HARDOI. - 241204  
PH :8756000000, 7607696666.

**SARBHANA**  
2543. RADHAGOVIND AUTOMOBILES (MM01-MM-01), DAURALA ROAD, NEAR RADHASWAMI SATSANG, SARDANA - 250342  
PH :7456003222.

**SAHABAD**  
2544. CONCEPT CARS PVT. LTD. (AAX1-AAAX-01), VILLAGE MUJAGADH, SHAHABAD - 241124  
PH :8756000000, 7607696666.

**SHAHJAHANPUR**  
2545. SUMITRA DS MOTORS PVT LTD (W201-W2-01), SITAPUR ROAD, NH-24, SHAHJAHANPUR - 242001  
PH :7522888333, 9415770000.

**SHAMLI**

2546. RADHA GOVIND AUTOMOBILES PVT. LTD. (XJ01-XJ-01), KHERI KARMLU, OPPOSITE POWER HOUSE, PANIPAT-KAIRANA ROAD, SHAMLI UTTAR PRADESH - 247776  
PH :8977862084.

**SHIKOHABAD**  
2547. MADHUSUDAN VEHICLES PRIVATE LTD. (XH01-XH-01), 2508, KATRA MIRA, MAHAMMABAD, OPP PROFESSOR COLONY, NH 2, BYE PASS ROAD, SHIKOHABAD, DISTT: FIROZABAD, UTTAR PRADESH - 283203  
PH :9837097894, 9690003001.

**SIDHAULI**  
2548. CONCEPT CARS PVT. LTD. (BFO1-BFO-01), R/O MISHRIKH ROAD NOROTTTAM NAGAR, DAKSHIDI, OPP. BLOCK, SIDHAULI, SITAPUR. - 261303  
PH :7607596666.

**SIKANDRA**  
2549. KTL PVT LTD (SJE1-SJE-01), YADAV MARKET, NEAR SURYA DHABA, NH-19, ETAWAH-KANPURROAD, SIKANDRA, U.P. - 209715  
PH :9414113666.

**SIKANDRABAD**  
2550. SK UNIVERSE (CWQ1-CWQ-01), NEAR R K SCHOOL, VILLAGE - SANWALI SIKANDRABAD , DIST - BULANDSHAHR UTTAR PRADESH , PIN 203202 - 203202  
PH :7310106965.

**SITAPUR**  
2551. CONCEPT CARS PVT. LTD. (QE01-6M-02), LUCKNOW-DELHI ROAD, NH-24, VILLAGE JAMMAYAPUR, SITAPUR - 261001  
PH :7607696666, 8756000000.

**SIYANA**  
2552. SK UNIVERSE (SIN1-SIN-01), BULANDSHAHR ROAD, SIYANA DIST- BULANDSHAHR, UTTAR PRADESH PIN CODE 203412 - 203412  
PH :9219694600.

**SULTANPUR**  
2553. KIRTIKUNJ AUTOMOBILES PVT. LTD. (N101-N1-01), SHAURYAMAU, MIRANPUR, VARANSI-LUCKNOW HIGHWAY, NH-56 (FAIZABAD BYPASS) SULTANPUR - 228001  
PH :227760 , 220107.

**SWAR**  
2554. AKANKSHA AUTOMOBILES PVT. LTD. (CQX1-CQX-01), IN FRONT OF EIDGAH, TEHSIL - SWAR, DISTRICT - RAMPUR, UTTAR PRADESH. - 244924  
PH :9528004006.

**TAMBOUR**

2555. CONCEPT CARS (SOB1-SOB-01), NEAR INDIAN GAS GANJAR, SITAPUR ROAD TAMBOUR - 261208  
PH -7607696666.

**THAKURDWARA**

2556. AKANKSHA AUTOMOBILES PVT. LTD. (KOO1-KO-01), 2 KM. MORADABAD ROAD, NEAR JEETA KA DHABA, SAHAB GANJ (MUNSHI GANJ), THAKURDWARA, DISTT. MBD. UTTAR PRADESH - 244601  
PH :9917224562.

**TILOI**

2557. KTL AUTOMOBILE PVT. LTD. (CGY2-CGY-01), VILLAGE PURE LANGDA, PAKAR GAON, MOHAN GUNJ, TEHSIL - TILOHI, DIST.-RAIBARELI. - 229309  
PH :99184512222.

**UJHANI**

2558. ETERNITY MOTORS LLP (GJK1-GJK-01), BADAUN BYE PASS ROAD, UJHANI - 243639  
PH :94122 89074.

**UNCHAHR**

2559. KTL AUTOMOBILE PVT. LTD. (IH02-IH-01), ALLAHABAD LUCKNOW ROAD, NEAR PURANA PETROL PUMP, WARD NO. 5, UNCHAHRANA, DISTT: RAIBARELI - 229404  
PH :99184512222.

**UNNAO**

2560. S B CARS (2806-KL-04), HUSSAIN NAGAR BYPASS,KANPUR-LUCKNOW HIGHWAY ROAD, UNNAO,U.P. - 209801  
PH :9839806451.

**VARANASI**

2561. VARANASI MOTORS PVT. LTD. (8402-84-01), THE MALL, CANTONMENT, VARANASI - 221001  
PH :2509068, 2509069.

2562. AGR AUTOMOBILES PVT. LTD. (8403-84-01), B-38/2A, MAHMOORGANJ, GOPAL VIHAR, VARANASI - 221010  
PH :2360436.

2563. VARANASI MOTORS PVT. LTD. (8402-84-03), AORAJI NO.2 AND 48, G.T. ROAD, TODAPUR, MOHANSARAI, RAJATALAB, VARANASI (U.P.) - 221311  
PH :2632786, 9838360662.

2564. AGR AUTOMOBILES PVT. LTD. (8403-84-04), ARAZI NO. 399, 398, 400, 401,NH2 PANDITPUR, DEHAT AMANAT, TEHSIL - RAJATALAB, VARANASI - 221112  
PH :98898 03355.

**UTTARAKHAND**

**ALMORA**

2565. NAINITAL MOTORS PVT LTD (J603-SQ-04), PAWAR BHAWAN, JOSHI KHOLA RAJPURA, PITHRAGARH ROAD, ALMORA - 263601  
PH :9997194132.

**BAGESHWAR**

2566. NAINITAL MOTORS PVT LTD (J603-8I-05), VILL. BILOMA,SERA, BAGESHWAR, UT, BAGESHWAR - 263642  
PH :9557200522.

**BAZPUR**

2567. AKANKSHA AUTOMOBILES (RUDRAPUR) PVT LTD (CGU2-CGU-01), KHASRA NO. 96/2, VILLAGE - BHONA, ISLAM NAGAR, TEHSIL - BAZPUR, UTTARAKHAND. - 262401  
PH :9634151501.

**CHAMPAWAT**

2568. AKANKSHA AUTOMOBILES (RUDRAPUR) PVT LTD (SF02-SF-01), TANAKPUR LOHAGHAT ROAD, CHAMPAWAT, UTTARAKHAND - 262523  
PH :8929400545, 8191000832.

**CHAUKHUTIYA**

2569. NAINITAL MOTORS PVT LTD (CVG1-CVG-01), NH-58, BADRINATH ROAD, CHAUKHUTIYA, DIST.-ALMORA, UTTARAKHAND - 263656  
PH :9997026565.

**DEHRADUN**

2570. ROHAN MOTORS LTD. (5702-57-01), 130/1 CHAKRATA ROAD, YAMUNA COLONY, DEHRADUN - 248001  
PH :9997036800.

2571. DD MOTORS (A DIVISION OF D.D. PREM PVT.LTD.) (5707-57-01), 918/221, PATEL NAGAR, INDUSTRIAL AREA, DEHRADUN - 248001,  
PH :9368193007.

2572. ROHAN MOTORS LTD. (5702-57-02), 257/2, GMS ROAD ,VILL. NIRANJANPUR, ADJ TO KAMLA PALACE, DEHRADUN - 248001  
PH :8630956832, 9897227227.

2573. FUTURE AUTO WHEELS PVT LTD (5706-57-01), KHASRA NO. 8KHA, MOHABEWALA INDUSTRIAL AREA, DEHRADUN. - 248001  
PH :0135-2640263, 7895956011.

2574. FUTURE AUTO WHEELS (5706-57-02), MUNICIPAL NUMBER 45 AND 46, RAJPUR ROAD, DEHRADUN, PIN: 248001 - 248001  
PH :9760444430.

**DIDIHAT**

2575. NAINITAL MOTORS (SKN1-SKN-01), SUBHASH CHANDRA BOSE WARD, NEAR D.I.E.T, DIDIHAT, DISTT PITHORAGARH, PINCODE: 262551. - 262551  
PH :9634092692.

**DOIWALA**

2576. FUTURE AUTO WHEELS PVT LTD (BRI1-BRI-01), 26, MISSARAWALA, DOIWALA, DISTRICT - DEHRADUN, UTTARAKHAND. - 248140  
PH :7953071196.

**GADARPUR**

2577. AKANKSHA AUTOMOBILES (RUDRAPUR) PVT LTD (CVS1-CVS-01), BHASIYA MOD, RUDRAPUR ROAD, GADARPUR, UDHAM SINGH NAGAR, UTTARAKHAND. - 263152  
PH :9258156028.

**GAIRSAIN**

2578. ROHAN MOTORS LTD (CRH1-CRH-01), KHASRA NO. 1048, RANIKHET ROAD, OPP. GIC GROUND, GAIRSAIN, DISTRICT - CHAMOLI, UTTARA KHAND. - 246428  
PH :8755839951.

**GANGOLIHAT**

2579. NAINITAL MOTORS (CODE UNDER CREATIONS.CODE UNDER CREATIONS-CODE UNDER CREATIONS), VILL.-KHETIGARA, PITHORAGARH-GANGOLIHAT HALL, GANGOLIHAT, DISTT: PITHORAGARH - 262522  
PH :9997093043.

**GOPESHWAR**

2580. ROHAN MOTORS LTD. (5702-MV-03), CHOPTA MANDAL ROAD, NEAR FOREST GATE, GOPESHWAR - 131028  
PH :9634852898.

**HALDWANI**

2581. NAINITAL MOTORS PVT LTD (J603-J6-01), VILLAGE JEETPUR NEGY, 5TH KM RAMPUR ROAD, HALDWANI - 263139  
PH :7060201024.

2582. NAINITAL MOTORS PVT LTD (J603-J6-02), KALA DUNGI ROAD, NEAR HARIPRIYA BANQUET HALL, KATHGHARIYA, HALDWANI - 263139  
PH :8126359222.

**HARIDWAR**

2583. SHAKUMBARI AUTOMOBILES (P) LTD (6N02-6N-01), E-5/6, INDUSTRIAL AREA, HARDWAR - 249407  
PH :9897476897.

**JASPUR**

2584. AKANKSHA AUTOMOBILES (RUDRAPUR) PVT LTD (BKL2-BKL-01), GANGUWALA, INFRONT OF ROOPAM CONVENT, KASHIPUR ROAD, JASPUR, UTTARAKHAND. - 244712  
PH :8958023786.

**KARANPRAYAG**

2585. ROHAN MOTORS LTD (CRG1-CRG-01), BADRINATH ROAD, KARANPRAYAG, DISTRICT - CHAMOLI, UTTARAKHAND. - 246444  
PH :8755011005.

**KASHIPUR**

2586. AKANKSHA AUTOMOBILES (RUDRAPUR) PVT LTD (DG02-DG-01), BAZPUR ROAD, KASHIPUR - 244713  
PH :7307704864.

**KHATIMA**

2587. AKANKSHA AUTOMOBILES (RUDRAPUR) PVT LTD (XL02-XL-01), VILLAGE: CHARUBETA,NEAR RTO CHECK POST,PILIBHIT ROAD KHATIMA, U.S NAGAR,UTTRAKHAND - 262308  
PH :8191000132.

**KOTDWAR**

2588. SHAKUMBARI AUTOMOBILES (P) LTD (6N02-2I-02), PLOT NO.23 & 30 INDUSTRIAL ESTATE, SITABPUR, KOTDWAR, DIS. PAURI (GARHWAL), UTTARAKHAND - 249001  
PH :8755980075, 7310106565.

**LAKSAR**

2589. SHAKUMBARI AUTOMOBILES (CTF1-CTF-01), HARIDWAR ROAD, LAKSAR - 247664  
PH :9630087926.

**NANAKMATA**

2590. AKANKSHA AUTOMOBILES (RUDRAPUR) PVT LTD (CVT1-CVT-01), KHATIMA ROAD, OPP GURURAMDAS HOSPITAL, NANAKMATTA, U.S. NAGAR, UTTARAKHAND. - 262311  
PH :7830033763.

**PITHORAGARH**

2591. NAINITAL MOTORS PVT LTD (J603-NM-03), VILLAGE PANDA, ODSAINI, DHARCHULA ROAD, PITHORAGARH - 262501  
PH :9634092692.

**RAMNAGAR**

2592. NAINITAL MOTORS PVT LTD (XM01-XM-01), OPP. GAYATRI VIHAR, VILL. BASAI, 7TH KM. KASHIPUR ROAD, RAMNAGAR - 244137  
PH :9639016895.

**RANIKHET**

2593. NAINITAL MOTORS PVT LTD (AXA1-AXA-01), GANYADYOLI, NEAR DRUG FACTORY, RANIKHET DISTT. ALMORA (UTTARAKHAND) - 263645  
PH :9557243222.

**RISHIKESH**

2594. FUTURE AUTO WHEELS PVT LTD (AAS1-AAS-01), 640, LAXMAN JHULA ROAD, RISHIKESH, DISTT. DEHRADUN, UTTARAKHAND - 249201  
PH :7940241219.

**ROORKEE**

2595. SHAKUMBARI AUTOMOBILES (P) LTD (H201-H2-01), 3RD KM STONE, DELHI-ROORKEE HIGHWAY, NEAR IOC PETROL BUNK, ROORKEE DISTT HARIDWAR - 247667  
PH :7055104191.

## Dealer Workshop (AS ON 30.05.2023 )

### RUDRAPRAYAG

2596. ROHAN MOTORS (IK01-IK-01),  
GULABRAI-BADRINATH ROAD, RUDRAPRAYAG  
- 246171  
PH :8650876815.

### RUDRAPUR

2597. AKANKSHA AUTOMOBILES (RUDRAPUR) PVT  
LTD (U404-U4-01), KICHAH BYE PASS ROAD,  
INDUSTRIAL AREA, RUDRAPUR - 263153  
PH :8859502864.

### SELAQUI

2598. ROHAN MOTORS LTD (CRF1-CRF-01), KHASRA  
NO.783, BAHADURPUR ROAD, NH-72, SELAQUI,  
DISTT.-DEHRADUN, UTTARAKHAND. - 248011  
PH :8006000439.

### SITARGANJ

2599. AKANKSHA AUTOMOBILES (RUDRAPUR) PVT  
LTD (CD02-CD-01), PLOT NO.228/5 AND 228/6  
KHATIMA ROAD, SITARGANJ, DISTT -  
RUDRAPUR, UTTARAKHAND. - 262405  
PH :8192000375.

### SRINAGAR

2600. SHAKUMBARI AUTOMOBILES (ANA1-ANA-01),  
SRICOT GANAGANALI, NEAR MEDICAL  
COLLEGE, PO- SRICOT, SRINAGAR - 246174  
PH :8077425944.

### TEHRI

2601. DD MOTORS (A DIVISION OF D.D. PREM  
PVT LTD.) (QA02-QA-01), PLOT NO. 541,  
SECTOR-8E, DISTT. - NEW TEHRI - 249001  
PH :9690994366.

### UTTARKASHI

2602. DD MOTORS (A DIVISION OF D.D. PREM  
PVT LTD.) (6I02-6I-01), HOTEL RAMOLA,  
BARETHI CHUNGI, GANGOTRI NATIONAL  
HIGHWAY, UTTARKASHI. - 249151  
PH :7248886807.

### UTTRAKHAND

### DEHRADUN

2603. SHAKUMBARI AUTOMOBILES (5708-57-01),  
KHASRA NO.15-ANA, MOHABBEWALA,  
SAHARANPUR ROAD, DEHRADUN, PIN-248001,  
UTTARAKHAND - 248001  
PH :9639698871.

### PATI

2604. AKANKSHA AUTOMOBILES (RUDRAPUR) PVT  
LTD (SFX1-SFX-01), LOHAGHAT- HALDWANI  
MAIN ROAD, NEAR PITHORAGARH  
CO-OPERATIVE BANK, PATI-262528 - 262528  
PH :8191000832.

### WEST BENGAL

### ALIPURDUAR

2605. PODDAR CAR WORLD PVT. LTD.  
(BZ01-BZO-01), BIRPARA MORE, COOCH  
BEHAR ROAD, BESIDE GOYENKA PETROL  
PUMP, ALIPURDUAR, WEST BENGAL. - 736121  
PH :8945533002  
9735008343  
9749707070.

### AMTALA

2606. BHANDARI AUTOMOBILES PVT LTD  
(BQH1-BQH-01), VILLAGE - UDAYRAMPUR, P.O.  
- KANYANAGAR, P.S. - BISHNUPUR, AMTALA,  
DIST.-24 PARGANAS SOUTH, WEST BENGAL -  
743 398  
PH :9903850402.

### ARAMBAGH

2607. SANEI MOTORS PVT. LTD. (7T02-7T-01), R.S.  
DAG NO. 1887, R.S. KHATIAN NO. 104, HAL  
KHATIAN NO. 1233, MOUZA-PARUL, J.L.NO. 38,  
R.S.NO. 3111, P.S. ARAMBAGH, DISTT.  
HOOGHLY, WEST BENGAL - 712601  
PH :8584050184.

### ASANSOL

2608. BEEKAY AUTO PVT LTD (F601-F6-01), CHANDA  
MORE, N.H.-2, ASANSOL - 713301  
PH :9932049425,  
9932049435.

### BADURIA

2609. PREMIER CARWORLD (SOE1-SOE-01), VILL-  
KIRRTIPUR, P.O- MANDRA, P.S - BADURIA, DIST  
- NORTH 24 PARGANAS, WEST BENGAL. PIN -  
743438. - 743438  
PH :9831414956.

### BAGDAH

2610. SANEI MOTORS PVT. LTD. (BON1-BON-01), C/O,  
DINABANDHU TARAFDAR, S/O LATE  
NARENDRANATH TARAFDAR, VILLAGE -  
HALENCHA SOUTH, P.O. - HALENCHA COLONY,  
P.S. - BAGDAH, DISTRICT - NORTH 24  
PARGANAS, WEST BENGAL. - 743270  
PH :8584050184.

### BAHRAMPUR

2611. BEEKAY AUTO PVT LTD (DJ02-DJ-01),  
BOKULTALA (PASCHIM GAMINI), NH-34,  
BAHARAMPUR, DISTT. MURSHIDABAD. - 742101  
PH :267340.

2612. BEEKAY AUTO PVT LTD (DJ02-DJ-01), NH-34  
MANKARA NEAR NEKRATALA, BAHARAMPUR,  
MURSHIDABAD - 742165  
PH :267340.

### BAJKUL

2613. BHANDARI AUTOMOBILES PVT LTD  
(CAV1-CAV-01), VILLAGE - KAPTAYAPA BARI,  
P.O. - KALAGARH, P.S. - BHAGWANPUR,  
BAJKUL, DISTRICT - PURBA MIDNAPORE. -  
721266  
PH :9933055539.

### BALAGRH

2614. SANEI MOTORS PVT. LTD (BMI1-BMI-01), DAG  
NO. 671, MOUZA - BARUIPURA, J L NO. 100, P.O.  
- BALAGARH, DIST.-HOOGLY, WEST BENGAL -  
712 501  
PH :8584050184.

### BALURGHAT

2615. J K WHEELS PVT. LTD. (PT01-PT-01), BARO  
RAGHUNATHPUR, P.O. - BELTALA PARK, P.S. -  
BALURGHAT, DIST.-DAKSHIN DINAJPUR. - 733  
103  
PH :9064301464.

### BANKURA

2616. BHANDARI AUTOMOBILES PVT LTD  
(G701-GQ-02), PLOT NO.-156, KH NO.-173,  
MITHILA MOUZA, AT/PO-BANKURA (WB) -  
722101  
PH :256766.

### BARASAT

2617. PREMIER CARWORLD PVT. LTD. (XZ03-XZ-01),  
R.S DAG NO. 512 AND PARTY IN DAG NO. 513,  
MOUZA-KHILKAPUR, P.O BARASAT, POLICE  
STATION: DUTTA PUKUR, TOUZI NO. 146, J.L  
NO. 4, DISTRICT - NORTH 24 PARGANAS,  
WEST BENGAL - 700125  
PH :8420122407.

### BARDHAMAN

2618. BEEKAY AUTO PVT LTD (T301-T3-03), NH-2,  
PAMRA VILLAGE ROAD, CHANDNI MORE,  
SATTAR MILE, BURDWAN, WEST BENGAL -  
713101  
PH :9932049454.

### BARJORA

2619. BHANDARI AUTOMOBILES PVT LTD  
(BED1-BED-01), VILLAGE + P.O. + P.S. -  
BARJORA, MOUZA - BARJORA, JL NO. 46,  
KHATIAN NO. 3380, PLOT NO. 2795, BARJORA  
DISTRICT - BANKURA, WEST BENGAL - 722202  
PH :8016087297.

### BARRACKPORE

2620. STARBURST MOTORS PVT LTD (BXJ1-CIY-02),  
NEAR RAIL GATE, WARD NO. 24, WEST  
BARASAT ROAD, P.S. - TITAGARH,  
BARRACKPORE, DISTRICT - NORTH 24  
PARGANAS, KOLKATA. - 700120  
PH :8335061333.

### BARSUNDR

2621. BHANDARI AUTOMOBILES PVT LTD  
(G701-BJW-03), PLOT NO. 610, BARSUNDRARA,  
ISHWARDAHA, JALPAI, P.S. BHAWANIPUR,  
EAST MIDNAPORE, WEST BENGAL - 721654  
PH :9933055539.

### BASIRHAT

2622. BHANDARI AUTOMOBILES PVT LTD  
(X701-0D-03), RAGHUNATHPUR, TALKI ROAD,  
BASIRHAT NR. INDIAN PETROL PUMP,  
NORTH-24 PARGANAS. - 743428  
PH :8017569789.

### BELACOBA

2623. PODDAR CARWORLD (SCU1-SCU-01),  
PRASANNA NAGAR, BELACOBA, BATTALA,  
JALPAIGURI - 735133 - 735133  
PH :8945533002.

### BIRPORA

2624. SEVOKO MOTORS (CQL1-CQL-01), BHAGAT  
PARA, NH - 31, MADARIHAT ROAD, BIRPORA,  
BESIDE TASHI HOTEL, OPP - HIMALYAN HOTEL,  
P.S. - MADARIHAT, DIST - ALIPURDUAR, PIN -  
735204 - 735204  
PH :9800069144.

### BISHNUPUR

2625. BHANDARI AUTOMOBILES PVT LTD  
(AAG1-AAG-01), STATION ROAD, P.O+P.S-  
BISHNUPUR, DIST: BANKURA, WEST BENGAL -  
722122  
PH :9933055539.

### BOLPUR

2626. SWG- (A UNIT OF SAI NATH AUTO LINKS PVT.  
LTD) (4402-TC-03), KABI JOYDEB ROAD, NEAR  
BOLPUR BY PASS, BOLPUR, DIST: BIRBHUM -  
731204  
PH :9647444888  
8927895511.

### BONGAON

2627. STARBURST MOTORS PVT LTD (TQ02-TQ-01),  
376/D, R D B ROAD, NEAR JESSORE ROAD,  
BAKSHIPALLY, BONGAON, NORTH 24  
PARGANAS, WEST BENGAL - 743235  
PH :9748298939.

### BUDGE BUDGE

2628. ONE AUTO PVT. LTD. (BAV1-BAV-01), MAHESH  
TALA, NEAR DAKGHAR KALIMANDIR, BUDGE  
BUDGE TRUNK ROAD, DAKGHAR, WARD NO.  
22, POLICE STATION-MAHESH TALA, WEST  
BENGAL. - 700141  
PH :8584878802  
7604084762.

### C K ROAD

2629. BHANDARI AUTOMOBILES PVT LTD  
(D001-D0-01), P.O.SAT BANKURA, PS:GARBETA,  
CHANDRAKONA ROAD, DIST. PASCHIM  
MIDNAPORE, WEST BENGAL - 721252  
PH: 9933055539.

**CANNING**

2630. ONE AUTO (CEG2-CEG-01), SUSUMAPALLY,  
CANNING, DIST – SOUTH 24 PARGANAS, WB -  
743329  
PH :8442830001.

**CHAKDAHAI**

2631. BHANDARI AUTOMOBILES PVT LTD  
(OM01-OM-01), VILLAGE – PUMLIJA, P.O. –  
CHAKDAHAI, DISTRICT – NADIA, WEST BENGAL -  
741222  
PH :9073940368, 9674735303, 9674169007.

**CHANDITALA**

2632. BHANDARI AUTOMOBILES PVT LTD  
(BPC3-BPC-01), RS DAG NO.2986, LR DAG NO,  
3150, UNDER L R KHATIAN NO.3859, MOUZA-  
KRISHNARAMPUR, J.L. 59, POLICE STATION-  
CHANDITALA, HOOGHLY, WEST BENGAL -  
712702  
PH :6296900498.

**CHANDRAKONA**

2633. BHANDARI AUTOMOBILES PVT LTD  
(D001-CIP-02), AT. VILL. GOSAI PO+PS  
CHANDRAKONA TOWN, MOUZA DHARABILA,  
J.L.NO. 095, KHATIAN NO. 315, PLOT NO. 203 &  
189, NEAR MUNIPAL GATE TOWARDS C.K  
ROAD. - 721201  
PH :9945526833.

**CONTAI**

2634. BHANDARI AUTOMOBILES PVT LTD  
(G701-GV-03), SERPUR BAMUNBAR,P O-  
MARISHDA, NEAR MECHEDA BYPASS, CONTAI,  
WEST BENGAL - 721401  
PH :254547

**COOCH BEHAR**

2635. PODDAR CAR WORLD PVT. LTD.  
(BWZ1-BWZ-01), CHAKCHAKA, NEELKUTHI  
BAZAR, NEAR ADA FACTORY, NH-31, COOCH  
BEHAR, WEST BENGAL. - 736101  
PH :8945533002  
9735008343.

**DARJEELING**

2636. BEEKAY AUTO PVT LTD (4301-6U-05), MERRY  
VILLA, DARJEELING, DISTRICT-DARJEELING. -  
734101  
PH :9932049347  
9932049382  
7478004430.

**DHUPGURI**

2637. BEEKAY AUTO PVT LTD (BWD1-BWD-01),  
MOUZA – DHUPGURI, PLOT NO. 1814, WARD  
NO. 16, DHUPGURI, DISTRICT – JALPAIGURI,  
WEST BENGAL. - 735210  
PH :7477785203  
9932049347  
9932049382  
7478004430.

**DIAMOND HARBOUR**

2638. ONE AUTO PVT. LTD. (YE01-YE-01), VILLAGE –  
CHEWRA, OPPOSITE – K.E. CARMEL SCHOOL,  
P.O. – SARISHA HAT, P.S. – DIAMOND  
HARBOUR, DISTRICT – 24 PARGANAS (S) ,  
WEST BENGAL - 743368  
PH :8594862243.

**DURGAPUR**

2639. SWG- (A UNIT OFSAI NATH AUTO LINKS PVT.  
LTD) (4402-44-01), PLOT NO-743, MAUZA  
FRIDPUR, BURDWAN, DURGAPUR - 713213  
PH :9647444888  
8927895511.

**FALAKATA**

2640. PODDAR CAR WORLD PVT. LTD.  
(CSR1-CSR-01), DAKSHIN PARANGAPAR,  
KHATIAN NO. 167/1 J.L. NO. 60, DAG NO.  
652/1159, P.S. – FALAKATA , DISTT  
ALIPURDUAR, WEST BENGAL - 735211  
PH :8945533002.

**GAZOLE**

2641. JK WHEELS (SKZ1-SKZ-01), MOUZA-  
BAJEGAIRAL, RANIGANJ, PURBAPARA,  
KAMALDANGA, P.S. GAZOLE, DIST-MALDA, PIN  
- 732138 - 732138  
PH :9734963360.

**GHATAL**

2642. BHANDARI AUTOMOBILES PVT LTD  
(AAD1-AAD-01), VILL. NIMTOLA, P.O. & P.S.  
DASPUR, GHATAL, WEST MIDNAPORE, WEST  
BENGAL - 721211  
PH :9933055539.

**GOPIBALLAVPUR**

2643. BHANDARI AUTOMOBILES PVT LTD  
(BPQ1-BPQ-01), J.L. NO. 1103, KHATIAN NO. 1103,  
PLOT NO. 438, VILLAGE + P.O. + P.S. –  
GOPIBALLVPUR , MOUZA – GOPIBALLVPUR,  
WEST MIDNAPUR, WEST BENGAL. - 721506  
PH :9933055539, 8170018577.

**GUMA (ASHOKNAGAR)**

2644. STARBURST MOTORS PVT LTD (BXJ1-CLB-03),  
JESSORE ROAD, MANIKNAGAR, KHOSDELPUK  
MORE, P.S. – ASHOKNAGAR, NORTH 24  
PARGANAS, WEST BENGAL. - 743222  
PH :8697731763, 8336933447.

**HALDIA**

2645. BHANDARI AUTOMOBILES PVT LTD  
(G701-SE-04), BALGHASIPUR, BHABANIPUR,  
PURBA MEDIANPUR, HALDIA - 721657  
PH :8016082344, 9233502421.

**HOWRAH**

2646. BHANDARI AUTOMOBILES PVT LTD  
(X701-X7-01), BANKRA  
THANA,DOMJUR,HOWRAH. - 711403  
PH :9674735304.

2647. PREMIER CARWORLD PVT. LTD. (0611-X7-02),  
MOUZA – PRASASTHA, P.S. – DOMJUR, UNDER  
MOHIARY 2 NO. GRAM PANCHAYAT,  
ANKURHATI, HOWRAH, WEST BENGAL. -  
711302  
PH :8420122402.

**JALPAIGURI**

2648. PODDAR CAR WORLD PVT. LTD. (XY01-XY-01),  
COLLEGE PARA, SIRISHTALA, NEAR ASSAM  
MORE, JALPAIGURI, WEST BENGAL. - 735101  
PH :8945533002.

**JAYGAON**

2649. SEVOKE MOTORS PVT. LTD. (CHS1-CHS-01),  
WARD NO.43, WARD NO.11/22, N.S ROAD  
DARA GAON, P.S - JAYGAON, DISTT.  
ALIPURDUAR, WEST BENGAL - 736182  
PH :9433825851.

**JHARGRAM**

2650. BHANDARI AUTOMOBILES PVT LTD  
(BUG1-BUG-01), DAG NO.383, KHATIAN NO.  
JL396, WARD NO.11, RAJBATI CAMPUS,  
JHARGRAM, WEST BENGAL - 721507  
PH :8016087297, 9933055539.

**KADAMBAGACHI**

2651. STARBURST MOTORS PVT LTD (BXJ1-CTE-04),  
MOUZA - PURBA ICHAPUR, J L NO. 111, RESU  
NO. 131, DAG NO. 385, KHATIAN NO. L R 754,  
KADAMBAGACHI, P.S. - BARASAT, DIST.-NORTH  
24 PARGANAS, WEST BENGAL. - 700125  
PH :8336933410.

**KALIMPONG**

2652. BEEKAY AUTO (BWF1-BWF-01), 10TH MILE,  
GUMBA HATTA, PO&PS -KALIMPONG, DIST -  
KALIMPONG, WB. - 734301  
PH :9932049347.

**KALNA**

2653. BEEKAY AUTO PVT LTD (WZ01-WZ-01), KALNA  
ROAD, NEAR KALNA SUB DIVISIONAL  
HOSPITAL, KALNA, PO+PS: KALNA, DISTT.  
BURDWAN, (W.B.) - 713409  
PH :9932251483.

**KALYANI**

2654. STARBURST MOTORS PVT LTD (J01-JJ-01),  
KALYANI INDUSTRIAL GROWTH CENTRE,  
PHASE-III, A-5 (OPP. U J C UDYOG, NEAR: J I S  
COLLEGE), KALYANI. - 741234  
PH :8584040215, 8336933447.

**KESHPUR**

2655. BHANDARI AUTOMOBILES PVT LTD  
(CCM1-CCM-01), J.L. NO. 338, KHATIAN NO. 786/2,  
PLOT NO. 1749, MOUZA – KESHPUR, VILLAGE +  
P.O. + P.S. – KESHPUR, WEST MIDNAPUR,  
WEST BENGAL. - 721150  
PH :721150, 8170014289.

**KHARAGPUR**

2656. BHANDARI AUTOMOBILES PVT LTD  
(G701-G7-01), BHANDARI BUILDING,  
JHAPATAPUR, KHARAGPUR, WEST BENGAL -  
721301  
PH :7555573.

**KHATRA**

2657. BHANDARI AUTOMOBILES PVT LTD  
(BG21-BGZ-01), VILLAGE - SENAPATI, P.O & P.S  
- KHATRA, MOUZA-SENAPATI, J.L. NO.189,  
KHATIAN NO.659, PLOT NO.33/34, DISTT.  
BANKURA, WEST BENGAL. - 722140  
PH :9933055539.

**KOLKATA**

2658. MACHINO TECHNO SALES LTD. (0601-06-02), 48  
A, TARATALA ROAD, KOLKATA - 700066  
PH :9073330177.

2659. DEWAR'S GARAGE (0605-06-01), (PROP. DELTA  
INTERNATIONAL LTD.), 14 BRITISH INDIAN  
STREET, CALCUTTA - 700069  
PH :8584015205

2660. MACHINO TECHNO SALES LTD. (0601-06-01),  
21/1 DARGA ROAD, (PARK CIRCUS), CALCUTTA -  
700117  
PH :9073330178.

2661. PREMIER CARWORLD PVT. LTD. (0611-06-01),  
AGARPARA JUTE MILL, 28-B.ROAD, P.O.:  
-KAMARHATI, DISTT.-KOLKATA - 700058  
PH :8697730344.

2662. BHANDARI AUTOMOBILES PVT LTD  
(0609-06-01), BUDGE BUDGE TRUNK ROAD,  
NEW GOPALPUR, SARKARPOOL,  
MAHESHTALA, DISTT. SOUTH 24 PARGANAS,  
WEST BENGAL - 700143  
PH :9674476000.

2663. BHANDARI AUTOMOBILES PVT LTD  
(0609-06-02), 37, GULAM JILANI KHAN ROAD,  
KOLKATA - 700039  
PH :9903850402.

2664. SANEI MOTORS PVT. LTD. (0612-06-01), 16/2  
CANAL EAST ROAD, NEAR MANIKTALA POLICE  
STATION,KOLKATA - 700067  
PH :8584050184.



## Dealer Workshop (AS ON 30.05.2023 )

2665. ONE AUTO PVT. LTD. (0614-06-02), 62 EAST TOPSIA ROAD, P.S. TILJALA, ARUPOTA, KOLKATA, WEST BENGAL - 700105  
PH :8584878802.
2666. ONE AUTO PVT. LTD. (0614-06-01), JL.NO.3, MOUZA-JAGADIPOTA, P.S.SONARPUR, KHEYADAH NO.2, GRAM PANCHAYAT, DISTT. SOUTH 24 PARGANAS. - 700099  
PH :8584870725.
2667. DEWAR'S GARAGE (0605-06-03), P-27/2, TARATALA ROAD, KOLKATA - 700088  
PH :8584015293.
2668. SANEI MOTORS PVT LTD (0612-06-02), 235, HATIYARA ROAD, SITALATALA, BAGUIATI, KOLKATA, WEST BENGAL - 700059  
PH :8584050184.
2669. OSL MOTOCORP PVT LTD (0616-06-01), 49 DEBENDRA CHANDRA DEY ROAD, LANE BESIDE SILVER SPRING CLUB, E.M. BYE-PASS, KOLKATA - 700015  
PH :8336996355  
8697982283.
2670. JYOTE MOTORS (0624-06-01), NAZIRABAD MAIN ROAD, NAZIRABAD, ANANDAPUR, NEAR BISHNU BIJOLI GARDEN, KOLKATA, PIN-700150, WEST BENGAL - 700150  
PH :8334930830.
- KOLKATTA**
2671. BHANDARI AUTOMOBILES (0619-6-C1), PLOT NO. IID/15, ACTION AREA 2D, NEW TOWN, P.S. RAJARHAT, KOLKATA, WEST BENGAL  
PIN-700156 - 700156  
PH :6291042160.
- KOTULPUR**
2672. BHANDARI AUTOMOBILES PVT LTD (BIP1-BIP-01), KHATIAN NO.644, PLOT NO. 373, JL. NO. 101, VILLAGE - MULDARA, P.S. + P.S. - KOTULPUR, DISTT.-BANKURA, WEST BENGAL. - 722141  
PH :9933055539.
- KRISHNANAGAR**
2673. BHANDARI AUTOMOBILES PVT LTD (X701-GS-02), PLOT NO.-1874, MOUZA-GOBINDSARAK ,J.K. NO. 94, PS-KOTWAL, OLD WARD NO. 20, LAL MOHAN GHOSI ROAD, KRISHNANAGAR - 742011  
PH :9501999742.
- MADHYAMGRAM**
2674. STARBURST MOTORS PVT LTD (BXJ1-BXJ-01), 9/1, HEMANTA BOSE SARANI, BASUNAGAR, NEAR DEAF & DUMB SCHOOL, UDAYRAJPUR, MADHYAMGRAM - 700129  
PH :9636075989, 8336933447.
- MALBAZAR**
2675. BEEKEY AUTO PVT LTD (BWG1-BWG-01), CALTEX MORE, VILLAGE + P.S. - MALBAZAR AND DISTRICT - JALPAIGURI. - 735221  
PH :9932049347  
9932049382  
7478004430  
7477785203.
- MALDA**
2676. J K WHEELS PVT. LTD. (L801-L8-01), GABGACHHI, N.H. 34, MALDA - 732103  
PH :9851520855, 9735003949.
- MATHABHANGA**
2677. BEEKEY AUTO PVT LTD (BQF1-BQF-01), SITAKULCHI ROAD, WARD NO.9,MATHABHANGA, DISTRICT - COOCHBEHAR. - 736146  
PH :7477785202  
9932049347  
9932049382  
7478004430.
- MOHANPUR**
2678. BHANDARI AUTOMOBILES PVT LTD (CIV1-CIV-01), VILLAGE-NAYAGAON, P.O. -PAROI, P.S.-MOHANPUR, MOUZA - NAYAGAON, JL. NO.395, KHATIAN NO.175/1, PLOT NO.895, DISTT.-PASCHIM MIDNAPUR,W.BENGAL. - 721436  
PH :9933055539.
- NAIHATI**
2679. PREMIER CARWORLD PVT. LTD. (YD01-YD-01), P.O. BHATPARA, GRAM-MUKTARPUR, P.S. - JAGATDAL, DIST-24 PGS (N), NAIHATI (WB) - 743123  
PH :801700824.
- NAKASHIPARA**
2680. BHANDARI AUTOMOBILES PVT LTD (BMJ1-BMJ-01), L R DAG NO. 7271, UNDER L R KHATIAN NO. 6734, MOUZA - DEBAGRAM, J L NO. 60, POLICE STATION - KALIGANJ, BLOCK - KALIGANJ, NAKASHIPARA, DIST.-NADIA, WEST BENGAL. - 741138  
PH :9163314418.
- NAXALBARI**
2681. BEEKEY AUTO PVT LTD (CSJ1-CSJ-01), MOUZA - GENI, KHATIAN NO.275, PARGANA-HATIGHISHA, P.S. NAXALBARI, DISTT. DARJEELING, WEST BENGAL - 734429  
PH :9932049347  
9932049382  
7478004430  
9563370099.
- PANCHLA**
2682. BHANDARI AUTOMOBILES PVT. LTD. (BPH1-BPH-01), L R DAG NO 3274, UNDER L R KHATIAN NO 3044, MOUZA-MALLICKBAGAN, JL NO.7, POLICE STATION - PANCHLA, DIST-HOWRAH - 711310  
PH :9073684926.
- PANDUA**
2683. BHANDARI AUTOMOBILES PVT LTD (BOS1-BOS-01), GT ROAD, PANDUA, NEAR KAKOLI CINEMA HALL, OPP. POWER HOUSE, HOOGLY, WEST BENGAL - 712149  
PH :9073912566.
- PANSKURA**
2684. BHANDARI AUTOMOBILES PVT LTD (BPS1-BPS-01), MOUZA - PASCHIM NEKRA, JL NO.98, LR NO.1154, LR NO.1156, PANSKURA, WEST BENGAL. - 721139  
PH :9933055539.
- PURULIA**
2685. SWG- (A UNIT OFSAI NATH AUTO LINKS PVT. LTD) (4002-6W-02), PO. LAKDA, VILLAGE-DADKA , ON RANCI ROAD, PURULIA - 723149  
PH :9647444888  
8927895511.
- RAGHUNATHPUR**
2686. BEEKEY AUTO PVT LTD (CKZ1-CKZ-01), MOUZA - BUNDLA, J.L. NO. 197, PLOT NO. 2656, KHATIAN NO. LR 207, P.O. - RAGHUNATHPUR, P.S. - RAGHUNATHPUR, DISTRICT - PURULIA. - 723133  
PH :9932049425,  
9932049435.
- RAIGANJ**
2687. J K WHEELS PVT. LTD. (BN02-BN-01), JL. NO. 150, KHATIAN NO. 168/3 & 168/4, PLOT NO. 4158, P.S. - RAIGANJ, MUNICIPALITY - RAIGANJ, WARD NO. 11, HOLDING NO. 577/N, MOUZA - RAIGANJ, DISTRICT - UTTAR DINAJPUR, - 733134  
PH :9735008842.
- RAJARHAT - KOLKATA**
2688. STARBURST MOTORS PVT LTD (BXJ1-06-05), R.S & L.R. DAG NO. 3434, MOUZA- GOPALPUR, JL NO. -02, RS NO. -140, LR KHATIAN NO. -5638, NEW TOWN, RAJARHAT - 700136  
PH :9681080301.
- RANAGHAT**
2689. STARBURST MOTORS PVT LTD (BBW1-BBW-01), THANA: GANGNAPUR, ADSR OFFICE. 151 NO.MOUZA PATULLI, PLOT NO.309, RANAGHAT, DISTT: NADIA - 741256  
PH :8145821191, 8584040215.
- RUPNARAYANPUR**
2690. BEEKEY AUTO PVT LTD (BWS1-BWS-01), P.S. - SALANOUR, UNDER MOUZA - JEMARI, J.L. NO. 32, PLOT NO. 343-344, KHATIAN NO. 933, RUPNARAYANPUR, PASCHIM BARDHAMAN DISTRICT, WEST BENGAL. - 713335  
PH :9932049425,  
9932049435.
- SABANG**
2691. BHANDARI AUTOMOBILES PVT LTD (CCL1-CCL-01), VILLAGE - PAKKAN DAKSHINBARH, P.O. - DHANSWARPUR & P.S. - PINGLA, DIST.-PASCHIM MIDNAPUR, SABANG - 721 166, WEST BENGAL. - 721166  
PH :9933055539.
- SEORI**
2692. BEEKEY AUTO PVT LTD (F601-KC-02), RAMBADANPUR, NEAR SP MORE, DIST-BIRBHUM, SEORI - 731101  
PH :9932049425,  
9932049406.
- SHYAMPUR**
2693. SANEI MOTORS PVT LTD (CAW1-CAW-01), VILLAGE + P.O. - GOBINDAPUR, P.S. - SHYAMPUR, DISTRICT - HOWRAH, WEST BENGAL. - 711314  
PH :8584050184.
- SILIGURI**
2694. BEEKEY AUTO PVT LTD (4301-43-01), NH-31, P.O. MATIGARA,SILIGURI. - 734428  
PH :9932049347  
9932049382  
7478004430.
2695. BEEKEY AUTO PVT LTD (4301-43-04), AMAI DIGHI, PHOOL BARI,STATE HIGHWAY -12, SILIGURI - 734001  
PH :9932049347  
9932049380.
2696. SEVOKO MOTORS PVT. LTD. (4302-43-01), 233, SEVOKO ROAD,2ND MILE, SILIGURI - 734001  
PH :9760610366.
2697. PODDAR CAR WORLD PVT LTD (XY01-43-02), VILL. EAST DHANTALLA, FULBARI II G.P, P.O SATELLITE TOWNSHIP, DIST- JALPAIGURI - 734015  
PH :8945533002.
- SONADA**
2698. SEVOK (SDX1-SDX-01), RATO MATEY DARA, NEAR PETROL PUMP,P.O- SONADA, WEST BENGAL PIN - 734209 - 734209  
PH :9800069144.
- SONAMUKHI**

2699. BHANDARI AUTOMOBILES PVT LTD  
 (CAU1-CAU-01), J L NO. 77, KHATIAN NO. 360,  
 PLOT NO. 114/287, SONAMUKHI BISHNUPUR  
 ROAD, VILLAGE - CHURAMANIPUR, P.O. & P.S. -  
 SONAMUKHI, WEST BENGAL. - 722207  
 PH :9933055539.

**SREERAMPURE (SREERAMPUR)**

2700. BHANDARI AUTOMOBILES PVT LTD  
 (BBT1-BBT-01), BANGIHATI (MADPUR) DELHI  
 ROAD, SREERAMPUR, DISTT: HOOGHLY, WB -  
 712203  
 PH :66137505, 66137585, 9674741544.

**TAMLUK**

2701. BHANDARI AUTOMOBILES PVT LTD  
 (OLO1-OL-01), MOUZA PADUMBASAN, WARD NO  
 10, JL NO:144, DISTT: EAST MIDNAPUR, WEST  
 BENGAL - 721636  
 PH :9933055539.

**TARAKESHWAR**

2702. SANEI MOTORS PVT. LTD. (YH01-YH-01),  
 MOUZA BAIDYAPUR, UNDER BALIGORI(1),  
 GRAM PANCHAYET, TARAKESHWAR, DISTT.  
 HOOGLY, WEST BENGAL. - 712410  
 PH :8584050184.

**UDAYNARAYANPUR**

2703. BHANDARI AUTOMOBILES PVT LTD  
 (BOO1-BOO-01), VILLAGE-JANGALPARA  
 BELGRAM, PS- UDAYNARAYANPUR, DIST-  
 HOWRAH, WEST BENGAL. - 711226  
 PH :9073664902.

**ULUBERIA**

2704. BHANDARI AUTOMOBILES PVT LTD  
 (2401-24-01), HOLDING 1242A, BANITABLA,  
 P.O+P.S: ULUBERIA, NH-6, DISTT: HOWRAH,  
 WEST BENGAL - 711316  
 PH :9052901888.

**ANDHRA PRADESH**

**ANANTHAPUR**

1. SRI DURGA (1BNA-1B-01), NO.124, SOMALADODDI, ANANTHAPUR, ANDRA PRADESH- 515004 PH :985183851.

**GUNTUR**

2. JAYLAXMI (G5NA-G5-01), D-NO:199/2, OPP.AUTONAGAR, NH 16, VJA - GNT SERVICE ROAD, GUNTUR, ANDHRA PRADESH - 522001 PH :959844644.

**KAKINADA**

3. VARUN MOTORS (W7NA-W7-01), BHASKARA GARDENS JAGANDHAPURAM ,KAKINADA - 533016 PH :8885313744.

**KURNOOL**

4. MSA MOTORS (C2NA-C2-01), PLOT NO. 1, 1A, 2, 2A, WARD NO. 36, NH 44, AUTO NAGAR, KURNOOL, ANDHRA PRADESH 518003 PH :9912826682.

**NELLORE**

5. BHARGAVI AUTO (A8NA-A8-01), SURVEY NO 245B, CHEMUDUGUNTA VILLAGE, NH-16, ADJACENT TO SRIDS KALYANA MANDAPAM, NELLORE, ANDHRA PRADESH - 524002 PH :8886882222.

**ONGOLE**

6. JAYALAXMI (8YNA-8Y-01), SURVEY NO:194/2, BESIDE NH 5, MUKTHINUTHALAPADU, ONGOLE, ANDHRA PRADESH - 523225 - 523225 PH :9492133433.

**RAJAHMUNDRY**

7. SB MOTORS (C5NA-C5-01), D.NO:84-1-12, PADMAVATI NAGAR, BESIDE ONGO BASE COMPLEX, NH-45, RAJAHMUNDRY, ANDRAPRADESH-533106 - 533016 PH :9248727888.

**SRIKAKULAM**

8. VARUN MOTORS (W6NA-W6-01), PEDDAPADU ROAD, ARASAVALLI POST, SRIKAKULAM DISTRICT, ANDHRA PRADESH - 532401 PH :9885317344.

**VIJAYAWADA**

9. VARUN MOTORS (26NA-26-01), OPP TO PRIYA PICKLES, BANDAR ROAD, PORANKI, VIJAYAWADA, ANDRAPRADESH-521137. - 521137 PH :6309955655.
10. PARAMSHIVA MOTORS (26NB-26-01), NO. 20-1-34, C K REDDY ROAD, AYODHYA NAGAR, VIJAYAWADA, ANDRAPRADESH- 520003. - 520003 PH :9866551078.

11. VARUN MOTORS (26NA-26-02), DOOR NO:1-1-153,REVENUE WARD NO.1,BLOCK NO:3,VIDHYADARARPURAM,VIJAYAWADA - 520012 PH :9989477120.

**VISAKHAPATNAM**

12. VARUN MOTORS (46NA-46-01), DOOR NO 38-22-27, SURVEY NO 39, KAPARADA VILLAGE, INDUSTRIAL ESTATE, VISHAKHAPATNAM - 533016 PH :9885317344.

**VIZIANAGARAM**

13. JAYABHERI AUTO (N8NA-N8-01), OPPOSITE RELIANCE MART, BALAJI JUNCTION, 100 FEET RING ROAD , VIZIANAGARAM - 535002 PH :08340833999.

**ASSAM**

**BONGAIGAON**

10. BHARATI MOTORS (7NNA-7N-01), CHAPAGURI RD, NEAR POST OFFICE, NORTH BONGAIGAON, AMGURI, BONGAIGAON, ASSAM 783380 - 783380 PH :7002350887.

**DIBRUGARH**

15. VISHAL CAR WORLD (C1NA-C1-01), MOHPUALIMORA GOHAIN GAON , A T ROAD, DIBRUGARH, ASSAM - 786008 PH :8000900008.

**GUWAHATI**

16. PODDAR AUTO (09NA-09-01), AT ROAD ,KAMAKHYA GATE ,GUWHATI ,KAMRUP-781009 - 781009 PH :9085857586.
17. BIMAL AUTO (08NB-09-01), DREAMLAND APPARTMENT NAHRANI PATH, DISPUR LAST GATE, GUWAHATI - 781006 (ASSAM) - 781006 PH :9864074525.

**JORHAT**

18. RD MOTOR (G9NB-G9-01), M/S R D MOTORS PVT LTD , DHAPKATA, NEAR TINALI, JORHAT -785006 - 785006 PH :7002099547.

**SILCHAR**

19. JAIN UDHYOG (J2NA-J2-01), R.S. PATTA NO.149, DAG NO.579, MOUZA RONGPUR, SILCHAR, ASSAM - 788009 PH :9436121557.

**TEZPUR**

20. RD MOTOR (T1NA-T1-01), SOLAGAN VILLAGE , GORIMARI , SONABEEL, BEFORE MAA KALYANI PETROL PUMP, TEZPUR -784105 - 784105 PH :9836872710.

**TINSUKIA**

21. VISHAL CAR WORLD (J4NA-J4-01), NEXA SHOWROOM (BESIDE VISHAL BIKER'S WORLD),A.T. ROAD, LAIPULI,TINSUKIA ,ASSAM -786183 - 786183 PH :9864211022.

**BIHAR**

**GAYA**

23. KARLO MOTORS (Y6NA-Y6-01), GAYA DOBHI MAIN ROAD, NEAR DOMUHAN, BODHGAYA, PIN -824231, BIHAR, - 824231 PH :9934096400.

**PATNA**

23. ALANKAR AUTOMOBILES (15NA-15-01), OPP.RUPASPUR THANA, BAILEY ROAD NEAR GOLA ROAD, PATNA - 800002 PH :9199427707.
24. REESHAV AUTOMOBILES (15NB-15-01), MUKDJIMPUR,DIGHA,90 NO GATE, PATNA - 800012 PH :7369944132.
25. SHRI GOPAL (15NC-15-01), BIKHACHAK ANISHABAD NEW BYPASS ROAD, OPPOSITE SITA RAM COMMUNITY HALL, PATNA, BIHAR - 800002 - 800002 PH :9113746967.

**PURNEA**

26. SIMANCHAL (6VNA-6V-01), DAMKA CHOWK,KISHANGANJ ROAD, NH-31, GUALBBAGH,PURNEA,BIHAR - 854326 PH :9334710055.

**CHANDIGARH**

**CHANDIGARH**

27. AUTOPACE (FEB) (07NA-07-01), PLOT NO. 37, INDUSTRIAL AREA - PHASE 1, CHANDIGARH - 160002 PH :7087119861.
28. NAVDESH AUTO (07NE-07-01), PLOT NO 182/11, INDUSTRIAL AREA PHASE 1, CHANDIGARH - 160002 PH :8827057534.

**CHHATTISGARH**

**AMBIKAPUR**

29. MAHAMAYA (AENA-AE-01), AJAB NAGAR,MAHATHMA GANDHI ROAD,AMBIKAPUR - 497001 PH :9516609632.

**BILASPUR**

30. SATYA AUTOMOBILES (C3NB-C3-01), PLOT NO 53, SECTOR C, SIRGITTI INDUSTRIAL AREA, BILASPUR, CHHATTISGARH - 495001 PH :8372803057.

**KORBA**

31. SATYA AUTOMOBILES (U7NB-U7-01), SHED NO 10, PART OF KHASRA NO 885, INDUSTRIAL AREA, RAUGAMAR ROAD, KORBA (C.G) - 495677 PH :9993092051.

**RAIPUR**

32. SPARSH (50NA-50-01), NEAR TCI GODOWN, NH-6, CHANDANDHI, TATIBANDH, RAIPUR, CHATTISGARH - 492029 PH :9926626662.
33. SKY AUTOMOBILES (50NB-50-01), NEXA MAGNETO, LABHANDHI , G. E. ROAD, RAIPUR - 492001 PH :9425204051.

**DELHI**

**DELHI**

34. RANA MOTORS (08NE-08-01), B-242, OKHLA INDUSTRIAL AREA PHASE 1, OKHLA, NEW DELHI - 110020 PH :7290030289, 9290030289.
35. TR SAWHNEY (08NN-08-01), C-46, OKHLA INDUSTRIAL AREA PHASE 2, OKHLA NEW DELHI - 110020 PH :9593350008.
36. PLATINUM MOTORS (08NQ-08-01), PLOT NO-H4,BLOCK-B1,MOHAN CO-OPERATIVE INDEX,MATHURA ROAD,PIN-110044 - 110044 PH :9811386000, 8860200000.
37. MAGIC AUTO (08NA-08-01), CISF GATE NO 1, D-21, CORPORATE PARK, NEAR DWARKA SEC-8 METRO STATION, NEW DELHI - 110075 PH :9873052000.
38. AAA VEHICLEADES (08NW-08-01), BLOCK C, NAJAFGARH ROAD INDUSTRIAL AREA, NEW DELHI, DELHI 110015 - 110015 PH :8750611111.
39. COMPETENT AUTO (08NF-08-01), PLOT NO-34,RAJASTHAN UDYOG NAGAR, GT AKRNL ROAD ,DELHI - 110033 PH :9952049425.
40. JAGMOHAN MOTORS (08NX-08-01), C133-136(PART, PHASE I, INDUSTRIAL AREA, MANGOLPURI S BLOCK, NEW DELHI, DELHI 110083 - 110083 PH :9812259000.

**GOA**

**MARGAON (GOA)**

41. CHOWGLE INDUSTRIES (34NB-34-01), SY. NO. 267/1, NEXT TO ARLEM RTO, ARLEM, RAIA, SALCETE - (GOA) - 403720. - 403720 PH :9850966950.

**PORVORIM(PANJIM)**

42. SAI SERVICE (34NA-34-01), EMPRESSA INDUSTRIAL CHODANKAR, SURVEY NO. 114/2, SALVADOR DO MUNDO, PORVORIM, BARADEX, GOA - 403521  
PH :022-61841111, 8291941070.

**AHEMADABAD**

43. STAR LINE CARS (01NE-01-01), PLOT NO 236, GIDC, NARODA, AHMEDABAD, GUJARAT. 382 330 - 382330  
PH :7436003235.

44. PEGASUS (01NG-01-01), PLOT NO 9, OPP RABARI COLONY BRTS STOP, CTM, NAROL - NARODA HIGHWAY, NH-8, AHMEDABAD, GUJARAT. - 380026  
PH :9909023000.

45. POPULAR WHEELERS (01NC-01-01), T P 20, F P 78, OPPOSITE SUN SQUARE COMPLEX OFF, C G ROAD, NEAR HL COLLEGE, NAVRANGPURA GULBAI TEKRA, AHMEDABAD, GUJARAT - 380009  
PH :9925203344.

**ANAND**

46. AMAR CARS (F7NA-F7-01), SURVEY NO 1583, PLOT NO 144, NEAR GANESH CROSSING, ANAND SOJITRA ROAD, ANAND, GUJARAT - 388001  
PH :9925407666.

**BHARUCH**

47. RAVIRATNA (F8NA-F8-01), SURVEY NO 185/3, NH8, ZARDESHWAR, BHARUCH, GUJARAT. - 392001  
PH :9727700823.

**BHAVNAGAR**

48. KIRAN MOTORS (C9NB-C9-01), RAMDEV SOCIETY, CHITRA GIDC, BHAVNAGAR - GUJARAT - 364001  
PH :9924123973.

**BHUJ**

49. KD MOTORS (P5NA-P5-01), 33, UMA PARK, BEHIND MARUTI SUZUKI SHOWROOM, MIRZAPAR HIGHWAY, BHUJ - 370040  
PH :9879898799.

**GANDHIDHAM**

50. BM AUTO LINK (77NA-77-01), SURVEY NO 129/26, GALPADAR - ANJAR HIGHWAY, AIRPORT ROAD, GANDHIDHAM, KUTCH, GUJARAT - 370201  
PH :7211120014.

**GANDHINAGAR**

51. NANDA AUTOMOBILES (2BNA-2B-01), BLOCK NO 403, NR SANGATH GATEWAY, OPP RAISAN PETROL PUMP, KUDASAN, GANDHINAGAR, GUJARAT - 382421  
PH :9687641974.

**GODHRA**

52. RB CARS (2CNA-2C-01), SURVEY NO. 38/2, PAIKE 1 PAIKE 2, LUNAWADA ROAD, OPP. GIDC, GODHRA - 389001 - 389001  
PH :9925051444.

**JUNAGARH**

53. PERFECT AUTO SERVICES (K8NA-K8-01), GIDC 2, RAJKOT HIGHWAY, JUNAGARH - 362037  
PH :9909022619.

**MEHASANA**

54. STAR LINE CARS (D1NA-D1-01), REVENUE SURVEY NO. 342, PLOT NO.1, 4, 5 AND 6 TO 12, VILLAGE NAGALPUR, DISTRICT MEHSANA, GUJARAT - 384002  
PH :7211138986, 7211138987.

**MORBI**

55. PERFECT AUTO SERVICES (X5NA-X5-01), RAJKOT MORBI HIGHWAY, VILLAGE SANALA, MORBI - GUJARAT (363641) - 363641  
PH :9909022619.

**PATAN**

56. STARINE CARS (Q9NA-Q9-01), ADJACENT ARENA SET UP, PATAN UNJHA ROAD, PATAN (GUJARAT) - 382465 - 382465  
PH :9909043244.

**RAJKOT**

57. PERFECT AUTO SERVICES (55NB-55-01), PLOT NO. 110, 111, 127 & 128, KOTHARIYA, NEAR PERFECT HOUSE, GONDAL ROAD, RAJKOT - 360004  
PH :9512035501.

**SURAT**

58. KIRAN MOTORS (40NB-40-01), BLOCK NO 443, FP NO 26 MOJE PALGAM, ADAJAN, SURAT, GUJARAT -395009 - 395009  
PH :7020569426.

59. AMAR CARS (40ND-40-01), SURVEY NO 139,BLOCK NO-"218" A,OPPOSITE TO AWADH ARENA MALL,V.I.P ROAD BHARTHAMA,SURAT,GUJARAT - 395007  
PH :9871389795.

**SURENDRANAGAR**

60. DREAM VEHICLES (LCNA-LC-01), PLOT NO. 302, GIDC AREA, WADHWAN CITY, SURENDRANAGAR, GUJARAT. - 363035  
PH :8511104644.

**VADODARA**

61. KATARIA AUTO (22NA-22-01), WARD NO 11 CIRCLE SAINATH ROAD, HARINAGAR-VASNA ROAD VADODARA - 390007  
PH :9824701590.

**VAPI**

62. KATARIA AUTO (97NA-97-01), NEAR CROMA OUTLET, RATHOD CHAMBERS, DAMAN ROAD, CHALA VAPI - 396191  
PH :9714799985.

**HARYANA**

**AMBALA**

63. EAKANSH WHEELS (18NA-18-01), AMBALA-CHANDIGARH HIGHWAY ADJOINING AAJ SAMAJ VILLAGE-SADDOPUR, AMBALA - 134003  
PH :8395903111.

**BHIWANI**

64. PASCO AUTOMOBILES (X3NA-X3-01), NEAR HUNNAMAL PIAYU, ROHTAK ROAD, BHIWANI-HARYANA-127021 - 127021  
PH :9289192582.

**FARIDABAD**

65. PASCO AUTOMOBILES (58NB-58-01), 14/4, MATHURA ROAD, FARIDABAD, HARYANA - 121003  
PH :9999790229.

66. BVA AUTO (58NC-58-01), 2J/53-54, NH-2, NIT FARIDABAD, HARYANA - 121001  
PH :9911259288.

67. VIPUL MOTORS (58NA-58-01), SUB DIVISION NO-3, INDUSTRIAL PLOT NO. -34, N.I.T, FARIDABAD HARYANA - 121001  
PH :8562019252.

**GURGAON**

68. PREM MOTORS (95ND-95-01), PLOT NO. 5, IDC, SECTOR-16, GURGAON, HARYANA - 122001  
PH :1292565666.

69. TR SAWHNEY (95NB-95-01), CRPF CAMP ROAD, VILLAGE ULLAWAS, NR. PIONEER PARK SECTOR-62, GURGAON, HARYANA - 122001  
PH :1274254441.

70. PASCO AUTOMOBILES (95NA-95-01), SEC 17-18 DIVIDING ROAD, GURGAON- HARYANA, 122015 - 122015  
PH :0124-4398400, 9999239959, 9873873807.

**JIND**

71. EAKANSH MOTORS (2KNA-2K-01), KHEWAT NO. - 155, KHASRA NO. - 142, MURRABA NO. - 210 OPP. HP LPG BOTTLING PLANT, ROHTAK-JIND ROAD, JIND. PIN - 126102. - 126102  
PH :8529860482.

**KAITHAL**

72. EAKANSH MOTORS (U8NA-U8-01), NH-65, OPP RKM FARM, AMBALA ROAD, KAITHAL - 136027  
PH :7419900804, 7419900803.

73. EAKANSH MOTORS (U8NA-U8-02), KHEWAT NO -458, KHATONI - 563, KITTAS - 2087K 01M ADJOINING NEXA SHOWROOM, AMBALA HISAR ROAD, KAITHAL - 136027  
PH :9813038777.

**KARNAL**

74. KARNAL MOTORS (89NA-89-01), 118-119 KM MILESTONE, G.T. ROAD, KARNAL, HARYANA - 132001  
PH :8572801011.

**PALWAL**

75. AUTONATION (EENA-EE-01), KILA NO.-15/2 & 16/1, 57 MILESTONE, NEAR ECHS HOSPITAL, MATHURA ROAD, PALWAL - 121102  
PH :9811321581.

**PANIPAT**

76. AUTO GALLERY (D3NB-D3-01), NANGAL KHERI, NEAR BBMB POWER HOUSE, OPP. SEC-29, PANIPAT, HARYANA - 132103  
PH :9812615000.

**REWARI**

77. DINCO MOTORS (U1NA-U1-01), OPP. TULARAM STADIUM, DELHI ROAD, REWARI - 123401  
PH :0129-4353535, 9953357777  
8448787882  
8448787883.

**ROHTAK**

78. JAGMOHAN MOTORS (A6NA-A6-01), NORTHERN BYEPASS, SUKHUPURA CHOWK, JIND ROAD, ROHTAK, HARYANA - 124001  
PH :8754045446.

**SIRSA**

79. SHAKTI MOTORS (E4NA-E4-01), OPP. DELHI PUBLIC SCHOOL, NH-09, HISSAR ROAD, SIRSA - 125055  
PH :88160-72888, 88138-75888.

**HIMACHAL PRADESH**

**NAGROTA**

80. KANGRA VEHICLELEADS (D9NA-D9-01), VILL HATWAS, PATHANKOT - MANDI HIGHWAY, NAGROTA BAGWAN DISTT. KANGRA - 176047  
PH :7087916168.

**JAMMU AND KASHMIR**

**JAMMU**

81. JAMKASH VEHICLES (33NB-33-01), NH-1A BYE PASS OPPOSITE CHANNI HIMMAT, JAMMU (J&K) - 180015  
PH :7710400000.

## Nexa Workshop (AS ON 30.05.2023 )

82. JAMMU MOTORS (33ND-33-01), KHASRA NO. 421, TOPE SHERKHANIA, AKHNODR ROAD, OPPOSITE BEST PRICE, JAMMU, JAMMU & KASHMIR - 180016  
PH :9419581624

### JHARKHAND

#### BOKARO

83. HINDUSTAN AUTO PHAGENCY (B5NA-B5-01), KHATA NO. 752, PLOT NO. 7792, NH-32, CHAS, BOKARO - 827013  
PH :9304807318.

#### DEOGHAR

84. PREMSONS (SGWN-SGW-01), PLOT NO 318/319 UNDER THANA NO 583, MAHESHMARA MOUJA ,DEOGHAR - 814112  
PH :9835507004.

#### DHANBAD

85. RELIABLE (52NA-52-01), RELIABLE INDUSTRIES NEXA WORKSHOP AMAGHATA, BY PASS ROAD SUGADIPIH, PIN -828109 - 828109  
PH :7992470853.

#### HAZARIBAGH

86. PREMSONS (Y9NA-Y9-01), PREMSON MOTOR UDYOG PVT LTD. NEXA SHOWROOM NEXT TO GST OFFICE, ARYA NAGAR, HURHURU, HAZARIBAGH, JHARKHAND 826301 - 826301  
PH :9835507004.

#### JAMSHEDPUR

87. MOTOR WORLD (31NB-31-01), NS-6, 2ND PHASE, ADITYAPUR INDUSTRIAL AREA, JAMSHEDPUR - 831013  
PH :9431128983
88. PEBCO MOTORS (31NA-31-01), KANDRA ROAD, ADITYAPUR INDUSTRIAL AREA, JAMSHEDPUR - 831013  
PH :9334183260.

#### RANCHI

89. SUDHA MOTORS (51NB-51-01), KATHALMORE, OPP. MANER DHABA, RANCHI - 834005  
PH :7001124836, 8837221096.
90. PREMSONS (51NC-51-01), PLOT NO 2651/2652, KHATA NO 239, MAUJA, VILLAGE BARAGAI , BARIATU MAIN ROAD, RANCHI, JHARKHAND - 834009  
PH :9334811248.

### KARNATAKA

#### BANGALORE

91. MANDOVI MOTORS (02NJ-02-01), SURVEY NO.33/2, ALLASANDRA, YELAHANKA NORTH, BANGALORE, KARNATAKA - 560064  
PH :9513729888.

92. KALYANI MOTORS (02NI-02-01), SURVEY NO.17/2, KENCHENAHALLI VILLAGE, RAJARA, JESHWARI NAGAR, MYSORE ROAD BANGALORE, KARNATAKA - 560032  
PH :9845049626.

93. SURAKSHAA CAR CARE (02NF-02-01), 2/6, BERTEN AGRAHARA, OPP TO METRO CASH & CARRY, HOSUR MAIN ROAD, ELECTRONIC CITY, BANGALORE, KARNATAKA - 560100  
PH :9845047393.

94. PRATHAM MOTORS (02NK-02-01), 120.SARJAPUR MAIN ROAD,DODDAKANAHALLI, VARTHUR HOBLI, BANGALORE EAST, KARNATAKA- 560035. - 560035  
PH :8884000579.

95. VARUN MOTORS (02NG-02-01), NO.23/A, INDUSTRIAL SUBURB, 2ND STAGE, TUMKUR ROAD, YESHWANTPUR, BANGALORE, KARNATAKA- 560022. - 560022  
PH :8971888885.

96. VARUN MOTORS (02NM-02-01), 37/56 NAGAVARA VILLAGE,HEBBAL RING ROAD ,BANGALORE - 560024  
PH :9513394753.

97. KALYANI MOTORS (02NN-02-01), 152/7, OUTER RING ROAD, DODDA BANASWADI, HORAMAVU, KR PURAM HOBALI, BANGALORE -560043. - 560043  
PH :9900020454.

98. BIMAL AUTO (02NL-02-01), NO.1, 3RD BLOCK, 2ND STAGE, NAGARABHAVI, OUTER RING ROAD, BANGALORE - 560072 - 560072  
PH :9513843355.

#### BELGAUM

99. SHANTESHA MOTORS (E8NA-E8-01), PLOT NO. 6/B, R.S NO. 34, BOUXIDE ROAD, KANGRALI B K, BELGAUM, KARNATAKA-590010. - 590010  
PH :9538195381.

#### DAVANGREE

100. SHRUTI MOTORS (S1NA-S1-01), AVARAGERE ROAD, OLD, PB RD, DAVANAGERE, KARNATAKA 577003 - 577003

#### HASSAN

101. VENKAT MOTOR (C8NA-C8-01), KHATA NO 200-201, DM HALLY, BANGALORE - MANGALORE ROAD, HASSAN, KARNATAKA - 0

#### HUBLI

102. LEKHYA MOTORS (73NA-73-01), OPP TO APMC 2ND GATE, ESHWAR NAGAR, HUBLI-DHARWAD ROAD, HUBLI-580025. - 580025  
PH :9513777265.

#### MANGLORE

103. MANDOVI MOTORS (45NA-45-01), SUMIT APARTMENT BUILDING, AIRPORT ROAD, MARY HILL, MANGLORE - 574142  
PH :9845133077.

#### MYSORE

104. FRIENDLY MOTORS (25NB-25-01), PLOT NO.262, HEBBAL INDUSTRIAL AREA, MYSORE, KARNATAKA- 570016. - 570016  
PH :9845011686.

105. KALYANI MOTORS (25NC-25-01), PLOT NO.262, HEBBAL INDUSTRIAL AREA, MYSORE, KARNATAKA- 570016. - 570016

#### SHIMOGA

106. SHRUTI MOTORS (B7NA-B7-01), 217/215/91/79/1, OPP TO FOREST OFFICE, SHANTI NAAGARA, HONNALI ROAD, SHIMOGA,KARNATAKA - 577201  
PH :989596666.

### KERALA

#### KOTTAYAM

107. SAI SERVICE (B8NB-B8-01), SY. NO. 341/11, 341/12, PERUR VILLAGE, MC ROAD, THELLAKOM, KOTTAYAM - 686630  
PH :92880 24220.

#### THRISSUR

108. POPULAR VEHICLES (A4NB-A4-01), SURVEY NO 62/P, CHUNGAM OLLARI, KANJANI ROAD, ARANATTUKARA VILLAGE, THRISSUR - 680618 - 680618

### KERELA

#### ALLEPEY

109. POPULAR VEHICLES (E5NB-E5-01), 12/287A, PARAVOOR, ALLEPEY - 0  
PH :9846166101.

#### CALICUT

110. AM MOTORS (47NA-47-01), 18/1472, OPP TO COMTRUST EYE HOSPITAL,SRAMBIKKAL PARAMBA,MINI BYPASS JAIL ROAD JUNCTION,PUTHIYARA POST,CALICUT, KERELA-673004. - 673004  
PH :7708833966.

111. POPULAR VEHICLES (47NB-47-01), BYPASS SERVICE ROAD, BEHIND JAYA ARCADE, THONDYADU, CALICUT, KERALA - 673017  
PH :9946104660.

#### COCHIN

112. INDUS MOTOR (27NC-27-01), NH 47,THAIKATTUKARA PO,THAIKAVU, ALUVA, COCHIN - 683106 - 683106  
PH :9747508822.
113. SAI SERVICE (27NA-27-01), 723/7,6,18,OPP TO HOTEL AARYAS, SEAPORT-AIRPORT, POOJARY VALAVU, KANAYANNOOR TALLUK, THIRRAKARA NORTH, COCHIN-682021. - 682021  
PH :9845106193.

#### KASARGOD

114. INDUS MOTOR (3LNA-3L-01), SURVEY NO.384/3C, 10, MUTTATHODY VILLAGE, INDIRA NAGAR, CHENGALA POST, KASARGODE, KERALA- 671541 - 671541  
PH :974598341.

#### KAYAMKULAM

115. SAI SERVICE (8LNA-8L-01), S.NO 111/48, KP ROAD, KAYAMKULAM, KERALA - 690502  
PH :9288024222.

#### KOLLAM

116. SARATHY AUTOCARS (C7NA-C7-01), NH-47 BYE PASS ROAD, AYATHIL P.O KOLLAM DIST, KERALA STATE PIN 691021 - 691021  
PH :98486659456.

#### TRIVANDRUM

117. INDUS MOTOR (16NB-16-01), OPPOSITE EVM ASHOK LEYLAND,ALUMOOD JN,NH 47,KANNIYAPURAM, TRIVANDRUM - 695301. - 695301  
PH :9656685678.

### MADHYA PRADESH

#### BHOPAL

118. RAJRAPL MOTOR JUNCTION (A UNIT OF RMJ MOTORS PVT LTD) (03NC-03-01), 42, 6, BLOCK, BHEL INDUSTRIAL ESTATE, HABIBGANJ, HOSHANGABAD ROAD, BHOPAL (M.P.) - 462016  
PH :7909903921.

119. OCEAN MOTORS (03ND-03ND-01), PLOT NO-54 & 55, SECTOR-A, GOVINDPURA INDUSTRIAL AREA, JK ROAD, BHOPAL - 462023  
PH :7899936400.

#### INDORE

120. PATEL MOTORS (53NA-53-01), 1105/1528/5/2, MIN-1 AND 1105/1528/4/5, GRAM: KHAJURANA DISTRICT, INDORE, KANADIA ROAD, INDORE (M.P.) - 452016  
PH :7771002581.

121. OCEAN MOTORS (53NB-53-01), BICHOHI MARDANA NEAR SAMPATH PALACE OPP HOTEL PRIDE - 452001  
PH :0731-4826666.

122. RANA MOTORS (53ND-53-01), LASUDIA MORI, DEWAS NAKA, INDORE, PIN CODE 452010 - 452010  
PH :9933055539.

123. RUKMANI (53NC-53-01), RUKMANI MOTORS NEXA SERVICE,FOOTHI OTHI SQUARE,OPP.DASTOOR GARDEN,INDORE - 452002  
PH :9755512100.

#### JABALPUR

124. STANDARD MOTORS (54NC-54-01), KHARSA NO-529/1/1, NEAR TRIPURI CHOWK GARHA JABALPUR M. P. - 482003  
PH :9773543358.

125. SHUBH MOTORS (54NB-54-01), SHUBH MOTORS, 4 MILE, LAL BUNGALOW, TILHARI, JABALPUR MADHYA PRADESH - 482001 PH :9644454545

126. STANDARD MOTORS (54NC-54-01), UKHARI TIRAHA, OPPOSITE TO RAMESHWARAM WATER TANK, MR-4 ROAD, VIJAY NAGAR, JABALPUR ( M.P. ) - 482001 PH :7800806222.

**SAGAR**

127. ADINATH CARS (G1NA-G1-01), KHASRA NO 155, P H NO - 77, BAHERIA GADGAD, SAGAR JABALPUR ROAD, SAGAR - 470004, MADHYA PRADESH, INDIA - 470004 PH :9752447690.

**SATNA**

128. CITY CARS (D7NA-D7-01), BEHIND NEXA SHOWROOM, 666/2, AMODHA, PANNA ROAD, SATNA, MADHYA PRADESH - 485001 PH :6262230999.

**SHAHDOL**

129. STANDARD MOTORS (SFAN-SAF-01), KHASRA NO-459, VILLAGE JAMUI NEAR BAGHEL DHABA, BUDHAR ROAD, SHAHDOL (M.P.) - 484001 PH :9329927451, 9329927458.

**UJJAIN**

130. RUKMARANI (YUG) (3WNA-3W-01), 59/1, DEWAS ROAD, ADARSH NAGAR, NAGZIRI, UJJAIN - 456664 PH :9755512100.

**MAHARASHTRA**

**AHMEDNAGAR**

131. KANKARIYA AUTOMOBILES (ASNA-A5-01), SH-60, NEWASA ROAD ,NAGARDEOLE,AHEMDANAGAR,MAHARASHTRA - 414601 PH :94203961522.

**AKOLA**

132. ASPA BANDSONS (F1NA-F1-01), SHIVANI AIRPORT AREA, AKOLA - MAHARASHTRA (444001) - 444001 PH :942312366.

**AMARAVATI**

133. ASPA BANDSONS (F2NA-F2-01), F32/1 MIDC , AURANGABAD NAGPUR EXPRESS HIGHWAY, AMRAVATI, MAHARASHTRA - 444607 PH :9130041513.

**AURANGABAD**

134. AUTOMOTIVE MANUFACTURER LTD (21NB-21-01), PLOT NO :- L - 3 / 1, BETWEEN GARWARE & CHOKHARDT LTD, JALGAON ROAD, MIDC CHIKLATHANA,AURANGABAD PIN : - 431006, MAHARASHTRA - 431006 PH :9970492723.

135. PAGARIYA AUTO (21NA-21-01), OPP AIRPORT, NEXT TO INDIAN OIL PETROL PUMP, JALNA ROAD, AURANGABAD, MAHARASHTRA - 431006 PH :8888895902.

**BARAMATI**

136. MAHALAXMI AUTO (7RNA-7R-01), BHIGWAN ROAD, SHIV NAGAR, BARAMATI (MAHARASHTRA) - 413102 PH :9850994014.

**CHANDRAPUR**

137. BARBATE AUTO (H3NA-H3-01), PLOT NO 15-18, OUT OF SURVEY NO 14/4, 15/5, MAUZA BADOLI, NAGPUR CHANDRAPUR HIGHWAY, CHANDRAPUR, MAHARASHTRA - 440025 PH :8380887666.

**DHULE**

138. SEVA AUTOMOBILES (P3NA-P3-01), PLOT NO. F-1, ADDITIONAL DHULE INDUSTRIAL AREA, DHULE, MAHARASHTRA - 424006 PH :9960090614.

**JALGAON**

139. MANRAJ AUTO (C4NB-C4-01), P 93, MIDC, R L CHOWK, AJANTA ROAD, JALGAON, MAHARASHTRA - 425003 - 425003 PH :0253-6686666, 9130033951.

**KHARGHAR**

140. SIMRAN MOTORS (AACN-AAC-01), 60/72, JAWAHAR COOPERATIVE INDUSTRIAL ESTATE, KALAMBOLI, KHARGHAR, MUMBAI, MAHARASHTRA - 410209 PH :022-71430900, 9594952348.

**KOLHAPUR**

141. SAI SERVICE (38NA-38-01), 1243/66, E WARD, SHIVAJI UDHYAMNAGAR, KOLHAPUR - 416001 PH :9923208401.

**MUMBAI**

142. SAI SERVICE (05NB -05-01), JOSEPH CARDIN TECHNICAL SCHOOL , KHASHABA JADHAV MARG , OFF DR. AMBEDKAR ROAD ,DADAR (EAST) MUMBAI, MAHARASHTRA - 400014 PH :022-48767777.

143. SHIVAM MOTORS (05ND -05-01), PLOT NO SILVER HOUSE, 110 MIDC, ROAD NO 13, MAROL ANDHERI (EAST), MUMBAI, MAHARASHTRA - 400069 PH :02355-220084, 9689633472.

144. KTS AUTOMOTORS (05NH-05-01), UNIT NO A1, PANNALAL COMPOUND, LBS KANTILAL MAGANLAL ESTATE, L.B.S MARG, BHANDUP (W), MUMBAI - 400078 PH :020-30414000, 9168656888.

145. SHIVAM AUTOZONE (05NE-05-01), PLOT NO. 1 & 2, RAMCHANDRA LANE EXTN., KANCHPADA, OFF LINK ROAD, MALAD-WEST. - 400064 PH :9870938888.

**NAGPUR**

146. BARBATE AUTO (20NA-20-01), 37/2, MANISH NAGAR, BESA T POINT, BESA ROAD NAGPUR (MAHARASHTRA) - 440025 PH :7923600147, 9727726004.

**NADED**

147. SEVA AUTOMOBILES (68NA-68-01), AIRPORT ROAD,SANGVI - 431605 PH :7065026520.

**NASHIK**

148. SEVA AUTOMOBILES (37NA-37-01), PLOT B-17, MIDC, AMBAD, NASIK, MAHARASHTRA - 422010 PH :8975762303.

**NAVI MUMBAI**

149. AUTOMOTIVE MANUFACTURER LTD (39NB-39-01), NERUL, MUMBAI PUNE HIGHWAY, NAVI MUMBAI - 400706 PH :9769206120.

150. MY CAR (05NK-05-01), PLOT NO- GEN-25 & GEN-25 B/1, TTC INDUSTRIAL AREA, PAWANE, NAVI MUMBAI, MAHARASHTRA (400709) - 400709

**PUNE**

151. KOTHARI WHEELS (19NB-19-01), GATE NO 1605, OLD 1099, KESNAND ROAD, WAGHOLI, TAL-HAVELI, DISTRICT - PUNE, MAHARASHTRA - 412207 PH :7721865000.

152. EXCEL AUTOVISTA (19NG-19-01), SURVEY NO 98/2A/P, NEW PUNE - MUMBAI HIGHWAY, NEAR BALEWADI STADIUM, BANER TALUKA, PUNE - 411045 PH :0257-2212145.

153. SEHGAL AUTO RIDERS (19NE-19-01), SURVEY NO 63/2, SHEWALEWADI, MANJARI BUDRUK, PUNE SOLAPUR HIGHWAY, PUNE, MAHARASHTRA - 412307 PH :9158000049.

154. WONDER CARS (19ND-19-01), PLOT NO 52/1 BLOCK F2, MIDC PIMPRI, PUNE - 411019 PH :9850094151.

155. MAHALAXMI AUTO (19NI-19-01), NEAR SADDGURI PETROL PUMP, PUNE NASHIK HIGHWAY, AT KURALI, KHED TALUKA, CHAKAN - 410501 PH :9923589214.

156. SAI SERVICE (19NC-19-01), SINHAGAD ROAD, NEAR NANDED CITY, VADGAON KHURD, PUNE. (MAHARASHTRA) - 411041 PH :9923308333.

**RATNAGIRI**

157. JAGRUT MOTORS (G3NA-G3-01), 410/6/1B, SALVI STOP, SHIVAJI NAGAR MAIN ROAD RATNAGIRI, MAHARASHTRA - 415612 PH :9820039626.

**SHOLAPUR**

158. CHAVAN MOTORS (B1NA-B1-01), SURVEY NO. 534/4, BALE PUNE ROAD, SOLAPUR, MAHARASHTRA - 413224 - 413224 PH :8888881314.

**THANE**

159. EXCEL AUTOVISTA (39NA-39-01), MOHAN MILL COMPOUND, GHODBUNDER ROAD , THANE , MAHARASHTRA - 400607 PH :9967331726.

160. EXCEL AUTOVISTA (39NA-39-02), NEAR ARIHANT COMPOUND, KALHER, BHIWANDI, THANE - 400607 PH :9967331726.

161. MY CAR PUNE- CODO (05NL-05-01), PLOT NO. B-21 & B-24/1, THANE INDUSTRIAL AREA, THANE, MAHARASHTRA - 400604 PH :8104906953.

**YAVATMAL**

162. HIMALAYA CARS (4MNA-4M-01), PLOT NO. 14, MIDC, YAVATMAL INDUSTRIAL AREA, YAVATMAL - 445001 PH :9011014729.

**NAGALAND**

**DIMAPUR**

163. PROGRESSIVE MOTORS (32NA-32-01), OPPOSITE AIRPORT, N.H.39, DIMAPUR KOHIMA ROAD, DIMAPUR OPPOSITE AIRPORT, N.H.39, DIMAPUR KOHIMA ROAD, - 797115 PH :7669223736.

**ODISHA**

**BERHAMPUR**

164. SKY AUTOMOBILES (E2NA-E2-01), PLOT NO 373/2229 & 373/1204, AMABAPUA MOUZA, BRAHMAPUR (ODISHA) - 760007 PH :7381266000.

**BHUBANESWAR**

165. NARAYANI MOTORS (04NC-04-01), PLOT NO 140/2004, KHATA NO -1152/364, UNIT-20, JAGAMARA, KHANDGIRI, CHAWAK, BHUBANESHWAR - 751001 PH :9583001877.

**JEYPURE**

166. LEGEND CARS (SWNA-SW-01), NH26, OPPOSITE HOTEL HELLO, INDUSTRIAL ESTATE, JEYPORE, ODISHA - 764001 PH :06692883057.

**ROURKELA**

## Nexa Workshop (AS ON 30.05.2023 )

167. ORBIT MOTORS (87NA-87-01), PLOT NO 5G/3, VED VYAS, SUNDARGARH, ROURKELA - 769041 PH :9165071234.

### SAMBHALPUR

168. ODYSSEY MOTORS (D4NA-D4-01), SAMBALPUR, CHOWK, REMED, ODISHA 768006 - 768006 PH :0832-2408800, +91-9881746562.

### PUNJAB

#### AMRITSAR

169. JAYCEE MOTORS (17NC-17-01), JAYCEE MOTORS, VERKA BYE PASS, OUTSIDE ASHBERRY HOMES, VILLAGE VALLAH, AMRITSAR, PUNJAB - 143501 PH :01815045400, 753696666.

#### BHATINDA

170. TARA (70NA-70-01), KHASRA NO. 3534, NEAR ITI CHOWK, MANSA ROAD, BHATHINDA, PUNJAB - 151001 PH :8437019666.

#### JALANDHAR

171. MARWAHA (35NC-35-01), KHASRA NO. 16450, SITUATED AT RAJA GARDEN, KAPURTHALA ROAD, JALANDHAR CITY. - 144003 PH :9814735707.

#### JALLANDHAR

172. LOVELY AUTO (35NA-35-01), NH 1 GT ROAD, PRAGPUR, JALANDHAR PUNJAB - 144024 PH :7617571039, 7617571040.

#### LUDHIANA

173. GULZAR (62NE-62-01), PLOT NO 2662 NEAR SILVER ARC MALL, AARTI CHOWK, LUDHIANA, PUNJAB - 141003 PH :9814839777.

174. HOSHIARPUR AUTO (62NG-62-01), S-46/1616/1, G. T. ROAD, DHOLEWAL CHOWK, LUDHIANA, PUNJAB - 141003 PH :8872501234.

175. MARWAHA AUTOS (A UNIT OF INDERJIT MARWAHA AUTOS PVT LTD) (62NH-62-01), OPP. MEDIWAYS HOSPITAL, FEROZPUR ROAD, LUDHIANA - 141015 PH :8872000357.

176. LOVELY AUTO (62NF-62-01), 287/1, MOTI NAGAR, SHERPUR BYPASS, GT ROAD, LUDHIANA - 141010 PH :9875999161.

#### MOHALI

177. CM AUTO SALES (L1NA-L1-01), C-155, INDUSTRIAL AREA, PHASE-7, MOHALI - 160055 PH :9888034555, 9780011459.

### PATHANKOT

178. PATHANKOT VEHICLELEADS (A7NA-A7-01), PLOT NO.-C-30, INDUSTRIAL GROWTH CENTRE, VILL. CHACELI, PATHANKOT - 145023 PH :7527006800.

### RAJASTHAN

#### AJMER

179. NAVNEET MOTORS (B2NA-B2-01), PLOT NO7 -8,RIICO INDUTRAIL ESTATE MAKHPURA NASIRBAD ROAD,AJMER(RAJASTHAN)-PIN CODE-305002 - 305002 PH :9414149149.

#### ALWAR

180. FORTUNE CAR (F9NA-F9-01), 6TH MILESTONE VILLAGE JATIYANA,OPP. PETROL BEHROR ROAD ALWAR - 301001 PH :9882341741.

#### BHILWARA

181. CHAMPION CARS (E3NA-E3-01), NEXA SUKHADIA CIRCLE, CHAMPION CARS, AJMER ROAD, BHILWARA - 311001 PH :9001027933.

#### BIKANER

182. AUDI MOTORS (71NA-71-01), PLOT NO. F-189, SRI GANAGANAGAR ROAD, OPPOSITE RAC-3RD , BICHHWAL INDUSTRIAL AREA , BIKANER 334001 - 334001 PH :9887222786.

#### CHITTORGARH

183. TECHNOY (K9NA-K9-01), PLOT NO-28, OLD RIICO INDUSTRIAL AREA, CHITTORGARH, RAJASTHAN - 312001 PH :8905992939.

#### JAIPUR

184. K P AUTOMOTIVES (11NB-11-01), PLOT NO.3-4,MANGLAM RIICO INDUSTRIAL AREA,NEAR KANAKPURA RAILWAY STATION,SIRSI ROAD - 302034 PH :7412059823.

185. SATNAM MOTORS (11ND-11-01), D-27, K/L/M, ROAD NO-3,SIKAR ROAD, VISHWAKARMA INDUSTRIAL AREA ,JAIPUR, RAJASTHAN-302023. - 302023 PH :9649373311.

186. PREM (11NC-11-01), PLOT NO- 12,13,14, SUDARSHANPURA INDUSTRIAL AREA, NEAR 22 GODAM, JAIPUR - 302016 PH :8058998123.

#### JHUNJHUNU

187. AUDI MOTORS (FNNA-FN-01), NEAR TVS TWO WHEELER SHOWROOM ROAD NO 3 GUDHA MOD, RAJASTHAN 333001 - 333001 PH :7970006402.

#### JODHPUR

188. AUDI MOTORS (65NA-65-01), 14 A, HEAVY INDUSTRIAL AREA, ITI CIRCLE, SARASH DAIRY ROAD, JODHPUR - 334001 PH :7300077394.

189. LMJ AUTO (65NB-65-01), B-8, C-9,10, MIA, BASNI, PHASE-1, JODHPUR - 342009 PH :7412087320.

190. LMJ SERVICES (65NB-65-02), PLOT NO.-61, GERU MARKET, BHADWASIYA FRUIT MANDI, JODHPUR, RAJASTHAN - 342001 PH :8094011126.

#### KOTA

191. BHATIA & CO. (61NA-61-01), G-11A, AUTOMOBILE ZONE, IPIA, NEAR DAKANIYA RAILWAY STATION, KOTA - 324005 PH :8094011126.

#### SIKAR

192. JAMU (K7NA-K7-01), THAR PETROL PUMP,JAIPUR ROAD,SIKAR - 332001 PH :9414037515.

#### UDAIPUR

193. TECHNOY (49NB-49-01), OPP. NAND BHAWAN, GOVERDHAN VILLAS, UDAIPUR - 313001 PH :0141 2984568.

### CHENGALPET

194. AIE CARS (BBSN-BBS-01), NO. 17-A, GST ROAD, CHENGALPET - 603001 - 603001 PH :74012 92949.

### CHENNAI

195. PILLAI & SONS (14NC-14-01), DOOR NO.46, MEDAVAKKAM MAIN ROAD, KEELAKATTALAI, CHENNAI, TAMILNADU - 600117 PH :8994950505.

196. POPULAR VEHICLES (14NB-14-01), 69/A & 69/B, SAMAYAPURAM MAIN ROAD, PORUR, CHENNAI,TAMILNADU- 600116. - 600116 PH :9842389111.

197. KHIVRAJ MOTORS (14NA-14-01), PLOT NO.21, AMBIT IT PARK ROAD, AMBATTUR INDUSTRIAL ESTATE, CHENNAI-600058. - 600058 PH :9626099999.

198. VISHNU CAR (14NG-14-01), SURVEY NO 219, ADJOINING HP PETROL PUMP, POONAMALLE HIGH ROAD, KATTUPAKKAM, CHENNAI, TAMIL NDU - 600056 PH :7339359111.

199. ABT (14NJ-14-01), NO123, KANNIGAPURAM, VELACHERY MAIN ROAD, BEHIND RACE COURSE, GUINDY, CHENNAI, TAMIL NADU - 600032 PH :9994444303.

200. VISHNU CAR (14NG-14-02), POONAMALLE HIGH ROAD, ARUMBAKKAM, KOYAMBEDU, CHENNAI, TAMIL NADU - 600056 PH :7550333622.

201. KHIVRAJ MOTORS (14NA-14-02), OLD S.NO. 11/1 & 2, NEW S.NO.11/2 - B, NO.100, NERKUNDRAM VILLAGE, SAIDAPET TALUK, CHENNAI - 600107 PH :9662195957.

### COIMBATORE

202. AADHI CARS (41NB-41-01), OLD KALIAPPA KALYANAMANDAM, PREMISES, KAVUNDAMPALAYAM, COIMBATORE, TAMIL NADU - 627007 PH :9003977577.

203. SREE SARADHAMBAL (41NA-41-01), 18/1472, S.N.R COLLEGE ROAD, NAVA INDIA, COIMBATORE, AND TAMILNADU-641004. - 641004 PH :9790004271.

204. JAIKRISHNAA AUTOSALES PVT LTD (41ND-41-01), NO. 656, TRICHY ROAD, NEAR ORTHO ONE HOSPITAL, COIMBATORE, TAMIL NADU- 641012 - 641012 PH :9788850734.

### ERODE

205. SREE SARADHAMBAL (H7NA-H7-01), NO.75, NEAR SURABI NURSERY, PERUNDURAI ROAD, ERODE, TAMILNADU-638011. - 638011 PH :9786022272.

### HOSUR

206. SRI AMMAN CARS (7QNA-7Q-01), NEAR CATER PILLAR WARE HOUSE, SEETHA RAMNAGAR,NH-44,OPP TO ANAND ELECTRONICS, HOSUR, KRISHNAGIRI DISTRICT, TAMILNADU - 635109 PH :9841033464.

### KARAIKUDI

207. MEENAKSHI AUTOZONE (HXNA-HX-01), T S NO 624/1, DOOR NO. 5, 1ST STREET, SUBRAMANIPURAM, KARAIKUDI, TAMIL NADU - 630001 PH :9940094881.

### MADURAI

208. ASIR (42NA-42-01), 176, MAIN ROAD, KAMARAJAR ROAD, MADURAI, TAMIL NADU - 625001 - 625001 PH :99440 59911.

### NAGERCOIL

209. ATHEN CARS (S5NA-S5-01), NO. G. 3/9, NO. 1197, NELSON COMPOUND, KP ROAD, PARVATHIPURAM, NAGERCOIL, TAMILNADU - 629003 PH :9751196436.

### PONDICHERRY

210. SHENBAKA CARS (96NA-96-01), RS NO 50/5A, PONDICHERRY CUDDLORE MAIN ROAD ,KRIJUMBAKKAAM, BAHOOR COMMUNE,PONDICHERRY - 607402 PH :7338322220.

**SALEM**

211. THRIVENI CARS (A2NA-A2-01), 2/6, KANDHAMPATTY,BYE PASS ROAD, SALEM, TAMILNADU - 636005 PH :9786022272.

212. SM CAR (A2NB-A2-01), S NO 131/1A,BYPASS ROAD, NEAR INDIAN OIL ASSOCIATION, PETROL BUNK, KONDALAMPATTY, SALEM - 636010 PH :7094440010.

**THANJAVUR**

213. PILLAI & SONS (E7NA-E7-01), VALLY NO 237/1, NEELAGIRI THAKUR THOTTAM, SULLAM ROAD, THANJAVUR, TAMIL NADU - 613403 PH :9443264165.

**TRIRUNEVELI**

214. AADHI CARS (A3NA-A3-01), PLOT NO.50-55, ASHOK NAGAR, C-COLONY, TAKKALPURAM, TRIVANDRUM ROAD, C1 KOKKARAKULAM - 627007 PH :7373091461.

**TRICHY**

215. PLA MOTORS (23NA-23-01), TS NO.29P,31P & 32P,36P, NEW WARD "E", NEW BLOCK NO.27, ANNA NAGAR, TRICHY, TAMILNADU - 620017 - 620017 PH :8110099991.

**TRIPUR**

216. SHASHTI (Y7NA-Y7-01), 16A-1,SHREE PADMINI GARDENS, KANGAYAM RD, TIRUPPUR, TAMIL NADU - 641604 PH :9942903310.

**VELLORE**

217. SRI GANESH CARS (C6NA-C6-01), 96/6, CHENNAI-BANGALORE HIGHWAY, NH-46, PERUMUGAI,VELLORE, TAMILNADU - 632009 PH :9884722126.

**TELANGANA**

**HYDERABAD**

218. KALYANI MOTORS (10NE-10-01), SURVEY NO.184, KARMAGHAT VILLAGE, BESIDE KHARMANGHAT HANUMAN TEMPLE, R,R DISTRICT, HYDERABAD, TELANGANA - 500079 PH :9347121212.

219. VARUN MOTORS (10NB-10-01), B-54, CO.INDUSTRIAL ESTATE, BALANAGAR, HYDERABAD, TELENGANA - 500037 PH :8886631496, 8886631499.

220. GEM MOTORS (10NH-10-01), D.NO.8-96, SURVEY NO.128/2 & 129, TYAGARAYANANAGAR COLONY, KOTHAFET, HYDERABAD, TELANGANA - 500084 PH :9912345899.

221. JAYABHERI AUTO (10ND-10-01), HNO 2-40/6/4, SURVEY NO 23 TO 28, JUBILEE GARDENS, KOTHAGUDA, HYDERABAD, TELANGANA-500032 - 500032 PH :9849103917, 9437061030.

222. VARUN MOTORS (10NB-10-02), H.NO. 8-2-120/117/A/2. PLOT NO. 83.83A,83B, ROAD NO. 2, BESIDES SBI BANK, BANJARA HILLS, HYDERABAD - TELANGANA - 500033 PH :9885610555.

223. SAI SERVICE (10NC-10-01), SURVEY NO 78, ADJACENT TO HP PETROL PUMP, GOPANAPALLY, GACHIBOWLI, HYDERABAD -500046. - 500046 PH :9966377888.

224. RKS (10NI-10-01), SY NO:42, PET BASHEERABAD, QUTHBULLAPUR, MEDCHAL MANDAL, HYDERABAD - 500014 PH :9542234567.

225. ADARSHA AUTOMOTIVE (10NG-10-01), PLOT NO 6/P, 54, SURVEY NO. 204, PRAGATI NAGAR, BALANAGAR, KUKATPALLY, HYDERABAD - 500072 PH :9154854949, 8897972200.

226. ADARSHA AUTOMOTIVE. SHAMSHABAD (10NG-10-02), SHAMSHABAD, NH44, HYDERABAD, TELANGANA - 501218 - 501218 PH :8297116633.

**KARIMNAGAR**

227. ADARSHA AUTOMOTIVE (N6NA-N6-01), 8-6-301, BY PASS ROAD, AUTO NAGAR, KARIMNAGAR, TELANGANA - 505001 PH :9847073265.

**KHAMMAM**

228. PARAMSHIVA MOTORS (1GNA-1G-01), SY NO. 507,VELUGUMATLA, VILLAGE, KHAMMAM, TELANGANA - 507318 PH :9848988312.

**MAHBUBNAGAR**

229. JAYARAMMA AUTO (WPNA-WP-01), CHRISTIANPALLY, BHOOTPOOR ROAD, MAHBUBNAGAR, TELANGANA - 509001 PH :8096990074.

**MANCHERIAL**

230. ADARSHA AUTO (CMNA-CM-01), SURVEY NO-417,BELLAMPALLI MANCHERIAL ROAD ,MANCHERIAL,TELANGANA - 504208 PH :9133329709.

**NIZAMABAD**

231. VARUN MOTORS (1HNA-1H-01), 1-51/4/1/D4 MADAHAYA NAGAR,HYDERABAD ROAD NIZAMABAD,TELANGANA,503230 - 503230 PH :9542222486.

**SECUNDERABAD**

232. MITHRA AGENCIES (10NK-10-01), USHA MAYURI THEATER, OPP TO SPENCERS MARKET, MUSHEERABAD, SECUNDERABAD, ANDRAPRADESH-500020 - 500020 PH :98850 01155.

233. AUTO FIN (K6NB-K6-01), PLOT NO.6, SURVEY NO.267/1 & 267/2, BOWENPALLY, BALANAGAR MAIN ROAD, SECUNDERABAD, TELANGANA - 500011 PH :8886144551.

234. VARUN MOTORS (K6NC-K6-01), VARUN MOTORS,2ND CROSS ROAD,SAINIKPURI,SECUNDERABAD - 500094 PH :779960094.

**WARANGAL**

235. ADARSHA AUTOMOTIVE (D5NA-D5-01), H.NO: 23-6-132, HUNTER ROAD, OPP TO CITIZENS CLUB, WARANGAL, TELANGANA - 506007 PH :8978944414.

**UTTAR PRADESH**

**AGRA**

236. MADHUSUDAN MOTORS (66NA-66-01), ADJOINING HEMA PETROL PUMP, EIT MANDI, BODLA, AGRA - 282007 PH :6386901181, 6386901188.

237. PREM MOTORS (66NB-66-01), KHASRA NO.-655, VILL. ARTONI, DELHI-AGRA HIGHWAY, AGRA - 282007 PH :9690010839.

238. KTL PVT LTD (66NC-66-01), KHASRA NO - 246/1, 249/1, 251, KUBERPUR, AGRA. - 282006 PH :8449710014.

**ALIGARH**

239. CLML (B6NA-B6-01), PLOT NO. 5/129, GT ROAD, RAM NAGAR COLONY, SARSOL, ALIGARH, UTTAR PRADESH. - 202002 PH :9639775522.

240. CLML (B6NA-B6-02), VILL KARSUA, PALWAL-DELHI ROAD, ALIGARH PIN 202140 - 202140 PH :9358373099.

**BARIELY**

241. CORAL (56NA-56-01), DELHI RAMPUR ROAD, IN FRONT OF MINI BYPASS, CB GANJ, BARIELLY, UP - 243001 PH :9359101010.

**BIJNORE**

242. SHAKUMBARI (6DNA-6D-01), 4TH KM. MILESTONE, BIJNOR - NAJIBABAD RD, NEAR DPS SCHOOL, BIJNOR, UTTAR PRADESH 246701 - 246701

**FIROZABAD**

243. DEV MOTOR (DFNA-DF-01), DHOLPURA, NEAR ST. JOHNS CHAURAHA, AGRA ROAD, FIROZABAD - 283203 PH :9045031800.

**GHAZIABAD**

244. ROHAN MOTORS (59NA-59-01), KHASRA NO 46 , DELHI MEERUT ROAD MEERUT ROAD INDUSTRIAL AREA, MORTA, GHAZIABAD, UTTAR PRADESH 245101 - 245101 PH :8178839830.

245. MSM (JJ IMPEX) (5982-59-N1), PLOT NO C, J J IMPEX (DELHI) LIMITED, 224, SITE-1, INDUSTRIAL AREA, BULANDSHAHR ROAD INDUSTRIAL AREA, GHAZIABAD, UTTAR PRADESH 201003 - 201003 PH :9990033015.

**GORAKHPUR**

246. SMART WHEELS (72NA-72-01), ARAZI NO. 623, 624 & 625, GULHARIA BAZAR, MEDICAL COLLEGE ROAD, GORAKHPUR, UTTAR PRADESH - 273009 PH :8222002147.

247. ARBIT AUTO (72NB-72-01), PLOT NO - A & B, BUDDH VIHAR YOJNA, PART-B, TARAMANDAL ROAD, GORAKHPUR - 273009 PH :8429526255.

**GREATER NOIDA**

248. MSM (JJ IMPEX) (T283-T2-N1), MARUTI SERVICE MASTERS, NEXA SERVICE, PLOT NO 02, ECOTECH 12, GREATER NOIDA, GAUTAM BUDAHA NAGAR, UTTAR PRADESH - 201009 PH :9711474930.

**HARDOI**

249. CONCEPT (QENA-QE-01), PLOT NO. 1609 & 1605, GUNGABUX PURVA, BILGRAM RD, HARDOI, UTTAR PRADESH - 241001 PH :7607696666.

**JHANSI**

250. SURI (60NA-60-01), SHIVPURI - JHANSI ROAD, OPPOSITE HANSRAJ MODERN SCHOOL, JHANSI, UTTAR PRADESH - 284003 PH :7705000558.

**KANPUR**

251. KTL PVT LTD (28NB-28-01), ARAZI NO. 352, SINGHPUR KACHHAR, BITHOOR ROAD, NORTHERN RAILWAY COLONY, KANPUR, UTTAR PRADESH. - 208017 PH :7408409312.

**LUCKNOW**



## Nexa Workshop (AS ON 30.05.2023)

252. ANAND MOTORS (13NC-13-01), GATA NO. 1062 PARGANA RAJA BIJLI PASI VILLAGE AURANGABAD, SHAHEED PATH (OPPOSITE TO RAMABAI AMBEDKAR MAIDAN), LUCKNOW, UTTAR PRADESH - 226012 PH :7705807552, 9838480490.

253. KTL AUTOMOBILE PVT LTD (13ND-13-01), PLOT NO - 513, VILL. HARIHARPUR BLINAUR, OPP ANSAL API, AMAR SHAHEED PATH, LUCKNOW - 227105 PH :7311190503.

254. BRIGHT4WHEELS (13NB-13-01), PLOT NO - D10, SAROJINI NAGAR INDUSTRIAL AREA, LUCKNOW. PIN - 226008 - 226008 PH :9151004111.

### MATHURA

255. UMA MOTORS (H8NA-H8-01), PLOT NO 222, MAHOLI, NEAR KIRAN HOSPITAL, MATHURA - 281004 PH :9997385999.

### MEERUT

256. TR SAWHNEY (48NB-48-01), 1183/17 RITHANI, ZONE - A, SECTOR 4 NEAR PETROL PUMP, MEERUT, UTTAR PRADESH - 250103 PH :18002704142.

### NOIDA

257. FAIR DEAL (A1ND-A1-01), A-107, SECTOR-5, NOIDA - 201301 PH :9810542222.

258. MOTOR CRAFT (59NB-59-01), C 42 SECTOR 57, NOIDA, UTTAR PRADESH - 201301 PH :7230029429, 7230000000.

### RAIBAREILY

259. KTL AUTOMOBILE PVT LTD (HSNA-HS-01), 1481, NEAR KATHWARA BUS STAND, LUCKNOW RAIBARELI HIGHWAY, HARCHANDPUR, RAIBARELI - 229303 PH :7311190503.

### SAHIBABAD

260. MSM (JJ IMPEX) (M983-M9-N1), MARUTI SERVICE MASTERS, NEXA SERVICE, PLOT NUMBER 5814, SITE 4, SAHIBABAD INDUSTRIAL AREA, - 201010 PH :9711474930.

### SHAHJHANPUR

261. SUMITRA DS (W2NA-W2-01), SH25, RETI ROAD SHAHJHANPUR - 242001 PH :9936095228.

### VARANASI

262. AGR (84NA-84-01), ARAZI NO - 285,286 LUCCHERPUR, PARGANA-ATHGAWA TEHSIL, HARHUA, VARANASI - 221105 PH :9305646425.

## UTTARAKHAND

### DEHRADUN

263. SHAKUMBARI (57ND-57-01), KHASRA NO. -15-ANA, MOHABBEWALA, SAHARANPUR ROAD, DEHRADUN-248001 - 248001 PH :7895058449.

### HALDWANI

264. NAINITAL MOTORS (J6NA-J6-01), 5TH KM RAMPUR ROAD, JEETPUR NEGI, NEAR AMAR UJALA PRINTING PRESS, HALDWANI, UTTARAKHAND - 263139 PH :7467800077, 7467800050.

### ROORKEE

265. SHAKUMBARI (H2NA-H2-01), 5 KM MILESTONE ,NH-58,ROORKEE-DELHI ROAD ,NEAR HOTEL GODWARI,ROORKEE, UTTARAKHAND - 247667 PH :9634092690, 7500860007.

### RUDRAPUR

266. AKANKSHA AUTOMOBILES (RUDRAPUR) PVT. LTD. (U4NB-U4-01), KASHIPUR ROAD, OPPOSITE GREEN PARK COLONY, VILLAGE DIBDIBA, TEHSIL BILASPUR, RAMPUR, UTTARAKHAND - 244901 PH :01912465542, 9797770257.

## WEST BENGAL

### ASANSOL

267. BEEKAY AUTO (F6NA-F6-01), NH-2 ,CHANDA MORE ,POST KALI PAHARDI, JAMMURIA DISTRICT WEST BARDHAMAN - 713339 PH :9932049425.

### COCHBEHAR

268. SEVOKE MOTORS PVT. LTD. (BWZN-BWZ-01), NEXA COOCH BEHAR CENTRAL VILL & P.O. - MAHISHBATHAN P.S. - KOTWALI, NH - 31 COOCHBEHAR,W.B. -734617 - 734617 PH :8016095268.

### HOWRAH

269. MACHINOTECHNO (X7NA-X7-01), 109, 1, UPPER FORESHORE RD, CHOURA BUSTEE, SHIBPUR, HOWRAH, WEST BENGAL 711102 - 711102 PH :9830081632.

### JALPAIGURI

270. PODDAR AUTO (XYNA-XY-01), ASSAM MORE BUS STOP, SH12A, JALPAIGURI, WEST BENGAL 735102 - 735102 PH :8945533002.

### KHARAGPUR

271. BHANDARI AUTOMOBILES (G7NA-G7-01), CHOWRANGEE, PLOT NO-138 & 139, O T ROAD, KHARAGPUR - 721301 PH :7603076061.

### KOLKATA

272. JYOTE MOTORS (06ND-06-01), MIRANIA ROAD, ARUPOTA ON BASANTI HIGHWAY, - 700105 PH :9074158220.

273. MACHINOTECHNO (06NG-06-01), 98/A/2 BT ROAD,P.S - BARANAGAR, P.O. - ISI BT ROAD, KOLKATA, WEST BENGAL - 700090 - 712250 PH :6292283744.

### SREERAMPORE

274. STARBURST (BBTN-BBT-01), NEAR ALLAHABAD BANK, MOLLARBER, SERAMPORE. - 700090 PH :9830081672.

**ANDHRA PRADESH**

**CUDDAPPAH**

- 1.## SIVAJI MOTORS (3275), BESIDES  
PADMASHALI KALYANA MANDAPAM,  
MADRAS ROAD, KADAPA-516002, ANDHRA  
PRADESH,  
PH :516002-9849113189.
- 2.## SREE VENKATESWARA AUTO. (1030),  
SANKARA PURAM, CUDDAPPAH (A.P.) ,  
PH :516002-9704209620.

**GUNTAKAL**

- 3.## S. MAHAOOB AUTOMOBILES (4075), ALUR  
ROAD, GUNTAKAL-515802, ,  
PH :515802-9440208312.

**GUNTUR**

- 4.## S. S. MOTORS (4946), OPP. JKC COLLEGE,  
JKC COLLEGE ROAD, GUNTUR-522006,  
ANDHRA PRADESH,  
PH :522006-9848936363.

**KAKINADA**

- 5.## SATISH AUTO CARE (5038), BEHIND  
KALPANA THEATRE, BEACH ROAD  
KAKINADA, DISTRICT EAST GODAVARI,  
ANDHRA PRADESH,  
PH :533005-9848313599.
- 6.## SRI SHIRDI SAI TECHNOCRAFTS (1459),  
FLAT NO 36/2, I.D.A., RAMANAYAPETA,  
BESIDE MAHINDRA SHOW ROOM. OPP.  
BHAVANI CASTING ROAD,  
KAKINADA-533005,  
PH :533005-9848633336.

**KAVALI**

- 7.## KAMAL MOTORS (3842), 10-15-43/J3A OPP  
LIC. TANK ROAD, KAVALI,  
PH :524201-9440928888.

**KURNOOL**

- 8.## SRINIWAS AUTO GARAGE (5170), KALLUR  
ROAD, KURNOOL, DISTRICT - KURNOOL,  
ANDHRA PRADESH,  
PH :518002-9440244660.

**MACHILIPATNAM**

- 9.## SRI MARUTI MECHANICAL WORKS (4172),  
D.NO 4-121, PLOT NO 26,27, , POTEPELLI  
INDUSTRIAL PARK, MACHILIPATNAM-  
521002,  
PH :521002-9440538012.

**MANDAPETA**

- 10.## MODERN MARUTI CARE (4866), D.NO.  
4-1-59/2, MAIN ROAD, MANDAPETA-533309,  
DISTRICT-EAST GODAVARI, ANDHRA  
PRADESH,  
PH :533309-9133198494.

**MATHURAWADA**

- 11.## ANY TIME SERVICE CENTRE (4860), BESIDE  
ELECTRICAL SUBSTATION , MADHURAWADA  
- 530041, DISTRICT VISAKHAPATNAM,  
ANDHRA PRADESH,  
PH :530041-8977799888.

**NAGARI**

- 12.## PUJITHA SERVICE CENTER (5872),  
TIRUPATI ROAD, NAGARI-517583,  
DISTRICT-CHITTOOR, ANDHRA PRADESH,  
PH :517583-9966106128.

**NANDYAL**

- 13.## MARUTI MOTORS (2635), PLOT NO 428,  
NH-18 , NEAR RAILWAY GATE , NANDYAL-  
518501,  
PH :518501-9440554617.

**NELLORE**

- 14.## MARUTI AUTO SERVICE STN. (2620), 16/796  
SANKARA AGRAHARAM, NELLORE-524 001  
(A.P.),  
PH :524001-98858 81905.
- 15.\*\* MARUTI MOTORS (176), 16-3-995, MINI  
BYPASS ROAD , RAMALINGAPURAM,  
NELLORE-524 003,(A.P.),  
PH :524003-9440278243.

**PATTIKONDA**

- 16.## ROYAL MOTORS (5776), ADONI ARTS &  
SCIENCE, COLLEGE ROAD  
ADONI,PATTIKONDA-518302,  
DISTRICT-KURNOOL, ANDHRA PRADESH,  
PH :518302-9866362847.

**PRODDATTUR**

- 17.## SRI RAM MOTORS (3642), 189 INDUSTRIAL  
AREA, NEAR SRI LAKSMI NAGAR, MYDUKUR  
ROAD, PRODDATTUR (A.P.),  
PH :516360-9666890525.

**RAJAHMUNDRY**

- 18.## MARUTHI MOTORS (1257), D.NO 88-30-04,  
OPP I.T.C. GADALAMMA NAGAR, NH-16,  
RAJAMAHENDRAVARAM -533107,  
PH :533107-9848253434.

**SRIKALAHASTI**

- 19.## SUNDEEP CARS (5972), 16/769.SRI RAM  
NAGAR COLONY, SRIKALAHASTI-517640,  
DISTRICT-CHITTOOR, ANDHRA PRADESH,  
PH :517640-9848294869.

**TENALI**

- 20.## HIMAJA MARUTI SERVICE STATION (2828),  
LECTURER'S COLONY, GIRIJA HOSPITAL  
ROAD, GANGANAMMAPET, TENALI-522 201  
GUNTUR DIST. (A.P.),  
PH :522201-9849715727.

- 21.## RAHUL MOTORS (5157), D.NO.18-3-4BITRA  
SRI RAMULU STREET, BEHIND TELEPHONE  
EXCHANGE SALIPET, TENALI, ANDHRA  
PRADESH,  
PH :522201-9490187453.

**VISAKHAPATNAM**

- 22.## SIRI AUTOMOBILES (5232), PLOT O 94/A IDA  
E BLOCK, AUTO NAGAR,GAJUWAKA,  
VISAKHAPATNAM, ANDHRA PRADESH,  
PH :530012-9963296667.
- 23.## SRINIVASA AUTO GARAGE (5440), OPP.  
KANTI ROAD,, NEAR RAYS PETROL PUMP -  
VISAKHAPATNAM, DISTRICT -  
VISAKHAPATNAM, ANDHRA PRADESH,  
PH :530031-9912688943.
- 24.\*\* VISAG AUTO SCANS (461), 49-52-1/4/2,OPP  
HNR VIHAR APPARTMENTS, SANTHIPURAM,  
SANKARMATAM ROAD,  
VISAKHAPATNAM-530016,  
PH :530016-9246625885.

**VIZIANAGARAM**

- 25.\* VIKRAMA AUTOMOBILES (4621), 17-13-4  
TEMPLE STREET, VIZAINAGARAM - 531 202  
(A.P.),  
PH :535003-9440192224.

**ARUNACHAL PRADESH**

**ALONG**

- 26.## BANNU MOTORS (1744), SIYOM MARKET,  
ALONG, WEST SIANG DISTT., (ARUNACHAL  
PRADESH),  
PH :791001-9436056096/8258834061.

**BOMDILA**

- 27.## GURU MOTORS (3921), BIRPUR, RUPA,  
ARUNACHAL PRADESH 790003,  
PH :790003-7640898278.

**NIRJULI**

- 28.## SANGO SERVICE CENTRE (5742),  
NH-52,NIRJULI - 791110,  
DISTRICT-PAPUMPARE, ARUNACHAL  
PRADESH,  
PH :791110-9436052480/8974454448.

**TAWANG**

- 29.## TAWANG MARUTI SERVICING STATION  
(4255), OLD BAZAR LINE, P.O. & P.S.,  
TAWANG, ARUNACHAL PRADESH,  
PH :790104-9402493456.

**ZIRO**

- 30.## HILLS AUTO AGENCY (3922), POLICE  
RESERVE & PETROL PUMP ROAD, HAPOLI  
BAZAR , P.O. ZIRO, DISTT. LOWER  
SUBANSIRI, ARUNACHAL PRADESH - 791  
120,  
PH :791120-9436047232.

**ASSAM**

**BADARPUR**

- 31.## MARUTI CAR PLAZA (3635), NEAR  
INDUSTRIAL AREA, S.T. ROAD, BADARPUR,  
DISTT. KARIMGANJ (ASSAM) PIN-788 806,  
PH :788806-9854970591.

**BISHWANATH CHARIALI**

- 32.\* BINA AUTOMATION (3677), , P.O.  
BISHWANATH CHARIALI, DISTT.  
SONITPUR, ASSAM-784 176,  
PH :784176-9957309744.
- 33.## DISHANG DONE (1058), 52 N.H.,  
BISHWANATH CHARIALI-784176, DISTT.  
SONITPUR, ASSAM,  
PH :784176-9854004161.
- 34.## BINA AUTOMATION (PH :-).

**BOKAJAN**

- 35.## SREE GANESH MOTORS (6040),  
SUKHANJAN SUPER  
MARKET,P.O.BOKAJAN(C.F.), DISTRICT  
KARBI ANGLONG , ASSAM ,  
PH :782480-9435167138.

**BOKAKHAT**

- 36.## GOENKA AUTOMOBILES (2878), P.O.  
BOKAKHAT, DISTT. GOLAGHAT, ASSAM-785  
612,  
PH :785612-9854048910.

**DHALIGAON**

- 37.## ADHIKARI MOTOR WORKS (4049), P.O.  
DHALIGAON, DIST-BONGAJAON,  
ASSAM-783385,  
PH :783385-9435020938.

**DHEMAJI**

- 38.## NARAH AUTOMOBILES (3852), C/O BLUE  
HILL COUNTER, P.O. DHEMAJI, DISTT.  
DHEMAJI, PIN-787 057 (ASSAM),  
PH :787057-9954390916.

**DHUBRI**

- 39.## BRAHMUPUTRA MOTOR SERVICING  
STATION (3127), G.T.B ROAD, DHUBRI-783  
301, (ASSAM),  
PH :783324-8876798739/9101176148.

**DIBRUGARH**

\*\* A-Category Mass : Free & paid Service, Major repairs & Accidental repairs

## C-Category Mass : Free & paid Service & Minor repairs

\* B-Category Mass : Free & paid Service & Major repairs

# D-Category Mass : Free Service & Minor repairs

**Maruti Authorized Service Station (AS ON 30.05.2023 )**

40.\* GEE DEE AUTO SERVICE (953), JHALUKPARA, DIBRUGARH-786 001, ASSAM, PH :786001-9435131119.

41.\*\* MEHBOOB AUTOMOBILES & TYRE SERVICES (1760), CHOWKIDINGHEE, NEAR STATE TRANSPOET, DIBRUGARH-3, PH :786005-9854432207.

**DIGBOI**

42.\*\* GAURI AUTOMOBILES (3760), MULIABARI, DIGBOI 786 171, , PH :786171-9435137556.

**DOOM DOOMA**

43.\* S K AUTO CARE (3962), UCHAMATI, NATIONAL HIGHWAY, DOOM DUMA, ASSAM 786151, PH :786151-9435135876.

**GOALPARA**

44.## BHARAT ENGINEERING WORKS (969), PO - BALDMARI, AGIA ROAD, GOALPARA (ASSAM)-783 102, PH :783102-9864767777.

**GOLAGHAT**

45.## KAKOTI MOTOR WORKS (1074), NEW AMOLAPATTY, RANGPUR, P.O. GOLAGHAT-785 621, DISTT. GOLAGHAT (ASSAM), PH :785621-9435053663.

**GOSSAIGAON**

46.## NARZARY AUTOMOBILES (4544), NH-31C, HABRUBIL, GOSSAIGAON, DIST KOKRAJHAR, ASSAM-783360, PH :783360-9435109765.

**GUWAHATI**

47.\*\* MONO MOTOR WORKS (966), BAMUNI MAIDAN, GUWAHATI-781 021, , PH :781021-9864186600.

**HAILAKANDI**

48.## RONOK AUTOMOBILES (5978), LALA ROAD,NEAR CIVIL HOSPITAL, HAILAKANDI-788151, DISTRICT-HAILAKANDI, ASSAM, PH :788151-8723032380/9707428563/9401960215.

**HOJAI**

49.## PRAMAN MOTORS (5730), WARD NO. 12, HOLDING NO. 14, COLLEGE ROAD, HOJAI, ASSAM-782435, PH :782435-9954369700.

**JONAI**

50.## BOROAH MOTORS (4545), NH-515, MURKONG SLEEK, DIST. DHEMAJI, JONAI-787060, ASSAM, PH :787060-9864590237.

**KARIMGANJ**

51.## S D AUTOMOBILE (4931), SILCHAR ROAD, KARIMGANJ - 788710, , PH :788710-8135002919/9435074975.

**LUMDING**

52.## BEDI MOTORS (5827), MAIN ROAD,NORTH LUMDING,LUMDING-782447, DISTRICT - NAGAON, (ASSAM), PH :782447-9957333991.

**MANGALDAI**

53.## PRIYAM AUTOMOBILES (2424), NH 52 COLLEGE ROAD, MANGALDOI, ASSAM, PIN-784 125, PH :784125-9401148730/9854209905.

**MARGHERITA**

54.\* VIRDI MOTOR WORKS (955), MISSION ROAD, P.O. MARGHERITA-786 181, DIST. TINSUKIA, (ASSAM), PH :786181-8011164932.

**MARIANI**

55.## VASKAR AUTOMOBILES (5237), NEAR NST TINALI, P.O. :MARIANI, DISTRICT - JORHAT, ASSAM, PH :785634-9508486813.

**MORANHAT**

56.\* CHINAKI SERVICE STATION (2973), (MARUTI AUTHORISED SERVICE STATION), NATUN NAGAR A.T. ROAD, MORANHAT-785 670, (ASSAM), PH :785670-9401512821.

**MORIGAON**

57.## PRAGATI MOTORS (5273), MORIGAON TOWN, WARD NO.1, BHATBOR- DOLON PATH, P.O. :MORIGAON, DISTRICT - MORIGAON, ASSAM, PH :782105-9435064356.

**NAGAON**

58.## DAS MARUTI MOTOR WORKS (3734), NAGAON -782001, , (ASSAM), PH :782002-9435360246.

**NALBARI**

59.## B.R.K. AUTOMOBILES ENGINEERING WORKS (2838), HAJO ROAD, NALBARI-781 335, (ASSAM), PH :781335-9954895264.

**NAMRUP**

60.## RAJ ENTERPRISES (3849), NAMRUP INDUSTRIAL ENTERPRISES, SONARI TINIALI, PARBATPUR, NAMRUP-786 623 (ASSAM), PH :786623-9854135646.

**NORTH LAKHIMPUR**

61.\*\* GREEN LAND MARUTI WORKS (2974), NEAR GURUDWARA, NH 52, NORTH LAKHIMPUR-787 001, (ASSAM), PH :787031-9435085310.

**PATHSALA**

62.## USHA AUTOMOBILES (4240), N.H 31,PATHSALA-781325, DISTRICT-BARPETA, ASSAM, PH :781325-9401310431.

**SILAPATHAR**

63.## BORLUIT MOTOR (5743), KHANAMUKH, P.O/P.S -SILAPATHAR, DIST-DHEMAJI, ASSAM PIN-787059, PH :787059-9954635182.

**SILCHAR**

64.\*\* CARDROME (1559), 2ND LINK ROAD JUNCTION, SONAI ROAD (M H C ROAD), SILCHAR-788 006, (ASSAM), PH :788006-9435071212.

**TEZPUR**

65.## POOJA MOTOR WORKS (4373), N.T. ROAD, MURATETLI, TEZPUR-784001, ASSAM, PH :784001-9954707812.

**TINSUKIA**

66.\* AUTO MAKERS (934), MAKUM ROAD, UDYOG NAGAR, TINSUKIA -786 146 (ASSAM), PH :786146-9435035341.

**TITABAR**

67.## SHANKAR AUTO WORKS (5174), C/O,SHIV SHAKTI AUTO WORKS,BALAJI, MARKET TITABAR CHARIALI TITABAR, DISTRICT - JORHAT, ASSAM, PH :785630-9435727479/9435051539.

**UDALGURI**

68.## RENU MOTORS (4543), WARD NO. 2, U.T. ROAD, UDALGURI TOWN, UDALGURI-784509, ASSAM, PH :784509-9854348875.

**ARRAH**

**BIHAR**

69.## ANJALI ENTERPRISES (5533), ARRAH - PATNA MAIN BYPASS ROAD, NH-30, AIHRPURWA, OPPOSITE SURYA MANDIR, ARRAH, BIHAR -802232, PH :802232-9304910843.

**AURANGABAD (BIHAR)**

70.## K R N AUTOMOBILE (2242), NEW G.T. ROAD, (NH-2), AURANGABAD-824 101, (BIHAR), PH :824101-9304930657.

**BEGUSARAI**

71.## K.B. MOTORS (4768), NH-31, SINGHAUL, POKHAR, BEGUSARAI-851134, BIHAR, PH :851134-78700419518271507870/9835214115. 72.\* NATIONAL AUTO WORKS (1536), INDUSTRIAL AREA, BARAUNI, BEGUSARAI-851 122, PH :851122-9973381733.

**BHAGALPUR**

73.\*\* RUPRA AUTOMOBILES (1577), EAST OF AIRPORT, BHAGALPUR-813 210, P.O. BAHADURPUR, (BIHAR), PH :813210-9334385521.

**BIHAR SHARIF**

74.## SARVADAY ENGG. & AUTO SER (1549), INDUSTRIAL ESTATE, RAMCHANDRAPUR, BIHARSHARIFF (NALANDA), PH :803101-9334672919.

**CHAPRA**

75.## PRASAD AUTOMOBILES (1974), BHAGWAN BAZAR, CHAPRA-841 301, (BIHAR), PH :841301-9431216362/8092627210.

**DARBHANGA**

76.\* SINGH MARUTI CARE (2277), RAJKUMARGANJ, P.O. LALBAGH, DARBHANGA-846 004, (BIHAR), PH :846004-9431293796.

**GAYA**

77.\* AUTO CARE (3027), DURGA BARI, HARIDAS CHATTERJEE LANE, NEAR SAINT PAUL SCHOOL, GAYA-823 001 (BIHAR), PH :823001-9102060955.

**HAIJIPUR**

78.## ALFA AUTO (5454), PASWAN CHOWK, NH-13, HAIJIPUR, DISTRICT - VAISHALI, BIHAR - 844101, PH :844101-9431327965/8092258357.

79.\*\* HI-TECH AUTOMOBILE (3123), GANDHI SETU PATH, N.H.-19, HAIJIPUR, VAISHALI (BIHAR), PH :844101-9835044502.

**KAHALGAON**

\*\* A-Category Mass : Free & paid Service, Major repairs & Accidental repairs  
## C-Category Mass : Free & paid Service & Minor repairs

\* B-Category Mass : Free & paid Service & Major repairs  
# D-Category Mass : Free Service & Minor repairs

**Maruti Authorized Service Station (AS ON 30.05.2023 )**

80.## MAHA GAURI ENTERPRISES (5822), NTPC ROAD,GANGANAGAR ,CHOWRATHIYASTHAN, KAHALGAON-813203, DISTRICT-BHAGALPUR, BIHAR, PH :813203-9431463558.

**MADHUPURA**

81.## KRISHNA AUTOMOBILES (2639), SINGHSWAR ROAD, PATHRAHA, MADHUPURA-852 213, (BIHAR), PH :852213-9430583338.

**MADHUBANI**

82.## VIDYAPATI AUTOMOBILE (4234), BHAUARA, GANGASAGAR, MADHUBANI, BIHAR - 847212, PH :847212-9471648158/9304399511.

**MUNGER**

83.## SUN BEAM ENGG WORKS (1533), 150 BETWAN BAZAR, NEAR KHANKAH, P.O.& DISTT. MUNGER, BIHAR - 811201, PH :811201-9931962944.

**MUZAFFARPUR**

84.\*\* DYNAMIC MARUTI SERVICE CENTRE (1163), HARI SHARAN MARG, AMGOLA, POST OFF RAMNA, MUZAFFARPUR-842 002, PH :842002-9431013057/9835003526/9386834595.

85.## PERFECT MOTORS (3465), NEAR CHANDNI CHAUK, JHITKAIYA, POST: MIT PS: BRAHAMPURA, MUZAFFARPUR-842 003 (BIHAR), PH :842003-9835007407.

**PATNA**

86.\*\* CAR SCANNER (1552), OPP. BATA, KANKAR BAGH COLONY, PATNA-800 020, PH :800020-9431016342.

87.\*\* GOOD WRENCH SERVICES (3384), NH 30, BETWEEN BHARAT PETROLEUM & HP PETROL PUMPS, 1 KM WEST OF "0" MILE, ASHOCHAK, NANDLAL CHAPRA, PATNA - 800077, PH :800077-7277772777.

88.## MARUTI MAINTAINER (4842), PLOT NO 73, MAIN ROAD, KANKARBAGH. NEAR RAJENDRA NAGAR OVERBRIDGE, PATNA, BIHAR-800020, PH :800020-7903741541.

89.\* MOHINI AUTOMOBILES (1049), BEHIND RESERVE BANK OF INDIA, EXHIBITION ROAD, PATNA-800 001, PH :800001-9431094340/8987379073.

90.\*\* TIRUPATI AUTO (1956), ASHIANA-843,03, BAILEY ROAD OPPOSITE UNION BANK, RAJABAZAR, PATNA-14, PH :800014-9835050292/8539077831.

**PURNEA**

91.## AUTO INDIA (3026), SRI DHAM MANDIR, PURNEA CITY, PURNEA 854302, PH :854301-9470204501.

**SASARAM**

92.## TRIPTY CAR SERVICE CENTRE (5535), NEAR RELIANCE PETROL PUMP, G.T. ROAD NH-2,SASARAM-821115, DISTRICT-SASARAM, BIHAR, PH :821115-9934792421.

**SITAMARHI**

93.\* SITAMARHI AUTO CARE (6050), INDUSTRIAL AREA,RAJOPATTI, PO.SITAMARHI-843302, DISTRICT-SITAMARHI , BIHAR, PH :843302-9430012437.

**CHANDIGARH**

**CHANDIGARH**

94.\*\* CAR CLINIC (179), PLOT NO-81, INDUSTRIAL AREA, PHASE-II, CHANDIGARH, PH :160002-9417216782.

95.## HI-TEK MOTORZ (4743), PLOT NO. 658, INDUSTRIAL AREA, PHASE-1, CHANDIGARH, PH :160002-9872567868.

96.## RATTAN MOTORS (1155), SECTOR 23-C, CHANDIGARH-160 023, PH :160023-9814008335.

**CHHATTISGARH**

**AMBIKAPUR**

97.## MARUTI AUTO CARE (4839), KHARSIA NAKA, AMBIKAPUR -497001, DISTRICT-SURGUJA, CHHATTISGARH, PH :497001-9425256087.

**JAGDALPUR**

98.## VISHWAKARMA AUTOMOBILES (4467), RAJMAHAL PARISAR, BAHAMBERS OF COMMERCE ROAD, JAGDALPUR, CHHATTISGARH, PH :494001-9753300033.

**JAMNIPALI**

99.## AUTO CARE (3823), 203 J P COMPLEX SADA COLONY, JAMNIPALI-495 450, TEH. KATHGHORA DIST. KORBA (CHHATTISGARH), PH :495450-7587399102.

**KORBA**

100.## AUTO SELF SERVICE (8940), RAILWAY STATION CANAL ROAD, NEAR SUNALIYA RAILWAY CROSSING, , MURARKA GALI, KORBA, CHATTISGARH -495678, PH :495678-9229495000.

**MANENDRAGARH**

101.## SHARMA AUTO CENTRE (5354), MAIN ROAD - MANENDRAGARH, DISTRICT -KOREA , PIN -497442, CHHATTISGARH, PH :497442-7771011802.

**RAIPUR**

102.## SHIVAM CAR SERVICES (4774), BILASPUR ROAD, KHAMTARAI, RAIPUR-492006, CHATTISGARH, PH :492006-9826192574.

**DELHI**

**DELHI**

103.\* AAPKA KARKHANA (MOTORS) PVT. LTD. (869), 621 POSANGIPUR MAIN MARKET, A-3 BLOCK JANAKPURI, NEW DELHI-58, PH :110058-9811034869.

104.## ANAND MOTORS (4471), B-27, G.T. KARNAL ROAD, INDUSTRIAL AREA, NEW DELHI-110033, PH :110033-9582379699.

105.\*\* A-ONE AUTOMOBILES (3362), 487/35 NATIONAL MARKET, PEERAGARHI, DELHI-110 087, PH :110087-9810257472.

106.## ASHA AUTOMOBILES (850), A-2 CHOTTEY LAL PARK, NAJAFGARH ROAD, OPP.KIRTI NGR.P.O, NEW DELHI-15, PH :110015-9818467898.

107.## AUTO ENGRS.SERVICE STN. (8023), OPP.MODEL TOWN, DERAWAL NAGAR, DELHI-9, PH :110009-9811137929.

108.\* AUTO POINT SERVICE (1267), 70B RATTAN PARK, OPP. RAMESH NAGAR, NEW DELHI-110 015, PH :110015-9958062220.

109.## AUTOTECH ENGINEERS (4551), PLOT NO. 20-24, MATIYALA VILLAGE, SECTOR-3, NEAR DPS DWARKA, NEW DELHI-110075, PH :110075-9811608008.

110.## BASANT MOTORS (8003), 78 TOLSTOY LANE, BEHIND SCINDIA HOUSE, NEW DELHI-110 001, PH :110001-9811522266.

111.## BHAGIRATHI MOTORS (4737), PLOT NO. 153/543, POOTH KHURD, DELHI-110039, PH :110039-9810804556.

112.## BHASIN SERVICE STATION (830), DR.K.S.KRISHNAN ROAD, NEAR PUSA GATE, NEW DELHI-110 012, , PH :110012-9971977992.

113.\*\* BRIGHT MOTORS (P) LTD. (885), C-263 PEERAGARHI, OUTER RING ROAD, DELHI - 110 087, PH :110087-9810203018.

114.\* DRIVE WELL SERVICE STN. (866), 1486,G.C.S. COMPLEX,MAIN G.T. ROAD , DILSHAD GARDEN,NEW DELHI-110095 , DELHI , PH :110095-9811020603.

115.## ENGINEERS SERVICE STATION (834), SHRI AUROBINDO MARG. (SAFADARJANG AIRPORT), NEW DELHI-110 003, PH :110003-9654262692.

116.## EXCEL AUTOMOBILES (3342), PLOT NO. 78, BAGDOLA VILLAGE, SECTOR 8, DWARKA, NEW DELHI-110 077, PH :110077-701765194.

117.\* EXCLUSIVE AUTOMOBILES PVT. LTD. (3546), 98 MANGOLPUR KALAN, SECTOR-2 NEAR JAIPUR GOLDEN HOSPITAL, ROHINI, DELHI-110 085, PH :110085-9910782127.

118.## GLOBE SERVICE STATION (3631), 18TH KM MATHURA ROAD, BADARPUR, NEW DELHI-110 044, PH :110044-9810630354.

119.## HUNDRED PERCENT FILLING & SERVICE STATION (4839), LSC, SECTOR-9, OPP. NHAJ, DWARKA, NEW DELHI-110075, PH :110075-9910586999.

120.## IMAGE (2561), IOC PUMP, NEAR SAMACHAR APT. OPP. KIRTI APT., MAYUR VIHAR PHASE-I EXT., DELHI-110 091, PH :110091-9312082213.

121.\*\* R S AUTOMOBILES (273), 111/9 KISHANGARH, OPP. CNG PUMP NEAR SPYM INSTITUTE, ARUNA ASAF ALI ROAD, VASANT KUNJ, NEW DELHI - 110070, PH :110070-9540944009.

122.\*\* KUMAR AUTOMOBILES (855), B-281 OKHLA INDUSTRIAL AREA, PHASE-I, NEW DELHI-110 020, PH :110020-9810001625.

123.\*\* NAVEEN AUTOMOBILES (4934), 37, PATPARGANJ INDUSTRIAL AREA, NEW DELHI-110092, , PH :110092-9911278537.

124.## NORTHERN SERVICE STATION (337), SARAI BASTI, ROAD NO.40, OPP. SHASTRI NAGAR, DELHI-35, PH :110035-9213710643.

\*\* A-Category Mass : Free & paid Service, Major repairs & Accidental repairs

## C-Category Mass : Free & paid Service & Minor repairs

\* B-Category Mass : Free & paid Service & Major repairs

# D-Category Mass : Free Service & Minor repairs

**Maruti Authorized Service Station (AS ON 30.05.2023 )**

- 125.\*\* P R G MOTORS (365),  
A-99,103CH,TEKCHAND MARKET, GANESH  
NAGAR - TILAK NAGAR, DELHI-110 018,  
DELHI,  
PH :110018-9711196811.
- 126.## QUTAB SERVICE STATION (8078),  
MEHRAULI ROAD, NEW DELHI-110 017 ,  
PH :110017-9811021862.
- 127.\*\* RAJINDRA SERVICES P.LTD. (826), B-55  
G.T.KARNAL ROAD, INDUSTRIAL AREA,  
DELHI-110 033.,  
PH :110033-9899580820.
- 128.## ROHAN SERVICES (5444), PLOT  
NO:125,VILLAGE POCHANPUR, SECTOR - 23  
DWARKA, DISTRICT - DELHI (WEST), DELHI,  
PH :110075-9911180827.
- 129.\* SATYA SERVICE STATION PVT. LTD. (3625),  
L-BLOCK HARI NAGAR, JAIL ROAD, NEW  
DELHI-64,  
PH :110064-9873461414.
- 130.\*\* SEVEN HILLS AUTO.(P)LTD. (848), D-20/1  
OKHLA INDUSTRIAL AREA, PHASE II, NEW  
DELHI-110 020.,  
PH :110020-9811037954.
- 131.\*\* SHALIMAR AUTOMOBILES PVT. LTD (871),  
C-91/9 WAZIRPUR INDUSTRIAL AREA,  
ASHOK VIHAR CROSSING, DELHI-110052,  
DELHI,  
PH :110052-9811171469.
- 132.## SHIKHAR AUTOMOBILES (5546),  
A/21/CHOTTEY LAL PARK,SHIVAJI MARG,  
OPP KIRTI NAGAR,METRO PILLAR  
NO.341,NEW DELHI-110015, DISTRICT -  
DELHI, DELHI,  
PH :110015-9810047047.
- 133.## SINTEX SERVICE STATION (777),  
883,RITHALA INDUSTRIAL AREA, FIRNI  
NALA ROAD., DELHI - 85, DELHI,  
PH :110085-9868030802.
- 134.## SRI BALAJI AUTOMOBILE (8038), KHASRA  
NO.33, 13/2-12 MAIN BAWANA ROAD,  
SAMEYPUR (NEAR DELHI COLLEGE OF  
ENGG.), DELHI,  
PH :110085-9811039601.
- 135.## SRI SAI AUTO ENGINEERS (8074), 487/59  
PEERA GARHI, INDUSTRIAL AREA, DELHI,  
PH :110087-9650531612.
- 136.## WIG AUTOMOBILES (8012), D-3 S.M.A  
CO-OP. INDL. ESTATE, (OPP. JAHANGIR  
PURI CHOWK), G.T. KARNAL ROAD,  
DELHI-110 033,  
PH :110033-9811297607.
- 137.## YASHWANT PLACE SER.STN. (8022),  
AFRICA AVENUE, (OPP. CHANAKYA  
CINEMA), NEW DELHI-21,  
PH :110021-9868255788.

**GOA**

- \*\* A-Category Mass : Free & paid Service, Major repairs & Accidental repairs  
## C-Category Mass : Free & paid Service & Minor repairs

**BICHOLIM**

- 138.## SHREE GURUKRUPA AUTOWORLD (1249),  
PLOT NO.76 , BICHOLIM, GOA-403 529,  
PH :403529-9422057272.

**CURCHOREM**

- 139.## VIPUL AUTOMOBILES (5376), PLOT  
NO.7,8,9,KAKODA INDUSTRIAL ESTATE,  
KAKODA CURCHOREM, DISTRICT - SOUTH  
GOA, GOA,  
PH :403706-9422018746.

**KUNDAIM**

- 140.\* VIKAS ENGINEERING WORKS (4953),  
BHOMA, KUNDAIM, GOA-403107,  
PH :403107-9823780335.

**MAPUSA**

- 141.## SARDESAI AUTOMOBILES (2176), 194,  
GAUNSAWADA, , NEAR MILAGRES  
CHURCH, MAPUSA, GOA-403 507,  
PH :403507-9764448741.

**PONDA**

- 142.\* DHAVLIKAR AUTOMOBILES (2041), NO.5 TIP  
TOP MANSION IV, INDIRA NAGAR, DHAVALI,  
PONDA, GOA-403 401,  
PH :403401-9890669879.

**VERNA**

- 143.\* LUBRICARE SERVICES (261), 7-D  
GOULLOY, NH.17 NUVEM, SALCETE,  
GOA-403 601,  
PH :403601-9822124376.

**GUJARAT**

**AHMEDABAD**

- 144.\* AUTOWAY (125), MANGALYA COMPLEX,  
NEAR ANJALI CINEMA CROSS ROAD,  
BATTHA, AHMEDABAD,  
PH :380007-9825016888.
- 145.## DAHISON MOTORS (143), NEAR MANAV  
MANDIR, DRIVE IN ROAD, AHMEDABAD-380  
052,  
PH :380052-9898096242.
- 146.## MEGHDOOT MOTORS (3437), MASONIC  
LODGE COMPOUND, SHAHIBAUG ROAD,  
AHMEDABAD-4,  
PH :380004-9825972345.
- 147.\* POKAR AUTO REPAIRERS (2479), NEAR  
UNION CO. BANK, SAJPUR BOGHA,  
NARODA ROAD, AHMEDABAD-382 345,  
PH :382345-9428608515.
- 148.\* RAJAN MOTORS (2873), C/O M/S. SUPER  
SERVICE STATION, 79/80 JAGABHAI PARK,  
RAM BAUG MANINAGAR, AHMEDABAD-380  
008,  
PH :380008-9825972345.

- 149.\*\* SPEED AUTO CARE PVT. LTD (5524),  
NH-8,VIRAT NAGAR AHMEDABAD, DISTRICT  
- AHMEDABAD, GUJARAT,  
PH :380023-9979992779.

**AMRELI**

- 150.\* CAR CARE CENTRE (2734), PATEL GARAGE,  
CHAKRAGADH ROAD, AMRELI-365 601,  
(GUJARAT),  
PH :365601-9825422922.
- 151.\* KHODIAR MOTORS (3029), GAVADKA ROAD,  
AMRELI-365 601, (GUJARAT),  
PH :365601-9825672657.

**ANAND**

- 152.\* PATEL TRACTOR COMPANY (2221),  
(SERVICE DIVISION), BEHIND SUNIL  
CHAMBERS, STATION ROAD, ANAND-388  
001,  
PH :388001-9922534494.
- 153.## SHAKTI MOTORS (2226), OPP. J.K. PARK,  
NATIONAL HIGHWAY NO.8, P.O.  
VAGHASHI-388 320, TA: ANAND DISTT.  
KHEDA,  
PH :388320-9825792999.

**ANJAR**

- 154.## CAR AGE (5542), PLOT NO.11, MAHATMA  
NAGAR-1,ANJAR- , GADHPADAR  
ROAD,NR.MAHAKALESHWAR, MAHADEV  
MANDIR,ANJAR - GUJARAT,  
PH :370110-9427216886.

**BARDOLI**

- 155.\*\* POOJA MOTORS (361), NEAR GIDC, SURAT  
ROAD, BARDOLI-394 601, (GUJARAT),  
PH :394601-9825762621.

**BHARUCH**

- 156.\* NEW MARUTI MOTORS (5156), 9/16 AKASH  
GANGA BIH CNG PUMP, OLD NH -8,BHOLAV  
, DISTRICT - BHARUCH, GUJARAT,  
PH :392001-9898611424.

**BHAVNAGAR**

- 157.## VIKRAM MOTOR GARAGE (127),  
TAKHTESHWAR PLOT, NEAR CHANDRA  
BHUVAN, BHAVNAGAR - 364 002.,  
PH :364002-9427145452.

**BHUJ**

- 158.\* ASHA MOTORS (3629), LAL TEKRI,  
HOSPITAL ROAD, BHUJ-370 001, (GUJARAT),  
PH :370001-9727499383.

**BILIMORA**

- 159.## PATEL AUTOMOBILES (4030), DANDEKAR  
COMPOUND, GANDEVI ROAD, BILIMORA,  
PH :396321-9824123875.

**BORSAD**

- 160.## SUMAN MOTORS (3863), NEAR NISHRAYA  
CROSSING, BHARAN ROAD, BORSAD,  
DISTT. ANAND,  
PH :388540-9825021960.

**CHAND KHEDA**

- 161.\* BALVINDR AUTOMOBILES (2528), PLOT  
NO.202/2, NATIONAL HIGHWAY NO.8,  
CHAND KHEDA, DISTT. GANDHI NAGAR-382  
424 (GUJARAT),  
PH :382424-9924016000.

**CHIKHLI (GU.)**

- 162.## INAL MOTORS (3929), POST MAJIGAM,  
CHIKLI BILIMORA ROAD, DISTT NAVSARI,  
PH :396521-9099033773.
- 163.## SHREE AMBICA MOTORS (2663), KUNDI  
FATAK, NEAR ADARSH NURSERY, N.H.8,  
CHIKHLI DISTT. VALSAD (GUJARAT)-396 001,  
PH :396001-9825131520.

**DAHOD**

- 164.\* CAR SEVA (2438), SAINT STEPHEN SCHOOL  
ROAD, GODHRA ROAD., DAHOD.  
PIN-389151,  
PH :389151-9426469122.

**DAMAN**

- 165.## CAR ZONE (4358), SURVEY NO.70/3,  
VARKUND, OPP VEERA DA DHABA, VAPI  
DAMAN ROAD, DAMAN-396210,  
PH :396210-9824184449.
- 166.## TOP GEAR (5469), DAMAN-KUNTA  
ROAD,KUNTA DAMAN-396210, DISTRICT -  
UNION TERRITORY , GUJARAT,  
PH :396210-9825631264.

**DEESA**

- 167.## VAKHARIA MOTORS (3970), G L PADIAR  
COMPLEX, PALANPUR PATHAN HIGHWAY,  
OPP. RAJMANDIR TALKIES, DEESA,  
PH :385535-937728841.

**DHARI**

- 168.## GURUKRUPA MOTORS (5876), NR.  
NARMADESHWAR MAHADEV TEMPLE,  
DHARI,AMRELI ROAD,DHARI-365640,  
DISTRICT-AMRELI, GUJARAT,  
PH :365640-9825374658.

**DHORAJI**

- 169.## UNIVERSE AUTO (5837), SARDAR  
CHOWK,DHORAJI-360410, DISTRICT-  
RAJKOT, GUJARAT,  
PH :360410-9727714643.

**GANDHI NAGAR**

- \* B-Category Mass : Free & paid Service & Major repairs  
# D-Category Mass : Free Service & Minor repairs

**Maruti Authorized Service Station (AS ON 30.05.2023 )**

170.\* LABH MOTORS (4527), PLOT NO - B - 206\*207 .. GIDC, SECTOR -25., GANDHINAGAR GUJARAT, PH :382024-982502030.

171.\* RIDDIHI MARUTI(A DIVISION OF SHREE ARBODA PVT. LTD (2151), E-19/10 G.I.D.C. SECTOR 26, NEAR K-7, GANDHINAGAR-382 044, PH :382044-9825041331.

172.### SHITAL MOTORS P.LTD, (134), 304 G.I.D.C., SECTOR-28, GANDHINAGAR - 382 028 (GUJARAT), PH :382028-98224127065.

**HALOL**

173.### MAA MOTORS (4767), GODHRA ROAD, NEAR TELEPHONE EXCHANGE, HALOL, GUJARAT, PH :389350-9898610212.

**HIMMATNAGAR**

174.### MEHTA SERVICE STATION (135), NEAR SHANTI GARDEN, RESTAURANT, DIWALI BAUG MOTIPURA, N.H.B. HIMMATNAGAR GUJARAT-383 001, PH :383001-942655664.

**IDAR**

175.### SUN MOTORS (5175), IDAR-HIMMATNAGAR HIGHWAY ROAD, AT KRUSHNAGAR.PO NETRAMLI, TA.IDER DISTRICT SABARKANTA, GUJARAT, PH :383430-9228286768.

**JAMKHAMBHALIA**

176.### SHRI HARI OM MOTORS (4539), JADESWAR ROAD CHAR RASTA, OPP. KRISHNA WAY BRIDGE, JAM KHAMBHALIA-361305, GUJARAT, PH :361305-9426955344.

**JAMNAGAR**

177.\* LANDMARK AUTOMOBILES (1973), PLOT NO-4/2, JAMNAGAR- KALVAD ROAD, MAHAPRABHUJI BETHAK ROAD, OPP SUBHASH BRIDGE, JAMNAGAR-361 006, (GUJARAT), PH :361006-7600000733.

**JETPUR**

178.### GIRIRAJ MOTORS (3971), JUNAGADH HIGHWAY, NEAR JALARAM TEMPLE, JETPUR, PH :360370-9727154392.

**JUNAGADH**

179.### MARUTI MOTORS (266), G.I.D.C. - I, RAJKOT HIGHWAY, DOLATPARA, JUNAGADH(GUJARAT), PH :362001-9099849888.

**KALOL**

180.### SUNRISE AUTO CENTRE (146), OPP. IFFCO, AHMEDABAD-MEHSANA ROAD, SAJU KALOL, (NORTH GUJARAT)-382 721, PH :382721-9879542207.

**KAMREJ**

181.\* PATEL MOTOR GARAGE (2764), PLOT NO 1,2,3, NAVAGAM,, NR. MANISHA HOTEL, OPP. DADABHAGWAN TEMPLE, NAVAGAM, KAMREJ., DIST. SURAT-394185, PH :394185-9825127413.

**KAPADVANJ**

182.### DISHA MOTORS (5960), MAHAMADPURA,KAPADVANJ-NADIAD ROAD, KAPADVANJ-387620, DISTRICT-KHEDA, GUJARAT, PH :387620-982561244.

**KESHOD**

183.### PRASAD MOTORS (3969), VERNAVAL HIGHWAY, KESHOD., PH :362220-9825024488.

**LIMDI**

184.### PARTH AUTOMOBILES (4171), OPP.SWAMINARAYAN TEMPLE, NH NO-8A, LIMBDI DIST, SUREDERNAGAR , PIN-363421, PH :363421-9426714510.

**LUNAWADA**

185.### N.J. MOTORS (4370), MODASSA ROAD, NR. SAIFEE HOSPITAL, LUNAWADA, DIST: PANCHMAHAL (GUJARAT), PH :389230-9924252700.

**MEHSANA**

186.\* SANSKAR MOTORS (5468), PALAVASANA -BECHARAJI ROAD, , NR. ONGC FIRE STATION, MEHSANA-364002 , DISTRICT-MEHSANA, GUJARAT, PH :384002-9825106359.

187.\*\* SHUBH AUTO SERVICES (3367), NEAR AGRO PETROL PUMP, OLD RT0, RAMOSNA JAKAT NAKA, MEHSANA (GUJARAT), PH :384001-9825322460.

**MORBI**

188.### ARUN MOTORS (2071), SANALA BYE PASS, NEAR G.P. GINING MILLS, MORBI -363641, GUJARAT, PH :363641-9825228285.

**NADIAD**

189.### SHIVAM MOTORS (4430), OPP RASHAM RESTAURANT, DABHAM CROSSING, N.H 8, NADIAD, GUJARAT, PH :387320-9825021960.

**NAKHATRANA**

190.### ASHA MOTORS (4340), NANA ANGLADESH, NAKHATRANA HIGHWAY ROAD, NAKHATRANA, KUTCH, PH :370615-9825225088.

**PETLAD**

191.### SIDDHI MOTORS (4166), OPP. GEB, NEAR RAILWAY CROSSING, NADIAD-KHAMBHAT HIGHWAY, PETLAD, ANAND, PIN-388450, PH :388450-7359465067.

**RAJKOT**

192.\*\* KHODIYAR MOTORS (356), DHEBAR ROAD (SOUTH), ATIKA INDUSTRIAL ESTATE, RAJKOT-360 001, PH :360001-9426202885.

193.\* UNIVERSE AUTO (5544), C/O DELHI GUJARAT TRANSPORT,NR. NAVAGAM, OCTROI POINT,AHMEDABAD HIGHWAY , RAJKOT-380002, DISTRICT - RAJKOT , GUJARAT, PH :380002-9879616643.

**RAJPIPLA**

194.### R. N. MOTORS (5255), 22-GIDC NEAR PETROL PUMP , RAJPIPLA, DISTRICT - NARMADA , GUJARAT, PH :393145-9925325300.

**SAVARKUNDLA**

195.### SHYAM MOTORS (8925), OPP. ESSAR PETROL PUMP, AMRELI ROAD,SAVARKUNDLA-364515, DISTRICT-AMRELI, GUJARAT, PH :364515-9427742134.

**SIDDHPUR**

196.### GOOD LUCK MOTORS (5341), 2.UMIYA COMPLEX, NEAR GURUKUL , HIGH SCHOOL SIDDHPUR , DISTRICT - PATAN, GUJARAT, PH :384145-9898428989.

**SIHOR**

197.### MOMAI MOTORS (6032), NR. RAJ MOMAI PETROLIUM , BHAVNAGAR-RAJKOT HIGHWAY,SIHOR-364240, DISTRICT-BHAVNAGAR, GUJARAT, PH :364240-9510201800.

**SURAT**

198.### EMPEROR CAR TECH (1748), F.PLOT NO.124 NEAR RELIANCE COMPLEX, BESIDE SHEETAL MARBLE, SURAT-DUMAS ROAD PILOD, SURAT-395 007, PH :395007-9825033396.

199.\* J.K.MOTORS (5158), LUHAR MOHALLA ,POSTT PALGAM, DISTRICT - SURAT, SURAT -394510, GUJARAT, PH :394510-9909920902.

200.\* NILESH MOTORS (5347), AMBER SHOPPING CENTRE,OPP.SADHNA CHAMBERS, VARACHHA ROAD , DISTRICT - SURAT , GUJARAT, PH :395004-937762860.

201.\*\* PATEL MOTORS (3060), 64 BAJRANG NAGAR, NEAR OCTROI CHECK POST, NANA VARCHA, SURAT-395 006, PH :395006-9909149498.

**SURENDERANAGAR**

202.### ADIT MOTORS (1247), 504/B PHASE-III, G.I.D.C. WADHWAN CITY, SURENDERANAGAR-363 035, PH :363035-987914222.

**TALALA**

203.\* RUBY MOTORS (5942), TALALA ROAD , RAMRECHI(GIR), DIST - GIR, SOMNATH - 362150 , , PH :362150-9824061044.

**UMBERGAON**

204.### KARAN AUTOMOBILES (2571), OPP. DAMRU WADI, UMBERGAON SANJAN ROAD, UMBERGAON DIST. VALSAD, GUJARAT-396 170, PH :396170-9824336583.

**UNJHA**

205.### AMBIKA MOTORS (3932), SADGURU COMPLEX, AHMEDABAD PALAM PUR HIGHWAY ROAD, UNJHA, MEHSANA-384170, PH :384170-9824517382.

**VADALI**

206.### VRAJ MOTORS (4560), UMIYA PARK, HIGHWAY ROAD, VADALI TA, VADALI, SABARKANTA (GUJARAT), PH :383235-9427364109.

**VADGAM**

207.### CHAUDHARY & CHAUDHARY MOTORS (6651), OPP.RELIANCE PETROL PUMP, PALAMPUR ROAD - VADGAM, DISTRICT - BANASKANTHA, GUJARAT, PH :385410-9664590698.

**VADODARA**

208.\*\* CAR CARE (2229), NEAR GANDHI OIL MILL, GORWA INDUSTRIAL ESTATE, BARODA-390 016, PH :390016-9825044610.

\*\* A-Category Mass : Free & paid Service, Major repairs & Accidental repairs

### C-Category Mass : Free & paid Service & Minor repairs

\* B-Category Mass : Free & paid Service & Major repairs

# D-Category Mass : Free Service & Minor repairs

**Maruti Authorized Service Station (AS ON 30.05.2023 )**

209.*	CAR CLINIC (4640), PLOT NO. B-7 (PART), ANUR ESTATE, NEAR DABHOI ROAD, JAKATNAGA, VADODARA (GUJARAT), PH :390004-9925003558.	220.**	GURU NANAK MOTORS (2036), POLICE LINES CHOWK, AMBALA CITY , PH :134003-8708357725.	232.**	PERFECT AUTOZONE (P) LTD. (5667), PLOT NO 9, ADJACENT TO UNION BANK OF INDIA, ANKHIR, OPP SEC 21-D, MAIN BADHKAL ROAD, DISTT FARIDABAD, HARYANA - 121001, PH :121001-9953417559/9871466789.	243.##	MANISH AUTOMOBILES (4777), GHATA ROAD, WAZIRABAD, NEAR SECTOR-66, GURGAON-122001, HARYANA, PH :122001-9873243858/9899561595/9899475288. CUTAB AUTOMOBILES (3668), KHEWAT/ KHATA NO 714/909, VILLAGE JHARSA, UNITECH CYBER PARK ROAD, SECTOR 39, GURGAON, HARYANA 122001, PH :122001-0124-2385333/0124-92267334/9811687333.
210.##	DREAM MACHINES (2933), 19 MULJINAGAR COLONY, OPP. GHELANI PETROL PUMP, NIZAMPURA, VADODARA-390 002, PH :390005-7575809940.	221.##	HIRA MOTORS (2740), 207 MILE STONE, VASANT VIHAR GT ROAD, N.H.-1, AMBALA CITY, PH :134002-9255285212.	233.##	SARASWATI AUTOMOBILES (4465), 44 B.P, NEELAM BATA ROAD, N.I.T, FARIDABAD, PH :121001-0129-4029665/0129-2429665/9811446686.	244.**	RAJASTHAN AUTO WORKS (4760), LT. ATUL KARATHI MARG, NEAR PETROL PUMP, AKASHI FILLING STATION, AMAN PURA, SECTOR-5 ROAD, GURGAON-122001 (HARYANA), PH :122001-8368972946/9910070220.
211.*	GENERAL MOTOR REPAIRING WORKS (2529), NEAR LOK SATTIA PRESS, NAGARWADA, VADODARA-390 001, PH :390001-9825026106.	222.**	RAVI MOTORS (1957), 125 STAFF ROAD, HOTEL SAVOY, AMBALA CANTT-126 102, PH :133001-9315110209.	<b>BADHARA</b>		245.##	RAJASTHAN AUTO WORKS (4760), LT. ATUL KARATHI MARG, NEAR PETROL PUMP, AKASHI FILLING STATION, AMAN PURA, SECTOR-5 ROAD, GURGAON-122001 (HARYANA), PH :122001-8368972946/9910070220.
212.**	HONEST AUTO STRUCTURE WORKS (279), 9, VINODBAUG BEHIND HOTEL SANMAN, JETPUR ROAD, VADODARA, PIN : 390005, PH :390002-9824014046.	223.*	S.S MOTORS (5735), NEAR REST HOUSE, BADHARA-123308, DISTRICT-BHIWANI, HARYANA, PH :127308-9255141288.	<b>FARRUKHNAGAR</b>		246.##	S G MOTORS (5756), PLOT NO.494,SECTOR 37., PACE CITY II,VUDDYOG VIHAR VI - GURGAON, DISTRICT-GURGAON, HARYANA, PH :122001-9711770092.
213.##	MAYUR SERVICE STATION (2224), NEAR POLICE STATION, PRATAPNAGAR ROAD, BARODA-390 004, PH :390001-9879453031.	<b>BAHADURGARH</b>		234.**	M R MOTORS (5946), GURGAON-JHAJJAR ROAD,OPP. ANAAZ MANDI, FARRUKHNAGAR-123506, DISTRICT-GURGAON, HARYANA, PH :122506-9810831200.	247.**	SEVEN HILLS AUTOMOBILES PVT LTD (6038), VIJAY VIHAR,MAIN SILOKHRA ROAD,SEC-30, GURGAON- 122002 , HARYANA , PH :122001-9810602354.
<b>VALIA</b>		224.##	GL AUTOMOBILES (5263), MAIN ROHTAK ROAD, SANKHOL OPP CH. DEVI LAL PARK, DISTRICT - BAHADURGARH, HARYANA, PH :124507-9416303473.	<b>FATEHABAD (HARYANA)</b>		248.##	SOMESH AUTOMOBILES (455), PLOT NO 249/2/8, BLOCK A, ROAD NO A-56, DLF PHASE 1, GURGAON 122002, PH :122002-9717070830.
214.##	HARI OM AUTO CARE (5750), NEAR MAZDA HOTEL -VALIA, ANKALESHWAR ROAD-VALIA, DISTRICT-BHARUCH, GUJRAT, PH :393135-9427336094.	<b>BARARA</b>		235.##	DHINGRA AUTOMOBILES (1856), G.T. ROAD, FATEHABAD, (HARYANA), PH :125050-9896012906.	249.##	SRI PARKASH AUTOMOBILES (5862), BAJHERA ROAD,NEAR PARKASH PURI ASHRAM, NEW PALAM VIHAR, GURGAON-122001, DISTRICT-GURGAON, HARYANA, PH :122001-9899157729/9810070098.
<b>VALSAD</b>		225.##	LUXMI AUTOZONE (5334), VPO BARARA , DISTRICT - AMBALA, HARYANA, PH :133201-8222024046.	236.##	INDORA MARUTI SERVICE STATION (3064), OPPOSITE M M COLLEGE, SIRSA ROAD, FATEHABAD, 125050, PH :125050-9254080200.	250.##	TOP GEAR AUTOMOTIVE ENGINEERS (4464), MAIN JHARSA ROAD, GURGAON, (HARYANA), PH :122001-0124-4039011/981034011/9891439407.
215.*	HONEST AUTO GARAGE (2220), SUGHAR FALIA, BEHIND MOTA GHANCHIWAD, VALSAD-396 001 (GUJARAT), PH :396001-9426110767.	<b>BARWALA (HARYANA)</b>		<b>GANAUR</b>		<b>HANSI</b>	
<b>VANTHLI</b>		226.**	FAQIR CHAND QUALITY FUELS (5435), KILLA NO.20L.H.S. NH-65., CHANDIGARH ROAD - BARWALA, DISTRICT - HISAR, HARYANA, PH :125121-9215027000.	237.##	SITA AUTOMOBILES (4260), 347, WARD NO. 10, BST ROAD, GANAUR, DISTT- SONEPAT, PH :131101-9992022047.	251.**	VIKAS AUTOMOBILES (4744), SHANTI NIKETAN, OPP. JIND BYE PASS, G.T. ROAD, HANSI, DISTRICT-HISSAR (HARYANA), PH :125033-9466248037.
216.*	INFINITY MOTORS (5963), RAVI RATAN' VADLA FATAK , OPP.HP PETROL PUMP ,POST VADLA,TAL VANTHLI-362205, DISTRICT-JUNAGADH, GUJARAT, PH :362001-9898990120.	<b>BHIWANI</b>		<b>GANGWA</b>		<b>HISSAR</b>	
<b>VIRAMGAM</b>		227.##	VEER MOTOR WORKSHOP (1850), 24 NEW MOTOR MARKET, BHIWANI, (HARYANA),, PH :127021-9416057857.	238.**	PANCHMUKHI AUTOMOBILES (5968), HISSAR RAJGARH ROAD., GANGWA-125001, DISTRICT-HISSAR, HARYANA, PH :125001-9728100029.	252.*	PALCO MOTOR GARAGE (4739), 96 AUTO MARKET, HISSAR-125001, HARYANA, PH :125001-9729601111.
217.##	KRISHNA MOTOR GARAGE (4038), OUTSIDE BHARWADI GATE, NEAR BHARAT PETROL PUMP, VIRAMGAM, PH :382150-9426415274.	<b>BHUNA</b>		<b>GOHANA</b>		<b>HISSAR</b>	
<b>VYARA</b>		228.*	MITTAL AUTOMOBILES (5748), NEAR BUS STAND ,JAKHAL ROAD - BHUNA, PIN-125111, DISTRICT-FATEHABAD, HARYANA, PH :125111-9813207221.	239.##	KRISHNA MOTORS (4132), ROHTAK ROAD, GOHANA., PH :131301-9017062999.	<b>HISSAR</b>	
218.##	PARTH MOTORS (8928), D-1.CITY LIGHT TOWER KAKRAPAR, BYPASS ROAD-VYARA, DISTRICT-SURAT, GUJARAT, PH :394650-9898292020.	<b>FARIDABAD</b>		<b>GURGAON</b>		<b>HISSAR</b>	
<b>HARYANA</b>		229.##	BALAJI SERVICE STATION (4956), SECTOR 23-24, MAIN ROAD, NEAR BALAJI DHARM KATA, FARIDABAD-121004, HARYANA, PH :121001-9818700422/0129-4100265.	240.##	A & A ENTERPRISES (4639), 396, PHASE-IV, UDDYOG VIHAR, GURGAON (HARYANA), PH :122015-8851819511.	<b>HISSAR</b>	
<b>AMBALA</b>		230.**	INSUJH AUTO (377), 13/3 MAIN MATURHA ROAD, (ADJOINING FRICK INDIA), FARIDABAD-121 003, PH :121003-0129-2272587/0129-2272484/9810135516.	241.##	GANGA MOTORS (363), SHIVPURI, GURGAON-122 001, , PH :122001-0124-2314940/0124-2322084/98104306028.	<b>HISSAR</b>	
219.##	BASSAN MOTORS (4964), 99 TH MALL, AMBALA CATT - 133001, HARYANA, PH :133001-9466000000.	231.##	KHURANA AUTOMOBILES (2863), 3C/60 B.P. (OPPOSITE ESI HOSPITAL), N.I.T., FARIDABAD, PH :121001-9891984841/9810474117.	242.*	KUMAR AUTOMOBILES (4848), BEHRAMPUR ROAD, NEAR NH-8, GURGAON -122001, HARYANA, PH :122002-9873431696/0124-2215696/9873448804.	<b>HISSAR</b>	

\*\* A-Category Mass : Free & paid Service, Major repairs & Accidental repairs

## C-Category Mass : Free & paid Service & Minor repairs

\* B-Category Mass : Free & paid Service & Major repairs

# D-Category Mass : Free Service & Minor repairs

**Maruti Authorized Service Station (AS ON 30.05.2023 )**

253.\* SAI AUTOMOBILES (5267), TOSHAM ROAD, NEAR AAKASH INSTITUTE, SECTOR-13, HISSAR, HARYANA, PH :125001-7988238034.

254.\*\* SALASAR AUTO (4735), OPP. VIDYUT NAGAR GATE NO. 2, DELHI ROAD, HISSAR-125001, HARYANA, PH :125001-9355486716.

**HODAL**

255.### VED MOTORS (2247), HIGHWAY ROAD, NEAR RAILWAY STATION CHOWK, HODAL-121 106, (FARIDABAD), PH :121106-7988978936.

**INDRI**

256.### ASHOKA MOTOR (6041), OPP. PARTAP FILLING STATION,LADWA ROAD, TEHSIL-INDRI, DISTRICT-KARNAL, HARYANA, PH :132041-8813000316.

**ISMALABAD**

257.\* VINAYAK MOTORS (6052), OPP. MAHARAJA PALACE ,AMBALA HISSAR ROAD , ISMALABAD-136129 , HARYANA, PH :136129-9034820190.

**ISRANA**

258.### SHIV DARSHAN AUTOMOBILES (6051), ISRANA PANIPAT ROAD, NR. NC COLLEGE,ISRANA-132103, DISTRICT-PANIPAT , HARYANA, PH :132107-9911366230.

**JHAJJAR**

259.### VASUNDHRA MOTORS (1467), REWARI ROAD, JHAJJAR-124 103, (HARYANA), PH :124103-9812012180.

**JIND**

260.### MOHIT MOTORS (1574), SAFIDON GATE, JIND-126 102, , PH :126102-9355129844.

**KAITHAL**

261.### HIND AUTOMOBILES (1858), AMBALA ROAD, KAITHAL, , PH :138027-7015806781.

**KANINA**

262.### SHREE KRISHNA MOTORS (5953), BHOOP SINGH MARKET,NEAR PETROL PUMP, MAHINDERGARH ROAD,KANINA-123027, DISTRICT-MAHINDERGARH, HARYANA, PH :123027-9467641678.

**KARNAL**

263.\*\* RUBY MOTORS (4734), 28/3 HSIDC, NEAR NAMASTEY CHOWK INDUSTRIAL AREA, KARNAL-132001, HARYANA, PH :132001-9896345633.

**KHARKHODA**

264.\* PRANAV MOTORS (5771), SAMPLA ROAD,KHARKAUDA-131402, DISTRICT-SONEPAT, HARYANA, PH :131402-9896145161.

**KUNDLI**

265.### SHIV SHAKTI AUTOMOBILES (4628), SECTOR 53, HSIIDC, JANTI ROAD, NEAR K.H.I COLD STORAGE, KUNDLI, SONEPAT, HARYANA - 131028, PH :131001-9811047480.

**KURUKSHETRA**

266.### KARTAR MOTORS (1645), RED ROAD, KURUKSHETRA-132 118, , PH :136118-9896245900.

267.\*\* KARTAR MOTORS (5349), PLOT O 65-66, SECTOR -2, HUDA INDUSTRIAL, AREA KURUKSHETRA, PH :136118-9896245900.

268.### SAINI MOTORS (2131), G. T. ROAD, UMRI CHOWK, KURUKSHETRA, (HARYANA), PH :136118-9896183931.

**LOHARU**

269.### BHAWNA MOTORS (6028), BHIWANI ROAD, LOHARU-127201, DISTRICT-BHIWANI HARYANA, PH :127201-8901276555.

**MAHENDERGARH**

270.### SHREE SHYAM MOTORS (5843), NEAR I.O.C PETROL PUMP, MAHENDERGARH-123029, DISTRICT-MAHENDERGARH, (HARYANA), PH :123028-8199982018/9050994709.

**MANDI ADAMPUR**

271.### MITTAL AUTO AGENCIES (2966), 113-15 AUTO MARKET, MANDI ADAMPUR, (HARYANA), PH :125052-9729173300.

**MANESAR**

272.### MAITRI SERVICE STATION (2378), N.H.8, DELHI-JAIPUR ROAD, MANESAR (GURGAON), PH :122001-9818001128.

**NILOKHERI**

273.### SURENDRA MOTORS (5049), NEW NEHSIL ROAD,NILOKHERI, DISTRICT KARNAL , NILOKHERI-132117, HARYANA, PH :132117-9812510190.

**PALWAL**

274.\*\* D.K. & R.K. MOTORS (1159), NEAR BUS STAND , NH-2 PALWAL, PALWAL, PH :121102-9416066647/9050460231.

275.\* SHEELA MOTORS (5141), OPP MUNICIPAL COUNCIL OFFICE, OLD G T ROAD, DISTRICT - FARIDABAD, HARYANA, PH :121102-9416066251/01275-401501.

**PANCHKULA**

276.\*\* PANCHKULA AUTO SERVICES (1949), PLOT NO.300, PHASE-II INDUSTRIAL AREA, PANCHKULA-134 109, (HARYANA), PH :134109-9316132257.

**PANIPAT**

277.\*\* PREM MOTORS (2266), PLOT NO.134, SECTOR 25 INDUSTRIAL AREA, PANIPAT, PH :132103-9896306380.

**PATAUDI**

278.\*\* SHUBHAM AUTOMOBILES (4641), REWARI ROAD, PATAUDI, DISTT. GURGAON, PH :122413-0124-2672942/9812665240.

**PEHOWA**

279.\* AMAR AUTOMOBILES (2270), OPP. DAV COLLEGE, AMBALA ROAD, PEHOWA DISTT. KURUKSHETRA, (HARYANA), PH :136128-9896002974.

**RADAUR**

280.### SHRI SHIVAM AUTOMOBILES (5852), S.K. ROAD,OPP. ESSAR PETROL PUMP, RADAUR-135133, DISTRICT-YAMUNANAGAR, HARYANA, PH :135133-9034384003.

**RANIA**

281.### SINGLA MOTORS (3779), NEAR BUS STAND, RANIA-125 076, DISTT. SIRSA (HARYANA), PH :125076-9416011238.

**REWARI**

282.### GAUTAM MOTORS (1837), ARNAUL ROAD, REWARI -123401 (HARYANA), , PH :123401-9416064894.

283.### PULYANI MOTORS (4863), BEHIND KAMLA PALACE, CIRCLULAR ROAD, REWARI-123401, HARYANA, PH :123401-9416064738/01274-252238/01274-257938/9955963168.

284.\* SHIVAM SERVICES (1466), OPP. CENTRAL SCHOOL, GARHI BOLNI ROAD, REWARI-123 401, PH :123401-01274-254825/9416288341.

**SADHAURA**

285.### SHREE GANESH MOTORS (5959), NEAR INDIAN OIL PETROL PUMP, KALA AMB ROAD,SADHAURA-133204, DISTRICT-YAMUNANAGAR, HARYANA, PH :133204-9813376260.

**SHAHABAD**

286.\*\* MAHALAXMI MOTORS (354), LADWA ROAD, SHAHABAD MARKANDA-136 135, (HARYANA), PH :136135-98712036433.

**SIWANI**

287.### GANESH AUTOMOBILES (6931), NEAR RELIANCE PETROL PUMP,HISAR ROAD,SIWANI, DISTRICT-BHIWANI, HARYANA - 127046, PH :127046-8607113000.

**SOHNA**

288.\*\* SHRI SHYAM MOTORS (8930), OPP.RAGHUNANDAN PETROL PUMP, NEAR GD GOENKA INTERNATIONAL SCHOOL, SOHNA-122103, HARYANA, PH :122103-9582350079.

**SONIPAT**

289.### NEW HIGHWAY MOTORS (8923), MAIN DELHI ROAD, SONEPAT, HARYANA, PH :131001-9416672009.

**TAURU**

290.### R M MOTORS (5842), WADE NO-4BEHIND WINE SHOP MAIN REWARI SOHNA ROAD, TAURU-122105, DISTRICT-MEWAT, HARYANA, PH :122105-9812378663.

**TOSHAM**

291.### MOHINI AUTOMOBILES (6026), OPP.NEW ANAJ MANDI , NEAR MINI BANK,TOSHAM-127040 , DISTRICT-BHIWANI, HARYANA, PH :127040-9215959995/9992251000.

**UKLANA**

292.\* SHREE GANESH MOTORS (5747), PLOT NO#29,UKLANA MANDI, DISTRICT-HISSAR, PH-125113, HARYANA, PH :125713-98123091531.

**HIMACHAL PRADESH**

**ALAMPUR**

293.### SUBH AUTOMOBILES (5964), SH-39,ALAMPUR-176110, DISTRICT-KANGRA, HIMACHAL PRADESH, PH :176082-9816675551.

**AMB**

294.### SHUBHAM MOTORS (5933), NEAR PINDI ASHRAM,HAMIRPUR ROAD, AMB-177203, DISTRICT-UNA, HIMACHAL PRADESH, PH :177203-9418114176.

**ANNI**

\*\* A-Category Mass : Free & paid Service, Major repairs & Accidental repairs  
 ## C-Category Mass : Free & paid Service & Minor repairs

\* B-Category Mass : Free & paid Service & Major repairs  
 # D-Category Mass : Free Service & Minor repairs



## Maruti Authorized Service Station (AS ON 30.05.2023 )

295.##	SARAJ AUTO WORLD (6044), VERMA BUILDING,NR. NAGAN HARIPUR , TEHSIL,ANNI-172026 , DISTRICT-KULLU , HIMACHAL PRADESH, PH :172026-9129065065/9817120002.	305.##	CHANDEL SERVICE STATION (5233), DARLAGHAT , DISTRICT-SOLAN, HIMACHAL PRADESH, PH :171102-9816039865.	315.##	YOLAX MOTORS (3830), KEYLONG, DISTT. LAHAUL & SPITI, . PH :175133-7651031580.	326.**	SANGRAI AUTO SERVICE (6430), OPP. SITLA MATA MANDIR, PALAMPUR-176 061, DISTT. KANGRA (H.P.), PH :176061-9418085915.
<b>BADDI</b>		<b>DHARAMSHALA</b>		<b>KULLU</b>		327.##	SANTOSHI AUTOMOBILES (4776), VILLAGE & P.O. BHAWARNA, TEHSIL, PALAMPUR, DISTRICT- KANGRA (HIMACHAL PRADESH), PH :176083-9418184367.
296.**	LAJ MOTORS (5541), 436.MAUJA SURAJ,MAJRA LABANA, BADDI, DISTRICT - SOLAN, HIMACHAL PRADESH, PH :173205-9816039189.	306.##	EAGLE MOTOR SERVICE STN. (6426), SHAM NAGAR, DHARAMSALA-176215 (HIMACHAL PRD.), . PH :176215-8219915841.	316.##	PURI BROTHER'S (4242), I.O.C DEALER, DHALPUR, KULLU, H.P. PH :175101-9418395358.	<b>PAONTA SAHIB</b>	
<b>BANGANA</b>		307.##	HIM AUTO STATION (8932), VPO DARI, DHARAMSHALA, (H.P.), PH :176057-9418029655.	<b>KUMARHATTI</b>		328.##	SUMMET MOTORS (1441), SHAMSHERPUR, PAONTA SAHIB-173 025, (H.P.), PH :173025-9418018329.
297.##	TRISHLA AUTOMOBILES (5689), VILLAGE BPO & TEHSIL BANGANA, BANGANA-174307, DISTRICT-UNA, HIMACHAL PRADESH, PH :174307-9817645350.	308.##	SHIV SHAKTI CAR CARE (1277), NEAR RAINBOW SCHOOL, DARI ROAD, DHARAMSHALA-176 057, PH :176057-9318752074.	<b>KUMARSAIN</b>		<b>PAPROLA</b>	
<b>BANOI</b>		<b>GHUMARWIN</b>		318.##	RED LINE (5965), VILL. KEPU,PO KIRTI SAINZ, TEHSIL,KUMARSAIN-172030, DISTRICT-SHIMLA, HIMACHAL PRADESH, PH :172030-9816027007.	329.##	ABROL AUTOMOBILES (3470), VPO PAPROLA, TEHSIL BALUNATH, DISTT KANGRA, HIMACHAL PRADESH -176115, PH :176115-9418066917.
298.##	BABA SERVICE STATION (4634), VILL BANOI, TEH SHAHPUR P.O., BANOI, DIST KANGRA (HIMACHAL PRADESH), PH :176209-9418051290.	309.##	BHASKAR AUTO SPARES & SERVICES (5147), VILLAGE KULARU, GHUMARWIN, DISTRICT -BILASPUR, HIMACHAL PRADESH, PH :174021-9816090504.	<b>MANDI</b>		<b>PARWANOO</b>	
<b>BARMANA</b>		<b>GUMMA</b>		319.**	BHAGIWATI AUTOMOBILES (269), PLOT NO. 13 INDUSTRIAL AREA PHASE 3 SAULI KHAD MANDI (H.P.), PH :175001-9418461897.	330.##	DIVYA SALES (6428), DIVYA BHAWAN VILL. KAMLI, SECTOR-1, PARWANOO, PH :173220-9816032002.
299.##	AVER AUTO (5955), VILLAGE LAGAT,TEHSIL SADAR, PO BARMANA-174013, HIMACHAL PRADESH, PH :174013-9418064130.	310.##	CHAUHAN ENTERPRISES (5660), VILLAGE GUMMA,TEHSIL KOTKHAL, GUMMA, DISTRICT - SHIMLA, HIMACHAL PRADESH, PH :171202-9218690917.	<b>MARANDA</b>		<b>PATLI KUAHAL</b>	
<b>BHAMBLA</b>		<b>JAWALA JI</b>		320.##	MODERN SERVICE CENTRE (1175), PUSHP COMPLEX, MARANDA-176 102, (H.P.), PH :176102-7018243011.	331.*	JAMDAGNI MOTORS (760), VILLAGE PATLI KUAHAL, P.O.KATRAIN, DISTT.KULLU (H.P.), PH :175129-9816040247.
300.*	DHIMAN MOTORS (3837), PLOT NO. 42., INDUSTRIAL AREA, BHAMBLA, JAHU, DISTT MANDI, PH :175004-9816227437.	311.##	SRI PARBHAT MOTORS (5036), VPO & TEHSIL, JAWALI-(BHANEI), DISTRICT - KANGRA, (HIMACHAL PRADESH), PH :176023-9805511205.	<b>MEHATPUR</b>		<b>RAJGARH (H.P)</b>	
<b>BHUNTAR</b>		<b>JAWALAMUKHI</b>		321.##	BUDDHA AUTO HOUSE (6422), MAIN BAZAR, UNA, MEHATPUR-174315 (H.P), PH :174315-9815971708.	332.##	RAJGARD AUTOMOBILES (5458), PO RAJGARH,TEH RAJGARH, DISTRICT - SIRMOUR, HIMACHAL PRADESH, PH :173101-9418021344.
301.##	HANDA MOTORS (4262), HANDA COMPLEX, NEAR AIRPORT, BHUNTAR, KULLU (H.P), PH :175125-9816007003.	312.##	LAKSHMI AUTO SPARES & SERVICE CENTRE (4630), NEAR GANJU BAGH, DEHRA ROAD, JWALAMUKHI, TEH. DEHRA, DIST. KANGRA (HIMACHAL PRADESH), PH :176031-9418091048.	<b>MUBARAKPUR</b>		<b>RAMPUR BUSHAHR</b>	
<b>BILASPUR (H.P)</b>		<b>KARSOG</b>		322.##	SHIV SHAKTI AUTOMOBILES (1732), HOSHIAHPUR ROAD, MUBARAKPUR, DISTT. UNA, (H.P.), PH :177202-9418328361.	333.**	HIGHWAY SERVICE STATION (2649), CHUHA BAG, RAMPUR BUSHAHR, (H.P.) - 172001, PH :172001-9805831627.
302.##	BHASKAR AUTO SPARE & SERVICE (1730), 6-B ROJRA SECTOR II, (NEAR DURGA MANDIR), BILASPUR-174 001 (H.P.), PH :174001-9816436001.	313.##	DEEPAK AUTOMOBILES (4057), MR. DEEPAK SHARMA, C/O SHARMA GENERAL STORE, KARSOG, MAIN BAZAR, DIST MANDI, HIMACHAL PRADESH, PH :175011-9817063007/9816260061.	<b>NADAUN</b>		334.##	KRISHNA AUTOMOBILE (4438), VILL CHUHA BAG, RAMPUR BUSHAHR-172001, , PH :172001-9418036091.
<b>CHAMBA</b>		<b>KAZA</b>		323.**	CAR CARE ENGINEERS (4423), HOSHIAHPUR ROAD, MANPUL, NADAUN DISTT. HAMIRPUR, HP, PH :177033-9857799080.	<b>RECONG PEO</b>	
303.*	AUTOZONE (5247), PATHANKOT RAOD ,PAREL , SULTANPUR - CHAMBA , DISTRICT - CHAMBA , HIMACHAL PRADESH, PH :176310-9418214848.	314.##	SPITI MOTORS (6033), VILL. & PO.KAZA-172114, DISTRICT-LAHAUL & SPITI, HIMACHAL PRADESH, PH :172114-9418758974.	<b>NAHAN</b>		335.##	KRISH AUTO (4134), RECONG PEO, TEHSIL KALPA, DISTT KINNAUR, HIMACHAL PRADESH - 172707, PH :172707-9816579999.
304.##	KAILASH SERVICE STATION (3527), AMRIT NIWAS MOHALLA, BONGUTA, CHAMBA TOWN, DISTT CHAMBA, PH :176310-98986679445.	<b>KEYLONG</b>		324.##	AGGARWAL MOTORS (3334), GUNNU GHAT, NEAR TELECOM COLONY, NAHAN-173 001, PH :173001-9418023558.	<b>ROHRU</b>	
<b>DARLAGHAT</b>				<b>NALAGARH</b>		336.##	KAMTA SERVICE STATION (2338), ROHRU, DISTT. SHIMLA, (H.P.), PH :171207-9418040106.
				325.##	KRISHINA MOTOR (5275), PEERTHAN,PO NALAGARH, DISTRICT - SOLAN, HIMACHAL PRADESH, PH :174101-9418094064.	<b>SALASHI</b>	
				<b>PALAMPUR</b>		337.##	THAKUR AUTOMOBILES (3838), JALANDHAR MANALI NATIONAL HIGHWAY (NH70), NEAR DAV SCHOOL, VILLAGE SALASHI, DISTT HAMIRPUR, PH :177001-9418490904.

\*\* A-Category Mass : Free & paid Service, Major repairs & Accidental repairs

## C-Category Mass : Free & paid Service & Minor repairs

\* B-Category Mass : Free & paid Service & Major repairs

# D-Category Mass : Free Service & Minor repairs

**SARKAGHAT**

338.### SHAKUNTLA MOTORS (5755), MANDI ROAD-SARKAGHAT, DISTRICT-MANDI, PIN-175024, HIMACHAL PRADESH, PH :175024-9817818822.

**SHIMLA**

339.\*\* GURRAJ AUTO SERVICE (757), NEAR CPRI ROAD, BEMLOI, SHIMLA-171 001, PH :171001-9816233030.  
340.\*\* MOTO WORLD (6433), NAVBAHAR, SHIMLA-171 002, , PH :171002-9459050769.

**SOLAN**

341.### SOLAN SERVICE CENTRE (764), BYE PASS, NEAR PWD OFFICE, SOLAN-173 212, PH :173212-9816222640.

**SUBATHU**

342.### SHYAM AUTOMOBILES (4558), NEAR SHANTI FILLING STATION, V.P.O RADYANA, SUBATHU, DIST SOLAN (HIMACHAL PRADESH), PH :173206-9418061757.

**SUNDERNAGAR**

343.\*\* V.M. SERVICE STATION (3777), CHAMUKHA, P O HARABAGH, NH-21, SUNDER NAGAR-174 402 (H.P.), PH :175019-9418064130.

**THEOG**

344.### JOSHI MOTORS (2778), SHALLI BAZAR, THEOG, DIST. SHIMLA, (H.P.), PH :1712101-9459100051.

**UNA (H.P)**

345.### RUDRA MOTORS (3925), NEAR OLD HOSPITAL CHOWK, NH-22, UNA - 174303 (H.P.), PH :174303-9816590199.

346.### TRINITY AUTO FAST ENGINEERS (1755), JALGRAN TABBA, NANGAL ROAD, UNA, HIMACHAL PRADESH - 174303, PH :174303-9816628020.

**JAMMU AND KASHMIR**

**AWANTIPORA**

347.### KESAR AUTOMOBILES (5938), KHAR MORH NATIONAL HIGHWAY 1A, AWANTIPORA-192122, DISTRICT-PULWAMA, JAMMU & KASHMIR, PH :192122-7780873161.

**BARAMULA**

348.\* MARUTI MASTERS (4369), KANISPORA, BARAMULA, KASHMIR, PH :193101-9906864748.

**CHADDOORA**

349.\* VEHICLE MASTERS (4661), MAIN ROAD, CHADDOORA-190001, DIST. BUDGAM, JAMMU & KASHMIR, PH :190001-9419441217.

**JAMMU**

350.\* CARE POINT AUTOMOBILES (4652), OPP. BSF CAMPUS ROAD, AKHNOOR ROAD, JAMMU-180002, PH :180002-9419283151.  
351.\*\* CHECK N CARE AUTOMOBILE CENTRE (1773), OPP. GURUDWARA SRI SINGH SABHA, NARWAL BYE PASS ROAD, JAMMU, PH :180001-9419190796.  
352.\*\* KWIK FIT (2343), AMBPHALLA, B.C. ROAD, JAMMU-180 001, PH :180001-9419104400.  
353.\*\* MOBEL GARAGES (441), NARWAL CHOWK, TRANSPORT NAGAR, JAMMU-180 006, PH :180006-9796800000.  
354.### NATIONAL MOTORS (5074), OPP APNA VIHAR.B.P. PETROL PUMP , NH-1A.KUNJWANI JAMMU, DISTRICT - JAMMU, JAMMU & KASHMIR, PH :180010-9419322222.

**KARGIL**

355.\* ZOZILA ENGG. WORKS (374), KARGIL, LADAKH-194 105, PH :194015-9419176212.

**KATHUA**

356.\* KATHUA MOTORS (3323), HATLI MORE, KATHUA-184 102, (J&K), PH :184102-9419150694.

**KATRA**

357.### VIDYA AUTOMOBILES (1165), JAMMUR ROAD, KATRA JAMMU ROAD, KATRA, (J&K), PH :182320-9596676576.

**KISHTWAR**

358.### MINTOO MOTORS (4133), NEAR H.H.P.C SCHOOL, KISHTWAR, DISTT DODA (J & K), PH :182204-9622055250.

**MATTAN**

359.### DANISH AUTOMOBILES (5478), PAHAL GAM ROAD, STATE HIGHWAY - MATTAN, DISTRICT - ANANTNAG, JAMMU & KASHMIR, PH :192125-9419041724.

**PHINTER**

360.### BADYAL AUTOMOBILES (4149), C/O BADYAL AUTOMOBILE, PHINTER, TEH BILLAWAR, DISTT KATHUA, PHINTER (J & K), PH :184203-9419691916.

**PULWAMA**

361.\*\* KASHMIR AUTOMOBILES (5352), NEAR FRUIT MANDI, PRICHOO PULWAMA, KASHMIR, PH :192301-9622742291.

**RAJOURI**

362.### MILLENNIUM MOTORADES (2937), ALPHA GATE, T.C.P., RAJOURI-185 132, (J&K), PH :185132-7006122022.

**REASI**

363.### U LIKE CAR CLINIC (4771), GITA NAGAR, REASI JYOTIPURAM ROAD, REASI, DISTRICT-UDHAMPUR (JAMMU & KASHMIR), PH :182311-7006083550.

**SAMBHA**

364.### DHANSAR CAR CLINIC (5146), NATIONAL HIGHWAY , SUPWAL SAMBHA , DISTRICT - JAMMU, J&K, PH :184120-9419393949.

**SOPORE**

365.### HASSAN MOTORS (2434), BPC DEALER, SOPORE, KASHMIR, PH :193201-9906506786.

**SRINAGAR**

366.\* A.B. MOTORS (5072), BEHIND NEW SECRETARIAT ROAD, SRINAGAR, DISTRICT - SRINAGAR, JAMMU & KASHMIR, PH :190009-9419007966.

367.\*\* ADAM'S AUTOAIDES (5766), SIDCO INDUSTRIAL EXTATE,SHALTENG, SRINAGAR, DISTRICT-SRINAGAR, JAMMU & KASHMIR, PH :191202-9906580089.

368.\* HASEEN MOTORS (5249), BY-PASS BRIDGE BAGH MEHTAB, SRINAGAR , JAMMU & KASHMIR, PH :190019-9419006847.

369.### NEW NATIONAL AUTOMOBILES (5073), RAM BAGH AIRPORT ROAD SRINAGAR, DISTRICT - SRINAGAR, JAMMU & KASHMIR, PH :190009-9419013778.

370.\* SRINAGAR AUTOMOBILES (4925), M.A. LINK ROAD, NEAR TRANSPORT YARD BRIDGE, CHINARBAGH, SRINAGAR-190001 (JAMMU & KASHMIR), PH :190001-9419001793.

**SURNKOTE**

371.### A.S. AUTOMOBILES (5976), IQBAL NAGAR,SURANKOTE, DISTRICT-POONCH, JAMMU & KASHMIR PH :185121-9469014765.

**VIJAYPUR**

372.### BANSI LAL MARUTI SERVICE STATION (4748), SWANKHA MORH, NATIONAL HIGHWAY, VIJAYPUR-180001, DISTRICT-SAMBA (JAMMU & KASHMIR), PH :180001-9419106798.

**JHARKHAND**

**BOKARO**

373.### UJEEA AUTOMOBILES (4845), S-21 CITY CENTRE, BOKARO STEEL CITY, BOKARO-827004, JHARKHAND, PH :827004-9431127441.

**DEOGHAR**

374.\* GARGEET AUTOMOBILE (2276), OPP. D.C. RESIDENCE, CIRCULAR ROAD, BARMASIA, DEOGHAR-814 112 (BIHAR), PH :814112-9940580983.

**DHANBAD**

375.### MAZUMDAR CAR SCAN (5135), BHUFORCE ,K G ASHRAM ROAD, SARAIDELA - 828301, DISTRICT - DHANBAD, JHARKHAND, PH :828301-9835361472.

376.### PRIYA AUTO (4868), OPPOSITE MINNING SCHOOL, SINDRI ROAD, BHAGA, DHANBAD-828301, JHARKHAND, PH :828301-9431124817.

**HAZARIBAGH**

377.### ALOK MOTORS (379), NEAR INDRAPURI CHAWK, HAZARIBAG-825 301, (BIHAR), PH :825301-9431140740.

378.### SRI RAM MARUTI SERVICE STATION (3663), DEVI DAYAL LANE, HAZARIBAG-825 301, (JHARKHAND), PH :825301-9431384877.

**JAMSHEDPUR**

379.\*\* CAR CURE (1261), C/O MODERN AUTO STORES, KALIMATI ROAD, SAKCHI, JAMSHEDPUR-1, PH :831001-9234608016.

380.### MAHESHWARI BROS. (5124), NATIONAL HIGHWAY 33, BALIGUMA MANGO, P.O. -M.G.M. MEDICAL COLLEGE, JAMSHEDPUR-831 018, PH :831018-9031144444.

**KHUNTI**

381.### MOD MOBILES (5579), MAIN ROAD,RANCHI ROAD - KHUNTI, DISTRICT - KHUNTI, PIN - 835210, JHARKHAND, PH :835210-9304468855.

**MAITHON**

\*\* A-Category Mass : Free & paid Service, Major repairs & Accidental repairs

### C-Category Mass : Free & paid Service & Minor repairs

\* B-Category Mass : Free & paid Service & Major repairs

# D-Category Mass : Free Service & Minor repairs

**Maruti Authorized Service Station (AS ON 30.05.2023 )**

382.##	MAITHON SERVICING CENTRE (5838), MAITHON ROAD, NEAR VMC COLONY, SANJAY CHOWK ,PO CHIRKUNDA-MAITHON, DISTRICT-DHANBAD, (JHARKHAND), PH :828203-720943707.	393.##	MAHANATH MOTORS (5763), RTO ROAD BAILHONGAL ,TALUK-591102, DISTRICT-BELGAUM, KARNATAKA, PH :591102-9535653166.	405.*	NEXUS (1153), 2ND MAIN KHB COLONY, GANDHI NAGAR, YELAHANKA, BANGALORE-560 064, PH :560 064-9844013436.	417.**	U.M. CARS PVT. LTD. (2847), KARNATAKA GOLF ASSOCIATION ROAD, KODIHALLI, OFF. AIR PORT ROAD, BANGALORE-560 008, PH :560 008-9845165365.
<b>PAKUR</b>		<b>BALEHONNUR</b>		406.**	NEXUS (2768), #275/301, 80 FEET ROAD, OPP. H. S. RAMAIAH HOSPITAL (BEL ROAD), RMV 2ND STAGE, BANGALORE-560 094, PH :560 094-9844013436.	418.*	VISWAS CAR SERVICES PVT. LTD. (3238), NO.2 , (OUT NO OF SY NO 100/2) OFF SERVICE ROAD , KALYAN NAGAR ROAD, CHELEKERE , BANASWADI POST BANGALORE -560043, PH :560043-959131379.
383.##	SPEED WHEEL SERVICE CENTRE (4976), MAIN ROAD, PAKUR - 816107, , PH :816107-9434101917.	394.##	SRI ANAPOORNA MOTORS (5253), MALLE GOWDA COMPLEX,JAYAPURA, ROAD BALEHONNUR ROAD, DISTRICT - CHIKAMAGALUR, KARNATAKA, PH :577204-9448000131.	407.**	PACE AUTOMOBILES (1057), 6TH MAIN HMT LAYOUT, R.T. NAGAR, BANGALORE-560 032, PH :560 032-9845004710.	<b>BELGAUM</b>	
<b>RAMGARH</b>		<b>BANGALORE</b>		408.##	PUNSHPAK MOTORS (4642), 105/1 2ND MAIN NANJAPPA LAYOUT, VIDYARANYAPURA MAIN ROAD, (OPP KRUTHIKA HOSPITAL), BANGLAORE-560097, PH :560097-9845087842.	419.*	BHARAT AUTO SCAN (350), 892/1 PB ROAD, BELGAUM-590 016 , PH :590 016-9448120495.
384.##	RAHIL MOTORS (5054), C/O NIYAMAT MISTRI, DUSHAD MOHLA, DISTRICT RAMGARH CANTT., PH :829122-9771577422.	395.##	ADARSHA AUTOMOBILES (4553), # 974 VARATHUR MAIN ROAD, NEAR PURVANKARA APARTMENTS, AFTER MARATHAHALLI, RAILWAY BRIDGE, BANGALORE-560037, PH :560037-9880195465.	409.##	RAJ (2829), NO.10 MAGADI MAIN ROAD, OPP. UNANI MEDICINE INSTITUTE, KOTIGEPALLY, BANGALORE-560 091, PH :560 091-9663555677.	<b>BIJAPUR</b>	
385.##	SAINI MOTORS (5126), NEAR VISWAKARMA MANDIR, MAIN ROAD, RAMGARH CANTT 829 122, DISTT. HAZARIBAG, PH :829122-9835141302.	396.**	ANEKAR MOTORS (227), 230 MAGADI ROAD, BANGALORE-560 023, (KARNATAKA),. PH :560 023-9845889911.	410.**	SMART CARS (3571), 3RD CROSS NEAR J.B. TILES, KAGGADASA PURA MAIN ROAD, C.V. RAMAN NAGAR, BANGALORE-560 093, PH :560 093-9663324361.	420.##	BAGALI MOTORS (5159), SHIKARKHANA ROAD, BIJAPUR - 586104, DISTRICT - BIJAPUR, KARNATAKA, PH :586104-9448100444.
<b>RANCHI</b>		397.*	ASHWA CARS (2827), #14, 1ST MAIN, 6TH CROSS, SANJEEVINI NAGAR, MOODAPALYA, BANGALORE 560072, PH :560072-9341228231.	411.##	SOLOTECH MOTORS (2760), SURVEY NO.82/2,D'SOUZA NAGAR, HOSAKEREHALLI-BANGALURU, DISTRICT-BANGALURU 560085, KARNATAKA, PH :560085-9845072803/7259589375.	<b>CHIKBALLAPUR</b>	
386.##	BHARAT MOTORS (5970), SHIV JEE CHOWK,HARMU ROAD,RANCHI-834001, DISTRICT-RANCHI, JHARKHAND - 834001, PH :834001-9608502258.	398.##	BENAKA MOTORS (3237), NO.158/2 VIBHUTIPURA, VIGNAN NAGAR BEHIND B.E.M.L., NEAR RENUKA SWIMMING POOL, BANGALORE-560 017, PH :560 017-9845212416.	412.##	SOLOTECH SERVICE CENTRE (5245), 50 FEET MAIN ROAD ,AVALAHALLI, MUNESHWARA BLOCK ,DISTRICT - BANGALORE, KARNATAKA, PH :560010-9845772634.	421.##	SUKOVE ENTERPRISES (3426), B.B. ROAD N.H.7, CHIKBALLAPUR-562 101, (KARNATAKA), PH :562 101-9880607034.
387.**	MARUTI AUTOMOBILES (5127), HOTEL AKASHWANI MANSION, RATU ROAD, RANCHI-834 001, PH :834001-9835156186.	399.##	CHANDANA MOTORS (4872), NO. 9 UNIVERSITY ROAD, GNANABHARTHI (POST), MARIYAAPPANA PALYA, BANGALORE-560056 (KARNATAKA), PH :560056-9880659864.	413.*	SPEED MOTORS (1750), 17/1 SUBRAMANYAPURA MAIN ROAD, KADIRENAHALLI, PADMANABHA NAGAR, BANGALORE-560 070, PH :560 070-9845153102.	<b>CHIKMAGALUR</b>	
388.##	MARUTI CLINIC (2548), LAL KOTHI, OLD HAZARIBAGH ROAD, KANTA TOLI, RANCHI-1 (BIHAR), PH :834009-9431109214.	400.*	GIRIMAJI ENTERPRISES (258), NO.2 27TH CROSS, K R ROAD ,B S K II STAGE, BANGALORE-560 070, PH :560 070-9844004403.	414.##	TEAM TECH AUTOMOBILES (5662), 78/1,SULEKUNDE, NEAR MUTHANALLUR CROSS., SARJAPURA MAIN ROAD, BANGALORE -562125, PH :562125-9538516111.	422.##	AAMANTHRANA MOTORS (4346), K.M. ROAD, CHIKMAGALUR, , PH :577101-9945462658.
389.##	MOTOR KRAFT (4769), H.B. ROAD, DIPA TOLI, RANCHI-834009, JHARKHAND, PH :834009-9431152162.	401.**	GREEN CARS PVT. LTD. (2154), NO.12/6 80 FEET ROAD, 6TH BLOCK KORAMANGALA, BANGALORE-560 095, PH :560 095-9845020796.	415.**	TRINITY CAR CARE PVT. LTD (5851), SURVEY NO 52/1,SRI GANDHADAKAVAL VILLAGE, NAGARBHAVI,BANGALORE-560091, DISTRICT-BANGALORE , KARNATAKA, PH :560091-9880793980.	423.##	FORMULA MOTORS (338), K.M. ROAD, CHIKMAGALUR-577 101 , PH :577 101-9448743284.
<b>SIDRAUL</b>		402.*	KESHKAMAL MOTORS (2075), NO.943 21ST MAIN, BANASHANKARI 2ND STAGE, (NEAR KIMS MEDICAL COLLEGE), BANGALORE-560 070, PH :560 070-9448071067.	416.**	TRINITY MOTORS (4638), NO. 36, 4TH STAGE, W.C. ROAD, BASAVESHWARANAGAR, BANGALORE-560079, PH :560079-9845539474.	<b>CHIKODI</b>	
<b>KARNATAKA</b>		403.**	LE MANS MOTORS (3460), NEAR AYYAPPA TEMPLE, S.M. ROAD, T. DASARAHALLY, BANGALORE-560 057, PH :560 057-9845145001.	<b>CHINTAMANI</b>			
390.##	KRITIVASA AUTOMOBILES (4424), RANCHI TATA HIGHWAY, SIDRAUL , P S NAMKOM, PH :834010-9661144866.	404.*	MAYUR ENTERPRISES (249), NEXT TO PIA BHAVAN KIADB MAIN ROAD, PEENYA 1ST STAGE, BANGALORE-58, PH :560058-9845122156.	424.##			
<b>ATHANI</b>		QM MOTORS (4445), 1751, ANKALI ROAD, NEAR B K COLLEGE, CHIKODI-591201, KARNATAKA, PH :591201-8861555999.					
391.##	CHOUGULE MOTORS (3874), MIRAJ ROAD, ATHANI, , , PH :587314-9448436776.	<b>BAGALKOT</b>		<b>CHITRADURGA</b>			
392.##	NARA AUTOMOBILES (4357), TP NO. 158 A/2, WARD NO. 10, SHABADI COMPOUND EXTN, BAGALKOT-587101, PH :587101-9880875595.	<b>BAILHONGAL</b>		425.##			
<b>PAKUR</b>		<b>BANGALORE</b>		TIPPU AUTO GARAGE (5770), MG ROAD,NEAR BAGEPALLI CROSS, CHINTAMANI-563125, DISTRICT-KALOR, KARNATAKA, PH :563125-9036698340.			
<b>RAMGARH</b>		<b>BANGALORE</b>		<b>CHITRAMOTORS</b>			
<b>RANCHI</b>		<b>BANGALORE</b>		426.##			
<b>SIDRAUL</b>		<b>BANGALORE</b>		PRINCIPAL (255), J.M.I.T, N.H.4, P.B. NO.73, CHITRADURGA-577 502, PH :577 502-9731330300.			
<b>ATHANI</b>		<b>BANGALORE</b>		<b>DAVANGERE</b>			
<b>BAGALKOT</b>		<b>BANGALORE</b>		427.##			
<b>BAILHONGAL</b>		<b>BANGALORE</b>		HEGDE AUTO CENTRE (172), NO 2007/37, NEAR BIET, SHAMANUR ROAD, DAVANGERE, KARNATAKA-577004, PH :577004-8494853646.			

\*\* A-Category Mass : Free & paid Service, Major repairs & Accidental repairs

\* B-Category Mass : Free & paid Service & Major repairs

## C-Category Mass : Free & paid Service & Minor repairs

# D-Category Mass : Free Service & Minor repairs

428.### SREE MALLIKARJUNA MOTOR (229), NO 68, RMC ROAD, NEAR KSRCT BUS STAND, DAVANGERE, KARNATAKA - 577003, PH :577 003-9880701015.

**DEVANAHALLI**

429.### SAHARA AUTOMOBILES (4731), OPP. A. RTO OFFICE, NH-7, B.B. ROAD, DEVANAHALLI-562110, KARNATAKA, PH :562110-9448662364.

**DHARWAD**

430.\*\* MYSORE GARAGE (2468), BELGAUM ROAD, DHARWAD-580 001, (KARNATAKA), PH :580 001-9844133273.

**DODDABALLAPUR**

431.### PRESTIGE MOTORS (4875), NEAR RAILWAY STATION KHASBHAG, DODDABALLAPUR, PH :560026-9900274594.

**GADAG**

432.### MODERN MOTORS (8939), HUBLI ROAD, GADAG-582 103, (KARNATAKA), PH :582 103-9448746579.

**GULBARGA**

433.### DELUX AUTO SERVICE (5840), SURVEY NO 77/8,VILLAGE KUSNOOR,NEAR -, UNIVERSITY,SEDAM ROAD,GULBARGA-585104, DISTRICT-GULBARGA, (KARNATAKA), PH :585104-9242991292.

**HOSPET**

434.### SUPREME AUTO SERVICE (2569), NEAR RTO OFFICE, HARIHAR ROAD, HOSPET-583 203, (KARNATAKA), PH :583 203-9845307361.

**HUBLI**

435.### SHRI BASAVA MOTORS (4968), OPP SANA COLLEGE,APMC PB ROAD, BHIRIDEVARKOPPA,HUBLI-580025 , PH :580025-9980025644.

**KADUR**

436.### SRI SAI MARUTHI SERVICE STATION (5725), ULKINAKALLU, NH 206, KADUR, PH :583201-9916947196.

**KARKALA**

437.### KARKALA MOTORS (3549), TELLAR ROAD, KARKALA-574 104, (KARNATAKA), PH :574 104-9845356244.

**KOLAR**

438.### SHIVA SERVICE POINT (2472), M.B. ROAD, KOLAR-563 101, (KARNATAKA), PH :563 101-9448228604.

**KOLLEGAL**

439.### FIX PLUS AUTO CARE CENTRE (4249), C-8, IND. ESTATE, MAHADESHWARA COLLEGE ROAD, KOLLEGAL-571440, PH :571440-9448807237.

**KOPPA**

440.### AUTO TECH (3448), MAIN ROAD, UPPERPET, KOPPA-577 126, (CHIKMAGALUR DIST.), PH :577 126-9448156950.

**KUMTA**

441.### SOLOTECH (4547), NEAR MARUTI TEMPLE, HANDIGON, KUMTA- 581343, PH :581343-9448149607.

**KUNDAPUR**

442.\* PRAKASH AUTO SERVICE (4522), NEAR: K.E.B., VODERHOBLI, KUNDAPURA-576 201, PH :576 201-9341035642.

**MANIPAL**

443.### MANIPAL MARUTI AUTO WORKS (4578), MANIPAL ALEVOOR ROAD, NEAR R.C. CHURCH, OPP. SIGMA BAZAR, MANIPAL (UDUPI DIST), PH :591102-9448108318.

**MUDHOL**

444.### OM MOTORS (5857), OPP TALUKA OFFICE, LOKAPUR ROAD,MUDHOL-587313, DISTRICT-BAGALKOT, KARNATAKA, PH :587313-9663830660.

**MUDIGERE**

445.### BADRIYA CAR SERVICE POINT (5364), K.M. ROAD,MUDIGERE , DISTRICT-CHIKAMANGALORE , PIN - 577132 , (KARNATAKA), PH :577132-9448007094.

**MYSORE**

446.\*\* CAR CLINIC (346), 1959/A, BOGADI RING ROAD, NEAR GLN CONVENTION HALL, BOGADI, MYSORE, PH :585106-9342184831.

**NELAMANGALA**

447.### GOUTHAM MOTORS (4332), PATEL CHANNAPPA EXTN, NELAMANGALA-562123, KARNATAKA, PH :562123-9880251546.

**RABAKAVI BANAHATTI**

448.### SANGAMA MOTORS (5726), BESIDE CMC,RAMPUR MAIN ROAD, RABAKAVI-587314, DISTRICT-BAGALKOT, KARNATAKA, PH :587314-9480035617.

**RAICHUR**

449.### HEERA MOTORS (3730), OPP. MOTI MASJID, SHIVJI OIL MILL COMPOUND, TIPU SULTAN ROAD, RAICHUR-584 101 (KARNATAKA), PH :584 101-9845156322.

**RANEENNUR**

450.### KIZEN MOTORS (4568), P.B. ROAD, OPP. A.P.M.C MARKET, RANEENNUR-581115, PH :581115-9900922022.

**SAGAR (KARNATAKA)**

451.### ADITYA AUTOMOBILES (2077), JOG ROAD, SAGAR-577 401, (KARNATAKA), PH :577 401-9448024395.

452.### MALLIKA AUTO CENTRE (2133), MALLIK COMPLEX, B.H. ROAD, SAGAR-577 401, PH :577 401-9448139605.

**SHIMOGA**

453.### NEPTUNE AUTO WORKS (5271), PLOT -5 AUTO COMPLEX , SAGAR ROAD - SHIMOGA , DISTRICT - SHIMOGA , KARNATAKA, PH :577204-9448319758.

454.\* SHIMOGA AUTO ENGG WORKS (246), GARDEN AREA, SHIMOGA-577 201, KARNATAKA, PH :577 201-7899114872.

**SIDDAPUR**

455.### MARUTI AUTO WORKS (5335), SORAB ROAD,SIDDAPUR (U.K)-581355, DISTRICT - UTTAR KANAND, PIN- 581355, KARNATAKA, PH :581355-9448525801.

**SIRSI**

456.\* ARUNDHATI MOTORS (1258), HUBLI ROAD, SIRSI-581 402, (UTTAR KARNATAKA), PH :581 402-9845098822.

**SRINGERI**

457.### SHUBHASHREE MOTORS (5434), AGUMBLE ROAD ,SRINGERI , DISTRICT - CHIKAMAGALUR , SRINGERI - 577139, KARNATAKA, PH :577139-9448170400.

**TIRTHALLI**

458.### SUMUKA AUTOMOBILES (5133), AP ROAD,CEEBENE KERI, DISTRICT-SIMGA, SHIMGA-577414, KARNATAKA, PH :577414-9686944949.

**TUMKUR**

459.### APOORVA CAR CARE CENTRE (5327), B.N.P. COMPOUND BEHIND KRISHNA THEATRE, M.G. ROAD - TUMKUR, DISTRICT - TUMKUR, KARNATAKA, PH :571440-9901515516.

**UDUPI**

460.\* ST. JUDE AUTOMOBILE ENGG. WORKS (4521), B.D.MARG, AMBALAPADI, UDUPI-576 103, PH :576 103-98444991241.

**UPPINANGADI**

461.### RATNA ENTERPRISES (5447), BUILDING NO 5/514 KUKKAJE, SUBRAMNYA ROAD, UPPINANGADI, PH :587313-9972995341.

**KERALA**

**ADIMALY**

462.### PLATHOTTAM AUTOMOBILES (3864), NH-49, OPPOSITE TO MINI INDUSTRIAL ESTATE, ADIMALI-685551, PH :685551-9447023073.

**ADOOR**

463.### AUTO CLUB (2132), NEAR H.P. PUMP, VADAKKADATHUKUVAU P.O, ADOOR, PATHNAMTHITTA DISTT, PH :691523-9447440184.

**ALAPPUZA**

464.### ESSAR MOTORS (4959), KALARKODE, NEAR CHINMAYA SCHOOL, NH-47, ALAPPUZA-688003, KERALA, PH :688003-9249938474.

**ALUVA**

465.### AUTO TEAM (2630), A/189 A, PARUR JUNCTION, ALUVA, (KERALA), PH :683108-9947333760.

**AMBALLUR**

466.### LAKSHMI DEVI AUTO GARAGE (4137), AMBALLUR, P.O. PUDUKAD, TRICHUR, KERALA, PH :680301-9847903949.

**ANCHAL**

467.### NAMI-TAJ (2534), NEAR ST. GEORGE CENTRAL SCHOOL, R.O. JUNCTION, ANCHAL, KERALA -691 306., PH :691306-9447453745.

**ANJUMORTHY**

468.### SAFA AUTO CARE (3847), N H ROAD, MANGALAM PALAM, ANJUMORTHY POST, VADAKKENCHERY, PALAKKAD DISTT, KERALA, PH :678682-9447303347.

**ATTINGAL**

\*\* A-Category Mass : Free & paid Service, Major repairs & Accidental repairs

### C-Category Mass : Free & paid Service & Minor repairs

\* B-Category Mass : Free & paid Service & Major repairs

# D-Category Mass : Free Service & Minor repairs

## Maruti Authorized Service Station (AS ON 30.05.2023 )

469.##	OM SHAKTI AUTOMOBILES (4466), KIZHUVILAM P.O., MAMOM, ATTINGAL, KERALA-695104, PH :695104-9744658681.	480.##	AGT MOTORS (5937), KIP JUNCTION, KALANJOOR-689694, DISTRICT-PATHANAMTHITTA, KERALA, PH :689698-9744409444.	490.##	MADATHIL MOTORS (5456), MADATHIL HOUSE, CHOONDUPALAKA , KATTAKADA P.O. - TRIVANDRUM , DISTRICT - TRIVANDRUM , (KERALA), PH :695543-9495192389.	500.##	AUTO CARE (2541), (SHEEJA AUTO ENGG. WORKS), THALASSERY ROAD, MANANTHAVADY-670 645, WAYANAD (DIST.), PH :670645-9447040068.
<b>AYOOR</b>							
470.*	MAKKATTU AUTO CLINIC (5051), AYOOR- ANCHAL ROAD.PANACHAILA, AYOOR - 691306, DISTRICT - KOLLAM, KERALA, PH :691306-9847288624.	<b>KALLAMBALAM</b>		<b>KATTAPPANA</b>		<b>MANJERI</b>	
471.##	MALABAR MOTORS (4655), EAST NADAKKAVU, P.O. ERANIIPALAM, CALCUT-673006, KERALA, PH :673006-9846089190.	481.##	PRAKASH AUTO ENGINEERS (5548), VADASSERIKONAM P.O. KALLAMBALAM, VARKALA,KALLAMBALAM-695143, DISTRICT-TRIVANDRUM, KERALA, PH :695143-9847159618.	491.##	UNITED SERVICE CENTER (4433), EDASSERT JUNCTION, KATTAPPANA-685508, KERALA, PH :685508-9961432941.	501.##	MARUTI AUTO HOUSE (4726), CHERANI, KARUVAMBARAM P.O, MANJERI, KERALA. PIN 676123, PH :676123-9447129289.
<b>CALICUT</b>							
471.##	MALABAR MOTORS (4655), EAST NADAKKAVU, P.O. ERANIIPALAM, CALCUT-673006, KERALA, PH :673006-9846089190.	<b>KALLUMUTTY</b>		<b>KAYAMKULAM</b>		<b>MANNAR</b>	
472.##	MARUTI SCAN (1675), BYE PASS JUNCTION, MEENCHANDA, CALCUT-673 018, PH :673018-9847130508.	482.##	MARUTI CARE (4179), KALLUMUTTY, IRITTY P.O., KANNUR, KERALA - 670703, PH :670703-9946703070.	492.##	PERFECT MOTORS (4948), MARUTI SERVICE CENTRE, NH-47, CHEPPAD, KAYANKULAM-690507, DISTRICT-ALAPPUZHA (KERALA), PH :690507-9447048338.	502.##	MOHANS AUTOMOBILES (5457), MOHANS AUTOMOBILES & ENGINEERS , KUTTEMPEROOR P.O. MANNAR, DISTRICT - ALAPPUZHA , (KERALA), PH :689622-944787377.
<b>CHALAKUDY</b>							
473.##	STAR MARUTI GARAGE (5367), NH47 BYE PASS, NEAR CRESCENT PUBLIC SCHOOL, CHALAKUDY, DISTRICT - THRISSUR, PH :690307-9946009375.	483.##	VARCO MOTORS (4724), 18/226-1, NEAR VELLARAMKUNNU, NH 212, KALPETTA - 673121 , , PH :673121-9961569898.	<b>KONNI</b>		<b>MANNUTHY</b>	
474.*	VIJAY AUTO SERVICE (1626), POTTA, CHALAKUDY-680 307 , , PH :690307-9995074628.	<b>KANJIRAPPALLY</b>		493.##	GLOBAL MOTORS (2836), VAKAYAR P.O., KONNI-689 698, (KERALA), PH :689698-9446222944.	503.**	TOP CLEAN SERVICES (2834), 13/450 MANNUTHI BYE PASS, P.O. OLLUKKARA, THRISSUR, (KERALA), PH :680651-8592947776, 9846037818.
<b>CHANGANACHERRY</b>							
475.*	PALATHRA MOTORS & SERVICE CENTRE (1072), VADAKKEKARA, VEROOR P.O., CHANGANACHERRY-686 104, PH :686104-9447195154.	484.##	MACK ENTERPRISES (2729), T.B.ROAD, KANJIRAPPALLY , PH :686507-9447093739.	494.##	MUTTATH AUTOMOBILES (5525), AROORPALAM,KONNI-689691, DISTRICT - PATHANANTHITTA, KERALA, PH :689691-9447431751.	<b>MEENANGADI</b>	
476.##	SAAFAA AUTOMOBILES (1148), PALATHARA CHIRA, BY PASS ROAD, CHANGANACHERRY, KOTTAYAM-686104 , , PH :686104-9447042517.	<b>KANNUR</b>		<b>KOOTHATTUKULAM</b>		504.##	MOTOR TECH (2440), EAST MEENANGADI, KRISHNAGIRI P.O., WAYANAD-673 591, (KERALA), PH :673591-9539195850.
<b>CHENGANNUR</b>							
477.*	NEW TECH AUTOMOBILES (1978), INDUSTRIAL ESTATE, MUNDANCAVU, CHENGANNUR-689 121, KERALA, PH :689121-9328915757.	485.##	AREN MOTORS (5139), CHAKKARAKAL P.O. MUZHAPPALA, DISTRICT - KANNUR, KERALA, PH :670613-9446771237.	495.##	EXTRA CARE SERVICES (3232), DEVA MATHA JUNCTION, M.C. ROAD, KOOTHATTUKULAM-686 662, ERNAKULAM DIST. (KERALA), PH :689121-9544552080.	<b>MOOCHIKKAL</b>	
<b>CHERTHALA</b>							
478.*	POZHICKAL CAR WORLD (3037), NEAR BOYS HIGH SCHOOL, CHERTHALA, ALAPPUZHA DIST., KERALA-688 524, PH :688524-9947474752.	486.**	PIONEER AUTO & ENGG.WORKS (4722), KANNOTHUMCHAL ROAD, KANNUR - 2, (KERALA), PH :670005-9447798255.	<b>KOTHAMANGALAM</b>		505.##	CHELADAN'S MARUTI ENGINEERS (4659), THANUR ROAD, MOOCHIKKAL-676307, MEENADATHUR, TIRUR, MALAPURAM DIST (KERALA), PH :676307-9895443563.
<b>ETTUMANOOR</b>							
479.##	ROHIT MOTORS (4636), THELLAKOM P.O., M.C. ROAD, ETTUMANOOR, KERALA, PH :686630-9447079010.	<b>KARIMANOOR</b>		496.##	EXCEL MARUTI SERVICE (4342), BYE-PASS ROAD, KOTHAMANGALAM, ERNAKULAM-686691, PH :686691-8848605865.	<b>MUNNAR</b>	
<b>KALANJOOR</b>							
480.##	AGT MOTORS (5937), KIP JUNCTION, KALANJOOR-689694, DISTRICT-PATHANAMTHITTA, KERALA, PH :689698-9744409444.	487.##	MACS AUTOMOBILES (5745), SILVER SQUARE ,KARIMANOOR,THODUPUZZHA, DISTRICT-IDUKKI, KERALA, PH :685581-9633275410.	497.##	MAJESTIC MOTORS (1253), NEAR KOTHAMANGALAM-686 691, KERALA, PH :686691-9946427528.	<b>MUVATTUPUZHA</b>	
<b>KATTAKADA</b>							
489.##	CITY ENGINEERS (4947), MARUTI SERVICE CENTRE, NEYYATTINKARA ROAD, KATTAKADA-695572, DISTRICT-TRIVANDRUM (KERALA), PH :695572-9447206257.	488.##	CARS CARE (4579), ANANDPUR, VIDYANAGAR P.O., KASARGOD, KERALA-671123, PH :671123-9847251115.	<b>KUNDARA</b>		507.**	JAWAN AUTOMOBILES (2730), MADAVOOR POST, MUVATTUPUZHA-686 669 , , PH :686669-8943345500.
<b>KATHUPARAMBA</b>							
499.##	KRISHNA MOTORS (3435), KUTTIKKUNNU, NEAR 66 KV SUB STATION, KATHUPARAMBA-670 643, KANNUR DIST. (KERALA), PH :670643-9497296380.	<b>KATTAKADA</b>		<b>KUTHUPARAMBA</b>		<b>NEYYANTINKARA</b>	
<b>MANANTHAVADY</b>							
509.##	CONFIDENCE MOTORS (5140), PALUNDA CHUNGATHARA, NILAMBUR-679334, DISTRICT - MALLAPURAM, KERALA, PH :679334-8075272281.	<b>KATTAKADA</b>		<b>KUTHUPARAMBA</b>		<b>NEYYANTINKARA</b>	
509.##	CONFIDENCE MOTORS (5140), PALUNDA CHUNGATHARA, NILAMBUR-679334, DISTRICT - MALLAPURAM, KERALA, PH :679334-8075272281.	<b>KATTAKADA</b>		<b>KUTHUPARAMBA</b>		<b>NEYYANTINKARA</b>	

\*\* A-Category Mass : Free & paid Service, Major repairs & Accidental repairs

## C-Category Mass : Free & paid Service & Minor repairs

\* B-Category Mass : Free & paid Service & Major repairs

# D-Category Mass : Free Service & Minor repairs

**Maruti Authorized Service Station (AS ON 30.05.2023 )**

**NILAMEL**

510.### LIBRA (3431), M.C. ROAD, NILAMEL-691 535, KOLLAM DIST., (KERALA), PH :691535-9895629768.

**OCHIRA**

511.\* MANGALATH AUTOMOBILES (3836), NH 47 VALIYAKULANGARA, OCHIRA P.O, KOLLAM DIST, KERALA-690526, PH :690526-9847258696.

**OLLUR**

512.### TOPCLEAN SERVICES (4468), 10/153, CHRISTOPHER NAGAR, P.O OLLUR, TRICHUR (KERALA), PH :680306-9846037818.

**PALAKKAD**

513.### CAR CRAFT (2139), 5/682 (1), MANALI, PALAKAD-678 001, (KERALA), PH :678001-9349607619.

**PANDALAM**

514.\* AISHWARYA AUTOMOBILES (2067), NEAR K.S.R.T.C. BUS STOP, PANDALAM-689 501, . PH :689501-9847049140.

**PARIPALLY**

515.### ALLIANCE MARUTI SERVICES (3243), NH-47, PARIPPALLY-691 574, KOLLAM DIST. (KERALA), PH :691574-9349926440.

**PATHANAPURAM**

516.### MANNIL AUTOMOBILES (4150), NEAR PANCHAYAT OFFICE, PATHANAPURAM, KERALA-689695, PH :689695-9447258496.

**PATHNAMTHITTA**

517.\*\* C.J. MARUTI CARE CENTRE (1255), VARIYAPURAM, ENANTHOOR EAST P.O., PATHANAMTHITTA-689 643, (KERALA), PH :689643-9446913874.

**PERAVOOR**

518.### CAR CARE AUTOMOBILES (4422), KODENCHAL, PERAVOOR, NIDUMPOYIL P.O., KANNUR- 670650, PH :670650-994644691.

**PERUMBAVOOR**

519.### MILLENNIUM MOTORS (4873), OLD VALLAM ROAD, KADUVAL, PERUMBAVOOR-683542, DISTRICT-ERNAKULAM (KERALA), PH :683542-9446661111.

**QUILANDY**

520.### HITECH MARUTI (3025), MAIN ROAD, KOYILANDY, PIN-673 305, CALICUT DISTT., PH :673305-9447457996.

**RANNY**

521.### DEEPA AUTOMOBILES (5177), DEEPA AUTOMOBILES.PAZHAVANGADI, P.O. RANNY :689673, DISTRICT-PATHANAMTHITTA, KERALA, PH :689673-9447216725.

**SASTHAMANGALAM**

522.### MARSHAL AUTOMOBILES (4035), SWATI NAGAR, TC 10/147, PIPPIN MOODU, SASTHA MANGALAM, PEROORKADA, TRIVANDRUM 695005, PH :695005-9447461101.

**SULTAN BATHERY**

523.### AUTOMEK (4725), BEENCHI P.O., SULTAN BATTERY-673 592, . PH :673592-9249999515.

524.### NEW INDIAN MARUTI SERVICE CENTRE (4577), 14/789A, 14/789A1, KUPPADI, MYSORE ROAD, SULTHAN BATHERY, WAYANAD -673592, PH :673592-8281682822.

525.### TEE PEE MOTORS (4773), 9/668-B OOTY ROAD, NEAR BLOCK OFFICE, SULTAN BATHERY, WAYANAD (KERALA), PH :673592-8547201421.

**TALIPARAMBA**

526.### YESKAY (3368), KAKATHODE, TALIPARAMBA - 670141, KANNUR DISTT (KERALA), PH :670141-9744076850.

**THALASSERY**

527.### SAFE HANDS (3038), ERANHOLI, CHUNGAM, THALASSERY -670 107, (KERALA), PH :670107-9744322317.

**THALAYOLAPARAMBU**

528.\* MYALIPARAMPIL MOTORS (3233), SILON JUNCTION, NEAR THALAYOLARAMBU, POOZHIKOL P O 686604, PH :686604-9447562050.

**THAMARASSERY**

529.### MALABAR MOTORS (4645), WARD NO. 12, BLDG NO. 121, WAYANAD ROAD, KARADY, THAMARASSERY, CALICUT, PH :673573-9349114119.

**THIRUVALLA**

530.### MARUTI AUTO SPOT (1628), AYROOKUZHUYIL HOLDINGS, OPPOSITE PUSHPAGIRI MEDICITY, PERUMTHURUTHY, THIRUVALLA, KERALA -689107, PH :689107-9447860777.

**THIRUVANANTHAPURAM**

531.### EMINENT MARUTI SERVICE (2360), T.C. 610 M.C. ROAD, MANNANTHALA, TRIVANDRUM-695 015, PH :695015-9447713639.

532.### HITECH INDUSTRIES (1951), NEAR ULLOOR BRIDGE, PATTON P.O., THIRUVANANTHAPURAM-695 004, (KERALA), PH :695004-9447732057.

533.### MUKUNDANS (3434), POONTHY ROAD, PADMAVILASAM, KUMARAPURAM,, THIRUVANANTHAPURAM-695 011, PH :695011-9349882788.

534.\* PROFESSIONAL MOTORS (1256), NEAR ELECTRICITY BOARD, PEROORKADA, TRIVANDRUM-695 005, PH :695005-9947175650.

535.### SREEKARIYAM AUTOMOBILES (353), SREEKARIYAM P.O., THIRUVANANTHAPURAM-695 017, . PH :695017-9447050313.

**THODUPUZZHA**

536.### UNIVERSAL MARUTI (2563), VENGALLOOR P.O., THODUPUZZHA, (KERALA), PH :685585-9447023024.

**TRIVANDRUM**

537.\* KICHU MOTORS (5453), TC.49/962 ,SREEMOOLAM NAGAR CHIRAMUKKU MANACAU (PO) TRIVANDRUM, DISTRICT - TRIVANDRUM, KERALA, PH :695572-9847023025.

**VADANAPPALLY**

538.### MONARCH MARUTI CARE CENTRE (4079), NEAR NORTH JUMA MASJID, GANESHA MANGALAM, P O VADANAPALLY, TRICHUR DIST (KERALA), PH :680614-9847792698.

**VADAVATHOOR**

539.### CCARS (6754), VADAVATHOOR PO-KOTTAYAM, DISTRICT-KOTTAYAM, PIN-686503, KERALA, PH :685503-9447208558.

**VARKALA**

540.\* S.S. MOTORS (2979), NEAR POLICE STATION, VARKALA-695 141, TRIVANDRUM DISTT., PH :695141-9446104991.

**VATAKARA**

541.### RANI AUTOMOBILES & ENGINEERING WORKS (1674), 10/496, NADAPURAM ROAD, MADAPPALLI COLLEGE POST, VATAKARA, KOZHIKODE - 673102., PH :673102-9400513139.

**LAKSHADWEEP**

**LAKSHADWEEP**

542.### POPULAR REPAIR & SERVICE CENTRE (2944), SECRETARIAT ROAD, KAVARATTI, LAKSHADWEEP-682 555, PH :682555-9448463737.

**MADHYA PRADESH**

**BALAGHAT**

543.### GULAB AUTOMOBILES (1553), GUJARI CHOWK, BALAGHAT-481 001, MADHYA PRADESH, PH :481001-9425402926.

544.### SAURAV MOTORS (4069), DEENHI ROAD, GARRA INDUSTRIAL AREA, BALAGHAT, MADHYA PRADESH, PH :481001-9300963731.

**BARWANI**

545.### SPEED AUTOMOBILES (5260), KHANDWA BARODA ROAD, NR. BALAJI TOLL KANTA, BARWANI-451552, DISTRICT-BARWANI, MADHYA PRADESH, PH :451552-9926146073.

**BETUL**

546.### ADITYA MOTORS (1263), NAGPUR BHOPAL ROAD, SADAR, BETUL-461 001, MADHYA PRADESH, PH :460001-9425381581.

**BHIND**

547.### MAA PITAMBARA MOTORS (5241), OPP.RAJENDERA CONVENT SCHOOL , LAKSHAR ROAD -BHIND , MADHYA PRADESH, PH :477001-9826240582.

**BHOPAL**

548.### SHRI KRISHAN CAR CARE (1679), POLYTECHNIC ROAD, NEAR PETROL PUMP, BHOPAL, (M.P.), PH :462002-9424454030.

549.### SHUBHAM AUTOMOBILES (5052), PLOT NO. 1 & 2, TIRANGA ROAD, SHAHPURA, BHOPAL, MADHYA PRADESH -462039, PH :462039-9425009869.

550.\* TAURUS AUTOMOBILES (3372), ALAKNANDA COMPLEX, OPP.VIJAY STAMBH PRESS COMPLEX, M.P. NAGAR ZONE-I, BHOPAL (M.P.), PH :462011-9303131403.

\*\* A-Category Mass : Free & paid Service, Major repairs & Accidental repairs

### C-Category Mass : Free & paid Service & Minor repairs

\* B-Category Mass : Free & paid Service & Major repairs

# D-Category Mass : Free Service & Minor repairs

## Maruti Authorized Service Station (AS ON 30.05.2023 )

551.\*\* VIDHYA AUTOMOBILES (320), PLOT NO. 235,  
ZONE II,  
B,  
PH :462011-9826053198.

### BIAORA

552.### GURUKRUPA MOTORS (5670), OPP  
PRABHAT BREAD INDUSTRY, AB ROAD -  
BIAORA, DISTRICT - BIAORA, MADHYA  
PRADESH,  
PH :465674-9425038727.

### BURHANPUR

553.\*\* SWADESHI MOTORS (4229), NEAR GANPATI  
MANDIR, GANPATI NAKA, BURHANPUR,  
MADHYA PRADESH,  
PH :450331-9826337438.

### DABRA

554.### MODI MOTORS (3857), BALLA KA DERA,  
JHANSI ROAD, DABRA, GWALIOR,  
PH :475110-8770360194.

### DAMOH

555.### MARUTI PRIME (1156), BUS STAND,  
STATION ROAD, DAMOH-470 661,  
PH :470 661-8319706998.

### DATIA

556.### HIND MOTORS (4470), NH-75, JHANSI  
BYPASS ROAD, NEAR S.R.I COLLEGE,  
KALAMPURAM TIRHA, DATIA, MADHYA  
PRADESH - 475661,  
PH :475661-9406969206.

### DEWAS

557.### AZAD MOTORS (4534), 10, JAWAHAR  
NAGAR COMPLEX AB ROAD  
DEWAS(MP)404051,  
PH :455001-9827533591.

### DHAR

558.### JIYO MOTORS (5031), OPP DAK  
BANGLA,INDORE ROAD DHAR., DISTRICT -  
DHAR, DHAR -454001, MADHYA PRADESH,  
PH :454001-9893633559.

### GWALIOR

559.### CLASSIC MOTORS & SERVICE STATION  
(5242), CHAUHAN PIAO.M.G. ROAD,  
THATIPUR MORAR, GWALIOR , MADHYA  
PRADESH,  
PH :474011-9329603001.

560.\*\* MARUTI ENTERPRISES (3021), KHERAPATI  
ROAD, GWALIOR-474 002, (M.P.),  
PH :474002-9425116466.

### HARDA

561.### MANOJ UDYOG & SERVICE CENTER (4145),  
87-88, INDUSTRIAL AREA, CHHIPANER  
ROAD, HARDA, M.P.,  
PH :461331-9826227245.

### INDORE

562.### BADSHAH MOTORS (5027), 150/2,NOORANI  
NAGAR,NEAR JAIMAL SINGH PETROL  
PUMP, DHAR ROAD,INDORE-452008,  
DISTRICT-INDORE, MADHYA PRADESH,  
PH :452008-9826098427.

563.\*\* BOMBAY MOTORS (1655), 10 Y.N. ROAD,  
INDORE-452 003, (M.P.),  
PH :452003-7314222786.

564.### JYOTI RAGHUNATH MOTORS (5149), 3/3  
RAMBAGH, BEHIND PETROL PUMP ,  
INDORE -452001, MADHYA PRADESH,  
PH :452001-9425353568.

### ITARSI

565.\* PITAMBARA MOTORS (5041), NH-69,BETUL  
ROAD,NEAR PLYBOARD, FACTORY ITARSI ,  
DISTRICT - ITARSI, MADHYA PRADESH,  
PH :461111-9406525060.

566.\*\* UNITY ENTERPRISES (3270), PLOT NO.97,  
INDUSTRIAL AREA, KHEDA, ITARSI-461 111  
(M.P.),  
PH :461 111-8120025666.

### JABALPUR

567.### SUPER MARUTI SERVICE (4952), 375-A  
PREM NAGAR, OPP. GURUDWARA,  
JABALPUR-482001, MADHYA PRADESH,  
PH :482001-7999993375.

568.### YASH VEHICLES CARE (2169), 1664,  
WRIGHT TOWN, OPP. TELEGRAPH GATE  
NO. 2 JABALPUR (M.P.),  
PH :482002-9893237505.

### JAWAD

569.### SHARMA MOTORS (5764), IN FRONT OF  
PAWAN MILL, STATION  
ROAD,JAWAD-458330, DISTRICT-NEEMUCH,  
MADHYA PRADESH,  
PH :458330-9425441270.

### KATNI

570.### KATNI MOTORS (4949), C/O MAHURANIPUR  
UNION, TRANSPORT CORPORATION, NH-7,  
PANNA MORH, KATNI-483501 (MADHYA  
PRADESH),  
PH :483501-9425162660.

### KHANDWA

571.### M.K.AUTOMOBILES (5326), SANTOSH  
NAGAR, OPP. JHEELODHYAN, INDORE  
ROAD, KHANDWA - 450 001,  
PH :450001-9425085666.

### KUKSHI

572.### DILIP MARUTI SERVICE CENTER (4649),  
OPP. GAYATRI SAROVAR, KUKSHI, DISTT  
DHAR,  
PH :454331-9340709923.

### MANDSAUR

573.### DEV MOTORS (4562), SITAMAU FATAK,  
MANDSAUR-458001, MADHYA PRADESH,  
PH :458001-9826751534.

574.\* JANGID MOTORS (2735), NAYAPURA ROAD,  
NEAR R.K. HOSPITAL, MANDSAUR-458 001,  
(M.P.),  
PH :458001-9827665683.

### MHOW

575.\* HIGHWAY MOTORS (4144), A.B. ROAD,  
DONGRAGAON, MIHOW-453441, INDORE  
M.P.,  
PH :453441-9826035653.

### MORENA

576.### SHYAM MARUTI SERVICE STATION (8935),  
SHYAM BIHAR COLONY, A.B. ROAD,  
MORENA-476 001, MADHYA PRADESH,  
PH :476 001-7999624671.

### NAGDA

577.### MARUTI NANDAN (3939), 15 VERDHAMAN  
NAGAR, MEHATWASA, BIRLAGRAM,  
NAGDA, DISTT UJJAIN,  
PH :456335-9910074658.

### SAGAR (M.P)

578.### SHREE SAGAR MOTORS (4955), NEAR  
GURUDWARA, JHANSI BHOPAL ROAD,  
BHAGWANGANJ, SAGAR-470002, MADHYA  
PRADESH,  
PH :470002-9826070549.

### SARNI

579.### JHANVI SERVICE STATION (3738), MAIN  
ROAD, BAGDONA, SARNI-460 449, DISTT.  
BETUL (M.P.),  
PH :460449-9425382313.

### SATNA

580.\* KAPOOR SERVICING CENTRE (1162), 90  
PREM NAGAR, SATNA-485 001, (M.P.),  
PH :470661-9827095182.

### SEONI

581.### HIGHWAY MOTORS (2262), NEAR MOTEL  
CENTER POINT, SEONI-JABALPUR  
HIGHWAY, SEONI, (M.P.),  
PH :480882-9424928978.

### SHAHDOL

582.### PACE CRAFTERS (2145), NEAR VIRAT  
TEMPLE, BANGANGA TIRAHA, REWA ROAD,  
SHAHDOL, (M.P.),  
PH :484001-9424701495.

### SHAJAPUR

583.### SHRIYA MOTORS (2568), 174 A.B. ROAD,  
SHAJAPUR-456 001, (M.P.), MADHYA  
PRADESH,  
PH :456 001-9826783993.

### SHEOPUR

584.### GOYAL AUTO (5446), NEAR NABBAN  
MARKET, BARODA ROAD, SHEOPUR,  
DISTRICT - SHEOPUR, MADHYA PRADESH,  
PH :476337-9826240944.

### SHIVPURI

585.\* KARUN MOTORS (4273), NEAR ARUN  
DHARAMKANTA, GUNA NAKA, A.B. ROAD,  
SHIVPURI,  
PH :473551-9425728285.

### SIDHI

586.### KHARE MOTORS (4068), NH-75, SINGRAULI  
ROAD, SIDHI, MADHYA PRADESH,  
PH :486661-9425823952.

### TIKAMGARH

587.\* ASHENDRA AUTOMOBILES (2636), 350 OPP.  
JAWAHAR NAVODAYA VIDYALAYA,  
KUNDESHWAR, TIKAMGARH-472 001,  
MADHYA PRADESH,  
PH :472001-9009129909.

### UJJAIN

588.### SUGANDHI BROTHERS (324), DEWAS ROAD,  
UJJAIN (M.P.), MADHYA PRADESH,  
PH :456010-9406822255.

589.### ZALANI AUTO SERVICE (1554), A 15/9,  
MAHAKAL VANJUVA KENDRA., NANAKHEDA,  
UJJAIN 456010, .  
PH :456010-9713884177.

### VIDISHA

590.### SAMAY MOTORS (5179), NEAR SC/S SHED ,  
PITALMIR CHOURAHA, SAGAR ROAD NH-86,  
VIDISHA-464002,  
PH :464002-9425392521.

### WAIDHAN

591.### ANANT MOTORS (5732), NEAR ESSAR  
TOWNSHIP, BILAUJJI, WAIDHAN,  
DISTRICT-SINGRAULI, PIN-486886, MADHYA  
PRADESH,  
PH :486886-9425823952.

## MAHARASHTRA

### AKLUJ

\*\* A-Category Mass : Free & paid Service, Major repairs & Accidental repairs

### C-Category Mass : Free & paid Service & Minor repairs

\* B-Category Mass : Free & paid Service & Major repairs

# D-Category Mass : Free Service & Minor repairs

592.### SONAJ AUTOMOTIVES PVT. LTD. (2665), SHANKARRAO MOHITE PATIL, CO-OP INDUSTRIAL ESTATE, PLOT NO.36 P.O. BOX NO.-11, AKLUJ -413 101 (MAHARASHTRA), PH :413101-9657713360.

**AKOLA**

593.### AUTOLAND (5936), RAM NAGAR,TOSHINIWAL LAYOUT, AKOLA-444005, DISTRICT-AKOLA, MAHARASHTRA, PH :444005-9422164050.

**AKOLE**

594.### SAMARTH CAR CARE (5555), MAHALAXMI COLONY,K.G. ROAD-AKOLE, DISTRICT - AHMEDNAGAR, PIN-422601, MAHARASHTRA, PH :422601-9881759099.

**AMALNER**

595.### LUCKY AUTO CARES (5853), R.K. COMPLEX,R.K. NAGAR,DHULE ROAD, AMALNER-425401, DISTRICT-JALGAON, MAHARASHTRA, PH :425401-9422789764.

**AMBERNATH**

596.\* J.S. AUTOMOBILES (4567), B-31/3, MIDC, KALYAN AMBERNATH ROAD, AMBERNATH-421501, MAHARASHTRA, PH :421501-9370116436.

**AURANGABAD**

597.\* CAR CARE (5173), #85.SERVICE INDUSTRIAL SECTOR, TOWN CENTRE, CIDCO, DISTRICT AURANGABAD, MAHARASHTRA, PH :431006-915800029.

598.\* MARUTI AUTOMOBILES (3441), CHETAN TRADE CENTRE, JALNA ROAD,OPP. SFS SCHOOL, AURANGABAD - 431001, PH :431101-9767301999.

**BADLAPUR**

599.### OMKAR AUTO SERVICES (3376), OMKAR BUNGLOW, GOLE WADI, KULGAON STN., BADLAPUR DIST. THANE, PH :421503-9326080457.

**BARSHI**

600.### OM SERVICE CENTRE (5359), KURWEDI ROAD - BARSI, DISTRICT - SOLAPUR , PIN - 413401, (MAHARASHTRA ), PH :413401-9850437003.

**BEED**

601.### NEW AGWAN SERVICES (2235), 850 SHYOG NAGAR, JALNA ROAD, BEED-431 122, PH :431122-9822217321.

**BOISAR**

602.### SIFAR CAR CARE (4055), PLOT NO. 15 AT-KURGAON, P O KUNDAN, BOISAR TARAPUR ROAD, TAL PALGHAR, DISTT THANE, PH :401506-9765509990.

**CHANDRAPUR (MAHARASHTRA)**

603.### SHEIKH AUTOMOBILES (5379), APPOSITE GOVT. ITI.CIVIL LINES , CHANDRAPUR, DISTRICT - CHANDRAPUR, MAHARASHTRA, PH :442401-9422171896.

**CHIPLUN**

604.### MANORKAR AUTOMOBILES (270), NEAR RAILWAY STATION, BOMBAY-GOA HIGHWAY, WALOPE CHIPLUN-415 605, DISTT. RATNAGIRI, PH :415605-9421239999.

605.### MAYUR MOTORS (168), SITA APARTMENTS, NEAR BAHADUR SHEIKH NAKA, CHIPLUN DISTT. RATNAGIRI, MAHARASHTRA, PH :415605-9422431112.

**DAPOLI**

606.\* ROYAL AUTO SERVICE STATION (3444), DAPOLI-MANDANGAD ROAD, MALJIE-DAPOLI, TAL- DAPOLI, DIST. RATNAGIRI-415 712 (MAHARASHTRA), PH :415712-8888101776.

**DEOPUR**

607.\*\* AGRO ENGINEERING SERVICES (2244), DIVERSION ROAD, DEOPUR, DHULE-424 005, PH :424005-9823059471.

**DOMBIVLI**

608.### MEGA SERVICES (2573), A-173,PHASE-1,, NEW KALYAN BYPASS ROAD , OPPOSITE ADARSH PARK,MIDC, DOMBIVLI (E)-421203, PH :421203-8424070777.

**GADACHIROLI**

609.### VENUS AUTOMOTIVE (4170), PLOT # 2, NR GOVERNMENT ITI COLLEGE, ADJ TO CHANDRAPUR GADACHIROLI HIGHWAY, GADACHIROLI, MAHARASHTRA-442605, PH :442605-9689228222.

**ICHALKARANJI**

610.### SAI AUTO LEADS (3821), 7/597 SANGLI VES, ICHALKARANJI-416 115, DIST. KOLHAPUR, PH :416115-0230-2426089.

**ISLAMPUR**

611.### VIJAY MOTORS (5134), PETH ISLAMPUR ROAD , NEAR PETH NAKA -ISLAMPUR, DISTRICT - SANGLI, MAHARASHTRA, PH :415409-9860446084.

**JALGAON**

612.\* SHREE MOTORS (3040), 362 SHIVAJI NAGAR, JALGAON-425 001, , PH :425001-9823150704.

**KALWA**

613.\*\* SHREE SIDDHI MOTORS (5668), NEXT TO LILAVATI CO-OP SOCIETY,DATTAWADA, KALWA KHAREGAON ROAD-KALWA(W) -400605, DISTRICT - THANE, (MAHARASHTRA), PH :400605-9769775444.

**KALWAN**

614.### KRISHNA AUTOMOTIVE (4037), GANESH NAGAR, AT POST & TALUKA, KALWAN, DIST NASHIK-423501, PH :423501-8087988735.

**KANKAVLI**

615.\*\* SAPALE AUTO SERVICE PRIVATE LIMITED (1975), MUMBAI GOA ROAD, N.H.17, KALMATH, KANKAVLI DISTT. SINDHUDURG-416 602, PH :416602-9422434701.

**KATOL**

616.### BALAJI SERVICE STATION (5962), PLOT NO. XI,MIDC,SAWARGAON ROAD,DONGARGAON-, KATOL,NAGPUR-441302, DISTRICT-NAGPUR, MAHARASHTRA, PH :441302-9763867144.

**KHAMGAON**

617.### JAIDEEP MOTORS (4779), NEAR RELIANCE PETROL PUMP, NANDURA ROAD, KHAMGAON-444303, DISTRICT-BULDHANA (MAHARASHTRA), PH :444303-9850352826.

**KHED**

618.### BHARAT AGENCIES (4548), NEAR KAMAKSHI PETROL PUMP, AT POST KALBANI, TALUKA KHED, DISTRICT RATNAGIRI, 415621, PH :415621-9049024781.

**KOLHAPUR**

619.\* VAKRATUNDA MOTORS (3142), OPP MAHAVIR COLLEGE, NAGALA PARK, KOLHAPUR, PH :416003-9822611559.

**KOPARGAON**

620.\* SAI MOTORS (4449), NAGAR MANMAD HIGHWAY, NEAR HOTEL ASHOKA, KOPARGAON, DIST. AHMEDNAGAR (MAHARASHTRA), PH :423601-9850684384.

**LONAVLA**

621.### APPOLO MOTOR REPAIRING WORKS (2543), MUMBAI-PUNE ROAD, LONAVLA, MAHARASHTRA-410 401, PH :415409-9370721905.

**MAHAD**

622.### SHREE AUTO (2572), NAGALWADI PHATA BOMBAY-GOA HIGHWAY, AT & TALUKA - MAHAD, DISTT. RAIGAD, MAHARASHTRA-402 301, PH :402301-9422495799.

**MALEGAON**

623.### MALEGAON AUTO CENTRE (3721), NEAR MOTI BAUG NAKA, MALEGAON-423 203 , PH :423203-9371376911.

**MANGAON**

624.### KRUPA SERVICES (574), KRUPA SERVICES, AT : NANOR, POST : MANGAON, DISTT-RAIGAD-402 104, PH :402104-9422375444.

**MIRAJ**

625.### ASHOK AUTOMOBILES (5672), C.S. NO:70-C,CHH - SHIVAJI ROAD, MIRAJ, DISTRICT - SANGLI, MAHARASHTRA, PH :416410-0233-2375961.

**MUMBAI**

626.\* ALLIED AUTO AGENCIES (2666), 86/20 DR. AMBEDKAR ROAD, KHAR, MUMBAI-400 052, PH :400052-9768257450.

627.\* ASHA AUTO SERVICE (570), I.O.C DEALER, L.B. SHASTRI MARG, KURLA, MUMBAI-400 070, PH :400070-9833728833.

628.\*\* AUTO CRAFT (4759), PLOT NO. 1-B, NEXT TO DAMJI SHAMJI IND ESTATE, LBS MARG, VIKHROLI (W), MUMBAI-400083, PH :400083-9820022227.

629.### AMAR AUTOMOBILES (526), KING'S CIRCLE, MATUNGA, MUMBAI-400 019 (MHRS.), PH :400019-9869473310.

630.### BANAI AUTO CARE (6053), OPP. MAROL POLICE CAMP, NEXT TO AAREY CHECK POST, MAROL MAROSHI ROAD, MUMBAI-400 059, PH :400059-9819844333.

631.\*\* CARKRAFT AUTOMOBILE SERVICES PVT. LTD. (4654), ABC GODDOWN, MINERVA INDUSTRIAL ESTATE, OFF P.K. ROAD, NEAR SAI DHAM MANDHIR, MULLUND (W), MUMBAI, PH :400080-9820296924.

632.\*\* CHAMUNDA MOTORS (P) LTD. (520), RAM BAUG NEAR SUNDRAL DHAM, OFF S.V.ROAD, BORIVLI (W), MUMBAI-400 092, PH :400092-9820063626.

\*\* A-Category Mass : Free & paid Service, Major repairs & Accidental repairs

### C-Category Mass : Free & paid Service & Minor repairs

\* B-Category Mass : Free & paid Service & Major repairs

# D-Category Mass : Free Service & Minor repairs



**Maruti Authorized Service Station (AS ON 30.05.2023 )**

633.##	CHEMBUR MOTORS (2526), 31/A ANAND NAGAR, OFF SION TROMBAY ROAD, SINDHI SOCIETY CHEMBUR, MUMBAI-400 071, PH :400071-9820475704.	645.*	SUPER AUTO SERVICE PVT. LTD. (2430), DESAI WADI JAYWANT SAWANT ROAD, NEAR HAPPY HOME SOCIETY, DAHISAR (W), MUMBAI-400 068, PH :400068-9867253000.	657.*	MAULEE MOTORS (4736), SURVEY NO. 130/2, PLOT NO. 43, ADARSHA NAGAR, NIZAR ROAD, NANDURBAR-425412, MAHARASHTRA, PH :425412-9822377931.	<b>PANVEL</b>	
634.##	CHHAGAN MITHA (5230), CORNER OF WARDEN ROAD & PEDDAR ROAD, POST BOX NO. 6521, MUMBAI -400026, MAHARASHTRA, PH :400026-9820981441.	646.##	SURAJ SANCHI SERVICE STATION (438), DR. ANNIE BESANT ROAD, WORLI, MUMBAI-400 018, PH :400018-9821115492.	<b>NASHIK</b>		668.##	GANGAL MOTORS (2934), PLOT NO :125-127,SECTOR-1S,ROAD NO-5, BEHIND CIDCO GODOWN-NEW PANVEL, DISTRICT - RAIGAD, (MAHARASHTRA), PH :410206-9320226072.
635.##	HIND AUTOMOBILES (550), 29 SEWREE WADALA ROAD, KING'S CIRCLE, MUMBAI - 400 019 (MHRS), PH :400019-9833876440.	<b>MURBAD</b>		658.##	HITECH AUTO SERVICES (4451), SURVEY NO 89/2, PLOT 1 & 2, OPP MOTIWALA MEDICAL COLLEGE, GANGAPUR SHIWAR,, NASHIK, PH :422007-9225142471.	669.**	IDEAL AUTOMOBILES (2279), IDEAL HOUSE, PLOT NO-83,, PANVEL INDUSTRIAL CO OP ESTATE LTD., PANVEL, DISTRICT - RAIGAD, (MAHARASHTRA), PH :410206-9969602650.
636.##	LAXMI AUTO WORKS (2542), PLOT NO.1041, SAYANI ROAD, PRABHADEVI, MUMBAI-400 025, PH :400025-9820303646.	647.##	JAYDEEP AUTOMOBILES (5676), MURBAD KALYAN HIGHWAY(NH-222),NEAR NAVDURGA HOTEL, AT-PO-TAL-MURBAD-421401, DISTRICT-THANE, MAHARASHTRA, PH :415621-9423370219.	659.##	RACCA SERVICE (3720), RACCA ESTATE, OLD GANGAPUR NAKA, HANUMAN WADI LINK ROAD, PANCHVATI, NASHIK - 422003, PH :422003-9096846468.	<b>PARBHANI</b>	
637.**	ORIX AUTO INFRASTRUCTURE SERVICES LTD (1971), 94 MAROL INDUSTRIAL ESTATE, ANDHERI KURLA ROAD, ANDHERI (EAST), MUMBAI-400 059, PH :400059-9820409079.	<b>NAGPUR</b>		660.##	SAI AUTOMOBILES (3722), SAPAT COMPLEX, OPP. PRESS HOSPITAL, NASIK ROAD-422 101, PH :422101-9822027931.	<b>PASHAN</b>	
638.**	POWAI AUTO WORKS (1660), OPP. PANCH KUTIR BUS STOP, 19 ADI SANKARACHARYA MARG, POWAI, MUMBAI-400 076, PH :400076-9820635317.	648.*	AMIT SERVICE STATION (4158), NEAR NAGAPUR HIGHWAY BRIDGE, NAGAR-MANMAD HIGHWAY, NAGAPUR DIST-AHMADNAGAR, MAHARASHTRA, PH :414111-0241-2778336.	<b>NAVI MUMBAI</b>		671.*	MARUTI CAR SANJIVANI (5278), SURVEY NO 5/2,SUTARWADI .SUSROAD.PASHAN, DISTRICT - PUNE, PUNE - 411021, MAHARASHTRA, PH :411021-9960733360.
639.**	POWAI AUTO WORKS (4966), GALI NO 14/15/16, BUILDING NO1, C WING, KALASH INDUSTRIAL COMPLX, PARKSITE VIDHROLI (W), PH :400079-9820635317.	649.*	BALAJI MOTORS (3078), PLOT NO.18/27, NEAR NAKA NO.-1, KORADI ROAD, NAGPUR-20, PH :440020-9960634068.	661.*	BOSS (265), AT/P.O. - TURBHE, SECTOR-22, VASHI, NAVI MUMBAI-400 705, PH :400705-9167766474.	<b>PATHARDI</b>	
640.##	PRINCE SERVICE CENTRE LLP (8931), 34 GAMDEVI ROAD, SANGHANI ESTATE, GHATKOPAR (WEST), MUMBAI-400 086, PH :400086-9869034445.	650.**	HASAN GARAGE (2021), MOHAN NAGAR, NAGPUR - 440 001 (MHRS),, PH :440001-0712-2533805.	662.##	C G MOTORS (4138), PAPER-73, TTC INDUSTRIAL AREA, RABALE, OPP RABALE RAILWAY STATION, THANE- BELAPUR ROAD, MAHARASHTRA, PH :400701-9920205756.	672.##	SAGAR MOTORS (5979), OPP. TEHSIL KACHERI,NAGAR ROAD, TALUKA,PATHARDI-414102, DISTRICT-AHMEDNAGAR, MAHARASHTRA, PH :414102-9822197969.
641.**	RAVI AUTOMOBILE SERVICES (553), GHATKOPAR-MAHUL ROAD, TILAK NAGAR, CHAMBUR, MUMBAI-400 089, PH :400089-8657442190.	651.##	M S SERVICES (5339), 14 HILL ROAD , GANDHI NAGAR - NAGPUR , DISTRICT - NAGPUR , MAHARASHTRA, PH :440010-9373422822.	663.**	CHETAN MOTORS (3143), PLOT NO.45/B SECTOR 19/A, OPP. GATE NO.2 DANA BAZAR, BEHIND SHAMIR VITHAL CO-OP BANK VASHI, NAVI MUMBAI-400 705, PH :400705-9892067288.	<b>PEN</b>	
642.**	SHAH CAR CARE (5436), SADANWADI.LAKE ROAD.OFF LBS MARG, NEAR KRISHNA TALKIES, DISTRICT - MUMBAI (MAHARASHTRA), PH :400078-9820068380.	652.##	R. K. MOTORS (3023), 69 A V A LAYOUT, LAKADGANI, NAGPUR-440 008, PH :440008-9422113089.	<b>NIGDI</b>		673.##	NAVNATH AUTO (5677), OPPOSITE RAMWADI,S.T. STAND, NATIONAL HIGHWAY-17,TAL PEN-402107, DISTRICT-RAIGAD, MAHARASHTRA, PH :402107-9834279228.
643.**	SHAMAL MOTORS (1154), VAITY WADI, BHANDUP-SONAPUR ROAD, BHANDUP (WEST), MUMBAI-400 078, PH :400078-9773911111.	653.*	SAGAR AUTOMOBILES (2667), MARUTI AUTHORISED SERVICE STATION, PLOT NO.3 NEAR PETROL PUMP, WARDHA ROAD UJJWAL NAGAR, NAGPUR-440 025, PH :440025-9960695823.	664.##	SHALU AGENCY (2872), 516/27 PRADHIKARAN, NIGADI, PUNE-411 044, PH :411014-020-27656354,27652631.	<b>PHALTAN</b>	
644.*	ST.FRANCIS AUTOMOBILES (5154), MOUNT POINSUR BORIVALI (WEST), MUMBAI - 400103, DISTRICT - MUMBAI, MAHARASHTRA, PH :400103-9892876396.	654.**	SAGAR AUTOMOBILES (4971), WARDHA ROAD,, CHINCHBHAWAN, NAGPUR - 441108, PH :441108-9422145365.	<b>NIPHAD</b>		674.##	VORA AUTOMOTIVE (2436), SHINGNAPUR ROAD, KOLKI, PHALTAN-415523, PH :415523-7709436262.
		655.##	SHREEJEE SERVICES (2027), CHANDAK KOTHI, SUBASH ROAD, NAGPUR-440 018, PH :440018-9766699321.	665.##	SHRI SAI SERVICE STATION (4452), NIPHAD AURANGABAD ROAD, NIPHAD, NASIK, MAHARASHTRA, PH :422303-9823679999.	<b>PIMPALGAON</b>	
		<b>NANDED</b>		<b>PACHORA</b>		675.##	ASHWAMEDHA AUTO (2435), "ASHWAMEDH", MUMBAI-AGRA HIGHWAY, PIMPLEGAON (B), DISTT. NASHIK, PH :422209-976660064.
		656.##	MARUTI CARES AND COLOURS (5778), LABH NAGAR BACK SIDE OF SURABH HOTEL, NANDED-431605, DISTRICT-NANDED, MAHARASHTRA, PH :431605-9225751444.	666.##	POOJA MARUTI SERVICE CENTRE (5564), PLOT NO 75,PREM NAGAR ,KRISHNA PURI SHEVAR, PACHORA, DISTRICT - JALGAON , MAHARASHTRA, PH :424201-9890320803.	<b>PUNE</b>	
		<b>NANDURBAR</b>		667.##	SIDDHI MOTORS (5553), THEMBEDE ROAD,GANESH KUND,, PALGHAR,DISTRICT - THANE, MAHARASHTRA, PH :401404-9890609107.	676.##	APPU AUTOMOBILE (5029), MARUTI AUTHORISED REPAIR STATION , #81.SR NO 164.TALAWAD ROAD , KANBAY ROAD,TRIVENI NAGAR , AHAARASHTRA, PH :411062-9371017595.
				<b>PALGHAR</b>		677.*	APPU SERVICE STATION (4927), BG/SEI 11/10, NEAR TELEPHONE EXCHANGE, MIDC, BHOSARI, PUNE-411026 (MAHARASHTRA), PH :411026-020-27123838.

\*\* A-Category Mass : Free & paid Service, Major repairs & Accidental repairs

## C-Category Mass : Free & paid Service & Minor repairs

\* B-Category Mass : Free & paid Service & Major repairs

# D-Category Mass : Free Service & Minor repairs

**Maruti Authorized Service Station (AS ON 30.05.2023 )**

678.*	ATHARVA CAR SERVICES (5161), 5, BHUSARI COLONY, PAUD ROAD, KOTHRUD,PUNE-411038 , MAHARASHTRA, PH :411038-9665024803.	688.**	ASHOK AUTOMOBILES (3723), 595/B, M.G.ROAD, SANGLI-416 416, PH :416416-0233-2221001.	698.*	PATRICIA AUTOMOBILES (529), ALIGHT CHAMBER, ADJACENT GOLDEN DYES, OLD AGRA ROAD, HARDAS NAGAR, GOKUL NAGAR, THANE, WEST - 400601, PH :400601-9987175866.	709.###	SHEIKH AUTOMOBILES (J)PH :- <b>WARDHA</b>
679.*	MANAS AUTOMOTIVE (5443), SURVEY NO 2/4 PARRANKUTI LANE NO.1., KARVE NAGAR - PUNE, DISTRICT - PUNE, MAHARASHTRA, PH :411052-9822043007.	689.*	AWATI MOTORS (4772), PADMAVATI COLONY, NEMINATH NAGAR VISHRAMBHAG, SANGLI-416415, MAHARASHTRA, PH :416415-9422407284.	699.*	SEAN MOTORS (5377), SATPALA NAKA, ARNALA-VASAI ROAD, NEXT TO ZEAL RESTAURANT, VIRAR (W) PIN 401301, PH :401301-9324003123.	710.###	BHARAT MOTOR (1631), NAGPUR ROAD, NALWADI, WARDHA, MAHARASHTRA, PH :442001-9881588388.
680.*	MARUTI CARE POINT (3337), S. NO 273/5,BANER ROAD,OPP. VARSHA PARK, BANER,PUNE-411045, MAHARASHTRA, PH :411045-7290016518.	690.###	BALAJI AUTO SERVICE (1564), PLOT NO.43.GOLDEN PARK , BYPASS ROAD,SANGLI-416416 , DISTRICT-SANGLI , MAHARASHTRA, PH :416416-9822106126.	700.**	STERLING MOTOR GARAGE (555), OPP. RAVI STEEL INDUSTRIES, 2ND POKHRAN ROAD, THANE-400 601, PH :400601-9820252926.	711.###	ROHIT AUTOMOTIVE (5873), NAGPUR,CHANDRAPUR ROAD,VINAYAK-, LAYOUT,TILAK WARD,WARORA-442907, DISTRICT-CHANDRAPUR, MAHARASHTRA, PH :442907-9172600099.
681.**	SAINATH AUTOMOBILES INDUSTRIES (1569), SURVEY NO.36 PLOT NO.1, VADGAON KHURD SINHAGAD ROAD, NEAR GREEN FIELD HOTEL, PUNE-411 041, PH :411041-9822214282.	<b>SATANA</b>		701.**	THANAWALA MOTOR AGENCY (3724), DHIRAJ BAUG, L.B.S. MARG, NAUPAD, NEAR HARINIWAS CIRCLE, THANE-400 602, PH :400602-9820106904.	<b>YAVATMAL</b>	
682.*	SANTOOR CAR CARE (2053), ASHOK PLAZA, 32/2 WADGAON SHERI NEAR WEIKFIELD, PUNE NAGAR ROAD, PUNE-411 014, PH :411014-020-26632000 , 9579415112.	691.###	PATHAK MOTORS (5037), YASHWANT NAGAR,TAHARABAD ROAD., SATANA - 411014, DISTRICT -, (MAHARASHTRA), PH :411014-98990216257.	702.*	TOP GEAR AUTOMOBILES (4840), SAI NAGAR, GHODBUNDER ROAD, KASARVADAVALI, THANE (W), PH :400615-9833795855.	712.###	M.S. MOTORS (460), AMRAVATI ROAD HIGHWAY, LOHARA, YAVATMAL-445 001, PH :445001-9822225379.
<b>RAHURI</b>		<b>SATARA</b>		<b>ULHASNAGAR</b>		713.###	RAMESH MOTORS (2024), GARDEN ROAD, YAVATMAL, MAHARASHTRA-445 001, PH :445001-9422865222.
683.*	ANAND MOTORS (4152), IN FRONT OF ASHWINI HOTEL, NAGAR MANMA ROAD, A/P RAHURI DIST- AHMADNAGAR, MAHARASHTRA, PH :413705-7350008501.	692.###	SIDDHI AUTOMOBILES (5464), 294/A.DEGAON PATA - SATARA, RAHAMTPUR ROAD,MIDC SATARA, DISTRICT - SATARA , (MAHARASHTRA), PH :415002-9422403178.	703.*	CHIMAN AUTOMOBILES (3845), NEAR KAJAL PETROL PUMP, BALANI COMPOUND, VITHALWADI STATION ROAD, ULHASNAGAR 421003, PH :421003-9850223422.	714.###	BIJASANI AUTOMOTIVE (3041), NAGAR-MANMAD ROAD, YEOLA, DIST. NASIK (MAHARASHTRA), PH :423401-9423185025.
<b>RAVER</b>		<b>SAWANTWADI</b>		704.*	MODERN CAR CARE (3260), 171/2.RRV INDUSTRIAL AREA, BEHIND SAI BABA MANDIR,SHANTINAGAR, ULHASNAGAR-421 003, MAHARASHTRA, PH :421003-9819774588.	<b>MANIPUR</b>	
684.###	RUCHI MOTORS (2631), MARUTI AUTHORISED SERVICE STATION, RAVAR-425 508, DISTT. JALGAON, (MAHARASHTRA), PH :425508-9805373406.	693.*	VENKATESHA AUTO CARE (1659), PLOT NO.21 MUMBAI GOA HIGHWAY, KOLGAON-BHOM, SAWANTWADI-416 510, DIST. SINDHUGARH, MAHARASHTRA, PH :416510-9423304639.	<b>URAN</b>		<b>IMPHAL</b>	
<b>ROHA</b>		<b>SHAHADA</b>		705.###	SAI AUTOMOBILES (5665), STATE HIGHWAY NO.56,NEAR JASAI NAKA, JASAI VILLAGE URAN-410206, DISTRICT - RAIGAD, MAHARASHTRA, PH :410206-9821806806.	715.###	BORDIN MARUTI GARAGE (4879), SANGAIPROU AIRPORT ROAD., IMPHAL WEST, MANIPUR - 795001, , PH :795001-9438023659/7005264886.
685.*	AMIT MOTORS (4972), NANA SHANKAR SHETH ROAD , NEAR GOVT REST HOUSE, DISTRICT - RAIGAD , ROHA - 402109, MAHARASHTRA, PH :402109-9028376141.	694.###	MATOSHREE AUTOMOBILES (2870), NO.558 SHAHADA DHONDAICHA ROAD, TAL. SHAHADA, NANDURBAR DISTT., (MAHARASHTRA), PH :425409-9421726230.	<b>VADA</b>		<b>SENAPATI</b>	
<b>SAKURI</b>		<b>SHIRDI</b>		706.###	SAI MOTORS & SERVICE CENTRE (5675), VARALA, OPP. LAKE CITY, MANOR ROAD, WADA, , PH :421303-9226338578.	716.###	KOMUO MARUTI WORKS (4644), NH-2, MAO TAPHOU, SENAPATI HQ, SENAPATI DISTRICT, MANIPUR - 795106, PH :795106-8794109474.
686.###	SHREE SAI SERVICE CENTRE (5344) NAGAR-MANMAD ROAD GODAVARI, HOTEL JEWEL, PO:SAKURI ,TAL:RAHATA, DISTRICT - AHMEDNAGAR, MAHARASHTRA, PH :423107-9970741777.	695.###	SHREE GANESH AUTO CARE (4268), POST SAKURI, TALUKA RAHATA, AHMEDNAGAR-423107, PH :423107-02423-242652.	<b>VITA</b>		<b>MEGHALAYA</b>	
<b>SANGAMNER</b>		<b>SHRIRAMPUR</b>		707.###	SONA AUTOMOTIVE (5671), MAYANI ROAD, NEAR PRUTHIVIRAJ HOTEL, OPP. LAKADE PETROL PUMP, DISTT VITA- 415311, PH :415311-9890223938.	<b>TURA</b>	
687.*	SAI MOTORS (2840), NEAR GULEWADI PHATA, PUNE NASIK ROAD, SANGAMNER DIST. AHMEDNAGAR, PIN-422 608 (MHRS.), PH :423107-9860027513.	696.*	G.K. MOTORS (2871), K.V. ROAD, SHRIRAMPUR, DISTT. AHMEDNAGAR, PIN-413 709., PH :413709-9822094098.	<b>WAI</b>		717.###	MULTI MOBILE PRECISION (3222), AGLANGGRE, PO ARAIMILE, NEW TURA, MEGHALAYA, 794101, PH :794101-8974057627.
<b>SANGLI</b>		<b>SOLAPUR</b>		708.###	ADITYA AUTO SERVICE (4271), WAI SATARA ROAD, WAI-412803, SATARA DIST., PH :412803-9423862119.	<b>MIZORAM</b>	
		<b>THANE</b>		<b>WANI</b>		<b>CHAMPAI</b>	
						718.###	IRDIV- TC AUTO WORKS (5744), SVENHTH DAY TLANG,ZOTLANG ROAD, NEW CHAMPHAI-CHAMPHAI, DISTRICT-CHAMPHAI, MIZORAM, PH :796321-9862405715.
						<b>LUNGLEI</b>	

\*\* A-Category Mass : Free & paid Service, Major repairs & Accidental repairs

### C-Category Mass : Free & paid Service & Minor repairs

\* B-Category Mass : Free & paid Service & Major repairs

# D-Category Mass : Free Service & Minor repairs

## Maruti Authorized Service Station (AS ON 30.05.2023 )

719.## LAWMA ENGINEERING WORKS (3125) , A O C SQUARE, LUNGLEI, MIZORAM-796 701, PH :796701-9436147141.

### NAGALAND

#### DIMAPUR

720.\*\* ERJO MOTORS (4871), EAST BLOCK, BURMA CAMP, NEAR BIBLE HOUSE, DIMAPUR, NAGALAND - 797112., PH :797112-9436004350.

### ODISHA

#### ANGUL

721.## ZEET AUTOMOBILES (1573), NALCO NAGAR, KANDASAR, ANGUL - 759 145, ORISSA, PH :759145-9437021285.

#### BALANGIR

722.## ASHIRWAD AUTOMOBILE WORKS (3177), DAMJI GARAGE, THIKADARPARA, . . . BALANGIR-767 001, PH :767001-9437223452.

#### BALASORE

723.## AUTO CARE (432), AT-BAMPADA, PO-CHHANPUR, CITY - BALESHWAR (BALASORE), ODISHA - 756056, PH :756056-9437051944.

724.\* TEKNO INDIA (3666), D-2/9 INDUSTRIAL AREA, Q.T. ROAD, BALASORE-756 003, (ORISSA), PH :756001-9861034990.

#### BARBIL

725.## INDU MOTORS (3241), IN FRONT OF UTKAL AUTOMOBILES, JODA-BARBIL HIGHWAY, BARBIL-758 035, (ORISSA), PH :758035-9437718008.

#### BHUBANESWAR

726.## INDO JAPAN SERVICE (4936), PLOT NO. 18, 19, 30 & 31, BHAGABANPUR INDUSTRIAL ESTATE, PO: PATRAPADA, BHUBANESHWAR-752019, ORISSA, PH :752019-9861095444.

#### CUTTACK

727.\* AUTO MATES (426), 3B/1325, SECTOR-11, CDA, CUTTACK, PH :753014-9437020646.

728.\* DALGA SERVICE CENTRE (427), NEAR PULAMANDAP, BADAMBADI, PO - ARUNODAY MARKET, DISTT - CUTTACK, PIN-753012, PH :753012-9692935762.

#### DHENKANAL

729.## ANAND AUTOMOBILES (5449), ANAND NAGAR, IN FRONT OF TARINI MANDIR , DISTRICT - DHENKANAL , PIN - 759001 , (ORISSA), PH :759001-9437414972.

#### JHARSUGUDA

730.## AUTO MECHANIKA (2638), S.H.-10 BEHERAMAL, JHARSUGUDA-768 203, ORISSA, PH :768203-9040380001.

#### PURI

731.## URMILA MOTORS (5040), HERA GOHIRI SAHI CHOWK PURI -1, DISTRICT - PURI, (ORISSA), PH :752001-7008651960.

#### SAMBALPUR

732.## ANITA AUTO CARE (4834), SALIA BAGICHA, LIONS CLUB ROAD, KUMBHARPARA, SAMBALPUR-768001 (ORISSA), PH :768001-9861248403.

#### SEMILIGUDA

733.## ASHUTOSH MOTORS (5035), MAIN ROAD, NH-43, NALCO CHOWK, SEMILIGUDA, DISTRICT-KORAPUT, (ORISSA), PH :764036-9437405417.

### PONDICHERRY

#### KARAIKAL

734.## MARUTI TECH (2669), NO.1 AKKARAVATTAM, NAGAORE MAIN ROAD , OPP TO ONGC, KARAIKAL-609604, DISTRICT-KARAIKAL, PONDICHERRY, PH :609604-7373788705.

#### PUDUCHERRY

735.\* A.P.P. MARUTI MOTORS (2670), PLOT NO.6 GUNDU SALAI ROAD, NATESAN NAGAR, NEAR 100 FEET ROAD, PONDICHERRY-605 005, PH :605009-7094449900.

736.## MARUTI MISSION (5067), 60 RAGAVENDIRA NAGAR, KAMARAJ SALAI, THATTANCHAVADY PONDICHERRY, TINDIVANAM ROAD PONDICHERRY-9, PONDICHERRY, PH :605009-9786589000.

737.\*\* S D K MOTORS (471), PLOT NO.12, 100 FEET ROAD, OZHANDAI KEERAPALAYAM MUDALIARPET, PONDICHERRY-605 004, PH :605004-9843045689.

### PUNJAB

#### AHMEDGARH

738.## GAHIR AUTOMOBILES (2877), LUDHIANA MALER KOTLA ROAD, VILL. GOPALPUR CITY, AHMEDGARH, (PUNJAB), PH :148021-9417553627.

#### AJNALI

739.## VISHWAKARMA MOTORS (5666), NEAR VIMAL DHARAMKANTA - AJNALI, DISTRICT - FATEHGARH SAHIB, PUNJAB, PH :147301-9814528084.

#### AMLOH

740.## BINDRA MOTORS (5844), NEAR DESH BHAGAT COLLEGE-SONTI, AMLOH, DISTRICT-FATEH GARH SAHIB, PUNJAB, PH :147203-98148 82000.

#### AMRITSAR

741.\*\* HANSON AUTOMOBILES (1722), MAQBOOL PURA, G.T. ROAD, AMRITSAR, PH :143001-9815167669.

742.\*\* JACKSON LUBRICANTS (364), 16 COURT ROAD, NEAR RAVI GAS AGENCY, AMRITSAR-143 001, PH :143001-9814299944.

743.\*\* KAPOOR'S KAR KARE (737), I/S MAHA LAKSHMI, CALICO PRINTING MILLS, OLD JAIL ROAD, AMRITSAR(PUNJAB), PH :143001-9814213113.

744.\* MARKET SERVICE STATION (733), HIDE MARKET, AMRITSAR-143 001 (PUNJAB), . . . PH :143001-8968497779.

#### BANUR

745.## AMRIK SERVICE STATION (2433), PATIALA ROAD, BANUR, DISTT. MOHALI(PUNJAB), PH :140601-9815591325.

#### BARNALA

746.## GAURAV MOTORS (4962), DHANAULA ROAD, BARNALA - 148101, DISTRICT SANGRUR, PUNJAB, PH :148101-9317512916.

747.\* PUNJAB MOTOR GARAGE (6222), DHANAULA ROAD, BARNALA (PUNJAB), . . . PH :148101-9317512360.

#### BHADSON

748.## FRIENDS MOTORS (2233), NABHA ROAD, BHADSON-147 202, DISTT. PATIALA, (PUNJAB), PH :147202-9815700778.

#### BHATINDA

749.## KRISHNA AUTOS (4571), 40FT ROAD NAMDEV MARG NEAR INDRANI HOSPITAL ,BATHINDA (PUNJAB) 151001, PH :151001-9888671810.

750.\*\* MODERN MOTORS (6234), OPP. T.V. TOWER, MANSA ROAD, BHATINDA, PH :151001-98147177075.

751.## SUPER AUTOMOBILES (6232), TINKONI, GONIANA ROAD, BHATINDA, PH :151001-9814036163.

#### BUDHLADHA

752.## JINDAL AUTOMOBILES (2147), NEAR P.S.E.B., BHIKH ROAD, BUDHLADA-151 502, DISTT. MANSA, PH :151502-9815516964.

#### DERABASSI

753.## BINDAL AUTOMOBILES (1249), CHANDIGARH AMBALA ROAD, PARAS RAM MARKET, DERA BASSI-140 507, PH :140507-9914449711.

#### DHURI

754.## SHIV MOTORS (1962), NEAR SDM OFFICE, SANGRUR ROAD, DHURI-148 024, PH :148024-9872851088.

#### DINANAGAR

755.## D.S. MARUTI SERVICE STATION (3333), G.T. ROAD, DINA NAGAR, DIST. GURDASPUR-143 531, (PUNJAB), PH :143531-9814873101.

#### DIRBA

756.## PENTAGON MECHANICAL WORKS (2564), JIND-SANGRUR ROAD, DIRBA, DISTT. SANGRUR, (PUNJAB), PH :148035-9876543400.

#### DORAHA

757.\* FATEH MOTORS (2048), G.T. ROAD, DORAHA, (LUDHIANA), PH :141421-9814031784.

#### FAZILKA

758.## BAHM MOTORS (6229), ABOHAR ROAD, FAZILKA-152 123, . . . PH :152123-9815700550.

#### FIROZPUR

759.## SUTLEJ AUTOMOBILES (3568), G.T. ROAD, FEROZEPUR CANTT., PIN-152 001 (PUNJAB), PH :152001-9417009985.

#### GIDDARBAHA

760.\* JIWAN CAR CENTRE (3442), BHATINDA ABOHAR, NATIONAL HIGHWAY, GIDDERBAHA-152 101, DIST. MUKETSAR (PUNJAB), PH :152101-9779600086.

#### GOINDWAL SAHIB

\*\* A-Category Mass : Free & paid Service, Major repairs & Accidental repairs

## C-Category Mass : Free & paid Service & Minor repairs

\* B-Category Mass : Free & paid Service & Major repairs

# D-Category Mass : Free Service & Minor repairs

**Maruti Authorized Service Station (AS ON 30.05.2023 )**

761.## DASS MOTORS (8941), KAPURTHALA CHOWK, GOINDWAL SAHIB, DISTT. AMRITSAR-143 429, (PUNJAB), PH :143429-9914699121.

**GURDASPUR**

762.\* VJAY SERVICE STATION (749), NEAR RAILWAY CROSSING, PATHANKOT ROAD, GURDASPUR, (PUNJAB), PH :143521-9814437637.

**HOSHIARPUR**

763.## JOGINDER MOTORS (2268), BYE PASS TANDA ROAD, HOSHIARPUR-146 001, , PH :146001-9803227000.

**JAGRAON**

764.## DHALIWAL AUTOMOBILES (2035), NEAR AJANTA PETROL PUMP, G.T. ROAD, JAGRAON DISTT. LUDHIANA, (PUNJAB), PH :142026-9814318600.

**JALANDHAR**

765.## CITY POINT SERVICE STATION (4528), AVTAR NAGAR ROAD, BEHIND T.V CENTRE, OPP HOTEL REGENT PARK, JALANDHAR, PH :144003-9779613576.

766.\*\* KAAR KARES (725), G.T.ROAD, JALANDHAR, 144 001 (PUNJAB), PH :144001-9589295585.

767.\* KAPOOR MOTOR GARAGE (1649), OPP. SPORTS COLLEGE, KAPURTHALA ROAD, JALANDHAR CITY, PH :144623-9815040411.

768.\* PUNJAB MOTOR GARAGE (1575), HMV CHOWK, NEW GRAIN MARKET ROAD, JALANDHAR CITY-144 008, PH :144008-9814675433.

**KAPURTHALA**

769.## T.S. WALIA MOTORS (267), MANSOORWAL, JALLANDHAR ROAD, KAPURTHALA, PH :144601-9357211525.

**KURALI**

770.## VISHWAKARMA MOTORS (3335), CHANDIGARH ROPAR ROAD, KURALI, DISTRICT SAS NAGAR (MOHALI), PUNJAB -140103, PH :140103-9814273873.

**LALRU**

771.## VIKAS MOTORS (2777), IOC PETROL PUMP, AMBALA CHANDIGARH ROAD, LALRU DISTT. PATIALA, PUNJAB, PH :140501-9888911444.

**LUDHIANA**

772.\*\* PUNJAB AUTO CENTRE (6221), OPP TELEPHONE EXCHANGE, BHARAT NAGAR CHOWK, LUDHIANA-141 001, PH :141001-985517003.

773.\* REEHAL AUTOMOBILE SERVICES (1176), OPP. JAMALPUR POWER HOUSE, CHANDIGARH ROAD, LUDHIANA-141 010, PH :141015-9357110000.

774.## SATNAM MOTOR WORKSHOP (4533), OPP MILK PLANT, FIROZPUR ROAD, LUDHIANA, PH :141003-9855228591.

775.## STAR AUTOS (4650), JALANDHAR BY PASS, G.T. ROAD, LUDHIANA, PH :141012-9216844220.

776.## VISHAL AUTOMOBILES (1262), G.T. ROAD, DHOLEWAL, LUDHIANA-141 003, PH :141003-9815206060.

**MANDI GOBINDGARH**

777.## NATIONAL MOTORS (1070), G.T. ROAD, NEAR P & S BANK, MANDI GOBINDGARH-147 301, PH :147301-9317862000.

**MANSA (PUNJAB)**

778.## LOVEKESH ENTERPRISES (2162), NEAR N.M. COLLEGE, MANSA-151 505, (PUNJAB), PH :151505-9216524143.

**MOGA**

779.\* GURU NANAK MOTOR REP.WORK (732), G.T.ROAD, MOGA-142 001 (PUNJAB), , PH :142001-9914121387.

**MOHALI**

780.\*\* BENZ AUTO SCAN (5734), E-153,PHASE 7, INDUSTRIAL AREA -MOHALI, DISTRICT-MOHALI, PUNJAB, PH :160055-9876101806.

781.\*\* MOHALI MOTORS (756), C-55 INDUSTRIAL AREA, PHASE-VI, S.A.S. NAGAR, MOHALI-160 055, PH :160055-9781815959.

782.\*\* SETHI MOTORS (4742), PLOT NO. E-159, INDUSTRIAL AREA, PHASE-7, MOHALI, PUNJAB, PH :160055-9814307002.

783.## UNIPONT (5043), PLOT NO.593., INDUSTRIAL AREA PHASE-IX,MOHALI., DISTRICT - MOHALI, (PUNJAB), PH :160062-7814402838.

**MORINDA**

784.## SONY MOTOR PALACE (1077), SIRHIND ROAD, MORINDA-140 101, , PH :140101-9815612477.

**MUKERIAN**

785.\* MARSHAL SALES CORPORATION (5251), NEAR RADHA SOAMI SATSANG, PATHANKOT ROAD, MUKERIAN - 144211, DISTRICT HOSHIARPUR,PUNJAB, PH :144211-9283835525.

786.## NEW MODERN AUTOMOBILES (4437), G.T. ROAD, MUKERIAN, PUNJAB, PH :144211-9463292013.

**MUKTSAR**

787.## MALWA MARUTI CENTRE (4764), OPP GOVT COLLEGE KOTKAPURA ROAD, MUKTSAR, PUNJAB, PH :152026-9814622081.

**NAKODAR**

788.## MEHTA MOTORS (3531), KHADDAR BHANDAR ROAD, NAKODAR-144040, PH :144040-9815600082.

**PATIALA**

789.\*\* PARAS MOTORS (4778), PLOT NO. 25-A, NEAR HOTEL FLYOVER FACTORY AREA, PATIALA-147001, PUNJAB, PH :147001-9814089861.

790.## RAJINDRA MOTORS (8924), C-177, INDUSTRIAL FOCAL POINT, PATIALA, PUNJAB, PH :147003-9316200335.

**PATTI**

791.## ANU AUTOMOBILE (2747), AMRITSAR ROAD, NEAR RADHA SWAMI SATSANG, PATTI DISTT. AMRITSAR, (PUNJAB), PH :143416-857510003.

**PHAGWARA**

792.## SWAMI MOTORS (3774), (PAMMI W/SHOP), OPP. B.N. DUGGAL PETROL PUMP, G.T. ROAD, PHAGWARA DIST. KAPURTHALA, PH :144401-9815107989.

**QADIAN**

793.## HI-TECH AUTOMOBILES (4945), VILL NATHPUR BATALA ROAD, QADIAN-143516, DISTRICT-GURDASPUR, PUNJAB, PH :143516-9877510294.

**RAIKOT**

794.## RANA SUPREME MOTOR GARAGE (3732), NEAR GURUDWARA TAHLIANA SAHIB, BARNALA BYE PASS ROAD, RAIKOT, DISTT. LUDHIANA (PUNJAB), PH :141109-9814265791.

**RAJPURA**

795.## NOOR MOTORS (3045), PATIALA ROAD, RAJPURA-140 401, (PUNJAB), PH :140401-9814507867.

**RAMPURAPHUL**

796.## BALAJI AUTOMOBILES (4443), BARNALA ROAD, RAMPURA PHUL-151103, DISTT BHATINDA, PUNJAB, PH :151103-941712671.

797.## VIRDI MOTOR GARAGE (3046), BARNALA ROAD, RAMPURAPHUL-151 103, DISTT. BATHINDA, (PUNJAB), PH :151103-9872874175.

**SAMANA**

798.\* CITY MOTORS (1867), P.B.NO.11, MAIN ROAD, SAMANA-147 101, DISTT. PATIALA (PUNJAB), PH :147101-9814221981.

**SANGRUR**

799.\*\* RAKESH MARUTI SERVICE (6325), JIND - DELHI ROAD, NEAR E.S.I. DISPENSARY, SANGRUR-148 001, PH :148001-9815103944.

800.## SANGRUR MARUTI CENTRE (1632), PATIALA ROAD, OPP. MILITARY CAMPUS, SANGRUR-148 001, (PUNJAB), PH :148001-9417510111.

**SIRHIND**

801.## BADRI DHAM CAR SERVICE (1062), G.T. ROAD, SIRHIND-140 406, , PH :140406-81467 11946.

802.## MALHOTRA MOTORS (4657), OPP. INCOME TAX OFFICE, SIRHIND, DISTT FATEHGARH SAHIB, PUNJAB, PH :140406-9815844008.

**SULTANPUR LODHI**

803.## HANDA MOTORS (2776), TALWANDI ROAD, SULTANPUR LODHI, DISTT. KAPURTHALA, (PUNJAB), PH :144626-9815623392.

**SUNAM**

804.## SUNAM AUTOMOBILES (3924), PATIALA ROAD, NEAR OCTROI POST, SUNAM, DISTT. SANGRUR, PH :148028-9417076315.

**TANDA**

805.## MALWA AUTO CARE CENTRE (2073), G.T. ROAD BY-PASS, TANDA, DISTT. HOSHIARPUR, (PUNJAB), PH :144204-9814392103.

**ZIRA**

806.## NEW AUTOMOBILES (5477), NEAR BYE PASS, FEROPZPUR ROAD, ZIRA, TEHSIL ZIRA, DIST. FEROPZPUR, PUNJAB - 142047., PH :142047-9463240231.

**RAJASTHAN**

**ABU ROAD**

\*\* A-Category Mass : Free & paid Service, Major repairs & Accidental repairs  
## C-Category Mass : Free & paid Service & Minor repairs

\* B-Category Mass : Free & paid Service & Major repairs  
# D-Category Mass : Free Service & Minor repairs

**Maruti Authorized Service Station (AS ON 30.05.2023 )**

807.##	UNIQUE MOTORS (4923), MOUNT ROAD, AKRABHATTA, ABU ROAD-307 510, (RAJASTHAN), PH :307510-9929177781.	<b>BHINIMAL</b>	817.##	GURJAR MOTORS (5567), RAMSIN ROAD,OPP PRADEEP PETROL PUMP, BHINMAL, DISTRICT - JALOR, RAJASTHAN, PH :343029-9414374962.	827.##	SANTOSH AUTOMOBILES (5450), SANTOSH ATUOMOBILES, KUCHAMAN ROAD , DIDWANA , DISTRICT - NAGAU , (RAJASTHAN), PH :341303-9828833363.	838.*	M. R. MOTORS (8933), PLOT NO. 120-121 & 125-126, VANE VIHAR, 200FT BYE PASS, JHOTWARA, JAIPUR (RAJASTHAN), PH :302012-9314881528/0141-2340196.	
<b>AJMER</b>		<b>BHIWADI</b>	818.##	WHEEL-O-CITY (4246), E-7D (A) PHASE-1, NEAR RIICO CHOWK, BHIWADI, RAJASTHAN, PH :301019-01493-225555/01493-290962/9887099 874.	<b>DUDU</b>	828.##	NEETA AUTOMOBILE (4855), C/O NEW JAIN GUEST HOUSE, NH-8, JAIPUR AJMER ROAD, DUDU, RAJASTHAN, PH :303008-9667031098.	839.*	RIGHTWAYS CO. (1131), KISHANPOLE BAZAR, JAIPUR, , PH :302002-0141-2372438/0141-4022436/9799220 011.
808.##	ASHOK AUTOMOBILES (1121), BYEPASS ROAD, PARVATPURA, IND.AREA, AJMER (RAJASTHAN), PH :305002-0145-2695233/0145-2695076/9829087 166.	<b>BIKANER</b>	819.##	GENERAL AUTOMOBILES (1123), RANI BAZAR, RAIWAY CROSSING, BIKANER (RAJASTHAN), PH :334001-0151-2200338/0151-2549072/9413389 352.	<b>JAIPUR</b>	829.##	A 1 MOTORS (4856), D-28 MALVIYA NAGAR, INDUSTRIAL AREA JAIPUR, DISTRICT - JAIPUR, RAJASTHAN, PH :302017-9414047628.	840.**	SAISHA MOTORS (1764), MAIN SHIPRA PATH, OPP. SECTOR 93, AGARWAL FARM, MANSAROVAR, JAIPUR-302 020, PH :302020-0141-2399196/9414454820.
<b>ALWAR</b>		820.##	VISHI MOTORS (5559), PLOT NO 55(A) J.I.A. RANI BAZAR-BIKANER, DISTRICT - BIKANER, RAJASTHAN, PH :334001-98290-27128.	830.*	AMGI AUTOMOBILES (1938), AIRPORT CIRCLE, KOTA ROAD, JAIPUR-302 011, PH :302011-9828012009.	841.*	SERVICE CENTRE (1139), OPP. TOURIST HOTEL, M.I. ROAD, JAIPUR-1, PH :302001-9351551181.	842.*	SHARP MOTORS (2032), J-3 HIMMAT NAGAR, MAIN TONK ROAD, GOPAL PURA CIRCLE, JAIPUR-302 004, PH :302004-0141-2705493/0141-2211386/9314877 457.
809.##	POOJA MOTORS (5439), POOJA MOTORS.NEAR AMARNATH PETROL PUMP,DELHI ROAD ,MUNGSKA - ALWAR , DISTRICT -ALWAR , RAJASTHAN, PH :301001-9414640279/0144-2700921/0144-2371 382.	<b>BUNDI</b>	821.##	SHRI JI MOTORS (2174), OPP. KUMBHA STADIUM, KHOJA GATE, BUNDI, (RAJASTHAN), PH :323001-9990270676.	831.##	AUTONITY JAIPUR (4852), GOPALPURA BYPASS, DELHI KISHANGARH, HIGHWAY JAIPUR, DISTRICT - JAIPUR - 302019, RAJASTHAN, PH :302019-9784377503.	843.##	SUPREME MOTORS (1130), A-25 ASSAM MANSION, TRANSPORT NAGAR, JAIPUR-302 003, PH :302003-7737279332.	
810.##	VERTEX AUTOMOBILES PVT. LTD. (1944), CHANDUKA BHAWAN, SWARG ROAD, ALWAR-301 001, PH :301001-0144-2335733/0144-2342117/9828233 299.	<b>CHOMU</b>	822.##	SHREE LAXMI MOTORS (3072), MORIJA ROAD, CHOMU, JAIPUR-303702, (RAJASTHAN), PH :303702-9828160281.	832.**	AUTONITY KIA (8927), PLOT NO.6, GIRDHAR COLONY, SIKAR ROAD, JAIPUR-302 013, PH :302013-0141-2232790/0141-3293308/9314505 031.	844.##	TOSHNIWAL AUTOMOBILES (3475), 131 SHRI GOPAL NAGAR, GOPALPURA BYEPASS, JAIPUR, (RAJASTHAN), PH :302015-9887553836.	
<b>BARMER</b>		<b>CHURU</b>	823.*	ABS MOTORS (2978), JAIPUR ROAD, CHURU-331 001, (RAJASTHAN), PH :331001-01562-252333/01562-257333/9667672 324.	833.##	J.K. AUTOMOBILES (2058), 38 SUSHILPURA, AJMER ROAD, JAIPUR-302 007, PH :302007-7976448538/0141-2810500.	<b>JAISALMER</b>		
811.*	VEW SERVICE (1238), S-181 & 182, RIICO, BARMER-344 001, (RAJASTHAN), PH :344001-9460158584/02982-223329.	<b>DAUSA</b>	824.##	BALAJI MOTORS (4564), NEAR MANDI ROAD, NEAR TRANSFORMER, DAUSA-303303, PH :303303-9414273443/9828169601.	834.**	JAI SHRI RAM AUTO SERVICE CENTRE (1140), OPP. SHYAM NAGAR TURN, MAIN AJMER ROAD, SODALA JAIPUR, RAJASTHAN, PH :302019-0141-2221214/9829853330/958746444 1.	845.##	R.R. AUTOMOBILES (1473), OPP. GEETA ASHRAM, JAISALMER-345 001, (RAJASTHAN), PH :345001-8619638276.	
<b>BASSI</b>		<b>DHAULPUR</b>	825.**	NARAYAN MOTORS (3345), G.T. ROAD, DHOLPUR, (RAJASTHAN), PH :328001-0564224001/1 9414027335.	835.##	KATARIA MOTORS (2577), 9-A NEMINAGAR VISTAR , AMRAPALI MARG, VAISHALI NAGAR, JAIPUR -302021, PH :302021-9672444000/9414468024/0141-235213 6.	<b>JHUNJHUNU</b>		
812.##	VARDHANI MOTORS (5358), NEAR NALAYA BASSI, DISTRICT - JAIPUR , RAJASTHAN, PH :303301-9950107203.	<b>DIDWANA</b>	826.##	NARSING SERVICE CENTRE (3074), NEAR JAGDISH TALKIES, BARI ROAD, DHOLPUR-328 001, (RAJASTHAN), PH :328001-9414026820.	836.##	KRISHNA AUTOMOBILES (5363), B-27 SUNDAR NAGAR ,MANSAROVAR , JAIPUR, DISTRICT - JAIPUR, RAJASTHAN, PH :302020-9829968075.	846.##	VISHWAKARMA AUTOMOBILES (3071), HPC DEALER, RANI SATHI ROAD, JHUNJHUNU-333 001, (RAJASTHAN), PH :333001-9461058839.	
<b>BEHROR</b>				837.##	LAXMI MOTORS (2576), OPP METRO PILLAR NO 34, GANGA JAMUNA CROSSING, NIRMAN NAGAR, JAIPUR, RAJASTHAN - 302019, PH :302019-9351551181.	<b>JHUNJHUNUN</b>			
813.##	K.L. INTERNATIONAL AUTOMOBILES (1763), DELHI JAIPUR HIGHWAY, VILLAGE DHAMI, P.O. KANKARDOPA, TEHSIL BEHROR DIST. ALWAR (RAJASTHAN), PH :301701-01492-221396/9414014603.					838.##	DEORA MOTORS (5353), UPPER UNDER BRIDGE PAOTA 'C' ROAD, JODHPUR, DISTRICT - JODHPUR, RAJASTHAN, PH :342006-9829026069.		
<b>BHARATPUR</b>						839.##			
814.**	CLASSIC MOTORS (2348), DEEG ROAD, KUMHER GATE, BHARATPUR-321 001, (RAJASTHAN), PH :321001-9414026545.								
<b>BHILWARA</b>									
815.##	NATIONAL SERVICE CENTER (4761), SANGANER COLONY, KOTA ROAD, BHILWARA-311001, RAJASTHAN, PH :311001-9829120285.								
816.*	QUICK SERVICES (3473), SABUN MARG, PURAN DAS JI KI BAGICHEE, BHILWARA-311 001, PH :311001-01482-223456/9414144046.								

\*\* A-Category Mass : Free & paid Service, Major repairs & Accidental repairs

## C-Category Mass : Free & paid Service & Minor repairs

\* B-Category Mass : Free & paid Service & Major repairs

# D-Category Mass : Free Service & Minor repairs

**Maruti Authorized Service Station (AS ON 30.05.2023 )**

849.\* P.D. MOTORS (3340), NATIONAL HIGHWAY NO. 62, NEW PALI ROAD, NEAR JHALAMAND CIRCLCE, JODHPUR, RAJASTHAN - 342005., PH :342005-0291-272485/0291-2722495/9928974 601.

**KALWAR**

850.## RADLANIYA MOTORS (5554), KALWAR MAIN TIRHIA ,NEAR KHARBAS, NEAR PETROL PUMP,,JHOTWARA ROAD, DISTRICT - KALWAR, RAJASTHAN, PH :303706-9983111634.

**KISHANGARH**

851.## RADHA SWAMI AUTOMOBILES (440), NEAR AJMER ROAD - BUS STAND,

, KISHANGARH,, DISTRICT AJMER, RAJASTHAN , PH :305801-9252059798.

**KOTA**

852.## FRIENDS AUTOMOBILES (3679), KOTA BUNDI ROAD, NH 12, OPP. HOTEL MENAL RESIDENCY, KOTA, PH :323021-9829529479.

**KOTPUTLI**

853.## VIKAS MARUTI SERVICE CENTRE (4970), NH-8, NEAR MEENA GAS AGENCY GODOWN, KOTPUTLI - 303108, RAJASTHAN, PH :303108-9929393045.

**KUCHAMAM**

854.## DALUKA AUTO SALES (4565), NEARBY SHARDA PALACE HOTEL, KUCHAMAM BYE PASS., KUCHAMAM CITY, 341508, PH :341508-9414433240.

**MAKRANA**

855.## GEHLOT MOTORS (454), OPPOSITE TO G.S.S. MANGLANA ROAD, MAKRANA, RAJASTHAN, PH :341505-9829024687.

**MERTA**

856.## DELUX CAR SERVICE CENTRE (3856), KUCHERY ROAD, MERTA CITY, DISTT. NAGAUER, PH :341510-9414004543.

**NAGAUR**

857.\* CLASSIC AUTOMOBILES (1179), DIDWANA ROAD, (DELHI GATE), NAGAUR-341 001, (RAJASTHAN), PH :341001-9672501234.

**NEWAI**

858.## HEENA MOTORS (5568), NEWAI BYEPASS ,NEAR JHILAY MOAD, NEWAI, DISTRICT - TONK, RAJASTHAN, PH :304021-9414228066.

**PILANI**

859.## MARUTI CARE CENTRE (3073), RAJGARH ROAD, SHANTI NAGAR, PILANI DISTT. JHUNJHUNU, RAJASTHAN-333 031, PH :333031-01596-297021.

**PILANI (JHUNJHUNU DIST)**

860.## MARUTI CARE CENTRE (3073)PH :-.

**PINDWARA**

861.## RONEJA MOTORS (5758), NH 14,OPP PATNAIK MIDWAYA , PINDWARA-307022, DISTRICT-SIROHI, RAJASTHAN, PH :307022-9610451492.

**RAJSAMAND**

862.## VIPUL AUTOMOBILES (2170), NH-8, BHAGWANDA , BEHIND GOVT. PRIMARY SCHOOL , RAJSAMAND, RAJASTHAN, PH :313333-02952-294420, 9929177781.

**RAWATBHATA**

863.## APNA MARUTI GARAGE (5940), OPP. RAM TEKRI MANDIR,PRATAP MARKET, MAIN ROAD,RAWATBHATA-323305, DISTRICT-CHITTORGARH, RAJASTHAN, PH :323305-9413504447/9413356634.

**SIKAR**

864.## RAJ AUTOMOBILES (5534), SUSHIL TRADING CO. STATION ROAD, SIKAR, DISTRICT - SIKAR, RAJASTHAN, PH :332001-01572-240721/01572-240722/9414039 783.

**SRI MADHOPUR**

865.## BHARAT MOTORS (5757), WARD NO.4,BYE PASS ROAD , SRI MADHOPUR-332715, DISTRICT- TONK, (RAJASTHAN), PH :332715-9251377020.

**SRIGANGANAGAR**

866.## ROHIT UDYOG (1132), 75 K-BLOCK, SRIGANGANAGAR , PH :335501-9414093565/0154-2474823.

**SUJANGARH**

867.## SHRI CHARBHUJA MARUTI (4924), LANDU ROAD, SUJANGARH, DISTRICT-CHURU, RAJASTHAN, PH :331507-9828118827.

**SURATGARH**

868.## ROHIN SERVICE STATION (2646), N.H.15 BIKANER ROAD, OPP. G.S.S. POWER HOUSE, SURATGARH-335 804, (RAJASTHAN), PH :335804-01509-222514/9413377914.

**TIJARA**

869.## M D MOTORS (5875), ALWAR ROAD,NEAR BOLLYWOOD FARM, TIJARA-, DISTRICT-ALWAR, RAJASTHAN, PH :301411-9351607080.

**TONK**

870.## SUMIT MARUTI (4566), G 1 – 103, RIICO INDUSTRIAL AREA, JAIPUR ROAD, TONK-304001, RAJASTHAN, PH :304001-9214494900.

**UDAIPUR (RAJASTHAN)**

871.\*\* ALOK AUTOMOBILES PVT. LTD. (1977), B.N. COLLEGE PREMISES, OPP. DALAL PETROL PUMP, SEVASHRAM ROAD, UDAIPUR, PH :313001-9414166305.

872.\*\* SHREE SAI CAR CARE (2376), PUNJAWATI, PULLA, UDAIPUR-313 001, PH :313001-0294-3299901/9414166770.

**TAMIL NADU**

**AMBUR**

873.## MARUTHI MOTORS (2864), 10-C M.C. ROAD, AMBUR-635 802, (TAMIL NADU), PH :635802-04174-244880/9443637645.

**ARAVAKURICHI**

874.## GOWRI MARUTI (5570), OPPOSITE IOCL PETROL PUMP,NH-7, ARAVAKURICHI, DISTRICT - KARUR, TAMILNADU, PH :639201-9994818043.

**ARCOT**

875.## HARI AGENCIES (468), #27, ANNA SALAI, ARCOT , TAMIL NADU -632503, PH :632503-4172-234050/9442225070.

**ATTUR**

876.## GANESAA MOTORS (4538), 1/1-D ARANGA BALA NAGAR, SALEM CUDDLORE MAIN ROAD, NARASINGAM, ATTUR-636108 (TAMIL NADU), PH :636108-9443273866.

**AVINASHI**

877.## K.P.K.AUTOMOTIVE (5547), SF NO.460/2,TIRUPPUR MAIN ROAD, AVINASHILINGAMALAYAM,AVINASHI-641654, DISTRICT-COIMBATORE, TAMILNADU, PH :641654-9443301732.

**BHAVANI**

878.## CAR ZONE AUTO SERVICE (5332), METTUR MAIN ROAD , NATARAJAPURAM BHAVANI, DISTRICT - ERODE , TAMILNADU, PH :638301-9842085670.

**CHENGLEPUT**

879.## AMMA AUTOMOBILES (2941), 57-A/1 THIRUKAZHUKUNDANAM, CHENGALPATTU-605 002. (T.N.), PH :603002-44-27421059/8012518012/7373038042

**CHENNAI**

880.## ABIRAMI MOTORS (5131), 6 ANNA NEDUMATHAI , CHOOLABEDU, CHENNAI-600094, TAMILNADU, PH :600094-9840017558.

881.## AUTO TECH (3445), NO.6 G.S.T. ROAD, KAMATCHI COLONY, SANATORIM, CHENNAI-600 040, PH :600047-9941019455.

882.\* EASVARI MOTORS PRIVATE LIMITED (1431), W-110 ANNA NAGAR, CHENNAI-600 040 , PH :600010-9840855655.

883.## KARS KARE SERVICE CENTRE (2579), 648 T.H. ROAD, TONDIARPET, CHENNAI-600 081, PH :600081-9841097259.

884.\*\* MARUTI NEEDS (2531), NO.2 PARK ROAD, PADI, CHENNAI-600 050, PH :600050-9940099500.

885.\*\* NSK MARUTI (4975), 2/247, AST COAST ROAD, NLANKARAI, CHNNAI-600041, TAMIL NADU, PH :600115-9841047232.

886.\* O.M.S. MOTORS (P) LTD. (2140), NO.27 VELACHERRY MAIN ROAD, RAM NAGAR NORTH, MADIPAKKAM, CHENNAI-600 091 (TAMIL NADU), PH :600091-9444081390.

887.\* P.A. SERVICE STATION (2346), NO. 1 GOVINDARAJ ALUMEL ANNAI NAGAR, NEAR 100 FEET ROAD, AGRAHARAM, KORATTUR, CHENNAI-600 076, PH :600076-9840378025.

888.\*\* SWAMY AUTOMOBILES (456), 23 CASA MAJOR ROAD, EGMORE, CHENNAI-600 008, PH :600008-9840891916.

889.\* VAISHALI MOTORS (4529), 4/577 RAJIV STREET, OLD MAHABALI PURAM ROAD, KOTTIVAKAM, CHENNAI-600041, PH :600041-9840138888.

890.\* WHEELS AUTO (469), 40 KASTURIBA NAGAR, 1ST CROSS ROAD, ADYAR, CHENNAI-600 020, PH :600020-9840138888.

**CHIDAMBARAM**

\*\* A-Category Mass : Free & paid Service, Major repairs & Accidental repairs

## C-Category Mass : Free & paid Service & Minor repairs

\* B-Category Mass : Free & paid Service & Major repairs

# D-Category Mass : Free Service & Minor repairs

**Maruti Authorized Service Station (AS ON 30.05.2023 )**

891.## HI-TECH MARUTI (3231), NO.45,SITHIVEL NAGAR,SALIYANTHOPPU , BYE PASS ROAD,CHIDAMBARAM-608001 , DISTRICT-CUDDALORE , TAMILNADU, PH :608001-9585538671.

**COIMBATORE**

892.## GURU AUTO GARAGE (4965), 2/98, IRUGUR ROAD, NEAR BSNL OFFICE, CHINNAMPALAYAM, COMBATOR-600014, TAMIL NADU, PH :641062-9843256247.

893.## LOTUS AUTOMOBILES (4758), 1647-A AVINASHI ROAD, HOPE COLLEGE, PEELAMEDU, COIMBATORE-641004 (TAMILNADU), PH :641004-9842265133.

894.\* SOUTH INDIA MOTORS (MARUTI) (4752), 9A/3 AVINASHI ROAD, NEAR KMCH POLICE CHECK POST, CIVIL AERODROME POST, SITRA, COIMBATORE-641014 (TAMIL NADU), PH :641014-9843027601.

**COONOOR**

895.## SHANTHI AUTO CARE (6054), FIGURE OF 8 ROAD, COONOOR-643101, NILGRIS, (TAMIL NADU), PH :643101-9443273888.

**CUDDALORE**

896.## SUNTAR AUTOS (2134), KTR BUILDINGS, CHIDAMBARAM ROAD, CUDDALORE-607 002, PH :607002-9842345690.

**CUMBUM**

897.## SRI BALAJI MOTOR WORKS (3139), 221-A 1/3 THENI ROAD, NEAR REGULATED MARKET, UTHAMAPURAM, CUMBUM-625 516, PH :625516-9994169309.

**DINDIGUL**

898.\* MAGNUM MOTORS (1241), MEENACHINAICKEN PATTY, NH-7 BYE-PASS ROAD, DINDIGUL-624 002, (TAMIL NADU), PH :624002-9842231340.

**ERODE**

899.\*\* SRI KRISHNA AUTOMOBILE ENTERPRISES (2320), 560 CAUVERY ROAD, ERODE - 638003, PH :638003-9842721805.

900.\*\* SRI SAKTHI CARE (8937), 13, NGGO COLONY MAIN STREET, ERODE, TAMILNADU, 638009, PH :695011-9597726311.

**GADALUR**

901.## GREENWAY MARUTI SERVICE CENTER (5471), KALAMPUZHA,D.O. NO 12/59-3, GUDALUR, DISTRICT - NILGIRLS, TAMILNADU, PH :643212-9443603815.

**GOBICHETTIPALAYAM**

902.## HI-TEC AUTO GARAGE (2426), 426,ASIRIYAR NAGAR, KULLAMPALAYAM POST , ERODE MAIN ROAD, GOBICHETTIPALAYAM-638 476, PH :638476-9842447725.

**HOSUR**

903.## AUTO SCAN (2070), 58-B BANGALORE ROAD, HOSUR-635 109, (TAMIL NADU), PH :635109-8122904091.

904.\*\* BALAJI MOTORS (5136), PLOT NO.11 MARUTHI NAGAR, NEAR T.V.S. AGENCIES(T V S SHOWROOM), KRISHNAGARI MAIN ROAD- HOSUR, TAMILNADU, PH :635109-9842755402.

905.## SRI VINAYAKA MOTORS (3848), 5/2C/1 (OPP TAMIL NADU HOTEL), BYE PASS ROAD, HOSUR, PH :635109-9443245096.

**KALPAKKAM**

906.## MARUTI MOTORS (4253), SURVEY 309/5-A, PUDUPATTINAM VILLAGE PANCHAYAT, THIRUKALKUNDARAM TALUKA, KANCHEEPURAM, KALPAKKAM-603102, PH :603102-9443366535.

**KANCHEEPURAM**

907.\* SVS MARUTI SERVICE CENTRE (5466), NO1 MILITARY ROAD, SEVILIMEDU, OPP BRINDAVANAM NAGAR, KANCHIPURAM, TAMILNADU 631501, PH :631501-9994332290 / 9043032290.

**KANGAYAM**

908.## SRI ARUN CAR CARE (3949), COIMBATORE ROAD, NEAR IBP PETROL BUNK, KANGAYAM - 638701, PH :638701-9443329526.

**KARAIKUDI**

909.## SURABI MOTORS (2340), NO.11 TRICHY MAIN ROAD, (NEAR RAILWAY CROSS), SRIRAM NAGAR, KOTAIYUR, KARAIKUDI-630 001, PH :630106-9443351484.

**KARUMATHAMPATTY**

910.## SIVAN MOTORS (3832), OPP IBP NH47, NEAR KONGU VELLALAR SCHOOL, KARUMATHAMATTY, PH :641659-9842231819.

**KARUR**

911.\*\* SRI SAKTHI AUTO CARE (2532), 3/291 COVAI ROAD, VADIVEL NAGAR L.N.S. POST, KARUR-639 002, (TAMIL NADU), PH :638009-9842426585.

**KOVIPLATTI**

912.## CLASSIC AUTOMOBILES (6037), 3/531 – B, TIRUNELVELI TO MADURAI BYPASS ROAD, NH-7, INAM MANIYACHI, KOVIPLATTI, TAMIL NADU – 628502., PH :628502-9442552000.

**KRISHNAGIRI**

913.## THIRUTHANIGAI MOTORS (2427), SALEM-CHENNAI BYE PASS ROAD, KRISHNAGIRI-635 001, (TAMILNADU), PH :635001-9842129890.

**KUMBAKONAM**

914.## SRI SAKTHI MOTORS (4330), #7/228, PULIYAMPETTAI, MAYILADUTHURAI MAIN ROAD, KUMBAKONAM, TAMILNADU -612103, PH :612103-9443131513.

**MADURAI**

915.## FRIENDLY MOTORS (3141), 32 PALAM STATION ROAD, NEAR LIC BUS STOP, SELLUR, MADURAI-625 002, PH :625002-9842714047.

916.## SHALOM MOTORS (4629), THENI MAIN ROAD, ACHAMPATHU, NEAR BHARAT PETROLEUM, MADURAI-625019, PH :625019-8754033244.

**MADURANTHAKAM**

917.## MARUTHI MOTORS (6036), NO.33,G.S.T. ROAD,KARUNGUZZHI, MADURANTHAKAM-603303, DISTRICT-KANCHIPURAM, TAMILNADU, PH :603303-9443354073.

**MAYILADUTHURAI**

918.## R.M.S. MARUTI AUTO (2237), 53/54 MAHADHANA STREET, MAYILADUTHURAI-609 001, (TAMIL NADU), PH :609001-9842922685.

**NAGAPATTINAM**

919.\* MARUTI-TECH (1671), PUTHUR ROUNDANA E C R ROAD, NAGAPATTINAM, , PH :611000-9842653718.

**NAGERCOIL**

920.\* SRI GANAPATHI MOTORS (1629), NO.12 JAWAHAR STREET, R.V. PURAM, NAGERCOIL-629 001, PH :629001-9345322333.

**NAMAKKAL**

921.## ARUNA MOTORS (1461), MARUTI SERVICE CENTRE, OPP. N.S.R. BUILDING, SALEM MAIN ROAD, NAMAKKAL-637 001, PH :637001-9842775761.

**PALLADAM**

922.## CHENDU MOTORS (4333), KALIVELAMPATTI PIRUVU, TRICHY ROAD, PALLADAM-641662, COIMBATORE DIST, PH :641662-9842225058.

**PALLAVARAM**

923.\* VBK MOTORS (4463), OLD NO. 99, NEW NO. 91, G.S.T ROAD, ALVITONE ESTATE, (BEHIND LAKSHMI THEATRE), PALLAVARAM, CHENNAI-600043, PH :600043-9841425030.

**PARAMAKUDI**

924.## SIVA AUTOMOBILES (4542), NEAR SRIKUMARA SUBRAMANIAM SWAMY TEMPLE, OPP FIE STATION, MADURAI RAMESWARAM ROAD, PARAMAKUDI-623707 RAMNAD DIST, PH :623707-9388405305.

**PARAMATHIVELUR**

925.## RADHA CAR CARE (5828), NO 96/1,BYE PASS ROAD,VETTUKATTU PUDAR, PIRIVUR ROAD,PARAMATHIVELUR-638182, DISTRICT-NAMAKKAL, TAMILNADU, PH :638182-8608090140.

**PERUNDURAI**

926.## PRIYAM AUTOMOBILES (3036), 139 KOVAI MAIN ROAD, PERUNDURAI-638 052, (TAMIL NADU), PH :638052-9095099999 - 9842701371.

**POLACHI**

927.\* J D & COMPANY (6055), COIMBATORE ROAD, POLLACHI-642 002, , PH :642002-9443565785.

**RAJAPALAYAM**

928.## RAJA MOTORS (4128), 52/A, SRI JANAKIRAM MILLS ROAD, SRIVILLIPUTTUR MAIN ROAD, RAJAPALAYAM, VIRUDHUNAGAR- 620117, PH :626117-7094597178.

**RASIPURAM**

929.## ROYAL AUTO CARS (4052), 5/120 NH-7, SALEM MAIN ROAD, NEAR TSTC DEPOT, MUTHUKALIPATTI POST, RASIPURAM TALUK, NAMAKKAL DISTRICT-637408, PH :637401-9443230339.

**RED HILLS**

\*\* A-Category Mass : Free & paid Service, Major repairs & Accidental repairs  
## C-Category Mass : Free & paid Service & Minor repairs

\* B-Category Mass : Free & paid Service & Major repairs  
# D-Category Mass : Free Service & Minor repairs

**Maruti Authorized Service Station (AS ON 30.05.2023 )**

930.### UNIQUE CAR CARE (5868), NO.54, FIRST STREET, MANIKANDAPURAM, MTH HIGH ROAD, THIRUMULLAIVOYAL, CHENNAI, TAMILNADU - 600062, PH :600062-9500056658/9841059295.

**SALEM**

931.### MEENATCHI AUTO (2940), 57 KALARAMPATTY MAIN ROAD, (NEAR DEVI THEATRE), SALEM-636 015, (T.N.), PH :636015-9443201001/ 9976601001.

932.\*\* NATSUN MOTORS (6029), NO.220,BANGALORE BYE PASS ROAD (NH-7), KODALAMPATTY,SALEM-636010, DISTRICT-SALEM, TAMILNADU, PH :636005-9842704499.

**SANKAGIRI**

933.### TECH ZONE AUTO SERVICE (2640), 10/78 BHAVANI MAIN ROAD, (NEAR ERODE PIRIVU), SANKAGIRI SALEM DISTT., PIN-637 303, PH :637303-9942444753/ 9842651158.

**SANKARANKOIL**

934.### RAJA MOTORS (4555), RALAPALAYAM ROAD, OPPOSITE TO LIC BUILDING, SANKARANKOIL-627756, PH :627756-9994409363.

**TENKASI**

935.### CARE ZONE (3766), 5/164(1) KUTHUKKAL VALASAI, MADURAI ROAD, TENKASI-627 811, (TAMIL NADU), PH :627811-9842133134.

**THANJAVUR**

936.### R K P MOTORS (5238), 121/7,THANJAVUR KUMBAKONAM, HIGHWAY PALLIAGRAHARAM, THANJAVUR, TAMILNADU, PH :613003-9751125555 / 9563525555.

**THENI**

937.### SATHURAGIRI MOTOR WORKS (1650), 3-1-31 TO 36, CUMBUM ROAD, THENI-625 531, (TAMIL NADU), PH :625531-9047033678.

**TIRUNELVELI**

938.### FRIENDS INDIA AUTO CLINIC (5030), NO.16 D.BYE PASS ROAD, VANNARAPETAI, TIRUNELVELI 627003, TAMILNADU, PH :627003-978660111.

**TIRUPUR**

939.\*\* LAKSHMI MOTORZ (2461), 4/146 PALLADAM ROAD, OPP. LAKSHMI KALYANA MANDAPAM, TIRUPUR-641 604, (T.N.), PH :641605-9842377959.

**TRICHY**

940.\* YITHES MOBILE PARK (443), 8/6 TANJORE ROAD, THIRUCHIRAPALLI-620 008 , PH :620008-6383353727.

**UDAMALAPET**

941.\* S.R.K. MOTORS (1456), C-109 GANDHI NAGAR, UDAMALAPET-642 154, COIMBATORE (DT.), (TAMIL NADU), PH :642126-9843011520.

**VELLORE**

942.\* MARUTI AUTO SERVICE (2844), 106 (OLD NO.: 78), KATPADI ROAD, GANDHI NAGAR, VELLORE-632 006 (T.N.), PH :632006-9843093422.

**VILLUPURAM**

943.### RAGAVENDRA MOTORS (2361), 2/3 MADRAS TRUNK ROAD, VILLUPURAM-605 602, (TAMIL NADU), PH :605602-9244555860.

**VRIDDHACHALAM**

944.### VISHWA MARUTI CARE CENTER (8934), NO412,PERIYAR NAGAR (NEAR FIRE SERVICE S. STATION)VRIDDHACHALAM - 606001 , DISTRICT - CUDDALORE , (TAMILNADU), PH :606001-9842246092.

**TELANGANA**

**ADILABAD**

945.### MAHA LAXMI AUTOMOTIVES (2240), NH# 7 OPP. H.P. PETROL BUNK, TIRUPALLY, ADILABAD-504 001, (A.P.), PH :504 001-9000345313.

**BHADRACHALAM**

946.### SRI VENKATARAMANA AUTO CARE (2831), MARUTI SERVICE STATION, OPP. COLLEGE GROUNDS, GOLLAGATTA ROAD, BHADRACHALAM-507 111 (A.P.), PH :507111-9290792269.

**GAJWEL**

947.### VIJAY MOTORS (4864), HYDERAAD ROAD, STATE HIGH WAY FROM HYDERABAD, TO KARIMNAGAR, PREGHAPUR - GAJWL, ANDHRA PRADESH, PH :502278-9849893665.

**HYDERABAD**

948.### ARYAN MOTORS (3264), D.NO.17-1-382/K/5 & 6, CHAMPAPET SAIDABAD, SAGAR ROAD, HYDERABAD, PH :500059-9246155464.

949.### COSMO AUTO CLINIC PVT. LTD. (1045), PLOT NO 1, RD NO 5., CHANDRAPURI COLONY , LB NAGAR, HYDERABAD - 500074, PH :500074-9246272735/9849015667.

950.### PISTONS & SPANNERS (2766), 2-3-37 MAHARANA PRATAP JUNCTION HALL, AMBERPET, HYDERABAD-500 013, PH :500 013-9990649504.

951.### SERWELL AUTOMOBILES (5234), PLOT NO 202.203 ADITYA NAGAR. OPP. JNTU, KUKA TALLY HYDERABAD. ANDHRA PRADESH, PH :500085-9490105147.

**JAGTIAL**

952.### PARAMESHWARA MOTORS (3851), OPP P R OFFICE, DHAROOR CAMP, JAGTIAL 505327, DT. KARIMNAGAR (A.P.), PH :505455-9912664659.

**KARIMNAGAR**

953.### MYTRI MOTORS (5152), 8-6 188.KOTHI RAMPUR, KARIMNAGAR, DISTRICT - KARIMNAGAR , ANDHRA PRADESH, PH :505001-9441475357.

954.\*\* PUSHPAK MOTORS (1032), KOTHI RAMPUR, HYDERABAD ROAD, KARIMNAGAR - 505 001 (A.P.), PH :505001-9849489431.

**KHAMMAM**

955.### EXCEL AUTO CARE (1043), RAPARTHI NAGAR, BYPASS ROAD, KHAMMAM - 507001., PH :507001-9848156363.

**KODAD**

956.### SAI KAKATIYA SERVICE STATION (4664), SURYAPETA ROAD, OPPOSITE LORRY ASSOCIATION BUILDING, KODAD-508206, DISTRICT-NALGONDA (ANDHRA PRADESH), PH :508206-9848057813.

**MAHABUB NAGAR**

957.### SRI AYYAPPA MARUTI CLINIC (3941), OPP HOSPITAL, HYDERABAD ROAD, YEMUGONDA, MAHABUB NAGAR (ANDHRA PRADESH), PH :509002-9440569259.

**MANCHERIAL**

958.### PARVATI MOTORS (4129), 4-53 BPL ROAD, MANCHERIAL, DISTRICT ADILABAD, ANDHRA PRADESH, PH :504208-9885554888.

**MIRYALGUDA**

959.### GANESH MOTORS (4536), D.NO. 6-366, P.V. COMPLEX, NALGONDA ROAD, MIRYALGUDA, NALGONDA DISTT (ANDHRA PRADESH), PH :508207-9393900666.

**NALGONDA**

960.### SRIRAM AUTHORISED SERVICE STATION (4627), HYDERABAD ROAD, OPP. SUB STATION, NALGONDA, ANDHRA PRADESH, PH :508001-9848378133.

**NIZAMABAD**

961.### PRIYA SERVICING (1771), C/O TIRUMALA CHITRA MANDIR, HOUSE NO.1-B-833, PHULANG ROAD, NIZAMABAD-503 003 (A.P.), PH :503 003-9948034523.

**RAMAGUNDAM**

962.### ALI AUTOMOBILES (2849), NEAR TV RELAY STATION, NTPC JYOTHINAGAR, RAMAGUNDAM-505 215, DISTT. KARIMNAGAR (AP), PH :505208-9848219102.

**SECUNDERABAD**

963.### ANNAPURNA MOTORS (2947), # 6-3-23/5 JAYANAGAR COLONY, NEAR MEKALMANDI, NEW BHOIGUDA, SECUNDERABAD-500 080, PH :500 080-9849061136.

**SIRSILLA**

964.### SATHVIKA MOTORS (5649), KARIMNAGAR ROAD,OPP HP PETROL PUMP, SIRSILLA-505301, DISTRICT - KARIMNAGAR , ANDHRA PRADESH, PH :505301-9490284726.

**SURYAPET**

965.### SAI GLOBAL AUTO SERVICES (4550), OPP. AYYAPPA SWAMY TEMPLE, BY PASS ROAD, NH-9, SURYAPET-508213, ANDHRA PRADESH, PH :508213-9848076108.

**WANAPARTHY**

966.### SMC MOTORS (5658), K.K.T. ROAD,BASAVANNA GADDA, WANAPARTHY, DISTRICT -MAHABUBNAGAR, ANDHRA PRADESH, PH :509103-9440142927.

**WARANGAL**

967.### VAISHNAVI AUTOMOBILES (470), OPP. NEW SCIENCE DEGREE COLLEGE, HUNTER ROAD, HANAMKONDA, WARANGAL-506 001, PH :506 001-9849002528.

**TRIPURA**

**AMBASSA**

\*\* A-Category Mass : Free & paid Service, Major repairs & Accidental repairs  
### C-Category Mass : Free & paid Service & Minor repairs

\* B-Category Mass : Free & paid Service & Major repairs  
# D-Category Mass : Free Service & Minor repairs



## Maruti Authorized Service Station (AS ON 30.05.2023 )

968.##	CHAKRABORTY MECHANICAL WORKSHOP (5351), NH-44, NEAR ZILLA PARISWAD OFFICE, AMBASSA, DISTRICT - DHALAI, TRIPURA, PH :799289-9436136054.	979.**	SINGH AUTOMOBILES (5248), KANPUR ROAD, AURAIYA , DISTRICT - AURAIYA , PIN - 206122, UTTAR PRADESH, PH :206122-9808403258.	989.##	BHARTI AUTOMOBILES (1777), DHANORA ROAD, CHANDPUR, DISTT. BIJNOR, (U.P.), PH :246725-9837380551.	999.##	LAXMI MOTORS (5943), FATEHPUR SIKRI ROAD, KHEDA KORAI , FATEHPUR SIKRI-283110, DISTRICT-AGRA, UTTAR PRADESH, PH :283110-9837749949.
<b>DHARMANAGAR</b>		<b>BABUGARH</b>		<b>CHITRAKOOT</b>		<b>FIROZABAD</b>	
969.##	RAU AUTOMOBILES (2868), STATION ROAD, RAJABARI, DHARMANAGAR, TRIPURA (NORTH)-799 253, PH :799253-9436477578.	980.*	GURUNANAK AUTOMOBILES (5977), NH- 9, VILL SIMROLI , BABUGARH CANTT. , DISTRICT- HAPUR, UTTAR PRADESH, PH :245102-8941838183/9411490827.	990.*	SHYAM MOTORS (4367), BUS STAND, KARWI, CHITRAKOOT-210205, PH :210205-9415143900.	1000.**	AMAN MOTORS (4366), OPP CAR CARE (INDIA), BYE PASS ROAD, FIROZABAD, UTTAR PRADESH, PH :283203-9837500220.
<b>UDAIPUR</b>		<b>BAGHPAT</b>		<b>DADRI</b>		<b>1001.##</b>	
970.##	SUR UDYOG (3963), TOWN FULKUMARI NO. 1, BRAMHABARI, P O UDAIPUR COURT, UDAYPUR, TRIPURA SOUTH, PH :799120-9862276650.	981.##	KAUSHIK MOTORS (4473), PLOT NO 525, DELHI SAHARANPUR ROAD,PALI, BAGHPAT, UTTAR PRADESH 250609, PH :250609-9837800582.	991.##	NATIONAL MOTOR AGENCY (5143), NOIDA ROAD , DADRI -203207, DISTRICT - GAUTAMBUDH NAGAR , UTTAR PRADESH, PH :203207-9818486888/0120-2667033/987394403 3.	1002.##	GOVIND AUTOMOBILES (1739), NH-2, INFRONT OF SUB POWER STATION, MODHA, ASFABAD CHAURAHA, FIROZABAD, UTTAR PRADESH, 283203, PH :283203-9837169332.
<b>UTTAR PRADESH</b>		<b>BALRAMPUR</b>		<b>DANKAUR</b>		<b>GANGOH</b>	
<b>AGRA</b>		982.##	D M AUTOMOBILES (3933), NEAR BCPM, POST SIRSIYA, GONDA ROAD, BALRAMPUR 271201, PH :271201-9415071840.	992.##	YASH MOTORS (5934), SIKANDRABAD ROAD, NEAR KISAN INTER COLLEGE, DANKAUR-203201, DISTRICT- GAUTAM BUOH NAGAR, UTTAR PRADESH, PH :203201-9410491590.	<b>1003.**</b>	
971.##	GAYATRI MOTORS (4730), 101-102, SHASHI NAGAR, CHANDRAKALA-, COMPLEX SIKANDRA BODLA ROAD, AGRA - 282008, (UTTAR PRADESH), PH :282007-8077786331.	<b>BANDA</b>		<b>DEOBAND</b>		<b>GHAZIABAD</b>	
<b>ALIGARH</b>		983.##	CHAUDHARY TRACTORS (2249), STATION ROAD, BANDA-210 001, (U.P.), PH :210001-9415143033.	993.##	PRACHI MOTORS (3361), ADJACENT TO CIVIL COURTS, G.T. ROAD, DEOBAND, DISTT. SAHARANPUR (U.P.), PH :247554-7017803402.	<b>1004.*</b>	
972.##	KAPIL AUTOMOBILES (1344), OLD KHURJA BUS STAND, G.T.ROAD, ALIGARH(U.P.), PH :202002-9837007636.	<b>BARAUT</b>		<b>DEORIA</b>		<b>1005.**</b>	
973.##	KAR SCAN CENTRE (449), RAMGHAT ROAD, KWARSI, ALIGARH-202 002, PH :202002-8937000111.	984.##	HIGH TECH ENGINEERS (4821), 216/5 SAHARANPUR ROAD, BARAUT, , PH :250611-9837168887.	994.**	CLASSIC MOTORS (2971), D-13/14 INDUSTRIAL ESTATE, OPPOSITE RTO OFFICE, GORAKHPUR ROAD, DEORIA-274 001 (U.P.), PH :274001-9415313939.	<b>1006.##</b>	
<b>ALLAHABAD</b>		985.##	SIGNET AUTOMOBILES (4441), NEAR INDUSTRIAL POLICE CHOWKI, DELHI ROAD, BARAUT-250611, DISTT BAGHPAT (U.P), PH :250611-8279527633 9917668255.	<b>DHAMPUR</b>		<b>1007.*</b>	
974.##	ANSHUMAN AUTOMOBILES (4933), 353, NAINI BAZAR NAINI, DISTRICT ALLAHABAD, ALLAHABAD-211008, UTTAR PRADESH, PH :211008-9335138119.	<b>BAREILLY</b>		995.##	AUTAR AUTOMOBILES (4846), NOORPUR ROAD, DHAMPUR-246761, DISTRICT-BIJNOR, UTTAR PRADESH, PH :246761-7017211986.	<b>1008.**</b>	
975.**	KAY CEE AUTOMOBILES (2155), 72/60 L.B. SHASTRI MARG, ALLAHABAD, , PH :211001-9415317225.	986.##	S P MOTORS (5746), 383, SURKHA CHAWNI, NAINITAL ROAD, BAREILLY-243001, DISTRICT-BAREILLY, UTTAR PRADESH, PH :243001-9568033111.	<b>FAIZABAD</b>		<b>1009.*</b>	
976.##	TRIBENI MOTORS (2539), 23 KANPUR ROAD, ALLAHABAD-211 001, (U.P.), PH :211001-9415324244.	<b>BIJNOR</b>		996.##	S K MOTORS (4672) CHANDPUR HARBANS ALLAHABAD ROAD, NH-96, FAIZABAD-224001, UTTAR PRADESH, PH :224001-9307088750.	<b>1009.**</b>	
<b>ALMORA</b>		987.##	SARDAR MOTORS (4671), DELHI HIGHWAY ROAD , 4TH KM MILE STONE , BIJNOR - 246701, UTTAR PRADESH, PH :246701-9837265076.	<b>FARUKHABAD</b>		<b>GONDA</b>	
977.##	AROMA AUTOMOBILES (3149), THE MALL, ALMORA, (UTTARANCHAL), PH :263601-9412093410.	<b>BULANDSHAHR</b>		997.##	APOORVA MOTORS (4675), SATAPUR MAINDIR ROAD, FARRUKHABAD, DISTRICT FARRUKHABAD, UTTAR PRADESH, PH :209625-9044498958.	<b>1000.**</b>	
<b>AMROHA</b>		988.##	DELHI AUTO ENGRS (1351), PLOT NO-106, NEAR TAFE TRACTOR AGENCY, NEAR CHANDPUR VILLAGE, DELHI ALIGARH BYPASS ROAD, BULANDSHAHR (UP) 203001., PH :203001-8700630277/8700982878.	<b>998.##</b>		<b>1009.*</b>	
978.##	SUNNY MOTORS (2165), BIJNORE ROAD, J.P. NAGAR, AMROHA-244 002, (U.P.), PH :244221-9412248884.	<b>CHANDPUR</b>		<b>FATEHPUR SIKRI</b>		<b>1009.*</b>	
<b>AURAIYA</b>						<b>1009.*</b>	

\*\* A-Category Mass : Free & paid Service, Major repairs & Accidental repairs

## C-Category Mass : Free & paid Service & Minor repairs

\* B-Category Mass : Free & paid Service & Major repairs

# D-Category Mass : Free Service & Minor repairs

**Maruti Authorized Service Station (AS ON 30.05.2023 )**

**GREATER NOIDA**

- 1010.## JAISWAL MOTORS (5078), PLOT NO. 31, SECTOR MUP-II, GREATER NOIDA , DISTRICT - GAUTAM BUDH NAGAR, UTTAR PRADESH, PH :201308-9810062269/6485444/9212142269.
- 1011.## KUMAR MOTORS (8926), M-8, SITE-5, UPSIDC, KASNA INDUSTRIAL AREA, GREATER NOIDA, DISTRICT-GOUTAM BUDH NAGAR, UTTAR PRADESH, PH :201312-9911498777/0120-2341088/981149833 3.

**HAPUR**

- 1012.\* SRASSTHI MOTORS (3076), NEAR HDFC BANK, DELHI ROAD, HAPUR, (U.P.) -245 101, PH :245101-9412221608/9557307976.

**HARDOI**

- 1013.## M. MOTORS & SERVICE CENTRE (3371), CHAND BEHTA, LUCKNOW ROAD, HARDOI-241 001, (U.P.), PH :241001-9415175610.
- 1014.\*\* TAYAL AUTOMOTIVES (4265), SOHRA KOTHI, BAWAN CHUNGI, HARDOI-241001, PH :241001-9415149951.

**HATHRAS**

- 1015.## RADHEY RADHEY AUTOMOBILES (4344), NEAR BUS STAND, AGRA ROAD, HATHRAS-204101, PH :204101-9897069159.

**JAGDISHPUR**

- 1016.## SUPER AUTOMOBILES (3564), JAFARGANJ P.O., INDUSTRIAL AREA, JAGDISHPUR, DISTT. SULTANPUR-227 817 (U.P.), PH :227817-9415177882.

**JAUNPUR**

- 1017.## SADGURU MOTORS (5071), FAIZBAGH (NEAR TOM OFFICE), UMARPUR, JAUNPUR, JAUNPUR-222142, UTTAR PRADESH, PH :222142-8318984440.

**JHANSI**

- 1018.## A.B. MOTORS (8938), 4 KHATTERYANA, JHANSI, PH :284001-9415059820.

**KANNAUJ**

- 1019.## SARALA AUTO CARE (5854), G.T. ROAD, KANNAUJ, DISTRICT-KANNAUJ, UTTAR PRADESH, PH :209725-9918692324.

**KANPUR**

- 1020.\* AJAY MOTOR WORKS PVT. LTD. (3134), 117/N/81 KAKADEVO, KANPUR, PH :208025-9919828000.
- 1021.\*\* AUTO GARAGE (4268), P-22-A, PRATAP GANJ, FACTORY AREA, OPP GANDA NALA, KANPUR-208012, PH :208012-9415126189.
- 1022.\*\* CHANDRA MOTORS (4458), 621/3 W-2 JUHI, BEHIND SACHAN GUEST HOUSE, KANPUR, PH :208027-9839928280.
- 1023.\*\* EXCELLENT MOTORS (2988), 123/793 FAZALGANJ, KANPUR-208 012, PH :208012-9336119874.
- 1024.## KANPUR AUTO CENTRE (2823), 14/142, CHUNNIGANJ, KANPUR, PH :208001-9415045438.
- 1025.\*\* SUJIPA MOTORS (4337), 127/465, U-BLOCK, NIRALA NAGAR, KANPUR, PH :208014-9415050146.

**KHALILABAD**

- 1026.## RATAN MOTORS (5645), RAILWAY STATION ROAD - KHALLILABAD, DISTRICT- SANT KABIR NAGAR, PIN-272175, UTTAR PRADESH, PH :272175-9621294899.

**KHATAULI**

- 1027.## EAGLE MOTORS (5142), OPPOSITE EW ROADWAYS , G.T. ROAD. NH -58.KHATAULI, DISTRICT - MUZAFFARNAGAR, UTTAR PRADESH, PH :251201-9997039786.

**KHEKRA**

- 1028.\*\* KAILASAH MOTORS (5767), OPP TEHSIL ,DELHI BAGHPAT ROAD, KHEKRA-201101, DISTRICT-BAGHPAT, UTTAR PRADESH, PH :250101-9760027001.

**KOSIKALAN**

- 1029.\*\* ADITYA MOTORS (1940), IOC PUMP, NATIONAL HIGHWAY, KOSIKALAN, (U.P.), PH :281403-9837050778.

**LAKHIMPUR KHERI**

- 1030.\*\* AJMANI TRACTORS (4143), NIGHASAN ROAD, LAKHIMPUR KHERI, UTTAR PRADESH, PH :262701-9918802167.

**LAMBHUA BAZAR**

- 1031.## VIKRAM MOTORS (3729), LAMBHUA BAZAR, SULTANPUR (DIST.), UTTAR PRADESH-222 302, PH :222302-9450215996.

**LONI**

- 1032.## SAMBHAV AUTOMOBILES (5168), 31.RURAL INDUSTRIAL ESTATE , ARYA NAGAR INDUSTRIAL AREA, MAIN DELHI SHAHRANPUR HIGHWAY, UTTAR PRADESH, PH :201102-9311690878/9212128889.

**LUCKNOW**

- 1033.\*\* B.K. MOTORS (2537), KALYANPUR, RING ROAD, OPP. CARRIER CONVENT BOARD, LUCKNOW-226 015, PH :226015-9335908130.
- 1034.## BALAJI MOTORS (1336), 1 NEWAL KISHORE ROAD, LUCKNOW-226 001.(U.P.) , PH :226001-9336253838.
- 1035.## GALAXY MOTORS (5274), KASHANA SITAPUR ROAD, NEAR SHIA, P G COLLGEG - LUCKNOW - DISTRICT - LUCKNOW, UTTAR PRADESH, PH :226021-9305567878.
- 1036.\*\* GUD'S CAR CARE (2538), MAIN ROAD, NISHATGANJ, LUCKNOW-226 006, PH :226006-9415024495.
- 1037.\*\* KALYAN MOTORS (1161), GOVT. POLYTECHNIC CROSSING, FAIZABAD ROAD, GOMTI NAGAR, LUCKNOW, PH :226010-9936942527.
- 1038.\*\* KAPOOR MOTORS (1751), PLOT NO.380, NEAR GUNGA BAHARA SCHOOL, TILAK NAGAR, UTTAR PRADESH, PH :206122-9795457050.
- 1039.\*\* KAPOOR MOTORS (6044), 555/GA/50, BARA BIRWA, KANPUR ROAD-, ALAMBAGH LUCKNOW-, DISTRICT - LUCKNOW, (UTTAR PRADESH), PH :226005-9795457050.
- 1040.\* KRISHNA MOTORS (5026), BALAGANJ HARDOI ROAD, CHOWK LUCKNOW, DISTRICT LUCKNOW, UTTAR PRADESH, PH :226020-9839177777.
- 1041.\*\* MVV MOTORS (5531), A1/14, VIJAY KHAND, GOMTI NAGAR, LUCKNOW-226010, DISTRICT - LUCKNOW, UTTAR PRADESH, PH :226010-9792877779.
- 1042.\*\* RELIANCE MOTORS CARE (1236), 7-B/1 PRIME PALACE, FAIZABAD ROAD, INDIRA NAGAR, LUCKNOW-226 016, PH :226016-9918100051.
- 1043.\* S.K. MOTORS (2449), 8/881 VIKAS NAGAR, PICKNIC SPOT ROAD, KHURAM NAGAR, LUCKNOW-226 013, PH :226013-9415005564.
- 1044.\* THE GARAGE (5479), BEHIND NEW HANUMAN MANDIR, MADIR PARK , MAHANAGAR - LUCKNOW -, DISTRICT - LUCKNOW, UTTAR PRADESH, PH :226006-9236711634.

- 1045.\* V.S. MOTORS (4745), RAMADHIN SINGH INTER COLLEGE CAMPUS, BABU GANJ, LUCKNOW-226007, UTTAR PRADESH, PH :226007-9984749000.

**MAHOBA**

- 1046.## ROYAL SERVICE STATION (2238), HAMIRPUR CHUNGHJI, KANPUR ROAD, MAHOBA, (U.P.), PH :210427-9450269053.

**MAINPURI**

- 1047.## JATIN MOTORS (5540), GANESH MILL COLONY RADHA RAMAN ROAD, MAINPURI-205001, DISTRICT-MAINPURI, UTTAR PRADESH, PH :205001-8193825000.

**MARIAHU**

- 1048.## BABU MOTORS (5740), MACHALISHAHAR ROAD, NEAR POST OFFICE, MARIAHU-222161, DISTRICT - JAUNPUR, UTTAR PRADESH, PH :222161-9919263663.

**MATHURA**

- 1049.## GIRIRAJ CAR CARE (5624), BIMAL ENGG COMPLEX, BAD, MATHURA-281 006, PH :281006-9837071321.
- 1050.\*\* NAND SERVICE STATION (3578), GOPAL PURA VILLAGE, REFINDERY TOWNSHIP, NH-2, MATHURA, PH :281001-9997982828.
- 1051.## SHREE GOPAL AUTOMOBILES (5664), DELHI BYE PASS ROAD, NEAR GOKUL RESTAURANT, MATHURA - 281001, DISTRICT - MATHURA, UTTAR PRADESH, PH :281001-9412726760.
- 1052.\* SIYA RAM MOTORS (1666), JAYSINGHPURA, NEAR BIRLA MANDIR, MATHURA-281 003, (U.P.), PH :281003-9897053962.

**MEERUT**

- 1053.\*\* EXPERT CAR SCANNER (1174), 83 HILL STREET (KATH-KA-PUL), BEHIND ABU LANE, MEERUT CANTT., (U.P.), PH :250001-8057301301.
- 1054.## KRISHNA AUTOMOBILES (5573), PLOT NO D-10, SHRADHA PURI,, KANKARKHERA - MEERUT, DISTRICT - MEERUTI, UTTAR PRADESH, PH :250001-9927241738.
- 1055.## SARAN AUTOMOBILES LTD. (1078), DELHI ROAD, RITHANI, MEERUT, PH :250001-6395883392, 8977524402.

**MIRZAPUR**

\*\* A-Category Mass : Free & paid Service, Major repairs & Accidental repairs  
## C-Category Mass : Free & paid Service & Minor repairs

\* B-Category Mass : Free & paid Service & Major repairs  
# D-Category Mass : Free Service & Minor repairs

## Maruti Authorized Service Station (AS ON 30.05.2023 )

1056.## PRABHAT MOTORS (4131), NH-7 REWA ROAD, CHANDAIPUR LAKHAMPUR, MIRZAPUR, U.P., PH :231309-9838940382.

### MOHANLAL GANJ

1057.\*\* GURU TEG BAHADUR AUTO ENTERPRISES (4072), 4 SENANI VIHAR, RAI BAREILLY ROAD, MOHANLAL GANJ, LUCKNOW U.P., PH :246027-9415229172.

### MORADABAD

1058.## ASHISH AUTOMOBILES (1477), KANTH ROAD, MORADABAD-244 001 , PH :244001-9837055258.

### NAJIBABAD

1059.## SETHI MOTORS (4557), C/O SETHI BOARD INDUSTRIES LIMITED, OPP. HINDUSTAN COCO-COLA BOTTLING PLANT, NAGINA ROAD, NAJIBABAD-246763, DISTT. BIJNOR (UTTAR PRADESH), PH :246732-9837590800.

### NOIDA

1060.## AUTOPOINT (2263), G-6,SECTOR 11,NOIDA, PH :201301-8800337770.

1061.## RAHUL MOTORS (4662), A-59 SECTOR-80, PHASE-II, NOIDA-201303, UTTAR PRADESH, PH :201305-9810572900/9312271259/0120-396313 8.

1062.\*\* RAJESH & ANIL MOTOR CO (5330), B-110. SECTOR 2, NOIDA, DISTRICT - GAUTAM BUDDH NAGAR , UTTAR PRADESH, PH :201301-9818578786/0120-4211266/010-25239 555.

1063.\* SKUNIVERSE AUTOMOBILE PRIVATE LIMITED (8922), C-2 SECTOR 63, NOIDA - 201301, PH :201301-9219694600/9690581570.

### OBRA

1064.## APPRECIATE SERVICES (4678), BY PASS ROAD , ROBERTS GANJ , DISTRICT - SONEBHADRA , UTTAR PRADESH, PH :231219-8765833557.

### PILIBHIT

1065.\* UNIVERSAL MARUTI SERVICE STATION (4365), BYE PASS ROAD, PILIBHIT, UTTAR PRADESH, PH :243006-9412313499.

### PILKHUWA

1066.\* SHREE BANKEY BIHARI MOTORS (6025), NH-24,DELHI-GARH ROAD,PILKHUWA-245307, DISTRICT-GHAZIABAD, UTTAR PRADESH, PH :245304-9045548101.

### PRATAPGARH (U.P)

1067.\*\* SHREE MOTORS (4146), ALLAHABAD FAIZABAD ROAD, NH-96, CHILBILA RANJEETPUR, PRATAPGARH (UTTAR PRADESH), PH :230001-9415229257.

### RAI-BARELI

1068.\*\* STANDARD GARAGE (4429), MANIKA CENEMA ROAD, NEAR INSPECTION HOUSE, RAE BAREILLY, PH :229206-9415190703.

### RAMNAGAR

1069.## MAHI AUTOMOBILES (5532), SHANKARPUR RAMNAGAR, DISTRICT - NAINITAL, UTTRAKHAND, PH :244715-8192000724.

### RAMPUR

1070.## FIZZA MOTORS (2241), NEAR AMBEDKAR PARK, CIVIL LINES, RAMPUR (U.P.), PIN-244 901, PH :244901-9897879711.

### RATH

1071.## MARUTI POINT (4228), ROOP NAGAR, BUDHOLIYANA, NEAR BUS STAND, ORAI ROAD, RATH, DIST. HAMIRPUR (U.P.), PH :210431-9415331735.

### RENUKUT

1072.## AMBIKA MOTORS (1050), PATEL NAGAR, MURDHAWA, RENUKUT-231 217, SONBHADRA (U.P.), PH :231217-9415251724.

### ROBERTSGANJ

1073.\* KAMAKHYA AUTOMOBILES (4163), PIPRI ROAD, ROBERTSGANJ, SONEBHADRA (U.P.), PH :231216-9918301052.

### SADABAD

1074.## ASHU SERVICE CENTRE (5849), AGRA BYE PASS ROAD, SADABAD-281306, DISTRICT-HATHRAS, UTTAR PRADESH, PH :281306-9058832658.

### SAHARANPUR

1075.## GANESH CAR SERVICES (1871), OPP. REMOUNT DEPOT GATE, DEHRADUN ROAD, SAHARANPUR-247 001, PH :247001-9358306804.

### SAHIBABAD

1076.## MEHAR AUTOMOBILES (3576), 116/1 NEAR GDA MARKET, G.T. ROAD, KATORI MILL MOHAN NAGAR, GHAZIABAD-201 007, PH :201007-9711201557/9871832662.

1077.\*\* MOTOR MAGIC AUTO ZONE (4462), 4/29-A SITE-IV, INDUSTRIAL AREA, SAHIBABAD, DISTT. GHAZIABAD, PH :201005-9810936357/97171949177838615331/ 9717800022.

1078.## PANDIT AUTOMOBILES (4647), 3/1/1, SITE-IV, INDUSTRIAL AREA, SAHIBABAD, OPP. KAUSHAMBI, GHAZIABAD (UTTAR PRADESH, PH :201010-0120-2776808/0120-4114808/9810771 045/9810639100.

1079.## POOJA MOTORS (3562), TEELA MORE, SHAHBAJPUR, LONI, DISTT. GHAZIABAD (U.P.), PH :201102-9810986463/9810986463/9891155954.

### SANDILA

1080.## SUBHAM SERVICE CENTRE (4042), NEAR NEHA KOTHI ROAD, SANDILA, HARDOI, PH :241204-9506181818.

### SHAHJAHANPUR

1081.## SUPER AUTO (3135), OLD DIST. HOSPITAL ROAD, SHAHJAHANPUR (U.P.), PIN-242 001, PH :242001-9415035644.

### SHAMLI

1082.## ROYAL MOTORS (5277), PANIPAT KARANA ROAD, SHAMLI, SHAMLI-247776, UTTAR PRADESH, PH :247776-9927272766.

### SHIKOHABAD

1083.## KUMAR MOTORS (5575), SUBHASH TIRAHA ,AGRA GATE - SIKOHABAD, DISTRICT - FERAZABAD, UTTAR PRADESH, PH :283203-9411937033.

### SIDDHARTH NAGAR

1084.## MARUTI CARE CENTRE (2736), OPP. SIDDHARTH SCHOOL, AZAD NAGAR, SIDDHARTH NAGAR-272 207. (U.P.), PH :272207-9935642651.

### SIKANDRABAD

1085.## NALIN AUTO (8921), G.T. ROAD, SIKANDRABAD, DISTT. BULANDSHAHR, (U.P.), PH :203205-05735-222802/9412227155/976113393 8.

### SIRSAGANJ

1086.## SATGURU MOTORS (3739), BYE PASS KAUURARA ROAD, SIRSAGANJ DISTT. FIROZABAD, ETAWAH-AGRA ROAD, SIRSAGANJ (U.P.), PH :281431-9412316660.

### SONEBHADRA

1087.## OUDH SERVICE STATION (2925), SHAKTI NAGAR, SONEBHADRA-231 222. , PH :231222-7408434860.

### SULTANPUR

1088.## HINDUSTAN AUTO GARAGE (1360), BARHAIYA BEER RD. , (ADJ.BUS STAND), SULTANPUR-228 001 (U.P), PH :228001-9984154002.

### VARANASI

1089.\*\* MISHRA ENGINEERS (4957), S-4/68, NAI BASTI, PAHARIA, VARANASI-221002, UTTAR PRADESH, PH :221002-9415301483.

## UTTARAKHAND

### BAZPUR

1090.## TARAI AUTOMOBILE ENGG WORKS (4459), GURUTEG BAHADUR ROAD, U.S. NAGAR, BAZPUR-262401, UTTARANCHAL, PH :263401-9837506765.

### BHAGESWAR

1091.## SHREE ISHT DEV AUTOMOBILES (4570), GARUR ROAD, MOTA SIMAL, DIST. BAGESHWAR, UTTARANCHAL, PH :262642-9997895347.

### DEHRADUN

1092.## ASHIRWAD MOTORS (5144), CANAL ROAD, NEAR BALLUPUR CHOWK, DEHRADUN-248001, UTTARANCHAL, PH :248001-9219594748.

1093.## HANS LAKHERA MOTORS (5032), JOGI WIALA RING ROAD, NATHAPUR APPARTMNT., NAR NEHRU GRAM POST OFFC, MASSOORI BYEPASS, DEHRADUN, PH :248001-9897456877.

1094.## KRIPALESHWARI MOTORS (4475), HARIDWAR ROAD, NEAR LIC BUILDING, DEHRADUN-248001, UTTARANCHAL, PH :248001-9412963384.

1095.\* SHREE RAM AUTOMOBILES (5066), NEAR TEHSIL, CHAKROTA ROAD, VIKAS NAGAR-DEHRADUN, UTTARANCHAL, PH :248198-9897731200.

### HALDWANI

\*\* A-Category Mass : Free & paid Service, Major repairs & Accidental repairs

## C-Category Mass : Free & paid Service & Minor repairs

\* B-Category Mass : Free & paid Service & Major repairs

# D-Category Mass : Free Service & Minor repairs

**Maruti Authorized Service Station (AS ON 30.05.2023 )**

1096.##	EXCEL MOTORS & ENGG. WORKS (3827), RAMPUR ROAD, NEAR STM FOREST HOSPITAL, HALDWANI, NAINITAL, PH :263139-9837191688.	1106.##	BHAGWATI SERVICE CENTER (4472), SECTOR-8E/537, NEAR STADIUM, BARURI, NEW TEHRI, GARWAL (UTTRANCHAL), PH :249001-7895219517.	1117.**	CORUS MOTORS (5059), D1 D2/20/1.NANITAL ROAD, DISTRICT - U.S. NAGAR , UTTARAKHAND, PH :263153-9927500007.	1127.##	GHOSH AUTOMOBILES (2644), NARAYANPUR, BALURGHAT, DAKSHIN DINAJPUR-733 101, PH :733101-9434963493.
1097.*	HARYAL SERVICE STATION (5340), BAREILY ROAD,GUJALI- TALI, HALDWANI, DISTRICT - NAINITAL, UTTARAKHAND, PH :263139-9997200227.	<b>PAURI</b>		<b>SIMLI</b>		<b>BANDEL</b>	
<b>HARIDWAR</b>		1107.##	KRISHNA MOTORS (5957), SHRINAGAR ROAD,NEAR KARGIL SHAHEED PETROL, PUMP,PAURI-246001, DISTRICT-PAURI GARHWAL, UTTARANCHAL, PH :246001-9412003074.	1118.##	PINDER AUTOMOBILES (5527), PLOT # K6-C9, INDUSTRIAL AREA , NEAR KARNAPRAYAG - SIMLI, UTTARANCHAL, PH :246449-9412977249.	1128.##	CAR HOSPITAL (3675), 2 NO. NETAJI PARK, G.T. ROAD, (OPP. MILITARY COLONY), BANDEL (WEST BENGAL), PH :712102-9038021085.
1098.##	PREET MOTORS (5561), SHRI NATH NAGAR, RAILWAY ROAD,JAWALPUR - HARDWAR, DISTRICT - HARDWAR, UTTARANCHAL, PH :249408-9012010497.	<b>PITHORAGARH</b>		<b>SITARGANJ</b>		<b>BARRACKPORE</b>	
<b>KANKHAL</b>		1108.##	CAR CARE CENTER (4371), CANT ROAD, PITHORAGARH, UTTARANCHAL, PH :262501-9756204288.	1119.##	SHRI RAM MOTORS (5833), AGARWAL BHAWAN BYE PASS ROAD, SITARGANJ-242605, DISTRICT-UDHAM SINGH NAGAR, UTTARANCHAL, PH :262405-8859485786.	1129.##	SAMANTA AUTOMOBILES (268), CHIRIMORE, BARRACKPORE-743 101, NORTH -24 PARGANAS, WEST BENGAL, PH :743101-9831054432.
1099.##	HIGHWAY MOTORS (4261), NEAR SINGH DWAR CHOWK, ROORKEE-HARDWAR BY PASS ROAD, POST OFFICE, GURUKUL KANGRI, KANKHAL, DISTT HARDWAR, PH :249408-9412072889.	1109.##	MAHAKALI MOTORS (4142), DHARCHULA ROAD, RAI BRIDGE, PITHORAGARH, UTTARANCHAL, PH :262501-9897922203 9634713124.	<b>VIKASNAGAR</b>		<b>BIRPARA</b>	
<b>KASHIPUR</b>		<b>RANIKHET</b>		1120.##	SOUMYA MOTORS (4272), CHAKRATA ROAD, BEHIND STATE BANK OF INDIA, VIKASNAGAR, DISTT .DEHRADUN (U.A), PH :248198-9412382490.	1130.##	PRATAP ENGINEERING WORKS (8942), NH-31, DEMDIMA, PO-BIRPARA, PIN -735204, DISTRICT JALPAIGURI, WEST BENGAL, PH :735204-9832429319.
1100.##	OM MOTORS (4329), OPPOSITE SWAGAT MANDAP, BAZPUR ROAD, KASHIPUR DIST., U.S. NAGAR (UTTARANCHAL), PH :244713-9927500007.	1110.##	LATIF MOTOR WORKS (3269), SADAR BAZAR, GANDHI CHOWK, RANIKHET, (UTTARANCHAL), PH :263645-9761250801.	<b>WEST BENGAL</b>		<b>BOLPUR</b>	
1101.##	KRISHNA AUTOMOBILES (4824), MORADABAD ROAD, KASHIPUR, , PH :244713-9870998368.	<b>RISHIKESH</b>		<b>ALIPURDUAR</b>		1131.##	BASUNDHARA AUTOMOBILES (4241), GOAL PARA, BOLPUR SURI ROAD, BOLPUR, PH :731235-9832132851.
<b>KICHHA</b>		1111.##	GARHWAL GASOLINE STATION (3639), .H.P. PETROL PUMP, LAXMAN JHULA ROAD, RISHIKESH-249 201, PH :249137-9837377767.	1121.##	PRADDYOUT AUTOMOBILE WORK (653), PURAN BAZAR, P.O.ALIPURDUAR, JALPAIGURI, WEST BENGAL, PH :736121-9832487473.	<b>CHINSURAH</b>	
1102.##	SHREE SHYAM JI AUTO SERVICE CENTRE (5648), BAREILY ROAD,KICHHA, PIN-263148, DISTRICT-UDHAM SINGH NAGAR, UTTARAKHAND, PH :263148-9837033377.	1112.*	RAKESH AUTOMOBILE ENGINEERS (1464), OPP. BHARAT MANDIR INTER COLLEGE, HARDWAR ROAD, RISHIKESH-249 201, PH :249137-9412051655.	<b>ARAMBAGH</b>		1132.##	UNIVERSAL AUTO REMEDY (648), C/O MR.BN CHATTERJEE, BHAGABOTI DANANG KHADINA MORE, PO CHINSURAH, HOOGHLY-712102, PH :712102-9830056592.
<b>KOTDWAR</b>		<b>ROORKEE</b>		1122.##	MARUTI ZONE (3748), PARUL, ARAMBAGH, HOOGHLY, WEST BENGAL, PH :712413-9434345047.	<b>COOCH BEHAR</b>	
1103.##	BHATT MOTORS (1775), NAJIBABAD ROAD, KOTDWARA, (GARHWAL), UTTARANCHAL, PH :264149-9917005404.	1113.##	DUM DUM ENGG. WORKS (1343), GROUND FLOOR, A TO Z TOWER, NEAR SOLANI BRIDGE, HARIDWAR ROAD, ROORKEE, PH :247664-8449155002.	<b>ASANSOL</b>		1133.##	PROVA AUTOMOBILES (8936), CHAKCHAKA CHECK POST, NH-31, COOCH BEHAR-736 101, (WEST BENGAL), PH :736101-9434174309.
<b>LAKSAR</b>		1114.##	ROORKEE AUTO SCANNERS (2675), 786 WEST AMBER TALAB, RAM NAGAR CHOWK, ROORKEE-247 667, PH :247664-7017003404.	1123.##	AGARWALLA AUTO SERVICE (3122), 181 BURNPUR ROAD, P.O. BURNPUR, DT. BURDWAN-713 325, (WEST BENGAL), PH :713325-9832179346.	<b>DINHATA</b>	
1104.##	SHIV AUTOMOBILES (5560), 110/1/3 BALAWALI ROAD - LAKSAR, DISTRICT - HARIDWAR, PIN - 247663, UTTARANCHAL, PH :247663-9719054422.	<b>RUDRAPRAYAG</b>		1124.**	WEST END MOTORS (1665), KALYANPUR SATELITE TOWNSHIP PROJECT, KANYAPUR LINK ROAD, PALASHDIAH MORE, PO-KANYAPUR, PIN-713341, ASANSOL, WESTBENGAL, PH :713341-8798107541.	1134.##	DINHATA AUTOMOBILES (6739), BALRAMPUR ROAD PO/PS.DINHATA, DISTRICT.COOCHBEHAR, PIN-736135, WEST BENGAL, PH :736135-9434256518.
<b>LOHRIASAL MALLA</b>		1115.##	RAJESHWARI AUTOMOBILES (5669), BADRINATH ROAD,GHOLTIR, RUDRAPRAYAG, DISTRICT - RUDRAPRAYAG, UTTARANCHAL, PH :246171-9997217788.	<b>BAHRAMPUR</b>		<b>DURGAPUR</b>	
1105.##	ANJINI SERVICE CENTRE (5552), NEAR BLOCK OFFICE,KALADHUNGI ROAD, LOHRIASAL MALLA, CITY - HALDWANI, UTTARAKHAND - 263139., PH :263139-9837098699.	<b>RUDRAPUR</b>		1125.*	MARUTI CARE (3674), NH-34 UTTARPARA MORE, P.O. RADHARGHAT, BERHAMPORE, MURSHIDABAD -742 187 (WEST BENGAL), PH :742187-9434394040.	1135.##	THE QUICKEST (2879), BANS KOPA, (NEAR PARADISE INN), G.T. ROAD, DURGAPUR-713 212, PH :713212-9832165126.
<b>NEW TEHRI</b>		1116.**	BALAJI SERVICE CENTRE (1335), HALDWANI ROAD, RUDRAPUR(NAINITAL), (U.P.), PH :263153-9837021941.	1126.##	NARAYAN BUS SERVICE (656), 17 RABINDRA THAKUR ROAD, P.O.BAHRAMPUR (WEST BENGAL), . PH :742101-9732628065.	<b>FARAUKA</b>	
				<b>BALURGHAT</b>		1136.**	SPEED WHEEL SERVICE CENTRE (1056), TTS HCC COLONY, FARAUKA, P.O. NABARUN, DISTT. MURSHIDABAD (W.B.), PH :742236-9434101917.
						<b>HALDIA</b>	

\*\* A-Category Mass : Free & paid Service, Major repairs & Accidental repairs

## C-Category Mass : Free & paid Service & Minor repairs

\* B-Category Mass : Free & paid Service & Major repairs

# D-Category Mass : Free Service & Minor repairs

**Maruti Authorized Service Station (AS ON 30.05.2023 )**

1137.**	S.D. REPAIRING CENTRE (2168), I.O.C. GATE NO.1, P.O. HALDIA OIL REFINERY, HALDIA-721 606, DISTT. MIDNAPORE (W.B.), PH :721606-9434021405.	1149.##	CLASSIC ENGINEERING WORKS (3171), C/O CLASSIC ENGINEERING WORKS, 620 D H ROAD BEHALA INDUSTRIAL ESTATE, PLOT NO.G-1, KOLKATA-700 034, PH :700034-9903390559.	1164.##	ULTRA CRAFT (4643), 103/1B, RAJA DINENDRA STREET, KOLKATA-700006, WEST BENGAL, PH :700006-9831313321.	1175.##	BANERJEE AUTO SERVICE (640), S.P.BANERJEE ANALBILA VILLA, RANCHI ROAD, PURULIA, (W.B), PH :723101-9434656942.		
<b>HOWRAH</b>									
1138.##	GREWAL AUTO SERVICE (1570), 97/1 FORESHORE ROAD, SHIBPUR, HOWRAH-711 102, PH :711102-9831017806.	1150.*	DELUXE SERVICE STATION (672), P-256 257 CIT ROAD, CALCUTTA-700 010, , PH :700010-9836490083.	1165.##	YOUNG AUTOMOBILES (637), 50/2 HAZARA ROAD, CALCUTTA-700 019.(W.B.) , PH :700019-9830778611.	<b>RAGHUNATHGANJ</b>			
<b>JAIGAON</b>									
1139.**	SHAKTI TRADING CO. (770), M.G. ROAD, JAIGAON-736 182, , PH :736182-7760808990.	1151.**	DIAL AUTOMOBILES PVT.LTD. (643), 162 A PARY MOHAN RAY ROAD, CALCUTTA-700027(W.B.), PH :700027-9830562191.	1166.##	ZENITH AUTO (5529), BOHLA NATH SARANI,CHINAR PARK, RAJARHAT , KOLKATA-700157, DISTRICT - KOLKATA, WEST BENGAL, PH :700157-9830643781.	1176.##	AUTO WHEEL (4427), NH 34, UMAPUR, PO GHORSALA, DO MURSHIDABAD, WEST BENGAL, PIN 742235, PH :742235-9434101917.		
<b>JALPAIGURI</b>									
1140.##	AUTOSTEL (646), SAKOAJHORA, P.O. GAIRKATA-735 212, DIST.JALPAIGURI, (W.B.), PH :735212-9934118668.	1152.##	FORTUNE AUTO CARE (3167), 16 G/6 KHANPUR ROAD, KOLKATA-700 047, (W.B.), PH :700047-9831754527.	1167.##	ZOVAN AUTOMOBILES PVT. LTD (5578), 42/A1B,RAJA SANTOSH ROAD, KOLKATA, DISTRICT - KOLKATA, WEST BENGAL, PH :700027-9831082193.	<b>RUPNARAYANPUR</b>			
1141.**	S.S. AUTOMOBILES (3664), ASSAM MORE, JALPAIGURI, WEST BENGAL-735 101, PH :735101-9434340252.	1153.##	INTERNATIONAL AUTO WORKS (2648), 48-C SOUTH TANGRA ROAD, KOLKATA-700 046, , PH :700046-9163703015.	<b>KRISHNANAGAR</b>				1177.##	L K MOTORS PVT.LTD. (3477), NH 2 BYPASS, POINT (CHOWRANGI), RUPNARAYANPUR (CHALBALPUR), BURDWAN-713 343, PH :713343-9091392314.
<b>KALYANI</b>									
1142.##	GOPAL AUTO SERVICE CENTRE (3373), B.K. EXPRESSWAY, BUDHHA PARK, KALYANI-741 235, NADIA (WEST BENGAL), PH :741235-9831319161.	1154.*	MARUTI LINK (1633), CK-12 SECTOR 2, SALT LAKE, CALCUTTA-700 091, PH :700091-9831180421.	1168.##	HIGHWAY SERVICE CENTRE (4455), ASHA DEEP, N.H-34, KRISHNANAGAR, NADIA-741101, WEST BENGAL, PH :741101-9434165494.	<b>SILIGURI</b>			
1143.##	KRISHNA ENGINEERING WORKS (5270), PLOT NO.199,KANTABELE.O.N.G.C ROAD, KALYANI EXPRESS ROAD,PO.GHORAGACHHA, PS - KALYANI, WEST BENGAL, PH :741245-7439007218.	1155.**	MOTORKRAFT (635), P-149 REMOUNT ROAD, CALCUTTA-700 027.(W.B.) , PH :700027-033-24493849.	1169.##	TARA MA AUTOMOBILES (1947), AURBINDRA SARANI (NEAR KRISHNANAGAR WOMEN'S COLLEGE), KRISHNANAGAR,NADIA, , WEST BENGAL 7411011, PH :741101-8001100930.	1179.##	MUM AUTO WORKS (4835), NEAR DELHI PUBLIC SCHOOL, PANCHANAI (DAGAPUR), SILIGURI, WEST BENGAL-734003, PH :734003-9832068537.		
<b>KOLKATA</b>									
1144.**	ADAMS MOTOR WORKS (465), 61 A SHAKESPEARE SARANI, CALCUTTA-700 017, , PH :700017-9830703287.	1157.*	PRINCE MOTOR WORKSHOP (2845), TM - 2/8 TEGHARIA, P.O. HATIARA, CALCUTTA-700 069, PH :700069-9875625595.	<b>MADHYAMGRAM</b>				1180.**	CAR CARE (8929), B.T. ROAD, SODEPUR, P.O.: SUKCHAR, 24 PARGANAS (NORTH), PH :700115-9674907411.
1145.##	AUTO SCAN (2272), 100/1 B.T. ROAD, CALCUTTA-700 090, , PH :700090-9231622309.	1158.**	R.S. SERVICE CENTRE (1948), 1/2 MAHENDRE ROY LANE, CALCUTTA-700 046, PH :700046-9831170273.	1170.##	BEHAL'S AUTOMOBILE (4653), DOLTALA, GANGANAGAR, MADHYAMGRAM, KOLKATA-700129 (WEST BENGAL), PH :700129-9831094430.	<b>SRIRAMPUR</b>			
1146.**	AUTOKRAFT (620), F 1/G-3, RIC IND.ESTATE UPEN BANERJEE ROAD, PARNASREE, CALCUTTA - 700060 (W.B), PH :700060-9830053331.	1159.*	RAJ AUTO SERVICE (5338), 35.CANAL EAST ROAD, KOLKATA , PIN - 700011, WEST BENGAL, PH :700011-9831103901.	1171.*	PAUL AUTOMOBILES (671), JESSORE ROAD, MADHYAMGRAM, DOHARIYA PO GANGANAGAR, DISTT 24 PGNS NORTH, PH :700132-9830239001.	1181.*	MARUTI AUTO CENTRE (2167), 85/18 G.T. ROAD (WEST), PO : MULLIKPARA, SRIRAMPUR, HOOGLY-712 203 (W.B.), PH :712203-9830191251.		
1147.*	BHAWANIPUR AUTO CENTRE (628), 49 S.P.MUKHERJEE ROAD, CALCUTTA - 700 026 (W.B.) , PH :700026-9831783130.	1160.##	ROYAL CALCUTTA AUTOMOBILES (4651), 68 BROAD STREET, KOLKATA-700019 , , PH :700019-877762005.	<b>MALDA</b>				<b>SURI</b>	
1148.##	CAMAC (621), 2/E CAMAC STREET, CALCUTTA-700016(W.B.), , PH :700016-9831493716.	1161.##	RUSSA ROAD SERVICE STATION (622), 30 SP MUKERJEE RROAD, CALCUTTA - 700025 (W.B.) , PH :700025-9748757842.	1172.##	ABHISEK AUTO CENTRE (1976), N.H.34, NEAR ST. XAVIER SCHOOL, P.O. MOKDUMPUR, DISTT. MALDA-732 101 (W.B.), PH :732101-9434065360.	1182.##	PANCHANATH AUTOMOBILES (4456), BROJARGRAM BARABAGAN, BAKRESWAR PATHARCHAPURI HIGHWAY MORE, SURI, WEST BENGAL-731101, PH :731101-9732026250.		
<b>MIDNAPORE</b>									
1173.##	CHATTERJEE AUTOMOBILE (4960), INDUSTRIAL GROWTH AREA, KHASJANGAL (NEAR KERANCHOTI), MIDNAPORE-721101, DISTRICT-PACHIM MIDNAPORE, PH :721101-9434043558.	1162.##	SONA AUTO UDYOG (3144), 1404 PURBACHAL MAIN ROAD, OPP. KALIKAPUR MARKET, KOLKATA-700 099, PH :700099-9804608684.	<b>NARENDRAPUR</b>				<b>ULUBERIA</b>	
1174.##	A.M. AUTOMOBILES (3175), KAMALGAZI, NARENDURPUR, KOLKATA-700 103, (WEST BENGAL), PH :700103-8335860051.	1163.##	TECHNO AUTO WORKS (4669), 619, RAJA RAM MOHAN ROY ROAD, BIREN ROY ROAD EAST, BEHALA, KOLKATA-700008, PH :700008-9830111258.	<b>PURULIA</b>				1183.##	APSARA SERVICE STATION (3374), NEAR BANITABLA CHECKPOST, ON NH-6, ULUBERIA-711 316, (W.B.), PH :711316-7797484735.

\*\* A-Category Mass : Free & paid Service, Major repairs & Accidental repairs

## C-Category Mass : Free & paid Service & Minor repairs

\* B-Category Mass : Free & paid Service & Major repairs

# D-Category Mass : Free Service & Minor repairs

**DELHI**

**DELHI**

1. MARUTI SALES & SERVICE(DELHI) (0810-08-01),  
C-119, INDUSTRIAL AREA PHASE-I, NARAINA,  
NEW DELHI - 110028  
PH :45541113.
2. J J IMPEX (DELHI) LTD(MARUTI SERVICE  
MASTERS) (0883-08-01), F-39,OKHLA  
INDUSTRIAL AREA,PHASE-II,NEW DELHI -  
110020  
PH :41612194, 40685500.

**TAMIL NADU**

**CHENNAI**

3. J J IMPEX (DELHI) LTD(MARUTI SERVICE  
MASTERS) (1485-14-01), # 9, (SP), THIRU-VI-KA  
INDUSTRIAL ESTATE, GUINDY, CHENNAI -  
600032  
PH :044-43563366, 43563367, 9176615000.

**ARUNACHAL PRADESH**

**ITANAGAR**

- HIBRO AUTOMOBILES (7581-75-01), D-SECTOR, DISTT: PAPUMPARE, ITANAGAR - 791111 PH :7005337938.

**ASSAM**

**BARPETA**

- ROY AUTO ENGINEERING WORKS (7Z81-TZ-01), POST OFFICE, BARPETA ROAD, MAIN ROAD , WARD NO.-4, ASSAM - 781315 PH :9954069396.

**DULIAJAN**

- B.S. MOTORS (X881-X8-01), NO. 01, BORPOTHAR TINALI, DULIAJAN. - 786602 PH :9435719753.

**BIHAR**

**PATNA**

- CITY AUTO SERVICES (1582-15-01), 9/1, PATLIPUTRA INDUSTRIAL ESTATE, PATLIPUTRA , PATNA - 800013 PH :9334117070/8210810240.

**DELHI**

**DELHI**

- GALAXY AUTOMOBILES (0881-08-01), 8 INDUSTRIAL AREA,TILAK NAGAR,NEW DELHI, - 110018 PH :43276666.
- A M AUTOMOBILES ( A UNIT OF BLUE BIRD ENTERPRISES) (0891-08-01), 189-91, ,LAWRANCE ROAD,,DELHI - 110035 PH :48280000.

**HARYANA**

**BALLABGARH**

- ROYAL MOTORS (9R82-9R-01), 21/5, G. T. ROAD, BALLABHGARD, DISTT-FARIDABAD - 121004 PH :4271800; 9899232536;9212142536.

**MURTHAL**

- MURTHAL AUTO PVT. LTD. (BV81-BV-01), 44 HSIIDC, MURTHAL - 131027 PH :9215182230.

**PANCHKULA**

- CARE TAKER (K381-K3-01), PLOT NO. 36, INDUSTRIAL AREA, PHASE-2, PANCHKULA - 134113 PH :9914115427.

**PANIPAT**

- VIJAY MOTORS (D381-D3-01), PLOT# 136, INDUSTRIAL AREA, PHASE-1 - 132103 PH :9896118618.

**SAHA**

- PUNJAB MOTOR & ENGG WORKS (1881-18-01), NH-73, SHAHZADPUR ROAD, SAHA, DISTT.- AMBALA - 133104 PH :9896666402.

**YAMUNANAGAR**

- HIRA MOTOR GARAGE (D281-D2-01), PLOT NO 46, SHIVAJI PARK, OPPOSITE MADHU PALACE, YAMUNANAGAR, HARYANA - 135001 PH :8950000069.

**HIMACHAL PRADESH**

**JASSUR**

- CLASSIC MOTOR GARAGE (8H81-8H-01), TEHSEEL NOOPUR, KANGRA, JASSUR, HIMACHAL PRADESH - 176201 PH :9882217575 , 9459500613.

**JAMMU AND KASHMIR**

**SRINAGAR**

- RAHIM MOTORS (1281-12-01), SIDGO INDUSTRIAL AREA, RANGRETH, SRINAGAR - 2441384 PH :9906631702.

**JHARKHAND**

**RANCHI**

- PODDAR MOTOR (P) LTD. (5181-51-01), 47, 48, KOKAR INDUSTRIAL AREA, RANCHI. - 834001 PH :2544661, 2542650.

**KERALA**

**COCHIN**

- AUTOTEAM SALES & SERVICES PVT LTD (2781-27-01), PIPELINE ROAD, PADIVATTOM, COCHIN, ERNAKULAM, COCHIN - 682024 PH :9025730007.

**PATHANAMTHITTA**

- AGT MOTORS (W881-W8-01), AGT TOWERS, PUTHENPEEDI, OMALLUR, PATHANAMTHITTA - 689640 PH :9288117477.

**MADHYA PRADESH**

**NEEMUCH**

- AUTO SCAN (3T81-3T-01), MHOW ROAD,NEEMUCH,MADHYAPRADESH, - 458441 PH :9425106588.

**MAHARASHTRA**

**PUNE**

- MARUTI CARE POINT (1981-19-02), 17/1, RAHATANI, AUNDH-CHINCHWAD ROAD, OPP PCMC 'D' PRABHAG KARYALAY, NEXT TO HP SUBHIKA PETROL PUMP, RAHATANI, PUNE, MAHARASHTRA - 411017 PH :9689901459.

**THANE**

- THANAWALA MOTOR AGENCY (P) LTD (3981-39-01), B-31, OPPOSITE ITI,WAGLE ESTATE MAIN ROAD,WAGLE ESTATE,THANE - 400007 PH :9833947772, 9833947778.

**ODISHA**

**KEONJHAR**

- KUMAR AUTOMOBILES (7U81-TU-01), DHRUPADA, KEONJHAR, ORISSA - 758001 PH :9437075366.

**PUNJAB**

**BATALA**

- CITI AUTOMOBILES (V581-V5-01), NEAR GURUDWARA ACHAL SAHIB, PATHANKOT JALANDHAR ROAD, BATALA, - 143505 PH :9876024243 , 9876024254.

**MOGA**

- SM AUTO CARE CENTRE (H681-H6-01), OOP. ITI , G. T. ROAD, MOGA - 142001 PH :06136-226807.

**RAJASTHAN**

**JAIPUR**

- KATARIA AUTOZONE PVT.LTD (1181-11-01), 1-A , NARAYANPURI,KATARIA KRISHI FARM,SIRSI ROAD,JAIPUR - 302034 PH :7427059388.

**TELANGANA**

**HYDERABAD**

- RETOUCH (1082-10-01), H.NO. 3-67/A, B, C, D,NEW NAGOLE COLONY,NAGOLE VILLAGE, HYDERABAD,NAGOLE, HYDERABAD - 500068 PH :9848062263.

**UTTAR PRADESH**

**ALIGARH**

- VINEET MOTORS (B681-B6-02), PLOT NO.D-138 &139, SECTOR-1, TALA NAGARI, RAMGHAT ROAD, ALIGARH - 202001 PH :9917473052, 9582123586.

**GHAZIABAD**

- KAP AUTOMOBILES PVT. LTD. (5981-59-01), D-BLOCK SHASHTRI NAGAR,HAPUR ROAD,GHAZIABAD - 201002 PH :0120-4538200, 9717629599, 9810523345.
- CHIRAG AUTOMOBILES (5983-59-01), PLOT NO. B1, SECTOR-B3, TRONICA CITY, GHAZIABAD - 201102 PH :9582945510, 9999107841.

**LUCKNOW**

- K M AUTOCRAFT (1381-13-01), 76/3, BARAURA, HUSSAIN BARI, HARDOI ROAD, LUCKNOW - 226003 PH :2473369.

**MEERUT**

- UNIQUE CAR SCANNERS (4881-48-01), PLOT NO:514/4, SURAJ KUND ROAD, MEERUT, - 250001 PH :9837072642.

**NOIDA**

- MOTORCRAFT INDIA PVT LTD (A181-A1-01), F-8 & 9,SECTOR-8,NOIDA - 201301 PH :08826172222 & 09971696969.
- MOTORCRAFT INDIA PVT LTD (A181-A1-02), C-125,SECTOR-63,NOIDA, - 201301 PH :09958732222 & 09910282222.
- JKM MOTORS (A184-A1-01), A-25,SECTOR 9,DISTT. GAUTAM BUDH NAGAR,NOIDA - 201309 PH :0120-4052400, 9899424000.
- FAST TRACK AUTOCARE(INDIA) PVT. LTD. (A185-A1-01), A-13, SECTOR 63, NOIDA, G.B. NAGAR - 201301 PH :4581111; 4581131/9650631111.

**SAHIBABAD**

- FAST TRACK SERVICES (M981-M9-01), PLOT NO.401/B/2, 3 & 4, SITE 4, INDUSTRIAL AREA, SAHIBABAD, DISTT. GHAZIABAD (U.P.) - 201010 PH :9650868111.

**UNNAO**

- VISHAL WHEELERS PVT. LTD. (1382-KL-01), PLOT NO. 1164, KANPUR-LUCKNOW BYE PASS, UNNAO, UTTAR PRADESH, - 209801 PH :2830610,2831248.

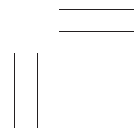
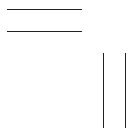
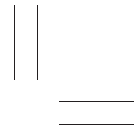
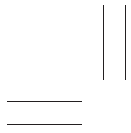
**VARANASI**

- PRATAP ENGINEERS (8481-84-01), S 2, 653/A-2, CLUB ROAD, VARANASI - 221002 PH :25100469, 9415203641.

**WEST BENGAL**

**KOLKATA**







- MANOCO SALES (P) LTD. (0681-06-01), 25/1, CHETLA CENTRAL ROAD, OPPOSITE CHETLA PARK, KOLKATA - 700027 PH :24568326, 24486568, 24568325.



56RH0-74E



## BATTERY LABEL SYMBOL MEANINGS

	No smoking, no naked flames, no sparks		Battery acid
	Shield eyes		Note operating instructions
	Keep away from children		Explosive gas

Prepared by  
**MARUTI SUZUKI INDIA LIMITED**

Service Division  
October, 2023

Part No. 99011M56R14-74E  
Printed in India

**For round-the-clock on-road assistance,  
call Maruti On-road Service at 1800 102 1800<sup>#</sup> / 1800 1800 180<sup>#</sup>**

*# No STD code to be prefixed.*

 **MARUTI SUZUKI**  
GENUINE ACCESSORIES

 **MARUTI SUZUKI**  
GENUINE PARTS

 **MARUTI SUZUKI**  
COST PROTECT

 **MARUTI SUZUKI**  
HELPLINE

 **MARUTI SUZUKI**  
ROAD SERVICE

SERVICE DIVISION

**MARUTI SUZUKI INDIA LIMITED**

Palam-Gurgaon Road, Gurgaon – 122 015 (Haryana), India

Visit us at: [www.marutisuzuki.com](http://www.marutisuzuki.com)



99011M56R14-74E

CODE 01/10/2023/5000