

SWIFT

OWNER'S MANUAL & SERVICE BOOKLET

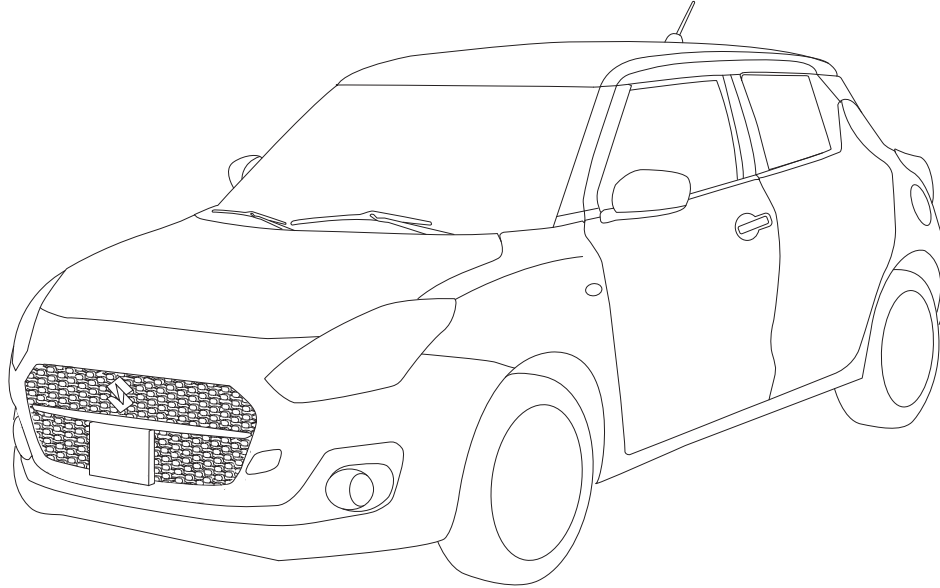
For vehicle fitted with CNG fuel system, use Swift CNG Supplementary Owner's Manual, available with the vehicle.

Keep the booklet with the vehicle at all times.

Contains Warranty policy and important information on Safety, Operation & Maintenance.

Part No. 99011M55R11-74E
October, 2023 **(ENG)**

This Owner's Manual & Service Booklet applies to the SWIFT series
produced by MARUTI SUZUKI INDIA LIMITED



NOTE: The illustrated model is one of the SWIFT series
Accessories shown in the picture are not part of standard equipment

© Copyright 2023 **Maruti Suzuki India Limited**. All rights reserved.
No part of this manual can be reproduced in any manner whatsoever or transmitted
in any form or by any means without prior written consent of Maruti Suzuki India Limited.

FOREWORD

This manual is an essential part of your vehicle and should remain with the vehicle when resold or otherwise transferred to a new owner or operator. Please read this manual carefully before operating your new MARUTI SUZUKI and review the manual from time to time. It contains important information on safety, operation and maintenance. You are invited to avail the three Free Inspection Services as described in the manual. Three free inspection coupons are attached to this manual. Please show this manual to your dealer workshop while you take your MARUTI SUZUKI for any Service.

To prolong the life of your vehicle and reduce maintenance cost, the periodic maintenance must be carried out according to "PERIODIC MAINTENANCE SCHEDULE" described in "INSPECTION AND MAINTENANCE" section of this manual. It is essential for preventing trouble and accidents to ensure your satisfaction and safety.

Daily inspection and care as per "DAILY INSPECTION CHECKLIST" described in the "OPERATING YOUR VEHICLE" section of this manual is essential for prolonging the life of the vehicle and for safe driving.

Vehicle and the available features/accessories therein should be used and plied by the owner/user in accordance with the applicable legal requirements.

MARUTI SUZUKI INDIA LIMITED believes in conservation and protection of Earth's natural resources.

To that end, we encourage every vehicle owner to recycle, trade-in or properly dispose of, as appropriate, used Engine Oil, coolant and other fluids, batteries and tyres etc.

MARUTI SUZUKI INDIA LIMITED

All information in this manual is based on the latest product information available at the time of publication. Due to improvements or other changes, there may be discrepancies between information in this manual and your vehicle. MARUTI SUZUKI INDIA LIMITED reserves the right to make production changes at any time, without notice and without incurring any obligation to make the same or similar changes to vehicles previously built or sold.

This vehicle may not comply with standards or regulations of other countries. Before attempting to register this vehicle in any other country, check all applicable regulations and make any necessary modifications.

IMPORTANT

▲ WARNING/ ▲ CAUTION/NOTICE/ NOTE

Please read this manual and follow its instructions carefully. To emphasize special information, the symbol and the words **WARNING**, **CAUTION**, **NOTICE** and **NOTE** have special meanings. Pay particular attention to messages highlighted by these signal words:

▲ WARNING

Indicates a potential hazard that could result in death or serious injury.

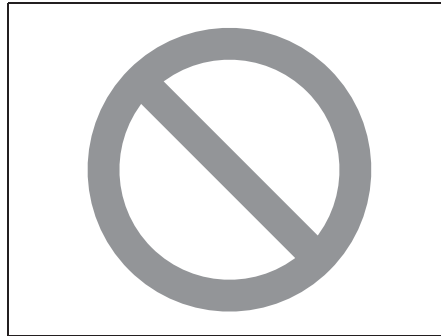
▲ CAUTION

Indicates a potential hazard that could result in minor or moderate injury.

NOTICE

Indicates a potential hazard that could result in vehicle damage.

NOTE:
Indicates special information to make maintenance easier or instructions clearer.



75F135

The circle with a slash in this manual means "Don't do this" or "Don't let this happen".

NOTE:

- Words like car, model/variant are invariably used in this manual to denote the "Vehicle".
- Pictorial representations used in this manual are for reference purposes only.

MODIFICATION WARNING

▲ WARNING

Do not modify your vehicle. Modification could adversely affect safety, handling, performance, or durability and may violate governmental regulations. In addition, damage or performance problems resulting from modification shall not be covered under warranty.

NOTICE

Improper installation of mobile communication equipment such as cellular telephones, CB (Citizen's Band) radios may cause electronic interference with your vehicle's ignition system, resulting in vehicle performance problems. Consult your Maruti Suzuki authorised workshop or qualified service technician for advice on installing such mobile communication equipment.

NOTICE

The diagnostic connector of your vehicle is prepared only for the specific diagnostic tool for inspection and service purpose. Connecting any other tool or device may interfere with electronic parts operations and cause running out of batteries.

“WARNING”



Vehicle may **break-down**, meet with an **accident or catch fire** due to

1. Installation of
 - High wattage bulbs
 - Non genuine lamps / horns
 - Modified suspension / wheels
 - Non genuine parts / accessories etc.
2. Retrofitment of LPG / CNG fuel systems/kits.
3. Usage of domestic LPG.
4. Short circuiting due to tampering of wiring harness.

CAUTION: DO NOT STORE OR CARRY INFLAMMABLE MATERIALS IN THE VEHICLE.



Avoid driving into or starting the vehicle in a heavily water logged area. Vehicle may **break-down or engine may fail** due to

1. Water entry into the engine (which may lead to hydrostatic lock).
2. Short circuiting of the electrical systems.

If the vehicle is stuck in deep water, do not start / crank the vehicle until the level of water drops below the level of exhaust pipe.

NOTE:
IF THE VEHICLE IS SUBMERGED IN WATER, REPORT TO THE NEAREST AUTHORIZED WORKSHOP.

“CAUTION”

1. Retro-fitting of LPG / CNG kit may deteriorate vehicle performance, reduce engine & engine related component's life and also warranty will be null and void for such vehicles.
2. Do not use domestic LPG/LPG cylinder for your factory fitted LPG vehicles.
3. Usage of domestic LPG for running vehicles is prohibited as per law.
4. Do not remove company fitted LPG/CNG kit to install some other kit. It may affect vehicle performance and may cause fire.
5. Drive slowly on wet roads. Tires may slip while braking at higher speeds due to aquaplaning.(reduced contact area between tire and road due to presence of water)
6. Do not leave engine running in garages or confined areas, with passengers inside. This may result in accumulation of carbon-monoxide in cabin and may lead to suffocation or breathing problems.
7. Do not park vehicle on dry leaves or grass. This may lead to fire due to hot catalytic converter, igniting the dry leaves/grass.
8. If the vehicle is equipped with CNG/LPG, ensure availability of fire extinguisher in the vehicle all the time.
9. Always wear seat belt at all the times.
10. Do not use mobile phone while driving.
11. Avoid Smoking in the car, live bud thrown in car may cause fire.
12. Do not put any body part under the vehicle when it is supported on a Jack.
13. Do not use non-genuine accessories in your vehicle.
14. Do not fit accessories from unauthorized workshops/sources.
15. Usage of non-approved electrical accessories in your vehicle may result in spark, fire or personal injury.
16. Do not use camphor, incense sticks inside cabin room. Doing so may cause fire.
17. Avoid usage of cellular phones while refueling. Electric current and/or electronic interference from cellular phones can potentially ignite fuel vapors and cause fire.
18. Avoid entry inside vehicle immediately once after you have begun refueling. You can generate a build up of static electricity by touching, rubbing or sliding against any item or fabric capable of producing static electricity. Static electricity discharge can ignite fuel vapors and may causing a fire.
19. Do not check the engine room / open the hood near the fire area (Outside the vehicle). Fuel, washer fluid, etc. are flammable oils that may cause fire.
20. Avoid driving when vehicle has met with an accident . Before driving, Please contact with authorized MSIL dealership.

CUSTOMER SERVICE MAINTENANCE RECORD (to be filled by customer)

INSPECTION SCHEDULE	DATE OF SERVICE	MILEAGE (KM)	NAME OF SERVICING WORKSHOP
1 st Free inspection service - 1 Month / 1000 KM*			
2 nd Free inspection service - 6 Months / 5000 KM *			
3 rd Free inspection service - 12 Months / 10000 KM*			
1 st Paid inspection service - 24 Months / 20000 KM*			
2 nd Paid inspection service - 36 Months / 30000 KM*			
3 rd Paid inspection service - 48 Months / 40000 KM*			
4 th Paid inspection service - 60 Months / 50000 KM*			
5 th Paid inspection service - 72 Months / 60000 KM*			
6 th Paid inspection service - 84 Months / 70000 KM*			
7 th Paid inspection service - 96 Months / 80000 KM*			
8 th Paid inspection service - 108 Months / 90000 KM*			
9 th Paid inspection service - 120 Months / 100000 KM*			
10 th Paid inspection service - 132 Months / 110000 KM*			
11 th Paid inspection service - 144 Months / 120000 KM*			
12 th Paid inspection service - 156 Months / 130000 KM*			

* Interval: This interval should be judged by month(s) or odometer reading, whichever comes first.

Maruti Suzuki Network can be viewed by installing below Mobile Apps:

Maruti Suzuki Rewards app ensures a hassle free car ownership experience. Get easy access to all the services and information you need by downloading the app



1ST. FREE INSPECTION COUPON

(Customer's copy)

(1 MONTH or 1,000 KM
whichever comes first)

Model Name											
Model Code*											
VIN											
Engine No.											
Mileage											
Invoice Date			D	D	M	M	Y	Y			
Date of Inspection			D	D	M	M	Y	Y			
Registration No.											
Customer Name											
Ph. No.											
Service workshop / MASS Code (fill below)											

COST OF MATERIALS AND CONSUMABLES TO BE BORNE BY CUSTOMER

Workshop In charge Signature

**For periodic maintenance schedule,
refer to "Inspection and Maintenance"
section of this manual**

1ST. FREE INSPECTION COUPON

(Selling dealer copy)

(1 MONTH or 1,000 KM
whichever comes first)

Model Name											
Model Code*											
VIN											
Engine No.											
Mileage											
Invoice Date			D	D	M	M	Y	Y			
Date of Inspection			D	D	M	M	Y	Y			
Registration No.											
Customer Name											
Ph. No.											
Service workshop / MASS Code (fill below)											

COST OF MATERIALS AND CONSUMABLES TO BE BORNE BY CUSTOMER

Workshop In charge Signature

1ST. FREE INSPECTION COUPON

(Servicing W/S copy)

(1 MONTH or 1,000 KM
whichever comes first)

Model Name											
Model Code*											
VIN											
Engine No.											
Mileage											
Invoice Date			D	D	M	M	Y	Y			
Date of Inspection			D	D	M	M	Y	Y			
Registration No.											
Customer Name											
Ph. No.											
Service workshop / MASS Code (fill below)											

COST OF MATERIALS AND CONSUMABLES TO BE BORNE BY CUSTOMER

Workshop In charge Signature

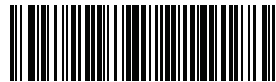
1ST. FREE INSPECTION COUPON

(Servicing W/S copy) (1 MONTH or 1,000 KM
whichever comes first)

Stamp of Selling dealer (Code & Full Address)

For Servicing Workshop

1. Please Fill up Model codes correctly.
2. Please fill up Complete VIN.
3. Please fill up customer name and Phone No. details legibly and correctly for the latest owner.
4. Free service coupon of selling dealer not operational at present, should be sent to MSIL on monthly basis.



Service Division
Maruti Suzuki India Limited

1ST. FREE INSPECTION COUPON

(Selling dealer copy) (1 MONTH or 1,000 KM
whichever comes first)

Stamp of Selling dealer (Code & Full Address)

For Servicing Workshop

1. Please Fill up Model codes correctly.
2. Please fill up Complete VIN.
3. Please fill up customer name and Phone No. details legibly and correctly for the latest owner.
4. Free service coupon of selling dealer not operational at present, should be sent to MSIL on monthly basis.



Service Division
Maruti Suzuki India Limited

1ST. FREE INSPECTION COUPON

(Customer's copy) (1 MONTH or 1,000 KM
whichever comes first)

Stamp of Selling dealer (Code & Full Address)

For Servicing Workshop

1. Please Fill up Model codes correctly.
2. Please fill up Complete VIN.
3. Please fill up customer name and Phone No. details legibly and correctly for the latest owner.
4. Free service coupon of selling dealer not operational at present, should be sent to MSIL on monthly basis.



Service Division
Maruti Suzuki India Limited

2ND. FREE INSPECTION COUPON

(Customer's copy)

(6 MONTHS or 5,000 KM
whichever comes first)

Model Name											
Model Code*											
VIN											
Engine No.											
Mileage											
Invoice Date			D	D	M	M	Y	Y			
Date of Inspection			D	D	M	M	Y	Y			
Registration No.											
Customer Name											
Ph. No.											
Service workshop / MASS Code (fill below)											

COST OF MATERIALS AND CONSUMABLES TO BE BORNE BY CUSTOMER

Workshop In charge Signature

**For periodic maintenance schedule,
refer to "Inspection and Maintenance"
section of this manual**

2ND. FREE INSPECTION COUPON

(Selling dealer copy)

(6 MONTHS or 5,000 KM
whichever comes first)

Model Name											
Model Code*											
VIN											
Engine No.											
Mileage											
Invoice Date			D	D	M	M	Y	Y			
Date of Inspection			D	D	M	M	Y	Y			
Registration No.											
Customer Name											
Ph. No.											
Service workshop / MASS Code (fill below)											

COST OF MATERIALS AND CONSUMABLES TO BE BORNE BY CUSTOMER

Workshop In charge Signature

2ND. FREE INSPECTION COUPON

(Servicing W/S copy)

(6 MONTHS or 5,000 KM
whichever comes first)

Model Name											
Model Code*											
VIN											
Engine No.											
Mileage											
Invoice Date			D	D	M	M	Y	Y			
Date of Inspection			D	D	M	M	Y	Y			
Registration No.											
Customer Name											
Ph. No.											
Service workshop / MASS Code (fill below)											

COST OF MATERIALS AND CONSUMABLES TO BE BORNE BY CUSTOMER

Workshop In charge Signature

2ND. FREE INSPECTION COUPON

(Servicing W/S copy) (6 MONTHS or 5,000 KM whichever comes first)

Stamp of Selling dealer (Code & Full Address)

For Servicing Workshop

1. Please Fill up Model codes correctly.
2. Please fill up Complete VIN.
3. Please fill up customer name and Phone No. details legibly and correctly for the latest owner.
4. Free service coupon of selling dealer not operational at present, should be sent to MSIL on monthly basis.



Service Division
Maruti Suzuki India Limited

2ND. FREE INSPECTION COUPON

(Selling dealer copy) (6 MONTHS or 5,000 KM whichever comes first)

Stamp of Selling dealer (Code & Full Address)

For Servicing Workshop

1. Please Fill up Model codes correctly.
2. Please fill up Complete VIN.
3. Please fill up customer name and Phone No. details legibly and correctly for the latest owner.
4. Free service coupon of selling dealer not operational at present, should be sent to MSIL on monthly basis.



Service Division
Maruti Suzuki India Limited

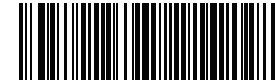
2ND. FREE INSPECTION COUPON

(Customer's copy) (6 MONTHS or 5,000 KM whichever comes first)

Stamp of Selling dealer (Code & Full Address)

For Servicing Workshop

1. Please Fill up Model codes correctly.
2. Please fill up Complete VIN.
3. Please fill up customer name and Phone No. details legibly and correctly for the latest owner.
4. Free service coupon of selling dealer not operational at present, should be sent to MSIL on monthly basis.



Service Division
Maruti Suzuki India Limited

3RD. FREE INSPECTION COUPON

(Customer's copy) (12 MONTHS or 10,000 KM whichever comes first)

Model Name											
Model Code*											
VIN											
Engine No.											
Mileage											
Invoice Date			D	D	M	M	Y	Y			
Date of Inspection			D	D	M	M	Y	Y			
Registration No.											
Customer Name											
Ph. No.											
Service workshop / MASS Code (fill below)											

COST OF MATERIALS AND CONSUMABLES TO BE BORNE BY CUSTOMER

Workshop In charge Signature

For periodic maintenance schedule, refer to "Inspection and Maintenance" section of this manual

3RD. FREE INSPECTION COUPON

(Selling dealer copy) (12 MONTHS or 10,000 KM whichever comes first)

Model Name											
Model Code*											
VIN											
Engine No.											
Mileage											
Invoice Date			D	D	M	M	Y	Y			
Date of Inspection			D	D	M	M	Y	Y			
Registration No.											
Customer Name											
Ph. No.											
Service workshop / MASS Code (fill below)											

COST OF MATERIALS AND CONSUMABLES TO BE BORNE BY CUSTOMER

Workshop In charge Signature

3RD. FREE INSPECTION COUPON

(Servicing W/S copy) (12 MONTHS or 10,000 KM whichever comes first)

Model Name											
Model Code*											
VIN											
Engine No.											
Mileage											
Invoice Date			D	D	M	M	Y	Y			
Date of Inspection			D	D	M	M	Y	Y			
Registration No.											
Customer Name											
Ph. No.											
Service workshop / MASS Code (fill below)											

COST OF MATERIALS AND CONSUMABLES TO BE BORNE BY CUSTOMER

Workshop In charge Signature

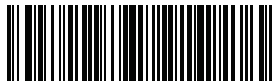
3RD. FREE INSPECTION COUPON

(Servicing W/S copy) (12 MONTHS or 10,000 KM
whichever comes first)

Stamp of Selling dealer (Code & Full Address)

For Servicing Workshop

1. Please Fill up Model codes correctly.
2. Please fill up Complete VIN.
3. Please fill up customer name and Phone No. details legibly and correctly for the latest owner.
4. Free service coupon of selling dealer not operational at present, should be sent to MSIL on monthly basis.



Service Division
Maruti Suzuki India Limited

3RD. FREE INSPECTION COUPON

(Selling dealer copy) (12 MONTHS or 10,000 KM
whichever comes first)

Stamp of Selling dealer (Code & Full Address)

For Servicing Workshop

1. Please Fill up Model codes correctly.
2. Please fill up Complete VIN.
3. Please fill up customer name and Phone No. details legibly and correctly for the latest owner.
4. Free service coupon of selling dealer not operational at present, should be sent to MSIL on monthly basis.



Service Division
Maruti Suzuki India Limited

3RD. FREE INSPECTION COUPON

(Customer's copy) (12 MONTHS or 10,000 KM
whichever comes first)

Stamp of Selling dealer (Code & Full Address)

For Servicing Workshop

1. Please Fill up Model codes correctly.
2. Please fill up Complete VIN.
3. Please fill up customer name and Phone No. details legibly and correctly for the latest owner.
4. Free service coupon of selling dealer not operational at present, should be sent to MSIL on monthly basis.



Service Division
Maruti Suzuki India Limited

WARRANTY POLICY

Maruti Suzuki India Limited (hereinafter called "Maruti Suzuki"), warrants that each new Maruti Suzuki vehicle distributed in India by Maruti Suzuki and sold by a Maruti Suzuki authorised dealer will be free, under normal use and service, from any defects in material and workmanship at the time of manufacture SUBJECT TO THE FOLLOWING TERMS AND CONDITIONS:

(1) Qualification:

To qualify for this warranty the vehicle must be delivered by a Maruti Suzuki authorised dealer and set-up, and serviced by a Maruti Suzuki authorised workshop.

(2) Term:

The term of the warranty shall be twenty-four (24) months or 40,000 kilometers (whichever occurs first) from the date of invoice to the first owner.

(3) Maruti Suzuki Warranty Obligation:

If any defect(s) should be found in a Maruti Suzuki vehicle within the term stipulated above, Maruti Suzuki's only obligation is to repair or replace at its sole discretion any part shown to be defective, with a new part or the equivalent at no cost to the owner for parts or labour, when Maruti Suzuki acknowledges that such a defect is attributable to faulty material or workmanship at the time of manufacture. Such defective parts, which have been replaced, will become the property of Maruti Suzuki. The owner is responsible for any repair or replacements which are not covered by this warranty. The decision of Maruti Suzuki shall be final & binding.

(4) Limitation:

This warranty shall not apply to:

- (a) Normal maintenance service required other than the three free services, including without limitation, oil and fluid changes, Consumables, headlight aiming, fastener retightening, wheel balancing, wheel alignment and tyre rotation, cleaning of injectors, adjustments of clutch and valve clearance.
- (b) The normal wear of parts including without limitation, bulbs, tyres* and tubes, spark plugs, belts, hoses, filters, wiper blades, brushes, contact points, fuses, clutch disc, brake shoes, brake pads, cable and all rubber parts (except oil seal and glass run).
- (c) Any vehicle which has been used for competition, rallies or racing.
- (d) Any repairs or replacement arising from accidents or collision.
- (e) Any defect/ damage caused by misuse, negligence, abnormal use, insufficient care, vandalism, theft, riot, fire, flooding - not limited to entry of water in the components resulting in engine seizure, hydrostatic lock, etc. or external damages to the body/ components.
- (f) Any damage resulting due to usage of adulterated fuel/ lubricants/ oil/ coolant/ fluids/ polishing products and fuel/ lubricants/ oil/ coolant/ fluids used other than those specified in the Owner's Manual.
- (g) Any vehicle which has been modified or altered, including without limitation, the installation of performance accessories, enlargements of lights, other changes and external/ consequential reasons.
- (h) Any vehicle on which parts or accessories not approved by Maruti Suzuki (Non-MSGA, Non-MSGP) have been used.

(* - If there is a complaint related to tyre, the customer may contact respective tyre manufacturer.)

-
- (i) Any vehicle which has not been operated in accordance with the operating instructions in this Owner's Manual and Service Booklet.
 - (j) Any vehicle which has not received the service inspections prescribed in this Owner's Manual and Service Booklet.
 - (k) Any vehicle which has been assembled, disassembled, adjusted or repaired by other than a Maruti Suzuki authorised workshop.
 - (l) Any vehicle which has been used for purposes other than what it was designed for.
 - (m) Any damage or deterioration caused by airborne fallout, industrial fallout, acid rain, hail or hail storm, wind storm, lightning, bird droppings, rodents bite / rat bite and such other thing that result in damage to the vehicle.
 - (n) Insignificant defects / noise which do not affect the function of the vehicle including without limitation, sound, vibration and fluid seep.
 - (o) Any natural wear and tear including without limitation, ageing, wear & tear or deterioration such as discoloration, fading, deformation or blurring and fabric discoloration.
 - (p) Installation and usage of domestic LPG gas/LPG Cylinder.
 - (q) V-belts, hoses and gas leaks.
 - (r) Any vehicle retrofitted with LPG/CNG kits.
 - (s) Repainting including patchwork, bodywork and mouldings and interior trims.
 - (t) Corrosion, rusting of body parts and/ or components.
 - (u) Any vehicle on which odometer has been changed unauthorisedly or odometer reading has been modified/ tampered with/ or not matching the service records.
 - (v) The damage(s) caused to the vehicle being unattended despite knowledge that the defect exists and ignorance by the owner/ user of the vehicle.
 - (w) Any damage(s) caused to vehicle including battery/ tyre due to parking of the vehicle in idle condition for long duration of time periods.

- (x) Any vehicle on which the retro-fitment is not authorized and/ or type approved as per the standards prescribed by the relevant authority including but not limited to Automotive Standards of India.
- (y) Any vehicle on which the retro-fitment is such which directly or indirectly causes any damage to the vehicle or affects the functions of the vehicle in any manner whatsoever.

(5) Extent of Warranty:

This warranty is the entire written warranty given by Maruti Suzuki for Maruti Suzuki vehicles and no dealer or its or his agent or employee is authorised to extend or enlarge this warranty and no dealer or its or his agent or employee is authorised to make any oral warranty or representation or assurance on behalf of Maruti Suzuki.

Maruti Suzuki reserves the right to add any improvements or change the design of any model at any time with no obligation to make the same changes on units previously sold.

(6) Warranty Service:

To obtain warranty service, the complete vehicle must be presented at the owner's expenses to Maruti Suzuki authorised workshop.

The customer shall be responsible for his belongings or accessories fitted in the vehicle at the time of presenting the vehicle for service and no claim shall be entertained in any manner under any circumstances.

(7) Owner's Warranty Obligations:

NOTICE

The owner shall not use the vehicle in a damaged condition and report the same immediately to the nearest Maruti Suzuki authorized workshop. This would result in early inspection and repair of the vehicle and any possible harm to the person or aggravation of damage to the vehicle can be prevented.

It is responsibility of each owner to:

- Have performed, at his own expenses, by a Maruti Suzuki authorised workshop all the service inspections specified in the Maruti Suzuki "Owner's Manual and Service Booklet" and maintain adequate proof that such service inspections have been performed.
- Update and maintain the 'Customer service maintenance records' page in the "Owner's Manual and Service Booklet", whenever service inspection or warranty service is carried out on the vehicle in a Maruti Suzuki authorised workshop.
- Present the Maruti Suzuki "Owner's Manual and Service Booklet" to the Maruti Suzuki authorised workshop whenever requesting service inspections or warranty service.

If the "Owner's Manual and Service Booklet" should be lost or destroyed the owner should consult the Maruti Suzuki authorised dealer from whom the vehicle was purchased for instructions concerning replacement of the "Owner's Manual and Service Booklet".

(8) Disclaimer of Consequential Damage:

Maruti Suzuki assumes no responsibility for loss of vehicle, loss of time, inconvenience or any other indirect incidental or consequential damage resulting from the vehicle not being available to the owner because of any defect covered by this warranty.

(9) Change of Owner

Even if ownership of the vehicle changes, the remaining warranty period is effective for the new owner.

This warranty is applicable only in India and not transferable to any other country.

NOTE:

Notwithstanding the warranty obligations, Maruti Suzuki may reuse reworked (refurbished) parts for undertaking rectification of recalled vehicles in terms of applicable laws.

EMISSION WARRANTY POLICY

Maruti Suzuki offers the Emission Warranty on all Maruti Suzuki vehicles (apart from the Regular Warranty and will run parallel to the regular product warranty) only in four metropolitan cities (**New Delhi, Kolkata, Mumbai and Chennai**) with effect from July 1st, 2001.

Terms:

The Emission Warranty will be applicable for **80,000 kms or 3 years** (Whichever comes earlier) from the date of invoice to the first owner. The remaining warranty terms will be valid in case of any change in ownership provided the production of all valid documents.

Conditions:

1. Under Emission Warranty, Warranty claims will be admitted for a prima-facie examination, in case vehicle fails to meet the Emission Standard as specified in sub rule (2) of rule no. 115 of Central Motor Vehicles Rules (CMVR), 1989.
2. The warranty claims will only be accepted after examination carried out by Maruti Suzuki or Maruti Suzuki authorised workshop which leads to firm conclusions that the
 - a) Original settings have not been tampered in any case.
 - b) Part (as given in Annexure - A) has a manufacturing defect.
 - c) Vehicle is unable to meet the Emission Standards (as given in 1.), in spite of the vehicle having been maintained and used in accordance with the instructions as specified in Owner's Manual and Service Booklet and the used fuel and different oils (Engine oil, Transmission oil, Brake oil etc.) are also as per specification.
3. The method of examination for deciding the warranty of the parts will be at the sole discretion of Maruti Suzuki and Maruti Suzuki authorised workshop and results of the examination will be final and binding. If after examination, the warrantable condition is not established, Maruti Suzuki and Maruti Suzuki authorised workshop has the right to charge all, or part of the cost of such examination.
4. Under Emission Warranty, the parts (as given in Annexure - A) will be changed free of cost, but the consumables will be charged as per actual.
5. If the part covered under Emission Warranty or the associated parts, are not independently replaceable, on account of these being integral parts of a complete assembly, Maruti Suzuki and Maruti Suzuki authorised workshop will have the sole discretion to replace either the entire assembly or by using some of the parts of the system through suitable repairs or modifications.
6. Any consequential repairs or replacement of parts which may be found necessary to establish compliance of Emission Warranty, will not be considered under warranty, unless the same is under product warranty. The consumable will be charged as per actual under such repair or replacement.
7. Maruti Suzuki will not be responsible for the cost of transportation of the vehicle to the nearest Maruti Suzuki authorised workshop or any loss due to non-availability of the vehicle during the period of lodging of a warranty claim and examination and/or repair by Maruti Suzuki authorised workshop.
8. Maruti Suzuki will not be responsible for any penalty that may be charged by statutory authorities on account of failure to comply with the EMISSION STANDARDS.
9. Emission Warranty will not be affected by the change of owner, provided all the documents are available.

-
10. All maintenance actions (as specified in the Owner's Manual and Service Booklet) need to be followed and recorded in the manual for emission warranty.
 11. The customer needs to produce the PUC (Pollution Under Control) certificate valid for the period preceding the test during which the failure is discovered. The receipts (for the maintenance of the vehicle as per specification in Owner's Manual and Service Booklet from the date of original purchase of the vehicle) will also be required.

Conditions under which the Emission Warranty is not APPLICABLE

1. In the absence of valid PUC certificate.
2. Vehicle not serviced from Maruti Suzuki authorised workshop as per the schedule specified in the Owner's Manual.
3. Vehicle subjected to abnormal use (accident, motor race, rallies or for the purpose of establishing the records etc).
4. Use of non MSGP (Maruti Suzuki Genuine Part).
5. Vehicle that has been tampered with.
6. Tampering with odometer so that the actual kilometer reading cannot be determined.
7. Use of adulterated fuel and/or unspecified oils (Engine oil, Transmission oil and Brake oil etc).

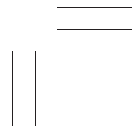
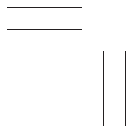
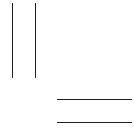
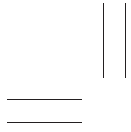
Annexure - A

List of parts (if applicable) covered under Emission Warranty

1. Fuel Injection Assembly, Pressure Regulator, Throttle Body Assembly.
2. Electronic Control Module (ECM).
3. Intake Manifold.
4. EGR valve.
5. Ignition Coil.
6. Canister Assembly.
7. Vapour Liquid Separator.
8. Fuel Tank and Filler Cap.
9. PCV (Positive Crankcase Ventilation) Valve.
10. Oil Filler Cap.
11. Catalytic Converter.
12. Exhaust Manifold.
13. All Fuel Injection System related Sensors.
14. High Pressure Fuel Pump.
15. Glow Plug.
16. Glow Plug Controller.

TABLE OF CONTENTS

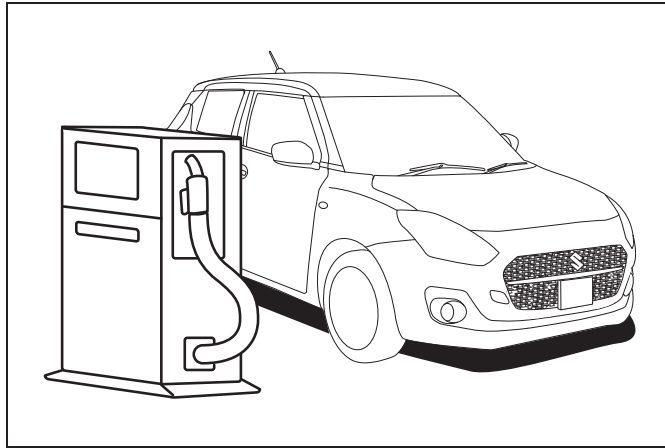
FUEL RECOMMENDATION	1
BEFORE DRIVING	2
OPERATING YOUR VEHICLE	3
DRIVING TIPS	4
OTHER CONTROLS AND EQUIPMENT	5
VEHICLE LOADING AND TOWING	6
INSPECTION AND MAINTENANCE	7
EMERGENCY SERVICE	8
APPEARANCE CARE	9
GENERAL INFORMATION	10
SPECIFICATIONS	11
SERVICE NETWORK	12



FUEL RECOMMENDATION

1

Fuel Recommendation 1-1



55RM01002

FUEL RECOMMENDATION

Fuel Recommendation

Petrol Engine

To avoid damaging catalytic converter, you must use unleaded petrol with an octane number (RON) of 91 or higher.

Gasoline/Ethanol blends

Blends of unleaded gasoline and ethanol, also known as gasohol, are commercially available in the country and can vary with location. Gasoline Ethanol blend up to E20 can be used as fuel for this vehicle.

Gasoline containing MTBE

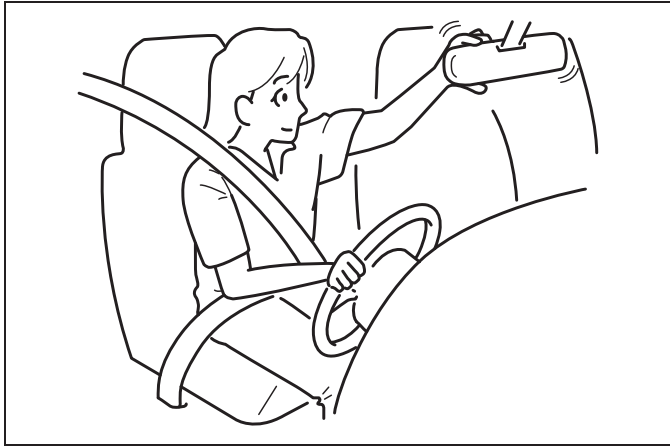
Unleaded gasoline containing MTBE (methyl tertiary butyl ether) may be used in your vehicle if the MTBE content is not greater than 15%. This oxygenated fuel does not contain alcohol.

▲ CAUTION

Use of spurious, low quality, adulterated fuel can cause damage to the engine and engine auxiliaries, affect functioning of engine and degrade engine performance including but not limited to engine seizure.

NOTICE

- **The fuel tank has an air space to allow for fuel expansion in hot weather. If you continue to add fuel after the filler nozzle has automatically shut off or an initial blowback occurs, the air chamber will become full. Exposure to heat when fully fuelled in this manner will result in leakage due to fuel expansion. To prevent such fuel leakage, stop filling after the filler nozzle has automatically shut off, or when initial vent blowback occurs, if using an alternative non-automatic system.**
- **Be careful not to spill fuel containing alcohol while refueling. If fuel is spilled on the vehicle body, wipe it up immediately. Fuels containing alcohol can cause paint damage, which is not covered under the New Vehicle Limited Warranty.**



60G404

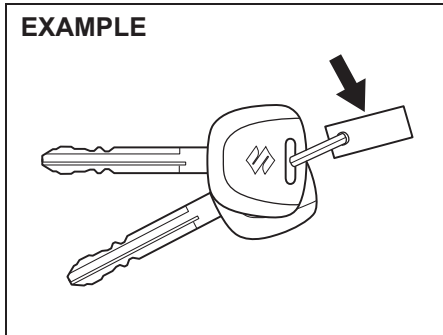
- Keys2-1
- Door locks2-2
- Keyless push start system remote controller /
Keyless entry system transmitter (if equipped)2-6
- Security system (if equipped)2-14
- Windows2-16
- Mirrors2-19
- Front seats2-23
- Rear seats2-25
- Seat belts and child restraint systems2-28

BEFORE DRIVING

- Child Restraint System for India 2-41
- Supplemental restraint system (air bags) 2-44
- Instrument cluster (Type A) (if equipped) 2-51
- Speedometer 2-52
- Fuel gauge 2-52
- Brightness control 2-53
- Information display 2-53
- Instrument cluster (Type B) (if equipped) 2-59
- Speedometer 2-60
- Tachometer 2-60
- Fuel gauge 2-60
- Brightness control 2-61
- Information display 2-62
- Instrument cluster (Type C) (if equipped) 2-71
- Speedometer 2-72
- Tachometer 2-72
- Fuel gauge 2-72
- Temperature gauge 2-72
- Brightness control 2-73
- Information display 2-74
- Warning and indicator lights.....2-96
- Lighting control lever 2-102
- Headlight leveling switch 2-107
- Turn signal control lever 2-109
- Hazard warning switch 2-110
- Windshield wiper and washer lever 2-110
- Tilt steering lock lever 2-112
- Horn 2-113
- Heated rear window switch (if equipped) 2-113

BEFORE DRIVING

Keys



54G489

Your vehicle comes with a pair of keys. The key(s) may or may not be equipped with a transmitter depending on model variant. Keep the spare key in a safe place. One key can open all of the locks on the vehicle

The key identification number is stamped on a metal tag provided with the keys or on the keys. Keep the tag in a safe place. If you lose your keys, you will need this number to have new keys made. Write the number below for your future reference.

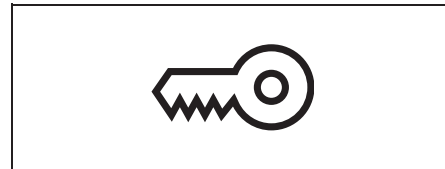
KEY NUMBER:

2-1

Immobilizer system

This system is designed to help prevent vehicle theft by electronically disabling the engine starting system.

The engine can be started only with your vehicle's original immobilizer ignition key or keyless push start system remote controller, which has an electronic identification code programmed in it. The key or remote controller communicates the identification code to the vehicle when the ignition switch is turned to "ON" position or the engine switch is pressed to change the ignition mode to "ON". If you need to make spare keys or remote controllers, see your an authorised Maruti Suzuki workshop. The vehicle must be programmed with the correct identification code for the spare. A key made by an ordinary locksmith will not work.



80JM122

If the immobilizer/keyless push start system warning light blinks or comes on when the ignition switch is in "ON" position or the ignition mode is "ON", the engine will not start.

NOTICE

Do not modify or remove the immobilizer system. If modified or removed, the system cannot be operated properly.

For vehicles without a keyless push start system

If this light blinks or comes on, turn the ignition switch to "LOCK" position, and then turn it back to "ON" position.

If the light still blinks after or comes on the ignition switch is turned back to "ON" position, there may be something wrong with your key or with the immobilizer system. Ask an authorised Maruti Suzuki workshop to have the system inspected.

For vehicles with a keyless push start system

If this light blinks or comes on, change the ignition mode to "LOCK" (OFF), and then change it back to "ON". Also refer to "If the PUSH indicator light blinks or comes on and the engine cannot be started" in "Starting engine (vehicle with keyless push start system) (if equipped)" in "OPERATING YOUR VEHICLE" section.

If the light still blinks or comes on after the ignition mode is changed back to "ON", there may be something wrong with your key or with the immobilizer system. Ask an authorised Maruti Suzuki workshop to have the system inspected.

The immobilizer/keyless push start system warning light may also blink or comes on if the remote controller is not in the vehicle when you close the door or attempt to start the engine.

NOTE:

- If you lose your immobilizer ignition key or remote controller, ask an authorised Maruti Suzuki workshop as soon as possible to deactivate the lost one, and to make a new key or remote controller.
- If you own other vehicles with immobilizer keys, keep those keys away from the ignition switch or the engine switch when using your MARUTI SUZUKI vehicle. Otherwise, or the engine may not be started because they may interfere with your MARUTI SUZUKI vehicle's immobilizer system.
- If you attach any metal objects to the immobilizer key or remote controller, it may not start the engine.
- This immobilizer system is maintenance free.

NOTICE

The immobilizer key and remote controller are sensitive electronic instruments. To avoid damaging them:

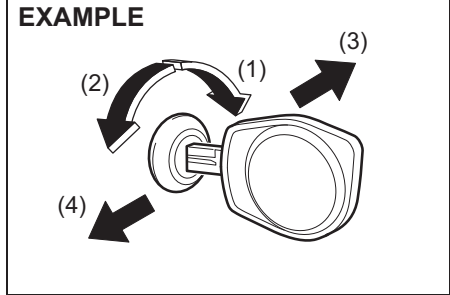
- Do not expose them to impacts, moisture or high temperature such as on the dashboard under direct sunlight.
- Keep them away from magnetic objects.

Ignition key reminder (if equipped)

A buzzer sounds intermittently to remind you to remove the ignition key if it is in the ignition keyhole when the driver's door is opened.

Door locks

Side door locks



55RM02001

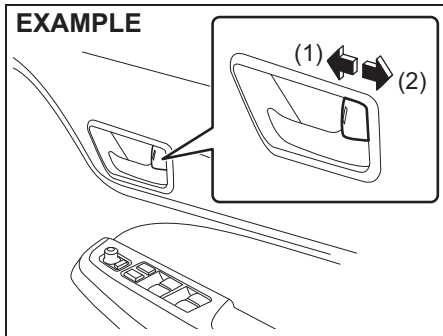
- (1) LOCK
- (2) UNLOCK
- (3) Front
- (4) Rear

To lock a front door from the outside of the vehicle:

- Insert a key and turn the top of the key toward the front of the vehicle, or
- Turn the lock knob forward, then pull and hold the door handle as you close the door.

BEFORE DRIVING

To unlock a front door from the outside of the vehicle, insert the key and turn the top of the key toward the rear of the vehicle.



55RM02002

- (1) LOCK
- (2) UNLOCK

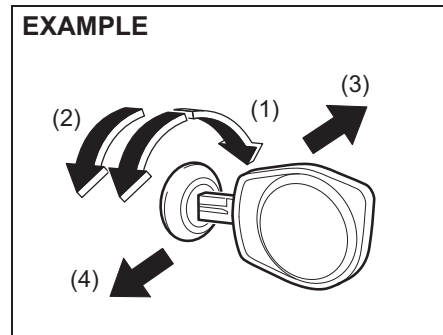
To lock a door from the inside of the vehicle, turn the lock knob forward. Turn the lock knob backward to unlock the door.

To lock a rear door from the outside of the vehicle, turn the lock knob forward and close the door. You do not need to pull and hold the door handle as you close the door.

NOTE:

Hold the door handle when you close a locked front door, or the door will not remain locked.

Central door locking system (Vehicle with keyless entry system and keyless push start system)



55RM02003

- (1) LOCK
- (2) UNLOCK
- (3) Front
- (4) Rear

You can lock and unlock all doors including tailgate simultaneously by using the key in the driver's door lock.

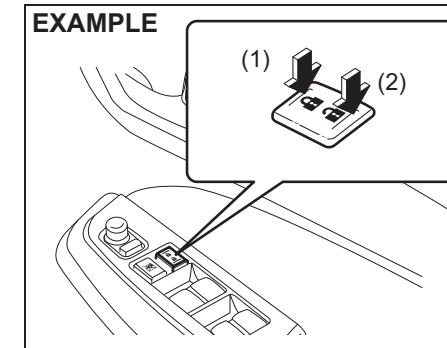
To lock all doors simultaneously, insert the key in the driver's door lock and turn the top of the key toward the front of the vehicle once.

To unlock all doors simultaneously, insert the key in the driver's door lock and turn the top of the key toward the rear of the vehicle twice.

NOTE:

You can switch the function that unlocks all doors from requiring two turns to requiring one turn, and vice versa, via the information display setting mode. For details on how to use the information display, refer to "Information display" in this section.

To unlock the driver's door only, insert the key in that door lock and turn the top of the key toward the rear of the vehicle once.



55RM02004

- (1) LOCK
- (2) UNLOCK

You can also lock or unlock all doors by pressing the front or rear of the switch, respectively.

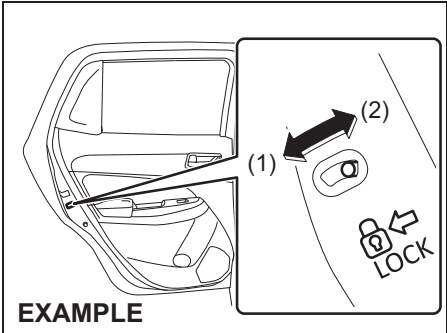
NOTE:

- You can also lock or unlock all doors by operating the transmitter or remote controller. Refer to "Keyless push start system remote controller / Keyless entry system transmitter (if equipped)" in this section.
- If your vehicle is equipped with the keyless push start system, you can also lock or unlock all doors by pushing the request switch. Refer to "Keyless push start system remote controller / Keyless entry system transmitter (if equipped)" in this section.

NOTE:

- All doors are automatically unlocked when you change the ignition mode to "LOCK" (OFF) or turn the ignition switch to "LOCK" position and pull out the key.
- All doors are automatically locked for safety when the vehicle speed reaches 15 km/h.
- You can change the automatic locking or unlocking function mentioned above via the setting mode of the information display. For details on how to use the information display, refer to "Information Display" in this section.

Child-proof locks (rear door)



55RM02005

- (1) LOCK
- (2) UNLOCK

Each of the rear doors is equipped with a child-proof lock which can be used to help prevent unwanted opening of the door from inside the vehicle. When the lock lever is in LOCK position (1), the rear door can only be opened from outside. When the lock lever is in UNLOCK position (2), the rear door can be opened from inside or outside.

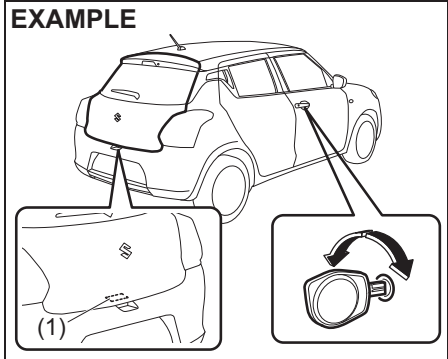
⚠ WARNING

Place the child-proof lock in **LOCK** position whenever children are seated in the rear.

Tailgate

Type A

EXAMPLE



55RM02006

- (1) Tailgate unlatch switch

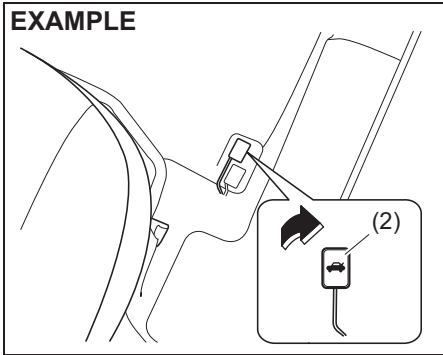
You can lock and unlock the tailgate by using the key in the driver's door lock.

To open the tailgate, push and hold the tailgate unlatch switch (1) and lift the tailgate.

BEFORE DRIVING

Type B

EXAMPLE



You can unlatch the tailgate by pulling the release lever (2) located on the outboard side of the driver's seat.

NOTE:

When the tailgate is closed incompletely, follow the procedure below:

- 1) Push the tailgate unlatch switch (1) and open the tailgate.
- 2) After a few seconds, close the tailgate.
- 3) Make sure that the tailgate is closed completely.

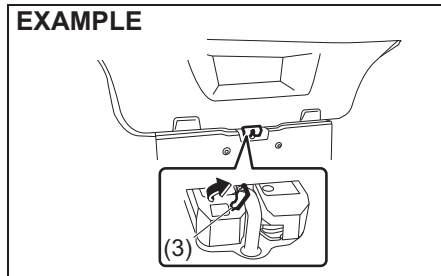
⚠ WARNING

Always make sure that the tailgate is closed and latched securely. Completely closing the tailgate helps prevent occupants from being thrown from the vehicle in the event of an accident. Completely closing it also helps keep exhaust gases from entering the vehicle.

If you cannot unlatch the tailgate by using the unlatch switch (1) due to a discharged lead-acid battery or malfunction, follow the procedure below to unlatch the tailgate from inside the vehicle.

- 1) Fold the rear seat forward for easier access. Refer to "Folding rear seats" section for details on how to fold the rear seat forward.

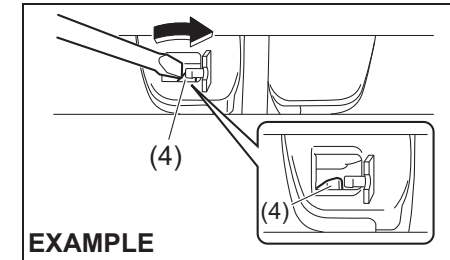
EXAMPLE



- 2) Open the cover (3) in the lock mechanism of the tailgate.

NOTE:

Ensure that you do not lose the cover (3) because it is small and detachable.



EXAMPLE

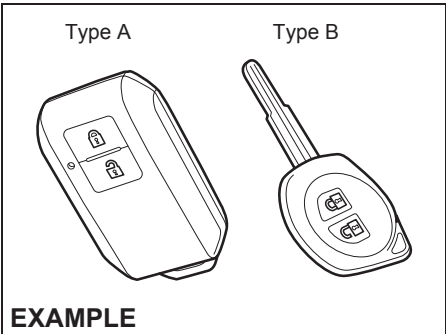
- 3) Move the lever (4) in arrow direction by using a flat-bladed screwdriver to unlock the tailgate.
- 4) Push open the tailgate from inside. The tailgate will be latched again by simply closing the tailgate.

If the tailgate cannot be unlatched by pushing the unlatch switch (1), have the vehicle inspected by an Authorised Maruti Suzuki workshop.

⚠ CAUTION

- To avoid injury, do not use your finger to push the emergency lever.
- Make sure there is no one near the tailgate when pushing open the tailgate from inside the vehicle.

Keyless push start system remote controller / Keyless entry system transmitter (if equipped)



55RM02009

Your vehicle is equipped with either a keyless push start system remote controller (Type A) or a keyless entry system transmitter (Type B). The remote controller has a keyless entry system and a keyless push start system. The transmitter has only a keyless entry system. For details, refer to the following explanations.

⚠ WARNING

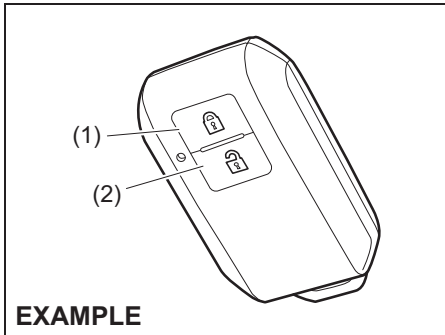
Radio waves from the keyless push start system antenna(s) may interfere with operation of electrical medical equipment such as pacemakers. Failure to take the precautions listed below can increase the risk of severe injury or death due to radio wave interference.

- Anyone who uses electrical medical equipment such as a pacemaker should consult the medical equipment supplier or their medical advisor about whether radio waves from the antenna(s) can interfere with the medical equipment.
- If radio wave interference is a concern, have the function of the antenna(s) disabled by an authorised Maruti Suzuki workshop.

Keyless push start system remote controller (Type A)

The remote controller enables the following operations:

- You can lock or unlock the doors by operating LOCK/UNLOCK buttons on the remote controller. Refer to the explanation in this section.
- You can lock or unlock the doors by pushing the request switch. For details, refer to the explanation in this section.
- You can start the engine without using an ignition key. For details, refer to "Engine switch (Vehicle with keyless push start system) in "OPERATING YOUR VEHICLE" section.



55RM02010

- (1) LOCK button
- (2) UNLOCK button

BEFORE DRIVING

You can lock or unlock all doors simultaneously by operating the remote controller near the vehicle.

Central door locking system

- To lock all doors, push LOCK button (1) once.
- To unlock only the driver's door, push UNLOCK button (2) once.
- To unlock other doors, push UNLOCK button (2) once again.

NOTE:

You can switch the function that unlocks all doors from requiring two pushes to requiring one push, and vice versa, via the information display setting mode. For details on how to use the information display, refer to "Information display" in this section.

The turn signal lights will flash once and the siren will sound once when the doors are locked.

When the doors are unlocked:

- The turn signal lights will flash twice and the siren will sound twice.
- If the interior light switch is in DOOR position, the interior light will turn on for about 15 seconds and then fade out. If you press the engine switch during this time, the light will start to fade out immediately.

Check that the doors are locked after you operate LOCK button (1).

NOTE:

If no door is opened within about 30 seconds after UNLOCK button (2) is operated, the doors will automatically lock again.

Car locator function

This function helps in locating the vehicle. Push both of LOCK button (1) and UNLOCK button (2) for more than 3 seconds. The turn signal lights will blink for about 27.5 seconds. Also, the siren will sound for about 27.5 seconds at the same time.

To cancel the car locator function, press any button (LOCK or UNLOCK).

You can also cancel the car locator function in any of the following operations.

- Press the engine switch to change the ignition mode to "ON".
- Bring the remote controller with you and press the request switch.

NOTE:

The car locator function will not activate when the ignition mode is "ACC" or "ON" or pre warning / full blast warning by shock sensor or alarm is in activated condition.

NOTE:

- *If you lock the doors using the remote controller when the engine hood are open, the siren will sound 3 times to remind you.*
- *If the security system was triggered due to an unauthorised entry into the vehicle and then you unlock the doors using the*

remote controller, the siren will sound 4 times to remind you. If this happens, check whether your vehicle has been broken into while you were away from it.

- *Once you push both of LOCK button (1) and UNLOCK button (2), then you push one of the buttons within 5 seconds, the siren will not sound. However, push one of the buttons 5 seconds later, the siren will sound.*
- *You can set whether the siren sounds when locking or unlocking the door(s) via the setting mode of the information display.*
- *For details on how to use the information display, refer to "Information Display" in this section.*

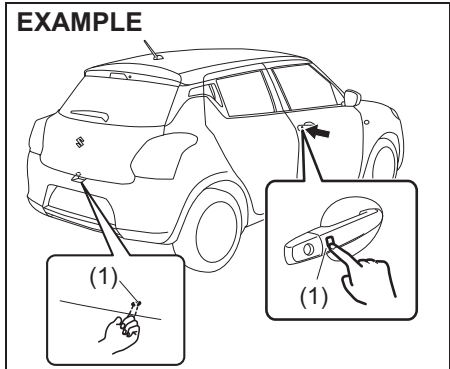
NOTE:

- *The maximum operating distance of the remote controller is about 5 m (16 ft.), but this can vary depending on the surroundings, especially near other transmitting devices such as radio towers or CB (Citizen's Band) radios.*
- *The door locks cannot be operated with the remote controller if the ignition mode is other than the "LOCK" (OFF).*
- *When any door is open, if you push LOCK button on the remote controller, the exterior buzzer will sound and doors cannot be locked.*

BEFORE DRIVING

- If you lose one of the remote controllers, ask an authorised Maruti Suzuki workshop as soon as possible for replacement. Have an authorised Maruti Suzuki workshop program the new remote controller code in your vehicle's memory so that the old code is erased.

Keyless unlocking/locking using the request switches



55RM02011

When the remote controller is within the operating range described in this section, you can lock or unlock all the doors (including tailgate) by pushing the request switch (1) on the driver's door handle or front passenger's door handle or tailgate.

When all doors are unlocked:

- To lock all doors, push one of the request switches once.

The turn signal lights will flash once and the siren will sound once when the doors are locked.

To unlock a door or all doors:

- Push one of the request switches once to unlock only one door.
- Push one of the request switches twice to unlock all doors.

NOTE:

You can switch the function that unlocks all doors from requiring two pushes to requiring one push, and vice versa, via the information display setting mode. For details on how to use the information display, refer to "Information display" in this section.

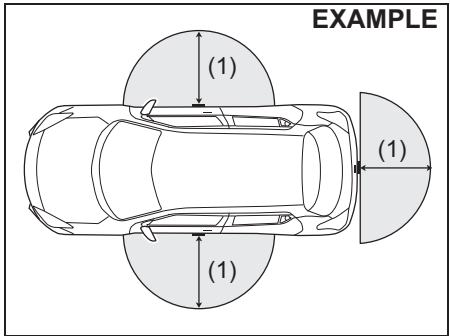
When the doors are unlocked:

- The turn signal lights will flash twice and the siren will sound twice.
- If the interior light switch is in DOOR position, the interior light will turn on for about 15 seconds and then fade out. If you press the engine switch during this time, the light will start to fade out immediately.

Be sure that the doors are locked after you operate the request switch to lock the doors.

NOTE:

- The door locks cannot be operated by the request switch under the following conditions:
 - If any door is open or is not completely closed.
 - If the ignition mode is in any other mode than "LOCK" (OFF).
- If no doors are opened within about 30 seconds after unlocking the doors by pushing the request switch, the doors will be locked again automatically.



55RM02012

(1) 80 cm (2 1/2 feet)

When the remote controller is within approximately 80 cm (2 1/2 feet) from a front door handle or tailgate switch, you can lock or unlock the doors by pushing the request switch.

BEFORE DRIVING

NOTE:

- If the remote controller is outside the request switch operating range described above, you will not be able to operate the request switch.
- If the battery of the remote controller runs down or there are strong radio waves or noise, the request switch operating range may be reduced or the remote controller may be inoperative.
- If the remote controller is too close to the door glass, the request switches may not operate.
- If a spare remote controller is in the vehicle, the request switches may not operate normally.
- The remote controller will only operate a request switch if it is within the switch's operating range. For example, if the remote controller is within the operating range of the driver's door request switch but not the front passenger's door request switch or the tailgate request switch the driver's door switch can be operated but the front passenger's door switch or tailgate switch cannot be operated.

NOTICE

The remote controller is a sensitive electronic instrument. To avoid damaging the remote controller:

- Do not expose it to impacts, moisture or high temperature such as by leaving it on the dashboard under direct sunlight.
- Keep the remote controller away from magnetic objects such as a television.

NOTE:

The keyless push start system may not function correctly in certain environments or under certain operating conditions such as the following:

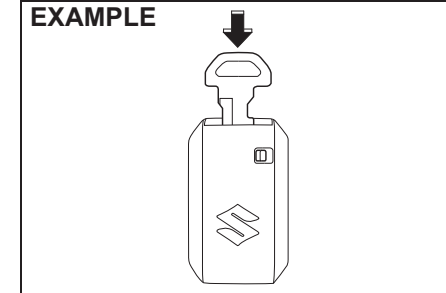
- When there are strong signals coming from a television, power station or a cellular phone.
- When the remote controller is in contact with or covered by a metal object.
- When a radio wave type remote keyless entry is used nearby.
- When the remote controller is placed near an electronic device such as personal computer.

Some additional precautions you should take and information you should be aware of are:

- Make sure that the key is stowed in the remote controller. If the remote controller becomes unusable, you will not be able to lock or unlock the doors.

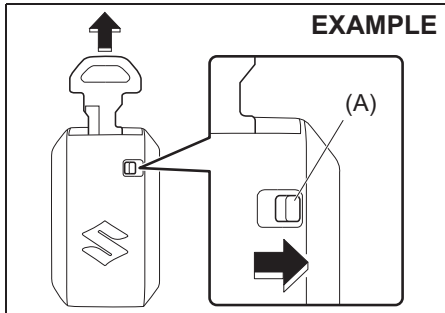
- Be sure that the driver always carries the remote controller.
- If you lose one of the remote controllers, ask an authorised Maruti Suzuki workshop as soon as possible for a replacement. Have an authorised Maruti Suzuki workshop program the new remote controller code in your vehicle's memory so that the old code is erased.
- You can use up to four remote controllers and the keys for your vehicle. Ask an authorised Maruti Suzuki workshop for details.
- The battery life of the remote controller is about two years, but it can vary depending on usage conditions.

EXAMPLE



56RH00210

To stow the key into the remote controller, push the key in the remote controller until you hear a click.



56RH00211

To remove the key from the remote controller, slide the lock knob (A) in direction of the arrow and pull the key out from the remote controller.

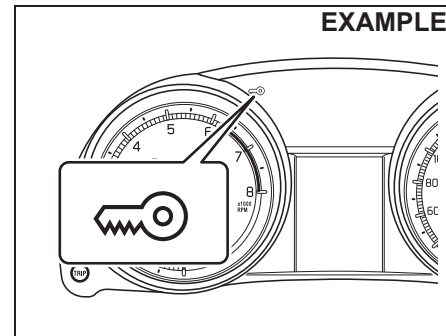
Request switch warning buzzer

The exterior buzzer beeps for about 2 seconds in the following conditions to warn you that the request switch is not working:

- The request switch is pressed after all doors are closed with the ignition mode changed to “ACC” or “ON” position by pressing the engine switch when the controller is outside the vehicle.
- The request switch is pressed in any of the following conditions after changing the ignition mode to “LOCK” (OFF) by pressing the engine switch.
 - The remote controller is left inside the vehicle.
 - Any door (including tailgate) is open.

Press the request switch again after doing the following:
 With the ignition mode changed to “LOCK” (OFF) by pressing the engine switch, bring out the remote controller if it is inside the vehicle and check that all doors are completely closed.

Reminder function



55RM02013

If the remote controller is not in the vehicle under the following conditions, the buzzer sounds intermittently for about 2 seconds and the immobilizer/keyless push start system warning light on the instrument cluster blinks:

When one or more doors are opened and all of the doors are later closed with the ignition in any other mode than “LOCK” (OFF).

The indicator light will turn off within several seconds after the remote controller is

returned to an area of the vehicle other than the rear luggage area.

If the remote controller is left in the vehicle and you lock the driver’s door or front passenger’s door as described below, the door will be automatically unlocked.

- If you open the driver’s door and lock the door by turning the lock knob forward or pushing the power door locking switch, the driver’s door will be automatically unlocked.
- If you open the front passenger’s door and lock the door by turning the lock knob forward or pushing the power door locking switch, the front passenger’s door will be automatically unlocked.

NOTE:

- *The reminder will not operate when the remote controller is on the instrument panel, in the glove box, in a storage compartment, in the sun visor or on the floor, etc.*
- *Be sure that the driver always carries the remote controller.*
- *Do not leave the remote controller in the vehicle when leaving the vehicle.*

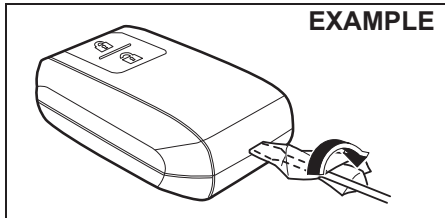
Battery replacement

If the remote controller becomes unusable, replace the battery.

To replace the battery of the remote controller:

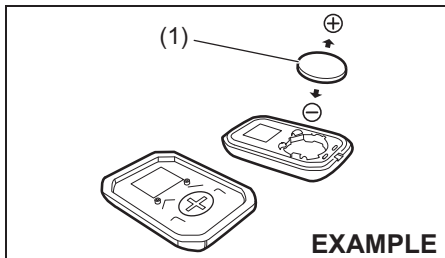
- 1) Pull the key out from the remote controller

BEFORE DRIVING



55RM02014

- 2) Insert a flat-bladed screwdriver covered with a soft cloth in the slot of the remote controller and pry it open.



56RH00214

- (1) Lithium disc type battery: CR2032 or equivalent
- 3) Replace the battery (1) so its “-” terminal faces the bottom of the case as shown in the illustration.
- 4) Close the remote controller firmly.
- 5) Check that the door locks can be operated with the remote controller.
- 6) Dispose of the used battery properly according to applicable rules or regula-

2-11

tions. Do not dispose the lithium batteries with ordinary household trash.

⚠ WARNING

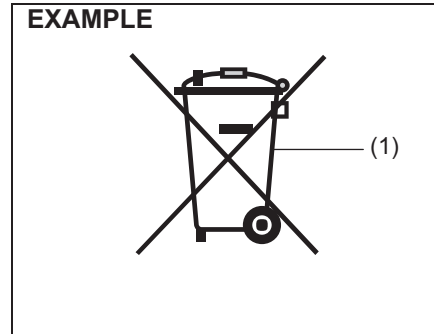
Swallowing a lithium battery may cause serious internal injury. Do not allow anyone to swallow a lithium battery. Keep lithium batteries away from children and pets. If swallowed, contact a physician immediately.

NOTICE

- The remote controller is a sensitive electronic instrument. To avoid damaging it, do not expose it to dust or moisture or tamper with internal parts.
- When replacing the battery by yourself, the remote controller could be damaged affected by static electricity. Discharge the static electricity built up in your body by touching metal before replacing the battery.

NOTE:

Used batteries must be disposed of properly according to applicable rules or regulations and must not be disposed of with ordinary household trash.



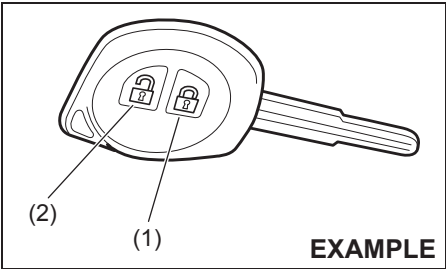
80JM133

- (1) Crossed-out wheeled bin symbol

The crossed-out wheeled bin symbol (1) indicates that a used battery should be collected separately from ordinary household trash.

By ensuring the used battery is disposed of or recycled correctly, you will help prevent potential negative consequences for the environment and human health, which could otherwise be caused by inappropriate battery disposal. The recycling of materials will help to conserve natural resources. For more detailed information about disposing of or recycling the used battery, consult a Maruti Suzuki authorized workshop.

Keyless entry system transmitter (Type B)



56RM02005

- (1) LOCK button
- (2) UNLOCK button

You can lock or unlock all doors simultaneously by operating the transmitter near the vehicle.

Central door locking system

- To lock all doors, push LOCK button (1) once.
- To unlock only the driver's door, push UNLOCK button (2) once.
- To unlock other doors, push UNLOCK button (2) once again.

NOTE:

You can switch the function that unlocks all doors from requiring two pushes to requiring one push, and vice versa, via the information display setting mode. For details on

how to use the information display, refer to "Information display" in this section.

The turn signal lights will flash once and the siren will sound once when the doors are locked.

When the doors are unlocked:

- The turn signal lights will flash twice and the siren will sound twice.
- If the interior light switch is in DOOR position, the interior light will turn on for about 15 seconds and then fade out. If you insert the key into the ignition switch during this time, the light will start to fade out immediately.

Check that the doors are locked after you operate LOCK button (1).

NOTE:

If no door is opened within about 30 seconds after UNLOCK button (2) is operated, the doors will automatically lock again.

NOTE:

- If you lock the doors using the transmitter when the engine hood is open, the siren will sound 3 times to remind you.
- If the security system was triggered due to an unauthorised entry into the vehicle and then you unlock the doors using the transmitter, the siren will sound 4 times to remind you. If this happens, check whether your vehicle has been broken into while you were away from it.

- Once you push both of the LOCK button (1) and UNLOCK button (2), then you push one of the buttons within 5 seconds, the siren will not sound. However, push one of the buttons 5 seconds later, the siren will sound.
- You can set whether the siren sounds when locking or unlocking the door(s) via the setting mode of the information display. For details on how to use the information display, refer to "Information Display" in this section.

NOTE:

- The maximum operating distance of the keyless entry system transmitter is about 5 m (16 ft.), but this can vary depending on the surroundings, especially near other transmitting devices such as radio towers or CB (Citizen's Band) radios.
- The door locks cannot be operated with the transmitter, if the ignition key is inserted in the ignition switch.
- When any door is open, the door locks can only be unlocked with the transmitter, and the turn signal light will not flash.
- If you lose one of the transmitters, ask your authorised Maruti Suzuki workshop as soon as possible for a replacement. Have your dealer program the new transmitter code in your vehicle's memory so that the old code is erased.

BEFORE DRIVING

NOTICE

The transmitter is a sensitive electronic instrument. To avoid damaging the transmitter:

- Do not expose it to impacts, moisture or high temperature such as by leaving it on the dashboard under direct sunlight.
- Keep the transmitter away from magnetic objects such as a television.

Car locator function

This function helps in locating the vehicle. Push both of the LOCK button (1) and UNLOCK button (2) for more than 3 seconds.

The turn signal lights will blink for about 27.5 seconds. Also, the siren will sound for about 27.5 seconds at the same time.

To cancel the car locator function, press any button (LOCK or UNLOCK).

You can also turn the ignition switch to the "ON" position to cancel the car locator function.

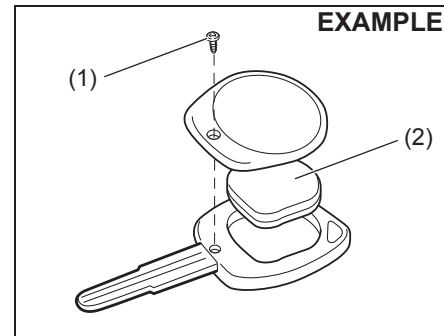
NOTE:

The car locator function will not activate when the key is in the ignition switch or pre warning / full blast warning by shock sensor or alarm is in activated condition.

Battery replacement

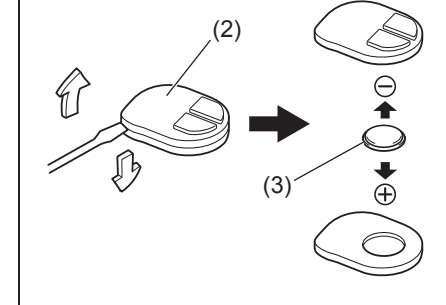
If the transmitter becomes unusable, replace the battery.

To replace the battery of the transmitter:



- 1) Remove the screw (1), and open the transmitter cover.
- 2) Remove the transmitter (2).

EXAMPLE



- (3) Lithium disc type battery: CR1616 or equivalent

- 3) Put the edge of a flat-bladed screwdriver in the slot of the transmitter (2) and pry it open.
- 4) Replace the battery (3) so its + terminal faces "+" mark of the transmitter.
- 5) Close the transmitter and install it into the transmitter holder.
- 6) Close the transmitter cover, install and tighten the screw (1).
- 7) Check that the door locks can be operated with the transmitter.
- 8) Dispose of the used battery properly according to applicable rules or regulations. Do not dispose the lithium batteries with ordinary household trash.

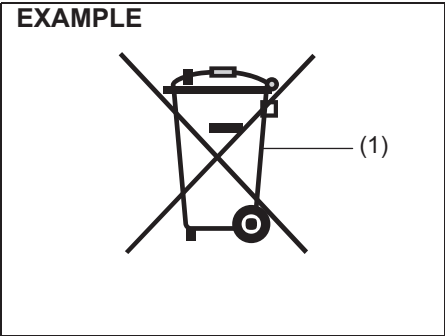
⚠ WARNING

Swallowing a lithium battery may cause serious internal injury. Do not allow anyone to swallow a lithium battery. Keep lithium batteries away from children and pets. If swallowed, contact a physician immediately.

NOTICE

- The transmitter is a sensitive electronic instrument. To avoid damaging it, do not expose it to dust or moisture or tamper with internal parts.
- When replacing the battery by yourself, the transmitter could be damaged affected by static electricity. Discharge the static electricity built up in your body by touching metal before replacing the battery.

NOTE:
Used batteries must be disposed of properly according to applicable rules or regulations and must not be disposed of with ordinary household trash.



80JM133

(1) Crossed-out wheeled bin symbol

The crossed-out wheeled bin symbol (1) indicates that a used battery should be collected separately from ordinary household trash.

By ensuring the used battery is disposed of or recycled correctly, you will help prevent potential negative consequences for the environment and human health, which could otherwise be caused by inappropriate battery disposal. The recycling of materials will help to conserve natural resources. For more detailed information about disposing of or recycling the used battery, consult a Maruti Suzuki authorized workshop.

Security system (if equipped)

The security system is armed after you close and lock all doors (including engine hood and tailgate) by using the keyless entry system transmitter, keyless push start system remote controller or request switch.

Once the system is armed, any attempt to open a door by using any other means (*) than the keyless entry system transmitter, keyless push start system remote controller, request switch or open the engine hood, will cause the alarm to be triggered.

* These means include the following:

- The key
- The lock knob on a door
- The central door locking switch
- The tailgate unlatch switch

Also, in case that you have set the shock sensor to enabled state and set sensitivity of the pre-warning function and full blast warning function to a level other than 0, the warning will be triggered in case of any attempt to tamper with the vehicle. The shock sensor can be selected enabled or disabled state, and sensitivity of each warning can be adjusted as desired. To set the shock sensor, ask your authorised Maruti Suzuki workshop or use the setting mode of the information display.

BEFORE DRIVING

NOTE:

- The default setting of the shock sensor is in the disabled state. Set to the enabled state and adjust sensitivity of each warning according to your preference. For details on how to use the information display, refer to "Information Display" in this section.
- Your dealer may have already set the shock sensor of the vehicle to the enabled state before you purchase it. Consult your dealer for further information.

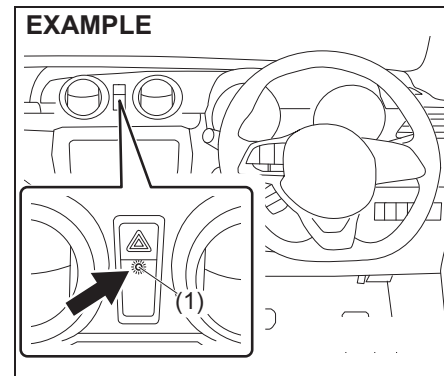
NOTE:

- The security system generates alarms when any of the predetermined conditions is met. However, the system does not have any function of blocking unauthorised entry into the vehicle.
- Always use the keyless entry system transmitter, keyless push start system remote controller or request switch to unlock the doors when the security system has been armed. Using a key instead will trigger the alarm.
- If a person who does not know the security system is going to drive the vehicle, we recommend you explain the system and its operation to the person. Mistakenly triggering the alarm may cause a nuisance to others.
- Even if the security system is armed, you should still be careful to guard against theft. Do not leave money or valuable things in the vehicle.

2-15

How to arm the security system

Lock all doors (including engine hood and tailgate) using the keyless entry system transmitter, keyless push start system remote controller or request switch. When the system is armed, the indicator continues to blink at intervals of approximately 2 seconds.



NOTE:

- To prevent the alarm from being accidentally triggered, avoid arming it while anyone remains inside the vehicle. The alarm will be triggered if any person inside opens the door, tailgate, engine hood, or the warning may be triggered if anyone swings the vehicle (if the shock sensor is in the enabled state).
- The security system is not armed when all doors are locked using the key from

outside, using the door lock knobs or the central door locking switch from inside.

- If any door is not operated within approximately 30 seconds after the doors have been unlocked using the keyless entry system transmitter, keyless push start system remote controller or request switch, the doors are automatically locked again. When the doors are locked, the security system will be armed.
- If the security system indicator (1) blinks when the ignition switch is in the "ON" position or the ignition mode is "ON", there may be something wrong with the security system. Ask your authorised Maruti Suzuki workshop to inspect the system.

How to disarm the security system

Simply unlock the doors using the keyless entry system transmitter, keyless push start system remote controller or request switch. The security system indicator will go out, indicating that the security system is disarmed.

How to stop the alarm

Should the alarm be triggered accidentally, the alarm will stop by the following operations.

- Press the engine switch to change the ignition mode to "ON" or turn the ignition switch to "ON" position in case of emergency.

- Unlock the doors using the keyless entry system transmitter, keyless push start system remote controller or request switch.

NOTE:

- *Even after the alarm has stopped, if you lock the doors using the keyless entry system transmitter, keyless push start system remote controller or request switch, the security system will be rearmed.*
- *If you disconnect the battery while the security system is in the armed condition or the alarm is actually in operation, the alarm will be re-triggered when the battery is reconnected.*
- *Even after the alarm has stopped at the end of the predetermined operation time, it will be triggered again if any of the doors, tailgate or engine hood is opened, without disarming the security system.*

Checking whether the alarm has been triggered during parking

If the alarm was triggered and you then turn the ignition switch to "ON" position or the ignition mode is "ON" the security system indicator will blink rapidly for about 8 seconds and a buzzer will beep 4 times during this period. If this happens, check whether the vehicle has been broken into while you were away from it.

Security system indication

- If any of the doors or tailgate are opened without unlocking by the keyless entry system transmitter, keyless push start system remote controller or request switch, all turn signal lights start to blink and the interior buzzer beeps intermittently. After 5 seconds, the siren will sound for about 27.5 seconds. The security system indicator continues to blink during this time.
- If the engine hood is opened, all turn signal lights blink, and the siren sounds for about 27.5 seconds. The security system indicator continues to blink during this time.

(If the shock sensor is in the enabled state)

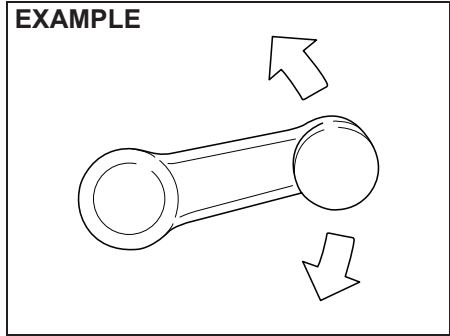
- If the vehicle feels a shock higher than the pre-warning sensitivity, the siren sounds for about 2 seconds (pre-warning). If the vehicle feel a shock higher than the full blast warning sensitivity, the siren sounds for about 5 seconds (full blast warning). The security system indicator continues to blink during this time.

NOTE:

If you set the full blast warning sensitivity higher than the pre-warning sensitivity in the setting mode of the information display, or the vehicle feels such shock as to be able to trigger the full blast warning, the full blast warning will be triggered preferentially. In this case, the pre-warning will not be triggered.

Windows

Manual window control (if equipped)



60G010A

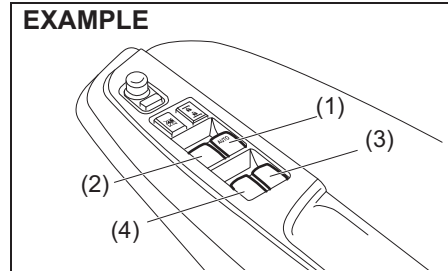
Raise or lower the door windows by turning the handle located on the door panel.

Electric window controls (if equipped)

The electric windows can only be operated when the ignition switch is in "ON" position or the ignition mode is "ON".

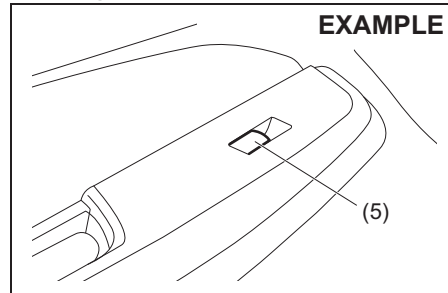
BEFORE DRIVING

Driver's side

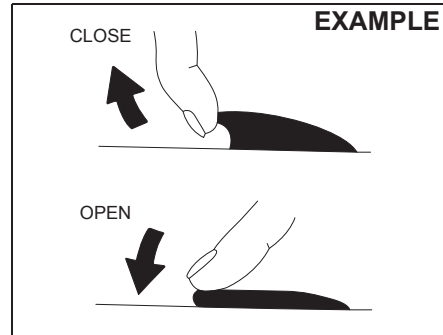


The driver's door has a switch (1) to operate the driver's window, and a switch (2) to operate the front passenger's window and there are switches (3), (4), to operate the rear right and left passenger windows, respectively.

Passenger's door



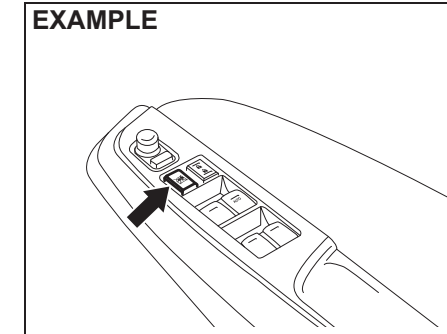
The passenger's door has a switch (5) to operate the passenger's window.



To open a window, push the top part of the switch. To close the window, lift up the top part of the switch.

The driver's window has AUTO-DOWN and AUTO-UP (if equipped) features for greater convenience (at toll booths or drive-through restaurants, for example). These features allow the driver to open or close the window without holding the window switch in DOWN or UP position. Press down or lift up the driver's window switch completely and release it. To stop the window before it reaches the FULL-DOWN or FULL-UP position, pull up or push down the switch briefly.

Lock switch



The driver's door also has a lock switch for the passenger's window(s). When you push in the lock switch, the passenger's window(s) cannot be raised or lowered by operating any of the switches (2), (3), (4) or (5). To restore normal operation, release the lock switch by pushing it again.

⚠ WARNING

- You should always lock the passenger's window operation when there are children in the vehicle. Children can be seriously injured if they get part of their body caught by the window during operation.
- To avoid injuring an occupant by window entrapment, check that no part of the occupant's body such as hands or head is in the path of the electric windows when closing them.
- Always remove the ignition key or take the keyless push start system remote controller with you when leaving the vehicle even only for a short time. Also do not leave children alone in a parked vehicle. Unattended children could use the electric window switches and get trapped by the window.

NOTE:

If you drive with one of the rear windows open, you may hear a loud sound caused by air vibration. To reduce the sound, open the driver's or front passenger's window, or narrow the rear window opening.

Pinching prevention function (if equipped)

The driver's window is equipped with a pinching prevention function. This function detects a foreign object that is caught in the window as it is being closed by AUTO-UP feature, which allows you to close the window without holding the window switch in UP position, and stops the window from closing to prevent damage.

⚠ WARNING

To avoid injuring an occupant by window entrapment, check that no part of the occupant's body such as hands or head is in the path of the electric window when closing it. This function may not detect an object due to the size, hardness, or position of the object being caught in the closing window.

⚠ CAUTION

- The pinching prevention function does not operate while you are holding the window switch in UP position.
- The pinching prevention function may not detect an object caught in the window just before the window is fully closed.

NOTE:

Even if you cannot close the window by the AUTO-UP feature because there may be something wrong with the pinching prevention function, you can close the window by holding the window switch in UP position. If you drive in extreme off-road condition, the pinching prevention function may operate accidentally because the window reacts to vehicle jolting.

Pinching prevention function initialization

When you disconnect and reconnect the battery or replace the fuse, the function will be deactivated. In this condition, the AUTO-DOWN feature will be deactivated, while the AUTO-UP feature may remain activated. The pinching prevention function needs to be initialized.

BEFORE DRIVING

To initialize the pinching prevention function, use the following procedure:

- 1) Press the engine switch to change the ignition mode to "ON".
- 2) Open the driver's window fully by holding the window switch in DOWN position.
- 3) Close the driver's window by holding the switch in UP position, and keep holding the switch for 2 seconds after the window is fully closed.
- 4) Check the driver's window to see if the AUTO-DOWN/UP feature works.

⚠ WARNING

Whenever you disconnect and reconnect the battery or replace the fuse, the pinching prevention function needs to be initialized. The pinching prevention function will not be activated until the initialization is completed.

If the AUTO-DOWN/UP feature does not work after initialization, there might be something wrong with the pinching prevention function. Have your vehicle inspected by an authorised Maruti Suzuki workshop.

Mirrors

⚠ WARNING

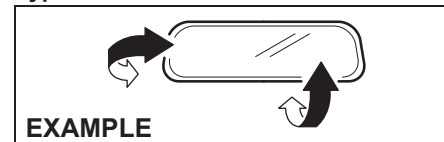
Failure to observe following point may result in loss of vehicle control and cause an accident, leading to death or serious injury. Always follow below points while driving.

- Do not adjust the mirrors while driving.
- Always unfold all the outside rearview mirrors and adjust properly before driving.
- Do not place objects in the rear of the vehicle which may hinder visibility or interfere with your vision from the rear window glass.

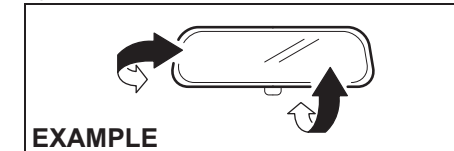
Inside rearview mirror

You can adjust the inside rearview mirror by hand to see the rear of your vehicle in the mirror.

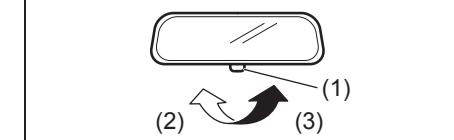
Type A



Type B



EXAMPLE



- (2) Day driving
(3) Night driving

To adjust the mirror, set the selector tab (1) to the day position, and then move the mirror up, down or sideways by hand to obtain the best view.

When driving at night, you can move the selector tab to the night position to reduce glare from the headlights of vehicles behind you.

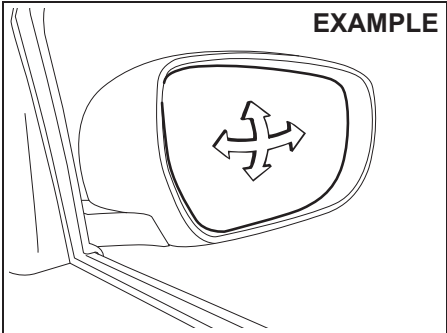
⚠ WARNING

- Always adjust the mirror with the selector set to the day position.
- Only use the night position if it is necessary to reduce glare from the headlights of vehicles behind you. Be aware that in this position you may not be able to see some objects that could be seen in the day position.

⚠ CAUTION

Do not modify the inside rearview mirror or install a non-genuine wide mirror. It could result in injury during accident.

Outside rearview mirrors

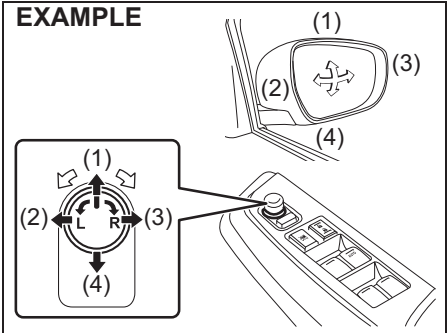


Adjust the outside rearview mirrors so you can just see the side of your vehicle in the mirrors.

⚠ WARNING

Be careful when judging the size or distance of a vehicle or other object seen in the side convex mirror. Be aware that objects look smaller and appear farther away than when seen in a flat mirror.

Electric mirrors (if equipped)



The switch to control the electric mirrors is located on the driver's door panel. You can adjust the mirrors when the ignition switch is in "ACC" or "ON" position, or the ignition mode is "ACC" or "ON". To adjust the mirrors:

- 1) Rotate the selector switch to the left or right to select the mirror you wish to adjust.
- 2) Push the side of the switch that corresponds to the direction in which you wish to move the mirror.
- 3) Return the selector switch to the center position to help prevent unintended mirror movement.

BEFORE DRIVING

NOTICE

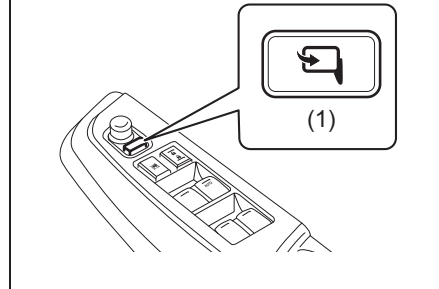
- The electric type outside rearview mirror operates even though the ignition switch is in the ACC position. However, to prevent unnecessary battery discharge, do not adjust the mirrors longer than necessary while the engine is not running
- The mirrors stop moving when they reach the maximum adjusting angles, but the motor continues to operate while the switch is pressed. Do not continue to press the switch in such a situation, as the motor may be damaged.
- Do not attempt to adjust the outside rearview mirror by hand which may cause damage to the motor.

Outside rearview mirror folding switch (if equipped)

NOTICE

Do not fold the electrical foldable outside rearview mirror by hand. It could cause motor failure.

EXAMPLE



56RH00225

You can fold the mirrors when you park the vehicle in a narrow space. When the ignition mode is "ACC" or "ON", push the folding switch (1) to fold and unfold the mirrors. Check that the mirrors are completely unfolded before you start driving.

CAUTION

Moving mirrors can pinch and injure a hand. Do not allow anyone's hand to get near the mirrors when folding and unfolding the mirrors.

NOTE:

- If you press the folding switch to open the outside rearview mirrors and simultaneously start the engine, then the outside rearview mirrors may get stuck during that moment. In such a situation, to open the outside rearview mirrors

completely, again press the folding switch after starting the engine.

- *Slight time difference in opening of both outside rearview mirrors is due to angular positioning of the driver seat.*

Remote folding mirrors (if equipped)

When the outside rearview mirrors folding switch is in the unfolded position, the outside rearview mirrors are folded or unfolded in conjunction with the door locking or engine switch operation.

- When you lock the doors (including the tailgate) by using the remote controller or pushing the request switch, the mirrors will be folded automatically.
- To unfold the mirrors, push the engine switch to change the ignition mode to ACC or ON.
- The factory setting is that the function is enabled. You can switch the function from enabled to disabled, and vice versa. To switch the function for your preference, refer to "How to switch the remote folding mirrors function".

NOTICE

In cold conditions when the mirrors are frozen, disable the function. If the mirrors are folded and unfolded repeatedly without thawing, the mirrors may be damaged.

BEFORE DRIVING

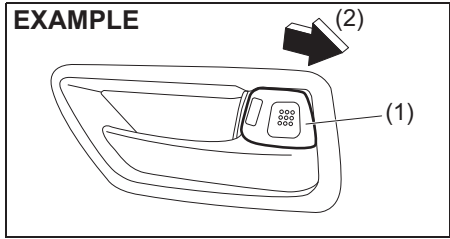
NOTE:

- If the doors are locked by using the key, lock knob on the door or power door locking switch, the mirrors will not be folded automatically.
- If the outside rearview mirrors folding switch is in the folded position, the mirrors will not be unfolded automatically, even when the engine switch is pushed to change the ignition mode to ACC or ON.
- If any of the doors is not opened within about 30 seconds after the doors are unlocked by using the keyless push start system remote controller or request switch, the doors will be locked again and the mirrors will be folded automatically.

How to switch the remote folding mirrors function

When the ignition mode is "LOCK (OFF)", you can switch the function from the enabled state to the disabled state, and vice versa, using the following method.

- 1) Sit in the driver's seat and make sure that all doors are closed.
 - If any door is open, the open door warning light comes on.

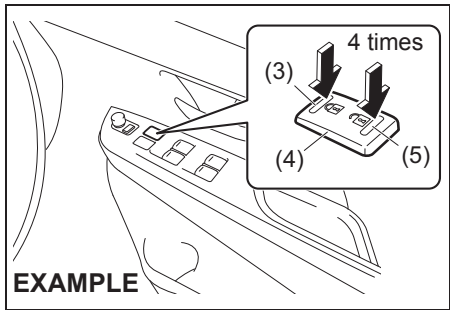


56RM02037

- 2) Turn the lock knob (1) on the driver's door rearward (2).

NOTE:

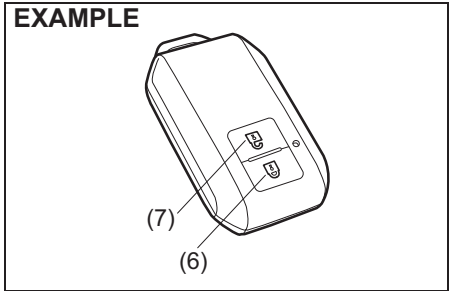
All operations included in the following steps 3) and 4) must be completed within 15 seconds.



56RM02038

Push the lock end (3) (forward end) of the power door lock switch (4) to lock the doors, and then the unlock end (5) (back-

ward end) to unlock the doors. Repeat the operations of this step for 4 times.



56RM03030

- (6) Lock button
- (7) Unlock button

- 3) Push any of the buttons on the keyless push start system remote controller 3 times.

- Push either lock button or unlock button described above you like.
- During operation, the doors are not locked or unlocked.

Every time you perform the series of the above steps, the state of the remote folding mirrors function changes from the currently selected one to the other. You can check whether the system is enabled or disabled by the number of interior buzzer beeps at the end of the procedure as follows.

BEFORE DRIVING

System state	Number of beeps
Enabled	2 times
	↕
Disabled	Once

If you cannot complete the operations in step 3) and 4) within 15 seconds correctly, the state of the remote folding mirrors function will not change and the interior buzzer does not beep. Perform the procedure again from the beginning.

Front seats

Precaution for front passenger seat

Refer to the NOTICE in the “Front passenger’s seat belt reminder” section.

Seat adjustment

WARNING

Never attempt to adjust the driver’s seat or seatback while driving. The seat or seatback could move unexpectedly, causing loss of control. Check that the driver’s seat and seatback are properly adjusted before you start driving.

WARNING

To avoid excessive seat belt slack, which reduces the effectiveness of the seat belts as a safety device, check that the seats are adjusted before the seat belts are fastened.

WARNING

Do not leave cigarette lighters or spray cans on the floor. If a cigarette lighter or spray can is on the floor, it may light accidentally when luggage is loaded or the seat is adjusted, causing a fire.

WARNING

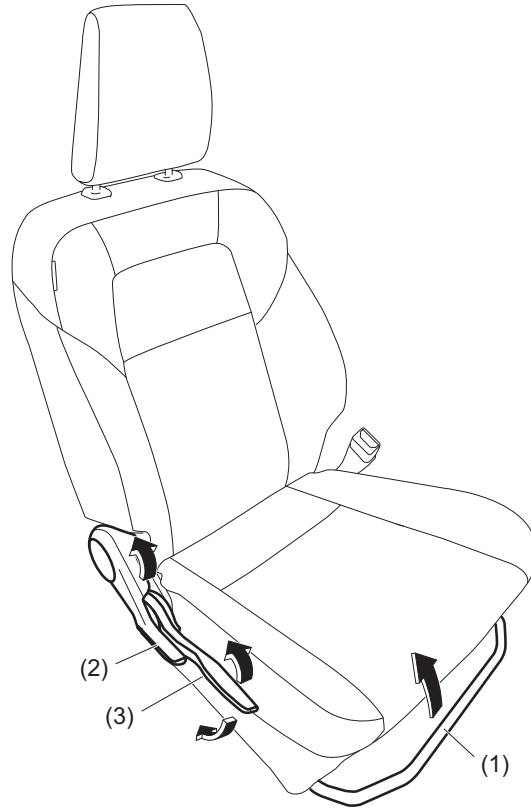
All seatbacks should always be in an upright position when driving, or seat belt effectiveness may be reduced. Seat belts are designed to offer maximum protection when seatbacks are in the upright position.

CAUTION

Do not place any object under the front seat. If an object gets stuck under the front seat, the seat shall not be latched properly and may cause injury.

BEFORE DRIVING

EXAMPLE



56RH00226

Seat position adjustment lever (1)

Pull the lever up and slide the seat.

Seatback angle adjustment lever (2)

Pull the lever up and move the seatback.

Seat height adjustment lever (3) (if equipped)

Pull the lever up to raise the seat. Push the lever down to lower the seat.

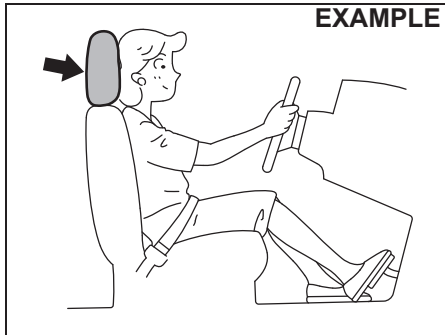
After adjustment, try to move the seat and seatback back and forth to check if it is securely latched.

NOTE:

To operate the seat back smoothly, pull the seat back adjustment lever (2) in upward direction. Ensure to move seat back only after lever is moved to fully up position. After adjustment of seat back, release the lever gently. Check that seat back is locked by moving it forward and backward.

BEFORE DRIVING

Head restraints (Adjustable type) (if equipped)



80J001

Head restraints are designed to help reduce the risk of neck injuries in the case of an accident. Adjust the head restraint to the position which places the center of the head restraint closest to the top of your ears. If this is not possible for very tall passengers, adjust the head restraint as high as possible.

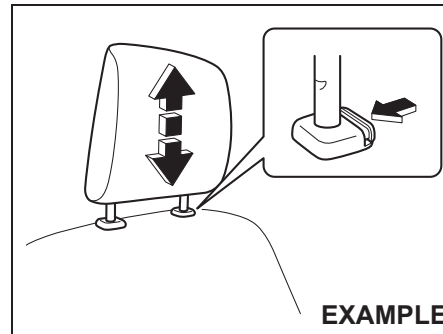
WARNING

- Never drive the vehicle with the head restraints removed.
- Do not attempt to adjust the head restraint while driving.

NOTE:

It may be necessary to recline the seat-back to provide enough overhead clearance to remove the head restraint.

Front



75RM004

To raise the front head restraint, pull upward the head restraint until it clicks. To lower the head restraint, push down the head restraint while holding in the lock lever. If a head restraint must be removed (for cleaning, replacement, etc.), push in the lock lever and pull the head restraint all the way out.

Rear seats

Head restraints (if equipped)

Head restraints are designed to help reduce the risk of neck injuries in the case of an accident.

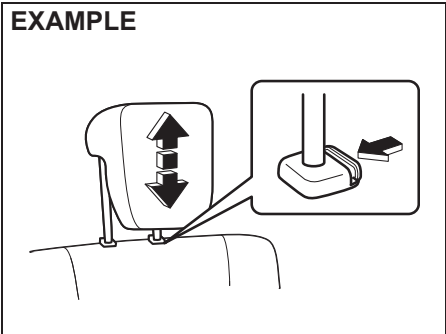
WARNING

- Never drive the vehicle with the head restraints removed.
- Do not attempt to adjust the head restraint while driving.

Adjust the head restraint to the position which places the center of the head restraint closest to the top of your ears. If this is not possible for very tall passengers, adjust the head restraint as high as possible.

Rear

EXAMPLE



61MM0A033

To raise the rear head restraint, pull upward the head restraint until it clicks. To lower the head restraint, push down the head restraint while holding in the lock lever. If a head restraint must be removed (for cleaning, replacement, etc.), push in the lock lever and pull the head restraint all the way out.

When installing a child restraint system, adjust the height of the head restraint or remove it for fitting the child restraint, as necessary.

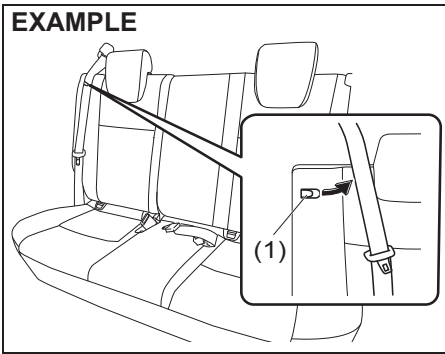
Folding rear seats

The rear seats of your vehicle can be folded forward to provide additional cargo space.

To fold the rear seats forward:

- 1) Lower the head restraint (if equipped) fully.

EXAMPLE



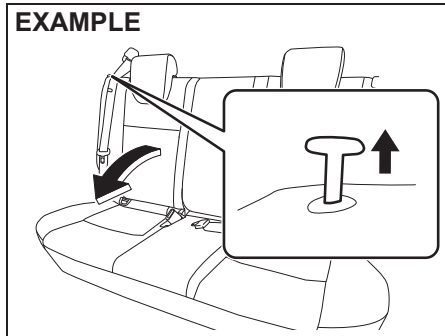
55RM02021

- 2) Hook the webbing of the outboard lap-shoulder belts in the belt hangers.

NOTICE

- When you move a seatback, make sure the belt webbing is hooked in the seat belt hangers so the seat belts are not caught by the seatback, seat hinge, or seat latch. This helps prevent damage to the belt system.
- Make sure the belt webbing is not twisted.

EXAMPLE



55RM02022

- 3) Pull the release lever on the top of each split seat, and fold the seatbacks forward.

BEFORE DRIVING

NOTICE

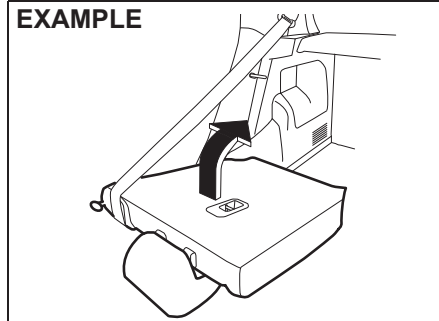
After folding the rear seatback forward, do not allow any foreign material to enter the lock opening. This may cause damage to the inside of the lock and prevent the seatback from being locked securely.

⚠ WARNING

If you need to carry cargo in the passenger compartment with the rear seatback folded forward, secure the cargo or it may be thrown about, causing injury. Never pile cargo higher than the seatbacks.

To return the seat to the normal position, follow the procedure below.

EXAMPLE



55RM02023

Raise the seatback until it locks into place.

After returning the seat, move the seatback back and forth to check if it is securely latched.

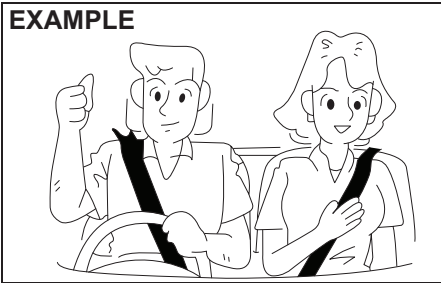
⚠ CAUTION

Do not put your hand into the rear seatback lock opening, or your finger may get caught and be injured.

NOTICE

- When you move a seatback, make sure the belt webbing is hooked in the seat belt hangers so the seat belts are not caught by the seatback, seat hinge, or seat latch. This helps prevent damage to the belt system.
- When returning the rear seatback to the normal position, do not allow any foreign material to enter the lock opening. This may prevent the seatback from being locked securely.
- When returning the rear seatback to the normal position, handle it carefully by hand to avoid any damage to the lock itself. Do not push it by using some material or by applying excessive force.
- As the lock is designed exclusively for securing the rear seatback, do not use it for any other purpose. Incorrect use of it may cause damage to the inside of the lock and prevent the seatback from being locked securely.

Seat Belts and Child Restraint Systems

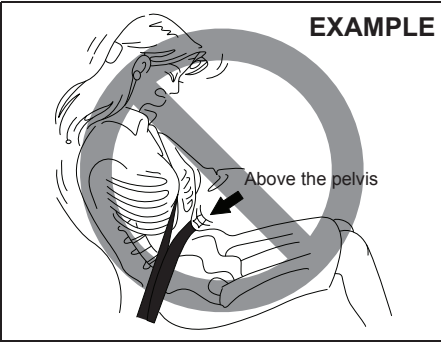


⚠ WARNING

- **Wear Your Seat Belts at All Times.**
- An air bag supplements, or adds to, the frontal crash protection offered by seat belts. The driver and all passengers must be properly restrained by wearing seat belts at all times even if driving for a very short distance, whether or not an air bag is mounted at their seating position, to minimize the risk of severe injury or death in the event of a crash.

⚠ WARNING

- Do not modify, remove, disassemble seat belts. Doing so may prevent them from functioning properly and cause the risk of severe injury or death in the event of a collision.



⚠ WARNING

- Never allow persons to ride in the cargo area of a vehicle. In the event of an accident, there is a much greater risk of injury for persons who are not riding in a seat with their seat belt securely fastened.

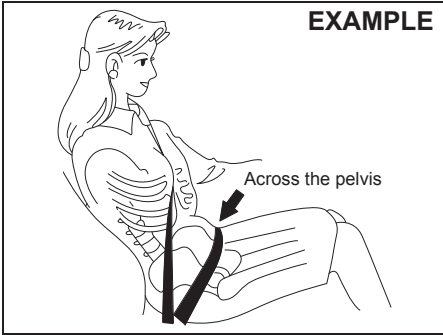
(Continued)

⚠ WARNING

(Continued)

- Ensure that all seat belts are worn correctly. An improperly worn seat belt increases the risk of injury or death if a collision occurs.
- Seat belts should always be adjusted as follows:
 - the lap portion of the belt should be worn low across the pelvis, not across the waist.
 - the shoulder straps should be worn on the outside shoulder only, and never under the arm.
 - the shoulder straps should be away from your face and neck, but not falling off your shoulder.

(Continued)



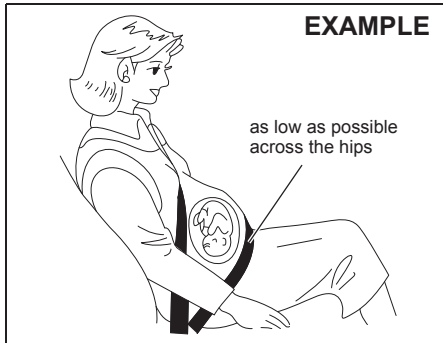
BEFORE DRIVING

⚠ WARNING

(Continued)

- Seat belts should never be worn with the straps twisted and should be adjusted as tightly as is comfortable to provide the protection for which they have been designed. A slack belt will provide less protection than a snug belt.
- Check that seat belt latch plate (tongue) is inserted into the proper buckle especially in the rear seats. It is not possible to insert into the wrong buckles in the rear seats.

(Continued)



65D199A

⚠ WARNING

(Continued)

- Pregnant women should use seat belts, although specific recommendations about driving should be made by the woman's medical advisor. Remember that the lap portion of the belt should be worn as low as possible across the hips, as shown in the diagram.
- Do not wear seat belts over hard, fragile, or sharp items such as pens, keys, eyeglasses, etc. in pockets or on clothing. The pressure from seat belt on such items can cause injury in case of an accident.

(Continued)

⚠ WARNING

(Continued)

- Never use the same seat belt on more than one occupant and never attach a seat belt over an infant or child being held on an occupant's lap. Such seat belt use could cause serious injury in the event of an accident.
- Periodically inspect seat belt assemblies for excessive wear and damage. Seat belts should be replaced if webbing becomes frayed, contaminated, or damaged in any way. It is essential to replace the entire seat belt assembly after it has been worn in a severe impact, even if damage to the assembly is not obvious.
- Children age 12 and under should ride properly restrained in the rear seat.
- Infants and small children should never be transported unless they are properly restrained. Restraint systems for infants and small children can be purchased locally and should be used. Make sure that the system you purchase meets applicable safety standards. Read and follow all the directions provided by the manufacturer.

(Continued)

⚠ WARNING

(Continued)

- For children, if the shoulder belt irritates the neck or face, move the child closer to the center of the vehicle.
- Avoid contamination of seat belt webbing by polishes, oils, chemicals, and particularly battery acid. Cleaning may safely be carried out using mild soap and water.
- Do not insert any items such as coins, clips, etc. into the seat belt buckles, and be careful not to spill liquids into these parts. If foreign materials get into a seat belt buckle, the seat belt may not work properly.
- All seatbacks should always be in an upright position when driving, or seat belt effectiveness may be reduced. Seat belts are designed to offer maximum protection when seatbacks are in the upright position.

(Continued)

Lap-Shoulder Belt

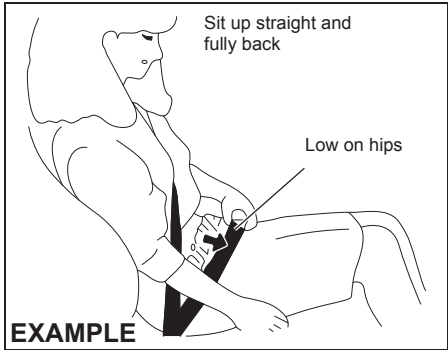
Emergency Locking Retractor (ELR)

The seat belt has an emergency locking retractor (ELR), which is designed to lock the seat belt only during a sudden stop or impact. It also may lock if you pull the belt across your body very quickly. If this happens, let the belt go back to unlock it, then pull the belt across your body more slowly.

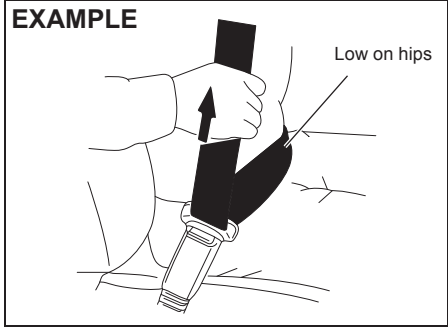
⚠ WARNING

If rear outside seat belt is fastened without unhooking the webbing from the belt guide (1), the seat belt does not show full performance in the event of accident and can result in serious personal injury. Unhook the webbing from the belt guide whenever the seat belt is fastened.

Safety reminder



60A038



60A040

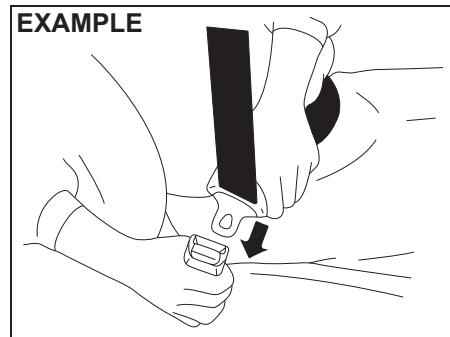
To reduce the risk of sliding under the belt during a collision, position the lap portion of the belt across your lap as low on your hips as possible and adjust it to a snug fit by pulling the shoulder portion of the belt

BEFORE DRIVING

upward through the latch plate. The length of the diagonal shoulder strap adjusts itself to allow freedom of movement.

All Seat Belts Except Rear Center

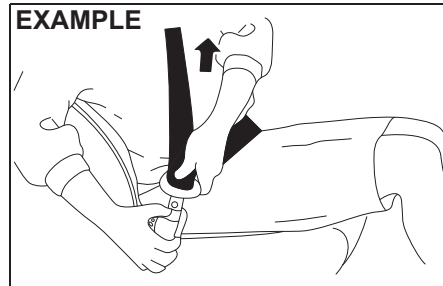
All seat belts except rear center are the lap-shoulder belt.



To fasten the seat belt, sit up straight and well back in the seat, pull the latch plate attached to the seat belt across your body and press it straight into the buckle until you hear a "click".

NOTE:

If the seat belt cannot be pulled from its fully retracted position, firmly pull the belt and release it. Then smoothly pull the belt out of the retractor.



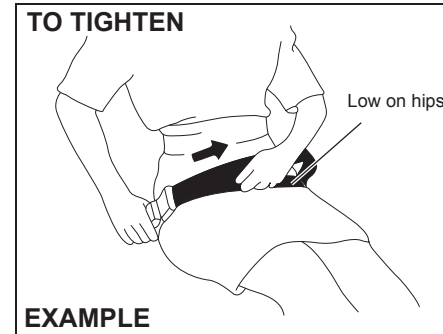
To unfasten the seat belt, push the red "PRESS" button on the buckle and retract the belt slowly while attaching a hand to the belt or/and the latch plate.

Lap belt

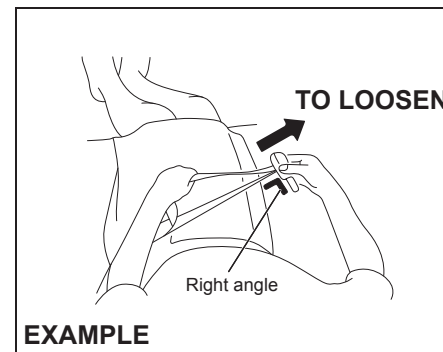
Rear Center Seat Belt

Rear center seat belt is the lap belt.

Sit up straight and well back in the seat. To fasten the belt, pull the latch plate attached to the seat belt across your hips and press it straight into the buckle until you hear a click. To reduce the risk of sliding under the belt during a collision, position the belt across your lap as low on your hips as possible and adjust it to a snug fit.



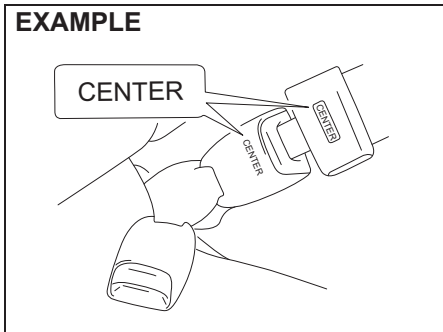
To tighten the belt, pull the free end of the belt across alongside the lap strap.



To lengthen, release the latch plate from the buckle, pull the latch plate (adjuster) in the direction of the arrow, at right angles to

BEFORE DRIVING

the belt. The latch plate should then be refitted into the buckle and the belt tightened as previously described. To unfasten the belt, press the release button on the buckle catch.

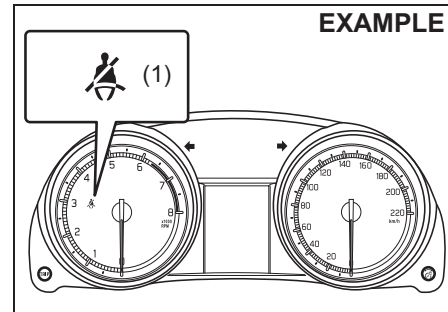


80JS031

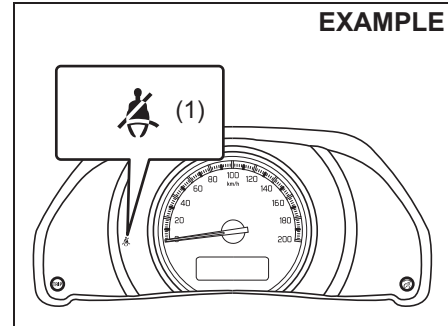
NOTE:
The word "CENTER" is marked on the buckle and latch plate for the rear center belt. The buckles are designed so a latch plate cannot be inserted into the wrong buckle.

Seat belt reminder

With tachometer



Without tachometer



(1) Driver's seat belt reminder light / front passenger's seat belt reminder light / rear passenger's seat belt reminder light*

When the driver and/or passenger (front passenger and/or rear passenger*) do(does) not fasten their seat belts, the seat belt reminder lights will come on or blink and a buzzer will sound to remind the driver and/or passenger (front passenger and/or rear passenger*) to fasten their seat belts. For more details, refer to the explanation below.

WARNING

It is absolutely essential that the driver, front passenger and rear passenger fasten their seat belts at all times. Persons who are not wearing seat belts have a much greater risk of injury if an accident occurs. Make a regular habit of buckling your seat belt before starting the engine.

NOTE:
Along with the seat belt reminder light, a reminder message shall also come on the information display (if equipped), for unrestrained driver and/or front passenger.

NOTE:
The driver's seat belt reminder light / front passenger's seat belt reminder light / rear passenger's seat belt reminder light* is for all the driver, front passenger and rear passenger.

*: If equipped

BEFORE DRIVING

Driver's seat belt reminder

If the driver's seat belt remains unbuckled when the ignition switch is turned to the "ON" position, the reminder works as follows:

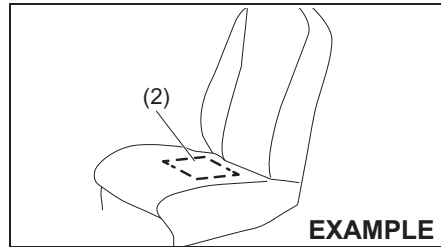
- 1) The driver's seat belt reminder light will come on.
- 2) After the vehicle's speed has reached about 15 km/h, the driver's seat belt reminder light will blink and a buzzer will sound for about 95 seconds.
- 3) The reminder light will remain on until the driver's seat belt is buckled.

If the driver has buckled his or her seat belt and later unbuckles the seat belt, the reminder system will be activated from Step 1) or 2) according to the vehicle's speed. When the vehicle's speed is less than 15 km/h, the reminder will start from Step 1). When the vehicle's speed is more than 15 km/h, the reminder will start from Step 2).

The reminder will be automatically canceled when the driver's seat belt is buckled or the ignition switch is turned off.

Front passenger's seat belt reminder

If there is a person sitting in the front passenger seat and the front passenger seat belt is unbuckled when the ignition switch is turned to "ON" position, the front passenger's seat belt reminder will activate.



69RH203

- (2) The sensor of the front passenger's seat belt reminder

The seat belt reminder sensor (2) detects whether a person is sitting in the front seat. The sensor of the front passenger's seat belt reminder is located in the seat cushion. The front passenger's seat belt reminder works in the same manner as the driver's seat belt reminder.

NOTICE

- The sensor of the front passenger's seat belt reminder is located in the seat cushion. If heavy or sharp objects are put on the seat cushion, or a removal, disassembly and modification of the passenger's seat are performed, the sensor may not work properly or can be damaged. Do not put heavy or sharp objects on the seat cushion. Do not remove, disassemble and modify the passenger's seat.

(Continued)

NOTICE

- Depending on the variety of seat cover, operation of the sensor may be adversely affected. MARUTI SUZUKI highly recommends that you use MARUTI SUZUKI genuine seat cover exclusively for this vehicle.
- If you spill liquid such as liquid aromatics, soft drinks or juice on the front passenger's seat cushion, the sensor of the front passenger's seat belt reminder located in the seat cushion can be damaged. Immediately wipe it dry with a soft cloth when spilled.
- When sitting on the front passenger's seat, it is very important that the passenger sits upright, leaning against the seat backrest and centered on the seat cushion in order for the seatbelt reminder system to function effectively. An occupant sitting improperly (slouches, turns sideways, sits forward or sideways) may hamper the functioning of this system as it may not detect the occupant.

NOTE:

- If you put an object on the passenger's seat, the weight of the object will be sensed by the sensor and the front passenger's seat belt reminder light will come on and then the interior buzzer may beep.
- If a child or a small sized person sits on the front passenger's seat or the cushion is put on the front passenger's seat, the weight may not be sensed by the sensor and the interior buzzer may not beep.

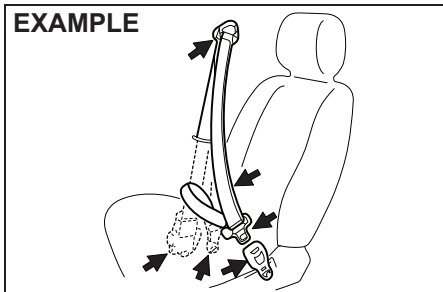
Rear passenger's seat belt reminder

If the ignition switch is turned to "ON" position or the engine switch is pressed to change the ignition mode to "ON", the seat belt reminder light comes on unless all rear passenger's seat belts are fastened for irrespective of the presence or absence of passenger. The rear passenger's seat belt reminder works in the same manner as the driver's seat belt reminder.

NOTE:

Maruti Suzuki recommends use of Maruti Suzuki Genuine accessory of "Seat cover".

Seat belt inspection



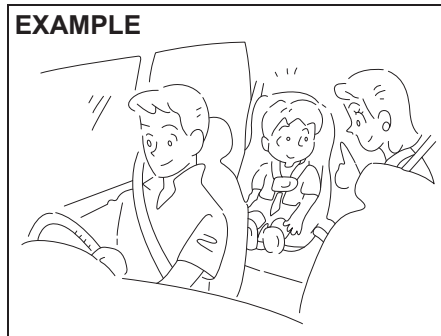
65D209S

Periodically inspect the seat belts to make sure they work properly and are not damaged. Check the webbing, buckles, latch plates, retractors, anchorages, and guide loops. Replace any seat belts which do not work properly or are damaged.

⚠ WARNING

Be sure to inspect all seat belt assemblies after any collision. Any seat belt assembly which was in use during a collision (other than a very minor one) should be replaced, even if damage to the assembly is not obvious. Any seat belt assembly which was not in use during a collision should be replaced if it does not function properly, it is damaged in any way or the seat belt pretensioners were activated (that is, if the front air bags were activated).

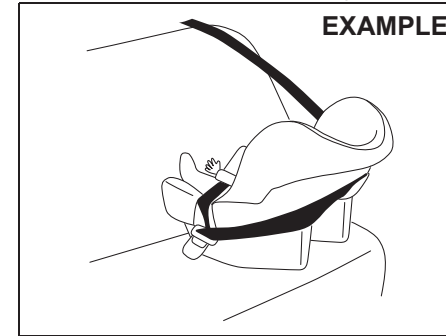
Child restraint systems



60G332S

The following types of child restraint system are available generally.

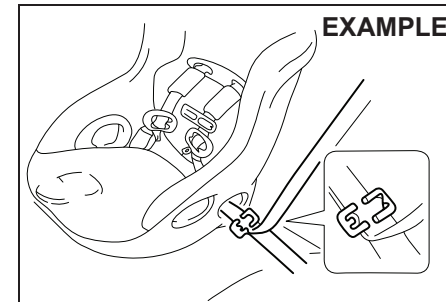
Infant restraint - rear seat only



EXAMPLE

80JC007

Child restraint

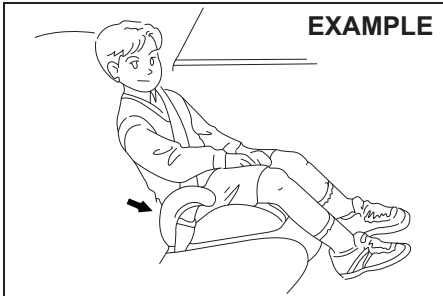


EXAMPLE

80JC021

BEFORE DRIVING

Booster seat



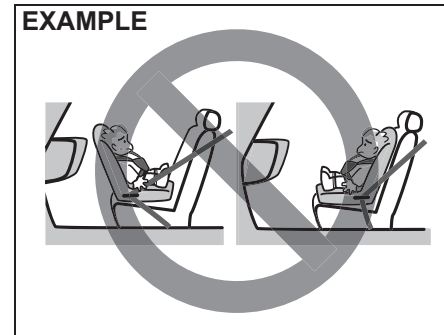
80JC008

MARUTI SUZUKI highly recommends that you use a child restraint system to restrain infants and small children. Many different types of child restraint systems are available; make sure that the restraint system you select meets applicable safety standards.

All child restraint systems are designed to be secured in vehicle seats by either seat belts (the lap portion of lap-shoulder belts) or by special rigid lower anchor bars built into the seat.

NOTE:

Observe any statutory regulation about child restraints.



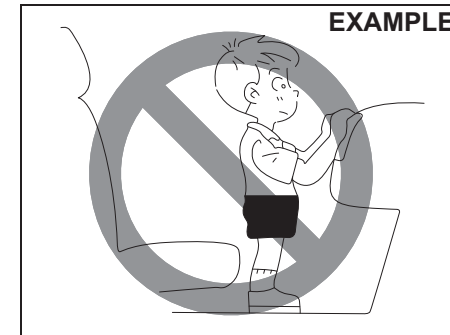
61M0241

⚠ WARNING

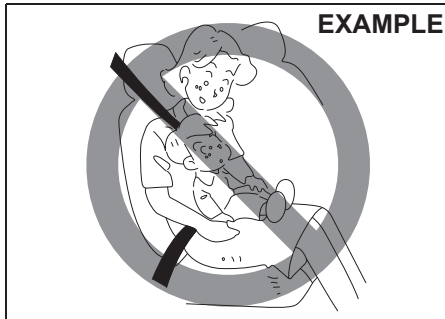
Do not install a child restraint system on the front passenger's seat.

⚠ WARNING

If you install a child restraint system in the rear seat, slide the front seat far enough forward so that the child's feet do not touch the front seatback. This will help avoid injury to the child in the event of an accident.



65D608



65D609

⚠ WARNING

Children could be endangered in a crash if their child restraint systems are not properly secured in the vehicle. When installing a child restraint system, follow the instructions below. Secure the child in the restraint system according to the manufacturer's instructions.

⚠ WARNING

Do not hold a child on a passenger's lap when the vehicle is in motion. Even if the passenger holds the child tightly, he/she would not be supported enough in the event of an accident and it could result in a serious injury of the child.

Installation with Lap-Shoulder Seat Belts

NOTICE

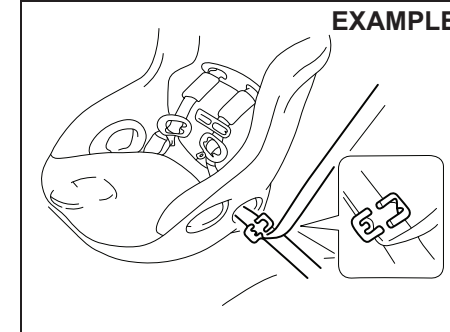
If you can adjust the position of rear head restraint (if equipped), adjust the height of the rear head restraint or remove it for fitting the child restraint, as necessary. However, if a booster cushion not equipped with the head restraint is fitted, the rear seat head restraint should not be removed. If the rear head restraint is removed for fitting the child restraint, you need to install it again after removing the child restraint.

If the child restraint is fitted improperly, a child sitting in it could be injured in a crash.

NOTE:

Stow the removed head restraint (if equipped) in the luggage compartment so it will not inconvenience the occupants.

ELR type belt



80JC021

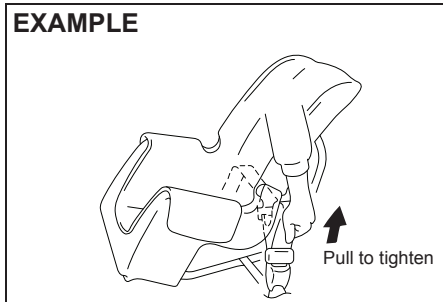
Install your child restraint system according to the instructions provided by the child restraint system manufacturer. Make sure that the seat belt is securely latched.

Move the child restraint system in all directions to make sure it is securely installed. When you put your child in the child restraint system, appropriately slide the front seat forward not to touch a part of your child's body.

BEFORE DRIVING

Installation with a lap belt

EXAMPLE

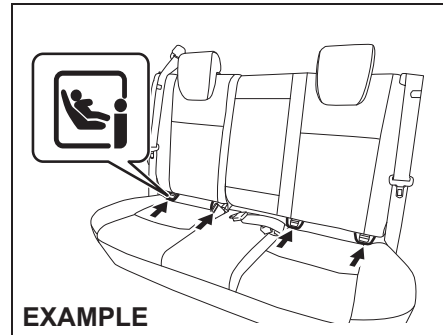


60G132

Install your child restraint system according to the instructions provided by the child restraint system manufacturer.

To lengthen or tighten the belt, refer to the "Lap-belt" item in this "Seat Belts and Child Restraint Systems" section. After making sure that the seat belt is securely latched, try moving the child restraint system in all directions, to make sure it is securely installed. If you need to tighten the belt, pull the free end of the webbing.

Installation with ISOFIX type anchorages



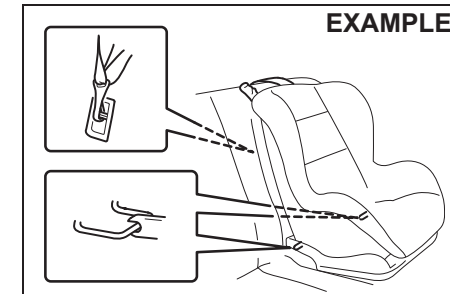
55RM02025

Your vehicle is equipped with the lower anchorages in the rear seat outboard seating positions for securing a ISOFIX type of child restraints with the connecting bars. The lower anchorages are located where the rear of the seat cushion meets the bottom of the seatback.

WARNING

Install the ISOFIX type of child restraint(s) in the only outboard seating positions, not in the central position for the rear seat.

Install the ISOFIX type child restraint system according to the instructions provided by the child restraint system manufacturer. After installation, try moving the child restraint system in all directions especially forward to check that connecting bars are securely latched to the anchorages.



55RM02026

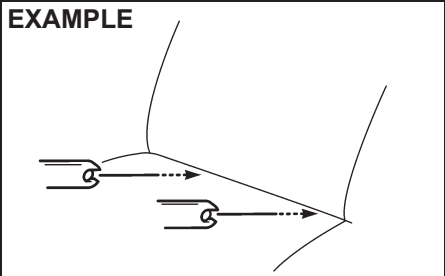
Your vehicle is equipped with the top tether anchorages. Use the top tether strap of the child restraint according to the instructions provided by the child restraint system manufacturer.

Here is a general instruction:

CAUTION

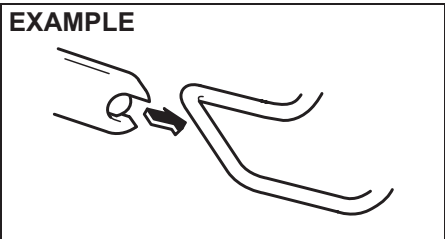
If your vehicle is equipped with the rear head restraint, adjust the height of the rear head restraint or remove it for fitting the child restraint, as necessary. However, if a booster cushion not equipped with the seatback is fitted, the rear seat head restraint should not be removed. If the rear head restraint is removed for fitting the child restraint, you need to install it again after removing the child restraint. If the child restraint is fitted improperly, a child sitting in it could be injured in a crash

NOTE:
 Stow the removed head restraint (if equipped) in the luggage compartment so it will not cause inconvenience to the occupants.



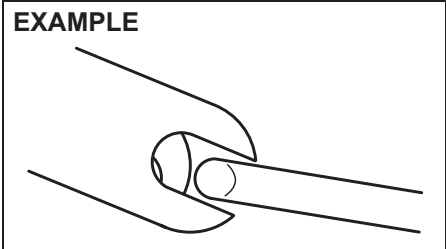
78F114

1) Place the child restraint in the rear seat, inserting the connecting bars to the anchorages between the seat cushion and the seatback.



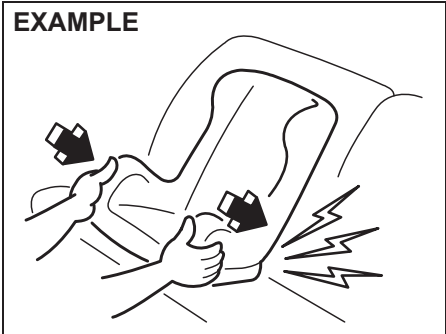
68LM268

2) Use your hands to carefully align the connecting bar tips with the anchorages. Take care not to pinch your fingers.



54G184

3) Push the child restraint toward the anchorages so that the connecting bar tips are partially hooked to the anchorages. Use your hands to confirm the position.



54G185

4) Grasp the front of the child restraint and push the child restraint forcefully to latch the connecting bars. Check that they are securely latched by trying to

BEFORE DRIVING

move the child restraint system in all directions, especially forward.

- 5) Attach the top tether strap referring to “Installation of child restraint with top tether” section.

When you put your child in the child restraint system, appropriately slide the front seat forward not to touch a part of your child’s body.

NOTICE

When installing a child restraint system to the rear seat, adjust the front seat position so that the front seat does not interfere with the child restraint system.

Installation of child restraint with top tether

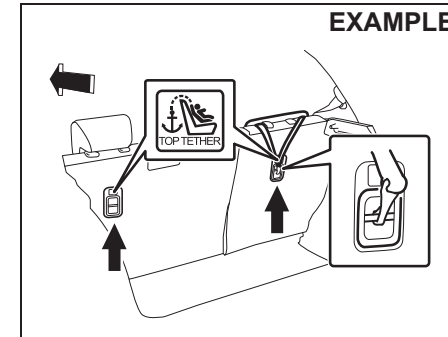
CAUTION

If your vehicle is equipped with the rear head restraint, adjust the height of the rear head restraint or remove it for fitting the child restraint, as necessary. However, if a booster cushion not equipped with the seatback is fitted, the rear seat head restraint should not be removed. If the rear head restraint is removed for fitting the child restraint, you need to install it again after removing the child restraint.

If the child restraint is fitted improperly, a child sitting in it could be injured in a crash.

NOTE:

Stow the removed head restraint (if equipped) in the luggage compartment so it will not cause inconvenience to the occupants.



55RM02027

Some child restraint systems require the use of a top tether strap. Top tether anchorage brackets are provided in your vehicle at the locations shown in the illustrations.

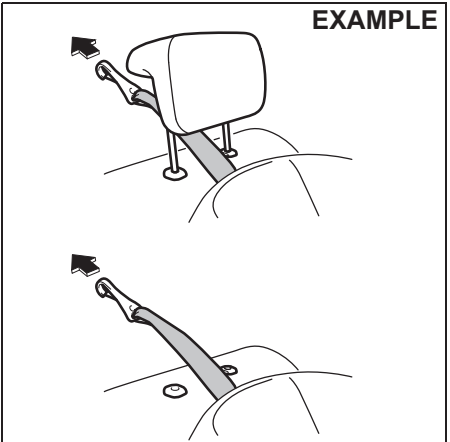
The number of the top tether anchorage brackets provided in your vehicle depends on the vehicle specification. Install the child restraint system as follows:

- 1) Remove the luggage compartment cover (if equipped).
- 2) Secure the child restraint on the rear seat using the procedure described above for securing a restraint system that does not require a top tether strap.
- 3) Hook the top tether strap to the top tether anchorage bracket and tighten the top tether strap according to the instructions provided by the child restraint system manufacturer. Attach the top tether strap to the correspond-

BEFORE DRIVING

ing top tether anchorage bracket located directly behind the child restraint. Do not attach the top tether strap to the luggage restraint loops (if equipped)

⚠ WARNING
Do not attach the child restraint top tether strap to the luggage restraint loops (if equipped). Incorrectly attached top tether strap will reduce the intended effectiveness of the child restraint system.



55RM02028

- 4) When routing the top tether strap, pass the top tether strap as shown in the illustration. (Refer to "Head restraints (if equipped)" section for details on how to adjust the height of head restraint (if equipped) or remove it.)
- 5) Check that cargo does not interfere with routing of the top tether strap.

NOTICE
When installing a child restraint system to the rear seat, adjust the front seat position so that the front seat does not interfere with the child restraint system.

NOTE:
Maruti Suzuki recommends use of Maruti Suzuki Genuine accessory of "Child seat, ISOFIX"

BEFORE DRIVING

Child Restraint System for India

Child Restraint

The suitability of each passenger's seat position for carriage of children and fitting of child restraint system is shown in the table below. Whenever you carry children up to 12 years of age, properly use the child restraints which conform to AIS 072, the standard for child restraints, referring to the table.

MASS GROUP	Seating position (or other site)				
	Front Passenger	Rear Outboard	Rear Centre	Intermediate Outboard	Intermediate Centre
Group 0 Up to 10 kg	X	U	X	N.A.	N.A.
Group 0+ Up to 13 kg	X	U	X	N.A.	N.A.
Group I 9 to 18 kg	X	U	X	N.A.	N.A.
Group II 15 to 25 kg	X	U	X	N.A.	N.A.
Group III 22 to 36 kg	X	U	X	N.A.	N.A.

Key of letters to be inserted in the above table:

U =Suitable for 'universal' category restraints approved for use in this mass group.

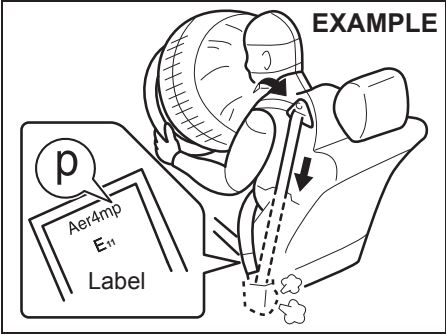
X =Seat position not suitable for children in this mass group.

N.A = Seat position not available for children in this mass group.

NOTE: 'universal' is the category in the AIS 072.

: 'Outboard' indicates window side seat.

Seat belt pretensioner system (If equipped)



⚠ WARNING

This section describes your MARUTI SUZUKI vehicle's seat belt pretensioner system. Read and follow all these instructions carefully to minimize your risk of severe injury or death.

To determine if your vehicle is equipped with a seat belt pretensioner system at the front seating positions, check the label on the seat belt at the bottom part. If the letter "p" appear as illustrated, your vehicle is equipped with the seat belt pretensioner system. You can use the pretensioner seat belts in the same manner as ordinary seat belts.

Read this section and "Supplemental restraint system (air bags)" section to learn more about the pretensioner system.

The seat belt pretensioner system works with the supplemental restraint system (air bags). The crash sensors and the electronic controller of the air bag system also control the seat belt pretensioners. The pretensioners are triggered only when there is a frontal crash severe enough to trigger the air bags and the seat belts are fastened. For precautions and general information including servicing the pretensioner system, refer to "Supplemental restraint system (air bags)" section in addition to this "Seat belt pretensioner system" section, and follow all those precautions.

The pretensioner is located in each front seat belt retractor. The pretensioner tightens the seat belt so the belt fits the occupant's body more snugly in the event of a frontal crash. The retractors will remain locked after the pretensioners are activated. Upon activation, some noise will occur and some smoke may be released. These conditions are not harmful and do not indicate a fire in the vehicle.

The driver and all passengers must be properly restrained by fastening seat belts at all times, whether or not a pretensioner is equipped at their seating position, to minimize the risk of severe injury or death in the event of a crash.

Sit fully back in the seat; sit up straight; do not lean forward or sideways. Adjust the belt so the lap portion of the belt is worn low across the pelvis, not across the waist. Please refer to "Seat adjustment" section and the instructions and precautions about the seat belts in this "Seat belts and child restraint systems" section for details on proper seat and seat belt adjustments.

Please note that the pretensioners along with the air bags will activate in severe frontal crashes. They are not designed to activate in rear impacts, side impacts, roll-overs, or minor frontal side crashes. The pretensioners can be activated only once. If the pretensioners are activated (that is, if the air bags are activated), have the pretensioner system serviced by an authorised Maruti Suzuki workshop as soon as possible.

BEFORE DRIVING

The pretensioner system or the airbag system may not work properly if any of the following conditions occurs.

- If the air bag light on the instrument cluster does not come on briefly, when the ignition switch is turned to the "ON" position or the engine switch is pressed to change the ignition mode to "ON".
- If the air bag light comes on and stays on for more than 10 seconds, when the ignition switch is turned to the "ON" position or the engine switch is pressed to change the ignition mode to "ON".
- If the air bag light comes on while driving.

Have both systems inspected by a Maruti Suzuki authorised workshop as soon as possible.

Service on or around the pretensioner system components or wiring must be performed only by an authorised Maruti Suzuki workshop who is specially trained. Improper service could result in unintended activation of pretensioners or could render the pretensioner inoperative. Either of these two conditions may result in personal injury.

To prevent damage or unintended activation of the pretensioners, check that the battery is disconnected and the ignition switch has been in "LOCK" position or the ignition mode has been "LOCK" (OFF) for at least 90 seconds before performing any electrical service work on your MARUTI SUZUKI vehicle.

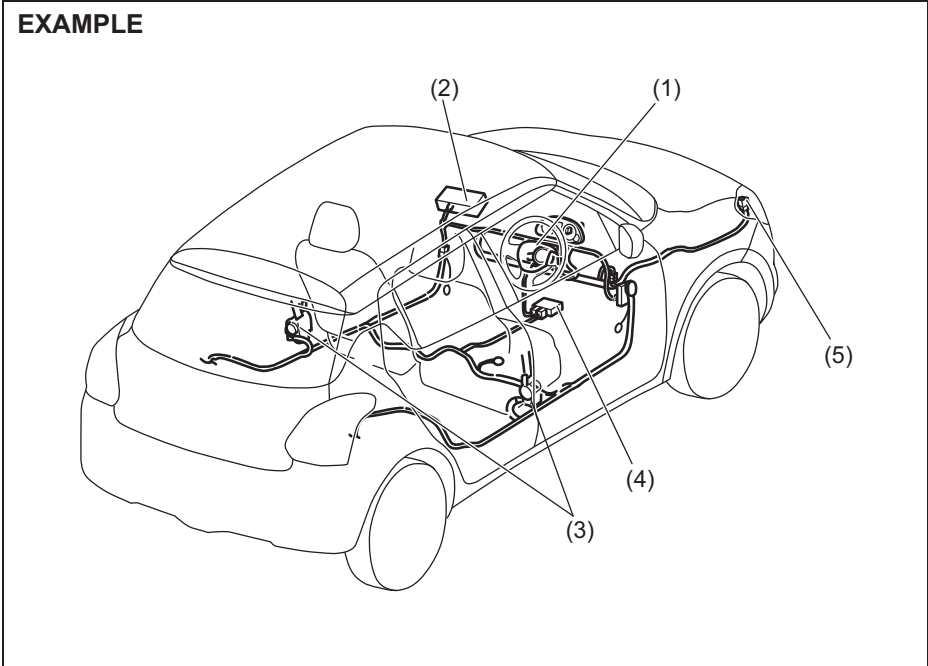
Do not touch pretensioner system components or wiring. The wires are wrapped with yellow tape or yellow tubing, and the couplers are yellow. When scrapping your MARUTI SUZUKI vehicle, ask an authorised Maruti Suzuki workshop, body repair shop, or scrap yard for assistance.

Supplemental restraint system (air bags)

⚠ WARNING
This section describes the protection provided by your MARUTI SUZUKI vehicle's supplemental restraint system (air bags). Read and follow all instructions carefully to minimize your risk of severe injury or death in the event of a crash.

Your vehicle is equipped with a supplemental restraint system consisting of the following components in addition to a lap-shoulder belt at each seating position.

- (1) Driver's front air bag module
- (2) Front passenger's front air bag module (If equipped)
- (3) Front seat belt pretensioners (If equipped)
- (4) Air bag controller
- (5) Forward crash sensor



55RM02030

BEFORE DRIVING

⚠ WARNING

An air bag supplements or adds to the crash protection offered by seat belts. The driver and all passengers must be properly restrained by fastening seat belts at all times, whether or not an air bag is mounted at their seating position, to minimize the risk of severe injury or death in the event of a crash.

AIR BAG light



If AIR BAG light on the instrument cluster does not blink or come on when the ignition switch is first turned to ON position, or the ignition mode is first changed to "ON", or AIR BAG light stays on, or comes on while driving, the air bag system (or the seat belt pretensioner system (if equipped)) may not work properly. Have the air bag system inspected by an authorised Maruti Suzuki workshop as soon as possible.

Air bag symbol meaning

EXAMPLE



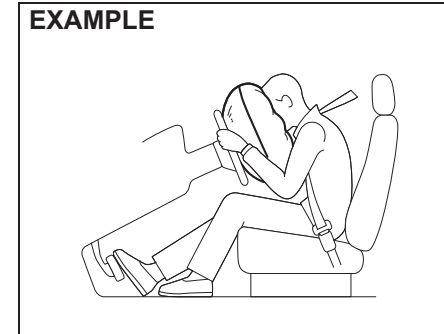
You may find this label on the sun visor.

⚠ WARNING

NEVER use a rearward facing child restraint on a seat protected by an ACTIVE AIRBAG in front of it, DEATH or SERIOUS INJURY to the CHILD can occur.

Front air bags

EXAMPLE



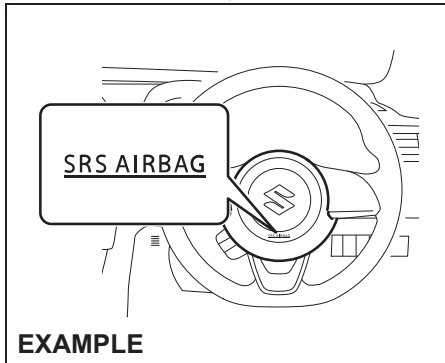
Front air bags are designed to inflate in severe frontal crashes when the ignition switch is in "ON" position or the ignition mode is "ON".

Front air bags are not designed to inflate in rear impacts, side impacts, rollovers or minor frontal crashes, since they would offer no protection in those types of accidents. Since an air bag deploys only one time during an accident, seat belts are needed to restrain occupants from further movements during the accident.

BEFORE DRIVING

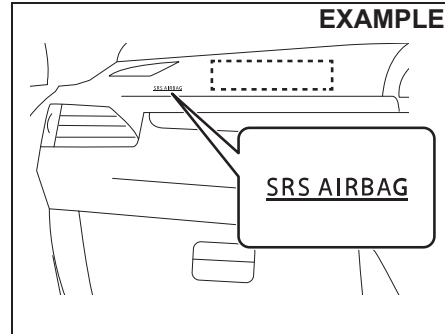
Therefore, an air bag is not a substitute for seat belts. To maximize your protection, ALWAYS FASTEN YOUR SEAT BELTS. Be aware that no system can prevent all possible injuries that may occur in an accident.

Driver's front air bag



55RM02031

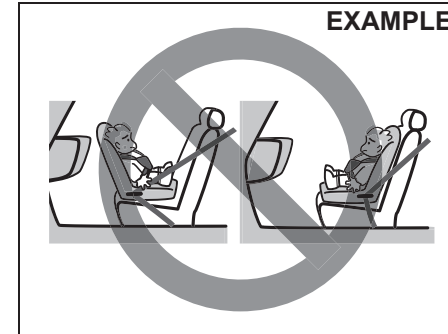
Front passenger's front air bag



55RM02032

The driver's front air bag is located behind the center pad of the steering wheel and the front passenger's front air bag (if equipped) is located behind the passenger's side of the dashboard.

The words "SRS AIRBAG" are molded into the air bag covers to identify the location of the air bags.



61M0241

⚠ WARNING

Do not install a child restraint system on the front passenger's seat.

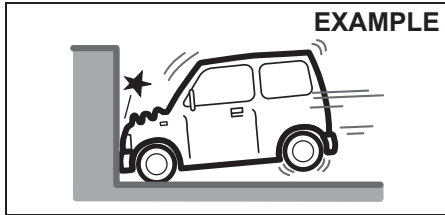
⚠ WARNING

If the airbag location is damaged or cracked, the airbag system may not work properly, which could result in serious injury in the event of a collision. Have your vehicle inspected by a Maruti Suzuki authorised workshop.

Refer to "Seat belts and child restraint systems" section for details on securing your child.

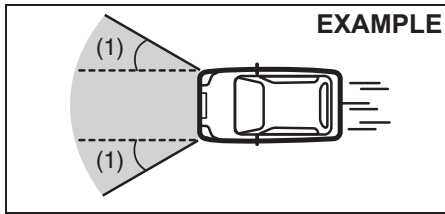
BEFORE DRIVING

Conditions of front air bags deployment (inflation)



80J097

- In frontal collision with a fixed wall that does not move or deform at more than about 25 km/h.

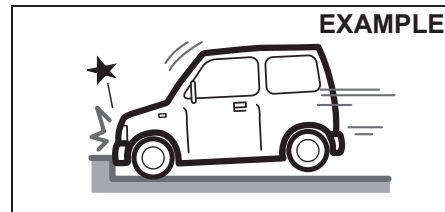


80J098E

- Strong impact equivalent to frontal collision such as above at left and right angles of about 30 degrees (1) or less from the front of your vehicle.

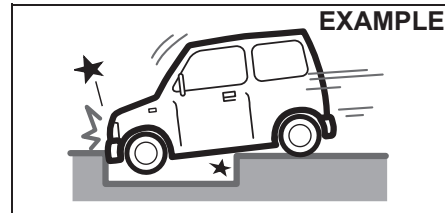
Conditions when front air bags may inflate

Receiving a strong impact to the lower body of your vehicle, the front air bags may inflate.



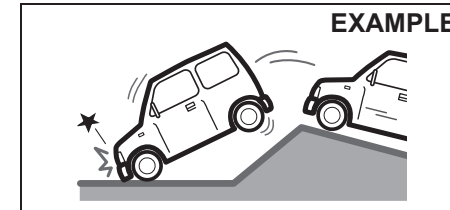
80J099

- Hitting a curb or medial strip.



80J100E

- Falling into a deep hole or ditch.



80J101

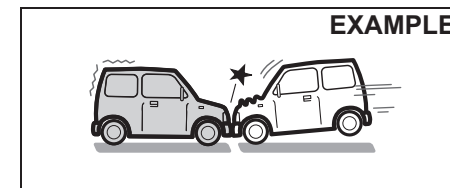
- Landing hard or falling.

Front air bags may not inflate

The front air bags may not inflate when a strong impact has not occurred since the collision object (including living being like animals) was easy to be deformed or moved, or the collided portion of your vehicle was easy to be deformed.

Also, front air bags may not inflate in many cases when the crash angle is greater than about 30 degrees at left and right angles from the front of your vehicle.

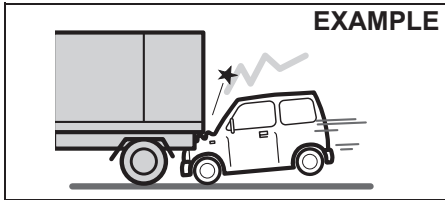
Also, in certain collisions at low speed, the air bags may not inflate.



80J102

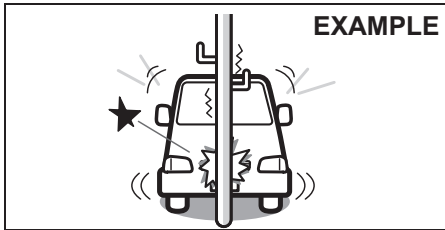
BEFORE DRIVING

- Frontal collision to a stopped vehicle at less than about 50 km/h.



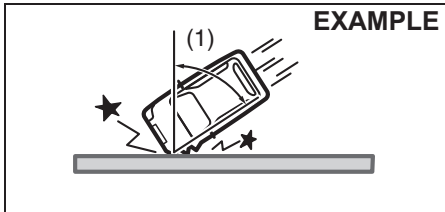
80J103

- Collision that the front of your vehicle goes under the bed of a truck etc.



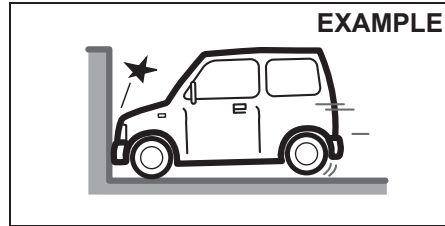
80J104

- Collision with a utility pole or stumpage.



80J105E

- Collision with a fixed wall or guardrail at left and right angles of greater than about 30 degrees (1) from the front of your vehicle.

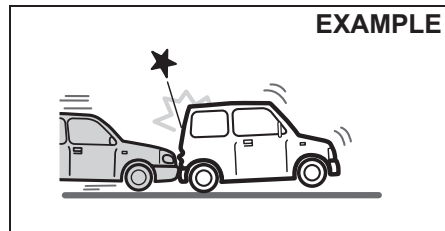


80J106

- Frontal collision with a fixed wall that does not move or deform at less than about 25 km/h.

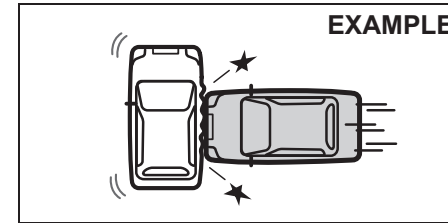
Front air bags do not inflate

Front air bags do not inflate in rear impacts, side impacts or rollovers, etc. However, these might inflate in a strong impact.



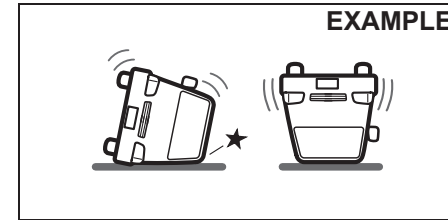
80J120

- Impact from the rear.



80J119

- Impact from the side.



80J110

- Vehicle rollover.

BEFORE DRIVING

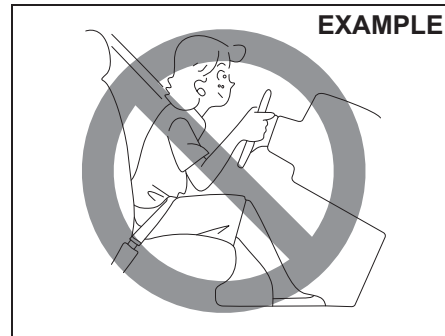
How the system works

In a frontal crash, the crash sensors will detect rapid deceleration, and if the controller judges that the deceleration represents a severe frontal crash, the controller will trigger the inflators. The inflators inflate the appropriate air bags with nitrogen or argon gas. The inflated air bags provide a cushion for your head and upper body. The air bag inflates and deflates so quickly that you may not even realize that it has activated. The air bag will neither hinder your view nor make it harder to exit the vehicle.

Air bags must inflate quickly and forcefully in order to reduce the chance of serious or fatal injuries. However, an unavoidable consequence of the quick inflation is that the air bag may irritate bare skin, such as the facial area against a front air bag. Also, upon inflation, a loud noise will occur and some powder and smoke will be released. These conditions are not harmful and do not indicate a fire in the vehicle. Be aware, however, that some air bag components may be hot for a while after inflation.

A seat belt helps keep you in the proper position for maximum protection when an air bag inflates. Adjust your seat as far back as possible while still maintaining control of the vehicle. Sit fully back in your seat; sit up straight; do not lean over the steering wheel or dashboard. Front occupants should not lean on or sleep against the door. Refer to "Seat adjustment" sec-

tion and "Seat belts and child restraint systems" section in this section for details on proper seat and seat belt adjustments.



65D610S

⚠ WARNING

- **The driver should not lean over the steering wheel. The front passenger should not rest his or her body against the dashboard, or otherwise get too close to the dashboard. In these situations, the out-of-position occupant would be too close to an inflating air bag, and may suffer severe injury.**

(Continued)

⚠ WARNING

(Continued)

- **Do not attach any objects to, or place any objects over, the steering wheel or dashboard. Do not place any objects between the air bag and the driver or front passenger. These objects may interfere with air bag operation or may be propelled by the air bag in the event of a crash. Either of these conditions may cause severe injury.**

Even though your vehicle is moderately damaged by a crash, it may not be severe enough to trigger air bags to inflate. If your vehicle sustains any front-end or side damage, have the air bag system inspected by an authorised Maruti Suzuki workshop to ensure that it works properly.

Your vehicle is equipped with a diagnostic module which records information about the air bag system if the air bags deploy in a crash. The module records information about overall system status, and which sensors activated the deployment, and for a certain vehicle only, whether the driver's seat belt was in use.

BEFORE DRIVING

Servicing the air bag system

If the air bags inflate, have the air bags and related components replaced by an authorised Maruti Suzuki workshop as soon as possible.

If your vehicle ever gets in deep water and the driver's floor is submerged, the air bag controller could be damaged. If this happens, ask an authorised Maruti Suzuki workshop to check the air bag system as soon as possible.

Special procedures are required for servicing or replacing an air bag. For that reason, only an authorised Maruti Suzuki workshop should be allowed to service or replace your air bags. Remind anyone who services your MARUTI SUZUKI vehicle that it has air bags.

Service on or around air bag components or wiring must be performed only by an authorised Maruti Suzuki workshop. Improper service could result in unintended air bag deployment or could render the air bag inoperative. Either of these two conditions may result in severe injury.

To prevent damage or unintended inflation of the air bag system, check that the battery is disconnected and the ignition switch has been in "LOCK" position or the ignition mode has been "LOCK" (OFF) for at least 90 seconds before performing any electrical service work on your MARUTI SUZUKI vehicle. Do not touch air bag system components or wires. The wires are wrapped

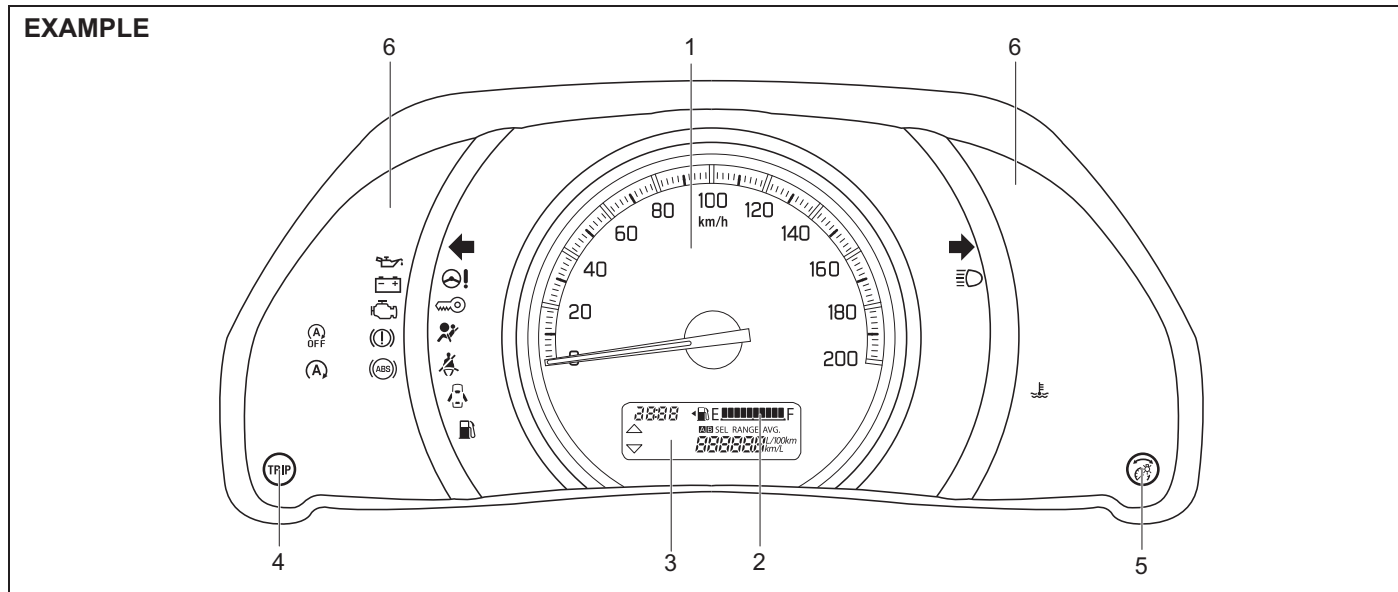
with yellow tape or yellow tubing, and the couplers are yellow for easy identification.

Scrapping a vehicle that has an uninflated air bag can be hazardous. Ask an authorised Maruti Suzuki workshop, body repair shop or scrap yard for help with disposal.

BEFORE DRIVING

Instrument cluster (Type A) (if equipped)

1. Speedometer
2. Fuel gauge
3. Information display
4. Trip meter selector knob
5. Indicator selector knob
6. Warning and indicator lights



56RM02302

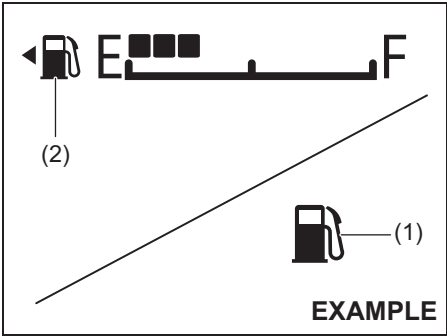
Speedometer

The speedometer indicates vehicle speed.

Speed Alert System

The speed alert system gives audible warning for alert of over-speed to driver. When vehicle speed exceeds about 80 km/h, primary level warning with two beeps will sound every minute. When the vehicle speed exceeds about 120 km/h, secondary level warning with continuous beeps will sound. If the vehicle speed is slowed down to about 118 km/h, primary warning will resume. If the vehicle speed is slowed down to about 78 km/h, speed alert warning will stop. This buzzer does not indicate any malfunction in vehicle.

Fuel gauge



52RM20470

When the ignition switch is in "ON" position, this gauge give a rough indication of the amount of fuel in the fuel tank. "F" stands for full and "E" stands for empty.

If the fuel meter indicator shows only one segment to "E", refill the tank as soon as possible.

NOTE:
If the last segment blinks, it means that the fuel is almost empty.

If the low fuel warning light (1) comes on, refill the fuel tank immediately.

NOTICE
To minimize the possibility of damage to catalytic converter or other components of the vehicle, avoid driving the vehicle near empty fuel tank level.

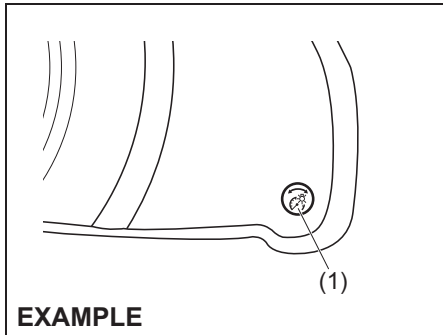
NOTE:
The activation point of the low fuel warning light (1) varies depending on road conditions (for example, slope or curve) and driving conditions because of fuel movement in the tank.

Refer to "Low fuel warning light" in "Warning and indicator lights" in this section for details.

The mark (2) indicates that the fuel filler door is located on the left side of the vehicle.

BEFORE DRIVING

Brightness control



When the position lights and/or headlights are on, the instrument panel lights come on.

Your vehicle has a system to automatically dim the brightness of the instrument panel lights when the position lights or headlights are on.

When the position lights and/or headlights are on, you can adjust the meter illumination brightness.

To increase the brightness of the instrument panel lights, turn the indicator selector knob (1) clockwise.

To reduce the brightness of the instrument panel lights, turn the indicator selector knob (1) counterclockwise.

⚠ WARNING

Do not adjust the brightness of the instrument panel lights while driving.

NOTE:

- If you do not turn the knob within several seconds of activating, the brightness control display will be canceled automatically.
- When you reconnect the battery, the brightness of the instrument panel lights will be reinitialized. Readjust the brightness according to your preference.

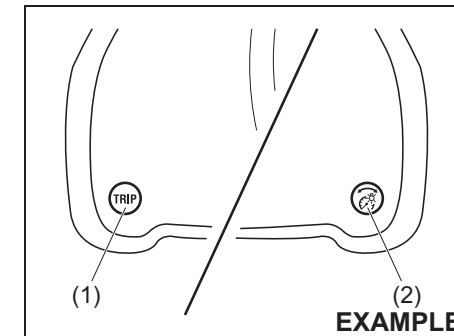
NOTE:

If you adjust to the maximum brightness level when the position lights or headlights are on, the following functions will be cancelled.

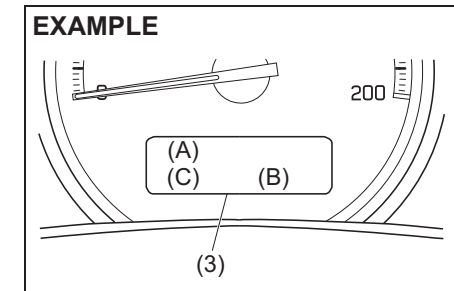
- The function which automatically dims the brightness of instrument panel lights
- The function which operates with the brightness control, except maximum brightness level

Information display

Information display is shown when the ignition switch is turned to "ON" position.



- (1) Trip meter selector knob
- (2) Indicator selector knob



- (3) Information display

BEFORE DRIVING

The information display shows the following information.

Display (A)
Clock

Display (B)
Trip meter / Odometer / Instantaneous fuel consumption / Average fuel consumption / Driving range

Display (C)
Gearshift indicator (if equipped)

Display (A) : Clock
The display (A) shows the time.

- To change the time indication:
- 1) Push the trip meter selector knob (1) and the indicator selector knob (2) together.
 - 2) To change the hour indication, turn the indicator selector knob (2) left or right repeatedly when the hour indication blinks. To change the hour indication quickly, turn and hold the indicator selector knob (2). To set the hour indication, push the indicator selector knob (2) and the minute indication will blink.
 - 3) To change the minute indication, turn the indicator selector knob (2) left or right repeatedly when the minute indication blinks. To change the minute indication quickly, turn and hold the indicator selector knob (2). To set the minute indication, push the indicator selector knob (2).

To select 12/24H format, refer to “setting mode” in this section.

⚠ WARNING

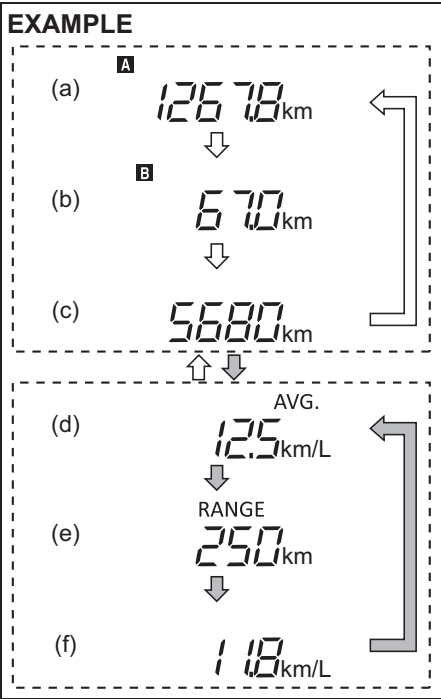
If you attempt to adjust the display while driving, you could lose control of the vehicle.

Do not attempt to adjust the display while driving.

Display (B) :
Trip meter / Odometer / Instantaneous fuel consumption / Average fuel consumption / Driving range

The display (B) shows one of the following indications, trip meter A, trip meter B, odometer, instantaneous fuel consumption, average fuel consumption or driving range.

To switch the display indication (B), push the trip meter selector knob (1) or the indicator selector knob (2) quickly.



55RM02033

↑ ↓	Push the trip meter selector knob (1).
↑ ↓	Push the indicator selector knob (2).

BEFORE DRIVING

- (a) Trip meter A
- (b) Trip meter B
- (c) Odometer
- (d) Average fuel consumption
- (e) Driving range
- (f) Instantaneous fuel consumption

WARNING

If you attempt to adjust the display while driving, you could lose control of the vehicle.
Do not attempt to adjust the display while driving.

NOTE:

- Indications will change when you push and release a knob.
- The display shows estimated values. Indications may not be the same as actual values.

Trip meter

The trip meter can be used to measure the distance traveled on short trips or between fuel stops.

You can use the trip meter A or trip meter B independently.

To reset the trip meter, push and hold the trip meter selector knob (1) until the display shows 0.0.

NOTE:

The indicated maximum value of the trip meter is 9999.9. When you run past the

maximum value, the indicated value will return to 0.0.

Odometer

The odometer records the total distance the vehicle has been driven.

NOTICE

Keep track of your odometer reading and check the maintenance schedule regularly for required services. Increased wear or damage to certain parts can result from failure to perform required services at the proper mileage intervals.

Instantaneous fuel consumption

The display shows the value of instantaneous fuel consumption only when the vehicle is moving.

NOTE:

- The display does not show the value unless the vehicle is moving.
- Depending on the vehicle's specification, the fuel consumption units of initial setting are indicated as L/100km or km/L.
- For "L/100km" setting, the indicated maximum value of instantaneous fuel consumption is 30. No more than 30 will be indicated on the display even if the actual instantaneous fuel consumption is higher.
- For "km/L" setting, the indicated maximum value of instantaneous fuel con-

sumption is 50. No more than 50 will be indicated on the display even if the actual instantaneous fuel consumption is lower.

- The indication on the display may be delayed if fuel consumption is greatly affected by driving conditions.
- The display shows estimated values. Indications may not be the same as actual values.
- For "L/100km" or "km/L" setting, you can change the units that instantaneous fuel consumption is displayed in. Refer to "Average fuel consumption" in this section.

Average fuel consumption

If you selected average fuel consumption the last time you drove the vehicle, the display shows the last value of average fuel consumption from previous driving when the ignition switch is turned to "ON" position. Unless you reset the value of average fuel consumption, the display indicates the value of average fuel consumption which includes average fuel consumption during previous driving.

To reset the average fuel consumption, push and hold the indicator selector knob (2) for a while when the display shows the average fuel consumption.

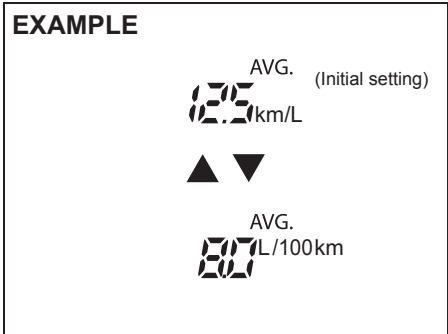
NOTE:

When you reset the indication or reconnect the negative (-) terminal to the battery, the

value of average fuel consumption will be shown after driving for a while.

(For “L/100km” or “km/L” setting)

To change the unit of average fuel consumption, while pushing and holding the trip meter selector knob (1), turn the indicator selector knob (2).



68PH02207

NOTE:
When you change the units that average fuel consumption is displayed in, the instantaneous fuel consumption units will be changed automatically.

Driving range

If you selected driving range the last time you drove the vehicle, the display indicates “---” for a few seconds and then indicates the current driving range when the ignition switch is turned to “ON” position.

The driving range shown in the display is an indicative unit of the approximate distance you can drive until the fuel gauge indicates “E”, based on current driving conditions and current fuel level in the fuel tank.

When the low fuel warning light comes on, the display “---” will appear.

If the low fuel warning light comes on, fill the fuel tank immediately regardless of the value of driving range shown in the display.

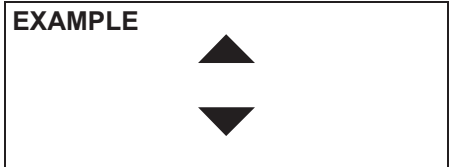
When you refuel, the driving range is updated. However, if you only add a small amount of fuel the correct value will not be displayed.

NOTE:

- If you refuel when the ignition switch is in “ON” position, the driving range may not indicate the correct value.
- When you reconnect the negative (-) terminal to the battery, the value of driving range will be shown after driving for a while.
- If there are substantial changes in the driving pattern or vehicle usage, the displayed range may vary significantly.

Display (C) : Gearshift indicator (if equipped)

The display (C) show the gearshift indicator.



56RH00272

Refer to “Gearshift Indicator” in the “OPERATING YOUR VEHICLE” section.

BEFORE DRIVING

Display (B) : Setting mode

In the setting mode, you can set up and customize the following functions.

Indication	Functions
	Time indication of clock "CL"
	Additional flashes of the turn signal "L2"
	Initialization setting "dE-on"
	Exit the setting mode "End"

↕	Turn the indicator selector knob (2).
→	Push the indicator selector knob (2).

How to operate the setting mode:

- 1) When the ignition switch is in "ON" position and the vehicle is stationary, push and hold the indicator selector knob (2) until the display shows "CLoCK".
- 2) Turn and/or push the indicator selector knob (2) to select a function that you want to set up according to the above chart.
- 3) Turn and/or push the indicator selector knob (2) to register settings of the following functions.

NOTE:

Depending on vehicle's specifications, some items may not be displayed.



68PM00272

NOTE:

- As shown in the above illustration, “SEL” indicates on the display of currently setting item.
- To go back to the higher level display during operation, turn the indicator selector knob (2) to display “bRCH” or “-bRL” and then push the indicator selector knob (2).

Time indication of clock

- *CL-12h*: 12-hour format (default setting)
- *CL-24h*: 24-hour format

Additional flashes of the turn signal “L2”

- *L2-5L1*: Turn signal flashes three times after the turn signal lever is returned (default setting)
- *L2-5L2*: Disable the additional flashes of turn signal

Initialization setting “dE-on”

- *dE-on*: Initialize all settings

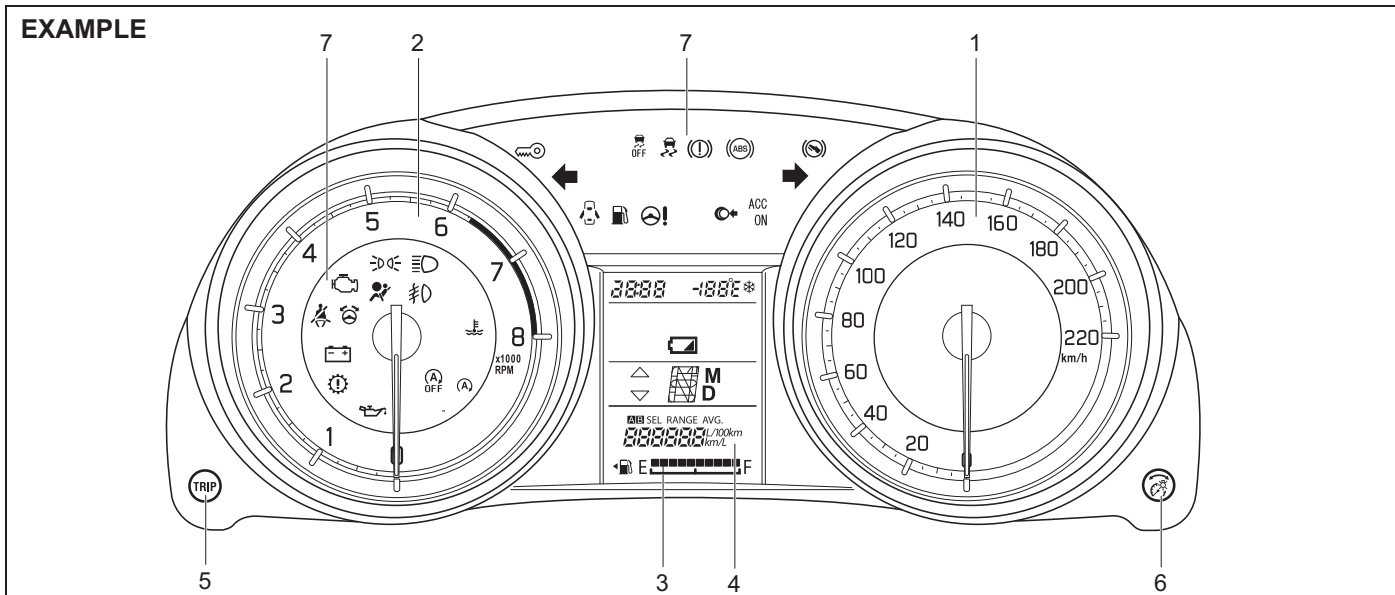
How to exit the setting mode:

Switch the display to show “End” and then push the indicator selector knob (2)

BEFORE DRIVING

Instrument cluster (Type B)

1. Speedometer
2. Tachometer
3. Fuel gauge
4. Information display
5. Trip meter selector knob
6. Indicator selector knob
7. Warning and indicator lights



56RM02031

Speedometer

The speedometer indicates vehicle speed.

Speed Alert System

The speed alert system gives audible warning for alert of over-speed to driver. When vehicle speed exceeds about 80 km/h, primary level warning with two beeps will sound every minute. When the vehicle speed exceeds about 120 km/h, secondary level warning with continuous beeps will sound. If the vehicle speed is slowed down to about 118 km/h, primary warning will resume. If the vehicle speed is slowed down to about 78 km/h, speed alert warning will stop. This buzzer does not indicate any malfunction in vehicle.

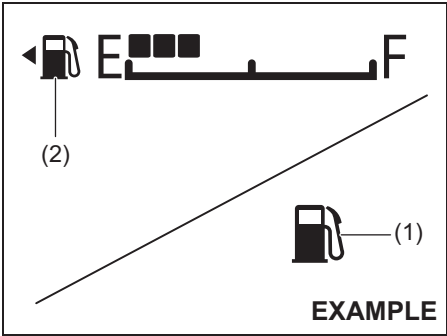
Tachometer

The tachometer indicates engine speed in revolutions per minute.

NOTICE

Never drive the vehicle with the engine revving in the red zone or severe engine damage can result. Keep the engine speed below the red zone even when downshifting to a lower gear position. Refer to "Downshifting maximum allowable speeds" in "OPERATING YOUR VEHICLE" section.

Fuel gauge



52RM20470

When the ignition switch is in "ON" position, or the ignition mode is "ON", this gauge give a rough indication of the amount of fuel in the fuel tank. "F" stands for full and "E" stands for empty.

If the fuel meter indicator shows only one segment to "E", refill the tank as soon as possible.

NOTE:
If the last segment blinks, it means that the fuel is almost empty.

If the low fuel warning light (1) comes on, refill the fuel tank immediately.

NOTICE

To minimize the possibility of damage to catalytic converter or other components of the vehicle, avoid driving the vehicle near empty fuel tank level.

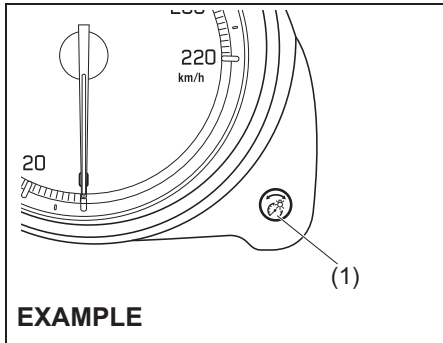
NOTE:
The activation point of the low fuel warning light (1) varies depending on road conditions (for example, slope or curve) and driving conditions because of fuel movement in the tank.

Refer to "Low fuel warning light" in "Warning and indicator lights" in this section for details.

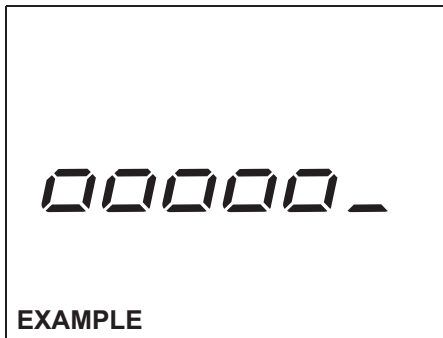
The mark (2) indicates that the fuel filler door is located on the left side of the vehicle.

BEFORE DRIVING

Brightness control



55RM02035



52RS20090

When the ignition switch is turned to "ON" position or the engine switch is pressed to change the ignition mode to "ON", the instrument panel lights come on.

Your vehicle has a system to automatically dim the brightness of the instrument panel lights when the position lights or headlights are on.

When the position lights and/or headlights are on, you can adjust the meter illumination brightness.

To increase the brightness of the instrument panel lights, turn the indicator selector knob (1) clockwise.

To reduce the brightness of the instrument panel lights, turn the indicator selector knob (1) counterclockwise.

⚠ WARNING

Do not adjust the brightness of the instrument panel lights while driving. Otherwise, you could lose control of the vehicle.

NOTE:

- *If you do not turn the knob within several seconds of activating, the brightness control display will be canceled automatically.*
- *When you reconnect the lead-acid battery, the brightness of the instrument panel lights will be reinitialized. Readjust the brightness according to your preference.*

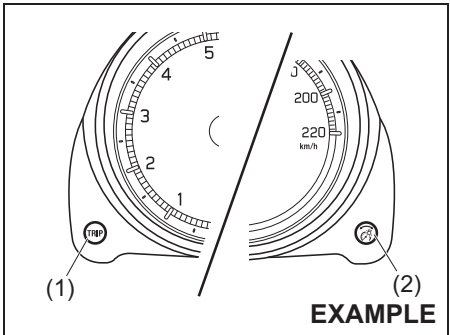
NOTE:

If you adjust to the maximum brightness level when the position lights or headlights are on, the following functions will be cancelled.

- *The function which automatically dims the brightness of instrument panel lights*
- *The function which operates with the brightness control, except maximum brightness level*

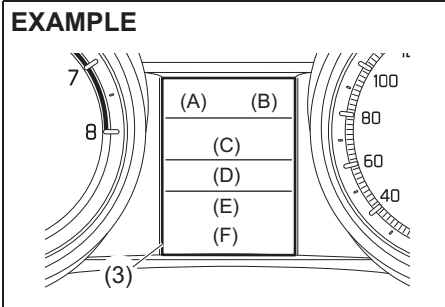
Information display

Information display is shown when the ignition switch is turned to "ON" position or the ignition mode is "ON".



(1) Trip meter selector knob
(2) Indicator selector knob

55RM02036



55RM02037

(3) Information display

The information display shows the following information.

Display (A)
Clock

Display (B)
Thermometer (if equipped)

Display (C)
Keyless push start system remote controller battery consumption warning light (if equipped)

Display (D)
Gear position indication (for Auto Gear shift vehicles) (if equipped) / Gear shift indicator (if equipped)

Display (E)
Trip meter / Odometer / Instantaneous fuel consumption / Average fuel consumption / Driving range

Display (F)
Fuel gauge

Clock
The display (A) shows the time.

- To change the time indication:
- 1) Push the trip meter selector knob (1) and the indicator selector knob (2) together.
 - 2) To change the hour indication, turn the indicator selector knob (2) left or right repeatedly when the hour indication blinks. To change the hour indication quickly, turn and hold the indicator selector knob (2). To set the hour indication, push the indicator selector knob (2) and the minute indication will blink.
 - 3) To change the minute indication, turn the indicator selector knob (2) left or right repeatedly when the minute indication blinks. To change the minute indication quickly, turn and hold the indicator selector knob (2). To set the minute indication, push the indicator selector knob (2).

To select 12/24H format, refer to "setting mode" in this section.

BEFORE DRIVING

⚠ WARNING

If you attempt to adjust the display while driving, you could lose control of the vehicle.
Do not attempt to adjust the display while driving.

NOTE:

When you reconnect the negative (-) terminal to the battery, the clock indication will be reinitialized. Change the indication again to your preference.

Thermometer (if equipped)

The display (B) shows the thermometer. The thermometer indicates the outside temperature.

EXAMPLE



52RM20810

If the outside temperature drops to freezing condition, the mark (a) will appear on the display.

NOTE:

- The outside temperature indication is not the actual outside temperature when driving at low speed, or when stopped.

- If there is something wrong with the thermometer, or just after the ignition switch is turned to "ON" position or the engine switch is pressed to change the ignition mode to "ON", the display may not indicate the outside temperature. When the display (E) shows the driving range, you can change the unit of temperature.

When the display (E) shows the driving range, you can change the unit of temperature.

To change the unit of temperature, while pushing and holding the trip meter selector knob (1), turn the indicator selector knob (2).

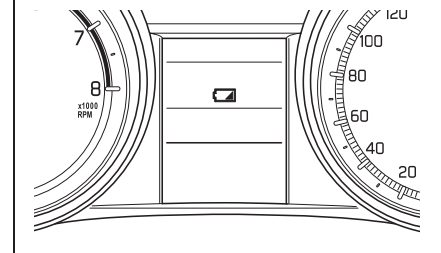
EXAMPLE



76MH0A043

Keyless push start system remote controller battery consumption warning light (if equipped)

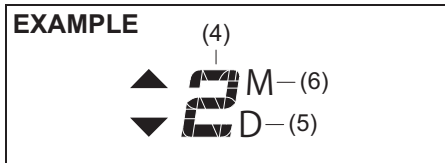
EXAMPLE



55RM02038

The display (C) shows the keyless push start system remote controller battery consumption warning indicator. If the remote controller becomes unreliable, this indicator comes on.

Gear position indicator (for Auto Gear Shift vehicles) (if equipped) / Gearshift indicator (if equipped)



55RM02039

The display (D) shows some of the following indications.

Gear position indicator (for Auto Gear Shift vehicles) (if equipped)

The display shows the current gear position (4).

Drive mode indicator:

When you are using the drive mode, the display shows the drive mode indicator (5).

Manual mode indicator:

When you are using the manual mode, the display shows the manual mode indicator (6).

For details on how to use the transaxle, refer to "Using the transaxle" in the "OPERATING YOUR VEHICLE" section.

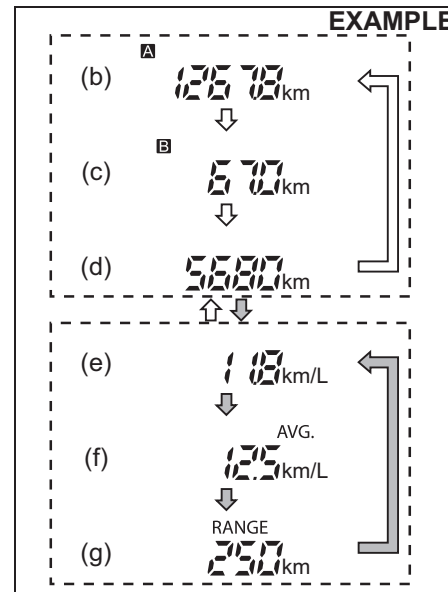
Gearshift indicator (if equipped)

Refer to "Gearshift Indicator" in the "OPERATING YOUR VEHICLE" section.

Trip meter / Odometer / Instantaneous fuel consumption/average fuel consumption / Driving range

The display (E) shows one of the following indications; trip meter A, trip meter B, odometer, instantaneous fuel consumption, average fuel consumption or driving range.

To switch the display indication (E), push the trip meter selector knob (1) or the indicator selector knob (2) quickly.



52RM20820

↑ ↓	Push the trip meter selector knob (1).
↑ ↓	Push the indicator selector knob (2).

- (b) Trip meter A
- (c) Trip meter B
- (d) Odometer
- (e) Instantaneous fuel consumption
- (f) Average fuel consumption
- (g) Driving range

⚠ WARNING

If you attempt to adjust the display while driving, you could lose control of the vehicle. Do not attempt to adjust the display while driving.

NOTE:

- Indications will change when you push and release a knob.
- The display shows estimated values. Indications may not be the same as actual values.

BEFORE DRIVING

Trip meter

The trip meter can be used to measure the distance traveled on short trips or between fuel stops.

You can use the trip meter A or trip meter B independently.

To reset the trip meter, push and hold the trip meter selector knob (1) until the display shows 0.0.

NOTE:

The indicated maximum value of the trip meter is 9999.9. When you run past the maximum value, the indicated value will return to 0.0.

Odometer

The odometer records the total distance the vehicle has been driven.

NOTICE

Keep track of your odometer reading and check the maintenance schedule regularly for required services. Increased wear or damage to certain parts can result from failure to perform required services at the proper mileage intervals.

Instantaneous fuel consumption

If you selected instantaneous fuel consumption the last time you drove the vehicle, the display does not show the last value of instantaneous fuel consumption from previous driving when the ignition switch is turned to "ON" position or the engine switch is pressed to change the ignition mode to "ON". The display shows the value only when the vehicle is moving.

NOTE:

- *The display does not show the value unless the vehicle is moving.*
- *Depending on the vehicle's specification, the fuel consumption units of initial setting are indicated as L/100km or km/L.*
- *For "L/100km" setting, the indicated maximum value of instantaneous fuel consumption is 30. No more than 30 will be indicated on the display even if the actual instantaneous fuel consumption is higher.*
- *For "km/L" setting, the indicated maximum value of instantaneous fuel consumption is 50. No more than 50 will be indicated on the display even if the actual instantaneous fuel consumption is lower.*
- *The indication on the display may be delayed if fuel consumption is greatly affected by driving conditions.*
- *The display shows estimated values. Indications may not be the same as actual values.*

- *For "L/100km" or "km/L" setting, you can change the units that instantaneous fuel consumption is displayed in. Refer to "Average fuel consumption" in this section.*

Average fuel consumption

If you selected average fuel consumption the last time you drove the vehicle, the display shows the last value of average fuel consumption from previous driving when the ignition switch is turned to "ON" position or the engine switch is pressed to change the ignition mode to "ON". Unless you reset the value of average fuel consumption, the display indicates the value of average fuel consumption which includes average fuel consumption during previous driving.

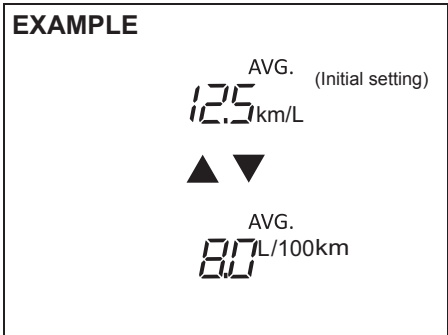
To reset the average fuel consumption, push and hold the indicator selector knob (2) for a while when the display shows the average fuel consumption.

NOTE:

When you reset the indication or reconnect the negative (-) terminal to the lead-acid battery, the value of average fuel consumption will be shown after driving for a while.

(For “L/100km” or “km/L” setting)

To change the unit of average fuel consumption, while pushing and holding the trip meter selector knob (1), turn the indicator selector knob (2).



55RM02040

NOTE: Depending on the vehicle's specification, the fuel consumption units of initial setting are indicated as km/L or L/100km.

NOTE:

- When you change the units that average fuel consumption is displayed in, the instantaneous fuel consumption units will be changed automatically.
- When you reconnect the negative (-) terminal to the battery, the unit of the average fuel consumption will be reinitialized. Change the unit again to your preference.

Driving range

If you selected driving range the last time you drove the vehicle, the display indicates “---” for a few seconds and then indicates the current driving range when the ignition switch is turned to “ON” position or the engine switch is pressed to change the ignition mode to “ON”.

The driving range shown in the display is an indicative unit of the approximate distance you can drive until the fuel gauge indicates “E”, based on current driving conditions and current fuel level in the fuel tank.

When the low fuel warning light comes on, the display “---” will appear.

If the low fuel warning light comes on, fill the fuel tank immediately regardless of the value of driving range shown in the display.

When you refuel, the driving range is updated. However, if you only add a small amount of fuel the correct value will not be displayed.

NOTE:

- If you refuel when the ignition switch is in “ON” position or ignition mode to “ON”, the driving range may not indicate the correct value.
- When you reconnect the negative (-) terminal to the lead-acid battery, the value of driving range will be shown after driving for a while.
- If there are substantial changes in the driving pattern or vehicle usage, the displayed range may vary significantly.

Fuel gauge

The display (F) shows the fuel gauge.

Refer to “Fuel gauge” in this section.

BEFORE DRIVING

Display (E) : Setting mode

In the setting mode, you can set up and customize the following functions.

Indication		Functions	
<p>door</p> <p>d1</p> <p>d2</p> <p>d3</p> <p>d5</p>			Time indication of clock "CL"
			Central door locking system "d1"
			Automatic door locking function "d2" (if equipped)
			Automatic door unlocking function "d3" (if equipped)
			Door locking and unlocking siren "d5" (if equipped)
<p>LIGHT</p> <p>L2</p>			Additional flashes of the turn signal "L2"
			Lighting time of the "To car" function "G1" (if equipped)
<p>GUIDE</p> <p>G1</p> <p>G2</p>			Lighting time of the "To home" function "G2" (if equipped)

BEFORE DRIVING

Indication		Functions
	SECUR4	Shock sensor "52"
		52
		53
	54	Full blast warning sensitivity of the shock sensor "54"
	dEFAUL	Initialization setting "dE-on"
		dE-on
	End	Exit the setting mode "End"

	Turn the indicator selector knob (2).
	Push the indicator selector knob (2).

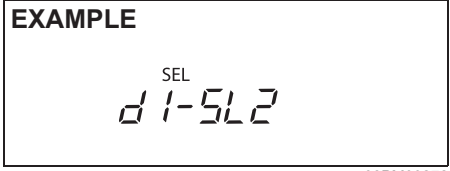
How to operate the setting mode:

- 1) When the ignition switch is in the "ON" position or press the engine switch to change the ignition mode to "ON" and the vehicle is stationary, push and hold the indicator selector knob (2) until the display shows "CLASH".
- 2) Turn and/or push the indicator selector knob (2) to select a function that you want to set up according to the above chart.
- 3) Turn and/or push the indicator selector knob (2) to register settings of the following functions.

NOTE:
Depending on vehicle's specifications, some items may not be displayed.

BEFORE DRIVING

EXAMPLE



SEL
d1-5L2

68PM00272

NOTE:

- As shown in the above illustration, “SEL” indicates on the display of currently setting item.
- To go back to the higher level display during operation, turn the indicator selector knob (2) to display “bRCH” or “-bRL” and then push the indicator selector knob (2).

Time indication of clock “CL”

- CL-12h: 12-hour format (default setting)
- CL-24h: 24-hour format

Central door locking system “d1”

- d1-5L1: Unlock all doors by turning the key, pushing the keyless entry system transmitter, keyless push start system remote controller or request switch once
- d1-5L2: Unlock all doors by turning the key, pushing the keyless entry system transmitter, keyless push start system remote controller or request switch twice (default setting)

Automatic door locking function “d2” (if equipped)

- d2-5L1: Disable the automatic door locking function
- d2-5L2: Lock all doors when the vehicle speed reaches 15 km/h (default setting)

Automatic door unlocking function “d3” (if equipped)

- d3-5L1: Disable the automatic door unlocking function (default setting of vehicle with keyless push start system)
- d3-5L2: (Vehicle with keyless entry system)
Unlock all doors when the key is pulled out from the ignition switch (default setting of vehicle with keyless entry)

(Vehicle with keyless push start system)

Unlock all doors when the ignition mode is “LOCK” (OFF)

Door locking and unlocking siren “d5” (if equipped)

- d5-5L1: Siren sounds when the door(s) is (are) locked or unlocked by using the keyless entry system transmitter, keyless push start system remote controller or request switch (default setting)

- d5-5L2: Siren does not sound when the door(s) is(are) locked or unlocked by using the keyless entry system transmitter, keyless push start system remote controller or request switch

Additional flashes of the turn signal “L2”

- L2-5L1: Turn signal flashes three times after the turn signal lever is returned (default setting)
- L2-5L2: Disable the additional flashes of turn signal

Lighting time of the “To car” function “G1” (if equipped)

- G1-5L1: Disable the “To car” function
- G1-5L2: 10 seconds (default setting)
- G1-5L3: 15 seconds
- G1-5L4: 20 seconds
- G1-5L5: 25 seconds

Lighting time of the “To home” function “G2” (if equipped)

- G2-5L1: Disable the “To home” function
- G2-5L2: 10 seconds (default setting)
- G2-5L3: 15 seconds
- G2-5L4: 20 seconds
- G2-5L5: 25 seconds
- G2-5L6: 30 seconds

BEFORE DRIVING

Shock sensor “52”

- *52-5L1*: Enable the shock sensor
- *52-5L2*: Disable the shock sensor (default setting)

Pre-warning sensitivity of the shock sensor “53”

- *53-L00*: Disable the pre-warning
- *53-L01* to *L15*:
Adjust the pre-warning sensitivity of shock sensor (Lowest sensitivity level is L01 and highest is L15, and default setting is L14)

Full blast warning sensitivity of the shock sensor “54”

- *54-L00*: Disable the full blast warning
- *54-L01* to *L15*:
Adjust the full blast warning sensitivity of shock sensor (Lowest sensitivity level is L01 and highest is L15, and default setting is L09)

Initialization setting “dE-on”

- *dE-on*: Initialize all settings

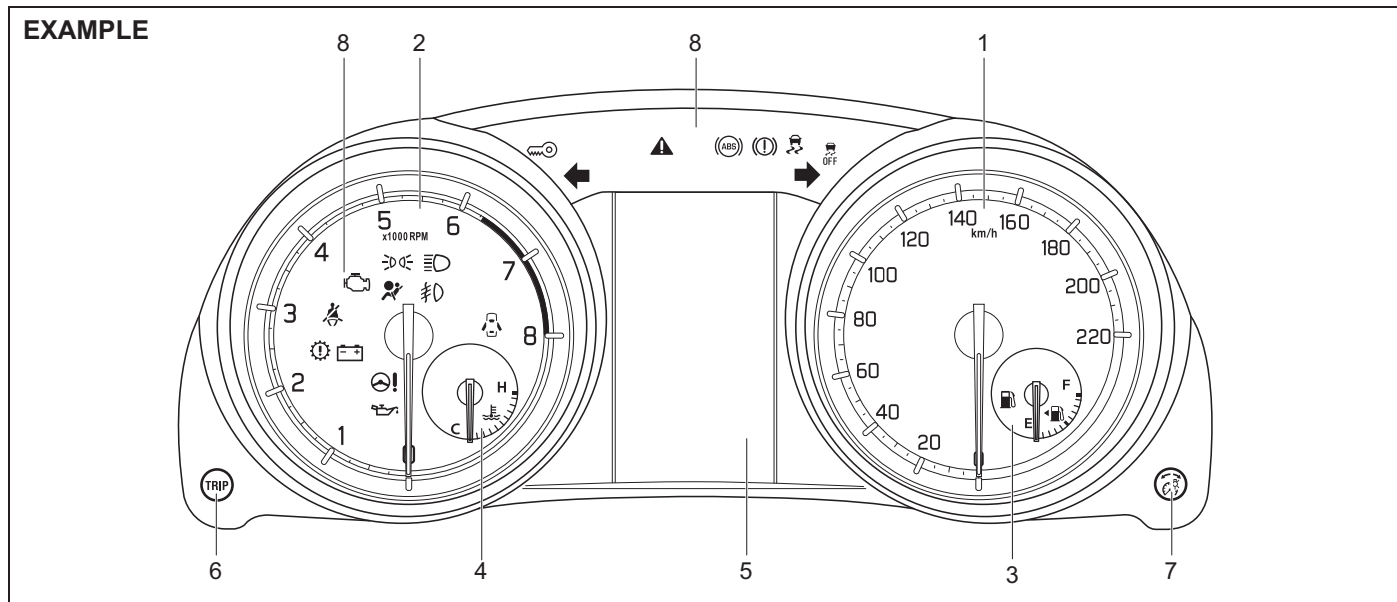
How to exit the setting mode:

Switch the display to show “End” and then push the indicator selector knob (2).

BEFORE DRIVING

Instrument cluster (Type C) (if equipped)

1. Speedometer
2. Tachometer
3. Fuel gauge
4. Temperature gauge
5. Information display
6. Trip meter selector knob
7. Indicator selector knob
8. Warning and indicator lights



56RM02007

Speedometer

The speedometer indicates vehicle speed in km/h.

Speed Alert System

The speed alert system gives audible warning for alert of over-speed to driver. When vehicle speed exceeds about 80 km/h, primary level warning with two beeps will sound every minute. When the vehicle speed exceeds about 120 km/h, secondary level warning with continuous beeps will sound. If the vehicle speed is slowed down to about 118 km/h, primary warning will resume. If the vehicle speed is slowed down to about 78 km/h, speed alert warning will stop. This buzzer does not indicate any malfunction in vehicle.

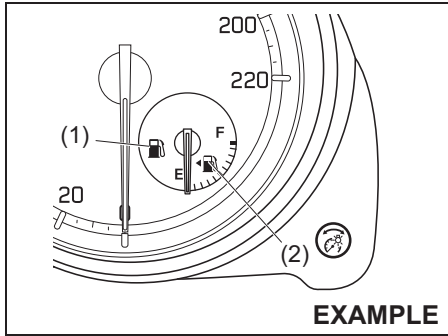
Tachometer

The tachometer indicates engine speed in revolutions per minute.

NOTICE

Never drive the vehicle with the engine revving in the red zone or severe engine damage can result. Keep the engine speed below the red zone even when downshifting to a lower gear position. Refer to "Downshifting maximum allowable speeds" in "OPERATING YOUR VEHICLE" section.

Fuel gauge



56RM02008

When the ignition mode is "ON", this gauge gives a rough indication of the amount of fuel in the fuel tank. "F" stands for full and "E" stands for empty.

If the indicator approaches a low level (near "E") on fuel gauge, refill the tank as soon as possible.

NOTE:

The indicator moves a little depending on road conditions (for example, slope or curve) and driving conditions because of fuel moving in the tank.

If the low fuel warning light (1) comes on, refill the fuel tank immediately.

NOTICE

To minimize the possibility of damage to catalytic converter or other components of the vehicle, avoid driving the vehicle near empty fuel tank level.

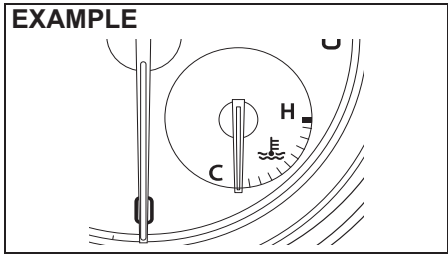
NOTE:

The activation point of the low fuel warning light (1) varies depending on road conditions (for example, slope or curve) and driving conditions because of fuel movement in the tank.

Refer to "Low fuel warning light" in "Warning and indicator lights" in this section for details.

The mark (2) indicates that the fuel filler door is located on the left side of the vehicle.

Temperature Gauge



56RM02009

BEFORE DRIVING

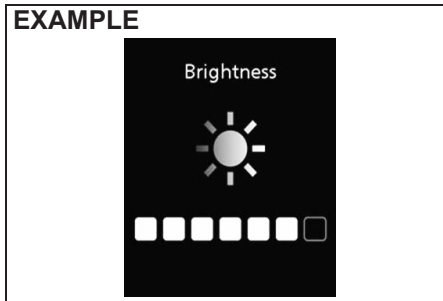
When the ignition mode is "ON", this gauge indicates the engine coolant temperature. Under normal driving conditions, the indicator should stay within the normal, acceptable temperature range between "H" and "C". If the indicator approaches "H", overheating is indicated. Follow the instructions for engine overheating in "EMERGENCY SERVICE" section.

NOTICE

Continuing to drive the vehicle when engine overheating is indicated can result in severe engine damage.

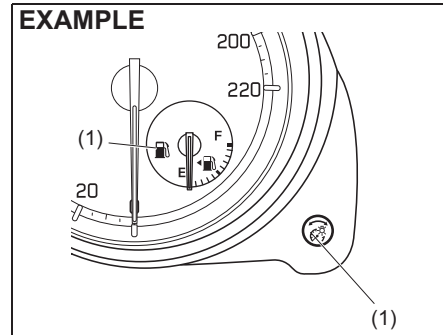
Brightness control

EXAMPLE



56RM02010

EXAMPLE



56RM02040

When the ignition is pushed to "ON" mode, the instrument panel lights come on.

Your vehicle has a system to automatically dim the brightness of the instrument panel lights when the position lights or headlights are on.

When the position lights and/or headlights are ON, you can control the meter illumination intensity.

To increase the brightness of the instrument panel lights, turn the brightness control knob (1) clockwise.

To reduce the brightness of the instrument panel lights, turn the brightness control knob (1) counterclockwise.

⚠ WARNING

Do not adjust the brightness of the instrument panel lights while driving. Otherwise, you could lose control of the vehicle.

NOTE:

- If you do not turn the brightness control knob within several seconds of activating, the brightness control display will be canceled automatically.
- When you reconnect the battery, the brightness of the instrument panel lights will be reinitialized. Readjust the brightness according to your preference.

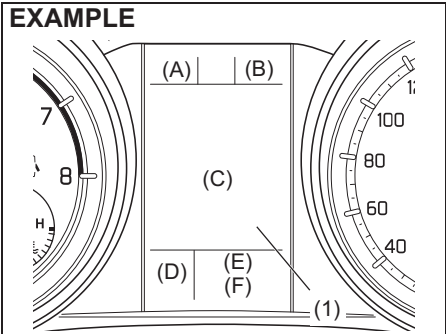
NOTE:

If you adjust to the maximum brightness level when the position lights or headlights are on, the following functions will be cancelled.

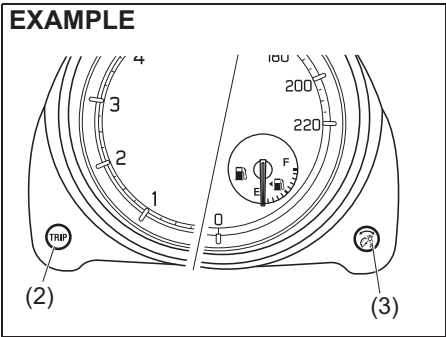
- The function which automatically dims the brightness of instrument panel lights.
- The function which operates with the brightness control, except maximum brightness level.

Information Display

The information display is shown when the ignition mode is "ON".



56RM02012



56RM02013

1. Information display

- 2. Trip meter selector knob
- 3. Indicator selector knob

The information display shows the following information.

Display (A)
Clock

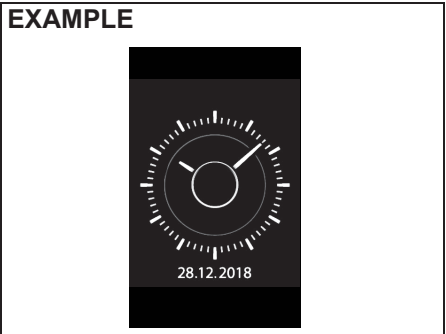
Display (B)
Thermometer

Display (C)
Fuel consumption / Driving range / Average Speed / Driving time / Total idling stop time and Total idling fuel saved (if equipped) / Clock and date / Motion (if equipped) / Torque and power / Accelerator and brake (if equipped).

Display (D)
Gear position indicator (for Auto Gear Shift vehicles) (if equipped) / Gearshift indicator (if equipped)

Display (E)
Trip meter

Display (F)
Odometer



56RM02014

The engine switch is pushed to "ON" mode, clock and date will appear on display for several seconds.

Some warning and indicator messages may appear on the display when the ignition mode is "ACC" or "LOCK" (OFF).

Clock
When the ignition mode is "ON", the display (A) shows the time.

To set the clock, follow "Setting mode" instructions in this section.

⚠ WARNING

**If you attempt to adjust the display while driving, you may lose control of the vehicle.
Do not attempt to adjust the display while driving.**

BEFORE DRIVING

Thermometer

When the ignition mode is "ON", the display (B) shows the outside air temperature.

EXAMPLE



52RM21050

If the outside air temperature reaches freezing condition, the message shown in the above illustration will appear on the display.

NOTE:

The outside temperature indication is not the actual outside air temperature when driving at low speed, or when stopped.

The outside temperature may not be displayed under following conditions,

- *If there is some problem with the temperature sensor*
- *Immediately after the ignition mode is changed from "ACC" to "ON" mode.*

You can change the unit of temperature. To change the unit of temperature, refer to "Setting mode" in this section.

2-75

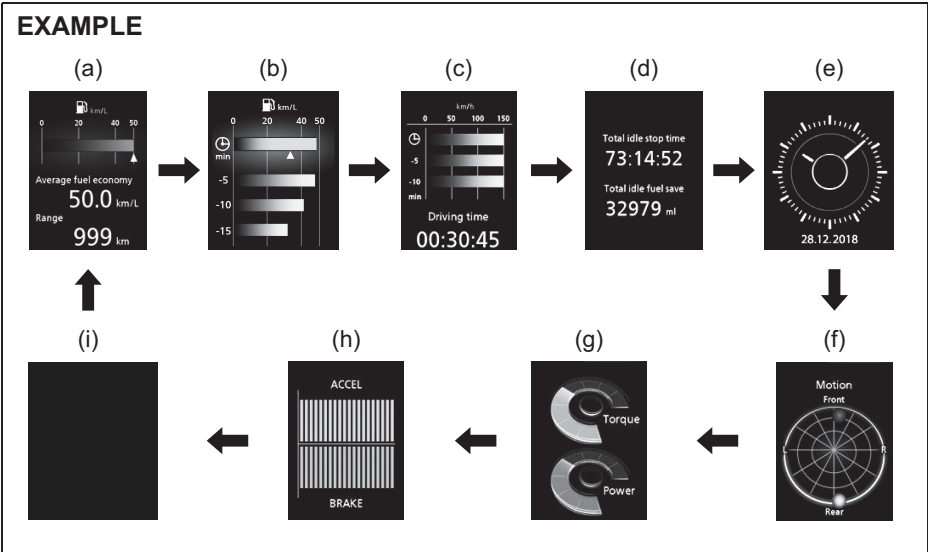
Fuel Consumption / Driving Range / Average speed/ Driving Time / Total Idling Stop Time and Total Idling Fuel Saved (if equipped)/ Clock and Date / Motion (if equipped) / Torque and Power / Accelerator and Brake (If equipped)

When there are no warning or indicator messages on the display (C), you can select one of the following indications to appear on the display: instantaneous fuel consumption, average fuel consumption, driving range, average speed, driving time, total idling stop time and total idling fuel saved (if equipped), clock and date, motion (if equipped), torque and power, accelerator and brake (if equipped), or no indication.

⚠ WARNING

**If you attempt to adjust the display while driving, you may lose control of the vehicle.
Do not attempt to adjust the display while driving.**

BEFORE DRIVING



56RM02015

- (a) Instantaneous fuel consumption / Average fuel consumption / Driving range
- (b) Instantaneous fuel consumption / Average fuel consumption / 5-minute average fuel consumption / 1-driving cycle average fuel consumption
- (c) Average speed / 5-minute average speed / Driving time
- (d) Total idling stop time / Total idling fuel saved (if equipped)
- (e) Clock and date
- (f) Motion (if equipped),
- (g) Torque and power
- (h) Accelerator and brake (if equipped),
- (i) No indication

To switch the display indication, push the indicator selector knob (3) quickly.

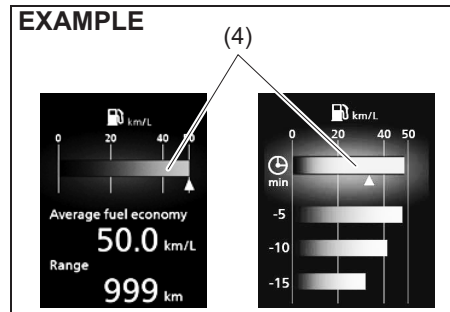
NOTE:
 The value of instantaneous fuel consumption, average fuel consumption, driving range, average speed, total idling fuel saved, motion (if equipped), torque and power, accelerator and brake (if equipped), shown on the display are affected by the following conditions;

- road condition
- surrounding traffic condition
- driving condition
- vehicle condition
- a malfunction which causes the malfunction indicator light to come on or blink

BEFORE DRIVING

Instantaneous fuel consumption

The display shows instantaneous fuel consumption with a bar graph only when the vehicle is moving.



(4) Instantaneous fuel consumption

NOTE:

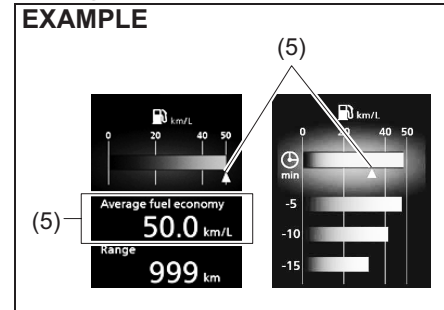
- The display does not show the bar graph unless the vehicle is moving.
- Depending on the vehicle's specification, the fuel consumption units of initial setting are indicated as L/100km, km/L, MPG (UK).
- The indicated maximum value of instantaneous fuel consumption is one of the followings. No more than the maximum value will be indicated on the display even if the actual instantaneous fuel consumption is higher.
 - For L/100km setting: 30
 - For km/L setting: 50
 - For MPG (UK) setting: 80

- The indication on the display may be delayed if fuel consumption is greatly affected by driving conditions.
- The display shows estimated values. Indications may not be the same as actual values.

Average fuel consumption / 5-minute average fuel consumption / 1-driving cycle average fuel consumption

Average fuel consumption from previous reset and 5-minute average fuel consumption, and 1-driving cycle average fuel consumption are shown.

(Average fuel consumption)



(5) Average fuel consumption

If you selected average fuel consumption the last time you drove the vehicle, the display shows the last value of average fuel consumption from previous driving when the ignition is pushed to "ON" mode. Unless you reset the value of average fuel consumption, the display indicates the value of average fuel consumption based on the average fuel consumption during previous driving.

NOTE:

When you reconnect the negative (-) terminal to the battery, the value of average fuel consumption will be shown after driving for a period of time.

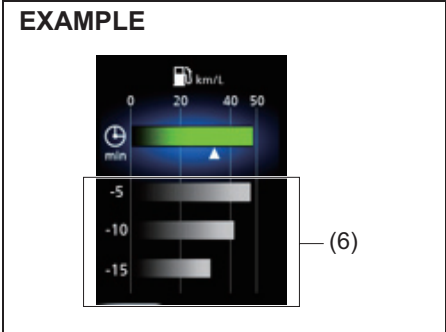
You can select the timing to reset the value of average fuel consumption by one of the following three methods;

- Reset after refuel: the value of average fuel consumption will be reset automatically by refueling.
- Reset with trip meter A: the value of average fuel consumption will be reset automatically by resetting trip meter A.
- Reset manually: the value of average fuel consumption will be reset by pushing and holding the indicator selector knob (3) when the display indicates the average fuel consumption.

To change the timing to reset the value of average fuel consumption, refer to "Setting mode" in this section.

NOTE:
If you add only a small amount of fuel when you select "Reset after refuel", the average fuel consumption value may not be reset.

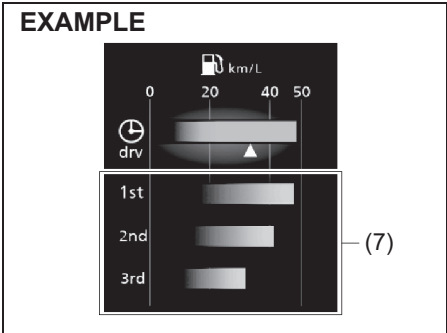
(5-minute average fuel consumption)



56RM02019

(6) 5-minute average fuel consumption

(1-driving cycle average fuel consumption)

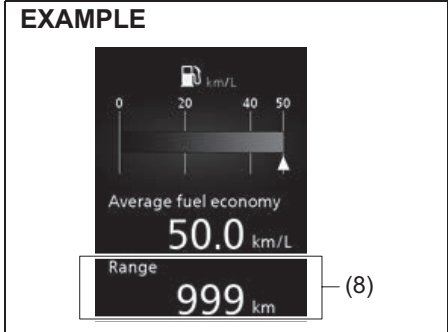


56RM02018

(7) 1-driving cycle average fuel consumption

You can check transition of average fuel consumption every 5 minutes from 15 minutes before up to now. Also, you can check transition of average fuel consumption the past 3 driving cycles. Time indication and driving cycle indication can be changed. For details, refer to "Setting mode" in this section.

Driving range



56RM02020

(8) Driving range

If you selected driving range the last time you drove the vehicle, the display indicates "---" for a few seconds and then indicates the current driving range when the ignition is pushed to "ON" mode.

The driving range shown in the display is an indicative unit of the approximate distance you can drive until the fuel gauge indicates "E", based on current driving conditions and current fuel level in the fuel tank.

When the low fuel warning light comes on, the display "---" will appear. If the low fuel warning light comes on, fill the fuel tank immediately regardless of the value of driving range shown in the display.

BEFORE DRIVING

When you refuel, the driving range is updated. However, if you only add a small amount of fuel, the correct value will not be displayed.

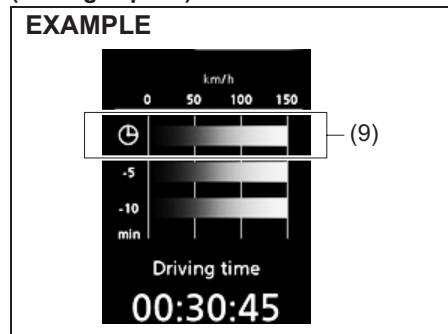
NOTE:

- If you refuel when the ignition mode is "ON", the driving range may not indicate the correct value.
- When you reconnect the negative (-) terminal to the lead-acid battery, the value of driving range will be shown after driving for a period of time.
- If there are substantial changes in the driving pattern or vehicle usage, the displayed range may vary significantly.

Average speed / 5-minute average speed

Average speed from previous reset and 5-minute average speed are shown.

(Average speed)



(9) Average speed

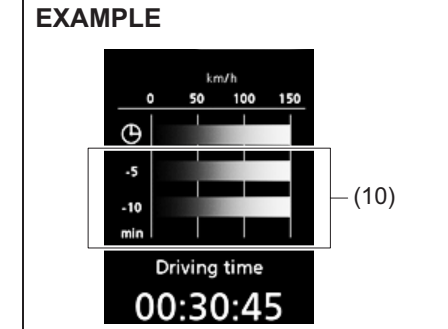
If you selected average speed the last time you drove the vehicle, the display indicates the last value of average speed from previous driving when the ignition is pushed to "ON" mode. Unless you reset the value of average speed, the display indicates the value of average speed which includes average speed during previous driving.

To reset the value of average speed, push and hold the indicator selector knob (3) for about 2 seconds when the display indicates an average speed. The average speed display is reset and then indicates a new average speed after driving for a short time.

NOTE:

When you reconnect the negative (-) terminal to the lead-acid battery, the value of average speed will be shown after driving for a period of time.

(5-minute average speed)

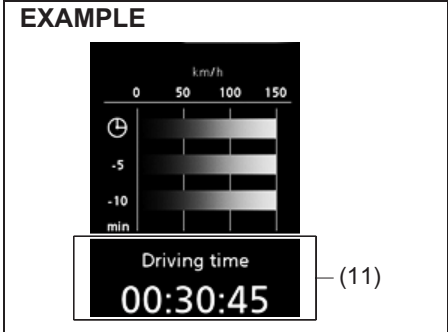


(10) 5-minute average speed

You can check transition of 5-minute average speed every 5 minutes from 10 minutes before up to now.

BEFORE DRIVING

Driving time



56RM02023

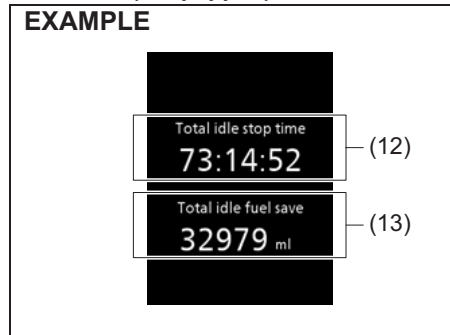
(11) Driving time

Driving time from previous reset is shown. To reset the driving time, push and hold the indicator selector knob (3) for about 2 seconds when the display indicates a driving time. The display shows “---” and then indicates a new driving time after driving for a short time.

NOTE:

- Disconnection of the lead-acid battery negative (-) terminal will reset the indication of the driving time.
- The indicated maximum value of driving time is 99:59:59. No more than this value will be indicated on the display until you reset the driving time.

Total idling stop time and total idling fuel saved (if equipped)



56RM02024

(12) Total idling stop time
(13) Total idling fuel saved

The display shows the total duration (in hours, minutes and seconds) of engine stopping time and the total amount (in milliliters) of fuel conservation by ENG A-STOP system since the indication was reset.

- To reset the total idling stop time and the total idling fuel saved, push and hold the indicator selector knob (3) for a while when the display shows the total idling stop time and the total idling fuel saved.

NOTE:

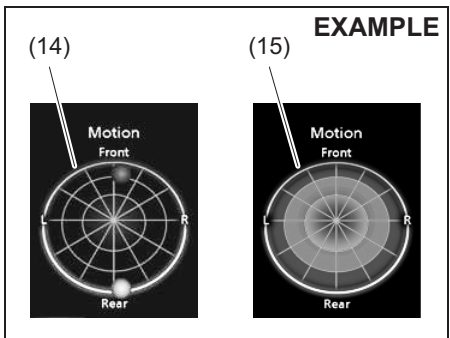
- The indicated maximum value of the total idling stop time is 99:59:59 and this value is fixed until it is reset.

- When you reconnect the negative (-) terminal to the lead-acid battery, the value of the total idling stop time and the total idling fuel saved will be reset.

Clock and date

Date and time are shown. For the setting procedure, refer to “Setting mode” in this section.

Motion



56RM02025

The meter indication is different depending on whether the vehicle is stopped or running.

When driving, real time movement of imaginal G position (center of gravity) is displayed on the globe (14), which is resultant with inertia force.

When stopped, historical data of imaginal G positions applied to the vehicle body

BEFORE DRIVING

during the driving is shown as a graph (15).

G position history graph when the vehicle stopped can be changed to indicate or hide. For details, refer to “Setting mode” in this section.

WARNING

Do not look in the display intensively while driving. Doing so may result in an accident.

NOTE:

- If G position history graph at the vehicle stopped has been set in indication mode, the graph (15) is shown for several seconds when you change the ignition mode to “LOCK” (OFF) after driving.
- The graph is shown approximately and the actual movement may differ.

Torque and power

Present engine torque and power are shown.

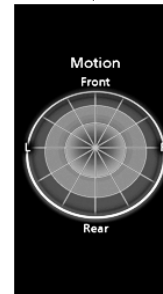
Accelerator and brake (if equipped)

Present accelerator pedal depressing degree and brake line pressure are shown. The display is selectable to indicate or not to indicate. For details, refer to “Setting mode” in this section.

Information shown after driving

When you press the engine switch to change the ignition mode to “LOCK” (OFF), the following information appears for several seconds on the information display.

EXAMPLE



56RM02026

Gear position (for auto gear shift vehicles) / Gearshift Indicator (for manual transmission vehicles)

EXAMPLE



56RM02027

- (1) Gear position
- (2) Manual mode indicator
- (3) Drive mode indicator

Gear position (for auto gear shift vehicles)

The display shows the current gear position (1).

NOTE:

For Auto Gear Shift models, when the gearshift lever position and the gear position indication in the information display are unmatched, the indication will blink and the interior buzzer will sound. Refer to “Auto Gear Shift” in the “OPERATING YOUR VEHICLE” section for details.

Manual mode indicator (for auto gear shift vehicles)

When you are using the manual mode, the display shows the manual mode indicator (2).

NOTE:

For Auto Gear Shift models, the manual mode indicator will only appear when the gearshift lever is in "M".

**Drive mode indicator
(for auto gear shift vehicles)**

When the gearshift lever is in "D", the display shows the drive mode indicator (3).

For details on how to use the transaxle, refer to "Using transaxle" in the "OPERATING YOUR VEHICLE" section.

Gearshift Indicator (for manual transmission vehicles)

Refer to "Gearshift indicator" in "OPERATING YOUR VEHICLE" section.

Trip meter

The display (E) shows the trip meter.

The trip meter can be used to measure the distance traveled on short trips or between fuel stops.

You can use trip meter A or trip meter B independently.

To reset the trip meter, push and hold the trip meter selector knob for about 2 seconds when the display shows the trip meter.

Odometer

The display (F) shows the odometer.

The odometer records the total distance the vehicle has been driven.

NOTICE

Keep track of your odometer reading and check the maintenance schedule regularly for required services. Increased wear or damage to certain parts can result from failure to perform required services at the proper mileage intervals.

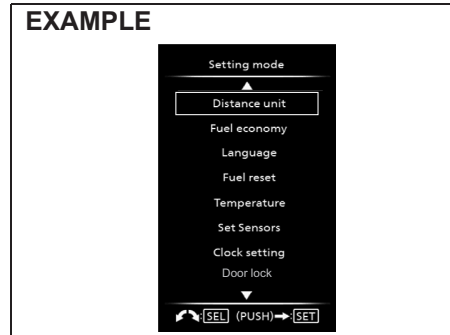
Setting Mode

When the engine switch pushed to "ON" mode, and the vehicle is stationary, you can enter into the setting mode of the information display by pushing and holding the indicator selector knob (3) for more than 3 seconds.

- To select the setting item that you want to change, turn the indicator selector knob (3) left or right.
- To change the setting, push the indicator selector knob (3).

To exit the setting mode, select "Back" and push the indicator selector knob (3).

BEFORE DRIVING



NOTE:

The currently selected setting item is surrounded by a frame.

NOTE:

- If you push and hold the indicator selector knob (3) to enter into the setting mode when the display (C) shows average fuel consumption, average speed, driving time, total idling stop time and total idling fuel saved (if equipped), the value will be reset simultaneously. If you do not want to reset the value, push the indicator selector knob quickly to switch the indication of the display.
- If you press the engine switch or start to move the vehicle when the display is in the setting mode, the setting mode will be canceled automatically.

Distance unit

(Odometer / trip meter / driving range / average speed distance unit setting)

You can change the units in which odometer / trip meter / driving range / average speed distance is displayed.

Fuel economy

(Fuel consumption unit setting)

You can change the units that fuel consumption is displayed in.

Language

You can change the language of the information display.

Fuel reset

(Average fuel consumption reset setting)

You can change when the value of average fuel consumption is reset.

Temperature

(Temperature unit setting) (if equipped)

You can change the units that temperature is displayed in.

- To change the temperature unit, select "Temperature" in "Setting mode". Then, select "°C" or "°F".

NOTE:

When you change the units that temperature is displayed in, the automatic heating and air conditioning system temperature display units will be changed automatically.

Set sensors

(Parking sensor setting)

The parking sensor can be switched between the normal mode and trailer mode.

Clock setting

(Adjusting the clock)

- Adjust the clock by selecting "Clock setting" in "Setting mode". Then, select "Adjust clock".
- To change the hour indication, turn the indicator selector knob (3) left or right repeatedly when the hour indication blinks. To change the hour indication quickly, turn and hold the indicator selector knob (3). To set the hour indication, push the indicator selector knob (3) and the minute indication blinks.
- To change the minute indication, turn the indicator selector knob (3) left or right repeatedly when the minute indication blinks. To change the minute indication quickly, turn and hold the indicator selector knob (3). To set the minute indication, push the indicator selector knob (3).

(Selecting 12H/24H format)

- Switch the time indication between 12-hour and 24-hour format by selecting "Clock setting" in "Setting mode". Then, select "12H" or "24H".

(Adjusting the date)

- Adjust the date by selecting “Clock setting” in “Setting mode”. Then select “Adjust date”.
- To adjust year, month and day, operate the indicator selector knob (3) in the same way as adjusting the clock.

Door lock (Door lock setting)**(Door unlock)**

- All Doors:
Unlock all doors by keyless push start system remote controller or request switch once
- Driver Door:
Unlock all doors by keyless push start system remote controller or request switch twice (default setting)

(Auto lock)

- Manual Lock:
Disable the automatic door locking function
- Speed Syncro:
Lock all doors when the vehicle speed reaches 15 km/h (default setting)

(Auto unlock)

- Syncro Off:
Disable the automatic door unlocking function (default setting for the vehicle with the keyless push start system)
- IG-OFF Sync:
Unlock all doors when the engine switch is pressed to change the ignition mode to LOCK (OFF) (default setting for the

vehicle without the keyless push start system)

(Alarm)

- You can turn off or on the siren sound when the door(s) is(are) locked or unlocked.

Lights**(Lane change setting)**

The turn signal and its indicator can be set whether they flash three times even if you return the turn signal control lever immediately after moving it.

Guide me light setting (if equipped)

You can change the lighting time of “To car” function or “To home” function.

Antitheft**(Shock sensor system setting)**

You can change the on/off of the shock sensor.

(Shock sensor P setting)

You can adjust the pre-warning sensitivity of shock sensor.

(Shock sensor F setting)

You can adjust the full blast warning sensitivity of shock sensor.

IS A/C (if equipped)**(ENG A-STOP system setting)**

- When the automatic air conditioning system is turned ON, you can select one of the following engine auto stop settings.
 - Standard

- Economy
- Comfort

- When “Economy” is selected, compared with “Standard” the engine auto stop condition will occur more frequently, the stop time will be longer, leading to reduction of fuel consumption.
- When “Comfort” is selected, compared with “Standard” the engine auto stop condition will occur less frequently, the stop time will be shorter, leading to more comfortable cabin condition by the air conditioning system.

Display item**(“Calendar dis” setting)**

You can select whether you show the calendar on the information display or not.

(“Calendar form” setting)

You can change the calendar form of the information display.

To change the calendar form, select “Calendar form” in “Display item”. Then, select the display order of date, month and year.

(“Fuel eco hist” setting)

Transitional indication of average fuel consumption can be switched to time indication and driving cycle indication.

(“Motion hist” setting) (if equipped)

Indication of G position history graph at the vehicle stopped can be selected to enable or disable.

BEFORE DRIVING

("Idling disp" setting) (if equipped)

Display of ENG A-STOP operation with ignition mode "LOCK" (OFF) is selectable to indicate or not to indicate.

("Idling warn" setting) (if equipped)

You can switch whether the information display shows the warning and indicator messages related to the ENG A-STOP system.

("Pedal op disp" setting) (if equipped)

Display of "Accelerator and brake" is selectable to indicate or not to indicate.

Default

(initialization setting)

If you select "YES" and push the indicator selector knob (3), all settings will be reinitialized.

Warning and Indicator Messages

The display shows warning and indicator messages to let you know about certain vehicle problems.

A tone may also sound to alert you.

If warning and indicator messages appear on the display, follow the messages.

Master warning indicator light



80P0382

When the display shows warning and indicator messages, the master warning indicator light may also blink.





NOTE:

- *When the problem that causes a message to appear is corrected, the message will disappear.*
- *If a message is displayed, and other problems requiring a message to be displayed, the message for each of the problems will be alternately displayed about every 5 seconds.*
- *When you push and hold the indicator selector knob (3) for about 2 seconds while a message is displayed, the message will disappear temporarily. If the problem that caused the message is not corrected, the message will appear again after 5 seconds.*

BEFORE DRIVING



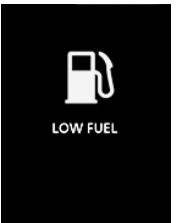
Warning and indicator messages

All model

Warning and indicator message	Master warning indicator light	Sound	Cause and remedy
 <p>52RM21160</p>	<p>Blinks (only while vehicle is in motion)</p> 	<p>Beep (one time from interior buzzer; only while vehicle is in motion)</p>	<p>A door or tailgate is not properly closed. Stop the vehicle in a safe place and close the door or tailgate properly. (#1)</p>
 <p>52RS005</p>	<p>Blinks</p> 	<p>Continuous beep (from interior buzzer)</p>	<p>The parking brake is not released. Stop the vehicle in a safe place and release the parking brake.</p>


(#1) This message will disappear after a while even if the problem that caused the message to appear is not corrected.

BEFORE DRIVING

Warning and indicator message	Master warning indicator light	Sound	Cause and remedy
 <p>52RM21170</p>	<p>Blinks</p> 	<p>Continuous beep (from interior buzzer)</p>	<p>The headlights and/or the position lights are left ON when the ignition switch is in "LOCK" position or the ignition switch in "LOCK (OFF)" mode and the driver door is opened. Turn them OFF.</p>
 <p>52RM21180</p>	<p>Off</p>	<p>Beep (one time from interior buzzer)</p>	<p>Fuel is low. Refill it immediately. (#1)</p>

(#1) This message will disappear after a while even if the problem that caused the message to appear is not corrected.


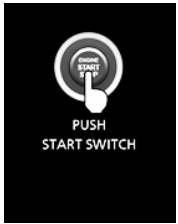
BEFORE DRIVING

Warning and indicator message	Master warning indicator light	Sound	Cause and remedy
 <p>52RM21190</p>	Off	Off	The road may be icy. Drive very carefully. (#1)

(#1) This message will disappear after a while even if the problem that caused the message to appear is not corrected.



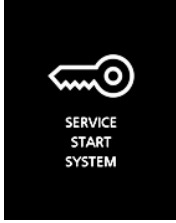

BEFORE DRIVING

Vehicle with keyless push start system




Warning and indicator message	Master warning indicator light	Sound	Cause and remedy
 <p>52RM21210</p>	Off	Off	This message is displayed when "ACC" position is selected as the ignition mode. (#1)
 <p>52RM21220</p>	Off	Off	The brake pedal (for auto gear shift model) or the clutch pedal (for manual transmission models) is depressed. Press the engine switch to start the engine.

(#1) This message will disappear after a while even if the problem that caused the message to appear is not corrected.




BEFORE DRIVING

Warning and indicator message	Master warning indicator light	Sound	Cause and remedy
 <p>SERVICE STEERING LOCK SYSTEM</p> <p>52RM21230</p>	<p>Blinks</p> 	<p>Beep (one time from interior buzzer)</p>	<p>There is a problem with the steering lock system. Have your vehicle inspected by a Maruti Suzuki authorised workshop.</p>
 <p>SERVICE START SYSTEM</p> <p>52RM21240</p>	<p>Blinks</p> 	<p>Beep (one time from interior buzzer)</p>	<p>There is a problem with the immobilizer/keyless push start system. Also, the vehicle lead-acid battery voltage may be decreased. When the message is displayed even if you start the engine with normal voltage of the vehicle lead-acid battery, have your vehicle inspected by a Maruti Suzuki authorised workshop.</p>

BEFORE DRIVING


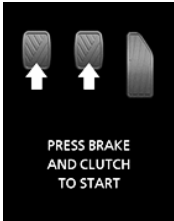
Warning and indicator message	Master warning indicator light	Sound	Cause and remedy
 <p>KEY FOB NOT DETECTED</p> <p>52RM21250</p>  <p>PLACE KEY FOB ON START SWITCH</p> <p>52RM21260</p>	<p>Blinks</p> 	<p>By certain conditions, some kind of sound you will hear from interior and/or exterior of the vehicle.</p>	<p>The remote controller may be outside the vehicle or its battery may have become discharged. Locate the remote controller or touch the engine switch with the remote controller. If the message still appears, replace the remote controller battery.</p>

BEFORE DRIVING

Warning and indicator message	Master warning indicator light	Sound	Cause and remedy
 <p>52RM21270</p>	Off	Off	This message is displayed when “ON” position is selected as the ignition mode. (#1)
 <p>55RM02048</p>	Blinks 	Beep (one time from interior buzzer)	The steering lock is not disengaged. While lightly turning the steering wheel in both directions, press the engine switch again.


(#1) This message will disappear after a while even if the problem that caused the message to appear is not corrected.

BEFORE DRIVING

Warning and indicator message	Master warning indicator light	Sound	Cause and remedy
 <p>KEY FOB LOW BATTERY</p> <p>52RM21290</p>	Off	Off	The remote controller battery is about to become flat. Replace the battery. (#1)
<p>Manual transmission</p>  <p>PRESS BRAKE AND CLUTCH TO START</p> <p>52RM21300</p>	Off	Off	The engine switch is pressed without depressing the brake and clutch pedals. Try again as instructed by the message.





(#1) This message will disappear after a while even if the problem that caused the message to appear is not corrected.

BEFORE DRIVING

Warning and indicator message	Master warning indicator light	Sound	Cause and remedy
<p>Auto Gear Shift</p>  <p>56RM02030</p>	Off	Off	The engine switch is pressed with the gear-shift lever in a position other than “N” and depressing the brake pedal. Try again as instructed by message.

BEFORE DRIVING

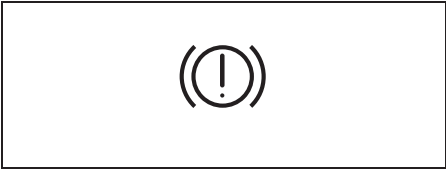
Vehicle with ESP® system

Warning and indicator message	Master warning indicator light	Sound	Cause and remedy
 <p>52RM21340</p>	<p>Blinks</p> 	<p>Beep (one time from interior buzzer)</p>	<p>There may be a problem with ESP® system. Have your vehicle inspected by a Maruti Suzuki authorised workshop.</p>
<p>Hill hold control system</p>  <p>52RM21350</p>	<p>Blinks</p> 	<p>Beep (one time from interior buzzer)</p>	<p>There may be a problem with hill hold control system (if equipped). Have your vehicle inspected by a Maruti Suzuki authorised workshop.</p>

- Information display also indicates warning and indicator messages related to the parking sensor system. For information on these messages, refer to “Parking sensors” in “OPERATING YOUR VEHICLE” section.

Warning and indicator lights

Brake system warning light



82K170

Three different types of operations exist depending on the vehicle's specification.

- The light comes on briefly when the ignition switch is turned to "ON" position or the engine switch is pressed to change the ignition mode to "ON".
- The light comes on when the parking brake is engaged with the ignition switch in "ON" position or the ignition mode is "ON".
- The light comes on under either or both of above two conditions.

The light also comes on when the fluid in the brake fluid reservoir falls below the specified level.

The light should go out after starting the engine and fully releasing the parking brake, if the fluid level in the brake fluid reservoir is adequate.

The light also comes on together with the ABS warning light when the rear brake

force control function (proportioning valve function) of the ABS system fails.

If the brake system warning light comes on while you are driving the vehicle, it may mean that there is something wrong with the vehicle's brake system.

If this happens:

- 1) Pull off the road and stop carefully.

⚠ WARNING

Remember that stopping distance may be longer, you may have to push harder on the pedal, and the pedal may go down farther than normal.

- 2) Test the brakes by carefully starting and stopping the vehicle on the shoulder of the road.
- 3) If you determine that it is safe, drive the vehicle cautiously at low speed to the nearest an authorised Maruti Suzuki workshop for repairs or tow the vehicle to the nearest an authorised Maruti Suzuki workshop for repairs.

⚠ WARNING

If any of the following conditions occur, you should immediately ask an authorised Maruti Suzuki workshop to inspect the brake system.

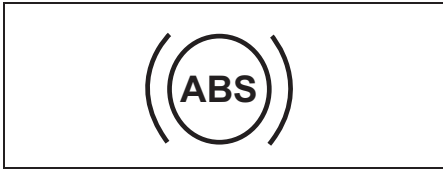
- If the brake system warning light does not go out after the engine has been started and the parking brake has been fully released.
- If the brake system warning light does not come on when the ignition switch is turned to "ON" position or the engine switch is pressed to change the ignition mode to "ON".
- If the brake system warning light comes on at any time during vehicle operation.

NOTE:
Because the brake system is self-adjusting, the fluid level will drop as the brake pads become worn. Replenishing the brake fluid reservoir is considered normal periodic maintenance.

NOTE:
Parking brake reminder buzzer
A buzzer sounds intermittently to remind you to release the parking brake if you start the vehicle without releasing the parking brake. Check that the parking brake is fully released and the brake system warning light turns off.

BEFORE DRIVING

Anti-lock brake system (ABS) warning light



65D529

When the ignition switch is turned to "ON" position or the engine switch is pressed to change the ignition mode to "ON", this light comes on briefly so you can check that the light is working.

If the light stays on or comes on when driving, there may be something wrong with the ABS.

If this happens:

- 1) Pull off the road and stop carefully.
- 2) Turn the ignition switch to "LOCK" or change the ignition mode to "LOCK" (OFF) by pressing the engine switch and then start the engine again.

If the warning light comes on briefly and then turns off, the system is normal. If the warning light still stays on, something is wrong with the system.

If the light and the brake system warning light stay on or come on simultaneously when driving, your ABS system is equipped with the rear brake force control function (proportioning valve function) and there may be something wrong with both

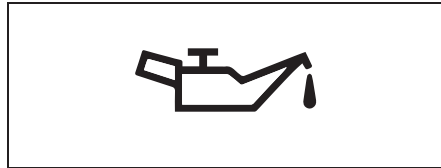
the rear brake force control function and the anti-lock function of the ABS system.

If one of the above occurs, have the system inspected by an authorised Maruti Suzuki workshop.

If the ABS becomes inoperative, the brake system will function as an ordinary brake system that does not have this ABS system.

For details of ABS system, refer to "Anti-lock brake system (ABS)" in "OPERATING YOUR VEHICLE" section.

Oil pressure light



50G051

When the ignition switch is turned to "ON" position or the engine switch is pressed to change the ignition mode to "ON", this light comes on. When the engine is started, the light goes out. The light will come on and remain on if there is insufficient oil pressure. If the light comes on when driving, pull off the road as soon as you can and stop the engine.

Check the oil level and add oil if necessary. If there is enough oil, the lubrication system should be inspected by an authorised

Maruti Suzuki workshop before you drive the vehicle again.

NOTICE

- If you operate the engine with this light on, severe engine damage can result.
- Do not rely on the oil pressure light to indicate the need to add oil. Periodically check the engine oil level.

ESP® Warning Light (if equipped)



56RM02033

ESP® is a registered trademark of Daimler AG.

This light blinks 5 times per second when one of the following systems is activated.

- Stability control system
- Traction control system

If this light blinks, drive carefully.

When the ignition is pushed to "ON" mode, the light comes on briefly so you can check that the light is working. If the light stays on or comes on when driving, there may be something wrong with the ESP® systems

BEFORE DRIVING

(other than ABS). You should have the system inspected by a Maruti Suzuki authorised workshop.

For details of the ESP® systems, refer to “Electronic Stability Program (ESP®) (if equipped)” in “OPERATING YOUR VEHICLE” section.

⚠ WARNING
The ESP® systems cannot prevent accidents. Always drive carefully.

ESP® OFF Indicator Light (if equipped)



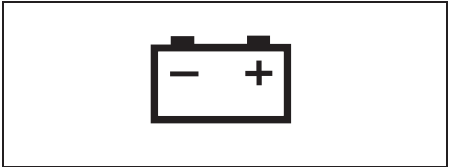
56RM02034

When the ignition is pushed to “ON” mode, this light comes on briefly so you can check that the light is working.

When the ESP® OFF switch is pushed to turn off the ESP® systems (other than ABS), the ESP® OFF indicator light comes on and stays on.

For details of the ESP® systems, refer to “Electronic Stability Program (ESP®) (if equipped)” in “OPERATING YOUR VEHICLE” section.

Charging light



50G052

When the ignition switch is turned to “ON” position or the engine switch is pressed to change the ignition mode to “ON”, this light comes on. When the engine is started, the light goes out. The light will come on and remain on if there is something wrong with the battery charging system. If the light comes on when the engine is running, the charging system should be inspected immediately by an authorised Maruti Suzuki workshop.

Seat belt reminder light



60G049

When the driver and/or passenger (front passenger and/or rear passenger*) do(does) not buckle his or her seat belt, this light will come on and/or blink.

For details about the seat belt reminder, refer to “Seat Belts and Child Restraint Systems” in this section.

*: If equipped

NOTE:
Along with the seat belt reminder light, a reminder message shall also come on the information display (if equipped), for unrestrained driver and/or front passenger.

AIRBAG light



63J030

When the ignition switch is turned to “ON” position or the engine switch is pressed to change the ignition mode to “ON”, this light blinks or comes on for several seconds so you can check that the light is working.

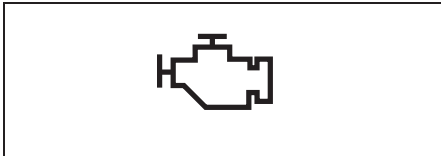
The light will come on and stay on if there is a problem in the air bag system or the seat belt pretensioner system.

BEFORE DRIVING

WARNING

If AIR BAG light does not blink or come on briefly when the ignition switch is turned to "ON" position or the engine switch is pressed to change the ignition mode to "ON", stays on for more than 10 seconds, or comes on while driving, the air bag system or the seat belt pretensioner system may not work properly, which could result in serious injury in the event of a crash. Have both systems inspected by an authorised Maruti Suzuki workshop.

Malfunction indicator light



65D530

Your vehicle has a computer-controlled emission control system. A malfunction indicator light is provided on the instrument cluster to indicate when it is necessary to have the emission control system serviced. When the ignition switch is turned to "ON" position or the engine switch is pressed to change the ignition mode to "ON", this light comes on. When the engine is started, the light goes out.

2-99

If the malfunction indicator light comes on or blinks when the engine is running, there is a damage in the emission control system. Bring the vehicle to an authorised Maruti Suzuki workshop to have the damage fixed.

Also, if this light comes on when the engine is running, there is a problem with the Auto Gear Shift system. Ask an authorised Maruti Suzuki workshop to have the system inspected.

NOTICE

Continuing to drive the vehicle when the malfunction indicator light is on or blinking can cause permanent damage to the vehicle's emission control system, and can affect fuel economy and driveability.

Transaxle warning light (if equipped)



80J219

When the ignition switch is turned to "ON" position or the engine switch is pressed to change the ignition mode to "ON", this light

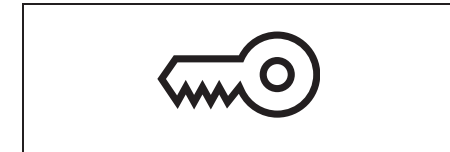
comes on for several seconds so you can check that the light is working.

If this light comes on when the engine is running, there is a problem with the Auto Gear Shift system. Ask an authorised Maruti Suzuki workshop to have the system inspected.

NOTE:

If the Auto Gear Shift clutch temperature becomes too high, this light will blink. Stop the vehicle in a safe place and let the system cool down.

Immobilizer/keyless push start system warning light



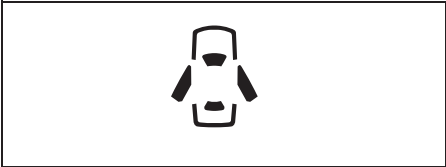
80JM122

When the ignition switch is turned to "ON" position or the engine switch is pressed to change the ignition mode to "ON", this light comes on briefly so you can check that the light is working. If this light stays on or blinks, there is a problem with the system.

If this light still stays on even if you start the engine with normal voltage of the vehicle battery, ask an authorised Maruti Suzuki workshop to have the system inspected.

BEFORE DRIVING

Open door warning light



54G391

This light remains on until all doors are completely closed.

If any door is open when the vehicle is moving, a ding sounds to remind you to close all doors completely.

Low fuel warning light



54G343

If this light comes on, refuel the fuel tank as soon as possible.

When this light comes on, a ding sounds once to remind you to refuel.

If you do not refuel, a ding sounds every time when the ignition switch is turned to "ON" position or the engine switch is pressed to change the ignition mode to "ON".

NOTE:
The activation point of this light varies depending on road conditions (for example, slope or curve) and driving conditions because of fuel movement in the tank.

Electric power steering light



79J039

When the ignition switch is turned to "ON" position or the engine switch is pressed to change the ignition mode to "ON", this light comes on. When the engine is started, the light goes out.

If this light comes on while driving, the power steering system may not work properly. Have the system inspected by an authorised Maruti Suzuki workshop.

NOTE:
The following steering wheel operations may gradually take more effort while parking or driving at a very low speed. This is not a malfunction of the steering system, but the power steering control system limits the power assist in order to prevent it from overheating.

- The steering wheel is operated very often.

- The steering wheel is kept in a fully turned position for a long while. When the power steering control system cools down, the power steering system will return to its original condition. However, repeating these operations could cause damage to the power steering system.

NOTE:
If the power steering system does not work properly, it will require greater effort to steer, but you still will be able to steer.

NOTE:
If the steering is operated, you may hear noise caused by electric power steering operation. This is normal and indicates that the power steering system works properly.

Engine coolant temperature warning light



54G344

When the ignition switch is turned to "ON" position or the engine switch is pressed to change the ignition mode to "ON", this light comes on briefly so you can check that the light is working.

BEFORE DRIVING

This indicator has the following two following functions.

Low engine coolant temperature light (blue color)

This light stays on while the engine is still cold and goes off when the engine has warmed up.

If this light blinks, there is a problem with the system. Have your vehicle inspected by an authorised Maruti Suzuki workshop.

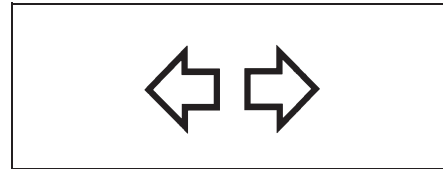
High engine coolant temperature warning light (red color)

If this light blinks while driving, it means the engine is running hot. Avoid driving conditions that may lead to actual overheating. If the light stays on without blinking, then the engine is overheating. Follow the instructions in "Engine trouble: Overheating" of "EMERGENCY SERVICE" section.

NOTICE

Continuing to drive the vehicle when engine overheating is indicated can result in severe engine damage.

Turn signal indicators



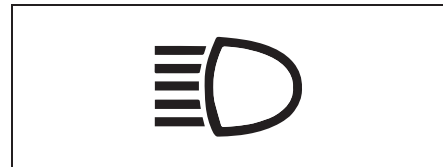
50G055

When you turn on the left or right turn signals, the corresponding green arrow on the instrument cluster will flash along with the respective turn signal lights. When you turn on the hazard warning switch, both arrows will flash along with all of the turn signal lights.

NOTE:

If any abnormality of the turn signals is observed, such as fast blinking, there may be malfunction in the turn signal system. Ask your Maruti Suzuki authorised workshop to inspect the system.

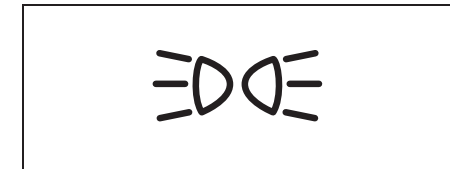
Main beam (high beam) indicator light



50G056

This indicator comes on when headlight main beams (high beams) are turned on.

Illumination indicator light (if equipped)



64J045

This indicator light comes on while the position lights, tail light and/or the headlights are on.

Front fog light indicator light (if equipped)



68PM00268

The front fog light indicator light comes on when the front fog light operates.

BEFORE DRIVING

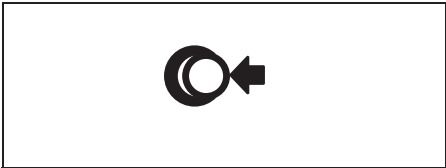
Steering lock indicator light (if equipped)



56RH00247

If this light comes on, the steering lock is not disengaged. While lightly turning the steering wheel in both directions, press the engine switch again.

“PUSH” indicator light (if equipped)



82K174

If this light comes on when depressing the brake pedal for Auto Gear Shift vehicles, or the clutch pedal for manual transaxle vehicles, you can start the engine.

“ACC” indicator light (if equipped)



82K097

This light comes on when the ignition mode is “ACC”.

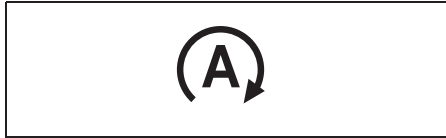
Ignition “ON” indicator light (if equipped)



82K098

This light comes on when the ignition mode is “ON” with the engine off.

ENG A-STOP Indicator Light (if equipped)



56RM02035

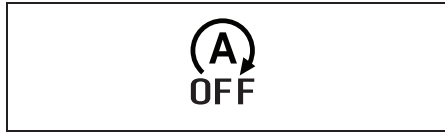
When the ignition switch is turned to “ON” position or the engine switch is pressed to change the ignition mode to “ON”, this light

comes on briefly so you can check that the light is working

When the engine stops automatically, this light comes on.

For details, refer to “ENG A-STOP System (Engine Auto Stop Start System)” in “OPERATING YOUR VEHICLE” section.

ENG A-STOP OFF Light (if equipped)



56RM02036

When the ignition switch is turned to “ON” position or the engine switch is pressed to change the ignition mode to “ON”, this light comes on briefly so you can check that the light is working.

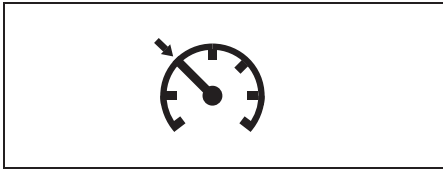
When you push the ENG A-STOP OFF switch, this light comes on.

If this light blinks when driving, there may be something wrong with the ENG A-STOP system. You should have the system inspected by a Maruti Suzuki authorised workshop.

For details, refer to “ENG A-STOP System (Engine Auto Stop Start System)” in “OPERATING YOUR VEHICLE” section

BEFORE DRIVING

Cruise control indicator light (if equipped)



64MM02015

When the cruise control is on, this light will be on.

“SET” indicator light (if equipped)



65D474

When a cruising speed of the cruise control is set, this light will be on.

Depress brake pedal indicator (if equipped)



76MH0A047

Refer to “Auto Gear Shift” in the “OPERATING YOUR VEHICLE” section for details.

2-103

Lighting control lever

EXAMPLE



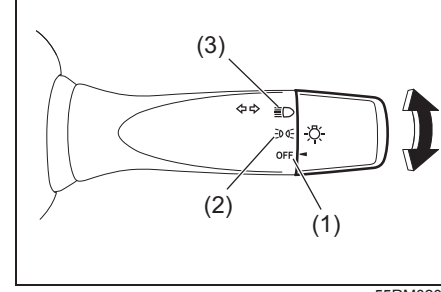
65D611S

WARNING

To avoid possible injury, do not operate controls by reaching through the steering wheel.

Lighting operation

EXAMPLE



55RM02041

To turn the lights on or off, twist the knob on the end of the lever. There are three positions:

(1)

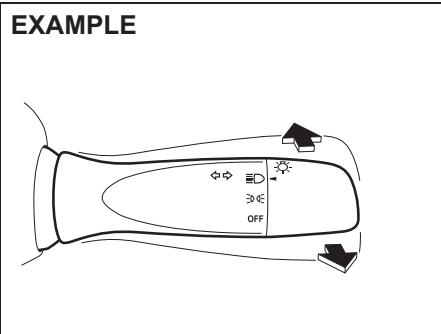
All lights are off.

(2)

Front position lights, tail lights, license plate light and instrument lights are on, but headlights are off.

(3)

Front position lights, tail lights, license plate light, instrument lights and headlights are on.



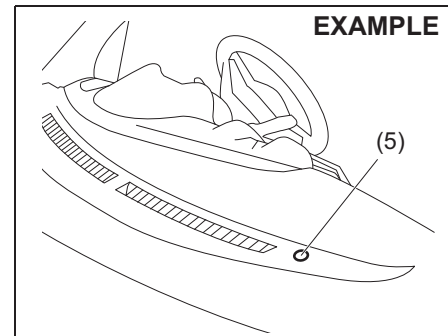
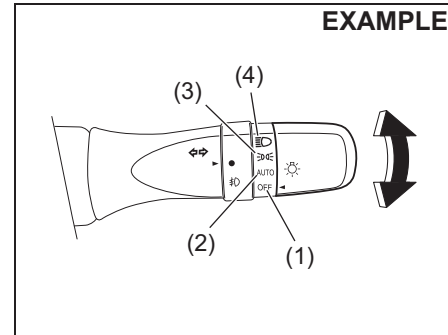
EXAMPLE

With the headlights on, push the lever forward to switch to the high beams (main beams) or pull the lever toward you to switch to the low beams. When the high beams (main beams) are on, a light on the instrument cluster will come on. To momentarily activate the high beams (main beams) as a passing signal, pull the lever slightly toward you and release it when you have completed the signal.

NOTICE

Do not leave the headlamp ON in any position when the engine is not running, or the battery will discharge rapidly.

Automatic light operation (if equipped)



To turn the lights on or off, twist the knob on the end of the lever. There are four positions:

OFF (1)

All lights are off.

AUTO (2)

This function works when the engine switch is pressed to change the ignition mode to "ON". The headlights and position lights are turned on and off automatically according to the amount of outside light detected by a sensor. They go out automatically when you change the ignition mode to "ACC" or "LOCK" (OFF) by pressing the engine switch.

The light sensor (5) for sensing the amount of outside light is installed on the passenger's seat side instrument panel.

CAUTION

If the light sensor area of the windshield is covered with mud, ice, or other similar substances, the headlights and position lights may be turned on even when it is still light outside.

Before removing such substances from the windshield, always set the wiper control lever to the "OFF" position. If the lever is left in the "AUTO" position, the wipers could unexpectedly operate and cause injury, and could also be damaged.

BEFORE DRIVING

NOTE:

- Avoid covering the light sensor area of the windshield with a sticker. The sticker may impair the performance of the sensor and make the system unable to control operation of the lights correctly.
- If you changed the ignition mode to "ON" by pressing the engine switch and "AUTO" position remains selected, the headlights and position lights come on automatically as it gets dark outside, even with the engine not running. Leaving the lights lit for a long time may lead to a completely discharged battery.

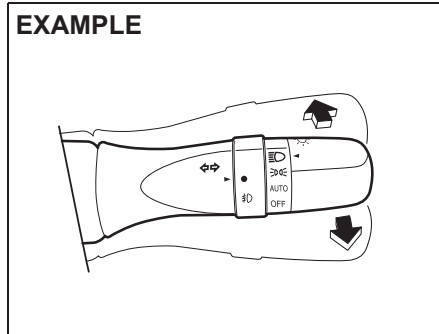
☞ (3)

Front position lights, tail lights, license plate light and instrument lights are on, but headlights are off.

☞ (4)

Front position lights, tail lights, license plate light, instrument lights and headlights are on.

EXAMPLE



56RH00252

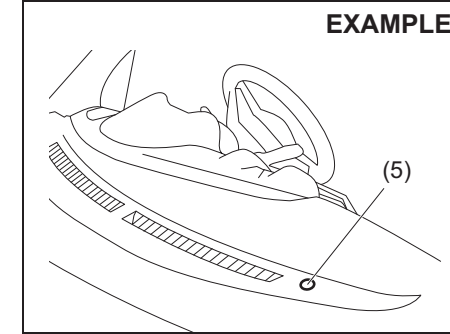
With the headlights on, push the lever forward to switch to the high beams (main beams) or pull the lever toward you to switch to the low beams. When the high beams (main beams) are on, a light on the instrument cluster will come on. To momentarily activate the high beams (main beams) as a passing signal, pull the lever slightly toward you and release it when you have completed the signal.

NOTICE

Do not leave the headlamp ON in any position when the engine is not running, or the battery will discharge rapidly.

Auto-on headlight system

EXAMPLE



56RH00251

The auto-on headlight system automatically turns on all lights that are operated by the lighting control lever on the steering column, when the following three conditions are all met.

Conditions for auto-on headlight system operation:

- 1) It is dark around the light sensor (5).
- 2) The lighting control lever is in "AUTO" position.
- 3) You press the engine switch to change the ignition mode to "ON".

This system is activated by a signal from the light sensor (5) on the passenger side of instrument panel. Do not cover the sensor (5). Otherwise, the system will not work correctly.

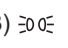

BEFORE DRIVING

Your vehicle's lighting system is controlled by two main systems: the lighting switch and the auto-on headlight system (when the lighting switch is in "AUTO" position). The two systems work together to operate your lights as shown in the following chart:

ON: Lights ON

LIGHT: When it is light around the light sensor (5).

DARK: When it is dark around the light sensor (5).

Lighting switch position	Main lights to be operated	Ignition mode "LOCK" (OFF) or "ACC"		Ignition mode "ON"	
		LIGHT	DARK	LIGHT	DARK
(1) OFF	Position lights, Tail lights	-	-	-	-
	Headlights	-	-	-	-
(2) AUTO	Position lights, Tail lights	-	-	-	ON
	Headlights	-	-	-	ON
(3) 	Position lights, Tail lights	ON	ON	ON	ON
	Headlights	-	-	-	-
(4) 	Position lights, Tail lights	ON	ON	ON	ON
	Headlights	ON	ON	ON	ON

BEFORE DRIVING

WARNING

It takes about 5 seconds for the light sensor to react to a change in lighting conditions. To help avoid an accident due to reduced visibility, turn on your headlights before driving into a tunnel, parking structure, etc.

NOTE:

The light sensor reacts even to infrared rays, so it may operate incorrectly when there are strong infrared rays.

Light reminder buzzer

The interior buzzer continuously beeps if you open the driver's door without turning off the headlights and position lights. This function is triggered under the following condition:

The headlights and/or position lights are on even after the ignition switch is turned to "OFF", or the engine switch is pressed to change the ignition mode to "LOCK" (OFF).

The buzzer stops sounding when you turn off the headlights and position lights.

Daytime running light (D.R.L.) system (if equipped)

When the engine is started, the daytime running lights are turned on by this system.

Conditions for D.R.L. system operation

- 1) The engine is running.
- 2) Headlights and front fog light (if equipped) are off.

NOTE:

Brightness of the daytime running lights is different from the brightness of the position lights, but it is not a malfunction.

Guide me light (vehicle with automatic lights operation)

Guide me light has two functions of "To home" and "To car" for improving your visibility in the dark.

"To home" function

Even after you leave the car, the ground will be illuminated for a short while with this function. You can turn on the front position lights and the headlights in the low beam setting for about 10 seconds after the engine switch is pressed to change the ignition mode to "LOCK" (OFF).

To set the function:

- 1) Turn the lighting switch to "AUTO" position.
- 2) Press the engine switch to change the ignition mode to "LOCK" (OFF).

- 3) Pull the lighting control lever toward you once and open the driver's side door within 60 seconds. Or pull the lighting control lever toward you once while the driver side door is open.

To cancel the function:

Perform any of the following operations.

- Pull the lighting control lever toward you once.
- Change the ignition mode to "ACC" or "ON" by pressing the engine switch.
- Turn the lighting switch to any other position than "AUTO" position.

NOTE:

- *When the "To home" is functioning, the front fog lights and the headlights (high beam) are not turned on.*
- *Lighting time of the "To home" function can be changed on the information display. Refer to "Information display" in this section.*

"To car" function

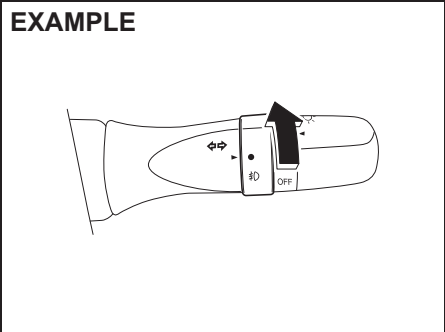
Before you get in the vehicle, the ground will be illuminated for a short while to easily lead the driver to the vehicle. If UNLOCK button of the keyless push start system remote controller is pressed while the lighting switch is positioned in "AUTO", the front position lights and the headlights in the low beam are turned on for 10 seconds.

- To cancel the function:
Perform any of the following operations.
- Lock the doors by using the keyless push start system remote controller or the request switch, or the key in the driver's door lock.
 - Change the ignition mode to "ACC" or "ON" by pressing the engine switch.
 - Turn the lighting switch to any other position than "AUTO" position.

NOTE:

- When the "To car" is functioning, the front fog lights and the headlights (high beam) are not turned on.
- Lighting time of the "To car" function can be changed on the information display. Refer to "Information display" in this section.

Front fog light switch (if equipped)

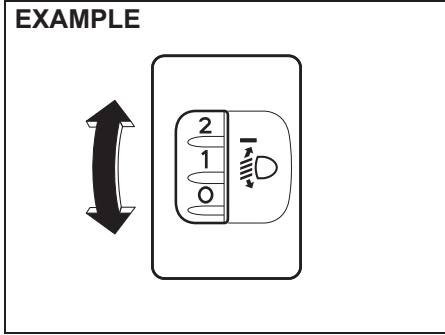


56RH00253

To turn the front fog light on, twist the knob as shown in the illustration with the position lights, tail lights and/or the headlights are on. When the front fog light is on, an indicator light on the instrument cluster will come on.

NOTE:
In some countries the lighting operation may be different from the above description according to local regulations.

Headlight leveling switch



75RM008

Level the headlight beam according to the load condition of your vehicle by turning this switch. The chart shows the appropriate switch position for different vehicle load conditions.

BEFORE DRIVING

Vehicle with the halogen headlights

Vehicle Load Condition	Switch Position
Driver only	0
Driver + 1 passenger (in front seat)	0
Driver + 4 passengers, no cargo	2
Driver + 4 passengers, cargo added	2.5
Driver + full cargo	3.5

Vehicle with the LED headlights

Vehicle Load Condition	Switch Position
Driver only	0
Driver + 1 passenger (in front seat)	0
Driver + 4 passengers, no cargo	2
Driver + 4 passengers, cargo added	2.5
Driver + full cargo	3.5

Vehicle with the halogen headlights (for CNG Models)

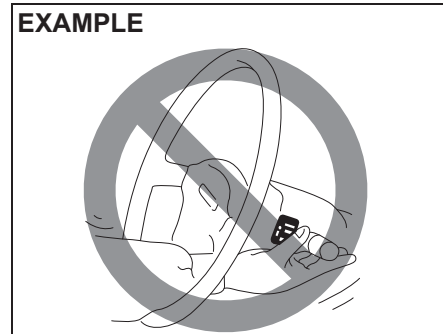
Vehicle Load Condition	Switch Position
Driver only	0
Driver + 1 passenger (in front seat)	0
Driver + 4 passengers, no cargo	1.0
Driver + 4 passengers, cargo added*	NA
Driver + full cargo*	NA

NA= Not Applicable

*- In case of CNG, luggage cannot be placed in trunk.

Turn signal control lever

EXAMPLE



65D611S

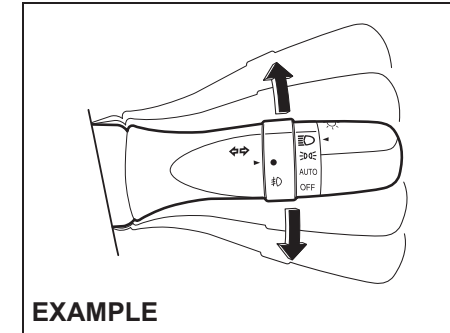
⚠ WARNING

To avoid possible injury, do not operate controls by reaching through the steering wheel.

Turn signal operation

With the ignition switch in "ON" position or the ignition mode "ON", move the lever upward or downward to activate the right or left turn signals.

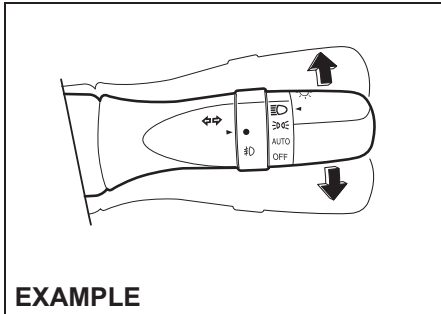
Normal turn signal



EXAMPLE

56RH00255

Move the lever all the way upward or downward to signal. When the turn is completed, the signal will cancel and the lever will return to its normal position.

Lane change signal**EXAMPLE**

56RH00256

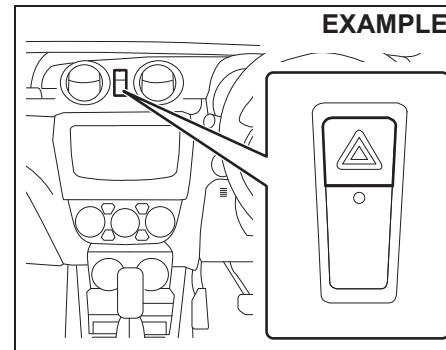
Move the lever partially upward or downward to turn right or left and hold the lever in the moved position.

- The turn signal and its indicator flash while the lever is held at the moved position.

The turn signal and its indicator flash 3 times even if you returned the lever immediately after the activation.

NOTE:

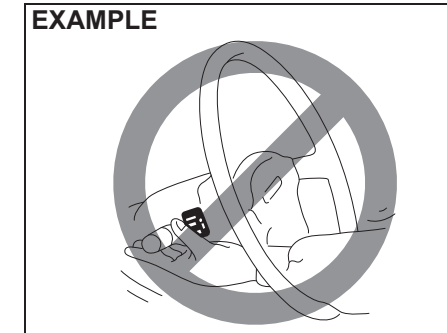
- *The turn signal and its indicator can be set whether they flash 3 times after the turn signal lever is returned via the information display. Refer to "Information display" in this section.*
- *You can customize the setting for the number of flashing times of the turn signal and its indicator (1 to 4 times). Please ask an authorised Maruti Suzuki workshop for the customization.*

Hazard warning switch

55RM02044

Push the hazard warning switch to activate the hazard warning lights. All turn signal lights and both turn signal indicators will flash simultaneously. To turn off the lights, push the switch again.

Use the hazard warning lights to warn other drivers of possible risk of traffic hazard when you park your vehicle in case of emergency.

Windshield wiper and washer lever

57L21128

⚠ WARNING

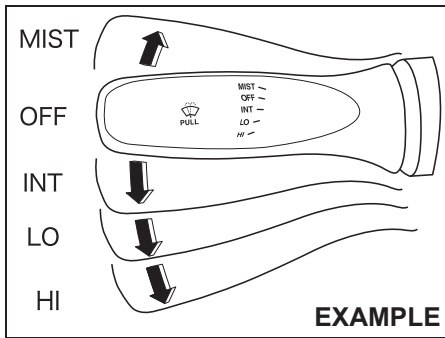
To avoid possible injury, do not operate controls by reaching through the steering wheel.

BEFORE DRIVING

Wiper and washer operation

When the ignition switch is in "ON" position or the ignition mode is "ON", you can use the wiper/washer lever.

Windshield wipers



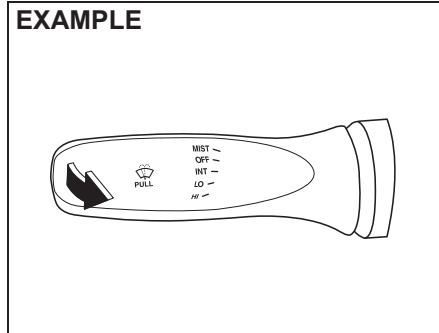
To turn the windshield wipers on, move the lever down to one of the three operating positions. In "INT" position, the wipers operate intermittently. The "INT" position is very convenient for driving in mist or light rain. In "LO" position, the wipers operate at a steady low speed. In "HI" position, the wipers operate at a steady high speed. To turn off the wipers, move the lever back to "OFF" position.

Move the lever up and hold it to "MIST" position, the windshield wipers will turn on continuously at low speed.

2-111

Windshield washer

EXAMPLE



To spray windshield washer fluid, pull the lever toward you. The windshield wipers will automatically turn on at low speed if they are not already on and your vehicle is equipped with "INT" position.

WARNING

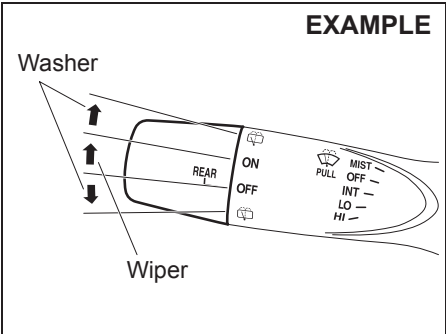
- To prevent windshield icing in cold weather, turn on the defroster to heat the windshield before and during windshield washer use.
- Do not use radiator antifreeze in the windshield washer reservoir. It can severely impair visibility when sprayed on the windshield, and can also damage your vehicle's paint.

NOTICE

To help prevent damage to the windshield wiper and washer system components, you should take the following precautions:

- Do not continue to hold in the lever when there is no windshield washer fluid being sprayed or the washer motor can be damaged.
- Do not attempt to remove dirt from a dry windshield with the wipers or you can damage the windshield and the wiper blades. Always wet the windshield with washer fluid before operating the wipers.
- Clear ice or packed snow from the wiper blades before using the wipers.
- Check the washer fluid level regularly. Check it often when the weather is bad.
- Fill a reservoir to 3/4 level with washer fluid for its expansion, if temperature falls low enough to freeze the fluid.

Rear window wiper/ Washer switch (if equipped)



66RH039

To turn the rear wiper on, twist the rear wiper switch on the end of the lever forward to "ON" position. To turn the rear wiper off, twist the switch rearward to "OFF" position.

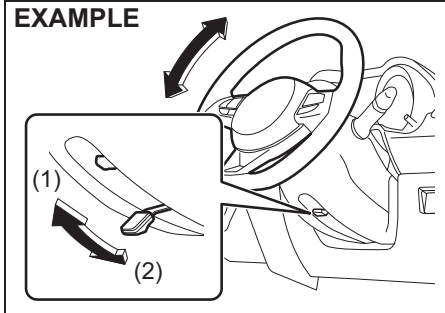
With the rear wiper in "OFF" position, twist the switch rearward and hold it there to spray window washer fluid.

With the rear wiper in "ON" position, turn the switch forward and hold it there to spray window washer fluid.

NOTICE

Clear ice or snow from the rear window and rear wiper blade before using the rear wiper. Accumulated ice or snow could prevent the wiper blade from moving, causing damage to the wiper motor.

Tilt steering lock lever



55RM02045

- (1) LOCK
- (2) UNLOCK

The lock lever is located under the steering column. To adjust the steering wheel height:

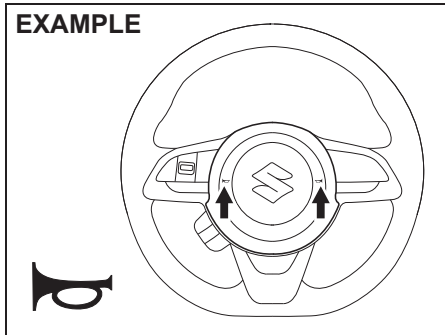
- 1) Push down the lock lever to unlock the steering column.
- 2) Adjust the steering wheel to the desired height and lock the steering column by pulling up the lock lever.
- 3) Try moving the steering wheel up and down to check that it is securely locked in position.

⚠ WARNING

Never attempt to adjust the steering wheel while the vehicle is moving or you could lose control of the vehicle.

BEFORE DRIVING

Horn

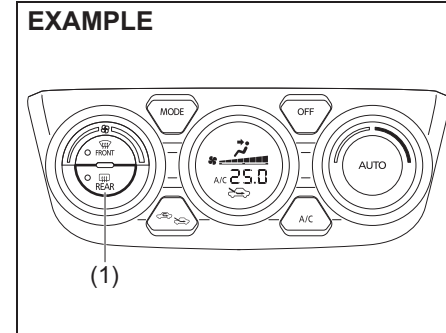


56RH00261

Press the horn button of the steering wheel to sound the horn. The horn will sound with the ignition switch in any position or any ignition mode.

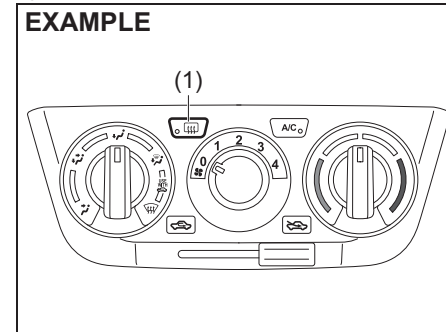
Heated rear window switch (if equipped)

Type A



55RM02046

Type B



56RH00273

When the rear window is misted, push this switch (1) to clear the window.

An indicator light will come on when the defogger is on. The defogger will work only when the engine is running. To turn off the defogger, push the switch (1) again.

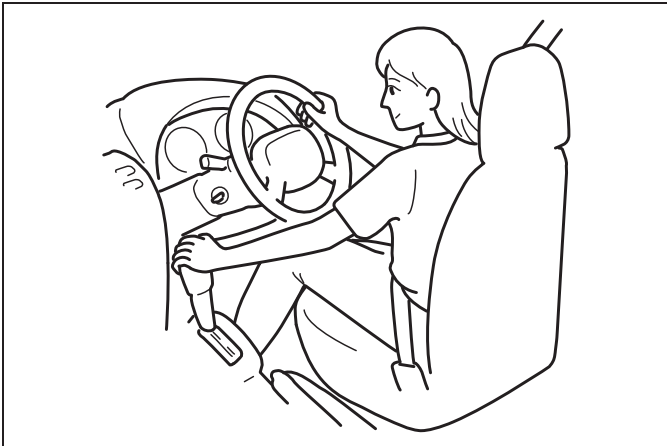
NOTICE

The heated rear window use a large amount of electricity. Turn off the switch after the window and mirrors have become clear.

NOTE:

- *The defogger will work only when the engine is running.*
- *The defogger will automatically turn off after the defogger remains on for 15 minutes to prevent discharging of the battery.*

OPERATING YOUR VEHICLE



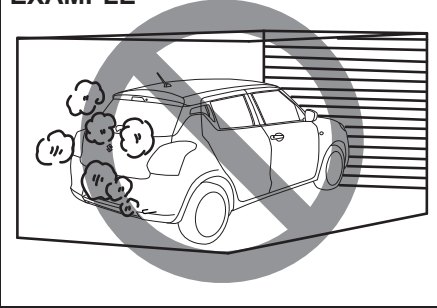
60G408

- Exhaust gas warning 3-1
- Daily inspection checklist 3-1
- Engine oil consumption 3-2
- Ignition switch
(vehicle without keyless push start system) 3-3
- Engine switch
(vehicle with keyless push start system) 3-5
- Keyless push start system (if equipped) 3-6
- Parking brake lever 3-9
- Pedal 3-10
- Starting engine
(vehicle without keyless push start system) 3-11
- Starting engine
(vehicle with keyless push start system) 3-12
- Using transaxle 3-15
- Gearshift Indicator (if equipped) 3-25
- ENG A-STOP System (Engine Auto Stop
Start System) (if equipped) 3-27
- Cruise Control (if equipped) 3-36
- Setting Cruising Speed 3-36
- Parking sensors 3-38
- Rearview camera (if equipped) 3-43
- Braking 3-46
- Electronic Stability Program (ESP®) (if equipped) 3-48

OPERATING YOUR VEHICLE

Exhaust gas warning

EXAMPLE



55RM03001

⚠ WARNING

Avoid breathing exhaust gases. Exhaust gases contain carbon monoxide, a potentially lethal gas that is colorless and odorless. Since carbon monoxide is difficult to detect by itself, take the following precautions to help prevent carbon monoxide from entering your vehicle.

- Do not leave engine running in garages or confined areas, with passengers inside. This may result in accumulation of carbon-monoxide in cabin and may lead to suffocation or breathing problems and lead to death.

(Continued)

⚠ WARNING

(Continued)

- Do not park with the engine running for a long period of time, even in an open area. In case of long periods, danger of choking and death on being inside the vehicle is a possibility when the engine is running. If it is necessary to sit for a short time in a parked vehicle with the engine running, make sure that the air intake selector is set to "FRESH AIR" and the blower is at high speed.
- Avoid operating the vehicle with the tailgate open. If it is necessary to do so, make sure that all windows are closed, and the blower is at high speed with the air intake selector set to "FRESH AIR".
- To allow proper operation of your vehicle's ventilation system, keep the air inlet grill in front of the windshield clear of snow, leaves or other obstructions at all times.
- Keep the exhaust tailpipe area clear of snow and other material to help reduce the buildup of exhaust gases under the vehicle. This is particularly important when parked in blizzard conditions.
- Have the exhaust system inspected periodically for damage and leakage. Any damage or leakage should be repaired immediately.

Daily inspection checklist

Before driving

EXAMPLE



55RM03002

- 1) Make sure that windows, mirrors, lights and reflectors are clean and unobstructed.
- 2) Visually check the tires for the following points:
 - the depth of the tread groove
 - abnormal wear, cracks and damage
 - loose wheel nuts
 - existence of foreign material such as nails, stones, etc.Refer to "Tires" in "INSPECTION AND MAINTENANCE" section for details.
- 3) Look for fluid and oil leakage.

OPERATING YOUR VEHICLE

NOTE:

It is normal for water to drip from the air conditioning system while and after use.

- 4) Make sure that the hood is fully closed and latched.
- 5) Check the headlights, turn signal lights, brake lights and horn for proper operation.
- 6) Adjust the seat and head restraint (if equipped).
- 7) Check the brake pedal and the parking brake lever.
- 8) Adjust the mirrors.
- 9) Make sure that you and all passengers have properly fastened by the seat belts.
- 10) Make sure that all warning lights come on as the ignition switch is turned to "ON" position or the engine switch is pressed to change the ignition mode to "ON".
- 11) Check all gauges.
- 12) Make sure that the brake system warning light turns off when the parking brake is released.

Once a week, or each time you fill your fuel tank or before a long distance driving (like highway driving), perform the following under-hood checks:

- 1) Engine oil level
- 2) Coolant level
- 3) Brake fluid level
- 4) Battery electrolyte level
- 5) Windshield washer fluid level
- 6) Hood latch operation

Pull the hood release handle inside the vehicle. Check that you cannot open the hood further without releasing the secondary latch. Close the hood securely after checking for proper latch operation. See the item "All latches, hinges and locks" of "Chassis, body and others" in "Maintenance schedule" in "INSPECTION AND MAINTENANCE" section for lubrication schedule.

WARNING

Make sure that the hood is fully closed and latched before driving. If it is not, it can fly up unexpectedly during driving, obstructing your view and resulting in an accident.

Once a month, or each time you fill your fuel tank or before a long distance driving (like highway driving), check the tire pressure using a tire pressure gauge. Also check the tire pressure of the spare tire.

Engine oil consumption

It is normal for the engine to consume some engine oil during normal vehicle operation.

The amount of engine oil consumption depends on viscosity of the oil, quality of the oil and your driving conditions.

More oil is consumed during high-speed driving and when there is frequent acceleration and deceleration. Under high loads, your engine also will consume more oil.

A new engine also consumes more oil, since its pistons, piston rings and cylinder walls have not yet become conditioned. New engines reach the normal level of oil consumption only after approximately 5000 km driving.

Oil consumption:

Max. 1.0 L per 1000 km

When judging the amount of oil consumption, note that the oil may become diluted and it is difficult to judge the accurate oil level.

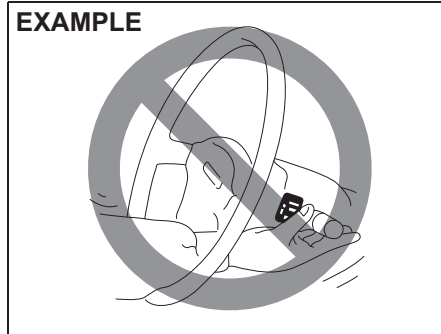
As an example, if a vehicle is used for repeated short trips, and consumes a normal amount of oil, the dipstick may not show any drop in the oil level at all, even after 1000 km or more of driving. This is because the oil gradually becomes diluted with fuel or moisture, making it appear that the oil level has not changed.

OPERATING YOUR VEHICLE

You should also be aware that the diluting ingredients evaporate out when the vehicle is subsequently driven at high speeds, such as on an expressway, making it appear that oil is excessively consumed after high-speed driving.

Ignition switch (vehicle without keyless push start system)

EXAMPLE

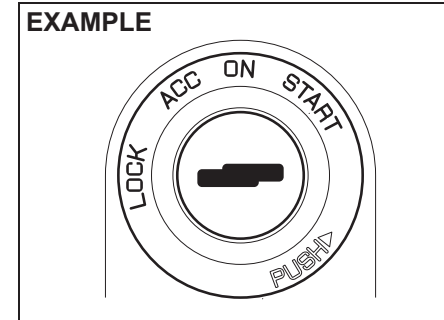


65D611S

⚠ WARNING

To avoid possible injury, do not operate controls by reaching through the steering wheel.

EXAMPLE



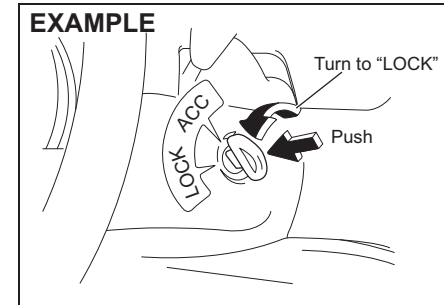
68PH00310

The ignition switch has the following four positions:

LOCK

This is the normal parking position. It is the only position in which the key can be removed.

EXAMPLE



64MM03008

OPERATING YOUR VEHICLE

You must push in the key to turn it to "LOCK" position. It locks the ignition, and prevents normal use of the steering wheel after the key is removed.

To release the steering lock, insert the key and turn it clockwise to one of the other positions. If you have trouble turning the key to unlock the steering wheel, try turning the steering wheel slightly to the right or left while turning the key.

ACC

Accessories such as the radio can operate, but the engine is off.

ON

This is the normal operating position. All electrical systems are on.

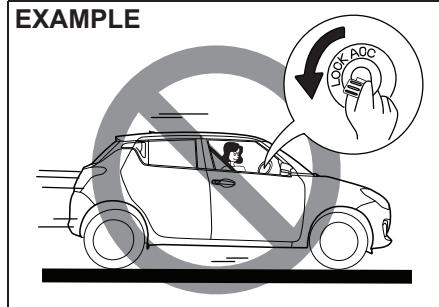
START

This is the position for starting the engine using the starter motor. The key should be released from this position as soon as the engine starts.

Ignition key reminder

A buzzer sounds intermittently to remind you to remove the ignition key if it is in the ignition switch when the driver's door is opened.

EXAMPLE



55RM03003

⚠ WARNING

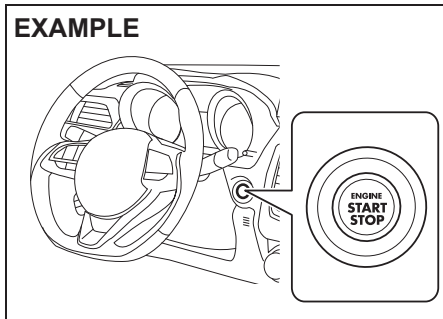
- Never return the ignition switch to "LOCK" position and remove the ignition key while the vehicle is moving. The steering wheel will lock and you will not be able to steer the vehicle.
- Always return the ignition switch to "LOCK" position and remove the ignition key when leaving the vehicle even only for a short time. Also do not leave children alone in a parked vehicle. Unattended children could cause accidental movement of the vehicle or could tamper with power windows. They also could suffer from heat stroke in warm or hot weather. These could result in severe injury or even death.

NOTICE

- Do not leave the ignition switch in "ON" position if the engine is not running as the battery will discharge.

OPERATING YOUR VEHICLE

Engine switch (vehicle with keyless push start system)



55RM03004

LOCK (OFF)

This mode is for parking the vehicle. When this mode is selected by pressing the engine switch and then any door (including tailgate) is opened or closed, the steering will be locked automatically.

ACC

Press the engine switch to select this ignition mode to use such electric equipment as the audio system, outside rearview mirrors and accessory socket with the engine off. When this position is selected, the "ACC" indicator light in the instrument cluster comes on. Refer to "Warning and indicator lights" in "BEFORE DRIVING" section for details.

3-5

ON

• With the engine off

You can use such electric equipment as the power windows and wipers with the engine off. When this ignition mode is selected by pressing the engine switch, the ignition "ON" indicator light in the instrument cluster will come on.

• With the engine on

All electric equipment is operational. The vehicle can be driven when you have selected this ignition mode by pressing the engine switch.

START

Manual transaxle – Provided you have the keyless push start system remote controller with you, the engine automatically starts when you press the engine switch to select this ignition mode after shifting to "N" (Neutral) and depressing the brake and clutch pedals.

Auto Gear Shift – Provided you have the keyless push start system remote controller with you, the engine automatically starts when you press the engine switch to select this ignition mode after placing the gearshift lever in "N" (Neutral) position and depressing the brake pedal.

NOTE:

You do not need to keep the engine switch pressed until the engine starts.

NOTICE

Do not leave the engine switch in "ACC" or "ON" mode when the engine is not running. Avoid using the radio or other electric accessories for a long time when the engine switch is in "ACC" or "ON" mode when the engine is not running, otherwise the battery may discharge.

NOTE:

- The steering lock may not be released and the steering lock indicator light turns on if some load is acting on the steering wheel. If this happens, turn the steering wheel to the right or left to relieve it from the load before you press the engine switch again to change to the desired ignition mode.
- In the presence of strong radio wave or noise, you may not be able to change the ignition mode to "ACC" or "ON" or to start the engine using the engine switch.

OPERATING YOUR VEHICLE

Keyless push start system (if equipped)

Provided the keyless push start system remote controller is within the interior workable area (refer to the related explanation in this section), you can use the engine switch for starting the engine and selecting an ignition mode ("ACC" or "ON"). In addition, the following functions can be used:

- Keyless entry function. Refer to "Keyless push start system remote controller / keyless entry system transmitter (if equipped)" in "BEFORE DRIVING" section for details.
- Locking and unlocking doors using a request switch. Refer to "Keyless push start system remote controller / keyless entry system transmitter (if equipped)" in "BEFORE DRIVING" section for details.
- Immobilizer (anti-theft) function. Refer to "Immobilizer system" in "BEFORE DRIVING" section for details.

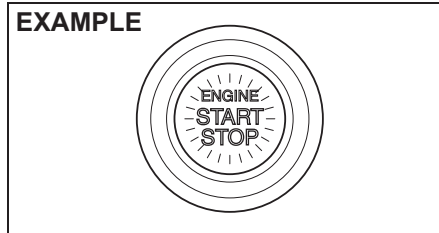
Engine switch illumination

The engine switch is illuminated (lit) in the following situations:

- When the engine is off and the driver's door is open, or for 15 seconds after the driver's door is closed. The illumination will fade out after 15 seconds passed.
- When the engine is off and the position lights are on. The illumination will go out when the position lights are turned off.
- When the engine is on and the position lights and/or the headlights are on. The

illumination will go out when the position lights and the headlights are turned off.

EXAMPLE



82K253

NOTE:

To save the battery, the illumination will be automatically turned off when both of the following conditions are simultaneously met:

- *The headlights and position lights are turned off.*
- *15 minutes has elapsed since opening the driver's door.*

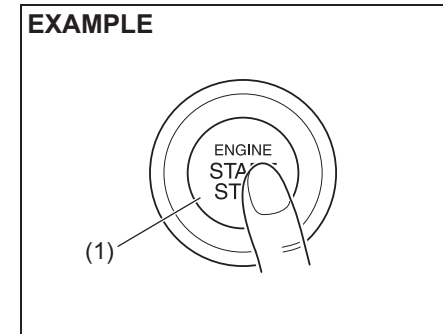
Selection of ignition modes

Press the engine switch to select "ACC" or "ON" mode as follows when you use an electric accessory or check the operation of instruments without running the engine.

- 1) Bring the keyless push start system remote controller with you and sit in the driver's seat.
- 2) Manual transaxle – Without depressing the clutch pedal, press the engine switch (1).

Auto Gear Shift – Without depressing the brake pedal, press the engine switch (1).

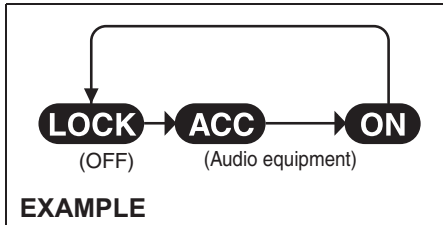
EXAMPLE



82K254

Every time you press the engine switch, the ignition mode changes as follows.

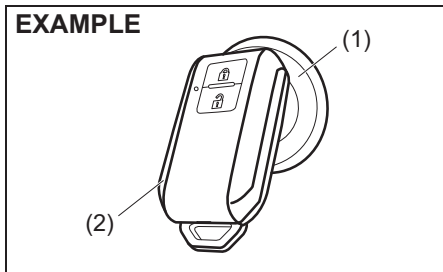
OPERATING YOUR VEHICLE



68PH00322

If the “PUSH” indicator light blinks and the ignition modes cannot be selected

Your keyless push start system remote controller may not be sensed as being within the interior workable area (refer to the related explanation in this section). Try again after checking that you have the remote controller with you. If the ignition modes still cannot be selected, the battery of the remote controller may be discharged. To select an ignition mode, you must then use the following method:



55RM03005

- 1) Manual transaxle – Without depressing the clutch pedal, push the engine switch (1).
Auto Gear Shift – Without depressing the brake pedal, press the engine switch (1).
- 2) Within about 10 seconds during which the “PUSH” indicator light in the instrument cluster is blinking, touch the engine switch with the lock switch end of the remote controller (2) for about 2 seconds.

NOTE:

- If you still cannot select the ignition modes, there may be some problem with the keyless push start system. Contact an authorised Maruti Suzuki workshop for an inspection of the system.
- The immobilizer/keyless push start system warning light will come on for about 5 seconds while the “PUSH” indicator light is blinking. Refer to “Warning and indicator lights” in “BEFORE DRIVING” section for details.
- You may customize the system to cause the interior buzzer to sound once for warning that remote controller is out of sensing range. To incorporate this customization, please contact an authorised Maruti Suzuki workshop.
- If the battery of the remote controller is becoming discharged, the keyless push start system remote controller battery consumption warning indicator in the information display will come on for a

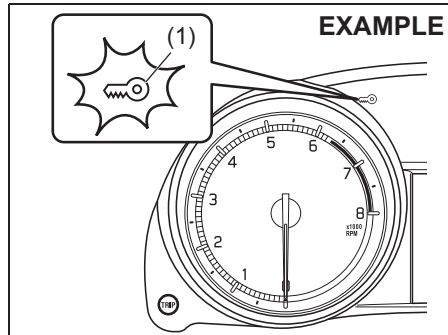
few seconds when you press the engine switch to change the ignition mode to “ON”. Refer to “Warning and indicator lights” in “BEFORE DRIVING” section for details. For details on replacing the battery, refer to “Keyless push start system remote controller / keyless entry system transmitter (if equipped)” in “BEFORE DRIVING” section.

REMOTE CONTROLLER OUTSIDE warning

When either of the conditions described below is met, the system causes a REMOTE CONTROLLER OUTSIDE warning by sounding the interior and exterior buzzers. At the same time, the immobilizer/keyless push start system warning light comes on.

- Any door is opened and then closed while the remote controller is not inside the vehicle and the engine is running or the ignition mode has been changed to “ACC” or “ON” by pressing the engine switch.
- The remote controller is not inside the vehicle when you attempt to start the engine after changing the ignition mode to “ACC” or “ON” by pressing the engine switch.

OPERATING YOUR VEHICLE



(1) Immobilizer/keyless push start system warning light (blinks)

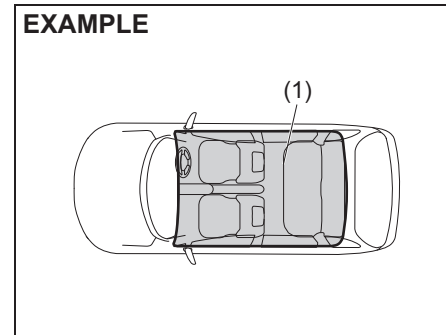
NOTE:

- If the warning is given, relocate the remote controller as soon as possible.
- Any attempt to start the engine will fail while the warning is active. Blinking of the immobilizer/keyless push start system warning light in the instrument cluster will also indicate this condition. Refer to "Warning and indicator lights" in "BEFORE DRIVING" section for details.
- Normally, the immobilizer/keyless push start system warning light should go out shortly after the remote controller is brought back inside the vehicle. If they remain lit and blinking, change the ignition mode to "LOCK" (OFF) by pressing the engine switch and then perform the engine starting operation. Refer to "Starting

engine (vehicle with keyless push start system) (if equipped)" in this section.

- Always keep the remote controller with you as the driver.

Interior workable area for keyless push start system



(1) Interior workable area

The interior workable area is defined as all the interior spaces except for the space above the instrument panel.

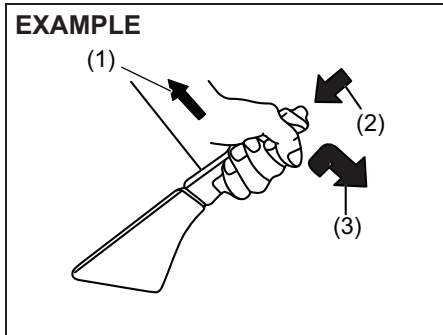
NOTE:

- Even when the remote controller is in the interior workable area, if it is in any of the following conditions, you may not be able to start the engine or select the ignition modes, and the REMOTE CONTROLLER OUTSIDE warning may be given.

- The remote controller's battery is low.
- The remote controller is affected by strong radio wave or noise.
- The remote controller is in contact with or covered by a metallic object.
- The remote controller is in the secluded stowage such as the glove box or a door pocket.
- The remote controller is in the sun visor pocket or on the floor.
- Even when the remote controller is outside the interior workable area, if it is in any of the following conditions, you may be able to start the engine or select the ignition mode. The REMOTE CONTROLLER OUTSIDE warning may not be given at that time.
 - The remote controller is outside the vehicle but very close to a door.
 - The remote controller is in certain area on the instrument panel.

OPERATING YOUR VEHICLE

Parking brake lever



- (1) To set
- (2) To release
- (3) To release

The parking brake lever is located between the front seats. To set the parking brake, depress the brake pedal down and pull the parking brake lever all the way up. To release the parking brake, depress the brake pedal and, pull up slightly on the parking brake lever, push the button on the end of the lever with your thumb, and lower the lever to its original position.

⚠ WARNING

- Never drive your vehicle with the parking brake on: rear brake effectiveness can be reduced from overheating, brake life may be shortened, or permanent brake damage may result.
- If the parking brake does not hold the vehicle securely or does not fully release, have your vehicle inspected immediately by an authorised Maruti Suzuki workshop.

⚠ WARNING

Always set the parking brake fully before leaving your vehicle or it may move, causing injury or damage. When parking, check that the gearshift lever is in one of the following positions;

- 1st gear or “R” (Reverse) for manual transaxle vehicles.
- “D”, “M” or “R” for Auto Gear Shift vehicles. Also, check the instrument cluster to make sure that the transaxle is engaged in “1” or “R” position.

Remember, even though the transaxle is in gear, you must set the parking brake fully.

⚠ WARNING

When parking the vehicle in extremely cold weather, the following procedure should be used:

- 1) Set the parking brake.
- 2) Manual transaxle – turn off the engine, then shift into reverse or first gear.
Auto Gear Shift – shift into reverse or first gear and check the gear position indicator in the instrument cluster to make sure that the transaxle is engaged in 1st or reverse, then turn off the engine.
- 3) Get out of the vehicle and put chocks under the wheels.
- 4) Release the parking brake.
When you return to your vehicle, first set the parking brake, and then remove the wheel chocks.

⚠ CAUTION

The hill hold control system will not activate while the parking brake is engaged.

NOTE:

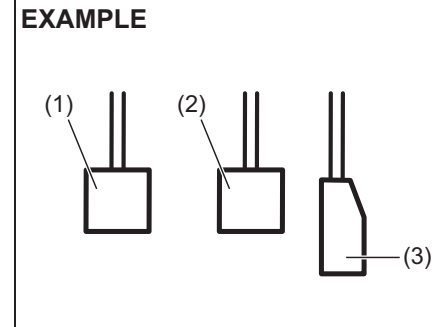
(For Auto Gear Shift vehicles) For details on how to use the gearshift lever to park the vehicle, refer to “Parking” in “Auto Gear Shift” in this section.

Parking brake reminder buzzer

A buzzer sounds intermittently to remind you to release the parking brake if you start the vehicle without fully releasing the parking brake. Check that the parking brake is fully released and the brake system warning light turns off.

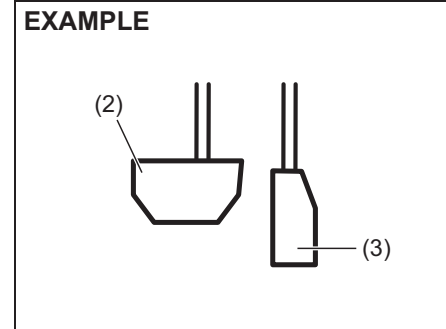
Pedal

Manual transaxle



80J2121

Auto Gear Shift



80J2122

Clutch pedal (1)

A clutch pedal is used to disengage the driving force to the wheels when starting the engine, stopping, or shifting the gear-shift lever. Depressing the pedal disengages the clutch.

⚠ WARNING

Do not drive with your foot resting on the clutch pedal. It could result in excessive clutch wear, clutch damage, or unexpected loss of engine braking.

Brake pedal (2)

Your MARUTI SUZUKI vehicle is equipped with front disc brakes and rear drum brakes. Depressing a brake pedal applies both sets of brakes.

You may hear occasional brake squeal when you apply the brakes. This is a normal condition caused by environmental factors such as temperature, humidity, snow or dust etc.

⚠ WARNING

If brake squeal is excessive and occurs each time the brakes are applied, you should have the brakes checked by your authorised Maruti Suzuki workshop.

OPERATING YOUR VEHICLE

⚠ WARNING

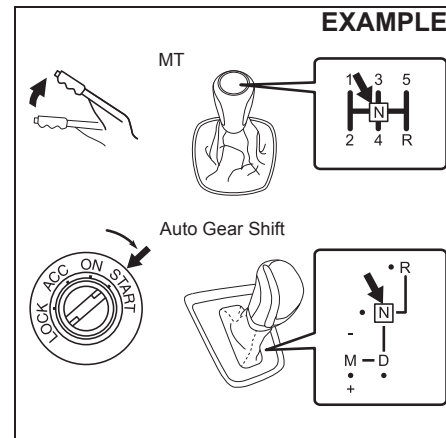
Do not apply brakes continuously or rest your foot on the brake pedal. This will result in overheating of the brakes which could cause unpredictable braking action, longer stopping distances, or permanent brake damage.

Accelerator pedal (3)

An accelerator pedal controls the speed of the engine. Depressing the accelerator pedal increases power output and speed.

Starting engine (vehicle without keyless push start system)

Before starting engine



- 1) Make sure the parking brake is set fully.
- 2) Manual transaxle – Shift into “N” (Neutral). Hold the clutch pedal and brake pedal fully depress.
Auto Gear Shift – Shift into “N” (Neutral) and depress the brake pedal. Hold the brake pedal while starting the engine.

NOTE:

For Auto Gear Shift vehicles, if the engine cannot be started, make sure the gearshift lever is in “N” before restarting the engine.

⚠ WARNING

- Make sure that the parking brake is set fully and the transaxle is in Neutral before attempting to start the engine.
- For Manual Transaxle - Engine can be started only after depressing the clutch pedal. However, before depressing the clutch pedal make sure that the transaxle is in Neutral and brake pedal is depressed.

Starting a cold and warm engine

With your foot taken off the accelerator pedal, crank the engine by turning the ignition key to “START”. Release the key when the engine starts.

NOTICE

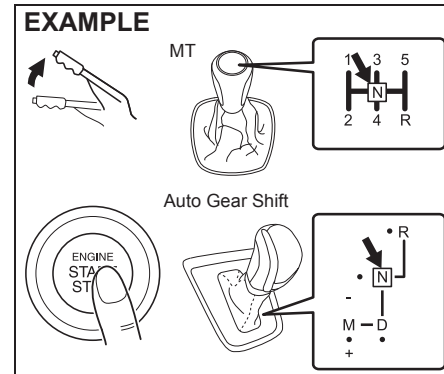
- Stop turning the starter immediately after the engine has started or the starter system can be damaged.
- For protection of lead-acid battery and starter motor, do not use the starter motor by turning the key to "START" for more than 12 seconds at a time. If the engine does not start, turn the key to "LOCK" position and wait for more than 30 seconds before trying again. If the engine does not start after several attempts, consult a Maruti Suzuki authorised workshop.

NOTE:

*Auto Gear Shift vehicles:
If the engine cannot be started, make sure the gearshift lever is in "N" before restarting the engine.*

**Starting engine
(vehicle with keyless push start system)**

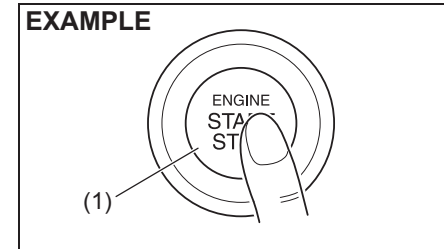
Before starting engine



56RH00306

- 1) Make sure the parking brake is set fully.
- 2) Manual transaxle – Shift into "N" (Neutral) and fully depress the clutch pedal. Hold the clutch and brake pedals fully depressed.
Auto Gear Shift – Shift into "N" (Neutral) and depress the brake pedal. Hold the brake pedal while starting the engine.

EXAMPLE



82K254

- 3) The "PUSH" indicator light in the instrument cluster will come on. Push the engine switch (1). When the engine is started, the starter motor will automatically stop.

⚠ WARNING

Make sure that the parking brake is set fully and the transaxle is in Neutral before attempting to start the engine.

OPERATING YOUR VEHICLE

NOTICE

- Do not depress the accelerator during the engine starting procedure.
- If the engine does not respond when you try to start it with the engine switch or if the engine switch repeats cycling through "LOCK" (OFF) - "ACC" - "ON" mode, the vehicle battery may be discharged. Check the voltage of the vehicle battery before trying again.

NOTE:

- You do not need to keep the engine switch pressed to start the engine.
- The engine of a manual transaxle vehicle will not start unless the clutch pedal is depressed.
- For Auto Gear Shift vehicles, if the engine cannot be started, make sure the gearshift lever is in "N" before restarting the engine.
- You should turn off such loads as the headlights and air conditioning system to facilitate starting of the engine.
- If the engine starts, the starter motor will stop turning automatically.
- Even if the engine does not start, the starter motor will stop turning automatically after a short time. After the starter motor has stopped automatically, press the engine switch to select LOCK(OFF)

mode and wait for more than 30 seconds before trying again. If there is some problem with the system, the engine does not start automatically. In this case, continue pressing the engine switch for a while (up to 12 seconds) until engine starts.

Stopping engine

- Depress the engine switch to stop the engine after the vehicle stopped completely.
- In case of emergency, you can stop the engine by quickly pushing the engine switch more than 3 times, or pushing and holding the engine switch for more than 2 seconds while the vehicle is in motion.

NOTE:

Except in cases of emergency, do not stop the engine while the vehicle is in motion. The steering and braking operation will require more effort when the engine is stopped. Refer to "Braking" in this section.

- If the engine remains stopped for while after it was stopped unexpectedly or was raced before stopping, a clicking sound may be heard from around the engine when it is restarted. This is not a malfunction. Always let the engine idle before stopping it.

Starting a cold and warm engine

With your foot taken off the accelerator pedal, crank the engine by pressing the engine switch to change the ignition mode to "START".

NOTICE

If the engine does not start, press the engine switch to select LOCK (OFF) mode and wait for more than 30 seconds before trying again, for protection of lead-acid battery and starter motor. If the engine does not start after several attempts, consult a Maruti Suzuki authorised workshop.

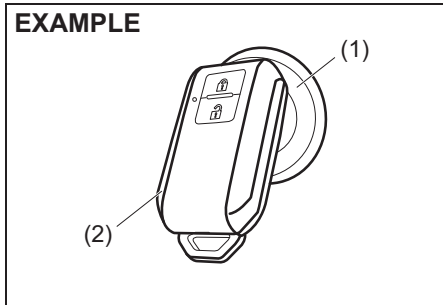
NOTE:

For Auto Gear Shift vehicles:

If the engine cannot be started, make sure the gearshift lever is in "N" before restarting the engine.

If the "PUSH" indicator light blinks and the engine cannot be started

Your keyless push start system remote controller may not be sensed as being within the interior workable area. Try again after checking that you have the remote controller with you. If the engine still cannot be started, the battery of the remote controller may be discharged. You must then use the following method to be able to start the engine.



- 1) Make sure that the parking brake is set fully.
- 2) Manual Transaxle – Shift into “N” (Neutral). Hold the clutch and brake pedals fully depressed.
Auto Gear Shift – Shift into “N” (Neutral) and fully depress the brake pedal. Hold the brake pedal fully depressed.
- 3) The “PUSH” indicator light in the instrument cluster will come on. Press the engine switch (1).
- 4) Within about 10 seconds of blinking of the “PUSH” indicator light in the instrument cluster, touch the lock switch end of the remote controller (2) for about 2 seconds.

NOTE:

- If you still cannot start the engine after several attempts using the above method, there may be a problem elsewhere, such as a low battery. Contact an

authorised Maruti Suzuki workshop for inspection.

- The immobilizer/keyless push start system warning light will come on for about 5 seconds while the “PUSH” indicator light is blinking.
- You may customize the system to cause the interior buzzer to sound once for warning that remote controller is out of sensing range. Please contact an authorised Maruti Suzuki workshop for the customization.
- If the battery of the remote controller is about to become completely discharged, the keyless push start system remote controller battery consumption indicator in the information display will come on for about 15 seconds when the ignition mode is changed to “ON” by pressing the engine switch. For details on replacing the battery, refer to “Keyless push start system remote controller / keyless entry system transmitter (if equipped)” in “BEFORE DRIVING” section.

Returning the ignition mode to “LOCK” (OFF)

NOTE:

Certain problems like a fault in engine system may prevent the engine switch from going back to “LOCK” (OFF) mode. If this happens, have the vehicle inspected by an authorised Maruti Suzuki workshop after doing the following:

- Lock the doors using the key to prevent theft. (The request switches and the keyless push start system remote controller cannot be used to lock them.)
- Disconnect the negative cable from the battery to prevent discharge.

“LOCK” (OFF) mode reminder buzzer

If the driver’s door is opened without returning the ignition mode to “LOCK” (OFF) by pressing the engine switch, a buzzer sounds to warn you of this condition.

- If you open the driver’s door after pressing the engine switch to change the ignition mode to “ACC”, the interior buzzer beeps intermittently.
- The buzzer will stop sounding if you then push the engine switch twice, thus bringing it back the ignition mode to “LOCK” (OFF).

OPERATING YOUR VEHICLE

NOTE:

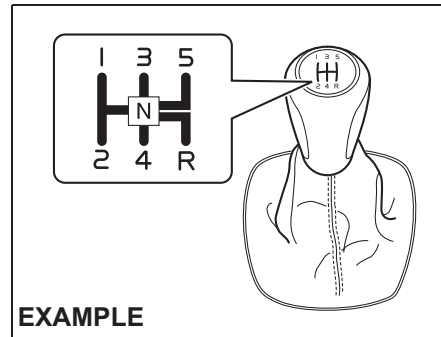
Whenever you leave the vehicle, check that you have returned the ignition mode to "LOCK" (OFF) using the engine switch and then lock the doors. Without returning the ignition mode to "LOCK" (OFF), you cannot use a request switch or keyless push start system remote controller to lock the doors.

Steering lock warning buzzer

If the steering lock fails to engage due to a fault in the system when the ignition mode is turned to "LOCK" (OFF) by pressing the engine switch and then any door is opened or closed, the interior buzzer will warn you of this condition with repeated short beeps. If this happens, have the vehicle inspected by an authorised Maruti Suzuki workshop.

Using the transaxle

Manual transaxle



EXAMPLE

56RM03002

Starting off

To start off, depress the clutch pedal all the way to the floor and shift into 1st gear. After releasing the parking brake, gradually release the clutch. When you hear a change in the engine's sound, slowly press the accelerator while continuing to gradually release the clutch.

Shifting

All forward gears are synchronized and provide quiet and easy shifting. Always depress the clutch pedal all the way to the floor before shifting gears. Keep the engine speed from rising into the red zone of the tachometer.

Downshifting maximum allowable speeds

Downshifting	km/h
2nd to 1st	20
3rd to 2nd	85
4th to 3rd	130
5th to 4th	180*

*NOTE:

You may not accelerate to the maximum allowable speed because of the driving situation and/or the vehicle condition.

NOTICE

Do not downshift to a lower gear at the speed faster than the maximum allowable speeds for the next lower speed, or severe damage to engine and transaxle can result.

⚠ WARNING

- Reduce your speed and downshift to a lower gear before going down a long or steep hill. A lower gear will allow the engine to provide braking. Avoid riding the brakes or they may overheat, resulting in brake failure.

(Continued)

⚠ WARNING

(Continued)

- When driving on slippery roads, slow down before downshifting. Excessive and/or sudden changes in engine speed may cause loss of traction, which could cause you to lose control.

NOTICE

Before engaging reverse gear [R], check that the vehicle is completely stationary and gear lever is in neutral [N] position. After depressing clutch pedal fully, shift to [R].

NOTE:
If it is difficult to engage reverse gear [R], follow below procedure.

1. Put gear lever in neutral [N].
2. Release clutch pedal once.
3. Again depress the clutch pedal and shift from [N] to [R].

NOTICE

- To help avoid clutch damage, do not use the clutch pedal as a foot-rest while driving or use the clutch to keep the vehicle stationary on a slope. Depress the clutch fully when shifting.

(Continued)

NOTICE

(Continued)

- When shifting or starting off, do not race the engine. Racing the engine can shorten engine life and cause negative effect to smooth shifting.

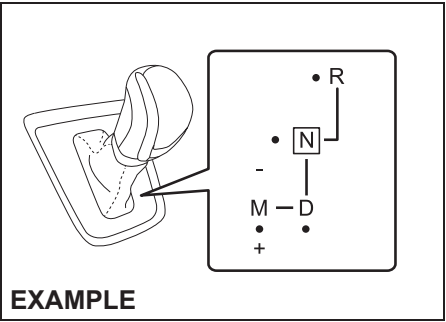
Auto Gear Shift

Auto Gear Shift is a 5-speed forward/reverse transaxle. Auto Gear Shift has the basic features of conventional manual transaxle, but clutch operation and transaxle gear shifting are controlled electronically.

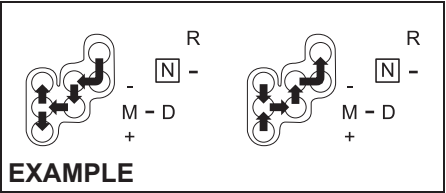
NOTICE

Do not depress both the brake pedal and accelerator pedal simultaneously. This can cause damage or overheating to the clutch.

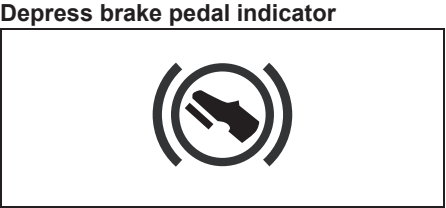
NOTE:
When you open the driver's door, the Auto Gear Shift systems run automatically and you may hear an operating noise. This sound does not indicate malfunction.



EXAMPLE 56RM03003



EXAMPLE 56RM03001



76MH0A047

OPERATING YOUR VEHICLE

This light will come on if you do not depress the brake pedal in the following situations.

- When starting the engine.
- When the engine is on and the gearshift lever is shifted from “N” position to “D”, “M” or “R” position.
- When the ignition switch is in “ON” position or the ignition mode is “ON”, and the engine is off, the gearshift lever is shifted into any position.

This light will also come on if one of the gears cannot be engaged and the system is unable to re-try shifting when you shift the gearshift lever from “N” position to “D”, “M” or “R” position.

Starting the engine

When starting the engine, always place the gearshift lever in the “N” position and depress the brake pedal firmly. The engine cannot be started unless the gearshift lever is in the “N” position and the brake pedal is depressed.

If you parked vehicle with gear engaged on last time (if you can see “1” or “R”), shift into “N” (Neutral) and depress the brake pedal. Hold the brake pedal while starting the engine. You can hear buzzer in short time.

3-17

EXAMPLE



76MH0A056

CAUTION

- **For the vehicles with the keyless push start system, if you cannot press the engine switch firmly, the engine may not start. Even if you shift the gearshift lever into “R” or “D” position without the engine running, the vehicle does not move.**
- **If you try to move your vehicle under the above-mentioned condition, the vehicle may move in unexpected directions on a slope, etc.**
- **This may cause an accident.**
- **When starting engine, press engine switch firmly. Also, make sure that the engine is running by checking engine sound or warning and indicator lights.**

NOTE:

- If you start the engine without the gearshift lever in the “N” position, the gear position indicator in the instrument cluster will blink.

- When the engine restarts automatically after engine A-Stop, the gear position indicator in instrument cluster may display “N” temporarily. This is a normal phenomenon.

Clutch operation

You can select either the Drive (D) mode or the Manual (M) mode or the Reverse (R) mode. Since this vehicle controls clutch operation electronically in either mode, you do not need to operate the clutch.

Creeping function

This vehicle has a creeping function that helps the vehicle to start smoothly by engaging the clutch. When the gearshift lever is in any of the positions “D”, “M” or “R”, and you release your foot from the brake pedal, the vehicle starts slowly without depressing the accelerator pedal. However, creep is not possible in manual (M) mode with 2nd gear engaged. The creeping function is disabled if you depress the brake pedal or pull up the parking brake lever.

NOTE:

If the driver's door is opened and/or the parking brake lever is engaged with the gear in the “M”, “D” or “R” position, the creeping function will not operate.

55RH0-74E

Parking and Stopping the vehicle

Auto Gear Shift does not have a parking position. Park the vehicle with a gear engaged. Make sure that the gearshift lever is “D”, “M”, or “R”.

Also, check the instrument cluster to make sure that the transaxle is engaged in “1” or “R” position.

NOTICE

A buzzer will sound continuously if the vehicle is operated with the gearshift lever in-between of each shift positions. The vehicle will become inoperative if you continue to operate the vehicle with the gearshift lever in between shift positions.

Drive (D) mode

When the Drive (D) mode is activated, the most appropriate gear position is automatically selected upon operation of the accelerator pedal and variation of vehicle speed.

Normal driving:

- 1) Start the engine as instructed in “Starting the engine” in this section.
- 2) With your foot on the brake pedal, shift the gearshift lever to the “D” position. When the gearshift lever is shifted to the “D” position, the gear will be shifted to 1st.

EXAMPLE



55RM03009

NOTE:

- *If 1st gear cannot be engaged even though the gearshift lever has been shifted from the “N” to the “D” position, the system will re-try shifting automatically. This will take some time, noise may be heard from the gears, and shifting gear shock may occur. However, they do not indicate malfunction.*
- *The “N” indicator will flash, the depress brake pedal indicator will come on and a warning buzzer (long pulse sound) will sound if any of the following cases occur;*
 - *If you shift the gearshift lever from the “N” to the “D” position without depressing the brake pedal*
 - *If the system is unable to re-try shifting**You should depress the brake pedal and shift the gearshift lever to “N” position, then shift to “D” again.*
- 3) Release the parking brake and brake pedal.
- 4) Depress the accelerator pedal slowly.

⚠ WARNING

- **While driving the vehicle, do not shift the gearshift lever to the “N” position. The engine brake may not work and you may get involved in an unexpected accident. If you return the gearshift lever from “N” to “D” because of unintended shifting, the gear position will be shifted according to the current vehicle speed.**
- **Always keep your foot on the brake pedal while stopped with the engine running. This operation prevents the vehicle from moving due to unintended activation of the creeping function.**

NOTICE

If the gearshift lever cannot shift into any position, or the gear is changed to “N” position automatically when the vehicle speed becomes less than 10 km/h, there may be a systematic malfunction. In this case, ask an authorised Maruti Suzuki workshop to inspect the Auto Gear Shift system as soon as possible.

OPERATING YOUR VEHICLE

NOTICE

Do not operate the system as described below. The life cycle of the clutch may be reduced.

- Using the accelerator pedal to hold the vehicle on an uphill slope with the gearshift lever in the “D” or “M” position. If you perform this operation for a certain period of time, a warning buzzer will sound.
- Shifting the gearshift lever to the “D”, “M” or “R” position while racing the engine.
- Driving at low speed using a high gear.
- Holding the vehicle on an uphill slope using the creeping function. If you perform this operation for a certain period of time, a warning buzzer will sound.

Starting off on an uphill/downhill:

⚠ CAUTION

The hill hold control system will not activate while the parking brake is engaged.

Uphill

- 1) Apply the parking brake firmly so that the vehicle does not roll backwards.
- 2) Shift the gearshift lever to the “D” position while depressing the brake pedal. Make sure that the gear position indica-

tor in the instrumental cluster displays 1st gear.

- 3) Release the brake pedal and depress the accelerator pedal gradually, and when the vehicle starts to move, release the parking brake and depress the accelerator pedal to start off.

NOTICE

On an uphill slope, never hold the vehicle at a stop using only the accelerator pedal or the creeping function. If you perform this operation for a certain period of time, a warning buzzer will sound, and in some cases the engine will stall. This can also cause excessive damage to the clutch.

Downhill

- 1) Depress the brake pedal and shift the gearshift lever to the “D” position. Make sure that the gear is in 1st by checking the gear position indicator.
- 2) Release the brake pedal and depress the accelerator pedal slowly. Even if the accelerator pedal is not depressed, the clutch will be engaged when the vehicle speed increases.

Using engine braking:

When driving on a downhill slope, downshifting is recommended. So you can use engine braking.

By placing the gearshift lever in the “M” position, the Manual (M) mode is selected, and you can shift to a lower gear manually. For details of downshift operation, refer to “Upshift and downshift” in the “Manual (M) mode”.

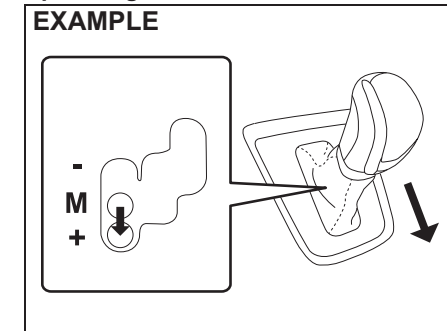
Manual (M) mode

The gears are not shifted automatically. To shift the transaxle, the driver must operate the gearshift lever to the “+” or “-” direction.

As for conventional manual transaxle vehicles, releasing the accelerator pedal a little may help the transaxle to shift smoothly.

Upshift and downshift:

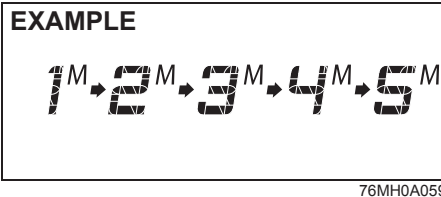
Upshifting



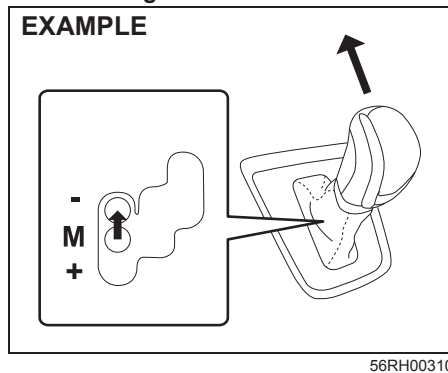
Pull the gearshift lever to the “+” direction and release it. Every time the lever is operated, the transaxle is upshifting 1 step in

OPERATING YOUR VEHICLE

the order of 1st → 2nd → 3rd → 4th → 5th gear.



Downshifting



Push the gearshift lever to the “-” direction and release it. Every time the lever is operated, the transaxle is downshifted in the order 5th → 4th → 3rd → 2nd → 1st gear.

EXAMPLE

5^M → 4^M → 3^M → 2^M → 1^M

76MH0A061

The gear position is displayed on the gear position indicator. The gear position indicator shows the transaxle gear position. Before starting off, always make sure transaxle is engaged in 1st or reverse gear and gear position indicator is showing the intended gear, then depress the accelerator pedal. It is possible to start vehicle in 2nd gear using manual mode, from stop condition.

NOTE:

- Always use 1st gear while starting off an uphill slope otherwise you can damage the clutch.
- To downshift smoothly, the engine runs fast in some cases. This is done intentionally by the system and is not malfunction.
- When driving down a hill, downshift and use the engine braking appropriately. If necessary, continuous downshifting is possible. However, if downshifting more than 3 steps, gear shifting will take more time.

- When the gear is shifting, a noise can be heard in some case. This is not malfunction.

⚠ WARNING

- Be careful when accelerating, upshifting, downshifting or braking on a slippery surface. Sudden acceleration or engine braking could cause the vehicle to spin or skid. While starting off on a slippery or snowy roads, please use 2nd gear (if required).
- To drive down a long or steep hill, reduce your speed and downshift. Remember, if you ride the brakes excessively, they may overheat and fail.
- While driving the vehicle, do not shift the gearshift lever to “N” position. The engine brake may not work and you may get involved in an unexpected accident. If you return the gearshift lever from “N” to “M” because of unintended shifting, the gear position will be shifted according to the current vehicle speed.
- Do not apply the parking brake while driving. Otherwise, it could cause a skid and you may get involved in an unexpected accident.

OPERATING YOUR VEHICLE

NOTICE

- If the gearshift lever cannot shift into any position, or the gear is changed to "N" position automatically when the vehicle speed becomes less than 10 km/h, there may be a systematic malfunction. In this case, ask an authorised Maruti Suzuki workshop to inspect the Auto Gear Shift system as soon as possible.
- The manual (M) mode does not upshift even if the engine speed reaches the rev-limit.
- The system will not allow shifting up or down to a gear that would cause engine over-revving or under-revving.
- If frequently driving at low speed using a high gear position, the life cycle of the clutch may be reduced.
- Frequent downshifting (more than 3 positions consecutively) causes the reduction of transaxle life.

Starting off:

- 1) Start the engine as instructed in "Starting the engine" in this section.
- 2) With your foot on the brake pedal, shift the gearshift lever to the "M" position. When the gearshift lever is shifted to the "M" position, the gear will be shifted to 1st. Before starting off, always make sure that the intended gear is engaged by checking the gear position indicator, then depress the accelerator pedal.

NOTE:

- If 1st gear cannot be engaged even though the gearshift lever has been shifted from the "N" to the "M" position, the system will re-try shifting automatically. This will take some time, noise may be heard from the gears, and shifting gear shock may occur. However, they do not indicate malfunction.
- The "N" indicator will flash, the depress brake pedal indicator will come on and a warning buzzer (long pulse sound) will sound if any of the following cases occur;
 - If you shift the gearshift lever from the "N" to the "M" position without depressing the brake pedal.
 - If the system is unable to re-try shifting.

You should depress the brake pedal and shift the gearshift lever to "N" position, then shift to "M" position again a few seconds later.

- 3) Release the parking brake and brake pedal. Depress the accelerator pedal slowly for smooth starting.

⚠ WARNING

Always keep your foot on the brake pedal while stopped with the engine running. These operations prevent the vehicle from starting due to unintended activation of the creeping function.

NOTICE

Do not operate the system as described below. The life cycle of the clutch may be reduced.

- Using the accelerator pedal to hold the vehicle on an uphill slope operation with the gearshift lever in the "M" or "D" position. If you perform this operation for a certain period of time, a warning buzzer will sound.
- Shifting the gearshift lever to the "M", "D" or "R" position while racing the engine.
- Driving at low speed using a high gear.
- Stopping on a slope using the creeping function. If you perform this operation for a certain period of time, a warning buzzer will sound.

OPERATING YOUR VEHICLE

Starting off on an uphill/downhill slope:

Uphill

- 1) Apply the parking brake firmly so that the vehicle does not roll backwards.
- 2) Shift the gearshift lever to the "M" position while depressing the brake pedal. Make sure that the gear position indicator in the instrumental cluster displays 1st gear.
- 3) Release the brake pedal and depress the accelerator pedal gradually, and when the vehicle starts to move, release the parking brake and depress the accelerator pedal to start off.

NOTICE

On an uphill slope, never hold the vehicle at a stop using only the accelerator pedal or creeping function. If you perform this operation for a certain period of time, a warning buzzer will sound, and in some cases the engine will stall. This can also cause excessive damage to the clutch. In case the warning buzzer is on, shifting to 2nd gear will not be possible in manual mode. Always use 1st gear while starting off on a uphill slope. Otherwise you may damage the clutch.

Downhill

- 1) Depress the brake pedal and shift the gearshift lever to the "M" position. Make sure the gear position indicator to make sure that the gear is in 1st.
- 2) Release the brake pedal and depress the accelerator pedal slowly. Even though the accelerator pedal is not depressed, the clutch will be engaged when the vehicle speed increases.

Backing up

After the vehicle has stopped completely, depress the brake pedal and shift the gearshift lever to the "R" position. Depress the accelerator pedal slowly as when starting off in 1st gear. Before backing up, make sure that reverse gear is selected by checking the gear position indicator.

EXAMPLE



76MH0A062

NOTE:

- If reverse gear cannot be engaged even though the gearshift lever has been shifted from the "N" to the "R" position, the system will re-try shifting automatically. This will take some time, noise may be heard from the gears, and shifting gear shock may occur. However, they do not indicate malfunction.
 - The "N" indicator will flash, the depress brake pedal indicator will come on and a warning buzzer (long pulse sound) will sound if any of the following cases occur;
 - If you shift the gearshift lever from the "N" to the "R" position without depressing the brake pedal.
 - If the system is unable to re-try shifting.
- You should depress the brake pedal and shift the gearshift lever to "N" position, then shift to "R" position again a few seconds later.
- The system will not allow shifting to the "R" position if the vehicle speed is over about 3 km/h. If the gearshift lever is operated under this condition, the "N" indicator in the instrument cluster will blink. However, when the vehicle speed drops below about 3 km/h, the gear will be shifted to reverse. Make sure that the vehicle has stopped completely before shifting to the "R" position.

OPERATING YOUR VEHICLE

NOTICE

On a downhill slope, never hold the vehicle at a stop using only the accelerator pedal or the creeping function. If you perform this operation for a certain period of time, a warning buzzer will sound, and in some cases the engine will stall. This can also cause excessive damage to the clutch.

Stopping

The vehicle can be stopped by depressing the brake pedal regardless of the gear position. This is because the clutch is automatically disengaged to prevent the engine from stopping.

- If the gearshift lever is in the “D” position, the gear will be downshifted to 1st when the vehicle stops.
- If the gearshift lever is in the “M” position, the gear will be downshifted to 1st when the vehicle stops.

⚠ WARNING

- When stopping, for example, at a traffic light, be sure to depress the brake pedal firmly. For your safety, apply the parking brake, too, when stopping on a hill.
- When racing the engine, make sure that the gear is in the “N” position by checking the gear position indicator. If the accelerator is operated with the gear in any other position, the vehicle may move resulting in an unexpected accident.
- Do not leave your vehicle unattended while the engine is running.
- When leaving the vehicle, stop the engine and park the vehicle with a gear engaged. If you need to leave the vehicle with the engine running, apply the parking brakes firmly, and shift the gearshift lever to the “N” position. Otherwise, the vehicle may move unexpectedly and may cause an accident.

NOTICE

- On a slope, never hold the vehicle at a stop using only the accelerator pedal or the creeping function. If you perform this operation for a certain period of time, a warning buzzer will sound, and in some cases the engine will stall. This can also cause excessive damage to the clutch.
- If the gearshift lever is operated more than necessary, the system may not allow operation of the gearshift lever for a certain period of time, and the gear may not be shifted appropriately. Therefore, do not operate the gearshift lever if not necessary.

Parking

Unlike an automatic transaxle, Auto Gear Shift does not have a parking position. The vehicle can be parked with the gearshift lever at “D” or “R” position. Remember, even though the transaxle is in gear, you must set the parking brake firmly. Park the vehicle with a gear engaged.

- 1) Apply the parking brake firmly.
- 2) While depressing the brake pedal, shift the gearshift lever to the “R” position on a downhill slope, and to the 1st position in the drive (D) mode or the “M” position in the manual (M) mode on an uphill

OPERATING YOUR VEHICLE

slope and confirm the gear position by checking the gear position indicator.

- 3) Stop the engine.
- 4) In the case of uphill/downhill slope, release the parking brake and brake pedal slowly in order to check the gear is engaged.
- 5) After check the vehicle stopped by the gear engaged, Apply the parking brake and the brake pedal firmly again.
- 6) Get out of the vehicle and put chocks under the wheels.

When you return to your vehicle, you must remember to remove the wheel chocks.

NOTE:

- *After the engine is stopped, the gear in the transaxle does not change even if you shift the gearshift lever in any position. Always shift the gearshift lever before stop the engine.*
- *Check the transaxle gear position by looking at the gear position indicator, then turn the ignition switch to "LOCK" position or press the engine switch to change the ignition mode to "LOCK" (OFF), to stop the engine. Release the brake pedal after a few seconds.*

⚠ WARNING

- **If the gear is not engaged properly and completely before the ignition switch is turned to "LOCK" position or the engine switch is pressed to change the ignition mode to "LOCK" (OFF), the vehicle may not be parked with the gear engaged. Always confirm the gear position by checking the gear position indicator when parking.**
- **On a downhill slope, the gear should be put in reverse, and in 1st gear on an uphill slope. In case of uphill/downhill slope, after checking the vehicle stopped by the gear engaged, put the chocks under the wheels. Otherwise, the vehicle may move, and cause an unexpected accident. If the gear is left in the "N" position, the vehicle cannot be parked with a gear engaged.**

Parking cancel

Depress the brake pedal, turn the ignition switch to the "ON" position or press the engine switch to change the ignition mode to "ON", and shift the gearshift lever to the "N" position. The gear will be disengaged.

Warning functions

A warning buzzer will sound or the indicator will blink under the following conditions.

Warning buzzer

- The clutch is heated due to excessive load.
- The creeping function is being activated for a long period of time.

NOTICE

In the above cases, pull over to the side of the road and stop the engine, and then ask an authorised Maruti Suzuki workshop to inspect your vehicle. Otherwise, the clutch disc may be damaged.

- The ignition switch is turned to "LOCK" position or the engine switch is pressed to change the ignition mode to "LOCK" (OFF) with the gear in 2nd, 3rd, 4th or 5th. In this case, turn the ignition switch to "ON" position or press the engine switch to change the ignition mode to "ON", and shift the gearshift lever in the "N" position, shift it to the "D" or "M" or "R" position, then turn the ignition switch

OPERATING YOUR VEHICLE

to "LOCK" position or press the engine switch to change the ignition mode "LOCK" (OFF).

- During a stop, the driver's door is opened with the gearshift lever in the "R", "D" or "M" position while the engine is running.

"N" indicator blinking

When the gear indicator lamp blinks "N", you should depress the brake pedal and shift the gearshift lever to "N" position.

"1" indicator blinking

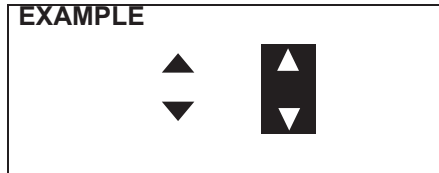
When the gear indicator lamp blinks "1", you should depress the brake pedal and shift the gearshift lever to "N" position, then shift to "D" or "M" position again a few seconds later.

"R" indicator blinking

When the gear indicator lamp blinks "R", you should depress the brake pedal and shift the gearshift lever to "N" position, then shift to "R" position again a few seconds later.

Gearshift Indicator (if equipped)

EXAMPLE



56RM03028

In the following case, the gearshift indicator is indicated in the information display when the ignition switch is in the "ON" position or the ignition mode is "ON".

- When the gearshift lever is in a position other than "N" (Neutral).

The electronic control system monitors driving condition (such as vehicle speed and/or engine revolution), and it recommends gearshift for your driving with indications on display.

If UP/DOWN arrow is indicated on the display while driving, we recommend you to shift up or down. It is the optimal gear position for a driving condition that reduces the over revolution and stress to the engine, and improves fuel consumption.

NOTE:

When cruise control system SET indicator is ON, Gear Shift Indicator may not be displayed.

For details on how to use the transaxle, refer to "Using the Transaxle" in this section.

⚠ WARNING

The gearshift indicator is designed to indicate optimal gear position for your driving, however, a driver will not be relieved from the duty of care of driving operation or gear change with this indicator.



To drive safe, do not gaze the gearshift indicator, pay attention to your driving situation and shift up or down if necessary.

OPERATING YOUR VEHICLE

NOTE:

- *The gearshift indicator is not indicated when the gear position is in "N" (Neutral).*
- *If you depress the clutch pedal while UP/DOWN arrow is indicated, the indication will disappear.*
- *If you release the accelerator pedal while UP/DOWN arrow is indicated, the indication will disappear.*
- *The indication of gearshift indicator timing may differ depending on the vehicle condition and/or driving situation even in the same vehicle speed and engine revolution.*
- *If ESP system is working, the gear shift indicator will disappear temporarily.*

Example of the gearshift indicator

Indication	Description
	Lower gear position is selected for the vehicle speed and/or engine revolution. Changing to a higher gear position is recommended.
	Higher gear position is selected for the vehicle speed and/or engine revolution. Changing to a lower gear position is recommended.

OPERATING YOUR VEHICLE

ENG A-STOP System (Engine Auto Stop Start System) (If Equipped)

The ENG A-STOP system (engine auto stop start system) automatically stops the engine while waiting briefly at a traffic light, etc., and automatically restarts the engine afterward. This system helps reduce emissions, improve fuel consumption and lower engine noise.

This system stops the engine temporarily under specific conditions. Before parking the vehicle for an extended period of time or leaving the vehicle, properly apply the parking brake and stop the engine with the engine switch.

Once the specific conditions are met, the engine will stop automatically after the vehicle has stopped. However, the engine will not be stopped automatically until confirmation of the system function is finished.

NOTE:

If your vehicle is equipped with automatic heating and air conditioning system, you can change the automatic engine stop condition via the information display. Refer to "Information display" in "BEFORE DRIVING" section.

▲ CAUTION

- Do not get out of the vehicle while the engine is automatically stopped by the ENG A-STOP system. Doing so may lead to an accident.
 - Manual transmission vehicle – If the driver's seat belt is unfastened and the driver's door is opened, the engine will stall.
 - Auto Gear Shift vehicle – If the driver's seat belt is unfastened, even if the brake pedal is pressed down, or the driver's door is opened, the engine will be restarted to warn you that the engine was stopped automatically by the ENG A-STOP system.
- If the engine does not restart automatically after having been stopped automatically by the ENG A-STOP system, push the engine switch to start the engine. Trying to move the vehicle when the engine has not yet restarted requires a strong force to turn the steering wheel or depress the brake pedal, potentially leading to an accident.

NOTICE

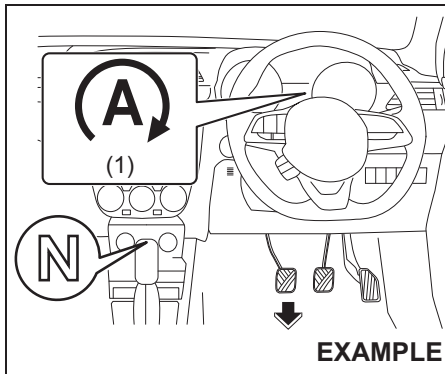
- The vehicle equipped with this system uses a dedicated high-performance battery that supports ENG A-STOP system. Accordingly, observe the instructions listed below. If these instructions are not observed, the system may not actuate properly or the battery may die prematurely.
- When replacing the battery, use a MARUTI SUZUKI genuine battery specified in the Specification.
 - Do not draw power from the battery terminals for electrical products.

OPERATING YOUR VEHICLE

Automatic Stopping/Restarting of the Engine

Manual transmission vehicle

- 1) With the brake pedal depressed, decelerate the vehicle.



- 2) After the vehicle has stopped with the clutch pedal depressed and the gearshift lever shifted to "N", and then release the clutch pedal, the engine will stop automatically.

The ENG A-STOP indicator light (green) (1) will come on.

- The ENG A-STOP system will not stop the engine automatically if all the automatic engine stop conditions are not met. For details, refer to the section, "Automatic engine stop conditions".

- During the automatic engine stop, the engine may shut down, accompanied by an interior buzzer or restarted, to ensure safety.

For details, refer to the section, "Points to note during the automatic engine stop".

NOTICE

During the automatic engine stop condition,

- Do not shift the gearshift lever to a position other than "N" without depressing the clutch pedal. If the gear shift lever is in a position other than "N", the engine will not restart automatically even if the clutch pedal is depressed.
- If the driver unfastens the seat belt, the engine does not restart automatically even if the clutch pedal is depressed. Also a buzzer will sound to alert the driver. In this case, fasten the seat belt.

NOTE:

The ENG A-STOP system will not operate and engine does not stop automatically under the following conditions:

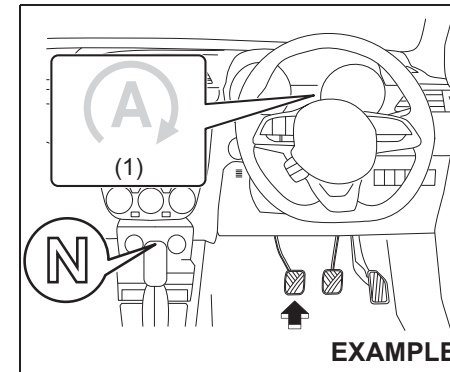
- Engine auto stop function will be ready once the vehicle runs at a speed exceeding 6km/h after restart of the engine.
- The audio and other electrical component can be used during the automatic

engine stop, but the air conditioner will switch to the fan mode.

- If the vehicle is equipped with automatic heating and air conditioning system, the fan speed will be limited during the automatic engine stop (only in the auto control mode) to keep the cabin air-conditioned for a longer time.

NOTE:

For manual transaxle vehicles, if the engine stalled by a rapid clutch operation, the engine will restart with the gear positioned "N" (neutral) and the clutch pedal depressed.



- 3) Regardless of whether the vehicle has stopped or not, depressing the clutch pedal will restart the engine and ENG A-STOP indicator light (green) (1) will go off.

OPERATING YOUR VEHICLE

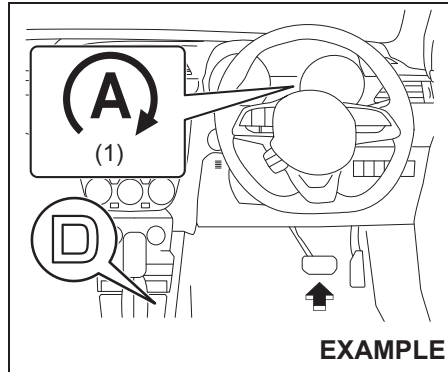
While the engine is stopped automatically, depressing the clutch pedal will restart the engine consuming fuel. Therefore, for fuel economy, it is recommended to depress the clutch pedal just before the vehicle start.

- Without depressing the clutch pedal, the engine may restart automatically if the automatic engine restart conditions are met.

For details, refer to the section, "Automatic engine restart conditions".

Auto Gearshift vehicle

- 1) With the brake pedal depressed, stop the vehicle.



- 2) While depressing the brake pedal, place the gearshift lever in "D" position. "ENG A-STOP" indicator light (green)

(1) in the instrument cluster will illuminate and the engine will stop automatically.

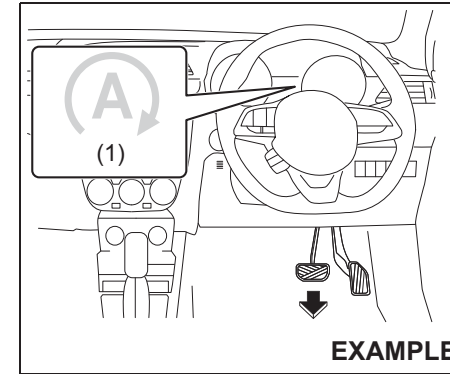
- The ENG A-STOP system will not stop the engine automatically if all the automatic engine stop conditions are not met. For details, refer to the section, "Automatic engine stop conditions".
- During the automatic engine stop, the engine may shut down, accompanied by an interior buzzer or restarted, to ensure safety.

For details, refer to the section, "Points to note during the automatic engine stop".

NOTE:

The ENG A-STOP system will not operate and engine does not stop automatically under the following conditions:

- *Engine auto stop function will be ready once the vehicle runs at a speed exceeding 6km/h after restart of the engine.*
- *The audio and other electrical component can be used during the automatic engine stop, but the air conditioner will switch to the fan mode.*
- *The fan speed will be limited during the automatic engine stop (only in the auto control mode) to keep the cabin air-conditioned for a longer time.*



- 3) Remove your foot from the brake pedal. "ENG A-STOP" indicator light (green) (1) in the instrument cluster will be turned off and the engine will restart automatically.

When restarting the engine, keeping brake force temporarily prevents the vehicle from moving forward by the creeping function. Also, this prevents the vehicle from rolling downward on a hill. For details, refer to the section "Hill hold control system".

NOTE:

When the engine is restarted automatically, the following conditions may be found as the hill hold control system is activated, but this is not a malfunction.

- *You may hear a sound from the engine room.*

- As brake pedal becomes heavy, it may be difficult for you to depress it.

NOTE:

When the engine does not restart automatically when the brake pedal is released, an interior buzzer will sound and the engine will come out of the automatic engine stop mode and shut down. The ENG A-STOP indicator light (green) will go off.

Points to note during the automatic engine stop

When the following operations are performed during the automatic engine stop, the engine may shut down, accompanied by an interior buzzer or restarted, to ensure safety.

- When the hood is opened, an interior buzzer will sound intermittently and the engine will come out of the automatic engine stop mode and shut down. The ENG A-STOP indicator light (green) will go off.
- For manual transmission model, when the driver releases the seat belt and opens the driver's door, the buzzer sounds for 2.5 seconds and the ENG A-STOP indicator light (green) turns off and then the engine will stall.
- For Auto Gear Shift vehicle, if the engine does not start 2 seconds after the brake is released, the buzzer will sound, the ENG A-stop light will go off, and the engine will stall.

NOTE:

The power steering warning light, oil pressure warning light and charge warning light on the meter panel do not come on during the automatic engine stop, but they will come on once the engine shuts down.

NOTICE

The ENG A-STOP system will not operate and engine does not restart automatically or the engine stalls with warning buzzer under the following conditions:

- Engine hood is open.

For manual transaxle vehicle

- Driver's seat belt is not fastened and driver's door is open.
- The gearshift lever is moved to a position other than "N" (Neutral) position without depressing the clutch pedal.

When the engine stalls, restart the engine by usual operation.

Refer to "Starting the engine (vehicle with keyless push start system)" or "Starting engine (vehicle without keyless push start system)" in this section for details.

NOTE:

For manual transaxle vehicles, if the engine stalled by a rapid clutch operation, the engine will restart with the gear positioned "N" (neutral) and the clutch pedal depressed.

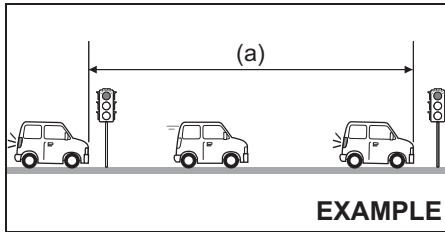
Actuation conditions for ENG A-STOP system

Standby conditions

When all of the following conditions are met while the vehicle is traveling, ENG A-STOP system will be permitted:

- The engine is started with the hood completely closed.
- The hood is completely closed.
- The ENG A-STOP OFF switch has not been pressed to deactivate the ENG A-STOP system.
- The battery is fully charged and the temperature inside the battery is within the specified range (#1).
- The engine has warmed up and the engine coolant temperature is within the specified range.
- The driver is wearing seat belts.
- The driver's door is completely closed.
- No electronically controlled system besides the ENG A-STOP system is issuing a signal to inhibit stopping of the engine (#2).
- For the vehicle equipped with automatic heating and air conditioning system, the temperatures at air-conditioner outlets are sufficiently low in the cooling mode or sufficiently high in the heating mode.
- For the vehicle equipped with automatic heating and air conditioning system, the defroster is turned off.
- The negative pressure of the brake booster is normal.

OPERATING YOUR VEHICLE



55RH03001

- The ABS or ESP® has not been activated during one driving cycle (a) from the engine start to the vehicle start and stop.
 - The gearshift lever is in “N” (Neutral) position (for manual transmission vehicle).
 - The gearshift lever is in “D” or “N” (for auto gearshift vehicle).
- #1 If the vehicle has not been in use for an extended period of time or the audio or other electrical component was used for an extended period of time while the engine was stopped, the battery may have discharged and it may take some time before the standby mode is achieved.
- #2 If any of the warning and indicator lights affecting the ENG A-STOP system come on, the engine will not be stopped automatically.

Automatic engine stop conditions

When all of the following conditions are met under the standby conditions, the

engine will stop automatically after the vehicle has stopped:

- The gearshift lever is in “N” (Neutral) position (for manual transmission vehicle).
- The clutch pedal is released (for manual transmission vehicle).
- The vehicle has stopped.
- The accelerator pedal is not depressed.
- The vehicle is not stopped on a steep hill (for auto gear shift vehicle).
- The gearshift lever is in “D” or “N” position (for auto gearshift vehicle).
- The brake pedal is depressed appropriately (for auto gearshift vehicle).

NOTICE

For auto gearshift vehicle, the ENG A-STOP system will not operate, if the brake pedal is depressed weakly or very strongly.

Automatic engine restart conditions

If one of the following operations is performed or the vehicle enters one of the following modes during the automatic engine stop, the engine will restart automatically and the ENG A-STOP indicator light (green) will go off:

- The clutch pedal is depressed (for manual transmission vehicle).
- When the brake pedal is released (for auto gearshift vehicle).

- The ENG A-STOP OFF switch is pressed to deactivate the ENG A-STOP system.
- The battery has discharged substantially (#).
- A malfunction of the system is detected (#).
- The negative pressure of the brake booster has dropped (#).
- For the vehicle equipped with automatic heating and air conditioning system, the temperatures at air conditioner outlets have changed considerably after the automatic engine stop to the point of affecting the cooling/heating performance (#).
- For the vehicle equipped with automatic heating and air conditioning system, the temperature selector has been turned considerably to the COOL side in the cooling mode or to the HOT side in the heating mode (#).
- For the vehicle equipped with automatic heating and air conditioning system, the defroster is turned on (#).
- The accelerator pedal depressed (for auto gearshift vehicle).
- The gearshift lever is put in “R” or in “M” position (for auto gear shift vehicle).
- After the gearshift lever is shifted to “N”, it is returned to “D” (for auto gear shift vehicle).
- The driver releases the seat belt (for auto gearshift vehicle) (#).
- The driver’s door is opened (for auto gearshift vehicle) (#).

- The vehicle starts to move on a slope, etc. (#).
- Some time (2 minutes or so) has elapsed after the start of the automatic engine stop (#).

The ENG A-STOP indicator light (green) will blink and then go off.

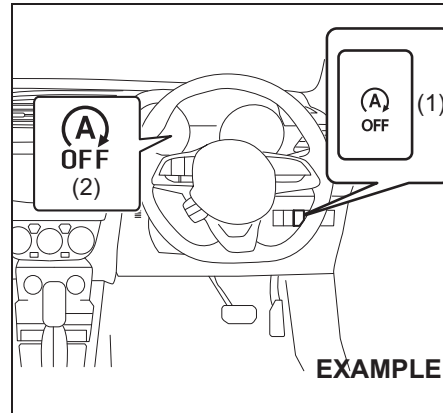
NOTICE

For manual transmission vehicle, if driver's seat belt is not fastened or the gear shift lever is in a position other than "N", the engine will not be restarted automatically.

ENG A-STOP OFF Switch (if equipped)

The ENG A-STOP system can be deactivated.

- To deactivate the system, press the ENG A-STOP OFF switch (1) to turn on ENG A-STOP OFF light (2).
- To activate the system once again, press the switch (1) again to turn off the indicator.
- Every time the engine is stopped manually, the system is enabled again and the ENG A-STOP OFF light (2) goes off.

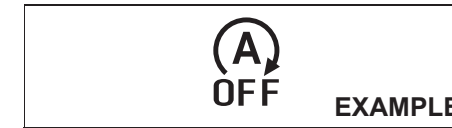


56RM0308

NOTE:

Pressing the ENG A-STOP OFF switch (1) during the automatic engine stop will restart the engine automatically and the ENG A-STOP OFF light (2) will come on.

ENG A-STOP OFF Light (if equipped)



56RM03012



52RM30460

This indicator comes on in the information display.

- This indicator comes on when the ENG A-STOP system is deactivated.
- The indicator blinks when the engine switch is pressed to change the ignition mode to ON, if one of the conditions listed below is met.
- The ENG A-STOP system does not actuate correctly while the indicator is blinking. Have the system inspected by a Maruti Suzuki authorised workshop.
 - There may be something wrong with the ENG A-STOP system.
 - An engine component or the battery is due for replacement.


NOTE:

If the indicator blinks during the automatic engine stop, the engine may shut down.


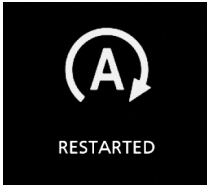
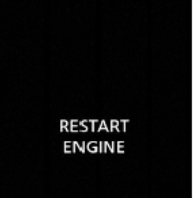
OPERATING YOUR VEHICLE

Information message (if equipped)

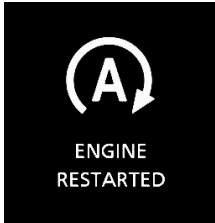

The information display shows the messages to let you know certain problems of the ENG A-STOP system.

Information message	Sound	Cause and remedy
 52RM30650	Off	<p>The ENG A-STOP system cannot stop the engine automatically because one of the following automatic engine stop conditions is not met.</p> <ul style="list-style-type: none">• When the engine is started with the hood open.• When the temperature of the vehicle battery is either low or high.• When the vehicle battery performance is low.• When the blower speed selector is set to the ON mode and the inside of the vehicle has not sufficiently cooled and warmed (for the vehicle with automatic air conditioning).• When the defrost switch is set to the ON mode (for the vehicle with automatic air conditioning).• During or after the ABS or ESP[®] system is activated, and the vehicle is stopped.• When the brake booster vacuum pressure is low.• When the accelerator pedal is depressed.• When the clutch pedal is not depressed and the gearshift lever is in a position other than "N" (Neutral).• When the driver's door is not closed.• When the driver's seat belt is not fastened.• When the engine hood is not closed.• The engine has warmed up and the engine coolant temperature is within the specified limit.• No electronically controlled system besides the ENG A-STOP system is issuing a signal to inhibit stopping of the engine.• The gearshift lever is in a position other than "D" or "N" (for auto gearshift vehicle).

OPERATING YOUR VEHICLE

Information message	Sound	Cause and remedy
 <p>52RM30660</p>	Off	<p>The engine is restarting automatically because one of the following automatic engine restart conditions is met.</p> <ul style="list-style-type: none"> • The temperatures at air conditioner outlets have changed considerably after the automatic engine stop to the point of affecting the cooling/heating performance. • The lead-acid battery has discharged substantially. • Some time has elapsed after the start of the automatic engine stop.
 <p>56RM03027</p>	Off	The engine restarted automatically.
 <p>56RM03127</p>	ON	<p>The engine does not restart automatically or the engine stalls under the following conditions:</p> <ul style="list-style-type: none"> • When the hood is opened while the engine is stopped automatically, and then the hood is closed after the engine stall • For manual transmission vehicle, while the engine is stopped automatically, if the driver's door is opened and the driver's seat belt is unfastened, and then close the driver's door and fastened driver's seat belt after the engine stall.

OPERATING YOUR VEHICLE

Information message	Sound	Cause and remedy
 <p data-bbox="613 679 703 695">52RM30670</p>	<p data-bbox="723 437 857 536">Beep (5 seconds from interior buzzer)</p>	<p data-bbox="889 437 1805 485">The engine restarted automatically because the following automatic engine restart condition is met.</p> <ul data-bbox="889 488 1503 608" style="list-style-type: none"> • When the vehicle coasts down a slope. • The negative pressure of the brake booster has dropped. • The defroster is turned on. • The door is opened. • The seat belt is unfastened.
 <p data-bbox="613 957 703 973">52RM30690</p>	<p data-bbox="723 713 857 812">Beep (two times from interior buzzer)</p>	<p data-bbox="889 713 1805 786">This message appears in the display for manual transmission vehicle (without keyless push start system), if the gearshift lever is shifted to a position other than "N" (Neutral) without depressing the clutch pedal during an engine stall.</p> <p data-bbox="889 790 1805 837">To restart the engine, place the gearshift lever in "N" (Neutral) position and depress the clutch pedal.</p>

Cruise Control (if equipped)

The cruise control system allows you to maintain a steady speed without keeping your foot on the accelerator pedal. The controls for operating the cruise control system are on the steering wheel.

You can use the cruise control system under the following conditions:

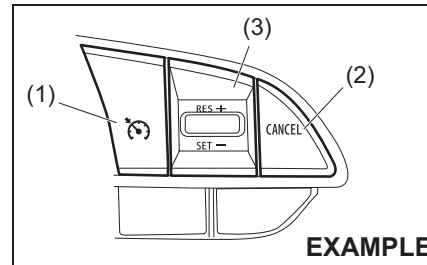
- For manual transmission vehicle, the gear position is in 3rd, 4th or 5th.
- For auto gearshift vehicle, the gearshift lever is in "D" position or the gear position is in 3rd, 4th, 5th, or 6th in the manual mode.
- The vehicle speed is about 40 km/h or higher.

⚠ WARNING

To help avoid loss of vehicle control, do not use the cruise control system when driving in heavy traffic, on slippery or winding roads, or on steep downhills.

Setting Cruising Speed

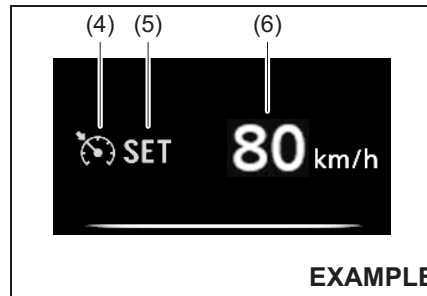
Cruise control switch



EXAMPLE

56RM0301

- (1) Cruise switch
- (2) "CANCEL" switch
- (3) "RES +/SET -" switch



EXAMPLE

56RM0301

- (4) Cruise control indicator
- (5) "SET" indicator
- (6) Set speed indication

- 1) Turn on the cruise control system by pushing cruise switch (1). When the cruise indicator (4) comes on, you can set cruising speed.
- 2) Accelerate or decelerate to the desired speed.
- 3) Push down the "RES +/SET -" switch (3), "SET" indicator (5) comes on. Also, set speed indication (6) comes on at the same time. Take your foot off the accelerator pedal and the set speed will be maintained.

⚠ WARNING

If the cruising speed is set by accident, you cannot decelerate or could lose control of the vehicle. This could lead to an accident, resulting in severe injury or death. Turn off the cruise control system and check that cruise indicator (4) is off when the system is not in use.

NOTE:

Established cruising speed may differ a little from the speed meter indication depending on the road conditions.

Changing Speed Temporarily

When the cruising speed is maintained, you can temporarily accelerate or decelerate.

OPERATING YOUR VEHICLE

To accelerate, depress the accelerator pedal. When you take your foot off the pedal, your vehicle will return to the set speed.

To decelerate, depress the brake pedal. The set speed will be canceled and "SET" indicator (5) will go off.

To resume the previously set speed, push up the "RES +/SET -" switch (3) and "SET" indicator (5) again when vehicle speed is above 40 km/h. The vehicle will accelerate to the previously set speed and maintain its speed.

NOTE:

For auto gear shift vehicle, when the cruising speed is maintained, you cannot decelerate by using the engine brake even if you downshift from higher gear to 3rd in the manual mode.

To decelerate while the cruise control is on, depress the brake pedal or push down the "RES +/SET -" switch (3).

Changing Cruising Speed

Using the accelerator pedal

To reset at a faster cruising speed, accelerate to the desired speed using the accelerator pedal and push down the "RES +/SET -" switch (3). The new speed will be maintained.

Using the brake pedal

To reset at a slower cruising speed, decelerate to the desired speed using the brake pedal and push down the "RES +/SET -" switch (3). The new speed will be maintained.

NOTE:

When the brake pedal is depressed, "SET" indicator (5) will go off until you reset the cruising speed.

Using "RES +/SET -" switch

To reset at a faster cruising speed, press repeatedly or hold push up the "RES +/SET -" switch (3). Vehicle speed will steadily increase. When you release the switch, the new speed will be maintained.

To reset at a slower cruising speed, press repeatedly or hold push down the "RES +/SET -" switch (3) until the vehicle has slowed to the desired speed, and then release the switch. The new speed will be maintained.

NOTE:

- You can adjust the set speed by approximately 1 km/h by pushing "RES +/SET -" switch quickly.
- When the current vehicle speed is about 10 km/h or more faster than the previously set speed, the cruising speed cannot be decreased even if "RES +/SET ." switch is pushed down.
- When the current vehicle speed is about 10 km/h or more slower than the previously set speed, the cruising speed cannot be increased even if "RES +/SET ." switch is pushed up.

Cancelling Cruise Control

"SET" indicator (5) will go off and the cruise control will be canceled temporarily with the following conditions:

- Push "CANCEL" switch (2).
- Depress the brake pedal.
- For manual transmission, depress the clutch pedal.
- For auto gearshift model, down-shift from 3rd to 2nd gear in the manual mode.
- The vehicle speed falls more than about 20 percent from the set speed.
- Any time the vehicle speed falls below 40 km/h.
- When the vehicle skids and ESP® is activated.

To resume the previously set speed, push up the "RES +/SET -" switch (3) and turn on "SET" indicator (5). The vehicle speed

must be above 40 km/h when the vehicle is not under the above conditions.

To turn off the cruise control system, push cruise switch (1) and check that the cruise indicator (4) is off.

Also, if the malfunction indicator light in the instrument cluster comes on or blinks, the cruise control system will be turned off.

NOTE:
If you turn off the cruise control system, the previously set speed in the memory is cleared. Reset your cruising speed again.

Parking sensors

- The parking sensor system uses ultrasonic sensors to detect obstacles near the rear bumper. If obstacles are sensed while you are parking or moving the vehicle slowly, the system warns you by sounding a buzzer and displaying symbols representing the obstacles on the information display in the instrument cluster (if equipped).
- The system emits an ultrasonic wave and the relevant sensor detects the return of the wave reflected by an obstacle. The system measures the time taken by the ultrasonic wave to reach the obstacle and return from it, from which it determines the obstacle's position.
- The parking sensor function can be used when the engine switch is pressed to change the ignition mode to "ON", the gearshift lever is in the "R" position. This function is helpful in the following cases: pulling over to the curb; parallel-parking the vehicle; steering the vehicle into a garage; driving along an alley; and moving slowly in a place with obstacles.

WARNING

- **The parking sensor warns you of obstacles with buzzers and by showing you the location of the obstacles on the information display (if equipped). However, you must still pay full attention yourself while driving.**
- **The sensors can detect obstacles only within a limited area and only when the vehicle is moving within a limited speed range. So, in tricky areas, you must move the vehicle slowly while checking around it using your direct vision or rearview mirrors. There is increased risk of an accident if you control the vehicle relying only on the parking sensor.**

NOTE:
When the gearshift lever is shifted to the "R" position, a buzzer will sound once.

NOTICE

Parking sensors are only for driver's assistance.

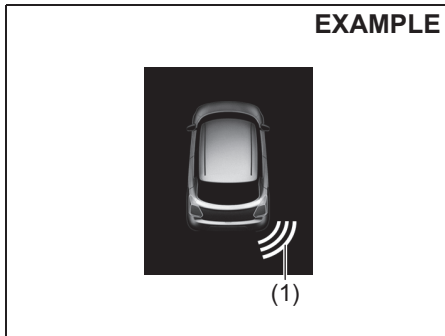
OPERATING YOUR VEHICLE

Vehicle with Instrument Cluster (Type A and Type B)

When the gearshift lever is shifted to the reverse for manual transmission vehicles or the "R" position for auto gearshift vehicles, a buzzer will sound.

Vehicle with Instrument Cluster (Type C)

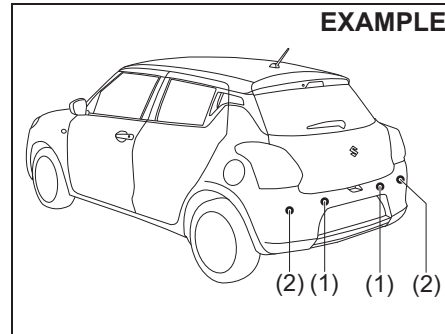
Information display symbol



(1) Symbol representing an obstacle detected by parking sensor*

* This symbol shows that an obstacle is located on the right rear of vehicle.

Sensor locations



- (1) Rear center sensors (2 places)
- (2) Rear corner sensors (2 places)

NOTICE

- Avoid hitting the sensor areas or directing the nozzle of a high-pressure car washer onto the sensor areas. Otherwise, the sensors may be damaged.
- If the bumper hits a hard object, the sensors on it may not work properly. If this occurs, have the sensors inspected by an authorised Maruti Suzuki workshop.

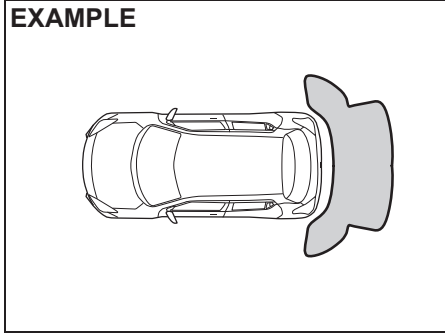
OPERATING YOUR VEHICLE

Working sensors

The sensors work depending on the gearshift lever position as follows:

Gearshift lever position		Manual transaxle		Auto Gear Shift	
		R	N, 1st – 5th	R	N, D or M
Rear sensors	Center	On	Off	On	Off
	Corner	On	Off	On	Off

Approximate areas where obstacles can be detected



55RM03012

- An obstacle within about 20 cm (8 in) from a sensor or just below a sensor is not detectable.
- The sensors can detect obstacles such as a wall up to about 1.5 m (5 ft) from the rear of vehicle.

OPERATING YOUR VEHICLE

⚠ WARNING

- Under the following conditions, the parking sensor system may not work normally because the sensors cannot detect obstacles correctly.
 - Sensors are covered with mud, ice or other materials (Such materials must be removed for normal operation).
 - Sensors are wet from water splashes or heavy rain.
 - Sensors are covered by a hand, sticker, accessory, etc.
 - There is an accessory or other object attached within the sensor's sensing area.
 - Items such as tow hooks, commercially available corner poles, radio antenna, etc. are installed on the bumper.
 - The height of the bumper is changed due to alteration to the suspension or other causes.
 - The sensor areas are extremely hot from direct sunlight or cold due to freezing weather.
 - The vehicle is on a rough surface, slope, gravel road or grass field.
 - The vehicle is at a steep angle.

(Continued)

⚠ WARNING

(Continued)

- Sensors have intercepted ultrasonic noise from another vehicle's horn, engine, air braking system (large vehicles), or parking sensor.
- Obstacles are too close to the sensors.
- Sensors are at an angle to a highly reflective object such as glass (Ultrasonic waves are not reflected back from the obstacle).
- Sensors may not be able to correctly detect the following types of obstacles:
 - Objects made of a thin material like wire netting and ropes.
 - Square-shaped curbstones or other objects with sharp edges.
 - Tall objects with a large upper part like a road sign.
 - Low-profile objects such as curbstones.
 - Sound-absorbing objects such as cotton and snow.

NOTE:

- Thin poles or obstacles lower than the sensors may become undetectable as the vehicle moves closer to them even if they have been detected from longer distances.
- The system may calculate the distance to a road sign or similar obstacle to be shorter than the actual distance.

OPERATING YOUR VEHICLE

Obstacle indication by parking sensor

Upon detecting an obstacle, the parking sensor causes an interior buzzer to sound.

- A buzzer located behind the rear seat sounds when a sensors at the rear detects an obstacle.
- Warnings when obstacles are detected by corner sensors

Distance (approx.)	Buzzer
45 – 60 cm (18 – 24 in.)	Short beeps at short intervals
35 – 45 cm (14 – 18 in.)	Short beeps at very short intervals
Less than 35 cm (14 in.)	Continuous beep

- Warnings when obstacles are detected by center sensors

Distance (approx.)	Buzzer
60 – 150 cm (24 – 59 in.)	Short beeps at long intervals
45 – 60 cm (18 – 24 in.)	Short beeps at short intervals
35 – 45 cm (14 – 18 in.)	Short beeps at very short intervals
Less than 35 cm (14 in.)	Continuous beep

Warning and indicator messages

Vehicle with Instrument Cluster (Type A and Type B)

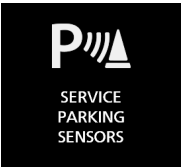

If there is a problem or warning regarding the parking sensor system, a buzzer and the status of the indicator on the parking sensor inform it. Follow its instruction.

- The buzzer sounds intermittently. The indicated sensor is contaminated. Wipe it clean with a soft cloth. If the buzzer does not stop after wiping, there may be problem with the parking sensor system. Have your vehicle inspected by an authorised Maruti Suzuki workshop.

OPERATING YOUR VEHICLE

Vehicle with Instrument Cluster (Type C)

If there is a problem or warning regarding the parking sensor system, a message is displayed on the information display in the instrument cluster, and a symbol blinks and the buzzer sounds. If a message is displayed, follow its instruction.

Message	Symbol	Probable cause and remedy
	Two blinking lines in a sensor location.	There may be a problem with the parking sensor system. Have your vehicle inspected by Maruti Suzuki authorised workshop.
	One blinking line in a sensor location.	The indicated sensor is contaminated. Wipe it clean with a soft cloth.

Rearview camera (if equipped)

When the gearshift lever is shifted to "R" position while the ignition mode is "ON", the rearview camera system automatically shows the view behind the vehicle on the display.

WARNING

The distance viewed in the rearview camera may differ from the actual distance according to the condition of road or the load the vehicle is carrying. Since the camera display area is also limited, backing up by only looking at the display may cause an accident or a crash with an object.

The rearview camera cannot replace the driver's attention. The driver alone is responsible for parking and similar driving maneuvers.

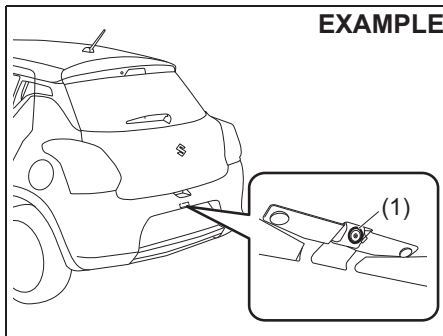
- Use the rearview camera only to provide driving assistance.
- Always drive carefully confirming the safety of the rear and the surrounding conditions by looking directly with your eyes and using the rear view mirror.
- Check that the trunk lid is securely closed when backing up.

OPERATING YOUR VEHICLE

NOTICE

If you use the rearview camera for a long time when the ignition mode is "ON", but the engine is not running, the battery may discharge. Do not leave the ignition mode "ON" for a long time when the engine is not running.

Rearview camera location



(1) Rearview camera

The rearview camera is installed beside the license plate light.

NOTICE

The rearview camera is a precision instrument. If you strike the camera, it may be broken and cause damage resulting in a catch fire or a malfunction.

- Do not strike the camera.
- Do not remove snow or mud on the camera lens with a stick.

NOTICE

If water enters the rearview camera, it may cause a malfunction or catch fire.

Do not use high pressure water around the camera.

NOTICE

This lens is hard coated to prevent damage or discoloration. Damage or discoloration of lens may obscure the image.

- Do not use a brush to clean lens.
- Do not use alcohol, benzene or thinner to clean the lens.
- Do not use wax on the camera lens.

NOTE:

If body wax gets on the camera lens, wipe off the wax with a clean cloth dampened with mild detergent diluted with water, and then wipe the lens with a dry cloth.

How to use rearview camera

- 1) Press the engine switch to change the ignition mode to "ON".
- 2) Shift the gearshift lever in "R" position.
 - The display automatically shows the view behind the vehicle.
 - When the gearshift lever is shifted from "R" to another gearshift lever position, the display returns to the previous display.

NOTE:

The rearview camera display has first priority in any display mode. However, the rearview camera display does not show the rear view while the system is initializing.

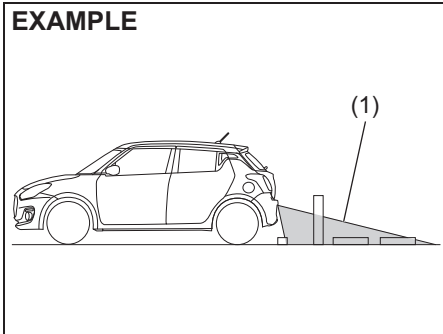
Display range of rearview camera

The rearview camera display shows the area behind the rear end of the bumper. The display cannot show objects which are close to the bumper or under the bumper. The rearview camera display cannot show obstacles which are higher than the camera. Upper parts of tall objects such as road signs cannot be viewed on the display.

OPERATING YOUR VEHICLE

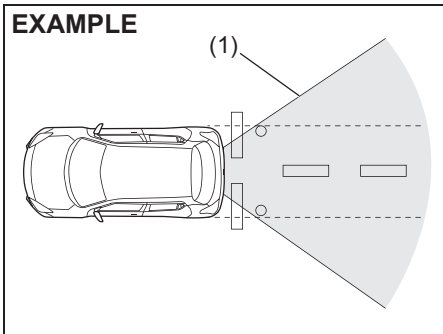
Display range of rearview camera

EXAMPLE



55RM03014

EXAMPLE



55RM03015

(1) Display range

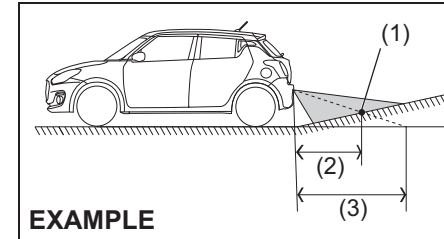
NOTE:

- Images shown on the display from the rearview camera are reversed images (mirror images).
- The colors of objects on the rearview camera may differ from the actual object colors.
- The rearview camera display may be difficult to see under the following conditions, but this is not a system malfunction.
 - In dark areas, on a rainy day or at night.
 - When the temperature around the lens is too high/low, or the camera is wet such as on a rainy day or during periods of high humidity (dew condensation may occur on the camera lens).
 - When a foreign object such as mud or a drop of water is stuck around the camera lens.
 - When strong light directly enters the camera (vertical lines may be seen on the display).
 - Under fluorescent light (The display may flicker).
 - When the outside temperature is low (the image on the display may be darkened).

Rearview camera screen indication

The distance viewed in the rearview camera may differ from the actual distance according to the condition of the road or the load the vehicle is carrying.

Uphill incline behind the vehicle



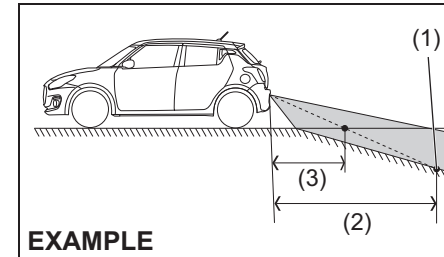
55RM03016

EXAMPLE

- (1) Object
- (2) Actual distance
- (3) Distance on the display

When there is an uphill incline behind the vehicle, the object shown on the display appears farther away than the actual distance.

Downhill incline behind the vehicle



55RM03017

EXAMPLE

- (1) Object
- (2) Actual distance
- (3) Distance on the display

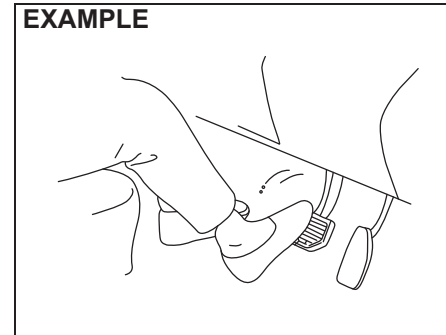
When there is a downhill incline behind the vehicle, the object shown on the display appears closer than the actual distance.

If the rear view from the rearview camera is not shown or there is a poor image

- If the rear view from the rearview camera is not shown.
 - Check that the ignition mode is “ON”.
 - Check that the gearshift lever is shifted to “R” position.
- If the image from the rearview camera is poor.
 - Check that the camera lens is not dirty.
 - Check that light from the sun or the beam of the headlights from the vehicle behind is not shining directly into the lens.

If the rearview camera system is still not working properly after checking the above, have the system inspected by an authorised Maruti Suzuki workshop as soon as possible.

Braking



60G165A

The distance needed to bring any vehicle to a halt increases with the speed of the vehicle. The braking distance needed, for example, at 60 km/h will be approximately 4 times greater than the braking distance needed at 30 km/h. Start to depress the brake pedal when there is plenty of distance between your vehicle and the stopping point, and slow down gradually.

⚠ WARNING

If water gets into the brake devices, brake performance may become poor and unpredictable. After driving through water or washing the underside of the vehicle, test the brakes while driving at a slow speed to see if they have maintained their normal effectiveness. If the brakes are less effective than normal, dry them by repeatedly applying the brakes while driving slowly until the brakes have regained their normal effectiveness.

Power-assisted brakes

Your vehicle has power-assisted brakes. If power assistance is lost due to a stalled engine or other failures, the system is still fully operational on reserve power and you can bring the vehicle to a complete stop by pressing the brake pedal once and holding it down. The reserve power is partly used up when you depress the brake pedal and reduces each time the pedal is pressed. Apply smooth and even pressure to the pedal. Do not pump the pedal.

OPERATING YOUR VEHICLE

WARNING

Even without reserve power in the brake system, you can still stop the vehicle by pressing the brake pedal harder than normally required. However, the stopping distance may be longer.

Brake assist system (if equipped)

When you slam the brakes on, the brake assist system determines it to be an emergency stop and provides more powerful braking for a driver who cannot hold down the brake pedal firmly.

NOTE:

If you quickly and forcefully depress the brakes, you may hear a clicking sound in the brake pedal. This is normal and indicates that the brake assist system is activated properly.

Anti-lock brake system (ABS)

ABS will help you avoid skidding by electronically controlling braking pressure. It will also help you maintain steering control when braking on slippery surfaces or when braking hard.

The ABS works automatically, so you do not need any special braking technique. Just push the brake pedal down without pumping. The ABS will operate whenever it senses that the wheels are locking up.

You may feel the brake pedal move a little while the ABS is operating.

NOTE:

- The ABS will not work if vehicle speed is under about 9 km/h.
- If the ABS system is activated, you may hear a clunking noise and/or feel pulsating in the brake pedal. This is normal and indicates that the brake fluid pressure is being controlled properly.
- You may hear an operation sound when you start the engine or after the vehicle begins to move. This means that the above systems are in the self-check mode. This sound does not indicate a malfunction.

WARNING

- On some types of loose surfaces (such as gravel, snow-covered roads, etc.), the stopping distance required for a vehicle with ABS may be slightly greater than the one required for a comparable vehicle with a conventional brake system. With a conventional brake system, skidding tires are able to plow the gravel or snow layer, shortening the stopping distance. ABS minimizes this resistance effect. Allow for extra stopping distance when driving on loose surfaces.

(Continued)

WARNING

(Continued)

- On regular paved roads, some drivers may be able to obtain slightly shorter stopping distances with conventional brake systems than with ABS.
- In both of the above conditions, ABS will still offer the advantage of helping you maintain directional control. However, remember that ABS will not compensate for bad road or weather conditions or poor driver judgment. Use good judgment and do not drive too fast.

EXAMPLE



- (1) ABS warning light
(2) Brake system warning light

54MM069

⚠ WARNING

- If the ABS warning light (1) on the instrument cluster comes on and stays on while driving, there may be a problem with the ABS system. Ask an authorised Maruti Suzuki workshop to inspect the ABS system immediately. If the ABS system becomes inoperative, the brake system will function as an ordinary brake system that has no ABS.
- If the ABS warning light (1) and the brake system warning light (2) on the instrument cluster simultaneously stay on or come on while driving, both anti-lock function and rear brake force control function (proportioning valve function) of the ABS system may have failed. If so, the rear wheels may easily skid or the vehicle can even spin in the worst case when braking on a slippery road or when hard braking even on a dry paved road. Ask an authorised Maruti Suzuki workshop to inspect the ABS system immediately. Drive carefully, avoiding hard braking as much as possible.

How ABS works

A computer continuously monitors wheel speed. The computer compares the changes in wheel speed when braking. If the wheels slow suddenly, indicating a skidding situation, the computer will change braking pressure several times each second to prevent the wheels from locking. When you start your vehicle or when you accelerate after a hard stop, you may hear a momentary motor or clicking noise as the system resets or checks itself. "This is absolutely normal and indicates that ABS is functioning properly".

⚠ WARNING

The ABS may not work properly if tires or wheels other than those specified in the owner's manual are used. This is because the ABS works by comparing changes in wheel speed. When replacing tires or wheels, use only the size and type specified in this owner's manual.

Electronic stability program (ESP®) (if equipped)

ESP® is a registered trademark of Daimler AG.

The Electronic Stability Program (ESP®) helps to control the vehicle during cornering if front wheels or rear wheels skid. It also assists you in maintaining traction while accelerating on loose or slippery road surfaces. It does this by regulating the engine's output, and by selectively applying the brakes. In addition, ESP® helps to avoid skidding by controlling braking pressure.

⚠ WARNING

The ESP® cannot enhance the vehicle's driving stability in all situations and does not control your vehicle's entire braking system. The ESP® cannot prevent accidents, including those resulting from excessive speed in turns, or hydroplaning. Only safe and attentive drive can prevent accidents. The capabilities of an ESP®-equipped vehicle must never be used as a substitute for careful driving.

The ESP® totally manages following four systems, (stability control, traction control, ABS and Brake assist) to help enhance vehicle stability in response to various driving conditions;

OPERATING YOUR VEHICLE

Stability control system

The vehicle stability control system helps provide integrated control of systems such as anti-lock brakes, traction control, engine control, etc. This system automatically controls the brakes and engine to help prevent the vehicle from skidding when cornering on a slippery road surface or when turning the steering wheel abruptly.

Traction control system

The traction control system automatically helps prevent the spinning of wheels when the vehicle is started or accelerated on slippery road surfaces. The system operates only if it senses that some of the wheels are spinning or beginning to lose traction. When this happens, the system operates the front or rear brakes and reduces engine power to limit wheel spin.

NOTE:

You may hear an operation sound when you start the engine or after the vehicle begins to move. This means that the above systems are in the self-check mode. This sound does not indicate a malfunction.

Anti-Lock Brake System (ABS)

ABS will help you avoid skidding by electronically controlling braking pressure. It will also help you maintain steering control when braking on slippery surfaces or when braking hard. The ABS works automatically, so you do not have to use any special braking technique. Just push the brake

pedal down without pumping. The ABS will operate whenever it senses that wheels are locking up. You may feel the brake pedal pulsate while the ABS is operating. (For more information on ABS, see "Braking" in this section.)

NOTE:

- *The ABS will not work if vehicle speed is under about 9 km/h.*
- *If the ABS system is activated, you may hear a clunking noise and/or feel pulsating in the brake pedal. This is normal and indicates that the brake fluid pressure is being controlled properly.*

Brake assist system

When you step on the brake pedal, the brake assist system determines it to be an emergency stop and provides more powerful braking for a driver who cannot hold down the brake pedal firmly.

NOTE:

If you quickly and forcefully depress the brakes, you may hear a clicking sound in the brake pedal. This is normal and indicates that the brake assist system is activated properly.

WARNING

- The ESP[®] may not work properly if tires or wheels other than those specified in the owner's manual are used. When replacing tires or wheels, use only the size and type specified in this owner's manual.
- The ESP[®] may not work properly if tires are not inflated to the recommended tire pressure.
- The ESP[®] may not work properly if tires are fitted with tire chains.
- The ESP[®] may not work properly if the tires are excessively worn. Replace tires when the tread wear indicators in the grooves appear on the tread surface.
- The ESP[®] is not a substitute for winter tires or tire chains on a snow-covered road.

WARNING

- The ESP[®] may not work properly if engine related parts such as the muffler are not equivalent to standard equipment or are extremely deteriorated.
- Do not modify the vehicle's suspension since the ESP[®] may not work properly.

OPERATING YOUR VEHICLE

NOTE:

- If the ESP[®] system is activated, you may hear a clunking noise and/or feel pulsating in the brake pedal. This is normal and indicates that the brake fluid pressure is being controlled properly.
- You may hear an operation sound when you start the engine or after the vehicle begins to move. This means that the above systems are in the self-check mode. This sound does not indicate a malfunction.

The ESP[®] indicator lights are described below:

ESP[®] warning light (if equipped)



This light blinks 5 times per second when one of the following systems is activated.

- Stability control system
- Traction control system

If this light blinks, drive carefully.

When the ignition is pushed to "ON" mode, this light comes on briefly so you can check that the light is working.

NOTICE

If the ESP[®] warning light comes on and stays on while driving, there may be a malfunction of the ESP[®] systems (other than ABS). You should have the systems inspected by a Maruti Suzuki authorised workshop.

NOTE:

When the ESP[®] warning light comes on and stays on while driving, indicating a malfunction of the ESP[®] systems (other than ABS), the brake system will function as an ordinary ABS with no additional ESP[®] functions.

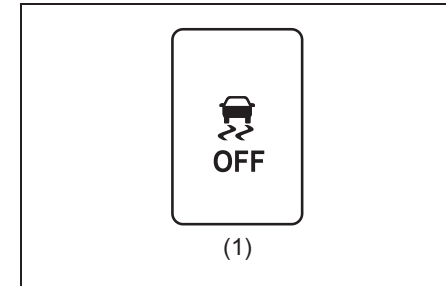
ESP[®] OFF indicator light (if equipped)



You should turn the ESP[®] on during your ordinary driving, so that you have the benefits of all of the ESP[®] systems.

It may be required to turn the ESP[®] systems (other than ABS) off if your vehicle is stuck in sand, mud, or snow, where wheel spin is necessary.

ESP[®] OFF switch (if equipped)



(1) ESP[®] OFF switch

When the ESP[®] OFF switch located at the instrument panel is pushed and held to turn off the ESP[®] systems (other than ABS), the ESP[®] OFF indicator light in the instrument cluster comes on.

When you have turned the ESP[®] systems (other than ABS) off, turn them back on before resuming ordinary driving.

When you push the ESP[®] OFF switch again, the ESP[®] OFF indicator light will go out and all of the ESP[®] systems will be activated.

OPERATING YOUR VEHICLE

ABS warning light / brake system warning light

See "Braking" in this section.

Hill hold control system (if equipped)

The hill hold control system is designed to assist you in starting to move up hills. When you start to move up a hill, the system helps to prevent the vehicle from rolling downward (for approximately 2 seconds) while you move your foot from the brake pedal to the accelerator pedal.

WARNING

- **Do not rely excessively on the hill hold control system. The hill hold control system may not prevent the vehicle from rolling downward on a hill under all load or road conditions. Always be prepared to depress the brake pedal to prevent the vehicle from rolling downward. Failure to pay attention and depress the brake pedal to hold the vehicle on a hill when necessary, may result in loss of control or an accident.**
- **The hill hold control system is not designed to stop the vehicle on a hill.**
- **After you release your foot from the brake pedal, accelerate the vehicle to move up immediately. If you release your foot from the brake pedal over 2 seconds, the hill hold control system will be canceled. If so, the vehicle may roll downward, which can result in an accident depending on the degree of slope. And, the engine may stall and the power assist for the steering and brakes will not work so steering and braking will be much harder than usual which can result in an accident or vehicle damage.**

The hill hold control system activates for a maximum of about 2 seconds if your foot is moved from the brake pedal when the following conditions are all met.

- 1) The gearshift lever is in a forward gear or reverse gear.
- 2) The parking brake is released.
- 3) The vehicle is on an upward incline.

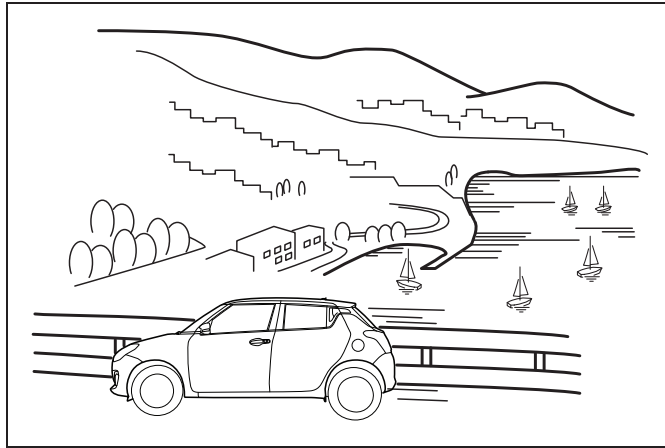
The hill hold control system is activated when the engine is restarted after being stopped automatically, even if the previous conditions are not met.

NOTE:

When the hill hold control system is activated, the following conditions may be found, but this is not a malfunction.

- *You may hear a sound from the engine room.*
- *As brake pedal becomes heavy, it may be difficult for you to depress it.*

DRIVING TIPS

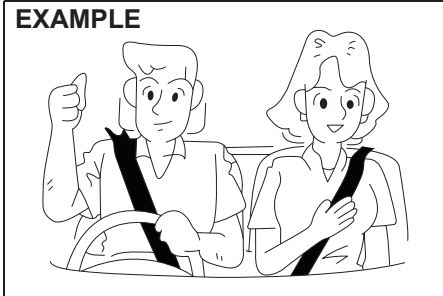


60G409A

Running-in	4-1
Catalytic converter	4-1
Improving fuel economy	4-2
Highway driving	4-3
Driving on hills	4-3
Driving on slippery roads	4-4
Driving on wet roads	4-5
Off-road driving	4-6
When encountering a flooded area	4-6
Do's and Dont's for save driving	4-7
Margin for safety	4-9

DRIVING TIPS

EXAMPLE



55RM04002

⚠ WARNING

- Fasten your seat belts at all times. Even though air bags are equipped at the front seating positions, the driver and all passengers should be properly restrained at all times, using the seat belts provided. Refer to “Seat belts and child restraint systems” section for instructions on proper use of the seat belts.
- Never drive under the influence of alcohol or other drugs. Alcohol and drugs can seriously impair your ability to drive safely, greatly increasing the risk of injury to yourself and others. You should also avoid driving when you are tired, sick, irritated or under stress.

Running-in

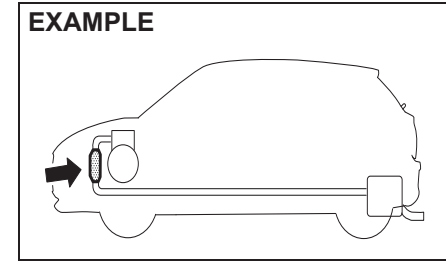
NOTICE

The future performance and reliability of the engine depends on the care and restraint exercised during its early life. It is especially important to observe the following precautions during the first 960 km of vehicle operation.

- After starting, do not race the engine. Warm it up gradually.
- Avoid prolonged vehicle operation at a constant speed. Moving parts will break in better if you vary your speed.
- Start off from a stop slowly. Avoid full throttle starts.
- Avoid hard braking, especially during the first 320 km of driving.
- Do not drive slowly with the trans-axle in a high gear.
- Drive the vehicle at moderate engine speeds.
- Do not tow a trailer.

Catalytic converter

EXAMPLE



80G106

The purpose of the catalytic converter is to minimize the amount of harmful pollutants in your vehicle's exhaust. Use of leaded fuel in vehicles equipped with catalytic converters is prohibited, because lead deactivates the pollutant-reducing components of the catalyst system.

The converter is designed to last the life of the vehicle under normal usage and when unleaded fuel is used. No special maintenance is required on the converter. However, it is very important to keep the engine properly tuned. Engine misfiring, which can result from an improperly tuned engine, may cause overheating of the catalytic converter. This may result in permanent heat damage to the catalytic converter and other vehicle components.

NOTICE

To minimize the possibility of catalytic converter or other vehicle damage:

- Maintain the engine in the proper operating condition.
- In the event of an engine malfunction, particularly one involving engine misfire or other apparent loss of performance, have the vehicle serviced promptly.
- Do not turn off the engine or interrupt the ignition when the transaxle is in gear and the vehicle is in motion.
- Do not try to start the engine by pushing or towing the vehicle, or coasting down a hill.
- Do not idle the engine with any spark plug wires disconnected or removed, such as during diagnostic testing.
- Do not idle the vehicle for prolonged periods if idling seems rough or there are other malfunctions.
- Do not allow the fuel tank to get near the empty level.

EXAMPLE



55RM04003

⚠ WARNING

Be careful where you park and drive; the catalytic converter and other exhaust components can get very hot. As with any vehicle, do not park or operate this vehicle in areas where combustible materials such as dry grass or leaves can come in contact with a hot exhaust system.

Improving fuel economy

NOTE:

Fuel economy (mileage) of the vehicle may vary due to several factors i.e., driving habits - gear change pattern, usage of A.C., Air pressure in the tyres, wind speed, traffic conditions, fuel quality- non adulterated standard fuel, maintenance of vehicle, road conditions, braking etc.

The following instructions will help you improve fuel economy.

Avoid excessive idling

If you park your vehicle for more than one minute, stop the engine and start it again later. When warming up a cold engine, do not allow the engine to idle or apply full throttle until the engine has reached operating temperature. Allow the engine to warm up by driving.

Avoid sudden acceleration

Sudden acceleration starting from rest or while driving will consume fuel unnecessarily and shorten engine life. Start off slowly.

Avoid unnecessary stops

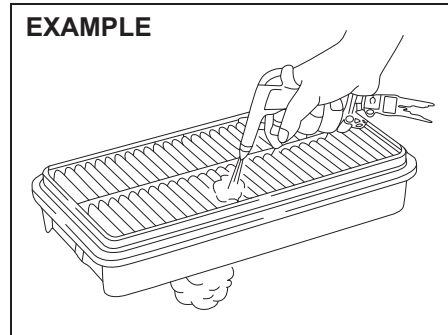
Avoid unnecessary deceleration and stopping. Try to maintain a moderate, steady speed whenever possible. Slowing down and then accelerating again uses more fuel.

Keep a steady cruising speed

Drive at a constant speed that road and traffic conditions will permit.

DRIVING TIPS

Keep the air cleaner clean



If the air cleaner is clogged with dust, there will be greater intake resistance, resulting in decreased power output and increased fuel consumption.

Keep weight to a minimum

The heavier the load is, the more fuel the vehicle consumes. Unload any unnecessary luggage or cargo.

Keep tire pressures correct

Under-inflation of the tires can waste fuel due to increased rolling resistance of the tires. Keep your tires inflated to the correct pressure shown in the label on the driver's door lock pillar.

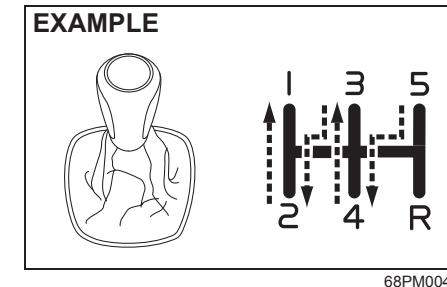
Highway driving

When driving at highway speeds, pay attention to the following:

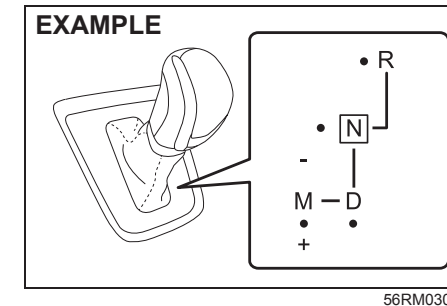
- Stopping distance progressively increases with vehicle speed. Apply the brakes far enough ahead of the stopping point to allow for the extra stopping distance.
- On rainy days, hydroplaning can occur. Hydroplaning is the loss of direct contact between the road surface and the vehicle's tires due to a water film forming between them. Steering or braking the vehicle during hydroplaning can be very difficult, and loss of control can occur. Keep speed down when the road surface is wet.
- At high speeds, the vehicle may be affected by side winds. Therefore, reduce speed and be prepared for unexpected buffeting, which can occur at the exits of tunnels, when passing by a cut of a hill, or when being overtaken by large vehicles, etc.

Driving on hills

Manual transaxle



Auto Gear Shift



- When driving on steep hills, the vehicle may begin to slow down and show a lack of power. If this happens, you should shift to a lower gear so that the engine will again be operating in its higher power range. Shift rapidly to prevent the vehicle from losing momentum.

DRIVING TIPS

- When driving down a hill, the engine should be used for braking by shifting to the next lower gear.

While moving uphill/gradient from a stand still condition

(For manual transmission models)

- Apply the parking brake firmly so that the vehicle does not roll backwards.
- Depress the Clutch pedal and Shift the gearshift lever to 1st Select position.
- When ready to start, press accelerator pedal and slowly release the clutch pedal simultaneously. When the vehicle starts to move, gradually release the parking brake.

(For Auto Gear Shift models)

Refer to "Using transmission" in the "OPERATING YOUR VEHICLE" section.

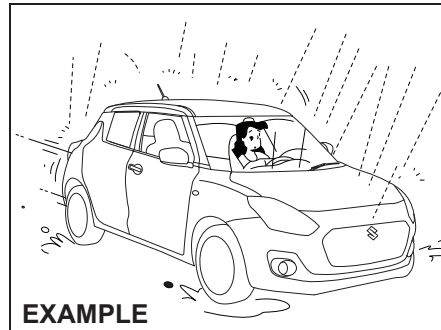
⚠ WARNING

Do not hold the brake pedal down too long or too often while going down a steep or long hill. This could cause the brakes to overheat, resulting in reduced braking efficiency. Failure to take this precaution could result in loss of vehicle control.

NOTICE

When descending a downhill, Never turn the ignition key to "LOCK" position or press the engine switch to change the ignition mode to "LOCK" (OFF). Emission control system damage may result.

Driving on slippery roads



55RM04004

On wet roads, you should drive at a lower speed than you do on dry roads due to possible slippage of tires during braking. When driving on icy, snow-covered or muddy roads, reduce your speed and avoid sudden acceleration, abrupt braking, or sharp steering movements.

Tire chains

Tire chains should only be used if they are needed to increase traction or are required by law. Check that the chains you use are the correct size for your vehicle's tires. Also check that there is enough clearance between the fenders and the chains as installed on the tires.

Install the chains on the front tires tightly, according to the chain manufacturer's instructions. Retighten the chains after driving about 1.0 km if necessary. With the chains installed, drive slowly.

NOTICE

- **If you hear the chains hitting against the vehicle body while driving, stop and tighten them.**
- **If your vehicle is equipped with full wheel caps, remove the wheel caps before installing the chains or the wheel caps can be damaged by the chain bands.**

Stuck vehicle

If your vehicle gets stuck in snow, mud or sand, follow the directions below:

- 1) Shift the transaxle back and forth between a forward range (or first gear for manual transaxle) and reverse. This will create a rocking motion which may give you enough momentum to free the vehicle. Press gently on the accelerator to keep wheel spinning to a minimum

DRIVING TIPS

wheel rpm. Remove your foot from the accelerator while shifting.

Do not race the engine. Excessive wheel spin will cause the tires to dig deeper, making it more difficult to free the vehicle.

- 2) If your vehicle remains stuck after a few minutes of rocking, we recommend you to consult an authorised Maruti Suzuki workshop or a roadside assistance service. If a towing service is not available in an emergency, your vehicle may be temporarily towed by other vehicle with a towing cable or chain secured to the towing hook either on the front of the vehicle or on the rear of the vehicle. Refer to "Frame hooks" in "OTHER CONTROLS AND EQUIPMENT" section.

⚠ WARNING

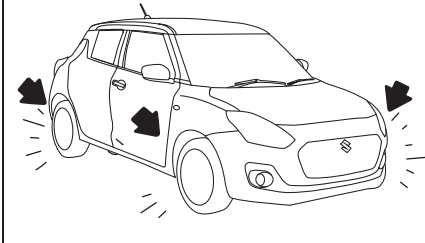
Do not allow anyone to stand near the vehicle when you are rocking it, and do not spin the wheels faster than an indicated 40 km/h on the speedometer. Personal injury and/or vehicle damage may result from spinning the wheels too fast.

NOTICE

Do not continue rocking the vehicle for more than a few minutes. Prolonged rocking can cause engine overheating or transaxle damage.

Driving on wet roads

EXAMPLE



55RM04005

NOTICE

- When driving on wet roads, avoid driving through large amount of standing water on the road. Large amount of water entering the engine compartment may cause damage to the engine and or electrical components.
- If stuck in deep water, do not start the engine.
- Water is incompressible substance, water inside engine is harmful to the engine.

⚠ WARNING

In addition to following the driving tips in this section, it is important to observe the following precautions.

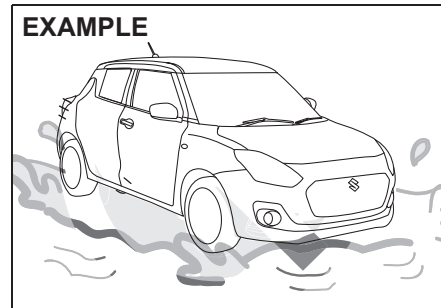
- Check that your tires are in good condition and always maintain the specified tire pressure. Refer to "Tires" in the "INSPECTION AND MAINTENANCE" section for details.
- Do not use tires other than those specified by MARUTI SUZUKI. Never use different sizes or types of tires on the front and rear wheels. For information regarding the specified tires, refer to the tire information label located on the driver's door lock pillar.
- Never use oversized tires or special shock absorbers and springs to raise (jack up) your vehicle. This will change the handling characteristics. Oversized tires may also rub against the fender over bumps, causing vehicle damage or tire failure.
- After driving through water, test the brakes while driving at a slow speed to see if they have maintained their normal effectiveness. If the brakes are less effective than normal, dry them by repeatedly applying the brakes while driving slowly until the brakes have regained their normal effectiveness.

Off-road driving

Do not drive in the field covered with grown grass

If you drive in the field covered with grass, it may cause unexpected accident or vehicle damage by getting caught in grown grass.

When Encountering a Flooded Area



Avoid driving in a flooded area or a deep puddle. If driving in a flooded area is unavoidable, go slowly in the lowest gear. In case that you have driven in a flooded area, stop the vehicle in a safe and non flooded place while checking the brake effectiveness. Then, ask a Maruti Suzuki authorised workshop to check the following inspection items.

- Function of brake
- Function of electrical components
- Changes in oil level and quality for engine and transmission. In case that the oil is turbid whitish, water has been mixed in the oil and an oil change is required.
- Lubricant condition of the bearings, suspension joints, etc.

NOTICE

- Avoid driving in a flooded area or a deep puddle. It may cause an engine stall, short in electrical components, engine and transmission damages, etc.
- If the vehicle gets stuck in deep water do not start the engine.

DRIVING TIPS

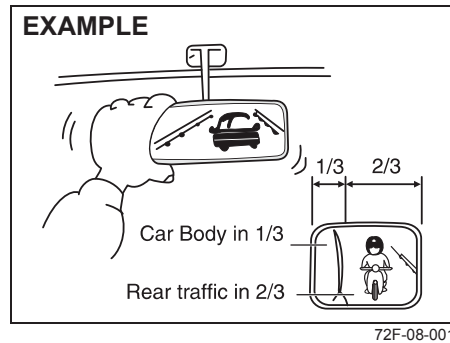
Do's and Dont's for safe driving

Exercise care in handling your vehicle. Be conscious of not only your own safety but also the safety of others on the road, and thus enjoy the best and most comfortable driving experience.

Following are basic rules for safe driving. Read them carefully for good understanding of the content so that you can enjoy safe and pleasant driving in your vehicle.

Starting

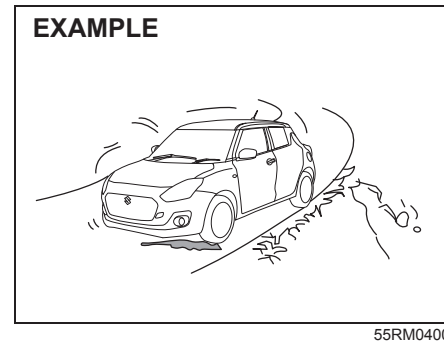
- 1) Adjust the driver's seat for the proper driving posture.
- 2) Adjust the rear view mirror so as to obtain the best possible rear view.



- 3) Before moving, look around your vehicle to confirm safety.
- 4) Don't accelerate suddenly, since it is dangerous and wastes fuel.

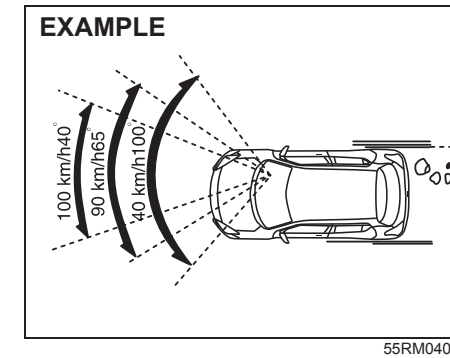
General Driving

- 1) Be sure to stop before a stop light or stop sign. When moving into an intersection without any traffic lights or signs, drive slowly to confirm safety.
- 2) Always follow other vehicles at a safe distance in order to prevent a rear-end collision, in case the vehicle ahead makes a sudden stop.



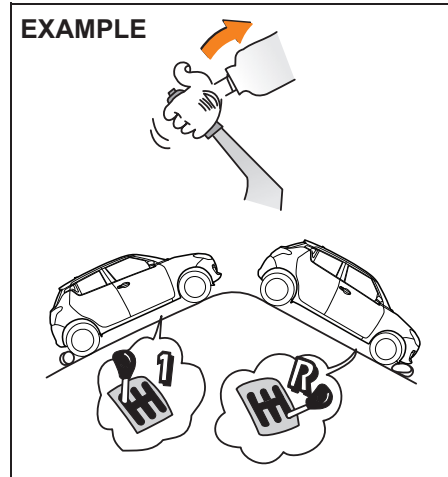
- 3) Turn on the turn signal at least 30 meters before making a turn or changing the lane so as not to be hit.
- 4) Before entering a corner, decelerate to a safe speed. Don't apply brakes during cornering, or skidding may occur.

- 5) When overtaking other vehicles, watch out for oncoming vehicles and carefully ensure safety.
- 6) Don't attempt zigzag driving as it will hinder your control over the vehicle and may cause an accident.
- 7) Avoid reckless high speed driving and try to drive at a safe speed suitable for the road conditions while maintaining a constant speed.
- 8) The higher the speed, the narrower the driver's visual range becomes. In such a state, it is difficult to anticipate any hazard and the driver feels fatigued.

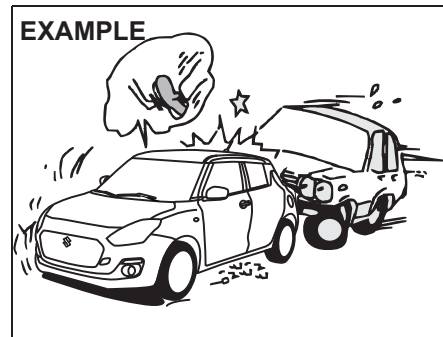


- 9) Do not attempt sharp handling during high speed driving. You may lose your control over your vehicle.
- 10) When overtaking or changing lanes while driving at a high speed, keep ample vehicle-to-vehicle distance.

Braking



- 1) Use the parking brake when parking your vehicle and shift the gear shift lever into the first gear or reverse gear position for the sake of safety.
- 2) Don't use hand-braking unless unavoidable. It causes the vehicle to skid and a collision may occur. It is especially dangerous when the tyres are worn out as they skid more.



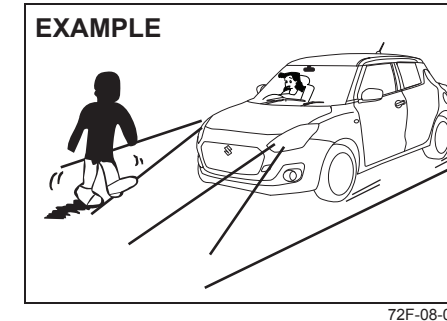
Use foot brake in three stages

1. Warn the vehicle behind you.
 2. Gradually apply the brake.
 3. Bring the vehicle to a halt.
- 3) When driving downhill, try not to apply the brake but use the engine brake effectively. Overuse of the foot-brake may result in reduction of brake effectiveness.

Long Distance Driving

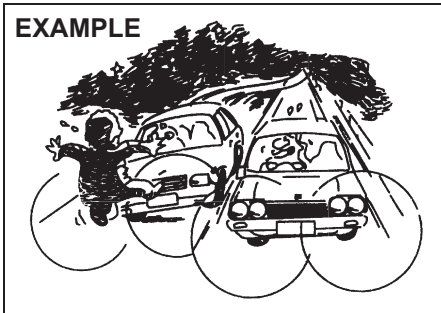
- 1) Be sure to perform safety checks before starting a trip.
- 2) Take rest at regular intervals to prevent accidents which may occur due to feeling sleepy or tired.

Night Time Driving



- 1) Drive at lower speeds during the night than in the daytime, as the visual range is restricted at night.
- 2) Avoid overtaking other vehicles at night. Darkness bothers your sense of speed and hinders your judgment of vehicle-to-vehicle distance.

DRIVING TIPS



- 3) Don't use headlights on high beam unless its use is inevitable. It may cause visual impairment to the driver of the oncoming vehicle or the vehicle ahead of you, which may cause an accident.
- 4) Always keep the window glasses clean. Don't operate the windshield wiper when the windshield glass is dry else the wiper blade and glass may get damaged.

Margin for safety

It is important to allow yourself a margin for safety during driving so that you can cope with erroneous or unexpected driving of other drivers. For that, observe the following.

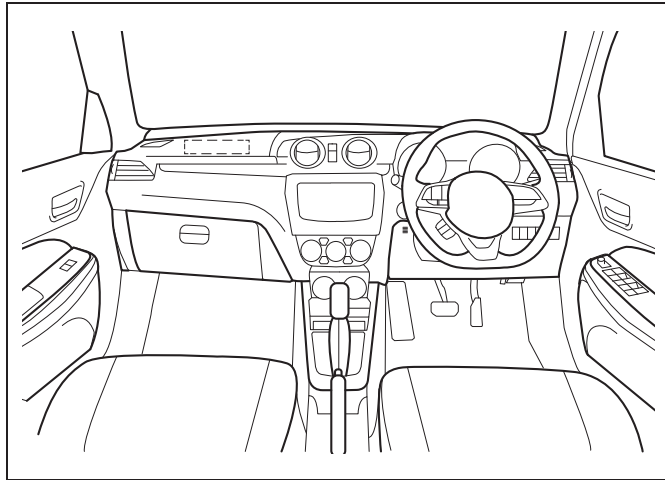
- Drive at a safe speed.
- Maintain a sufficient distance between your vehicle and the vehicle ahead.
- Don't force yourself to overtake other vehicles.
- Don't accelerate suddenly, steer sharply or stop suddenly.
- Keep ample gaps between driving schedules.
- Observe traffic rules and regulations.

Conclusion

A perfect driver does not exist. The endeavour of every motorist should be to strive for perfection. Safety consciousness not only ensures your safety and the safety of other road users, it also helps reduce the wear and tear on your vehicle, lengthens its life, gives better fuel efficiency and ensures a comfortable driving experience.

Follow the do's and don'ts listed, and driving will never be the same again.

OTHER CONTROLS AND EQUIPMENT



55RM05001A

Fuel filler cap 5-1

Engine hood 5-2

Sun visor 5-3

Interior light 5-4

Accessory socket 5-6

AUX/USB socket (if equipped) 5-6

Assist grips 5-7

Glove box 5-7

Cup holder and storage area 5-8

Footrest (if equipped) 5-9

Floor mats (if equipped) 5-10

Luggage compartment hook (if equipped) 5-10

Luggage compartment cover 5-11

Luggage compartment carpet 5-11

Frame hooks 5-11

Heating and air conditioning system 5-14

Manual heating and air conditioning system 5-16

Automatic heating and air conditioning system
(climate control) 5-21

Radio antenna 5-28

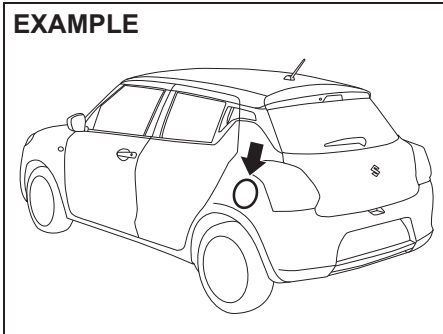
Installation of radio frequency transmitters 5-28

Audio system (if equipped) 5-29

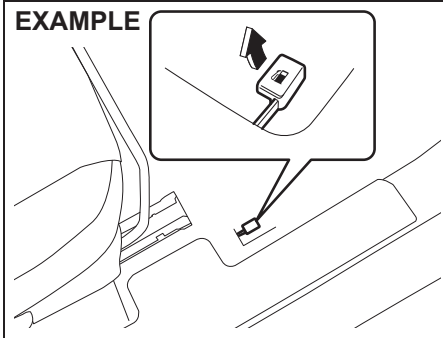
Talk button (if equipped) 5-64

OTHER CONTROLS AND EQUIPMENT

Fuel filler cap

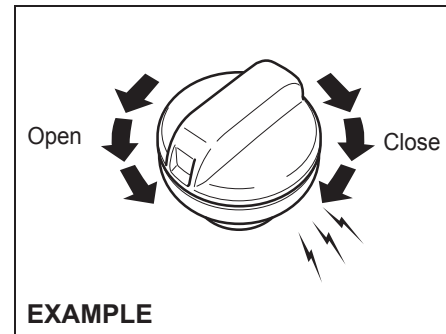


55RM05002



55RM05003

A fuel filler cap is located on the left rear side of the vehicle. The fuel filler door can be unlocked by pulling up the opener lever located on the outboard side of the driver's seat and locked by simply closing the door.



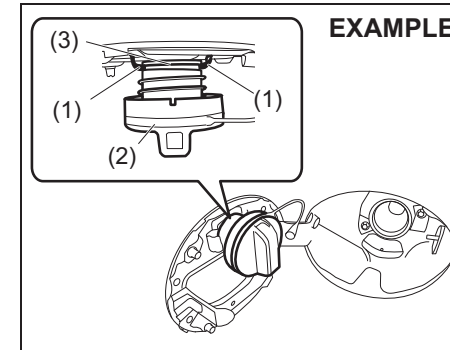
57L51093

To remove the fuel filler cap:

- 1) Stop the engine and close all doors and windows while refueling.
- 2) Open the fuel filler door.
- 3) Remove the cap by turning it counter-clockwise.

CAUTION

Remove the fuel filler cap slowly. The fuel may be under pressure and may spray out, causing injury.



55RM05004

NOTE:

The cap holder (1) holds the fuel filler cap (2) by hooking the groove (3) when refueling.

To reinstall the fuel filler cap:

- 1) Turn the cap clockwise until you hear several clicks.
- 2) Close the fuel filler door.

WARNING

Fuel is extremely flammable. Do not smoke when refueling, and check that there are no open flames or sparks in the area.

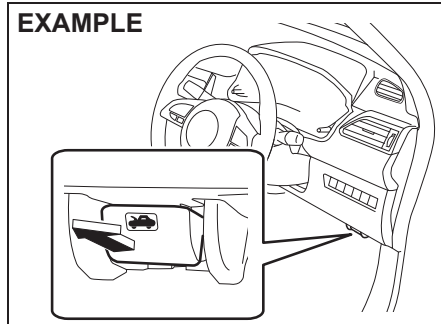
OTHER CONTROLS AND EQUIPMENT

⚠ WARNING

If you need to replace the fuel cap, use a MARUTI Suzuki genuine cap. Use of an improper cap can result in a malfunction of the fuel system or emission control system. It may also result in fuel leakage while driving and in the event of an accident.

Engine hood

EXAMPLE

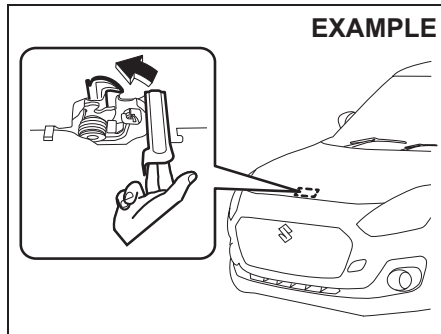


56RH00504

To open the engine hood:

- 1) Pull the hood release handle located on the outboard side of the driver's side of the instrument panel. This will disengage the engine hood lock halfway.

EXAMPLE



55RM05005

- 2) Push the under-hood release lever sideways with your finger, as shown in the illustration. While pushing the lever, lift up the engine hood.

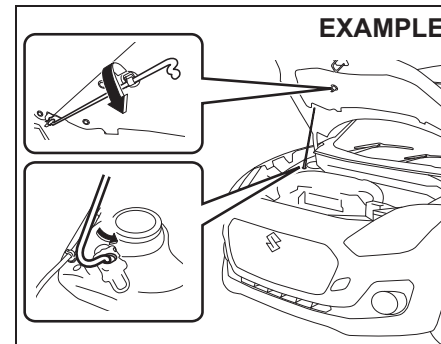
⚠ CAUTION

The release lever and its peripheral, or engine hood can be hot enough to burn your finger right after driving. Touch after it becomes cool enough.

NOTICE

Make sure that the wiper arms are not raised before you lift up the engine hood to avoid damaging the wiper arms and the engine hood.

EXAMPLE



52RM50050

- 3) While holding the hood, pull the prop rod out from the holding clip, and then

OTHER CONTROLS AND EQUIPMENT

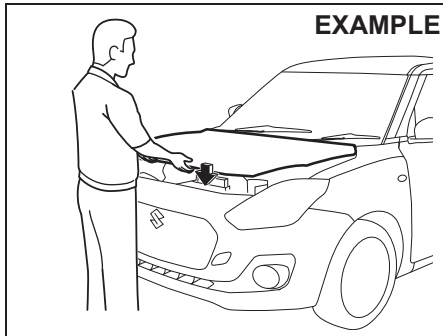
insert the end of the rod into the designated hole.

CAUTION

- The prop rod can be hot enough to burn your finger right after driving. Touch the rod after it becomes cool enough.
- Insert the end of the rod into the hole securely. If the rod slips out, you may get caught in the closing hood.
- The rod may slip out when the hood is blown by wind. Be careful on windy days.

To close the engine hood:

- 1) Lift the hood up slightly and remove the prop rod from the hole. Put the prop rod back into the holding clip.



52RM50060

- 2) Lower the hood to about 20 cm above the hood latch, and then let it drop down. Check that the hood is securely latched after closing.

WARNING

Make sure that the hood is fully closed and latched before driving. If it is not, it can fly up unexpectedly during driving, obstructing your view and resulting in an accident.

CAUTION

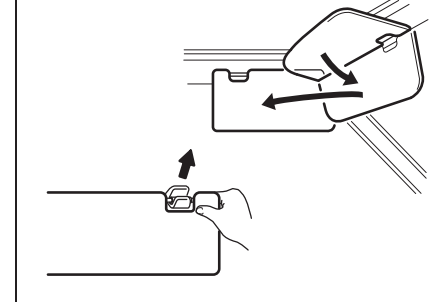
To avoid injury, check that no part of the occupant's body such as hands or head is in the path of the hood when closing it.

NOTICE

Pressing the hood from the top may damage it.

Sun visor

EXAMPLE



79J161

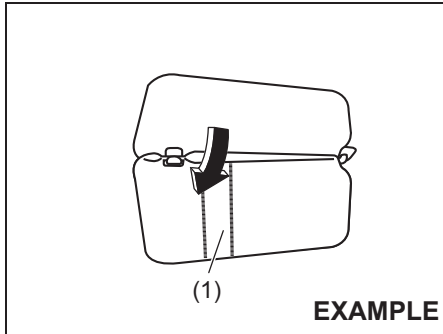
The sun visors can be pulled down to block glare coming through the windshield, or they can be unhooked and turned to the side to block glare coming through the side window.

NOTICE

When unhooking and hooking a sun visor, handle it by the hard plastic parts or the sun visor can be damaged.

OTHER CONTROLS AND EQUIPMENT

Card holder (if equipped)



74LHT0516

(1) Card holder

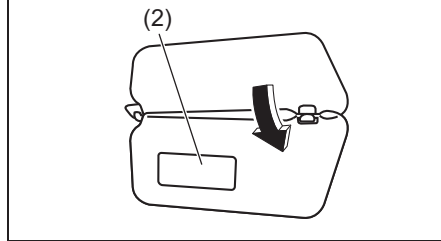
You can put a card in the card holder (1) on the back of the sun visor.

NOTICE

When you park your vehicle outdoors in direct sunlight or in hot weather, do not leave plastic cards in the holder. The heat may distort them.

Vanity mirror (if equipped)

EXAMPLE



74LHT0532

(2) Vanity mirror

There is a vanity mirror (2) on the back of the sun visor.

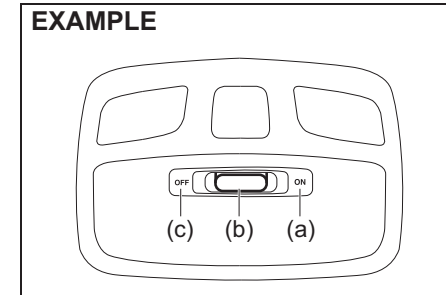
⚠ WARNING

- Do not use the mirror while driving your vehicle or else you may lose control of the vehicle.
- When using the vanity mirror, do not move too close to a front air bag location or lean against it. If the front air bag is accidentally inflated, it could hit you hard.
- Do not place any object on the location where an airbag is stored or come close to the location where airbag is stored, when using a vanity mirror. Doing so may cause the airbag to deploy and cause serious injury due to the impact of airbag.

Interior light

Front

EXAMPLE



56RH00509

These light switches have three positions which function as described below:

ON (a)

The light comes on and stays on regardless of whether the door is open or closed.

NOTE:

If your vehicle is equipped with the keyless push start system or the keyless entry system, the light will automatically be turned off to prevent the battery from discharging when the following conditions are simultaneously met:

- The ignition switch is in "LOCK" position, or the ignition mode is "LOCK" (OFF).
- The hazard warning lights, the position lights and the headlights are off.
- After about 15 minutes of the light on.

OTHER CONTROLS AND EQUIPMENT

DOOR (b)

- The light comes on while any of the doors is opened. After closing all doors, the light will remain on for about 15 seconds and then fade out.
- If all doors are closed, the light comes on for about 15 seconds when the ignition key is pulled out from the ignition switch or the engine switch is pressed to change the ignition mode from "ON" to "LOCK" (OFF). After 15 seconds, the light will fade out.
- To save the battery, the light will be automatically turned off when a period of 15 minutes has elapsed after any of the doors is opened, ignition and ACC is in OFF state and other operations are not done.

If you perform any of the following procedures before the light fading out, the light will start to fade out immediately.

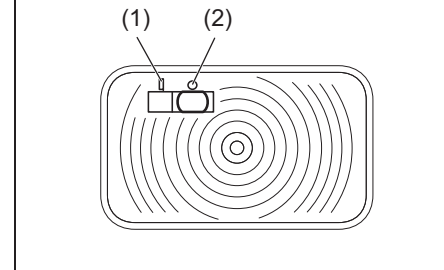
- Inserting the ignition key into the ignition switch or pressing the engine switch to change the ignition mode to "ACC" or "ON".
- Locking all doors by operating the key, keyless entry transmitter, keyless push start system remote controller, power door locking switch or request switch.

OFF (c)

The light remains off even when the door is opened.

Luggage compartment (if equipped)

EXAMPLE



55RM05008

When you open the tailgate with the luggage compartment light switch in ON position (1), the light comes on for about 15 minutes.

When the luggage compartment light switch is in OFF position (2), the light remains off regardless of whether the tailgate is open or close.

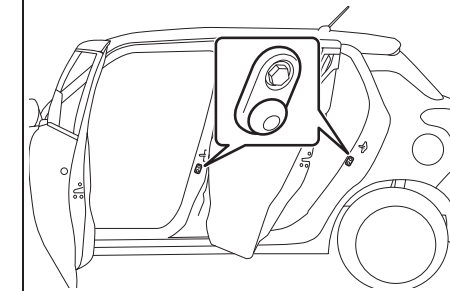
NOTICE

Do not leave the tailgate open with the luggage compartment light switch in ON position for a long time, or the lead-acid battery will discharge.

NOTE:

The light will automatically be turned off to prevent the lead-acid battery from discharging when after 15 minutes of the tailgate open.

EXAMPLE

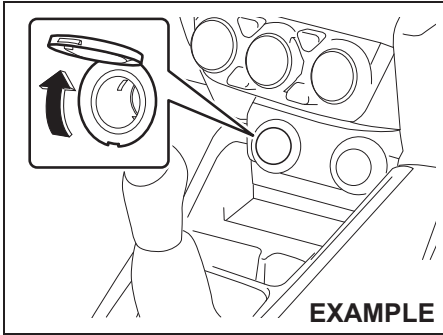


55RM05009

NOTE:

The number of doors involved in the lighting operation of the interior light depends on the vehicle specification. If there is a switch (rubber protrusion) at the door opening as shown, the door is involved in the lighting operation. The tailgate is also involved in this operation even without the rubber protrusion.

Accessory socket



The accessory socket will work when the ignition switch is in “ACC” or “ON” position, or the ignition mode is “ACC” or “ON”. Each socket can be used to provide 12 volt/120 watt/10 ampere power for electrical accessories when used alone. Check that the cap remains on the socket when the socket is not in use.

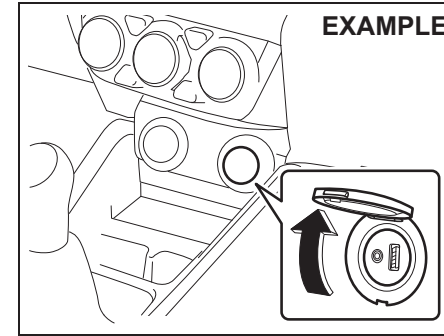
NOTICE

Use of inappropriate electrical accessories can cause damage to your vehicle’s electrical system. Check that any electrical accessories you use are designed to plug into this type of socket.

⚠ WARNING

If you pay too much attention to operating the Accessory socket while driving, an accident can occur.

AUX/USB socket (if equipped)



Connect your portable digital music player, etc. to this socket to enjoy music through the vehicle’s audio system. Refer to “Audio system (if equipped)” in this section.

NOTICE

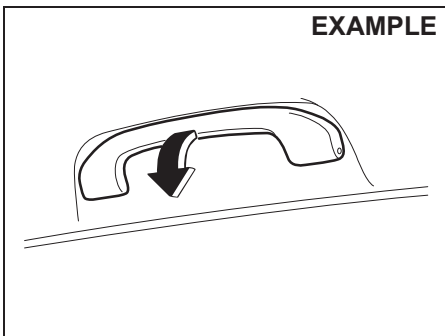
Always close the rubber cap when not in use, since entry of foreign material, dust, water, conductive liquids may damage the audio system or USB device.

⚠ WARNING

If you pay too much attention to operating the AUX/USB socket while driving, an accident may occur.

OTHER CONTROLS AND EQUIPMENT

Assist grips



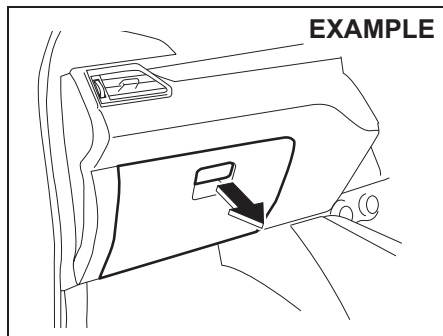
56RM05006

Assist grips are provided for convenience.

NOTICE

To avoid damaging the assist grip and the molded headlining, do not hang down the assist grip.

Glove box



56RH00515

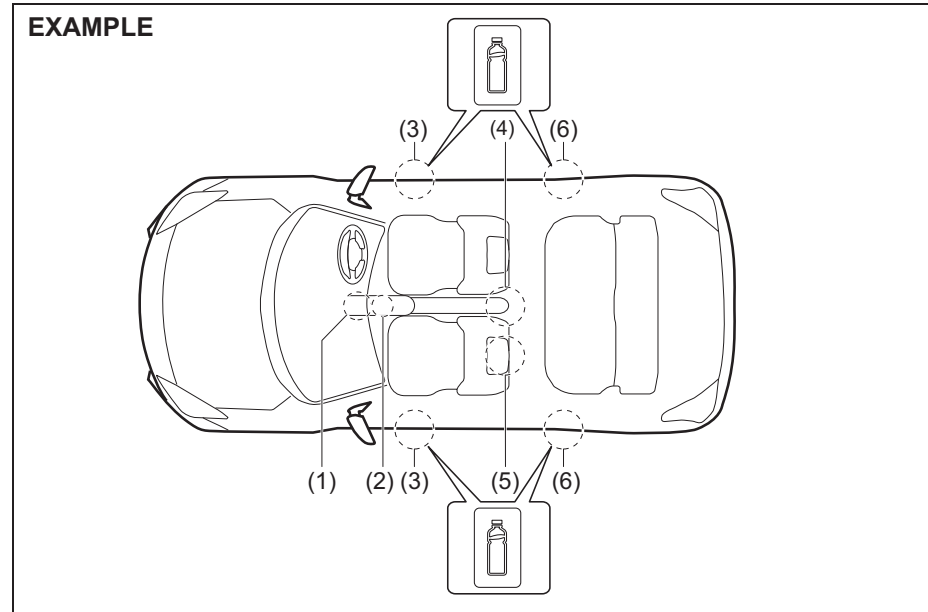
To open the glove box, pull the latch lever. To close it, push the lid until it latches securely.

⚠ WARNING

Never drive with the glove box lid open. It could cause injury if an accident occurs.

OTHER CONTROLS AND EQUIPMENT

Cup holder and storage area



55RM05010

- | | |
|--|------------------------|
| (1) Center console tray | (2) Front cup holders |
| (3) Front bottle holder | (4) Rear cup holder |
| (5) Front seat back pocket (if equipped) | (6) Rear bottle holder |

Center console tray (1)

▲ WARNING

Do not place any objects which may fall out from the tray when the vehicle is moving.
Failure to take the precaution may result in an object interfering with the pedals and causing a loss of vehicle control or an accident.

OTHER CONTROLS AND EQUIPMENT

Front cup holders (2) / Rear cup holder (if equipped) (4)

Use the rear cup holder to put a cup with a lid or a bottle with a cap. Also, you can put small articles in the rear cup holder.

⚠ WARNING

Failure to take the precautions listed below could cause personal injury or vehicle damage.

- Be careful when you are using the cup holders to hold a cup containing hot liquid. Spilling out hot liquid can cause burn injury.
- Do not use the cup holders to hold sharp-edged, hard or breakable objects. Objects in the cup holders may be thrown about during a sudden stop or impact, and could cause personal injury.
- Be careful not to spill liquid or insert any foreign materials into the moving part of the gearshift lever, or any electrical components. Liquid or foreign materials may damage these parts.

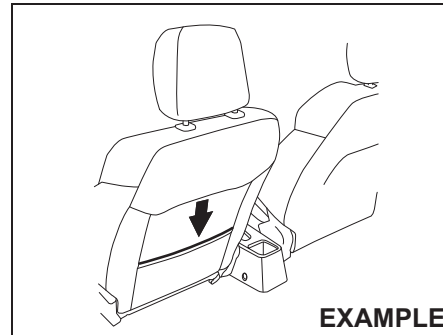
Front bottle holder (3) / Rear bottle holder (6)

You should only place a bottle with a cap in the holder.

NOTE:

Maruti Suzuki recommends to use maximum 1 liter capacity of bottle.

Front seat back pocket (if equipped) (5)

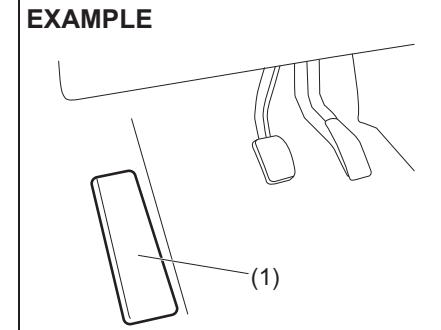


This pocket is provided for holding light and soft things such as gloves, newspapers or magazines.

⚠ CAUTION

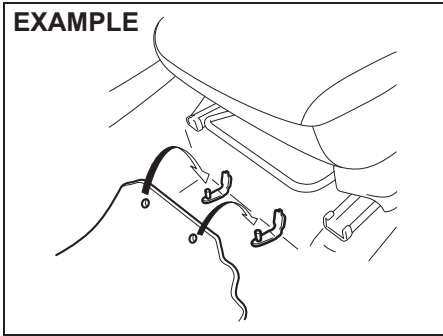
Do not put hard or breakable objects in the pocket. If an accident occurs, objects such as bottles, cans, etc. can injure the occupants in the rear seat.

Footrest (if equipped)



Use the footrest (1) (driver side only) as a support for your left foot only.

Floor mats (if equipped)



To prevent the driver's side floor mat from sliding forward and possibly interfering with the operation of the pedals, MARUTI Suzuki genuine floor mats are recommended.

Whenever you put the driver's side floor mat back in the vehicle after it has been removed, hook the floor mat grommets to the fasteners and position the floor mat properly in the footwell.

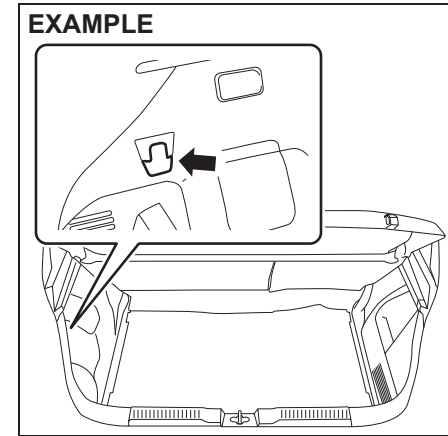
When you replace the floor mats in your vehicle with a different type such as all-weather floor mats, we highly recommend to use MARUTI genuine floor mats for proper fitting.

⚠ WARNING

Failure to take the following precautions may result in the driver's side floor mat interfering with the pedals and causing a loss of vehicle control or an accident.

- Check that the floor mat grommets are hooked to the fasteners.
- Never place additional floor mats on top of the existing floor mat.
- Never use a floor mat which does not fit the floor as the same may cause hindrance/damage in vehicle and its functioning.
- Never use damaged floor mats.

Luggage compartment hook (if equipped)



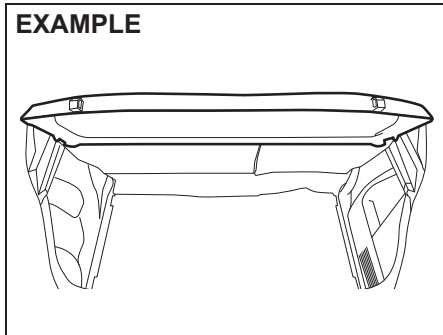
You can hang the shopping bag or other suitable objects on the hook. This hook is not designed for large or heavy items.

NOTICE

To avoid breaking the hook, do not hang items heavier than the following weight.
Shopping hook: 2 kg (4.4 lbs)

OTHER CONTROLS AND EQUIPMENT

Luggage compartment cover



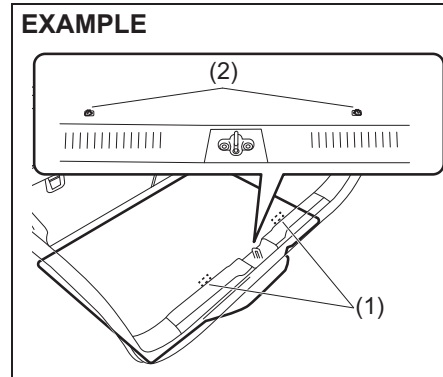
55RM05013

Luggage or other cargo placed in the luggage compartment is hidden from view by a luggage compartment cover.

⚠ WARNING

Do not carry items on top of the luggage compartment cover, even if they are small and light. Objects on top of the cover could be thrown out in an accident, causing injury, or could obstruct the driver's rear view.

Luggage compartment carpet



55RM05014

Tire changing tools are kept under the Luggage compartment carpet. When installing the Luggage compartment carpet / board, please hook the grommets (1) of the carpet on the hook (2) provided in the vehicle.

Frame hooks

It is not recommend that you use the frame hooks for towing another vehicle. They are originally designed to tow your vehicle in emergency situation.

If your vehicle needs to be towed in an emergency, refer to "Towing" in "EMERGENCY SERVICE" section.

⚠ WARNING

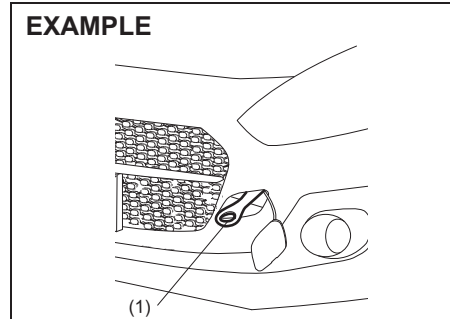
Observe the following instructions when using frame hooks. The towing hook or vehicle body may break and cause serious injury or damage:

- Do not use the frame hooks for towing another vehicle.
- Avoid pulling the vehicle to get out of severe snowy, muddy or sandy conditions, sudden starts or erratic driving maneuvers which could cause excessive stress on the towing hook.

In such case, we recommend that you contact a professional service.

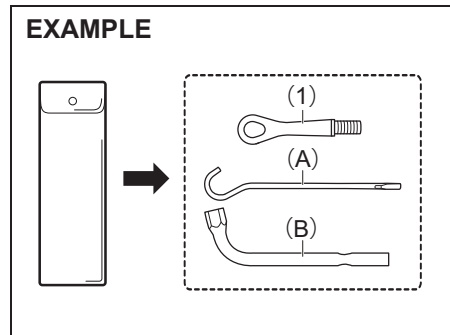
OTHER CONTROLS AND EQUIPMENT

Front

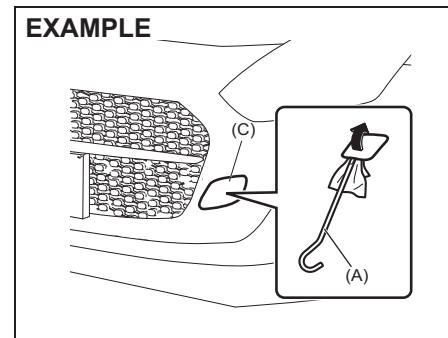


The towing hook (1) is provided on the front of the vehicle for use in emergency situations and sea shipping purposes only.

To install the hook (1), follow the procedure below.

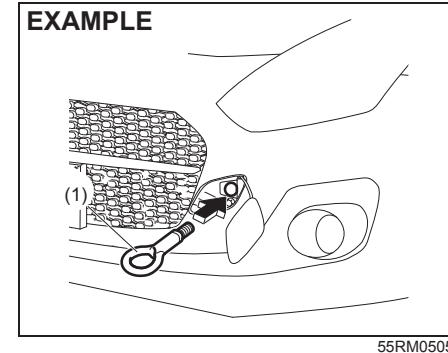


- 1) Pick up the towing hook (1), jack handle (A) and wheel wrench (B) from the luggage compartment.



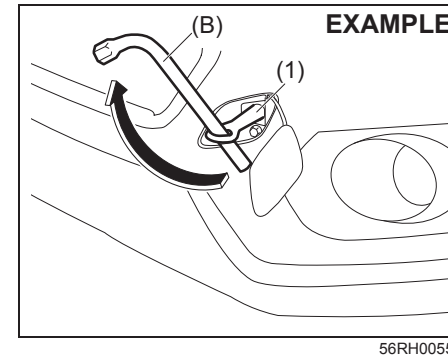
- 2) Remove the cover (C) from front bumper by using a jack handle (A) covered with a soft cloth as shown in the illustration.

NOTE:
Do not use excessive force as it may damage the cover strap.



- 3) Screw in the towing hook (1) by hand.

NOTE:
It is recommend to secure the cover with tape to prevent damage during towing.



OTHER CONTROLS AND EQUIPMENT

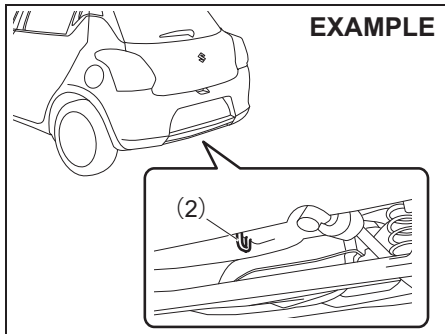
- 4) To tighten the towing hook (1), turn it clockwise by using a wheel wrench (B) until the hook (1) is securely installed.

To remove the towing hook (1), reverse the installation procedure.

NOTICE

To prevent damage to the vehicle, never use the towing hook (1) for trailer / train shipping.

Rear



55RM05018

The frame hook (2) is provided on the rear of the vehicle for use in emergency situations and sea shipping purposes only.

NOTICE

When you use the frame hook (2), avoid the driving that gives significant physical shock on hook. Such operation can damage the hook, the vehicle body or the drive system.

- Do not accelerate suddenly.
- Do not tow the vehicle heavier than your vehicle.

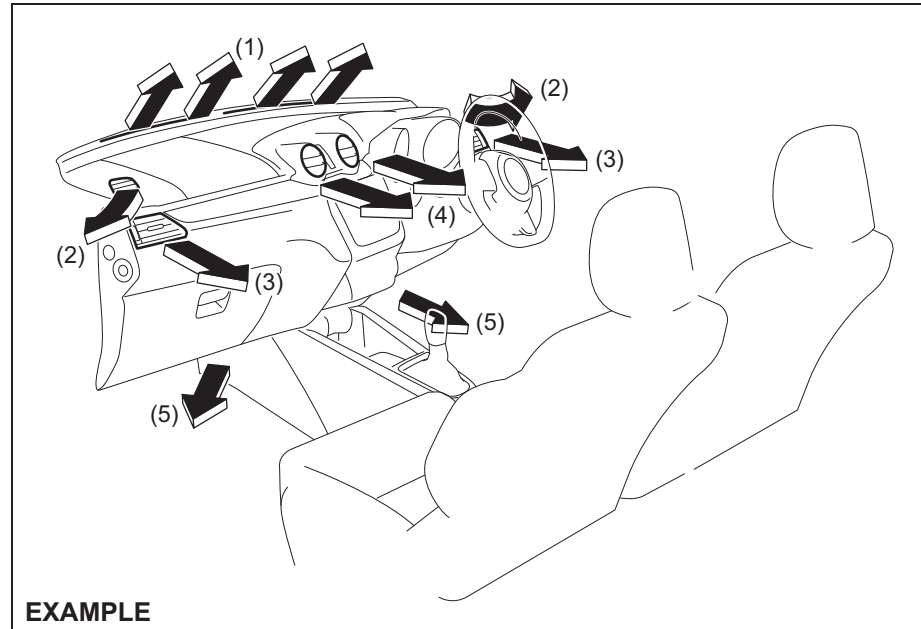
To tow your vehicle on the road or highway, follow the instruction of "Towing" in "EMERGENCY SERVICE" section.

Heating and air conditioning system

There are two types of heating and air conditioning systems as follows:

- Manual heating and air conditioning system
- Automatic heating and air conditioning system (climate control)

Air outlet

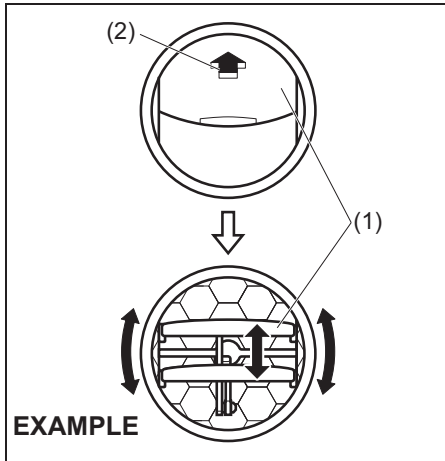


55RM05019

- (1) Windshield defroster outlet
- (2) Side defroster outlet
- (3) Side outlet
- (4) Center outlet
- (5) Floor outlet

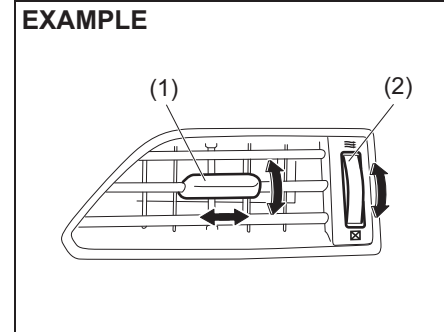
OTHER CONTROLS AND EQUIPMENT

Center outlet



To open louver (1), push the arrow part (2) as shown in the illustration. To adjust the direction of airflow, move up or down or turn the opened louver(1).

Side outlet



Move the knob (1) vertically or horizontally, to adjust the direction of airflow as desired. The side outlet opens when you turn the dial (2) upward and closes when you turn it downward.

▲ CAUTION

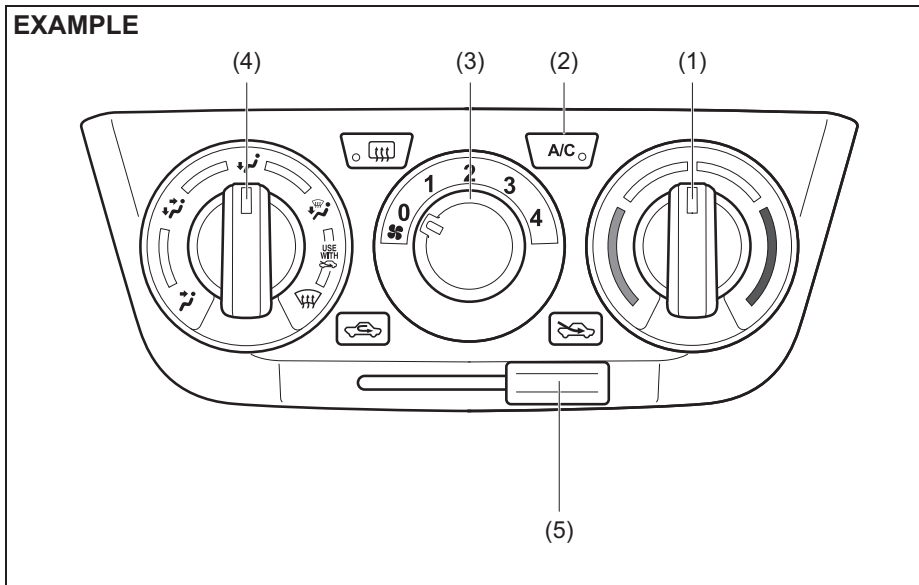
Prolonged exposure to hot air from the heater or air conditioner could result in low temperature burns. All vehicle occupants, particularly children, the elderly, those with special needs, individuals with delicate skin, and sleeping individuals, should maintain sufficient distance from the air outlets to prevent prolonged exposure to hot airflow.

OTHER CONTROLS AND EQUIPMENT

Manual heating and air conditioning system

Description of controls

EXAMPLE



55RM05001

- (1) Temperature selector
- (2) Air conditioning switch
- (3) Blower speed selector
- (4) Air flow selector
- (5) Air intake selector

OTHER CONTROLS AND EQUIPMENT

Temperature selector (1)

This is used to adjust the temperature.

Air conditioning switch (2)

To turn on the air conditioning system, set the blower speed selector to a position other than off and push in "A/C" switch. With this "A/C" switch operation, an indicator light will come on when the air conditioning system is working. To turn off the air conditioning system, push "A/C" switch again.

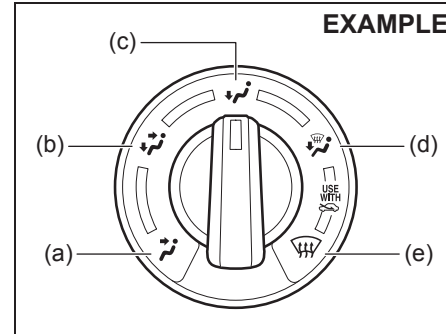
During operation of the air conditioner, you may notice slight changes in engine speed. These changes are normal, the system is designed so that the compressor turns on or off to maintain the desired temperature.

Less operation of the compressor results in better fuel economy.

Blower speed selector (3)

This is used to turn on the blower and to select blower speed.

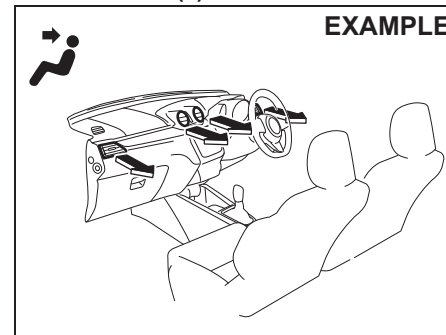
Air flow selector (4)



68PM00533

This selector is used to select the following mode.

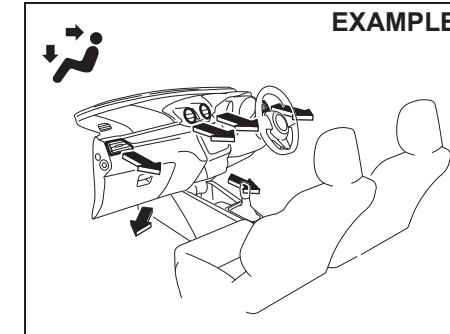
VENTILATION (a)



55RM05023

Temperature-controlled air comes out of the center and side outlets.

BI-LEVEL (b)

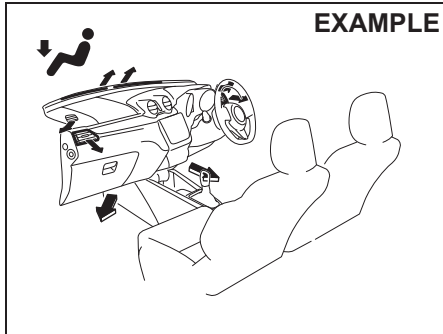


55RM05024

Temperature-controlled air comes out of the floor outlets and cooler air comes out of the center and side outlets. When the temperature selector (1) is in the fully cold position or fully hot position, however, the air from the floor outlets and the air from the center and side outlets will be the same temperature.

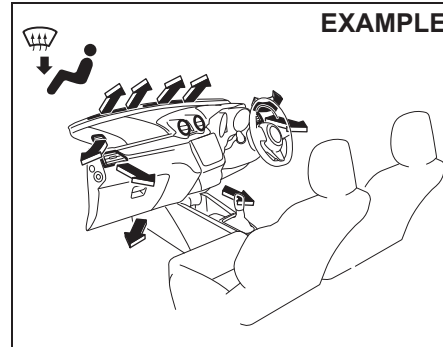
OTHER CONTROLS AND EQUIPMENT

HEAT (c)



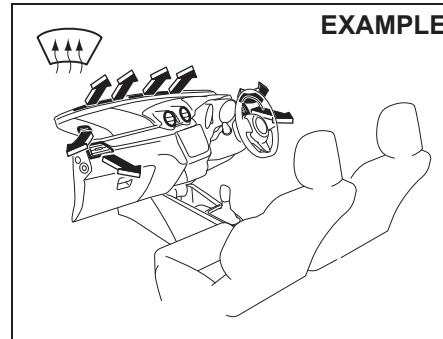
Temperature-controlled air comes out of the floor outlets and the side outlets, or small amount of air comes out of the windshield defroster outlets and also comes slightly out of the side defroster outlets.

HEAT & DEFROST (d)



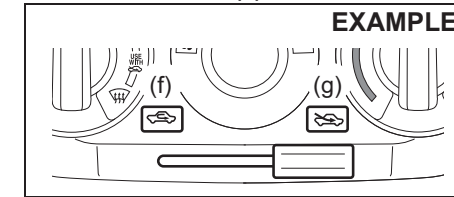
Temperature-controlled air comes out of the floor outlets, the windshield defroster outlets, the side defroster outlets and the side outlets.

DEFROST (e)



Temperature-controlled air comes out of the windshield defroster outlets, the side defroster outlets and the side outlets.

Air intake selector (5)



This selector is used to select the following modes.

RECIRCULATED AIR (f)

When this mode is selected by moving the lever to left, inside air is recirculated. This mode is suitable when driving through dusty or polluted air such as in a tunnel, or when attempting to quickly cool down the interior or to reduce unwanted odor from entering the vehicle.

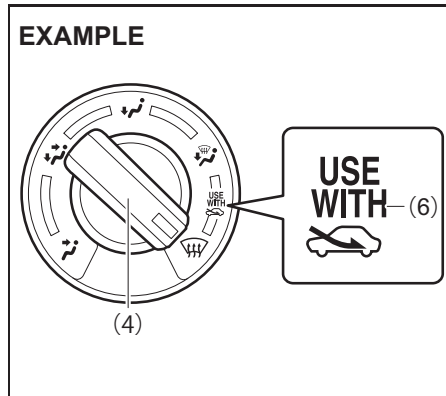
FRESH AIR (g)

When this mode is selected by moving the lever to right, outside air is used.

NOTE:

If you select RECIRCULATED AIR for an extended period of time, the air in the vehicle may become contaminated. Therefore, you should occasionally select FRESH AIR.

OTHER CONTROLS AND EQUIPMENT



55RM05074

The mark (6) - To clear fog on the windshield and/or the side windows quickly, set the air flow selector (4) to HEAT & DEFROST or DEFROST and air intake selector (5) to FRESH AIR. These positioning will clear the fogged windshield and/or the side windows faster than the RECIRCULATED AIR.

System operating instructions

Natural ventilation

Select VENTILATION and FRESH AIR, the temperature selector to the desired temperature position, and the blower speed selector to off. Fresh air will flow through the vehicle during driving.

Forced ventilation

The base settings are the same as for natural ventilation except you set the blower speed selector to a position other than off.

Normal heating (using outside air)

Select HEAT and FRESH AIR, the temperature selector to the desired temperature position and the blower speed selector to the desired blower speed position. Setting the blower speed selector to a higher blower speed position increases heating efficiency.

Quick heating (using recirculated air)

The base settings are the same as for normal heating except you select RECIRCULATED AIR. If you use this heating method for an extended period of time, the air in the vehicle may become contaminated and the windows can become misty. Therefore, use this method only for quick heating and change to the normal heating method as soon as possible.

Head cooled/Feet warmed heating

Select BI-LEVEL and FRESH AIR, the temperature selector to the desired temperature position, and the blower speed selector to the desired blower speed position. Unless the temperature selector is in the fully cold position or fully hot position, the air that comes out of the center and side outlets will be cooler than the air that comes out of the floor outlets.

Normal cooling

Set the air flow selector to VENTILATION, the temperature selector to the desired temperature position and the blower speed selector to the desired blower speed position, and turn on "A/C" switch. Setting the blower speed selector to a higher blower speed position increases cooling efficiency.

You can switch the air intake selector to either FRESH AIR or RECIRCULATED AIR as you desire. Choosing RECIRCULATED AIR increases cooling efficiency.

Quick cooling (using recirculated air)

The base settings are the same as for normal cooling except you select RECIRCULATED AIR and the highest blower speed.

OTHER CONTROLS AND EQUIPMENT

NOTE:

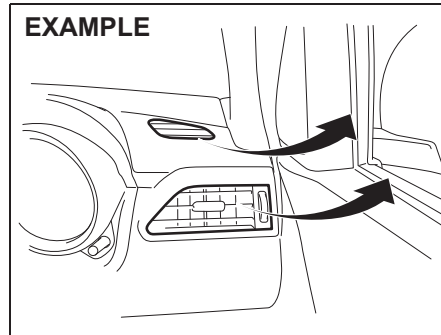
- If you select **RECIRCULATED AIR** for an extended period of time, the air in the vehicle may become contaminated and the windows tend to get misted. Therefore, you occasionally select **FRESH AIR** whenever possible.
- If your vehicle has been left in the sun with the windows closed, it will cool faster if you open the windows briefly while you operate the air conditioner with the air intake selector at **FRESH AIR** and the blower at high speed.

Dehumidifying

Set the air flow selector to a desired air flow selector position, the temperature selector to the desired temperature position and the blower speed selector to the desired blower speed position. Also select **FRESH AIR** and turn on "A/C" switch.

NOTE:

Because the air conditioner dehumidifies the air, turning it on will help keep the windows clear, even when blowing heated air using **DEFROST** or **HEAT & DEFROST** functions.



NOTE:

If you need maximum defrosting:

- select **DEFROST** and **FRESH AIR**,
- set the blower speed selector to high,
- adjust the temperature selector to the hot end,
- turn on "A/C" switch, and
- adjust the side outlets so the air blows on the side windows.

Maintenance

If you do not use the air conditioner for a long period, such as during winter, it may not give the best performance when you start using it again. To help maintain optimum performance and durability of your air conditioner, it needs to be run periodically. Operate the air conditioner at least once a month for one minute with the engine idling. This circulates the refrigerant and oil and helps protect the internal components.

If your air conditioner is equipped with air filters, clean or replace them as specified in "Maintenance schedule" in "INSPECTION AND MAINTENANCE" section.

NOTE:

Your vehicle uses the air conditioning refrigerant **HFC-134a**, commonly called "**R-134a**". **R-134a** replaced **R-12** around 1993 for automotive applications. Other refrigerants are available, including recycled **R-12**, but only **R-134a** should be used in your vehicle.

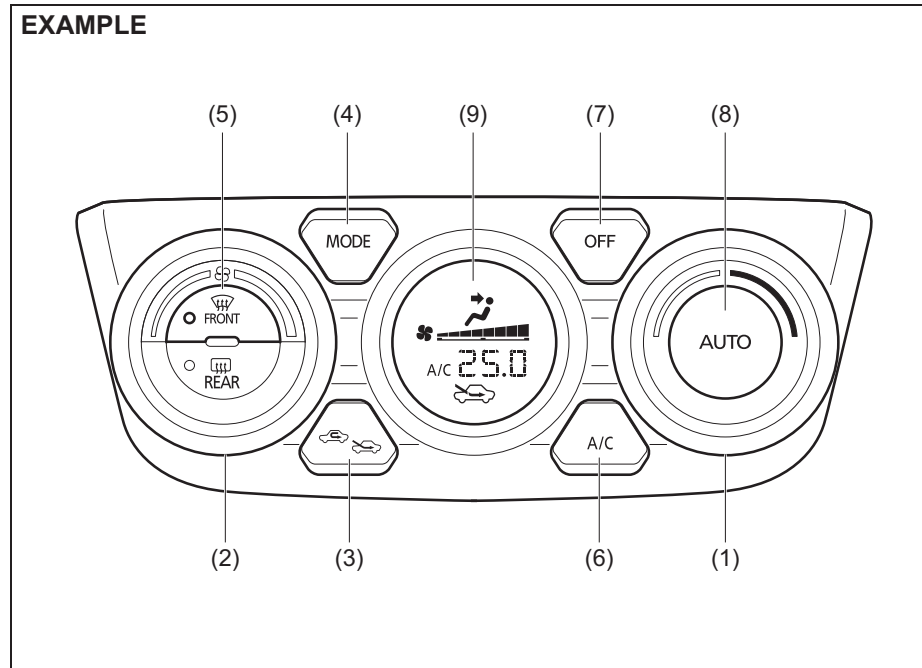
NOTICE

Using the wrong refrigerant may damage your air conditioning system. Use **R-134a** only. Do not mix or replace the **R-134a** with other refrigerants.

OTHER CONTROLS AND EQUIPMENT

Automatic heating and air conditioning system (climate control)

Description of controls

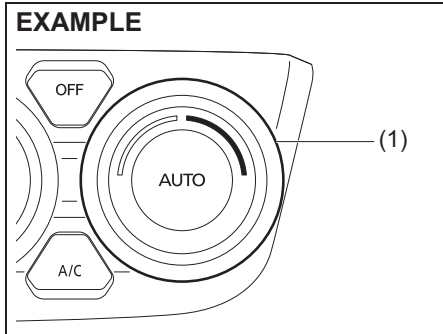


55RM05029

- (1) Temperature selector
- (2) Blower speed selector
- (3) Air intake selector
- (4) Air flow selector
- (5) Defrost switch
- (6) Air conditioning switch
- (7) "OFF" switch
- (8) "AUTO" switch
- (9) Display

OTHER CONTROLS AND EQUIPMENT

Temperature selector (1)



55RM05030

Turn the temperature selector (1) to adjust the temperature.

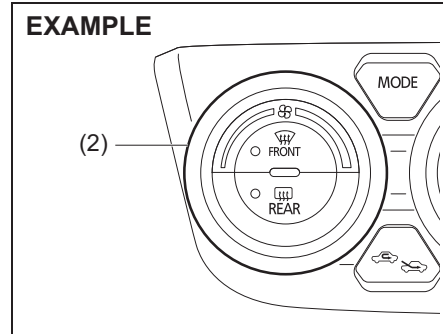
NOTE:

If you turn the temperature selector (1) until "HI" or "LO" appears on the display, the climate control system will operate at maximum heating or cooling. The temperature of the air from the outlets may change suddenly while "LO" or "HI" is displayed, but this is normal.

NOTE:

When you change the unit of temperature in the information display, the unit of temperature in the air conditioning system will be changed. Refer to "Information display" in the "BEFORE DRIVING" section for details.

Blower speed selector (2)

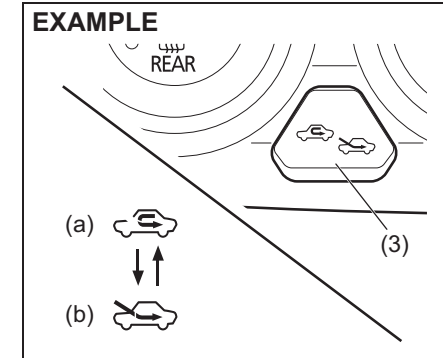


55RM05031

The blower speed selector (2) is used to turn on the blower and to select blower speed.

If "AUTO" switch (8) is pushed, the blower speed will vary automatically as the climate control system maintains the selected temperature.

Air intake selector (3)



55RM05032

Push the air intake selector (3) to change between the recirculated air and fresh air mode.

If "AUTO" switch (8) is pushed, the air intake will vary automatically as the climate control system maintains the selected temperature.

NOTE:

When the recirculated air mode is selected, the automatic operation system is deactivated even if you push "AUTO" switch (8).

OTHER CONTROLS AND EQUIPMENT

RECIRCULATED AIR (a)

When this mode is selected, inside air is recirculated. This mode is suitable when driving through dusty or polluted air such as a tunnel, or when attempting to quickly cool down or warm up interior or to reduce unwanted odor from entering the vehicle.

FRESH AIR (b)

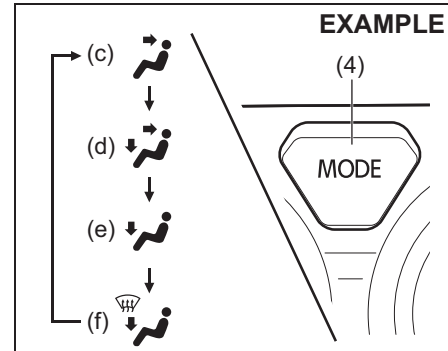
When this mode is selected, outside air is introduced.

FRESH AIR and RECIRCULATED AIR are selected alternately each time the air intake selector is pushed.

NOTE:

If you select the RECIRCULATED AIR for an extended period of time, the air in the vehicle may become contaminated. Therefore, you should select FRESH AIR whenever possible.

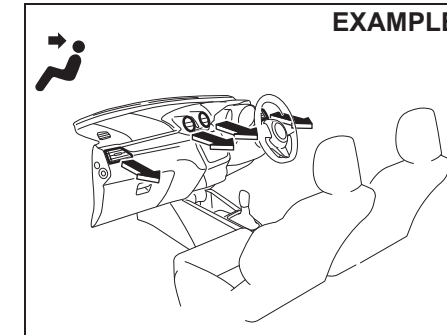
Air flow selector (4)



Push the air flow selector (4) to change among the following functions. The indication of the selected mode appears in the display.

If "AUTO" switch (8) is pushed, the air flow will vary automatically as the climate control system maintains the selected temperature.

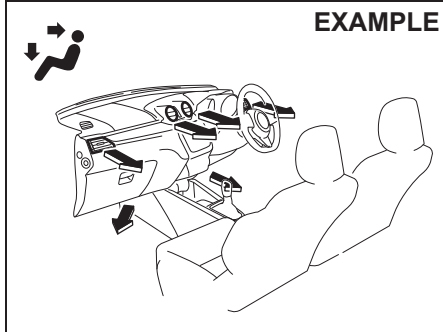
VENTILATION (c)



Temperature-controlled air comes out of the center and side outlets.

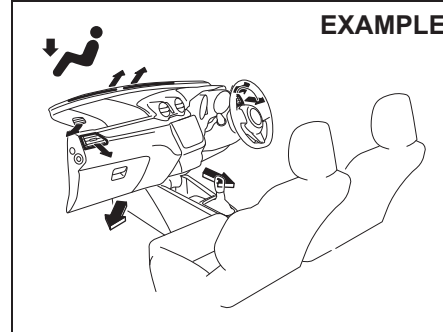
OTHER CONTROLS AND EQUIPMENT

BI-LEVEL (d)



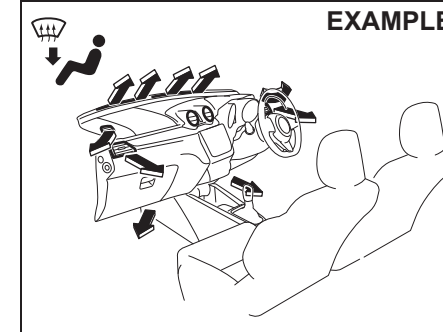
Temperature-controlled air comes out of the floor outlets and cooler air comes out of the center and side outlets. When the temperature selector (1) is in the fully cold position or fully hot position, however, the air from the floor outlets and the air from the center and side outlets will be the same temperature.

HEAT (e)



Temperature-controlled air comes out of the floor outlets and the side outlets, a small amount of air comes out of the windshield defroster outlets and also comes slightly out of the side defroster outlets.

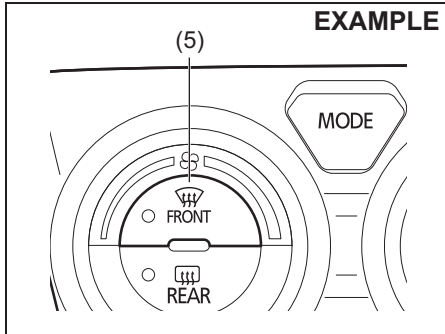
HEAT & DEFROST (f)



Temperature-controlled air comes out of the floor outlets, the windshield defroster outlets, the side defroster outlets and the side outlets.

OTHER CONTROLS AND EQUIPMENT

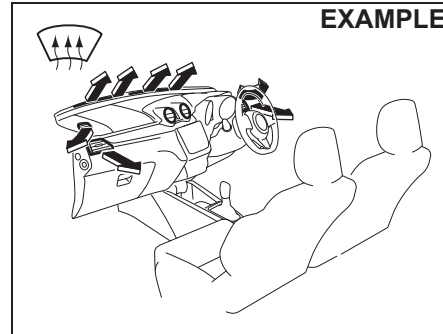
Defrost switch (5)



55RM05038

Push the defrost switch (5) to turn on the defroster.

DEFROST



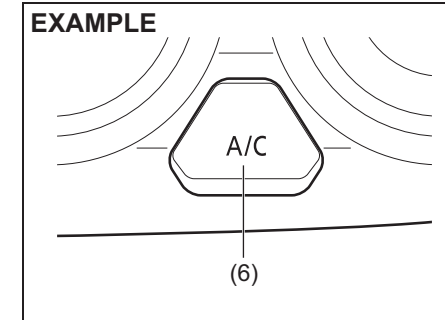
55RM05039

Temperature-controlled air comes out of the windshield defroster outlets, the side defroster outlets and the side outlets.

NOTE:

When the defrost switch (5) is pushed to turn on the defroster, the air conditioning system will operate and FRESH AIR mode will be selected automatically. In very cold weather, however, the air conditioning system will not operate.

Air conditioning switch (6)

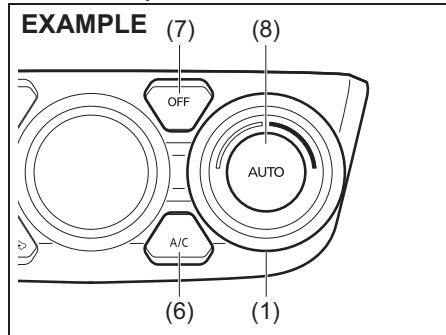


55RM05040

The air conditioning switch (6) is used to turn on and off the air conditioning system only when the blower is on. To turn on the air conditioning system, push in the switch and "A/C" will appear in the display. To turn off the air conditioning system, push in the switch again and "A/C" will go off.

System operating instructions

Automatic operation



55RM05041

You can let the climate control system work automatically. To set the system for fully-automatic operation, follow the procedure below.

- 1) Start the engine.
- 2) Push "AUTO" switch (8).
- 3) Set the desired temperature by turning the temperature selector (1).

The blower speed, air intake and air flow are controlled automatically to maintain the set temperature. However, the air flow is not changed to DEFROST position automatically.

NOTE:

When the recirculated air mode is selected, the automatic operation system is deactivated even if you push "AUTO" switch (8).

You can use the air conditioning switch (6) to manually turn the air conditioner on or off according to your preference. When you turn the air conditioning switch off, the climate control system cannot lower the inside temperature below outside temperature.

To turn the climate control system off, push "OFF" switch (7).

NOTE:

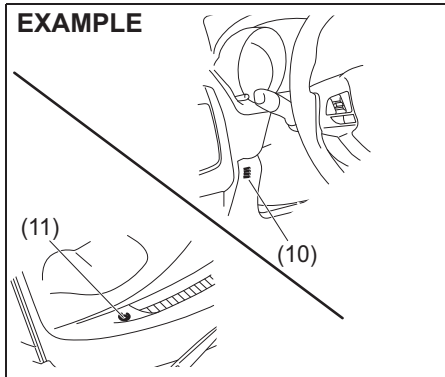
If "AUTO" in the display blinks, there is a problem in the heating system and/or air conditioning system. You should have the system inspected by an authorised Maruti Suzuki workshop.

NOTE:

- To find the temperature at which you are most comfortable, start with the 25°C (75°F) setting, for example.
- If you turn the temperature selector (1) until "HI" or "LO" appears on the display, the climate control system will operate at maximum heating or cooling and the blower will run at full speed.
- To avoid blowing cold air in cold weather or hot air in hot weather, the system will delay turning on the blower until warmed or cooled air is available.

- If your vehicle has been left in the sun with the windows closed, it will cool faster if you open the windows briefly.
- Even under the automatic operation, you can set individual selectors to the manual mode. The manually selected functions are maintained, and the other functions remain under automatic operation.
- If the windshield and/or the front door windows are fogged, push the defrost switch (5) to turn on the defroster, or push the air flow selector (4) to change the air flow to HEAT & DEFROST position to defog the windows.
- To return the blower speed selector (2), air intake selector (3), and air flow selector (4) to automatic operation, push "AUTO" switch (8).

OTHER CONTROLS AND EQUIPMENT

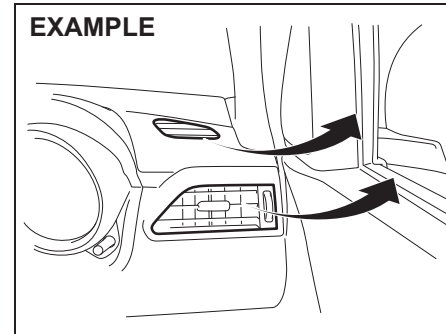


55RM05042

Be careful not to cover the interior temperature sensor (10) located between the steering wheel and the climate control panel, or the sunlight sensor (11) located at the top of the driver's side dashboard. These sensors are used by the automatic system to regulate temperature.

Manual operation

You can manually control the climate control system. Set the selectors to the desired positions.



55RM05028

NOTE:

If you need maximum defrosting:

- *push the defrost switch (5) to turn on the defroster (the air conditioning system will operate and FRESH AIR mode will be selected automatically),*
- *set the blower speed selector to high,*
- *adjust the temperature selector to "HI" indication on the display, and*
- *adjust the side outlets so the air blows on the side windows.*

Maintenance

If you do not use the air conditioner for a long period, such as during winter, it may not give the best performance when you start using it again. To help maintain optimum performance and durability of your air conditioner, it needs to be run periodically. Operate the air conditioner at least once a month for one minute with the engine idling. This circulates the refrigerant and oil and helps protect the internal components.

If your air conditioner is equipped with air filters, clean or replace them as specified in "Maintenance schedule" in "INSPECTION AND MAINTENANCE" section.

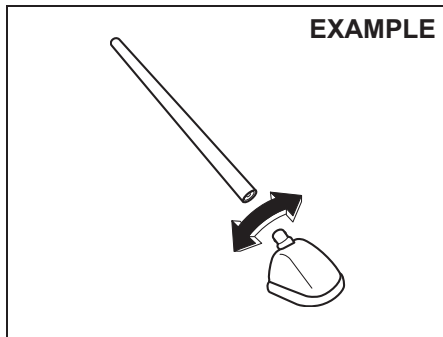
NOTE:

Your vehicle uses the air conditioning refrigerant HFC-134a, commonly called "R-134a". R-134a replaced R-12 around 1993 for automotive applications. Other refrigerants are available, including recycled R-12, but only R-134a should be used in your vehicle.

NOTICE

Using the wrong refrigerant may damage your air conditioning system. Use R-134a only. Do not mix or replace the R-134a with other refrigerants.

Radio antenna



The radio antenna on the roof is removable. To remove the antenna, turn it counterclockwise. To reinstall the antenna, turn it clockwise firmly by hand.

NOTE:

Due to poor quality of FM/AM signal, some disturbance/noise may be heard from speakers. It is recommended to switch off the tuner system to prevent the said disturbance/noise in the speaker.

Installation of radio frequency transmitters

We recommend that you always ask an authorised Maruti Suzuki workshop about frequency band, max output power, antenna position of vehicle and specific conditions for installation and/or use before installing a radio transmitter in your vehicle. Such equipments may cause the electronic control system to malfunction if they are incorrectly installed or they are not suited for the vehicle.

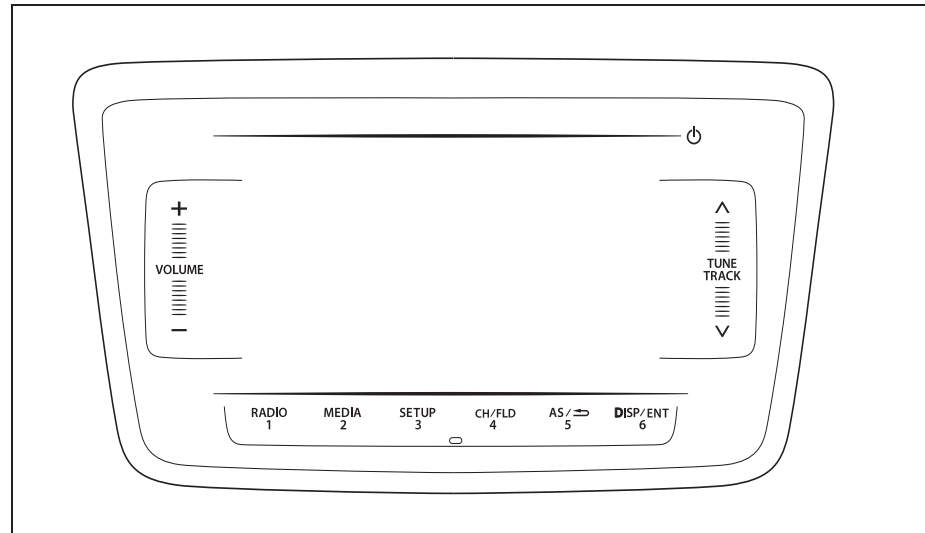
NOTICE

To avoid damage to the radio antenna:

- Remove the antenna when using an automatic car wash.
- Remove the antenna when the antenna hits anything such as a low ceiling in a parking garage or putting a car cover over your vehicle.

OTHER CONTROLS AND EQUIPMENT

Audio system (if equipped)



55RM05060

NOTE:

For vehicle equipped with SMARTPLAY INFOTAINMENT SYSTEM, refer to the audio manual available with the vehicle. Remote controller is not provided with the vehicles equipped with SMARTPLAY INFOTAINMENT SYSTEM.

OTHER CONTROLS AND EQUIPMENT

Safety Information

WARNING

If you pay too much attention to operating the audio system or watching the audio system display while driving, an accident can occur. If you set the sound volume too loud, it could prevent you from being aware of road and traffic conditions.

- Keep your eyes on the road and your mind on the drive. Avoid paying too much attention to operating the audio system or watching the audio system display.
- Familiarize yourself with the audio system controls and operation of the audio system before driving.
- Preset your favorite radio stations before driving so that you can quickly tune to them using the pre-sets.
- Set the sound volume to a level that will allow you to continue to be aware of surrounding road and traffic conditions while driving.

NOTICE

- Avoid spraying or spilling of clearing solutions, perfumes, car fresheners, beverages, chemicals or any liquids on the audio system surface. Also ensure that any liquid does not enter the system, it can damage the screen and the system. The warranty of the system will be void, if liquid ingress marks are observed inside the system.
- Avoid exposure of the audio system to water or excessive moisture as it can cause electric shocks, fire or other damages.

Bluetooth®

The Bluetooth® word mark and logo are registered trademarks and are owned by the Bluetooth SIG, Inc.

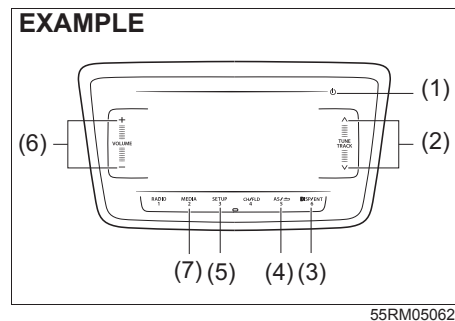
Stop using this unit and a Bluetooth® ready device whenever requested.

This unit shares the communication frequency with other private or public wireless communication equipment such as a wireless LAN and other wireless communication radios.

You should stop using this unit immediately whenever you are notified that your unit disturbs other wireless communication.

OTHER CONTROLS AND EQUIPMENT

Basic Operations



- (1) POWER button
- (2) "TUNE/TRACK" Up/Down button
- (3) "ENT" (enter) button
- (4) BACK button
- (5) "SETUP" button
- (6) "VOLUME" button
- (7) "MEDIA" button

Turning power on/off

Touch the POWER button (1).
The audio system starts in the function mode it was in when the power was turned off last.

- Touching the POWER button (1) for 1 second or longer can turn off the audio system.

Slide touch operation

Operate several functions with the slide touch operation. Touch the panel and slide up or down with your finger for increase/decrease or up/down operation.



NOTE:

Pay caution to the following content regarding slide touch operation:

- *The touch button may not operate properly when the touch panel or your fingers are wet. Remove any liquid before operating.*
- *Depending on the operation method it may react without touching.*
- *It may not react properly when operated with gloves on.*
- *When metal objects are placed near the touch panel it may cause a malfunction. Do not attach protective film. Otherwise, the touch panel may not operate properly.*



OTHER CONTROLS AND EQUIPMENT

Functions available with the slide touch operation

Mode	Function		
Common	Volume up/down	○	–
	Item selection	–	○
Radio	TUNE up/down	–	○
USB	File up/down	–	○
	Folder up/down (folder operation mode)	–	○
iPod®	TRACK up/down	–	○
	Category selection (iPod® menu)	–	○
Bluetooth® audio	TRACK up/down	–	○
	Group up/down (Group operation mode)	–	○
Hands-free	Reception/ringtone/incoming call volume up/down	○	–
	Switching pages of the speed dial selection screen	–	○

Adjusting the volume

Touch or slide the "VOLUME" button (6).

- To increase the volume, touch  or slide upwards.
- To decrease the volume, touch  or slide downwards.

NOTE:

While driving, adjust the volume to an extent that sound and/or noise coming from outside can be heard.

Sound settings

- 1) Touch the "SETUP" button (5).
 - Touch for 1 second or longer when using radio mode.
- 2) Touch or slide the "TUNE/TRACK" Up/Down button (2), select "Sound", and touch the "ENT" button (3).
 - The sound setting screen will be displayed.
- 3) Touch or slide the "TUNE/TRACK" Up/Down button (2), select the desired item, and touch the "ENT" button (3).
 - The sound settings will change as follows:
 - EQ ↔ Bass ↔ Treble ↔ Balance ↔ Fader ↔ AVC
- 4) Touch the BACK button (4) after setting the Sound.

Preset EQ







The preset EQ can set various types of sounds depending on the type of music.

- 1) Touch or slide the "TUNE/TRACK" Up/Down button (2) from the "Sound" screen, select "EQ", and touch the "ENT" button (3).
- 2) Touch or slide the "TUNE/TRACK" Up/Down button (2), select the desired item, and touch the "ENT" button (3).
 - The preset EQ settings will change as follows:
 - Off (Flat) ↔ Jazz ↔ Rock ↔ Pop ↔ Classic ↔ Hip-hop
- 3) Touch the BACK button (4) after setting the preset EQ.

OTHER CONTROLS AND EQUIPMENT

Adjusting bass/treble/balance /fader

The preset EQ can set various types of sounds depending on the type of music.

- 1) Touch or slide the "TUNE/TRACK" Up/Down button (2) from the "Sound" screen, select "Bass", "Treble", "Balance", or "Fader" and touch the "ENT" button (3).
- 2) Touch or slide the "TUNE/TRACK" Up/Down button (2), adjust to the desired settings and touch the "ENT" button (3).
 - "Bass"/"Treble":
 - Can be adjusted in stages from -6 to 0 to +6.
 - Touch  to emphasize the low or high sounds, and touch  to quiet.
 - "Balance":
 - Can be adjusted in 9 stages left to right.
 - Touch  to emphasize the right speaker, and touch  to emphasize the left speaker.
 - "Fader":
 - Can be adjusted in 9 stages back to front.
 - Touch  to emphasize the front speaker, and touch  to emphasize the rear speaker.
- 3) Touch the BACK button (4) after adjusting.

Adjusting the AVC (Auto volume control)

The Auto Volume Control (AVC) function automatically adjusts (increases/decreases) the sound volume in accordance with vehicle speed. The AVC control is provided with three selectable levels (LEVEL OFF, 1, 2, 3). The range of volume adjustment increases together with the LEVEL number.

- 1) Touch or slide the "TUNE/TRACK" Up/Down button (2) from the "Sound" screen, select "AVC", and touch the "ENT" button (3).
- 2) Touch or slide the "TUNE/TRACK" Up/Down button (2), select the desired level, and touch the "ENT" button (3).
 - The AVC will change as follows:
Off ↔ Level 1 ↔ Level 2 ↔ Level 3
- 3) Touch the BACK button (4) after adjusting.

Switching the mode

- 1) Press the "MEDIA" button (7) for 1 second or more.
- Each time you press the "MEDIA" button, you can switch between the radio mode and the media mode.

System settings

Change the "Beep", "Slide", and "SW Sensitivity" settings.

- 1) Touch the "SETUP" button (5).
 - Touch for 1 second or longer when using radio mode.
- 2) Touch or slide the "TUNE/TRACK" Up/Down button (2), select "System", and touch the "ENT" button (3).
 - The system setting screen will be displayed.
- 3) Touch or slide the "TUNE/TRACK" Up/Down button (2), select the desired item, and touch the "ENT" button (3).
 - The system settings will change as follows:
Beep ↔ Slide ↔ SW Sensitivity
- 4) Touch the BACK button (4) after completing the system settings.

BEEP on/off

- 1) Touch or slide the "TUNE/TRACK" Up/Down button (2) from the "System" screen, select "Beep", and touch the "ENT" button (3).
- 2) Touch or slide the "TUNE/TRACK" Up/Down button (2), select on or off, and touch the "ENT" button (3).
- 3) Touch the BACK button (4) after selecting.

OTHER CONTROLS AND EQUIPMENT

Slide touch operation settings

Turn the slide operation on/off.

- 1) Touch or slide the "TUNE/TRACK" Up/Down button (2) from the "System" screen, select "Slide", and touch the "ENT" button (3).
- 2) Touch or slide the "TUNE/TRACK" Up/Down button (2), select on or off, and touch the "ENT" button (3).
- 3) Touch the BACK button (4) after selecting.

Touch panel sensitivity settings

Change the touch panel sensitivity.

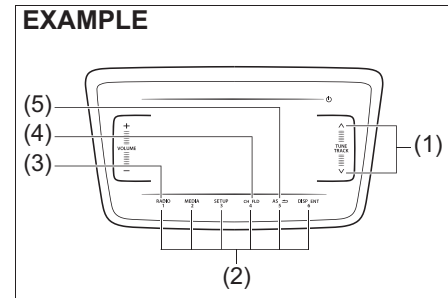
- 1) Touch or slide the "TUNE/TRACK" Up/Down button (2) from the "System" screen, select "SW Sensitivity", and touch the "ENT" button (3).
- 2) Touch or slide the "TUNE/TRACK" Up/Down button (2), select Low or High, and touch the "ENT" button (3).
- 3) Touch the BACK button (4) after selecting.

NOTE:

If the touch button sensitivity is too high, select "Low".

Radio

EXAMPLE



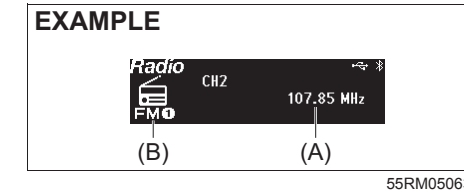
- (1) "TUNE/TRACK" Up/Down button
- (2) Preset button
- (3) "RADIO" button*1
- (4) "CH" (channel) button
- (5) "AS" (auto store) button

*1 Use this button to switch between manual preset and auto preset.

Display

Manual preset

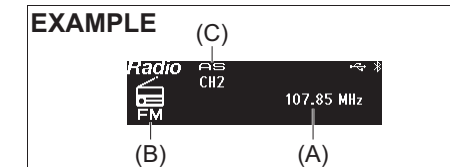
EXAMPLE



55RM05063

Auto preset

EXAMPLE



55RM05064

- (A) Frequency
- (B) Band
- (C) Auto Store mode display

NOTE:

Radio Reception

Radio reception can be affected by environment, atmospheric conditions, or radio signal's power and distance from the station. Nearby mountains and buildings may interfere or deflect radio reception, causing poor reception. Poor reception or radio static can also be caused by electric current from overhead wires or high voltage power lines.

OTHER CONTROLS AND EQUIPMENT

Selecting the band

- 1) Touch the "RADIO" button (3) for 1 second or longer.
- Each time the button is touched, the mode will change as follows:
 - AM → FM1 → FM2 → AM (AS) → FM (AS)

Seek tuning

- 1) Touch the "TUNE/TRACK" Up/Down button (1) for 1 second or longer.
- The audio system stops searching for a station at a frequency where a broadcast station is available.

Manual tuning

- 1) Touch the "TUNE/TRACK" Up/Down button (1) to select the desired station.

Storing the station

Manual store

- 1) Select the station and frequency.
- 2) Touch and hold the "CH" button (4) for at least 1 second.
- 3) Hold down a desired button ([1] to [6]) of the Preset buttons (2) to which you want to store the station for 2 seconds or longer.

NOTE:

6 stations can be stored for AM, and 6 stations for each of FM1 and FM2, thus 18 stations can be stored in total.

Auto store

- 1) Touch the "AS" button (5) for 1 second or longer.
- Start searching from a station whose frequency is the lowest. When a broadcast station that can be received with a sufficient strength is discovered, it will be assigned to the AM (AS)/FM (AS) band's preset button (2). Once this process is completed the tuner will return to the first stored broadcast station.

NOTE:

- Auto store can be released by touching the "AS" button (5) while auto store is under way.
- When the auto store is performed, the station previously stored in the memory at the position is overwritten.
- 6 stations can be preset for FM, and 6 stations for AM in auto store mode.

Select from the preset channels

Manual preset channel

- 1) Select the radio station and frequency.
- 2) Touch the "CH" button (4) for 1 second or longer.
- 3) Touch a desired button ([1] to [6]) of the Preset buttons (2).

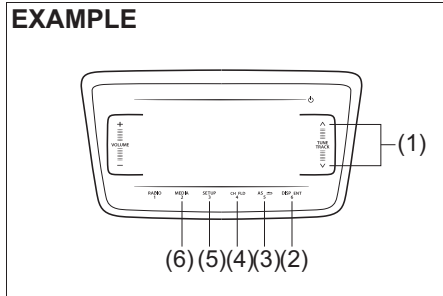
NOTE:

Touch and hold the "CH" button (4) for at least one second to select from the preset channel list.

Auto preset channel

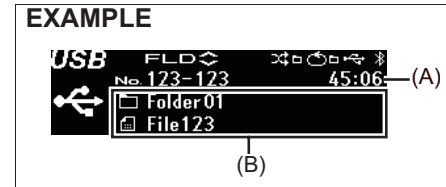
- 1) Touch the "RADIO" button (3) for 1 second or longer and select AM (AS) or FM (AS).
 - 2) Touch the "CH" button (4) for 1 second or longer.
- The preset channel list is displayed. Touch a desired button ([1] to [6]) of the Preset buttons (2).

USB



- (1) "TUNE/TRACK" Up/Down button
- (2) "DISP/ENT" (display/enter) button
- (3) BACK button
- (4) "FLD" (folder operation) button
- (5) "SETUP" (random/repeat) button
- (6) "MEDIA" button

Display



- (A) Play time
- (B) Text information display

⚠ WARNING

Do not connect any USB device other than a USB memory or a USB audio player. Do not connect multiple USB devices to the USB connector using a USB hub, etc. Supplying power to multiple USB devices from the connector could cause overheating and smoking.

Selecting a USB device mode

- 1) Press the "MEDIA" button (6) for 1 second or more for changing from radio mode, or Touch the "MEDIA" button (6) if the audio is in other than radio mode.
- 2) Each time the button is touched, the mode will change as follows:
 USB (iPod®) (if equipped) → Bluetooth® audio (if equipped) → AUX (if equipped)...

Fast-forwarding/fast-rewinding a track



- 1) Hold down the "TUNE/TRACK" Up/Down button (1).
 - : Hold down the Up button for 1 second or longer to fast-forward the track.
 - : Hold down the Down button for 1 second or longer to fast-rewind the track.
 - Releasing the button can stop the fast-forwarding/fast-rewinding.

Selecting a track

- 1) Touch the "TUNE/TRACK" Up/Down button (1).
 - : Touch the Up button to listen to the next track.
 - : When the Down button is touched once, the track currently being played will start from the beginning again. Touch the Down button twice to listen to the previous track.

OTHER CONTROLS AND EQUIPMENT

Selecting a folder

- 1) Touch the "FLD" (folder operation) button (4).
- 2) Touch the "TUNE/TRACK" Up/Down button (1).
 -  : Touch the Up button to move to the next folder.
 -  : Touch the Down button to move to the previous folder.

Repeat playback

- 1) Touch the "SETUP" (random/repeat) button (5).
- 2) Touch or slide the "TUNE/TRACK" Up/Down button (1), select "Repeat", and touch the "DISP/ENT" button (2).
 - Each time the "DISP/ENT" button (2) is touched, the mode will change as follows:
Off → One song repeat → Folder repeat ...

Random playback

- 1) Touch the "SETUP" (random/repeat) button (5).
- 2) Touch or slide the "TUNE/TRACK" Up/Down button (1), select "Random", and touch the "DISP/ENT" button (2).
Each time the "DISP/ENT" button (2) is touched, the mode will change as follows:
Off → Folder random → All random ...

Display change

- 1) Touch the "DISP/ENT" button (2).
 - Each time the button is touched, display will change as follows:
MP3/AAC:
Artist name/Track title → Album name/Track title → Folder name/File name...
WMA:
Artist name/Track title → Folder name/File name ...

NOTE:

- "NO TITLE" will be displayed when there is no text information in the USB device currently being played.
- "... is displayed if all text data cannot be displayed. Touch and hold the "DISP/ENT" button (2) for at least 1 second to automatically display the rest of the text data.

Notes on USB device

Compatible USB devices

- USB Mass Storage Class
For details as to whether your USB memory/USB Audio is compatible with USB Mass Storage Class, please contact the USB memory/USB Audio manufacturer.
- Audio file
MP3 (.mp3)/WMA (.wma)/AAC (.m4a)/AAC (.aac)
- File System
FAT 12/16/32, VFAT (supporting long file name)
- USB Standard Compatibility
1.1/2.0 Full Speed
- If a USB hub or extension cable is connected to the audio system, it may not be recognized. In this case, directly connect the USB device to the audio system.
- Devices such as MP3 players/mobile phones/digital cameras may not be recognized as audio systems for playing music.

OTHER CONTROLS AND EQUIPMENT

USB device connection

- When connecting a USB device, make sure that the connector is pushed all the way into the port.
- Depending on the USB flash drive that you are using, (non-brand product, USB flash drive that has been externally damaged) it may disable connection or cause unstable operation.
- Do not leave the USB device for long periods of time in places inside the vehicle where the temperature can rise too high.
- Back up any important data beforehand. We cannot accept responsibility for any lost data.
- It is recommended not to connect a USB device that contains data files other than MP3/WMA format.

Recording MP3/WMA/AAC files on a USB device

- Playback or display may not be possible depending on the type of USB device in use or the condition of the recording.
- Depending on the connected USB memory, the files may be played in different order from the order that the files were stored.
- The DRM (Digital Rights Management) file cannot be played.

Compression formats

MP3

- Bit rate
 - MPEG1 Audio Layer III: 32 up to 320 kbps
 - MPEG2 Audio Layer III: 8 up to 160 kbps
 - MPEG2.5 Audio Layer III: 8 up to 160 kbps
- VBR: up to 384 kbps (MAX.)
- Sampling frequency
 - MPEG1 Audio Layer III: 32/44.1/48 kHz
 - MPEG2 Audio Layer III: 16/22.05/24 kHz
 - MPEG2.5 Audio Layer III: 8/11.025/12 kHz
- Channel
 - Stereo/Joint stereo/Dual channel/Monaural
- ID3 tag
 - ID3v1.x/ID3v2.x

WMA

- Windows Media Audio Ver.7/Ver.8/Ver.9 Standard compliant
- Bit rate: 32 up to 320 kbps
- VBR: up to 384 kbps (MAX.)
- Sampling frequency: 32/44.1/48 kHz
- WMA tag: Ver.8.0
- Channel: 2 Channels

AAC

- Bit rate: 16 up to 320 kbps
- VBR: up to 320 kbps (MAX.)
- Sampling frequency: 32/44.1/48 kHz
- AAC tag: iTunes m4a metadata

Maximum number of files/folders

- Maximum number of files: 2500
- Maximum number of files in a folder: 255
- Maximum number of folders: 255
 - Root folder and empty folder are included.
- Maximum depth of tree structure: 8

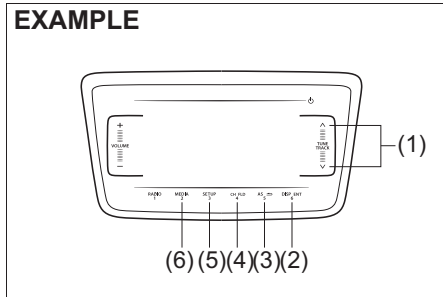
NOTICE

Never use “.mp3”, “.wma” or “.m4a” as a file name extension if it is not in the MP3/WMA/AAC format file. Failure to observe this may result in damage to the speaker due to noise production.

OTHER CONTROLS AND EQUIPMENT

iPod®

EXAMPLE

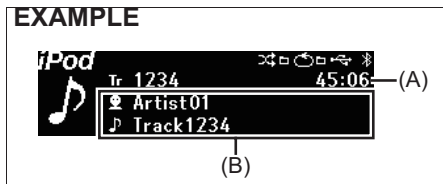


55RM05065

- (1) "TUNE/TRACK" Up/Down button
- (2) "DISP/ENT" button
- (3) BACK button
- (4) "FLD" (iPod® menu) button
- (5) "SETUP" (shuffle/repeat) button
- (6) "MEDIA" button

Display

EXAMPLE



55RM05067

- (A) Play time
- (B) Text information display

Selecting an iPod® mode

- 1) Touch the "MEDIA" button (6).
- Each time the button is touched, the mode will change as follows:
USB (iPod®) (if equipped) → Bluetooth® audio (if equipped) → AUX (if equipped)

Fast-forwarding/fast-rewinding a track

- 1) Hold down the "TUNE/TRACK" Up/Down button (1).
- ▲ : Hold down the Up button for 1 second or longer to fast-forward the track.
 - ▼ : Hold down the Down button for 1 second or longer to fast-rewind the track.
 - Releasing the button can stop the fast-forwarding/fast-rewinding.

Selecting a track

- 1) Touch the "TUNE/TRACK" Up/Down button (1).
- ▲ : Touch the Up button to listen to the next track.
 - ▼ : When the Down button is touched once, the track currently being played will start from the beginning again. Touch the Down button twice to listen to the previous track.

Select a category

- 1) Touch the "FLD" (iPod® menu) button (4).
 - 2) Touch or slide the "TUNE/TRACK" Up/Down button (1), select the desired category, and touch the "DISP/ENT" button (2).
- The Song selection mode for each category will be displayed as follows.
 - Playlists: Playlists → Songs
 - Artists: Artists → Albums → Songs
 - Songs: Songs
 - Genres: Genres → Artists → Albums → Songs
 - Radio: Station
 - Audiobooks: Audiobooks
 - Podcasts: Podcasts → Episodes
 - iTunes U: iTunes U → Episodes

NOTE:

Categories is not displayed if the no files in the category.

Repeat playback

- 1) Touch the "SETUP" (shuffle/repeat) button (5).
- 2) Touch or slide the "TUNE/TRACK" Up/Down button (1), select "Repeat", and touch the "DISP/ENT" button (2).
- 3) Touch the "DISP/ENT" button (2). Each time the button is touched, display will change as follows:
The repeat mode will vary depending on your device.
Off → 1 song repeat → All repeat ...

OTHER CONTROLS AND EQUIPMENT

Random playback

- 1) Touch the “SETUP” (shuffle/repeat) button (5).
 - 2) Touch or slide the “TUNE/TRACK” Up/Down button (1), select “Shuffle”, and touch the “DISP/ENT” button (2).
- Touch the “DISP/ENT” button (2). Each time the button is touched, display will change as follows:
Off → Shuffle → Album shuffle ...

Display change

- 1) Touch the “DISP/ENT” button (2).
- Each time the button is touched, display will change as follows:
Artist name/Track title → Album name/Track title → Playlist name/Track title ...

NOTE:

- “NO TITLE” is displayed if the file currently being played has no text data.
- “...” is displayed if all text data cannot be displayed. Touch and hold the “DISP/ENT” button (2) for at least one second to automatically display the rest of the text data.
- “Playlist name/song name” is only displayed by the “FLD” (Menu) button (4) when music is selected from Playlists.

Notes on iPod®

Supported iPod®

- iPod® nano:
 - iPod® nano (7th generation)
- iPod® touch:
 - iPod® touch (6th generation)
 - iPod® touch (5th generation)
- iPhone®:
 - iPhone® 5
 - iPhone® 5s
 - iPhone® 5c
 - iPhone® 6
 - iPhone® 6 Plus
 - iPhone® 6s
 - iPhone® 6s Plus
 - iPhone® SE
 - iPhone® 7
 - iPhone® 7 Plus
 - iPhone® 8
 - iPhone® 8 Plus
 - iPhone® X

NOTE:

Some functions may not be available depending on the model of iPod®.

iPod®



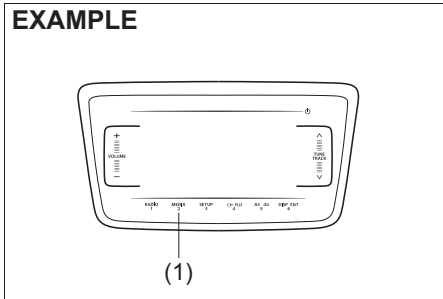
55RM05068

- “Made for iPod®” and “Made for iPhone®” means that an electronic accessory has been designed to connect specifically to iPod® or iPhone®, respectively, and has been certified by the developer to meet Apple performance standards. Apple is not responsible for the operation of this unit or its compliance with safety and regulatory standards.
- Please note that the use of this accessory with iPod® or iPhone® may affect wireless performance.
- iPhone®, iPod®, iPod® classic, iPod® nano, and iPod® touch are trademarks of Apple Inc., registered in the U.S. and other countries.
- Lightning® is a trademark of Apple Inc.

OTHER CONTROLS AND EQUIPMENT

AUX

EXAMPLE



(1) "MEDIA" button

Display

EXAMPLE



NOTICE

- Before connection, mute the unit, and also keep the volume of the auxiliary audio source within a range that will not cause distortion.
- When the audio source is turned off, noise may be emitted. Be sure to turn off the unit or switch to another mode before turning off the audio source.

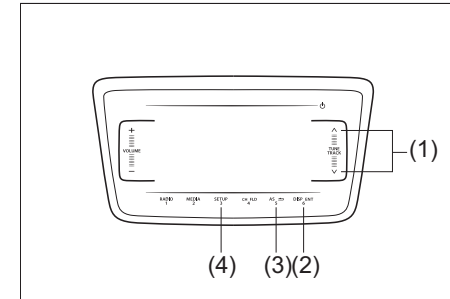
AUX selection

- 1) Touch the "MEDIA" button (1).
- Each time the button is touched, the mode will change as follows:
 USB (iPod®) (if equipped) → Bluetooth® audio (if equipped) → AUX (if equipped)

NOTE:

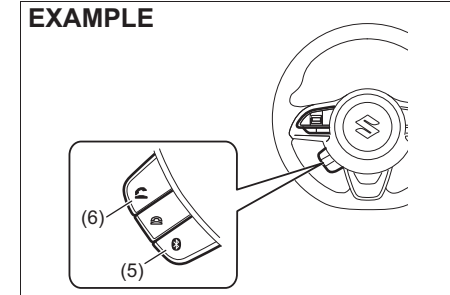
- Please consult your place of purchase for details about whether a given auxiliary audio source can be connected and the proper auxiliary cord to use.

Setting of Bluetooth® devices



Steering switch (if equipped)

EXAMPLE



OTHER CONTROLS AND EQUIPMENT

- (1) "TUNE/TRACK" Up/Down button
- (2) "ENT" (enter) button
- (3) BACK button
- (4) "SETUP" button
- (5) Bluetooth® button
- (6) Off-hook button

CAUTION

Do not register or set the Bluetooth® device while driving. Stop your vehicle in a safe area before registering the device.

Registration of Bluetooth® devices

To use Bluetooth® devices (Bluetooth® audio or mobile phone) on the audio system, it is required to register the Bluetooth® devices to the audio system. Up to 5 Bluetooth® devices can be registered.

NOTE:

- Some Bluetooth® enabled phones may not be compatible fully and or partially with the audio unit.
- Bluetooth® / Telephone setup mode can be entered only when the vehicle is stationary.
- Certain functions cannot be used depending on the Bluetooth® device.
- Refer to the user manual included with your device regarding the operation method of Bluetooth® devices.
- If the pairing cannot be established, the connection operation is canceled.
For the Bluetooth® device pairing

method, refer to the user manual included with your device or try pairing again.

- 1) The Bluetooth® setting screen will be displayed.
 - From the panel button:
Touch the "SETUP" button (4).
Touch or slide the "TUNE/TRACK" Up/Down button (1), select "Bluetooth", and touch the "ENT" button (2).
 - From the steering switch:
Press the Bluetooth® button (5).
 - 2) Touch or slide the "TUNE/TRACK" Up/Down button (1), select "Setup Bluetooth", and touch the "ENT" button (2).
 - 3) Touch or slide the "TUNE/TRACK" Up/Down button (1), select "Pairing", and touch the "ENT" button (2).
 - The passkey will be displayed.
 - 4) Operate and register the Bluetooth® device.
 - Secure Simple Pairing (SSP) incompatible Bluetooth® device:**
Enter the passkey into the Bluetooth® device.
 - Secure Simple Pairing (SSP) compatible Bluetooth® device:**
Select "Yes" to register the Bluetooth® device.
- It is possible to automatically register devices depending on the type of Bluetooth® device.

NOTE:

- If the Bluetooth® device contains music player and mobile phone function, both functions will be registered simultaneously. When deleting a Bluetooth® device, both functions will be deleted simultaneously.
- If a mobile phone is not registered and the off-hook button (6) is pressed and the telephone mode is selected, it will automatically switch to "Pairing".
- When pairing with a mobile phone is established, it is possible to automatically transfer the phonebook and call history. If you wish to conduct an automatic transfer press "YES" and if not, press "NO".

Set from the list of mobile phones

The list of paired mobile phones is displayed and the various settings can be changed.

- 1) The Bluetooth® setting screen will be displayed.
 - From the panel button:
Touch the "SETUP" button (4).
Touch or slide the "TUNE/TRACK" Up/Down button (1), select "Bluetooth", and touch the "ENT" button (2).
 - From the steering switch:
Press the Bluetooth® button (5).
- 2) Touch or slide the "TUNE/TRACK" Up/Down button (1), select "Setup Bluetooth", and touch the "ENT" button (2).

OTHER CONTROLS AND EQUIPMENT

- 3) Touch or slide the “TUNE/TRACK” Up/Down button (1), select “List Phone”, and touch the “ENT” button (2).

Connect a registered mobile phone

- 1) Touch or slide the “TUNE/TRACK” Up/Down button (1) from the “List Phone” screen, select the name of the desired mobile phone, and touch the “ENT” button (2).
- 2) Touch or slide the “TUNE/TRACK” Up/Down button (1), select “Select”, and touch the “ENT” button (2).

Disconnect a connected mobile phone

- 1) Touch or slide the “TUNE/TRACK” Up/Down button (1) from the “List Phone” screen, select the name of the desired mobile phone, and touch the “ENT” button (2).
- 2) Touch or slide the “TUNE/TRACK” Up/Down button (1), select “Disconnect”, and touch the “ENT” button (2).
- 3) Touch or slide the “TUNE/TRACK” Up/Down button (1), select “YES”, and touch the “ENT” button (2).

Delete a registered mobile phone

- 1) Touch or slide the “TUNE/TRACK” Up/Down button (1) from the “List Phone” screen, select the name of the desired mobile phone, and touch the “ENT” button (2).
- 2) Touch or slide the “TUNE/TRACK” Up/Down button (1), select “Delete”, and touch the “ENT” button (2).
- 3) Touch or slide the “TUNE/TRACK” Up/Down button (1), select “YES”, and touch the “ENT” button (2).

Set from the Bluetooth® audio list

The list of paired Bluetooth® audio is displayed and the various settings can be changed.

- 1) The Bluetooth® setting screen will be displayed.
 - From the panel button:
Touch the “SETUP” button (4).
Touch or slide the “TUNE/TRACK” Up/Down button (1), select “Bluetooth”, and touch the “ENT” button (2).
 - From the steering switch:
Press the Bluetooth® button (5).
- 2) Touch or slide the “TUNE/TRACK” Up/Down button (1), select “Setup Bluetooth”, and touch the “ENT” button (2).
- 3) Touch or slide the “TUNE/TRACK” Up/Down button (1), select “List Audio”, and touch the “ENT” button (2).

Connect a registered Bluetooth® audio

- 1) Touch or slide the “TUNE/TRACK” Up/Down button (1) from the “List Audio” screen, select the name of the desired Bluetooth® audio, and touch the “ENT” button (2).
- 2) Touch or slide the “TUNE/TRACK” Up/Down button (1), select “Select”, and touch the “ENT” button (2).

Disconnect a registered Bluetooth® audio

- 1) Touch or slide the “TUNE/TRACK” Up/Down button (1) from the “List Audio” screen, select the name of the desired Bluetooth® audio, and touch the “ENT” button (2).
- 2) Touch or slide the “TUNE/TRACK” Up/Down button (1), select “Disconnect”, and touch the “ENT” button (2).
- 3) Touch or slide the “TUNE/TRACK” Up/Down button (1), select “YES”, and touch the “ENT” button (2).

Delete a registered Bluetooth® audio

- 1) Touch or slide the “TUNE/TRACK” Up/Down button (1) from the “List Audio” screen, select the name of the desired Bluetooth® audio, and touch the “ENT” button (2).
- 2) Touch or slide the “TUNE/TRACK” Up/Down button (1), select “Delete”, and touch the “ENT” button (2).
- 3) Touch or slide the “TUNE/TRACK” Up/Down button (1), select “YES”, and touch the “ENT” button (2).

OTHER CONTROLS AND EQUIPMENT

NOTE:

- In case audio device does not re-connect after following above steps, delete your audio device from registered list of audio by following steps 1) to 3) of "Delete a registered Bluetooth® audio" mentioned above. Register the audio device again by referring to "Registration of Bluetooth® devices" and follow steps 1) to 4).
- Some audio device may not re-connect automatically. For such cases, follow steps 1) to 2) of "Connect a registered Bluetooth® audio" mentioned in further pages of this section.

Select a connection method

It is possible to switch connection methods when the Bluetooth® audio is registered to the audio system and the audio system and Bluetooth® audio are not connected.

- 1) Touch or slide the "TUNE/TRACK" Up/Down button (1) from the "List Audio" screen, select the name of the desired Bluetooth® audio, and touch the "ENT" button (2).
- 2) Touch or slide the "TUNE/TRACK" Up/Down button (1), select "Connect Method", and touch the "ENT" button (2).
- 3) Touch or slide the "TUNE/TRACK" Up/Down button (1), select the connection method, and touch the "ENT" button (2).

- From Car:
Operate from the audio system to connect to the Bluetooth® device.
- From Audio:
Operate from the Bluetooth® device to connect to the audio system.

Change of Passkey

- 1) The Bluetooth® setting screen will be displayed.
 - From the panel button:
Touch the "SETUP" button (4).
Touch or slide the "TUNE/TRACK" Up/Down button (1), select "Bluetooth", and touch the "ENT" button (2).
 - From the steering switch
Press the Bluetooth® button (5).
 - 2) Touch or slide the "TUNE/TRACK" Up/Down button (1), select "Setup Bluetooth", and touch the "ENT" button (2).
 - 3) Touch or slide the "TUNE/TRACK" Up/Down button (1), select "Passkey", and touch the "ENT" button (2).
 - 4) Touch or slide the "TUNE/TRACK" Up/Down button (1), select "YES", and touch the "ENT" button (2).
 - 5) Touch or slide the "TUNE/TRACK" Up/Down button (1), select a number between 0 and 9, and touch the "ENT" button (2).
Repeat this operation several times.
- Enter the passkey one digit by one digit.
 - The passkey must be between 4 to 8 digits.

- In order to cancel the number that you entered and return to the previous digit, touch the BACK button (3).
- If you do not enter a number that is 4 or more digits and re-touch the "ENT" button (2), the passkey will be registered.

Automatic connection with the Bluetooth® device

If the "Bluetooth Power" is set to ON, turning the ignition switch to ACC will automatically connect the registered Bluetooth® device.

- With the automatic connection, the Bluetooth® device that was connected last will be prioritized.
- 1) The Bluetooth® setting screen will be displayed.
 - From the panel button:
Touch the "SETUP" button (4).
Touch or slide the "TUNE/TRACK" Up/Down button (1), select "Bluetooth", and touch the "ENT" button (2).
 - From the steering switch:
Press the Bluetooth button (5).
 - 2) Touch or slide the "TUNE/TRACK" Up/Down button (1), select "Setup Bluetooth", and touch the "ENT" button (2).
 - 3) Touch or slide the "TUNE/TRACK" Up/Down button (1), select "Bluetooth Power", and touch the "ENT" button (2).
- Touch or slide the "TUNE/TRACK" Up/Down button (1), select "On" or "Off", and touch the "ENT" button (2).

OTHER CONTROLS AND EQUIPMENT

NOTE:

- When “Bluetooth Power” is set to “OFF”, the audio system disconnects from the registered Bluetooth® device.
- If “Bluetooth Power” is set to “Off”, the audio system will not automatically reconnect the next time the ignition is switched on.

The device status will be displayed

- 1) The Bluetooth® setting screen will be displayed.
 - From the panel button:
 - Touch the “SETUP” button (4).
 - Touch or slide the “TUNE/TRACK” Up/Down button (1), select “Bluetooth”, and touch the “ENT” button (2).
 - From the steering switch:
 - Press the Bluetooth button (5).
- 2) Touch or slide the “TUNE/TRACK” Up/Down button (1), select “Setup Bluetooth”, and touch the “ENT” button (2).
- 3) Touch or slide the “TUNE/TRACK” Up/Down button (1), select “Bluetooth Info”, and touch the “ENT” button (2).
- 4) Touch or slide the “TUNE/TRACK” Up/Down button (1), select the desired status, and touch the “ENT” button (2).
 - To display the device name, select “Device Name”.
 - To display the device address, select “Device Address”.

Initialize

It is possible to initialize the audio system's Bluetooth® settings or device information.

CAUTION

- Do not initialize the settings while driving. Stop your vehicle in a safe area before initializing the device.
- Initialize with caution. Initialized settings and history cannot be restored.

- 1) The Bluetooth® setting screen will be displayed.
 - From the panel button:
 - Touch the “SETUP” button (4).
 - Touch or slide the “TUNE/TRACK” Up/Down button (1), select “Bluetooth”, and touch the “ENT” button (2).
 - From the steering switch:
 - Press the Bluetooth button (5).
- 2) Touch or slide the “TUNE/TRACK” Up/Down button (1), select “Setup Bluetooth”, and touch the “ENT” button (2).
- 3) Touch or slide the “TUNE/TRACK” Up/Down button (1), select “Initialize”, and touch the “ENT” button (2).
- 4) Touch or slide the “TUNE/TRACK” Up/Down button (1), select the item that you want to initialize item, and touch the “ENT” button (2).

- HF Sound Setting:
 - Reception/ringtone volume
 - Incoming call volume
- Vehicle Device Info:
 - Passkey
- All Initialize:
 - Reception/ringtone volume
 - Incoming call volume
 - Bluetooth audio volume
 - Pairing registration
 - Phonebook/history
 - Speed dial
 - Connect Method
 - Bluetooth Power
 - Auto Transfer
- 5) Touch or slide the “TUNE/TRACK” Up/Down button (1), select “YES”, and touch the “ENT” button (2).

OTHER CONTROLS AND EQUIPMENT

Notes on Bluetooth®

EXAMPLE



73R0209

- The Bluetooth® word mark and logos are registered trademarks owned by Bluetooth SIG, Inc. and any use of such marks by Denso Ten Limited is under license. Other trademarks and trade names are those of their respective owners.
This telecommunication equipment conforms to the requirements of the National Telecommunications Commission.
- Stop using this unit and a Bluetooth® ready device whenever requested.
This unit shares the communication frequency with other private or public wireless communication equipment such as a wireless LAN and other wireless communication radios.
You should stop using this unit immediately whenever you are notified that your unit disturbs other wireless communication.

Profile

- SSP (Secure Simple Pairing)
- PBAP (Phone Book Access Profile)
- OPP (Object Push Profile)
- HFP (Hand-Free Profile)
- A2DP (Advanced Audio Distribution Profile)
- AVRCP (Audio/Video Remote Control Profile)

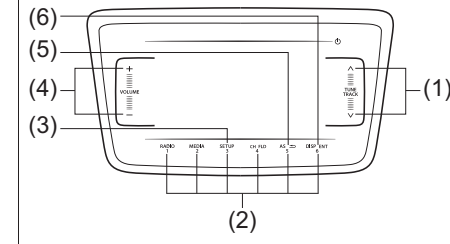
Disclaimer for Bluetooth® function

- Depending on the mobile phone models, some phones may not be compatible fully or partially (some function may be restricted).
- Media playback through third-party applications may have limited support.
- Playback, display contents, connectivity or voice quality etc. may get affected depending on circumstances.
- After the ignition switch is turned to the "ON" position, the audio system takes few seconds to detect and connect to the Bluetooth® device (if already paired).
- Make sure that you are aware of all applicable local laws and accordingly use Bluetooth® device.

Bluetooth® hands-free (if equipped)

To use Bluetooth® devices (Bluetooth® audio or mobile phone) on the audio system, it is required to register the Bluetooth® devices to the audio system by "Bluetooth Settings".

EXAMPLE



55RM05071

- (1) "TUNE/TRACK" Up/Down button
- (2) Speed dial button (1-6)
- (3) "SETUP" button
- (4) "VOLUME" button
- (5) BACK button
- (6) "DISP/ENT" button

Display

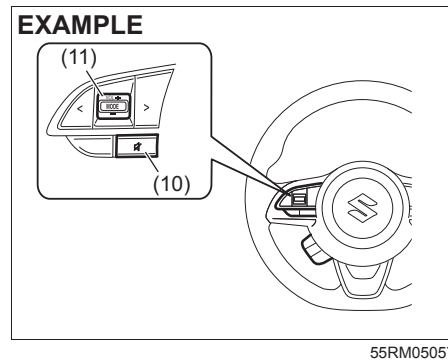
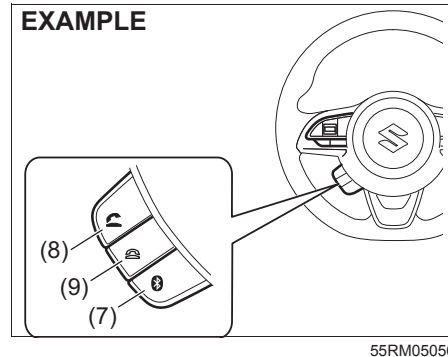
EXAMPLE



73R0151

OTHER CONTROLS AND EQUIPMENT

Steering switch



- (1) "TUNE/TRACK" Up/Down button
- (2) Speed dial button (1-6)
- (3) "SETUP" button
- (4) "VOLUME" button
- (5) BACK button

- (6) "ENT" (enter) button
- (7) Bluetooth® setting button
- (8) Off-hook button
- (9) On-hook button
- (10) Mute button
- (11) "VOL" (volume) button

NOTICE

- Do not leave your mobile phone inside your vehicle. If the temperature inside the vehicle increases, it may damage your mobile phone.
- When disposing your vehicle, make sure to delete all personal information saved to the audio system.
- The following hands-free data must be deleted from the audio system.
 - Speed dial
 - Reception history/Incoming call history
 - Bluetooth® phonebook data

NOTE:

- Please keep your phone volume low. The person's voice who you are talking to may be heard outside of the vehicle and increase the voice echo. When talking on the phone, speak clearly towards the microphone.
- In the following cases, your voice may not be heard clearly by the person on the other line:
 - When driving on unpaved roads. (If there is loud traffic noise.)
 - When driving at high speeds.

- When driving with the window open.
- If the air conditioner is blowing directly towards the microphone.
- When the sound of the air conditioner fan is loud.
- When there is an adverse effect to the sound quality of the phone or network that you are using.
- The audio system may not function under the following conditions.
 - When the phone power is not turned on.
 - When the mobile phone is out of service.
 - When the mobile phone is not connected.
 - When the mobile phone battery is low
- The Bluetooth's hands-free operation is dependent upon the mobile phone's compatibility.
- The Bluetooth's hands-free performance is affected by the driving conditions of mobile phone networks, handsets and vehicles.
- The audio system's performance may be restricted due to the model of your mobile phone.

It is possible to register a mobile phone and register the phone number to the audio system as follows:

- Up to 1,000 phone numbers can be saved for every registered mobile phone.

OTHER CONTROLS AND EQUIPMENT

- Up to 30 phone numbers can be saved to the call history menu (missed calls/incoming/outgoing calls.)
 - When the call history exceeds 30 calls, they are deleted from the oldest one first, and the latest call history information is displayed in descending order.
- Up to 6 phone numbers can be saved to the speed dial list.

Answer the phone

- 1) Press the off-hook button (8).
- When you press the on-hook button (9) during an incoming call, you can block the call. (Only for compatible phone units)

NOTE:

- *If you receive a call from a registered phone, the caller's name will appear on the screen.*
- *If you receive a call from an unregistered phone, only the caller's phone number will appear on the screen.*

Hang up the phone

- 1) When the call is finished, press the on-hook button (9).

Make a call on call waiting

When the screen is displayed during a call, it is possible to hold the call and answer the other incoming call.

- 1) When an incoming call is received during a call, press the off-hook button (8).
- When the call is on hold, it will connect to the other incoming call.
 - To end the call waiting, press the off-hook button (8).
 - When the call waiting is completed, the call on hold will connect.
 - When switching the caller, press the off-hook button (8) again while using the call waiting.

NOTE:



This function can only be used with phone units that are compatible with call waiting.

Mute the ringtone volume

- 1) Press the mute button (10).
- To deactivate the mute volume, press the mute button (10).

Adjust the volume



Adjust the reception volume

- 1) Touch or slide the "VOLUME" button (4) or press the "VOL" button (11) during a call.
- To increase the volume, touch  or slide upwards.
 - To decrease the volume, touch  or slide downwards.

NOTE:

The volume and microphone sensitivity settings vary depending on the specifications of each mobile phone.



Adjust the ringtone volume

- 1) Touch or slide the "VOLUME" button (4) or press the "VOL" button (11) during an incoming call.
- To increase the volume, touch  or slide upwards.
 - To decrease the volume, touch  or slide downwards.

Adjust the volume with the Bluetooth® settings

- 1) Display the Bluetooth® setup menu.
 - From the panel button:
 - Touch the "SETUP" button (3).
 - Touch or slide the "TUNE/TRACK" Up/Down button (1), select "Bluetooth", and touch the "ENT" button (6).
 - From the steering switch:
 - Press the Bluetooth® button (7).
- 2) Touch or slide the "TUNE/TRACK" Up/Down button (1), select "Setup Telephone", and touch the "ENT" button (6).
- 3) Touch or slide the "TUNE/TRACK" Up/Down button (1), select "HF Sound Setting", and touch the "ENT" button (6).
- 4) Touch or slide the "TUNE/TRACK" Up/Down button (1), select the item that you want to adjust, and touch the "ENT" button (6).
 - Call Volume: Reception/ringtone volume
 - Ringtone Volume: Incoming call volume

OTHER CONTROLS AND EQUIPMENT

- 5) Touch or slide the “VOLUME” button (4).
- To increase the volume, touch  or slide upwards.
 - To decrease the volume, touch  or slide downwards.

Make a call

Press the off-hook button (8) to enter the telephone mode.

Use the phonebook

- 1) Touch or slide the “TUNE/TRACK” Up/Down button (1), select “Phonebook”, and touch the “ENT” button (6).
 - 2) Touch or slide the “TUNE/TRACK” Up/Down button (1), select the desired initials, and touch the “ENT” button (6).
 - 3) Touch or slide the “TUNE/TRACK” Up/Down button (1), select the contact number, and touch the “ENT” button (6).
- If there are multiple phone numbers for a single contact, touch or slide the “TUNE/TRACK” Up/Down button (1), select the phone number, and touch the “ENT” button (6).
- 4) Touch or slide the “TUNE/TRACK” Up/Down button (1), select “Yes”, and touch the “ENT” button (6) or press the off-hook button (8).

Use the call history

- 1) Touch or slide the “TUNE/TRACK” Up/Down button (1), select “All Calls,” “Missed Calls,” “Incoming Calls” or “Outgoing Calls” and touch the “ENT” button (6).
- 2) Touch or slide the “TUNE/TRACK” Up/Down button (1), select the contact number, and touch the “ENT” button (6).
- 3) Touch or slide the “TUNE/TRACK” Up/Down button (1), select “Yes”, and touch the “ENT” button (6) or press the off-hook button (8).

Use the speed dial

- 1) Press the Off-hook button (8) for 1 second or longer.
- 2) Touch the desired speed dial button (2) (1-6).
- 3) Touch or slide the “TUNE/TRACK” Up/Down button (1), select “YES”, and then touch the “ENT” button (6) or press the Off-hook button (8).

NOTE:

Speed dial numbers must be registered before this function can be used.

Transfer/delete the phonebook

- 1) Display the Bluetooth® setup menu.
- From the panel button:
Touch the “SETUP” button (3).
Touch or slide the “TUNE/TRACK” Up/Down button (1), select “Bluetooth”, and touch the “ENT” button (6).
 - From the steering switch:
Press the Bluetooth® button (7).
- 2) Touch or slide the “TUNE/TRACK” Up/Down button (1), select “Setup Telephone”, and touch the “ENT” button (6).
 - 3) Touch or slide the “TUNE/TRACK” Up/Down button (1), select “Setup Phonebook”, and touch the “ENT” button (6).

Transfer all contacts from your mobile phone

- 1) Touch or slide the “TUNE/TRACK” Up/Down button (1) from the “Setup Phonebook” screen, select “Add Contacts”, and touch the “ENT” button (6).
 - 2) Touch or slide the “TUNE/TRACK” Up/Down button (1), select “Overwrite All”, and touch the “ENT” button (6).
- Touch or slide the “TUNE/TRACK” Up/Down button (1), select “YES”, and touch the “ENT” button (6).

OTHER CONTROLS AND EQUIPMENT

Transfer 1 contact from your mobile phone

- 1) Touch or slide the "TUNE/TRACK" Up/Down button (1) from the "Setup Phonebook" screen, select "Add Contacts", and touch the "ENT" button (6).
- 2) Touch or slide the "TUNE/TRACK" Up/Down button (1), select "Add One Contact", and touch the "ENT" button (6).
- 3) Touch or slide the "TUNE/TRACK" Up/Down button (1), select "YES", and touch the "ENT" button (6).

Delete the registered phonebook

- 1) Touch or slide the "TUNE/TRACK" Up/Down button (1) from the "Setup Phonebook" screen, select "Delete Contacts", and touch the "ENT" button (6).
- 2) Touch or slide the "TUNE/TRACK" Up/Down button (1), select the desired initials from the list or "All", and touch the "ENT" button (6).
 - When you select "All", it will transition to step 4.
- 3) Touch or slide the "TUNE/TRACK" Up/Down button (1), select the desired name from the list, and touch the "ENT" button (6).
- 4) Touch or slide the "TUNE/TRACK" Up/Down button (1), select "YES", and touch the "ENT" button (6).

Transfer/delete the call history

- 1) Display the Bluetooth® setup menu.
 - From the panel button:
Touch the "SETUP" button (3).
Touch or slide the "TUNE/TRACK" Up/Down button (1), select "Bluetooth", and touch the "ENT" button (6).
 - From the steering switch:
Press the Bluetooth® button (7).
- 2) Touch or slide the "TUNE/TRACK" Up/Down button (1), select "Setup Telephone", and touch the "ENT" button (6).
- 3) Touch or slide the "TUNE/TRACK" Up/Down button (1), select "Setup Call History", and touch the "ENT" button (6).

Transfer the call history

- 1) Touch or slide the "TUNE/TRACK" Up/Down button (1) from the "Setup Call History" screen, select "Overwrite History", and touch the "ENT" button (6).
- 2) Touch or slide the "TUNE/TRACK" Up/Down button (1), select "YES", and touch the "ENT" button (6).

Delete the call history

- 1) Touch or slide the "TUNE/TRACK" Up/Down button (1) from the "Setup Call History" screen, select "Delete History", and touch the "ENT" button (6).
- 2) Touch or slide the "TUNE/TRACK" Up/Down button (1), select "All Calls", "Missed Calls", "Incoming Calls" or "Outgoing Calls" and touch the "ENT" button (6).
- 3) Touch or slide the TUNE/TRACK Up/Down button (1), select the desired data from the history or select "All", and then touch the "ENT" button (6).
- 4) Touch or slide the "TUNE/TRACK" Up/Down button (1), select "YES", and touch the "ENT" button (6).

Registration / deletion of speed dial

- 1) Display the Bluetooth® setup menu.
 - From the panel button:
Touch the "SETUP" button (3).
Touch or slide the "TUNE/TRACK" Up/Down button (1), select "Bluetooth", and touch the "ENT" button (6).
 - From the steering switch:
Press the Bluetooth® button (7).
- 2) Touch or slide the "TUNE/TRACK" Up/Down button (1), select "Setup Telephone", and touch the "ENT" button (6).
- 3) Touch or slide the "TUNE/TRACK" Up/Down button (1), select "Setup Speed Dials", and touch the "ENT" button (6).

OTHER CONTROLS AND EQUIPMENT

Registration in speed dial

- 1) Touch or slide the “TUNE/TRACK” Up/Down button (1) from the “Setup Speed Dials” screen, select “Add Speed Dial”, and touch the “ENT” button (6).
- 2) Touch or slide the “TUNE/TRACK” Up/Down button (1), select the phonebook or call history, and touch the “ENT” button (6).
 - When you select the call history, it will transition to step 4.
- 3) Touch or slide the “TUNE/TRACK” Up/Down button (1), select the desired initials from the list and touch the “ENT” button (6).
- 4) Touch or slide the “TUNE/TRACK” Up/Down button (1), select the contact number, and touch the “ENT” button (6).
 - If there are multiple phone numbers for a single contact, touch or slide the “TUNE/TRACK” Up/Down button (1), select the phone number, and touch the “ENT” button (6).
- 5) Touch or slide the “TUNE/TRACK” Up/Down button (1), select the speed dial number that you want to register, and touch the “ENT” button (6).

Deletion of speed dial

- 1) Touch or slide the “TUNE/TRACK” Up/Down button (1) from the “Setup Speed Dials” screen, select “Delete Speed Dials”, and touch the “ENT” button (6).
- 2) Touch or slide the “TUNE/TRACK” Up/Down button (1), select the speed dial number that you want to delete, and touch the “ENT” button (6).
- 3) Touch or slide the “TUNE/TRACK” Up/Down button (1), select “YES”, and touch the “ENT” button (6).

Automatic transfer of the phonebook/call history

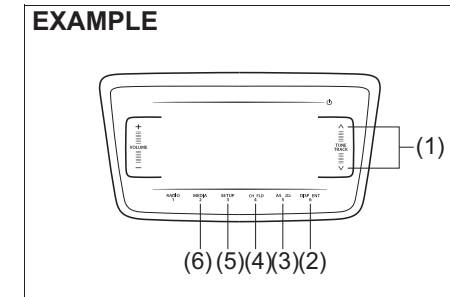
When registering the mobile phone, you can select to automatically transfer the phonebook and call history from your device. Select according to the following steps.

- 1) Display the Bluetooth® setup menu.
 - From the panel button:
 - Touch the “SETUP” button (3).
 - Touch or slide the “TUNE/TRACK” Up/Down button (1), select “Bluetooth”, and touch the “ENT” button (6).
 - From the steering switch:
 - Press the Bluetooth® button (7).
- 2) Touch or slide the “TUNE/TRACK” Up/Down button (1), select “Setup Telephone”, and touch the “ENT” button (6).
- 3) Touch or slide the “TUNE/TRACK” Up/Down button (1), select “Auto Transfer”, and touch the “ENT” button (6).

- 4) Touch or slide the “TUNE/TRACK” Up/Down button (1), select “On” or “Off”, and touch the “ENT” button (6).

Bluetooth® audio

To use Bluetooth® devices (Bluetooth® audio or mobile phone) on the audio system, it is required to register the Bluetooth® devices to the audio system by “Bluetooth® Settings”.

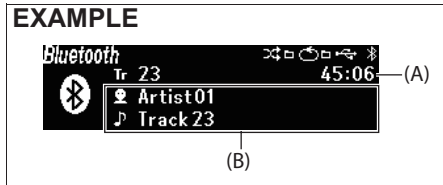


55RM05065

- (1) “TUNE/TRACK” Up/Down button
- (2) “DISP/ENT” (display/enter) button
- (3) BACK button
- (4) “FLD” (group operation) button
- (5) “SETUP” (random/repeat) button
- (6) “MEDIA” button

Display

EXAMPLE



73R0154

(A) Playback time

(B) Text information display

NOTE:

Some functions may not be usable on some Bluetooth® devices.

Selecting the Bluetooth® audio

- 1) Press the "MEDIA" button (6) for 1 second or more for changing from radio mode, or Touch the "MEDIA" button (6) if the audio is in other than radio mode.
- Touch the "MEDIA" button (6). Each time the button is touched, the mode will change as follows:
USB (iPod®) (if equipped) → Bluetooth® audio (if equipped) → AUX (if equipped)

Fast forwarding/Rewinding a track

- 1) Hold down the "TUNE/TRACK" Up/Down button (1).
- : Hold down the Up button for 1 second or longer to fast forward the track.
- : Hold down the Down button for 1 second or longer to fast rewind the track.

- Releasing the button can stop the fast forwarding/rewinding.

Selecting a track

- 1) Touch the "TUNE/TRACK" Up/Down button (1).
- : Touch the Up button to listen to the next track.
- : When the Down button is touched once, the track currently being played will start from the beginning again. Touch the Down button twice to listen to the previous track.

Selecting a group (only for supported models)

- 1) Touch the "FLD" (group operation) button (4).
- 2) Touch the "TUNE/TRACK" Up/Down button (1).
- : Touch the Up button to go to the next group.
- : Touch the Down button to go to the previous group.

Repeat playback

- 1) Touch the "SETUP" (random/repeat) button (5).
- 2) Touch or slide the "TUNE/TRACK" Up/Down button (1), select "Repeat", and touch the "DISP/ENT" button (2).
- Each time the "DISP/ENT" button (2) is touched, display will change as follows:
Off → One song repeat → Group repeat (if available) ...

Random playback

- 1) Touch the "SETUP" (random/repeat) button (5).
- 2) Touch or slide the "TUNE/TRACK" Up/Down button (1), select "Random", and touch the "DISP/ENT" button (2)
- Each time the "DISP/ENT" button (2) is touched, display will change as follows:
Off → Group random → All random ...

Display change

- 1) Touch the "DISP/ENT" button (2).
- Each time the button is touched, display will change as follows:
Artist name/Track title → Album name/Track title ...

NOTE:

- "NO TITLE" will be displayed when there is no text information in the USB device currently being played.
- "..." is displayed if all text data cannot be displayed. Touch and hold the "DISP/ENT" button (2) for at least one second to automatically display the rest of the text data.

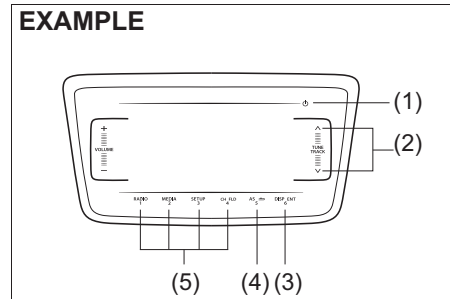
OTHER CONTROLS AND EQUIPMENT

Anti-Theft Feature

The anti-theft function is intended to discourage thefts, such as that the audio system becomes inoperable when it is installed on other vehicles.

This function works by entering a Personal Identification Number (PIN).

When the unit is disconnected from its power source, such as when the audio system is removed or the lead-acid battery is disconnected, the unit will become inoperable until the PIN is reentered.



- (1) POWER button
- (2) List selection button
- (3) "ENT" (enter) button
- (4) BACK button
- (5) PIN entry button (1-4)

Display

EXAMPLE



Setting the Anti-Theft Function

- 1) Touch the POWER button (1) for 1 second or longer to power off the audio system.
- 2) Hold down the button numbered [1] of the PIN entry button (5) and the "ENT" button (3) and touch the POWER button (1).
 - "SECURITY" will be displayed.
- 3) Hold down the Up button of the List selection button (2) and the button numbered [1] of the PIN entry button (5).
 - "----" will be displayed.
- 4) Enter a 4-digit number to be registered as PIN using the buttons numbered [1] - [4] of the PIN entry button (5).
- 5) Touch the "ENT" button (3) for 1 second or longer.
 - "COMPLETE" will be displayed, and the power will turn off after 3 seconds.

NOTE:

Take a note of the registered PIN and keep it for the future use.

Canceling the anti-theft feature

To cancel the anti-theft function, delete the registered PIN.

- 1) Touch the POWER button (1) for 1 second or longer to power off the audio system.
- 2) Hold down the buttons numbered [1] of the PIN entry button (5) and the "ENT" button (3) and touch the POWER button (1).
 - "PIN ENTRY" will be displayed.
- 3) Hold down the Up button of the List selection button (2) and the button numbered [1] of the PIN entry button (5).
 - "----" will be displayed.
- 4) Enter a 4-digit number to be registered as PIN using the buttons numbered [1] - [4] of the PIN entry button (5).
- 5) Touch the "ENT" button (3) for 1 second or longer.
 - If an incorrect PIN is entered, "ERROR* (ERR Number)" will be displayed for 3 seconds, then the audio system will go back to step 2.
 - "----" is displayed on the screen, and the power will turn off after 3 seconds.


NOTE:

- To change your PIN, first delete your current PIN, then set a new one.
- If an incorrect PIN is entered 10 times or more, "HELP" will be displayed and the audio system will become inoperable. In this case, contact Maruti Suzuki authorised workshop.

OTHER CONTROLS AND EQUIPMENT

Confirming the Personal Identification Number (PIN)

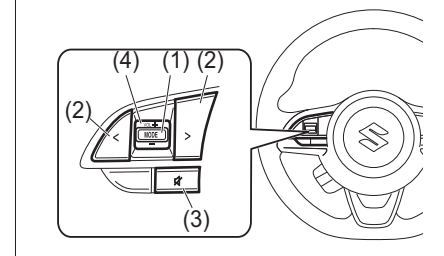
When the main power source is disconnected such as when the lead-acid battery is replaced, etc, it is required to enter the PIN to make the unit operable again.

- 1) Set the ignition switch to the ACC position.
 - “SECURITY” will be displayed.
- 2) Hold down the Up button of the List selection button (2)  and the button numbered [1] of the PIN entry button (5).
 - “----” will be displayed.
- 3) Enter the registered 4-digit PIN number using the buttons numbered [1] - [4] of the PIN entry button (5).
- 4) Touch the “ENT” button (3) for 1 second or longer.
 - If an incorrect PIN is entered, “ERROR* (ERR Number)” will be displayed for 3 seconds, then the audio system will go back to step 2.
 - After 3 seconds, the power of the audio system will be turned off automatically and it will become operable again.

Steering Switch (if equipped)

Use the steering wheel button to operate the basic functions of the audio system.

EXAMPLE



55RM05058

- (1) “MODE” button
- (2) Selection button
 - Selecting the radio station
 - Selecting the track (USB (iPod®), Bluetooth® audio mode)
- (3) Mute button
- (4) “VOL” (volume) button

MODE button (1)

- Each time the button is pressed, the mode will change as follows:
AM → FM1 → FM2 → USB (iPod®) (if equipped) → Bluetooth® audio (if equipped) → AUX (if equipped)

Selection button (2)






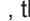
- FM1, FM2, AM mode:
 - Press > to transfer to the next preset channel.
 - Press < to transfer to the previous preset channel.
 - Press > for 1 second or longer, it will search for receivable stations at a high frequency.
 - Press < for 1 second or longer, it will search for receivable stations at a low frequency.
- USB (iPod®), Bluetooth® audio mode:
 - Press > to transfer to the next song. With the folder operation mode, it will transfer to the next folder.
 - Press < to return to the beginning of the currently playing song. Pressing it twice consecutively will return to the previous song. With the folder operation mode, it will return to the previous folder.
 - Press > for 1 second or longer to fast-forward the song. When the button is released, it will stop fast-forwarding.
 - Press < for 1 second or longer to rewind the song. Releasing the button can stop rewinding.

OTHER CONTROLS AND EQUIPMENT

Mute button (3)

- Hands-free mode
Each time you press the button the mute will switch from ON/OFF
- USB (iPod®), Bluetooth® audio mode:
Press the button during playback to temporarily stop the playback.

“VOL” button (4)

- Hands-free mode:
 - Press  during an outgoing or incoming call, the reception/ringtone sound will increase.
 - Press  during an outgoing or incoming call, the reception/ringtone sound will decrease.
 - Press  during an outgoing call, the ringtone sound will increase.
 - Press  during an outgoing call, the ringtone sound will decrease.
- Radio, USB (iPod®), Bluetooth® audio, AUX mode:
Press , the volume will increase.
Press , the volume will decrease.

Remote Controller

CAUTION

Operational precautions regarding remote controller use:

- Because of its small size and light weight, use the remote controller with care. Dropping the remote controller or hitting it against hard surfaces may degrade the battery and cause malfunction.
- Do not expose the remote controller to humidity, dust, or moisture. Do not subject the remote controller to shock.
- Do not place the remote controller on the dashboard or other places that can be exposed to high temperatures, such as near heater vents. Exposing the remote controller to conditions in which it may overheat may cause the case to deform or other issues.
- Do not operate the remote controller while driving. Doing so may result in an accident.
- Direct the remote controller towards the remote controller receiver when using the remote controller.
- The receiver may not operate correctly when exposed to direct sunlight or other sources of bright light.

(Continued)

CAUTION

(Continued)

- Remove the battery from the remote controller if the remote controller will not be used for extended periods of time.

CAUTION

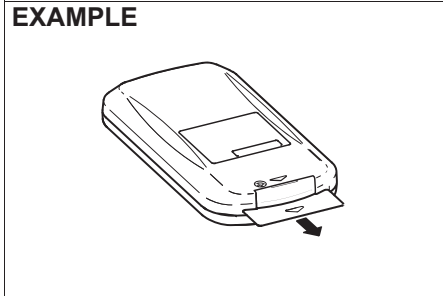
Cleaning the remote controller:

- Use a dry cloth to clean the remote controller. If the remote controller becomes excessively soiled, use a cloth dampened lightly with a diluted liquid detergent.
- Never use organic solvents, such as benzene cleanser or thinner. Use of these substances will damage the case and finish.

OTHER CONTROLS AND EQUIPMENT

Before using the remote controller

EXAMPLE

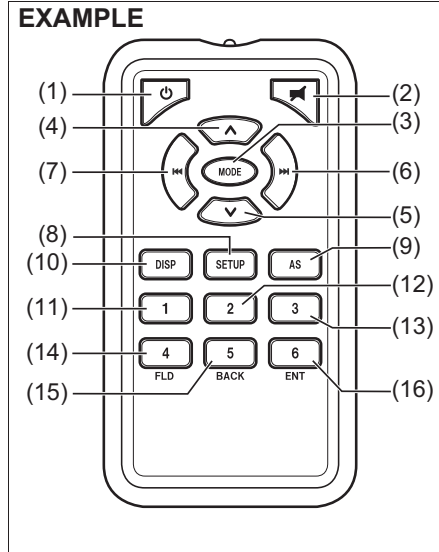


72R0091

Pull out the battery insulated sheet tab from the remote controller in the direction indicated by the arrow.







Remote controller operation

EXAMPLE



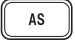

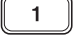
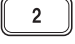
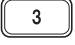


72R0092




OTHER CONTROLS AND EQUIPMENT

No.	Button	Function
(1)		POWER button: <ul style="list-style-type: none"> Turns the power to the audio system on / off (press and hold)
(2)		Mute button: <ul style="list-style-type: none"> Sound mute on / off
(3)		MODE button: <ul style="list-style-type: none"> Switches between audio sources <ul style="list-style-type: none"> The mode changes in the following order each time the button is pressed: AM → FM1 → FM2 → USB (iPod®) (if equipped) → Bluetooth® audio → AUX (if equipped) ... <p><i>NOTE:</i> "No Audio" will be displayed when there is no Bluetooth device connected.</p>
(4)		Volume buttons: <ul style="list-style-type: none"> Volume up / Continuous volume up (press and hold)
(5)		Volume buttons: <ul style="list-style-type: none"> Volume down / Continuous volume down (press and hold)
(6)		TUNE/TRACK up button: <ul style="list-style-type: none"> RADIO: <ul style="list-style-type: none"> Tune up / Seek up (press and hold) USB, iPod®, and Bluetooth® audio: <ul style="list-style-type: none"> Normal mode: Track (file) up / Fast up (press and hold) FLD mode (USB and Bluetooth® audio): Folder (Group) up / Fast up (press and hold) FLD mode (iPod®): List up / Continuous list up (press and hold) FUNCTION mode (various settings): <ul style="list-style-type: none"> Configures functions / Change values

OTHER CONTROLS AND EQUIPMENT

No.	Button	Function
(7)		<p>TUNE/TRACK down button:</p> <ul style="list-style-type: none"> • RADIO: Tune down / Seek down (press and hold) • USB, iPod®, and Bluetooth® audio: <ul style="list-style-type: none"> – Normal mode: Track (file) down / Fast down (press and hold) – FLD mode (USB and Bluetooth® audio): Folder (Group) down / Fast down (press and hold) – FLD mode (iPod®): List down / Continuous list down (press and hold) • FUNCTION mode (various settings): Configures functions / Change values
(8)		<p>SETUP button:</p> <ul style="list-style-type: none"> • Switch to the System setting mode
(9)		<p>Auto Store button:</p> <ul style="list-style-type: none"> • RADIO: Switches between manual preset and AS mode / Auto Store (press and hold)
(10)		<p>DISP button:</p> <ul style="list-style-type: none"> • Changes text displays / Changes automatic text display pages (press and hold)
(11)		<p>Preset [1] button:</p> <ul style="list-style-type: none"> • RADIO: Calls preset channels / Stores channel as preset (press and hold)
(12)		<p>Preset [2] button:</p> <ul style="list-style-type: none"> • RADIO: Calls preset channels / Stores channel as preset (press and hold)
(13)		<p>Preset [3] button:</p> <ul style="list-style-type: none"> • RADIO: Calls preset channels / Stores channel as preset (press and hold)

OTHER CONTROLS AND EQUIPMENT

No.	Button	Function
(14)		Preset [4] / FLD button: <ul style="list-style-type: none">• RADIO: Calls preset channels / Stores channel as preset (press and hold)• USB, iPod®, and Bluetooth® audio: Switches between Folder operation / iPod® menus / Group operation mode
(15)		Preset [5] / BACK button: <ul style="list-style-type: none">• RADIO: Calls preset channels / Stores channel as preset (press and hold)• USB, iPod®, Bluetooth® audio, and settings: Switches back to the previous screen
(16)		Preset [6] / ENTER button: <ul style="list-style-type: none">• RADIO: Calls preset channels / Stores channel as preset (press and hold)• USB, iPod®, Bluetooth® audio, and settings: Sets the selected item

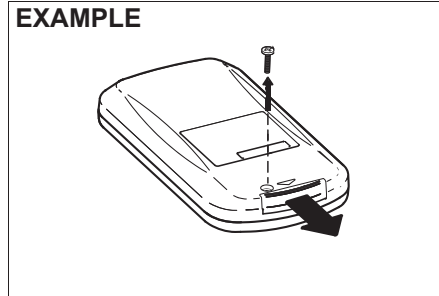
OTHER CONTROLS AND EQUIPMENT

Battery replacement

CAUTION

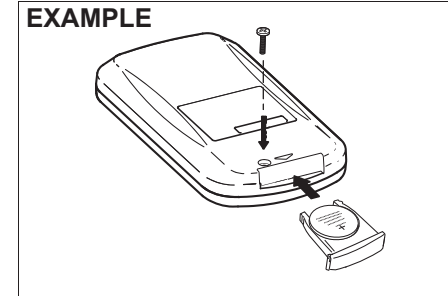
- Store batteries in their original packaging out of reach of children until ready for use. Discard used batteries immediately. Seek medical attention immediately if swallowed.
- Do not place batteries in locations near fire or exposed to direct sunlight. Doing so may result in fire, explosion, or excessive heat.
- Do not place the remote controller on the dashboard or other places that can be exposed to high temperatures.
- Accidentally replacing batteries with lithium-ion batteries may result in explosion. Always replace batteries with the same type.

EXAMPLE



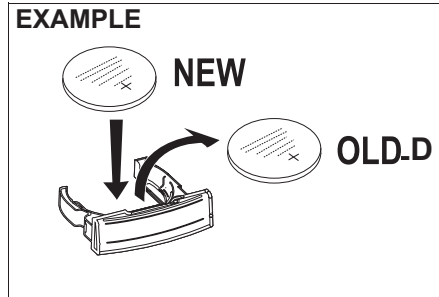
- 1) Use a Phillips screwdriver (sold separately) of the proper size to remove the screw and pull out the battery slot cover in the direction indicated by the arrow.

EXAMPLE



- 3) Press the battery slot cover to the direction indicated by the arrow completely and then fully tighten the screw.

EXAMPLE



- 2) Remove the old battery and place the new battery (CR2025) into the battery slot cover with the + mark facing upwards.

OTHER CONTROLS AND EQUIPMENT

Troubleshooting

When encountered a problem, check and follow the instructions as described below.

If the described suggestions do not solve the problem, it is recommended to take the unit to a Maruti Suzuki authorised workshop.

Problem	Possible cause	Possible solution
---------	----------------	-------------------

Common

Unable to operate	The security function is on.	When "SECURITY" is displayed, enter the ID. When "HELP" is displayed, contact a Maruti Suzuki authorised workshop.
Unable to turn on the power (no sound). (No sound is produced)	Fuse is blown.	Contact a Maruti Suzuki authorised workshop.

Radio

Much noise	It may not be exactly tuned in to the station.	Tune it in exactly to the station.
Unable to receive by auto tuning	There may be no station emitting signals powerful enough.	Pick up a station by manual tuning.

USB

Playback does not start when the USB device is connected.	There is no supported format file to play on this unit.	Check the file format.
	The current consumption of the USB device exceeds 1.0 A.	Use an USB device with a current consumption lower than 1.0 A.
Sound skips or noise produced	Sound skipping may occur when playing VBR (Variable Bit Rate) files.	It is not recommended to play VBR files.

OTHER CONTROLS AND EQUIPMENT

Problem	Possible cause	Possible solution
---------	----------------	-------------------

Bluetooth®

Pairing failed	The distance between this unit and the Bluetooth® ready device is too far, or a metallic object may be located between the Bluetooth® ready device and this unit.	Change the location of the Bluetooth® ready device.
	The Bluetooth® function of the Bluetooth® ready device is off.	Refer to the manual of the Bluetooth® ready device. (Some devices have the power saving function that automatically activates after a certain time.)
Unable to receive a call	Your current location may be out of service area.	Drive your vehicle to the service area of the phone.
The voice quality of hands-free is low (Distortion, noise etc.)	Another wireless device may be located near the unit.	Switch off the wireless device or keep it away from the unit.

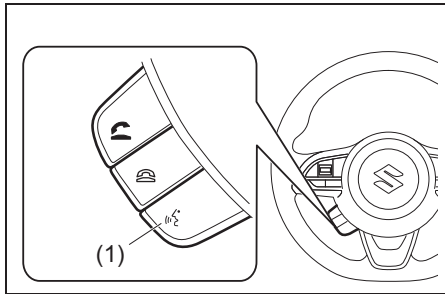
OTHER CONTROLS AND EQUIPMENT

Error Display Messages

The following messages (flashing) will be displayed onto the screen depending on the condition of the audio system.

Message	Description
Reading	When the USB device or iPod® file format is being read, this message will be displayed.
ERROR 1	When the USB device or iPod® reading error occurs, this message will be displayed. Reconnect the USB device or iPod® connection cable. When the Bluetooth® audio playback malfunction occurs, this message will be displayed. Check the Bluetooth® audio body.
ERROR 2	When the USB device or iPod® communication error occurs, this message will be displayed. Reconnect the USB device or iPod® connection cable.
ERROR 3	When the USB device or iPod® issues are detected, this message will be displayed. Remove the USB device or iPod®, and check the USB device or the iPod®.
ERROR 4	If the USB device or iPod® does not operate due to an over current, this message will be displayed. Remove the USB device or iPod®, and check the USB device or the iPod®.
ERROR 5	When the data playback fails with the USB device or iPod® connected, or there are data unable to be transferred, this message will be displayed. Remove the USB device or iPod®, and check the USB device or the iPod®.
ERROR 6	When the USB HUB is connected, this message will be displayed. Disconnect the USB HUB.
UNSUPPORTED	When an unsupported USB device or iPod® is connected, this message will be displayed. Connect the supported USB device or iPod®.
No Music	When an empty USB device or a USB device containing files with the extension unable to be played is connected, this message will be displayed. Connect the USB device containing files with the playable extension.
No Songs	When an iPod® is connected, this message will be displayed.

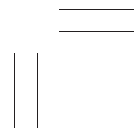
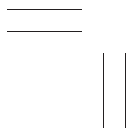
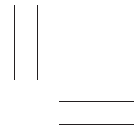
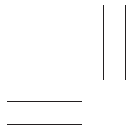
Talk button (if equipped)



55RM05059

(1) Talk button

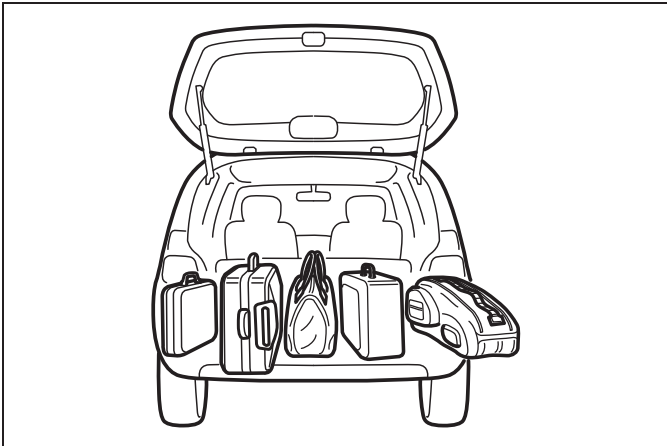
It can be used with a device having a voice recognition function. To use the function, it is necessary to perform a corresponding setting on your device. For operation of the audio system or the navigation system, refer to the supplementary manual provided along with it.



55RH0-74E

VEHICLE LOADING AND TOWING

Vehicle loading 6-1
Trailer towing 6-1



54G215

VEHICLE LOADING AND TOWING

Vehicle loading

Your vehicle was designed for specific weight capacities. The weight capacities of your vehicle are indicated by the Gross Vehicle Weight Rating (GVWR) and the Permissible maximum Axle Weight (PAW, front and rear). The GVWR and PAW (front and rear) are listed in "SPECIFICATIONS" section.

GVWR – Maximum permissible overall weight of the fully loaded vehicle (including all the occupants, accessories and cargo plus the trailer nose weight if towing a trailer).

PAW (front and rear) – Maximum permissible weight on an individual axle.

Actual weight of the loaded vehicle and actual loads at the front and rear axles can only be determined by weighing the vehicle. Compare these weights to the GVWR and PAW (front and rear). If the gross vehicle weight or the load on either axle exceeds these ratings, you must remove enough weight to bring the load down to the rated capacity.

WARNING

Never overload your vehicle. The gross vehicle weight (sum of the weights of the vehicle, all the occupants, accessories, cargo plus trailer nose weight if towing a trailer) must never exceed the Gross Vehicle Weight Rating (GVWR). In addition, never distribute a load so that the weight on either the front or rear axle exceeds the Permissible maximum Axle Weight (PAW).

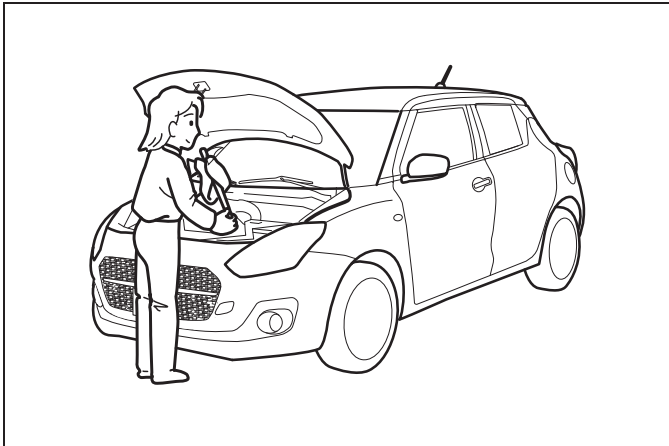
WARNING

Always distribute cargo evenly. To avoid personal injury or damage to your vehicle, always secure cargo to prevent it from shifting if the vehicle moves suddenly. Place heavier objects on the floor and as far forward in the cargo area as possible. Never pile cargo higher than the top of the seat backs.

Trailer towing

Your MARUTI SUZUKI was originally designed to carry people and a normal amount of cargo, not to tow a trailer.

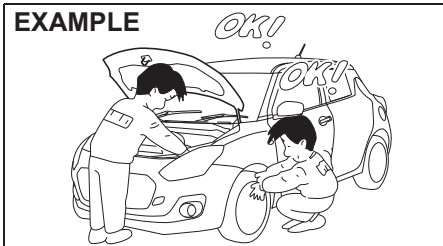
INSPECTION AND MAINTENANCE



55RM07027

- Maintenance schedule 7-2
- Periodic Maintenance Schedule 7-2
- Drive belt 7-6
- Engine oil and filter 7-6
- Engine coolant 7-9
- Air cleaner 7-11
- Spark plugs 7-11
- Gear oil 7-11
- Clutch pedal 7-12
- Brakes 7-13
- Steering 7-15
- Tires 7-15
- Battery 7-18
- Fuses 7-20
- Headlight aiming 7-24
- Bulb replacement 7-24
- Wiper blades 7-30
- Windshield washer fluid 7-33
- Air conditioning system 7-33

INSPECTION AND MAINTENANCE



⚠ WARNING

Take extreme care when working on your vehicle to prevent accidental injury. Carefully observe the following precautions:

- To prevent damage or unintended activation of the air bag system or seat belt pretensioner (if equipped) system, check that the battery is disconnected and the ignition switch has been in "LOCK" position or the ignition mode has been "LOCK" (OFF) for at least 90 seconds before performing any electrical service work on your MARUTI SUZUKI vehicle. Do not touch air bag system components, seat belt pretensioner (if equipped) system components or wires.

The wires are wrapped with yellow tape or yellow tubing, and the couplers are yellow for easy identification.

(Continued)

⚠ WARNING

(Continued)

- Do not leave the engine running in garages or other confined areas.
- When the engine is running, keep hands, clothing, tools, and other objects away from the fan and drive belt. Even though the fan may not be moving, it can automatically turn on without warning.
- When it is necessary to perform service work with the engine running, check that the parking brake is set fully and the transaxle is in Neutral.
- Do not touch ignition wires or other ignition system parts when starting the engine or when the engine is running, or you could receive an electric shock.
- Be careful not to touch a hot engine, exhaust manifold and pipes, muffler, radiator and water hoses.
- Do not allow smoking, sparks, or flames around fuel or the battery. Flammable fumes are present.
- Do not get under your vehicle if it is supported only with the portable jack provided in your vehicle.
- Be careful not to cause accidental short circuits between the positive and negative battery terminals.

(Continued)

⚠ WARNING

(Continued)

- Keep used oil, coolant, and other fluids away from children and pets. Dispose of used fluids properly; never pour them on the ground, into sewers, etc.

Maintenance Schedule

The following table shows the times when you should perform regular maintenance on your vehicle. This table shows in kilometers and months when you should perform inspections, adjustments, lubrication and other services.

⚠ WARNING

MARUTI SUZUKI recommends that maintenance on your Maruti Suzuki vehicle should be performed by authorised Maruti Suzuki workshop.

NOTICE

Whenever it becomes necessary to replace parts on your vehicle, it is recommended that you use MARUTI genuine replacement parts or their equivalent.

Periodic Maintenance Schedule

- “C”: Clean
- “R”: Replace or Change
- “I”: Inspect, clean, adjust, lubricate or replace as necessary
- “L”: Lubricate
- “T”: Tighten to Specified Torque
- “O”: Rotate

NOTE:

This table includes services as scheduled up to 80,000 km mileage. Beyond 80,000 km, carry out the same services at the same intervals respectively.

INSPECTION AND MAINTENANCE

Interval: This interval should be judged by odometer reading or months, whichever comes first.		FREE INSPECTION			PERIODIC MAINTENANCE AT COST							
		km (x1000)	1	5	10	20	30	40	50	60	70	80
		months	1	6	12	24	36	48	60	72	84	96
ENGINE												
1-1.	Water pump drive belt (Wear)	-	-								R	
1-2.	Engine coolant (Level, Leakage)				R		R		R		R	
1-3.	Engine oil, engine oil filter and drain plug gasket (Level, Leakage)			R	R	R	R	R	R	R	R	
1-4.	Cooling system hoses and connections (Leakage and Damage)											
1-5.	Engine mounting and manifold fixing (Loose Damage)	-	-		-		-		-		-	
1-6.	Exhaust system (Noise, Leakage etc.)	-		-		-		-		-		
1-7.	Positive crank case ventilation system (Hoses, Connections and Valve)	-		-		-		-		-		
IGNITION												
2-1.	Ignition wire (Damage, Deterioration)	-	-	-		-		-		-		
2-2.	Spark plug	Petrol	Replace every 100,000 KM or 84 months whichever comes first									
		CNG	Replace every 50,000 KM or 48 months whichever comes first									
FUEL												
3-1.	Air cleaner filter element	Paved-road	Clean every 5,000 KM. Replace after every 40,000 KM.									
		Dusty Condition	Clean every 2,500 KM or as required. Replace after every 40,000 KM.									
3-2.	Fuel tank cap, fuel lines and connections (Leakage and Damage)	-		-	-	-		-	-	-		
3-3.	Fuel filter (Leakage)						R				R	
CLUTCH AND TRANSMISSION												
4-1.	Clutch pedal (Play)											
4-2.	Clutch slipping (Dragging or Excess Damage)											
4-3.	Manual transmission oil / Auto Gear Shift oil (Level, Leakage)											
4-4.	Gear shifter (Operation)											

INSPECTION AND MAINTENANCE

Interval: This interval should be judged by odometer reading or months, whichever comes first.		FREE INSPECTION			PERIODIC MAINTENANCE AT COST							
		km (x1000)	1	5	10	20	30	40	50	60	70	80
		months	1	6	12	24	36	48	60	72	84	96
DRIVE SHAFT												
5-1.	Drive shaft noise											
5-2.	Drive shaft boot (Damage)	-										
BRAKE												
6-1.	Brake fluid (Level, Leakage)											
		Replace every 40,000 KM or 24 months whichever comes first										
6-2.	Brake pedal (Pedal - carpet clearance)											
6-3.	Parking brake lever and cable (Play, Damage)											
6-4.	Brake disc and pad (Wear)	-										
6-5.	Brake drum and shoes (Wear)	-	-									
6-6.	Master cylinder, wheel cylinder, caliper piston (Fluid leakage, Boot/Seal damage)											
6-7.	Brake hoses and pipes (Fluid leakage, Damage)											
WHEEL												
7-1.	Tyres (Air pressure, Abnormal wear, Crack and Rotation)		I&O	I&O	I&O	I&O	I&O	I&O	I&O	I&O	I&O	
7-2.	Wheels (Damage)											
7-3.	Front/Rear wheel bearing (Loose, Damage)											
FRONT / REAR SUSPENSION												
8-1.	Suspension strut (Oil leakage, Damage)											
8-2.	Suspension arms / Knuckle support and Torsion rods (Loose, Damage)	-										
8-3.	Rear spring (Damage)											
8-4.	Shock absorbers (Oil leakage, Damage)											
8-5.	All bolts and nuts (Loose)	-	T	T	T	T	T	T	T	T	T	

INSPECTION AND MAINTENANCE

Interval: This interval should be judged by odometer reading or months, whichever comes first.		FREE INSPECTION			PERIODIC MAINTENANCE AT COST							
		km (x1000)	1	5	10	20	30	40	50	60	70	80
		months	1	6	12	24	36	48	60	72	84	96
STEERING												
9-1.	Steering wheel (Play, Loose)											
9-2.	All rods and arms (Loose, Damage, Wear)											
9-3.	Tilt steering (Operation)											
ELECTRICAL												
10-1.	Battery - Electrolyte (Level, Leakage) and voltage											
10-2.	Wiring harness connection (Loose, Damage)	-										
10-3.	Lighting system (Operation, Stains, Damage)											
10-4.	Wiper (Operation)											
10-5.	Horn (Operation)											
10-6.	AUX, USB (if equipped) and accessory socket (Operation)	-										
BODY												
11-1.	All chassis bolts and nuts (Tighten)	-	T	T	T	T	T	T	T	T	T	
11-2.	All latches, hinges and locks (Function)		I&L	I&L	I&L	I&L	I&L	I&L	I&L	I&L	I&L	
ROAD TEST												
12-1.	Operation of Brakes, gear shifting and speedometer											
12-2.	Body and chassis noise											
AIR CONDITIONER												
13-1.	Check belt tension											
13-2.	Tighten compressor mounting bolt	-	T	T	T	T	T	T	T	T	T	
13-3.	All hose joint (Check, Tighten)											
13-4.	Check functioning of recirculating flap											
13-5.	Clean condenser with low pressure water	-	C	C	C	C	C	C	C	C	C	
13-6.	Check belt for frayed edges											
13-7.	Check all mounting bolts											
13-8.	Air conditioner filter element (if equipped)					R			R			

7-5

55RH0-74E

Drive belt

⚠ WARNING
When the engine is running, keep hands, hair, clothing, tools, etc. away from the moving fan and drive belts.

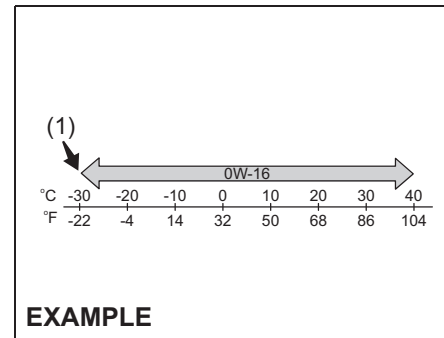
The drive belts tension is adjusted automatically. If the belt is too loose, insufficient battery charging, engine overheating, poor air conditioning, or excessive belt wear can result.

The belt should also be examined to ensure that they are not damaged.

If you need to replace or adjust the belt, have it done by an authorised Maruti Suzuki workshop.

Engine oil and filter

Specified oil



56RM07013

(1) Recommended

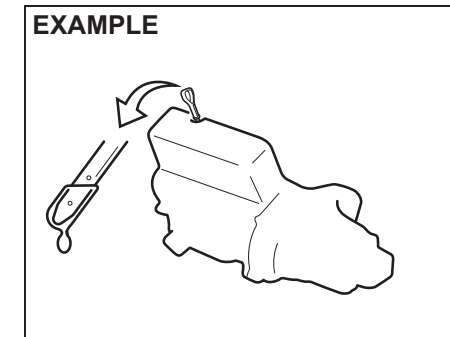
Check that the engine oil you use comes under the quality classification of API SN. Select the appropriate oil viscosity according to the above chart

SAE 0W-16 (1) is the best choice for good fuel economy and good startability in cold weather.

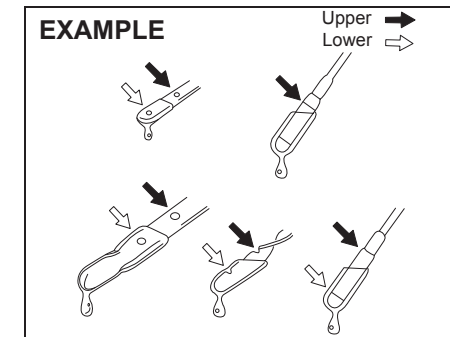
NOTE:

We recommend that you use MARUTI genuine oil. To purchase it, visit an authorised Maruti Suzuki workshop.

Oil level check



55RH07002



55RH07003

It is important to keep the engine oil at the correct level for proper lubrication of your vehicle's engine. Check the oil level with the vehicle on a level surface. The oil level

INSPECTION AND MAINTENANCE

indication may be inaccurate if the vehicle is on a slope. The oil level should be checked either before starting the engine or at least 5 minutes after stopping the engine.

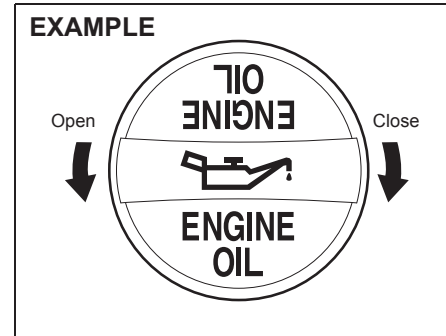
The handle of the engine oil dipstick is colored with yellow for easy identification.

Pull out the oil dipstick, wipe the oil off with a clean cloth, insert the dipstick all the way into the engine, and then remove it again. The oil on the stick should be between the upper and lower limits shown on the stick. If the oil level indication is near the lower limit, add enough oil to raise the level to the upper limit.

NOTICE

Failure to check the oil level regularly could lead to serious engine trouble due to insufficient oil.

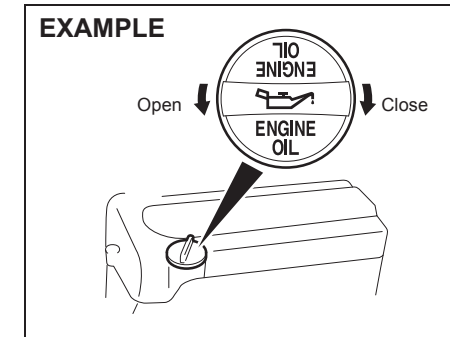
Refilling



Remove the oil filler cap and pour oil slowly through the filler hole to bring the oil level to the upper limit on the dipstick. Be careful not to overfill the oil. Too much oil is almost as bad as too little oil. After refilling, start the engine and allow it to idle for about a minute. Stop the engine, wait about 5 minutes and check the oil level again.

Changing engine oil and filter

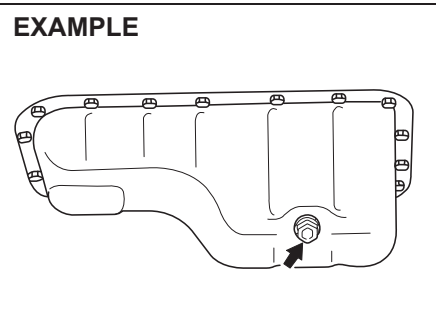
Drain the engine oil while the engine is still warm.



- 1) Remove the oil filler cap.
- 2) Place a drain pan under the drain plug.
- 3) Using a wrench, remove the drain plug and drain the engine oil.

CAUTION

The engine oil temperature may be high enough to burn your fingers when the drain plug is loosened. Wait until the drain plug is cool enough to touch with your bare hands.



Tightening torque for drain plug:
35 Nm (3.6 kg-m, 25.8 lb-ft)

⚠ WARNING

Engine oil can be hazardous. Children and pets may be harmed by swallowing new or used oil. Keep new and used oil and used oil filters away from children and pets. Repeated, prolonged contact with used engine oil may cause skin cancer. Brief contact with used oil may irritate skin.

(Continued)

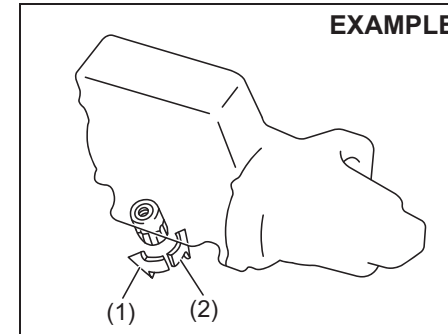
⚠ WARNING

(Continued)
 To minimize your exposure to used oil, wear a long-sleeve shirt and moisture-proof gloves (such as dish-washing gloves) when changing oil. If oil contacts your skin, wash thoroughly with soap and water. Launder any clothing or rags if it is with oil.
Recycle or properly dispose of used oil and oil filters.

- 4) Reinstall the drain plug with new gasket. Tighten the plug with a wrench to the specified torque.

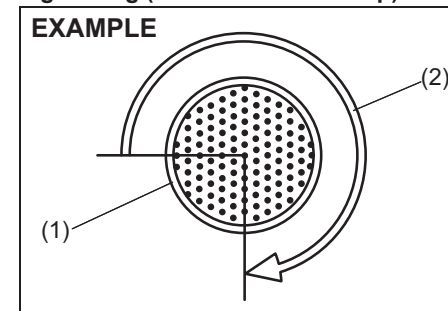
Oil filter replacement

- 1) Using an oil filter wrench, turn the oil filter counterclockwise and remove it.
- 2) Using a clean rag, wipe off the mounting surface on the engine where the new filter will be seated.
- 3) Smear a small amount of engine oil around the rubber gasket of the new oil filter.
- 4) Screw the new filter by hand until the filter gasket contacts the mounting surface.



- (1) Loosen
- (2) Tighten

Tightening (viewed from filter top)



- (1) Oil filter
- (2) 3/4 turn

INSPECTION AND MAINTENANCE

NOTICE

To tighten the oil filter properly, it is important to accurately identify the position at which the filter gasket first contacts the mounting surface.

- 5) Tighten the filter as specified below from the point of contact with the mounting surface (or to the specified torque) using an oil filter wrench.

Tightening torque for oil filter
3/4 turn or
14 Nm (1.4 kg-m, 10.3 lb-ft)

NOTICE

To prevent oil leakage, check that the oil filter is tight, but do not over-tighten it.

Refill with oil and oil leakage check

- 1) Pour oil through the filler hole and install the filler cap.
For the approximate capacity of the oil, refer to "Recommended fuel / lubricants and capacities (approx.)" in "SPECIFICATIONS" section.
- 2) Start the engine and carefully check the oil filter and the drain plug for leakage. Run the engine at various speeds for at least 5 minutes.
- 3) Stop the engine and wait about 5 minutes. Check the oil level again and add

oil if necessary. Check for leakage again.

NOTICE

- When replacing the oil filter, it is recommended that you use a MARUTI Suzuki genuine replacement filter. If you use an aftermarket filter, check that it is of equivalent quality and follow the manufacturer's instructions.
- Oil leakage from the periphery of the oil filter or drain plug indicate incorrect installation or gasket damage. If you find any leakage or are not sure that the filter has been properly tightened, have the vehicle inspected by an authorised Maruti Suzuki workshop.

Engine coolant

Selection of coolant

To maintain optimum performance and durability of your engine, use MARUTI Suzuki genuine coolant or equivalent.

This type of coolant is the best for cooling system for the following reasons:

- The coolant helps maintain proper engine temperature.
- It gives proper protection against freezing and boiling.
- It gives proper protection against corrosion and rust.

Failure to use the proper coolant can damage your cooling system. An authorised Maruti Suzuki workshop can help you select the proper coolant.

NOTICE

To avoid damaging your cooling system:

- Always use a high quality ethylene glycol base non-silicate type coolant diluted with distilled water at the correct mixture concentration.
- Make sure that the proper mix is 30/70 and in no case higher than 70/30. Concentrations greater than 70/30 coolant to distilled water will cause overheating conditions.
- Do not use straight coolant nor plain water.
- Do not add extra inhibitors or additives. They may not be compatible with your cooling system.
- Do not mix different types of base coolants. Doing so may result in accelerated seal wear and/or the possibility of severe overheating and extensive engine damage.

Coolant level check

Check the coolant level at the reservoir tank, not at the radiator. With the engine cool, the coolant level should be between "FULL" and "LOW" marks.

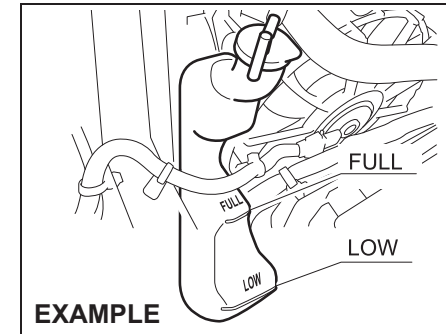
Adding coolant**⚠ WARNING**

Swallowing engine coolant can cause severe injury or death. Inhaling coolant mist or vapors or getting coolant in your eyes could result in severe injury.

- Do not drink antifreeze or coolant solution. If swallowed, do not induce vomiting. Immediately contact a poison control center or a physician.
- Avoid inhaling coolant mist or hot vapors. If inhaled, remove to a fresh air area.
- If coolant gets in the eyes, flush with water and seek medical attention.
- Wash thoroughly after handling coolant.
- Keep engine coolant out of the reach of children and pets.

NOTICE

- The mixture you use should contain 50% concentration of antifreeze.
- If the lowest ambient temperature in your area is expected to be -35°C (-31°F) or below, use higher concentrations up to 60% following the instructions on the antifreeze container.



68PM00704

If the coolant level is below "LOW" mark, more coolant should be added. While the engine is cool, remove the reservoir tank cap and add coolant until the reservoir tank level reaches "FULL" mark. Never fill the reservoir tank above "FULL" mark.

NOTICE

When putting the cap on the reservoir tank, line up the mark on the cap and the mark on the tank. Failure to follow this can result in coolant leakage.

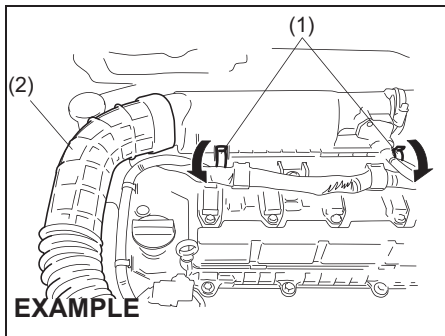
Coolant replacement

Since special procedures are required, ask your authorised Maruti Suzuki workshop for this job.

INSPECTION AND MAINTENANCE

Air cleaner

If the air cleaner is clogged with dust, there will be greater intake resistance, resulting in decreased power output and increased fuel consumption.



- 1) Unclamp the side clamps (1) and remove the duct (2) from the air cleaner case. Remove the element from the air cleaner case. If the element appears to be dirty, clean the element or replace it with a new one as per periodic maintenance schedule.
- 2) Clamp the side clamps (1) securely and attach the duct (2) to the air cleaner case.

Spark plugs

Replacement and inspection of spark plugs

Since special procedures, materials and tools are required, it is recommended that you trust this job to your Maruti Suzuki authorised workshop.

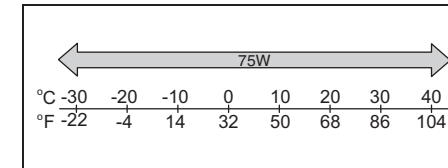
Gear oil

Manual transmission oil / Auto Gear Shift oil

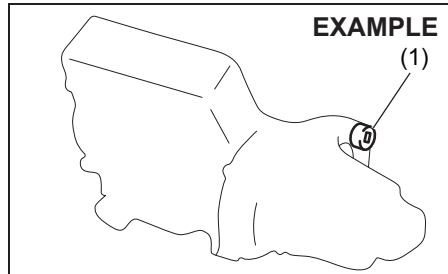
When adding gear oil, use gear oil with the appropriate viscosity and grade as shown in the chart below.

We highly recommend you use "MARUTI GENUINE GEAR OIL 75W" for manual transmission oil / auto gear shift oil.

Manual transmission oil / Auto Gear Shift oil



Gear oil level check



68KH073

(1) Oil filler and level plug

To check the gear oil level, use the following procedure:

- 1) Park the vehicle on a level surface with the parking brake applied. Then, stop the engine.
- 2) Remove the oil filler and level plug.
- 3) If gear oil flows from the plug hole, the oil level is correct. Reinstall the plug. If gear oil does not flow from the plug hole, add oil through the filler plug hole until oil flows a little from the plug hole.

Tightening torque for oil filler and level plug

Manual transmission (1)
 21 Nm (2.1 kg-m, 15.5 lb-ft)
Auto Gear Shift (1)
 21 Nm (2.1 kg-m, 15.5 lb-ft)

CAUTION

After driving the vehicle, the gear oil temperature may be high enough to burn you. Wait until the oil filler and level plug are cool enough to touch with your bare hands before inspecting gear oil level.

NOTICE

When tightening the plug, apply the following sealing compound or equivalent to the plug threads to prevent oil leakage.

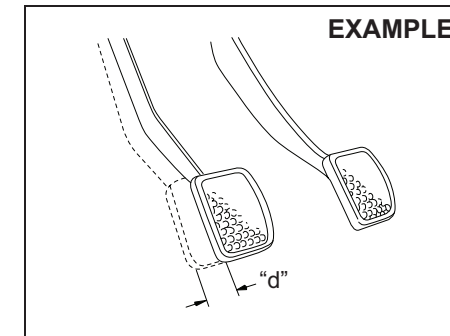
MARUTI SUZUKI Bond No. "1217G"

Gear oil change

Since special procedures, materials and tools are required, ask an authorised Maruti Suzuki workshop for this job.

Clutch pedal

Cable control clutch (if equipped)



54G274

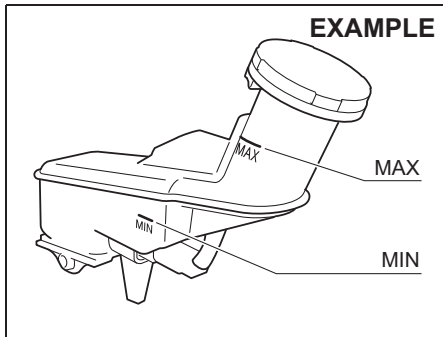
Clutch pedal play "d":
 10 - 15 mm (0.4 - 0.6 in.)

Measure the clutch pedal play by moving the clutch pedal with your hand and measuring the distance it moves until you feel slight resistance. The play in the clutch pedal should be between the specified values. If the play is more or less than the above, or clutch dragging is felt with the pedal fully depressed, have the clutch inspected by an authorised Maruti Suzuki workshop.

INSPECTION AND MAINTENANCE

Brakes

Brake fluid



55RM07003

Check the brake fluid level by looking at the reservoir in the engine compartment. Check that the fluid level is between “MAX” and “MIN” lines with Maruti Genuine Brake Fluid (MGBF) or DOT 3.

We highly recommend to use “Maruti Genuine Brake Fluid” (MGBF).

NOTICE

If your brake fluid level is near the “MIN” line, there is a possibility of brake pad and/or shoe wear and brake fluid leakage. Consult with your authorised Maruti Suzuki workshop regarding this possibility before filling the reservoir.

⚠ WARNING

Failure to follow the guidelines below can result in personal injury or serious damage to the brake system.

- If the brake fluid in the reservoir drops below a certain level, the brake warning light on the instrument cluster will come on (the engine must be running with the parking brake fully disengaged). Should the light come on, immediately ask an authorised Maruti Suzuki workshop to inspect the brake system.
- A rapid fluid loss indicates leakage in the brake system which should be inspected by an authorised Maruti Suzuki workshop immediately.
- Do not use any fluid other than Maruti Genuine Brake Fluid (MGBF) or DOT 3. Do not use reclaimed fluid or fluid that has been stored in old or open containers. It is essential that foreign particles and other liquids are kept out of the brake fluid reservoir.

⚠ CAUTION

Brake fluid can harm your eyes and damage painted surfaces. Be careful when refilling the reservoir.

⚠ WARNING

Brake fluid is harmful or fatal if swallowed, and harmful if it comes in contact with skin or eyes. If swallowed, do not induce vomiting. Immediately contact a poison control center or a physician. If brake fluid gets in eyes, flush eyes with water and seek medical attention. Wash thoroughly after handling. Solution can be poisonous to animals. Keep out of reach of children and animals.

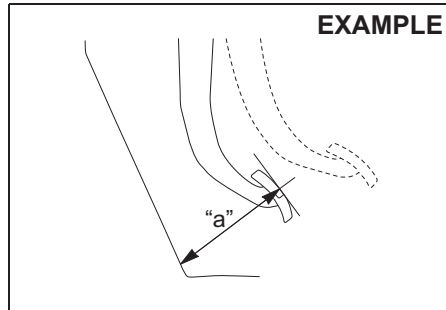
NOTE:

- The fluid level can be expected to gradually fall as the brake pads and/or shoe wear.
- Brake fluid absorbs water over time and brake fluid with high water content may cause vapor lock or brake system malfunction. Replace your brake fluid in accordance with the maintenance schedule in your Owner's Manual.

Brake pedal

Check brake pedal stroke. If the stroke is so large, have the brake system inspected by an authorised Maruti Suzuki workshop. If you doubt the brake pedal is at its normal height, check it as follows:

INSPECTION AND MAINTENANCE



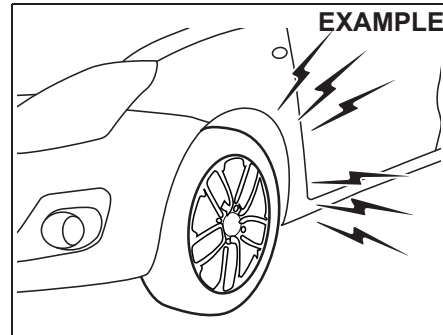
Minimum distance between brake pedal and floor carpet "a": 53 mm (2.1 in.)

With the engine running, measure the distance between the brake pedal and floor carpet when the pedal is depressed with approximately 30 kg (66 lbs) of force. The minimum distance required is as specified. Since your vehicle's brake system is self-adjusting, there is no need for pedal adjustment.

If the pedal to floor carpet distance as measured above is less than the minimum distance required, have your vehicle inspected by an authorised Maruti Suzuki workshop.

NOTE:

When measuring the distance between the brake pedal and floor wall, be sure not to include the floor mat or rubber on the floor wall in your measurement.

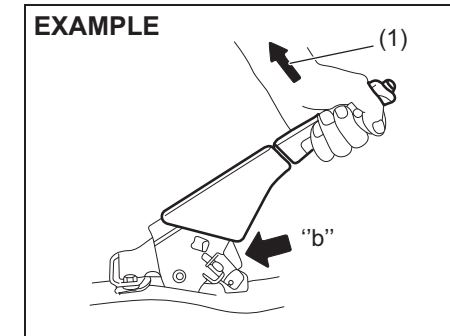


⚠ WARNING

If you experience any of the following problems with your vehicle's brake system, have the vehicle inspected immediately by an authorised Maruti Suzuki workshop.

- Poor braking performance
- Uneven braking (brakes not working uniformly on all wheels.)
- Excessive pedal travel
- Brake dragging
- Excessive noise

Parking brake

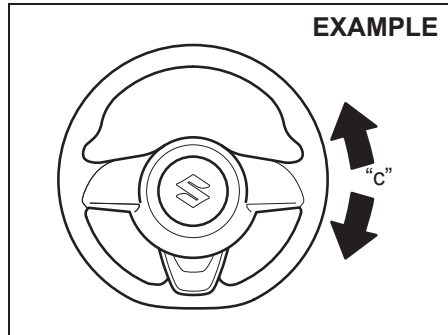


Ratchet tooth specification "b":
4th – 9th
Lever pull force (1):
200 N (20 kg, 45 lbs)

Check the parking brake for proper adjustment by counting the number of clicks made by the ratchet teeth as you slowly pull up on the parking brake lever to the point of full engagement. The parking brake lever should stop between the specified ratchet teeth and the rear wheels should be securely locked. If the parking brake is not properly adjusted or the brakes drag is suspected after the lever has been fully released, have the parking brake inspected and/or adjusted by an authorised Maruti Suzuki workshop.

INSPECTION AND MAINTENANCE

Steering



52RM70030

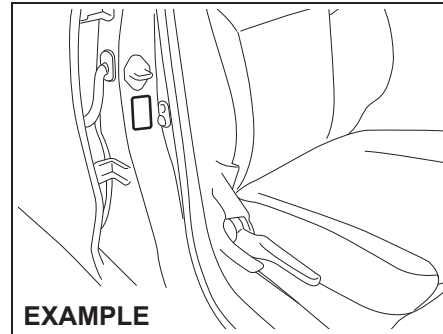
Steering wheel play "c":
0 – 30 mm (0.0 – 1.2 in.)

Check the play of the steering wheel by gently turning it from left to right and right to left, with wheels in straight ahead position and engine in OFF condition. Measure the distance that the steering moves before you feel slight resistance. The play should be between the specified values.

Check that the steering wheel turns easily and smoothly without rattling by turning it all the way to the right and to the left while driving very slowly in an open area. If the amount of free play is not as specified or you find anything else to be wrong, an inspection must be performed by an authorised Maruti Suzuki workshop.

7-15

Tires



55RM07004

The front and rear tire pressure specifications are listed in the tire information label. Both front and rear tires should have the specified tire pressure.

Tire inspection

Inspect your vehicle's tires at least once a month or before long trip by performing the following checks:

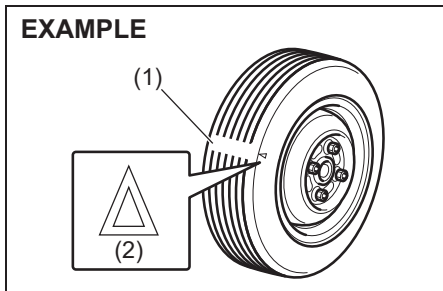
- 1) Measure the air pressure with a tire gauge. Adjust the pressure if necessary. Remember to check the spare tire, too.

⚠ WARNING

- Air pressures should be checked when the tires are cold or you may get inaccurate readings.
- Check the inflation pressure from time to time while inflating the tire gradually, until the specified pressure is obtained.
- Never under-inflate or over-inflate the tires.

Under-inflation can cause unusual handling characteristics or can cause the rim to slip on the tire bead, resulting in an accident or damage to the tire or rim.

Over-inflation can cause the tire to burst, resulting in personal injury. Over-inflation can also cause unusual handling characteristics which may result in an accident.



52KM110

- (1) Tread wear indicator
(2) Indicator location mark

- 2) Check that the depth of the tread groove is more than 1.6 mm (0.06 in.). To help you check this, the tires have molded-in tread wear indicators in the grooves. When the indicators appear on the tread surface, the remaining depth of the tread is 1.6 mm (0.06 in.) or less and the tire should be replaced.
- 3) Check for abnormal wear, cracks and damage. Any tires with cracks or other damage should be replaced. If any tires show abnormal wear, have them inspected by an authorised Maruti Suzuki workshop.

▲ CAUTION

Hitting curbs and running over rocks can damage tires and affect wheel alignment. Have tires and wheel alignment checked periodically by an authorised Maruti Suzuki workshop.

- 4) Check for loose wheel nuts.
5) Check that there are no nails, stones or other objects sticking into the tires.

▲ WARNING

- Your MARUTI SUZUKI vehicle is equipped with tires which are all the same type and size (Except spare tire, which may be dependent on vehicle variant). This is important to ensure proper steering and handling of the vehicle. Never mix tires of different size or type on the four wheels of your vehicle. The size and type of tires used should be only those approved by MARUTI SUZUKI as standard or optional equipment for your vehicle.
- Replacing the wheels and tires equipped on your vehicle with certain combinations of after market wheels and tires can significantly change the steering and handling characteristics of your vehicle.
- Therefore, use only those wheel and tire combinations approved by MARUTI SUZUKI as standard or optional equipment for your vehicle.

INSPECTION AND MAINTENANCE

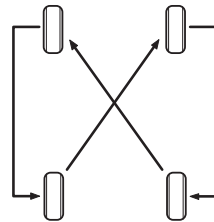
NOTICE

Replacing the original tires with tires of a different size may result in false speedometer or odometer readings. Check with an authorised Maruti Suzuki workshop before purchasing replacement tires that differ in size from the original tires.

Tire rotation

4-tire rotation (Vehicle with 185/65R15 88T tire)

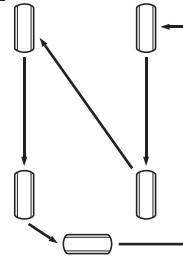
EXAMPLE



54G114

5-tire rotation (Vehicle with 165/80R14 85T tire)

EXAMPLE



68PH00755

To avoid uneven wear of tires and to prolong their life, rotate the tires as illustrated. Tires should be rotated every 10000 km. After rotation, adjust front and rear tire pressures to the specification listed in your vehicle's tire information label.

Wheel Balancing

If the vehicle vibrates abnormally on smooth road, have the wheel balanced at Authorised Maruti Suzuki workshop.

Wheel Alignment

In case of abnormal tire wear or pulling towards one side, have the wheel aligned at Authorised Maruti Suzuki workshop.

Tubeless Tires

The vehicle is equipped with Tubeless Tires. In tubeless tire, a thin layer of butyl rubber is used for lining the inside of the

tubeless tire. This layer is to prevent air loss and fulfilling the purpose of tube. The air pressure is maintained by the sealing between tire bead and wheel rim. Tubeless tires are having advantage of slow air loss and preventing sudden deflation while driving.

Care and maintenance tips for tubeless tires

- 1) Always maintain recommended inflation pressure. Driving continuously at low inflation pressure can lead to tire damage.
- 2) In case any leakage is found, check for any nail penetration/valve core damage or rim bent. Damaged wheel must not be used.
- 3) In case tire has run at low pressure, it must be inspected for any defect.
- 4) Whenever new tire is fitted, replace the valve.
- 5) If continuous high speed driving is required, increase tires pressure by 5 psi over recommended inflation pressure.
- 6) Never run the tire beyond TWI (Tread wear indicator). The tire is recommended to be replaced when the remaining tread has worn to this point. The indicators are spaced across the tread around the tire marked by a triangular symbol (TWI).
- 7) Always prefer tubeless tire mounting machine. In case of manual mounting-tire/wheel rim damage may occur.

- 8) In case of any problem, please get in touch with authorised Maruti Suzuki workshop.

Temporary spare tire (if equipped)

Your vehicle comes equipped with the temporary spare tire. It is only intended for temporary emergency use, until the conventional tire can be repaired or replaced. The inflation pressure of the temporary spare tire should be checked at least monthly. At the same time, check that the tire is stored securely. If it is not, tighten it.

Note that two or more temporary spare tires should not be used on one vehicle simultaneously.

! WARNING

The temporary spare tire and wheel are intended for temporary emergency use only. Continuous use of this spare can result in tire failure and loss of control. Always observe these precautions when using this spare:

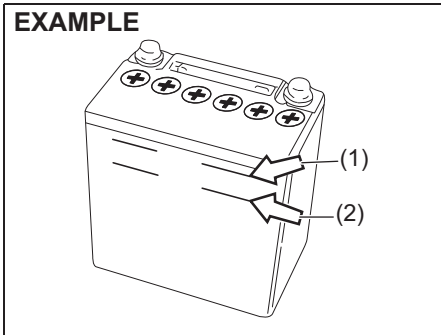
- Your vehicle will handle differently with this temporary spare.
- Do not exceed 80 km/h speed (only vehicle with 185/65R15 88T, 185/65R15 88H tire).
- Replace this spare with a standard tire and wheel as soon as possible.
- Use of this spare may reduce ground clearance.
- Set the specified tire pressure indicated on the tire information label located on the driver's door lock pillar.
- Do not use tire chains on the temporary spare. If you must use tire chains, rearrange the wheels so standard tires and wheels are fitted to the front axle.
- The temporary spare tire has a much shorter tread life than the conventional tires on your vehicle. Replace the tire as soon as the tread wear indicator appears.
- When replacing the temporary spare tire, use a replacement tire with the exact same size and construction.

Battery

! WARNING

- Batteries produce flammable hydrogen gas. Keep flames and sparks away from the battery or an explosion may occur. Never smoke when working near the battery.
- When checking or servicing the battery, disconnect the negative cable. Be careful not to cause a short circuit by allowing metal objects to contact the battery posts and the vehicle at the same time.
- To avoid harm to yourself or damage to your vehicle or battery, follow the jump-starting instructions in "EMERGENCY SERVICE" section if it is necessary to jump-start your vehicle.
- Diluted sulfuric acid spilled from battery can cause blindness or severe burns. Use proper eye protection and gloves. Flush eyes or body with ample water and get medical care immediately if suffered. Keep batteries out of reach of children.

INSPECTION AND MAINTENANCE



56RM07007

For maintenance-free battery (cap-less type), you need not add water. For traditional type battery, which has water filler caps, the level of the battery solution must be kept between the upper level (1) and the lower level lines (2) at all times. You should periodically check the battery, battery terminals, and battery hold-down bracket for corrosion. Remove corrosion using a stiff brush and ammonia mixed with water, or baking soda mixed with water. After removing corrosion, rinse with clean water.

If your vehicle is not going to be driven for a month or longer, disconnect the cable from the negative terminal of the battery to help prevent discharge.

⚠ WARNING

If the battery is used with battery level being less than the lower level line (2), it may cause reduced battery life, an exothermic heat, or an explosion by hydrogen gas occurring from the battery. Do not use the battery with battery level being less than the lower level line (2).

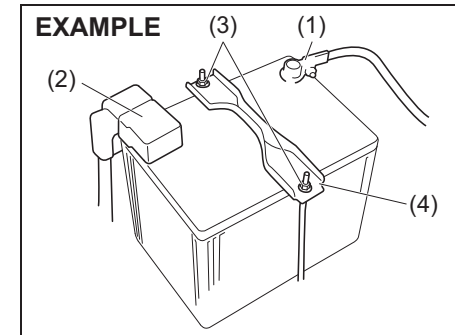
NOTICE

If the battery liquid is added more than the upper level line (1), liquid may leak by vibrations during driving or liquid may spray out in some case depending on the condition of battery charging. These may cause damage to the parts near the battery. If the battery liquid overflows, immediately wash away with water. Do not add the battery liquid more than the upper level line (1).

NOTE:

The battery liquid is consumed when the battery is used. If the level is found to be less than the center of upper level (1) and lower level (2), add distilled water till it reaches the upper level line (1).

Replacement of the battery



68PM00711

To remove the battery:

- 1) Disconnect the negative cable (1).
- 2) Disconnect the positive cable (2).
- 3) Remove the retainer nuts (3) and remove the retainer (4).

To install the battery:

- 1) Install the battery in the reverse order of removal.
- 2) Tighten the bracket bolt and battery cables securely.

NOTE:

- When the battery is disconnected, some of the vehicle's functions will be initialized and/or deactivated. These functions must be required to reset after the battery is reconnected.

INSPECTION AND MAINTENANCE

- Do not disconnect the battery terminals for at least one minute after the ignition switch is turned off, or the engine switch is pressed to change the ignition mode to "LOCK" (OFF).

⚠ WARNING

Batteries contain toxic substances including sulfuric acid and lead. They could have potential negative consequences for the environment and human health. Used batteries must be disposed of or recycled according to applicable rules or regulations and must not be disposed of with ordinary household trash. Make sure not to tip over the battery when you remove it from the vehicle. Otherwise, sulfuric acid could run out and you might get injury.

NOTICE

After stopping the engine, controller and system are operated for a while. Therefore, before removing the battery, wait for more than one minute after turning the ignition switch to "OFF" or changing the ignition mode to "LOCK" (OFF).

Fuses

Your vehicle has three types of fuses, as described below:

Main fuse

The main fuse takes current directly from the lead-acid battery.

Primary fuses

These fuses are between the main fuse and individual fuses, and are for electrical load groups.

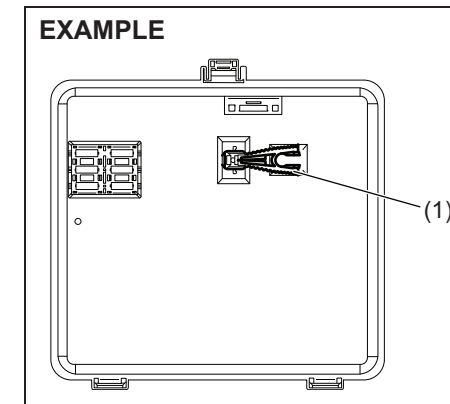
Individual fuses

These fuses are for individual electrical circuits.

NOTE:

- "Blank" indicates that fuse is not applicable, even though name of fuse might be available on cover.
- Some fuse may not be applicable to your vehicle according to the variant of vehicle.

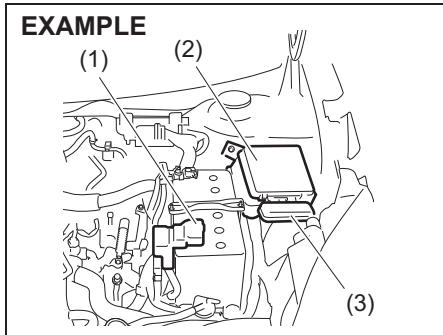
To remove a fuse, use the fuse puller provided in the fuse box cover.



56RM07005

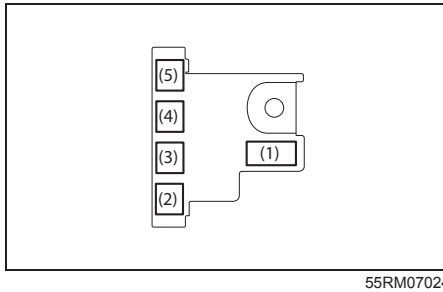
INSPECTION AND MAINTENANCE

Fuses in engine compartment

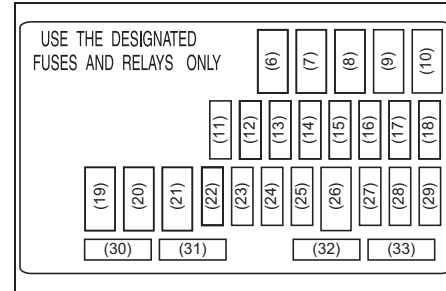


- (1) Main fuse box
- (2) Relay box
- (3) Sub relay box

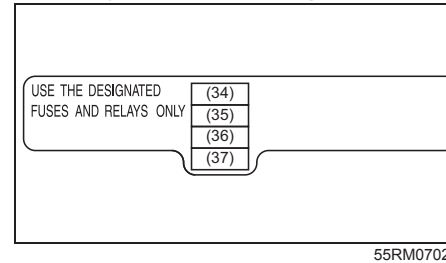
Main fuse box



Relay box



Sub relay box (LED headlight model)



MAIN FUSE / PRIMARY FUSE

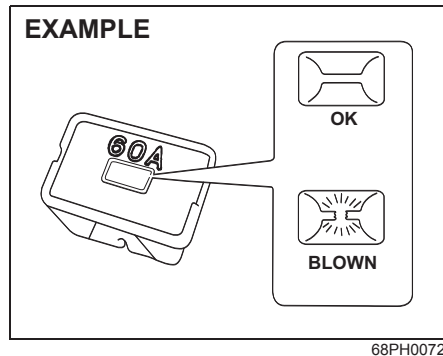
(1)	120 A	FL1
(2)	100 A	FL2
(3)	80 A	FL3
(4)	100 A	FL4

(5)	50 A	FL5
(6)	30 A	Starting motor
(7)	30 A	Blower fan
(8)	40 A	Battery
(9)	40 A	ABS motor
(10)	40 A	Ignition switch
(11)	30 A	B/U (Backup)
(12)	–	Blank
(13)	–	Blank
(14)	–	Blank
(15)	25 A	ABS/ESP® control module
(16)	15 A	Headlight (Left)
(17)	15 A	Headlight (Right)
(18)	30 A	DCDC2
(19)	30 A	Radiator fan
(20)	40 A	T/M PUMP
(21)	60 A	Power steering
(22)	–	Blank
(23)	–	Blank
(24)	20 A	Front fog light
(25)	10 A	Air compressor

INSPECTION AND MAINTENANCE

(26)	50 A	Ignition switch 2
(27)	15 A	Transmission
(28)	15 A	FI
(29)	15 A	Transmission2 (AGS)
(30)	–	Blank
(31)	–	Blank
(32)	5 A	Starting Signal
(33)	–	Blank
(34)	–	Blank
(35)	25 A	Headlight HI
(36)	15 A	Headlight HI (Right)
(37)	15 A	Headlight HI (Left)

The main fuse, primary fuses and some of the individual fuses are located in the engine compartment. If the main fuse blows, no electrical component will function. If a primary fuse blows, no electrical component in the corresponding load group will function. When replacing the main fuse, a primary fuse or an individual fuse, use a MARUTI genuine replacement. To remove a fuse, use the fuse puller provided in the fuse box cover. The amperage of each fuse is shown in the back of the fuse box cover.

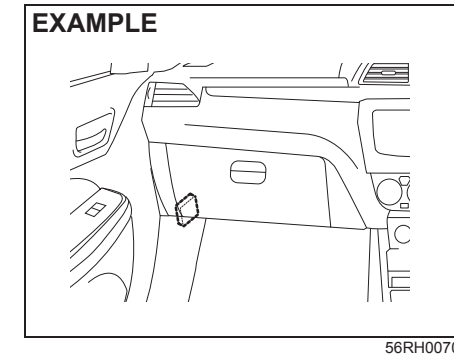


⚠ WARNING

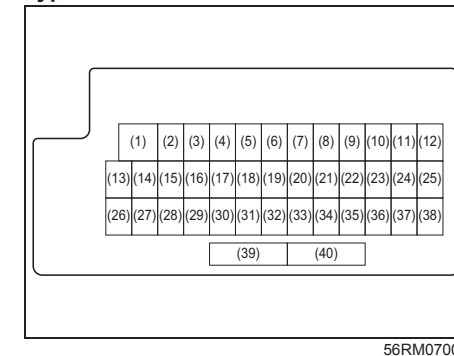
If the main fuse or a primary fuse blows, have your vehicle inspected by an authorised Maruti Suzuki workshop. Always use a MARUTI genuine replacement. Never use a substitute such as a wire even for a temporary repair, or extensive electrical damage and a fire can result.

NOTE:
Check that the fuse box always carries spare fuses.

Fuses under dashboard



Type A



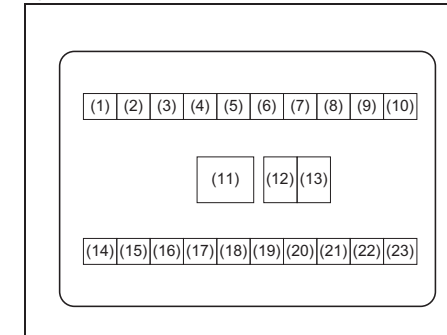
INSPECTION AND MAINTENANCE

PRIMARY FUSE		
(1)	30 A	Power window
(2)	10 A	Meter
(3)	15A	Ignition coil
(4)	5A	Ignition-1 signal 2
(5)	20 A	Shift lever*
(6)	20A	S/R*
(7)	–	Blank
(8)	20 A	Door
(9)	15 A	Steering lock
(10)	10 A	Hazard
(11)	5A	A-STOP controller*
(12)	10A	RR fog lamp*
(13)	5 A	ABS/ESP® control module
(14)	15A	Seat heater*
(15)	5A	Ignition-1 signal 3*
(16)	10 A	Dome light-2
(17)	5 A	Dome light
(18)	15 A	Radio
(19)	5 A	CONT
(20)	5 A	Key 2

(21)	20 A	P/W T (power window timer)
(22)	5 A	Key
(23)	15 A	Horn
(24)	5 A	Tail light (Left)
(25)	10 A	Tail light
(26)	10 A	Air bag
(27)	10 A	Ignition-1 signal
(28)	10 A	Buck up light
(29)	5 A	ACC-3
(30)	20 A	Rear defogger
(31)	10 A	Heated mirror*
(32)	15 A	ACC-2
(33)	5 A	ACC
(34)	10 A	Wiper
(35)	5 A	Ignition-2 signal
(36)	15 A	Washer
(37)	25 A	Front wiper
(38)	10 A	Stop light
(39)	–	Blank
(40)	25 A	Rear defogger2

*Feature not available in the vehicle

Type B



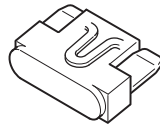
56RM07009

PRIMARY FUSE		
(1)	10 A	Back-up light
(2)	15 A	Ignition
(3)	10 A	Meter
(4)	5 A	Gateway controller
(5)	5 A	Ignition-2 signal
(6)	15 A	Washer
(7)	25 A	Front wiper
(8)	10 A	Tail light
(9)	10 A	Hazard
(10)	10 A	Stop light
(11)	-	Blank

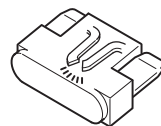
INSPECTION AND MAINTENANCE

(12)	15 A	ACC-2
(13)	5 A	ACC
(14)	5 A	Starting signal
(15)	10 A	Ignition signal
(16)	10 A	Air bag
(17)	5 A	ABS control module
(18)	15 A	Horn
(19)	20 A	Door lock (if equipped)
(20)	5 A	ACC3
(21)	15 A	Radio
(22)	5 A	Dome light
(23)	10 A	Dome light-2

EXAMPLE



OK



BLOWN

81A283

⚠ WARNING

Always replace a blown fuse with a fuse of the correct amperage. Never use a substitute such as aluminum foil or wire to replace a blown fuse. If you replace a fuse and the new one blows in a short period of time, you may have a major electrical problem. Have your vehicle inspected immediately by your authorised Maruti Suzuki workshop.

Headlight aiming

Since special procedures are required, ask an authorised Maruti Suzuki workshop for this job.

Bulb replacement

⚠ CAUTION

- Light bulbs can be hot enough to burn your finger right after turning off lights. This is true especially for halogen headlight bulbs. Replace the bulbs after they become cool enough.
- The headlight bulbs are filled with pressurized halogen gas. They can burst and injure you if they are hit or dropped. Handle them carefully.
- To avoid injury by sharp-edged parts of the body, wear gloves and a long-sleeved shirt when replacing light bulbs.

NOTICE

The oils from your skin may cause a halogen bulb to overheat and burst when the lights are on. Grasp a new bulb with a clean cloth.

INSPECTION AND MAINTENANCE

NOTICE

- Frequent bulb replacement indicates the need for an inspection of the electrical system. This should be carried out by your authorised Maruti Suzuki workshop.
- During bulb replacement, always use same bulb number as used in the vehicle which is mentioned in SPECIFICATIONS and/or imprinted on the bulb/unit/

NOTE:

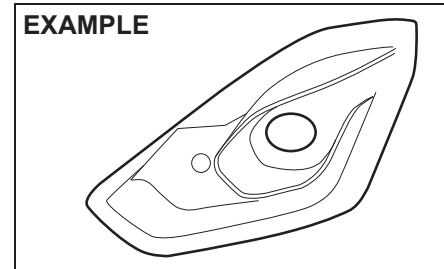
Mist may form on the lenses of exterior lights (Headlight, Rear combination light etc.) during or after driving in the rain or after car washing. This is a natural phenomenon which occurs due to temperature difference between lamp inside and outside. Temporary mist on the lens is not a malfunction and will not cause any discomfort during vehicle driving.

The mist would get cleared when the environmental condition change to sunny or when headlamp is kept on. However if there is water leakage inside the lamp, contact your authorised Maruti Suzuki workshop.

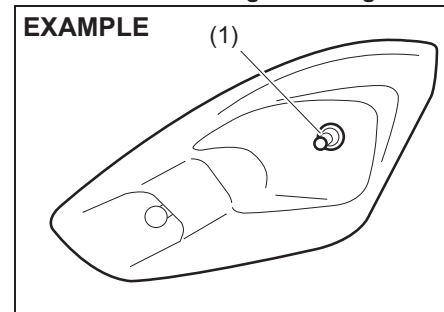
Headlights

Vehicle with the LED headlights

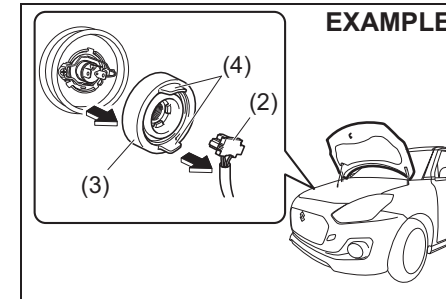
Since special procedures are required, we recommend you take your vehicle to an authorised Maruti Suzuki workshop for bulb replacement.



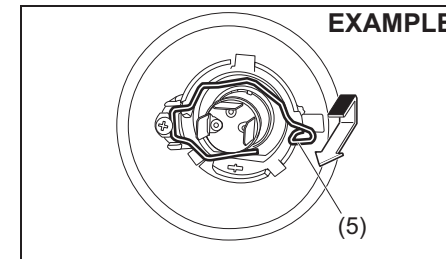
Vehicle with the halogen headlights



(1) Headlight (high/low beam)



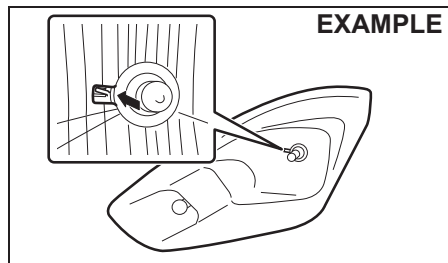
- 1) Open the engine hood while the engine is stopped. Disconnect the coupler (2). Remove the sealing rubber (3) by pulling the grip (4).



- 2) Push the retaining spring (5) forward and unhook it. Then remove the bulb. Install a new bulb in the reverse order of removal.

INSPECTION AND MAINTENANCE

NOTE:
Ensure that coupler (2) is not twisted during installation.



NOTE:
You can see the position of retaining spring from the hole of headlight.

Daytime Running Light (DRL) (if equipped)

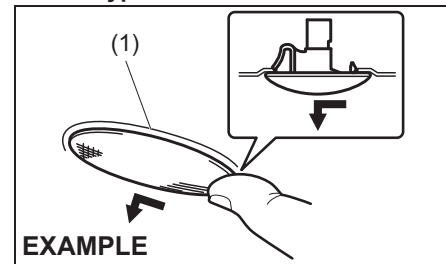
For DRL replacement, we recommend you to take your vehicle to the authorised Maruti Suzuki workshop as special procedure for the same is required.

Side turn signal light

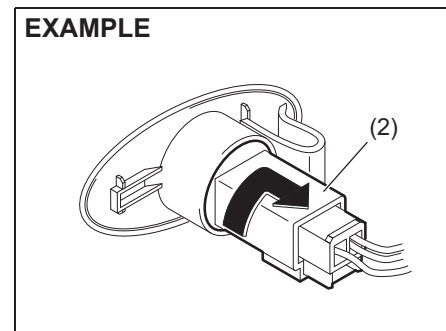
Outside rearview mirror type

LED is used. It is recommended that you take your vehicle to an authorised Maruti Suzuki workshop for bulb replacement.

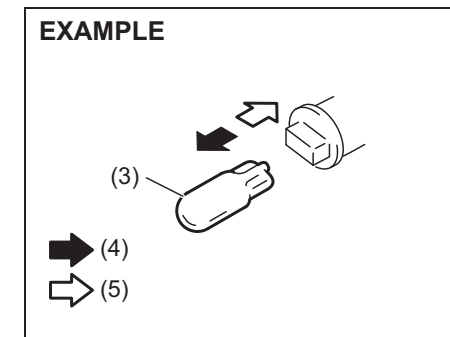
Fender type



1) Remove the light housing (1) by sliding to left with your finger.



2) Turn the bulb holder (2) clockwise and pull it out from the light housing.



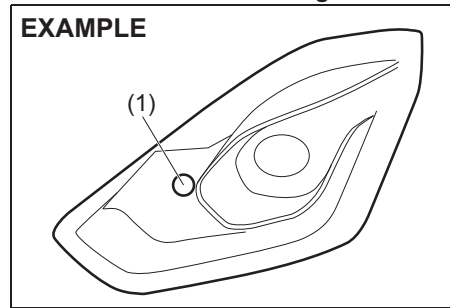
(4) Removal
(5) Install

3) To remove and install the bulb of the side turn signal light (3), simply pull out or push in the bulb.

INSPECTION AND MAINTENANCE

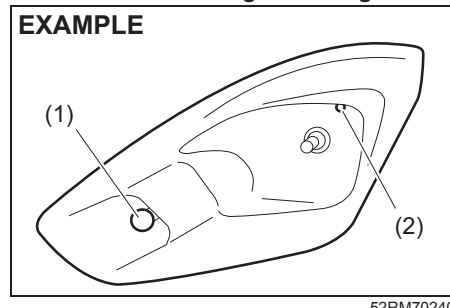
Front turn signal light and front position light

Vehicle with the LED headlights

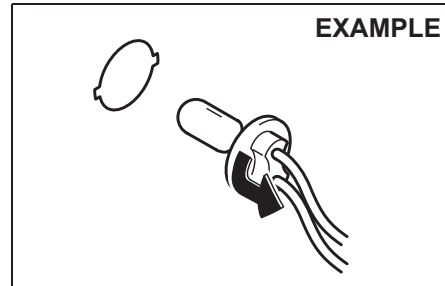


(1) Front turn signal light

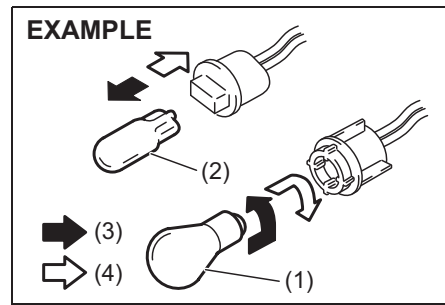
Vehicle with the halogen headlights



(1) Front turn signal light
(2) Front position light



- 1) Open the engine hood. To remove the bulb holder of the front turn signal light or the front position light from the light housing, turn the holder counterclockwise and pull it out.

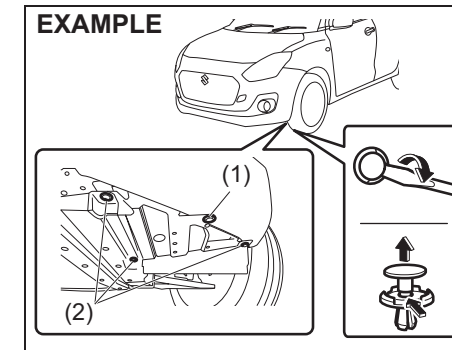


- (3) Removal
(4) Installation

- 2) To remove the bulb of the front turn signal light (1) from the bulb holder, push in the bulb and turn it counterclockwise. To install a new bulb, push it in and turn it clockwise.
To remove and install the bulb of the front position light (2), simply pull out or push in the bulb.

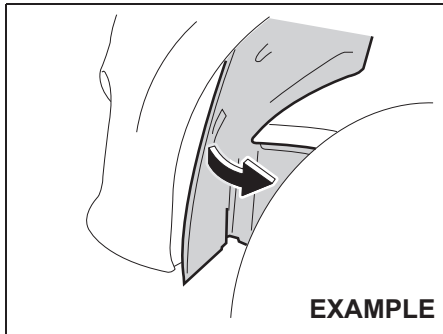
Front fog light (if equipped)

- 1) Start the engine. Turn the steering wheel to the opposite side of the fog light to be replaced to replace the bulb easily. Then turn off the engine.



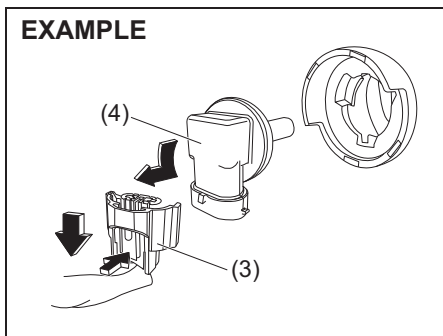
- 2) Remove the clips (1) and screws (2) at the bottom of bumper. For removing the clip, use a flat blade screwdriver as show in the illustration.

INSPECTION AND MAINTENANCE



52RM70250

- 3) Open the end of the cover inside the fender.

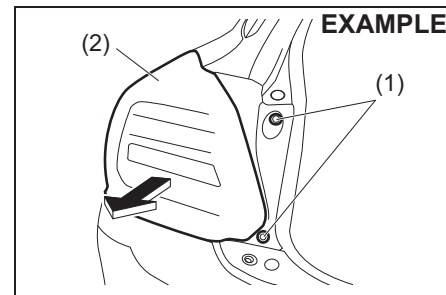


52R70140

- 4) Disconnect the coupler (3) by pushing the lock release. Turn the bulb holder (4) counterclockwise and remove it.

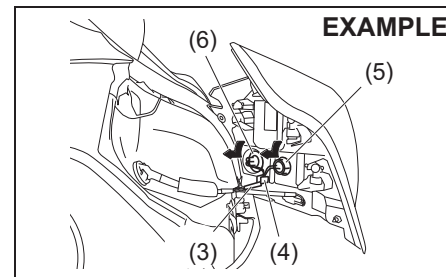
Rear combination light

For LED tail / brake light, it is recommended that you take your vehicle to an authorised Maruti Suzuki workshop for bulb replacement since special procedures are required.



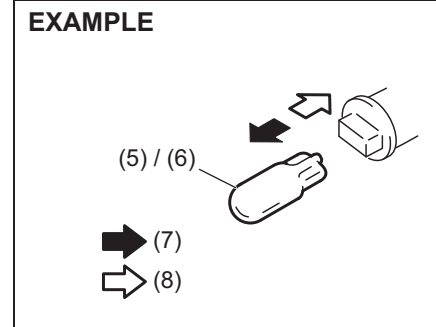
55RM07009

- 1) With the tailgate opened, remove the bolts (1) and pull the light housing (2) firmly to the rearward.



55RM07010

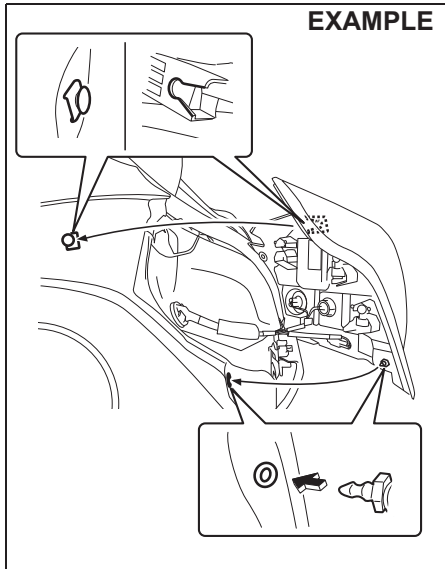
- 2) Remove the wire (3) from a clamp (4).
- 3) To remove the bulb holder of the rear turn signal light (5) or the reversing light (6) from the light housing, turn the holder counterclockwise and pull it out.



55RM07011

- (7) Removal
 - (8) Installation
- 4) To remove and install the bulb of the rear turn signal light (5) or the reversing light (6), simply pull out or push in the bulb.

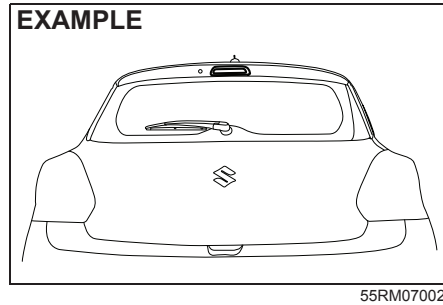
INSPECTION AND MAINTENANCE



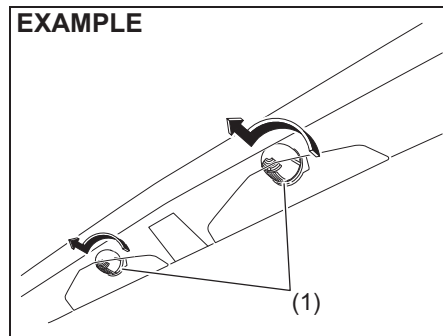
NOTE:
When reinstalling the light housing, check that the clips are properly attached.

High-mount stop light

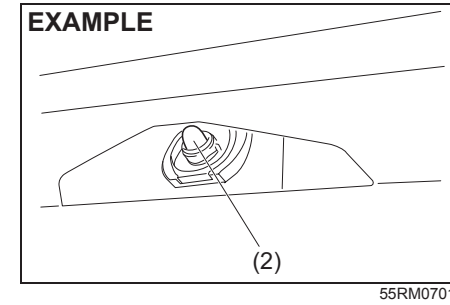
LED is used. It is recommended that you take your vehicle to an Authorised Maruti Suzuki workshop for lamp replacement since special procedures are required.



License plate light



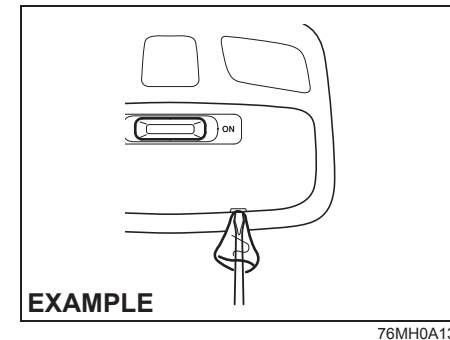
- 1) Remove the cover (1) by turning it counterclockwise.



- 2) To remove and install the bulb of the license plate light (2), simply pull out or push in the bulb.

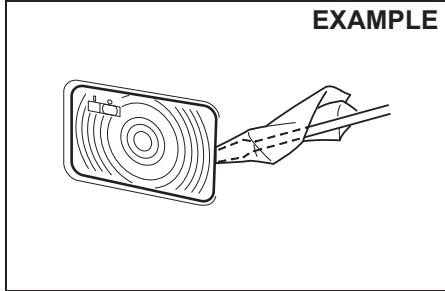
Interior light

Front



INSPECTION AND MAINTENANCE

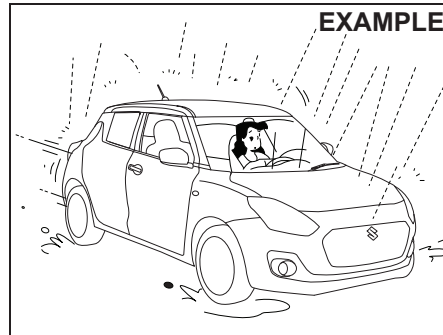
Luggage compartment (if equipped)



55RM07015

Remove the lens by using a flat-bladed screwdriver covered with a soft cloth as shown above. To install it, simply push it back in.

Wiper blades



55RM07016

If the wiper blades become brittle or damaged, or make streaks when wiping, replace the wiper blades.

To install new wiper blades, follow the procedures below.

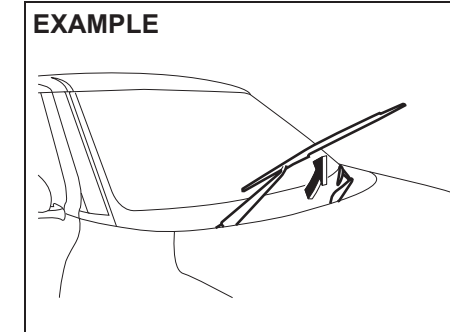
NOTICE

To avoid scratching or breaking the window, do not let the wiper arm strike the window while replacing the wiper blade.

NOTE:

Some wiper blades may be different from the ones described here depending on vehicle specifications. If so, consult your authorised Maruti Suzuki workshop for proper replacement method.

For windshield wipers:



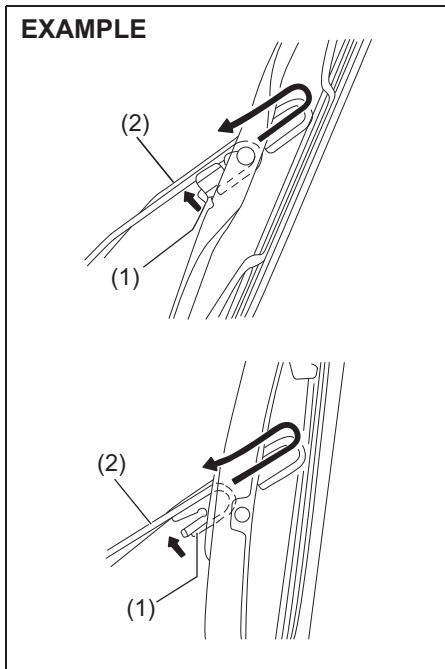
55RM07017

- 1) Hold the wiper arm away from the window.

NOTE:

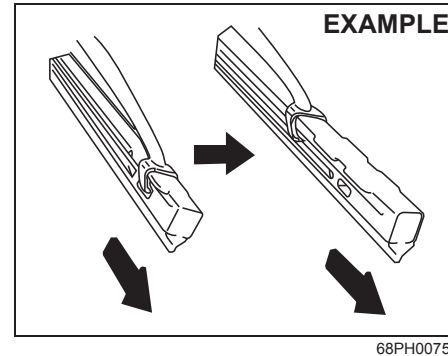
When raising both of the front wiper arms, pull the driver's side wiper arm up first. When returning the wiper arms, lower the passenger's side wiper arm first. Otherwise, the wiper arms may interfere with each other.

INSPECTION AND MAINTENANCE

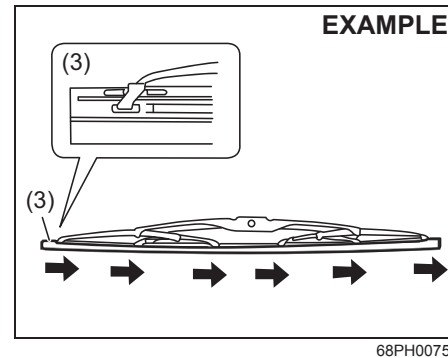


- 2) Squeeze lock (1) towards wiper arm (2) and remove the wiper frame from the arm as shown.
- 3) Unlock the lock end of the wiper blade and slide the blade out as shown.

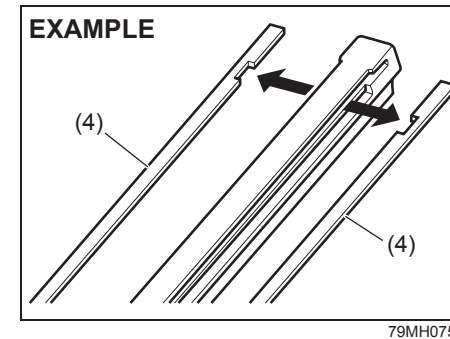
Removal



Installation

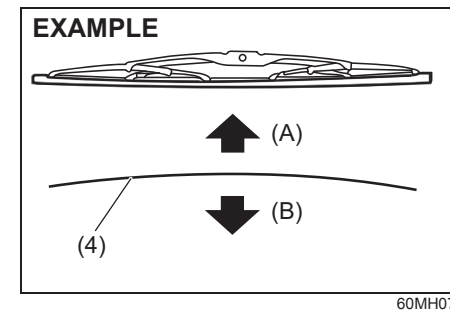


- (3) Locked end



- (4) Retainer

- 4) If the new blade is provided without the two metal retainers (4), move them from the old blade to the new one.



- (A) Up
- (B) Down

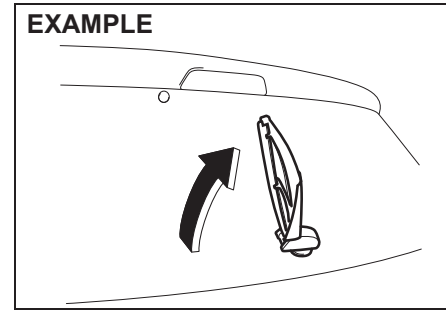
INSPECTION AND MAINTENANCE

NOTE:

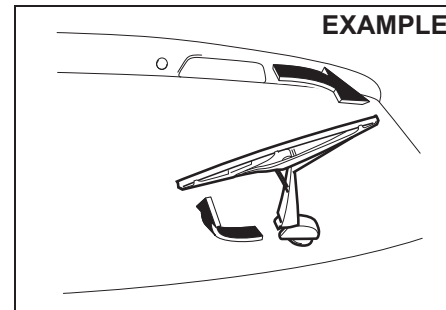
When you install the metal retainers (4), check that the direction of metal retainers is as shown in the above illustrations.

- 5) Install the new blade in the reverse order of removal, with the locked end positioned toward the wiper arm. Check that the blade is properly retained by all the hooks. Lock the blade end into place.
- 6) Reinstall wiper frame to arm, checking that the lock lever is snapped securely into the arm.

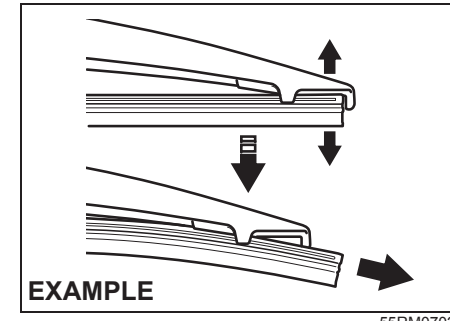
For rear wiper



- 1) Hold the wiper arm away from the window.



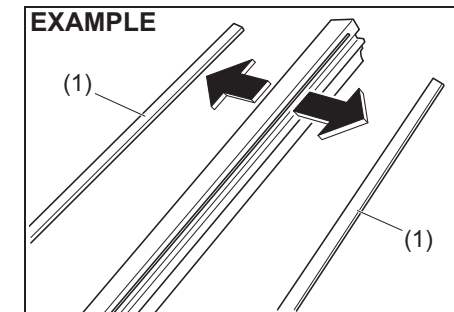
- 2) Remove the wiper frame from the wiper arm after rotating the wiper frame clockwise.



- 3) Slide the blade out as shown.

NOTE:

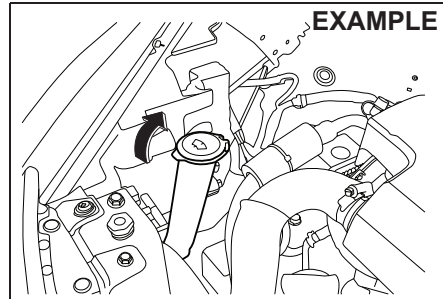
Do not flex the wiper blade frame end more than necessary. If you do, it can break off.



INSPECTION AND MAINTENANCE

- 4) If the new blade is provided without the two metal retainers, move them from the old blade to the new one.
- 5) Install the new blade in the reverse order of removal.
Check that the blade is properly retained by all the hooks.
- 6) Reinstall wiper frame to arm in the reverse order of removal.

Windshield washer fluid



Check that there is washer fluid in the tank. Refill it if necessary. Use a good quality windshield washer fluid, diluted with water as necessary.

⚠ WARNING

Do not use radiator antifreeze in the windshield washer reservoir. This can severely impair visibility when sprayed on the windshield, and also can damage your vehicle's paint.

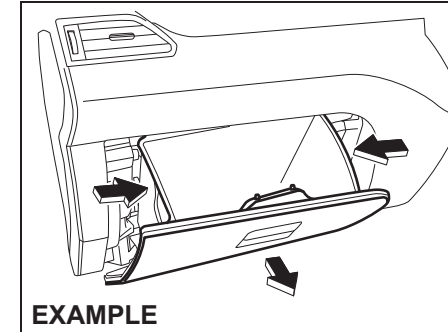
NOTICE

- Damage may result if the washer motor is operated with no fluid in the washer tank.
- Avoid use of hard water to prevent building of lime scale on the vehicle.

Air conditioning system

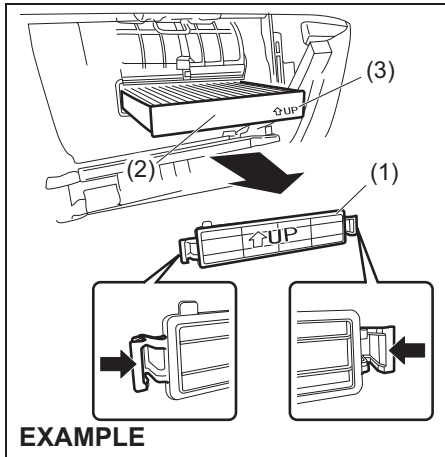
If you do not use the air conditioner for a long period, such as during winter, it may not give the best performance when you start using it again. To help maintain optimum performance and durability of your air conditioner, it needs to be run periodically. Operate the air conditioner at least once a month for one minute with the engine idling. This circulates the refrigerant and oil and helps protect the internal components.

Air conditioner filter replacement (if equipped)



- 1) To approach the air conditioner filter, remove the glove box. Press inward on both sides of the glove box, pull it forward and remove it.

INSPECTION AND MAINTENANCE



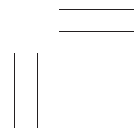
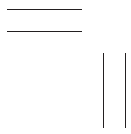
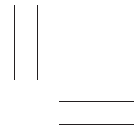
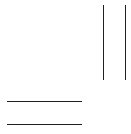
EXAMPLE

56RM07003

- 2) Press both sides of the cover (1) in arrow directions to remove it and pull out the air conditioner filter (2).

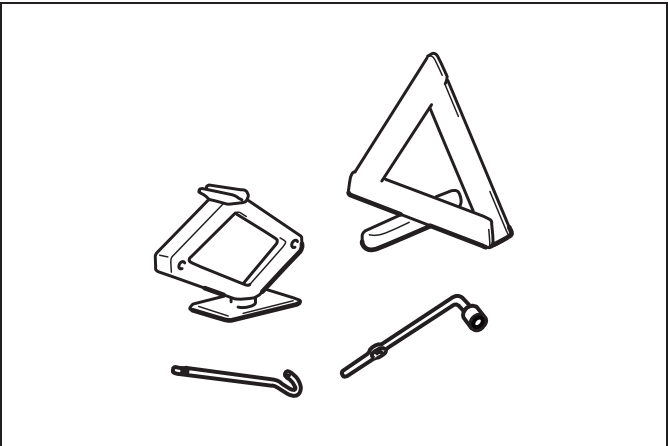
NOTE:

When you install a new filter, check that the UP mark (3) faces upward.



55RH0-74E

EMERGENCY SERVICE

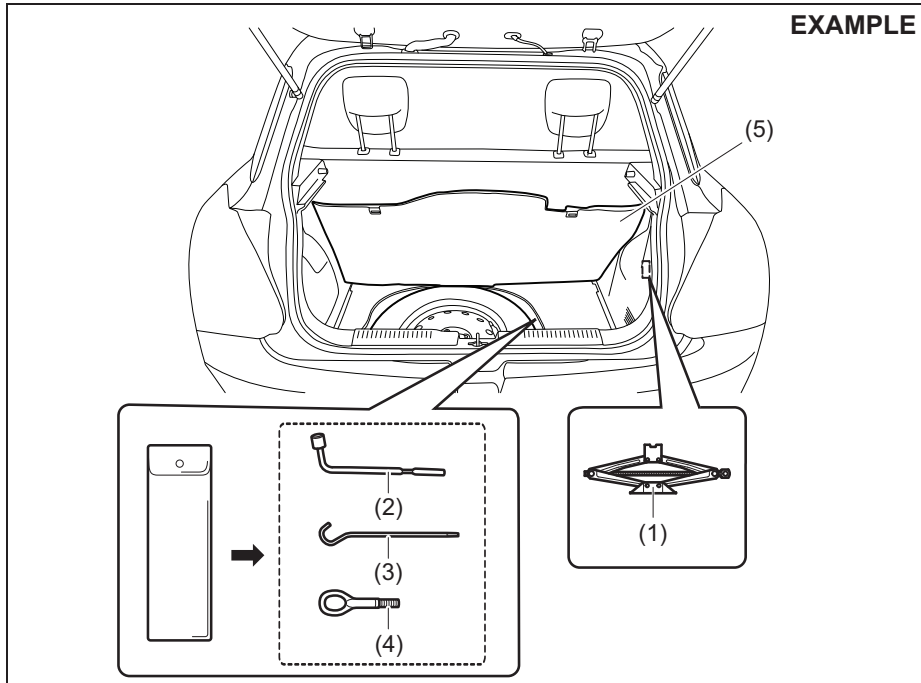


60G411A

Tire changing tool 8-1
Jacking instructions 8-2
Jump-starting instructions 8-7
Towing 8-8
Engine trouble: Starter does not operate 8-9
Engine trouble: Flooded engine 8-9
Engine trouble: Overheating 8-10
Warning triangle 8-11

EMERGENCY SERVICE

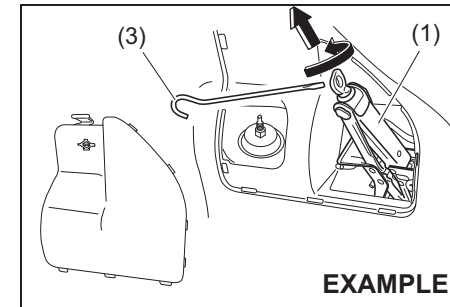
Tire changing tool



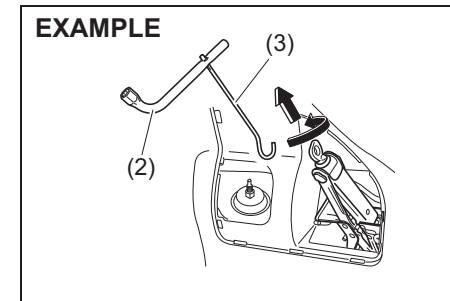
- (1) Jack
- (2) Wheel wrench
- (3) Jack handle
- (4) Towing hook
- (5) Luggage compartment carpet

The tire changing tools are stowed in the luggage compartment as shown in the illustration

Remove the luggage compartment carpet by pulling it from hole provided on carpet



To remove the jack (1), turn its shaft counterclockwise by using jack handle (3) and pull the jack out of the storage bracket.



EMERGENCY SERVICE

NOTE:

If you are facing difficulty to use the jack handle (3) alone, use jack handle (3) and wheel wrench (2) together as shown in the illustration for removal of jack.

To stow the jack (1), place it in the storage bracket and turn the shaft clockwise until the jack is securely held in place.

NOTICE

To avoid damaging the storage bracket, do not expand the jack excessively.

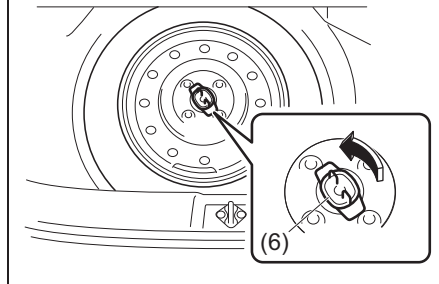
⚠ WARNING

After using the tire changing tools, stow them securely or they can cause injury if an accident occurs.

⚠ CAUTION

The jack should be used only to change wheels. It is important to read the jacking instructions in this section before attempting to use the jack.

EXAMPLE



56RH00804

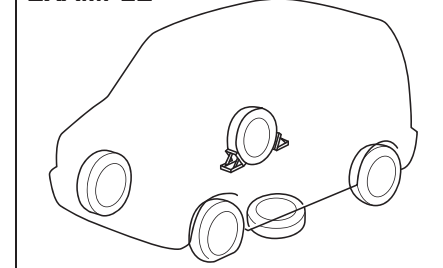
To remove the spare tire, turn its bolt (6) counterclockwise and remove it. While replacing tire with alloy wheel make sure to remove the wheel cap before keeping the tire in the rear luggage area.

NOTICE

Be sure that spare tire does not move after tightening the holder bolt.

Jacking instructions

EXAMPLE



75F062

- 1) Place the vehicle on level, hard ground.
- 2) Set the parking brake firmly and shift into "R" (Reverse) if your vehicle has a manual transaxle or Auto Gear Shift.

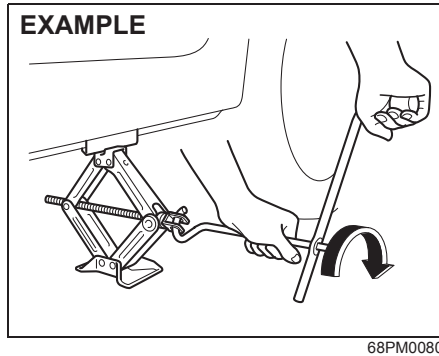
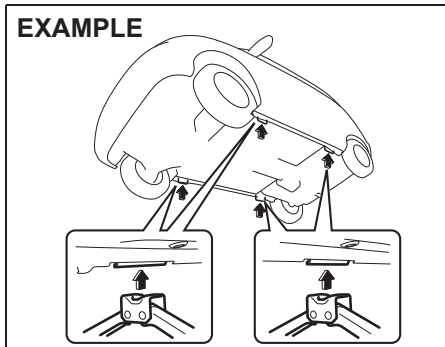
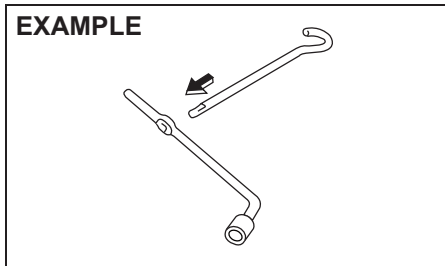
⚠ WARNING

- Shift into "R" (Reverse) for a manual transaxle or Auto Gear Shift vehicle when you jack up the vehicle.
- Never jack up the vehicle with the transaxle in "N" (Neutral). Otherwise, unstable jack may cause an accident.

- 3) Turn on the hazard warning flasher if your vehicle is near traffic.
- 4) Block the front and rear of the wheel diagonally opposite of the wheel being lifted.

EMERGENCY SERVICE

- 5) Place the spare wheel near the wheel being lifted as shown in the illustration in case the jack slips.



- 6) Position the jack at an angle as shown in the illustration and raise the jack by turning the jack handle clockwise until the jack-head groove fits around the jacking bar beneath the vehicle body.
- 7) Continue to raise the jack slowly and smoothly until the tire clears the ground. Do not raise the vehicle more than necessary.

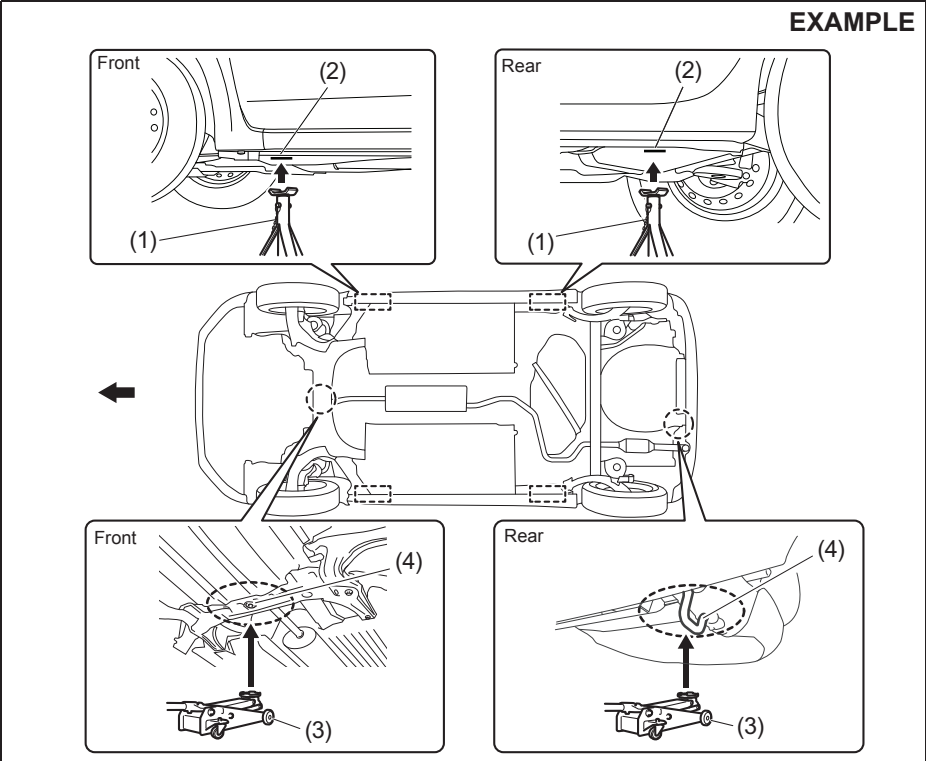
⚠ WARNING

- Use the jack only to change wheels on level, hard ground.
- Never jack up the vehicle on an inclined surface.
- Never raise the vehicle with the jack in a location other than the specified jacking point (shown in the illustration) near the wheel to be changed.
- Check that the jack is raised at least 25 mm (1 inch) before it contacts the flange. Use of the jack when it is within 25 mm (1 inch) of being fully collapsed may result in failure of the jack.
- Do not use wooden blocks or similar objects as a jack underlay
- Never get under the vehicle when it is supported by the jack. Never place your hands and feet under the raised vehicle when it is supported by a jack.
- Never run the engine when the vehicle is supported by the jack and never allow passengers to remain in the vehicle.

EMERGENCY SERVICE

Raising vehicle with garage jack

- Apply the garage jack to one of the points indicated below.
- Always support the raised vehicle with jack stands (commercially available) at the points indicated below.



(1) Jack stand (3) Garage jack
(2) Jacking point for jack stand (4) Jacking point for garage jack

55RM08004

EMERGENCY SERVICE

NOTICE

Never apply a garage jack to the exhaust pipe, side under spoiler (if equipped), engine undercover or rear torsion beam.

NOTE:

For more details, contact an authorised Maruti Suzuki workshop.

Changing wheels

WARNING

Never change a wheel in traffic lane. Always move the vehicle off the road on level, hard ground away from traffic for changing a wheel. For any further assistance contact your nearest Maruti Suzuki authorised workshop

To change a wheel, use the following procedure:

- 1) Prepare the jack, tools and spare tire.
- 2) Loosen, but do not remove the wheel nuts.
- 3) Jack up the vehicle (follow the jacking instructions in this section).

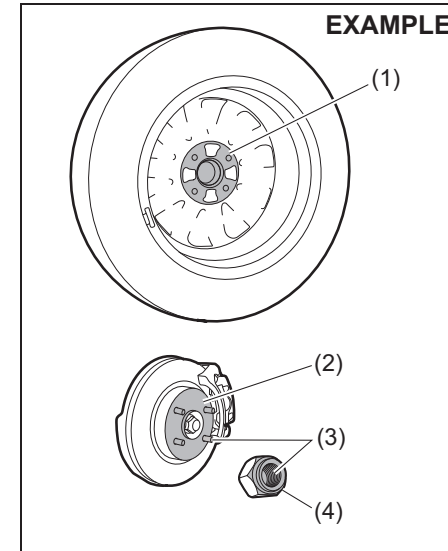
WARNING

- Shift into "R" (Reverse) for a manual transaxle or Auto Gear Shift vehicle when you jack up the vehicle.
- Never jack up the vehicle with the transaxle in "N" (Neutral). Otherwise, unstable jack may cause an accident.

CAUTION

Immediately after the vehicle has been driven, the wheels, the wheel nuts and the area around the brakes might be extremely hot. Touching these areas may cause burn injury. Do not touch these areas immediately after the vehicle has been driven.

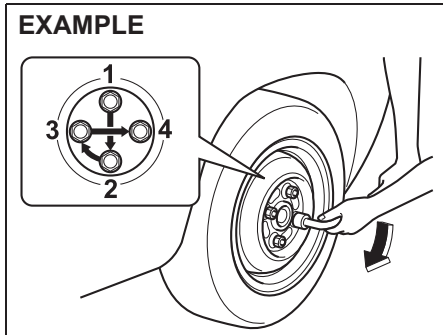
- 4) Remove the wheel nuts and wheel.



55RH08002

- 5) Clean any mud or dirt off from the surface of the wheel (1), hub (2), thread part (3) and surface of the wheel nuts (4) with a clean cloth. Clean the hub carefully; it may be hot from driving.
- 6) Install the new wheel and replace the wheel nuts with their cone shaped end facing the wheel. Tighten each nut snugly by hand until the wheel is securely seated on the hub.

EMERGENCY SERVICE

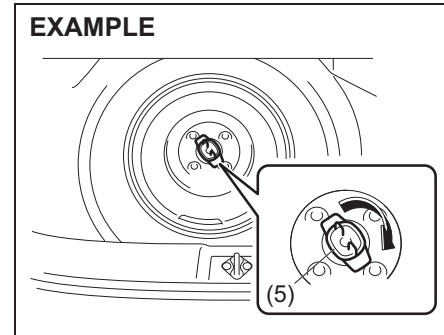


**Tightening torque for wheel nut
100 Nm (10.2 kg-m, 74.0 lb-ft)**

- 7) Lower the jack and fully tighten the nuts with a wheel wrench in numerical order as shown in the illustration.

⚠ WARNING

Use genuine wheel nuts and tighten them to the specified torque as soon as possible after changing wheels. Incorrect wheel nuts or improperly tightened wheel nuts may come loose or fall off, which can result in an accident. If you do not have a torque wrench, have the wheel nut torque checked by an authorised Maruti Suzuki workshop.

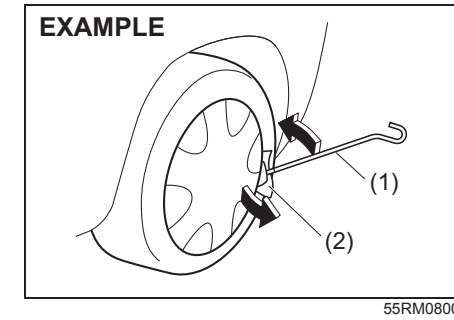


Return the spare tire back into the luggage compartment in the reverse order of removal and tighten its bolt (5) clockwise as shown in the above illustration.

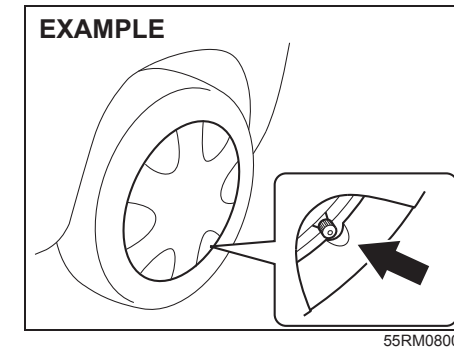
NOTICE

Make sure that the spare tire is fixed securely on the floor. Loosely fixed tire may cause noise during driving and damage paint on vehicle body.

Full wheel cover (if equipped)



Remove the full wheel cover by using jack handle (1) covered with a soft cloth (2), as shown in the illustration.



Install the full wheel cover not to cover or foul the air valve.

EMERGENCY SERVICE

Jump-starting instructions

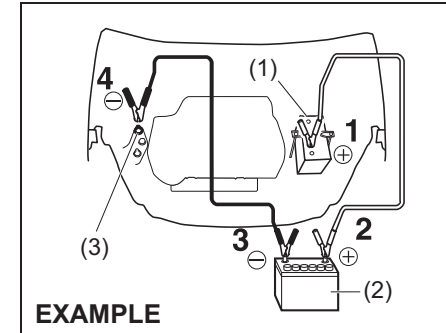
⚠ WARNING

- Never attempt to jump-start your vehicle if the battery appears to be frozen. Batteries in this condition may explode.
- When making jump lead connections, check that your hands and the jump leads remain clear from pulleys, belts or fans.
- Batteries produce flammable hydrogen gas. Keep flames and sparks away from the battery or an explosion may occur. Never smoke when working near the battery.
- If the booster battery you use for jump-starting is installed in another vehicle, check that the two vehicles are not touching each other.
- If your battery discharges repeatedly, for no apparent reason, have your vehicle inspected by an authorised Maruti Suzuki workshop.
- To avoid harm to yourself or damage to your vehicle or battery, follow the jump-starting instructions below.
If you are in doubt, call for qualified road service.

NOTICE

Your vehicle should not be started by pushing or towing. This starting method could result in permanent damage to the catalytic converter. Use jump leads to start a vehicle with a weak or discharged battery.

- 1) Use only a 12-volt battery to jump-start your vehicle. Position the good 12-volt battery close to your vehicle so that the jump leads will reach both batteries. When using a battery installed on another vehicle, check that two vehicles do not touch each other. Set the parking brakes fully on both vehicles.
- 2) Turn off all vehicle accessories, except those necessary for safety reasons (for example, headlights or hazard lights).



- 3) Connect jump leads as follows:
 1. Connect one end of the first jump lead to the positive (+) terminal of the discharged battery (1).
 2. Connect the other end to the positive (+) terminal of the booster battery (2).
 3. Connect one end of the second jump lead to the negative (-) terminal of the booster battery (2).
 4. Make the final connection to an unpainted, heavy metal part (i.e. engine mount bolt (3)) of the engine of the vehicle with the discharged battery (1).

EMERGENCY SERVICE

WARNING

Never connect the jump lead directly to the negative (-) terminal of the discharged battery, or an explosion may occur.

CAUTION

Connect the jump lead to the engine mount bracket securely. If the jump lead disconnects from the engine mount bracket because of vibration at the start of the engine, the jump lead could be caught in the drive belts.

- 4) If the booster battery you are using is fitted to another vehicle, start the engine of the vehicle with the booster battery. Run the engine at moderate speed.
- 5) Start the engine of the vehicle with the discharged battery.
- 6) Remove the jump leads in the exact reverse order in which you connected them.

Towing

If you need to have your vehicle towed, contact a professional service. Your dealer can provide you with detailed towing instructions.

NOTICE

Observe the following instructions when towing your vehicle.

- To help avoid damage to your vehicle during towing, proper equipment and towing procedures must be used.
- Using the frame hook, tow your vehicle on paved roads for short distances at low speed.

2-wheel drive (2WD) manual transaxle or Auto Gear Shift

Manual transaxle vehicles or Auto Gear Shift may be towed using either of the following methods.

- 1) From the front, with the front wheels lifted and the rear wheels on the ground. Before towing, check that the parking brake is released.
- 2) From the rear, with the rear wheels lifted and the front wheels on the ground, provided the steering and drivetrain are in operational condition. Before towing, check that transaxle is in neutral, the steering wheel is unlocked (vehicle without keyless push start system - the ignition key should be in

“ACC” position) (vehicle with keyless push start system - the ignition mode is “ACC”), and the steering wheel is secured with a clamping device designed for towing service.

NOTICE

After shifting the Auto Gear Shift gearshift lever to the “N” position, always check the gear position indicator in the instrument cluster shows the “N” position to make sure that the transaxle is disengaged.

If the transaxle cannot be put in neutral, turn the key from “LOCK” to “ON” position or press the engine switch to change the ignition mode to “ON”, and move the Auto Gear Shift gearshift lever from “N” to “D”, “M” or “R”, then back to “N” again. Then turn the key from “ON” to “LOCK” position or press the engine switch to change the ignition mode to “LOCK” (OFF).

These procedures may help put the transaxle in neutral. If the transaxle still cannot be put in neutral, you cannot tow the vehicle without using a towing dolly.

EMERGENCY SERVICE

NOTICE

The steering column is not strong enough to withstand shocks transmitted from the front wheels during towing. Always unlock the steering wheel before towing.

Engine trouble: Starter does not operate

- 1) Try turning the ignition switch to "START" position or try pressing the engine switch to change the ignition mode to "START" with the headlights turned on to determine the battery condition. If the headlights go excessively dim or go off, it usually means that either the battery is discharged or the battery terminal contact is poor. Recharge the battery or correct battery terminal contact as necessary.
- 2) If the headlights remain bright, check the fuses. If the reason for failure of the starter is not obvious, there may be a major electrical problem. Have the vehicle inspected by your authorised Maruti Suzuki workshop.

Engine trouble: Flooded engine

If the engine is flooded with fuel, it may be hard to start. If this happens, press the accelerator pedal all the way to the floor and hold it there while cranking the engine.

- Do not operate the starter motor for more than 12 seconds.

NOTE:

For keyless push start system, if the engine refuses to start, the starter motor automatically stops after a certain period of time. After the starter motor has automatically stopped or if there is anything abnormal in the engine starting system, the starter motor runs only while the engine switch is held pressed.

Engine trouble: Overheating

The engine could overheat temporarily under severe driving conditions. If the high engine coolant temperature warning light comes on as overheating during driving:

- 1) Turn off the air conditioner, if equipped.
- 2) Take the vehicle to a safe place and park.
- 3) Run the engine at a normal idle speed for a few minutes until the high engine coolant temperature warning light goes off.

⚠ WARNING

If you see or hear escaping steam, stop the vehicle in a safe place and immediately turn off the engine to cool it. Do not open the hood when steam is present. When the steam can no longer be seen or heard, open the hood to see if the coolant is still boiling. If it is, you must wait until it stops boiling before you proceed.

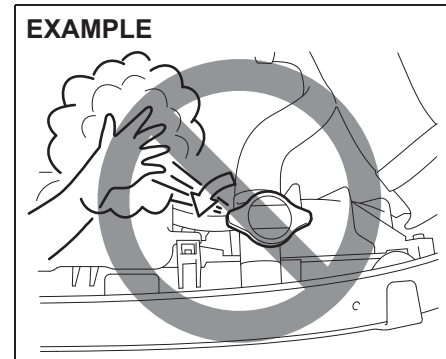
If the high engine coolant temperature warning light does not go off:

- 1) Turn off the engine and check that the water pump belt and pulleys are not damaged or slipping. If any abnormality is found, correct it.
- 2) Check the coolant level in the reservoir. If it is found to be lower than "LOW" line, check radiator, water pump, radiator hoses and heater hoses for leakage.

If leakage that may cause overheating is found, do not run the engine until these problems have been corrected.

- 3) If leakage is not found, carefully add coolant to the reservoir and then the radiator, if necessary. (Refer to "Engine coolant" in "INSPECTION AND MAINTENANCE" section.)

NOTE:
If engine overheats and you are not sure what to do, contact your authorised Maruti Suzuki workshop.



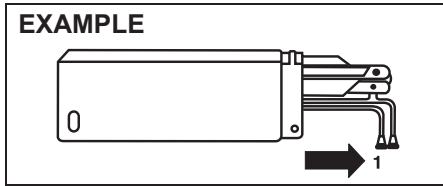
79J007

⚠ WARNING

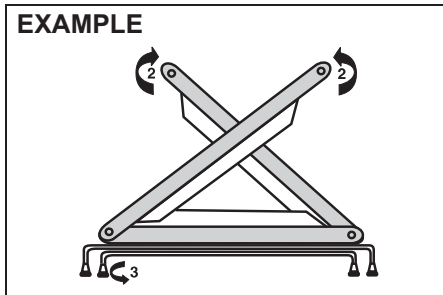
- It is hazardous to remove the radiator cap when the water temperature is high, because scalding fluid and steam may be blown out under pressure. The cap should only be taken off when the coolant temperature has lowered.
- To help prevent personal injury, keep hands, tools and clothing away from the engine cooling fan and air-conditioner fan (if equipped). These electric fans can automatically turn on without warning.

EMERGENCY SERVICE

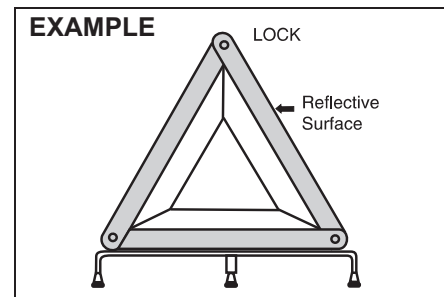
Warning Triangle



In case of vehicle break-down or during emergency stopping, where, your vehicle could become a potential traffic hazard, keep the warning triangle, provided with your vehicle, on the road free from any obstacles behind your vehicle so as to warn the approaching traffic, at an approximate distance of 50-100 m. The reflecting side of the triangle should face the on coming traffic. Please activate the hazard warning lamps before alighting the vehicle to keep the warning triangle.

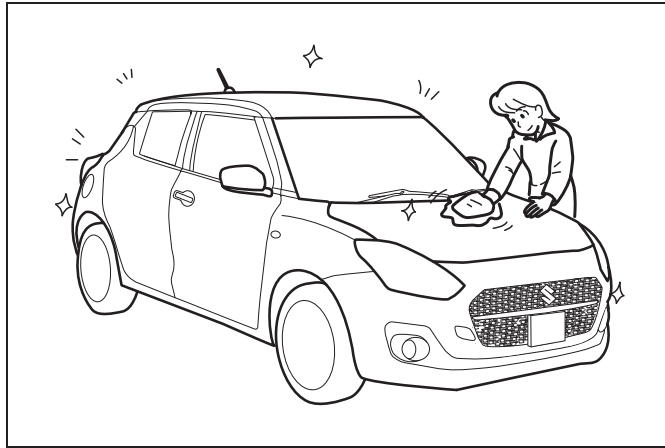


- Remove the warning triangle carefully from the cover as shown by arrow 1.
- Open both the reflector arms as shown by arrow and lock the arms with each other with the clip provided in the right arm. Open the bottom stand in counter clock-wise direction as shown by arrow 3. Position the warning triangle behind the vehicle on a plain surface.
- Reverse the removal procedure for keeping inside the cover.



APPEARANCE CARE

Corrosion prevention 9-1
Vehicle cleaning 9-2



55RM09010

APPEARANCE CARE

Corrosion prevention

It is important to take good care of your vehicle to protect it from corrosion. Listed below are instructions for how to maintain your vehicle to prevent corrosion. Please read and follow these instructions carefully.

Important information about corrosion

Common causes of corrosion

- 1) Accumulation of road salt, dirt, moisture or chemicals in hard-to-reach areas of the vehicle underbody or frame.
- 2) Chipping, scratches and any damage to treated or painted metal surfaces resulting from minor accidents or abrasion by stones and gravel.
- 3) Any or all of the below mentioned points:
 - continuous exposure to sunlight
 - hard water & Sea water coming in contact with vehicle
 - foot rubbing (skirting).

Environmental conditions which accelerate corrosion

- 1) Road salt, dust control chemicals, sea breeze or industrial pollution will all accelerate the corrosion of metal.
- 2) High humidity will increase the rate of corrosion particularly when the temperature range is just above the freezing point.
- 3) Moisture in certain areas of a vehicle for an extended period of time may pro-

mote corrosion even though other body sections may be completely dry.

- 4) High temperatures will cause an accelerated rate of corrosion to parts of the vehicle which are not well-ventilated to permit quick drying.

This information illustrates the necessity of keeping your vehicle (particularly the underbody) as clean and dry as possible. It is equally important to repair any damage to the paint or protective coatings as soon as possible.

How to help prevent corrosion

Wash your vehicle frequently

The best way to preserve the finish on your vehicle and to help avoid corrosion is to keep it clean with frequent washing.

Wash your vehicle at least once during the winter and once immediately after the winter. Keep your vehicle, particularly the underside, as clean and dry as possible.

If you frequently drive on salted roads, your vehicle should be washed at least once a month during the winter. If you live near the ocean, your vehicle should be washed at least once a month throughout the year.

For washing instructions, refer to "Vehicle cleaning" section.

Remove foreign material deposits

Foreign material such as salts, chemicals, road oil or tar, tree sap, bird droppings and industrial fall-out may damage the finish of

your vehicle if it is left on painted surfaces. Remove these types of deposits as quickly as possible. If these deposits are difficult to wash off, an additional cleaner may be required. Check that any cleaner you use is not harmful to painted surfaces and is specifically intended for your purposes. Follow the manufacturer's directions when using these special cleaners.

Repair finish damage

Carefully examine your vehicle for damage to the painted surfaces. Should you find any chips or scratches in the paint, touch them up immediately to prevent corrosion from starting. If the chips or scratches have gone through to the bare metal, have a qualified body shop make the repair.

Keep passenger and luggage compartments clean

Moisture, dirt or mud can accumulate under the floor mats and may cause corrosion. Occasionally, check under these mats to ensure that this area is clean and dry. More frequent checks are necessary if the vehicle is used for off-road driving or in wet weather.

Certain cargos such as chemicals, fertilizers, cleaners, salts, etc. are extremely corrosive by nature. These products should be transported in sealed containers. If they are spilled or leaked, clean and dry the area immediately.

APPEARANCE CARE

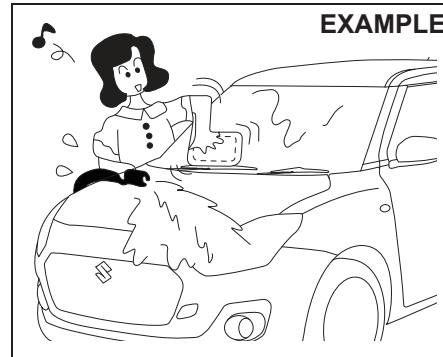
Park your vehicle in a dry, well-ventilated area

Park your vehicle to save it from continuous exposure to direct sunlight. Do not park your vehicle in a damp, poorly-ventilated area. If you often wash your vehicle in the garage and place it there in wet condition, your garage may be damp. The high humidity in the garage may cause or accelerate corrosion. A wet vehicle may corrode even in a heated garage if the ventilation is poor.

WARNING

Do not apply additional undercoating or rust preventive coating on or around exhaust system components such as the catalytic converter and exhaust pipes. A fire could be started if the undercoating substance becomes overheated.

Vehicle cleaning



55RM09002

WARNING

When cleaning the interior or exterior of the vehicle, do not use flammable solvents such as lacquer thinners, petrol and benzene. Also, do not use cleaning materials such as bleaches and strong household detergents. The materials could cause personal injury or damage to the vehicle.

Cleaning interior

Vinyl upholstery

Prepare a solution of soap or mild detergent dissolved in warm water. Apply the solution to the vinyl with a sponge or soft cloth and let it soak for a few minutes to loosen dirt.

Rub the surface with a clean, damp cloth to remove dirt and the soap solution. If some dirt still remains on the surface, repeat this procedure.

Fabric upholstery (Except front passenger seat)

Remove loose dirt with a vacuum cleaner. Using a mild soap solution, rub stained areas with a clean damp cloth. To remove soap, rub the areas again with a cloth dampened with water. Repeat this until the stain is removed, or use a commercial fabric cleaner for tougher stains. If you use a fabric cleaner, carefully follow the manufacturer's instructions and precautions.

APPEARANCE CARE

⚠ CAUTION

- Do not spill liquid or semi-solid on the front passenger's seat. If you spill it on the front passenger's seat, immediately wipe it dry with a soft cloth. Contact of liquid with sensor may impact the function of seat belt reminder sensor.
- Do not place any sharp or heavy object on passenger seat which can penetrate through seat upholstery and can cause damage to sensor.

Fabric upholstery (For front passenger seat)

Do not use liquid for cleaning as it may penetrate the fabric and damage the seat sensor.

Leather upholstery

Remove loose dirt with a vacuum cleaner. Using a mild soap or saddle soap solution, wipe dirt off with a clean damp soft cloth. To remove soap, wipe the areas again with a soft cloth dampened with water. Wipe the areas dry with a soft dry cloth. Repeat this until the dirt or stain is removed, or use a commercial leather cleaner for tougher dirt or stains. If you use a leather cleaner, carefully follow the manufacturer's instructions and precautions. Do not use solvent type cleaners or abrasive cleaners.

NOTE:

- In order to keep leather upholstery looking good, it should be cleaned at least twice a year.
- If leather upholstery becomes wet, immediately wipe it dry with tissue paper or a soft cloth. Water may cause leather to harden and shrink if it is not wiped off.
- When parking on sunny days, select a shady place or use a sunshade. If leather upholstery is exposed to direct sunlight for a long time, it may discolor and shrink.
- As is common with natural materials, leather is inherently irregular in grain and cowhide has spots in its natural state. These do not affect the performance of the leather in any way.

Seat belts

Clean seat belts with a mild soap and water. Do not use bleach or dye on the belts. They may weaken the fabric in the belts.

⚠ CAUTION

- Do not spill liquid or semi-solid on the front passenger's seat. If you spill it on the front passenger's seat, immediately wipe it dry with a soft cloth. Contact of liquid with sensor may impact the function of seat belt reminder sensor.
- Do not place any sharp or heavy object on passenger seat which can penetrate through seat upholstery and can cause damage to sensor.

Vinyl floor mats

Ordinary dirt can be removed from vinyl with water or mild soap. Use a brush to help loosen dirt. After the dirt is loosened, rinse the mat thoroughly with water and dry it in the shade.

APPEARANCE CARE

Carpets

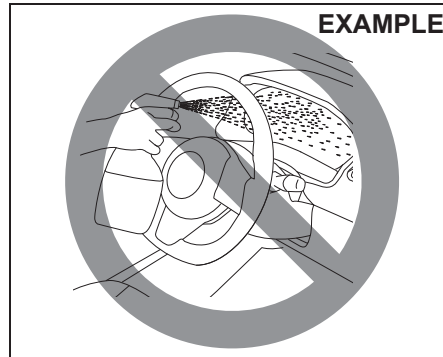
Remove dirt and soil as much as possible with a vacuum cleaner. Using a mild soap solution, rub stained areas with a clean damp cloth. To remove soap, rub the areas again with a cloth dampened with water. Repeat this until the stain is removed, or use a commercial carpet cleaner for tougher stains. If you use a carpet cleaner, carefully follow the manufacturer's instructions and precautions.

Instrument panel and console

Remove loose dirt with a vacuum cleaner. Gently wipe dirt off with a tightly squeezed damp clean cloth. Repeat this until the dirt is removed.

WARNING

Do not use chemical products that contain silicon to wipe electrical components such as the air conditioning system, audio, navigation system, or other switches. These will cause damage to the components. Do not spray water or any liquid directly on instrument cluster or any other electrical or electronic components. This may cause damage and/or lead to non-functioning of the part or may cause fire.



81RM08005

NOTICE

- Liquid such as liquid aromatics, soft drinks or juice may cause discoloration, wrinkles, and cracking to resin-based parts and textiles. Immediately wipe it dry with tissue paper or a soft cloth.
- Do not leave leather products with color, fur or vinyl products, etc. in your vehicle for long periods. It may cause discoloration or deterioration of interior.

Cleaning exterior

NOTICE

It is important that your vehicle be kept clean and free from dirt. Failure to keep your vehicle clean may result in fading of the paint or corrosion to various parts of the vehicle body.

Caring for aluminum wheels

NOTE:

- Do not use an acidic or alkaline detergent, or a cleaner containing petroleum solvent to wash aluminum wheels. These types of cleaner will cause permanent spots, discoloration and cracks on finished surfaces and damage to center caps.
- Do not use a bristle brush and soap containing an abrasive material. These will damage finished surfaces.

APPEARANCE CARE

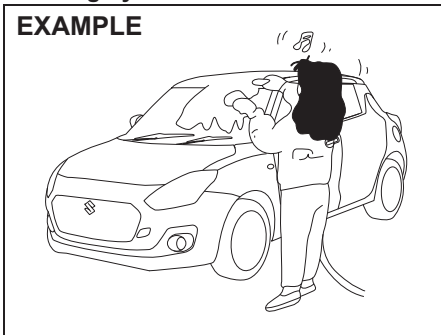
Washing

⚠ WARNING

- Never attempt to wash and wax your vehicle with the engine running.
- When cleaning the underside of the body and fender, where there may be sharp-edged parts, wear gloves and a long-sleeved shirt to protect your hands and arms from being cut.
- After washing your vehicle, carefully test the brakes before driving to check that they have maintained their normal effectiveness.

Washing by hand

EXAMPLE



55RM09003

When washing the vehicle, park it in the place where direct sunlight does not fall on it and follow the instructions below:

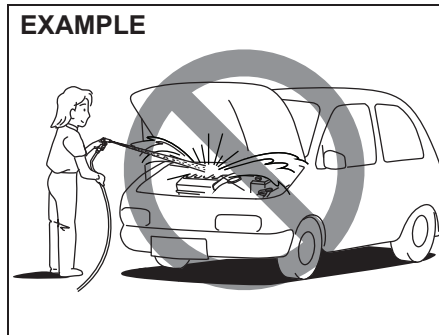
- 1) Flush the underside of body and wheel housings with pressurized water to remove mud and debris. Use plenty of water.

NOTICE

When washing the vehicle:

- Avoid directing steam or hot water of more than 80°C (176°F) on plastic parts.
- To avoid damaging engine components, do not use pressurized water in the engine compartment.

EXAMPLE



81RM08006

- 2) Rinse the body to loosen the dirt. Remove dirt and mud from the body exterior with running water. You may use a soft sponge or brush. Do not use hard materials which can scratch the paint or plastic. Remember that the headlight covers or lenses are made of plastic in many cases.

NOTICE

To avoid damage to the paint or plastic surface, do not wipe the dirt off without ample water. Follow the above procedure.

- 3) Wash the entire exterior with a mild detergent or car wash soap using a sponge or soft cloth. The sponge or cloth should be frequently soaked in the soap solution.

NOTICE

When using a commercial car wash product, observe the cautions specified by the manufacturer. Never use strong household detergents or soaps.

- 4) Once the dirt has been completely removed, rinse off the detergent with running water.
- 5) Wipe off the vehicle body with a wet chamois or cloth and allow it to dry in the shade.

APPEARANCE CARE

- 6) Check carefully for damage to painted surfaces. If there is any damage, touch up the damage following the procedure below:
1. Clean all damaged spots and allow them to dry.
 2. Stir the paint and touch up the damaged spots lightly using a small brush.
 3. Allow the paint to dry completely.

Washing by an automatic car wash

NOTICE

If you use an automatic car wash, check that your vehicle's body parts, such as spoilers, cannot be damaged. If you are in doubt, consult the car wash operator for advice.

Washing by a high-pressure cleaner

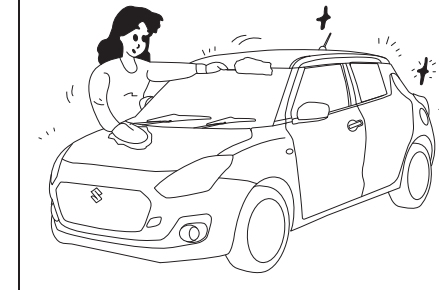
NOTICE

If you use a high-pressure cleaner, keep away the nozzle from your vehicle sufficiently.

- **Bringing the nozzle to your vehicle too close or pointing the nozzle to the opening of front grill or bumper etc. can cause damage and malfunction of the vehicle body and parts.**
- **Pointing the nozzle to the weather-strip of door glasses, doors and the sunroof (if equipped) can allow water to enter the cabin.**

Waxing

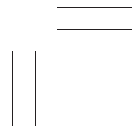
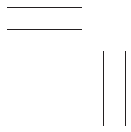
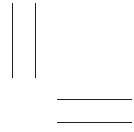
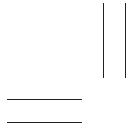
EXAMPLE



55RM09004

After washing the vehicle, waxing and polishing are recommended to further protect and beautify the paint.

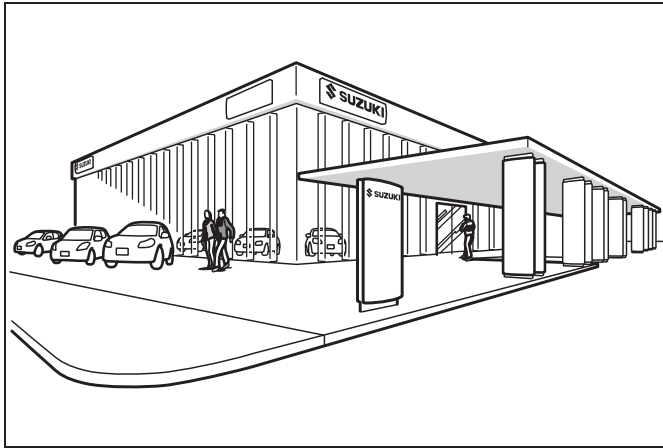
- Only use waxes and polishes of good quality.
- When using waxes and polishes, observe the precautions specified by the manufacturers.



55RH0-74E

GENERAL INFORMATION

Vehicle identification	10-1
FASTag (if equipped)	10-1
High Security Registration Plate (HSRP).....	10-3

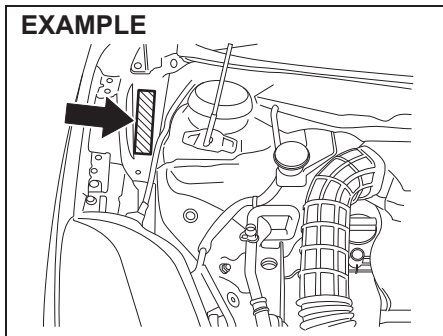
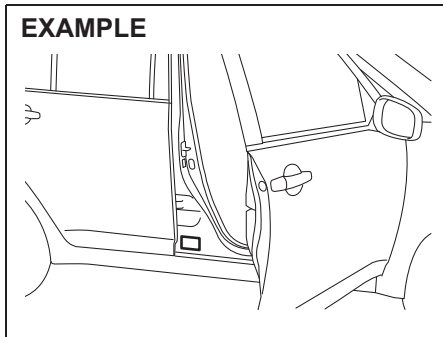


84MM01001

GENERAL INFORMATION

Vehicle identification

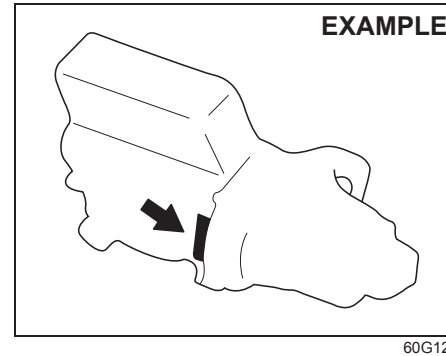
Chassis serial number



The chassis and/or engine serial numbers are used to register the vehicle. They are

also used to assist your dealer when ordering or referring to special service information. Whenever you have occasion to consult your authorised Maruti Suzuki workshop, remember to identify your vehicle with this number. Should you find the number difficult to read, you will also find it on the identification plate.

Engine serial number

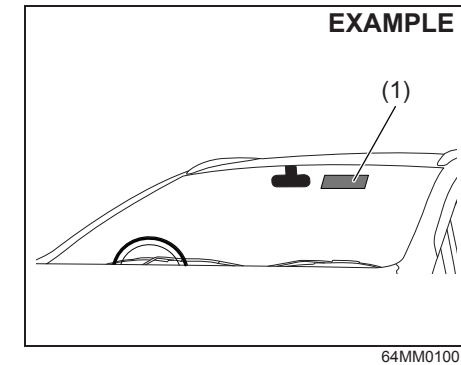


The engine serial number is stamped on the cylinder block as shown in the illustration.

FASTag (if equipped)

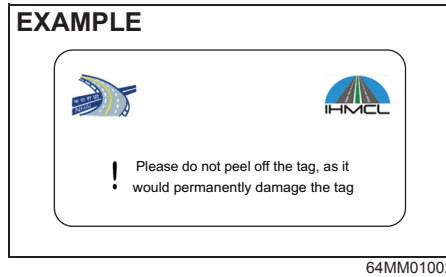
As per Ministry of Road Transport and Highways, the FASTag (1) is mandatory for each vehicle for the purpose of electronic toll collection or any other purpose as may be defined by the Government of India.

In case of any damage to FASTag or replacement of front windscreen, please contact your nearest authorised Maruti Suzuki workshop.



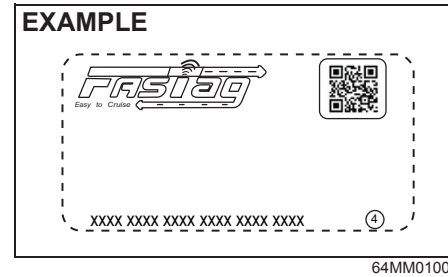
GENERAL INFORMATION

As seen from inside of the vehicle



NOTE:
The picture shown is for indicative purpose only. Internal structure of actual device mounted on vehicle may be different.

As seen from outside of the vehicle



NOTE:
The picture shown is for indicative purpose only. Internal structure of actual device mounted on vehicle may be different.

- NOTE:**
- Any attempt to remove the tag from the windscreen will result in permanent damage to the tag.
 - Use of chemical cleaners to clean the windscreen area where the tag is mounted can damage the tag.
 - Use of any sharp objects on the tag can damage the tag.

GENERAL INFORMATION

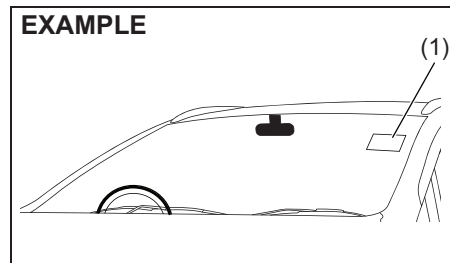
High Security Registration Plate (HSRP)

As per Ministry of Road Transport and Highways, every new vehicle must have HSRP.

HSRP contains;

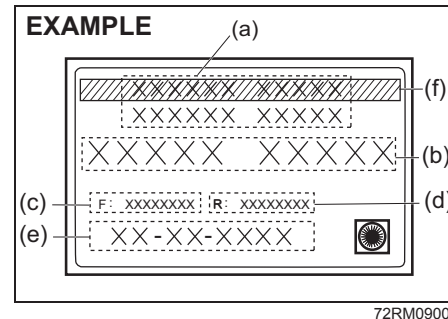
- Front and rear HSRP, which will be fitted with 2 snap-locks each on number plate area.
- Third license plate on front windshield.

Third License Plate



(1) Third license plate

Third license plate - As seen from outside of the vehicle



- EXAMPLE**
- (a) HSRP issuing authority name
 - (b) Vehicle registration number
 - (c) Unique laser number - Front plate
 - (d) Unique laser number - Rear plate
 - (e) Date of 1st registration (in DD-MM-YYYY format)
 - (f) Green strip (BS6 vehicle)

NOTE:

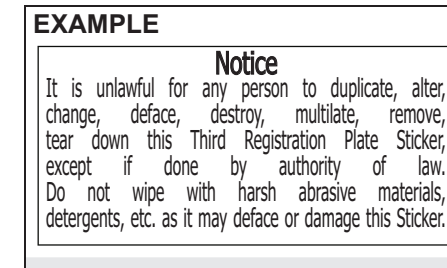
The picture shown is for indicative purpose only. Internal structure of actual label mounted on vehicle may be different.

NOTE:

- Any attempt to remove the third license plate from the windshield will result in permanent damage to the label.
- Use of chemical cleaners to clean the windshield area where the label is mounted can damage the same.
- Use of any sharp objects on the label can damage the label.

- In the event of any replacement of the third license plate, may please contact the approved authority.

Third license plate - As seen from inside of the vehicle



NOTE:

The picture shown is for indicative purpose only.

NOTE:

Color of third license plate (back) is as per HSRP regulation as defined by Ministry of Road Transport and highways.

SPECIFICATIONS

SPECIFICATIONS

NOTE:

Specifications are subject to change without notice.

M/T: Manual transaxle

Petrol: K12N engine model

ITEM: Dimensions		UNIT: mm	
Overall length			3845
Overall width			1735
Overall height			1530
Wheelbase			2450
Track	Front	165/80R 14 tire	1530
		185/65R 15 tire	1520
	Rear	165/80R 14 tire	1530
		185/65R 15 tire	1520

ITEM: Mass (weight)		UNIT: kg	
Curb mass (weight)	M/T		875 – 900
	Auto Gear Shift		890 – 905
Gross vehicle mass (weight) rating			1335
Permissible maximum axle weight	Front		720
	Rear		740

11

11-1

55RH0-74E

SPECIFICATIONS

ITEM: Engine	
Type	K12N(DOHC)
Number of cylinders	4
Bore	73.0 mm (2.87 in.)
Stroke	71.5 mm (2.81 in.)
Piston displacement	1197 cm ³ (1197 cc, 73.0 cu.in)
Compression ratio	12.0 : 1

ITEM: Electrical		
Standard spark plug		NGK ILZKR6F11
Battery	Petrol	ISS M42 (for ENG A-STOP model), 34B19L
	CNG	34B19L
Fuses		See "INSPECTION AND MAINTENANCE" section.

SPECIFICATIONS

ITEM: Lights		WATTAGE	BULB No.
Headlight	Halogen	12V 60/55W	H4
	LED (If equipped)	LED ^{*1}	–
Front fog light (if equipped)		12V 19W	H16
Position light (Vehicle with the halogen headlights)		12V 5W	W5W
Position light & Daytime running light (Vehicle with the LED headlights) (If equipped)		LED ^{*1}	–
Turn signal light	Front	12V 21W	PY21W
	Rear	12V 21W	PY21W
Side turn signal light	On fender (If equipped)	12V 5W	WY5W
	On outside rearview mirror	LED ^{*1}	–
Tail/brake light		LED ^{*1}	–
High mount stop light		LED ^{*1}	–
Reversing light		12V 16W	W16W
License plate light		12V 5W	W5W
Interior light	Front (if equipped)	12V 10W	–
	Luggage compartment (if equipped)	12V 5W	–

*1: For this LED light, it is recommended that you take your vehicle to a Maruti Suzuki authorised workshop for LED replacement since special procedures are required.

SPECIFICATIONS

ITEM: Wheels and tires	
Tire size, front and rear	165/80R14 85T ^{*1} , 185/65R15 88T ^{*1} , 185/65R15 88H ^{*1}
Rim size	165/80R14 tire: 14X5J 185/65R15 tire: 15X5 1/2J
Tire pressures	For the specified tire pressure, see the tire information label located on the driver's door lock pillar.
Recommended snow tire	165/80R14 ^{*2} or 185/65R15 ^{*2}
Tire size, spare ^{*3}	165/80R14 85T (Steel wheel)

*1 If you cannot prepare tires with the specified load index rating and speed symbol, prepare tires with higher load index rate and speed symbol.

*2 If you prepare snow tires;

- Check that they are tires of the same size, structure and load capacity as the originally installed tires.
- Mount the snow tires on all four wheels.
- Understand that the maximum permissible speed of snow tires is generally less than the originally installed tires.

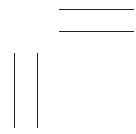
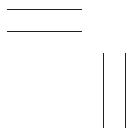
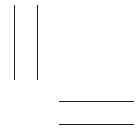
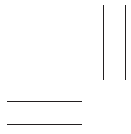
*3 -

- The spare wheel provided with alloy wheel variant is of steel wheel rim, hence follow 4 tire rotation only (Refer: Section Inspection and Maintenance).
- The provision of different spare wheel is as per government notification/regulation (MORTH notification vide GSR 625 (E)).

SPECIFICATIONS

ITEM: Recommended fuel / lubricants and capacities (approx.)			
Fuel		See "FUEL RECOMMENDATION" section.	37 L [#]
Engine oil	For Petrol	Classification: API SN Viscosity: SAE 0W-16	3.3 L (replacement with oil filter)
	For CNG		3.7 L (replacement with oil filter)
Engine coolant		See "INSPECTION AND MAINTENANCE" section.	4.2 L (including reservoir tank)
Manual transaxle oil		"MARUTI GENUINE GEAR OIL 75W"	1.5 L
Auto Gear Shift oil			1.5 L
Brake fluid / Clutch fluid		MARUTI GENUINE BRAKE FLUID (MGBF) or DOT 3.	Refill to the proper oil level according to the instructions in "INSPECTION AND MAINTENANCE" section.

The fuel tank capacity is slightly more than the recommended quantity of fuel that you can fill. The additional voluminous space is provided for safety and scientific reasons.



55RH0-74E

SERVICE NETWORK (AS ON 31.05.2023)

- **MARUTI SUZUKI AUTHORISED DEALER WORKSHOP** : SALES, SERVICE, WARRANTY & SPARE PARTS
- **MARUTI SUZUKI NEXA DEALER WORKSHOP** : SALES, SERVICE, WARRANTY & SPARE PARTS
- **MARUTI SERVICE MASTER (MSM)** : SERVICE, WARRANTY & SPARE PARTS
- **MARUTI SERVICE ZONE (MSZ)** : SERVICE, WARRANTY & SPARE PARTS
- **MARUTI AUTHORISED SERVICE STATIONS (MASSs)** : 'A' CATEGORY MASSs (**MARKED)
Free & paid Service, Major repairs & Accidental repairs
- 'B' CATEGORY MASSs (* MARKED)
Free & paid Service & Major repairs
- 'C' CATEGORY MASSs (##MARKED)
Free & paid Service & Minor repairs
- 'D' CATEGORY MASSs (#MARKED)
Free Service & Minor repairs

NOTE:

Certain MASSs are not authorised to undertake Warranty jobs. Customers are requested to approach only Maruti Suzuki Authorised Dealer Workshop / Maruti Suzuki Nexa Dealer Workshop / Maruti Service Master / Maruti Service Zone for Warranty jobs.

The charges and services may vary depending upon service network and location.

For latest Service Network details kindly visit www.marutisuzuki.com or contact our regional office / area office as mentioned below.

REGIONAL OFFICE	AREA COVERED
REGIONAL OFFICE (NORTH-I) MARUTI SUZUKI INDIA LIMITED 2nd FLOOR, 157 DIVINE , RAJPUR ROAD, DEHRADUN, UTTARAKHAND - 248001 PH:- 0135-2738549	UTTARAKHAND AND PART OF U.P.
REGIONAL OFFICE (NORTH-II) MARUTI SUZUKI INDIA LIMITED SCO: 39-40, SECTOR 8C, MADHYA MARG, CHANDIGARH - 160009 PH. NO.- 0172-2780056	PUNJAB, CHANDIGARH, PANCHKULA, ZIRAKPUR, MOHALI, JAMMU AND KASHMIR & LADAKH
REGIONAL OFFICE (NORTH-III) MARUTI SUZUKI INDIA LIMITED 4TH FLOOR, SUMMIT, PLOT NO. TCG 3/3, VIBHUTI KHAND, GOMTI NAGAR – LUCKNOW - 226010	PART OF U.P.
REGIONAL OFFICE (NORTH-IV) MARUTI SUZUKI INDIA LIMITED S.C.O. 81, FIRST FLOOR, SECTOR 5, PANCHKULA (HARYANA)-134109 PH : (0172) 2590056, 2580056	PART OF HARYANA AND HIMACHAL PRADESH
REGIONAL OFFICE (EAST-I) MARUTI SUZUKI INDIA LIMITED PLOTNOID/15,ACTIONAREAID, NEW TOWN KOLKATA-700156	WEST BENGAL, SIKKIM, ANDAMAN & NICOBAR
REGIONAL OFFICE (EAST-II) MARUTI SUZUKI INDIA LIMITED 4TH FLOOR, ROHINI, OPP. HOTEL APSARA, 56, CIRCULAR ROAD, LALPUR RANCHI - 834001, JHARKHAND PH.: - 0651-2563931/61	BIHAR, JHARKHAND
REGIONAL OFFICE (EAST-III) MARUTI SUZUKI INDIA LIMITED 5A, 5TH FLOOR, PEACE ENCLAVE 724, ULUBARI, G.S.ROAD, GUWAHATI-781007 (ASSAM) TELE: 0361-2734308/10/11/12	ARUNACHAL PRADESH, ASSAM, MANIPUR, MEGHALYA, MIZORAM, NAGALAND, TRIPURA

SERVICE NETWORK (AS ON 31.05.2023)

REGIONAL OFFICE (WEST-I) MARUTI SUZUKI INDIA LIMITED Plot No-GEN 25 + 25 B/2,TTC INDUSTRIAL AREA,PAWANE VILLAGE,THANE BELAPUR ROAD,NAVI MUMBAI- 400705 PH NO-022 45042300	PART OF MAHARASHTRA AND GOA
REGIONAL OFFICE (WEST-II) MARUTI SUZUKI INDIA LIMITED SACRED WORLD, 7TH FLOOR, NORTH BLOCK, UNIT NUMBER 708-715; JAGTAP CHOWK, WANAWADI, PUNE – 411 040 (MAHARASHTRA) PH. (020) 26856037 / 38 / 39	PART OF MAHARASHTRA
REGIONAL OFFICE (WEST-III) MARUTI SUZUKI INDIA LIMITED 211-213, 2ND FLOOR, ISCON MALL, ABOVE STAR INDIA BAZAR, SATELLITE, AHMEDABAD - 380015 PH NO - 079 – 40036660	GUJARAT, DADRA & NAGAR HAVELI, DAMAN AND DIU
REGIONAL OFFICE (SOUTH-I) MARUTI SUZUKI INDIA LIMITED 10th Floor, Block A, Global Infocity Park, No.40, Anna Nedunchalai, Kandanchavadi, Perungudi, Chennai, Tamil Nadu – 600096 PH. - 044 - 28233050 – 53	TAMILNADU AND PONDICHERY
REGIONAL OFFICE (SOUTH-II) MARUTI SUZUKI INDIA LIMITED #204, 2ND FLOOR, EMBASSY CLASSIC BUILDING,VITTAL MALLYA ROAD,BANGALORE- 560001, KARNATAKA. PH: (080) 41120018	KARNATAKA
REGIONAL OFFICE (SOUTH-III) MARUTI SUZUKI INDIA LIMITED 2ND FLOOR, TUTUS TOWERS, 32/1787 NH47- BYE PASS, PADIVATTOM, COCHIN- 682024	KERALA
REGIONAL OFFICE (SOUTH EAST-I) MARUTI SUZUKI INDIA LIMITED 101-102 FIRST FLOOR MAHAVIR CHAMBERS, LIBERTY SQUARE STANZA, HIMAYATH NAGAR, HYDERABAD-500029, TELANGANA CONTACT NO: 040-667299999	ANDHRA PRADESH, TELANGANA
REGIONAL OFFICE (SOUTH EAST-II) MARUTI SUZUKI INDIA LIMITED UTKAL SIGNATURE, UNIT NO. 605 & 606 (6TH FLOOR) NH-5, PAHAL, CUTTACK-BHUBANESWAR ROAD, BHUBANESWAR-752101, ODISHA PH. 0674-2914129, 0674-2914139 & 0674-2914229	ODISHA AND CHHATTISGARH
REGIONAL OFFICE (CENTRAL-I & II) MARUTI SUZUKI INDIA LIMITED Nelson Mandela Marg,Vasant Kunj II, Vasant Kunj, New Delhi, Delhi - 110070	DELHI
REGIONAL OFFICE (CENTRAL-III) MARUTI SUZUKI INDIA LIMITED 7TH POOJA TOWER, 3 GOPALPURA BYEPASS, TONK ROAD JAIPUR (RAJASTHAN)- 302018, CONTACT NO.: 0141-2550888	RAJASTHAN
REGIONAL OFFICE (CENTRAL-IV) MARUTI SUZUKI INDIA LIMITED 3RD FLOOR, COMMERCE HOUSE, 7 RACE COURSE ROAD INDORE (M.P) PIN CODE: 452001 CONTACT NO.: 07314069481/852/385.	MADHYA PRADESH

SERVICE NETWORK (AS ON 31.05.2023)

DETAILS OF AREA OFFICES	
Area Office Location	Area Office Address
Agra	Maruti Suzuki India Limited, 7th Floor, B-15/8, Shri Vrindavan Tower, Sanjay Place, Agra-282001 Ph:-0562-4052646/47
Bhopal	Maruti Suzuki India Limited, 522, 5th Floor Corporate Zone, Ashima Mall, Hoshangabad Road, Bhopal (M.P) Pin Code: 462 026 Contact : 0755 6051555
Calicut	Maruti Suzuki India Limited, Ground Floor, Aarpees Arcade, YMCA Cross Road, Opp. Indusind Bank, Kozhikode, Kerala -PIN 673001 Phone:- 0495-2723151
Coimbatore	Maruti Suzuki India Limited, Srivari Gokul Towers, First floor, (East wing), No.108/3, Race course, Coimbatore - 641018 Ph.- 0422-2221091
Hubli	Maruti Suzuki India Limited, Shiva Avenue, 2nd Floor, Gokul Road, Hubli - 580030, Ph: 0836-4259447
Jammu	Maruti Suzuki India Limited, Hall no: 315, A2,3rd Floor, South Block, Bahu Plaza, Jammu-180012 M: 9622066444/9622524343
Ludhiana	Maruti Suzuki India Limited, SCO No. 16/17, 4Th Floor, Fortune Chambers, Feroze Gandhi Market, Ludhiana-141001, Ph: 0161-4649764
Madurai	Maruti Suzuki India Limited, 3rd floor, ADR towers, Kalavasal, Theni Bye pass road, Madurai-625016 Ph. - 0452-4200203
Mangalore	Maruti Suzuki India Limited, F - 4,5,6, 1st Floor, Classic Gateway, Mahaveer Circle Pumpwell Mangalore – 575002 Ph. 0824 - 4112111

SERVICE NETWORK (AS ON 31.05.2023)

DETAILS OF AREA OFFICES	
Area Office Location	Area Office Address
Nagpur	Maruti Suzuki India Limited, Plot No.244, 1st Floor, Narayani House, Hill Road, Dharampeth Extension, Nagpur - 440010 (Maharashtra) Ph. (0712) 2225808
Nashik	Maruti Suzuki India Limited, Plot No.202, Rushiraj Towers, Jehan Circle, Gangapur Road, Nashik - 422 005 (Maharashtra) Ph. (0253) 6698551
Patna	Maruti Suzuki India Limited, 307-308, Vasundhara Metro Mall, Rajapur Pul, East Boring Canal Road, Patna - 800001, Bihar Phone - 0612-2559145
Raipur	Maruti Suzuki India Limited, 629-630, Magneto Offizo,Magneto The Mall, Labhandi, Raipur, Chhattisgarh, Pin - 492001 Ph.- 0771-4039643
Siliguri	Maruti Suzuki India Limited, Unit 401, 4th Floor, Quantum Siliguri, Parivahan Nagar, Matigara Siliguri - 734010 West Bengal
Surat	Maruti Suzuki India Limited, 304, Shivalik Western, Above TGB Restaurant, L.P. Savani Road, Adajan Surat - 395009
Trivandrum	Maruti Suzuki India Limited, 8th Floor, KEK Tower, Opp. Police Head Quarters, Vazhuthacadu, Trivandrum - 695010, Phone:- 0471-2322366
Udaipur	Maruti Suzuki India Limited, 302 & 303, 3rd Floor. Manglam's Fun Square, Durga Nursery Road. Udaipur, (Rajasthan) 313001
Vijayawada	Maruti Suzuki India Limited, Vaishinavi Complex, 4th Floor, Unit 2,Opposite Executive Club, Vijayawada, -530002,
Visakhapatnam	Maruti Suzuki India Limited, Door No. 10-50-58/1, 3rd Floor, Waltair Main Road, Ramnagar, Above westside store, RK Estates, Visakhapatnam-530002, Andhra Pradesh Contact No: 0891 2745299

Dealer Workshop (AS ON 30.05.2023)

236. M SQUARE MOTORS (A UNIT OF MAHAVIR MOTORCORP PRIVATE LIMITED) (C302-C3-01), KHASRA NO. 420 AND 414/1, NEAR RELIANCE PETROLEUM PUMP, BESIDES TRANSPORT NAGAR GATE, RAIPUR ROAD, PARSADA, BILASPUR. - 495223
PH :6262622560.
- DALLIRAJHARA**
237. CHOJHAN (SMZ1-SMZ-01), H.NO 185, WARD NO 25, NAYA MARKET,DALLIRAJHARA,BALOD DISTRICT-491228 - 491228
PH :626200222.
- DEOBHOG**
238. SPARSH AUTO (SIQ1-SIQ-01), M/S SPARSH AUTOMOBILES PVT LTD SANTOSHI NAGAR,NEAR BHARAT PETROL PUMP, DHARAMGARH ROAD, DEOBHOG - 493890 - 493890
PH :9926626662.
- DHAMTARI**
239. SKY AUTOMOBILES (7V01-7V-01), KASRA NO.238/2, SEHARA DABRI, RAIPUR ROAD, DHAMTARI-493773 CHATTISGARH - 492009
PH :889998612.
- DURG**
240. SPARSH AUTOMOBILES PVT LTD (7W03-7W-01), OPP. JAINAM PLACE, BEFORE PULGAON CHOWK, PULGAON NAKA, DURG, CHHATTISGARH - 491001
PH :9840437544.
- GARIYABANDH**
241. SPARSH AUTOMOBILES (CCH1-CCH-01), NEAR HP PETROL PUMP, RAIPUR ROAD, GARIYABAND, CHHATTISGARH. - 756032
PH :9696938883.
- JAGDALPUR**
242. SKY AUTOMOBILES (EC01-EC-01), GEEDAM ROAD, JAGDALPUR, CHATTISGARH. - 494001
PH :9109996511.
- JANJIR**
243. SATYA AUTO PVT LTD (9N02-9N-01), NEAR KHOKSHA RAILWAY CROSSING, CHAMPA ROAD, NH-200, JANJIR - 495668
PH :7747000446.
- KANKER**
244. SKY AUTOMOBILES (5001-KG-06), RAZA NAGAR, SINGARBHAT, NH-30, KANKER, DISTRICT - KANKER, CHHATTISGARH - 494334
PH :8889998625.
- KAWARDHA**
245. CHOJHAN AUTOMOBILES LLP (DI02-DI-01), KHASRA NO. 100/6, TALPUR BILASPUR ROAD, KAWARDHA, CHHATTISGARH. - 491 995
PH :6262000222.

- KHAIRAGARH**
246. SPARSH AUTOMOBILES PVT LTD (GMG1-GMG-01), KHAIRAGARH -JHALBANDHA ROAD,AMLIPARA, OPP - BIJALI OFFICE, KHAIRAGARH -491881 - 491881
PH :9926626662.
- KHARSIA**
247. SATYA AUTO (SET1-SET-01), M/S SATYA AUTO , BESIDE GOVT HIGH SCHOOL, RANISAGAR, KHARSIA, DISTRICT: RAIGARH, CHHATTISGARH - 496661
PH :9993092051.
- KONDAGAON**
248. SKY AUTO (SDF1-SDF-01), - M/S SKY AUTO, NH-90 RAIPUR ROAD, NEAR INDIAN OIL PETROL PUMP, KONDAGAON, CHHATTISGARH - 494228
PH :9425204051.
- KORBA**
249. SATYA AUTO PVT LTD (U702-U7-01), SHED NO. 1, INDUSTRIAL AREA, KORBA - 495681
PH :8462000861.
- MAHASAMUND**
250. SPARSH AUTOMOBILES (5002-9P-02), BARONDA CHOWNK, BAGBAHRA ROAD, MAHASAMUND. - ??
PH :9926280700.
- MANENDRAGARH**
251. MAHAMAYA AUTOCARS PVT LTD (AE01-BCE-02), WARD NO.21, NH-43, AMBIKAPUR ROAD, NEAR HP PETROL PUMP, MANENDRAGARH, DISTT. KORIYA - 497442
PH :9584136234.
- MUNGELI**
252. SATYA AUTO PVT LTD (BLE2-BLE-01), KHASRA NO. 270/2, BILASPUR ROAD, MUNGELI, CHHATTISGARH - 861468
PH :8462000844.
- PATHALGAON**
253. MAHAMAYA AUTOCARS PVT LTD (BXO1-BXO-01), KHASRA NO. 567/2, PHATALGAON, DISTRICT - JASPUR, CHHATTISGARH. - 496118
PH :9752195523.
- PITHORA**
254. SPARSH AUTOMOBILES (CCG1-CCG-01), PLOT NO. 284/1, RAMSAGAR PARA, RAIPUR ROAD, PITHORA, CHHATTISGARH. - 761008
PH :9926280700.
- RAIGARH**
255. SATYA AUTO PVT LTD (7Y03-7Y-01), JINDAL ROAD, RAIGARH - 496001
PH :7024398350.

- RAIPUR**
256. SKY AUTOMOBILES (5001-50-01), G.E.ROAD, MOHABA BAZAR, RAIPUR. - 492010
PH :9584433102.
257. SKY AUTOMOBILES (5001-50-02), K.K. ROAD, MOUDHAPARA, RAIPUR. - 492001
PH :9584460290.
258. SPARSH AUTOMOBILES (5002-50-01), PACHPADI NAKA, OPP. DUTTA DRY CLEANER, DHAMKARI, JAGDALPUR ROAD, RAIPUR. - 492001
PH :9669792000.
259. SKY AUTOMOBILES (5001-50-05), NEAR R.K. MALL, KOTA ROAD, RAIPUR - 492001
PH :9893000161.
260. SKY AUTOMOBILES (5003-50-01), AVANTIVIHAR ROAD, TELEBANDHA, RAIPUR (C.G) - 492006
PH :9522314155.
261. SPARSH AUTOMOBILES (5002-50-04), OPP. UNION BANK, MAIN ROAD, PANDRI, RAIPUR - 492004
PH :9009666400.
262. SPARSH AUTOMOBILES (5002-50-05), PLOT - 31, INDUSTRIAL ESTATE, OPP MAHESH COLD STORAGE, BHANPURI, RAIPUR - ??
PH :9977220395.
263. SKY AUTOMOBILES (5001-50-07), ADJOINING WALLFORT CITY, BHATGAON, RING ROAD NO. 2, RAIPUR, CHHATTISGARH. - 492013
PH :9584460289.
264. HDN MOTORS PVT. LTD. (5005-50-01), BESIDES BHARAT BENZ SHOWROOM, DURG-BHILAI ROAD, TATIBANDH, RAIPUR, CHHATTISGARH. - 492001
PH :7909800093.
265. VISHWABHARTI AUTOMOBILES PRIVATE LIMITED (5004-50-01), VIDHAN SABHA ROAD, MOWA, RAIPUR DISTT. CHHATTISGARH - 492005
PH :6262620057.
- RAJIM**
266. SPARSH AUTOMOBILES (5002-MO-03), RAIPUR ROAD, NEAR AMMANI PETROL PUMP, NAYAPARA, RAJIM. - 493881
PH :966963883.
- RAJNANDGAON**
267. SPARSH AUTOMOBILES PVT LTD (LQ02-LQ-01), NEAR HANUMAN TEMPLE, VILL-MANKI , NH-6, RAJNANDGAON, CHHATTISGARH - 491441
PH :7887518100.
- SARAIPALLI**
268. SKY AUTOMOBILES PVT. LTD. (BUF1-BUF-01), KHASRA NO.482/5 AND 482/6, RAIPUR ROAD, SARAIPALI, DIST-MASAMUND, SARAIPALI - 493558
PH :7000723259.
- SARANGARH**

269. SATYA AUTO PVT LTD (BUC2-BUC-01), KASRA NO. 71/4, 73/2, 74/2, 75/1 AND 76/2, SARANGARH BIKAS KHAND, SARANGARH, DISTT. RAIGARH. - 733751
PH :8462000841.
- TILDA**
270. SKY AUTOMOBILES (CWR1-CWR-01), KASRA NO. 29/31, TILDA, DIST.-RAIPUR, CHHATTISGARH. - 493 114
PH :9425204051.
- TITLAGARH**
271. ODYSSEY MOTORS (SQE1-SQE-01), M/S PLOT NO 687/1216, MOUZA PIPALPADAR, TITLAGARH,BALANGIR, ODISHA - 767033
PH :9439314464.
- DADRA AND NAGAR HAVELI**
- SILVASSA**
272. KATARIA AUTOMOBILES PVT. LTD. (ED01-ED-01), NEAR ATHAL CHAR RASTA,DADAR & NAGAR HAVELI, SILVASSA - 396230
PH :9723816223.
- DAMAN AND DIU**
- DAMAN**
273. KATARIA AUTOMOBILES PVT. LTD. (0104-98-08), NEAR AKASWANI CENTER, RINGANWADA, NANI DAMAN , DAMAN UNION TERRITORY - 396210
PH :9924130655.
- DELHI**
- DELHI**
274. SAYA AUTOMOBILES PVT. LTD. (0808-08-03), A 21-22, G.T.KARNAL ROAD, NEW DELHI - 110033
PH :47088888.
275. BAGGA LINK MOTORS PVT LTD. (0811-08-01), 395 PATPAR GANJ INDL AREA,PATPARGANJ,NEW DELHI - 110092
PH :46488830, 46488831.
276. BAGGA LINK MOTORS PVT LTD. (0811-08-02), LINK ROAD,NEAR BAGGA PETROL PUMP),KAROL BAGH,NEW DELHI - 110005
PH :23524646, 23522626.
277. DD MOTORS (A DIVISION OF D. D. PREM PVT.LTD.) (08F1-08-01), A-100 MAYAPURI,PHASE-II,NEW DELHI - 110064
PH :41845000, 49305232.
278. COMPETENT AUTOMOBILES CO. LTD. (0806-08-03), PLOT NO.3,GAZIPUR,DELHI. - 110096
PH :45300000.
279. T.R. SAWHNEY MOTORS PVT LTD (0819-08-02), B-6 INDUSTRIAL AREA, PHASE I, OPP SECTOR 18, BADLI, NEW DELHI - 110042
PH :71118333.

Dealer Workshop (AS ON 30.05.2023)

280. DD MOTORS (A DIVISION OF D.D. PREM PVT.LTD.) (08F2-08-01), 5, WAZIRPUR INDUSTRIAL AREA, ADJACENT TO WAZIRPUR DEPOT, RING ROAD, NEW DELHI - 110034
PH :27153996-99, 27151466-67.
281. ROHAN MOTORS LTD. (0886-08-01), F-9/B-1, MOHAN COOPERATIVE INDUSTRIAL ESTATE, MATHURA ROAD, DELHI - 110044
PH :40567900, 41679252-259.
282. T.R. SAWHNEY MOTORS PVT LTD (0819-08-01), 33 & 34, HARICHAND MELARAM COMPLEX, EAST GOKULPUR, WAZIRABAD ROAD, DELHI - 110094
PH :71115333.
283. RANA MOTORS PVT LTD (08A1-08-02), C-47, OKHLA INDUSTRIAL AREA, PHASE-II, NEW DELHI - 110020
PH :41707777.
284. MAGIC AUTO PVT. LTD. (0888-08-01), A-93, PHASE-2, MAYAPURI INDL AREA, DELHI - 110064
PH :41847777.
285. DD MOTORS (A DIVISION OF D.D. PREM PVT.LTD.) (08F3-08-01), A-1 UDYOG VIHAR, NEAR ROHTAK ROAD, PEERAGARHI, DELHI - 110041
PH :25963535, 48616500.
286. T.R. SAWHNEY MOTORS PVT LTD (0819-08-04), PLOT NO.-508, FUNCTIONAL INDUSTRIAL ESTATE, PATPARGANJ - 110092
PH :9873851333.
287. MAGIC AUTO PVT. LTD. (08B7-08-01), PLOT NO. 68/3, MOTINAGAR, NEW DELHI, - 110015
PH :43777777, 43777721.
288. SHREYASH AUTOMOTIVES PRIVATE LIMITED (08F8-08-01), PLOT NO.9, SSI INDUSTRIAL ESTATE, GT KARNAL ROAD, NEW DELHI. - 110063
PH :43288888.
289. SAYA AUTOMOBILES (0808-08-2B), KHASRA NO.2,G.T. KARNAL ROAD, OPP. GURUDUARA HARGOVIND SINGH, SIRAS PUR BADLI, DELHI - 110033
PH :27731325, 27731856.
290. COMPETENT AUTOMOBILES CO. LTD. (0806-08-05), B-83 MAYAPURI PHASE I, NEW DELHI - 110015
PH :47268980.
291. BAGGA LINK MOTORS PVT LTD. (0811-08-03), PLOT NO.4,6,8,10 NEAR FORTIS HOSPITAL, OPPOSITE NIRULAS, BABA POTERY COMPOUND, ARUNA ASAF ALI ROAD, VASANT KUNJ, NEW DELHI - 110070
PH :45888888, 45888811.
292. RANA MOTORS PVT LTD (08A1-08-04), B-6/6, OKHLA INDUSTRIAL AREA PHASE-II, NEW DELHI - 110020
PH :40877777, 26389930.

293. COMPETENT AUTOMOBILES CO. LTD. (0806-08-06), 14, SHIVAJI MARG, NAGAFGARH ROAD, NEW DELHI - 110 015
PH :8377007980/81/02.
294. PREM MOTORS PVT. LTD. (08D4-08-01), KH. NO.804/2, MAHIPALPUR MATA CHOWK, DELHI - 110037
PH :42390000.
295. AAA VEHICLEADES PVT. LTD. (08B9-08-03), VILLAGE GHEVRA, KHASRA NO.87/3, 87/8 & 87/13/1, DELHI-ROHTAK ROAD, METRO PILLAR NO.616, MUNDKA, NEW DELHI - 110041
PH :66118888.
296. RANA MOTORS PVT LTD (08A1-08-05), A-8, RAJASTHANI UDYOG NAGAR, NEAR AZADPUR FRUIT MARKET, G.T. KARNAL ROAD, OPP. METRO PILLAR NO.119, DELHI, - 110033
PH :41609999, 42474444.
297. SHREYASH AUTOMOTIVES PRIVATE LIMITED (08F9-08-01), A-3, WAZIRPUR INDUSTRIAL AREA, DELHI, - 110052
PH :42020000, 9910114255.
298. T.R. SAWHNEY MOTORS PVT LTD (08D2-08-01), B-19, MAYAPURI INDUSTRIAL AREA, PHASE-1, NEW DELHI, - 110064
PH :71119333, 9899049337.
299. DD MOTORS (A DIVISION OF D.D. PREM PVT.LTD.) (08F1-08-02), 9/55 KIRTI NAGAR, INDUSTRIAL AREA, NEW DELHI - 110015
PH :999903888.
300. MAGIC AUTO PVT. LTD. (08D5-08-01), PLOT NO. 449 & 450, PATPARGANJ INDUSTRIAL AREA, NEW DELHI. - 110092
PH :9818741741.
301. DD MOTORS (A DIVISION OF D.D. PREM PVT.LTD.) (08F1-08-03), 85B RANAJI ENCLAVE, NAGLI SAKRAWATI, NAJAFGARH, NEW DELHI. - 110043
PH :9999127840/9999127947.
302. DD MOTORS (A DIVISION OF D.D. PREM PVT.LTD.) (08F5-08-01), 36/22/2 AND 36/19, PANA UDHYAN, NARELA, NEW DELHI. - 110040
PH :8860637358.
303. DD MOTORS (A DIVISION OF D.D. PREM PVT.LTD.) (08F1-08-04), 32/19, MATIALA, BEHIND DELHI PUBLIC SCHOOL, SECTOR-3, DWARKA, NEW DELHI. - 110059
PH :9873173005.
304. FAIR DEAL WHEELS PVT. LTD (08E3-08-01), PLOT NO.25, KHATA KHATAUNI NO.97/98, KHASRA NO.48/17, OPP. BRAHMISHAKTI HOSPITAL, BUDH VIHAR, POOTH KALAN, MAIN KANJHAWALA ROAD, DELHI - 110086
PH :871193801.
305. COMPETENT AUTOMOBILES CO. LTD. (0806-08-07), 23/2, MATIALA PHIRNI, POCKET C, SECTOR 3, DWARKA, DELHI. - 110059
PH :9582797774.

306. JAGMOHAN AUTOMOTIVES (08F6-08-01), PLOT NO. 69/2, WAZIRPUR INDUSTRIAL AREA, NEW DELHI, PIN-110052 - 110052
PH :9650790351.
307. RANA MOTORS (08A1-08-08), B-83, GTK ROAD INDUSTRIAL AREA, DELHI. - 110033
PH :9873400386.
308. AAA VEHICLEADES (08B9-08-G1), KHASRA NO. 204, MAIN CHHATARPUR ROAD, CHHATARPUR, NEAR SAI BABA MANDIR, DELHI, PIN-110030 - 110030
PH :9829342761.
309. VIPUL MOTORS (08F7-08-01), B-26, JHLMIL INDUSTRIAL AREA, DELHI - 110095 - 110095
PH :9811233385.
- OKHLA, DELHI**
310. AAA VEHICLEADES PVT LTD (08B4-08-01), B243, OKHLA PHASE-1, OKHLA, DELHI - 110020
PH :8448582912.
- WAZIRPUR - DELHI**
311. DD MOTORS (08F1-08-05), A-90, WAZIRPUR INDUSTRIAL AREA, NEW DELHI-110052 - 110052
PH :9310367233.
- GOA**
- BICHOLIM**
312. SAI SERVICE PRIVATE LIMITED (BHN1-BHN-01), CITY SURVEY NO. 46/1, MUSLIM WADDO, BICHOLIM, GOA - 403529
PH :2385500, 9881746566.
- CANACONA**
313. CHOWGULE INDUSTRIES PVT. LTD. (IT01-IT-01), PLOT NO.40, CANCONA INDUSTRIAL ESTATE, SHREESTAL, CANCONA, SOUTH GOA - 403702
PH :0832-2633010/8805024916.
- CUNCOLIM**
314. SAI SERVICE PRIVATE LIMITED (3402-AAO-06), SURVEY NO.64/7, SHOP NO.3-A-II, CANCNAMEODDI, CUNCOLIM, SOUTH GOA - 403703
PH :2763062, 2763063, 9850398057.
- DHARBANDORA**
315. CHOWGULE INDUSTRIES PVT. LTD. (3408-GO-07), AT- KHANDEPAR- USGAON, TAL-DHARBANDORA, SOUTH GOA - 403401
PH :0832-6623477/7888004357.
- MAPUSA**
316. SAI SERVICE PRIVATE LIMITED (3402-8Z-05), D-2/9, MAPUSA INDUSTRIAL ESTATE, MAPUSA, GOA, - 403507
PH :2267000, 8660432266.
317. CHOWGULE INDUSTRIES PVT. LTD. (3408-8Z-03), PLOT NO. 19/20, THIVIM INDUSTRIAL ESTATE, KARASWADA, MAPUSA, GOA - 403507
PH :0832-6631666/6631608/8888817955.

- MARGAO**
318. CHOWGULE INDUSTRIES PVT. LTD. (3408-1Y-01), OPP.DAMODAR TEMPLE, FATORDA, MARGOA, GOA - 403602
PH :0832-6623444/420/7796630235.
319. SAI POINT CARS PVT LTD (3409-1Y-01), H.NO.17, WARD NO.5, SURVEY NO.34/3, 34/4, MARGAON PONDA HIGHWAY, SONFATOR AMBORA, CAMUURLIN, SALTETE, .GOA - 403722
PH :9545454826/8380013499.
320. SAI SERVICE PRIVATE LIMITED (3402-1Y-02), SURVEY NO. 212/4, VILLAGE - VERNA, TAL : SALTETE, NEXT TO AGNEL POLYTECHNIC, MARGAO - 403718
PH :2883000, 2791195, 9834398096.
321. CHOWGULE INDUSTRIES PVT. LTD. (3408-1Y-08), PLOT NO. M-58 AND M-59, PHASE 3B, VERNA INDUSTRIAL ESTATE, MARGAO, VERNA, SALTETE SOUTH GOA, GOA - 403722
PH :0832-6621800/9922950800.
- PANAJI**
322. CHOWGULE INDUSTRIES PVT. LTD. (3408-P1-02), D.B BANDOOKAR MARG, CAMPAL, PANAJI, GOA - 403001
PH :9922950798/9922925701.
323. SAI SERVICE PRIVATE LIMITED (3402-P1-07), SHED NO.18/329, PLOT NO.5A, SURVEY NO.117/6, TELEIGAONI, ST. INEZ, PANJIM, GOA-403 002. - 403001
PH :22229222/2225222, 9923865179.
- PERNEM**
324. CHOWGULE INDUSTRIES PVT. LTD. (CUA1-CUA-01), SURVEY NO. 258/1-B & 258/1-C, OPPOSITE INDUSTRIAL TRAINING INSTITUTE, TALUKA - PERNEM, DIST.-NORTH GOA. - 403512
PH :8380082893.
- POLEM**
325. CHOWGULE INDUSTRIES (SHO1-SHO-01), DULGAL-SHELIM, VILLAGE POLEM-LOLIEM .SOUTH GOA.403728 - 403728
PH :#REF!.
- PONDA**
326. SAI SERVICE PRIVATE LIMITED (3402-34-03), OFF PANJIM HIGHWAY, PONDA, GOA, - 403401
PH :2324106, 2311499, 2324120, 9518349559.
- PORVORIM**
327. SAI SERVICE PRIVATE LIMITED (3402-P1-01), SURVEY NO: 36/1, PENHA DE FRANCE, TAL : BARDEZ, ALTO PCRVORIM, GOA - 403501
PH :2419200, 2414324, 9881746567.
- SANVORDEM**

Dealer Workshop (AS ON 30.05.2023)

487. R B CARS PVT. LTD. (2C01-RY-03), NEAR PTC COLLEGE, SANT ROAD, SANTRAMPUR, DISTT. - PANCHMAHAL - 389260
PH :8980585851, 9099043715.
- SAVLI**
488. KIRAN MOTORS LTD (CFD1-CFD-01), SURVEY NO. 2592/1 PAKKI 2, NEAR RELIANCE PETROL PUMP, BHADRVA CHOWKDI, SAVLI – TIMBA ROAD, SAVIL, TALUK – SAVLI, DISTRICT – VADODARA, GUJARAT. - 391770
PH :7984799054.
- SAYAN**
489. KIRAN MOTORS LTD (OO01-OO-01), PLOT NO.6 TO 10 OF R BLOCK, SURVEY NO.209, VILLAGE PARIA, TALUKA: OLPAD, SAYAN - 394130
PH :8155888862/9662330480.
- SAYLA**
490. DREAM VEHICLES (SJM1-SJM-01), LALGURU COMPLEX, SUDAMDA ROAD, SAYLA, DISTRICT SURENDRANAGAR, GUJARAT PIN 363430 - 363430
PH :9227775709.
- SHANKESHWAR**
491. STARLINE CARS (SLY1-SLY-01), MANIBHADRA SHOPPING CENTRE, SHANKHESHWAR HIGHWAY, SHANKHESHWAR (GUJARAT)- DIST: PATAN - 384246
PH :9824601729.
- SHAPAR**
492. ATUL MOTORS PVT LTD (BQZ1-BQZ-01), SHOP NO. 1 TO 4, SURVEY NO. 305/1, PLOT NO. 169, SHAPAR, DISTRICT – RAJKOT, GUJARAT - 360024
PH :9714008492, 9624711397.
- SIDDHPUR**
493. STARLINE CARS PVT. LTD. (CMY1-CMY-01), PLOT NO. 140-1285/7, SIDHPUR, TALUKA – VADGAM, DISTRICT – PATAN, - 384151
PH :9909043244, 9824601729.
- SINOR**
494. RAVIRATNA MOTORS PVT LTD (GML1-GML-01), NEAR SEVGA CHOKDI, SEVGA DABHOI ROAD, AT AND POST SEGVA, TALUKA SINOR, DIST. VADODARA, PIN-391105, GUJARAT - 391105
PH :7227055065.
- SITAPUR**
495. STARLINE CARS PVT LTD (SFV1-SFV-01), SHOP NO. 2, RUDRA ARCADE, REVENUE SURVEY NO. 129, VITHLAPUR (SITAPUR) BECHARAJI – VIRAMGAM HIGHWAY, DIST. AHMEDABAD, PIN CODE: 382120 - 382120
PH :9909043244.
- SONGADH**
496. COMET CAR SALES & SERVICE PVT LTD (CWE1-CWE-01), LAXMI PLAZA, SHOP NO. 21 & 22, SURAT DHULIYA HIGHWAY, TALUKA - SONGADH, DIST.-TAPI. - 384220
PH :9099916099.
- SUPEDI**
497. KATARIA AUTOMOBILES (SEM1-SEM-01), SURVEY NO-482/7, PAIKI PLOT NO-18, MATRAVAD ROAD, GRAM-SUPEDI, DIST - RAJKOT - 360440
PH :9409497902.
- SURAT**
498. KIRAN MOTORS LTD (4001-40-01), SURAT-BARDOLI ROAD,DUMBHAL,NEAR PUNA JAKAT NAKA,SURAT - 395010
PH :9924448715/9924637898.
499. DHRU MOTORS (4002-40-01), JEEVAN GANGA NAGAR,NEAR JEEVAN JYOT THEATRE,UDHNA MAIN ROAD,SURAT - 394210
PH :9925155911/9925155907.
500. KIRAN MOTORS LTD (4001-40-02), PANDESARA,BAMROLI ROAD,SURAT - 395002
PH :9824603880.
501. KATARIA AUTOMOBILES PVT. LTD. (4004-40-04), TP NO. 6, SURVEY NO. 317/2, FINAL PLOT NO. 39, OPP SIMS GARDEN, NEAR VIP ROAD, VESU, SURAT -395007 - 395007
PH :9714612700, 9824401000.
502. DHRU MOTORS (4002-40-1B), 207, NEW INDUSTRIAL ESTATE,ROAD NO.-6,UDHNA UDYOG NAGAR, SURAT - 394210
PH :0261-2272118/ 9978900862.
503. KATARIA AUTOMOBILES PVT. LTD. (4004-40-05), KATARIA ARCADE,OPP. RAJHANS CINEMA,DUMAS ROAD, PIPLOD, SURAT - 395007
PH :7698022449/9624477252.
504. COMET CAR SALES & SERVICE PVT LTD (4006-40-01), CHIKUWADI COMPLEX, GHB ROAD, PANDESARA, SURAT. - 394221
PH :9099915995.
505. KATARIA AUTOMOBILES PVT. LTD. (4004-40-08), BLOCK NO.233, TP NO.8, OPP. SHREE LEKHA RESIDENCY, PALANPORE, ADAJAN, SURAT - 394310
PH :9924119020.
506. KIRAN MOTORS LTD (4005-40-01), PLOT NO. 443, FP NO. 26 MOJE PALGAM, ADAJAN, SURAT - 395009
PH :9824611153/9824701590.
507. AMAR CARS PVT. LTD. (4009-40-02), PLOT NO.10&11, SURVEY NO.7 & 9, SONARAS COMPOUND, NEAR DGVC/CL OFFICE, KARMINATH MAHADEV TEMPLE LANE, KAPODARA, VARACHHIA ROAD, SURAT - 395006
PH :7069026512.
508. COMET CAR SALES & SERVICE PVT LTD (4006-40-03), R. S. NO. 311, T. P. SCHEME-3 FINAL PLOT NO. 102/A, KATARGAM, SURAT, DISTRICT – SURAT, GUJARAT. - 395004
PH :9099916099.
509. DHRU MOTORS (4002-40-03), PLOT NO.54/A, LAXMINARAYAN LNDUSTRIAL ESTATE. UDHNA, SURAT-394210 - 394210
PH :#REF!.
- SURENDRANAGAR**
510. DREAM VEHICLES PVT LTD (LC01-LC-01), 261/P, OPP MARKETING YARD,GIDC AREA,WADHWAN CITY, SURENDRANAGAR - 363030
PH :02752-241314 / 02752-651516/ 9227775721.
511. DREAM VEHICLES (LC01-LC-02), PLOT NO-604/B, GIDC PHASE-3, WADHWAN, SURENDRANAGAR, GUJARAT-363030 - 363030
PH :9227775724.
- TALAJA**
512. KATARIA (BCI2-BCI-01), SURVEY NO-168, DHANJIBHAI BALADHYIA NI VADI, NEAR MAHUVA PALITANA CROSS ROAD, MAHUVA BHAVNAGAR HIGHWAY, TALAJA-364140. - 364140
PH :9316626475.
- TANKARA**
513. ATUL MOTORS PVT LTD (BQY1-BQY-01), PLOT NO. 8/1, S. NO. 107, VILLAGE – JABALPUR, TALUKA – TANKARA, SUB DISTRICT – MORBI, DISTRICT – RAJKOT. - 363650
PH :9714008492, 9624711397.
- TARAPUR**
514. AMAR CARS PVT. LTD. (GH01-GH-01), NEAR N K STEEL, TARAPUR ROAD, TARAPUR, DIST. -ANAND - 388180
PH :9909960772.
- THARA**
515. TANU MOTORS PVT. LTD. (0V01-0V-01), SHOP NO.17 & 18, SIHORI HIGHWAY, R.B. THAKKAR COMPLEX, THARA, KAKREJ TALUKA, BANASKANTHA DISTT. - 385555
PH :9909006099, 9913830329.
- THARAD**
516. TANU MOTORS PVT. LTD. (CDM1-CDM-01), PLOT NO. 21 & 22, VAJEGADH, DEESA HIGHWAY, THARAD, DIST.-BANASKANTHA - 384220
PH :9909006099, 9724219565.
- THASARA**
517. KATARIA AUTOMOBILES (SIM1-SIM-01), PLOT NO 1 & 2, GIDC THASARA, BESIDES NARMADA VASAHAT, DAKORE THASRA ROAD, GUJARAT-388250 - 388250
PH :7984032780.
- UMERGAON**
518. KATARIA AUTOMOBILES PVT. LTD. (BNB1-BNB-01), PLOT NO. 239, LORD COMPLEX, SHOP NO. B-9 AND B-10, UMERGAON, DISTRICT – VALSAD, GUJARAT. - 396170
PH :9624001794.
- UMRETH**
519. AMAR CARS PVT. LTD. (CFE1-CFE-01), R. S. NO. 30/2, NADIAD-DAKOR ROAD, UMRETH , DIST:ANAND, GUJARAT. - 388220
PH :9909960772.
- UNA**
520. PERFECT AUTO SERVICES (BFD1-BFD-01), SURVEY NO. 113, PLOT NO. 6, OPP. SWAMI VIVEKANAND VIDYALAYA, NEAR BANSIDHAR PETROL PUMP, BHAVNAGAR HIGHWAY, VAYAJPUR, UNA, DISTRICT – GIR SOMNATH, GUJARAT. - 362560
PH :7043992893, 7043340792.
- UNJHA**
521. TANU MOTORS (Q801-GR-02), OPP. DHANA DAL FACTORY,MEHSANA PALANPUR HIGHWAY, UNJHA - 384170
PH :9727762079.
- UPLETA**
522. PERFECT AUTO SERVICE (CH01-CH-01), S. NO. 184/1, PLOT NO. 15-16, UPLETA, GUJARAT - 360490
PH :9099027402, 8200969617.
- VADNAGAR**
523. VIMCO MOTORS PVT LTD (GKU1-GKU-01), SHILALEKH COMPLEX, BLOCK-D, SURVEY NO-2713, VADNAGAR-VISNAGAR HIGHWAY, NEAR FOOD PARADISE HOTEL, VADNAGAR, GUJARAT - 385355
PH :7016623842.
- VADODARA**
524. KIRAN MOTORS LTD (2201-22-01), 909/4, G.I.D.C.MAKARPURA,VADODARA - 390010
PH :9624472699.
525. KIRAN MOTORS LTD (2201-22-02), PLOT NO.160.SUB-I NUTAN GUJ.INDL.ESTATE,OLD CHHANI ROAD, VADODARA - 390002
PH :9824207889.
526. AMAR CARS PVT. LTD. (2203-22-01), GORWA ROAD,VARODARA,GUJARAT, - 390016
PH :9081311990, 9723742425, 8980036184.
527. AMAR CARS PVT. LTD. (2203-22-02), KALA GHODA, OPP. KIRTI MANDIR, VADODARA, DIS: VADODARA, GUJARAT - 390001
PH :7211109952.
528. KATARIA AUTOMOBILES PVT. LTD. (2204-22-01), 984/4,GIDC, OLD NH-8,MAKARPURA ROAD, VADODARA, GUJARAT - 390010
PH :9904033422.

Dealer Workshop (AS ON 30.05.2023)

529. AMAR CARS PVT. LTD. (2205-22-01), VARASIYA AIRPORT ROAD, OPP POONAM CINEMA, KARELIBAUG, VADODARA, GUJARAT - 390016 PH :8980006756.
530. KIRAN MOTORS LTD (2201-22-03), C/O ARBUDA COLD STORAGE, 823 POWER CABLE ROAD, DHARMSINH ROAD, OPP. UMA AMAR PARTY PLOT, NEAR CHHANI JAKAT NAKA, VADODARA - 390002 PH :2771122.
531. KATARIA AUTOMOBILES PVT. LTD. (2204-22-02), OPPOSITE SHARDA MANDIR HIGH SCHOOL, VINOBA BHAVE ROAD, SALATWADA, VADODARA - 390001 PH :8156017770.
532. RAVIRATNA MOTORS PVT LTD (2206-22-01), SURVEY NO. 1581, MILES HOUSE, ATLADARA ROAD, VADODARA, - 390012 PH :7227055065, 7227055064.
- VALOD**
533. DHRU MOTORS (CSW1-CSW-01), PLOT NO.5 TO 9, TAIYABA PARK SOCIETY, AT & PO - VALOD, TALUKA - VALOD, DISTT. - TAPI, GUJARAT. - 394640 PH :9712984522.
- VALSAD**
534. KATARIA AUTOMOBILES PVT. LTD. (0104-2E-06), SURVEY NO. 211, ATUL-ALSAD ROAD, PARNERA, AVALSAD, GUJARAT - 396020 PH :9904133306.
- VANSDA**
535. KATARIA AUTOMOBILES PVT. LTD. (Q701-SB-02), JAMNABA PARK, VANSDA HANUMAN BARI CHAR RASTA, VANSDA-DHARAMPUR ROAD, RANI FALIYA, VANSDA, DISTRICT - NAVSARI, GUJARAT - 396580 PH :7624088188.
- VAPI**
536. KATARIA AUTOMOBILES PVT. LTD. (0104-97-03), PLOT NO. C-29, NATIONAL HIGHWAY-8, G. I. D. C., VAPI, TAL. PARDI - 396195 PH :9924204423.
537. KATARIA AUTOMOBILES PVT. LTD. (0104-97-09), PLOT NO. 304/2, VILLAGE BALITHA, NH-8, OPP BABA SITARAM TEMPLE, NEAR SWAMINARAYAN SCHOOL, SALAV, VAPI, DISTRICT -VALSAD, GUJARAT - 369191 PH :9723462612.
538. AMAR CARS PVT. LTD. (9701-97-01), SURVEY NO. 1034, 1035, NEAR WOODLAND HOTEL, NH-8, VILLAGE - BALITHA, VAPI. - 396145 PH :9327909504.
- VERAVAL**

539. PERFECT AUTO SERVICES (5502-AH-05), NR. BALIYA HANUMAM, VERAVAL - JUNAGADH HIGHWAY, JUNAGADH, GUJARAT - 362265 PH :9998994550, 9898121122.
- VIJAPUR**
540. STARLINE CARS PVT. LTD. (D101-V2-04), HIMMATNAGAR HIGHWAY, ANANDPURA CHAR RASTA, VIJAPUR - 382870 PH :9909043635.
- VIRAMGAM**
541. KIRAN MOTORS LTD (AAB1-AAB-01), SURVEY NO.319/P, NILKI CHOKDI, VIRAMGAM, DISTT: AHMEDABAD, GUJARAT. - 382150 PH :8156016222.
- VISNAGAR**
542. STARLINE CARS PVT. LTD. (D101-RW-05), VISNAGAR -AMBAJI ROAD, OPP. DHAROI COLONY, VISNAGAR, DISTT.- MEHSANA - 384315 PH :7046046174.
- VYARA**
543. COMET CAR SALES & SERVICE PVT LTD (BIY1-BIY-01), SHOP NO. 11 & 12, BLOCK NO. 175/1/A, RS NO. 113, VYARA-SURAT ROAD, VYARA, DISTRICT - TAPI, GUJARAT - 394650 PH :9099916099.
- WAGHODIA**
544. KATARIA AUTOMOBILES PVT. LTD. (BZZ1-BZZ-01), OPPOSITE BHARAT PETROLEUM, WAGHODIA, TALUKA - WAGHODIA, DISTRICT - VADODARA, GUJARAT. - 391760 PH :7203013712.
- WANKANER**
545. ATUL MOTORS PVT LTD (BAL1-BAL-01), RAJKOT-WANKANER HIGHWAY, NEAR JADESHWAR CHAMBERS, NEAR INTERNATIONAL CERAMIC, WANKANER (GUJARAT) - 363621 PH :9904922333.
- HARYANA**
- ADAMPUR (HARYANA)**
546. SARAOGI AUTOMOBILES (P) LTD. (CWW2-CWW-01), KEWAT NO. 663, KHAT NO. 1147, KHESRI NO. 44/21/1/2(1-0), MANDI ADAMPUR, TEHSIL - ADAMPUR, DIST.-HISSAR, STATE - HARYANA. - 125052 PH :860777153.
- AMBALA**
547. MODERN AUTOMOBILES (1801-18-01), MODEL TOWN CROSSING, G.T.ROAD, AMBALA, HARYANA. - 134003 PH :9215016044.

548. MODERN AUTOMOBILES (1801-18-02), NEAR AMAR PALI RESTAURANT, G. T. ROAD, AMBALA - 134003 PH :9215016044.
549. EAKANSH WHEELS (1802-18-01), STONE NO. 126, JAGADARI ROAD, VILLAGE TEPLA, AMBALA - 133001 PH :9991703000.
550. EAKANSH WHEELS (1802-18-03), PLOT NO. 8, BASANT VIHAR, BEHIND SWASTIK MARBLE, NEAR MOTOR MARKET, AMBALA CITY, HARYANA - 133001 PH :88813874888.
551. TR SAWHNEY (1803-18-01), JAGGI GARDEN, BALDEV NAGAR, OPPOSITE AMBALA PASSPORT OFFICE, AMBALA - 134003 PH :9990110068.
- ASSANDH**
552. KARNAL MOTORS PVT. LTD. (8906-CS-04), OPP. NEW GRAIN MARKET, KARNAL ROAD ASSANDH, DISTT. KARNAL - 272032 PH :7082111325.
- BABARPUR**
553. AUTO GALLERY(A UNIT OF RKH AUTOMOBILES P LTD) (CKX1-CKX-01), G. T. ROAD, NEAR PARK RESIDENCY, SHIMLA MAULANA, BADOLI, BABARPUR, DISTT. PANIPAT - 132103 PH :7009396727.
- BAHADURGARH**
554. COMPETENT AUTOMOBILES CO. LTD. (2G02-2G-01), PLOT NO. 1202, MIE PART B, BAHADURGARH, HARYANA - 124 507 PH :8929648144.
- BAPOLI**
555. AUTO GALLERY(A UNIT OF RKH AUTOMOBILES P LTD) (CW11-CW1-01), KHEWAT NO. 136, VILLAGE - JHAMBA, TEHSIL - BAPOLI, DISTRICT - PANIPAT. - 132103 PH :9053400583.
- BARARA**
556. EAKANSH WHEELS (NX01-NX-01), SH-4, KALA AMB - SHAHBAD - BARARA ROAD, BARARA - 133201 PH :9991478100.
- BARWALA**
557. MODERN AUTOMOBILES (BSA2-BSA-01), KHEWAT/KHOTONI NO. 388, KHASARA NO. 46/9, 10, OPPOSITE AXIS BANK, VILLAGE BATAPUR, P.O. BARWALA, TEHSIL AND DISTT. PANCHKULA, HARYANA - 134118 PH :9896217059.
- BAWAL**

558. DINCO 4 WHEELS LLP (AUTO VIBES) (BBD2-BBD-01), KHATA NO. 326 AND KHATAUNI NO. 362, OPPOSITE PRATHAM HOUSING, NH-8, BAWAL, DISTRICT - REWARI, HARYANA. - 123501 PH :7082100250.
- BHIWANI**
559. JAGMOHAN MOTORS PVT LTD (X301-X3-01), DELHI ROHTAK ROAD, NEAR RADHA SWAMI SATSANG MANDIR, BHIWANI - 127021 PH :8685005992.
- BILASPUR**
560. PANDIT AUTOMOBILES PVT. LTD. (BGH1-BGH-01), NEAR GRAMIN BANK, JAGADHRI ROAD, BILASPUR, DISTRICT - YAMUNANAGAR, HARYANA. - 135102 PH :9992113854.
- BILASPUR (HARYANA)**
561. PLATINUM MOTOCORP LLP (2L04-CIA-02), KHASRA NO.54/67, CHOUDHARY NIHAL SINGH MARKET, BILASPUR CHOWK, NH-8, BILASPUR, DISTRICT - GURUGRAM, - 122413 PH :9953345329/9953345403.
- CHARKHI DADRI**
562. JAGMOHAN MOTORS PVT LTD (X301-CT-02), BHIWANI LOHARU ROAD, CHARKHI DADRI, BHIWANI - 127306 PH :8059900538.
- CHEEKA**
563. EAKANSH MOTORS PVT. LTD. (U802-HU-04), MARBLE MARKET, PATIALA ROAD, CHEEKA, HARYANA, - 136034 PH :8053086000.
- CHHACHHARAULI**
564. PANDIT AUTOMOBILES PVT. LTD. (COZ1-COZ-01), HB NO. 311, NEAR MDAV SCHOOL, TEHSIL - CHHACHHARAULI, DISTRICT - YAMUNA NAGAR, - 135103 PH :9812455895.
- DADRI TOE**
565. COMPETENT AUTOMOBILES CO. LTD. (BVH2-BVH-01), KHEWAT NO. - 270 MIN, KHATONI NO. - 319, DADRI TOYE, DISTT. JHAJJAR, HARYANA PIN 124103 - 124103 PH :9821308849.
- DAHINA**
566. DINCO 4 WHEELS LLP (AUTO VIBES) (GLH1-GLH-01), REWARI MAHENDERGARH ROAD, NEAR RAILWAY STATION, DAHINA, REWARI - 123411 PH :7082100201.
- DHAND**

Dealer Workshop (AS ON 30.05.2023)

609. MODERN AUTOMOBILES (EG02-EG-01), ADJOINING INDIAN OIL PETROL PUMP, RAM NAGAR, NH-22, KALKA, DISTRICT – PANCHKULA, HARYANA - 133302
PH :9896217059.
- KARNAL**
610. KARNAL MOTORS PVT. LTD. (8906-89-01), 71/3 MILESTONE ,G.T.ROAD, KARNAL - 132001
PH :8222022399.
611. KARNAL MOTORS PVT. LTD. (8906-89-02), KHEWAT NO. 59, JHANJHARI GT ROAD, KARNAL - 132001
PH :8222022430.
612. MODERN AUTOMOBILES (8907-89-01), NEAR NAMASTE CHOWK, OLD G.T.ROAD, KARNAL - 132001
PH :7419900042.
- KATHURA**
613. JAGMOHAN AUTOMOTIVES (SFJ1-SFJ-01), GOHANA MAHAM ROAD, KATHURA, GOHANA. - 131301
PH :8685005400.
- KHARKHODA**
614. JAGMOHAN AUTOMOTIVES PVT. LTD. (BU02-BU-01), NEAR KANYA GURUKUL MAHAVIDYALYA, DELHI ROAD, NEAR UNION BANK, KHARKHODA (HARYANA) - 131402
PH :8685005593.
- KOSLI**
615. DINCO 4 WHEELS LLP (AUTO VIBES) (CAN1-CAN-01), OPPOSITE RAJIV GANDHI STADIUM, TEHSIL ROAD KOSLI, DISTRICT – REWARI, HARYANA . - 123302
PH :7082100202.
- KUND**
616. DINCO 4 WHEELS LLP (AUTO VIBES) (CJL1-CJL-01), NEAR KUND BARRIER, OPP. SBI BANK, NARNAUL ROAD, VILLAGE - MANETHI, KUND, DISTRICT - REWARI, HARYANA . - 123102
PH :856998928 , 97082100000.
- KUNDLI**
617. JAGMOHAN AUTOMOTIVES PVT. LTD. (GU03-GU-01), 34 E, SECTOR 57, PHASE 4 , KUNDLI INDUSTRIAL AREA, KUNDLI - 131001
PH :8059900518.
- KURUKSHETRA**
618. KARNAL MOTORS PVT. LTD. (8906-U6-03), PLOT NO. 156, INDUSTRIAL AREA, SECTOR-2, KURUKSHETRA - 136 118
PH :8222022371.
- LADWA**

619. KARNAL MOTORS PVT. LTD. (CRA1-CRA-01), KHEWAT NO.197, KHATONI NO 233, KHASRA NO.27/17/1.27/14, LADWA-KURUKSHETRA ROAD, VILLAGE - LADWA, TEHSIL THANESAR, DISTT. KURUKSHETRA - 136132
PH :7082007182.
- LOHARU**
620. JAGMOHAN MOTORS (HB02-HB-01), BHIWANI ROAD , OPP. ITI, CITY: LOHARU - 127201
PH :9812000429.
- MADLAUDA**
621. AUTO GALLERY (A UNIT OF RKH AUTOMOBILES PRIVATE LIMITED) (CFK2-CFK-01), VILLAGE-BHALSI, ASSANDH-PANIPAT ROAD, MADLAUDA, PIN-132113, HARYANA - 132113
PH :9053400524.
- MAHENDARGARH**
622. PLATINUM MOTO CORP (DP01-DP-01), KHEWAT NO. 187, KILLA NO. 51/8, REVENUE ESTATE OF VILLAGE REWASA, DADRI ROAD, TEHSIL & DISTRICT, MAHINDERGARH, PIN-123029, HARYANA - 123029
PH :9566136120, 9053088490.
- MANDI DABWALI**
623. SHAKTI MOTORS PVT.LTD. (E401-KU-02), SANGARIA ROAD, DABWALI, DISTT.-SIRSA - 125104
PH :8222900209.
- MANESAR**
624. PLATINUM MOTOCORP LLP (2L04-2L-01), PLOT NO.282, SEC 6, IMT MANESAR DISTT. GURGAON - 122052
PH :09953345326/9953345324/9910100341.
- MEHAM**
625. JAGMOHAN MOTORS PVT LTD (A601-NZ-08), MAIN MARKET, NATIONAL HIGHWAY-10, ROHTAK-HISSAR ROAD, MEHAM, DISTRICT-ROHTAK - 124101
PH :8059900592.
- MOHANA**
626. TCS & ASSOCIATES PVT LTD (CRT1-CRT-01), YAMUNA PUL ROAD , NEAR GYATRI PETROL PUMP , VPO-MOHANA,TEHSIL BALLABGARH , DISTT FARIDABAD - 121004
PH :9911573130, 8929579400.
- MUSTAFABAD**
627. PANDIT AUTOMOBILES PVT. LTD. (CDX1-CDX-01), KHATUNI NO. 205/287, KHASRA NO. 39:17/2, VILLAGE - MANSURPUR, THANA - CHAPPER, MUSTAFABAD, DIST.-YAMUNA NAGAR, STATE - HARYANA. - 133 103
PH :9992113854.
- NARAINGARH**

628. EAKANSH WHEELS (1802-CV-02), NH-72, AMBALA-KALA AMB ROAD, NEAR ADARSH FILLING STATION, NARAINGARH - 134203
PH :9991143700.
- NARNAUL**
629. PLATINUM MOTOCORP LLP (9Q02-9Q-01), KAILASH NAGAR, REWARI ROAD, NARNAUL, HARYANA, - 123001
PH :09053088460/9562226838/9053088501/9053088451/9053088500.
- NARNAUND**
630. JAGMOHAN MOTORS (SDK1-SDK-01), KHASRA NO. 234, HANSI ROAD, NARNAUND, DISTT. HISAR, HARYANA. - 125039
PH :9812000471.
- NARWANA**
631. EAKANSH MOTORS PVT. LTD. (U802-CW-03), OPP. HAFED GODDOWN-2, NH-65 AKHERAM NAGAR, NARWANA - 126116
PH :9813583100.
- NUH**
632. PASCO AUTOMOBILES (7L02-7L-01), MAIN DELHI - ALWAR ROAD, NEAR SHAHEED PARK, NH -248A, NUH, DISTRICT - MEWAT, HARYANA. - 122107
PH :9810014947.
- PALWAL**
633. ROHAN MOTORS LTD. (EE01-EE-01), SANWAL COLONY, MAIN MATHURA ROAD, NEAR SDM COURT, PALWAL - 121101
PH :304100 ; 304107/8930202060.
- PANCHKULA**
634. MODERN AUTOMOBILES (0702-K3-03), PLOT NO. 318, INDUSTRIAL AREA, PHASE-2, PANCHKULA - 134113
PH :9646000165.
635. AUTOPACE NETWORK PVT LTD (0705-K3-03), PLOT NO. 5, INDUSTRIAL AREA, PHASE-1, PANCHKULA, HARYANA. - 134113
PH :7087119847.
636. AUTO VOGUE PVT. LTD. (K303-K3-01), PLOT NO- 388, INDUSTRIAL AREA PHASE-1, PANCHKULA, HARYANA. - 134113
PH :8558813181.
- PANIPAT**
637. AUTO GALLERY(A UNIT OF RKH AUTOMOBILES P LTD) (D302-D3-01), KHASRA NO. 43/6, 44/9 & 10, VILLAGE - JATTIPUR, NEAR HOTEL SWARNA MAHAL, NH-1, PANIPAT, HARYANA. - 132103
PH :9053400515.
- PATAUDI**

638. PLATINUM MOTOCORP LLP (BY03-BY-01), HALI MANDI ROAD, OPPOSITE SHIV MURTI, PATAUDI, DIST. - GURGAON - 122503
PH :9953345381/9953345488/9953345330.
- PEHOWA**
639. KARNAL MOTORS PVT. LTD. (2M02-2M-01), NEAR SHARMA SERVICE STATION, KURUKSHETRA ROAD, PEHOWA - 136128
PH :8053906011.
- PUNDRI**
640. EAKANSH MOTORS PVT. LTD. (BFF1-BFF-01), KILA NO- 3/10, KHEWAT 2147 OPP. HARCHARAN FILLING STATION, KAITHAL ROAD, PUNDRI DIST. KAITHAL, HARYANA - 136026
PH :9671788801.
- PUNHANA**
641. PASCO AUTOMOBILES (BIU1-01-BIU-01), KILA NO. 4/2, PUNHANA, DIST.-MEWAT, HARYANA - 122508
PH :9991300950, 8059730879.
- RADAUR**
642. PANDIT AUTOMOBILES PVT. LTD. (D201-EN-02), OPP. JMII ENGG. COLLEGE, NEAR BUS STAND, RADAUR, DISTRICT-RADAUR, HARYANA - 135001
PH :9992113854.
- RAJOUND**
643. EAKANSH MOTORS (SHV1-SHV-01), MITTAL KHAL BHANDAR, RAJOUND, DISTT KAITHAL - 136044
PH :9671788801.
- REWARI**
644. DINCO 4 WHEELS LLP (AUTO VIBES) (U102-U1-01), BAWAL ROAD, NEAR BYE PASS ROAD, REWARI (HARYANA) - 123401
PH :7082100200/7082100204/7082100201.
- ROHTAK**
645. JAGMOHAN MOTORS PVT LTD (A601-A6-01), SONEPAT ROAD, ROHTAK - 124001
PH :9467465035.
646. JAGMOHAN MOTORS PVT LTD (A601-A6-09), SWAN GARDEN, DELHI ROAD, ROHTAK - 124001
PH :9812000357.
647. UNIQUE AUTO LEAD LLP (A602-A6-01), KHASRA NO- 3597 JIND ROAD, JIND CHOWK, ROHTAK, HARYANA - 124001
PH :#REF1.
- SAFIDON**
648. EAKANSH MOTORS PVT. LTD. (U802-JU-05), NEAR BRSK SCHOOL , OPPOSITE RELIANCE PETROL PUMP, PANIPAT ROAD, SAFFIDON, DISTRICT- JIND - 126112
PH :9416616603.

Dealer Workshop (AS ON 30.05.2023)

686. KANGRA VEHICLEADES (D902-D9-06), JHIKLI AMBARI, MOUZA AMBARI, MALAN, NAGROTA BAGWAN, TEHSIL & DISTT. KANGRA, HIMACHAL PRADESH - 176047
PH :7018268819.
NAGROTA SURIAN
687. KANGRA VEHICLEADES (BG11-BG1-01), KHEWAT NO. 115, KHATAUNI NO. 127, KHASRA NO. 2037, MAHAL BASSA, SUB TEHSIL – NAGROTA SURIAN, DISTRICT – KANGRA. - 176027
PH :9418488999.
- NALAGARH**
688. GOYAL MOTORS PVT LTD (IB02-IB-01), NEAR HP PETROL PUMP, VILLAGE PEERSTHAN, P.O & TEHSIL NALAGARH, DISTT. SOLAN (H.P.) - 174101
PH :9418704572.
- NERWA**
689. GOYAL MOTORS PVT LTD (CRS1-CRS-01), KHASRA NO. 482, VILLAGE – KEDI, TEHSIL – NERWA, DISTRICT – SHIMLA, HIMACHAL PRADESH. - 171210
PH :9418663572.
- NURPUR**
690. KANGRA VEHICLEADES (D902-JG-04), VILLAGE JACHH, PO JASSUR, TEHSIL NURPUR, DISTT. KANGRA - 176201
PH :9418195333 , 9418041778.
- PALAMPUR**
691. KANGRA VEHICLEADES (2T01-2T-01), NEAR IOCL PUMP, KANGRA MANDI ROAD, PALAMPUR, DISTT. KANGRA, HIMACHAL PRADESH. - 176061
PH :9418222622/ 9463265072.
- PAONTA SAHIB**
692. GOYAL MOTORS PVT LTD (A901-8G-02), OPP BIBUJEET KAUR SENIOR SECONDARY SCHOOL, SHAMSHERPUR , NH-72, PAONTA SAHIB - 173025
PH :9459210872.
- RAJGARH**
693. GOYAL MOTORS PVT LTD (BJX1-BJX-01), KHATA NO. 517/505, 478/3, KHASRA NO. – 38/98 VILLAGE NERI RATAULI, P.O. RAJGARH TEHSIL – RAJGARH, DISTRICT – SIRMAUR , HIMACHAL PRADESH - 173101
PH :9418312472.
- RAMPUR**
694. GOYAL MOTORS PVT LTD (CEZ1-CEZ-01), KHASRA NO. 824/825, MINN NO. 155/396, 163/411, NAGLI, ROHRU ROAD, RAMPUR, TEHSIL – RAMPUR, DISTRICT – SHIMLA. - 172001
PH :9459296572.

- ROHRU**
695. GOYAL MOTORS PVT LTD (JZ01-JZ-01), CHARGAON SHIMLA ROAD, ROHRU, DISTRICT -SHIMLA - 171207
PH :9418016072.
- SALOONI**
696. PATHANKOT VEHICLEADES (SES1-SES-01), KHASRA NO. 299/174, VILLAGE. MANJEER, TEHSIL-SALOONI, DISTT. CHAMBA, PIN-176320, HIMACHAL PRADESH - 176320
PH :9418059252.
- SHAHPUR**
697. KANGRA VEHICLEADES (SCR1-SCR-01), VILLAGE MANJHGRAN, P.O. DRAMMAN, TEHSIL SHAHPUR, DISTT. KANGRA, HIMACHAL PRADESH - 176206
PH :9459900241.
- SHIMLA**
698. GOYAL MOTORS PVT LTD (A901-A9-01), TARADEVI, SHIMLA,(H.P.) - 171010
PH :9418663572.
- SOLAN**
699. GOYAL MOTORS PVT LTD (7D01-7D-01), DEON GHAT, SOLAN - 173211
PH :9418138772.
- UNA**
700. COMPETENT AUTOMOBILES CO. LTD. (QD01-QD-01), VILLAGE RAINSARY,P.O JHALERA,TEHSIL & DISTRICT:UNA - 174303
PH :9805737436.
- JAMMU**
- MARH**
701. JAMKASH VEHICLEADES PVT. LTD (BPM1-BPM-01), KHASRA NO. 269, LOWER MUTHI DHARMAL, DIST.-JAMMU, STATE - JAMMU & KASHMIR. - 181205
PH :7006898474.
- JAMMU & KASHMIR**
- CHOWKI CHOURA**
702. JAMU MOTORS (SDY1-SDY-01), KHASRA NO. 37 MIN, ADJACENT TO J&K BANK, JAMMU POONCH HIGHWAY, CHOWKI CHOURA, JAMMU & KASHMIR - 185154
PH :9596975060.
- MAHANPUR**
703. JAMMU MOTORS (SPK1-SPK-01), MAHANPUR, DISTRICT KATHUA, TEHSIL MAHANPUR - JAMMU & KASHMIR. - 184202
PH :9596975060.
- MANJAKOTE**

704. JAMKASH VEHICLEADES (CODE UNDER CREATIONS-CODE UNDER CREATIONS-CODE UNDER CREATIONS), NEAR PHC ROAD MANJAKOTE, TEHSIL MANJAKOTE, DISTRICT RAJOURI. J&K - 185131
PH :7006014395.
- VIJAYPUR**
705. JAMMU MOTORS (OZ02-01-OZ-01), JAMMU PATHANKOT HIGHWAY, VIJAYPUR (SAMBA), J&K - 184120
PH :9596975060.
- JAMMU AND KASHMIR**
- AKHNOOR**
706. JAMMU MOTORS PVT. LTD. (2X02-2X-01), MAIN ROAD DASKAL, TEHSIL – AKHNOOR, DISTRICT - JAMMU - 181201
PH :9419118393.
- ANANTNAG**
707. PEAKS AUTO PVT. LTD. (2Y01-2Y-01), NH-1A, MOUZA UROONHALL, THE & DISTT. ANANTNAG - 228165
PH :9519275151.
- BANDIPIORA**
708. JAMKASH VEHICLEADES (KASHMIR) PVT LTD (1205-OA-04), AJAR BANDIPIORA , J&K - 193502
PH :9149726427.
- BARAMULLA**
709. JAMKASH VEHICLEADES (KASHMIR) PVT LTD (8C01-8C-01), VILLAGE SANGRAMA,WAGAROO, BARAMULLA - 193101
PH :7889612218.
- BHADRAWAH**
710. J&K VEHICLEADES PVT. LTD (AKA1-AKA-01), KHASRA NO.2863, LOWER SUNGLI UNIVERSITY ROAD, BHADERWAH, DISTT. DODA, J&K - 182222
PH :9419796821.
- BHASOLI**
711. JAMKASH VEHICLEADES PVT. LTD. (GLK1-GLK-01), ZERO MORTH, BASHOLI, DISTT. KATHUA, BASHOLI, PIN-184201, JAMMU & KASHMIR - 184201
PH :9018847230.
- BUDGAM**
712. HIGHLAND AUTOMOBILES PVT.LTD (1202-CUG-04), KHASRA NO. 208 MIN, KHEWAT NO. 9 AND KHATTA NO. 55, MOUZA - PALLAR, TEHSIL AND DIST.-BUDGAM. - 191111
PH :9419019898.
- DAYALACHAK**

713. JAMKASH VEHICLEADES PVT. LTD (BFH1-BFH-01), KHASRA NO. 183, KHEWAT NO.14, KHATANO-74, VILLAGE CHAK SAKTA, DAYALACHAK,TEHSIL & DISTT. KATHUA , JAMMU & KASHMIR - 184121
PH :88492849170.
- DODA**
714. J&K VEHICLEADES PVT. LTD (2Z02-2Z-01), MINTO CAR CARE, AKHYARABAD, MAIN ROAD, DODA CITY, DODA (J&K) - 182202
PH :9419796821.
- GANDERBAL**
715. JAMKASH VEHICLEADES (KASHMIR) PVT LTD (ZA01-ZA-01), MALSHAIE BAGH, GANDERBAL (J&K) - 191201
PH :9419000828.
- HANDWARA**
716. JAMKASH VEHICLEADES (KASHMIR) PVT LTD (BYA1-BYA-01), KHEWAT NO-31, KHATTA NO-298, SURVEY NO- 3764/1816, MOZA BRARIPORA, TEH- HANDWARA, DIST- KUPWARA, J&K - 193221
PH :262322, 9419074012.
- JAMMU**
717. JAMKASH VEHICLEADES PVT. LTD (3306-33-01), NH-1A, BYE PASS, OPP CHANNI HIMMAT, JAMMU - 180015
PH :6006801639.
718. JAMKASH VEHICLEADES PVT. LTD (3306-33-02), NEAR GENERAL BUS STAND, OPP. PHE OFFICE, B.C. ROAD, JAMMU - 180001
PH :9419224014.
719. JAMKASH VEHICLEADES PVT. LTD (3306-33-04), SUNJWAN, DISTT. JAMMU - 180011
PH :7006018600.
720. PEAKS AUTO JAMMU PVT. LTD. (3312-33-01), GANGYAL INDUSTRIAL AREA, BEHIND COCA COLA FACTORY, JAMMU - 180010
PH :9697001125.
721. JAMMU MOTORS PVT. LTD. (3308-33-01), 6, AKHNOOR ROAD, JAMMU. - 180001
PH :9419118393.
722. JAMMU MOTORS PVT. LTD. (3308-33-02), PLOT NO.2, RAJPURA CHUNGI OPP AG OFFICE, AKHNOOR ROAD, JAMMU - 180002
PH :9419118393.
723. PEAKS AUTO JAMMU PVT. LTD. (3312-33-02), KHASRA NO.425 & 426, KHATA NO.425 & 426, TOPE SHRKHANIAN (BACKSIDE OF BEST PRICE), AKNOOR ROAD, JAMMU. - 180001
PH :9697001125.
724. JAMKASH VEHICLEADES PVT. LTD (3306-33-07), KHEWAT NO. 25, KHATA NO. 355, KHASRA NO. 544 MIN PALOURA ROAD, JANIPUR, JAMMU. - 180007
PH :9419191502.
- KATHUA**

Dealer Workshop (AS ON 30.05.2023)

766. PREMSONS MOTOR UDYOG PVT. LTD. (5103-20-04), VANASTHALI COMPLEX PUGUCHAMPA NAGAR,NH-23,SISAI ROAD,GUMLA - 835207 PH :9835507004.
- HAZARIBAGH**
767. HINDUSTAN AUTO AGENCY (Y901-Y9-01), NEAR SBI MAIN BRANCH, MAIN ROAD, HAZARIBAGH. - 825301 PH- 9304051949, 9263631327.
768. HINDUSTAN AUTO AGENCY (Y901-Y9-02), MASIPIRHI, BABHANBAY, HAZARIBAGH , JHARKHAND - 825301 PH :9216888118 9263631327. .
- JAMSHEDPUR**
769. PEBCO MOTORS LTD. (3101-31-01), MEDIUM SECTOR, INDUSTRIAL AREA, ADITYAPUR, JAMSHEDPUR - 831001 PH :9308433388.
770. PEBCO MOTORS LTD. (3101-31-02), 16 BALICHALA, CONTRACTORS & GODOWN AREA, SONARI, JAMSHEDPUR - 831011 PH :9308433388.
771. MOTOR WORLD (3102-31-01), N.H-33, NEAR PARDIHI CHOWK, MANGO, JAMSHEDPUR - 831012 PH :9431347164, 9570168342.
- JAMTARA**
772. RELIABLE INDUSTRIES (BOX1-BOX-01), PLOT NO. 483, PARWAT BIHAR, DUMKA ROAD, JAMTARA, JHARKHAND. - 815351 PH :9835814404.
- KATRAS**
773. CAR ONE (A UNIT OF RAJHANS AUTOMOBILES PRIVATE LIMITED) (GLP1-GLP-01), RAJHANS REFRACOTORIES, OPP. LIC OFFICE, RAJGANJ ROAD, KATRAS, DISTT. DHANBAD, JHARKHAND-828114 - 828114 PH :8910900556.
- KHELARI**
774. SUDHA MOTORS(A UNIT OF SUDHA BUSINESS ENTERPRISES PVT LTD) (CFO1-CFO-01), PLOT 113, MOUZA-BUKBUKA, BESIDE PAHADI MANDIR, KHELARI, RANCHI - 829205 PH :6458222, 9534199997.
- KHUNTI**
775. PREMSONS MOTOR UDYOG PVT. LTD (BOL1-BOL-01), PLOT NO. 747, KHATA NO. 2, DAHUGUTU, CHAIBASA ROAD, KHUNTI, JHARKHAND. - 835 210 PH :9835507004.
- KODARMA**

776. HINDUSTAN AUTO AGENCY (VR01-VR-01), AT LALMAN DIGTHU, BESIDE KRISHNA SURYA COLD STORAGE, JHUMRI TILAIYA, P.S. - TILAIYA, DISTRICT - KODERMA, JHARKHAND. - 825409 PH :6201989936.
- LOHARDAGA**
777. SUDHA MOTORS(A UNIT OF SUDHA BUSINESS ENTERPRISES PVT LTD) (CX01-CX-01), PLOT NO. 14P, 15, 23, RIADA, LOHARDAGA, JHARKHAND. - 835302 PH :9534199997.
- MURI**
778. HILLTOP MOTORS (CODE UNDER CREATIONS-CODE UNDER CREATIONS-CODE UNDER CREATIONS), NEAR BANK OF INDIA, SILLI MAIN ROAD, MURI, PIN - 835102 - 835102 PH :7061157502.
- RAMGARH**
779. HINDUSTAN AUTO AGENCY (AV01-AV-01), MARAR, RANCHI ROAD (NH-33), RAMGARH - 829122 PH :9263631345.
- RANCHI**
780. PREMSONS MOTORS UDYOG PVT LTD (5103-51-01), 502, KANKE ROAD, RANCHI. - 834008 PH :9304807355.
781. PREMSONS MOTOR UDYOG PVT. LTD. (5103-51-03), 10/P, NAMKUM INDUSTRIAL ESTATE BEHIND HIGH TENSION INSULATOR FACTORY, LOWER CHUTIA, RANCHI - 834010 PH :9262899003.
782. PREMSONS MOTOR UDYOG PVT. LTD. (5103-51-05), PLOT NO.31 & 134, JOHNSON MORH, TUPUDANA INDUSTRIAL AREA, TUPUDANA, RANCHI - 834003 PH :9835507004.
783. SUDHA MOTORS(A UNIT OF SUDHA BUSINESS ENTERPRISES PVT LTD) (5107-51-02), PLOT NO. 74, OPPOSITE OTC GROUND, HEHAL, RATU ROAD, RANCHI, JHARKHAND - 834005 PH :9534199997, 8227996666.
784. SUDHA MOTORS(A UNIT OF SUDHA BUSINESS ENTERPRISES PVT LTD) (5107-51-03), PLOT NO. 39, NEAR BOOTY MORE, RANCHI-RAMGARH ROAD, RANCHI. - 835217 PH :9534199997.
785. PREMSONS MOTOR UDYOG PVT. LTD. (5103-51-06), PLOT NO.14 (P) KOKAR INDUSTRIAL AREA KOKAR, RANCHI. - 834001 PH :9835507004.
786. HILLTOP MOTORS (A UNIT OF HIRALAL MOTORS PVT LTD) (5109-51-01), KHATA NO. 247, MOUZA - PUNDAG,P.S. - PUNDAG, RANCHI, JHARKHAND. - 834004 PH :7061157502.

787. HILLTOP MOTORS (A UNIT OF HIRALAL MOTORS PVT LTD) (5109-51-02), NEAR KATHAL MORE, ARGORA RANCHI RD, NEAR EKLABBA TOWER, DHIPATOLI, ARGORA, RANCHI - 834004 PH :7061157502.
- KARNATAKA**
- ANEKAL**
788. PRATHAM MOTORS PVT. LTD (0205-FA-04), SY#45/3, KAVAL HOSAHALLI, KASABA HOBLI, ANEKAL TALUK - 562106 PH :9845540131.
- ANKOLA**
789. BHARATH AUTO CARS PVT. LTD. (FC02-FC-01), NEAR NARAYANA TEMPLE KAKKAR MUTTA, BELEGULI CROSS, ANKOLA, UK DISTRICT - 581314 PH :7829567400.
- ATHANI**
790. SHANTESHA MOTORS (BWA1-BWA-01), RS NO. 605, SHIVAYOGI NAGAR, BIJAPUR ROAD, ATHANI, DIST. - BELGAUM. - 591304 PH :9884472587.
- ATHRADI**
791. ABHARAN MOTORS PVT LTD (G601-UK-04), HERABETTU ROAD ATHARDI UDUPI - 576107 PH :9845472500.
- ATTIBELE**
792. SURAKSHAA CAR CARE PVT. LTD. (BMM1-BMM-01), SURVEY NO.2277/8, SARJAPUR MAIN ROAD, INDIABELE VILLAGE, OPP. TO GOLDEN LIBERTY, ATTIBELE P.O., BANGALORE. - 562107 PH :9449865665.
- BAGALKOT**
793. VIJAY MOTOWINGS (ZL01-ZL-01), 180/4-2,BELGUM RAICHUR ROAD,NEAR APMC MARKET YARD, BAGALKOT - 587103 PH :9481289167.
- BAGEPALLI**
794. BIMAL AUTO AGENCY INDIA PVT. LTD. (BTV1-BTV-01), H.L. NO. 423 AND 436 SRI SATHYA SAI NAGAR, ON NH-7, THIMAKALAPALLI BLOCK-II, PARAGODU GRAM PANCHAYATH, KASABA HOBLI, BAGEPALLI TALUK, CHIKKABALLAPUR DIST. - 561 207 PH :9742458888.
- BANGALORE**
795. MANDOVI MOTORS PVT LTD. (0201-02-01), 24/4, 7TH MAIN,WILSON GARDENS,BANGALORE - 560027 PH :9945235511.

796. MANDOVI MOTORS PVT LTD. (0201-02-07), 17/A-2&3 IND.SUBURB.IIND STAGE, GORAGUNTEPALAYA, TUMKUR ROAD, YESWANTHPUR, BANGALORE - 560022 PH :9945235537.
797. MANDOVI MOTORS PVT LTD. (0201-02-05), NO.2/106 (NEXT TO KASSIA BLDG.),17TH CROSS,MAGADI CHORD ROAD EXTN. VIJAYANAGAR,BANGALORE - 560079 PH :9945235529.
798. RNS MOTORS (7301-02-03), 2275 TUMKUR ROAD, GURGUNTEPALYA, YESHWANTPUR, BANGALORE - 560022 PH :9606933236.
799. RNS MOTORS (7301-02-04), HOSUR ROAD,BOMMANAHALLI,MADIVALA POST,BANGALORE - 560068 PH :9148001412.
800. MANDOVI MOTORS PVT LTD. (0201-02-08), NO. 70 SARAKKI INDUSTRIAL LAYOUT,J.P NAGAR,3RD PHASE, BANGALORE - 560078 PH :9954235522.
801. PRATHAM MOTORS PVT. LTD (0205-02-01), 16, BALLANDUR, SARJAPUR RING ROAD, BANGALORE - 560037 PH :9945540128.
802. BIMAL AUTO AGENCY INDIA PVT. LTD. (0216-02-02), NO. 69/2, SARAKKI, KANAKAPURA ROAD, BANGALORE - 560078 PH :9972398139.
803. BIMAL AUTO AGENCY INDIA PVT. LTD. (0218-02-01), NO - 60/3, VENKATALA VILLAGE, YELAHANKA HOBLI, BANGALORE NORTH TALUK - 560064 PH :9945541034.
804. BIMAL AUTO AGENCY INDIA PVT. LTD. (0216-02-01), 60/2, MAHADEVUPURA, WHITE FIELD ROAD, BANGALORE - 560048 PH :99723 98105.
805. PRATHAM MOTORS PVT. LTD (0205-02-02), STHANIKAM'S ARCADE, OPP. ST THERESA HOSPITAL, DR. RAJ KUMAR ROAD, A BLOCK,RAJAJINAGAR 2 STAGE, BANGALORE - 560010 PH :9900061378.
806. KALYANI MOTORS PVT. LTD. (0211-02-01), MYSORE ROAD,PANTHARAPALYA,KENGRi HOBLI,BANGALORE - 583201 PH :9538887078.
807. BIMAL AUTO AGENCY INDIA PVT. LTD. (0216-02-03), NO.7/1, KALANAAGRAHARA VILLAGE, MOUNT ST. JOSEPH TRAINING COLLEGE FOR JESUITS COMPOUND, IIMB POST, BANNERGHATTA RD. , BANGALORE - 560076 PH :9845166612.

Dealer Workshop (AS ON 30.05.2023)

<p>928. BHARATH AUTO CARS PVT. LTD. (4503-45-08), S. NO. 1376/1-41, 1375/41-2-A1P1, 2A1P3, 1373/1-40, 1369/1-40-A2, KASABA BAZAR, KANDADAPALLI, KUDROLI, TALUK - MANGALORE, MANGALORE, KARNATAKA. - 575003 PH :9886785730.</p> <p>MUDBIDRI</p> <p>929. BHARATH AUTO CARS PVT. LTD. (4503-HN-03), BHARATH BEEDI COMPOUND, NEAR ALVAR'S HOSPITAL, MOODBIDRI - 574227 PH :9886785430.</p> <p>MUDHOL</p> <p>930. VIJAY MOTOWINGS (ET01-ET-01), PLOT NO. 3B, IN NARS NO. 15-2, WARD NO. 5, VISHWESHVAR COLONY, LOKAPUR ROAD, MUDHOL TOWN, BAGALKOT DIST. - 587 313 PH :9606046173.</p> <p>MULKI</p> <p>931. BHARATH AUTO CARS PVT. LTD. (4503-QV-05), BHARATH BEEDI COMPOUND, NH-17 MULKI - 574154 PH :9986020730.</p> <p>MURUDESHWAR</p> <p>932. RNS MOTORS (7301-T8-02), NH-17, MANGALORE-BOMBAY ROAD, MURUDESHWAR, KARNATAKA - 581350 PH :9538965969.</p> <p>MYSORE</p> <p>933. MANDОВИ MOTORS PVT LTD. (2501-25-01), NO: 5 K.R.S.ROAD, MYSORE - 570005 PH :9945248860.</p> <p>934. MANDОВИ MOTORS PVT LTD. (2501-25-05), NO.182/145/C, BANNUR ROAD, SIDHARTHA NAGAR, MYSORE, KARNATAKA - 570011 PH :9845939936.</p> <p>935. FRIENDLY MOTORS (INDIA) PVT. LTD. (2502-25-01), MANATHAVADI ROAD, VIDYARANYA PURAM, MYSORE - 570008 PH :7259255558.</p> <p>936. MANDОВИ MOTORS PVT LTD. (2501-25-08), 217/2, HUNSUR ROAD, HINKAL POST, MYSORE, KARNATAKA - 570017 PH :9845939937.</p> <p>NAGAMANGALA</p> <p>937. MANDОВИ MOTORS PVT LTD (SFK1-SFK-01), SURVEY NO:3316/2327,VISHALAXAMMA COMPLEX, T B BADAVANE B M ROAD, NAGAMANGALA TOWN, MANDYA DISTRICT, KARNATAKA - 571432 PH :9845132038.</p> <p>NANJANGUD</p>	<p>938. FRIENDLY MOTORS (INDIA) PVT. LTD. (BYK1-BYK-01), 4340/4159/4, HULLAHALLI ROAD, NANJANGUD, DISTRICT – MYSORE, KARNATAKA. - 571301 PH :9686855799.</p> <p>NARASIMHARAJAPURA</p> <p>939. SHRUTI MOTORS (SPP1-SPP-01), SURVEY NO # SURVEY NO.173,/P KOPPA ROAD, NAGALAPURA VILLAGE,NARASIMHARAJAPURA, CHIKMAGALU R DIST.,KARNATAKA - 577134 PH :8310187660.</p> <p>NELAMANGALA</p> <p>940. RNS MOTORS LIMITED (BBH1-BBH-01), NO.167/2, TUMKUR ROAD, KASABA HOBLI, NH4, NELAMANGALA, BANGALORE RURAL DT., BENGALURU, KARNATAKA - 562123 PH :7259875385.</p> <p>NELYADI</p> <p>941. BHARATH AUTO CARS PVT. LTD. (BPF1-BPF-01), SURVEY NO. 97/11P AND SURVEY NO. 97/9, VILLAGE - HOSAMAJALU KAUKRADY, POST - NELYADI, TALUK - PUTTUR, DIST.-DAKSHIN KANNADA - 574229 PH :9886072730.</p> <p>OORGAUMPET</p> <p>942. BIMAL AUTO AGENCY (CODE UNDER CREATIONS-CODE UNDER CREATIONS-CODE UNDER CREATIONS), SITE NO.10, NEW KATHA NO: 251, ROBERTSONPET, KGF, OORGAUMPET, KOLAR DIST, KARNATAKA- 563122 - 563122 PH :9513748707.</p> <p>PADUBIDRI</p> <p>943. ABHARAN MOTORS PVT LTD (CSI1-CSI-01), PLOT NO. 51/20, VILLAGE – PADUBETTU, PADUBIDRI TOWN, TALUKA & DISTRICT – UDUPI, KARNATAKA. - 574111 PH :9880232999.</p> <p>PUTTUR</p> <p>944. BHARATH AUTO CARS PVT. LTD. (4503-CZ-02), NEAR RAIWAY STATION, HARADY, PUTTUR - 517583 PH :9886072730.</p> <p>RAICHUR</p> <p>945. MUNEEER ENTERPRISES PVT. LTD. (N701-3K-02), #12-10-64,GOUSHAL ROAD,SIYA TALAB AREA,RAICHUR - 584101 PH :9480830264.</p> <p>RAMANAGARAM</p> <p>946. KALYANI MOTORS PVT. LTD. (0211-JB-02), #K1318/2034C,OPP TO ROTARY HOSPITAL,BM ROAD, RAMNAGARAM - 571511 PH :9686899007.</p>	<p>RANE BENNUR</p> <p>947. REVANKAR MOTORS (BXXV1-BXV-01), SCHEDULE A-2, OPP. ST JIT ENGINEERING COLLEGE, P B ROAD, RANE BENNUR, KARNATAKA. - 581115 PH :8830947883.</p> <p>SAGAR</p> <p>948. SHRUTI MOTORS (WF01-WF-01), BESIDE H GANAPATHIYAPPA PETROL BUNK (BP), B H ROAD, NH-206, SAGAR, SHIMOGA DISTT. - 577401 PH :9740014703.</p> <p>SAKLESHPUR</p> <p>949. VENKAT MOTORS (BPW1-BPW-01), SITE NO. 19, 3RD WARD, SARASWATHIPURAM, SAKLESHPUR TOWN, DISTRICT – HASSAN. - 573134 PH :7892809634.</p> <p>SARJAPURA</p> <p>950. PRATHAM MOTORS PVT. LTD. (BSY1-BSY-01), SURVEY NO. 476/3, SARJAPUR TOWN, TALUKA – ANEKAL, SARJAPUR HOBLI, DISTRICT – BANGALORE URBAN, KARNATAKA. - 562125 PH :7760962890.</p> <p>SHIMOGA</p> <p>951. SHRUTI MOTORS (B701-B7-01), K.NO 599, SHANKARMUTT ROAD, SHIMOGA - 577201 PH :9880401283.</p> <p>952. SHRUTI MOTORS (B701-B7-03), BLOCK L-1, INDUSTRIAL ESTATE, BEHIND HP PETROL BUNK, SAGAR ROAD, SHIMOGA. - 577204 PH :9886829239.</p> <p>953. SHRUTI MOTORS (B701-B7-05), SURVEY NO. 41/3 & 41/4, HONNALI ROAD, SHANTHI NAGAR, SHIMOGA. - 577201 PH :9886825115.</p> <p>SIDDAPUR</p> <p>954. BHARATH AUTO CARS PVT. LTD. (BPY1-BPY-01), SURVEY NO. 211, NEAR IOCL PETROL BUNK, JOG ROAD, VILLAGE – HOSUR, TALUK – SIDDAPUR, DISTRICT – UTTARA KANNADA. - 581355 PH :9449402730.</p> <p>SIRSI</p> <p>955. RNS MOTORS LTD (MQ01-MQ-01), SURVEY NO 43/B, LANDAKANALLI VILLAGE, DODNALLI GRAMA, SIRSI TALUK AND HOBALI, UTTAR KANNADA, KARNATAKA - 581402 PH :9895979023.</p> <p>SIRSI</p> <p>956. RNS MOTORS (7301-MQ-0D), K H B COLONY, SIRSI - 581402 PH :9538925606.</p> <p>SIRUGUPPA</p>	<p>957. MUNEEER ENTERPRISES PVT. LTD. (CTN1-CTN-01), SITE NO:31C/1B & PLOT NO.1, BELLARY - SIRUGUPPA MAIN ROAD, SIRUGUPPA TALUK, BELLARY DISTRICT. - 583121 PH :7619505001.</p> <p>SOMWARPET</p> <p>958. MANDОВИ MOTORS PVT LTD. (CSG1-CSG-01), SURVEY NO.130 SITUATED AT MADIKERI ROAD, NAGROOR VILLAGE, BALAGUNDA POST, SOMWARPET TALUK, NORTH KODAGU DISTT. - 571236 PH :9845115665.</p> <p>SRINIVASAPURA</p> <p>959. SURAKSHA CAR CARE PVT. LTD. (BUR1-BUR-01), SY NO. 40, VPRD NO. 86, PROPERTY NO. 84 & 87, CHALDIGANA HALLI GRAMA PANCHAYATH, PANNASAMAKANA HALLI VILLAGE, SRINIVASAPURA POST & TALUK, DIST.-KOLAR, KARNATAKA - 563 135 PH :9449865601.</p> <p>SULLIYA</p> <p>960. MANDОВИ MOTORS PVT LTD. (4502-EW-04), ODABI SULLIA,MANGALORE MYSORE ROAD,KARNATAKA - 574239 PH :9900023225.</p> <p>SURATHKAL</p> <p>961. MANDОВИ MOTORS PVT LTD. (4502-7G-02), KANA ROAD, SURATHKAL - 574158 PH :9845514143.</p> <p>T. NARASIPURA</p> <p>962. MANDОВИ MOTORS (SFL1-SFL-01), KHATA NO:472/473/474, OPP TO SRI RAGHAVENDRA SWAMY MUTT, CHAMARAJANAGAR ROAD, T. NARASIPURA TOWN, MYSORE DISTRICT, KARNATAKA - 571124 PH :9845132038.</p> <p>THIRTHAHALLI</p> <p>963. SHRUTI MOTORS (BOR1-BOR-01), PLOT NO. 1507/2187, OPP. TO HEGDE PETROL PUMP, AGUMBE ROAD, THIRTHAHALLI. - 577432 PH :7795851011.</p> <p>THOKOTU</p> <p>964. BHARATH AUTO CARS PVT. LTD. (QW01-QW-01), NH-66, KAPIKAD, ULLAL, THOKOTTU, DAKSHINA KANNADA DISTT. - 575017 PH :9538796330.</p> <p>TIPTUR</p> <p>965. SAKETH AUTOMOBILES (H101-HV-03), BANDIHALLI INDUSTRIAL ESTATE, N.H.:206, TIPTUR, KARNATAKA - 572201 PH :9945301023.</p> <p>TUMKUR</p>
--	--	---	---

Dealer Workshop (AS ON 30.05.2023)

966. SAKETH AUTOMOBILES (H101-H1-01), SIRA ROAD, TUMKUR - 572106 PH :9686550323.	975. INDUS MOTOR COMPANY PRIVATE LIMITED (2702-CJ-0A), M. C. ROAD, MITHRAPURAM, ADOOR, PATHANMTHITTA - 689518 PH :9745998303.	984. POPULAR VEHICLE (1601-BQT-14), RE SURVEY NO 581/5, BLOCK NO 33, ANCHAL VILLAGE, NEAR ALBILAL DRIVING SCHOOL, KAI THADY JUNCTION, ANCHAL, KERALA - 691306 PH :9778698200.	994. INDUS MOTOR COMPANY PRIVATE LIMITED (4701-47-08), NEAR STEEL COMPLEX, NALLALAM, CALICUT - 673655 PH :9745998018.
UDUPI			995. POPULAR VEHICLES & SERVICES LTD. (4702-47-07), NH-17 BYE PASS,PACHAKKIL, MALAPARAMBU P.O., KOZHIKODE, CALICUT - 673009 PH :9288012082.
967. ABHARAN MOTORS PVT LTD (G601-G6-01), N.H. 17, NITTUR, UDUPI - 576103 PH :9880232999.	976. AVG MOTORS LTD. (Y501-CJ-02), KOTTAMUKAL, K.P. ROAD, ADOOR PO, PATHANMTHITTA, KERALA - 691523 PH :9446355900.	ANGAMALY	996. CARINO MOTORS (CARINO AUTO INFRA PVT. LTD.) (4704-47-01), RE SURVEY NO. 13, BUILDING NO. 5/548, KRISHNARJUNA BUILDING, AREEKAD, VILLAGE AND PANCHAYATH – CHERUVANNUR, P.O. – NALLALAM, CALICUT (KOZHIKODE), KERALA - 673027 PH :7592898888, 7594997888.
968. ABHARAN MOTORS PVT LTD (G601-G6-05), NO. 305/1C, DOOR NO. 5-51A, RAILWAY STATION ROAD, INDRALI, UDUPI, DISTT. - UDUPI. - 576101 PH :9886694341.	ALANALLUR	985. INDUS MOTOR COMPANY PRIVATE LIMITED (2702-JW-0F), ANGAMAALY KALADY ROAD, MC ROAD, ANGAMALY - 683572 PH :9745998434.	
UJIRE	977. KVR AUTOCARS PVT LTD (CIW1-CIW-01), BUILDING NO. 10/1050, CHANDAPPADI, MANNARKAD ROAD, POST – ALANALLUR, TALUKA – MANNARKAD, DISTRICT – PALAKKAD, KERALA - 678601 PH :9747020582.	986. POPULAR VEHICLES & SERVICES LTD. (2701-JW-0D), 182 AIRPORT JUNCTION NAGAR,M.C. ROAD,ANGAMALY - 683572 PH :8096078886.	CHALAKUDY
969. BHARATH AUTO CARS PVT. LTD. (BWT1-BWT-01), SURVEY NO.237-2B1, MANGALORE-CHARMADY ROAD, NEAR INDIAN OIL PETROL PUMP, SAMPIGE NAGAR, UJIRE, BELTHANGADY TALUKA, DISTT. DAKSHINA KANNADA, KARNATAKA. - 574240 PH :9886176130.	ALATHIYOOR	ATTINGAL	997. BRD CAR WORLD LIMITED (ZJ02-ZJ-01), MURINGOOR P.O., CHALAKUDY - 680316 PH :9645176999.
UPPINANGADI	978. A M MOTORS (E601-CVJ-11), RE SURVEY NO. 160/3, 161/7 (OLD SURVEY NO. 359/1), VILLAGE - ALATHIYOOR, TIRUR PONNAI ROAD, TALUKA - TIRUR, DIST.-MALAPPURAM, KERALA - 676102 PH :9895940000 ,9072998833.	987. POPULAR VEHICLES & SERVICES LTD. (1601-SX-07), PALAMKONAM, PERUNKULAM,VIA- ALAMCODE, ATTINGAL - 695102 PH :8086078788.	998. INDUS MOTOR COMPANY PRIVATE LIMITED (ZJ03-ZJ-01), SURVEY NO. 53/1, 53/2 & 55/1, PANAMBILLY COLLEGE JUNCTION, VILLAGE-PERAMBRA, POTTA, TALUKA CHALAKKUDY, DISTT. THRISUR, PIN-680307, KERALA - 680307 PH :9747557355.
970. MANDОВI MOTORS PVT LTD. (4502-NL-05), NR.PADMA VIDYA IOC PETROL STATION-34, NEKKIADY, UPPINANGADY - 574241 PH :9740912365.	ALATHUR	988. SARATHY AUTODRIVES PVT LTD (SX05-SX-01), SURVEY NO. 2952/17 & 2952/4, KIZHUVILLAM VILLAGE, ATTINGAL, CHARAYINKEEZHU TALUK, TRIVANDRUM DIST., KERALA. - 695 104 PH :9526052765.	CHALAKUDY/ CHILLAKUDDY/ THRISUR
VIJAYPURA	979. BRD CAR WORLD LIMITED (BRW1-BRW-01), ERATTUKKULAM, KATTUSSERY VILLAGE, ALATHUR TALUKA, PALAKKAD DISTRICT, KERALA - 678682 PH :9745634999.	989. INDUS MOTOR COMPANY PRIVATE LIMITED (SX01-SX-01), SY. NO. 54/13, 14, 15, 16, (OLD SY. NO. 22, 22/13, 16), IN BLOCK NO.3 OF VELLOOR VILLAGE, EASTERN SIDE OF NATIONAL HIGHWAY 47, NEAR INTERNATIONAL SCHOOL, CHEMBAKAMANGALAM, KORANI PO, ATTINGAL, TRIVANDRUM DIST., KERALA. - 695104 PH :9747550888.	999. POPULAR VEHICLES & SERVICES LTD. (2701-8U-0C), OPPSITE CCMK HOSPITAL, VELLIKULAM ROAD, CHALAKUDY, KERALA - 680307 PH :9072609600.
971. BIMAL AUTO AGENCY (BTZ1-BTZ-01), DOOR NO 563, MARUTHI NAGAR, CHIKKABALLAPUR ROAD, VIJAYAPURA TOWN, DEVANAHALLI TALUK, BANGALORE RURAL DISTRICT KARNATAKA - 562135 PH :8884433996.	ALLEPPY	BALARAMAPURAM	CHANGARAMKULAM
VITTAL	980. INDUS MOTOR COMPANY PRIVATE LIMITED (2702-E5-12), BLOCK NO. 145, RE-SURVEY NO. 79, ALAPPUZHA WEST VILLAGE, AMBALAPPUZHA TALUK, ALAPPUZHA DIST. KERALA-699002. - 699002 PH :9745977744.	990. POPULAR VEHICLES & SERVICES LTD. (1601-AQA-11), POOVAR ROAD, VAZHIMUKKU, BALARAMAPURAM P.O., TRIVANDRUM DISTRICT - 695501 PH :8943345922.	1000. A M MOTORS (VH01-VH-01), MELE MANTHADAM, ALANKODE, P.O., CHANGARAMKULAM, MALAPPURAM DISTT, KERALA - 679585 PH :9895756008.
972. MANDОВI MOTORS PVT LTD. (CCE1-CCE-01), DOOR NO. 1-287 (B), JISHAN COMPLEX, VITTAL TOWN, TALUKA – BANTWAL, DISTRICT – DAKSHIN KANNADA - 574243 PH :9008810123.	ALLEPY	CALICUT	CHAVAKKAD
YADGIR	981. POPULAR VEHICLES (E502-E5-01), BUILDING NO. XVIII/135, DOOR NO. 13/449, CCSB ROAD, PALACE WARD, CHUNGAM, ALAPPUZHA, KERALA-688011. - 688011 PH :9778698161.	991. INDUS MOTOR COMPANY PRIVATE LIMITED (4701-47-01), MARUTI WORKSHOP, PANIKKER ROAD, CALICUT, NADAKKAVE - 673011 PH :9745998019.	1001. BRD CAR WORLD LIMITED (A404-0J-06), ORUMANAYOOR P.O.CHAVAKKAD, DISTRICT-THRISUR - 680512 PH :9645963999.
973. LAHOTI MOTORS (SFP1-SFP-01), SURVEY NO. 1011/1, GULSARAM VILLAGE, YADGIR TOWN & DISTT, SHAHPUR TALUKA, KARNATAKA PH :9480825031.	ALUVA	992. POPULAR VEHICLES & SERVICES LTD. (4702-47-02), BEHIND MIMS, EASWARAMANGALAM ROAD, GOVINDAPURAM P.O., CALICUT - 673016 PH :9846298613.	1002. SAI SERVICE PRIVATE LIMITED (0J02-0J-01), SURVEY NO. 26/5, MULLANTHARA PARAMBU, OVUNGAL, KUNNAMKULAM ROAD, TALUK – GURUVAYUR, CHAVAKKAD.) - 680506 PH :9495883852.
YELLAPUR	982. BRD CAR WORLD LIMITED (A404-CBQ-09), RE SURVEY NO.330/7, NH-47, KUNNAMPURAM, PO-DESHAM PANCHAYATH, CHENGAMANAD, ALUVA. - 683102 PH :9745907100.	ANCHAL	CHENGANNUR
974. REVANKAR MOTORS PVT. LTD (CUR1-CUR-01), PLOT NO. 4 A1A1A1 GR 5, UDYAM NAGAR, YELLAPUR POST, BALGIMANI, HUBLI-ANKOLA, YELLAPUR TOWN, UTTARA KANNADA DIST., KARNATAKA - 581359 PH :7090772121.	ANCHAL	983. SARATHY AUTO CARS (BOT1-BQT-01), SURVEY NO. 371/9, VILLAGE – IDAMULAKKAL, P.O. – ANCHAL, TALUK – PUNALUR, DISTRICT – KOLLAM. - 691306 PH :9526906665.	1003. SARATHY AUTO CARS (C701-UL-06), PRAVUMKOD, THIRUVANVANDOOR P.O. CHENGANNUR TALUK, ALAPPUZHA (DIST) - 689124 PH :9447002647.
ADOOR	KERALA		

Dealer Workshop (AS ON 30.05.2023)

1045. INDUS MOTOR COMPANY PRIVATE LIMITED (AQ03-AQ-01), SY. NO. 243/1, 243/10, 243/16, 243/14, 243/15, 243/16, EDAPPALLY KOTTA JUNCTION, NEAR TITANIUM, CHAVARA POST, KARUNAGAPALLY, DISTT. KOLLAM. - 691583 PH :9745998006.
1046. SARATHY (C701-AQ-11), SURVEY NO. 15/3, SIDCO INDUSTRIAL AREA, EDAKULANGARA PO, NEAR KARUNAGAPALLY RAILWAY STATION, KARUNAGAPALLY, KERALA. - 690 562 PH :9526691565.

KASARGOD

1047. KVR CARS (3L01-3L-01), ANANGUR, VIDYANAGAR (PO), NH17, KASARGOD - 671123 PH :9747021206.
1048. POPULAR VEHICLES & SERVICES LTD. (4702-3L-0D), MUNDAKULAM, CHEMMANAD (PO), KASARGOD - 671371 PH :9946104621.
1049. INDUS MOTOR COMPANY PRIVATE LIMITED (RO02-3L-03), 18/304A & 18/304B, SY. NO. 39/3B, RE SY. NO. 57/6, MOGRAL, MANJESHWAR TALUK, KASARGOD, KERALA - 671541 PH :9747550747.

KATTAPANA

1050. INDUS MOTOR COMPANY PRIVATE LIMITED (ZN01-ZN-01), KATTAPPANA-IDUKKI KAVALA, BYE PASS ROAD, KATTAPPANA, IDUKKI (DIST.) - 686508 PH :9746743460.
1051. POPULAR VEHICLES (ZN02-ZN-01), RE-SURVEY NO. 81/3, VILLAGE & TOWN - KATTAPPANA, TALUK & DIST.-IDUKKI, KERALA. - 685 515 PH :9746818407.

KAYAMKULAM

1052. INDUS MOTOR COMPANY PRIVATE LIMITED (2702-8L-05), KARIYILAKULANGARA, KAYAMKULAM P.O., ALAPPUZHA DISTT. - 690572 PH :9745998005.
1053. POPULAR VEHICLES & SERVICES LTD. (8802-8L-03), NH 47, KOTTUKULANGARA, KAYAMKULAM P.O., ALAPPUZHA DISTT. - 690502 PH :9946105601.

KODUNGALLUR

1054. SAI SERVICE PRIVATE LIMITED (2705-8K-03), NH-17, T.K.S.PURAM, KODUNGALLOOR - 680667 PH :9645106571.

1055. INDUS MOTOR COMPANY PRIVATE LIMITED (8K02-8K-01), RE-SURVEY NO. 116/1-6, 116/2-5, BUILDING NO. 560/A, WARD NO. VII, AALA VILLAGE, (OLD VILLAGE-SREENARAYANAPURAM), KODUNGALLUR TALUK, MADHILAKOM SRO, SANTHIPURAM PO, THRISSUR DIST., KERALA - 680 008 PH :9747513444.

KODUVALLY

1056. A M MOTORS (BGX1-BGX-01), SURVEY NO.91/9, 91/10, NALLANKADY, VAVAD POST, KODUVALLY, KOZHIKODE DISTRICT, KERALA - 673572 PH :9895979023.

KOLANCHERRY

1057. SAI SERVICE (SJO1-SJO-01), SURVEY NO.138/7, BLOCK NO. 47, WARD-8, KOLENCHERY TOWN, NH-85, AIKARANADU NORTH VILL., KUNNATHUNADU TALUK, ERNAKULAM DIST., KERALA-682311 - 682311 PH :7356605955.

KOLLAM

1058. SARATHY AUTO CARS (C701-C7-01), NH-47 BYE PASS, AYATHIL(P.O.),QUILON - 691017 PH :9744552265.
1059. POPULAR VEHICLES & SERVICES LTD. (1601-Q4-04), H & C COMPOUND, MUNDACKAL, KOLLAM - 680006 PH :7594977550.
1060. INDUS MOTOR COMPANY PRIVATE LIMITED (1602-Q4-03), OLD SARATHY THEATRE, PUNALLOOR ROAD, KOLLAM - 691005 PH :9745998004.
1061. SARATHY AUTO CARS (C701-C7-13), SURVEY NO. 431/13-42, NEAR SN PUBLIC SCHOOL, VADAKKEVILA, AYATHIL, KILLIKLOOR PO, PUNTHALATHAZHAM-PALATHARA ROAD, KOLLAM, KERALA - 691004 PH :806430765.

KOLLAM/QUILON

1062. SARATHY AUTO CARS (C701-C7-08), SURVEY NO. (SIDCO) 318/1, SHED NO. B12, Umayanallur SIDCO INDUSTRIAL ESTATE, KOLLAM. - 691589 PH :9947127565.
1063. SARATHY AUTO CARS (C701-C7-12), BUILDING NO. 15/620, SURVEY NO. 234/1, 235/2, SITHARA JUNCTION, ADICHANALLOOR VILLAGE, KOTTIYAM PO, KOLLAM DIST., KERALA. - 691571 PH :9847936165.

KONDOTTY

1064. INDUS MOTOR COMPANY PRIVATE LIMITED (ID02-ID-01), SURVEY NO. 16/1, BLOCK NO. 36 (OLD SURVEY NO. 100/1), NEDIYIRUPPU VILLAGE, KONDOTTY PO, ERNAD TALUKA, MALAPURAM DISTRICT, KERALA - 683573 PH :9746743178.

KOOTHATTUKULAM

1065. SAI SERVICE PRIVATE LIMITED (VM01-VM-01), EDAPUTHUSSERY BUILDING, M.C. ROAD, OPP. MARYGIRI PUBLIC SCHOOL, KOOTHATHUKULAM P.O., ERNAKULAM DT. - 686662 PH :9645106258.

KOPPAM

1066. AM MOTORS (CUU1-CUU-01), SURVEY NOS: 331/3-6, 331/3-10, NEAR SALAFIYYA TRAINING COLLEGE, PERINTHALMANNA-PATTAMBI ROAD, KARINGANDU, VILAYUR POST, KOPPAM, PALLAKKAD DIST., KERALA-679309 - 679309 PH :9048666635.

KOTHAMANGALAM

1067. POPULAR VEHICLES & SERVICES LTD. (2701-9V-0B), NEAR BSNL OFFICE, THANGALAM, KOTOHAMANGALAM, KERALA - 686691 PH :9846027990.
1068. INDUS MOTOR COMPANY PRIVATE LIMITED (7E01-9V-03), PALAKKADAN BUILDING, CHANKLAM, KOTHAMANGALAM - 686691 PH :9745998479.

KOTTAKARKARA

1069. INDUS MOTOR COMPANY PRIVATE LIMITED (S804-S8-02), RE-SURVEY NO. 141/3-4, 142/1-2, 15-16, 143/1-2, 143/2, 143/15-2, 43/15-2-2. BEARING NOS. 25/36 & 38, KOTTARAKKARA VILLAGE, KOTTARAKKARA TALUK, KOLLAM DISTRICT, KERALA- 691506 - 691506 PH :9747562299.

KOTTAKKAL

1070. INDUS MOTOR COMPANY PRIVATE LIMITED (4701-8M-09), NEAR MATHRUBHUMI PRESS, P.O. KOTTAKKAL, MALAPPURAM DIST. - 676503 PH :9745998017.
1071. POPULAR VEHICLES & SERVICES LTD. (4702-8M-03), NH-17, CHANDAPARAMBU, RAMBATHANI P.O. MALAPPURAM, KOTTAKAL - 676510 PH :9946104631.

KOTTARAKARA

1072. POPULAR (S801-S8-S801-02), BUILDING NO. MP/20749.20/426, 20/748, INCHAKADU, KALAYAPURAM VILLAGE, MYLOM PANCHAYATH, KOTTARAKKARA TALUKA, KOLLAM DISTRICT, KERALA- 691560 - 691560 PH :8086073466.

KOTTARKARA

1073. POPULAR VEHICLES & SERVICES LTD. (S801-S8-01), MYLOM, MC ROAD, KOTTARAKKARA, DISTT-KOLLAM, KERELA - 691531 PH :9086073466.
1074. SARATHY AUTO CARS (S802-S8-01), WARD NO.40, MELILLIA PANCHAYATH, IPPALLOOR LOWER KARIKAM, KOTTARKARA DISTT. KOLLAM (KERALA) - 691531 PH :9847423365.
1075. INDUS MOTOR COMPANY PRIVATE LIMITED (S804-S8-01), RE SURVEY NO.2073-2, KIZHAKKARA MURIYIL, KNS HOSPITAL JUNCTION, KOTTARAKKARA VILLAGE AND TALUKA, KOLLAM DISTT., - 691531 PH :9747562299.

KOTTAYAM

1076. AVG MOTORS LTD. (B801-B8-01), ERAYILKADAVU, KOTTAYAM - 686001 PH :7510982222.
1077. INDUS MOTOR COMPANY PRIVATE LIMITED (2702-B8-04), MULANKUZHA JN., NATTAKOM P.O., KOTTAYAM, KERALA - 686013 PH :9745998148.
1078. POPULAR VEHICLES & SERVICES LTD. (B802-B8-01), NEAR ST. THOMAS CHURCH, S.H. MOUNT, P.O. KOTTAYAM - 686006 PH :8086073454.
1079. INDUS MOTOR COMPANY PRIVATE LIMITED (2702-B8-0C), MANIPPUZHA, NATTAKOM P.O., KOTTAYAM - 686013 PH :9745998007.

KOZHENCHERRY

1080. AVG MOTORS LTD. (W801-AS-03), KOZHENCHERRY, COLLEGE JUNCTION, DISTRICT-PATHANAMTHITTA, - 689641 PH :9446092995.

KUNNAMKULAM

1081. POPULAR VEHICLES & SERVICES LTD. (2701-8N-07), CHOONDAL, TRISSUR ROAD, KUNNAMKULAM, TRISSUR DIST - 680502 PH :9946105695.

LAKKIDI PERUR

1082. A M MOTORS (CER1-CER-01), 217/7, 217/2, 278/2, 278/1, PALAPPURAM, P.O. OTTAPPALAM, LEKKIDI PERUR DISTT. PALAKKAD, - 679302 PH :8086305555.

MALAPURAM

Dealer Workshop (AS ON 30.05.2023)

1083. A M MOTORS (E601-E6-01), VARANGODE, DOWNHILL, MALAPURAM, - 676519 PH :9895705325.	1093. POPULAR VEHICLES (B802-B8-10), BUILDING NO. 10/115-A, WARD NO. 10, CHENNHITHALA VILL. AND TOWN, SHANTHIVANAM JUNCTION, CHERUKOLE P.O., MAVELIKKARA TALUK, ALAPPUZHA DIST., KERALA- 690104. - 690104 PH :9778690833.	1102. POPULAR VEHICLES & SERVICES (AF02-AF-01), RE-SURVEY NO: 6/1 BLOCK NO. 76, CHEMMARAN, NADUVATH PO, WANDOOR ROAD,NILAMBUR, MALAPPURAM DIST., KERALA - 679328 PH :7736094999.	1112. INDUS MOTOR COMPANY PRIVATE LIMITED (Y202-Y2-01), DOOR NO: 5/366 & 367, NH 47, KOOTUPATHA, CHANDRANAGAR POST, PALAKKAD - 678007 PH :9747519500.
MALLAPPALLY		NILAMEL	PANDIKKAD
1084. INDUS MOTOR COMPANY PRIVATE LIMITED (I201-I2-01), THOPPIL COMPLEX, MALLAPPALLY KOTTAYAM RD, MALLAPPALLY WEST, MALLAPPALLY (KERALA) - 689585 PH :9747541400.	MORAYUR	1103. INDUS MOTOR COMPANY PRIVATE LIMITED (DA02-DA-01), SURVEY. NO. 195/10, 195/3-1-2, 195/3-2-1, 195/8, 195/14, 195/9-1, 195/11-1, BLOCK NO. 32, ATTINGAL MUNICIPALITY, PAZHAYAKUNNAMEL VILLAGE, CHIRAYINKIL TALUK, (BORDER OF NILAMEL TOWN), TRIVANDRUM DIST., KERALA - 695601 PH :9745993331.	1113. AM MOTORS (CUV1-CUV-01), SURVEY NOS: 333/2-2, 333/3-2,CHOORAKKAVU, PERINTHALMANNNA ROAD, NEAR INDIAN OIL PETROL PUMP, PANDIKKAD TOWN & POST, MALAPPURAM DISTRICT, KERALA - 676 521 PH :9539999570.
MANATHAVADY	1094. A M MOTORS (CUJ1-CUJ-01), SURVEY NO. 328/1, VILLAGE – MORAYUR, VALENCHERY, DISTRICT – MALAPPURAM, KERALA. - 673642 PH :8086526866.	1104. POPULAR (DA03-DA-01), BUILDING NO. 10/279 TO 288, M. C. ROAD, KANNANCODU, NILAMEL PO, KOLLAM (DIST.), KERALA- 691535 - 691535 PH :8714606483.	PARAPPANANGADI
1085. INDUS MOTOR COMPANY PRIVATE LIMITED (IE02-IE-01), SURVEY NO. 1/2A1, A1, B1, RY 1/210, 1/99, MYSORE ROAD, CHETTAPALAM, MANATHAVADY CITY & TALUK, WYANAD DIST., KERALA. - 670645 PH :9745997002.	MUVATTUPUZHA	OTTAPALAM	PARAVUR
MANJERI	1095. INDUS MOTOR COMPANY PRIVATE LIMITED (7E01-7E-01), NH-49, MUVATUPUZHA KODAMANGALAM ROAD, NEAR R.K. HOSPITAL, MUVATUPUZHA, ERNAKULAM DIST - 686661 PH :97459998011.	1105. INDUS MOTOR COMPANY PRIVATE LIMITED (PA01-PA-01), BUILDING NO.23/667, 23/669, PALAKKAD-OTTAPPALM ROAD, OTTAPPALAM VILLAGE, OTTAPPALAM TALUKA, PALAKKAD DIST., KERALA - 679101 PH :9747544454.	1114. A M MOTORS (CTK1-CTK-01), SURVEY NO.66/6, 66/7, KODAPPADI, POST-CHETTIPPADY, PARPANGADI, MALAPPURAM. - 676319 PH :9895900466.
1086. A M MOTORS (E601-8V-05), THURAKKAL BYEPASS, MANJERI, MALAPURAM, KERALA - 676121 PH :9895756035.	1096. POPULAR VEHICLES & SERVICES LTD. (2708-7E-02), MUTHUKALLU JUNCTION,PERUMPALLUR P.O., MUVATTUPUZHA, KERALA - 686673 PH :7356988840.	1106. POPULAR VEHICLES & SERVICES LTD. (B802-GN-04), 12TH MILE,PALA-PONKUNNAM ROAD,PALA - 686575 PH :9072609475.	PATHANAMTHITTA
1087. KVR AUTOCARS PVT LTD (8V02-8V-01), CH BYE PASS ROAD, MANJERI, MALAPPURAM, KERALA - 676123 PH :9747020801.	NEDUMANGAD	1107. INDUS MOTOR COMPANY PRIVATE LIMITED (7E01-GN-05), OPP. ALPHONSA COLLAGE ARUNAPURAM(PO), PALA, KOTTAYAM - 686574 PH :9745998878.	1115. POPULAR VEHICLES & SERVICES LTD. (ZS01-ZS-01), SURVEY NO. 340/1-76.77.78, NEAR HP PETROL PUMP, PARAVUR-MANJALI MAIN ROAD, MANNAM PO, NORTH PARAVUR MUNICIPAL, ERNAKULAM DIST. 683520, KERALA. - 683520 PH :9072609638.
1088. POPULAR VEHICLES & SERVICES LTD. (4702-8V-0E), NARUKARA VILLAGE, RAJIV GANDHI BYEPASS JN., THRUKKAL, MANJERI (KERALA) - 676121 PH :8589992406.	1097. POPULAR VEHICLES & SERVICES LTD. (Z001-ZO-01), RE-SURVEY NO - 855/29, 855/14/1 (OLD SURVEY NO. 1583/1), KARIPPUR VILLAGE, NEDUMANGAD TALUK, TRIVANDRUM DIST.,KERALA-695541. - 695541 PH :9846036696.	PALA	1116. AVG MOTORS LTD. (W801-W8-02), JUNNUGAPADY, MYLAPRA ROAD, PATHANAMTHITTA, - 689671 PH :9446002987.
MANNARKAD	NEYYANTINKARA	1108. AVG MOTORS LTD. (GN03-GN-01), SURVEY NO.670/1, BLOCK-21, LALAM VILLAGE, ANTHINADU MEENANCHIL, PALA, KOTTAYAM DIST. - 686651 PH :9447137246.	1117. INDUS MOTOR COMPANY PRIVATE LIMITED (1602-W8-13), KUMBAZHA, PATHANAMTHITTA - 689653 PH :9745998008.
1089. A M MOTORS (E601-RA-07), NH-213, MANNARKAD, DIST.-PALAKKAD - 678582 PH :9895979048.	1098. INDUS MOTOR COMPANY PRIVATE LIMITED (AT01-AT-01), INDUS MOTOR CO. PVT. LTD., OLD M.V THEATRE, NEAR KSRTC BUS STATION, NEYYATINKARA, DIST. TRIVANDRUM - 695121 PH :9747544500.	NEYYATTINKARA	1118. POPULAR VEHICLES & SERVICES LTD. (B802-W8-05), T.K. ROAD, NEAR COLLECTORATE,PATHANAMTHITTA - 689645 PH :9539009734.
1090. INDUS MOTOR COMPANY PRIVATE LIMITED (2702-RA-0K), ANAKATTY ROAD, AANDIPPADAM, NELLIPPUZHA-PO, MANNARKAD,KERALA - 678583 PH :9745995946.	NEYYATTINKARA	1099. POPULAR VEHICLES (1601-16-1601-15), BUILDING NO. 11/562, KP-IX-843, NH 47, KOTTAMOM , KOLLAYIL PANCHAYAT, PANVEL - KOCHI - KANYAKUMARI HIGHWAY, KOTTAMOM, NEYYATTINKARA, TRIVANDRUM, KERALA- 695122 - 695122 PH :9946104602.	1119. INDUS MOTOR COMPANY PRIVATE LIMITED (1602-W8-12), SURVEY NO. 11-13/12(1), KARIMPANKUZHY ROAD, NEAR SAROJ GAS AGENCY, MAKKANKUNNU, PATHANAMTHITTA, KERALA. - 689645 PH :9745999858.
MAVELIKARA	NILAMBUR	NILAMBUR	PATHIRAPALLY
1091. POPULAR VEHICLES & SERVICES LTD. (B802-S9-02), KONNAYIL SUVAKO INDUSTRIAL COMPLEX ,SHED A-1, KOLLAKADAVU INDUSTRIAL ESTATE, KOCHAL MOODU, KALLIMEL P.O., MAVELIKKARA, KERALA - 690570 PH :9400052338.	1100. INDUS MOTOR COMPANY PRIVATE LIMITED (4701-AF-0A), MINERVA JUNCTION, NILAMBUR , KERALA - 679329 PH :9745998396.	1109. INDUS MOTOR COMPANY PRIVATE LIMITED (7E01-GN-07), SURVEY NO. 176, BLOCK NO. 16, HIGHWAY JUNCTION, ETTUMANLOOR-POOJAR HIGHWAY, CHERPUNKAL, PALA, KOTTAYAM DISTRICT - 686584 PH :9747516934.	1120. POPULAR VEHICLES & SERVICES LTD (E502-E5-02), BUILDING NO. X/832 TO 834, X/837 TO 838, OPP. UDAYA STUDIO, PATHIRAPALLY TOWN, AMBALAPUZZHA TALUK, NH-47, ALAPPUZHA DIST., KERALA-688521. - 688521 PH :9778698169.
1092. INDUS MOTOR COMPANY PRIVATE LIMITED (1602-S9-07), NEAR PRATHIBA THEATRE, PUTTHIYAKAVU, MAVELIKKARA - 690101 PH :9745998137.	1101. INDUS MOTOR COMPANY PRIVATE LIMITED (4701-AF-0D), MANAVEDHAM HIGH SCHOOL ROAD, CHANDAKUNNU - NILAMBUR PO, NILAMBUR, MALAPURAM DIST. - 679329 PH :9745998396.	PALAKKAD	PATTAMBI
MAVELIKARRA		1110. POPULAR VEHICLES & SERVICES LTD. (2701-Y2-09), OPP. PALANA HOSPITAL,KODUVAAYOOR ROAD,KINASSERY P.O.,PALAKKAD - 678707 PH :9946105613.	1121. A M MOTORS (E601-8P-04), SHORANUR ROAD, PATTAMBI, DISTRICT-PALAKKAD, - 679306 PH :9567866059.
		1111. INDUS MOTOR COMPANY PRIVATE LIMITED (2702-Y2-0G), VADAKKUMURI-NH-47, KANNADI, KUZHALMAMMAM (P.O.), PALAKKAD. - 678701 PH :9745998590.	

Dealer Workshop (AS ON 30.05.2023)

1163. POPULAR VEHICLES & SERVICES LTD.
(2701-8R-08), SURVEY NO. 296/5,8, 296/9,
296/9-1, NATTIKA VILLAGE, NEAR CIVIL
STATION, POLY JUNCTION, TRIPRAYAR TOWN,
THRISSUR TALUK & DISTRICT, KERALA-680566
- 680566
PH :9846699245.
- TRIVANDRUM**
1164. INDUS MOTOR COMPANY PRIVATE LIMITED
(1602-16-01), T.C. 24/885 THYCAUD P.O.,
THYCAUD P.O., METTUKUDA, TRIVANDRUM -
695014
PH :9745998001.
1165. POPULAR VEHICLES & SERVICES LTD.
(1601-16-01), C.I.T. ROAD, KILLIPALAM,
KARAMANA P.O, TRIVANDRUM - 695002
PH :9946104601.
1166. SARATHY AUTODRIVES PVT LTD (1607-16-02),
KOVALAM BYEPASS,SN NAGAR, MANACAUD
(PO), TRIVANDRUM - 695009
PH :9947270665.
1167. INDUS MOTOR COMPANY PRIVATE LIMITED
(1602-16-02), NH BYE PASS ROAD,
VEMPALAVATTOM, TRIVANDRUM - 695029
PH :9745998003.
1168. INDUS MOTOR COMPANY PRIVATE LIMITED
(1602-16-05), G.G. MEDICAL COLLAGE P.O.,
MURINJAPALAM, TRIVANDRUM,
MURINJAPALAM, - 695011
PH :9745998002.
1169. POPULAR VEHICLES & SERVICES LTD.
(1601-16-05), OPP. ST. JUDE CHURCH,CIT
ROAD, KILLIPALAM,TRIVANDRUM - 695002
PH :9846298610.
1170. INDUS MOTOR COMPANY PRIVATE LIMITED
(1602-16-11), SURVEY NO.3, TC-7/1069(9),
MARUTHAMKUZHI, SASTHAMANGALAM
VILLAGE, PTP NAGAR ROAD, KANJIRAMPARA
P.O, TRIVANDRUM - 695030
PH :9747598822.
1171. SOUTH PARK MOTORS PVT. LTD. (1604-16-01),
SURVEY NO. 985/3-4-5-6, VILLAGE -
KADAKAMPALLY, CHACKAI BYPASS, TALUKA -
TRIVANDRUM, TRIVANDRUM, KERALA. - 695029
PH :9526100008.
1172. SARATHY AUTODRIVES PVT LTD (1607-16-03),
77/2-11, NEMOM VILLAGE, PAPPANAMCODU
INDUSTRIAL AREA, TALUKA AND DISTRICT-
THIRUVANANTHPURAM, KERALA. - 695019
PH :9961665865.
1173. POPULAR VEHICLES (1601-16-12), RE-SURVEY
NO. 26/4-1, MANANTHALA STADIUM ROAD,
NEAR SURYAPRABHA AUDITORIUM, ULOOR
VILLAGE, MANANTHALA, TRIVANDRUM DIST.,
KERALA. - 695 015
PH :9846498605.

1174. POPULAR VEHICLES (1601-16-17), BUILDING
NO. 13/632,632-A, 633,633-A1,633-A2,634-636,
6TH MILE STONE, VAZHAYILA PO,
PEROORKADA, THIRUVANANTHAPURAM,
KERALA - 695521 - 695521
PH :9288023313.
1175. SARATHY AUTODRIVES PVT LTD (1607-16-01),
SURVEY NO. 2448/4, VILL. MUTTATHARA, NH
BYE PASS ROAD, KALLUMOOD JN.,
VALLAKADAU PO, ENCHAKKAL,
THIRUVANANTHAPURAM, KERALA-695008 -
695008
PH :9562416665.
- TRIVANDRUM-MANANTHALLA**
1176. INDUS MOTOR COMPANY PRIVATE LIMITED
(1602-16-08), NEAR MUSLIM JUMA MASJID,
MUKKAM PLAMOODE,
VATTAPPARA-MANNANTHALA M C ROAD,
VATTAPPARA PO,
MANNANTHALA,TRIVANDRUM - 695028
PH :9747540100.
- UPPALA**
1177. POPULAR VEHICLES & SERVICES LTD.
(4702-4I-0A), N.H.17, KAIKAMPA, UPPALA P.O.,
KASARGOD (KERALA) - 671322
PH :9089078964.
1178. KVR CARS (4102-4I-01), NH 17, BANDIYODE,
MANGALAPADI (PO), UPPALA, KASARGOD
DISTT.,KERALA - 671324
PH :9526021876.
- VADAKARA**
1179. INDUS MOTOR COMPANY PRIVATE LIMITED
(4701-8S-07), BYE PASS
JN,VATAKARA-673104,CALICUT, - 673104
PH :9745998021.
1180. POPULAR VEHICLES AND SERVICES
(8S02-8S-01), NEAR MADAPPALLY GOVT.
COLLEGE, MADAPPALLY, P.O. VADAKARA,
KOZHICODE (KERALA) - 673102
PH :8943345935.
- VALENCHERRY**
1181. A M MOTORS (CUK1-CUK-01), SURVEY NO.
132/4, KOLAMANGALAM, PERINTHALMANNA
ROAD, VALANCHERY, DIST.-MALAPPURAM. -
676552
PH :9745986666.
- VETTICHIRA**
1182. KVR AUTOCARS PVT LTD (7H01-MZ-03), AP IV,
75A TO G, NH-17, CHUNKAM, DIST.
MALAPPURAM, VETTICHIRA, - 676552
PH :9747020023.
- WADAKKANCHERY**

1183. BRD CAR WORLD LIMITED (A404-MX-03),
VAZHAKODE, CHELAKARA ROAD,
MULLURKARA P.O., WADAKKANCHERY,
THRISSUR DIST - 680583
PH :9567869403.
- KERLA**
- EDAkkARA**
1184. KVR (GMN1-GMN-01), SURVEY NO. 1087/1C-91,
VAZHAKADAVU VILLAGE, OOTY ROAD, MUNDA,
EDAkkARA TOWN, NILAMBUR TALUK,
MALAPPURAM DIST., KERALA - 679 331
PH :9747020777.
- LADAKH**
- LEH**
1185. DRUK AUTOZONE (9S02-9S-01), AIRPORT
ROAD, LEH (LADAKH), DISTT. LADAKH, LEH -
194101
PH :8082800205.
- MADHYA PRADESH**
- AGAR**
1186. UNITARA MOTORS (BJT2-BJT-01), 27, UJJAIN
ROAD,
NEAR MARKETING FUEL STATION,
AGAR, MADHYA PRADESH (465669) - 465669
PH :9770018283.
- ALIRAJPUR**
1187. RUKMANI MOTORS PVT. LTD. (GLY1-GLY-01),
WARD NO 1, JHABUA ROAD, ALIRAJPUR,
MADHYA PRADESH, MP - 457887
PH :9755549200
9109978301.
- ANUPPUR**
1188. SHUBH MOTORS PVT. LTD. (BIB1-BIB-01), NEAR
HDFC BANK, TEHSIL ROAD, ANNUPUR - 484224
PH :9303884800.
- ASHOK NAGAR**
1189. PREM MOTORS PVT. LTD. (DS01-DS-02),
SURVEY NO. 672/3, SINGAKHEDI HOUSE GUNA
BYPASS NEAR RAJ MATA CIRCLE,
ASHOKNAGAR, MADHYA PRADESH. - 473331
PH :9926809856.
- ASHTA**
1190. JEEWAN MOTORS PVT. LTD. (BSF1-BSF-01),
KHASRA NO.111/1 NEAR RELIANCE PETROL
PUMP, BHOPAL ROAD, ASHTA, DISTT. SEHORE
(M.P.) - 466001
PH :9826429604
6264918307
8718911222.
- BADNAWAR**

1191. PATEL MOTORS (INDORE) PVT. LTD.
(BPT1-BPT-01), KHASRA NO. 2194/1, BADNAGAR
ROAD, BADI CHOUPATI, OPPOSITE BSNL
TOWER, BADNAWAR, DISTT. - DHAR, MADHYA
PRADESH. - 454660
PH :9926932221.
- BADWAH / BARWAHA (BOTH NAMES ARE OK)**
1192. NIMAR MOTORS PVT. LTD. (AU01-UJ-05),
NIRMAL COMPLEX, INDORE ROAD, BARWAH -
451001
PH :7770878726, 9669569496.
- BALAGHAT**
1193. KUNAL MOTORS (U501-TP-04), KH NO.-1/56,
JHULELAL DHARMSHALA ROAD, BALAGHAT,
MADHYA PRADESH - 4811001
PH :8349992181.
- BARELI**
1194. RAJRUP MOTOR JUNCTION (A UNIT OF RMJ
MOTORS PVT. LTD.) (I303-I3-01), SURVEY 423/2,
VILLAGE KAMTON, NH 12, BARELI, RAISEN,
MADHYA PRADESH. - 464668
PH :9826333501.
- BARHI**
1195. SHUBH MOTORS PVT. LTD. (GMK1-GMK-01),
1286/2, BARHI, DIST. - KATNI, MADHYA
PRADESH - 483770
PH :9755580253.
- BARNAGAR**
1196. YUG CARS (A UNIT OF RUKMARANI CARS
INDORE PVT. LTD) (BBK2-BBK-01), RUNIJA
ROAD, BARNAGAR CITY, DISTRICT UJJAIN -
456771
PH :9755512100/7898900224.
- BARWANI**
1197. NIMAR MOTORS PVT. LTD. (AU01-SA-02),
ANJAD ROAD, VILLAGE -KARAH, BARWANI,
MADHYA PRADESH - 451551
PH :7770804492, 9669569496.
- BEGAMGANJ**
1198. RAJRUP MOTOR JUNCTION (A UNIT OF RMJ
MOTORS PVT. LTD.) (CIL1-CIL-01), IN FRONT OF
DUSHERRA MAIDAN, SAGAR BHOPAL ROAD,
BEGAMGANJ, DIST - RAISEN, MADHYA
PRADESH - 464881 - 464881
PH :9826333501.
- BEOHARI**
1199. SHUBH MOTORS PVT. LTD. (BKA1-BKA-01),
REEVA ROAD, NEAR AARRA MACHINE,
BEOHARI, DIST.-SHAHdol, MADHYA PRADESH.
- 484774
PH :9755580253.
- BERASIA**

Dealer Workshop (AS ON 30.05.2023)

1200. RAJRUP MOTOR JUNCTION (A UNIT OF RMJ MOTORS PVT. LTD.) (CKG1-CKG-01), BHOPAL ROAD, OPP. BERASIA HOSPITAL, BERASIA, DISTRICT – BHOPAL, MADHYA PRADESH. - 463106
PH :7909997570.
- BETMA**
1201. OCEAN MOTORS PVT. LTD. (BVR1-BVR-01), OPPOSITE MPEB OFFICE, INDORE-AHEMDABAD ROAD, BETMA, DISTRICT – INDORE, MADHYA PRADESH. - 453001
PH :7389936477.
- BETUL**
1202. KUNAL MOTORS (U501-U5-02), BHOPAL - NAGPUR NATIONAL HIGHWAY, NEAR BADORA CHOWK., BETUL - 460001
PH :8349999177.
1203. KAMTHI MOTORS (GKF1-HHI-01), KAMTHI MOTORS LLP(SERVICE CENTER) NEAR SUNITA COLONY NEAR FOREST NAKA, SONAGHATI, ITARSI ROAD, BETUL - 460001
PH :9329918424.
- BHAVRA**
1204. RUKMANI MOTORS (SPT1-SPT-01), GRAM PANCHAYAT, KALIYAVAHO, OPP SUNKER MANDIR, BHAVRA TEHSIL, ALIRAJPUR DISTRICT, MADHYA PRADESH - 457882 - 457882
PH :9755549200
9109978301.
- BHOPAL**
1205. DAGA MOTORS (A UNIT OF DAGA HEIGHTS) (0309-03-01), 4/1, DAGA HEIGHTS, NEAR BUDHNA MANDIR, MAIN ROAD KOLAR ROAD, CHUNABHATTI, BHOPAL, MADHYA PRADESH. - 462016
PH :9109900400.
1206. JEEWAN MOTORS PVT. LTD. (0302-03-01), 9E SECTOR A, INDUSTRIAL AREA, GOVINDPURA, BHOPAL - 462024
PH :9826017799
9826429605.
1207. JEEWAN MOTORS PVT. LTD. (0302-03-04), KHASRA NO. 54-55/1/1, NEAR RELIANCE FRESH, CHUNA BHATTI MAIN ROAD, INDIAN OIL PETROL PUMP, BHOPAL (M.P.) - 462036
PH :8718802178.
1208. RAJRUP MOTOR JUNCTION (A UNIT OF RMJ MOTORS PVT. LTD.) (0308-03-01), 8A, SECTOR-C, J.K. ROAD, GOVINDPURA INDUSTRIAL AREA, BHOPAL, MADHYA PRADESH - 462023
PH :9826333501
9826032579.

1209. SATYAM MOTORS (0307-03-01), NH-12,SUVEESHA NAGAR,HOSHANGABAD ROAD,MISROAD - 462040
PH :6261900423
6261900696.
- BIAORA**
1210. UNITARA (0F02-0F-01), OLD AB ROAD, KACHNARIA, BIAORA (M.P) - 465674
PH :9770018283.
- BINA**
1211. ADINATH CARS PRIVATE LIMITED (BHQ2-BHQ-01), PLOT NO. 2/3/4/5 AMANTIGEL LAND SEMI URBAN INDUSTRIAL AREA, BINA, KHURAI ROAD (NH 26) BINA, DISTRICT – SAGAR, MADHYA PRADESH - 470113
PH :9009780047.
- BURHANPUR**
1212. NIMAR MOTORS PVT. LTD. (BRR1-BRR-01), KHASRA NO. 654/15-16, BASEMENT OF HOTEL AMBIKA RESIDENCY, OPP. PAKIZA SHOWROOM, SANJAY NAGAR, AMRAVATI ROAD, BURHANPUR, MADHYA PRADESH - 450331
PH :7694011374, 9669569496.
- CHAKGHAT**
1213. CITY CARS (UNIT OF AGARWAL WHEELS) (GKQ1-GKQ-01), GRAM AND POST – CHANDAI, CHAKGHAT, TEHSIL - TEONHTER, PRAGRAJ ROAD, NH 27, DIST- REWA, MP – 486226. - 486226
PH :9754301199.
- CHATTARPUR**
1214. ADINATH CARS PRIVATE LIMITED (8B02-8B-01), MAHOBA ROAD, NEAR BUS STAND, CHHATARPUR, DISTT SAGAR - 471001
PH :9009785577.
- CHHINDWARA**
1215. KAMTHI MOTORS LLP (U502-U5-01), KHASRA NO 1/53, BESIDE MVM SCHOOL, NAGPUR ROAD, VILL.-SARRA, DISTT. CHHINDWARA, MADHYA PRADESH - 480001
PH :9111488444/ 9111535777.
1216. KUNAL MOTORS (U501-U5-03), OPP. KUNAL MOTORS SHOWROOM, LAL BAGH TIRAHA,BEHIND TRUE VALUE OUTLET, NASIRABAD ROAD, CHHINDWARA(MP), - 480001
PH :9981852239.
1217. KUNAL MOTORS (U501-U5-06), PLOT NO. 546, LAHGARUA NEAR MULLU BABA MANDIR, NARSINGHPUR ROAD, CHINDWARA, MADHYA PRADESH - 480002
PH :9981852239.
- CHITRAKOOT**

1218. CITY CARS (UNIT OF AGARWAL WHEELS) (GKS1-GKS-01), PILIKOTHI CHOURAHA, BESIDE SINGH AUTOMOBILE- A HERO AGENCY, CHITRA ROAD, CHITRAKOOT, DISTRICT-SATNA (MADHYA PRADESH)- 485334 - 485334
PH :9754301199.
- DABRA**
1219. PREM MOTORS PVT. LTD. (BOR1-BOR-01), PICHHORE TIRAHA, GWALIOR JHANSI ROAD, DABRA, DIST.-GWALIOR. - 475110
PH :9340059606.
- DAMOH**
1220. ADINATH CARS PRIVATE LIMITED (RD02-RD-01), SAGAR JABALPUR BYPASS ROAD, DAMOH (M.P.). - 470661
PH :9009780035.
- DATIA**
1221. PREM MOTORS PVT. LTD. (3003-WE-05), NR.BHOJPURIA MOTORS, BHANDER ROAD, DATIA, MADHYA PRADESH - 475661
PH :9928809803.
- DEORI**
1222. ADINATH CARS PRIVATE LIMITED (CUO1-CUO-01), C/O VISHWANATH DIXIT, VIJAYSHRI GAS SERVICE, NEAR GOVT. HIGH SCHOOL, NARSINGHPUR ROAD,VILLAGE KHEER, DEORI DISTT. SAGAR (M.P.) - 470226
PH :9009787562.
- DEPALPUR**
1223. OCEAN MOTORS PVT. LTD. (WB01-WB-03), NEAR LEELA RESIDENCY,INDORE ROAD,DEPALPUR,DIST.INDORE-MP - 453115
PH :7389936488.
- DEWAS**
1224. UNITARA MOTORS PVT LTD (3Q02-3Q-01), SURVEY NO 255, A.B. ROAD, RASULPUR SQUARE, DEWAS, MADHYA PRADESH PIN 455001 - 455001
PH :9770018283.
- DHAMNOD**
1225. KATHED MOTOCORP(A UNIT OF KATHED MOTORS PVT. LTD.) (UT01-UT-01), KHASRA NO. 484/1/2, OLD A B ROAD, OPPOSITE HP PETROL PUMP, DHAMNOD, DIST.-DHAR, MADHYA PRADESH. - 454552
PH :9109199032
7471111132.
- DHAR**
1226. RUKMANI MOTORS (P) LTD (5304-LM-02), 41/2 MAGAJPURA,DHAR., - 454001
PH :9755549200
9109978301.
- DINDORI**

1227. STANDARD AUTO AGENCIES (AVA1-AVA-01), SUKKHAR WARD 1, NEAR DHURVE PETROL PUMP,DINDORI - 481661
PH :9131343928.
- FALI**
1228. OCEAN MOTORS (SGH1-SGH-01), NH 47, NEAR GRAM - FALI, TEHSIL KHUDELI, INDORE, MADHYA PRADESH. - 452016
PH :7389936477.
- GADARWARA**
1229. STANDARD AUTO AGENCIES (BOI2-BOI-01), KHASRA NO. 130/31/A & 131/2, HALKA NO. 18/1, NO. 119, GADARWARA, DISTRICT – NARSINGHPUR . - 487551
PH :7771003374.
- GANJ BASODA**
1230. DAGA MOTORS (A UNIT OF DAGA HEIGHTS) (AE2-AEA-01), LAL BAGH, BARETH ROAD, GANJ BASODA, VIDISHA, 464221, - 464221
PH :9425148584.
- GARRA**
1231. KAMTHI MOTORS LLP (GJC1-GJC-01), LALBARRA ROAD, GARRA INDUSTRIAL AREA, GARRA, BALAGHAT, MADHYA PRADESH. - 481331
PH :7723020684.
- GAUTAMPURA**
1232. OCEAN MOTORS PVT. LTD. (CFW1-CFW-01), RUNJI CHOURAHA, GAUTAMPURA, TEHSIL - DEPALPUR, DISTT.-INDORE, MADHYA PRADESH . - 453220
PH :7389936477.
- GOTEGAON**
1233. STANDARD AUTO AGENCIES (BLY1-BLY-01), JABALPUR ROAD, OPP. NEW KRISHI UPAJ MANDI, TEHSIL - GOTEGAON, DIST. -NARSINGHPUR. - 443 001
PH :7771003374.
- GUNA**
1234. PREM MOTORS PVT. LTD. (S301-S3-01), OPP R.T.O.,A.B. ROAD,GUNA, - 473001
PH :268015.
- GWALIOR**
1235. NIKUNJ MOTORS (3006-30-01), GOLE KA MANDIR SQUARE, AIRPORT ROAD, GWALIOR, MADHYA PRADESH - 474005 - 474005
PH :9109105599.
1236. PREM MOTORS PVT. LTD. (3003-30-01), M. L. B. ROAD,GWALIOR., - 474002
PH :9926809803.
1237. PREM MOTORS PVT. LTD. (3005-30-01), SHIVPURI LINK ROAD, GWALIOR - 474002
PH :9926809803.
- HALALPURA - BHOPAL**

Dealer Workshop (AS ON 30.05.2023)

1238. DAGA MOTORS (0309-03-02), KHASRA NO. 80/1/K, VILLAGE - HALALPURA, TEHSIL - HUZUR, DISTRICT - BHOPAL, MADHYA PRADESH. - 462030
PH :9109900365.

HANSA KHEDI

1239. KATHED MOTORCORP (SGI-1-SGI-01), MAIN DHARMIAT ROAD, HANSA KHEDI (CHANDRAWATI GANJ), TEHSIL –SANWER, DISTRICT –INDORE, MADHYA PRADESH. - 453551
PH :7471111132.

HARDA

1240. INFINITY CARS (A UNIT OF FOUZDAR CARS PVT. LTD) (KM01-VY-02), NEAR RTO,INDORE HIGHWAY ROAD,HARDA MP - 461331
PH :8889281113.

HATOD

1241. OCEAN MOTORS PVT. LTD. (BVT1-BVT-01), 726/6, INDORE-DEPALPUR MAIN ROAD, OPP. HP GAS AGENCY, HATOD DISTT. INDORE - 453111
PH :7389936477.

HATTA

1242. ADHINATH MOTORS (SKK1-SKK-01), NEAR NAVODAYA SCHOOL, DAMOH ROAD, HATTA, DISTT. DAMOH (M.P.) - 470775. - 470775
PH :9009787562.

HOSHANGABAD

1243. INFINITY CARS (A UNIT OF FOUZDAR CARS PVT. LTD) (KM01-KM-01), 185, RAMJIBABA GROUND, HOSHANGABAD, MADHYA PRADESH - 461001
PH :8889281113.

ICHHAWAR

1244. RAJRUP MOTOR JUNCTION (A UNIT OF RMJ MOTORS PVT. LTD.) (CIK1-CIK-01), SEHORE NADAN ROAD, NEAR SARASWATI SCHOOL, ICHHAWAR, DISTRICT – SEHORE, MADHYA PRADESH. - 466115
PH :9826333501.

INDERGARH

1245. PREM MOTORS (SPU1-SPU-01), NEAR KHERAPATI GARDEN, INDERGARH, MP - 475675 . - 475675
PH :9926809818.

INDORE

1246. KATHED MOTOCORP(A UNIT OF KATHED MOTORS PVT. LTD.) (5307-53-01), PLOT NO. 483/2/2, MAIN DHAR ROAD, NEAR CHANDAN NAGAR POLICE STATION, INDORE, MADHYA PRADESH. - 452002
PH :7471111132.

1247. KTL AUTOMOBILES (5309-53-C1), PLOT NO.5/R.C, SCHEME NO 134 MR 10,VILLAGE KHAJRANA, DIST INDORE-452010,MADHYA PRADESH - 452010
PH :8889433301.

1248. OCEAN MOTORS PVT. LTD. (5306-53-01), SCHEME NO 97, PLOT NO 49, PART - 4, COMMERCIAL MANDI, RING ROAD, NEAR CAT SQUARE, RAJENDRA NAGAR, INDORE, MADHYA PRADESH 452012 - 452001
PH :7389936513.

1249. OCEAN MOTORS PVT. LTD. (5306-53-02), NEAR QUEENS COLLEGE,ASHARAM BAPU ASHRAM, KHANDWA ROAD,INDORE - 452017
PH :8085916505.

1250. OCEAN MOTORS PVT. LTD. (5306-53-03), 171A, 174A, 175A, 180A, 181A, 82A, 182A, BRAJESHWARI EXTENSION, PIPLIYAHANA, INDORE - 452001
PH :7389936451.

1251. OCEAN MOTORS PVT. LTD. (5306-53-04), SCHEME NO 97, PLOT NO 142 & 151, PART - 4, COMMERCIAL MANDI, RING ROAD, NEAR CAT SQUARE, RAJENDRA NAGAR, INDORE, MADHYA PRADESH 452012 - 452012
PH :9285100697.

1252. PATEL MOTORS (INDORE) PVT. LTD. (5303-53-01), 428/3/3,NIRANJANPUR.A B ROAD,INDORE - 452010
PH :9826360699.

1253. PATEL MOTORS (INDORE) PVT. LTD. (5303-53-02), 176/1,PIPLYA RAU,A.B. ROAD ,INDORE - 452017
PH :9826360699.

1254. PATEL MOTORS (INDORE) PVT. LTD. (5303-53-03), M.O.G. LINES, NEAR GANGWAL BUS STAND, DHAR ROAD, INDORE (M.P.) - 452006
PH :9826360699.

1255. PATEL MOTORS (INDORE) PVT. LTD. (5303-53-05), SURVEY NO. 174/5 AND 174/6, PIPLIYA RAO, INDORE, MADHYA PRADESH. - 452012
PH :9826360699.

1256. RANA MOTORS (5308-53-01), KHASRA NO. 293/2, 299/1, TEJPUR, GADBADI PUL, A. B. ROAD, INDORE. - 452009
PH :9109975566.

1257. RUKMANI MOTORS (P) LTD (5304-53-01), 2-3, A. B. ROAD,INDORE - 452001
PH :9039088702
9109978301.

1258. RUKMANI MOTORS (P) LTD (5304-53-03), NO. 4/5, MANORAMA GANJ, INDORE - 452001
PH :9109107171
9109978301.

1259. RUKMANI MOTORS (P) LTD (5304-53-04), MANGAL COMPOUND, GODOWN NO. 11-12, VILLAGE 15/1, PIPLYA KUMAR, MR 11 RING ROAD, DEWAS NAKA, INDORE, MADHYA PRADESH. - 452010
PH :9981078226
9109978301.

JABALPUR

1260. MAA GAYTRI (AGGARWAL) (5404-54-01), MOUZA KARMETA N.B. 497, P.H. NO 23/26, KHASRA NO. 497 & DIV. KHASRA NO. 484/6, DIV. SHEET NO 2, PLOT NO 63/1, ,JABALPUR-PATAN ROAD, JABALPUR. - 482002
PH :7489901021.

1261. SHUBH MOTORS (5403-54-01), MAHANADDA, MADAN MAHAL ROAD, JABALPUR, MADHYAPRADESH - 482001
PH :9755581438.

1262. SHUBH MOTORS PVT LTD (5403-54-03), 156/5/1, 156/3KA, 156/3KHA, 156/3GHA, BEHIND OM PETROLEUM, ADHARTAL TIRAHA, JABALPUR, MADHYA PRADESH - 482002
PH :9755594512.

1263. STANDARD AUTO AGENCIES (5405-54-07), NEW WARD NO. 71, IN FRONT OF ORIENTAL COLLEGE, KATNI BYPASS, JABALPUR, MP. - 482003
PH :6387098013.

1264. STANDARD AUTO AGENCIES (5405-54-01), OPPOSITE ALLAHABAD BANK,DELITE TALKIES ROAD,CIVIL LINES, JABALPUR - 482001
PH :7771014822
9074360320.

1265. STANDARD AUTO AGENCIES (5405-54-03), DEENDAYAL CHECK, DAMOH NAKA, JABALPUR - 482002
PH :7771006920.

1266. STANDARD AUTO AGENCIES (5405-54-06), CHIMNEY PLOT, MADAN MAHAL, NEAR GULZAR HOTEL, JABALPUR - 482001
PH :9302525012.

JAORA

1267. PATEL MOTORS (INDORE) PVT. LTD. (P801-BFR-04), SURVEY NO.57/11/1, RATLAM ROAD, RATLAM NAKA, OPP. KOTHARI AGRIKO, INDUSTRIAL AREA, INFRONT OF ST. PAUL SCHOOL, JAORA, DISTT. RATLAM, MADHYA PRADESH - 457226
PH :243399, 7089901505, 9926932221.

JHABUA

1268. PATEL MOTORS (INDORE) PVT. LTD. (AAR1-AAR-01), INDORE AHMEDABAD ROAD, MEGHNAGAR NAKA, JHABUA ,MADHYA PRADESH. - 457661
PH :9826634449.

JOBAT

1269. RUKMANI MOTORS (SOA1-SOA-01), BYEPASS ROAD, OPPOSITE JP COLLEGE, JOBAT, MP – 457990. - 457990
PH :9755549200
9109978301.

KARERA

1270. PREM MOTORS (SMO1-SMO-01), GRAM - JHASI ROAD, KARERA, DISTRICT - SHIVPURI, MADHYA PRADESH - 473660 - 473660
PH :9926823596.

KATNI

1271. SHUBH MOTORS PVT LTD (FK01-FK-01), KHASRA NO.850, NH-7, JHINJARI, INFRONT OF POLICE STATION, JABALPUR ROAD, KATNI, MADHYA PRADESH. - 483501
PH :9755515839.

KHANDWA

1272. NIMAR MOTORS PVT. LTD. (AU01-3R-03), BEFORE VIKAS UDYOG, INDORE ROAD, KHANDWA - 450001
PH :9575105697, 9669569496.

KHARGONE

1273. NIMAR MOTORS PVT. LTD. (AU01-AU-01), JETAPUR,SANAWAD ROAD,KHARGAONE. - 451001
PH :9669569504, 9669569496.

1274. NIMAR MOTORS PVT. LTD. (AU01-AU-06), PH. NO. 35, VILLAGE – DANAPUR, TEHSIL – KHARGONE, DISTRICT – KHARGONE, MADHYA PRADESH. - 451001
PH :7694011436, 9669569496.

KHATEGAON

1275. UNITARA (BXB2-BXB-01), NEMAWAR-INDORE ROAD, KHATEGAON, M.P. - 455336 - 455336
PH :9770018283.

KOTMA

1276. SHUBH MOTORS (DO01-DO-01), WARD NO.7, ANNUPPUR KOTMA ROAD, DISTT. ANNUPPUR, KOTMA (M.P.) - 484336
PH :9303884800.

KUKSHI

1277. OCEAN MOTORS PVT. LTD. (BIO1-BIO-01), SURVEY NO.593/5/1, 593/6/1, BARWANI ROAD, TOLL KANTE KE PASS, TEHSIL-KUKSHI - 454331
PH :7389936477, 8085999990.

LAKHNADON

1278. KAMTHI MOTORS LLP (SCL1-SCL-01), RANI DURGAVATI CHOWK, NH-7, WARD NO. - 05, JABALPUR ROAD, LAKHNADON, MADHYA PRADESH. - 480886
PH :9285506128.

MAHESHWAR

Dealer Workshop (AS ON 30.05.2023)

NANDURBAR

1473. SEVA AUTOMOTIVE LTD. (P301-KW-02), P NO. -324, BASILAL NAGAR SHAHADA BYPASS ROAD, NEAR HOTEL KAREN GARDEN, CHAUFULLY NANDURBAR-425412 - 425412 PH :7720017528.

NARAYANGAON

1474. THE KOTHARI WHEELS (1906-FV-02), GATE NO. 747, PUNE NASIK HIGHWAY, WARULWADI, NARAYANGAON - 410504 PH :8411003608.

NASHIK

1475. AUTOMOTIVE MANUFACTURERS PVT. LTD. (3702-37-01), P-1-12, ADDITIONAL NASIK INDL. AREA, AMBAD NASIK - 422010 PH :9673000262 / 9673000822 / 9673000842.
1476. SEVA AUTOMOTIVE LTD. (3701-37-01), PLOT NO. X - 46, MIDC. AMBAD, NASIK - 422010 PH :0253-664444.
1477. SHAAH CARS PRIVATE LIMITED (3703-37-01), E-3 MIDC AREA, SATPUR, NASIK, MAHARASHTRA - 422007 PH :9075028780, 9922969646.
1478. SHAAH CARS PRIVATE LIMITED (3703-37-04), 03/810, NEAR NASARDI BRIDGE, WADALA ROAD, NASIK ROAD, NASIK - 422011 PH :0253-2236080.
1479. SEVA AUTOMOTIVE LTD. (3701-37-06), SEVA FARMS, GATE NO. 82/2, AMBE BAHULA ROAD, VILHOLI, TALUKA & DISTRICT: NASIK, MAHARASHTRA - 422010 PH :9146000709.

1480. SEVA AUTOMOTIVE PVT LTD (3701-37-07), PLOT NO. A-23, NICE INDUSTRIAL AREA, MIDC, SATPUR, NASIK (MAHARASHTRA) - 422006 PH :0253-6634444.
1481. SEVA AUTOMOTIVES PVT LTD (3701-37-08), SHOP NO. 1 & 2, SER. NO. 241/1-B-1/2, OPPOSITE NMC SCHOOL, DINDORI ROAD, MAHSRUL, NASHIK, MAHARASHTRA - 422004 PH :0253-6654444.

NAVI MUMBAI

1482. AUTOMOTIVE MANUFACTURERS PVT. LTD. (3901-9K-01), D-234 MIDC TTC INDL AREA, SHIRVANE NERUL, NEW BOMBAY, - 400706 PH :66143900/66133923/66143924.
1483. SIMRAN MOTORS PVT. LTD. (3913-9K-01), CAMEO FABRIC COMPANY, GEN 16, NEAR SULZER COMPANY, DIGHA, TTC AREA, AIROLI - 400701 PH :8788582329, 8369658212.

NEVASA

1484. KANKARIYA AUTOMOBILES PVT. LTD. (BSU1-BSU-01), BELOW ADARSH GRAMIN BANK, OPP. ILAKSHI MOTORS, NEVAS PHATA, AURANGABAD ROAD, TALUKA – NEVASA, DISTRICT – AHMEDNAGAR. - 414603 PH :9420494601.

NIPHAD

1485. SHAAH CARS PVT. LTD. (COX1-COX-01), GAT NO. 99/3, RASALPUR AURANGABAD HIGHWAY, NIPHAD, DISTRICT – NASHIK, MAHARASHTRA. - 422303 PH :9075028780.

OSMANABAD

1486. CHAVAN MOTORS DIVISION INDIA PVT LTD (B102-LW-03), PLOT NO. A-53, INDUSTRIAL AREA, MIDC, OSMANABAD - 413501 PH :8888867861.

PABAL

1487. MAHALAXMI (SKB1-SKB-01), 3733, SHINALKAR WASTI, PABAL, TALUK SHIRUR, PUNE, PIN 412403 - 412403 PH :8956288087.

PAITHAN

1488. PAGARIYA AUTO PVT. LTD. (BNQ1-BNQ-01), GAT NO-277, MAUZA- PAITHAN, TALUKA- PAITHAN, DIST - AURANGABAD 431107. - 431107 PH :9922994237.

PALGHAR

1489. SAI SERVICE PRIVATE LIMITED (TE01-TE-01), SURVEY NO. 86/1, TEMBHODE, MANOR-MAHIM ROAD, PALGHAR, DISTRICT: THANE - 401404 PH :9167980042/9167980005/9594952211.

PALUS

1490. CHOWGULE INDUSTRIES PVT. LTD. (J102-QZ-04), PLOT NO. B-3, MIDC AREA, TALUKA PALUS, DISTT. SANGLI. - 416308 PH :8888870122.

PANDHARPUR

1491. CHAVAN MOTORS DIVISION INDIA PVT LTD (B102-0H-05), GAT NO.56, ESABAVI, PUNE ROAD, TAL:PANDERPUR, SOLAPUR - 413001 PH :7774997005.

PANVEL

1492. SIMRAN MOTORS PVT. LTD. (7S01-7S-01), PLOT2-8, SECTOR-15, OPP. HOTEL GARDEN, OLD MUMBAI PUNE HIGHWAY, PANVEL - 410206 PH :8291957798, 8657443202.

1493. AUTOMOTIVE MANUFACTURERS PVT. LTD. (3901-7S-03), PLOT NO.92/1, VILLAGE KOLAKHA, MUMBAI-GOIA HIGHWAY, PANVEL, DISTT. RAIGAD - 410206 PH :9769202055/9769206045/9769206018/8291467042

PARATWADA

1494. ASPA BANDSONS AUTO PVT. LTD. (CFZ1-CFZ-01), SURVEY NO. 26/4A, RAMGAON, AMRAVATI PARATWADA ROAD, NEAR JAWARDI PHATA, PARATWADA TALLUKA – ACHALPUR, DISTRICT – AMRAVATI . - 444 805 PH :7720097106.

PARBHANI

1495. PAGARIYA AUTO PVT. LTD. (LN02-LN-01), SURVEY NO-301, PLOT NO-86/A, OPP GULMOHAR LODGE, BASMAT ROAD, PARBHANI - 431401 PH :9511868433.

PATAS

1496. MAHALAXMI AUTOMOTIVES PVT. LTD. (7R01-PR-03), PUNE-SOLAPUR HIGHWAY, PATAS, TALUKA DAUND DISTT. -PUNE - 413106 PH :8888890957.

PEN

1497. SIMRAN MOTORS (9I01-9I-01), AT SURVEY NO 75, PLOT NO 2, MUMBAI-GOIA HIGHWAY, WADHKAL (PEN) - 402107 PH :9503381198.

PHALTAN

1498. CHOWGULE INDUSTRIES PVT. LTD. (KH02-KH-01), PLOT NO.83/1B/1, LONAND-PUNE ROAD, PHRANANDWADI, TALUKA:PHALTAN, DISTRICT: SATARA, MAHARASHTRA. - 415523 PH :8888886301.

PIMPLEGAON

1499. AUTOMOTIVE MANUFACTURERS PVT. LTD. (BAY1-BAY-01), GAT NO.517/P NEAR MARKET COMMITTEE, MUMBAI AGRA HIGHWAY, NH3 A/P PIMPALGAON BASWANT, TALUKA: NIPHAD, DIST-NASHIK - 422202 PH :9673000844 / 9673001204.

PIRANGUT

1500. MY CAR (SEC1-SEC-01), GAT NO-314, AT VILLAGE-KASAR AMBOLI, PIRANGUT, TALUKA -AMBOLI, DIST-PUNE, PIN-412108. - 412108 PH :9325424613.

PUNE

1501. SAI SERVICE PRIVATE LIMITED (1901-19-01), BOMBAY PUNE ROAD, FUGEWADI, PUNE - 411012 PH :020-46404440/020-46404448.

1502. SAI SERVICE PRIVATE LIMITED (1901-19-02), 889/90 J.M.ROAD, DECCAN GYMKHANA, PUNE - 411004 PH :9923208347.

1503. CHOWGULE INDUSTRIES PVT. LTD. (1908-19-02), S.NO. 53,PUNE SATARA HIGHWAY,KATRAJ,PUNE - 411046 PH :020-66786200.

1504. SAI SERVICE PRIVATE LIMITED (1901-19-03), S.NO.15A GIDWANI COMPOUND, KONDWA BUDRUK, HAVELI, PUNE - 411046 PH :9923208345.

1505. WONDER CARS PVT LTD (1903-19-02), 12, NPS LINES,SOLAPUR ROAD, OLD POOL GATE,CAMP, PUNE - 411001 PH :020-26332934/35.

1506. THE KOTHARI WHEELS (1906-19-01), 110/A, PUNE SOLAPUR ROAD, NEAR FATIMA NAGAR, PUNE - 411039 PH :7498272309.

1507. MY CAR (PUNE) PVT. LTD. (1907-19-01), SURVEY NO. 131, MUMBAI BANGALORE HIGHWAY, WAKAD, PUNE - 411057 PH :020-87922900.

1508. ACE KUDALE CAR PVT. LTD. (1910-19-01), 36/2C/1, MANJRI BUDRUK, PUNE-SOLHAPUR ROAD, TALUKA HAVELI, DISTRICT PUNE - 412201 PH :9552582454.

1509. CHOWGULE INDUSTRIES PVT. LTD. (1911-19-01), S.NO.1, NEXT TO PODAR INTERNATIONAL SCHOOL, KATRAJ BYPASS ROAD, AMBEGAON-B, TALUKA-HAVELI, PUNE - 411046 PH :02066803555/02066803500.

1510. SAI SERVICE PRIVATE LIMITED (1901-19-05), NEAR NIGDI-BHOSARI ROAD, CHINCHWAD, PUNE - 411019 PH :020-46605999/020-46605995.

1511. SEHGAL AUTORIDERS PVT. LTD. (1913-19-01), SURVEY NO. 51, BAVDHAN KHRUD, TAL: HAVELI, DIST: PUNE - 411021 PH :8308304444, 020-41463625, 020-41463627.

1512. SAI SERVICE PRIVATE LIMITED (1901-19-06), SURVEY NO.244/1, PHASE-II, NEAR BANK OF MAHARASHTRA, HINGEWADI, TAL - MULSHI, DISTRICT-PUNE, MAHARASHTRA - 411057 PH :9923208302.

1513. ACE KUDALE CAR PVT. LTD. (1910-19-02), ATLAS TANKS VESSELS, SR. NO 232/2, PUNE-NASIK ROAD, KHANDOBAMAL, BHOSARI, PUNE. - 411039 PH :9552193904.

1514. THE KOTHARI WHEELS (1906-19-03), PLOT NO. 2B, D1 BLOCK, CHINCHWAD, PUNE, DIST. PUNE - 411019 PH :9168662302.

Dealer Workshop (AS ON 30.05.2023)

1515. MAHALAXMI AUTOMOTIVES PVT. LTD. (1912-19-03), 59/A, MUNDHWA KHARADI ROAD, OPP. MUNDHWA POLICE STATION, MUNDHWA, PUNE, MAHARASHTRA - 411036
PH :8888874980.
1516. WONDER CARS PVT LTD (1903-19-03), PLOT NO.52/1 BLOCK F2, MIDC, PIMPRI, PUNE, - 411018
PH :020-46608888.
1517. SAI SERVICE PRIVATE LIMITED (1901-19-07), 4/A/1A, 1/3 A, SALUNKE VIHAR ROAD, BORADE NAGAR, KONDWI, PUNE, MAHARASHTRA. - 411048
PH :9923208358.
1518. MAHALAXMI AUTOMOTIVES PVT. LTD. (1912-19-04), NO.485/1, CTS NO.1041, OM SUPER MARKET, GHOKALE CROSS ROAD, MODEL COLONY, SHIVAJI NAGAR, PUNE - 411016
PH :8888842887.
1519. CHOWGULE INDUSTRIES PVT. LTD. (1908-19-05), 129/2/B/1, NEW PUNE MUMBAI HIGHWAY, KATRAJ DEHU ROAD BYPASS, TATHWADE, TAL.MULASHI, DISTT. PUNE (MAHARASHTRA) - 411033
PH :020-67915700/7385265700.
1520. SAI SERVICE PRIVATE LIMITED (1901-19-08), SURVEY NO. 37, HISSA NO. 2, SITUATED AT WADGAON KHURD, NEAR NANDED CITY, SINHAGAD ROAD, TALUKA - HAVELI, DISTRICT - PUNE, MAHARASHTRA. - 411 041
PH :9923208312.
1521. THE KOTHARI WHEELS (1906-19-05), PLOT NO. 24/B, HADAPSAR INDUSTRIAL ESTATE, PUNE, - 411028
PH :8411002005, 8087060432.
1522. CHOWGULE INDUSTRIES PVT. LTD. (1908-19-06), SR. NO. - 43/44/S, 7 PARVATI INDUSTRIAL ESTATE, OPP. ADINATH SOCIETY, PUNE- SATARA ROAD, PUNE, - 411009
PH :020-67273200.
1523. EXCELL AUTOVISTA PVT LTD (1917-19-01), GATE NO.1232, 10TH MALL, PUNE SASWAD ROAD, VILLAGE – WADKI, TAL – HAVELI, DIST PUNE. - 412308
PH :9594632888/9146052651.
1524. THE KOTHARI WHEELS (1906-19-06), SURVEY NO.46, HISSA 9/1 (CITY SURVEY NO.6181+6180), WADGAON SHERI, CHANDAN NAGAR, PUNE NAGAR ROAD, TAL-HAVELI, PUNE. - 411014
PH :8411003631.
1525. ACE KUDALE CAR PVT. LTD. (1910-19-03), SURVEY NO. 272, 1/4, NEAR MOSHI TOLL PLAZA, MOSHI GAON, TALUKA – HAVELI, DISTRICT – PUNE. - 412105
PH :7767814381.

1526. SUMANKIRTI CARS PVT. LTD. (1915-19-02), SURVEY NO. 9, NEAR BALEWADI SPORTS STADIUM MUMBAI-BANGALORE HIGHWAYS, MAHALUNGE PUNE, MAHARASHTRA. - 411045
PH :8551990106.
1527. MY CAR (PUNE) PVT. LTD. (1918-19-01), GAT NO. 625, HISSA NO. 1/3/1, VILLAGE – KURULI, TALUKA – KHED, CHAKAN, DISTRICT – PUNE. - 410501
PH :7755900000.
1528. WONDER CARS PVT LTD (1903-19-04), SURVEY NO. 20, HISSA NO. 1/1/2, THERGAON, BAL KRISHNA MANGAL KARYALAYA, TALUKA – MULSHI, DANGE CHOWK, PUNE – 411 033. - 411033
PH :7887883311.

RAHATA

1529. KANKARIYA AUTOMOBILES PVT. LTD. (2V03-ZV-01), SHIRDI ROAD, SAKORI, RAHATA, - 423107
PH :8275033313.

RAHURI

1530. KANKARIYA AUTOMOBILES PVT. LTD. (CO21-COZ-01), TRIMURTI CRANE SERVICE, NAGAR-MANMAD ROAD, RAHURI, MAHARASHTRA. - 413705
PH :9130026767.

RAJAPUR

1531. JAGRUT MOTORS PVT LTD (AHA1-AHA-01), SURVEY NO. 14/8, TARALWADI, RAJAPUR, DIST: RATNAGIRI - 416702
PH :9527623663/8806665572.

RAJGURUNAGAR

1532. MY CAR (PUNE) PVT. LTD. (CB21-CBZ-01), SURVEY NO.94, SANDBHORWADI, NEAR TUKAI MANDIR, PUNE-NASIK HIGHWAY, TAL-KHED, RAJGURUNAGAR DISTT. PUNE. - 410505
PH :9112231553.

RATNAGIRI

1533. JAGRUT MOTORS PVT LTD (G301-G3-01), D-25, MIDC MIRJOLE, MAHARASTRA, RATNAGIRI - 415639
PH :2352228380/9130013172.

ROHA

1534. EXCELL AUTOVISTA (COS1-COS-01), SHOP NO. 1 & 2, PANCHARATNA APARTMENTS, ROHA, ROHA KOLAD ROAD, RAIGAD - 402109
PH :9209200073.

SANGAMNER

1535. SHAAN CARS PRIVATE LIMITED (HE03-HE-01), GAT NO. 173/4/S/6, A/P VELHALE, NASHIK PUNE HIGHWAY, SANGAMNER, DIST AHMEDNAGAR, MAHARASHTRA - 422605
PH :02425-259197.

SANGLI

1536. CHOWGULE INDUSTRIES PVT. LTD. (J102-J1-01), GAT NO.243 SANGLI KOLHAPUR ROAD, OPP. TO GAJANAN MAHARAJ MANDIR, ANKALI, TAL-SANGLI, DISTT. SANGLI - 416416
PH :9850966805.
1537. SIDDHI WHEELS (J104-J1-01), SR NO. 917/2/B, SANGLI MIRAJ ROAD, MIRAJ, DISTRICT - SAGLI. - 416410
PH :9371727001, 0233-2211610/1620/1630.

SANGOLA

1538. CHAVAN MOTORS DIVISION INDIA PVT LTD (CUE1-CUE-01), GAT NO. 276/14/A, MAIN ROAD, KOLHAPUR HIGHWAY, A/P & TALUKA - SANGOLA, DIST.-SOLAPUR. - 413307
PH :8806665691.

SASWAD

1539. CHOWGULE INDUSTRIES PVT. LTD. (1908-PH-03), PLOT NO 74/2/A/P, BEHIND PURANDAR HIGH SCHOOL, BESIDE MAHADA COLONY, SASWAD, TALUKA PURANDAR, PUNE - 412301
PH :02115224450/02115225210.

SATANA

1540. SHAAN CARS (BSW1-BSW-01), GAT NO 322/2/A/7, PUNDLIK NAGAR MALEGAON ROAD, AT POST SATANA DIST NASHIK - 423301
PH :9922969656.

SATARA

1541. CHOWGULE INDUSTRIES PVT. LTD. (F303-F3-01), PLOT NO. B-2, OLD MIDC, SATARA - 415002
PH :9011015066/9850966823.

SAVNER

1542. ARYA CARS (UNIT OF BARBATE AUTOMOTIVE (I) PVT. LTD) (BTJ1-BTJ-01), PLOT NO -2 MADANE LAYOUT MOUZA GUJARKHEDI NEAR INDIRA PETROL PUMP NAGPUR ROAD SAONER - 441107
PH :8888859546.

SAWANTWADI

1543. JAGRUT MOTORS PVT LTD (BBL1-BBL-01), SHIVSHAMBHO APARTMENT, 1190, A/P KOLGAON, SURVEY NO.187, HISSA NO.33B, TAL-SAWANTWADI, DISTT. SINDHUDURG. - 416510
PH :9970654699, 9689533472.

SHAHAPUR

1544. SHIVAM AUTO ZONE (I) PVT. LTD. (BZU1-BZU-01), DR. DESHPANDE COMPOUND, NEAR BHATSA COLONY, VILLAGE – GOTHEGHAR, TALUKA – SHAHPUR, DISTRICT – THANE, MAHARASHTRA - 421601
PH :7718893483.

SHAHUWADI

1545. SAI SERVICE (BFT1-BFT-01), GATE NO. 1213, R/AT DONOLI, TALUKA - SHAHUWADI, DIST. -KOLHAPUR - - 416 213
PH :9923208448.

SHILTPATA

1546. VELOX MOTORS (SGJ1-SGJ-01), SURVEY NO-99/2B, VILLAGE-DAIGHAR, KALYAN SHIL-PHATA ROAD, NEAR DATTA MANDIR, POST-PADALE, DIST-THANE, PIN-421204. - 421204
PH :8419964188.

SHIRUR

1547. MAHALAXMI AUTOMOTIVES PVT. LTD. (ZD01-ZD-01), 1023/1, NEXT INDIAN OIL PETROL PUMP, SARADWADI, PUNE-AHMEDNAGAR HIGHWAY, TAL: SJIRUR, DIST: PUNE, MAHARASHTRA - 412210
PH :8888837082 /9011038682.

SHIRWAL

1548. CHOWGULE INDUSTRIES PVT. LTD. (BSD1-BSD-01), GAT NO.175, A/P SHINDEWADI, SHIRWAL-BHOR ROAD, SHIRWAL, TAL KHANDALA, DISTT. SATARA - 412801
PH :9637399003.

SHIRAMPUR

1549. KANKARIYA AUTOMOBILES PVT. LTD. (LV03-LV-01), S.NO.139/1/3, NEAR NAKA NO.4, SANGAMNER ROAD, SHRIRAMPUR DISTT. AHMEDNAGAR - 413709
PH :9420494543.

SIKRAPUR

1550. EXCELL AUTOVISTA PVT LTD (GKJ1-GKJ-01), AT POST SHIKARPUR MALHAN PHATA, OPP. CHAURASIYA CHANA CENTER, PUNE NAGAR ROAD, TALUKA SHIRUR, DIST. PUNE, PIN-412208, PUNE - 412208
PH :9146194973.

SILLOD

1551. PAGARIYA AUTO PVT. LTD. (2103-ZG-04), PLOT NO. 19/20, SURVEY NO. 386, AURANGABAD NAKA, SILLOD, AURANGABAD - 431112
PH :8600037213.

SINNAR

1552. SHAAN CARS PRIVATE LIMITED (3703-FU-03), A-24, MIDC AREA MALEGAON, SINNAR TAL- SINNAR, . - 422103
PH :02551-230305.

SOLAPUR

1553. CHAVAN MOTORS DIVISION INDIA PVT LTD (B102-B1-02), 150, AKALKOT ROAD, OPP. SVCS HIGH SCHOOL, SOLAPUR, - 413006
PH :0217-2606666/8805988618.
1554. CHAVAN MOTORS DIVISION INDIA PVT LTD (B102-B1-01), 18, 39, INDUSTRIAL ESTATE, HOTAGI ROAD, SOLAPUR, - 413224
PH :8805778881.

Dealer Workshop (AS ON 30.05.2023)

1636. SKY AUTOMOBILES (BXL1-BXL-01), PLOT NO.285/3, SHANTI MANDAP MOUZA -SUNGUDA, TEHSIL-DARPANI, PO CHANDIKHOL, DIST. -JAJPUR, ODISHA - 755044 PH :9776645798.

CUTTACK

1637. SKY AUTOMOBILES (6701-67-02), BHANPUR, NH-5, CUTTACK - 753011 PH :9776645798.

1638. TUSHI MOTORS PVT. LTD. (6702-67-01), PLOT NO. C-14, PLOT NO.C-13, INDUSTRIAL ESTATE ,KHAPURIA,TAHASIL - CUTTACK SADAR ,CUTTACK DISTRICT,BHUBANESWAR - 753001 PH :9692912345.

DEOGARH

1639. ORBIT MOTORS PVT. LTD. (CBB1-CBB-01), KHATA NO. 270, OI MOUZA, DEOGARH, ODISHA - 768108 PH :9437607865.

DHENKENAL

1640. SKY AUTOMOBILES (6701-4P-04), PLOT NO-136/1103, KATHAGARA , NEARASSAM OIL, NH-42, DHENKANAL. - 759001 PH :7440025919.

GANDAI

1641. SPARSH AUTOMOBILES (SHU1-SHU-01), M/S SPARSH AUTOMOBILES ,WARD NO – 7, NEAR KRISHI UPAJ MANDI, GANDAI RAJNANDGAON ROAD,GANDAI – 491888 - 491888 PH :9926626662.

JAGATSingHPUR

1642. NARAYANI MOTORS PVT. LTD. (CFM1-CFM-01), KHATA NO. 827/221 & 827/222, PLOT NO. 1197 & 1199/3065, MOUZA-MARKHANDPUR, PO PUNABGA, DISTT. JAGATSingHPUR, ODISHA - 754103 PH :9556511213.

JAJPUR

1643. SKY AUTOMOBILES (6701-RZ-05), P.O JAHNA, P.S KORAI, KEONJHAR ROAD, JAJPUR, ORRISSA - 7553019 PH :9583011010.

JALESWAR

1644. JYOTE MOTORS (BALASORE) PVT. LTD (BXP1-BXP-01), KHATA NO. 422/744, PLOT NO. 2304 AT P.O. - NAYABAZAR, JALESWAR, DIST.- BALASORE, ODISHA - 756032 PH :7381072600.

JEYPORE

1645. LEGEND CARS PVT. LTD. (SW01-SW-03), SOURAGUDA,JEYPORE,DISTT-KORAPUT,ORISSA ,INDIA - 764001 PH :9437575188.

JHARSUGUDA

1646. ODYSSEY MOTORS PVT LTD (BJU1-BJU-01), KHATA NO. 466/502, PLOT NO. 966, JHARSUGUDA TOWN, UNIT NO. 7, SARBAHAL P.S. JHARSUGUDA, ORISSA - 768201 PH :9439548823.

KEONJHAR

1647. JYOTE MOTORS PVT LTD (7U01-7U-01), NH 215, DHRUPADA, BARBIL ROAD, KEONJHAR. - 758001 PH :7064499047.

NAYAGARH

1648. JYOTE MOTORS PVT LTD (0402-DC-02), PLOT NO. 1319/3750, KHANDAPADA, NAYAGARH - 752069 PH :7064499048.

NIMPARA

1649. NARAYANI MOTORS PVT. LTD. (CFL1-CFL-01), PLOT NO. 345/1344, GANESH BAZAR, NIMPARA, DISTRICT – PURI, ODISHA. - 752106 PH :7381093622.

PALLAHARA

1650. ODYSSEY MOTORS PVT LTD (CHV1-CHV-01), KHATA NO. 260, PLOT NO. 998/3720, PAHALLARA, ODISHA. - 759119 PH :9439817308.

PARADEEP

1651. NARAYANI MOTORS PVT. LTD. (OE01-OE-01), PLOT NO. 1438, UDAYA VIHAR, NEAR DO CHOWKI SQUARE, PARADEEP, ODISHA. - 754141 PH :9583022020.

PARLAKHEMUNDI

1652. SKY AUTOMOBILES (CLG1-CLG-01), PLOT NO. 273, KHATA NO. 78, WARD NO. 1, PARLAKHEMUNDI, GAJAPATI, ORISSA. - 761211 PH :9776999977.

PURI

1653. NARAYANI MOTORS PVT. LTD. (4Q01-4Q-01), PLOT NO.1797/2449, KHATA NO.187A/32, AT. BATAMANGLA,PO HAREKRISHNAPUR, BATAGAON, PURI, ODHISA - 752002 PH :9583022220.

RAIRANGPUR

1654. JYOTE MOTORS (BALASORE) PVT. LTD (CES1-CES-01), PLOT NO.1077/2466, PURNAGHATI, RAIRANGPUR, DISTT: MAYURBHANJ, ODISHA - 757046 PH :7064499936.

RAYAGADA

1655. LEGEND CARS (YB01-YB-01), M/S LEGEND CARS, JK PUR ROAD, KOMTALPETA, NEAR ENFIELD SHOWROOM, RAYAGADDA, ODISHA - 765001 PH :7008771180.

ROURKELA

1656. ORBIT MOTORS PVT. LTD. (8701-87-01), VEDVYAS, NEAR PAAHADI BAR, ROURKELA,ORRISA - 769041 PH :9437061040.

SAMBALPUR

1657. ODYSSEY MOTORS PVT LTD (D401-D4-01), AINTHAPALI, SAMBALPUR, ORISSA - 768004 PH :7381083571.

SORO

1658. JYOTE MOTORS (SQF1-SQF-01), PLOT NO 15/1269, KHATA NO 442, SORO, BALASORE, ODISHA STATE. - 756045 PH :9776615001.

SUBARNAPUR

1659. ODYSSEY MOTORS PVT LTD (BUK1-BUK-01), KHATA NO. 32, MOUZA – SANJHINIK, SONEPUR (ALSO KNOWN AS SUBARNAPUR), DISTRICT – SUBARNPUR, ODISHA - 767017 PH :8895418122.

SUNDERGARH

1660. ORBIT MOTORS PVT. LTD. (BWJ1-BWJ-01), M/S ORBIT MOTORS, AT - PATRAPALI, PO SUNDERGARH, BY PASS ROAD, NEAR BJP OFFICE, SUNDERGARH - 770001 PH :8249354447.

UDALA

1661. JYOTE MOTORS (BALASORE) PVT. LTD (CHW1-CHW-01), MOUZA - UDALA, TOWN UNIT NO. 7, NAGBANI, TEHSIL NO. 325, THANA NO. 110, DIST.-MAYURBHANJ, ODISHA. - 757041 PH :8249877935.

ODISHAN

NIRGUNDI

1662. NARAYANI (0403-SIP-4), KHATA NO 251/255, PLOT NO 233,MALGOWDINI-MOUZA BLITERUA, NIRGUNDI,DISTRICT-CUTTACK, ORISSA. - 754025 PH :9583001877.

ORISSA

BHUBANESWAR

1663. NARAYANI (0403-04-03), KHATA NO-652,PLOT NO 4493, MAUZA PANDBRA THANA-RASULGARH,BHUABNESHWAR - 751025 PH :9583001877.

KENDRAPARA

1664. JYOTE MOTORS (SFI1-SFI-01), M/S JYOTE MOTORS, KHATA NO: 351/85, PLOT NUMBER 633, MOUZA-ALBANKA, KENDRAPARA, ODISHA. - 754208 PH :9776615001.

KUCHINDA

1665. ODYSSEY MOTORS (SLN1-SLN-01), /S ODYSSEY MOTORS ,PLOT NO 146,KHATA NO 76/9,MOUZA-KUNDAPOSHI,NEAR KUNDESHWAR MANDIR,KUCHINDA,SAMBULPUR. - 768222 PH :9439314464.

PADAMPUR

1666. ODYSSEY MOTORS (SFB1-SFB-01), M/S ODYSSEY MOTORS, CHARPALLI,PADAMPUR, NEAR REGENCY HOTEL,DISTRICT:BARGARH, ORISSA - 770039 PH :9439314464.

PUDUCHERRY

KARAIKAL

1667. SHENBAKA CARS PVT. LTD. (CCF1-CCF-01), R. S. NO. 173/3PT, T. S. NO. 9/5, WARD, L-BLOCK, NO. 3, KARAIKAL NAGORE MAIN ROAD, VILLAGE - ODUTHURAI REVENUE, NERAVY COMMUNE, KARAIKAL MUNICIPALITY, KARAIKAL. - 609602 PH :04368-227800/1/2.

MADAGADIPET

1668. SHENBAKA CARS PVT. LTD (CUD1-CUD-01), SURVEY NO. 129/4/A/2, MADAGADIPET REVENUE VILLAGE, MADAGADIPET, PONDICHERRY - 605 107 PH :8220046178.

PONDICHERRY

1669. SHENBAKA CARS PRIVATE LIMITED (9601-96-01), 133/1A, MOOLAKULAM, VILLUPURAM MAIN ROAD, PONDICHERRY - 605010 PH :0413-2293391/92/93.

PUNJAB

ABOHAR

1670. TARA AUTOMOBILES (ABOHAR) (H501-H5-01), SHREE GURU JAMBHESHWAR CHOWK, MALOUT SHREE GANGA NAGAR BYPASS, ABOHAR, PUNJAB - 152116 PH :9876047847.

ADAMPUR

1671. LOVELY AUTOS (CHA1-CHA-01), KHASRA NO.107/1, JALANDHAR-HOSHIAHPUR HIGHWAY, ADAMPUR DISTT. JALANDHAR - 144102 PH :8288050777.

AJNALA

Dealer Workshop (AS ON 30.05.2023)

1796. MG MOTORS (F901-F9-01), MUKESH GENERAL FINANCE COMPANY, ROAD NO. 2, NEAR MEO BOARDING, ALWAR - 301001
PH :9001795520.
1797. MG MOTORS (F901-F9-02), KHASRA NO.803/198, BHUGORE TIRAHA, NEAR ALWAR PUBLIC SCHOOL, JAIPUR ROAD, ALWAR - 301001
PH :9001795520.
- ANOOPGARH**
1798. AURIC MOTORS (A UNIT OF AUDI MOTORS PVT LTD) (BFE1-BFE-01), PLOT NO. AMEDKAR CHARAHARA,RAILWAY STATION ROAD ,ANUPGARH (ANOOPGARH),DISTT SRI GANGANAGAR , - 335701
PH :9982638516.
- ANTA**
1799. BHATIA & COMPANY (A UNIT OF BHATIA CORPORATION PVT. LTD.) (CTG2-CTG-01), KOTA-BARAN ROAD, ANTAH, DIST.-BARAN. - 325502
PH :9414032859.
- ASIND**
1800. CHAMPION CARS (SID1-SID-01), DEV TOWERS, BEAWAR ROAD, ASIND, DISTRICT – BHILWARA, RAJASTHAN - 311301 - 311301
PH :7073461987.
- BAGRU**
1801. PREM MOTORS PVT. LTD. (US02-US-01), JAIPUR-AJMER HIGHWAY, BAGRU, DISTRICT-JAIPUR - 303007
PH :01414711118,8058411181.
- BALESAR**
1802. AURIC MOTORS (A UNIT OF AUDI MOTORS PVT LTD) (CWO1-CWO-01), KHASRA NO. 2167 JODHPUR JAISALMER ROAD, VILL:- BALESAR SATTA, TEH:- BALESAR , DIST:- JODHPUR (RAJ.) - 342203
PH :7412087344.
- BALOTRA**
1803. LMJ SERVICES LTD. (6502-9G-05), JODHPUR BALOTRA ROAD,BALOTRA, RAJASTHAN - 344022
PH :8005898360.
- BANSUR**
1804. FORTUNE CARS (A UNIT OF JYOTI AUTOMOBILES PVT LTD) (BQP1-BQP-01), KOTPUTLI ROAD, NEAR SUBHASH CHOWK, BANSUR, RAJASTHAN - 301402
PH :8875005116.
- BANSWARA**
1805. NAVNEET MOTORS (X903-X9-01), NEAR J.C. MILL,OPPOSITE AKASHWANI,DAHOD ROAD,BANSWARA - 327001
PH :86023 83260.

- BARAN**
1806. BHATIA & COMPANY (A UNIT OF BHATIA CORPORATION PVT. LTD.) (6101-PM-03), BESIDE OJHA METAL, ATRU ROAD, BARAN - 325205
PH :9413379013.
- BARMER**
1807. LMJ SERVICES LTD. (6502-SH-06), G-216, RIICO INDUSTRIAL AREA, BARMER - 344001
PH :8005898360.
1808. LMJ SERVICES LTD. (SH01-SH-01), NH# 68, OPP. SADAR THANA - 344001
PH :8005898360.
- BASSI**
1809. PREM MOTORS PVT. LTD. (VF02-VF-01), MOHAN PURA BASSI, JAIPUR, RAJASTHAN - 303301
PH :01414711118,8058794151.
- BAYTU**
1810. LMJ SERVICES (SIT1-SIT-01), NH-8 ,NEAR JAGDAMBA PETROL PUMP , BAYTU - 344034
PH :8094011126.
- BEAWAR**
1811. RELAN MOTORS (FL03-FL-01), PLOT NO 1, INDIRA GANDHI UDYOGPURI , AJMER ROAD ,BEAWAR, RAJASTHAN . - 305202
PH :9587687000.
- BEGUN**
1812. BHATIA & CO (BTD1-BTD-01), BHATIA & CO. (A UNIT OF BHATIA CORPORATION PVT LTD),IN FRONT OF GURUKUL, CHITTOR ROAD,BEGUN, TEHSIL – BEGUN, DISTRICT CHITTORGARH, 312023 - 312023
PH :95097 06827.
- BEHROR**
1813. MG MOTORS (FQ01-FQ-01), B-168, RIICO INDUSTRIAL AREA, PHASE-II, OPP. APEX TUBE, BEHROR, DISTT: ALWAR, - 301701
PH :9001795520.
- BHADRA**
1814. AURIC MOTORS (A UNIT OF AUDI MOTORS PVT LTD) (BIF1-BIF-01), CHAK NUMBER-8,BARANI, NEAR HISAR BYEPASS BHADRA -BALSAMAND ROAD ,BHADRA. - 335501
PH :9166712222, 9413311745.
- BHARATPUR**
1815. TM MOTORS PVT. LTD. (5J01-5J-01), BRIJ VIHAR COLONY,,MADARPUR ROAD,BHARATPUR,RAJASTHAN - 321001
PH :9251423392.
- BHAWANI MANDI**

1816. SUWALKA MOTORS PVT LTD (SDB1-SDB-01), K.NO. 327 MANDAVI OPPOSITE SDM OFFICE JHALAWAR ROAD, BHAWANIMANDI,JHALAWAR- 326502 - 326502
PH :9116178571.
- BHILWARA**
1817. LOHIA AUTOMOBILES (E301-E3-01), AJMER ROAD,NEAR OCTROI POST,BHILWARA - 311001
PH :82094 11856.
1818. CHAMPION CARS (UNIT OF PREM CARS PVT. LTD.) (E302-E3-01), NEAR GRAM BHARTI, CHITTORGARH ROAD, BHILWARA, RAJASTHAN, - 311001
PH :7073461987.
1819. LOHIA AUTOMOBILES (E301-E3-03), PLOT NO. H-11, EVERGREEN TEXTILE PARK, RIICO INDUSTRIAL AREA, PUR ROAD, BHILWARA - 311001
PH :82094 11856.
- BHINDER**
1820. TECHNOY MOTORS INDIA PVT. LTD. (CBS1-CBS-01), NEAR RAILWAY STATION,SALUMBAR CHOURAHA, BHINDER - 313603
PH :9001234056.
- BHINMAL**
1821. SHRI KRISHNA AUTOSALES PVT LTD (CQN1-CQN-01), KHASRA NO. 2281, KARADA CROSSING, BHINMAL, DISTRICT - JALORE, RAJASTHAN.
PH :9610242790.
- BHIWADI**
1822. FORTUNE CARS (A UNIT OF JYOTI AUTOMOBILES PVT LTD) (9H01-9H-01), OPP. INDAG RUBBER,MAIN ROAD, BHIWADI - 301019
PH :9214794326,8875005116.
1823. FORTUNE CARS (A UNIT OF JYOTI AUTOMOBILES PVT LTD) (9H01-9H-02), F-458-C,RIICO,INDUSTRIAL AREA,BHIWADI - 301019
PH :9214794326,8875005116.
1824. FORTUNE CARS (A UNIT OF JYOTI AUTOMOBILES PVT LTD) (9H01-9H-04), KHASRA NO. 656/431, ALWAR ROAD, BHIWADI. - 301019
PH :9214794326,8875005116.
- BIJAYNAGAR**
1825. AJMER AUTO AGENCIES PVT LTD (GLF1-GLF-01), KHASRA NO 39 , AJMER -BHILWARA HIGHWAY CITY ,BIJAYNAGAR DISTRICT – AJMER ,RAJASTHAN - 305624
PH :8890902472.
- BIJOLIA**

1826. LOHIA AUTOMOBILES (E301-UA-02), R/O GOLDEN CORRIDOR, OPP. ASHOK LEYLAND W/S, CHITTOR-BIJOLIA HIGHWAY, BIJOLIA, DIST. -BHILWARA - 311602
PH :82094 11856.
- BIKANER**
1827. AURIC MOTORS (A UNIT OF AUDI MOTORS PVT LTD) (7101-71-01), OPP. URMUL DAIRY PLANT,GANGANAGAR ROAD,BIKANER - 334004
PH :1512253984,9414138511.
1828. AURIC MOTORS (A UNIT OF AUDI MOTORS PVT LTD) (7101-71-04), JAIPUR BYE PASS,BIKANER , - 334004
PH :1512230384,8875010507.
1829. AURIC MOTORS (A UNIT OF AUDI MOTORS PVT LTD) (7101-71-05), OPP. AVYYAPPA TEMPLE, K. K. COLONY, BIKANER - 334003
PH :7014063193,9413311949.
1830. DUDI AUTOMOBILES (A UNIT OF DMAS AUTOMOBILES) (7102-71-01), KHASRA NO. 376/33, JAIPUR ROAD, NH-11, BIKANER, RAJASTHAN. - 334001
PH :8929834417.
- BILARA**
1831. LMJ SERVICES LTD. (BZB1-BZB-01), BANGANGA MOD, JODHPUR ROAD, BILARA , RAJASTHAN - 342602
PH :8104698935.
- BUNDI**
1832. BHATIA & COMPANY (A UNIT OF BHATIA CORPORATION PVT. LTD.) (6101-EF-02), SUMAN PLAZA, NEAR TEACHER'S COLONY, CHITTOR ROAD, OPPOSAITE ICICI ATM, BUNDI - 323001
PH :9413353099.
- CHAKSU**
1833. K P AUTOMOTIVES PVT LTD (1104-JM-03), TONK ROAD, CHAKSU - 303901
PH :0141-4071111, 4071101,8696934973.
- CHANDAN**
1834. LMJ SERVICES LTD. (SHR1-SHR-01), JAISALMER ROAD ,CHANDAN , DISTT JAISALMER, RAJASTHAN - 345031
PH :8094011126.
- CHIRAWA**
1835. AURIC MOTORS (A UNIT OF AUDI MOTORS PVT LTD) (SY02-SY-01), NEAR PILANI CIRCLE, LOHARU ROAD, STATE HIGHWAY-8, CHIRAWA - 333026
PH :01596-217163,7230081668.
- CHITTORGARH**
1836. BHATIA & COMPANY (A UNIT OF BHATIA CORPORATION PVT. LTD.) (K901-K9-01), PLOT NO. 1001/1-1002/1,NIMBAHERA ROAD,CHITTORGARH - 312001
PH :97854 61267.

Dealer Workshop (AS ON 30.05.2023)

CHOMU

1837. KTL AUTOMOBILES (HW02-HW-01), KHARSA NO.695, JAIPUR SIKAR BYPASS ROAD, CHOMU, RAJASTHAN. - 303702 PH :7412077034.

1838. SATNAM MOTORS (HW03-HW-01), NEAR CM CHOPRA HOSPITAL, JAIPUR ROAD, CHOMU, DISTRICT – JAIPUR, RAJASTHAN - 303702 PH :832090000.

CHURU

1839. AJURIC MOTORS (A UNIT OF AUDI MOTORS PVT LTD) (MD03-MD-01), NEAR DTO OFFICE, JAIPUR ROAD, CHURU - 331001 PH :8696543584.

DATA RAMGARH

1840. JAMU AUTOMOBILES PVT LTD (CTQ1-CTQ-01), KHASRA NO. 1016/256, VILLAGE - RAMGARH, TEHSIL - DATA RAMGARH, DIST.-SIKAR. - 332703 PH :9799501048.

DAUSA

1841. VIPUL MOTORS PVT. LTD. (1102-FM-03), AGRA JAIPUR ROAD, DAUSA - 303303 PH :9672211333.

DEGANA

1842. SHRI MANGALAM (SDJ1-SDJ-01), NEAR NAGAUR FATAK, STATION ROAD, DEGANA - 341512 PH :7230059595.

DEOLI

1843. K P AUTOMOTIVES PVT LTD (Z001-Z0-01), KOTA- JAIPUR HIGHWAY, NH-12, DEOLI - 304804 PH :8696925259.

DEVGARH

1844. LOHIA AUTOMOBILES (CUQ1-CUQ-01), NEAR KRISHI MANDI, KAMLIGHAT ROAD, TEHSIL – DEVGARH, DISTRICT – RAJSAMAND, RAJASTHAN. - 313331 PH :8306009399.

DHARIYAWAD

1845. BHATIA & CO. (SMC1-SMC-01), PRATAPGARH ROAD, DHARIYAWAD , DIST. - PRATAPGARH, RAJASTHAN - 313605 - 313605 PH :98287 46677.

DHOLPUR

1846. TM MOTORS PVT. LTD. (5K01-5K-01), TM MOTORS PVT. LTD., GT ROAD DHOLPUR, RAJASTHAN. - 328001 PH :8094777862.

DIDWANA

1847. SHRI MANGLAM AUTO PVT. LTD. (FT03-FT-01), DIDWANA BYPASS, MAIDASAR CHORAHA, DIDWANA - 341303 PH :7230055924.

DUDU

1848. PREM MOTORS PVT. LTD. (BRY1-BRY-01), KHASRA NO.1107 & 1108, OPPOSITE POWER HOUSE SERVICE LANE, NH-8, DUDU. - 303008 PH :8058411181.

DUNGURPUR

1849. NAVNEET MOTORS (4902-GP-02), G-71, INDUSTRIAL AREA, DUNGURPUR - 314001 PH :94141 04833.

FALNA

1850. LMJ SERVICES LTD. (BBR1-BBR-01), OPPOSITE PRAKASH DINING HOTEL ,FALNA - 306116 PH :#REF.

FATEHNAGAR

1851. TECHNOY MOTORS INDIA PVT. LTD. (4903-SV-03), PLOT NO.15, FATENAGAR SANWAR ROAD, UDAIPUR-CHITTORGARH HIGHWAY NO.76, FATEHNAGAR-313205 DISTT. UDAIPUR - 313205 PH :9829793402.

GANGAPUR CITY

1852. PREM MOTORS PVT. LTD. (BUT1-BUT-01), KHASRA NO. 5854, 5858, 5860, 5861, VILLAGE UDAI KALAN, THE GANGAPUR CITY - 322201 PH :8058794122.

GUDHAGORJI

1853. AJURIC MOTORS (A UNIT OF AUDI MOTORS PVT LTD) (CGC1-CGC-01), BHORKI ROAD, GUDHAGORJI, DISTRICT – JHUNJHUNU, RAJASTHAN. - 333022 PH :7412059848.

HANUMANGARH

1854. AJURIC MOTORS (A UNIT OF AUDI MOTORS PVT LTD) (7101-S7-03), JUNCTION TOWN ROAD,HANUMANGARH - 335512 PH :01552-231295,9168712222, 9413311745.

HINDAUN

1855. FORTUNE CARS (A UNIT OF JYOTI AUTOMOBILES PVT LTD) (S002-S0-01), KHASRA NO. 737, VILLAGE – PATTI NARAINPUR, NEAR HANUMAN MANDIR, HINDAUN-MAHWA ROAD, HINDAUN. - 322230 PH :7017024146,7017024146.

JAIPUR

1856. VIPUL MOTORS PVT. LTD. (1102-11-01), F-124A,MALVIYA INDUSTRIAL AREA,MALVIYA NAGAR,JAIPUR - 302017 PH :9269117654,89496866508.

1857. K P AUTOMOTIVES PVT LTD (1104-11-01), E-198, SANGANER INDUSTRIAL AREA,MANSAROVAR,JAIPUR - 302020 PH :0141-4071111, 4071101,6377203709, 6377203731.

1858. PREM MOTORS PVT. LTD. (1112-11-02), 12 13,SUDARSHANPURA INDUSTRIAL AREA, JAIPUR - 302006 PH :0141-4711111,8058703388 , 8058794122.

1859. SANGA AUTOMOBILES PVT. LTD. (1110-11-01), SECTOR 35, PRATAP NAGAR,SANGANER, JAIPUR - 302033 PH :9772210922.

1860. VIPUL MOTORS PVT. LTD. (1102-11-05), 29, INDUSTRIAL AREA, JHOTWARA, JAIPUR - 302012 PH :0141-3524203,9672211333.

1861. PREM MOTORS PVT. LTD. (1112-11-01), PLOT NO. E101/A, VKI, JAIPUR - 302039 PH :01414411123,8929409921.

1862. SATNAM MOTOCORP PVT. LTD. (1113-11-01), PLOT NO. E-524, SITAPURA INDUSTRIAL AREA, JAIPUR – 302 022, RAJASTHAN. - 302022 PH :1412771976,8302390000.

1863. KTL AUTOMOBILE PVT. LTD. (1115-11-01), PLOT NO. 13B, JHOTWARA INDUSTRIAL AREA, JAIPUR. - 302012 PH :7412077022.

1864. PREM MOTORS PVT. LTD. (1112-11-03), PLOT NO. B-12, MALVIYA NAGAR, JAIPUR. - 302017 PH :9358715550,8929409921.

1865. KTL AUTOMOBILES (1115-11-02), KHASRA NO 1210-1216/2959, BHANKROTA , TEH SANGANER , DISTRICT JAIPUR. - 302026 PH :7412077007.

1866. KTL AUTOMOBILES (1115-11-03), ORBIT MALL CIVIL LINES METRO STATION AJMER ROAD ,JAIPUR. - 302006 PH :7412077007.

1867. K.P. AUTOMOTIVE (1104-11-G1), B-1, GOVIND MARG, ADARSH NAGAR, JAIPUR – 302004 - 302004 PH :9549656559.

1868. KTL AUTOMOBILES (1115-11-04), CHOKDI HAWALI SHAHAR, SHIRKI SHAHAR, NEAR IDGAH, BILOCHOYAN MOHALLA, TRANSPORT NAGAR, DELHI ROAD, JAIPUR - 302002 - 302002 PH :9772210922.

JAISALMER

1869. LMJ SERVICES LTD. (5L01-5L-01), PLOT NO.36, 37, MAHESH REFUGEE COLONY,HDC SOCIETY, DABLA ROAD, JAISALMER (RAJASTHAN) - 345001 PH :8005898360.

JAITARAN

1870. LMJ SERVICES LTD. (BNY1-BNY-01), KHASRA NO. 784, JAIPUR-JODHPUR BYE PASS ROAD, JAITARAN, DIST.-PALLI - 306302 PH :9269971266.

JALORE

1871. SHRI KRISHNA AUTOSALES PVT LTD (VD01-VD-01), KHASRA NO.6809/2616, 2623, INDUSTRIAL AREA, JALORE-BHINMAL ROAD, JALORE - 343001 PH :2973211613,9829203644.

JAMWA RAMGARH

1872. K P AUTOMOTIVES PVT LTD (BZL1-BZL-01), KHASRA NUMBER -228/169,OPP UDAY AUTOMOBILES,JAIPUR ALWAR ROAD -JAMWA RAMGRAH. - 303109 PH :6377203709, 6377203731.

JHADOL

1873. TECHNOY MOTORS (SKO1-SKO-01), KHASRA NO. 186/1, NH # 8, NEAR ASHOK LEYLAND WORKSHOP, SARDARPURA, SOJAT, PIN-306104, RAJASTHAN - 306104 PH :7268095910.

JHALAWAR

1874. BHATIA & COMPANY (A UNIT OF BHATIA CORPORATION PVT. LTD.) (6102-RV-02), OPP. BALAJI KI CHHATRI , KHEL CIRCULAR STADIUM, BUS STAND ROAD, JHALAWAR - 326001 PH :9414034728.

JHUNJHUNU

1875. AJURIC MOTORS (A UNIT OF AUDI MOTORS PVT LTD) (FN03-FN-02), E1-2, AUTOMOBILES SERVICE SECTOR, RIICO INDUSTRIAL AREA, PHASE-2, SIKAR,JAIPUR ROAD, JHUNJHUNU. - 333001 PH :01592-250045,7412087489.

JOBNER

1876. PREM MOTORS PVT. LTD. (BRD1-BRD-01), KHASRA NO. 758 & 754, BABER WALON KI DHANI, JOBNER, TEHSIL – PHULERA, DISTRICT – JAIPUR, RAJASTHAN - 303328 PH :8058411181.

JODHPUR

1877. LMJ SERVICES LTD. (6502-65-01), PRATAP NAGAR,JODHPUR - 340002 PH :9950496202.

1878. LMJ SERVICES LTD. (6502-65-04), OPP TO RFC OFFICE,NEW POWER HOUSE ROAD,JODHPUR - 342003 PH :8094011127.

1879. SHRI KRISHNA AUTOSALES PVT LTD (6503-65-01), 32-A,HEAVY INDUSTRIAL AREA,NR FCJ GODOWNS, JODHPUR - 342005 PH :2912748402,9001894669.

Dealer Workshop (AS ON 30.05.2023)

1880. LMJ SERVICES LTD. (6502-65-09), B-8,9,10, MARUDHAR INDUSTRIAL AREA, PHASE 1, BASNI, JODHPUR - 342008
PH :8094011147.
1881. LMJ SERVICES LTD. (6502-65-0C), 21/1, PAL MAIN BALOTRA ROAD, NEAR D.P.S. CIRCLE, JODHPUR - 342002
PH :7230057721.
1882. AJURIC MOTORS (A UNIT OF AUDI MOTORS PVT LTD) (6504-65-01), C-62 BASNI INDUSTRIAL AREA, PHASE-1, JODHPUR - 342005
PH :7412059839.
1883. LMJ SERVICES LTD. (6502-65-0D), PARSHWANATH COLONY, KAYLANA ROAD, JODHPUR. - 342 001
PH :8696916455.
1884. LMJ SERVICES LTD. (6502-65-10), KHASRA NO. 357/5, BANAR ROAD, OPPOSITE VIDHYA PUBLIC SCHOOL, JODHPUR, RAJASTHAN - 342 003
PH :7222002424.
- KAPRAIN**
1885. BHATIA & COMPANY (A UNIT OF BHATIA CORPORATION PVT. LTD.) (BGG1-BGG-01), MEGA HIGHWAY ROAD, NEAR PETROL PUMP, KAPRAIN DISTT. BUNDI - 323301
PH :9587894896.
- KEKRI**
1886. AJMER AUTO AGENCIES PVT. LTD. (B201-GZ-03), KOTA SAWAR ROAD, KEKRI - 305404
PH :9314955201.
- KHAJUWALA**
1887. AJURIC MOTORS (SJC1-SJC-01), DANTOR ROAD, KHAJUWALA, DIST. - BIKANER, RAJASTHAN. - 3340323
PH :9982299866.
- KHANDAR**
1888. PREM MOTORS (CODE UNDER CREATIONS-CODE UNDER CREATIONS-CODE UNDER CREATIONS), SAWAI MADHOPUR-KHANDAR RD., KHANDAR, RAJASTHAN - 322025. - 322025
PH :8058899960.
- KHERLI**
1889. MG MOTORS (BZE1-BZE-01), KHERLI KATHUMAR ROAD, VILLAGE KHERLI, DISTT. ALWAR, RAJASTHAN - 321606
PH :9001795520.
- KHERWARA**
1890. TECHNOY MOTORS (SEE1-SEE-01), OPP. ATITHI PALACE, VILLAGE BADLA, NH 8, KHERWARA, TEHSIL - KHERWARA, DISTRICT - UDAIPUR, RAJASTHAN PIN CODE: 313803 - 313803
PH :7726809510.

- KISHANGARH**
1891. AJMER AUTO AGENCIES PVT LTD (TU01-TU-01), R K LINK ROAD, - 305802
PH :9314391011.
- KISHANGARH BAS**
1892. FORTUNE CARS (A UNIT OF JYOTI AUTOMOBILES PVT LTD) (9H01-TU-03), KISHANGARH BIWADI HIGHWAY, NEAR KISHANGARH, DISTRICT ALWAR - 301405
PH :8875007753,8875007753.
- KOTA**
1893. BHATIA & COMPANY (A UNIT OF BHATIA CORPORATION PVT. LTD.) (6101-61-01), 13-16 B, INDUSTRIAL ESTATE, KOTA - 324007
PH :9414085574.
1894. BHATIA & COMPANY (A UNIT OF BHATIA CORPORATION PVT. LTD.) (6102-61-01), AUTO MOBILE ZONE, G-11/12 INDUSTRIAL AREA, KOTA - 324005
PH :9001027933.
1895. BHATIA & COMPANY (A UNIT OF BHATIA CORPORATION PVT. LTD.) (6101-61-04), 3(K), CHAMBAL INDUSTRIAL AREA, KOTA, RAJASTHAN - 324007
PH :9414077682.
1896. BHATIA & COMPANY (A UNIT OF BHATIA CORPORATION PVT. LTD.) (6101-61-05), E-46, CHAMBAL INDUSTRIAL AREA, KOTA - 324007
PH :9414085574.
1897. BHATIA & COMPANY (A UNIT OF BHATIA CORPORATION PVT. LTD.) (6101-61-06), PLOT NO. E-222, ROAD NUMBER 5, INDRAPRASTHA INDUSTRIAL AREA, KOTA, RAJASTHAN. - 324005
PH :9116108613.
1898. SUWALKA MOTORS PVT. LTD. (6104-61-01), RIDDIH SIDDHI NAGAR, KUNHARI, BUNDI ROAD, KOTA, RAJASTHAN. - 324008
PH :9116178516.
- KOTPUTLI**
1899. PREM MOTORS PVT. LTD. (MH09-MH-01), NH-8, BUCHARA COLONY, OPP. SHAKTI VIHAR, KOTPUTLI, JAIPUR - 303108
PH :01414711118,8058411181.
1900. PREM MOTORS PVT. LTD. (MH09-MH-02), KHASRA NO- 636, KOTPUTLI, DIST. JAIPUR, RAJASTHAN - 303108
PH :01414711118,8058411181.
- KUCHAMAN**
1901. SHRI MANGLAM AUTO PVT. LTD. (VA02-VA-01), SUDHRSHAN NAGAR, BUDSU ROAD KHASRA NO 148 KUCHAMAN - 341508
PH :7230055928.
- LADNU**

1902. SHRI MANGLAM AUTO PVT. LTD. (CUP1-CUP-01), KHASRA NO. 1011 SUJANGARH ROAD, LADNUN - 341206
PH :7412044506.
- LALSOT**
1903. VIPUL MOTORS PVT. LTD. (BZF1-BZF-01), PLOT NO.22,23, KHASRA NO.1502-03, NARAYAN VIHAR, SAWAI MADHOPUR ROAD, LALSOT, RAJASTHAN - 303502
PH :9672211333.
- LOSAL**
1904. JAMU MOTORS (SMD1-SMD-01), LOSAL-SALASAR-DIDWANA ROAD, OPPOSITE SHIV MANDIR, WARD NO. 1, LOSAL, RAJASTHAN - 332025. - 332025
PH :9571959931.
- LUNI**
1905. LMJ SERVICES (SFD1-SFD-01), NEAR SBI BANK, SALAWAS ROAD, LUNI, TEHSIL - LUNI, DISTRICT - JODHPUR, RAJASTHAN PIN CODE: 342802 - 342802
PH :8094011126.
- MAHWA**
1906. VIPUL MOTORS PVT. LTD. (BKZ1-BKZ-01), KHASRA NO.37/384, BHARATPUR ROAD BYE-PASS, N.H.-11, MAHWA, DISTT. DAUSA (RAJASTHAN) - 321608
PH :9672211333.
- MAKRANA**
1907. SHRI MANGLAM AUTO PVT. LTD. (CFX1-CFX-01), MANGLANA ROAD, MAKRANA - 341512
PH :7230055934.
- MALPURA**
1908. K P AUTOMOTIVES PVT LTD (BLB1-BLB-01), PLOT NO.07, SHRI KALYAN NAGAR COLONY, JAIPUR-KEKRI ROAD, MALPURA - 304502
PH :8696925262.
- MANDALGARH**
1909. CHAMPION (SHA1-SHA-01), OPP. MODEL SCHOOL, BIJOLIA ROAD, MANDALGARH, DISTRICT - BHILWARA, PIN-311604, RAJASTHAN - 311604
PH :7073461987.
- MERTA**
1910. SHRI MANGLAM MOTORS (NG03-NG-01), KHASRA NO.1679, NH89, MERTA - 341015
PH :9116007201.
- NAGAUER**
1911. SHRI MANGLAM AUTO PVT. LTD. (HL03-HL-01), KHASRA NO.1479/982 & 1478/83 BIKANER ROAD, NAGAUER - 341001
PH :9116008624.
- NAINWA**

1912. BHATIA & COMPANY (A UNIT OF BHATIA CORPORATION PVT. LTD.) (CTJ1-CTJ-01), UNIARA ROAD, OPP: PETROL PUMP, NAINWA, DIST. KOTA - 323801
PH :9413379001.
- NASIRABAD**
1913. AJMER AUTO AGENCIES PVT. LTD. (B201-VB-04), CHAVANI BOARD NO:1613, HAWA CHAKKI, NASIRABAD ROAD, NASIRABAD, DISTT. AJMER - 305601
PH :9314955201.
- NATHDWARA**
1914. LOHIA AUTOMOBILES (X201-TZ-02), NH-8, LAL BAG, NATHWARA, DISTRICT: RAJSAMAND - 313301
PH :8306009399.
- NAWALGARH**
1915. AJURIC MOTORS (SIE1-SIE-01), KHATA NO. 76, PUNIA KI DHANI, SIKAR ROAD, NAWALGARH, DISTRICT - JHUNJHUNU, RAJASTHAN PIN CODE: 333042 - 333042
PH :9529178046.
- NEEM KA THANA**
1916. JAMU AUTOMOBILES PVT LTD (K701-TV-03), NEAR TOLL PLAZA, KOTPUTLI ROAD, NEEM KA THANA, SIKAR - 332713
PH :9529178046.
- NEEMRANA**
1917. FORTUNE CARS (A UNIT OF JYOTI AUTOMOBILES PVT LTD) (OP01-OP-01), F-42 & 42(B), PHASE-1, NEEMRANA, TEHSIL: BEHROR, DISTT. ALWAR - 301705
PH :9610715222,9636139386.
- NIMBAHERA**
1918. BHATIA & COMPANY (A UNIT OF BHATIA CORPORATION PVT. LTD.) (CTH1-CTH-01), PLOT NO. 7-8, 33-34, 35-36, NIMBAHERA, DIST. -CHITTORGARH. - 312801
PH :97854 61267.
- NIWAI**
1919. K P AUTOMOTIVES PVT LTD (BLA1-BLA-01), VANASTHALI CIRCLE, NEAR PRATEEK GAS AGENCY, TONK ROAD, NIWAI, DISTRICT - TONK. - 304021
PH :8696925262.
- NOHAR**
1920. AJURIC MOTORS (A UNIT OF AUDI MOTORS PVT LTD) (VE02-VE-01), OPP. RAILWAY STATION, NOHAR, DISTRICT-HANUMANGARH - 335523
PH :0155-5221485,7412059821, 8875010541.
- NOKHA**

Dealer Workshop (AS ON 30.05.2023)

1921. AURIC MOTORS (A UNIT OF AUDI MOTORS PVT LTD) (I501-I5-01), F-46, RIICO EXTENSION, NOKHA INDUSTRIAL AREA, NOKHA DISTT- BIKANER (RAJASTHAN) - 334803
PH :7412059805.

PADAMPUR

1922. DUJI MOTORS (SGC1-SGC-01), NEAR BASANT PLACE, BHAGAT SINGH CHOWK, KARANPUR ROAD, PADAMPUR SRI GANGANAGAR 335041 - 335041
PH :8619215475.

PALI

1923. LMJ SERVICES LTD. (6502-J9-03), KHASRA NO. 771/1, JODHPUR PALI ROAD, PALI - 306401
PH :9269971266.

PAOTA

1924. K P AUTOMOTIVES PVT LTD (BRH1-BRH-01), PATTA SANKHYA 31, MISAL SANKHYA 89, NEAR BAMORIA PETROL PUMP, NH-8, PAOTA, RAJASTHAN. - 303106
PH :6377203709, 6377203731.

PARBATSAR

1925. SRI MANGLAM (SKT1-SKT-01), NEAR IFL HOUSING FINANCE CO, KISHAN - 341512
PH :8740909096.

PARTAPUR

1926. NAVNEET MOTORS (BKY1-BKY-01), AAASHAPURA CHAURAH, BHAGORA MOR, NEAR AAASHAPURA MANDIR, PARTAPUR ,RAJASATHAN - 327024
PH :94140 10306.

PHALODI

1927. SHRI KRISHNA AUTOSALES PVT LTD (BQ1-BQ-01), OPP. RCP GUEST HOUSE, NAGOUR KHICHAN ROAD, PHALODI, RAJASTHAN - 342301
PH :9116011958.

PHULERA

1928. KTL AUTOMOBILE PVT. LTD. (CUS1-CUS-01), KHASRA NO. 21 TO 24 AND PLOT NO. 189 IN RAM VIHAR COLONY, PANCHBHATI, PHULERA, DISTRICT - JAIPUR, RAJASTHAN - 303338
PH :7412077022.

PINDWARA

1929. NAVNEET MOTORS (CQP1-CQP-01), OPPOSITE WOLKEM FACTORY, SIROHI ROAD, PINDWARA, DIST. - SIROHI. - 307022
PH :86197 44672.

PIPAR

1930. LMJ SERVICES LTD. (BT11-BTI-01), KHASRA NO. 1095, PIPAR CITY, DIST.-JODHPUR. - 342601
PH :9462616286.

PISANGAN

1931. AJMER AUTO AGENCIES PVT. LTD. (CTL1-CTL-01), PLOT NO.11, SHIV VIHAR COLONY, MANGLIYAWAS ROAD, PISANGAN, DISTRICT – AJMER, RAJASTHAN. - 305204
PH :9314955201.

POKHRAN

1932. LMJ SERVICES (BOA1-BOA-01), SUNDER NAGAR, TEHSIL POKHRAN, DISTRICT – JAISALMER, RAJASTHAN. - 345021
PH :9610115660.

PRATAPGARH (RAJASTHAN)

1933. BHATIA & COMPANY (A UNIT OF BHATIA CORPORATION PVT. LTD.) (PN01-PN-01), CHITTORGARH-PRATAPGARH ROAD, GRAM-BAMBOTARA, PRATAPGARH (RAJASTHAN) - 312605
PH :97723 78682.

RAIPUR

1934. LMJ SERVICES LTD. (CRZ1-CRZ-01), NATIONAL HIGHWAY, PALI ROAD, VILLAGE – RAIPUR, DISTRICT – PALLI. - 306304
PH :9269971266.

RAISINGHNAGAR

1935. AURIC MOTORS (A UNIT OF AUDI MOTORS PVT LTD) (BHK1-BHK-01), PLOT NO. H-2, INDUSTRIAL AREA, RAISINGHNAGAR, DISTRICT – SRIGANGANAGAR. - 335051
PH :9982638516.

RAJGARH

1936. MG MOTORS (IY01-IY-01), ALWAR SIKANDRA MEGA HIGHWAY, VILLAGE DIGAWARA, TEHSIL RAJGARH DISTT. ALWAR - 301408
PH :9001795520.

1937. AURIC MOTORS (A UNIT OF AUDI MOTORS PVT LTD) (CGD1-CGD-01), NH-65, OPP. BHAGAT SINGH CHOWK, RAJGARH DISTT. CHURU, - 331023
PH :9602261977.

RAJSAMAND

1938. LOHIA AUTOMOBILES (X201-X2-01), BHILWARA ROAD, KHANKROLI, RAJSAMAND DISTT, RAJSAMAND - 313301
PH :8306009399.

RAMGANJMANDI

1939. BHATIA & COMPANY (A UNIT OF BHATIA CORPORATION PVT. LTD.) (BAZ1-BAZ-01), KHAIRABAD ROAD, KHASARA NO. 753, A.S.I COLONY, RAMGANJ MANDI - 326519
PH :9414085790.

RANIWARA

1940. SHRI KRISHNA AUTOMOBILES (SGX1-SGX-01), NEAR RAILWAY GATE, BHINMAL ROAD ,RANIWARA, TEHSIL – RANIWARA, DISTRICT – JALORE, RAJASTHAN, PIN CODE: 343040 - 343040
PH :9928377669.

RATANGARH

1941. AURIC MOTORS (A UNIT OF AUDI MOTORS PVT LTD) (BHJ1-BHJ-01), PLOT NO. AREA F-186 INDUSTRIAL AREA, RATANGARH. - 331 022
PH :7412087301.

RAWATBHATA

1942. BHATIA & COMPANY (A UNIT OF BHATIA CORPORATION PVT. LTD.) (JQ01-JQ-01), NEAR INDIAN OIL PETROL PUMP, KOTA ROAD, RAWATBHATA , DIST. CHITTORGARH, RAJASTHAN. - 323307
PH :9001027933.

RAWATSAR

1943. AURIC MOTORS (A UNIT OF AUDI MOTORS PVT LTD) (SDA1-SDA-01), CHAK 21-22, DWD, PLOT NUMBER -10 & 11, RAWATSAR (RAJASTHAN). - 335524
PH :9166712222, 9413311745.

REENGUS

1944. JAMMU MOTORS (SGL1-SGL-01), REENGUS HIGHWAY , REENGUS DISTT. SIKAR -332404 - 332404
PH :9785030973.

RENWAL MANJHI

1945. PREM MOTORS PVT. LTD. (GKZ1-GKZ-01), KHASRA NUMBER 2286/110, OPP ROHINI NAGAR 1 ,JAIPUR BHILWARA HIGHWAY ,RENWAL, TEHSIL PHAGI JAIPUR ,RAJASTHAN (303904) . - 303904
PH :01414711118,9928494441.

REVDAR

1946. TECHNOY MOTORS INDIA PVT. LTD. (CRY1-CRY-01), OPP. TIRUPATI PETROL PUMP, KAROTI ROAD, REVDAR, DISTT. SIROHI, RAJASTHAN. - 307514
PH :9530396882.

SAGWARA

1947. TECHNOY MOTORS INDIA PVT. LTD. (CK01-CK-01), BANSWARA ROAD, CHUNGINAKA, NR. CENTRAL JAIL, SAGWARA, DUNGARPUR DISTT., RAJASTHAN - 314025
PH :9694970143.

SALUMBAR

1948. NAVNEET MOTORS (BZH1-BZH-01), GANESH GHATI, BANSWARA ROAD, SALUMBAR, DISTRICT – UDAIPUR. - 313027
PH :76652 01980.

SAMBHAR

1949. KTL AUTOMOBILE PVT. LTD. (CVD1-CVD-01), PLOT NUMBER -C1 NEAR SHAKUMARI PG COLLEGE , PHULERA ROAD , SAMBHAR 303604 - 303604
PH :7412077022.

SANCHORE

1950. SHRI KRISHNA AUTOSALES PVT LTD (GY01-GY-01), PLOT NO. 217, KHASRA NO. 844, 865, 867, MANMOHAN SINGH PARK, NH-15, BARMER ROAD, SANCHORE, DIST.-JALORE. - 343041
PH :9636224546.

SANGARIA

1951. AURIC MOTORS (A UNIT OF AUDI MOTORS PVT LTD) (GKK1-GKK-01), HANUMANGARH ROAD NEAR KARMA PETROL PUMP - 335035
PH :7412059827.

SANGOD

1952. BHATIA & COMPANY (A UNIT OF BHATIA CORPORATION PVT. LTD.) (GLG1-GLG-01), KHASRA NO 1637 , SANGOD BAPAPAR MAIN ROAD .SANGOD - 325601
PH :9251641358.

SARDARSHAHR

1953. AURIC MOTORS (A UNIT OF AUDI MOTORS PVT LTD) (BID1-BID-01), KHASRA NO.134, MOTOR MARKET, RATANGARH SARDARSHAHR ROAD, SARDARSHAHR DISTT. CHURU, RAJASTHAN - 331403
PH :9799833995.

SAWAI MADHOPUR

1954. PREM MOTORS PVT. LTD. (FY03-FY-01), PLOT NO.14, RIICO INDUSTRIAL AREA, KHERDA, SAWAI MADHOPUR - 322001
PH :01414711118,9358725409.

SAYALA

1955. AURIC MOTORS (SHM1-SHM-01), NEAR PETROL PUMP, HANUMAN MANDIR SOUTH STYLE, MAIN ROAD SAYALA, SAYALA TEHSIL – SAYALA, DISTRICT – JALORE, RAJASTHAN PIN CODE: 343022 - 343022
PH :9460739993.

SHAHPURA

1956. K P AUTOMOTIVES PVT LTD (1104-NH-05), VILLAGE RAJ PURA, GRAM PANCHAYAT BIDARA, NH-8, SHAHPURA - 303103
PH :0141-4071111, 4071101,8696934964, 9358220012.

1957. LOHIA AUTOMOBILES (CCP1-CCP-01), OPPOSITE LIC OFFICE, BHILWARA ROAD, SHAHPURA DISTT. BHILWARA - 311404
PH :7568378555,9462979238.

SHEO

Dealer Workshop (AS ON 30.05.2023)

1958. LMJ SERVICES LTD. (SDO1-SDO-01), NEAR RIDDI SIDDHI HOTEL , OPPOSITE HP PETROL PUMP ,TEH SHEO, DISTT – BARMER - 335521 PH :8094011144.

SIKAR

1959. JAMU AUTOMOBILES PVT LTD (K701-K7-01), F-54 ,JAIPUR ROAD (NH-11),SIKAR - 332001 PH :9057400761.

SIROHI

1960. NAVNEET MOTORS (4902-LK-03), PLOT NO. 8,BHADRANAGAR NAGAR, ANADRA ROAD, SIROHI - 307001 PH :9166261788.

SIVANA

1961. LMJ SERVICES LTD. (CCO1-CCO-01), BALOTRA ROAD, SIWANA, DISTRICT - JODHPUR, RAJASHTHAN. - 344044 PH :8005898360.

SOJAT

1962. LMJ SERVICES LTD. (BWI1-BWI-01), KHASRA NO. – 186/1, NH-8, NEAR ASHOK LEYLAND WORKSHOP, SARDARPURA, SOJAT , RAJASTHAN - 306104 PH :9269971266.

SRI DUNGARGARH

1963. AJRIC MOTORS (A UNIT OF AUDI MOTORS PVT LTD) (BIG1-BIG-01), 1563/1273, NH-11, MOMASAR BASS, DUNGARGARH, DISTRICT - BIKANER, RAJASTHAN. - 331803 PH :9414138511.

SRI KARANPUR

1964. AJRIC MOTORS (SDL1-SDL-01), PADAMPUR ROAD, NEAR DHAN MANDI, SRI KARANPUR,TEHSIL – SRI KARANPUR, DISTRICT – SRI GANGANAGAR,RAJASTHAN, PIN CODE: 335073 - 322243 PH :8875088998.

SRI MADHOPUR

1965. JAMU AUTOMOBILES PVT LTD (BZD1-BZD-01), WARD NO.4, RINGUS ROAD, SRI MADHOPUR DISTT. SIKAR. - 332715 PH :9672822166.

SRIGANGANAGAR

1966. AJRIC MOTORS (A UNIT OF AUDI MOTORS PVT LTD) (U201-U2-01), NEW AUTOMOBILE MARKET,SURATGARH-HANUMANGARH ROAD, SRIGANGANAGAR - 335001 PH :0154-2465226,7412059837.

1967. AJRIC MOTORS (A UNIT OF AUDI MOTORS PVT LTD) (U201-U2-03), CHAK 1G CHOTI, NH15, SRIGANGANAGAR, RAJASTHAN - 335001 PH :8875911503.

SUJANGARH

1968. AJRIC MOTORS (A UNIT OF AUDI MOTORS PVT LTD) (BRB1-BRB-01), KHASRA NO.459/333, SALASAR ROAD, NEAR ANAJ MANDI, SUJANGARH , DISTT. CHURU - 331507 PH :8875011561.

SULTANPUR

1969. SUWALKA MOTORS PRIVATE LIMITED (GKY1-GKY-01), KHASRA NUMBER 485, NEAR PETROL PUMP , SULTANPUR ROAD , SULTANPUR , DISTT KOTA - 325204 PH :9116178594.

SUMERPUR

1970. LMJ SERVICES LTD. (6502-VC-08), G-14 JAKHAMATA INDUSTRIAL AREA, OPP. DASHAREA GROUND, SUMERPUR - 306902 PH :8094002633.

SURATGARH

1971. AJRIC MOTORS (A UNIT OF AUDI MOTORS PVT LTD) (U201-LG-02), OPP. RELIANCE PETROL PUMP,NH-15, SURATGARH - 335804 PH :8875012667.

TONK

1972. K P AUTOMOTIVES PVT LTD (GM01-GM-01), F-94, RIICO INDUSTRIAL AREA, TONK , RAJASTHAN - 304001 PH :9549651972.

TUNGA

1973. PREM MOTORS (SMB1-SMB-01), VILLAGE GWALANI, BASSI-LALSOT ROAD, TUNGA, TEHSIL- BASSI, JAIPUR - 303302 - 303302 PH :8058998123.

UDAIPUR

1974. NAVNEET MOTORS (4901-49-01), 7 CITY STATION ROAD,UDAIPUR - 313001 PH :90017 58531.

1975. NAVNEET MOTORS (4902-49-01), S-140,MADRI INDUSTRIAL AREA,OPP. BSNL OFFICE, UDAIPUR - 313002 PH :95888 86349.

1976. TECHNOY MOTORS INDIA PVT. LTD. (4903-49-02), NH-8, GOVERDHAN VILLAS, DEVALI, NEAR JEEVAN TARA RESORT, UDAIPUR - 313002 PH :9414165429.

1977. TECHNOY MOTORS INDIA PVT. LTD. (4903-49-04), KHASRA NO. 546, 547, 554 AND 555, NEAR CHITRAKOOT NAGAR, OPP. BHIRAVGARH HOTEL, SUKHER, TEHSIL – BADGAON, UDAIPUR, RAJASTHAN. - 313001 PH :9530396896.

VIRATNAGAR

1978. K.P. AUTOMOTIVES PVT. LTD. (SCB1-SCB-01), KHASRA NUMBER 1156 ,OPP HOTEL GULMOHAR ,JAIPUR ROAD ,VIRATNAGAR,DISTT JAIPUR - 303102 PH :0141-4071111, 4071101,9358220012.

SIKKIM

GANGTOK

1979. ENTEL MOTORS (B901-B9-01), 6TH MILE, P.O.TADONG, GANGTOK, SIKKIM - 737102 PH :9933031828 9933032059.

JORTHANG

1980. ENTEL MOTORS (B901-B9-02), PIPEALEY ROHTAK, NEAR JNU SCHOOL, WEST SIKKIM, JORTHANG – 737121 PH :9733164882 9933009934.

ALANDURAI

1981. AADHI CARS PVT. LTD. (CTO1-CTO-01), NO.69/1 A, SIRUVANI MAIN ROAD, URIPALLAM PUDHUR, ALANDURAI, COIMBATORE (TAMIL NADU) - 641101 PH :8754045816.

ALANGULAM

1982. AADHI CARS PVT. LTD. (SJF1-SJF-01), SURVEY NO. 495/7, TIRUNELVELI - TENKASI ROAD, ALANGULAM, TIRUNELVELI DISTRICT, TN - 627851 PH :8754044143.

AMBASAMUNDRAM (AMBAL)

1983. AADHI CARS PVT. LTD. (BXT1-BXT-01), DOOR NO. 2/253, SURVEY NO. 104/2, RTO OFFICE ROAD, VILLAGE - VAGAIKULAM, AMBASAMUNDRAM. - 627 401 PH :7397188858.

ANAMALAI

1984. ABT (CHE1-CHE-01), SITE NO. 6/12, NEAR ABT SAMUGA KODAM, SETHUMADAI ROAD, ANAMALAI, COIMBATORE DISTRICT, TAMILNADU - 642 104 PH :9788174244.

ANNUR

1985. JAIKRISHNAA AUTOSALES PVT. LTD. (DN01-DN-01), SF NO.266/1B, OTTRAPALAYAM VILLAGE, OPP. TO KG SCHOOL, ANNUR,COIMBATORE (DIST), TAMILNADU - 641653 PH :9788850733.

ANTHIYUR

1986. SREE SARADHAMBAL AUTOMOBILES PVT LTD (CUX1-CUX-01), SURVEY NO.495/4, OLD NO.724B, KANCHI THOTTI THOTTAM, BHAVANI MAIN ROAD,ANTHIYUR. - 638501 PH :8754086777.

ARAKKONAM

1987. GANESH CARS PVT. LTD. (BKQ1-BKQ-01), SURVEY NO. 556A/3, VILLAGE – ICHIPUDHUR, TALUKA – ARAKKONAM, VELLORE. - 631003 PH :9842345399.

ARIYALUR

1988. PILLAI & SONS MOTOR CO. (EB01-EB-01), NO.1/1 , NEAR ULAVAR SANTHALI, JAYAMKONDAM ROAD, ARIYALUR (TAMIL NADU). - 621704 PH :04329-228300, 9442281302.

ARNI

1989. GANESH CARS PVT. LTD. (BKP1-BKP-01), DOOR NO. 1151/3, VELLORE MAIN ROAD, OPPOSITE TO HERO MOTORS SHOWROOM, RATNAMANGALAM BUS STOP, ARNI , THIRUVANMALAI, TAMIL NADU. - 632301 PH :9585553266.

ARUPPUKKOTTAI

1990. ASIR AUTOMOBILES PVT LTD (CWF1-CWF-01), SURVEY NO. 205/1, 5/5C, NEHRU NAGAR, ARUPPUKKOTTAI TO MADURAI BYPASS ROAD, ARUPPUKKOTTAI, DIST.-VIRUDHUNAGAR. - 626 101 PH :9944059911.

ATTUR

1991. S.M.CAR PVT. LTD. (QT02-QT-01), SF NO. 351/10A, SALEM TO CHENNAI BY PASS ROAD, APPAMASAMDURAM, ATTUR, SALEM. - 636108 PH :7094440057.

AVADI

1992. VISHNU CARS PVT. LTD. (5P01-5P-01), SURVEY NO. 146, 147/1F & 147/G, NO. 17 VILLAGE – KAVARAPALAYAM, CTH ROAD, AVADI, DISTRICT – THIRUVALLUR, CHENNAI, TAMIL NADU - 600054 PH :7338888021, 7358024470.

AVINASHI

1993. SHASHTI CAR PVT LTD (CLK1-CLK-01), SURVEY NO. 373/1E, THEEKU THOTTAM, NALLIGOUNDANPALAYAM, PALANGARAI, KUPPOUDAMPALAYAM POST, NH ROAD, AVINASHI EAST, TIRUPPUR DISTRICT, TAMILNADU - 641654 PH :9942903319.

BHAVANI

Dealer Workshop (AS ON 30.05.2023)

1994. SREE SARADHAMBAL AUTOMOBILES PVT LTD (H701-IG-05), NO.5/1072, LAKSHMI NAGAR, NH-47, VASAVI COLLEGE (P.O.), BHAVANI, ERODE (DIST), TAMIL NADU. - 638316
PH :9597385777.

CHENGALPETTU

1995. AIE CARS (A UNIT OF AI ENTERPRISES PVT LTD) (BBS1-BBS-01), PLOT NO. 98/1, PULIPAKKAM VILLAGE, CHENGALPETTU, DISTRICT-KACHEEPURAM, TAMIL NADU. - 603002
PH :7299057387.

1996. AIE CARS (A UNIT OF AI ENTERPRISES PVT LTD) (BBS1-BBS-02), DOOR NO. 41, GST ROAD, PULIPAKKAM, CHANGELPET, TAMILNADU - 603202
PH :7299057387.

CHENGAM

1997. GANESH CARS PVT. LTD. (BUP1-BUP-01), SURVEY NO. 293/3A, 3A1,VILLAGE - THUKAPETTAI, CHENGAM, DIST. -TIRUVANNAMALAI. - 606 701
PH :7397395289.

CHENNAI

1998. ABT LIMITED (1401-14-01), 102, MOUNT ROAD, GUINDY, CHENNAI - 600032
PH :044-42254544, 42254554.

1999. KHIVRAJ MOTORS PVT LTD. (1404-14-01), 623 MOUNT ROAD, CHENNAI - 600006
PH :9043014530.

2000. CARS INDIA PVT. LTD. (1403-14-01), 16 & 17 INDUSTRIAL ESTATE, AMBATTUR, CHENNAI - 600058
PH :9952000089.

2001. CARS INDIA PVT. LTD. (1403-14-02), NO.17, LATTICE BRIDGE ROAD, ADYAR, CHENNAI - 600020
PH :044-24462020.

2002. POPULAR VEHICLES & SERVICES LTD. (1410-14-02), OLD NO.155, NEW NO.123, PONNANJITHAM COMPLEX, MEDAVAKKAM MAIN ROAD, NEAR BUS TERMINUS, KEEKATTALAI, CHENNAI - 600117
PH :9176906334, 9176906335, 9176906336.

2003. CARS INDIA PVT. LTD. (1403-14-03), 4/321, OLD MAHABALIKPURAM RD., KOTTIVAKKAM, CHENNAI - 600040
PH :044-24540182 /43590913.

2004. POPULAR VEHICLES & SERVICES LTD. (1410-14-01), NO.11, ARUNACHALAM ROAD, SALIGRAMAM, CHENNAI - 600093
PH :9282405819, 9282348331, 8939915206.

2005. ABT LIMITED (1401-14-07), NO. 422, KOLAPERUMAL SCHOOL STREET, POONMA MALLE HIGH ROAD, CHENNAI - 600106
PH :044-42267628/604.

2006. ABT LIMITED (1401-14-05), A/A2, BHARANI STUDIO COMPLEX, DR. BHANUMATHI KRISHNA ROAD,22, ARCOT ROAD, SALIGRAMAM, CHENNAI - 600093
PH :044-23650488, 23650490.

2007. ABT LIMITED (1401-14-06), NO. 1 & 2, VASANTHA PRESS,ROAD, OPPOSITE MALAR HOSPITAL, ADYAR, CHENNAI - 600020
PH :044-24465814, 24465815.

2008. CRESCO (A UNIT OF NEXGEN VENTURES PVT LTD), (1493-14-01), 5,THIRUMURUGAN ST, KOYAMBEDU, CHENNAI - 600107
PH :7305087055.

2009. ABT LIMITED (1411-14-01), 29, WALLS ROAD, OPP. ALBERT THEATER, EGMORE, AMBATTUR, CHENNAI - 600058
PH :044-42281707 / 714 / 719 / 720 / 721 / 737/.

2010. CARS INDIA PVT. LTD. (1403-FP-04), NO.503, G.N.T. ROAD, REDHILLS, CHENNAI - 600066
PH :9952000078.

2011. VISHNU CARS PVT. LTD. (1427-14-02), 176/1, LUZ CHURCH ROAD, NEAR KAMADHENU THEATRE MYLAPORE, CHENNAI - 600004
PH :0427-24681973/7475.

2012. VISHNU CARS PVT. LTD. (1427-14-01), NO. 91, GST ROAD, ALWITONE ESTATE, BEHIND LAXMI THEATRE, PALLAVARAM, CHENNAI - 600043
PH :044-68813729/7338888000.

2013. POPULAR VEHICLES & SERVICES LTD. (1410-14-03), NO. 3, 200 RING ROAD, RETTERI JUNCTION, RETTERI, CHENNAI - 600099
PH :7448814726/23/33.

2014. CARS INDIA PVT. LTD. (1403-14-05), PLOT NO.- 80, BABU JAGAGEVAN RAM STREET, GERUGAMBAKKAM, CHENNAI - 600112
PH :9952000079.

2015. KHIVRAJ MOTORS PVT LTD. (1404-14-03), SURVEY NO. A1& A2, SIDCO INDUSTRIAL ESTATE, GUINDY, CHENNAI - 600032
PH :7299971978.

2016. ABT LIMITED (1401-14-0D), NO.2/170, ECR ROAD, INJAMBAKKAM, CHENNAI TAMIL NADU. - 600041
PH :044-24490584 / 585 /586.

2017. AIE CARS (A UNIT OF AI ENTERPRISES PVT LTD) (1484-14-01), PLOT NO.1.2.3 & 4, SURVEY NO.91/2, B1, A2 & B, NEELANKARAI, EAST COAST ROAD, CHENNAI - 600115
PH :7401211553.

2018. RAJALAKSHMI CARS PVT. LTD. (1486-14-01), OLD DOOR NO.69, NEW DOOR NO.20,GRAND NELLORE TRUNK ROAD, MADHAVARAM, CHENNAI. - 600060
PH :9939995454/8939995404.

2019. KHIVRAJ MOTORS PVT LTD. (1480-14-02), PLOT NO.119 & 120, ELECTRICAL & ELECTRONICS INDUSTRIAL ESTATE, PERUNGUDI, CHENNAI - 600096
PH :98414 23569.

2020. ABT LIMITED (1401-14-0E), NO. 1/132, RAJEEV GANDHI SALAI, SHOLINGANALLUR, DISTRICT - CHENNAI, TAMIL NADU. - 600119
PH :044-24502185 / 87 / 88 / 89.

2021. VISHNU CARS PVT. LTD. (1427-14-03), 4/13 LOYAL GARDEN, KALAHATHAMMAN KOVIL STREET, RAMAPURAM, CHENNAI, TAMIL NADU. - 600089
PH :8754440002/ 9677244332.

2022. VISHNU CARS PVT. LTD. (1487-14-01), NO.203 TO 206 MOUNT POONAMALLE ROAD, KATTUPAKKAM, CHENNAI - 600056
PH :9677127432.

2023. VISHNU CARS PVT. LTD. (1487-14-02), NO.120, MAMBAKKAM MAIN ROAD, MEDAVAKKAM, CHENNAI - 600100
PH :9840929994/ 9840944478.

2024. VISHNU CARS PVT. LTD. (1427-14-04), NEW S. NO. 314/1B1A, PALLAVARAM - THORAIPAKKAM RADIAL ROAD, NEAR OLD CHETTINADU CEMENT GOVDOWN, KEELAKATTALAI, CHENNAI. - 600117
PH :9940057775.

2025. VISHNU CARS PVT. LTD. (1427-14-06), PLOT NO. 4, MORISON 4 STREET, ALANDUR, CHENNAI. - 600016
PH :044-45590293.

2026. RAJALAKSHMI CARS PVT. LTD. (1486-14-02), OLD NO. 27, NEW NO. 22A, ALAPAKKAM MAIN ROAD, MADURAVOYAL, CHENNAI. - 600095
PH :9841427572/9500125083.

2027. CRESCO (A UNIT OF NEXGEN VENTURES PVT LTD), (1493-14-03), PLOT NO. G30, 3RD MAIN ROAD, 9TH STREET, AMBATTUR INDUSTRIAL ESTATE, DIAGONALLY TO TELEPHONE EXCHANGE, CHENNAI. - 600058
PH :7305087033.

2028. POPULAR VEHICLES AND SERVICES LTD (1410-14-06), PLOT NO. 10, NEW SURVEY NO. 88/1A1, 88/1C, 88/1B & 88/2B, NOOMBAL MAIN ROAD, VANAKARAM, CHENNAI. - 600 077
PH :044-61343434, 46490006/9.

2029. AIE CARS (A UNIT OF AI ENTERPRISES PVT LTD) (1484-14-02), PLOT NO. L-1 SIDCO INDUSTRIAL ESTATE, VILLIVAKKAM, CHENNAI, TAMIL NADU. - 600 049.
PH :9841742926.

2030. VISHNU CARS PVT. LTD. (1427-14-07), SURVEY NO. 19/1A2, 83/18, DOOR NO. 113, NEAR PARIMALAM THEATER, KUNDRATHUR MAIN ROAD, MANNADY THALAI, NALLUR, SAMBA THALAI, MOONRAMKATTALAI VILLAGE, ONDI COLONY, KUNDRATHUR, CHENNAI. - 600069
PH :95000 82346.

2031. VISHNU CARS PVT. LTD. (1427-14-08), SURVEY NO. 62/2B, DOOR NO. 1/63, AGARAM MAIN ROAD, THIRUVANCHERRY VILLAGE, TAMBARAM TALUK, SELAIYUR, KANCHIPURAM DIST., CHENNAI , TAMIL NADU. - 600 073
PH :8056260022.

2032. ABT LIMITED (1401-14-10), S. NO: 32/2, NANDAMBAKKAM, PADMINI GARDEN, CHENNAI - 600089, TN. - 600089
PH :044-22320161, 8220011558.

CHEYYAR

2033. GANESH CARS PVT. LTD. (BUD1-BUD-01), NO.16, KANCHEEPURAM ROAD, CHEYYAR, TIRUVANNAMALAI DISTT. - 604407
PH :9787669339.

CHIDAMBARAM

2034. VISHNU CARS PVT. LTD. (CPK1-CPK-01), SURVEY NO. 102/2 & 102/5, BHUVANAGIRI MAIN ROAD, KEERAPALAYAM, CHIDAMBARAM TOWN, CUDDALORE, TAMIL NADU. - 608 602
PH :041-44241334/7358004555.

COIMBATORE

2035. ABT LIMITED (4101-41-06), 744, PULIYAKULAM ROAD, P.N. PALAYAM, COIMBATORE - 641037
PH :9944400987.

2036. SREE SARADHAMBAL AUTOMOBILES PVT LTD (4103-41-01), IYER HOSPITAL PREMISES, TRICHY ROAD, COIMBATORE - 641005
PH :8220862666.

2037. ABT LIMITED (4101-41-08), 15/55-C, ALAGESAN ROAD (EAST), METTUPALAYAM ROAD, COIMBATORE - 641043
PH :96009 66056.

2038. ABT LIMITED (4101-41-05), LAKSHMI THEATRE BUILDING, T.S. NO. 1199/2, TS WARD NO. 3, KEMPATY COLONY, SOUTH UKKADAM, COIMBATORE - 641001
PH :044-4232660, 4232666.

2039. SREE SARADHAMBAL AUTOMOBILES PVT LTD (4103-41-03), 555, NSR ROAD, SAIBABA COLONY, COIMBATORE - 641011
PH :9047055667.

2040. JAIKRISHNA AUTOSALES PVT. LTD. (4107-41-01), 8/60-C&8/62-D, METTUPALAYAM ROAD, G.N.MILLS POST, NEARJOHNBOSSCO CHURCH,COIMBATORE - 641029
PH :044-4519140.

2041. SREE SARADHAMBAL AUTOMOBILES PVT LTD (4103-41-07), NO 44, KANNUSAMY GOUNDER STREET, OORGOUNDER THOTTAM, SANGANUR, COIMBATORE - 641027
PH :9655219900.

2042. SREE SARADHAMBAL AUTOMOBILES PVT LTD (4103-41-08), SF-94, SATHY MAIN ROAD, VISWASAPURAM, SARAVANNAMPATTI, COIMBATORE - 641013
PH :9585877775.

Dealer Workshop (AS ON 30.05.2023)

2043. JAIKRISHNA AUTOSALES PVT. LTD. (4107-41-02), DOOR NO. 48, KAMARAJAR ROAD, LAKSHMIPURAM, PEELAMEDU, COIMBATORE, TAMIL NADU - 641004
PH :0422-383220.

2044. SREE SARADHAMBAL AUTOMOBILES PVT LTD (4103-41-0D), 98/1 VILANKURICHI MAIN ROAD, THANEER PANDAL ROAD, COIMBATORE - 641004
PH :9655345775.

2045. AADHI CARS PVT. LTD. (4108-41-01), SURVEY NO.469/2,DOOR NO: 46-2,SATHY MAIN ROAD, RAMAKRISHNAPURAM, GANAPATHY, COIMBATORE - 641035
PH :0422-4000600.

2046. ABT LIMITED (4101-41-0D), 36-A GANDHI NAGAR, SUNDARAPURAM, COIMBATORE (DIST) COIMBATORE - 641024
PH :78457 74069.

2047. AADHI CARS PVT. LTD. (4108-41-02), NEAR KOVAI MEDICAL CENTRE & HOSPITAL, AVINASHI ROAD, CIVIL AERODROME POST, CHINNIYAMPALAYAM, COIMBATORE - 641004
PH :0422-3007701.

2048. AADHI CARS PVT. LTD. (4108-41-03), NO.71, OLD SRIRAM THEATRE COMPLEX, MARUDHA MALAI MAIN ROAD, VADAVALLI, COIMBATORE - 641041
PH :0422-3000201.

2049. AADHI CARS PVT. LTD. (4108-41-04), PLOT NO.295, RADHA RANI THEATER COMPLEX, NEAR JAYASHANTHI THEATER, TRICHY ROAD, ONDIPUDUR, COIMBATORE.- 641005
PH :0422-4000777.

2050. SREE SARADHAMBAL AUTOMOBILES PVT LTD (4103-41-0E), PLOT NO. 210, PALAKAD ROAD, BK PUDUR, COIMBATORE, TAMIL NADU. - 641008
PH :0422-2251225.

2051. AADHI CARS PVT. LTD. (4108-41-06), SF NO. 14/78-A, RENUKA SHELTERS, VILANKURICHI MAIN ROAD, KALAPATTI, COIMBATORE, TAMIL NADU-641048. - 641 006
PH :8754045840.

2052. SREE SARADHAMBAL AUTOMOBILES PVT. LTD. (4103-41-11), PLOT NO. 1, RAJA STREET, KALLIMADAI, NANJAPPA NAGAR, COIMBATORE, TAMIL NADU - 641005
PH :9344870035.

COONOOR

2053. SREE SARADHAMBAL AUTOMOBILES PVT LTD (3G01-3G-01), 78 E, BRINDAVAN SCHOOL ROAD, CONOOR, NILGRIS DIST- TN - 643102
PH :95852 77775.

CUDDALORE

2054. ABT LIMITED (5Q01-SQ-01), K. V. SUBRAMANIAM NAGAR, CHIDAMBARAM MAIN ROAD, CUDDALORE O. T - 607003
PH :04142-224567.

2055. VISHNU CARS PVT. LTD. (5Q02-SQ-01), SURVEY NO. 35/8, 35/8A, 35/21, 35/6, 35/6A1A, 35/20, VILLAGE - PERIYA KANANGAKUPPAM, CUDDALORE - 607 001
PH :7338884131.

CUMBUM

2056. MEENAKSHI AUTO ZONE PVT. LTD. (CJS1-CJS-01), PATTI NO. 4388, SURVEY NO. 1003/2 & 1003, VILLAGE - UTHAMAPURAM, SUB DIST.-CUMBUM, TAMIL NADU. - 625516
PH :9940094881.

DEVAKOTTAI

2057. SIVA AUTOMOTIVE TRADING PVT LTD (GKV1-GKV-01), SURVEY NO. 5/1A, MULL IGUNDU (SOMANENTHAL VILLAGE), DEVAKOTTAI TALUK, SIVAGANGAI DISTRICT,TAMILNADU - 630 303
PH :7094688870.

DHARAPURAM

2058. SREE SARADHAMBAL AUTOMOBILES PVT LTD (H701-QN-04), OPP. TO ANJANEYAR TEMPLE, NEAR FIVE CORNER, MADURAI ROAD, DHARAPURAM - 638656
PH :9597550777.

DHARMAPURI

2059. SRI AMMAN CARS INDIA PVT. LTD. (7Q01-SR-02), NEAR COLLECTOR BUNGALOW, OLD HOSUR ROAD, JETTIHALLI (PO), DHARMAPURI , TAMILNADU - 636807
PH :9750938892/ 9159086222.

DINDIGUL

2060. PLA MOTORS (S401-S4-01), NO. 5, TRICHY MADURAI BY PASS ROAD, NH-45, DINDIGUL - 624001
PH :7010075200.

EDAYARPALAYAM, COIMBATORE

2061. SREE SARADHAMBAL AUTOMOBILES PVT LTD (CJ1-CJK-01), SITE NO. 2, SY. NO. 404/1A1, THADAGAM ROAD, TVS NAGAR, EDAYARPALAYAM, COIMBATORE. - 641025
PH :9047081914.

ERODE

2062. SREE SARADHAMBAL AUTOMOBILES PVT LTD (H701-H7-01), 23/1, PERUNDI, URAI ROAD, ERODE, - 638011
PH :9677987777.

2063. SREE SARADHAMBAL AUTOMOBILES PVT LTD (H701-H7-06), SURVEY NO. 1363/3, 1363/5, 1363/6, BEHIND MANIKAVASAKAR COLONY BUS STOP, OPPOSITE TO CANARA BANK, KARUR BYPASS ROAD, SOLAR, ERODE, - 638 002
PH :6385805777.

2064. SRI CITY AUTO (A UNIT OF CITY AUTO PVT LTD) (H702-H7-01), OLD G.S. NO. 337 (1 TO 4), RS NO. 259/11A,10,9,8., SATHY ROAD, PERIYA SEMUR VILLAGE, ERODE,TAMILNADU - 638003
PH :9171791991.

2065. SRICITY AUTO (H702-H7-02), R.S. NO:1098/3, VINAYAGAR KOVIL STREET, TELEPHONE NAGAR, POONDURAI MAIN ROAD, ,ERODE, TAMILNADU - 638002
PH :9626671444.

GOBICHETTPALAYAM

2066. SREE SARADHAMBAL AUTOMOBILES PVT LTD (H701-QM-03), NO. 318, CUTCHERY, GOBICHETTPALAYAM - 638476
PH :9597560777.

GUDIYATHAM

2067. GANESH CARS PVT. LTD. (CQW1-CQW-01), SURVEY NO.250/1, NEAR NH-75, GANDHI NAGAR, SETHUVDADI, GUDIYATTAM. - 653803
PH :04171-290172.

GUDUVANCHERY

2068. VISHNU CARS PVT. LTD. (BAD1-BAD-01), 52, THAILAVARAM VILLAGE, BEHIND HOTEL PATTIKADU, GUDUVANCHERRY, KANCHEEPURAM DISTT. - 603203
PH :9500121553/ 9677122225.

GUMMIDIPOONDI

2069. RAJALAKSHMI CARS PVT. LTD. (BIZ1-BIZ-01), PLOT NO. F-13, SURVEY NO. 262/2, SIPCOT INDUSTRIAL COMPLEX, VILLAGE - PAPPANAKUPPAM, GUMMIDIPOONDI, THIRUVALLUR - 601201
PH :044-27922060.

HARUR

2070. SRI AMMAN CARS INDIA PVT. LTD. (AAV1-AAV-01), 429/9, HARUR SALEM MAIN ROAD, HARUR POST, DHARMAPURI, TAMIL NADU - 636903
PH :8220014360/7339071500.

HOSUR

2071. SRI AMMAN CARS INDIA PVT. LTD. (7Q01-7Q-01), P.O.- PERANDAPALLI,NH-7, KRISHNAGIRI MAIN ROAD, HOSUR, TAMILNADU - 635109
PH :9790036377/8883259555.

IDAPPADI

2072. THRIVENI CAR COMPANY PVT LTD. (HI01-HI-01), SURVEY NO.330/3B1B, AVANI PERUR KILMUGAM VILLAGE, IDAPPADI DISTT. SALEM - 637101
PH :8003311488.

KALLAKURICHI

2073. ABT LIMITED (CHG1-CHG-01), SURVEY NO. 215/4 NEAR AKT SCHOOL, DURUGAM ROAD, NEAR DOORDARSHAN BLDG, NEELAMANGALAM VILLAGE., KALLAKURICHI TALUK & DIST., TAMILNADU - 606 202
PH :9047514890.

2074. S M CARS (CHG2-CHG-01), SF: 31/3B, NO. 19 EMAPPER VILLAGE, KALLAKURICHI, TAMILNADU - 606213
PH :7094440010.

KANCHEEPURAM

2075. GANESH CARS PVT. LTD. (C601-JA-02), ANBU NAGAR, DHIMMA SAMUDRAM POST, NEAR VELLA GATE, CHENNAI BANGALORE NH-4, KANCHEEPURAM - 631502
PH :9842306061.

KANGAYAM

2076. SREE SARADHAMBAL AUTOMOBILES PVT LTD (GJ11-GJ1-01), NO. 407/263, TIRUPPUR ROAD, KANGAYAM TALUK & TOWN, TIRUPPUR DIST. ,TAMIL NADU. - 638701
PH :7708531777.

KARAIKUDI

2077. ABT LIMITED (4202-HX-05), 42-43 KOVILLOOR ROAD, OPP. TNSTC DEPTO - 630302
PH :4565-232484, 232486..

KARUMATHAMPATTI

2078. SREE SARADHAMBAL AUTOMOBILES PVT LTD (CJQ1-CJQ-01), SF: NO.281/B, NEAR BHARAT PETROL BUNK, VILLAGE - VACUTHANKADU, SOMANUR ROAD, KARUMATHAMPATTI TOWN, TALUK-PALLADAM, DISTT. COIMBATORE. - 641659
PH :9159210008.

KARUNGAL

2079. ATHEN (SGE1-SGE-01), SURVEY NO. 639/5, KARUNGAL TOWN, VILAVANCODE TALUK, KANYAKUMARI DISTRICT, TAMILNADU - 629157
PH :7094434179.

KARUNGALPALAYAM, ERODE

2080. SREE SARADAMBAL AUTOMOBILES PVT. LTD. (H701-H7-08), RF. NO. 17/1, 2, CAVERI ROAD, KARUNGALPALAYAM, ERODE ,TAMILNADU - 638003
PH :8098825000.

KARUR

2081. ABT LIMITED (K401-K4-01), SF NO. 529/1, SALEM BY PASS,ROAD, VENGAMEDU CIRCLE, SEMMADAI - 639002
PH :04324-222261/62/63.

KATPADI

2082. GANESH CARS PVT. LTD. (C601-APA-04), 170/2B THIRUVALLAM ROAD, ARUMPARUTHI VILLAGE, KATPADI, VELLORE DISTT. - 632004
PH :9842313139.

Dealer Workshop (AS ON 30.05.2023)

KATTUMANNARKOIL

2083. VISHNU CARS (SKG1-SKG-01), SURVEY NO. 6& 7, PERIYAKULAM VADA KARAI, OPP TO GNANAVINAYAGAR KOIL, KATTUMANNARKOIL TOWN AND TALUK, CUDDALORE DIST., TAMILNADU - 608301 PH :7358004555.

KELAMBAKKAM

2084. CRESCO (A UNIT OF NEXGEN VENTURE PVT LTD) (SJV1-SJV-01), AGP MAHAAL, SURVEY NO.43, OMR, 60 FEET VEERANAM HIGH ROAD, PADUR, KELAMBAKKAM, CHENGALPATTU DISTRICT, TAMIL NADU - 603 103 PH :7305087002.

KINATHUKADAVU

2085. AADHI CARS PVT. LTD. (BBI1-BBI-01), NO.212, KAMARAJ NAGAR, SOLAVALAM PALAYAM PANJAYATH, KINATHUKADAVU DISTT. COIMBATORE (T.N.) - 642109 PH :0422-3000506/ 3000505.

KODUMUDI

2086. SREE SARADHAMBAL AUTOMOBILES PVT LTD (CUY1-CUY-01), SURVEY NO.548/A, KARUR MAIN ROAD, NEAR BUS STAND, KODUMUDI. - 638151 PH :8754756777.

KOTAGIRI

2087. AADHI CARS PVT. LTD. (BAS1-BAS-01), SURVEY NO.89/79, OOTY MAIN ROAD, KOTAGIRI, DISTT. NILGIRIS, TAMIL NADU. - 643217 PH :8754045891/ 8754045442.

KOVILPATTI

2088. ASIR AUTOMOBILES PVT LTD (NO01-NO-01), OLD NO 1, NEW NO.13, SATTUR MAIN ROAD, KOVILPATTI (TAMIL NADU) - 628501 PH :4632-232220.

KRISHNAGIRI

2089. SRI AMMAN CARS INDIA PVT. LTD. (7Q01-QL-03), NH-7,NR. AAVIN DAIRY,MOTTUR,SALEM BYE PASS ROAD, KRISHNAGIRI, TAMILNADU - 635001 PH :9500202416/ 8220004270.

KUMBAKONAM

2090. PILLAI & SONS MOTOR CO. (E701-N4-02), 369/2 B, KUMBAKONAM CHENNAI MAIN ROAD, KUMBAKONAM , TANJAVUR - 612501 PH :0435-2442566, 2442565, 9443264696.

MADURAI

2091. ABT LIMITED (4202-42-02), MADURAI-DINDIGAL BYE PASS ROAD,NEAR FATHIMA COLLEGE,MADURAI - 625018 PH :9994400615.

2092. ABT LIMITED (4202-42-04), 09, 109A, GST ROAD, TIRUPARANKUNDRAM, MADURAI - 625005 PH :9600966164.

2093. SIVA AUTOMOTIVE TRADING PVT. LTD. (4205-42-01), 2C, GATE LOCK ROAD, NEAR NEW RAMNAD ROAD, MADURAI - 625016 PH :7402780000.

2094. SIVA AUTOMOTIVE TRADING PVT. LTD. (4205-42-02), NO. 6-A, TPK ROAD, NEAR SAIBABA TEMPLE, ANDALPURAM, MADURAI. - 625003 PH :7402788840.

2095. ASIR AUTOMOBILES PVT LTD (4206-42-01), D. NO. 28/5B, MELUR MAIN ROAD, UTHANKUDI, MADURAI. - 625107 PH :9944059911.

2096. MEENAKSHI AUTO ZONE PVT. LTD. (4207-42-01), PLOT NO. 25 D, SIDCO INDUSTRIAL ESTATE, KAPPALUR, MADURAI, TAMIL NADU. - 625008 PH :9442799581.

2097. MEENAKSHI AUTO ZONE PVT. LTD. (4207-42-02), SURVEY NO. 239/2A, PLOT NO. 36, 37, 38, TALLAKULAM VILLAGE, SIVAGAMI NAGAR, NATHAM MAIN ROAD, MADURAI - 652 014 PH :9940224881.

MADURANTHAKAM

2098. AIE CARS (A UNIT OF AI ENTERPRISES PVT LTD) (CEW1-CEW-01), SURVEY NO. 38/3 A2B, NH-45, MADURANTHAKAM, KANCHIPURAM. - 603306 PH :7401212797.

MALLASAMUDRAM

2099. SREE SARADHAMBAL AUTOMOBILES PVT LTD (CWY1-CWY-01), SF NO. 194/3C, MALLASAMUDRAM MAIN ROAD, MALLASAMUDRAM TOWN, TIRUCHENGODE TALUK, NAMAKKAL DIST., TAMIL NADU. - 637503 PH :9894932019.

MALLUR

2100. THRIVENI CAR COMPANY PVT LTD. (CDH1-CDH-01), SURVEY NO 50/4A, AMANI AMMAPALAYAM VILLAGE, DISTT.: DADHAGAPATTY SUB REGISTRATION , MALLUR DISTT, SALEM - 636309 PH :0427-2422399.

MANAMADURAI

2101. ABT LIMITED (CHF1-CHF-01), NO. 35, OLD RAMNAD ROAD, MANAMADURAI TOWN, DISTRICT – SIVGANGAI. - 630606 PH :9994450331.

MANAPPARAI

2102. PILLAI AND SONS MOTOR COMPANY (SKW1-SKW-01), PLOT NO.262, TRICHY DINDIGUL BYPASS ROAD, VENGAIKURUCHI VILLAGE,MANAPPARAI, TRICHY,TN - 621307 PH :8489900908.

MANGALAPURAM

2103. SREE SARADHAMBAL AUTOMOBILES PVT LTD (CLX1-CLX-01), DOOR NO. 1/518, SURVEY NO. 75/1, ATTUR MAIN ROAD, MANGALAPURAM (POST), TALUK – RASIPURAM, DISTRICT – NAMAKKAL. - 636202 PH :7094447871.

MANNARGUDI

2104. PILLAI & SONS MOTOR CO. (BKR1-BKR-01), NO. 37, THIRUTHURAIPOONDI ROAD, MANNARGUDI, THIRUVARUR DISTRICT, TAMIL NADU. - 614001 PH :7094411675.

MAYILADUTHURAI

2105. PILLAI & SONS MOTOR CO. (E701-AG-04), 46,VELLALAGARAM VILLAGE, MAYILADUTHURAI, TAMILNADU - 609007 PH :04364-251767, 251765, 9442141703.

MECHERI

2106. SM CARS (CVK1-CVK-01), SURVEY NO. 139A/5, PATTI NO. 653, AMANI M.KALIPATTY VILLAGE, MECHERI TOWN, METTUR TALUK, SALEMN DIST., TAMIL NADU. - 636 453 PH :7094440010.

MELUR

2107. SIVA AUTOMOTIVE TRADING PVT. LTD. (CHC1-CHC-01), OLD SN. 138/1, SURVEY WARD C, BLOCK NO. 1, T.S. NO. 21/7, VILLAGE AND TOWN – MELUR, MELUR , DIST.-MADURAI. - 625109 PH :8098120000.

METTUPALAYAM

2108. ABT LIMITED (4101-EU-0C), PLOT NO. 6 TO 9 PONVIZHA NAGAR, KARAMADAI KOVAI MAIN ROAD, METTUPALAYAM - 641043 PH :95009 45094.

MINJUR

2109. RAJALAKSHMI CARS PVT. LTD. (BPE1-BPE-01), PLOT NO. 27, SRI JANAKI RATHINA NAGAR, VILLAGE AND TOWN – MINJUR, PONNERI – 601 203, DISTRICT – THIRUVALUR. - 601203 PH :044-27933331.

NAGAPATTINAM

2110. PILLAI & SONS MOTOR CO. (CQQ1-CQQ-01), NO.181, KEELA ANTHANAPETTAI, ANTHANAPETTAI, P.O. - MANJAKOLLAJ, PUTHUR, NAGAPATTINAM DISTT. TAMIL NADU - 611106 PH :4365220250.

NAGARCOIL

2111. ATHEN (S503-S5-01), RESURVEY NO. G.3/9-7, BUILDING NO. 254-A/3 & 4 K.P ROAD ,PARAVATHIPURAM, NAGERCOIL ,KANYAKUMARI DISTRICT TAMILNADU - 629003 PH :8012029777.

NAMAKKAL

2112. SREE SARADHAMBAL AUTOMOBILES PVT LTD (X401-X4-01), SURVEY NO. 1/10-11, NEAR MURUGAN TEMPLE, SALEM ROAD, NAMAKKAL - 637001 PH :937164888.

2113. SREE SARADHAMBAL AUTOMOBILES PVT LTD (X401-X4-03), 1/412/1 NEAR PON NAGAR, MUDALAI PATTY, SALEM ROAD, NH-7, NAMAKKAL (TAMIL NADU) - 637001 PH :737192888.

NATRAMPALLI

2114. GANESH CARS PVT. LTD. (SPR1-SPR-01), NO:8/12-1, NEAR ARJUNA SULOCHANA MAHAL, BENGALURU- CHENNAI MAIN ROAD,VELAKALNATHAM, NATRAMPALLI, TIRUPATTUR DIST. TAMIL NADU - 635854 - 635854 PH :73977 53146.

NEGAMAM

2115. ABT LIMITED (CHD1-CHD-01), 68, 69, ABT BUS STAND, PALLADAM ROAD, PERIA NEGAMAM, POLLACHI, TAMIL NADU - 642120 PH :99948 76794.

OMALUR

2116. SRI AMMAN CARS INDIA PVT. LTD. (7Q01-UM-04), 123, 3B, NH-7, BANGALORE BYE PASS ROAD, KOTTAMETTUPATTI, OMALUR, SALEM (DIST.), TAMIL NADU - 636012 PH :8220010070/8883529888.

2117. THRIVENI CAR COMPANY PVT LTD. (UM01-UM-01), PLOT NO. 44 & 45, PALANIYAPPA NAGAR LAYOUT, NH-7, KAMALAPURAM VILLAGE, OMALUR, DISTRICT – SALEM, TAMIL NADU - 636309 PH :4290-222711.

OOTY

2118. SREE SARADHAMBAL AUTOMOBILES PVT LTD (4103-Y1-05), VIJAYANAGARAM FARM ROAD, NEAR ROSE GARDEN, OOTY - 643001 PH :97511 09229.

P.N. PALAYAM, COIMBATORE

2119. JAIKRISHNAA AUTOSALES PVT. LTD. (4107-OH-04), NO 12/180 SRKV PORT, MTR ROAD, P.N. PALAYAM, COIMBATORE - 641020 PH :0422-698899.

PADAPPAI

Dealer Workshop (AS ON 30.05.2023)

2120. VISHNU CARS PVT. LTD. (CRO1-CRO-01), SURVEY NO.368/2A/1, 368/2A/2, VANDALLUR-WALAJABAD MAIN ROAD, PADAPPAL EAST, CHENNAI. - 601301
PH :8754417168.
- PALANI**
2121. PLA MOTORS (S401-GLR-02), NO.13-1-11C-1, WEST AYAKUDI, DINDIGUL ROAD, PALANI, DINDIGUL DISTRICT, TAMIL NADU - 624613
PH :04545-290900.
- PARAMATHIVELUR**
2122. SREE SARADHAMBAL AUTOMOBILES PVT LTD (CC01-CC-01), SURVEY NO. 171, NEAR KONGU SCHOOL, NAMAKKAL BYPASS ROAD, PADAMUDI PALAYAM, TALUKA – PARAMATHIVELUR, NAMAKKAL , TAMIL NADU. - 638182
PH :8870666599.
- PATTUKKOTTAI**
2123. PILLAI & SONS MOTOR CO. (CJA1-CJA-01), SURVEY NO. 85/6, 85/4, 84/6, DOOR NO.314/11, SRI JANAGALAKSHMI NAGAR, THANJAVUR ROAD, ALADIKUMULAI VILLAGE, TALUK PATTUKOTTAI, THANJAVUR. - 614615
PH :7094433074.
- PAVITHRAM**
2124. SREE SARADHAMBAL AUTOMOBILES PVT LTD (TWT1-TWT-01), SURVEY NO. 102/1B, NAMAKKAL MAIN ROAD, PAVITHRAM - 637 021
PH :9600320888.
- PENNAGARAM**
2125. SRI AMMAN CARS INDIA PVT. LTD. (BXZ1-BXZ-01), SURVEY NO. 419/1, VILLAGE – PARUVADHANAALLI, PENNAGARAM, DHARMAPURI. - 636810
PH :9715044700.
- PERAMBALUR**
2126. PLA MOTORS (2305-DQ-04), SURVEY NO.88/1, A3,NH45, ELAMBALUR VILLAGE, PERAMBALUR, TAMILNADU - 621212
PH :8870004960.
- PERNAMBU**
2127. SRI AMMAN CARS INDIA PVT LTD (CODE UNDER CREATIONS-CODE UNDER CREATIONS), SURVEY NO:708,PLOT NO: 87,88 & 89, PERNAMBU TO GUDIYATTAM ROAD, PERNAMBU,VELLORE DISTRICT, TAMIL NADU - 635810 - 635810
PH :7094403100.
- PERUNDURAI**

2128. SREE SARADHAMBAL AUTOMOBILES PVT LTD (BTX1-BTX-01), SF NO.542/1, KOVAI MAIN ROAD, PERUNDURAI VILLAGE, PERUNDURAI DISTT. ERODE, TAMIL NADU - 638052
PH :9597490777.
- POCHAMPALLI**
2129. SRI AMMAN CARS PVT. LTD. (CUW1-CUW-01), NEW SURVEY NO. 561/5, VILLAGE – JUMBUKUTTANPATTI, POCHAMPALLI, KRISHNAGIRI. - 635206
PH :9600466988.
- POLLACHI**
2130. ABT LIMITED (L301-L3-01), NACHIMUTHU POLYTECHNIC CAMPUS, UDUMLPET ROAD, POLACHI - 642003
PH :99944 53265.
- POLUR**
2131. GANESH CARS PVT. LTD. (GLV1-GLV-01), AZHAGO COMPLEX, SURVEY NO.77/1, CUDADALOR TO CHITTOOR ROAD, POLUR, THIRUVANNAMALAI DISTRICT,TAMILNADU - 606803
PH :9842345200.
- PUDUKOTTAI**
2132. PLA MOTORS (2305-SU-02), NO. 10, MARIAMALAI NAGAR, ALANGUDI- THIRUMAYAM ROAD, PUDUKOTTAI, - 622003
PH :04322-265566/67.
- PUNJAI PULIAMPATTI**
2133. SREE SARADHAMBAL AUTOMOBILES PVT LTD (BKO1-BKO-01), SURVEY NO. 250/1, PANKAU PULIYAMPATTU MUNICIPALITY, PUNJAI PULIYAMPATTI - 638459, SATHY THALUK, ERODE. - 638459
PH :6385810777.
- RAJAPALAYAM**
2134. MEENAKSHI (5V02-01), DOOR NO. 96, COTTON MARKET, TENKASI-MADURAI ROAD, RAJAPALAYAM, VIRUDHUNAGAR DIST., TAMILNADU - 626117
PH :9443785681.
- RAMANATHAPURAM**
2135. SIVA AUTOMOTIVE TRADING PVT. LTD. (0U02-0U-01), SURVEY NO. 172/1B2C, 172/2C, VILLAGE - ACHUNTHANVAYAL, ACHUNTHANGAL GROUP, TALUK - RAMANATHAPURAM, RAMANATHAPURAM. - 623502
PH :8098110000.
- RAMESHWARAM**

2136. SIVA AUTOMOTIVE (SKI1-SKI-01), NO:2307, SURVEY NO:279/3A, RAMNAD ROAD, ARIYANKADU, RAMESHWARAM, RAMANATHAPURAM DISTRICT, TAMILNADU - 623529
PH :7402788898.
- RANIPET**
2137. GANESH CARS PVT. LTD. (CJJ1-CJJ-01), SURVEY NO. 44/1, PLOT NO. 484, OPPOSITE TO THIRUNMALAI CHEMICALS, SIPCOT LAYOUT OF HOUSE SITES, SIPCOTS INDUSTRIAL COMPLEX, RANIPET , TAMIL NADU. - 632403
PH :9842330388.
- RASIPURAM**
2138. SREE SARADHAMBAL AUTOMOBILES PVT LTD (BSJ1-BSJ-01), SURVEY NO.41/1 B1A, MOOLAKADU VILLAGE, MASAKALIPATTI, SALEM MAIN ROAD, RASIPURAM DISTT. NAMAKKAL - 637401
PH :4286-231402/7539972888.
- SALEM**
2139. ABT LIMITED (4101-A2-03), 32 THAMANA CHETTY ROAD, ARISIPALAYAM, SALEM - 636009
PH :0427-4066988, 406999.
2140. THRIVENI CAR COMPANY PVT. LTD. (A203-A2-01), 12/2E1, SUBRAMANIA NAGAR, 2ND GATE, JUNCTION ROAD, SALEM. - 636005
PH :0427-2440000.
2141. S.M.CARS PVT. LTD. (A204-A2-01), SF NO. 64/2C3, ATTUR SALEM BYPASS ROAD, PINANGUKARAR THOTTAM, SEELANIKANPATTY, SALEM. - 636202
PH :7094448000, 7034449000.
2142. THRIVENI CAR COMPANY PVT. LTD. (A203-A2-03), SURVEY NO. 57, VILLAGE - MASINAICKENPATTY, AYOTHIAPATTINAM, AMMAPET, SALEM. - 636103
PH :0427-2291000.
2143. S M CAR PRIVATE LIMITED (A204-A2-02), DOOR NO. 50/28, SF NO. 1/10B, SARADHA COLLEGE MAIN ROAD, ALAGAPURAM PUDHUR VILLAGE, HASTHAMPATTY, SALEM, TAMILNADU - 636007
PH :7094440053.
- SANKAGIRI**
2144. THRIVENI CAR COMPANY PVT LTD. (BTN1-BTN-01), SURVEY NO.171/5B, KCK PLAZA, KACHERIDADU, DEPUTY COLLECTOR ROAD, SALEM, SANKAGIRI (TAMIL NADU) - 637301
PH :+914283242600
+914283242601.
- SANKARANKOVIL**

2145. AADHI CARS PVT. LTD. (BXS1-BXS-01), PLOT NO. 132/H, OPPOSITE TO NEW TALUK OFFICE, TIRUVENGADAM ROAD, SANKARANKOVIL. - 627756
PH :7397728025.
- SATHY ROAD, ERODE**
2146. SREE SARADAMBAL AUTOMOBILES PVT. LTD. (H701-H7-09), SF.NO.245, KANDHAIYAN THOTTAM, SOOLAI, SATHY ROAD, VEERAPPANCHATTIRAM, TAMILNADU - 638004
PH :9655240486.
- SATHYAMANGALAM**
2147. SREE SARADHAMBAL AUTOMOBILES PVT LTD (BGU1-BGU-01), SURVEY NO. 51, 54 & RS NO. 37, KOTTUVEERAMPALAYAM VILLAGE, SATHYAMANGALAM – 638 401, DISTRICT – ERODE, TAMIL NADU - 638401
PH :9597592777.
- SATTUR**
2148. MEENAKSHI AUTO ZONE PVT. LTD. (SDR1-SDR-01), SURVEY NO. 18/10,CHATRAPATTI VILLAGE, MADURAI KANYAKUMARI NATIONAL HIGHWAYS, SATTUR, VIRUDHUNAGAR DISTRICT,TAMILNADU - 626203
PH :9940094881.
- SEYDUNGANALLUR**
2149. ASIR AUTOMOBILES PVT LTD (S603-GJG-02), SURVEY NO. 59/3E, TIRUCHENDUR ROAD, SEYDUNGANALLUR TOWN, TALUK - SRIVAIKUNTAM, TUTICORIN DIST., TAMIL NADU - 628809
PH :8344992220.
- SHOLINGUR**
2150. GANESH CARS PVT. LTD. (GLU1-GLU-01), NO:401, ARAKKONAM MAIN ROAD,OPPOSITE TVS FOUNDARY, PANDIYANELLORE,SHOLINGHUR,WALAJA TALUK, RANIPET DISTRICT, TAMILNADU - 631102
PH :7397395259.
- SIVAKASI**
2151. MEENAKSHI AUTO ZONE PVT. LTD. (X602-X6-01), 372 D & E, ARUNACHALAM COMPLEX, THIRUTHANGAL ROAD, SIVAKASI. - 626123
PH :4562-231281.
- SRIPERUMBUDUR**
2152. RAJALAKSHMI CARS PVT. LTD. (7B01-7B-01), SURVEY NO. 150/1A, DOOR NO 1C, THERADI STREET, NEW VILLAGE NO 42, SRIPERUMBADUR, KANCHEEPURAM DISTRICT, TAMIL NADU. - 602105
PH :8939995469.

Dealer Workshop (AS ON 30.05.2023)

HUSNABAD

2226. ADARSHA AUTOMOTIVES PVT LTD
(GJE1-GJE-01), SURVEY NO. 202/E, H. NO.
12-1/4 & 12-1/A, VILLAGE & MANDAL -
HUSNABAD, DIST.-SIDDIPET, TELANGANA. -
505467
PH :8886092222, 7995835552.

HYDERABAD

2227. THE MITHRA AGENCIES (1002-10-01), 1-8-670,
NEAR RTC CROSS ROAD, AZAMABAD
INDUSTRIAL AREA, HYDERABAD, - 500020
PH :9966838294.
2228. RKS MOTORS PVT. LTD. (1003-10-01), SABOO
TOWERS, RAJBHAVAN ROAD, SOMAJIGUDA,
HYDERABAD - 500482
PH :040 44454443, 9010811166.
2229. RKS MOTORS PVT. LTD. (1003-10-02), B-4/A,IDA
BLOCK, INDUSTRIAL ESTATE,UPPAL,
HYDERABAD - 500039
PH :040 23434504, 9010822210.
2230. VARUN MOTORS PVT. LTD. (4603-10-04), B-11
CO-OPERATIVE INDUSTRIAL ESTATE,
BALANAGAR, HYDERABAD, - 500037
PH :9885208555, 9985745222.
2231. VARUN MOTORS PVT. LTD. (4603-10-08),
ADITYA NAGAR COLONY, ADITYA NAGAR
COLONY, TOLICHOWKI, SHAIKPET (VILLAGE,
HYDERABAD, HYDERABAD - 500008
PH :64551700, 8886114856.
2232. VARUN MOTORS PVT. LTD. (1010-10-01), PLOT
NO. VI, VII A & B, UNDER WARD NO. 10,
AUTONAGAR, VANASTALIPURAM, HYDERABAD,
R. R. DISTT - 500070
PH :9885208555
2233. RKS MOTORS PVT. LTD. (1003-10-04), H: NO
16-9-409/P, PLOT NO.4/1,4/2,SY.NO. 97,98,OLD
MALAKPET OPP
GOLNAKA BRIDGE,
MOOSARAMBAGH, HYDERABAD - 500036
PH :9010811192.
2234. THE MITHRA AGENCIES (1002-10-03), PLOT NO.
3-4-10, NEAR MADHAPUR POLICE STATION,
MADHAPUR, HYDERABAD - 500081
PH :04023113399
04023113388
9959912702.
2235. RKS MOTORS PVT. LTD. (1003-10-05),
11-6-191/192,OPP. HOTEL HARSHA,PUBLIC
GARDEN ROAD, NAMPALLY, HYDERABAD -
500001
PH :9848811158.
2236. VARUN MOTORS PVT. LTD. (4603-10-06), SHOP
NO. 31, SRIKRUPA MARKET, D.NO. 16-10-1/F/31,
MALAKAPET, HYDERABAD - 500036
PH :4553395, 4547676, 9885093360.

2237. VARUN MOTORS PVT. LTD. (4603-10-0A),
1-11-200,SHAMALALA BUILDING BEGUMPET,
HYDERABAD - 500016
PH :9885206555.
2238. THE MITHRA AGENCIES (1002-10-04), 8-18-138,
PLOT NO. 8, NEAR MARGADARSI CHIT
FUND, L.B. NAGAR RING ROAD, RR
DIST, HYDERABAD - 500074
PH :9963551265.
2239. GEM MOTORS (INDIA) PVT. LTD. (1009-10-01),
RAGHUVENDRA
SOCIETY, KONDAPUR, HYDERABAD, ANDHRA
PRADESH - 500084
PH :9912899128.
2240. GEM MOTORS (INDIA) PVT. LTD. (1009-10-02),
2-11, SURVEY NO: 165,172, HYDERNAGAR,
KUKATPALLY, HYDERABAD, ANDHRA PRADESH
- 500072
PH :9912344538.
2241. SAI SERVICE PRIVATE LIMITED (1011-10-01),
6-6-29/5/1/NR, VIMANA PUJI, QUTHBULLAPUR,
HYDERABAD, TELANGANA 500055 - 500055
PH :9010827755
2242. THE MITHRA AGENCIES (1002-10-05), PLOT NO.
19.20 & 21, ROAD NO. 10, IDA NACHARAM,
HYDERABAD - 500076
PH :04027178999
04027178999
9963551267.
2243. VARUN MOTORS PVT. LTD. (1012-10-01),
MARUTI AUTHORISED DEALER, SURVEY
NO.115, IT PARK, NANAKRAMGUDA,
GACHIBOWLI, HYDERABAD - 500008
PH :9985104860, 69997979.
2244. RKS MOTORS PVT. LTD. (1003-10-08),
D.NO.1-10-1/285/1, OPP. VEGITABLE MARKET,
ECIL CROSS ROADS, KUSAIGUDA, HYDERABAD
- 500062
PH :7799779810.
2245. SAI SERVICE PRIVATE LIMITED (1011-10-04),
H.NO.16-2-839/4/10, SAIDABAD, L.B.NAGAR,
HYDERABAD. - 500059
PH :7799352000.
2246. VARUN MOTORS PVT. LTD. (4603-10-0G),
1-10-28/1 SY. NO.285, KUSHAIGUDA, NEAR ECIL
X ROADS, HYDERABAD - 500062
PH :7799600093.
2247. VARUN MOTORS PVT. LTD. (4603-10-0H), PLOT
NO. 1354/1, ROAD NO. 1, NEAR IOC PETROL
PUMP, JUBLEE HILLS, HYDERABAD, ANDHRA
PRADESH - 500033
PH :8886322776.
2248. VARUN MOTORS PVT. LTD. (4603-10-0J), PLOT
NO. 1-45, SY.NO:1 TO 7, GOPINATH COMPLEX,
TARANAGAR, LINGAMPALLY, HYDERABAD,
RANGAREDDY DISTRICT, TELANGANA STATE -
500019
PH :8886067847.

2249. SAI SERVICE PRIVATE LIMITED (1011-10-07),
PLOT NO B-21 & B-34, BHEL ANCILLARY
INDUSTRIAL ESTATE, RAMACHANDRAPURM,
HYDERABAD - 502032
PH :9703811411.
2250. ADARSHA AUTOMOTIVES PVT LTD (1014-10-01),
18-2-45 NEAR FLYOVER, CHANDRAYANGUTTA
"X" ROAD, HYDERBAD - 500005
PH :8142326633.
2251. RKS MOTORS PVT. LTD. (1003-10-09), SURVEY
NO.434, 5-5-33/19, BEHIND HUDA TRUCK
PARKING, KUKATPALLY, DISTT: RANGAREDDY,
HYDERABAD - 500072
PH :9010811131.
2252. SAI SERVICE PRIVATE LIMITED (1011-10-08),
DOOR NO.7-2-C33 & C34, INDUSTRIAL ESTATE,
SANATH NAGAR, HYDERABAD. - 500018
PH :7799360003.
2253. KALYANI MOTORS PVT. LTD. (1018-10-01), PLOT
NO. A-23 & A31/1, I.D.A. NACHARAM,
HYDERABAD - 500076
PH :91000 58490.
2254. GEM MOTORS (INDIA) PVT. LTD. (1009-10-03),
SURVEY NO. 135/A & 135/AA, MANIKONDA,
RAJENDRA NAGAR MANDAL, RANGAREDDY
DISTRICT, HYDERABAD, TELANGANA. - 500089
PH :9912341524.
2255. ADARSHA AUTOMOTIVES PVT LTD (1014-10-02),
H. NO. 8-64/1, RUDRA COLONY, SHAMSHABAD,
HYDERABAD. - 501218
PH :9603296633.
2256. JAYABHERI AUTOMOTIVES PVT. LTD.
(1017-10-01), PLOT NO. 113, 114, 115 IN LUMBINI
ENCLAVE CB SQUARE, VILLAGE -
GACHIBOWLI, SHERLINGAMPALLY MNADAL,
HYDERABAD, TELANGANA STATE. - 500032
PH :9100909401.
2257. JAYABHERI AUTOMOTIVES PVT. LTD.
(1017-10-02), SURVEY NO.11/36, PLOT NO.32, 39
& 40, NEAR N CONVENTION CENTRE,
KHANAMET, HYDERABAD, SHERLINGAMPALLY
MANDAL, HYDERABAD. - 500081
PH :7799916666.
2258. KALYANI MOTORS PVT. LTD. (1018-10-02), M/S
VIDHATA BINNY MODERN RICE MILL, BEARING
NO. 8-4-15 IN SURVEY NO. 239 & 240 OF
VILLAGE - KARMANGHAT, MANDAL -
SAROORNAGAR, DISTRICT - RANGA REDDY,
HYDERABAD. - 500079
PH :9100222377.
2259. ADARSHA AUTOMOTIVES PVT LTD (1019-10-01),
H. NO. 2-4-43/15, SURVEY NO. 34, SOGBOWLI
(PILLER NO. 185 OF P.V. NARSIHHA RAO
EXPRESSWAY), RAJENDRANAGAR,
UPPERPALLY, ATTAPUR, RANGA REDDY,
HYDERABAD, TELANGANA. - 500048
PH :9705436633, 8297426633.

2260. THE MITHRA AGENCIES (1002-10-06), SURVEY
NO.57, D NO.8-2-108, BIRAMALGUDA,
KARMANGHAT NAGARJUN SAGAR ROAD,
HYDERABAD, TELANGANA. - 500079
PH :8886621232.
2261. VARUN MOTORS PVT. LTD. (4603-10-0M), KSN
GARDENS, 5-162/6, BORABANDA MAIN ROAD,
HYDERABAD. - 500018
PH :9885579623.
2262. JAYABHERI AUTOMOTIVES PVT. LTD.
(1017-10-03), SURVEY NO.283, PLOT NO.D-46 &
47, PHASE-V, IDA, JEEDIMETLA,
QUTUBULLAPUR MANDAL, RANGA REDDY
DISTT., HYDERABAD (TELANGANA). - 500055
PH :7799784567.
2263. ADARSHA AUTOMOTIVES PVT LTD (1014-10-03),
SURVEY NO. 220/A, AMBEDKAR ROAD, OPP
HERITAGE FRESH, NEAR AMBAEDKAR
STATUE, NEAR ALWAL, SECUNDERABAD. - 500
010
PH :9291859954.
2264. KALYANI MOTORS PVT. LTD. (1018-10-03),
SURVEY NO. 305, NIZAMPET, MANDAL -
QUTBULLAPUR, DIST.-RANGA REDDY,
HYDERABAD. - 500 072
PH :72079 33677.
2265. THE MITHRA AGENCIES (1002-10-07), SURVEY
NO.12,13,14,8,15, MEDIPALLY, GHATKESAR
MANDAL, RANGA REDDY DISTRICT,
HYDERABAD, TELANGANA - 500098
PH :8886697954.
IBRAHIMPATNAM
2266. PAVAN MOTORS PVT. LTD (CSF1-CSF-01),
S.NO.123/E, MPP PATELGUDA,
IBRAHIMPATNAM, RANGA REDDY - 501506
PH :8790144499.
JAGTIAL
2267. ADARSHA AUTOMOTIVES PVT LTD
(N601-NU-04), HOUSE NO.-1-5-216/A, OPPOSITE
TO KVA SUBSTATION, KARIMNAGAR ROAD,
JAGTIAL. - 505327
PH :8886152222.
JANGAON
2268. ADARSHA AUTOMOTIVES PVT LTD (K101-KI-01),
H.NO.339, HYDERABAD ROAD, JANGAON. -
506167
PH :7799626633.
KAMAREDDY
2269. VARUN MOTORS PVT. LTD. (KX01-KX-01),
H.NO.11-107/61, BESIDE:GURU RAGHAVENDRA
COLONY, CHINNA MALLAREDDY VILLAGE,
KAMAREDDY. - 503111
PH :998557570
8142551166.
KARIMNAGAR

Dealer Workshop (AS ON 30.05.2023)

2270. ADARSHA AUTOMOTIVES PVT LTD (N601-N6-01), H.NO. 8-6-313/1, HYDERABAD ROAD, BY-PASS JUNCTION, KARIMNAGAR - 505001
PH :8886600315.
2271. ADARSHA AUTOMOTIVES PVT LTD (N601-N6-05), H.NO.8-6-301/18, BY-PASS ROAD, AUTONAGAR, KARIM NAGAR, TELANGANA. - 505001
PH :8886152222.
2272. VARUN MOTORS PVT. LTD. (N603-N6-01), BEARING NO. 1-81/3/10/2, SURVEY NO. 221 & 222, REKURTHY VILLAGE, KARIMNAGAR-JAGTIAL ROAD, KARIMNAGAR MANDAL & DIST. ., TELANGANA. - 505 001
PH :8886619373.
2273. VARUN MOTORS (N603-N6-2), SURVEY NO. 277.278/B, AREPALLY VILLAGE, TEEGALAGUTTAPALLI GRAM PANCHAYAT, KARIMNAGAR - 505001
PH :91549 03258.
- KEESARA**
2274. JAYABHERI AUTO (SEI1-SEI-01), H-NO 3-56/9/6A, SURVEY NO 5,KEESARA, MEDCHAL-MALKAJGIRI, TELANGANA - 501301
PH :9676076666.
- KHAMMAM**
2275. MITHRA AUTO AGENCIES PVT LTD (2604-1G-02), SURVY NO. 182,WARANGAL ROAD, OPP. FCI GODOWNS, PEDA THANDA, KHAMMAM - 507003
PH :8886063527.
- KODAD**
2276. PAVAN MOTORS PVT. LTD (BRP2-BRP-01), SURVEY NO. 42, KOMARBANDA REVENUE LIMITED, KODAD , DISTRICT – NALGONDA, TELANGANA - 508206
PH :8790902114.
- KOLLAPUR**
2277. SRI JAYARAMA (SHC1-SHC-01), SURVEY NO 259/AA2, 259/E2, KOLLAPUR, NAGAR KURNOOL DISTRICT, TELANGANA - 509102
PH :9885880015.
- KOTHAGUDEM**
2278. VARUN MOTORS PVT. LTD. (2603-HF-04), DOOR NO. 5-35/4/B LAKSHMIDAVI PALLI, BHADRACHALAM ROAD, KOTHAGUDEM - 507101
PH :9581494499.
- MAHABUBABAD**
2279. ADARSHA AUTOMOTIVES PVT LTD (CQS1-CQS-01), SY. NO.38/A, MAHBUBABAD REVENUE VILLAGE AND MANDAL, MAHBUBABAD. - 506101
PH :9177746333, 7799700525.

- MAHABUBNAGAR**
2280. SRI JAYARAMA MOTORS PVT. LTD. (WP01-WP-01), PLOT NO.C1 & C2, INDUSTRIAL ESTATE, METTUGADA, MEHBOOBNAGAR - 504001
PH :8096998846.
- MAHESHWARAM**
2281. ADARSHA AUTOMOTIVES PVT LTD (CQR1-CQR-01), (BEARING #5-187, SURVEY NO.:336/A1, VILLAGE & MANDAL: MAHESHWARAM DISTT. RANGA REDDY - 501359
PH :8142326633, 9703152222.
- MANCHERIAL**
2282. ADARSHA AUTOMOTIVES PVT LTD (N601-CM-03), BEHIND MAHINDRA TRACTORS SHOWROOM, BELLAMPALLY ROAD, MANCHIRIAL , DISTT. ADILABAD - 504208
PH :8886302222.
- MEDAK**
2283. VARUN MOTORS PVT. LTD. (KF01-KF-01), SY.NO.:1486/A3, HYDERABAD ROAD, MEDAK (MDL & TOWN) - 502110
PH :9154953337.
- MEDCHAL**
2284. AUTOFIN LIMITED (CID1-CID-01), H. NO. 11-27/1, SURVEY NO.401, MEDCHAL VILLAGE AND MANDAL, DIST. - MEDCHAL. - 501401
PH :8885040020.
- METAPALLY**
2285. ADARSHA (BJF1-BJF-01), SURVEY NO. 40IU/2 CHOJULAMADHI, METPALLY PIN CODE 505325 - 505325
PH :8886092222.
- MIRYALGUDA**
2286. PAVAN MOTORS PVT. LTD (WR01-WR-01), SURVEY NO-940 &943, (OPPOSITE TO MINA ENGINEERING COLLEGE) NARKETPALLY ADDANKI BY-PASS ROAD, MIRYALGUDA ,NALGONDA DISTRICT, ANDHRA PRADESH - 508207
PH :8790900399.
- MOINABAD**
2287. GEM MOTORS (INDIA) PVT. LTD. (CFN1-CFN-01), SURVEY NO. 70, PLOT NO. 4, VILLAGE AND GRAM PANCHAYAT – HIMAYATH NAGAR, MANDAL – MOINABAD, DISTRICT – RANGA REDDY. - 500075
PH :9912899128, 7997994845.
- NAGARKURNOOL**

2288. SRI JAYARAMA MOTORS PVT. LTD. (EV01-EV-01), SURVEY NO.44/A AND 45/A, UYYALWADA VILLAGE, NAGARKURNOOL, TELANGANA - 509209
PH :8096990074.
- NALGONDA**
2289. PAVAN MOTORS PVT. LTD (AN01-AN-01), CHERLAPALLY VILLAGE, NALGONDA ROAD, NALGONDA - 508001
PH :8790902146.
- NARAYANKHED**
2290. VARUN MOTORS PVT. LTD. (CGI1-CGI-01), D. NO. 1-6-111/25/B/5/A/1, SY NO. 57/2, BHUMAN COLONY, GRAM PANCHAYAT & MANDAL - NARAYANKHED, DISTRICT – MEDAK, TELANGANA - 502286
PH :9885210555.
- NARAYANPET**
2291. SRI JAYARAMA MOTORS PVT. LTD. (BPG1-BPG-01), SURVEY NO. 468/4, MAHABUBNAGAR ROAD, NARAYANPET TOWN, DIST.-MAHABUBNAGAR, STATE - TELANGANA. - 509210
PH :8096997701, 7893177448.
- NARSAPUR**
2292. KALYANI MOTORS PVT. LTD. (SCX1-SCX-01), SURVEY NO 66, BLOCK NO-19, NARSAPUR, DISTRICT: MEDAK, TELANGANA. - 534275
PH :9573179790.
- NIRMAL**
2293. ADARSHA AUTOMOTIVES PVT LTD (N601-AA-02), H. NO. 1-1-131, ,SHASTRINAGAR, ,MANCHIRIAL ROAD, DISTT. ADILABAD, NIRMAL - 504106
PH :8886342222.
- NIZAMABAD**
2294. VARUN MOTORS PVT. LTD. (1H02-1H-01), PLOT NO. GP 1-51/4/1, PANGARA BORGON, NIZAMABAD, TELANGANA - 503230
PH :8297848999, 9052080444.
- PALWANCHA**
2295. VARUN MOTORS PVT. LTD. (HF01-CSS-01), SURVEY NO.758 & 757, NEHRU NAGAR, PALWANCHA (NEW POLANCHA) MANDAL & TOWN, BHADRADRI KOTHAGUDEM DISTT., TELANGANA. - 507115
PH :9642225288.
- PARGI**

2296. VARUN MOTORS PVT. LTD. (CBO1-CBO-01), HOUSE NO. 2-356 JANGAIAH COMPLEX, SURVEY NO. 217/EE4, JAYANTHI NAGAR COLONY, MANDAL – PARGI, DISTRICT – RANGA REDDY. - 510501
PH :988521055, 9885200000.
- PARKAL**
2297. ADARSHA (SEK1-SEK-01), SY. NO 946, H.NO 5-27, VIKAS NAGAR, PARKAL, WARANGAL. - 506164
PH :8886742222.
- PEDAPALLY**
2298. ADARSHA AUTOMOTIVES PVT LTD (GKN1-GKN-01), SURVEY NO 142, H NO 185, RANGAMPALLI VILLAGE, PEDDAPALLI , TELANGANA - 505172
PH :8886618155, 8886672222.
- RAMAGUNDAM**
2299. ADARSHA AUTOMOTIVES PVT LTD (BGA1-BGA-01), 5-6-172 SURVEY NO. – 259/B, MEDIPALLY SHIVAR, RAMAGUNDAM MUNICIPALITY, DISTRICT – KARIM NAGAR, ANDHRA PRADESH - 505209
PH :8886144550.
- RAMAYAMPET**
2300. VARUN MOTORS PVT. LTD. (CDO1-CDO-01), SURVEY NO. 1626 & 1626/2 SITUATED AT BLOCK NO. 16, RAMAYAMPET, DISTRICT – MEDAK. - 502101
PH :9885208555, 9703803399.
- SADHASHIVPET**
2301. SAI SERVICE (SFQ1-SFQ-01), PLOT NO. 2, SY NO. 974, GURUNAGAR COLONY, OLD BOMBAY HIGHWAY ROAD, SADASHIVPET, SANGAREDDY DIST. 502291. - 502291
PH :9866377888.
- SANGAREDDY**
2302. SAI SERVICE PRIVATE LIMITED (1011-OI-05), H.NO 4-8-92/1/4/5, AHMED NAGAR, OPP GOVT. ITI, SANGAREDDY, MEDAK (DIST), ANDHRA PRADESH - 502001
PH :7661811000.
- SATUPALI**
2303. MITHRA AUTO AGENCIES PVT LTD (SHD1-SHD-01), SURVEY NO. 75 NEAR VIVEKANANDA STATUE, SATHUPALI, KHAMMAM. - 507303
PH :8886063508.
- SECUNDERABAD**
2304. ACER MOTORS (A DIVISION OF KRISHNAIAH MOTORS PVT. LTD) (K601-K6-01), A1, MOTI VALLEY, TRIMULGHERRY, SECUNDERABAD, - 500015
PH :8885088080.

Dealer Workshop (AS ON 30.05.2023)

2305. AUTOFIN LIMITED (K606-K6-01), SURVEY NO. 33, MEDCHAL ROAD, BOWENPALLY, SECUNDERABAD - 500011
PH :8885040130.
2306. VARUN MOTORS PVT. LTD. (4603-K6-01), 1-10-176/1, BEHIND VARUN TOWERS-I, OPP. HYDERABAD PUBLIC SCHOOL, BEGUMPET, SECUNDERABAD, HYDERABAD, TELANGANA STATE. - 500016
PH :9885552452.
2307. RKS MOTORS PVT. LTD (K605-K6-01), PLOT NO. 207, TADBUND, SECUNDERABAD - 500003
PH :9010801004.
2308. AUTOFIN LIMITED (K606-K6-02), SURVEY NO. 177/B & 178/C SITUATED AT VILLAGE – KOMPALLY, MANDAL – QUTHBULLAPUR, HYDERABAD. - 500090
PH :8885040126.
2309. PAVAN MOTORS PVT. LTD (K608-K6-02), PLOT NO. 1-12, 749, 750, SURVEY NO. 751/2, VENKATADRI NAGAR, NEW MIRJALGUDA, MALKAJGIRI, SECUNDERABAD, TELANGANA - 500047
PH :9121293690.
- SHAD NAGAR**
2310. SRI JAYARAMA MOTORS (P) LTD. (WS01-WS-01), SERVEY NO.445, FAROOQ NAGAR, SHADNAGAR, MAHABUB NAGAR DISTT. ANDHRA PRADESH. - 500216
PH :80969996671.
- SHAMIRPET**
2311. RKS MOTOR PVT. LTD. (SDE1-SDE-01), SHED NO 2-242, MAJEEEDPUR CROSS ROADS,SHAMIRPET, MEDCHAL-MALKAJGIRI,TELANGANA - 500078
PH :9848866618.
- SHANKARPALLY**
2312. SAI SERVICE PRIVATE LIMITED (CEX1-CEX-01), SURVEY NO. 203, HYDERABAD ROAD OPP. SM FUNCTION HALL ROAD, SHANKARPALLY, RANGA REDDY DISTT. - 501203
PH :9966377888, 9912899128, 9703811011.
- SIDDIPET**
2313. ADARSHA AUTOMOTIVES PVT LTD (CAL1-CAL-01), SURVEY 197/A, VILLAGE – PONNALA, SIDDIPET, DISTRICT – MEDAK, TELANGANA. - 502103
PH :09703716633, 9160746633.
- SIRCILLA**
2314. ADARSHA AUTOMOTIVES PVT LTD (BYW1-BYW-01), H. NO. 10-1-7/2, 10-1-7/3, 10-1-7/3/A/1, KARIMNAGAR ROAD, SIRCILLA, DISTRICT – KARIMNAGAR, TELANGANA - 505301
PH :8886618155, 8142244131.
- SURYAPET**

2315. PAVAN MOTORS PVT. LTD (BLC1-BLC-01), SURVEY NO. 493, THALLAGADDA, SURYAPET MANDAL, NALGONDA DISTRICT, ANDHRA PRADESH. - 508213
PH :8790902545.
- TALLADA**
2316. MITHRA AUTO (SOU1-SOU-01), SURVEY NO 890/A, D.NO 7-8, NARAYANAPURAM, TALLADA, TELANGANA - 507167
PH :8886063527.
- TANDUR**
2317. VARUN MOTORS PVT. LTD. (CFR1-CFR-01), H. NO. 2-1-20/3, 2-1-20/3/A & 2-1-20/9, PLOT NO. 45, 46, 47, SURVEY NO. 57 OF MALREDDYPALLY VILLAGE, TANDUR MUNICIPALITY, VIKARABAD DISTRICT, TELANGANA. - 501141
PH :8886619370.
- THORRUR**
2318. ADARSHA AUTOMOTIVES PVT LTD (BYV1-BYV-01), SURVEY NO.1 TO 5, BEARING M. NO.4-153/1, VILLAGE & MANDAL THORRUR DISTT. WARANGAL - 506163
PH :9059438007, 7799790527.
- TOOPRAN**
2319. ADARSHA (SEJ1-SEJ-1), PLOT NO 7&8, SY NO 185,184,179U, NAGULAPALLY VILLAGE,TOOPRAN MANDAL,TELANGANA STATE: TELANGANA CITY: TOOPRAN PIN : 502334 CITY CATEGO - 502334
PH :9291859954.
- VIKARABAD**
2320. GEM MOTORS (INDIA) PVT. LTD. (BYM1-BYM-01), SHOP NO. 3-2-93/2, VILLAGE – YENNAPALLY, VIKARABAD MUNICIPALITY, VIKARABAD, DISTRICT – RANGA REDDY, TELANGANA. - 501101
PH :9912349840.
- WANAPARTHY**
2321. SRI JAYARAMA MOTORS (P) LTD. (WQ01-WQ-01), SURVEY NO.1149, KURNOOL ROAD, WANAPARTHY (A.P.) - 509103
PH :8096903879.
- WARANGAL**
2322. ADARSHA AUTOMOTIVES PVT LTD (D502-D5-02), PLOT NO.10, INDUSTRIAL AREA, MULUGU ROAD, WARRANGAL - 506007
PH :8886132222.
2323. ADARSHA AUTOMOTIVES PVT LTD (D502-D5-03), OPPOSITE TO ORUGALLU FILLING STATION, HUNTER ROAD, SHAYAMPET, HUNAMKONDA, WARANGAL - 506001
PH :8886492222.

2324. WIN MOTORS (A UNIT OF BHADRAKALI AUTOCARE PVT. LTD) (D503-D5-01), SURVEY NO. 16, 16/A & 16/B, OPPOSITE KAKATIYA UNIVERSITY GATE-2, LASHKERSINGARAM REVENUE VILLAGE, HANAMKONDA MANDAL, WARANGAL. - 506 001
PH :8688828010.
2325. WIN MOTORS (A UNIT OF BHADRAKALI AUTOCARE PVT. LTD) (D503-D5-02), PLOT NUMBER 9,10,11 & 13/A ,SURVEY NUMBER 148/A&B OF BHEEMRAM VILLAGE, WARANGAL. - 506015
PH :8688828015.
- ZAHIRABAD**
2326. SAI SERVICE PRIVATE LIMITED (BAT1-BAT-01), PLOT NO-5,NEAR IBP PETROL BUNK, NH-9,ALIPUR,ZAHIRABAD,MEDAK (DIST),ANDHRA PRADESH - 502220
PH :7660005206.
- TELENGANA**
- KAGHAZNAGAR**
2327. ADARSHA AUTOMOTIVES (SCN1-SCN-01), H.NO :1-61/3,BORIGAON,KAGHAZNAGAR,KOMARAMB HEEM - 504296
PH :8886092222.
- PALAKURTHY**
2328. WIN MOTORS (SCY1-SCY-01), SURVEY NO 537/B,MAIN RAOD, PALAKURTHY,JANGAON DISTRICT,TELANGANA. - 506317
PH :8688838005.

2334. JAIN UDYOG (6901-RN-03), DHARMANAGAR COLLEGE ROAD, DHARMANAGAR, TRIPURA(NORTH). - 799250
PH :97747 93164.
- UDAIPUR**
2335. JAIN UDYOG (YU01-YU-01), DHWAJANAGAR INDUSTRIAL ESTATE,UDAIPUR,TRIPURA (SOUTH) - 799116
PH :9774020152.
- UP**
- BULANDSHAHR**
2336. SK UNIVERSE (M502-M5-02), KHASRA NO.2261, NEAR T POINT , BYPASS SIKARPUR ROAD BULANDSHAHR - 203001
PH :7055118430.
- DIBYAPUR**
2337. KULDEEP MOTORS (SLA1-SLA-01), AURAIYYA ROAD, DIBYAPUR - 206244
PH :9235258425.
- MEERUT**
2338. TR SAWHNEY (4808-48-01), MUNICIPAL NO 101, KHASRA NO 1926/ MINJUMLA & 1927/1, MAHAL LEKHRAJ MUJBITA, MAIN DELHI ROAD, MEERUT, UP - 250002 - 250002
PH :9999163125.
- MOOSANAGAR**
2339. MY CAR (SLP1-SLP-01), VILL GAUSGANJ, POST MOOSANAGAR, KANPUR DEHAT, UTTAR PRADESH. - 209208
PH :97929 70005.
- UTTAR PRADESH**
- AGRA**
2340. MADHUSUDAN MOTORS PVT LTD (6603-66-02), GANESH GANJ, PRATAPPURA, AGRA - 282001
PH :9837097887.
2341. MADHUSUDAN MOTORS PVT LTD (6603-66-01), B-5 LAWYERS COLONY, BYE PASS ROAD, AGRA - 282005
PH :531102-05.
2342. MADHUSUDAN MOTORS PVT LTD (6603-66-03), 6-A, VIBHAV INDUSTRIAL STATE, AGRA - 282007
PH :3298221.
2343. MADHUSUDAN MOTORS PVT LTD (6603-66-04), 26/253, SULTAN GANJ KI PULIA, MAUZA LASKARPUR, AGRA - 283203
PH :9837097894.
2344. PREM MOTORS PVT. LTD. (6605-66-01), KHASRA NO.382,386,387,388, VILLAGE ARTHONI, DELHI-AGRA HIGHWAY, NH-2, AGRA, UTTAR PRADESH - 282007
PH :9690010839.
2345. KTL PVT. LTD. (6606-66-01), MUGHAL ROAD, KAMLA NAGAR, AGRA - 282004
PH :8449715033,8449715099.

Dealer Workshop (AS ON 30.05.2023)

2474. BRIGHT 4 WHEEL SALES PVT. LTD. (1305-II-04), PLOT NO: 57 TO 60, KAUSHALABAD, BADHAULI BKT, PARGANA MOHANNA, SITAPUR ROAD, BAKSHI KA TALAB, LUCKNOW - 226020
PH :7317049000.
2475. BRIGHT 4 WHEEL SALES PVT. LTD. (1305-13-05), PLOT NO. 68, BUTLER GANJ, BAALU ADDA, LUCKNOW. - 226001
PH :8756000000, 7607696666.
2476. MEGA MOTORS (A UNIT OF AKM MOTORS PVT. LTD) (1313-13-01), CP1 (COMMERCIAL PLOT 1), VIBHAV KHAND, GOMTI NAGAR, LUCKNOW. - 226 010
PH :9935096417, 7054631666.
2477. KTL AUTOMOBILE PVT. LTD. (1311-13-07), B-6/1A, AMAUSI INDUSTRIAL AREA, NADARGANJ, LUCKNOW, UTTAR PRADESH. - 226008
PH :7800007376.
2478. BRIGHT 4 WHEEL SALES PVT. LTD. (1305-13-06), KHASRA NO. 418, MISHRAPUR PARGANA MAHONA, KURSI ROAD, LUCKNOW. - 226022
PH :9935275786.
2479. ONE UP MOTORS INDIA PVT. LTD. (1314-13-01), KHASRA NO. 20 TO 25, 30, 35, 37, 42, 43, 45, 47, 48, 49, 67, 68, 71 & 99, RAJJABGANJ, HARDOI ROAD, LUCKNOW. - 228003
PH :9821026545, 7800005200.
2480. MEGA MOTORS (A UNIT OF AKM MOTORS PVT. LTD) (1313-13-02), KHASRA NO. 614, VILLAGE: BHADRUKH, VIP CANNEL RINGI ROAD, DEVI KHERA, TELBAGH (VIP ROAD), TEHSIL: SAROJNI NAGAR, LUCKNOW, UTTAR PRADESH 226002 - 226002
PH :6388901514.
- MADHOGANJ**
2481. CONCEPT CARS PVT. LTD. (BHI1-BHI-01), KANPUR ROAD, NEAR RAILWAY CROSSING, MADHOGANJ DIST. HARDOI. - 241001
PH :220016, 220064, 7607696666.
- MAHARAJGANJ**
2482. SMARTWHEELS PVT. LTD. (EI01-EI-01), NEAR PHARENDA TAXI STAND, NAHAR ROAD, PIPAR DEORA, MAHARAJGANJ, DIST. MAHARAJGANJ, UTTAR PRADESH. - 273303
PH :7705800602, 7705803109.
2483. KTL AUTOMOBILE PVT. LTD. (CSM2-CSM-01), MUNNA MARKET HAIDERGARH ROAD TOWN AREA, TEHSIL - MAHARAJGANG, DISTRICT - RAIBAREILLY, UTTAR PRADESH. - 229306
PH :99184512222.
- MAHMUDABAD**
2484. CONCEPT CARS PVT. LTD. (AAN1-AAN-01), IN FRONT OF POWER HOUSE, SIDAULI ROAD, MAHMOODABAD (U.P.) - 261203
PH :7607696666, 8756000000.

- MAHOBA**
2485. SURI AUTOMOBILES (6001-RM-02), NEAR PARMANAND CHOWK, GANDHINAGAR, MAHOBA, UTTAR PRADESH. - 284001
PH :244344, 9451496015.
2486. VELOCITY MOTORS (RM02-RM-01), BAJRANG CHOWK, SAGAR-KANPUR HIGHWAY, MAHOBA - 210427
PH :9560998709.
- MAHOLI**
2487. CONCEPT CARS PVT. LTD. (CWS1-CWS-01), MUSKAN TRACTORS, NEAR MELA MAIDAN, SHAHJHANPUR ROAD, MAHSUNIYAGANJ, MAHOLI, DIST.-SITAPUR, UTTAR PRADESH. - 261141
PH :7607696666.
- MAHRONI**
2488. SURI AUTOMOBILES (CGN1-CGN-01), LALITPUR ROAD, MEHRONI, DISTRICT - LALITPUR, UTTAR PRADESH. - 384405
PH :7705000558, 8881811383.
- MAINPURI**
2489. KULDEEP MOTORS (6E01-SG-02), SKP-4A, MAINPURI - 205001
PH :9235258444.
- MALIHABAD**
2490. ONE UP MOTORS INDIA PVT. LTD. (BOD1-BOD-01), KHASRA NO. 326/1 AND 327, VILLAGE PARGANA, TEHSIL - MALIHABAD, DISTRICT - LUCKNOW, UTTAR PRADESH. - 227111
PH :9918100781.
- MANDURI**
2491. DEEP MOTORS (K501-K5-04), VILLAGE - BALDEV MADURI, TEHSIL - SAGRI, DISTRICT - AZAMGARH, UTTAR PRADESH. - 276138
PH :09838072902.
- MATHURA**
2492. UMA MOTORS PVT. LTD. (H801-H8-01), 68, MAHOLI.NEAR JAI GURUDEV TEMPLE, NH-2, KM STONE 146, MATHURA - 281004
PH :2463043/ 6290700.
- MATI**
2493. MEGA MOTORS (A UNIT OF AKM MOTORS PVT. LTD) (SCG1-SCG-01), GATA NO 761, NEAR MATI POLICE CHOWKI, VILLAGE- MATI, PARGANA-DEWA, TEHSIL- NAWABGANJ, BARABANKI, UTTAR PRADESH - 225 003
PH :6388901514.
- MAURANIPUR**

2494. VELOCITY CARS (A UNIT OF BASERA VELOCITY AUTOHUB PVT. LTD) (GJJ1-GJJ-01), BASERA CITY, MAURANIPUR - GARUTHA ROAD, MAURANIPUR, DISTT: JHANSI, UTTAR PRADESH - 284204
PH :8299202863.
- MAWANA**
2495. RADHA GOVIND AUTOMOBILES PVT LTD (CWZ1-CWZ-01), MAIN SHANTI NAGAR ROAD, MAWANA KALAN, SUBDIVISION HASTINAPUR, TEHSIL MAWANA, DISTRICT MEERUT - 250401
PH :9012575727.
- MEERUT**
2496. TANYA AUTOMOBILES PVT. LTD. (4802-48-01), GOVT. INDUSTRIAL TRAINING INSTITUTE, BACHHA PARK, MEERUT - 250001
PH :9837077003.
2497. TANYA AUTOMOBILES PVT. LTD. (4802-48-03), 90, NAUCHANDI GROUND, GARH ROAD, MEERUT - 250001
PH :9837077004.
2498. RADHA GOVIND AUTOMOBILES PVT. LTD. (4807-48-01), VILLAGE - BARAL, KUNDA GATE NEAR YOGI FARM HOUSE, PARTAPUR, DELHI ROAD, MEERUT. - 250002
PH :9821217610.
2499. TANYA AUTOMOBILES PVT. LTD. (4802-48-04), MUNICIPAL NO 9, 9/2, 9/3, 9/4, 11, 11/1, VILLAGE - ROSHANPUR DORLI, OPP. KONARK COLONY, NEAR RAJAMANDIR MANDAP, ROORKEE ROAD, TEHSIL - SARDHANA, MEERUT, U. P. - 250001
PH :7900201515.
- MIRZAPUR**
2500. STAR CARS (6K02-6K-01), PILI KOTHI, STATION ROAD, MIRZAPUR, UTTAR PRADESH - 231001
PH :7052547903, 9721905002, 9151154306, 9450544961.
- MISHRIKH**
2501. CONCEPT CAR (SKJ1-SKJ-01), NEAR ARYAVART BANK, SITAPUR ROAD, MISHRIKH, SITAPUR, U. P., PINCODE: 261401 - 261401
PH :7607696666.
- MODINAGAR**
2502. MOTORCRAFT SALES PVT. LTD. (5903-M7-02), OPPOSITE SONIA ENCLAVE, ADJACENT SUMAN CINEMA, NH-58, MODINAGAR - 201204
PH :99557338222 & 07042427140.
- MOHANLAL GANJ**
2503. BRIGHT 4 WHEEL SALES PVT. LTD. (BWU1-BWU-01), KHASARA PLOT NO.581, VILLAGE PURSANI, PARGANA AND TEHSIL MOHANLALGANJ, LUCKNOW DISTT., UTTAR PRADESH - 227305
PH :7571905966.
- MORADABAD**

2504. AKANKSHA AUTOMOBILES PVT. LTD. (B401-B4-01), DELHI ROAD, 5TH.KM, MORADABAD (U.P.) - 244001
PH :7247800008.
2505. AKANKSHA AUTOMOBILES PVT. LTD. (B401-B4-03), 5TH KM DELHI ROAD, MORADABAD - 244001
PH :7895600007.
2506. AKANKSHA AUTOMOBILES PVT. LTD. (B401-B4-04), KHASRA NO. 569-570, VILLAGE - KAJIPURA, KANT ROAD, MORADABAD, UTTAR PRADESH. - 244001
PH :7895500007.
- MUZAFFARNAGAR**
2507. RADHA GOVIND (H903-H9-01), NH -58, 121 KM STONE, BY-PASS ROAD, NEAR TRANSPORT NAGAR, MUZAFFARNAGAR - 251001
PH :976092009.
- NAJIBABAD**
2508. SHAKUMBARI AUTOMOBILES (P) LTD (CPS1-CPS-01), NEAR BUS STAND, BIJNORE BYPASS ROAD, NAJIBABAD, DIST.-BIJNORE, UTTAR PRADESH. - 246 701
PH :9045815209.
- NAUGARH**
2509. SMARTWHEELS PVT. LTD. (QG01-QG-01), NEAR PAKARI CHAURAHA, NAUGARH ROAD, SIDDHARTHANAGAR - 272205
PH :7705803129.
- NAUTANWA**
2510. SMARTWHEELS PVT LTD (SDW1-SDW-01), OPP. RAJIV GANDHI DEGREE COLLEGE, BYPASS ROAD, NAUTANWA, DISTT - MAHARAJGANJ - 273164
PH :77058 00602.
- NAWABGANJ**
2511. KAVISHA MOTORS PVT LTD (CHT1-CHT-01), VILLAGE - EIDH JAGIR NEAR GURUDWARA AT NH-74, TEHSIL - NAWABGANJ, DISTRICT - BAREILLY. - 262406
PH :07895980222, 07895980300.
- NIGOHA**
2512. BRIGHT 4 WHEELS (SGV1-SGV-01), GATA NO 146, VILL NIGOHA, TEHSIL MOHANLALGANJ, LUCKNOW - 226302
PH :7011482503.
- NOIDA**
2513. ROHAN MOTORS LTD. (A102-A1-01), C-8/9, SECTOR - I, NOIDA - 201301
PH :4071900, 4071909, 4071931, 4071932, 4071209, 4071949/9582210152.
2514. ROHAN MOTORS LTD. (A102-A1-02), C-11, SECTOR-1, NOIDA, UTTAR PRADESH - 201301
PH :4071900, 209,31,32/9582210152.

Dealer Workshop (AS ON 30.05.2023)

2515. FAIR DEAL PREMIUM WHEELS PVT.LTD.
(A108-A1-01) D-39, SEC-10, NOIDA - 201301
PH :08448296694 & 09654326008.

2516. VIPUL MOTORS PVT. LTD. (A101-A1-02), B-124 & B-125, SECTOR – 5, NOIDA, UTTAR PRADESH - 201301
PH :460310028/33/8527835888.

2517. VIPUL MOTORS PVT. LTD. (A106-A1-01), J-14, SECTOR-63, NOIDA, DISTT. GAUTAM BUDDH NAGAR (U.P.) - 201301
PH :4758600/01/02/8448589759.

2518. MOTORCRAFT SALES PVT. LTD. (5903-A1-04), PLOT NO.15, SECTOR-140, NOIDA (U.P.) - 201305
PH :09818532222 & 09971733233.

2519. MOTORCRAFT SALES (5903-A1-05), PLOT NO 19 ECOTECH 12 GREATER NOIDA WEST .GB NAGAR , UP - 201306
PH :8826312222.

ORAI

2520. S B CARS PVT.LTD (2806-LU-02), KANPUR ROAD, ORAI - 285001
PH :9307219303.

PADRONA

2521. SMARTWHEELS PVT. LTD. (BGJ1-BGJ-01), AARJI NO. 37 & 38, MAUJA - BELWA MISRA, TAPPA PAKDI, PARAGNA - SIDHUWA JAUBNA, TEHSIL - PADRAUNA, DIST -KUSHINAGAR, UTTAR PRADESH. - 274304
PH :7705903259.

PANWARI

2522. SURI AUTOMOBILES (SLC1-SLC-01), PANWARI, NEAR RAM LEELA GROUND, TEHSIL KULPAHAR, DISTRICT MAHOBA. - 210429
PH :9452287690.

PAPHUNDA

2523. TANYA AUTOMOBILES (4802-SIB-05), 354/1, MAIN HAPUR ROAD, PHAPHUNDA. - 245206
PH :93193 24588.

PEPPEGANJ

2524. ARBIT AUTOMOBILES PVT LTD (GKG1-GKG-01), GHATA NO. 466, 465 & 472, PEPPEGANJ, MOUZA - SAHABGANJ, TEHSIL - CAMPIERGANJ, DISTT: GORAKHPUR - 273165
PH :89534 12821.

PILIBHIT

2525. CORAL MOTORS (P) LTD. (IL01-IL-01), BISALPUR ROAD, PILIBHIT, U.P. - 262001
PH :9837891846.

PRAYAGRAJ

2526. SARASWATI MOTORS (2904-29-01), PLOT NO 24, INDUSTRIAL AREA NMIT COLLEGE, TELIYARGANJ, PRAYAGRAJ, UTTAR PRADESH. - 211004
PH :8090854053.

2527. BRIGHT 4WHEELS (2905-29-01), ARAZI NO 390 AND 389 AT KATKA, ANDAWA SAHSON BYPASS, PRAYAGRAJ - 211002
PH :9415324201.

PURANPUR

2528. CORAL MOTORS (P) LTD. (CAD1-CAD-01), KHASRA NO. 768 & 770, VILLAGE – KHAMIRIYA PATTI, PURANPUR – PILIBHIT ROAD, TEHSIL AND PARGANA – PURANPUR, DIST. PILIBHIT. - 262124
PH :9837891846, 9927001120.

RAIBAREILLY

2529. KTL AUTOMOBILE PVT. LTD. (HS07-HS-01), PLOT NO. 1550, GULLUPUR, P O KATWARA, HIJARCHANDRAPUR, RAIBAREILLY - 229303
PH :7800001601.

RAM SANEHI GHAT

2530. BRIGHT 4WHEELS (SDH1-SDH-01), GATA NO 76, VILLAGE - BHENDUWA BRAHMANAN, TEHSIL - RAM SANEHI GHAT, BARABANKI, UTTAR PRADESH, PIN 225409 - 225409
PH :9935275786.

RAMNAGAR

2531. BRIGHT 4 WHEEL SALES PVT. LTD. (BRK1-BRK-01), KHASRA NO. 629, VILLAGE - BUDHAWAL, TEHSIL - RAMNAGAR, DIST. -BARABANKI, UTTAR PRADESH. - 225205
PH :9935275786, 9838075929.

RAMPUR

2532. AKANKSHA AUTOMOBILES PVT. LTD. (B401-6L-02), SHAHZAD NAGAR BAREILLY ROAD RAMPUR UTTAR PRADESH - 244901
PH :7248000002.

RAYA

2533. UMA MOTORS PVT. LTD. (BXK1-BXK-01), CHAUDHARY PADAM SINGH MARKET, NEAR INDIA INTER COLLEGE, RAYA - MAANT ROAD, RAYA, DISTT. MATHURA (U.P.) - 281204
PH :9997683333, 9997511006.

ROBERTSGANJ

2534. STAR CAR (CTY1-CTY-01), UMRAURA, PIMPRI ROAD, ROBERTSGANJ, UTTAR PRADESH. - 231216
PH :7052547903, 9721905002, 9151154306, 9450544961.

SAHARANPUR

2535. ATELIER AUTOMOBILES (S203-S2-01), NEAR BARI NAHR, AMBALA ROAD, SAHARANPUR - 247001
PH :7500250042.

SAHIBABAD

2536. FAIR DEAL WHEELS PVT. LTD (08E1-M9-01), 12/67 SITE 4, INDUSTRIAL AREA, SAHIBABAD, GHAZIABAD - 110095
PH :4740409/102/436, 8860088659.

2537. MOTORCRAFT SALES PVT. LTD. (5903-M9-01), S-7 SITE-IV, SAHIBABAD INDUSTRIAL AREA, NEAR DABUR CHOWK, SAHIBABAD - 201010
PH :4172222 / 4102222, 09958562222 & 09560605122.

2538. T.R. SAWHNEY MOTORS PVT LTD (0819-M9-03), 28/1/1, SITE-IV, SAHIBABAD INDUSTRIAL AREA, DISTT- GHAZIABAD, UTTAR PRADESH - 201010
PH :9999399152; 9999399143.

SALEMPUR

2539. SMARTWHEELS PVT LTD (GKA1-GKA-01), GHATA NO. 48, GRAM: DEVPAR, TEHSILL: SALEMPUR, PARGANA: SALEMPUR MAUJHAULI, DISTT: DEORIA - 274509
PH :7705800602, 7705803321.

SALON

2540. KTL AUTOMOBILES (SCP1-SCP-01), SALON BYPASS, PARSHEDAPUR ROAD, SALON, DISTRICT RAIBARELLI, UTTAR PRADESH - 229127
PH :9918451222.

SAMBHAL

2541. AKANKSHA AUTOMOBILES PVT. LTD. (BBP1-BBP-01), PLOT NO. 303, NEAR TAJ MILK FACTORY, MORADABAD SAMBHAL ROAD, SAMBHAL, UTTAR PRADESH - 244302
PH :9997776876.

SANDILA

2542. CONCEPT CARS PVT. LTD. (WY01-WY-01), PLOT NO.371, SARAY MARUFPUR, LUCKNOW ROAD, SANDILA-241204 DISTT. HARDOI. - 241204
PH :8756000000, 7607696666.

SARDHANA

2543. RADHAGOVIND AUTOMOBILES (MM01-MM-01), DAURALA ROAD, NEAR RADHASWAMI SATSANG, SARDANA - 250342
PH :7456003222.

SHAHABAD

2544. CONCEPT CARS PVT. LTD. (AAx1-AAx-01), VILLAGE MUJAGADH, SHAHABAD - 241124
PH :8756000000, 7607696666.

SHAHJAHANPUR

2545. SUMITRA DS MOTORS PVT LTD (W201-W2-01), SITAPUR ROAD, NH-24, SHAHJAHANPUR - 242001
PH :7522888333, 9415770000.

SHAMLI

2546. RADHA GOVIND AUTOMOBILES PVT. LTD. (XJ01-XJ-01), KHERI KARMU, OPPOSITE POWER HOUSE, PANIPAT-KAIRANA ROAD, SHAMLI UTTAR PRADESH - 247776
PH :8979862084.

SHIKOHABAD

2547. MADHUSUDAN VEHICLES PRIVATE LTD. (XH01-XH-01), 2508, KATRA MIRA, MAHAMMABAD, OPP PROFESSOR COLONY, NH 2, BYE PASS ROAD, SHIKOHABAD, DISTT: FIROZABAD, UTTAR PRADESH - 283203
PH :9837097894, 9690003001.

SIDHAULI

2548. CONCEPT CARS PVT. LTD. (BFO1-BFO-01), R/O MISHRIKH ROAD NOROTTAM NAGAR, DAKSHIDI, OPP. BLOCK, SIDHAULI, SITAPUR. - 261303
PH :7607596666.

SIKANDRA

2549. KTL PVT LTD (SJE1-SJE-01), YADAV MARKET, NEAR SURYA DHABA, NH-19, ETAWAH-KANPURROAD, SIKANDRA, U.P. - 209715
PH :9414113666.

SIKANDRABAD

2550. SK UNIVERSE (CWQ1-CWQ-01), NEAR R K SCHOOL, VILLAGE – SANWALI SIKANDRABAD , DIST - BULANDSHAHR UTTAR PRADESH , PIN 203202 - 203202
PH :7310106565.

SITAPUR

2551. CONCEPT CARS PVT. LTD. (QE01-6M-02), LUCKNOW-DELHI ROAD, NH-24, VILLAGE JAMMAYAPUR, SITAPUR - 261001
PH :7607696666, 8756000000.

SIYANA

2552. SK UNIVERSE (SIN1-SIN-01), BULANDSHAHR ROAD, SIYANA DIST- BULANDSHAHR, UTTAR PRADESH PIN CODE 203412 - 203412
PH :9219694600.

SULTANPUR

2553. KIRTIKUNJ AUTOMOBILES PVT. LTD. (N101-N1-01), SHAURYAMAU, MIRANPUR, VARANSI-LUCKNOW HIGHWAY, NH-56 (FAIZABAD BYPASS) SULTANPUR - 228001
PH :227760 , 220107.

SWAR

2554. AKANKSHA AUTOMOBILES PVT. LTD. (COX1-COX-01), IN FRONT OF EIDGAH, TEHSIL – SWAR, DISTRICT – RAMPUR, UTTAR PRADESH. - 244924
PH :9528004006.

TAMBOUR

Dealer Workshop (AS ON 30.05.2023)

2555. CONCEPT CARS (SOB1-SOB-01), NEAR INDIAN GAS GANJAR, SITAPUR ROAD TAMBOUR - 261208
PH :7607696666.

THAKURDWARA

2556. AKANKSHA AUTOMOBILES PVT. LTD. (KO01-KO-01), 2 KM. MORADABAD ROAD, NEAR JEETA KA DHABA, SAHAB GANJ (MUNSHI GANJ), THAKURDWARA, DISTT. MBD. UTTAR PRADESH - 244601
PH :9917224562.

TILOI

2557. KTL AUTOMOBILE PVT. LTD. (CGY2-CGY-01), VILLAGE PURE LANGDA, PAKAR GAON, MOHAN GUNJ, TEHSIL - TILOHI, DIST.-RAIBARELI. - 229309
PH :99184512222.

UJHANI

2558. ETERNITY MOTORS LLP (GJK1-GJK-01), BADAUN BYE PASS ROAD, UJHANI - 243639
PH :94122 89074.

UNCHAHAR

2559. KTL AUTOMOBILE PVT. LTD. (IH02-IH-01), ALLAHABAD LUCKNOW ROAD, NEAR PUHANA PETROL PUMP, WARD NO. 5, UNCHAHAR, DISTT: RAIBARELI - 229404
PH :99184512222.

UNNAO

2560. S B CARS (2806-KL-04), HUSSAIN NAGAR BYPASS,KANPUR-LUCKNOW HIGHWAY ROAD, UNNAO,U.P. - 209801
PH :9839806451.

VARANASI

2561. VARANASI MOTORS PVT. LTD. (8402-84-01), THE MALL, CANTONMENT, VARANASI - 221001
PH :2509068, 2509069.
2562. AGR AUTOMOBILES PVT. LTD. (8403-84-01), B-38/2A, MAHMOORGANJ, GOPAL VIHAR, VARANASI - 221010
PH :2360436.
2563. VARANASI MOTORS PVT. LTD. (8402-84-03), AARAJI NO.2 AND 48, G.T. ROAD, TODAPUR, MOHANSARAI, RAJATALAB, VARANASI (U.P.) - 221311
PH :2632786, 9838360662.
2564. AGR AUTOMOBILES PVT. LTD. (8403-84-04), ARAZI NO. 399, 398, 400, 401,NH2 PANDITPUR, DEHAT AMANAT, TEHSIL - RAJATALAB, VARANASI - 221112
PH :98898 03355.

UTTARAKHAND**ALMORA**

2565. NAINITAL MOTORS PVT LTD (J603-SQ-04), PAWAR BHAWAN, JOSHI KHOLA RAJPURA, PITHRAGARH ROAD, ALMORA - 263601
PH :9997194132.

BAGESHWAR

2566. NAINITAL MOTORS PVT LTD (J603-8I-05), VILL. BILOMA,SERA, BAGESHWAR, UT, BAGESHWAR - 263642
PH :9557200522.

BAZPUR

2567. AKANKSHA AUTOMOBILES (RUDRAPUR) PVT LTD (CGU2-CGU-01), KHASRA NO. 96/2, VILLAGE – BHONA, ISLAM NAGAR, TEHSIL – BAZPUR, UTTARAKHAND. - 262401
PH :9634151501.

CHAMPAWAT

2568. AKANKSHA AUTOMOBILES (RUDRAPUR) PVT LTD (SF02-SF-01), TANAKPUR LOHAGHAT ROAD, CHAMPAWAT, UTTARAKHAND - 262523
PH :8929400545, 8191000832.

CHAUKHUTIYA

2569. NAINITAL MOTORS PVT LTD (CVG1-CVG-01), NH-58, BADRINATH ROAD, CHAUKHUTIYA, DIST.-ALMORA, UTTARAKHAND - 263656
PH :9997026565.

DEHRADUN

2570. ROHAN MOTORS LTD. (5702-57-01), 130/1 CHAKRATA ROAD, YAMUNA COLONY, DEHRADUN - 248001
PH :9997036800.
2571. DD MOTORS (A DIVISION OF D.D. PREM PVT.LTD.) (5707-57-01), 918/221, PATEL NAGAR, INDUSTRIAL AREA, DEHRADUN - 248001, PH :9368193007.
2572. ROHAN MOTORS LTD. (5702-57-02), 257/2, GMS ROAD,,VILL. NIRANJANPUR, ADJ TO KAMLA PALACE, DEHRADUN - 248001
PH :8630956832, 9897227227.
2573. FUTURE AUTO WHEELS PVT LTD (5706-57-01), KHASRA NO. 8KHA, MOHABEWALA INDUSTRIAL AREA, DEHRADUN, - 248001
PH :0135-2640263, 7895956011.
2574. FUTURE AUTO WHEELS (5706-57-02), MUNICIPAL NUMBER 45 AND 46, RAJPUR ROAD, DEHRADUN, PIN: 248001 - 248001
PH :9760444430.

DIDIHAT

2575. NAINITAL MOTORS (SKN1-SKN-01), SUBHASH CHANDRA BOSE WARD, NEAR D.I.E.T, DIDIHAT, DISTT PITHORAGARH, PINCODE: 262551. - 262551
PH :9634092692.

DOIWALA

2576. FUTURE AUTO WHEELS PVT LTD (BRI1-BRI-01), 26, MISSARAWALA, DOIWALA, DISTRICT – DEHRADUN, UTTARAKHAND. - 248140
PH :7983071196.

GADARPUR

2577. AKANKSHA AUTOMOBILES (RUDRAPUR) PVT LTD (CVS1-CVS-01), BHASIYA MOD, RUDRAPUR ROAD, GADARPUR, UDHAM SINGH NAGAR, UTTARAKHAND. - 263152
PH :9258156028.

GAIRSAIN

2578. ROHAN MOTORS LTD (CRH1-CRH-01), KHASRA NO. 1048, RANIKHET ROAD, OPP. GIC GROUND, GAIRSAIN, DISTRICT – CHAMOLI, UTTARA KHAND. - 246428
PH :8755839951.

GANGOLIHAT

2579. NAINITAL MOTORS (CODE UNDER CREATIONS.CODE UNDER CREATIONS.CODE UNDER CREATIONS), VILL.- KHETIGARA, PITHORAGARH-GANGOLIHAT ROAD, GANGOLIHAT, DISTT: PITHORAGARH - 262522
PH :9997093043.

GOPESHWAR

2580. ROHAN MOTORS LTD. (5702-MV-03), CHOPTA MANDAL ROAD, NEAR FOREST GATE, GOPESHWAR - 131028
PH :9634852898.

HALDWANI

2581. NAINITAL MOTORS PVT LTD (J603-J6-01), VILLAGE JEETPUR NEGY, 5TH KM RAMPUR ROAD, HALDWANI - 263139
PH :7060201024.
2582. NAINITAL MOTORS PVT LTD (J603-J6-02), KALA DUNGI ROAD, NEAR HARIPRIYA BANQUET HALL, KATHGHARIYA, HALDWANI - 263139
PH :8126359222.

HARIDWAR

2583. SHAKUMBARI AUTOMOBILES (P) LTD (6N02-6N-01), E-5/6, INDUSTRIAL AREA, HARDWAR - 249407
PH :9897476897.

JASPUR

2584. AKANKSHA AUTOMOBILES (RUDRAPUR) PVT LTD (BKL2-BKL-01), GANGUWALA, INFRONT OF ROOPAM CONVENT, KASHIPUR ROAD, JASPUR, UTTARAKHAND. - 244712
PH :8958023786.

KARANPRAYAG

2585. ROHAN MOTORS LTD (CRG1-CRG-01), BADRINATH ROAD, KARANPRAYAG, DISTRICT – CHAMOLI, UTTARAKHAND. - 246444
PH :8755011005.

KASHIPUR

2586. AKANKSHA AUTOMOBILES (RUDRAPUR) PVT LTD (DG02-DG-01), BAZPUR ROAD, KASHIPUR - 244713
PH :7307704864.

KHATIMA

2587. AKANKSHA AUTOMOBILES (RUDRAPUR) PVT LTD (XL02-XL-01), VILLAGE: CHARUBETA,NEAR RTO CHECK POST,PILIBHIT ROAD KHATIMA, U.S NAGAR,UTTARAKHAND - 262308
PH :8191000132.

KOTDWAR

2588. SHAKUMBARI AUTOMOBILES (P) LTD (6N02-2I-02), PLOT NO.23 & 30 INDUSTRIAL ESTATE, SITABPUR, KOTDWAR, DIS. PAURI (GARHWAL), UTTARAKHAND - 249001
PH :8755998075, 7310106565.

LAKSAR

2589. SHAKUMBARI AUTOMOBILES (CTF1-CTF-01), HARIDWAR ROAD, LAKSAR - 247664
PH :8630087926.

NANAKMATTA

2590. AKANKSHA AUTOMOBILES (RUDRAPUR) PVT LTD (CVT1-CVT-01), KHATIMA ROAD, OPP GURURAMDAS HOSPITAL, NANAKMATTA, U.S. NAGAR, UTTARAKHAND. - 262311
PH :7830033763.

PITHORAGARH

2591. NAINITAL MOTORS PVT LTD (J603-NM-03), VILLAGE PANDA, ODSAINI, DHARCHULA ROAD, PITHORAGARH - 262501
PH :9634092692.

RAMNAGAR

2592. NAINITAL MOTORS PVT LTD (XM01-XM-01), OPP. GAYATRI VIHAR, VILL. BASAI, 7TH KM. KASHIPUR ROAD, RAMNAGAR - 244137
PH :9639016895.

RANIKHET

2593. NAINITAL MOTORS PVT LTD (AXA1-AXA-01), GANYADYOLI, NEAR DRUG FACTORY, RANIKHET DISTT. ALMORA (UTTARAKHAND) - 263645
PH :9557243222.

RISHIKESH

2594. FUTURE AUTO WHEELS PVT LTD (AAS1-AAS-01), 640, LAXMAN JHULA ROAD, RISHIKESH. DISTT. DEHRADUN, UTTARAKHAND - 249201
PH :7409241219.

ROORKEE

2595. SHAKUMBARI AUTOMOBILES (P) LTD (H201-H2-01), 3RD KM STONE, DELHI-ROORKEE HIGHWAY, NEAR IOC PETROL BUNK, ROORKEE DISTT HARIDWAR - 247667
PH :7055104191.

Dealer Workshop (AS ON 30.05.2023)**RUDRAPRAYAG**

2596. ROHAN MOTORS (IK01-IK-01),
GULABRAI-BADRINATH ROAD, RUDRAPRAYAG
- 246171
PH :8650876815.

RUDRAPUR

2597. AKANKSHA AUTOMOBILES (RUDRAPUR) PVT
LTD (U404-U4-01), KICHA BYE PASS ROAD,
INDUSTRIAL AREA, RUDRAPUR - 263153
PH :8859502864.

SELAQUI

2598. ROHAN MOTORS LTD (CRF1-CRF-01), KHASRA
NO 783, BAHADURPUR ROAD, NH-72, SELAKUI,
DISTT.-DEHRADUN, UTTARAKHAND. - 248011
PH :8006000439.

SITARGANJ

2599. AKANKSHA AUTOMOBILES (RUDRAPUR) PVT
LTD (CD02-CD-01), PLOT NO.228/5 AND 228/6
KHATIMA ROAD, SITARGANJ, DISTT -
RUDRAPUR, UTTARAKHAND. - 262405
PH :8192000375.

SRINAGAR

2600. SHAKUMBARI AUTOMOBILES (ANA1-ANA-01),
SRICOT GANAGANALI, NEAR MEDICAL
COLLEGE, PO- SRICOT, SRINAGAR - 246174
PH :8077425944.

TEHRI

2601. DD MOTORS (A DIVISION OF D.D. PREM
PVT.LTD.) (QA02-QA-01), PLOT NO. 541,
SECTOR-8E, DISTT. - NEW TEHRI - 249001
PH :9690994366.

UTTARKASHI

2602. DD MOTORS (A DIVISION OF D.D. PREM
PVT.LTD.) (6I02-6I-01), HOTEL RAMOLA,
BARETHI CHUNGI, GANGOTRI NATIONAL
HIGHWAY, UTTARKASHI. - 249151
PH :7248886807.

UTTRAKHAND**DEHRADUN**

2603. SHAKUMBARI AUTOMOBILES (5708-57-01),
KHASRA NO.15-ANA, MOHABBEWALA,
SAHARANPUR ROAD, DEHRADUN, PIN-248001,
UTTARAKHAND - 248001
PH :9639698871.

PATI

2604. AKANKSHA AUTOMOBILES (RUDRAPUR) PVT
LTD (SFX1-SFX-01), LOHAGHAT- HALDWANI
MAIN ROAD, NEAR PITHORAGARH
CO-OPERATIVE BANK, PATI-262528 - 262528
PH :8191000832.

WEST BENGAL**ALIPURDUAR**

2605. PODDAR CAR WORLD PVT. LTD.
(BZO1-BZO-01), BIRPARA MORE, COOCH
BEHAR ROAD, BESIDE GOYENKA PETROL
PUMP, ALIPURDUAR, WEST BENGAL. - 736121
PH :8945533002
9735008343
9749707070.

AMTALA

2606. BHANDARI AUTOMOBILES PVT LTD
(BOH1-BOH-01), VILLAGE - UDAYRAMPUR, P.O.
- KANYANAGAR, P.S. - BISHNUPUR, AMTALA,
DIST. -24 PARGANAS SOUTH, WEST BENGAL -
743 398
PH :9903850402.

ARAMBAGH

2607. SANEI MOTORS PVT. LTD. (7T02-7T-01), R.S.
DAG NO. 1887, R.S. KHATIAN NO. 104, HAL
KHATIAN NO. 1233, MOUZA-PARUL, J.L.NO. 38,
R.S.NO. 3111, P.S. ARAMBAGH, DISTT.
HOOGHLY, WEST BENGAL - 712601
PH :8584050184.

ASANSOL

2608. BEEKAY AUTO PVT LTD (F601-F6-01), CHANDA
MORE, N.H.-2, ASANSOL - 713301
PH :9932049425,
9932049435.

BADURIA

2609. PREMIER CARWORLD (SOE1-SOE-01), VILL-
KIRRTIPUR, P.O- MANDRA, P.S - BADURIA, DIST
- NORTH 24 PARGANAS, WEST BENGAL, PIN -
743438 - 743438
PH :9831414956.

BAGDAH

2610. SANEI MOTORS PVT. LTD. (BON1-BON-01), C/O,
DINABANDHU TARAFDAR, S/O LATE
NARENDRANATH TARAFDAR, VILLAGE -
HALENCHA SOUTH, P.O. - HALENCHA COLONY,
P.S. - BAGDAH, DISTRICT - NORTH 24
PARGANAS, WEST BENGAL. - 743270
PH :8584050184.

BAHRAMPUR

2611. BEEKAY AUTO PVT LTD (DJ02-DJ-01),
BOKULTALA (PASCHIM GAMINI), NH-34,
BAHARAMPUR, DISTT. MURSHIDABAD. - 742101
PH :267340.

2612. BEEKAY AUTO PVT LTD (DJ02-DJ-01), NH-34
MANKARA NEAR NEKRATALA, BAHRAMPUR,
MURSHIDABAD - 742165
PH :267340.

BAJKUL

2613. BHANDARI AUTOMOBILES PVT LTD
(CAV1-CAV-01), VILLAGE - KAPTYPAPA BARI,
P.O. - KAJLAGARH, P.S. - BHAGWANPUR,
BAJKUL, DISTRICT - PURBA MIDNAPORE. -
721626
PH :9933055539.

BALAGARH

2614. SANEI MOTORS PVT. LTD (BMI1-BMI-01), DAG
NO. 671, MOUZA - BARUIPARA, J.L NO. 100, P.O.
- BALAGARH, DIST.-HOOGLY, WEST BENGAL -
712 501
PH :8584050184.

BALURGHAT

2615. J K WHEELS PVT. LTD. (PT01-PT-01), BARO
RAGHUNATHPUR, P.O. - BELTALA PARK, P.S. -
BALURGHAT, DIST.-DAKSHIN DINAJPUR. - 733
103
PH :9064301464.

BANKURA

2616. BHANDARI AUTOMOBILES PVT LTD
(G701-GQ-02), PLOT NO.-156, KH NO.-173,
MITHILA MOUZA, AT/PO-BANKURA (WB) -
722101
PH :256766.

BARASAT

2617. PREMIER CARWORLD PVT. LTD. (XZ03-XZ-01),
R.S DAG NO. 512 AND PARTY IN DAG NO. 513,
MOUZA-KHILKAPUR, P.O BARASAT, POLICE
STATION: DUTTA PUKUR, TOUZI NO. 146, J.L
NO.4, DISTRICT - NORTH 24 PARGANAS,
WEST BENGAL - 700125
PH :8420122407.

BARDHAMAN

2618. BEEKAY AUTO PVT LTD (T301-T3-03), NH-2,
DINABANDHU TARAFDAR, S/O LATE
NARENDRANATH TARAFDAR, VILLAGE -
SATTAR MILE, BURDWAN, WEST BENGAL -
713101
PH :9932049454.

BARJORA

2619. BHANDARI AUTOMOBILES PVT LTD
(BED1-BED-01), VILLAGE + P.O. + P.S. -
BARJORA, MOUZA - BARJORA, JL NO. 46,
KHATIAN NO. 3380, PLOT NO. 2795, BARJORA
DISTRICT - BANKURA, WEST BENGAL. - 722202
PH :8016087297.

BARRACKPORE

2620. STARBURST MOTORS PVT LTD (BXJ1-CIY-02),
NEAR RAIL GATE, WARD NO. 24, WEST
BARASAT ROAD, P.S. - TITAGARH,
BARRACKPORE, DISTRICT - NORTH 24
PARGANAS, KOLKATA. - 700120
PH :8335061333.

BARSUNDR

2621. BHANDARI AUTOMOBILES PVT LTD
(G701-BJW-05), PLOT NO. 610, BARSUNDARA,
ISHWARDAHA, JALPAI, P.S. BHAWANIPUR,
EAST MIDNAPORE. WEST BENGAL - 721654
PH :9933055539.

BASIRHAT

2622. BHANDARI AUTOMOBILES PVT LTD
(X701-OD-03), RAGHUNATHPUR, TALKI ROAD,
BASIRHAT NR. INDIAN PERTOL PUMP,
NORTH-24 PARGANAS. - 743428
PH :8017569789.

BELACOBA

2623. PODDAR CARWORLD (SCU1-SCU-01),
PRASANNA NAGAR, BELACOBA, BATTALA,
JALPAIGURI - 735133 - 735133
PH :8945533002.

BIRPARA

2624. SEVOKE MOTORS (CQL1-CQL-01), BHAGAT
PARA, NH - 31, MADARIHAT ROAD, BIRPARA,
BESIDE TASHI HOTEL, OPP - HIMALYAN HOTEL,
P.S - MADARIHAT, DIST - ALIPURDUAR, PIN -
735204 - 735204
PH :9800069144.

BISHNUPUR

2625. BHANDARI AUTOMOBILES PVT LTD
(AAG1-AAG-01), STATION ROAD, P.O+P.S-
BISHNUPUR, DIST: BANKURA, WEST BENGAL -
722122
PH :9933055539.

BOLPUR

2626. SWG- (A UNIT OFSAI NATH AUTO LINKS PVT.
LTD) (4402-TC-03), KABI JOYDEB ROAD, NEAR
BOLPUR BY PASS, BOLPUR, DIST: BIRBHUM -
731204
PH :9647444888
8927895511.

BONGAON

2627. STARBURST MOTORS PVT LTD (TQ02-TQ-01),
376/D, R D B ROAD, NEAR JESSORE ROAD,
BAKSHIPALLY, BONGAON, NORTH 24
PARGANAS, WEST BENGAL - 743235
PH :9748298939.

BUDGE BUDGE

2628. ONE AUTO PVT. LTD. (BAV1-BAV-01), MAHESH
TALA, NEAR DAKGHAR KALIMANDIR, BUDGE
BUDGE TRUNK ROAD, DAKGHAR, WARD NO.
22, POLICE STATION-MAHESHTALA, WEST
BENGAL - 700141
PH :8594878902
7604084762.

C K ROAD

Dealer Workshop (AS ON 30.05.2023)

2629. BHANDARI AUTOMOBILES PVT LTD (D001-D0-01), P.O:SAT BANKURA, PS:GARBETA, CHANDRAKONA ROAD, DIST. PASCHIM MIDNAPORE, WEST BENGAL - 721252 PH :9933055539.

CANNING

2630. ONE AUTO (CEG2-CEG-01), SUSUMAPALLY, CANNING, DIST – SOUTH 24 PARGANAS, WB - 743329 PH :8442830001.

CHAKDAHAI

2631. BHANDARI AUTOMOBILES PVT LTD (OM01-OM-01), VILLAGE – PUMLIA, P.O. – CHAKDAHAI, DISTRICT – NADIA, WEST BENGAL. - 741222 PH :9073940368, 9674735303, 9674169007.

CHANDITALA

2632. BHANDARI AUTOMOBILES PVT LTD (BPC3-BPC-01), RS DAG NO.2986, LR DAG NO.3150, UNDER LR KHATIAN NO.3859, MOUZA-KRISHNARAMPUR, J.L. 59, POLICE STATION-CHANDITALA, HOOGLHY, WEST BENGAL - 712702 PH :6296900498.

CHANDRAKONA

2633. BHANDARI AUTOMOBILES PVT LTD (D001-CIP-02), AT. VILL. GOSAI PO+PS CHANDRAKONA TOWN, MOUZA DHARABILA, J.L. NO. 095, KHATIAN NO. 315, PLOT NO. 203 & 189, NEAR MUNICIPAL GATE TOWARDS C.K. ROAD. - 721201 PH :8945526833.

CONTAI

2634. BHANDARI AUTOMOBILES PVT LTD (G701-GV-03), SERPUR BAMUNBAR,P O- MARISHDA, NEAR MECHEDA BYPASS, CONTAI, WEST BENGAL - 721401 PH :254572.

COOCH BEHAR

2635. PODDAR CAR WORLD PVT. LTD. (BWZ1-BWZ-01), CHAKCHAKA, NEELKUTHI BAZAR, NEAR ADA FACTORY, NH-31, COOCH BEHAR, WEST BENGAL. - 736101 PH :8945533002 9735008343.

DARJEELING

2636. BEEKAY AUTO PVT LTD (4301-6U-05), MERRY VILLA, DARJEELING, DISTRICT-DARJEELING. - 734101 PH :9932049347 9932049382 7478004430.

DHUPGURI

2637. BEEKAY AUTO PVT LTD (BWD1-BWD-01), MOUZA – DHUPGURI, PLOT NO. 1814, WARD NO. 16, DHUPGURI, DISTRICT – JALPAIGURI, WEST BENGAL. - 735210 PH :7477785203 9932049347 9932049382 7478004430.

DIAMOND HARBOUR

2638. ONE AUTO PVT. LTD. (YE01-YE-01), VILLAGE – CHEWRA, OPPOSITE – K.E. CARMEL SCHOOL, P.O. – SARISHA HAT, P.S. – DIAMOND HARBOUR, DISTRICT – 24 PARGANAS (S) , WEST BENGAL. - 743368 PH :8584862243.

DURGAPUR

2639. SWG- (A UNIT OFSAI NATH AUTO LINKS PVT. LTD) (4402-44-01), PLOT NO-743, MAUZA FRIDPUR, BURDWAN, DURGAPUR - 713213 PH :9647444888 8927895511.

FALAKATA

2640. PODDAR CAR WORLD PVT. LTD. (CSR1-CSR-01), DAKSHIN PARANGAPAR, KHATIAN NO. 167/1 J.L NO. 60, DAG NO. 652/1159, P.S. – FALAKATA , DISTT ALIPURDUAR - 735211 PH :8945533002.

GAZOLE

2641. JK WHEELS (SKZ1-SKZ-01), MOUZA-BAJEGAIRAL, RANIGANJ, PURBAPARA, KAMALDANGA, P.S- GAZOLE, DIST-MALDA, PIN - 732138 - 732138 PH :9734963360.

GHATAL

2642. BHANDARI AUTOMOBILES PVT LTD (AAD1-AAD-01), VILL. NIMTOLA, P.O. & P.S. DASPUR, GHATAL, WEST MIDNAPORE, WEST BENGAL - 721211 PH :9933055539.

GOPIBALLAVPUR

2643. BHANDARI AUTOMOBILES PVT LTD (BPQ1-BPQ-01), J.L. NO. 1103, KHATIAN NO. 1103, PLOT NO. 438, VILLAGE + P.O. + P.S. – GOPIBALLVPUR , MOUZA – GOPIBALLVPUR, WEST MIDNAPUR, WEST BENGAL. - 721506 PH :9933055539, 8170018577.

GUMA (ASHOKNAGAR)

2644. STARBURST MOTORS PVT LTD (BXJ1-CLB-03), JESSORE ROAD, MANIKNAGAR, KHOSDELPUR MORE, P.S. – ASHOKNAGAR, NORTH 24 PARGANAS, WEST BENGAL. - 743222 PH :8697731763, 8336933447.

HALDIA

2645. BHANDARI AUTOMOBILES PVT LTD (G701-SE-04), BALGHASIPUR, BHABANIPUR, PURBA MEDIANPUR, HALDIA - 721657 PH :8016082344, 9233502421.

HOWRAH

2646. BHANDARI AUTOMOBILES PVT LTD (X701-X7-01), BANKRA THANA,DOMJUR,HOWRAH. - 711403 PH :9674735304.
2647. PREMIER CARWORLD PVT. LTD. (0611-X7-02), MOUZA – PRASASTHA, P.S. – DOMJUR, UNDER MOHARY 2 NO. GRAM PANCHAYAT, ANKURHATI, HOWRAH, WEST BENGAL. - 711302 PH :8420122402.

JALPAIGURI

2648. PODDAR CAR WORLD PVT. LTD. (XY01-XY-01), COLLEGE PARA, SIRISHTALA, NEAR ASSAM MORE, JALPAIGURI, WEST BENGAL. - 735101 PH :8945533002.

JAYGAON

2649. SEVOKE MOTORS PVT. LTD. (CHS1-CHS-01), HOUSE NO.43, WARD NO.11/22, N.S ROAD DARAGAON, P.S - JAYGAON, DISTT. ALIPURDUAR, WEST BENGAL - 736182 PH :9433825851.

JHARGRAM

2650. BHANDARI AUTOMOBILES PVT LTD (BUG1-BUG-01), DAG NO.383, KHATIAN NO. JL386, WARD NO.11, RAJBATI CAMPUS, JHARGRAM, WEST BENGAL - 721507 PH :8016087297, 9933055539.

KADAMBAGACHI

2651. STARBURST MOTORS PVT LTD (BXJ1-CTE-04), MOUZA - PURBA ICHAPUR, J L NO. 111, RESU NO. 131, DAG NO. 385, KHATIAN NO. L R 754, KADAMBAGACHI, P.S. - BARASAT, DIST.-NORTH 24 PARGANAS, WEST BENGAL. - 700125 PH :8336933410.

KALIMPONG

2652. BEEKAY AUTO (BWF1-BWF-01), 10TH MILE, GUMBA HATTA, PO&PS -KALIMPONG, DIST - KALIMPONG, WB. - 734301 PH :9932049347.

KALNA

2653. BEEKAY AUTO PVT LTD (WZ01-WZ-01), KALNA ROAD, NEAR KALNA SUB DIVISIONAL HOSPITAL, KALNA, PO&PS: KALNA, DISTT. BURDWAN, (WB.) - 713409 PH :9932251483.

KALYANI

2654. STARBURST MOTORS PVT LTD (U01-UJ-01), KALYANI INDUSTRIAL GROWTH CENTRE, PHASE-III, A-5 (OPP. U I C UDYOG, NEAR: J I S COLLEGE), KALYANI. - 741234 PH :8584040215, 8336933447.

KESHPUR

2655. BHANDARI AUTOMOBILES PVT LTD (CCM1-CCM-01), JL NO. 338, KHATIAN NO. 786/2, PLOT NO. 1749, MOUZA – KESHPUR, VILLAGE + P.O. + P.S. – KESHPUR, WEST MIDNAPUR, WEST BENGAL. - 721150 PH :721150, 8170014289.

KHARAGPUR

2656. BHANDARI AUTOMOBILES PVT LTD (G701-G7-01), BHANDARI BUILDING, JHAPATAPUR, KHARAGPUR, WEST BENGAL - 721301 PH :755537.

KHATRA

2657. BHANDARI AUTOMOBILES PVT LTD (BGZ1-BGZ-01), VILLAGE - SENAPATI, P.O & P.S - KHATRA, MOUZA-SENAPATI, JL NO. 189, KHATIAN NO.659, PLOT NO.33/34, DISTT. BANKURA, WEST BENGAL. - 722140 PH :9933055539.

KOLKATA

2658. MACHINO TECHNO SALES LTD. (0601-06-02), 8A, TARATALA ROAD, KOLKATA - 700066 PH :9073330177.

2659. DEWAR'S GARAGE (0605-06-01), (PROP. DELTA INTERNATIONAL LTD.), 14 BRITISH INDIAN STREET, CALCUTTA - 700069 PH :8584015205.

2660. MACHINO TECHNO SALES LTD. (0601-06-01), 21/1 DARGA ROAD, (PARK CIRCUS), CALCUTTA - 700017 PH :9073330178.

2661. PREMIER CARWORLD PVT. LTD. (0611-06-01), AGARPARA JUTE MILL, 28-B.T.ROAD, P.O.: -KAMARHATI, DISTT.-KOLKATA - 700058 PH :8697730344.

2662. BHANDARI AUTOMOBILES PVT LTD (0609-06-01), BUDGE BUDGE TRUNK ROAD, NEW GOPALPUR, SARKARPOOL, MAHESHTALA, DISTT. SOUTH 24 PARGANAS, WEST BENGAL - 700143 PH :9674476000.

2663. BHANDARI AUTOMOBILES PVT LTD (0609-06-02), 37, GULAM JILANI KHAN ROAD, KOLKATA. - 700039 PH :9903850402.

2664. SANEI MOTORS PVT. LTD. (0612-06-01), 16/2 CANAL EAST ROAD, NEAR MANIKTALA POLICE STATION, KOLKATA - 700067 PH :8584050184.

Dealer Workshop (AS ON 30.05.2023)

2665. ONE AUTO PVT. LTD. (0614-06-02), 62 EAST TOPSIA ROAD, P.S. TILJALA, ARUPOTA, KOLKATA, WEST BENGAL - 700105
PH :8584878802.

2666. ONE AUTO PVT. LTD. (0614-06-01), JL NO.3, MOUZA-JAGADIPOTA, P.S.SONARPUR, KHEYADAH NO.2, GRAM PANCHAYAT, DISTT. SOUTH 24 PARGANAS. - 700099
PH :8584870725.

2667. DEVAR'S GARAGE (0605-06-03), P-27/2, TARATALA ROAD, KOLKATA - 700088
PH :8584015293.

2668. SANEI MOTORS PVT LTD (0612-06-02), 235, HATIYARA ROAD, SITALATALA, BAGUIATI, KOLKATA, WEST BENGAL - 700059
PH :8584050184.

2669. OSL MOTOCORP PVT LTD (0616-06-01), 49 DEBENDRA CHANDRA DEY ROAD, LANE BESIDE SILVER SPRING CLUB, E.M. BYE-PASS, KOLKATA - 700015
PH :8336996355
8697982263.

2670. JYOTE MOTORS (0624-06-01), NAZIRABAD MAIN ROAD, NAZIRABAD, ANANDAPUR, NEAR BISHNU BLOLI GARDEN, KOLKATA, PIN-700150, WEST BENGAL - 700150
PH :8334930830.

KOLKATTA

2671. BHANDARI AUTOMOBILES (0619-6-C1), PLOT NO. IID/15, ACTION AREA 2D, NEW TOWN, P.S. RAJARHAT, KOLKATA, WEST BENGAL
PIN-700156 - 700156
PH :6291042160.

KOTULPUR

2672. BHANDARI AUTOMOBILES PVT LTD (BIP1-BIP-01), KHATIAN NO.644, PLOT NO.373, JL NO. 101, VILLAGE - MULDARA, P.S. + P.S. - KOTULPUR, DISTT.-BANKURA, WEST BENGAL. - 722141
PH :9933055539.

KRISHNANAGAR

2673. BHANDARI AUTOMOBILES PVT LTD (X701-GS-02), PLOT NO.-1874, MOUZA-GOBINDSARAK, J.K. NO. 94, PS-KOTWAL, OLD WARD NO.20, LAL MOHAN GHOSH ROAD, KRISHNANAGAR - 742011
PH :9051999742.

MADHYAMGRAM

2674. STARBURST MOTORS PVT LTD (BXJ1-BXJ-01), 9/1, HEMANTA BOSE SARANI, BASUNAGAR, NEAR DEAF & DUMB SCHOOL, UDAYRAJPUR, MADHYAMGRAM - 700129
PH :9836075989, 8336933447.

MALBAZAR

2675. BEEKAY AUTO PVT LTD (BWG1-BWG-01), CALTEX MORE, VILLAGE + P.S. - MALBAZAR AND DISTRICT - JALPAIGURI. - 735221
PH :9932049347
9932049382
7478004430
7477785203.

MALDA

2676. J K WHEELS PVT. LTD. (L801-L8-01), GABGACHHII, N.H. 34, MALDA, - 732103
PH :9851520855, 9735003949.

MATHABHANGA

2677. BEEKAY AUTO PVT LTD (BQF1-BQF-01), SITAKULCHI ROAD, WARD NO.9,MATHABHANGA, DISTRICT - COOCHBEHAR. - 736146
PH :7477785202
9932049347
9932049382
7478004430.

MOHANPUR

2678. BHANDARI AUTOMOBILES PVT LTD (CIV1-CIV-01), VILLAGE-NAYAGAON, P.O. -PAROI, P.S.-MOHANPUR, MOUZA - NAYAGAON, JL NO.395, KHATIAN NO.175/1, PLOT NO.895, DISTT.-PASCHIM MIDNAPUR,W.BENGAL. - 721436
PH :9933055539.

NAIHATI

2679. PREMIER CARWORLD PVT. LTD. (YD01-YD-01), P.O. BHATPARA, GRAM-MUKTARPUR, P.S. - JAGATDAL, DIST-24 PGS (N), NAIHATI (WB) - 743123
PH :801700824.

NAKASHIPARA

2680. BHANDARI AUTOMOBILES PVT LTD (BMJ1-BMJ-01), L R DAG NO. 7271, UNDER L R KHATIAN NO. 6734, MOUZA - DEBAGRAM, J L NO. 60, POLICE STATION - KALIGANJ, BLOCK - KALIGANJ, NAKASHIPARA, DIST.-NADIA, WEST BENGAL. - 741138
PH :9163314418.

NAXALBARI

2681. BEEKAY AUTO PVT LTD (CSJ1-CSJ-01), MOUZA - GENI, KHATIAN NO.275, PARGANA-HATIGHISHA, P.S. NAXALBARI, DISTT. DARJEELING, WEST BENGAL - 734429
PH :9932049347
9932049382
7478004430
9563370099.

PANCHLA

2682. BHANDARI AUTOMOBILES PVT. LTD. (BPI1-BPI-01), L.R DAG NO 3274, UNDER L.R KHATIAN NO 3044, MOUZA-MALLICKBAGAN, JL NO-7, POLICE STATION - PANCHLA, DIST-HOWRAH - 711310
PH :9073664926.

PANDUA

2683. BHANDARI AUTOMOBILES PVT LTD (BOS1-BOS-01), GT ROAD, PANDUA, NEAR KAKOLI CINEMA HALL, OPP. POWER HOUSE, HOOGLY, WEST BENGAL. - 712149
PH :9073912566.

PANSKURA

2684. BHANDARI AUTOMOBILES PVT LTD (BPS1-BPS-01), MOUZA - PASCHIM NEKRA, JL NO.98, LR NO.1154, LR NO.1156, PANSKURA, WEST BENGAL. - 721139
PH :9933055539.

PURULIA

2685. SWG- (A UNIT OFSAI NATH AUTO LINKS PVT. LTD) (4402-6V-02), PO. LAKDA, VILLAGE-DADKA, ON RANCH ROAD, PURULIA - 723149
PH :9647444888
8927895511.

RAGHUNATHPUR

2686. BEEKAY AUTO PVT LTD (CKZ1-CKZ-01), MOUZA - BUNDLA, J.L. NO. 197, PLOT NO. 2656, KHATIAN NO. LR 207, P.O. - RAGHUNATHPUR, P.S. - RAGHUNATHPUR, DISTRICT - PURULIA. - 723133
PH :9932049425,
9932049435.

RAIGANJ

2687. J K WHEELS PVT. LTD. (BN02-BN-01), JL NO. 150, KHATIAN NO. 168/3 & 168/4, PLOT NO. 4158, P.S. - RAIGANJ, MUNICIPALITY - RAIGANJ, WARD NO. 11, HOLDING NO. 577/N, MOUZA - RAIGANJ, DISTRICT - UTTAR DINAJPUR, - 733134
PH :9735008842.

RAJARHAT - KOLKATA

2688. STARBURST MOTORS PVT LTD (BXJ1-06-05), R.S & L.R. DAG NO. 3434, MOUZA- GOPALPUR, JL NO. -02, RS NO. -140, LR KHATIAN NO. -5638, NEW TOWN, RAJARHAT - 700136
PH :9681080301.

RANAGHAT

2689. STARBURST MOTORS PVT LTD (BBW1-BBW-01), THANA: GANGNAPUR, ADSR OFFICE, 151 NO.MOUZA PATULI, PLOT NO.309, RANAGHAT, DISTT: NADIA - 741256
PH :8145821191, 8584040215.

RUPNARAYANPUR

2690. BEEKAY AUTO PVT LTD (BWS1-BWS-01), P.S. - SALANOUR, UNDER MOUZA - JEMARI, J.L. NO. 32, PLOT NO. 343-344, KHAITAN NO. 933, RUPNARAYANPUR, PASCHIM BARDHAMAN DISTRICT, WEST BENGAL. - 713335
PH :9932049425,
9932049435.

SABANG

2691. BHANDARI AUTOMOBILES PVT LTD (CCL1-CCL-01), VILLAGE - PAIKAN DAKSHINBARH, P.O. - DHANSHARPUR & P.S. - PINGLA, DIST.-PASCHIM MIDNAPORE, SABANG - 721 166, WEST BENGAL. - 721166
PH :9933055539.

SEORI

2692. BEEKAY AUTO PVT LTD (F601-KC-02), RAMBADANPUR, NEAR SP MORE, DIST-BIRBHUM, SEORI - 731101
PH :9932049425,
9932049406.

SHYAMPUR

2693. SANEI MOTORS PVT LTD (CAW1-CAW-01), VILLAGE + P.O. - GOBINDAPUR, P.S. - SHYAMPUR, DISTRICT - HOWRAH, WEST BENGAL. - 711314
PH :8584050184.

SILIGURI

2694. BEEKAY AUTO PVT LTD (4301-43-01), NH-31, P.O. MATIGARA,SILIGURI. - 734428
PH :9932049347
9932049382
7478004430.

2695. BEEKAY AUTO PVT LTD (4301-43-04), AMAI DIGHI, PHOOL BARI,STATE HIGHWAY -12, SILIGURI - 734001
PH :9932049347
9932049380.

2696. SEVOKE MOTORS PVT. LTD. (4302-43-01), 233, SEVOKE ROAD,2ND MILE, SILIGURI - 734001
PH :9706010366.

2697. PODDAR CAR WORLD PVT LTD (XY01-43-02), VILL. EAST DHANTALLA, FULBARI II G.P. P.O SATELLITE TOWNSHIP, DIST- JALPAIGURI - 734015
PH :8945533002.

SONADA

2698. SEVOK (SDX1-SDX-01), RATO MATEY DARA, NEAR PETROL PUMP,P.O- SONADA, WEST BENGAL PIN - 734209 - 734209
PH :9800069144.

SONAMUKHI

2699. BHANDARI AUTOMOBILES PVT LTD
(CAU1-CAU-01), J.L NO. 77, KHATIAN NO. 360,
PLOT NO. 114/287, SONAMUKHI BISHNUPUR
ROAD, VILLAGE - CHURAMANIPUR, P.O. & P.S. -
SONAMUKHI, WEST BENGAL. - 722207
PH :9933055539.

SREERAMPURE (SREERAMPUR)

2700. BHANDARI AUTOMOBILES PVT LTD
(BBT1-BBT-01), BANGIHATI (MADPUR) DELHI
ROAD, SREERAMPUR, DISTT: HOOGHLY, WB -
712203
PH :66137505, 66137585, 9674741544.

TAMLUK

2701. BHANDARI AUTOMOBILES PVT LTD
(OL01-OL-01), MOUZA PADUMBASAN, WARD NO
10, JL NO:144, DISTT: EAST MIDNAPUR, WEST
BENGAL - 721636
PH :9933055539.

TARAKESHWAR

2702. SANEI MOTORS PVT. LTD. (YH01-YH-01)
MOUZA BAIDYAPUR, UNDER BALIGORI(1),
GRAM PANCHAYET, TARAKESHWAR, DISTT.
HOOGLY, WEST BENGAL. - 712410
PH :8584050184.

UDAYNARAYANPUR

2703. BHANDARI AUTOMOBILES PVT LTD
(BOO1-BOO-01), VILLAGE-JANGALPARA
BELGRAM, PS- UDAYNARAYANPUR, DIST-
HOWRAH, WEST BENGAL. - 711226
PH :9073664902.

ULUBERIA

2704. BHANDARI AUTOMOBILES PVT LTD
(2401-24-01), HOLDING 1242A, BANITABLA,
P.O+P.S: ULUBERIA, NH-6, DISTT: HOWRAH,
WEST BENGAL - 711316
PH :9052901888.

Nexa Workshop (AS ON 30.05.2023)

42. SAI SERVICE (34NA-34-01), EMPRESSA INDUSTRIAL, CHODANKAR, SURVEY NO. 114/2, SALVADOR DO MUNDO, PORVORIM, BARADEX, GOA - 403521
PH :022-61841111,
8291941070.

GUJARAT

AHMEDABAD

43. STAR LINE CARS (01NE-01-01), PLOT NO 236, GIDC, NARODA, AHMEDABAD, GUJARAT. 382 330 - 382330
PH :7436003235.
44. PEGASUS (01NG-01-01), PLOT NO 9, OPP RABARI COLONY BRTS STOP, CTM, NAROL - NARODA HIGHWAY, NH-8, AHMEDABAD, GUJARAT. - 380026
PH :9909023000.
45. POPULAR WHEELERS (01NC-01-01), T P 20, F P 78, OPPOSITE SUN SQUARE COMPLEX OFF, C G ROAD, NEAR HL COLLEGE, NAVRANGPURA GULBAJ TEKRA, AHMEDABAD, GUJARAT - 380009
PH :9925203344.

ANAND

46. AMAR CARS (F7NA-F7-01), SURVEY NO 1583, PLOT NO 144, NEAR GANESH CROSSING, ANAND SOJITRA ROAD, ANAND, GUJARAT - 388001
PH :9925407666.

BHARUCH

47. RAVIRATNA (F8NA-F8-01), SURVEY NO 185/3, NH8, ZARDESHWAR, BHARUCH, GUJARAT. - 392001
PH :9727700823.

BHAVNAGAR

48. KIRAN MOTORS (C9NB-C9-01), RAMDEV SOCIETY, CHITRA GIDC, BHAVNAGAR - GUJARAT - 364001
PH :9924123973.

BHUJ

49. KD MOTORS (P5NA-P5-01), 33, UMA PARK, BEHIND MARUTI SUZUKI SHOWROOM, MIRZAPAR HIGHWAY, BHUJ - 370040
PH :9879898799.

GANDHIDHAM

50. BM AUTO LINK (77NA-77-01), SURVEY NO 129/26, GALPADAR - ANJAR HIGHWAY, AIRPORT ROAD, GANDHIDHAM, KUTCH, GUJARAT - 370201
PH :7211120014.

GANDHINAGAR

51. NANDA AUTOMOBILES (2BNA-2B-01), BLOCK NO 403, NR SANGATH GATEWAY, OPP RAISAN PETROL PUMP, KUDASAN, GANDHINAGAR, GUJARAT. - 382421
PH :9687641974.

GODHRA

52. RB CARS (2CNA-2C-01), SURVEY NO. 38/2 PAIKE 1 PAIKE 2, LUNAWADA ROAD, OPP. GIDC, GODHRA - 389001 - 389001
PH :9925051444.

JUNAGARH

53. PERFECT AUTO SERVICES (K8NA-K8-01), GIDC 2, RAJKOT HIGHWAY, JUNAGARH - 362037
PH :9909022619.

MEHASANA

54. STAR LINE CARS (D1NA-D1-01), REVENUE SURVEY NO. 342, PLOT NO.1, 4, 5 AND 6 TO 12, VILLAGE NAGALPUR, DISTRICT MEHSANA, GUJARAT - 384002
PH :7211138986,
7211138987.

MORBI

55. PERFECT AUTO SERVICES (X5NA-X5-01), RAJKOT MORBI HIGHWAY, VILLAGE SANALA, MORBI - GUJARAT (363641) - 363641
PH :9909022619.

PATAN

56. STARINE CARS (Q9NA-Q9-01), ADJACENT ARENA SET UP, PATAN UNJHA ROAD, PATAN (GUJARAT) - 382465 - 382465
PH :9909043244.

RAJKOT

57. PERFECT AUTO SERVICES (55NB-55-01), PLOT NO. 110, 111, 127 & 128, KOTHARIYA, NEAR PERFECT HOUSE, GONDAL ROAD, RAJKOT - 360004
PH :9512035501.

SURAT

58. KIRAN MOTORS (40NB-40-01), BLOCK NO 443, FP NO 26 MOJE PALGAM, ADAJAN, SURAT, GUJARAT -395009 - 395009
PH :7020569426.
59. AMAR CARS (40ND-40-01), SURVEY NO 139, BLOCK NO-"218"VA, OPPOSITE TO AWADH ARENA MALL, V.I.P ROAD ,BHARTHAMA,SURAT,GUJRAT - 395007
PH :9871389795.

SURENDRANAGAR

60. DREAM VEHICLES (LCNA-LC-01), PLOT NO. 302, GIDC AREA, WADHWAN CITY, SURENDRANAGAR, GUJARAT. - 363035
PH :8511104644.

VADODARA

61. KATARIA AUTO (22NA-22-01), WARD NO 11 CIRCLE SAINATH ROAD, HARINAGAR-VASNA ROAD VADODARA - 390007
PH :9824701590.

VAPI

62. KATARIA AUTO (97NA-97-01), NEAR CROMA OUTLET, RATHOD CHAMBERS, DAMAN ROAD,CHALA VAPI - 396191
PH :9714799985.

HARYANA

AMBALA

63. EAKANSH WHEELS (18NA-18-01), AMBALA-CHANDIGARH HIGHWAY ADJOINING AJJ SAMAJ VILLAGE-SADOPUR, AMBALA - 134003
PH :8395903111.

BHIWANI

64. PASCO AUTOMOBILES (X3NA-X3-01), NEAR HUNNAMAL PIAYU, ROHTAK ROAD, BHIWANI-HARYANA-127021 - 127021
PH :9289192582.

FARIDABAD

65. PASCO AUTOMOBILES (58NB-58-01), 14/4, MATHURA ROAD, FARIDABAD, HARYANA - 121003
PH :9999790229.
66. BVA AUTO (58NC-58-01), 2J/53-54, NH-2, NIT FARIDABAD, HARYANA - 121001
PH :9911259288.
67. VIPUL MOTORS (58NA-58-01), SUB DIVISION NO-3, INDUSTRIAL PLOT NO. -34, N.I.T, FARIDABAD HARYANA - 121001
PH :8562019252.

GURGAON

68. PREM MOTORS (95ND-95-01), PLOT NO. 5, IDC, SECTOR-16, GURGAON, HARYANA - 122001
PH :1292565666.
69. TR SAWHNEY (95NB-95-01), CRPF CAMP ROAD, VILLAGE ULLAWAS, NR. PIONEER PARK SECTOR-62, GURGAON, HARYANA - 122001
PH :1274254441.
70. PASCO AUTOMOBILES (95NA-95-01), SEC 17-18 DIVIDING ROAD, GURGAON- HARYANA, 122015 - 122015
PH :0124-4398400,
9999239959,
9873873807.

JIND

71. EAKANSH MOTORS (2KNA-2K-01), KHEWAT NO. - 155, KHASRA NO. - 142, MURRABA NO. - 210 OPP. HP LPG BOTTLING PLANT, ROHTAK-JIND ROAD, JIND. PIN - 126102. - 126102
PH :8529860482.

KAITHAL

72. EAKANSH MOTORS (U8NA-U8-01), NH-65, OPP RKM FARM, AMBALA ROAD, KAITHAL - 136027
PH :7419900804,
7419900803.

73. EAKANSH MOTORS (U8NA-U8-02), KHEWAT NO -458, KHATONI - 563, KITTAS - 20/87K 01M ADJOINING NEXA SHOWROOM, AMBALA HISAR ROAD, KAITHAL - 136027
PH :8813038777.

KARNAL

74. KARNAL MOTORS (89NA-89-01), 118-119 KM MILESTONE, G.T. ROAD, KARNAL, HARYANA - 132001
PH :8572801011.

PALWAL

75. AUTONATION (EENA-EE-01), KILA NO.-15/2 & 16/1, 57 MILESTONE, NEAR ECHS HOSPITAL, MATHURA ROAD, PALWAL - 121102
PH :9811321581.

PANIPAT

76. AUTO GALLERY (D3NB-D3-01), NANGAL KHERI, NEAR BBMB POWER HOUSE, OPP. SEC-29, PANIPAT, HARYANA - 132103
PH :9812615000.

REWARI

77. DINCO MOTORS (U1NA-U1-01), OPP. TULARAM STADIUM, DELHI ROAD, REWARI - 123401
PH :0129-4353535,
9953357777
8448787882
8448787883.

ROHTAK

78. JAGMOHAN MOTORS (A6NA-A6-01), NORTHERN BYEPASS, SUKHPURA CHOWK, JIND ROAD, ROHTAK, HARYANA - 124001
PH :8754045446.

SIRSA

79. SHAKTI MOTORS (E4NA-E4-01), OPP. DELHI PUBLIC SCHOOL, NH-09, HISSAR ROAD, SIRSA - 125055
PH :88160-72888,
88138-75888.

HIMACHAL PRADESH

NAGROTA

80. KANGRA VEHICLELEADS (D9NA-D9-01), VILL HATWAS, PATHANKOT - MANDI HIGHWAY, NAGROTA BAGWAN DISTT. KANGRA - 176047
PH :7087916168.

JAMMU AND KASHMIR

JAMMU

81. JAMKASH VEHICLES (33NB-33-01), NH-1A BYE PASS OPPOSITE CHANNI HIMMAT, JAMMU (J&K) - 180015
PH :7710400000.

Nexa Workshop (AS ON 30.05.2023)

125. SHUBH MOTORS (54NB-54-01), SHUBH MOTORS, 4 MILE. LAL BUNGALOW, TILHARI, JABALPUR MADHYA PRADESH - 482001 PH :9644454545.
126. STANDARD MOTORS (54NC-54-01), UKHARI TIRAHA, OPPOSITE TO RAMESHWARAM WATER TANK, MR-4 ROAD, VIJAY NAGAR, JABALPUR (M.P.) - 482001 PH :7800806222.

SAGAR

127. ADINATH CARS (G1NA-G1-01), KHASRA NO 155, P H NO. -77, BAHERIA GADGAD, SAGAR JABALPUR ROAD, SAGAR - 470004, MADHYA PRADESH, INDIA - 470004 PH :9752447690.

SATNA

128. CITY CARS (D7NA-D7-01), BEHIND NEXA SHOWROOM, 666/2, AMOUDHA, PANNA ROAD, SATNA, MADHYA PRADESH - 485001 PH :6262230999.

SHAHDOL

129. STANDARD MOTORS (SFAN-SAF-01), KHASRA NO-459, VILLAGE JAMUI NEAR BAGHEL DHABA, BUDHAR ROAD, SHAHDOL (M.P.) - 484001 PH :9329927451, 9329927458.

UJJAIN

130. RUKMARANI (YUG) (3WNA-3W-01), 59/1, DEWAS ROAD, ADARSH NAGAR, NAGZIRI, UJJAIN - 456664 PH :9755512100.

MAHARASHTRA

AHMEDNAGAR

131. KANKARIYA AUTOMOBILES (A5NA-A5-01), SH-60, NEWASA ROAD ,NAGARDEOLE,AHEMDANAGAR,MAHARASHTRA - 414601 PH :9403961522.

AKOLA

132. ASPA BANDSONS (F1NA-F1-01), SHIVANI AIRPORT AREA, AKOLA - MAHARASHTRA (444001) - 444001 PH :942312366.

AMARAVATI

133. ASPA BANDSONS (F2NA-F2-01), F32/1 MIDC , AURANGABAD NAGPUR EXPRESS HIGHWAY, AMRAVATI, MAHARASHTRA - 444607 PH :9130041513.

AURANGABAD

134. AUTOMOTIVE MANUFACTURER LTD (21NB-21-01), PLOT NO :- L- 3 / 1 , BETWEEN GARWARE & WOODHARDT LTD, JALGAON ROAD, MIDC CHIKALTHANA,AURANGABAD PIN :- 431006, MAHARASHTRA - 431006 PH :9970499273.

135. PAGARIYA AUTO (21NA-21-01), OPP AIRPORT, NEXT TO INDIAN OIL PETROL PUMP, JALNA ROAD, AURANGABAD, MAHARASHTRA - 431006 PH :8888859502.

BARAMATI

136. MAHALAXMI AUTO (7RNA-7R-01), BHIGWAN ROAD, SHIV NAGAR, BARAMATI (MAHARASHTRA) - 413102 PH :9850994014.

CHANDRAPUR

137. BARBATE AUTO (H3NA-H3-01), PLOT NO 15-18, OUT OF SURVEY NO 14/4, 15/5, MAUZA BADOLI, NAGPUR CHANDRAPUR HIGHWAY, CHANDRAPUR, MAHARASHTRA - 440025 PH :8380887666.

DHULE

138. SEVA AUTOMOBILES (P3NA-P3-01), PLOT NO. F-1, ADDITIONAL DHULE INDUSTRIAL AREA, DHULE, MAHARASHTRA - 424006 PH :9960090614.

JALGAON

139. MANRAJ AUTO (C4NB-C4-01), P 93, MIDC, R L CHOWK, AJANTA ROAD, JALGAON, MAHARASHTRA - 425003 - 425003 PH :0253-6686666, 913003951.

KHARGHAR

140. SIMRAN MOTORS (AACN-AAC-01), 60/72, JAWAHAR COOPERATIVE INDUSTRIAL ESTATE, KALAMBOLI, KHARGHAR, MUMBAI, MAHARASHTRA - 410209 PH :022-71430900, 9594952348.

KOLHAPUR

141. SAI SERVICE (38NA-38-01), 1243/66, E WARD, SHIVAJI UDHYAMNAGAR, KOLHAPUR - 416001 PH :9923208401.

MUMBAI

142. SAI SERVICE (05NB-'05-01), JOSEPH CARDIJN TECHNICAL SCHOOL , KHASHABA JADHAV MARG , OFF DR. AMBEDKAR ROAD , DADAR (EAST) MUMBAI, MAHARASHTRA - 400014 PH :022-4876777.
143. SHIVAM MOTORS (05ND-'05-01), PLOT NO SILVER HOUSE, 110 MIDC, ROAD NO 13, MAROL ANDHERI (EAST), MUMBAI, MAHARASHTRA. - 400069 PH :02352-220084, 9686533472.
144. KTS AUTOMOTORS (05NH-05-01), UNIT NO A1, PANNALAL COMPOUND, LBS KANTILAL MAGANLAL ESTATE, L.B.S MARG, BHANDUP (W), MUMBAI - 400078 PH :020-30414000, 9168656888.

145. SHIVAM AUTOZONE (05NE-05-01), PLOT NO. 1 & 2, RAMCHANDRA LANE EXTN., KANCHPADA, OFF LINK ROAD, MALAD-WEST. - 400064 PH :9870938888.

NAGPUR

146. BARBATE AUTO (20NA-20-01), 37/2, MANISH NAGAR, BESA T POINT, BESA ROAD NAGPUR 440025 - 440025 PH :7923600147, 9727726004.

NADED

147. SEVA AUTOMOBILES (68NA-68-01), AIRPORT ROAD,SANGVI - 431605 PH :7065026520.

NASHIK

148. SEVA AUTOMOBILES (37NA-37-01), PLOT B-17, MIDC, AMBAD, NASIK, MAHARASHTRA - 422010 PH :8975762303.

NAVI MUMBAI

149. AUTOMOTIVE MANUFACTURER LTD (39NB-39-01), NERUL, MUMBAI PUNE HIGHWAY, NAVI MUMBAI - 400706 PH :9769206120.
150. MY CAR (05NK-05-01), PLOT NO- GEN-25 & GEN-25 B/1, TTC INDUSTRIAL AREA, PAWANE, NAVI MUMBAI, MAHARASHTRA (400709) - 400709

PUNE

151. KOTHARI WHEELS (19NB-19-01), GATE NO 1605, OLD 1099, KESNAND ROAD, WAGHOLI, TAL-HAVELI, DISTRICT - PUNE, MAHARASHTRA - 412207 PH :7721865000.
152. EXCEL AUTOVISTA (19NG-19-01), SURVEY NO 98/2A/P, NEW PUNE - MUMBAI HIGHWAY, NEAR BALEWADI STADIUM, BANER TALUKA, PUNE - 411045 PH :0257-2212145.
153. SEHGAL AUTO RIDERS (19NE-19-01), SURVEY NO 63/2, SHEWALEWADI, MANJARI BUDRUK, PUNE SOLAPUR HIGHWAY, PUNE, MAHARASHTRA - 412307 PH :9158000049.
154. WONDER CARS (19ND-19-01), PLOT NO 52/1 BLOCK F2, MIDC PIMPRI, PUNE - 411019 PH :9850094151.
155. MAHALAXMI AUTO (19NI-19-01), NEAR SADGURU PETROL PUMP, PUNE NASHIK HIGHWAY, AT KURALI, KHED TALUKA, CHAKAN - 410501 PH :9923589214.
156. SAI SERVICE (19NC-19-01), SINHAGAD ROAD, NEAR NANDED CITY, VADGAON KHURD, PUNE. (MAHARASHTRA) - 411041 PH :9923308333.

RATNAGIRI

157. JAGRUT MOTORS (G3NA-G3-01), 410/6/1B, SALVI STOP, SHIVAJI NAGAR MAIN ROAD RATNAGIRI, MAHARASHTRA - 415612 PH :9820039626.

SHOLAPUR

158. CHAVAN MOTORS (B1NA-B1-01), SURVEY NO. 534/4, BALE PUNE ROAD, SOLAPUR, MAHARASHTRA - 413224 - 413224 PH :8888881314.

THANE

159. EXCEL AUTOVISTA (39NA-39-01), MOHAN MILL COMPOUND, GHODBUNDER ROAD , THANE , MAHARASHTRA - 400607 PH :9967331726.
160. EXCEL AUTOVISTA (39NA-39-02), NEAR ARIHANT COMPOUND, KALHER, BHIWANDI, THANE - 400607 PH :9967331726.
161. MY CAR PUNE- CODO (05NL-05-01), PLOT NO. B-21 & B-24/1, THANE INDUSTRIAL AREA, THANE, MAHARASHTRA - 400604 PH :8104906953.

YAVATMAL

162. HIMALAYA CARS (4MNA-4M-01), PLOT NO. 14, MIDC, YAVATMAL INDUSTRIAL AREA, YAVATMAL - 445001 PH :9011014729.

NAGALAND

DIMAPUR

163. PROGRESSIVE MOTORS (32NA-32-01), OPPOSITE AIRPORT, N.H.39, DIMAPUR KOHIMA ROAD, DIMAPUR OPPOSITE AIRPORT, N.H.39, DIMAPUR KOHIMA ROAD, - 797115 PH :7669223736.

ODISHA

BERHAMPUR

164. SKY AUTOMOBILES (E2NA-E2-01), PLOT NO 373/2229 & 373/1204, AMABAPUA MOUZA, BRAHMAMPUR (ODISHA) - 760007 PH :7381266000.

BHUBANESWAR

165. NARAYANI MOTORS (04NC-04-01), PLOT NO 140/2004, KHATA NO -1152/364, UNIT-20, JAGAMARA, KHANDGIRI, CHAWAK, BHUBANESHWAR - 751001 PH :9583001877.

JEYPORE

166. LEGEND CARS (SWNA-SW-01), NH26, OPPOSITE HOTEL HELLO, INDUSTRIAL ESTATE, JEYPORE, ODISHA - 764001 PH :09692883057.

ROURKELA

Nexa Workshop (AS ON 30.05.2023)

167. ORBIT MOTORS (87NA-87-01), PLOT NO 5G/3, VED VYAS, SUNDARGARH, ROURKELA - 769041
PH :9165071234.

SAMBHALPUR

168. ODYSSEY MOTORS (D4NA-D4-01), SAMBALPUR, CHOWK, REMED, ODISHA 768006 - 768006
PH :0832-2408800,
+91-9881746562.

PUNJAB

AMRITSAR

169. JAYCEE MOTORS (17NC-17-01), JAYCEE MOTORS, VERKA BYE PASS, OUTSIDE ASHBERRY HOMES, VILLAGE VALLAH, AMRITSAR, PUNJAB - 143501
PH :01815045400,
7536966666.

BHATINDA

170. TARA (70NA-70-01), KHASRA NO. 3534, NEAR ITI CHOWK, MANSA ROAD, BHATHINDA, PUNJAB - 151001
PH :8437019666.

JALANDHAR

171. MARWAHA (35NC-35-01), KHASRA NO. - 16450, SITUATED AT RAJA GARDEN, KAPURTHALA ROAD, JALANDHAR CITY. - 144003
PH :9814735707.

JALLANDHAR

172. LOVELY AUTO (35NA-35-01), NH 1 GT ROAD, PRAGPUR, JALANDHAR PUNJAB - 144024
PH :7617571039,
7617571040.

LUDHIANA

173. GULZAR (62NE-62-01), PLOT NO 2662 NEAR SILVER ARC MALL, AARTI CHOWK, LUDHIANA, PUNJAB - 141003
PH :9814839777.
174. HOSHARPUR AUTO (62NG-62-01), S-46/1616/1, G.T. ROAD, DHOLEWAL CHOWK, LUDHIANA, PUNJAB - 141003
PH :8872501234.
175. MARWAHA AUTOS (A UNIT OF INDERJIT MARWAHA AUTOS PVT LTD) (62NH-62-01), OPP. MEDIWAYS HOSPITAL, FEROPUR ROAD, LUDHIANA - 141015
PH :8872000357.
176. LOVELY AUTO (62NF-62-01), 287/1, MOTI NAGAR, SHERPUR BYPASS, GT ROAD, LUDHIANA - 141010
PH :9875999161.

MOHALI

177. CM AUTO SALES (L1NA-L1-01), C-155, INDUSTRIAL AREA, PHASE-7, MOHALI - 160055
PH :9888034555,
9780011459.

PATHANKOT

178. PATHANKOT VEHICLELEADS (A7NA-A7-01), PLOT NO.-C-30, INDUSTRIAL GROWTH CENTRE, VILL. CHACELI, PATHANKOT - 145023
PH :7527006800.

RAJASTHAN

AJMER

179. NAVNEET MOTORS (B2NA-B2-01), PLOT NO7 -8,RIICO INDUTRAIL ESTATE MAKHAPURA NASIRBAD ROAD,AJMER(RAJASTHAN)-PIN CODE -305002 - 305002
PH :9414149149.

ALWAR

180. FORTUNE CAR (F9NA-F9-01), 6TH MILESTONE VILLAGE JATIYANA,OPP. PETROL BEHROR ROAD ALWAR - 301001
PH :9982341741.

BHILWARA

181. CHAMPION CARS (E3NA-E3-01), NEXA SUKHADIA CIRCLE, CHAMPION CARS, AJMER ROAD, BHILWARA - 311001
PH :9001027833.

BIKANER

182. AUDI MOTORS (71NA-71-01), PLOT NO. F-189, SRI GANAGANAGAR ROAD, OPPOSITE RAC-3RD , BICHHWAL INDUSTRIAL AREA , BIKANER 334001 - 334001
PH :9887222786.

CHITTORGARH

183. TECHNIOY (K9NA-K9-01), PLOT NO-28, OLD RIICO INDUSTRIAL AREA, CHITTORGARH, RAJASTHAN - 312001
PH :8905992939.

JAIPUR

184. K P AUTOMOTIVES (11NB-11-01), PLOT NO 3-4-MANGLAM RIICO INDUSTRIAL AREA, NEAR KANAKPURA RAILWAY STATION,SIRSI ROAD - 302034
PH :7412059823.
185. SATNAM MOTORS (11ND-11-01), D-27, K/L/M, ROAD NO-3,SIKAR ROAD, VISHWAKARMA INDUSTRIAL AREA ,JAIPUR, RAJASTHAN-302023 - 302023
PH :9649373311.
186. PREM (11NC-11-01), PLOT NO- 12,13,14, SUDARSHANPURA INDUSTRIAL AREA, NEAR 22 GODAM, JAIPUR - 302016
PH :8058998123.

JHUNJHUNU

187. AUDI MOTORS (FNNA-FN-01), NEAR TVS TWO WHEELER SHOWROOM ROAD NO 3 GUDHA MOD, RAJASTHAN 333001 - 333001
PH :7970006402.

JODHPUR

188. AUDI MOTORS (65NA-65-01), 14 A, HEAVY INDUSTRIAL AREA, ITI CIRCLE, SARASH DAIRY ROAD, JODHPUR - 334001
PH :7300077394.

189. LMJ AUTO (65NB-65-01), B-8, C-9,10, MIA, BASNI, PHASE-1
JODHPUR - 342009
PH :7412087320.

190. LMJ SERVICES (65NB-65-02), PLOT NO.-61, GERU MARKET, BHADWASIYA FRUIT MANDI, JODHPUR, RAJASTHAN - 342001
PH :8094011126.

KOTA

191. BHATIA & CO. (61NA-61-01), G-11A, AUTOMOBILE ZONE, IPIA, NEAR DAKANIYA RAILWAY STATION, KOTA - 324005
PH :8094011126.

SIKAR

192. JAMU (K7NA-K7-01), THAR PETROL PUMP,JAIPUR ROAD,SIKAR - 332001
PH :9414037515.

UDAIPUR

193. TECHNIOY (49NB-49-01), OPP. NAND BHAWAN, GOVERDHAN VILLAS , UDAIPUR - 313001
PH :0141 2984568.

TAMIL NADU

CHENGALPET

194. AIE CARS (BBSN-BBS-01), NO. 1/7-A, GST ROAD, CHENGALPET – 603001 - 603001
PH :74012 92949.

CHENNAI

195. PILLAI & SONS (14NC-14-01), DOOR NO 46, MEDAVAKKAM MAIN ROAD, KEELAKATTALAI, CHENNAI, TAMILNADU - 600117
PH :9994950505.
196. POPULAR VEHICLES (14NB-14-01), 69/A & 69/B, SAMAYAPURAM MAIN ROAD, PORUR, CHENNAI,TAMILNADU- 600116. - 600116
PH :9842389111.
197. KHIVRAJ MOTORS (14NA-14-01), PLOT NO 21, AMBIT IT PARK ROAD, AMBATTUR INDUSTRIAL ESTATE, CHENNAI-600058. - 600058
PH :9626099999.
198. VISHNU CAR (14NG-14-01), SURVEY NO 219, ADJOINING HP PETROL PUMP, POONAMALLE HIGH ROAD, KATTUPAKKAM, CHENNAI, TAMIL NDU - 600056
PH :7339359111.
199. ABT (14NJ-14-01), NO123, KANNIGAPURAM, VELACHERY MAIN ROAD, BEHIND RACE COURSE, GUINDY, CHENNAI, TAMIL NADU - 600032
PH :9994444303.

200. VISHNU CAR (14NG-14-02), POONAMALLE HIGH ROAD, ARUMBAKKAM, KOYAMBEDU, CHENNAI, TAMIL NADU. - 600056
PH :7550333622.

201. KHIVRAJ MOTORS (14NA-14-02), OLD S.NO. 11/1 & 2, NEW S.NO.11/2 - B, NO.100, NERKUNDRAM VILLAGE, SAIDAPET TALUK, CHENNAI - 600107
PH :9962195957.

COIMBATORE

202. AADHI CARS (41NB-41-01), OLD KALIAPPA KALYANAMANDAM, PREMISES, KAVUNDAMPALAYAM, COIMBATORE, TAMIL NADU - 627007
PH :9003977577.

203. SREE SARADHAMBAL (41NA-41-01), 18/1472, S.N.R COLLEGE ROAD, NAVA INDIA, COIMBATORE, AND TAMILNADU-641004. - 641004
PH :9790004271.

204. JAIKRISHNAA AUTOSALES PVT LTD (41ND-41-01), NO. 656, TRICHY ROAD, NEAR ORTHO ONE HOSPITAL, COIMBATORE, TAMIL NADU- 641012 - 641012
PH :9788850734.

ERODE

205. SREE SARADHAMBAL (H7NA-H7-01), NO.75, NEAR SURABI NURSERY, PERUNDURAI ROAD, ERODE, TAMILNADU-638011. - 638011
PH :9786022272.

HOSUR

206. SRI AMMAN CARS (7QNA-7Q-01), NEAR CATER PILLAR WARE HOUSE, SEETHA RAMNAGAR,NH-44,OPP TO ANAND ELECTRONICS, HOSUR, KRISHNAGIRI DISTRICT, TAMILNADU - 635109
PH :9841033464.

KARAIKUDI

207. MEENAKSHI AUTOZONE (HXNA-HX-01), T S NO 624/1, DOOR NO. 5, 1ST STREET, SUBRAMANIPURAM, KARAIKUDI, TAMIL NADU - 630001
PH :9940094881.

MADURAI

208. ASIR (42NA-42-01), 176, MAIN ROAD, KAMARAJAR ROAD, MADURAI, TAMIL NADU – 625001 - 625001
PH :99440 59911.

NAGERCOIL

209. ATHEN CARS (S5NA-S5-01), NO. G. 3/9, NO. 1197, NELSON COMPOUND, KP ROAD, PARVATHIPURAM, NAGERCOIL, TAMILNADU - 629003
PH :9751196436.

PONDICHERRY

Nexa Workshop (AS ON 30.05.2023)

210. SHENBAKA CARS (96NA-96-01), RS NO 50/5A, PONDICHERRY CUDDLORE MAIN ROAD ,KIRUMAMBAKKAM, BAHOR COMMUNE,PONDICHERY - 607402 PH :7338322220.

SALEM

211. THRIVENI CARS (A2NA-A2-01), 2/6, KANDHAMPATTY,BYE PASS ROAD, SALEM, TAMILNADU - 636005 PH - 9786022272.

212. SM CAR (A2NB-A2-01), S NO 131/1A,BYPASS ROAD, NEAR INDIAN OIL ASSOCIATION, PETROL BUNK, KONDALAMPATTY, SALEM - 636010 PH -7094440010.

THANJAVUR

213. PILLAI & SONS (E7NA-E7-01), SURVEY NO 237/1, NEELAGIRI THAKUR THOTTAM, VALLAM ROAD, THANJAVUR, TAMIL NADU - 613403 PH :943264165.

TIRUNEVELI

214. AADHI CARS (A3NA-A3-01), PLOT NO.50-55, ASHOK NAGAR, C-COLONY, TAKKALPURAM, TRIVANDRUM ROAD, C1 KOKKARAKULAM - 627007 PH :7373091461.

TRICHY

215. PLA MOTORS (23NA-23-01), TS NO.29P,31P & 32P,36P, NEW WARD "E", NEW BLOCK NO.27, ANNA NAGAR, TRICHY, TAMILNADU - 620017 - 620017 PH :8110099991.

TRIPUR

216. SHASHTI (Y7NA-Y7-01), 16A-1,SHREE PADMINI GARDENS, KANGAYAM RD, TIRUPPUR, TAMIL NADU - 641604 PH :9942903310.

VELLORE

217. SRI GANESH CARS (C6NA-C6-01), 96/6, CHENNAI-BANGALORE HIGHWAY, NH-46, PERUMUGAI,VELLORE, TAMILNADU - 632009 PH :9884722126.

TELANGANA

HYDERABAD

218. KALYANI MOTORS (10NE-10-01), SURVEY NO.184, KARMAGHAT VILLAGE, BESIDE KHARMANGHAT HANUMAN TEMPLE, R.R DISTRICT, HYDERABAD, TELANGANA - 500079 PH :9347121212.

219. VARUN MOTORS (10NB-10-01), B-54, CO.INDUTRIAL ESTATE, BALANAGAR, HYDERABAD, TELENGANA - 500037 PH :8886631496, 8886631499.

220. GEM MOTORS (10NH-10-01), D.NO.8-96, SURVEY NO.128/2 & 129, TYAGARAYANANAGAR COLONY, KOTHAPET, HYDERABAD, TELANGANA. - 500084 PH :9912345899.

221. JAYABHERI AUTO (10ND-10-01), HNO 2-40/64, SURVEY NO 23 TO 28, JUBILEE GARDENS, KOTHAGUDA, HYDERABAD, TELANGANA-500032. - 500032 PH :9849103917, 9437061030.

222. VARUN MOTORS (10NB-10-02), H.NO. 8-2-120/117/A/2, PLOT NO. 83,83A,83B, ROAD NO. 2, BESIDES SBI BANK, BANJARA HILLS, HYDERABAD - TELANGANA - 500033 PH :9885610555.

223. SAI SERVICE (10NC-10-01), SURVEY NO 78, ADJACENT TO HP PETROL PUMP, GOPANAPALLY, GACHIBOWLI, HYDERABAD -500046. - 500046 PH :9966377888.

224. RKS (10NI-10-01), SY NO:42, PET BASHERABAD, QUTHBULLAPUR, MEDCHAL MANDAL, HYDERABAD - 500014 PH :9542234567.

225. ADARSHA AUTOMOTIVE (10NG-10-01), PLOT NO 6/P, 54, SURVEY NO. 204, PRAGATI NAGAR, BALANAGAR, KUKATPALLY, HYDERABAD - 500072 PH :9154854949, 8897972200.

226. ADARSHA AUTOMOTIVE, SHAMSHABAD (10NG-10-02), SHAMSHABAD, NH44, HYDERABAD, TELANGANA - 501218 - 501218 PH :8297116633.

KARIMNAGAR

227. ADARSHA AUTOMOTIVE (N6NA-N6-01), 8-6-301, BY PASS ROAD, AUTO NAGAR, KARIMNAGAR, TELANGANA - 505001 PH :9847073265.

KHAMMAM

228. PARAMSHIVA MOTORS (1GNA-1G-01), SY NO. 507,VELUGUMATLA, VILLAGE, KHAMMAM, TELANGAN - 507318 PH :9848988312.

MAHBUBNAGAR

229. JAYARAMMA AUTO (WPNA-WP-01), CHRISTIANPALLY, BHOOTPOOR ROAD, MAHBUBNAGAR, TELANGANA - 509001 PH :8096990074.

MANCHERIAL

230. ADARSHA AUTO (CMNA-CM-01), SURVEY NO-417,BELLAMPALLI MANCHERIAL ROAD ,MANCHERIAL,TELANGANA - 504208 PH :9133329709.

NIZAMABAD

231. VARUN MOTORS (1HNA-1H-01), 1-51/4/1/D4 MADAHAVA NAGAR,HYDERABAD ROAD,NIZAMABAD,TELANGANA,503230 - 503230 PH :9542222486.

SECUNDERABAD

232. MITHRA AGENCIES (10NK-10-01), USHA MAYURI THEATER, OPP TO SPENCERS MARKET, MUSHEERABAD, SECUNDERABAD, ANDRAPRADESH-500020. - 500020 PH :88550 01155.

233. AUTO FIN (K6NB-K6-01), PLOT NO 6, SURVEY NO.267/1 & 267/2, BOWENPALLY, BALANAGAR MAIN ROAD, SECUNDERABAD, TELANGANA - 500011 PH :8886144551.

234. VARUN MOTORS (K6NC-K6-01), VARUN MOTORS,2ND CROSS ROAD,SAINIKPURI,SECUNDERABAD - 500094 PH :779960094.

WARANGAL

235. ADARSHA AUTOMOTIVE (D5NA-D5-01), H.NO: 23-6-132, HUNTER ROAD, OPP TO CITIZENS CLUB, WARANGAL, TELANGANA - 506007 PH :8978944414.

UTTAR PRADESH

AGRA

236. MADHUSUDAN MOTORS (66NA-66-01), ADJOINING HEMA PETROL PUMP, EIT MANDI, BODLA, AGRA - 282007 PH :6386901181, 6386901188.

237. PREM MOTORS (66NB-66-01), KHASRA NO.-655, VILL. ARTONI, DELHI-AGRA HIGHWAY, AGRA - 282007 PH :9690010839.

238. KTL PVT LTD (66NC-66-01), KHASRA NO - 246/1, 249/1, 251 , KUBERPUR, AGRA. - 282006 PH :8449710014.

ALIGARH

239. CLML (B6NA-B6-01), PLOT NO. 5/129, GT ROAD, RAM NAGAR COLONY, SARSOL, ALIGARH, UTTAR PRADESH. - 202002 PH :9639775522.

240. CLML (B6NA-B6-02), VILL KARSUA, PALWAL-DELHI ROAD, ALIGARH PIN 202140 - 202140 PH :9358373099.

BARIELY

241. CORAL (56NA-56-01), DELHI RAMPUR ROAD, IN FRONT OF MINI BYPASS, CB GANJ, BARIELLY, UP - 243001 PH :9359101010.

BIJNORE

242. SHAKUMBARI (6DNA-6D-01), 4TH KM. MILESTONE, BIJNOR - NAJIBABAD RD, NEAR DPS SCHOOL, BIJNOR, UTTAR PRADESH 246701 - 246701

FIROZABAD

243. DEV MOTOR (DFNA-DF-01), DHOLPURA, NEAR ST. JOHNS CHAURAH, AGRA ROAD, FIROZABAD - 283203 PH :9045031800.

GHAZIABAD

244. ROHAN MOTORS (59NA-59-01), KHASRA NO 46 , DELHI MEERUT ROAD MEERUT ROAD INDUSTRIAL AREA, MORTA, GHAZIABAD, UTTAR PRADESH 245101 - 245101 PH :8178839830.

245. MSM (JJ IMPEX) (5982-59-N1), PLOT NO C, J J IMPEX (DELHI) LIMITED, 224, SITE-1, INDUSTRIAL AREA, BULANDSHAHR ROAD INDUSTRIAL AREA, GHAZIABAD, UTTAR PRADESH 201003 - 201003 PH :9990033015.

GORAKHPUR

246. SMART WHEELS (72NA-72-01), ARAZI NO. 623, 624 & 625, GULHARIA BAZAR, MEDICAL COLLEGE ROAD, GORAKHPUR, UTTAR PRADESH - 273009 PH :8222002147.

247. ARBIT AUTO (72NB-72-01), PLOT NO - A & B, BUDDH VIHAR YOJNA, PART-B, TARAMANDAL ROAD, GORAKHPUR - 273009 PH :8429526255.

GREATER NOIDA

248. MSM (JJ IMPEX) (T283-T2-N1), MARUTI SERVICE MASTERS, NEXA SERVICE, PLOT NO 02, ECOTECH 12, GREATER NOIDA, GAUTAM BUDDHA NAGAR, UTTAR PRADESH - 201009 PH :9711474930.

HARDOI

249. CONCEPT (QENA-QE-01), PLOT NO. 1609 & 1605, GUNGABUX PURVA, BILGRAM RD, HARDOI, UTTAR PRADESH - 241001 PH :7607696666.

JHANSI

250. SURI (60NA-60-01), SHIVPURI - JHANSI ROAD, OPPOSITE HANSRAJ MODERN SCHOOL, JHANSI, UTTAR PRADESH - 284003 PH :7705000558.

KANPUR

251. KTL PVT LTD (28NB-28-01), ARAZI NO. 352, SINGHPUR KACHHAR, BITHOOR ROAD, NORTHERN RAILYWAY COLONY, KANPUR, UTTAR PRADESH. - 208017 PH :7408409312.

LUCKNOW

Nexa Workshop (AS ON 30.05.2023)

252. ANAND MOTORS (13NC-13-01), GATA NO. 1062 PARGANA RAJA BIJLI PASI VILLAGE AURANGABAD, SHAHEED PATH (OPPOSITE TO RAMABAI AMBEDKAR MAIDAN), LUCKNOW, UTTAR PRADESH - 226012
PH :7705807552, 9838480480.
253. KTL AUTOMOBILE PVT LTD (13ND-13-01), PLOT NO - 513, VILL. HARIHARPUR BIJNAUR, OPP ANSAL API, AMAR SHAHEED PATH, LUCKNOW - 227105
PH :7311190503.
254. BRIGHT4WHEELS (13NB-13-01), PLOT NO - D10, SAROJINI NAGAR INDUSTRIAL AREA, LUCKNOW. PIN - 226008 - 226008
PH :9151004111.

MATHURA

255. UMA MOTORS (H8NA-H8-01), PLOT NO 222, MAHOLI, NEAR KIRAN HOSPITAL, MATHURA - 281004
PH :9997385999.

MEERUT

256. TR SAWHNEY (48NB-48-01), 1183/17 RITHANI, ZONE - A, SECTOR 4 NEAR PETROL PUMP, MEERUT, UTTAR PRADESH - 250103
PH :18002704142.

NOIDA

257. FAIR DEAL (A1ND-A1-'01), A-107, SECTOR-5, NOIDA - 201301
PH :9810542222.
258. MOTOR CRAFT (59NB-59-01), C 42 SECTOR 57, NOIDA, UTTAR PRADESH - 201301
PH :7230029429, 7230000000.

RAIBARIELY

259. KTL AUTOMOBILE PVT LTD (HSNA-HS-01), 1481, NEAR KATHWARA BUS STAND, LUCKNOW RAIBARELI HIGHWAY, HARCHANDPUR, RAIBARELI - 229303
PH :7311190503.

SAHIBABAD

260. MSM (JJ IMPEX) (M983-M9-N1), MARUTI SERVICE MASTERS, NEXA SERVICE, PLOT NUMBER 58/4, SITE 4, SAHIBABAD INDUSTRIAL AREA, - 201010
PH :9711474930.

SHAHJAHANPUR

261. SUMITRA DS (W2NA-W2-01), SH25 , RETI ROAD SHAHJAHANPUR - 242001
PH :9936095228.

VARANASI

262. AGR (84NA-84-01), ARAZI NO - 285.286 LUCCHERPUR, PARGANA-ATHGAWA TEHSIL, HARHUA , VARANASI - 221105
PH :9305646425.

UTTARAKHAND

DEHRADUN

263. SHAKUMBARI (57ND-57-01), KHASRA NO. -15-ANA, MOHABBEWALA, SAHARANPUR ROAD, DEHRADUN-248001 - 248001
PH :7895058449.

HALDWANI

264. NAINITAL MOTORS (J6NA-J6-01), 5TH KM RAMPUR ROAD, JEETPUR NEGI, NEAR AMAR UJALA PRINTING PRESS, HALDWANI, UTTARAKHAND - 263139
PH :7467800077, 7467800050.

ROORKEE

265. SHAKUMBARI (H2NA-H2-01), 5 KM MILESTONE ,NH-58,ROORKEE-DELHI ROAD ,NEAR HOTEL GODWARI,ROORKEE, UTTARAKHAND - 247667
PH :9634092690, 7500860007.

RUDRAPUR

266. AKANKSHA AUTOMOBILES (RUDRAPUR) PVT. LTD. (U4NB-U4-01), KASHIPUR ROAD, OPPOSITE GREEN PARK COLONY, VILLAGE DIBDIBA, TEHSIL BILASPUR, RAMPUR, UTTARAKHAND - 244901
PH :01912465542, 9797770257.

WEST BENGAL

ASANSOL

267. BEEKAY AUTO (F6NA-F6-01), NH-2 ,CHANDA MORE ,POST KALI PAHARDI, JAMMURIA DISTRICT WEST BARDHAMAN - 713339
PH :9932049425.

COCHBEHAR

268. SEVOKE MOTORS PVT. LTD. (BWZN-BWZ-01), NEXA COOCH BEHAR CENTRAL VILL & P.O. - MAHISHBATHAN P.S. - KOTWALI, NH - 31 COOCHBEHAR,W.B. -734617 - 734617
PH :8016095268.

HOWRAH

269. MACHINOTECHNO (X7NA-X7-01), 109, 1, UPPER FORESHORE RD, CHOURA BUSTEE, SHIBPUR, HOWRAH, WEST BENGAL 711102 - 711102
PH :9830081632.

JALPAIGURI

270. PODDAR AUTO (XYNA-XY-01), ASSAM MORE BUS STOP, SH12A, JALPAIGURI, WEST BENGAL 735102 - 735102
PH :8945533002.

KHARAGPUR

271. BHANDARI AUTOMOBILES (G7NA-G7-01), CHOWRANGEE, PLOT NO-138 & 139, O T ROAD, KHARAGPUR - 721301
PH :7603076061.

KOLKATA

272. JYOTE MOTORS (06ND-06-01), MIRANIA ROAD, ARUPOTA ON BASANTI HIGHWAY, - 700105
PH :9074158220.
273. MACHINOTECHNO (06NG-06-01), 98/A/2 BT ROAD,P.S - BARANAGAR, P.O. - ISI BT ROAD, KOLKATA, WEST BENGAL – 700090. - 712250
PH :6292283744.

SREERAMPURE

274. STARBURST (BBTN-BBT-01), NEAR ALLAHABAD BANK, MOLLARBER, SERAMPURE. - 700090
PH :9830081672.

Maruti Authorized Service Station (AS ON 30.05.2023)

ANDHRA PRADESH		MATHURAWADA		21.##		30.##	
CUDDAPPAH		11.## ANY TIME SERVICE CENTRE (4860), BESIDE ELECTRICAL SUBSATION , MADHURAWADA - 530041, DISTRICT VISAKHAPATNAM, ANDHRA PRADESH, PH :530041-8977799888.		VISAKHAPATNAM		HILLS AUTO AGENCY (3922), POLICE RESERVE & PETROL PUMP ROAD, HAPOLI BAZAR P.O,ZIRO, DISTT. LOWER SUBANSIRI, ARUNACHAL PRADESH - 791 120, PH :791120-9436047232.	
1.## SIVAJI MOTORS (3275), BESIDES PADMASHALI KALYANA MANDAPAM, MADRAS ROAD, KADAPA-516002, ANDHRA PRADESH, PH :516002-9849113189.		NAGARI		22.## SIRI AUTOMOBILES (5232), PLOT O 94/A IDA E BLOCK, AUTO NAGAR.GAJUWAKA, VISHAKHAPATNAM, ANDHRA PRADESH, PH :530012-9963296667.		ASSAM	
2.## SREE VENKATESWARA AUTO. (1030), SANKARA PURAM, CUDDAPPAH (A.P.), , PH :516002-9704209620.		12.## PUJITHA SERVICE CENTER (5872), TIRUPATI ROAD, NAGARI-517583, DISTRICT-CHITTOOR, ANDHRA PRADESH, PH :517583-9966106128.		23.## SRINIVASA AUTO GARAGE (5440), OPP. KANTI ROAD., NEAR RAYS PETROL PUMP - VISHAKHAPATNAM, DISTRICT - VISHAKHAPATNAM, ANDHRA PRADESH, PH :530031-9912888943.		BADARPUR	
GUNTAKAL		NANDYAL		24.** VISAG AUTO SCANS (461), 49-52-1/4/2,OPP HNR VIHAR APPARTMENTS, SANTHIPURAM, SANKARMATAM ROAD, VISAKHAPATNAM-530016, PH :530016-9246625885.		31.## MARUTI CAR PLAZA (3635), NEAR INDUSTRIAL AREA, S.T. ROAD, BADARPUR, DISTT. KARIMGANJ (ASSAM) PIN-788 806, PH :788806-9854970591.	
3.## S. MAHABOOB AUTOMOBILES (4075), ALUR ROAD, GUNTAKAL-515802, , PH :515802-9440208312.		13.## MARUTI MOTORS (2635), PLOT NO 428, NH-18 , NEAR RAILWAY GATE , NANDYAL-518501, PH :518501-9440554617.		VIZIANAGARAM		BISHAWANATH CHARIALI	
GUNTUR		NELLORE		25.* VIKRAMA AUTOMOBILES (4621), 17-13-4 TEMPLE STREET, VIZIANAGARAM - 531 202 (A.P.), , PH :535003-9440192224.		32.* BINA AUTOMATION (3677), . P.O. BISHAWANATH CHARIALI, DISTT. SONITPUR, ASSAM-784 176, PH :784176-9957309744.	
4.## S. S. MOTORS (4946), OPP. JKC COLLEGE, JKC COLLEGE ROAD, GUNTUR-522006, ANDHRA PRADESH, PH :522006-9848936363.		14.## MARUTI AUTO SERVICE STN. (2620), 16/796 SANKARA AGRAHARAM, NELLORE-524 001 (A.P.), , PH :524001-98858 81905.		ARUNACHAL PRADESH		33.## DISHANG DONE (1058), 52 N.H., BISHWANATH CHARIALI-784176, DISTT. SONITPUR, ASSAM, PH :784176-9854004161.	
KAKINADA		15.** MARUTI MOTORS (176), 16-3-995, MINI BYPASS ROAD., RAMALINGAPURAM, NELLORE-524 003,(A.P.), , PH :524003-9440278243.		ALONG		34.## BINA AUTOMATION (JPH :-.	
5.## SATISH AUTO CARE (5038), BEHIND KALPANA THEATRE, BEACH ROAD KAKINADA, DISTRICT EAST GODAVARI, ANDHRA PRADESH, PH :533005-9848313599.		PATTIKONDA		26.## BANNU MOTORS (1744), SIYOM MARKET, ALONG, WEST SIANG DISTT., (ARUNACHAL PRADESH), PH :791001-9436056096/8258834061.		BOKAJAN	
6.## SRI SHIRDI SAI TECHNO-CRAFTS (1459), FLAT NO 36/2, I.D.A. , RAMANAYAPETA, BESIDE MAHINDRA SHOW ROOM, OPP: BHAVANI CASTING ROAD, KAKINADA-533005, PH :533005-9848633336.		16.## ROYAL MOTORS (5776), ADONI ARTS & SCIENCE, COLLEGE ROAD ADONI,PATTIKONDA-518302, DISTRICT-KURNOOL, ANDHRA PRADESH, PH :518302-9866362847.		BOMDILA		35.## SREE GANESH MOTORS (6040), SUKHANJAN SUPER MARKET,P.O.BOKAJAN(C.F.), DISTRICT KARBI ANGLONG , ASSAM , PH :782480-9435167138.	
KAVALI		PRODDATTUR		27.## GURU MOTORS (3921), BIRPUR, RUPA, ARUNACHAL PRADESH 790003, PH :790003-7640898278.		BOKAKHAT	
7.## KAMAL MOTORS (3842), 10-15-43/J3A OPP LIC, TANK RAOD, KAVALI, PH :524201-9440928888.		17.## SRI RAM MOTORS (3642), 189 INDUSTRIAL AREA, NEAR SRI LAKSMI NAGAR, MYDUKUR ROAD, PRODDATTUR (A.P.), PH :516360-9666890525.		NIRJULI		36.## GOENKA AUTOMOBILES (2878), P.O. BOKAKHAT, DISTT. GOLAGHAT, ASSAM-785 612, PH :785612-9854048910.	
KURNOOL		RAJAHMUNDRY		28.## SANGO SERVICE CENTRE (5742), NH-52,NIRJULI - 791110, DISTRICT-PAPUMPARE, ARUNACHAL PRADESH, PH :791110-9436052480/8974454448.		DHALIGAON	
8.## SRINIWAS AUTO GARAGE (5170), KALLUR ROAD, KURNOOL, DISTRICT - KURNOOL, ANDHRA PRADESH, PH :518002-9440244660.		18.## MARUTHI MOTORS (1257), D.NO 88-30-04, OPP I.T.C. GADALAMMA NAGAR, NH-16, RAJAMAHENDRAVARAM -533107, PH :533107-9848253434.		TAWANG		37.## ADHIKARI MOTOR WORKS (4049), P.O. DHALIGAON, DIST-BONGAIGAON, ASSAM-783385, PH :783385-9435020938.	
MACHILIPATNAM		SRIKALAHASTI		29.## TAWANG MARUTI SERVICING STATION (4255), OLD BAZAR LINE, P.O. & P.S., TAWANG, ARUNACHAL PRADESH, PH :790104-9402493456.		DHEMAJI	
9.## SRI MARUTI MECHANICAL WORKS (4172), D.NO 4-121, PLOT NO 26.27, , POTEPALLI INDUSTRIAL PARK, MACHLIPATNAM-521002, PH :521002-9440538012.		19.## SUNDEEP CARS (5972), 16/769.SRI RAM NAGAR COLONY, SRIKALAHASTI-517640, DISTRICT-CHITTOOR, ANDHRA PRADESH, PH :517640-9848294869.		ZIRO		38.## NARAH AUTOMOBILES (3852), C/O BLUE HILL COUNTER, P.O. DHEMAJI, DISTT. DHEMAJI, PIN-787 057 (ASSAM), PH :787057-9954390916.	
MANDAPETA		TENALI				DHUBRI	
10.## MODERN MARUTI CARE (4866), D.NO. 4-1-59/2, MAIN ROAD, MANDAPETA-533309, DISTRICT-EAST GODAVARI, ANDHRA PRADESH, PH :533309-9133198494.		20.## HIMAJA MARUTI SERVICE STATION (2828), LECTURER'S COLONY, GIRIJA HOSPITAL ROAD, GANGANAMMAPET, TENALI-522 201 GUNTUR DIST. (A.P.), PH :522201-9849715727.				39.## BRAHMAPUTRA MOTOR SERVICING STATION (3127), G.T.B ROAD, DHUBRI-783 301, (ASSAM), PH :783324-8876798739/9101176148.	

** A-Category Mass : Free & paid Service, Major repairs & Accidental repairs

C-Category Mass : Free & paid Service & Minor repairs

* B-Category Mass : Free & paid Service & Major repairs

D-Category Mass : Free Service & Minor repairs

Maruti Authorized Service Station (AS ON 30.05.2023)

40.*	GEE DEE AUTO SERVICE (953), JHALUKPURA, DIBRUGARH-786 001, ASSAM, PH :786001-9435131119.	50.##	BOROAH MOTORS (4545), NH-515, MURKONG SLEEK, DIST. DHEMAJI, JONAI-787060, ASSAM, PH :787060-9864590237.	60.##	RAJ ENTERPRISES (3849), NAMRUP INDUSTRIAL ENTERPRISES, SONARI TINALI, PARBATPUR, NAMRUP-786 623 (ASSAM), PH :786623-9854135646.	69.##	ANJALI ENTERPRISES (5533), ARRAH - PATNA MAIN BYPASS ROAD, NH-30, AHIRPURWA, OPPOSITE SURYA MANDIR, ARRAH, BIHAR -802232, PH :802232-9304910843.		
41.**	MEHBOOB AUTOMOBILES & TYRE SERVICES (1760), CHOWKIDINGHEE, NEAR STATE TRANSPORT, DIBRUGARH-3, PH :786005-9854432207.	KARIMGANJ	51.##	S D AUTOMOBILE (4931), SILCHAR ROAD, KARIMGANJ - 788710, ., PH :788710-8135002919/9435074975.	NORTH LAKHIMPUR	AURANGABAD (BIHAR)	70.##	K R N AUTOMOBILE (2242), NEW G.T. ROAD, (NH-2), AURANGABAD-824 101, (BIHAR), PH :824101-9304930657.	
DIGBOI		LUMDING	52.##	BEDI MOTORS (5827), MAIN ROAD,NORTH LUMDING,LUMDING-782447, DISTRICT - NAGAON, (ASSAM), PH :782447-9957333991.	PATHSALA	BEGUSARAI	71.##	K.B. MOTORS (4768), NH-31, SINGHAUL, POKHAR, BEGUSARAI-851134, BIHAR, PH :851134-7870041951/8271507870/9835214115.	
42.**	GAURI AUTOMOBILES (3760), MULIABARI, DIGBOI 786 171, ., PH :786171-9435137556.	DOOM DOOMA	MANGALDAI	53.##	PRIYAM AUTOMOBILES (2424), NH 52 COLLEGE ROAD, MANGALDOI, ASSAM, PIN-784 125, PH :784125-9401148730/9854209905.	SILAPATHAR	72.*	NATIONAL AUTO WORKS (1536), INDUSTRIAL AREA, BARAUNI, BEGUSARAI-851 122, PH :851122-9973381733.	
43.*	S K AUTO CARE (3962), UCHAMATI, NATIONAL HIGHWAY, DOOM DUMA, ASSAM 786151, PH :786151-9435135876.	GOALPARA	MARGHERITA	54.*	VIRDI MOTOR WORKS (955), MISSION ROAD, P.O. MARGHERITA-786 181, DIST. TINSUKIA, (ASSAM), PH :786181-8011164932.	SILCHAR	73.**	RUPRA AUTOMOBILES (1577), EAST OF AIRPORT, BHAGALPUR-813 210, P.O. BAHADURPUR, (BIHAR), PH :813210-9334385521.	
44.##	BHARAT ENGINEERING WORKS (969), PO - BALDMARI, AGIA ROAD, GOALPARA (ASSAM)-783 102, PH :783102-9864767777.	GOLAGHAT	MARIANI	55.##	VASKAR AUTOMOBILES (6237), NEAR NST TINALI, P.O. :MARIANI, DISTRICT - JORHAT, ASSAM, PH :785634-9508486813.	TEZPUR	BIHAR SHARIF	74.##	SARVADAY ENGG. & AUTO SER (1549), INDUSTRIAL ESTATE, RAMCHANDRAPUR, BIHARSHARIFF (NALANDA), PH :803101-9334672919.
45.##	KAKOTI MOTOR WORKS (1074), NEW AMOLAPATTY, RANGPUR, P.O. GOLAGHAT-785 621, DISTT. GOLAGHAT (ASSAM), PH :785621-9435053663.	GOSSAIGAON	MORANHAT	56.*	CHINAKI SERVICE STATION (2973), (MARUTI AUTHORISED SERVICE STATION), NATUN NAGAR A.T. ROAD, MORANHAT-785 670, (ASSAM), PH :785670-9401512821.	TINSUKIA	CHAPRA	75.##	PRASAD AUTOMOBILES (1974), BHAGWAN BAZAR, CHAPRA-841 301, (BIHAR), PH :841301-9431216362/8092627210.
46.##	NARZARY AUTOMOBILES (4544), NH-31C, HABRUBIL, GOSSAIGAON, DIST KOKRAJHAR, ASSAM-783360, PH :783360-9435109765.	GUWAHATI	MORIGAOON	57.##	PRAGATI MOTORS (5273), MORIGAOON TOWN, WARD NO.1, BHATBOR.-, DOLON PATH, P.O. , MORIGAOON, DISTRICT - MORIGAOON, ASSAM, ., PH :782105-9435064356.	TITABAR	DARBHANGA	76.*	SINGH MARUTI CARE (2277), RAJKUMARGANJ, P.O. LALBAGH, DARBHANGA-846 004, (BIHAR), PH :846004-9431293796.
47.**	MONO MOTOR WORKS (966), BAMUNI MAIDAN, GUWAHATI-781 021, ., PH :781021-9864186600.	HAILAKANDI	NAGAON	58.##	DAS MARUTI MOTOR WORKS (3734), NAGAON -782001, ., (ASSAM), PH :782002-9435360246.	UDALGURI	GAYA	77.*	AUTO CARE (3027), DURGA BARI, HARIDAS CHATTERJEE LANE, NEAR SAINT PAUL SCHOOL, GAYA-823 001 (BIHAR), PH :823001-9102060955.
48.##	RONOK AUTOMOBILES (5978), LALA ROAD,NEAR CIVIL HOSPITAL, HAILAKANDI-788151, DISTRICT-HAILAKANDI, ASSAM, PH :788151-8723032380/9707428563/9401960215.	HOJAI	NALBARI	59.##	B.R.K. AUTOMOBILES ENGINEERING WORKS (2838), HAJO ROAD, NALBARI-781 335, (ASSAM), PH :781335-9954895264.	ARRAH	HAJIPUR	78.##	ALFA AUTO (5454), PASWAN CHOWK, NH-13, HAJIPUR, DISTRICT - VAISHALI, BIHAR - 844101, PH :844101-9431327965/8092258357.
49.##	PRAMAN MOTORS (5730), WARD NO. 12, HOLDING NO. 14, COLLEGE ROAD, HOJAI, ASSAM-782435, PH :782435-9954369700.	JONAI	NAMRUP			BIHAR	79.**	HI-TECH AUTOMOBILE (3123), GANDHI SETU PATH, N.H.-19, HAJIPUR, VAISHALI (BIHAR), PH :844101-9835044502.	
						KAHALGAON			

Maruti Authorized Service Station (AS ON 30.05.2023)

80.##	MAHA GAURI ENTERPRISES (5822), NTPC ROAD,GANGANAGAR ,CHOWRATHIYASTHAN, KAHALGAON-813203, DISTRICT-BHAGALPUR, BIHAR, PH :813203-9431463558.	90.**	TIRUPATI AUTO (1956), ASHIANA MORE, BAILEY ROAD OPPOSITE UNION BANK, RAJABAZAR, PATNA-14, PH :800014-9835050292/8539077831.	100.##	AUTO SELF SERVICE (8940), RAILWAY STATION CANAL ROAD, NEAR SUNALIYA RAILWAY CROSSING, MURARKA GALI, KORBA, CHATTISGARH -495678, PH :495678-9229495000.	112.##	BHASIN SERVICE STATION (830), DR.K.S.KRISHNAN ROAD, NEAR PUSA GATE, NEW DELHI-110 012., PH :110012-9971977992.	
MADHEPURA		PURNEA	91.##	AUTO INDIA (3026), SRI DHAM MANDIR, PURNEA CITY, PURNEA 854302, PH :854301-9470204501.	MANENDRAGARH			
81.##	KRISHNA AUTOMOBILES (2639), SINGHSWAR ROAD, PATHRAHA, MADHEPURA-852 213, (BIHAR), PH :852213-9430583338.	SASARAM	92.##	TRIPTY CAR SERVICE CENTRE (5535), NEAR RELIANCE PETROL PUMP, G.T. ROAD,NH-2,SASARAM-821115, DISTRICT-SASARAM, BIHAR, PH :821115-9934792421.	101.##	SHARMA AUTO CENTRE (5354), MAIN ROAD - MANENDRAGARH, DISTRICT - KOREA , PIN -497442, CHHATISGARH, PH :497442-7771011802.	113.**	BRIGHT MOTORS (P) LTD. (885), C-263 PEERAGARHI, OUTER RING ROAD, DELHI - 110 087, PH :110087-9810203018.
MADHUBANI		SITAMARHI	93.*	SITAMARHI AUTO CARE (6050), INDUSTRIAL AREA,RAJOPATTI, PO.SITAMARHI-843302, DISTRICT-SITAMARHI , BIHAR, PH :843302-9430012437.	RAIPUR			
82.##	VIDYAPATI AUTOMOBILE (4234), BHUAARA, GANGASAGAR, MADHUBANI, BIHAR - 847212, PH :847212-9471648158/9304399511.			102.##	SHIVAM CAR SERVICES (4774), BILASPUR ROAD, KHAMTARAI, RAIPUR-492006, CHATTISGARH, PH :492006-9826192574.	114.*	DRIVE WELL SERVICE STN. (866), 1/486,G.C.S. COMPLEX,MAIN G.T. ROAD , DILSHAD GARDEN,NEW DELHI-110095 , DELHI , PH :110095-9811020603.	
MUNGER		CHANDIGARH	94.**	CAR CLINIC (179), PLOT NO-81, INDUSTRIAL AREA, PHASE-II, CHANDIGARH, PH :160002-9417216782.	DELHI			
83.##	SUN BEAM ENGG WORKS (1533), 150 BETWAN BAZAR, NEAR KHANKAH, P.O.& DISTT. MUNGER, BIHAR - 811201, PH :811201-9931962944.	CHANDIGARH	95.##	HI-TEK MOTORZ (4743), PLOT NO. 658, INDUSTRIAL AREA, PHASE-1, CHANDIGARH, PH :160002-9872567868.	103.*	AAPKA KARKHANA (MOTORS) PVT. LTD. (869), 621 POSANGIPUR MAIN MARKET, A-3 BLOCK JANAKPURI, NEW DELHI-58, PH :110058-9811034869.	115.##	ENGINEERS SERVICE STATION (834), SHRI AUROBINDO MARG, (SAFDARJANG AIRPORT), NEW DELHI-110 003, PH :110003-9654262692.
MUZAFFARPUR		CHHATTISGARH	96.##	RATTAN MOTORS (1155), SECTOR 23-C, CHANDIGARH-160 023, PH :160023-9814008335.	DELHI			
84.**	DYNAMIC MARUTI SERVICE CENTRE (1163), HARI SHARAN MARG, AMGOLA, POST OFF RAMNA, MUZAFFARPUR-842 002, PH :842002-9431013057/9835003526/9386834595.	AMBIKAPUR	97.##	MARUTI AUTO CARE (4839), KHARSI NAKA, AMBIKAPUR -497001, DISTRICT-SURGUJA, CHATTISGARH, PH :497001-9425256087.	104.##	ANAND MOTORS (4471), B-27, G.T. KARNAL ROAD, INDUSTRIAL AREA, NEW DELHI-110033, PH :110033-9582379699.	116.##	EXCEL AUTOMOBILES (3342), PLOT NO. 78, BAGDOLA VILLAGE, SECTOR 8, DWARKA, NEW DELHI-110 077, PH :110077-7011765194.
85.##	PERFECT MOTORS (3465), NEAR CHANDNI CHAUK, JHITKAIYA, POST: MIT PS: BRAHAMPURA, MUZAFFARPUR-842 003 (BIHAR), PH :842003-9835007407.	JAGDALPUR	98.##	VISHWAKARMA AUTOMOBILES (4467), RAJMAHAL PARISAR, BAHAMBERS OF COMMERCE ROAD, JAGDALPUR, CHHATTISGARH, PH :494001-9753300033.	105.**	A-ONE AUTOMOBILES (3362), 487/35 NATIONAL MARKET, PEERAGARHI, DELHI-110 087, PH :110087-9810257472.	117.*	EXCLUSIVE AUTOMOBILES PVT. LTD. (3546), 98 MANGOLPUR KALAN, SECTOR-2 NEAR JAIPUR GOLDEN HOSPITAL, ROHINI, DELHI-110 085, PH :110085-9910782127.
PATNA		JAMNIPALI	99.##	AUTO CARE (3823), 203, J.P COMPLEX SADA COLONY, JAMNIPALI-495 450, TEH. KATHGHORA DIST. KORBA (CHATTISGARH), PH :495450-7587399102.	106.##	ASHA AUTOMOBILES (850), A-2 CHOTTEY LAL PARK, NAJAFGARH ROAD, OPP.KIRTI NGR,P.O. NEW DELHI-15, PH :110015-9818467898.	118.##	GLOBE SERVICE STATION (3631), 18TH KM MATHURA ROAD, BADARPUR, NEW DELHI-110 044, PH :110044-9818630354.
86.**	CAR SCANNER (1552), OPP. BATA, KANKAR BAGH COLONY, PATNA-800 020, PH :800020-9431016342.	KORBA			107.##	AUTO ENGRS.SERVICE STN. (8023), OPP.MODEL TOWN, DERAWAL NAGAR, DELHI-9, PH :110009-9811137929.	119.##	HUNDRED PERCENT FILLING & SERVICE STATION (4939), LSC, SECTOR-9, OPP. NHAI, DWARKA, NEW DELHI-110075, PH :110075-9910586999.
87.**	GOOD WRENCH SERVICES (3364), NH 30, BETWEEN BHARAT PETROLEUM & HP PETROL PUMPS, , 1 KM WEST OF 0° MILE, ASHOCNAK, NANDLAL CHAPRA, PATNA - 800007, PH :800007-7277772777.				108.*	AUTO POINT SERVICE (1267), 70B RATTAN PARK, OPP. RAMESH NAGAR, NEW DELHI-110 015, PH :110015-9958062220.	120.##	IMAGE (2561), IOC PUMP, NEAR SAMACHAR APT. OPP. KIRTI APT., MAYUR VIHAR PHASE-I EXT., DELHI-110 091, PH :110091-9312082213.
88.##	MARUTI MAINTAINER (4842), PLOT NO 73, MAIN ROAD, KANKARBAGH. NEAR RAJENDRA NAGAR OVERBRIDGE, PATNA, BIHAR-800020, PH :800020-7903741541.				109.##	AUTOTECH ENGINEERS (4551), PLOT NO. 20-24, MATIYALA VILLAGE, SECTOR-3, NEAR DPS DWARKA, NEW DELHI-110075, PH :110075-9811608008.	121.**	R S AUTOMOBILES (273), 111/9 KISHANGARH, OPP. CNG PUMP NEAR SPYM INSTITUTE, ARUNA ASAF ALI ROAD, VASANT KUNJ, NEW DELHI – 110070, PH :110070-9540944009.
89.*	MOHINI AUTOMOBILES (1049), BEHIND RESERVE BANK OF INDIA, EXHIBITION ROAD, PATNA-800 001, PH :800001-9431094340/8987379073.				110.##	BASANT MOTORS (8003), 78 TOLSTOY LANE, BEHIND SCINDIA HOUSE, NEW DELHI-110 001, PH :110001-9811522266.	122.**	KUMAR AUTOMOBILES (855), B-281 OKHLA INDUSTRIAL AREA, PHASE-I, NEW DELHI-110 020, PH :110020-9810001625.

** A-Category Mass : Free & paid Service, Major repairs & Accidental repairs
C-Category Mass : Free & paid Service & Minor repairs

* B-Category Mass : Free & paid Service & Major repairs
D-Category Mass : Free Service & Minor repairs

Maruti Authorized Service Station (AS ON 30.05.2023)

125.**	P R G MOTORS (365), A-99, 103CH, TEKCHAND MARKET, GANESH NAGAR - TILAK NAGAR, DELHI-110 018, DELHI, PH :110018-9711196811.	BICHOLIM 138.## SHREE GURUKRUPA AUTOWORLD (1249), PLOT NO.76 , BICHOLIM, GOA-403 529, PH :403529-9422057272.	149.** SPEED AUTO CARE PVT. LTD (5524), NH-8,VIRAT NAGAR AHMEDABAD, DISTRICT - AHMEDABAD, GUJARAT, PH :380023-997992779.	160.## SUMAN MOTORS (3863), NEAR NISHRAYA CROSSING, BHARAN ROAD, BORSAD, DISTT. ANAND, PH :388540-9825021960.
126.##	QUTAB SERVICE STATION (8078), MEHRAULI ROAD, NEW DELHI-110 017, , PH :110017-9811021862.	CURCHOREM 139.## VIPUL AUTOMOBILES (5376), PLOT NO.7, 8, 9,KAKODA INSUTRIAL ESTATE, KAKODA CURCHOREM, DISTRICT - SOUTH GOA, GOA, PH :403706-9422018746.	AMRELI 150.* CAR CARE CENTRE (2734), PATEL GARAGE, CHAKRAGADH ROAD, AMRELI-365 601, (GUJARAT), PH :365601-9825422922.	CHAND KHEDA 161.* BALVINDER AUTOMOBILES (2528), PLOT NO.202/2, NATIONAL HIGHWAY NO.8, CHAND KHEDA, DISTT. GANDHI NAGAR-382 424 (GUJARAT), PH :382424-9924016000.
127.**	RAJINDRA SERVICES P.LTD. (826), B-55 G.T.KARNAL ROAD, INDUSTRIAL AREA, DELHI-110 033., PH :110033-9899580820.	KUNDAIM 140.* VIKAS ENGINEERING WORKS (4953), BHOMA, KUNDAIM, GOA-403107, PH :403107-9823780335.	151.* KHODIAR MOTORS (3029), GAVADKA ROAD, AMRELI-365 601, (GUJARAT), PH :365601-9825672657.	CHIKHLI (GUJ.) 162.## INAL MOTORS (3929), POST MAJIGAM, CHIKLI BILIMORA ROAD, DISTT NAVSARI, PH :396521-9099033773.
128.##	ROHAN SERVICES (5444), PLOT NO:125,VILLAGE POCHANPUR, SECTOR - 23 DWARKA, DISTRICT - DELHI (WEST), DELHI, PH :110075-9911180827.	MAPUSA 141.## SARDESAI AUTOMOBILES (2176), 194, GAUNSAWADA , NEAR MILAGRES CHURCH, MAPUSA, GOA-403 507, PH :403507-9764448741.	ANAND 152.* PATEL TRACTOR COMPANY (2221), (SERVICE DIVISION), BEHIND SUNIL CHAMBERS, STATION ROAD, ANAND-388 001, PH :388001-9925534494.	163.## SHREE AMBICA MOTORS (2663), KUNDI FATAK, NEAR ADARSH NURSERY, N.H.8, CHIKHLI DISTT. VALSAD (GUJARAT)-396 001, PH :396001-9825131520.
129.*	SATYA SERVICE STATION PVT. LTD. (3625), L-BLOCK HARI NAGAR, JAIL ROAD, NEW DELHI-64, PH :110064-9873461414.	PONDA 142.* DHAVLIKAR AUTOMOBILES (2041), NO.5 TIP TOP MANSION IV, INDIRA NAGAR, DHAVALI, PONDA, GOA-403 401, PH :403401-9890669879.	153.## SHAKTI MOTORS (2226), OPP. J.K. PARK, NATIONAL HIGHWAY NO.8, P.O. VAGHASHI-388 320, TA: ANAND DISTT. KHEDA, PH :388320-9825792999.	DAHOD 164.* CAR SEVA (2438), SAINT STEPHEN SCHOOL ROAD, GODHRA ROAD., DAHOD. PIN-389151, PH :389151-9426469122.
130.**	SEVEN HILLS AUTO.(P) LTD. (848), D-20/1 OKHLA INDUSTRIAL AREA, PHASE II, NEW DELHI-110 020., PH :110020-9811037954.	VERNA 143.* LUBRICARE SERVICES (261), 7-D GOULLOY, NH.17 NUVEM, SALTETE, GOA-403 601, PH :403601-9822124376.	ANJAR 154.## CAR AGE (5542), PLOT NO.11, MAHATMA NAGAR-1,ANJAR- , GADHPADAR ROAD,NR.MAHAKALESHWAR, MAHADEV MANDIR,ANJAR , GUJARAT, PH :370110-9427216886.	DAMAN 165.## CAR ZONE (4358), SURVEY NO. 70/3, VARKUND, OPP VEERA DA DHABA, VAPI DAMAN ROAD, DAMAN-396210, PH :396210-9824184449.
131.**	SHALIMAR AUTOMOBILES PVT. LTD (871), C-91/9 WAZIRPUR INDUSTRIAL AREA, ASHOK VIHAR CROSSING, DELHI-110052, DELHI, PH :110052-9811171489.	GUJARAT	BARDOLI 155.** POOJA MOTORS (361), NEAR GIDC, SURAT ROAD, BARDOLI-394 601, (GUJARAT), PH :394601-9825762621.	166.## TOP GEAR (5469), DAMAN-KUNTA ROAD,KUNTA DAMAN-396210, DISTRICT - UNION TERRITORY - GUJARAT, PH :396210-9825631264.
132.##	SHIKHAR AUTOMOBILES (5546), A-2/1,CHOTTEY LAL PARK,SHIVAJI MARG, OPP KIRTI NAGAR,METRO PILLAR NO.341,NEW DELHI-110015, DISTRICT - DELHI, DELHI, PH :110015-9810047047.	AHMEDABAD 144.* AUTOWAY (125), MANGALYA COMPLEX, NEAR ANJALI CINEMA CROSS ROAD, BATTHA, AHMEDABAD, PH :380007-9825016888.	BHARUCH 156.* NEW MARUTI MOTORS (5156), 9/16 AKASH GANGA B/H CNG PUMP, OLD NH -8,BHOLAV , DISTRICT -BHARUCH, GUJARAT, PH :392001-9898611424.	DEESA 167.## VAKHARIA MOTORS (3970), G L PADJARI COMPLEX, PALANPUR PATHAN HIGHWAY, OPP. RAJMANDIR TALKIES, DEESA, PH :385535-937728841.
133.##	SINTEX SERVICE STATION (777), 883,RITHALA INDUSTRIAL AREA,, FIRNI NALA ROAD,, DELHI - 85, DELHI, PH :110085-9868030802.	145.## DAHISON MOTORS (143), NEAR MANAV MANDIR, DRIVE IN ROAD, AHMEDABAD-380 052, PH :380052-9898096242.	BHAVNAGAR 157.## VIKRAM MOTOR GARAGE (127), TAKHTESHWAR PLOT, NEAR CHANDRA BHUVAN, BHAVNAGAR - 364 002., PH :364002-9427145452.	DHARI 168.## GURUKRUPA MOTORS (5876), NR. NARMADESHWAR MAHADEV TEMPLE, DHARI,AMRELI ROAD,DHARI-365640, DISTRICT-AMRELI, GUJARAT, PH :365640-9825374658.
134.##	SRI BALAJI AUTOMOBILE (8038), KHASRA NO.33, 13/2-12 MAIN BAWANA ROAD, SAMEYPUR (NEAR DELHI COLLEGE OF ENGG.), DELHI, PH :110085-9811039601.	146.## MEGHDOOT MOTORS (3437), MASONIC LODGE COMPOUND, SHAHIBAUG ROAD, AHMEDABAD-4, PH :380004-9825972345.	BHUJ 158.* ASHA MOTORS (3629), LAL TEKRI, HOSPITAL ROAD, BHUJ-370 001. (GUJARAT), PH :370001-9727499383.	DHORAJI 169.## UNIVERSE AUTO (5837), SARDAR CHOWK,DHORAJI-360410, DISTRICT- RAJKOT, GUJARAT, PH :360410-9727714643.
135.##	SRI SAI AUTO ENGINEERS (8074), 487/59 PEERA GARHI, INDUSTRIAL AREA, DELHI, PH :110087-9650531612.	147.* POKAR AUTO REPAIRERS (2479), NEAR UNION CO. BANK, SAJPUR BOGHA, NARODA ROAD, AHMEDABAD-382 345, PH :382345-9428608515.	BILIMORA 159.## PATEL AUTOMOBILES (4030), DANDEKAR COMPOUND, GANDEVI ROAD, BILIMORA, PH :396321-9824123875.	GANDHI NAGAR
136.##	WIG AUTOMOBILES (8012), D-3 S.M.A CO-OP. INDL. ESTATE, (OPP. JAHANGIR PURI CHOWK), G.T. KARNAL ROAD, DELHI-110 033, PH :110033-9811297607.	148.* RAJAN MOTORS (2873), C/0 M/S. SUPER SERVICE STATION, 79/80 JAGABHAI PARK, RAM BAUG MANINAGAR, AHMEDABAD-380 008, PH :380008-9825972345.	BORSAD	
137.##	YASHWANT PLACE SER.STN. (8022), AFRICA AVENUE , (OPP.CHANAKYA CINEMA), NEW DELHI-21, PH :110021-9868255788.			

GOA

** A-Category Mass : Free & paid Service, Major repairs & Accidental repairs

C-Category Mass : Free & paid Service & Minor repairs

* B-Category Mass : Free & paid Service & Major repairs

D-Category Mass : Free Service & Minor repairs

Maruti Authorized Service Station (AS ON 30.05.2023)

170.* LABH MOTORS (4527), PLOT NO - B - 206+207 .. GIDC, SECTOR - 25,, GANDHINAGAR GUJARAT, PH :382024-9825020030.

171.* RIDDHI MARUTI(A DIVISION OF SHREE ARBODA PVT. LTD (2151), E-19/10 G.I.D.C. SECTOR 26, NEAR K-7, GANDHINAGAR-382 044, PH :382044-9825041331.

172.### SHITAL MOTORS P.LTD. (134), 304 G.I.D.C., SECTOR-28, GANDHINAGAR - 382 028 (GUJARAT),. PH :382028-9924127065.

HALOL

173.### MAA MOTORS (4767), GODHRA ROAD, NEAR TELEPHONE EXCHANGE, HALOL, GUJARAT, PH :389350-9898610212.

HIMMATNAGAR

174.### MEHTA SERVICE STATION (135), NEAR SHANTI GARDEN, RESTAURANT, DIWALI BAUG MOTIPURA, N.H.B. HIMMATNAGAR GUJARAT-383 001, PH :383001-9426555664.

IDAR

175.### SUN MOTORS (5175), IDAR-HIMMATNAGAR HIGHWAY ROAD, AT KRUSHNAGAR.PO NETRAMLI., TA.IDER DISTRICT SABARKANTA, GUJARAT, PH :383430-9228286768.

JAMKHAMBHALLIA

176.### SHRI HARI OM MOTORS (4539), JADESWAR ROAD CHAR RASTA, OPP. KRISHNA WAY BRIDGE, JAM KHAMBHALLIA-361305, GUJARAT, PH :361305-9426955344.

JAMNAGAR

177.* LANDMARK AUTOMOBILES (1973), PLOT NO-4/2, JAMNAGAR- KALVAD ROAD, MAHAPRABHUJI BETHAK ROAD, OPP SUBHASH BRIDGE, JAMNAGAR-361 006, (GUJARAT), PH :361006-7600000733.

JETPUR

178.### GIRIRAJ MOTORS (3971), JUNAGADH HIGHWAY, NEAR JALARAM TEMPLE, JETPUR, PH :360370-9727154392.

JUNAGADH

179.### MARUTI MOTORS (266), G.I.D.C. - I, RAJKOT HIGHWAY, DOLATPARA, JUNAGADH(GUJARAT), PH :362001-9099849888.

KALOL

180.### SUNRISE AUTO CENTRE (146), OPP. IFFCO, AHMEDABAD-MEHSANA ROAD, SAJJ KALOL, (NORTH GUJARAT)-382 721, PH :382721-9879542207.

KAMREJ

181.* PATEL MOTOR GARAGE (2764), PLOT NO 1.2.3, NAVAGAM, NR. MANISHA HOTEL, OPP. DADABHAGWAN TEMPLE, NAVAGAM, KAMREJ., DIST: SURAT-394185, PH :394185-9825127413.

KAPADVANJ

182.### DISHA MOTORS (5960), MAHAMADPURA,KAPADVANJ-NADIAD ROAD, KAPADVANJ-387620, DISTRICT-KHEDA, GUJARAT, PH :387620-9825641244.

KESHOD

183.### PRASAD MOTORS (3969), VERAVAL HIGHWAY, KESHOD, . PH :362220-9825024488.

LIMDI

184.### PARTH AUTOMOBILES (4171), OPP.SWAMINARAYAN TEMPLE, NH NO-8A, LIMBDI DIST, SURENDRNAGAR , PIN-363421, PH :363421-9426714510.

LUNAWADA

185.### N.J. MOTORS (4370), MODASSA ROAD, NR. SAIFEE HOSPITAL, LUNAWADA, DIST: PANCHMAHAL (GUJARAT), PH :389230-9924252700.

MEHSANA

186.* SANSKAR MOTORS (5468), PALAVASANA -BECHARAJI ROAD, , NR.ONGC FIRE STATION ,MEHSANA-364002 , DISTRICT-MEHSANA, GUJARAT, PH :384002-9825106359.

187.** SHUBH AUTO SERVICES (3367), NEAR AGRO PETROL PUMP, OLD RTO, RAMOSNA JAKAT NAKA, MEHSANA (GUJARAT), PH :384001-9825322460.

MORBI

188.### ARUN MOTORS (2071), SANALA BYE PASS, NEAR G.P. GINING MILLS, MORBI -363641, GUJARAT, PH :363641-982522825.

NADIAD

189.### SHIVAM MOTORS (4430), OPP RASHAM RESTAURANT, DABHAM CROSSING, N.H 8, NADIAD, GUJARAT, PH :387320-9825021960.

NAKHATRANA

190.### ASHA MOTORS (4340), NANA ANGLADESH, NAKHATRANA HIGHWAY ROAD, NAKHATRANA, KUTCH, PH :370615-9825225088.

PETLAD

191.### SIDDHI MOTORS (4166), OPP. GEB, NEAR RAILWAY CROSSING, NADIAD-KHAMBHAT HIGHWAY, PETLAD, ANAND, PIN-388450, PH :388450-7359465067.

RAJKOT

192.** KHODIYAR MOTORS (356), DHEBAR ROAD (SOUTH), ATIKA INDUSTRIAL ESTATE, RAJKOT-360 001, PH :360001-9426202885.

193.* UNIVERSE AUTO (5544), C/O DELHI GUJARAT TRANSPORT.NR. NAVAGAM, OCTROI POINT AHMEDABAD HIGHWAY, RAJKOT-380002, DISTRICT - RAJKOT , GUJARAT, PH :380002-9879616643.

RAJPIPLA

194.### R. N. MOTORS (5255), 22-GIDC NEAR PETROL PUMP , RAJPIPLA, DISTRICT - NARMADA , GUJARAT, PH :393145-9925325300.

SAVARKUNDLA

195.### SHYAM MOTORS (8925), OPP. ESSAR PETROL PUMP, AMRELI ROAD,SAVARKUNDLA-364515, DISTRICT-AMRELI, GUJARAT, PH :364515-9427742134.

SIDDHPUR

196.### GOOD LUCK MOTORS (5341), 2.UMIYA COMPLEX .NEAR GURUKUL , HIGH SCHOOL SIDDHPUR , DISTRICT - PATAN, GUJARAT, PH :384151-9898428989.

SIHOR

197.### MOMAI MOTORS (6032), NR. RAJ MOMAI PETROLIUM , BHAVNAGAR-RAJKOT HIGHWAY.SIHOR-364240, DISTRICT-BHAVNAGAR, GUJARAT, PH :364240-9510201800.

SURAT

198.### EMPEROR CAR TECH (1748), F.PLOT NO.124 NEAR RELIANCE COMPLEX, BESIDE SHEETAL MARBLE, SURAT-DUMAS ROAD PIPLD, SURAT-395 007, PH :395007-9825033396.

199.* J.K.MOTORS (5158), LUHAR MOHALLA .POSTT PALGAM, DISTRICT - SURAT, SURAT -394510, GUJARAT, PH :394510-9909920902.

200.* NILESH MOTORS (5347), AMBER SHOPPING CENTRE.OPP.SADHNA CHAMBERS, VARACHHA ROAD , DISTRICT - SURAT , GUJARAT, PH :395004-9377762660.

201.** PATEL MOTORS (3060), 64 BAJRANG NAGAR, NEAR OCTROI CHECK POST, NANA VARCHA, SURAT-395 006, PH :395006-9909149498.

SURENDRANAGAR

202.### ADIT MOTORS (1247), 504/B PHASE-III, G.I.D.C. WADHWAN CITY, SURENDRANAGAR-363 035, PH :363035-9879114222.

TALALA

203.* RUBY MOTORS (5942), TALALA ROAD , RAMRECHI(GIR), DIST - GIR, SOMNATH - 362150, . PH :362150-9824061044.

UMBERGAON

204.### KARAN AUTOMOBILES (2571), OPP. DAMRU WADI, UMBERGAON SANJAN ROAD, UMBERGAON DIST. VALSAD, GUJARAT-396 170, PH :396170-9824336583.

UNJHA

205.### AMBIKA MOTORS (3932), SADGURU COMPLEX, AHMEDABAD PALAM PUR HIGHWAY ROAD, UNJHA, MEHSANA-384170, PH :384170-9824517382.

VADALI

206.### VRAJ MOTORS (4560), UMIYA PARK, HIGHWAY ROAD, VADALI TA, VADALI, SABARKANTA (GUJARAT), PH :383235-9427364109.

VADGAM

207.### CHAUDHARY & CHAUDHARY MOTORS (5651), OPP.RELIANCE PETROL PUMP, PALAMPUR ROAD - VADGAM, DISTRICT - BANASKANTHA, GUJARAT, PH :385410-9664590698.

VADODARA

208.** CAR CARE (2229), NEAR GANDHI OIL MILL, GORWA INDUSTRIAL ESTATE, BARODA-390 016, PH :390016-9825044610.

** A-Category Mass : Free & paid Service, Major repairs & Accidental repairs
 ### C-Category Mass : Free & paid Service & Minor repairs

* B-Category Mass : Free & paid Service & Major repairs
 # D-Category Mass : Free Service & Minor repairs

Maruti Authorized Service Station (AS ON 30.05.2023)

209.*	CAR CLINIC (4640), PLOT NO. B-7 (PART), ANUR ESTATE, NEAR DABHOI ROAD, JAKATNAKA, VADODARA (GUJARAT), PH :390004-9925003558.	220.**	GURU NANAK MOTORS (2036), POLICE LINES CHOWK, AMBALA CITY,, PH :134003-8708357725.	232.**	PERFECT AUTOZONE (P), LTD. (5667), PLOT NO 9, ADJACENT TO UNION BANK OF INDIA, ANKHIR, OPP SEC 21-D, MAIN BADHKAL ROAD, DISTT FARIDABAD, HARYANA - 121001.	243.##	MANISH AUTOMOBILES (4777), GHATA ROAD, WAZIRABAD, NEAR SECTOR-56, GURGAON-122001, HARYANA, PH :122001-9873243858/9899561595/9899475288.		
210.##	DREAM MACHINES (2933), 19 MULJINAGAR COLONY, OPP. GHELANI PETROL PUMP, NIZAMPURA, VADODARA-390 002, PH :390005-7575809940.	221.##	HIRA MOTORS (2740), 207 MILE STONE VASANT VIHAR GT ROAD, N.H.-1, AMBALA CITY, PH :134002-9255285212.	233.##	SARASWATI AUTOMOBILES (4465), 44 B.P. NEELAM BATA ROAD, N.I.T, FARIDABAD, PH :121001-0129-4029665/0129-2429665/9811446 686.	244.**	OUTAB AUTOMOBILES (3668), KHEWATI/ KHATA NO 714/909, VILLAGE JHARSA, UNITECH CYBER PARK ROAD, SECTOR 39, GURGAON, HARYANA 122001, PH :122001-0124-2385333/0124-92267334//981168 7333.		
211.*	GENERAL MOTOR REPAIRING WORKS (2529), NEAR LOK SATTI PRESS, NAGARWADA, VADODARA-390 001, PH :390001-9825026106.	222.**	RAVI MOTORS (1957), 125 STAFF ROAD, HOTEL SAVOY, AMBALA CANTT-126 102, PH :133001-9315110209.	BADHARA	FARRUKHNAGAR	245.##	RAJASTHAN AUTO WORKS (4760), LT. ATUL KARATIA MARG, NEAR PETROL PUMP, AKASHI FILLING STATION, AMAN PURA, SECTOR-5 ROAD, GURGAON-122001 (HARYANA), PH :122001-8368972946/9910070220.		
212.**	HONEST AUTO STRUCTURE WORKS (279), 9, VINOBAUG BEHIND HOTEL SANMAN, JETPUR ROAD, VADODARA, PIN : 390005, PH :390002-9824014046.	223.*	S.S MOTORS (5735), NEAR REST HOUSE, BADHARA-123308, DISTRICT-BHIWANI, HARYANA, PH :127308-9255141288.	234.**	M R MOTORS (5946), GURGAON-JHAJJAR ROAD,OPP. ANAAZ MANDI, FARRUKHNAGAR-123506, DISTRICT-GURGAON, HARYANA, PH :122506-9810831200.	246.##	S G MOTORS (5756), PLOT NO.494,SECTOR 37,, PACE CITY II,VUDYOG VIHAR VI - GURGAON, DISTRICT-GURGAON, HARYANA, PH :122001-9711770092.		
213.##	MAYUR SERVICE STATION (2224), NEAR POLICE STATION, PRATAPNAGAR ROAD, BARODA-390 004, PH :390001-9879453031.	BAHADURGARH	224.##	GL AUTOMOBILES (5263), MAIN ROHTAK ROAD, SANKHOL OPP CH. DEVI LAL PARK, DISTRICT - BHADURGARH, HARYANA, PH :124507-9416303473.	FATEHABAD (HARYANA)	247.**	SEVEN HILLS AUTOMOBILES PVT LTD (6038), VIJAY VIHAR,MAIN SILOKHRA ROAD,SEC-30, GURGAON- 122002 , HARYANA , PH :122001-9810602354.		
VALIA		BARARA	225.##	LUXMI AUTOZONE (5334), VPO BARARA , DISTRICT - AMBALA, HARYANA, PH :133201-8222024046.	235.##	DHINGRA AUTOMOBILES (1856), G.T. ROAD, FATEHABAD, (HARYANA), PH :125050-9896012906.	248.##	SOMESH AUTOMOBILES (455), PLOT NO 249/2/8, BLOCK A, ROAD NO A-56, DLF PHASE 1, GURGAON 122002, PH :122002-9717070830.	
214.##	HARI OM AUTO CARE (5750), NEAR MAZDA HOTEL - VALIA, ANKALESHWAR ROAD-VALIA, DISTRICT-BHARUCH, GUJRAT, PH :393135-9427336094.	BARWALA (HARYANA)	226.**	FAQIR CHAND QUALITY FUELS (5435), KILLA NO.20L.H.S. NH-65., CHANDIGARH ROAD - BARWALA, DISTRICT - HISSAR, HARYANA, PH :125121-9215027000.	236.##	INDORA MARUTI SERVICE STATION (3064), OPPOSITE M M COLLEGE, SIRSA ROAD, FATEHABAD, 125050, PH :125050-9254080200.	249.##	SRI PARKASH AUTOMOBILES (5862), BAIGHERA ROAD,NEAR PARKASH PURI ASHRAM, NEW PALAM VIHAR,GURGAON-122001, DISTRICT-GURGAON, HARYANA, PH :122001-9899157729/9810070098.	
VALSAD		BHIWANI	227.##	VEER MOTOR WORKSHOP (1850), 24 NEW MOTOR MARKET, BHIWANI, (HARYANA), PH :127021-9416057857.	GANAUR	237.##	SITA AUTOMOBILES (4260), 347, WARD NO. 10, BST ROAD, GANAUR, DISTT- SONEPAT, PH :131101-9992022047.	250.##	TOP GEAR AUTOMOTIVE ENGINEERS (4464), MAIN JHARSA ROAD, GURGAON, (HARYANA), PH :122001-0124-4039011/9810304011/989143940 7.
215.*	HONEST AUTO GARAGE (2220), SUGHAR FALIA, BEHIND MOTI GHANCHIWAD, VALSAD-396 001 (GUJARAT), PH :396001-9426110767.	BHUNA	228.*	MITTAL AUTOMOBILES (5748), NEAR BUS STAND ,JAKHAL ROAD - BHUNA, PIN-125111, DISTRICT-FATEHABAD, HARYANA, PH :125111-9813207221.	GANGWA	238.**	PANCHMUKHI AUTOMOBILES (5968), HISSAR RAJGARH ROAD,, GANGWA-125001, DISTRICT-HISSAR, HARYANA, PH :125001-9728100029.	HANSI	
VANTHLI		FARIDABAD	229.##	BALAJI SERVICE STATION (4956), SECTOR 23-24, MAIN ROAD, NEAR BALAJI DHARM KATA, FARIDABAD-121004, HARYANA, PH :121001-9818700422/0129-4100265.	GOHANA	239.##	KRISHNA MOTORS (4132), ROHTAK ROAD, GOHANA,, PH :131301-9017062999.	251.**	VIKAS AUTOMOBILES (4744), SHANTI NIKETAN, OPP. JIND BYE PASS, G.T. ROAD, HANSI, DISTRICT-HISSAR (HARYANA), PH :125033-9468248037.
216.*	INFINITY MOTORS (5963), RAVI RATAN VADLA FATAK , OPP.HP PETROL PUMP ,POST VADLA,TAL VANTHLI-362205, DISTRICT-JUNAGADH, GUJARAT, PH :362001-9898990120.		230.**	INSUJH AUTO (377), 13/3 MAIN MATHURA ROAD, (ADJOINING FRICK INDIA), FARIDABAD-121 003, PH :121003-0129-2272587/0129-2272484/9810135 516.	GURGAON	240.##	A & A ENTERPRISES (4639), 396, PHASE-IV, UDYOG VIHAR, GURGAON (HARYANA), PH :122015-8851819511.		
VIRAMGAM			231.##	KHURANA AUTOMOBILES (2863), 3C/60 B.P. (OPPOSITE ESI HOSPITAL), N.I.T., FARIDABAD, PH :121001-9891984841/9810474117.	241.##	GANGA MOTORS (363), SHIVPURI, GURGAON-122 001,, PH :122001-0124-2314940/0124-2322084/9810430 6028.			
VYARA					242.*	KUMAR AUTOMOBILES (4848), BEHRAAMPUR ROAD , NEAR NH-8, GURGAON -122001, HARYANA, PH :122002-9873431696/0124-2215696/987344880 4.			
218.##	PARTH MOTORS (8928), D-1.CITY LIGHT TOWER KAKRAPAR, BYPASS ROAD-VYARA, DISTRICT-SURAT, GUJARAT, PH :394650-9898292020.						252.*	PALCO MOTOR GARAGE (4739), 96 AUTO MARKET, HISSAR-125001, HARYANA, PH :125001-9729601111.	

86

** A-Category Mass : Free & paid Service, Major repairs & Accidental repairs
C-Category Mass : Free & paid Service & Minor repairs

* B-Category Mass : Free & paid Service & Major repairs
D-Category Mass : Free Service & Minor repairs

Maruti Authorized Service Station (AS ON 30.05.2023)

- 253.* SAI AUTOMOBILES (5287), TOSHAM ROAD, NEAR AAKASH INSTITUTE, SECTOR-13, HISSAR, HARYANA, PH :125001-7988238034.
- 254.** SALASAR AUTO (4735), OPP. VIDYUT NAGAR GATE NO. 2, DELHI ROAD, HISSAR-125001, HARYANA, PH :125001-9355486716.
- HODAL**
- 255.## VED MOTORS (2247), HIGHWAY ROAD, NEAR RAILWAY STATION CHOWK, HODAL-121 106, (FARIDABAD), PH :121106-7988978936.
- INDRI**
- 256.## ASHOKA MOTOR (6041), OPP. PARTAP FILLING STATION,LADWA ROAD,, TEHSIL-INDRI,DISTRICT-KARNAL, HARYANA, PH :132041-8813000316.
- ISMALABAD**
- 257.* VINAYAK MOTORS (6052), OPP. MAHARAJA PALACE , AMBALA HISSAR ROAD , ISMAILABAD-136129 , HARYANA, PH :136129-9034820190.
- ISRANA**
- 258.## SHIV DARSHAN AUTOMOBILES (6051), ISRANA PANIPAT ROAD, NR. NC COLLEGE,ISRANA-132103, DISTRICT-PANIPAT , HARYANA, PH :132107-9911366230.
- JHAJJAR**
- 259.## VASUNDHRA MOTORS (1467), REWARI ROAD, JHAJJAR-124 103, (HARYANA), PH :124103-9812012180.
- JIND**
- 260.## MOHIT MOTORS (1574), SAFIDON GATE, JIND-126 102, , PH :126102-9355129844.
- KAITHAL**
- 261.## HIND AUTOMOBILES (1858), AMBALA ROAD, KAITHAL, , PH :136027-7015806781.
- KANINA**
- 262.## SHREE KRISHNA MOTORS (5953), BHOOP SINGH MARKET,NEAR PETROL PUMP, MAHINDERGARH ROAD,KANINA-123027, DISTRICT-MAHINDERGARH, HARYANA, PH :123027-9467641678.
- KARNAL**
- 263.** RUBY MOTORS (4734), 28/3 HSIDC, NEAR NAMASTEY CHOWK INDUSTRIAL AREA, KARNAL-132001, HARYANA, PH :132001-9896345633.

- KHARKHODA**
- 264.* PRANAV MOTORS (5771), SAMPLA ROAD,KHARKAUDA-131402, DISTRICT-SONEPAT, HARYANA, PH :131402-9896145161.
- KUNDLI**
- 265.## SHIV SHAKTI AUTOMOBILES (4828), SECTOR 53, HSIIDC, JANTI ROAD, NEAR K.H.I COLD STORAGE, KUNDLI, SONEPAT, HARYANA - 131028, PH :131001-9811047480.
- KURUKSHETRA**
- 266.## KARTAR MOTORS (1645), RED ROAD, KURUKSHETRA-132 118, , PH :136118-9896245900.
- 267.** KARTAR MOTORS (5349), PLOT O 65-66, SECTOR -2, HUDA INDUSTRIAL, AREA KURUKSHETRA, PH :136118-9896245900.
- 268.## SAINI MOTORS (2131), G.T. ROAD, UMRI CHOWK, KURUKSHETRA, (HARYANA), PH :136118-9896183931.
- LOHARU**
- 269.## BHAWNA MOTORS (6028), BHIWANI ROAD, LOHARU-127201, DISTRICT-BHIWANI , HARYANA, PH :127201-8901276555.
- MAHENDERGARH**
- 270.## SHREE SHYAM MOTORS (5843), NEAR I.O.C PETROL PUMP, MAHENDERGARH-123029, DISTRICT-MAHENDERGARH, (HARYANA), PH :123028-8199982018/9050994709.
- MANDI ADAMPUR**
- 271.## MITTAL AUTO AGENCIES (2966), 113-15 AUTO MARKET, MANDI ADAMPUR, (HARYANA), PH :125052-9729173300.
- MANESAR**
- 272.## MAITRI SERVICE STATION (2378), N.H.8, DELHI-JAIPUR ROAD, MANESAR (GURGAON), PH :122001-9818001128.
- NILOKHERI**
- 273.## SURENDERA MOTORS (5049), NEW NEHSIL ROAD,NILOKHERI, DISTRICT KARNAL , NILOKHERI-132117, HARYANA, PH :132117-9812510190.
- PALWAL**
- 274.** D.K. & R.K. MOTORS (1159), NEAR BUS STAND, NH-2 PALWAL, PALWAL, PH :121102-9416066547/9050460231.

- 275.* SHEELA MOTORS (5141), OPP MUNICIPAL COUNCIL OFFICE, OLD G T ROAD, DISTRICT - FARIDABAD, HARYANA, PH :121102-9416066251/01275-401501.
- PANCHKULA**
- 276.** PANCHKULA AUTO SERVICES (1949), PLOT NO.300, PHASE-II INDUSTRIAL AREA, PANCHKULA-134 109, (HARYANA), PH :134109-9316132257.
- PANIPAT**
- 277.** PREM MOTORS (2266), PLOT NO.134, SECTOR 25 INDUSTRIAL AREA, PANIPAT, PH :132103-9896306380.
- PATAUDI**
- 278.** SHUBHAM AUTOMOBILES (4641), REWARI ROAD, PATAUDI, DIST. GURGAON, PH :122413-0124-2672942/9812665240.
- PEHOWA**
- 279.* AMAR AUTOMOBILES (2270), OPP. DAV COLLEGE, AMBALA ROAD, PEHOWA DISTT. KURUKSHETRA, (HARYANA), PH :136128-9896002974.
- RADAUR**
- 280.## SHRI SHIVAM AUTOMOBILES (5852), S.K. ROAD,OPP. ESSAR PETROL PUMP, RADAUR-135133, DISTRICT-YAMUNANAGAR, HARYANA, PH :135133-9034384003.
- RAMIA**
- 281.## SINGLA MOTORS (3779), NEAR BUS STAND, RAMIA-125 076, DISTT. SIRSA (HARYANA), PH :125076-9416011238.
- REWARI**
- 282.## GAUTAM MOTORS (1837), NARNAUL ROAD, REWARI -123401 (HARYANA), , PH :123401-9416064894.
- 283.## PULYANI MOTORS (4663), BEHIND KAMLA PALACE, CIRCULAR ROAD, REWARI-123401, HARYANA, PH :123401-9416064738/01274-252238/01274-257938/9955963168.
- 284.* SHIVAM SERVICES (1466), OPP. CENTRAL SCHOOL, GARHI BOLNI ROAD, REWARI-123 401, PH :123401-01274-254825/9416288341.
- SADHAURA**
- 285.## SHREE GANESH MOTORS (5959), NEAR INDIAN OIL PETROL PUMP, KALA AMB ROAD,SADHAURA-133204, DISTRICT-YAMUNANAGAR, HARYANA, PH :133204-9813376260.

- SHAHABAD**
- 286.** MAHALAXMI MOTORS (354), LADWA ROAD, SHAHABAD MARKANDA-136 135, (HARYANA), PH :136135-9812036433.
- SIWANI**
- 287.## GANESH AUTOMOBILES (5931), NEAR RELIANCE PETROL PUMP,HISAR ROAD,SIWANI, DISTRICT-BHIWANI, HARYANA - 127046, PH :127046-8607113000.
- SOHNA**
- 288.** SHRI SHYAM MOTORS (8930), OPP.RAGHUNANDAN PETROL PUMP, NEAR GD GOENKA INTERNATIONAL SCHOOL, SOHNA-122103, HARYANA, PH :122103-9582350079.
- SONIPAT**
- 289.## NEW HIGHWAY MOTORS (8923), MAIN DELHI ROAD, SONEPAT, HARYANA, PH :131001-9416672009.
- TAURU**
- 290.## R M MOTORS (5842), WADE NO:4BEHIND WINE SHOP MAIN REWARI SOHNA ROAD, TAURU-122105, DISTRICT-MEWAT, HARYANA, PH :122105-9812378663.
- TOSHAM**
- 291.## MOHINI AUTOMOBILES (6026), OPP. NEW ANAJ MANDI , NEAR MINI BANK,TOSHAM-127040 , DISTRICT-BHIWANI, HARYANA, PH :127040-9215959995/9992251000.
- UKLANA**
- 292.* SHREE GANESH MOTORS (5747), PLOT NO#29,UKLANA MANDI, DISTRICT-HISSAR, PIN-125113, HARYANA, PH :125713-98123091531.
- HIMACHAL PRADESH**
- ALAMPUR**
- 293.## SUBH AUTOMOBILES (5964), SH-39 ALAMPUR-176110, DISTRICT-KANGRA, HIMACHAL PRADESH, PH :176082-9816675551.
- AMB**
- 294.## SHUBHAM MOTORS (5933), NEAR PINDI ASHRAM,HAMIRPUR ROAD, AMB-177203, DISTRICT-UNA, HIMACHAL PRADESH, PH :177203-9418114176.
- ANNI**

** A-Category Mass : Free & paid Service, Major repairs & Accidental repairs
C-Category Mass : Free & paid Service & Minor repairs

* B-Category Mass : Free & paid Service & Major repairs
D-Category Mass : Free Service & Minor repairs

Maruti Authorized Service Station (AS ON 30.05.2023)

382.## MAITHON SERVICING CENTRE (5838), MAITHON ROAD,NEAR VMC COLONY, SANJAY CHOWK_PO CHIRKUNDA-MAITHON, DISTRICT-DHANBAD, (JHARKHAND), PH :828203-7209423707.

PAKUR

383.## SPEED WHEEL SERVICE CENTRE (4976), MAIN ROAD ,PAKUR - 816107. , PH :816107-9434101917.

RAMGARH

384.## RAHIL MOTORS (5054), C/O NIYAMAT MISTRI, DUSHAD MOHLA, DISTRICT RAMGARH CANTT., PH :829122-9771577422.

385.## SAINI MOTORS (5126), NEAR VISWAKARMA MANDIR, MAIN ROAD, RAMGARH CANTT 829 122, DISTT. HAZARIBAG, PH :829122-9835141302.

RANCHI

386.## BHARAT MOTORS (5970), SHIV JEE CHOWK,HARMU ROAD,RANCHI-834001, DISTRICT-RANCHI, JHARKHAND - 834001, PH :834001-9608502258.

387.** MARUTI AUTOMOBILES (5127), HOTEL AKASHWANI MANSION, RATU ROAD, RANCHI-834 001, PH :834001-9835156186.

388.## MARUTI CLINIC (2548), LAL KOTHI, OLD HAZARIBAGH ROAD, KANTA TOLI, RANCHI-1 (BIHAR), PH :834009-9431109214.

389.## MOTOR KRAFT (4769), H.B. ROAD, DIPA TOLI, RANCHI-834009, JHARKHAND, PH :834009-9431152162.

SIDRAUL

390.## KRITIVASA AUTOMOBILES (4424), RANCHI TATA HIGHWAY, SIDRAUL, P.S NAMKOM, PH :834010-9661144866.

KARNATAKA

ATHANI

391.## CHOUUGLE MOTORS (3874), MIRAJ ROAD, ATHANI, , PH :587314-9448436776.

BAGALKOT

392.## NARA AUTOMOBILES (4357), TP NO. 158 A/2, WARD NO. 10, SHABADI COMPOUND EXTN, BAGALKOT-587101, PH :587101-9880875595.

BAILHONGAL

393.## MAHANTH MOTORS (5763), RTO ROAD BAILHONGAL ,TALUK-591102, DISTRICT-BELGAUM, KARNATAKA, PH :591102-9535653166.

BALEHONNUR

394.## SRI ANNAPOORNA MOTORS (5253), MALLE GOWDA COMPLEX,JAYAPURA, ROAD BALEHONNUR ROAD, DISTRICT - CHIKMAGALUR, KARNATAKA, PH :577204-9448000131.

BANGALORE

395.## ADARSHA AUTOMOBILES (4553), # 974 VARATHUR MAIN ROAD, NEAR PURVANKARA APARTMENTS, AFTER MARATHAHALLI, RAILWAY BRIDGE, BANGALORE-560037, PH :560037-9880195465.

396.** ANEKAR MOTORS (227), 230 MAGADI ROAD, BANGALORE-560 023, (KARNATAKA), PH :560 023-9845889911.

397.* ASHWA CARS (2827), #14, 1ST MAIN, 6TH CROSS, SANJEEVNI NAGAR, MOODAPALYA, BANGALORE 560072, PH :560072-9341228231.

398.## BENAKA MOTORS (3237), NO.158/2 VIHUTIPURA, VIGNAN NAGAR BEHIND B.E.M.L., NEAR RENUKA SWIMMING POOL, BANGALORE-560 017, PH :560 017-9845212416.

399.## CHANDANA MOTORS (4872), NO. 9 UNIVERSITY ROAD, GNANABHARTHI (POST), MARIYAAPPANA PALYA, BANGALORE-560056 (KARNATAKA), PH :560056-9880659864.

400.* GIRIMAJI ENTERPRISES (258), NO.2 27TH CROSS, K R ROAD, B S K II STAGE, BANGALORE-560 070, PH :560 070-9844004403.

401.** GREEN CARS PVT. LTD. (2154), NO.12/6 80 FEET ROAD, 6TH BLOCK KORAMANGALA, BANGALORE-560 095, PH :560 095-9845020796.

402.* KESHKAMAL MOTORS (2075), NO.943 21ST MAIN, BANASHANKARI 2ND STAGE, (NEAR KIMS MEDICAL COLLEGE), BANGALORE-560 070, PH :560 070-9448071067.

403.** LE MANS MOTORS (3460), NEAR AYYAPPA TEMPLE, S.M. ROAD, T. DASARAHALLY, BANGALORE-560 057, PH :560 057-9845145001.

404.* MAYUR ENTERPRISES (249), NEXT TO PIA BHAVAN KIADB MAIN ROAD, PEENYA 1ST STAGE, BANGALORE-58, PH :560058-9845122156.

405.* NEXUS (1153), 2ND MAIN KHB COLONY, GANDHI NAGAR, YELAHANKA, BANGALORE-560 064, PH :560 064-9844013436.

406.** NEXUS (2768), #275/301, 80 FEET ROAD, OPP. M.S. RAMAIAH HOSPITAL (BEL ROAD), RMV 2ND STAGE, BANGALORE-560 094, PH :560 094-9844013436.

407.** PACE AUTOMOBILES (1057), 6TH MAIN HMT LAYOUT, R.T. NAGAR, BANGALORE-560 032, PH :560 032-9845004710.

408.## PUSHPAK MOTORS (4642), 105/1 2ND MAIN NANJAPPA LAYOUT, VIDYARANYAPURA MAIN ROAD, (OPP KRUTHIKA HOSPITAL), BANGLAORE-560097, PH :560097-9845087842.

409.## RAJ (2829), NO.10 MAGADI MAIN ROAD, OPP. UNANI MEDICINE INSTITUTE, KOTIGEPALYA, BANGALORE-560 091, PH :560 091-9663555677.

410.** SMART CARS (3571), 3RD CROSS NEAR J.B. TILES, KAGGADASA PURA MAIN ROAD, C.V. RAMAN NAGAR, BANGALORE-560 093, PH :560 093-9663324361.

411.## SOLOTECH MOTORS (2760), SURVEY NO.82/2,D/SOUZA NAGAR, HOSAKEREHALLI-BANGALURU, DISTRICT-BANGALURU 560085, KARNATAKA, PH :560085-9845072603/7259589375.

412.## SOLOTECH SERVICE CENTRE (5245), 50 FEET MAIN ROAD ,AVALAHALLI, MUNESHWARA BLOCK , DISTRICT - BANGALORE, KARNATAKA, PH :560010-984572634.

413.* SPEED MOTORS (1750), 17/1 SUBRAMANYAPURA MAIN ROAD, KADIRENAHALLI, PADMANABHA NAGAR, BANGALORE-560 070, PH :560 070-9845153102.

414.## TEAM TECH AUTOMOBILES (5662), 78/1,SULEKUNDE, NEAR MUTHANALLUR CROSS., SARJAPURA MAIN ROAD, BANGALORE -562125, PH :562125-9538516111.

415.** TRINITY CAR CARE PVT. LTD (5851), SURVEY NO 52/1,SRI GANDHADAKAVAL VILLAGE, NAGARBHAVI,BANGALORE-560091, DISTRICT-BANGALORE , KARNATAKA, PH :560091-9880793980.

416.** TRINITY MOTORS (4638), NO. 36. 4TH STAGE, W.C. ROAD, BASAVESHWARANAGAR, BANGALORE-560079, PH :560079-9845539474.

417.** U.M. CARS PVT. LTD. (2847), KARNATAKA GOLF ASSOCIATION ROAD, KODIHALLI, OFF. AIR PORT ROAD, BANGALORE-560 008, PH :560 008-9845165365.

418.* VISWAS CAR SERVICES PVT. LTD. (3238), NO 2. (OUT NO OF SY.NO 100/2) OFF SERVICE ROAD , KALYAN NAGAR ROAD, CHELEKERE , BANASWADI POST BANGALORE -560043, PH :560043-9591313379.

BELGAUM

419.* BHARAT AUTO SCAN (350), 892/1 PB ROAD, BELGAUM-590 016. , PH :590 016-9448120495.

BIJAPUR

420.## BAGALI MOTORS (5159), SHIKARKHANA ROAD, BIJAPUR - 586104, DISTRICT - BIJAPUR, KARNATAKA, PH :586104-9448100444.

CHIKBALLAPUR

421.## SUKOVE ENTERPRISES (3426), B.B. ROAD N.H.7, CHIKBALLAPUR-562 101, (KARNATAKA), PH :562 101-9880607034.

CHIKMAGALUR

422.## AAMANTHRANA MOTORS (4346), K.M. ROAD, CHIKMAGALUR, , PH :577101-9945462658.

423.## FORMULA MOTORS (338), K.M. ROAD, CHIKMAGALUR-577 101, , PH :577 101-9448743284.

CHIKODI

424.## OM MOTORS (4445), 175/1, ANKALI ROAD, NEAR B K COLLEGE, CHIKODI-591201, KARNATAKA, PH :591201-8861555999.

CHINTAMANI

425.## TIPPUR AUTO GARAGE (5770), MG ROAD,NEAR BAGEPALLI CROSS, CHINTAMANI-563125, DISTRICT-KALOR, KARNATAKA, PH :563125-9036698340.

CHITRADURGA

426.## PRINCIPAL (255), J.M.I.T, N.H.4, P.B. NO.73, CHITRADURGA-577 502, PH :577 502-9731330300.

DAVANGERE

427.## HEGDE AUTO CENTRE (172), NO 2007/37, NEAR BIET, SHAMANUR ROAD, DAVANGERE, KARNATAKA-577004, PH :577004-8494853646.

** A-Category Mass : Free & paid Service, Major repairs & Accidental repairs
C-Category Mass : Free & paid Service & Minor repairs

* B-Category Mass : Free & paid Service & Major repairs
D-Category Mass : Free Service & Minor repairs

Maruti Authorized Service Station (AS ON 30.05.2023)

428.### SREE MALLIKARJUNA MOTOR (229), NO 68, RMC ROAD, NEAR KSRTC BUS STAND, DAVANGERE, KARNATAKA - 577003, PH :577 003-9880701015.

DEVANAHALLI

429.### SAHARA AUTOMOBILES (4731), OPP. A. RTO OFFICE, NH-7, B.B. ROAD, DEVANAHALLI-562110, KARNATAKA, PH :562110-9448662364.

DHARWAD

430.** MYSORE GARAGE (2468), BELGAUM ROAD, DHARWAD-580 001, (KARNATAKA), PH :580 001-9844133273.

DODDABALLAPUR

431.### PRESTIGE MOTORS (4875), NEAR RAILWAY STATION KHASBHAG, DODDABALLAPUR, , PH :560026-9900274594.

GADAG

432.### MODERN MOTORS (8939), HUBLI ROAD, GADAG-582 103, (KARNATAKA), PH :582 103-9448746579.

GULBARGA

433.### DELUX AUTO SERVICE (5840), SURVEY NO 77/8,VILLAGE KUSNOOR,NEAR -, UNIVERSITY,SEDAM ROAD,GULBARGA-585104, DISTRICT-GULBARGA, (KARNATAKA), PH :585104-9242991292.

HOSPET

434.### SUPREME AUTO SERVICE (2569), NEAR RTO OFFICE, HARIHAR ROAD, HOSPET-583 203, (KARNATAKA), PH :583 203-9845307361.

HUBLI

435.### SHRI BASAVA MOTORS (4968), OPP SANA COLLEGE,APMC PB ROAD, BHIRIDEVARKOPPA,HUBLI-580025, , PH :580025-9980025644.

KADUR

436.### SRI SAI MARUTHI SERVICE STATION (5725), ULUKINAKALLU, NH 206, KADUR, , PH :583201-9916947196.

KARKALA

437.### KARKALA MOTORS (3549), TELLAR ROAD, KARKALA-574 104, (KARNATAKA), PH :574 104-9845356244.

KOLAR

438.### SHIVA SERVICE POINT (2472), M.B. ROAD, KOLAR-563 101, (KARNATAKA), PH :563 101-9448228604.

KOLLEGAL

439.### FIX PLUS AUTO CARE CENTRE (4249), C-8, IND. ESTATE, MAHADESHWARA COLLEGE ROAD, KOLLEGAL-571440, PH :571440-9448807237.

KOPPA

440.### AUTO TECH (3448), MAIN ROAD, UPPERPET, KOPPA-577 126, (CHIKMAGALUR DIST.), PH :577 126-9448156950.

KUMTA

441.### SOLOTECH (4547), NEAR MARUTI TEMPLE, HANDIGON, KUMTA- 581343, PH :581343-9448149607.

KUNDAPUR

442.* PRAKASH AUTO SERVICE (4522), NEAR: K.E.B., VODERHOBLI, KUNDAPURA-576 201, PH :576 201-9341035642.

MANIPAL

443.### MANIPAL MARUTI AUTO WORKS (4578), MANIPAL ALEVOOR ROAD, NEAR R.C. CHURCH, OPP. SIGMA BAZAR, MANIPAL (UDUPI DIST), PH :591102-9448108318.

MUDHOL

444.### OM MOTORS (5857), OPP TALUKA OFFICE, LOKAPUR ROAD,MUDHOL-587313, DISTRICT-BAGALKOT, KARNATAKA, PH :587313-9668303660.

MUDIGERE

445.### BADRIYA CAR SERVICE POINT (5364), K.M. ROAD,MUDIGERE , DISTRICT-CHIKAMANGALORE , PIN - 577132 , (KARNATAKA), PH :577132-9448007094.

MYSORE

446.** CAR CLINIC (346), 1959/A, BOGADI RING ROAD, NEAR GLN CONVENTION HALL, BOGADI, MYSORE, PH :585106-9342184831.

NELAMANGALA

447.### GOUTHAM MOTORS (4332), PATEL CHANNAPPA EXTN, NELAMANGALA-562123, KARNATAKA, PH :562123-9880251546.

RABAKAVI BANAHATTI

448.### SANGAMA MOTORS (5726), BESIDE CMC,RAMPUR MAIN ROAD, RABAKAVI-587314, DISTRICT-BAGALKOT, KARNATAKA, PH :587314-9480035617.

RAICHUR

449.### HEERA MOTORS (3730), OPP. MOTI MASJID, SHIVJI OIL MILL COMPOUND, TIPU SULTAN ROAD, RAICHUR-584 101 (KARNATAKA), PH :584 101-9845156322.

RANEBENNUR

450.### KIZEN MOTORS (4568), P.B. ROAD, OPP. A.P.M.C MARKET, RANEBENNUR-581115, PH :581115-9900922022.

SAGAR (KARNATAKA)

451.### ADITYA AUTOMOBILES (2077), JOG ROAD, SAGAR-577 401, (KARNATAKA), PH :577 401-9448024395.

452.### MALLIKA AUTO CENTRE (2133), MALLIK COMPLEX, B.H. ROAD, SAGAR-577 401, PH :577 401-9448139605.

SHIMOGA

453.### NEPTUNE AUTO WORKS (5271), PLOT -5 AUTO COMPLEX , SAGAR ROAD - SHIMOGA , DISTRICT - SHIMOGA, KARNATAKA, PH :577204-9448319758.

454.* SHIMOGA AUTO ENGG WORKS (246), GARDEN AREA, SHIMOGA-577 201, KARNATAKA, PH :577 201-7899114872.

SIDDAPUR

455.### MARUTI AUTO WORKS (5335), SORAB ROAD,SIDDAPUR (U.K)-581355, DISTRICT - UTTAR KANAND, PIN- 581355, KARNATAKA, PH :581355-9448525801.

SIRSI

456.* ARUNDHATI MOTORS (1258), HUBLI ROAD, SIRSI-581 402, (UTTAR KARNATAKA), PH :581 402-9845098822.

SRINGERI

457.### SHUBHASHREE MOTORS (5434), AGUMBLE ROAD ,SRINGERI , DISTRICT - CHIKMAGALUR , SRINGERI - 577139, KARNATAKA, PH :577139-9448170400.

TIRTHALLI

458.### SUMUKA AUTOMOBILES (5133), AP ROAD,CEEBENE KERI, DISTRICT-SIMGA, SHIMGA-577414, KARNATAKA, PH :577414-9686944949.

TUMKUR

459.### APOORVA CAR CARE CENTRE (5327), B.N.P. COMPOUND ,BEHIND KRISHNA THEATRE, M.G. ROAD - TUMKUR, DISTRICT - TUMKUR, KARNATAKA, PH :571440-9901515516.

UDUPI

460.* ST. JUDE AUTOMOBILE ENGG. WORKS (4521), B.D.MARG, AMBALAPADI, UDIPI-576 103, PH :576 103-9844991241.

UPPINANGADI

461.### RATNA ENTERPRISES (5447), BUILDING NO 5/514 KUKKAJE, SUBBRAMNYA ROAD, UPPINANGADI, , PH :587313-9972995341.

KERALA

ADIMALY

462.### PLATHOTTAM AUTOMOBILES (3864), NH-49, OPPOSITE TO MINI INDUSTRIAL ESTATE, ADIMALI-685561, PH :685561-9447023073.

ADOOR

463.### AUTO CLUB (2132), NEAR H.P. PUMP, VADAKKADATHUKAVU P.O, ADOOR, PATHNAMTHITTA DISTT, PH :691523-9447440184.

ALAPPUZA

464.### ESSAR MOTORS (4959), KALARKODE, NEAR CHINMAYA SCHOOL, NH-47, ALAPPUZA-688003, KERALA, PH :688003-9249938474.

ALUVA

465.### AUTO TEAM (2630), A/189 A, PARUR JUNCTION, ALUVA, (KERALA), PH :683108-9947333760.

AMBALLUR

466.### LAKSHMI DEVI AUTO GARAGE (4137), AMBALLUR, P.O. PUDUKAD, TRICHUR, KERALA, PH :680301-9847903949.

ANCHAL

467.### NAMI-TAJ (2534), NEAR ST. GEORGE CENTRAL SCHOOL, R.O. JUNCTION, ANCHAL, KERALA -691 306., PH :691306-9447453745.

ANJUMOORTHY

468.### SAFA AUTO CARE (3847), N H ROAD, MANGALAM PALAM, ANJUMOORTHY POST, VADAKKENCHERY, PALAKKAD DISTT, KERALA, PH :678682-9447303347.

ATTINGAL

** A-Category Mass : Free & paid Service, Major repairs & Accidental repairs

C-Category Mass : Free & paid Service & Minor repairs

* B-Category Mass : Free & paid Service & Major repairs

D-Category Mass : Free Service & Minor repairs

Maruti Authorized Service Station (AS ON 30.05.2023)

469.## OM SHAKTI AUTOMOBILES (4486), KIZHUVILAM P.O., MAMOM, ATTINGAL, KERALA-695104, PH :695104-9744658681.	480.## AGT MOTORS (5937), KIP JUNCTION, KALANJOOR-688694, DISTRICT-PATHANAMTHITTA, KERALA, PH :689698-9744409444.	490.## MADATHIL MOTORS (5456), MADATHIL HOUSE,CHOONDUPALAKA , KATTAKKADA P.O. - TRIVANDRUM , DISTRICT - TRIVANDRUM , (KERALA), PH :695543-9495192389.	500.## AUTO CARE (2541), (SHEEJA AUTO ENGG. WORKS), THALASSERY ROAD, MANANTHAVADY-670 645, WAYANAD (DIST.), PH :670645-9447040068.
AYOOR	KALLAMBALAM	KATTAPPANA	MANJERI
470.* MAKKATTU AUTO CLINIC (5051), AYOOR-ANCHAL ROAD.PANACHAILA, AYOOR - 691306, DISTRICT - KOLLAM, KERALA, PH :691306-9847288624.	481.## PRAKASH AUTO ENGINEERS (5548), VADASSERIKONAM P.O. KALLAMBALAM, VARKALA,KALLAMBALAM-695143, DISTRICT-TRIVANDRUM, KERALA, PH :695143-9847159618.	491.## UNITED SERVICE CENTER (4433), EDSSERT JUNCTION, KATTAPPANA-685508, KERALA, PH :685508-9961432941.	501.## MARUTI AUTO HOUSE (4726), CHERANI, KARUVAMBARAM PO, MANJERI, KERALA. PIN 676123, PH :676123-9447129289.
CALICUT	KALLUMUTTY	KAYAMKULAM	MANNAR
471.## MALABAR MOTORS (4655), EAST NADAKKAVU, P.O. ERANIPALAM, CALICUT-673006, KERALA, PH :673006-9846089190.	482.## MARUTI CARE (4179), KALLUMUTTY, IRITTY P.O., KANNUR, KERALA - 670703, PH :670703-9946703070.	492.## PERFECT MOTORS (4948), MARUTI SERVICE CENTRE, NH-47, CHEPPAD, KAYANKULAM-690507, DISTRICT-ALAPPUZHA (KERALA), PH :690507-9447048338.	502.## MOHANS AUTOMOBILES (5457), MOHANS AUTOMOBILES & ENGINEERS , KUTTEMPEROOR P.O. MANNAR, DISTRICT - ALAPPUZHA , (KERALA), PH :689622-9447877377.
472.## MARUTI SCAN (1675), BYE PASS JUNCTION, MEENCHANDA, CALICUT-673 018, PH :673018-9847130508.	KALPETTA	KONNI	MANNUTHY
CHALAKUDY	483.## VARCO MOTORS (4724), 18/226-1, NEAR VELLARAMKUNNU, NH 212, KALPETTA - 673121 , , PH :673121-9961569898.	493.## GLOBAL MOTORS (2836), VAKAYAR P.O., KONNI-689 698, (KERALA), PH :689698-9446222944.	503.** TOP CLEAN SERVICES (2834), 13/450 MANNUTHI BYE PASS, P.O. OLLUKKARA, THRISSUR, (KERALA), PH :680651-8592947776, 9846037818.
473.## STAR MARUTI GARAGE (5387), NH47 BYE PASS, NEAR CRESCENT PUBLIC SCHOOL, CHALAKKUDY, DISTRICT - THRISSUR, PH :680307-9946009375.	KANJIRAPPALLY	494.## MUTTATH AUTOMOBILES (5525), ARDOORPALAM,KONNI-689691, DISTRICT - PATHANANTHITTA, KERALA, PH :689691-9447431751.	MEENANGADI
474.* VIJAY AUTO SERVICE (1626), POTTA, CHALAKUDY-680 307 , , PH :680307-9995074628.	484.## MACK ENTERPRISES (2729), T.B.ROAD, KANJIRAPALLY , , PH :686507-9447093739.	KOOTHATTUKULAM	504.## MOTOR TECH (2440), EAST MEENANGADI, KRISHNAGIRI P.O., WAYANAD-673 591, (KERALA), PH :673591-9539195850.
CHANGANACHERRY	KANNUR	495.## EXTRA CARE SERVICES (3232), DEVA MATHA JUNCTION, M.C. ROAD, KOOTHATTUKULAM-686 662, ERNAKULAM DIST. (KERALA), PH :689121-9544552080.	MOOCHIKKAL
475.* PALATHRA MOTORS & SERVICE CENTRE (1072), VADAKKOKKARA, VEROOR P.O., CHANGANACHERRY-686 104, PH :686104-9447195154.	485.## AREN MOTORS (5139), CHAKKARAKAL P.O. MUZHAPPALA, DISTRICT - KANNUR, KERALA, PH :670613-9446771237.	KOTHAMANGALAM	505.## CHELADAN'S MARUTI ENGINEERS (4659), THANUR ROAD, MOOCHIKKAL-676307, MEENADATHUR, TIRUR, MALAPURAM DIST (KERALA), PH :676307-9895443563.
476.## SAAFAA AUTOMOBILES (1148), PALATHARA CHIRA, BY PASS ROAD, CHANGANACHERRY, KOTTAYAM-686104, , PH :686104-9447042517.	486.** PIONEER AUTO & ENGG.WORKS (4722), KANNOOTHUMCHAL ROAD, KANNUR - 2, (KERALA), PH :670005-9447798255.	496.## EXCEL MARUTI SERVICE (4342), BYE-PASS ROAD, KOTHAMANGALAM, ERNAKULAM-686691, PH :686691-8848605865.	MUNNAR
CHENGANNUR	KARIMANOOR	497.## MAJESTIC MOTORS (1253), NEAR THANKALAM BYE-PASS ROAD, KOTHAMANGALAM-686 691, KERALA, PH :686691-9946427528.	506.## PLATHOTTAM AUTOMOBILES (4447), COLONY ROAD, IKKA NAGAR, MUNNAR, IDUKKI, KERALA - 685612, PH :685612-9447023073.
477.* NEW TECH AUTOMOBILES (1978), INDUSTRIAL ESTATE, MUNDANCAVU, CHENGANNUR-689 121, KERALA, PH :689121-9388915757.	487.## MACS AUTOMOBILES (5745), SILVER SQUARE ,KARIMANOOR,THODUPUZHA, DISTRICT-IDUKKI, KERALA, PH :685581-9633275410.	KUNDARA	MUVATTUPUZHA
CHERTHALA	KASARGOD	498.## SPARK SERVICE (5772), ELAMPALLOOR,P.O. KUNDARA-691501, DISTRICT-KOLLAM, (KERALA), PH :691501-9809608020.	507.** JAWAN AUTOMOBILES (2730), MADAVOOR POST, MUVATTUPUZHA-686 669 , , PH :686669-8943345500.
478.* POZHICKAL CAR WORLD (3037), NEAR BOYS HIGH SCHOOL, CHERTHALA, ALAPPUZHA DIST., KERALA-688 524, PH :688524-9947474752.	488.## CARS CARE (4579), ANANDPUR, VIDYANAGAR P.O., KASARAGOD, KERALA-671123, PH :671123-9847251115.	KUTHUPARAMBA	NEYYANTINKARA
ETTUMANOOR	KATTAKADA	499.## KRISHNA MOTORS (3435), KUTTIKKUNNU, NEAR 66 KV SUB STATION, KUTHUPARAMBA-670 643, KANNUR DIST. (KERALA), PH :670643-9497296380.	508.## XANON ENGINEERS (4635), RAVELI TOLL JUNCTION, NEYYATTINKARA, TRIVANDRUM-695121, PH :695121-9447014813.
479.## ROHIT MOTORS (4636), THELLAKOM P.O., M.C. ROAD, ETTUMANOOR, KERALA, PH :686630-9447079010.	489.## CITY ENGINEERS (4947), MARUTI SERVICE CENTRE, NEYYATTINKARA ROAD, KATTAKADA-695572, DISTRICT-TRIVANDRUM (KERALA), PH :695572-9447206257.	MANANTHAVADY	NILAMBUR
KALANJOOR			509.## CONFIDENCE MOTORS (5140), PALUNDA,CHUNGATHARA, NILAMBUR-679334, DISTRICT - MALLAPURAM, KERALA, PH :679334-8075272281.

** A-Category Mass : Free & paid Service, Major repairs & Accidental repairs

C-Category Mass : Free & paid Service & Minor repairs

* B-Category Mass : Free & paid Service & Major repairs

D-Category Mass : Free Service & Minor repairs

Maruti Authorized Service Station (AS ON 30.05.2023)

NILAMEL

510.## LIBRA (3431), M.C. ROAD, NILAMEL-691 535, KOLLAM DIST., (KERALA), PH :691535-9895629768.

OCHIRA

511.* MANGALATH AUTOMOBILES (3836), NH 47 VALIYAKULANGARA, OCHIRA P O, KOLLAM DIST, KERALA-690526, PH :690526-9847258696.

OLLUR

512.## TOPCLEAN SERVICES (4468), 10/153, CHRISTOPHER NAGAR, P.O OLLUR, TRICHUR (KERALA), PH :680306-9846037818.

PALAKKAD

513.## CAR CRAFT (2139), 5/682 (1), MANALI, PALAKAD-678 001, (KERALA), PH :678001-9349607619.

PANDALAM

514.* AISHWARYA AUTOMOBILES (2067), NEAR K.S.R.T.C. BUS STOP, PANDALAM-689 501, , PH :689501-9847049140.

PARIPALLY

515.## ALLIANCE MARUTI SERVICES (3243), NH-47, PARIPPALLY-691 574, KOLLAM DIST. (KERALA), PH :691574-9349926440.

PATHANAPURAM

516.## MANNIL AUTOMOBILES (4150), NEAR PANCHAYAT OFFICE, PATHANAPURAM, KERALA-689695, PH :689695-9447258496.

PATHNAMTHITTA

517.** C.J. MARUTI CARE CENTRE (1255), VARIYAPURAM, ELANTHOOR EAST P.O., PATHANAMTHITTA-689 643, (KERALA), PH :689643-9446913874.

PERAVOOR

518.## CAR CARE AUTOMOBILES (4422), KODENCHAL, PERAVOOR, NIDUMPOYIL P.O., KANNUR- 670650, PH :670650-9946444691.

PERUMBAVOOR

519.## MILLENNIUM MOTORS (4873), OLD VALLAM ROAD, KADUVAL, PERUMBAVOOR-683542, DISTRICT-ERNAKULAM (KERALA), PH :683542-9446661111.

QUILANDY

520.## HITECH MARUTI (3025), MAIN ROAD, KOYILANDY, PIN-673 305, CALICUT DISTT., PH :673305-9447457996.

RANNY

521.## DEEPA AUTOMOBILES (5177), DEEPA AUTOMOBILES.PAZHAVANGADI, P.O. RANNY .689673, DISTRICT-PATHANAMTHITTA, KERALA, PH :689673-9447216725.

SASTHAMANGALAM

522.## MARSHAL AUTOMOBILES (4035), SWATI NAGAR, TC 10/147, PIPPIN MOODU, SASTHA MANGALAM, PEROORKADA, TRIVANDRUM 695005, PH :695005-9447461101.

SULTAN BATHERY

523.## AUTOMEK (4725), BEENCHI P.O., SULTAN BATTERY-673 592, , PH :673592-9249999515.

524.## NEW INDIAN MARUTI SERVICE CENTRE (4577), 14/789A, 14/789A1, KUPPADI, MYSORE ROAD, SULTHAN BATHERY, WAYANAD -673592., PH :673592-9281662822.

525.## TEE PEE MOTORS (4773), 9/668-B OOTY ROAD, NEAR BLOCK OFFICE, SULTAN BATHERY, WAYANAD (KERALA), PH :673592-8547201421.

TALIPARAMBA

526.## YESKAY (3368), KAKATHODE, TALIPARAMBA - 670141, KANNUR DISTT (KERALA), PH :670141-9744076850.

THALASSERY

527.## SAFE HANDS (3038), ERANHOLI, CHUNGAM, THALASSERY -670 107, (KERALA), PH :670107-9744322317.

THALAYOLAPARAMBU

528.* MYALIPARAMPIL MOTORS (3233), SILON JUNCTION, NEAR THALAYOLARAMBU, POOZHIKOL P O 686604, PH :686604-9447562050.

THAMARASSERY

529.## MALABAR MOTORS (4645), WARD NO. 12, BLDG NO. 121, WAYANAD ROAD, KARADY, THAMARASSERY, CALICUT, PH :673573-9349114119.

THIRUVALLA

530.## MARUTI AUTO SPOT (1628), AYROOKUZHIVIL HOLDINGS, OPPOSITE PUSH-PAGIRI MEDICITY, PERUMTHURUTHY, THIRUVALLA, KERALA -689107, PH :689107-9447860777.

THIRUVANANTHAPURAM

531.## EMINENT MARUTI SERVICE (2360), T.C. 610 M.C. ROAD, MANNANTHALA, TRIVANDRUM-695 015, PH :695015-9447713639.

532.## HITECH INDUSTRIES (1951), NEAR ULLOOR BRIDGE, PATTOM P.O., THIRUVANANTHAPURAM-695 004, (KERALA), PH :695004-9447732057.

533.## MUKUNDANS (3434), POONTHY ROAD, PADMAVILASAM, KUMARAPURAM,, THIRUVANANTHAPURAM-695 011, PH :695011-9349862788.

534.* PROFESSIONAL MOTORS (1256), NEAR ELECTRICITY BOARD, PEROORKADA, TRIVANDRUM-695 005, PH :695005-9947175650.

535.## SREEKARIYAM AUTOMOBILES (353), SREEKARIYAM P.O., THIRUVANANTHAPURAM-695 017, , PH :695017-9447050313.

THODUPUZZHA

536.## UNIVERSAL MARUTI (2563), VENGALLOOR P.O., THODUPUZZHA, (KERALA), PH :685585-9447023024.

TRIVANDRUM

537.* KICHU MOTORS (5453), TC.49/962 ,SREEMOOLAM NAGAR CHIRAMUKKU , MANACAUR (PO) TRIVANDRUM, DISTRICT - TRIVANDRUM, KERALA, PH :695572-9847023025.

VADANAPPALLY

538.## MONARCH MARUTI CARE CENTRE (4079), NEAR NORTH JUMA MASJID, GANESHA MANGALAM, P O VADANAPPALLY, TRICHUR DIST (KERALA), PH :690614-9847792698.

VADAVATHOOR

539.## CCARS (6754), VADAVATHOOR PO-KOTTAYAM, DISTRICT-KOTTAYAM, PIN-686503, KERALA, PH :685503-9447208558.

VARKALA

540.* S.S. MOTORS (2979), NEAR POLICE STATION, VARKALA-695 141, TRIVANDRUM DISTT., PH :695141-9446104991.

VATAKARA

541.## RANI AUTOMOBILES & ENGINEERING WORKS (1674), 10/496, NADAPURAM ROAD, MADAPPALLI COLLEGE POST, VATAKARA, KOZHIKODE - 673102., PH :673102-9400513139.

LAKSHADWEEP

LAKSHADWEEP

542.## POPULAR REPAIR & SERVICE CENTRE (2944), SECRETARIAT ROAD, KAVARATTI, LAKSHADWEEP-682 555, PH :682555-9448463737.

MADHYA PRADESH

BALAGHAT

543.## GULAB AUTOMOBILES (1553), GUJARI CHOWK, BALAGHAT-481 001, MADHYA PRADESH, PH :481001-9425402926.

544.## SAURAV MOTORS (4069), DEENHI ROAD, GARRA INDUSTRIAL AREA, BALAGHAT, MADHYA PRADESH, PH :481001-9300963731.

BARWANI

545.## SPEED AUTOMOBILES (5260), KHANDWA BARODA ROAD, NR. BALAJI TOLL KANTA,BARWANI-451552, DISTRICT-BARWANI, MADHYA PRADESH, PH :451552-9926146073.

BETUL

546.## ADITYA MOTORS (1263), NAGPUR BHOPAL ROAD, SADAR, BETUL-461 001, MADHYA PRADESH, PH :460001-9425381581.

BHIND

547.## MAA PITAMBARA MOTORS (5241), OPP.RAJENDERA CONVENT SCHOOL , LAKSHAR ROAD - BHIND , MADHYA PRADESH, PH :477001-9826240582.

BHOPAL

548.## SHRI KRISHAN CAR CARE (1679), POLYTECHNIC ROAD, NEAR PETROL PUMP, BHOPAL, (M.P.), PH :462002-9424454030.

549.## SHUBHAM AUTOMOBILES (5052), PLOT NO. 1 & 2, TIRANGA ROAD, SHAHPURA, BHOPAL, MADHYA PRADESH -462039, PH :462039-9425009869.

550.* TAURUS AUTOMOBILES (3372), ALAKNANDA COMPLEX, OPP.VIJAY STAMBH PRESS COMPLEX, M.P. NAGAR ZONE-I, BHOPAL (M.P.), PH :462011-9303131403.

** A-Category Mass : Free & paid Service, Major repairs & Accidental repairs
C-Category Mass : Free & paid Service & Minor repairs

* B-Category Mass : Free & paid Service & Major repairs
D-Category Mass : Free Service & Minor repairs

Maruti Authorized Service Station (AS ON 30.05.2023)

968.##	CHAKRABORTY MECHANICAL WORKSHOP (5351), NH-44 NEAR ZILLA PARISWAD OFFICE ,AMBASSA, DISTRICT - DHALAI, TRIPURA, PH :799289-9436136054.	979.**	SINGH AUTOMOBILES (5248), KANPUR ROAD, AURAIYA , DISTRICT - AURAIYA , PIN - 206122, UTTAR PRADESH, PH :206122-9808403258.	989.##	BHARTI AUTOMOBILES (1777), DHANORA ROAD, CHANDPUR, DISTT. BIJNOR, (U.P.), PH :246725-9837380551.	999.##	LAXMI MOTORS (5943), FATEHPUR SIKRI ROAD, KHEDA KORAI , FATEHPUR SIKRI-283110, DISTRICT-AGRA, UTTAR PRADESH, PH :283110-9837749949.
DHARMANAGAR		BABUGARH		CHITRAKOOT		FIROZABAD	
969.##	RAJ AUTOMOBILES (2868), STATION ROAD, RAJABARI, DHARMANAGAR, TRIPURA (NORTH)-799 253, PH :799253-9436477578.	980.*	GURUNANAK AUTOMOBILES (5977), NH- 9, VILL SIMROLI , BABUGARH CANTT. , DISTRICT- HAPUR, UTTAR PRADESH, PH :245102-8941839183/9411490827.	990.*	SHYAM MOTORS (4367), BUS STAND, KARWI, CHITRAKOOT-210205, PH :210205-9415143900.	1000.**	AMAN MOTORS (4366), OPP CAR CARE (INDIA), BYE PASS ROAD, FIROZABAD, UTTAR PRADESH, PH :283203-9837500220.
UDAIPUR		BAGHPAT		DADRI		1001.##	
970.##	SUR UDYOG (3963), TOWN FULKUMARI NO. 1, BRAMHABARI, P O UDAIPUR COURT, UDAYPUR, TRIPURA SOUTH, PH :799120-9862276650.	981.##	KAUSHIK MOTORS (4473), PLOT NO 525, DELHI SAHARANPUR ROAD,PALI, BAGHPAT, UTTAR PRADESH 250609, PH :250609-9837800582.	991.##	NATIONAL MOTOR AGENCY (5143), NOIDA ROAD , DADRI -203207, DISTRICT - GAUTAMBUDH NAGAR , UTTAR PRADESH, PH :203207-9818486888/0120-2667033/9873944403.	1002.##	
UTTAR PRADESH				DANKAUR		GANGOH	
AGRA		982.##	D M AUTOMOBILES (3933), NEAR BCM, POST SIRSIYA, GONDA ROAD, BALRAMPUR 271201, PH :271201-9415071840.	992.##	YASH MOTORS (5934), SIKANDRABAD ROAD, NEAR KISAN INTER COLLEGE, DANKAUR-203201, DISTRICT- GAUTAM BUDH NAGAR, UTTAR PRADESH, PH :203201-9410491590.	1003.*	
971.##	GAYATRI MOTORS (4730), 101-102, SHASHI NAGAR, CHANDRAKALA-COMPLEX, SIKANDRA BODLA ROAD, AGRA - 282008, (UTTAR PRADESH), PH :282007-8077786331.	BANDA		DEOBAND		GHAZIABAD	
ALIGARH		983.##	CHAUDHARY TRACTORS (2249), STATION ROAD, BANDA-210 001, (U.P.), PH :210001-9415143033.	993.##	PRACHI MOTORS (3361), ADJACENT TO CIVIL COURTS, G.T. ROAD, DEOBAND, DISTT. SAHARANPUR (U.P.), PH :247554-7017803402.	1004.*	
972.##	KAPIL AUTOMOBILES (1344), OLD KHURJA BUS STAND, G.T. ROAD, ALIGARH (U.P.), PH :202002-9837007636.	BARAUT		DEORIA		1005.**	
973.##	KAR SCAN CENTRE (449), RAMGHAT ROAD, KWARSI, ALIGARH-202 002, PH :202002-8937000111.	984.##	HIGH TECH ENGINEERS (4821), 216/5 SAHARANPUR ROAD, BARAUT, , PH :250611-9837168887.	994.**	CLASSIC MOTORS (2971), D-13/14 INDUSTRIAL ESTATE, OPPOSITE RTO OFFICE, GORAKHPUR ROAD, DEORIA-274 001 (U.P.), PH :274001-9415313939.	1006.##	
ALLAHABAD		985.##	SIGNET AUTOMOBILES (4441), NEAR INDUSTRIAL POLICE CHOWKI, DELHI ROAD, BARAUT-250611, DISTT BAGHPAT (U.P), PH :250611-8279527633 9917668255.	DHAMPUR		1007.*	
974.##	ANSHUMAN AUTOMOBILES (4933), 353, NAINI BAZAR NAINI, DISTRICT ALLAHABAD, ALLAHABAD-211008, UTTAR PRADESH, PH :211008-9335138119.	BAREILLY		995.##	AUTAR AUTOMOBILES (4846), NOORPUR ROAD, DHAMPUR-246761, DISTRICT-BIJNOR, UTTAR PRADESH, PH :246761-7017211986.	1008.**	
975.**	KAY CEE AUTOMOBILES (2155), 72/60 L.B. SHASTRI MARG, ALLAHABAD, , PH :211001-9415317225.	986.##	S P MOTORS (5746), 383, SURKHA CHAWNI, NAINITAL ROAD, BAREILLY-243001, DISTRICT-BAREILLY, UTTAR PRADESH, PH :243001-9568033111.	FAIZABAD		1009.*	
976.##	TRIBENI MOTORS (2539), 23 KANPUR ROAD, ALLAHABAD-211 001, (U.P.), PH :211001-9415324244.	BIJNOR		996.##	S K MOTORS (4672), CHANDPUR HARBANS ALLAHABAD ROAD, NH-96, FAIZABAD-224001, UTTAR PRADESH, PH :224001-9307088750.	GONDA	
ALMORA		987.##	SARDAR MOTORS (4671), DELHI HIGHWAY ROAD , 4TH KM MILE STONE , BIJNOR - 246701, UTTAR PRADESH, PH :246701-9837265076.	FARUKHABAD		1008.**	
977.##	AROMA AUTOMOBILES (3149), THE MALL, ALMORA, (UTTARANCHAL), PH :263601-9412093410.	BULANDSHAHR		997.##	APOORVA MOTORS (4675), SATAPUR MAINDIR ROAD, FARRUKHABAD, DISTRICT FARRUKHABAD, UTTAR PRADESH, PH :209625-9044498958.	1009.*	
AMROHA		988.##	DELHI AUTO ENGRS (1351), PLOT NO-106, NEAR TAFE TRACTOR AGENCY, NEAR CHANDPUR VILLAGE, DELHI ALIGARH BYPASS ROAD, BULANDSHAHR (UP) 203001., PH :203001-8700630277/8700982878.	998.##	SANDEEP MOTORS (4161), THANDI SADAK, OPP. JITENDRA GAS GODOWN, FARUKHABAD, UTTAR PRADESH, PH :209625-9838840322.	FATEHPUR SIKRI	
AURAIYA		CHANDPUR				1009.*	
						1009.*	

Maruti Authorized Service Station (AS ON 30.05.2023)

1056.## PRABHAT MOTORS (4131), NH-7 REWA ROAD, CHANDAIPUR LAKHAMPUR, MIRZAPUR, U.P. PH :231309-9838940382.	1066.* SHREE BANKEY BIHARI MOTORS (6025), NH-24 DELHI-GARH ROAD, PILKHUWA-245307, DISTRICT-GHAZIABAD, UTTAR PRADESH, PH :245304-9045548101.	1076.## MEHAR AUTOMOBILES (3576), 116/1 NEAR GDA MARKET, G.T. ROAD, KATORI MILL, MOHAN NAGAR, GHAZIABAD-201 007, PH :201007-9711201557/9871832662.	1086.## SATGURU MOTORS (3739), BYE PASS KAURARA ROAD, SIRSAGANJ DISTT. FIROZABAD, ETAWAH-AGRA ROAD, SIRSAGANJ (U.P.), PH :281431-9412316660.
MOHANLAL GANJ	PRATAPGARH (U.P)	1077.** MOTOR MAGIC AUTO ZONE (4462), 4/29-A SITE-IV, INDUSTRIAL AREA, SAHIBABAD, DISTT. GHAZIABAD, PH :201005-9810936357/9717194917/7838615331/9717800022.	SONEBHADRA
1057.** GURU TEG BAHADUR AUTO ENTERPRISES (4072), 4 SENANI VIHAR, RAI BAREILLY ROAD, MOHANLAL GANJ, LUCKNOW U P, PH :226027-9415229172.	1067.** SHREE MOTORS (4146), ALLAHABAD FAIZABAD ROAD, NH-96, CHILBILA RANJEETPUR, PRATAPGARH (UTTAR PRADESH), PH :230001-9415229257.	1078.## PANDIT AUTOMOBILES (4647), 3/1/1, SITE-IV, INDUSTRIAL AREA, SAHIBABAD, OPP. KAUSHAMBI, GHAZIABAD (UTTAR PRADESH, PH :201010-0120-2776808/0120-4114808/9810771045/9810639100.	1087.## OUDH SERVICE STATION (2925), SHAKTI NAGAR, SONEBHADRA-231 222, . PH :231222-7408434860.
MORADABAD	RAI-BARELI	1079.## POOJA MOTORS (3562), TEELA MORE, SHAHBAJPUR, LONI, DISTT. GHAZIABAD (U.P.), PH :201102-9810986463/9810986463/9891155954.	SULTANPUR
1058.## ASHISH AUTOMOBILES (1477), KANTH ROAD, MORADABAD-244 001, , PH :244001-9837055258.	1068.** STANDARD GARAGE (4429), MANIKA CENEMA ROAD, NEAR INSPECTION HOUSE, RAE BAREILLY, PH :229206-9415190703.	SANDILA	1088.## HINDUSTAN AUTO GARAGE (1360), BARHAIYA BEER RD., (ADJ.BUS STAND), SULTANPUR-228 001 (U.P), PH :228001-9984154002.
NAJIBABAD	RAMNAGAR	1080.## SUBHAM SERVICE CENTRE (4042), NEAR NEHA KOTHI ROAD, SANDILA, HARDOI, PH :241204-9506181818.	VARANASI
1059.## SETHI MOTORS (4557), C/O SETHI BOARD INDUSTRIES LIMITED, OPP. HINDUSTAN COCO-COLA BOTTLING PLANT, NAGINA ROAD, NAJIBABAD-246763, DISTT. BIJNOR (UTTAR PRADESH), PH :246732-9837590800.	1069.## MAHI AUTOMOBILES (5532), SHANKARPUR RAMNAGAR, DISTRICT - NAINITAL, UTTRAKHAND, PH :244715-8192000724.	SHAHJAHANPUR	1089.** MISHRA ENGINEERS (4957), S-4/68, NAI BASTI, PAHARIA, VARANASI-221002, UTTAR PRADESH, PH :221002-9415301483.
NOIDA	RAMPUR	1081.## SUPER AUTO (3135), OLD DIST. HOSPITAL ROAD, SHAHJAHANPUR (U.P.), PIN-242 001, PH :242001-9415035644.	UTTARAKHAND
1060.## AUTOPOINT (2263), G-6,SECTOR 11,NOIDA, PH :201301-8800337770.	1070.## FIZZA MOTORS (2241), NEAR AMBEDKAR PARK, CIVIL LINES, RAMPUR (U.P.), PIN-244 901, PH :244901-9897879711.	SHAMLI	BAZPUR
1061.## RAHUL MOTORS (4662), A-59 SECTOR-80, PHASE-II, NOIDA-201303, UTTAR PRADESH, PH :201305-9810572900/9312271259/0120-3963138.	RATH	1082.## ROYAL MOTORS (5277), PANIPAT KARANA ROAD, SHAMLI, SHAMLI-247776, UTTAR PRADESH, PH :247776-9927272766.	1090.## TARAI AUTOMOBILE ENGG WORKS (4459), GURUTEG BAHADUR ROAD, U.S. NAGAR, BAZPUR-262401, UTTARANCHAL, PH :263401-9837506765.
1062.** RAJESH & ANIL MOTOR CO (5330), B-110, SECTOR 2, NOIDA, DISTRICT - GAUTAM BUDDH NAGAR , UTTAR PRADESH, PH :201301-9818578786/0120-4211266/0120-2539555.	1071.## MARUTI POINT (4228), ROOP NAGAR, BUDHOLIYANA, NEAR BUS STAND, ORAI ROAD, RATH, DIST. HAMIRPUR (U.P), PH :210431-9415331735.	SHIKOHABAD	BHAGESWAR
1063.* SKUNIVERSE AUTOMOBILE PRIVATE LIMITED (8922), C-2 SECTOR 63, NOIDA - 201301, PH :201301-9219694800/9690581570.	RENUKUT	1083.## KUMAR MOTORS (5575), SUBHASH TIRAHA ,AGRA GATE - SIKOHABAD, DISTRICT - FEROZABAD, UTTAR PRADESH, PH :283203-9411937033.	1091.## SHREE ISHT DEV AUTOMOBILES (4570), GARUR ROAD, MOTA SIMAL, DIST. BAGESHWAR, UTTARANCHAL, PH :262642-9997895347.
OBRA	1072.## AMBIKA MOTORS (1050), PATEL NAGAR, MURDHAWA, RENUKUT-231 217, SONBHADRA (U.P.), PH :231217-9415251724.	SIDDHARTH NAGAR	DEHRADUN
1064.## APPRECIATE SERVICES (4678), BY PASS ROAD , ROBERTS GANJ , DISTRICT - SONEBHADRA , UTTAR PRADESH, PH :231219-8765833557.	ROBERTSGANJ	1084.## MARUTI CARE CENTRE (2736), OPP. SIDDHARTH SCHOOL, AZAD NAGAR, SIDDHARTH NAGAR-272 207, (U.P.), PH :272207-9935642651.	1092.## ASHIRWAD MOTORS (5144), CANAL ROAD, NEAR BALLUPUR CHOWK, DEHRADUN-248001, UTTARANCHAL, PH :248001-9219594748.
PILIBHIT	1073.* KAMAKHYA AUTOMOBILES (4163), PIPRI ROAD, ROBERTSGANJ, SONEBHADRA (U.P), PH :231216-9918301052.	SIKANDRABAD	1093.## HANS LAKHERA MOTORS (5032), JOGI WALA RING ROAD, NATHAPUR APPARTMNT., NAR NEHRU GRAM POST OFFC, MASSOORI BYEPASS, DEHRADUN, PH :248001-8897456677.
1065.* UNIVERSAL MARUTI SERVICE STATION (4365), BYE PASS ROAD, PILIBHIT, UTTAR PRADESH, PH :243006-9412313499.	SADABAD	1085.## NALIN AUTO (8921), G.T. ROAD, SIKANDRABAD, DISTT. BULANDSHAHAH, (U.P.), PH :203205-05735-222802/9412227155/9761133938.	1094.## KRIPALESHWARI MOTORS (4475), HARIDWAR ROAD, NEAR LIC BUILDING, DEHRADUN-248001, UTTARANCHAL, PH :248001-9412963384.
PILKHUWA	1074.## ASHU SERVICE CENTRE (5849), AGRA BYE PASS ROAD, SADABAD-281306, DISTRICT-HATHRAS, UTTAR PRADESH, PH :281306-9058832658.	SIRSAGANJ	1095.* SHREE RAM AUTOMOBILES (5066), NEAR TEHSIL, CHAKROTA ROAD, VIKAS NAGAR-DEHRADUN, UTTARANCHAL, PH :248198-9897731200.
	SAHARANPUR		HALDWANI
	1075.## GANESH CAR SERVICES (1871), OPP. REMOUNT DEPOT GATE, DEHRADUN ROAD, SAHARANPUR-247 001, PH :247001-9358306804.		
	SAHIBABAD		

** A-Category Mass : Free & paid Service, Major repairs & Accidental repairs

C-Category Mass : Free & paid Service & Minor repairs

* B-Category Mass : Free & paid Service & Major repairs

D-Category Mass : Free Service & Minor repairs

DELHI

DELHI







1. MARUTI SALES & SERVICE(DELHI) (0810-08-01),
C-119, INDUSTRIAL AREA PHASE-I, NARAINA,
NEW DELHI - 110028
PH :45541113.
2. J J IMPEX (DELHI) LTD(MARUTI SERVICE
MASTERS) (0883-08-01), F-39,OKHLA
INDUSTRIAL AREA,PHASE-II,NEW DELHI -
110020
PH :41612194, 40685500.

TAMIL NADU

CHENNAI

3. J J IMPEX (DELHI) LTD(MARUTI SERVICE
MASTERS) (1485-14-01), # 9, (SP), THIRU-VI-KA
INDUSTRIAL ESTATE, GUINDY, CHENNAI -
600032
PH :044-43563366, 43563367, 9176615000.

BATTERY LABEL SYMBOL MEANINGS

	No smoking, no naked flames, no sparks		Battery acid
	Shield eyes		Note operating instructions
	Keep away from children		Explosive gas

Prepared by

MARUTI SUZUKI INDIA LIMITED

Service Division

October, 2023

Part No. 99011M55R11-74E

Printed in India

**For round-the-clock on-road assistance,
call Maruti On-road Service at 1800 102 1800[#] / 1800 1800 180[#]**

[#] No STD code to be prefixed.

 **MARUTI SUZUKI**
GENUINE ACCESSORIES

 **MARUTI SUZUKI**
GENUINE PARTS

 **MARUTI SUZUKI**
COST PROTECT

 **MARUTI SUZUKI**
HELPLINE

 **MARUTI SUZUKI**
ROAD SERVICE

SERVICE DIVISION

MARUTI SUZUKI INDIA LIMITED

Palam-Gurgaon Road, Gurgaon – 122 015 (Haryana), India

Visit us at: www.marutisuzuki.com



99011M55R11-74E

CODE 01/10/2023/5000