

WAGONR

OWNER'S MANUAL & SERVICE BOOKLET

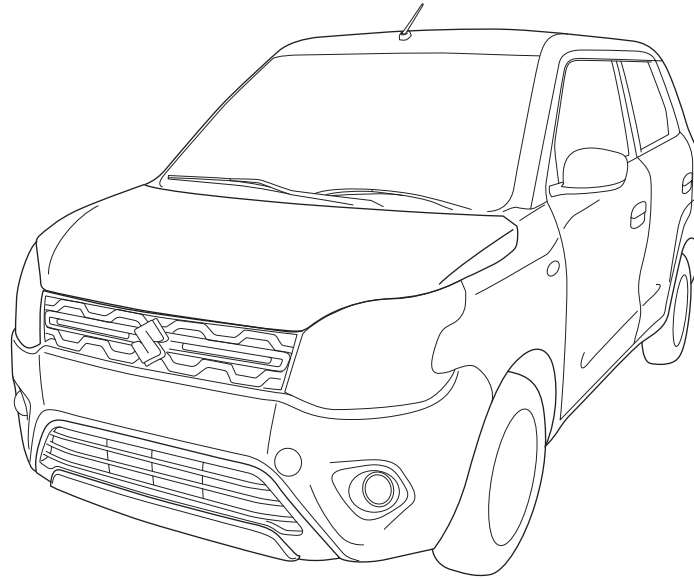
For vehicle fitted with CNG fuel system, use WagonR CNG Supplementary Owner's Manual, available with the vehicle.

Keep the booklet with the vehicle at all times.

Contains Warranty policy and important information on Safety, Operation & Maintenance.

Part No. 99011M69R09-74E
October, 2023 (ENG)

This Owner's Manual & Service Booklet applies to WagonR models produced by MARUTI SUZUKI INDIA LIMITED.



NOTE : The illustrated Models are one of the WagonR series
Accessories shown in the picture are not part of standard equipment

© Copyright 2023 **Maruti Suzuki India Limited**. All rights reserved.
No part of this manual can be reproduced in any manner whatsoever or transmitted
in any form or by any means without prior written consent of Maruti Suzuki India Limited.

FOREWORD

This manual is an essential part of your vehicle and should remain with the vehicle when resold or otherwise transferred to a new owner or operator. Please read this manual carefully before operating your new MARUTI SUZUKI and review the manual from time to time. It contains important information on safety, operation and maintenance. You are invited to avail the three Free Inspection Services as described in the manual. Three free inspection coupons are attached to this manual. Please show this manual to your dealer workshop while you take your MARUTI SUZUKI for any Service.

To prolong the life of your vehicle and reduce maintenance cost, the periodic maintenance must be carried out according to "PERIODIC MAINTENANCE SCHEDULE" described in "INSPECTION AND MAINTENANCE" section of this manual. It is essential for preventing trouble and accidents to ensure your satisfaction and safety.

Daily inspection and care as per "DAILY INSPECTION CHECKLIST" described in the "OPERATING YOUR VEHICLE" section of this manual is essential for prolonging the life of the vehicle and for safe driving.

Vehicle and the available features/accessories therein should be used and plied by the owner/user in accordance with the applicable legal requirements.

MARUTI SUZUKI INDIA LIMITED believes in conservation and protection of Earth's natural resources.

To that end, we encourage every vehicle owner to recycle, trade-in or properly dispose of, as appropriate, used Engine Oil, coolant and other fluids, batteries and tyres etc.

MARUTI SUZUKI INDIA LIMITED

All information in this manual is based on the latest product information available at the time of publication. Due to improvements or other changes, there may be discrepancies between information in this manual and your vehicle. MARUTI SUZUKI INDIA LIMITED reserves the right to make production changes at any time, without notice and without incurring any obligation to make the same or similar changes to vehicles previously built or sold.

This vehicle may not comply with standards or regulations of other countries. Before attempting to register this vehicle in any other country, check all applicable regulations and make any necessary modifications.

IMPORTANT

▲ WARNING/ ▲ CAUTION/NOTICE/ NOTE

Please read this manual and follow its instructions carefully. To emphasize special information, the symbol and the words **WARNING**, **CAUTION**, **NOTICE** and **NOTE** have special meanings. Pay particular attention to messages highlighted by these signal words:

▲ WARNING

Indicates a potential hazard that could result in death or serious injury.

▲ CAUTION

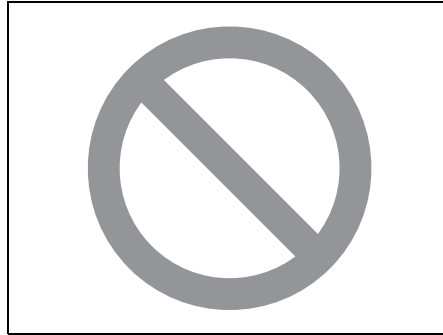
Indicates a potential hazard that could result in minor or moderate injury.

NOTICE

Indicates a potential hazard that could result in vehicle damage.

NOTE:

Indicates special information to make maintenance easier or instructions clearer.



75F135

The circle with a slash in this manual means “Don’t do this” or “Don’t let this happen”.

NOTE:

- Words like *car*, *model/variant* are invariably used in this manual to denote the “Vehicle”.
- Pictorial representations used in this manual are for reference purposes only.

MODIFICATION WARNING

▲ WARNING

Do not modify your vehicle. Modification could adversely affect safety, handling, performance, or durability and may violate governmental regulations. In addition, damage or performance problems resulting from modification shall not be covered under warranty.

NOTICE

Improper installation of mobile communication equipment such as cellular telephones, CB (Citizen’s Band) radios may cause electronic interference with your vehicle’s ignition system, resulting in vehicle performance problems. Consult your Maruti Suzuki authorised workshop or qualified service technician for advice on installing such mobile communication equipment.

NOTICE

The diagnostic connector of your vehicle is prepared only for the specific diagnostic tool for inspection and service purpose. Connecting any other tool or device may interfere with electronic parts operations and cause running out of batteries.

“WARNING”



Vehicle may **break-down**, meet with an **accident** or **catch fire** due to

1. Installation of
 - High wattage bulbs
 - Non genuine lamps / horns
 - Modified suspension / wheels
 - Non genuine parts / accessories etc.
2. Retrofitment of LPG / CNG fuel systems/kits.
3. Usage of domestic LPG.
4. Short circuiting due to tampering of wiring harness.

CAUTION: DO NOT STORE OR CARRY INFLAMMABLE MATERIALS IN THE VEHICLE.



Avoid driving into or starting the vehicle in a heavily water logged area. Vehicle may **break-down** or engine may fail due to

1. Water entry into the engine (which may lead to hydrostatic lock).
2. Short circuiting of the electrical systems.

If the vehicle is stuck in deep water, do not start / crank the vehicle until the level of water drops below the level of exhaust pipe.

NOTE:
IF THE VEHICLE IS SUBMERGED IN WATER, REPORT TO THE NEAREST AUTHORIZED WORKSHOP.

“CAUTION”

1. Retro-fitting of LPG / CNG kit may deteriorate vehicle performance, reduce engine & engine related component's life and also warranty will be null and void for such vehicles.
2. Do not use domestic LPG/LPG cylinder for your factory fitted LPG vehicles.
3. Usage of domestic LPG for running vehicles is prohibited as per law.
4. Do not remove company fitted LPG/CNG kit to install some other kit. It may affect vehicle performance and may cause fire.
5. Drive slowly on wet roads. Tires may slip while braking at higher speeds due to aquaplaning.(reduced contact area between tire and road due to presence of water)
6. Do not leave engine running in garages or confined areas, with passengers inside. This may result in accumulation of carbon-monoxide in cabin and may lead to suffocation or breathing problems.
7. Do not park vehicle on dry leaves or grass. This may lead to fire due to hot catalytic converter, igniting the dry leaves/grass.
8. If the vehicle is equipped with CNG/LPG, ensure availability of fire extinguisher in the vehicle all the time.
9. Always wear seat belt at all the times.
10. Do not use mobile phone while driving.
11. Avoid Smoking in the car, live bud thrown in car may cause fire.
12. Do not put any body part under the vehicle when it is supported on a Jack.
13. Do not use non-genuine accessories in your vehicle.
14. Do not fit accessories from unauthorized workshops/sources.
15. Usage of non-approved electrical accessories in your vehicle may result in spark, fire or personal injury.
16. Do not use camphor, incense sticks inside cabin room. Doing so may cause fire.
17. Avoid usage of cellular phones while refueling. Electric current and/or electronic interference from cellular phones can potentially ignite fuel vapors and cause fire.
18. Avoid entry inside vehicle immediately once after you have begun refueling. You can generate a build up of static electricity by touching, rubbing or sliding against any item or fabric capable of producing static electricity. Static electricity discharge can ignite fuel vapors and may causing a fire.
19. Do not check the engine room / open the hood near the fire area (Outside the vehicle). Fuel, washer fluid, etc. are flammable oils that may cause fire.
20. Avoid driving when vehicle has met with an accident . Before driving, Please contact with authorized MSIL dealership.

VIN:																				
MODEL:						OWNER NAME & ADDRESS														
VARIANT:																				
COLOUR:																				
ENGINE NO.:						CONTACT NO.														
KEY NO.:						E-mail ID:														
INVOICE DATE:						SELLING DEALER NAME & CODE														
ODOMETER READING	KM																			
REGISTRATION NO.:																				
BATTERY MAKE:						DEALER SHOWROOM ADDRESS & CONTACT NO. (STAMP)														
BATTERY NO.:																				
BATTERY BATCH																				
TYRE		MAKE		BATCH CODE																
Front Right					CONTACT NO. FOR SERVICE APPOINTMENT & SUPPORT															
Front Left																				
Rear Right																				
Rear Left																				
Spare																				
<p>For any assistance with regard to our product, please contact General Manager/Works Manager at any of our Dealer or Authorised workshop. For additional enquiry, you may contact our Regional Office or Service Department. The addresses and phone numbers are given in Service Network section of this Manual.</p>																				

CUSTOMER SERVICE MAINTENANCE RECORD (to be filled by customer)

INSPECTION SCHEDULE	DATE OF SERVICE	MILEAGE (KM)	NAME OF SERVICING WORKSHOP
1 st Free inspection service - 1 Month / 1000 KM*			
2 nd Free inspection service - 6 Months / 5000 KM *			
3 rd Free inspection service - 12 Months / 10000 KM*			
1 st Paid inspection service - 24 Months / 20000 KM*			
2 nd Paid inspection service - 36 Months / 30000 KM*			
3 rd Paid inspection service - 48 Months / 40000 KM*			
4 th Paid inspection service - 60 Months / 50000 KM*			
5 th Paid inspection service - 72 Months / 60000 KM*			
6 th Paid inspection service - 84 Months / 70000 KM*			
7 th Paid inspection service - 96 Months / 80000 KM*			
8 th Paid inspection service - 108 Months / 90000 KM*			
9 th Paid inspection service - 120 Months / 100000 KM*			
10 th Paid inspection service - 132 Months / 110000 KM*			
11 th Paid inspection service - 144 Months / 120000 KM*			
12 th Paid inspection service - 156 Months / 130000 KM*			

* Interval: This interval should be judged by month(s) or odometer reading, whichever comes first.

Maruti Suzuki Network can be viewed by installing below Mobile Apps:



Maruti Suzuki Rewards app ensures a hassle free car ownership experience. Get easy access to all the services and information you need by downloading the app



1ST. FREE INSPECTION COUPON

(Customer's copy)

(1 MONTH or 1,000 KM
whichever comes first)

Model Name													
Model Code*													
VIN :													
Engine No. :													
Mileage													
Invoice Date		D		D	M		M		Y		Y		
Date of Inspection		D		D	M		M		Y		Y		
Registration No.													
Customer Name													
Ph. No.													
Service workshop / MASS Code (fill below)													

COST OF MATERIALS AND CONSUMABLES TO BE BORNE BY CUSTOMER

Workshop In charge Signature													
---------------------------------	--	--	--	--	--	--	--	--	--	--	--	--	--

**For periodic maintenance schedule,
refer to "Inspection and Maintenance"
section of this manual**



1ST. FREE INSPECTION COUPON

(Selling dealer copy)

(1 MONTH or 1,000 KM
whichever comes first)

Model Name													
Model Code*													
VIN :													
Engine No. :													
Mileage													
Invoice Date		D		D	M		M		Y		Y		
Date of Inspection		D		D	M		M		Y		Y		
Registration No.													
Customer Name													
Ph. No.													
Service workshop / MASS Code (fill below)													

COST OF MATERIALS AND CONSUMABLES TO BE BORNE BY CUSTOMER

Workshop In charge Signature													
---------------------------------	--	--	--	--	--	--	--	--	--	--	--	--	--



1ST. FREE INSPECTION COUPON

(Servicing W/S copy)

(1 MONTH or 1,000 KM
whichever comes first)

Model Name													
Model Code*													
VIN :													
Engine No. :													
Mileage													
Invoice Date		D		D	M		M		Y		Y		
Date of Inspection		D		D	M		M		Y		Y		
Registration No.													
Customer Name													
Ph. No.													
Service workshop / MASS Code (fill below)													

COST OF MATERIALS AND CONSUMABLES TO BE BORNE BY CUSTOMER

Workshop In charge Signature													
---------------------------------	--	--	--	--	--	--	--	--	--	--	--	--	--

1ST. FREE INSPECTION COUPON

(Servicing W/S copy) (1 MONTH or 1,000 KM whichever comes first)

Stamp of Selling dealer (Code & Full Address)

For Servicing Workshop

1. Please Fill up Model codes correctly.
2. Please fill up Complete VIN.
3. Please fill up customer name and Phone No. details legibly and correctly for the latest owner.
4. Free service coupon of selling dealer not operational at present, should be sent to MSIL on monthly basis.



Service Division
Maruti Suzuki India Limited

1ST. FREE INSPECTION COUPON

(Selling dealer copy) (1 MONTH or 1,000 KM whichever comes first)

Stamp of Selling dealer (Code & Full Address)

For Servicing Workshop

1. Please Fill up Model codes correctly.
2. Please fill up Complete VIN.
3. Please fill up customer name and Phone No. details legibly and correctly for the latest owner.
4. Free service coupon of selling dealer not operational at present, should be sent to MSIL on monthly basis.



Service Division
Maruti Suzuki India Limited

1ST. FREE INSPECTION COUPON

(Customer's copy) (1 MONTH or 1,000 KM whichever comes first)

Stamp of Selling dealer (Code & Full Address)

For Servicing Workshop

1. Please Fill up Model codes correctly.
2. Please fill up Complete VIN.
3. Please fill up customer name and Phone No. details legibly and correctly for the latest owner.
4. Free service coupon of selling dealer not operational at present, should be sent to MSIL on monthly basis.



Service Division
Maruti Suzuki India Limited

2ND. FREE INSPECTION COUPON

(Customer's copy)

(6 MONTHS or 5,000 KM
whichever comes first)

Model Name														
Model Code*														
VIN :														
Engine No. :														
Mileage														
Invoice Date		D	D	M	M	Y	Y							
Date of Inspection		D	D	M	M	Y	Y							
Registration No.														
Customer Name														
Ph. No.														
Service workshop / MASS Code (fill below)														

COST OF MATERIALS AND CONSUMABLES TO BE BORNE BY CUSTOMER

Workshop In charge Signature													
---------------------------------	--	--	--	--	--	--	--	--	--	--	--	--	--

**For periodic maintenance schedule,
refer to "Inspection and Maintenance"
section of this manual**



2ND. FREE INSPECTION COUPON

(Selling dealer copy)

(6 MONTHS or 5,000 KM
whichever comes first)

Model Name														
Model Code*														
VIN :														
Engine No. :														
Mileage														
Invoice Date		D	D	M	M	Y	Y							
Date of Inspection		D	D	M	M	Y	Y							
Registration No.														
Customer Name														
Ph. No.														
Service workshop / MASS Code (fill below)														

COST OF MATERIALS AND CONSUMABLES TO BE BORNE BY CUSTOMER

Workshop In charge Signature													
---------------------------------	--	--	--	--	--	--	--	--	--	--	--	--	--



2ND. FREE INSPECTION COUPON

(Servicing W/S copy)

(6 MONTHS or 5,000 KM
whichever comes first)

Model Name														
Model Code*														
VIN :														
Engine No. :														
Mileage														
Invoice Date		D	D	M	M	Y	Y							
Date of Inspection		D	D	M	M	Y	Y							
Registration No.														
Customer Name														
Ph. No.														
Service workshop / MASS Code (fill below)														

COST OF MATERIALS AND CONSUMABLES TO BE BORNE BY CUSTOMER

Workshop In charge Signature													
---------------------------------	--	--	--	--	--	--	--	--	--	--	--	--	--

2ND. FREE INSPECTION COUPON

(Servicing W/S copy) (6 MONTHS or 5,000 KM
whichever comes first)

Stamp of Selling dealer
(Code & Full Address)

For Servicing Workshop

1. Please Fill up Model codes correctly.
2. Please fill up Complete VIN.
3. Please fill up customer name and Phone No. details legibly and correctly for the latest owner.
4. Free service coupon of selling dealer not operational at present, should be sent to MSIL on monthly basis.



Service Division
Maruti Suzuki India Limited

2ND. FREE INSPECTION COUPON

(Selling dealer copy) (6 MONTHS or 5,000 KM
whichever comes first)

Stamp of Selling dealer
(Code & Full Address)

For Servicing Workshop

1. Please Fill up Model codes correctly.
2. Please fill up Complete VIN.
3. Please fill up customer name and Phone No. details legibly and correctly for the latest owner.
4. Free service coupon of selling dealer not operational at present, should be sent to MSIL on monthly basis.



Service Division
Maruti Suzuki India Limited

2ND. FREE INSPECTION COUPON

(Customer's copy) (6 MONTHS or 5,000 KM
whichever comes first)

Stamp of Selling dealer
(Code & Full Address)

For Servicing Workshop

1. Please Fill up Model codes correctly.
2. Please fill up Complete VIN.
3. Please fill up customer name and Phone No. details legibly and correctly for the latest owner.
4. Free service coupon of selling dealer not operational at present, should be sent to MSIL on monthly basis.



Service Division
Maruti Suzuki India Limited

3RD. FREE INSPECTION COUPON

(Customer's copy) (12 MONTHS or 10,000 KM whichever comes first)

Model Name												
Model Code*												
VIN :												
Engine No. :												
Mileage												
Invoice Date		D	D	M	M	Y	Y					
Date of Inspection		D	D	M	M	Y	Y					
Registration No.												
Customer Name												
Ph. No.												
Service workshop / MASS Code (fill below)												

COST OF MATERIALS AND CONSUMABLES TO BE BORNE BY CUSTOMER

Workshop In charge Signature

For periodic maintenance schedule, refer to "Inspection and Maintenance" section of this manual



3RD. FREE INSPECTION COUPON

(Selling dealer copy) (12 MONTHS or 10,000 KM whichever comes first)

Model Name												
Model Code*												
VIN :												
Engine No. :												
Mileage												
Invoice Date		D	D	M	M	Y	Y					
Date of Inspection		D	D	M	M	Y	Y					
Registration No.												
Customer Name												
Ph. No.												
Service workshop / MASS Code (fill below)												

COST OF MATERIALS AND CONSUMABLES TO BE BORNE BY CUSTOMER

Workshop In charge Signature



3RD. FREE INSPECTION COUPON

(Servicing W/S copy) (12 MONTHS or 10,000 KM whichever comes first)

Model Name												
Model Code*												
VIN :												
Engine No. :												
Mileage												
Invoice Date		D	D	M	M	Y	Y					
Date of Inspection		D	D	M	M	Y	Y					
Registration No.												
Customer Name												
Ph. No.												
Service workshop / MASS Code (fill below)												

COST OF MATERIALS AND CONSUMABLES TO BE BORNE BY CUSTOMER

Workshop In charge Signature

3RD. FREE INSPECTION COUPON

(Servicing W/S copy) (12 MONTHS or 10,000 KM
whichever comes first)

Stamp of Selling dealer (Code & Full Address)

For Servicing Workshop

1. Please Fill up Model codes correctly.
2. Please fill up Complete VIN.
3. Please fill up customer name and Phone No. details legibly and correctly for the latest owner.
4. Free service coupon of selling dealer not operational at present, should be sent to MSIL on monthly basis.



Service Division
Maruti Suzuki India Limited

3RD. FREE INSPECTION COUPON

(Selling dealer copy) (12 MONTHS or 10,000 KM
whichever comes first)

Stamp of Selling dealer (Code & Full Address)

For Servicing Workshop

1. Please Fill up Model codes correctly.
2. Please fill up Complete VIN.
3. Please fill up customer name and Phone No. details legibly and correctly for the latest owner.
4. Free service coupon of selling dealer not operational at present, should be sent to MSIL on monthly basis.



Service Division
Maruti Suzuki India Limited

3RD. FREE INSPECTION COUPON

(Customer's copy) (12 MONTHS or 10,000 KM
whichever comes first)

Stamp of Selling dealer (Code & Full Address)

For Servicing Workshop

1. Please Fill up Model codes correctly.
2. Please fill up Complete VIN.
3. Please fill up customer name and Phone No. details legibly and correctly for the latest owner.
4. Free service coupon of selling dealer not operational at present, should be sent to MSIL on monthly basis.



Service Division
Maruti Suzuki India Limited

WARRANTY POLICY

Maruti Suzuki India Limited (hereinafter called "Maruti Suzuki"), warrants that each new Maruti Suzuki vehicle distributed in India by Maruti Suzuki and sold by a Maruti Suzuki authorised dealer will be free, under normal use and service, from any defects in material and workmanship at the time of manufacture SUBJECT TO THE FOLLOWING TERMS AND CONDITIONS:

(1) Qualification:

To qualify for this warranty the vehicle must be delivered by a Maruti Suzuki authorised dealer and set-up, and serviced by a Maruti Suzuki authorised workshop.

(2) Term:

The term of the warranty shall be twenty-four (24) months or 40,000 kilometers (whichever occurs first) from the date of invoice to the first owner.

(3) Maruti Suzuki Warranty Obligation:

If any defect(s) should be found in a Maruti Suzuki vehicle within the term stipulated above, Maruti Suzuki's only obligation is to repair or replace at its sole discretion any part shown to be defective, with a new part or the equivalent at no cost to the owner for parts or labour, when Maruti Suzuki acknowledges that such a defect is attributable to faulty material or workmanship at the time of manufacture. Such defective parts, which have been replaced, will become the property of Maruti Suzuki. The owner is responsible for any repair or replacements which are not covered by this warranty. The decision of Maruti Suzuki shall be final & binding.

(4) Limitation:

This warranty shall not apply to:

- (a) Normal maintenance service required other than the three free services, including without limitation, oil and fluid changes, Consumables, headlight aiming, fastener retightening, wheel balancing, wheel alignment and tyre rotation, cleaning of injectors, adjustments of clutch and valve clearance.
- (b) The normal wear of parts including without limitation, bulbs, tyres* and tubes, spark plugs, belts, hoses, filters, wiper blades, brushes, contact points, fuses, clutch disc, brake shoes, brake pads, cable and all rubber parts (except oil seal and glass run).
- (c) Any vehicle which has been used for competition, rallies or racing.
- (d) Any repairs or replacement arising from accidents or collision.
- (e) Any defect/ damage caused by misuse, negligence, abnormal use, insufficient care, vandalism, theft, riot, fire, flooding - not limited to entry of water in the components resulting in engine seizure, hydrostatic lock, etc. or external damages to the body/ components.
- (f) Any damage resulting due to usage of adulterated fuel/ lubricants/ oil/ coolant/ fluids/ polishing products and fuel/ lubricants/ oil/ coolant/ fluids used other than those specified in the Owner's Manual.
- (g) Any vehicle which has been modified or altered, including without limitation, the installation of performance accessories, enlargements of lights, other changes and external/ consequential reasons.
- (h) Any vehicle on which parts or accessories not approved by Maruti Suzuki (Non-MSGA, Non-MSGP) have been used.

(* - If there is a complaint related to tyre, the customer may contact respective tyre manufacturer.)

-
- (i) Any vehicle which has not been operated in accordance with the operating instructions in this Owner's Manual and Service Booklet.
 - (j) Any vehicle which has not received the service inspections prescribed in this Owner's Manual and Service Booklet.
 - (k) Any vehicle which has been assembled, disassembled, adjusted or repaired by other than a Maruti Suzuki authorised workshop.
 - (l) Any vehicle which has been used for purposes other than what it was designed for.
 - (m) Any damage or deterioration caused by airborne fallout, industrial fallout, acid rain, hail or hail storm, wind storm, lightning, bird droppings, rodents bite / rat bite and such other thing that result in damage to the vehicle.
 - (n) Insignificant defects / noise which do not affect the function of the vehicle including without limitation, sound, vibration and fluid seep.
 - (o) Any natural wear and tear including without limitation, ageing, wear & tear or deterioration such as discoloration, fading, deformation or blurring and fabric discoloration.
 - (p) Installation and usage of domestic LPG gas/LPG Cylinder.
 - (q) V-belts, hoses and gas leaks.
 - (r) Any vehicle retrofitted with LPG/CNG kits.
 - (s) Repainting including patchwork, bodywork and mouldings and interior trims.
 - (t) Corrosion, rusting of body parts and/ or components.
 - (u) Any vehicle on which odometer has been changed unauthorisedly or odometer reading has been modified/ tampered with/ or not matching the service records.
 - (v) The damage(s) caused to the vehicle being unattended despite knowledge that the defect exists and ignorance by the owner/ user of the vehicle.
 - (w) Any damage(s) caused to vehicle including battery/ tyre due to parking of the vehicle in idle condition for long duration of time periods.

- (x) Any vehicle on which the retro-fitment is not authorized and/ or type approved as per the standards prescribed by the relevant authority including but not limited to Automotive Standards of India.
- (y) Any vehicle on which the retro-fitment is such which directly or indirectly causes any damage to the vehicle or affects the functions of the vehicle in any manner whatsoever.

(5) Extent of Warranty:

This warranty is the entire written warranty given by Maruti Suzuki for Maruti Suzuki vehicles and no dealer or its or his agent or employee is authorised to extend or enlarge this warranty and no dealer or its or his agent or employee is authorised to make any oral warranty or representation or assurance on behalf of Maruti Suzuki.

Maruti Suzuki reserves the right to add any improvements or change the design of any model at any time with no obligation to make the same changes on units previously sold.

(6) Warranty Service:

To obtain warranty service, the complete vehicle must be presented at the owner's expenses to Maruti Suzuki authorised workshop.

The customer shall be responsible for his belongings or accessories fitted in the vehicle at the time of presenting the vehicle for service and no claim shall be entertained in any manner under any circumstances.

(7) Owner's Warranty Obligations:

NOTICE

<p>The owner shall not use the vehicle in a damaged condition and report the same immediately to the nearest Maruti Suzuki authorized workshop. This would result in early inspection and repair of the vehicle and any possible harm to the person or aggravation of damage to the vehicle can be prevented.</p>
--

It is responsibility of each owner to:

- Have performed, at his own expenses, by a Maruti Suzuki authorised workshop all the service inspections specified in the Maruti Suzuki “Owner’s Manual and Service Booklet” and maintain adequate proof that such service inspections have been performed.
- Update and maintain the 'Customer service maintenance records' page in the “Owner’s Manual and Service Booklet”, whenever service inspection or warranty service is carried out on the vehicle in a Maruti Suzuki authorised workshop.
- Present the Maruti Suzuki “Owner’s Manual and Service Booklet” to the Maruti Suzuki authorised workshop whenever requesting service inspections or warranty service.

If the “Owner’s Manual and Service Booklet” should be lost or destroyed the owner should consult the Maruti Suzuki authorised dealer from whom the vehicle was purchased for instructions concerning replacement of the “Owner’s Manual and Service Booklet”.

(8) Disclaimer of Consequential Damage:

Maruti Suzuki assumes no responsibility for loss of vehicle, loss of time, inconvenience or any other indirect incidental or consequential damage resulting from the vehicle not being available to the owner because of any defect covered by this warranty.

(9) Change of Owner

Even if ownership of the vehicle changes, the remaining warranty period is effective for the new owner.

This warranty is applicable only in India and not transferable to any other country.

NOTE:

Notwithstanding the warranty obligations, Maruti Suzuki may reuse reworked (refurbished) parts for undertaking rectification of recalled vehicles in terms of applicable laws.

EMISSION WARRANTY POLICY

Maruti Suzuki offers the Emission Warranty on all Maruti Suzuki vehicles (apart from the Regular Warranty and will run parallel to the regular product warranty) only in four metropolitan cities (**New Delhi, Kolkata, Mumbai and Chennai**) with effect from July 1st, 2001.

Terms:

The Emission Warranty will be applicable for **80,000 kms or 3 years** (Whichever comes earlier) from the date of invoice to the first owner. The remaining warranty terms will be valid in case of any change in ownership provided the production of all valid documents.

Conditions:

1. Under Emission Warranty, Warranty claims will be admitted for a prima-facie examination, in case vehicle fails to meet the Emission Standard as specified in sub rule (2) of rule no. 115 of Central Motor Vehicles Rules (CMVR), 1989.
2. The warranty claims will only be accepted after examination carried out by Maruti Suzuki or Maruti Suzuki authorised workshop which leads to firm conclusions that the
 - a) Original settings have not been tampered in any case.
 - b) Part (as given in Annexure - A) has a manufacturing defect.
 - c) Vehicle is unable to meet the Emission Standards (as given in 1.), in spite of the vehicle having been maintained and used in accordance with the instructions as specified in Owner's Manual and Service Booklet and the used fuel and different oils (Engine oil, Transmission oil, Brake oil etc.) are also as per specification.
3. The method of examination for deciding the warranty of the parts will be at the sole discretion of Maruti Suzuki and Maruti Suzuki authorised workshop and results of the examination will be final and binding. If after examination, the warrantable condition is not established, Maruti Suzuki and Maruti Suzuki authorised workshop has the right to charge all, or part of the cost of such examination.
4. Under Emission Warranty, the parts (as given in Annexure - A) will be changed free of cost, but the consumables will be charged as per actual.
5. If the part covered under Emission Warranty or the associated parts, are not independently replaceable, on account of these being integral parts of a complete assembly, Maruti Suzuki and Maruti Suzuki authorised workshop will have the sole discretion to replace either the entire assembly or by using some of the parts of the system through suitable repairs or modifications.
6. Any consequential repairs or replacement of parts which may be found necessary to establish compliance of Emission Warranty, will not be considered under warranty, unless the same is under product warranty. The consumable will be charged as per actual under such repair or replacement.
7. Maruti Suzuki will not be responsible for the cost of transportation of the vehicle to the nearest Maruti Suzuki authorised workshop or any loss due to non-availability of the vehicle during the period of lodging of a warranty claim and examination and/or repair by Maruti Suzuki authorised workshop.
8. Maruti Suzuki will not be responsible for any penalty that may be charged by statutory authorities on account of failure to comply with the EMISSION STANDARDS.
9. Emission Warranty will not be affected by the change of owner, provided all the documents are available.

-
10. All maintenance actions (as specified in the Owner's Manual and Service Booklet) need to be followed and recorded in the manual for emission warranty.
 11. The customer needs to produce the PUC (Pollution Under Control) certificate valid for the period preceding the test during which the failure is discovered. The receipts (for the maintenance of the vehicle as per specification in Owner's Manual and Service Booklet from the date of original purchase of the vehicle) will also be required.

Conditions under which the Emission Warranty is not APPLICABLE

1. In the absence of valid PUC certificate.
2. Vehicle not serviced from Maruti Suzuki authorised workshop as per the schedule specified in the Owner's Manual.
3. Vehicle subjected to abnormal use (accident, motor race, rallies or for the purpose of establishing the records etc).
4. Use of non MSGP (Maruti Suzuki Genuine Part).
5. Vehicle that has been tampered with.
6. Tampering with odometer so that the actual kilometer reading cannot be determined.
7. Use of adulterated fuel and/or unspecified oils (Engine oil, Transmission oil and Brake oil etc).

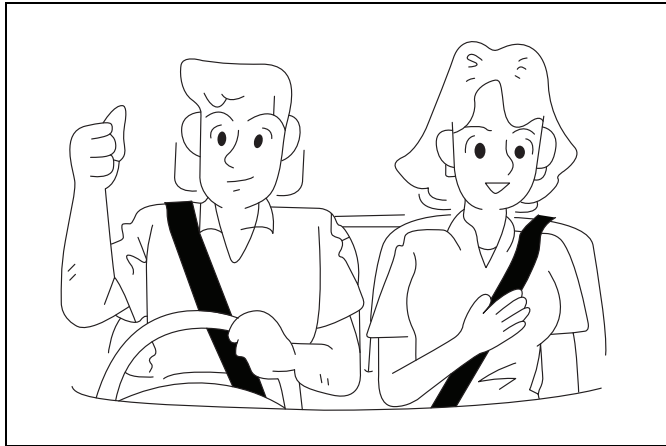
Annexure - A

List of parts (if applicable) covered under Emission Warranty

1. Fuel Injection Assembly, Pressure Regulator, Throttle Body Assembly.
2. Electronic Control Module (ECM).
3. Intake Manifold.
4. EGR valve.
5. Ignition Coil.
6. Canister Assembly.
7. Vapour Liquid Separator.
8. Fuel Tank and Filler Cap.
9. PCV (Positive Crankcase Ventilation) Valve.
10. Oil Filler Cap.
11. Catalytic Converter.
12. Exhaust Manifold.
13. All Fuel Injection System related Sensors.
14. High Pressure Fuel Pump.
15. Glow Plug.
16. Glow Plug Controller.

TABLE OF CONTENTS

FOR SAFE DRIVING	1
BEFORE DRIVING	2
OPERATING YOUR VEHICLE	3
DRIVING TIPS	4
OTHER CONTROLS AND EQUIPMENT	5
INSPECTION AND MAINTENANCE	6
EMERGENCY SERVICE	7
APPEARANCE CARE	8
SPECIFICATIONS	9
SERVICE NETWORK	10



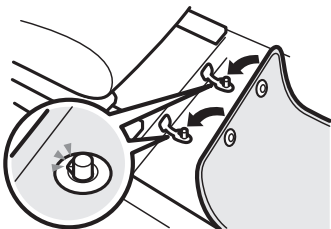
52D078S

FOR SAFE DRIVING

Floor mats (if equipped)	1-1
Front seats	1-1
Rear seats	1-3
Seat belts and child restraint systems	1-4
Supplemental restraint system (airbags)	1-18
Exhaust gas warning	1-27

Floor mats (if equipped)

EXAMPLE



72M10201

To prevent the driver's side floor mat from sliding forward and possibly interfering with the operation of the pedals, MARUTI SUZUKI genuine floor mats are recommended.

Whenever you put the driver's side floor mat back in the vehicle after it has been removed, hook the floor mat grommets to the fasteners and position the floor mat properly in the footwell.

When you replace the floor mats in your vehicle with a different type such as all-weather floor mats, we highly recommend to use MARUTI SUZUKI genuine floor mats for proper fitting.

⚠ WARNING

Failure to take the following precautions may result in the driver's side floor mat interfering with the pedals and causing a loss of vehicle control or an accident.

- Check that the floor mat grommets are hooked to the fasteners.
- Never stack floor mats.
- Never use a floor mat which does not fit the floor contours.
- Never use a floor mat which does not fit the floor as the same may cause hindrance/damage in vehicle and its functioning
- Never use damaged floor mats.

Front seats

Precaution for front passenger seat

For seat with seat belt reminder, refer to the NOTICE in the "Front passenger's seat belt reminder" section.

Seat adjustment

⚠ WARNING

- Never attempt to adjust the driver's seat or seatback while driving. The seat or seatback could move unexpectedly, causing loss of control. Check that the driver's seat and seatback are properly adjusted before you start driving.
- To avoid excessive seat belt slack, which reduces the effectiveness of the seat belts as a safety device, check that the seats are adjusted before the seat belts are fastened.
- All seatbacks should always be in an upright position when driving, or seat belt effectiveness may be reduced. Seat belts are designed to offer maximum protection when seatbacks are in the upright position.

(Continued)

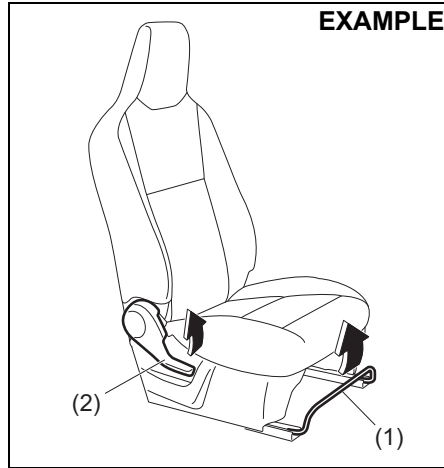
⚠ WARNING

(Continued)

- Do not leave cigarette lighters or spray cans on the floor. If a cigarette lighter or spray can is on the floor, it may light accidentally when luggage is loaded or the seat is adjusted, causing a fire.

⚠ CAUTION

Do not place any object under the front seat. If an object gets stuck under the front seat, the seat shall not be latched properly and may cause injury.



69RH195

Seat position adjustment lever (1)

Pull the lever up and slide the seat.

Seatback angle adjustment lever (2)

Pull the lever up and move the seatback.

After adjustment, move the seat and seatback forward and backward to check that it is securely latched.

NOTE:

To operate the seat back smoothly, pull the seat back adjustment lever (2) in upward direction. Ensure to move seat back only after lever is moved to fully up position. After adjustment of seat back, release the lever gently. Check that seat back is locked by moving it forward and backward.

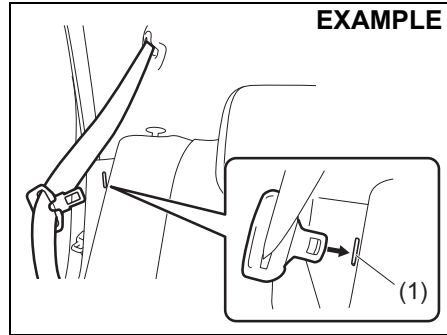
FOR SAFE DRIVING

Rear seats

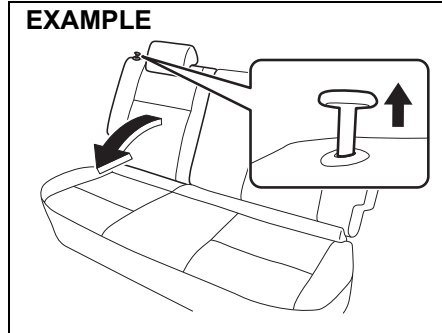
Folding rear seats

The rear seat(s) of your vehicle can be folded forward to provide additional cargo space.

To fold the rear seat(s) forward:



- 1) Insert the latch plate of the outboard lap-shoulder belts into the slit (1).



- 2) Pull the release knob(s) on the top of the seat(s), and fold the seatback forward.

NOTICE

After folding the rear seatback forward, do not allow any foreign material to enter the lock opening. This may cause damage to the inside of the lock and prevent the seatback from being locked securely.

⚠ WARNING

If you need to carry cargo in the passenger compartment with the rear seatback folded forward, secure the cargo or it may be thrown about, causing injury. Never pile cargo higher than the seatbacks.

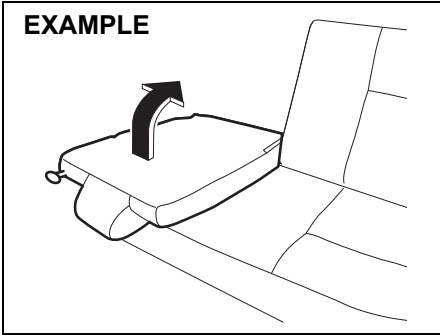
To return the seat to the normal position, follow the procedure below.

⚠ CAUTION

When returning the rear seatback to the normal position, be careful that your finger is not caught between the lock and the striker.

NOTICE

- When returning the rear seatback to the normal position, check that there is nothing around the striker. Any foreign materials prevent the seatback from being locked securely.
- When moving the seat back, ensure that the seat belt does not catch on the seat back, seat hinge, or seat latch. This helps prevent damage to the belt system.
- Make sure the belt webbing is not twisted.

EXAMPLE

69RH039

Raise the seatback until it locks into place.

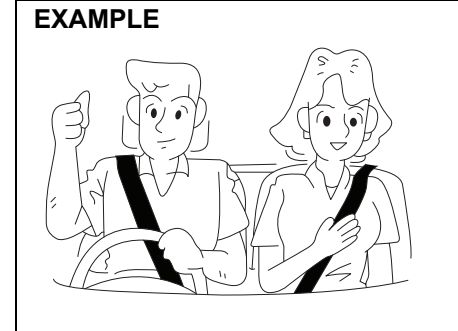
After returning the seat, move the seatback forward and backward to check that it is securely latched.

⚠ CAUTION

Do not put your hand into the rear seatback lock opening, or your finger may get caught and be injured.

NOTICE

- When returning the rear seatback to the normal position, do not allow any foreign material to enter the lock opening. This may prevent the seatback from being locked securely.
- When returning the rear seatback to the normal position, handle it carefully by hand to avoid any damage to the lock itself. Do not push it by using some material or by applying excessive force.
- As the lock is designed exclusively for securing the rear seatback, do not use it for any other purpose. Incorrect use of it may cause damage to the inside of the lock and prevent the seatback from being locked securely.

Seat belts and child restraint systems**EXAMPLE**

52D078S

⚠ WARNING

- Wear your seat belts at all times.
- An airbag supplements or adds to the frontal collision protection offered by seat belts. The driver and all passengers must be properly restrained by wearing seat belts at all times, even if driving for a very short distance, whether or not an airbag is mounted at their seating position, to minimize the risk of severe injury or death in the event of a collision.

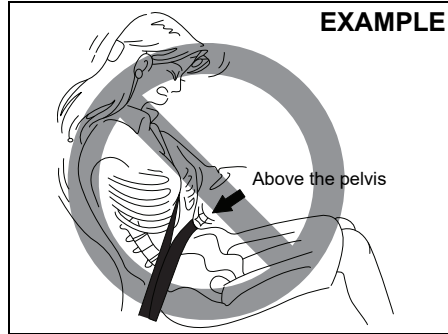
(Continued)

FOR SAFE DRIVING

⚠ WARNING

(Continued)

- Do not modify, remove, disassemble seat belts. Doing so may prevent them from functioning properly and cause the risk of severe injury or death in the event of a collision.
- Never allow persons to ride in the cargo area of a vehicle. In the event of an accident, there is a much greater risk of injury for persons who are not riding in a seat with their seat belt securely fastened.
- Ensure that all seat belts are worn correctly. An improperly worn seat belt increases the risk of injury or death if a collision occurs.

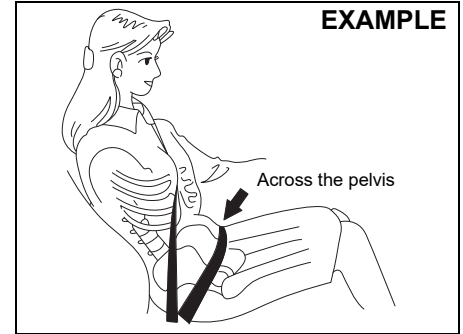


65D606

⚠ WARNING

- Seat belts should always be adjusted as follows:
 - the lap portion of the belt should be worn low across the pelvis, not across the waist.
 - the shoulder straps should be worn on the outside shoulder only, and never under the arm.
 - the shoulder straps should be away from your face and neck, but not falling off your shoulder.

(Continued)



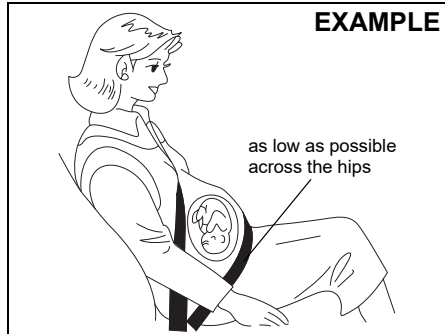
65D201A

⚠ WARNING

(Continued)

- Seat belts should never be worn with the straps twisted and should be adjusted as tightly as is comfortable to provide the protection for which they have been designed. A slack belt will provide less protection than a snug belt.
- Check that seat belt latch plate (tongue) is inserted into the proper buckle especially in the rear seats. It is not possible to insert into the wrong buckles in the rear seats.

(Continued)



65D199A

⚠ WARNING

(Continued)

- Pregnant women should use seatbelts, although specific recommendations about driving should be made by the woman's medical advisor. Remember that the lap portion of the belt should be worn as low as possible across the hips, as shown in the illustration.
- Do not wear seat belts over hard, fragile, or sharp items such as pens, keys, eyeglasses, etc. in pockets or on clothing. The pressure from seat belt on such items can cause injury in case of an accident.

(Continued)

⚠ WARNING

(Continued)

- Never use the same seat belt for more than one occupant and never attach a seat belt over an infant or child being held on an occupant's lap. Such seat belt use could cause serious injury in the event of an accident.
- Periodically inspect seat belt assemblies for excessive wear and damage. Seat belts should be replaced if webbing becomes frayed, contaminated or damaged in any way. It is essential to replace the entire seat belt assembly after it has been worn in a severe impact, even if damage to the assembly is not obvious.
- Children aged 12 and under should ride properly restrained in the rear seat.
- Infants and small children should never be transported unless they are properly restrained. Restraint systems for infants and small children can be purchased locally and should be used. Check that the system you purchase meets applicable safety standards. Read and follow all the directions provided by the manufacturer.

(Continued)

⚠ WARNING

(Continued)

- For child, if the seat belt irritates the neck or face, use a child restraint system appropriately for the child. The seat belts of your vehicle are principally designed for persons of adult size.
- Avoid contamination of seat belt webbing by polishes, oils, chemicals, and particularly battery acid. Cleaning may safely be carried out using mild soap and water.
- Do not insert any items such as coins and clips into the seat belt buckles and be careful not to spill liquids into these parts. If foreign materials get into a seat belt buckle, the seat belt may not work properly.
- All seatbacks should always be in an upright position when driving, or seat belt effectiveness may be reduced. Seat belts are designed to offer maximum protection when seatbacks are in the upright position.

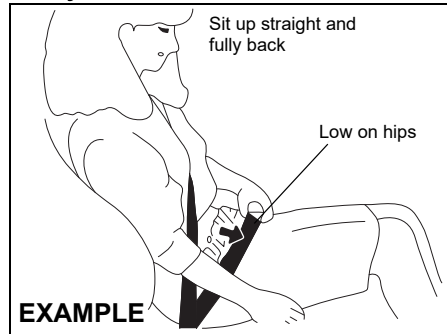
FOR SAFE DRIVING

Lap-shoulder belt

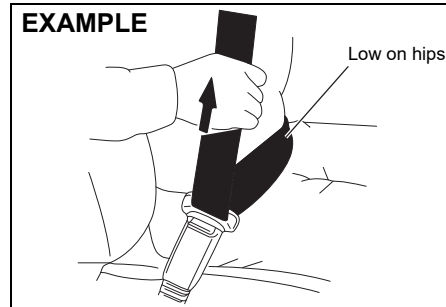
Emergency locking retractor (ELR)

The seat belt has an emergency locking retractor (ELR), which is designed to lock the seat belt only during a sudden stop or impact. It also may lock if you pull the belt across your body very quickly. If this happens, let the belt go back to unlock it, and then pull the belt across your body more slowly.

Safety reminder



60A038A

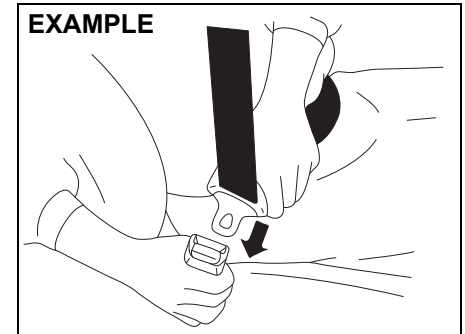


60A040

To reduce the risk of sliding under the belt during a collision, position the lap portion of the belt across your lap as low on your hips as possible and adjust it to a snug fit by pulling the shoulder portion of the belt upward through the latch plate. The length of the diagonal shoulder strap adjusts itself to allow freedom of movement.

All seat belts except rear center

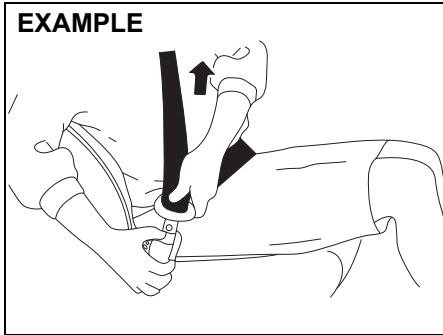
All seat belts except rear center are the lap-shoulder belt.



60A036

To fasten the seat belt, sit up straight and far back into the seat, pull the latch plate attached to the seat belt across your body and press it straight into the buckle until you hear a click.

After pressing the latch plate into the buckle, pull the seat belt to make sure it is securely latched.



60A039

To unfasten the seat belt, push the red “PRESS” button on the buckle and retract the belt slowly while holding the belt or/and the latch plate.

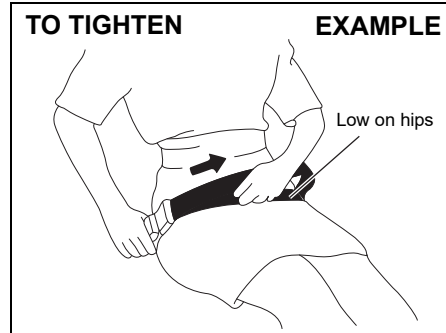
NOTE:

If the seat belt cannot be pulled from its fully retracted position, firmly pull the belt and release it. Then smoothly pull the belt out of the retractor.

Lap belt

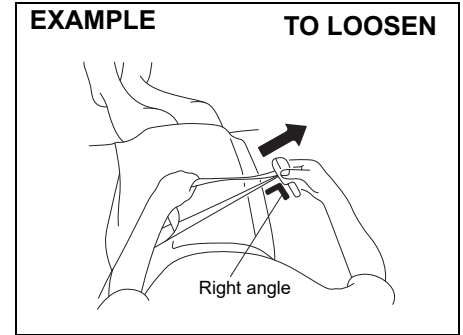
Rear center seat belt

Sit up straight and well back in the seat. To fasten the belt, pull the latch plate attached to the seat belt across your hips and press it straight into the buckle until you hear a click. To reduce the risk of sliding under the belt during a collision, position the belt across your lap as low on your hips as possible and adjust it to a snug fit.



80JS028

To tighten the belt, pull the free end of the belt across alongside the lap strap.

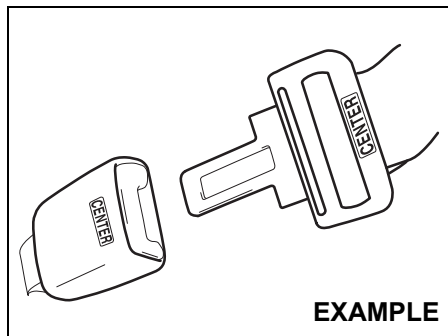


80JS029

To lengthen, release the latch plate from the buckle, pull the latch plate (adjuster) in the direction of the arrow, at right angles to the belt. The latch plate should then be refitted into the buckle and the belt tightened as previously described.

FOR SAFE DRIVING

To unfasten the belt, press the release button on the buckle catch.



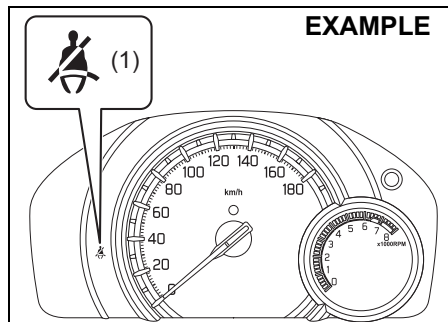
69RM01003

NOTE:

The word "CENTER" is marked on the buckle and latch plate for the rear center belt. The buckles are designed so a latch plate cannot be inserted into the wrong buckle.

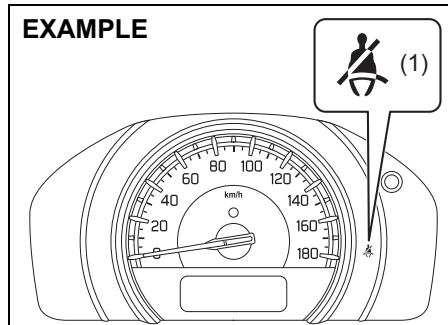
Seat belt reminder

With tachometer



69RH040

Without tachometer



69RH041

- (1) Driver's seat belt reminder light / front passengers' seat belt reminder light / rear passengers' seat belt reminder light*

When the driver and/or passenger (front passenger and/or rear passenger*) do(does) not fasten their seat belts, the seat belt reminder lights will come on or blink and a buzzer will sound to remind the driver and/or passenger (front passenger and/or rear passenger*) to fasten their seat belts. For more details, refer to the explanation below.

⚠ WARNING

It is absolutely essential that the driver, front passenger and rear passenger* fasten their seat belts at all times. Persons who are not fastening seat belts have a much greater risk of injury if an accident occurs. Make a regular habit of buckling your seat belt before starting the engine.

NOTE:

Along with the seat belt reminder light, a reminder message shall also come on the information display (if equipped), for unrestrained driver and/or front passenger.

NOTE:

The driver's seat belt reminder light / front passengers' seat belt reminder light / rear passengers' seat belt reminder light* is for all the driver, front passenger and rear passenger.

*: If equipped

Driver's seat belt reminder

If the driver's seat belt remains unbuckled when the ignition switch is turned to "ON" position, the reminder works as follows:

- 1) The driver's seat belt reminder light will come on.
- 2) After the vehicle's speed has reached about 15 km/h, the driver's seat belt reminder light will blink and a buzzer will sound for about 95 seconds.
- 3) The reminder light will remain on until the driver's seat belt is buckled.

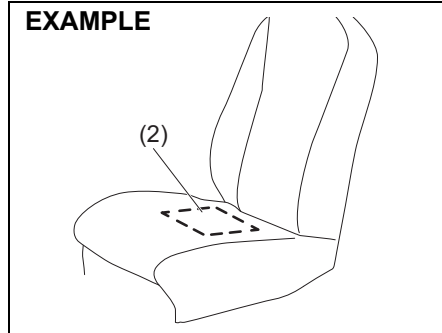
If the driver has buckled his or her seat belt and later unbuckles the seat belt, the reminder system will be activated from Step 1) or 2) according to the vehicle's speed. When the vehicle's speed is less than 15 km/h, the reminder will start from Step 1). When the vehicle's speed is more than 15 km/h, the reminder will start from Step 2).

The reminder will be automatically canceled when the driver's seat belt is buckled or the ignition switch is turned off.

Front passenger's seat belt reminder

If there is a person sitting in the front passenger seat and the front passenger seat belt is unbuckled when the ignition switch is turned to "ON" position, the front passenger's seat belt reminder will activate.

EXAMPLE



69RH203

- (2) The sensor of the front passenger's seat belt reminder

The seat belt reminder sensor (2) detects whether a person is sitting in the front seat. The sensor of the front passenger's seat belt reminder is located in the bottom seat cushion. The front passenger's seat belt reminder works in the same manner as the driver's seat belt reminder.

NOTICE

- The sensor of the front passenger's seat belt reminder is located in the bottom seat cushion. If heavy or sharp objects are put on the seat cushion, or a removal, disassembly and modification of the passenger's seat are performed, the sensor may not work properly or can be damaged. Do not put heavy or sharp objects on the seat cushion. Do not remove, disassemble and modify the passenger's seat.
- Depending on the variety of seat cover, operation of the sensor may be adversely affected. MARUTI SUZUKI highly recommends that you use MARUTI SUZUKI genuine seat cover exclusively for this vehicle. If a seat cover is installed, consult with a authorised Maruti Suzuki Workshop.
- If you spill liquid such as liquid aromatics, soft drinks or juice on the front passenger's seat cushion, the sensor of the front passenger's seat belt reminder located in the seat cushion can be damaged. Immediately wipe it dry with a soft cloth when spilled.

(Continued)

FOR SAFE DRIVING

NOTICE

(Continued)

- **When sitting on the front passenger's seat, it is very important that the passenger sits upright, leaning against the seat backrest and centered on the seat cushion in order for the seatbelt reminder system to function effectively. An occupant sitting improperly (slouches, turns sideways, sits forward or sideways) may hamper the functioning of this system as it may not detect the occupant.**

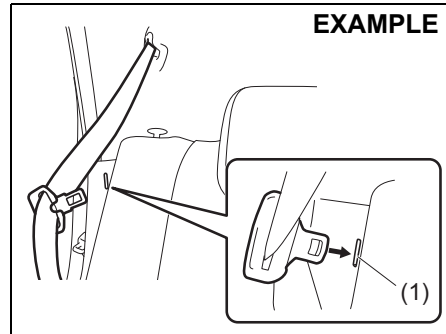
NOTE:

- *If you put an object on the passenger's seat, the weight of the object will be sensed by the sensor and the front passenger's seat belt reminder light will come on and then the interior buzzer may beep.*
- *If a child or a small sized person sits on the front passenger's seat or the cushion is put on the front passenger's seat, the weight may not be sensed by the sensor and the interior buzzer may not beep.*

Rear passenger's seat belt reminder (If equipped)

If the engine switch is pressed to change the ignition mode to "ON", the seat belt reminder light comes on unless all rear passenger's seat belts are fastened for irrespective of the presence or absence of passenger. The rear passenger's seat belt reminder works in the same manner as the driver's seat belt reminder.

Seat belt hanger

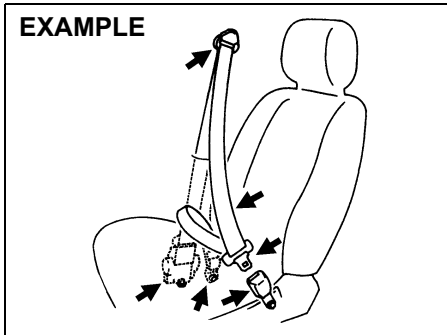


69RH064

NOTICE

- **When you move a seatback, make sure the latch plate is inserted into the slit (1) securely so the seat belts are not caught by the seatback, seat hinge, or seat latch. This helps prevent damage to the belt system.**
- **Make sure the belt webbing is not twisted.**

Seat belt inspection



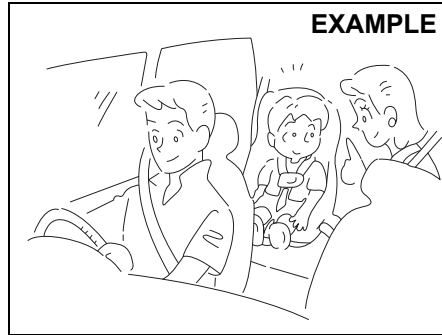
65D209S

Periodically check if the seat belts work properly and are not damaged. Check the webbing, buckles, latch plates, retractors, anchorages and guide loops. Replace any seat belts which do not work properly or are damaged.

⚠ WARNING

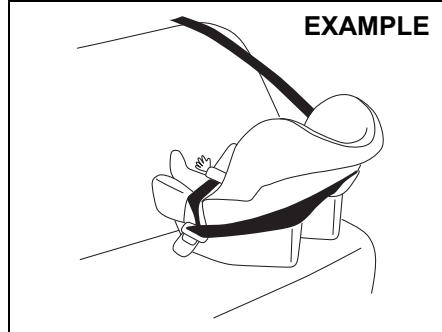
Inspect all seat belt assemblies after any collision. Any seat belt assembly which was in use during a collision (other than a very minor one) should be replaced, even if damage to the assembly is not obvious. Any seat belt assembly even which was not in use during a collision must be replaced if the seat belt pretensioners activated. The pretensioners and the load limiter only functions once. In case they did not activate, consult with a authorised Maruti Suzuki Workshop.

Child restraint systems

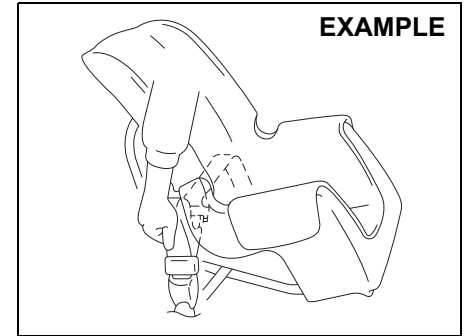


The following types of child restraint systems are available generally.

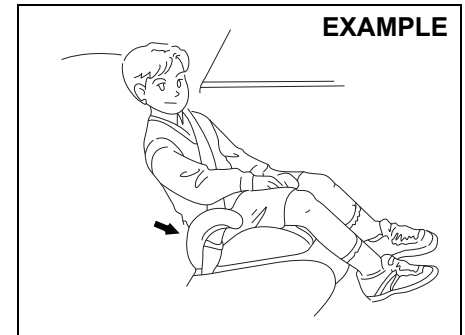
Infant restraint – rear seat only



Child restraint



Booster seat



MARUTI SUZUKI highly recommends that you use a child restraint system to restrain infants and small children. Many different

FOR SAFE DRIVING

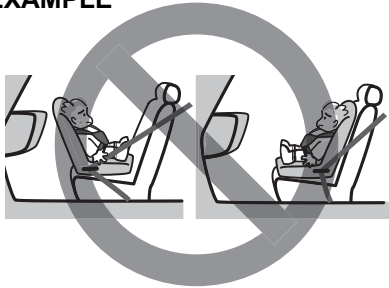
types of child restraint systems are available; check that the restraint system you select meets applicable safety standards.

All child restraint systems are designed to be secured in vehicle seats either by seat belts (lap belts or the lap portion of lap-shoulder belts) or by special rigid lower anchor bars built into the seat.

NOTE:

Observe any statutory regulation about child restraints.

EXAMPLE



61M0241

⚠ WARNING

- Do not install a child restraint system on the front passenger's seat since a child restraint system cannot be installed appropriately.

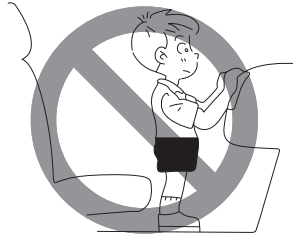
(Continued)

⚠ WARNING

(Continued)

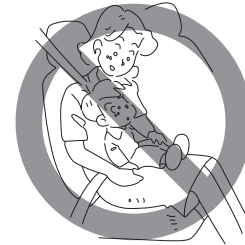
- If you install a child restraint system in the rear seat, slide the front seat far enough forward so that the child's feet do not touch the front seatback. This will help avoid injury to the child in the event of an accident.

EXAMPLE



65D608

EXAMPLE



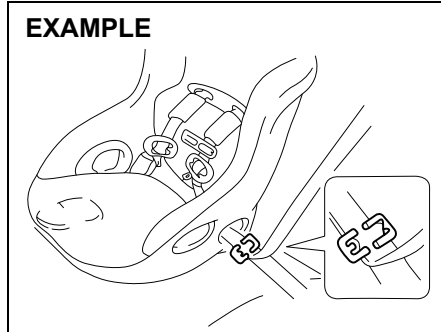
65D609

⚠ WARNING

Do not hold a child on a passenger's lap when the vehicle is in motion. Even if the passenger holds the child tightly, he/she would not be supported enough in the event of an accident and it could result in a serious injury of the child.

⚠ WARNING

Children could be endangered in a collision if their child restraint systems are not properly secured in the vehicle. When installing a child restraint system, follow the instructions below. Secure the child in the restraint system according to the manufacturer's instructions.

Installation with lap-shoulder seat belts**ELR type belt****EXAMPLE**

80JC021

Install your child restraint system according to the instructions provided by the child restraint system manufacturer.

Check that the seat belt is securely latched. Move the child restraint system in all directions to check that it is securely installed. When you put your child in the child restraint system, appropriately slide the front seat forward not to touch a part of your child's body.

FOR SAFE DRIVING

Child restraint system

Child restraint

The suitability of each passenger's seat position for carriage of children and fitting of child restraint system is shown in the table below. Whenever you carry children up to 12 years of age, properly use the child restraints which conform to AIS 072, the standard for child restraints, referring to the table.

MASS GROUP		Seating position (or other site)				
		Front Passenger	Rear Outboard	Rear Center	Intermediate Outboard	Intermediate Center
Group 0	Up to 10 kg	X	U	X	N.A.	N.A.
Group 0+	Up to 13 kg	X	U	X	N.A.	N.A.
Group I	9 to 18 kg	X	U	X	N.A.	N.A.
Group II	15 to 25 kg	X	U	X	N.A.	N.A.
Group III	22 to 36 kg	X	U	X	N.A.	N.A.

Key of letters to be inserted in the above table:

U =Suitable for 'universal' category restraints approved for use in this mass group

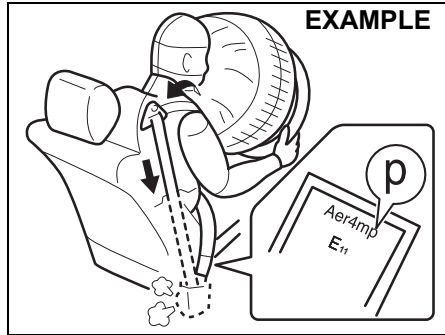
X =Seat position not suitable for children in this mass group

N.A = Not applicable

NOTE: 'universal' is the category in the AIS 072.

: 'Outboard' indicates window side seat.

Seat belt pretensioner system



55T020521

⚠ WARNING

This section describes your MARUTI SUZUKI vehicle's seat belt pretensioner system. Read and follow all these instructions carefully to minimize your risk of severe injury or death.

To determine if your vehicle is equipped with a seat belt pretensioner system at the front seating positions, check the label on the seat belt at the bottom part. If the letter "p" appear as illustrated, your vehicle is equipped with the seat belt pretensioner system.

You can use the pretensioner seat belts in the same manner as ordinary seat belts. Read this section and "Supplemental restraint system (airbags)" section to learn more about the pretensioner system.

The seat belt pretensioner system works with the supplemental restraint system (airbags). The collision sensors and the electronic controller of the airbag system also control the seat belt pretensioners. The pretensioners are triggered only when there is a frontal collision severe enough to trigger the airbags and the seat belts are fastened. For precautions and general information including servicing the pretensioner system, refer to "Supplemental restraint system (airbags)" section in addition to this "Seat belt pretensioner system" section, and follow all those precautions.

The pretensioner is located in each front seat belt retractor. The pretensioner tightens the seat belt so the belt fits the occupant's body more snugly in the event of a frontal collision. The retractors will remain locked after the pretensioners are activated. Upon activation, some noise will occur and some smoke may be released. These conditions are not harmful and do not indicate a fire in the vehicle.

The driver and all passengers must be properly restrained by fastening seat belts at all times, whether or not a pretensioner is equipped at their seating position, to minimize the risk of severe injury or death in the event of a collision.

Sit fully back in the seat; sit up straight; do not lean forward or sideways. Adjust the belt so the lap portion of the belt is worn low across the pelvis, not across the waist. Please refer to "Seat adjustment" section and the instructions and precautions about the seat belts in this "Seat belts and child restraint systems" section for details on proper seat and seat belt adjustments.

Please note that the pretensioners along with the airbags will activate in severe frontal collisions. They are not designed to activate in rear impacts, roll-overs, or minor frontal collisions. The pretensioners can be activated only once. If the pretensioners are activated (that is, if the airbags are activated), have the pretensioner system serviced by a authorised Maruti Suzuki Workshop as soon as possible.

FOR SAFE DRIVING

The pretensioner system or the airbag system may not work properly if any of the following conditions occurs.

- If the air bag light on the instrument cluster does not come on briefly, when the ignition switch is turned to the “ON” position or the engine switch is pressed to change the ignition mode to “ON”.
- If the air bag light comes on and stays on for more than 10 seconds, when the ignition switch is turned to the “ON” position or the engine switch is pressed to change the ignition mode to “ON”.
- If the air bag light comes on while driving.

Have both systems inspected by a authorised Maruti Suzuki Workshop as soon as possible.

Service on or around the pretensioner system components or wiring must be performed only by a authorised Maruti Suzuki Workshop who is specially trained. Improper service could result in unintended activation of pretensioners or could render the pretensioner inoperative. Either of these two conditions may result in personal injury.

To prevent damage or unintended activation of the pretensioners, check that the battery is disconnected and the ignition switch has been in “LOCK” position for at least 90 seconds before performing any electrical service work on your MARUTI SUZUKI vehicle.

Do not touch pretensioner system components or wiring. The wires are wrapped with yellow tape or yellow tubing, and the couplers are yellow. When scrapping your MARUTI SUZUKI vehicle, ask a authorised Maruti Suzuki Workshop, body repair shop, or scrap yard for assistance.

Supplemental restraint system (airbags)

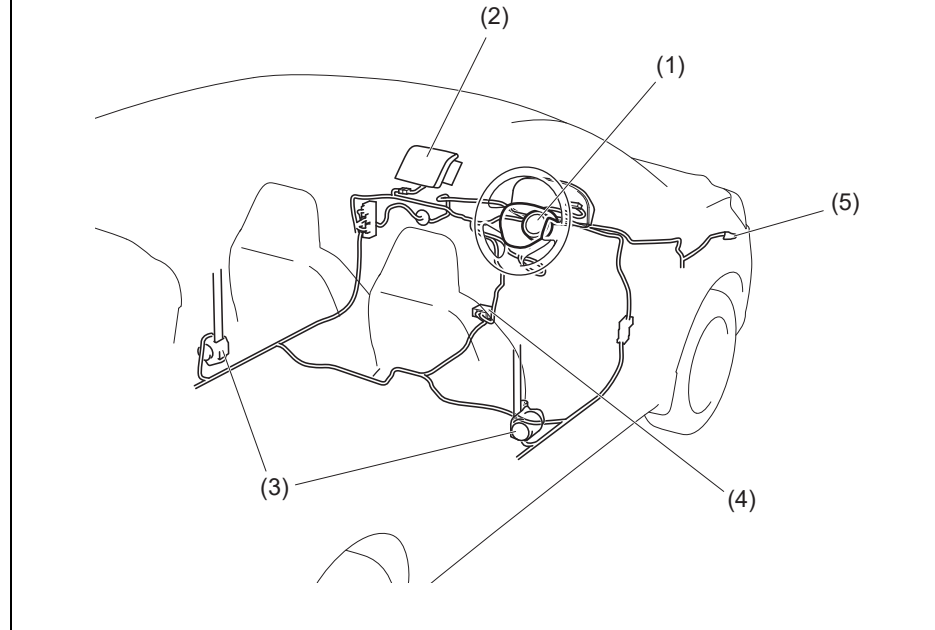
⚠ WARNING

This section describes the protection provided by your MARUTI SUZUKI vehicle's supplemental restraint system (airbags). Read and follow all instructions carefully to minimize your risk of severe injury or death in the event of a collision.

Your vehicle is equipped with a supplemental restraint system consisting of the following components in addition to a lap-shoulder belt at each seating position.

- (1) Driver's front airbag module
- (2) Front passenger's front airbag module
- (3) Front seat belt pretensioners
- (4) Airbag controller
- (5) Forward collision sensor

EXAMPLE



69RH152

WARNING

- SRS airbag system is not a substitute for seat belts. SRS airbag system is the supplemental restraint system and will provide the effectiveness by using the seat belts at the same time.
If you and the passengers do not fasten their seat belts, it may result in severe injury in a sudden braking or a collision.
Even when you drive the vehicle equipped with SRS airbag system, make sure to fasten seat belt.
- If the seat belts are not fastened properly, airbags may not provide the best performance. This may cause severe injury in a sudden braking and a collision.
Make sure that the driver and all the passengers fasten the seat belts properly in a correct posture.

(Continued)

WARNING

(Continued)

- As the airbag may not provide the best performance and it may result in severe injury in case of emergency, observe the following points.
 - Do not modify the suspension. If the vehicle height or the stiffness of the suspension were to change, airbag malfunction may result.
 - When installing a grille guard, etc., on the front of the vehicle, consult a authorised Maruti Suzuki Workshop. If you modify the front part of the vehicle, the airbag system may not work properly.
 - When installing radio equipment, etc., consult a authorised Maruti Suzuki Workshop. Radio waves, etc., from a radio may adversely affect the computer module used in the airbag system.

(Continued)

WARNING

(Continued)

- If the airbag-related parts are replaced or repaired, which has an impact on the airbag functions, the airbag may activate unnecessarily or may not activate when necessary.
The following situations may give a negative impact to the airbag system. In these cases, consult a authorised Maruti Suzuki Workshop beforehand.
 - Removing the steering wheel, repairing the areas around the steering wheel, etc.
 - Center console repair, repairs around the instrument cluster, repairs under the front seat, and repairs of electrical wiring
 - Installation of audio equipment, etc.
 - Sheet metal painting and repairs around the dashboard

(Continued)

⚠ WARNING

(Continued)

- If you place any objects on the instrument panel, these objects may move and interfere with driver's view or safe driving. Also, the front passenger's front airbag may not work properly or these objects may be thrown out when the airbag inflates in an accident. Do not place any objects on the instrument panel..

AIRBAG warning light



63J030

If AIRBAG warning light on the instrument cluster does not blink or come on when the ignition switch is first turned to "ON" position, or comes on while driving, the airbag system (or the seat belt pretensioner system may not work properly. Have the airbag system inspected by a authorised Maruti Suzuki Workshop as soon as possible.

Airbag symbol meaning



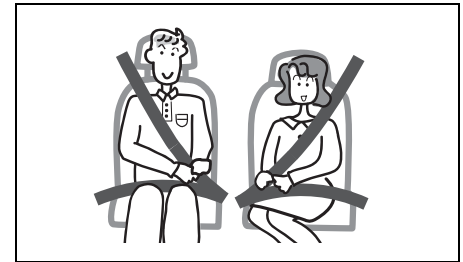
72M00150

You may find this label on the sun visor.

⚠ WARNING

NEVER use a rearward facing child restraint on a seat protected by an **ACTIVE AIRBAG** in front of it, **DEATH** or **SERIOUS INJURY** to the **CHILD** can occur.

Make Sure to Fasten Seat Belt



65J106

⚠ WARNING

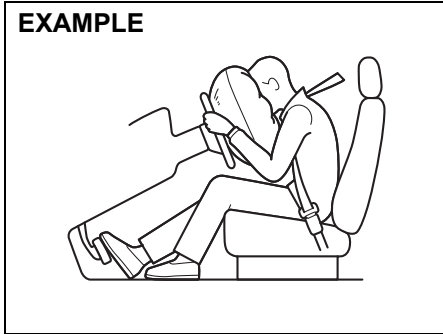
SRS airbag system is not a substitute for seat belts. SRS airbag system is the supplemental restraint system and will provide the effectiveness by using the seat belts at the same time. If you and the passengers do not fasten their seat belts, it may result in severe injury in a sudden braking or a collision.

Even when you drive the vehicle equipped with SRS airbag system, make sure to fasten seat belt.

FOR SAFE DRIVING

Front airbags

EXAMPLE



63J113

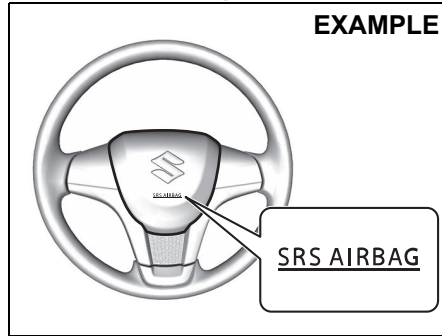
Front airbags are designed to inflate in severe frontal collisions when the ignition switch is in "ON" position.

Front airbags are not designed to inflate in rear impacts, side impacts, rollovers or minor frontal collisions, since they would offer no protection in those types of accidents. Since an airbag deploys only one time during an accident, seat belts are needed to restrain occupants from further movements during the accident.

Therefore, an airbag is not a substitute for seat belts. To maximize your protection, always fasten your seat belts. Be aware that no system can prevent all possible injuries that may occur in an accident.

Driver's front airbag

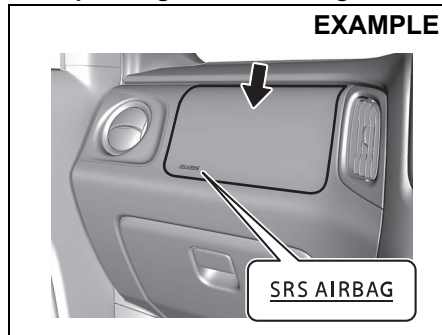
EXAMPLE



69RH165

Front passenger's front airbag

EXAMPLE



69RH055

The driver's front airbag is located behind the center pad of the steering wheel and the front passenger's front airbag is located behind the passenger's side of the dashboard.

The words "SRS AIRBAG" are molded into the airbag covers to identify the location of the airbags.

▲ WARNING

- If the airbag stored place is damaged or cracked, the airbag system may not work properly, which could result in serious injury in the event of a collision. Have your vehicle inspected by a authorised Maruti Suzuki Workshop.
- If you smash the airbag stored place or apply a strong impact to it, the airbag may not work properly or may inflate unexpectedly, resulting in serious injury. Do not smash the airbag stored place or apply a strong impact to it.

EXAMPLE



61M0241

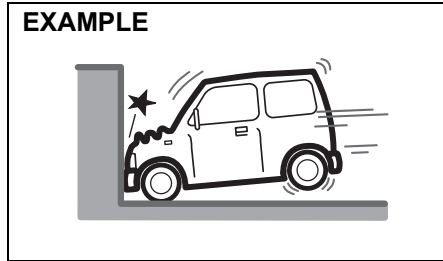
⚠ WARNING

Do not install a child restraint system on the front passenger's seat since a child restraint system cannot be installed appropriately.

Refer to "Seat belts and child restraint systems" section for details on securing your child.

Conditions of front airbags deployment (inflation)

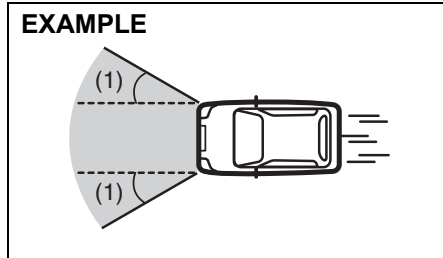
EXAMPLE



80J097

- Frontal collision with a fixed wall that does not move or deform at more than about 25 km/h

EXAMPLE



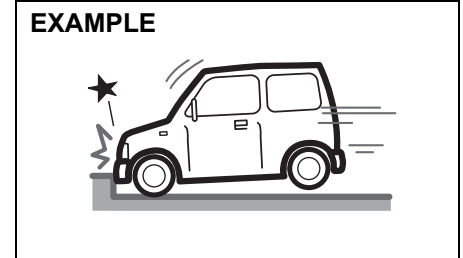
80J098E

- Strong impact equivalent to frontal collision such as above at left and right angles of about 30 degrees (1) or less from the front of your vehicle

Conditions when front airbags may inflate

Receiving a strong impact to the lower body of your vehicle, the front airbags may inflate.

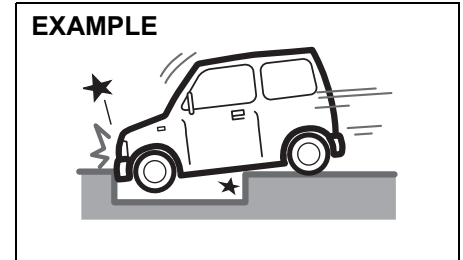
EXAMPLE



80J099

- Hitting a curb or medial strip

EXAMPLE

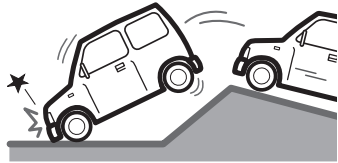


80J100E

- Falling into a deep hole or ditch

FOR SAFE DRIVING

EXAMPLE



80J101

- Landing hard or falling

Front airbags may not inflate

The front airbags may not inflate when a strong impact has not occurred since the collision object (including living being like animals) was easy to be deformed or moved, or the collided portion of your vehicle was easy to be deformed.

Also, front airbags may not inflate in many cases when the collision angle is greater than about 30 degrees at left and right angles from the front of your vehicle.

Also, in certain collisions at low speed, the air bags may not inflate.

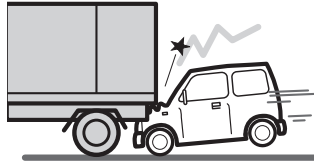
EXAMPLE



80J102

- Frontal collision to a stopped vehicle at less than about 50 km/h

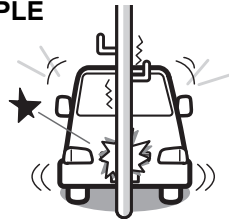
EXAMPLE



80J103

- Collision that the front of your vehicle goes under the bed of a truck etc.

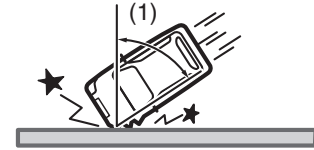
EXAMPLE



80J104

- Collision with a utility pole or stumpage

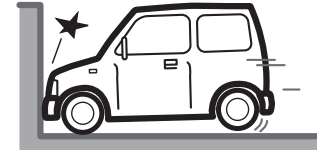
EXAMPLE



80J105E

- Collision with a fixed wall or guardrail at left and right angles of greater than about 30 degrees (1) from the front of your vehicle

EXAMPLE

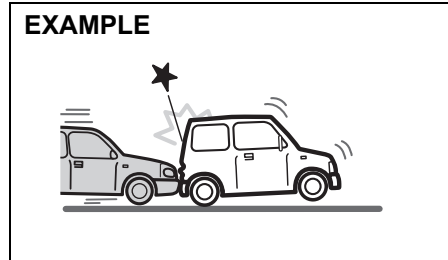


80J106

- Frontal collision with a fixed wall that does not move or deform at less than about 25 km/h

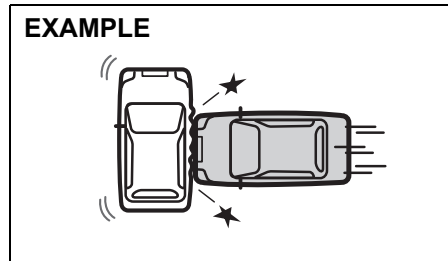
Front airbags do not inflate

Front airbags do not inflate in rear impacts, side impacts or rollovers, etc. However, these might inflate in a strong impact.



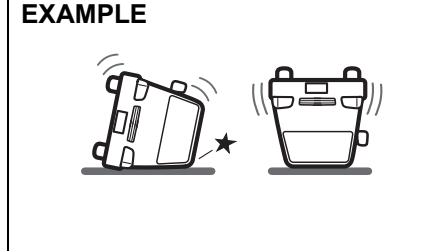
80J120

- Impact from the rear



80J119

- Impact from the side




80J110

- Vehicle rollover

How the system works

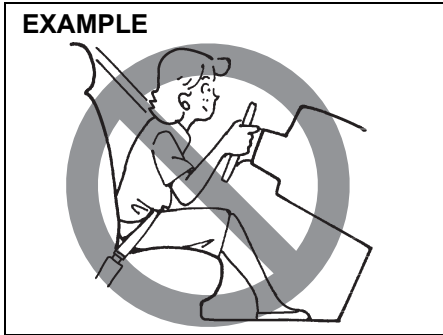
In a frontal collision, the collision sensors will detect rapid deceleration, and if the controller judges that the deceleration represents a severe frontal collision, the controller will trigger the inflators. The inflators inflate the appropriate airbags with nitrogen or argon gas. The inflated airbags provide a cushion for your head and upper body. The airbag inflates and deflates so quickly that you may not even realize that it has activated. The airbag will neither hinder your view nor make it harder to exit the vehicle.

 CAUTION
<p>Airbags must inflate quickly and forcefully in order to reduce the chance of serious or fatal injuries. However, an unavoidable consequence of the quick inflation is that the airbag may irritate bare skin, such as the facial area against a front airbag. Wash off any residue as soon as possible to prevent skin irritation. Also, upon inflation, a loud noise will occur and some powder and smoke will be released. These conditions are not harmful and do not indicate a fire in the vehicle. Be aware, however, that some airbag components may be hot for a while after inflation. This may cause burn injury.</p>

FOR SAFE DRIVING

A seat belt helps keep you in the proper position for maximum protection when an airbag inflates. Adjust your seat as far back as possible while still maintaining control of the vehicle. Sit fully back in your seat; sit up straight; do not lean over the steering wheel or dashboard. Front occupants should not lean on or sleep against the door. Refer to “Seat adjustment” section and “Seat belts and child restraint systems” section in this section for details on proper seat and seat belt adjustments.

EXAMPLE

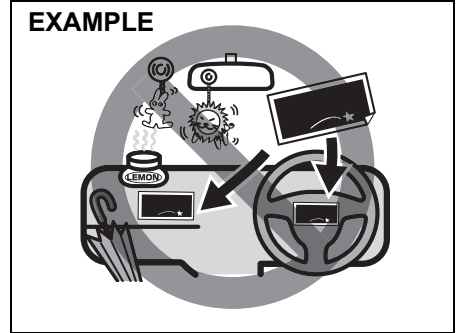


65D610

⚠ WARNING

- The driver should not lean over the steering wheel. The front passenger should not rest his or her body against the dashboard, or otherwise get too close to the dashboard. In these situations, the out-of-position occupant would be too close to an inflating airbag, and may suffer severe injury.
- Do not attach any objects to, or place any objects over, the steering wheel or dashboard. Do not place any objects between the airbag and the driver or front passenger. These objects may interfere with airbag operation or may be propelled by the airbag in the event of a collision. Also, these objects may move when you start moving vehicle or while vehicle is moving, they may interfere with driver's view or safe driving. In each conditions may cause severe injury.
- Do not strike or apply significant levels of impact to the airbag component areas. It can cause the airbags to malfunction.
- Do not attach accessories (except for MARUTI SUZUKI genuine products), etc., to the windshield or the inside rearview mirror.

EXAMPLE



69RHS169

⚠ WARNING

- Do not modify the steering wheel, such as replacing it, placing stickers on it, painting it or putting the cover on it.
- Do not place stickers on the airbag units or the surrounding areas or paint them. Also, do not attach any accessories, fragrances, electronic toll control units, portable car navigation systems, etc. to this area, and do not lean umbrellas or other objects against it.

⚠ WARNING

- **Even though your vehicle is moderately damaged by a collision, it may not be severe enough to trigger front airbags to inflate. If your vehicle sustains any front-end or side damage, have the airbag system inspected by a authorised Maruti Suzuki Workshop to ensure that it works properly. If the original function of air bag system is damaged, air bag may not function effectively and fully in case of an emergency.**

Your vehicle is equipped with a diagnostic module which records information about the airbag system if the airbags deploy in a collision. The module records information about overall system status, and which sensors activated the deployment.

Servicing the airbag system

If the airbags inflate, have the airbags and related components replaced by a authorised Maruti Suzuki Workshop as soon as possible.

If your vehicle ever gets in deep water and the driver's floor is submerged, the airbag controller could be damaged. If this happens, ask a authorised Maruti Suzuki Workshop to check the airbag system as soon as possible.

Special procedures are required for servicing or replacing an airbag. For that reason, only a authorised Maruti Suzuki Workshop should be allowed to service or replace your airbags. Remind anyone who services your MARUTI SUZUKI vehicle that it has airbags.

Service on or around airbag components or wiring must be performed only by a authorised Maruti Suzuki Workshop. Improper service could result in unintended airbag deployment or could render the airbag inoperative. Either of these two conditions may result in severe injury.

To prevent damage or unintended inflation of the airbag system, check that the battery is disconnected and the ignition switch has been in "LOCK" position for at least 90 seconds before performing any electrical service work on your MARUTI SUZUKI vehicle. Do not touch airbag system components or wires. The wires are wrapped

with yellow tape or yellow tubing, and the couplers are yellow for easy identification.

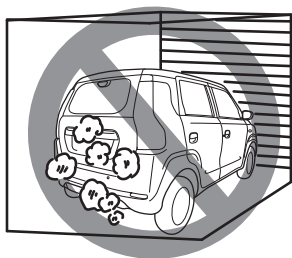
Scrapping a vehicle that has an uninflated airbag can be hazardous. Ask a authorised Maruti Suzuki Workshop, body repair shop or scrap yard for help with disposal.

⚠ CAUTION

If you do not handle the airbags properly, they may inflate unexpectedly, resulting in personal injury. When scrapping the airbags or the vehicle that has the airbags, consult a authorised Maruti Suzuki Workshop.

Exhaust gas warning

EXAMPLE



69RM01001

⚠ WARNING

Avoid breathing exhaust gases. Exhaust gases contain carbon monoxide, a potentially lethal gas that is colorless and odorless. Since carbon monoxide is difficult to detect by itself, take the following precautions to help prevent carbon monoxide from entering your vehicle.

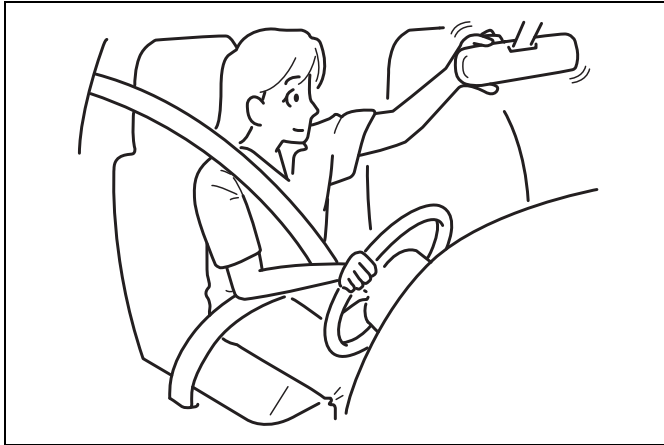
- Do not leave engine running in garages or confined areas, with passengers inside. This may result in accumulation of carbon monoxide in cabin and may lead to suffocation or breathing problems and lead to death.

(Continued)

⚠ WARNING

(Continued)

- Do not park with the engine running for a long period of time, even in an open area. In case of long periods, danger of choking and death on being inside the vehicle is a possibility when the engine is running. If it is necessary to sit for a short time in a parked vehicle with the engine running, check that the air intake selector is set to FRESH AIR and the blower is at high speed.
- Avoid operating the vehicle with the tailgate open. If it is necessary to do so, check that the all windows are closed, and the blower is at high speed with the air intake selector set to FRESH AIR.
- To allow proper operation of your vehicle's ventilation system, keep the air inlet grill in front of the windshield clear of snow, leaves or other obstructions at all times.
- Keep the exhaust tailpipe area clear of snow and other material to help reduce the buildup of exhaust gases under the vehicle. This is particularly important when parked in blizzard conditions.
- Have the exhaust system inspected periodically for damage and leakage. Any damage or leakage should be repaired immediately.



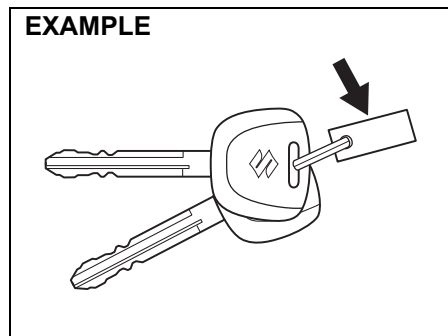
60G404

BEFORE DRIVING

Keys	2-1
Door locks	2-2
Keyless entry system transmitter (if equipped)	2-5
Security system (if equipped)	2-7
Theft deterrent light (if equipped)	2-9
Windows	2-10
Mirrors	2-12
Instrument cluster	2-15
Speedometer	2-16
Tachometer (if equipped)	2-16
Fuel gauge	2-16
Brightness control	2-17
Information display	2-18
Warning and indicator lights	2-26
Lighting control lever	2-33
Front fog light switch (if equipped)	2-34
Headlight leveling switch	2-35
Turn signal control lever	2-35
Hazard warning switch	2-36
Windshield wiper and washer lever	2-37
Tilt steering lock lever (if equipped)	2-39
Horn	2-39
Heated rear window switch (if equipped)	2-40
Vehicle loading	2-40
Trailer towing	2-41

BEFORE DRIVING

Keys



Your vehicle comes with a pair of keys. The key(s) may or may not be equipped with a transmitter depending on model variant. Keep the spare key in a safe place. One key can open all of the locks on the vehicle.

The key identification number is stamped on a metal tag provided with the keys or on the keys. Keep the tag (if equipped) in a safe place. If you lose your keys, you will need this number to have new keys made. Write the number below for your future reference.

KEY NUMBER:

2-1

Immobilizer system

This system is designed to help prevent vehicle theft by electronically disabling the engine starting system.

The engine can be started only with your vehicle's original immobilizer ignition key, which has an electronic identification code programmed into it. The key communicates the identification code to the vehicle when the ignition switch is turned to "ON" position. If you need to make spare keys, see a authorised Maruti Suzuki workshop. The vehicle must be programmed with the correct identification code for the spare. A key made by an ordinary locksmith will not work.



If the immobilizer system warning light blinks when the ignition switch is in "ON" position, the engine will not start.

If this light blinks, turn the ignition switch to "LOCK" position, and then turn it back to "ON" position.

If the light still blinks after the ignition switch is turned back to "ON" position, there may be something wrong with your key or with the immobilizer system. Ask a

authorised Maruti Suzuki workshop to have the system inspected.

NOTE:

- If you lose your immobilizer ignition key, ask a authorised Maruti Suzuki workshop as soon as possible to deactivate the lost one, and to make a new key.
- If you own other vehicles with immobilizer keys, keep those keys away from the ignition switch when using your MARUTI SUZUKI vehicle. Otherwise, the engine may not be started because they may interfere with your MARUTI SUZUKI vehicle's immobilizer system.
- If you attach any metal objects to the immobilizer key, it may not start the engine.
- This immobilizer system is maintenance-free.

NOTICE

The immobilizer key is sensitive electronic instrument. To avoid damaging it:

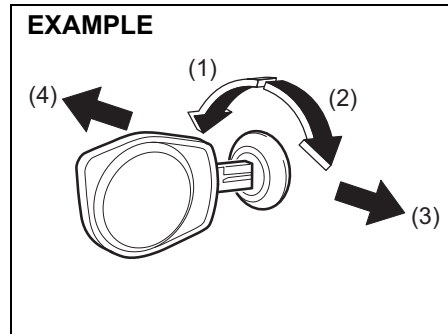
- Do not expose it to impacts, moisture or high temperature such as on the dashboard under direct sunlight.
- Keep it away from magnetic objects.

Ignition key reminder

A buzzer sounds intermittently to remind you to remove the ignition key if it is in the ignition switch when the driver's door is opened.

Door locks

Side door locks



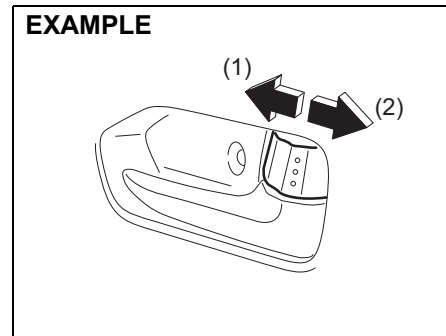
52RM20830

- (1) UNLOCK
- (2) LOCK
- (3) Front
- (4) Rear

To lock a driver's door from the outside of the vehicle:

- Insert a key and turn the top of the key toward the front of the vehicle, or
- Turn the lock knob forward, then pull and hold the door handle as you close the door.

To unlock a driver's door from the outside of the vehicle, insert the key and turn the top of the key toward the rear of the vehicle.



69RH002

- (1) LOCK
- (2) UNLOCK

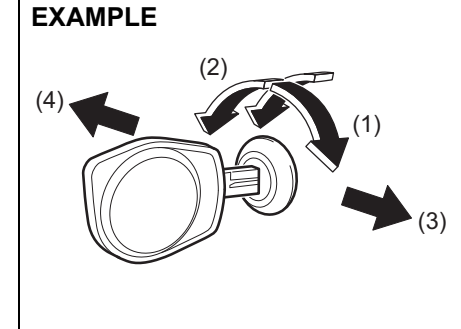
To lock a door from the inside of the vehicle, turn the lock knob forward. Turn the lock knob backward to unlock the door.

To lock a rear door from the outside of the vehicle, turn the lock knob forward and close the door. You do not need to pull and hold the door handle as you close the door.

NOTE:

Hold the door handle when you close a locked front door, or the door will not remain locked.

Central door locking system



57RK007

- (1) LOCK
- (2) UNLOCK
- (3) Front
- (4) Rear

You can lock and unlock all doors (including the tailgate) simultaneously by using the key in the driver's door lock.

To lock all doors simultaneously, insert the key in the driver's door lock and turn the top of the key toward the front of the vehicle once.

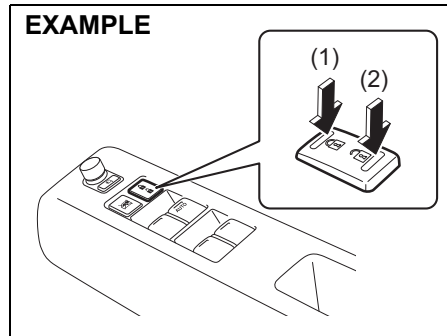
To unlock all doors simultaneously, insert the key in the driver's door lock and turn the top of the key toward the rear of the vehicle twice.

BEFORE DRIVING

NOTE:

You can switch the function that unlocks all doors from requiring two turns to requiring one turn, and vice versa, via the information display setting mode. For details on how to use the information display, refer to "Information display" in this section.

To unlock the driver's door only, insert the key in that door lock and turn the top of the key toward the rear of the vehicle once.



69RH003

- (1) LOCK
- (2) UNLOCK

You can also lock or unlock all doors by pressing the front or rear of the switch, respectively.

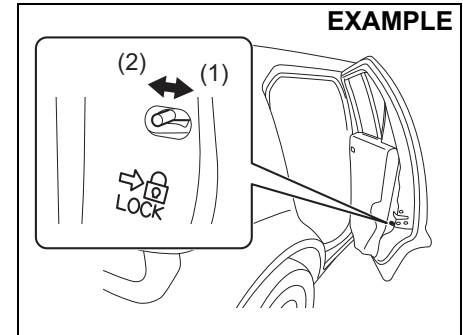
NOTE:

If your vehicle is equipped with the keyless entry system, you can also lock or unlock all doors by operating the transmitter. Refer to "Keyless entry system transmitter" in this section.

NOTE:

- All doors are automatically unlocked when you turn the ignition switch to the "LOCK" position and pull out the key.
- If your vehicle is equipped with keyless entry system transmitter, all doors are automatically locked for safety when the vehicle speed reaches 15 km/h.
- You can change the automatic locking or unlocking function mentioned above via the setting mode of the information display. For details on how to use the information display, refer to "Information display" in this section.

Child-proof locks (rear door)



69RH033

- (1) LOCK
- (2) UNLOCK

Each of the rear doors is equipped with a child-proof lock which can be used to help prevent unwanted opening of the door from inside the vehicle. When the lock lever is in LOCK position (1), the rear door can only be opened from outside. When the lock lever is in UNLOCK position (2), the rear door can be opened from inside or outside.

⚠ WARNING

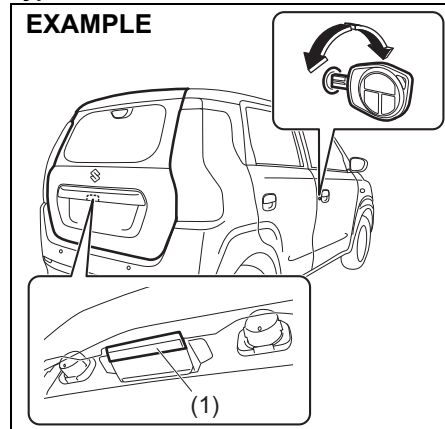
Place the child-proof lock in LOCK position whenever children are seated in the rear.

Tailgate

⚠ WARNING

Always check that the tailgate is closed and latched securely. Completely closing the tailgate helps prevent occupants from being thrown from the vehicle in the event of an accident. Completely closing it also helps keep exhaust gases from entering the vehicle.

Type A

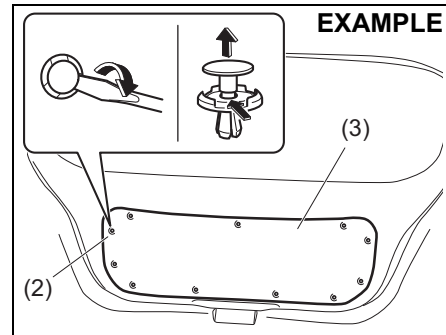


You can lock and unlock the tailgate by using the key in the driver's door lock.

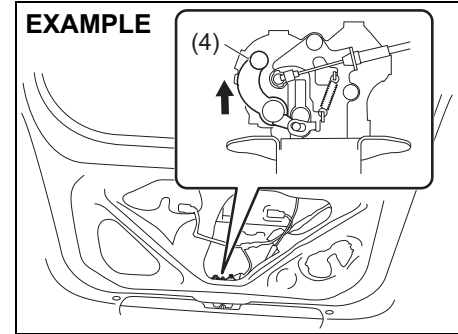
To open the tailgate, pull up the tailgate handle (1) and lift the tailgate.

If you cannot unlock the tailgate by using the key in the driver's door lock due to a discharged battery or malfunction, follow the procedure below to unlatch the tailgate from inside the vehicle.

- 1) Remove the luggage compartment cover (if equipped) and fold the rear seat forward for easier access. Refer to "Folding rear seats" section for details on how to fold the rear seat forward.



- 2) Remove the clips (2) by prying it off with a flat-bladed screwdriver as shown in the illustration.
- 3) Remove the trim (3) of the tailgate.

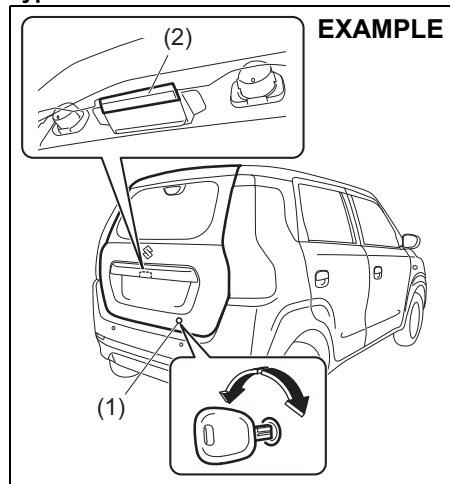


- 4) To unlock the tailgate lock, pull the lock plate (4) up.
- 5) From outside the vehicle, pull up the tailgate handle (1) and lift the tailgate.

If the tailgate cannot be unlocked, have the vehicle inspected by a authorised Maruti Suzuki workshop.

BEFORE DRIVING

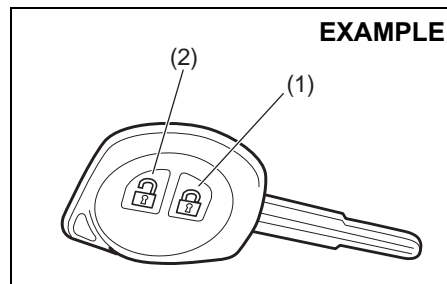
Type B



69RH178

You can lock or unlock the tailgate by using the key in the tailgate lock (1). To open the tailgate, pull up the tailgate handle (2) and lift the tailgate.

Keyless entry system transmitter (if equipped)



76MS011

- (1) LOCK button
- (2) UNLOCK button

You can lock or unlock all doors (including the tailgate) simultaneously by operating the transmitter near the vehicle.

Central door locking system

- To lock all doors, push LOCK button (1) once.
- To unlock only the driver's door, push UNLOCK button (2) once.
- To unlock other doors, push UNLOCK button (2) once again.

NOTE:

You can switch the function that unlocks all doors from requiring two pushes to requiring one push, and vice versa, via the information display setting mode. For details on

how to use the information display, refer to "Information display" in this section.

The turn signal lights will flash once and the siren will sound once when the doors are locked.

When the doors are unlocked:

- The turn signal lights will flash twice and the siren will sound twice.
- If the interior light switch is in DOOR position, the interior light will turn on for about 15 seconds and then fade out. If you insert the key into the ignition switch during this time, the light will start to fade out immediately.

Check that the doors are locked after you operate LOCK button (1).

NOTE:

If no door is opened within about 30 seconds after UNLOCK button (2) is operated, the doors will automatically lock again.

NOTE:

- If you lock the doors using the transmitter when the engine hood is open, the siren will sound 3 times to remind you.
- If the security system was triggered due to an unauthorized entry into the vehicle and then you unlock the doors using the transmitter, the siren will sound 4 times to remind you. If this happens, check whether your vehicle has been broken into while you were away from it.
- Once you push both of the LOCK button (1) and UNLOCK button (2), then you

push one of the buttons within 5 seconds, the siren will not sound. However, if you push one of the buttons 5 seconds later, the siren will sound.

NOTE:

- The maximum operating distance of the keyless entry system transmitter is about 5 m (16 ft.), but this can vary depending on the surroundings, especially near other transmitting devices such as radio towers or CB (Citizen's Band) radios.
- The door locks cannot be operated with the transmitter, if the ignition key is inserted in the ignition switch.
- When any door is open, the door locks can only be unlocked with the transmitter, and the turn signal light will not flash.
- If you lose one of the transmitters, ask a authorised Maruti Suzuki workshop as soon as possible for a replacement. Have your dealer program the new transmitter code in your vehicle's memory so that the old code is erased.

NOTICE

The transmitter is a sensitive electronic instrument. To avoid damaging the transmitter:

- Do not expose it to impacts, moisture or high temperature such as by leaving it on the dashboard under direct sunlight.
- Keep the transmitter away from magnetic objects such as a television.

Car locator function

This function is to get the attention of others. Push both of the LOCK button (1) and UNLOCK button (2) for more than 3 seconds.

The turn signal lights will blink for about 27.5 seconds. Also, the siren will sound for about 27.5 seconds at the same time.

To cancel the car locator function, press any button (LOCK or UNLOCK). You can also cancel the car locator function by turning the ignition switch to "ON" position.

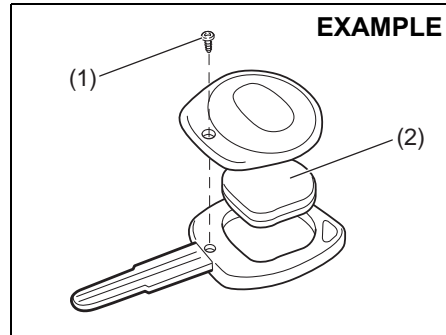
NOTE:

The car locator function will not activate when the key is in the ignition switch.

Battery replacement

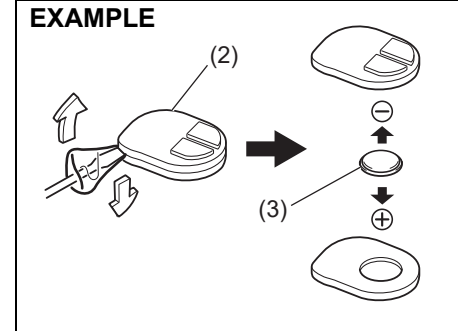
If the transmitter becomes unreliable, replace the battery.

To replace the battery of the transmitter:



68LM248

- 1) Remove the screw (1), and open the transmitter cover.
- 2) Remove the transmitter (2).



73R0197

- (3) Lithium disc type battery: CR1616 or equivalent
- 3) Put the edge of a flat-bladed screw-driver covered with a soft cloth in the slot of the transmitter (2) and pry it open.
- 4) Replace the battery (3) so its + terminal faces "+" mark of the transmitter.
- 5) Close the transmitter and install it into the transmitter holder.
- 6) Close the transmitter cover, install and tighten the screw (1).
- 7) Check that the door locks can be operated with the transmitter.
- 8) Dispose of the used battery properly according to applicable rules or regula-

BEFORE DRIVING

tions. Do not dispose of lithium batteries with ordinary household trash.

WARNING

Swallowing a lithium battery may cause serious internal injury. Do not allow anyone to swallow a lithium battery. Keep lithium batteries away from children and pets. If swallowed, contact a physician immediately.

NOTICE

- **The transmitter is a sensitive electronic instrument. To avoid damaging it, do not expose it to dust or moisture or tamper with internal parts.**
- **When replacing the battery by yourself, the transmitter could be damaged affected by static electricity. Discharge the static electricity built up in your body by touching metal before replacing the battery.**

Security system (if equipped)

NOTE:

For the theft deterrent light (for vehicles without keyless entry system), refer to "Theft deterrent light" in this section.

The security system is armed after you lock all doors (including the engine hood and tailgate) by using the keyless entry system transmitter.

Once the system is armed, any attempt to open a door by using any other means (*) than the keyless entry system transmitter, or open the engine hood, will cause the alarm to be triggered.

* These means include the following:

- The key
- The lock knob on a door
- The central door locking switch
- The tailgate handle

Also, in case that you have set the shock sensor to enabled state and set sensitivity of the pre-warning function and full blast warning function to a level other than 0, the alarm will be triggered if there is any attempt to tamper with the vehicle. The shock sensor can be selected enabled or disabled state, and sensitivity of each warning can be adjusted as desired. To set the shock sensor, ask a authorised Maruti Suzuki workshop or use the setting mode of the information display.

NOTE:

- *The default setting of the shock sensor is in the disabled state. Set to the enabled state and adjust sensitivity of each warning according to your preference. For details on how to use the information display, refer to "Information display" in this section.*
- *authorised Maruti Suzuki workshop may have already set the shock sensor of the vehicle to the enabled state before you purchase it. Consult a authorised Maruti Suzuki workshop for further information.*

NOTE:

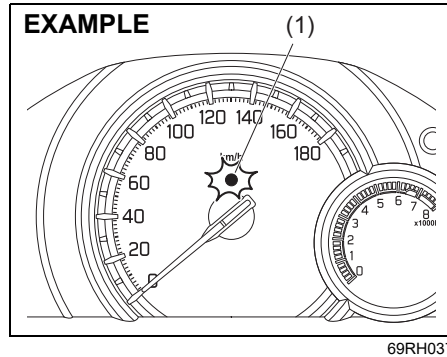
- *The security system generates alarms when any of the predetermined conditions is met. However, the system does not have any function of blocking unauthorized entry into the vehicle.*
- *Always use the keyless entry system transmitter to unlock the doors when the security system has been armed. Using a key instead will trigger the alarm.*
- *If a person who does not know the security system is going to drive the vehicle, we recommend you explain the system and its operation to the person. Mistakenly triggering the alarm may cause a nuisance to others.*
- *Even if the security system is armed, you should still be careful to guard against theft. Do not leave money or things of value in the vehicle.*

How to arm the security system

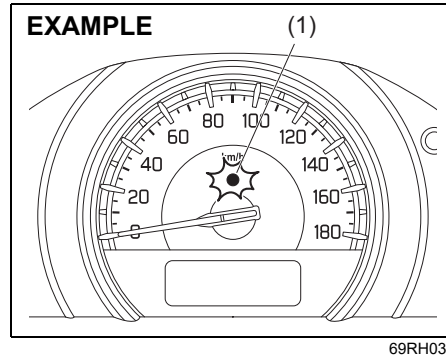
Lock all doors (including the engine hood and tailgate) using the keyless entry system transmitter.

While the system is being armed, the indicator continues to blink at intervals of approximately 2 seconds.

With tachometer



Without tachometer



NOTE:

- To prevent the alarm from being accidentally triggered, avoid arming it while anyone remains inside the vehicle. The alarm will be triggered if any person inside opens the door, tailgate, engine hood, or swings the vehicle (if the shock sensor is in the enabled state).
- The security system is not armed when all doors are locked using the key from outside, using the door lock knobs or the central door locking switch from inside.
- If any door is not operated within approximately 30 seconds after the doors have been unlocked using the keyless entry system transmitter, the doors are automatically locked again. When the doors are locked, the security system will be armed.

- If the security system indicator (1) blinks when the ignition switch is in “ON” position, there may be something wrong with the security system. Ask a authorised Maruti Suzuki workshop to inspect the system.

How to disarm the security system

Simply unlock the doors using the keyless entry system transmitter. The security system indicator will go out, indicating that the security system is disarmed.

How to stop the alarm

Should the alarm be triggered accidentally, the alarm will stop by the following operations.

- Turn the ignition switch to “ON” position.
- Unlock the doors using the keyless entry system transmitter.

NOTE:

- Even after the alarm has stopped, if you lock the doors using the keyless entry system transmitter, the security system will be rearmed.
- If you disconnect the battery while the security system is in the armed condition or the alarm is actually in operation, the alarm will be re-triggered when the battery is then reconnected.
- Even after the alarm has stopped at the end of the predetermined operation time, it will be triggered again if any of the doors, tailgate or engine hood is opened, or the vehicle feels a shock (if the shock-

BEFORE DRIVING

sensor is in the enabled state), without disarming the security system.

Checking whether the alarm has been triggered during parking

If the alarm was triggered and you then turn the ignition switch to “ON” position, the security system indicator will blink rapidly for about 8 seconds and a buzzer will beep 4 times during this period. If this happens, check whether the vehicle has been broken into while you were away from it.

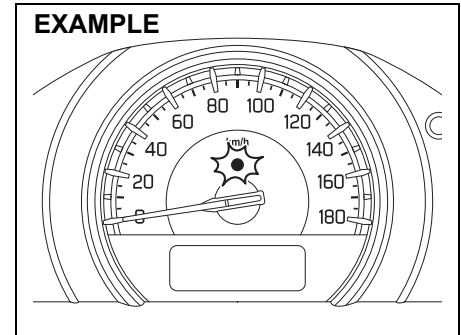
Security system indication

- If any of the doors or tailgate are opened without unlocking by the keyless entry system transmitter, all turn signal lights start to blink and the interior buzzer beeps intermittently. After 5 seconds, the siren will sound for about 27.5 seconds. The security system indicator continues to blink during this time.
- If the engine hood is opened, all turn signal lights blink, and the siren sounds for about 27.5 seconds. The security system indicator continues to blink during this time. (If the shock sensor is in the enabled state)
- If the vehicle feels a shock higher than the pre-warning sensitivity, the siren sounds for about 2 seconds (pre-warning). If the vehicle feel a shock higher than the full blast warning sensitivity, the siren sounds for about 5 seconds (full blast warning). The security system indicator continues to blink during this time.

NOTE:

If you set the full blast warning sensitivity higher than the pre-warning sensitivity in the setting mode of the information display, or the vehicle feels such shock as to be able to trigger the full blast warning, the full blast warning will be triggered preferentially. In this case, the pre-warning will not be triggered.

Theft deterrent light (if equipped)



69RH111

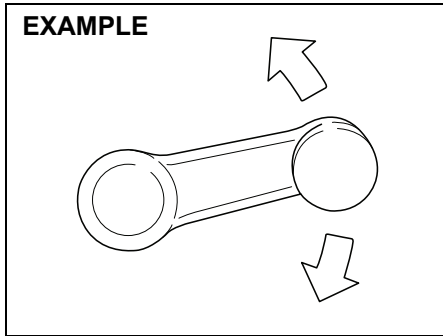
This light will blink with the ignition switch in “LOCK” or “ACC” position. The blinking light is intended to deter theft by leading others to believe that the vehicle is equipped with a security system.

NOTE:

For the security system (for vehicles with keyless entry system), refer to “Security system” in this section.

Windows

**Manual window control
(if equipped)**

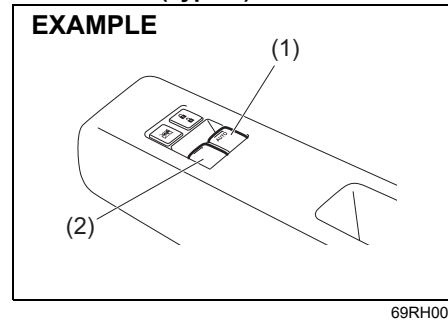


Raise or lower the door windows by turning the handle located on the door panel.

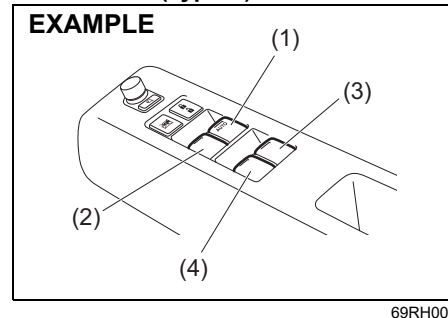
Power window controls

The power windows can only be operated when the ignition switch is in "ON" position.

Driver's side (Type A)



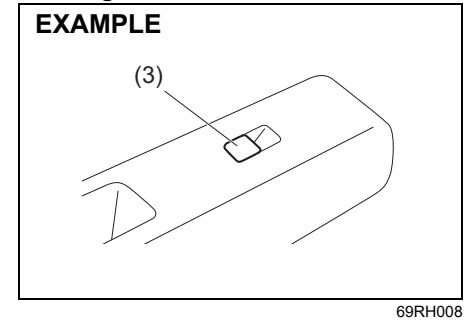
Driver's side (Type B)



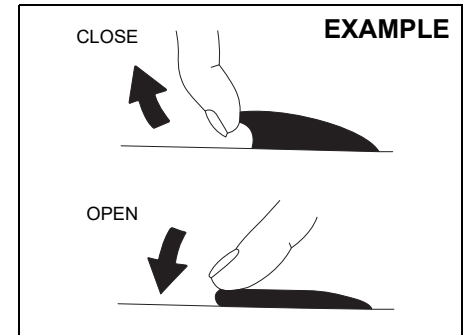
The driver's door has a switch (1) to operate the driver's window, and a switch (2) to operate the front passenger's window or

there are switches (3), (4), to operate the rear right and left passenger windows, respectively.

Passenger's door



The passenger's door has a switch (5) to operate the passenger's window.



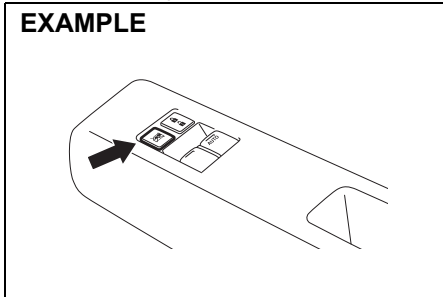
BEFORE DRIVING

To open a window, push the top part of the switch. To close the window, lift up the top part of the switch.

The driver's window has AUTO-DOWN feature for greater convenience (at toll booths or drive-through restaurants, for example). This means the driver can open the window without holding the window switch in DOWN position. Press down the driver's window switch completely and release it. To stop the window before it reaches the FULL-DOWN position, pull up the switch briefly.

Lock switch (Type A)

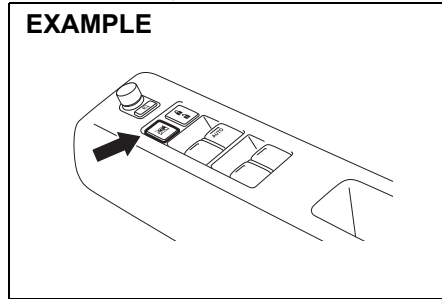
EXAMPLE



69RH009

Lock switch (Type B)

EXAMPLE



69RH010

The driver's door also has a lock switch for the passenger's window(s). When you push in the lock switch, the passenger's window(s) cannot be raised or lowered by operating any of the switches (2), (3), (4) or (5). To restore normal operation, release the lock switch by pushing it again.

⚠ WARNING

- You should always lock the passenger's window operation when there are children in the vehicle. Children can be seriously injured if they get part of their body caught by the window during operation.
- To avoid injuring an occupant by window entrapment, check that no part of the occupant's body such as hands or head is in the path of the power windows when closing them.
- Always remove the ignition key with you when leaving the vehicle even only for a short time. Also do not leave children alone in a parked vehicle. Unattended children could use the power window switches and get trapped by the window.

NOTE:

If you drive with one of the rear windows open, you may hear a loud sound caused by air vibration. To reduce the sound, open the driver's or front passenger's window, or narrow the rear window opening.

Mirrors

⚠ WARNING

Failure to observe following point may result in loss of vehicle control and cause an accident, leading to death or serious injury. Always follow below points while driving.

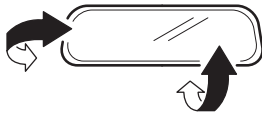
- Do not adjust the mirrors while driving.
- Always unfold all the outside rear view mirrors and adjust properly before driving.
- Do not place objects in the rear of the vehicle which may hinder visibility or interfere with your vision from the rear window glass.

Inside rearview mirror

You can adjust the inside rearview mirror by hand to see the rear of your vehicle in the mirror.

Type A

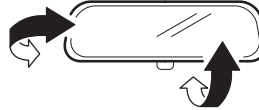
EXAMPLE



74LHT0235

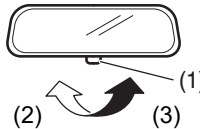
Type B

EXAMPLE



68LMT0205

EXAMPLE



68LMT0206

- (2) Day driving
(3) Night driving

To adjust the mirror, set the selector tab (1) to the day position, and then move the mirror up, down or sideways by hand to obtain the best view.

When driving at night, you can move the selector tab to the night position to reduce glare from the headlights of vehicles behind you.

⚠ WARNING

- Always adjust the mirror with the selector set to the day position.
- Only use the night position if it is necessary to reduce glare from the headlights of vehicles behind you. Be aware that in this position you may not be able to see some objects that could be seen in the day position.

⚠ CAUTION

Do not modify the inside rearview mirror or install a non-genuine wide mirror. It could result in injury during accident.

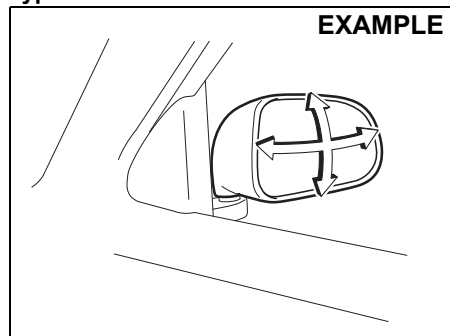
BEFORE DRIVING

Outside rearview mirrors

WARNING

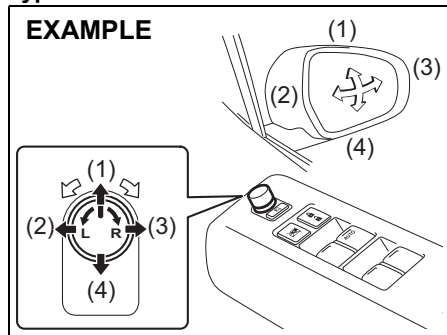
Be careful when judging the size or distance of a vehicle or other object seen in the side convex mirror. Be aware that objects look smaller and appear farther away than when seen in a flat mirror.

Type A



Adjust the outside rearview mirrors so you can just see the side of your vehicle in the mirrors.

Type B



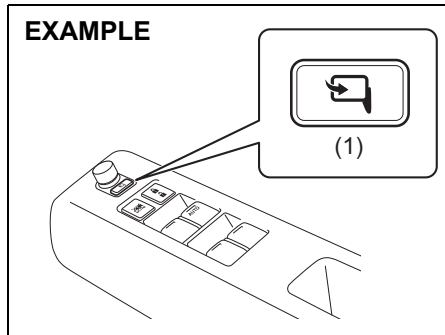
The switch to control the electric mirrors is located on the driver's door panel. You can adjust the mirrors when the ignition switch is in "ACC" or "ON" position. To adjust the mirrors:

- 1) Move the selector switch to the left or right to select the mirror you wish to adjust.
- 2) Push the switch in the direction that corresponds to the direction in which you wish to move the mirror.
- 3) Return the selector switch to the center position to help prevent unintended adjustment.

NOTICE

- The electric type outside rearview mirror operates even though the ignition switch is in the ACC position. However, to prevent unnecessary battery discharge, do not adjust the mirrors longer than necessary while the engine is not running.
- The mirrors stop moving when they reach the maximum adjusting angles, but the motor continues to operate while the switch is pressed. Do not continue to press the switch in such a situation, as the motor may be damaged.
- Do not attempt to adjust the outside rearview mirror by hand which may cause damage to the motor.
- Do not fold the electrical foldable outside rearview mirror by hand. It could cause motor failure.

Outside rearview mirror folding switch (if equipped)



You can fold the mirrors when you park the vehicle in a narrow space. When the ignition switch is in “ACC” or “ON” position, push the folding switch (1) to fold and unfold the mirrors. Check that the mirrors are completely unfolded before you start driving.

⚠ CAUTION

Moving mirrors can pinch and injure a hand. Do not allow anyone’s hand to get near the mirrors when folding and unfolding the mirrors.

NOTE:

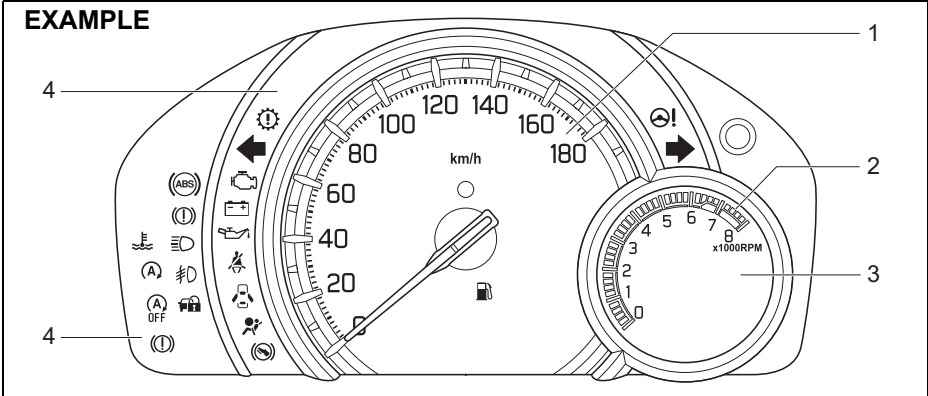
- If you press the folding switch to open the outside rearview mirrors and simultaneously start the engine, then the outside rearview mirrors may get stuck during that moment. In such a situation, to open the outside rearview mirrors completely, again press the folding switch after starting the engine.
- Slight time difference in opening of both outside rearview mirrors is due to angular positioning of the driver seat.

BEFORE DRIVING

Instrument cluster

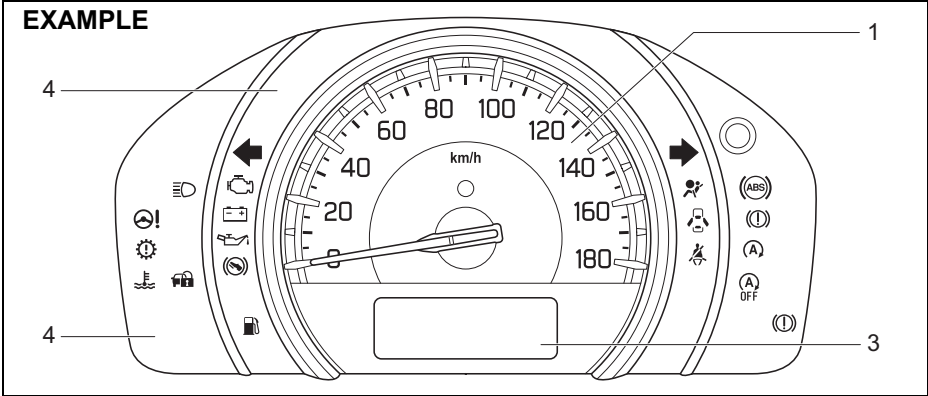
- 1. Speedometer
- 2. Tachometer (if equipped)
- 3. Information display
- 4. Warning and indicator lights

With tachometer



69RH020010

Without tachometer



69RH020020

Speedometer

The speedometer indicates vehicle speed.

Speed alert system

The speed alert system gives audible warning for alert of over-speed to driver. When vehicle speed exceeds about 80 km/h, primary level warning with two beeps will sound every minute. When the vehicle speed exceeds about 120 km/h, secondary level warning with continuous beeps will sound.

If the vehicle speed is slowed down to about 118 km/h, primary warning will resume. If the vehicle is slowed down to about 78 km/h, speed alert warning will stop. This buzzer does not indicate any malfunction in vehicle.

Tachometer (if equipped)

The tachometer indicates engine speed in revolutions per minute.

NOTICE

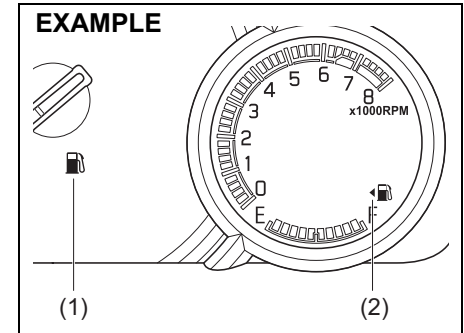
Never drive the vehicle with the engine revving in the red zone or severe engine damage can result.

Keep the engine speed below the red zone even when downshifting to a lower gear position.

Refer to "Downshifting maximum allowable speeds" in the "OPERATING YOUR VEHICLE" section.

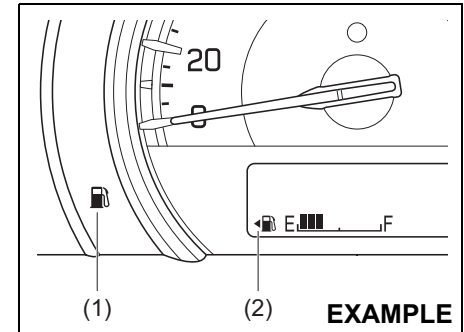
Fuel gauge

With tachometer



69RH027

Without tachometer



69RH028

BEFORE DRIVING

When the ignition switch is in "ON" position, this gauge gives an approximate indication of the amount of fuel in the fuel tank. "F" stands for full and "E" stands for empty.

- If the indicator shows only one segment to "E", refill the tank as soon as possible. If the last segment blinks, it means that the fuel is almost empty.

NOTICE

To minimize the possibility of damage to catalytic converter or other components of the vehicle, avoid driving the vehicle near empty fuel tank level.

If the low fuel warning light (1) comes on, fill the fuel tank immediately. Refer to "Low fuel warning light" in "Warning and indicator lights" in this section for details.

The mark (2) indicates that the fuel filler door is located on the left side of the vehicle.

Brightness control

When the position lights and/or headlights are on, the instrument cluster lights come on.

Your vehicle has a system to automatically dim the brightness of the instrument cluster lights when the position lights or headlights are on.

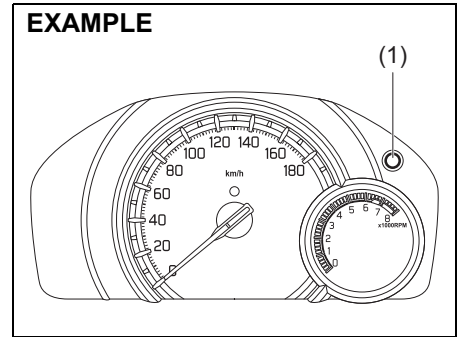
When the position lights and/or headlights are on, you can control the meter illumination intensity.

⚠ WARNING

Do not adjust the brightness of the instrument panel lights while driving. Otherwise, you could lose control of the vehicle.

With tachometer

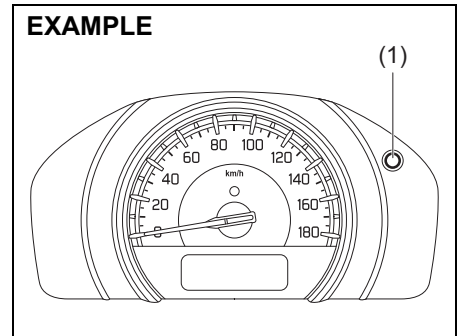
EXAMPLE



69RH045

Without tachometer

EXAMPLE

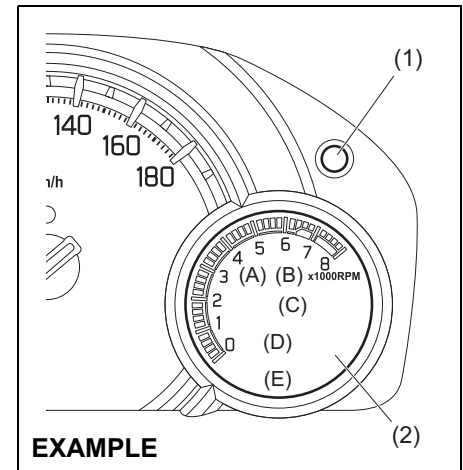


69RH046

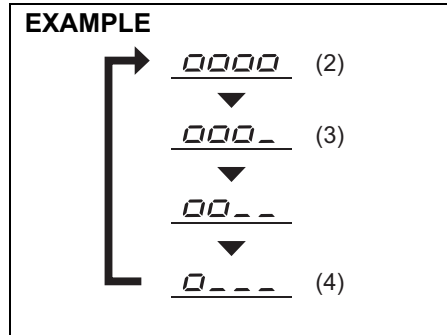
(1) Indicator selector knob

Information display

With tachometer



69RM02002



69RH126

- (2) Brightest
- (3) Initial setting
- (4) Dimmest

To switch the display indication to the brightness control, select the indication as shown in the illustration to push the indicator selector knob (1) when the position lights and/or headlights are on.

To change the brightness of the instrument cluster lights, continue to hold in the indicator selector knob (1). The indication will change as shown in the illustration. The illumination gets dimmer then returns to the brightest condition after it reaches the dimmest.

NOTE:

- If you do not push the indicator selector knob (1) within several seconds of activating the brightness control, the brightness control display will be canceled automatically.

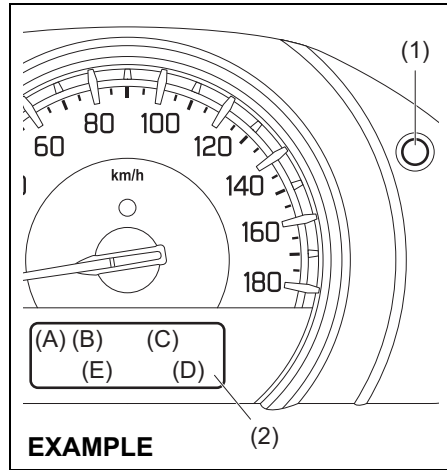
NOTE:

If you select the maximum brightness level when the position lights or headlights are on, the following functions will be canceled.

- The function which automatically dims the brightness of instrument cluster lights
- The function which operates with the brightness control, except maximum brightness level

BEFORE DRIVING

Without tachometer



- (1) Indicator selector knob
- (2) Information display

When the ignition switch is in "ON" position, the information display shows the following information.

Display (A)

Gearshift indicator (if equipped)

Display (B)

Gear position indicator (for Auto Gear Shift models)

Display (C)

Odometer / Trip meter / Fuel consumption / Driving range

Display (D)

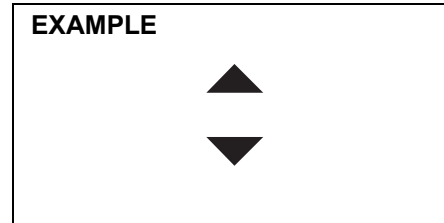
Clock

Display (E)

Fuel gauge

Gearshift indicator (if equipped)

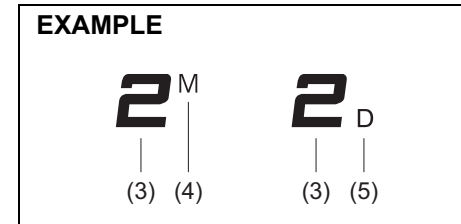
The display (A) shows the gearshift indicator.



Refer to "Gearshift indicator" in the "OPERATING YOUR VEHICLE" section.

Gear position indicator (for Auto Gear Shift models)

The display (B) shows some of the following indications.



- (3) Gear position
- (4) Manual mode indicator
- (5) Drive mode indicator

NOTE:

For Auto Gear Shift models, when the gearshift lever position and the gear position indication in the information display are unmatched, the indication will blink and the interior buzzer will sound. Refer to "Auto Gear Shift" in the "OPERATING YOUR VEHICLE" section for details.

Manual mode indicator

When you are using the manual mode, the display shows the manual mode indicator (4).

NOTE:

The manual mode indicator will only appear when the gearshift lever is in "M" position.

Drive mode indicator

When the gearshift lever is in "D", the display shows the drive mode indicator (5).

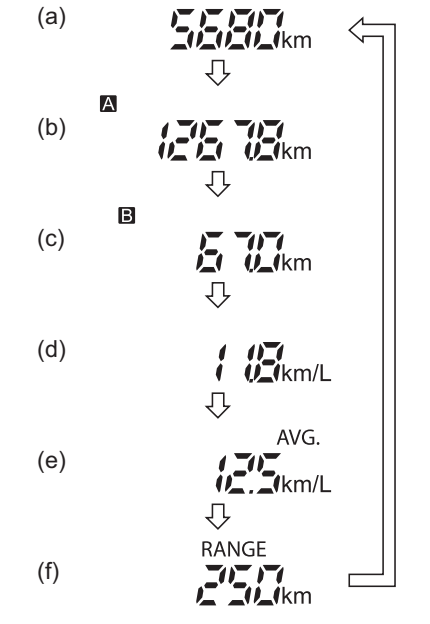
For details on how to use the transmission, refer to "Using transmission" in the "OPERATING YOUR VEHICLE" section.

Odometer / Trip meter / Fuel consumption / Driving range

The display (C) shows one of the following indications, odometer, trip meter A, trip meter B, instantaneous fuel consumption, average fuel consumption or driving range.

To switch the display indication (C), push the indicator selector knob (1) quickly.

EXAMPLE



69RM02004

↓ Push the indicator selector knob (1).

- (a) Odometer
- (b) Trip meter A
- (c) Trip meter B
- (d) Instantaneous fuel consumption
- (e) Average fuel consumption
- (f) Driving range

▲ WARNING
If you attempt to adjust the display while driving, you could lose control of the vehicle. Do not attempt to adjust the display while driving.

NOTE:

- *Indications will change when you push and release a knob.*
- *The display shows estimated values. Indications may not be the same as actual values.*

Odometer

The odometer records the total distance the vehicle has been driven.

NOTICE
Keep track of your odometer reading and check the maintenance schedule regularly for required services. Increased wear or damage to certain parts can result from failure to perform required services at the proper mileage intervals.

BEFORE DRIVING

Trip meter

The trip meter can be used to measure the distance traveled on short trips or between fuel stops.

You can use the trip meter A or trip meter B independently.

To reset the trip meter to zero, push and hold the indicator selector knob (1) for a while when the display shows the trip meter.

NOTE:

The indicated maximum value of the trip meter is 9999.9. When you run past the maximum value, the indicated value will return to 0.0.

Instantaneous fuel consumption

The display shows the value of instantaneous fuel consumption only when the vehicle is moving.

NOTE:

- *The display does not show the value unless the vehicle is moving.*
- *Depending on the vehicle's specification, the fuel consumption units of initial setting are indicated as L/100km or km/L.*
- *The indicated maximum value of instantaneous fuel consumption is one of the followings. No more than the maximum value will be indicated on the display even if the actual instantaneous fuel consumption is higher.*

– *For L/100km setting: 30*

– *For km/L setting: 50*

- *The indication on the display may be delayed if fuel consumption is greatly affected by driving conditions.*
- *The display shows estimated values. Indications may not be the same as actual values.*
- *For “L/100km” or “km/L” setting, you can change the units that instantaneous fuel consumption is displayed in. Refer to “Setting mode” in this section.*

Average fuel consumption

If you previously selected average fuel consumption setting, the display shows average fuel consumption from the last reset to the present when the ignition switch is turned to “ON” position.

To reset the average fuel consumption to zero, push and hold the indicator selector knob (1) for a while when the display shows the average fuel consumption.

NOTE:

- *For “L/100km” or “km/L” setting, you can change the units that average fuel consumption is displayed in. Refer to “Setting mode” in this section.*
- *When you reset the indication or reconnect the negative (–) terminal to the battery, the value of average fuel consumption will be shown after driving for a while.*

Driving range

If you selected driving range the last time you drove the vehicle, the display indicates “---” for a few seconds and then indicates the current driving range when the ignition switch is turned to “ON” position.

The driving range shown in the display is an indicative unit of the approximate distance you can drive until the fuel gauge indicates “E”, based on current driving conditions and current fuel level in the fuel tank.

When the low fuel warning light comes on, the display “---” will appear.

If the low fuel warning light comes on, fill the fuel tank immediately regardless of the value of driving range shown in the display.

As the driving range after refueling is calculated based on the most recent driving condition, the value is different each time you refuel.

NOTE:

- *If you refuel when the ignition switch is in “ON” position, the driving range may not indicate the correct value.*
- *When you reconnect the negative (–) terminal to the battery, the value of driving range will be shown after driving for a while.*
- *If there are substantial changes in the driving pattern or vehicle usage, the displayed range may vary significantly.*

Clock

The display (D) shows the time.

To set the clock, follow “Setting mode” instructions in this section.

 **WARNING**

**If you attempt to adjust the display while driving, you could lose control of the vehicle.
Do not attempt to adjust the display while driving.**

NOTE:

When you disconnect either of the terminals to the battery and keep it for a minute, the clock indication will be initialized. Change the indication again to your preference after the reconnection.

Fuel gauge

The display (E) shows the fuel gauge.

Refer to “Fuel gauge” in this section.

BEFORE DRIVING

Setting mode

In the setting mode, you can set up the following functions.

Indication		Functions
<i>door</i>	<i>d1</i>	Central door locking system “d1”
	<i>d2</i>	Automatic door locking function “d2”
	<i>d3</i>	Automatic door unlocking function “d3”
	<i>d5</i>	Door locking and unlocking siren “d5”
<i>LIGHT</i>	<i>L2</i>	Additional flashes of the turn signal “L2”
<i>SECURITY</i>	<i>S2</i>	Shock sensor “S2”
	<i>S3</i>	Pre-warning sensitivity of the shock sensor “S3”
	<i>S4</i>	Full blast warning sensitivity of the shock sensor “S4”

Indication		Functions
↓ <i>FUEL</i>	→	<i>FU- km</i> ↓
		<i>FU- L</i>
↓ <i>CLOCK</i>	→	<i>CL-Adj</i>
↓ <i>DEFAULT</i>	→	<i>dE- on</i>
↓ <i>End</i>		Exit the setting mode " <i>End</i> "

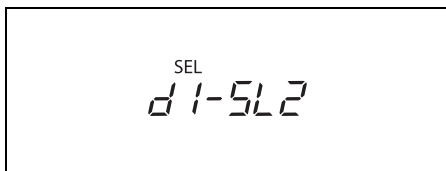
↓	Push the indicator selector knob (1).
→	Push and hold the indicator selector knob (1).

NOTE:
Depending on vehicle's specifications, some items may not be displayed.

BEFORE DRIVING

How to operate the setting mode:

- 1) When the ignition switch is in "ON" position and the vehicle is stationary, push the indicator selector knob (1) to switch the information display indication (C) to the odometer.
- 2) Push and hold the indicator selector knob (1) until the setting mode is appeared on the information display.
- 3) Push and/or hold the indicator selector knob (1) to select a function that you want to set up according to the above chart.
- 4) Push and/or hold the indicator selector knob (1) to register settings of the following functions.



75RM229

NOTE:

- As shown in the above illustration, "SEL" indicates on the display of currently setting item.
- To go back to the higher level display during operation, push the indicator selector knob (1) to display "BRCH" or "-BRCH" and then push and hold the indicator selector knob (1).

Central door locking system "d1"

- *d1-SL1*: Unlock all doors by turning the key once or operating the keyless entry system transmitter once
- *d1-SL2*: Unlock all doors by turning the key or operating the keyless entry system transmitter twice (default setting)

Automatic door locking function "d2"

- *d2-SL1*: Disable the automatic door locking function
- *d2-SL2*: Lock all doors when the vehicle speed reaches 15 km/h (default setting)

Automatic door unlocking function "d3"

- *d3-SL1*: Disable the automatic door unlocking function
- *d3-SL2*: Unlock all doors when the key is pulled out from the ignition switch (default setting)

Door locking and unlocking siren "d5"

- *d5-SL1*: Siren sounds when the doors (including the tailgate) are locked or unlocked by using the keyless entry system transmitter (default setting)
- *d5-SL2*: Siren does not sound when the doors (including the tailgate) are locked or unlocked by using the keyless entry system transmitter

Additional flashes of the turn signal "L2"

- *L2-SL1*: Turn signal flashes three times after the turn signal lever is returned (default setting)
- *L2-SL2*: Disable the additional flashes of turn signal

Shock sensor "S2"

- *S2-SL1*: Enable the shock sensor
- *S2-SL2*: Disable the shock sensor (default setting)

Pre-warning sensitivity of the shock sensor "S3"

- *S3-L00*: Disable the pre-warning
- *S3-L01* to *L15*:

Adjust the pre-warning sensitivity of shock sensor (Lowest sensitivity level is L01 and highest is L15, and default setting is L14)

Full blast warning sensitivity of the shock sensor "S4"

- *S4-L00*: Disable the full blast warning
- *S4-L01* to *L15*:

Adjust the full blast warning sensitivity of shock sensor (Lowest sensitivity level is L01 and highest is L15, and default setting is L09)

Fuel consumption unit setting

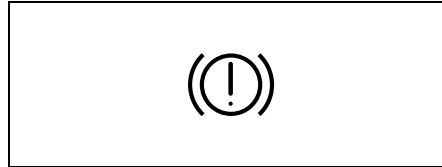
- *FU- km*: Change the unit of instantaneous and average fuel consumption to "km/L". (default setting)
- *FU- L*: Change the unit of instantaneous and average fuel consumption to "L/100km".

Clock setting "CL-Adj"

- To change the hour indication, push the indicator selector knob (1) repeatedly when the hour indication blinks. To change the hour indication quickly, push and hold the indicator selector knob (1). To set the hour indication, wait for a while without pushing the indicator selector knob (1) and the minute indication will blink.
- To change the minute indication, push the indicator selector knob (1) repeatedly when the minute indication blinks. To change the minute indication quickly, push and hold the indicator selector knob (1). To set the minute indication, wait for a while without pushing the indicator selector knob (1).

Initialization setting "dE-on"

- *dE-on*: Initialize all settings
- 5) To exit the setting mode, switch the display to show "End" and then push and hold the indicator selector knob (1).

Warning and indicator lights**Brake system warning light (red color)**

82K170

Three different types of operations exist depending on the vehicle's specification.

- The light comes on briefly when the ignition switch is turned to "ON" position.
- The light comes on when the parking brake is engaged with the ignition switch in "ON" position.
- The light comes on under either or both of above two conditions.

The light also comes on when the fluid in the brake fluid reservoir falls below the specified level.

The light should go out after starting the engine and fully releasing the parking brake, if the fluid level in the brake fluid reservoir is adequate.

The light also comes on together with the ABS warning light when the rear brake force control function (proportioning valve function) of the ABS system fails.

If the brake system warning light comes on while you are driving the vehicle, it may mean that there is something wrong with the vehicle's brake system. If this happens:

- 1) Pull off the road and stop carefully.

▲ WARNING

Remember that stopping distance may be longer, you may have to push harder on the pedal, and the pedal may go down farther than normal.

- 2) Test the brakes by carefully starting and stopping the vehicle on the shoulder of the road.
- 3) If you determine that it is safe, drive the vehicle cautiously at low speed to the nearest a authorised Maruti Suzuki workshop for repairs or tow the vehicle to the nearest a authorised Maruti Suzuki workshop for repairs.

▲ WARNING

If any of the following conditions occur, you should immediately ask a authorised Maruti Suzuki workshop to inspect the brake system.

- **If the brake system warning light does not go out after the engine has been started and the parking brake has been fully released.**

(Continued)

BEFORE DRIVING

WARNING

(Continued)

- If the brake system warning light does not come on when the ignition switch is turned to “ON” position.
- If the brake system warning light comes on at any time during vehicle operation.

NOTE:

Because the brake system is self-adjusting, the fluid level will drop as the brake pads become worn. Replenishing the brake fluid reservoir is considered normal periodic maintenance.

NOTE:

Parking brake reminder buzzer

A buzzer sounds intermittently to remind you to release the parking brake if you start the vehicle without releasing the parking brake. Check that the parking brake is fully released and the brake system warning light turns off.

Anti-lock brake system (ABS) warning light



65D529

When the ignition switch is turned to “ON” position, this light comes on briefly so you can check that the light is working. If the light stays on or comes on when driving, there may be something wrong with the ABS.

If this happens:

- 1) Pull off the road and stop carefully.
- 2) Turn the ignition switch to “LOCK” position and then start the engine again.

If the warning light comes on briefly and then turns off, the system is normal. If the warning light still stays on, something is wrong with the system.

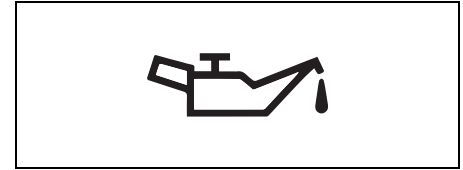
If the light and the brake system warning light stay on or come on simultaneously when driving, your ABS system is equipped with the rear brake force control function (proportioning valve function) and there may be something wrong with both the rear brake force control function and the anti-lock function of the ABS system.

If one of the above occurs, have the system inspected by a authorised Maruti Suzuki workshop.

If the ABS becomes inoperative, the brake system will function as an ordinary brake system that does not have this ABS system.

For details of ABS system, refer to “Anti-lock brake system (ABS)” in the “OPERATING YOUR VEHICLE” section.

Engine oil pressure warning light



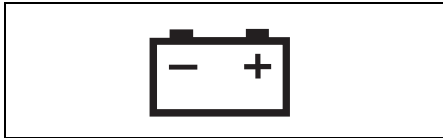
50G051

When the ignition switch is turned to “ON” position, this light comes on. When the engine is started, the light goes out. The light will come on and remain on if there is insufficient oil pressure. If the light comes on when driving, pull off the road as soon as you can and stop the engine.

Check the engine oil level and add oil if necessary. If there is enough oil, the lubrication system should be inspected by a authorised Maruti Suzuki workshop before you drive the vehicle again.

NOTICE

- If you operate the engine with this light on, severe engine damage can result.
- Do not rely on the engine oil pressure warning light to indicate the need to add oil. Periodically check the engine oil level.

Charge warning light

50G052

When the ignition switch is turned to “ON” position, this light comes on. When the engine is started, the light goes out. The light will come on and remain on if there is something wrong with the battery charging system. If the light comes on when the engine is running, the charging system should be inspected immediately by a authorised Maruti Suzuki workshop.

Seat belt reminder light

60G049

When the driver and/or passenger (front passenger and/or rear passenger*) do(does) not buckle his or her seat belt, this light will come on and/or blink.

For details of the seat belt reminder, refer to “Seat belts and child restraint systems” section.

*: If equipped

NOTE:

Along with the seat belt reminder light, a reminder message shall also come on the information display (if equipped), for unrestrained driver and/or front passenger.

AIRBAG warning light

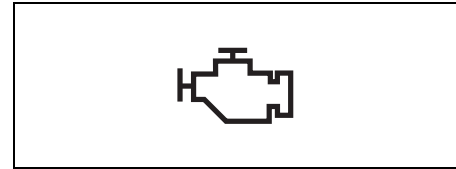
63J030

When the ignition switch is turned to “ON” position, this light comes on for several seconds so you can check that the light is working.

The light will come on and stay on if there is a problem in the airbag system or the seat belt pretensioner system.

⚠ WARNING

If AIRBAG warning light does not blink or come on briefly when the ignition switch is turned to “ON” position, stays on for more than 10 seconds, or comes on while driving, the airbag system or the seat belt pretensioner system may not work properly, which could result in serious injury in the event of a collision. Have both systems inspected by a authorised Maruti Suzuki workshop.

Malfunction indicator light

65D530

Your vehicle has a computer-controlled emission control system. A malfunction indicator light is provided on the instrument cluster to indicate when it is necessary to have the emission control system serviced. When the ignition switch is turned to “ON” position, this light comes on. When the engine is started, the light goes out.

If the malfunction indicator light comes on or blinks when the engine is running, there is a damage in the emission control system.

Bring the vehicle to a authorised Maruti Suzuki workshop to have the damage fixed.

Also, if this light comes on when the engine is running, there is a problem with the Auto Gear Shift system. Ask a authorised Maruti Suzuki workshop to have the system inspected.

BEFORE DRIVING

⚠ CAUTION

If this light blinks, stop your vehicle immediately in a safe place to avoid catalyst's melting problem since there may be a misfire in the engine.

- Do not drive or stop over such as withered grasses.
- Drive slowly if required to move the vehicle.

NOTICE

Continuing to drive the vehicle when the malfunction indicator light is on or blinking can cause permanent damage to the vehicle's emission control system, and can affect fuel economy and driveability.

Transmission warning light (for Auto Gear Shift)



80J219

When the ignition switch is turned to "ON" position or the engine switch is pressed to change the ignition mode to ON, this light comes on for several seconds so you can check that the light is working.

2-29

If this light comes on when the ignition switch is turned to "ON" position or the engine switch is pressed to change the ignition mode to ON, there is a problem with the Auto Gear Shift system.

If this light comes on or blinks, stop the vehicle in a safe place and contact a authorised Maruti Suzuki workshop. If the light comes on or blinks again after the light goes out, have the system inspected by a authorised Maruti Suzuki workshop.

If the light comes on, it may become followings:

- The transmission gear will not change even if you shift the gearshift lever.
- The transmission gear will change to "N" automatically when the vehicle speed becomes less than 10 km/h (6 mph), also the "N" indicator in the instrument cluster will blink and the interior buzzer will sound.
- The engine will stall automatically when the vehicle stops.
- The engine will not start.

If the above occurs, have the system inspected by a authorised Maruti Suzuki workshop.

NOTE:

If the Auto Gear Shift clutch temperature becomes too high, this light will blink. Stop the vehicle in a safe place and let the system cool down.

Immobilizer system warning light



65D239

When the ignition switch is turned to the "ON" position, this light comes on to let you know the light is working. If this light blinks with the ignition switch turned to "ON", there may be something wrong with the immobilizer system. Ask a authorised Maruti Suzuki workshop to have the system inspected.

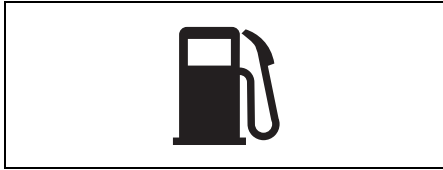
Open door warning light



54G391

This light remains on until all doors (including the tailgate) are completely closed.

If any door (including the tailgate) is open when the vehicle is moving, a ding sounds to remind you to close all doors completely.

Low fuel warning light

54G343

If this light comes on, fill the fuel tank immediately.

When this light comes on, a ding sounds once to remind you to fill the fuel.

If you do not fill the fuel, a ding sounds every time when the ignition switch is turned to "ON" position.

NOTE:

The activation point of this light varies depending on road conditions (for example, slope or curve) and driving conditions because of fuel moving in the tank.

Electric power steering light

79J039

When the ignition switch is turned to "ON" position, this light comes on. When the engine is started, the light goes out.

If this light comes on while driving, the power steering system may not work properly. Have the system inspected by a authorised Maruti Suzuki workshop.

NOTE:

The following steering wheel operations may gradually take more effort while parking or driving at a very low speed. This is not a malfunction of the steering system, but the power steering control system limits the power assist in order to prevent it from overheating.

- *The steering wheel is operated very often.*
- *The steering wheel is kept in a fully turned position for a long while.*

When the power steering control system cools down, the power steering system will return to its original condition.

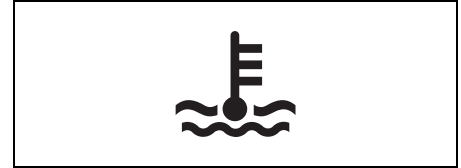
However, repeating these operations could cause damage to the power steering system.

NOTE:

If the power steering system does not work properly, it will require greater effort to steer, but you still will be able to steer.

NOTE:

If the steering is operated, you may hear noise caused by electric power steering operation. This is normal and indicates that the power steering system works properly.

High engine coolant temperature warning light

69RH179

When the ignition switch is turned to "ON" position, this light comes on briefly so you can check that the light is working. If this light blinks while driving, it means the engine is running hot. Avoid driving conditions that may lead to actual overheating. If the light stays on without blinking, then the engine is overheating. Follow the instructions in "Engine trouble: Overheating" in the "EMERGENCY SERVICE" section.

NOTICE

Continuing to drive the vehicle when engine overheating is indicated can result in severe engine damage.

BEFORE DRIVING

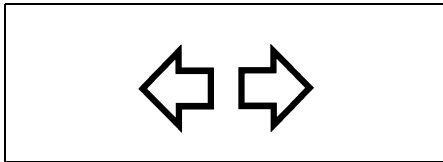
Front fog light indicator light (if equipped)



82PH045

The front fog light indicator light comes on when the front fog light operates.

Turn signal indicators



50G055

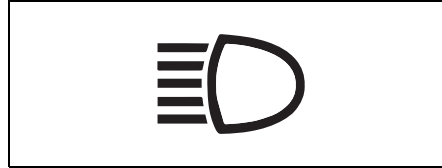
When you turn on the left or right turn signals, the corresponding green arrow on the instrument cluster will flash along with the respective turn signal lights. When you turn on the hazard warning switch, both arrows will flash along with all of the turn signal lights.

NOTE:

If any abnormality of the turn signals is observed, such as fast blinking, there may be malfunction in the turn signal system. Ask your Maruti Suzuki authorized workshop to inspect the system.

2-31

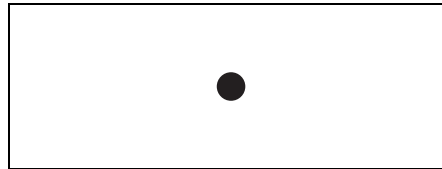
Main beam (high beam) indicator light



50G056

This indicator comes on when headlight main beams (high beams) are turned on.

Security system indicator (if equipped)



82K269

For details about the security system, refer to "Security system" in this section.

NOTE:

If the security system indicator blinks when the ignition switch is in the "ON" position, there may be something wrong with the system. Ask a authorised Maruti Suzuki workshop to inspect the system.

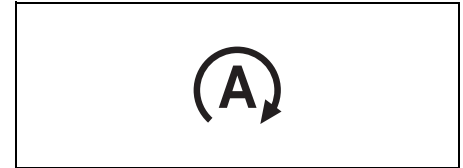
Depress brake pedal indicator (for Auto Gear Shift)



76MH0A047

Refer to "Auto Gear Shift" in the "OPERATING YOUR VEHICLE" section for details.

ENG A-STOP Indicator Light



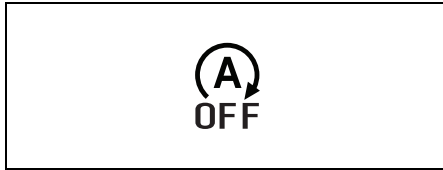
72M00032

When the ignition switch is turned to "ON" position, this light comes on briefly if the system works properly.

When the engine is stopped by the "ENG A-STOP" system, this light comes on.

For details, refer to "ENG A-STOP System

(Engine Auto Stop Start System)" in "OPERATING YOUR VEHICLE" section.

ENG A-STOP OFF Light

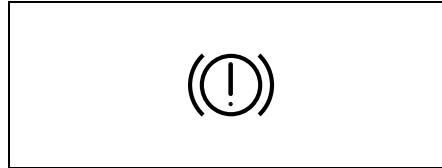
56RM02036

When the ignition switch is turned to “ON” position, this light comes on briefly if the system works properly.

When you push the ENG A-STOP OFF switch, this light comes on.

If this light blinks when driving, there may be something wrong with the ENG A-STOP system.

You should have the system inspected by a authorised Maruti Suzuki workshop.

Brake System Warning Light (amber color) (if equipped)

82K170

When the ignition switch is turned to “ON” position, this light comes on briefly so you can check that the light is working.

If this light comes on, there may be a problem with the hill hold control system. Have your vehicle inspected by a authorised Maruti Suzuki workshop.

For details, refer to “Hill Hold Control System” in the “OPERATING YOUR VEHICLE” section.

ESP® Warning Light (if equipped)

56RM02033

ESP® is a registered trademark of Daimler AG.

This light blinks 5 times per second when one of the following systems is activated.

- Stability control system
- Traction control system

If this light blinks, drive carefully.

When the ignition is pushed to “ON” mode, the light comes on briefly so you can check that the light is working. If the light stays on or comes on when driving, there may be something wrong with the ESP® systems (other than ABS). You should have the system inspected by a Maruti Suzuki authorised workshop.

For details of the ESP® systems, refer to “Electronic Stability Program (ESP®) (if equipped)” in “OPERATING YOUR VEHICLE” section.

⚠ WARNING

The ESP® systems cannot prevent accidents. Always drive carefully.

BEFORE DRIVING

ESP® OFF Indicator Light (if equipped)



56RM02034

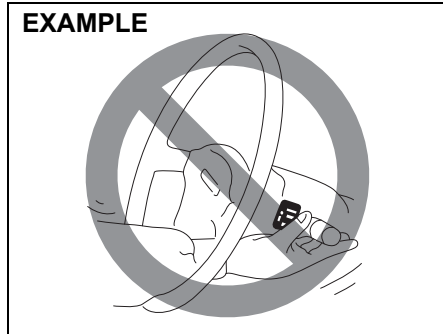
When the ignition is pushed to “ON” mode, this light comes on briefly so you can check that the light is working.

When the ESP® OFF switch is pushed to turn off the ESP® systems (other than ABS), the ESP® OFF indicator light comes on and stays on.

For details of the ESP® systems, refer to “Electronic Stability Program (ESP®) (if equipped)” in “OPERATING YOUR VEHICLE” section.

Lighting control lever

EXAMPLE



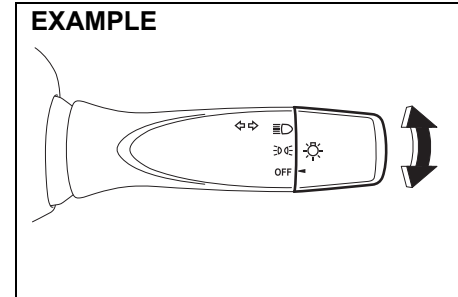
65D611

WARNING

To avoid possible injury, do not operate controls by reaching through the steering wheel.

Lighting operation

EXAMPLE



66RH032

To turn the lights on or off, twist the knob on the end of the lever. There are three positions:

OFF

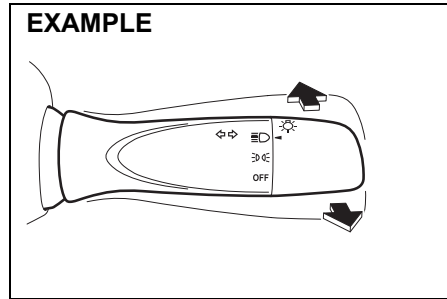
All lights are off.

☰

Front position lights, tail lights, license plate light and instrument lights are on, but headlights are off.

☰

Front position lights, tail lights, license plate light, instrument lights and headlights are on.



66RH033

With the headlights on, push the lever forward to switch to the high beams (main beams) or pull the lever toward you to switch to the low beams. When the high beams (main beams) are on, a light on the instrument cluster will come on, to momentarily activate the high beams (main beams) as a passing signal, pull the lever slightly toward you and release it when you have completed the signal.

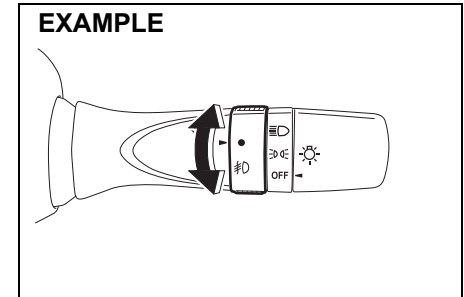
Light reminder buzzer

The interior buzzer continuously beeps if you open the driver's door without turning off the headlights and position lights. This function is triggered under the following condition:

The headlights and/or position lights are on even after the ignition switch is turned off.

The buzzer stops sounding when you turn off the headlights and position lights.

Front fog light switch (if equipped)

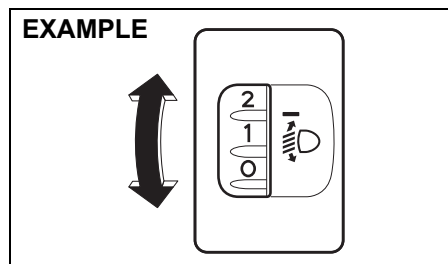


66RH034

To turn the front fog light on, twist the knob as shown in the illustration with the position lights, tail lights and/or the headlights are on. When the front fog light is on, an indicator light on the instrument cluster will come on.

BEFORE DRIVING

Headlight leveling switch



75RM008

Level the headlight beam according to the load condition of your vehicle by turning this switch. The chart below shows the appropriate switch position for different vehicle load conditions.

For petrol model

Vehicle Load Condition	Switch Position
Driver only	0
Driver + 1 passenger (in front seat)	0
Driver + 4 passengers, no cargo	1.5
Driver + 4 passengers, cargo added	2.5
Driver + full cargo	3.5

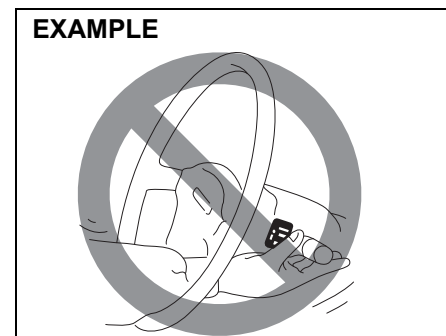
For CNG model

Vehicle Load Condition	Tire size	
	155/80R13	165/70R14
Driver only	0	0
Driver + 1 passenger (in front seat)	0	0
Driver + 4 passengers, no cargo	1	1.5
Driver + 4 passengers, cargo added*	NA	NA
Driver + full cargo*	NA	NA

NA = Not applicable

*: In case of CNG, luggage cannot be placed in boot.

Turn signal control lever



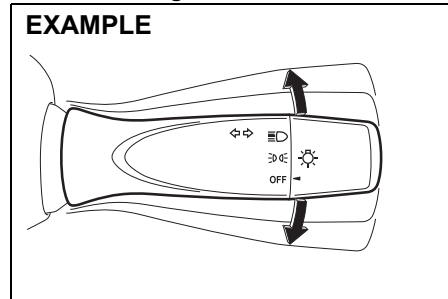
65D611

⚠ WARNING

To avoid possible injury, do not operate controls by reaching through the steering wheel.

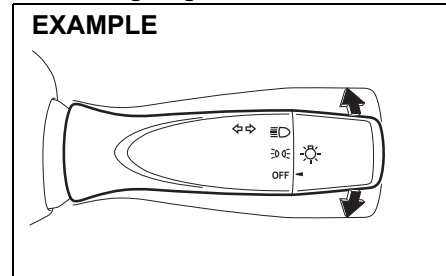
Turn signal operation

With the ignition switch in "ON" position, move the lever upward or downward to activate the right or left turn signals.

Normal turn signal

66RH035

Move the lever all the way upward or downward to signal. When the turn is completed, the signal will cancel and the lever will return to its normal position.

Lane change signal

66RH036

Move the lever partway upward or downward to turn right or left and hold the lever in the moved position.

- The turn signal and its indicator flash while the lever is held at the moved position.

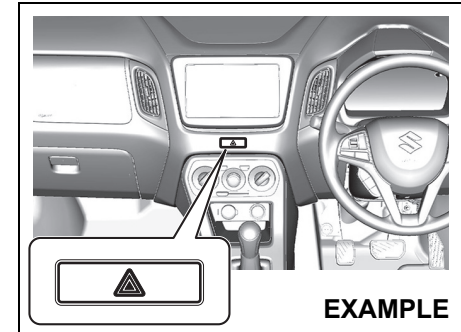
The turn signal and its indicator flash 3 times even if you return the lever immediately after moving it.

NOTE:

The turn signal and its indicator can be set whether they flash 3 times after the turn signal lever is returned via the information display. Refer to "Information display" in this section.

NOTE:

You can customize the setting for the number of flashing times of the turn signal and its indicator (1 to 4 times). Please ask a authorised Maruti Suzuki workshop for the customization.

Hazard warning switch

69RH060

Push in the hazard warning switch to activate the hazard warning lights. All turn signal lights and both turn signal indicators will flash simultaneously. To turn off the lights, push the switch again.

Use the hazard warning lights to warn other drivers of possible risk of traffic hazard when you park your vehicle in case of emergency.

BEFORE DRIVING

Windshield wiper and washer lever

EXAMPLE



57L21128

WARNING

To avoid possible injury, do not operate controls by reaching through the steering wheel.

Wiper and washer operation

When the ignition switch is in "ON" position, you can use the wiper/washer lever.

When the wipers are under heavy load such as covered by snow, the breaker will be activated and the wipers will stop operating to protect the wiper motor from overheating.

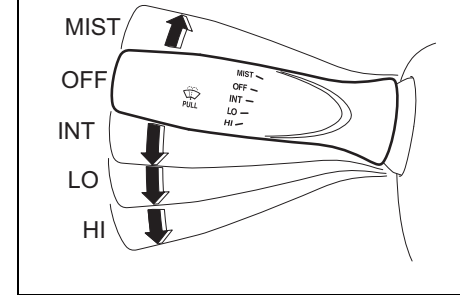
If the wiper stops during operation, do the following methods.

- 1) Stop the vehicle in a safe place, and turn the engine off.
- 2) Move the wiper lever to "OFF" position.
- 3) Remove obstacles such as snow on the wipers.
- 4) After a while, when the temperature of the wiper motor becomes low enough, the breaker will be reset automatically and the wipers will be able to use.

If you cannot use the wipers after a while, there may be another problem. Ask a authorised Maruti Suzuki workshop to have the wipers inspected.

Windshield wipers

EXAMPLE



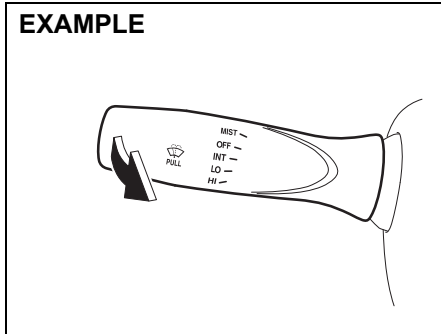
69RM02006

To turn the windshield wipers on, move the lever down to one of the three operating positions. In "INT" position, the wipers operate intermittently. The "INT" position is very convenient for driving in mist or light rain. In "LO" position, the wipers operate at a steady low speed. In "HI" position, the wipers operate at a steady high speed. To turn off the wipers, move the lever back to "OFF" position.

Move the lever up and hold it to "MIST" position, the windshield wipers will turn on continuously at low speed.

Windshield washer

EXAMPLE



69RM02005

To spray windshield washer fluid, pull the lever toward you. The windshield wipers will automatically turn on at low speed if they are not already on and your vehicle is equipped with "INT" position.

 **WARNING**

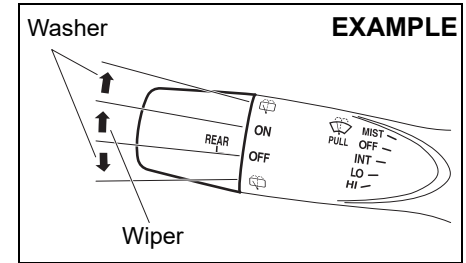
- To prevent windshield icing in cold weather, turn on the defroster to heat the windshield before and during windshield washer use.
- Do not use radiator antifreeze in the windshield washer reservoir. It can severely impair visibility when sprayed on the windshield, and can also damage your vehicle's paint.

NOTICE

To help prevent damage to the windshield wiper and washer system components, you should take the following precautions:

- Do not continue to hold in the lever when there is no windshield washer fluid being sprayed or the washer motor can be damaged.
- Do not attempt to remove dirt from a dry windshield with the wipers or you can damage the windshield and the wiper blades. Always wet the windshield with washer fluid before operating the wipers.
- Clear ice or packed snow from the wiper blades before using the wipers.
- Check the washer fluid level regularly. Check it often when the weather is bad.
- Fill a reservoir 3/4 full with washer fluid to for its expansion, if temperature falls low enough to freeze the fluid.

Rear window wiper/washer switch (if equipped)



69RH171

To turn the rear wiper on, twist the rear wiper switch on the end of the lever forward to "ON" position. To turn the rear wiper off, twist the switch rearward to "OFF" position.

With the rear wiper in "OFF" position, twist the switch rearward and hold it there to spray window washer fluid.

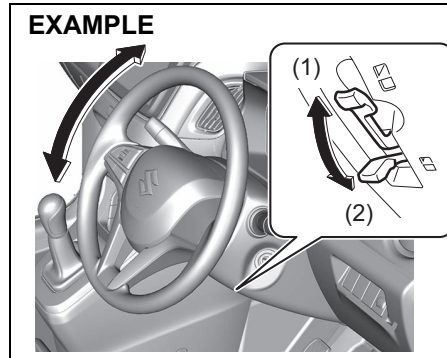
With the rear wiper in "ON" position, turn the switch forward and hold it there to spray window washer fluid.

NOTICE

Clear ice or snow from the rear window and rear wiper blade before using the rear wiper. Accumulated ice or snow could prevent the wiper blade from moving, causing damage to the wiper motor.

BEFORE DRIVING

Tilt steering lock lever (if equipped)



69RH127

- (1) LOCK
- (2) UNLOCK

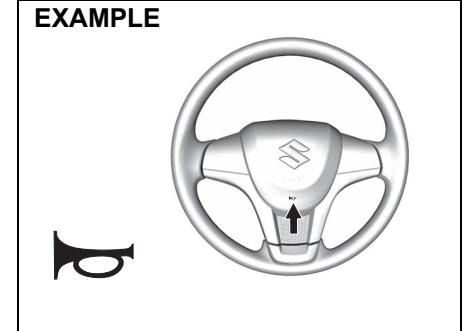
The lock lever is located under the steering column. To adjust the steering wheel height:

- 1) Push down the lock lever to unlock the steering column.
- 2) Adjust the steering wheel to the desired height and lock the steering column by pulling up the lock lever.
- 3) Try moving the steering wheel up and down to check that it is securely locked in position.

WARNING

Never attempt to adjust the steering wheel while the vehicle is moving or you could lose control of the vehicle.

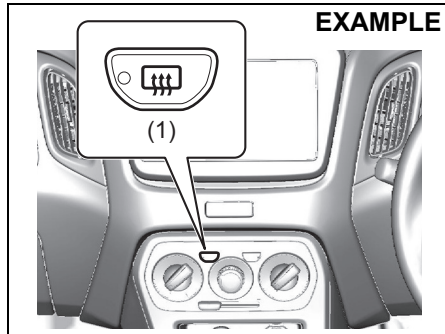
Horn



69RH172

Press the horn button of the steering wheel to sound the horn. The horn will sound with the ignition switch in any position.

Heated rear window switch (if equipped)



69RH068

When the rear window is misted, push this switch (1) to clear the window.

An indicator light will be lit when the defogger is on. The defogger will work only when the engine is running. To turn off the defogger, push the switch (1) again.

NOTICE

The heated rear window uses a large amount of electricity. Turn off the switch after the window has become clear.

NOTE:

- The defogger will work only when the engine is running.
- The defogger will automatically turn off after the defogger remains on for 15 minutes to prevent discharging of the battery.

Vehicle loading

Your vehicle was designed for specific weight capacities. The weight capacities of your vehicle are indicated by the Gross Vehicle Weight Rating (GVWR) and the Permissible maximum Axle Weight (PAW, front and rear). The GVWR and PAW (front and rear) are listed in the “SPECIFICATIONS” section.

GVWR – Maximum permissible overall weight of the fully loaded vehicle (including all the occupants, accessories and cargo plus the trailer nose weight if towing a trailer).

PAW (front and rear) – Maximum permissible weight on an individual axle.

Actual weight of the loaded vehicle and actual loads at the front and rear axles can only be determined by weighing the vehicle. Compare these weights to the GVWR and PAW (front and rear). If the gross vehicle weight or the load on either axle exceeds these ratings, you must remove enough weight to bring the load down to the rated capacity.

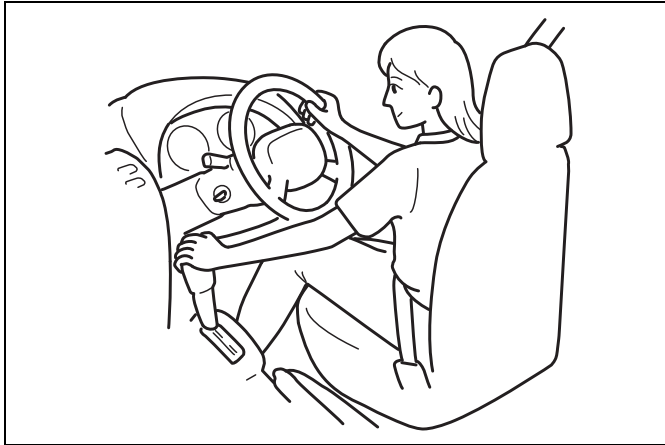
WARNING

- **Never overload your vehicle. The gross vehicle weight (sum of the weights of the vehicle, all the occupants, accessories, cargo plus trailer nose weight if towing a trailer) must never exceed the Gross Vehicle Weight Rating (GVWR). In addition, never distribute a load so that the weight on either the front or rear axle exceeds the Permissible maximum Axle Weight (PAW).**
- **Always distribute cargo evenly. To avoid personal injury or damage to your vehicle, always secure cargo to prevent it from shifting if the vehicle moves suddenly. Place heavier objects on the floor and as far forward in the cargo area as possible. Never pile cargo higher than the top of the seat backs.**

Trailer towing

Your vehicle was originally designed to carry people and a normal amount of cargo, not to tow a trailer.

OPERATING YOUR VEHICLE



60G408

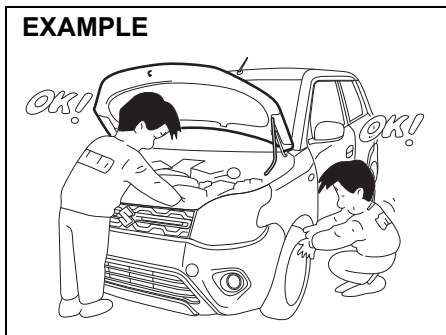
Daily inspection checklist	3-1
Engine oil consumption	3-2
Ignition switch	3-2
Parking brake lever	3-4
Pedal	3-6
Starting engine	3-7
Using transmission	3-8
Gearshift indicator (if equipped)	3-19
ENG A-STOP System	
(Engine Auto Stop Start System)	3-20
Parking sensors	3-26
Braking	3-29
Electronic Stability Program (ESP®) (if equipped)	3-32

OPERATING YOUR VEHICLE

Daily inspection checklist

Before driving

EXAMPLE



69RM03001

- 1) Check that windows, mirrors, lights and reflectors are clean and unobstructed.
 - 2) Visually check the tires for the following points:
 - the depth of the tread groove
 - abnormal wear, cracks and damage
 - loose wheel nuts
 - existence of foreign material such as nails, stones, etc.
- Refer to “Tires” in the “INSPECTION AND MAINTENANCE” section for details.
- 3) Look for fluid and oil leakage.

NOTE:

It is normal for water to drip from the air conditioning system after use.

- 4) Check that the hood is fully closed and latched.
- 5) Check the headlights, turn signal lights, brake lights and horn for proper operation.
- 6) Adjust the seat and head restraint (if equipped).
- 7) Check the brake pedal feeling and the adjustment condition for the parking brake lever or pedal. Refer to “Brakes” in “INSPECTION AND MAINTENANCE” section for details.
- 8) Adjust the mirrors.
- 9) Check that you and all passengers have properly fastened your seat belts.
- 10) Check that all warning lights come on as the ignition switch is turned to “ON” position.
- 11) Check all gauges.
- 12) Check that the brake system warning light turns off when the parking brake is released.

Once a week, or each time you fill your fuel tank, or before a long distance driving (like highway driving) perform the following under-hood checks:

- 1) Engine oil level
- 2) Coolant level
- 3) Brake fluid level
- 4) Battery fluid (acid) level
- 5) Windshield washer fluid level
- 6) Hood latch operation

Pull the hood release handle inside the vehicle. Check that you cannot open the hood all the way without releasing the secondary latch. Close the hood securely after checking for proper latch operation. See the item “All latches, hinges and locks” of “Chassis, body and others” in “Maintenance schedule” in the “INSPECTION AND MAINTENANCE” section for lubrication schedule.

WARNING

Check that the hood is fully closed and latched before driving. If it is not, it can fly up unexpectedly during driving, obstructing your view and resulting in an accident.

Once a month, or each time you fill your fuel tank, check the tire pressure using a tire pressure gauge. Also check the tire pressure of the spare tire.

Engine oil consumption

It is normal for the engine to consume some engine oil during normal vehicle operation.

The amount of engine oil consumption depends on viscosity and quality of the oil and your driving conditions.

More oil is consumed during high-speed driving and when there is frequent acceleration and deceleration. Under high loads, your engine also will consume more oil.

A new engine also consumes more oil, since its pistons, piston rings and cylinder walls have not yet become conditioned. New engines reach the normal level of oil consumption only after approximately 5000 km driving.

Oil consumption:

Max. 1.0 L per 1000 km

When judging the amount of oil consumption, note that the oil may become diluted and it is difficult to judge the accurate oil level.

As an example, if a vehicle is used for repeated short trips, and consumes a normal amount of oil, the dipstick may not show any drop in the oil level at all, even after 1000 km or more of driving. This is because the oil gradually becomes diluted with fuel or moisture, making it appear that the oil level has not changed.

You should also be aware that the diluting ingredients evaporate out when the vehicle

is subsequently driven at high speeds, such as on an expressway, making it appear that oil is excessively consumed after high-speed driving.

Ignition switch

EXAMPLE

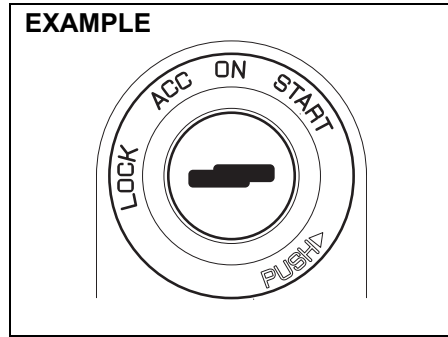


65D611

WARNING

To avoid possible injury, do not operate controls by reaching through the steering wheel.

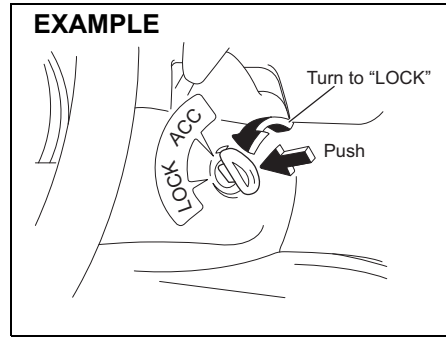
OPERATING YOUR VEHICLE



The ignition switch has the following four positions:

LOCK

This is the normal parking position. It is the only position in which the key can be removed.



You must push in the key to turn it to "LOCK" position. It locks the ignition, and prevents normal use of the steering wheel after the key is removed.

To release the steering lock, insert the key and turn it clockwise to one of the other positions. If you have trouble turning the key to unlock the steering, try turning the steering wheel slightly to the right or left while turning the key.

ACC

Accessories such as the radio can operate, but the engine is off.

ON

This is the normal operating position. All electrical systems are on.

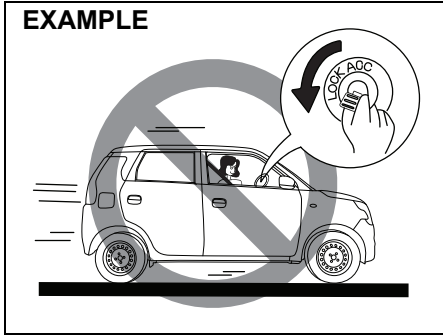
START

This is the position for starting the engine using the starter motor. The key should be released from this position as soon as the engine starts.

Ignition key reminder

A buzzer sounds intermittently to remind you to remove the ignition key if it is in the ignition switch when the driver's door is opened.

EXAMPLE



69RM03002

⚠ WARNING

- Never return the ignition switch to “LOCK” position and remove the ignition key while the vehicle is moving. The steering wheel will lock and you will not be able to steer the vehicle.

(Continued)

⚠ WARNING

(Continued)

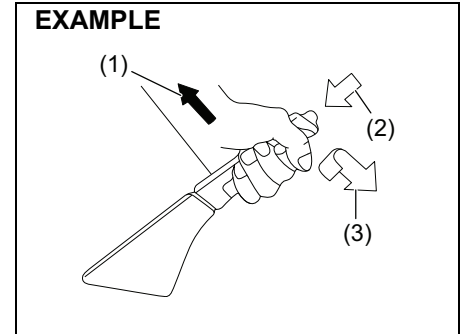
- Always return the ignition switch to “LOCK” position and remove the ignition key when leaving the vehicle even only for a short time. Also do not leave children alone in a parked vehicle. Unattended children could cause accidental movement of the vehicle or could tamper with power windows or power sunroof. They also could suffer from heat stroke in warm or hot weather. These could result in severe injury or even death.

NOTICE

Do not leave the ignition switch in “ON” position if the engine is not running as the lead-acid battery will discharge.

Parking brake lever

EXAMPLE



54G039

- (1) To set
- (2) To release
- (3) To release

The parking brake lever is located between the seats. To set the parking brake, hold the brake pedal down and pull the parking brake lever all the way up. To release the parking brake, hold the brake pedal down, pull up slightly on the parking brake lever, push the button on the end of the lever with your thumb, and lower the lever to its original position.

WARNING

- Never drive your vehicle with the parking brake on: rear brake effectiveness can be reduced from overheating, brake life may be shortened, or permanent brake damage may result.
- If the parking brake does not hold the vehicle securely or does not fully release, have your vehicle inspected immediately by a authorised Maruti Suzuki workshop.
- When parking on an uphill, turn the steering wheel so that the front wheels point to the center of the road.
- When parking on a downhill, turn the steering wheel so that the front wheels point to the curb.

(Continued)

WARNING

(Continued)

- Always set the parking brake fully before leaving your vehicle or it may move, causing injury or damage. When parking, check that the gearshift lever is in one of the following positions;
 - 1st gear or “R” (Reverse) for manual transmission vehicles.
 - “D”, “M” or “R” for Auto Gear Shift vehicles. Also, check the instrument cluster to make sure that the transmission is engaged in “1” or “R” position.
- Remember, even though the transmission is in gear, you must set the parking brake fully.

WARNING

When parking the vehicle in extremely cold weather, the following procedure should be used:

- 1) Set the parking brake.
- 2) Manual transmission – turn off the engine, then shift into reverse or first gear.
Auto Gear Shift – shift into “D”, “M” or “R” and check the gear position indicator in the instrument cluster to make sure that the transmission is engaged in “1” or “R” position, then turn off the engine.
- 3) Get out of the vehicle and put chocks under the wheels.
- 4) Release the parking brake.
When you return to your vehicle, first set the parking brake, and then remove the wheel chocks.

CAUTION

The hill hold control system (if equipped) will not activate while the parking brake is engaged.

NOTE:

*(For Auto Gear Shift models)
For details on how to use the gearshift lever to park the vehicle, refer to “Parking” in “Auto Gear Shift” in this section.*

⚠ WARNING

Do not leave cigarette lighters, spray cans, soft drink cans or plastic articles (such as glasses, CD cases, etc.) in sun-heated vehicle. The temperature inside the vehicle may cause as follows:

- Gas may leak from a cigarette lighter or spray can and may lead to a fire.
- The glasses, plastic cards or CD cases, etc. may deform or crack.
- Soft drink cans may fracture.

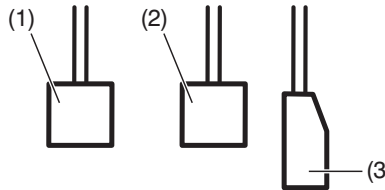
Parking brake reminder buzzer

A buzzer sounds intermittently to remind you to release the parking brake if you start the vehicle without releasing the parking brake. Check that the parking brake is fully released and the brake system warning light turns off.

Pedal

Manual transmission

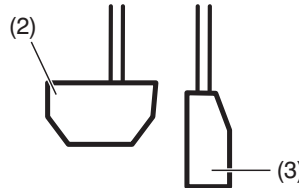
EXAMPLE



80J2121

Auto Gear Shift

EXAMPLE



80J2122

Clutch pedal (1)

A clutch pedal is used to disengage the drive to the wheels when starting the engine, stopping, or shifting the gearshift lever. Depressing the pedal disengages the clutch.

⚠ WARNING

Do not drive with your foot resting on the clutch pedal. It could result in excessive clutch wear, clutch damage, or unexpected loss of engine braking.

Brake pedal (2)

Your MARUTI SUZUKI vehicle is equipped with front disc brakes and rear drum brakes. Depressing a brake pedal applies both sets of brakes.

You may hear occasional brake squeal when you apply the brakes. This is a normal condition caused by environmental factors such as temperature, humidity, snow or dust, etc.

⚠ WARNING

- If brake squeal is excessive and occurs each time the brakes are applied, you should have the brakes checked by authorised Maruti Suzuki workshop.

(Continued)

WARNING

(Continued)

- Do not apply brakes continuously or rest your foot on the brake pedal. This will result in overheating of the brakes which could cause unpredictable braking action, longer stopping distances, or permanent brake damage.

Accelerator pedal (3)

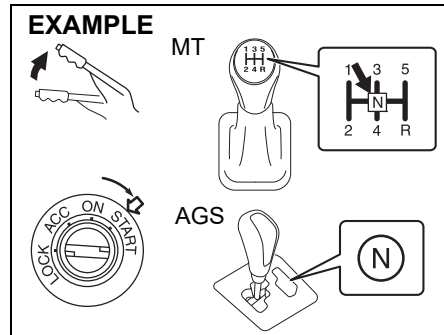
An accelerator pedal controls the speed of the engine. Depressing the accelerator pedal increases power output and speed.

NOTE:

Your vehicle is equipped with Brake Override System. If you depress both the accelerator pedal and the brake pedal simultaneously, the engine power output may be suppressed.

Starting engine

Before starting engine



- 1) Check that the parking brake is set fully.
- 2) Turn off such loads as the headlights and air conditioning system to facilitate starting of the engine.
- 3) Manual transmission – Shift into “N” (Neutral). Hold the clutch pedal and brake pedal fully depressed.
Auto Gear Shift – Shift into “N” (Neutral) and depress the brake pedal. Hold the brake pedal while starting the engine.
- 4) With your foot taken off accelerator pedal, crank the engine by turning the ignition key to “START”. Release the key immediately after the engine has started.

NOTICE

- Release the key immediately after the engine has started or the starter system can be damaged.
- For protection of a lead-acid battery and a starter motor, do not use the starter motor by turning the key to “START” for more than 12 seconds at a time. If the engine does not start, turn the key to “LOCK” position and wait for more than 30 seconds before trying again. If the engine does not start after several attempts, consult a authorised Maruti Suzuki workshop.

NOTE:

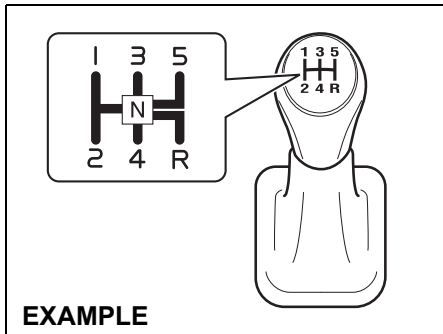
For Auto Gear Shift vehicles, if the engine cannot be started, make sure the gearshift lever is in “N” before restarting the engine.

Using transmission

⚠ WARNING

Do not hang any items on the gearshift lever and do not use the gearshift lever as a handrest. Otherwise, it could prevent proper operation of the gearshift lever and cause its malfunction, resulting in an accident.

Manual transmission



69RH016

Starting off

To start off, depress the clutch pedal all the way to the floor and shift into 1st gear. After releasing the parking brake, gradually release the clutch. When you hear a change in the engine's sound, slowly press the accelerator while continuing to gradually release the clutch.

Shifting

All forward gears are synchronized and provide quiet and easy shifting. Always depress the clutch pedal all the way to the floor before shifting gears. Keep the engine speed from rising into the red zone of the tachometer (if equipped).

Downshifting maximum allowable speeds

K10C engine model

Downshifting	km/h
2nd to 1st	20
3rd to 2nd	75
4th to 3rd	115
5th to 4th	160*

K12N engine model

Downshifting	km/h
2nd to 1st	20
3rd to 2nd	85
4th to 3rd	130
5th to 4th	175*

***NOTE:**

You may not accelerate to the maximum allowable speed because of the driving situation and/or the vehicle condition.

NOTICE

Do not downshift to a lower gear at the speed faster than the maximum allowable speeds for the next lower speed, or severe damage to engine and transmission can result.

WARNING

- Reduce your speed and downshift to a lower gear before going down a long or steep hill. A lower gear will allow the engine to provide braking. Avoid riding the brakes or they may overheat, resulting in brake failure.
- When driving on slippery roads, slow down before downshifting. Excessive and/or sudden changes in engine speed may cause loss of traction, which could cause you to lose control.

NOTICE

Before engaging reverse gear “R”, check that the vehicle is completely stationary and gear lever is in neutral “N” position. After depressing clutch pedal fully, shift to “R”.

NOTE:

If it is difficult to engage reverse gear “R”, follow below procedure:

- 1) Put gear lever in neutral “N”.
- 2) Release the clutch pedal once.
- 3) Again depress the clutch pedal, and shift from “N” to “R”.

NOTICE

- Check that the vehicle is completely stationary before you shift into reverse.
- To help avoid clutch damage, do not use the clutch pedal as a foot-rest while driving or use the clutch to keep the vehicle stationary on a slope. Depress the clutch fully when shifting.
- When shifting or starting off, do not race the engine. Racing the engine can shorten engine life and cause negative effect to smooth shifting.

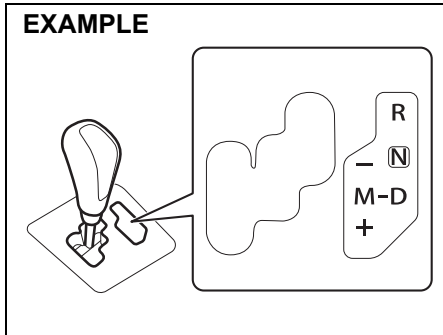
NOTICE

Do not depress both the brake pedal and accelerator pedal simultaneously. This can cause damage or overheating to the clutch.

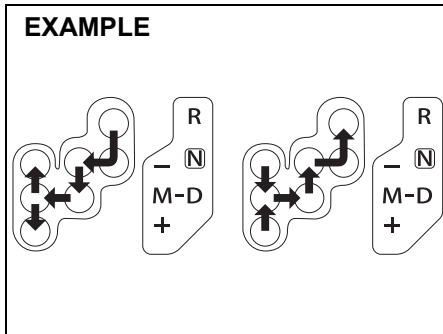
NOTE:

When you open the driver’s door, the Auto Gear Shift systems run automatically and you may hear an operating noise. This sound does not indicate malfunction.

The features are as follows:

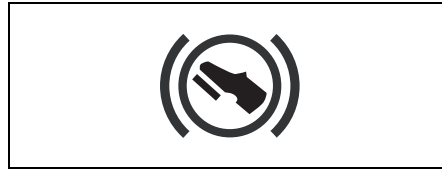


69RH017



69RH018

Depress brake pedal indicator



76MH0A047

This light will come on if you do not depress the brake pedal in the following situations.

- When starting the engine.
- When the engine is on and the gearshift lever is shifted from “N” position to “D”, “M” or “R” position.
- When the ignition switch is in the “ON” position, and the engine is off, the gearshift lever is shifted into any position.

This light will also come on if one of the gears cannot be engaged and the system is unable to re-try shifting when you shift the gearshift lever from “N” position to “D”, “M” or “R” position.

Starting the engine

When starting the engine, always place the gearshift lever in the “N” position and depress the brake pedal firmly. The engine cannot be started unless the gearshift lever is in the “N” position and the brake pedal is depressed.

If you parked vehicle with gear engaged on last time (if you can see “1” or “R”), shift into “N” (Neutral) and depress the brake pedal. Hold the brake pedal while starting the engine. You can hear buzzer in short time.

NOTE:

- If you start the engine without the gearshift lever in the “N” position, the gear position indicator in the instrument cluster will blink.
- For vehicles with ENG A-STOP system, if the engine restarts automatically, the gear position indicator in instrument cluster may display “N” temporarily. This is a normal phenomenon.

Clutch operation

You can select either the Drive (D) mode, the Manual (M) mode or the Reverse (R) mode. Since this vehicle controls clutch operation electronically in either mode, you do not need to operate the clutch.

OPERATING YOUR VEHICLE

Creeping function

This vehicle has a creeping function that helps the vehicle to start smoothly by engaging the clutch. When the gearshift lever is in any of the positions “D”, “M” or “R”, and you release your foot from the brake pedal, the vehicle starts slowly without depressing the accelerator pedal. However, creep is not possible in manual (M) mode with 2nd gear engaged. The creeping function is disabled if you depress the brake pedal or pull up the parking brake lever.

NOTE:

If the driver's door is opened and/or the parking brake lever is engaged with the gear in the “M”, “D” or “R” position, the creeping function will not operate.

Parking and Stopping the vehicle

Auto Gear Shift does not have a parking position. Park the vehicle with a gear engaged. Make sure that the gearshift lever is “D”, “M”, or “R”.

Also, check the instrument cluster to make sure that the transmission is engaged in “1” or “R” position.

NOTICE

A buzzer will sound continuously if the vehicle is operated with the gearshift lever in-between of each shift positions. The vehicle will become inoperative if you continue to operate the vehicle with the gearshift lever in-between shift positions.

Drive (D) mode

When the Drive (D) mode is activated, the most appropriate gear position is automatically selected upon operation of the accelerator pedal and variation of vehicle speed.

Normal driving:

- 1) Start the engine as instructed in “Starting the engine” in this section.
- 2) With your foot on the brake pedal, shift the gearshift lever to the “D” position. When the gearshift lever is shifted to the “D” position, the gear will be shifted to 1st.

NOTE:

- *If 1st gear cannot be engaged even though the gearshift lever has been shifted from the “N” to the “D” position, the system will re-try shifting automatically. This will take some time, noise may be heard from the gears, and shifting gear shock may occur. However, they do not indicate malfunction.*
- *The “N” indicator will flash, the depress brake pedal indicator will come on and a warning buzzer (long pulse sound) will sound if any of the following cases occur;*
 - *If you shift the gearshift lever from the “N” to the “D” position without depressing the brake pedal*
 - *If the system is unable to re-try shifting*

You should depress the brake pedal and shift the gearshift lever to “N” position, then shift to “D” again.

- 3) Release the parking brake and brake pedal.
- 4) Depress the accelerator pedal slowly.

⚠ WARNING

- While driving the vehicle, do not shift the gearshift lever to the “N” position. The engine brake may not work and you may get involved in an accident. If you return the gearshift lever from “N” to “D” because of unintended shifting, the gear position will be shifted according to the current vehicle speed.
- Always keep your foot on the brake pedal while stopped with the engine running. This operation prevents the vehicle from moving due to unintended activation of the creeping function.

NOTICE

- If the gearshift lever cannot shift into any position, or the gear is changed to “N” position automatically when the vehicle speed becomes less than 10 km/h, there may be a systematic malfunction. In this case, ask a authorised Maruti Suzuki workshop to inspect the Auto Gear Shift system as soon as possible.
- Do not operate the system as described below. The life cycle of the clutch may be reduced.
 - Using the accelerator pedal to hold the vehicle on an uphill slope with the gearshift lever in the “D” or “M” position. If you perform this operation for a certain period of time, a warning buzzer will sound.
 - Shifting the gearshift lever to the “D”, “M” or “R” position while racing the engine.
 - Driving at low speed using a high gear.
 - Holding the vehicle on an uphill slope using the creeping function. If you perform this operation for a certain period of time, a warning buzzer will sound.

Starting off on an uphill/downhill:

⚠ CAUTION

The hill hold control system (if equipped) will not activate while the parking brake is engaged.

Uphill

- 1) Apply the parking brake firmly so that the vehicle does not roll backwards.
- 2) Shift the gearshift lever to the “D” position while depressing the brake pedal. Make sure that the gear position indicator in the instrumental cluster displays 1st gear.
- 3) Release the brake pedal and depress the accelerator pedal gradually, and when the vehicle starts to move, release the parking brake and depress the accelerator pedal to start off.

NOTICE

On an uphill slope, never hold the vehicle at a stop using only the accelerator pedal or the creeping function. If you perform this operation for a certain period of time, a warning buzzer will sound, and in some cases the engine will stall. This can also cause excessive damage to the clutch.

OPERATING YOUR VEHICLE

Downhill

- 1) Depress the brake pedal and shift the gearshift lever to the "D" position. Make sure that the gear is in 1st by checking the gear position indicator.
- 2) Release the brake pedal and depress the accelerator pedal slowly. Even if the accelerator pedal is not depressed, the clutch will be engaged when the vehicle speed increases.

Using engine braking:

When driving on a downhill slope, downshifting is recommended. So you can use engine braking.

By placing the gearshift lever in the "M" position, the Manual (M) mode is selected, and you can shift to a lower gear manually. For details of downshift operation, refer to "Upshift and downshift" in the "Manual (M) mode".

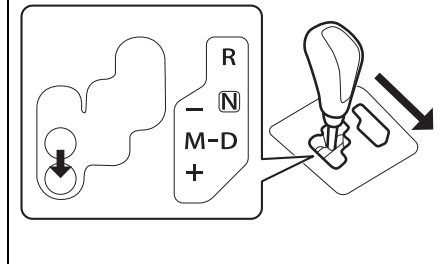
Manual (M) mode

The gears are not shifted automatically. To shift the transmission, the driver must operate the gearshift lever to the "+" or "-" direction. As for conventional manual transmission vehicles, releasing the accelerator pedal a little may help the transmission to shift smoothly.

Upshift and downshift:

Upshifting

EXAMPLE



69RH019

Pull the gearshift lever to the "+" direction and release it. Every time the lever is operated, the transmission is upshifting 1 step in the order of 1st → 2nd → 3rd → 4th → 5th gear.

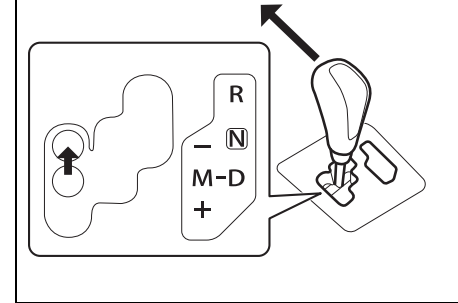
EXAMPLE

1^M → 2^M → 3^M → 4^M → 5^M

76MH0A059

Downshifting

EXAMPLE



69RH020

Push the gearshift lever to the "-" direction and release it. Every time the lever is operated, the transmission is downshifted in the order 5th → 4th → 3rd → 2nd → 1st gear.

EXAMPLE

5^M → 4^M → 3^M → 2^M → 1^M

76MH0A061

The gear position is displayed on the gear position indicator. The gear position indicator shows the transmission gear position. Before starting off, always check the gear

position indicator to make sure that the transmission is engaged in 1st or reverse, then depress the accelerator pedal.

It is possible to start vehicle in 2nd gear using manual mode, from stop condition.

NOTE:

- *Always use 1st gear while starting off on an uphill slope otherwise you can damage the clutch.*
- *To downshift smoothly, the engine runs fast in some cases. This is done intentionally by the system and is not malfunction.*
- *When driving down a hill, downshift and use the engine braking appropriately. If necessary, continuous downshifting is possible. However, if downshifting more than 3 steps, gear shifting will take more time.*
- *When the gear is shifting, a noise can be heard in some case. This is not malfunction.*

⚠ WARNING

- **Be careful when accelerating, upshifting, downshifting or braking on a slippery surface. Sudden acceleration or engine braking could cause the vehicle to spin or skid. While starting off on a slippery or snowy roads, please use 2nd gear.**
- **To drive down a long or steep hill, reduce your speed and downshift. Remember, if you ride the brakes excessively, they may overheat and fail.**
- **While driving the vehicle, do not shift the gearshift lever to “N” position. The engine brake may not work and you may get involved in an accident. If you return the gearshift lever from “N” to “M” because of unintended shifting, the gear position will be shifted according to the current vehicle speed.**
- **Do not apply the parking brake while driving. Otherwise, it could cause a skid and you may get involved in an accident.**

NOTICE

- **If the gearshift lever cannot shift into any position, or the gear is changed to “N” position automatically when the vehicle speed becomes less than 10 km/h, there may be a systematic malfunction. In this case, ask a authorised Maruti Suzuki workshop to inspect the Auto Gear Shift system as soon as possible.**
- **The manual (M) mode does not upshift even if the engine speed reaches the rev-limit.**
- **The system will not allow shifting up or down to a gear that would cause engine over-revving or under-revving.**
- **If frequently driving at low speed using a high gear position, the life cycle of the clutch may be reduced.**
- **Frequent downshifting (more than 3 positions consecutively) causes the reduction of transmission life.**

OPERATING YOUR VEHICLE

Starting off:

- 1) Start the engine as instructed in “Starting the engine” in this section.
- 2) With your foot on the brake pedal, shift the gearshift lever to the “M” position. When the gearshift lever is shifted to the “M” position, the gear will be shifted to 1st. Before starting off, always make sure that the intended gear is engaged by checking the gear position indicator, then depress the accelerator pedal.

NOTE:

- If 1st gear cannot be engaged even though the gearshift lever has been shifted from the “N” to the “M” position, the system will re-try shifting automatically. This will take some time, noise may be heard from the gears, and shifting gear shock may occur. However, they do not indicate malfunction.
- The “N” indicator will flash, the depress brake pedal indicator will come on and a warning buzzer (long pulse sound) will sound if any of the following cases occur:
 - If you shift the gearshift lever from the “N” to the “M” position without depressing the brake pedal
 - If the system is unable to re-try shifting. You should depress the brake pedal and shift the gearshift lever to “N” position, then shift to “M” position again a few seconds later.

- 3) Release the parking brake and brake pedal. Depress the accelerator pedal slowly for smooth starting.

WARNING

Always keep your foot on the brake pedal while stopped with the engine running. These operations prevent the vehicle from starting due to unintended activation of the creeping function.

NOTICE

Do not operate the system as described below. The life cycle of the clutch may be reduced.

- Using the accelerator pedal to hold the vehicle on an uphill slope operation with the gearshift lever in the “M” or “D” position. If you perform this operation for a certain period of time, a warning buzzer will sound.
- Shifting the gearshift lever to the “M”, “D” or “R” position while racing the engine.
- Driving at low speed using a high gear.
- Stopping on a slope using the creeping function. If you perform this operation for a certain period of time, a warning buzzer will sound.

Starting off on an uphill/downhill slope:

Uphill

- 1) Apply the parking brake firmly so that the vehicle does not roll backwards.
- 2) Shift the gearshift lever to the “M” position while depressing the brake pedal. Make sure that the gear position indicator in the instrumental cluster displays 1st gear.
- 3) Release the brake pedal and depress the accelerator pedal gradually, and when the vehicle starts to move, release the parking brake and depress the accelerator pedal to start off.

NOTICE

On an uphill slope, never hold the vehicle at a stop using only the accelerator pedal or creeping function. If you perform this operation for a certain period of time, a warning buzzer will sound, and in some cases the engine will stall. This can also cause excessive damage to the clutch. In case the warning buzzer is on, shifting to 2nd gear will not be possible in manual mode. Always use 1st gear while starting off on a uphill slope. Otherwise you may damage the clutch.

Downhill

- 1) Depress the brake pedal and shift the gearshift lever to the "M" position. Check the gear position indicator to make sure that the gear is in 1st.
- 2) Release the brake pedal and depress the accelerator pedal slowly. Even though the accelerator pedal is not depressed, the clutch will be engaged when the vehicle speed increases.

Backing up

After the vehicle has stopped completely, depress the brake pedal and shift the gearshift lever to the "R" position. Depress the accelerator pedal slowly as when starting off in 1st gear. Before backing up, make sure that reverse gear is selected by checking the gear position indicator.

NOTE:

- *If reverse gear cannot be engaged even though the gearshift lever has been shifted from the "N" to the "R" position, the system will re-try shifting automatically. This will take some time, noise may be heard from the gears, and shifting gear shock may occur. However, they do not indicate malfunction.*
- *The "N" indicator will flash, the depress brake pedal indicator will come on and a warning buzzer (long pulse sound) will sound if any of the following cases occur;*

- *If you shift the gearshift lever from the "N" to the "R" position without depressing the brake pedal*
- *If the system is unable to re-try shifting You should depress the brake pedal and shift the gearshift lever to "N" position, then shift to "R" position again a few seconds later.*
- *The system will not allow shifting to the "R" position if the vehicle speed is over about 3 km/h. If the gearshift lever is operated under this condition, the "N" indicator in the instrument cluster will blink. However, when the vehicle speed drops below about 3 km/h, the gear will be shifted to reverse. Make sure that the vehicle has stopped completely before shifting to the "R" position.*

NOTICE

On a downhill slope, never hold the vehicle at a stop using only the accelerator pedal or the creeping function. If you perform this operation for a certain period of time, a warning buzzer will sound, and in some cases the engine will stall. This can also cause excessive damage to the clutch.

Stopping

The vehicle can be stopped by depressing the brake pedal regardless of the gear position. This is because the clutch is automatically disengaged to prevent the engine from stopping.

- If the gearshift lever is in the "D" position, the gear will be downshifted to 1st when the vehicle stops.
- If the gearshift lever is in the "M" position, the gear will be downshifted to 1st when the vehicle stops.

WARNING

- **When stopping, for example, at a traffic light, be sure to depress the brake pedal firmly. For your safety, apply the parking brake, too, when stopping on a hill.**
- **When racing the engine, make sure that the gear is in the "N" position by checking the gear position indicator. If the accelerator is operated with the gear in any other position, the vehicle may move resulting in an accident.**
- **Do not leave your vehicle unattended while the engine is running.**

(Continued)

WARNING

(Continued)

- When leaving the vehicle, stop the engine and park the vehicle with a gear engaged. If you need to leave the vehicle with the engine running, apply the parking brakes firmly, and shift the gearshift lever to the “N” position. Otherwise, the vehicle may move unexpectedly and may cause an accident.

NOTICE

- On a slope, never hold the vehicle at a stop using only the accelerator pedal or the creeping function. If you perform this operation for a certain period of time, a warning buzzer will sound, and in some cases the engine will stall. This can also cause excessive damage to the clutch.
- If the gearshift lever is operated more than necessary, the system may not allow operation of the gearshift for a certain period of time, and the gear may not be shifted appropriately. Therefore, do not operate the gearshift lever if not necessary.

Parking

Unlike an automatic transmission, Auto Gear Shift does not have a parking position. The vehicle can be parked with the gearshift lever at “D” or “R” position. Remember, even though the transmission is in gear, you must set the parking brake firmly. Park the vehicle with a gear engaged.

- 1) Apply the parking brake firmly.
- 2) While depressing the brake pedal, shift the gearshift lever to the “R” position on a downhill slope, and to the 1st position in the drive (D) mode or the “M” position in the manual (M) mode on an uphill slope and confirm the gear position by checking the gear position indicator.
- 3) Stop the engine.
- 4) In the case of uphill/downhill slope, release the parking brake and brake pedal slowly in order to check the gear is engaged.
- 5) After check the vehicle stopped by the gear engaged, Apply the parking brake and the brake pedal firmly again.
- 6) Get out of the vehicle and put chocks under the wheels.

When you return to your vehicle, you must remember to remove the wheel chocks.

NOTE:

- After the engine is stopped, the gear in the transmission does not change even if you shift the gearshift lever in any position. Always shift the gearshift lever before stopping the engine.

- Check the transmission gear position by looking at the gear position indicator, then turn the ignition switch to “LOCK” position, to stop the engine. Release the brake pedal after a few seconds.

WARNING

- If the gear is not engaged properly and completely before the ignition switch is turned to “LOCK” position, the vehicle may not be parked with the gear engaged. Always confirm the gear position by checking the gear position indicator when parking.
- On a downhill slope, the gear should be put in reverse, and in 1st gear on an uphill slope. In case of uphill/downhill slope, after checking the vehicle stopped by the gear engaged, put the chocks under the wheels. Otherwise, the vehicle may move, and cause an accident. If the gear is left in the “N” position, the vehicle cannot be parked with a gear engaged.

Parking cancel

Depress the brake pedal, turn the ignition switch to "ON" position, and shift the gearshift lever to the "N" position. The gear will be disengaged.

Warning functions

A warning buzzer will sound or the indicator will blink under the following conditions.

Warning buzzer

- The clutch is heated due to excessive load.
- The creeping function is being activated for a long period of time.

NOTICE

In the above cases, pull over to the side of the road and stop the engine, and then ask a authorised Maruti Suzuki workshop to inspect your vehicle. Otherwise, the clutch disc may be damaged.

- The ignition switch is turned to the "LOCK" position with the gear in 2nd, 3rd, 4th or 5th. In this case, turn the ignition switch to "ON" position, and shift the gearshift lever in the "N" position, shift it to the "D" or "M" or "R" position, then turn the ignition switch to "LOCK" position.
- During a stop, the driver's door is opened with the gearshift lever in the "R", "D" or "M" position while the engine is running.

"N" indicator blinking

When the gear indicator lamp blinks "N", you should depress the brake pedal and shift the gearshift lever to "N" position.

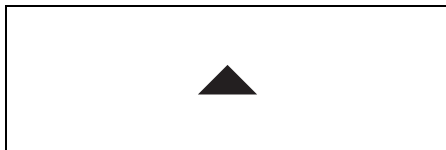
"1" indicator blinking

When the gear indicator lamp blinks "1st", you should depress the brake pedal and shift the gearshift lever to "N" position, then shift to "D" or "M" position again a few seconds later.

"R" indicator blinking

When the gear indicator lamp blinks "R", you should depress the brake pedal and shift the gearshift lever to "N" position, then shift to "R" position again a few seconds later.

Gearshift indicator (if equipped)



69RH050

When the gearshift lever is in a position other than “N” (Neutral), the gearshift indicator is indicated on the information display when the ignition switch is in “ON” position.

The electronic control system monitors driving condition (such as vehicle speed and/or engine revolution), and it shows which gear position is optimal for your driving with the indication on the display.

If UP/DOWN arrow is indicated on the display while driving, we recommend you to shift up or down the gear. It is the optimal gear position for a driving condition that reduces the over revolution and stress to the engine, and improves fuel consumption.

For details on how to use the transmission, refer to “Using transmission” in this section.

WARNING



The gearshift indicator is designed to indicate optimal gear position for your driving, however, a driver will not be relieved from the duty of care of driving operation or gear change with this indicator.

To drive safe, do not gaze the gearshift indicator, pay attention to your driving situation and shift up or down if necessary.

NOTE:

- *The gearshift indicator is not indicated when the gear position is in “N” (Neutral).*
- *If you depress the clutch pedal while UP/DOWN arrow is indicated, the indication will disappear.*
- *In ordinary driving, UP arrow will disappear when you release your foot from the accelerator pedal.*
- *The indication of gearshift indicator timing may differ depending on the vehicle condition and/or driving situation even in the same vehicle speed and engine revolution.*

Example of the gearshift indicator

Indication	Description
	Lower gear position is selected for the vehicle speed and/or engine revolution. Changing to a higher gear position is recommended.
	Higher gear position is selected for the vehicle speed and/or engine revolution. Changing to a lower gear position is recommended.

ENG A-STOP System (Engine Auto Stop Start System)

The ENG A-STOP system (engine auto stop start system) automatically stops the engine while waiting briefly at a traffic light, etc., and automatically restarts the engine afterward. This system helps reduce emissions, improve fuel consumption and lower engine noise.

This system stops the engine temporarily under specific conditions. Before parking the vehicle for an extended period of time or leaving the vehicle, properly apply the parking brake and stop the engine with the engine switch.

Once the specific conditions are met, the engine will stop automatically after the vehicle has stopped. However, the engine will not be stopped automatically until confirmation of the system function is finished.

CAUTION

- Do not get out of the vehicle while the engine is automatically stopped by the ENG A-STOP system. Doing so may lead to an accident.
 - Manual transmission vehicle – If the driver's seat belt is unfastened and the driver's door is opened, the engine will stall.
 - Auto Gear Shift vehicle – If the driver's seat belt is unfastened, even if the brake pedal is pressed down, or the driver's door is opened, the engine will be restarted to warn you that the engine was stopped automatically by the ENG A-STOP system.
- If the engine does not restart automatically after having been stopped automatically by the ENG A-STOP system, turn the ignition key to "START" to start the engine. Trying to move the vehicle when the engine has not yet restarted requires a strong force to turn the steering wheel or depress the brake pedal, potentially leading to an accident.

NOTICE

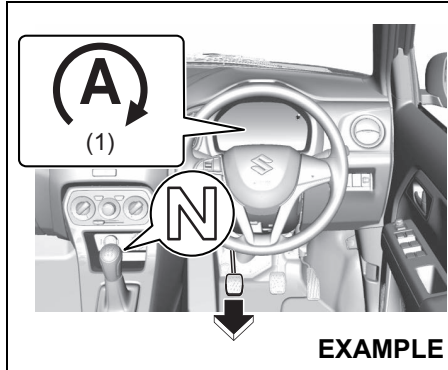
- The vehicle equipped with this system uses a dedicated high-performance battery that supports ENG A-STOP system. Accordingly, observe the instructions listed below. If these instructions are not observed, the system may not actuate properly or the battery may die prematurely.
- When replacing the battery, use a MARUTI SUZUKI genuine battery specified in the Specification.
 - Do not draw power from the battery terminals for electrical products.

OPERATING YOUR VEHICLE

Automatic Stopping/Restarting of the Engine

Manual transmission vehicle

- 1) With the brake pedal depressed, decelerate the vehicle.



- 2) After the vehicle has stopped with the clutch pedal depressed and the gearshift lever shifted to “N”, and then release the clutch pedal, the engine will stop automatically.

The ENG A-STOP indicator light (green) (1) will come on.

- The ENG A-STOP system will not stop the engine automatically if all the automatic engine stop conditions are not met. For details, refer to the section, “Automatic engine stop conditions”.

3-21

- During the automatic engine stop, the engine may shut down, accompanied by an interior buzzer or restarted, to ensure safety.

For details, refer to the section, “Points to note during the automatic engine stop”.

NOTICE

The engine will not restart if the following operations are performed during the automatic engine stop.

- Do not shift the gearshift lever to a position other than “N” without depressing the clutch pedal. If the gear shift lever is in a position other than “N”, the engine will not restart automatically even if the clutch pedal is depressed.
- If the driver unfastens the seat belt, the engine does not restart automatically even if the clutch pedal is depressed. Also a buzzer will sound to alert the driver. In this case, fasten the seat belt.

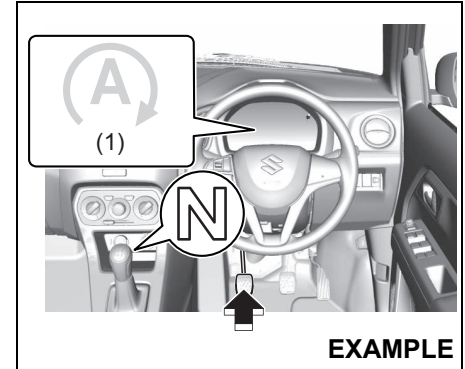
NOTE:

During the automatic engine stop, electric equipment will be in the following condition:

- The audio and other electrical component can be used during the automatic engine stop, but the air conditioner will switch to the fan mode.

NOTE:

For manual transmission vehicles, if the engine stalled by a rapid clutch operation, the engine will restart with the gear positioned “N” (neutral) and the clutch pedal depressed.



- 3) Regardless of whether the vehicle has stopped or not, depressing the clutch pedal will restart the engine and ENG A-STOP indicator light (green) (1) will go off.

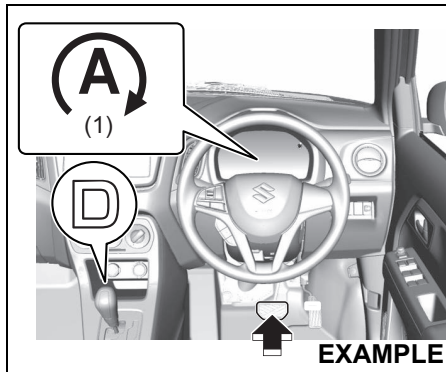
While the engine is stopped automatically, depressing the clutch pedal will restart the engine consuming fuel. Therefore, for fuel economy, it is recommended to depress the clutch pedal just before the vehicle start.

- Without depressing the clutch pedal, the engine may restart automatically if the automatic engine restart conditions are met.

For details, refer to the section, “Automatic engine restart conditions”.

Auto Gear Shift vehicle

- 1) With the brake pedal depressed, stop the vehicle.



69RH030010

- 2) While depressing the brake pedal, place the gearshift lever in “D” position. “ENG A-STOP” indicator light (green)

(1) in the instrument cluster will illuminate and the engine will stop automatically.

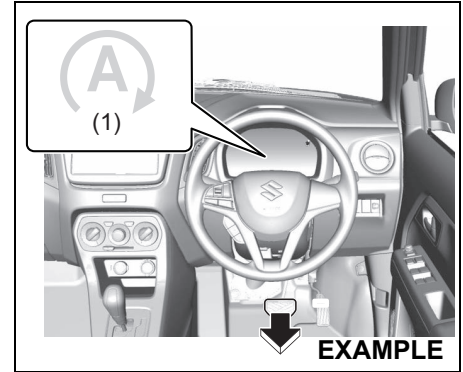
- The ENG A-STOP system will not stop the engine automatically if all the automatic engine stop conditions are not met. For details, refer to the section, “Automatic engine stop conditions”.
- During the automatic engine stop, the engine may shut down, accompanied by an interior buzzer or restarted, to ensure safety.

For details, refer to the section, “Points to note during the automatic engine stop”.

NOTE:

During the automatic engine stop, electric equipment will be in the following condition:

- *The audio and other electrical component can be used during the automatic engine stop, but the air conditioner will switch to the fan mode.*



69RH030040

- 3) Remove your foot from the brake pedal. “ENG A-STOP” indicator light (green) (1) in the instrument cluster will be turned off and the engine will restart automatically.

When restarting the engine, keeping brake force temporarily prevents the vehicle from moving forward by the creeping function. Also, this prevents the vehicle from rolling downward on a hill. For details, refer to the section “Hill hold control system (if equipped)”.

NOTE:

When the engine is restarted automatically, the following conditions may be found as the hill hold control system (if equipped) is activated, but this is not a malfunction.

OPERATING YOUR VEHICLE

- You may hear a sound from the engine room.
- As brake pedal becomes heavy, it may be difficult for you to depress it.

NOTE:

When the engine does not restart automatically when the brake pedal is released, an interior buzzer will sound and the engine will come out of the automatic engine stop mode and shut down. The ENG A-STOP indicator light (green) will go off.

Points to note during the automatic engine stop

When the following operations are performed during the automatic engine stop, the engine may shut down, accompanied by an interior buzzer or restarted, to ensure safety.

- When the hood is opened, an interior buzzer will sound intermittently and the engine will come out of the automatic engine stop mode and shut down. The ENG A-STOP indicator light (green) will go off.
- For manual transmission vehicle, when the driver releases the seat belt and opens the driver's door, the buzzer sounds for 5 times and the ENG A-STOP indicator light (green) turns off and then the engine will stall.
- For Auto Gear Shift vehicle, if the engine does not start 2 seconds after the brake is released, the buzzer will sound, the

ENG A-STOP light will go off, and the engine will stall.

NOTE:

The power steering warning light, oil pressure warning light and charge warning light on the meter panel do not come on during the automatic engine stop, but they will come on once the engine shuts down.

When the engine stalls, restart the engine by usual operation.

Refer to "Starting engine" in this section for details.

NOTICE

The ENG A-STOP system will not operate and engine does not restart automatically or the engine stalls with warning buzzer under the following conditions:

- Engine hood is open.

For manual transmission vehicle

- Driver's seat belt is not fastened and driver's door is open.
- The gearshift lever is moved to a position other than "N" (Neutral) position without depressing the clutch pedal.

When the engine stalls, restart the engine by usual operation.

Refer to "Starting the engine" in this section for details.

NOTE:

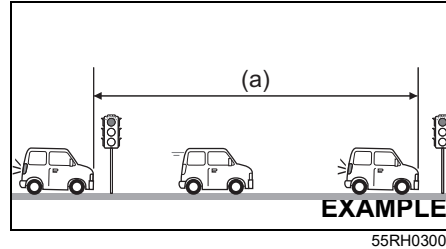
For manual transmission vehicles, if the engine stalled by a rapid clutch operation, the engine will restart with the gear positioned "N" (neutral) and the clutch pedal depressed.

Actuation conditions for ENG A-STOP system

Standby conditions

When all of the following conditions are met while the vehicle is traveling, ENG A-STOP system will be permitted:

- The engine is started with the hood completely closed.
- The hood is completely closed.
- The ENG A-STOP OFF switch has not been pressed to deactivate the ENG A-STOP system.
- The battery is fully charged and the temperature inside the battery is within the specified range (#1).
- The engine has warmed up and the engine coolant temperature is within the specified range.
- The driver is wearing seat belts.
- The driver's door is completely closed.
- No electronically controlled system besides the ENG A-STOP system is issuing a signal to inhibit stopping of the engine (#2).
- The negative pressure of the brake booster is normal.



- The ABS system has not been activated during one driving cycle (a) from the engine start to the vehicle start and stop.
- The gearshift lever is in "D" or "N" (for Auto Gear Shift vehicle).

#1: If the vehicle has not been in use for an extended period of time or the audio or other electrical component was used for an extended period of time while the engine was stopped, the battery may have discharged and it may take some time before the standby mode is achieved.

#2: If any of the warning and indicator lights affecting the ENG A-STOP system come on, the engine will not be stopped automatically.

Automatic engine stop conditions

When all of the following conditions are met under the standby conditions, the engine will stop automatically after the vehicle has stopped:

- The gearshift lever is in "N" (Neutral) position (for manual transmission vehicle).
- The clutch pedal is released (for manual transmission vehicle).
- The vehicle has stopped.
- The accelerator pedal is not depressed.
- The vehicle is not stopped on a steep hill (for auto gear shift vehicle).
- The gearshift lever is in "D" or "N" position. (for Auto Gear Shift vehicle)..
- The brake pedal is depressed appropriately. (for Auto Gear Shift vehicle).

NOTICE

For Auto Gear Shift vehicle, the ENG A-STOP system will not operate, if the brake pedal is depressed weakly or very strongly.

Automatic engine restart conditions

If one of the following operations is performed or the vehicle enters one of the following modes during the automatic engine stop, the engine will restart automatically and the ENG A-STOP indicator light (green) will go off:

- The clutch pedal is depressed (for manual transmission vehicle).

OPERATING YOUR VEHICLE

- When the brake pedal is released (for Auto Gear Shift vehicle).
- The ENG A-STOP OFF switch is pressed to deactivate the ENG A-STOP system.
- The battery has discharged substantially (#).
- A malfunction of the system is detected (#).
- The negative pressure of the brake booster has dropped (#).
- The accelerator pedal depressed (for Auto Gear Shift vehicle).
- The gearshift lever is put in “R” or in “M” position (for auto gear shift vehicle).
- After the gearshift lever is shifted to “N”, it is returned to “D” (for auto gear shift vehicle).
- The driver releases the seat belt (for Auto Gear Shift vehicle) (#).
- The driver’s door is opened (for Auto Gear Shift vehicle) (#).
- The vehicle starts to move on a slope, etc. (#).
- Some time (2 minutes or so) has elapsed after the start of the automatic engine stop (#).

The ENG A-STOP indicator light (green) will blink and then go off.

NOTICE

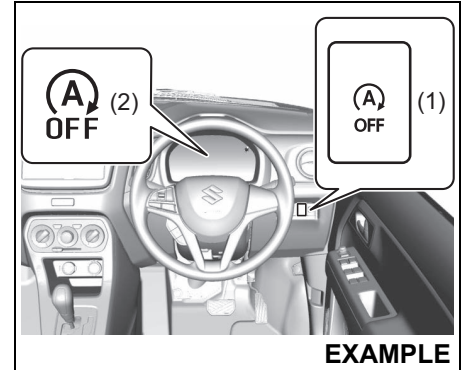
For manual transmission vehicle, if driver's seat belt is not fastened or the gear shift lever is in a position other than “N”, the engine will not restarted automatically.

ENG A-STOP OFF Switch

The ENG A-STOP system can be deactivated.

- To deactivate the system, press the ENG A-STOP OFF switch (1) to turn on ENG A-STOP OFF light (2).
- To activate the system once again, press the switch (1) again to turn off the indicator.

Every time the engine is stopped manually, the system is enabled again and the ENG A-STOP OFF light (2) goes off.

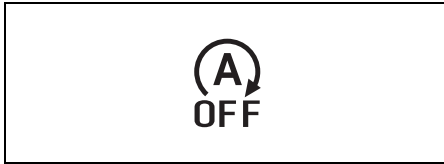


69RH030050

NOTE:

Pressing the ENG A-STOP OFF switch (1) during the automatic engine stop will restart the engine automatically and the ENG A-STOP OFF light (2) will come on.

ENG A-STOP OFF Light



56RM03012

When the ignition switch is turned to “ON” position, this light comes on briefly if the system works properly.

When you push the ENG A-STOP OFF switch, this light comes on.

If this light blinks when driving, there may be something wrong with the ENG ASTOP system. You should have the system inspected by a authorised Maruti Suzuki workshop.

Parking sensors

- The parking sensor system uses ultrasonic sensors to detect obstacles near the rear bumper. If obstacles are sensed while you are parking or moving the vehicle slowly, the system warns you by sounding a buzzer.
- The system emits an ultrasonic wave and the relevant sensor detects the return of the wave reflected by an obstacle. The system measures the time taken by the ultrasonic wave to reach the obstacle and return from it, from which it determines the obstacle’s position.
- The parking sensor function can be used when you turn the ignition switch to “ON” position and the gearshift lever is in the “R” position. This function is helpful in the following cases: pulling over to the curb; parallel parking the vehicle; steering the vehicle into a garage; driving along an alley; and moving slowly in a place with obstacles.

WARNING

- **The parking sensor warns you of obstacles with buzzers. However, you still have to drive with particular care.**
- **The sensors can detect obstacles only within a limited area and only when the vehicle is moving within a limited speed range. So, in tricky areas, you must move the vehicle slowly while checking around it using your direct vision or rearview mirrors. There is increased risk of an accident if you control the vehicle relying only on the parking sensor.**

NOTE:

When the gearshift lever is shifted to the “R” position, a buzzer will sound once.

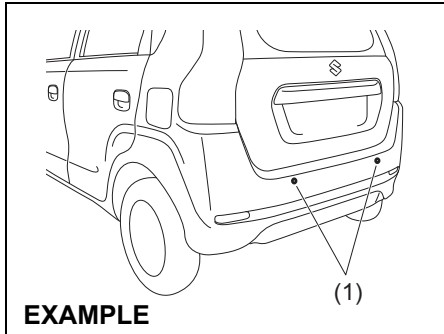
NOTICE

Parking sensors are only for driver’s assistance.

OPERATING YOUR VEHICLE

Sensor locations

On rear bumper



69RH052

(1) Rear sensors (2 places)

NOTICE

- Avoid hitting the sensor areas or directing the nozzle of a high-pressure car washer onto the sensor areas. Otherwise, the sensors may be damaged.
- If the bumper hits a hard object, the sensors on it may not work properly. If this occurs, have the sensors inspected by a authorised Maruti Suzuki workshop.

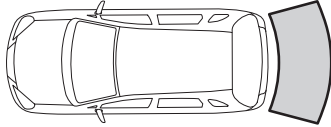
Working sensors

The sensors work depending on the gearshift lever position as follows:

Gearshift lever position	Manual transmission		Auto Gear Shift	
	R	N, 1st – 5th	R	N, D, M
Rear sensors	On	Off	On	Off

Approximate areas where obstacles can be detected

EXAMPLE



60MK070

- An obstacle within about 20 cm (8 in) from a sensor or just below a sensor is not detectable.
- The sensors can detect an obstacle up to about 1.5 m (5 ft) from the rear of vehicle.

⚠ WARNING

- Under the following conditions, the parking sensor system may not work normally because the sensors cannot detect obstacles correctly.
 - Sensors are covered with mud, ice or other materials. (Such materials must be removed for normal operation.)
 - Sensors are wet from water splashes or heavy rain.
 - Sensors are covered by a hand, sticker, accessory, etc.
 - There is an accessory or other object attached within the sensor's sensing area.
 - Items such as tow hooks, commercially available corner poles, radio antenna, etc. are installed on the bumper.
 - The height of the bumper is changed due to alteration to the suspension or other causes.
 - The sensor areas are extremely hot from direct sunlight or cold due to freezing weather.
 - The vehicle is on a rough surface, slope, gravel road or grass field.
 - The vehicle is at a steep angle.

(Continued)

⚠ WARNING

(Continued)

- Sensors have intercepted ultrasonic noise from another vehicle's horn, engine, air braking system (large vehicles), or parking sensor.
- Obstacles are too close to the sensors.
- Sensors are at an angle to a highly reflective object such as glass. (Ultrasonic waves are not reflected back from the obstacle.)
- Sensors may not be able to correctly detect the following types of obstacles:
 - Objects made of a thin material such as wire netting and ropes
 - Square-shaped curbstones or other objects with sharp edges
 - Tall objects with a large upper part such as a road sign
 - Low-profile objects such as curbstones
 - Sound-absorbing objects such as cotton and snow

OPERATING YOUR VEHICLE

NOTE:

- *Thin poles or obstacles lower than the sensors may become undetectable as the vehicle moves closer to them even if they have been detected from longer distances.*
- *The system may calculate the distance to a road sign or similar obstacle to be shorter than the actual distance.*

Obstacle indication by parking sensor

Upon detecting an obstacle, the parking sensor causes an interior buzzer to sound.

- A buzzer located behind the rear seat sounds when a sensor at the rear detects an obstacle.
- Warnings when obstacles are detected by sensors

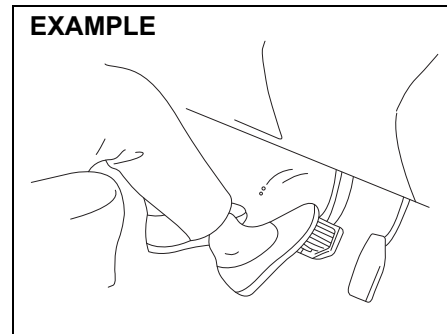
Distance (approx.)	Buzzer
100 – 150 cm (39 – 59 in)	Short beeps at short intervals
60 – 100 cm (24 – 39 in)	Short beeps at very short intervals
Less than 60 cm (24 in)	Continuous beep

Warning and indicator messages

If there is a problem or warning regarding the parking sensor system, a buzzer informs it. Follow its instruction.

- The buzzer sounds intermittently. The indicated sensor is contaminated. Wipe it clean with a soft cloth. If the buzzer does not stop after wiping, there may be problem with the parking sensor system. Have your vehicle inspected by a authorised Maruti Suzuki workshop.

Braking



60G165S

The distance needed to bring any vehicle to a halt increases with the speed of the vehicle. The braking distance needed, for example, at 60 km/h will be approximately 4 times greater than the braking distance needed at 30 km/h. Start to depress the brake pedal when there is plenty of distance between your vehicle and the stopping point, and slow down gradually.

⚠ WARNING

If water gets into the brake devices, brake performance may become poor and unpredictable. After driving through water or washing the underside of the vehicle, test the brakes while driving at a slow speed to see if they have maintained their normal effectiveness. If the brakes are less effective than normal, dry them by repeatedly applying the brakes while driving slowly until the brakes have regained their normal effectiveness.

Power-assisted brakes

Your vehicle has power-assisted brakes. If power assistance is lost due to a stalled engine or other failures, the system is still fully operational on reserve power and you can bring the vehicle to a complete stop by pressing the brake pedal once and holding it down. The reserve power is partly used up when you depress the brake pedal and reduces each time the pedal is pressed. Apply smooth and even pressure to the pedal. Do not pump the pedal.

⚠ WARNING

Even without reserve power in the brake system, you can still stop the vehicle by pressing the brake pedal harder than normally required. However, the stopping distance may be longer.

Brake assist system

When you slam the brakes on, the brake assist system determines it to be an emergency stop and provides more powerful braking for a driver who cannot hold down the brake pedal firmly.

NOTE:

If you quickly and forcefully depress the brakes, you may hear clicking sound by the brake assist system operation. This is normal and indicates that the brake assist system is activated properly.

Anti-lock brake system (ABS)

ABS will help you avoid skidding by electronically controlling braking pressure. It will also help you maintain steering control when braking on slippery surfaces or when braking hard.

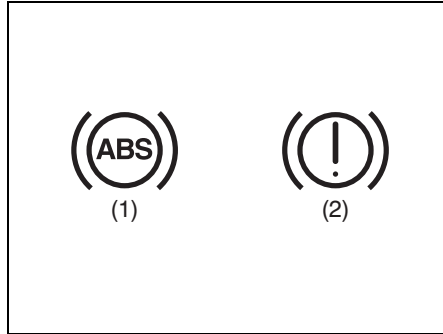
The ABS works automatically, so you do not need any special braking technique. Just push the brake pedal down without pumping. The ABS will operate whenever it senses that the wheels are locking up. You may feel the brake pedal move a little while the ABS is operating.

NOTE:

- *The ABS will not work if vehicle speed is under about 9 km/h.*
- *If the ABS system is activated, you may hear a clunking noise and/or feel pulsating in the brake pedal. This is normal and indicates that the brake fluid pressure is being controlled properly.*
- *You may hear an operation sound when you start the engine or after the vehicle begins to move. This means that the above systems are in the self-check mode. This sound does not indicate a malfunction.*

WARNING

- On some types of loose surfaces (such as gravel, snow-covered roads, etc.), the stopping distance required for a vehicle with ABS may be slightly greater than the one required for a comparable vehicle with a conventional brake system. With a conventional brake system, skidding tires are able to plow the gravel or snow layer, shortening the stopping distance. ABS minimizes this resistance effect. Allow for extra stopping distance when driving on loose surfaces.
- On regular paved roads, some drivers may be able to obtain slightly shorter stopping distances with conventional brake systems than with ABS.
- In both of the above conditions, ABS will still offer the advantage of helping you maintain directional control. However, remember that ABS will not compensate for bad road or weather conditions or poor driver judgment. Use good judgment and do not drive too fast.



- (1) ABS warning light
(2) Brake system warning light

WARNING

- If the ABS warning light (1) on the instrument cluster comes on and stays on while driving, there may be a problem with the ABS system. Ask a authorised Maruti Suzuki workshop to inspect the ABS system immediately. If the ABS system becomes inoperative, the brake system will function as an ordinary brake system that has no ABS.
- If the ABS warning light (1) and the brake system warning light (2) on the instrument cluster simultaneously stay on or come on while driving, both anti-lock function and rear brake force control function (proportioning valve function) of the ABS system may have failed. If so, the rear wheels may easily skid or the vehicle can even spin in the worst case when braking on a slippery road or when hard braking even on a dry paved road. Ask a authorised Maruti Suzuki workshop to inspect the ABS system immediately. Drive carefully, avoiding hard braking as much as possible.

How ABS works

A computer continuously monitors wheel speed. The computer compares the changes in wheel speed when braking. If the wheels slow suddenly, indicating a skidding situation, the computer will change braking pressure several times each second to prevent the wheels from locking. When you start your vehicle or when you accelerate after a hard stop, you may hear a momentary motor or clicking noise as the system resets or checks itself.

⚠ WARNING

The ABS may not work properly if tires or wheels other than those specified in the owner's manual are used. This is because the ABS works by comparing changes in wheel speed. When replacing tires or wheels, use only the size and type specified in this owner's manual.

Electronic stability program (ESP®) (if equipped)

ESP® is a registered trademark of Daimler AG.

The Electronic Stability Program (ESP®) helps to control the vehicle during cornering if front wheels or rear wheels skid. It also assists you in maintaining traction while accelerating on loose or slippery road surfaces. It does this by regulating the engine's output, and by selectively applying the brakes. In addition, ESP® helps to avoid skidding by controlling braking pressure.

⚠ WARNING

The ESP® cannot enhance the vehicle's driving stability in all situations and does not control your vehicle's entire braking system. The ESP® cannot prevent accidents, including those resulting from excessive speed in turns, or hydroplaning. Only safe and attentive drive can prevent accidents.

The capabilities of an ESP®-equipped vehicle must never be used as a substitute for careful driving.

The ESP® has the following systems:

Anti-lock Brake System (ABS)

Refer to "Anti-lock Brake System (ABS)" in this section.

Brake Assist System

Refer to "Brake Assist System" in this section.

Traction Control System

The traction control system automatically helps prevent the spinning of wheels when the vehicle is started or accelerated on slippery road surfaces. The system operates only if it senses that some of the wheels are spinning or beginning to lose traction. When this happens, the system operates the front or rear brakes and reduces engine power to limit wheel spin.

NOTE:

You may hear an operation sound when you start the engine or after the vehicle begins to move. This means that the above systems are in the self-check mode. This sound does not indicate a malfunction.

Stability control system

The vehicle stability control system helps provide integrated control of systems such as anti-lock brakes, traction control, engine control, etc. This system automatically controls the brakes and engine to help prevent the vehicle from skidding when cornering on a slippery road surface or when turning the steering wheel abruptly.

WARNING

Always check the surrounding conditions and drive the vehicle in a safe manner, as controlling the vehicle by ESP® has limits and ESP® may not function properly depending on the surrounding conditions.

CAUTION

- Observe the following points. Otherwise, ESP® may not operate properly or it may result in a malfunction.
 - Adjust the tyre pressure as specified.
 - When replacing tyres, use the same tyres with the size, type, and tread patterns.
 - Do not use the tyres which have excessively worn conditions.
 - Do not modify the suspension or the brake and do not change vehicle height or suspension hardness.
 - Do not drive the vehicle with suspension or brake excessively deteriorated.
 - Do not modify the engine or the muffler.

(Continued)

CAUTION

(Continued)

- Do not install LSD (limited slip differential).
- When you install the snow chains, ESP® may not operate properly.

NOTE:

- If you perform the following operations, you may hear an operation sound or a clicking sound. This means that the ESP® system is in the self-check mode and this does not indicate a malfunction.
 - When ignition switch is turned to the “ON” position or pressing the engine switch to change the ignition mode to “ON”
 - When releasing your foot from the brake pedal, after the ignition switch is in “ON” position or the ignition mode is “ON” with the brake pedal depressed
 - When starting the engine
 - When starting the vehicle after starting the engine
 - When engine revolutions is high and ESP® operates, you may feel the change of engine revolutions or vibration of vehicle body. However, this is normal.

ESP® warning light (if equipped)



56RM03011

- If there is a problem in the ESP® system with the ignition switch in “ON” position or the engine switch in ON mode, this light will come on. While this light comes on, the following situations will occur. In this case, ask a Maruti Suzuki authorised workshop for inspection.
 - The following functions will not work:
 - Traction control system
 - Stability control system
 - ENG A-STOP system (if equipped)
 - Hill hold control system (if equipped) may not work.
 - ABS will work.
 - Depending on the malfunction condition, brake assist system may not work.
- If any of the following situations occurs, this light will blink at very short intervals of 0.2 seconds.
 - Traction control system is activated when starting or accelerating the vehicle.
 - Stability control system is activated when making a sharp turn or whirling round.

- If the system is in normal condition, when you turn the ignition switch to “ON” position or press the engine switch to change the ignition mode to ON, this light will come on for about 2 seconds and then come off.

CAUTION

If this light blinks at very short intervals, there is high possibility that the vehicle will be stuck or skid on a slippery road surface. In this case, drive the vehicle very carefully.

NOTE:

While this light comes on, traction control system and stability control system will not be activated. However, you can use ABS.

ESP® OFF indicator light (if equipped)



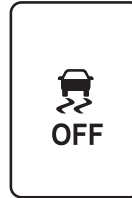
56RM03010

- If you press and hold the ESP® OFF switch with the ignition switch is in “ON” position or the ignition mode is “ON”, this light will come on.
 - While this light comes on, traction control system and stability control system will not work.

If the system is in normal condition, when you turn the ignition switch to “ON” position or press the engine switch to change the ignition mode to ON, this light will come on for about 2 seconds and then come off.

ESP® OFF switch (if equipped)

EXAMPLE



(1)

56RM03009

(1) ESP® OFF switch

- In the following situation, keep pressing the ESP® OFF switch until the ESP® OFF indicator light in the instrument cluster comes on. Traction control system and stability control system will not work.
 - When placing the vehicle on the tester for automobile inspection, traction control system and stability control system needs to be deactivated.
 - If your vehicle is stuck and you try to get out of the stuck condition, traction control system may not be suitable.

- If you perform the following operations, the ESP® OFF indicator light will come off. Also, traction control system and stability control system will return to be in the activated condition.
 - Pressing the ESP® OFF switch again
 - Stopping the engine and then restarting the engine
- If you would like to perform normal driving after escaping from the stuck condition, press the ESP® OFF switch again. This will allow the ESP® OFF indicator light to come off and the vehicle will return to the original condition. Traction control system and stability control system will not be activated automatically. (except when stopping the engine and then restarting the engine)

NOTE:

For safety reasons, even if you press the ESP® OFF switch, ABS and brake assist system will not be deactivated.

ABS warning light / brake system warning light

Refer to “Braking” in this section.

Hill Hold Control System (if equipped)

The hill hold control system is designed to assist you in starting to move up hills. When you start to move up a hill, the system helps to prevent the vehicle from rolling downward (for approximately 2

OPERATING YOUR VEHICLE

seconds) while you move your foot from the brake pedal to the accelerator pedal.

- The hill hold control system is not designed to stop the vehicle on a hill.



56RM03013

WARNING

- Always check the surrounding conditions and drive the vehicle in a safe manner by depressing the brake pedal as necessary, as controlling the vehicle by the hill hold control system has limits and the system may not function properly depending on the surrounding conditions.
- If you do not depress the brake pedal firmly enough, the hill hold control system may not work.

(Continued)

WARNING

(Continued)

- If you release your foot from the brake pedal for more than 2 seconds, the hill hold control system will be canceled. If so, the vehicle may roll downward, which can result in an accident depending on the degree of a slope. Also, the engine may stall and the power assist for the steering and brakes will not work so steering and braking will be much harder than usual which can result in an accident or vehicle damage. After you release your foot from the brake pedal, accelerate the vehicle to move up immediately.

NOTE:

- If there is a problem with the hill hold control system, the ESP[®] warning light in the instrument cluster may come on and the hill hold control system may not work. Also, ENG A-STOP system (if equipped) may not work. In this case, consult a Maruti Suzuki authorised workshop.
- If you move up an excessively sharp slope, a frozen road or a mud track, or depending on laden weight, the vehicle may roll downward when you start the vehicle.

- If you move up an excessively sharp slope, a frozen road or a mud track and the hill hold control system activates, the tyres may be locked and the vehicle may not be controlled properly.

Activation conditions for the hill hold control system

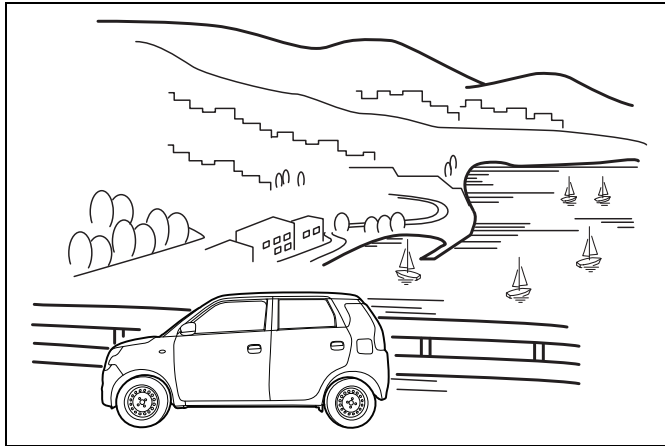
The hill hold control system activates to prevent the vehicle from rolling downward for about 2 seconds if your foot is moved from the brake pedal when the following conditions are all met.

- The gearshift lever is in the forward gear or reverse position.
- The parking brake is released.
- The vehicle is on an upward slope.
- The brake pedal is depressed firmly.

For the vehicles with ENG A-STOP system (if equipped), the hill hold control system is activated when the engine is restarted after being stopped automatically, even if the previous conditions are not met.

NOTE:

When the hill hold control system is activated, you may hear a sound coming from the engine, or you may feel hardness of the brake pedal. These are normal and do not indicate a malfunction.

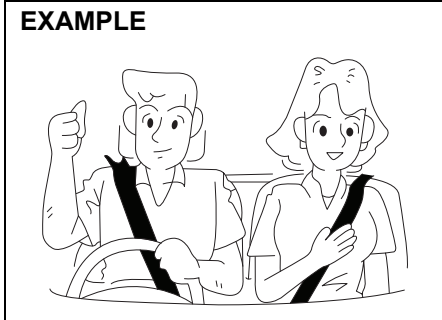


60G409A

DRIVING TIPS

Running-in	4-1
Catalytic converter	4-1
Improving fuel economy	4-2
Highway driving	4-3
Driving on hills	4-3
Driving on slippery roads	4-4
Off-road driving	4-6
When encountering a flooded area	4-6
Do's and Don't's for safe driving	4-7
Margin for safety	4-9

EXAMPLE



55RM04002

WARNING

- Wear your seat belts at all times. Even though airbags are equipped at the front seating positions, the driver and all passengers should be properly restrained at all times, using the seat belts provided. Refer to “Seat belts and child restraint systems” section for instructions on proper use of the seat belts.
- Never drive under the influence of alcohol or other drugs. Alcohol and drugs can seriously impair your ability to drive safely, greatly increasing the risk of injury to yourself and others. You should also avoid driving when you are tired, sick, irritated or under stress.

Running-in

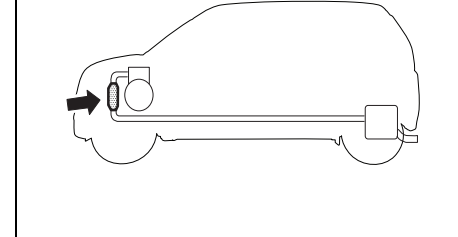
NOTICE

The future performance and reliability of the engine depends on the care and restraint exercised during its early life. It is especially important to observe the following precautions during the first 960 km of vehicle operation.

- After starting, do not race the engine. Warm it up gradually.
- Avoid prolonged vehicle operation at a constant speed. Moving parts will break in better if you vary your speed.
- Start off from a stop slowly. Avoid full throttle starts.
- Avoid hard braking, especially during the first 320 km of driving.
- Do not drive slowly with the transmission in a high gear.
- Drive the vehicle at moderate engine speeds.

Catalytic converter

EXAMPLE



80G106

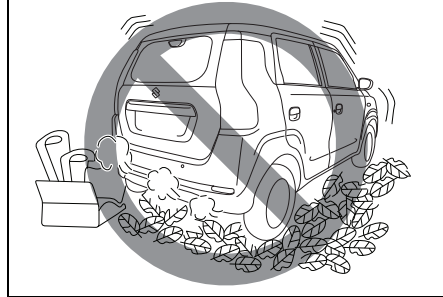
The purpose of the catalytic converter is to minimize the amount of harmful pollutants in your vehicle's exhaust. Use of leaded fuel in vehicles equipped with catalytic converters is prohibited, because lead deactivates the pollutant-reducing components of the catalyst system.

The converter is designed to last the life of the vehicle under normal usage and when unleaded fuel is used. No special maintenance is required on the converter. However, it is very important to keep the engine properly tuned. Engine misfiring, which can result from an improperly tuned engine, may cause overheating of the catalytic converter. This may result in permanent heat damage to the catalytic converter and other vehicle components.

NOTICE

To minimize the possibility of catalytic converter or other vehicle damage:

- Maintain the engine in the proper operating condition.
- In the event of an engine malfunction, particularly one involving engine misfire or other apparent loss of performance, have the vehicle serviced promptly.
- Do not turn off the engine or interrupt the ignition when the transmission is in gear and the vehicle is in motion.
- Do not try to start the engine by pushing or towing the vehicle, or coasting down a hill.
- Do not idle the engine with any spark plug wires disconnected or removed, such as during diagnostic testing.
- Do not idle the vehicle for prolonged periods if idling seems rough or there are other malfunctions.
- Do not allow the fuel tank to get near the empty level.

EXAMPLE

69RM04009

⚠ WARNING

Be careful where you park and drive; the catalytic converter and other exhaust components can get very hot. As with any vehicle, do not park or operate this vehicle in areas where combustible materials such as dry grass or leaves can come in contact with a hot exhaust system.

Improving fuel economy**NOTE:**

Fuel economy (mileage) of the vehicle may vary due to several factors i.e., driving habits - gear change pattern, usage of A.C., Air pressure in the tires, wind speed, traffic conditions, fuel quality- non adulterated standard fuel, maintenance of vehicle, road conditions, braking etc.

The following instructions will help you improve fuel economy.

Avoid excessive idling

If you are to wait for more than a minute while you are parked, stop the engine and start it again later. When warming up a cold engine, do not allow the engine to idle or apply full throttle until the engine has reached operating temperature. Allow the engine to warm up by driving.

Avoid sudden acceleration

Sudden acceleration starting from rest or while driving will consume fuel unnecessarily and shorten engine life. Start off slowly.

Avoid unnecessary stops

Avoid unnecessary deceleration and stopping. Try to maintain a slow, steady speed whenever possible. Slowing down and then accelerating again uses more fuel.

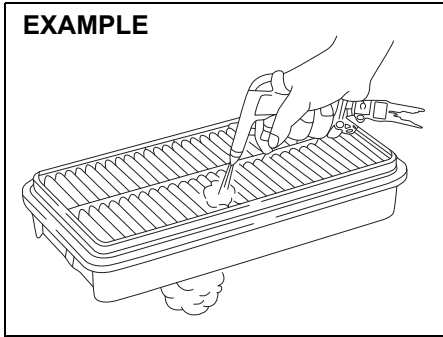
Keep a steady cruising speed

Drive at a constant speed that road and traffic conditions will permit.

DRIVING TIPS

Keep the air cleaner clean

EXAMPLE



60A183S

If the air cleaner is clogged with dust, there will be greater intake resistance, resulting in decreased power output and increased fuel consumption.

Keep weight to a minimum

The heavier the load is, the more fuel the vehicle consumes. Unload any unnecessary luggage or cargo.

Keep tire pressures correct

Under-inflation of the tires can waste fuel due to increased running resistance of the tires. Keep your tires inflated to the correct pressure shown on the label on the driver's side door or the driver's door lock pillar.

Highway driving

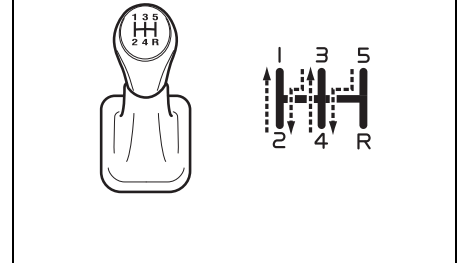
When driving at highway speeds, pay attention to the following:

- Stopping distance progressively increases with vehicle speed. Apply the brakes far enough ahead of the stopping point to allow for the extra stopping distance.
- On rainy days, hydroplaning can occur. Hydroplaning is the loss of direct contact between the road surface and the vehicle's tires due to a water film forming between them. Steering or braking the vehicle during hydroplaning can be very difficult, and loss of control can occur. Keep speed down when the road surface is wet.
- At high speeds, the vehicle may be affected by side winds. Therefore, reduce speed and be prepared for unexpected buffeting, which can occur at the exits of tunnels, when passing by a cut of a hill, or when being overtaken by large vehicles, etc.

Driving on hills

Manual transmission

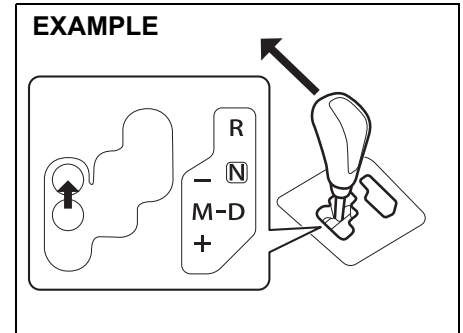
EXAMPLE



69RH021

Auto Gear Shift

EXAMPLE



69RH020

- When climbing steep hills, the vehicle may begin to slow down and show a lack of power. If this happens, you should shift to a lower gear so that the engine will again be operating in its normal power range. Shift rapidly to prevent the vehicle from losing momentum.
- When driving down a hill, the engine should be used for braking by shifting to the next lower gear.

While moving uphill/gradient from a stand still condition

(For manual transmission models)

- 1) Apply the parking brake firmly so that the vehicle does not roll backwards.
- 2) Depress the clutch pedal and shift the gearshift lever to 1st select position.
- 3) When ready to start, depress the accelerator pedal while at the same time releasing the clutch pedal slowly. When the vehicle starts to move, gradually release the parking brake.

(For Auto Gear Shift models)

Refer to “Using transmission” in the “OPERATING YOUR VEHICLE” section.

⚠ WARNING

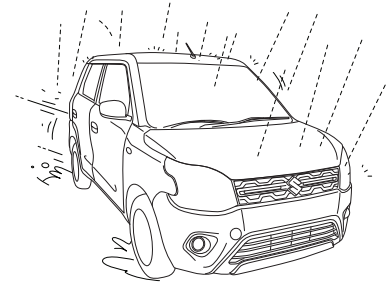
Do not hold the brake pedal down too long or too often while going down a steep or long hill. This could cause the brakes to overheat, resulting in reduced braking efficiency. Failure to take this precaution could result in loss of vehicle control.

NOTICE

When descending a downhill, Never turn the ignition key to “LOCK” position. Emission control system damage may result.

Driving on slippery roads

EXAMPLE



69RM04007

On wet roads, you should drive at a lower speed than you do on dry roads due to possible slippage of tires during braking. When driving on icy, snow-covered or muddy roads, reduce your speed and avoid sudden acceleration, abrupt braking, or sharp steering movements.

Snow chains

Snow chains should only be used if they are needed to increase traction or are required by law. Check that the chains you use are the correct size for your vehicle's tires. Also check that there is enough clearance between the fenders and the chains as installed on the tires.

Install the chains on the front tires tightly, according to the chain manufacturer's instructions. Retighten the chains after

DRIVING TIPS

driving about 1.0 km if necessary. With the chains installed, drive slowly.

NOTICE

- If you hear the chains hitting against the vehicle body while driving, stop and tighten them.
- If your vehicle is equipped with full wheel caps, remove the wheel caps before installing the chains or the wheel caps can be damaged by the chain bands.

Stuck vehicle

If your vehicle gets stuck in snow, mud or sand, follow the directions below:

- 1) Shift the transmission back and forth between a forward range (or first gear for manual transmission) and reverse. This will create a rocking motion which may give you enough momentum to free the vehicle. Press gently on the accelerator to keep wheel spinning to a minimum wheel rpm. Remove your foot from the accelerator while shifting. Do not race the engine. Excessive wheel spin will cause the tires to dig deeper, making it more difficult to free the vehicle.
- 2) If your vehicle remains stuck after a few minutes of rocking, we recommend you to consult a authorised Maruti Suzuki workshop or a roadside assistance service. If a towing service is not available in an emergency, your vehicle may be

temporarily towed by a towing cable or chain secured to the towing eye either on the front of the vehicle or on the rear of the vehicle. Refer to "Frame hooks" in the "OTHER CONTROLS AND EQUIPMENT" section.

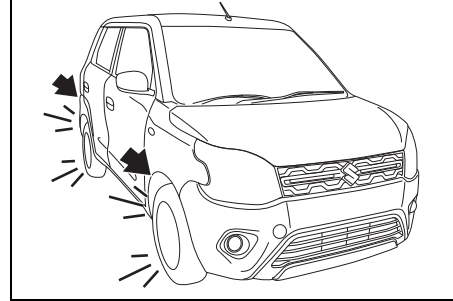
⚠ WARNING

Do not allow anyone to stand near the vehicle when you are rocking it, and do not spin the wheels faster than an indicated 40 km/h on the speedometer. Personal injury and/or vehicle damage may result from spinning the wheels too fast.

NOTICE

Do not continue rocking the vehicle for more than a few minutes. Prolonged rocking can cause engine overheating or transmission damage.

EXAMPLE



69RM04008

⚠ WARNING

In addition to following the driving tips in this section, it is important to observe the following precautions.

- Check that your tires are in good condition and always maintain the specified tire pressure. Refer to "Tires" in the "INSPECTION AND MAINTENANCE" section for details.
- Do not use tires other than those specified by MARUTI SUZUKI. Never use different sizes or types of tires on the front and rear wheels. For information regarding the specified tires, refer to the tire information label located on the driver's door lock pillar.

(Continued)

⚠ WARNING

(Continued)

- **Never use oversized tires or special shock absorbers and springs to raise (jack up) your vehicle. This will change the handling characteristics. Oversized tires may also rub against the fender over bumps, causing vehicle damage or tire failure.**
- **After driving through water, test the brakes while driving at a slow speed to see if they have maintained their normal effectiveness. If the brakes are less effective than normal, dry them by repeatedly applying the brakes while driving slowly until the brakes have regained their normal effectiveness.**

Off-road driving**Do not drive in the field covered with grown grass**

If you drive in the field covered with grass, it may cause accident or vehicle damage by getting caught in grown grass.

When encountering a flooded area**EXAMPLE**

69RM04001

Avoid driving in a flooded area or a deep puddle. If driving in a flooded area is unavoidable, go slowly in the lowest gear. In case that you have driven in a flooded area, stop the vehicle in a safe and non flooded place while checking the brake effectiveness. Then, ask a authorised Maruti Suzuki workshop to check the following inspection items.

- Function of brake
- Function of electrical components
- Changes in oil level and quality for engine and transmission. In case that the oil is turbid whitish, water has been mixed in the oil and an oil change is required.
- Lubricant condition of the bearings, suspension joints, etc.

DRIVING TIPS

NOTICE

- Avoid driving in a flooded area or a deep puddle. It may cause an engine stall, short in electrical components, engine and transmission damages, etc.
- If the vehicle gets stuck in deep water do not start the engine.

Do's and Dont's for safe driving

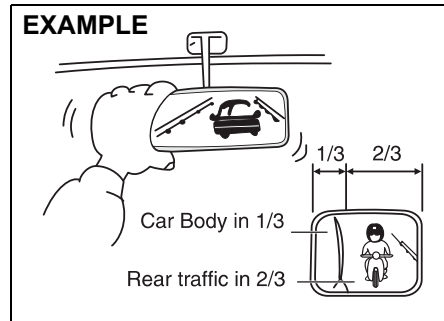
Exercise care in handling your vehicle. Be conscious of not only your own safety but also the safety of others on the road, and thus enjoy the best and most comfortable driving experience.

Following are basic rules for safe driving. Read them carefully for good understanding of the content so that you can enjoy safe and pleasant driving in your vehicle.

Starting

- 1) Adjust the driver's seat for the proper driving posture.
- 2) Adjust the rear view mirror so as to obtain the best possible rear view.

EXAMPLE



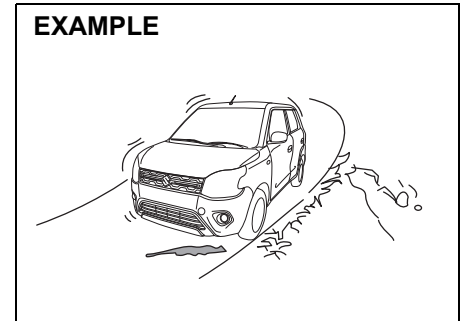
72F-08-001

- 3) Before moving, look around your vehicle to confirm safety.
- 4) Don't accelerate suddenly, since it is dangerous and wastes fuel.

General Driving

- 1) Be sure to stop before a stop light or stop sign. When moving into an intersection without any traffic lights or signs, drive slowly to confirm safety.
- 2) Always follow other vehicles at a safe distance in order to prevent a rear-end collision, in case the vehicle ahead makes a sudden stop.

EXAMPLE

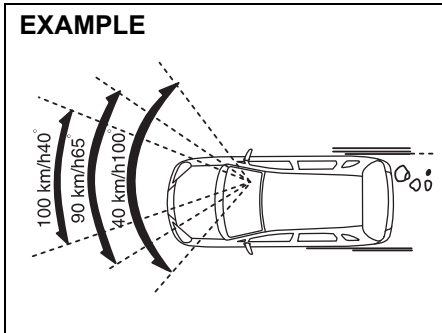


69RM04002

- 3) Turn on the turn signal at least 30 meters before making a turn or changing the lane so as not to be hit.
- 4) Before entering a corner, decelerate to a safe speed. Don't apply brakes during cornering, or skidding may occur.

- 5) When overtaking other vehicles, watch out for oncoming vehicles and carefully ensure safety.
- 6) Don't attempt zigzag driving as it will hinder your control over the vehicle and may cause an accident.
- 7) Avoid reckless high speed driving and try to drive at a safe speed suitable for the road conditions while maintaining a constant speed.
- 8) The higher the speed, the narrower the driver's visual range becomes. In such a state, it is difficult to anticipate any hazard and the driver feels fatigued.

EXAMPLE

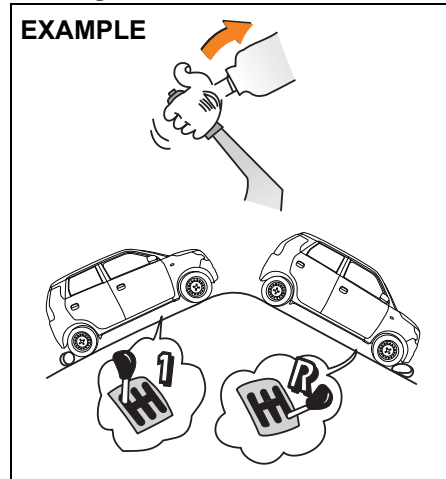


69RM04003

- 9) Do not attempt sharp handling during high speed driving. You may lose your control over your vehicle.
- 10) When overtaking or changing lanes while driving at a high speed, keep ample vehicle-to-vehicle distance.

Braking

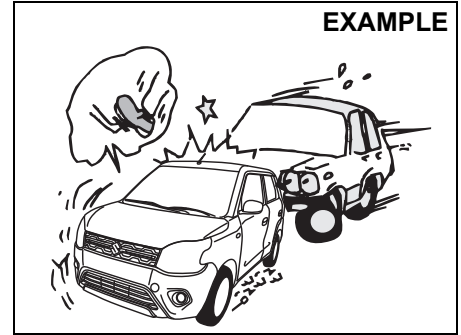
EXAMPLE



69RM04006

- 1) Use the parking brake when parking your vehicle and shift the gear shift lever into the first gear or reverse gear position for the sake of safety.
- 2) Don't use hand-braking unless unavoidable. It causes the vehicle to skid and a collision may occur. It is especially dangerous when the tires are worn out as they skid more.

EXAMPLE



69RM04004

Use foot brake in three stages

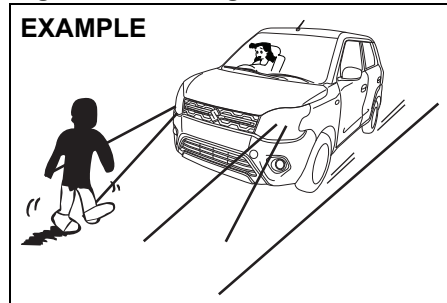
1. Warn the vehicle behind you.
 2. Gradually apply the brake.
 3. Bring the vehicle to a halt.
- 3) When driving downhill, try not to apply the brake but use the engine brake effectively. Overuse of the foot-brake may result in reduction of brake effectiveness.

Long Distance Driving

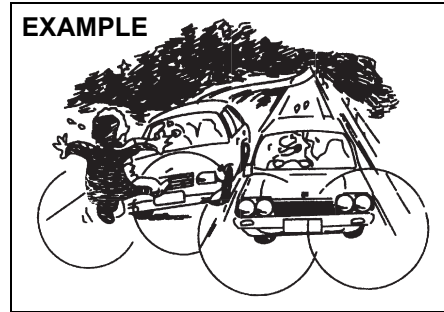
- 1) Be sure to perform safety checks before starting a trip.
- 2) Take rest at regular intervals to prevent accidents which may occur due to feeling sleepy or tired.

DRIVING TIPS

Night Time Driving



- 1) Drive at lower speeds during the night than in the daytime, as the visual range is restricted at night.
- 2) Avoid overtaking other vehicles at night. Darkness bothers your sense of speed and hinders your judgment of vehicle-to-vehicle distance.



- 3) Don't use headlights on high beam unless its use is inevitable. It may cause visual impairment to the driver of the oncoming vehicle or the vehicle ahead of you, which may cause an accident.
- 4) Always keep the window glasses clean. Don't operate the windshield wiper when the windshield glass is dry else the wiper blade and glass may get damaged.

Margin for safety

It is important to allow yourself a margin for safety during driving so that you can cope with erroneous or unexpected driving of other drivers. For that, observe the following.

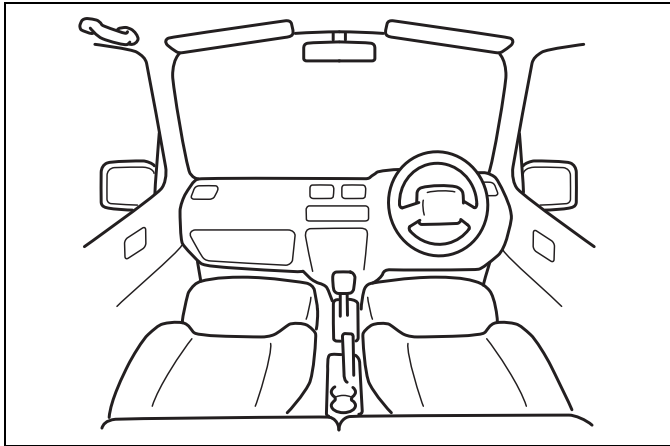
- Drive at a safe speed.
- Maintain a sufficient distance between your vehicle and the vehicle ahead.
- Don't force yourself to overtake other vehicles.
- Don't accelerate suddenly, steer sharply or stop suddenly.
- Keep ample gaps between driving schedules.
- Observe traffic rules and regulations.

Conclusion

A perfect driver does not exist. The endeavour of every motorist should be to strive for perfection. Safety consciousness not only ensures your safety and the safety of other road users, it also helps reduce the wear and tear on your vehicle, lengthens its life, gives better fuel efficiency and ensures a comfortable driving experience.

Follow the do's and dont's listed, and driving will never be the same again.

OTHER CONTROLS AND EQUIPMENT



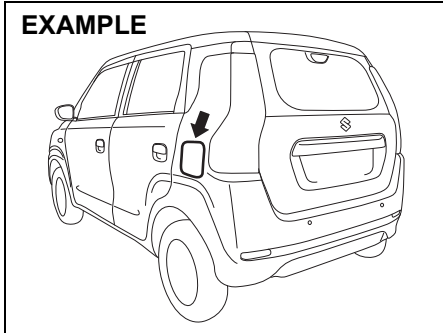
60G407

- Fuel filler cap 5-1
- Engine hood 5-2
- Sun visor 5-4
- Interior light 5-5
- Accessory socket 5-6
- AUX/USB socket (if equipped) 5-6
- Underseat tray (if equipped) 5-7
- Assist grips 5-7
- Glove box 5-8
- Cup holder and storage area 5-8
- Footrest 5-10
- Luggage compartment cover (if equipped) 5-10
- Frame hooks 5-10
- Heating and air conditioning system 5-13
- Manual heating and air conditioning system 5-14
- Radio antenna 5-18
- Installation of radio frequency transmitters 5-18
- Audio system (if equipped) 5-19

OTHER CONTROLS AND EQUIPMENT

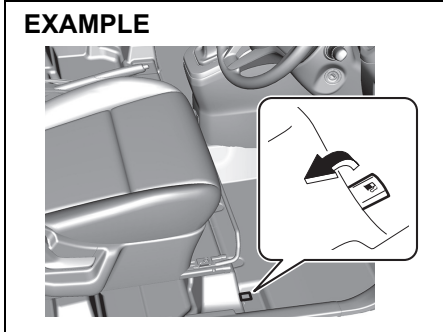
Fuel filler cap

EXAMPLE



69RH053

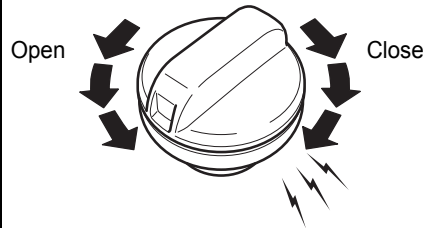
EXAMPLE



69RH128

A fuel filler cap is located on the left rear side of the vehicle. The fuel filler door can be unlocked by pulling up the opener lever located on the outboard side of the driver's seat and locked by simply closing the door.

EXAMPLE



57L51093

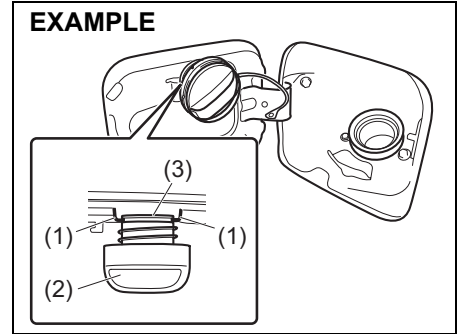
To remove the fuel filler cap:

- 1) Open the fuel filler door.
- 2) Remove the cap by turning it counter-clockwise.

CAUTION

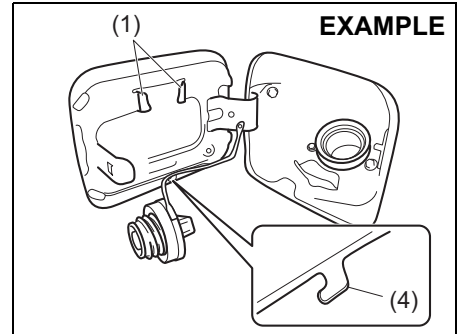
Remove the fuel filler cap slowly. The fuel may be under pressure and may spray out, causing injury.

EXAMPLE



69RM05005

EXAMPLE



69RM05006

NOTE:

The cap holder (1) holds the fuel filler cap (2) by hooking the groove (3), or the hook (4) also holds the fuel filler cap when refueling.

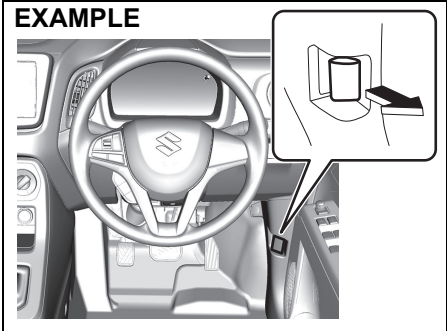
To reinstall the fuel filler cap:

- 1) Turn the cap clockwise until you hear several clicks.
- 2) Close the fuel filler door.

⚠ WARNING

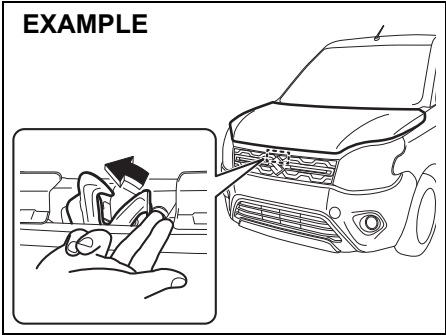
- Fuel is extremely flammable. Do not smoke when refueling, and check that there are no open flames or sparks in the area.
- If you need to replace the fuel cap, use a MARUTI SUZUKI genuine cap. Use of an improper cap can result in a malfunction of the fuel system or emission control system. It may also result in fuel leakage in the event of an accident.

Engine hood



To open the engine hood:

- 1) Pull the hood release handle located on the outboard side of the driver's side. This will disengage the engine hood lock halfway.



69RH065

- 2) Push the under-hood release lever sideways with your finger, as shown in the illustration. While pushing the lever, lift up the engine hood.

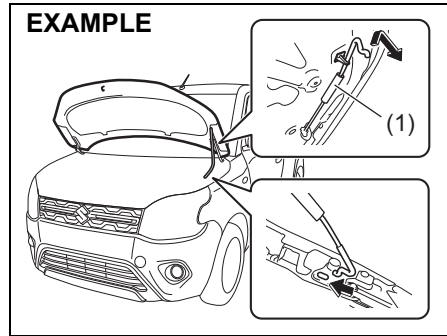
⚠ CAUTION

The release lever can be hot enough to burn your finger right after driving. Touch the lever after it becomes cool enough.

NOTICE

Check that the wiper arms are not raised before you lift up the engine hood to avoid damaging the wiper arms and the engine hood.

OTHER CONTROLS AND EQUIPMENT



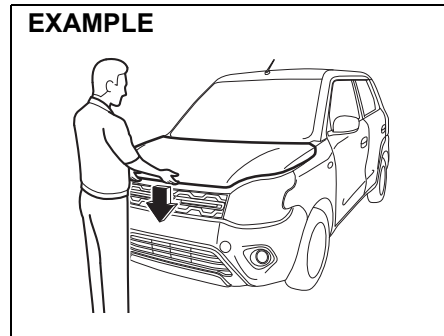
- 3) While holding the hood, pull the prop rod out from the holding clip, and then insert the end of the rod into the designated hole.

⚠ CAUTION

- The prop rod can be hot enough to burn your finger right after driving. Hold the prop rod by protector (1).
- Insert the end of the rod into the hole securely. If the rod slips out, you may get caught in the closing hood.
- The rod may slip out when the hood is blown by wind. Be careful on windy days.

To close the engine hood:

- 1) Lift the hood up slightly and remove the prop rod from the hole. Put the prop rod back into the holding clip.



- 2) Lower the hood to about 20 cm above the hood latch, and then let it drop down. Check that the hood is securely latched after closing.

⚠ WARNING

Check that the hood is fully closed and latched before driving. If it is not, it can fly up unexpectedly during driving, obstructing your view and resulting in an accident.

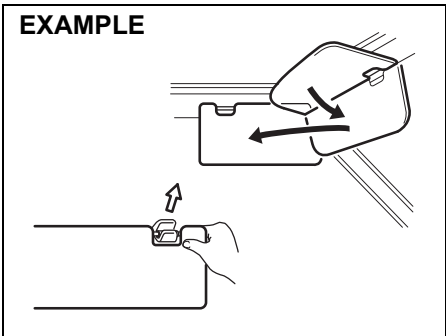
⚠ CAUTION

To avoid injury, check that no part of the occupant's body such as hands or head is in the path of the hood when closing it.

NOTICE

Pushing on the hood from the top may damage it.

Sun visor

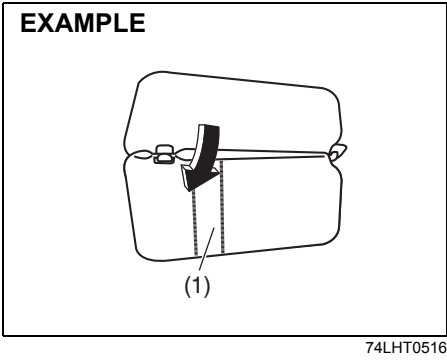


The sun visors can be pulled down to block glare coming through the windshield, or they can be unhooked and turned to the side to block glare coming through the side window.

NOTICE

When unhooking and hooking a sun visor, handle it by the hard plastic parts or the sun visor can be damaged.

Card holder (if equipped)



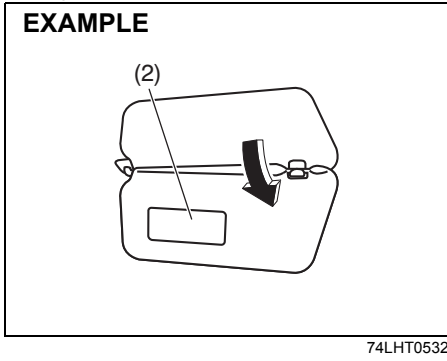
(1) Card holder

You can put a card in the card holder (1) on the back of the sun visor.

NOTICE

When you park your vehicle outdoors in direct sunlight or in hot weather, do not leave plastic cards in the holder. The heat may distort them.

Vanity mirror (if equipped)



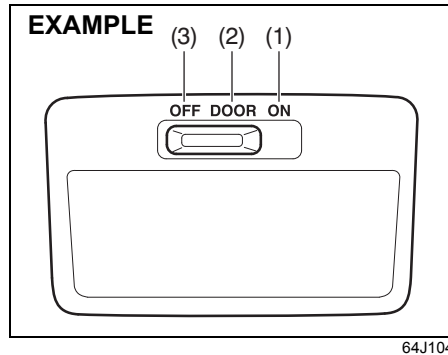
(2) Vanity mirror

WARNING

- When using the vanity mirror, do not move too close to a front airbag location or lean against it. If the front airbag is accidentally inflated, it could hit you hard.
- Do not place any object on the location where an airbag is stored or come close to the location where airbag is stored, when using a vanity mirror. Doing so may cause the airbag to deploy and cause serious injury due to the impact of airbag.

OTHER CONTROLS AND EQUIPMENT

Interior light



64J104

Interior light switch has three positions which function as described below:

ON (1)

- The light comes on and stays on regardless of whether the door is open or closed.
- If your vehicle is equipped with keyless entry system transmitter, the light will be automatically turned off to save the battery when the following conditions are simultaneously met.
 - The ignition switch is in “LOCK” position.
 - A period of 15 minutes has elapsed after the light comes on and other operations are not done.
 - The hazard warning lights, the position lights and the headlights are off.

DOOR (2)

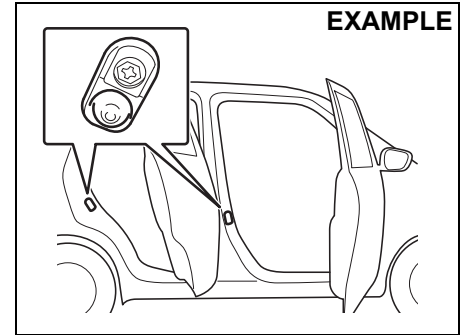
- The light comes on while any of the doors (including the tailgate) is opened. For about 15 seconds after all doors are closed, the light will remain on and then fade out.
- If all doors are closed, the light comes on for about 15 seconds when the ignition key is pulled out from the ignition switch. After 15 seconds, the light will fade out.
- The light will be automatically turned off to save the battery when the following conditions are simultaneously met.
 - The ignition switch is in “LOCK” position.
 - A period of 15 minutes has elapsed after any of the doors (including the tailgate) is opened and other operations are not done.

If you perform any of the following procedures before the light fading out, the light will start to fade out immediately.

- Inserting the ignition key into the ignition switch
- Locking all doors by operating the key, keyless entry transmitter or power door locking switch

OFF (3)

The light remains off even when the door is opened.

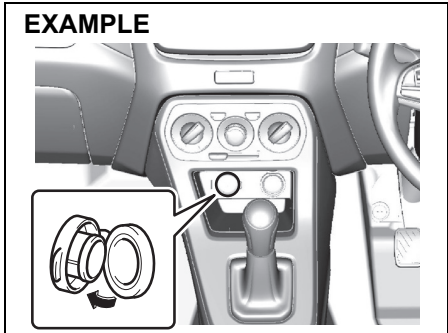


69RH093

NOTE:

The number of doors involved in the lighting operation of the interior light depends on the vehicle specification. If there is a switch (rubber protrusion) at the door opening as shown, the door is involved in the lighting operation. The tailgate is also involved in this operation even without the rubber protrusion.

Accessory socket



69RH129

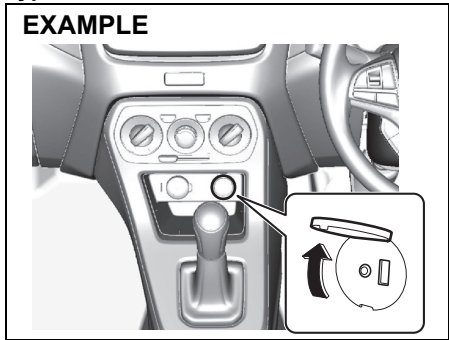
The accessory socket will work when the ignition switch is in "ACC" or "ON" position. This can be used to provide 12 volt/120 watt/10 ampere power for electrical accessories.

NOTICE

- Use of inappropriate electrical accessories can cause damage to your vehicle's electrical system. Make sure that any electrical accessories you use are designed to plug into this type of socket.
- When the accessory socket is not in use, close the rubber cap. If any foreign material enters the accessory socket, it may cause a malfunction or short circuit.
- When the ignition switch is in "LOCK" position while using the accessory socket, the following may occur;
 - the audio or navigation system does not turn off.
 - the keyless entry system does not work, etc.If they occur, disconnect the item from the accessory socket and check whether the electrical equipments work properly. If the problem persists, ask a authorised Maruti Suzuki workshop to have the system inspected.

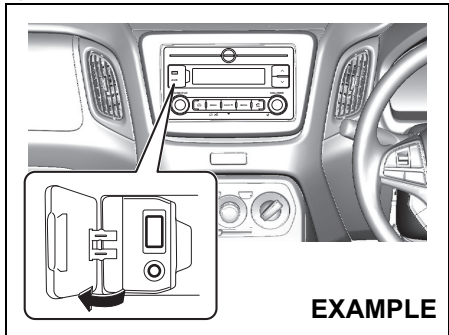
AUX/USB socket (if equipped)

Type A



69RH130

Type B



69RM05010

Connect your portable digital music player, etc. to this socket to enjoy music through

OTHER CONTROLS AND EQUIPMENT

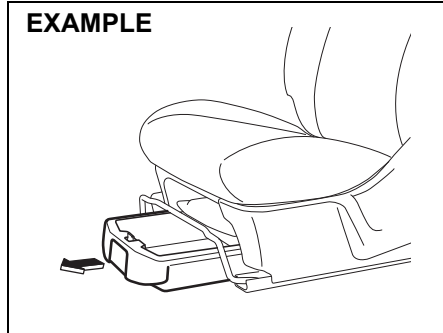
the vehicle's audio system. Refer to "Audio system" in this section.

NOTICE

Always close the cap when not in use, since entry of foreign material, dust, water, conductive liquids may damage the audio system or USB device.

Underseat tray (if equipped)

EXAMPLE



69RH131

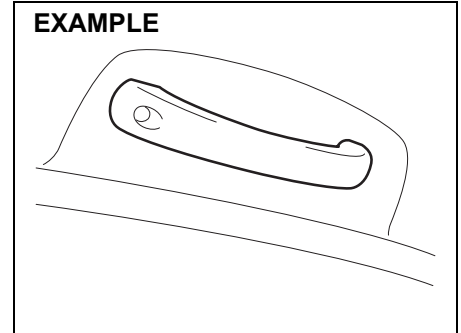
The tray is located under the front passenger's seat. Pull the tray forward to use it. Be sure to push the tray back in before driving.

NOTICE

To avoid breaking the underseat tray, do not place items heavier than following weight.
Underseat tray: 1 kg (2.2 lbs)

Assist grips

EXAMPLE



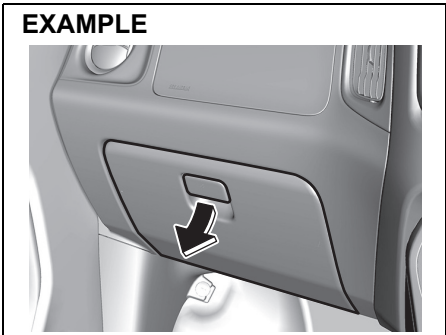
76MH0A072

Assist grips are provided for convenience.

NOTICE

To avoid damaging the assist grip and the molded headlining, do not hang down the assist grip.

Glove box



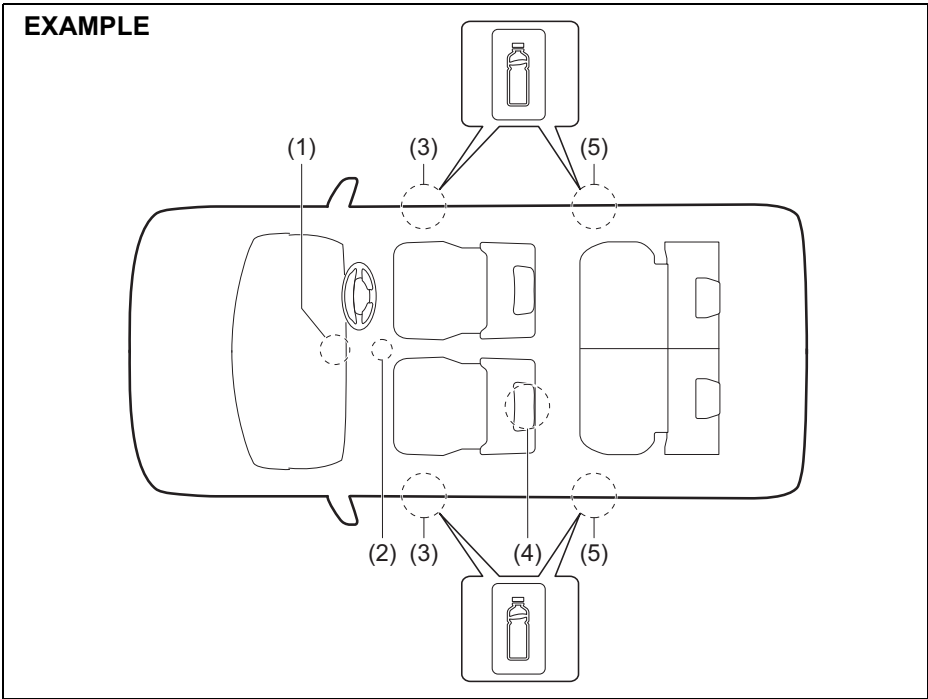
69RH132

To open the glove box, pull the latch lever. To close it, push the lid until it latches securely.

⚠ WARNING

- Never drive with the glove box lid open. It could cause injury if an accident occurs.
- Do not leave cigarette lighters or spray cans in the glove box. If a cigarette lighter or spray can is in a place such as the glove box, it may light accidentally causing a fire.

Cup holder and storage area



69RH054

- (1) Center console tray
- (2) Front cup holder
- (3) Front bottle holder

- (4) Front seat back pocket (if equipped)
- (5) Rear bottle holder

OTHER CONTROLS AND EQUIPMENT

Center console tray (1)

⚠ WARNING

Do not place any objects which may fall out from the pocket when the vehicle is moving.

Failure to take the precaution may result in an object interfering with the pedals and causing a loss of vehicle control or an accident.

Front cup holder (2)

Use the front cup holder to put a cup with a lid or a bottle with a cap. Also, you can put small articles in the front cup holder.

⚠ WARNING

Failure to take the precautions listed below could cause personal injury or vehicle damage.

- Be careful and use a lid for a drink not to spill out liquid. Spilling out hot liquid can cause burn injury. In addition, if liquid spills out on the following parts, it may cause a fire or a malfunction and an airbag system may not work properly.
 - Navigation system, audio system or the relevant switches
 - Wiring or electrical components under the floor
 - Moving part of the gearshift lever or the seatbelt buckle

(Continued)

⚠ WARNING

(Continued)

- Do not use the cup holders to hold sharp-edged, hard or breakable objects. Objects in the cup holders may be thrown about during a sudden stop or impact, and could cause personal injury.
- Be careful not to spill liquid or insert any foreign materials into the moving part of the gearshift lever, or any electrical components. Liquid or foreign materials may damage these parts.
- If you spill, or drop liquid accidentally, have your vehicle inspected by a authorised Maruti Suzuki workshop.
- Do not leave cigarette lighters or spray cans in the front cup holder. Otherwise, gas may leak from them and may cause a fire.

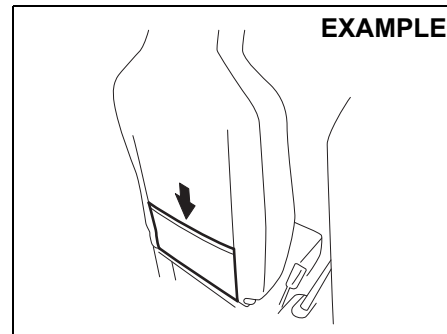
Front bottle holder (3) / Rear bottle holder (5)

You should only place a bottle with a cap in the holder.

NOTE:

Maruti Suzuki recommends to use maximum 1 liter capacity of bottle.

Front seat back pocket (4) (if equipped)



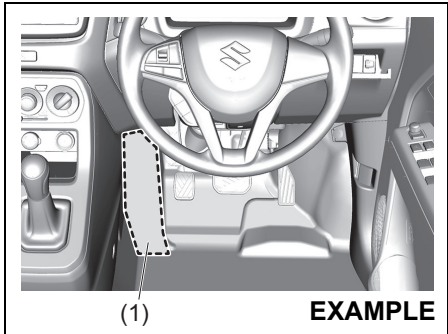
69RH138

This pocket is provided for holding light and soft things such as gloves, newspapers or magazines.

⚠ CAUTION

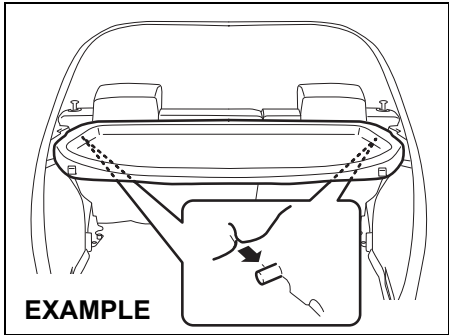
Do not put hard or breakable objects in the pocket. If an accident occurs, objects such as bottles, cans, etc. can injure the occupants in the rear seat.

Footrest



Use the footrest (1) (for driver side only) as a support for your left foot only.

Luggage compartment cover (if equipped)



Luggage or other cargo placed in the luggage compartment is hidden from view by a luggage compartment cover.

⚠ WARNING

Do not carry items on top of the luggage compartment cover, even if they are small and light. Objects on top of the cover could be thrown about in an accident, causing injury, or could obstruct the driver's rear view.

Frame hooks

It is not recommend that you use the frame hooks for towing another vehicle. They are originally designed to tow your vehicle in emergency situation. If your vehicle needs to be towed in an emergency, refer to "Towing your vehicle" in the "EMERGENCY SERVICE" section.

⚠ WARNING

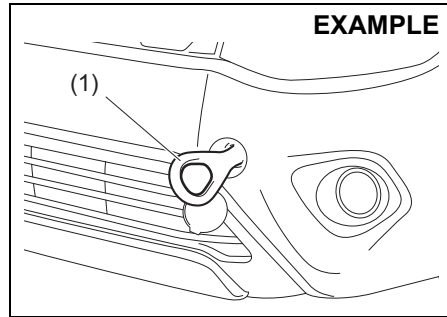
Observe the following instructions when using frame hooks. The towing hook or vehicle body may break and cause serious injury or damage:

- Do not use the frame hooks for towing another vehicle.
- Avoid pulling the vehicle to get out of severe snowy, muddy or sandy conditions, sudden starts or erratic driving maneuvers which could cause excessive stress on the towing hook.

In such case, we recommend that you contact a professional service.

OTHER CONTROLS AND EQUIPMENT

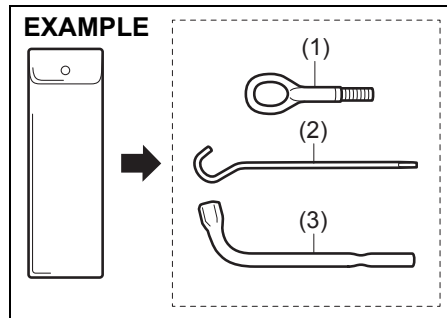
Front



69RH096

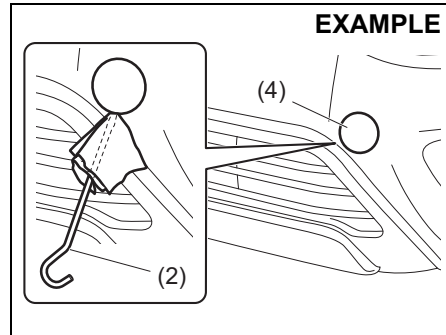
The towing hook (1) is provided on the front of the vehicle for use in emergency situations only.

To install the towing hook (1), jack handle (2) and wheel brace (3), follow the procedure below.



69RH197

- 1) Pick up the towing hook (1), jack handle (2) and wheel brace (3) that are stowed in luggage compartment.

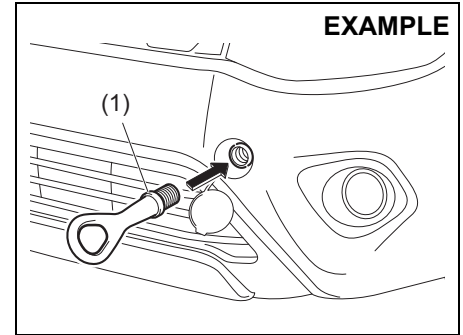


69RH198

- 2) Remove the cover (4) by using a jack handle (2) covered with a soft cloth as shown in the illustration.

NOTE:

Do not use excessive force as it may damage the cover strap.

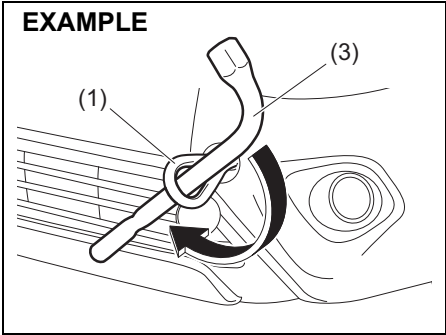


69RH098

- 3) Install the towing hook (1) by hand.

NOTE:

We recommend to fasten the cover with tape to prevent damage during towing.



69RH199

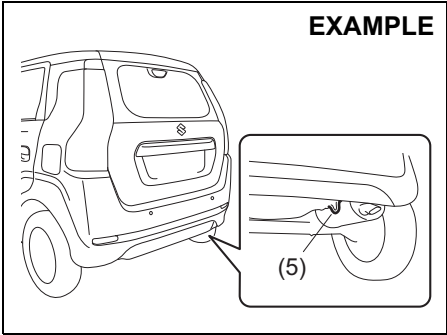
4) To tighten the towing hook (1), turn it clockwise by using a wheel brace (3) until the towing hook (1) is securely installed.

! WARNING

Use extreme caution when you use the towing eye (1). Avoid pulling the vehicle to get out of severe snowy, muddy or sandy conditions, sudden starts or erratic driving maneuvers which would give excessive stress on the towing eye. The towing eye or vehicle body may break and cause serious injury or damage.

To remove the towing hook (1), reverse the installation procedure.

Rear



69RH200

NOTICE

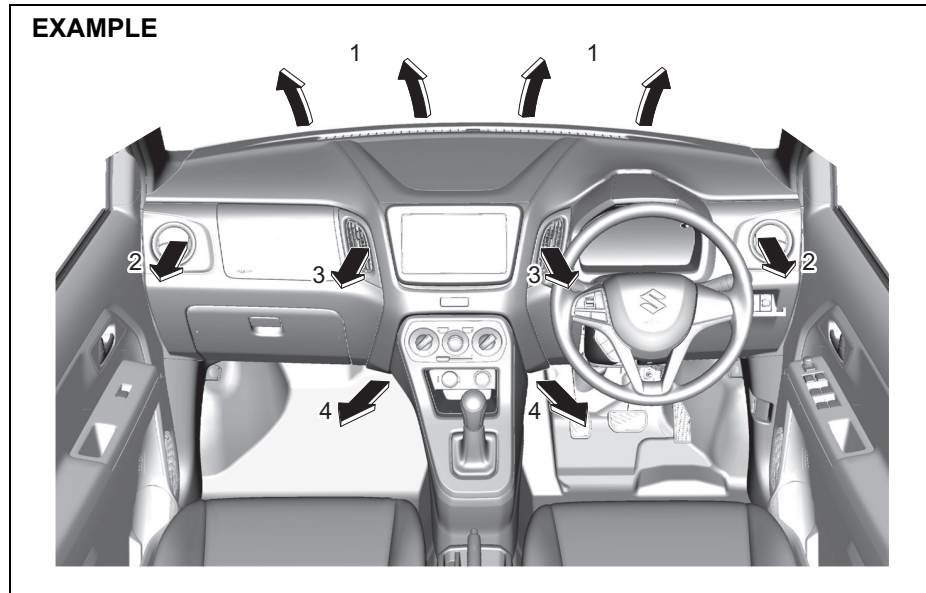
- Your vehicle was originally designed to carry people and a normal amount of cargo, not to tow a trailer.
- The frame hook (5) is provided on the rear of the vehicle for use in emergency situations and sea shipping purposes only. Do not use the frame hook for towing another vehicle, being towed by another vehicle or transporting your vehicle by a car carrier trailer, etc. Otherwise, the frame hook or the vehicle body may break and cause serious injury or damage.

To tow your vehicle on the road or highway, follow the instruction of "Towing" in "EMERGENCY SERVICE" section.

OTHER CONTROLS AND EQUIPMENT

Heating and air conditioning system

Air outlet

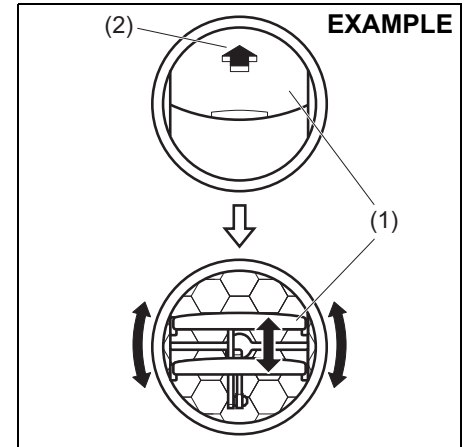


69RH078

- 1. Windshield defroster outlet
- 2. Side outlet

- 3. Center outlet
- 4. Floor outlet

Side outlet

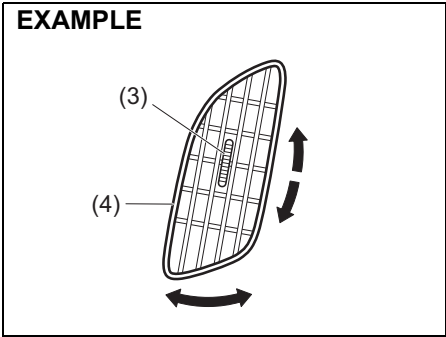


52RS006

To open the louver (1), push the arrow part (2) as shown in the illustration. To adjust the direction of the air flow, move up or down or turn the opened louver (1).

Center outlet

EXAMPLE



69RH156

Move the knob (3) vertically or the case (4) horizontally to adjust the direction of air-flow as desired.

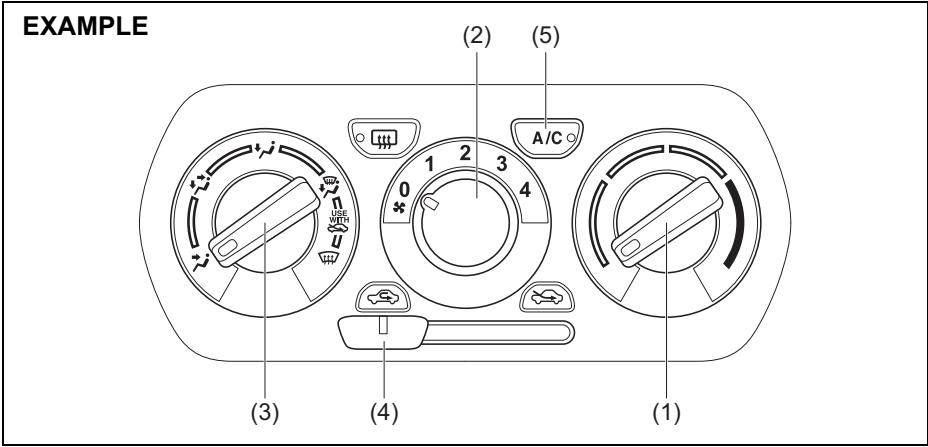
CAUTION

Prolonged exposure to hot air from the heater or air conditioner could result in low temperature burns. All vehicle occupants, particularly children, the elderly, those with special needs, individuals with delicate skin, and sleeping individuals, should maintain sufficient distance from the air outlets to prevent prolonged exposure to hot airflow.

Manual heating and air conditioning system

Description of controls

EXAMPLE



69RH023

Temperature selector (1)

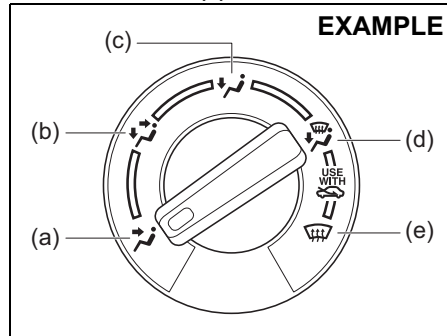
This is used to select the temperature by turning the selector.

Blower speed selector (2)

This is used to turn on the blower and to select blower speed by turning the selector.

OTHER CONTROLS AND EQUIPMENT

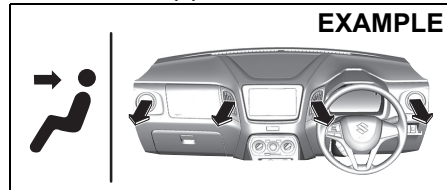
Air flow selector (3)



75RM022

This is used to select one of the following functions.

VENTILATION (a)



69RH088

Temperature-controlled air comes out of the center and side air outlets.

BI-LEVEL (b)



69RH089

Temperature-controlled air comes out of the floor outlets and cooler air comes out of the center and side outlets. When the temperature selector (1) is in the fully cold position or fully hot position, however, the air from the floor outlets and the air from the center and side outlets will be the same temperature.

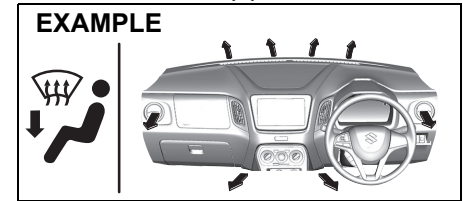
HEAT (c)



69RH090

Temperature-controlled air comes out of the floor outlets and the side outlets, small amount of air also comes out of the windshield defroster outlets.

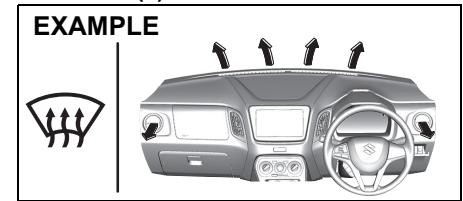
HEAT & DEFROST (d)



69RH091

Temperature-controlled air comes out of the floor outlets, the windshield defroster outlets and the side outlets.

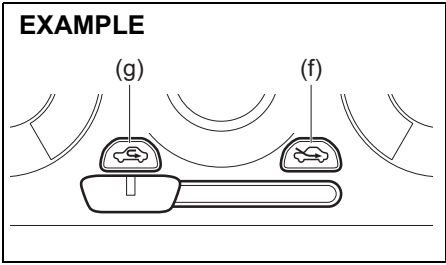
DEFROST (e)



69RH092

Temperature-controlled air comes out of the windshield defroster outlets and the side outlets.

Air intake selector (4)



69RH024

This selector is used to select the following modes.

FRESH AIR (f)

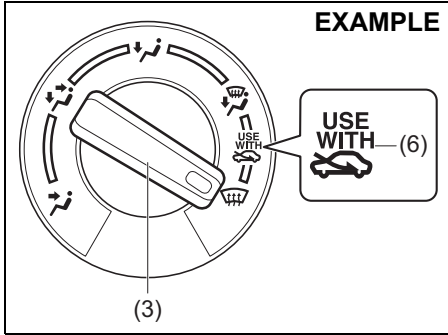
When this mode is selected by moving the lever to right, outside air is used.

RECIRCULATED AIR (g)

When this mode is selected by moving the lever to left, inside air is recirculated. This mode is suitable when driving through dusty or polluted air such as in a tunnel, or when attempting to quickly cool down or warm up the interior or to reduce unwanted odor from entering the vehicle.

NOTE:

If you select the RECIRCULATED AIR for an extended period of time, the air in the vehicle may become contaminated. Therefore, you should occasionally select the FRESH AIR.



75RM403

NOTE:

The mark of "USE WITH (6)" To clear fog on the windshield and/or the side windows quickly, set the air flow selector (3) to HEAT & DEFROST or DEFROST and air intake selector (4) to FRESH AIR. These positioning will clear the fogged windshield and/or the side windows faster than the RECIRCULATED AIR.

Air conditioning switch (5)

To turn on the air conditioning system, set the blower speed selector to a position other than off and push in "A/C" switch. With this "A/C" switch operation, a indicator light will come on when the air conditioning system is on. To turn off the air conditioning system, push "A/C" switch again.

During operation of the air conditioner, you may notice slight changes in engine speed. These changes are normal, the system is designed so that the compressor turns on or off to maintain the desired temperature.

Less operation of the compressor results in better fuel economy.

System operating instructions

Natural ventilation

Select VENTILATION and FRESH AIR, the temperature selector to the desired temperature position, and the blower speed selector to off. Fresh air will flow through the vehicle during driving.

Forced ventilation

The control settings are the same as for natural ventilation except you set the blower speed selector to a position other than off.

Normal heating (using outside air)

Select HEAT and FRESH AIR, the temperature selector to the desired temperature position and the blower speed selector to the desired blower speed position. Setting the blower speed selector to a higher blower speed position increases heating efficiency.

OTHER CONTROLS AND EQUIPMENT

Quick heating (using recirculated air)

The control settings are the same as for normal heating except you select RECIRCULATED AIR. If you use this heating method for an extended period of time, the air in the vehicle may become contaminated and the windows can become misty. Therefore, use this method only for quick heating and change to the normal heating method as soon as possible.

Head cooled/Feet warmed heating

Select BI-LEVEL and FRESH AIR, the temperature selector to the desired temperature position, and the blower speed selector to the desired blower speed position. Unless the temperature selector is in the fully cold position or fully hot position, the air that comes out of the center and side outlets will be cooler than the air that comes out of the floor outlets.

Normal cooling

Set the air flow selector to VENTILATION, the temperature selector to the desired temperature position and the blower speed selector to the desired blower speed position, and turn on "A/C" switch. Setting the blower speed selector to a higher blower speed position increases cooling efficiency.

You can switch the air intake selector to either FRESH AIR or RECIRCULATED AIR as you desire. Choosing RECIRCULATED AIR increases cooling efficiency.

Quick cooling (using recirculated air)

The control settings are the same as for normal cooling except you select RECIRCULATED AIR and the highest blower speed.

NOTE:

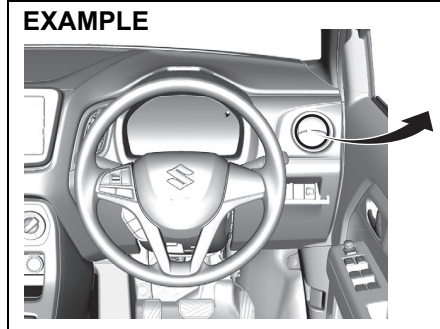
- If you select the RECIRCULATED AIR for an extended period of time, the air in the vehicle may become contaminated. Therefore, you should occasionally select the FRESH AIR.
- If your vehicle has been left in the sun with the windows closed, it will cool faster if you open the windows briefly while you operate the air conditioner with the air intake selector at FRESH AIR and the blower at high speed.

Dehumidifying

Set the air flow selector to a desired air flow selector position, the temperature selector to the desired temperature position and the blower speed selector to the desired blower speed position. Also select FRESH AIR and turn on "A/C" switch.

NOTE:

Because the air conditioner dehumidifies the air, turning it on will help keep the windows clear, even when blowing heated air using DEFROST or HEAT & DEFROST functions.



69RH079

NOTE:

If you need maximum defrosting:

- select DEFROST and FRESH AIR,
- set the blower speed selector to high,
- adjust the temperature selector to the hot end,
- turn on "A/C" switch, and
- adjust the side outlets so the air blows on the side windows.

Maintenance

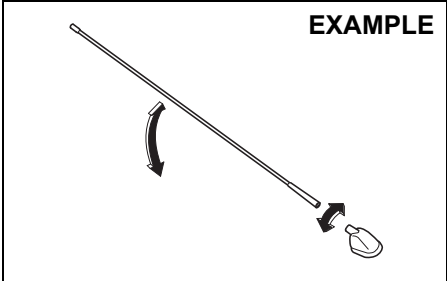
If you do not use the air conditioner for a long period, such as during winter, it may not give the best performance when you start using it again. To help maintain optimum performance and durability of your air conditioner, it needs to be run periodically. Operate the air conditioner at least once a month for one minute with the engine idling. This circulates the refrigerant and oil and helps protect the internal components.

If your air conditioner is equipped with air filters, clean or replace them as specified in "Maintenance schedule" in the "INSPECTION AND MAINTENANCE" section. Have this job done by a authorised Maruti Suzuki workshop as the lower glove box must be lowered for this job.

NOTE:
Your vehicle uses the air conditioning refrigerant HFC-134a, commonly called R-134a. R-134a replaced R-12 around 1993 for automotive applications. Other refrigerants are available, including recycled R-12, but only R-134a should be used in your vehicle.

NOTICE
Using the wrong refrigerant may damage your air conditioning system. Use R-134a only. Do not mix or replace the R-134a with other refrigerants.

Radio antenna



69RH201

The radio antenna on the roof is removable. To remove the antenna, turn it counterclockwise. To reinstall the antenna, turn it clockwise firmly by hand.

NOTE:
Adjust the antenna angle to maximum for optimum radio reception.

NOTICE
To avoid damage to the radio antenna:

- Remove the antenna when using an automatic car wash.
- Remove the antenna when the antenna hits anything such as a low ceiling in a parking garage or putting a car cover over your vehicle.

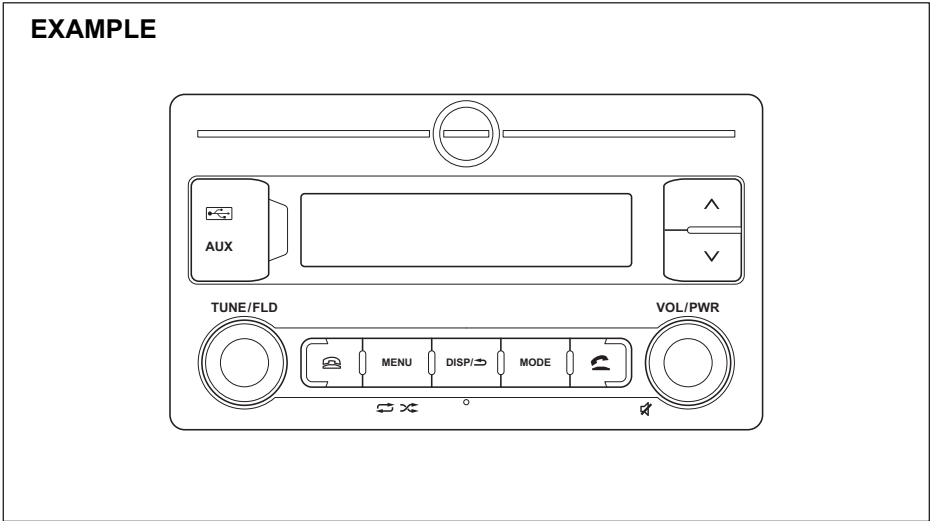
Installation of radio frequency transmitters

We recommend that you always ask a authorised Maruti Suzuki workshop about frequency band, max output power, antenna position at vehicle and specific conditions for installation and/or use before installing a radio transmitter in your vehicle. Such equipments may cause the electronic control system to malfunction if they are incorrectly installed or they are not suited for the vehicle.

NOTICE
Improper installation of mobile communication equipment such as cellular telephones, CB (Citizen's Band) radios or any other wireless transmitters may cause electronic interference with your vehicle's ignition system, resulting in vehicle performance problems. Consult your authorised Maruti Suzuki workshop or qualified service technician for advice.

OTHER CONTROLS AND EQUIPMENT

Audio system (if equipped)



69RM05009

NOTE:
For vehicle equipped with SMARTPLAY STUDIO INFOTAINMENT SYSTEM, refer to audio manual available with the vehicle.

Safety information

⚠ WARNING

If you pay too much attention to operating the audio system or viewing the audio system display while driving, an accident can occur. If you set the sound volume too loud, it could prevent you from being aware of road and traffic conditions.

- Keep your eyes on the road and your mind on the drive. Avoid paying too much attention to operating the audio system or viewing the audio system display.
- Familiarize yourself with the audio system controls and operation of the audio system before driving.
- Preset your favorite radio stations before driving so that you can quickly tune to them using the presets.
- Set the sound volume to a level that will allow you to continue to be aware of road and traffic conditions while driving.

NOTICE

- Avoid spraying or spilling of cleaning solutions, perfumes, car fresheners, beverages, chemicals or any liquids on the audio system surface. Also ensure that any liquid does not enter the system, it can damage the screen and the system. The warranty of the system will be void, if liquid ingress marks are observed inside the system.
- Avoid exposure of the audio system to water or excessive moisture as it can cause electric shocks, fire or other damages.

Open source definition

This Product includes following open source software.
mbedtls version 2.5.1

Copyright © 2006–2015, ARM Limited, All Rights Reserved
SPDX-License-Identifier: Apache-2.0

Licensed under the Apache License, Version 2.0 (the “License”); you may not use this file except in compliance with the License.

You may obtain a copy of the License at <http://www.apache.org/licenses/LICENSE-2.0>

Unless required by applicable law or agreed to in writing, software distributed under the License is on an “AS IS” BASIS,

WITHOUT WARRANTIES OR CONDITIONS OF ANY KIND, either express or implied.

See the License for specific language governing permissions and limitations under the License.

This file is part of mbed TLS (<https://tls.mbed.org>)

Please be noted that a portion of this software is made by changing or modifying original source files.



The Bluetooth® word mark and logo are registered trademarks and are owned by the Bluetooth SIG, Ink.

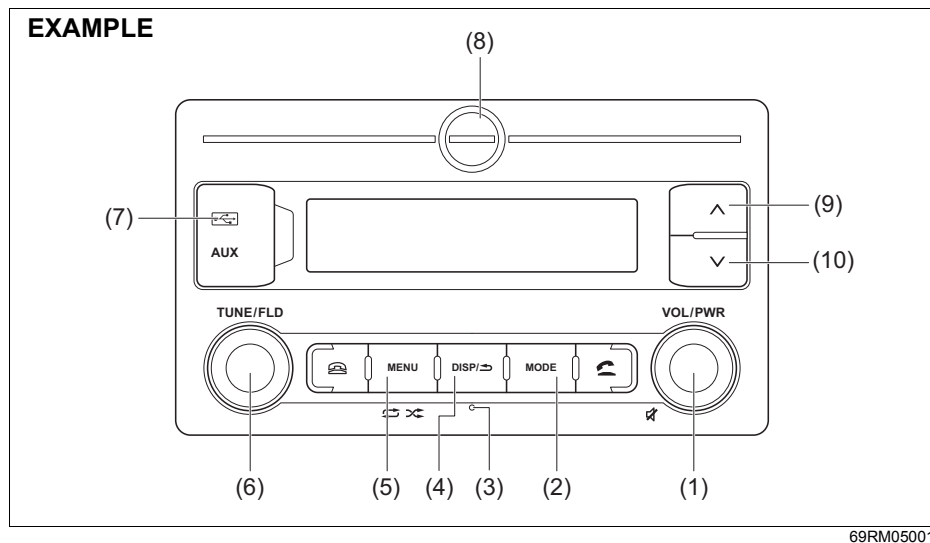
Stop using this unit and a Bluetooth® ready device whenever requested.

This unit shares the communication frequency with other private or public wireless communication equipment such as a wireless LAN and other wireless communication radios.

You should stop using this unit whenever you are notified that your unit disturbs other wireless communication immediately.

OTHER CONTROLS AND EQUIPMENT

Basic operations



- (1) "VOL/PWR" knob
- (2) "MODE" button
- (3) MICROPHONE (for handsfree)
- (4) "DISP/BACK" button
- (5) "MENU" button
- (6) "TUNE/FLD" knob
- (7) USB/AUX
- (8) SMARTPHONE DOCK CAP
- (9) UP button
- (10) DOWN button

Turning on/off power

Press "VOL/PWR" knob (1) to turn on the power. The unit starts to operate in the previous mode that the power was turned off.

- To turn off the power, press "VOL/PWR" knob (1) for about 1 second.

Adjusting the volume

Turn "VOL/PWR" knob (1).

- Turning it clockwise increases the volume.
- Turning it counterclockwise decreases the volume.

Mute

- Press "VOL/PWR" knob(1) to mute the sound.
- To cancel mute, press any button.

NOTE:

For the purpose of safe driving, adjust the audio volume to a level that allows you to hear sounds outside of the vehicle including car horns and particularly emergency vehicle sirens.

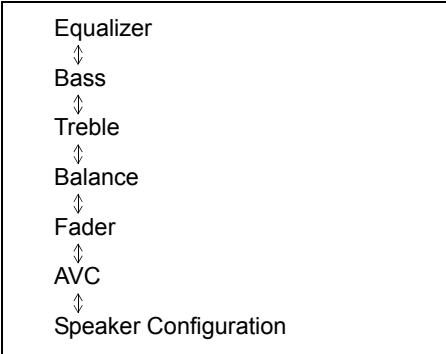
Display & Back setting

Press "DISP/BACK" button to go back to the previous display when a list or menu screen is displayed.

On long pressing "DISP/BACK" button, tuner display will be turned OFF. However all operations such as media playing etc will be active. Display will be turned ON by pressing any button on audio unit, steering switches or any other interrupt such as handsfree calling etc.

Sound settings

- 1) Press "MENU" button (5). Setup menu will be displayed.
- 2) Turn "TUNE/FLD" knob (6) to select "Sound Settings", and press the knob (6) to determine the selection.
- 3) Turn "TUNE/FLD" knob (6) to select one of the settings as follows, and press the knob (6) to determine the selection.



Equalizer

The equalizer can set various types of sounds depending on the type of music.

- 1) Turn "TUNE/FLD" knob (6) to select "Equalizer", and press the knob (6) to determine the selection.
- 2) Turn "TUNE/FLD" knob (6) to select one of the settings as follows, and press the knob (6) to determine the selection.



NOTE:

- When you select "Custom", the sound curve can be adjusted as your preference. Turn "TUNE/FLD" knob (6) to adjust values of sound, and press the knob (6) to determine the selection.
- ">> <<" mark appears at both left and right ends of the currently selected equalizer.

Adjusting bass/treble/balance/fader

- 1) Turn "TUNE/FLD" knob (6) to select "Bass", "Treble", "Balance" or "Fader", and press the knob (6) to determine the selection.
- 2) Turn "TUNE/FLD" knob (6) to adjust the sound, and press the knob (6) to determine the selection.

- "Bass" / "Treble":
 - Can be adjusted in levels -6 to 0 to +6.
 - Turn "TUNE/FLD" knob (6) clockwise to increase the frequency & counter clockwise to decrease the frequency.
- "Balance":
 - Can be adjusted in 9 level left to right.
 - Turn "TUNE/FLD" knob (6) clockwise to emphasize the right speaker, and turn the knob (6) counterclockwise to emphasize the left speaker.
- "Fader":
 - Can be adjusted in 9 level back to front.
 - Turn "TUNE/FLD" knob (6) clockwise to emphasize the front speaker, and turn the knob (6) counterclockwise to emphasize the rear speaker (if equipped).

NOTE:

When you adjust to emphasize the rear speakers, sound output may fade out completely in case vehicle is not equipped with rear speakers.

OTHER CONTROLS AND EQUIPMENT

Adjusting the AVC (Auto volume control)

The Auto Volume Control (AVC) function automatically adjusts (increases/decreases) the sound volume in accordance with vehicle speed. The AVC control is provided with four selectable levels (LEVEL OFF, 1, 2, 3). The level of volume adjustment increases together with the LEVEL number.

- 1) Turn "TUNE/FLD" knob (6) to select "AVC", and press the knob (6) to determine the selection.
- 2) Turn "TUNE/FLD" knob (6) to adjust the level, and press the knob (6) to determine the selection.

Adjusting the sound parameters as per speaker configuration

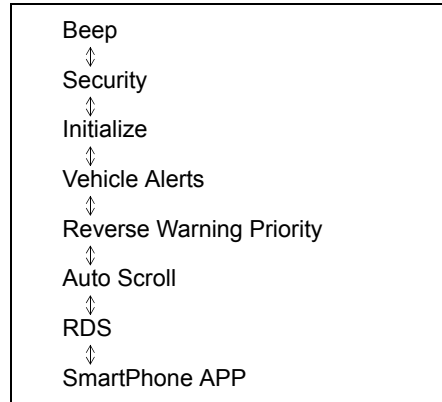
- 1) Turn "TUNE/FLD" knob (6) to select "Speaker Configuration", and press the knob (6) to determine the selection.
 - 2) Turn "TUNE/FLD" knob (6) to select "2SPK" or "4SPK", and press the knob (6) to determine the selection.
- "2SPK":
Sound is generated from the front speakers.
 - "4SPK" (if equipped):
Sound is generated from the all speakers.

NOTE:

For optimal sound experience, ensure that speaker configuration is selected as per the actual speakers present in the vehicle.

System settings

- 1) Press "MENU" button (5). Setup menu will be displayed.
- 2) Turn "TUNE/FLD" knob (6) to select "System Settings", and press the knob (6) to determine the selection.
- 3) Turn "TUNE/FLD" knob (6) to select one of the settings as follows, and press the knob (6) to determine the selection.



Beep on/off

Beep sound is activated when error message is displayed or during operations of few button.

Beep setting can be turned on or off through the following steps:

- 1) Turn "TUNE/FLD" knob (6) to select "Beep".
- 2) Press "TUNE/FLD" knob (6) to select "ON" or "OFF".

Security setting

Refer to "Anti-theft feature" later in this section.

Initialize setting

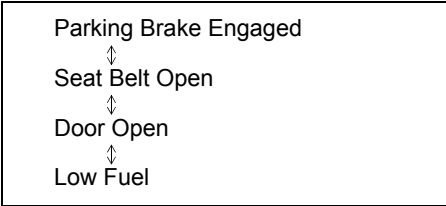
You can delete the registered Bluetooth® device information.

- 1) Turn "TUNE/FLD" knob (6) to select "Initialize", and press the knob (6) to determine the selection.
- 2) Turn "TUNE/FLD" knob (6) to select "Reset BT", and press the knob (6) to determine the selection.
- 3) Turn "TUNE/FLD" knob (6) to select "YES", and press the knob (6) to determine the selection for resetting.

Vehicle alerts setting

You can turn on or off the warning indications related to vehicle system using this setting. By default, this setting is ON for all alerts.

- 1) Turn "TUNE/FLD" knob (6) to select "Vehicle Alerts", and press the knob (6) to determine the selection.
- 2) Turn "TUNE/FLD" knob (6) to select one of the settings as follows, and press the knob (6) to determine the selection.



- 3) Press "TUNE/FLD" knob (6) to select "ON" or "OFF".
- 4) Following are the warning display related to vehicle system:
 - "Parking Brake Engaged": This message will appear when the vehicle is moved without releasing the parking brake. Check that parking brake is fully released.
 - "Seat Belt Open": This message will appear when the vehicle is moving and driver has not fastened his seat belt.

- "Door Open": This message will appear when any door (except tailgate) is open when the vehicle is moving.
- "Low Fuel": This message will appear to remind to fill the fuel. Fill the fuel immediately.

NOTE:
If you push "DISP/BACK" button (4) while the warning and indicator messages is displayed, the indication will disappear.

Reverse warning priority setting

On applying reverse, volume of audio system gets lowered. By default, this setting is ON. This setting can be turned on or off through the following steps:

- 1) Turn "TUNE/FLD" knob (6) to select "Reverse Warning Priority", and press the knob (6) to determine the selection.
- 2) Turn "TUNE/FLD" knob (6) to select "No" or "Yes", and press the knob (6) to determine the selection.

Auto scroll setting

Auto scroll setting is ON by default. When playing the media files, if the files text contains more characters, ">" mark will appear at the right end up the display screen and the display changes to the next set of characters automatically.

- 1) Turn "TUNE/FLD" knob (6) to select "Auto Scroll".
- 2) Press "TUNE/FLD" knob (6) to select "ON" or "OFF".

RDS (Radio Data System) setting

Enabling this setting displays the messages transmitted by FM station. This setting is ON by default. You can choose to turn ON/OFF this setting through the following steps:

- 1) Turn "TUNE/FLD" knob (6) to select "RDS".
- 2) Press "TUNE/FLD" knob (6) to select "ON" or "OFF".

NOTE:
• Messages are displayed only when RDS signal is included in FM radio waves.
• The messages are displayed program service name only.

Smartphone app setting

Refer to section 5-49 for details about smartphone application. Smartphone app can be used only when app setting is enable as ON. Refer to "Suzuki Smartplay Dock application" later in this section for details.

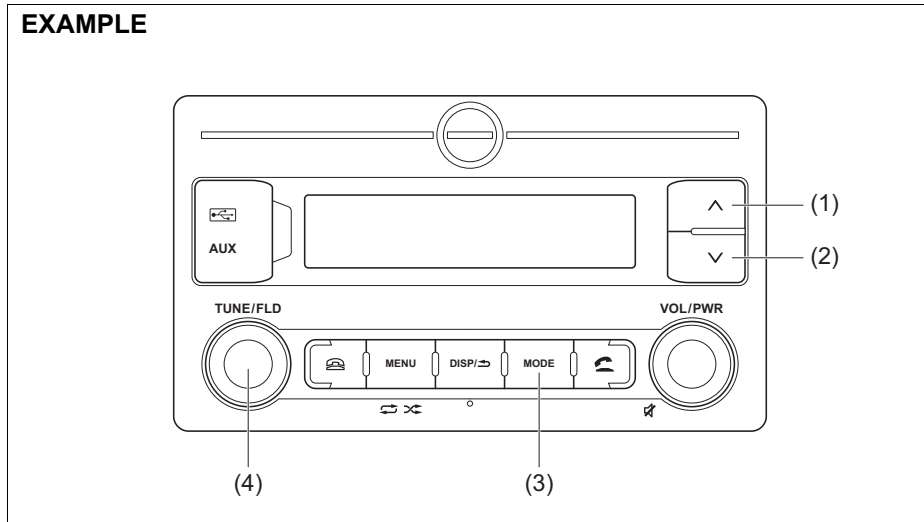
- 1) Turn "TUNE/FLD" knob (6) to select "SmartPhone APP".
- 2) Press "TUNE/FLD" knob (6) to select "ON" or "OFF".

NOTE:
An Apple device can be connected in either Bluetooth® or iPod mode. Bluetooth® mode has higher priority over iPod Mode. In case, you want to connect the Apple device on iPod mode instead and change Smartphone app setting to "OFF".

OTHER CONTROLS AND EQUIPMENT

Listening to the radio

EXAMPLE



- (1) UP button
- (2) DOWN button
- (3) "MODE" button
- (4) "TUNE/FLD" knob

- (A) Frequency
- (B) Band
- (C) Auto store mode indication
- (D) RDS data

NOTE:

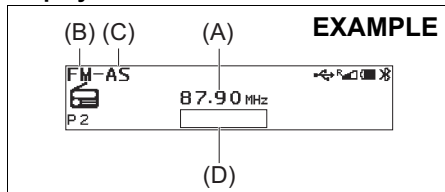
Radio Reception

Radio reception can be affected by environment, atmospheric conditions, or radio signal's power and distance from the station.

Nearby mountains and buildings may interfere or deflect radio reception, causing poor reception. Poor reception or radio static can also be caused by electric current from overhead wires or high voltage power lines.

69RH145

Display



69RM05002

Selecting the band

- 1) Press and hold "MODE" button (3) to change to the list of available modes.
- 2) Turn "TUNE/FLD" knob (4) to select "FM" or "AM", and press the knob (4) to determine the selection.

NOTE:

You can also switch the display in sequence by short pressing the "MODE" button (3).

Seek tuning

Press and hold UP button (1) or DOWN button (2) to start searching.

The unit stops searching for a station at a frequency where a broadcast station is available.

Manual tuning

Turn "TUNE/FLD" knob (4).
The frequency being received is displayed.

Preset memory

- 1) Tune to the desired station.
- 2) Press "TUNE/FLD" knob (4) to change the display to the preset channel list.
- 3) To store the station, turn "TUNE/FLD" knob (4) to select one of the channels, and press and hold the knob (4) to determine the selection.
- 4) To select station from the preset channel list, press "TUNE/FLD" knob (4) to change the display to the preset channel list.
Turn "TUNE/FLD" knob (4) to select one of the channels, and press the knob (4) to determine the selection.

NOTE:

12 stations can be stored for FM, and 6 stations can be stored for AM.

In case a station is stored over an existing preset station, previous data will be overridden.

Auto store

- 1) Press and hold "TUNE/FLD" knob (4) to start searching when in FM/AM mode. Some stations in good reception will automatically be stored to preset channel list in order, starting from a station whose frequency is the lowest.
- 2) To select station from the preset channel list, press "TUNE/FLD" knob (4) to change the display to the preset channel list while auto store mode indication (C) is displayed.

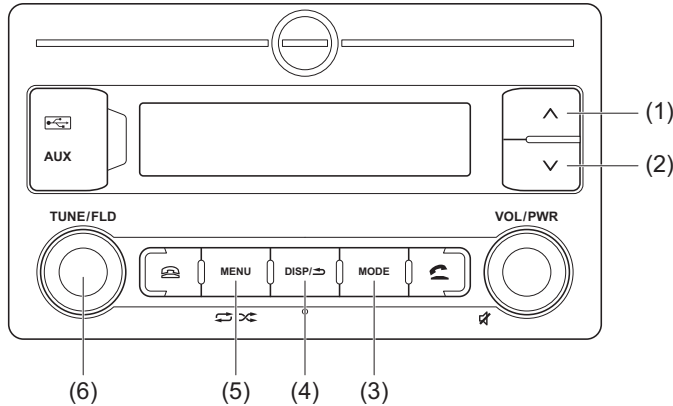
NOTE:

- *Auto Store can be cancelled by pressing the "DISP/BACK" button.*
- *When the auto store is performed, the station previously stored in the memory at the position is overwritten.*
- *6 stations can be preset for FM-AS, and 6 stations can be preset for AM-AS in auto store mode.*

OTHER CONTROLS AND EQUIPMENT

Listening to files stored in a USB device

EXAMPLE



69RH146

- (1) UP button
- (2) DOWN button
- (3) "MODE" button
- (4) "DISP/BACK" button
- (5) "MENU" button
- (6) "TUNE/FLD" knob

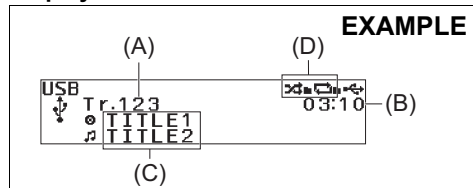
- (A) Track number
- (B) Play time
- (C) Current Active track information
(if supported by audio device)
- (D) Repeat/Random status Indication

NOTICE

Do not connect any USB device other than a USB memory or a USB audio player. Do not connect multiple USB devices to the USB connector using a USB hub, etc. Supplying power to multiple USB devices from the connector could cause overheating, smoke and permanent damage to audio system.

Display

EXAMPLE



69RM05003

Selecting a USB device mode

- 1) Press and hold "MODE" button (3) to change the display.
- 2) Turn "TUNE/FLD" knob (6) to select "USB", and press the knob (6) to determine the selection.

NOTE:
You can also switch the display in sequence by short pressing the "MODE" button (3).

Selecting a folder

Turn "TUNE/FLD" knob (6) to select the desired folder.

Selecting a track

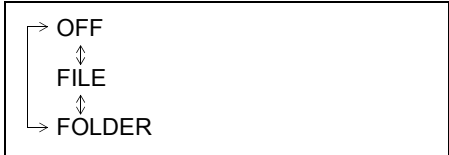
- Press UP button (1) to listen to the next track.
- Press DOWN button (2) twice to listen to the previous track.
When DOWN button (2) is pressed once, the track currently being played will start from the beginning again.

Fast forwarding/rewinding a track

- Press and hold UP button (1) to fast forward the track.
- Press and hold DOWN button (2) to fast rewind the track.
- Releasing the button can stop the fast forwarding/rewinding.

Repeat playback

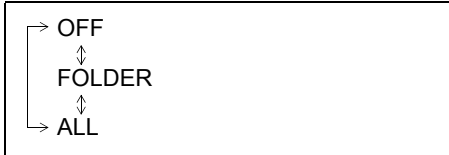
- 1) Press and hold "MENU" button (5) to change the display.
- 2) Turn "TUNE/FLD" knob (6) to select "Repeat".
- 3) Press "TUNE/FLD" knob (6) to select one of the settings as follows.



- FILE
The track currently being played will be played repeatedly.
- FOLDER
All the tracks in the folder currently selected will be played repeatedly.

Random playback

- 1) Press and hold "MENU" button (5) to change the display.
- 2) Turn "TUNE/FLD" knob (6) to select "Random".
- 3) Press "TUNE/FLD" knob (6) to select one of the settings as follows.



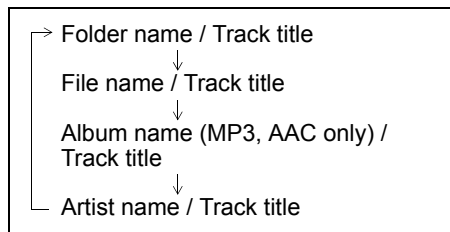
- FOLDER
The tracks in the currently selected folder will be played in random order.
- ALL
The tracks in the connected USB device will be played in random order.

OTHER CONTROLS AND EQUIPMENT

Display change

Press "DISP/BACK" button (4).

Each time the button is pressed, display will change as follows:



NOTE:

- "NO TITLE" will be displayed when there is no text information in the file currently being played.
- If text data contains more characters than the display area, ">" mark will appear at the right end.

Notes on USB device

Compatible USB devices

- USB mass storage class
For details as to whether your USB memory/USB audio is compatible with USB mass storage class, please contact the USB memory/USB audio manufacturer.
- Audio file
MP3 (.mp3) / WMA (.wma) / AAC (.m4a) / AAC (.aac)
- File system
FAT 16/32, VFAT (supporting long file name)
- USB standard compatibility
1.1/2.0 full speed
- Maximum current less than 2.1 A
- If a USB hub or extension cable is connected to the audio system, it may not be recognized. In this case, directly connect the USB device to the audio system.
- Devices such as MP3 players/mobile phones/digital cameras may not be recognized as audio systems for playing music and 'USB READ ERROR' message may be displayed.

USB device connection

- When connecting a USB device, make sure that the connector is pushed all the way into the port present on audio system.
- Depending on the USB flash drive that you are using, (non-brand product, USB flash drive that has been externally damaged) it may disable connection or cause unstable operation.
- Do not leave the USB device for long periods of time in places inside the vehicle where the temperature can rise too high.
- Back up any important data beforehand. We cannot accept responsibility for any lost data.
- It is recommended not to connect a USB device that contains data files other than MP3/WMA format.

Playing MP3/WMA/AAC files on a USB device

- Playback or display may not be possible depending on the type of USB device in use or the condition of the recording.
- Depending on the connected USB memory, the files may be played in different order from the order that the files were stored.
- The DRM (Digital Rights Management) file cannot be played.

Compatible compression formats

MP3

- Bit rate
 - MPEG1 Audio Layer III: 32 up to 320 kbps
 - MPEG2 Audio Layer III: 8 up to 160 kbps
 - MPEG2.5 Audio Layer III: 8 up to 160 kbps
- VBR: up to 384 kbps (MAX.)
- Sampling frequency
 - MPEG1 Audio Layer III: 32/44.1/48 kHz
 - MPEG2 Audio Layer III: 16/22.05/24 kHz
 - MPEG2.5 Audio Layer III: 8/11.025/12 kHz
- Channel
 - Stereo/Joint stereo/Dual channel/
 - Monaural
- ID3 tag
 - ID3v1.x/ID3v2.x

WMA

- Windows Media Audio Ver.7/Ver.8/Ver.9
 - Standard compliant
- Bit rate: 32 up to 320 kbps
- VBR: up to 384 kbps (MAX.)
- Sampling frequency: 32/44.1/48 kHz
- WMA tag: Ver.8.0
- Channel: 2 Channels

AAC

- Bit rate: 16 up to 320 kbps
- VBR: up to 320 kbps (MAX.)
- Sampling frequency: 32/44.1/48 kHz
- AAC tag: iTunes m4a metadata

Maximum number of files/folders

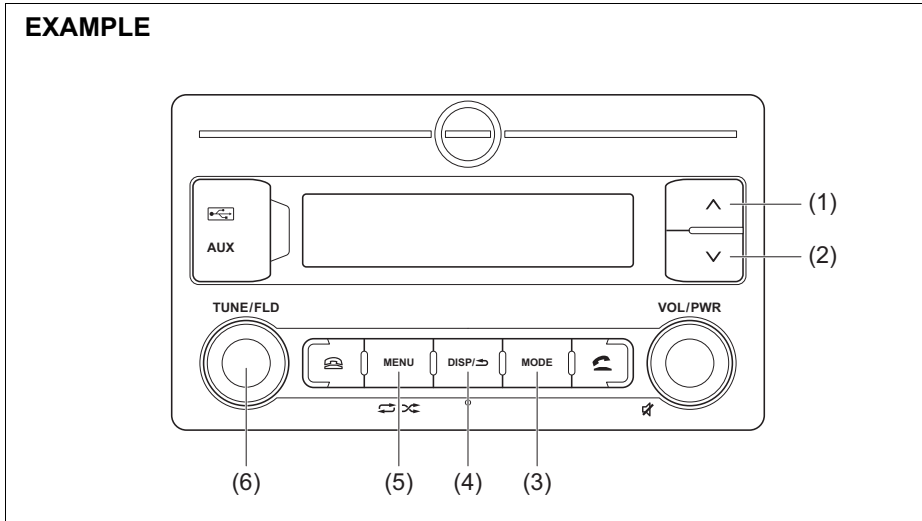
- Maximum number of files: 2500
- Maximum number of files in a folder: 255
- Maximum number of folders: 255
 - Root folder and empty folder are included.
- Maximum depth of tree structure: 8

NOTICE
Never use “.mp3”, “.wma” or “.m4a” as a file name extension if it is not in the MP3/WMA/AAC format file. Failure to observe this may result in damage to the speaker due to noise production.

OTHER CONTROLS AND EQUIPMENT

Listening to an iPod

EXAMPLE



69RH146

- (1) UP button
- (2) DOWN button
- (3) "MODE" button
- (4) "DISP/BACK" button
- (5) "MENU" button
- (6) "TUNE/FLD" knob

- (A) Track number
- (B) Play time
- (C) Current Active track information
(if supported by audio device)

Selecting an iPod mode

- 1) Press and hold "MODE" button (3) to change the display.
- 2) Turn "TUNE/FLD" knob (6) to select "iPod", and press the knob (6) to determine the selection.

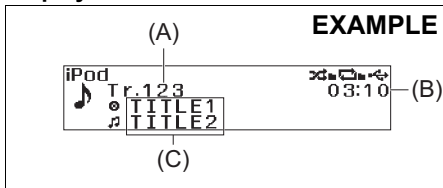
NOTE:

You can also switch the display in sequence by short pressing the "MODE" button (3).

Selecting a track

- Press UP button (1) to listen to the next track.
 - Press DOWN button (2) twice to listen to the previous track.
- When DOWN button (2) is pressed once, the track currently being played will start from the beginning again.

Display



69RH159

Fast forwarding/rewinding a track

- Press and hold UP button (1) to fast forward the track.
- Press and hold DOWN button (2) to fast rewind the track.
- Releasing the button can stop the fast forwarding/rewinding.

Repeat playback

- 1) Press and hold "MENU" button (5) to change the display.
- 2) Turn "TUNE/FLD" knob (6) to select "Repeat".
- 3) Press "TUNE/FLD" knob (6) to select one of the settings as follows.



- FOLDER
All the tracks in the folder currently selected will be played repeatedly.
- SONG
The track currently being played will be played repeatedly.

NOTE:
Settings may be displayed depending on the model of iPod.

Random playback

- 1) Press and hold "MENU" button (5) to change the display.
- 2) Turn "TUNE/FLD" knob (6) to select "Random".
- 3) Press "TUNE/FLD" knob (6) to select one of the settings as follows.

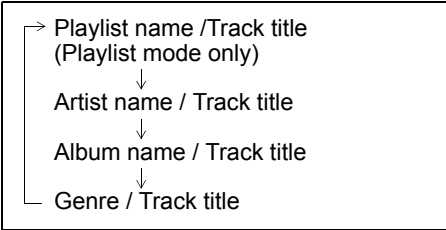


- SONG
The tracks in the iPod will be played in random order.

NOTE:
Settings may be displayed depending on the model of iPod.

Display change

Press "DISP/BACK" button (4). Each time the button is pressed, display will change as follows:



- NOTE:*
- "NO TITLE" will be displayed when there is no text information in the file currently being played.
 - If text data contains more characters than the display area, ">" mark will appear at the right end.

Selecting a category

Categories such as Artist, Album, Podcast, Genre, Audiobook, Playlist, Song may be displayed depending on the model of iPod.

- 1) Press and hold "TUNE/FLD" knob (6) to change the display.
- 2) Turn "TUNE/FLD" knob (6) to select one of the categories, and press the knob (6) to determine the selection.

OTHER CONTROLS AND EQUIPMENT

Notes on iPod/iPhone

Made for iPod/iPhone

- iPod touch (6th generation)*
- iPod touch (5th generation)*
- iPod nano (7th generation)*
- iPhone 8 Plus
- iPhone 8
- iPhone 7 Plus
- iPhone 7
- iPhone SE
- iPhone 6s Plus
- iPhone 6s
- iPhone 6 Plus
- iPhone 6
- iPhone 5s
- iPhone 5c
- iPhone 5

* Some functions may not be available depending on the model of iPod.

iPod



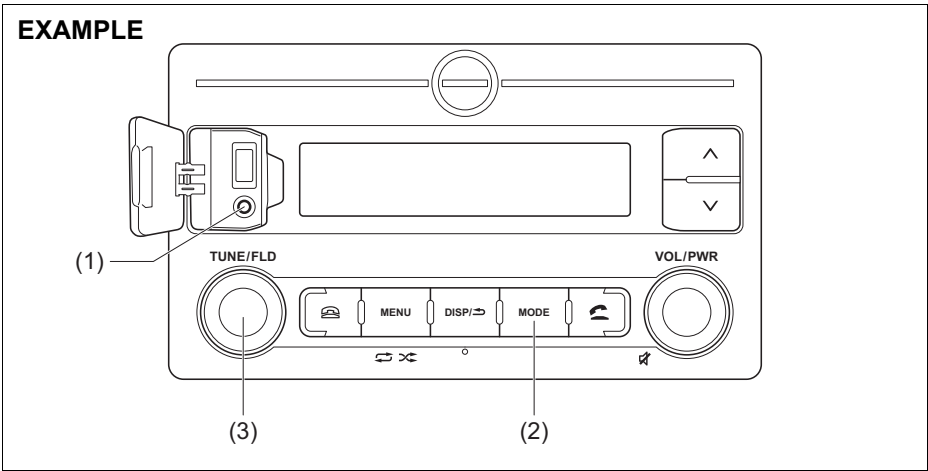
69RH201

- Made for Apple badge means that an accessory has been designed to connect specifically to the Apple product(s) identified in the badge, and has been certified by the developer to meet Apple performance standards. Apple is not responsible for the operation of this device or its compliance with safety and regulatory standards.
- Please note that the use of this accessory with an Apple product may affect wireless performance.
- Apple, iPod touch, iPod nano, iPhone, and Lightning are trademarks of Apple Inc., registered in the U.S. and other countries.

NOTE:

Please do not connect iPod accessory such as iPod remote control or headphones while connecting the iPod with the unit. Unit may not operate correctly.

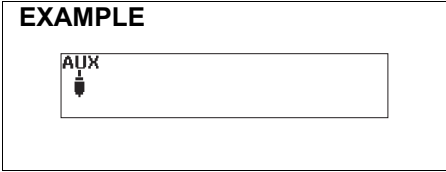
AUX function



- (1) AUX socket
- (2) "MODE" button
- (3) "TUNE/FLD" knob

69RH147

Display



69RH160

AUX connection

To listen to auxiliary audio sources (sold separately) through the unit, follow the instruction below.

- 1) Connect the auxiliary audio source to the AUX socket (1) with an AUX cable.
- 2) Press and hold "MODE" button (2) to change the display.
- 3) Turn "TUNE/FLD" knob (3) to select "AUX", and press the knob (3) to determine the selection.

NOTE:

You can also switch the display in sequence by short pressing the "MODE" button (2).

OTHER CONTROLS AND EQUIPMENT

CAUTION

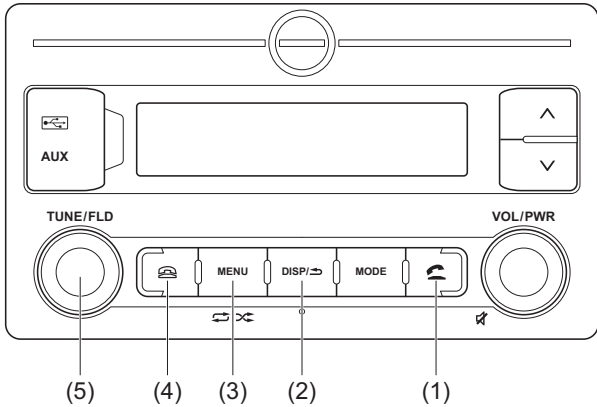
- Before connection, mute the unit, and also keep the volume of the auxiliary audio source within a range that will not cause distortion.
- When the audio source is turned off, noise may be emitted. Be sure to turn off the unit or switch to another mode before turning off the audio source.

NOTE:

- *Please consult your place of purchase for details about whether a given auxiliary audio source can be connected and the proper auxiliary cord to use.*
- *The volume and tone controls of the auxiliary audio source can be adjusted on the unit.*
- *In AUX mode, the volume which is set is different from another mode.*

Setting of Bluetooth® devices

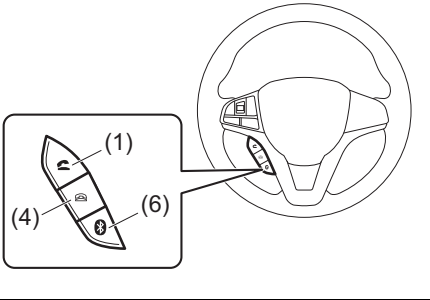
EXAMPLE



69RH185

Steering switch (if equipped)

EXAMPLE



69RM05004

- (1) OFF HOOK button
- (2) "DISP/BACK" button
- (3) "MENU" button
- (4) ON HOOK button
- (5) "TUNE/FLD" knob
- (6) Bluetooth® setting button

⚠ WARNING

Do not register or set the Bluetooth® device while driving. Stop your vehicle in a safe area before registering the device.

Bluetooth® related settings can be entered only when the vehicle is in stationary condition.

OTHER CONTROLS AND EQUIPMENT

Registration of Bluetooth® devices

To use Bluetooth® devices (Bluetooth® audio or mobile phone) on the audio system, it is required to register the Bluetooth® devices to the audio system. Up to 5 Bluetooth® devices can be registered.

NOTE:

- *Certain functions cannot be used depending on the Bluetooth® device.*
- *Refer to the instruction manual of your Bluetooth® device regarding the operation method of Bluetooth®.*
- *If the pairing cannot be established, the connection operation is canceled. For the Bluetooth® device pairing method, refer to the instruction manual of your Bluetooth® device or try pairing again.*

- 1) Press “MENU” button (3). Setup menu will be displayed.
- 2) Turn “TUNE/FLD” knob (5) to select “Bluetooth Settings”, and press the knob (5) to determine the selection.
- 3) Turn “TUNE/FLD” knob (5) to select “Pairing”, and press the knob (5) to determine the selection.
- 4) Turn “TUNE/FLD” knob (5) to select “Name & Passkey”, and press the knob (5) to determine the selection.

NOTE:

If you have no Bluetooth® device to be registered, you can also switch the display to “Pairing Name” and “Passkey” at once by pressing the Bluetooth® setting button (6),

OFF HOOK button (1) or ON HOOK button (4).

- 5) Operate and register the Bluetooth® device.

Secure Simple Pairing (SSP) incompatible Bluetooth® device:

Enter the passkey into the Bluetooth® device.

Secure Simple Pairing (SSP) compatible Bluetooth® device:

Select “Yes” to register the Bluetooth® device.

It is possible to automatically register devices depending on the type of Bluetooth® device.

NOTE:

If the Bluetooth® device contains music player and mobile phone function, both functions will be registered simultaneously. When deleting a Bluetooth® device, both functions will be deleted simultaneously.

Selection from the Bluetooth® phone list

The list of paired mobile phones is displayed and the various settings can be changed.

- 1) Press “MENU” button (3). Setup menu will be displayed.
- 2) Turn “TUNE/FLD” knob (5) to select “Bluetooth Settings”, and press the knob (5) to determine the selection.
- 3) Turn “TUNE/FLD” knob (5) to select “Pairing”, and press the knob (5) to determine the selection.

NOTE:

If you have the mobile phone which currently connected, you can also switch the display to “Pairing” at once by pressing the Bluetooth® setting button (6).

- 4) Turn “TUNE/FLD” knob (5) to select “Pairing Phone List”, and press the knob (5) to determine the selection.

- 5) Turn “TUNE/FLD” knob (5) to select one of the registered mobile phones, and press the knob (5) to determine the selection.

NOTE:

“>>” mark appears at the left end of the currently connected mobile phone.

- 6) Turn “TUNE/FLD” knob (5) to select one of the settings as follows, and press the knob (5) to determine the selection.

- “Connect”:
Connect a registered mobile phone.
- “Disconnect”:
Disconnect a registered mobile phone.
- “Delete”:
Delete a registered mobile phone.

NOTE:

If a device is deleted from phone list, it will be deleted from audio list as well.

Selection from the Bluetooth® audio list

The list of paired Bluetooth® audio is displayed and the various settings can be changed.

- 1) Press “MENU” button (3). Setup menu will be displayed.
- 2) Turn “TUNE/FLD” knob (5) to select “Bluetooth Settings”, and press the knob (5) to determine the selection.
- 3) Turn “TUNE/FLD” knob (5) to select “Pairing”, and press the knob (5) to determine the selection.

NOTE:

If you have the Bluetooth® audio which currently connected, you can also switch the display to “Pairing” at once by pressing the Bluetooth® setting button (6).

- 4) Turn “TUNE/FLD” knob (5) to select “Pairing Audio List”, and press the knob (5) to determine the selection.
- 5) Turn “TUNE/FLD” knob (5) to select one of the registered Bluetooth® audio devices, and press the knob (5) to determine the selection.

NOTE:

“>>” mark appears at the left end of the currently connected Bluetooth® audio.

- 6) Turn “TUNE/FLD” knob (5) to select one of the settings as follows, and press the knob (5) to determine the selection.

- “Connect”:
Connect a registered Bluetooth® audio.

- “Disconnect”:
Disconnect a registered Bluetooth® audio.
- “Delete”:
Delete a registered Bluetooth® audio.

NOTE:

If a device is deleted from audio list, it will be deleted from phone list as well.

Managing paired devices

The devices paired with the audio unit can be managed from the “Bluetooth® settings” screen. You can connect one Bluetooth® device as audio and another Bluetooth® device as phone from registered Bluetooth® devices simultaneously.

Change of passkey

- 1) Press “MENU” button (3). Setup menu will be displayed.
- 2) Turn “TUNE/FLD” knob (5) to select “Bluetooth Settings”, and press the knob (5) to determine the selection.
- 3) Turn “TUNE/FLD” knob (5) to select “Pairing”, and press the knob (5) to determine the selection.

NOTE:

If you have the Bluetooth® device which currently connected, you can also switch the display to “Pairing” at once by pressing the Bluetooth® setting button (6).

- 4) Turn “TUNE/FLD” knob (5) to select “Edit Passkey”, and press the knob (5) to determine the selection.

- 5) Turn “TUNE/FLD” knob (5) to select a number for the first digit, and press the knob (5) to determine the selection. Select and determine numbers for from the second to fourth digits in order in the same manner.
- 6) Press “TUNE/FLD” knob (5) to determine the passkey setting.

Automatic connection with the Bluetooth® device

If the “BT Power” is set to “ON”, turning the ignition switch to “ON” position will automatically connect the registered Bluetooth® device.

- With the automatic connection, the Bluetooth® device that was connected last will be prioritized.

- 1) Press “MENU” button (3). Setup menu will be displayed.
- 2) Turn “TUNE/FLD” knob (5) to select “Bluetooth Settings”, and press the knob (5) to determine the selection.
- 3) Turn “TUNE/FLD” knob (5) to select “Initial Settings”, and press the knob (5) to determine the selection.
- 4) Turn “TUNE/FLD” knob (5) to select “BT Power”.
- 5) Press “TUNE/FLD” knob (5) to select “ON” or “OFF”.

NOTE:

- When “BT Power” is set to “OFF”, the audio system disconnects from the registered Bluetooth® device.

OTHER CONTROLS AND EQUIPMENT

- If “BT Power” is set to “OFF”, the audio system will not automatically reconnect the next time the ignition is switched on.

The device status will be displayed

- 1) Press “MENU” button (3). Setup menu will be displayed.
- 2) Turn “TUNE/FLD” knob (5) to select “Bluetooth Settings”, and press the knob (5) to determine the selection.
- 3) Turn “TUNE/FLD” knob (5) to select “Pairing”, and press the knob (5) to determine the selection.

NOTE:

If you have the Bluetooth® device which currently connected, you can also switch the display to “Pairing” at once by pressing the Bluetooth® setting button (6).

- 4) Turn “TUNE/FLD” knob (5) to select “Device Information”, and press the knob (5) to determine the selection. The device name and address will be displayed.

Initialize Bluetooth® settings

It is possible to initialize the Bluetooth® settings.

CAUTION

- Do not initialize the settings while driving. Stop your vehicle in a safe area before initializing the device.
- Initialize with caution. Initialized settings cannot be restored.

- 1) Press “MENU” button (3). Setup menu will be displayed.
- 2) Turn “TUNE/FLD” knob (5) to select “Bluetooth Settings”, and press the knob (5) to determine the selection.
- 3) Turn “TUNE/FLD” knob (5) to select “Initial Settings”, and press the knob (5) to determine the selection.
- 4) Turn “TUNE/FLD” knob (5) to select “Initialize BT”, and press the knob (5) to determine the selection.
- 5) Turn “TUNE/FLD” knob (5) to select “YES”, and press the knob (5) to determine the selection.

- Items to be initialized:
 - BT Power
 - Talk Volume
 - Ring Volume

Notes on Bluetooth®



73R0209

- The Bluetooth® word mark and logos are registered trademarks owned by Bluetooth SIG, Inc. and any use of such marks by Panasonic Corporation is under license. Other trademarks and trade names are those of their respective owners.
This telecommunication equipment con-

forms to the requirements of the National Telecommunications Commission.

- Stop using this unit and a Bluetooth® ready device whenever requested. This unit shares the communication frequency with other private or public wireless communication equipment such as a wireless LAN and other wireless communication radios.

You should stop using this unit immediately whenever you are notified that your unit disturbs other wireless communication.

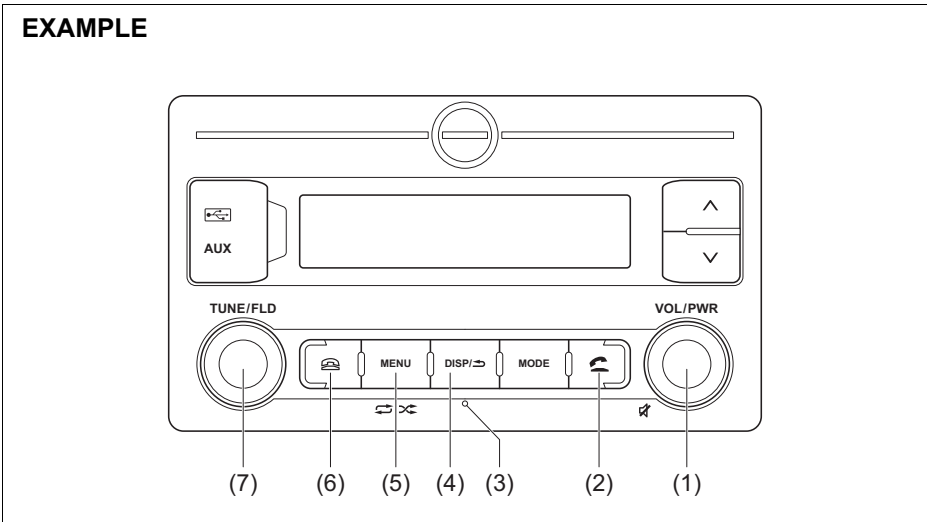
Profile

- SSP (Secure Simple Pairing)
- PBAP (Phone Book Access Profile)
- OPP (Object Push Profile)
- HFP (Hand-Free Profile)
- A2DP (Advanced Audio Distribution Profile)
- AVRCP (Audio/Video Remote Control Profile)
- SPP (Serial Port Profile)

NOTE:

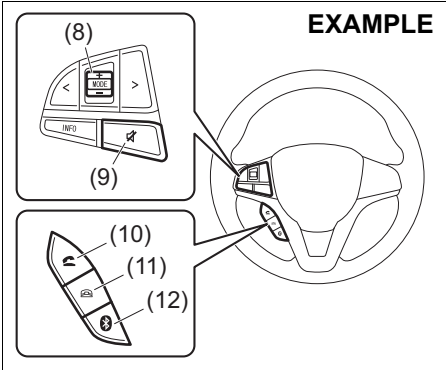
- After the Audio system is turned ON, it takes a few seconds to detect and set up Bluetooth® related settings.
- For Bluetooth related issues, unpair, restart your smartphone and try again.

Bluetooth® hands-free



69RH187

Steering switch (if equipped)



69RH188

- (1) "VOL/PWR" knob
- (2) OFF HOOK button (on audio)
- (3) Microphone
- (4) "DISP/BACK" button
- (5) "MENU" button
- (6) ON HOOK button (on audio)
- (7) "TUNE/FLD" knob
- (8) Volume button
- (9) Mute button
- (10) OFF HOOK button (on steering wheel)
- (11) ON HOOK button (on steering wheel)
- (12) Bluetooth® setting button

OTHER CONTROLS AND EQUIPMENT

NOTICE

- Do not leave your mobile phone inside your vehicle. If the temperature inside the vehicle increases, it may damage your mobile phone.
- When disposing your vehicle, make sure to delete all personal information saved to the audio system.
- The following hands-free data must be deleted from the audio system.
 - Speed dial
 - Reception history/Incoming call history
 - Bluetooth® phonebook data

NOTE:

- Please keep your phone volume low. The person's voice who you are talking to may be heard outside of the vehicle and increase the voice echo. When talking on the phone, speak clearly towards the microphone.
- In the following cases, your voice may not be heard clearly by the person on the other line:
 - When driving on unpaved roads. (If there is loud traffic noise.)
 - When driving at high speeds.
 - When driving with the window open.
 - If the air conditioner is blowing directly towards the microphone.
 - When the sound of the air conditioner fan is loud.

- When there is an adverse effect to the sound quality of the phone or network that you are using.
- The audio system may not function under the following conditions.
 - When the phone power is not turned on.
 - When the mobile phone is out of service.
 - When the mobile phone is not connected.
 - When the mobile phone battery is low
- The Bluetooth®'s hands-free operation is dependent upon the mobile phone's compatibility.
- The Bluetooth®'s hands-free performance is affected by the driving conditions of mobile phone networks, handsets and vehicles.
- The audio system's performance may be restricted due to the model of your mobile phone.
- Bluetooth®, phone battery level and network signal strength status are displayed only when a phone is connected to the system.
- The information depends on status received from the phone.
- The call, contact synchronization action is controlled from the smartphone.

To use the hands-free function with this unit, it is required to register the phone in advance.

It is possible to register a mobile phone and register the phone number to the audio system as follows:

- Up to 1,000 phone numbers can be saved for every registered mobile phone.
- Up to 30 phone numbers of the latest calls can be stored. (30 calls including missed, received and dialed call).
 - When the call history exceeds 30 calls, they are deleted from the oldest one first, and the latest call history information is displayed in descending order.
- Up to 6 phone numbers can be saved to the speed dial list.
- When attempts to establish the pairing fail within 60 seconds, the connecting operation will be canceled. Try to establish the pairing again or refer to the manual of the phone in use for how to establish the pairing with the phone.

Answer the phone

Press OFF HOOK button (2) or (10).

- When you press the ON HOOK button (6) or (11) during an incoming call, you can block the call. (Only for compatible phone units)

NOTE:

- If you receive a call from a registered phone, the caller's name will appear on the screen.
- If you receive a call from an unregistered phone, only the caller's phone number will appear on the screen.

Hang up the phone

When the call is finished, press the ON HOOK button (6) or (11).

Call waiting

When a phone call is interrupted by a second call, it is possible to hold the current call and answer the other incoming call.

To talk to incoming call:

- Press the OFF HOOK button (10) or (2). The current call will be put on hold.
- Every time you press OFF HOOK button (10) or (2), the phone call will be switched to the call which was put on hold.
- When the current call is completed, the call which was put on hold will connect.

To refuse the incoming call:

- Press the ON-HOOK button (11) or (6).

NOTE:

This function can only be used with phone units that are compatible with call waiting.

Move call to Private mode

If you wish to move a call to private mode, press the "DISP/BACK" button (4).

To move the call back to Handsfree mode, press the OFF/ON hook button.

Mute the reception volume

Press "VOL/PWR" knob (1) or mute button (9).

- To deactivate the mute volume, press "VOL/PWR" knob (1) or mute button (9) again.

Adjust the reception volume

- Turn "VOL/PWR" knob (1) during a call. Turning it clockwise increases the volume; turning it counterclockwise decreases the volume.
- Press volume button (8) during a call. Pressing the button up increases the volume; pressing the button down decreases the volume.

NOTE:

The volume and microphone sensitivity settings vary depending on the specifications of each mobile phone.

Adjust the ringtone volume

- Turn "VOL/PWR" knob (1) during an incoming call. Turning it clockwise increases the volume; turning it counterclockwise decreases the volume.
- Press volume button (8) during an incoming call. Pressing the button up

increases the volume; pressing the button down decreases the volume.

Adjust the volume with the Bluetooth® settings

- 1) Press "MENU" button (5). Setup menu will be displayed.
- 2) Turn "TUNE/FLD" knob (7) to select "Bluetooth Settings", and press the knob (7) to determine the selection.
- 3) Turn "TUNE/FLD" knob (7) to select "Initial Settings", and press the knob (7) to determine the selection.
- 4) Turn "TUNE/FLD" knob (7) to select "Talk volume" or "Ring volume", and press the knob (7) to determine the selection.
- 5) Turn "TUNE/FLD" knob (7) to adjust the volume, and press the knob (7) to determine the selection.

Make a call

Press the OFF HOOK button (2) or (10) to enter the telephone mode.

Use the phonebook

- 1) Turn "TUNE/FLD" knob (7) to select "Contacts", and press the knob (7) to determine the selection.
- 2) Turn "TUNE/FLD" knob (7) to select the desired initials, and press the knob (7) to determine the selection.
- 3) Turn "TUNE/FLD" knob (7) to select the desired name, and press the knob (7) to determine the selection.

OTHER CONTROLS AND EQUIPMENT

- 4) Turn "TUNE/FLD" knob (7) to select the desired phone number, and press the knob (7) or OFF HOOK button (2) or (10).

Use the call history

- 1) Turn "TUNE/FLD" knob (7) to select "Call Log", and press the knob (7) to determine the selection.
- 2) Turn "TUNE/FLD" knob (7) to select "All", "Missed", "Dialed" or "Received", and press the knob (7) to determine the selection.
- 3) Turn "TUNE/FLD" knob (7) to select the desired name or phone number, and press the knob (7) or OFF HOOK button (2) or (10).

Use the speed dial

- 1) Turn "TUNE/FLD" knob (7) to select "Speed Dial", and press the knob (7) to determine the selection.
- 2) Turn "TUNE/FLD" knob (7) to select the desired name or phone number, and press the knob (7) or OFF HOOK button (2) or (10).

NOTE:

Speed dial numbers must be registered before this function can be used.

Transfer all contacts from your mobile phone

- 1) Press "MENU" button (5). Setup menu will be displayed.
- 2) Turn "TUNE/FLD" knob (7) to select "Bluetooth Settings", and press the knob (7) to determine the selection.
- 3) Turn "TUNE/FLD" knob (7) to select "Dial", and press the knob (7) to determine the selection.
- 4) Turn "TUNE/FLD" knob (7) to select "Setup Contacts", and press the knob (7) to determine the selection.
- 5) Turn "TUNE/FLD" knob (7) to select "Overwrite", and press the knob (7) to determine the selection.
- 6) Turn "TUNE/FLD" knob (7) to select "YES", and press the knob (7) to determine the selection.

Delete the registered phonebook

- 1) Press "MENU" button (5). Setup menu will be displayed.
- 2) Turn "TUNE/FLD" knob (7) to select "Bluetooth Settings", and press the knob (7) to determine the selection.
- 3) Turn "TUNE/FLD" knob (7) to select "Dial", and press the knob (7) to determine the selection.
- 4) Turn "TUNE/FLD" knob (7) to select "Setup Contacts", and press the knob (7) to determine the selection.
- 5) Turn "TUNE/FLD" knob (7) to select "Delete Contacts", and press the knob (7) to determine the selection.

- 6) Turn "TUNE/FLD" knob (7) to select "YES", and press the knob (7) to determine the selection.

Delete the call history

- 1) Press "MENU" button (5). Setup menu will be displayed.
- 2) Turn "TUNE/FLD" knob (7) to select "Bluetooth Settings", and press the knob (7) to determine the selection.
- 3) Turn "TUNE/FLD" knob (7) to select "Dial", and press the knob (7) to determine the selection.
- 4) Turn "TUNE/FLD" knob (7) to select "Setup Contacts", and press the knob (7) to determine the selection.
- 5) Turn "TUNE/FLD" knob (7) to select "Delete Call Log", and press the knob (7) to determine the selection.
- 6) Turn "TUNE/FLD" knob (7) to select "YES", and press the knob (7) to determine the selection.

Registration in speed dial

- 1) Press "MENU" button (5). Setup menu will be displayed.
- 2) Turn "TUNE/FLD" knob (7) to select "Bluetooth Settings", and press the knob (7) to determine the selection.
- 3) Turn "TUNE/FLD" knob (7) to select "Dial", and press the knob (7) to determine the selection.
- 4) Turn "TUNE/FLD" knob (7) to select "Add Speed Dial", and press the knob (7) to determine the selection.

- 5) Turn "TUNE/FLD" knob (7) to select "Add/Modify", and press the knob (7) to determine the selection.
- 6) Turn "TUNE/FLD" knob (7) to select the desired speed dial number, and press the knob (7) to determine the selection.
- 7) Turn "TUNE/FLD" knob (7) to select the desired initials, and press the knob (7) to determine the selection.
- 8) Turn "TUNE/FLD" knob (7) to select the desired name, and press the knob (7) to determine the selection.
- 9) Turn "TUNE/FLD" knob (7) to select the desired Phone number, and press the knob (7) to determine the selection.
- 10) Turn "TUNE/FLD" knob (7) to select "YES", and press the knob (7) to determine the selection.

Deletion of speed dial

- 1) Press "MENU" button (5). Setup menu will be displayed.
- 2) Turn "TUNE/FLD" knob (7) to select "Bluetooth Settings", and press the knob (7) to determine the selection.
- 3) Turn "TUNE/FLD" knob (7) to select "Dial", and press the knob (7) to determine the selection.
- 4) Turn "TUNE/FLD" knob (7) to select "Add Speed Dial", and press the knob (7) to determine the selection.
- 5) Turn "TUNE/FLD" knob (7) to select "Delete", and press the knob (7) to determine the selection.
- 6) Turn "TUNE/FLD" knob (7) to select "Delete All" or "Delete Contact", and

press the knob (7) to determine the selection.

- If you select "Delete Contact", select the name for delete.

- 7) Turn "TUNE/FLD" knob (7) to select "YES", and press the knob (7) to determine the selection.

Automatic transfer of the phonebook/ call history

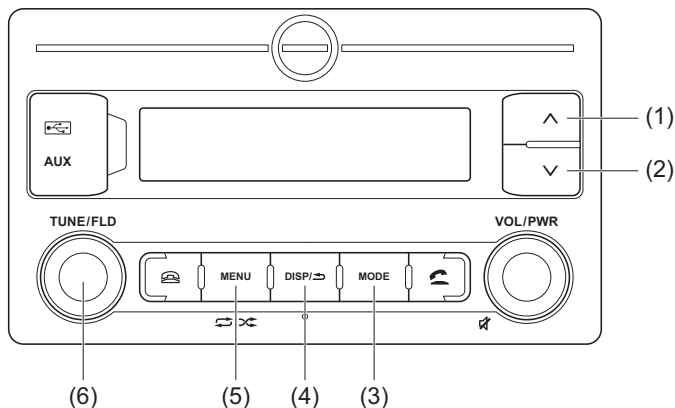
When registering the mobile phone, you can select to automatically transfer the phonebook and call history from your device each time after phone is connected. Select according to the following steps.

- 1) Press "MENU" button (5). Setup menu will be displayed.
- 2) Turn "TUNE/FLD" knob (7) to select "Bluetooth Settings", and press the knob (7) to determine the selection.
- 3) Turn "TUNE/FLD" knob (7) to select "Dial", and press the knob (7) to determine the selection.
- 4) Turn "TUNE/FLD" knob (7) to select "Setup Contacts", and press the knob (7) to determine the selection.
- 5) Turn "TUNE/FLD" knob (7) to select "Auto Transfer".
- 6) Press "TUNE/FLD" knob (7) to select "ON" or "OFF".

OTHER CONTROLS AND EQUIPMENT

Bluetooth® audio

EXAMPLE



69RH146

- (1) UP button
- (2) DOWN button
- (3) "MODE" button
- (4) "DISP/BACK" button
- (5) "MENU" button
- (6) "TUNE/FLD" knob

- (A) Track number
- (B) Play time
- (C) Text information display

NOTE:

Some functions may not be usable on some Bluetooth® devices.

Selecting Bluetooth® audio mode

- 1) Press and hold "MODE" button (3) to change the display.
- 2) Turn "TUNE/FLD" knob (6) to select "Bluetooth", and press the knob (6) to determine the selection.

NOTE:

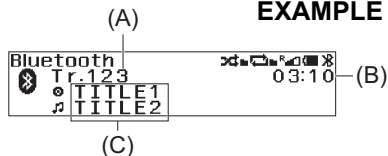
You can also switch the display in sequence by short pressing the "MODE" button (3).

Selecting a group (only for supported models)

Turn "TUNE/FLD" knob (6) to select a group.

Display

EXAMPLE



69RH161

Selecting a track

- Press UP button (1) to listen to the next track.
- Press DOWN button (2) twice to listen to the previous track.
When DOWN button (2) is pressed once, the track currently being played will start from the beginning again.

Fast forwarding/rewinding a track

- Press and hold UP button (1) to fast forward the track.
- Press and hold down DOWN button (2) to fast rewind the track.
- Releasing the button can stop the fast forwarding/rewinding.

Repeat playback (if supported by device)

- 1) Press and hold "MENU" button (5) to change the display.
- 2) Turn "TUNE/FLD" knob (6) to select "Repeat".
- 3) Press "TUNE/FLD" knob (6) to select one of the settings as follows.



- SONG
The track currently being played will be played repeatedly.

- GROUP
All the tracks in the group currently selected will be played repeatedly.

NOTE:
Settings may be displayed depending on the Bluetooth® device.

Random playback (if supported by device)

- 1) Press and hold "MENU" button (5) to change the display.
- 2) Turn "TUNE/FLD" knob (6) to select "Random".
- 3) Press "TUNE/FLD" knob (6) to select one of the settings as follows.

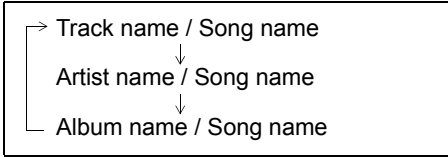


- GROUP
The tracks in the currently selected group will be played in random order.
- ALL
The tracks in the connected device will be played in random order.

NOTE:
Settings may be displayed depending on the Bluetooth® device.

Display change

Press "DISP/BACK" button (4). Each time the button is pressed, display will change as follows:



- NOTE:*
- "NO TITLE" will be displayed when there is no text information in the device currently being played.
 - If text data contains more characters than the display area, ">" mark will appear at the right end.

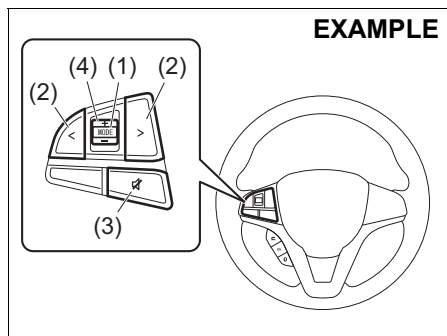
OTHER CONTROLS AND EQUIPMENT

Disclaimer for Bluetooth® function

- Depending on the mobile phone models, some phones may not be compatible fully or partially (some function may be restricted).
- Media playback and handsfree calling through third-party applications is not guaranteed and may have limited support.
- Playback, display contents, connectivity or voice quality etc. may get affected depending on circumstances.
- After the ignition switch is turned to “ON” position the audio system takes few seconds to detect and connect to the Bluetooth® device (if already paired).
- Make sure that you are aware of all applicable local laws and accordingly use Bluetooth® device.

Steering switch (if equipped)

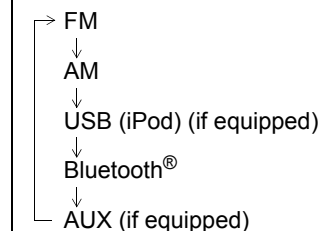
Use the steering wheel button to operate the basic functions of the audio system.



- (1) “MODE” button
- (2) Selection button
 - Selecting the radio station
 - Selecting the track (USB (iPod), Bluetooth® audio mode)
- (3) Mute button
- (4) Volume button

“MODE” button (1)

Each time the button is pressed, the mode will change as follows:



Selection button (2)

- FM, AM mode:
 - Press “>” to transfer to the next preset channel.
 - Press “<” to transfer to the previous preset channel.
 - Press “>” for 1 second or longer, it will search for receivable stations at a high frequency.
 - Press “<” for 1 second or longer, it will search for receivable stations at a low frequency.
- USB (iPod), Bluetooth® audio mode:
 - Press “>” to transfer to the next song. With the folder operation mode, it will transfer to the next folder.

- Press “<” to return to the beginning of the currently playing song. Pressing it twice consecutively will return to the previous song.
With the folder operation mode, it will return to the previous folder.
- Press “>” for 1 second or longer to fast-forward the song.
When the button is released, it will stop fast-forwarding.
- Press “<” for 1 second or longer to rewind the song.
Releasing the button can stop rewinding.

Mute button (3)

- Hands-free/iPod mode:
Each time you press the button the mute will switch from ON/OFF.
- USB mode:
Press the button during playback to temporarily stop the playback.

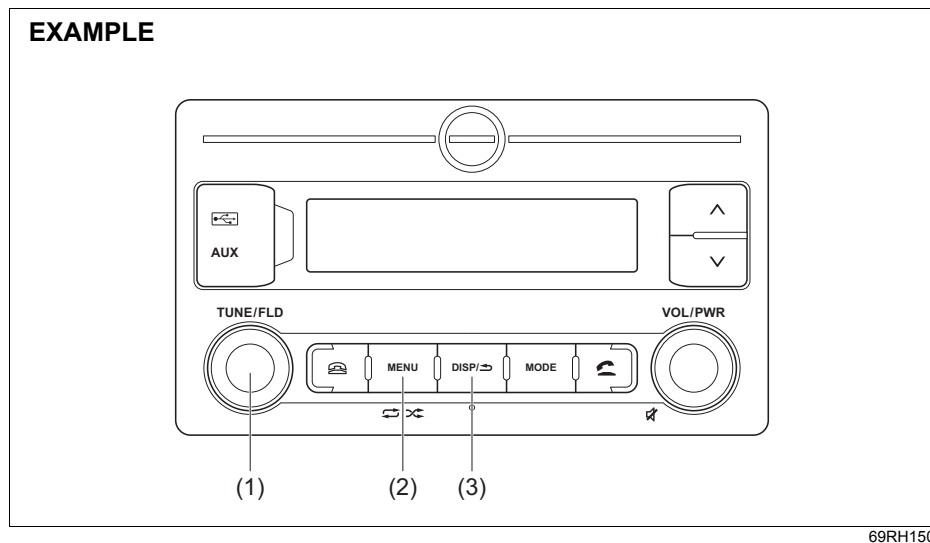
Volume button (4)

- Hands-free mode:
 - Press “+” during an outgoing or incoming call, the reception/ringtone sound will increase.
 - Press “-” during an outgoing or incoming call, the reception/ringtone sound will decrease.
 - Press “+” during an outgoing call, the ringtone sound will increase.
 - Press “-” during an outgoing call, the ringtone sound will decrease.
- Radio, USB (iPod), Bluetooth® audio, AUX mode:
 - Press “+”, the volume will increase.
 - Press “-”, the volume will decrease.

OTHER CONTROLS AND EQUIPMENT

Anti-theft feature

EXAMPLE



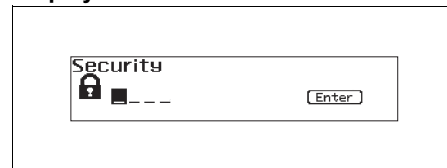
- (1) "TUNE/FLD" knob
- (2) "MENU" button
- (3) "DISP/BACK" button

The anti-theft function is intended to discourage thefts, such as that the audio system becomes inoperable when it is installed on other vehicles.

This function works by entering a Personal Identification Number (PIN).

When the unit is disconnected from its power source, such as when the audio system is removed or the battery is disconnected, the unit will become inoperable until the PIN is reentered.

Display



Setting the anti-theft function

- 1) Press "MENU" button (2). Setup menu will be displayed.
- 2) Turn "TUNE/FLD" knob (1) to select "System Settings", and press the knob (1) to determine the selection.
- 3) Turn "TUNE/FLD" knob (1) to select "Security", and press the knob (1) to determine the selection.
- 4) Turn "TUNE/FLD" knob (1) to select "ON", and press the knob (1). "----" will be displayed.
- 5) Enter a 4-digit number to be registered as PIN by turning and pressing the "TUNE/FLD" knob (1).
- 6) After entering 4-digit number, press "TUNE/FLD" knob (1) on "Enter" indication. "Do you want to set XXXX as password" will be displayed.
- 7) Turn "TUNE/FLD" knob (1) to select "YES", and press the knob (1). "XXXX is set as password" will be displayed and the anti-theft function will be set.

NOTE:

Take a note of the registered PIN and keep it for the future use.

Canceling the anti-theft feature

To cancel the anti-theft function, delete the registered PIN.

- 1) Press "MENU" button (2). Setup menu will be displayed.
- 2) Turn "TUNE/FLD" knob (1) to select "System Settings", and press the knob (1) to determine the selection.
- 3) Turn "TUNE/FLD" knob (1) to select "Security", and press the knob (1) to determine the selection.
- 4) Turn "TUNE/FLD" knob (1) to select "OFF", and press the knob (1). "----" will be displayed.
- 5) Enter a 4-digit number to be registered as PIN by turning and pressing the "TUNE/FLD" knob (1).
- 6) After entering 4-digit number, press "TUNE/FLD" knob (1) on "Enter" indication. The anti-theft function will be canceled.

NOTE:
To change your PIN, first delete your current PIN, and then set a new one.

Confirming the Personal Identification Number (PIN)

When the main power source is disconnected such as when the battery is replaced, etc, it is required to enter the PIN to make the unit operable again.

- 1) Set the ignition switch to "ACC" position. "SECURITY" will be displayed.
- 2) Press "TUNE/FLD" knob (1). "----" will be displayed.
- 3) Enter a 4-digit number to be registered as PIN by turning and pressing the "TUNE/FLD" knob (1).
- 4) Press and hold "TUNE/FLD" knob (1) for a while.

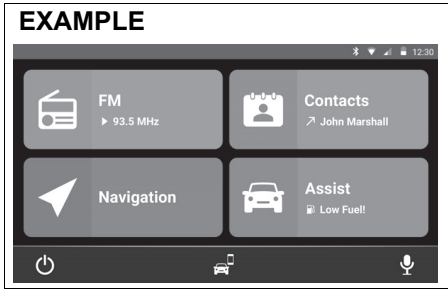
When the same PIN as registered is entered, the power of the audio system will be turned off automatically and it will become operable again.

NOTE:
If an incorrect PIN is entered, "ERROR" and the total number of incorrect entry attempts will be displayed.
If an incorrect PIN is entered 10 times or more, "Contact Dealer" will be displayed and the audio system will become inoperable.

"Suzuki Smartplay Dock" application

"Suzuki Smartplay Dock" is an application that allows:

- To control the audio system
- Access smartphone features such as calling & messaging.
- Access vehicle information such as Instantaneous & average fuel consumption, history (last 5 driving cycle & last 5 refuel cycle) fuel consumption, driving range & alerts.



This application can be downloaded on smartphone through Google Play store or Apple App Store.

OTHER CONTROLS AND EQUIPMENT

WARNING

While driving, ensure adherence to all traffic regulations. Insufficient attention to the road and traffic may cause an accident. It is recommended to familiarize with the tutorial section of application before actual usage.

In vehicle running condition, the application can be used in landscape mode only.

merely provides the option to display and operate these applications.

- *If many apps are installed, your smartphone might work slowly.*
- *For information on using smartphone applications, please read your smartphone instruction manual.*

NOTE:

- *For further information on compatible phones and application download process, please refer to MARUTI SUZUKI website.*
- *Application is compatible with smartphones supporting iOS version 9.0, Android OS 5.0 and above.*
- *Since this audio allows pairing of 2 devices on Bluetooth® simultaneously, application is supported on the phone which is paired through handsfree profile.*
- *Application services are subject to change. It is recommended to install the latest updates for optimal experience.*
- *Application functioning is dependent on mobile data carrier and smartphone hardware, OS performance.*
- *The smartphone manufacturers are responsible for the content and functions of smartphone applications. The device*

OTHER CONTROLS AND EQUIPMENT

Troubleshooting

When encountering a problem, check and follow the instructions below.

If the described suggestions do not solve the problem, it is recommended to take the unit to a authorised Maruti Suzuki workshop.

Problem	Possible cause	Possible solution
---------	----------------	-------------------

Common

Unable to operate	The security function is on.	When "SECURITY" is displayed, enter the PIN. When "Contact Dealer" is displayed, contact a authorised Maruti Suzuki workshop.
Unable to turn on the power (No sound is produced)	Fuse is blown.	Contact a authorised Maruti Suzuki workshop.

Radio

Much noise	It may not be exactly tuned in to the station.	Tune it in exactly to the station.
Unable to receive by auto tuning	There may be no station emitting signals powerful enough.	Pick up a station by manual tuning.

USB

Playback does not start when the USB device is connected	There is no supported format file to play on this unit.	Check the file format.
	The current consumption of the USB device exceeds 2.1 A.	Use a USB device with a current consumption lower than 2.1 A.
Sound skips or noise produced	Sound skipping may occur when playing VBR (Variable Bit Rate) files.	It is not recommended to play VBR files.

OTHER CONTROLS AND EQUIPMENT

Display	Possible solution	Display
Bluetooth®		
Pairing failed	The distance between this unit and the Bluetooth® ready device is too far, or a metallic object may be located between the Bluetooth® ready device and this unit.	Change the location of the Bluetooth® ready device.
	The Bluetooth® function of the Bluetooth® ready device is off.	Refer to the manual of the Bluetooth® ready device. (Some devices have the power saving function that automatically activates after a certain time.)
Unable to receive a call	Your current location may be out of service area.	Drive your vehicle to the service area of the phone.
The voice quality of hands-free is low (Distortion, noise etc.)	Another wireless device may be located near the unit.	Switch off the wireless device or keep it away from the unit. Check the microphone opening for obstruction on audio device.

Error display messages

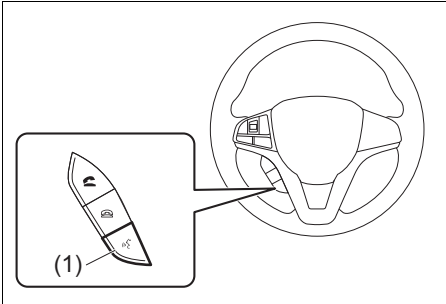
The following messages (flashing) will be displayed onto the screen depending on the condition of the audio system.

Display	Possible solution
USB READ ERROR	When the USB device or iPod reading error occurs, this message will be displayed. Reconnect the USB device or iPod connection cable. When the Bluetooth® audio playback malfunction occurs, this message will be displayed. Check the Bluetooth® audio body.
ERROR 1	When the USB device or iPod communication error occurs, this message will be displayed. Reconnect the USB device or iPod connection cable.
iPod ERROR 1	
ERROR 2	When the USB device or iPod mechanical error occurs, this message will be displayed. Remove the USB device or iPod, and check the USB device or the iPod.
ERROR 3	If the USB device or iPod does not operate due to an over current, this message will be displayed. Remove the USB device or iPod, and check the USB device or the iPod.
HUB NOT SUPPORTED	When the USB hub is connected, this message will be displayed. Disconnect the USB hub.
UNSUPPORTED	When an unsupported iPod is connected, this message will be displayed. Connect the supported iPod.
MEDIA NOT SUPPORTED	When an unsupported USB device is connected, this message will be displayed. Connect the supported USB device. When the Bluetooth® audio playback malfunction occurs, this message will be displayed. Check the Bluetooth® audio body.
NO MUSIC	When an empty USB device or iPod is connected, this message will be displayed. Connect the USB device or iPod containing files with the playable extension.

OTHER CONTROLS AND EQUIPMENT

Display	Possible solution
VEHICLE DATA NOT AVAILABLE	Contact your nearest authorised Maruti Suzuki workshop for troubleshooting.
MEMORY FULL	When the maximum limit for number of phonebook data transfer is reached, this message will be displayed. Delete registered data of unnecessary number in phonebook and try to transfer the register phone numbers in the phonebook again.

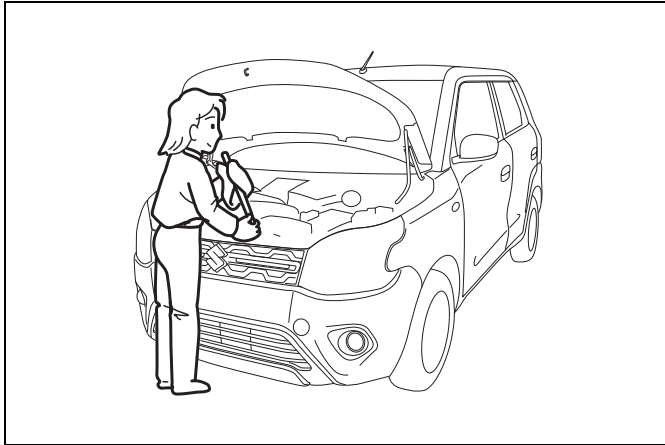
Talk button (if equipped)



69RH050010

(1) Talk button

- It can be used with a device having a voice recognition function. To use the function, it is necessary to perform a corresponding setting on your device. For operation of the audio system or the navigation system, refer to the supplementary manual, provided along with it.

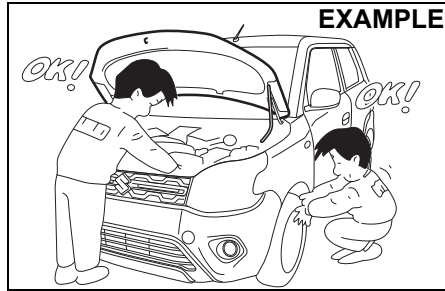


69RM06000

INSPECTION AND MAINTENANCE

Maintenance Schedule	6-2
Periodic Maintenance Schedule	6-2
Drive belt	6-6
Engine oil and filter	6-6
Engine coolant	6-10
Air cleaner	6-12
Spark plugs	6-13
Gear oil	6-13
Clutch	6-15
Fuel filter	6-15
Brakes	6-15
Steering	6-18
Tires	6-18
Battery	6-21
Fuses	6-23
Headlight aiming	6-27
Bulb replacement	6-27
Wiper blades	6-33
Windshield washer fluid	6-36
Air conditioning system	6-37

INSPECTION AND MAINTENANCE



69RM03001

⚠ WARNING

Take extreme care when working on your vehicle to prevent accidental injury. Carefully observe the following precautions:

- To prevent damage or unintended activation of the airbag system or seat belt pretensioner system, check that the battery is disconnected and the ignition switch has been in "LOCK" position for at least 90 seconds before performing any electrical service work on your MARUTI SUZUKI vehicle. Do not touch airbag system components, seat belt pretensioner system components or wires.

(Continued)

⚠ WARNING

(Continued)

- The wires are wrapped with yellow tape or yellow tubing, and the couplers are yellow for easy identification.
- Do not leave the engine running in garages or other confined areas.
- When the engine is running, keep hands, clothing, tools, and other objects away from the fan and drive belt. Even though the fan may not be moving, it can automatically turn on without warning.
- When it is necessary to perform service work with the engine running, check that the parking brake is set fully and the transmission is in Neutral (for manual transmission or Auto Gear Shift vehicles).
- Do not touch ignition wires or other ignition system parts when starting the engine or when the engine is running, or you could receive an electric shock.
- Be careful not to touch a hot engine, exhaust manifold and pipes, muffler, radiator and water hoses.
- Do not allow smoking, sparks, or flames around fuel or the battery. Flammable fumes are present.

(Continued)

⚠ WARNING

(Continued)

- Do not get under your vehicle if it is supported only with the portable jack provided in your vehicle.
- Be careful not to cause accidental short circuits between the positive and negative battery terminals.
- Keep used oil, coolant, and other fluids away from children and pets. Dispose of used fluids properly; never pour them on the ground, into sewers, etc.

Maintenance Schedule

The following table shows the times when you should perform regular maintenance on your vehicle. This table shows in kilometers and months when you should perform inspections, adjustments, lubrication and other services.

WARNING

MARUTI SUZUKI recommends that maintenance on your Maruti Suzuki vehicle should be performed by authorised Maruti Suzuki workshop.

NOTICE

Whenever it becomes necessary to replace parts on your vehicle, it is recommended that you use MARUTI genuine replacement parts or their equivalent.

Periodic Maintenance Schedule

“C”: Clean

“R”: Replace or Change

“I”: Inspect, clean, adjust, lubricate or replace as necessary

“L”: Lubricate

“T”: Tighten to Specified Torque

“O”: Rotate

NOTE:

This table includes services as scheduled up to 80,000 km mileage. Beyond 80,000 km, carry out the same services at the same intervals respectively.

INSPECTION AND MAINTENANCE

Interval: This interval should be judged by odometer reading or months, whichever comes first.		FREE INSPECTION			PERIODIC MAINTENANCE AT COST							
		km (x1000)	1	5	10	20	30	40	50	60	70	80
		months	1	6	12	24	36	48	60	72	84	96
ENGINE												
1-1.	Water pump drive belt (Wear)	-	-								R	
1-2.	Engine coolant (Level, Leakage)				R		R		R		R	
1-3.	Engine oil, engine oil filter and drain plug gasket (Level, Leakage)			R	R	R	R	R	R	R	R	
1-4.	Cooling system hoses and connections (Leakage and Damage)											
1-5.	Engine mounting and manifold fixing (Loose Damage)	-	-		-		-		-		-	
1-6.	Exhaust system (Noise, Leakage etc.)	-		-		-		-		-		
1-7.	Positive crank case ventilation system (Hoses, Connections and Valve)	-		-		-		-		-		
IGNITION												
2-1.	Spark plug	For Petrol	Replace every 100,000 KM or 84 months whichever comes first									
		For CNG	Replace every 50,000 KM or 42 months whichever comes first									
FUEL												
3-1.	Air cleaner filter element	Paved-road	Clean every 5,000 KM. Replace after every 40,000 KM.									
		Dusty Condition	Clean every 2,500 KM or as required. Replace after every 40,000 KM.									
3-2.	Fuel tank cap, fuel lines and connections (Leakage and Damage)	-		-	-	-		-	-	-		
3-3.	Fuel filter (Leakage)						R				R	
CLUTCH AND TRANSMISSION												
4-1.	Clutch pedal (Play)											
4-2.	Clutch slipping (Dragging or Excess Damage)											
4-3.	Manual transmission oil / Auto Gear Shift oil (Level, Leakage)											
4-4.	Gear shifter (Operation)											

INSPECTION AND MAINTENANCE

Interval: This interval should be judged by odometer reading or months, whichever comes first.		FREE INSPECTION			PERIODIC MAINTENANCE AT COST							
		km (x1000)	1	5	10	20	30	40	50	60	70	80
		months	1	6	12	24	36	48	60	72	84	96
DRIVE SHAFT												
5-1.	Drive shaft noise											
5-2.	Drive shaft boot (Damage)	-										
BRAKE												
6-1.	Brake fluid (Level, Leakage)											
		Replace every 40000 km or 24 months whichever comes first										
6-2.	Brake pedal (Pedal - carpet clearance)											
6-3.	Parking brake lever and cable (Play, Damage)											
6-4.	Brake disc and pad (Wear)	-										
6-5.	Brake drum and shoes (Wear)	-	-									
6-6.	Master cylinder, wheel cylinder, caliper piston (Fluid leakage, Boot/Seal damage)											
6-7.	Brake hoses and pipes (Fluid leakage, Damage)											
WHEEL												
7-1.	Tyres (Air pressure, Abnormal wear, Crack and Rotation)		I&O	I&O	I&O	I&O	I&O	I&O	I&O	I&O	I&O	
7-2.	Wheels (Damage)											
7-3.	Front/Rear wheel bearing (Loose, Damage)											
FRONT / REAR SUSPENSION												
8-1.	Suspension strut (Oil leakage, Damage)											
8-2.	Suspension arms / Knuckle support and Torsion rods (Loose, Damage)	-										
8-3.	Rear spring (Damage)											
8-4.	Shock absorbers (Oil leakage, Damage)											
8-5.	All bolts and nuts (Loose)	-	T	T	T	T	T	T	T	T	T	

INSPECTION AND MAINTENANCE

Interval: This interval should be judged by odometer reading or months, whichever comes first.		FREE INSPECTION			PERIODIC MAINTENANCE AT COST							
		km (x1000)	1	5	10	20	30	40	50	60	70	80
		months	1	6	12	24	36	48	60	72	84	96
STEERING												
9-1.	Steering wheel (Play, Loose)											
9-2.	All rods and arms (Loose, Damage, Wear)											
9-3.	Tilt steering (Operation)											
ELECTRICAL												
10-1.	Battery - Electrolyte (Level, Leakage) and voltage											
10-2.	Wiring harness connection (Loose, Damage)	-										
10-3.	Lighting system (Operation, Stains, Damage)											
10-4.	Wiper (Operation)											
10-5.	Horn (Operation)											
10-6.	AUX, USB (if equipped) and accessory socket (Operation)	-										
BODY												
11-1.	All chassis bolts and nuts (Tighten)	-	T	T	T	T	T	T	T	T	T	
11-2.	All latches, hinges and locks (Function)		I&L	I&L	I&L	I&L	I&L	I&L	I&L	I&L	I&L	
ROAD TEST												
12-1.	Operation of Brakes, gear shifting and speedometer											
12-2.	Body and chassis noise											
AIR CONDITIONER												
13-1.	Check belt tension											
13-2.	Tighten compressor mounting bolt	-	T	T	T	T	T	T	T	T	T	
13-3.	All hose joint (Check, Tighten)											
13-4.	Check functioning of recirculating flap											
13-5.	Clean condenser with low pressure water	-	C	C	C	C	C	C	C	C	C	
13-6.	Check belt for frayed edges											
13-7.	Check all mounting bolts											
13-8.	Air conditioner filter element (if equipped)					R			R			

Drive belt

⚠ WARNING

When the engine is running, keep hands, hair, clothing, tools, etc. away from the moving fan and drive belts.

Check that the drive belt tension is correct. If the belt is too loose, insufficient battery charging, engine overheating, poor power steering, poor air conditioning, or excessive belt wear can result. When you press the belt with your thumb midway between the pulleys, there should be a deflection according to the following chart.

The belts should also be examined to ensure that they are not damaged.

If you need to replace or adjust the belt have it done by a authorised Maruti Suzuki workshop.

The drive belts tension is adjusted automatically.

If you need to replace or adjust the belt have it done by your authorised Maruti Suzuki workshop.

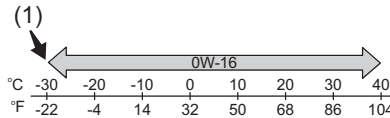
Engine oil and filter

Specified oil

K10C engine model

For India

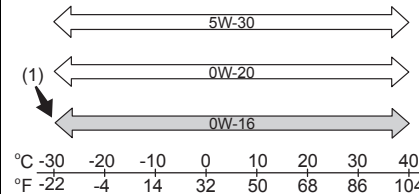
EXAMPLE



56RM07013

Except for India

EXAMPLE



78RB07002

(1) Recommended

Select the appropriate oil viscosity according to the above chart.

For India, check that the engine oil you use comes under the quality classification as listed below:

- API SN, SP
- ILSAC GF-6

Except for India, be sure that the engine oil you use comes under the quality classification as listed below:

- API SL, SM, SN, SP
- ILSAC GF-6

SAE 0W-16 (1) is the best choice for good fuel economy and good startability in cold weather.

NOTE:

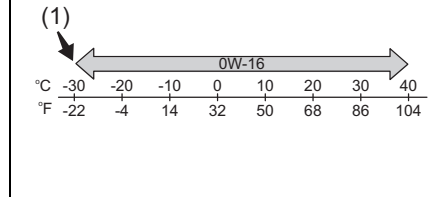
- The replacement timing varies with the type of engine oil that you choose. Refer to "Maintenance schedule" in this section for corresponding maintenance schedule.
- We recommend that you use MARUTI SUZUKI genuine oil. To purchase it, visit an authorised Maruti Suzuki workshop.

INSPECTION AND MAINTENANCE

K12N engine model

For India

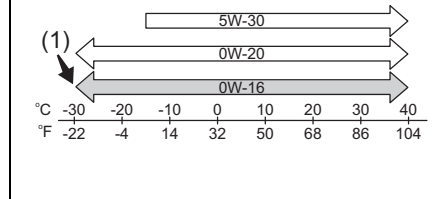
EXAMPLE



56RM07013

Except for India

EXAMPLE



55T090690

(1) Recommended

Select the appropriate oil viscosity according to the above chart.

For India, check that the engine oil you use comes under the quality classification as listed below:

- API SN, SP
- ILSAC GF-6

Except for India, be sure that the engine oil you use comes under the quality classification as listed below:

- API SL, SM, SN, SP
- ILSAC GF-6

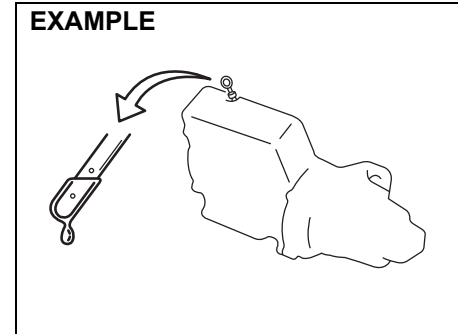
SAE 0W-16 (1) is the best choice for good fuel economy, and good starting in cold weather.

NOTE:

- The replacement timing varies with the type of engine oil that you choose. Refer to "Maintenance schedule" in this section for corresponding maintenance schedule.
- We recommend that you use **MARUTI SUZUKI** genuine oil. To purchase it, visit an authorised Maruti Suzuki workshop.

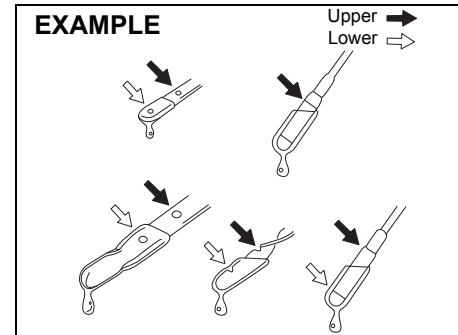
Oil level check

EXAMPLE



80G064

EXAMPLE



52D084

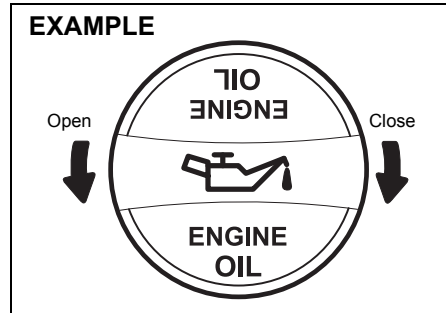
It is important to keep the engine oil at the correct level for proper lubrication of your vehicle's engine. Check the oil level with the vehicle on a level surface. The oil level indication may be inaccurate if the vehicle is on a slope. The oil level should be checked either before starting the engine or at least 5 minutes after stopping the engine.

Pull out the oil dipstick, wipe oil off with a clean cloth, insert the dipstick all the way into the engine, and then remove it again. The oil on the stick should be between the upper and lower limits shown on the stick. If the oil level indication is near the lower limit, add enough oil to raise the level to the upper limit.

NOTICE

Failure to check the oil level regularly could lead to serious engine trouble due to insufficient oil.

Refilling

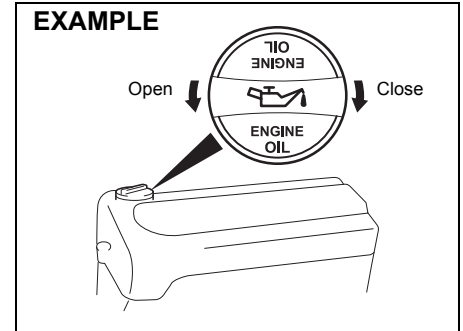


69RM06007

Remove the oil filler cap and pour oil slowly through the filler hole to bring the oil level to the upper limit on the dipstick. Be careful not to overfill the oil. Too much oil is almost as bad as too little oil. After refilling, start the engine and allow it to idle for about a minute. Stop the engine, wait about 5 minutes and check the oil level again.

Changing engine oil and filter

Drain the engine oil while the engine is still warm.



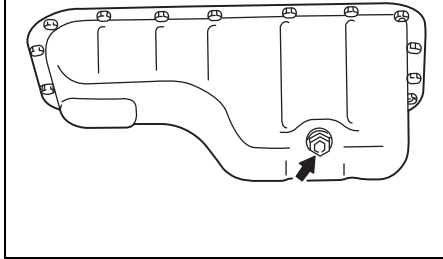
68KH067a

- 1) Remove the oil filler cap.
- 2) Place a drain pan under the drain plug.
- 3) Using a wrench, remove the drain plug and drain the engine oil.

CAUTION

The engine oil temperature may be high enough to burn your fingers when the drain plug is loosened. Wait until the drain plug is cool enough to touch with your bare hands.

EXAMPLE



60G306

Tightening torque for drain plug:
35 Nm (3.6 kg-m, 25.8 lb-ft)

⚠ WARNING

Engine oil can be hazardous. Children and pets may be harmed by swallowing new or used oil. Keep new and used oil and used oil filters away from children and pets. Repeated, prolonged contact with used engine oil may cause skin cancer. Brief contact with used oil may irritate skin.

(Continued)

⚠ WARNING

(Continued)

To minimize your exposure to used oil, wear a long-sleeve shirt and moisture-proof gloves (such as dish-washing gloves) when changing oil. If oil contacts your skin, wash thoroughly with soap and water. Launder any clothing or rags if it is with oil.

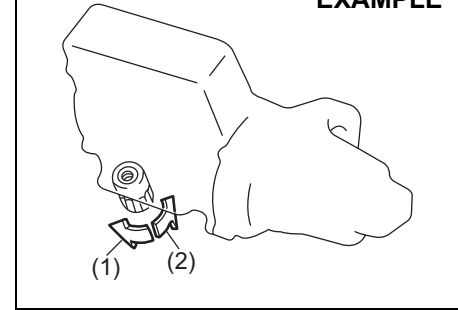
Recycle or properly dispose of used oil and oil filters.

- 4) Reinstall the drain plug with new gasket. Tighten the plug with a wrench to the specified torque.

Oil filter replacement

- 1) Using an oil filter wrench, turn the oil filter counterclockwise and remove it.
- 2) Using a clean rag, wipe off the mounting surface on the engine where the new filter will be seated.
- 3) Smear a small amount of engine oil around the rubber gasket of the new oil filter.
- 4) Screw the new filter by hand until the filter gasket contacts the mounting surface.

EXAMPLE

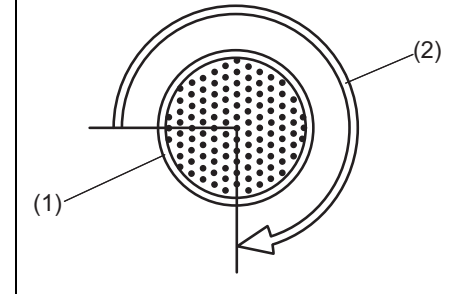


54G092

- (1) Loosen
- (2) Tighten

Tightening (viewed from filter top)

EXAMPLE



54G093

- (1) Oil filter
- (2) 3/4 turn

NOTICE

To tighten the oil filter properly, it is important to accurately identify the position at which the filter gasket first contacts the mounting surface.

- 5) Tighten the filter as specified below from the point of contact with the mounting surface (or to the specified torque) using an oil filter wrench.

Tightening torque for oil filter
3/4 turn or
14 Nm (1.4 kg-m, 10.3 lb-ft)

NOTICE

To prevent oil leakage, check that the oil filter is tight, but do not over-tighten it.

Refill with oil and oil leakage check

- 1) Pour oil through the filler hole and install the filler cap.
For the approximate capacity of the oil, refer to "Recommended fuel / lubricants and capacities (approx.)" in the "SPECIFICATIONS" section.
- 2) Start the engine and carefully check the oil filter and the drain plug for leakage. Run the engine at various speeds for at least 5 minutes.
- 3) Stop the engine and wait about 5 minutes. Check the oil level again and add oil if necessary. Check for leakage again.

NOTICE

- **When replacing the oil filter, it is recommended that you use a MARUTI SUZUKI genuine replacement filter. If you use an aftermarket filter, check that it is of equivalent quality and follow the manufacturer's instructions.**
- **Oil leakage from the periphery of the oil filter or drain plug indicate incorrect installation or gasket damage. If you find any leakage or are not sure that the filter has been properly tightened, have the vehicle inspected by a authorised Maruti Suzuki workshop.**

Engine coolant**Selection of coolant**

To maintain optimum performance and durability of your engine, use MARUTI SUZUKI genuine coolant or equivalent.

This type of coolant is the best for cooling system for the following reasons:

- The coolant helps maintain proper engine temperature.
- It gives proper protection against freezing and boiling.
- It gives proper protection against corrosion and rust.

Failure to use the proper coolant can damage your cooling system. authorised Maruti Suzuki workshop can help you select the proper coolant.

NOTICE

To avoid damaging your cooling system:

- Always use a high quality ethylene glycol base non-silicate type coolant diluted with distilled water at the correct mixture concentration.
- Check that the proper mix is 30/70 coolant to distilled water and in no case higher than 70/30. Concentrations greater than 70/30 coolant to distilled water will cause overheating conditions.
- Do not use straight coolant nor plain water.
- Do not add extra inhibitors or additives. They may not be compatible with your cooling system.
- Do not mix different types of base coolants. Doing so may result in accelerated seal wear and/or the possibility of severe overheating and extensive engine damage.

Coolant level check

Check the coolant level at the reservoir tank, not at the radiator. With the engine cool, the coolant level should be between "FULL" and "LOW" marks.

Adding coolant

⚠ WARNING

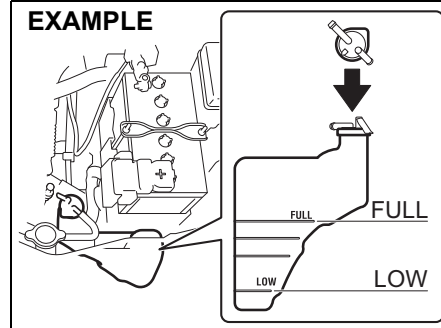
Swallowing engine coolant can cause severe injury or death. Inhaling coolant mist or vapors or getting coolant in your eyes could result in severe injury.

- Do not drink antifreeze or coolant solution. If swallowed, do not induce vomiting. Immediately contact a poison control center or a physician.
- Avoid inhaling coolant mist or hot vapors. If inhaled, remove to a fresh air area.
- If coolant gets in the eyes, flush with water and seek medical attention.
- Wash thoroughly after handling coolant.
- Keep engine coolant out of the reach of children and pets.

NOTICE

- The mixture you use should contain 50% concentration of antifreeze.
- If the lowest ambient temperature in your area is expected to be -35°C (-31°F) or below, use higher concentrations up to 60% following the instructions on the antifreeze container.

EXAMPLE



69RH080

If the coolant level is below "LOW" mark, more coolant should be added. Remove the reservoir tank cap and add coolant until the reservoir tank level reaches "FULL" mark. Never fill the reservoir tank above "FULL" mark.

NOTICE

When putting the cap on the reservoir tank, line up the mark on the cap and the mark on the tank. Failure to follow this can result in coolant leakage.

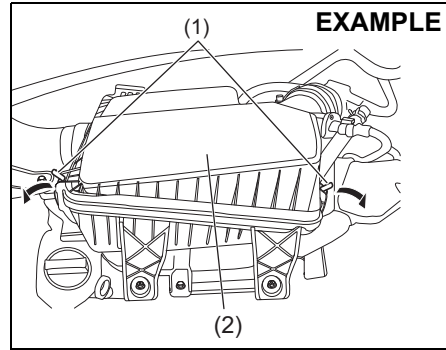
Coolant replacement

Since special procedures are required, ask a authorised Maruti Suzuki workshop for this job.

Air cleaner

If the air cleaner is clogged with dust, there will be greater intake resistance, resulting in decreased power output and increased fuel consumption.

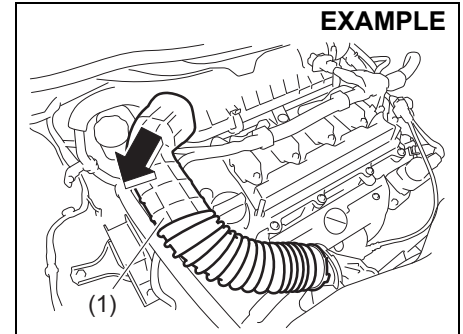
K10C engine model



81RM06004

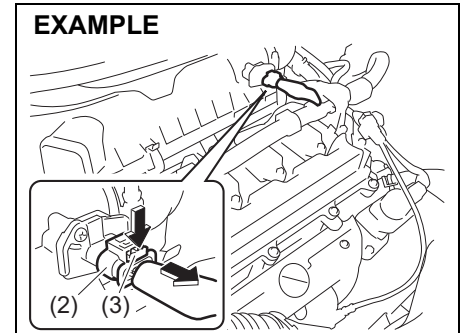
- 1) Unhook air cleaner case clamps (1). Open air cleaner case (2) and then remove air cleaner filter.

K12N engine model



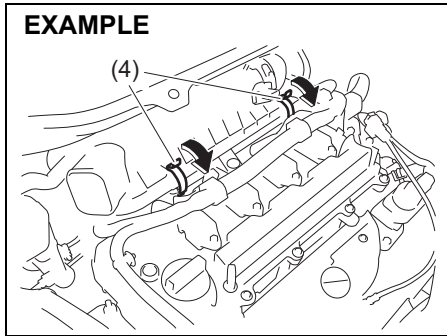
81P60030a

- 1) Remove the duct (1).



81P60040a

- 2) To disconnect the coupler (2), pull the release lever (3) toward you and then push the lever down.



81P60050a

- 3) Unclamp the side clamps (4), then pull the air cleaner case toward you. Remove the element from the air cleaner case. If it appears to be dirty, replace it with a new one.
- 4) Reinstall the air cleaner case securely.

Spark plugs

Spark plug replacement and inspection

Since special procedures, materials and tools are required, it is recommended that you trust this job to an authorized a authorised Maruti Suzuki workshop.

Gear oil

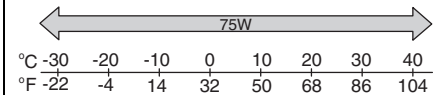
Manual transmission oil / Auto Gear Shift oil

When adding gear oil, use gear oil with the appropriate viscosity and grade as shown in the chart below.

We highly recommend you use "MARUTI GEAR OIL 75W" for manual transmission or Auto Gear Shift oil.

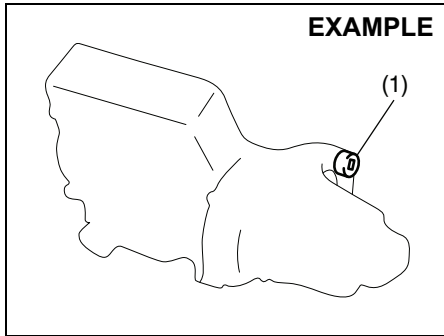
Manual transmission oil / Auto Gear Shift oil

EXAMPLE



54P120706

Gear oil level check



68KH073

(1) Oil filler and level plug

To check the gear oil level, use the following procedure:

- 1) Park the vehicle on a level surface with the parking brake applied. Then, stop the engine.
- 2) Remove the oil filler and level plug.
- 3) If gear oil flows from the plug hole, the oil level is correct. Reinstall the plug. If gear oil does not flow from the plug hole, add oil through the filler plug hole until oil flows a little from the plug hole.

Tightening torque for oil filler and level plug

Manual transmission (1):
21 Nm (2.1 kg-m, 15.5 lb-ft)

Auto Gear Shift (1):
21 Nm (2.1 kg-m, 15.5 lb-ft)

▲ CAUTION

After driving the vehicle, the gear oil temperature may be high enough to burn you. Wait until the oil filler and level plug are cool enough to touch with your bare hands before inspecting gear oil level.

NOTICE

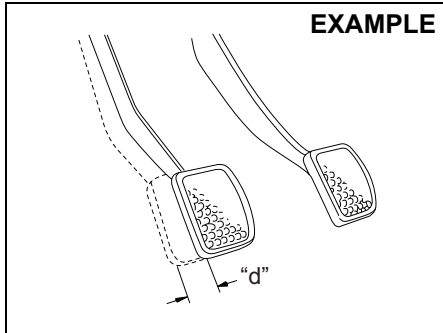
When tightening the plug, apply the following sealing compound or equivalent to the plug threads to prevent oil leakage.
MARUTI SUZUKI Bond No. "1217G"

Gear oil change

Since special procedures, materials and tools are required, ask a authorised Maruti Suzuki workshop for this job.

Clutch

Clutch pedal



54G274

**Clutch pedal play “d”:
10 – 15 mm (0.4 – 0.6 in.)**

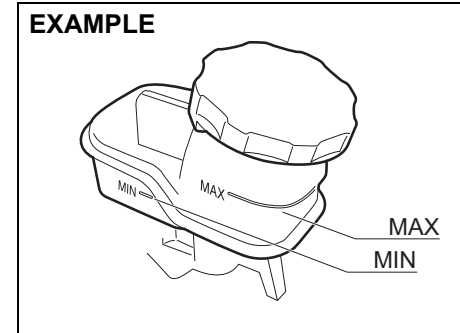
Measure the clutch pedal play by moving the clutch pedal with your hand and measuring the distance it moves until you feel slight resistance. The play in the clutch pedal should be between the specified values. If the play is more or less than the above, or clutch dragging is felt with the pedal fully depressed, have the clutch inspected by a authorised Maruti Suzuki workshop.

Fuel filter

Since special procedures are required, we recommend you take your vehicle to a authorised Maruti Suzuki workshop for fuel filter replacement.

Brakes

Brake fluid



66RH139

Check the brake fluid level by looking at the reservoir in the engine compartment. Check that the fluid level is between “MAX” and “MIN” lines with Maruti Genuine Brake Fluid (MGBF) or SAE J1703 or DOT 3. We highly recommend to use “Maruti Genuine Brake Fluid” (MGBF).

⚠ WARNING

- Failure to follow the guidelines below can result in personal injury or serious trouble in the brake system.
 - If the brake fluid in the reservoir drops below a certain level, the brake warning light on the instrument cluster will come on (the engine must be running with the parking brake fully disengaged). Should the light come on, immediately ask a authorised Maruti Suzuki workshop to inspect the brake system.
 - A rapid fluid loss indicates leakage in the brake system. In this case, immediately ask a authorised Maruti Suzuki workshop to inspect the brake system.
 - Do not use any fluid other than Maruti Genuine Brake Fluid (MGBF) or SAE J1703 or DOT 3. Do not use reclaimed fluid or fluid that has been stored in old or open containers. It is essential that foreign particles and other liquids are kept out of the brake fluid reservoir.

⚠ WARNING

- Brake fluid is harmful or fatal if swallowed, and harmful if it comes in contact with skin or eyes. If swallowed, do not induce vomiting. Immediately contact a poison control center or a physician. If brake fluid gets in eyes, flush eyes with water and seek medical attention. Wash thoroughly after handling. Solution can be poisonous to animals. Keep out of reach of children and animals.

NOTICE

- If your brake fluid level is near the “MIN” line, there is a possibility of brake pad and/or shoe wear and brake fluid leakage. In this case, ask a authorised Maruti Suzuki workshop to inspect the brake system.
- Brake fluid can damage painted surfaces. Be careful when refilling the reservoir.

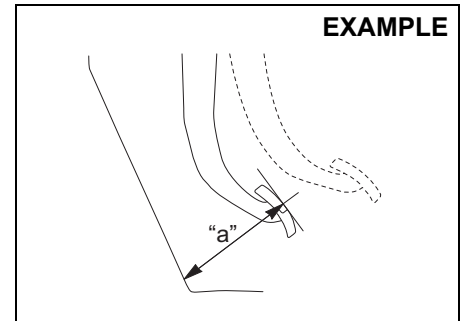
NOTE:

- The fluid level can be expected to gradually fall as the brake pad and/or shoe wear.

- Brake fluid absorbs water over time and brake fluid with high water content may cause vapor lock or brake system malfunction. Replace the brake fluid according to the maintenance schedule in this owner's manual.

Brake pedal

Check if the brake pedal stops at the regular height without “spongy” feeling when you depress it. If not, have the brake system inspected by a authorised Maruti Suzuki workshop. If you doubt the brake pedal is at its normal height, check it as follows:



54G108

**Minimum distance between brake pedal and floor carpet “a”:
79 mm (3.11 in.)**

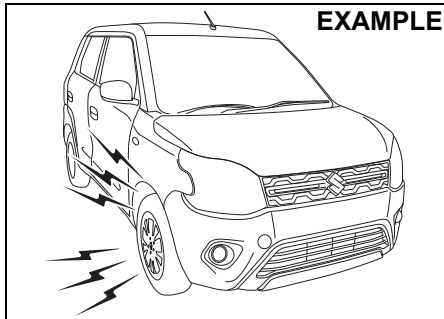
INSPECTION AND MAINTENANCE

With the engine running, measure the distance between the brake pedal and floor carpet when the pedal is depressed with approximately 30 kg (66 lbs) of force. The minimum distance required is as specified. Since your vehicle's brake system is self-adjusting, there is no need for pedal adjustment.

If the pedal to floor carpet distance as measured above is less than the minimum distance required, have your vehicle inspected by a authorised Maruti Suzuki workshop.

NOTE:

When measuring the distance between the brake pedal and floor wall, be sure not to include the floor mat or rubber on the floor wall in your measurement.



69RM06001

⚠ WARNING

If the brake pad lining becomes worn and it has reached its minimum thickness, squealing noise sounds during braking.

If you hear this noise, have the vehicle inspected immediately by an authorised a authorised Maruti Suzuki workshop.

Continued driving with this condition can cause an accident.

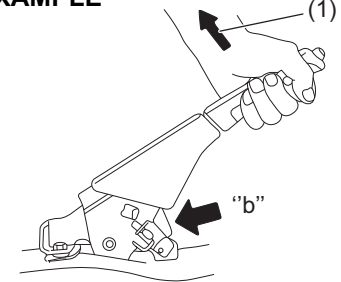
⚠ CAUTION

If you experience any of the following problems with your vehicle's brake system, have the vehicle inspected immediately by an authorized a authorised Maruti Suzuki workshop.

- Poor braking performance
- Uneven braking (brakes not working uniformly on all wheels)
- Excessive pedal travel
- Brake dragging

Parking brake

EXAMPLE



54G109

Ratchet tooth specification "b":
4th – 9th
Lever pull force (1):
200 N (20 kg, 45 lbs)

Check the parking brake for proper adjustment by counting the number of clicks made by the ratchet teeth as you slowly pull up on the parking brake lever to the point of full engagement. The parking brake lever should stop between the specified ratchet teeth and the rear wheels should be securely locked. If the parking brake is not properly adjusted or the brakes drag after the lever has been fully released, have the parking brake inspected and/or adjusted by a authorised Maruti Suzuki workshop.

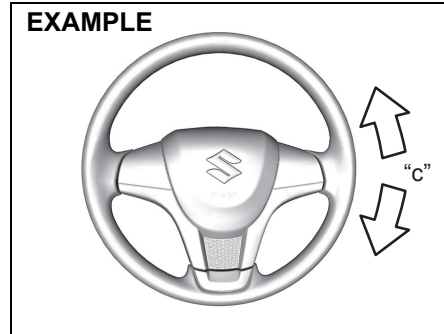
Brake Discs and brake drums**Brake Disc**

Brake location	Minimum thickness
Front wheels	15.0 mm (0.59 in.)

Brake drum

Brake location	Maximum inner diameter
Rear wheels	182 mm (7.17 in.)

If the measured thickness or inner diameter of the most worn part exceeds the value indicated above, the parts should be replaced with a new one. The measurement involves disassembling each brake and requires the use of a micrometer, which must be done according to the instructions described in the relevant service manual or available from the relevant repair information site.

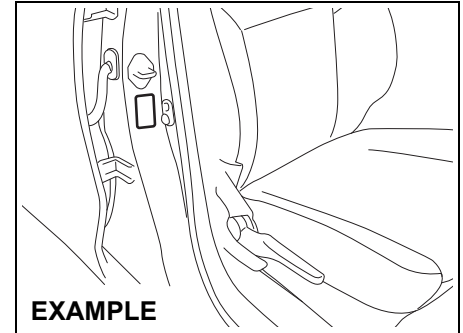
Steering**EXAMPLE**

69RH174

**Steering wheel play "c":
0 – 30 mm (0.0 – 1.2 in.)**

Check the play of the steering wheel by gently turning it from left to right and right to left, with wheels in straight ahead position and engine in OFF condition. Measure the distance that the steering moves before you feel slight resistance. The play should be between the specified values.

Check that the steering wheel turns easily and smoothly without rattling by turning it all the way to the right and to the left while driving very slowly in an open area. If the amount of free play is not as specified or you find anything else to be wrong, an inspection must be performed by a authorised Maruti Suzuki workshop.

Tires**EXAMPLE**

55RM07004

The front and rear tire pressure specifications are listed on the tire information label. Both front and rear tires should have the specified tire pressure.

INSPECTION AND MAINTENANCE

Tire inspection

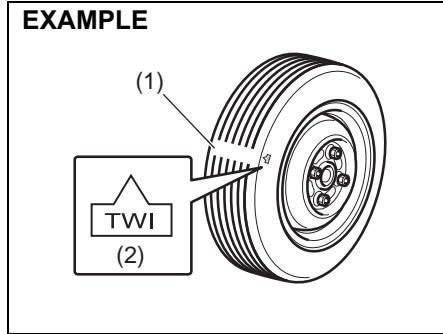
Inspect your vehicle's tires at least once a month by performing the following checks:

- 1) Measure the air pressure with a tire gauge. Adjust the pressure if necessary. Remember to check the spare tire, too.

⚠ WARNING

- **Air pressures should be checked when the tires are cold or you may get inaccurate readings.**
- **Check the inflation pressure from time to time while inflating the tire gradually, until the specified pressure is obtained.**
- **Never under-inflate or over-inflate the tires.**
Under-inflation can cause unusual handling characteristics or can cause the rim to slip on the tire bead, resulting in an accident or damage to the tire or rim.
Over-inflation can cause the tire to burst, resulting in personal injury. Over-inflation can also cause unusual handling characteristics which may result in an accident.

EXAMPLE



- (1) Tread wear indicator (TWI)
- (2) Indicator location mark

- 2) Check that the depth of the tread groove is more than 1.6 mm (0.06 in.). To help you check this, the tires have molded-in tread wear indicators in the grooves. When the indicators appear on the tread surface, the remaining depth of the tread is 1.6 mm (0.06 in.) or less and the tire should be replaced.
- 3) Check for abnormal wear, cracks and damage. Any tires with cracks or other damage should be replaced. If any tires show abnormal wear, have them inspected by a authorised Maruti Suzuki workshop.

⚠ CAUTION

Hitting curbs and running over rocks can damage tires and affect wheel alignment. Have tires and wheel alignment checked periodically by a authorised Maruti Suzuki workshop.

- 4) Check for loose wheel nuts.
- 5) Check that there are no nails, stones or other objects sticking into the tires.

⚠ WARNING

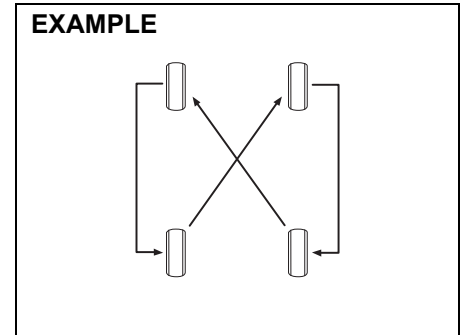
- Your MARUTI SUZUKI vehicle is equipped with tires which are all the same type and size (Except spare tire, which may be dependent on vehicle variant). This is important to ensure proper steering and handling of the vehicle. Never mix tires of different size or type on the four wheels of your vehicle. The size and type of tires used should be only those approved by MARUTI SUZUKI as standard or optional equipment for your vehicle.
- Replacing the wheels and tires equipped on your vehicle with certain combinations of aftermarket wheels and tires can significantly change the steering and handling characteristics of your vehicle.
- Therefore, use only those wheel and tire combinations approved by MARUTI SUZUKI as standard or optional equipment for your vehicle.

NOTICE

Replacing the original tires with tires of a different size may result in false speedometer or odometer readings. Check with a authorised Maruti Suzuki workshop before purchasing replacement tires that differ in size from the original tires.

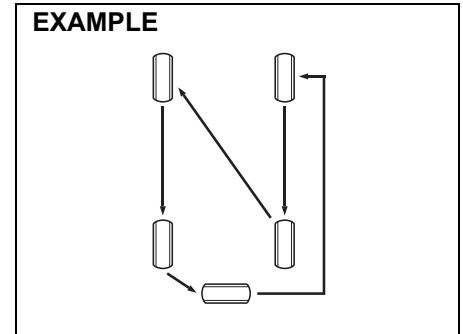
Tire rotation

4-tire rotation



54G114

5-tire rotation



68PH00755

INSPECTION AND MAINTENANCE

To avoid uneven wear of your tires and to prolong their life, rotate the tires as illustrated. Tires should be rotated as mentioned in periodic maintenance schedule. After rotation, adjust front and rear tire pressures to the specification listed on your vehicle's tire information label.

Wheel Balancing

If the vehicle vibrates abnormally on smooth road, have the wheel balanced at authorised Maruti Suzuki workshop.

Wheel Alignment

In case of abnormal tire wear or pulling towards one side, have the wheel aligned at authorised Maruti Suzuki workshop.

Tubeless Tires

The vehicle is equipped with Tubeless Tires. In tubeless tire, a thin layer of butyl rubber is used for lining the inside of the tubeless tire. This layer is to prevent air loss and fulfilling the purpose of tube. The air pressure is maintained by the sealing between tire bead and wheel rim. Tubeless tires are having advantage of slow air loss and preventing sudden deflation while driving.

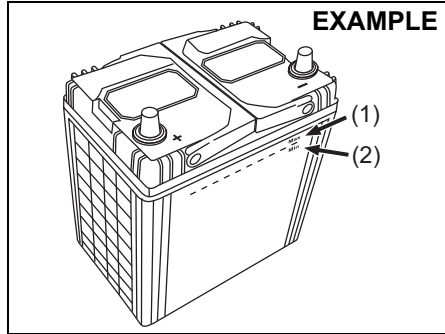
Care and maintenance tips for tubeless tires

- 1) Always maintain recommended inflation pressure. Driving continuously at low inflation pressure can lead to tire damage.
- 2) In case any leakage is found, check for any nail penetration/valve core damage or rim bent. Damaged wheel must not be used.
- 3) In case tire has run at low pressure, it must be inspected for any defect.
- 4) Whenever new tire is fitted, replace the valve.
- 5) If continuous high speed driving is required, increase tires pressure by 5 psi over recommended inflation pressure.
- 6) Never run the tire beyond TWI (Tread wear indicator). The tire is recommended to be replaced when the remaining tread has worn to this point. The indicators are spaced across the tread around the tire marked by a triangular symbol (TWI).
- 7) Always prefer tubeless tire mounting machine. In case of manual mounting-tire/ wheel rim damage may occur.
- 8) In case of any problem, please get in touch with authorised Maruti Suzuki workshop.

Battery

WARNING

- Batteries produce flammable hydrogen gas. Keep flames and sparks away from the battery or an explosion may occur. Never smoke when working near the battery.
- When checking or servicing the battery, disconnect the negative cable. Be careful not to cause a short circuit by allowing metal objects to contact the battery posts and the vehicle at the same time.
- To avoid harm to yourself or damage to your vehicle or battery, follow the jump-starting instructions in the "EMERGENCY SERVICE" section if it is necessary to jump-start your vehicle.
- Diluted sulfuric acid spilled from battery can cause blindness or severe burns. Use proper eye protection and gloves. Flush eyes or body with ample water and get medical care immediately if suffered. Keep batteries out of reach of children.



69RM06006

For maintenance-free battery (cap-less type), you need not add water. For traditional type battery, which has water filler caps, the level of the battery fluid (acid) must be kept between the upper level line "MAX" (1) and lower level line "MIN" (2) at all times. You should periodically check the battery, battery terminals, and battery hold-down bracket for corrosion. Remove corrosion using a stiff brush and ammonia mixed with water, or baking soda mixed with water. After removing corrosion, rinse with clean water.

If your vehicle is not going to be driven for a month or longer, disconnect the cable from the negative terminal of the battery to help prevent discharge.

⚠ WARNING

If the battery is used with battery level being less than the lower level line "MIN" (2), it may cause reduced battery life, an exothermic heat, or an explosion by hydrogen gas occurring from the battery. Do not use the battery with battery level being less than the lower level line "MIN" (2).

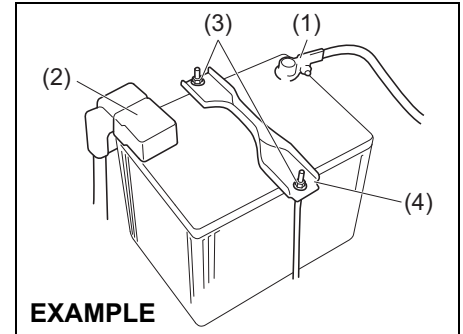
NOTICE

If the battery liquid is added more than the upper level line "MAX" (1), liquid may leak by vibrations during driving or liquid may spray out in some case depending on the condition of battery charging. These may cause damage to the parts near the battery. If the battery liquid over-spills, immediately wash away with water. Do not add the battery liquid more than the upper level line "MAX" (1).

NOTE:

The battery liquid is consumed when the battery is used. If the level is found to be less than the center of upper level "MAX" (1) and lower level "MIN" (2), add distilled water till it reaches the upper level line "MAX" (1).

Replacement of the battery



68PM00711

To remove the battery:

- 1) Disconnect the negative cable (1).
- 2) Disconnect the positive cable (2).
- 3) Remove the retainer nuts (3) and remove the retainer (4).
- 4) Remove the battery.

To install the battery:

- 1) Install the battery in the reverse order of removal.
- 2) Tighten the bracket bolt and battery cables securely.

NOTE:

When the battery is disconnected, some of the vehicle's function will be initialized and/or deactivated.

These function are required to reset after the battery is reconnected.

WARNING

Batteries contain toxic substances including sulfuric acid and lead. They could have potential negative consequences for the environment and human health. Used battery must be disposed or recycled according to the local law and must not be discarded with ordinary household waste. Make sure not to tip over the battery when you remove it from the vehicle. Otherwise, sulfuric acid could run out and you might get injury.

Fuses

Your vehicle has three types of fuses, as described below:

Main fuse

The main fuse takes current directly from the battery.

Primary fuses

These fuses are between the main fuse and individual fuses, and are for electrical load groups.

Individual fuses

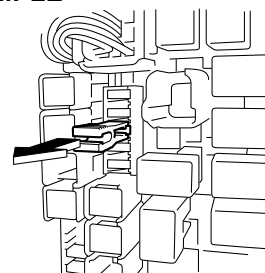
These fuses are for individual electrical circuits.

NOTE:

- “Blank” indicates that fuse is not applicable in the variant, even though name of fuse might be available on cover of fuse box of your vehicle.
- Some fuse may not be applicable to your vehicle according to the variant of vehicle, even though it is not mentioned as blank.

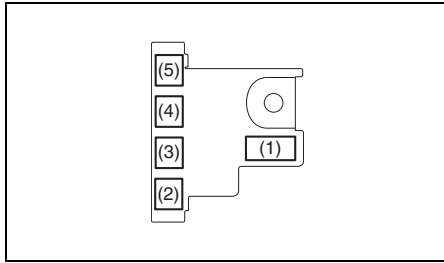
To remove a fuse, use the fuse puller provided in the fuse box.

EXAMPLE

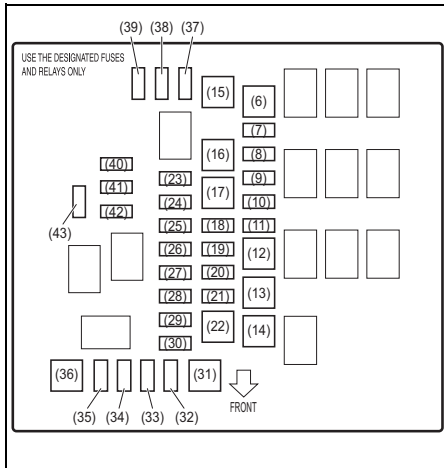


63J095

Fuses in engine compartment



52RS70020



69RH194a

MAIN FUSE / PRIMARY FUSE		
(1)	120 A	FL1
(2)	100 A	FL2
(3)	80 A	FL3
(4)	100 A	FL4
(5)	50 A	FL5
(6)	40 A	Power steering
(7)	-	Blank
(8)	10 A	A/C compressor
(9)	15 A	FI
(10)	15 A	Headlight (Left)
(11)	15 A	Headlight (Right)
(12)	30 A	Starter motor
(13)	30 A	Radiator fan
(14)	-	Blank
(15)	40 A	Ignition switch 2
(16)	-	Blank
(17)	30 A	T/M PUMP
(18)	30 A	Back-up
(19)	-	Blank
(20)	15 A	Front fog light
(21)	30 A	DCDC

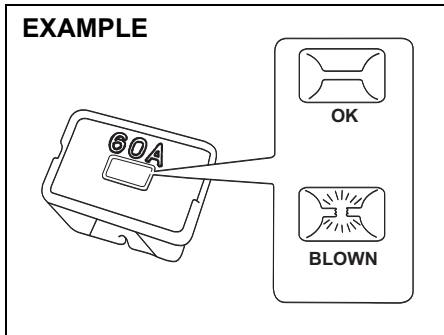
(22)	30 A	Blower fan
(23)	-	Blank
(24)	5 A	Starting signal
(25)	-	Blank
(26)	-	Blank
(27)	-	Blank
(28)	-	Blank
(29)	-	Blank
(30)	-	Blank
(31)	40 A	ABS motor
(32)	25 A	ABS solenoid
(33)	-	Blank
(34)	10 A	T/M
(35)	5 A	T/M2
(36)	40 A	Ignition switch
(37)	5 A	Spare fuse
(38)	10 A	Spare fuse
(39)	15 A	Spare fuse
(40)	20 A	Spare fuse
(41)	25 A	Spare fuse
(42)	30 A	Spare fuse
(43)	7.5 A	Spare fuse

INSPECTION AND MAINTENANCE

The main fuse, primary fuses and some of the individual fuses are located in the engine compartment. If the main fuse blows, no electrical component will function. If a primary fuse blows, no electrical component in the corresponding load group will function. When replacing the main fuse, a primary fuse or an individual fuse, use a MARUTI SUZUKI genuine replacement.

To remove a fuse, use the fuse puller provided in the fuse box. The amperage of each fuse is shown in the back of the fuse box cover.

EXAMPLE



60G111

⚠ WARNING

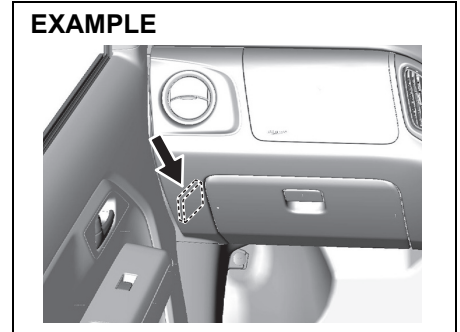
If the main fuse or a primary fuse blows, have your vehicle inspected by a authorised Maruti Suzuki workshop. Always use a MARUTI SUZUKI genuine replacement. Never use a substitute such as a wire even for a temporary repair, or extensive electrical damage and a fire can result.

NOTE:

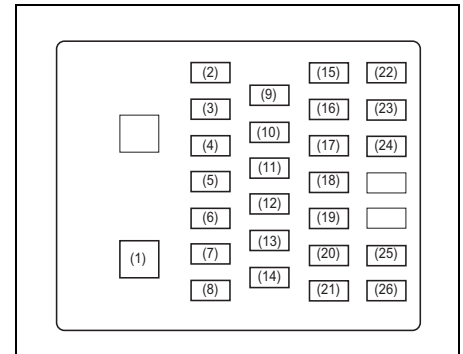
Check that the fuse box always carries spare fuses.

Fuses under dashboard

EXAMPLE



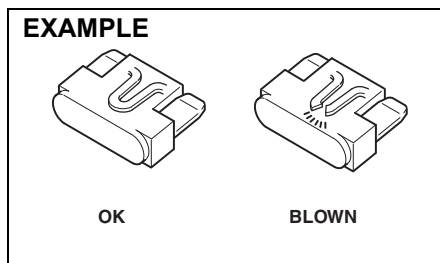
69RH133



69RH120a

PRIMARY FUSE		
(1)	30 A	Power window
(2)	25 A	Rear defogger
(3)	20 A	Door lock
(4)	15 A	Horn
(5)	5 A	ABS control module
(6)	10 A	Airbag
(7)	10 A	Ignition-1 signal
(8)	5 A	ST signal
(9)	15 A	Radio
(10)	5 A	Dome light
(11)	10 A	Dome light-2
(12)	10 A	Stop light
(13)	10 A	Hazard
(14)	10 A	Tail light
(15)	–	Blank
(16)	25 A	Front wiper
(17)	15 A	Washer
(18)	5 A	Ignition-2 signal
(19)	10 A	Meter
(20)	15 A	Ignition coil

(21)	10 A	Back-up light
(22)	5 A	ACC-3
(23)	5 A	Ignition-1 TX
(24)	10 A	Wiper
(25)	–	Blank
(26)	–	Blank
(27)	5 A	ACC
(28)	15 A	ACC-2



81A283

⚠ WARNING

Always replace a blown fuse with a fuse of the correct amperage. Never use a substitute such as aluminum foil or wire to replace a blown fuse. If you replace a fuse and the new one blows in a short period of time, you may have a major electrical problem. Have your vehicle inspected immediately by a authorised Maruti Suzuki workshop.

Headlight aiming

Since special procedures are required, ask a authorised Maruti Suzuki workshop for this job.

Bulb replacement

CAUTION

- Light bulbs can be hot enough to burn your finger right after turning off lights. This is true especially for halogen headlight bulbs. Replace the bulbs after they become cool enough.
- The halogen headlight bulbs are filled with pressurized halogen gas. They can burst and injure you if they are hit or dropped. Handle them carefully.
- To avoid injury by sharp-edged parts of the body, wear gloves and a long-sleeved shirt when replacing light bulbs.

NOTICE

- The oils from your skin may cause a halogen bulb to overheat and burst when the lights are on. Grasp a new bulb with a clean cloth.
- Frequent bulb replacement indicates the need for an inspection of the electrical system. This should be carried out by a authorised Maruti Suzuki workshop.
- During bulb replacement always use same bulb number as used in vehicle which is imprinted on the said bulb/unit and or mentioned in SPECIFICATIONS.

NOTE:

The inner surface of lens such as the headlights or the rear combination lights may be clouded or dew condensation may occur by driving on a rainy day or washing the vehicle. This is a temporary phenomenon caused by temperature difference between the inside and the outside of the lights. (This is the same phenomenon as the windows are clouded on a rainy day.)

Also, it sometimes seems that water gets into the lights because of waterdrop on the edge of the lens. This is a temporary phenomenon caused by water adherence to the outside of the lights.

The above-mentioned phenomena are not vehicle malfunction.

However, if water is piled up in the lights or large waterdrop adheres to the inner surface of lens, have your vehicle inspected by a authorised Maruti Suzuki workshop.

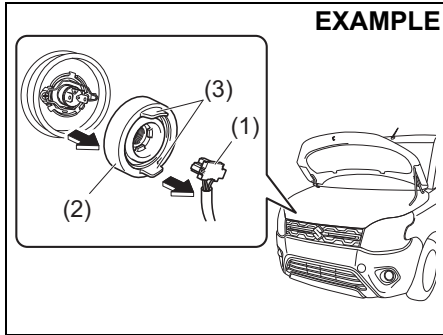
Non-disassembled type lights

Since the lights shown below are non-disassemble type, you cannot replace a bulb. Replace the target assembly if any bulb is defective.

If you need to replace the assembly, ask a authorised Maruti Suzuki workshop.

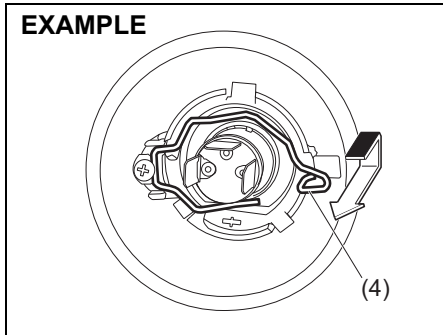
- Side turn signal light (on outside rear-view mirror)

Headlights



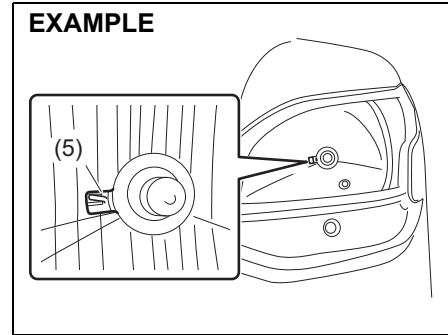
69RH084

- 1) Open the engine hood while the engine is stopped. Disconnect the coupler (1). Remove the sealing rubber (2) by pulling the grip (3).



69RH085

- 2) Push the retaining spring (4) forward and unhook it. Then remove the bulb. Install a new bulb in the reverse order of removal.

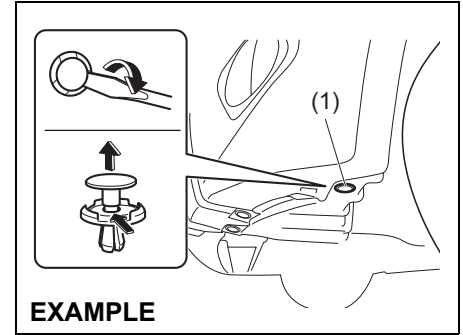


69RH101

NOTE:
You can see the position of retaining spring from the hole (5) of headlight.

Front fog light (if equipped)

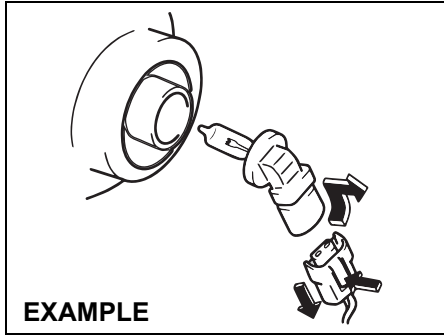
- 1) Start the engine. Turn the steering wheel to the opposite side of the fog light to be replaced to replace the bulb easily. Then turn off the engine.



69RH102

- 2) Remove the clip (1) by prying it off with a flat-bladed screwdriver as shown in the illustration.

INSPECTION AND MAINTENANCE



80JM071

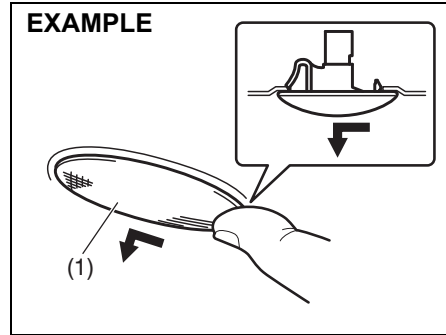
- 3) Open the end of the cover inside the fender. Disconnect the coupler by pushing the lock release. Turn the bulb holder counterclockwise and remove it.

Side turn signal light

Outside rearview mirror type

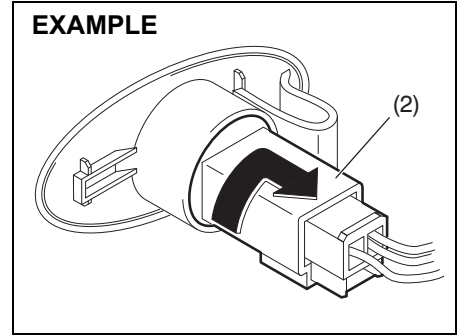
LED module is used. It is recommended that you take your vehicle to a authorised Maruti Suzuki workshop for LED module replacement.

Fender type



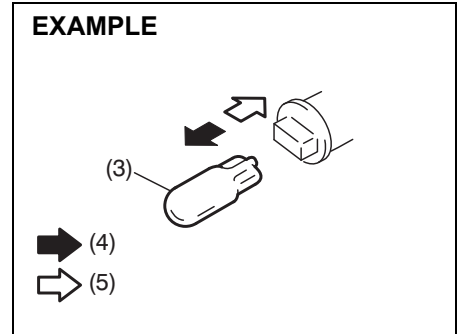
76MH0A006

- 1) Remove the side turn signal light assembly by sliding light housing (1) to left with your finger.



76MH0A007

- 2) Turn the bulb holder (2) clockwise and pull it out from the light housing.

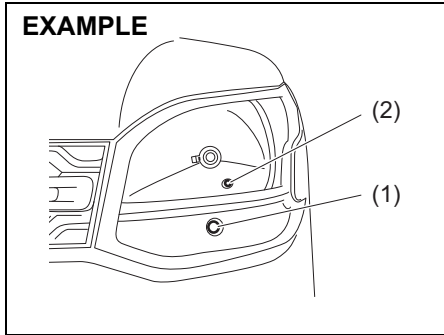


76MH0A008

- (4) Removal
- (5) Install

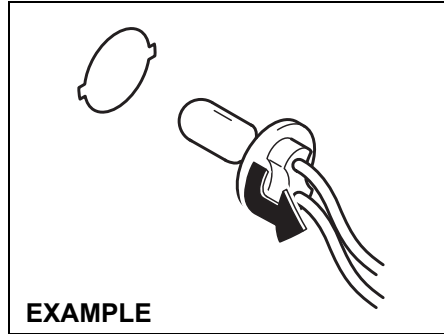
- 3) To remove and install the bulb of the turn signal light (3), simply pull out or push in the bulb.

Front turn signal light and front position light



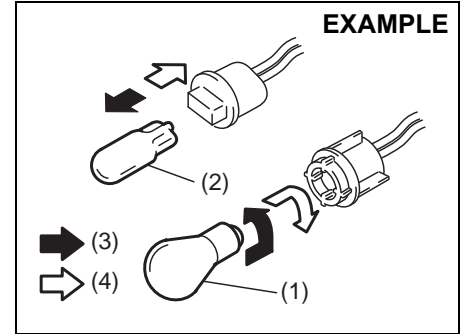
69RH103

- (1) Front turn signal light
(2) Front position light



68PH00732

- 1) Open the engine hood while the engine is stopped. To remove the bulb holder of the front turn signal light (1) or the front position light (2) from the light housing, turn the holder counterclockwise and pull it out.

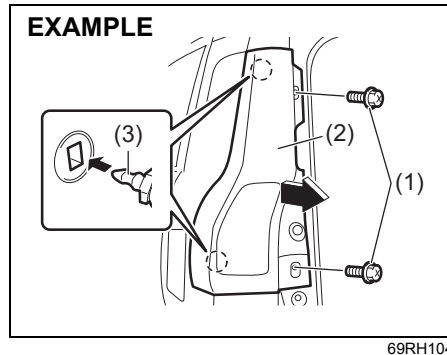


61MM0B078

- (3) Removal
(4) Install
- 2) To remove the bulb of the front turn signal light (1) from the bulb holder, push in the bulb and turn it counterclockwise. To install a new bulb, push it in and turn it clockwise.
- To remove and install the bulb of the front position light (2), simply pull out or push in the bulb.

INSPECTION AND MAINTENANCE

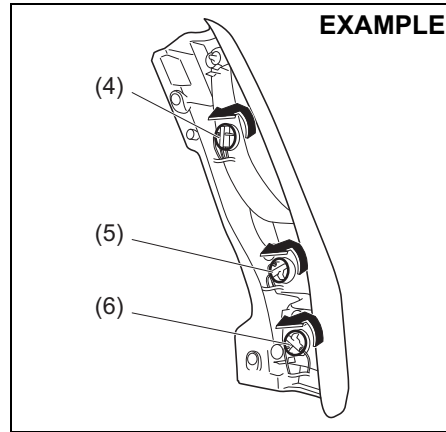
Rear combination light



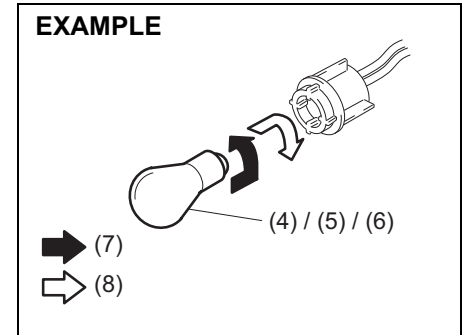
- 1) Remove the bolts (1) and pull the light housing (2) straight.

NOTE:

When reinstalling the light housing, check that the clips (3) are properly attached.



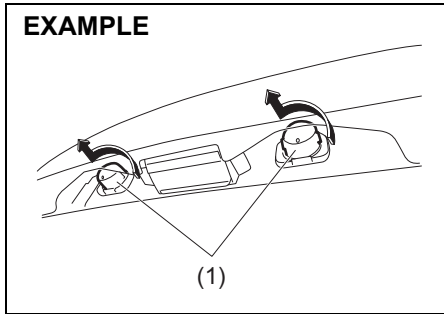
- 2) To remove the bulb holder of the tail/brake light (4), the turn signal light (5) or the reversing light (6) from the light housing, turn the holder counterclockwise and pull it out.



- (7) Removal
- (8) Install

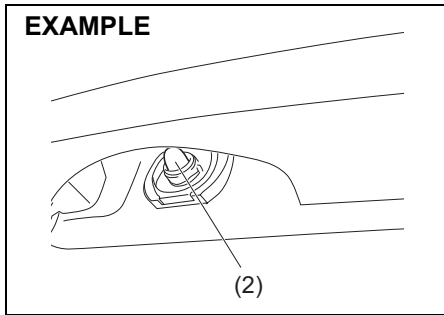
- 3) To remove the bulb of the tail/brake light (4), the turn signal light (5) or the reversing light (6) from bulb holder, push in the the bulb and turn it counterclockwise. To install a new bulb, push it in and turn it clockwise.

License plate light



69RH105

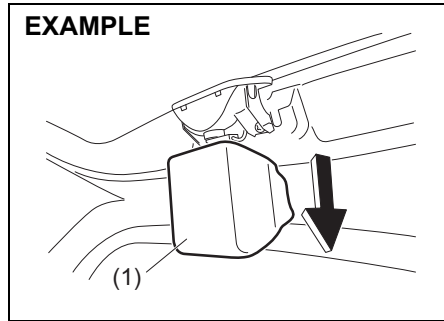
- 1) Turn the covers (1) counterclockwise to remove it.



69RH106

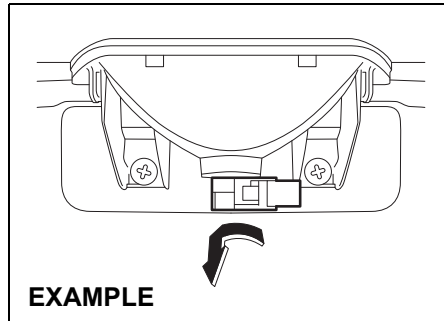
- 2) To remove and install the bulb of the license plate light (2), simply pull out or push in the bulb.

High-mount stop light



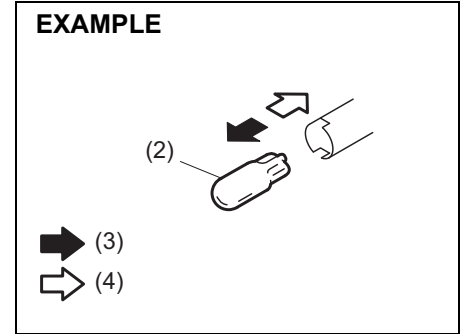
69RH107

- 1) Open the tailgate, and pull the cover (1) straight as shown in the illustration.



69RH134

- 2) Remove the bulb holder as shown in the illustration.

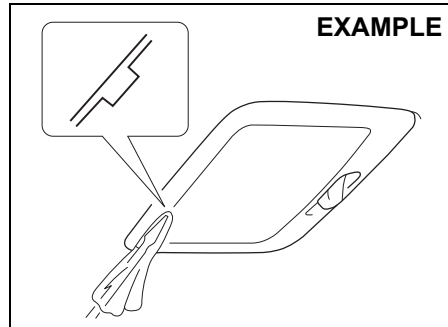


69RH086

- (3) Removal
- (4) Install
- 3) To remove and install the bulb of the high-mount stop light (2), simply pull out or push in the bulb.

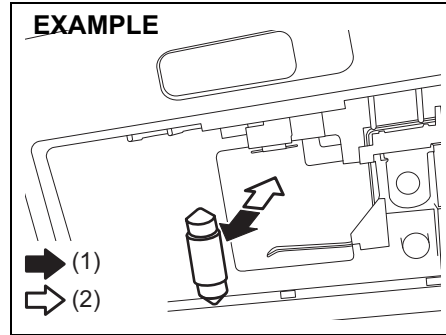
INSPECTION AND MAINTENANCE

Interior light



69RM06009

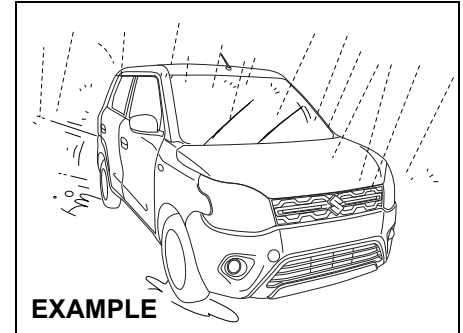
- 1) Remove the lens by using a flat blade screwdriver covered with a soft cloth as shown. To install it, simply push it back in.



83S09241a

- (1) Removal
 - (2) Install
- 2) Remove the bulb holder as shown in the illustration.

Wiper blades



69RM06002

If the wiper blades become brittle or damaged, or make streaks when wiping, replace the wiper blades.

To install new wiper blade rubber, follow the procedures below.

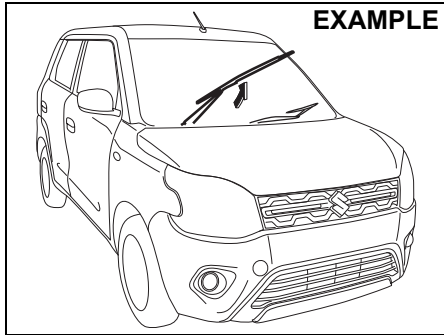
NOTICE

To avoid scratching or breaking the window, do not let the wiper arm strike the window while replacing the wiper blade.

NOTE:

Some wiper blades may be different from the ones described here depending on vehicle specifications. If so, consult a authorised Maruti Suzuki workshop for proper replacement method.

For windshield wipers:



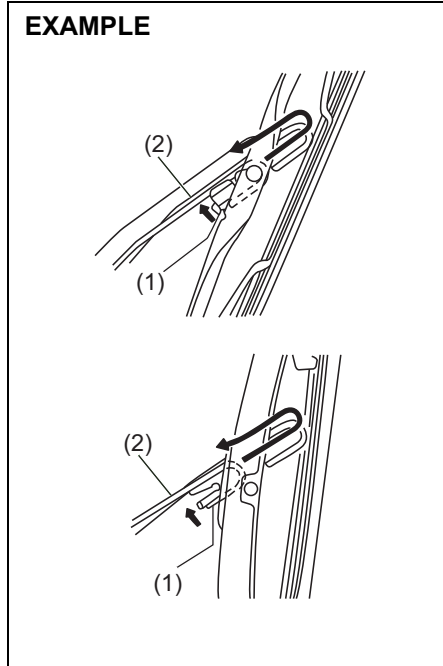
69RM06003

- 1) Hold the wiper arm away from the window.

NOTE:

When raising both of the front wiper arms, pull the driver's side wiper arm up first. When returning the wiper arms, lower the passenger's side wiper arm first. Otherwise, the wiper arms may interfere with each other.

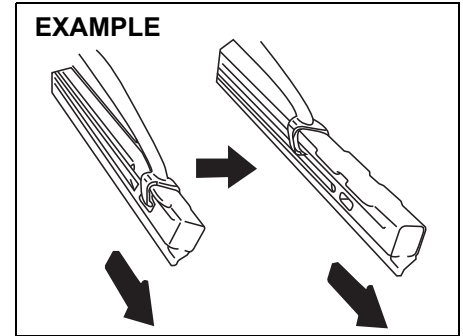
EXAMPLE



54G130

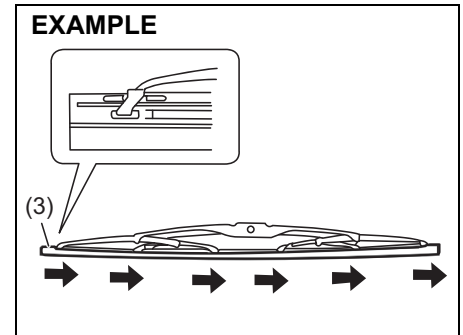
- 2) Squeeze lock (1) towards wiper arm (2) and remove the wiper frame from the arm as shown.
- 3) Unlock the lock end of the wiper blade and slide the blade out as shown.

Removal



60A260

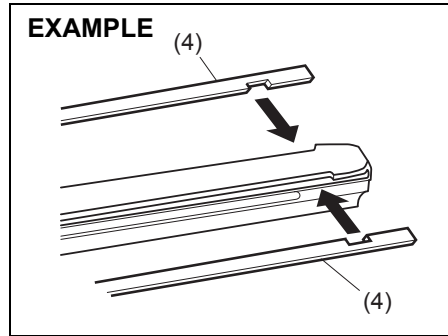
Installation



66RH107

- (3) Locked end

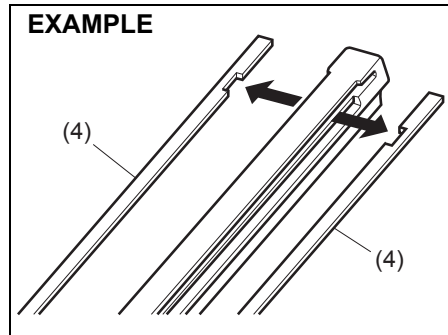
INSPECTION AND MAINTENANCE



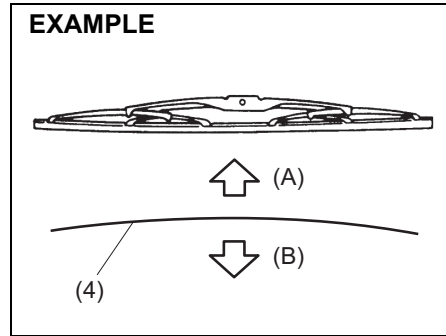
66RH108

(4) Retainer

- 4) If the new blade is provided without the two metal retainers (4), move them from the old blade to the new one.



66RH109



66RH110

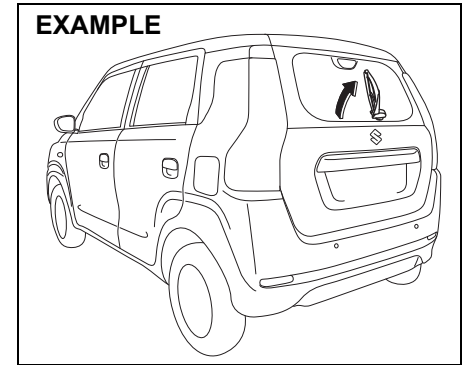
(A) Up
(B) Down

NOTE:

When you install the metal retainers (4), check that the direction of metal retainers is as shown in the above illustrations.

- 5) Install the new blade in the reverse order of removal, with the locked end positioned toward the wiper arm. Check that the blade is properly retained by all the hooks. Lock the blade end into place.
- 6) Reinstall wiper frame to arm, checking that the lock lever is snapped securely into the arm.

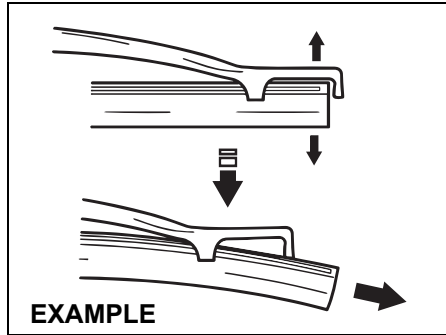
For rear wipers:



69RM06004

- 1) Hold the wiper arm away from the window.
- 2) Remove the wiper frame from the arm as shown.
- 3) Slide the blade out as shown.

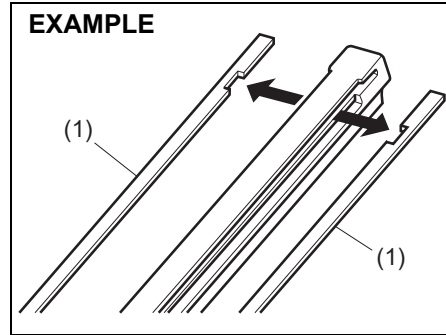
Windshield washer fluid



65D151

NOTE:

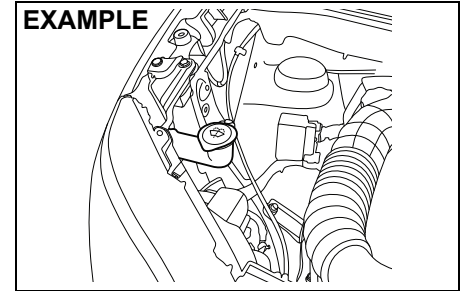
Do not flex the wiper blade frame end more than necessary. If you do, it can break off.



69RH182

(1) Retainer

- 4) If the new blade is provided without the two metal retainers, move them from the old blade to the new one.
- 5) Install the new blade in the reverse order of removal.
Check that the blade is properly retained by all the hooks.
- 6) Reinstall wiper frame to arm in the reverse order of removal.



69RM06008

Check that there is washer fluid in the tank. Refill it if necessary. Use a good quality windshield washer fluid, diluted with water as necessary.

⚠ WARNING

Do not use radiator antifreeze in the windshield washer reservoir. It can severely impair visibility when sprayed on the windshield, and can also damage your vehicle's paint.

NOTICE

- Damage may result if the washer motor is operated with no fluid in the washer tank.
- Avoid use of hard water to prevent building of lime scale on the vehicle.

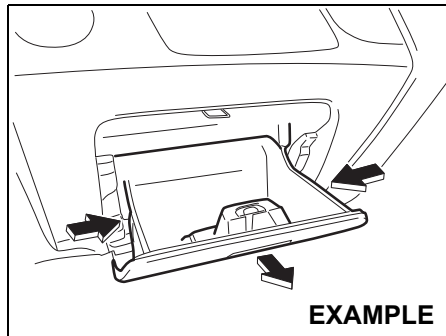
INSPECTION AND MAINTENANCE

Air conditioning system

If you do not use the air conditioner for a long period, such as during winter, it may not give the best performance when you start using it again. To help maintain optimum performance and durability of your air conditioner, it needs to be run periodically. Operate the air conditioner at least once a month for one minute with the engine idling. This circulates the refrigerant and oil and helps protect the internal components.

Air conditioner filter replacement

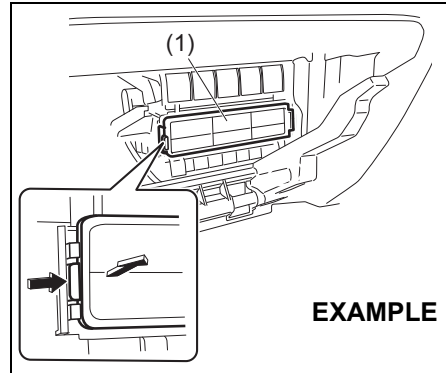
Since special procedures are required, ask a authorised Maruti Suzuki workshop for this job.



69RH183

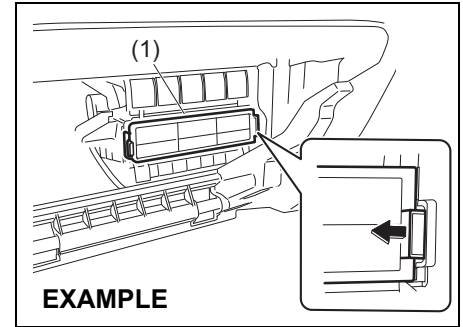
- 1) To approach the air conditioner filter, remove the glove box by pressing both sides of the glove box inward and pulling it out.

6-37



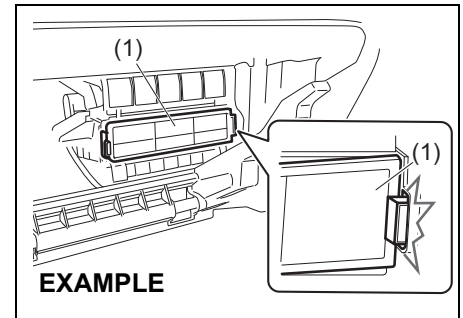
69RH060010

- 2) Unlock the holder (1) and release it **EXAMPLE** from the air conditioner unit.



69RH060020

- 3) Slide the tab of the holder (1) in an arrow direction and remove the holder.

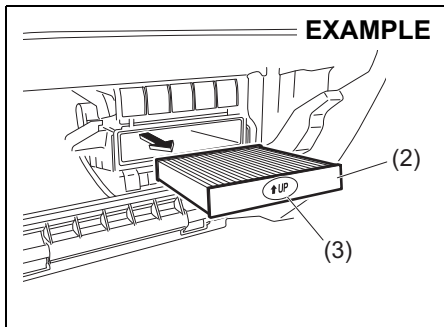


69RH060030

NOTICE

Do not apply excessive force to the tab when removing the holder (1). Otherwise, the tab may be damaged.

EXAMPLE



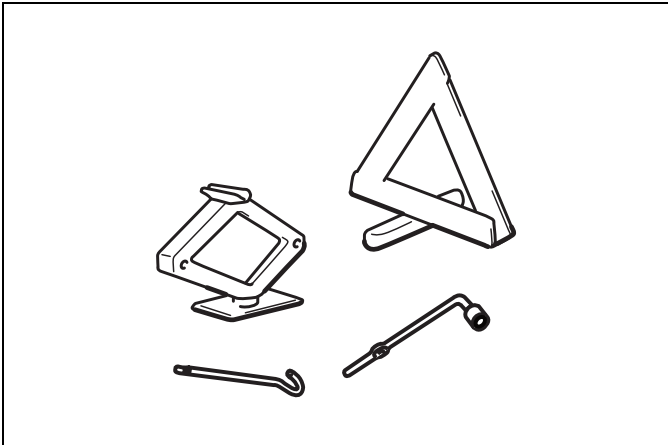
69RH060040

4) Pull out the air conditioner filter (2).

NOTE:

When you install a new air conditioner filter, check that the UP mark (3) faces upward.

EMERGENCY SERVICE

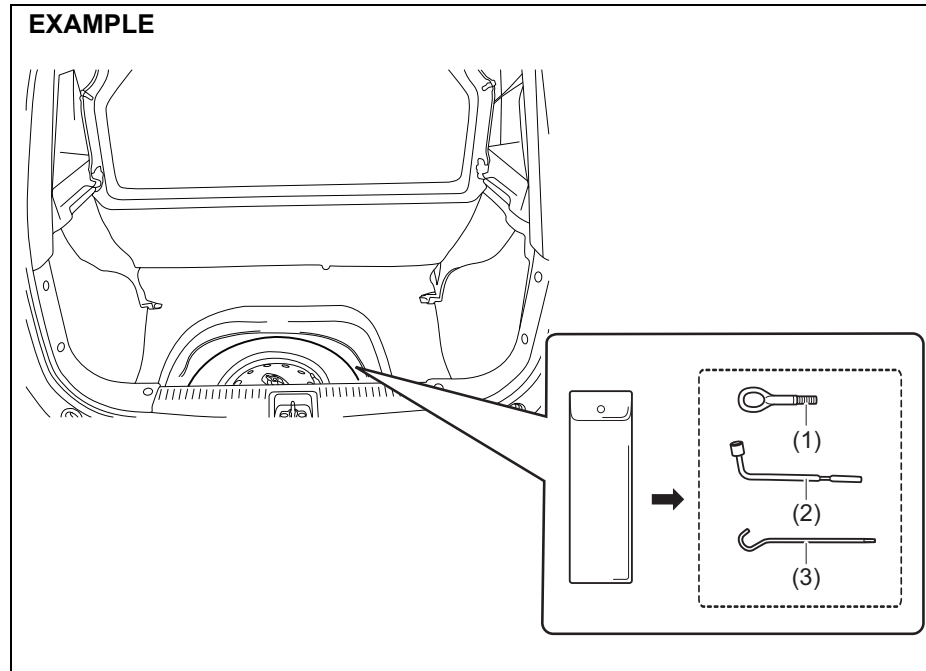


60G411A

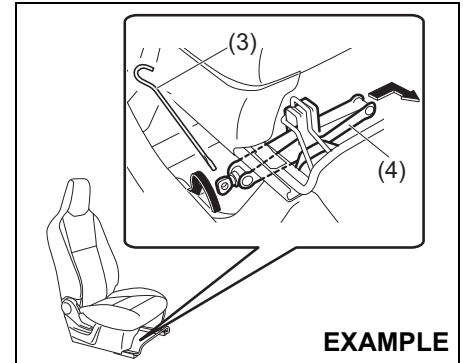
- Tire changing tool 7-1
- Jacking instructions 7-3
- Jump-starting instructions 7-8
- Towing your vehicle 7-9
- Engine trouble: Starter does not operate 7-10
- Engine trouble: Flooded engine 7-10
- Engine trouble: Overheating 7-11
- Warning triangle 7-12

EMERGENCY SERVICE

Tire changing tool



- (1) Towing hook
- (2) Wheel brace
- (3) Jack handle



The jack (4) is stowed under the driver's seat.

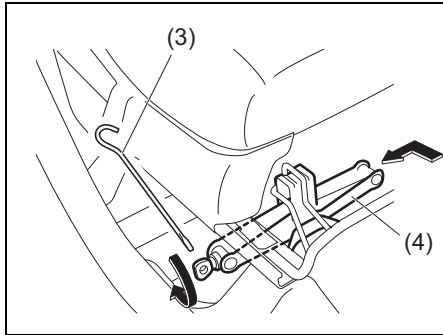
Slide the driver's seat backward.

To remove the jack (4), turn the jack shaft (at the right side of the seat) counterclockwise by hand and pull the jack out of the storage bracket from the front side of the seat.

NOTE:

If it is difficult to turn the shaft by hand, use jack handle (3) as shown in the illustration.

To stow the jack, place it in the storage bracket and turn the shaft clockwise with hand.



69RM07003

After temporarily holding the jack (4) until it contacts the storage bracket, turn the shaft approximately 90° to 180° by using jack handle (3) to securely hold the jack in place.

⚠ WARNING

After using the tire changing tools, stow them securely or they can cause injury if an accident occurs.

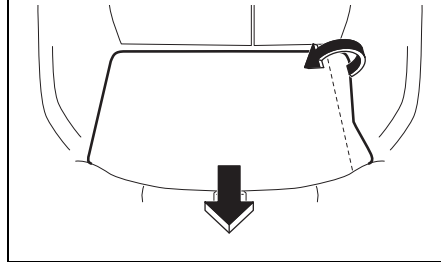
⚠ CAUTION

The jack should be used only to change wheels. It is important to read the jacking instructions in this section before attempting to use the jack.

NOTICE

To avoid damaging the storage bracket, do not expand the jack excessively.

EXAMPLE



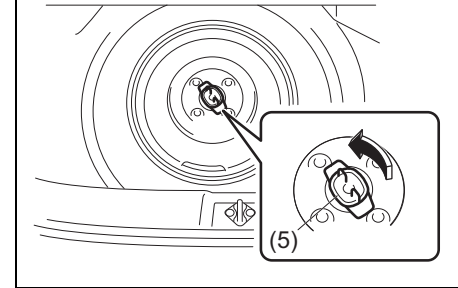
69RH110

To remove the luggage compartment carpet (if equipped) easily, fold the right side of the carpet and pull it out.

NOTE:

When installing, install the carpet in the reverse order of removal.

EXAMPLE



69RM07005

To remove the spare tire, turn its bolt (5) counterclockwise and remove it.

Store the spare tire in the reverse order of removal. Attach the center of the wheel to the attachment nut, and tighten firmly with the bolt. After storing, verify that the spare tire is stored securely.

Make sure that there is no looseness by trying to shake the spare tire.

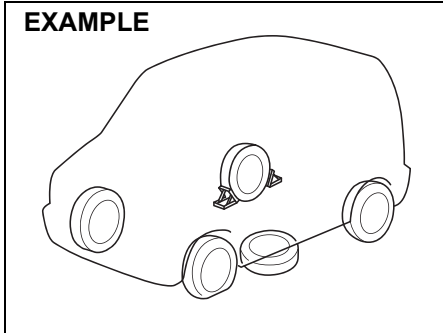
NOTICE

If there is a looseness, it may cause a rattling and damage the paintwork.

EMERGENCY SERVICE

Jacking instructions

EXAMPLE



75F062

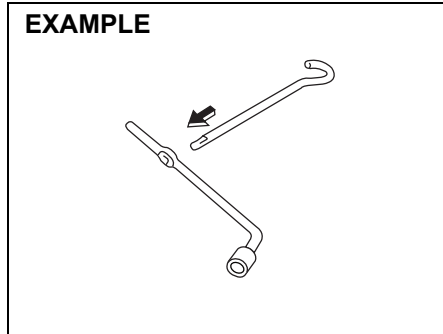
- 1) Place the vehicle on level, hard ground.
- 2) Set the parking brake firmly and shift into "R" (Reverse) if your vehicle has a manual transmission/Auto Gear Shift.

WARNING

- Shift into "R" (Reverse) for a manual transmission/Auto Gear Shift vehicle when you jack up the vehicle.
- Never jack up the vehicle with the transmission in "N" (Neutral). Otherwise, unstable jack may cause an accident.

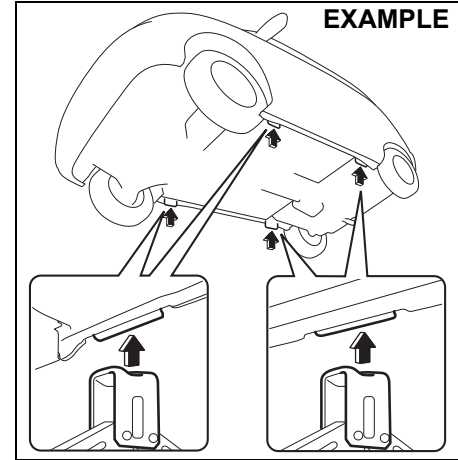
- 3) Turn on the hazard warning flasher if your vehicle is near traffic.
- 4) Block the front and rear of the wheel diagonally opposite of the wheel being lifted.
- 5) Place the spare wheel near the wheel being lifted as shown in the illustration in case the jack slips.

EXAMPLE



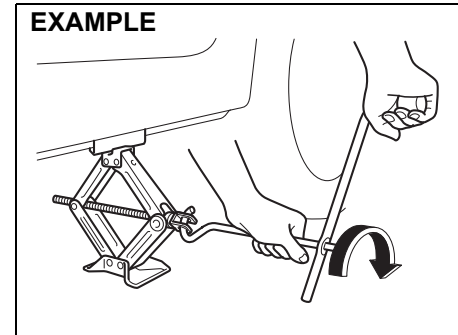
54G253

EXAMPLE



75RM077

EXAMPLE



68PM00802

- 6) Position the jack at an angle as shown in the illustration and raise the jack by turning the jack handle clockwise until the jack-head groove fits around the jacking bar beneath the vehicle body.
- 7) Continue to raise the jack slowly and smoothly until the tire clears the ground. Do not raise the vehicle more than necessary.

⚠ WARNING

If the jack comes off, your body may be caught in the vehicle and it may result in a serious injury. Also, the vehicle may start to move and it may result in an accident. When jacking up the vehicle, observe the following points.

- Jack up the vehicle on hard and level ground.
- Use the jack only for replacing the tires or repair the flat tires.
- Use this vehicle's jack only and do not use the other vehicle's jack. Also, do not use this vehicle's jack for the other vehicle.
- Place the jack on the designated position. If you place the jack on the position other than the designated one, the jack may come off and the vehicle may get damaged.
- Do not lift up the vehicle more than necessary by the jack.
- Do not use wooden blocks or similar objects as a jack underlay.
- When lifting up the vehicle by the jack, do not get into under the vehicle, do not start the engine and do not shake the vehicle. Never place your hands and feet under the raised vehicle when it is supported by a jack.

(Continued)

⚠ WARNING

(Continued)

- When lifting up the vehicle, do not pinch any object on or under the jack.
- Do not lift up several tires at the same time, using several jacks.

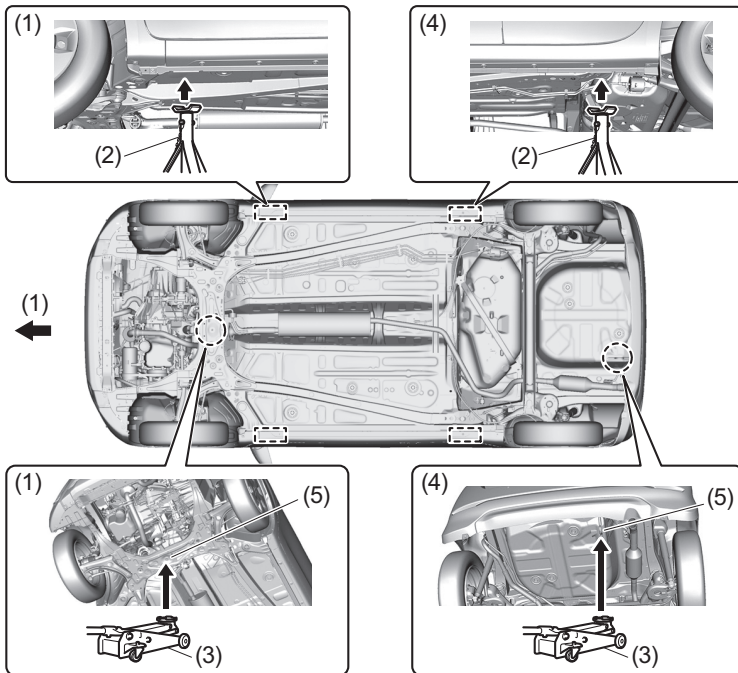
EMERGENCY SERVICE

Raising vehicle with garage jack

- Apply the garage jack to one of the points indicated below.
- Always support the raised vehicle with jack stands (commercially available) at the points indicated below.

- (1) Front
- (2) Jack stand
- (3) Garage jack
- (4) Rear
- (5) Jacking point for garage jack

EXAMPLE



▲ WARNING

As the vehicle may get damaged or an accident may occur, observe the following points.

- Observe the designated points shown in the illustrations.
- When holding the lifted vehicle, use the rigid rack.
- When jacking up the front side or the rear side only, place a chock (commercially-available product) on front and back of the grounded tire.

NOTICE

Never apply a garage jack to the exhaust pipe or rear torsion beam.

NOTE:

For more details, contact a authorised Maruti Suzuki workshop.

69RH176

Changing wheels

⚠ WARNING

- Never change in a wheel in traffic lane. Always move the vehicle of the road on level, hard ground away from traffic for changing a wheel. For any further assistance contact your nearest Maruti Suzuki authorised workshop.

To change a wheel, use the following procedure:

- 1) Remove the jack, tools and spare wheel from the vehicle.
- 2) Loosen, but do not remove the wheel nuts.
- 3) Jack up the vehicle (follow the jacking instructions in this section).

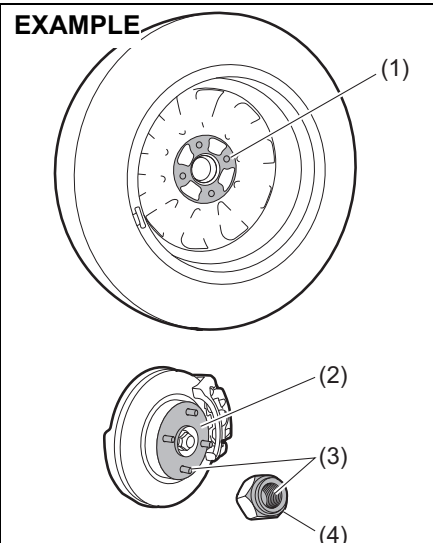
⚠ WARNING

- Shift into “R” (Reverse) for a manual transmission/Auto Gear Shift vehicle when you jack up the vehicle.
- Never jack up the vehicle with the transmission in “N” (Neutral). Otherwise, unstable jack may cause an accident.

⚠ CAUTION

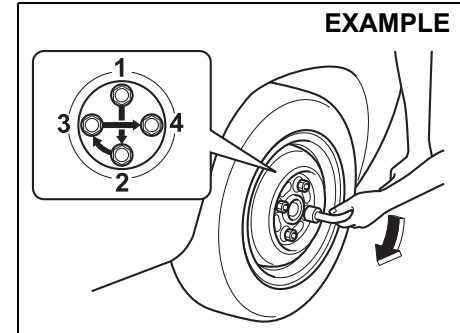
Immediately after the vehicle has been driven, the wheels, the wheel nuts and the area around the brakes might be extremely hot. Touching these areas may cause burn injury. Do not touch these areas, immediately after the vehicle has been driven.

- 4) Remove the wheel nuts and wheel.



69RH177

- 5) Clean any mud or dirt off from the surface of the wheel (1), hub (2), thread part (3) and surface of the wheel nuts (4) with a clean cloth. Clean the hub carefully; it may be hot from driving.
- 6) Install the new wheel and replace the wheel nuts with their cone shaped end facing the wheel. Tighten each nut snugly by hand until the wheel is securely seated on the hub.



55RM08006

**Tightening torque for wheel nut
100 Nm (10.1 kg-m, 73.7 lb-ft)**

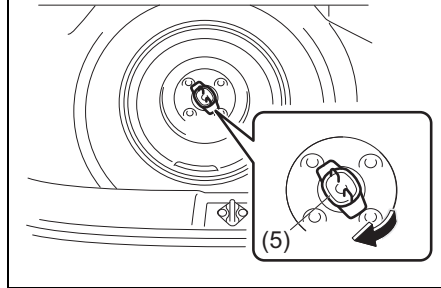
- 7) Lower the jack and fully tighten the nuts with a wrench in numerical order as shown in the illustration.

EMERGENCY SERVICE

WARNING

Use genuine wheel nuts and tighten them to the specified torque as soon as possible after changing wheels. Incorrect wheel nuts or improperly tightened wheel nuts may come loose or fall off, which can result in an accident. If you do not have a torque wrench, have the wheel nut torque checked by a authorised Maruti Suzuki workshop.

EXAMPLE



69RM07005a

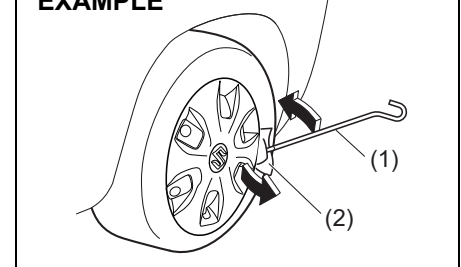
Return the spare tire back into the luggage compartment in the reverse order of removal and tighten its bolt (5) clockwise as shown in the above illustration.

NOTICE

Make sure that the spare tire is fixed securely on the floor. Loosely fixed tire may cause noise during driving and damage paint on vehicle body.

Full wheel cover (if equipped)

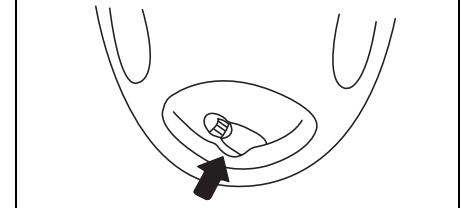
EXAMPLE



69RM07001

Remove the full wheel cover by using jack handle (1) covered with a soft cloth (2), as shown in the illustration.

EXAMPLE



54P000803

Ensure not to cover or foul the air valve while installing the full wheel cover.

Jump-starting instructions

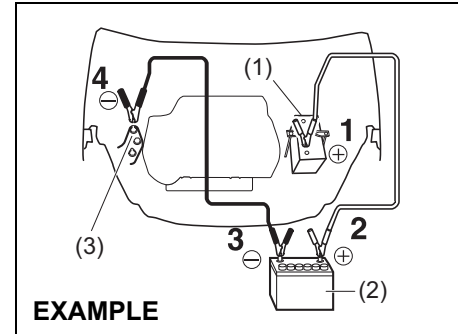
⚠ WARNING

- Never attempt to jump-start your vehicle if the battery appears to be frozen. Batteries in this condition may explode.
 - When making jump lead connections, check that your hands and the jump leads remain clear from pulleys, belts or fans.
 - Batteries produce flammable hydrogen gas. Keep flames and sparks away from the battery or an explosion may occur. Never smoke when working near the battery.
 - If the booster battery you use for jump-starting is installed in another vehicle, check that the two vehicles are not touching each other.
 - If your battery discharges repeatedly, for no apparent reason, have your vehicle inspected by a authorised Maruti Suzuki workshop.
 - To avoid harm to yourself or damage to your vehicle or battery, follow the jump-starting instructions below.
- If you are in doubt, call for qualified road service.

NOTICE

Your vehicle should not be started by pushing or towing. This starting method could result in permanent damage to the catalytic converter. Use jump leads to start a vehicle with a weak or discharged battery.

- 1) Use only a 12-volt battery to jump-start your vehicle. Position the good 12-volt battery close to your vehicle so that the jump leads will reach both batteries. When using a battery installed on another vehicle, check that two vehicles do not touch each other. Set the parking brakes fully on both vehicles.
- 2) Turn off all vehicle accessories, except those necessary for safety reasons (for example, headlights or hazard lights).



- 3) Connect jump leads as follows:

1. Connect one end of the first jump lead to the positive (+) terminal of the discharged battery (1).
2. Connect the other end to the positive (+) terminal of the booster battery (2).
3. Connect one end of the second jump lead to the negative (-) terminal of the booster battery (2).
4. Make the final connection to an unpainted, heavy metal part (i.e. engine mount bracket (3)) of the engine of the vehicle with the discharged battery (1).

 **WARNING**

Never connect the jump lead directly to the negative (-) terminal of the discharged battery, or an explosion may occur.

 **CAUTION**

Connect the jump lead to the engine mount bracket securely. If the jump lead disconnects from the engine mount bracket because of vibration at the start of the engine, the jump lead could be caught in the drive belts.

- 4) If the booster battery you are using is fitted to another vehicle, start the engine of the vehicle with the booster battery. Run the engine at moderate speed.
- 5) Start the engine of the vehicle with the discharged battery.
- 6) Remove the jump leads in the exact reverse order in which you connected them.

Towing your vehicle

If you need to have your vehicle towed, contact a professional service. authorised Maruti Suzuki workshop can provide you with detailed towing instructions.

NOTICE

Observe the following instructions when towing your vehicle.

- **To help avoid damage to your vehicle during towing, proper equipment and towing procedures must be used.**
- **Using the frame hook, tow your vehicle on paved roads for short distances at low speed.**

2-wheel drive (2WD) manual transmission or Auto Gear Shift

Manual transmission vehicles or Auto Gear Shift vehicles may be towed using either of the following methods.

- 1) From the front, with the front wheels lifted and the rear wheels on the ground. Before towing, check that the parking brake is released.
- 2) From the rear, with the rear wheels lifted and the front wheels on the ground, provided the steering and drivetrain are in operational condition. Before towing, check that transmission is in neutral, the steering wheel is unlocked (the ignition key should be in "ACC" position), and the steering wheel is secured with a clamping device designed for towing service.

NOTICE

- The steering column is not strong enough to withstand shocks transmitted from the front wheels during towing. Always unlock the steering wheel before towing.
- After shifting the Auto Gear Shift gearshift lever to the “N” position, always check the gear position indicator in the instrument cluster shows the “N” position to make sure that the transmission is disengaged.
If the transmission cannot be put in neutral, turn the key from the “LOCK” to the “ON” position, and move the Auto Gear Shift gearshift lever from “N” to “D”, “M” or “R”, then back to “N” again. Then turn the key from the “ON” to the “LOCK” position. These procedures may help put the transmission in neutral. If the transmission still cannot be put in neutral, you cannot tow the vehicle without using a towing dolly.

**Engine trouble:
Starter does not operate**

- 1) Try turning the ignition switch to “START” position with the headlights turned on to determine the battery condition. If the headlights go excessively dim or go off, it usually means that either the battery is discharged or the battery terminal contact is poor. Recharge the battery or correct battery terminal contact as necessary.
- 2) If the headlights remain bright, check the fuses. If the reason for failure of the starter is not obvious, there may be a major electrical problem. Have the vehicle inspected by a authorised Maruti Suzuki workshop.

Engine trouble: Flooded engine

If the engine is flooded with petrol, it may be hard to start. If this happens, press the accelerator pedal all the way to the floor and hold it there while cranking the engine. Do not operate the starter motor for more than 12 seconds.

EMERGENCY SERVICE

Engine trouble: Overheating

The engine could overheat temporarily under severe driving conditions. If the high engine coolant temperature warning light comes on as overheating during driving:

- 1) Turn off the air conditioner, if equipped.
- 2) Take the vehicle to a safe place and park.
- 3) Let the engine run at the normal idle speed for a few minutes until the high engine coolant temperature warning light goes off.

⚠ WARNING

If you see or hear escaping steam, stop the vehicle in a safe place and immediately turn off the engine to cool it. Do not open the hood when steam is present. When the steam can no longer be seen or heard, open the hood to see if the coolant is still boiling. If it is, you must wait until it stops boiling before you proceed.

If the high engine coolant temperature warning light does not go off:

- 1) Turn off the engine and check that the water pump belt and pulleys are not damaged or slipping. If any abnormality is found, correct it.
- 2) Check the coolant level in the reservoir. If it is found to be lower than "LOW" line, check radiator, water pump, radiator hoses and heater hoses for leakage.

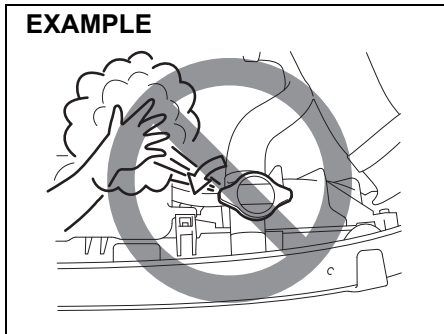
If leakage that may cause overheating is found, do not run the engine until these problems have been corrected.

- 3) If leakage is not found, carefully add coolant to the reservoir and then the radiator, if necessary. (Refer to "Engine coolant" in the "INSPECTION AND MAINTENANCE" section.)

NOTE:

If engine overheats and you are not sure what to do, contact a authorised Maruti Suzuki workshop.

EXAMPLE

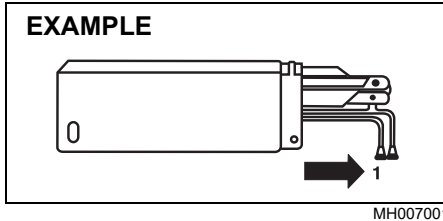


79J007

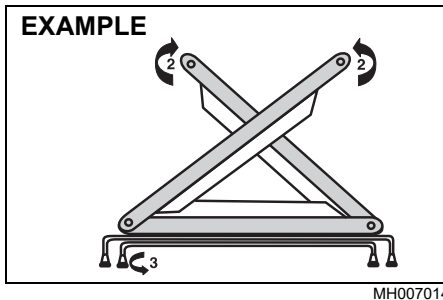
⚠ WARNING

- It is hazardous to remove the radiator cap when the water temperature is high, because scalding fluid and steam may be blown out under pressure. The cap should only be taken off when the coolant temperature has lowered.
- To help prevent personal injury, keep hands, tools and clothing away from the engine cooling fan and air-conditioner fan (if equipped). These electric fans can automatically turn on without warning.

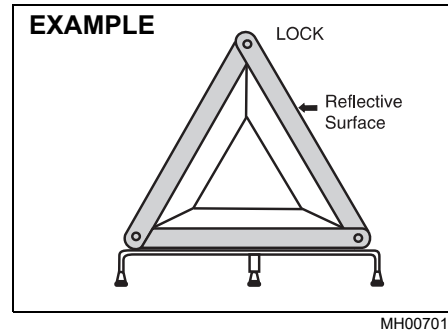
Warning triangle



In case of vehicle break-down or during emergency stopping, where, your vehicle could become a potential traffic hazard, keep the warning triangle, provided with your vehicle, on the road free from any obstacles behind your vehicle so as to warn the approaching traffic, at an approximate distance of 50-100 m. The reflecting side of the triangle should face the on coming traffic. Please activate the hazard warning lamps before alighting the vehicle to keep the warning triangle.

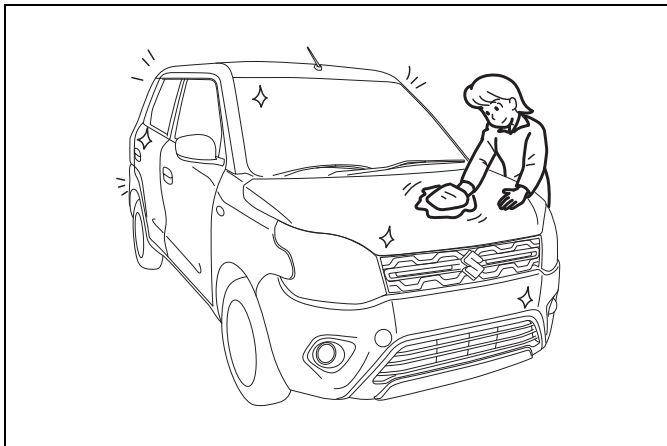


- Remove the warning triangle carefully from the cover as shown by arrow 1.
- Open both the reflector arms as shown by arrow 2 and lock the arms with each other with the clip provided in the right arm. Open the bottom stand in counter-clockwise direction as shown by arrow 3. Position the warning triangle behind the vehicle on a plain surface.
- Reverse the removal procedure for keeping inside the cover.



APPEARANCE CARE

Corrosion prevention 8-1
Vehicle cleaning 8-2



69RM08000

APPEARANCE CARE

Corrosion prevention

It is important to take good care of your vehicle to protect it from corrosion. Listed below are instructions for how to maintain your vehicle to prevent corrosion. Please read and follow these instructions carefully.

Important information about corrosion

Common causes of corrosion

- 1) Accumulation of road salt, dirt, moisture or chemicals in hard-to-reach areas of the vehicle underbody or frame.
- 2) Chipping, scratches and any damage to treated or painted metal surfaces resulting from minor accidents or abrasion by stones and gravel.
- 3) Any or all of the below mentioned points.
 - Continuous exposure to sunlight.
 - Hard water and sea water coming in contact with vehicle.
 - Foot rubbing (skirting).

Environmental conditions which accelerate corrosion

- 1) Road salt, dust control chemicals, sea air or industrial pollution will all accelerate the corrosion of metal.
- 2) High humidity will increase the rate of corrosion particularly when the temperature range is just above the freezing point.
- 3) Moisture in certain areas of a vehicle for an extended period of time may pro-

mote corrosion even though other body sections may be completely dry.

- 4) High temperatures will cause an accelerated rate of corrosion to parts of the vehicle which are not well-ventilated to permit quick drying.

This information illustrates the necessity of keeping your vehicle (particularly the underbody) as clean and dry as possible. It is equally important to repair any damage to the paint or protective coatings as soon as possible.

How to help prevent corrosion

Wash your vehicle frequently

The best way to preserve the finish on your vehicle and to help avoid corrosion is to keep it clean with frequent washing.

Wash your vehicle at least once during the winter and once immediately after the winter. Keep your vehicle, particularly the underside, as clean and dry as possible.

If you frequently drive on salted roads, your vehicle should be washed at least once a month during the winter. If you live near the ocean, your vehicle should be washed at least once a month throughout the year.

For washing instructions, refer to "Vehicle cleaning" section.

Remove foreign material deposits

Foreign material such as salts, chemicals, road oil or tar, tree sap, bird droppings and industrial fall-out may damage the finish of

your vehicle if it is left on painted surfaces. Remove these types of deposits as quickly as possible. If these deposits are difficult to wash off, an additional cleaner may be required. Check that any cleaner you use is not harmful to painted surfaces and is specifically intended for your purposes. Follow the manufacturer's directions when using these special cleaners.

Repair finish damage

Carefully examine your vehicle for damage to the painted surfaces. Should you find any chips or scratches in the paint, touch them up immediately to prevent corrosion from starting. If the chips or scratches have gone through to the bare metal, have a qualified body shop make the repair.

Keep passenger and luggage compartments clean

Moisture, dirt or mud can accumulate under the floor mats and may cause corrosion. Occasionally, check under these mats to ensure that this area is clean and dry. More frequent checks are necessary if the vehicle is used for off-road driving or in wet weather.

Certain cargos such as chemicals, fertilizers, cleaners, salts, etc. are extremely corrosive by nature. These products should be transported in sealed containers. If they are spilled or leaked, clean and dry the area immediately.

Park your vehicle in a dry, well-ventilated area

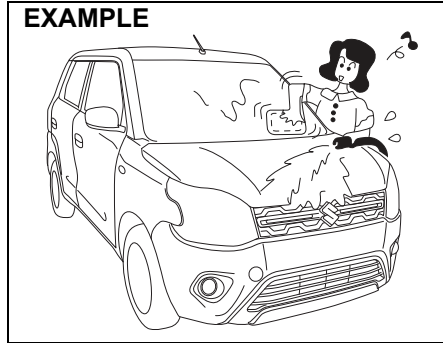
Park your vehicle to save it from continuous exposure to direct sunlight. Do not park your vehicle in a damp, poorly-ventilated area. If you often wash your vehicle in the garage and place it there in wet condition, your garage may be damp. The high humidity in the garage may cause or accelerate corrosion. A wet vehicle may corrode even in a heated garage if the ventilation is poor.

⚠ WARNING

Do not apply additional undercoating or rust preventive coating on or around exhaust system components such as the catalytic converter and exhaust pipes. A fire could be started if the undercoating substance becomes overheated.

Vehicle cleaning

EXAMPLE



69RM08001

⚠ WARNING

When cleaning the interior or exterior of the vehicle, do not use flammable solvents such as lacquer thinners, petrol and benzene. Also, do not use cleaning materials such as bleaches and strong household detergents. The materials could cause personal injury or damage to the vehicle.

Cleaning interior

Vinyl upholstery

Prepare a solution of soap or mild detergent mixed with warm water. Apply the solution to the vinyl with a sponge or soft cloth and let it soak for a few minutes to loosen dirt.

Rub the surface with a clean, damp cloth to remove dirt and the soap solution. If some dirt still remains on the surface, repeat this procedure.

Fabric upholstery (Except front passenger seat)

Remove loose dirt with a vacuum cleaner. Using a mild soap solution, rub stained areas with a clean damp cloth. To remove soap, rub the areas again with a cloth dampened with water. Repeat this until the stain is removed, or use a commercial fabric cleaner for tougher stains. If you use a fabric cleaner, carefully follow the manufacturer's instructions and precautions.

⚠ CAUTION

- Do not spill liquid or semi-solid on the front passenger's seat. If you spill it on the front passenger's seat, immediately wipe it dry with a soft cloth. Contact of liquid with sensor may impact the function of seat belt reminder sensor.
- Do not place any sharp or heavy object on passenger seat which can penetrate through seat upholstery and can cause damage to sensor.

Fabric upholstery (For front passenger seat)

Do not use liquid for cleaning as it may penetrate the fabric and damage the seat sensor.

Leather upholstery

Remove loose dirt with a vacuum cleaner. Using a mild soap or saddle soap solution, wipe dirt off with a clean damp soft cloth. To remove soap, wipe the areas again with a soft cloth dampened with water. Wipe the areas dry with a soft dry cloth. Repeat this until the dirt or stain is removed, or use a commercial leather cleaner for tougher dirt or stains. If you use a leather cleaner, carefully follow the manufacturer's instructions and precautions. Do not use solvent type cleaners or abrasive cleaners.

NOTE:

- In order to keep leather upholstery looking good, it should be cleaned at least twice a year.
- If leather upholstery becomes wet, immediately wipe it dry with tissue paper or a soft cloth. Water may cause leather to harden and shrink if it is not wiped off.
- When parking on sunny days, select a shady place or use a sunshade. If leather upholstery is exposed to direct sunlight for a long time, it may discolor and shrink.
- As is common with natural materials, leather is inherently irregular in grain and cowhide has spots in its natural state. These do not affect the performance of the leather in any way.

Seat belts

Clean seat belts with a mild soap and water. Do not use bleach or dye on the belts. They may weaken the fabric in the belts.

⚠ CAUTION

- Do not spill liquid or semi-solid on the front passenger's seat. If you spill it on the front passenger's seat, immediately wipe it dry with a soft cloth. Contact of liquid with sensor may impact the function of seat belt reminder sensor.
- Do not place any sharp or heavy object on passenger seat which can penetrate through seat upholstery and can cause damage to sensor.

Vinyl floor mats

Ordinary dirt can be removed from vinyl with water or mild soap. Use a brush to help loosen dirt. After the dirt is loosened, rinse the mat thoroughly with water and dry it in the shade.

Carpets

Remove dirt and soil as much as possible with a vacuum cleaner. Using a mild soap solution, rub stained areas with a clean damp cloth. To remove soap, rub the areas again with a cloth dampened with water. Repeat this until the stain is removed, or use a commercial carpet cleaner for tougher stains. If you use a carpet cleaner, carefully follow the manufacturer's instructions and precautions.

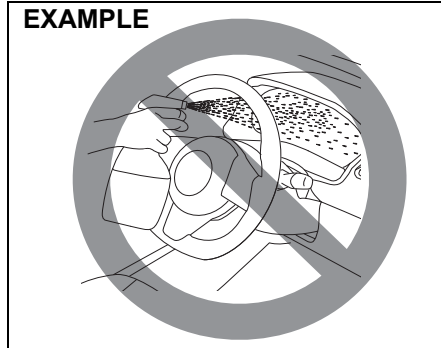
Instrument panel and console

Remove loose dirt with a vacuum cleaner. Gently wipe dirt off with a tightly squeezed damp clean cloth. Repeat this until the dirt is removed.

⚠ WARNING

Do not use chemical products that contain silicon to wipe electrical components such as the air conditioning system, audio, navigation system, or other switches. These will cause damage to the components. Do not spray water or any liquid directly on instrument cluster or any other electrical or electronic components. This may cause damage and/or lead to non-functioning of the part or may cause fire.

EXAMPLE



81RM08005

NOTICE

- Liquid such as liquid aromatics, soft drinks or juice may cause discoloration, wrinkles, and cracking to resin-based parts and textiles. Immediately wipe it dry with tissue paper or a soft cloth.
- Do not leave leather products with color, fur or vinyl products, etc. in your vehicle for long periods. It may cause discoloration or deterioration of interior.

Cleaning exterior

NOTICE

It is important that your vehicle be kept clean and free from dirt. Failure to keep your vehicle clean may result in fading of the paint or corrosion to various parts of the vehicle body.

Caring for aluminum wheels

NOTE:

- Do not use an acidic or alkaline detergent, or a cleaner containing petroleum solvent to wash aluminum wheels. These types of cleaner will cause permanent spots, discoloration and cracks on finished surfaces and damage to center caps.
- Do not use a bristle brush and soap containing an abrasive material. These will damage finished surfaces.

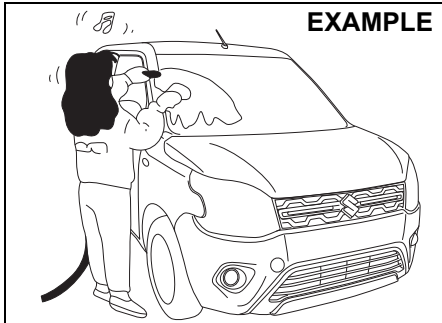
APPEARANCE CARE

Washing

⚠ WARNING

- Never attempt to wash and wax your vehicle with the engine running.
- When cleaning the underside of the body and fender, where there may be sharp-edged parts, wear gloves and a long-sleeved shirt to protect your hands and arms from being cut.
- After washing your vehicle, carefully test the brakes before driving to check that they have maintained their normal effectiveness.

Washing by hand



When washing the vehicle, park it in the place where direct sunlight does not fall on it and follow the instructions below:

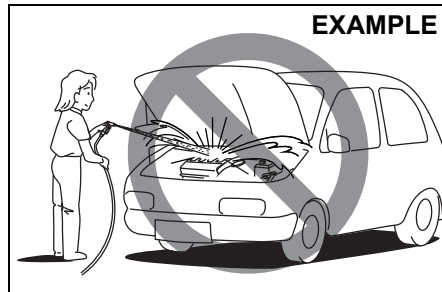
8-5

- 1) Flush the underside of body and wheel housings with pressurized water to remove mud and debris. Use plenty of water.

NOTICE

When washing the vehicle:

- Avoid directing steam or hot water of more than 80°C (176°F) on plastic parts.
- To avoid damaging engine components, do not use pressurized water in the engine compartment.



- 2) Rinse the body to loosen the dirt. Remove dirt and mud from the body exterior with running water. You may use a soft sponge or brush. Do not use hard materials which can scratch the paint or plastic. Remember that the headlight covers or lenses are made of plastic in many cases.

NOTICE

- To avoid damage to the paint or plastic surface, do not wipe the dirt off without ample water. Follow the above procedure.
- When using a commercial car wash product, observe the cautions specified by the manufacturer. Never use strong household detergents or soaps.

- 3) Wash the entire exterior with a mild detergent or car wash soap using a sponge or soft cloth. The sponge or cloth should be frequently soaked in the soap solution.
- 4) Once the dirt has been completely removed, rinse off the detergent with running water.
- 5) Wipe off the vehicle body with a wet chamois or cloth and allow it to dry in the shade.
- 6) Check carefully for damage to painted surfaces. If there is any damage, touch up the damage following the procedure below:
 1. Clean all damaged spots and allow them to dry.
 2. Stir the paint and touch up the damaged spots lightly using a small brush.
 3. Allow the paint to dry completely.

Washing by an automatic car wash

NOTICE

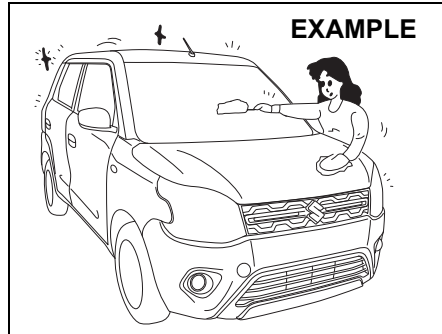
- If you use an automatic car wash, check that your vehicle's body parts, such as spoilers, cannot be damaged. If you are in doubt, consult the car wash operator for advice.
- Remove the antenna when using an automatic car wash.

Washing by a high-pressure cleaner

NOTICE

- If you use a high-pressure cleaner, keep away the nozzle from your vehicle sufficiently.
- Bringing the nozzle to your vehicle too close or pointing the nozzle to the opening of front grill or bumper etc. can cause damage and malfunction of the vehicle body and parts.
 - Pointing the nozzle to door glasses and doors can allow water to enter the cabin.

Waxing

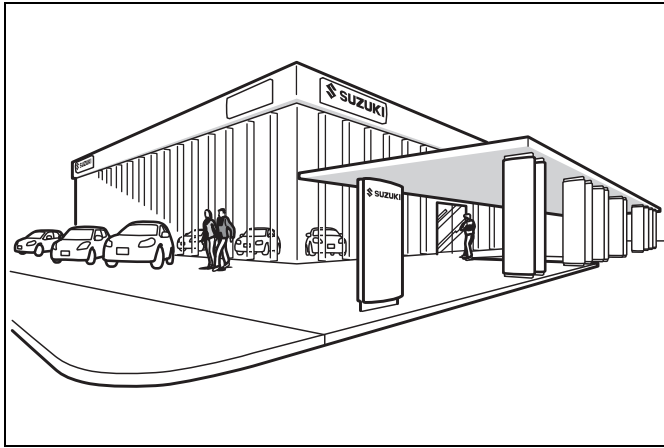


69RM08003

After washing the vehicle, waxing and polishing are recommended to further protect and beautify the paint.

- Only use waxes and polishes of good quality.
- When using waxes and polishes, observe the precautions specified by the manufacturers.

SPECIFICATIONS



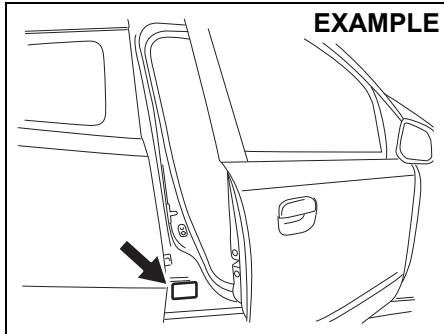
84MM01001

Vehicle identification	9-1
FASTag (if equipped)	9-2
High Security Registration Plate (HSRP) (if applicable)	9-3
Fuel Recommendation.....	9-4
Specifications	9-5

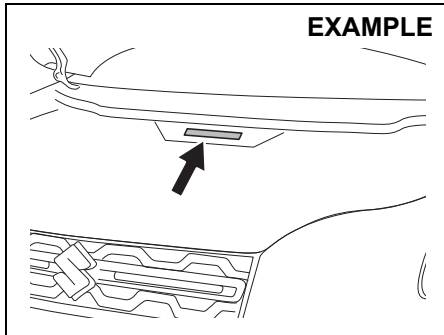
SPECIFICATIONS

Vehicle identification

Chassis serial number



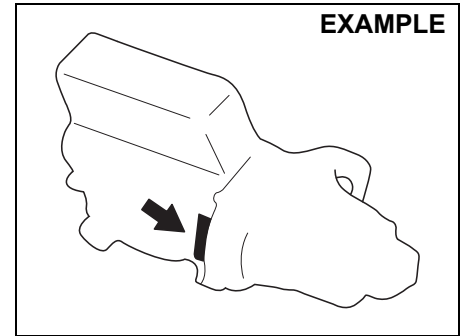
69RH087



69RH135

The chassis and/or engine serial numbers are used to register the vehicle. They are also used to assist a authorised Maruti Suzuki workshop when ordering or referring to special service information. Whenever you have occasion to consult a authorised Maruti Suzuki workshop, remember to identify your vehicle with this number. Should you find the number difficult to read, you will also find it on the identification plate.

Engine serial number



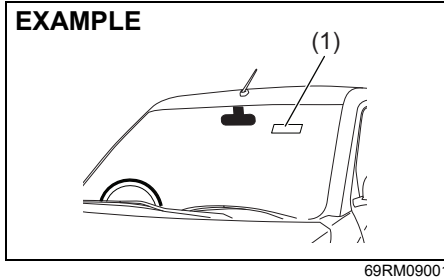
60G128

The engine serial number is stamped on the cylinder block as shown in the illustration.

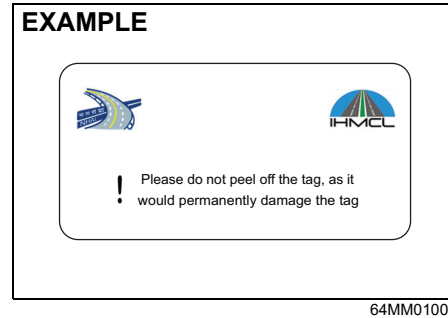
FASTag (if equipped)

As per Ministry of Road Transport and Highways, the FASTag (1) is mandatory for each vehicle for the purpose of electronic toll collection or any other purpose as may be defined by the Government of India.

In case of any damage to FASTag or replacement of front windscreen, please contact your nearest authorised Maruti Suzuki workshop.

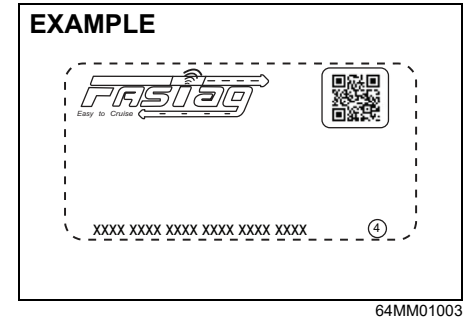


As seen from inside of the vehicle



NOTE:
The picture shown is for indicative purpose only. Internal structure of actual device mounted on vehicle may be different.

As seen from outside of the vehicle



NOTE:
The picture shown is for indicative purpose only. Internal structure of actual device mounted on vehicle may be different.

NOTE:

- Any attempt to remove the tag from the windscreen will result in permanent damage to the tag.
- Use of chemical cleaners to clean the windscreen area where the tag is mounted can damage the tag.

Use of any sharp objects on the tag can damage the tag.

SPECIFICATIONS

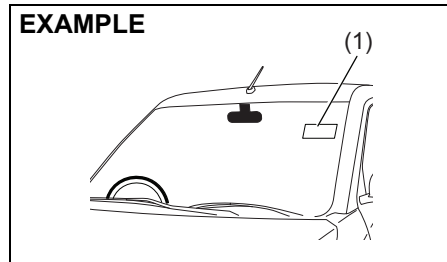
High Security Registration Plate (HSRP) (if applicable)

As per Ministry of Road Transport and Highways, every new vehicle must have HSRP.

HSRP contains;

- Front and rear HSRP, which will be fitted with 2 snap-locks each on number plate area.
- Third license plate on front windshield.

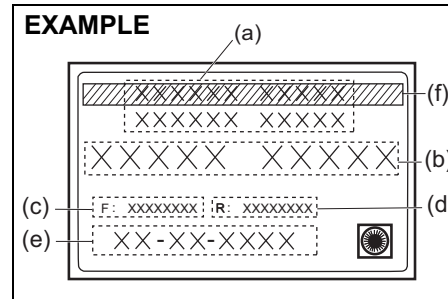
Third License Plate



(1) Third license plate

64MM01005

Third license plate - As seen from outside of the vehicle



72RM09002

- (a) HSRP issuing authority name
- (b) Vehicle registration number
- (c) Unique laser number - Front plate
- (d) Unique laser number - Rear plate
- (e) Date of 1st registration
(in DD-MM-YYYY format)
- (f) Green strip (BS6 vehicle)

NOTE:

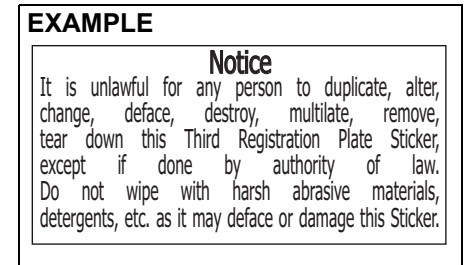
The picture shown is for indicative purpose only. Internal structure of actual label mounted on vehicle may be different.

NOTE:

- Any attempt to remove the third license plate from the windscreen will result in permanent damage to the label.
- Use of chemical cleaners to clean the windscreen area where the label is mounted can damage the same.

- Use of any sharp objects on the label can damage the label.
- In the event of any replacement of the third license plate, may please contact the approved authority.

Third license plate - As seen from inside of the vehicle



64MM01009

NOTE:

The picture shown is for indicative purpose only.

NOTE:

Color of third license plate (back) is as per HSRP regulation as defined by Ministry of Road Transport and highways.

Fuel Recommendation
Petrol Engine


To avoid damaging catalytic converter, you must use unleaded petrol with an octane number (RON) of 91 or higher.

Gasoline/Ethanol blends

Blends of unleaded gasoline and ethanol, also known as gasohol, are commercially available in the country and can vary with location. Gasoline Ethanol blend up to E20 can be used as fuel for this vehicle.

Gasoline containing MTBE

Unleaded gasoline containing MTBE (methyl tertiary butyl ether) may be used in your vehicle if the MTBE content is not greater than 15%. This oxygenated fuel does not contain alcohol.

 CAUTION
Use of spurious, low quality, adulterated fuel can cause damage to the engine and engine auxiliaries, affect functioning of engine and degrade engine performance including but not limited to engine seizure.

NOTICE
<ul style="list-style-type: none"> • The fuel tank has an air space to allow for fuel expansion in hot weather. If you continue to add fuel after the filler nozzle has automatically shut off or an initial blowback occurs, the air chamber will become full. Exposure to heat when fully fuelled in this manner will result in leakage due to fuel expansion. To prevent such fuel leakage, stop filling after the filler nozzle has automatically shut off, or when initial vent blowback occurs, if using an alternative non-automatic system. • Be careful not to spill fuel containing alcohol while refueling. If fuel is spilled on the vehicle body, wipe it up immediately. Fuels containing alcohol can cause paint damage, which is not covered under the New Vehicle Limited Warranty.

SPECIFICATIONS

Specifications

NOTE:

Specifications are subject to change without notice.

M/T: Manual transmission

ITEM: Dimensions		UNIT: mm	
Overall length			3655
Overall width			1620
Overall height			1675
Wheelbase			2435
Track	Front		1430
	Rear		1440

ITEM: Mass (weight)		UNIT: kg	K10C engine model	K12N engine model
Curb mass (weight)	M/T		810 – 825	835 – 840
	Auto Gear Shift		835	845 – 850
Gross vehicle mass (weight) rating			1340	1340
Permissible maximum axle weight	Front		740	740
	Rear		725	725

SPECIFICATIONS

ITEM: Engine		
Type	K10C (DOHC)	K12N (DOHC)
Number of cylinders	3	4
Bore	73.0 mm (2.87 in.)	73.0 mm (2.87 in.)
Stroke	79.5 mm (3.13 in.)	71.5 mm (2.81 in.)
Piston displacement	998 cm ³ (998 cc, 60.9 cu.in)	1197 cm ³ (1197 cc, 73.0 cu.in)
Compression ratio	11.5 : 1	12.0 : 1

ITEM: Electrical		
Standard spark plug	K10C engine models	NGK ILZKR6F11
	K12N engine models	NGK ILZKR6F11
Battery	M-42, 34B19L	
Fuses	See "INSPECTION AND MAINTENANCE" section.	

SPECIFICATIONS

ITEM: Lights	WATTAGE	BULB No.
Headlight	12V 60/55W	H4
Front fog light (if equipped)	12V 19W	H16
Position light	12V 5W	W5W
Turn signal light	Front	PY21W
	Rear	PY21W
Side turn signal light	(on fender)	W5W
	(on outside rearview mirror)*	LED
Tail/brake light	12V 21/5W	P21/5W
High-mount stop light	12V 16W	W16W
Reversing light	12V 21W	P21W
License plate light	12V 5W	W5W
Interior light	12V 10W	–

• If you need to replace the following bulbs indicated in the above table, consult your authorised Maruti Suzuki workshop.

* Since the lights are non-disassemble type, you cannot replace a bulb. Replace the target assembly if any bulb is defective.

ITEM: Wheels and tires		
Tire size (front, rear and spare)	155/80R13 79T*,165/70R14 81S*	
Rim size	155/80R13 tire: 13×4 1/2J 165/70R14 tire: 14×5J	
Tire size, spare**	For vehicle equipped with 155/80R13 tire	155/80R13 (Steel Wheel)
	For vehicle equipped with 165/70R14 tire	165/70R14 (Steel Wheel)
Tire pressures	For the specified tire pressure, see the tire information label located on the driver's door lock pillar.	

* If you cannot prepare tires with the specified load index rate and speed symbol, prepare tires with higher load index rate and speed symbol.

** The provision of different spare wheel is as per government notification/regulation (MORTH notification vide GSR 625 (E)).

ITEM: Recommended fuel / lubricants and capacities (approx.)			
Fuel	See "Fuel" in this section.		32 L [#]
Engine oil	K10C engine models	Classification: API SN, SP ILSAC: GF-6 Viscosity: SAE 0W-16	2.8 L (replacement with oil filter)
	K12N engine models		3.7 L (replacement with oil filter)
Engine coolant	K10C engine models	See "INSPECTION AND MAINTENANCE" section.	3.7 L (including reservoir tank)
	K12N engine models		3.9 L (including reservoir tank)
Manual transmission oil/ Auto Gear Shift oil	K10C engine models	"MARUTI GEAR OIL 75W"	1.5 L
	K12N engine models		1.5 L
Brake fluid	MARUTI GENUINE BRAKE FLUID (MGBF) or SAE J1703 or DOT 3		Refill to the proper oil level according to the instructions in "INSPECTION AND MAINTENANCE" section.

The fuel tank capacity is slightly more than the recommended quantity of fuel that you can fill. The additional voluminous space is provided for safety and scientific reasons.

SERVICE NETWORK (AS ON 31.05.2023)

- **MARUTI SUZUKI AUTHORISED DEALER WORKSHOP** : SALES, SERVICE, WARRANTY & SPARE PARTS
- **MARUTI SUZUKI NEXA DEALER WORKSHOP** : SALES, SERVICE, WARRANTY & SPARE PARTS
- **MARUTI SERVICE MASTER (MSM)** : SERVICE, WARRANTY & SPARE PARTS
- **MARUTI SERVICE ZONE (MSZ)** : SERVICE, WARRANTY & SPARE PARTS
- **MARUTI AUTHORISED SERVICE STATIONS (MASSs)** : 'A' CATEGORY MASSs (**MARKED)
Free & paid Service, Major repairs & Accidental repairs
- 'B' CATEGORY MASSs (* MARKED)
Free & paid Service & Major repairs
- 'C' CATEGORY MASSs (##MARKED)
Free & paid Service & Minor repairs
- 'D' CATEGORY MASSs (#MARKED)
Free Service & Minor repairs

NOTE:

Certain MASSs are not authorised to undertake Warranty jobs. Customers are requested to approach only Maruti Suzuki Authorised Dealer Workshop / Maruti Suzuki Nexa Dealer Workshop / Maruti Service Master / Maruti Service Zone for Warranty jobs.

The charges and services may vary depending upon service network and location.

For latest Service Network details kindly visit www.marutisuzuki.com or contact our regional office / area office as mentioned below.

REGIONAL OFFICE	AREA COVERED
REGIONAL OFFICE (NORTH-I) MARUTI SUZUKI INDIA LIMITED 2nd FLOOR, 157 DIVINE , RAJPUR ROAD, DEHRADUN, UTTARAKHAND - 248001 PH:- 0135-2738549	UTTARAKHAND AND PART OF U.P.
REGIONAL OFFICE (NORTH-II) MARUTI SUZUKI INDIA LIMITED SCO: 39-40, SECTOR 8C, MADHYA MARG, CHANDIGARH - 160009 PH. NO.- 0172-2780056	PUNJAB, CHANDIGARH, PANCHKULA, ZIRAKPUR, MOHALI, JAMMU AND KASHMIR & LADAKH
REGIONAL OFFICE (NORTH-III) MARUTI SUZUKI INDIA LIMITED 4TH FLOOR, SUMMIT, PLOT NO. TCG 3/3, VIBHUTI KHAND, GOMTI NAGAR – LUCKNOW - 226010	PART OF U.P.
REGIONAL OFFICE (NORTH-IV) MARUTI SUZUKI INDIA LIMITED S.C.O. 81, FIRST FLOOR, SECTOR 5, PANCHKULA (HARYANA)-134109 PH : (0172) 2590056, 2580056	PART OF HARYANA AND HIMACHAL PRADESH
REGIONAL OFFICE (EAST-I) MARUTI SUZUKI INDIA LIMITED PLOT NO IID/15, ACTION AREA IID, NEW TOWN KOLKATA-700156	WEST BENGAL, SIKKIM, ANDAMAN & NICOBAR
REGIONAL OFFICE (EAST-II) MARUTI SUZUKI INDIA LIMITED 4TH FLOOR, ROHINI, OPP. HOTEL APSARA, 56, CIRCULAR ROAD, LALPUR RANCHI - 834001, JHARKHAND PH.: - 0651-2563931/61	BIHAR, JHARKHAND
REGIONAL OFFICE (EAST-III) MARUTI SUZUKI INDIA LIMITED 5A, 5TH FLOOR, PEACE ENCLAVE 724, ULUBARI, G.S.ROAD, GUWAHATI-781007 (ASSAM) TELE: 0361-2734308/10/11/12	ARUNACHAL PRADESH, ASSAM, MANIPUR, MEGHALYA, MIZORAM, NAGALAND, TRIPURA

SERVICE NETWORK (AS ON 31.05.2023)

REGIONAL OFFICE (WEST-I) MARUTI SUZUKI INDIA LIMITED Plot No-GEN 25 + 25 B/2, TTC INDUSTRIAL AREA, PAWANE VILLAGE, THANE BELAPUR ROAD, NAVI MUMBAI- 400705 PH NO-022 45042300	PART OF MAHARASHTRA AND GOA
REGIONAL OFFICE (WEST-II) MARUTI SUZUKI INDIA LIMITED SACRED WORLD, 7TH FLOOR, NORTH BLOCK, UNIT NUMBER 708-715; JAGTAP CHOWK, WANAWADI, PUNE – 411 040 (MAHARASHTRA) PH. (020) 26856037 / 38 / 39	PART OF MAHARASHTRA
REGIONAL OFFICE (WEST-III) MARUTI SUZUKI INDIA LIMITED 211-213, 2ND FLOOR, ISCON MALL, ABOVE STAR INDIA BAZAR, SATELLITE, AHMEDABAD - 380015 PH NO - 079 – 40036660	GUJARAT, DADRA & NAGAR HAVELI, DAMAN AND DIU
REGIONAL OFFICE (SOUTH-I) MARUTI SUZUKI INDIA LIMITED 10th Floor, Block A, Gopal Infocity Park, No.40, Anna Nedunchalai, Kandanchavadi, Perungudi, Chennai, Tamil Nadu – 600096 PH. - 044 - 28233050 – 53	TAMILNADU AND PONDICHERY
REGIONAL OFFICE (SOUTH-II) MARUTI SUZUKI INDIA LIMITED #204, 2ND FLOOR, EMBASSY CLASSIC BUILDING, VITTAL MALLYA ROAD, BANGALORE- 560001, KARNATAKA. PH: (080) 41120018	KARNATAKA
REGIONAL OFFICE (SOUTH-III) MARUTI SUZUKI INDIA LIMITED 2ND FLOOR, TUTUS TOWERS, 32/1787 NH47- BYE PASS, PADIVATTOM, COCHIN- 682024	KERALA
REGIONAL OFFICE (SOUTH EAST-I) MARUTI SUZUKI INDIA LIMITED 101-102 FIRST FLOOR MAHAVIR CHAMBERS, LIBERTY SQUARE STANZA, HIMAYATH NAGAR, HYDERABAD-500029, TELANGANA CONTACT NO: 040-667299999	ANDHRA PRADESH, TELANGANA
REGIONAL OFFICE (SOUTH EAST-II) MARUTI SUZUKI INDIA LIMITED UTKAL SIGNATURE, UNIT NO. 605 & 606 (6TH FLOOR) NH-5, PAHAL, CUTTACK-BHUBANESWAR ROAD, BHUBANESWAR-752101, ODISHA PH. 0674-2914129, 0674-2914139 & 0674-2914229	ODISHA AND CHHATTISGARH
REGIONAL OFFICE (CENTRAL-I & II) MARUTI SUZUKI INDIA LIMITED Nelson Mandela Marg, Vasant Kunj II, Vasant Kunj, New Delhi, Delhi - 110070	DELHI
REGIONAL OFFICE (CENTRAL-III) MARUTI SUZUKI INDIA LIMITED 7TH POOJA TOWER, 3 GOPALPURA BYEPASS, TONK ROAD JAIPUR (RAJASTHAN)- 302018, CONTACT NO.: 0141-2550888	RAJASTHAN
REGIONAL OFFICE (CENTRAL-IV) MARUTI SUZUKI INDIA LIMITED 3RD FLOOR, COMMERCE HOUSE, 7 RACE COURSE ROAD INDORE (M.P) PIN CODE: 452001 CONTACT NO.: 07314069481/852/385.	MADHYA PRADESH

DETAILS OF AREA OFFICES	
Area Office Location	Area Office Address
Agra	Maruti Suzuki India Limited, 7th Floor, B-15/8, Shri Vrindavan Tower, Sanjay Place, Agra-282001 Ph:-0562-4052646/47
Bhopal	Maruti Suzuki India Limited, 522, 5th Floor Corporate Zone, Ashima Mall, Hoshangabad Road, Bhopal (M.P) Pin Code: 462 026 Contact : 0755 6051555
Calicut	Maruti Suzuki India Limited, Ground Floor, Aarpees Arcade, YMCA Cross Road, Opp. Indusind Bank, Kozhikode, Kerala -PIN 673001 Phone:- 0495-2723151
Coimbatore	Maruti Suzuki India Limited, Srivari Gokul Towers, First floor, (East wing), No.108/3, Race course, Coimbatore - 641018 Ph.- 0422-2221091
Hubli	Maruti Suzuki India Limited, Shiva Avenue, 2nd Floor, Gokul Road, Hubli - 580030, Ph: 0836-4259447
Jammu	Maruti Suzuki India Limited, Hall no: 315, A2,3rd Floor, South Block, Bahu Plaza, Jammu-180012 M: 9622066444/9622524343
Ludhiana	Maruti Suzuki India Limited, SCO No. 16/17, 4Th Floor, Fortune Chambers, Feroze Gandhi Market, Ludhiana-141001, Ph: 0161-4649764
Madurai	Maruti Suzuki India Limited, 3rd floor, ADR towers, Kalavasal, Theni Bye pass road, Madurai-625016 Ph. - 0452-4200203
Mangalore	Maruti Suzuki India Limited, F - 4,5,6, 1st Floor, Classic Gateway, Mahaveer Circle Pumpwell Mangalore – 575002 Ph. 0824 - 4112111

SERVICE NETWORK (AS ON 31.05.2023)

DETAILS OF AREA OFFICES	
Area Office Location	Area Office Address
Nagpur	Maruti Suzuki India Limited, Plot No.244, 1st Floor, Narayani House, Hill Road, Dharampeth Extension, Nagpur - 440010 (Maharashtra) Ph. (0712) 2225808
Nashik	Maruti Suzuki India Limited, Plot No.202, Rushiraj Towers, Jehan Circle, Gangapur Road, Nashik - 422 005 (Maharashtra) Ph. (0253) 6698551
Patna	Maruti Suzuki India Limited, 307-308, Vasundhara Metro Mall, Rajapur Pul, East Boring Canal Road, Patna - 800001, Bihar Phone - 0612-2559145
Raipur	Maruti Suzuki India Limited, 629-630, Magneto Offizo,Magneto The Mall, Labhandi, Raipur, Chhattisgarh, Pin - 492001 Ph.- 0771-4039643
Siliguri	Maruti Suzuki India Limited, Unit 401, 4th Floor, Quantum Siliguri, Parivahan Nagar, Matigara Siliguri - 734010 West Bengal
Surat	Maruti Suzuki India Limited, 304, Shivalik Western, Above TGB Restaurant, L.P. Savani Road, Adajan Surat - 395009
Trivandrum	Maruti Suzuki India Limited, 8th Floor, KEK Tower, Opp. Police Head Quarters, Vazhuthacadu, Trivandrum - 695010, Phone:- 0471-2322366
Udaipur	Maruti Suzuki India Limited, 302 & 303, 3rd Floor. Manglam's Fun Square, Durga Nursery Road. Udaipur, (Rajasthan) 313001
Vijayawada	Maruti Suzuki India Limited, Vaishinavi Complex, 4th Floor, Unit 2,Opposite Executive Club, Vijayawada, -530002,
Visakhapatnam	Maruti Suzuki India Limited, Door No. 10-50-58/1, 3rd Floor, Waltair Main Road, Ramnagar, Above westside store, RK Estates, Visakhapatnam-530002, Andhra Pradesh Contact No: 0891 2745299

ANDAMAN AND NICOBAR ISLANDS

DIGLIPUR

1. AGENCY HOUSE (A & N ISLANDS) PVT. LTD. (PU01-PU-01), MADHUPUR VILLAGE, TEHSIL DIGLIPUR, NORTH ANDAMAN - 744202 PH :271056.

PORTBLAIR

2. AGENCY HOUSE (A & N ISLANDS) PVT. LTD. (E102-E1-01), GARACHRAMA, PORT BLAIR - 744105 PH :251980, 253586, 211590.
3. AGENCY HOUSE (A & N ISLANDS) PVT. LTD. (E102-E1-02), NAYAGEN, PORTBLAIR - 744101 PH :227104, 211682.

RANGAT

4. AGENCY HOUSE (A & N ISLANDS) PVT. LTD. (E102-FJ-03), NIMBUTULLA, PO RANGAT, DIST. MIDDLE ANDMAN, - 744201 PH :211546.

ANDHRA PRADESH

AMALAPURAM

5. S.B. MOTOR CORPORATION (BTS1-BTS-01), #241/2B, BESIDE: BAPUJI PRIMARY SCHOOL MAIN ROAD, OPP. RR NAGAR, BANDARULANKA, AMALAPURAM, EAST GODAVARI (DIST) - 533201 PH :8374303303.

AMARAVATI

6. JAYALAKSHMI AUTOMOTIVES PVT. LTD (CVB1-CVB-01), SURVEY NO. 29, TOWNSHIP-16, SECTOR-137, COLONY-539, BLOCK-2029, PLOT NO. 1, SUB-DIVISION-L40, MALKAPURAM LIMITS, MANDAL - THULLURU, AMARAVATI-CITY, DIST.-GUNTUR, ANDHRA PRADESH. - 522237 PH :8374847777.

ANAKAPALLE

7. JAYABHERI AUTOMOTIVES PVT. LTD. (0N01-0N-01), SURVEY NO.822/1 & 2, NH-5 ROAD, ANAKAPALLE, DISTT. VISHAKHAPATNAM. - 531001 PH :7093575555.

ANANTAPUR

8. SRI DURGA AUTOMOBILES PVT. LTD. (1B01-1B-01), 17/377-A, GOOTY ROAD, ANANTAPUR - 515001 PH :910984249.

ANNAVARAM

9. VARUN MOTORS (SJH1-SJH-01), DO-NO : 5/116, SURVEY NO - 59., CHALAMAYYA NAGAR, RAILWAY STATION ROAD, NEAR SMP BAJAJ SHOWROOM, ANNAVARAM, EAST GODAVARI DISTRICT, ANDHRA PRADESH. - 533406 PH :9885511911.

ARAKU

10. VARUN MOTORS (SJG1-SJG-01), SURVEY NO 33-9/A, RAVULAGADDA VILLAGE, BESIDE GOVT DEGGRE COLLEGE, ARAKU, VISHAKAPATNAM, ANDHRAPRADESH - 531151 PH :7799499931.

BHIMAVARAM

11. NOVELTY REDDY & REDDY MOTORS PVT LTD (7M01-7M-01), NEAR BYEPASS ROAD, UNDI ROAD, BHIMAVARAM - 534202 PH :7799771777.

BOBBILI

12. VARUN MOTORS PVT. LTD. (CAM1-CAM-01), D. NO. 4-64, SURVEY NO. 219/8, VILLAGE - MALLAMMAFETA, BESIDE GROWTH CENTRE, BOBBILI, DISTRICT - VIZIANAGARAM, ANDHRA PRADESH. - 535558 PH :9885280772.

CHALLAPALLI

13. MITHRA AUTO AGENCIES PVT LTD (CSX1-CSX-01), D.NO.9-30, 9TH BLOCK, LAKSHMIPURAM LIMITS, RAMANAGARAM, CHALLAPALLI MANDALAM, DISTT. KRISHNA - 521126 PH :8886063526.

CHILKALURIPET

14. JAYALAKSHI (SFT1-SFT-01), M/S JAYALAKSHMI AUTO, SURVEY NO 457/C3, CHILKALURIPET, NADENLA MANDAL, GUNTUR, ANDHRA PRADESH - 522616 PH :9889144344.

CHINTALAPUDI

15. REDDY AND REDDY MOTORS (BYO1-BYQ-01), RS NO.698/2 MARUTI NAGAR COURT CENTRE, ELURU-CHINTALAPUDI HIGHWAY, CHINTALAPUDI MANDAL, ANDHRA PRADESH - 534460 PH :9912341624, 9948827555.

CHIRALA

16. JAYALAKSHMI AUTOMOTIVES PVT. LTD (G502-NT-04), 9-1-92, CHURCH ROAD, CHIRALA, - 523157 PH :7331151661.

CHITTOOR

17. BHARGAVI AUTO PVT. LTD. (A801-1C-03), 22-241/A, KATTAMANCHI TIRUPATI ROAD, CHITTOOR, - 517001 PH :8463955558.

CHODAVARAM

18. VARUN MOTORS (SHT1-SH-01), SURVEY:NO: 108-2-A, 108-3-A & 108-4, GOVCHODAVARAM, DIST. VISAKHAPATNAM., - 531036 PH :#REF1.

CUDDAPAH

19. MSA MOTORS (C201-1D-03), K.T. BYE PASS ROAD, CUDDAPAH, ANDHRA PRADESH. - 516001 PH :7396685628.

ELURU

20. REDDY & REDDY MOTORS (1E01-1E-01), OLD NH-6 ROAD, BESIDES C R REDDY WOMEN'S COLLEGE OLD NH-5, ELURU, - 534001 PH :9705311566.

GAJAPATINAGARAM

21. JAYABHERI AUTOMOTIVES (SNN1-SNN-01), SURVEY NO 50-14, D.NO 3-1/C, BONDAPALLI MANADALAM, GAJAPATHINAGARAM, ANDHRA PRADESH. - 535270 PH :9100818111.

GAMBHEERAM

22. JAYABHERI AUTOMOTIVES PVT. LTD. (BQ01-GJF-02), PLOT NO. 40-45 & 48, GREEN INDUSTRIAL PARK, GAMBHERAM, ANANDPURAM, VISHAKAPATNAM. - 530052 PH :9644296789.

GUDIVADA

23. VARUN MOTORS PVT. LTD. (2603-CL-02), D.NO. 1-621, AUTONAGER 1ST LANE, GUDIVADA - 521301 PH :9885651383.

GUDUR

24. BHARGAVI AUTO PVT. LTD. (ISO1-IS-01), SURVEY NO.1619/3A, GUDUR BYPASS, GUDUR RURAL, GUDUR DISTT. NELLORE, A.P. - 524101 PH :9652984999.

GUNTAKAL

25. SRI DURGA AUTOMOBILES PVT. LTD. (BJA1-BJA-01), SURVEY NO. 407, D. NO. 20/342-19, BELLARY ROAD, GUNTAKAL, DIST. -ANANTPUR, ANDHRA PRADESH. - 515801 PH :8142847353.

GUNTUR

26. JAYALAKSHMI AUTOMOTIVES PVT. LTD (G502-G5-01), D-N-8-24-31, MANGALAGIRI ROAD, GUNTUR - 522001 PH :789311711/0863-2241000.
27. JAYALAKSHMI (G502-G5-05), AT 1-14-114, OPP. HINDU COLLEGE, BANDLAMUDI GARDENS, AMARAVATI ROAD, GUNTUR-522003, AP - 522203 PH :9848131133/9625255555.
28. JAYALAKSHMI AUTO (G502-G5-06), SURVEY NO 509, D.NO 25-11-50 TOWN, WARD NO 22, OPPOSITE ITC BUILDING, R AGRAHARAM, NAGARAPALAM ROAD, GUNTUR, - 522004 PH :8374847777.

HANUMAN JUNCTION

29. SANTOSH MOTORS (SHB1-SHB-1), SY NO. 569/1 BESIDES NHS, VELURU VILLAGE, BAPULAPADU MANDAL, HANUMAN JUNCTION KRISHNA DISTRICT PIN 521105 - 521115 PH :9703637555.

HINDUPUR

30. SRI DURGA AUTOMOBILES PVT. LTD. (1B01-36-02), PLOT NO.83, NEAR RELIANCE PETROL BUNK, BYE PASS ROAD, HINDUPUR - 515201 PH :9849773030.

ICHAPURAM

31. JAYABHERI AUTOMOTIVES PVT. LTD. (GLL1-GLL-01), SURVEY NO. 105/3, 105/4 AND 229/7, ICHAPURAM, BALAKRISHNAPURAM PANCHAYAT, MUNIBHADRA VILLAGE, ANDHRA PRADESH. - 532312 PH :9394006666, 8142933666.

JAGGAIHPETA

32. VARUN MOTORS PVT. LTD. (2603-PC-05), DOOR NO. 2-20, MUTHYALAMMA GUDI STREET JAGGAIHPET TOWN, JAGGAIHPET, KRISHNA DISTT. - 521175 PH :9642437099.

JANGAREDDYGUDEM

33. REDDY & REDDY MOTORS (1E01-HQ-02), NEAR R&B GUEST HOUSE, ELURU ROAD, JANGAREDDYGUDEM, - 534447 PH :9912563666.

KAIKALURU

34. SANTOSH AUTOMOTORS PVT. LTD. (CLW1-CLW-01), SY. NO. 12777 &9, OPP. NAIDU COMPLEX, AATAPAKA, KAIKALURU MANDAL, DIST. KRISHNA - 521333 PH :7799787969.

KAKINADA

35. S B MOTORS (W701-W7-01), D. NO. 52-10-38/3, NEAR AMAR GHATI CENTER, KARAPA ROAD, KAKINADA - 533001 PH :988519888.

KANCHIKACHERLA

36. VARUN MOTORS PVT. LTD. (GJD1-GJD-01), SURVEY NO. 510/5, DOOR NO. 13-144, 146, 13TH WARD, KANCHIKACHERLA VILLAGE AND MANDAL, KRISHNA DIST., ANDHRA PRADESH. - 521180 PH :9703906444.

KANDUKURU

37. JAYALAKSHMI AUTOMOTIVES PVT. LTD (BEY1-BEY-01), SURVEY NO. 414, MAHADEVAPURAM VILLAGE, O. V. ROAD, KANDUKURU MANDAL, DISTRICT - PRAKASHAM, ANDHRA PRADESH. - 523105 PH :9848131133.

Dealer Workshop (AS ON 30.05.2023)

KANIGIRI

38. JAYALAKSHMI AUTOMOTIVES PVT. LTD
(SCC1-SCC-01), SURVEY NO 793, PLOT NO
11,12 , KANIGIRI, PRAKASHAM DISTRICT,
ANDHRA PRADESH - 523230
PH :9848131133, 9052457512.

KAVALI

39. BHARGAVI AUTO PVT. LTD. (A801-PF-05),
KAVALI NELLORE, ANDHRA PRADESH - 524201
PH :9248702667.

KURNOOL

40. MSA MOTORS (C201-C2-01), AUTO
NAGAR, INDUSTRIAL ESTATE, NH-7, KURNOOL
- 518004
PH :9959513945.

MACHERLA

41. JAYALAKSHMI AUTOMOTIVES PVT. LTD
(CEY1-CEY-01), D.NO. 343/7, 343/5-3, 15-2-3,
MACHERLA, MACHERLA MUNICIPALITY. -
522426
PH :9848131133, 9705261801.

MACHILIPATNAM

42. MITHRA AUTO AGENCIES PVT LTD (2604-0K-04),
NARASIMHA NAGAR, MACHILIPATNAM, ANDHRA
PRADESH - 521001
PH :9886063526.

MADANAPALLI

43. BHARGAVI AUTO PVT. LTD. (AAT1-AAT-01),
SURVEY NO.762, BASIKONDA VILLAGE,
MADANPALLI, CHITTOOR DISTT. ANDHRA
PRADESH - 524101
PH :9959893434.

MADHURAWADA

44. JAYABHERI AUTOMOTIVES PVT. LTD.
(BQ01-BQ0-01), PLOT NO. 5, SURVEY NO. 4/P,
KOMMADI ROAD, MADHURAWADA,
VISHAKAPATNAM, ANDHRA PRADESH - 530048
PH :9886669985.

MALKIPIURAM

45. VARUN MOTORS (SEH1-SEH1-01), SURVEY NO
49/6A, MALKIPIURAM VILLAGE AND MANDAL,
EAST GODAVARI DISTRICT, ANDHRA PRADESH
- 533250
PH :9154255226.

MANDAPETA

46. S B MOTOR CORPORATION (BJC1-BJC-01),
BLOCK NO. 4, D. NO. 4-1-64, MANDAPETA,
DISTRICT - EAST GODAVARI, ANDHRA
PRADESH - 533306
PH :9886664090.

MARKHAPURAM

47. JAYALAKSHMI AUTOMOTIVES PVT. LTD
(OFF1-OFF-01), D. NO. 4-515/12, SURVEY NO.
1167, OPP. INDUSTRIAL ESTATE, ONGOLE
ROAD, MARKAPURAM, DISRT.-PRAKASAM,
ANDHRA PRADESH - 523316
PH :9848131133, 7331151674.

MYLAVARAM

48. VARUN MOTORS PVT. LTD. (GKL1-GKL-01), D
NO. 2-176/2, MAIN ROAD, MYLAVARAM,
KRISHNA DISTRICT, PIN-521230, ANDHRA
PRADESH - 521230
PH :9581337222.

NAKKAPALLI

49. VARUN MOTORS (SFR1-SFR-01), SURVEY NO
202/3, 203/4, PEDGUMMULURU GRAM
PANCHAYAT,
RAYAVARAM
MANDAL, NAKKAPALLI, VISHAKAPATNAM,
ANDHRA PRADESH - 531081
PH :9885317344.

NANDIGAMA

50. VARUN MOTORS PVT. LTD. (CUB1-CUB1-01), RE
SURVEY NO. 601/1B, NH-9 ROAD, NANDIGAMA,
DIST.-KRISHNA, ANDHRA PRADESH. - 521185
PH :9642225287.

NANDYAL

51. MSA MOTORS (CKB1-CKB-01), SURVEY NO. 333,
VUDUMALPURAM, MANDAL - NANDYAL, OPP.
AUTO NAGAR, NANDYAL, DISTRICT -
KURNOOL - 518501
PH :7337292622.

NARASARAOPET

52. JAYALAKSHMI AUTOMOTIVES PVT. LTD
(G502-JT-03), NEAR RELIANCE PETROL PUMP
BUNK, VINUKONDA ROAD, NARASARAOPET,
GUNTUR, - 522603
PH :7680000502/9100791343.

NARSAPURAM

53. NOVELTY REDDY & REDDY (SIU1-SIU-01), SY
NO. 98/7, NARSAPURAM- CHINCHINDA BYPASS
ROAD, NARSAPURAM, PALAKOLLA MANDAL,
WEST GODAVARI DISTRICT
T, ANDHRA PRADESH - 534206
PH :9703900011.

NARSIPATNAM

54. JAYABHERI AUTOMOTIVES PVT. LTD.
(WT01-WT-01), OPP. RDO BUNGLAW, BANK
COLONY, VISAKHAPATNAM ROAD,
NARSIPATNAM - 531116
PH :7702333513.

NELLORE

55. BHARGAVI AUTO PVT. LTD. (A801-A8-01),
D.NO.25/11/97 INDUSTRIAL ESTATE, A.K. NAGAR,
P.B.NO.18, NELLORE(A.P.) - 524004
PH :9248742225.

56. BHARGAVI AUTO PVT. LTD. (A801-A8-04), A2,
INDUSTRIAL ESTATE, A.K. NAGAR, NELLORE, -
524004
PH :9248727888.

57. VISHNU CARS PVT. LTD. (A802-A8-01), FIELD
NO. 628 /SURVEY NO. 877, 878/A/4 AND
883/A/1A, NELLORE BIT-II, BESIDES GSR
GARDENS, BALAJI NAGAR, NH-16, NELLORE
CITY - 542002
PH :7337340778.

NUZIVIDU

58. VARUN MOTORS PVT. LTD. (2603-CN-03), RS
NO:880/2, MUNICIPAL, D NO:25-12, WRD
NO:25, BLOCK NO:25, BESIDE
S SQUIRE CONVENTION HANUMAN JUNCTION
ROAD, NIZVID , ANDHRA PRADESH. - 521201
PH :9581337222.

ONGOLE

59. JAYALAKSHMI AUTOMOTIVES PVT. LTD
(8Y01-8Y-02), THROVAGUNTA COMPANY
CENTRE, NH-5, GUNTUR
ROAD, ONGOLE, PRAKASAM DISTRICT. - 523003
PH :9701055955.

PALAKONDA

60. VARUN MOTORS PVT. LTD. (CKO1-CKO-01),
SURVEY NO. 8, ANAVARAM GRAMAM,
PALAKONDA, SRIKAKULAM DISTRICT, ANDHRA
PRADESH. - 532440
PH :9966877033, 9885317344.

PALASA

61. JAYABHERI AUTOMOTIVES PVT. LTD.
(BWH1-BWH-01), SURVEY NO. 63 OF VILLAGE -
PURUSHOTTAPURAM, PALASA MANDAL,
KASIBUGGA MUNICIPALITY, DISTRICT -
SRIKAKULAM, ANDHRA PRADESH. - 532221
PH :9849054442, 8790946464.

PATHAPATNAM

62. VARUN MOTORS (CODE UNDER
CREATIONS-CODE UNDER CREATIONS-CODE
UNDER CREATIONS), D NO 4-245, SURVEY NO
264/1A, PATHAPATNAM, SRIKAKULAM, ANDHRA
PRADESH - 532213
PH :9885317344.

PENDURTHI

63. VARUN MOTORS PVT. LTD. (BAP1-BAP-01),
SURVEY NO.107/1B, VELAMPETA, ANAKAPALLI
TO PENDURTHI HIGHWAY, NEAR BRIDGE,
PENDURTHI DISTT: VISAKAPATNAM - 530047
PH :9160445699.
64. VARUN MOTORS PVT LTD (BAP1-BAP-02),
SURVEY NO 240/1,2 & 241, PENDURTHI, VIZAG -
531173
PH :9642403366.

PIDUGURALLA

65. JAYALAKSHMI AUTOMOTIVES PVT. LTD
(BFN1-BFN-01), SURVEY NO. 897/16,
PIDUGURALLA, DISTRICT - GUNTUR, ANDHRA
PRADESH - 522413
PH :9848131133, 9100787058.

PITHAPURAM

66. S B MOTORS (CTS1-CTS-01), NO. 11-2-114, 11TH
WARD, KAKINADA-KATHIPUDI ROAD,
PITHAPURAM, EAST GODAVARI DIST., ANDHRA
PRADESH - 533 450
PH :8886677759, 8886677754.

PONNUR

67. JAYALAKSHMI AUTOMOTIVES PVT. LTD
(VAIN1-VAIN-01), PLOT NO. 4, D.NO. 213-1,
VAISHNAVI NAGAR, PONNUR, GUNTUR,
ANDHRA PRADESH. - 522124
PH :9849445639, 9121141913.

RAJAHMUNDRY

68. S.B. MOTOR CORPORATION (C501-C5-01),
OPP.FCI
GOWDUN, JAILROAD, LALACHERUVLI, RAJAMU
NDRY - 533101
PH :08885585667.
69. S B MOTORS (C501-C5-03), D. NO. 3-243, NH-5,
ROAD, HUKUMPETA, RAJAHMUNDRY. - 533 107
PH :08885886262.
70. VARUN MOTORS PVT. LTD. (C502-C5-01),
SURVEY NO. 660, PALACHERLA VILLAGE OF
RANAJANAGRAM MANDAL, RAJAHMUNDRY,
EAST GODAVARI DSIT. - 533102
PH :8886616717.

RAJAM

71. VARUN MOTORS PVT. LTD. (BLJ1-BLJ-01), PLOT
NO. 44, SARATHI NAGAR, RAJAMNAGAR
PANCHAYAT, RAJAM, DISTRICT - SRIKAKULAM,
ANDHRA PRADESH - 532127
PH :7799669998.

RAMPACHODAVARAM

72. VARUN MOTORS (SOK1-SOK-01), SURVEY NO
14/1, IRLAPALLY VILLAGE,
RAMPACHODAVARAM, ANDHRA PRADESH -
533288
PH :9885511911.

REPALLE

73. JAYALAKSHMI (SKA1-SKA-01), D.NO 430,
BESIDE ESAR PETROL BUNK, REPALLE,
DISTRICT: GUNTUR, ANDHRA PRADESH -
522265
PH :8374847777.

S KOTA

74. JAYABHERI (SIV1-SIV-01), SURVEY NO 113/3,MALLIPUDI MADHURA VENKATARAMAPETA, SRUNGAVARAPUKOTA, VIZIANAGARAM, ANDHRA PRADESH - 535145 PH :9100818111.

SOMPETA

75. VARUN MOTORS PVT LTD (GLX1-GLX-01), KHATA NO 406,407,408 DENOTED IN SURVEY NO 241/1,MOGILIKOTURU VILLAGE, SOMPETA, SRIKAKULAM, ANDHRA PRADESH - 532284 PH :8142331166.

SRIKAKULAM

76. VARUN MOTORS PVT. LTD. (4603-W6-09), NH-16, BESIDE EENADU UNIT OFFICE, PEDDA PADDU-VILL,ARASAVILLI (P.O.),SRIKAKULAM, - 532001 PH :9703119797.

77. JAYABHERI AUTOMOTIVE (4606-W6-04), SURVEY NO 227/7, 22/8 AND SURVEY NO 29/12,16,17, BALAGA RURAL,SRIKAKULAM CITY, DISTRICT. SRIKAKULAM - 532001 PH :9100818111.

SULLURPETA

78. BHARGAVI AUTO PVT. LTD. (BZA1-BZA-01), KEERTI ENCLAVE,NEAR RTO OFFICE,NH-5,SULLURPETA - 524121 PH :9848602345, 7997998516.

TADA

79. VISHNU CARS PVT.LTD. (SFW1-SFW-01), SURVEY NO 58/3,TADA, NELLORE DISTRICT - 524401 PH :7995088868.

TANUKU

80. NOVELTY REDDY & REDDY MOTORS PVT LTD (BAR2-BAR-01), NH-5 ROAD, NEAR WOMEN'S COLLEGE, BESIDE IOC PETROL PUMP, TANUKU, DISTT: WEST GODAVARI(ANDHRA PRADESH) - 534211 PH :9912341624.

TENALI

81. JAYALAKSHMI AUTOMOTIVES PVT. LTD (PE01-PE-01), KAVI RAJA NAGAR, GUNTUR ROAD, TENALI, GUNTUR DISTT. - 522002 PH :226100/ 9866111788.

THAGARAPUVALASA

82. VARUN MOTORS PVT. LTD. (COV1-COV-01), SURVEY NO.11/2B,11/3,NAGARAMPALEM VILLAGE, NH-16, NAGARAMPALEM GRAMA PANCHAYAT LIMITS, THAGARAPUVALASA, BHEEMUNIPATAM MANDAL, VISHAKAPATNAM, - 531162 PH :9885317344, 9885280772.

TIRUPATI

83. BHARGAVI AUTO PVT. LTD. (A801-N9-02), 11/66/1,TIRUPATI RENIGUNTA ROAD,TIRUPATI, - 517507 PH :7997969946.

84. BHARGAVI AUTO PVT. LTD. (A801-N9-06), SURVEY NO. 2/B3, ADJACENT TO PARK HOTEL, RENIGUNTA ROAD, TIRUPATI. - 517501 PH :7997969919.

85. VISHNU CARS (N902-N9-01), SURVEY NO. 192/3A2A, 200' CHENNAI – TIRUPATI HIGHWAY, KOTRAMANGALAM,RENIGUNTA MANDAL, TIRUPATI - 517520 PH :9154971551.

TIRUVURU

86. SANTOSH AUTOMOTORS PVT. LTD. (CIM1-CIM-01), D NO. 23-1/5, OPP. AYYAPA SWAMY TEMPLE, MAIN ROAD, TIRUVURU. - 521235 PH :7799787969.

TUNI

87. SATTIBABU MOTORS (PVT) LTD. (KY01-KY-01), D. NO. 65-31-15/1, OPP. FCI GODOWNS, NARAYANAPURAM, TUNI, EAST GODAVARI, ANDHRA PRADESH - 533401 PH :7661893888.

VENKATAGIRIKOTA

88. BHARGAVI AUTO PVT. LTD. (CD11-CD1-01), M/S BHARGAVI AUTOMOBILES, BESIDE INDIAL OIL BUNK,GMR FUNTION HALL,DARASALLA,PALLIKUPPAM,KUPPAM ROAD,V KOTA - 517242 PH :9848602345, 7799997720.

VENKATAPGIRI

89. BHARGAVI AUTOMOBILES (SOL1-SOL-01), SURVEY NO 166, 169/1,169/2,RTC COLONY,VENKATAGIRI, NELLORE, ANDHRA PRADESH - 524132 PH :9248747777.

VIJAYAWADA

90. MITHRA AUTO AGENCIES PVT LTD (2604-26-01), 40-17-3, PICHIAIAH STREET,GANDHI COLONY,VIJAYAWADA - 520001 PH :8886063507.

91. VARUN MOTORS PVT. LTD. (2603-26-01), 48-17-4/1,RING ROAD,VIJAYAWADA - 520008 PH :9885576802.

92. VARUN MOTORS PVT. LTD. (2603-26-06), SURVEY NO.561/1, 562/5 & 561/3, 562/6 KESARAPALLY,VIJAYAWADA, KRISHNA DISTRICT. A.P. - 521102 PH :9581480099.

93. SANTOSH AUTOMOTORS PVT. LTD. (2607-26-01), SURVEY NO. 223/5, D. NO. 11-61/2, KANURU PANCHAYAT, PENAMALURU MANDAL, VIJAYAWADA, KRISHNA DISTRICT, ANDHRA PRADESH. - 520010 PH :7799787459/7799787918.

94. VARUN MOTORS PVT. LTD. (2603-26-07), DOOR NO. 1-4-208 AND 1-4-208(1), IN R.S. NO. 33/3A, BHAVANIPURAM,VIJAYAWADA, MUNICIPAL CORPORATION, VIJAYAWADA, ANDHRA PRADESH. - 520012 PH :8297241177.

95. SANTOSH AUTOMOTORS PVT. LTD (2607-26-02), D.NO. 77-42-16A, OPP. NUNNA FIRE STATION, PRAKASH NAGAR, INNER RING ROAD, VIJAYAWADA - 520 015 PH :7799787932.

VISHAKAPATNAM

96. VARUN MOTORS PVT. LTD. (4603-46-0E), PLOT NO 88,BESIDES POLICE STATION,SRIINAGAR,GAJUWAKA - 530026 PH :9703843737.

97. VARUN MOTORS PVT. LTD. (4603-46-08), DOOR NO. 58/2,BLOCK NO. 6,BALAJI NAGAR, OPP. ANDHRA UNIVERSITY, SIRIPURAM - 580003 PH :7799124243.

98. VARUN MOTORS PVT. LTD. (4603-46-0F), D-25, INDUSTRIAL ESTATE, MARRIPALEM, BESIDES COLA MANCHU KONDA GARDENS, VISHAKHAPATNAM., - 530007 PH :9581444477.

99. JAYABHERI AUTOMOTIVES PVT. LTD. (4606-46-01), PLOT NO. A-9, INDUSTRIAL ESTATE, VISHAKAPATANAM, ANDHRA PRADESH - 530018 PH :8886332209.

100. JAYABHERI AUTOMOTIVES PVT. LTD. (4606-46-02), D.NO:51-17-2, NH-5, KRANTHINAGAR, VISAKHAPATNAM,(ANDHRA PRADESH). - 530013 PH :7799727272.

101. VARUN MOTORS PVT. LTD. (4607-46-01), S. NO. 8, KAPPARADA VILLAGE, BESIDE IOCL PETROL BUNK, MANCHUKONDA GARDENS, MURALI NAGAR, NATIONAL HIGHWAY, VISHAKHAPATNAM. - 530007 PH :7799124243.

102. JAYABHERI AUTOMOTIVES PVT. LTD. (4606-46-03), SURVEY NO. 119/6, KURMANNAPALEM, GAJUWAKA MANDAL, VIZAG, ANDHRA PRADESH. - 530046 PH :8897541234.

103. VARUN MOTORS PVT. LTD. (4603-46-0K), SURVEY NO. 394 & 395, PLOT NO. 7 AT VILLAGE – DUPPITURU, MANDAL – ACHUTAPURAM, DISTRICT – VISHAKHAPATNAM, ANDHRA PRADESH. - 531011 PH :9966877133.

104. VARUN MOTORS PVT. LTD. (4603-46-0L), SURVEY NO. 408/1 OF MADHURAWADA VILLAGE, RUSHIKONDA ITI SEZ, VISHAKHAPATNAM RURAL MANDAL, VISHAKHAPATNAM DISTRICT, ANDHRA PRADESH. - 530045 PH :9885315344.

105. VARUN MOTORS PVT. LTD. (4603-46-1B), SURVEY NO. 2/A, SECTOR XI, MVP COLONY, VISHAKHAPATNAM. - 530 017 PH :07901644535.

VISSANAPETA

106. VARUN MOTORS (SNO1-SNO-01), RS NO. 434/10, WARD NO. 10, VISSANAPETA, KRISHNA DISTRICT, ANDHRA PRADESH - 522125 PH :9851337222.

VIZAG

107. VARUN MOTORS (4603-46-10), SURVEY NO 228/224, WARD NO 19, AGNAMPUDI,VIZAG - 533053 PH :9885438455.

VIZIANAGARAM

108. VARUN MOTORS PVT. LTD. (4603-N8-0C), OPPOSITE SUN SCHOOL, 100 FEET RING ROAD, VIZIANAGARAM, VIZIANAGARAM - 535001 PH :8886721213.

109. JAYABHERI AUTOMOTIVES PVT. LTD. (N801-N8-01), PLOT NO.8-1,DOOR NO.8-32-1,SURVEY NO.108/12A & 109/2A, INDUSTRIAL ESTATE, VANTITHADI AGRAHARAM VILLAGE, VIZIANAGARAM, ANDHRA PRADESH - 535001 PH :7702333514.

YANAM

110. SB MOTORS (CTR1-CTR-01), SURVEY NO 82-2,TALLAREVU MANDAL,YANAM, EAST GODAVARI DISTRICT - 533463 PH :8886677759.

YELAMANCHILI

111. JAYABHERI AUTOMOTIVES PVT. LTD. (GJR1-GJR-01), SURVEY NO. 19-1, 2, 3, 45/1, 45/2/3, KOKIRAPALLI, YELAMANCHILI, NARSIPATNAM, VIZAG DIST., ANDHRA PRADESH. - 531055 PH :9849445639, 9642502345.

YELESWARAM

112. VARUN MOTORS (CODE UNDER CREATIONS-CODE UNDER CREATIONS-CODE UNDER CREATIONS), VARUN MOTORS P.LTD.DO-NO – 2-4-41,BESIDE GOLLAJI GARU BUNK,YERRAVARAM ROAD,YELESWARAM – 533429 - 533429 PH :9885511911.

ARUNACHAL PRADESH BHALUKPONG

113. DY MOTORS (YT01-YT-01), NEAR SBI UPPER MARKET, BHALUKPONG, WEST KAMENG , ARUNACHAL PRADESH - 790114 PH :8415075164.

Dealer Workshop (AS ON 30.05.2023)

ITANAGAR

114. BUISHI YADA MOTORS (7501-75-01), A' SECTOR, NAHARLAGUN, ARUNACHAL PRADESH. - 791110
PH :9436268870.
115. BUISHI YADA MOTORS (7501-75-04), MODEL VILLAGE, BEFORE GOVERNMENT HIGHER SECONDARY SCHOOL, NAHARLAGUN, ITANAGAR - 791110
PH :8257075033.
116. D Y MOTORS (7502-75-01), LPC NO - DC/IC/IPC, BORUM VILLAGE, PO/PS- NAHARLAGUN, PAPUM PARE DIST, ARUNACHAL PRADESH - 791100
PH :8415075164.

PASSIGHAT

117. BUISHI YADA MOTORS (7501-8A-03), PASSIGHAT BAZAR, PASSIGHAT, ARUNACHAL PRADESH - 791102
PH :9402878414.

RUKSIN

118. DY MOTORS (SHZ1-SHZ-01), RUKSIN IN EAST SIANG DISTRICT, ARUNACHAL PRADESH - 787060
PH :8415075164.

ZIRO

119. BUISHI YADA MOTORS (CHM1-CHM-01), HAPOLI, NEAR TELECOMMUNICATION CENTRE, ZIRO, ARUNACHAL PRADESH. - 791120
PH :9732010858.

ASSAM

BAIHATA CHAIRALI

120. PALLAVI MOTORS PVT LTD (BNL1-BNL-01), DAG NO. 1042, PATTA NO. 17, MOUZA – BORBANKHAR, P.S. – BAIHATA CHAIRALI, DISTRICT – KAMRUP, ASSAM - 781381
PH :9864052488.

BARAMA

121. MITTAL AUTOZONE (SOX1-SOX-01), VILLAGE - BARJAR, PO & PS - BARAMA, ASSAM - 781346 - 781346
PH :8638487401.

BARPETA

122. BHARATI MOTORS PVT. LTD. (7N01-7Z-02), SIMULGURI,NH-31.DISTRICT-BARPETA, ASSAM - 781313
PH :7002819523.

BIOJYNAGAR

123. PODDAR CAR WORLD (IA01-IA-01), AT/PO - BIOJYNAGAR, INDIAN OIL PETROL PUMP, KAMRUP DIST. BIOJYNAGAR - 781125
PH :9864209733.

BISWANATH CHAIRALI

124. RAMLAL DURGADUTT MOTORS PVT LTD (BX11-BX1-01), DAG NO- 7,8,9 PERIODIC PATTA NO -24, REVENUE VILLAGE, BRAHMAPUTRA CHAPORI, MOUZA - BAGHMORA - 784176
PH :8724087940.

BONGAIGAON

125. BHARATI MOTORS PVT. LTD. (7N01-7N-01), CHAPAGURI ROAD, BONGAIGAON - 7833830
PH :7002350887/9864427537.

CHAMATA

126. PALLAVI MOTORS PVT LTD (CE11-CE1-01), DAG NO.1137, PATTA NO.376, MOUZA – DAHRAMAPUR, CHAMATA DISTT. NALBARI, ASSAM - 781306
PH :9864052488.

DHEKIAJULI

127. RAMLAL DURGADUTT MOTORS PVT LTD (BRX1-BRX-01), DAG NO.242, K.P. PATTA NO.88, VILLAGE-BHAKUAMARI, MOUZA-BORCHOLA, BESIDES-NH15, DHEKIAJULI, DISTT. SONITPUR, ASSAM. - 784110
PH :9706568722.

DHEMAJI

128. SAIKIA AUTO PVT. LTD. (7P01-UD-02), NALANIPAM KONCH GAON,NH-52,DHEMAJI (ASSAM) - 787057
PH :8638725209.

DIBRUGARH

129. JAYBEE AUTO AGENCIES PVT. LTD. (C101-C1-01), CHIRING CHAPARI, T.R. PHUKAN ROAD, P.O. DIBRUGARH (ASSAM) - 786001
PH :9954799273.
130. BIMAL AUTO AGENCY (C102-C1-01), DAG NO. 104, GHARBANDICHUK JARUA GAON, MOUZA - MANKHATTA KANIKAR, DIST.-DIBRUGARH, ASSAM. - 786004
PH :9864074525, 7003901301.

DIGBOI

131. VISHAL CAR WORLD PVT LTD (BYD1-BYD-01), BORBIL NO. 1, NEAR LIONS CLUB, NH-38, P.O. – DIGBOI, DISTRICT – TINSUKIA , ASSAM. - 786171
PH :9435860000..

DIPHU

132. RAMLAL DURGADUTT MOTORS PVT LTD (1P01-1P-01), MANJA ROAD, DILLAJI, DIPHU, KARBI ANGLONG, ASSAM - - 782460
PH :9707556868.

DULIAJAN

133. JAYBEE AUTO AGENCIES PVT. LTD. (ADA1-ADA-01), JAYBEE AUTO AGENCIES, TIPLING TINIALI, DULIAJAN DIST. DIBRUGARH - 786602
PH :7007222358.

GOALPARA

134. BHARATI MOTORS PVT. LTD. (YN01-YN-01), PO: KALYANPUR, VILLAGE: SOLMARI, P/S: AGIA, NH: 37. DISTRICT: GOALPARA, ASSAM - 781301
PH :9101940372.

GOLAGHAT

135. RAMLAL DURGADUTT MOTORS PVT LTD (J303-J3-01), DAG NO. - 718, 684 & 706, PATTA NO 213, 168 & 192, KURUKA GAON, P.O - MORANGI, P.S -GOLAGHAT, DIST: GOLAGHAT, ASSAM PIN-785702 - 785702
PH :7002099547.

GORAIMARI

136. BAJRANG CAR WORLD (A UNIT OF MAA VAISHNAVI AUTOMOTIVE PVT. LTD.) (GMB1-GMB-01), DAG NO- 3, KP PATTA NO - 11, VILLAGE- CHALABASTI, MOUZA- GORAIMARI - 783390
PH :7002279100.

GUWAHATI

137. BIMAL AUTO AGENCY (0901-09-01), JHALUKBARI, GUWAHATI. - 781014
PH :9864074525.
138. PALLAVI MOTORS PVT LTD (0902-09-01), DAG NO. 1&2,NEXT TO DEPTT. OF FAMILY WELFARE,SIX MILE. KHANAPARA G.S. ROAD, GUWAHATI - 781022
PH :9864210937.
139. BIMAL AUTO AGENCY (0903-09-01), CHANDMARI, BAMUNI MAIDAN, OPP SBI NEW GUWAHATI BRANCH, GUWAHATI - 781021
PH :9864489722.
140. PODDAR CAR WORLD PVT LTD (0904-09-01), HENGRABARI, VIP ROAD,GUWAHATI - 781036
PH :9508746340.
141. BIMAL AUTO AGENCY (0901-09-02), BEHARBARI,BEHIND DHOOM RESTAURANT, NH-37,GUWAHATI - 781028
PH :9864040406.
142. PODDAR CAR WORLD (0905-09-01), NH-37, NEAR, GORCHUK CHAIRALI, GUWAHATI (ASSAM). - 781029
PH :7002929414.
143. BIMAL AUTO AGENCY (0903-09-03), BESIDE NRL PETROL PUMP, RGB ROAD, ZOO ROAD, GUWAHATI, ASSAM - 781005
PH :7578005159.
144. MITTAL AUTOZONE (0908-09-01), NH-37, BELTOLA, NEAR HANUMAN KANTA, GUWAHATI - 781028
PH :9864296666.
145. PALLAVI MOTORS PVT LTD (0902-09-02), DAG NO. 2201, PATTA NO. 237, VILLAGE – JYOTIKUCHI, MOUZA – BELTOLA, AK AZAD ROAD, GUWAHATI, DISTRICT – KAMRUP, ASSAM. - 781034
PH :9864052488.

HOJAI

146. RAMLAL DURGADUTT MOTORS PVT LTD (ARA1-ARA-01), KHATIYAN NO.: 312/3F, HOJAI MAIN ROAD, NEAR UCO BANK, SHANKARDEVNAGAR, HOJAI, DISTRICT – NAGAON , ASSAM - 782435
PH :7002680534.

HOWLY

147. PODDAR CARWORLD (GKW1-GKW-01), PATTA NO. 601, DAG NO. 1567, HOWLI TOWN, MOUZA GHILAJARI, DISTT BARBETA, ASSAM - 781316
PH :8085957586.

HOWRAGHAT

148. BAJRANG CARWORLD (SGR1-SGR-01), HOWRAGHAT TOWN, KARBI ANGLONG, ASSAM - 782481 - 782481
PH :9864191169.

JAGI ROAD

149. RAMLAL DURGADUTT MOTORS PVT LTD (7J01-RB-02), JAGIROAD,MORIGAON,NALAOW,ASSAM - 782410
PH :9365884355.

JORHAT

150. RAMLAL DURGADUTT MOTORS PVT LTD (G902-G9-01), DAG NO. 7 & 8 OF P.P NO. 33, DAG O. 9 OF P.P NO. 61, DAG NO. 382 OF P.P NO. 206, VILLAGE - PAKIMURI HABIGAON, MOUZA - SARAIBAHAL, JORHAT. - 785006
PH :7002099547.

KALGACHIA

151. MITTAL AUTO (SLB1-SLB-01), VILL - KALGACHIA, PO - KALGACHIA , DIST BARPETA - 781319
PH :8638487401.

KARIMGANJ

152. JAIN UDYOG (6901-1S-04), STEAMER GHAT ROAD, KARIMGANJ, ASSAM - 788710
PH :9435179025.

KHATKHATI

153. PODDAR CAR WORLD PVT. LTD. (CAZ1-CAZ-01), NEAR TELEPHONE EXCHANGE, NH-39, KHATKHATI, DISTRICT – KARBI ANGLONG. - 782460
PH :600900381.

LANKA

154. RAMLAL DURGADUTT MOTORS PVT LTD (SD1-SD1-01), DAG NO 95 OF PP NO 59, DAG NO 98 OF PP NO 26 & DAG NO 418 OF PP NO 73 KISAM LAKHIMPUR, MOUZA - LANKA, DIST - HOJAI, ASSAM. - 782442
PH :970756868.

MANGALDOI

155. PODDAR CAR WORLD (YW01-YW-01), PUNIA, NH-52, MANGALDOI, DISTT. DARRANG - 784115
PH :9706970132.

MARGHERITA

156. VISHAL CAR WORLD PVT LTD (YR01-YR-01), MARGERITA TOWN, BEHIND IOCL PETROL PUMP, NH-38, MARGHERITA, ASSAM - 786181
PH :9435860000.

MORIGAON

157. RAMLAL DURGADUTT MOTORS PVT LTD (RB01-RB-01), DAG NO. 423 OF PP NO. 221, KISSAM BACHNAGHAT, MORIGAON, ASSAM - 782105
PH :7002239592.

NAGAON

158. RAMLAL DURGADUTT MOTORS PVT LTD (7J01-7J-01), KHUTIKHATIA, HAIBARGON, NAGAON - 782202
PH :9706007918.

159. BAJRANG CAR WORLD (A UNIT OF MAA VAISHNAVI AUTOMOTIVE PVT. LTD.) (7J03-7J-01), DAG NO. 255, 1508(N)254(O), 1509(N)257(O) AND 291, PATTA NO. 506(N)15(O), 507(N)15(O), 507(N)97(O) AND 98, VILLAGE - DEODHAR, MOUZA - PAKHIMORIA, DIST - NAGAON - 782002
PH :943506047/9864191169.

160. RAMLAL DURGADUTT MOTORS PVT LTD (7J01-7J-03), PAKHIMURIA, NEAR BHUGDOI DHABA, NAGAON, ASSAM - 782003
PH :9706007918.

NAHARKATIYA

161. JAYBEE AUTO AGENCIES PVT. LTD. (C101-CJ-03), NAHARKATIYA TOWN PART NO. 4, MOUZA - JAYPORE, NEAR ST. MARY'S SCHOOL, DISTRICT - DIBRUGARH, ASSAM - 786610
PH :7002722358.

NALBARI

162. BIMAL AUTO AGENCY (9201-92-01), CHOWKBAZAR, NALBARI HAJO ROAD, NALBARI DIST. NALBARI - 781335
PH :7576842484.

NORTH LAKHIMPUR

163. SAIKIA AUTO PVT. LTD. (7P01-7P-01), HATILUNG, NH-52 ROAD, NORTH LAKHIMPUR, ASSAM - 787031
PH :8473946336.

164. SAIKIA AUTO PVT. LTD. (7P01-7P-03), KHELMATI, WARD NO. 14, NH -52, NORTH LAKHIMPUR, ASSAM - 787001
PH :7002571073.

PATHSALA

165. PODDAR CAR WORLD PVT. LTD (CLD1-CLD-01), DAG NO. 451, PATTA NO. 151 KMP, PATHSALA, DIST. BARPETA, ASSAM. - 781325
PH :8009002256.

RAJGARH

166. JAYBEE AUTO AGENCIES PVT. LTD. (CIJ1-CIJ-01), DAG NO.182, PP NO.140 OF 2 NO. BHAGATIA GAON, LAT NO.11, RAJGARH, MOUZA-TINKHONG, DISTT. DIBRUGARH, ASSAM - 786611
PH :9954799273.

RANGIA

167. PODDAR CAR WORLD PVT. LTD. (6X01-6X-01), RANGIA TOWN, WARD NO. 5, SHANTIPUR, BHUTAN ROAD, NEAR POLYCLINIC HOSPITAL, RANGIA DISTT. KAMRUP (ASSAM) - 781354
PH :8724877892.

SHIBSAGAR

168. RAMLAL DURGADUTT MOTORS PVT LTD (G902-L9-02), RANGHAR CHARALI, DHAPROTA, AT ROAD, OPPOSITE RANGHAR, SHIVASAGAR - 785640
PH :7002099547.

SILCHAR

169. JAIN UDYOG (6901-J2-02), KAUSHAL COMPLEX, SONAI ROAD, SILCHAR, ASSAM - 788006
PH :9706002524.

SORBHOG

170. MITTAL AUTOZONE (SGS1-SGS-01), VILLAGE DAHALAPARA, KISMAT DWARIKA, PS SORBHOG, SUB DIVISION- BARPETA- ASSAM. - 781317
PH :8011042222.

TANGLA

171. BIMAL AUTO AGENCY (CHO1-CHO-01), DAG NO :121, PATTA NO,101/320, VILLAGE BULLARPARA, MOUZA TANGLA - 784521
PH :9954387619.

TEZPUR

172. RAMLAL DURGADUTT MOTORS PVT LTD (T102-T1-01), NEAR DON BASCO SCHOOL, P.O. NIKAMULSATRA, TEZPUR, ASSAM - 784154
PH :8724087940.

173. RAMLAL DURGADUTT MOTORS PVT LTD (T102-T1-02), GORAIMARI, VILLAGE - SOLGAON, TEZPUR, ASSAM. - 784001
PH :9830636157.

TINSUKIA

174. VISHAL CAR WORLD PVT LTD (J401-J4-01), LAIPULY, A.T. ROAD, TINSUKIA, DIST - TINSUKIA, ASSAM - 786183
PH :9435860000.

BIHAR

ARARIA

175. SEEMANCHAL MOTORS PVT. LTD. (O701-O7-01), NEAR BUS STAND, JAGDISH RICE MILL COMPOUND, HOSPITAL ROAD, FORBESGANJ, DISTT. ARARIA, BIHAR - 854318
PH :8797096013.

ARRAH

176. PEARL CARS (VU01-VU-01), (A UNIT OF VINHDYAVASINI AUTOMOBILES PVT. LTD.), DHANUPRA, NEAR GANPAT CHOUDHARY DWAR, NH-30, ARRAH (BIHAR) - 802301
PH :8294634604.

AURANGABAD

177. KARLO AUTOMOBILES (SNG1-SNG-01), KARLO AUTOMOBILES PVT LTD. , GT ROAD, NEAR, RAIPURA MORE, BABHANDI, AURANGABAD - 824101
PH :7019085212.

BANKA

178. SEEMANCHAL MOTORS PVT. LTD. (CEQ1-CEQ-01), KHATA NO. 134, KHESRA NO. 118, BEHIND MARUTI SHOWROOM, STATION ROAD, BANKA, BIHAR. - 813101
PH :8797096020.

BEGUSARAI

179. GS MOTORS PVT. LTD. (1U01-1U-01), HARHAR MAHADEV CHOWK, NH 31, BEGUSARAI, BIHAR - 851101
PH :8724756206.

BETTIAH

180. SHREE GOPAL AUTO PVT. LTD. (O401-O4-01), BEETIAH - MOTIHARI HIGHWAY , NH-28 B, NEAR MACHALI LOK, BEETIAH (BIHAR) - 845438
PH :9771486183.

BHAGALPUR

181. SEEMANCHAL MOTORS PVT. LTD. (G802-G8-01), BAUSI ROAD, ALIGANJ, NEAR SAINT TRESA SCHOOL, ALIGANJ, BHAGALPUR. - 812005
PH :8797096020.

BIHARSHARIF

182. REESHAV AUTOMOBILES (MG01-TG-03), PATNA RANCHI ROAD, NR GAGAN DIWAN SOGARA SCHOOL, THANA-LAHERI MURARPUR, BIHARSHARIF, DISTRICT-NALANDA, BIHAR - 803101
PH :8263632175.

BUXAR

183. PEARL CARS (VV01-VV-01), C/O DEVDHTRHA UPDDHYA, SYNDICATE, BYE PASS ROAD, BUXAR - 802101
PH :8294634605/8294634602.

CHAKIA

184. RAM KRISHNA MOTORS PVT. LTD. (CWA1-CWA-01), OJHA TOLA, NEW BYPASS, CHAKIA -845412, PURVI CHAMPARAN DISTT., BIHAR - 845412
PH :9801773716.

CHAPRA

185. REESHAV AUTOMOBILES (MG01-TH-02), 146, PLOT NO. 381, VILLAGE RAUJJA, CHAPRA PATNA ROAD, NEAR BHIKHARI CHOWK, CHAPRA, BIHAR - 841301
PH :7061295296.

DANAPUR

186. ALANKAR AUTO SALES & SERVICE PVT LTD (1504-NN-02), ADJASCENT ARYA SAMAJ MANDIR, NEAR SAGUNA MORE, DANAPUR, - 800018
PH :9386898458.

DANAPUR, PATNA

187. ALANKAR AUTO SALES & SERVICE PVT LTD (1504-NN-05), TOUZI NO. 5057, THANA NO. 35, MOUZA - BABAKKARPUR, DANAPUR, PATNA, - 801503
PH :9334415434.

DARBHANGA

188. RAJKRISHNA MOTORS LLP (1V02-1V-01), KHATA NO.61936, RAUSHAN CHOWK, BAJITPUR, B.M.P.-13, ROAD, DARBHANGA, BIHAR - 846009
PH :7004529271.

189. RAJKRISHNA MOTORS LLP (1V02-1V-02), VIP ROAD, ALLALPATTI, DARBHANGA (BIHAR) - 846003
PH :9693127351.

DEHRI ON SONE

190. PEARL CARS (1X01-MK-02), MOUZA - KHASRA, KHATA NO. 141, PLOT NO. 186, SAAT KATDA THANA - DEHRI-ONE-SONE, DIST.-ROHTAS, BIHAR. - 821307
PH :8294634602.

GAYA

191. KARLO AUTOMOBILES PVT LTD (Y601-Y6-01), BODH GAYA, GAYA. - 824231
PH :7004574631/8539063615.

192. DMC CARS (A UNIT OF DHANRAAJ AGENCIES PVT LTD (Y602-Y6-01), DHANRAAJ AGENCIES PRIVATE LIMITED, MARUTI SUZUKI ARENA SHOWROOM, OPPOSITE AIRPORT RUNWAY, GAYA-DOBHI ROAD,GAYA, PIN 823004 - 823004
PH :9031011806/9900024001.

GOPALGANJ

193. SHREE GOPAL AUTO PVT. LTD. (O301-O3-01), NH-28, DANAPUR, TEHSIL-MANJAGARH,GOPALGANJ (BIHAR) - 800023
PH :9771486170/9771486139.

Dealer Workshop (AS ON 30.05.2023)

HAJIPUR

194. REESHAV AUTOMOBILES (MG01-MG-01), KHATA 617 & KHASHRA 354/1605, NEAR RELIANCE PETROL PUMP, M G SETU ROAD, HAJIPUR (VAISHALI) - 844101
PH :9060945038.

KATI HAR

195. SEEMANCHAL MOTORS PVT. LTD. (O601-O6-01), NEAR SBP VIDYA VIHAR SCHOOL, SIRSAR, KATI HAR PURNEA ROAD, KATI HAR - 854105
PH :7762893700.

KISHANGANJ

196. SEEMANCHAL MOTORS PVT. LTD. (PX01-PX-01), PASCHIM PALI ROAD, COLLEGE ROAD, THANA:KNE, WARD NO.1, KISHANGANJ (BIHAR) - 855101
PH :8797096019.

LAKHISARAI

197. GS MOTORS PVT. LTD. (CHU1-CHU-01), TAUZI NO. 39, KHATA NO. 3, KHEERA NO. 496, MOUZA - JAINAGAR, ANCHAL - LAKHISARAI, DIST. -LAKHISARAI, BIHAR - 811311
PH :9204756206.

MADHUBANI

198. RAJKRISHNA MOTORS LLP (CAJ2-CAJ-01), BHOWRA TOLA, BARDIBAN, MADHUBANI, BIHAR - 847211
PH :9304481978
9693127351.

MOHANIA

199. PEARL CARS (VW01-VW-01), MOHANIA-BUXAR ROAD ,SH-14,MOHANIA - 821109
PH :8294634602/8294634649.

MOTIHARI

200. RAJIV AUTOMOBILES PVT LTD (T401-FH-03), NEAR CHHATAUNI CHOWK, BESIDE NH 28 A, MOTIHARI TOWN , BIHAR - 845401
PH :9234609669.

MUZAFFARPUR

201. RAJIV AUTOMOBILES PVT LTD (T401-T4-01), RAMDAYALU NAGAR, PATNA HAZIPUR ROAD, MUZAFFARPUR, BIHAR - 842002
PH :9910347908.

202. RAM KRISHNA MOTORS PRIVATE LTD. (T402-T4-01), KRISHNA TALKIES CAMPUS, AKHARAGHAT ROAD, MUZAFFARPUR, BIHAR. - 842001
PH :9102173333.

203. RAJIV AUTOMOBILES PVT LTD (T401-T4-04), KHABRA POKHAR LANE NO -1, PANCHAYAT -KHABRA, CITY- MUZAFFARPUR - 843146
PH :9234609671.

NAUGACHIA

204. SEEMANCHAL MOTORS PVT. LTD. (CFS1-CFS-01), NEAR GAYATRI PLY ROOM, NH-31, NAUGACHIA MARKET, NAUGACHIA, DISTRICT - BHAGALPUR, BIHAR - 853204
PH :8797096014, 8797096020.

NAWADA

205. REESHAV AUTOMOBILES (MG01-TJ-04), 191 & 400, KHSARA NO. 3105 & 3102, NEAR DMS OFFICE, PATNA-RANCHI MAIN ROAD, NAWADA, BIHAR - 805110
PH :6206162228.

PATNA

206. VAU'S AUTOMOBILE (1503-15-01), BESIDES GODAVARI APPARTMENT, ASHIANA ROAD, PATNA, - 800014
PH :9771446012.

207. KARLO AUTOMOBILES PVT LTD (1502-15-04), NEAR BATA GUNJ, DINGA PATNA, BIHAR, - 800013
PH :09304212119/7004573547.

208. ALANKAR AUTO SALES & SERVICE PVT LTD (1504-15-03), PLOT NO.118-119, BEHIND DURGA MARINE DRIVE APARTMENTS, DUJRA DEVI STHAN, ASHOK RAJPATH, PATNA - 800001
PH :9934020200.

209. REESHAV AUTOMOBILES PVT.LTD. (1506-15-01), PLOT NO.25/1581 KHATA NO.494, MOUZA KUMHRAR, PARGANA AZEEMABAD, KANKARBAGH, PATNA. - 800004
PH :7632995356.

210. KARLO AUTOMOBILES PVT LTD (1502-15-05), JAGDEOPATH , NEAR SAI CORPORATE PARK, PATNA - 801506
PH :9264190675.

211. ALANKAR (1504-15-06), ALANKAR COMPOUND, BESIDE ALANKAR SUN CITY, SANDALPUR, KUMHRAR, PATNA - 800006 - 800006
PH :9304403916.

PURNEA

212. SEEMANCHAL MOTORS PVT. LTD. (6V01-6V-01), NH-31, NEAR MARKETING YARD, GULAB BAGH, PURNEA (BIHAR) - 854326
PH :8797096014.

SAHARSA

213. GS MOTORS PVT. LTD. (AAP1-AAP-02), PATUAHA, NH 107 SAHARSA, BIHAR - 852201
PH :9263638456.

SAMASTIPUR

214. RAJKRISHNA MOTORS LLP (1W02-1W-01), KHEERA NO. 3190-95, KHATA NO. 76, HERPUR ALLOTH, SAMASTIPUR, BIHAR - 848101
PH :9204552405.

SASARAM

215. PEARL CARS (1X01-1X-01), PLOT NO.7, 9 & 11, NH-2 MORE SARAI, SASARAM (BIHAR) - 821115
PH :8294634602/8294634649.

SITAMARHI

216. RAJIV AUTOMOBILES PVT. LTD. (EO01-EO-01), DUMRA ROAD, SHANTI NAGAR, SITAMARHI - 843301
PH :9234609671
7280074124.

SIWAN

217. SHREE GOPAL AUTO PVT. LTD. (O501-O5-01), CHAPRA ROAD, NEAR CHAPDHALA, NH 85, SIWAN - 841236
PH :9771486132.

CHANDIGARH

CHANDIGARH

218. MODERN AUTOMOBILES (0702-07-01), 4 M.W. INDL AREA, CHANDIGARH - 160002
PH :9646000190.

219. AUTOPACE NETWORK PVT LTD (0705-07-01), PLOT #112-113, INDUSTRIAL AREA, PHASE-1, CHANDIGARH - 160002
PH :9878422201.

220. TRICITY AUTOS (9M01-07-02), PLOT NO 29/6, INDUSTRIAL AREA PHASE-2, CHANDIGARH - 160002
PH :9988882335.

221. NAVDESH AUTO LLP (0708-07-01), PLOT NO. 42, INDUSTRIAL AREA PHASE-1, CHANDIGARH - 160002
PH :7087035482.

CHHATTIGARH

PENDRA

222. M SQAURE (SCZ1-SCZ-01) - M SQUARE MOTORS, NEAR SEMRA CLOCK MAIN ROAD, PENDRA, GOURELA PENDRA MARWAHI-495119 - 495119
PH :7987590484.

CHHATTISGARH

AMBIKAPUR

223. MAHAMAYA AUTOCARS PVT LTD (AE01-AE-01), MANEDRAGARH ROAD, AMBIKAPUR, CHATTISGARH - 497001
PH :7987741432.

BAGBAHARA

224. HDN MOTORS (SEB1-SEB-01), M/S HDN MOTORS, BESIDE R.N RICE MILL, NEW MAHAVEER COMPLEX, MAHASAMUND ROAD, BAGBAHARA - 493449
PH :7909800004.

BAIKUNTHPUR

225. MAHAMAYA AUTOCARS PVT LTD (CQU1-CQU-01), WARD NO.01, KHATA NO.91/6, TEHSIL - BAIKUNTHPUR, DISTT. - KORIYA, CHHATTISGARH - 497335
PH :9179350707.

BALOD

226. CHOUHAN (SFE1-SF-01), H.NO 185, WARD NO 25, NAYA MARKET, DALLIRAJHARA, BALOD -491228 - 491228
PH :9837325267.

BALODA BAZAR

227. SKY AUTOMOBILES (6001-GJ-04), AMBEDKAR CHOWK, RAIPUR ROAD, BALODA BAZAR, CHATTISGARH. - 493332
PH :9893307429.

BEMETRA

228. CHOUHAN AUTOMOBILES LLP (CBC2-CBC-01), KHASRA NO. 88/2, CHOUHAN AUTOMOBILE LLP, KAWARDHA ROAD, NAVGHAD CHOWK, BEMETRA CHATTISGARH - 491335
PH :626200222.

BHATAPARA

229. SPARSH AUTOMOBILES (BBJ1-BBJ-01), RAIPUR ROAD, BHATAPARA (CHATTISGARH) - 493118
PH :8921326361/9285505780.

BHILAI

230. CHOUHAN AUTOMOBILES LLP (8305-83-01), PLOT NO.1 & 34, SHIVNATH COMPLEX, BEHIND CHOUHAN ESTATE, G.E. ROAD, SUPELA, BHILAI - 490023
PH :9111100140.

231. SPARSH AUTOMOBILES PVT LTD (8304-83-01), R-17, INDUSTRIAL AREA, NANDNI ROAD, CHHAWANI CHOWK, BHILAI, CHHATTISGARH - 490026
PH :8779064848.

232. CHOUHAN AUTOMOBILES LLP (8305-83-02), NH-6, DURG BYPASS ROAD, KHASRA NO.1/14, 1/23, 1/192, VILLAGE-KATULBOD, BHILAI, TEHSIL & DISTT. DURG, BHILAI, CHHATTISGARH - 491001
PH :626200222.

BHILLAI

233. SPARSH AUTOMOBILES (8304-83-02), M/S. SPARSH AUTO, VEERSAVARKAR MARKET, G.E ROAD, SUPELA, BHILLAI-490023 - 490023
PH :9926626662.

BILASPUR

234. SATYA AUTO PVT LTD (C303-C3-01), SECTOR C, PLOT NO. 42, SIRGITTI INDUSTRIAL AREA, BILASPUR, CHATTISGARH - 495001
PH :9109194833.

235. SATYA AUTO PVT LTD (C303-C3-02), PLOT NO. 848/20, 848/26, 848/40, MOPKA BYPASS ROAD, BILASPUR, CHHATTISGARH. - 495006
PH :9977879698.

236. M SQUARE MOTORS (A UNIT OF MAHAVIR MOTORCORP PRIVATE LIMITED) (C302-C3-01), KHASRA NO. 420 AND 414/1, NEAR RELIANCE PETROLEUM PUMP, BESIDES TRANSPORT NAGAR GATE, RAIPUR ROAD, PARSADA, BILASPUR - 495223 PH : 992622560.

DALLIRAJHARA

237. CHOUHAN (SMZ1-SMZ-01), H.NO 185, WARD NO 25, NAYA MARKET ,DALLIRAJHARA,BALOD DISTRICT-491228 - 491228 PH :6262000222.

DEOBHOG

238. SPARSH AUTO (SIQ1-SIQ-01), M/S SPARSH AUTOMOBILES PVT LTD SANTOSHI NAGAR,NEAR BHARAT PETROL PUMP, DHARAMGARH ROAD, DEOBHOG – 493380 - 493890 PH :9926626662.

DHANTARI

239. SKY AUTOMOBILES (7V01-7V-01), KASRA NO.238/2, SEHARA RAJ, RAIPUR ROAD, DHAMTARI-493773 CHHATTISGARH - 492009 PH :888998612.

DURG

240. SPARSH AUTOMOBILES PVT LTD (7W03-7W-01), OPP. JAINAM PLACE, BEFORE PULGAON CHOWK, PULGAON NAKA, DURG, CHHATTISGARH - 491001 PH :9840437544.

GARIYABANDH

241. SPARSH AUTOMOBILES (CCH1-CCH-01), NEAR HP PETROL PUMP, RAIPUR ROAD, GARIYABAND, CHHATTISGARH. - 756032 PH :9669638883.

JAGDALPUR

242. SKY AUTOMOBILES (EC01-EC-01), GEEDAM ROAD, JAGDALPUR, CHHATTISGARH. - 494001 PH :9109996511.

JANJIGIR

243. SATYA AUTO PVT LTD (9N02-9N-01), NEAR KHOKSHA RAILWAY CROSSING, CHAMPA ROAD, NH-200, JANJIGIR - 495668 PH :7747000446.

KANKER

244. SKY AUTOMOBILES (5001-KG-06), RAZA NAGAR, SINGARBHAT, NH-30, KANKER , DISTRICT – KANKER, CHHATTISGARH - 494334 PH :8889989625.

KAWARDHA

245. CHOUHAN AUTOMOBILES LLP (DI02-DI-01), KHASRA NO. 100/6, TALPUR BILASPUR ROAD, KAWARDHA, CHHATTISGARH. - 491 995 PH :6262000222.

KHAIRAGARH

246. SPARSH AUTOMOBILES PVT LTD (GMG1-GMG-01), KHAIRAGARH -JHALBANDHA ROAD,AMLIPARA, OPP - BIJALI OFFICE, KHAIRAGARH -491881 - 491881 PH :9926626662.

KHARSIA

247. SATYA AUTO (SET1-SET-01), M/S SATYA AUTO , BESIDE GOVT HIGH SCHOOL, RANISAGAR, KHARSIA, DISTRICT: RAIGARH, CHHATTISGARH - 496661 PH :9993092051.

KONDAGAON

248. SKY AUTO (SDF1-SDF-01), – M/S SKY AUTO, NH-90 RAIPUR ROAD, NEAR INDIAN OIL PETROL PUMP, KONDAGAON, CHHATTISGARH - 494226 PH :9425204051.

KORBA

249. SATYA AUTO PVT LTD (U702-U7-01), SHED NO. 1, INDUSTRIAL AREA, KORBA - 495681 PH :8462000861.

MAHASAMUND

250. SPARSH AUTOMOBILES (5002-9P-02), BARONDA CHOWNK, BAGSAHRA ROAD, MAHASAMUND. - ?? PH :9926280700.

MANENDRAGARH

251. MAHAMAYA AUTOCARS PVT LTD (AE01-BCE-02), WARD NO.21, NH-43, AMBIKAPUR ROAD, NEAR HP PETROL PUMP, MANENDRAGARH, DISTT. KORIYA - 497442 PH :9584136234.

MUNGELI

252. SATYA AUTO PVT LTD (BLE2-BLE-01), KHASRA NO. 270/2, BILASPUR ROAD, MUNGELI, CHHATTISGARH - 861468 PH :8462000844.

PATHALGAON

253. MAHAMAYA AUTOCARS PVT LTD (BXO1-BXO-01), KHASRA NO. 567/2, PHATALGAON, DISTRICT – JASPUR, CHHATTISGARH. - 496118 PH :9752195523.

PITHORA

254. SPARSH AUTOMOBILES (CCG1-CCG-01), PLOT NO. 284/1, RAMSAGAR PARA, RAIPUR ROAD, PITHORA, CHHATTISGARH. - 761008 PH :9926280700.

RAIGARH

255. SATYA AUTO PVT LTD (7Y03-7Y-01), JINDAL ROAD, RAIGARH - 496001 PH :7024398350.

RAIPUR

256. SKY AUTOMOBILES (5001-50-01), G.E.ROAD, MOHABA BAZAR, RAIPUR. - 492010 PH :9584433102.

257. SKY AUTOMOBILES (5001-50-02), K.K. ROAD, MOUDHAPARA, RAIPUR. - 492001 PH :9584460290.

258. SPARSH AUTOMOBILES (5002-50-01), PACHPADI NAKA, OPP. DUTTA DRY CLEANER, DHAMKARI, JAGDALPUR ROAD, RAIPUR. - 492001 PH :9669792000.

259. SKY AUTOMOBILES (5001-50-05), NEAR R.K. MALL, KOTA ROAD, RAIPUR - 492001 PH :9853000161.

260. SKY AUTOMOBILES (5003-50-01), AVANTI/VIHAR ROAD, TELEBANDHA, RAIPUR (C.G) - 492006 PH :9522314155.

261. SPARSH AUTOMOBILES (5002-50-04), OPP. UNION BANK, MAIN ROAD, PANDRI, RAIPUR - 492004 PH :9009666400.

262. SPARSH AUTOMOBILES (5002-50-05), PLOT - 31, INDUSTRIAL ESTATE, OPP MAHESH COLD STORAGE, BHANPURI, RAIPUR - ?? PH :9977220395.

263. SKY AUTOMOBILES (5001-50-07), ADJOINING WALLFORT CITY, BHATGAON, RING ROAD NO. 2, RAIPUR, CHHATTISGARH. - 492013 PH :9584460289.

264. HDN MOTORS PVT. LTD. (5005-50-01), BESIDES BHARAT BENZ SHOWROOM, DURG-BHILAI ROAD, TATIBANDH, RAIPUR, CHHATTISGARH. - 492001 PH :7909800093.

265. VISHWABHARTI AUTOMOBILES PRIVATE LIMITED (5004-50-01), VIDHAN SABHA ROAD, MOWA, RAIPUR DISTT. CHHATTISGARH - 492005 PH :6262620057.

RAJIM

266. SPARSH AUTOMOBILES (5002-MO-03), RAIPUR ROAD, NEAR AMMANI PETROL PUMP, NAYAPARA, RAJIM. - 493881 PH :966963883.

RAJNANDGAON

267. SPARSH AUTOMOBILES PVT LTD (LQ02-LQ-01), NEAR HANUMAN TEMPLE, VILL-MANKI , NH-6, RAJNANDGAON, CHHATTISGARH - 491441 PH :7887518100.

SARAIPELLI

268. SKY AUTOMOBILES PVT. LTD. (BUF1-BUF-01), KHASRA NO.482/5 AND 482/6, RAIPUR ROAD, SARAIPELLI, DIST-MASAMUND, SARAIPELLI - 493558 PH :7000723259.

SARANGARH

269. SATYA AUTO PVT LTD (BUC2-BUC-01), KASRA NO. 71/4, 73/2, 74/2, 75/1 AND 76/2, SARANGARH BIKAS KHAND, SARANGARH, DISTT. RAIGARH. - 733751 PH :8462000841.

TILDA

270. SKY AUTOMOBILES (CWR1-CWR-01), KASRA NO. 29/31, TILDA, DIST-RAIPUR, CHHATTISGARH. - 493 114 PH :9425204051.

TITLAGARH

271. ODYSSEY MOTORS (SQE1-SQE-01), M/S PLOT NO 687/1216, MOUZA PIPALPADAR, TITLAGARH,BALANGIR, ODISHA - 767033 PH :9439314464.

DADRA AND NAGAR HAVELI

SILVASSA

272. KATARIA AUTOMOBILES PVT. LTD. (ED01-ED-01), NEAR ATHAL CHAR RASTA,DADAR & NAGAR HAVELI, SILVASSA - 396230 PH :9723816223.

DAMAN AND DIU

DAMAN

273. KATARIA AUTOMOBILES PVT. LTD. (0104-98-08), NEAR AKASWANI CENTER, RINGANWADA, NANI DAMAN , DAMAN UNION TERRITORY - 396210 PH :9924130655.

DELHI

DELHI

274. SATYA AUTOMOBILES PVT. LTD. (0808-08-03), A 21-22, G.T.KARNAL ROAD, NEW DELHI - 110033 PH :47088888.

275. BAGGA LINK MOTORS PVT LTD. (0811-08-01), 395 PATPAR GANJ INDL AREA,PATPARGANJ NEW DELHI - 110092 PH :46488830, 46488831.

276. BAGGA LINK MOTORS PVT LTD. (0811-08-02), LINK ROAD,NEAR BAGGA PETROL PUMP),KAROL BAGH NEW DELHI - 110005 PH :23524646, 23522626.

277. DD MOTORS (A DIVISION OF D.D. PREM PVT.LTD.) (08F1-08-01), A-100 MAYAPURI,PHASE-II,NEW DELHI - 110064 PH :41845000, 49305232.

278. COMPETENT AUTOMOBILES CO. LTD. (0806-08-03), PLOT NO.3,GAZIPUR,DELHI. - 110096 PH :45300000.

279. T.R. SAWHNEY MOTORS PVT LTD (0819-08-02), B-6 INDUSTRIAL AREA, PHASE I, OPP SECTOR 18, BADLI, NEW DELHI - 110042 PH :7118333.

Dealer Workshop (AS ON 30.05.2023)

280. DD MOTORS (A DIVISION OF D.D. PREM PVT.LTD.) (08F2-08-01), 5, WAZIRPUR, INDUSTRIAL AREA, ADJACENT TO WAZIRPUR DEPOT, RING ROAD, NEW DELHI - 110034
PH : 27153996-99, 27151466-67.
281. ROHAN MOTORS LTD. (0886-08-01), F-9/B-1, MOHAN COOPERATIVE INDUSTRIAL ESTATE, MATHURA ROAD, DELHI - 110044
PH : 40567900, 41679252-259.
282. T.R. SAWHNEY MOTORS PVT LTD (0819-08-01), 33 & 34, HARICHAND MELARAM COMPLEX, EAST GOKULPUR, WAZIRABAD ROAD, DELHI - 110094
PH : 71115333.
283. RANA MOTORS PVT LTD (08A1-08-02), C-47, OKHLA INDUSTRIAL AREA, PHASE-II, NEW DELHI - 110020
PH : 41707777.
284. MAGIC AUTO PVT. LTD. (0888-08-01), A-93, PHASE-2, MAYAPURI INDL AREA, DELHI - 110064
PH : 41847777.
285. DD MOTORS (A DIVISION OF D.D. PREM PVT.LTD.) (08F3-08-01), A-1 UDYOG VIHAR, NEW ROHTAK ROAD, PEERAGARHI, DELHI - 110041
PH : 25963535, 48616500.
286. T.R. SAWHNEY MOTORS PVT LTD (0819-08-04), PLOT NO.-508, FUNCTIONAL INDUSTRIAL ESTATE, PATPARGANJ - 110092
PH : 9873851333.
287. MAGIC AUTO PVT. LTD. (08B7-08-01), PLOT NO. 68/3, MOTINAGAR, NEW DELHI, - 110015
PH : 43777777, 43777721.
288. SHREYASH AUTOMOTIVES PRIVATE LIMITED (08F8-08-01), PLOT NO.9, SSI INDUSTRIAL ESTATE, GT KARNAL ROAD, NEW DELHI. - 110063
PH : 43288888.
289. SAYA AUTOMOBILES (0808-08-2B), KHASRA NO.2,G.T. KARNAL ROAD,OPP. GURUDUARA HARGOVIND SINGH, SIRAS PUR BADLI, DELHI - 110033
PH : 27731325, 27731856.
290. COMPETENT AUTOMOBILES CO. LTD. (0806-08-05), B-83 MAYAPURI PHASE I, NEW DELHI - 110015
PH : 47289980.
291. BAGGA LINK MOTORS PVT LTD. (0811-08-03), PLOT NO 4,6,8,10 NEAR FORTIS HOSPITAL, OPPOSITE NIKULAS, BABA POTERY COMPOUND, ARUNA ASAF ALI ROAD, VASANT KUNJ, NEW DELHI - 110070
PH : 45688888, 45688911.
292. RANA MOTORS PVT LTD (08A1-08-04), B-6/6, OKHLA INDUSTRIAL AREA PHASE-II, NEW DELHI - 110020
PH : 40877777, 26389930.
293. COMPETENT AUTOMOBILES CO. LTD. (0806-08-06), 14, SHIVAJI MARG, NAGAFGARH ROAD, NEW DELHI - 110 015
PH : 9377079808/1/02.
294. PREM MOTORS PVT. LTD. (08D4-08-01), KH. NO.804/2, MAHIPALPUR MATA CHOWK, DELHI - 110037
PH : 42390000.
295. AAA VEHICLEADES PVT. LTD. (08B9-08-03), VILLAGE GHEVARA, KHASRA NO.87/3, 87/8 & 87/13/1, DELHI-ROHTAK ROAD, METRO PILLAR NO.616, MUNDKA, NEW DELHI - 110041
PH : 66118888.
296. RANA MOTORS PVT LTD (08A1-08-05), A-8, RAJASTHANI UDYOG NAGAR, NEAR AZADPUR FRUIT MARKET, G.T. KARNAL ROAD, OPP. METRO PILLAR NO.119, DELHI. - 110033
PH : 41609999, 42474444.
297. SHREYASH AUTOMOTIVES PRIVATE LIMITED (08F9-08-01), A-3, WAZIRPUR INDUSTRIAL AREA, DELHI. - 110052
PH : 42020000, 9910114255.
298. T.R. SAWHNEY MOTORS PVT LTD (08D2-08-01), B-19, MAYAPURI INDUSTRIAL AREA, PHASE-1, NEW DELHI. - 110064
PH : 71119333, 9999049337.
299. DD MOTORS (A DIVISION OF D.D. PREM PVT.LTD.) (08F1-08-02), 9/55 KIRTI NAGAR, INDUSTRIAL AREA, NEW DELHI - 110015
PH : 999903888.
300. MAGIC AUTO PVT. LTD. (08D5-08-01), PLOT NO. 449 & 450, PATPARGANJ INDUSTRIAL AREA, NEW DELHI. - 110092
PH : 9818741741.
301. DD MOTORS (A DIVISION OF D.D. PREM PVT.LTD.) (08F1-08-03), 85B RANAJI ENCLAVE, NAGLI SAKRAWATI, NAJAFGARH, NEW DELHI. - 110043
PH : 9999127840/9999127947.
302. DD MOTORS (A DIVISION OF D.D. PREM PVT.LTD.) (08F5-08-01), 36/22/2 AND 36/19, PANA UDHYAN, NARELA, NEW DELHI. - 110040
PH : 8660637358.
303. DD MOTORS (A DIVISION OF D.D. PREM PVT.LTD.) (08F1-08-04), 32/19, MATIALA, BEHIND DELHI PUBLIC SCHOOL, SECTOR-3, DWARKA, NEW DELHI. - 110059
PH : 9873173005.
304. FAIR DEAL WHEELS PVT. LTD (08E3-08-01), PLOT NO.25, KHATA KHATAUNI NO.97/98, KHASRA NO.49/17, OPP. BRAHMSHAKTI HOSPITAL, BUDH VIHAR, POOTH KALAN, MAIN KANJAWALA ROAD, DELHI - 110086
PH : 9711993801.
305. COMPETENT AUTOMOBILES CO. LTD. (0806-08-07), 23/2, MATIALA PHIRNI, POKKET C, SECTOR 3, DWARKA, DELHI. - 110059
PH : 9582797774.
306. JAGMOHAN AUTOMOTIVES (08F6-08-01), PLOT NO. 69/2, WAZIRPUR INDUSTRIAL AREA, NEW DELHI, PIN-110052
PH : 9650790351.
307. RANA MOTORS (08A1-08-08), B-83, GTK ROAD INDUSTRIAL AREA, DELHI. - 110033
PH : 9873400386.
308. AAA VEHICLEADES (08B9-08-01), KHASRA NO. 204, MAIN CHHATARPUR ROAD, CHHATARPUR, NEAR SAI BABA MANDIR, DELHI, PIN-110030 - 110030
PH : 9829342761.
309. VIPUL MOTORS (08F7-08-01), B-26, JHILMIL INDUSTRIAL AREA, DELHI - 110095 - 110095
PH : 9811233385.

OKHLA, DELHI

310. AAA VEHICLEADES PVT LTD (08B4-08-01), B243, OKHLA PHASE-1, OKHLA, DELHI - 110020
PH : 8448582912.

WAZIRPUR - DELHI

311. DD MOTORS (08F1-08-05), A-90, WAZIRPUR INDUSTRIAL AREA, NEW DELHI-110052 - 110052
PH : 9310367233.

GOA

BICHOLIM

312. SAI SERVICE PRIVATE LIMITED (BHN1-BHN-01), CITY SURVEY NO. 46/1, MUSLIM WADDO, BICHOLIM, GOA - 403529
PH : 23855000, 9881746566.

CANACONA

313. CHOWGULE INDUSTRIES PVT. LTD. (IT01-IT-01), PLOT NO.40, CANCONA INDUSTRIAL ESTATE, SHREESTAL, CANCONA, SOUTH GOA - 403702
PH : 0832-2633010/8805024916.

CUNCOLIM

314. SAI SERVICE PRIVATE LIMITED (3402-AAO-06), SURVEY NO.64/7, SHOP NO.3-A-11, CANCNAMEODDI, CUNCOLIM, SOUTH GOA - 403703
PH : 2763062, 2763063, 9850398057.

DHARBANDORA

315. CHOWGULE INDUSTRIES PVT. LTD. (3408-GO-07), AT- KHANDEPAR- USGAON, TAL-DHARBANDORA, SOUTH GOA - 403401
PH : 0832-6623477/788004357.

MAPUSA

316. SAI SERVICE PRIVATE LIMITED (3402-8Z-05), D-2/9, MAPUSA INDUSTRIAL ESTATE, MAPUSA, GOA, - 403507
PH : 22670000, 8660432266.
317. CHOWGULE INDUSTRIES PVT. LTD. (3408-8Z-03), PLOT NO. 19/20, THIVIM INDUSTRIAL ESTATE, KARASWADA, MAPUSA, GOA - 403507
PH : 0832-6631666/6631608/8888817955.

MARGAO

318. CHOWGULE INDUSTRIES PVT. LTD. (3408-1Y-01), OPP.DAMODAR TEMPLE,FATORDA,MARGOA,GOA - 403602
PH : 0832-6623444/4207796630235.
319. SAI POINT CARS PVT LTD (3408-1Y-01), H.NO.17,WARD NO.5,SURVEY NO.34/3,34/4,MARGAON PONDA HIGHWAY,SONFATOR AMBORA,CAMURLIN,SALCETE ,GOA - 403722
PH : 9545454826/8380013499.
320. SAI SERVICE PRIVATE LIMITED (3402-1Y-02), SURVEY NO. 212/4,VILLAGE - VERNA,TAL : SALCETE ,NEXT TO AGNEL POLYTECHNIC, MARGAO - 403718
PH : 2883000, 2791195, 9834399086.
321. CHOWGULE INDUSTRIES PVT. LTD. (3408-1Y-08), PLOT NO. M-58 AND M-59, PHASE 3B, VERNA INDUSTRIAL ESTATE, MARGAO, VERNA, SALCETE SOUTH GOA, GOA - 403722
PH : 0832-6621800/99229250800.

PANAJI

322. CHOWGULE INDUSTRIES PVT. LTD. (3408-P1-02), D.B BANDODKAR MARG, CAMPAL, PANAJI, GOA - 403001
PH : 9922950798/9922925701.
323. SAI SERVICE PRIVATE LIMITED (3402-P1-07), SHED NO.18/329, PLOT NO.5A, SURVEY NO.117/6, TELEIGAOIN, ST. INEZ, PANJIM, GOA-403 002. - 403001
PH : 22229222/2222522,9923865179.

PERNEM

324. CHOWGULE INDUSTRIES PVT. LTD. (CUA1-CUA-01), SURVEY NO. 258/1-B & 258/1-C, OPPOSITE INDUSTRIAL TRAINING INSTITUTE, TALUKA - PERNEM, DIST.-NORTH GOA. - 403512
PH : 8380082893.

POLEM

325. CHOWGULE INDUSTRIES (SHO1-SHO-01), DULGAL-SHELM,VILLAGE POLEM-LOLIEM ,SOUTH GOA,403728 - 403728
PH :#REF!

PONDA

326. SAI SERVICE PRIVATE LIMITED (3402-34-03), OFF PANJIM HIGHWAY,PONDA,GOA. - 403401
PH : 2324106, 2311499, 2324120, 9518349559.

PORVORIM

327. SAI SERVICE PRIVATE LIMITED (3402-P1-01), SURVEY NO: 36/1,PENHA DE FRANCE,TAL : BARDEZ, ALTO PCRVORIM,GOA - 403501
PH : 2412900, 2414324, 9881746567.

SANVORDEM

328. CHOWGULE INDUSTRIES PVT. LTD. (BTK1-BTK-01), SURVEY NO. 4, SUBDIVISION-3, VILLAGE -CACORA, TALUKA -- CURCHOREM, SANVORDEM, DIST. -- SOUTH GOA, GOA . - 403706
PH :9850477607.

SATTARI

329. CHOWGULE INDUSTRIES PVT. LTD. (3408-BOP-10), SURVEY NO. 60, SUB DIV NO. 05, VILLAGE ARVALEM, VILLAGE PANCHAYAT ARVALEM, TALUKA SATTARI, NORTH GOA, GOA - 403505
PH :9923464422.

TALEIGAOIN

330. CHOWGULE INDUSTRIES PVT. LTD. (3408-NP-06), SURVEY NO. 122, MAHBOS, NEAR SHANKARWADI TEMPLE, SHANKARWADI, TALEIGAOIN, - 403001
PH :9922950798/9922925701.

VASCO

331. SAI SERVICE PRIVATE LIMITED (3402-CP-04), NEXT TO SHIKALIM CHURCH,SHIKALIM,VASCO,GOA - 403802
PH :2542561/2526008/2526000/9850398058.

332. CHOWGULE INDUSTRIES PVT. LTD. (3408-CP-09), OPP BHARAMASTAL TEMPLE, PATRONG BAINA, VASCO,GOA - 403802
PH :0832-2500407/427/9921943608/9850986904.

GUJARAT

AHMEDABAD

333. KIRAN MOTORS LTD (0102-01-01), SARKHEJ - GANDHINAGAR HIGHWAY,OPP. RAJUPATH CLUB,AHMEDBAD - 380054
PH :9624055445.

334. KATARIA AUTOMOBILES PVT. LTD. (0104-01-01), D/8 BEHIND ESI HOSPITAL,OUTSIDE DARIAPUR DARWAJA,AHMEDABAD - 380016
PH :9825453500.

335. POPULAR WHEELERS (INDIA) PVT. LTD. (0105-01-01), PATEL TRUST BUILDING, AVTAR HALL,NAROL, NARODA HIGHWAY,ISANPURA ROAD,AHMEDABAD - 382443
PH :61903232.

336. KIRAN MOTORS LTD (0102-01-02), BEHIND L&T GODOWN,SARKHEJ SANAND HIGHWAY, AHMEDABAD - 382210
PH :26891863, 26891009, 26891294.

337. KATARIA AUTOMOBILES PVT. LTD. (0104-01-05), NEAR KOKHRA BRIDGE,MANINAGAR - 380008
PH :7567568182.

338. KATARIA AUTOMOBILES PVT. LTD. (0110-01-01), BEHIND ADANAL PUMP, NEAR MAKARBA CROSSING, MAKARBA,SG HIGHWAY - 380051
PH :7069054900.

339. POPULAR WHEELERS (INDIA) PVT. LTD. (0111-01-01), BESIDE SOLA ROAD BRIDGE,S. G. HIGHWAY SOLA,AHMEDABAD - 380054
PH :65058111.

340. KIRAN MOTORS LTD (0112-01-01), SURVEY NO. 82/1/1, NEAR H.P. PETROL PUMP, MOTERA ROAD, CHANDKHEDA, AHMEDABAD - 380005
PH :8347491800/9824023122.

341. UDAY AUTOLINK PVT. LTD. (0113-01-01), NEAR GALAXY SPACIA, OPP. DASTAN FARM, S. P. RING ROAD, KATHWADA, AHMEDABAD, GUJARAT - 382430
PH :7567229999.

342. NANDA AUTOMOBILES PVT. LTD. (0114-01-01), SURVEY NO. 229/3, OPP. GOKULESH PETROL PUMP, NAROL - ASLALI ROAD, NAROL, AHMEDABAD, GUJARAT, - 382405
PH :8666558787 / 8460088883.

343. STARLINE CARS (AHMEDABAD) PVT LTD (0115-01-01), PLOT NO. 103/2, NANDA CHILODA, NEAR RAILWAY CROSSING, KRISHNANAGAR ROAD, NARODA, AHMEDABAD - 382330
PH :9824601729.

344. KIRAN MOTORS LTD (0112-01-02), FINAL PLOT NO.33/1/1, NEAR SHRUSHTI LAVISH, OPP. SHYAM VILLA-II, NARODA-NIKOL ROAD, NIKOL DISTT. AHMEDABAD - 382330
PH :7069868374/9173840458/7383651643/9173044104

345. KIRAN MOTORS LTD (0102-01-04), SURVEY NO. 245/3, TP SCHEME NO. 43, NEAR KARGIL PETROL PUMP, SCIENCE CITY ROAD, AHMEDABAD - 380060
PH :9327617447, 9327214890.

346. POPULAR WHEELERS (INDIA) PVT. LTD. (0109-01-01), BEHIND G. B. SHAH COLLEGE, NEAR SWAMINARAYAN PARK, VAISHALI TOWNSHIP ROAD, VASNA, AHMEDABAD, GUJARAT, - 380007
PH :9099993830.

347. PEGASUS (A UNIT OF VISUAL AUTOLINK PVT. LTD.) (0129-01-01), PLOT NO. 116, BOPAL - AMBIL ROAD, BOPAL, AHMEDABAD, DISTRICT - AHMEDABAD, GUJARAT, - 380058
PH :7211140026, 7211130053.

348. TANU MOTORS PVT. LTD. (0118-01-01), SURVEY NO. 1155/1-2, 1154 & 1156, PLOT NO. 39, SARKHEJ-SANAND ROAD, SANAND, AHMEDABAD (GUJARAT) - 382110
PH :9512009110.

349. PEGASUS (A UNIT OF VISUAL AUTOLINK PVT. LTD.) (0117-01-01), PLOT NO.116 & 118/2, SARDAR PATEL RING ROAD, VASTRAL, AHMEDABAD - 382418
PH :7623089000.

350. STARLINE CARS PVT. LTD. (D101-01-09), SR NO - TP - 57, PLOT NO. 67, NEAR GOTTA FLYOVER BRIDGE, OPP. SHANKU FARM HOUSE, S.G. HIGHWAY, GOTTA, AHMEDABAD. - 382481
PH :9824601729.

351. KATARIA AUTOMOBILES PVT. LTD. (0110-01-02), SR NO. 112, 116 & 119, SURVEY NO. 283/3.7.10, BIH SILVER STAR, BESIDE HARI VILLA BUNGLAWS, GOTTA ROAD, CHANDLODIYA, AHMEDABAD. - 382481
PH :9824000378.

352. DB MOTORS PRIVATE LIMITED (0119-01-01), SURVEY NO. 131A, NH-8, ASLALI, OPP-OCTROI NAKA, AHMEDABAD. - 382427
PH :9726031111.

353. POPULAR WHEELS (0111-01-02), SAVAN SQUARE, SHOP NO. 1, 2, 3, 4, 5, SERVE NO. 39/1, F.P. NO. 92, T.P. NO. 66/A, CHENPUR, NEW RANIP, AHMEDABAD. - 382 427
PH :9925203344.

354. DB MOTORS PRIVATE LIMITED (0119-01-02), PLOT NO. 718, ASHRAM ROAD, OPPOSITE GANDHI ASHRAM, OLD VADAJ, HRIDAYA KINJ, AHMEDABAD. - 380013
PH :9909048260.

AMBAJI

355. TANU MOTORS (SKQ1-SKQ-01), OPP KUMBHARIYA JAIN DERASAR, GUD ROAD, AMBAJI, DIST-BANASKANTHA, GUJARAT 385110 - 385110
PH :#REF!.

AMOD

356. RAVIRATNA MOTORS (F801-ZE-03), ROYAL PARK, JAMBUSAR-BHARUCH ROAD, AMOD, DISTRICT: BHARUCH, GUJARAT. - 392110
PH :9687691106/9687699383.

AMRELI

357. ALPHA AUTOLINK LLP (9E02-9E-01), LATHI BY PASS ROAD, AMRELI, GUJARAT. - 365601
PH :9978938858/9978938833.

ANAND

358. AMAR CARS PVT. LTD. (F702-F7-01), JANTHA CROSSING,SOJITRA ROAD,ANAND - 388121
PH :9909960772.

359. KATARIA AUTOMOBILES PVT. LTD. (F703-F7-01), SURVEY NO. 189/1+2/A+3/A/K 190/P, OPP. OLD JAKAT NAKA, NEAR RAILWAY OVERBRIDGE, ANAND-CHIKHODRA ROAD, ANAND, GUJARAT. - 388 120
PH :7698954466.

ANKLAV

360. KATARIA AUTOMOBILES (SEO1-SEO-01), AMBICA COMPLEX, GROUND FLOOR SHOP NO. B, C AND D, ASODAR CHOKDI, TAL. ASODAR, CITY ANKLAV, DIST. ANAND, PIN-388510, GUJARAT - 388510
PH :7227917151.

ANKLESHWAR

361. RAVIRATNA MOTORS PVT LTD (P901-P9-01), PLOT NO. 624/2/B/A, GIDC, VALIA ROAD, ANKLESHWAR - 393002
PH :9687691063.

BAGODRA

362. NANDA AUTOMOBILES PVT. LTD. (CVQ1-CVQ-01), SHOP NO. 9, 10, 11, 12, KAMDHENU COMPLEX, BAGODRA HIGHWAY, NR. SBI BANK, BAGODRA. - 382240
PH :9727822000, 9726269111.

BALASINOR

363. AMAR CARS PVT. LTD. (CJE1-CJE-01), SR. NO. 1451, OPP. OIC PETROL PUMP, AHMEDABAD HIGHWAY (NH-47), KANTHARJINA MUJVADA, VILLAGE - VADALA, TALUKA - BALASINOR, DISTRICT - MAHISAGAR, GUJARAT. - 388255
PH :7211109960.

BARDOLI

364. DHRU MOTORS (4002-Q1-02), G.I.D.C.SURAT BARDOLI ROAD,BARDOLI, - 394601
PH :9825413113/9879104454.

365. KATARIA AUTOMOBILES PVT. LTD. (Q106-Q1-02), BLOCK NO.13, NANDIDA CROSS ROAD, BARASADI VILLAGE, SURAT-BARDOLI ROAD, BARDOLI, GUJARAT - 394310
PH :7698022665/9924138860.

BAREJA

366. KATARIA AUTOMOBILES PVT. LTD. (BAN1-BAN-01), 5/6/7, ADITYA COMPLEX NATIONAL HIGHWAY-8, BAREJA, TALUKA - DASKROI, DISTRICT - AHMEDABAD, GUJARAT - 382425
PH :7046079997.

BARWALA (AHMEDABAD)

367. UDAY AUTOLINK PVT. LTD. (4401-14-01), OPP. HILTON HOTEL, BHAVNAGAR HIGHWAY, TA BARWALA, DIST. AHMEDABAD - 382450
PH :7567449999/9687677611.

BAVLA

368. KATARIA AUTOMOBILES PVT. LTD. (0104-RX-07), NEAR ESSAR PETROL PUMP, BAVLA -AHMEDABAD HIGHWAY, BAVLA - 382220
PH :9824344889.

BECHARJI

369. STARLINE CARS PVT. LTD. (GJM1-GJM-01), R.S. NO. 336 PAIKI, MOJE-BECHAR (BECHARAJI), TALUKA - BECHARAJI, DIST.-MEHSANA. - 384210
PH :9909043244.

BHABHAR

Dealer Workshop (AS ON 30.05.2023)

370. STARLINE CARS (CWD1-CWD-01), SHOP NO. 7, 8, 9, SIDDIHI VINAYAK BUSINESS HUB, R.S. NO. 225, PANJAPUR POLE ROAD, BHABAR, DIS. BHANASKANTHA, GUJARAT - 385320 PH. 99099043244, 9824601729.	380. KATARIA AUTOMOBILES (AP03-AP-19), PLOT NO.13, SURVEY NO 33.34, AND 35 PAIKKI VILLAGE, HADADAD, OPP. PATEL HYUNDAI SHOWROOM, PALIYAD BOTAD ROAD - 384710 PH. 9558060658.	DABHOI 389. KATARIA AUTOMOBILES PVT. LTD. (UU01-UU-01), OPP. VEGA BUS STOP, NEAR VEGA CROSS ROAD, DABHOI-BODELI ROAD, DABHOI, TA:DABHOI, DI:VADODARA - 391110 PH .8156000463.	398. TANU MOTORS PVT. LTD. (CQ02-CQ-01), SURVEY NO. 722, OPPOSITE RANI RUDY MATAJI MANDIR, DHOLKA KALIKUND HIGHWAY, DHOLKA, GUJARAT - 382 225 PH. 9512009104.
BHACHAU 371. K.D. MOTORS (P501-JP-02), SUNRISE MALL,OPP. BUS STAND,BHACHAU BHUJ ROAD, BHACHAU, GUJARAT - 370140 PH. 9909953036, 9879390919.	CHANASMA 381. STARLINE CARS (CVF1-CVF-01), 16/17, PASABHI COMPLEX, NEAR ROYAL PALACE HOTEL, MEHSANA HIGHWAY, CHANASMA. - 384220 PH. 99099043244, 9824601729.	DAHOD 390. R B CARS PVT. LTD. (2C01-PL-02), NEAR SIMANDHAR JAIN TEMPLE, OLD INDORE HIGHWAY,DAHOD - 389151 PH. 9099043715, 9727700823.	DHORAJI 399. PERFECT AUTO SERVICE (5502-DL-09), JETPUR ROAD, OPP. SHRINATHJI SOCIETY, DHORAJI - - 360410 PH. 9099027402, 8200966617.
BHANVAD 372. ATUL MOTORS JAM LLP (BND2-BND-01), R.S. NO.439, PLOT NO.19, BHANVAD (GUJARAT) - 360510 PH. 95740005964 / 9574004714.	CHANDKHEDA - AHMEDABAD 382. KATARIA AUTOMOBILES PVT. LTD. (0104-01-10), SURVEY NO. 247, TP NO. 73, OPP. PAVITRA ENCLAVE, MANSAROVER ROAD, NEAR HARI OM FARM, TRAGAD, CHANDKHEDA, AHMEDABAD. - 382470 PH. 9723302111.	DEESA 391. TANU MOTORS PVT. LTD. (Q801-UQ-03), NH-14, NR. ESSAR PETROL PUMP, RADHANPUR HIGHWAY, HANUMAN NAGAR, MALGADH, DEESA - 385535 PH. 99099006099.	DHRANGDHRA 400. DREAM VEHICLES PVT LTD (IM01-IM-01), PLOT NO. 79, SURENDRANAGAR- DHRANGADHRA ROAD, OPP. ARMY WORKSHOP, DISTRICT-SURENDRANAGAR. - 363310 PH. 9227775725.
BHARUCH 373. RAVIRATNA MOTORS (F801-F8-01), NH 8, OPP YOGI PETROL PUMP P O, ZADESHWAR, BHARUCH - 392011 PH. 9687691044, 9687632647.	CHANDRALA 383. NANDA AUTOMOBILES PVT. LTD. (GLT1-GLT-01), HIMMATNAGAR HIGHWAY NO.8, NEAR DEVANSHI PARTY PLOT, CHANDRALA, DIST- GANDHINAGAR, GUJARAT - 382320 PH. 9725062187, 9727726003.	DEHGAM 392. NANDA AUTOMOBILES PVT. LTD. (2B01-NR-03), NEAR UMIYA MATAJI TEMPLE, COLLEGE ROAD,AHMEDABAD ROAD, DEHGAM - 382305 PH. 234567.	DIYODAR 401. TANU MOTORS (SFU1-SFU-01), NR.HP PETROL PUMP, BHESANA CROSS ROAD, BHABHAR HIGHWAY DIYODAR-385330 - 385330 PH. #REF!.
BHAVNAGAR 374. KATARIA AUTOMOBILES (C902-C9-01), SURVEY NO 137/2, PLOT NO 301/2&3 AND 301/4&5, VERTEJ GIDC, NARI CHOWKDI, RAJKOT ROAD, BHAVNAGAR. - 364004 PH. 9426168286.	CHANGODAR 384. PEGASUS (A UNIT OF VISUAL MOTORS PVT. LTD.) (CTD2-CTD-01), SURVEY NO.393, VILLAGE - MORAIYA, CHANGODAR, TALUKA - SANAND, SUN DISTT - AHMEDABAD. - 382210 PH. 7211120014.	DETROJ 393. PEGASUS (A UNIT OF VISUAL AUTOLINK PVT LTD) (GLC1-GLC-01), PLOT NO-61,MILKAT NO-2534, AT-DETROJ,TALUKA-DETROJ-RAMPURA-382120 - 382120 PH. #REF!.	DWARKA 402. ATUL MOTORS JAM LLP (CJG2-CJG-01), SURVEY NO. 41, NEAR, SHRI SANANT SEVA MANDAL, CORNER PLOT OF STATION ROAD AND HIGHWAY ROAD, DWARKA, DISTRICT - DWARKA - - 361335 PH. 9712212900 / 9597400474.
375. KATARIA AUTOMOBILES (C902-C9-02), PLOT NO-29, NR. TALAJA OCTROI CIRCLE, JAKATNAKA, AT-ADHEWADA, DIST-BHAVNAGAR, GUJARAT - 364002. - 364002 PH. 9638884422.	CHIKHLI 385. KATARIA AUTOMOBILES PVT. LTD. (BCB1-BCB-01), SURVEY NO.461, VILLAGE-MAJIGAM, TALUKA-CHIKHALI, DISTT-NAVSARI, GUJARAT - 396521 PH. 7698953899.	DEVGADH BARIA 394. R B CARS PVT. LTD. (2C01-AOA-05), BESIDE ARIHANT PETROL PUMP, PIPLOD ROAD, DEVGADH BARIA - 389380 PH. 9099049344, 6352384846, 9099043715.	GANDHIDHAM 403. B M AUTOLINK (7702-77-01), EAST OF PLOT NO. 30-35,NATIONAL HIGHWAY, GANDHIDHAM - 370201 PH. 9727725723.
BHUJ 376. K.D. MOTORS (P501-P5-01), PLOT NO. 56/14, UMANAGAR,MIRZAPUR HIGHWAY ROAD , BHUJ, GUJARAT - 370001 PH. 02832-232534/5, 9879889799, 8780351870.	CHILODA 386. PEGASUS (A UNIT OF VISUAL AUTOLINK PVT. LTD.) (GJO1-GJO-01), PLOT NO. 332, BESIDES GALLOPS TATA, NH-8, CHILODA-HIMMATNAGAR HIGHWAY, CHILODA. - 382355 PH. 7211168938, 7623039000.	DHANERA 395. TANU MOTORS PVT. LTD. (BZW1-BZW-01), 01 & 02, MARUTI NANDAN COMPLEX, NEAR ESSAR PETROL PUMP, DHANERA-DEESA HIGHWAY, DHANERA - 385310 PH. 99099006099, 8401784018.	404. B M AUTOLINK (7702-77-03), SURVEY NO.129/26 P. GALPADAR HIGHWAY, GANDHIDHAM , DISTT.KACHCHH, GUJARAT. - 370110 PH. 9727725723, 9727739550.
377. K.D. MOTORS (P501-P5-03), R.S NO. 25/2, 25/3, 26/2, PLOT NO. 57 TO 61, VILLAGE - MIRZAPUR, TALUKA - BHUJ, GUJARAT. - 370001 PH. 9909953124.	CHOTILA 387. DREAM VEHICLES PVT LTD (CF11-CF1-01), SURVEY NO. 31, PLOT NO. 1, NILKANTH SOCIETY, NH NO. 8A, AHMEDABAD-RAJKOT, AT & PO - CHOTILA, DISTRICT - SURENDRANAGAR, GUJARAT. - 363520 PH. 9227775709.	DHARAMPUR 396. KATARIA AUTOMOBILES PVT. LTD. (BSK1-BSK-01), SURVEY NO.29/3/P1 , VILLAGE ASHURA NR. ASHURA CIRCALE, DHARAMPUR DISTT. VALSHAD, GUJARAT - 396050 PH. 9723455291.	GANDHINAGAR 405. NANDA AUTOMOBILES PVT. LTD. (2B01-2B-01), 1003,SECTOR-28,GANDHI NAGAR - 382028 PH. (079)23212692 / 93 / 94.
BODELI 378. KIRAN MOTORS LTD (0R01-0R-01), OPP.NARMADA GUEST HOUSE,DABHOI ROAD, BODELI, TALUKA: SANKHEDA,VADODARA - 391135 PH. 9714592999.	CHUDA 388. DREAM AUTOMOBILES (SOC1-SOC-01), NR. GOVT HOSPITAL,CHATARLIYA ROAD,CHUDA,SURENDRANAGAR. - 363410 PH. 9313802500.	DHARI 397. ALPHA AUTOLINK LLP (GG02-GG-01), PLOT NO. 9, DHARI - KHAMBHA ROAD, NEAR RAILWAY FATAK DHARI , TALUKA - DHARI, DIST. - AMRELI, GUJARAT. - 365640 PH. 9904549999/997893858.	406. NANDA AUTOMOBILES PVT. LTD. (2B01-2B-05), PLOT NO. 805, GIDC, SECTOR-28, GANDHINAGAR. - 382028 PH. 079-23212692/93/94 9727726003.
BORSAD 379. AMAR CARS PVT. LTD. (BJM1-BJM-01), BORSAD - TARAPUR HIGHWAY, BORSAD , DISTRICT - ANAND, GUJARAT - 388540 PH. 9586477744.		DHOLKA	GODHRA 407. R B CARS PVT. LTD. (2C01-2C-01), PLOT NO. 112/11, 12-VAVDIG.GODARA - DAHOD HIGHWAY, GODHRA, PANCHMAHAL, GUJARAT - 389001 PH. 9099043715, 9727700823.
BOTAD			408. R B CARS PVT. LTD. (2C01-2C-04), SURVEY NO.107, LUNAWADA ROAD, GIDC, GODHRA, DISTT. PANCHMAHAL-389001. - 389001 PH. 9099043715, 9727700823.

GONDAL

409. ATUL MOTORS PVT LTD (5503-AD-05), 8-B NATIONAL HIGHWAY, OPP. DAULAT OIL MILL, NR. NILKANTH VIRUDASHRAM, RAJKOT HIGHWAY,GONDAL - 360311
PH :9904922333.

GOZARIA

410. VIMCO MOTORS PVT. LTD. (GJN1-GJN-01), 1597/339 P4 VISHNAGAR-GOZARIYA ROAD, GOZARIYA, DIST.-MEHSANA. - 382825
PH :7016623842.

HALOL

411. R B CARS PVT. LTD. (BKC1-BKC-01), PLOT NO. 104/6 & 104/8, VADODARA – GODHRA HIGHWAY, NEAR NAVJIVAN HOTEL, HALOL, DISTRICT – PANCHMAHAL, GUJARAT - 389350
PH :9099043715, 9727700823.

HALVAD

412. DREAM VEHICLES PVT LTD (GX01-GX-01), PLOT NO 5 & 6, NAKLANKDHAM TOWNSHIP, OPP. HONEST RESTAURANT, AHMEDABAD HIGHWAY, HALVAD DISTT. SURENDRANAGAR (GUJARAT) - 363330
PH :8238000965.

HANSOT

413. RAVIRAJ HANSOT (BGQ1-BGQ-01), AT UTRAJ, RATNAPUR, DISTRICT - BHARUCH. - 393030
PH :9687691063.

HIMMATNAGAR

414. KIRAN MOTORS LTD (P601-P6-01), NEAR G.I.D.C.MOTIPURA, HIMMATNAGAR - 383001
PH :9824576711.

IDER

415. KIRAN MOTORS LTD (UX01-UX-01), SURVEY NO.69 IDAR-AMBAJI ROAD, IDAR DIST: SABARKANTHA - 383430
PH :8155994111.

JAMNAGAR

416. ATUL MOTORS JAM LLP (F402-F4-01), SURVEY NO.422, PLOT NO. 16,17 & 19, JAMNAGAR, GUJARAT - 361001
PH :9574004710 / 9574004716.

417. STARLINE CARS PVT. LTD. (D101-Q9-02), CHANASMA HIGHWAY, PATAN - 384265
PH :7046046187.

418. ATUL MOTORS JAM LLP (F402-F4-02), C-36, MP SHAH ARUN UDYOG, SARUSECTION ROAD, JAMNAGAR - 361002
PH :9574004704 / 9574004717.

JASDAN

419. ATUL MOTORS PVT LTD (5503-OB-09), SURVEY NO. 1253, PLOT NO. 4, NEAR KALYAN PETROL PUMP, JASDAN-ATKOT HIGHWAY, JASDAN, DIST. RAJKOT, GUJARAT. - 360050
PH :9265404142.

JHALOD

420. R B CARS PVT. LTD. (CJF1-CJF-01), SURVEY NO. 2550B/10, 11, AT - JHALOD, TALUKA- JHALOD, DISTRICT - DAHOD. - 389170
PH :9099684363, 9099043715.

JUNAGADH

421. PERFECT AUTO SERVICES (5502-K8-06), SURVEY NO.45/1, PLOT NO. 214-C/D/E/F, GIDC-I, DOLATPARA, JUNAGADH - 362001
PH :9879518052, 7043999073, 9909022618.

JUNAGARH

422. PERFECT AUTO SERVICES (5502-K8-02), PLOT NO. 81-82, G.I.D.C. DOLATPURA,RAJKOT-JUNAGARH HIGHWAY, JUNAGARH - 362001
PH :9909006980, 7043999073, 9909022618.

KADI

423. STARLINE CARS PVT. LTD. (D101-UR-07), OPP. COTTON MARKETING YARD, KADI-CHATRAL ROAD, TAL: KADI, DIST: MEHSANA - 382715
PH :8160707156.

KAKANPUR

424. RB CARS (SDN1-SDN-01), SURVEY NO.618/2, PAIKI PLOT NO. 29,30,31 AT. KAKANPUR, TAL. GODHRA, DISTRICT. PANCHMAHAL PIN-388713. - 388713
PH :9099049347.

KALOL

425. NANDA AUTOMOBILES PVT. LTD. (2801-FW-02), PLOT NO. - 162-168, GIDC, KALOL MEHSANA HIGHWAY, NEAR CHIRAG CINEMA ROAD, KALOL - 383028
PH :220781 / 82 / 83.

KAPADVANJ

426. AMAR CARS PVT. LTD. (NC01-NC-01), SAMARTH SQUARE, SHOP NO. 1, MODASA KAPADVANJ ROAD, KAPADVANJ, GUJARAT-387620 - 387620
PH :9909960761.

KARJAN

427. AMAR CARS PVT. LTD. (UZ01-UZ-01), SURVEY NO.851/787 BESIDE PMT TOOLS, KANDARI, N.H. -8, KARJAN, DISTT-VADODRARA (GUJARAT) - 391210
PH :7567299666/99252462929.

KATHLAL

428. AMAR CARS PVT. LTD. (CXA1-CXA-01), MAHAVEER AUTO SHOWROOM, NADIAD ROAD, JB PLAZA, KATHLAL, GUJARAT. - 387 630
PH :9909960761.

KESHOD

429. PERFECT AUTO SERVICES (BZY1-BZY-01), R S NO. 125/1, GODOWN NO. 01, SONDARDA, TALUKA – KESHOD, DISTRICT – JUNAGADH, GUJARAT. - 362220
PH :7043999073.

KHAMBHAT

430. AMAR CARS PVT. LTD. (BNF1-BNF-01), PLOT NO. 178/9, RAJMAHAL PARK, OPP. SARDAR CHATRALAY, LAL DARWAJA, GAYATRINAGAR ROAD, KHAMBHAT, TALUKA KHAMBHAT, ANAND DISTRICT, GUJARAT - 388620
PH :9909960772.

KHEDA

431. AMAR CARS PVT. LTD. (BNA1-BNA-01), S.NO.708, PLOT NO.1, VILLAGE-SOKHDA, TAL: MATER, DISTT. KHEDA, GUJARAT - 387570
PH :99099960761.

KHERALU

432. STARLINE CARS (SN02-SN-01), R S NO. 4962 MAHAVIR COMPLEX, KHERALU, DIST. -MEHSANA. - 384325
PH :9909043244, 9824601729.

KIM

433. KATARIA AUTOMOBILES PVT. LTD. (UW01-UW-01), PLOT NO. 116-121, DAL MILL COMPOUND, OPP. SURAT JILLA SANGH, KIM CROSS ROAD, NH-8, KIM - 394110
PH :9723555185.

KODINAR

434. PERFECT AUTO SERVICES (A DIVISION OF PERFECT RETREADS PVT LTD) (CSO1-CSO-01), R.S.NO.222, PLOT NO.2, 3 SHOPS, KODINAR-362720 DISTT. JUNAGADH, GUJARAT - 362720
PH :7043992893, 7043340792.

KUKARWADA

435. STARLINE CARS PVT. LTD (CSC1-CSC-01), SHOP NO.1741, 1742 AND PLOT NO.1752, KUKARWADA TALUKA, VIJAPUR, DISTT MAHESANA (GUJARAT) - 382830
PH :9909043244, 9824601729.

LAVANA

436. RB MOTORS (SLW1-SLW-01), AT PO -LAVANA, NEAR BABILIYA CROSSING, MODASA ROAD, LAVANA-389230 - 389230
PH :9860999470.

LIMBDI

437. DREAM VEHICLES PVT LTD (BSG1-BSG-01), SURVEY NO.276/1, NEAR PANCHVATI HOTEL, LIMDI CROSS ROAD, AHMEDABAD-RAJKOT HIGHWAY, LIMDI, DISTT. SURENDRANAGAR, GUJARAT. - 363421
PH :02753-261262/ 9227775728.

LUNAWADA

438. R B CARS PVT. LTD. (BYN1-BYN-01), SURVEY NO.90, AT-BHAYASAR, GODHRA-LUNAWADA HIGHWAY, LUNAWADA , TALUK-LUNAWADA, DISTT-MAHSAGAR, GUJARAT. - 389230
PH :9099043715, 9727700823.

MAHUVA (BHAVNAGAR)

439. KATARIA AUTOMOBILES (IV03-IV-01), V.P. COMPLEX, BUNDER RD, NR. GAUSHALA, BARPARA, MAHUVA, GUJARAT 364290 - 364290
PH :8357327534.

MANAVADAR

440. PERFECT AUTO SERVICE (CUI1-CUI-01), RS NO. 13/1, 14, PLOT NO. 48, BHAKTINAGAR, TALUKA - MANAVADAR, DIST.-JUNAGADH. - 362 630
PH :7043999073.

MANDAL

441. KIRAN MOTORS LTD (IW01-IW-01), SURVEY NO. 708, MANDAL - DETROJ HIGHWAY, NR. RELIANCE PETROL PUMP, MANDAL , DI: AHMEDABAD, GUJARAT. - 382130
PH :9408803925.

MANDVI

442. K.D. MOTORS (UY01-UY-01), PLOT NO.25.26 & 27, RAJ COMMERCIAL, SURVEY NO.246, NEAR "THE BEACH RESORT", MANDVI NALIYA ROAD, MANDVI-KUTCH - 370465
PH :99099953088, 9825353679.

MANGROL

443. KATARIA AUTOMOBILES PVT. LTD. (CAH1-CAH-01), PLOT NO. 12-28, MOSALI, MANGROL, DISTRICT-SURAT. - 394410
PH :6357017775.

MANSA

444. NANDA AUTOMOBILES PVT. LTD. (2801-OL-04), OPP. GIDC, VISNAGAR ROAD, MANSA, DISTRICT-GANDHINAGAR, GUJARAT - 382845
PH :9727921000.

MEHMADABAD

445. AMAR CARS PVT. LTD. (BRA1-BRA-01), PATEL FALIYA, KHATRAJ, MEHMADABAD, DIST. -KHEDA, GUJARAT. - 387130
PH :9909960761.

MEHSANA

446. STARLINE CARS PVT. LTD. (D101-D1-01), NAGALPUR HIGHWAY,MAHESANA , GUJRAT - 384002
PH :9909043635.

447. TANU MOTORS PVT. LTD. (Q801-D1-04), SURVEY NO.78, NEAR SUNRISE AUTOMOBILES (AMW DEALER), GUJARAT STATE HIGHWAY NO.41, MEHSANA - 384002
PH :9909060676.

Dealer Workshop (AS ON 30.05.2023)

448. VIMCO MOTORS PVT. LTD. (D103-D1-01), SURVEY NO. 104 & 104 PAIKI 1, AT P.O. - PALAVASANA, MEHSANNA, GUJARAT. - 384 002 PH :990995333.

METODA

449. ATUL MOTORS PVT LTD (5503-BLW-08), PLOT NO. 2328, GATE NO. 2, METODA GIDC, METODA, TALUKA LODHIKA, DISTRICT - RAJKOT, GUJARAT - 360021 PH :8140909095, 9924688774.

MODASA

450. KIRAN MOTORS LTD (P601-CR-02), SHAMLAL JI ROAD,SABARKANTHA DIST., MODASA - 383315 PH :815595111.

MORBI

451. PERFECT AUTO SERVICES (5502-X5-07), SURVEY NO. 351/2, PLOT NO. 10, DHARTI INDUSTRIAL AREA, RAJPURA ROAD, SANALA, MORBI, TEHSIL-MORBI, DISTT.-MORBI, GUJARAT. - 363841 PH :9099058044, 9925199569, 9879499088.
452. DREAM VEHICLES (LC01-X5-03), NR. PRIME FILLINGS, PLOT-6 ,DHARMA SIDDIHI VILLAGE,MAHENDRANAGAR, TALUKA: MORBI, DIST: MORBI. - 363642 PH :7069089532.

MOTI KHAVADI

453. ATUL MOTORS JAM LLP (AAU2-AAU-01), PLOT NO.22 & 29, NEAR PADANA POLICE STATION, JAMNAGAR-KHAMBHALIYA HIGHWAY, MOTI KHAVDI, ZANKHAR, TA: LALPUR, DIST - JAMNAGAR, GUJARAT. - 361140 PH :9574004709 / 9574004743.

MUNDR

454. B M AUTOLINK (7702-AJ-02), PRAGPAR ROAD, MUNDR,DISTRICT-KUTCH, GUJARAT, - 370421 PH :9687632631, 9978940978.

NADIAD

455. AMAR CARS PVT. LTD. (F702-P7-02), NEAR RAJHANS MULTIPLEX,NADIAD-UTTARSANDA ROAD - 387370 PH :9909960761.

NAKHATARANA

456. KD MOTORS (CMV1-CMV-01), PLOT NO-1, RS NO-19, AT-NANA ANGIYA, TALUKA,NAKHATARANA, KUTCH - 370615 PH :#REF!.

NALIYA

457. KD MOTORS (SLX1-SLX-01), AT PO - SHAKTI SOCIETY, MAHAVIR NAGAR, PLOT(1), OPP. BANK OF BARODA, NALIYA, TAL-ABDASA, KUTCH. - 370655 PH :9909953119.

NANA PONDHA

458. AMAR CAR (SEL1-SEL-01), SHOP NO 7-11, JALASHAI SHOPPING CENTER, AT-NANA PONDHA, TALUKA- KAPRADA, DIST-VALSAD - 396126 PH :7227971155.

NASWADI

459. RAVIRATNA MOTORS (SCV1-SCV-01), HOUSE NO-301,302,303, IN VALPURA-RAMLALNAGAR, VILLAGE AT-NASWADI, DIST: CHOTTA UDEPUR - 391150 PH :9687691047.

NAVSAARI

460. KATARIA AUTOMOBILES PVT. LTD. (Q701-Q7-01), PLOT NO.-891, OPP PAUVA MILL, NH-8,NEAR, GANESH SISODRA CHOKDI,GANESH SISODIA NAVSARI, GUJRAT - 396463 PH :9723430012.

NETRANG

461. RAVIRATNA MOTORS (CUZ1-CUZ-01), SURVEY NO. 184, PLOT NO. 1 & 2, VILLAGE - NETRANG, TALUKA - VALIA, DIST.-BHARUCH. - 393130 PH :9687691063.

OLPAD

462. COMET CAR SALES & SERVICE PVT LTD (4006-ZZ-02), 1906/1907, OPP. KUMBHAVAD, JUNA PURA, OLPAD - 394540 PH :9099916099.

PADRA

463. AMAR CARS PVT. LTD. (2205-OC-02), NEAR WESTERN BYPASS, AT SAMIYALA, PADRA, DIST - VADODARA, GUJARAT - 391440 PH :9890036200, 8980006795.

PALANPUR

464. TANU MOTORS (Q801-Q8-01), OPP.DHARTI RESORT, ABU- AHMEDABAD HIGHWAY, PALANPUR - 385001 PH :9099017756.
465. STARLINE CARS PVT. LTD. (D101-Q8-08), SURVEY NO.4 & 5/2, OPPOSITE L K PETROL PUMP, PALANPUR-DEESA HIGHWAY, PALANPUR-385001, DISTT BANASKANTHA, GUJARAT - 385001 PH :9824601793.

PALEJ

466. RAVIRATNA MOTORS (BGR1-BGR-01), PLOT NO. 626/6, GIDC AREA, PALEJ, DISTRICT - BHARUCH - 392220 PH :9687691044; 9687632647.

PALITANA

467. KATARIA AUTOMOBILES (CSD2-CSD-01), PLOT NO 15, YASOVJIJAYNAGAR, NEAR RAILWAY CROSSING, PALITANA HIGHWAY, PALITANA-364270 DIST BHAVNAGAR. - 364270 PH :#REF!.

PALSANA

468. KATARIA AUTOMOBILES PVT. LTD. (4004-ZF-07), BESIDE SAINATH COMPLEX, KADODARA AHMEDABAD ROAD , NH-8, UMBHEL GAM,TALUKA: PALSANA KADODARA, SURAT. - 382721 PH :9924446895.

PATDI

469. DREAM VEHICLES PVT LTD (BFS1-BFS-01), R.S. NO.1614/2, PLOT NO.16, PATDI TALUKA DASADA, DISTT. SURENDRANAGAR, GUJARAT - 382765 PH :9227775709.

PAVI JETPUR

470. PERFECT AUTO SERVICES (PK01-PK-01), NEAR ANKUR HOTEL, OPP. DHARESHWAR GEB STATION, PITHADA, RAJKOT HIGHWAY, JETPUR (GUJARAT) . - 360370 PH :9099027402, 8200969617.

PETLAD

471. AMAR CARS PVT. LTD. (CMW1-CMW-01), SURVEY NO :396/2, RANGAIPUR VILLAGE, PETLAD, DIST.-ANAND. - 388450 PH :9099017068.

PORBANDAR

472. ATUL MOTORS JAM LLP (T601-T6-01), PLOT NO. 208, GIDC VANANA, NATIONAL HIGHWAY , PORBANDAR, DIST. PORBANDAR GUJARAT - 360577 PH :9574004746 / 7228819123.

PRANTIJ

473. KIRAN MOTORS LTD (AA1-AAI-01), NO.6/P, OPP. VEGETABLE MARKET, PRANTIJ HIGHWAY, VILLAGE-KHAMALPUR, TALUKA-PRANTIJ, DISTT. SABARKANTHA, GUJARAT - 383205 PH :962401888.

RADHANPUR

474. STARLINE CARS PVT. LTD. (BNI1-BNI-01), SURVEY NO. 206/A, MOUJA - RADHANPUR, RADHANPUR MAIN ROAD, DISTRICT - PATAN, GUJARAT. - 385340 PH :9909043244, 9824601729.

RAJKOT

475. PERFECT AUTO SERVICES (5502-55-01), PERFECT HOUSE,GONDAL ROAD,VANDI,RAJKOT - 360004 PH :9879499077, 9909006982, 9825304940.

476. ATUL MOTORS PVT LTD (5503-55-01), PLOT NO.49/1 & 2, GIDC, BHAKTI NAGAR INDUSTRIAL ESTATE, RAJKOT. - 360002 PH :8140909093

477. PERFECT AUTO SERVICES (5502-55-04), 150 RING ROAD,OPP. GANDHIGRAM POLICE CHOWKI,RAJKOT - 360005 PH :9925238691, 9925117104.

478. ATUL MOTORS PVT LTD (5503-55-02), BEHIND HP PUMP,UNIVERSITY ROAD ,NEAR SNK SCHOOL, RAJKOT - 360005 PH :8347005382.

479. ATUL MOTORS PVT LTD (5503-55-06), RAJKOT AHMEDABAD HIGHWAY, NR. CHANDARANA PETROL PUMP, OPP. GUJARAT SAMACHAR PRESS, AT. NAVAGAM RAJKOT - 360003 PH :9924688774.

480. PERFECT AUTO SERVICES (5502-55-08), R.S. NO. 50/1, 150 FEET RING ROAD, RAIL NAGAR, RONKI, RAJKOT, GUJARAT. - 360006 PH :9979861995, 9925117104.

481. KATARIA AUTOMOBILES PVT. LTD. (5504-55-01), S. NO. 10/1, TPS NO. - 10, KALAVAD ROAD, MOTAMAVA, RAJKOT, GUJARAT. - 360001 PH :7573870001.

RAJPARDI

482. RAVIRATNA MOTORS PVT. LTD. (CAI1-CAI-01), R.S.NO.973, CTS NO. 1298, SHOPS PLOT NO.29 & 30, MOJE RAJPARDI, TALUKA-JHAGADIA, DISTT. BHARUCH - 393115 PH :9687691044; 9687632647.

RAJPIPLA

483. RAVIRATNA MOTORS PVT. LTD. (9X01-9X-01), OPP. JALARAM SAW MILL, NEAR HARSIDDIH MATAJI TEMPLE, RAJPIPLA, DIST: NARMADA, GUJARAT - 393145 PH :9687691062;9687645880.

RAPAR

484. B.M. AUTOLINK (SCO-1-SCO-01), PARAGPAR CHAAR RASTA RAPAR-GANDHIDHAM KUTCH - 370165 PH :9727725723.

SAMI

485. STARLINE CARS (BNH1-BNH-01), SHOP NO. 55-56, AMBESHWAR PLAZA, SAMI-HARIJ ROAD. - 384240 PH :9909043244, 9824601729.

SANTEJ

486. NANDA AUTOMOBILES PVT. LTD. (CXC1-CXC-01), SUB PLOT NO. 05, SHOP NO. 3 & 4, BLOCK NO. 1162, SANTEJ, KALOL. - 380060 PH :9727822000.

SANTRAMPUR

487. R B CARS PVT. LTD. (C001-RY-03), NEAR PTC COLLEGE, SANT ROAD, SANTRAMPUR, DISTT. - PANCHMAHAL - 389260
PH :9890585851, 9099043715.

SAVLI

488. KIRAN MOTORS LTD (CFD1-CFD-01), SURVEY NO. 2592/1 PAKKI 2, NEAR RELIANCE PETROL PUMP, BHADRVA CHOWKDI, SAVLI – TIMBA ROAD, SAVLI, TALUK – SAVLI, DISTRICT – VADODARA, GUJARAT. - 391770
PH :7984799054.

SAYAN

489. KIRAN MOTORS LTD (OO01-OO-01), PLOT NO.6 TO 10 OF R BLOCK, SURVEY NO.209, VILLAGE PARIA, TALUKA: OLPAD, SAYAN - 394130
PH :8155888862/9662330480.

SAYLA

490. DREAM VEHICLES (SJM1-SJM-01), LALGURU COMPLEX, SUDAMDA ROAD, SAYLA, DISTRICT SURENDRANAGAR, GUJARAT PIN 363430 - 363430
PH :9227775709.

SHANKESHWAR

491. STARLINE CARS (SLY1-SLY-01), MANIBHADRA SHOPPING CENTRE, SHANKESHWAR HIGHWAY, SHANKESHWAR (GUJARAT) - DIST: PATAN - 384246
PH :9824601729.

SHAPAR

492. ATUL MOTORS PVT LTD (BQ21-BQZ-01), SHOP NO. 1 TO 4, SURVEY NO. 305/1, PLOT NO. 169, SHAPAR, DISTRICT – RAJKOT, GUJARAT - 360024
PH :9714008492, 9624711397.

SIDDHPUR

493. STARLINE CARS PVT. LTD. (CMY1-CMY-01), PLOT NO. 140-12857, SIDHPUR, TALUKA – VADGAM, DISTRICT – PATAN. - 384151
PH :9909043244, 9824601729.

SINOR

494. RAVIRATNA MOTORS PVT LTD (GML1-GML-01), NEAR SEVGA CHOKDI, SEVGA DABHOI ROAD, AT AND POST SEVGA, TALUKA SINOR, DIST. VADODARA, PIN-391105, GUJARAT - 391105
PH :7720505065.

SITAPUR

495. STARLINE CARS PVT LTD (SFV1-SFV-01), SHOP NO. 2, RUDRA ARCADE, REVENUE SURVEY NO. 129, VITHLAPUR (SITAPUR) BECHARAJI – VIRAMGAM HIGHWAY, DIST. AHMEDABAD, PIN CODE: 382120 - 382120
PH :9909043244.

SONGADH

496. COMET CAR SALES & SERVICE PVT LTD (CWE1-CWE-01), LAXMI PLAZA, SHOP NO. 21 & 22, SURAT DHULYA HIGHWAY, TALUKA – SONGADH, DIST. -TAPI. - 384220
PH :9099916099.

SUPEDI

497. KATARIA AUTOMOBILES (SEM1-SEM-01), SURVEY NO-4827, PAKI PLOT NO-18, MATRAVAD ROAD, GRAM-SUPEDI, DIST - RAJKOT - 360440
PH :9049497902.

SURAT

498. KIRAN MOTORS LTD (4001-40-01), SURAT-BARDOLI ROAD, DUMBHAL, NEAR PUNA JAKAT NAKA, SURAT - 395010
PH :992448715/9924637898.

499. DHRU MOTORS (4002-40-01), JEEVAN GANGA NAGAR, NEAR JEEVAN JYOT THEATRE, UDHNA MAIN ROAD, SURAT - 394210
PH :9925155911/9925155907.

500. KIRAN MOTORS LTD (4001-40-02), PANDESARA, BAMROLI ROAD, SURAT - 395002
PH :9824603880.

501. KATARIA AUTOMOBILES PVT. LTD. (4004-40-04), TP NO. 6, SURVEY NO. 3172, FINAL PLOT NO. 39, OPP SMS GARDEN, NEAR VIP ROAD, VESU, SURAT - 395007 - 395007
PH :9714612700, 9924401000.

502. DHRU MOTORS (4002-40-1B), 207, NEW INDUSTRIAL ESTATE, ROAD NO. 6, UDHNA UDYOG NAGAR, SURAT - 394210
PH :0261-2272118/9978900862.

503. KATARIA AUTOMOBILES PVT. LTD. (4004-40-05), KATARIA ARCADE, OPP. RAJHANS CINEMA, DUMAS ROAD, PIPLOD, SURAT - 395007
PH :7698022449/9624477252.

504. COMET CAR SALES & SERVICE PVT LTD (4006-40-01), CHIKUWADI COMPLEX, GHB ROAD, PANDESARA, SURAT. - 394221
PH :9099915995.

505. KATARIA AUTOMOBILES PVT. LTD. (4004-40-08), BLOCK NO.233, TP NO.8, OPP. SHREE LEKHA RESIDENCY, PALANPORE, ADAJAN, SURAT - 394310
PH :9924119020.

506. KIRAN MOTORS LTD (4005-40-01), PLOT NO. 443, FP NO. 26 MOJIE PALGAM, ADAJAN, SURAT - 395009
PH :9824611153/9824701590.

507. AMAR CARS PVT. LTD. (4009-40-02), PLOT NO. 108/11, SURVEY NO.7 & 9, SONARAS COMPOUND, NEAR DGVCL OFFICE, KARMINATH MAHADEV TEMPLE LANE, KAPODARA, VARACHHA ROAD, SURAT - 395006
PH :7069026512.

508. COMET CAR SALES & SERVICE PVT LTD (4006-40-03), R. S. NO. 311, T. P. SCHEME-3, FINAL PLOT NO. 102/A, KATARGAM, SURAT, DISTRICT – SURAT, GUJARAT. - 395004
PH :9099916099.

509. DHRU MOTORS (4002-40-03), PLOT NO.54/A, LAXMINARAYAN INDUSTRIAL ESTATE, UDHNA, SURAT-394210 - 394210
PH :9REFI

SURENDRANAGAR

510. DREAM VEHICLES PVT LTD (LC01-LC-01), 261/P, OPP MARKETING YARD, GIDC AREA, WADHWAN CITY, SURENDRANAGAR - 363030
PH :02752-241314 / 02752-651516/ 9227775721.

511. DREAM VEHICLES (LC01-LC-02), PLOT NO-504/B, GIDC PHASE-3, WADHWAN, SURENDRANAGAR, GUJARAT-363030 - 363030
PH :9227775724.

TALAJA

512. KATARIA (BCI2-BCI-01), SURVEY NO-168, DHANJIBHAI BALADHYA NI VADI, NEAR MAHUVA PALITANA CROSS ROAD, MAHUVA BHAVNAGAR HIGHWAY, TALAJA-364140. - 364140
PH :9316626475.

TANKARA

513. ATUL MOTORS PVT LTD (BQY1-BQY-01), PLOT NO. 8/1, S. NO. 107, VILLAGE – JABALPUR, TALUKA – TANKARA, SUB DISTRICT – MORBI, DISTRICT – RAJKOT. - 363650
PH :9714008492, 9624711397.

TARAPUR

514. AMAR CARS PVT. LTD. (GH01-GH-01), NEAR N K STEEL, TARAPUR ROAD, TARAPUR, DIST. -ANAND. - 388180
PH :9909960772.

THARA

515. TANU MOTORS PVT. LTD. (0V01-0V-01), SHOP NO.17 & 18, SIHORI HIGHWAY, R.B. THAKKAR COMPLEX, THARA, KAKREJ TALUKA, BANASKANTHA DISTT. - 385555
PH :9909006099, 9913830329.

THARAD

516. TANU MOTORS PVT. LTD. (CDM1-CDM-01), PLOT NO. 21 & 22, VAJEGADH, DEESA HIGHWAY, THARAD, DIST.-BANASKANTHA - 384220
PH :9909006099, 9724219565.

THASARA

517. KATARIA AUTOMOBILES (SIM1-SIM-01), PLOT NO 1 & 2, GIDC THASRA, BESIDES NARMADA VASAHAT, DAKORE THASRA ROAD, GUJARAT-388250 - 388250
PH :7984092780.

UMERGAON

518. KATARIA AUTOMOBILES PVT. LTD. (BNB1-BNB-01), PLOT NO. 239, LORD COMPLEX, SHOP NO. B-9 AND B-10, UMERGAON, DISTRICT – VALSAD, GUJARAT. - 396170
PH :9624001794.

UMRETH

519. AMAR CARS PVT. LTD. (CFE1-CFE-01), R. S. NO. 30/2, NADIAD-DAKOR ROAD, UMRETH , DIST.-ANAND, GUJARAT. - 388220
PH :9909960772.

UNA

520. PERFECT AUTO SERVICES (BFD1-BFD-01), SURVEY NO. 113, PLOT NO. 6, OPP. SWAMI VIVEKANAND VIDYALAYA, NEAR BANSIDHAR PETROL PUMP, BHAVNAGAR HIGHWAY, VAYAJPUR, UNA, DISTRICT – GIR SOMNATH, GUJARAT. - 362560
PH :7043992893, 7043340792.

UNJHA

521. TANU MOTORS (Q801-GR-02), OPP. DHANA DAL FACTORY, MEHSANA PALANPUR HIGHWAY, UNJHA - 384170
PH :9727762079.

UPLETA

522. PERFECT AUTO SERVICE (CH01-CH-01), S. NO. 184/1, PLOT NO. 15-16, UPLETA, GUJARAT - 360 490
PH :9099027402, 8200969617.

VADNAGAR

523. VIMCO MOTORS PVT LTD (GKU1-GKU-01), SHILALEKH COMPLEX, BLOCK-D, SURVEY NO-2713, VADNAGAR-VISNAGAR HIGHWAY, NEAR FOOD PARADISE HOTEL, VADNAGAR, GUJARAT. - 385355
PH :7016623842.

VADODARA

524. KIRAN MOTORS LTD (2201-22-01), 909/A, G.I.D.C.MAKARPURA, VADODARA - 390010
PH :9624472899.

525. KIRAN MOTORS LTD (2201-22-02), PLOT NO. 160, SUB-NUTAN GUJ.INDL.ESTATE, OLD CHHANI ROAD, VADODARA - 390002
PH :982407889.

526. AMAR CARS PVT. LTD. (2203-22-01), GORWA ROAD, VARODARA, GUJARAT. - 390016
PH :9081311990, 9723742425, 8980036184.

527. AMAR CARS PVT. LTD. (2203-22-02), KALA GHODA, OPP. KIRTI MANDIR, VADODARA, DIS: VADODARA, GUJARAT - 390001
PH :7211109952.

528. KATARIA AUTOMOBILES PVT. LTD. (2204-22-01), 984/4, GIDC, OLD NH-8, MAKARPURA ROAD, VADODARA, GUJARAT - 390010
PH :9904033422.

Dealer Workshop (AS ON 30.05.2023)

529. AMAR CARS PVT. LTD. (2205-22-01), VARASIYA AIRPORT ROAD, OPP POONAM CINEMA, KARELBAJC, VADODARA, GUJARAT - 390016 PH :8980060756
530. KIRAN MOTORS LTD (2201-22-03), C/O ARBUDA COLD STORAGE, 823 POWER CABLE ROAD, DHARMSINH ROAD, OPP. UMA AMAR PARTY PLOT, NEAR CHHANI JAKAT NAKA, VADODARA - 390002 PH :27711122.
531. KATARIA AUTOMOBILES PVT. LTD. (2204-22-02), OPPOSITE SHARDA MANDIR HIGH SCHOOL, VINOBA BHAVE ROAD, SALATWADA, VADODARA - 390001 PH :8156017770.
532. RAVIRATNA MOTORS PVT LTD (2206-22-01), SURVEY NO. 1581, MILES HOUSE, ATLADARA ROAD, VADODARA. - 390012 PH :7227055065, 7227055064.
- VALOD**
533. DHRU MOTORS (CSW1-CSW-01), PLOT NO.5 TO 9, TAIYABA PARK SOCIETY, AT & PO - VALOD, TALUKA - VALOD, DISTT. - TAPI, GUJARAT. - 394640 PH :9712984522.
- VALSAD**
534. KATARIA AUTOMOBILES PVT. LTD. (0104-2E-06), SURVEY NO. 211, ATUL-ALSAD ROAD, PARNERA, AVALSAD, GUJARAT - 396020 PH :9904133306.
- VANSDA**
535. KATARIA AUTOMOBILES PVT. LTD. (Q701-SB-02), JAMNABA PARK, VANSDA HANUMAN BARI CHAR RASTA, VANSDA-DHARAMPUR ROAD, RANI FALIYA, VANSDA, DISTRICT - NAVSARI, GUJARAT - 396980 PH :7624088188.
- VAPI**
536. KATARIA AUTOMOBILES PVT. LTD. (0104-97-03), PLOT NO. C-29, NATIONAL HIGHWAY-8, G. I. D. C., VAPI, TAL. PARDI - 396195 PH :9924204423.
537. KATARIA AUTOMOBILES PVT. LTD. (0104-97-09), PLOT NO. 304/2, VILLAGE BALITHA, NH-8, OPP BABA SITARAM TEMPLE, NEAR SWAMINARAYAN SCHOOL, SALAV, VAPI , DISTRICT -VALSAD, GUJARAT - 369191 PH :9723426212.
538. AMAR CARS PVT. LTD. (9701-97-01), SURVEY NO. 1034, 1035, NEAR WOODLAND HOTEL, NH-8, VILLAGE - BALITHA, VAPI. - 396145 PH :9327909504.
- VERAVAL**
539. PERFECT AUTO SERVICES (5502-AH-05), NR. BALIYA HANUMAM,VERAVAL - JUNAGADH HIGHWAY, JUNAGADH, GUJARAT - 362285 PH :9998994550, 9898121122.
- VIJAPUR**
540. STARLINE CARS PVT. LTD. (D101-V2-04), HIMMATNAGAR HIGHWAY, ANANDPURA CHAR RASTA, VIJAPUR - 382870 PH :9909043635.
- VIRAMGAR**
541. KIRAN MOTORS LTD (AAB1-AAB-01), SURVEY NO.319/P, NILKI CHOKDI, VIRAMGAR, DISTT: AHMEDABAD, GUJARAT. - 382150 PH :8156016222.
- VISNAGAR**
542. STARLINE CARS PVT. LTD. (D101-RW-05), VISNAGAR -AMBAJI ROAD, OPP. DHAROI COLONY, VISNAGAR, DISTT. - MEHSANA - 384315 PH :7046046174.
- VYARA**
543. COMET CAR SALES & SERVICE PVT LTD (BIY1-BIY-01), SHOP NO. 11 & 12, BLOCK NO. 175/1/A, RS NO. 113, VYARA-SURAT ROAD, VYARA, DISTRICT - TAPI, GUJARAT - 394650 PH :9099916099.
- WAGHODIA**
544. KATARIA AUTOMOBILES PVT. LTD. (BZZ1-BZZ-01), OPPOSITE BHARAT PETROLEUM, WAGHODIA, TALUKA – WAGHODIA, DISTRICT - VADODARA, GUJARAT. - 391760 PH :7203013712.
- WANKANER**
545. ATUL MOTORS PVT LTD (BAL1-BAL-01), RAJKOT-WANKANER HIGHWAY, NEAR JADESHWAR CHAMBERS, NEAR INTERNATIONAL CERAMIC, WANKANER (GUJARAT) - 363621 PH :9904922333.
- HARYANA**
- ADAMPUR (HARYANA)**
546. SARAOGI AUTOMOBILES (P) LTD. (CWW2-CWW-01), KEWAT NO. 663, KHAT NO. 1147, KHESRI NO. 44/21/1/2(1-0), MANDI ADAMPUR, TEHSIL - ADAMPUR, DIST.-HISSAR, STATE - HARYANA. - 125052 PH :8607771153.
- AMBALA**
547. MODERN AUTOMOBILES (1801-18-01), MODEL TOWN CROSSING, G.T.ROAD, AMBALA, HARYANA. - 134003 PH :9215016044.
548. MODERN AUTOMOBILES (1801-18-02), NEAR AMAR PALI RESTAURANT, G. T. ROAD, AMBALA - 134003 PH :9215016044.
549. EAKANSH WHEELS (1802-18-01), STONE NO. 126, JAGADARI ROAD, VILLAGE TEPLA, AMBALA - 133001 PH :9991703000.
550. EAKANSH WHEELS (1802-18-03), PLOT NO. 8, BASANT VIHAR, BEHIND SWASTIK MARBLE, NEAR MOTOR MARKET, AMBALA CITY, HARYANA. - 133001 PH :88813874888.
551. TR SAWHNEY (1803-18-01), JAGGI GARDEN, BALDEV NAGAR, OPPOSITE AMBALA PASSPORT OFFICE, AMBALA - 134003 PH :9990110068.
- ASSANDH**
552. KARNAL MOTORS PVT. LTD. (8906-CS-04), OPP. NEW GRAIN MARKET, KARNAL ROAD ASSANDH, DISTT. KARNAL - 272032 PH :7082111325.
- BABARPUR**
553. AUTO GALLERY(A UNIT OF RKH AUTOMOBILES P LTD) (CKX1-CKX-01), G. T. ROAD, NEAR PARK RESIDENCY, SHIMLA MAULANA, BADOLI, BABARPUR, DISTT. PANIPAT - 132103 PH :7009396727.
- BAHADURGARH**
554. COMPETENT AUTOMOBILES CO. LTD. (2G02-2G-01), PLOT NO. 1202, MIE PART B, BAHADURGARH, HARYANA - 124 507 PH :8929648144.
- BAPOLI**
555. AUTO GALLERY(A UNIT OF RKH AUTOMOBILES P LTD) (CWI1-CWI-01), KHEWAT NO. 136, VILLAGE – JHAMBA, TEHSIL – BAPOLI, DISTRICT – PANIPAT. - 132103 PH :9053400583.
- BARARA**
556. EAKANSH WHEELS (NX01-NX-01), SH-4, KALA AMB - SHAHBAD - BARARA ROAD, BARARA - 133201 PH :9991478100.
- BARWALA**
557. MODERN AUTOMOBILES (BSA2-BSA-01), KHEWAT/KHOTONI NO. 388, KHASARA NO. 46/9, 10, OPPOSITE AXIS BANK, VILLAGE BATAPUR, P.O. BARWALA, TEHSIL AND DISTT. PANCHKULA, HARYANA - 134118 PH :9896217059.
- BAWAL**
558. DINCO 4 WHEELS LLP (AUTO VIBES) (BB02-BBD-01), KHATA NO. 326 AND KHATAUNI NO. 362, OPPOSITE PRATHAM HOUSING, NH-8, BAWAL, DISTRICT – REWARI, HARYANA. - 123501 PH :7082100250.
- BHIWANI**
559. JAGMOHAN MOTORS PVT LTD (X301-X3-01), DELHI ROHTAK ROAD, NEAR RADHA SWAMI SATSANG MANDIR, BHIWANI - 127021 PH :8685005692.
- BILASPUR**
560. PANDIT AUTOMOBILES PVT. LTD. (BGH1-BGH-01), NEAR GRAMIN BANK, JAGADHRI ROAD, BILASPUR, DISTRICT – YAMUNANAGAR, HARYANA. - 135102 PH :9992113854.
- BILASPUR (HARYANA)**
561. PLATINUM MOTOCORP LLP (2L04-CLA-02), KHASRA NO.54/67, CHOUDHARY NIHAL SINGH MARKET, BILASPUR, CHOWK, NH-8, BILASPUR, DISTRICT – GURUGRAM. - 122413 PH :9953345329/9953345403.
- CHARKHI DADRI**
562. JAGMOHAN MOTORS PVT LTD (X301-CT-02), BHIWANI LOHARU ROAD, CHARKHI DADRI, BHIWANI - 127306 PH :8659900538.
- CHEEKA**
563. EAKANSH MOTORS PVT. LTD. (U802-HU-04), MARBLE MARKET, PATIALA ROAD, CHEEKA, HARYANA. - 136034 PH :8053086000.
- CHHACHHRAULI**
564. PANDIT AUTOMOBILES PVT. LTD. (COQ2-COQ-01), HB NO. 311, NEAR MDAV SCHOOL, TEHSIL – CHHACHHRAULI, DISTRICT – YAMUNA NAGAR. - 135103 PH :9812455895.
- DADRI TOE**
565. COMPETENT AUTOMOBILES CO. LTD. (BVH2-BVH-01), KHEWAT NO. – 270 MIN, KHATONI NO. – 319, DADRI TOYE, DISTT. JHAJJAR, HARYANA PIN 124103 - 124103 PH :9891308849.
- DAHINA**
566. DINCO 4 WHEELS LLP (AUTO VIBES) (GLH1-GLH-01), REWARI MAHENDERGARH ROAD, NEAR RAILWAY STATION, DAHINA, REWARI - 123411 PH :7082100201.
- DHAND**

567. EAKANSH MOTORS (BEU1-BEU-01), PANCHMUKHI CHOWK, KARNAL ROAD, DHAND, DISTT. KAITHAL, HARYANA. - 136020 PH :9395906111.

DHARUHERA

568. DINCO 4 WHEELS LLP (AUTO VIBES) (CRP1-CRP-01), KHASRA NO. 57, KILLA NO. 7, SOHNA-DHARUHERA ROAD, OFF SECTOR-4A, DHARUHERA, DIST.-REWARI. PH :7082100270.

ELLENABAD

569. SHAKTI MOTORS PVT.LTD. (E401-IN-03), SURERA CHOWNK, NEAR CHAUDHARI MANI RAM COLLEGE, SIRSA ROAD, ELLENABAD - 125055 PH :8222900250.

FARIDABAD

570. VIPUL MOTORS PVT. LTD. (5801-58-01), 27/5 KM, MAIN MATHURA ROAD, FARIDABAD - 121002 PH :26550111 2555013 97114 14556.

571. VIPUL MOTORS PVT. LTD. (5801-58-03), UNIT-II, PLOT NO. 1A 19/6, MATHURA ROAD, FARIDABAD - 121006 PH :4286000 4286024 9311321419.

572. TCS AUTOMOBILES (5804-58-01), PLOT NO-1A, SECTOR-6, FARIDABAD, - 121001 PH :4292929; 7503036200.

573. FAIR DEAL PREMIUM WHEELS PVT.LTD. (5807-58-01), PLOT NO.-17A, NIT INDUSTRIAL AREA, NIT FARIDABAD - 121003 PH :8448296686.

574. TCS AUTOWORLD PVT. LTD. (TCS & ASSOCIATES PVT. LTD.) (5804-58-02), 20.4 KMS MILESTONE, BHASKAR COMPOUND, AMAR NAGAR, MAIN MATHURA ROAD, FARIDABAD, HARYANA. - 121003 PH :2277225; 7290082911.

575. AUTO NATION (A UNIT OF TAYAL INDIA MOTORS PVT. LTD) (5806-58-01), 15/3, MATHURA ROAD, NEAR SECTOR-28, METRO STATION, FARIDABAD - 121003 PH :4180500 7290032501.

576. AUTO NATION (A UNIT OF TAYAL INDIA MOTORS PVT. LTD) (5806-58-02), BYE PASS ROAD, PLOT NO. 12 SECTOR-9, FARIDABAD. - 121006 PH :74287 48467.

FARRUKHNAGAR

577. PLATINUM MOTOCORP LLP (KE01-KE-01), KHEVAT NO. 299, MUSTIL NO.-12, KHASRA NO. -19/5 AND 222, VILLAGE - SEHADPUR MOHAMADPUR, TEHSIL - FARRUKHNAGAR, DISTRICT - GURGAON. - 122506 PH :9599007357/9953345380.

FATEHABAD

578. SHAKTI MOTORS PVT.LTD. (2H02-2H-01), NH-10, SIRSA ROAD, FATEHABAD - 125050 PH :8222900217.

GANAUR

579. JAGMOHAN AUTOMOTIVES PVT. LTD. (NA04-NA-01), RAILWAY ROAD, GANAUR - 131101 PH :8199911106.

GHARAUNDA

580. KARNAL MOTORS PVT. LTD. (8906-MR-05), WARD NO.-1, BEHIND GOVT. SR. SEC. SCHOOL COLONY, GHARAUNDA, - 132114 PH :8222022321.

GOHANA

581. JAGMOHAN AUTOMOTIVES PVT. LTD. (CU03-CU-01), NEAR KHANPUR CHOWNK, ROHTAK PANIPAT HIGHWAY, GOHANA, DISTT. - SONEPAT - 131301 PH :8685005521.

GURGAON

582. PASCO AUTOMOBILES (9506-95-01), PASCO HOUSE, 6 PALAM GURGAON ROAD, INDUSTRIAL ESTATE, GURGAON - 122006 PH :09650790323/7290069623/9999239959/4952100.

583. VIPUL MOTORS PVT. LTD. (5801-95-02), 504, UDYOG VIHAR, PHASE-III, GURGAON - 122001 PH :4395701 4395704 8448487921.

584. COMPETENT AUTOMOBILES CO. LTD. (9505-95-01), A-25, INFOCITY, SECTOR-33, GURGAON - 122004 PH :42500002, 9582797735.

585. PASCO AUTOMOBILES (9506-95-02), SECTOR 17-18, DIVIDER ROAD, GURGAON, HARYANA, - 122015 PH :07015804442/7982087767/9650701958/

586. ROHAN MOTORS LTD. (8508-95-01), 2482/8P, SECTOR-52A, WAZIRABAD VILLAGE, OPP. AARDI CITY MALL, GURGAON - 122001 PH :08860076163/8130593202/8130593201/813059320 3.

587. VIPUL MOTORS PVT. LTD. (5801-95-04), PLOT NO.5/221, SARHAUL VILLAGE,SECTOR-18, MAIN ROAD, GURGAON. (HARYANA) - 201102 PH :4395800 4395806 844848936.

588. PREM MOTORS PVT. LTD. (9511-95-01), PLOT NO.101, SAINI PLAZA MARKET, OPP. H BLOCK, NEAR RAM MANDIR, PALAM VIHAR, GURGAON - 122017 PH :4337900, 7065003445.

589. PREM MOTORS PVT. LTD. (9512-95-01), PLOT NO. 3, IDC, OPPOSITE SECTOR-14, GURGAON - 122001 PH :70650003373, 7065003377, 0124-4319000.

590. RANA MOTORS PVT LTD (9509-95-02), PLOT NO.60, IDC, GURGAON - 122001 PH :4867777, 9873400882.

591. PASCO AUTOMOBILES (9510-95-01), PLOT NO. 34/3, DINESH JAIN COMPLEX, DELHI-AJMER EXPRESSWAY (NH-8), RAJIV CHOWK, GURGAON, HARYANA. - 122001 PH :9953689444/9953689222.

592. PREM MOTORS PVT. LTD. (9512-95-02), PLOT NO. 122, PALAM VIHAR EXTENSION, NEAR KRISHNA CHOWK, GURUGRAM - 122017 PH :4337933, 7065003442.

593. PLATINUM MOTO CORP (2L04-95-03), 5/13 SOHNA ROAD WILL-TIKRI ADJACENT TO POLARIS HOSPITAL GURGAON HARYANA - 122018 PH :9953345370/9899118867.

594. PREM MOTORS (9512-95-01), QILA NUMBER 8/2, MUSTAKIL NO. - 25, SECTOR 17-18, DIVIDING ROAD, GURGAON, - 122015 PH :8800000817.

HANSI

595. JAGMOHAN MOTORS PVT LTD (GT02-GT-01), G. T. HIGHWAY ROAD, MAIN ROHTAK HANSI ROAD, NEAR HOLLAND TRACTORS AGENCY & HP PETROL, HANSI - 124001 PH :8059900546.

HISAR

596. MODERN AUTOMOBILES (7602-76-01), OPP. VIDYUT NAGAR, DELHI ROAD, HISAR, - 125005 PH :9355473000.

597. SARAOGI AUTOMOBILES (P) LTD. (7604-76-01), 5TH KM STONE, SIRSA ROAD, HISSAR, HARYANA - 125001 PH :8607777043.

598. MODERN AUTOMOBILES (7602-76-02), OPP. BMB, HISSAR DELHI ROAD, HISSAR - 125001 PH :9355473000.

599. UNIQUE MOTORS PVT. LTD. (7603-76-01), OPP. BHANU INDUSTRIES, DELHI ROAD, VILLAGE: SATROD, HISSAR (HARYANA) - 125006 PH :8818055535.

HODAL

600. ROHAN MOTORS (EE01-UE-02), KILA NO. 8/2(7-11), 9(5-06), 12(5-0), 13(8-0), HIGHWAY ROAD, NEAR RAILWAY BYEPASS CHOWK, TEHSIL - HODAL, DIST.-PALWAL. PH :8930202088 ; 9413080376.

ISMAILABAD

601. KARNAL MOTORS PVT. LTD. (901-19-01), KHEVAT NO. 928, KHASRA NO. 2760(5-14), 2761(800), VILLAGE - ISMAILABAD, TEHSIL - PEHOW, DIST.-KURUKSHETRA, HARYANA. - 136 129 PH :7082007138.

ISRANA

602. AUTO GALLERY (A UNIT OF RKH AUTOMOBILES PRIVATE LIMITED) (802-18-01), MUSHTIL NO. -119, NEAR MANDI MOD, MAIN GOHANA ROAD, ISRANA - 132107 PH :9053400417.

JHAJJAR

603. COMPETENT (0802-08-01), PLOT NO 5, NEAR GOVT POLYTECHNIC COLLEGE, JHAJJAR-BAHADURGARH ROAD, JHAJJAR, HARYANA - 124101 PH :9999493040.

JIND

604. EAKANSH MOTORS PVT. LTD. (2K01-2K-01), ROHTAK ROAD, NATIONAL HIGHWAY-71, OPP. GRAIN MARKET, JIND, HARYANA - 126102 PH :7876008184.

JULANA

605. EAKANSH MOTORS PVT. LTD. (MA01-MA-01), JIND ROHTAK MAIN ROAD, OPP. NEW BUS STAND, JULANA, DIST. JIND, HARYANA - 126101 PH :8618602111.

KAITHAL

606. EAKANSH MOTORS PVT. LTD. (U802-U8-01), AMBALA ROAD, NH-65, KAITHAL - 136027 PH :9671788801.

KALANAU

607. JAGMOHAN MOTORS (SPO1-SPO-01), BHIWAN ROAD, KALANAU, DISTRICT ROHTAK. - 124113 PH :9812000425.

KALAYAT

608. EAKANSH MOTORS PVT. LTD. (BJP1-BJP-01), NEAR BUS STAND, KAITHAL-KALAYAT ROAD, VILLAGE-KALAYAT, DISTT. KAITHAL (HARYANA) - 136117 PH :9671788801.

KALKA

Dealer Workshop (AS ON 30.05.2023)

609. MODERN AUTOMOBILES (EG02-EG-01), ADJOINING INDIAN OIL PETROL PUMP, RAM NAGAR, NH-22, KALKA, DISTRICT – PANCHKULA, HARYANA - 133302 PH: 9896217059.

KARNAL

610. KARNAL MOTORS PVT. LTD. (8906-89-01), 71/3 MILESTONE, G.T.ROAD, KARNAL - 132001 PH: 8222022399.

611. KARNAL MOTORS PVT. LTD. (8906-89-02), KHEWAT NO. 59, JHANJHARI GT ROAD, KARNAL - 132001 PH: 8222022430.

612. MODERN AUTOMOBILES (8907-89-01), NEAR NAMASTE CHOWK, OLD G.T.ROAD, KARNAL - 132001 PH: 7419900042.

KATHURA

613. JAGMOHAN AUTOMOTIVES (SFJ1-SFJ-01), GOHANA MAHAM ROAD, KATHURA, GOHANA. - 131301 PH: 8685005400.

KHARKHODA

614. JAGMOHAN AUTOMOTIVES PVT. LTD. (BU02-BU-01), NEAR KANYA GURUKUL MAHAVIDYALYA, DELHI ROAD, NEAR UNION BANK, KHARKHODA (HARYANA) - 131402 PH: 8685005593.

KOSLI

615. DINCO 4 WHEELS LLP (AUTO VIBES) (CANT-CAN-01), OPPOSITE RAJIV GANDHI STADIUM, TEHSIL ROAD KOSLI, DISTRICT – REWARI, HARYANA . - 123302 PH: 7082100202.

KUND

616. DINCO 4 WHEELS LLP (AUTO VIBES) (CJL1-CJL-01), NEAR KUND BARRIER, OPP. SBI BANK, ARNAUL ROAD, VILLAGE - MANETHI, KUND, DISTRICT - REWARI, HARYANA. - 123102 PH: 8059908928, 97082100000.

KUNDLI

617. JAGMOHAN AUTOMOTIVES PVT. LTD. (GU03-GU-01), 34 E, SECTOR 57, PHASE 4, KUNDLI INDUSTRIAL AREA, KUNDLI - 131001 PH: 8059900518.

KURUKSHETRA

618. KARNAL MOTORS PVT. LTD. (8906-U6-03), PLOT NO. 156, INDUSTRIAL AREA, SECTOR-2, KURUKSHETRA - 136 118 PH: 8222022371.

LADWA

619. KARNAL MOTORS PVT. LTD. (CRA1-CRA-01), KHEWAT NO.197, KHATONI NO.233, KHASRA NO.27/171,27/14, LADWA-KURUKSHETRA ROAD, VILLAGE - LADWA, TEHSIL THANESAR, DISTT. KURUKSHETRA - 136132 PH: 7082007182.

LOHARU

620. JAGMOHAN MOTORS (HB02-HB-01), BHIWANI ROAD , OPP. ITI, CITY: LOHARU - 127201 PH: 9812000425.

MADLAUDA

621. AUTO GALLERY (A UNIT OF RKH AUTOMOBILES PRIVATE LIMITED) (CFK2-CFK-01), VILLAGE-BHALSI, ASSANDH-PANIPAT ROAD, MADLAUDA, PIN-132113, HARYANA - 132113 PH: 9053400524.

MAHENDARGARH

622. PLATINUM MOTO CORP (DP01-DP-01), KHEWAT NO. 187, KILLA NO. 51/8, REVENUE ESTATE OF VILLAGE REWASA, DADRI ROAD, TEHSIL & DISTRICT, MAHINDERGARH, PIN-123029, HARYANA - 123029 PH: 9566136120, 9053088490.

MANDI DABWALI

623. SHAKTI MOTORS PVT.LTD. (E401-KU-02), SANGARIA ROAD, DABWALI, DISTT.-SIRSA - 125104 PH: 8229200209.

MANESAR

624. PLATINUM MOTOCORP LLP (2L04-2L-01), PLOT NO.282, SEC 6, IMT MANESAR DISTT. GURGAON - 122052 PH: 09953345326/9953345324/9910100341.

MEHAM

625. JAGMOHAN MOTORS PVT LTD (A601-NZ-08), MAIN MARKET, NATIONAL HIGHWAY-10, ROHTAK-HISSAR ROAD, MEHAM, DISTRICT-ROHTAK - 124101 PH: 8059900592.

MOHNA

626. TCS & ASSOCIATES PVT LTD (CRT1-CRT-01), YAMUNA PUL ROAD , NEAR GYATRI PETROL PUMP , VPO-MOHANA, TEHSIL BALLABGARH , DISTT FARIDABAD - 121004 PH: 9911573130, 8929579400.

MUSTAFABAD

627. PANDIT AUTOMOBILES PVT. LTD. (CDX1-CDX-01), KHATUNI NO. 205/287, KHASRA NO. 39/17/2, VILLAGE - MANSURPUR, THANA - CHAPPER, MUSTAFABAD, DIST.-YAMUNA NAGAR, STATE - HARYANA. - 133 103 PH: 9992113854.

NARAINGARH

628. EAKANSH WHEELS (1802-CV-02), NH-72, AMBALA-KALA AMB ROAD, NEAR ADARSH FILLING STATION, NARAINGARH - 134203 PH: 9991143700.

NARNAUL

629. PLATINUM MOTOCORP LLP (9Q02-9Q-01), KAILASH NAGAR, REWARI ROAD, NARNAUL, HARYANA. - 123001 PH: 09053088460/9582226838/9053088501/905308845 1/9053088500.

NARNAUND

630. JAGMOHAN MOTORS (SDK1-SDK-01), KHASRA NO. 234, HANSI ROAD, NARNAUND, DISTT. HISAR, HARYANA. - 125039 PH: 9812000471.

NARWANA

631. EAKANSH MOTORS PVT. LTD. (U802-CW-03), OPP. HAFED GOWDN-2, NH-65 AKHERAM NAGAR, NARWANA - 126116 PH: 9813583100.

NUH

632. PASCO AUTOMOBILES (7L02-7L-01), MAIN DELHI - ALWAR ROAD, NEAR SHAHEED PARK, NH -248A, NUH, DISTRICT - MEWAT, HARYANA - 122107 PH: 9810014947.

PALWAL

633. ROHAN MOTORS LTD. (EE01-EE-01), SANWAL COLONY, MAIN MATHURA ROAD, NEAR SDM COURT, PALWAL - 121101 PH: 304100 ; 304107/8930202060.

PANCHKULA

634. MODERN AUTOMOBILES (0702-K3-03), PLOT NO. 318, INDUSTRIAL AREA, PHASE-2, PANCHKULA - 134113 PH: 9846000165.

635. AUTOPACE NETWORK PVT LTD (0705-K3-03), PLOT NO. 5, INDUSTRIAL AREA, PHASE-1, PANCHKULA, HARYANA. - 134113 PH: 7087119847.

636. AUTO VOGUE PVT. LTD. (K303-K3-01), PLOT NO- 388, INDUSTRIAL AREA PHASE-1, PANCHKULA, HARYANA. - 134113 PH: 8558813181.

PANIPAT

637. AUTO GALLERY(A UNIT OF RKH AUTOMOBILES P LTD) (D302-D3-01), KHASRA NO. 43/6, 44/9 & 10, VILLAGE – JATTIPUR, NEAR HOTEL SWARNA MAHAL, NH-1, PANIPAT, HARYANA. - 132103 PH: 9053400515.

PATAUDI

638. PLATINUM MOTOCORP LLP (BY03-BY-01), HALI MANDI ROAD, OPPOSITE SHIV MURTI, PATAUDI, DIST. - GURGAON - 122503 PH: 9953345381/9953345488/9953345330.

PEHOWA

639. KARNAL MOTORS PVT. LTD. (2M02-2M-01), NEAR SHARMA SERVICE STATION, KURUKSHETRA ROAD, PEHOWA - 136128 PH: 8053906011.

PUNDRI

640. EAKANSH MOTORS PVT. LTD. (BFF1-BFF-01), KILA NO. 3/10, KHEWAT 2147 OPP. HARCHARAN FILLING STATION, KATHAL ROAD, PUNDRI DIST. KATHAL, HARYANA - 136026 PH: 9671788801.

PUNHANA

641. PASCO AUTOMOBILES (BIU1-01-BIU-01), KILA NO. 4/2, PUNHANA, DIST.-MEWAT, HARYANA - 122508 PH: 9991300950, 8059730879.

RADAUR

642. PANDIT AUTOMOBILES PVT. LTD. (D201-EN-02), OPP. JMIT ENGG. COLLEGE, NEAR BUS STAND, RADAUR, DISTRICT-RADAUR, HARYANA - 135001 PH: 9992113854.

RAJOUND

643. EAKANSH MOTORS (SHV1-SHV-01), MITTAL KHAL BHANDAR, RAJOUND, DISTT KATHAL - 136044 PH: 9671788801.

REWARI

644. DINCO 4 WHEELS LLP (AUTO VIBES) (U102-U1-01), BAWAL ROAD, NEAR BYE PASS ROAD, REWARI (HARYANA) - 123401 PH: 7082100200/7082100204/7082100201.

ROHTAK

645. JAGMOHAN MOTORS PVT LTD (A601-A6-01), SONEPAT ROAD, ROHTAK - 124001 PH: 9467465035.

646. JAGMOHAN MOTORS PVT LTD (A601-A6-09), SWAN GARDEN, DELHI ROAD, ROHTAK - 124001 PH: 9812000357.

647. UNIQUE AUTO LEAD LLP (A602-A6-01), KHASRA NO.-357 JIND ROAD, JIND CHOWK, ROHTAK, HARYANA - 124001 PH: #REF!.

SAFIDON

648. EAKANSH MOTORS PVT. LTD. (U802-JU-05), NEAR BRSK SCHOOL , OPPOSITE RELIANCE PETROL PUMP, PANIPAT ROAD, SAFFIDON, DISTRICT- JIND - 126112 PH: 9416616603.

SAMPLA

649. JAGMOHAN MOTORS PVT LTD (NY01-NY-01), NEAR VASUNDRA CAFÉ, DELHI ROHTAK ROAD, SAMPLA, DISTT. ROHTAK - 124501 PH :9812000351.

SATNALI

650. PLATINUM (SLH1-SLH-01), KHEVAT NO.605, KHATONI NO-1134 KILLA NO.167, VILL: SATNALI, NEAR BHARAT PETROL PUMP MAHENDRAGARH ROAD, HARYANA -123024 (LOCATION: MAHENDRAGARH) - 123024 PH :9910100341.

SHAHABAD

651. KARNAL MOTORS PVT. LTD. (CCR2-CCR-01), KHEWAT NO. 460, KATONI NO. 486, KHASRA NO. 170, TEHSIL - SHAHABAD, DIST.- KURUKSHETRA - 136135 PH :9222022338.

SIRSA

652. SHAKTI MOTORS PVT.LTD. (E401-E4-01), DABBALI RD., SIRSA, HARYANA - 125055 PH :8222900201.

SIWANI

653. SARAOGI AUTOMOBILES (P) LTD. (HA03-HA-01), OPP GOVT HOSPITAL ,SIWANI BYPASS CHOWK,HISSAR ROAD ,SIWANI,DIST.BHIWANI -127046 HARYANA - 127046 PH :8607777149.

SOHNA

654. PASCO AUTOMOBILES (9506-KZ-03), 56, KILLA NO. 13 (4-10), 18(4-8), 19 (8-0), 22 (8-0), 23 (4-2), VILLAGE - ALUPUR, SOHNA GURUGRAM ROAD, TEHSIL - SOHNA , DISTRICT -GURUGRAM - 122103 PH :08683000902/9873711127/8683000919.

SONIPAT

655. JAGMOHAN AUTOMOTIVES PVT. LTD. (J502-J5-01), BAHALGARH-DELHI ROAD, OPP. POWER HOUSE, SONIPAT - 131001 PH :9992200372.

656. JAGMOHAN AUTOMOTIVES PVT. LTD. (J502-J5-02), GAYATRI GARDEN, MURTHAL ROAD, SONEPAT (HARYANA) - 131001 PH :8685005686.

657. JAGMOHAN AUTOMOTIVES PVT. LTD. (J502-J5-03), O-11 INDUSTRIAL AREA, SONIPAT, HARYANA - 131001 PH :9812615000.

TAURU

658. PASCO AUTOMOBILES (BIV1-BIV-01), KILA NO. 34/1/2, REWARI ROAD, TAURU, DIST.-MEWAT, HARYANA. - 122015 PH :8683000902, 9873001497, 8683000954, 9671150250, 9034926253.

TIGAON

659. TCS (5804-SJY-01), TCS AUTOWORLD, ARYAN PLAZA, NEEMKA BHUPGARH, TIGAON-BALLABGARH ROAD, FARIDABAD, PIN-121004, HARYANA - 121004 PH :9971422444.

TOHANA

660. SHAKTI MOTORS PVT.LTD. (XP01-XP-01), NEAR GREEN VALLEY PUBLIC SCHOOL, RATIA ROAD, TOHANA - 125120 PH :8572800991.

TOSHAM

661. JAGMOHAN MOTORS PVT LTD (0Y01-0Y-01), BHIWANI ROAD, TEH. TOSHAM, DIST. BHIWANI - 127040 PH :8059900566.

YAMUNANAGAR

662. PANDIT AUTOMOBILES PVT. LTD. (D201-D2-01), GOVINDPURI ROAD, JAGADRI, YAMUNANAGAR - 135001 PH :9812455896.

663. PANDIT AUTOMOBILES PVT. LTD. (D201-D2-03), PLOT NO.E-8, INDUSTRIAL AREA, ITI ROAD, YAMUNA NAGAR (HARYANA) - 135001 PH :9812455896.

HIMACHAL PRADESH

ALAMPUR

664. KANGRA VEHICLEADES (RL01-RL-01), KHASRA NO. 1606/1582, STATE HIGHWAY PALAMPUR-SUJANPUR AT JANGAL, VILLAGE - ALAMPUR, DIST.-KANGRA. - 176082 PH :8998002269.

BADDI

665. GOYAL MOTORS PVT LTD (7D01-CIF-04), KHATA/KHATAUNI NO. 26/26, KHASRA NO. 93/56/32 AND 94/56/32, KITAS 2, REVENUE MAUZA – CHAK JANGI, HADBAST NO. 203, TEHSIL – BADDI, DISTRICT – SOLAN, HIMACHAL PRADESH. - 173205 PH :9418076972.

BAIJNATH

666. KANGRA VEHICLEADES (BBC1-BBC-01), TASHI JONG, PAPROLA-BAIJNATH, NH-20, KANGRA -MANDI ROAD, TEHSIL BAJNATH, DISTT. KANGRA - 176115 PH :8628820603.

BANIKHET

667. PATHANKOT VEHICLEADES PVT. LTD. (BWN1-BWN-01), KHASRA NO.709, KHATA KHATOOINI NO 23, BANIKHET, THE-DALHOUSIE, DISTT. CHAMBA - 176303 PH :254186, 232036, 9418048803.

BILASPUR

668. COMPETENT AUTOMOBILES CO. LTD. (BY01-BY-01), KHEWAT NO. 8/8 KHATAUNI, KHASRA NO. 137/30, 31, MAUZA KOTHI, PARGANA 9, P. O. – CHANDPUR, TEHSIL – SADR, DIST - BILASPUR, HIMACHAL PRADESH. - 174001 PH :7807166832, 7807800330 / 7807800440.

CHAMBA

669. KANGRA VEHICLEADES (D902-JF-03), MOHALLA SULTANPUR, BALU BRIDGE, CHAMBA - 176310 PH :9418059252, 9418045778.

670. KANGRA VEHICLEADES (D902-JF-05), KHASRA NO. 88/96.1 & KHASRA NO.628/276, VILLAGE & PO SAROO, THE. & DISTT. CHAMBA, HIMACHAL PRADESH. - 176310 PH :9418059252, 9418013810.

CHOWARI

671. PATHANKOT VEHICLEADES PVT. LTD. (CWV1-CWV-01), KHATA KHATNI NO. 24/32 MIN, KHASRA NO. 90, VILLAGE - LAHRU, P.O. – PARCHHORE, TEHSIL - BHATTIYAT, DIST. -CHAMBA, HAMACHAL PRADESH. - 144416 PH :8894569632.

DEHRA

672. KANGRA VEHICLEADES (D902-HT-02), VILLAGE & P.O. SUNHET, TEHSIL DEHRA, DIST. KANGRA - 177101 PH :9817013058.

GAGGAL

673. KANGRA VEHICLEADES (BBV1-BBV-01), NATIONAL HIGHWAY -20 , ZAMANABAD ROAD, ICHHI, GAGGAL, DISTT. KANGRA , HIMACHAL PRADESH - 176209 PH :9418988832.

HAMIRPUR

674. COMPETENT AUTOMOBILES CO. LTD. (W901-W9-01), VILLAGE TIKKAR, P.O DIDWIN TEHSIL & DISTT, HAMIRPUR - 177401 PH :9805510276.

INDORA

675. PATHANKOT VEHICLEADES PVT. LTD. (BHE1-BHE-01), VILLAGE CHANDOR, PO & TEHSIL INDORA, DISTT. KANGRA, PIN-176401, HIMACHAL PRADESH - 176401 PH :9418008627.

JAISINGHPUR

676. KANGRA VEHICLEADES (BVA1-BVA-01), HARSU PATTAN ROAD, OPP. SABJI MANDI, TEHSIL – JAISINGHPUR, DIST. – KANGRA, HIMACHAL PRADESH. - 176095 PH :9418477756.

JAWALI

677. PATHANKOT VEHICLEADES PVT. LTD. (BXE1-BXE-01), VILLAGE - TIUKARI, NEAR MAHAVIR HOSPITAL LUBH ROAD, TEHSIL - JAWALI, DIST.-KANGRA, HAMACHAL PRADESH. - 176023 PH :9418195333.

JOGINDER NAGAR

678. COMPETENT AUTOMOBILES CO. LTD. (BBO1-BBO-01), VILL. DHELU PO DOHAG, JOGINDER NAGAR (H.P.) - 175015 PH :9805005754.

JWALAMUKHI

679. KANGRA VEHICLEADES (CND1-CND-01), KHASRA 880/613, MAUJA BOHAN, TEHSIL JWALAMUKHI, DISTRICT KANGRA - 176031 PH :9418488999.

KULLU

680. COMPETENT AUTOMOBILES CO. LTD. (20Q1-2Q-01), PLOT 3&4, INDUSTRIAL AREA, SHAMSHI, KULLU (HP) - 175126 PH :7018035136.

KUNIHAR

681. GOYAL MOTORS PVT LTD (BBX1-BBX-01), KHATA NO. – 77, VILLAGE KOTHI, P.O. KUNIHAR, TEHSIL – ARKI, DISTRICT – SOLAN, HIMACHAL PRADESH - 173207 PH :9418312472.

MANALI

682. COMPETENT AUTOMOBILES CO. LTD. (BKU1-BKU-01), VILL. CHOURI VIHAR (AALU GROUND), P.O. & THESEL -MANALI, DIST. KULLU, (H.P.) - 175131 PH :9418387465.

MANDI

683. COMPETENT AUTOMOBILES CO. LTD. (B301-B3-01), GUTKAR INDUSTRIAL AREA, DELHI MANDI ROAD, N.H.21 GUTKAR, MANDI - 124501 PH :9805513208/9816664891.

NADAUN

684. COMPETENT AUTOMOBILES CO. LTD. (BXA1-BXA-01), VILLAGE JALAN, KHASRA NO.183, PO & TEHSIL NADAUN, DISTT. HAMIRPUR, HIMACHAL PRADESH - 177041 PH :9805737436.

NAGROTA

685. KANGRA VEHICLEADES (D902-D9-01), MALAN, NAGROTA - BAGWAN, KANGRA, H.P. - 176047 PH :7018268819.

NAGROTA BAGWAN

Dealer Workshop (AS ON 30.05.2023)

686. KANGRA VEHICLEADES (D902-D9-06), JHKL1 AMBARI, MOUZA AMBARI, MALAN, NAGROTA BAGWAN, TEHSIL & DISTT. KANGRA, HIMACHAL PRADESH - 176047 PH :7018268819.

NAGROTA SURIAN

687. KANGRA VEHICLEADES (BG11-BG1-01), KHEWAT NO. 115, KHATAUNI NO. 127, KHASRA NO. 2037, MAHAL BASSA, SUB TEHSIL - NAGROTA SURIAN, DISTRICT - KANGRA. - 176027 PH :9418488999.

NALGARH

688. GOYAL MOTORS PVT LTD (IB02-IB-01), NEAR HP PETROL PUMP, VILLAGE PEERSTHAN, P.O & TEHSIL NALGARH, DISTT. SOLAN (H.P.) - 174101 PH :9418704572.

NERWA

689. GOYAL MOTORS PVT LTD (CRS1-CRS-01), KHASRA NO. 482, VILLAGE - KEDI, TEHSIL - NERWA, DISTRICT - SHIMLA, HIMACHAL PRADESH. - 171210 PH :9418663572.

NURPUR

690. KANGRA VEHICLEADES (D902-JG-04), VILLAGE JACHH, PO JASSUR, TEHSIL NURPUR, DISTT. KANGRA - 176201 PH :9418195333 , 9418041778.

PALAMPUR

691. KANGRA VEHICLEADES (2T01-2T-01), NEAR IOCL PUMP, KANGRA MANDI ROAD, PALAMPUR, DISTT. KANGRA, HIMACHAL PRADESH. - 176061 PH :9418222622/ 9463265072.

PAONTA SAHIB

692. GOYAL MOTORS PVT LTD (A901-8G-02), OPP BIBIJEET KAUR SENIOR SECONDARY SCHOOL, SHAMSHERPUR , NH-72, PAONTA SAHIB - 173025 PH :9459210872.

RAJGARH

693. GOYAL MOTORS PVT LTD (BJX1-BJX-01), KHATA NO. 517/505, 478/3, KHASRA NO. - 38/98 VILLAGE NERI RATAULI, P.O. RAJGARH TEHSIL - RAJGARH, DISTRICT - SIRMAUR , HIMACHAL PRADESH - 173101 PH :9418312472.

RAMPUR

694. GOYAL MOTORS PVT LTD (CEZ1-CEZ-01), KHASRA NO. 824/825, MINN NO. 155/396, 163/411, NAGLI, ROHRU ROAD, RAMPUR, TEHSIL - RAMPUR, DISTRICT - SHIMLA. - 172001 PH :9459296572.

ROHRU

695. GOYAL MOTORS PVT LTD (JZ01-JZ-01), CHARGAON SHIMLA ROAD, ROHRU, DISTRICT -SHIMLA - 171207 PH :9418016072.

SALOONI

696. PATHANKOT VEHICLEADES (SES1-SE-01), KHASRA NO. 299/174, VILLAGE. MANUEER, TEHSIL-SALOONI, DISTT. CHAMBA, PIN-176320, HIMACHAL PRADESH - 176320 PH :9418059252.

SHAHPUR

697. KANGRA VEHICLEADES (SCR1-SCR-01), VILLAGE MANJHGRAN, P.O. DRAMMAN, TEHSIL SHAHPUR, DISTT. KANGRA, HIMACHAL PRADESH - 176206 PH :9459900241.

SHIMLA

698. GOYAL MOTORS PVT LTD (A901-A9-01), TARADEVI, SHIMLA,(H.P.) - 171010 PH :9418663572.

SOLAN

699. GOYAL MOTORS PVT LTD (7D01-7D-01), DEON GHAT, SOLAN - 173211 PH :9418138772.

UNA

700. COMPETENT AUTOMOBILES CO. LTD. (QD01-QD-01), VILLAGE RAINSARY,P.O JHALERA,TEHSIL & DISTRICT-UNA - 174303 PH :9805737436.

JAMMU

MARH

701. JAMKASH VEHICLEADES PVT. LTD (BPM1-BPM-01), KHASRA NO. 269, LOWER MUTHI DHARMAL, DIST.-JAMMU, STATE - JAMMU & KASHMIR. - 181205 PH :7006898474.

JAMMU & KASHMIR

CHOWKI CHOURA

702. JAMU MOTORS (SDY1-SDY-01), KHASRA NO. 37 MIN. ADJACENT TO J&K BANK, JAMMU POONCH HIGHWAY, CHOWKI CHOURA, JAMMU & KASHMIR - 185154 PH :9596975060.

MAHANPUR

703. JAMMU MOTORS (SPK1-SPK-01), MAHANPUR, DISTRICT KATHUA, TEHSIL MAHANPUR - JAMMU & KASHMIR. - 184202 PH :9596975060.

MANJAKOTE

704. JAMKASH VEHICLEADES (CODE UNDER CREATIONS-CODE UNDER CREATIONS-CODE UNDER CREATIONS); NEAR PHC ROAD MANJAKOTE, TEHSIL MANJAKOTE, DISTRICT RAJOURI, J&K - 185131 PH :7006014395.

VIJAYPUR

705. JAMMU MOTORS (OZ02-01-OZ-01), JAMMU PATHANKOT HIGHWAY, VIJAYPUR (SAMBA), J&K - 184120 PH :9596975060.

JAMMU AND KASHMIR

AKHNOOR

706. JAMMU MOTORS PVT. LTD. (2X02-2X-01), MAIN ROAD DASKAL, TEHSIL - AKHNOOR, DISTRICT - JAMMU - 181201 PH :9419118393.

ANANTNAG

707. PEAKS AUTO PVT. LTD. (2Y01-2Y-01), NH-1A, MOUZA UROONHALL, THE & DISTT. ANANTNAG - 228165 PH :9519275151.

BANDIPIORA

708. JAMKASH VEHICLEADES (KASHMIR) PVT LTD (1205-OA-04), AJAR BANDIPIORA , J&K - 193502 PH :9149726427.

BARAMULLA

709. JAMKASH VEHICLEADES (KASHMIR) PVT LTD (8C01-8C-01), VILLAGE SANGRAMA,WAGAROO, BARAMULLA - 193101 PH :7889612218.

BHADRAWAH

710. J&K VEHICLEADES PVT. LTD (AKA1-AKA-01), KHASRA NO.2863, LOWER SUNGLI UNIVERSITY ROAD, BHADERWAH, DISTT. DODA, J&K - 182222 PH :9419796821.

BHASOLI

711. JAMKASH VEHICLEADES PVT. LTD. (GLK1-GLK-01), ZERO MORTH, BASHOLI, DISTT. KATHUA, BASHOLI, PIN-184201, JAMMU & KASHMIR - 184201 PH :9018847230.

BUDGAM

712. HIGHLAND AUTOMOBILES PVT.LTD (1202-CJG-04), KHASRA NO. 208 MIN, KHEWAT NO. 9 AND KHATTA NO. 55, MOUZA - PALLAR, TEHSIL AND DIST.-BUDGAM. - 191111 PH :9419019898.

DAYALACHAK

713. JAMKASH VEHICLEADES PVT. LTD (BFH1-BFH-01), KHASRA NO. 183, KHEWAT NO 14, KHATTA NO 74, VILLAGE CHAK SAKTA, DAYALACHAK, TEHSIL & DISTT. KATHUA , JAMMU & KASHMIR - 184121 PH :88492849170.

DODA

714. J&K VEHICLEADES PVT. LTD (2Z02-2Z-01), MINTO CAR CARE, AKHYARABAD, MAIN ROAD, DODA CITY, DODA (J&K) - 182202 PH :9419796821.

GANDBAL

715. JAMKASH VEHICLEADES (KASHMIR) PVT LTD (ZA01-ZA-01), MALSHAI BAGH, GANDBAL (J&K) - 191201 PH :9419000828.

HANDWARA

716. JAMKASH VEHICLEADES (KASHMIR) PVT LTD (BYA1-BYA-01), KHEWAT NO-31, KHATTA NO-298, SURVEY NO- 3764/1816, MOZA BRARIPORA, TEH- HANDWARA, DIST- KUPWARA, J&K - 193221 PH :262322, 9419074012.

JAMMU

717. JAMKASH VEHICLEADES PVT. LTD (3306-33-01), NH-1A, BYE PASS, OPP CHANNI HIMMAT, JAMMU - 180015 PH :6006801639.

718. JAMKASH VEHICLEADES PVT. LTD (3306-33-02), NEAR GENERAL BUS STAND, OPP. PHE OFFICE, B.C. ROAD, JAMMU - 180001 PH :9419224014.

719. JAMKASH VEHICLEADES PVT. LTD (3306-33-04), SUNJWAN, DISTT. JAMMU - 180011 PH :7006018600.

720. PEAKS AUTO JAMMU PVT. LTD. (3312-33-01), GANGVAL INDUSTRIAL AREA, BEHIND COCA COLA FACTORY, JAMMU - 180010 PH :9697001125.

721. JAMMU MOTORS PVT. LTD. (3308-33-01), 6, AKHNOOR ROAD, JAMMU. - 180001 PH :9419118393.

722. JAMMU MOTORS PVT. LTD. (3308-33-02), PLOT NO.2, RAJPURA CHUNGI OPP AG OFFICE, AKHNOOR ROAD, JAMMU - 180002 PH :9419118393.

723. PEAKS AUTO JAMMU PVT. LTD. (3312-33-02), KHASRA NO.425 & 426, KHATA NO.425 & 426, TOPE SHRKHANIAN (BACKSIDE OF BEST PRICE), AKNOOR ROAD, JAMMU. - 180001 PH :9697001125.

724. JAMKASH VEHICLEADES PVT. LTD (3306-33-07), KHEWAT NO. 25, KHATA NO. 355, KHASRA NO. 544 MIN PALOURA ROAD, JANIPUR, JAMMU. - 180007 PH :9419191502.

KATHUA

725. JAMMU MOTORS PVT. LTD. (3802-38-01), WARD NO.13, CHAK PARTAP SINGH HATLI MORH, NH-1A, KATHUA TEHSIL KATHUA - 184101 PH -9419118393.

KULGAM

726. PEAKS AUTO PVT. LTD. (OY01-OY-01), NEAR GRID STATION,MAIN ROAD, KULGAM - 191202 PH -9519275151.

KUPWARA

727. JAMKASH VEHICLAEDES (KASHMIR) PVT LTD (1205-AX-03), JAMKASH VEHICLAEDES, NEAR GM FILLING STATION, DC OFFICE ROAD KUPWARA - 193223 PH -9822499902.

MAGAM

728. JAMKASH VEHICLAEDES PVT. LTD (GLS1-GLS-01), KHASRA NO. 34, MOUZA - CHICHILORA, MAGAM, GULMARG ROAD, TEHSIL - KWARHAMA, DIST. BARAMULLA, JAMMU & KASHMIR. - 193 401 PH -8825016046.

PHINTER

729. JAMKASH VEHICLAEDES PVT. LTD (BHV1-BHV-01), KHASRA NO.2293/405 AND KHEWAT NO.81/98, GURHA KALYAL, PHINTER, TEHSIL RAMKOT, DISTT. KATHUA, J&K - 184203 PH -9419187583.

POONCH

730. JAMKASH VEHICLAEDES PVT. LTD (AAW1-AAW-01), VILLAGE KUNUYIAN, TEHSIL HAVELI POONCH, JAMMU & KASHMIR. - 185121 PH -7006014395.

PULWAMA

731. PEAKS AUTO PVT. LTD. (1204-MU-03), MUGHAL ROAD, GUNGOO, PULWAMA - 192301 PH -9519275151.

RAJOURI

732. JAMKASH VEHICLAEDES PVT. LTD (3306-KS-06), KALAKOTE ROAD, VILLAGE BADOL, RAJOURI - 185131 PH -7006014395.

RS PURA

733. JAMKASH VEHICLAEDES PVT. LTD (3306-JN-03), GAGAIN MORTH, R S PURA, JAMMU. - 181102 PH -9419190370.

SHOPIAN

734. PEAKS AUTO PVT. LTD. (AAA1-AAA-01), AGLAR SOFANAMAN, SHOPIAN - 192303 PH -9519275151.

SIDHRA

735. JAMKASH VEHICLAEDES PVT. LTD (CDL1-CDL-01), KHASRA NO.80 & KHATA NO.100, VILLAGE SIDHRA, NH1A, NEAR BHARAT PETROLEUM PETROL PUMP, TEH. & DISTT. JAMMU - 180019 PH -9419134144.

SRINAGAR

736. HIGHLAND AUTOMOBILES PVT.LTD (1202-12-01), SONWAR, SRINAGAR - 190001 PH -9419057564.
737. JAMKASH VEHICLAEDES (KASHMIR) PVT LTD (1205-12-01), HYDERPURA BY PASS CROSSING, SRINAGAR - 190015 PH -7006037255.
738. PEAKS AUTO PVT. LTD. (1204-12-01), BYE PASS ROAD, NH - 1A, NEAR HOTAL SILVER STAR, SRINAGAR - 191101 PH -9519275151.
739. JAMKASH VEHICLAEDES (KASHMIR) PVT LTD (1205-12-05), NARBAL CROSSING, NH-1A, SRINAGAR, JAMMU & KASHMIR - 190017 PH -9796700750.

SUNDERBANI

740. PEAKS AUTO JAMMU PVT. LTD. (AAM3-AAM-01), MOUZA THANDA PANI, TEH. SUNDERBANI - 185153 PH -9697001125.

SURANKOTE

741. PEAKS AUTO JAMMU PVT. LTD. (TY03-TY-01), NEAR KNIEIT KING FILLING STATION, BHARAT PETROLEUM, POONCH MUGHAL ROAD, SURANKOTE, DISTT: POONCH - 185101 PH -9697001125.

THANA MANDI

742. JAMKASH VEHICLAEDES PVT. LTD. (SO01-SO-01), HASPLOTE(CHRUNG), TEHSIL THANAMANDI, DISTRICT RAJOURI -185212 - 185212 PH -9419267607.

UDHAMPUR

743. J&K VEHICLAEDES PVT. LTD (D801-D8-01), NATIONAL HIGHWAY 1A, NEAR DAK BANGLOW, UDHAMPUR - 182101 PH -7006881028.

URI (CHAAL BONIYAAR)

744. JAMKASH VEHICLAEDES (KASHMIR) PVT LTD (CCK1-CCK-01), KHASRA NO.346/118, KEWAT NO.15, KHATA NO.30, MOUZE-CHALAL (URI), TEHSIL-BONIYAR, DISTT. BARAMULLA - 193123 PH -9419074012.

JHARKHAND

BAGODAR

745. RELIABLE INDUSTRIES PVT. LTD. (BHA1-BHA-01), SONTURPI, GT ROAD, GAIDA, BAGODAR, GIRIDIH, JHARKHAND. - 825322 PH -9507102036 9835814404.

BALIAPUR

746. CARONE (SNI1-SNI-01), WARD NO 53, HOLDING NO - SAF3797, KANDRA SINDRI, BALIAPUR. - 828123 PH -7980074787.

BOKARO

747. HINDUSTAN AUTO AGENCY (B501-B5-02), R1, CITY CENTRE, SECTOR-4, BOKARO STEEL CITY, BOKARO - 827004 PH -9831550033/7070403002/9431128683.
748. HINDUSTAN AUTO AGENCY (B501-B5-03), M2, SECTOR-4, CITRY CENTRE, BOKARO STEEL CITY (JHARKHAND) - 827004 PH -9431127983/9431128683.

CHAIBASA

749. PEBCO MOTORS (BOY1-BOY-01), KOLHAN TIMBER MERCHANT, NEAR RAILWAY CROSSING, TATA ROAD, CHAIBASA, DISTRICT - WEST SINGHDHUM, JHARKHAND. - 833201 PH -7070449718.

CHANDWA

750. HILLTOP MOTORS (A UNIT OF HIRALAL MOTORS PVT LTD) (SCS1-SCS-01), HILLTOP MOTORS, MAIN ROAD, CHANDWA, PO AND PS, CHANDWA - 829203, DIST - LATEHAR, JHARKHAND - 829203 PH -7061157502.

CHIRKUNDA

751. RELIABLE INDUSTRIES (CQT1-CQT-01), PLOT NO. 109-110, KHAITAN NO. 12, MOUZA NO. 251, P.S. - CHIRKUNDA, DISTRICT - DHANBAD, JHARKHAND. - 828202 PH -9905937751 9835814404.

DALTONGANJ

752. PREMSONS MOTORS UDYOG PVT LTD (5103-MP-02), KACEHRI ROAD, DALTONGANJ, PALAMU - 822101 PH -9835507004.

DEOGHAR

753. RELIABLE INDUSTRIES (5202-KR-03), SHAHEED ASHRAM ROAD, JHAUNSAGARHI, DEOGHAR. - 814112 PH -6207129088 7001553251.
754. RELIABLE INDUSTRIES (KR02-KR-01), MOUZA - CHAKRIPAHARI, NO. 587, WARD NO. 36, DEOGHAR, JHARKHAND. - 814114 PH -9835811220, 9835814404.

DHANBAD

755. RELIABLE INDUSTRIES (5202-52-01), KATRAS ROAD, DHANBAD, JHARKHAND. - 826001 PH -9835830202 7369945044.

756. RELIABLE INDUSTRIES (5202-52-02), BEHIND PRABHAT KHABAR, AT: KOLAKUSMA, P O K.G. ASHRAM, SARAIIDHELA , DHANBAD - 828127 PH -8102333474 7369945043.

757. RELIABLE INDUSTRIES (5202-52-06), SUGIADIH, HIRAK ROAD, SARAIIDHELA, DHANBAD, JHARKHAND. - 828127 PH -9334094940.

758. CAR ONE (A UNIT OF RAJHANS AUTOMOBILES PRIVATE LIMITED) (5205-52-01), NH-2, GT ROAD, SAHARJOIRI, BARWADA, DHANBAD. - 828 109 PH -9006828000, 9835740433.

759. RELIABLE INDUSTRIES (5202-52-09), TILAKRAIDIH, K G ASHRAM, NH-32, GOVINDPUR, DHANBAD, JHARKHAND - 828109 PH -9031096662.

DUMKA

760. RELIABLE INDUSTRIES (L701-L7-01), OPP DUDHANI PETROL PUMP, DEOGHAR-PAKUR ROAD.DUMKA (JHARKHAND) - 814101 PH -8205161170.

GARHWA

761. PREMSONS MOTOR UDYOG PVT. LTD. (VX01-VX-01), KHATA NO. 4, KHESRA NO. 108, 109, THANA NO. 342, PIPRAKALIA, GARHWA, JHARKHAND. - 822114 PH -8862828002 9835507004.

GHATSHILA

762. PEBCO MOTORS LTD. (AIA1-AIA-01), PLOT NO. 68, KHASRA NO.128, MAUZA PAORA, NH-33, NEAR FULL-DUNGRI CHOWK,GHATSHILA, EAST SINGHBHUM (JHARKHAND) - 832303 PH -9308433388.

GIRIDIH

763. RELIABLE INDUSTRIES (5202-3D-04), MOHANPUR, PACHAMBA ROAD, GIRIDIH. - 815301 PH -8102924860 8102924858.

764. RELIABLE INDUSTRIES PVT. LTD (5202-3D-08), PLOT NO. 7, HALKA NO. 12, KHATA NO. 2, THANA NO. 266, MOUZA - CHATRO, GIRIDIH, JHARKHAND. - 815301 PH -9835835101.

GODDA

765. RELIABLE INDUSTRIES (5202-EJ-05), ASANBANI CHOWK, MAIN ROAD, GODDA. - 814133 PH -6207129088.

GUMLA

Dealer Workshop (AS ON 30.05.2023)

766. PREMSONS MOTOR UDYOG PVT. LTD.
(5103-20-04), VANASTHALI COMPLEX
PUGUCHAMPANA NAGAR,NH-23,SISAI
ROAD,GUMLA - 835207
PH. 9835507004.

HAZARIBAGH

767. HINDUSTAN AUTO AGENCY (Y901-Y9-01), NEAR
SBI MAIN BRANCH, MAIN ROAD, HAZARIBAGH -
825301
PH :9304051949,
9263631327.

768. HINDUSTAN AUTO AGENCY (Y901-Y9-02),
MASIPIRHI, BABHANBAY, HAZARIBAGH ,
JHARKHAND. - 825301
PH - 9216888118
9263631327..

JAMSHEDPUR

769. PEBCO MOTORS LTD. (3101-31-01), MEDIUM
SECTOR, INDUSTRIAL AREA, ADITYAPUR,
JAMSHEDPUR - 831001
PH :9308433388.

770. PEBCO MOTORS LTD. (3101-31-02), 16
BALICHALA, CONTRACTORS & GOWDAN AREA,
SONARI, JAMSHEDPUR - 831011
PH :9308433388.

771. MOTOR WORLD (3102-31-01), N.H-33, NEAR
PARDIH CHOWK, MANGO, JAMSHEDPUR -
831012
PH -9431347164, 9570168342.

JAMTARA

772. RELIABLE INDUSTRIES (BOX1-BOX-01), PLOT
NO. 483, PARWAT BIHAR, DUMKA ROAD,
JAMTARA, JHARKHAND. - 815351
PH :9835814404.

KATRAS

773. CAR ONE (A UNIT OF RAJHANS AUTOMOBILES
PRIVATE LIMITED) (GLP1-GLP-01), RAJHANS
REFRATORIES, OPP. LIC OFFICE, RAJGANJ
ROAD, KATRAS, DISTT. DHANBAD,
JHARKHAND-828114 - 828114
PH :91891009556.

KHELARI

774. SUDHA MOTORS(A UNIT OF SUDHA BUSINESS
ENTERPRISES PVT LTD) (CF01-CFO-01), PLOT
113, MOUZA- BUKURKA, BESIDE PAHADI
MANDIR, KHELARI, RANCHI - 829205
PH :6458222, 9534199997.

KHUNTI

775. PREMSONS MOTOR UDYOG PVT. LTD
(BOL1-BOL-01), PLOT NO. 747, KHATA NO. 2,
DAHUGUTU, CHAIBISRA ROAD, KHUNTI,
JHARKHAND. - 835 210
PH :9835507004.

KODARMA

776. HINDUSTAN AUTO AGENCY (VR01-VR-01), AT
LALMAN DIGTHU, BESIDE KRISHNA SURYA
COLD STORAGE, JHUMRI TILAIYA, P.S -
TILAIYA, DISTRICT - KODERMA, JHARKHAND. -
825409
PH :6201998936.

LOHARDAGA

777. SUDHA MOTORS(A UNIT OF SUDHA BUSINESS
ENTERPRISES PVT LTD) (CX01-CX-01), PLOT
NO. 14P, 15, 23, RIADA, LOHARDAGA,
JHARKHAND. - 835302
PH :9534199997.

MURI

778. HILLTOP MOTORS (CODE UNDER
CREATIONS-CODE UNDER CREATIONS-CODE
UNDER CREATIONS), NEAR BANK OF INDIA,
SILLI MAIN ROAD, MURI, PIN - 835102 - 835102
PH :7061157502.

RAMGARH

779. HINDUSTAN AUTO AGENCY (AV01-AV-01),
MARAR, RANCHI ROAD (NH-33), RAMGARH -
829122
PH :9263631345.

RANCHI

780. PREMSONS MOTORS UDYOG PVT LTD
(5103-51-01), 502, KANKE ROAD, RANCHI. -
834008
PH :9304807355.

781. PREMSONS MOTOR UDYOG PVT. LTD.
(5103-51-03), 10P, NAMKUM INDUSTRIAL
ESTATE,BEHIND HIGH TENSION INSULATOR
FACTORY, LOWER CHUTIA, RANCHI - 834010
PH :9262899003.

782. PREMSONS MOTOR UDYOG PVT. LTD.
(5103-51-05), PLOT NO.31 & 134, JOHNSON
MORH, TUPUDANA INDUSTRIAL AREA,
TUPUDANA, RANCHI - 834003
PH :9835507004.

783. SUDHA MOTORS(A UNIT OF SUDHA BUSINESS
ENTERPRISES PVT LTD) (5107-51-02), PLOT NO.
74, OPPOSITE OTC GROUND, HEHAL, RATU
ROAD, RANCHI, JHARKHAND - 834005
PH :9534199997, 8227996660.

784. SUDHA MOTORS(A UNIT OF SUDHA BUSINESS
ENTERPRISES PVT LTD) (5107-51-03), PLOT NO.
39, NEAR BOOTY MORE, RANCHI-RAMGARH
ROAD, RANCHI. - 835217
PH :9534199997.

785. PREMSONS MOTOR UDYOG PVT. LTD.
(5103-51-06), PLOT NO.14 (P) KOKAR
INDUSTRIAL AREA KOKAR, RANCHI. - 834001
PH :9835507004.

786. HILLTOP MOTORS (A UNIT OF HIRALAL
MOTORS PVT LTD) (5109-51-01), KHATA NO.
247, MOUZA - PUNDAG,P.S. - PUNDAG, RANCHI,
JHARKHAND. - 834004
PH :7061157502.

787. HILLTOP MOTORS (A UNIT OF HIRALAL
MOTORS PVT LTD) (5109-51-02), NEAR KATHAL
MORE, ARGORA RANCHI RD, NEAR EKLABBA
TOWER, DHIPATOLI, ARGORA, RANCHI - 834004
PH :7061157502.

KARNATAKA

ANEKAL

788. PRATHAM MOTORS PVT. LTD (0205-FA-04),
SY#45/3, KAVAL HOSAHALLI, KASABA HOBLI,
ANEKAL TALUK - 562106
PH :9945540131.

ANKOLA

789. BHARATH AUTO CARS PVT. LTD. (FC02-FC-01),
NEAR NARAYANA TEMPLE KAKKAR MUTTA,
BELEGULI CROSS, ANKOLA, UK DISTRICT -
581314
PH :7829567400.

ATHANI

790. SHANTESHA MOTORS (BWA1-BWA-01), RS NO.
605, SHIVAYOGI NAGAR, BIJAPUR ROAD,
ATHANI, DIST. - BELGAUM. - 591304
PH :8884472587.

ATHRADI

791. ABHARAN MOTORS PVT LTD (G601-UK-04),
HERABETTU ROAD ATHARDI UDUPI - 576107
PH :9845472500.

ATTIBELE

792. SURAKSHAA CAR CARE PVT. LTD.
(BMM1-BMM-01), SURVEY NO 22/78, SARJAPUR
MAIN ROAD, INDIABELE VILLAGE, OPP. TO
GOLDEN LIBERTY, ATTIBELE P.O.,
BANGALORE. - 562107
PH :9449856665.

BAGALKOT

793. VIJAY MOTOWINGS (ZL01-ZL-01),
180/4-2,BELGUM RAICHUR ROAD,NEAR APMC
MARKET YARD, BAGALKOT - 587103
PH :9481289167.

BAGEPALLI

794. BIMAL AUTO AGENCY INDIA PVT. LTD.
(BTV1-BTV-01), H.L. NO. 423 AND 436 SRI
SATHYA SAI NAGAR, ON NH-7,
THIMAKALAPALLI BLOCK-II, PARAGODU GRAM
PANCHAYATH, KASABA HOBLI, BAGEPALLI
TALUK, CHIKKABALLAPUR DIST. - 561 207
PH :9742458888.

BANGALORE

795. MANDOVI MOTORS PVT LTD. (0201-02-01),
2414,7TH MAIN,WILSON GARDENS,BANGALORE
- 560027
PH :9945235511.

796. MANDOVI MOTORS PVT LTD. (0201-02-07),
17A-2&3 IND.SUBURB.IIND STAGE,
GURJANGUNTEPALAYA, TUMKUR ROAD,
YESHWANTHPUR, BANGALORE - 560022
PH :9945235537.

797. MANDOVI MOTORS PVT LTD. (0201-02-05),
NO 2/106 (NEXT TO KASSIA BLDG.),17TH
CROSS,MAGADI CHORD ROAD EXTN,
VIJAYANAGAR,BANGALORE - 560079
PH :9945235529.

798. RNS MOTORS (7301-02-03), 2275 TUMKUR
ROAD, GURJANGUNTEPALYA, YESHWANTPUR,
BANGALORE - 560022
PH :9606933236.

799. RNS MOTORS (7301-02-04), HOSUR
ROAD,BOMMANAHALLI,MADIVALA
POST,BANGALORE - 560068
PH :9148001412.

800. MANDOVI MOTORS PVT LTD. (0201-02-08), NO.
70 SARAKKI INDUSTRIAL LAYOUT,J.P
NAGAR,3RD PHASE, BANGALORE - 560078
PH :9954235522.

801. PRATHAM MOTORS PVT. LTD (0205-02-01), 16,
BALLANDUR, SARJAPUR RING ROAD,
BANGALORE - 560037
PH :9945540126.

802. BIMAL AUTO AGENCY INDIA PVT. LTD.
(0216-02-02), NO. 69/2, SARAKKI, KANAKAPURA
ROAD, BANGALORE - 560078
PH :9972398139.

803. BIMAL AUTO AGENCY INDIA PVT. LTD.
(0218-02-01), NO - 60/3, VENKATALA VILLAGE,
YELAHANKA HOBLI, BANGALORE NORTH
TALUK - 560064
PH :9945541034.

804. BIMAL AUTO AGENCY INDIA PVT. LTD.
(0216-02-01), 60/2, MAHADEVPUR, WHITE
FIELD ROAD, BANGALORE - 560048
PH :99723 98105.

805. PRATHAM MOTORS PVT. LTD (0205-02-02),
STHANIKAM'S ARCADE, OPP. ST THERESA
HOSPITAL, DR. RAJ KUMAR ROAD, A
BLOCK,RAJAJINAGAR 2 STAGE, BANGALORE -
560010
PH :9900061378.

806. KALYANI MOTORS PVT. LTD. (0211-02-01),
MYSORE ROAD,PANTHARAPALYA,KENGR
HOBLI,BANGALORE - 583201
PH :9538867078.

807. BIMAL AUTO AGENCY INDIA PVT. LTD.
(0216-02-03), NO.711, KALANAGRAHARA
VILLAGE, MOUNT ST. JOSEPH TRAINING
COLLEGE FOR JESUITS COMPOUND, IIMB
POST, BANNERGHATTA RD. , BANGALORE -
560076
PH :9845166612.

808.	BIMAL AUTO AGENCY INDIA PVT. LTD. (0218-02-04), 6TH CROSS, OFF OLD AIRPORT ROAD, HAL 2ND STAGE POST, BANGALORE - 560038 PH :9972398106.	821.	PRATHAM MOTORS PVT. LTD (0205-02-05), #58/5 KUDLU VILLAGE, NEXT TO ZEE SCHOOL, SARAJAPUR HOBLI, ANEKAL TALUK, BANGALORE - 560034 PH :9900058466.	833.	VARUN MOTORS PVT. LTD. (0292-02-02), BEARING NO. 27/1 & 27/2, SURVEY NO. 41/3 & 42/7 BACALAGUNTA, HESSARGHATTA MAIN ROAD, NEAR WIDIA SCHOOL, BUS STOP, NAGASANDRA POST, BANGALORE. - 560073 PH :7338286729.	843.	MANDOVI MOTORS (0210-02-09), MUNICIPAL NO. 133 (OLD NO S 133 & 133/1), BULL TEMPLE ROAD, BBMP WARD NO. 49, K G NAGAR, BANGALORE, KARNATAKA-560018. - 560018 PH :9945235516.
809.	MANDOVI MOTORS PVT LTD. (0201-02-0C), NO 1 TO 5, NAVODAYA HBSC, 4TH STAGE, 4TH MAIN, RAJAJINAGAR INDUSTRIAL TOWN, BASAWESHWAR NAGAR - 560044 PH :9945235537.	822.	RNS MOTORS LIMITED (7301-02-0H), PLOT NO.129, KIADB INDUSTRIAL AREA, HEBBAGODI VILLAGE, BOMMASANDRA, JIGINI LINK ROAD, BANGALORE - 562158 PH :9538965771.	834.	MANDOVI MOTORS PVT LTD. (0201-02-0J), SITE NO. 58/1, J.B. KAVAL, MAJOR SANDEEP UNNIKRIISHAN ROAD, VIDYARANYAPURA, BANGALORE. - 560097 PH :9945235514.	BANGALORE (HEBBAGODI)	
810.	KALYANI MOTORS PVT. LTD. (0211-02-04), 119/1, 11TH CROSS, MALLESHWARAM, BANGALORE, - 560003 PH :9886026519.	823.	KALYANI MOTORS PVT. LTD. (0291-02-02), 10/1, HEBBAL , AMANIKERE KASABA HOBLI, YOGESH NAGAR, BANGALORE - 560024 PH :9740985324 , 7760983887.	835.	KATARIA AUTOMOBILES PVT. LTD. (0293-02-01), SURVEY NO. 8/3, 10/4, 10/2, VILLAGE – THALAGHATTAPURA, KANAKAPURA MAIN ROAD, NEAR NANDI TOYOTA, UTTARAHALLI HOBLI, TALUK - BENGALURU SOUTH, BANGALORE, KARNATAKA. - 560109 PH :8884434340.	844.	RNS MOTORS (0210-02-01), SURVEY NO. 48, HEBBAGODI, HOSUR MAIN ROAD, ANEKAL TALUK, BANGALORE URBAN DIST, KARNATAKA - 560 099 PH :6366938829.
811.	MANDOVI MOTORS PVT LTD. (0201-02-0D), 6/8, SHREE GANGA GARDEN, GANGA NILAYA, HENNUR CROSS, KALYANAGAR POST - 560043 PH :9845132048.	824.	BIMAL AUTO AGENCY INDIA PVT. LTD. (0286-02-01), #184/185, OPP. FORUM VALUE MALL, WHITE FIELD MAIN ROAD, BANGALORE - 560066 PH :9900245979.	836.	RNS MOTORS LIMITED (7301-02-0J), SY. NO. 11/2 & 12/1, VILLAGE – ARAKERE, BEGUR HOBLI, BANNERGHATTA ROAD, BANGALORE – 560 076. - 560076 PH :7760982836.	BANGALORE- KP ROAD	
812.	MANDOVI MOTORS PVT LTD. (0201-02-0E), SY NO.26, AMBLIPURA VILLAGE, VATHUR HOBLI, BANGALORE, EAST TALUKA. - 560102 PH :9945235518.	825.	SURAKSHAA CAR CARE PVT. LTD. (0280-02-04), PLOT NO. 8 & 9, NEXT TO BDA COMPLEX, 4TH BLOCK, 100 FT ROAD, KORAMANGALA, BANGALORE, KARNATAKA - 560034 PH :8884419010.	837.	SURAKSHAA CAR CARE PVT. LTD. (0280-02-05), SURVEY NO.2/6, BERTENA AGRAHARA, OPP. METRO CASH & CARRY, HOSUR MAIN ROAD, BANGALORE. - 560100 PH :8884471200.	845.	KALYANI MOTORS (0213-02-06), (NEAR) NO. 67, NH-209, NAVARATAN GARDENS, (NEAR) IOC/ PETROL BUNK) DODDAKALASANDRA VILL., UTTARAHALLI HOBLI, KONANAKUNTE, KANAKAPURA-KENGERI ROAD, BANGALORE, KARNATAKA - 560062 PH :9900039844/9900073254.
813.	MANDOVI MOTORS PVT LTD. (0201-02-0B), PLOT NO.-25771-13, BANNERGHATTA ROAD, N.S. PALYA, BANGALORE - 560076 PH :9945235559.	826.	KALYANI MOTORS PVT. LTD. (0287-02-01), # 10/5, NAGADEVANHALLI, KENGERI, MYSORE ROAD, BANGALORE, KARNATAKA - 560056 PH :9900019961.	838.	KALYANI MOTORS PVT. LTD. (0211-02-05), SY NO.8/4, G HOSAHALLI MAIN ROAD, GOLLARAHATTI, V N POST, YESHWANTPURA HOBLI, MAGADI MAIN ROAD, BANGALORE - 560091 PH :9900080229.	BANGARPET	
814.	KALYANI MOTORS PVT. LTD. (0213-02-02), SY. NO.58/1A & 61/22, AVALAHALLI, NH-4, K.R. PURAM, BANGALORE. - 560049 PH :9900037122.	827.	BIMAL AUTO AGENCY INDIA PVT. LTD. (0216-02-06), PLOT NO. 82, DODDA BANASWADI MAIN ROAD, BEHIND IOC PETROL PUMP, NEXT TO AIYAPPA TEMPLE, BANASWADI, BANGALORE, KARNATAKA - 560033 PH :9738501996.	839.	SURAKSHA CAR CARE (0280-02-06), BEARING NO. 54/4-320/2, BEGUR HOBLI, BOMMANAHALLI VILLAGE, BEGUR HOBLI, BANGALORE, KARNATAKA. - 560 068 PH :9449865665.	846.	SURAKSHA CAR CARE PVT. LTD. (0R04-OR-01), 180A/OPP. APMC YARD, KOLAR-BANGARPET ROAD, BANGARPET (KARNATAKA) - 563114 PH :9449865601.
815.	SURAKSHAA CAR CARE PVT LTD (0280-02-01), 30/3 K AGRAHARA, HOSUR MAIN ROAD, ELECTRONIC CITY, BANGALORE - 580100 PH :9449865605.	828.	MANDOVI MOTORS PVT LTD. (0201-02-0H), BBMP NO.4C, WARD NO.83, JOLLY ESTATE, OLD MADRAS ROAD, NAGAWARAPALYA, BANGALORE - 560093 PH :9945235533.	840.	PRATHAM MOTORS PVT. LTD (0205-02-07), SUVEY NO. 43/1, ON SH-35, VILLAGE - YAMARE, SARAJAPUR MAIN ROAD, POST - DOMMASANDRA, TALUKA - ANEKAL, BENGALURU RURAL, KARNATAKA. - 562125 PH :9611834659.	BANGLORE - BOMMANAHALLI	
816.	KALYANI MOTORS PVT. LTD. (0213-02-03), NO.129/4, KUNDALAHALLI VILLAGE, OPP. TO BROOKE FIELD HOSPITAL, BROOKFIELD, BENGALURU. - 574239 PH :9900038119.	829.	VARUN MOTORS PVT. LTD. (0292-02-01), HNO. 72/19-6 & HNO. 67/2, YESHWANTPUR INDUSTRIAL SUBURB, WARD NO. 10, RAJAJI NAGAR, BANGALORE. - 560022 PH :7337834582.	841.	SURAKSHAA CAR CARE PVT. LTD. (0280-02-07), SURVEY NO 106/2A, CHANDAPURA MUNICIPAL TOWN, MUTHASANDRA HOSUR MAIN ROAD, ANEKAL TQ, BANGALORE, KARNATAKA - 560099 PH :94498 65666.	847.	VARUN MOTORS PVT LTD (0292-02-03), SY NO: 136 (OLD NO 54/8) SANGEGURUVANAHALLI(VP) KAMAKSHIPALAYA, WARD NO: 17, VRISHABHAVATHI NAGAR, MAGADI ROAD, BANGALORE NORTH THALUK, BANGALORE, KARNATAKA - 560079 PH :9513683052.
817.	SURAKSHAA CAR CARE PVT. LTD. (0280-02-02), #54/1, BOMMANAHALLI, HOSUR MAIN ROAD, BANGALORE - 560068 PH :9449865655.	830.	KALYANI MOTORS PVT. LTD. (0213-02-05), PLOT NO. 74/5, HORMAVU MAIN ROAD, NEAR BBMP OFFICE, KR PURAM HOBLI, BANGALORE. - 560043 PH :9900037114.	842.	KALYANI MOTORS (0291-02-03), SURVEY NO. 194/6, HUNSEMARANAHALLI, JALA HOBLI, DEVANAHALLI TALUK, (YELAHANKA NEW TALUK), NEW KEMPEGOWDA INTERNATIONAL AIRPORT ROAD, NORTH PH :9740985324.	BANTWAL	
818.	KALYANI MOTORS PVT. LTD. (0213-02-04), 250/1, BILEKAHALLI, BANNERGHATTA ROAD, BENGALURU - 560076 PH :9686445406.	831.	KATARIA AUTOMOBILES PVT. LTD. (0234-02-01), NO. 5, 15TH CROSS, KOLANDAPPA GARDEN, ANEPALYA, POST – AADUGODI, BANGALORE. - 560030 PH :7349291802.	843.	MANDOVI MOTORS PVT LTD. (0201-02-0I), KATHA NO.4, SITUATED AT GANAKAL DHAKALE, SRINIVASPURA, KENGERI HOBLI, UTTARAHALLI, BANGALORE - 560060 PH :9945235516.	848.	MANDOVI MOTORS PVT LTD. (TR01-TR-01), NH-75, PANEMANGALORE, B.C. ROAD, BANTWAL, KARNATAKA - 574231 PH :9908810123.
819.	BIMAL AUTO AGENCY INDIA PVT. LTD. (0218-02-04), PLOT NO.37/38, 2ND STAGE, PEENYA INDUSTRIAL AREA, BANGALORE - 560058 PH :9945237213.	832.	MANDOVI MOTORS PVT LTD. (0201-02-0I), KATHA NO.4, SITUATED AT GANAKAL DHAKALE, SRINIVASPURA, KENGERI HOBLI, UTTARAHALLI, BANGALORE - 560060 PH :9945235516.			BELGAUM	
820.	RNS MOTORS (7301-02-0G), 106/7, BELLARY ROAD, NEAR IOC PETROL BUNK, AMRUTHAALLI, NEAR HEBBAL FLYOVER, BENGALLURU (KARNATAKA) - 560092 PH :6364884787.					849.	SHANTESHA MOTOR (P) LTD (E801-E8-01), MUJAWAR COMPOUND, NEHRU NAGAR, BELGAUM. - 590010 PH :9902043711.
						850.	SHANTESHA MOTOR (P) LTD (E801-E8-04), PLOT NO. 8, SURVEY NO. 251/51, HAVLOCK ROAD CAMP, BELGAUM - 290010 PH :9588645387.
						851.	SHANTESHA MOTOR (P) LTD (E801-E8-03), CTS NO. 519, 520, BESIDE PARATA CORNER, CONGRESS ROAD, TILAKWADI, BELGAUM - 590006 PH :8884433911.
						852.	SHANTESHA MOTORS (P) LTD (E801-E8-06), PLOT NO. 2/1, RS NO. 29, KIADB INDUSTRIAL AREA, KIADB BAUXITE ROAD, KANGRALI BK, BELGAUM. - 590010 PH :9731396805.

Dealer Workshop (AS ON 30.05.2023)

BELLARY

853. K.P.F. PVT. LTD. (G201-G2-01), P.B. NO. 58, BELLARY HOSPET ROAD, ALLIPURA, BELLARY - 583101
PH : 9449876025.

BELTHANGADY

854. BHARATH AUTO CARS PVT. LTD. (4503-HM-04), MAIN ROAD, BELTHANGADY, BELTHANGADY TALUK, DK DISTRICT - 574214
PH : 9886543230.

BHADRAWATI

855. SHRUTI MOTORS (FB01-FB-01), SURVEY NO. 18/4, BH ROAD, KADADAKATTE HOBLI, KADADAKATTE, BHADRAWATI, SHIMOGA DIST., KARNATAKA - 577229
PH : 7899885404.

BHATKAL

856. BHARATH AUTO CARS PVT. LTD. (CEF1-CEF-01), SURVEY NO. 157/2A, SUSGADI VILLAGE, NH66, BHATKAL, UTTARKANNADA DISTRICT, KARNATAKA - 581320
PH : 9008693940.

BIDAR

857. LAHOTI MOTORS PVT. LTD (EX01-EX-01), SI 50/51, PRATAP NAGAR, UDGIR ROAD, KIADB INDUSTRIAL AREA, NAUBAD, BIDAR - 585402
PH : 8884412049.

858. LAHOTI MOTORS PVT. LTD (EX01-EX-02), PLOT NO. 58, NAUBAD INDUSTRIAL AREA, PRATAP NAGAR, BIDAR - 585 401
PH : 9108707709.

BIJAPUR

859. RNS MOTORS (7301-T7-01), SURVEY NO 25K/1, CHITRADURGA SHOLAPUR ROAD, VIJAYPURA, BIJAPUR DISTT. KARNATAKA - 586109
PH : 8861208998.

BUDHIGERE

860. BIMAL (SGM1-SGM-SGM1-01), KHATTA NO.115, SY. NO. 128/33, MANDUR MAIN ROAD, BUDHIGERE CROSS, MANDUR VILLAGE, NEXT TO IOCL PETROL BUNK, BANGALORE EAST TALUK, BANGALORE - 560049
PH : 9742259528.

BYNDOOR

861. ABHARAN MOTORS PVT LTD (BUH1-BUH-01), 3-256 & 3-257, SOUPARNIKA COMPLEX, NH 66, VILLAGE - YEDATHRE, BYNDOOR, KUNDAPUR TALUK, UDUPI DISTT. - 576214
PH : 7899751777.

CHALLAKERE

862. SAKETH AUTOMOBILES (CKN1-CKN-01), SITE NO. 9 & 10, SY. NO. 96/1, OPP. SUJIMALLESHWARA NAGAR, BELLARY ROAD, CHALLAKERE - 577522
PH : 9686550312.

CHAMARAJANAGAR

863. MANDОВI MOTORS PVT LTD. (0E01-0E-01), RAJ KAMAL BUILDING, SATHYAMANGALA ROAD, KUVEMPU EXTENSION, CHAMARAJANAGAR (KARNATAKA) - 571313
PH : 9845445586.

CHANNAGIRI

864. SHRUTI MOTORS (BUQ1-BUQ-01), SURVEY NO.5, MACHANAYAKANAHALLI, OPP. FIRE STATION, CHITRADURGA ROAD, N.H.13, CHANNAGIRI DISTT. DAVANGERE - 577213
PH : 7899934143.

CHANNAPATNA

865. KALYANI MOTORS PVT. LTD. (BSX1-BSX-01), PROPERTY NO.58, MALUR GRAMA, CHINTAMANI HOBLI, CHANNAPATNA TALUKA RAMANAGARA DISTRICT - 562160
PH : 9845066682.

CHANNARAYAPATNA

866. VENKAT MOTORS (HC01-HC-01), PLOT NO. 389, 36/3, 132/1, BESIDES THIRUMALA RICE MILL, MYSORE ROAD, CHANNARAYAPATNA, DISTRICT: HASSAN, KARNATAKA - 573116
PH : 8147077144.

CHICKBALLAPUR

867. BIMAL AUTO AGENCY INDIA PVT. LTD. (KJ02-KJ-01), NO. 169/1, AMMANI KANDAVARAKERE VILLAGE, KASABA HOBLI, CHIKBALLAPURA DISTRICT - 562101
PH : 9742262499.

CHICKMAGALUR

868. SHRUTI MOTORS (B701-3F-02), AIT CIRCLE, KM ROAD, CHIKMANGALUR - 577102
PH : 9909157446.

CHIKODI

869. SHANTESHA MOTORS (E801-ZB-05), OPP. IOC PUMP, NEAR B.K.COLLEGE, MIRAJ ROAD, CHIKKODI, KARNATAKA - 591201
PH : 7829925790.

CHINTAMANI

870. PRATHAM MOTORS PVT. LTD (0205-BQ-06), SURVEY NO. 33, NEXT TO VIJAYA P U COLLEGE, OPP. GOPASANDRA LAKE, SREENIVASPURA MAIN ROAD, CHINTAMANI, KARNATAKA - 563125
PH : 7899761301.

CHITRADURGA

871. SAKETH AUTOMOBILES (AL01-AL-01), NEAR VEDA COMPLEX, NH-4, M H ROAD, CHITRADURGA - 572130
PH : 9686550313.

DAVANGERE

872. SHRUTI MOTORS (S101-S1-01), NEAR PANCHDEVASTHANA, P. B. ROAD, DAVANGERE, KARNATAKA - 577004
PH : 9880401284.

DAVENGERE

873. SHRUTI MOTORS (S101-S1-02), DOOR NO. 473/1, SURVEY NO. 18/1, BESIDE GMIT COLLEGE, OPP. M&M SHOWROOM, OLD P. B. ROAD, DAVANGERE, KARNATAKA - 577001
PH : 9880401284.

DEVANAHALLI

874. BIMAL AUTO AGENCY INDIA PVT. LTD. (VH01-VH-01), SURVEY NO.241/114/6, 11TH WARD, BB ROAD, DEVANAHALLI, BANGALORE DISTT. - 562110
PH : 9742262514.

DHARWAD

875. REVANKAR MOTORS PVT. LTD. (BIX1-BIX-01), SURVEY NO.1, PLOT NO. 10, OLD PB ROAD, OPP. KVG BANK, SAYDAPUR VILLAGE, DHARWAD, KARNATAKA - 580001
PH : 8861006707.

DODDABALLAPUR

876. PRATHAM MOTORS PVT. LTD. (BUA1-BUA-01), PLOT NO. 50, OBADENAHALLI INDUSTRIAL AREA, DODDABALLAPUR 3RD PHASE, SY. NO. 107, AREHALLI GUDDADAHALLI, KASABA HOBLI TALUK - DODDABALLAPUR, DISTRICT - BENGALURU RURAL. - 561203
PH : 9886671687.

GADAG

877. RNS MOTORS (7301-RK-0E), PLOT NO. 64, DIAGONALLY OPP. REGIONAL TRANSPORT OFFICE, HUBLI GADAG MAIN ROAD, GADAG - 582103
PH : 9538925602.

GANGAVATI

878. MUNEER ENTERPRISES PVT. LTD. (N701-KA-03), JAGANMATHA COMPLEX, RAICHUR ROAD, GANGAVATI, - 583227
PH : 9449870754.

GAURIBIDANUR

879. MANDОВI MOTORS PVT LTD. (BUY1-BUY-01), NO.592/522, E DIVISION, OPP. PUSHPANJALI TALKIES, B.H. ROAD, GAURIBIDANUR TOWN, DISTT. CHIKBALLAPUR - 561210
PH : 8217453513.

GOKAK

880. SHANTESHA MOTORS PVT. LTD. (IR01-IR-01), RS NO.108/30/2A, APMC ROAD, GOKAK, BELGAUM DISTT. - 591307
PH : 7829925760.

GONIKOPPAL

881. MANDОВI MOTORS PVT LTD. (2501-U3-07), KAIKERY VILLAGE, GONIKOPPAL, - 571213
PH : 9900064873.

GUDIBANDHA

882. BIMAL AUTO AGENCY INDIA PVT. LTD. (SGT1-SGT-01), DOOR NO:160, 1ST WARD, OPP TO GOVERNMENT BUS STAND, BAGEPALLI ROAD, GUDIBANDHA, CHICKABALLAPURA DISTRICT KARNATAKA - 561209
PH : 9742261903.

GULBARGA

883. LAHOTI MOTORS PVT. LTD (E902-E9-01), LAHOTI GARDENS, NEAR KMF, HUMNABAD ROAD, GULBARGA - 585104
PH : 9490825014.

884. LAHOTI MOTORS PVT. LTD (E902-E9-02), DOOR NO. 7-12-11, 2ND BLOCK, OPP. GUNJ BUS STAND, HUMNABAD ROAD, GULBARGA, KARNATAKA - 585104
PH : 7619342035.

GUNDLUPET

885. FRIENDLY MOTORS (INDIA) PVT. LTD. (BP1U-BPU-01), ASSESSMENT NO. 249/1 N. NO. 51/1, 2, 3, N.S. 11 AND ASSESSMENT NO. 249/4 S. NO. 51/1 N.S. 11, MYSORE-ODDY ROAD, GUNDLUPET. - 571111
PH : 9686865799.

HAGARIBOMMANAHALLI

886. MUNEER ENTERPRISES PVT. LTD. (BUX1-BUX-01), SITE NO.112A/2 & 112A/3, BLOCK NO.2, WARD NO.3, HAGARIBOMMANAHALLI PANCHAYAT, BELLARY DISTRICT. - 583212
PH : 9481343007.

HALIYAL

887. RNS MOTORS (SFM1-SFM-01), SURVEY NO: 347P/27, DOOR NO.B1180/15 & B1180/16, HANUMAN COMPLEX, HALIYAL CIRCLE, MAIN ROAD, HALIYAL TOWN & TALUK, UTTARA KANNADA DISTRICT, KARNATAKA - 581329
PH : 8284200200.

HARAHOLLI

888. SURAKSHA (SIH1-SIH-SIH1-01), SURVEY NO. 404, HOSAKOTE VILLAGE, HAROHALLI HOBLI, KANAKAPURA TALUK, RAMANAGARA, - 562112
PH : 9449865608.

HASSAN

889. VENKAT MOTORS (C802-C8-01), NO. 326, HASSAN GROWTH CENTRE, H.N. PURA ROAD, HASSAN - 573201
PH - 9840440038.

HAVERI

890. REVANKAR MOTORS PVT LTD (BBM1-BBM-01), NEAR TMAE SOCIETY CAMPUS, IJARILAKAMPUR, PB ROAD, HAVERI - 581110
PH :7022016903.

H-CROSS

891. BIMAL AUTO AGENCY INDIA PVT. LTD. (CRQ1-CRQ-01), PART NO.1, SITE NO.36, SBT COMPLEX, HOSKOTE-BANGALORE ROAD, KARIYANAPURA, H CROSS, SHIOLAGHATTA TALUK, BANGALORE RURAL DISTT. CHIKKABALLAPURA - 562122
PH - 9738948126.

HEBRI

892. ABHARAN MOTORS PVT LTD (BGD1-BGD-01), SURVEY NO. 61-7C1P1 & 61-2P1, VILLAGE & TALUK - HEBRI, KARKALA, DIST.-UDUPI, KARNATAKA - 576112
PH :9900077605.

HEGGADADEVANA KOTE (H D KOTE)

893. FRIENDLY MOTORS (INDIA) PVT. LTD. (CJC1-CJC-01), SURVEY NO. 5/4, VILLAGE - YARAHALLI, KASABA HOBLI, TALUK - H.D.KOTE, DISTRICT - MYSORE. - 571125
PH :9686855799.

HESSARGHATA

894. BIMAL (SGN1-SGN-01), SY NO 294/3, HESARGHATTA VILLAGE YELAHANKA TALUK, BENGALURU,KARNATAKA - 560088
PH :9743658662.

HOSDURGA

895. SAKETH AUTOMOBILES (BWO1-BWO-01), ASSESSMENT NO. 9310/6, PLOT NO. 6, HOSADURGA TOWN, SARASWATI BADAVANE, HOSADURGA, DIST.-CHITRADURGA, KARNATAKA - 577 527
PH :7625089846.

HOSKOTE

896. BIMAL AUTO AGENCY INDIA PVT. LTD. (0216-SM-05), NO. 205/108, SITUATED AT HOSKOTE TALUK, KASABA HOSKOTE TOWN, DISTT. - BANGALORE - 562114
PH :9742281726.

HOSPET

897. MUNEER ENTERPRISES PVT. LTD. (N701-N7-01), BELLARY ROAD,SANKLAPUR,HOSPET - 583203
PH :7619505001.

HUBLI

898. RNS MOTORS (7301-73-01), PUNE - BANGALOR ROAD, UNKAL, HUBLI - 580025
PH :9538965302

899. RNS MOTORS (7301-73-0F), GOKUL ROAD MUREDESHWAR BHAVAN , HUBLI - 580030
PH :8661208532.

900. REVANKAR MOTORS PVT. LTD. (7303-73-01), CTS NO.165/A, WARD NO.III, DESHPANDE NAGAR, HUBLI (KARNATAKA) - 580029
PH :8792008301.

HUNSUR

901. FRIENDLY MOTORS(INDIA) PVT. LTD. (GLI1-GLI-01), M-18 & M-19, KSSIDC INDUSTRIAL ESTATE, BM BYPASS ROAD, HUNSUR, MYSORE DISTRICT, KARNATAKA - 571105
PH :7022696999.

JEWARGI

902. LAHOTI (SLI1-SLI-01), S NO: 125, PLOT NO.7, FILTER BED ROAD, OPP. BUS DEPOT, JEWARGI, KALABURGI DISTRICT (FORMERLY GULABARGA) , KARNATAK-585310 - 585310
PH :9480825004.

KADABA

903. MANDOVI MOTORS PVT LTD. (BYE1-BYE-01), SURVEY NO.-11/20, KALARA, KADABA POST, DAKSHIN KANNADA DISTT. , KARNATAKA - 574221
PH :9740912365.

KADUR

904. SHRUTI MOTORS (BOS1-BQS-01), SHOP NO. 1 & 2, DAGA COMPLEX, LILIKINAKALLU, NEAR PEARLS CLUB, B.H. ROAD, KADUR, DISTRICT - CHIKMAGALUR. - 577548
PH :8904823736.

KANAKAPURA

905. KALYANI MOTORS PVT. LTD. (BXY1-BXY-01), SURVEY NO. 447/1B, KASABA HOBLI, BUDIGUPPE GRAMA, TALUKA- KANAKAPURA, DISTRICT- RAMANAGARA. KARNATAKA. - 562117
PH :9900599933.

KARKALA

906. ABHARAN MOTORS PVT LTD (G601-HY-03), NH-13, MANGALORE KUDREMUKH ROAD, PULKERI, KARKALA - 574104
PH :9880232666.

KARWAR

907. BHARATH AUTO CARS PVT. LTD. (8J01-8J-01), SURVEY NO. 459/2B, 456/2B AND 456/3, CHITTKAKULA VILLAGE, KARWAR TALUKA, UTTARKANNADA DISTRICT, KARNATAKA - 581301
PH :7829567400.

KITTUR, BELGAUM

908. SHANTESHA (SFO1-SFO-01), PLOT NO. 219, KITTUR INDUSTRIAL AREA (KIADB), POONA BANGALORE HIGHWAY (NH-4),KITTUR TOWN AND TALUK, BELGAUM DISTRICT , - 591115
PH :9731396808.

KOLAR

909. MANDOVI MOTORS PVT LTD. (0201-QU-0F), 67/3 BANGALORE-CHENNAI HIGHWAY, KONDARAJANA HALLI, OPP HOTEL SHANTHI SAGAR, KOLAR. - 563101
PH :9740020734.

KOPPAL

910. K.P.F. PVT. LTD. (ER01-ER-01), SL. 283/10, NEAR MINI VIDHAN SOUDHA, KOPPAL HOSPET ROAD NH63, KOPPAL - 583238
PH :9449876027.

KRISHNARAJANAGARA (KRNGARA)

911. FRIENDLY MOTORS(INDIA) PVT. LTD. (SCQ1-SCQ-01), NO.D, DORNAHALLI,DODDEKOPPALU GRAMA PANCHAYAT,KASABA HOBLI, KRISHNARAJANAGARA, MYSORE DISTRICT,KARNATAKA - 571602
PH :8971159430.

KRISHNARAJAPET

912. MANDOVI MOTORS PVT LTD. (BMP1-BMP-01), KHATA NO.3094, SY. NO.278, MYSORE CHENNERAYAPATNA ROAD (OPP. TO K.B.C. FUEL STATION), KRISHARAJAPET TOWN, TALUK MANDYA DISTT. KARNATAKA - 571423
PH :9845132038.

KUMTA

913. BHARATH AUTO CARS PVT. LTD. (AFA2-AFA-01), MALLYYA'S COMPOUND, NH-66, ALFEKODI KALBAGH VILLAGE, KUMTA (KARNATAKA) - 581334
PH :9448979530.

KUNDAPUR

914. ABHARAN MOTORS PVT LTD (G601-CY-02), NH-17, THAKKATTE, KUNDAPURA - 272877
PH :9880197524.

KUNIGAL

915. SAKETH AUTOMOBILES (VQ01-VQ-01), NEAR KRS AGRAHARA,BM ROAD, KUNIGAL, TUMKUR DISTRICT, KARNATAKA - 572130
PH :9686550127.

KUSHAL NAGAR

916. MANDOVI MOTORS PVT LTD. (VN01-VN-01), SY NO:88,MADAPATANA,KUSHAL NAGAR,SOMVARPUR,NORTH KODAGU, KARNATAKA - 571234
PH :9900080893.

LINGASUGUR

917. MUNEER ENTERPRISES PVT. LTD. (BOC1-BOQ-01), PLOT NO. 11, BASAMMA COMPLEX, RAICHUR ROAD, LINGSUGUR, RAICHUR, KARNATAKA - 584122
PH :9480830255.

MADDUR

918. MANDOVI MOTORS PVT LTD. (BMK1-BMK-01), SURVEY NO 802/2A4B, NEAR SANJAY THEATRE, BM ROAD, MADDUR TOWN,MANDYA DISTRICT, KARNATAKA - 571428
PH :90080 31608.

MADIKERI

919. FRIENDLY MOTORS (INDIA) PVT. LTD. (2502-QX-02), BASAPPA THEATURE BUILDING, DASAWAL ROAD,MADIKERI KODAGU DISTRICT. - 571201
PH :9606073867.

MAGADI

920. PRATHAM MOTORS PVT. LTD. (BHX1-BHX-01), SY NO:922, THIRUMALAI VILLAGE, KASABA HOBLI, MAGADI TOWN & TALUK, RAMANAGARA DISTRICT, KARNATAKA - 562120
PH :9900058483.

MANDYA

921. MANDOVI MOTORS PVT LTD. (2501-BD-06), 1660/A, KALLAHALLI EXTENSION, M.C. ROAD. - 571401
PH :9611165873.

MANGALORE

922. MANDOVI MOTORS PVT LTD. (4502-45-01), ARVIND BUILDING, BALMATTA ROAD, HAMPANKATTA, MANGALORE - 575001
PH :9845107701.

923. MANDOVI MOTORS PVT LTD. (4502-45-03), NO., HASSAN GROWTH CENTRE,ADYAR.N.H.-48,,MANGALORE - 575007
PH :9845514146.

924. BHARATH AUTO CARS PVT. LTD. (4503-45-01), NH-17, KUNTIANG JUNCTION, DEREBAIL, NEAR A.J. HOSPITAL, MANGALORE - 575004
PH :9886785730.

925. MANDOVI MOTORS PVT LTD. (4502-45-07), BALLAL INDUSTRIAL ESTATE, YAYYADI, MANGALORE,KARNATAKA - 575008
PH :9890079235.

926. BHARATH AUTO CARS PVT. LTD. (4503-45-06), PLOT NO.290/1, 291/1, KODIALBALI VILLAGE, NEXT TO BHARATH BEEDI WORKS PVT. LTD., BUNTS HOSTEL, KADRI ROAD, MANGALORE, KARNATAKA - 575002
PH :9886333030.

927. MANDOVI MOTORS PVT LTD. (4502-45-08), DOOR NO. 2-63/4, SUJITH BAGH LANE, YEYYADE, MANGALORE, DISTRICT - DAKSHINA KANNADA, KARNATAKA - 575008
PH :9880278077.

Dealer Workshop (AS ON 30.05.2023)

928. BHARATH AUTO CARS PVT. LTD. (4503-45-08), S. NO. 1378/1-41, 1375/41-2-A1P1, 2A1P3, 1373/1-40, 1369/1-40-A2, KASABA BAZAR, KANDADAPALLI, KUDROLI, TALUK MANGALORE, MANGALORE, KARNATAKA. - 575003 PH :9886785730.	938. FRIENDLY MOTORS (INDIA) PVT. LTD. (BYK1-BYK-01), 4340/4159/4, HULLAHALLI ROAD, NANJANGUD, DISTRICT - MYSORE, KARNATAKA. - 571301 PH :9686855799.	RANEENNUR 947. REVANKAR MOTORS (BXV1-BXV-01), SCHEDULE A-2. OPP. STJIT ENGINEERING COLLEGE, P B ROAD, RANEENNUR, KARNATAKA. - 581115 PH :8839047883.	957. MUNEER ENTERPRISES PVT. LTD. (CTN1-CTN-01), SITE NO:31C/1B & PLOT NO.1, BELLARY - SIRUGUPPA MAIN ROAD, SIRUGUPPA TALUK, BELLARY DISTRICT. - 583121 PH :7619505001.
MUDBIDRI 929. BHARATH AUTO CARS PVT. LTD. (4503-HN-03), BHARATH BEEDI COMPOUND, NEAR ALVAR'S HOSPITAL, MOODBIDRI - 574227 PH :9886785430.	NARASIMHARAJAPURA 939. SHRUTI MOTORS (SPP1-SPP-01), SURVEY NO # SURVEY NO.173,/P KOPPA ROAD, NAGALAPURA VILLAGE,NARASIMHARAJAPURA, CHIKMAGALU R DIST.,KARNATAKA - 577134 PH :8310187660.	SAGAR 948. SHRUTI MOTORS (WF01-WF-01), BESIDE H GANAPATHIYAPPA PETROL BUNK (BP), B H ROAD, NH-206, SAGAR, SHIMOGA DISTT. - 577401 PH :9740014703.	SOMMARPET 958. MANDOVI MOTORS PVT LTD. (CSG1-CSG-01), SURVEY NO.130 SITUATED AT MADIKERI ROAD, NAGROOR VILLAGE, BALAGUNDA POST, SOMMARPET TALUK, NORTH KODAGU DISTT. - 571236 PH :9845115665.
MUDHOL 930. VIJAY MOTOWINGS (ET01-ET-01), PLOT NO. 3B, IN NARS NO. 15-2, WARD NO. 5, VISHWESHWAR COLONY, LOKAPUR ROAD, MUDHOL TOWN, BAGALKOT DIST. - 587 313 PH :9606046173.	NELAMANGALA 940. RNS MOTORS LIMITED (BBH1-BBH-01), NO.167/2, TUMKUR ROAD, KASABA HOBLI, NH4, NELAMANGALA, BANGALORE RURAL DT., BENGALURU, KARNATAKA - 562123 PH :7259875385.	SAKLESHPUR 949. VENKAT MOTORS (BPW1-BPW-01), SITE NO. 19, 3RD WARD, SARASWATHIPURAM, SAKLESHPUR TOWN, DISTRICT - HASSAN. - 573134 PH :7892809634.	SRINIVASAPURA 959. SURAKSHAA CAR CARE PVT. LTD. (BUR1-BUR-01), SY NO. 40, VPRD NO. 86, PROPERTY NO. 84 & 87, CHALDIGANA HALLI GRAMA PANCHAYATH, PANNASAMAKANA HALLI VILLAGE, SRINIVASAPURA POST & TALUK, DIST.-KOLAR, KARNATAKA - 563 135 PH :9449865601.
MULKI 931. BHARATH AUTO CARS PVT. LTD. (4503-QV-05), BHARATH BEEDI COMPOUND, NH-17 MULKI - 574154 PH :9986020730.	NELYADI 941. BHARATH AUTO CARS PVT. LTD. (BPF1-BPF-01), SURVEY NO. 97/11P AND SURVEY NO. 97/9, VILLAGE - HOSAMAJJALU KAUKRADY, POST - NELYADI, TALUK - PUTTUR, DIST.-DAKSHIN KANNADA - 574229 PH :9886072730.	SARJAPURA 950. PRATHAM MOTORS PVT. LTD. (BSY1-BSY-01), SURVEY NO. 476/3, SARJAPUR TOWN, TALUKA - ANEKAL, SARJAPUR HOBLI, DISTRICT - BANGALORE URBAN, KARNATAKA. - 562125 PH :7760962890.	SULLIYA 960. MANDOVI MOTORS PVT LTD. (4502-EW-04), ODABA1 SULLIA,MANGALORE MYSORE ROAD,KARNATAKA - 574239 PH :9900002325.
MURUDESHWAR 932. RNS MOTORS (7301-T8-02), NH-17, MANGALORE-BOMBAY ROAD, MURUDESHWAR, KARNATAKA - 581350 PH :9539965969.	OORGAUMPET 942. BIMAL AUTO AGENCY (CODE UNDER CREATIONS-CODE UNDER CREATIONS-CODE UNDER CREATIONS), SITE NO-10, NEW KATHA NO: 251, ROBERTSONPET, KGf, OORGAUMPET, KOLAR DIST, KARNATAKA- 563122 - 563122 PH :9513748707.	SHIMOGA 951. SHRUTI MOTORS (B701-B7-01), K.NO 599, SHANKARMUTT ROAD, SHIMOGA - 577201 PH :9880401283. 952. SHRUTI MOTORS (B701-B7-03), BLOCK L-1, INDUSTRIAL ESTATE, BEHIND HP PETROL BUNK, SAGAR ROAD, SHIMOGA. - 577204 PH :9886829239.	SURATHKAL 961. MANDOVI MOTORS PVT LTD. (4502-7G-02), KANA ROAD, SURATHKAL - 574158 PH :9845514143.
MYSORE 933. MANDOVI MOTORS PVT LTD. (2501-25-01), NO: 5 K.R.S.ROAD, MYSORE - 570005 PH :9945248860. 934. MANDOVI MOTORS PVT LTD. (2501-25-05), NO.182/145/C, BANNER ROAD, SIDHARTHA NAGAR, MYSORE, KARNATAKA - 570011 PH :9845939936. 935. FRIENDLY MOTORS (INDIA) PVT. LTD. (2502-25-01), MANATHAVADI ROAD, VIDYARANYA PURAM, MYSORE - 570008 PH :7259255558. 936. MANDOVI MOTORS PVT LTD. (2501-25-08), 217/2,, HUNSUR ROAD, HINKAL POST, MYSORE, KARNATAKA - 570017 PH :9845939937.	PADUBIDRI 943. ABHARAN MOTORS PVT LTD (CSI1-CSI-01), PLOT NO. 51/20, VILLAGE - PADUBETTU, PADUBIDRI TOWN, TALUKA & DISTRICT - UDUPI, KARNATAKA. - 574111 PH :9880232999.	SIDDAPUR 954. BHARATH AUTO CARS PVT. LTD. (BPY1-BPY-01), SURVEY NO. 211, NEAR IOCL PETROL BUNK, JOG ROAD, VILLAGE - HOSUR, TALUK - SIDDAPUR, DISTRICT - UTTARA KANNADA - 581355 PH :9449402730.	T. NARASIPURA 962. MANDOVI MOTORS (SFL1-SFL-01), KHATA NO:472/473/474, OPP TO SRI RAGHAVENDRA SWAMY MUTT, CHAMARAJANAGAR ROAD, T. NARASIPURA TOWN, MYSORE DISTRICT, KARNATAKA - 571124 PH :9845132038.
NAGAMANGALA 937. MANDOVI MOTORS PVT LTD (SFK1-SFK-01), SURVEY NO:3316/2327,VISHALAXAMMA COMPLEX, T B BADAVANE B M ROAD, NAGAMANGALA TOWN, MANDYA DISTRICT, KARNATAKA - 571432 PH :9845132038.	PADUBIDRI 943. ABHARAN MOTORS PVT LTD (CSI1-CSI-01), PLOT NO. 51/20, VILLAGE - PADUBETTU, PADUBIDRI TOWN, TALUKA & DISTRICT - UDUPI, KARNATAKA. - 574111 PH :9880232999.	SIDDAPUR 954. BHARATH AUTO CARS PVT. LTD. (BPY1-BPY-01), SURVEY NO. 211, NEAR IOCL PETROL BUNK, JOG ROAD, VILLAGE - HOSUR, TALUK - SIDDAPUR, DISTRICT - UTTARA KANNADA - 581355 PH :9449402730.	THIRTHAHALLI 963. SHRUTI MOTORS (BOR1-BOR-01), PLOT NO. 1507/2/187, OPP. TO HEGDE PETROL PUMP, AGUMBE ROAD, THIRTHAHALLI . - 577432 PH :7795851011.
NANJANGUD	PUTTUR 944. BHARATH AUTO CARS PVT. LTD. (4503-CZ-02), NEAR RAIWAY STATION, HARADY, PUTTUR - 517583 PH :9886072730.	SIRISI 955. RNS MOTORS LTD (MQ01-MQ-01), SURVEY NO 43/B, LANDAKANALLI VILLAGE, DODNALLI GRAMA, SIRSI TALUK AND HOBLI, UTTAR KANNADA, KARNATAKA - 581402 PH :9895979023.	THOKOTU 964. BHARATH AUTO CARS PVT. LTD. (QW01-QW-01), NH-66, KAPIKAD, ULLAL-THOKOTTU, DAKSHINA KANNADA DISTT. - 575017 PH :9538796330.
	RAICHUR 945. MUNEER ENTERPRISES PVT. LTD. (N701-3K-02), #12-10-64, GOUSHAL ROAD,SIYA TALAB AREA,RAICHUR - 584101 PH :9480830264.	SIRSI 956. RNS MOTORS (7301-MQ-0D), K H B COLONY, SIRSI - 581402 PH :9538925606.	TIPTUR 965. SAKETH AUTOMOBILES (H101-HV-03), BANDIHALLI INDUSTRIAL ESTATE, N.H.:206, TIPTUR, KARNATAKA - 572201 PH :9945301023.
	RAMANAGARAM 946. KALYANI MOTORS PVT. LTD. (0211-JB-02), #K1318/2034C,OPP TO ROTARY HOSPITAL,BM ROAD, RAMNAGARAM - 571511 PH :9686689007.	SIRUGUPPA	TUMKUR

966. SAKETH AUTOMOBILES (H101-H1-01), SIRA ROAD, TUMKUR - 572106
PH :9686550323.

UDUPI

967. ABHARAN MOTORS PVT LTD (G601-G6-01), N.H. 17, NITTUR, UDUPI - 576103
PH :9880232999.

968. ABHARAN MOTORS PVT LTD (G601-G6-05), NO. 305/1C, DOOR NO. 5-51A, RAILWAY STATION ROAD, INDRALI, UDUPI, DISTT. - UDUPI. - 576101
PH :9686694341.

UJIRE

969. BHARATH AUTO CARS PVT. LTD. (BWT1-BWT-01), SURVEY NO.237-2B1, MANGALORE-CHARMADY ROAD, NEAR INDIAN OIL PETROL PUMP, SAMPIGE NAGAR, UJIRE, BELTHANGAD TALUKA, DISTT. DAKSHINA KANNADA, KARNATAKA. - 574240
PH :9886176130.

UPPINANGADI

970. MANDОВI MOTORS PVT LTD. (4502-NL-05), NR.PADMA VIDYA IOC PETROL STATION-34, NEKKLADY, UPPINANGADY - 574241
PH :9740912365.

VIJAYPURA

971. BIMAL AUTO AGENCY (BTZ1-BTZ-01), DOOR NO 563, MARUTHI NAGAR, CHIKKABALLAPUR ROAD, VIJAYAPURA TOWN, DEVANAHALLI TALUK, BANGALORE RURAL DISTRICT KARNATAKA. - 562135
PH :9884433996.

VITTAL

972. MANDОВI MOTORS PVT LTD. (CCE1-CCE-01), DOOR NO. 1-287 (9), JISHAN COMPLEX, VITTAL TOWN, TALUKA - BANTWAL, DISTRICT - DAKSHIN KANNADA - 574243
PH :9008810123.

YADGIR

973. LAHOTI MOTORS (SFP1-SFP-01), SURVEY NO. 101/1, GULSARAM VILLAGE, YADGIR TOWN & DISTT. SHAHPUR TALUKA, KARNATAKA PH :9480825031.

YELLAPUR

974. REVANKAR MOTORS PVT. LTD (CUR1-CUR-01), PLOT NO. 4 A1A1A1 GR 5, UDYAM NAGAR, YELLAPUR POST, BALGIMANI, HUBLI ANKOLA, YELLAPUR TOWN, UTTARA KANNADA DIST., KARNATAKA. - 581359
PH :7090772121.

KERALA

ADOOR

975. INDUS MOTOR COMPANY PRIVATE LIMITED (2702-CJ-0A), M. C. ROAD, MITHRAPURAM, ADOOR, PATHANMTHITTA - 689518
PH :9745598303.

976. AVG MOTORS LTD. (Y501-CJ-02), KOTTAMUKAL, K.P. ROAD, ADOOR PO, PATHANMTHITTA, KERALA - 691523
PH :9446355900.

ALANALLUR

977. KVR AUTOCARS PVT LTD (CIW1-CIW-01), BUILDING NO. 10/1050, CHANDAPPADI, MANNARKAD ROAD, POST - ALANALLUR, TALUKA - MANNARKAD, DISTRICT - PALAKKAD, KERALA. - 678601
PH :9747020582.

ALATHIYOOR

978. A M MOTORS (E601-CVJ-11), RE SURVEY NO. 160/3, 161/7 (OLD SURVEY NO. 359/1), VILLAGE - ALATHIYOOR, TIRUR PONNAI ROAD, TALUKA - TIRUR, DIST. -MALAPPURAM, KERALA - 676102
PH :9895940000 , 9072998833.

ALATHUR

979. BRD CAR WORLD LIMITED (BRW1-BRW-01), SURVEY NO. 456/8, 455/8, 455/9, ERATTUKKULAM, KATTUSSERY VILLAGE, ALATHUR TALUKA, PALAKKAD DISTRICT, KERALA - 678682
PH :9745634999.

ALLEPPY

980. INDUS MOTOR COMPANY PRIVATE LIMITED (2702-E5-12) BLOCK NO. 145, RE-SURVEY NO. 79, ALAPPUZHA WEST VILLAGE, AMBALAPPUZHA TALUK, ALAPPUZHA DIST. KERALA-699002. - 699002
PH :9745977744.

ALLEPY

981. POPULAR VEHCILES (E502-E5-01), BUILDING NO. XVIII/135, DOOR NO. 13/449, CCSB ROAD, PALACE WARD, CHUNGAM, ALAPPUZHA, KERALA-688011. - 688011
PH :9778698161.

ALUVA

982. BRD CAR WORLD LIMITED (A404-CBQ-09), RE SURVEY NO.330/7, NH-47, KUNNUMPURAM, PO-DESHAM PANCHAYATH, CHENGAMANAD, ALUVA. - 683102
PH :9745907100.

ANCHAL

983. SARATHY AUTO CARS (BOT1-BQT-01), SURVEY NO. 371/9, VILLAGE - IDAMULAKKAL, P.O. - ANCHAL, TALUK - PUNALUR, DISTRICT - KOLLAM. - 691306
PH :9526906665.

984. POPULAR VEHICLE (1601-BQT-14), RE SURVEY NO 581/5, BLOCK NO 33, ANCHAL VILLAGE, NEAR ALBILAL DRIVING SCHOOL, KATHADY JUNCTION, ANCHAL, KERALA - 691306
PH :9778698200.

ANGAMALY

985. INDUS MOTOR COMPANY PRIVATE LIMITED (2702-JW-0F), ANGAMAALY KALADY ROAD, MC ROAD, ANGAMALY - 683572
PH :9745998434.

986. POPULAR VEHICLES & SERVICES LTD. (2701-JW-0D), 182-AIRPORT JUNCTION NAGAR, M. C. ROAD,ANGAMALY - 683572
PH :8086078886.

ATTINGAL

987. POPULAR VEHICLES & SERVICES LTD. (1601-SX-07), PALAMKONAM, PERUNKULAM,VIA- ALAMCODE, ATTINGAL - 695102
PH :8086078788.

988. SARATHY AUTODRIVES PVT LTD (SX05-SX-01), SURVEY NO. 2952/17 & 2952/4, KIZHUVILLAM VILLAGE, ATTINGAL, CHARAYINKEEZHU TALUK, TRIVANDRUM DIST., KERALA. - 695 104
PH :9526052785.

989. INDUS MOTOR COMPANY PRIVATE LIMITED (SX01-SX-01), SY. NO. 54/13, 14, 15, 16, (OLD SY. NO. 22, 22/13, 16), IN BLOCK NO. 3 OF VELLOOR VILLAGE, EASTERN SIDE OF NATIONAL HIGHWAY 47, NEAR INTERNATIONAL SCHOOL, CHEMBAKMANGALAM, KORANI PO, ATTINGAL, TRIVANDRUM DIST., KERALA. - 695104
PH :9747550888.

BALARAMPURAM

990. POPULAR VEHICLES & SERVICES LTD. (1601-AQA-11), POOVAR ROAD, VAZHIMUKKU, BALARAMAPURAM P.O., TRIVANDRUM DISTRICT - 695501
PH :8943345922.

CALICUT

991. INDUS MOTOR COMPANY PRIVATE LIMITED (4701-47-01), MARUTI WORKSHOP, PANIKKER ROAD, CALICUT, NADAKKAVE - 673011
PH :9745998019.

992. POPULAR VEHICLES & SERVICES LTD. (4702-47-02), BEHIND MIMS, EASWARAMANGALAM ROAD, GOVINDAPURAM P.O., CALICUT - 673016
PH :9846298813.

993. INDUS MOTOR COMPANY PRIVATE LIMITED (4701-47-06), KOYA ROAD JUNCTION, PUTHYANCADI, POST WEST HILL, CALICUT - 673005
PH :9745998020.

994. INDUS MOTOR COMPANY PRIVATE LIMITED (4701-47-08), NEAR STEEL COMPLEX, NALLALAM, CALICUT - 673855
PH :9745998019.

995. POPULAR VEHICLES & SERVICES LTD. (4702-47-07), NH-17 P.E. PASS,PACHAKKIL, MALAPARAMBU P.O., KOZHIKODE, CALICUT - 673009
PH :9288012082.

996. CARINO MOTORS (CARINO AUTO INFRA PVT. LTD.) (4704-47-01), RE SURVEY NO. 13, BUILDING NO. 5/548, KRISHNARJUNA BUILDING, AREEKAD, VILLAGE AND PANCHAYATH - CHERUVANNUR, P.O. - NALLALAM, CALICUT (KOZHIKODE) , KERALA. - 673027
PH :7592898888, 7594997888.

CHALAKUDY

997. BRD CAR WORLD LIMITED (ZJ02-ZJ-01), MURINGOOR P.O., CHALAKUDY - 680316
PH :9645176999.

998. INDUS MOTOR COMPANY PRIVATE LIMITED (ZJ03-ZJ-01), SURVEY NO. 53/1, 53/2 & 55/1, PANAMBILLY COLLEGE JUNCTION, VILLAGE-PERAMBRA, POTTA, TALUKA CHALAKKUDY, DISTT. THRISSUR, PIN-680307, KERALA - 680307
PH :9747557355.

CHALAKUDY/ CHILLAKUDDY/ THRISSUR

999. POPULAR VEHICLES & SERVICES LTD. (2701-SU-0C), OPPOSITE CCMK HOSPITAL, VELLIKULAM ROAD, CHALAKUDY, KERALA - 680307
PH :9072609600.

CHANGARAMKULAM

1000. A M MOTORS (VH01-VH-01), MELE MANTHADAM, ALANKODE, P.O., CHANGARAMKULAM, MALAPPURAM DISTT, KERALA - 679585
PH :9895576008.

CHAVAKKAD

1001. BRD CAR WORLD LIMITED (A404-OJ-06), ORUMANAYOOR P.O.CHAVAKKAD, DISTRICT-THRISSUR - 680512
PH :9645963999.

1002. SAI SERVICE PRIVATE LIMITED (OJ02-OJ-01), SURVEY NO. 26/5, MULLANTHARA PARAMBU, OVUNGAL, KUNNAMKULAM ROAD, TALUK - GURUVAYUR, CHAVAKKAD.) - 680506
PH :9495883852.

CHENGANNUR

1003. SARATHY AUTO CARS (C701-UL-06), PRAYUMKOD, THIRUVANVANDOOR P.O. CHENGANNUR TALUK, ALAPPUZHA (DIST) - 689124
PH :9447002647.

Dealer Workshop (AS ON 30.05.2023)

1004. SAI SERVICE (UL03-UL-01), SURVEY NO. 276/2,11,13,13-2-2, NEAR BPCL PUMP AND SURVEY NO. 276/12, M C ROAD, NEAR LABHAM MAVELI STORE,CHENGANNUR PO & MUNICIPAL, CHENGANUR VILL & TALUK, ALAPUZA DIST., KERALA-689121 - 689121 PH :9288024220.

CHERPULASSERY

1005. KVR AUTOCARS PVT LTD (NB01-NB-01), SURVEY NO. 154/4, RS NO. 154/4, VILLAGE – CHERUPPULASSERY, TALUK – OTTAPPALAM, DISTRICT – PALAKKAD - 679503 PH :9774020582, 280100.

CHERTHALA

1006. INDUS MOTOR COMPANY PRIVATE LIMITED (VL03-VL-01), OPPOSITE TO S.N. COLLEGE, S.N. PURAM P.O., KANJIKUZZHI,CHERTHALA, ALAPPUZA-DIST. - 688552 PH :9745997633.

1007. POPULAR VEHICLES & SERVICES PVT. LTD. (VL02-VL-01), RE-SURVEY NO.1502/1-1,147/3, BUILDING NO.KP-18/80, N.H. KANJIKUZZHI VILLAGE, CHERTHALA, ALAPPUZA DISTTT. - 688582 PH :9072530127.

CHINGAVANAM

1008. POPULAR (I602-16-I602-01), BUILDING NO. VI 461, RE SURVEY NO. 290/9, GOMATHI JUNCTION, MAVILANGU KARA, CHINGAVANAM P.O., DISTT. KOTTAYAM, KERALA - 686531 PH :9778690817.

CHITTUR

1009. INDUS MOTOR COMPANY PRIVATE LIMITED (BOX1-BOX-01), S.NO.719/3 AND 721/1, RE SURVEY NO.67/11/10, VELLIYAVALLAMPATHY VILLAGE, KOZHINAMPARA, CHITTUR, PALAKKAD DISTT. - 678555 PH :9745991560.

CHULLIMANOOR

1010. POPULAR VEHICLES (1601-BAI-16), RE-SURVEY NO. 43/7, VILLAGE-ANAND, CHULLIMANOOR TOWN, TALUKA-NEDUMANGAD, DIST. TRIVANDRUM, PIN-695541, KERALA - 695541 PH :9778690745.

COCHIN

1011. POPULAR VEHICLES & SERVICES LTD. (2701-27-01), PERANDOR ROAD, PUNNAKAL, ELAMAKKARA, COCHIN - 682025 PH :9846017725.

1012. SAI SERVICE PRIVATE LIMITED (2705-27-02), NH-47 ,PATHADIPALAM,EDAPPALLY,COCHIN - 682024 PH :9645105057.

1013. POPULAR VEHICLES & SERVICES LTD. (2701-27-04), NEAR LISI HOSPITAL, OPP. IMA BLOOD BANK, COCHIN, - 682018 PH :9846298618.

1014. INDUS MOTOR COMPANY PRIVATE LIMITED (2702-27-02), BEHIND COMMERCIAL SALES TAX, M.G. ROAD, COCHIN, - 682015 PH :9745998040.

1015. SAI SERVICE PRIVATE LIMITED (2705-27-01), 50/1 15L., CHERANALLOOR ROAD,EDAPPALLY,COCHIN - 682024 PH :9645106339.

1016. INDUS MOTOR COMPANY PRIVATE LIMITED (2702-27-09), PALARIVATTOM KAKANAD ROAD, KAKANAD, COCHIN - 682030 PH :9745998013.

1017. SAI SERVICE PRIVATE LIMITED (2705-27-08), KETTEZHUTHUM KADAVU, INTUC JUNCTION, NETTOOR, ERNAKULAM, COCHIN (KERALA) - 682040 PH :8129496818.

1018. GEORGE MAIJO AUTOMOBILES PVT. LTD. (2709-27-01), DOOR NO.5/452, 5/452A, 5/453, OLD ELOOR ROAD, ELOOR JUNCTION, NORTH KALAMASSERY, DISTRICT - ERNAKULAM, COCHIN. - 683104 PH :7559979864, 4237700.

1019. INDUS MOTOR COMPANY PRIVATE LIMITED (2702-27-0L), SURVEY NO. 30-A/32, KARIKKAD ROAD, THEKUMBHAGAM, PUTHIYAKAVU, TRIPUNITHURA, ERNAKULAM, KERALA - 682301 PH :9745992070.

1020. GEORGE MAIJO AUTOMOBILES PVT. LTD. (2709-27-02), PLOT NO.2/316, NH-47, MARADU VILLAGE, KANNIKAD, NEAR SAROVARAM, KUNDANOOR, COCHIN (KERALA) - 607001 PH :7994763336.

EDAPPAL

1021. POPULAR VEHICLES & SERVICES LTD. (4702-AM-05), KOZHIKODA ROAD, KAVILPADY, EDAPPAL, MALAPPURAM - 679582 PH :9946104680.

EDAVANNAPPARA

1022. POPULAR VEHICLES (GKP1-GKP-01), SURVEY NO. 77/16-1 & 77/2-4 ,BUILDING NO.18/152-B, CHEEKODE VILLAGE,EDAVANNAPARA KONDOTTY ROAD, CHERUVAYAPAR PO, MALLAPPURAM DISTRICT, KERALA-673645 - 673645 PH :#REF1.

FORT KOCHI

1023. SAI SERVICE PRIVATE LIMITED (BR51-BRS-01), PLOT NO.83/1,2 OPPOSITE TO KUMAR PETROL PUMP, STATUE ROAD, CHULLIKKAL POST, FORT KOCHI - 682005 PH :9645106330.

GURUVAYUR

1024. INDUS MOTOR COMPANY PRIVATE LIMITED (2702-A4-08), KUNAMKULLAM CHAVAKKAD ROAD, OPPOSITE CHOOLPURAM MOSQUE, GURUVYOOR, THRISSUR - 680505 PH :9745998015.

IRINJALAKUDA

1025. BRD CAR WORLD LIMITED (A404-KQ-05), KARUPADANNA P.O., IRINJALAKUDA, THRISSUR - 680670 PH :9539060999.

IRITTY

1026. INDUS MOTOR COMPANY PRIVATE LIMITED (R002-VJ-02), SURVEY NO. 48, BUILDING NO. 214, PERUPARAMBA, IRITTY, KANNUR, KERALA - 670703 PH :9747554929.

IRITY

1027. POPULAR VEHICLE (VJ02-VJ-01), RE-SURVEY NO. 14/4, 11/2, NEAR JABBAR KADAVU BRIDGE, KEEZHUR VILL., PERAVOOR ROAD, IRITTY MUNICIPAL, KANNUR DIST. KERALA - 670703 PH :7902473741.

KAIPAMANGALAM

1028. SAI SERVICE PRIVATE LIMITED (2705-RP-07), VAZHIYAMBALAM PO, KAIPAMANGALAM,THRISSURE - 680681 PH :8129496846.

KALAMASSERY/ ERNAKULAM

1029. INDUS MOTOR COMPANY PRIVATE LIMITED (2702-Q3-07), KALAMASSERY, ALUVA WEST, ERNAKULAM DIST, KERALA - 683106 PH :9745998012.

KALLAMBALAM

1030. POPULAR (QZ02-QZ-01), BUILDING NO. 5/472, NH-47, KADUVAPPALLY, THOTTAKAD P.O, KALLAMBALAM, TRIVANDRUM DIST., KERALA - 695605 PH :8096078788.

KALPETA

1031. INDUS MOTOR COMPANY PRIVATE LIMITED (4701-JE-0C), MEENANGADI, KAKKAVAYAL P.O., NORTH KALPETTA,WAYAND - 673591 PH :9745998592.

1032. KVR (JE02-JE-C1), BUILDING NOS. 363, 364, 365, 366,367,368 AND 369 CONSTRUCTED ON THE PLOT COMPRISED IN RESURVEY NOS. 719/6, 722/3, 722/22, 722/6, 722/8, 722/10, 722/21, SITUATED AT MUTTIL NORTH VILLAGE, VYTHIRI TALUK, KALPETTA SUB-DISTRICT, WAYNAD DISTRICT, KERALA - 673 122 PH :9747021902.

KANHAGAD

1033. KVR CARS (3L01-K2-02), ARANGADI, P.O. KANHANGAD, DIST. KASARGOD, - 671315 PH :9605040999.

1034. POPULAR VEHICLES & SERVICES LTD. (4702-K2-06), HIGHWAY JUNCTION,KANHANGAD SOUTH P.O.,KANHANGAD - 689641 PH :9946104685.

KANHANGAD

1035. INDUS MOTOR COMPANY PRIVATE LIMITED (4701-K2-0F), SURVEY NO.491/3A1 AND 491/3A2, AJANUR VILLAGE, KANHANGAD, HOSADURGA TALUK, KASARGOD DISTT, KERALA. - 671541 PH :9745998024.

KANJIRAPPALLY

1036. INDUS MOTOR COMPANY PRIVATE LIMITED (7E01-9Y-02), VADAKUMBHAGAM KARAYIL, KUNNAMBHAGAM P.O. , KANJIRAPPALLY - 686506 PH :9745998009.

1037. AVG MOTORS LTD. (9Y03-9Y-01), NEW SURVEY NO. 187/2 (OLD SURVEY NO. 299/1, 299/11), KANJIRAPPALLY VILLAGE & TALUKA, KOTTAYAM DISTRICT, KERALA - 686512 PH :8606071155.

KANNUR

1038. HAR CARS (K101-K1-01), HAR AVENUE, KANNOTHUMCHAL, CHOVA POST, KANNUR - 670006 PH :9539009480.

1039. HAR CARS (K101-K1-03), POTTIAN SHEKHARAN ROAD, MAKKANY , SOUTH BAZAR, KANNUR - 670002 PH :9539009443.

1040. INDUS MOTOR COMPANY PRIVATE LIMITED (4701-K1-0E), BALANKINAR JN., KATTAMPALLY.P.O, KANNUR - 690011 PH :9745998023.

1041. KVR CARS (3L01-K1-04), CP-3-651-B, OPP. DHANRAJ TALKIES, PUTHIYATHERU, CHIRAKKAL POST, KANNUR, KERALA - 670011 PH :956034333.

1042. POPULAR VEHICLES & SERVICES LTD. (4702-K1-0F), PLOT NO.82/6A, NEAR CHARAPPURAM SREEMUTHAPPAN KAVU, KAPPAD ROAD, THAZHE CHOVVA (PO), KANNUR - 670018 PH :9846062796.

KARIKKAD

1043. BRD CAR WORLD LIMITED (A404-GE-02), BRD INDUSTRIAL ESTATE,KARIKKAD, KUNNAMKULAM - 680519 PH :995804599.

KARUNAGAPPALLY

1044. SARATHY AUTO CARS (C701-AQ-05), K.S. PURAM,NEELIKULAM, KARUNAGAPPALLY,KOLLAM, - 690544 PH :9526691565.

1045. INDUS MOTOR COMPANY PRIVATE LIMITED (AQ03-AQ-01), SY NO.243/1, 243/10, 243/16, 243/14, 243/15, 243/18, EDAPPALLY KOTTA JUNCTION, NEAR TITANIUM, CHAVARA POST, KARUNAGAPALLY, DISTT. KOLLAM. - 691583 PH :974598006
1046. SARATHY (C701-AQ-11), SURVEY NO. 15/3, SIDCO INDUSTRIAL AREA, EDAKULANGARA PO, NEAR KARUNAGAPALLY RAILWAY STATION, KARUNAGAPALLY, KERALA. - 690 562 PH :9526691565

KASARGOD

1047. KVR CARS (3L01-3L-01), ANANGUR, VIDYANAGAR (PO), NH17, KASARGOD - 671123 PH :9747021205
1048. POPULAR VEHICLES & SERVICES LTD. (4702-3L-0D), MUNDAKULAM, CHEMMANAD (PO), KASARGOD - 671371 PH :9946104621.
1049. INDUS MOTOR COMPANY PRIVATE LIMITED (RO02-3L-03), 18/304A & 18/304B, SY. NO. 39/3B, RE SY. NO. 57/6,MOGRAL, MANJESHWAR TALUK, KASARGOD, KERALA - 671541 PH :9747550747.

KATTAPANNA

1050. INDUS MOTOR COMPANY PRIVATE LIMITED (ZN01-ZN-01), KATTAPPANA-IDUKKI KAVALA, BYE PASS ROAD, KATTAPPANA, IDUKKI (DIST.). - 685508 PH :9746743460.
1051. POPULAR VEHICLES (ZN02-ZN-01), RE-SURVEY NO. 81/3, VILLAGE & TOWN - KATTAPPANA, TALKU & DIST-IDUKKI, KERALA. - 685 515 PH :9746818407.

KAYAMKULAM

1052. INDUS MOTOR COMPANY PRIVATE LIMITED (2702-BL-05), KARIYILAKULANGARA, KAYAMKULAM P.O., ALAPPUZHA DISTT. - 690572 PH :9745998005.
1053. POPULAR VEHICLES & SERVICES LTD. (B802-BL-03), NH 47, KOTTUKULANGARA, KAYAMKULAM P.O., ALAPPUZHA DISTT. - 690502 PH :9946105601.

KODUNGALLUR

1054. SAI SERVICE PRIVATE LIMITED (2700S-0K-03), NH-17, T.K.S.PURAM,KODUNGALLOOR - 680667 PH :9645106571.

1055. INDUS MOTOR COMPANY PRIVATE LIMITED (8K02-8K-01), RE-SURVEY NO. 118/1-6, 118/2-5, BUILDING NO: 560/A, WARD NO. VII, AALA VILLAGE, (OLD VILLAGE-SREENARAYANAPURAM), KODUNGALLUR TALUK, MADHILAKOM SRO, SANTHIPURAM PO, THRISSUR DIST., KERALA - 680 008 PH :9747513444.

KODUVALLY

1056. A M MOTORS (BGX1-BGX-01), SURVEY NO:91/9, 91/10,NALLANKADY, VAVAD POST, KODUVALLY, KOZHIKODE DISTRICT, KERALA - 673572 PH :9895979023.

KOLANCHERRY

1057. SAI SERVICE (SJO1-SJO-01), SURVEY NO.138/7, BR-85, WARD-8, KOLENCHERY TOWN, NH-85, AIKARANADU NORTH VILL., KUNNATHUNADU TALUK, ERNAKULAM DIST., KERALA-682311 - 682311 PH :7356605955.

KOLLAM

1058. SARATHY AUTO CARS (C701-C7-01), NH-47 BYE PASS AYATHIL(P.O.),QUILON - 691017 PH :9744552265.
1059. POPULAR VEHICLES & SERVICES LTD. (1601-Q4-04), H & C COMPOUND, MUNDDACKAL, KOLLAM - 680006 PH :7594977550.
1060. INDUS MOTOR COMPANY PRIVATE LIMITED (1602-Q4-03), OLD SARATHY THEATRE, PUNALLOOR ROAD, KOLLAM - 691005 PH :9745998004.
1061. SARATHY AUTO CARS (C701-C7-13), SURVEY NO. 431/13-42, NEAR SN PUBLIC SCHOOL, VADAKKEVILA, AYATHIL, KILLIKLOOR PO, PUNTHALATHAZHAM-PALATHARA ROAD, KOLLAM, KERALA - 691004 PH :8606430765.

KOLLAM/QUILON

1062. SARATHY AUTO CARS (C701-C7-08), SURVEY NO. (SIDCO) 318/1, SHED NO. B12, Umayanallur SIDCO INDUSTRIAL ESTATE, KOLLAM. - 691589 PH :9947127565.

1063. SARATHY AUTO CARS (C701-C7-12), BUILDING NO. 15/620, SURVEY NO. 234/1, 235/2, SITHARA JUNCTION, ADICHANALLOOR VILLAGE, KOTTIYAM PO, KOLLAM DIST., KERALA. - 691571 PH :9847936165.

KODOTTY

1064. INDUS MOTOR COMPANY PRIVATE LIMITED (1002-ID-01), SURVEY NO. 16/1, BLOCK NO. 36 (OLD SURVEY NO. 100/1), NEDYIRUPPU VILLAGE, KONDOTTY PO, ERNAD TALUKA, MALAPURAM DISTRICT, KERALA - 683573 PH :9746743178.

KOOTHATTUKULAM

1065. SAI SERVICE PRIVATE LIMITED (VM01-VM-01), EDAPUTHUSSERY BUILDING, M.C. ROAD, OPP. MARYGIRI PUBLIC SCHOOL, KOOTHATHUKULAM P.O., ERNAKULAM DT. - 686662 PH :9645106258.

KOPPAM

1066. AM MOTORS (CUU1-CUU-01), SURVEY NOS: 331/3-6, 331/3-10, NEAR SALAFIYYA TRAINING COLLEGE, PERINTHALMANNA-PATTAMBI ROAD, KARINGANDU, VILAYUR POST, KOPPAM, PALLAKKAD DIST., KERALA-679309 - 679309 PH :9048666635.

KOTHAMANGALAM

1067. POPULAR VEHICLES & SERVICES LTD. (2701-9V-0B), NEAR BSNL OFFICE, THANGALAM, KOTHAMANGALAM, KERALA - 686691 PH :9846027990.
1068. INDUS MOTOR COMPANY PRIVATE LIMITED (7E01-9V-03), PALAKKADAN BUILDING,CHANKLAM,KOTHAMANGALAM - 686691 PH :9745998479.

KOTTAKKARA

1069. INDUS MOTOR COMPANY PRIVATE LIMITED (S804-S8-02), RE-SURVEY NO. 141/3-4, 142/1-2, 15-16, 143/1-2, 143/2, 143/3-15-2, 43/15-2-2, BEARING NOS. 25/36 & 38, KOTTARAKKARA VILLAGE, KOTTARAKKARA TALUK, KOLLAM DISTRICT, KERALA- 691506 - 691506 PH :9747562299.

KOTTAKKAL

1070. INDUS MOTOR COMPANY PRIVATE LIMITED (4701-8M-09), NEAR MATHRUBHUMI PRESS, P.O. KOTTAKKAL, MALAPPURAM DIST. - 676503 PH :9746998017.

1071. POPULAR VEHICLES & SERVICES LTD. (4702-8M-03), NH-17, CHANDAPARAMBU, RANBATHANI P.O. MALAPPURAM, KOTTAKAL - 676510 PH :9946104631.

KOTTARAKARA

1072. POPULAR (S801-S8-S801-02), BUILDING NO. MP/207/49,20/426, 20/748, INCHAKADU, KALAYAPURAM VILLAGE, MYLOM PANCHAYATH, KOTTARAKKARA TALUKA, KOLLAM DISTRICT, KERALA- 691560 - 691560 PH :8086073466.

KOTTARAKARA

1073. POPULAR VEHICLES & SERVICES LTD. (S801-S8-01), MYLOM, MC ROAD, KOTTARAKKARA, DISTT-KOLLAM, KERELA - 691531 PH :8086073466.
1074. SARATHY AUTO CARS (S802-S8-01), WARD NO.40, MELILLIA PANCHAYATH, IPPALLOOR LOWER KARIKAM, KOTTARAKARA DISTT. KOLLAM (KERALA) - 691531 PH :9847423365.
1075. INDUS MOTOR COMPANY PRIVATE LIMITED (S804-S8-01), RE SURVEY NO.207/3-2, KIZHAKKARA MURIYIL, KNS HOSPITAL JUNCTION, KOTTARAKKARA VILLAGE AND TALUKA, KOLLAM DISTT., - 691531 PH :9747562299.

KOTTAYAM

1076. AVG MOTORS LTD. (B801-B8-01), ERAYILKADAVU, KOTTAYAM - 686801 PH :7510962222.
1077. INDUS MOTOR COMPANY PRIVATE LIMITED (2702-B8-04), MULANKUZZHA JN., NATTAKOM P.O., KOTTAYAM, KERALA - 686013 PH :9746998148.
1078. POPULAR VEHICLES & SERVICES LTD. (B802-B8-01), NEAR ST. THOMAS CHURCH, S.H. MOUNT, P.O. KOTTAYAM - 686006 PH :8086073454.
1079. INDUS MOTOR COMPANY PRIVATE LIMITED (2702-B8-0C), MANIPPUZHA, NATTAKOM P.O.,KOTTAYAM - 686013 PH :9745998007.

KOZHENCHERRY

1080. AVG MOTORS LTD. (W801-AS-03), KOZHENCHERRY, COLLEGE JUNCTION, DISTRICT- PATHANAMTHITTA. - 689641 PH :9446092995.

KUNNAMKULAM

1081. POPULAR VEHICLES & SERVICES LTD. (2701-8N-07), CHOONDAL,TRISSUR ROAD, KUNNAMKULAM, TRISSUR DIST - 680502 PH :9946105695.

LAKKIDI PERUR

1082. A M MOTORS (CER1-CER-01), 217/7, 217/2, 278/2, 278/1, PALAPPURAM, P.O. OTTAPPALAM, LEKKIDI PERUR DISTT. PALAKKAD, - 679302 PH :8086305555.

MALAPURAM

Dealer Workshop (AS ON 30.05.2023)

1083. A M MOTORS (E601-E6-01), VARANGODE, DOWNHILL, MALAPURAM, - 676519 PH -9895705325.	1093. POPULAR VEHICLES (B802-B8-10), BUILDING NO. 10/115-A, WARD NO. 10, CHENNITHALA VILL. AND TOWN, SHANTIVANAM JUNCTION, CHERUKOLE P.O., MAVELIKKARA TALUK, ALAPPUZHA DIST., KERALA- 690104. PH -9778690833.	1102. POPULAR VEHICLES & SERVICES (AF02-AF-01), RE-SURVEY NO: 6/1 BLOCK NO. 76, CHEMMARAN, MADUVATH PO, WANDLOOR ROAD NILAMBUR, MALAPPURAM DIST., KERALA - 679328 PH :7738094999.	1112. INDUS MOTOR COMPANY PRIVATE LIMITED (Y202-Y2-01), DOOR NO: 5/366 & 367, NH 47, KOOTUPATHA, CHANDRANAGAR POST, PALAKKAD - 678007 PH -9747519500.
MALLAPPALLY			PANDIKKAD
1084. INDUS MOTOR COMPANY PRIVATE LIMITED (I201-I2-01), THOPPI COMPLEX, MALLAPPALLY KOTTAYAM RD, MALLAPPALLY WEST, MALLAPPALLY (KERALA) - 689585 PH -9747541400.	MORAYUR	NILAMEL	1113. AM MOTORS (CUV1-CUV-01), SURVEY NOS: 333/2-2, 333/3-2,CHOORAKKAVU, PERINTHALMANNA ROAD, NEAR INDIAN OIL PETROL PUMP, PANDIKKAD TOWN & POST, MALAPPURAM DISTRICT, KERALA - 676 521 PH -9539999570.
MANATHAVADY	1094. A M MOTORS (CUJ1-CUJ-01), SURVEY NO. 328/1, VILLAGE – MORAYUR, VALENCHERY, DISTRICT – MALAPPURAM, KERALA. - 673642 PH -8086526666.	1103. INDUS MOTOR COMPANY PRIVATE LIMITED (DA02-DA-01), SURVEY. NO. 195/10, 195/3-1,2, 195/3-2-1, 195/8, 195/14, 195/9-1, 195/11-1, BLOCK NO. 32, ATTINGAL MUNICIPALITY, PAZHAYAKUNNAMEL VILLAGE, CHIRAYINKIL TALUK, (BORDER OF NILAMEL TOWN), TRIVANDRUM DIST., KERALA - 695601 PH -9745993331.	PARAPPANGANADI
1085. INDUS MOTOR COMPANY PRIVATE LIMITED (IE02-IE-01), SURVEY NO. 1/2A1, A1, B1, RY 1/210, 1/99, MYSORE ROAD, CHETTAPALAM, MANATHAVADY CITY & TALUK, WYANAD DIST., KERALA. - 670645 PH -9745997002.	MUVATTUPEZZHA	1104. POPULAR (DA03-DA-01), BUILDING NO. 10/279 TO 288, M. C. ROAD, KANNANCODU, NILAMEL PO, KOLLAM (DIST.), KERALA- 691535 - 691535 PH :8714606483.	1114. A M MOTORS (CTK1-CTK-01), SURVEY NO.66/6, 66/7, KODAPPADI, POST-CHETTIPPADY, PARPANGADI, MALAPPURAM. - 676319 PH -9895900466.
MANJERI	1095. INDUS MOTOR COMPANY PRIVATE LIMITED (7E01-7E-01), NH-49, MUVATUPUZZHA KODAMANGALAM ROAD, NEAR R.K. HOSPITAL, MUVATUPUZZHA, ERNAKULAM DIST. - 686661 PH -97459998011.	OTTAPALAM	PARAVUR
1086. A M MOTORS (E601-8V-05), THURAKKAL BYEPASS, MANJERI, MALAPURAM, KERALA - 676121 PH -9895756035.	1096. POPULAR VEHICLES & SERVICES LTD. (2708-7E-02), MUTHUKALLU JUNCTION,PERUMPALLUR P.O., MUVATTUPEZZHA, KERALA - 686673 PH :7356988840.	1105. INDUS MOTOR COMPANY PRIVATE LIMITED (PA01-PA-01), BUILDING NO.23/667, 23/669, PALAKKAD-OTTAPPALM ROAD, OTTAPPALAM VILLAGE, OTTAPPALAM TALUKA, PALAKKAD DIST., KERALA - 679101 PH :9747544454.	1115. POPULAR VEHICLES & SERVICES LTD. (ZS01-ZS-01), SURVEY NO. 340/1-76.77.78, NEAR HP PETROL PUMP, PARAVUR-MANJALI MAIN ROAD, MANNAM PO, NORTH PARAVUR MUNICIPAL, ERNAKULAM DIST. 683520, KERALA - 683520 PH -9072609638.
1087. KVR AUTOCARS PVT LTD (8V02-8V-01), CH BYE PASS ROAD, MANJERI, MALAPPURAM, KERALA - 676123 PH -9747020801.	NEDUMANGAD	PALA	PATHANAMTHITTA
1088. POPULAR VEHICLES & SERVICES LTD. (4702-8V-0E), NARUKARA VILLAGE, RAJIV GANDHI BYEPASS JN., THURUKKAL, MANJERI (KERALA) - 676121 PH :8589992406.	1097. POPULAR VEHICLES & SERVICES LTD. (Z001-Z0-01), RE-SURVEY NO - 855/29, 855/14/1 (OLD SURVEY NO. 1583/1), KARIIPPUR VILLAGE, NEDUMANGAD TALUK, TRIVANDRUM DIST.,KERALA-695541. - 695541 PH -9846036696.	1106. POPULAR VEHICLES & SERVICES LTD. (B802-GN-04), 12TH MILE,PALA-PONKUNNAM ROAD,PALA - 686575 PH -9072609475.	1116. AVG MOTORS LTD. (W801-W8-02), JUNNUGAPADY, MYLAPRA ROAD, PATHANAMTHITTA, - 689671 PH -9446002987.
MANNARKAD	NEYYANTINKARA	1107. INDUS MOTOR COMPANY PRIVATE LIMITED (7E01-GN-05), OPP. ALPHONSA COLLAGE ARUNAPURAM(PO), PALA, KOTTAYAM - 686574 PH -9745998878.	1117. INDUS MOTOR COMPANY PRIVATE LIMITED (1602-W8-13), KUMBAZHA, PATHANAMTHITTA - 689663 PH -9745998008.
1089. A M MOTORS (E601-RA-07), NH-213, MANNARKAD, DIST.-PALAKKAD - 678582 PH -9895979048.	1098. INDUS MOTOR COMPANY PRIVATE LIMITED (AT01-AT-01), INDUS MOTOR CO. PVT. LTD., OLD M.V THEATRE, NEAR KSRTC BUS STATION, NEYYANTINKARA, DIST. TRIVANDRUM - 695121 PH -9747544500.	1108. AVG MOTORS LTD. (GN03-GN-01), SURVEY NO.670/1, BLOCK-21, LALAM VILLAGE, ANTHINADU MEENANCHIL, PALA, KOTTAYAM DIST. - 686651 PH -9447137246.	1118. POPULAR VEHICLES & SERVICES LTD. (B802-W8-05), T.K. ROAD, NEAR COLLECTORATE,PATHANAMTHITTA - 689645 PH -9539009734.
1090. INDUS MOTOR COMPANY PRIVATE LIMITED (2702-RA-0K), ANAKATTY ROAD, AANDIPPADAM, NELLIPPUZZHA-PO, MANNARKAD,KERALA - 678583 PH -9745995946.	NEYYATTINKARA	1109. INDUS MOTOR COMPANY PRIVATE LIMITED (7E01-GN-07), SURVEY NO. 176, BLOCK NO. 16, HIGHWAY JUNCTION, ETTUMANOOR-POOJAR HIGHWAY, CHERPUNKAL, PALA, KOTTAYAM DISTRICT - 686584 PH -9747516934.	1119. INDUS MOTOR COMPANY PRIVATE LIMITED (1602-W8-12), SURVEY NO. 11-13/12/11, KARIMPANKUZHAY ROAD, NEAR SAROJ GAS AGENCY, MAKKANKUNNU, PATHANAMTHITTA, KERALA - 689645 PH -9745999858.
MAVELIKARA	1099. POPULAR VEHICLES (1601-16-1601-15), BUILDING NO. 11/562, KP-IX-843, NH 47, KOTTAMOM , KOLLAYIL PANCHAYAT, PANVEL - KOCHI - KANYAKUMARI HIGHWAY, KOTTAMOM, NEYYATTINKARA, TRIVANDRUM, KERALA- 695122 - 695122 PH -9946104602.	PALAKKAD	PATHIRAPALLY
1091. POPULAR VEHICLES & SERVICES LTD. (B802-S9-02), KONNAYIL SUVAKO INDUSTRIAL COMPLEX, SHED A-1, KOLLAKADAVU INDUSTRIAL ESTATE, KOCHAL MOODU, KALLIMEL P.O., MAVELIKKARA, KERALA - 690570 PH -9400052338.	NILAMBUR	1110. POPULAR VEHICLES & SERVICES LTD. (2701-Y2-09), OPP. PALANA HOSPITAL,KODUVAYOOR ROAD,KINASSERY P.O.,PALAKKAD - 678707 PH -9946105613.	1120. POPULAR VEHICLES & SERVICES LTD (E502-E5-02), BUILDING NO. X/832 TO 834, X/837 TO 838, OPP. UDAYA STUDIO, PATHIRAPALLY TOWN, AMBALAPUZZHA TALUK, NH-47, ALAPPUZZHA DIST., KERALA-688521. - 688521 PH -9778698169.
1092. INDUS MOTOR COMPANY PRIVATE LIMITED (1602-S9-07), NEAR PRATHIBA THEATRE, PUTTHIYAKAVU, MAVELIKKARA - 690101 PH -9745998137.	1100. INDUS MOTOR COMPANY PRIVATE LIMITED (4701-AF-0A), MINERVA JUNCTION, NILAMBUR , KERALA - 679329 PH -9745998396.	1111. INDUS MOTOR COMPANY PRIVATE LIMITED (2702-Y2-G2), VADAKKUMURI-NH-47, KANNADI, KUZHALMAMMAM (P.O.), PALAKKAD. - 678701 PH -9745998590.	PATTAMBI
MAVELIKKARA	1101. INDUS MOTOR COMPANY PRIVATE LIMITED (4701-AF-0D), MANAVEDHAM HIGH SCHOOL ROAD, CHANDAKUNNU - NILAMBUR PO, NILAMBUR, MALAPURAM DIST. - 679329 PH -9745998396.		1121. A M MOTORS (E601-8P-04), SHORANUR ROAD, PATTAMBI, DISTRICT-PALAKKAD, - 679306 PH -9567866059.

1122. INDUS MOTOR COMPANY PRIVATE LIMITED (2702-8P-0B), PERINTHALMANNA ROAD, THEKKUMURI, PATTAMBI - 679303 PH :9745998295

1123. A M MOTORS (E601-8P-09), CHERPULASSERY ROAD, KOOMBAN KALLU, KARIMPULLI, MELE PATTAMBI POST, PALAKKAD DISTT., KERALA. - 679306 PH :9567866059.

PAYANNUR

1124. POPULAR VEHICLES & SERVICES LTD. (4702-9Z-04), N H 17, EZHILODE P O, ,PAYANNUR - 670309 PH :9946104701.

1125. POPULAR VEHICLES & SERVICES LTD. (9Z01-9Z-01), SY. NO. 218/1, CHERUTHAZHAM VILLAGE, EZHILODE (NEAR COLONY BUS STOP), PAYANNUR KANNUR NH, PAYANNUR TALKU, KANNUR DISTRICT, KERALA – 670 309. PH :9946104701.

PAYYANUR

1126. INDUS MOTOR COMPANY PVT. LTD. (9Z02-9Z-01), SURVEY NO. -289/117, 290/105, KARIVELLUR PERALAM GRAM PANCHAYAT (NEAR PALATHARA BRIDGE), PAYYANUR TALUK, KANNUR DISTRICT, KERALA- PIN-670521. - 670521 PH :9745998204.

PERINTHALMANNA

1127. KVR AUTOCARS PVT LTD (7H01-7H-01), SURVEY NO. 87/8-15, CALCICUT ROAD, NEAR ITC, THIRURKAD, PERINTHALMANNA - 679351 PH :9747020573.

1128. A M MOTORS (E601-7H-03), NEAR FIRE STATION, HOSPITAL ROAD, PERINTHALMANNA - 679322 PH :8129818235.

1129. KVR AUTOCARS PVT LTD (7H01-7H-06), OOTY ROAD, PERINTHALMANNA, MALAPPURAM(DT.), KERALA - 679322 PH :9747020837.

PERUMBAVOOR

1130. SAI SERVICE PRIVATE LIMITED (2705-8W-04), M.C.ROAD,PERUMBAVOOR,ERNAKULAM DIST,KERALA - 683542 PH :7034258335.

1131. INDUS MOTOR COMPANY PRIVATE LIMITED (8W03-8W-01), SURVEY NO. 722-3, 723-3, TALUK - KUNNATHUNADU, VILLAGE - RAYAMANGALAM, SUB DIST.-PERUMBAVOOR, DIST.ERNAKULAM. - 683 541 PH :9747591803.

PIROVAM

1132. SAI SERVICE (BQW1-BQW-01), SUVEY NO. 788/12-2-5, NEAR PIRAVOM GOVT. HOSPITAL, PIRAVOM TOWN & MUNICIPALITY, MUVATTUPUZHA TALUK, ERNAKULAM DIST., KERALA. - 686 664 PH :9645106198.

POINACHI

1133. KVR CARS (3L01-GF-03), CHOWKI, MAILLATTY(P.O.), (VIA) UDUMA, POINACHI, KERALA - 671319 PH :9747021026.

PUNALUR

1134. SARATHY AUTO CARS (C701-8Q-03), NH-208, Q.S. ROAD,ELAMPAL POST,PUNALUR, KOLLAM DIST - 691322 PH :9744400265.

1135. INDUS MOTOR COMPANY PRIVATE LIMITED (8Q02-8Q-01), SY. NO. 48/1/42, OLD. SY. NO. 231A/3324, (OLD RAMRAJ TILES FACTORY), THALICODE, PATHANAPURAM TALUK, PUNALUR ANCHAL ROAD. - 691 305 PH :9747638885.

QUILANDY

1136. INDUS MOTOR COMPANY PRIVATE LIMITED (3001-30-01), BUILDING NO.13/53 A, CHENGOTTUKKAVE VILLAGE, QUILANDY, KOZHIKODE DISTT. - 673306 PH :9745997875.

RAMANATTUKKARA

1137. A M MOTORS (E601-KB-06), NEAR RED CRESCENT HOSPITAL, FEROKE, CHUNGAM, CALCICUT DISTRICT, RAMANATTUKARA. - 673632 PH :9567866144.

RANNI

1138. INDUS MOTOR COMPANY PRIVATE LIMITED (7E01-JX-06), CHELLAKKAD-PO, PATHANAMTHITTA(DISTRICT), RANNI - 689677 PH :9745998737.

SASTHAMKOTTAH

1139. INDUS MOTOR COMPANY PRIVATE LIMITED (1602-RT-09), NO. SP IX/661, 662, 663, KADAPUZHA ROAD, PORUVAZHY P.O., BHARANIKUVU, SASTHAMKOTTAH, KOLLAM - , KERALA - 690520 PH :9745998849.

SHORNUR

1140. POPULAR VEHICLES & SERVICES LTD. (2701-1I-0E), PALAKKAD PATTAMBI ROAD, KULAPPULLY JUNCTION, VADANAMKURUSSI, SHORNUR - 679124 PH :8589992432.

SULTHAN BATHERY

1141. POPULAR VEHICLES (VK01-VK-01), SURVEY NO. 421/5, 421/6, BLOCK NO. 22, KRISHNAGIRY VILLAGE, PATHIRIPALAM, KOLACAPPARA (PO), TALKU & TOWN - SULTHAN BATHERY, WYAMAD DIST., KERALA. - 673 591 PH :7584977551.

TALIPARAMBA

1142. HAR CARS (K101-9W-02), SREEKANDAPURAM MAIN ROAD, KANNUR (DIST), KERALA, THALIPARAMBA - 670141 PH :9539009473.

THALASSERY

1143. INDUS MOTOR COMPANY PRIVATE LIMITED (R002-RO-01), NETTUR POST, KODUVALLY, THALASSERY, KANNUR DISTRICT - 670105 PH :9945998022.

THALASSERY/ TELLICHERRY

1144. INDUS MOTOR COMPANY PRIVATE LIMITED (4701-Y3-04), TEMPLE GATE, MAKKOOTAM, THALAYI, TELLICHERRY , KERALA - 670102 PH :9747520100.

THALAYOLAPARAMBU

1145. INDUS MOTOR COMPANY PRIVATE LIMITED (2702-WN-0J), THODUPUZHA ROAD, THALAYOLAPARAMBU, VAIKOM(TALUK), DISTRICT-KOTTAYAM, KERALA - 686605 PH :9746743003.

THAMARASSERY

1146. INDUS MOTOR COMPANY PRIVATE LIMITED (PB06-PB-01), RE-SY. NO. 44/5A, 44/6, RAROTH VILLAGE, (NEAR CHUNGAM), THAMARASSERY PANCHAYAT & TALUK, CALCICUT DIST., KERALA - 673573 PH :9747553362.

1147. POPULAR (PB07-PB-10), SURVEY NO.43/4 BLOCK NO.005 , RAROTH VILLAGE , THAMARASSERY TALUK , KOZHIKODE DISTRICT, KERALA - 673573 PH :9846397060.

THIRUVALLA

1148. AVG MOTORS LTD. (Y501-Y5-01), M.C ROAD, PERUMTHURUTHI, THIRUVALLA , PATHANAMTHITTA DISTT - 689107 PH :9446323999.

1149. POPULAR VEHICLES & SERVICE (B802-Y5-06), KAVUMBHAGOM P.O, THIRUVALLA, PATHANAMTHITTA (DIST.), KERALA - 689103 PH :8066073489.

THODUPUZHA

1150. INDUS MOTOR COMPANY PRIVATE LIMITED (7E01-HZ-04), PALA ROAD, THODUPUZHA - 685584 PH :9745998631.

1151. POPULAR VEHICLES & SERVICES LTD. (HZ02-HZ-01), SY.NO.124/7A-1, 124/7A-2, THODUPUZHA EHLFLOOR MAIN ROAD, VILLAGE & TOWN, THODUPUZHA, DISTT. IDUKKI - 685585 PH :9752530120.

THRISSUR

1152. POPULAR VEHICLES & SERVICES LTD. (2701-AA-05), KUNNATHUMKARA, PARAVATTANI, THRISSUR, KERALA - 680655 PH :622306495.

1153. SAI SERVICE PRIVATE LIMITED (2705-AA-06), 17/30,POOTHOLE, THRISSUR,KERALA - 680004 PH :9645105051.

1154. BRD CAR WORLD LIMITED (A404-A4-01), NH 47,BYE PASS,KONIKARRA POST,THALORE, THRISSUR - 680031 PH :9995807141.

1155. INDUS MOTOR COMPANY PRIVATE LIMITED (2702-AA-0D), JYOTHI COMPLEX, GURUVAYOOR ROAD, WEST FORT, THRISSUR - 680004 PH :9745998014.

1156. BRD CAR WORLD LIMITED (A404-AA-07), GURUVAYOOR ROAD, PUNKUNNAM P.O., PUZHAKKAL, THRISSUR - 680002 PH :9746476529.

THRITHALLUR

1157. BRD CAR WORLD LIMITED (A404-SS-04), PO-THRITHALLUR, NH-17, THRITHALLUR THRISSUR - 680619 PH :9539197888.

TIRUR

1158. A M MOTORS (E601-Y4-02), SATELLITE AUTO WORKS, PAYYANAGADI POST, TIRUR - 676101 PH :995879706.

1159. KVR AUTOCARS PVT LTD (7H01-Y4-05), T.P 7/204-B, TANUR ROAD,MOOCHIKKAL, MEENADATHUR P.O., TIRUR, DISTRICT-MALAPPURAM, KERALA - 676307 PH :9747020673.

1160. A M MOTORS (E601-Y4-08), THALAKKADATHOOR PO, MALAPPURAM,MALAPPURAM DISTT. - 676103 PH :9895705323.

1161. INDUS MOTOR COMPANY PRIVATE LIMITED (Y403-Y4-01), SURVEY NO. 119/3, 4, 9A, OLD MODERN PHARMACEUTICALS PVT. LTD., THRIKANDIYOOR VILLAGE, CHAMBAVATTOM ROAD, TIRUR, KERALA. - 676105 PH :9747518883.

TRIPPUNTHURA

1162. SAI SERVICE PRIVATE LIMITED (2705-AK-05), HILL PALACE ROAD,KARINGACHIRA,COCHIN - 682301 PH :9645105067.

TRIPRAYAR

Dealer Workshop (AS ON 30.05.2023)

1163. POPULAR VEHICLES & SERVICES LTD.
(2701-BR-08), SURVEY NO. 296/5,8, 296/9,
296/9-1, NATIKA VILLAGE, NEAR CIVIL
STATION, POLY JUNCTION, TRIPPRAYAR TOWN,
THRISSUR TALUK & DISTRICT, KERALA-680566
- 680566
PH :9846699245.

TRIVANDRUM

1164. INDUS MOTOR COMPANY PRIVATE LIMITED
(1602-16-01), T.C. 24/885 THYCAUD P.O.,
THYCAUD P.O., METTUKUDA, TRIVANDRUM -
695014
PH :9745998001.
1165. POPULAR VEHICLES & SERVICES LTD.
(1601-16-01), C.I.T. ROAD, KILLIPALAM,
KARAMANA P.O, TRIVANDRUM - 695002
PH :9946104601.
1166. SARATHY AUTODRIVES PVT LTD (1607-16-02),
KOVALAM BYEPASS,SN NAGAR, MANACAUD
(PO), TRIVANDRUM - 695009
PH :9947270665.
1167. INDUS MOTOR COMPANY PRIVATE LIMITED
(1602-16-02), NH BYE PASS ROAD,
VEMPALAVATTOM, TRIVANDRUM - 695029
PH :9745998003.
1168. INDUS MOTOR COMPANY PRIVATE LIMITED
(1602-16-05), G.G. MEDICAL COLLAGE P.O.,
MURINJAPALAM, TRIVANDRUM,
MURINJAPALAM, - 695011
PH :9745998002.
1169. POPULAR VEHICLES & SERVICES LTD.
(1601-16-05), OPP. ST. JUDE CHURCH,CIT
ROAD, KILLIPPALAM,TRIVANDRUM - 695002
PH :9846298610.
1170. INDUS MOTOR COMPANY PRIVATE LIMITED
(1602-16-11), SURVEY NO.3, TC-7/1069/9),
MARUTHAMKUZHI, SASTHAMANGALAM
VILLAGE, PTP NAGAR ROAD, KANJIRAMPARA
P.O., TRIVANDRUM - 695030
PH :9747503922.
1171. SOUTH PARK MOTORS PVT. LTD. (1604-16-01),
SURVEY NO. 985/3-4-5-6, VILLAGE
KADAKAMPALLY, CHACKAI BYPASS, TALUKA -
TRIVANDRUM, TRIVANDRUM, KERALA - 695029
PH :9526100008.
1172. SARATHY AUTODRIVES PVT LTD (1607-16-03),
77/2-11, NEMOM VILLAGE, PAPPANMOCODU
INDUSTRIAL AREA, TALUKA AND DISTRICT-
THIRUVANANTHAPURAM, KERALA - 695019
PH :9961665865.
1173. POPULAR VEHICLES (1601-16-12), RE-SURVEY
NO. 26/4-1, MANANTHALA STADIUM ROAD,
NEAR SURYAPRABHA AUDITORIUM, ULOOR
VILLAGE, MANANTHALA, TRIVANDRUM DIST.,
KERALA. - 695 015
PH :9846498605.

1174. POPULAR VEHICLES (1601-16-17), BUILDING
NO. 13/632,632-A, 633,633-A1, 633-A2,634-636,
6TH MILE STONE, VAZHAYILA PO,
PEROORKADA, THIRUVANANTHAPURAM,
KERALA - 695521 - 695521
PH :9288023313.

1175. SARATHY AUTODRIVES PVT LTD (1607-16-01),
SURVEY NO. 2448/4, VILL. MUTTATHARA, NH
BYE PASS ROAD, KALLUMOOD JN.,
VALLAKADAU PO, ENCHAKKAL,
THIRUVANANTHAPURAM, KERALA-695008 -
695008
PH :9562416665.

TRIVANDRUM-MANANTHALLA

1176. INDUS MOTOR COMPANY PRIVATE LIMITED
(1602-16-08), NEAR MUSLIM JUMA MASJID,
MUKKAM FLAMOODE,
VATTAPPARA-MANNANTHALA M C ROAD,
VATTAPPARA PO,
MANNANTHALA,TRIVANDRUM - 695028
PH :9747540100.

UPPALA

1177. POPULAR VEHICLES & SERVICES LTD.
(4702-4I-0A), N.H.17, KAIKAMPA, UPPALA P.O.,
KASARGOD (KERALA) - 671322
PH :8086078864.
1178. KVR CARS (4102-4I-01), NH 17, BANDIYODE,
MANGALAPADI (PO), UPPALA, KASARGOD
DISTT.,KERALA - 671324
PH :9526021676.

VADAKARA

1179. INDUS MOTOR COMPANY PRIVATE LIMITED
(4701-8S-07), BYE PASS
JN,VATAKARA-673104,CALICUT, - 673104
PH :9745998021.
1180. POPULAR VEHICLES AND SERVICES
(8S02-8S-01), NEAR MADAPPALLY GOVT.
COLLEGE, MADAPPALLY, P.O. VADAKARA,
KOZHIKODE (KERALA) - 673102
PH :8943345935.

VALENCHERRY

1181. A M MOTORS (CUK1-CUK-01), SURVEY NO.
132/4, KOLAMANGALAM, PERINTHALMANNA
ROAD, VALANCHERY, DIST.-MALAPPURAM. -
676552
PH :9745986666.

VETTICHIRA

1182. KVR AUTOCARS PVT LTD (7H01-M2-03), AP IV,
75A TO G, NH-17, CHUNKAM, DIST.
MALAPPURAM, VETTICHIRA, - 676552
PH :9740720023.

WADAKKANCHERY

1183. BRD CAR WORLD LIMITED (A404-MX-03),
VAZHAKODE, CHELAKARA ROAD,
MULLUKKARA P.O., WADAKKANCHERY,
THRISSUR DIST - 680583
PH :9567869403.

KERLA

EDAKKARA

1184. KVR (GMN1-GMN-01), SURVEY NO. 1087/1C-91,
VAZHAKADAVU VILLAGE, OOTY ROAD, MUNDA,
EDAKKARA TOWN, NILAMBUR TALUK,
MALAPPURAM DIST., KERALA - 679 331
PH :9747020777.

LEH

1185. DRUK AUTOZONE (9S02-9S-01), AIRPORT
ROAD, LEH (LADAKH), DISTT. LADAKH, LEH -
194101
PH :8082800205.

LADAKH

AGAR

1186. UNITARA MOTORS (BJT2-BJT-01), 27, UJJAIN
ROAD,
NEAR MARKETING FUEL STATION,
AGAR, MADHYA PRADESH (465669) - 465669
PH :9770018283.

ALIRAJPUR

1187. RUKMANI MOTORS PVT. LTD. (GLY1-GLY-01),
WARD NO 1, JHABUA ROAD, ALIRAJPUR,
MADHYA PRADESH, MP - 457887
PH :9755549200
9109978301.

ANUPPUR

1188. SHUBH MOTORS PVT. LTD. (BIB1-BIB-01), NEAR
HDFC BANK, TEHSIL ROAD, ANUPPUR - 484224
PH :9303884800.

ASHOK NAGAR

1189. PREM MOTORS PVT. LTD. (DS01-DS-02),
SURVEY NO. 67/2/3, SINGAKHEDI HOUSE GUNA
BYPASS NEAR RAJ MATA CIRCLE,
ASHOKNAGAR, MADHYA PRADESH. - 473331
PH :9626809856.

ASHTA

1190. JEEWAN MOTORS PVT. LTD. (BSF1-BSF-01),
KHASRA NO.111/1 NEAR RELIANCE PETROL
PUMP, BHOPAL ROAD, ASHTA, DISTT. SEHORE
(M.P.) - 466001
PH :9826429604
6264918307
8718911222.

BADNAWAR

1191. PATEL MOTORS (INDORE) PVT. LTD.
(BPT1-BPT-01), KHASRA NO. 2194/1, BADNAGAR
ROAD, BADI GHUPATI, OPPOSITE BSNL
TOWER, BADNAWAR, DISTT. - DHAR, MADHYA
PRADESH. - 454660
PH :9826932221.

BADWAH / BARWAHA (BOTH NAMES ARE OK)

1192. NIMAR MOTORS PVT. LTD. (AU01-UJ-05),
NIRMAL COMPLEX, INDORE ROAD , BARWAH -
451001
PH :7770878726, 9669569496.

BALAGHAT

1193. KUNAL MOTORS (U501-TP-04), KH NO.-1/56,
JHULELAL DHARMSHALA ROAD, BALAGHAT,
MADHYA PRADESH - 4811001
PH :8345992181.

BAREIL

1194. RAJRPUR MOTOR JUNCTION (A UNIT OF RMJ
MOTORS PVT. LTD.) (I303-I3-01), SURVEY 423/2,
VILLAGE KAMTON, NH 12, BAREIL, RAISEN,
MADHYA PRADESH. - 464668
PH :9826333501.

BARHI

1195. SHUBH MOTORS PVT. LTD. (GMK1-GMK-01),
1286/2, BARHI, DIST. - KATNI, MADHYA
PRADESH - 483770
PH :9755580253.

BARNAGAR

1196. YUG CARS (A UNIT OF RUKMARANI CARS
INDORE PVT. LTD) (BBK2-BBK-01), RUNJIA
ROAD, BARNAGAR CITY, DISTRICT UJJAIN -
456771
PH :9755512100/7898900224.

BARWANI

1197. NIMAR MOTORS PVT. LTD. (AU01-SA-02),
ANJAD ROAD, VILLAGE -KARAIH, BARWANI,
MADHYA PRADESH - 451151
PH :7770804492, 9669569496.

BEGAMGANJ

1198. RAJRPUR MOTOR JUNCTION (A UNIT OF RMJ
MOTORS PVT. LTD.) (CIL1-CIL-01), IN FRONT OF
DUSHERRA MAIDAN, SAGAR BHOPAL ROAD,
BEGAMGANJ, DIST - RAISEN , MADHYA
PRADESH - 464881 - 464881
PH :9826333501.

BEOHARI

1199. SHUBH MOTORS PVT. LTD. (BKA1-BKA-01),
REEVA ROAD, NEAR AARRA MACHINE,
BEOHARI, DIST.-SHAHDOL, MADHYA PRADESH.
- 484774
PH :9755580253.

BERASIA

1200. RAJRUP MOTOR JUNCTION (A UNIT OF RMJ MOTORS PVT. LTD.) (CKG1-CKG-01), BHOPAL ROAD, OPP. BERASIA HOSPITAL, BERASIA, DISTRICT – BHOPAL, MADHYA PRADESH. - 463106
PH :7909997570.

BETMA

1201. OCEAN MOTORS PVT. LTD. (BVR1-BVR-01), OPPOSITE MPBE OFFICE, INDORE-AHEMDABAD ROAD, BETMA, DISTRICT – INDORE, MADHYA PRADESH . - 453001
PH :7389936477.

BETUL

1202. KUNAL MOTORS (U501-U5-02), BHOPAL - NAGPUR NATIONAL HIGHWAY, NEAR BADORA CHOWK., BETUL - 460001
PH :8349999177.

1203. KAMTHI MOTORS (GKF1-HHI-01), KAMTHI MOTORS LLP(SERVICE CENTER) NEAR SUNITA COLONY NEAR FOREST NAKA, SONAGHATI, ITARSI ROAD, BETUL - 460001
PH :7329918424.

BHAVRA

1204. RUKMANI MOTORS (SPT1-SPT-01), GRAM PANCHAYAT, KALIYAVAAHO, OPP SUNKER MANDIR, BHAVRA TEHSIL, ALIRAJPUR DISTRICT, MADHYA PRADESH - 457882. - 457882
PH :9755549200
9109978301.

BHOPAL

1205. DAGA MOTORS (A UNIT OF DAGA HEIGHTS) (0309-03-01), 4/1, DAGA HEIGHTS, NEAR BUDHNA MANDIR, MAIN ROAD KOLAR ROAD, CHUNABHATTI, BHOPAL, MADHYA PRADESH. - 462016
PH :9109990400.

1206. JEEWAN MOTORS PVT. LTD. (0302-03-01), 9E SECTOR A, INDUSTRIAL AREA, GOVINDPURA, BHOPAL - 462024
PH :9826017799
9826429605.

1207. JEEWAN MOTORS PVT. LTD. (0302-03-04), KHASRA NO. 54-55/1/1, NEAR RELIANCE FRESH, CHUNA BHATTI MAIN ROAD, INDIAN OIL PETROL PUMP, BHOPAL (M.P.) - 462036
PH :8718802178.

1208. RAJRUP MOTOR JUNCTION (A UNIT OF RMJ MOTORS PVT. LTD.) (0308-03-01), 8A, SECTOR-C, J. K. ROAD, GOVINDPURA INDUSTRIAL AREA, BHOPAL, MADHYA PRADESH - 462023
PH :9826333501
9826032579.

1209. SATYAM MOTORS (0307-03-01), NH-12, SUVEESHA NAGAR, HOSHANGABAD ROAD, MISRODAD - 462040
PH :6261900423
6261900696.

BIAORA

1210. UNITARA (0F02-0F-01), OLD AB ROAD, KACHNARIA, BIAORA (M.P) - 465674
PH :9770018283.

BINA

1211. ADINATH CARS PRIVATE LIMITED (BHQ2-BHQ-01), PLOT NO. 2/3/4/5 AMANTIGEL LAND SEMI URBAN INDUSTRIAL AREA, BINA, KHURAI ROAD (NH 26) BINA, DISTRICT – SAGAR, MADHYA PRADESH - 470113
PH :9009780047.

BURHANPUR

1212. NIMAR MOTORS PVT. LTD. (BRR1-BRR-01), KHASRA NO. 654/15-16, BASEMENT OF HOTEL AMBIKA RESIDENCY, OPP. PAKIZA SHOWROOM, SANJAY NAGAR, AMRAVATI ROAD, BURHANPUR, MADHYA PRADESH - 450331
PH :7694011374, 9669569496.

CHAKGHAT

1213. CITY CARS (UNIT OF AGARWAL WHEELS) (GKQ1-GKQ-01), GRAM AND POST - CHANDAI, CHAKGHAT, TEHSIL - TEONATHER, PRAGRAJ ROAD, NH 27, DIST- REWA, MP – 486226. - 486226
PH :9754301199.

CHATTARPUR

1214. ADINATH CARS PRIVATE LIMITED (8B02-8B-01), MAHOBA ROAD, NEAR BUS STAND, CHHATARPUR, DISTT SAGAR - 471001
PH :9009785577.

CHHINDWARA

1215. KAMTHI MOTORS LLP (U502-U5-01), KHASRA NO.1/53, BESIDE MVM SCHOOL, NAGPUR ROAD, VILL.-SARRA, DISTT. CHHINDWARA, MADHYA PRADESH - 480001
PH :911488444/ 9111535777.

1216. KUNAL MOTORS (U501-U5-03), OPP. KUNAL MOTORS SHOWROOM, ,LAL BAGH TIRAHA, BEHIND TRUE VALUE OUTLET, NASIRABAD ROAD, CHHINDWARA(MP), - 480001
PH :9981852239.

1217. KUNAL MOTORS (U501-U5-06), PLOT NO. 546, LAHGARUA NEAR MULLU BABA MANDIR, NARSINGHPUR ROAD, CHINDWARA, MADHYA PRADESH - 480002
PH :9981852239.

CHITRAKOOT

1218. CITY CARS (UNIT OF AGARWAL WHEELS) (GKS1-GKS-01), PILLIKOTHI CHOURAHA, BESIDE SINGH AUTOMOBILE, A HERO AGENCY, CHITRA ROAD, CHITRAKOOT, DISTRICT-SATNA (MADHYA PRADESH)- 485334 - 485334
PH :9754301199.

DABRA

1219. PREM MOTORS PVT. LTD. (BOR1-BOR-01), PICHHORE TIRAHA, GWALIOR JHANSI ROAD, DABRA, DIST -GWALIOR. - 475110
PH :9340059606.

DAMOH

1220. ADINATH CARS PRIVATE LIMITED (RD02-RD-01), SAGAR JABALPUR BYPASS ROAD, DAMOH (M.P.), - 470661
PH :9009780035.

DATIA

1221. PREM MOTORS PVT. LTD. (3003-WE-05), NR. BHOJPURIA MOTORS, BHANDER ROAD, DATIA, MADHYA PRADESH - 475661
PH :9928609803.

DEORI

1222. ADINATH CARS PRIVATE LIMITED (CUO1-CUO-01), C/O VISHWANATH DIXIT, VIJAYSHRI GAS SERVICE, NEAR GOVT. HIGH SCHOOL, NARSINGHPUR ROAD, VILLAGE KHEER, DEORI DISTT. SAGAR (M.P.) - 470226
PH :9009787562.

DEPALPUR

1223. OCEAN MOTORS PVT. LTD. (WB01-WB-03), NEAR LEELA RESIDENCY, INDORE ROAD, DEPALPUR, DISTT. INDORE-MP - 453115
PH :7389936488.

DEWAS

1224. UNITARA MOTORS PVT LTD (3Q02-3Q-01), SURVEY NO 255, A.B. ROAD, RASULPUR SQUARE, DEWAS, MADHYA PRADESH PIN 455001 - 455001
PH :9770018283.

DHAMNOD

1225. KATHED MOTOCORP(A UNIT OF KATHED MOTORS PVT. LTD.) (UT01-UT-01), KHASRA NO. 484/1/2, OLD A B ROAD, OPPOSITE HP PETROL PUMP, DHAMNOD, DIST.-DHAR, MADHYA PRADESH. - 454552
PH :9109199032
7471111132.

DHAR

1226. RUKMANI MOTORS (P) LTD (5304-LM-02), 41/2 MAGAJPURA, DHAR., - 454001
PH :9755549200
9109978301.

DINDORI

1227. STANDARD AUTO AGENCIES (AVA1-AVA-01), SUKKHAR WARD 1, NEAR DHURVE PETROL PUMP, DINDORI - 481661
PH :9131343928.

FALI

1228. OCEAN MOTORS (SGH1-SGH-01), NH 47, NEAR GRAM - FALI, TEHSIL KHUDEL, INDORE, MADHYA PRADESH. - 452016
PH :7389936477.

GADARWA

1229. STANDARD AUTO AGENCIES (BOI2-BOI-01), KHASRA NO. 130/31A & 131/2, HALKA NO. 18/1, NO. 119, GADARWA, DISTRICT – NARSINGHPUR . - 487551
PH :7771003374.

GANJ BASODA

1230. DAGA MOTORS (A UNIT OF DAGA HEIGHTS) (AE2-AE-A-01), LAL BAGH, BARETH ROAD, GANJ BASODA, VIDISHA, 464221, - 464221
PH :9425148584.

GARRA

1231. KAMTHI MOTORS LLP (GJC1-GJC-01), LALBARRA ROAD, GARRA INDUSTRIAL AREA, GARRA, BALAGHAT, MADHYA PRADESH. - 481331
PH :7723020684.

GAUTAMPURA

1232. OCEAN MOTORS PVT. LTD. (CFW1-CFW-01), RUNJI CHOURAHA, GAUTAMPURA, TEHSIL - DEPALPUR, DISTT.-INDORE, MADHYA PRADESH. - 453220
PH :7389936477.

GOTEGAON

1233. STANDARD AUTO AGENCIES (BLY1-BLY-01), JABALPUR ROAD, OPP. NEW KRISHI UPAJ MANDI, TEHSIL - GOTEGAON, DIST. -NARSINGHPUR. - 443 001
PH :7771003374.

GUNA

1234. PREM MOTORS PVT. LTD. (S301-S3-01), OPP R.T.O., A.B. ROAD, GUNA, - 473001
PH :268015.

GWALIOR

1235. NIKUNJ MOTORS (3006-30-01), GOLE KA MANDIR SQUARE, AIRPORT ROAD, GWALIOR, MADHYA PRADESH - 474005 - 474005
PH :9109105599.

1236. PREM MOTORS PVT. LTD. (3003-30-01), M. L. B. ROAD, GWALIOR., - 474002
PH :9928609803.

1237. PREM MOTORS PVT. LTD. (3005-30-01), SHIVPURI LINK ROAD, GWALIOR - 474002
PH :9928609803.

HALALPURA - BHOPAL

Dealer Workshop (AS ON 30.05.2023)

1238. DAGA MOTORS (0309-03-02), KHASRA NO. 80/1/K, VILLAGE - HALALPURA, TEHSIL - HUZUR, DISTRICT - BHOPAL, MADHYA PRADESH. - 452030 PH :9109900365.	1247. KTL AUTOMOBILES (5309-53-C1), PLOT NO.5/R.C, SCHEME NO 134,MR 10,VILLAGE KHAURANA, DIST INDORE-452010,MADHYA PRADESH - 452010 PH -8889433301.	1259. RUKMANI MOTORS (P) LTD (5304-53-04), MANGAL COMPOUND, GODOWN NO. 11-12, VILLAGE 15/1, PIPLIYA KUMAR, MR 11 RING ROAD, DEWAS NAKA, INDORE, MADHYA PRADESH. - 452010 PH -9810782226 9109978301.	1269. RUKMANI MOTORS (SOA1-SOA-01), BYEPASS ROAD, OPPOSITE JP COLLEGE, JOBAT, MP - 457990 - 457990 PH -8755549200 9109978301.
HANSA KHEDI	1248. OCEAN MOTORS PVT. LTD. (5306-53-01), SCHEME NO 97, PLOT NO 49, PART - 4, COMMERCIAL MANDI, RING ROAD, NEAR CAT SQUARE, RAJENDRA NAGAR, INDORE, MADHYA PRADESH 452012 - 452001 PH :7389936513.	JABALPUR	KARERA
1239. KATHED MOTORCORP (SG1-SGI-01), MAIN DHARMAT ROAD, HANSA KHEDI (CHANDRAWATI GANJ), TEHSIL -SANSWER, DISTRICT -INDORE, MADHYA PRADESH. - 453551 PH :7471111132.	1249. OCEAN MOTORS PVT. LTD. (5306-53-02), NEAR QUEENS COLLEGE,ASHARAM BAPU ASHRAM, KHANDWA ROAD,INDORE - 452017 PH :8085916505.	1260. MAA GAYTRI (AGGARWAL) (5404-54-01), MOUZA KARMETA N.B. 497, P.H. NO 23/26, KHASRA NO. 497 & DIV. KHASRA NO. 484/6, DIV. SHEET NO 2, PLOT NO 63/1, JABALPUR-PATAN ROAD, JABALPUR. - 482002 PH :7489901021.	1270. PREM MOTORS (SMO1-SMO-01), GRAM - JHASI ROAD, KARERA, DISTRICT - SHIVPURI, MADHYA PRADESH - 473660. - 473660 PH :9226823596.
HARDA	1250. OCEAN MOTORS PVT. LTD. (5306-53-03), 171A, 174A, 175A, 180A, 181A, 82A, 182A, BRAJESHWARI EXTENSION, PIPLIYAHANA, INDORE - 452001 PH :7389936451.	1261. SHUBH MOTORS (5403-54-01), MAHANADDA, MADAN MAHAL ROAD, JABALPUR, MADHYAPRADESH - 482001 PH :9755581438.	KATNI
1240. INFINITY CARS (A UNIT OF FOUZDAR CARS PVT. LTD) (KM01-VY-02), NEAR RTO,INDORE HIGHWAY ROAD,HARDA MP - 461331 PH :8889281113.	1251. OCEAN MOTORS PVT. LTD. (5306-53-04), SCHEME NO 97, PLOT NO 142 & 151, PART - 4, COMMERCIAL MANDI, RING ROAD, NEAR CAT SQUARE, RAJENDRA NAGAR, INDORE, MADHYA PRADESH 452012 - 452012 PH -9285100697.	1262. SHUBH MOTORS (5403-54-03), 156/5/1, 156/3KA, 156/3KHA, 156/3GHA, BEHIND OM PETROLEUM, ADHARTAL TIRAHA, JABALPUR, MADHYA PRADESH - 482002 PH :9755594512.	1271. SHUBH MOTORS PVT LTD (FK01-FK-01), KHASRA NO.850, NH-7, JHINJARI, INFRONT OF POLICE STATION, JABALPUR ROAD, KATNI, MADHYA PRADESH. - 483501 PH :9755515839.
HATOD	1252. PATEL MOTORS (INDORE) PVT. LTD. (5303-53-01), 428/3/3, NIRANJANPUR, A B ROAD, INDORE - 452010 PH -9826360699.	1263. STANDARD AUTO AGENCIES (5405-54-07), NEW WARD NO. 71, IN FRONT OF ORIENTAL COLLEGE, KATNI BYPASS, JABALPUR, MP. - 482003 PH :6387098013.	KHANDWA
1241. OCEAN MOTORS PVT. LTD. (BVT1-BVT-01), 726/6, INDORE-DEPALPUR MAIN ROAD, OPP. HP GAS AGENCY, HATOD DISTT. INDORE - 453111 PH :7389936477.	1253. PATEL MOTORS (INDORE) PVT. LTD. (5303-53-02), 176/1,PIPLYA RAU, A.B. ROAD J,INDORE - 452017 PH :9826360699.	1264. STANDARD AUTO AGENCIES (5405-54-01), OPPOSITE ALLAHABAD BANK,DELITE TALKIES ROAD,CIVIL LINES, JABALPUR - 482001 PH :7771014822 9074360320.	1272. NIMAR MOTORS PVT. LTD. (AU01-3R-03), BEFORE VIKAS UDYOG, INDORE ROAD, KHANDWA - 450001 PH :9575105697, 9669569496.
HATTA	1254. PATEL MOTORS (INDORE) PVT. LTD. (5303-53-03), M.O.G. LINES, NEAR GANGWAL BUS STAND, DHAR ROAD, INDORE (M.P.) - 452006 PH :9826360699.	1265. STANDARD AUTO AGENCIES (5405-54-03), DEENDAYAL CHECK, DAMOH NAKA, JABALPUR - 482002 PH :7771006920.	KHARGONE
1242. ADHINATH MOTORS (SKK1-SKK-01), NEAR NAVODAYA SCHOOL, DAMOH ROAD, HATTA, DISTT. DAMOH (M.P.) - 470775. - 470775 PH :9009787562.	1255. PATEL MOTORS (INDORE) PVT. LTD. (5303-53-05), SURVEY NO. 174/5 AND 174/6, PIPLIYA RAO, INDORE, MADHYA PRADESH. - 452012 PH :9826360699.	1266. STANDARD AUTO AGENCIES (5405-54-06), CHIMNEY PLOT, MADAN MAHAL, NEAR GULZAR HOTEL, JABALPUR - 482001 PH :9302525012.	1273. NIMAR MOTORS PVT. LTD. (AU01-AU-01), JETAPUR,SANAWAD ROAD,KHARGAONE, - 451001 PH :9669569504, 9669569496.
HOSHANGABAD	1256. RANA MOTORS (5308-53-01), KHASRA NO. 293/2, 299/1, TEJAPUR, GADBADI PUL, A.B. ROAD, INDORE - 452009 PH :9109975566.	JAORA	1274. NIMAR MOTORS PVT. LTD. (AU01-AU-06), PH. NO. 35, VILLAGE - DANAPUR, TEHSIL - KHARGONE, DISTRICT - KHARGONE, MADHYA PRADESH. - 451001 PH :7694011436, 9669569496.
1243. INFINITY CARS (A UNIT OF FOUZDAR CARS PVT. LTD) (KM01-KM-01), 185, RAMJIBABA GROUND, HOSHANGABAD, MADHYA PRADESH - 461001 PH :8889281113.	1257. RUKMANI MOTORS (P) LTD (5304-53-01), 2-3, A.B. ROAD,INDORE - 452001 PH :9039088702 9109978301.	1267. PATEL MOTORS (INDORE) PVT. LTD. (P801-BFR-04), SURVEY NO.57/1/1/1, RATLAM ROAD, RATLAM NAKA, OPP. KOTHARI AGRIKO, INDUSTRIAL AREA, INFRONT OF ST. PAUL SCHOOL, JAORA, DISTT. RATLAM, MADHYA PRADESH - 457226 PH :243399, 7089901505, 9926932221.	KHATEGAON
ICHHAWAR	1258. RUKMANI MOTORS (P) LTD (5304-53-03), NO. -4/5, MANORAMA GANJ, INDORE - 452001 PH :9109107171 9109978301.	JHABUA	1275. UNITARA (BXB2-BXB-01), NEMAWAR-INDORE ROAD, KHATEGAON, M.P. - 455336 - 455336 PH :9770018283.
1244. RAJRUP MOTOR JUNCTION (A UNIT OF RMJ MOTORS PVT. LTD.) (CIK1-CIK-01), SEHORE NADAN ROAD, NEAR SARASWATI SCHOOL, ICHHAWAR, DISTRICT - SEHORE, MADHYA PRADESH. - 466115 PH :9826333501.		1268. PATEL MOTORS (INDORE) PVT. LTD. (AAR1-AAR-01), INDORE AHMEDABAD ROAD, MEGHNAGAR NAKA, JHABUA ,MADHYA PRADESH. - 457661 PH :9826634449.	KOTMA
INDERGARH		JOBAT	1276. SHUBH MOTORS (DO01-DO-01), WARD NO.7, ANNUPPUR KOTMA ROAD, DISTT. ANNUPPUR, KOTMA (M.P.) - 484336 PH :9303884800.
1245. PREM MOTORS (SPU1-SPU-01), NEAR KHERAPATI GARDEN, InderGARH, MP - 475675 PH :9926809818.			KUKSHI
INDORE			1277. OCEAN MOTORS PVT. LTD. (BIO1-BIO-01), SURVEY NO 593/5/1, 593/6/1, BARWANI ROAD, TOLL KANTE KE PASS, TEHSIL-KUKSHI - 454331 PH :7389936477, 8085999990.
1246. KATHED MOTOCORP(A UNIT OF KATHED MOTORS PVT. LTD.) (5307-53-01), PLOT NO. 483/2/2, MAIN DHAR ROAD, NEAR CHANDAN NAGAR POLICE STATION, INDORE, MADHYA PRADESH. - 452002 PH :7471111132.			LAKHNADON
			1278. KAMTHI MOTORS LLP (SCL1-SCL-01), RANI DURGAVATI CHOWK, NH-7, WARD NO. - 05, JABALPUR ROAD, LAKHNADON, MADHYA PRADESH. - 480886 PH :9285506128.
			MAHESHWAR

1279. NIMAR MOTORS (SHH1-SHH-01), OPPOSITE DEVRAJ HOTEL, MAIN MANDLESHWAR-DHAMNOD ROAD, MAHESHWAR, MP - 451224
PH :9689566504, 9754979019.

MAHIDPUR

1280. YUG CARS (A UNIT OF RUKMARANI CARS INDORE PVT. LTD) (CWN1-CWN-01), 264/3, BHIMAKHEDA, MAHIDPUR, UJJAIN - 456443
PH :9755044300 9755512100.

MAIHAR

1281. CITY CARS (UNIT OF AGARWAL WHEELS) (D702-GI-04), UNIT OF AGARWAL WHEELS PVT. LTD., NEAR RELIANCE PETROL PUMP, NH-7, REWA ROAD, MAIHAR (M.P.) - 485771
PH :9754301199.

MAJHAULI

1282. CITY CARS (SPN1-SPN-01), WARD NUMBER 14, NAGAR PARISAD MAJHAULI, DIST. SIDHI (M.P.) - 486666. - 486666
PH :9754301199.

MANASA

1283. PATEL MOTORS (INDORE) PVT. LTD. (BZX1-BZX-01), 982/1, RAMPURA ROAD, MANASA, DIST. NEEMUCH, MADHYA PRADESH. - 458110
PH :9977703139.

MANAWAR

1284. OCEAN MOTORS PVT. LTD. (BVS1-BVS-01), NEAR SHANTIKUNJ COLONY, INDORE-MANAWAR MAIN ROAD, TEHSIL – MANAWAR, DISTRICT – DHAR. - 454335
PH :7389936477.

MANDLA

1285. STANDARD AUTO AGENCIES (5405-WD-04), KATARA ROAD, MANDLA, DIST. MANDLA MP - 481661
PH :8959280989.

MANDSAUR

1286. PATEL MOTORS (INDORE) PVT. LTD. (WC01-WC-01), NEAR SHIVANA BRIDGE,RATLAM MANDSAUR ROAD,MANDSAUR - 458001
PH :9977703139.

1287. PATEL MOTORS (INDORE) PVT. LTD. (WC01-WC-02), BLOCK 'C', SHED-5, WARD NO. 1, INDUSTRIAL AREA, CITY - MANDSAUR, MADHYA PRADESH. - 458001
PH :9977704817.

MANPUR

1288. PATEL MOTORS (INDORE) PVT. LTD. (BRL1-BRL-01), KHASRA NO. 302/1/3, AB ROAD, MANPUR, DIST- INDORE - 453661
PH :9826390699.

MAUGANJ

1289. CITY CARS (SEY1-SEY-01), NEAR SENGAR PETROL PUMP ,CHACK MODE WARD NUMBER 03,NH 7 ,MAUGANJ, DISTT – REWA, MADHYA PRADESH – 486331. - 486331
PH :975301199.

MHOW

1290. OCEAN MOTORS PVT. LTD. (WA01-WA-01), A.B. ROAD, NEAR KISANGANJ POLICE STATION, MHOW - 453441
PH :7389936514.

MORENA

1291. PREM MOTORS PVT. LTD. (RG01-RG-01), NEAR SALES TAX BARRIER SQUARE, AB ROAD MORENA - 476001
PH :9926809803.

NAGDA

1292. YUG CARS (A UNIT OF RUKMARANI CARS INDORE PVT. LTD) (CHR2-CHR-01), PLOT NO. 17, STATE HIGHWAY NO.17, INDORYIA ROAD, NAGDA, DISTRICT – UJJAIN, MADHYA PRADESH. - 456335
PH :9755044300/9755512100.

NARAYANGARH

1293. PATEL MOTORS (SFN1-SFN-01), 1742/11, NARAYANGARH, TEHSIL - MALHARGARH, DISTRICT- MANDSAUR, MADHYA PRADESH. - 458553
PH :9977703139.

NARSINGHPUR

1294. STANDARD AUTO AGENCIES (BB01-BB-01), KH. NO. 82/44 & 83/44, NB NO.519, PC NO. 19/42), OLD 46 (NEW) MOUZA RONSRA R.I.M. 2, TEHSIL & DISTRICT – NARSINGHPUR, MADHYA PRADESH. - 487001
PH :9179779400.

NASRULLAGANJ

1295. JEEWAN MOTORS PVT. LTD. (CIN1-CIN-01), KHASRA NO. 458, VILLAGE – RALA, TEHSIL – NASRULLAGANJ, DISTRICT – SEHORE, MADHYA PRADESH. - 466331
PH :9303894800.

NEEMUCH

1296. PATEL MOTORS (INDORE) PVT. LTD. (P801-3T-02), MHOW-NEEMUCH ROAD,NEEMUCH(MP),, - 458441
PH :9977703907.

NIWARI

1297. ADINATH MOTORS (SFC1-SFC-01), ATKHASRA NO 2017/1, NEAR HDFC BANK MAIN ROAD, NIWARI, MADHYA PRADESH –472442. - 472442
PH :9009787562.

PANDHURNA

1298. KAMTHI MOTORS (SFG1-SFG-01), SHANKAR NAGAR, PANDHURNA, DIST. - CHHINDWARA, MADHYA PRADESH - 480334. - 480334
PH :9111535777.

PANNA

1299. CITY CARS (UNIT OF AGARWAL WHEELS) (EQ01-EQ-01), KHASRA NO. 378, MOHAN RAJ VILAS CHOURAHA, BESIDE MOHAN RAJ HOTEL, CIVIL LINE NH-75, PANNA, MADHYA PRADESH . - 488001
PH :9754301199.

PARASIA

1300. KAMTHI MOTORS LLP (GKF1-GKF-01), KHIRSAODHMAL, PARASIA, CHHINDWARA. MP - 480441
PH :9285506109.

PATAN

1301. MAA GAYATRI (SHP1-SHP-01), BESIDE KRISHI UPAJ MANDI, PATAN, PIN-483119, MADHYA PRADESH - 483119
PH :7489901021.

PAWAI

1302. CITY CARS (UNIT OF AGARWAL WHEELS) (SIX1-SIX-01), NEAR ETORI PETROL PUMP, PANNA ROAD, PAWAI, DIST. – PANNA, MP. 488446 - 488446
PH :9754301199.

PETLAWAD

1303. PATEL MOTORS (INDORE) PVT. LTD. (CJD1-CJD-01), NEAR H. P. PETROL PUMP, THANDLA ROAD, PETLAWAD, DISTRICT – JHABUA, MADHYA PRADESH. - 457773
PH :9926932221.

PIPARIYA

1304. INFINITY CARS (A UNIT OF FOUZDAR CARS PVT. LTD) (CGB1-CGB-01), HATHWAS TIRAHA, SHOBHAPUR ROAD, PIPARIYA, MADHYA PRADESH. - 461775
PH :8889281113.

PITHAMPUR

1305. PATEL MOTORS (INDORE) PVT. LTD. (5303-BVD-04), 254-A, SECTOR-1, INDUSTRIAL AREA, PITHAMPUR, DISTT. DHAR - 454775
PH :9826360699.

RAISEN

1306. JEEWAN MOTORS (RF02-RF-01), WARD NO 14, PATANDEV, SAGAR ROAD, RAISEN, MADHYA PRADESH - 464551
PH :9644712135.

1307. RAJRUP MOTORS (RF03-RF-01), OPPOSITE S P OFFICE, NEAR ST. FRANCIS SCHOOL, VIDISHA ROAD, RAISEN, MADHYA PRADESH. - 464551
PH :9826335901.

RAJGARH

1308. RUKMANI MOTORS (P) LTD (GKE1-GKE-01), CHANDRA SHEKHAR AZAD MARG, NEAR TRIMURTI NAGAR, RAJGARH, DIST. - DHAR, MP. - 454116
PH :9755549200 9109978301.

RATLAM

1309. PATEL MOTORS (INDORE) PVT. LTD. (P801-P8-01), 76 C,D&E,INDUSTRIAL AREA,RATLAM - 457001
PH :99269-32221/93404-31858.
1310. PATEL MOTORS (INDORE) PVT. LTD. (P801-P8-03), 181/17/18,DOSHI GOAN,INDUSTRIAL AREA ,JAORA ROAD,RATLAM - 457001
PH :99269-32221/93404-31858.

REWA

1311. CITY CARS (UNIT OF AGARWAL WHEELS) (D702-M2-03), NYPASS CHURHATA, DIST. REWA - 482001
PH :9754301199.
1312. SHUBH MOTORS (5403-M2-05), VILLAGE – RATHARA, TEHSIL – HUZUR, DISTRICT – REWA, MADHYA PRADESH - 486003 - 486003
PH :9755582351.

SADALPUR

1313. OCEAN MOTORS (SPS1-SPS-01), JAIN SHRI SUPER MARKET, SERVICE ROAD, MHOW-NEEMUCH ROAD, SADALPUR, DISTRICT DHAR (M.P.) - 454001. - 454001
PH :7389936477.

SAGAR

1314. ADINATH CARS PRIVATE LIMITED (G102-G1-01), STATION ROAD, TILAK GANJ, SAGAR (M.P.) - 470001
PH :9009780030.

SANWER

1315. RANA MOTORS PVT LTD (CWX1-CWX-01), S.NO. 356/3/1, OLD UJJAIN BYPASS ROAD, TALUKA SANWER, DIST.-INDORE, MADHYA PRADESH. - 453551
PH :9109975566.

SATNA

1316. CITY CARS (UNIT OF AGARWAL WHEELS) (D702-D7-05), (A UNIT OF AGRAWAL WHEELS PVT. LTD.), BESIDE BHASKAR PRESS, BEHIND MARUTI SHOWROOM, WARD NO.27, AMOUDHA KALA, PANNA ROAD, SATNA - 485001
PH :9754301199.

SASUAR

Dealer Workshop (AS ON 30.05.2023)

1317. KAMTHI MOTORS (CODE UNDER CREATIONS-CODE UNDER CREATIONS-CODE UNDER CREATIONS), BESIDE SAUSAR COTTON INDUSTRIES, CIVIL LINE, NAGPUR-CHHINDWARA ROAD, SAUSAR, DIST-CHHINDWARA, M.P. – 480106. - 480106 PH :9111535777.

SEHORE

1318. JEEWAN MOTORS PVT. LTD. (0302-EH-02), 869/1/2, OFFICERS COLONY, IN FRONT OF CHURCH GROUND, BHOPAL, INDORE ROAD - 486001 PH :9617990992.

SENDHWA

1319. NIMAR MOTORS PVT. LTD. (CIH1-CIH-01), KHASARA NO. 286/10 AND 287/14, HALKA NO. 11, VARLA ROAD, SENDHWA, TEHSIL – SENDHWA, DISTRICT – BARWAN, MADHYA PRADESH. - 451666 PH :7694011408, 9669569496.

SEONI

1320. KUNAL MOTORS (U501-8X-05), JYARAT NAKA, JABALPUR NAGPUR ROAD, SEONI (M.P.) - 480661 PH :8349999269.

SHADOL

1321. SHUBH MOTORS (MF01-MF-01), JAMUA, NEAR GYAN GUPTA, BUDHAR ROAD, SHAHDOL, - 484771 PH :9755595423.

SHAHPURA

1322. STANDARD AUTO AGENCIES (CRD1-CRD-01), KHASARA NO.172/3, BHERAV MATA MANDIR NEAR TOLL NAKA MAIN ROAD, JABALPUR NARSINGHPUR ROAD, SHAHPURA, - 483119 PH :7771003374.

SHAJAPUR

1323. UNITARA (RH03-RH-01), LAL GHATI, A B ROAD, SHAJAPUR, MP - 465001 PH :9770018283.

SHAMGARH

1324. PATEL MOTORS (INDORE) PVT. LTD. (BF21-BF2-01), KHASARA NO. 1179/1, MOHALLA MAROTH, TEHSIL – SHAMGARH, DISTRICT – MANDSAUR, MADHYA PRADESH. - 458883 PH :9977703139.

SHIVPURI

1325. PREM MOTORS PVT. LTD. (3003-3U-04), A B ROAD, SHIVPURI, - 473551 PH :9926809976.

SHUJALPUR

1326. UNITARA (BGP2-BGP-01), KISHONI, OPPOSITE HP FUEL STATION, SHUJALPUR, M.P. - 465333 - 465333 PH :9770018283.

SHYAMPUR

1327. DAGA MOTORS (SJK1-SJK-01), NEAR MAHADEV RESTAURANT, NH-12, SHYAMPUR, DISTRICT – SEHORE, MADHYA PRADESH - 466651. - 466651 PH :9752880210.

SIDHI

1328. CITY CARS (UNIT OF AGARWAL WHEELS) (BKM1-BKM-01), ADHIYAR KHOH, NEAR GYAN DHARAMKATA, SIDHI, MADHYA PRADESH. - 486661 PH :9754301199.

SIHORA

1329. SHUBH MOTORS PVT. LTD. (CIG1-CIG-01), KHASARA NO. 31/1, P.H. – 11, MOUZA – GHAT SIMARIYA, TEHSIL – SIHORA, DISTRICT – JABALPUR, MADHYA PRADESH., - 483440 PH :9755580253.

SIMROL

1330. RUKMANI MOTORS (BZV2-BZV-01), AMRIT SAGAR COLONY, SIMROL, DIST. - INDORE, MADHYA PRADESH - 452020 - 452020 PH :9109978301.

SINGHOLI

1331. PATEL MOTORS (SEQ1-SEQ-01), BEGHU CHITTORGARH ROAD, SINGOLI, NEEMUCH, MP – 458228 - 458228 PH :9977703907.

SIRONJ

1332. RAJPUR MOTOR JUNCTION (A UNIT OF RMJ MOTORS PVT. LTD.) (CVM1-CVM-01), OPPOSITE BALAJI DHAM, LINK ROAD, SIRONJ, MADHYA PRADESH, - 464228 PH :9826333501.

SITAMAU

1333. PATEL MOTORS (SLL1-SLL-01), MAUKHEDA, TEHSIL - SITAMAU, DISTRICT - MANDAU, MADHYA PRADESH - 458990 - 458990 PH :9977703139.

TARANA

1334. YUG CARS (A UNIT OF RUKMARANI CARS INDORE PVT. LTD) (CHQ2-CHQ-01), HOUSE NO. 1/6, WARD NO. 10, TOTLA MARG, TARANA-UJJAIN ROAD, TARANA, MADHYA PRADESH. - 456665 PH :9893563031/9755512100.

TENDUKHEDA

1335. STANDARD AUTO AGENCIES (CRC1-CRC-01), KHASARA NO. 49/6, MOUZA – TENDUKHEDA, DISTRICT – NARSINGHPUR. - 470880 PH :7771003374.

THIKRI

1336. NIMAR CAR (SED1-SED-01), OPPOSITE OF SHREE BALAJI TYRE SALES & SERVICE, SHREE NAGAR, THIKRI, MADHYA PRADESH –451660. - 451660 PH :9109202186.

TIKAMGARH

1337. ADINATH CARS PRIVATE LIMITED (RE02-RE-01), NEAR MAU CHUNGI NAKA, TIKAMGARH (M.P.) - 472021 PH :9009987440.

UDAIPURA

1338. JEEWAN (SCI1-SCI-01), WARD NO 3, NH-12, UDAIPURA, DIST. - RAISEN, MADHYA PRADESH - 464770 PH :8718911777.

UJJAIN

1339. YUG CARS (3W03-3W-02), 54/3/2, AGAR NAKA, NEAR VARDHAN HOTEL, MAKODI AM CHAURAHA, INDIRA NAGAR, UJJAIN, MADHYA PRADESH. - 456001 PH :9755512100, 7024235298.

1340. YUG CARS (A UNIT OF RUKMARANI CARS INDORE PVT. LTD) (3W03-3W-01), SURVEY NO. 59/3, DEWAS ROAD, UJJAIN - 456010 PH :9755512100, 7869911945.

UMARIA

1341. SHUBH MOTORS (5403-BVY-04), 8/2 GRAM BHAGRA, KIRANTAL KHURD, UMARIA DISTRICT UMARIA (MADHYA PRADESH) - 484661 PH :9755505888.

VIDISHA

1342. DAGA MOTORS (A UNIT OF DAGA HEIGHTS) (AY02-AY-01), PLOT NO 59/1, VILLAGE RANGAL, VIDISHA, MADHYA PRADESH - 464001 PH :9109900374.

VIDISHA

1343. RAJPUR (AY03-AY-01), UDAYNAGAR COLONY, NEAR OIL FACTORY, SAGAR ROAD, VIDISHA, DISTRICT-VIDISHA (M.P.) - 464001 - 464001 PH :7869975501.

WAIDHEN

1344. CITY CARS (UNIT OF AGARWAL WHEELS) (D702-JJ-02), NEAR VIJAY BANDHU PETROL PUMP, KACHANI, THE. WAIDHEN, DISTRICT, SINGRAULI, MADHYA PRADESH - 486886 PH :9754301199.

MAHARASHTRA

AHMEDNAGAR

1345. KANKARIYA AUTOMOBILES PVT. LTD. (A501-A5-01), SARDA MILLS, SAVEDI ROAD, AHMEDNAGAR, MAHARASHTRA - 414001 PH :7410024227

1346. KANKARIYA AUTOMOBILES PVT. LTD. (A501-A5-05), MIDC, AHMEDNAGAR - 414003 PH :7447700029.

AJARA

1347. SAI SERVICE PRIVATE LIMITED (CIR1-CIR-01), GAT NO. 30, PLOT NO. 24, GP MILKAT NO. 906/3, NEAR MAYUR PETROL PUMP, AJARA, DISTRICT – KOLHAPUR. - 416505 PH :7778837717, 9673331977.

AKLJ

1348. CHAVAN MOTORS DIVISION INDIA PVT LTD (B102-RU-04), PLOT NO. 15/3A, PANCHVATI STOP, MALINAGAR ROAD, AKLJ - 413101 PH :0217-223033/8805986848.

AKOLA

1349. KHANDELWAL AUTOWHEELS PVT. LTD. (F101-F1-01), TIRUPATI CHAMBERS, CONVENT ROAD, AKOLA - 444005 PH :9767892552/9122205551.

1350. KHANDELWAL AUTOWHEELS PVT. LTD. (F101-F1-02), PLOT NO E/12-13-MIDC PHASE-2, AKOLA. - 444001 PH :9767892552/9112220551.

ALEPHATA

1351. THE KOTHARI WHEELS (CSZ1-CSZ-01), GAT NO.446, MATOSHRI PRIDE, NEAR SADHANA BANK, KALYAN ROAD, A/P – ALEPHATA, TALLUKA – JUNNAR, DISTT. PUNE, PIN-412411 PH :8421753278.

ALIBAUG

1352. SIMRAN MOTORS PVT. LTD. (7S01-3X-05), SURVEY NO. 30/1, OPP. RCF COLONY, VILLAGE – VESHVI, ALIBAUG, DISTRICT – RAIGAD, MAHARASHTRA - 402201 PH :9223161512, 9270888786.

AMALNER

1353. MANRAJ MOTORS (EL01-EL-01), PRASAD MOTORS, RAVI NAGAR, NEAR NAYARA PETROL PUMP, DHULE ROAD, AMALNER, DIST. JALGAON-425401. - 425401 PH :#REF!

AMBERNATH

1354. AHER AUTOPRIME LLP (COP1-COP1-01), PLOT NO-24,26,27/17, MIDC, KALYAN-BADLAPUR ROAD, VILLAGE - KHOJU, KHUNTAVALI, AMBERNATH - 421501 PH :8422871720.

AMRAVATI

1355. ASPA BANDSONS AUTO PVT. LTD. (F201-F2-01), SATURNA BADNERA ROAD, AMRAVATI, MAHARASHTRA. - 444807 PH: 9423123665

1356. ASPA BANDSONS AUTO PVT. LTD. (F201-F2-05), A1/A2, OLD VY PASS ROAD, MIDC, AMRAVATI, DIST: AMRAVATI, MAHARASHTRA. - 444607 PH: 9423339601.

APTA

1357. K.T.S. AUTOMOTORS PVT. LTD. (0582-7S-01), VILLAGE: APTA, OPP. APTA RAILWAY STATION, LADIWALI, DIST: RAIGAD, PANVEL (MAHARASHTRA) - 410207 PH: 9420611356/94206611326.

AURANGABAD

1358. AUTOMOTIVE MANUFACTURERS PVT. LTD. (2102-21-01), PLOT NO. 1,P.B.NO. 716, CHIKALTHANA, AURANGABAD - 431210 PH: 9158000046.

1359. PAGARIYA AUTO PVT. LTD. (2103-21-01), OPP. OLD HIGH COURT, NEAR HOTEL ASHOKA EXECUTIVE, JALANA ROAD, AURANGABAD - 431005 PH: 02406659902.

1360. AUTOMOTIVE MANUFACTURERS PVT. LTD. (2102-21-03), C-27, MIDC, CHIKALTHANA, /NR LUPIN LABORATORIES, AURANGABAD, MAHARASHTRA - 431006 PH: 9158000059.

1361. PAGARIYA AUTO PVT. LTD. (2103-21-05), GAT NO. 46, PLOT NO. 50, NEAR MASTER COOK RESTAURANT (KAILASH HOTEL) BEEB BYPASS ROAD, AURANGABAD, MAHARASHTRA - 431005 PH: 9860999484/9860999468.

1362. PAGARIYA AUTO PVT. LTD. (2103-21-06), PLOT NO. A-35 MIDC, NEAR MAIN RAILWAY STATION, AURANGABAD - 431001 PH: 9408886768/7387279311.

BADLAPUR

1363. PRAKASH AUTO PVT. LTD. (9001-90-01), SHOP NO. 2, S. NO. 16, PLOT NO. 25 & 26, KRISHNA WATER SUPPLY, OPP. INDIAN OIL PETROL PUMP, MIDC ROAD, KATRAP, BADLAPUR (EAST) - 421503 PH: 8655791288/9870453155.

BALLARPUR

1364. TRISTAR CARS (H302-ZH-04), PLOT NO.11, BEHIND ZAWERI PETROL PUMP, NEAR GURU NANAK COLLEGE, ALLAPALLI ROAD, BAMNI, TAH. BALLARPUR - DIST. - 442701 PH: 7447473304.

BARAMATI

1365. MAHALAXMI AUTOMOTIVES PVT. LTD. (7R01-7R-01), BARAMATI- PHALTAN RD., KASBA, BARAMATI, DIST. PUNE - 413102 PH: 9881370310.

BARSHI

1366. CHAVAN MOTORS DIVISION INDIA PVT LTD (BBA1-BBA-01), GAT NO.1407/1, LATUR ROAD, NEAR ESSAR PETROL PUMP, BARSHI. - 413401 PH: 8378983726.

BEEED

1367. PAGARIYA AUTO PVT. LTD. (V602-V6-01), GUT NO. 61, VILLAGE - GHOSAPUR, TALUKA AND DISTRICT - BEEED, MAHARASHTRA. - 431122 PH: 9834161614/02442256058/02442256056/02442256057/.

BHANDARA

1368. AUTOMOTIVE MANUFACTURERS PVT. LTD. (2001-FG-03), JINDAL'S BLDG, NEAR NAVKAR PETROL PUMP, SAINATH NAGAR, NH-6, BHANDARA - 441904 PH: 7030932330/9673004280.

BHOR

1369. SEHGAL AUTORIDERS PVT. LTD. (BSV1-BSV-01), GUT NO. 929/1, UTTROLI, BHOR, TALUKA - BHOR, DISTRICT - PUNE, MAHARASHTRA. - 412206 PH: 9527771016.

BOISAR

1370. SHIVAM AUTO ZONE (ES02-ES-01), PLOT NO. J-240, MIDC ROAD, BOISAR, TARAPUR INDUSTRIAL, MUMBAI, PIN-401501, MAHARASHTRA - 401501 PH: 8082551155.

BRAMHAPURI

1371. TRISTAR CARS PVT LTD (H302-TW-02), 165, NAVEGANGA, NEAR VIDYANIKETAN SCHOLL, WADSA ROAD, BRAMHAPURI, DIST: CHANDARPUR, MAHARASHTRA - 441206 PH: 7745883000.

BULDHANA

1372. MANRAJ MOTORS PVT LTD (COU1-COU-01), GAT NO. 94, PLOT NO. 11, SUNDERKHEDE, BULDHANA, MAHARASHTRA. - 443 001 PH: 7875051521.

CHALISGAON

1373. MANRAJ MOTORS PVT LTD (AAE1-AAE-01), SL. NO 406, PLOT NO. 2, NEAR HOTEL RANI PARK, DHULE ROAD, CHALISGAON, DIST: JALGAON, MAHARASHTRA. - 424101 PH: 8408889861.

CHANDGAD

1374. SAI SERVICE PRIVATE LIMITED (BT1F-BTF-01), GAT NO 360, G.P.M NO.157, A/P HALKARNI TALUKA CHANDGAD, DISTT. KOLHAPUR, MAHARASHTRA. - 416507 PH: 9673339103.

CHANDRAPUR

1375. TRISTAR CARS PVT LTD (H302-H3-01), NR. HOTEL KUNDAN PLAZA, NAGPUR ROAD, CHANDRAPUR - 442401 PH: 7722068612.

1376. TRISTAR CARS PVT LTD (H302-H3-03), NAGPUR ROAD, CHANDRAPUR - 442401 PH: 7722068603.

CHIPLUN

1377. JAGRUT MOTORS PVT LTD (9A01-9A-01), SURVEY NO-543, NH-17, MUMBAI-GOIA HIGHWAY, AT-KALAMBASTE, TAL-CHIPLUN, DIST-RATNAGIRI, MAHARASHTRA - 415605 PH: 7083687172/8308917693.

DAHANU

1378. SAI SERVICE PRIVATE LIMITED (V901-TD-03), DAHANU-JAWAHAR ROAD, DAHANU(E), TAL-DAHANU, DIST. TAHNE - 401602 PH: 9730302821/9167980005/9594952211.

DAPOLI

1379. JAGRUT MOTORS PVT LTD (G301-VG-06), AT/POST-DAPOLI, DAPOLI-KHEED ROAD, DAPOLI, DIST RATANAGIRI. - 415712 PH: 8309816572/7447752372.

DHAMANGAON

1380. ASPA (SFZ1-SFZ-01), RAMDEVBABA NAGAR, ANJANISINGH ROAD, DHAMANGAON RAILWAY, DIST: AMRAVATI - 444709 PH: 9890333558.

DHULE

1381. SEVA AUTOMOTIVE LTD. (P301-P3-01), GATE NO. 90, AWADHAN, MUMBAI AGRA ROAD, DHULE - 424001 PH: 02562-281128/29.

DINDORI

1382. AUTOMOTIVE MANUFACTURERS PVT. LTD. (AAF1-AAF-01), S.NO.753, NEAR PANDAV PETROL PUMP, NASIK DINDORI ROAD, TAL. DINDORI, DISTT. NASIK - 422202 PH: 9673003132 / 9673006390.

DOMBIVALI

1383. AUTOMOTIVE MANUFACTURERS PVT. LTD. (3901-JS-02), PLOT NO. B-43, PHASE-1, DOMBIVALI INDUSTRIAL AREA, DOMBIVALI, DISTT-THANE, MAHARASHTRA, - 421201 PH: 9879050913/9769206095/9769206101.

1384. FORT POINT AUTOMOTIVE (CARS) PVT. LTD. (3906-JS-02), SURVEY NO.13, NEAR PIMPLESHWAR TEMPLE, OPP. MAHANAGAR CNG PUMP, KALYAN-SHILPATA ROAD, MANGAON, SONARPADA, DOMBIVLI EAST. - 421203 PH: 8422800740, 8422978490.

GADCHIROLI

1385. ARYA CARS (UNIT OF BARBATE AUTOMOTIVE (I) PVT. LTD) (ZK02-ZK-01), PLOT NO. 10, GANESH NAGAR, MUL ROAD, GADCHIROLI, MAHARASHTRA - 442702 PH: 8669929188.

GADINGLAJ

1386. SAI SERVICE PRIVATE LIMITED (3802-DB-04), 581/7B, PLON NO-12, SANKESHWAR ROAD, OPP. HOTEL NEELKAMAL, TAL. GADINGLAJ - 416502 PH: 02327-222239.

GONDIA

1387. ARYA CARS (UNIT OF BARBATE AUTOMOTIVE (I) PVT. LTD) (2004-4C-02), ITI ROAD, NR. FULCHUR NAKA, OPP LAXMI FLOUR MILL, GONDIA - 441601 PH: 8888837023/8888859487.

1388. ARYA CARS (UNIT OF BARBATE AUTOMOTIVE (I) PVT. LTD) (2004-4C-03), ITI KAWLEWADA ROAD, NEAR HIMGIRI LAYOUT, KARANJA, GONDIA, MAHARASHTRA. - 441 601 PH: 8888837023/8888859487.

GUHAGAR

1389. JAGRUT MOTORS PVT LTD (BJV1-BJV-01), SURVEY NO. 23A, SHRUNGALTALI, GUHAGAR-CHIPLUN ROAD, GUHAGAR, RATNAGIRI, MAHARASHTRA - 415703 PH: 7218548798/7447752072.

HINGANGHAT

1390. SEVA AUTOMOTIVE PVT. LTD. (CD21-CDZ-01), PLOT NO. P-1, HINGANGHAT INDUSTRIAL AREA, NH-7, AJANTI, HINGANGHAT, TALUK - HINGANGHAT, DISTRICT - WARDHA, MAHARASHTRA. - 442301 PH: 7722067843.

HINGOLI

1391. PAGARIYA AUTO PVT. LTD. (IF03-IF-01), PLOT NO.5,7 & 8, SURVEY NO.29/2, AKOLA BY PASS ROAD, HINGOLI. - 431513 PH: 8411961177.

HUPARI

1392. SAI SERVICE PRIVATE LIMITED (CIQ1-CIQ-01), GAT NO.925/8K2, PLOT NO.7, HUPARI TO YALGUD ROAD, HUPARI, TAL-HATKANANGALE, DISTRICT - KOLHAPUR. - 416203 PH: 9923208454.

ICHALKARANJI

1393. SAI SERVICE PRIVATE LIMITED (4D01-4D-01), GATE NO. 107, KOLHAPUR ROAD, KABNOOR, ICHALKARANJI - 416122 PH: 0230-2425282.

INDAPUR

Dealer Workshop (AS ON 30.05.2023)

1394. MAHALAXMI AUTOMOTIVES PVT. LTD.
(7R01-NQ-02), STATE HIGHWAY NO. 151,
INDAPUR - 412219
PH :8308807314.

ISLAMPUR

1395. CHOWGULE INDUSTRIES PVT. LTD.
(PJ02-PJ-01), GATE NO.905/A/3, NEAR BOMBAY
RAYAN, PUNE-BANGALORE HIGHWAY (NH-4),
ISLAMPUR TALUKA : WALVA, DIST:SANGLI -
415409
PH :02342-225757.

JALGAON

1396. MANRAJ MOTORS PVT LTD (C401-C4-01),
AJINTA ROAD, MIDC INDL AREA, JALGAON -
425003
PH :9423969538.

JALNA

1397. AUTOMOTIVE MANUFACTURERS PVT. LTD.
(2102-BL-02), PLOT NO. 4 & 5, CTS NO.
114271A-A. BALAJI COMPLEX,
JALNA-AURANGABAD ROAD, JALNA, - 431203
PH :9158000063.

JATH

1398. CHOWGULE INDUSTRIES PVT. LTD.
(J102-BLX-05), PLOT NO. 12, SAWANT ESTATE,
MORE COLONY, OPP. CATTLE BAZAR, SATARA
ROAD, JATH, DISTRICT SANGLI,
MAHARASHTRA - 416404
PH :02344-246598.
1399. SIDHI WHEELS (BLX1-BLX-01), GAT NO- 27/1B,
POST-RAMPUR, JATH-SANGLI ROAD, TALUKA-
JATH, DISTRICT-SANGLI - 416404
PH :9856454526.

JAYSINGPUR

1400. SAI SERVICE PRIVATE LIMITED (ASA1-ASA-01),
GATE NO. 1239, NEAR ACHRYA TULSI BLOOD
BANK, A/P UDGAON(JAYSINGHPUR),
TALUKA:SHIROL, DIST: KOLHAPUR - 416134
PH :9673339762.

JEJURI

1401. EXCELL AUTO VISTA (SKY1-SKY-01), GAT NO -
224, AT POST-SAKURDE, JEJURI,
TALUKA-PURANDHAR, DISTRICT-PUNE,
PIN-412303, - 412303
PH :9146052651.

KALWAN

1402. SHAAN CARS PRIVATE LIMITED
(BNW1-BNW-01), GAT NO. 189, PLOT NO. 7,
MALEGAON ROAD, A/P KALWAN, NASHIK. -
423501
PH :9075028780, 9689003988.

KALYAN

1403. AHER AUTOPRIME LLP (CFV1-CFV-01), SURVEY
NO.53 & 54, HIND MILL, OPPOSITE STATE BANK
OF INDIA, ANDHARWADI ROAD, KALYAN,
MUMBAI - 421301
PH :9819705444/8657402204/9769927505.
1404. AHER AUTOPRIME LLP (CFV1-CFV-02), SURVEY
NO.31B,MOHANE ROAD ,NEAR SHAHAD
RAILWAY STATION,SHAHAD,KALYAN. - 421103
PH :8422871720/8657402204/9833993076.

KANKAVALI

1405. JAGRUT MOTORS PVT LTD (G301-V7-05), PLOT
NO.32-33, SURVEY NO.-1886/1, MUMBAI-GOA
HIGHWAY
(NH-17),JANAVLI,KANKAVLI,MAHARASHTRA -
416002
PH :7499051071/9021095805.

KARAD

1406. CHOWGULE INDUSTRIES PVT. LTD.
(F303-4E-02), 112/3, PUNE-BANGALORE ROAD,
NEAR RELIANCE GAS PUMP, A/P MALKAPUR,
TAL. KARAD, DISTT. SATARA - 415110
PH :9922569835.

KARJAT

1407. SIMRAN MOTORS PVT. LTD. (7S01-TA-03),
PANVEL-KARJAT ROAD, KARJAT, DIST. RAIGAD -
410201
PH :8691988895, 8108181978.
1408. KANKARIYA AUTOMOBILES PVT. LTD.
(GJV1-GJV-01), KARJAT-NAGAR ROAD, KARJAT,
MAHARASHTRA - 414402
PH :9890843771.

KARMAD

1409. PAGARIYA (CEB1-CEB-01), GAT NO-245, BHAKTI
COMPLEX, BEHIND BHARAT PETROL PUMP,
AURANGABAD ROAD, KARMAD - 431007, -
431007
PH :7575077181 / 9687668929.

KARMALA

1410. CHAVAN MOTORS DIVISION INDIA PVT LTD
(GJQ1-GJQ-01), GAT NO. 105, SURVEY NO.
3961, KARMALA-NAGAR ROAD, A/P. KARMALA,
TALUKA - KARMALA, DIST.-SOLAPUR. - 413202
PH :8806665691.

KAVATE MAHANKAL

1411. CHOWGULE INDUSTRIES PVT. LTD.
(SC02-SC-01), MAHANKALI BAAZAR, KAVATE
MAHANKAL-JAT ROAD, KAVATE MAHANKAL,
SANGLI, MAHARASHTRA - 416405
PH :02341-222102.

KHAMGAON

1412. MANRAJ MOTORS PVT LTD (BXU1-BXU-01), GAT
NO 41, OLD SURVEY NO. 12/1A, NEAR AMRUT
PETROL PUMP, AKOLA ROAD, KHAMGAON ,
MAHARASHTRA - 444303
PH :07623-250002/3.

KHANAPUR (SANGLI)

1413. CHOWGULE INDUSTRIES LTD (SNM1-SNM-01),
KHANAPUR VITA ROAD, KHANAPUR,
TAL-KHANAPUR, DIST-SANGLI - 415307
PH :75079 66715.

KHARGHAR

1414. EXCELL AUTOVISTA PVT LTD (AAC1-AAC-01),
SURVEY NO.742/439, KOPRA VILLAGE,,
SECTOR-10, SION-PANVEL HIGHWAY,
KHARGHAR, DIST. RAIGAD - 410210
PH :7666703636 / 9594153308 / 8422991300 /
9320357300.

KHED

1415. JAGRUT MOTORS (COR1-COR-01), GAT NO -
43/B, MAUZA-BHARNE NAKA, TALUKA-KHED,
DIST-RATNAGIRI. - 415709
PH :9689533472.

KHOPOLI

1416. KIRAN MOTORS (9C02-9C-01), PLOT NO-68,
VILLAGE-MULGAON, KHOPOLI INDUSTRIAL
ESTATE, KHOPOLI, TALUKA-KHALAPUR
DIST-RAIGARH - 410204
PH :8976791922, 8976791920.

KOLHAPUR

1417. SAI SERVICE PRIVATE LIMITED (3802-38-01),
PLOT NO. 1, E WARD, BEHIND PARVATI
TALKIES, SHIVAJI UDYAMNAGAR, KOLHAPUR -
416008
PH :0231-2661676.
1418. SAI SERVICE PRIVATE LIMITED (3803-38-01),
C-6, SHIROLI MIDC, MENON OPP MENON
PISTONS,NH-4, KOLHAPUR - 416122
PH :0230-2468376.
1419. SAI SERVICE PRIVATE LIMITED (3802-38-06), R
S NO. 1018/1, PLOT NO. 28, APATE NAGAR,
KALAMBA RING ROAD, KOLHAPUR,
MAHARASHTRA. - 416012
PH :0231-2329494.
1420. KR MOTORS KOLKOHUR PVT LTD (3804-38-01),
PLOT NO. 216/2, 216/3, 216/5, MUMBAI
BANGALORE HIGHWAY,, GOKUL SHIRGAON,
KOLHAPUR. - 416234
PH :7447755586, 7447755504.

KONGAON

1421. PRAKASH AUTO PVT. LTD. (3903-AZ-02),
SURVEY NO.126/127,98/38,AT & POST
KONGAON. - 421302
PH :9702809689/9870453155.

KOPARGAON

1422. SHAAN CARS PRIVATE LIMITED (COV1-COV-01),
SURVEY NO. 15/36 GAWARE PATIL ESTATE,
NAGAR MANMAD HIGHWAY, NEAR ASHOKA
HOTEL, KOPARGAON. - 423 601
PH :9075028780.

KOREGAON BHIMA

1423. SAI SERVICE (BUO1-BUO-01), GAT NO-373,
VILLAGE-KOREGAON BHIMA, TALUKA-SHIRUR,
DIST-PUNE. - 415501
PH :7774997005.

KUDAL

1424. JAGRUT MOTORS PVT LTD (9B01-9B-01),
SURVEY NO. 50/5, 51/5, A/P PINGULI,
TEMBDHURI, TALUKA - KUDAL, DISTRICT -
SINDUDURG, MAHARASHTRA - 416520
PH :8806664572/8208965235.

KURUNDWADI

1425. CHAVAN MOTORS DIVISION INDIA PVT LTD
(CUF1-CUF-01), GAT NO :256, BYPASS ROAD,
A/P KURDA, TALUKA-MADHA, DISTT. SOLAPUR.
- 413208
PH :8806665691.

KURUNDWAD

1426. SAI SERVICE PVT. LTD. (BHO1-BHO-01), GAT
NO. 250, AT POST - KURUNDWAD, TALUKA -
SHUROO, DIST.-KOLHAPUR. - 416106
PH :9673339695.

LANJA

1427. JAGRUT MOTORS (SER1-SER-01), GAT NO-663,
TALUKA-LANJA, DIST - RATNAGIRI,
MAHARASHTRA -416701 - 416701
PH :8108718346.

LASALGAON

1428. SHAAN CARS PRIVATE LIMITED (BZM1-BZM-01),
PLOT NO. 337, LASALGAON MAIN ROAD,
LASALGAON, TALUKA - NANDGAON, DISTRICT
- NASHIK. - 422306
PH :9075028780, 7720094874.

LATUR

1429. AUTOMOTIVE MANUFACTURERS PVT. LTD.
(V801-V8-01), CITY SURVEY NO. 2960, NANDED
ROAD, OPP. TIRUPATHI LODGE, LATUR -
413512
PH :9607999095.

1430. AUTOMOTIVE MANUFACTURERS PVT. LTD.
(V801-V8-02), PLOT NO. 28, 29, 30, SURVEY NO.
36, VARVATTI VILLAGE, LATUR - BARSHI ROAD,
LATUR - 413512
PH :9607999091/9607999092/9607999093/9607999094
/9607999097.

LONAVLA

1431. SEHGAL AUTORIDERS PVT. LTD.
(CGA1-CGA-01), GATE NO. 120/1, VILLAGE -
WAKSAI, TALUKA - MAVAL LUNAVALA,
DISTRICT - PUNE, MAHARASHTRA. - 410405
PH :89753 73431.

MAHAD

1432. SIMRAN MOTORS PVT. LTD. (7S01-TX-04), NEAR RELIANCE PUMP, PANVEL-GOIA ROAD, MAHAD, DIST. RAIGAD - 402301
PH :9870404323.

MALEGAON

1433. SHAAN CARS PRIVATE LIMITED (3703-FF-02), PLOT NO. 572/81, CHANDANPUR SHIVAR, OLD MUMBAI, AGRA ROAD, DIST- NASIK, MALEGAON - 423203
PH :9922969620/9922969656.

MANCHAR

1434. THE KOTHARI WHEELS (1906-AGA-04), SOHAM NAGARI, A-WING, SHOP NO.8 & 16, PUNE NASIK HIGHWAY, A/P MANCHAR, TALUKA: AMBEGAON, DISTT: PUNE, MAHRASHTRA - 410503
PH :8411003608.

MANGALVEDHA

1435. CHAVAN MOTORS (CODE UNDER CREATIONS-CODE UNDER CREATIONS-CODE UNDER CREATIONS), NEAR SWARAJYA HOTEL, PANDHARPUR ROAD, CHOKAMELANAGAR, MANGALVEDHA, MAHARASHTRA, PIN-413305 - 413305
PH :8805778881.

MANGAON

1436. SIMRAN MOTORS PVT. LTD. (BAM1-BAM-01), SURVEY NO.97, AT-POST-NANORE, NH-17, MUMBAI-GOIA HIGHWAY, MANGAON, RAIGAD, MAHRASHTRA. - 402104
PH :9223181120.

MANMAD

1437. SHAAN CARS PRIVATE LIMITED (BNX1-BNX-01), GAT NO. 11/3, PLOT NO. 1 AND SHOP NO. 3 & 4, NANDGAON ROAD, MANMAD. - 423104
PH :9075028780, 88888832369.

MANOR

1438. SAI SERVICE PRIVATE LIMITED (CRE1-CRE-01), GUT NO. 37, NEAR MSEB POWER STATION, PALGHAR MANOR ROAD, AT POST - TAKVAHAL, DISTRICT - PALGHAR, MANOR. - 401403
PH :9167980005.

MIRA ROAD, THANE

1439. SUPREME AUTOMOBILES (3915-39-01), BRILLIANT COMPLEX, WESTERN EXPRESS HIGHWAY, MIRA ROAD, THANE- 401107. - 401107
PH :8591942704.

MIRAJ

1440. CHOWGULE INDUSTRIES PVT. LTD. (J102-SD-03), 42C ,OPP. WHISPERING WOODS, MIDC AREA, TALUKA MIRAJ, DISTT. SANGLI, MAHARASHTRA - 416410
PH :0233-2643221,0233-264322.

MORGAON

1441. MAHALAXMI AUTO (CODE UNDER CREATIONS-CODE UNDER CREATIONS-CODE UNDER CREATIONS), GAT NO-179, MORGAON, - TALUKA- BARAMATI, DIST-PUNE - 412304
PH :9850994014.

MUMBAI

1442. SAI SERVICE PRIVATE LIMITED (0504-05-01), 462 SENAPATI BAPAT MARG, WORLI NAKA, LOWER PAREL, MUMBAI - 400013
PH :9594952122/9594952088/9167980082.

1443. SAI SERVICE PRIVATE LIMITED (0504-05-02), ARVIND CHAMBERS, 194 ANDHERI KURLA ROAD, ANDHERI(EAST), MUMBAI - 400069
PH :43030606 /600, 95949552341 / 9594952084 / 9594952250.

1444. VITESSE PRIVATE LIMITED (0503-05-01), SHAH INDL ESTATE, PLOT 11 LINK ROAD, ANDHERI (WEST), MUMBAI - 400058
PH :02226730787/02226730280/02226730296/0226164 2500/02261642500.

1445. VITESSE PRIVATE LIMITED (0503-05-02), 77 AF PALKY GULLY, OFF VEER SAVARKAR MARG, PRABHADEVI, MUMBAI - 400025
PH :24229747/24223933/9821894915.

1446. SAH & SANGHI AUTO AGENCIES PVT.LTD (0505-05-01), PRAKASH MILLS COMPOUND, OFF. GLOBE MILLS PASSAGE, WORLI, MUMBAI - 400013
PH :02224925452/02224925453/02224925454.

1447. SAI SERVICE PRIVATE LIMITED (0504-05-04), C/O SHAKTI INDUSTRIAL WIRE COMPOUND, DATTI PADA ROAD, BORIVILI (EAST), MUMBAI - 400066
PH :28707000 / 9594057006 / 9594952344 / 9594952417.

1448. EXCELL AUTOVISTA PVT LTD (0510-05-01), RESHAM SINGH COMPOUND, CST ROAD, KALINA, SANTACRUZ EAST, MUMBAI - 400098
PH :67743888, 26653242, 43, 46 / 7666703636 / 9594972889 / 7715804477.

1449. AUTOMOTIVE MANUFACTURERS PVT. LTD. (3901-05-04), PLOT NO. 108, BAZAR WARD, KURLA(WEST) , MUMBAI - 400070
PH :61563734 / 61563744 / 61563713 /9167773925.

1450. FORT POINT AUTOMOTIVE (CARS) PVT. LTD. (0521-05-02), D-9, STREET NO. 21, OPP PATNI COMPUTERS, SEEPZ, MIDC, ANDHERI, MUMBAI - 400096
PH :9694973889, 8428200747.

1451. SHIVAM AUTO ZONE (I) PVT. LTD. (0531-05-01), CHARKOP INDUSTRIAL ESTATE, KANDIVLI(WEST), MUMBAI, MAHARASHTRA - 400067
PH :7718893072/9152001329/8082551017/9870938888

1452. VITESSE PRIVATE LIMITED (0503-05-07), PLOT NO A59, KANDIVALI INDUSTRIAL CO-OP. SOC., GOVERNMENT INDUSTRIAL ESTATE, CHARKOP, KANDIVALI (W), MUMBAI - 400067
PH :0222674753.

1453. FORT POINT AUTOMOTIVE (CARS) PVT. LTD. (0521-05-03), C/O VARUN STEEL INDUSTRIES, AAM TOOL COMPOUND, BOAT HURT ROAD, BEHIND SEWARI POLICE STATION, DARUKHANA, REAY ROAD, MUMBAI - 400010
PH :9594974678, 8691045341.

1454. SHIVAM AUTO ZONE (I) PVT. LTD. (0531-05-02), PLOT NO. 4&5, RAMCHANDRA LANE EXTN., OFF LINK ROAD, KANCHPADA, MALAD-WEST, MUMBAI, 400064, - 400064
PH :8082551115/9362721124/9870938888.

1455. VELOX MOTORS (A UNIT OF CARCRAFT AUTOMOBILES PVT LTD) (05A3-05-01), PLOT NO.115/116/117 MIVERVA INDUSTRIAL ESTATE, MULUND-WEST, MUMBAI - 400080
PH :810498939/8104989847.

1456. KIRAN MOTORS (05A7-05-01), CTS NO. 170 & 4081, BOMBAY AGRA ROAD, LB SHASTRI MARG, GHATKOPAR (WEST), MUMBAI, MAHARASHTRA, PINCODE: 400086. - 400086
PH :9152004223/7700888886.

1457. MY CAR (PUNE) PVT LTD (05A8-05-01), PLOT NO-10, CHANDIVALI ESTATE, CHANDIVALI FARM ROAD, OPP LAKE HOMES, ANDHERI EAST, MUMBAI, MAHARASHTRA - 400072
PH :8104907081.

MURBAD

1458. PRAKASH AUTO PVT. LTD. (BYO1-BYO-01), SURVEY NO. 612, KALYAN - MURBAD ROAD, VILLAGE - DAHAGAON, TALUKA - MURBAD, DISTRICT - THANE, MAHARASHTRA. - 421605
PH :7798725726.

MURGUD

1459. SAI SERVICE PRIVATE LIMITED (AWA1-AWA-01), R.S. NO. 188/4, A/P MURGUD, TALUKA: KAGAL, DIST: KOLHAPUR - 416219
PH :02325-265553.

MURTIZAPUR

1460. KHANDELWAL AUTOWHEELS (SHE1-SHE-01), SURVEY NO 38, MAUJA SONORI, NH 06, NEAR HOTEL DEVA, MURTIZAPUR, DISTRICT-AKOLA - 444107
PH :#RFEI.

NAGPUR

1461. SEVA AUTOMOTIVE LTD. (2002-20-01), 34/3, KACHIMET AREA, NEAR VAYUSENA NAGAR BUS STOP, WADI, AMRAVATI ROAD, NAGPUR - 440023
PH :0712-6652863.

1462. AUTOMOTIVE MANUFACTURERS PVT. LTD. (2001-2-02), 575 KAMPTEE ROAD, NAGPUR-26,, - 440026
PH :9673004226/9673004223.

1463. SEVA AUTOMOTIVE LTD. (2002-20-03), PLOT NO. 33A, CENTRAL MIDC, HINGNA ROAD, NAGPUR, MAHARASHTRA. - 440016
PH :0712-666444.

1464. ARYA CARS (UNIT OF BARBATE AUTOMOTIVE (I) PVT. LTD) (2004-20-01), NEAR PARDY NAKA (OUTSIDE), NH-6, BHANDARA ROAD, NAGPUR - 440035
PH :8888859506/8888859534.

1465. AUTOMOTIVE MANUFACTURERS PVT. LTDH. (2001-20-05), PLOT NO. 38/1, NEAR BOUDDHA VIHAR, OPP. DELHI PUBLIC SCHOOL, KAMPTEE ROAD, NAGPUR, MAHARASHTRA - 441001
PH :9168699701/9673004277.

1466. ARYA CARS (UNIT OF BARBATE AUTOMOTIVE (I) PVT. LTD) (2007-20-01), PLOT NO. 4, NEW COTTON MARKET, GHAT ROAD, NAGPUR, MAHARASHTRA - 440018
PH :8888859542.

1467. ARYA CARS (UNIT OF BARBATE AUTOMOTIVE (I) PVT. LTD) (2007-20-02), PLOT NO. 131, NH-6, BHANDARA ROAD, MAHALGAON, NAGPUR, MAHARASHTRA. - 441202
PH :8888820312.

1468. SEVA AUTOMOTIVE PVT. LTD. (2002-20-04), PLOT NO.05, 12, 13A, 13B CHANDRABHAGA GRUHA NIRMAN SAHAKARI LIMITED, KH NO.45/3, CITY SURVEY NO.570, MANEWADE RING ROAD, NAGPUR, MAHARASHTRA - 440027
PH :8390446644.

1469. ARUN MOTORS (2008-20-01), PLOT NO-9&10, PATNI PLAZA, KHAMLA RING ROAD, SAWARKAR NAGAR, NAGPUR, MAHARASHTRA - 440025
PH :7757988800/7028688800.

1470. ARUN MOTORS (2008-20-02), C-48/1, MIDC HINGNA MAIN ROAD, WADI, NAGPUR, PIN-440028, MAHARASHTRA - 440028
PH :7757988800.

NALASOPARA

1471. SHIVAM AUTO (CUH1-CUH-01), SURVEY NO. 91.92, PLOT NO. 7, VILLAGE- DHANIV, NALASOPARA, DIST. PALGHAR, MAHARASHTRA. - 401209
PH :9152001458/7777002930.

NANDED

1472. SEVA AUTOMOTIVE LTD. (6801-68-01), NANDED HYDERABAD ROAD, NANDED - 431604
PH :7447415607.

Dealer Workshop (AS ON 30.05.2023)

NANDURBAR

1473. SEVA AUTOMOTIVE LTD. (P301-KW-02), P.NO.
-324, BASILAL NAGAR SHAHADABYPASS
ROAD, NEAR HOTEL KAREN GARDEN,
CHAUFULLY NANDURBAR-425412 - 425412
PH :7720017528.

NARAYANGAON

1474. THE KOTHARI WHEELS (1906-FV-02), GATE NO.
747, PUNE NASIK HIGHWAY, WARULWADI,
NARAYANGAON - 410504
PH :8411003608.

NASHIK

1475. AUTOMOTIVE MANUFACTURERS PVT. LTD.
(3702-37-01), P-1-12, ADDITIONAL NASIK INDL.
AREA, AMBAD, NASIK - 422010
PH :9673000262 / 9673000822 / 9673000842.
1476. SEVA AUTOMOTIVE LTD. (3701-37-01), PLOT
NO. X - 46, MIDC, AMBAD, NASIK - 422010
PH :0253-664444.
1477. SHAAN CARS PRIVATE LIMITED (3703-37-01),
E-3 MIDC AREA, SATPUR,
NASIK, MAHARASHTRA - 422007
PH :9075028780, 9922969646.
1478. SHAAN CARS PRIVATE LIMITED (3703-37-04),
03/8/10, NEAR NASARDI BRIDGE, WADALA
ROAD, NASIK ROAD, NASIK - 422011
PH :0253-2236080.
1479. SEVA AUTOMOTIVE LTD. (3701-37-06), SEVA
FARMS, GATE NO. 82/2, AMBE BAHULA ROAD,
VILHOLI, TALUKA & DISTRICT: NASIK,
MAHARASHTRA - 422010
PH :9146000709.
1480. SEVA AUTOMOTIVE PVT LTD (3701-37-07),
PLOT NO A-23, NICE INDUSTRIAL AREA, MIDC,
SATPUR, NASIK (MAHARASHTRA) - 422006
PH :0253-6634444.
1481. SEVA AUTOMOTIVES PVT LTD (3701-37-08),
SHOP NO. 1 & 2, SER. NO. 241/1-B-1/2,
OPPOSITE NMC SCHOOL, DINDORI ROAD,
MAHSRUL, NASHIK, MAHARASHTRA - 422004
PH :0253-6654444.

NAVI MUMBAI

1482. AUTOMOTIVE MANUFACTURERS PVT. LTD.
(3901-9K-01), D-234 MIDC TTC INDL
AREA, SHIRVANE NERUL, NEW BOMBAY, -
400706
PH :66143900/66133923/66143924.
1483. SIMRAN MOTORS PVT. LTD. (3913-9K-01),
CAMEO FABRIC COMPANY, GEN 16, NEAR
SULZER COMPANY, DIGHA, TTC AREA, AIROLI -
400701
PH :8788582329, 8369658212.

NEVASA

1484. KANKARIYA AUTOMOBILES PVT. LTD.
(BSU1-BSU-01), BELOW ADARSHI GRAMIN
BANK, OPP. LAKSHI MOTORS, NEVASA PHATA,
AURANGABAD ROAD, TALUKA - NEVASA,
DISTRICT - AHMEDNAGAR. - 414603
PH :9420494601.

NIPHAD

1485. SHAAN CARS PVT. LTD. (COX1-COX-01), GAT
NO. 99/3, RASALPUR AURANGABAD HIGHWAY,
NIPHAD, DISTRICT - NASHIK, MAHARASHTRA. -
422303
PH :9075028780.

OSMANABAD

1486. CHAVAN MOTORS DIVISION INDIA PVT LTD
(B102-LW-03), PLOT NO. A-53, INDUSTRIAL
AREA, MIDC, OSMANABAD - 413501
PH :8888867861.

PABAL

1487. MAHALAXMI (SKB1-SKB-01), 3733, SHINALKAR
WASTI,
PABAL, TALUK SHIRUR,
PUNE, PIN 412403 - 412403
PH :8956288087.

PAITHAN

1488. PAGARIYA AUTO PVT. LTD. (BNQ1-BNQ-01),
GAT NO-277, MAUZA- PAITHAN, TALUKA-
PAITHAN, DIST - AURANGABAD 431107. - 431107
PH :9922994237.

PALGHAR

1489. SAI SERVICE PRIVATE LIMITED (TE01-TE-01),
SURVEY NO. 86/1, TEMBHODE, MANOR-MAHIM
ROAD, PALGHAR, DISTRICT: THANE - 401404
PH :9167980042/9167980005/9594952211.

PALUS

1490. CHOWGULE INDUSTRIES PVT. LTD.
(J102-02-04), PLOT NO B-3, MIDC AREA, TALUKA
PALUS, DISTT. SANGLI. - 416308
PH :8888870122.

PANDHARPUR

1491. CHAVAN MOTORS DIVISION INDIA PVT LTD
(B102-0H-05), GAT NO.56, ESABAW - 413000
ROAD, TAL-PANDERPUR, SOLAPUR - 413001
PH :7774997005.

PANVEL

1492. SIMRAN MOTORS PVT. LTD. (7S01-7S-01),
PLOT2-8, SECTOR-15, OPP. HOTEL
GARDEN, OLD MUMBAI PUNE
HIGHWAY, PANVEL - 410206
PH :8291957798, 8657443202.

1493. AUTOMOTIVE MANUFACTURERS PVT. LTD.
(3901-7S-03), PLOT NO.92/1, VILLAGE KOLAKHA,
MUMBAI-GOA HIGHWAY, PANVEL, DISTT.
RAIGAD - 410206
PH
:9769202055/9769206045/9769206018/8291467042

PARATWADA

1494. ASPA BANDSONS AUTO PVT. LTD.
(CF21-CF2-01), SURVEY NO. 26/4A, RAMGAON,
AMRAVATI PARATWADA ROAD, NEAR JAWARDI
PHATA, PARATWADA TALUKA - ACHALPUR,
DISTRICT - AMRAVATI . - 444 805
PH :7720097106.

PARBHANI

1495. PAGARIYA AUTO PVT. LTD. (LN02-LN-01),
SURVEY NO-301, PLOT NO-86/A, OPP
GULMOHAR LODGE, BASMAT ROAD, PARBHANI
- 431401
PH :9511868433.

PATAS

1496. MAHALAXMI AUTOMOTIVES PVT. LTD.
(7R01-PR-03), PUNE, SOLAPUR HIGHWAY,
PATAS, TALUKA DAUND DISTT.-PUNE - 413106
PH :8888890957.

PEN

1497. SIMRAN MOTORS (9101-91-01), AT SURVEY NO
75, PLOT NO 2, MUMBAI-GOA HIGHWAY,
WADHKAL (PEN) - 402107
PH :9503381198.

PHALTAN

1498. CHOWGULE INDUSTRIES PVT. LTD.
(KH02-KH-01), PLOT NO.83/1B/1, LONAND-PUNE
ROAD, PHRANANDWADI, TALUKA,PHALTAN,
DISTRICT: SATARA, MAHARASHTRA. - 415523
PH :888886301.

PIMPLEGAON

1499. AUTOMOTIVE MANUFACTURERS PVT. LTD.
(BAY1-BAY-01), GAT NO.517/P NEAR MARKET
COMMITTEE, MUMBAI AGRA HIGHWAY, NH3
A/P PIMPALGAON BASWANT, TALUKA: NIPHAD,
DIST-NASHIK - 422202
PH :9673000844 / 9673001204.

PIRANGUT

1500. MY CAR (SEC1-SEC-01), GIRANG-314, AT
VILLAGE-KASAR AMBOLI, GIRANGUT, TALUKA
-AMBOLI, DIST-PUNE, PIN-412108. - 412108
PH :9325424613.

PUNE

1501. SAI SERVICE PRIVATE LIMITED (1901-19-01),
BOMBAY PUNE ROAD, FUGEWADI, PUNE -
411012
PH :020-46404440/020-46404448.

1502. SAI SERVICE PRIVATE LIMITED (1901-19-02),
889/90 J.M.ROAD, DECCAN GYMKHANA, PUNE -
411004
PH :9923208347.

1503. CHOWGULE INDUSTRIES PVT. LTD.
(1908-19-02), S.NO. 53, PUNE SATARA
HIGHWAY, KATRAJ, PUNE - 411046
PH :020-66786200.

1504. SAI SERVICE PRIVATE LIMITED (1901-19-03),
S.NO.15A GIOWANI COMPOUND, KONDWA
BUDRUK, HAVELI, PUNE - 411046
PH :9923208345.

1505. WONDER CARS PVT LTD (1903-19-02), 12, NPS
LINES, SOLAPUR ROAD, OLD POOL
GATE, CAMP, PUNE - 411001
PH :020-26332934/35.

1506. THE KOTHARI WHEELS (1906-19-01), 110/A,
PUNE SOLAPUR ROAD, NEAR FATIMA NAGAR,
PUNE - 411039
PH :7498272309.

1507. MY CAR (PUNE) PVT. LTD. (1907-19-01),
SURVEY NO. 131, MUMBAI BANGALORE
HIGHWAY, WAKAD, PUNE - 411057
PH :020-67922900.

1508. ACE KUDALE CAR PVT. LTD. (1910-19-01),
36/2C/1, MANURI BUDRUK, PUNE-SOLHAPUR
ROAD, TALUKA HAVELI, DISTRICT PUNE -
412201
PH :9552582454.

1509. CHOWGULE INDUSTRIES PVT. LTD.
(1911-19-01), S.NO.1, NEXT TO PODAR
INTERNATIONAL SCHOOL, KATRAJ BYPASS
ROAD, AMBEGAON-B, TALUKA-HAVELI, PUNE -
411046
PH :0206680355/02066803500.

1510. SAI SERVICE PRIVATE LIMITED (1901-19-05),
NEAR NIGDI-BHOSARI ROAD, CHINCHWAD,
PUNE - 411019
PH :020-46605999/020-46605995.

1511. SEHGAL AUTORIDERS PVT. LTD. (1913-19-01),
SURVEY NO. 51, BAVDHAN KHRUD, TAL:
HAVELI, DIST: PUNE - 411021
PH :8308304444, 020-41463625, 020-41463627.

1512. SAI SERVICE PRIVATE LIMITED (1901-19-06),
SURVEY NO.244/1, PHASE-II, NEAR BANK OF
MAHARASHTRA, HINGEWADI, TAL - MULSHI,
DISTRICT-PUNE, MAHARASHTRA - 411057
PH :9923208302.

1513. ACE KUDALE CAR PVT. LTD. (1910-19-02),
ATLAS TANKS VESSELS, SR. NO 232/2,
PUNE-NASIK ROAD, KHANDOBAMAL, BHOSARI,
PUNE. - 411039
PH :9552193904.

1514. THE KOTHARI WHEELS (1906-19-03), PLOT NO.
2B, D1 BLOCK, CHINCHWAD, PUNE, DIST. PUNE
- 411019
PH :9168662302.

1515. MAHALAXMI AUTOMOTIVES PVT. LTD. (1912-19-03), 59A, MUNDHWA KHARADI ROAD, OPP. MUNDHWA POLICE STATION, MUNDHWA, PUNE, MAHARASHTRA - 411036
PH : 8888874890.
1516. WONDER CARS PVT LTD (1903-19-03), PLOT NO.52/1 BLOCK F2, MIDC, PIMPRI, PUNE. - 411018
PH :020-46608888.
1517. SAI SERVICE PRIVATE LIMITED (1901-19-07), 4/A/1A, 1/3 A, SALUNKE VIHAR ROAD, BORADE NAGAR, KONDWA, PUNE, MAHARASHTRA. - 411048
PH :9923208358.
1518. MAHALAXMI AUTOMOTIVES PVT. LTD. (1912-19-04), NO.485/1, CTS NO.104/1, OM SUPER MARKET, GHOKALE CROSS ROAD, MODEL COLONY, SHIVAJI NAGAR, PUNE - 411016
PH : 8888842887.
1519. CHOWGULE INDUSTRIES PVT. LTD. (1908-19-05), 129/2/B/1, NEW PUNE MUMBAI HIGHWAY, KATRAJ DEHU ROAD BYPASS, TATHWADE, TAL-MULASHI, DISTT. PUNE (MAHARASHTRA) - 411033
PH :020-67915700/7385265700.
1520. SAI SERVICE PRIVATE LIMITED (1901-19-08), SURVEY NO. 37, HISSA NO. 2. SITUATED AT WADGAON KHURD, NEAR NANDED CITY, SINHAGAD ROAD, TALUKA - HAVELI, DISTRICT - PUNE, MAHARASHTRA. - 411 041
PH :9923208312.
1521. THE KOTHARI WHEELS (1906-19-05), PLOT NO. 24/B, HADAPSAR INDUSTRIAL ESTATE, PUNE. - 411028
PH :8411002005, 8087060432.
1522. CHOWGULE INDUSTRIES PVT. LTD. (1908-19-06), SR. NO. - 43/44/S, 7 PARVATI INDUSTRIAL ESTATE, OPP. ADINATH SOCIETY, PUNE- SATARA ROAD, PUNE. - 411009
PH :020-67273200.
1523. EXCELL AUTOVISTA PVT LTD (1917-19-01), GATE NO.1232, 10TH MALL, PUNE SASWAD ROAD, VILLAGE – WADKI, TAL – HAVELI, DIST PUNE. - 412308
PH :9594632888/9146052651.
1524. THE KOTHARI WHEELS (1906-19-06), SURVEY NO.46, HISSA 9/1 (CITY SURVEY NO.6181+6180), WADGAON SHERI, CHANDAN NAGAR, PUNE NAGAR ROAD, TAL-HAVELI, PUNE. - 411014
PH :8411003631.
1525. ACE KUDALE CAR PVT. LTD. (1910-19-03), SURVEY NO. 272, 1/A, NEAR MOSHI TOLL PLAZA, MOSHI GAON, TALUKA – HAVELI, DISTRICT – PUNE. - 412105
PH :7767814381.

1526. SUMANKIRTI CARS PVT. LTD. (1915-19-02), SURVEY NO. 9, NEAR BALEWADI SPORTS STADIUM MUMBAI-BANGALORE HIGHWAYS, MAHALUNGE PUNE, MAHARASHTRA. - 411045
PH :8551990106.
1527. MY CAR (PUNE) PVT. LTD. (1918-19-01), GAT NO. 625, HISSA NO. 1/3/1, VILLAGE – KURULI, TALUKA – KHED, CHAKAN, DISTRICT – PUNE. - 410501
PH :7755900000.
1528. WONDER CARS PVT LTD (1903-19-04), SURVEY NO. 20, HISSA NO. 1/1/2, THERGAON, BAL KRISHNA MANGAL KARYALAYA, TALUKA – MULSHI, DANGE CHOWK, PUNE – 411 033. - 411033
PH :7887883311.

RAHATA

1529. KANKARIYA AUTOMOBILES PVT. LTD. (ZV03-ZV-01), SHIRDI ROAD, SAKORI, RAHATA, - 423107
PH :8275033313.

RAHURI

1530. KANKARIYA AUTOMOBILES PVT. LTD. (COZ1-COZ-01), TRIMURTI CRANE SERVICE, NAGAR-MANMAD ROAD, RAHURI, MAHARASHTRA. - 413705
PH :9130026767.

RAJAPUR

1531. JAGRUT MOTORS PVT LTD (AHA1-AHA-01), SURVEY NO. 14/8, TARALWADI, RAJAPUR, DIST: RATNAGIRI - 416702
PH :9527623663/8806665572.

RAJGURUNAGAR

1532. MY CAR (PUNE) PVT. LTD. (CBZ1-CBZ-01), SURVEY NO.94, SANDBHORWADI, NEAR TUKAI MANDIR, PUNE-NASIK HIGHWAY, TAL-KHED, RAJGURUNAGAR DISTT. PUNE. - 410505
PH :9112231553.

RATNAGIRI

1533. JAGRUT MOTORS PVT LTD (G301-G3-01), D-25, MIDC MIRJOLE, MAHARASTRA,RATNAGIRI - 415639
PH :2352228380/9130013172.

ROHA

1534. EXCELL AUTOVISTA (COS1-COS-01), SHOP NO. 1 & 2, PANCHARATNA APARTMENTS, ROHA, ROHA KOLAD ROAD, RAIGAD - 402109
PH :9209200073.

SANGAMNER

1535. SHAAN CARS PRIVATE LIMITED (HE03-HE-01), GAT NO. 173/4/5/6, A/P VELHALE, NASHIK PUNE HIGHWAY, SANGAMNER , DIST AHMEDNAGAR, MAHARASHTRA - 422605
PH :02425-259197.

SANGLI

1536. CHOWGULE INDUSTRIES PVT. LTD. (J102-J1-01), GAT NO.243 SANGLI KOLHAPUR ROAD, OPP. TO GAJANAN MAHARAJ MANDIR, ANKALI, TAL-SANGLI, DISTT. SANGLI - 416416
PH :9850966805.
1537. SIDDIH WHEELS (J104-J1-01), SR NO. 917/2/B, SANGLI MIRAJ ROAD, MIRAJ, DISTRICT - SAGLI. - 416410
PH :9371727001, 0233-2211610/1620/1630.

SANGOLA

1538. CHAVAN MOTORS DIVISION INDIA PVT LTD (CUE1-CUE-01), GAT NO. 276/14/A, MAIN ROAD, KOLHAPUR HIGHWAY, A/P & TALUKA - SANGOLA, DIST.-SOLAPUR. - 413307
PH :8806665691.

SASWAD

1539. CHOWGULE INDUSTRIES PVT. LTD. (1908-PH-03), PLOT NO 74/2/A/P, BEHIND PURANDAR HIGH SCHOOL, BESIDE MAHADA COLONY, SASWAD, TALUKA PURANDAR, PUNE - 412301
PH :02115224450/02115225210.

SATANA

1540. SHAAN CARS (BSW1-BSW-01), GAT NO 322/2/A/7, PUNDLIK NAGAR MALEGAON ROAD, AT POST SATANA DIST NASHIK - 423301 - 423301
PH :9922969656.

SATARA

1541. CHOWGULE INDUSTRIES PVT. LTD. (F303-F3-01), PLOT NO. B-2,OLD MIDC,SATARA - 415002
PH :9011015066/9850966823.

SAVNER

1542. ARYA CARS (UNIT OF BARBATE AUTOMOTIVE (I) PVT. LTD) (BTJ1-BTJ-01), PLOT NO -2 MADANE LAYOUT MOUZA GUJARKHEDI NEAR INDIAN PETROL PUMP NAGPUR ROAD SAONER - 441107
PH :8888859546.

SAWANTWADI

1543. JAGRUT MOTORS PVT LTD (BBL1-BBL-01), SHIVSHAMBO APARTMENT, 1190, A/P KOLGAON, SURVEY NO.187, HISSA NO.33B, TAL-SAWANTWADI, DISTT. SINDHUDURG. - 416510
PH :9970654699, 9689533472.

SHAHAJUR

1544. SHIVAMI AUTO ZONE (I) PVT. LTD. (BZU1-BZU-01), DR. DESHPANDE COMPOUND, NEAR BHATS COLONY, VILLAGE – GOTHEGHAR, TALUKA – SHAHPUR, DISTRICT – THANE, MAHARASHTRA - 421601
PH :7718893483.

SHAHUWADI

1545. SAI SERVICE (BFT1-BFT-01), GATE NO. 1213, RIAT DONOLI, TALUKA - SHAHUWADI, DIST. -KOLHAPUR. - 416 213
PH :9923208448.

SHILPATA

1546. VELOX MOTORS (SGJ1-SGJ-01), SURVEY NO- 99/2B, VILLAGE-DAIGHAR, KALYAN SHIL-PHATA ROAD, NEAR DATTA MANDIR, POST-PADALE, DIST-THANE, PIN-421204. - 421204
PH :8419984188.

SHIRUR

1547. MAHALAXMI AUTOMOTIVES PVT. LTD. (ZD01-ZD-01), 1023/1, NEXT INDIAN OIL PETROL PUMP, SARADWADI, PUNE-AHMEDNAGAR HIGHWAY, TAL: SJIRUR, DIST: PUNE, MAHARASHTRA - 412210
PH :8888837082 /9011038662.

SHIRWAL

1548. CHOWGULE INDUSTRIES PVT. LTD. (BSD1-BSD-01), GAT NO.175, A/P SHINDEWADI, SHIRWAL-BHOR ROAD, SHIRWAL, TAL KHANDALA, DISITT. SATARA - 412801
PH :9637399003.

SHRIRAMPUR

1549. KANKARIYA AUTOMOBILES PVT. LTD. (LV03-LV-01), S.NO. 139/1/3, NEAR NAKA NO.4, SANGAMNER ROAD, SHRIRAMPUR DISTT. AHMEDNAGAR - 413709
PH :9420494543.

SIKRAPUR

1550. EXCELL AUTOVISTA PVT LTD (GKJ1-GKJ-01), AT POST SHIKARPUR MALTHAN PHATA, OPP. CHAURASIYA CHANA CENTER, PUNE NAGAR ROAD, TALUKA SHIRUR, DIST. PUNE, PIN-412208, PUNE - 412208
PH :9146194973.

SILLOD

1551. PAGARIYA AUTO PVT. LTD. (2103-ZG-04), PLOT NO. 19/20, SURVEY NO. 386, AURANGABAD NAKA, SILLOD, AURANGABAD - 431112
PH :8600037213.

SINNAR

1552. SHAAN CARS PRIVATE LIMITED (3703-FU-03), A-24, MIDC AREA MALEGAON,SINNAR TAL- SINNAR. , - 422103
PH :02551-230305.

SOLAPUR

1553. CHAVAN MOTORS DIVISION INDIA PVT LTD (B102-B1-02), 150, AKALKOT ROAD,OPP. SVCS HIGH SCHOOL,SOLAPUR. - 413006
PH :0217-2606666/8805986818.
1554. CHAVAN MOTORS DIVISION INDIA PVT LTD (B102-B1-01), 18,39, INDUSTRIAL ESTATE,HOTAGI ROAD,SOLAPUR. - 413224
PH :8805778881.

Dealer Workshop (AS ON 30.05.2023)

1555. CHAVAN MOTORS DIVISION INDIA PVT LTD
(B102-81-06), PLOT NO.95, IND. ESTATE,
HOTAJI ROAD, SOLAPUR. - 413003
PH. -8805986826.

TALASARI

1556. SHIVAM AUTO ZONE (I) PVT. LTD. (BIN1-BIN-01),
SURVEY NO. 191/1 PLOT NO. 5, AT-POST –
VADAVALI, NH-8, TALASARI, THANE,
MAHARASHTRA - 401606
PH :6355248143/7777002930.

TALEGAON

1557. MY CAR (PUNE) PVT. LTD. (4K01-4K-01),
SR.NO.113, HISSA NO.1/3/2/A, MUMBAI PUNE
OLD HIGHWAY, MAVAL, TALEGAON - 410506
PH :9730858585.

TALOJA

1558. EXCELL AUTOVISTA PVT LTD (AAC1-9K-02),
PLOT NO-9 MIDC,NAVADE,TALOJA,
TAL-PANVEL, DIST-RAIGAD - 410208
PH. 9136948195/9320357300.

TASGAON

1559. SIDDIH WHEELS (A UNIT OF TARALEKAR
MOTORS PVT. LTD.) (GKB1-GKB-01), SHETKARI
MARKET, NEAR ISHA HOTEL,
TASGAON-SANGLI ROAD, TALUKA - TASGAON,
DIST. -SANGLI. - 416312
PH :8275030748.

THANE

1560. FORT POINT AUTOMOTIVE (CARS) PVT. LTD.
(3906-39-01), KOTHARI WAREHOUSE NO.
111,POKHARAN ROAD NO. 11,MANPADA,
CHATALSAR,THANE - 400607
PH :9594974656, 8691039873..

1561. NAVNEET MOTORS (3908-39-02), B R T PLOT
,THANE (W) ,MAHARASHTRA - 400607
PH :9664496732, 9167215178.

1562. VELOX MOTORS (A UNIT OF CARCRAFT
AUTOMOBILES PVT LTD) (0543-39-02), NEW
SURVEY NO. 171/1B, NEAR BLUE ROOF CLUB,
VILLAGE - OWALE, GHODBUNDER ROAD,
THANE (W). - 400615
PH :8104989847,96536 88455.

TITWALA

1563. AHER AUTOPRIME (BYP2-BYP-01), SURVEY NO.
23/2, SHOP NO. 3, NEAR GOVELI, TITWALA
ROAD, GHOTSAI, TITWALA, PIN-421301,
MAHARASHTRA - 421301
PH :18008334369.

TURBHE

1564. SAI SERVICE (0504-9K-06), D 42, TTC
INDUSTRIAL AREA, NAVI MUMBAI, PIN-400705 -
400705
PH :022-28861111/ 897699060.

ULHASNAGAR

1565. PRAKASH AUTO PVT. LTD. (3903-39-01), U
NO-3,SHEET NO. 30,VITHALWADI STATION
ROAD, ULHASNAGAR - 421003
PH :987992127/9870453155.

URALI KANCHAN

1566. EXCELL AUTOVISTA PVT LTD (GK11-GKI-01),
GAT NO-244, VILLAGE-SORTAPADI, TALUKA
-HAVELI, URULI KANCHAN, DIST-PUNE,
PIN-412201 - 412201
PH :9226089614.

VADUJ

1567. CHOWGULE INDUSTRIES PVT. LTD.
(F303-GQ-03), KALEVASTI, VADUJ DAHIWADI
ROAD - VADUJ - 415506
PH :8888866659.

VALJAPUR

1568. PAGARIYA AUTO PVT. LTD. (BNR1-BNR-01),
NEAR SUBHASH BUNGLOW, STATION ROAD,
VALJAPUR, AURANGABAD. - 423701
PH :9922994237.

VASAI

1569. SAI SERVICE PRIVATE LIMITED (V901-V9-01),
ANDRADESH BHAVAN, SURVEY #27 A.NEAR
UMELA PHATAK, VASAI (WEST), DIST. THANE,
MAHARASHTRA - 401202
PH :9167980080/9167980036/9594952211.

1570. SAI SERVICE PRIVATE LIMITED (0504-V9-03),
C/O MR. KENNETH NICHOLAS D'SOUZA,
SURVEY NO-89, SATIVALI ROAD,
VILLAGE-WALIV, VASAI (EAST), DIST-PALGHAR,
MAHARASHTRA, PIN-410208 - 401208
PH :9167980004/9167980084/9594950000.

VASHI

1571. MY CAR (PUNE) PVT. LTD. (0544-05-01), A-751/2,
MIDC TTC, TURBHE MAHAPE ROAD, PAWANE,
NAVI MUMBAI - 400 071
PH :8104906953, 9372802861, 9326713481.

VELHE

1572. SUMANKIRTI CARS (SLO1-SLO-01), MAUZA
NO-492/2, A/P-VELHA, TAL- VELHA,
DIST-PUNE-412212 - 412212
PH :8554981603/8550995444.

VIKRAMGADH

1573. SHIVAM AUTOZONE (SKV1-SKV-01), NEAR
GOVERNMENT DISPENSARY HOSPITAL,
DAHANU ROAD, TEHSIL-VIKRAMGADH,
DIST-PALGHAR-401605 - 401605
PH :#REF!.

VIRAR

1574. SAI SERVICE PRIVATE LIMITED (V901-PG-02),
SURVEY NO.16, AGASHI ROAD, PADMAN
NAGAR, VIRAR-WEST, DIST. PALGHAR. -
401301
PH :9594952343/9167980036/9594952211.

VITA

1575. CHOWGULE INDUSTRIES PVT. LTD.
(BSE1-BSE-01), S NO. 900, HISSA NO. 1.2,3/1/2,
SANGLI VITA ROAD, VITA, TALUKA –
KHANAPUR, DISTRICT – SANGLI,
MAHARASHTRA - 415311
PH :8888870120.

WAGHOLI

1576. SAI SERVICE PRIVATE LIMITED (1901-AB-04),
GAT NO 2406/1440, VILLAGE- WAGHOLI,TAL-
HAVELI, DIST-PUNE - 412207
PH :992320831/9923208221/9923208133.

WAI

1577. CHOWGULE INDUSTRIES PVT. LTD.
(BYC1-BYC-01), GAT NO. 407, A/P
SHENDURJANE, MIDC ROAD, NEAR HOTEL
GANDHARVA, OPP. DHOM LEFT CANAL, TAL –
WAI, DIST.T. SATARA - 412803
PH :8390080501.

WALUJ

1578. PAGARIYA AUTO PVT. LTD. (2103-MC-03),
E-16,WALUJ,AURANGABAD - 431001
PH :9860999466.

WARANANAGAR

1579. SAI SERVICE PRIVATE LIMITED (CRB1-CRB-01),
GAT NO.:1122/A, KODOLI, TALUKA: PANHALA,
DIST. KOLHAPUR - 416114
PH :9923204173.

WARDHA

1580. SEVA AUTOMOTIVE LTD. (2002-AC-02), GOPURI
CHOWK., OPP. BANK OF INDIA COLONY,
NAGPUR ROAD, WARDHA - 442001
PH :07152-253545/253525.
1581. SEVA AUTOMOTIVE PVT. LTD. (2002-AC-05),
PLOT NO. 177, WARDHA-NAGPUR HIGHWAY,
AT. PAVNAR, TEHSIL – WARDHA, DIST. -
WARDH, PIN-442111, MAHARASHTRA - 442111
PH :7720009444.

WARUD

1582. ASPA BANDSONS AUTO PVT. LTD.
(F201-UG-04), SURVEY NO. 50/3,
SETURJANAGATH ROAD, TALUKA: WARUD,
DIST. AMRAWATI - 444906
PH :7248925687.

WASHIM

1583. ASPA BANDSONS AUTO PVT. LTD. (F201-9D-02),
NEAR RAILWAY CROSSING,HIGOLI
ROAD,WASHIM. - 444505
PH :9922500981/ 9146191534.

YAVATMAL

1584. HIMALAYA CARS (4M01-4M-01), OPPOSITE
RAJUL PETROL PUMP, DARWHA ROAD,
YAVATMAL, MAHARASHTRA - 445001
PH :9011014729.

YEOLA

1585. SEVA AUTOMOTIVES PVT LTD (BST1-BST-01),
GAT NO. 65-A, PLOT NO. 41, AHMED
NAGAR-MANMAD ROAD, NEAR TEHSIL OFFICE,
YEOLA, TALUKA – YEOLA, DISTRICT – NASHIK,
MAHARASHTRA. - 423401
PH :9130033944.

YEWAT

1586. MAHALAXMI AUTOMOTIVES PVT. LTD.
(AZA1-AZA-01), SOLAPUR PUNE NATIONAL
HIGHWAY, SAHAJAPUR, YEWAT, TALUKA:
DAUND, DIST:T. PUNE (MAHARASHTRA). -
412202
PH :8308818946.

MANIPUR

BISHNUPUR

1587. EASTERN MOTORS (CSA1-CSA-01),
BISHNUPUR BAZAR, TIDIM ROAD, BISHNUPUR
DISTT. MANIPUR. - 795126
PH :8415945626.

CHANDEL

1588. EASTERN MOTORS (CSB1-CSB-01), KAKHING
LAMKHA, AH1 (INDO BURMA ROAD), CHANDEL
(MANIPUR) - 795103
PH :8415945626.

CHURACHANDPUR

1589. EASTERN MOTORS (BBE1-BBE-01), HMUIA
VENG, TEDDIM ROAD, CHURACHANDPUR,
MANIPUR - 795128
PH :03874235969, 9862555472.

IMPHAL

1590. EASTERN MOTORS (7401-74-01),
CHINGMEIRONG EAST, IMPHAL, MANIPUR - 795
001
PH :8415945626.
1591. EASTERN MOTORS (7401-74-02), NH,39,
CHINGMEIRONG, WEST, IMPHAL. - 795010
PH :8415945626.
1592. SAMADON ENTERPRISE (7402-74-01), 82 GHARI
MAKHA LEIKAI, IMPHAL WEST, MANIPUR - 795
140
PH :7005987123.

JIRIBAM

1593. EASTERN MOTORS (SMG1-SMG-01), AT
HLIGHT, IMPHAL SILCHAR ROAD, JIRIBAM -
788104
PH :8415945626.

SENAPATI

1594. EASTERN MOTORS (CNN1-CNN-01), DIST.
-COUNCIL (POULEA) VILLAGE, P.O. - SENAPATI,
SENAPATI, MANIPUR - 795 106
PH :8415945626.

THOUBAL

1595. EASTERN MOTORS (BJL1-BJL-01), THOUBAL ATHOKPAM KHUNOU, NEAR D.C. OFFICE COMPLEX, THOUBAL, MANIPUR - 795138 PH :9862662225.

UKHRUL

1596. SAMADON ENTERPRISE (SCK1-SCK-01), KAMPHASOM, UKHRUL, MANIPUR - 795142 PH :9774216305.

MEGHALAYA

BHOIRYMBONG

1597. RANI MOTORS (CHP1-CHP-01), VILLAGE – UMROI MADAN, DISTRICT – RI BHOI, MEGHALAYA. - 793103 PH :9774478281.

JOWAI

1598. RANI MOTORS (3101-3I-01), LADTHADLABHO, OPP. PWD OFFICE, JOWAI, DIST - JAINTIA HILLS, MEGHALAYA - 793150 PH :7085849525.

KHLEHRIAT

1599. BANALARI WORLD CARS (8502-PZ-03), JOWAI-SICHAR ROAD, MEGHALAYA, KHLEHRIAT - 793150 PH :7005757760/7005569550.

MAWKYRWAT

1600. RANI MOTORS (CGR1-CGR-01), DAK BANGLA, MAWKYRWAT, WEST KHASI HILLS, MEGALAYA - 793114 PH :9856000554.

MAWNGAP

1601. BANALARI WORLD CARS (CBK1-CBK-01), LAITPYNTER, SHILLONG NONGTION ROAD, MAWNGAP, DIST.-EAST KHASI HILLS, MEGHALAYA. - 793121 PH :7005757760/7005569550.

MYLLEM

1602. BANALARI WORLD CARS (CSK1-CSK-01), MADANING SYIEM, MYLLEM, SHILLONG CHERRAPUNJI ROAD, DISTT: EAST KHASI HILLS, MEGHALAYA. - 793009 PH :7005757760/7005569550.

NONGPOH

1603. RANI MOTORS (8501-TN-05), NEAR D.T.O. OFFICE, G. S. ROAD, NONGHPOH, RIBHOI DISTT. - 793102 PH :9774478281.

NONGSTOIN

1604. RANI MOTORS (8501-0P-04), OPP.IRANI PETROL PUMP, NEW NONGSTEIN, DISTRICT-WEST KHASI HILLS, MEGHALAYA - 793119 PH :9856000554.

PYNURSULA

1605. BANALARI CAR WORLD (CBJ1-CBJ-01), PHLANGSHLAIN MAIN ROAD, SHILONG DAWKI, PYNURSULA, DISTRICT - EAST KHASI HILLS, MEGHALAYA - 793110 - 793110 PH :8415942700.

SHILLONG

1606. RANI MOTORS (8501-85-01), SUNNY HILLS, GARIKHANA, G.S.ROAD, SHILLONG - 793014 PH :9862099400.
1607. RANI MOTORS (8501-85-02), MAWBLEI, NH-44, SHILLONG JOWAI ROAD, MEGHALAYA - 793021 PH :8014734780.
1608. BANALARI WORLD CARS (8502-85-01), MAWLAI NONGKWAR, G.S. ROAD, SHILLONG - 793017 PH :7005757760/7005569550.

TURA

1609. RANI MOTORS (CLF1-CLF-01), AGILLANGRE, ARAIMILE, PO NEW TURA, TURA - 794101 PH :7005563791.

UMSAW

1610. BANALARI WORLD CARS (CHZ1-CHZ-01), UMSAWKHWAN RAID MAWBUH, MYLLEM SYIEMSHIP, RI BHOI DISTRICT, MEGHALAYA. - 793123 PH :7005757760/7005569550.

MIZORAM

AIZAWL

1611. G.I.G. MOTORS (9103-91-01), EDENTHAR, AIZAWL, MIZORAM. - 796001 PH :8974559065.

MP

NAINPUR

1612. STANDARD AUTO (SEZ1-SEZ-01), MANJU SAHU, MANDLA ROAD, NEAR MPEB OFFICE, ADJOINING TO BAJAJ SHOW ROOM, NAINPUR, DISST MANDLA, MADHYA PRADESH -481776. - 481776 PH :7771003374.

NAGALAND

DIMAPUR

1613. PROGRESSIVE MOTORS (3201-32-01), OPPOSITE AIRPORT, N.H.39, DIMAPUR KOHIMA ROAD, DIMAPUR - 797112 PH :7005254089.

KOHIMA

1614. SEYIE AUTO (4N02-4N-01), TSIECIE, NH-29, PHEK ROAD, KOHIMA, NAGALAND - 797001 PH :7005867051.

MOKOKCHUNG

1615. PROGRESSIVE MOTORS (CGL1-CGL-01), SUNGKONMEN ROAD, MOKOKCHUNG, NAGALAND. - 798601 PH :87877325534.

WOKHA

1616. PROGRESSIVE MOTORS (SFH1-SFH-01), NIROPEN COLONY, WOKHA-797111, NAGALAND - 797111 PH :9774070707.

ODISHA

ANANDAPUR

1617. JYOTE MOTORS PVT LTD (CIU2-CIU-01), KHATA NO. 246/407, PLOT NO. 76, P. S. – GHASIPURA, MOUZA – SUDUSUDIA, DISTRICT – KEONJHAR, ANANDPUR, ODISHA . - 758021 PH :7381028525.

ANGUL

1618. ODYSSEY MOTORS PVT LTD (W101-W1-01), AT/PO KULAD (NEAR NALCO CPP PLANT), KANDASAR, NALCO NAGAR, ANGUL (DISTT: ANGUL). - 759145 PH :9439817308.

BALASORE

1619. JYOTE MOTORS (BALASORE) PVT. LTD (L501-L5-01), PLOT NO. 278, GANESHWARPUR,NH-5, POST-JANUGANJ VIA REMUNA, DIST.-BALASORE - 756019 PH :7381072800.

BALUGAON

1620. JYOTE MOTORS (CWG1-1-CWG-01), M/S PLOT NO 758/31,KHATA NO 350/30,MOUZA-GOBARDHANPUR,BALUGAON, DISTRICT-KHORDA,ODISHA-752030 - 752030 PH :9776615001.

BAMRA

1621. ODYSSEY MOTORS (SIA1-SIA-01), M/S ODYSSEY MOTORS,NEAR SATSANG KENDRA, DUMERMUNDA COLLEGE ROAD, BAMRA,GOVINDPUR-768221. - 768221 PH :9439314464.

BARGARH

1622. ODYSSEY MOTORS PVT LTD (D401-SJ-04), AT/PO -BARGARH, NH-6, DISTT.-BARGARH, ORISSA - 769028 PH :8908944206.

BARIPADA

1623. JYOTE MOTORS (BALASORE) PVT. LTD (L501-RQ-02), PLOT NO. 90/523/904, SWARUP VILLA, NH-5, BARIPADA - 757001 PH :7381072624.

BERHAMPUR

1624. SKY AUTOMOBILES (E203-E2-01), PLOT NO.80/1191 DHARMA NAGAR, MAIN ROAD, BERHAMPUR - 760002 PH :7381266600.

1625. SKY AUTOMOBILES (E203-E2-02), PLOT NO. 876, WESTERN ROW NH-5, KONISI HATO, VILLAGE – KONISI, BERHAMPORE, GANJAM, ODISHA. - 761008 PH :7381266600.

BHADRAK

1626. JYOTE MOTORS (BALASORE) PVT. LTD (I201-IZ-01), PLOT NO. 14/4837, KHATA NO. 1345/1087, TRISHALPUR, CHARMPA, BHADRAK , ODISHA - 756011 PH :9776345311.

BHAWANIPATNA

1627. LEGEND CARS PVT. LTD. (SW01-TB-02), NH-201, KESINGA ROAD, BHAWANIPATNA - 766001 PH :9937198684.

BHUBANESHWAR (NAYAPALLI)

1628. JYOTE MOTORS PVT LTD (0405-04-01), A/62, NAYAPALLI NH-5,BHUBANESHWAR,ORISSA-751 003 - 751003 PH :7381028525.

BHUBANESWAR

1629. NARAYANI MOTORS PVT. LTD. (0403-04-01), 217, CUTTACK ROAD, JHARPARA, BHUBANESWAR - 751006 PH :9583022031.

1630. JYOTE MOTORS PVT LTD (0402-04-01), A-62, NAYAPALLI,NEAR CRPF SQUARE, BHUBANESWAR - 751003 PH :7084493302.

1631. SKY AUTOMOBILES (0404-04-01), PLOT NO. -435/1866, NEAR KIIT SQUARE PATIA, BHUBANESHWAR. - 751022 PH :8117829611.

1632. NARAYANI MOTORS PVT. LTD. (0403-04-02), PLOT NO 56 AND 57, SARULGARH, BHUBANESHWAR, ODISHA - 751010 PH :9583022046.

1633. JYOTE MOTORS PVT LTD (0402-04-04), PLOT NO. 22 & 23, SECTOR-A, ZONE-D, MANCHESWAR INDUSTRIAL ESTATE AREA, BHUBANESHWAR. - 751010 PH :7978910223.

1634. SKY AUTOMOBILES (0404-04-02), KHATA NO. 457/675, PLOT NO. 543, 756, 789 AND 546, SRIWIHAR, INFRONT OF IOCL OFFICE, P. S. -CHADRASHEKARPUR, BHUBANESHWAR, ODISHA. - 751 024 PH :7440011604.

BOLANGIR

1635. ODYSSEY MOTORS PVT LTD (D401-MW-03), NH-201, MADIAPALI, SAMBALPUR ROAD, BOLANGIR, ORISSA - 767001 PH :8895418122.

CHANDIKHOLE

Dealer Workshop (AS ON 30.05.2023)

1636. SKY AUTOMOBILES (BXL1-BXL-01), PLOT NO.285/3, SHANTI MANDAP MOUZA -SUNGUDA, TEHSIL-DARPANI, PO CHANDIKHOL, DIST. -JAJPUR, ODISHA, - 755044 PH :9776645798.

CUTTACK

1637. SKY AUTOMOBILES (6701-67-02), BHANPUR, NH-5, CUTTACK - 753011 PH :9776645798.

1638. TUSHI MOTORS PVT. LTD. (6702-67-01), PLOT NO. C-14, PLOT NO.C-13 ,INDUSTRIAL ESTATE ,KHAUPURIA,TAHASIL - CUTTACK SADAR ,CUTTACK DISTRICT,BHUBANESWAR - 753001 PH :9692912345.

DEOGARH

1639. ORBIT MOTORS PVT. LTD. (CBB1-CBB-01), KHATA NO. 270, OI MOUZA, DEOGARH, ODISHA - 768108 PH :9437607865.

DHENKANAL

1640. SKY AUTOMOBILES (6701-4P-04), PLOT NO-136/1103, KATHAGARA , NEARASSAM OIL, NH-42, DHENKANAL. - 759001 PH :7440025919.

GANDAI

1641. SPARSH AUTOMOBILES (SHU1-SHU-01), M/S SPARSH AUTOMOBILES ,WARD NO - 7, NEAR KRISHI UPAJ MANDI, GANDAI RAJNANDGAON ROAD,GANDAI - 491888 - 491888 PH :9926626662.

JAGATSingHPUR

1642. NARAYANI MOTORS PVT. LTD. (CFM1-CFM-01), KHATTA NO. 827/221 & 827/222, PLOT NO. 1197 & 1199/3065, MOUZA-MARKHANDPUR, PO PUNABGA, DISTT. JAGATSingHPUR, ODISHA - 754103 PH :9556511213.

JAJPUR

1643. SKY AUTOMOBILES (6701-RZ-05), P.O JAHNA, P.S KORAI, KEONJHAR ROAD, JAJPUR, ORISSA - 7553019 PH :9583011010.

JALESWAR

1644. JYOTE MOTORS (BALASORE) PVT. LTD (BXP1-BXP-01), KHATA NO. 422/744, PLOT NO. 2304 AT P.O. - NAVABAZAR, JALESWAR, DIST. -BALASORE, ODISHA. - 756032 PH :7381072600.

JEYPORE

1645. LEGEND CARS PVT. LTD. (SW01-SW-03), SOURAGUDA,JEYPORE,DISTT-KORAPUT,ORISSA,INDIA - 764001 PH :9437575188.

JHARSUGUDA

1646. ODYSSEY MOTORS PVT LTD (BJU1-BJU-01), KHATA NO. 466/502, PLOT NO. 966, JHARSUGUDA TOWN, UNIT NO. 7, SARBAHAL P.S. JHARSUGUDA, ORISSA - 768201 PH :9439548823.

KEONJHAR

1647. JYOTE MOTORS PVT LTD (7U01-7U-01), NH 215, DHRUPADA, BARBIL ROAD, KEONJHAR. - 758001 PH :7064499047.

NAYAGRH

1648. JYOTE MOTORS PVT LTD (0402-DC-02), PLOT NO. 1319/3750, KHANDAPADA, NAYAGARH - 752069 PH :7064499048.

NIMPARA

1649. NARAYANI MOTORS PVT. LTD. (CFL1-CFL-01), PLOT NO. 345/1344, GANESH ZABAR, NIMPARA, DISTRICT - PURI, ODISHA. - 752106 PH :7381093622.

PALLAHARA

1650. ODYSSEY MOTORS PVT LTD (CHV1-CHV-01), KHATA NO. 280, PLOT NO. 998/3720, PAHALLARA, ODISHA. - 759119 PH :9439817308.

PARADEEP

1651. NARAYANI MOTORS PVT. LTD. (OE01-OE-01), PLOT NO. 1438, UDAYA VIHAR, NEAR DO CHOWKI SQUARE, PARADEEP, ODISHA. - 754141 PH :9583022020.

PARLAKHEMUNDI

1652. SKY AUTOMOBILES (CLG1-CLG-01), PLOT NO. 273, KHATA NO. 78, WARD NO. 1, PARLAKHEMUNDI, GAJAPATI, ORISSA. - 761211 PH :9776999977.

PURI

1653. NARAYANI MOTORS PVT. LTD. (4Q01-4Q-01), PLOT NO.1797/2449, KHATA NO.187A/32, AT. BATAMANGLA,PO HAREKRISHNAPUR, BATAGAON, PURI, ODHISA - 752002 PH :9583022220.

RAIRANGPUR

1654. JYOTE MOTORS (BALASORE) PVT. LTD (CES1-CES-01), PLOT NO.1077/2466, PURNAGHATI, RAIRANGPUR, DISTT: MAYURBHANJ, ODISHA - 757046 PH :7064499936.

RAYAGADA

1655. LEGEND CARS (YB01-YB-01), M/S LEGEND CARS, JK PUR ROAD, KOMTALPETA, NEAR ENFIELD SHOWROOM, RAYAGADDA, ODISHA - 765001 PH :7008771180.

ROURKELA

1656. ORBIT MOTORS PVT. LTD. (8701-87-01), VIDVEYAS, NEAR PAAHADI BAR, ROURKELA,ORISSA - 769041 PH :9437061040.

SAMBALPUR

1657. ODYSSEY MOTORS PVT LTD (D401-D4-01), AINTHAPALI, SAMBALPUR, ORISSA - 768004 PH :7381083571.

SORO

1658. JYOTE MOTORS (SQF1-SQF-01), PLOT NO 15/1269,KHATA NO 442, SORO, BALASORE, ODISHA STATE. - 756045 PH :9776615001.

SUBARNAPUR

1659. ODYSSEY MOTORS PVT LTD (BUK1-BUK-01), KHATA NO. 32, MOUZA - SANJHINIK, SONEPUR (ALSO KNOWN AS SUBARNAPUR), DISTRICT - SUBARNPUR, ODISHA - 767017 PH :8895418122.

SUNDERGARH

1660. ORBIT MOTORS PVT. LTD. (BWJ1-BWJ-01), M/S ORBIT MOTORS, AT - PATRAPALI, PO SUNDERGARH, BY PASS ROAD, NEAR BJP OFFICE, SUNDERGARH - 770001 PH :8249354447.

UDALA

1661. JYOTE MOTORS (BALASORE) PVT. LTD (CHW1-CHW-01), MOUZA - UDALA, TOWN UNIT NO. 7, NAGBANI, TEHSIL NO. 325, THANA NO. 110, DIST.-MAYURBHANJ, ODISHA. - 757041 PH :8249877935.

ODISHAN

NIRGUNDI

1662. NARAYANI (0403-SIP-4), KHATA NO 251/255, PLOT NO 233 MALGOWDINI-MOUZA BLITERUA, NIRGUNDI,DISTRICT-CUTTACK, ORISSA. - 754025 PH :9583001877.

ORISSA

BHUBANESWAR

1663. NARAYANI (0403-04-03), KHATA NO-652,PLOT NO 4493, MAUZA PANDRA THANA-RASULGARH,BHUANESHWAR - 751025 PH :9583001877.

KENDRAPARA

1664. JYOTE MOTORS (SFI1-SFI-01), M/S JYOTE MOTORS, KHATA NO: 351/85, PLOT NUMBER 633, MOUZA-ALBANKA, KENDRAPARA, ODISHA - 754209 PH :9776615001.

KUCHINDA

1665. ODYSSEY MOTORS (SLN1-SLN-01),/S ODYSSEY MOTORS, PLOT NO 146,KHATA NO 76/9,MOUZA-KUNDAPOSHI,NEAR KUNDESHWAR MANDIR,KUCHINDA,SAMBALPUR. - 768222 PH :9439314464.

PADAMPUR

1666. ODYSSEY MOTORS (SFB1-SFB-01), M/S ODYSSEY MOTORS, CHARPALLI,PADAMPUR, NEAR REGENCY HOTEL,DISTRICT:BARGARH, ORISSA - 770039 PH :9439314464.

PUDUCHERRY

KARAIKAL

1667. SHENBAKA CARS PVT. LTD. (CCF1-CCF-01), R. S. NO. 173/3PT, T. S. NO. 9/5, WARD, L-BLOCK, NO. 3, KARAIKAL NAGORE MAIN ROAD, VILLAGE - ODUTHURAI REVENUE, NERAVY COMMUNE, KARAIKAL MUNICIPALITY, KARAIKAL - 609602 PH :04368-227800/1/2.

MADAGADIPET

1668. SHENBAKA CARS PVT. LTD (CUD1-CUD-01), SURVEY NO. 129/4/A/2, MADAGADIPET REVENUE VILLAGE, MADAGADIPET, PONDICHERRY - 605 107 PH :8220046178.

PONDICHERRY

1669. SHENBAKA CARS PRIVATE LIMITED (9601-96-01), 133/1A, MOOLAKULAM, VILLUPURAM MAIN ROAD, PONDICHERRY - 605010 PH :0413-2293391/92/93.

PUNJAB

ABOHRAR

1670. TARA AUTOMOBILES (ABOHRAR) (H501-H5-01), SHREE GURU JAMBHESHWAR CHOWK, MALOUT SHREE GANGA NAGAR BYPASS, ABOHRAR, PUNJAB - 152116 PH :9876047847.

ADAMPUR

1671. LOVELY AUTOS (CHA1-CHA-01), KHASRA NO 107/71, JALANDHAR-HOSHARPUR HIGHWAY, ADAMPUR DISTT. JALANDHAR - 144102 PH :8288050777.

AJNALA

1672. SWANI MOTORS PVT. LTD. (CBP1-CBP-01), KHASRA NO. 71, AJNALA-AMRITSAR ROAD, VILLAGE - BHARKA TARA SINGH, TEHSIL - AJNALA, DISTRICT - AMRITSAR, PUNJAB, - 143102
PH :8872001731.

AMRITSAR

1673. SWANI MOTORS LTD. (1701-17-01), 81,COURT ROAD, AMRITSAR - 143001
PH :9877482175, 8872000000.

1674. JAYCEE MOTORS (1704-17-01), 274 EAST MOHAN NAGAR, G.T.ROAD, AMRITSAR - 143006
PH :9780038335.

1675. RISHABH FOURWHEELS PVT. LTD. (1703-17-01), ADARSH SOAP COMPLEX, BATALA ROAD, AMRITSAR - 143004
PH :9914841577.

ANANADPUR SAHIB

1676. CM AUTOSALES PVT. LD. (OF01-OF-01), VILLAGE MIYANPUR, NAINA DEVI ROAD, ANANADPUR SAHIB,TEHSIL ANANADPUR SAHIB, DISTT. ROPAR,PUNJAB - 140123
PH :9915022897.

APRA

1677. LOVELY AUTOS (CVW1-CVW-01), SAMRAI CHOWK PHILLLAUR ROAD, VILLAGE - APRA, TEHSIL - PHILLLAUR, DIST.-JALANDHAR, STATE - PUNJAB. - 144416
PH :9915020515.

AUR

1678. LOVELY AUTOS (CVY1-CVY-01), KHATUNI NO. 479/588, KHASRA NO. 27/20(4/2-18), 21/2(2-10), VILLAGE - AUR, TEHSIL - NAWASHAR, DIST. -SBS NAGAR, STATE - PUNJAB. - 144417
PH :9915020510.

BAGHA PURANA

1679. REMIRA MOTORS PVT. LTD. (BAH2-BAH-01), BUILDING NO.68, OPP. SHINA ENCLAVE, MOGA ROAD, BAGHA PURANA, DISTT. MOGA, PIN-142038 - 142038
PH :7087025009.

BALACHAUR

1680. LOVELY AUTOS (XV01-XV-01), NEAR MCDONALD - GHUGGI JUNCTION), VPO-GARHI KANUGO, NAWANSHAHR CHANDIGARH HIGHWAY, CHANDIGARH ROAD, BALACHAUR, DISTRICT-S.B.S NAGAR, PUNJAB (NAWANSHAHR) - 144521
PH :9878427910.

BALBEHRA

1681. HIRA AUTOWORLD (SOG1-SOG-01), NEAR HDFC BANK LTD., SAMANA ROAD, BALBEHRA - 147101
PH :9888341118.

BANGA

1682. LOVELY AUTOS (3503-MS-03), NAWASEHAR-JALANDHAR ROAD, BANGA - 144505
PH :9915028625.

BANUR

1683. TRICITY AUTOS PVT. LTD. (BRT1-BRT-01), SANDHU MARKET NEAR SALES TAX BARRIER, BANUR RAJPUTRA HIGHWAY, BANUR, PUNJAB - 140601
PH :9988882330.

BARNALA

1684. MAX AUTOMOBILES (4S02-4S-01), NR. HANDIYAN CHOWK,MANSA BYE PASS,BARNALA,PUNJAB - 151001
PH :285022, 9216529220.

BATALA

1685. PATHANKOT VEHICLEADES PVT. LTD. (A701-V5-05), NEAR VMS INSTITUTE, SAID MUBARAK, GT ROAD, BATALA - 143505
PH :9417900850 , 9417900918.

BEGOWAL

1686. MARWAHA AUTOS (BHF2-BHF-01), PELIA TOWN, BHADAS ROAD, WARD NO. 11, JALANDHAR ROAD, VPO, BEGOWAL, KAPURTHALA, PIN-144621, PUNJAB - 144621
PH :9779166004.

BHADSON

1687. HIRA AUTOMOBILES LTD (BAG1-BAG-01), VILLAGE CHASWAL, NABHA ROAD, BHADSON - 147202
PH :9217048236, 9217048250.

BHAGTA BHAI KA

1688. TARA AUTOMOBILES (BHG1-BHG-01), NEAR SARPANCH HOUSE, BHAGTA BHAI KA, DISTRICT - BHATINDA. - 151206
PH :8437030666.

BHATINDA

1689. TARA AUTOMOBILES (BHATINDA) (7002-70-01), MANSA ROAD, OPP. I.T.I, BATHINDA - 151001
PH :0164-2235349, 50.

BHIKHIWIND

1690. RISHABH FOURWHEELS PVT. LTD. (BPK1-BPK-01), KHASRA NO. 67/3(2, 4/1, 7/2, 8/1, 8/2, PIND BHIKHIWIND, TEHSIL - PATTI, DISTRICT - TARN TARAN, PUNJAB. - 143303
PH :9914708577.

BHOGPUR

1691. LOVELY AUTOS (BRU2-BRU-01), KHASRA NO. 31/11/4, 17/2 18/2 23, MAIN JALANDHAR-PATHANKOT HIGHWAY,OPP- AJIT PALACE, BHOGPUR - 144201
PH :9872030006.

BHULATH

1692. LOVELY AUTOS (CHB1-CHB-01), WARD NO. 1, NADALA-BEGOWAL ROAD, VPO BHULATH, DISTRICT - KAPURTHALA, PUNJAB. - 144622
PH :9876541065, 8288050777.

BILGA

1693. LOVELY AUTOMOBILES (SPM1-SPM-01), VPO BILGA, NEAR GOVT. PRIMARY SCHOOL, TEHSIL PHILLLAUR, JALANDHAR. - 144036
PH :9815069814.

CHUNNI KALAN

1694. HOSHIARPUR AUTOMOBILES (CFG1-CFG-01), NEAR RAJINDER MOTORS, SIRHIND-CHANDIGARH ROAD, VILLAGE CHUNNI, DIST. FATEHGARH SAHIB. - 140307
PH :248005, 9815131766.

DASUYA

1695. HOSHIARPUR AUTOMOBILES (H402-8D-04), OPP CHEEMA PETROL PUMP, G.T. ROAD, DASUYA - 144205
PH :9815131766, 9872312371.

DERABASSI

1696. AUTOPACE NETWORK PVT LTD (0705-AW-02), AT NH-2, NEAR DERABASSI, TOLL BARRIER-DERABASSI - 140507
PH :9815011669.

DEVIGARH

1697. HIRA AUTOMOBILES LTD (OG01-OG-01), CHANNA MOUR, PEHOWA PATIALA ROAD, DEVIGARH, DISTT. PATIALA (PUNJAB) - 147111
PH :8872034118, 9217048250.

DHILWAN

1698. MARWAHA AUTOS (SGU1-SGU-01), MIANI BAKPUR,AMRITSAR ROAD, OPP-INDIAN OIL PETROL PUMP, DHILWAN DISTT KAPURTHALA - 144804
PH :9779166004.

DORAHA

1699. GULZAR MOTORS (QC02-QC-01), G.T. ROAD, NEAR ARRICHAN CHOWK, DORAHA, DISTT. LUDHIANA, PUNJAB. - 141421
PH :9841911122.

FARIDKOT

1700. MAPSKO AUTO INDIA PVT. LTD. (4U02-4U-01), FARIDKOT- KOTKAPURA ROAD, FARIDKOT, PUNJAB - 151204
PH :01639- 264001,7347000520.

FATEHGARH CHURIAN

1701. PATHANKOT VEHICLEADES PVT. LTD. (BA01-BAO-01), KHASRA NO. 17 R, DERABABA NANAK ROAD, FATEHGARH CHURIAN, TEHSIL - BATALA, DIST.-GURDASPUR, STATE - PUNJAB. - 143 602
PH :9417900850, 9875930180.

FAZILKA

1702. TARA AUTOMOBILES (H501-4V-03), NH-10, NEAR SARVHITKARI BAL VIDYA MANDIR, FAZILKA - 152116
PH :9878047847.

FEROZEPUR

1703. BABA AUTOS (7C01-7C-01), MOGA ROAD, FEROZEPUR CANTT - 152002
PH :9872013211.

GARHSHANKAR

1704. HOSHIARPUR AUTOMOBILES (H402-V4-02), OPP. COURT, CHANDIGARH ROAD, GARHSHANKAR, DIST. HOSHIARPUR - 144527
PH :9815131766, 9781543131.

GHANAUR

1705. HIRA AUTOWORLD LLP (CVX2-CVX-01), WARD NO. 1, OPPOSITE OLD PETROL PUMP GHANAUR PATIALA ROAD, SUB TEHSIL - GHANAUR, TEHSIL - RAJAPURA, DIST.-PATIALA, STATE - PUNJAB. - 140401
PH :9871048437.

GHAROTA

1706. PATHANKOT VEHICLEADES (SFF1-SFF-01), VILLAGE AND PO GHAROTA, OPPOSITE PUNJAB GRAMIN BANK, TEHSIL & DISTT. PATHANKOT - 143533. - 143533
PH :8264105000.

GHOMAN

1707. PATHANKOT VEHICLEADES PVT. LTD. (CUL1-CUL-01), KHEWAT NO. 36, KHATAUNI NO. 122, KHASRA NO. 11/25 (7-18), VILLAGE - BALRAMPUR ADDA, KHASBA - GHOMAN. - 143514
PH :8054500130.

GIDDARBAHA

1708. HIRA AUTOMOBILES LTD (AUA1-AUA-01), NEAR BHARU CHOWK, BATHINDA-MALOUT ROAD, GIDDERBAHA, DISTT. SRI MUKTSAR SAHIB (PUNJAB) - 152101
PH :231510, 9217048250.

GORAYA

1709. LOVELY AUTOS (BJR1-BJR-01), NEAR MILAN PALACE, G.T. ROAD, GORAYA. - 144409
PH :9417804049.

GURDASPUR

1710. PATHANKOT VEHICLEADES PVT. LTD. (A701-4X-03), V.P.O. BABRI NH-15, DIST. GURDASPUR - 143521
PH :9417900870, 9878050710.

1711. PATHANKOT VEHICLEADES PVT. LTD. (A701-4X-06), VPO - JEEWANWAL BABRI, NH-15, GURDASPUR (PUNJAB) - 143521
PH :9417900870.

HOSHIARPUR

Dealer Workshop (AS ON 30.05.2023)

1712. HOSHIARPUR AUTOMOBILES (H402-H4-01), SINGRIWALA, JALLANDHAR ROAD, HOSHIARPUR, - 146001 PH: 9815131766, 9878632537.	1723. MARWAHA AUTOS (A UNIT OF INDERJIT MARWAHA AUTOS PVT. LTD.) (4202-4Z-01), SIDHU COMPLEX, CIRCLE ROAD - KAPURTHALA, PUNJAB - 144602 PH: 9779166004.	1734. LOVELY AUTO (6209-62-01), BABA NAND SINGH NAGAR, NEAR AYALLI CHOWK, FEROEZPUR ROAD, LUDHIANA - 141001 - 141001 PH: 9875928451, 9875928450.	1745. RISHAB (CDS1-CDS-01), KHASRA NO. 343, BABA BAKALA ROAD, VILLAGE MEHTA CHOWH, TEHSIL- BABA BAKALA, DIST AMRITSAR, PUNJAB - 143114 PH: 7760315710.
JAGRAON	KATHU NANGAL	1735. LOVELY AUTOS (6209-62-02), GILL ROAD, NEAR CANAL BRIDGE, LUDHIANA, PUNJAB - 141003 PH: 9815069814.	MOGA
1713. SANDHU AUTOMOBILES (6206-LT-05), NATIONAL HIGHWAY-64, JAGRAON - 142026 PH: 9876042569.	1724. JAYCEE MOTORS (CSP2-CSP-01), KHASRA NO. 12/20/2, 21/1 KHATA NO.212/186/229 GILL KHETI STORE, GT ROAD, VILLAGE-KATHUNANGAL, DISTT. AMRITSAR, PUNJAB - 143502 PH: 9780038335.	1736. LOVELY AUTOS (6209-62-03), OPPOSITE BHAI BALA SAHIB GURUDWARA, VILLAGE DAD, PAKHOWAL ROAD, LUDHIANA, PIN-141001, PUNJAB - 141001 PH: 9815069814.	1746. REMIRA MOTORS PVT. LTD. (H602-H6-01), INDUSTRIAL AREA, OPPOSITE ITI, GT ROAD, MOGA. - 142001 PH: 7087025402.
JAITU	KHANNA	1737. LOVELY AUTOS (6209-62-04), EURO MART COMPLEX, HAMBAN ROAD, NEAR RADHA SWAMI SATSANG BHAWAN - 141008 PH: 9815069814.	MOHALI
1714. MAPSKO AUTO INDIA PVT. LTD. (YX02-YX-01), NEAR CANAL, BATHINDA ROAD, JAITO, DISTRICT - FARIDKOT. - 151202 PH: 7347000520.	1725. HOSHIARPUR AUTOMOBILES (N302-N3-01), VILLAGE-KAUNI, NEAR GILL PETROL PUMP, GT ROAD, KHANNA, DIST.-LUDHIANA, PUNJAB. - 141401 PH: 9888716261.	MACHIWARA	1747. NAVDESH AUTOS LLP (L105-L1-01), PLOT NO. C-89, INDUSTRIAL AREA, PHASE-7, MOHALI - 160059 PH: 8872016453.
JALALABAD	KHARAR	1738. HOSHIARPUR AUTOMOBILES (9T03-9T-01), SAMRALA ROAD, MACHIWARA, NEAR SHEEVA MARRIAGE PALACE - 141115 PH: 9875900147.	1748. CM AUTOSALES PVT. LTD. (0706-L1-03), PLOT NO. B-64, INDUSTRIAL AREA PHASE-7, MOHALI - PUNJAB - 140110 PH: 8284800597.
1715. TARA AUTOMOBILES (H501-8E-02), F.F. ROAD, NEAR THANA SADAR, JALALABAD - 152024 PH: 9876047847.	KILANWALI	MAHILPUR	MORINDA
JALANDHAR	1726. CM AUTOSALES PVT. LTD. (7K01-JH-03), NH-95, MORINDA ROAD, KHANPUR, KHARAR. DIST. MOHALI - 140301 PH: 9915022878.	1739. HOSHIARPUR AUTOMOBILES (H402-DD-05), NEAR NEW BUS STAND, CHANDIGARH ROAD, MAHILPUR, DIST. HOSHIARPUR - 146105 PH: 9914720424.	1749. CM AUTOSALES PVT. LTD. (BHH1-BHH-01), KHASRA NO. 1092, CHANDIGARH-SAMRALA ROAD, MORINDA, DIST.-ROPAR, PUNJAB. - 140101 PH: 9915022811.
1716. LOVELY AUTOS (3503-35-01), DR. AMBEDKAR CHOWK, JALANDHAR CITY - 144001 PH: 9915020515.	KOTKAPURA	MAJITHA	MUKERIAN
1717. MARWAHA AUTOS (A UNIT OF INDERJIT MARWAHA AUTOS PVT. LTD.) (3506-35-01), OPP DPS SCHOOL, G.T. ROAD, JALANDHAR - 144010 PH: 9779166004.	1728. HIRA AUTOMOBILES LTD (BFV1-BFV-01), GT ROAD (NH NO. 09), NEAR GURU NANAK COLLEGE, KILANWALI, TEHSIL - MALOUT, DISTRICT - MUKTSAR SAHIB - 152107 PH: 8872034131.	1740. RISHAB FOURWHEELS PVT. LTD. (CDR1-CDR-01), PLOT NO.130, OPP. DANA MANDI, AMRITSAR ROAD, MAJITHA. - 143601 PH: 9914841577.	1750. HOSHIARPUR AUTOMOBILES (IP01-IP-01), VILL. TALWANDI KALAN, GT ROAD, MUKERIAN - 144211 PH: 9815131766, 8437919900.
1718. LOVELY AUTOS (3505-35-01), KHASRA NO. 24/20/4, B D ENCLAVE, VILLAGE - JALANDHAR, DIST.-JALANDHAR, PUNJAB. - 144001 PH: 9876044001, 9915020515.	LALRU	MALERKOTLA	MUKTSAR
JANDIALA GURU	1728. MAPSKO AUTO INDIA PVT. LTD. (BIS2-BIS-01), MOGA ROAD, NEAR GREEN DHABA OPPOSITE FUN PLAZA, KOTKAPURA, DISTRICT - FARIDKOT - 151204 PH: 7347000518.	1741. MAX AUTOMOBILES (CC2-CC1-01), MALERKOTLA-LUDHIANA MAIN ROAD, VILLAGE - BHOGI WAL, MALERKOTLA, DIST.-SANGRUR, PUNJAB. - 148023 PH: 9814403131, 9056903131.	1751. HIRA AUTOMOBILES LTD (6302-J8-03), BHAI COMPLEX, MALOUT ROAD, MUKTSAR, PUNJAB - 152026 PH: 9217048250, 9056900042.
1719. BABA AUTOS (7C01-GL-03), GT ROAD, NEAR TARN TARAN BYE PASS, JANDIALA GURU - 143115 PH: 8872013029.	LALRU	MALOUT	MULLANPUR
JANDIALA MANJKI	1729. AUTOPACE NETWORK PVT LTD (BRJ1-BRJ-01), VILLAGE - LALRU, DERA BASSI, SAS NAGAR MOHALI, PUNJAB. - 140501 PH: 9815011669.	1742. HIRA AUTOMOBILES LTD (6302-LE-05), TINKONI CHOWK, NEAR LIC BUILDING, MALOUT - 152107 PH: 299524, 264724, 9988417000.	1752. SANDHU AUTOMOBILES (YY01-YY-01), OPPOSITE DHAKA ROAD, FEROEZPUR ROAD, MULLANPUR - 141101 PH: 8437025969.
1720. LOVELY AUTOS (BJS1-BJS-01), SANT MARKET, JANDIALA-BUNDALA ROAD, VILLAGE - JANDIALA MANJKI, TEHSIL - NOORMAHAL, DISTRICT - JALANDHAR, PUNJAB. - 144033 PH: 7087439797.	LUDHIANA	MANDI GOBINDGARH	MULLANPUR GARIBDASS
KAHNUWAN	1730. GULZAR MOTORS LTD. (6204-62-01), G.T.ROAD, DHOLEWAL, OPP. MILITARY CAMP, LUDHIANA - 141003 PH: 9814160099.	1743. HOSHIARPUR AUTOMOBILES (U903-U9-01), PLOT GOYAL MOTORS, NEAR YES BANK, MANDI SIRHIND ROAD, NH-1, MANDIGOBINDGARH, PUNJAB. - 147301 PH: 9815131766, 9914119292.	1753. NAVDESH AUTOS LLP (CV22-CVZ-01), H NO. 341, POST OFFICE - MULLANPUR GARIBDASS, TEHSIL - MAJRI, DIST.-SAS NAGAR, STATE - PUNJAB. - 140901 PH: 8872004676.
1721. PATHANKOT VEHICLELEADS PVT. LTD. (CGM1-CGM-01), KHASRA NO.606, VPO-KAHNUWAN, THE. & DISTT. GURDASPUR. - 143528 PH: 8288993301.	1731. SANDHU AUTOMOBILES (6206-62-01), DHOLEWAL CHOWK, LINK ROAD, LUDHIANA - 141203 PH: 9815600095.	MANSANA	NABHA
KALA SANGHAN	1732. LIBRA AUTO CAR CO. LTD (6207-62-01), G.T. ROAD, NEAR AIRPORT, LUDHIANA - 141020 PH: 0160-2512701, 03.	1744. TARA AUTOMOBILES (7002-TL-02), BALATA ROAD, NEAR ARVIND NAGAR, MANSANA, PUNJAB - 151505 PH: 01652-216042.	1754. HIRA AUTOMOBILES LTD (6302-UF-06), RADHA SWAMI ROAD, NABHA - 147201 PH: 9317000004, 9217048250.
1722. MARWAHA AUTOS (SPL1-SPL-01), MAIN CHOWK, KALA SANGHAN, DISTRICT KAPURTHALA, PUNJAB - 144623 PH: 9779166004.	1733. LIBRA AUTO CAR CO. LTD (6207-62-02), G.T. ROAD, NEAR AIRPORT, LUDHIANA. - 141020 PH: 0160-25035130.	MEHTA	NAKODAR
KAPURTHALA			1755. LOVELY AUTOS (3503-5B-04), JALANDHAR ROAD, NEAR MALARI GATE, NAKODAR - 144040 PH: 9915028603.

NANGAL

1756. CM AUTOSALES PVT. LTD. (7K01-8F-02), PLOT#36,AJOLI MOR, FOCAL POINT INDUSTRIAL AREA, NAPA NANGAL ,PUNJAB - 140126
PH :9592916811.

NAWANSHAHR

1757. LOVELY AUTOS (3503-J7-02), NAWANSHAHR CHANDIGARH ROAD, VILL.-LANGROHA, DISTT.-NAWANSHAHR, PUNJAB - 144514
PH :9915028682

NIHAL SINGH WALA

1758. REMIRA MOTORS PVT LTD (QB02-QB-01), BARNALA ROAD, NEAR DEAR BABA SEWA DASS, TEHSIL-NIHALSINGHWALA, DIST.-MOGA. - 142 055
PH :7067025009.

PATHANKOT

1759. PATHANKOT VEHICLEADES PVT. LTD. (A701-A7-01), NEAR MAMOON CHOWK, DALHOUSE ROAD, PATHANKOT - 145001
PH :8264105000, 9417900883.
1760. PATHANKOT VEHICLEADES PVT. LTD. (A701-A7-04), NEAR A. B. COLLEGE, PATAHANKOT - 145001
PH :9417900828, 9417900842.

PATIALA

1761. HIRA AUTOMOBILES LTD (6302-63-01), 13-B, FACTORY AREA, PATIALA - 147001
PH :2360131, 2360562,9217048250.
1762. HIRA AUTOMOBILES LTD (6302-63-04), C-20 & C-45, FOCAL POINT, PATIALA, PUNJAB - 147001
PH :2232377, 9217048234, 9217048250.
1763. HIRA AUTOMOBILES LTD (6302-63-07), D-1A, INDUSTRIAL FOCAL POINT, PATIALA (PUNJAB). - 147001
PH :2232295, 2232296, 9217048250.
1764. ATELIER AUTOMOBILES (6304-63-01), VILLAGE MITHUMAJRA, RAJPURA-PATIALA ROAD, NEAR CASABA RESORT, PATIALA - 147001
PH :7527000106, 7527000111.

PATRAN

1765. HIRA AUTOMOBILES LTD (6302-V3-02), NARWANA ROAD, PATRAN, PUNJAB. - 147105
PH :244445, 245788, 9217048250.

PATTI

1766. JAYCEE MOTORS (BQA2-BQA-01), KHASRA NO. 64/19/2/1 KA 16/49 & KHASRA NO. 64/20 KA 29/94, NEAR RADHA SWAMI, TARN TARAN ROAD, VILLAGE - PATTI, DISTT.-TARN TARAN, PUNJAB - 143416
PH :9780038335.

PHAGWARA

1767. MARWAHA AUTOS (A UNIT OF INDERJIT MARWAHA AUTOS PVT. LTD.) (5C02-5C-01), PLOT NO.62, INDUSTRIAL AREA, NEAR JCT BRIDGE LUDHIANA - 141001
PH :9779166004.

PHILLAUR

1768. LOVELY AUTO (XU01-XU-01), OLD NAWANSHAHR ROAD CIVIL LINE, PHILLAUR, DISTRICT JALANDHAR - 144410
PH :9815069814.

RAIKOT

1769. GULZAR MOTORS PVT LTD (XT02-XT-01), BARNALA BY PASS ROAD, RAIKOT - 141109
PH :9814160099.

RAJPURA

1770. HIRA AUTOWORLD LLP (HK02-HK-01), VILLAGE BADHAK, RAJPUR PATIALA ROAD, RAJPURA - 140401
PH :244881-84, 9217048437,9217048250.

RAMPURA PHUL

1771. TARA AUTOMOBILES (XR01-XR-01), RAMPURA -BARNALA ROAD, RAMPURA PHUL - 151103
PH :01651-266643.

RAYYA

1772. RISHABH FOURWHEELS PVT. LTD. (CAK1-CAK-01), NH-1, GT ROAD RAYYA, TEHSIL - BABA BAKALA, DISTRICT - AMRITSAR. - 143112
PH :9914708577.

ROPAR

1773. CM AUTOSALES PVT. LTD. (7K01-7K-01), CHANDIGARH ROPAR ROAD, ROPAR - 140001
PH :9915022802.

SAMANA

1774. HIRA AUTOMOBILES LTD (BFU1-BFU-01), KEWAT NO. 948/950, KHATUNI NO. 1427, KHASRA NO. 101/27(4-7), PATIALA SAMANA ROAD, SAMANA, DIST.-PATIALA, STATE PUNJAB. - 147101
PH :9217048236.

SANGRUR

1775. MAX AUTOMOBILES (G402-G4-01), DHURI ROAD, SANGRUR. - 148024
PH :01672-239627.

SHAHKOT

1776. LOVELY AUTOS (BHT1-BHT-01), PUBLIC SCHOOL ROAD, SHAHKOT, DISTRICT - JALANDHAR, PUNJAB. - 144702
PH :8437936811.

SIRHIND

1777. HOSHIARPUR AUTOMOBILES (TF03-TF-01), KHEWAT KHATONI NO. 802/1049 & 821/1070 KHEWAT KHAS NO. 431/2/1 (T-0), BESIDE SBI BANK, BASSI ROAD, SIRHIND, TEHSIL AND DISTRICT - FATEHGARH SAHIB - 140406
PH :9815131766, 7527082471.

SULTANPUR LODHI

1778. MARWAHA AUTOS (A UNIT OF INDERJIT MARWAHA AUTOS PVT. LTD.) (ZY02-ZY-01), NEAR TALWADI BRIDGE, TALWADI ROAD, SULTANPUR LODHI, DISTRICT -KAPURTHALA - 144626
PH :9779166004.

TALWANDI BHAI

1779. BABA AUTOS (GMF1-GMF-01), FEROZEPUR ROAD, NEAR FUNISLAND, TALWANDI BHAI, DISTT. FEROZEPUR - 142050
PH :8872013002.

TALWANDI SABO

1780. TARA AUTOMOBILES (ON01-ON-01), TALWANDI RAMA MAIN ROAD, NEAR VILLAGE-JAJJAL, RAMAMANDI,TALWANDI SABO, BHATINDA - 1551302
PH :9646691047, 8437008666.

TALWARA

1781. HOSHIARPUR AUTOMOBILES (H402-LR-07), DAM ROAD, NEAR KALI MATA MANDIR, VILLAGE-NAGAR, TALWARA, PUNJAB - 144216
PH :9815131766, 9781842244.

TANDA

1782. HOSHIARPUR AUTOMOBILES (H402-DE-06), VILL.PULPUKHATA, MIANI ROAD, TANDA - 144203
PH :9815131766, 8437430400.

TARAGARH

1783. PATHANKOT VEHICLEADES PVT. LTD. (BVC1-BVC-01), VILLAGE - RAHIMPUR, VPO-TARAGARH, TEHSIL & DISTT. PATHANKOT, HIMACHAL PRADESH - 143534
PH :9988639963.

TARN TARAN

1784. JAYCEE MOTORS (BLP2-BLP-01), VILLAGE - KAKKA, KANDIALA, NEAR SANDHU PETROL PUMP, AMRITSAR ROAD, TARN TARAN, PUNJAB - 143401
PH :9780038039.

ZIRA

1785. BABA AUTOS (7C01-GK-02), FEROZEPUR ROAD, ZIRA - 142047
PH :8872013230.

ZIRAKPUR

1786. TRICITY AUTOS (9M01-9M-01), PATIALA HIGHWAY,VILLAGE - NABHA, ZIRAKPUR, PUNJAB - 140603
PH :9988823030.

RAJASHTHAN

JAIPUR

1787. AURIC MOTORS (1116-11-C1), COMMERCIAL PLOT NO. J4, COMMERCIAL BELT B, VT ROAD, NEW SANGNER ROAD, MANSAROVAR SCHEME, JAIPUR, RAJASTHAN 302020 - 302020
PH :9571105651.

RAJASTHAN

ABU ROAD

1788. NAVNEET MOTORS (OQ01-OQ-01), PLOT NO. E-26, RIICO AMBAJI INDUSTRIAL AREA, PALANPUR HIGHWAY, ABU ROAD DISTT. SIROHI - 307026
PH :9950156579.

ACHROL

1789. KTL AUTOMOBILE PVT. LTD. (GKD1-GKD-01), #REF! - 303002
PH :7412077022.

AHORE

1790. AURIC MOTORS (SHN1-SHN-01), MADHOPURA, NEAR KARNAWATI HOSPITAL, AHORE, DISTRICT - JALORE, RAJASTHAN PIN CODE: 307029 - 307029
PH :#REF!.

AJMER

1791. AJMER AUTO AGENCIES PVT. LTD. (B201-B2-01), SRINAGAR ROAD,AJMER (RAJASTHAN) - 305001
PH :9314955201.
1792. RELAN MOTORS (B203-B2-01), NEAR BIRLA WATER TANK, PARABATPURA BYPEASS, AJMER - 305001
PH :95876 87000, 84400 41027.
1793. RELAN MOTORS (B203-B2-02), F-243 RIICO INDUSTRIAL AREA, PALRA, AJMER - 305001
PH :95876 87000, 87400 16329.
1794. AJMER AUTO AGENCIES PVT. LTD. (B201-B2-05), KHASRA NO.343/2, 344, 345, 347 GHUGHRA GHATI, JAIPUR ROAD, AJMER. - 305001
PH :9314955201.

AKLERA

1795. BHATIA AND COMPANY (SGK1-SGK-01), NH-52, RAM NAGAR COLONY, AKLERA, JHALAWAR, PIN-326033, RAJASTHAN - 326033
PH :9057047891.

ALWAR

Dealer Workshop (AS ON 30.05.2023)

1796. MG MOTORS (F901-F9-01), MUKESH GENERAL FINANCE COMPANY, ROAD NO. 2, NEAR MED BOARDING, ALWAR - 301001
PH :9001795520
1797. MG MOTORS (F901-F9-02), KHASRA NO.803/198, BHUGORE TIRAHA, NEAR ALWAR PUBLIC SCHOOL, JAIPUR ROAD, ALWAR - 301001
PH :9001795520.

ANOOPTGARH

1798. AURIC MOTORS (A UNIT OF AUDI MOTORS PVT LTD) (BFE1-BFE-01), PLOT NO. AMEDKAR CHARAHARA,RAILWAY STATION ROAD ,ANUPGARH (ANOOPTGARH),DISTT SRI GANGANAGAR . - 335701
PH :9982638516.

ANTA

1799. BHATIA & COMPANY (A UNIT OF BHATIA CORPORATION PVT. LTD.) (CTG2-CTG-01), KOTA-BARAN ROAD, ANTAH, DIST.-BARAN. - 325502
PH :9414032859.

ASIND

1800. CHAMPION CARS (SID1-SID-01), DEV TOWERS, BEAWAR ROAD, ASIND, DISTRICT – BHILWARA, RAJASTHAN - 311301 - 311301
PH :7073461987.

BAGRU

1801. PREM MOTORS PVT. LTD. (US02-US-01), JAIPUR-AMER HIGHWAY, BAGRU, DISTRICT-JAIPUR - 303007
PH :01414711118,8058411181.

BALESAR

1802. AURIC MOTORS (A UNIT OF AUDI MOTORS PVT LTD) (CWO1-CWO-01), KHASRA NO. 2167 JODHPUR JAISALMER ROAD, VILL:- BALESAR SATTA, TEH:- BALESAR , DIST:- JODHPUR (RAJ) - 342203
PH :7412087344.

BALOTRA

1803. LMJ SERVICES LTD. (6502-9G-05), JODHPUR BALOTRA ROAD,BALOTRA, RAJASTHAN - 344022
PH :8005898360.

BANSUR

1804. FORTUNE CARS (A UNIT OF JYOTI AUTOMOBILES PVT LTD) (BQP1-BQP-01), KOTPUTLI ROAD, NEAR SUBHASH CHOWK, BANSUR, RAJASTHAN - 301402
PH :8875005116.

BANSWARA

1805. NAVNEET MOTORS (X903-X9-01), NEAR J.C. MILL,OPPOSITE AKASHWANI,DAHOD ROAD,BANSWARA - 327001
PH :86023 83260.

BARAN

1806. BHATIA & COMPANY (A UNIT OF BHATIA CORPORATION PVT. LTD.) (6101-PM-03), BESIDE OJHA METAL, ATRU ROAD, BARAN - 325205
PH :9413379013.

BARMER

1807. LMJ SERVICES LTD. (6502-SH-06), G-216, RIICO INDUSTRIAL AREA, BARMER - 344001
PH :8005898360.
1808. LMJ SERVICES LTD. (SH01-SH-01), NH# 68, OPP. SADAR THANA - 344001
PH :8005898360.

BASSI

1809. PREM MOTORS PVT. LTD. (VF02-VF-01), MOHAN PURA BASSI, JAIPUR, RAJASTHAN - 303301
PH :01414711118,8058794515.

BAYTU

1810. LMJ SERVICES (SIT1-SIT-01), NH-8 ,NEAR JAGDAMBA PETROL PUMP , BAYTU - 344034
PH :8094011126.

BEAWAR

1811. RELAN MOTORS (FL03-FL-01), PLOT NO 1, INDIRA GANDHI UDYOGPURI , AMER ROAD ,BEAWAR, RAJASTHAN - 305202
PH :9857687000.

BEGUN

1812. BHATIA & CO (BTD1-BTD-01), BHATIA & CO. (A UNIT OF BHATIA CORPORATION PVT LTD),IN FRONT OF GURUKUL, CHITTOR ROAD,BEGUN, TEHSIL – BEGUN, DISTRICT CHITTORGARH, 312023 - 312023
PH :95097 06827.

BEHROR

1813. MG MOTORS (FQ01-FQ-01), B-168, RIICO INDUSTRIAL AREA, PHASE-II, OPP. APEX TUBE, BEHROR, DISTT: ALWAR. - 301701
PH :9001795520.

BHADRA

1814. AURIC MOTORS (A UNIT OF AUDI MOTORS PVT LTD) (BIF1-BIF-01), CHAK NUMBER-8,BARANI, NEAR HISAR BYEPASS BHADRA -BALSAMAND ROAD ,BHADRA - 335501
PH :9166712222, 9413311745.

BHARATPUR

1815. TM MOTORS PVT. LTD. (5J01-5J-01), BRIJ VIHAR COLONY,MADARPUR ROAD,BHARATPUR,RAJASTHAN - 321001
PH :9251423392.

BHAWANI MANDI

1816. SUWALKA MOTORS PVT LTD (SDB1-SDB-01), K.NO. 327 MANDAVI OPPOSITE SDM OFFICE JHALAWAR ROAD , BHAWANIMANDI,JHALAWAR- 326502 - 326502
PH :9116178571.

BHILWARA

1817. LOHA AUTOMOBILES (E301-E3-01), AJMER ROAD,NEAR OCTROI POST,BHILWARA - 311001
PH :82094 11856.
1818. CHAMPION CARS (UNIT OF PREM CARS PVT. LTD) (E302-E3-01), NEAR GRAM BHARTI, CHITTORGARH ROAD, BHILWARA, RAJASTHAN. - 311001
PH :7073461987.
1819. LOHIA AUTOMOBILES (E301-E3-03), PLOT NO. H-11, EVERGREEN TEXTILE PARK, RIICO INDUSTRIAL AREA, PUR ROAD, BHILWARA. - 311001
PH :82094 11856.

BHINDER

1820. TECHNOY MOTORS INDIA PVT. LTD. (CBS1-CBS-01), NEAR RAILWAY STATION,SALUMBAR CHOURAHA, BHINDER - 313603
PH :9001234056.

BHINMAL

1821. SHRI KRISHNA AUTOSALES PVT LTD (CQN1-CQN-01), KHASRA NO. 2281, KARADA CROSSING, BHINMAL, DISTRICT - JALORE, RAJASTHAN.
PH :9610242790.

BHIWADI

1822. FORTUNE CARS (A UNIT OF JYOTI AUTOMOBILES PVT LTD) (9H01-9H-01), OPP. INDAG RUBBER,MAIN ROAD ,BHIWADI - 301019
PH :9214794326,8875005116.
1823. FORTUNE CARS (A UNIT OF JYOTI AUTOMOBILES PVT LTD) (9H01-9H-02), F-458-C,RIICO,INDUSTRIAL AREA,BHIWADI - 301019
PH :9214794326,8875005116.
1824. FORTUNE CARS (A UNIT OF JYOTI AUTOMOBILES PVT LTD) (9H01-9H-04), KHASRA NO. 656/431, ALWAR ROAD, BHIWADI. - 301019
PH :9214794326,8875005116.

BJAJYNAGAR

1825. AJMER AUTO AGENCIES PVT LTD (GLF1-GLF-01), KHASRA NO 39 , AJMER -BHILWARA HIGHWAY CITY -BUAJYNAGAR DISTRICT – AJMER ,RAJASTHAN - 305624
PH :8899002472.

BIJOLIA

1826. LOHIA AUTOMOBILES (E301-UA-02), R/O GOLDEN CORRIDOR, OPP. ASHOK LEYLAND W/S, CHITTOR-BIJOLIA HIGHWAY, BIJOLIA, DIST. -BHILWARA - 311602
PH :82094 11856.

BIKANER

1827. AURIC MOTORS (A UNIT OF AUDI MOTORS PVT LTD) (7101-71-01), OPP. URMUL DAIRY PLANT,GANGANAGAR ROAD,BIKANER - 334004
PH :1512253984,9414138511.
1828. AURIC MOTORS (A UNIT OF AUDI MOTORS PVT LTD) (7101-71-04), JAIPUR BYE PASS,BIKANER - 334004
PH :1512230384,8875010507.
1829. AURIC MOTORS (A UNIT OF AUDI MOTORS PVT LTD) (7101-71-05), OPP. AVVYAPPA TEMPLE, K. K. COLONY, BIKANER - 334003
PH :7014063193,9413311949.
1830. DUDI AUTOMOBILES (A UNIT OF DMAS AUTOMOBILES) (7102-71-01), KHASRA NO. 376/33, JAIPUR ROAD, NH-11, BIKANER, RAJASTHAN. - 334001
PH :8929834417.

BILARA

1831. LMJ SERVICES LTD. (BZB1-BZB-01), BANGANGA MOD, JODHPUR ROAD, BILARA , RAJASTHAN - 342602
PH :8104689935.

BUNDI

1832. BHATIA & COMPANY (A UNIT OF BHATIA CORPORATION PVT. LTD.) (6101-EF-02), SUMAN PLAZA, NEAR TEACHER'S COLONY, CHITTOR ROAD, OPPOSITE ICICI ATM, BUNDI - 323001
PH :9413353099.

CHAKSU

1833. K P AUTOMOTIVES PVT LTD (1104-JM-03), TONK ROAD, CHAKSU - 303901
PH :0141-4071111, 4071101,8696934973.

CHANDAN

1834. LMJ SERVICES LTD. (SHR1-SHR-01), JAISALMER ROAD ,CHANDAN , DISTT JAISALMER, RAJASTHAN - 345031
PH :8094011126.

CHIRAWA

1835. AURIC MOTORS (A UNIT OF AUDI MOTORS PVT LTD) (SY02-SY-01), NEAR PILANI CIRCLE, LOHARU ROAD, STATE HIGHWAY-8, CHIRAWA - 333026
PH :01596-217163,7230081668.

CHITTORGARH

1836. BHATIA & COMPANY (A UNIT OF BHATIA CORPORATION PVT. LTD.) (K901-K9-01), PLOT NO. 1001/1-1002/1,NIMBAHERA ROAD,CHITTORGARH - 312001
PH :7854 61267.

CHOMU

1837. KTL AUTOMOBILES (HW02-HW-01), KHARSA NO.695, JAIPUR SIKAR BYPASS ROAD, CHOMU, RAJASTHAN. - 303702
PH :7412077034.
1838. SATNAM MOTORS (HW03-HW-01), NEAR CM CHOPRA HOSPITAL, JAIPUR ROAD, CHOMU, DISTRICT – JAIPUR, RAJASTHAN - 303702
PH :8302090000.

CHURU

1839. AURIC MOTORS (A UNIT OF AUDI MOTORS PVT LTD) (MD03-MD-01), NEAR DTO OFFICE, JAIPUR ROAD, CHURU - 331001
PH :8696543584.

DATA RAMGARH

1840. JAMU AUTOMOBILES PVT LTD (CTQ1-CTQ-01), KHASRA NO. 1016/256, VILLAGE - RAMGARH, TEHSIL - DATA RAMGARH, DIST.-SIKAR. - 332703
PH :9799501048.

DAUSA

1841. VIPUL MOTORS PVT. LTD. (1102-FM-03), AGRA JAIPUR ROAD, DAUSA - 303303
PH :9672211333.

DEGANA

1842. SHRI MANGALAM (SDJ1-SDJ-01), NEAR NAGAUR FATAK, STATION ROAD, DEGANA - 341512
PH :7230055955.

DEOLI

1843. K P AUTOMOTIVES PVT LTD (Z001-Z0-01), KOTA- JAIPUR HIGHWAY, NH-12, DEOLI - 304804
PH :8696292529.

DEVGARH

1844. LOHIA AUTOMOBILES (CUQ1-CUQ-01), NEAR KRISHI MANDI, KAMLIGHAT ROAD, TEHSIL – DEVGARH, DISTRICT – RAJSAMAND, RAJASTHAN. - 313331
PH :8306009399.

DHARIYAWAD

1845. BHATIA & CO. (SMC1-SMC-01), PRATAPGARH ROAD, DHARIYAWAD , DIST. - PRATAPGARH, RAJASTHAN - 313605 - 313605
PH :98287 46677.

DHOLPUR

1846. TM MOTORS PVT. LTD. (5K01-5K-01), TM MOTORS PVT. LTD., GT ROAD DHOLPUR, RAJASTHAN - 328001
PH :8094777862.

DIDWANA

1847. SHRI MANGLAM AUTO PVT. LTD. (FT03-FT-01), DIDWANA BYPASS, MAIDASAR CHORAHA, DIDWANA - 341303
PH :7230055924.

DUDU

1848. PREM MOTORS PVT. LTD. (BRY1-BRY-01), KHASRA NO.1107 & 1108, OPPOSITE POWER HOUSE SERVICE LANE, NH-8, DUDU. - 303008
PH :8058411181.

DUNGURPUR

1849. NAVNEET MOTORS (4902-GP-02), G-71, INDUSTRIAL AREA, DUNGURPUR - 314001
PH :94141 04833.

FALNA

1850. LMJ SERVICES LTD. (BBR1-BBR-01), OPPOSITE PRAKASH DINING HOTEL, FALNA - 306116
PH :#REF!.

FATEHNAGAR

1851. TECHNOY MOTORS INDIA PVT. LTD. (4903-SV-03), PLOT NO.15, FATENAGAR SANWAR ROAD, UDAIPUR-CHITTORGARH HIGHWAY NO.76, FATEHNAGAR-313205 DISTT. UDAIPUR - 313205
PH :9829793402.

GANGAPUR CITY

1852. PREM MOTORS PVT. LTD. (BUT1-BUT-01), KHASRA NO. 5854, 5858, 5860, 5861, VILLAGE UDAI KALAN, THE GANGAPUR CITY - 322201
PH :8058794122.

GUDHAGORJI

1853. AURIC MOTORS (A UNIT OF AUDI MOTORS PVT LTD) (CGC1-CGC-01), BHORKI ROAD, GUDHAGORJI, DISTRICT – JHUNJHUNU, RAJASTHAN - 333022
PH :7412059848.

HANUMANGARH

1854. AURIC MOTORS (A UNIT OF AUDI MOTORS PVT LTD) (7101-S7-03), JUNCTION TOWN ROAD,HANUMANGARH - 335512
PH :01552-231295,9168712222, 9413311745.

HINDAUN

1855. FORTUNE CARS (A UNIT OF JYOTI AUTOMOBILES PVT LTD) (S002-S0-01), KHASRA NO. 737, VILLAGE – PATTI NARAINPUR, NEAR HANUMAN MANDIR, HINDAUN-MAHWA ROAD, HINDAUN. - 322230
PH :7017024146,7017024146.

JAIPUR

1856. VIPUL MOTORS PVT. LTD. (1102-11-01), F-124A,MALVIYA INDUSTRIAL AREA,MALVIYA NAGAR,JAIPUR - 302017
PH :9269117654,8949686508.

1857. K P AUTOMOTIVES PVT LTD (1104-11-01), E-198, SANGANER INDUSTRIAL AREA,MANSAROVAR,JAIPUR - 302020
PH :0141-40711111, 4071101,6377203709, 6377203731.

1858. PREM MOTORS PVT. LTD. (1112-11-02), 12 13,SUDARSHANPURA INDUSTRIAL AREA, JAIPUR - 302006
PH :0141-4711111,8058703388 , 8058794122.

1859. SANGA AUTOMOBILES PVT. LTD. (1110-11-01), SECTOR 35, PRATAP NAGAR,SANGANER, JAIPUR - 302033
PH :9772210922.

1860. VIPUL MOTORS PVT. LTD. (1102-11-05), 29, INDUSTRIAL AREA, JHOTWARA, JAIPUR - 302012
PH :0141-3524203,9672211333.

1861. PREM MOTORS PVT. LTD. (1112-11-01), PLOT NO. E101/A, VKI , JAIPUR - 302039
PH :01414411123,8929409921.

1862. SATNAM MOTOCORP PVT. LTD. (1113-11-01), PLOT NO. E-524, SITAPURA INDUSTRIAL AREA, JAIPUR – 302 022, RAJASTHAN - 302022
PH :1412771976,8302390000.

1863. KTL AUTOMOBILE PVT. LTD. (1115-11-01), PLOT NO. 13B, JHOTWARA INDUSTRIAL AREA, JAIPUR - 302012
PH :7412077022.

1864. PREM MOTORS PVT. LTD. (1112-11-03), PLOT NO. B-12, MALVIYA NAGAR, JAIPUR - 302017
PH :8358715550,8929409921.

1865. KTL AUTOMOBILES (1115-11-02), KHASRA NO 1210-1216/2959 , BHANKROTA , TEH SANGANER , DISTRICT JAIPUR. - 302026
PH :7412077007.

1866. KTL AUTOMOBILES (1115-11-03), ORBIT MALL CIVIL LINES METRO STATION AJMER ROAD ,JAIPUR. - 302006
PH :7412077007.

1867. K.P. AUTOMOTIVE (1104-11-G1), B-1, GOVIND MARG, ADARSH NAGAR, JAIPUR – 302004 - 302004
PH :9549656559.

1868. KTL AUTOMOBILES (1115-11-04), CHOKDI HAWALI SHAHAR, SHIRKI SHAHAR, NEAR IDGAH, BILOCHOYAN MOHALLA, TRANSPORT NAGAR, DELHI ROAD, JAIPUR - 302002 - 302002
PH :9772210922.

JAISALMER

1869. LMJ SERVICES LTD. (5L01-5L-01), PLOT NO.36, 37, MAHESH REFUGEE COLONY,HDC SOCIETY, DABLA ROAD, JAISALMER (RAJASTHAN) - 345001
PH :8005898360.

JAITARAN

1870. LMJ SERVICES LTD. (BNY1-BNY-01), KHASRA NO. 784, JAIPUR-JODHPUR BYE PASS ROAD, JAITARAN, DIST.-PALI. - 306302
PH :9269971266.

JALORE

1871. SHRI KRISHNA AUTOSALES PVT LTD (VD01-VD-01), KHASRA NO.6809/2616, 2623, INDUSTRIAL AREA, JALORE-BHINMAL ROAD, JALORE - 343001
PH :2973211613,9829203644.

JAMWA RAMGARH

1872. K P AUTOMOTIVES PVT LTD (BZL1-BZL-01), KHASRA NUMBER -228/169,OPP UDAY AUTOMOBILES,JAIPUR ALWAR ROAD –JAMWA RAMGRAH. - 303109
PH :6377203709,6377203731.

JHADOL

1873. TECHNOY MOTORS (SKO1-SKO-01), KHASRA NO. 186/1, NH # 8, NEAR ASHOK LEYLAND WORKSHOP, SARDARPURA, SOJAT, PIN-306104, RAJASTHAN - 306104
PH :7728609510.

JHALAWAR

1874. BHATIA & COMPANY (A UNIT OF BHATIA CORPORATION PVT. LTD.) (6102-RV-02), OPP. BALAJI KI CHHATRI , KHEL CIRCLAR STADIUM, BUS STAND ROAD, JHALAWAR - 326001
PH :9414034728.

JHUNJHUNU

1875. AURIC MOTORS (A UNIT OF AUDI MOTORS PVT LTD) (FN03-FN-02), E1-2, AUTOMOBILES SERVICE SECTOR, RIICO INDUSTRIAL AREA, PHASE-2, SIKAR JAIPUR ROAD, JHUNJHUNU. - 333001
PH :01592-250045,7412087489.

JOBNER

1876. PREM MOTORS PVT. LTD. (BRD1-BRD-01), KHASRA NO. 758 & 754, BABER WALON KI DHANI, JOBNER, TEHSIL – PHULERA, DISTRICT – JAIPUR, RAJASTHAN - 303328
PH :8058411181.

JODHPUR

1877. LMJ SERVICES LTD. (6502-65-01), PRATAP NAGAR,JODHPUR - 340002
PH :9950496202.
1878. LMJ SERVICES LTD. (6502-65-04), OPP TO RFC OFFICE NEW POWER HOUSE ROAD,JODHPUR - 342003
PH :8094011127.
1879. SHRI KRISHNA AUTOSALES PVT LTD (6503-65-01), 32-A.HEAVY INDUSTRIAL AREA,NR FCI GODOWNS, JODHPUR - 342005
PH :2912748402,9001894669.

Dealer Workshop (AS ON 30.05.2023)

1880. LMJ SERVICES LTD. (6502-65-09), B-8,9,10, MARUDHAR INDUSTRIAL AREA, PHASE 1, BASNI, JODHPUR - 342008
PH :8094011147.

1881. LMJ SERVICES LTD. (6502-65-0C), 21/1, PAL MAIN BALOTRA ROAD, NEAR D.P.S. CIRCLE, JODHPUR - 342002
PH :723005721.

1882. AURIC MOTORS (A UNIT OF AUDI MOTORS PVT LTD) (6504-65-01), C-62 BASNI INDUSTRIAL AREA, PHASE-1, JODHPUR - 342005
PH :7412059839.

1883. LMJ SERVICES LTD. (6502-65-0D), PARSHWANATH COLONY, KAYLANA ROAD, JODHPUR. - 342 001
PH :8696916455.

1884. LMJ SERVICES LTD. (6502-65-10), KHASRA NO. 357/5, BANAR ROAD, OPPOSITE VIDHYA PUBLIC SCHOOL, JODHPUR, RAJASTHAN - 342 003
PH :7222002424.

KAPRAIN

1885. BHATIA & COMPANY (A UNIT OF BHATIA CORPORATION PVT. LTD.) (BGG1-BGG-01), MEGA HIGHWAY ROAD, NEAR PETROL PUMP, KAPRAIN DISTT. BUNDI - 323301
PH :9587894896.

KEKRI

1886. AJMER AUTO AGENCIES PVT. LTD. (B201-GZ-03), KOTA SAWAR ROAD, KEKRI - 305404
PH :9314955201.

KHAJUWALA

1887. AURIC MOTORS (SJC1-SJC-01), DANTOR ROAD, KHAJUWALA, DIST. - BIKANER, RAJASTHAN. - 3340323
PH :9982299866.

KHANDAR

1888. PREM MOTORS (CODE UNDER CREATIONS-CODE UNDER CREATIONS-CODE UNDER CREATIONS), SAWAI MADHOPUR-KHANDAR RD., KHANDAR, RAJASTHAN - 322025. - 322025
PH :8058899960.

KHERLI

1889. MG MOTORS (BZE1-BZE-01), KHERLI KATHUMAR ROAD, VILLAGE KHERLI, DISTT. ALWAR, RAJASTHAN - 321606
PH :9001795520.

KHERWARA

1890. TECHNOY MOTORS (SEE1-SEE-01), OPP. ATITHI PALACE, VILLAGE BADLA, NH 8, KHERWARA, TEHSIL - KHERWARA, DISTRICT - UDAIPUR, RAJASTHAN PIN CODE: 313803 - 313803
PH :7726809510.

KISHANGARH

1891. AJMER AUTO AGENCIES PVT LTD (TU01-TU-01), R K LINK ROAD, - 305802
PH :9314391011.

KISHANGARH BAS

1892. FORTUNE CARS (A UNIT OF JYOTI AUTOMOBILES PVT LTD) (9H01-TU-03), KISHANGARH BIWADI HIGHWAY, NEAR KISHANGARH, DISTRICT ALWAR - 301405
PH :8875007753,8875007753.

KOTA

1893. BHATIA & COMPANY (A UNIT OF BHATIA CORPORATION PVT. LTD.) (6101-61-01), 13-16 B.INDUSTRIAL ESTATE, KOTA - 324007
PH :9414085574.

1894. BHATIA & COMPANY (A UNIT OF BHATIA CORPORATION PVT. LTD.) (6102-61-01), AUTO MOBILE ZONE G-11/12 INDUSTRIAL AREA, KOTA - 324005
PH :9001027933.

1895. BHATIA & COMPANY (A UNIT OF BHATIA CORPORATION PVT. LTD.) (6101-61-04), 3(K) CHAMBAL INDUSTRIAL AREA, KOTA, RAJASTHAN - 324007
PH :9414077682.

1896. BHATIA & COMPANY (A UNIT OF BHATIA CORPORATION PVT. LTD.) (6101-61-05), E-46, CHAMBAL INDUSTRIAL AREA, KOTA - 324007
PH :9414085574.

1897. BHATIA & COMPANY (A UNIT OF BHATIA CORPORATION PVT. LTD.) (6101-61-06), PLOT NO. E-222, ROAD NUMBER 5, INDRAPRASTHA INDUSTRIAL AREA, KOTA, RAJASTHAN. - 324005
PH :9116108613.

1898. SUWALKA MOTORS PVT. LTD. (6104-61-01), RIDDHI SIDDIHI NAGAR, KUNHARI, BUNDI ROAD, KOTA, RAJASTHAN - 324008
PH :9116178516.

KOTPUTLI

1899. PREM MOTORS PVT. LTD. (MH09-MH-01), NH-8, BUCHARA COLONY, OPP. SHAKTI VIHAR, KOTPUTLI, JAIPUR - 303108
PH :01414711118,8058411181.

1900. PREM MOTORS PVT. LTD. (MH09-MH-02), KHASRA NO- 636, KOTPUTLI, DIST. JAIPUR, RAJASTHAN - 303108
PH :01414711118,8058411181.

KUCHAMAN

1901. SHRI MANGLAM AUTO PVT. LTD. (VA02-VA-01), SUDHRSHAN NAGAR, BUDSU ROAD KHASRA NO.148 KUCHAMAN - 341508
PH :7230055928.

LADNU

1902. SHRI MANGLAM AUTO PVT. LTD. (CUP1-CUP-01), KHASRA NO. 1011 SUJANGARH ROAD, LADNU - 341206
PH :7412044506.

LALSOT

1903. VIPUL MOTORS PVT. LTD. (BZF1-BZF-01), PLOT NO.22.23, KHASRA NO.1502-03, NARAYAN VIHAR, SAWAI MADHOPUR ROAD, LALSOT, RAJASTHAN - 303502
PH :9672211333.

LOSAL

1904. JAMU MOTORS (SMD1-SMD-01), LOSAL-SALASAR-DIDWANA ROAD, OPPOSITE SHIV MANDIR, WARD NO. 1, LOSAL, RAJASTHAN - 332025. - 332025
PH :9571959931.

LUNI

1905. LMJ SERVICES (SFD1-SFD-01), NEAR SBI BANK, SALAWAS ROAD, LUNI, TEHSIL - LUNI, DISTRICT - JODHPUR, RAJASTHAN PIN CODE: 342802 - 342802
PH :8094011126.

MAHWA

1906. VIPUL MOTORS PVT. LTD. (BKZ1-BKZ-01), KHASRA NO.37/384, BHARATPUR ROAD BYE-PASS, N.H.-11, MAHWA, DISTT. DAUSA (RAJASTHAN) - 321608
PH :9672211333.

MAKRANA

1907. SHRI MANGLAM AUTO PVT. LTD. (CFX1-CFX-01), MANGLANA ROAD, MAKRANA - 341512
PH :7230055934.

MALPURA

1908. K P AUTOMOTIVES PVT LTD (BLB1-BLB-01), PLOT NO.07, SHRI KALYAN NAGAR COLONY, JAIPUR-KEKRI ROAD, MALPURA - 304502
PH :8696925262.

MANDALGARH

1909. CHAMPION (SHA1-SHA-01), OPP. MODEL SCHOOL, BIJOLIA ROAD, MANDALGARH, DISTRICT - BHILWARA, PIN-311604, RAJASTHAN - 311604
PH :7073461987.

MERTA

1910. SHRI MANGLAM MOTORS (NG03-NG-01), KHASRA NO.1679, NH89, MERTA - 341015
PH :9116007201.

NAGAUR

1911. SHRI MANGLAM AUTO PVT. LTD. (HL03-HL-01), KHASRA NO.1479/982 & 1478/83 BIKANER ROAD, NAGAUR - 341001
PH :9116008624.

NAINWA

1912. BHATIA & COMPANY (A UNIT OF BHATIA CORPORATION PVT. LTD.) (CTJ1-CTJ-01), UNIARA ROAD, OPP: PETROL PUMP, NAINWA, DIST. KOTA - 323801
PH :9413379001.

NASIRABAD

1913. AJMER AUTO AGENCIES PVT. LTD. (B201-VB-04), CHAVANI BOARD NO:1613, HAWA CHAKKI, NASIRABAD ROAD, NASIRABAD, DISTT. AJMER - 305601
PH :9314955201.

NATHWARA

1914. LOHIA AUTOMOBILES (X201-TZ-02), NH-8, LAL BAG, NATHWARA, DISTRICT: RAJASOT - 313301
PH :8306009399.

NAWALGARH

1915. AURIC MOTORS (SIE1-SIE-01), KHATA NO. 76, PUNIA KI DHANI, SIKAR ROAD, NAWALGARH, DISTRICT - JHUNJHUNU, RAJASTHAN PIN CODE: 333042 - 333042
PH :9928720360.

NEEM KA THANA

1916. JAMU AUTOMOBILES PVT LTD (K701-TV-03), NEAR TOLL PLAZA, KOTPUTLI ROAD, NEEM KA THANA, SIKAR - 332713
PH :9529178046.

NEEMRANA

1917. FORTUNE CARS (A UNIT OF JYOTI AUTOMOBILES PVT LTD) (OP01-OP-01), F-42 & 42(B), PHASE-1, NEEMRANA, TEHSIL: BEHROR, DISTT. ALWAR - 301705
PH :9610715222,9636139386.

NIMBAHERA

1918. BHATIA & COMPANY (A UNIT OF BHATIA CORPORATION PVT. LTD.) (CTH1-CTH-01), PLOT NO. 7-8, 33-34, 35-36, NIMBAHERA, DIST. -CHITTORGARH. - 312601
PH :97854 61267.

NIWAI

1919. K P AUTOMOTIVES PVT LTD (BLA1-BLA-01), VANASTHALI CIRCLE, NEAR PRATEEK GAS AGENCY, TONK ROAD, NIWAI, DISTRICT - TONK. - 304021
PH :8696925262.

NOHAR

1920. AURIC MOTORS (A UNIT OF AUDI MOTORS PVT LTD) (VE02-VE-01), OPP. RAILWAY STATION, NOHAR, DISTRICT-HANUMANGARH - 335523
PH :0155-5221485,7412059821, 8875010541.

NOKHA

1921. AURIC MOTORS (A UNIT OF AUDI MOTORS PVT LTD) (I501-I5-01), F-46, RIICO EXTENSION, NOKHA, INDUSTRIAL AREA, NOKHA DISTT- BIKANER (RAJASTHAN) - 334803
PH :7412059805.

PADAMPUR

1922. DUDI MOTORS (SGC1-SGC-01), NEAR BASANT PLACE, BHAGAT SINGH CHOWK, KARANPUR ROAD, PADAMPUR SRI GANGANAGAR 335041 - 335041
PH :8619215475.

PALI

1923. LMJ SERVICES LTD. (6502-J9-03), KHASRA NO. 771/1, JODHPUR PALI ROAD, PALI - 306401
PH :9269971266.

PAOTA

1924. K P AUTOMOTIVES PVT LTD (BRH1-BRH-01), PATA SANKHYA 31, MISAL SANKHYA 89, NEAR BAMBORIA PETROL PUMP, NH-8, PAOTA, RAJASTHAN - 303106
PH :6377203709, 6377203731.

PARBATSAR

1925. SRI MANGLAM (SKT1-SKT-01), NEAR IFL HOUSING FINANCE CO, KISHAN - 341512
PH :8740909096.

PARTAPUR

1926. NAVNEET MOTORS (BKY1-BKY-01), AAASHAPURA CHARAUHA, BHAGORA MOR, NEAR AAASHAPURA MANDIR, PARTAPUR ,RAJASATHAN - 327024
PH :94140 10306.

PHALODI

1927. SHRI KRISHNA AUTOSALES PVT LTD (BQ11-BQ1-01), OPP. RCP GUEST HOUSE, NAGAUR KHICHAN ROAD, PHALODI, RAJASTHAN - 342301
PH :9116011958.

PHULERA

1928. KTL AUTOMOBILE PVT. LTD. (CUS1-CUS-01), KHASRA NO. 21 TO 24 AND PLOT NO. 189 IN RAM VIHAR COLONY, PANCHBHATI, PHULERA, DISTRICT - JAIPUR, RAJASTHAN - 303338
PH :7412077022.

PINDWARA

1929. NAVNEET MOTORS (CQP1-CQP-01), OPPOSITE WOLKEM FACTORY, SIROHI ROAD, PINDWARA, DIST. - SIROHI. - 307022
PH :86197 44672.

PIPAR

1930. LMJ SERVICES LTD. (BT11-BT1-01), KHASRA NO. 1095, PIPAR CITY, DIST.-JODHPUR. - 342601
PH :9462616288.

PISANGAN

1931. AJMER AUTO AGENCIES PVT. LTD. (CTL1-CTL-01), PLOT NO.11, SHIV VIHAR COLONY, MANGLIYAWAS ROAD, PISANGAN, DISTRICT - AJMER, RAJASTHAN. - 305204
PH :9314955201.

POKHRAN

1932. LMJ SERVICES (BOA1-BOA-01), SUNDER NAGAR, TEHSIL POKHRAN, DISTRICT - JAISALMER, RAJASTHAN. - 345021
PH :9610115660.

PRATAPGARH (RAJASTHAN)

1933. BHATIA & COMPANY (A UNIT OF BHATIA CORPORATION PVT. LTD.) (PN01-PN-01), CHITTORGARH-PRATAPGARH ROAD, GRAM-BAMBOTARA, PRATAPGARH (RAJASTHAN) - 312605
PH :97723 78682.

RAIPUR

1934. LMJ SERVICES LTD. (CRZ1-CRZ-01), NATIONAL HIGHWAY, PALI ROAD, VILLAGE - RAIPUR, DISTRICT - PALLI - 306304
PH :9269971266.

RAISINGHNAGAR

1935. AURIC MOTORS (A UNIT OF AUDI MOTORS PVT LTD) (BHK1-BHK-01), PLOT NO. H-2, INDUSTRIAL AREA, RAISINGHNAGAR, DISTRICT - SRIGANGANAGAR. - 335051
PH :9962638516.

RAJGARH

1936. MG MOTORS (IY01-IY-01), ALWAR SIKANDRA MEGA HIGHWAY, VILLAGE DIGAWARA, TEHSIL RAJGARH DISTT. ALWAR - 301408
PH :9001795520.

1937. AURIC MOTORS (A UNIT OF AUDI MOTORS PVT LTD) (CGD1-CGD-01), NH-65, OPP. BHAGAT SINGH CHOWK, RAJGARH DISTT. CHURU. - 331023
PH :9602261977.

RAJSAMAND

1938. LOHIA AUTOMOBILES (X201-X2-01), BHILWARA ROAD, KHANKROLI, RAJSAMAND DISTT, RAJSAMAND - 313301
PH :8306009399.

RAMGANJMANDI

1939. BHATIA & COMPANY (A UNIT OF BHATIA CORPORATION PVT. LTD.) (BAZ1-BAZ-01), KHAIRABAD ROAD, KHASARA NO. 753, A.S.I COLONY, RAMGANJ MANDI - 326519
PH :9414085790.

RAINIWARA

1940. SHRI KRISHNA AUTOMOBILES (SGX1-SGX-01), NEAR RAILWAY GATE, BHINMAL ROAD ,RAINIWARA, TEHSIL - RAINIWARA, DISTRICT - JALORE, RAJASTHAN,PIN CODE- 343040 - 343040
PH :9928377669.

RATANGARH

1941. AURIC MOTORS (A UNIT OF AUDI MOTORS PVT LTD) (BHJ1-BHJ-01), PLOT NO. AREA F-186 INDUSTRIAL AREA, RATANGARH. - 331 022
PH :7412087301.

RAWATBHATA

1942. BHATIA & COMPANY (A UNIT OF BHATIA CORPORATION PVT. LTD.) (JQ01-JQ-01), NEAR INDIAN OIL PETROL PUMP, KOTA ROAD, RAWATBHATA , DIST. CHITTORGARH, RAJASTHAN. - 323307
PH :9001027933.

RAWATSAR

1943. AURIC MOTORS (A UNIT OF AUDI MOTORS PVT LTD) (SDA1-SDA-01), CHAK 21-22,DWD,PLOT NUMBER -10 & 11, RAWATSAR (RAJASTHAN). - 335524
PH :9166712222, 9413311745.

REENGUS

1944. JAMMU MOTORS (SGL1-SGL-01), REENGUS HIGHWAY, REENGUS DISTT. SIKAR -332404 - 332404
PH :9785030973.

RENWAL MANJHI

1945. PREM MOTORS PVT. LTD. (GKZ1-GKZ-01), KHASRA NUMBER 2286/110,OPP ROHINI NAGAR 1 ,JAIPUR BHILWARA HIGHWAY ,RENWAL,TEHSIL PHAGI JAIPUR ,RAJASTHAN (303904) - 303904
PH :01414711118,9928494441.

REVDAR

1946. TECHNOY MOTORS INDIA PVT. LTD. (CRY1-CRY-01), OPP. TIRUPATI PETROL PUMP, KAROTI ROAD, REVDAR, DISTT. SIROHI, RAJASTHAN. - 307514
PH :9530396882.

SAGWARA

1947. TECHNOY MOTORS INDIA PVT. LTD. (CK01-CK-01), BANSWARA ROAD, CHUNGINAKA, NR. CENTRAL JAIL, SAGWARA, DUNGARPUR DISTT., RAJASTHAN - 314025
PH :9694970143.

SALUMBAR

1948. NAVNEET MOTORS (BZH1-BZH-01), GANESH GHATI, BANSWARA ROAD, SALUMBAR, DISTRICT - UDAIPUR. - 313027
PH :76652 01980.

SAMBHAR

1949. KTL AUTOMOBILE PVT. LTD. (CVD1-CVD-01), PLOT NUMBER -C1 NEAR SHAKUMARI PG COLLEGE , PHULERA ROAD , SAMBHAR 303604 - 303604
PH :7412077022.

SANCHORE

1950. SHRI KRISHNA AUTOSALES PVT LTD (GY01-GY-01), PLOT NO. 217, KHASRA NO. 844, 865, 867, MANMOHAN SINGH PARK, NH-15, BARMER ROAD, SANCHORE, DIST.-JALORE. - 343041
PH :9636224546.

SANGARIA

1951. AURIC MOTORS (A UNIT OF AUDI MOTORS PVT LTD) (GKK1-GKK-01), HANUMANGARH ROAD NEAR KARMA PETROL PUMP - 335035
PH :7412059827.

SANGOD

1952. BHATIA & COMPANY (A UNIT OF BHATIA CORPORATION PVT. LTD.) (GLG1-GLG-01), KHASRA NO 1637 , SANGOD BAPAPUR MAIN ROAD, SANGOD - 325601
PH :9251641358.

SARDARSHAHR

1953. AURIC MOTORS (A UNIT OF AUDI MOTORS PVT LTD) (BID1-BID-01), KHASRA NO.134, MOTOR MARKET, RATANGARH SARDARSHAHR ROAD, SARDARSHAHR DISTT. CHURU, RAJASTHAN - 331403
PH :9799833995.

SAWAI MADHOPUR

1954. PREM MOTORS PVT. LTD. (FY03-FY-01), PLOT NO.14, RIICO INDUSTRIAL AREA, KHERDA, SAWAI MADHOPUR - 322001
PH :01414711118,9358725409.

SAYALA

1955. AURIC MOTORS (SHM1-SHM-01), NEAR PETROL PUMP, HANUMAN MANDIR SOUTH STYLE, MAIN ROAD SAYALA, SAYALA TEHSIL - SAYALA, DISTRICT - JALORE, RAJASTHAN PIN CODE: 343022 - 343022
PH :9607399993.

SHAHUPURA

1956. K P AUTOMOTIVES PVT LTD (1104-NH-05), VILLAGE RAJAPURA, GRAM PANCHAYAT BIDARA, NH-8, SHAHPURA - 303103
PH :0141-40711111, 4071101,8696934964, 9358220012.

1957. LOHIA AUTOMOBILES (CCP1-CCP-01), OPPOSITE LIC OFFICE, BHILWARA ROAD, SHAHPURA DISTT. BHILWARA - 311404
PH :7568378555,9462979238.

SHEO

Dealer Workshop (AS ON 30.05.2023)

1958. LMJ SERVICES LTD. (SDO1-SDO-01), NEAR RIDDI SIDDIH HOTEL , OPPOSITE HP PETROL PUMP ,TEH SHEO, DISTT – BARMER - 335521
PH :8094011144.

SIKAR

1959. JAMU AUTOMOBILES PVT LTD (K701-K7-01), F-54 ,JAIPUR ROAD (NH-11),SIKAR - 332001
PH :9057400761.

SIROHI

1960. NAVNEET MOTORS (4902-LK-03), PLOT NO. 8,BHADRANAGAR NAGAR, ANADRA ROAD, SIROHI - 307001
PH :9166261788.

SIWANA

1961. LMJ SERVICES LTD. (CCO1-CCO-01), BALOTRA ROAD, SIWANA, DISTRICT - JODHPUR, RAJASTHAN - 344044
PH - 8005898360.

SOJAT

1962. LMJ SERVICES LTD. (BWI1-BWI-01), KHASRA NO. – 186/1, NH-8, NEAR ASHOK LEYLAND WORKSHOP, SARDARPURA, SOJAT , RAJASTHAN - 306104
PH :9269971266.

SRI DUNGARGARH

1963. AURIC MOTORS (A UNIT OF AUDI MOTORS PVT LTD) (BIG1-BIG-01), 1563/1273, NH-11, MOMASAR BASS, DUNGARGARH, DISTRICT - BIKANER, RAJASTHAN. - 331803
PH :9414138511.

SRI KARANPUR

1964. AURIC MOTORS (SDL1-SDL-01), PADAMPUR ROAD, NEAR DHAN MANDI, SRI KARANPUR, TEHSIL – SRI KARANPUR, DISTRICT – SRI GANGANAGAR,RAJASTHAN, PIN CODE: 335073 - 322243
PH :8875088998.

SRI MADHOPUR

1965. JAMU AUTOMOBILES PVT LTD (BZD1-BZD-01), WARD NO.4, RINGUS ROAD, SRI MADHOPUR DISTT. SIKAR. - 332715
PH :9672822166.

SRIGANGANAGAR

1966. AURIC MOTORS (A UNIT OF AUDI MOTORS PVT LTD) (U201-U2-01), NEW AUTOMOBILE MARKET,SURATGARH-HANUMANGARH ROAD, SRIGANGANAGAR - 335001
PH :0154-2465226.7412059837.

1967. AURIC MOTORS (A UNIT OF AUDI MOTORS PVT LTD) (U201-U2-03), CHAK 1G CHOTI, NH15, SRIGANGANAGAR, RAJASTHAN - 335001
PH :8875911503.

SUJANGARH

1968. AURIC MOTORS (A UNIT OF AUDI MOTORS PVT LTD) (BRB1-BRB-01), KHASRA NO.459/9333, SALASAR ROAD, NEAR ANAJ MANDI, SUJANGARH , DISTT. CHURU - 331507
PH :8875011561.

SULTANPUR

1969. SUWALKA MOTORS PRIVATE LIMITED (GKY1-GKY-01), KHASRA NUMBER 485, NEAR PETROL PUMP , SULTANPUR ROAD , SULTANPUR , DISTT KOTA - 325204
PH :9116178594.

SUMERPUR

1970. LMJ SERVICES LTD. (6502-VC-08), G-14 JAKHAMATA INDUSTRIAL AREA, OPP. DASHAREA GROUND, SUMERPUR - 306902
PH :8094002633.

SURATGARH

1971. AURIC MOTORS (A UNIT OF AUDI MOTORS PVT LTD) (U201-LG-02), OPP. RELIANCE PETROL PUMP,NH-15, SURATGARH- 335804
PH :8875012667.

TONK

1972. K P AUTOMOTIVES PVT LTD (GM01-GM-01), F-94, RIICO INDUSTRIAL AREA, TONK , RAJASTHAN - 304001
PH :9549651972.

TUNGA

1973. PREM MOTORS (SMB1-SMB-01), VILLAGE GWALANI, BASSI-LALSOT ROAD, TUNGA, TEHSIL- BASSI, JAIPUR - 303302 - 303302
PH :8058998123.

UDAIPUR

1974. NAVNEET MOTORS (4901-49-01), 7 CITY STATION ROAD,UDAIPUR - 313001
PH :90017 58531.
1975. NAVNEET MOTORS (4902-49-01), S-140,MADRI INDUSTRIAL AREA,OPP. BSNL OFFICE, UDAIPUR - 313002
PH :95888 86349.
1976. TECHNOY MOTORS INDIA PVT. LTD. (4903-49-02), NH-8, GOVERDHAN VILLAS, DEVALI, NEAR JEEVAN TARA RESORT, UDAIPUR - 313002
PH :9414165429.
1977. TECHNOY MOTORS INDIA PVT. LTD. (4903-49-04), KHASRA NO. 546, 547, 554 AND 555, NEAR CHITRAKOOT NAGAR, OPP. BHIRAVGARH HOTEL, SUKHER, TEHSIL – BADGAON, UDAIPUR, RAJASTHAN. - 313001
PH :9530396896.

VIRATNAGAR

1978. K.P. AUTOMOTIVES PVT. LTD. (SCB1-SCB-01), KHASRA NUMBER 1156 ,OPP HOTEL GULMOHAR , JAIPUR ROAD ,VIRATNAGAR,DISTT JAIPUR - 303102
PH :0141-4071111, 4071101,9358220012.

SIKKIM

GANGTOK

1979. ENTEL MOTORS (B901-B9-01), 6TH MILE, P.O.TADONG, GANGTOK, SIKKIM - 737102
PH :9933031828
9933032059.

JORTHANG

1980. ENTEL MOTORS (B901-B9-02), PIPELEY ROHTAK, NEAR JNU SCHOOL, WEST SIKKIM, JORTHANG - 737121
PH :9733164882
9933009934.

ALANDURAI

1981. AADHI CARS PVT. LTD. (CTO1-CTO-01), NO.69/1 A, SIRUVANI MAIN ROAD, URIPALLAM PUDHUR, ALANDURAI, COIMBATORE (TAMIL NADU)- 641101
PH :8754045816.

ALANGULAM

1982. AADHI CARS PVT. LTD. (SJF1-SJF-01), SURVEY NO. 495/7, TIRUNELVELI - TENKASI ROAD, ALANGULAM, TIRUNELVELI DISTRICT, TN - 627851
PH :8754044143.

AMBASAMUDRAM (AMBAI)

1983. AADHI CARS PVT. LTD. (BXT1-BXT-01), DOOR NO. 2/253, SURVEY NO. 104/2, RTO OFFICE ROAD, VILLAGE - VAGAIKULAM, AMBASAMUDRAM. - 627 401
PH :7397188858.

ANAMALAI

1984. ABT (CHE1-CHE-01), SITE NO. 6/12, NEAR ABT SAMUGA KOODAM, SETHUMADAI ROAD, ANAMALAI, COIMBATORE DISTRICT, TAMILNADU - 642 104
PH :9788174244.

ANNUR

1985. JAIRISHNAA AUTOSALES PVT. LTD. (DN01-DN-01), SF NO.266/1B, OTTRAPALAYAM VILLAGE, OPP. TO KG SCHOOL, ANNUR,COIMBATORE (DISIT), TAMILNADU - 641653
PH :9788850733.

ANTHIYUR

1986. SREE SARADHAMBAL AUTOMOBILES PVT LTD (CUX1-CUX-01), SURVEY NO.495/4, OLD NO 724B, KANCHI THOTTI THOTTAM, BHAVANI MAIN ROAD,ANTHIYUR. - 638901
PH :8754086777.

ARAKKONAM

1987. GANESH CARS PVT. LTD. (BKQ1-BKQ-01), SURVEY NO. 556A/3, VILLAGE – ICHIPUDHUR, TALUKA – ARAKKONAM, VELLORE. - 631003
PH :9842345399.

ARIYALUR

1988. PILLAI & SONS MOTOR CO. (EB01-EB-01), NO.1/1 , NEAR ULAVAR SANTHALI, JAYAMKONDAM ROAD, ARIYALUR (TAMIL NADU). - 621704
PH :04329-228300, 9442281302.

ARNI

1989. GANESH CARS PVT. LTD. (BKP1-BKP-01), DOOR NO. 1151/3, VELLORE MAIN ROAD, OPPOSITE TO HERO MOTORS SHOWROOM, RATHNAMANGALAM BUS STOP, ARNI, THIRUVANMALAI, TAMIL NADU. - 632301
PH :9585553266.

ARUPPUKOTTAI

1990. ASIR AUTOMOBILES PVT LTD (CWF1-CWF-01), SURVEY NO. 205/1, 5/5C, NEHRU NAGAR, ARUPPUKOTTAI TO MADURAI BYPASS ROAD, ARUPPUKOTTAI, DIST.-VIRUDHUNAGAR. - 626 101
PH :9944059911.

ATTUR

1991. S.M.CAR PVT. LTD. (QT02-QT-01), SF NO. 351/10A, SALEM TO CHENNAI BY PASS ROAD, APPAMASAMUDRAM, ATTUR, SALEM. - 636108
PH :7094440057.

AVADI

1992. VISHNU CARS PVT. LTD. (5P01-5P-01), SURVEY NO. 146, 147/1F & 147/G, NO. 17 VILLAGE – KAVARAPALAYAM, CTH ROAD, AVADI, DISTRICT – THIRUVALLUR, CHENNAI, TAMIL NADU - 600054
PH :7338888021,
7358024470.

AVINASHI

1993. SHASHTI CAR PVT LTD (CLK1-CLK-01), SURVEY NO. 375/1E, THEEKU THOTTAM, NALLIGOUNDANPALAYAM, PALANGARAI, KUPQODAMPALAYAM POST, NH ROAD, AVINASHI EAST, TIRUPPUR DISTRICT, TAMILNADU - 641654
PH :9942903319.

BHAVANI

1994. SREE SARADHAMBAL AUTOMOBILES PVT LTD (H701-IG-05), NO.5/1072, LAKSHMI NAGAR, NH-47, YASAVI COLLEGE (P.O.), BHAVANI, ERODE (DIST), TAMIL NADU. - 638316 PH :9795738777.

CHENGALPETTU

1995. AIE CARS (A UNIT OF AI ENTERPRISES PVT LTD) (BBS1-BBS-01), PLOT NO. 98/1, PULIPAKKAM VILLAGE, CHENGALPETTU, DISTRICT-KACHEEPURAM, TAMIL NADU. - 603002

PH :7299057387.

1996. AIE CARS (A UNIT OF AI ENTERPRISES PVT LTD) (BBS1-BBS-02), DOOR NO. 41, GST ROAD, PULIPAKKAM, CHANGALPET, TAMILNADU - 603202

PH :7299057387.

CHENGAM

1997. GANESH CARS PVT. LTD. (BUP1-BUP-01), SURVEY NO. 293/3A, 3A1,VILLAGE - THUKAPETTAI, CHENGAM, DIST. -TIRUVANNAMALAI - 606 701 PH :7397395289.

CHENNAI

1998. ABT LIMITED (1401-14-01), 102, MOUNT ROAD, GUINDY, CHENNAI - 600032 PH :044-42254544, 42254554.

1999. KHIVRAJ MOTORS PVT LTD. (1404-14-01), 623 MOUNT ROAD, CHENNAI - 600006 PH :9043014530.

2000. CARS INDIA PVT. LTD. (1403-14-01), 16 & 17 INDUSTRIAL ESTATE, AMBATTUR, CHENNAI - 600058 PH :9952000089.

2001. CARS INDIA PVT. LTD. (1403-14-02), NO.17, LATTICE BRIDGE ROAD, ADYAR, CHENNAI - 600020 PH :044-24462020.

2002. POPULAR VEHICLES & SERVICES LTD. (1410-14-02), OLD NO.155, NEW NO.123, PONRANJITHAM COMPLEX, MEDAVAKKAM MAIN ROAD, NEAR BUS TERMINUS, KEEKATTALAI, CHENNAI - 600117 PH :9178906334, 9178906335, 9178906336.

2003. CARS INDIA PVT. LTD. (1403-14-03), 4/321, OLD MAHABALIKPURAM RD., KOTTIVAKKAM, CHENNAI - 600040 PH :044-24540182 (43590913).

2004. POPULAR VEHICLES & SERVICES LTD. (1410-14-01), NO.11, ARUNACHALAM ROAD, SALIGRAMAM, CHENNAI - 600093 PH :9282405819, 9282348331, 8939915206.

2005. ABT LIMITED (1401-14-01), NO. 422, KOLAPERUMAL SCHOOL STREET, POONMA MALLE HIGH ROAD, CHENNAI - 600106 PH :044-42267628/604.

2006. ABT LIMITED (1401-14-05), A/A2, BHARANI STUDIO COMPLEX, DR. BHANUMATHI KRISHNA ROAD 22, ARCOT ROAD, SALIGRAMMAM, CHENNAI - 600093 PH :044-23650488, 23650490.

2007. ABT LIMITED (1401-14-06), NO. 1 & 2, VASANTHA PRESS,ROAD, OPPOSITE MALAR HOSPITAL, ADYAR, CHENNAI - 600020 PH :044-24465814, 24465815.

2008. CRESCO (A UNIT OF NEXGEN VENTURES PVT LTD), (1493-14-01), 5,THIRUMURUGAN ST, KOYAMBEDU, CHENNAI - 600107 PH :7305087055.

2009. ABT LIMITED (1411-14-01), 29, WALLES ROAD, OPP. ALBERT THEATER, EGMORE, AMBATTUR, CHENNAI - 600058 PH :044-42281707 / 714 / 719 / 720 / 721 / 737/.

2010. CARS INDIA PVT. LTD. (1403-FP-04), NO.503, G.N.T. ROAD, REDHILLS, CHENNAI - 600066 PH :9952000078.

2011. VISHNU CARS PVT. LTD. (1427-14-02), 176/1, LUZ CHURCH ROAD, NEAR KAMADHENU THEATRE MYLAPORE, CHENNAI - 600004 PH :0427-24661973/74/75.

2012. VISHNU CARS PVT. LTD. (1427-14-01), NO. 91, GST ROAD, ALWITONE ESTATE, BEHIND LAXMI THEATRE, PALLAVARAM, CHENNAI - 600043 PH :044-68813729/7338880000.

2013. POPULAR VEHICLES & SERVICES LTD. (1410-14-03), NO. 3, 200 RING ROAD, RETTERI JUNCTION, RETTERI, CHENNAI - 600099 PH :1484814726/23/33.

2014. CARS INDIA PVT. LTD. (1403-14-05), PLOT NO.- 80, BABU JAGAGEVAN RAM STREET, GERUGAMBAKKAM, CHENNAI - 600112 PH :9952000079.

2015. KHIVRAJ MOTORS PVT LTD. (1404-14-03), SURVEY NO. A1& A2, SIDCO INDUSTRIAL ESTATE, GUINDY, CHENNAI - 600032 PH :7299971978.

2016. ABT LIMITED (1401-14-0D), NO.2/170, ECR ROAD, INJAMBAKKAM, CHENNAI TAMIL NADU. - 600041 PH :044-24490584 / 585 /586.

2017. AIE CARS (A UNIT OF AI ENTERPRISES PVT LTD) (1484-14-01), PLOT NO.1,2,3 & 4, SURVEY NO.91/2, B1, A2 & B, NEELANKARAI, EAST COAST ROAD, CHENNAI - 600115 PH :7401211553.

2018. RAJALAKSHMI CARS PVT. LTD. (1486-14-01), OLD DOOR NO.89, NEW DOOR NO.20,GRAND NELLORE TRUNK ROAD, MADHAVARAM, CHENNAI - 600060 PH :8939995454/8939995404.

2019. KHIVRAJ MOTORS PVT LTD. (1480-14-02), PLOT NO.119 & 120, ELECTRICAL & ELECTRONICS INDUSTRIAL ESTATE, PERUNGUDI, CHENNAI - 600096 PH :98414 23569.

2020. ABT LIMITED (1401-14-0E), NO. 1/132, RAJEEV GANDHI SALAI, SHOLINGANALLUR, DISTRICT – CHENNAI, TAMIL NADU - 600119 PH :044-24502185 / 87 / 88 / 89.

2021. VISHNU CARS PVT. LTD. (1427-14-03), 4/13 LOYAL GARDEN, KALAHATHAMMAN KOVIL STREET, RAMAPURAM, CHENNAI, TAMIL NADU. - 600089 PH :8754440002/ 9677244332.

2022. VISHNU CARS PVT. LTD. (1487-14-01), NO.203 TO 206 MOUNT POONAMALLE ROAD, KATTUPAKKAM, CHENNAI - 600056 PH :9677127432.

2023. VISHNU CARS PVT. LTD. (1487-14-02), NO.120, MAMBAKKAM MAIN ROAD, MEDAVAKKAM, CHENNAI - 600100 PH :9840929994/ 9840944478.

2024. VISHNU CARS PVT. LTD. (1427-14-04), NEW S. NO. 314/1B1A, PALLAVARAM – THORAIPAKKAM RADIAL ROAD, NEAR OLD CHETTINADUR CEMENT GODDOWN, KEELAKATTALAI, CHENNAI - 600117 PH :9940057775.

2025. VISHNU CARS PVT. LTD. (1427-14-06), PLOT NO. 4, MORISON 4 STREET, ALANDUR, CHENNAI - 600016 PH :044-45590293.

2026. RAJALAKSHMI CARS PVT. LTD. (1486-14-02), OLD NO. 27, NEW NO. 22A, ALAPAKKAM MAIN ROAD, MADURAVOYAL, CHENNAI - 600095 PH :9841427572/9500125083.

2027. CRESCO (A UNIT OF NEXGEN VENTURES PVT LTD), (1493-14-03), PLOT NO. G30, 3RD MAIN ROAD, 9TH STREET, AMBATTUR INDUSTRIAL ESTATE, DIAGONALLY TO TELEPHONE EXCHANGE, CHENNAI - 600058 PH :7305087033.

2028. POPULAR VEHICLES AND SERVICES LTD (1410-14-06), PLOT NO. 10, NEW SURVEY NO. 88/1A1, 88/1C, 88/1B & 88/2B, NOOMBAL MAIN ROAD, VANAKARAM, CHENNAI. - 600 077 PH :044-61343434, 46490006/9.

2029. AIE CARS (A UNIT OF AI ENTERPRISES PVT LTD) (1484-14-02), PLOT NO. L-1 SIDCO INDUSTRIAL ESTATE, VILLIVAKKAM, CHENNAI, TAMIL NADU. - 600 049. PH :9841742926.

2030. VISHNU CARS PVT. LTD. (1427-14-07), SURVEY NO. 19/1A2, 83/18, DOOR NO. 113, NEAR PARIMALAM THEATER, KUNDRATHUR MAIN ROAD, MANVADY THALAI, NALLUR, SAMEA THALAI, MOONRAMKATTALAI VILLAGE, ONDI COLONY, KUNDRATHUR, CHENNAI - 600069 PH :95000 82346 .

2031. VISHNU CARS PVT. LTD. (1427-14-08), SURVEY NO. 62/2B, DOOR NO. 1/63, AGARAM MAIN ROAD, THIRUVANCHERRY VILLAGE, TAMBARAM TALUK, SELAIYUR, KANCHIPURAM DIST. CHENNAI , TAMIL NADU. - 600 073 PH :8056280022.

2032. ABT LIMITED (1401-14-10), S. NO. 32/2, NANDAMBAKKAM, PADMINI GARDEN, CHENNAI - 600089, TN. - 600089 PH :044-23230161, 8220011558.

CHEYEAR

2033. GANESH CARS PVT. LTD. (BUD1-BUD-01), NO.16, KANCHEEPURAM ROAD, CHEYYAR, TIRUVANNAMALAI DISTT. - 604407 PH :9787669339.

CHIDAMBARAM

2034. VISHNU CARS PVT. LTD. (CPK1-CPK-01), SURVEY NO. 102/2 & 102/5, BHUVANAGIRI MAIN ROAD, KEERAPALAYAM, CHIDAMBARAM TOWN, CUDALORE, TAMIL NADU. - 608 602 PH :041-44241334/7358004555.

COIMBATORE

2035. ABT LIMITED (4101-41-06), 744, PULIYAKULAM ROAD, P. N. PALAYAM, COIMBATORE - 641037 PH :9944400987.

2036. SREE SARADHAMBAL AUTOMOBILES PVT LTD (4103-41-01), IYER HOSPITAL PREMISES, TRICHY ROAD, COIMBATORE - 641005 PH :8220862666.

2037. ABT LIMITED (4101-41-08), 15/55-C, ALAGESAN ROAD (EAST), METTUPPALAYAM ROAD, COIMBATORE - 641043 PH :96009 66056.

2038. ABT LIMITED (4101-41-05), LAKSHMI THEATRE BUILDING, T.S. NO. 1199/2, TS URD NO. 3, KEMPATTY COLONY, SOUTH UKKADAM, COIMBATORE - 641001 PH :044-4232660, 4232666.

2039. SREE SARADHAMBAL AUTOMOBILES PVT LTD (4103-41-03), 555, NSR ROAD, SAIBABA COLONY, COIMBATORE - 641011 PH :9047055687.

2040. JAIKRISHNA AUTOSALES PVT. LTD. (4107-41-01), 8/60-C&8/62-D, METTUPPALAYAM ROAD, G.N.MILLS POST, NEARJOHNBOSCO CHURCH,COIMBATORE - 641029 PH :044-4519140.

2041. SREE SARADHAMBAL AUTOMOBILES PVT LTD (4103-41-07), NO.44, KANNUSAMY GOUNDER STREET, OORGOUNDER THOTTAM, SANGANUR, COIMBATORE - 641027 PH :9655219900.

2042. SREE SARADHAMBAL AUTOMOBILES PVT LTD (4103-41-08), SF-94, SATHY MAIN ROAD, VISWASAPURAM, SARAVANNAMPATTI, COIMBATORE. - 641013 PH :9585877775.

Dealer Workshop (AS ON 30.05.2023)

2043. JAIKRISHNAA AUTOSALES PVT. LTD.
(4107-41-02), DOOR NO. 48, KAMARAJAR ROAD,
LAKSHMIPURAM, PEELAMEDU, COIMBATORE,
TAMIL NADU - 641004
PH :0422-383220.
2044. SREE SARADHAMBAL AUTOMOBILES PVT LTD
(4103-41-0D), 98/1 VILANKURICHI MAIN ROAD,
THANEER PANDAL ROAD, COIMBATORE -
641004
PH :9655345775.
2045. AADHI CARS PVT. LTD. (4108-41-01), SURVEY
NO.469/2,DOOR NO: 46-2,SATHY MAIN ROAD,
RAMAKRISHNAPURAM, GANAPATHY,
COIMBATORE - 641035
PH :0422-4006000.
2046. ABT LIMITED (4101-41-0D), 36-A GANDHI
NAGAR, SUNDARAPURAM, COIMBATORE (DIST)
COIMBATORE - 641024
PH :78457 74069.
2047. AADHI CARS PVT. LTD. (4108-41-02), NEAR
KOVAI MEDICAL CENTRE & HOSPITAL,
AVINASHI ROAD, CIVIL AERODROME POST,
CHINNIYAMPALAYAM, COIMBATORE - 641004
PH :0422-3007701.
2048. AADHI CARS PVT. LTD. (4108-41-03), NO.71, OLD
SRIRAM THEATRE COMPLEX, MARUDHA MALAI
MAIN ROAD, VADAVALLI, COIMBATORE - 641041
PH :0422-3000201.
2049. AADHI CARS PVT. LTD. (4108-41-04), PLOT
NO.295, RADHA RANI THEATER COMPLEX,
NEAR JAYASHANTHI THEATER, TRICHY ROAD,
ONDIPUDUR, COIMBATORE.- 641005
PH :0422-4000777.
2050. SREE SARADHAMBAL AUTOMOBILES PVT LTD
(4103-41-0E), PLOT NO. 210, PALAKAD ROAD,
BK PUDUR, COIMBATORE, TAMIL NADU. -
641008
PH :0422-2251225.
2051. AADHI CARS PVT. LTD. (4108-41-06), SF NO.
14/78-A, RENUKA SHELTERS, VILANKURICHI
MAIN ROAD, KALAPATTI, COIMBATORE, TAMIL
NADU-641048. - 641 006
PH :8754045840.
2052. SREE SARADHAMBAL AUTOMOBILES PVT. LTD.
(4103-41-11), PLOT NO. 1, RAJA STREET,
KALLIMADAI, NANAJPPA NAGAR, COIMBATORE,
TAMIL NADU - 641005
PH :9344870035.
- COONOOR**
2053. SREE SARADHAMBAL AUTOMOBILES PVT LTD
(3G01-3G-01), 78 E, BRINDAVAN SCHOOL ROAD,
CONOOR, NILGRIS DIST- TN - 643102
PH :95852 77775.
- CUDDALORE**
2054. ABT LIMITED (5Q01-5Q-01), K. V. SUBRAMANIAM
NAGAR, CHIDAMBARAM MAIN ROAD,
CUDDALORE O. T - 607003
PH :04142-224567.
2055. VISHNU CARS PVT. LTD. (5Q02-5Q-01), SURVEY
NO. 35/8, 35/8A, 35/21, 35/6, 35/6A/1A, 35/20,
VILLAGE - PERIYA KANANGAKUPPAM,
CUDDALORE - 607 001
PH :7338884131.
- CUMBUM**
2056. MEENAKSHI AUTO ZONE PVT. LTD.
(CJS1-CJS-01), PATTI NO. 4388, SURVEY NO.
1003/2 & 1003, VILLAGE - UTHAMPURAM, SUB
DIST.-CUMBUM, TAMIL NADU. - 625516
PH :9940094881.
- DEVAKOTTAI**
2057. SIVA AUTOMOTIVE TRADING PVT LTD
(GKV1-GKV-01), SURVEY NO. 5/1A, MULL
IGUNDU (SOMANENTHAL VILLAGE),
DEVAKOTTAI TALUK, SIVAGANGAI
DISTRICT,TAMILNADU - 630 303
PH :7094688870.
- DHARAPURAM**
2058. SREE SARADHAMBAL AUTOMOBILES PVT LTD
(H701-QN-04), OPP. TO ANJANEYAR TEMPLE,
NEAR FIVE CORNER, MADURAI ROAD,
DHARAPURAM - 638656
PH :9597550777.
- DHARMAPURI**
2059. SRI AMMAN CARS INDIA PVT. LTD.
(7Q01-SR-02), NEAR COLLECTOR BUNGALOW,
OLD HOSUR ROAD, JETTITHALLI (PO),
DHARMAPURI , TAMILNADU - 636807
PH :9750938892/ 9159086222.
- DINDIGUL**
2060. PLA MOTORS (S401-S4-01), NO. 5, TRICHY
MADURAI BY PASS ROAD, NH-45, DINDIGUL -
624001
PH :7010075200.
- EDAYARPALAYAM, COIMBATORE**
2061. SREE SARADHAMBAL AUTOMOBILES PVT LTD
(CJk1-CJk-01), SITE NO. 2, SY. NO. 404/1A/1,
THADAGAM ROAD, TVS NAGAR,
EDAYARPALAYAM, COIMBATORE. - 641025
PH :9047081914.
- ERODE**
2062. SREE SARADHAMBAL AUTOMOBILES PVT LTD
(H701-H7-01), 23/1, PERUNDU, URAI ROAD,
ERODE, - 638011
PH :9677987777
2063. SREE SARADHAMBAL AUTOMOBILES PVT LTD
(H701-H7-06), SURVEY NO. 1363/3, 1363/5,
1363/6, BEHIND MANIKAVASAKAR COLONY BUS
STOP, OPPOSITE TO CANARA BANK, KARUR
BYPASS ROAD, SOLAR, ERODE. - 638 002
PH :6385805777.
2064. SRI CITY AUTO (A UNIT OF CITY AUTO PVT
LTD)(H702-H7-01), OLD G.S. NO. 337 (1 TO 4),
RS NO. 259/1A,10,9,8., SATHY ROAD, PERIYA
SEMUR VILLAGE, ERODE,TAMILNADU - 638003
PH :9171791991
2065. SRICITY AUTO (H702-H7-02), R.S. NO:1098/3,
VINAYAGAR KOVIL STREET, TELEPHONE
NAGAR, POONDURAI MAIN ROAD, ERODE,
TAMILNADU - 638002
PH :9626671444.
- GOBICHETTIPALAYAM**
2066. SREE SARADHAMBAL AUTOMOBILES PVT LTD
(H701-QM-03), NO. 318, CUTCHERY,
GOBICHETTIPALAYAM - 638476
PH :9597560777.
- GUDIYATAM**
2067. GANESH CARS PVT. LTD. (CQW1-CQW-01),
SURVEY NO.250/1, NEAR NH-75, GANDHI
NAGAR, SETHUVADAI, GUDIYATTAM. - 653803
PH :04171-290172.
- GUDDUVANCHERY**
2068. VISHNU CARS PVT. LTD. (BAD1-BAD-01), 52,
THAILAVARAM VILLAGE, BEHIND HOTEL
PATTIKADU, GUDDUVANCHERY,
KANCHEEPURAM DISTT. - 603203
PH :9500121553/ 9677122225.
- GUMMIDIPOONDI**
2069. RAJALAKSHMI CARS PVT. LTD. (BIZ1-BIZ-01),
PLOT NO. F-13, SURVEY NO. 262/2, SIPCOT
INDUSTRIAL COMPLEX, VILLAGE -
PAPPANAKUPPAM, GUMMIDIPOONDI,
THIRUVALLUR - 601201
PH :044-27922060.
- HARUR**
2070. SRI AMMAN CARS INDIA PVT. LTD.
(AAV1-AAV-01), 429/9, HARUR SALEM MAIN
ROAD, HARUR POST, DHARMAPURI, TAMIL
NADU - 636903
PH :8220014360/7339071500.
- HOSUR**
2071. SRI AMMAN CARS INDIA PVT. LTD.
(7Q01-7Q-01), P.O.-PERANDAPALLI-NH-7,
KRISHNAGIRI MAIN ROAD, HOSUR, TAMILNADU
- 635109
PH :9790036377/8883259555.
- IDAPPADI**
2072. THRIVENI CAR COMPANY PVT LTD. (H101-H1-01),
SURVEY NO.330/3B1B, AVANI PERUR
KILMUGAM VILLAGE, IDAPPADI DISTT. SALEM -
637101
PH :9003311488.
- KALLAKURICHI**
2073. ABT LIMITED (CHG1-CHG-01), SURVEY NO.
215/4,NEAR AKT SCHOOL, DURUGAM ROAD,
NEAR DOORDARSHAN BLDG,
NEELAMANGALAM VILLAGE., KALLAKURICHI
TALUK & DIST., TAMILNADU - 606 202
PH :9047514890.
2074. S M CARS (CHG2-CHG-01), SF: 31/3B, NO. 19
EMAPPER VILLAGE, KALLAKURICHI,
TAMILNADU - 606213
PH :7094440010.
- KANCHEEPURAM**
2075. GANESH CARS PVT. LTD. (C601-JA-02), ANBU
NAGAR, DHIMMA SAMUDRAM POST, NEAR
VELLA GATE, CHENNAI BANGALORE NH-4,
KANCHEEPURAM - 631502
PH :9842306061.
- KANGAYAM**
2076. SREE SARADHAMBAL AUTOMOBILES PVT LTD
(GJ11-GJ1-01), NO. 407/263, THIRUPPUR ROAD,
KANGAYAM TALUK & TOWN, TIRUPPU DIST.
.TAMIL NADU. - 638701
PH :7708531777.
- KARAIKUDI**
2077. ABT LIMITED (4202-HX-05), 42-43 KOVILLOOR
ROAD, OPP. TNSTC DEPOT - 630302
PH :4565-232484, 232486.
- KARUMATHAMPATTI**
2078. SREE SARADHAMBAL AUTOMOBILES PVT LTD
(CJQ1-CJQ-01), SF. NO.281/B, NEAR BHARAT
PETROL BUNK, VILLAGE - VAGUTHANKADU,
SOMANUR ROAD, KARUMATHAMPATTI TOWN,
TALUK-PALLADAM, DISTT. COIMBATORE. -
641650
PH :9159210008.
- KARUNGAL**
2079. ATHEN (SGE1-SGE-01), SURVEY NO. 639/5,
KARUNGAL TOWN, VILAVANCODE TALUK,
KANYAKUMARI DISTRICT, TAMILNADU - 629157
PH :7094434179.
- KARUNGALPALAYAM, ERODE**
2080. SREE SARADAMBAL AUTOMOBILES PVT. LTD.
(H701-H7-08), RF. NO. 17/1, 2, CAVERI ROAD,
KARUNGALPALAYAM, ERODE ,TAMILNADU -
638003
PH :8098825000.
- KARUR**
2081. ABT LIMITED (K401-K4-01), SF NO. 529/1, SALEM
BY PASS ROAD, VENGAMEDU CIRCLE,
SEMMADAI - 639002
PH :04324-222261/62/63.
- KATPADI**
2082. GANESH CARS PVT. LTD. (C601-APA-04), 170/2B
THIRUVALLAM ROAD, ARUMPARUTHI VILLAGE,
KATPADI, VELLORE DISTT. - 632004
PH :9842313139.

KATTUMANNARKOIL

2083. VISHNU CARS (SKG1-SKG-01), SURVEY NO. 6& 7, PERIYAKULAM VADA KARAI, OPP TO GNAVAVINAYAGAR KOIL, KATTUMANNARKOIL TOWN AND TALUK, CUDDALORE DIST., TAMILNADU - 608301
PH :7358004555.

KELAMBAKKAM

2084. CRESCO (A UNIT OF NEXGEN VENTURE PVT LTD) (SJV1-SJV-01), AGP MAHALA, SURVEY NO 43, OMR, 60 FEET VEERANAM HIGH ROAD, PADUR, KELAMBAKKAM, CHENGALPATTU DISTRICT, TAMIL NADU - 603 103
PH :7305087002.

KINATHUKADAVU

2085. AADHI CARS PVT. LTD. (BBI1-BBI-01), NO.212, KAMARAJ NAGAR, SOLAVALAM PALAYAM PANJAYATH, KINATHUKADAVU DISTT. COIMBATORE (T.N.) - 642109
PH :0422-3000506/ 3000505.

KODUMUDI

2086. SREE SARADHAMBAL AUTOMOBILES PVT LTD (CUY1-CUY-01), SURVEY NO.548/A, KARUR MAIN ROAD, NEAR BUS STAND, KODUMUDI. - 638151
PH :8754756777.

KOTAGIRI

2087. AADHI CARS PVT. LTD. (BAS1-BAS-01), SURVEY NO.89/79, OOTY MAIN ROAD, KOTAGIRI, DISTT. NILGIRIS, TAMIL NADU. - 643217
PH :8754045891/ 8754045442.

KOVLIPATTI

2088. ASIR AUTOMOBILES PVT LTD (NO01-NO-01), OLD NO. 1, NEW NO. 13, SATTUR MAIN ROAD, KOVLIPATTI (TAMIL NADU) - 628501
PH :4632-232220.

KRISHNAGIRI

2089. SRI AMMAN CARS INDIA PVT. LTD. (7Q01-QL-03), NH-7,NR. AAVIN DAIRY,MOTTUR,SALEM BYE PASS ROAD, KRISHNAGIRI, TAMILNADU - 635001
PH :9500202416/ 8220004270.

KUMBAKONAM

2090. PILLAI & SONS MOTOR CO. (E701-N4-02), 369/2 B, KUMBAKONAM CHENNAI MAIN ROAD, KUMBAKONAM , TANJAVUR - 612501
PH :0435-2442566, 2442565, 9443264696.

MADURAI

2091. ABT LIMITED (4202-42-02), MADURAI-DINDIGAL BYE PASS ROAD,NEAR FATHIMA COLLEGE,MADURAI - 625018
PH :9994400615.

2092. ABT LIMITED (4202-42-04), 09, 109A, GST ROAD, TIRUPARANKUNDRAM, MADURAI - 625005
PH :9609096164

2093. SIVA AUTOMOTIVE TRADING PVT. LTD. (4205-42-01), 2C, GATE LOCK ROAD, NEAR NEW RAMNAD ROAD, MADURAI - 625016
PH :7402780000.

2094. SIVA AUTOMOTIVE TRADING PVT. LTD. (4205-42-02), NO. 6-A, TPK ROAD, NEAR SAIBABA TEMPLE, ANDALPURAM, MADURAI - 625003
PH :7402788840.

2095. ASIR AUTOMOBILES PVT LTD (4206-42-01), D. NO. 28/5B, MELUR MAIN ROAD, UTHANKUDI, MADURAI. - 625107
PH :9944059911.

2096. MEENAKSHI AUTO ZONE PVT. LTD. (4207-42-01), PLOT NO. 25, D, SIDCO INDUSTRIAL ESTATE, KAPPALAR, MADURAI, TAMIL NADU. - 625008
PH :9442799581.

2097. MEENAKSHI AUTO ZONE PVT. LTD. (4207-42-02), SURVEY NO. 238/2A, PLOT NO. 36, 37, 38, TALLAKULAM VILLAGE, SIVAGAMI NAGAR, NATHAM MAIN ROAD, MADURAI - 652 014
PH :9940224881.

MADURANTHAKAM

2098. AIE CARS (A UNIT OF AI ENTERPRISES PVT LTD) (CEW1-CEW-01), SURVEY NO. 38/3 A2B, NH-45, MADURANTHAKAM, KANCHIPURAM. - 603306
PH :7401212797.

MALLASAMUDRAM

2099. SREE SARADHAMBAL AUTOMOBILES PVT LTD (CWY1-CWY-01), SF NO. 194/3C, MALLASAMUDRAM MAIN ROAD, MALLASAMUDRAM TOWN, TIRUCHENGODE TALUK, NAMAKKAL DIST., TAMIL NADU. - 637503
PH :9894932019.

MALLUR

2100. THRIVENI CAR COMPANY PVT LTD. (CDH1-CDH-01), SURVEY NO 50/4A, AMANI AMMAPALAYAM VILLAGE, DISTT.: DADHAGAPATTY SUB REGISTRATION , MALLUR DISTT, SALEM - 636309
PH :0427-2422399.

MANAMADURAI

2101. ABT LIMITED (CHF1-CHF-01), NO. 35, OLD RAMNAD ROAD, MANAMADURAI TOWN, DISTRICT – SIVGANGAI. - 630606
PH :9994450331.

MANAPPARAI

2102. PILLAI AND SONS MOTOR COMPANY (SKV1-SKW-01), PLOT NO.262, TRICHY DINDIGUL BYPASS ROAD, VENGAIKURUCHI VILLAGE,MANAPPARAI, TRICHY,TN - 621307
PH :8489900908.

MANGALAPURAM

2103. SREE SARADHAMBAL AUTOMOBILES PVT LTD (CLX1-CLX-01), DOOR NO. 1/518, SURVEY NO. 75/1, ATTUR MAIN ROAD, MANGALAPURAM (POST), TALUK – RASIPURAM, DISTRICT – NAMAKKAL. - 636202
PH :7094447871.

MANNARGUDI

2104. PILLAI & SONS MOTOR CO. (BKR1-BKR-01), NO. 37, THIRUTHURAIPOONDI ROAD, MANNARGUDI, THIRUVARUR DISTRICT, TAMIL NADU. - 614001
PH :7094411675.

MAYILADUTHURAI

2105. PILLAI & SONS MOTOR CO. (E701-AG-04), 46,VELLALAGARAM VILLAGE, MAYILADUTHURAI, TAMILNADU - 609007
PH :04364-251767, 251765, 9442141703.

MECHERI

2106. SM CARS (CVK1-CVK-01), SURVEY NO. 139A/5, PATTI NO. 653, AMANI M.KALIPATTY VILLAGE, MECHERI TOWN, METTUR TALUK, SALEMIN DIST., TAMIL NADU. - 636 453
PH :7094401010.

MELUR

2107. SIVA AUTOMOTIVE TRADING PVT. LTD. (CHC1-CHC-01), OLD SN. 138/1, SURVEY WARD C, BLOCK NO. 1, T.S. NO. 21/7, VILLAGE AND TOWN – MELUR, MELUR , DIST.-MADURAI. - 625109
PH :8098120000.

METTUPALAYAM

2108. ABT LIMITED (4101-EU-0C), PLOT NO. 6 TO 9 PONVIZHA NAGAR, KARAMADAI KOVAI MAIN ROAD, METTUPALAYAM - 641043
PH :95009 45094.

MINJUR

2109. RAJALAKSHMI CARS PVT. LTD. (BPE1-BPE-01), PLOT NO. 27, SRI JANAKI RATHINA NAGAR, VILLAGE AND TOWN – MINJUR, PONNERI – 601 203, DISTRICT – THIRUVALLUR. - 601203
PH :044-27933331.

NAGAPATTINAM

2110. PILLAI & SONS MOTOR CO. (CQQ1-CQQ-01), NO.181, KEELA ANTHANAPETTAI, ANTHANAPETTAI, P.O. - MANJAKOLLA, PUTHUR, NAGAPATTINAM DISTT. TAMIL NADU - 611106
PH :4365220250.

NAGARCOIL

2111. ATHEN (S503-S5-01), RESURVEY NO. G.3/9-7, BUILDING NO. 254-A/3 & 4 K.P ROAD ,PARAVATHIPURAM, NAGERCOIL ,KANYAKUMARI DISTRICT TAMILNADU - 629003
PH :8012029777.

NAMAKKAL

2112. SREE SARADHAMBAL AUTOMOBILES PVT LTD (X401-X4-01), SURVEY NO. 1/10-11, NEAR MURUGAN TEMPLE, SALEM ROAD, NAMAKKAL - 637001
PH :937164888.

2113. SREE SARADHAMBAL AUTOMOBILES PVT LTD (X401-X4-03), 1/412/1 NEAR PON NAGAR, MUDALAI PATTY, SALEM ROAD, NH-7, NAMAKKAL (TAMIL NADU) - 637001
PH :737192888.

NATRAMPALLI

2114. GANESH CARS PVT. LTD. (SPR1-SPR-01), NO.8/12-1, NEAR ARJUNA SULOCHANA MAHAL, BENGALURU- CHENNAI MAIN ROAD,VELAKALATHAM, NATRAMPALLI, TIRUPATTUR DIST. TAMIL NADU - 635854. - 635854
PH :73977 53146.

NEGAMAM

2115. ABT LIMITED (CHD1-CHD-01), 68, 69, ABT BUS STAND, PALLADAM ROAD, PERIA NEGAMAM, POLLACHI, TAMIL NADU - 642120
PH :99948 76794.

OMALUR

2116. SRI AMMAN CARS INDIA PVT. LTD. (7Q01-UM-04), 123, 3B, NH-7, BANGALORE BYE PASS ROAD, KOTTAMETUPATTI, OMALUR, SALEM (DIST.), TAMIL NADU - 636012
PH :8220010070/8883529888.

2117. THRIVENI CAR COMPANY PVT LTD. (UM01-UM-01), PLOT NO. 44 & 45, PALANIYAPPA NAGAR LAYOUT, NH-7, KAMALAPURAM VILLAGE, OMALUR, DISTRICT – SALEM, TAMIL NADU - 636309
PH :4290-222711.

OOTY

2118. SREE SARADHAMBAL AUTOMOBILES PVT LTD (4103-Y1-05), VIJAYANAGARAM FARM ROAD, NEAR ROSE GARDEN, OOTY - 643001
PH :97511 09229.

P.N. PALAYAM, COIMBATORE

2119. JAIKRISHNAA AUTOSALES PVT. LTD. (4107-0H-04), NO.12/190 SRKV PORT, MTR ROAD, P.N. PALAYAM, COIMBATORE - 641020
PH :0422-698899.

PADAPPAI

Dealer Workshop (AS ON 30.05.2023)

2120. VISHNU CARS PVT. LTD. (CRO1-CRO-01), SURVEY NO.368/2A/1, 368/2A/2, VANDALLUR-WALAJABAD MAIN ROAD, PADAPPAL EAST, CHENNAI. - 601301 PH. 8754417168.
- PALANI**
2121. PLA MOTORS (S401-GLR-02), NO.13-1-11C-1, WEST AYAKUDI, DINDIGUL ROAD, PALANI, DINDIGUL DISTRICT, TAMIL NADU - 624613 PH :04545-290900.
- PARAMATHIVELUR**
2122. SREE SARADHAMBAL AUTOMOBILES PVT LTD (CC01-CC-01), SURVEY NO. 171, NEAR KONGU SCHOOL, NAMAKKAL BYPASS ROAD, PADAMUDI PALAYAM, TALUKA – PARAMATHIVELUR, NAMAKKAL , TAMIL NADU. - 638182 PH :8870666599.
- PATTUKOTTAI**
2123. PILLAI & SONS MOTOR CO. (CJA1-CJA-01), SURVEY NO. 85/6, 85/4, 84/6, DOOR NO.314/11, SRI JANAGALAKSHMI NAGAR, THANJAVUR ROAD, ALADIKUMULAI VILLAGE, TALUK PATTUKOTTAI, THANJAVUR. - 614615 PH :97150443074.
- PAVITHRAM**
2124. SREE SARADHAMBAL AUTOMOBILES PVT LTD (TWT1-TWT-01), SURVEY NO. 102/1B, NAMAKKAL MAIN ROAD, PAVITHRAM - 637 021 PH :9600320888.
- PENNAGARAM**
2125. SRI AMMAN CARS INDIA PVT. LTD. (BX21-BX2-01), SURVEY NO. 419/1, VILLAGE – PARUVADHANAAALI, PENNAGARAM, DHARMAPURI. - 636810 PH :9715044700.
- PERAMBALUR**
2126. PLA MOTORS (2305-DQ-04), SURVEY NO.88/1, A3,NH45, ELAMBALUR VILLAGE, PERAMBALUR, TAMILNADU - 621212 PH :8870004960.
- PERNAMBU**
2127. SRI AMMAN CARS INDIA PVT LTD (CODE UNDER CREATIONS-CODE UNDER CREATIONS), SURVEY NO.708,PLOT NO: 87,88 & 89, PERNAMBU TO GUDIYATTAM ROAD, PERNAMBU,VELLORE DISTRICT, TAMIL NADU - 635810 - 635810 PH :7094403100.
- PERUNDURAI**
2128. SREE SARADHAMBAL AUTOMOBILES PVT LTD (BTX1-BTX-01), SF NO.542/1, KOVAI MAIN ROAD, PERUNDURAI VILLAGE, PERUNDURAI DISTT. ERODE, TAMIL NADU - 638052 PH :9597490777.
- POCHAMPALLI**
2129. SRI AMMAN CARS PVT. LTD. (CUW1-CUW-01), NEW SURVEY NO. 561/5, VILLAGE – JUMBUKUTTANPATTI, POUCHAMPALLI, KRISHNAGIRI. - 635206 PH :9600466988.
- POLLACHI**
2130. ABT LIMITED (L301-L3-01), NACHIMUTHU POLYTECHNIC CAMPUS, UDUMALPET ROAD, POLACHI - 642003 PH :99944 53265.
- POLUR**
2131. GANESH CARS PVT. LTD. (GLV1-GLV-01), AZHAGO COMPLEX, SURVEY NO.77/1, CUDDALOR TO CHITTOOR ROAD, POLUR, THIRUVANNAMALAI DISTRICT,TAMILNADU - 608803 PH :9842345200.
- PUDUKOTTAI**
2132. PLA MOTORS (2305-UJ-02), NO. 10, MARIAMALAI NAGAR, ALANGUDI- THIRUMAYAM ROAD, PUDUKOTTAI. - 622003 PH :04322-265566/67.
- PUNJAI PULIAMPATTI**
2133. SREE SARADHAMBAL AUTOMOBILES PVT LTD (BKO1-BKO-01), SURVEY NO. 250/1, PANKAU PULIYAMPATTU MUNICIPALITY, PUNJAI PULIYAMPATTI - 638459, SATHY THALUK, ERODE. - 638459 PH :6385810777.
- RAJAPALAYAM**
2134. MEENAKSHI (5V02-01), DOOR NO. 96, COTTON MARKET, TENKASI-MADURAI ROAD, RAJAPALAYAM, VIRUDHUNAGAR DIST., TAMILNADU - 626117 PH :9443785681.
- RAMANATHAPURAM**
2135. SIVA AUTOMOTIVE TRADING PVT. LTD. (0U02-UJ-01), SURVEY NO. 172/1B2C, 172/2C, VILLAGE - ACHUNTHANVAYAL, ACHUNTHANGAL GROUP, TALUK - RAMANATHAPURAM, RAMANATHAPURAM. - 623502 PH :8098110000.
- RAMESHWARAM**
2136. SIVA AUTOMOTIVE (SKI1-SKI-01), NO.2307, SURVEY NO.279/3A, RAMNAD ROAD, ARIYANKADU, RAMESHWARAM, RAMANATHAPURAM DISTRICT, TAMILNADU - 623529 PH :7402788898.
- RANIPET**
2137. GANESH CARS PVT. LTD. (CJJ1-CJJ-01), SURVEY NO. 44/1, PLOT NO. 484, OPPOSITE TO THIRUMALAI CHEMICALS, SIPCOT LAYOUT OF HOUSE SITES, SIPCOTS INDUSTRIAL COMPLEX, RANIPET , TAMIL NADU. - 632403 PH :9842330388.
- RASIPURAM**
2138. SREE SARADHAMBAL AUTOMOBILES PVT LTD (BSJ1-BSJ-01), SURVEY NO.41/1 B1A, MOOLAKADU VILLAGE, MASAKALIPATTI, SALEM MAIN ROAD, RASIPURAM DISTT. NAMAKKAL - 637401 PH :4286-231402/7539972888.
- SALEM**
2139. ABT LIMITED (4101-A2-03), 32 THAMANA CHETTY ROAD, ARISIPALAYAM, SALEM - 636009 PH :0427-4066988, 406999.
2140. THRIVENI CAR COMPANY PVT. LTD. (A203-A2-01), 12/2E1, SUBRAMANIA NAGAR, 2ND GATE, JUNCTION ROAD, SALEM. - 636005 PH :0427-2440000.
2141. S.M.CARS PVT. LTD. (A204-A2-01), SF NO. 64/2C3, ATTUR SALEM BYPASS ROAD, PINANGUKARAR THOTTAM, SEELANIKANPATTY, SALEM. - 636202 PH :7094448000, 7034449000.
2142. THRIVENI CAR COMPANY PVT. LTD. (A203-A2-03), SURVEY NO. 57, VILLAGE - MASINAICKENPATTY, AYOTHIPATTINAM, AMMAPET, SALEM. - 636103 PH :0427-2291000.
2143. S M CAR PRIVATE LIMITED (A204-A2-02), DOOR NO. 50/28, SF NO. 1/10B, SARADHA COLLEGE MAIN ROAD, ALAGAPURAM PUDHUR VILLAGE, HASTHAMPATTY, SALEM, TAMILNADU - 636007 PH :7094440053.
- SANKAGIRI**
2144. THRIVENI CAR COMPANY PVT LTD. (BTN1-BTN-01), SURVEY NO.171/5B, KCK PLAZA, KACHERIDADU, DEPUTY COLLECTCTOR ROAD, SALEM, SANKAGIRI (TAMIL NADU) - 637301 PH :+914283242600 +914283242601.
- SANKARANKOVIL**
2145. AADHI CARS PVT. LTD. (BXS1-BXS-01), PLOT NO. 132/H, OPPOSITE TO NEW TALUK OFFICE, TIRUVENGADAM ROAD, SANKARANKOVIL. - 627756 PH :7397728025.
- SATHY ROAD, ERODE**
2146. SREE SARADAMBAL AUTOMOBILES PVT. LTD. (H701-H7-09), SF-NO:245, KANDHAIYAN THOTTAM, SOOLAI, SATHY ROAD, VEERAPPANCHATTIRAM, ERODE, TAMILNADU - 638004 PH :9655240486.
- SATHYAMANGALAM**
2147. SREE SARADHAMBAL AUTOMOBILES PVT LTD (BGU1-BGU-01), SURVEY NO. 51, SA & RS NO. 37, KOTTUVEERAMPALAYAM VILLAGE, SATHYAMANGALAM – 638 401, DISTRICT – ERODE, TAMIL NADU - 638401 PH :9597592777.
- SATTUR**
2148. MEENAKSHI AUTO ZONE PVT. LTD. (SDR1-SDR-01), SURVEY NO. 18/10,CHATRAPATTI VILLAGE, MADURAI KANYAKUMARI NATIONAL HIGHWAYS, SATTUR, VIRUDHUNAGAR DISTRICT,TAMILNADU - 626203 PH :9940094881.
- SEYDUNGANALLUR**
2149. ASIR AUTOMOBILES PVT LTD (S603-GJG-02), SURVEY NO. 59/3E, TIRUCHENDUR ROAD, SEYDUNGANALLUR TOWN, TALUK - SRIVAIKUNTAM, TUTICORIN DIST., TAMIL NADU. - 628809 PH :8344992220.
- SHOLINGUR**
2150. GANESH CARS PVT. LTD. (GLU1-GLU-01), NO.401, ARAKKONAM MAIN ROAD,OPPOSITE TYS FOUNDARY, PANDIYANELLORE,SHOLINGHUR,WALAJA TALUK, RANIPET DISTRICT, TMILANADU - 631102 PH :7397395259.
- SIVAKASI**
2151. MEENAKSHI AUTO ZONE PVT. LTD. (X602-X6-01), 372 D & E, ARUNACHALAM COMPLEX, THIRUTHANGAL ROAD, SIVAKASI. - 626123 PH :4562-231281.
- SRIPERUMBUDUR**
2152. RAJALAKSHMI CARS PVT. LTD. (7B01-7B-01), SURVEY NO. 150/1A, DOOR NO 1C, THERADI STREET, NEW VILLAGE NO 42, SRIPERUMBADUR, KANCHEEPURAM DISTRICT, TAMIL NADU. - 602105 PH :8939995469.

SRIVILLIPUTHUR (RAJAPALYAM)

2153. ABT LIMITED (4202-5V-03), NO. 10/32, PADIKKASUVATHANPATTI , NEAR RTN OFFICE, SRIVILLIPUTHUR, VIRUDHUNAGAR, TAMIL NADU - 626125
PH :95009 05020.

SULUR

2154. JAIKRISHNAA AUTOSALES PVT. LTD. (4107-TK-05), DOOR NO. 37 F, RANGANATHAPURAM, TRICHY ROAD, SULUR - 641 402
PH :0422-3199901.

TENKASI

2155. AADHI CARS PVT. LTD. (BXR1-BXR-01), DOOR NO. 3/50-1, SURVEY NO. 447B, TIRUNELVELI MAIN ROAD, VILLAGE – KUNARAMANALLUR, TENKASI - 627814
PH :9500991475.

2156. AADHI CARS PVT. LTD. (BXR1-BXR-02), DOOR NO. 47, MADHALAMPARAI, TENKASI AMBAI HIGHWAY, TENKASHI, TIRUNELVELI DIST., TAMILNADU. - 627 814
PH :9500991475.

THAMMAPATI

2157. SM CARS (SNH1-SNH-01), SURVEY NO # SF: 328/11, NAGIAMPATTI, THAMMAPATTI,SALEM DISTRICT, TAMILNADU - 636113. - 636113
PH :7094440010.

TANJAVUR

2158. PILLAI & SONS MOTOR CO. (E701-E7-01), 12A, SELVAM NAGAR, TANJAVUR, TAMILNADU - 613007
PH :04362-271723, 271724, 9443264164.

THARAMANGALAM

2159. THRIVENI (CSO1-CSQ-01), NO. 1/122, KATTAMPATTI, JALAKANDAPURAM, THARAMANGALAM, SALEM DIST., TAMIL NADU. - 636501
PH :9159355999/9003504760.

THENI

2160. MEENAKSHI AUTO ZONE PVT. LTD. (9U02-9U-01), DOOR NO. 871/1, RATHINAM NAGAR, PERIYAKULAM MAIN ROAD, THENI TOWN, DISTRICT – THENI - 625531
PH :9789703881.

THIRUMULLAIVOYAL

2161. CRESCO (A UNIT OF NEXGEN VENTURES PVT LTD), (CDW2-CDW-01), NO. 48, BALAJI NAGAR, NEW SIR IRVANSTADE FORD HOSPITAL, THIRUMULLAIVOYAL DISTT. CHENNAI - 600062
PH :7305087044.

THIRUVALLUR

2162. KHIVRAJ MOTORS PVT LTD. (1404-HH-04), 2151, KAKKULUR ROAD, THIRUVALLUR - 602001
PH :99520 78443

2163. KHIVRAJ MOTORS PVT LTD. (1404-HH-05), PLOT NOS 218,219,220,225,226,227,228 AND S.NOS.18/5, 18/6, EMPIRE CITY PART-3, KAKKALLUR VILLAGE, THIRUVALLUR THALUK, THIRUVALLUR - 602001
PH :97103 94818.

THIRUVANNAMALAI

2164. GANESH CARS PVT. LTD. (C601-LX-03), NO.-5, NH-78, KRISHANAGIRI PONDY ROAD, CHINA KANKEYANUR, OPP SKP ENGG. COLLEGE, THIRUVANNAMALAI - 606601
PH :9842305072.

THIRUVARUR

2165. PILLAI & SONS MOTOR CO. (E701-LJ-03), THANJAI NAGARI ROAD, OPP. TO S. P. OFFICE - 610001
PH :04366-250250, 9442163707.

2166. PILLAI & SONS MOTOR COMPANY (LJ01-LJ-01), NO. 9, WARD NO.-4, BLOCK NO. 10, NEW SY. NO. 601/6B1, SUNDRAMAVILAGAM, NARSINGHAMPT, THIRUVARUR TOWN & DIST., TAMIL NADU - 610001
PH :9442163509.

THISAYANVILLAI

2167. AADHI CARS PVT. LTD. (CVL1-CVL-01), SURVEY NO. 240/1, 7/1, HIGHWAYS ROAD, OPP. TO VO OFFICE, SELVA MARUTHUR, THISAYANVILLAI. - 627 657
PH :7339511187.

THUCKALAY

2168. ATHENS (BWQ2-BWQ-01), DOOR NO. 5/76B, (RE SURVEY NO-530/7) THIRUVITHANGODE ROAD, KERALAPURAM, MUTHALAKURICHI, VILLAGE – MUTHALAKURUCHI, KALKULAM-TALUK, THUCKALAY, DISCTRICT – KANYAKUMARI, TAMILNADU - 629174
PH :8012029888.

THURAIYUR

2169. PLA MOTORS (CSE1-CSE-01), D.NO.-5/300, SINGALANDHAPURAM VILLAGE, THURAIYUR DISTT. TRICHY (TAMIL NADU) - 621010
PH :9486763725.

THIRUCHENDUR

2170. ASIR AUTOMOBILES PVT LTD (CCJ1-CCJ-01), SURVEY NO. 220/1D1A, 221/3, 221/4, 221/5, 221/5A, 221/5B, PODHIGAI NAGAR, VILLAGE-VEERAPANDIYAPATINAM, THIRUCHENDUR, TUTUCORIN - 628215
PH :7373900220.

THIRUCHENGODE

2171. SREE SARADHAMBAL AUTOMOBILES PVT LTD (X401-QP-02), PLOT NO-10, OPP TO PONNUSWAMY KALYANA MANDAPAM, KOOTAPALLI COLONY, THIRUCHENGODE - 637001
PH :4288-282292.

TIRUNELVELI

2172. AADHI CARS PVT. LTD. (A303-A3-01), PLOT NO. 261, MADURAI MAIN ROAD, KARAIERUPPU, TIRUNELVELI , TAMIL NADU - 627357
PH :9500991610.

2173. AADHI CARS PVT. LTD. (A303-A3-03), DOOR NO. 37, RAMNAGAR, KTC NAGAR, TIRUNELVELI, TAMIL NADU. - 627 011.
PH :9500991610.

TIRUNELVI

2174. AADHI CARS PVT. LTD. (A303-A3-04), SF NO:161/4, SF NO: 893/2, NORTH BYEPASS ROAD, GALAXY HOSPITAL BACKSIDE, PALAYANKOTTAI, TIRUNELVELI, TAMILNADU - 627001
PH :95009 91479.

TIRUPATHUR

2175. GANESH CARS PVT. LTD. (BPD1-BPD-01), SURVEY NO.54/4, TIRUPATHUR TO KRISHNAGIRI ROAD, PALLIPET VILLAGE, TIRUPATHUR DISTT. VELLORE - 636601
PH :9842308909.

TIRUPATTUR (SIVANGANGAI)

2176. ABT LIMITED (GHH1-CHH-01), DOOR NO. 8/2/29A, KARAIKUDI ROAD, TIRUPATHUR, DISTRICT – SIVANGANGAI. - 630211
PH :9994450331.

TIRUPUR

2177. ABT LIMITED (4101-Y7-09), NO. 4, SABHAPATHI PURAM, NEAR TMF HOSPITAL, TIRUPUR - 641601
PH :95009 98368.

2178. SHASHTI CAR PVT LTD (Y701-Y7-01), SRI PADMINI GARDENS, KANGEYAM ROAD, OPP. ST JOSEPH SCHOOL, TIRUPUR - 641604
PH :044-2430275/ 2430276.

TIRUTHANI

2179. CARS INDIA PVT. LTD. (C1C1-C1C-01), NO. 9/13, CHENNAI BY PASS ROAD, OLD CHENNAI ROAD, DISTT. THIRUVALLUR, TIRUTHANI, TAMILNADU - 631209
PH :7358773860.

TIRUVANNAMALAI

2180. SRI AMMAN CARS INDIA PVT LTD. (LX02-LX-01), 2A/2, SURVEY NO. 3676/3, ANNA SALAI, TIRUVANNAMALAI-CHENNAI NH-101, TIRUVANNAMALAI TOWN AND DIST., TAMILNADU - 602601
PH :7094471293.

TONDI

2181. SIVA AUTOMOTIVES (SHW1-SHW-01), SURVEY NO: 85/16, WARD 10/78, SOUTH THOPI STREET, ECR MAIN ROAD, ECR, THONDI, RAMANATHAPURAM DISTRICT, TAMIL NADU - 623409
PH :7402788820.

TRICHY

2182. ABT LIMITED (2302-23-02), 4140, COLLECTOR OFFICE ROAD, CANTONMENT, TRICHY - 620001
PH :0431-4221620.

2183. PLA MOTORS (2305-23-01), NO. 18/2, NA-45, DHEERAN NAGAR, TRICHY-DINDUGAL MAIN ROAD, TRICHY - 620009
PH :9994599777/9600950960.

2184. ABT LIMITED (2302-23-03), MADRAS TRUNK ROAD, MAMBALASALAI, TRICHY - 620005
PH :0431-4221555.

2185. PLA MOTORS (2305-23-03), 10A & B, ALXANDRIA ROAD, CANTONMENT, TRICHY - 620001
PH :0431-2411540/530.

2186. PILLAI & SONS MOTOR CO. (2306-23-01), SURVEY NO. 10B, 1A/D, CHENNAI TRICHY (BY-PASS ROAD, VILLAGE - THIRUNALLUR, TRICHY. - 620002
PH :8489900902, 9384826814.

TUTICORIN

2187. ASIR AUTOMOBILES PVT LTD (S603-S6-01), SURVEY NO. 25/1B, MAPPELLAIURINI VILLAGE, ETTAYAPURAM ROAD, TUTICORIN, TAMIL NADU - 628002
PH :7373501220.

UDUMALPET

2188. ABT LIMITED (OR01-OR-01), 2/3, PERIYAKOTTAI PIRUVU, S.V. MILL POST, UDUMALPET - 642126
PH :99944 41645.

UTHANGARAI

2189. SRI AMMAN CARS INDIA PVT. LTD. (CFY1-CFY-01), SURVEY NO. 104/1, 104/1B, VILLAGE – THANDIYAPANNUR, UTHANGARAI, KRISHNAGIRI. - 635304
PH :9715044600.

UTHUKOTTAI

2190. KHIVRAJ MOTORS PVT LTD. (CUC1-CUC-01), SURVEY NO. 442/1, NEHRU BAZZAR STREET, UTHUKOTTAI, DIST.-THIRUVALLUR - 602 026
PH :7299635536.

VALLIYUR

2191. AADHI CARS PVT. LTD. (BXQ1-BXQ-01), DOOR NO. 314A/11-14, WITHIN VADAKU VALLILOOR, REVENUE VILLAGE, VADAKU VALLILOOR PANCHAYAT, RADHAPURAM TALUK, VALLILOOR. - 627002
PH :7373091462.

VANDAVASI

Dealer Workshop (AS ON 30.05.2023)

2192. GANESH CARS PVT. LTD. (CRN1-CRN-01), SURVEY NO.272, KEELSATHAMANGALAM VILLAGE, CHETPET ROAD, VANDAVASI, TIRUVANNAMALAI, DISTT. T.N. - 604408 PH :7395802484.

VANIYAMBADI

2193. GANESH CARS PVT. LTD. (BJY1-BJY-01), NO. 197/1B1, NH-46 (AH-7), PETHAKALLUPALLI VILLAGE, NEAR TOLL GATE, VANIYAMBADI , VELLORE (DIST), TAMIL NADU. - 635801 PH :9842327709.

VELLORE

2194. GANESH CARS PVT. LTD. (C601-C6-01), 91 NEW BY-PASS ROAD, VELLORE - 632004 PH :9842377110.

2195. SRI AMMAN CARS INDIA PVT. LTD. (C602-C6-01), DOOR NO. 68, SURVEY NO. 66/7, NEAR RANGALAYA KALYANA MANDAPAM, VELLORE-KATPADI ROAD, KALINJUR VILLAGE, KATPADI TALUKA, GANDHINAGAR, VELLORE DIST., TAMIL NADU. - 632006 PH :7094471320, 7094471321.

2196. SRI AMMAN CARS INDIA PVT. LTD. (C602-C6-02), SURVEY NO. 316/3B2, 316/8A, 316/8B, NEAR SHELL PETROL PUMP, MELMONAVUR VILLAGE, VELLORE TALUK & DIST. ON NH48 (CHENNAI – BENGALURU HIGHWAY), VELLORE, TAMILNADUR - 632010 PH :7094471320.

VILLUPURAM

2197. ABT LIMITED (SQ01-QQ-02), 264/1, GINGEE MAIN ROAD, AYINAMPALAYAM, VILLUPURAM - 605602 PH :04146-225509 / 225590.

VIRUDHACHALAM

2198. ABT LIMITED (BMA1-BMA-01), PLOT NO. 56, JUNCTION ROAD, NEAR SHANMUGA LODGE, VIRUDHACHALAM, DISTRICT – CUDDALORE, TAMIL NADU. - 606101 PH :04143-262631/262632/262633.

VIRUDHUNAGAR

2199. MEENAKSHI AUTO ZONE PVT LTD (SCF1-SCF-0A), DOOR NO:6/504, SURVEY NO. 11/6, PELAMPATTI VILLAGE, VIRUDHUNAGAR MADURAI HIGH WAY, OPPOSITE TO VVV COLLEGE , TALUK & DIST. VIRUDHUNAGAR, TAMILNADU - 626001 PH :9940094881.

TAMILNADU

CHENNAI

2200. VISHNU CARS (1488-14-01), DOOR NO. 8, NP INDUSTRIAL ESTATE, JAWAHARLAL NEHRU ROAD, EKKAUTHTANGAL, CHENNAI, TN - 600032 PH :7550360444.

CHENNAI- MAMBAKKAM

2201. KHIVRAJ MOTORS (1404-14-G1), SURVEY NO:78/A, NO:27, PLOT NO. D-2, KEELAKOTTAYUR, VANDALUR TO KEELAMBAKKAM MAIN ROAD, MAMBAKKAM, CHENGALPET, CHENNAI, TN - 600127 PH :9841591558.

CHETPET

2202. GANESH CARS (SGY1-SGY-01), DOOR NO: 35/C, CHETPET TOWN, CHETPET TALUKA, TIRUVANNAMALAI DIST., TAMILNADU, - 606 801 PH :98423 06337.

CHINNAMANUR

2203. ABT LIMITED (SKX1-SKX-01), SF NO. 446 /1A, WARD A, BLOCK-2, TS NO.8/15, PERIYAKULAM TO CHINNAMANUR MAIN ROAD, KEELAPOOLANANDHAPURAM, CHINNAMANUR MUNICIPAL TOWN & TALUK, THENI DIST., TN- 625515 - 625515 PH :9715863213.

DENKANIKOTTAI

2204. AMMAN CARS (SDT1-SDT-01), SURVEY NO:766/ 1B11, THABLAGOONDAN THOTTI, DENKANIKOTTAI, KRISHNAGIRI DISTRICT, TAMILNADU - 635107 PH :9585599935.

GANGAVALI

2205. THRIVENI CARS (SOS1-SOS-01), SURVEY NO # SF NO. 22/3A1A,106 ATTUR MAIN ROAD, GANGAVALLI, SALEM, TN - 636105 PH :9159722999.

KAWALKINARU

2206. AADHI CARS PVT. LTD. (CSU1-CSU-01), SURVEY NO:1943/1, SURESH COMPLEX, KANYAKUMARI BYEPASS ROAD, KAVALKINARU JUNCTION, KAVALKINARU (VADAKANKULAM), TIRUNELVELI, - 627105 PH :7339111259.

KUMBAKONAM

2207. PILLAI AND SONS MOTOR CO. (E701-E7-06), D. NO. HP-1, GOVT. INDUSTRIAL ESTATE, SIDCO, THIRUBHUVANAM TOWN & POST, KUMBAKONAM, THANJAVUR DISTRICT, TAMILNADU - 612103 PH :8489900136.

NEYVELI

2208. VISHNU CARS (CPN1-CPN-01), SURVEY NO:545/2A1A, NH-45C, OPP. NATIONAL COLLEGE, KUMBAKONAM - CHENNAI HIGH WAY, NEAR NEYVELI ARCH GATE, NEYVELI T.S, KEELAKOLLA, MARUNJUR POST, PANRUTI, CUDDALORE DISTRICT, TAMILNADU - 607103 PH :9384059575.

SIVAGANGAI

2209. ASIR AUTOMOBILES (SDC1-SDC-01), S. NO: 144/1, SIVAGANGAI-THONDI ROAD, PAIYAIRPILLAIWAIYAL, SIVAGANGAI, TAMILNADU - 630561 PH :9750372220.

THANJAVUR

2210. PLA MOTORS FIRM (E702-E7-01), SURVEY NO. 173/6B4, TRICHY-THANJAVUR ROAD, NANIUKOTTAI BYPASS, THANJAVUR, TAMILNADU - 613005 PH :9344006439/9344003877.

THOPPUR

2211. SRI AMMAN CARS (SLU1-SLU-01), SITE NO. 422 /2A, BANGALORE TO SALEM HIGH WAY, AMMANI, THOPPUR VILLAGE & TOWN, NALLAMPALLE TK, DHARMAPURI DISTRICT, - 636352 PH :9790004273.

TINDIVARAM

2212. VISHNU CARS (SDI1-SDI-01), SURVEY NO. 50/4, 50/5 & 63, NEAR RTD OFFICE, MOLASUR, TINDIVANAM, VILUPPURAM, TAMILNADU - 604102 PH :9500039023.

TIRUPPUVANAM

2213. MEENAKSHI AUTO ZONE PVT LTD (CODE UNDER CREATIONS-CODE UNDER CREATIONS), NO:21, BAKHYA NAGAR, WARD NO:1, MANDAPAM MAIN ROAD, TIRUPPUVANAM, SIVAGANGA DISTRICT, TAMIL NADU - 630611 PH :9442799581.

UTHIRAMERUR

2214. AIE CARS (SHG1-SHG-01), SURVEY NO:383/3B-B2, UTHIRAMERUR MAIN ROAD, UTHIRAMERUR, KANCHEEPURAM DISTRICT, TAMILNADU - 603406 PH :7299057387.

VELLAKOVIL

2215. SRI CITI AUTO (SGO1-SGO-01), SURVEY NO:502/C & 371/D, NO. 196, 197, KOVAI KARUR MAIN ROAD, VELLAKOVIL, TIRUPUR DIST. , TAMILNADU - 638111 PH :9994606000.

TELANGANA

ADILABAD

2216. ADARSHA AUTOMOTIVES PVT LTD (BTM1-BTM-01), SURVEY NO:131/6 & 131/7, NH-44, ADILABAD TOWN ROAD, MAVALA, ADILABAD, TELANGANA. - 504001 PH :9133307724.

ARMUR

2217. VARUN MOTORS PVT. LTD. (BBN1-BBN-01), SURVEY NO.277, ARGUL VILLAGE, JAKARANAPALLY (MANDAL), ARMUR, NIZAMABAD DISTT. (A.P.) - 503224 PH :8142281424, 9052901888.

BATCHUPALLY , HYDERABAD

2218. SAI SERVICE PRIVATE LIMITED (1011-10-09), SURVEY NO 499/1, MIYAPUR TO BACHUPALLY ROAD, BACHUPALLY, HYDERABAD. - 500090 PH :7330771111.

BHUPALAPALLY

2219. ADARSHA AUTOMOTIVES PVT LTD (D502-BCF-04), 6-113, JAWAHAR NAGAR, MAIN ROAD, SBH MAIN BRANCH ROAD, BHUPPALPALLY, DISTRICT - WARANGAL, ANDHRA PRADESH - 506169 PH :7799790526.

BODHAN

2220. VARUN MOTORS PVT. LTD. (O801-O8-01), PLOT NO. 5/2, ACHANAPALLY CROSS ROAD, OPP : APNA FUNCTION HALL, BODHAN, DIST. -NIZAMABAD, TELANGANA. - 503 185 PH :9581966691 8142077222.

CHEVELLA

2221. GEM MOTORS (INDIA) PVT. LTD. (CBL1-CBL-01), SURVEY NO. 17/A, MANDAL – CHEVELLA, DISTRICT – RANGA REDDY, TELANGANA. - 510101 PH :9912899128, 9912834567.

ETUNAGARAM

2222. WIN MOTORS (SOJ1-SOJ-01), H.NO 12-412 & 12-413, AKULAVARI GHANPUR, ETUNAGARAM, MULLUGU DISTRICT, TELANGANA - 506165 PH :8688828005.

GADWAL

2223. SRI JAYARAMA MOTORS PVT. LTD. (WPO1-BHR-02), PLOT NO. 5 & 6, BESIDE RURAL POLICE STATION, KURNUL ROAD, MAHABUB NAGAR DISTRICT, ANDHRA PRADESH - 500125 PH :8096990074, 8096996671.

GAJWEL

2224. ACER MOTORS (A DIVISION OF KRISHNAIAH MOTORS PVT. LTD) (BYU1-BYU-01), SURVEY NO.220, VILLAGE – PRAGNAPUR, GAJWEL, DISTRICT – MEDAK, TELANGANA. - 502311 PH :8885088071.

GHATKESAR

2225. ACER MOTORS (A DIVISION OF KRISHNAIAH MOTORS PVT. LTD) (BYL1-BYL-01), 3-21, JODIMETLA, CHOUDA RIGD VILLAGE GHATKESAR MANDAL, DISTRICT – RANGA REDDY. - 501301 PH :8885088075.

HUSNABAD

2226. ADARSHA AUTOMOTIVES PVT LTD (GJE1-GJE-01), SURVEY NO. 202/E, H. NO. 12-1/4 & 12-1/A, VILLAGE & MANDAL - HUSNABAD, DIST.-SIDDIPET, TELANGANA. - 505467
PH :8886092222, 7998535552.

HYDERABAD

2227. THE MITHRA AGENCIES (1002-10-01), 1-8-670, NEAR RTC CROSS ROAD, AZAMABAD INDUSTRIAL AREA, HYDERABAD, - 500020
PH :966838294.

2228. RKS MOTORS PVT. LTD. (1003-10-01), SABOO TOWERS, RAJBHAVAN ROAD, SOMAJIGUDA, HYDERABAD - 500482
PH :040 44454443, 9010811166.

2229. RKS MOTORS PVT. LTD. (1003-10-02), B-4/A/IDA BLOCK, INDUSTRIAL ESTATE, UPPAL, HYDERABAD - 500039
PH :040 23434504, 9010822210.

2230. VARUN MOTORS PVT. LTD. (4603-10-04), B-11 CO-OPERATIVE INDUSTRIAL ESTATE, BALANAGAR, HYDERABAD, - 500037
PH :9885208555, 9985745222.

2231. VARUN MOTORS PVT. LTD. (4603-10-0B), ADITYA NAGAR COLONY, ,ADITYA NAGAR COLONY, TOLICHOWKI, SHAIKPET (VILLAGE, HYDERABAD, HYDERABAD - 500008
PH :64551700, 8896114656.

2232. VARUN MOTORS PVT. LTD. (1010-10-01), PLOT NO. VI- VII A & B UNDER WARD NO. 10, AUTONAGAR, VANASTALIPURAM, HYDERABAD, R. R. DISTT - 500070
PH :9885208555.

2233. RKS MOTORS PVT. LTD. (1003-10-04), H: NO 16-9-409/P, PLOT NO.4/1,4/2,SY.NO. 97,98,OLD MALAKPET OPP GOLNAKA BRIDGE, MOOSARAMBAGH, HYDERABAD - 500036
PH :9010811192.

2234. THE MITHRA AGENCIES (1002-10-03), PLOT NO. 3-4-10, NEAR MADHAPUR POLICE STATION, MADHAPUR, HYDERABAD - 500081
PH :04023113399
04023113388
9959912702.

2235. RKS MOTORS PVT. LTD. (1003-10-05), 11-6-191/192, OPP. HOTEL HARSHA, PUBLIC GARDEN ROAD, NAMPALLY, HYDERABAD - 500001
PH :9848811158.

2236. VARUN MOTORS PVT. LTD. (4603-10-06), SHOP NO.31, SRIKRUPA MARKET, D.NO. 16-10-1/F/31, MALAKAPET, HYDERABAD - 500036
PH :4553395, 4547676, 9885093360.

2237. VARUN MOTORS PVT. LTD. (4603-10-0A), 1-11-200, SHAMLALA BUILDING BEGUMPET, HYDERABAD - 500016
PH :9895206555.

2238. THE MITHRA AGENCIES (1002-10-04), 8-18-138, PLOT NO. 8, NEAR MARGADARSI CHIT FUND, L.B. NAGAR RING ROAD, RR DIST, HYDERABAD - 500074
PH :9963551265.

2239. GEM MOTORS (INDIA) PVT. LTD. (1009-10-01), RAGHUVENDRA SOCIETY, KONDAPUR, HYDERABAD , ANDHRA PRADESH - 500084
PH :9912899128.

2240. GEM MOTORS (INDIA) PVT. LTD. (1009-10-02), 2-11, SURVEY NO: 165,172, HYDERNAGAR, KUKATPALLY, HYDERABAD, ANDHRA PRADESH - 500072
PH :9912344538.

2241. SAI SERVICE PRIVATE LIMITED (1011-10-01), 6-6-29/5/1/NR, VIMANA PURI, QUTBULLAPUR, HYDERABAD, TELANGANA 500055 - 500055
PH :9010827755.

2242. THE MITHRA AGENCIES (1002-10-05), PLOT NO. 19,20 & 21, ROAD NO. 10, IDA NACHARAM, HYDERABAD - 500076
PH :04027176999
04027177999
9963551267.

2243. VARUN MOTORS PVT. LTD. (1012-10-01), MARUTI AUTHORISED DEALER, SURVEY NO.115, IT PARK, NANAKRAMGUDA, GACHIBOWLI, HYDERABAD - 500008
PH :9985104860, 69997979.

2244. RKS MOTORS PVT. LTD. (1003-10-08), D.NO.1-10-1/285/1, OPP. VEGITABLE MARKET, ECIL CROSS ROADS, KUSAGUDA, HYDERABAD - 500062
PH :7799779810.

2245. SAI SERVICE PRIVATE LIMITED (1011-10-04), H.NO.16-2-839/4/10, SAIDABAD, L.B.NAGAR, HYDERABAD, - 500059
PH :7799352000.

2246. VARUN MOTORS PVT. LTD. (4603-10-0G), 1-10-28/1 SY. NO.285, KUSHAIGUDA, NEAR ECIL X ROADS, HYDERABAD - 500062
PH :7799600093.

2247. VARUN MOTORS PVT. LTD. (4603-10-0H), PLOT NO. 1354/1, ROAD NO. 1, NEAR IOC PETROL PUMP, JUBLEE HILLS, HYDERABAD, ANDHRA PRADESH - 500033
PH :8886322776.

2248. VARUN MOTORS PVT. LTD. (4603-10-0J), PLOT NO. 1-45, SY.NO.1 TO 7, GOPINATH COMPLEX, TARANAGAR, LINGAMPALLY, HYDERABAD, RANGAREDDY DISTRICT, TELANGANA STATE - 500019
PH :8886067847.

2249. SAI SERVICE PRIVATE LIMITED (1011-10-07), PLOT NO B-21 & B-34, BHEL ANCILLARY INDUSTRIAL ESTATE, RAMACHANDRAPURM, HYDERABAD - 502032
PH :9703811411.

2250. ADARSHA AUTOMOTIVES PVT LTD (1014-10-01), 18-2-45 NEAR FLYOVER, CHANDRAYANGUTTA "X" ROAD, HYDERBAD - 500005
PH :8142326633.

2251. RKS MOTORS PVT. LTD. (1003-10-09), SURVEY NO.434, 5-6-33/19, BEHIND HUDA TRUCK PARKING, KUKATPALLY, DISTT: RANGAREDDY, HYDERABAD - 500072
PH :9010811131.

2252. SAI SERVICE PRIVATE LIMITED (1011-10-08), DOOR NO.7-2-C33 & C34, INDUSTRIAL ESTATE, SANATH NAGAR, HYDERABAD - 500018
PH :7799360003.

2253. KALYANI MOTORS PVT. LTD. (1018-10-01), PLOT NO. A-23 & A31/1, I.D.A, NACHARAM, HYDERABAD - 500076
PH :9100056490.

2254. GEM MOTORS (INDIA) PVT. LTD. (1009-10-03), SURVEY NO. 135/A & 135/AA, MANIKONDA, RAJENDRA NAGAR MANDAL, RANGAREDDY DISTRICT, HYDERABAD, TELANGANA. - 500089
PH :9912341524.

2255. ADARSHA AUTOMOTIVES PVT LTD (1014-10-02), H. NO. 8-64/1, RUDRA COLONY, SHAMSHABAD, HYDERABAD - 501218
PH :9603296633.

2256. JAYABHERI AUTOMOTIVES PVT. LTD. (1017-10-01), PLOT NO. 113, 114, 115 IN LUMBINI ENCLAVE CB SQUARE, VILLAGE - GACHIBOWLI, SHERLINGAMPALLY MNADAL, HYDERABAD, TELANGANA STATE. - 500032
PH :9100909401.

2257. JAYABHERI AUTOMOTIVES PVT. LTD. (1017-10-02), SURVEY NO.11/36, PLOT NO.32, 39 & 40, NEAR N CONVENTION CENTRE, KHANAMET, HYDERABAD, SHERLINGAMPALLY MANDAL, HYDERABAD. - 500081
PH :7799916666.

2258. KALYANI MOTORS PVT. LTD. (1018-10-02), M/S VIDHATA BINNY MODERN RICE MILL, BEARING NO. 8-4-15 IN SURVEY NO. 239 & 240 OF VILLAGE - KARMANGHAT, MANDAL - SAROORNAGAR, DISTRICT - RANGA REDDY, HYDERABAD. - 500079
PH :9100223777.

2259. ADARSHA AUTOMOTIVES PVT LTD (1019-10-01), H. NO. 2-4-43/15, SURVEY NO. 34, SOGBOWLI (PILLER NO. 185 OF P.V. NARSIMHA RAO EXPRESSWAY), RAJENDRANAGAR, UPPERPALLY, ATTAPUR, RANGA REDDY, HYDERABAD, TELENGANA. - 500048
PH :9705436333, 8297426633.

2260. THE MITHRA AGENCIES (1002-10-06), SURVEY NO.57, D.NO.8-2-108, BIRAMALGUDA, KARMANGHAT NAGARJUN SAGAR ROAD, HYDERABAD, TELANGANA. - 500079
PH :8886621232.

2261. VARUN MOTORS PVT. LTD. (4603-10-0M), KSN GARDENS, 5-162-6, BORABANDA MAIN ROAD, HYDERABAD. - 500018
PH :9885579623.

2262. JAYABHERI AUTOMOTIVES PVT. LTD. (1017-10-03), SURVEY NO.283, PLOT NO.P-46 & 47, PHASE-V, IDA, JEEDIMETLA, QUTBULLAPUR MANDAL, RANGA REDDY DISTT., HYDERABAD (TELANGANA). - 500055
PH :7799784567.

2263. ADARSHA AUTOMOTIVES PVT LTD (1014-10-03), SURVEY NO. 220/A, AMBEDKAR ROAD, OPP HERITAGE FRESH, NEAR AMBAEDKAR STATUE, NEAR ALWAL, SECUNDERABAD. - 500 010
PH :9291859954.

2264. KALYANI MOTORS PVT. LTD. (1018-10-03), SURVEY NO. 305, NIZAMPET, MANDAL - QUTBULLAPUR, DIST.-RANGA REDDY, HYDERABAD. - 500 072
PH :72079 33677.

2265. THE MITHRA AGENCIES (1002-10-07), SURVEY NO.12,13,148,15, MEDIPALLY, GHATKESAR MANDAL, RANGA REDDY DISTRICT, HYDERABAD, TELANGANA - 500098
PH :8886697954.

IBRAHIMPATNAM

2266. PAVAN MOTORS PVT. LTD (CSF1-CSF-01), S.NO.123/E, MPP PATEL GUDA, IBRAHIMPATNAM, RANGA REDDY - 501506
PH :8790144499.

JAGTIAL

2267. ADARSHA AUTOMOTIVES PVT LTD (N601-NU-04), HOUSE NO.-1-5-216/A, OPPOSITE TO KVA SUBSTATION, KARIMNAGAR ROAD, JAGTIAL. - 505327
PH :8866152222.

JANGAON

2268. ADARSHA AUTOMOTIVES PVT LTD (K101-K1-01), H.NO.339, HYDERABAD ROAD, JANGAON. - 506167
PH :7799626633.

KAMAREDDY

2269. VARUN MOTORS PVT. LTD. (KX01-KX-01), H.NO.11-107/61, BESIDE-GURU RAGHAVENDRA COLONY, CHINNA MALLAREDDY VILLAGE, KAMAREDDY. - 503111
PH :9985557570
8142551166.

KARIMNAGAR

Dealer Workshop (AS ON 30.05.2023)

2270. ADARSHA AUTOMOTIVES PVT LTD
(N601-N6-01), H.NO. 8-6-313/1, HYDERABAD
ROAD, BY-PASS JUNCTION, KARIMNAGAR -
505001
PH :8886600315.
2271. ADARSHA AUTOMOTIVES PVT LTD
(N601-N6-05), H.NO. 8-6-301/18, BY-PASS ROAD,
AUTONAGAR, KARIM NAGAR, TELANGANA. -
505001
PH :8886152222.
2272. VARUN MOTORS PVT. LTD. (N603-N6-01),
BEARING NO. 1-81/3/10/2, SURVEY NO. 221 &
222, REKURTHY VILLAGE,
KARIMNAGAR-JAGTIAL ROAD, KARIMNAGAR
MANDAL & DIST. , TELANGANA. - 505001
PH :8886619373.
2273. VARUN MOTORS (N603-N6-2), SURVEY NO.
277, 278/B, AREPALLY VILLAGE,
TEEGALAGUTTAPALLI GRAM PANCHAYAT,
KARIMNAGAR - 505001
PH :91549 03258.
- KEESARA**
2274. JAYABHERI AUTO (SEI1-SEI-01), H-NO 3-56/9/6A,
SURVEY NO 5, KEESARA,
MEDCHAL-MALKAJIRI, TELANGANA - 501301
PH :9676076666.
- KHAMMAM**
2275. MITHRA AUTO AGENCIES PVT LTD
(2804-1G-02), SURVY NO. 182, WARANGAL
ROAD, OPP. FCI GODOWNS, PEDA
THANDA, KHAMMAM - 507003
PH :8886063527.
- KODAD**
2276. PAVAN MOTORS PVT. LTD (BRP2-BRP-01),
SURVEY NO. 42, KOMARBANDA REVENUE
LIMITED, KODAD , DISTRICT – NALGONDA,
TELANGANA - 508206
PH :8790902114.
- KOLLAPUR**
2277. SRI JAYARAMA (SHC1-SHC-01), SURVEY NO
259/AA2, 259/E2, KOLLAPUR, NAGAR KURNOL
DISTRICT, TELANGANA - 509102
PH :9985880015.
- KOTHAGUDEM**
2278. VARUN MOTORS PVT. LTD. (2803-HF-04), DOOR
NO. 5-35/4/B, LAKSHMIDAVI
PALLI, BHADRACHALAM ROAD, KOTHAGUDEM
- 507101
PH :9581494499.
- MAHABUBABAD**
2279. ADARSHA AUTOMOTIVES PVT LTD
(CQS1-CQS-01), SY. NO.38/A, MAHUBUBABAD
REVENUE VILLAGE AND MANDAL,
MAHUBUBABAD. - 506101
PH :9177746333, 7799700525.
- MAHABUBNAGAR**
2280. SRI JAYARAMA MOTORS PVT. LTD.
(WP01-WP-01), PLOT NO.C1 & C2, INDUSTRIAL
ESTATE, METTUGADA, MEHBOOBNAGAR -
504001
PH :8096998846.
- MAHESHWARAM**
2281. ADARSHA AUTOMOTIVES PVT LTD
(CQR1-CQR-01), (BEARING #5-187, SURVEY
NO.-336/A1, VILLAGE & MANDAL:
MAHESHWARAM DISTT. RANGA REDDY -
501359
PH :8142326633, 9703152222.
- MANCHERIAL**
2282. ADARSHA AUTOMOTIVES PVT LTD
(N601-CM-03), BEHIND MAHINDRA TRACTORS
SHOWROOM, BELLAMPALLY ROAD,
MANCHERIAL , DISTT. ADILABAD - 504208
PH :8886302222.
- MEDAK**
2283. VARUN MOTORS PVT. LTD. (KF01-KF-01),
SY.NO.:1486/A3, HYDERABAD ROAD, MEDAK
(MDL & TOWN) - 502110
PH :9154953337.
- MEDCHAL**
2284. AUTOFIN LIMITED (CID1-CID-01), H. NO. 11-27/1,
SURVEY NO.401, MEDCHAL VILLAGE AND
MANDAL, DIST. - MEDCHAL - 501401
PH :8885040020.
- METAPALLY**
2285. ADARSHA (BJF1-BJF-01), SURVEY NO. 40/U/2
CHOULAMADHI, METPALLY PIN CODE 505325 -
505325
PH :8886092222.
- MIRYALGUDA**
2286. PAVAN MOTORS PVT. LTD (WR01-WR-01),
SURVEY NO-940 &943, (OPPOSITE TO MINA
ENGINEERING COLLEGE) NARKETPALLY
ADDANKI BY-PASS ROAD, MIRYALGUDA
,NALGONDA DISTRICT, ANDHRA PRADESH -
508207
PH :8790900399.
- MOINABAD**
2287. GEM MOTORS (INDIA) PVT. LTD.
(CFN1-CFN-01), SURVEY NO. 70, PLOT NO. 4,
VILLAGE AND GRAM PANCHAYAT – HIMAYATH
NAGAR, MANDAL – MOINABAD, DISTRICT –
RANGA REDDY. - 500075
PH :9912899128, 7997994845.
- NAGARKURNOOL**
2288. SRI JAYARAMA MOTORS PVT. LTD.
(EV01-EV-01), SURVEY NO.44/A AND 45/A,
UYYALWADA VILLAGE, NAGARKURNOOL,
TELANGANA - 509209
PH :8096990074.
- NALGONDA**
2289. PAVAN MOTORS PVT. LTD (AN01-AN-01),
CHERLAPALLY VILLAGE, NALGONDA ROAD,
NALGONDA - 508001
PH :8790902146.
- NARAYANKHED**
2290. VARUN MOTORS PVT. LTD. (CG1-CG1-01), D.
NO. 1-6-111/25/B/5/A/1, SY. NO. 57/2, BHUMAN
COLONY, GRAM PANCHAYAT & MANDAL -
NARAYANKHED, DISTRICT – MEDAK,
TELANGANA - 502286
PH :9885210555.
- NARAYANPET**
2291. SRI JAYARAMA MOTORS PVT. LTD.
(BPG1-BPG-01), SURVEY NO. 468/4,
MAHABUBNAGAR ROAD, NARAYANPET TOWN,
DIST.-MAHABUBNAGAR, STATE - TELANGANA. -
509210
PH :8096997701, 7893177448.
- NARSAPUR**
2292. KALYANI MOTORS PVT. LTD. (SCX1-SCX-01),
SURVEY NO 66, BLOCK
NO-19, NARSAPUR, DISTRICT: MEDAK,
TELANGANA. - 534275
PH :9573179790.
- NIRMAL**
2293. ADARSHA AUTOMOTIVES PVT LTD
(N601-AA-02), H. NO. 1-1-131, SHASTRINAGAR,
,MANCHERIAL ROAD, DISTT. ADILABAD,
NIRMAL - 504106
PH :8886342222.
- NIZAMABAD**
2294. VARUN MOTORS PVT. LTD. (1H02-1H-01), PLOT
NO. GP 1-51/4/1, PANGARA
BORGON, NIZAMABAD,
TELANGANA - 503230
PH :8297848999, 9052080444.
- PALWANCHA**
2295. VARUN MOTORS PVT. LTD. (HF01-CSS-01),
SURVEY NO.758 & 757, NEHRU NAGAR,
PALWANCHA, (NEW POLANCHA) MANDAL &
TOWN, BHADRADRI KOTHAGUDEM DISTT.,
TELANGANA. - 507115
PH :9642225288.
- PARGI**
2296. VARUN MOTORS PVT. LTD. (CBO1-CBO-01),
HOUSE NO. 2-356 JANGAIAH COMPLEX,
SURVEY NO. 217/E4, JAYANTHI NAGAR
COLONY, MANDAL – PARGI, DISTRICT – RANGA
REDDY. - 510501
PH :9885210555, 9885200000.
- PARKAL**
2297. ADARSHA (SEK1-SEK-01), SY. NO 946, H.NO
5-127, VIKAS NAGAR, PARKAL, WARANGAL. -
506164
PH :8886742222.
- PEDAPALLY**
2298. ADARSHA AUTOMOTIVES PVT LTD
(GKN1-GKN-01), SURVEY NO 142, H NO 185,
RANGAMPALLI VILLAGE, PEDDAPALLI ,
TELANGANA - 505172
PH :8886618155, 8886672222.
- RAMAGUNDAM**
2299. ADARSHA AUTOMOTIVES PVT LTD
(BGA1-BGA-01), 5-6-172 SURVEY NO. – 259/B,
MEDIPALLY SHIVAR, RAMAGUNDAM
MUNICIPALITY, DISTRICT – KARIM NAGAR,
ANDHRA PRADESH - 505209
PH :886144550.
- RAMAYAMPET**
2300. VARUN MOTORS PVT. LTD. (CDO1-CDO-01),
SURVEY NO. 1626 & 1626/2 SITUATED AT
BLOCK NO. 16, RAMAYAMPET, DISTRICT –
MEDAK. - 502101
PH :9885208555, 9703803399.
- SADHASHIVPET**
2301. SAI SERVICE (SFQ1-SFQ-01), PLOT NO. 2, SY
NO. 974, GURUNAGAR COLONY, OLD BOMBAY
HIGHWAY ROAD, SADASHIVPET, SANGAREDDY
DIST. 502291. - 502291
PH :9966377888.
- SANGAREDDY**
2302. SAI SERVICE PRIVATE LIMITED (1011-OI-05),
H.NO.4-8-92/1/4/5, AHMED NAGAR,
OPP.GOV.TI, SANGAREDDY, MEDAK (DIST),
ANDHRA PRADESH - 502001
PH :7661811000.
- SATAPALLI**
2303. MITHRA AUTO AGENCIES PVT LTD
(SHD1-SHD-01), SURVEY NO. 75 NEAR
VIVEKANANDA STATUE, SATHUPALLI,
KHAMMAM. - 507303
PH :8886063508.
- SECUNDERABAD**
2304. ACER MOTORS (A DIVISION OF KRISHNAIAH
MOTORS PVT. LTD) (K601-K6-01), A1, MOTI
VALLEY, TRIMULGHERRY, SECUNDERABAD, -
500015
PH :8885088080.

2305. AUTOFIN LIMITED (K606-K6-01), SURVEY NO. 33, MEDCHAL ROAD, BOWENPALLY, SECUNDERABAD - 500011
PH :8885040130

2306. VARUN MOTORS PVT. LTD. (4803-K6-01), 1-10-178/1, BEHIND VARUN TOWERS-1, OPP. HYDERABAD PUBLIC SCHOOL, BEGUMPET, SECUNDERABAD, HYDERABAD, TELANGANA STATE. - 500016
PH :998552452

2307. RKS MOTORS PVT. LTD (K605-K6-01), PLOT NO. 207, TADBUND, SECUNDERABAD - 500003
PH :9010801004.

2308. AUTOFIN LIMITED (K606-K6-02), SURVEY NO. 177/B & 178/C SITUATED AT VILLAGE – KOMPALLY, MANDAL – QUTHBULLAPUR, HYDERABAD. - 500090
PH :8885040126.

2309. PAVAN MOTORS PVT. LTD (K608-K6-02), PLOT NO. 1-12, 749, 750, SURVEY NO. 751/2, VENKATADRI NAGAR, NEW MIRJALGUDA, MALKAJIGIRI, SECUNDERABAD, TELANGANA - 500047
PH :9121293690.

SHAD NAGAR

2310. SRI JAYARAMA MOTORS (P) LTD. (WS01-WS-01), SERVEY NO.445, FAROOQ NAGAR, SHADNAGAR, MAHABUB NAGAR DISTT. ANDHRA PRADESH. - 500216
PH :8869996671.

SHAMIRPET

2311. RKS MOTOR PVT. LTD. (SDE1-SDE-01), SHED NO 2-242, MAJEEDPUR CROSS ROADS,SHAMIRPET, MEDCHAL-MALKAJIGIRI,TELANGANA - 500078
PH :9848866618

SHANKARPALLY

2312. SAI SERVICE PRIVATE LIMITED (CEX1-CEX-01), SURVEY NO. 203, HYDERABAD ROAD OPP. SM FUNCTION HALL ROAD, SHANKARPALLY, RANGA REDDY DISTT. - 501203
PH :9969377888, 9912899128, 9703811011.

SIDDIPET

2313. ADARSHA AUTOMOTIVES PVT LTD (CAL1-CAL-01), SURVEY 197/A, VILLAGE – PONNALA, SIDDIPET, DISTRICT – MEDAK, TELANGANA. - 502103
PH :09703716633, 9160746633.

SIRCILLA

2314. ADARSHA AUTOMOTIVES PVT LTD (BYW1-BYW-01), H. NO. 10-1-7/2, 10-1-7/3, 10-1-7/3A/1, KARIMNAGAR ROAD, SIRCILLA, DISTRICT – KARIMNAGAR, TELANGANA - 505301
PH :8886618155, 8142244131.

SURYAPET

2315. PAVAN MOTORS PVT. LTD (BLC1-BLC-01), SURVEY NO. 493, THALLAGADDA, SURYAPET MANDAL, NALGONDA DISTRICT, ANDHRA PRADESH. - 508213
PH :8790902545.

TALLADA

2316. MITHRA AUTO (SOU1-SOU-01), SURVEY NO 890/A, D.NO 7-8, NARAYANAPURAM, TALLADA, TELANGANA - 507167
PH :8886063527.

TANDUR

2317. VARUN MOTORS PVT. LTD. (CFR1-CFR-01), H. NO. 2-1-20/3, 2-1-20/3/A & 2-1-20/9, PLOT NO. 45, 46, 47, SURVEY NO. 57 OF MALREDDYPALLY VILLAGE, TANDUR MUNICIPALITY, VIKARABAD DISTRICT, TELANGANA. - 501141
PH :8886619370.

THORRUR

2318. ADARSHA AUTOMOTIVES PVT LTD (BYV1-BYV-01), SURVEY NO 1. TO 5, BEARING M. NO 4-153/1, VILLAGE & MANDAL THORRUR DISTT. WARANGAL - 506163
PH :9059438007, 7799790527.

TOOPRAN

2319. ADARSHA (SEJ1-SEJ-1), PLOT NO 7&8, SY NO 185, 184, 179U, NAGULAPALLY VILLAGE, TOOPRAN MANDAL, TELANGANA STATE: TELANGANA CITY: TOOPRAN PIN : 502334 CITY CATEGO - 502334
PH :9291859954.

VIKARABAD

2320. GEM MOTORS (INDIA) PVT. LTD. (BYM1-BYM-01), SHOP NO. 3-2-93/2, VILLAGE – YENNAPALLY, VIKARABAD MUNICIPALITY, VIKARABAD, DISTRICT – RANGA REDDY, TELANGANA. - 501101
PH :9912349840.

WANAPARTHY

2321. SRI JAYARAMA MOTORS (P) LTD. (WQ01-WQ-01), SURVEY NO.1149, KURNOOL ROAD, WANAPARTHY (A.P.) - 509103
PH :8096903879.

WARANGAL

2322. ADARSHA AUTOMOTIVES PVT LTD (D502-D5-02), PLOT NO.10, INDUSTRIAL AREA, MULUGU ROAD, WARRANGAL - 508007
PH :8886132222.

2323. ADARSHA AUTOMOTIVES PVT LTD (D502-D5-03), OPPOSITE TO URUGALLU FILLING STATION, HUNTER ROAD, SHAYAMPET, HANAMKONDA, WARANGAL - 506001
PH :8886492222.

2324. WIN MOTORS (A UNIT OF BHADRAKALI AUTOCARE PVT. LTD) (D503-D5-01), SURVEY NO. 16, 16/A & 16/B, OPPOSITE KAKATIYA UNIVERSITY GATE-2, LASHKERSINGARAM REVENUE VILLAGE, HANAMKONDA MANDAL, WARANGAL. - 506 001
PH :8688828010.

2325. WIN MOTORS (A UNIT OF BHADRAKALI AUTOCARE PVT. LTD) (D503-D5-02), PLOT NUMBER 9,10,11 & 13/A ,SURVEY NUMBER 148/A&B OF BHEEMNAR VILLAGE, WARANGAL. - 506015
PH :8688828015.

ZAHIRABAD

2326. SAI SERVICE PRIVATE LIMITED (BAT1-BAT-01), PLOT NO-5, NEAR IBP PETROL BUNK, NH-5A LIPUR,ZAHIRABAD,MEDAK (DIST),ANDHRA PRADESH - 502220
PH :7660005206.

TELENGANA

KAGHAZNAGAR

2327. ADARSHA AUTOMOTIVES (SCN1-SCN-01), H.NO 1-61/3,BORIGAON,KAGHAZNAGAR,KOMARAMB HEEM - 504296
PH :8886902222.

PALAKURTHY

2328. WIN MOTORS (SCY1-SCY-01), SURVEY NO 537/B,MAIN RAOD, PALAKURTHY,JANGAON DISTRICT,TELANGANA. - 506317
PH :8688838005.

TRIPURA

AGARTALA

2329. JAIN UDYOG (6901-69-01), ARUNDHUTI NAGAR, OPP. INDUSTRIAL ESTATE, AGARTALA - 799003
PH :8662149275.

2330. JAIN UDYOG (6901-69-05), 58-B/C, INDUSTRIAL AREA ARUNDHUTI NAGAR, AGARTALA. - 799003
PH :70057 71216.

2331. JAIN UDYOG (6901-69-06), KHATIAN NO. 1843, MOUJA & TEHSIL – KHAYERPUR, JIRANIA SUBDIVISION, AGARTALA - 799008
PH :97746 16831.

AMARPUR

2332. JAIN UDYOG (CVR1-CVR-01), NEAR MOTOR STAND, AMARPUR,TRIPURA - 799101
PH :97748 45751.

AMBASSA

2333. JAIN UDYOG (CDT1-CDT-01), A.A. ROAD, OPPOSITE OF CHANDRAI PARA HS SCHOOL, AMBASSA, DHALAI, TRIPURA. - 799289
PH :70052 88437.

DHARMANAGAR

2334. JAIN UDYOG (6901-RN-03), DHARMANAGAR COLLEGE ROAD, DHARMANAGAR, TRIPURA(NORTH) - 799250
PH :97747 93164.

UDAIPUR

2335. JAIN UDYOG (YU01-YU-01), DHWAJANAGAR INDUSTRIAL ESTATE,UDAIPUR,TRIPURA (SOUTH) - 799116
PH :9774020152.

UP

BULANDSHAHR

2336. SK UNIVERSE (M502-M5-02), KHASRA NO.2261, NEAR T POINT , BYPASS SIKARPUR ROAD ,BULANDSHAHR - 203001
PH :7055118430.

DIBYAPUR

2337. KULDEEP MOTORS (SLA1-SLA-01), AURAIYYA ROAD, DIBYAPUR - 206244
PH :9235258425.

MEERUT

2338. TR SAWHNEY (4808-48-01), MUNICIPAL NO 101, KHASRA NO 1926/ MINJUMLA & 1927/1, MAHAL LEKHRAJ MUJBITA, MAIN DELHI ROAD, MEERUT, UP - 250002 - 250002
PH :9999163125.

MOOSANAGAR

2339. MY CAR (SLP1-SLP-01), VILL GAUSGANJ, POST MOOSANAGAR, KANPUR DEHAT, UTTAR PRADESH. - 209208
PH :97929 70005.

UTTAR PRADESH

AGRA

2340. MADHUSUDAN MOTORS PVT LTD (6603-66-02), GANESH GANJ, PRATAPPURA, AGRA - 282001
PH :9837097887

2341. MADHUSUDAN MOTORS PVT LTD (6603-66-01), B-5 LAWYERS COLONY, BYE PASS ROAD, AGRA - 282005
PH :531102-05.

2342. MADHUSUDAN MOTORS PVT LTD (6603-66-03), 6-A, VIBHAV INDUSTRIAL STATE, AGRA - 282007
PH :3299221.

2343. MADHUSUDAN MOTORS PVT LTD (6603-66-04), 26/253, SULTAN GANJ KI PULIA, MAUZA LASKARPUR, AGRA - 283203
PH :9837097894.

2344. PREM MOTORS PVT. LTD. (6605-66-01), KHASRA NO.382,386,387,388, VILLAGE ARTHONI, DELHI-AGRA HIGHWAY, NH-2, AGRA, UTTAR PRADESH - 282007
PH :9690010839.

2345. KTL PVT. LTD. (6606-66-01), MUGHAL ROAD, KAMLA NAGAR, AGRA - 282004
PH :8449715033,8449715099.

Dealer Workshop (AS ON 30.05.2023)

2346. PREM MOTORS PVT. LTD. (6607-66-01), 45, OPPOSITE AGRA COLLEGE, GOKULPURA, AGRA, UTTAR PRADESH - 282002
PH :9690010795.
2347. KTL PVT. LTD. (6606-66-02), KHASRA NO. 171, SEWLA JAT, GWALIOR ROAD, AGRA, UTTAR PRADESH - 282001
PH :8449715099.
2348. MERAK VEHICLES (6609-66-01), KHASRA NO 65 & 74, MAUZA MOHAMMADPUR, AGRA-DELHI ROAD (NH-2), SIKANDRA, AGRA UTTAR PRADESH-282007. - 282007
PH :9690486139.
- AKBARPUR**
2349. KTL PVT. LTD. (2201-LH-03), KANPUR ROAD, AKBARPUR - 209206
PH :7408409348.
2350. SMARTWHEELS PVT. LTD. (7201-LH-08), TANDA ROAD, VILL-BUDHAEEPUR, PO-KATRIYA YAKOOPUR, AKBARPUR, DIST-AMBEDKAR NAGAR (U.P.) - 224122
PH :7705803248.
- ALIGARH**
2351. DEV MOTORS (P) LTD (B601-B6-01), NEAR BANNA DEVI, G.T.ROAD, ALIGARH - 202001
PH :521771.
2352. DEV MOTORS (B601-B6-04), PLOT NO 97, VILLAGE SIKANDERPUR, BHUKRAVALI, GT ROAD BYE PASS, ALIGARH - 202002
PH :7351345577.
- ALLAHABAD**
2353. AMITDEEP MOTORS (2901-29-01), 26 SULEM SARAI, G.T ROAD, ALLAHABAD - 211001
PH :8948122749, 9026111339, 7738556692, 9839890333, 9936413399.
- AMETHI**
2354. KTL AUTOMOBILE PVT. LTD. (BBB2-BBB-01), PLOT NO - E 32, INDUSTRIAL AREA TEKARIA, UPSIDC, GAURIGANJ, DIST: C.S.M.NAGAR - 227409
PH :7379557377.
- AMROHA**
2355. AKANKSHA AUTOMOBILES PVT. LTD. (A001-A0-01), AMROHA - JOYA ROAD, NEAR PUNJAB NATIONAL BANK, AMROHA, UTTAR PRADESH, PIN CODE: 244221 - 244221
PH :7895400003.
- ANPARA**
2356. STAR CARS (A UNIT OF SARASWATI VEHICLES LLP) (NJ02-NJ-01), KAHUWA NALA, AURI-BINA ROAD, AURI ANPARA, DISTRICT - SONEBHADRA - 232101
PH :7052547903, 9721905002, 9151154306, 9450544961.
- AONLA**
2357. KAVISHA MOTORS PVT LTD (CV11-CV1-01), COMMERCIAL PLOT, RAN NAGAR ROAD, NEAR MUNICIPALITY OFFICE, TEHSIL - AONLA, DIST., BAREILLY, STATE: UTTAR PRADESH. - 243301
PH :07895980222, 07895980300.
- AURAI**
2358. VARANASI MOTORS PVT LTD (CBM1-CBM-01), KHATA / KHATAUNI NO. 00045, GT ROAD (EHAK BHAURA), OPP. CHINI MILL,VILLAGE & TEHSIL AURAI, DISTT: BHADHOI, UTTARPRADESH, PIN 2221 301 - 2221301
PH :9838360662, 7617002786.
- AURAIYA**
2359. KULDEEP MOTORS (QJ01-QJ-01), NEAR INDIAN OIL TIRAHA, KANPUR ROAD, AURAIYA. - 206241
PH :9235358444.
- AZAMGARH**
2360. DEEP MOTORS (K501-K5-01), HARBANSAPUR NARALI, AZAMGARH - 276001
PH :9838072905.
- BABRALA**
2361. AKANKSHA AUTOMOBILES PVT. LTD. (SJU1-SJU-01), CHANDAUSI ROAD, BABRALA, DISTRICT SAMBHAL, UTTAR PRADESH. - 243751
PH :9837649177.
- BACHRAWAN**
2362. KTL AUTOMOBILE PVT. LTD. (CGX2-CGX-01), VISHNUPUR, PHARWAN, RAEBARELI-LUCKNOW ROAD, DIST. -RAEBARELI. - 229301
PH :99184512222.
- BAH**
2363. KTL PVT. LTD. (CH11-CH1-01), 16B, DHOBAIR, VILLAGE -BAH, DIST.-AGRA, UTTAR PRADESH. - 283104
PH :7055707169, 8449715033.
- BAHERI**
2364. KAVISHA MOTORS PVT LTD (BSB1-BSB-01), KASRA NO. 530, 531, 532, 533, NAINITAL ROAD, OPP. RAMLILA GROUND, BAHERI, DISTRICT - BAREILLY, UTTAR PRADESH - 243201
PH :8756000000, 7607696666.
- BAHRAICH**
2365. ANAND MOTORS AGENCIES LTD (1301-5Z-05), LUCKNOW ROAD, BEHRAICH, UTTAR PRADESH - 271801
PH :9519596080.
- BALLIA**
2366. DEEP MOTORS (K501-BA-03), MAIDEYPUR, RAJDHANI ROAD, BALLIA - 277001
PH :9838072917.
- BALRAMPUR**
2367. ANAND MOTORS AGENCIES LTD (XB01-XB-01), NEAR BALRAMPUR CHINI MILLS, GONDA ROAD, BALRAMPUR-UTTAR PRADESH - 271201
PH :6307995976.
- BANDA**
2368. MY CAR PVT. LTD. (2803-KV-03), KALUKUAN, TINDWARI ROAD, BANDA - 210001
PH :9792971223.
2369. SUMITRA DS MOTORS (SPB1-01-SPB-01), PURANPUR ROAD, BANDA, TEHSIL BANDA, THANA BANDA, DISTT. SHAHJAHANPUR - U.P. - 242042
PH :9336408074.
- BANSI**
2370. ARBIT AUTOMOBILES PVT LTD (GMD1-GMD-01), KHASRA NO. 66 M, GRAM: BHAWNI, TAPPA: KUNDARANA, PARGANA: BANSI EAST, TEHSIL BANSI, DISTT : SIDARTHANAGAR - 272153
PH :89534 12821.
- BANTHRA**
2371. MEGA MOTORS (SGQ1-SGQ-01), KHASRA NO. 1628 AMARPUR, SIKANDARPUR MARKET, BANTHRA, KANPUR ROAD LUCKNOW - 226401
PH :9919101456.
- BARABANKI**
2372. BRIGHT 4 WHEEL SALES PVT. LTD. (1305-6A-03), VILL. DHARSANIA, LUCKNOW ROAD, NAWABGANJ, BARABANKI - 225001
PH :9838075900.
- BARAUT**
2373. TANYA AUTOMOBILES (LL02-LL-01), 240/2 SHAHPUR, BADOLI, DELHI SAHARANPUR ROAD, BARAUT, BAGHPAT, UTTAR PRADESH. - 250611
PH :7055300019.
- BAREILLY**
2374. CORAL MOTORS (P) LTD. (6602-56-01), STATION ROAD, BAREILLY - 243001
PH :559191.
2375. CORAL MOTORS (P) LTD. (6602-56-03), PILIBHIT BYE PASS ROAD, EXECUTIVE CLUB CROSSING, BAREILLY, UTTAR PRADESH - 243002
PH :0581-2554922.
2376. KAVISHA MOTORS PVT LTD (5601-56-01), 4TH KM, RAMPUR ROAD, CLUTTER BUCKGANJ, BAREILLY - 243502
PH :8756000000, 7607696666.
2377. ETERNITY MOTORS LLP (5603-56-01), KHASRA NO. 803/2, PILIBHIT BYPASS ROAD, PEER BAHORA, OPP. FUN CITY, BAREILLY, UTTAR PRADESH. - 243001
PH :9105555746.
- BASTI**
2378. SMARTWHEELS PVT. LTD. (7201-6B-05), MANORI CHAURAHA, DUMARIYA GANJ, ROAD, BASTI - 270002
PH :286294.
- BEHTA**
2379. MEGA MOTORS (A UNIT OF AKM MOTORS PVT. LTD) (GMI1-GMI-01), KHASRA NO. 254, OPPOSITE SANGAM MOTORS, KURSI ROAD, BEHTA - 226206
PH :6388901514.
- BHADODHI**
2380. VARANASI MOTORS PVT. LTD. (8402-TT-02), VARNASI ROAD, BHADODHI - 221401
PH :9838360662.
- BHINGA**
2381. ANAND MOTORS (BVG1-BVG-01), PATNAKHARGAURA, BHINGA, SHRAVASTI - 271831
PH :9415013059.
- BHOJPUR**
2382. MOTORCRAFT SALES INDIA PVT LTD (SDQ1-SDQ-01), OPPOSITE PRIMARY GOVERNMENT SCHOOL, HAPUR ROAD, VILLAGE BHOJPUR, TEHSIL - MODINAGAR, DISTRICT - GHAZIABAD. - 201204
PH :9410038456.
- BIJNOR**
2383. SHAKUMBARI AUTOMOBILES (P) LTD (6D01-6D-01), PLOT & KHASRA NO. 253/3 & 258/1 ADJACENT KHEDI CHAURAHA, NEAR PULKIT HOSANQET, DELHI-BIJNOR HIGHWAY, BIJNOR, DIST. - BIJNOR, UTTAR PRADESH. - 246701
PH :8630881409.
- BILARI**
2384. AKANKSHA AUTOMOBILES PVT. LTD. (SDM1-SDM-01), 2KM-BILARI NH 509, NEAR SBS SCHOOL, BILARI, MORADABAD 244001 - 244001
PH :9927459707.
- BILASPUR**
2385. AKANKSHA AUTOMOBILES PVT. LTD. (BCN1-BCN-01), NH-87, OPPOSITE SHAGUN BANQUET HALL, NEAR MILTON ACADEMY SCHOOL, RAMPUR NAINITAL ROAD, BILASPUR, DISTRICT - RAMPUR. - 244921
PH :9917745000.
- BISALPUR**
2386. CORAL MOTORS PVT LTD (CXB1-CXB-01), KHASRA NO. 668, VILLAGE : BISALPUR, DISTT: PILIBHIT, UTTAR PRADESH - 262201
PH :9837891846.
- BISWAN**

2387. CONCEPT CARS LIMITED (SEW1-SEW-01),
BILJHARIYA, OPPOSITE-555, BRICK FIELD,
BISWAN - 261201 - 261201
PH :7607696666.

BUDAUN

2388. CORAL MOTORS (P) LTD. (5602-NF-04), PLOT
NO. - 72, BAREILY-MATHURA HIGHWAY,
BUDAUN, UTTAR PRADESH - 132103
PH :9837891846.

BULANSHAHR

2389. SK UNIVERSE (M502-M5-01), KHASRA NO 561 ,
BHOOR, OPP PANDIT PETROL PUMP ,
BULANSHAHR - 203001
PH :9219694600.

CHAKIA

2390. STAR CARS (A UNIT OF SARASWATI VEHICLES
LLP) (CJH1-CJH-01), KATHSILA NAHER, NEAR
SAINT JOHN'S SCHOOL CHAKIA, DISTRICT -
CHANDAUJI. - 232101
PH :9450544961.

CHANDAUSI

2391. AKANKSHA AUTOMOBILES PVT. LTD.
(XA01-XA-01), AZAD ROAD, NEAR ROADWAYS,
CHANDAUSI (BHEEM NAGAR) - 202412
PH :7247800008.

CHAURI CHAURA

2392. ARBIT AUTOMOBILES (SIR1-SIR-01), ARAZI NO
561 DOMARI KHURD, CHAURI CHAURA,
GORAKHPUR - 273201
PH :8953412821.

CHIBRAMAU

2393. KTL PVT. LTD. (BMY1-BMY-01), PLOT GHATA
NO. 70, MAJJA - LALAKPUR, VILLAGE -
CHHIBRAMAU, DIST.-KANNAJU, UTTAR
PRADESH. - 209721
PH :7408409200, 9414113666.

CHITRASENPUR

2394. AGR (SMM-SMM-01), KHASRA
NO-194,CHITRASENPUR, KACHHUWA ROAD,
VARANASI, PIN -221313 - 221313
PH :9889803355.

DALMAU

2395. KTL AUTOMOBILES (SGZ1-SGZ-01), DALMAU
ROAD, OPPOSITE BHAGIRATHI GUEST HOUSE
- 229203
PH :9918451222.

DANKAUR

2396. MOTORCRAFT SALES (HG01-HG-01), OPP. SHRI
DRONACHARYA DEGREE COLLEGE, DANKAUR,
DIST. - GAUTAM BUDH NAGAR, HARYANA. -
203201
PH :9810289355.

DEOBAND

2397. ATELIER AUTOMOBILES (XK02-XK-01),
OPPOSITE CIVIL COURT, MUZZAFARNAGAR
HIGHWAY, DEOBAND - 247001
PH :7500220011.

DEORIA

2398. SMARTWHEELS PVT. LTD. (M601-M6-01), PLOT
NO. C-7, AND SHED NO. D-3, GOVERNMENT
INDUSTRIAL ESTATE MEHRA, DEORIA, DIST.
-DEORIA, UTTAR PRADESH. - 274001
PH :7705800602.

DHAMPUR

2399. SHAKUMBARI AUTOMOBILES (P) LTD
(CPQ1-CPQ-01), KHASRA NO. 205, OPPOSITE,
UHSA SMARAK SCHOOL, MORADABAD ROAD,
TEHSIL - DHAMPUR, MOJA - ALEHPUR, DIST.
-BIJNOR, UTTAR PRADESH. - 246761
PH :8630881458.

DOMARIAGANJ

2400. SMARTWHEELS (SMW1-SMW-01), VILL & POST
- CHAUKHARA, DOMARIAGANJ, DISTT -
SIDDHARTH NAGAR - 272193
PH :7705800602.

ETAH

2401. MADHUSUDAN VEHICLES PRIVATE LTD.
(XG01-XG-01), 472 ASROLI, GT ROAD, ETAH -
207125
PH :9837097894.

ETAWAH

2402. KULDEEP MOTORS (6E01-6E-01), PAKKA BAGH,
KANPUR ROAD, ETAWAH - 206001
PH :257029.

FAIZABAD

2403. SMARTWHEELS PVT. LTD. (7201-F5-02),
SAHADAT GANJ, LUCKNOW ROAD, FAIZABAD,
UTTAR PRADESH. - 224001
PH :7705803245.

FARIDPUR

2404. KAVISHA MOTORS PVT LTD (CEM1-CEM-01),
GATE NO. 216, KASBA SARAI, TEHSIL -
FARIDPUR, DISTRICT - BAREILLY, UTTAR
PRADESH. - 243503
PH :07895980222, 07895980300.

FARRUKHABAD

2405. MY CAR PVT. LTD. (2803-TS-04), NEKPUR
KALAN, FARRUKHABAD - 209625
PH :9792970093.

FATEHABAD

2406. KTL PVT. LTD. (BLQ1-BLQ-01), KHASRA NO.
730/731, GRAM MAJJA, MADAYNA SIKRARA
MODE, FATEHABAD, DISTRICT - AGRA, UTTAR
PRADESH - 283111
PH :9754979019.

FATEHPUR

2407. KTL PVT. LTD. (2801-TM-04), NH-2, OPP. RTO
OFFICE, KANPUR ROAD, FATEHPUR - 212601
PH :7408409383, 7408400000.

FEROZABAD

2408. MADHUSUDAN VEHICLES PRIVATE LTD.
(DF01-DF-01), 746, ALI NAGAR KEJRA , NEAR
RAJA KA TAL CROSSING, NH 2, FEROZABAD -
283203
PH :9890003077.

GAJRAULA

2409. AKANKSHA AUTOMOBILES PVT. LTD.
(XK01-XF-01), JHANAKPUR OPPOSITE
RELIANCE PETROL PUMP, DELHI ROAD,
GAJRAULA - 244235
PH :9690518865.

GHAZIABAD

2410. ROHAN MOTORS LTD. (5904-59-01), 432
MUKAND NAGAR, G.T.ROAD, GHAZIABAD -
201001
PH :9971466644
011-204170810, +911204170816, +911204170826,
+911204170819.

2411. REGENT AUTOLINKS (P) LTD (5902-59-01),
A-10/9 INDUSTRIAL AREA, SITE NO 3, MEERUT
ROAD, GHAZIABAD - 201001
PH :0120-4641900, 904.911.8744042111, 9999740464.9
71127008.

2412. ROHAN MOTORS (5904-59-02), PLOT NO.46,
MEERUT-DELHI ROAD, MORTA, GHAZIABAD -
201102
PH :09310404354 , 9971466644.

2413. T.R. SAWHNEY MOTORS PVT LTD (5905-59-01),
PLOT NO. 96, RAJINDER NAGAR INDUSTRIAL
AREA, MOHAN NAGAR, GHAZIABAD, DISTT. -
GHAZIABAD, U.P. - 201007
PH :9999052148; 9999130612.

2414. SNV AUTO (5906-59-01), PLOT NO. 15, SOUTH
SIDE GT ROAD INDUSTRIAL AREA, GHAZIABAD,
UTTAR PRADESH - 201001 - 201001
PH :9650324325.

GHAZIPUR

2415. AGR AUTOMOBILES PVT. LTD. (8403-KT-03),
RKKB PETROL PUMP, NEAR BASCI BAZAR,
GAZIPUR - 2333001
PH :2361136.

GHIROER

2416. KULDEEP MOTORS (CVA1-CVA-01), KARHAL
ROAD, TEHSIL - GHIROER, DISTRICT -
MAINPURI, UTTAR PRADESH. - 205121
PH :9536755555.

GONDA

2417. SMARTWHEELS PVT. LTD. (7201-FZ-07), JANKI
NAGAR, OPP INDIAN OIL DEPOT, BAHRAICH
ROAD, GONDA, UTTAR PRADESH. - 271001
PH :7705803261.

GORAKHPUR

2418. SMARTWHEELS PVT. LTD. (7201-72-01),
MOHADDIPUR, (NEAR RAMGARH TAL),
GORAKHPUR (U.P.) - 273012
PH :7705803152.

2419. SMARTWHEELS PVT. LTD. (7201-72-06), NEAR T
B HOSPITAL, LACHCHIPUR, NEPAL ROAD,
GORAKHPUR - 273012
PH :7705803109.

2420. SMARTWHEELS PVT. LTD. (7202-72-01), PLOT
NO.AL-4, SECTOR-9, GIDA, GORAKHPUR. -
273209
PH :9235401004.

2421. ARBIT AUTOMOBILES PVT LTD (7203-72-01),
ARAZI NO. 66/1/1 MI & 66/2/1MI, 66 MI, MAUZA -
MAHEWA MUSTAKIL, NEAR FALMANDI CHOWK,
TRANSPORT NAGAR, GORAKHPUR, UTTAR
PRADESH. - 273016
PH :8953412821.

GOSAIGANJ

2422. BRIGHT 4 WHEEL SALES PVT. LTD.
(CWK1-CWK-01), KHASRA NO. 24, VILLAGE -
SHEKHANPUR, PARGANA MOHANLALGANJ,
TEHSIL - MOHANLALGANJ, DIST.-LUCKNOW,
UTTAR PRADESH. - 226501
PH :9838075929.

GREATER NOIDA

2423. ROHAN MOTORS LTD. (T201-T2-01), 63-A,
UDYOY VIHAR, GREATER NOIDA, UTTER
PRADESH - 201306
PH :4513739, 4513736, 4513734,
4513700/9958506111.

HAIDERGARH

2424. BRIGHT 4 WHEEL SALES PVT. LTD.
(CVU1-CVU-01), PROPERTY SHOP NO. 5, 6 AND
7, VILLAGE - GOTAJUNA, PARGANA -
HAIDERGARH, TEHSIL - HAIDERGARH,
DISTRICT - BARABANKI. - 225124
PH :9935275786, 9838075929.

HAMIRPUR

2425. KTL PVT. LTD. (QH01-QH-01), VILLAGE
RAMEDI,KANPUR ROAD, HAMIRPUR - 210301
PH :7704907587.

HAPUR

2426. ROHAN MOTORS (6G01-6G-01), DELHI-HAPUR
ROAD, OPPOSITE SSV INTERCOLLEGE,HAPUR,
DISTRICT- GHAZIABAD - 245101
PH :8476853930, 9536129292.

HARDOI

2427. CONCEPT CARS PVT. LTD. (QE01-QE-01),
NANAK GANJ, LUCKNOW ROAD, HARDOI -
241001
PH :8756000000, 7607696666.

Dealer Workshop (AS ON 30.05.2023)

2428. CONCEPT CARS PVT. LTD. (0E01-0E-04), PLOT NO. 1609 & 1605 GANGA BUX PURVA, BILGRAM ROAD, HARDOI KANPUR HIGHWAY, HARDOI, UTTAR PRADESH. - 241001
PH :7607696666, 8756000000.

HATHRAS

2429. DEV MOTORS (P) LTD (B601-LP-03), NEAR NAGLA UMMED, ALIGARH ROAD, HATHRAS - 204101
PH :9917435500.

IGLAS

2430. DEV MOTORS (SOD1-01-SOD-01), MATHURA ROAD, IGLAS, DISTRICT ALIGARH. - 202124
PH :9837549000.

ITUNJA

2431. BRIGHT 4 WHEEL (SJD1-01-SJD-01), 90M GATA GRAM MANDOLI, ITUNJA, LUCKNOW, UTTAR PRADESH-226203. - 226203
PH :7011482503.

JAGDISHPUR

2432. BRIGHT 4 WHEEL SALES PVT. LTD. (XC01-XC-01), KATHORA,MUSAFIRKHANA,LUCKNOW SULTANPUR ROAD,JAGDISPUR-UTTAR PRADESH - 227817
PH :9721526961 , 9628374814.

JAGNER

2433. MERAK VEHICLES (SPJ1-SPJ-01), SHRI RAM GARDEN, AGRA ROAD, NEAR RADHA KRISHNA MANDHIR, JAGNER, UTTAR PRADESH, 283115 - 283115
PH :7896500400.

JALALABAD

2434. SUMITRA DS MOTORS PVT. LTD. (GJX1-GJX-01), GRAM: SUJAWALPUR, BAREILLY ROAD, TEHSILL: JALALBAD, DIST. SHAJHANPUR - 242221
PH :9336408074, 9897019488.

JAUNPUR

2435. KIRTIKUNJ AUTOMOBILES PVT. LTD. (6H01-6H-01), KHANPUR AKBAR, KUTTUPUR TIRAHA - 222001
PH :9564951026.

JHANSI

2436. SURI AUTOMOBILES (6001-60-01), BALAJI UNNA ROAD, ANSAL COLONY, JHANSI PIN - 284002. - 284002
PH :8881811383.
2437. VELOCITY CARS (A UNIT OF BASERA VELOCITY AUTOHUH PVT. LTD) (6002-60-01), PLOT NO 486, 487, 488, 489 AND 477 (PATTA NUMBERS), MAUZA - KOCCHABHANWAR, BLOCK - BADAGAON, TEHSIL AND DISTT - JHANSI. - 284128
PH :9889440999.

KANNAUJ

2438. KTL PVT. LTD. (2801-EM-05), PLOT NO. - 377, AKBARPUR, KANNAUJ - 209725
PH :7408409305.

KANPUR

2439. KTL PVT. LTD. (2801-28-01), 9/46, BENAJHABAR ROAD, HARSH NAGAR, KANPUR - 208002
PH :7408409341.
2440. MY CAR PVT. LTD. (2803-28-02), C-16, SITE-1, PANKI INDUSTRIAL AREA, KANPUR - 208022
PH :9792970088.

2441. MY CAR PVT. LTD. (2803-28-01), 84/54 C, JARIB CHOWKI, G. T. ROAD, KANPUR - 208003
PH :9792970511.

2442. KTL PVT. LTD. (2801-28-02), SHVAATRA KRISHNA NAGAR, G T ROAD, KANPUR - 208007
PH :7408409253.

2443. S B CARS PVT.LTD (2806-28-01), 77B , FAZALGANZ, KANPUR - 208012
PH :2241660.

2444. MY CAR PVT. LTD. (2803-28-05), 88, BLOCK-T, FACTORY AREA, FAZALGANJ, KANPUR - 208004
PH :9792970081.

2445. S B CARS PVT.LTD (2806-28-05), 1/6-7 AMBEDKAR PURAM, AWAS VIKASH, KALYANPUR, KANPUR - 208017
PH :7408525252.

2446. KULDEEP MOTORS KANPUR LLP. (2808-28-01), BUKHAND NO.756, 756A, 757, BLOCK: W, YOJNA: 2, JUHI KALAN, BARRA BYE PASS, KANPUR. - 208017
PH :9076608701.

2447. KTL PVT. LTD. (2801-28-07), ARAZI NO. 1110, VILLAGE BAIRI, AKBARPUR, KACCHAR, INDIRA NAGAR, KANPUR, UTTAR PRADESH - 208 026 PH :7408409379.

KARWI

2448. MY CAR PVT. LTD. (CBU1-CBU-01), ARAJI NO. 58, MAUJA - AMANPUR, TEHSIL - KARWI, DIST. -CHITRAKOOT, UTTAR PRADESH. - 210205
PH :9839029868, 9792970391.

KASGANJ

2449. MADHUSUDAN VEHICLES PRIVATE LTD. (BVX1-BVX-01), ARAJI NO. 646, SAURO ROAD, KASGANJ, DISTRICT - KASGANJ, UTTAR PRADESH. - 207123
PH :9837097863, 9690003034.

KASIA

2450. ARBIT AUTOMOBILES PVT LTD (GMJ1-GMJ-01), MAUJA BHAIASA, HETIMPUR KASIA, KUSHINAGAR, UTTAR PRADESH - 274206
PH :8953412821.

KATRA

2451. SUMITRA DS (SHY1-SHY-01), GRAM: SAALPUR NAVADIYAM, NH24, KATRA, TEHSIL - TILHAR, SHAJHANPUR - 242301
PH :9336408074.

KAYAMGANJ

2452. MY CAR PVT. LTD. (CBV1-CBV-01), BYE PASS ROAD , NEAR KHAN PETROL PUMP , VILLAGE : KAYAMGANJ , DISTT : FARUKHABAD - 209502
PH :9839029868, 9792970391.

KHAIR

2453. DEV MOTORS (SHQ1-SHQ-01), PLOT 117, ALIGARH PALWAL ROAD, VILLAGE CHAMAN NAGARIYA, KHAIR - 202138
PH :7351345577.

KHANDAULI

2454. MADHUSUDAN MOTORS PVT LTD (BVV1-BVV-01), KHASRA NO. 97, AGRA-SADABAD, HATHRAS ROAD, OPP. HDFC BANK, VILL- KHANDAULI, TEHSIL ETHMADPUR, DIST. AGRA, UTTAR PRADESH. - 283126
PH :9837097863, 9690003034.

KHUTAR

2455. SUMITRA DS MOTORS PVT LTD (CIO1-CIO-01), VILLAGE - NARAINPUR, VIKRAMPUR GOLA ROAD, KHUTAR, DISTRICT - SHAHJAHANPUR, UTTAR PRADESH. - 242405
PH :9336408074.

KIRAOLI

2456. PREM MOTORS PVT. LTD. (BJZ1-BJZ-01), GOVIND PALACE, NEAR KIRAWALI TEHSIL, AGRA - JAIPUR HIGHWAY, KIRAWALI, DISTRICT - AGRA, UTTAR PRADESH. - 283122
PH :9690010799.

KOSI

2457. UMA MOTORS PVT. LTD. (CPV1-CPV-01), KHASRA NO. 245, CITY - KOSI, DIST.-MATHURA - 281004
PH :9997683333, 9997511006.

KUBERPUR

2458. KTL PVT. LTD. (6606-CRU-04), KHASRA NO.248,249,251, NAWALPUR, BHAGPUR, POST-ETHMADPUR, NH-2, KUBERPUR, AGRA, UTTAR PRADESH - 282006
PH :8449715099.

KUNDA

2459. SARASWATI MOTORS (CBF2-CBF-01), ALLAHABAD-LUCKNOW HIGHWAY, KUNDA, DISTRICT PRATAPGARH. - 230204
PH :8090854005.

LAKHIMPUR

2460. SUMITRA DS MOTORS PVT LTD (W201-M3-02), GATA NO. 66, LRP ROAD, TOWARDS GOLA, LAKHIMPUR KHERI - 242001
PH :7522888333, 9415770000.

2461. SUMITRA DS (M301-M3-01), GATE NO 604, PALIA ROAD, NEAR FCI WEAR HOUSE, VILLAGE - BHARDSARIYA, KHERI, LAKHIMPUR - 262702
PH :7522888333, 9415770000.

LALGANJ

2462. KTL AUTOMOBILE PVT. LTD. (CSL2-CSL-01), JEEWAN DEEP COMPOUND, ALLAHABAD ROAD, LALGANJ, DISTT. RAIBARELLI - 229206
PH :9918451222.

LALITPUR

2463. SURI AUTOMOBILES (6001-6J-03), JAHANSI SAGAR ROAD, LALITPUR - 284001
PH :9451496015.

LUCKNOW

2464. ANAND MOTORS AGENCIES LTD (1301-13-01), 11TH KMS, FAIZABAD ROAD, CHINHAT, LUCKNOW - 227105
PH :7080000462.

2465. KTL AUTOMOBILE PVT. LTD. (1311-13-01), MATIYARI CHAURAHA, CHINNCHAT, FAIZABAD ROAD, LUCKNOW - 227105
PH :7408411453.

2466. ANAND MOTORS AGENCIES LTD (1301-13-02), 47, NEHRU ROAD, SADAR BAZAR, LUCKNOW - 226016
PH :3098257, 7080000463.

2467. BRIGHT 4 WHEEL SALES PVT. LTD. (1305-13-01), 11/CP- 6, VIKAS NAGAR, RING ROAD, LUCKNOW - 226022
PH :2739501.

2468. ONE UP MOTORS INDIA PVT. LTD. (1306-13-01), C-16A, TRANSPORT NAGAR, KANPUR ROAD, LUCKNOW, KANPUR ROAD, LUCKNOW - 228012
PH :9918100801.

2469. KTL AUTOMOBILE PVT. LTD. (1311-13-02), INDRANAGAR, OPP. HALFAIZABAD ROAD, LUCKNOW, UTTAR PRADESH - 226016
PH :7408411478.

2470. KTL AUTOMOBILE PVT. LTD. (1311-13-03), BEHIND N S KOHLI PETROL PUMP, SARDARI KHEDA, KANPUR ROAD, ALAMBAGH, LUCKNOW - 226005
PH :9918451222.

2471. ANAND MOTORS AGENCIES LTD (1301-13-04), G-3, LDA MARKET, ALIGANJ, LUCKNOW - 226024
PH :4103406/407/408, 7080000464.

2472. ONE UP MOTORS INDIA PVT. LTD. (1306-13-03), CHHANNIAL CROSSING, MANDIR MARG, LUCKNOW - 226005
PH :9918500451.

2473. BRIGHT 4 WHEEL SALES PVT. LTD. (1305-13-02), PARGANNA MOHANNNA, STP ROAD, CHATMEEEL, LUCKNOW - 226021
PH :9838075960.

2474. BRIGHT 4 WHEEL SALES PVT. LTD. (1305-II-04), PLOT NO: 57 TO 60, KAUSHALABAD, BADHAULI BKT. PARGANA MOHANNA, SITAPUR ROAD, BAKSHI KA TALAB, LUCKNOW - 226020
PH :7317049000.
2475. BRIGHT 4 WHEEL SALES PVT. LTD. (1305-13-05), PLOT NO. 68, BUTLER GANJ, BAALU ADDA, LUCKNOW - 226001
PH :8756000000, 7607696666.
2476. MEGA MOTORS (A UNIT OF AKM MOTORS PVT. LTD) (1313-13-01), CP1 (COMMERCIAL PLOT 1), VIBHAV KHAND, GOMTI NAGAR, LUCKNOW. - 226 010
PH :9935096417, 7054631666.
2477. KTL AUTOMOBILE PVT. LTD. (1311-13-07), B-6/1A, AMAUSI INDUSTRIAL AREA, NADARGANJ, LUCKNOW, UTTAR PRADESH. - 226008
PH :7800007376.
2478. BRIGHT 4 WHEEL SALES PVT. LTD. (1305-13-06), KHASRA NO. 418, MISHRAPUR PARGANA MAHONA, KURSI ROAD, LUCKNOW. - 226022
PH :9935275786.
2479. ONE UP MOTORS INDIA PVT. LTD. (1314-13-01), KHASRA NO. 20 TO 25, 30, 35, 37, 42, 43, 45, 47, 48, 49, 67, 68, 71 & 99, RAJJABGANJ, HARDOI ROAD, LUCKNOW. - 226003
PH :9821026545, 7800005200.
2480. MEGA MOTORS (A UNIT OF AKM MOTORS PVT. LTD) (1313-13-02), KHASRA NO. 614, VILLAGE: BHADRAKH, VIP CANNEL RINGI ROAD, DEVI KHERA, TELIBAGH (VIP ROAD), TEHSIL: SAROJNI NAGAR, LUCKNOW, U. AR PRADESH 226002 - 226002
PH :6388901514.
- MADHOGANJ**
2481. CONCEPT CARS PVT. LTD. (BHI1-BHI-01), KANPUR ROAD, NEAR RAILWAY CROSSING, MADHOGANJ, DIST. HARDOI. - 241001
PH :220016, 220064, 7607696666.
- MAHARAJGANJ**
2482. SMARTWHEELS PVT. LTD. (EI01-EI-01), NEAR PHARENDA TAXI STAND, NAHAR ROAD, PIPAR DEORA, MAHARAJGANJ, DIST. MAHARAJGANJ, UTTAR PRADESH. - 273303
PH :7705800602, 7705803109.
2483. KTL AUTOMOBILE PVT. LTD. (CSM2-CSM-01), MUNNA MARKET HAIDERGARH ROAD TOWN AREA, TEHSIL - MAHARAJGANG, DISTRICT - RAIBAREILLY, UTTAR PRADESH. - 229306
PH :99184512222.
- MAHMUDABAD**
2484. CONCEPT CARS PVT. LTD. (AAN1-AAN-01), IN FRONT OF POWER HOUSE, SIDAULI ROAD, MAHMUDABAD (U.P.) - 261203
PH :7607696666, 8756000000.

- MAHOPA**
2485. SURI AUTOMOBILES (6001-RM-02), NEAR PARMANAND CHOWK, GANDHINAGAR, MAHOPA, UTTAR PRADESH. - 284001
PH :244344, 9451496015.
2486. VELOCITY MOTORS (RM02-RM-01), BAJRANG CHOWK, SAGAR-KANPUR HIGHWAY, MAHOPA - 210427
PH :9560998709.
- MAHOLI**
2487. CONCEPT CARS PVT. LTD. (CWS1-CWS-01), MUSKAN TRACTORS, NEAR MELA MAIDAN, SHAHJHANPUR ROAD, MAHSUNIYAGANJ, MAHOLI, DIST.-SITAPUR, UTTAR PRADESH. - 261141
PH :7607696666.
- MAHRONI**
2488. SURI AUTOMOBILES (CGN1-CGN-01), LALITPUR ROAD, MEHRONI, DISTRICT - LALITPUR, UTTAR PRADESH. - 384405
PH :7705000558, 8881811383.
- MAINPURI**
2489. KULDEEP MOTORS (6E01-SG-02), SKP-4A, MAINPURI - 205001
PH :9235258444.
- MALIHABAD**
2490. ONE UP MOTORS INDIA PVT. LTD. (BOD1-BOD-01), KHASRA NO. 326/1 AND 327, VILLAGE PARGANA, TEHSIL - MALIHABAD, DISTRICT - LUCKNOW, UTTAR PRADESH. - 227111
PH :9918100781.
- MANDURI**
2491. DEEP MOTORS (K501-K5-04), VILLAGE -- BALDEV MADURI, TEHSIL - SAGRI, DISTRICT -- AZAMGARH, UTTAR PRADESH. - 278138
PH :99838072902.
- MATHURA**
2492. UMA MOTORS PVT. LTD. (H801-H8-01), 68, MAHOLI NEAR JAI GURUDEV TEMPLE, NH-2, KM STONE 146, MATHURA - 281004
PH :2463043/ 6290700.
- MATI**
2493. MEGA MOTORS (A UNIT OF AKM MOTORS PVT. LTD) (SCG1-SCG-01), GATA NO 761, NEAR MATI POLICE CHOWKI, VILLAGE- MATI, PARGANA- DEWA, TEHSIL- NAWABGANJ, BARABANKI, UTTAR PRADESH - 225 003
PH :6388901514.
- MAURANIPUR**

2494. VELOCITY CARS (A UNIT OF BASERA VELOCITY AUTOHUB PVT. LTD) (GJJ1-GJJ-01), BASERA CITY, MAURANIPUR - GARUTHA ROAD, MAURANIPUR, DISTT. JHANSI, UTTAR PRADESH - 284204
PH :8299202863.
- MAWANA**
2495. RADHA GOVIND AUTOMOBILES PVT LTD (CW21-CWZ-01), MAIN SHANTI NAGAR ROAD, MAWANA KALAN, SUBDIVISION HASTINAPUR, TEHSIL MAWANA, DISTRICT MEERUT - 250401
PH :9012575727.
- MEERUT**
2496. TANYA AUTOMOBILES PVT. LTD. (4802-48-01), GOVT. INDUSTRIAL TRAINING INSTITUTE, BACHHA PARK, MEERUT - 250001
PH :9837077003.
2497. TANYA AUTOMOBILES PVT. LTD. (4802-48-03), 90, NAUCHANDI GROUND, GARH ROAD, MEERUT - 250001
PH :9837077004.
2498. RADHA GOVIND AUTOMOBILES PVT. LTD. (4807-48-01), VILLAGE - BARAL, KUNDA GATE NEAR YOGI FARM HOUSE, PARTAPUR, DELHI ROAD, MEERUT. - 250002
PH :9821217610.
2499. TANYA AUTOMOBILES PVT. LTD. (4802-48-04), MUNICIPAL NO. 9, 9/2, 9/3, 9/4, 11, 11/1, VILLAGE - ROSHANPUR DORLI, OPP. KONARK COLONY, NEAR RAJAMANDIR MANDAP, ROORKEE ROAD, TEHSIL - SARDHANA, MEERUT, U.P. - 250001
PH :7900201515.
- MIRZAPUR**
2500. STAR CARS (6K02-6K-01), PILI KOTHI, STATION ROAD, MIRZAPUR, UTTAR PRADESH - 231001
PH :7052547903, 9721905002, 9151154306, 9450544961.
- MISHRIKH**
2501. CONCEPT CAR (SKJ1-SKJ-01), NEAR ARYAVART BANK, SITAPUR ROAD, MISHRIKH, SITAPUR, U.P., PINCODE: 261401 - 261401
PH :7607696666.
- MODINAGAR**
2502. MOTORCRAFT SALES PVT. LTD. (5903-M7-02), OPPOSITE SONIA ENCLAVE, ADJACENT SUMAN CINEMA, NH-58, MODINAGAR - 201204
PH :09557338222 & 07042427140.
- MOHANLALGANJ**
2503. BRIGHT 4 WHEEL SALES PVT. LTD. (BWU1-BWU-01), KHASARA PLOT NO.581, VILLAGE PURSANI, PARGANA AND TEHSIL MOHANLALGANJ, LUCKNOW DISTT., UTTAR PRADESH - 227305
PH :7571905966.
- MORADABAD**

2504. AKANKSHA AUTOMOBILES PVT. LTD. (B401-B4-01), DELHI ROAD, 5TH.KM, MORADABAD (U.P.) - 244001
PH :7247800008
2505. AKANKSHA AUTOMOBILES PVT. LTD. (B401-B4-03), 5TH KM DELHI ROAD, MORADABAD - 244001
PH :7895600007.
2506. AKANKSHA AUTOMOBILES PVT. LTD. (B401-B4-04), KHASRA NO. 569-570, VILLAGE - KAJIPIRA, KANTAR ROAD, MORADABAD, UTTAR PRADESH. - 244001
PH :7895500007.
- MUZAFFARNAGAR**
2507. RADHA GOVIND (H903-H9-01), NH -58 ,121 KM STONE, BY-PASS ROAD, NEAR TRANSPORT NAGAR, MUZAFFARNAGAR - 251001
PH :8760092009.
- NAJIBABAD**
2508. SHAKUMBARI AUTOMOBILES (P) LTD (CPS1-CPS-01), NEAR BUS STAND, BIJNORE BYPASS ROAD, NAJIBABAD, DIST.-BIJNORE, UTTAR PRADESH. - 246 701
PH :9045815209.
- NAUGARH**
2509. SMARTWHEELS PVT. LTD. (QG01-QG-01), NEAR PAKARI CHAURAHA, NAUGARH ROAD, SIDHARTHANAGAR - 272205
PH :7705803129.
- NAUTANWA**
2510. SMARTWHEELS PVT LTD (SDW1-SDW-01), OPP. RAJIV GANDHI DEGREE COLLEGE, BYPASS ROAD, NAUTANWA, DISTT -- MAHARAJGANJ - 273164
PH :77058 00602.
- NAWABGANJ**
2511. KAVISHA MOTORS PVT LTD (CHT1-CHT-01), VILLAGE - EIDH JAGIR NEAR GURUDWARA AT NH-74, TEHSIL - NAWABGANJ, DISTRICT -- BAREILLY. - 262406
PH :07895980222, 07895980300.
- NIGOHA**
2512. BRIGHT 4 WHEELS (SGV1-SGV-01), GATA NO 146, VILL NIGOHA, TEHSIL MOHANLALGANJ, LUCKNOW - 226302
PH :7011482503.
- NOIDA**
2513. ROHAN MOTORS LTD. (A102-A1-01), C-8/9, SECTOR - I, NOIDA - 201301
PH :4071900, 4071909, 4071931, 4071932, 4071209, 4071949/9582210152.
2514. ROHAN MOTORS LTD. (A102-A1-02), C-11, SECTOR-1, NOIDA, UTTAR PRADESH - 201301
PH :4071900, 209,31,32/9582210152.

Dealer Workshop (AS ON 30.05.2023)

2515. FAIR DEAL PREMIUM WHEELS PVT.LTD.
(A108-A1-01), D-39, SEC-10, NOIDA - 201301
PH :0844829894 & 09654326008.

2516. VIPUL MOTORS PVT. LTD. (A101-A1-02), B-124 & B-125, SECTOR - 5, NOIDA, UTTAR PRADESH - 201301
PH :4603100/28/33/8527835888.

2517. VIPUL MOTORS PVT. LTD. (A106-A1-01), J-14, SECTOR-63, NOIDA, DISTT. GAUTAM BUDDH NAGAR (U.P.) - 201301
PH :4758600/102/9448589759.

2518. MOTORCRAFT SALES PVT. LTD. (5903-A1-04), PLOT NO.15, SECTOR-140, NOIDA (U.P.) - 201305
PH :09818532222 & 09971733233.

2519. MOTORCRAFT SALES (5903-A1-05), PLOT NO 19 ECOTECH 12 GREATER NOIDA WEST ,GB NAGAR , UP - 201306
PH :8826312222.

ORAI
2520. S B CARS PVT.LTD (2806-LU-02), KANPUR ROAD, ORAI - 285001
PH :9307219303.

PADRONA
2521. SMARTWHEELS PVT. LTD. (BGJ1-BGJ-01), AARJI NO. 37 & 38, MAUJA - BELWA MISRA, TAPPA PAKOI, PARAGNA - SIDHUA JAUBNA, TEHSIL - PADRAUNA, DIST.-KUSHINAGAR, UTTAR PRADESH. - 274304
PH :7705803259.

PANWARI
2522. SURI AUTOMOBILES (SLC1-SLC-01), PANWARI, NEAR RAM LEELA GROUND, TEHSIL KULPAHAR, DISTRICT MAHOBA. - 210429
PH :9452287690.

PAPHUNDA
2523. TANYA AUTOMOBILES (4802-SIB-05), 354/1, MAIN HAFUR ROAD, PAPHUNDA. - 245206
PH :93193 24588.

PEPPANGANJ
2524. ARBIT AUTOMOBILES PVT LTD (GKG1-GKG-01), GHATA NO. 466, 465 & 472, PEPPANGANJ, MOUZA - SAHABGANJ, TEHSIL - CAMPIERGANJ, DISTT: GORAKHPUR - 273165
PH :99534 12621.

PILIBHIT
2525. CORAL MOTORS (P) LTD. (IL01-IL-01), BISALPUR ROAD, PILIBHIT, U.P. - 262001
PH :9837891846.

PRAYAGRAJ
2526. SARASWATI MOTORS (2904-29-01), PLOT NO 24, INDUSTRIAL AREA MNIT COLLEGE, TELIYARGANJ, PRAYAGRAJ, UTTAR PRADESH. - 211004
PH :8090854053.

2527. BRIGHT 4WHEELS (2905-29-01), ARAZI NO 390 AND 389 AT KATKA, ANDAWA SAHSON BYPASS, PRAYAGRAJ - 211002
PH :9415324201.

PURANPUR
2528. CORAL MOTORS (P) LTD. (CAD1-CAD-01), KHASRA NO. 768 & 770, VILLAGE - KHAMIRIYA PATTI, PURANPUR - PILIBHIT ROAD, TEHSIL AND PARGANA - PURANPUR, DIST. PILIBHIT. - 262124
PH :9837891846, 99270011120.

RAIBAREILLY
2529. KTL AUTOMOBILE PVT. LTD. (HS07-HS-01), PLOT NO. 1550, GULLUPUR, P O KATWARA, HIJARCHANDRAPUR, RAIBAREILLY - 229303
PH :7800001601.

RAM SANEHI GHAT
2530. BRIGHT 4WHEELS (SDH1-SDH-01), GATA NO 76, VILLAGE - BHENDUWA BRAHMANAN, TEHSIL - RAM SANEHI GHAT, BARABANKI, UTTAR PRADESH, PIN 225409 - 225409
PH :9935275786.

RAMNAGAR
2531. BRIGHT 4 WHEEL SALES PVT. LTD. (BRK1-BRK-01), KHASRA NO. 629, VILLAGE - BUDHAWAL, TEHSIL - RAMNAGAR, DIST. -BARABANKI, UTTAR PRADESH. - 225205
PH :9935275786, 9838075929.

RAMPUR
2532. AKANKSHA AUTOMOBILES PVT. LTD. (B401-6L-02), SHAHZAD NAGAR BAREILLY ROAD RAMPUR UTTAR PRADESH - 244901
PH :7248000002.

RAYA
2533. UMA MOTORS PVT. LTD. (BXX1-BXX-01), CHAUDHARY PADAM SINGH MARKET, NEAR INDIA INTER COLLEGE, RAYA - MAANT ROAD, RAYA, DISTT. MATHURA (U.P.) - 281204
PH :9997683333, 9997511006.

ROBERTSGANJ
2534. STAR CAR (CTY1-CTY-01), UMRAURA, PIMPRI ROAD, ROBERTSGANJ, UTTAR PRADESH. - 231 216
PH :7052547903, 9721905002, 9151154306, 9450544961.

SAHARANPUR
2535. ATELIER AUTOMOBILES (S203-S2-01), NEAR BARI NAHAR, AMBALA ROAD, SAHARANPUR - 247001
PH :7500250042.

SAHIBABAD

2536. FAIR DEAL WHEELS PVT. LTD (08E1-M9-01), 12/67, SITE 4, INDUSTRIAL AREA, SAHIBABAD, GHAZIABAD - 110095
PH :4740409/102/436, 886088669.

2537. MOTORCRAFT SALES PVT. LTD. (5903-M9-01), S-7 SITE-IV, SAHIBABAD INDUSTRIAL AREA, NEAR DABUR CHOWK, SAHIBABAD - 201010
PH :4172222/21402222, 09958662222 & 09560605122.

2538. T.R. SAWHNEY MOTORS PVT LTD (0819-M9-03), 28/1/1, SITE-IV, SAHIBABAD INDUSTRIAL AREA, DISTT- GHAZIABAD, UTTAR PRADESH - 201010
PH :9999399152; 9999939143.

SALEMUR
2539. SMARTWHEELS PVT LTD (GKA1-GKA-01), GHATA NO. 48, GRAM: DEVPAR, TEHSILL: SALEMUR, PARGANA: SALEMUR MAUJHAULI, DISTT: DEORIA - 274509
PH :7705800602, 7705803321.

SALON
2540. KTL AUTOMOBILES (SCP1-SCP-01), SALON BYPASS, PARSHEDAPUR ROAD, SALON, DISTRICT RAIBARELLI, UTTAR PRADESH - 229127
PH :9918451222.

SAMBHAL
2541. AKANKSHA AUTOMOBILES PVT. LTD. (BBP1-BBP-01), PLOT NO. 303, NEAR TAJ MILK FACTORY, MORADABAD SAMBHAL ROAD, SAMBHAL, UTTAR PRADESH - 244302
PH :9997776876.

SANDILA
2542. CONCEPT CARS PVT. LTD. (WY01-WY-01), PLOT NO.371, SARAY MARUPPUR, LUCKNOW ROAD, SANDILA-241204 DISTT. HARDOI. - 241204
PH :8756000000, 7607696666.

SARBHANA
2543. RADHAGOVIND AUTOMOBILES (MM01-MM-01), DAURALA ROAD, NEAR RADHASWAMI SATSANG, SARDANA - 250342
PH :7456003222.

SAHABAD
2544. CONCEPT CARS PVT. LTD. (AAX1-AAAX-01), VILLAGE MUJAGADH, SHAHABAD - 241124
PH :8756000000, 7607696666.

SHAHJAHANPUR
2545. SUMITRA DS MOTORS PVT LTD (W201-W2-01), SITAPUR ROAD, NH-24, SHAHJAHANPUR - 242001
PH :7522888333, 9415770000.

SHAMLI

2546. RADHA GOVIND AUTOMOBILES PVT. LTD. (XJ01-XJ-01), KHERI KARMLU, OPPOSITE POWER HOUSE, PANIPAT-KAIRANA ROAD, SHAMLI UTTAR PRADESH - 247776
PH :8979862084.

SHIKOHABAD
2547. MADHUSUDAN VEHICLES PRIVATE LTD. (XH01-XH-01), 2508, KATRA MIRA, MAHAMMABAD, OPP PROFESSOR COLONY, NH 2, BYE PASS ROAD, SHIKOHABAD, DISTT: FIROZABAD, UTTAR PRADESH - 283203
PH :9837097894, 9690003001.

SIDHAULI
2548. CONCEPT CARS PVT. LTD. (BFO1-BFO-01), R/O MISHRIKH ROAD NOROTAM NAGAR, DAKSHIDI, OPP. BLOCK, SIDHAULI, SITAPUR. - 261303
PH :7607596666.

SIKANDRA
2549. KTL PVT LTD (SJE1-SJE-01), YADAV MARKET, NEAR SURYA DHABA, NH-19, ETAWAH-KANPURROAD, SIKANDRA, U.P. - 209715
PH :9414113666.

SIKANDRABAD
2550. SK UNIVERSE (CWQ1-CWQ-01), NEAR R K SCHOOL, VILLAGE - SANWALI SIKANDRABAD , DIST - BULANDSHAHR UTTAR PRADESH , PIN 203202 - 203202
PH :7310106965.

SITAPUR
2551. CONCEPT CARS PVT. LTD. (QE01-6M-02), LUCKNOW-DELHI ROAD, NH-24, VILLAGE JAMMAYAPUR, SITAPUR - 261001
PH :7607696666, 8756000000.

SIYANA
2552. SK UNIVERSE (SIN1-SIN-01), BULANDSHAHR ROAD, SIYANA DIST- BULANDSHAHR, UTTAR PRADESH PIN CODE 203412 - 203412
PH :9219694600.

SULTANPUR
2553. KIRTIKUNJ AUTOMOBILES PVT. LTD. (N101-N1-01), SHAURYAMAU, MIRANPUR, VARANSI-LUCKNOW HIGHWAY, NH-56 (FAIZABAD BYPASS) SULTANPUR - 228001
PH :227760 , 220107.

SWAR
2554. AKANKSHA AUTOMOBILES PVT. LTD. (CQX1-CQX-01), IN FRONT OF EIDGAH, TEHSIL - SWAR, DISTRICT - RAMPUR, UTTAR PRADESH. - 244924
PH :9528004006.

TAMBOUR

2555. CONCEPT CARS (SOB1-SOB-01), NEAR INDIAN GAS GANJARI, SITAPUR ROAD TAMBOUR - 261208
PH -7607696666.

THAKURDWARA

2556. AKANKSHA AUTOMOBILES PVT. LTD. (KOO1-KO-01), 2 KM. MORADABAD ROAD, NEAR JEETA KA DHABA, SAHAB GANJ (MUNSHI GANJ), THAKURDWARA, DISTT. MBD. UTTAR PRADESH - 244601
PH :9917224562.

TILOI

2557. KTL AUTOMOBILE PVT. LTD. (CGY2-CGY-01), VILLAGE PURE LANGDA, PAKAR GAON, MOHAN GUNJ, TEHSIL - TILOHI, DIST.-RAIBARELI. - 229309
PH :99184512222.

UJHANI

2558. ETERNITY MOTORS LLP (GJK1-GJK-01), BADAUN BYE PASS ROAD, UJHANI - 243639
PH. 94122 89074.

UNCHAHR

2559. KTL AUTOMOBILE PVT. LTD. (IH02-IH-01), ALLAHABAD LUCKNOW ROAD, NEAR PURANA PETROL PUMP, WARD NO. 5, UNCHAHRANA, DISTT: RAIBARELI - 229404
PH :99184512222.

UNNAO

2560. S B CARS (2806-KL-04), HUSSAIN NAGAR BYPASS,KANPUR-LUCKNOW HIGHWAY ROAD, UNNAO,U.P. - 209801
PH :9839806451.

VARANASI

2561. VARANASI MOTORS PVT. LTD. (8402-84-01), THE MALL, CANTONMENT, VARANASI - 221001
PH :2509068, 2509069.

2562. AGR AUTOMOBILES PVT. LTD. (8403-84-01), B-38/2A, MAHMOORGANJ, GOPAL VIHAR, VARANASI - 221010
PH :2360436.

2563. VARANASI MOTORS PVT. LTD. (8402-84-03), ARAJI NO.2 AND 48, G.T. ROAD, TODAPUR, MOHANSARAI, RAJATALAB, VARANASI (U.P.) - 221311
PH :2632786, 9838360662.

2564. AGR AUTOMOBILES PVT. LTD. (8403-84-04), ARAZI NO. 399, 398, 400, 401,NH2 PANDITPUR, DEHAT AMANAT, TEHSIL - RAJATALAB, VARANASI - 221112
PH :98898 03355.

UTTARAKHAND

ALMORA

2565. NAINITAL MOTORS PVT LTD (J603-SQ-04), PAWAR BHAWAN, JOSHI KHOLA RAJPURA, PITHRAGARH ROAD, ALMORA - 263601
PH -9997194132.

BAGESHWAR

2566. NAINITAL MOTORS PVT LTD (J603-8I-05), VILL. BILOMA,SERA, BAGESHWAR, UT, BAGESHWAR - 263642
PH :9557200522.

BAZPUR

2567. AKANKSHA AUTOMOBILES (RUDRAPUR) PVT LTD (CGU2-CGU-01), KHASRA NO. 96/2, VILLAGE - BHONA, ISLAM NAGAR, TEHSIL - BAZPUR, UTTARAKHAND. - 262401
PH :9634151501.

CHAMPAWAT

2568. AKANKSHA AUTOMOBILES (RUDRAPUR) PVT LTD (SF02-SF-01), TANAKPUR LOHAGHAT ROAD, CHAMPAWAT, UTTARAKHAND - 262523
PH :8929400545, 8191000832.

CHAUKHUTIYA

2569. NAINITAL MOTORS PVT LTD (CVG1-CVG-01), NH-58, BADRINATH ROAD, CHAUKHUTIYA, DIST.-ALMORA, UTTARAKHAND - 263656
PH :9997026565.

DEHRADUN

2570. ROHAN MOTORS LTD. (5702-57-01), 130/1 CHAKRATA ROAD, YAMUNA COLONY, DEHRADUN - 248001
PH :9997036800.

2571. DD MOTORS (A DIVISION OF D.D. PREM PVT.LTD.) (5707-57-01), 918/221, PATEL NAGAR, INDUSTRIAL AREA, DEHRADUN - 248001,
PH :9368193007.

2572. ROHAN MOTORS LTD. (5702-57-02), 257/2, GMS ROAD ,VILL. NIRANJANPUR, ADJ TO KAMLA PALACE, DEHRADUN - 248001
PH :8630956832, 9897227227.

2573. FUTURE AUTO WHEELS PVT LTD (5706-57-01), KHASRA NO. 8KHA, MOHABEWALA INDUSTRIAL AREA, DEHRADUN. - 248001
PH :0135-2640263, 7895956011.

2574. FUTURE AUTO WHEELS (5706-57-02), MUNICIPAL NUMBER 45 AND 46, RAJPUR ROAD, DEHRADUN, PIN: 248001 - 248001
PH :9760444430.

DIDIHAT

2575. NAINITAL MOTORS (SKN1-SKN-01), SUBHASH CHANDRA BOSE WARD, NEAR D.I.E.T, DIDIHAT, DISTT PITHORAGARH, PINCODE: 262551. - 262551
PH :9634092692.

DOIWALA

2576. FUTURE AUTO WHEELS PVT LTD (BRI1-BRI-01), 26, MISSARAWALA, DOIWALA, DISTRICT - DEHRADUN, UTTARAKHAND. - 248140
PH :7953071196.

GADARPUR

2577. AKANKSHA AUTOMOBILES (RUDRAPUR) PVT LTD (CVS1-CVS-01), BHASIYA MOD, RUDRAPUR ROAD, GADARPUR, UDHAM SINGH NAGAR, UTTARAKHAND. - 263152
PH :9258156028.

GAIRSAIN

2578. ROHAN MOTORS LTD (CRH1-CRH-01), KHASRA NO. 1048, RANIKHET ROAD, OPP. GIC GROUND, GAIRSAIN, DISTRICT - CHAMOLI, UTTARA KHAND. - 246428
PH :8755839951.

GANGOLIHAT

2579. NAINITAL MOTORS (CODE UNDER CREATIONS.CODE UNDER CREATIONS-CODE UNDER CREATIONS), VILL.-KHETIGARA, PITHORAGARH-GANGOLIHAT HALL, GANGOLIHAT, DISTT: PITHORAGARH - 262522
PH :9997093043.

GOPESHWAR

2580. ROHAN MOTORS LTD. (5702-MV-03), CHOPTA MANDAL ROAD, NEAR FOREST GATE, GOPESHWAR - 131028
PH :9634852898.

HALDWANI

2581. NAINITAL MOTORS PVT LTD (J603-J6-01), VILLAGE JEETPUR NEGY, 5TH KM RAMPUR ROAD, HALDWANI - 263139
PH :7060201024.

2582. NAINITAL MOTORS PVT LTD (J603-J6-02), KALA DUNGI ROAD, NEAR HARIPRIYA BANQUET HALL, KATHGHARIYA, HALDWANI - 263139
PH :8126359222.

HARIDWAR

2583. SHAKUMBARI AUTOMOBILES (P) LTD (6N02-6N-01), E-5/6, INDUSTRIAL AREA, HARDWAR - 249407
PH :9897476897.

JASPUR

2584. AKANKSHA AUTOMOBILES (RUDRAPUR) PVT LTD (BKL2-BKL-01), GANGUWALA, INFRONT OF ROOPAM CONVENT, KASHIPUR ROAD, JASPUR, UTTARAKHAND. - 244712
PH :8958023786.

KARANPRAYAG

2585. ROHAN MOTORS LTD (CRG1-CRG-01), BADRINATH ROAD, KARANPRAYAG, DISTRICT - CHAMOLI, UTTARAKHAND. - 246444
PH :8755011005.

KASHIPUR

2586. AKANKSHA AUTOMOBILES (RUDRAPUR) PVT LTD (DG02-DG-01), BAZPUR ROAD, KASHIPUR - 244713
PH :7307704864.

KHATIMA

2587. AKANKSHA AUTOMOBILES (RUDRAPUR) PVT LTD (XL02-XL-01), VILLAGE: CHARUBETA,NEAR RTO CHECK POST,PILIBHIT ROAD KHATIMA, U.S NAGAR,UTTRAKHAND - 262308
PH :8191000132.

KOTDWAR

2588. SHAKUMBARI AUTOMOBILES (P) LTD (6N02-2I-02), PLOT NO.23 & 30 INDUSTRIAL ESTATE, SITABPUR, KOTDWAR, DIS. PAURI (GARHWAL), UTTARAKHAND - 249001
PH :8755989075, 7310106565.

LAKSAR

2589. SHAKUMBARI AUTOMOBILES (CTF1-CTF-01), HARIDWAR ROAD, LAKSAR - 247664
PH :9630087926.

NANAKMATA

2590. AKANKSHA AUTOMOBILES (RUDRAPUR) PVT LTD (CVT1-CVT-01), KHATIMA ROAD, OPP GURURAMIDAS HOSPITAL, NANAKMATTA, U.S. NAGAR, UTTARAKHAND. - 262311
PH :7830033763.

PITHORAGARH

2591. NAINITAL MOTORS PVT LTD (J603-NM-03), VILLAGE PANDA, ODSAINI, DHARCHULA ROAD, PITHORAGARH - 262501
PH :9634092692.

RAMNAGAR

2592. NAINITAL MOTORS PVT LTD (XM01-XM-01), OPP. GAYATRI VIHAR, VILL. BASAI, 7TH KM. KASHIPUR ROAD, RAMNAGAR - 244137
PH :9639016895.

RANIKHET

2593. NAINITAL MOTORS PVT LTD (AXA1-AXA-01), GANYADYOLI, NEAR DRUG FACTORY, RANIKHET DISTT. ALMORA (UTTARAKHAND) - 263645
PH :9557243222.

RISHIKESH

2594. FUTURE AUTO WHEELS PVT LTD (AAS1-AAS-01), 640, LAXMAN JHULA ROAD, RISHIKESH, DISTT. DEHRADUN, UTTARAKHAND - 249201
PH :79409241219.

ROORKEE

2595. SHAKUMBARI AUTOMOBILES (P) LTD (H201-H2-01), 3RD KM STONE, DELHI-ROORKEE HIGHWAY, NEAR IOC PETROL BUNK, ROORKEE DISTT HARIDWAR - 247667
PH :7055104191.

Dealer Workshop (AS ON 30.05.2023)

RUDRAPRAYAG

2596. ROHAN MOTORS (IK01-IK-01),
GULABRAI-BADRINATH ROAD, RUDRAPRAYAG
- 246171
PH :8650876815.

RUDRAPUR

2597. AKANKSHA AUTOMOBILES (RUDRAPUR) PVT
LTD (U404-U4-01), KICHA BYE PASS ROAD,
INDUSTRIAL AREA, RUDRAPUR - 263153
PH :8859502864.

SELAQUI

2598. ROHAN MOTORS LTD (CRF1-CRF-01), KHASRA
NO.783, BAHADURPUR ROAD, NH-72, SELAQUI,
DISTT.-DEHRADUN, UTTARAKHAND. - 248011
PH :8006000439.

SITARGANJ

2599. AKANKSHA AUTOMOBILES (RUDRAPUR) PVT
LTD (CD02-CD-01), PLOT NO.228/5 AND 228/6
KHATIMA ROAD, SITARGANJ, DISTT -
RUDRAPUR, UTTARAKHAND. - 262405
PH :8192000375.

SRINAGAR

2600. SHAKUMBARI AUTOMOBILES (ANA1-ANA-01),
SRICOT GANAGANALI, NEAR MEDICAL
COLLEGE, PO- SRICOT, SRINAGAR - 246174
PH :8077425944.

TEHRI

2601. DD MOTORS (A DIVISION OF D.D. PREM
PVT LTD.) (QA02-QA-01), PLOT NO. 541,
SECTOR-8E, DISTT. - NEW TEHRI - 249001
PH :9690994366.

UTTARKASHI

2602. DD MOTORS (A DIVISION OF D.D. PREM
PVT LTD.) (6I02-6I-01), HOTEL RAMOLA,
BARETHI CHUNGI, GANGOTRI NATIONAL
HIGHWAY, UTTARKASHI. - 249151
PH :7248886807.

UTTRAKHAND

DEHRADUN

2603. SHAKUMBARI AUTOMOBILES (5708-57-01),
KHASRA NO.15-ANA, MOHABBEWALA,
SAHARANPUR ROAD, DEHRADUN, PIN-248001,
UTTARAKHAND - 248001
PH :9639698871.

PATI

2604. AKANKSHA AUTOMOBILES (RUDRAPUR) PVT
LTD (SFX1-SFX-01), LOHAGHAT- HALDWANI
MAIN ROAD, NEAR PITHORAGARH
CO-OPERATIVE BANK, PATI-262528 - 262528
PH :8191000832.

WEST BENGAL

ALIPURDUAR

2605. PODDAR CAR WORLD PVT. LTD.
(BZ01-BZO-01), BIRPARA MORE, COOCH
BEHAR ROAD, BESIDE GOYENKA PETROL
PUMP, ALIPURDUAR, WEST BENGAL. - 736121
PH :8945533002
9735008343
9749707070.

AMTALA

2606. BHANDARI AUTOMOBILES PVT LTD
(BQH1-BQH-01), VILLAGE - UDAYRAMPUR, P.O.
- KANYANAGAR, P.S. - BISHNUPUR, AMTALA,
DIST.-24 PARGANAS SOUTH, WEST BENGAL -
743 398
PH :9903850402.

ARAMBAGH

2607. SANEI MOTORS PVT. LTD. (7T02-7T-01), R.S.
DAG NO. 1887, R.S. KHATIAN NO. 104, HAL
KHATIAN NO. 1233, MOUZA-PARUL, J.L.NO. 38,
R.S.NO. 3111, P.S. ARAMBAGH, DISTT.
HOOGHLY, WEST BENGAL - 712601
PH :8584050184.

ASANSOL

2608. BEEKAY AUTO PVT LTD (F601-F6-01), CHANDA
MORE, N.H.-2, ASANSOL - 713301
PH :9932049425,
9932049435.

BADURIA

2609. PREMIER CARWORLD (SOE1-SOE-01), VILL-
KIRRTIPUR, P.O- MANDRA, P.S - BADURIA, DIST
- NORTH 24 PARGANAS, WEST BENGAL. PIN -
743438. - 743438
PH :9831414956.

BAGDAH

2610. SANEI MOTORS PVT. LTD. (BON1-BON-01), C/O,
DINABANDHU TARAFDAR, S/O LATE
NARENDRANATH TARAFDAR, VILLAGE -
HALENCHA SOUTH, P.O. - HALENCHA COLONY,
P.S. - BAGDAH, DISTRICT - NORTH 24
PARGANAS, WEST BENGAL. - 743270
PH :8584050184.

BAHRAMPUR

2611. BEEKAY AUTO PVT LTD (DJ02-DJ-01),
BOKULTALA (PASCHIM GAMINI), NH-34,
BAHARAMPUR, DISTT. MURSHIDABAD. - 742101
PH :267340.
2612. BEEKAY AUTO PVT LTD (DJ02-DJ-01), NH-34
MANKARA NEAR NEKRATALA, BAHARAMPUR,
MURSHIDABAD - 742165
PH :267340.

BAJKUL

2613. BHANDARI AUTOMOBILES PVT LTD
(CAV1-CAV-01), VILLAGE - KAPTAYAPA BARI,
P.O. - KALAGARH, P.S. - BHAGWANPUR,
BAJKUL, DISTRICT - PURBA MIDNAPORE. -
721266
PH :9933055539.

BALAGRH

2614. SANEI MOTORS PVT. LTD (BMI1-BMI-01), DAG
NO. 671, MOUZA - BARUIPURA, J L NO. 100, P.O.
- BALAGARH, DIST.-HOOGLY, WEST BENGAL -
712 501
PH :8584050184.

BALURGHAT

2615. J K WHEELS PVT. LTD. (PT01-PT-01), BARO
RAGHUNATHPUR, P.O. - BELTALA PARK, P.S. -
BALURGHAT, DIST.-DAKSHIN DINAPUR. - 733
103
PH :9064301464.

BANKURA

2616. BHANDARI AUTOMOBILES PVT LTD
(G701-GQ-02), PLOT NO.-156, KH NO.-173,
MITHILA MOUZA, AT/PO-BANKURA (WB) -
722101
PH :256766.

BARASAT

2617. PREMIER CARWORLD PVT. LTD. (XZ03-XZ-01),
R.S DAG NO. 512 AND PARTY IN DAG NO. 513,
MOUZA-KHILKAPUR, P.O BARASAT, POLICE
STATION: DUTTA PUKUR, TOUZI NO. 146, J.L
NO. 4, DISTRICT - NORTH 24 PARGANAS,
WEST BENGAL - 700125
PH :8420122407.

BARDHAMAN

2618. BEEKAY AUTO PVT LTD (T301-T3-03), NH-2,
PAMRA VILLAGE ROAD, CHANDINI MORE,
SATTAR MILE, BURDWAN, WEST BENGAL -
713101
PH :9932049454.

BARJORA

2619. BHANDARI AUTOMOBILES PVT LTD
(BED1-BED-01), VILLAGE + P.O. + P.S. -
BARJORA, MOUZA - BARJORA, J.L NO. 46,
KHATIAN NO. 3380, PLOT NO. 2795, BARJORA
DISTRICT - BANKURA, WEST BENGAL - 722202
PH :8016087297.

BARRACKPORE

2620. STARBURST MOTORS PVT LTD (BXJ1-CIY-02),
NEAR RAIL GATE, WARD NO. 24, WEST
BARASAT ROAD, P.S. - TITAGARH,
BARRACKPORE, DISTRICT - NORTH 24
PARGANAS, KOLKATA. - 700120
PH :8335061333.

BARSUNDRA

2621. BHANDARI AUTOMOBILES PVT LTD
(G701-BJW-03), PLOT NO. 610, BARSUNDARA,
ISHWARDAHA, JALPAI, P.S. BHAWANIPUR,
EAST MIDNAPORE, WEST BENGAL - 721654
PH :9933055539.

BASIRHAT

2622. BHANDARI AUTOMOBILES PVT LTD
(X701-0D-03), RAGHUNATHPUR, TALKI ROAD,
BASIRHAT NR. INDIAN PETROL PUMP,
NORTH-24 PARGANAS. - 743428
PH :8017569789.

BELACOBA

2623. PODDAR CARWORLD (SCU1-SCU-01),
PRASANNA NAGAR, BELACOBA, BATTALA,
JALPAIGURI - 735133 - 735133
PH :8945533002.

BIRPORA

2624. SEVOKO MOTORS (CQL1-CQL-01), BHAGAT
PARA, NH - 31, MADARIHAT ROAD, BIRPORA,
BESIDE TASHI HOTEL, OPP - HIMALYAN HOTEL,
P.S. - MADARIHAT, DIST - ALIPURDUAR, PIN -
735204 - 735204
PH :9800069144.

BISHNUPUR

2625. BHANDARI AUTOMOBILES PVT LTD
(AAG1-AAG-01), STATION ROAD, P.O+P.S-
BISHNUPUR, DIST: BANKURA, WEST BENGAL -
722122
PH :9933055539.

BOLPUR

2626. SWG- (A UNIT OF SAI NATH AUTO LINKS PVT.
LTD) (4402-TC-03), KABI JOYDEB ROAD, NEAR
BOLPUR BY PASS, BOLPUR, DIST: BIRBHUM -
731204
PH :9647444888
8927895511.

BONGAON

2627. STARBURST MOTORS PVT LTD (TQ02-TQ-01),
376/D, R D B ROAD, NEAR JESSORE ROAD,
BAKSHIPALLY, BONGAON, NORTH 24
PARGANAS, WEST BENGAL - 743235
PH :9748298939.

BUDGE BUDGE

2628. ONE AUTO PVT. LTD. (BAV1-BAV-01), MAHESH
TALA, NEAR DAKGHAR KALIMANDIR, BUDGE
BUDGE TRUNK ROAD, DAKGHAR, WARD NO.
22, POLICE STATION-MAHESH TALA, WEST
BENGAL. - 700141
PH :8584878802
7604084762.

C K ROAD

2629. BHANDARI AUTOMOBILES PVT LTD (D001-D0-01), P.O.SAT BANKURA, PS:GARBETA, CHANDRAKONA ROAD, DIST. PASCHIM MIDNAPORE, WEST BENGAL - 721252 PH: 9933055539.

CANNING

2630. ONE AUTO (CEG2-CEG-01), SUSUMAPALLY, CANNING, DIST – SOUTH 24 PARGANAS, WB - 743329 PH :8442830001.

CHAKDAHAI

2631. BHANDARI AUTOMOBILES PVT LTD (OM01-OM-01), VILLAGE – PUMLIJA, P.O. – CHAKDAHAI, DISTRICT – NADIA, WEST BENGAL - 741222 PH :9073940368, 9674735303, 9674169007.

CHANDITALA

2632. BHANDARI AUTOMOBILES PVT LTD (BPC3-BPC-01), RS DAG NO.2986, LR DAG NO. 3150, UNDER L R KHATIAN NO.3859, MOUZA-KRISHNARAMPUR, J.L. 59, POLICE STATION-CHANDITALA, HOOGHLY, WEST BENGAL - 712702 PH :6296900498.

CHANDRAKONA

2633. BHANDARI AUTOMOBILES PVT LTD (D001-CIP-02), AT. VILL. GOSAI PO+PS CHANDRAKONA TOWN, MOUZA DHARABILA, J.L.NO. 095, KHATIAN NO. 315, PLOT NO. 203 & 189, NEAR MUNIPAL GATE TOWARDS C.K ROAD. - 721201 PH :9945526833.

CONTAI

2634. BHANDARI AUTOMOBILES PVT LTD (G701-GV-03), SERPUR BAMUNBAR,P O- MARISHDA, NEAR MECHEDA BYPASS, CONTAI, WEST BENGAL - 721401 PH :254547

COOCH BEHAR

2635. PODDAR CAR WORLD PVT. LTD. (BWZ1-BWZ-01), CHAKCHAKA, NEELKUTHI BAZAR, NEAR ADA FACTORY, NH-31, COOCH BEHAR, WEST BENGAL. - 736101 PH :8945533002 9735008343.

DARJEELING

2636. BEEKAY AUTO PVT LTD (4301-6U-05), MERRY VILLA, DARJEELING, DISTRICT-DARJEELING. - 734101 PH :9932049347 9932049382 7478004430.

DHUPGURI

2637. BEEKAY AUTO PVT LTD (BWD1-BWD-01), MOUZA – DHUPGURI, PLOT NO. 1814, WARD NO. 16, DHUPGURI, DISTRICT – JALPAIGURI, WEST BENGAL. - 735210 PH :7477785203 9932049347 9932049382 7478004430.

DIAMOND HARBOUR

2638. ONE AUTO PVT. LTD. (YE01-YE-01), VILLAGE – CHEWRA, OPPOSITE – K.E. CARMEL SCHOOL, P.O. – SARISHA HAT, P.S. – DIAMOND HARBOUR, DISTRICT – 24 PARGANAS (S) , WEST BENGAL - 743368 PH :8594862243.

DURGAPUR

2639. SWG- (A UNIT OFSAI NATH AUTO LINKS PVT. LTD) (4402-44-01), PLOT NO-743, MAUZA FRIDPUR, BURDWAN, DURGAPUR - 713213 PH :9647444888 8927895511.

FALAKATA

2640. PODDAR CAR WORLD PVT. LTD. (CSR1-CSR-01), DAKSHIN PARANGAPAR, KHATIAN NO. 167/1 J.L. NO. 60, DAG NO. 652/1159, P.S. – FALAKATA , DISTT ALIPURDUAR, WEST BENGAL - 735211 PH :8945533002.

GAZOLE

2641. JK WHEELS (SKZ1-SKZ-01), MOUZA-BAJEGAIRAL, RANIGANJ, PURBAPARA, KAMALDANGA, P.S- GAZOLE, DIST-MALDA, PIN - 732138 - 732138 PH :9734963360.

GHATAL

2642. BHANDARI AUTOMOBILES PVT LTD (AAD1-AAD-01), VILL. NIMTOLA, P.O. & P.S. DASPUR, GHATAL, WEST MIDNAPORE, WEST BENGAL - 721211 PH :9933055539.

GOPIBALLAVPUR

2643. BHANDARI AUTOMOBILES PVT LTD (BPQ1-BPQ-01), J.L. NO. 1103, KHATIAN NO. 1103, PLOT NO. 438, VILLAGE + P.O. + P.S. – GOPIBALLVPUR , MOUZA – GOPIBALLVPUR, WEST MIDNAPUR, WEST BENGAL. - 721506 PH :9933055539, 8170018577.

GUMA (ASHOKNAGAR)

2644. STARBURST MOTORS PVT LTD (BXJ1-CLB-03), JESSORE ROAD, MANIKNAGAR, KHOSDELPUK MORE, P.S. – ASHOKNAGAR, NORTH 24 PARGANAS, WEST BENGAL. - 743222 PH :8697731763, 8336933447.

HALDIA

2645. BHANDARI AUTOMOBILES PVT LTD (G701-SE-04), BALGHASIPUR, BHABANIPUR, PURBA MEDIANPUR, HALDIA - 721657 PH :8016082344, 9233502421.

HOWRAH

2646. BHANDARI AUTOMOBILES PVT LTD (X701-X7-01), BANKRA THANA,DOMJUR,HOWRAH. - 711403 PH :9674735304.

2647. PREMIER CARWORLD PVT. LTD. (0611-X7-02), MOUZA – PRASASTHA, P.S. – DOMJUR, UNDER MOHIARY 2 NO. GRAM PANCHAYAT, ANKURHATI, HOWRAH, WEST BENGAL. - 711302 PH :8420122402.

JALPAIGURI

2648. PODDAR CAR WORLD PVT. LTD. (XY01-XY-01), COLLEGE PARA, SIRISHTALA, NEAR ASSAM MORE, JALPAIGURI, WEST BENGAL. - 735101 PH :8945533002.

JAYGAON

2649. SEVOKI MOTORS PVT. LTD. (CHS1-CHS-01), WARD NO.43, WARD NO.11/22, N.S ROAD DARAGAON, P.S - JAYGAON, DISTT. ALIPURDUAR, WEST BENGAL - 736182 PH :9433825851.

JHARGRAM

2650. BHANDARI AUTOMOBILES PVT LTD (BUG1-BUG-01), DAG NO.383, KHATIAN NO. JL396, WARD NO.11, RAJBATI CAMPUS, JHARGRAM, WEST BENGAL - 721507 PH :8016087297, 9933055539.

KADAMBAGACHI

2651. STARBURST MOTORS PVT LTD (BXJ1-CTE-04), MOUZA - PURBA ICHAPUR, J L NO. 111, RESU NO. 131, DAG NO. 385, KHATIAN NO. L R 754, KADAMBAGACHI, P.S. - BARASAT, DIST.-NORTH 24 PARGANAS, WEST BENGAL. - 700125 PH :8336933410.

KALIMPONG

2652. BEEKAY AUTO (BWF1-BWF-01), 10TH MILE, GUMBA HATTA, PO&PS -KALIMPONG, DIST - KALIMPONG, WB. - 734301 PH :9932049347.

KALNA

2653. BEEKAY AUTO PVT LTD (WZ01-WZ-01), KALNA ROAD, NEAR KALNA SUB DIVISIONAL HOSPITAL, KALNA, PO+PS: KALNA, DISTT. BURDWAN, (W.B.) - 713409 PH :9932251483.

KALYANI

2654. STARBURST MOTORS PVT LTD (J01-JJ-01), KALYANI INDUSTRIAL GROWTH CENTRE, PHASE-III, A-5 (OPP. U J C UDYOG, NEAR: J I S COLLEGE), KALYANI. - 741234 PH :8584040215, 8336933447.

KESHPUR

2655. BHANDARI AUTOMOBILES PVT LTD (CCM1-CCM-01), J.L. NO. 338, KHATIAN NO. 786/2, PLOT NO. 1749, MOUZA – KESHPUR, VILLAGE + P.O. + P.S. – KESHPUR, WEST MIDNAPUR, WEST BENGAL. - 721150 PH :721150, 8170014289.

KHARAGPUR

2656. BHANDARI AUTOMOBILES PVT LTD (G701-G7-01), BHANDARI BUILDING, JHAPATAPUR, KHARAGPUR, WEST BENGAL - 721301 PH :7555573.

KHATRA

2657. BHANDARI AUTOMOBILES PVT LTD (BGZ1-BGZ-01), VILLAGE - SENAPATI, P.O & P.S - KHATRA, MOUZA-SENAPATI, J.L. NO.189, KHATIAN NO.659, PLOT NO.33/34, DISTT. BANKURA, WEST BENGAL. - 722140 PH :9933055539.

KOLKATA

2658. MACHINO TECHNO SALES LTD. (0601-06-02), 48 A, TARATALA ROAD, KOLKATA - 700066 PH :9073330177.

2659. DEWAR'S GARAGE (0605-06-01), (PROP. DELTA INTERNATIONAL LTD.), 14 BRITISH INDIAN STREET, CALCUTTA - 700069 PH :8584015205

2660. MACHINO TECHNO SALES LTD. (0601-06-01), 21/1 DARGA ROAD, (PARK CIRCUS), CALCUTTA - 700117 PH :9073330178.

2661. PREMIER CARWORLD PVT. LTD. (0611-06-01), AGARPARA JUTE MILL, 28-B.ROAD, P.O.: -KAMARHATI, DISTT.-KOLKATA - 700058 PH :8697730344.

2662. BHANDARI AUTOMOBILES PVT LTD (0609-06-01), BUDGE BUDGE TRUNK ROAD, NEW GOPALPUR, SARKARPOOL, MAHESHTALA, DISTT. SOUTH 24 PARGANAS, WEST BENGAL - 700143 PH :9674476000.

2663. BHANDARI AUTOMOBILES PVT LTD (0609-06-02), 37, GULAM JILANI KHAN ROAD, KOLKATA - 700039 PH :9903850402.

2664. SANEI MOTORS PVT. LTD. (0612-06-01), 16/2 CANAL EAST ROAD, NEAR MANIKTALA POLICE STATION,KOLKATA - 700067 PH :8584050184.

Dealer Workshop (AS ON 30.05.2023)

2665. ONE AUTO PVT. LTD. (0614-06-02), 62 EAST TOPSIA ROAD, P.S. TILJALA, ARUPOTA, KOLKATA, WEST BENGAL - 700105
PH :8584878802.
2666. ONE AUTO PVT. LTD. (0614-06-01), JL.NO.3, MOUZA-JAGADIPOTA, P.S.SONARPUR, KHEYADAH NO.2, GRAM PANCHAYAT, DISTT. SOUTH 24 PARGANAS. - 700099
PH :8584870725.
2667. DEWAR'S GARAGE (0605-06-03), P-27/2, TARATALA ROAD, KOLKATA - 700088
PH :8584015293.
2668. SANEI MOTORS PVT LTD (0612-06-02), 235, HATIYARA ROAD, SITALATALA, BAGUIATI, KOLKATA, WEST BENGAL - 700059
PH :8584050184.
2669. OSL MOTOCORP PVT LTD (0616-06-01), 49 DEBENDRA CHANDRA DEY ROAD, LANE BESIDE SILVER SPRING CLUB, E.M. BYE-PASS, KOLKATA - 700015
PH :8336996355
8697982283.
2670. JYOTE MOTORS (0624-06-01), NAZIRABAD MAIN ROAD, NAZIRABAD, ANANDAPUR, NEAR BISHNU BIJOLI GARDEN, KOLKATA, PIN-700150, WEST BENGAL - 700150
PH :8334930830.
- KOLKATTA**
2671. BHANDARI AUTOMOBILES (0619-6-C1), PLOT NO. IID/15, ACTION AREA 2D, NEW TOWN, P.S. RAJARHAT, KOLKATA, WEST BENGAL
PIN-700156 - 700156
PH :6291042160.
- KOTULPUR**
2672. BHANDARI AUTOMOBILES PVT LTD (BIP1-BIP-01), KHATIAN NO.644, PLOT NO.373, JL. NO. 101, VILLAGE - MULDARA, P.S. + P.S. - KOTULPUR, DISTT.-BANKURA, WEST BENGAL. - 722141
PH :9933055539.
- KRISHNANAGAR**
2673. BHANDARI AUTOMOBILES PVT LTD (X701-GS-02), PLOT NO.-1874, MOUZA-GOBINDSARAK ,J.K. NO. 94, PS-KOTWAL, OLD WARD NO. 20, LAL MOHAN GHOSH ROAD, KRISHNANAGAR - 742011
PH :9501999742.
- MADHYAMGRAM**
2674. STARBURST MOTORS PVT LTD (BXJ1-BXJ-01), 9/1, HEMANTA BOSE SARANI, BASUNAGAR, NEAR DEAF & DUMB SCHOOL, UDAYRAJPUR, MADHYAMGRAM - 700129
PH :9636075989, 8336933447.
- MALBAZAR**
2675. BEEKEY AUTO PVT LTD (BWG1-BWG-01), CALTEX MORE, VILLAGE + P.S. - MALBAZAR AND DISTRICT - JALPAIGURI. - 735221
PH :9932049347
9932049382
7478004430
7477785203.
- MALDA**
2676. J K WHEELS PVT. LTD. (L801-L8-01), GABGACHHI, N.H. 34, MALDA - 732103
PH :9851520855, 9735003949.
- MATHABHANGA**
2677. BEEKEY AUTO PVT LTD (BQF1-BQF-01), SITAKULCHI ROAD, WARD NO.9,MATHABHANGA, DISTRICT - COOCHBEHAR. - 736146
PH :7477785202
9932049347
9932049382
7478004430.
- MOHANPUR**
2678. BHANDARI AUTOMOBILES PVT LTD (CIV1-CIV-01), VILLAGE-NAYAGAON, P.O. -PAROI, P.S.-MOHANPUR, MOUZA - NAYAGAON, JL. NO.395, KHATIAN NO.175/1, PLOT NO.895, DISTT.-PASCHIM MIDNAPUR,W.BENGAL. - 721436
PH :9933055539.
- NAIHATI**
2679. PREMIER CARWORLD PVT. LTD. (YD01-YD-01), P.O. BHATPARA, GRAM-MUKTARPUR, P.S. - JAGATDAL, DIST-24 PGS (N), NAIHATI (WB) - 743123
PH :801700824.
- NAKASHIPARA**
2680. BHANDARI AUTOMOBILES PVT LTD (BMJ1-BMJ-01), L R DAG NO. 7271, UNDER L R KHATIAN NO. 6734, MOUZA - DEBAGRAM, J L NO. 60, POLICE STATION - KALIGANJ, BLOCK - KALIGANJ, NAKASHIPARA, DIST.-NADIA, WEST BENGAL. - 741138
PH :9163314418.
- NAXALBARI**
2681. BEEKEY AUTO PVT LTD (CSJ1-CSJ-01), MOUZA - GENI, KHATIAN NO.275, PARGANA-HATIGHISHA, P.S. NAXALBARI, DISTT. DARJEELING, WEST BENGAL - 734429
PH :9932049347
9932049382
7478004430
9563370099.
- PANCHLA**
2682. BHANDARI AUTOMOBILES PVT. LTD. (BPH1-BPH-01), L R DAG NO 3274, UNDER L R KHATIAN NO 3044, MOUZA-MALLICKBAGAN, JL NO.7, POLICE STATION - PANCHLA, DIST-HOWRAH - 711310
PH :9073684926.
- PANDUA**
2683. BHANDARI AUTOMOBILES PVT LTD (BOS1-BOS-01), GT ROAD, PANDUA, NEAR KAKOLI CINEMA HALL, OPP. POWER HOUSE, HOOGLY, WEST BENGAL - 712149
PH :9073912566.
- PANSKURA**
2684. BHANDARI AUTOMOBILES PVT LTD (BPS1-BPS-01), MOUZA - PASCHIM NEKRA, JL NO.98, LR NO.1154, LR NO.1156, PANSKURA, WEST BENGAL. - 721139
PH :9933055539.
- PURULIA**
2685. SWG- (A UNIT OFSAI NATH AUTO LINKS PVT. LTD) (4002-6W-02), PO. LAKDA, VILLAGE-DADKA , ON RANCHI ROAD, PURULIA - 723149
PH :9647444888
8927895511.
- RAGHUNATHPUR**
2686. BEEKEY AUTO PVT LTD (CKZ1-CKZ-01), MOUZA - BUNDLA, J.L. NO. 197, PLOT NO. 2656, KHATIAN NO. LR 207, P.O. - RAGHUNATHPUR, P.S. - RAGHUNATHPUR, DISTRICT - PURULIA. - 723133
PH :9932049425,
9932049435.
- RAIGANJ**
2687. J K WHEELS PVT. LTD. (BN02-BN-01), JL. NO. 150, KHATIAN NO. 168/3 & 168/4, PLOT NO. 4158, P.S. - RAIGANJ, MUNICIPALITY - RAIGANJ, WARD NO. 11, HOLDING NO. 577/N, MOUZA - RAIGANJ, DISTRICT - UTTAR DINAJPUR, - 733134
PH :9735008842.
- RAJARHAT - KOLKATA**
2688. STARBURST MOTORS PVT LTD (BXJ1-06-05), R.S & L.R. DAG NO. 3434, MOUZA- GOPALPUR, JL NO. -02, RS NO. -140, LR KHATIAN NO. -5638, NEW TOWN, RAJARHAT - 700136
PH :9681080301.
- RANAGHAT**
2689. STARBURST MOTORS PVT LTD (BBW1-BBW-01), THANA: GANGANAPUR, ADSR OFFICE. 151 NO.MOUZA PATULLI, PLOT NO.309, RANAGHAT, DISTT: NADIA - 741256
PH :8145821191, 8584040215.
- RUPNARAYANPUR**
2690. BEEKEY AUTO PVT LTD (BWS1-BWS-01), P.S. - SALANOUR, UNDER MOUZA - JEMARI, J.L. NO. 32, PLOT NO. 343-344, KHATIAN NO. 933, RUPNARAYANPUR, PASCHIM BARDHAMAN DISTRICT, WEST BENGAL. - 713335
PH :9932049425,
9932049435.
- SABANG**
2691. BHANDARI AUTOMOBILES PVT LTD (CCL1-CCL-01), VILLAGE - PAKKAN DAKSHINBARH, P.O. - DHANSWARPUR & P.S. - PINGLA, DIST.-PASCHIM MIDNAPUR, SABANG - 721 166, WEST BENGAL. - 721166
PH :9933055539.
- SEORI**
2692. BEEKEY AUTO PVT LTD (F601-KC-02), RAMBADANPUR, NEAR SP MORE, DIST-BIRBHUM, SEORI - 731101
PH :9932049425,
9932049406.
- SHYAMPUR**
2693. SANEI MOTORS PVT LTD (CAW1-CAW-01), VILLAGE + P.O. - GOBINDAPUR, P.S. - SHYAMPUR, DISTRICT - HOWRAH, WEST BENGAL. - 711314
PH :8584050184.
- SILIGURI**
2694. BEEKEY AUTO PVT LTD (4301-43-01), NH-31, P.O. MATIGARA,SILIGURI. - 734428
PH :9932049347
9932049382
7478004430.
2695. BEEKEY AUTO PVT LTD (4301-43-04), AMAI DIGHI, PHOOL BARI,STATE HIGHWAY -12, SILIGURI - 734001
PH :9932049380.
2696. SEVOKO MOTORS PVT. LTD. (4302-43-01), 233, SEVOKO ROAD,2ND MILE, SILIGURI - 734001
PH :9706010366.
2697. PODDAR CAR WORLD PVT LTD (XY01-43-02), VILL. EAST DHANTALLA, FULBARI II G.P, P.O SATELLITE TOWNSHIP, DIST- JALPAIGURI - 734015
PH :8945533002.
- SONADA**
2698. SEVOK (SDX1-SDX-01), RATO MATEY DARA, NEAR PETROL PUMP,P.O- SONADA, WEST BENGAL PIN - 734209 - 734209
PH :9800069144.
- SONAMUKHI**

2699. BHANDARI AUTOMOBILES PVT LTD
 (CAU1-CAU-01), J L NO. 77, KHATIAN NO. 360,
 PLOT NO. 114/287, SONAMUKHI BISHNUPUR
 ROAD, VILLAGE - CHURAMANIPUR, P.O. & P.S. -
 SONAMUKHI, WEST BENGAL. - 722207
 PH :9933055539.

SREERAMPURE (SREERAMPUR)

2700. BHANDARI AUTOMOBILES PVT LTD
 (BBT1-BBT-01), BANGIHATI (MADPUR) DELHI
 ROAD, SREERAMPUR, DISTT: HOOGHLY, WB -
 712203
 PH :66137505, 66137585, 9674741544.

TAMLUK

2701. BHANDARI AUTOMOBILES PVT LTD
 (OLO1-OL-01), MOUZA PADUMBASAN, WARD NO
 10, JL NO:144, DISTT: EAST MIDNAPUR, WEST
 BENGAL - 721636
 PH :9933055539.

TARAKESHWAR

2702. SANEI MOTORS PVT. LTD. (YH01-YH-01),
 MOUZA BAIDYAPUR, UNDER BALIGORI(1),
 GRAM PANCHAYET, TARAKESHWAR, DISTT.
 HOOGLY, WEST BENGAL. - 712410
 PH :8584050184.

UDAYNARAYANPUR

2703. BHANDARI AUTOMOBILES PVT LTD
 (BOO1-BOO-01), VILLAGE-JANGALPARA
 BELGRAM, PS- UDAYNARAYANPUR, DIST-
 HOWRAH, WEST BENGAL. - 711226
 PH :9073664902.

ULUBERIA

2704. BHANDARI AUTOMOBILES PVT LTD
 (2401-24-01), HOLDING 1242A, BANITABLA,
 P.O+P.S: ULUBERIA, NH-6, DISTT: HOWRAH,
 WEST BENGAL - 711316
 PH :9052901888.

ANDHRA PRADESH

ANANTHAPUR

1. SRI DURGA (1BNA-1B-01), NO.124, SOMALADODDI, ANANTHAPUR, ANDRA PRADESH - 515004
PH :985183851.

GUNTUR

2. JAYLAXMI (G5NA-G5-01), D-NO-199/2, OPP.AUTONAGAR, NH 16, VJA - GNT SERVICE ROAD, GUNTUR, ANDHRA PRADESH - 522001
PH :959844644.

KAKINADA

3. VARUN MOTORS (W7NA-W7-01), BHASKARA GARDENS JAGANDHAPURAM ,KAKINADA - 533016
PH :8885313744.

KURNOOL

4. MSA MOTORS (C2NA-C2-01), PLOT NO. 1, 1A, 2, 2A, WARD NO. 36, NH 44, AUTO NAGAR, KURNOOL, ANDHRA PRADESH 518003
PH :9112826682.

NELLORE

5. BHARGAVI AUTO (A8NA-A8-01), SURVEY NO 245B, CHEMUDUGUNTA VILLAGE, NH-16, ADJACENT TO SRIDS KALYANA MANDAPAM, NELLORE, ANDHRA PRADESH - 524002
PH :8886882222.

ONGOLE

6. JAYALAXMI (8YNA-8Y-01), SURVEY NO:194/2, BESIDE NH 5, MUKTHINUTHALAPADU, ONGOLE, ANDHRA PRADESH - 523225 - 523225
PH :9492133433.

RAJAHMUNDRY

7. SB MOTORS (C5NA-C5-01), D.NO:84-1-12, PADMAVATI NAGAR, BESIDE ONGO BASE COMPLEX, NH-45, RAJAHMUNDRY, ANDRAPRADESH-533106 - 533016
PH :9248727888.

SRIKAKULAM

8. VARUN MOTORS (W6NA-W6-01), PEDDAPADU ROAD, ARASAVALLI POST, SRIKAKULAM DISTRICT, ANDHRA PRADESH - 532401
PH :9885317344.

VIJAYAWADA

9. VARUN MOTORS (26NA-26-01), OPP TO PRIYA PICKLES, BANDAR ROAD, PORANKI, VIJAYAWADA, ANDRAPRADESH-521137. - 521137
PH :6309955655.
10. PARAMSHIVA MOTORS (26NB-26-01), NO. 20-1-34, C K REDDY ROAD, AYODHYA NAGAR, VIJAYAWADA, ANDRAPRADESH- 520003. - 520003
PH :9866551078.

11. VARUN MOTORS (26NA-26-02), DOOR NO:1-1-153,REVENUE WARD NO.1,BLOCK NO:3,VIDHYADARARPURAM,VIJAYAWADA - 520012
PH :9989477120.

VISAKHAPATNAM

12. VARUN MOTORS (46NA-46-01), DOOR NO 38-22-27, SURVEY NO 39, KAPARADA VILLAGE, INDUSTRIAL ESTATE, VISHAKHAPATNAM - 533016
PH :9885317344.

VIZIANAGARAM

13. JAYABHERI AUTO (N8NA-N8-01), OPPOSITE RELIANCE MART, BALAJI JUNCTION, 100 FEET RING ROAD , VIZIANAGARAM - 535002
PH :08340833999.

ASSAM

BONGAIGAON

14. BHARATI MOTORS (7NNA-7N-01), CHAPAGURI RD, NEAR POST OFFICE, NORTH BONGAIGAON, AMGURI, BONGAIGAON, ASSAM 783380 - 783380
PH :7002350887.

DIBRUGARH

15. VISHAL CAR WORLD (C1NA-C1-01), MOHPUALIMORA GOHAIN GAON , A T ROAD, DIBRUGARH, ASSAM - 786008
PH :8000900008.

GUWAHATI

16. PODDAR AUTO (09NA-09-01), AT ROAD ,KAMAKHYA GATE ,GUWHATI ,KAMRUP-781009 - 781009
PH :9085857586.
17. BIMAL AUTO (08NB-09-01), DREAMLAND APPARTMENT NAHRANI PATH, DISPUR LAST GATE, GUWAHATI - 781006 (ASSAM) - 781006
PH :9864074525.

JORHAT

18. RD MOTOR (G9NB-G9-01), M/S R D MOTORS PVT LTD , DHAPKATA, NEAR TINALI, JORHAT -785006 - 785006
PH :7002099547.

SILCHAR

19. JAIN UDHYOG (J2NA-J2-01), R.S. PATTA NO.149, DAG NO.579, MOUZA RONGPUR, SILCHAR, ASSAM - 788009
PH :9436121557.

TEZPUR

20. RD MOTOR (T1NA-T1-01), SOLAGAN VILLAGE , GORIMARI , SONABEEL, BEFORE MAA KALYANI PETROL PUMP, TEZPUR -784105 - 784105
PH :9836872710.

TINSUKIA

21. VISHAL CAR WORLD (J4NA-J4-01), NEXA SHOWROOM (BESIDE VISHAL BIKER'S WORLD),A.T. ROAD, LAIPULI,TINSUKIA ,ASSAM -786183 - 786183
PH :9864211022.

BIHAR

GAYA

22. KARLO MOTORS (Y6NA-Y6-01), GAYA DOBHI MAIN ROAD, NEAR DOMUHAN, BODHGAYA, PIN -824231, BIHAR, -824231
PH :9934096400.

PATNA

23. ALANKAR AUTOMOBILES (15NA-15-01), OPP.RUPASPUR THANA, BAILEY ROAD NEAR GOLA ROAD, PATNA - 800002
PH :9199427707.
24. REESHAV AUTOMOBILES (15NB-15-01), MUKDJIMPUR,DIGHA,90 NO GATE, PATNA - 800012
PH :7369944132.
25. SHRI GOPAL (15NC-15-01), BIKHACHAK ANISHABAD NEW BYPASS ROAD, OPPOSITE SITA RAM COMMUNITY HALL, PATNA, BIHAR - 800002 - 800002
PH :9113746967.

PURNEA

26. SIMANCHAL (6VNA-6V-01), DAMKA CHOWK,KISHANGANJ ROAD, NH-31, GUALBBAGH,PURNEA,BIHAR - 854326
PH :9334710055.

CHANDIGARH

CHANDIGARH

27. AUTOPACE (FEB) (07NA-07-01), PLOT NO. 37, INDUSTRIAL AREA - PHASE 1, CHANDIGARH - 160002
PH :7087119861.
28. NAVDESH AUTO (07NE-07-01), PLOT NO 182/11, INDUSTRIAL AREA PHASE 1, CHANDIGARH - 160002
PH :8827057534.

CHHATTISGARH

AMBIKAPUR

29. MAHAMAYA (AENA-AE-01), AJAB NAGAR,MAHATHMA GANDHI ROAD,AMBIKAPUR - 497001
PH :9516609632.

BILASPUR

30. SATYA AUTOMOBILES (C3NB-C3-01), PLOT NO 53, SECTOR C, SIRGITTI INDUSTRIAL AREA, BILASPUR, CHHATTISGARH - 495001
PH :8372803057.

KORBA

31. SATYA AUTOMOBILES (U7NB-U7-01), SHED NO 10, PART OF KHASRA NO 885, INDUSTRIAL AREA, RAUGAMAR ROAD, KORBA (C.G) - 495677
PH :9993092051.

RAIPUR

32. SPARSH (50NA-50-01), NEAR TCI GODOWN, NH-6, CHANDANDIHI, TATIBANDH, RAIPUR, CHATTISGARH - 492029
PH :9926626662.
33. SKY AUTOMOBILES (50NB-50-01), NEXA MAGNETO, LABHANDHI ,G .E. ROAD, RAIPUR - 492001
PH :9425204051.

DELHI

DELHI

34. RANA MOTORS (08NE-08-01), B-242, OKHLA INDUSTRIAL AREA PHASE 1, OKHLA, NEW DELHI - 110020
PH :7290030289, 9290030289.
35. TR SAWHNEY (08NN-08-01), C-46, OKHLA INDUSTRIAL AREA PHASE 2, OKHLA NEW DELHI - 110020
PH :9593350008.
36. PLATINUM MOTORS (08NQ-08-01), PLOT NO-H4,BLOCK-B1,MOHAN CO-OPERATIVE INDEX,MATHURA ROAD,PIN-110044 - 110044
PH :9811386000, 8860200000.
37. MAGIC AUTO (08NA-08-01), CISF GATE NO 1, D-21, CORPORATE PARK, NEAR DWARKA SEC-8 METRO STATION, NEW DELHI - 110075
PH :9873052000.
38. AAA VEHICLEADES (08NW-08-01), BLOCK C, NAJAFGARH ROAD INDUSTRIAL AREA, NEW DELHI, DELHI 110015 - 110015
PH :8750611111.
39. COMPETENT AUTO (08NF-08-01), PLOT NO-34,RAJASTHAN UDYOG NAGAR, GT AKRNL ROAD ,DELHI - 110033
PH :9952049425.
40. JAGMOHAN MOTORS (08NX-08-01), C133-136(PART, PHASE I, INDUSTRIAL AREA, MANGOLPURI S BLOCK, NEW DELHI, DELHI 110083 - 110083
PH :9812259000.

GOA

MARGAON (GOA)

41. CHOWGLE INDUSTRIES (34NB-34-01), SY. NO. 267/1, NEXT TO ARLEM RTO, ARLEM, RAIA, SALCETE - (GOA) - 403720. - 403720
PH :9850966950.

PORVORIM(PANJIM)

42. SAI SERVICE (34NA-34-01), EMPRESSA INDUSTRIAL CHODANKAR, SURVEY NO. 114/2, SALVADOR DO MUNDO, PORVORIM, BARADEX, GOA - 403521
PH :022-61841111,
8291941070.

GUJARAT

AHMEDABAD

43. STAR LINE CARS (01NE-01-01), PLOT NO 236, GIDC, NARODA, AHMEDABAD, GUJARAT. 382 330 - 382330
PH:7436003235.
44. PEGASUS (01NG-01-01), PLOT NO 9, OPP RABARI COLONY BRTS STOP, CTM, NAROL - NARODA HIGHWAY, NH-8, AHMEDABAD, GUJARAT. - 380026
PH :9909023000.

45. POPULAR WHEELERS (01NC-01-01), T P 20, F P 78, OPPOSITE SUN SQUARE COMPLEX OFF, C G ROAD, NEAR HL COLLEGE, NAVRANGPURA GULBAI TEKRA, AHMEDABAD, GUJARAT - 380009
PH :9925203344.

ANAND

46. AMAR CARS (F7NA-F7-01), SURVEY NO 1583, PLOT NO 144, NEAR GANESH CROSSING, ANAND SOJITRA ROAD, ANAND, GUJARAT - 388001
PH :9925407666.

BHARUCH

47. RAVIRATNA (F8NA-F8-01), SURVEY NO 185/3, NH8, ZARDESHWAR, BHARUCH, GUJARAT. - 392001
PH :9727700823.

BHAVNAGAR

48. KIRAN MOTORS (C9NB-C9-01), RAMDEV SOCIETY, CHITRA GIDC, BHAVNAGAR - GUJARAT - 364001
PH :9924123973.

BHUJ

49. KD MOTORS (P5NA-P5-01), 33, UMA PARK, BEHIND MARUTI SUZUKI SHOWROOM, MIRZAPAR HIGHWAY, BHUJ - 370040
PH :9879898799.

GANDHIDHAM

50. BM AUTO LINK (77NA-77-01), SURVEY NO 129/26, GALPADAR - ANJAR HIGHWAY, AIRPORT ROAD, GANDHIDHAM, KUTCH, GUJARAT - 370201
PH :7211120014.

GANDHINAGAR

51. NANDA AUTOMOBILES (2BNA-2B-01), BLOCK NO 403, NR SANGATH GATEWAY, OPP RAISAN PETROL PUMP, KUDASAN, GANDHINAGAR, GUJARAT - 382421
PH :9687641974.

GODHRA

52. RB CARS (2CNA-2C-01), SURVEY NO. 38/2 PAIKE 1 PAIKE 2, LUNAWADA ROAD, OPP. GIDC, GODHRA - 389001 - 389001
PH :9925051444.

JUNAGARH

53. PERFECT AUTO SERVICES (K8NA-K8-01), GIDC 2, RAJKOT HIGHWAY, JUNAGARH - 362037
PH :9909022619.

MEHASANA

54. STAR LINE CARS (D1NA-D1-01), REVENUE SURVEY NO. 342, PLOT NO.1, 4, 5 AND 6 TO 12, VILLAGE NAGALPUR, DISTRICT MEHSANA, GUJARAT - 384002
PH :7211138986,
7211138987.

MORBI

55. PERFECT AUTO SERVICES (X5NA-X5-01), RAJKOT MORBI HIGHWAY, VILLAGE SANALA, MORBI - GUJARAT (363641) - 363641
PH :9909022619.

PATAN

56. STARINE CARS (Q9NA-Q9-01), ADJACENT ARENA SET UP, PATAN UNJHA ROAD, PATAN (GUJARAT) - 382465 - 382465
PH :9909043244.

RAJKOT

57. PERFECT AUTO SERVICES (55NB-55-01), PLOT NO. 110, 111, 127 & 128, KOTHARIYA, NEAR PERFECT HOUSE, GONDAL ROAD, RAJKOT - 360004
PH :9512035501.

SURAT

58. KIRAN MOTORS (40NB-40-01), BLOCK NO 443, FP NO 26 MOJE PALGAM, ADAJAN, SURAT, GUJARAT -395009 - 395009
PH :7020569426.
59. AMAR CARS (40ND-40-01), SURVEY NO 139,BLOCK NO-"218" A,OPPOSITE TO AWADH ARENA MALL,V.I.P ROAD BHARTHAMA,SURAT,GUJARAT - 395007
PH :9871389795.

SURENDRANAGAR

60. DREAM VEHICLES (LCNA-LC-01), PLOT NO. 302, GIDC AREA, WADHWAN CITY, SURENDRANAGAR, GUJARAT. - 363035
PH :8511104644.

VADODARA

61. KATARIA AUTO (22NA-22-01), WARD NO 11 CIRCLE SAINATH ROAD, HARINAGAR-VASNA ROAD VADODARA - 390007
PH :9824701590.

VAPI

62. KATARIA AUTO (97NA-97-01), NEAR CROMA OUTLET, RATHOD CHAMBERS, DAMAN ROAD, CHALA VAPI - 396191
PH :9714799985.

HARYANA

AMBALA

63. EAKANSH WHEELS (18NA-18-01), AMBALA-CHANDIGARH HIGHWAY ADJOINING AAJ SAMAJ VILLAGE-SADDOPUR, AMBALA - 134003
PH :8395903111.

BHIWANI

64. PASCO AUTOMOBILES (X3NA-X3-01), NEAR HUNNAMAL PIAYU, ROHTAK ROAD, BHIWANI- HARYANA-127021 - 127021
PH :9289192582.

FARIDABAD

65. PASCO AUTOMOBILES (58NB-58-01), 14/4, MATHURA ROAD, FARIDABAD, HARYANA - 121003
PH :9999790229.
66. BVA AUTO (58NC-58-01), 2J/53-54, NH-2, NIT FARIDABAD, HARYANA - 121001
PH :9911259288.
67. VIPUL MOTORS (58NA-58-01), SUB DIVISION NO-3, INDUSTRIAL PLOT NO. -34, N.I.T, FARIDABAD HARYANA - 121001
PH :8562019252.

GURGAON

68. PREM MOTORS (95ND-95-01), PLOT NO. 5, IDC, SECTOR-16, GURGAON, HARYANA - 122001
PH :1292565666.
69. TR SAWHNEY (95NB-95-01), CRPF CAMP ROAD, VILLAGE ULLAWAS, NR. PIONEER PARK SECTOR-62, GURGAON, HARYANA - 122001
PH :1274254441.
70. PASCO AUTOMOBILES (95NA-95-01), SEC 17-18 DIVIDING ROAD, GURGAON- HARYANA, 122015 - 122015
PH :0124-4398400,
9999239959,
9873873807.

JIND

71. EAKANSH MOTORS (2KNA-2K-01), KHEWAT NO. - 155, KHASRA NO. - 142, MURRABA NO. - 210 OPP. HP LPG BOTTLING PLANT, ROHTAK-JIND ROAD, JIND. PIN - 126102. - 126102
PH :8529860482.

KAITHAL

72. EAKANSH MOTORS (U8NA-U8-01), NH-65, OPP RKM FARM, AMBALA ROAD, KAITHAL - 136027
PH :7419900804,
7419900803.

73. EAKANSH MOTORS (U8NA-U8-02), KHEWAT NO -458, KHATONI - 563, KITTAS - 2087K 01M ADJOINING NEXA SHOWROOM, AMBALA HISAR ROAD, KAITHAL - 136027
PH :9813038777.

KARNAL

74. KARNAL MOTORS (89NA-89-01), 118-119 KM MILESTONE, G.T. ROAD, KARNAL, HARYANA - 132001
PH :8572801011.

PALWAL

75. AUTONATION (EENA-EE-01), KILA NO.-15/2 & 16/1, 57 MILESTONE, NEAR ECHS HOSPITAL, MATHURA ROAD, PALWAL - 121102
PH :9811321581.

PANIPAT

76. AUTO GALLERY (D3NB-D3-01), NANGAL KHERI, NEAR BBMB POWER HOUSE, OPP. SEC-29, PANIPAT, HARYANA - 132103
PH :9812615000.

REWARI

77. DINCO MOTORS (U1NA-U1-01), OPP. TULARAM STADIUM, DELHI ROAD, REWARI - 123401
PH :0129-4353535,
9953357777
8448787882
8448787883.

ROHTAK

78. JAGMOHAN MOTORS (A6NA-A6-01), NORTHERN BYEPASS, SUKHUPURA CHOWK, JIND ROAD, ROHTAK, HARYANA - 124001
PH :8754045446.

SIRSA

79. SHAKTI MOTORS (E4NA-E4-01), OPP. DELHI PUBLIC SCHOOL, NH-09, HISSAR ROAD, SIRSA - 125055
PH :88160-72888,
88138-75888.

HIMACHAL PRADESH

NAGROTA

80. KANGRA VEHICLELEADS (D9NA-D9-01), VILL HATWAS, PATHANKOT - MANDI HIGHWAY, NAGROTA BAGWAN DISTT. KANGRA - 176047
PH :7087916168.

JAMMU AND KASHMIR

JAMMU

81. JAMKASH VEHICLES (33NB-33-01), NH-1A BYE PASS OPPOSITE CHANNI HIMMAT, JAMMU (J&K) - 180015
PH :7710400000.

Nexa Workshop (AS ON 30.05.2023)

82. JAMMU MOTORS (33ND-33-01), KHASRA NO. 421, TOPE SHERKHANIA, AKHNODR ROAD, OPPOSITE BEST PRICE, JAMMU, JAMMU & KASHMIR - 180016
PH :9419581624

JHARKHAND

BOKARO

83. HINDUSTAN AUTO PHENGY (B5NA-B5-01), KHATA NO. 752, PLOT NO. 7792, NH-32, CHAS, BOKARO - 827013
PH :9304807318.

DEOGHAR

84. PREMSONS (SGWN-SGW-01), PLOT NO 318/319 UNDER THANA NO 583, MAHESHVARA MOUJA ,DEOGHAR - 814112
PH :9835507004.

DHANBAD

85. RELIABLE (52NA-52-01), RELIABLE INDUSTRIES NEXA WORKSHOP AMAGHATA, BY PASS ROAD SUGADIPIH, PIN -828109 - 828109
PH :7992470853.

HAZARIBAGH

86. PREMSONS (Y9NA-Y9-01), PREMSON MOTOR UDYOG PVT LTD. NEXA SHOWROOM NEXT TO GST OFFICE, ARYA NAGAR, HURHURU, HAZARIBAGH, JHARKHAND 826301 - 826301
PH :9835507004.

JAMSHEDPUR

87. MOTOR WORLD (31NB-31-01), NS-6, 2ND PHASE, ADITYAPUR INDUSTRIAL AREA, JAMSHEDPUR - 831013
PH :9431128983
88. PEBCO MOTORS (31NA-31-01), KANDRA ROAD, ADITYAPUR INDUSTRIAL AREA, JAMSHEDPUR - 831013
PH :9334183260.

RANCHI

89. SUDHA MOTORS (51NB-51-01), KATHALMORE, OPP. MANER DHABA, RANCHI - 834005
PH :7001124836, 8837221096.
90. PREMSONS (51NC-51-01), PLOT NO 2651/2652, KHATA NO 239, MAUJA, VILKAGE BARAGAI , BARIATU MAIN ROAD, RANCHI, JHARKHAND - 834009
PH :9334811248.

KARNATAKA

BANGALORE

91. MANDOVI MOTORS (02NJ-02-01), SURVEY NO.33/2, ALLASANDRA, YELAHANKA NORTH, BANGALORE, KARNATAKA - 560064
PH :9513729888.

92. KALYANI MOTORS (02NI-02-01), SURVEY NO.17/2, KENCHENAHALLI VILLAGE, RAJARA, JESHWARI NAGAR, MYSORE ROAD BANGALORE, KARNATAKA - 560032
PH :9845049626.

93. SURAKSHAA CAR CARE (02NF-02-01), 2/6, BERTEN AGRAHARA, OPP TO METRO CASH & CARRY, HOSUR MAIN ROAD, ELECTRONIC CITY, BANGALORE, KARNATAKA - 560100
PH :9845047393.

94. PRATHAM MOTORS (02NK-02-01), 120.SARJAPUR MAIN ROAD,DODDAKANAHALLI, VARTHUR HOBLI, BANGALORE EAST, KARNATAKA- 560035. - 560035
PH :8884000579.

95. VARUN MOTORS (02NG-02-01), NO.23/A, INDUSTRIAL SUBURB, 2ND STAGE, TUMKUR ROAD, YESHWANTPUR, BANGALORE, KARNATAKA- 560022. - 560022
PH :8971888885.

96. VARUN MOTORS (02NM-02-01), 37/56 NAGAVARA VILLAGE,HEBBAL RING ROAD ,BANGALORE - 560024
PH :9513394753.

97. KALYANI MOTORS (02NN-02-01), 152/7, OUTER RING ROAD, DODDA BANASWADI, HORAMAVU, KR PURAM HOBALLI, BANGALORE -560043. - 560043
PH :9900020454.

98. BIMAL AUTO (02NL-02-01), NO.1, 3RD BLOCK, 2ND STAGE, NAGARABHAVI, OUTER RING ROAD, BANGALORE - 560072 - 560072
PH :9513843355.

BELGAUM

99. SHANTESHA MOTORS (E8NA-E8-01), PLOT NO. 6/B, R.S NO. 34, BOUXIDE ROAD, KANGRALI B K, BELGAUM, KARNATAKA-590010. - 590010
PH :9538195381.

DAVANGREE

100. SHRUTI MOTORS (S1NA-S1-01), AVARAGERE ROAD, OLD, PB RD, DAVANAGERE, KARNATAKA 577003 - 577003

HASSAN

101. VENKAT MOTOR (C8NA-C8-01), KHATA NO 200-201, DM HALLY, BANGALORE - MANGALORE ROAD, HASSAN, KARNATAKA - 0

HUBLI

102. LEKHYA MOTORS (73NA-73-01), OPP TO APMC 2ND GATE, ESHWAR NAGAR, HUBLI-DHARWAD ROAD, HUBLI-580025. - 580025
PH :9513777265.

MANGLORE

103. MANDOVI MOTORS (45NA-45-01), SUMIT APARTMENT BUILDING, AIRPORT ROAD, MARY HILL, MANGLORE - 574142
PH :9845133077.

MYSORE

104. FRIENDLY MOTORS (25NB-25-01), PLOT NO.262, HEBBAL INDUSTRIAL AREA, MYSORE, KARNATAKA- 570016. - 570016
PH :9845011686.

105. KALYANI MOTORS (25NC-25-01), PLOT NO.262, HEBBAL INDUSTRIAL AREA, MYSORE, KARNATAKA- 570016. - 570016

SHIMOGA

106. SHRUTI MOTORS (B7NA-B7-01), 217/215/91/79/1, OPP TO FOREST OFFICE, SHANTI NAAGARA, HONNALI ROAD, SHIMOGA,KARNATAKA - 577201
PH :989596666.

KERALA

KOTTAYAM

107. SAI SERVICE (B8NB-B8-01), SY. NO. 341/11, 341/12, PERUR VILLAGE, MC ROAD, THELLAKOM, KOTTAYAM - 686630
PH :92880 24220.

THRISUUR

108. POPULAR VEHICLES (A4NB-A4-01), SURVEY NO 62/P, CHUNGAM OLLARI, KANJANI ROAD, ARANATTUKARA VILLAGE, THRISSUR - 680618 - 680618

KERELA

ALLEPEY

109. POPULAR VEHICLES (E5NB-E5-01), 12/287A, PARAVOOR, ALLEPEY - 0
PH :9846166101.

CALICUT

110. AM MOTORS (47NA-47-01), 18/1472, OPP TO COMTRUST EYE HOSPITAL, SRAMBIKKAL PARAMBA,MINI BYPASS JAIL ROAD JUNCTION,PUTHIYARA POST,CALICUT, KERELA-673004. - 673004
PH :7708833966.

111. POPULAR VEHICLES (47NB-47-01), BYPASS SERVICE ROAD, BEHIND JAYA ARCADE, THONDYADU, CALICUT, KERALA - 673017
PH :9946104660.

COCHIN

112. INDUS MOTOR (27NC-27-01), NH 47,THAIKATTUKARA PO,THAIKAVU, ALUVA, COCHIN - 683106 - 683106
PH :9747508822.
113. SAI SERVICE (27NA-27-01), 723/7,6,18,OPP TO HOTEL AARYAS, SEAPORT-AIRPORT, POOJARY VALAVU, KANAYANNOOR TALLUK, THIRRAKARA NORTH, COCHIN-682021. - 682021
PH :9845106193.

KASARGOD

114. INDUS MOTOR (3LNA-3L-01), SURVEY NO.384/3C, 10, MUTTATHODY VILLAGE, INDIRA NAGAR, CHENGALA POST, KASARGODE, KERALA- 671541 - 671541
PH :974598341.

KAYAMKULAM

115. SAI SERVICE (8LNA-8L-01), S.NO 111/48, KP ROAD, KAYAMKULAM, KERALA - 690502
PH :9288024222.

KOLLAM

116. SARATHY AUTOCARS (C7NA-C7-01), NH-47 BYE PASS ROAD, AYATHIL P.O KOLLAM DIST, KERALA STATE PIN 691021 - 691021
PH :9848659456.

TRIVANDRUM

117. INDUS MOTOR (16NB-16-01), OPPOSITE EVM ASHOK LEYLAND,ALUMOOD JN,NH 47,KANNIYAPURAM, TRIVANDRUM - 695301. - 695301
PH :9656685678.

MADHYA PRADESH

BHOPAL

118. RAJRAPL MOTOR JUNCTION (A UNIT OF RMJ MOTORS PVT LTD) (03NC-03-01), 42, 6, BLOCK, BHEL INDUSTRIAL ESTATE, HABIBGANJ, HOSHANGABAD ROAD, BHOPAL (M.P.) - 462016
PH :7909903921.

119. OCEAN MOTORS (03ND-03ND-01), PLOT NO-54 & 55, SECTOR-A, GOVINDPURA INDUSTRIAL AREA, JK ROAD, BHOPAL - 462023
PH :7899936400.

INDORE

120. PATEL MOTORS (53NA-53-01), 1105/1528/5/2, MIN-1 AND 1105/1528/4/5, GRAM: KHAJURANA DISTRICT, INDORE, KANADIA ROAD, INDORE (M.P.) - 452016
PH :7771002581.

121. OCEAN MOTORS (53NB-53-01), BICHOHI MARDANA NEAR SAMPATH PALACE OPP HOTEL PRIDE - 452001
PH :0731-4826666.

122. RANA MOTORS (53ND-53-01), LASUDIA MORI, DEWAS NAKA, INDORE, PIN CODE 452010 - 452010
PH :9933055539.

123. RUKMANI (53NC-53-01), RUKMANI MOTORS NEXA SERVICE,FOOTHI OTHI SQUARE,OPP.DASTOOR GARDEN,INDORE - 452002
PH :9755512100.

JABALPUR

124. STANDARD MOTORS (54NC-54-01), KHARSA NO-529/1/1, NEAR TRIPURI CHOWK GARHA JABALPUR M. P. - 482003
PH :9773543358.

125. SHUBH MOTORS (54NB-54-01), SHUBH MOTORS, 4 MILE, LAL BUNGALOW, TILHARI, JABALPUR MADHYA PRADESH - 482001 PH :9644454545

126. STANDARD MOTORS (54NC-54-01), UKHARI TIRAHA, OPPOSITE TO RAMESHWARAM WATER TANK, MR-4 ROAD, VIJAY NAGAR, JABALPUR (M.P.) - 482001 PH :7800806222.

SAGAR

127. ADINATH CARS (G1NA-G1-01), KHASRA NO 155, P H NO - 77, BAHERIA GADGAD, SAGAR JABALPUR ROAD, SAGAR - 470004, MADHYA PRADESH, INDIA - 470004 PH :9752447690.

SATNA

128. CITY CARS (D7NA-D7-01), BEHIND NEXA SHOWROOM, 666/2, AMODHA, PANNA ROAD, SATNA, MADHYA PRADESH - 485001 PH :6262230999.

SHAHDOL

129. STANDARD MOTORS (SFAN-SAF-01), KHASRA NO-459, VILLAGE JAMUI NEAR BAGHEL DHABA, BUDHAR ROAD, SHAHDOL (M.P.) - 484001 PH :9329927451, 9329927458.

UJJAIN

130. RUKMARANI (YUG) (3WNA-3W-01), 59/1, DEWAS ROAD, ADARSH NAGAR, NAGZIRI, UJJAIN - 456664 PH :9755512100.

MAHARASHTRA

AHMEDNAGAR

131. KANKARIYA AUTOMOBILES (ASNA-A5-01), SH-60, NEWASA ROAD ,NAGARDEOLE,AHEMDANAGAR,MAHARASHTRA - 414601 PH :94203961522.

AKOLA

132. ASPA BANDSONS (F1NA-F1-01), SHIVANI AIRPORT AREA, AKOLA - MAHARASHTRA (444001) - 444001 PH :942312366.

AMARAVATI

133. ASPA BANDSONS (F2NA-F2-01), F32/1 MIDC , AURANGABAD NAGPUR EXPRESS HIGHWAY, AMRAVATI, MAHARASHTRA - 444607 PH :9130041513.

AURANGABAD

134. AUTOMOTIVE MANUFACTURER LTD (21NB-21-01), PLOT NO :- L- 3 / 1, BETWEEN GARWARE & CHOKHARDT LTD, JALGAON ROAD, MIDC HICKLATHANA,AURANGABAD PIN : - 431006, MAHARASHTRA - 431006 PH :9970492723.

135. PAGARIYA AUTO (21NA-21-01), OPP AIRPORT, NEXT TO INDIAN OIL PETROL PUMP, JALNA ROAD, AURANGABAD, MAHARASHTRA - 431006 PH :8888895902.

BARAMATI

136. MAHALAXMI AUTO (7RNA-7R-01), BHIGWAN ROAD, SHIV NAGAR, BARAMATI (MAHARASHTRA) - 413102 PH :9850994014.

CHANDRAPUR

137. BARBATE AUTO (H3NA-H3-01), PLOT NO 15-18, OUT OF SURVEY NO 14/4, 15/5, MAUZA BADOLI, NAGPUR CHANDRAPUR HIGHWAY, CHANDRAPUR, MAHARASHTRA - 440025 PH :8380887666.

DHULE

138. SEVA AUTOMOBILES (P3NA-P3-01), PLOT NO. F-1, ADDITIONAL DHULE INDUSTRIAL AREA, DHULE, MAHARASHTRA - 424006 PH :9960090614.

JALGAON

139. MANRAJ AUTO (C4NB-C4-01), P 93, MIDC, R L CHOWK, AJANTA ROAD, JALGAON, MAHARASHTRA - 425003 - 425003 PH :0253-6686666, 9130033951.

KHARGHAR

140. SIMRAN MOTORS (AACN-AAC-01), 60/72, JAWAHAR COOPERATIVE INDUSTRIAL ESTATE, KALAMBOLI, KHARGHAR, MUMBAI, MAHARASHTRA - 410209 PH :022-71430900, 9594952348.

KOLHAPUR

141. SAI SERVICE (38NA-38-01), 1243/66, E WARD, SHIVAJI UDHYAMNAGAR, KOLHAPUR - 416001 PH :9923208401.

MUMBAI

142. SAI SERVICE (05NB -05-01), JOSEPH CARDIN TECHNICAL SCHOOL , KHASHABA JADHAV MARG , OFF DR. AMBEDKAR ROAD ,DADAR (EAST) MUMBAI, MAHARASHTRA - 400014 PH :022-48767777.

143. SHIVAM MOTORS (05ND -05-01), PLOT NO SILVER HOUSE, 110 MIDC, ROAD NO 13, MAROL ANDHERI (EAST), MUMBAI, MAHARASHTRA - 400069 PH :02352-220084, 9689633472.

144. KTS AUTOMOTORS (05NH-05-01), UNIT NO A1, PANNALAL COMPOUND, LBS KANTILAL MAGANLAL ESTATE, L.B.S MARG, BHANDUP (W), MUMBAI - 400078 PH :020-30414000, 9168656888.

145. SHIVAM AUTOZONE (05NE-05-01), PLOT NO. 1 & 2, RAMCHANDRA LANE EXTN., KANCHPADA, OFF LINK ROAD, MALAD-WEST. - 400064 PH :9870938888.

NAGPUR

146. BARBATE AUTO (20NA-20-01), 37/2, MANISH NAGAR, BESA T POINT, BESA ROAD NAGPUR (MAHARASHTRA) - 440025 PH :7923600147, 9727726004.

NADED

147. SEVA AUTOMOBILES (68NA-68-01), AIRPORT ROAD,SANGVI - 431605 PH :7065026520.

NASHIK

148. SEVA AUTOMOBILES (37NA-37-01), PLOT B-17, MIDC, AMBAD, NASIK, MAHARASHTRA - 422010 PH :8975762303.

NAVI MUMBAI

149. AUTOMOTIVE MANUFACTURER LTD (39NB-39-01), NERUL, MUMBAI PUNE HIGHWAY, NAVI MUMBAI - 400706 PH :9769206120.

150. MY CAR (05NK-05-01), PLOT NO- GEN-25 & GEN-25 B/1, TTC INDUSTRIAL AREA, PAWANE, NAVI MUMBAI, MAHARASHTRA (400709) - 400709

PUNE

151. KOTHARI WHEELS (19NB-19-01), GATE NO 1605, OLD 1099, KESNAND ROAD, WAGHOLI, TAL-HAVELI, DISTRICT - PUNE, MAHARASHTRA - 412207 PH :7721865000.

152. EXCEL AUTOVISTA (19NG-19-01), SURVEY NO 98/2A/P, NEW PUNE - MUMBAI HIGHWAY, NEAR BALEWADI STADIUM, BANER TALUKA, PUNE - 411045 PH :0257-2212145.

153. SEHGAL AUTO RIDERS (19NE-19-01), SURVEY NO 63/2, SHEWALEWADI, MANJARI BUDRUK, PUNE SOLAPUR HIGHWAY, PUNE, MAHARASHTRA - 412307 PH :9158000049.

154. WONDER CARS (19ND-19-01), PLOT NO 52/1 BLOCK F2, MIDC PIMPRI, PUNE - 411019 PH :9850094151.

155. MAHALAXMI AUTO (19NI-19-01), NEAR SADDGURI PETROL PUMP, PUNE NASHIK HIGHWAY, AT KURALI, KHED TALUKA, CHAKAN - 410501 PH :9923589214.

156. SAI SERVICE (19NC-19-01), SINHAGAD ROAD, NEAR NANDED CITY, VADGAON KHURD, PUNE. (MAHARASHTRA) - 411041 PH :9923308333.

RATNAGIRI

157. JAGRUT MOTORS (G3NA-G3-01), 410/6/1B, SALVI STOP, SHIVAJI NAGAR MAIN ROAD RATNAGIRI, MAHARASHTRA - 415612 PH :9820039626.

SHOLAPUR

158. CHAVAN MOTORS (B1NA-B1-01), SURVEY NO. 534/4, BALE PUNE ROAD, SOLAPUR, MAHARASHTRA - 413224 - 413224 PH :8888881314.

THANE

159. EXCEL AUTOVISTA (39NA-39-01), MOHAN MILL COMPOUND, GHODBUNDER ROAD , THANE , MAHARASHTRA - 400607 PH :9967331726.

160. EXCEL AUTOVISTA (39NA-39-02), NEAR ARIHANT COMPOUND, KALHER, BHIWANDI, THANE - 400607 PH :9967331726.

161. MY CAR PUNE- CODO (05NL-05-01), PLOT NO. B-21 & B-24/1, THANE INDUSTRIAL AREA, THANE, MAHARASHTRA - 400604 PH :8104906953.

YAVATMAL

162. HIMALAYA CARS (4MNA-4M-01), PLOT NO. 14, MIDC, YAVATMAL INDUSTRIAL AREA, YAVATMAL - 445001 PH :9011014729.

NAGALAND

DIMAPUR

163. PROGRESSIVE MOTORS (32NA-32-01), OPPOSITE AIRPORT, N.H.39, DIMAPUR KOHIMA ROAD, DIMAPUR OPPOSITE AIRPORT, N.H.39, DIMAPUR KOHIMA ROAD, - 797115 PH :7669223736.

ODISHA

BERHAMPUR

164. SKY AUTOMOBILES (E2NA-E2-01), PLOT NO 373/2229 & 373/1204, AMABAPUA MOUZA, BRAHMAPUR (ODISHA) - 760007 PH :7381266000.

BHUBANESWAR

165. NARAYANI MOTORS (04NC-04-01), PLOT NO 140/2004, KHATA NO -1152/364, UNIT-20, JAGAMARA, KHANDGIRI, CHAWAK, BHUBANESHWAR - 751001 PH :9583001877.

JEYPURE

166. LEGEND CARS (SWNA-SW-01), NH26, OPPOSITE HOTEL HELLO, INDUSTRIAL ESTATE, JEYPORE, ODISHA - 764001 PH :06692883057.

ROURKELA

Nexa Workshop (AS ON 30.05.2023)

167. ORBIT MOTORS (87NA-87-01), PLOT NO 5G/3, VED VYAS, SUNDARGARH, ROURKELA - 769041 PH :9165071234.

SAMBHALPUR

168. ODYSSEY MOTORS (D4NA-D4-01), SAMBALPUR, CHOWK, REMED, ODISHA 768006 - 768006 PH :0832-2408800, +91-9881746562.

PUNJAB

AMRITSAR

169. JAYCEE MOTORS (17NC-17-01), JAYCEE MOTORS, VERKA BYE PASS, OUTSIDE ASHBERRY HOMES, VILLAGE VALLAH, AMRITSAR, PUNJAB - 143501 PH :01815045400, 753696666.

BHATINDA

170. TARA (70NA-70-01), KHASRA NO. 3534, NEAR ITI CHOWK, MANSA ROAD, BHATHINDA, PUNJAB - 151001 PH :8437019666.

JALANDHAR

171. MARWAHA (35NC-35-01), KHASRA NO. 16450, SITUATED AT RAJA GARDEN, KAPURTHALA ROAD, JALANDHAR CITY. - 144003 PH :9814735707.

JALLANDHAR

172. LOVELY AUTO (35NA-35-01), NH 1 GT ROAD, PRAGPUR, JALANDHAR PUNJAB - 144024 PH :7617571039, 7617571040.

LUDHIANA

173. GULZAR (62NE-62-01), PLOT NO 2662 NEAR SILVER ARC MALL, AARTI CHOWK, LUDHIANA, PUNJAB - 141003 PH :9814839777.

174. HOSHIARPUR AUTO (62NG-62-01), S-46/1616/1, G. T. ROAD, DHOLEWAL CHOWK, LUDHIANA, PUNJAB - 141003 PH :8872501234.

175. MARWAHA AUTOS (A UNIT OF INDERJIT MARWAHA AUTOS PVT LTD) (62NH-62-01), OPP. MEDIWAYS HOSPITAL, FEROZPUR ROAD, LUDHIANA - 141015 PH :8872000357.

176. LOVELY AUTO (62NF-62-01), 287/1, MOTI NAGAR, SHERPUR BYPASS, GT ROAD, LUDHIANA - 141010 PH :9875999161.

MOHALI

177. CM AUTO SALES (L1NA-L1-01), C-155, INDUSTRIAL AREA, PHASE-7, MOHALI - 160055 PH :9888034555, 9780011459.

PATHANKOT

178. PATHANKOT VEHICLELEADS (A7NA-A7-01), PLOT NO.-C-30, INDUSTRIAL GROWTH CENTRE, VILL. CHACELI, PATHANKOT - 145023 PH :7527006800.

RAJASTHAN

AJMER

179. NAVNEET MOTORS (B2NA-B2-01), PLOT NO7 -8,RIICO INDUTRAIL ESTATE MAKHPURA NASIRBAD ROAD,AJMER(RAJASTHAN)-PIN CODE-305002 - 305002 PH :9414149149.

ALWAR

180. FORTUNE CAR (F9NA-F9-01), 6TH MILESTONE VILLAGE JATIYANA,OPP. PETROL BEHROR ROAD ALWAR - 301001 PH :9882341741.

BHILWARA

181. CHAMPION CARS (E3NA-E3-01), NEXA SUKHADIA CIRCLE, CHAMPION CARS, AJMER ROAD, BHILWARA - 311001 PH :9001027933.

BIKANER

182. AUDI MOTORS (71NA-71-01), PLOT NO. F-189, SRI GANAGANAGAR ROAD, OPPOSITE RAC-3RD , BICHHWAL INDUSTRIAL AREA , BIKANER 334001 - 334001 PH :9887222786.

CHITTORGARH

183. TECHNOY (K9NA-K9-01), PLOT NO-28, OLD RIICO INDUSTRIAL AREA, CHITTORGARH, RAJASTHAN - 312001 PH :8905992939.

JAIPUR

184. K P AUTOMOTIVES (11NB-11-01), PLOT NO.3-4,MANGLAM RIICO INDUSTRIAL AREA,NEAR KANAKPURA RAILWAY STATION,SIRSI ROAD - 302034 PH :7412059823.

185. SATNAM MOTORS (11ND-11-01), D-27, K/L/M, ROAD NO-3,SIKAR ROAD, VISHWAKARMA INDUSTRIAL AREA ,JAIPUR, RAJASTHAN-302023. - 302023 PH :9649373311.

186. PREM (11NC-11-01), PLOT NO- 12,13,14, SUDARSHANPURA INDUSTRIAL AREA, NEAR 22 GODAM, JAIPUR - 302016 PH :8058998123.

JHUNJHUNU

187. AUDI MOTORS (FNNA-FN-01), NEAR TVS TWO WHEELER SHOWROOM ROAD NO 3 GUDHA MOD, RAJASTHAN 333001 - 333001 PH :7970006402.

JODHPUR

188. AUDI MOTORS (65NA-65-01), 14 A, HEAVY INDUSTRIAL AREA, ITI CIRCLE, SARASH DAIRY ROAD, JODHPUR - 334001 PH :7300077394.

189. LMJ AUTO (65NB-65-01), B-8, C-9,10, MIA, BASNI, PHASE-1 JODHPUR - 342009 PH :7412087320.

190. LMJ SERVICES (65NB-65-02), PLOT NO.-61, GERU MARKET, BHADWASIYA FRUIT MANDI, JODHPUR, RAJASTHAN - 342001 PH :8094011126.

KOTA

191. BHATIA & CO. (61NA-61-01), G-11A, AUTOMOBILE ZONE, IPIA, NEAR DAKANIYA RAILWAY STATION, KOTA - 324005 PH :8094011126.

SIKAR

192. JAMU (K7NA-K7-01), THAR PETROL PUMP,JAIPUR ROAD,SIKAR - 332001 PH :9414037515.

UDAIPUR

193. TECHNOY (49NB-49-01), OPP. NAND BHAWAN, GOVERDHAN VILLAS, UDAIPUR - 313001 PH :0141 2984568.

CHENGALPET

194. AIE CARS (BBSN-BBS-01), NO. 17-A, GST ROAD, CHENGALPET – 603001 - 603001 PH :74012 92949.

CHENNAI

195. PILLAI & SONS (14NC-14-01), DOOR NO.46, MEDAVAKKAM MAIN ROAD, KEELAKATTALAI, CHENNAI, TAMILNADU - 600117 PH :8994950505.

196. POPULAR VEHICLES (14NB-14-01), 69/A & 69/B, SAMAYAPURAM MAIN ROAD, PORUR, CHENNAI,TAMILNADU- 600116. - 600116 PH :9842389111.

197. KHIVRAJ MOTORS (14NA-14-01), PLOT NO.21, AMBIT IT PARK ROAD, AMBATTUR INDUSTRIAL ESTATE, CHENNAI-600058. - 600058 PH :9626099999.

198. VISHNU CAR (14NG-14-01), SURVEY NO 219, ADJOINING HP PETROL PUMP, POONAMALLE HIGH ROAD, KATTUPAKKAM, CHENNAI, TAMIL NDU - 600056 PH :7339359111.

199. ABT (14NJ-14-01), NO123, KANNIGAPURAM, VELACHERY MAIN ROAD, BEHIND RACE COURSE, GUINDY, CHENNAI, TAMIL NADU - 600032 PH :9994444303.

200. VISHNU CAR (14NG-14-02), POONAMALLE HIGH ROAD, ARUMBAKKAM, KOYAMBEDU, CHENNAI, TAMIL NADU - 600056 PH :7550333622.

201. KHIVRAJ MOTORS (14NA-14-02), OLD S.NO. 11/1 & 2, NEW S.NO.11/2 - B. NO.100, NERKUNDRAM VILLAGE, SAIDAPET TALUK, CHENNAI - 600107 PH :9662195957.

COIMBATORE

202. AADHI CARS (41NB-41-01), OLD KALIAPPA KALYANAMANDAM, PREMISES, KAVUNDAMPALAYAM, COIMBATORE, TAMIL NADU - 627007 PH :9003977577.

203. SREE SARADHAMBAL (41NA-41-01), 18/1472, S.N.R COLLEGE ROAD, NAVA INDIA, COIMBATORE, AND TAMILNADU-641004. - 641004 PH :9790004271.

204. JAIKRISHNAA AUTOSALES PVT LTD (41ND-41-01), NO. 656, TRICHY ROAD, NEAR ORTHO ONE HOSPITAL, COIMBATORE, TAMIL NADU- 641012 - 641012 PH :9788850734.

ERODE

205. SREE SARADHAMBAL (H7NA-H7-01), NO.75, NEAR SURABI NURSERY, PERUNDURAI ROAD, ERODE, TAMILNADU-638011. - 638011 PH :9786022272.

HOSUR

206. SRI AMMAN CARS (7QNA-7Q-01), NEAR CATER PILLAR WARE HOUSE, SEETHA RAMNAGAR,NH-44,OPP TO ANAND ELECTRONICS, HOSUR, KRISHNAGIRI DISTRICT, TAMILNADU - 635109 PH :9841033464.

KARAIKUDI

207. MEENAKSHI AUTOZONE (HXNA-HX-01), T S NO 624/1, DOOR NO. 5, 1ST STREET, SUBRAMANIPURAM, KARAIKUDI, TAMIL NADU - 630001 PH :9940094881.

MADURAI

208. ASIR (42NA-42-01), 176, MAIN ROAD, KAMARAJAR ROAD, MADURAI, TAMIL NADU – 625001 - 625001 PH :99440 59911.

NAGERCOIL

209. ATHEN CARS (S5NA-S5-01), NO. G. 3/9, NO. 1197, NELSON COMPOUND, KP ROAD, PARVATHIPURAM, NAGERCOIL, TAMILNADU - 629003 PH :9751196436.

PONDICHERRY

210. SHENBAKA CARS (96NA-96-01), RS NO 50/5A, PONDICHERRY CUDDLORE MAIN ROAD ,KRIJUMBAKKAAM, BAHOOR COMMUNE,PONDICHERRY - 607402 PH :7338322220.

SALEM

211. THRIVENI CARS (A2NA-A2-01), 2/6, KANDHAMPATTY,BYE PASS ROAD, SALEM, TAMILNADU - 636005 PH :9786022272.

212. SM CAR (A2NB-A2-01), S NO 131/1A,BYPASS ROAD, NEAR INDIAN OIL ASSOCIATION, PETROL BUNK, KONDALAMPATTY, SALEM - 636010 PH :7094440010.

THANJAVUR

213. PILLAI & SONS (E7NA-E7-01), VALLY NO 237/1, NEELAGIRI THAKUR THOTTAM, SULLAM ROAD, THANJAVUR, TAMIL NADU - 613403 PH :9443264165.

TRIRUNEVELI

214. AADHI CARS (A3NA-A3-01), PLOT NO.50-55, ASHOK NAGAR, C-COLONY, TAKKALPURAM, TRIVANDRUM ROAD, C1 KOKKARAKULAM - 627007 PH :7373091461.

TRICHY

215. PLA MOTORS (23NA-23-01), TS NO.29P,31P & 32P,36P, NEW WARD "E", NEW BLOCK NO.27, ANNA NAGAR, TRICHY, TAMILNADU - 620017 - 620017 PH :8110099991.

TRIPUR

216. SHASHTI (Y7NA-Y7-01), 16A-1,SHREE PADMINI GARDENS, KANGAYAM RD, TIRUPPUR, TAMIL NADU - 641604 PH :9942903310.

VELLORE

217. SRI GANESH CARS (C6NA-C6-01), 96/6, CHENNAI-BANGALORE HIGHWAY, NH-46, PERUMUGAI,VELLORE, TAMILNADU - 632009 PH :9884722126.

TELANGANA

HYDERABAD

218. KALYANI MOTORS (10NE-10-01), SURVEY NO.184, KARMAGHAT VILLAGE, BESIDE KHARMANGHAT HANUMAN TEMPLE, R,R DISTRICT, HYDERABAD, TELANGANA - 500079 PH :9347121212.

219. VARUN MOTORS (10NB-10-01), B-54, CO.INDUSTRIAL ESTATE, BALANAGAR, HYDERABAD, TELENGANA - 500037 PH :8886631496, 8886631499.

220. GEM MOTORS (10NH-10-01), D.NO.8-96, SURVEY NO.128/2 & 129, TYAGARAYANANAGAR COLONY, KOTHAFET, HYDERABAD, TELANGANA - 500084 PH :9912345899.

221. JAYABHERI AUTO (10ND-10-01), HNO 2-40/64, SURVEY NO 23 TO 28, JUBILEE GARDENS, KOTHAGUDA, HYDERABAD, TELANGANA-500032 - 500032 PH :9849103917, 9437061030.

222. VARUN MOTORS (10NB-10-02), H.NO. 8-2-120/117/A/2. PLOT NO. 83.83A,83B, ROAD NO. 2, BESIDES SBI BANK, BANJARA HILLS, HYDERABAD - TELANGANA - 500033 PH :9885610555.

223. SAI SERVICE (10NC-10-01), SURVEY NO 78, ADJACENT TO HP PETROL PUMP, GOPANAPALLY, GACHIBOWLI, HYDERABAD -500046. - 500046 PH :9966377888.

224. RKS (10NI-10-01), SY NO:42, PET BASHEERABAD, QUTHBULLAPUR, MEDCHAL MANDAL, HYDERABAD - 500014 PH :9542234567.

225. ADARSHA AUTOMOTIVE (10NG-10-01), PLOT NO 6/P, 54, SURVEY NO. 204, PRAGATI NAGAR, BALANAGAR, KUKATPALLY, HYDERABAD - 500072 PH :9154854949, 8897972200.

226. ADARSHA AUTOMOTIVE. SHAMSHABAD (10NG-10-02), SHAMSHABAD, NH44, HYDERABAD, TELANGANA - 501218 - 501218 PH :8297116633.

KARIMNAGAR

227. ADARSHA AUTOMOTIVE (N6NA-N6-01), 8-6-301, BY PASS ROAD, AUTO NAGAR, KARIMNAGAR, TELANGANA - 505001 PH :9847073265.

KHAMMAM

228. PARAMSHIVA MOTORS (1GNA-1G-01), SY NO. 507,VELUGUMATLA, VILLAGE, KHAMMAM, TELANGANA - 507318 PH :9848988312.

MAHBUBNAGAR

229. JAYARAMMA AUTO (WPNA-WP-01), CHRISTIANPALLY, BHOOTPOOR ROAD, MAHBUBNAGAR, TELANGANA - 509001 PH :8096990074.

MANCHERIAL

230. ADARSHA AUTO (CMNA-CM-01), SURVEY NO-417,BELLAMPALLI MANCHERIAL ROAD ,MANCHERIAL,TELANGANA - 504208 PH :9133329709.

NIZAMABAD

231. VARUN MOTORS (1HNA-1H-01), 1-51/4/1/D4 MADAHAYA NAGAR,HYDERABAD ROAD NIZAMABAD,TELANGANA,503230 - 503230 PH :9542222486.

SECUNDERABAD

232. MITHRA AGENCIES (10NK-10-01), USHA MAYURI THEATER, OPP TO SPENCERS MARKET, MUSHEERABAD, SECUNDERABAD, ANDRAPRADESH-500020 - 500020 PH :98850 01155.

233. AUTO FIN (K6NB-K6-01), PLOT NO.6, SURVEY NO.267/1 & 267/2, BOWENPALLY, BALANAGAR MAIN ROAD, SECUNDERABAD, TELANGANA - 500011 PH :8886144551.

234. VARUN MOTORS (K6NC-K6-01), VARUN MOTORS,2ND CROSS ROAD,SAINIKPURI,SECUNDERABAD - 500094 PH :779960094.

WARANGAL

235. ADARSHA AUTOMOTIVE (D5NA-D5-01), H.NO: 23-6-132, HUNTER ROAD, OPP TO CITIZENS CLUB, WARANGAL, TELANGANA - 506007 PH :8978944414.

UTTAR PRADESH

AGRA

236. MADHUSUDAN MOTORS (66NA-66-01), ADJOINING HEMA PETROL PUMP, EIT MANDI, BODLA, AGRA - 282007 PH :6386901181, 6386901188.

237. PREM MOTORS (66NB-66-01), KHASRA NO.-655, VILL. ARTONI, DELHI-AGRA HIGHWAY, AGRA - 282007 PH :9690010839.

238. KTL PVT LTD (66NC-66-01), KHASRA NO - 246/1, 249/1, 251, KUBERPUR, AGRA, - 282006 PH :8449710014.

ALIGARH

239. CLML (B6NA-B6-01), PLOT NO. 5/129, GT ROAD, RAM NAGAR COLONY, SARSOL, ALIGARH, UTTAR PRADESH. - 202002 PH :9639775522.

240. CLML (B6NA-B6-02), VILL KARSUA, PALWAL-DELHI ROAD, ALIGARH PIN 202140 - 202140 PH :3538373099.

BARIELY

241. CORAL (56NA-56-01), DELHI RAMPUR ROAD, IN FRONT OF MINI BYPASS, CB GANJ, BARIELLY, UP - 243001 PH :9359101010.

BIJNORE

242. SHAKUMBARI (6DNA-6D-01), 4TH KM. MILESTONE, BIJNOR - NAJIBABAD RD, NEAR DPS SCHOOL, BIJNOR, UTTAR PRADESH 246701 - 246701

FIROZABAD

243. DEV MOTOR (DFNA-DF-01), DHOLPURA, NEAR ST. JOHNS CHAURAHA, AGRA ROAD, FIROZABAD - 283203 PH :9045031800.

GHAZIABAD

244. ROHAN MOTORS (59NA-59-01), KHASRA NO 46, DELHI MEERUT ROAD MEERUT ROAD INDUSTRIAL AREA, MORTA, GHAZIABAD, UTTAR PRADESH 245101 - 245101 PH :8178839830.

245. MSM (JJ IMPEX) (5982-59-N1), PLOT NO C, J J IMPEX (DELHI) LIMITED, 224, SITE-1, INDUSTRIAL AREA, BULANDSHAHR ROAD INDUSTRIAL AREA, GHAZIABAD, UTTAR PRADESH 201003 - 201003 PH :9990033015.

GORAKHPUR

246. SMART WHEELS (72NA-72-01), ARAZI NO. 623, 624 & 625, GULHARIA BAZAR, MEDICAL COLLEGE ROAD, GORAKHPUR, UTTAR PRADESH - 273009 PH :8222002147.

247. ARBIT AUTO (72NB-72-01), PLOT NO - A & B, BUDDH VIHAR YOJNA, PART-06, TARAMANDAL ROAD, GORAKHPUR - 273009 PH :8429526255.

GREATER NOIDA

248. MSM (JJ IMPEX) (T283-T2-N1), MARUTI SERVICE MASTERS, NEXA SERVICE, PLOT NO 02, ECOTECH 12, GREATER NOIDA, GAUTAM BUDAHA NAGAR, UTTAR PRADESH - 201009 PH :9711474930.

HARDOI

249. CONCEPT (QENA-QE-01), PLOT NO. 1609 & 1605, GUNGABUX PURVA, BILGRAM RD, HARDOI, UTTAR PRADESH - 241001 PH :7607696666.

JHANSI

250. SURI (60NA-60-01), SHIVPURI - JHANSI ROAD, OPPOSITE HANSRAJ MODERN SCHOOL, JHANSI, UTTAR PRADESH - 284003 PH :7705000558.

KANPUR

251. KTL PVT LTD (28NB-28-01), ARAZI NO. 352, SINGHPUR KACHHAR, BITHOOR ROAD, NORTHERN RAILWAY COLONY, KANPUR, UTTAR PRADESH. - 208017 PH :7408409312.

LUCKNOW

Nexa Workshop (AS ON 30.05.2023)

252. ANAND MOTORS (13NC-13-01), GATA NO. 1062 PARGANA RAJA BIJLI PASI VILLAGE AURANGABAD, SHAHEED PATH (OPPOSITE TO RAMABAI AMBEDKAR MAIDAN), LUCKNOW, UTTAR PRADESH - 226012 PH :7705807552, 9838480490.
253. KTL AUTOMOBILE PVT LTD (13ND-13-01), PLOT NO - 513, VILL. HARIHARPUR BLINAUR, OPP ANSAL API, AMAR SHAHEED PATH, LUCKNOW - 227105 PH :7311190503.
254. BRIGHT4WHEELS (13NB-13-01), PLOT NO - D10, SAROJINI NAGAR INDUSTRIAL AREA, LUCKNOW. PIN - 226008 - 226008 PH :9151004111.

MATHURA

255. UMA MOTORS (H8NA-H8-01), PLOT NO 222, MAHOLI, NEAR KIRAN HOSPITAL, MATHURA - 281004 PH :9997385999.

MEERUT

256. TR SAWHNEY (48NB-48-01), 1183/17 RITHANI, ZONE - A, SECTOR 4 NEAR PETROL PUMP, MEERUT, UTTAR PRADESH - 250103 PH :18002704142.

NOIDA

257. FAIR DEAL (A1ND-A1-01), A-107, SECTOR-5, NOIDA - 201301 PH :9810542222.
258. MOTOR CRAFT (59NB-59-01), C 42 SECTOR 57, NOIDA, UTTAR PRADESH - 201301 PH :7230029429, 7230000000.

RAIBARIELY

259. KTL AUTOMOBILE PVT LTD (HSNA-HS-01), 1481, NEAR KATHWARA BUS STAND, LUCKNOW RAIBARELI HIGHWAY, HARCHANDPUR, RAIBARELI - 229303 PH :7311190503.

SAHIBABAD

260. MSM (JJ IMPEX) (M983-M9-N1), MARUTI SERVICE MASTERS, NEXA SERVICE, PLOT NUMBER 5814, SITE 4, SAHIBABAD INDUSTRIAL AREA, - 201010 PH :9711474930.

SHAHJHANPUR

261. SUMITRA DS (W2NA-W2-01), SH25, RETI ROAD SHAHJAHANPUR - 242001 PH :9936095228.

VARANASI

262. AGR (84NA-84-01), ARAZI NO - 285,286 LUCCHERPUR, PARGANA-ATHGAWA TEHSIL, HARHUA, VARANASI - 221105 PH :9305646425.

UTTARAKHAND

DEHRADUN

263. SHAKUMBARI (57ND-57-01), KHASRA NO. -15-ANA, MOHABBEWALA, SAHARANPUR ROAD, DEHRADUN-248001 - 248001 PH :7895058449.

HALDWANI

264. NAINITAL MOTORS (J6NA-J6-01), 5TH KM RAMPUR ROAD, JEETPUR NEGI, NEAR AMAR UJALA PRINTING PRESS, HALDWANI, UTTARAKHAND - 263139 PH :7467800077, 7467800050.

ROORKEE

265. SHAKUMBARI (H2NA-H2-01), 5 KM MILESTONE ,NH-58,ROORKEE-DELHI ROAD ,NEAR HOTEL GODWARI,ROORKEE, UTTARAKHAND - 247667 PH :9634092690, 7500860007.

RUDRAPUR

266. AKANKSHA AUTOMOBILES (RUDRAPUR) PVT. LTD. (U4NB-U4-01), KASHIPUR ROAD, OPPOSITE GREEN PARK COLONY, VILLAGE DIBDIBA, TEHSIL BILASPUR, RAMPUR, UTTARAKHAND - 244901 PH :01912465542, 9797770257.

WEST BENGAL

ASANSOL

267. BEEKAY AUTO (F6NA-F6-01), NH-2 ,CHANDA MORE ,POST KALI PAHARDI, JAMMURIA DISTRICT WEST BARDHAMAN - 713339 PH :9932049425.

COCHBEHAR

268. SEVOKE MOTORS PVT. LTD. (BWZN-BWZ-01), NEXA COOCH BEHAR CENTRAL VILL & P.O. - MAHISHBATHAN P.S. - KOTWALI, NH - 31 COOCHBEHAR,W.B. -734617 - 734617 PH :8016095268.

HOWRAH

269. MACHINOTECHNO (X7NA-X7-01), 109, 1, UPPER FORESHORE RD, CHOURA BUSTEE, SHIBPUR, HOWRAH, WEST BENGAL 711102 - 711102 PH :9830081632.

JALPAIGURI

270. PODDAR AUTO (XYNA-XY-01), ASSAM MORE BUS STOP, SH12A, JALPAIGURI, WEST BENGAL 735102 - 735102 PH :8945533002.

KHARAGPUR

271. BHANDARI AUTOMOBILES (G7NA-G7-01), CHOWRANGEE, PLOT NO-138 & 139, O T ROAD, KHARAGPUR - 721301 PH :7603076061.

KOLKATA

272. JYOTE MOTORS (06ND-06-01), MIRANIA ROAD, ARUPOTA ON BASANTI HIGHWAY, - 700105 PH :9074158220.
273. MACHINOTECHNO (06NG-06-01), 98/A/2 BT ROAD,P.S - BARANAGAR, P.O. - ISI BT ROAD, KOLKATA, WEST BENGAL - 700090 - 712250 PH :6292283744.

SREERAMPORE

274. STARBURST (BBTN-BBT-01), NEAR ALLAHABAD BANK, MOLLARBER, SERAMPORE. - 700090 PH :9830081672.

ANDHRA PRADESH

CUDDAPPAH

- 1.## SIVAJI MOTORS (3275), BESIDES PADMASHALI KALYANA MANDAPAM, MADRAS ROAD, KADAPA-516002, ANDHRA PRADESH, PH :516002-9849113189.
- 2.## SREE VENKATESWARA AUTO. (1030), SANKARA PURAM, CUDDAPPAH (A.P.) , PH :516002-9704209620.

GUNTAKAL

- 3.## S. MAHAOOB AUTOMOBILES (4075), ALUR ROAD, GUNTAKAL-515802, , PH :515802-9440208312.

GUNTUR

- 4.## S. S. MOTORS (4946), OPP. JKC COLLEGE, JKC COLLEGE ROAD, GUNTUR-522006, ANDHRA PRADESH, PH :522006-9848936363.

KAKINADA

- 5.## SATISH AUTO CARE (5038), BEHIND KALPANA THEATRE, BEACH ROAD KAKINADA, DISTRICT EAST GODAVARI, ANDHRA PRADESH, PH :533005-9848313599.
- 6.## SRI SHIRDI SAI TECHNOCRAFTS (1459), FLAT NO 36/2, I.D.A., RAMANAYAPETA, BESIDE MAHINDRA SHOW ROOM. OPP: BHAVANI CASTING ROAD, KAKINADA-533005, PH :533005-9848633336.

KAVALI

- 7.## KAMAL MOTORS (3842), 10-15-43/J3A OPP LIC, TANK ROAD, KAVALI, PH :524201-9440928888.

KURNOOL

- 8.## SRINIWAS AUTO GARAGE (5170), KALLUR ROAD, KURNOOL, DISTRICT - KURNOOL, ANDHRA PRADESH, PH :518002-9440244660.

MACHILIPATNAM

- 9.## SRI MARUTI MECHANICAL WORKS (4172), D.NO 4-121, PLOT NO 26,27, , POTEPELLI INDUSTRIAL PARK, MACHILIPATNAM-521002, PH :521002-9440538012.

MANDAPETA

- 10.## MODERN MARUTI CARE (4866), D.NO. 4-1-59/2, MAIN ROAD, MANDAPETA-533309, DISTRICT-EAST GODAVARI, ANDHRA PRADESH, PH :533309-9133198494.

MATHURAWADA

- 11.## ANY TIME SERVICE CENTRE (4860), BESIDE ELECTRICAL SUBSTATION , MADHURAWADA - 530041, DISTRICT VISAKHAPATNAM, ANDHRA PRADESH, PH :530041-8977799888.

NAGARI

- 12.## PUJITHA SERVICE CENTER (5872), TIRUPATI ROAD, NAGARI-517583, DISTRICT-CHITTOOR, ANDHRA PRADESH, PH :517583-9966106128.

NANDYAL

- 13.## MARUTI MOTORS (2635), PLOT NO 428, NH-18 , NEAR RAILWAY GATE , NANDYAL-518501, PH :518501-9440554617.

NELLORE

- 14.## MARUTI AUTO SERVICE STN. (2620), 16/796 SANKARA AGRAHARAM, NELLORE-524 001 (A.P.), PH :524001-98858 81905.
- 15.** MARUTI MOTORS (176), 16-3-995, MINI BYPASS ROAD , RAMALINGAPURAM, NELLORE-524 003,(A.P.), PH :524003-9440278243.

PATTIKONDA

- 16.## ROYAL MOTORS (5776), ADONI ARTS & SCIENCE, COLLEGE ROAD ADONI,PATTIKONDA-518302, DISTRICT-KURNOOL, ANDHRA PRADESH, PH :518302-9866362847.

PRODDATTUR

- 17.## SRI RAM MOTORS (3642), 189 INDUSTRIAL AREA, NEAR SRI LAKSMI NAGAR, MYDUKUR ROAD, PRODDATUR (A.P.), PH :516360-9666890525.

RAJAHMUNDRY

- 18.## MARUTHI MOTORS (1257), D.NO 88-30-04, OPP I.T.C. GADALAMMA NAGAR, NH-16, RAJAMAHENDRAVARAM -533107, PH :533107-9848253434.

SRIKALAHASTI

- 19.## SUNDEEP CARS (5972), 16/769.SRI RAM NAGAR COLONY, SRIKALAHASTI-517640, DISTRICT-CHITTOOR, ANDHRA PRADESH, PH :517640-9848294869.

TENALI

- 20.## HIMAJA MARUTI SERVICE STATION (2828), LECTURER'S COLONY, GIRIJA HOSPITAL ROAD, GANGANAMMAPET, TENALI-522 201 GUNTUR DIST. (A.P.), PH :522201-9849715727.

- 21.## RAHUL MOTORS (5157), D.NO.18-3-4BITRA SRI RAMULU STREET, BEHIND TELEPHONE EXCHANGE SALIPET, TENALI, ANDHRA PRADESH, PH :522201-9490187453.

VISAKHAPATNAM

- 22.## SIRI AUTOMOBILES (5232), PLOT O 94/A IDA E BLOCK, AUTO NAGAR,GAJUWAKA, VISAKHAPATNAM, ANDHRA PRADESH, PH :530012-9963296667.
- 23.## SRINIVASA AUTO GARAGE (5440), OPP. KANTI ROAD,, NEAR RAYS PETROL PUMP - VISAKHAPATNAM, DISTRICT - VISAKHAPATNAM, ANDHRA PRADESH, PH :530031-9912688943.
- 24.** VISAG AUTO SCANS (461), 49-52-1/4/2,OPP HNR VIHAR APPARTMENTS, SANTHIPURAM, SANKARMATAM ROAD, VISAKHAPATNAM-530016, PH :530016-9246625885.

VIZIANAGARAM

- 25.* VIKRAMA AUTOMOBILES (4621), 17-13-4 TEMPLE STREET, VIZAINAGARAM - 531 202 (A.P.), PH :535003-9440192224.

ARUNACHAL PRADESH

ALONG

- 26.## BANNU MOTORS (1744), SIYOM MARKET, ALONG, WEST SIANG DISTT., (ARUNACHAL PRADESH), PH :791001-9436056096/8258834061.

BOMDILA

- 27.## GURU MOTORS (3921), BIRPUR, RUPA, ARUNACHAL PRADESH 790003, PH :790003-7640898278.

NIRJULI

- 28.## SANGO SERVICE CENTRE (5742), NH-52,NIRJULI - 791110, DISTRICT-PAPUMPARE, ARUNACHAL PRADESH, PH :791110-9436052480/8974454448.

TAWANG

- 29.## TAWANG MARUTI SERVICING STATION (4255), OLD BAZAR LINE, P.O & P.S., TAWANG, ARUNACHAL PRADESH, PH :790104-9402493456.

ZIRO

- 30.## HILLS AUTO AGENCY (3922), POLICE RESERVE & PETROL PUMP ROAD, HAPOLI BAZAR , P.O. ZIRO, DISTT. LOWER SUBANSIRI, ARUNACHAL PRADESH - 791 120, PH :791120-9436047232.

ASSAM

BADARPUR

- 31.## MARUTI CAR PLAZA (3635), NEAR INDUSTRIAL AREA, S.T. ROAD, BADARPUR, DISTT. KARIMGANJ (ASSAM) PIN-788 806, PH :788806-9854970591.

BISHWANATH CHARIALI

- 32.* BINA AUTOMATION (3677), , P.O. BISHWANATH CHARIALI, DISTT. SONITPUR, ASSAM-784 176, PH :784176-9957309744.
- 33.## DISHANG DONE (1058), 52 N.H., BISHWANATH CHARIALI-784176, DISTT. SONITPUR, ASSAM, PH :784176-9854004161.
- 34.## BINA AUTOMATION (PH :-).

BOKAJAN

- 35.## SREE GANESH MOTORS (6040), SUKHANJAN SUPER MARKET,P.O.BOKAJAN(C.F.), DISTRICT KARBI ANGLONG , ASSAM , PH :782480-9435167138.

BOKAKHAT

- 36.## GOENKA AUTOMOBILES (2878), P.O. BOKAKHAT, DISTT. GOLAGHAT, ASSAM-785 612, PH :785612-9854048910.

DHALIGAON

- 37.## ADHIKARI MOTOR WORKS (4049), P.O. DHALIGAON, DIST-BONGAIGAN, ASSAM-783385, PH :783385-9435020938.

DHEMAJI

- 38.## NARAH AUTOMOBILES (3852), C/O BLUE HILL COUNTER, P.O. DHEMAJI, DISTT. DHEMAJI, PIN-787 057 (ASSAM), PH :787057-9954390916.

DHUBRI

- 39.## BRAHMAPUTRA MOTOR SERVICING STATION (3127), G.T.B ROAD, DHUBRI-783 301, (ASSAM), PH :783324-8876798739/9101176148.

DIBRUGARH

** A-Category Mass : Free & paid Service, Major repairs & Accidental repairs

C-Category Mass : Free & paid Service & Minor repairs

* B-Category Mass : Free & paid Service & Major repairs

D-Category Mass : Free Service & Minor repairs

Maruti Authorized Service Station (AS ON 30.05.2023)

40.* GEE DEE AUTO SERVICE (953), JHALUKPARA, DIBRUGARH-786 001, ASSAM, PH :786001-9435131119.

41.** MEHBOOB AUTOMOBILES & TYRE SERVICES (1760), CHOWKIDINGHEE, NEAR STATE TRANSPOET, DIBRUGARH-3, PH :786005-9854432207.

DIGBOI

42.** GAURI AUTOMOBILES (3760), MULIABARI, DIGBOI 786 171, , PH :786171-9435137556.

DOOM DOOMA

43.* S K AUTO CARE (3962), UCHAMATI, NATIONAL HIGHWAY, DOOM DUMA, ASSAM 786151, PH :786151-9435135876.

GOALPARA

44.## BHARAT ENGINEERING WORKS (969), PO - BALDMARI, AGIA ROAD, GOALPARA (ASSAM)-783 102, PH :783102-9864767777.

GOLAGHAT

45.## KAKOTI MOTOR WORKS (1074), NEW AMOLAPATTY, RANGPUR, P.O. GOLAGHAT-785 621, DISTT. GOLAGHAT (ASSAM), PH :785621-9435053663.

GOSSAIGAON

46.## NARZARY AUTOMOBILES (4544), NH-31C, HABRUBIL, GOSSAIGAON, DIST KOKRAJHAR, ASSAM-783360, PH :783360-9435109765.

GUWAHATI

47.** MONO MOTOR WORKS (966), BAMUNI MAIDAN, GUWAHATI-781 021, , PH :781021-9864186600.

HAILAKANDI

48.## RONOK AUTOMOBILES (5978), LALA ROAD, NEAR CIVIL HOSPITAL, HAILAKANDI-788151, DISTRICT-HAILAKANDI, ASSAM, PH :788151-8723032380/9707428563/9401960215.

HOJAI

49.## PRAMAN MOTORS (5730), WARD NO. 12, HOLDING NO. 14, COLLEGE ROAD, HOJAI, ASSAM-782435, PH :782435-9954369700.

JONAI

50.## BOROAH MOTORS (4545), NH-515, MURKONG SLEEK, DIST. DHEMAJI, JONAI-787060, ASSAM, PH :787060-9864590237.

KARIMGANJ

51.## S D AUTOMOBILE (4931), SILCHAR ROAD, KARIMGANJ - 788710, , PH :788710-8135002919/9435074975.

LUMDING

52.## BEDI MOTORS (5827), MAIN ROAD,NORTH LUMDING,LUMDING-782447, DISTRICT - NAGAON, (ASSAM), PH :782447-9957333991.

MANGALDAI

53.## PRIYAM AUTOMOBILES (2424), NH 52 COLLEGE ROAD, MANGALDOI, ASSAM, PIN-784 125, PH :784125-9401148730/9854209905.

MARGHERITA

54.* VIRDI MOTOR WORKS (955), MISSION ROAD, P.O. MARGHERITA-786 181, DIST. TINSUKIA, (ASSAM), PH :786181-8011164932.

MARIANI

55.## VASKAR AUTOMOBILES (5237), NEAR NST TINALI, P.O. :MARIANI, DISTRICT - JORHAT, ASSAM, PH :785634-9508486813.

MORANHAT

56.* CHINAKI SERVICE STATION (2973), (MARUTI AUTHORISED SERVICE STATION), NATUN NAGAR A.T. ROAD, MORANHAT-785 670, (ASSAM), PH :785670-9401512821.

MORIGAON

57.## PRAGATI MOTORS (5273), MORIGAON TOWN, WARD NO.1, BHATBOR- DOLON PATH, P.O. :MORIGAON, DISTRICT - MORIGAON, ASSAM, PH :782105-9435064356.

NAGAON

58.## DAS MARUTI MOTOR WORKS (3734), NAGAON -782001, , (ASSAM), PH :782002-9435360246.

NALBARI

59.## B.R.K. AUTOMOBILES ENGINEERING WORKS (2838), HAJO ROAD, NALBARI-781 335, (ASSAM), PH :781335-9954895264.

NAMRUP

60.## RAJ ENTERPRISES (3849), NAMRUP INDUSTRIAL ENTERPRISES, SONARI TINIALI, PARBATPUR, NAMRUP-786 623 (ASSAM), PH :786623-9854135646.

NORTH LAKHIMPUR

61.** GREEN LAND MARUTI WORKS (2974), NEAR GURUDWARA, NH 52, NORTH LAKHIMPUR-787 001, (ASSAM), PH :787031-9435085310.

PATHSALA

62.## USHA AUTOMOBILES (4240), N.H 31, PATHSALA-781325, DISTRICT-BARPETA, ASSAM, PH :781325-9401310431.

SILAPATHAR

63.## BORLUIT MOTOR (5743), KHANAMUKH, P.O/P.S -SILAPATHAR, DIST-DHEMAJI, ASSAM PIN-787059, PH :787059-9954635182.

SILCHAR

64.** CARDROME (1559), 2ND LINK ROAD JUNCTION, SONAI ROAD (M H C ROAD), SILCHAR-788 006, (ASSAM), PH :788006-9435071212.

TEZPUR

65.## POOJA MOTOR WORKS (4373), N.T. ROAD, MURATETLI, TEZPUR-784001, ASSAM, PH :784001-9954707812.

TINSUKIA

66.* AUTO MAKERS (934), MAKUM ROAD, UDYOG NAGAR, TINSUKIA -786 146 (ASSAM), PH :786146-9435035341.

TITABAR

67.## SHANKAR AUTO WORKS (5174), C/O.SHV SHAKTI AUTO WORKS, BALAJI, MARKET TITABAR CHARIALI TITABAR, DISTRICT - JORHAT, ASSAM, PH :785630-943572479/9435051539.

UDALGURI

68.## RENU MOTORS (4543), WARD NO. 2, U.T. ROAD, UDALGURI TOWN, UDALGURI-784509, ASSAM, PH :784509-9854348875.

ARRAH

BIHAR

69.## ANJALI ENTERPRISES (5533), ARRAH - PATNA MAIN BYPASS ROAD, NH-30, AIHRPURWA, OPPOSITE SURYA MANDIR, ARRAH, BIHAR -802232, PH :802232-9304910843.

AURANGABAD (BIHAR)

70.## K R N AUTOMOBILE (2242), NEW G.T. ROAD, (NH-2), AURANGABAD-824 101, (BIHAR), PH :824101-9304930657.

BEGUSARAI

71.## K.B. MOTORS (4768), NH-31, SINGHAUL, POKHAR, BEGUSARAI-851134, BIHAR, PH :851134-78700419518271507870/9835214115. 72.* NATIONAL AUTO WORKS (1536), INDUSTRIAL AREA, BARAUNI, BEGUSARAI-851 122, PH :851122-9973381733.

BHAGALPUR

73.** RUPRA AUTOMOBILES (1577), EAST OF AIRPORT, BHAGALPUR-813 210, P.O. BAHADURPUR, (BIHAR), PH :813210-9334385521.

BIHAR SHARIF

74.## SARVADAY ENGG. & AUTO SER (1549), INDUSTRIAL ESTATE, RAMCHANDRAPUR, BIHARSHARIFF (NALANDA), PH :803101-9334672919.

CHAPRA

75.## PRASAD AUTOMOBILES (1974), BHAGWAN BAZAR, CHAPRA-841 301, (BIHAR), PH :841301-9431216362/8092627210.

DARBHANGA

76.* SINGH MARUTI CARE (2277), RAJKUMARGANJ, P.O. LALBAGH, DARBHANGA-846 004, (BIHAR), PH :846004-9431293796.

GAYA

77.* AUTO CARE (3027), DURGA BARI, HARIDAS CHATTERJEE LANE, NEAR SAINT PAUL SCHOOL, GAYA-823 001 (BIHAR), PH :823001-9102060955.

HAIJIPUR

78.## ALFA AUTO (5454), PASWAN CHOWK, NH-13, HAIJIPUR, DISTRICT - VAISHALI, BIHAR - 844101, PH :844101-9431327965/8092258357.

79.** HI-TECH AUTOMOBILE (3123), GANDHI SETU PATH, N.H.-19, HAIJIPUR, VAISHALI (BIHAR), PH :844101-9835044502.

KAHALGAON

** A-Category Mass : Free & paid Service, Major repairs & Accidental repairs

C-Category Mass : Free & paid Service & Minor repairs

* B-Category Mass : Free & paid Service & Major repairs

D-Category Mass : Free Service & Minor repairs

Maruti Authorized Service Station (AS ON 30.05.2023)

80.## MAHA GAURI ENTERPRISES (5822), NTPC ROAD,GANGANAGAR ,CHOWRATHIYASTHAN, KAHALGAON-813203, DISTRICT-BHAGALPUR, BIHAR, PH :813203-9431463558.

MADHEPURA

81.## KRISHNA AUTOMOBILES (2639), SINGHSWAR ROAD, PATHRAHA, MADHEPURA-852 213, (BIHAR), PH :852213-9430583338.

MADHUBANI

82.## VIDYAPATI AUTOMOBILE (4234), BHAUARA, GANGASAGAR, MADHUBANI, BIHAR - 847212, PH :847212-9471648158/9304399511.

MUNGER

83.## SUN BEAM ENGG WORKS (1533), 150 BETWAN BAZAR, NEAR KHANKAH, P.O.& DISTT. MUNGER, BIHAR - 811201, PH :811201-9931962944.

MUZAFFARPUR

84.** DYNAMIC MARUTI SERVICE CENTRE (1163), HARI SHARAN MARG, AMGOLA, POST OFF RAMNA, MUZAFFARPUR-842 002, PH :842002-9431013057/9835003526/9386834595.

85.## PERFECT MOTORS (3465), NEAR CHANDNI CHAUK, JHITKAIYA, POST: MIT PS: BRAHAMPURA, MUZAFFARPUR-842 003 (BIHAR), PH :842003-9835007407.

PATNA

86.** CAR SCANNER (1552), OPP. BATA, KANKAR BAGH COLONY, PATNA-800 020, PH :800020-9431016342.

87.** GOOD WRENCH SERVICES (3384), NH 30, BETWEEN BHARAT PETROLEUM & HP PETROL PUMPS, 1 KM WEST OF "0" MILE, ASHOCHAK, NANDLAL CHAPRA, PATNA - 800077, PH :800077-7277772777.

88.## MARUTI MAINTAINER (4842), PLOT NO 73, MAIN ROAD, KANKARBAGH. NEAR RAJENDRA NAGAR OVERBRIDGE, PATNA, BIHAR-800020, PH :800020-7903741541.

89.* MOHINI AUTOMOBILES (1049), BEHIND RESERVE BANK OF INDIA, EXHIBITION ROAD, PATNA-800 001, PH :800001-9431094340/8987379073.

90.** TIRUPATI AUTO (1956), ASHIANA-843,03, BAILEY ROAD OPPOSITE UNION BANK, RAJABAZAR, PATNA-14, PH :800014-9835050292/8539077831.

PURNEA

91.## AUTO INDIA (3026), SRI DHAM MANDIR, PURNEA CITY, PURNEA 854302, PH :854301-9470204501.

SASARAM

92.## TRIPTY CAR SERVICE CENTRE (5535), NEAR RELIANCE PETROL PUMP, G.T. ROAD NH-2,SASARAM-821115, DISTRICT-SASARAM, BIHAR, PH :821115-9934792421.

SITAMARHI

93.* SITAMARHI AUTO CARE (6050), INDUSTRIAL AREA,RAJOPATTI, PO.SITAMARHI-843302, DISTRICT-SITAMARHI , BIHAR, PH :843302-9430012437.

CHANDIGARH

CHANDIGARH

94.** CAR CLINIC (179), PLOT NO-81, INDUSTRIAL AREA, PHASE-II, CHANDIGARH, PH :160002-9417216782.

95.## HI-TEK MOTORZ (4743), PLOT NO. 658, INDUSTRIAL AREA, PHASE-1, CHANDIGARH, PH :160002-9872567868.

96.## RATTAN MOTORS (1155), SECTOR 23-C, CHANDIGARH-160 023, PH :160023-9814008335.

CHHATTISGARH

AMBIKAPUR

97.## MARUTI AUTO CARE (4839), KHARSIA NAKA, AMBIKAPUR -497001, DISTRICT-SURGUJA, CHHATTISGARH, PH :497001-9425256087.

JAGDALPUR

98.## VISHWAKARMA AUTOMOBILES (4467), RAJMAHAL PARISAR, BAHAMBERS OF COMMERCE ROAD, JAGDALPUR, CHHATTISGARH, PH :494001-9753300033.

JAMNIPALI

99.## AUTO CARE (3823), 203 J P COMPLEX SADA COLONY, JAMNIPALI-495 450, TEH. KATHGHORA DIST. KORBA (CHHATTISGARH), PH :495450-7587399102.

KORBA

100.## AUTO SELF SERVICE (8940), RAILWAY STATION CANAL ROAD, NEAR SUNALIYA RAILWAY CROSSING, , MURARKA GALI, KORBA, CHATTISGARH -495678, PH :495678-9229495000.

MANENDRAGARH

101.## SHARMA AUTO CENTRE (5354), MAIN ROAD - MANENDRAGARH, DISTRICT -KOREA , PIN -497442, CHHATTISGARH, PH :497442-7771011802.

RAIPUR

102.## SHIVAM CAR SERVICES (4774), BILASPUR ROAD, KHAMTARAI, RAIPUR-492006, CHATTISGARH, PH :492006-9826192574.

DELHI

DELHI

103.* AAPKA KARKHANA (MOTORS) PVT. LTD. (869), 621 POSANGIPUR MAIN MARKET, A-3 BLOCK JANAKPURI, NEW DELHI-58, PH :110058-9811034869.

104.## ANAND MOTORS (4471), B-27, G.T. KARNAL ROAD, INDUSTRIAL AREA, NEW DELHI-110033, PH :110033-9582379699.

105.** A-ONE AUTOMOBILES (3362), 487/35 NATIONAL MARKET, PEERAGARHI, DELHI-110 087, PH :110087-9810257472.

106.## ASHA AUTOMOBILES (850), A-2 CHOTTEY LAL PARK, NAJAFGARH ROAD, OPP.KIRTI NGR,P.O, NEW DELHI-15, PH :110015-9818467898.

107.## AUTO ENGRS.SERVICE STN. (8023), OPP.MODEL TOWN, DERAWAL NAGAR, DELHI-9, PH :110009-9811137929.

108.* AUTO POINT SERVICE (1267), 70B RATTAN PARK, OPP. RAMESH NAGAR, NEW DELHI-110 015, PH :110015-9958062220.

109.## AUTOTECH ENGINEERS (4551), PLOT NO. 20-24, MATIYALA VILLAGE, SECTOR-3, NEAR DPS DWARKA, NEW DELHI-110075, PH :110075-9811608008.

110.## BASANT MOTORS (8003), 78 TOLSTOY LANE, BEHIND SCINDIA HOUSE, NEW DELHI-110 001, PH :110001-9811522266.

111.## BHAGIRATHI MOTORS (4737), PLOT NO. 153/543, POOTH KHURD, DELHI-110039, PH :110039-9810804556.

112.## BHASIN SERVICE STATION (830), DR.K.S.KRISHNAN ROAD, NEAR PUSA GATE, NEW DELHI-110 012, , PH :110012-9971977992.

113.** BRIGHT MOTORS (P) LTD. (885), C-263 PEERAGARHI, OUTER RING ROAD, DELHI - 110 087, PH :110087-9810203018.

114.* DRIVE WELL SERVICE STN. (866), 1486,G.C.S. COMPLEX,MAIN G.T. ROAD , DILSHAD GARDEN,NEW DELHI-110095 , DELHI , PH :110095-9811020603.

115.## ENGINEERS SERVICE STATION (834), SHRI AUROBINDO MARG. (SAFADARJANG AIRPORT), NEW DELHI-110 003, PH :110003-9654262692.

116.## EXCEL AUTOMOBILES (3342), PLOT NO. 78, BAGDOLA VILLAGE, SECTOR 8, DWARKA, NEW DELHI-110 077, PH :110077-701765194.

117.* EXCLUSIVE AUTOMOBILES PVT. LTD. (3546), 98 MANGOLPUR KALAN, SECTOR-2 NEAR JAIPUR GOLDEN HOSPITAL, ROHINI, DELHI-110 085, PH :110085-9910782127.

118.## GLOBE SERVICE STATION (3631), 18TH KM MATHURA ROAD, BADARPUR, NEW DELHI-110 044, PH :110044-9810830354.

119.## HUNDRED PERCENT FILLING & SERVICE STATION (4839), LSC, SECTOR-9, OPP. NHAJ, DWARKA, NEW DELHI-110075, PH :110075-9910586999.

120.## IMAGE (2561), IOC PUMP, NEAR SAMACHAR APT. OPP. KIRTI APT., MAYUR VIHAR PHASE-I EXT., DELHI-110 091, PH :110091-9312082213.

121.** R S AUTOMOBILES (273), 111/9 KISHANGARH, OPP. CNG PUMP NEAR SPYM INSTITUTE, ARUNA ASAF ALI ROAD, VASANT KUNJ, NEW DELHI - 110070, PH :110070-9540944009.

122.** KUMAR AUTOMOBILES (855), B-281 OKHLA INDUSTRIAL AREA, PHASE-I, NEW DELHI-110 020, PH :110020-9810001625.

123.** NAVEEN AUTOMOBILES (4934), 37, PATPARGANJ INDUSTRIAL AREA, NEW DELHI-110092, , PH :110092-9911278537.

124.## NORTHERN SERVICE STATION (337), SARAI BASTI, ROAD NO.40, OPP. SHASTRI NAGAR, DELHI-35, PH :110035-9213710643.

** A-Category Mass : Free & paid Service, Major repairs & Accidental repairs

C-Category Mass : Free & paid Service & Minor repairs

* B-Category Mass : Free & paid Service & Major repairs

D-Category Mass : Free Service & Minor repairs

Maruti Authorized Service Station (AS ON 30.05.2023)

- 125.** P R G MOTORS (365),
A-99,103CH,TEKCHAND MARKET, GANESH
NAGAR - TILAK NAGAR, DELHI-110 018,
DELHI,
PH :110018-9711196811.
- 126.## QUTAB SERVICE STATION (8078),
MEHRAULI ROAD, NEW DELHI-110 017 ,
PH :110017-9811021862.
- 127.** RAJINDRA SERVICES P.LTD. (826), B-55
G.T.KARNAL ROAD, INDUSTRIAL AREA,
DELHI-110 033.,
PH :110033-9899580820.
- 128.## ROHAN SERVICES (5444), PLOT
NO:125,VILLAGE POCHANPUR, SECTOR - 23
DWARKA, DISTRICT - DELHI (WEST), DELHI,
PH :110075-9911180827.
- 129.* SATYA SERVICE STATION PVT. LTD. (3625),
L-BLOCK HARI NAGAR, JAIL ROAD, NEW
DELHI-64,
PH :110064-9873461414.
- 130.** SEVEN HILLS AUTO.(P)LTD. (848), D-20/1
OKHLA INDUSTRIAL AREA, PHASE II, NEW
DELHI-110 020.,
PH :110020-9811037954.
- 131.** SHALIMAR AUTOMOBILES PVT. LTD (871),
C-91/9 WAZIRPUR INDUSTRIAL AREA,
ASHOK VIHAR CROSSING, DELHI-110052,
DELHI,
PH :110052-9811171469.
- 132.## SHIKHAR AUTOMOBILES (5546),
A/21/CHOTTEY LAL PARK,SHIVAJI MARG,
OPP KIRTI NAGAR,METRO PILLAR
NO.341,NEW DELHI-110015, DISTRICT -
DELHI, DELHI,
PH :110015-9810047047.
- 133.## SINTEX SERVICE STATION (777),
883,RITHALA INDUSTRIAL AREA, FIRNI
NALA ROAD., DELHI - 85, DELHI,
PH :110085-9868030802.
- 134.## SRI BALAJI AUTOMOBILE (8038), KHASRA
NO.33, 13/2-12 MAIN BAWANA ROAD,
SAMEYPUR (NEAR DELHI COLLEGE OF
ENGG.), DELHI,
PH :110085-9811039601.
- 135.## SRI SAI AUTO ENGINEERS (8074), 487/59
PEERA GARHI, INDUSTRIAL AREA, DELHI,
PH :110087-9650531612.
- 136.## WIG AUTOMOBILES (8012), D-3 S.M.A
CO-OP. INDL. ESTATE, (OPP. JAHANGIR
PURI CHOWK), G.T. KARNAL ROAD,
DELHI-110 033,
PH :110033-9811297607.
- 137.## YASHWANT PLACE SER.STN. (8022),
AFRICA AVENUE, (OPP. CHANAKYA
CINEMA), NEW DELHI-21,
PH :110021-9868255788.

GOA

- ** A-Category Mass : Free & paid Service, Major repairs & Accidental repairs
C-Category Mass : Free & paid Service & Minor repairs

BICHOLIM

- 138.## SHREE GURUKRUPA AUTOWORLD (1249),
PLOT NO.76 , BICHOLIM, GOA-403 529,
PH :403529-9422057272.

CURCHOREM

- 139.## VIPUL AUTOMOBILES (5376), PLOT
NO.7,8,9,KAKODA INDUSTRIAL ESTATE,
KAKODA CURCHOREM, DISTRICT - SOUTH
GOA, GOA,
PH :403706-9422018746.

KUNDAIM

- 140.* VIKAS ENGINEERING WORKS (4953),
BHOMA, KUNDAIM, GOA-403107,
PH :403107-9823780335.

MAPUSA

- 141.## SARDESAI AUTOMOBILES (2176), 194,
GAUNSAWADA, , NEAR MILAGRES
CHURCH, MAPUSA, GOA-403 507,
PH :403507-9764448741.

PONDA

- 142.* DHAVLIKAR AUTOMOBILES (2041), NO.5 TIP
TOP MANSION IV, INDIRA NAGAR, DHAVALI,
PONDA, GOA-403 401,
PH :403401-9890669879.

VERNA

- 143.* LUBRICARE SERVICES (261), 7-D
GOULLOY, NH.17 NUVEM, SALCETE,
GOA-403 601,
PH :403601-9822124376.

GUJARAT

AHMEDABAD

- 144.* AUTOWAY (125), MANGALYA COMPLEX,
NEAR ANJALI CINEMA CROSS ROAD,
BATTHA, AHMEDABAD,
PH :380007-9825016888.
- 145.## DAHISON MOTORS (143), NEAR MANAV
MANDIR, DRIVE IN ROAD, AHMEDABAD-380
052,
PH :380052-9898096242.
- 146.## MEGHDOOT MOTORS (3437), MASONIC
LODGE COMPOUND, SHAHIBAUG ROAD,
AHMEDABAD-4,
PH :380004-9825972345.
- 147.* POKAR AUTO REPAIRERS (2479), NEAR
UNION CO. BANK, SAJIPUR BOGHA,
NARODA ROAD, AHMEDABAD-382 345,
PH :382345-9428608515.
- 148.* RAJAN MOTORS (2873), C/O M/S. SUPER
SERVICE STATION, 79/80 JAGABHAI PARK,
RAM BAUG MANINAGAR, AHMEDABAD-380
008,
PH :380008-9825972345.

- 149.** SPEED AUTO CARE PVT. LTD (5524),
NH-8,VIRAT NAGAR AHMEDABAD, DISTRICT
- AHMEDABAD, GUJARAT,
PH :380023-9979992779.

AMRELI

- 150.* CAR CARE CENTRE (2734), PATEL GARAGE,
CHAKRAGADH ROAD, AMRELI-365 601,
(GUJARAT),
PH :365601-9825422922.
- 151.* KHODIAR MOTORS (3029), GAVADKA ROAD,
AMRELI-365 601, (GUJARAT),
PH :365601-9825672657.

ANAND

- 152.* PATEL TRACTOR COMPANY (2221),
(SERVICE DIVISION), BEHIND SUNIL
CHAMBERS, STATION ROAD, ANAND-388
001,
PH :388001-9925534494.
- 153.## SHAKTI MOTORS (2226), OPP. J.K. PARK,
NATIONAL HIGHWAY NO.8, P.O.
VAGHASHI-388 320, TA: ANAND DISTT.
KHEDA,
PH :388320-9825792999.

ANJAR

- 154.## CAR AGE (5542), PLOT NO.11, MAHATMA
NAGAR-1,ANJAR- , GADHPADAR
ROAD,NR.MAHAKALESHWAR, MAHADEV
MANDIR,ANJAR - GUJARAT,
PH :370110-9427216886.

BARDOLI

- 155.** POOJA MOTORS (361), NEAR GIDC, SURAT
ROAD, BARDOLI-394 601, (GUJARAT),
PH :394601-9825762621.

BHARUCH

- 156.* NEW MARUTI MOTORS (5156), 9/16 AKASH
GANGA BIH CNG PUMP, OLD NH -8,BHOLAV
, DISTRICT - BHARUCH, GUJARAT,
PH :392001-9898611424.

BHAVNAGAR

- 157.## VIKRAM MOTOR GARAGE (127),
TAKHTESHWAR PLOT, NEAR CHANDRA
BHUVAN, BHAVNAGAR - 364 002.,
PH :364002-9427145452.

BHUJ

- 158.* ASHA MOTORS (3629), LAL TEKRI,
HOSPITAL ROAD, BHUJ-370 001, (GUJARAT),
PH :370001-9727499383.

BILIMORA

- 159.## PATEL AUTOMOBILES (4030), DANDEKAR
COMPOUND, GANDEVI ROAD, BILIMORA,
PH :396321-9824123875.

BORSAD

- 160.## SUMAN MOTORS (3863), NEAR NISHRAYA
CROSSING, BHARAN ROAD, BORSAD,
DISTT. ANAND,
PH :388540-9825021960.

CHAND KHEDA

- 161.* BALVINDR AUTOMOBILES (2528), PLOT
NO.202/2, NATIONAL HIGHWAY NO.8,
CHAND KHEDA, DISTT. GANDHI NAGAR-382
424 (GUJARAT),
PH :382424-9924016000.

CHIKHLI (GU.)

- 162.## INAL MOTORS (3929), POST MAJIGAM,
CHIKLI BILIMORA ROAD, DISTT NAVSARI,
PH :396521-9099033773.
- 163.## SHREE AMBICA MOTORS (2663), KUNDI
FATAK, NEAR ADARSH NURSERY, N.H.8,
CHIKHLI DISTT. VALSAD (GUJARAT)-396 001,
PH :396001-9825131520.

DAHOD

- 164.* CAR SEVA (2438), SAINT STEPHEN SCHOOL
ROAD, GODHRA ROAD., DAHOD.
PIN-389151,
PH :389151-9426469122.

DAMAN

- 165.## CAR ZONE (4358), SURVEY NO.70/3,
VARKUND, OPP VEERA DA DHABA, VAPI
DAMAN ROAD, DAMAN-396210,
PH :396210-9824184449.
- 166.## TOP GEAR (5469), DAMAN-KUNTA
ROAD,KUNTA DAMAN-396210, DISTRICT -
UNION TERRITORY , GUJARAT,
PH :396210-9825631264.

DEESA

- 167.## YAKHARIA MOTORS (3970), G L PADIAR
COMPLEX, PALANPUR PATHAN HIGHWAY,
OPP. RAJMANDIR TALKIES, DEESA,
PH :385535-937728841.

DHARI

- 168.## GURUKRUPA MOTORS (5876), NR.
NARMADESHWAR MAHADEV TEMPLE,
DHARI,AMRELI ROAD,DHARI-365640,
DISTRICT-AMRELI, GUJARAT,
PH :365640-9825374658.

DHORAJI

- 169.## UNIVERSE AUTO (5837), SARDAR
CHOWK,DHORAJI-360410, DISTRICT-
RAJKOT, GUJARAT,
PH :360410-9727714643.

GANDHI NAGAR

- * B-Category Mass : Free & paid Service & Major repairs
D-Category Mass : Free Service & Minor repairs

Maruti Authorized Service Station (AS ON 30.05.2023)

170.* LABH MOTORS (4527), PLOT NO - B - 206*207 .. GIDC, SECTOR -25., GANDHINAGAR GUJARAT, PH :382024-982502030.

171.* RIDDIHI MARUTI(A DIVISION OF SHREE ARBODA PVT. LTD (2151), E-19/10 G.I.D.C. SECTOR 26, NEAR K-7, GANDHINAGAR-382 044, PH :382044-9825041331.

172.### SHITAL MOTORS P.LTD, (134), 304 G.I.D.C., SECTOR-28, GANDHINAGAR - 382 028 (GUJARAT), PH :382028-98224127065.

HALOL

173.### MAA MOTORS (4767), GODHRA ROAD, NEAR TELEPHONE EXCHANGE, HALOL, GUJARAT, PH :389350-9898610212.

HIMMATNAGAR

174.### MEHTA SERVICE STATION (135), NEAR SHANTI GARDEN, RESTAURANT, DIWALI BAUG MOTIPURA, N.H.B. HIMMATNAGAR GUJARAT-383 001, PH :383001-942655664.

IDAR

175.### SUN MOTORS (5175), IDAR-HIMMATNAGAR HIGHWAY ROAD, AT KRUSHNAGAR.PO NETRAMLI, TA.IDER DISTRICT SABARKANTA, GUJARAT, PH :383430-9228286768.

JAMKHAMBHALLIA

176.### SHRI HARI OM MOTORS (4539), JADESWAR ROAD CHAR RASTA, OPP. KRISHNA WAY BRIDGE, JAM KHAMBHALLIA-361305, GUJARAT, PH :361305-9426955344.

JAMNAGAR

177.* LANDMARK AUTOMOBILES (1973), PLOT NO-4/2, JAMNAGAR- KALVAD ROAD, MAHAPRABHUJI BETHAK ROAD, OPP SUBHASH BRIDGE, JAMNAGAR-361 006, (GUJARAT), PH :361006-7600000733.

JETPUR

178.### GIRIRAJ MOTORS (3971), JUNAGADH HIGHWAY, NEAR JALARAM TEMPLE, JETPUR, PH :360370-9727154392.

JUNAGADH

179.### MARUTI MOTORS (266), G.I.D.C. - I, RAJKOT HIGHWAY, DOLATPARA, JUNAGADH(GUJARAT), PH :362001-9099849888.

KALOL

180.### SUNRISE AUTO CENTRE (146), OPP. IFFCO, AHMEDABAD-MEHSANA ROAD, SAJJ KALOL, (NORTH GUJARAT)-382 721, PH :382721-9879542207.

KAMREJ

181.* PATEL MOTOR GARAGE (2764), PLOT NO 1,2,3, NAVAGAM,, NR. MANISHA HOTEL, OPP. DADABHAGWAN TEMPLE, NAVAGAM, KAMREJ., DIST. SURAT-394185, PH :394185-9825127413.

KAPADVANJ

182.### DISHA MOTORS (5960), MAHAMADPURA,KAPADVANJ-NADIAD ROAD, KAPADVANJ-387620, DISTRICT-KHEDA, GUJARAT, PH :387620-982561244.

KESHOD

183.### PRASAD MOTORS (3969), VERNAVAL HIGHWAY, KESHOD., PH :362220-9825024488.

LIMDI

184.### PARTH AUTOMOBILES (4171), OPP.SWAMINARAYAN TEMPLE, NH NO-8A, LIMBDI DIST, SUREDERNAGAR , PIN-363421, PH :363421-9426714510.

LUNAWADA

185.### N.J. MOTORS (4370), MODASSA ROAD, NR. SAIFEE HOSPITAL, LUNAWADA, DIST: PANCHMAHAL (GUJARAT), PH :389230-9924252700.

MEHSANA

186.* SANSKAR MOTORS (5468), PALAVASANA -BECHARAJI ROAD, , NR. ONGC FIRE STATION, MEHSANA-384002 , DISTRICT-MEHSANA, GUJARAT, PH :384002-9825106359.

187.** SHUBH AUTO SERVICES (3367), NEAR AGRO PETROL PUMP, OLD RT0, RAMOSNA JAKAT NAKA, MEHSANA (GUJARAT), PH :384001-9825322460.

MORBI

188.### ARUN MOTORS (2071), SANALA BYE PASS, NEAR G.P. GINING MILLS, MORBI -363641, GUJARAT, PH :363641-9825228285.

NADIAD

189.### SHIVAM MOTORS (4430), OPP RASHAM RESTAURANT, DABHAM CROSSING, N.H 8, NADIAD, GUJARAT, PH :387320-9825021960.

NAKHATRANA

190.### ASHA MOTORS (4340), NANA ANGLADESH, NAKHATRANA HIGHWAY ROAD, NAKHATRANA, KUTCH, PH :370615-9825225088.

PETLAD

191.### SIDDHI MOTORS (4166), OPP. GEB, NEAR RAILWAY CROSSING, NADIAD-KHAMBHAT HIGHWAY, PETLAD, ANAND, PIN-388450, PH :388450-7359465067.

RAJKOT

192.** KHODIYAR MOTORS (356), DHEBAR ROAD (SOUTH), ATIKA INDUSTRIAL ESTATE, RAJKOT-360 001, PH :360001-9426202885.

193.* UNIVERSE AUTO (5544), C/O DELHI GUJARAT TRANSPORT,NR. NAVAGAM, OCTROI POINT,AHMEDABAD HIGHWAY , RAJKOT-380002, DISTRICT - RAJKOT , GUJARAT, PH :380002-9879616643.

RAJPIPLA

194.### R. N. MOTORS (5255), 22-GIDC NEAR PETROL PUMP , RAJPIPLA, DISTRICT - NARMADA , GUJARAT, PH :393145-9925325300.

SAVARKUNDLA

195.### SHYAM MOTORS (8925), OPP. ESSAR PETROL PUMP, AMRELI ROAD,SAVARKUNDLA-364515, DISTRICT-AMRELI, GUJARAT, PH :364515-9427742134.

SIDDHPUR

196.### GOOD LUCK MOTORS (5341), 2.UMIYA COMPLEX, NEAR GURUKUL , HIGH SCHOOL SIDDHPUR , DISTRICT - PATAN, GUJARAT, PH :384145-9898428989.

SIHOR

197.### MOMAI MOTORS (6032), NR. RAJ MOMAI PETROLIUM , BHAVNAGAR-RAJKOT HIGHWAY,SIHOR-364240, DISTRICT-BHAVNAGAR, GUJARAT, PH :364240-9510201800.

SURAT

198.### EMPEROR CAR TECH (1748), F.PLOT NO.124 NEAR RELIANCE COMPLEX, BESIDE SHEETAL MARBLE, SURAT-DUMAS ROAD PILOD, SURAT-395 007, PH :395007-9825033396.

199.* J.K.MOTORS (5158), LUHAR MOHALLA ,POSTT PALGAM, DISTRICT - SURAT, SURAT -394510, GUJARAT, PH :394510-9909920902.

200.* NILESH MOTORS (5347), AMBER SHOPPING CENTRE,OPP.SADHNA CHAMBERS, VARACHHA ROAD , DISTRICT - SURAT , GUJARAT, PH :395004-937762860.

201.** PATEL MOTORS (3060), 64 BAJRANG NAGAR, NEAR OCTROI CHECK POST, NANA VARCHA, SURAT-395 006, PH :395006-9909149498.

SURENDERANAGAR

202.### ADIT MOTORS (1247), 504/B PHASE-III, G.I.D.C. WADHWAN CITY, SURENDERANAGAR-363 035, PH :363035-987914222.

TALALA

203.* RUBY MOTORS (5942), TALALA ROAD , RAMRECHI(GIR), DIST - GIR, SOMNATH - 362150 , , PH :362150-9824061044.

UMBERGAON

204.### KARAN AUTOMOBILES (2571), OPP. DAMRU WADI, UMBERGAON SANJAN ROAD, UMBERGAON DIST. VALSAD, GUJARAT-396 170, PH :396170-9824335853.

UNJHA

205.### AMBIKA MOTORS (3932), SADGURU COMPLEX, AHMEDABAD PALAM PUR HIGHWAY ROAD, UNJHA, MEHSANA-384170, PH :384170-9824517382.

VADALI

206.### VRAJ MOTORS (4560), UMIYA PARK, HIGHWAY ROAD, VADALI TA, VADALI, SABARKANTA (GUJARAT), PH :383235-9427364109.

VADGAM

207.### CHAUDHARY & CHAUDHARY MOTORS (6651), OPP.RELIANCE PETROL PUMP, PALAMPUR ROAD - VADGAM, DISTRICT - BANASKANTHA, GUJARAT, PH :385410-9664590698.

VADODARA

208.** CAR CARE (2229), NEAR GANDHI OIL MILL, GORWA INDUSTRIAL ESTATE, BARODA-390 016, PH :390016-9825044610.

** A-Category Mass : Free & paid Service, Major repairs & Accidental repairs

C-Category Mass : Free & paid Service & Minor repairs

* B-Category Mass : Free & paid Service & Major repairs

D-Category Mass : Free Service & Minor repairs

Maruti Authorized Service Station (AS ON 30.05.2023)

209.*	CAR CLINIC (4640), PLOT NO. B-7 (PART), ANUR ESTATE, NEAR DABHOI ROAD, JAKATNAGA, VADODARA (GUJARAT), PH :390004-9925003558.	220.**	GURU NANAK MOTORS (2036), POLICE LINES CHOWK, AMBALA CITY , PH :134003-8708357725.	232.**	PERFECT AUTOZONE (P) LTD. (5667), PLOT NO 9, ADJACENT TO UNION BANK OF INDIA, ANKHIR, OPP SEC 21-D, MAIN BADHKAL ROAD, DISTT FARIDABAD, HARYANA - 121001, PH :121001-9953417559/9871466789.	243.##	MANISH AUTOMOBILES (4777), GHATA ROAD, WAZIRABAD, NEAR SECTOR-66, GURGAON-122001, HARYANA, PH :122001-9873243858/9899561595/9899475288. CUTAB AUTOMOBILES (3668), KHEWAT/ KHATA NO 714/909, VILLAGE JHARSA, UNITECH CYBER PARK ROAD, SECTOR 39, GURGAON, HARYANA 122001, PH :122001-0124-2385333/0124-92267334/9811687333.
210.##	DREAM MACHINES (2933), 19 MULJINAGAR COLONY, OPP. GHELANI PETROL PUMP, NIZAMPURA, VADODARA-390 002, PH :390005-7575809940.	221.##	HIRA MOTORS (2740), 207 MILE STONE, VASANT VIHAR GT ROAD, N.H.-1, AMBALA CITY, PH :134002-9255285212.	233.##	SARASWATI AUTOMOBILES (4465), 44 B.P, NEELAM BATA ROAD, N.I.T, FARIDABAD, PH :121001-0129-4029665/0129-2429665/9811446686.	244.**	RAJASTHAN AUTO WORKS (4760), LT. ATUL KARATHI MARG, NEAR PETROL PUMP, AKASHI FILLING STATION, AMAN PURA, SECTOR-5 ROAD, GURGAON-122001 (HARYANA), PH :122001-8368972946/9910070220.
211.*	GENERAL MOTOR REPAIRING WORKS (2529), NEAR LOK SATTA PRESS, NAGARWADA, VADODARA-390 001, PH :390001-9825026106.	222.**	RAVI MOTORS (1957), 125 STAFF ROAD, HOTEL SAVOY, AMBALA CANTT-126 102, PH :133001-9315110209.	BADHARA		245.##	RAJASTHAN AUTO WORKS (4760), LT. ATUL KARATHI MARG, NEAR PETROL PUMP, AKASHI FILLING STATION, AMAN PURA, SECTOR-5 ROAD, GURGAON-122001 (HARYANA), PH :122001-8368972946/9910070220.
212.**	HONEST AUTO STRUCTURE WORKS (279), 9, VINODBAUG BEHIND HOTEL SANMAN, JETPUR ROAD, VADODARA, PIN : 390005, PH :390002-9824014046.	223.*	S.S MOTORS (5735), NEAR REST HOUSE, BADHARA-123308, DISTRICT-BHIWANI, HARYANA, PH :127308-9255141288.	FARRUKHNAGAR		246.##	S G MOTORS (5756), PLOT NO.494,SECTOR 37., PACE CITY II,VUDYOG VIHAR VI - GURGAON, DISTRICT-GURGAON, HARYANA, PH :122001-9711770092.
213.##	MAYUR SERVICE STATION (2224), NEAR POLICE STATION, PRATAPNAGAR ROAD, BARODA-390 004, PH :390001-9879453031.	BAHADURGARH		224.##	GL AUTOMOBILES (5263), MAIN ROHTAK ROAD, SANKHOL OPP CH. DEVI LAL PARK, DISTRICT - BAHADURGARH, HARYANA, PH :124507-9416303473.	247.**	SEVEN HILLS AUTOMOBILES PVT LTD (6038), VIJAY VIHAR,MAIN SILOKHRA ROAD,SEC-30, GURGAON- 122002 , HARYANA , PH :122001-9810602354.
VALIA		BARARA		225.##	LUXMI AUTOZONE (5334), VPO BARARA , DISTRICT - AMBALA, HARYANA, PH :133201-8222024046.	248.##	SOMESH AUTOMOBILES (455), PLOT NO 249/2/8, BLOCK A, ROAD NO A-56, DLF PHASE 1, GURGAON 122002, PH :122002-9717070830.
214.##	HARI OM AUTO CARE (5750), NEAR MAZDA HOTEL -VALIA, ANKALESHWAR ROAD-VALIA, DISTRICT-BHARUCH, GUJRAT, PH :393135-9427336094.	BARWALA (HARYANA)		226.**	FAQIR CHAND QUALITY FUELS (5435), KILLA NO.20L.H.S. NH-65., CHANDIGARH ROAD - BARWALA, DISTRICT - HISAR, HARYANA, PH :125121-9215027000.	249.##	SRI PARKASH AUTOMOBILES (5862), BAJHERA ROAD,NEAR PARKASH PURI ASHRAM, NEW PALAM VIHAR, GURGAON-122001, DISTRICT-GURGAON, HARYANA, PH :122001-9899157729/9810070098.
VALSAD		BHIWANI		227.##	VEER MOTOR WORKSHOP (1850), 24 NEW MOTOR MARKET, BHIWANI, (HARYANA),, PH :127021-9416057857.	250.##	TOP GEAR AUTOMOTIVE ENGINEERS (4464), MAIN JHARSA ROAD, GURGAON, (HARYANA), PH :122001-0124-4039011/9810304011/9891439407.
215.*	HONEST AUTO GARAGE (2220), SUGHAR FALIA, BEHIND MOTA GHANCHIWAD, VALSAD-396 001 (GUJARAT), PH :396001-9426110767.	BHUNA		228.*	MITTAL AUTOMOBILES (5748), NEAR BUS STAND ,JAKHAL ROAD - BHUNA, PIN-125111, DISTRICT-FATEHABAD, HARYANA, PH :125111-9813207221.	HANSI	
VANTHLI		BARWALA (HARYANA)		229.##	BALAJI SERVICE STATION (4956), SECTOR 23-24, MAIN ROAD, NEAR BALAJI DHARM KATA, FARIDABAD-121004, HARYANA, PH :121001-9818700422/0129-4100265.	251.**	VIKAS AUTOMOBILES (4744), SHANTI NIKETAN, OPP. JIND BYE PASS, G.T. ROAD, HANSI, DISTRICT-HISSAR (HARYANA), PH :125033-9466248037.
216.*	INFINITY MOTORS (5963), RAVI RATAN' VADLA FATAK , OPP.HP PETROL PUMP ,POST VADLA,TAL VANTHLI-362205, DISTRICT-JUNAGADH, GUJARAT, PH :362001-9898990120.	FARIDABAD		230.**	INSUJH AUTO (377), 13/3 MAIN MATTHURA ROAD, (ADJOINING FRICK INDIA), FARIDABAD-121 003, PH :121003-0129-2272587/0129-2272484/9810135516.	HISSAR	
VIRAMGAM		BHIWANI		231.##	KHURANA AUTOMOBILES (2863), 3C/60 B.P. (OPPOSITE ESI HOSPITAL), N.I.T., FARIDABAD, PH :121001-9891984841/9810474117.	252.*	PALCO MOTOR GARAGE (4739), 96 AUTO MARKET, HISSAR-125001, HARYANA, PH :125001-9729601111.
217.##	KRISHNA MOTOR GARAGE (4038), OUTSIDE BHARWADI GATE, NEAR BHARAT PETROL PUMP, VIRAMGAM, PH :382150-9426415274.	BHUNA					
VYARA		BARWALA (HARYANA)					
218.##	PARTH MOTORS (8928), D-1.CITY LIGHT TOWER KAKRAPAR, BYPASS ROAD-VYARA, DISTRICT-SURAT, GUJARAT, PH :394650-9898292020.	BHUNA					
AMBALA		BARWALA (HARYANA)					
219.##	BASSAN MOTORS (4964), 99 TH MALL, AMBALA CATT - 133001, HARYANA, PH :133001-9466000000.	BHUNA					

** A-Category Mass : Free & paid Service, Major repairs & Accidental repairs

C-Category Mass : Free & paid Service & Minor repairs

* B-Category Mass : Free & paid Service & Major repairs

D-Category Mass : Free Service & Minor repairs

Maruti Authorized Service Station (AS ON 30.05.2023)

253.* SAI AUTOMOBILES (5267), TOSHAM ROAD, NEAR AAKASH INSTITUTE, SECTOR-13, HISSAR, HARYANA, PH :125001-7988238034.

254.** SALASAR AUTO (4735), OPP. VIDYUT NAGAR GATE NO. 2, DELHI ROAD, HISSAR-125001, HARYANA, PH :125001-9355486716.

HODAL

255.## VED MOTORS (2247), HIGHWAY ROAD, NEAR RAILWAY STATION CHOWK, HODAL-121 106, (FARIDABAD), PH :121106-7988978936.

INDRI

256.## ASHOKA MOTOR (6041), OPP. PARTAP FILLING STATION,LADWA ROAD, TEHSIL-INDRI, DISTRICT-KARNAL, HARYANA, PH :132041-8813000316.

ISMAILABAD

257.* VINAYAK MOTORS (6052), OPP. MAHARAJA PALACE ,AMBALA HISSAR ROAD , ISMAILABAD-136129 , HARYANA, PH :136129-9034820190.

ISRANA

258.## SHIV DARSHAN AUTOMOBILES (6051), ISRANA PANIPAT ROAD, NR. NC COLLEGE,ISRANA-132103, DISTRICT-PANIPAT , HARYANA, PH :132107-9911366230.

JHAJJAR

259.## VASUNDHRA MOTORS (1467), REWARI ROAD, JHAJJAR-124 103, (HARYANA), PH :124103-9812012180.

JIND

260.## MOHIT MOTORS (1574), SAFIDON GATE, JIND-126 102, , PH :126102-9355129844.

KAITHAL

261.## HIND AUTOMOBILES (1858), AMBALA ROAD, KAITHAL, , PH :138027-7015806781.

KANINA

262.## SHREE KRISHNA MOTORS (5953), BHOOP SINGH MARKET,NEAR PETROL PUMP, MAHINDERGARH ROAD,KANINA-123027, DISTRICT-MAHINDERGARH, HARYANA, PH :123027-9467641678.

KARNAL

263.** RUBY MOTORS (4734), 28/3 HSIDC, NEAR NAMASTEY CHOWK INDUSTRIAL AREA, KARNAL-132001, HARYANA, PH :132001-9896345633.

KHARKHODA

264.* PRANAV MOTORS (5771), SAMPLA ROAD,KHARKAUDA-131402, DISTRICT-SONEPAT, HARYANA, PH :131402-9896145161.

KUNDLI

265.## SHIV SHAKTI AUTOMOBILES (4628), SECTOR 53, HSIIDC, JANTI ROAD, NEAR K.H.I COLD STORAGE, KUNDLI, SONEPAT, HARYANA - 131028, PH :131001-9811047480.

KURUKSHETRA

266.## KARTAR MOTORS (1645), RED ROAD, KURUKSHETRA-132 118, , PH :136118-9896245900.

267.** KARTAR MOTORS (5349), PLOT O 65-66, SECTOR -2, HUDA INDUSTRIAL, AREA KURUKSHETRA, PH :136118-9896245900.

268.## SAINI MOTORS (2131), G. T. ROAD, UMRI CHOWK, KURUKSHETRA, (HARYANA), PH :136118-9896183931.

LOHARU

269.## BHAWNA MOTORS (6028), BHIWANI ROAD, LOHARU-127201, DISTRICT-BHIWANI HARYANA, PH :127201-8901276555.

MAHENDERGARH

270.## SHREE SHYAM MOTORS (5843), NEAR I.O.C PETROL PUMP, MAHENDERGARH-123029, DISTRICT-MAHENDERGARH, (HARYANA), PH :123028-8199982018/9050994709.

MANDI ADAMPUR

271.## MITTAL AUTO AGENCIES (2966), 113-15 AUTO MARKET, MANDI ADAMPUR, (HARYANA), PH :125052-9729173300.

MANESAR

272.## MAITRI SERVICE STATION (2378), N.H.8, DELHI-JAIPUR ROAD, MANESAR (GURGAON), PH :122001-9818001128.

NILOKHERI

273.## SURENDRA MOTORS (5049), NEW NEHSIL ROAD,NILOKHERI, DISTRICT KARNAL , NILOKHERI-132117, HARYANA, PH :132117-9812510190.

PALWAL

274.** D.K. & R.K. MOTORS (1159), NEAR BUS STAND , NH-2 PALWAL, PALWAL, PH :121102-9416066647/9050460231.

275.* SHEELA MOTORS (5141), OPP MUNICIPAL COUNCIL OFFICE, OLD G T ROAD, DISTRICT - FARIDABAD, HARYANA, PH :121102-9416066251/01275-401501.

PANCHKULA

276.** PANCHKULA AUTO SERVICES (1949), PLOT NO.300, PHASE-II INDUSTRIAL AREA, PANCHKULA-134 109, (HARYANA), PH :134109-9316132257.

PANIPAT

277.** PREM MOTORS (2266), PLOT NO.134, SECTOR 25 INDUSTRIAL AREA, PANIPAT, PH :132103-9896306380.

PATAUDI

278.** SHUBHAM AUTOMOBILES (4641), REWARI ROAD, PATAUDI, DISTT. GURGAON, PH :122413-0124-2672942/9812665240.

PEHOWA

279.* AMAR AUTOMOBILES (2270), OPP. DAV COLLEGE, AMBALA ROAD, PEHOWA DISTT. KURUKSHETRA, (HARYANA), PH :136128-9896002974.

RADAUR

280.## SHRI SHIVAM AUTOMOBILES (5852), S.K. ROAD,OPP. ESSAR PETROL PUMP, RADAUR-135133, DISTRICT-YAMUNANAGAR, HARYANA, PH :135133-9034384003.

RANIA

281.## SINGLA MOTORS (3779), NEAR BUS STAND, RANIA-125 076, DISTT. SIRSA (HARYANA), PH :125076-9416011238.

REWARI

282.## GAUTAM MOTORS (1837), ARNAUL ROAD, REWARI -123401 (HARYANA), , PH :123401-9416064894.

283.## PULYANI MOTORS (4863), BEHIND KAMLA PALACE, CIRCLULAR ROAD, REWARI-123401, HARYANA, PH :123401-9416064738/01274-252238/01274-257938/9955963168.

284.* SHIVAM SERVICES (1466), OPP. CENTRAL SCHOOL, GARCHI BOLNI ROAD, REWARI-123 401, PH :123401-01274-254825/9416288341.

SADHAURA

285.## SHREE GANESH MOTORS (5959), NEAR INDIAN OIL PETROL PUMP, KALA AMB ROAD,SADHAURA-133204, DISTRICT-YAMUNANAGAR, HARYANA, PH :133204-9813376260.

SHAHABAD

286.** MAHALAXMI MOTORS (354), LADWA ROAD, SHAHABAD MARKANDA-136 135, (HARYANA), PH :136135-98712036433.

SIWANI

287.## GANESH AUTOMOBILES (6931), NEAR RELIANCE PETROL PUMP,HISAR ROAD,SIWANI, DISTRICT-BHIWANI, HARYANA - 127046, PH :127046-8607113000.

SOHNA

288.** SHRI SHYAM MOTORS (8930), OPP.RAGHUNANDAN PETROL PUMP, NEAR GD GOENKA INTERNATIONAL SCHOOL, SOHNA-122103, HARYANA, PH :122103-9582350079.

SONIPAT

289.## NEW HIGHWAY MOTORS (8923), MAIN DELHI ROAD, SONEPAT, HARYANA, PH :131001-9416672009.

TAURU

290.## R M MOTORS (5842), WADE NO-4BEHIND WINE SHOP MAIN REWARI SOHNA ROAD, TAURU-122105, DISTRICT-MEWAT, HARYANA, PH :122105-9812378663.

TOSHAM

291.## MOHINI AUTOMOBILES (6026), OPP.NEW ANAJ MANDI , NEAR MINI BANK,TOSHAM-127040 , DISTRICT-BHIWANI, HARYANA, PH :127040-9215959995/9992251000.

UKLANA

292.* SHREE GANESH MOTORS (5747), PLOT NO#29,UKLANA MANDI, DISTRICT-HISSAR, PH -125113, HARYANA, PH :125713-98123091531.

HIMACHAL PRADESH

ALAMPUR

293.## SUBH AUTOMOBILES (5964), SH-39,ALAMPUR-176110, DISTRICT-KANGRA, HIMACHAL PRADESH, PH :176082-9816675551.

AMB

294.## SHUBHAM MOTORS (5933), NEAR PINDI ASHRAM,HAMIRPUR ROAD, AMB-177203, DISTRICT-UNA, HIMACHAL PRADESH, PH :177203-9418114176.

ANNI

** A-Category Mass : Free & paid Service, Major repairs & Accidental repairs
C-Category Mass : Free & paid Service & Minor repairs

* B-Category Mass : Free & paid Service & Major repairs
D-Category Mass : Free Service & Minor repairs

Maruti Authorized Service Station (AS ON 30.05.2023)

295.###	SARAJ AUTO WORLD (6044), VERMA BUILDING,NR. NAGAN HARIPUR , TEHSIL,ANNI-172026 , DISTRICT-KULLU , HIMACHAL PRADESH, PH :172026-9129065065/9817120002.	305.###	CHANDEL SERVICE STATION (5233), DARLAGHAT , DISTRICT-SOLAN, HIMACHAL PRADESH, PH :171102-9816039865.	315.###	YOLAX MOTORS (3830), KEYLONG, DISTT. LAHAUL & SPITI, . PH :175133-7651031580.	326.**	SANGRAI AUTO SERVICE (6430), OPP. SITLA MATA MANDIR, PALAMPUR-176 061, DISTT. KANGRA (H.P.), PH :176061-9418085915.
BADDI		DHARAMSHALA		KULLU		327.###	SANTOSHI AUTOMOBILES (4776), VILLAGE & P.O. BHAWARNA, TEHSIL, PALAMPUR, DISTRICT- KANGRA (HIMACHAL PRADESH), PH :176083-9418184367.
296.**	LAJ MOTORS (5541), 436.MAUJA SURAJ,MAJRA LABANA, BADDI, DISTRICT - SOLAN, HIMACHAL PRADESH, PH :173205-9816039189.	306.###	EAGLE MOTOR SERVICE STN. (6426), SHAM NAGAR, DHARAMSALA-176215 (HIMACHAL PRD.), . PH :176215-8219915841.	316.###	PURI BROTHER'S (4242), I.O.C DEALER, DHALPUR, KULLU, H.P. PH :175101-9418395358.	PAONTA SAHIB	
BANGANA		307.###	HIM AUTO STATION (8932), VPO DARI, DHARAMSHALA, (H.P.), PH :176057-9418029655.	KUMARHATTI		328.###	SUMMET MOTORS (1441), SHAMSHERPUR, PAONTA SAHIB-173 025, (H.P.), PH :173025-9418018329.
297.###	TRISHLA AUTOMOBILES (5689), VILLAGE BPO & TEHSIL BANGANA, BANGANA-174307, DISTRICT-UNA, HIMACHAL PRADESH, PH :174307-9817645350.	308.###	SHIV SHAKTI CAR CARE (1277), NEAR RAINBOW SCHOOL, DARI ROAD, DHARAMSHALA-176 057, PH :176057-9318752074.	KUMARSAIN		PAPROLA	
BANOI		GHUMARWIN		318.###	RED LINE (5965), VILL. KEPU,PO KIRTI SAINZ, TEHSIL,KUMARSAIN-172030, DISTRICT-SHIMLA, HIMACHAL PRADESH, PH :172030-9816027007.	329.###	ABROL AUTOMOBILES (3470), VPO PAPROLA, TEHSIL BALUNATH, DISTT KANGRA, HIMACHAL PRADESH -176115, PH :176115-9418066917.
298.###	BABA SERVICE STATION (4634), VILL BANOI, TEH SHAHPUR P.O., BANOI, DIST KANGRA (HIMACHAL PRADESH), PH :176209-9418051290.	309.###	BHASKAR AUTO SPARES & SERVICES (5147), VILLAGE KULARU, GHUMARWIN, DISTRICT -BILASPUR, HIMACHAL PRADESH, PH :174021-9816090504.	MANDI		PARWANOO	
BARMANA		GUMMA		319.**	BHAGIWATI AUTOMOBILES (269), PLOT NO. 13 INDUSTRIAL AREA PHASE 3 SAULI KHAD MANDI (H.P.), PH :175001-9418461897.	330.###	DIVYA SALES (6428), DIVYA BHAWAN VILL. KAMLI, SECTOR-1, PARWANOO, PH :173220-9816032002.
299.###	AVER AUTO (5955), VILLAGE LAGAT,TEHSIL SADAR, PO BARMANA-174013, HIMACHAL PRADESH, PH :174013-9418064130.	310.###	CHAUHAN ENTERPRISES (5660), VILLAGE GUMMA,TEHSIL KOTKHAL, GUMMA, DISTRICT - SHIMLA, HIMACHAL PRADESH, PH :171202-9218690917.	MARANDA		PATLI KAUHAL	
BHAMBLA		JAWALA JI		320.###	MODERN SERVICE CENTRE (1175), PUSHP COMPLEX, MARANDA-176 102, (H.P.), PH :176102-7018243011.	331.*	JAMDAGNI MOTORS (760), VILLAGE PATLI KAUHAL, P.O.KATRAIN, DISTT.KULLU (H.P.), PH :175129-9816040247.
300.*	DHIMAN MOTORS (3837), PLOT NO. 42., INDUSTRIAL AREA, BHAMBLA, JAHU, DISTT MANDI, PH :175004-9816227437.	311.###	SRI PARBHAT MOTORS (5036), VPO & TEHSIL, JAWALI-(BHANEI), DISTRICT - KANGRA, (HIMACHAL PRADESH), PH :176023-9805511205.	MEHATPUR		RAJGARH (H.P)	
BHUNTAR		JAWALAMUKHI		321.###	BUDDHA AUTO HOUSE (6422), MAIN BAZAR, UNA, MEHATPUR-174315 (H.P), PH :174315-9815971708.	332.###	RAJGARD AUTOMOBILES (5458), PO RAJGARH,TEH RAJGARH, DISTRICT - SIRMOUR, HIMACHAL PRADESH, PH :173101-9418021344.
301.###	HANDA MOTORS (4262), HANDA COMPLEX, NEAR AIRPORT, BHUNTAR, KULLU (H.P), PH :175125-9816007003.	312.###	LAKSHMI AUTO SPARES & SERVICE CENTRE (4630), NEAR GANJU BAGH, DEHRA ROAD, JWALAMUKHI, TEH. DEHRA, DIST. KANGRA (HIMACHAL PRADESH), PH :176031-9418091048.	MUBARAKPUR		RAMPUR BUSHAHR	
BILASPUR (H.P)		KARSOG		322.###	SHIV SHAKTI AUTOMOBILES (1732), HOSHARPUR ROAD, MUBARAKPUR, DISTT. UNA, (H.P.), PH :177202-9418328361.	333.**	HIGHWAY SERVICE STATION (2649), CHUHA BAG, RAMPUR BUSHAHR, (H.P.) - 172001, PH :172001-9805831627.
302.###	BHASKAR AUTO SPARE & SERVICE (1730), 6-B ROJRA SECTOR II, (NEAR DURGA MANDIR), BILASPUR-174 001 (H.P.), PH :174001-9816436001.	313.###	DEEPAK AUTOMOBILES (4057), MR. DEEPAK SHARMA, C/O SHARMA GENERAL STORE, KARSOG, MAIN BAZAR, DIST MANDI, HIMACHAL PRADESH, PH :175011-9817063007/9816260061.	NADAUN		334.###	KRISHNA AUTOMOBILE (4438), VILL CHUHA BAG, RAMPUR BUSHAHR-172001, , PH :172001-9418036091.
CHAMBA		KAZA		323.**	CAR CARE ENGINEERS (4423), HOSHARPUR ROAD, MANPUL, NADAUN DISTT. HAMIRPUR, HP, PH :177033-9857799080.	RECONG PEO	
303.*	AUTOZONE (5247), PATHANKOT RAOD ,PAREL , SULTANPUR - CHAMBA , DISTRICT - CHAMBA , HIMACHAL PRADESH, PH :176310-9418214848.	314.###	SPITI MOTORS (6033), VILL. & PO.KAZA-172114, DISTRICT-LAHAUL & SPITI, HIMACHAL PRADESH, PH :172114-9418758974.	NAHAN		335.###	KRISH AUTO (4134), RECONG PEO, TEHSIL KALPA, DISTT KINNAUR, HIMACHAL PRADESH - 172707, PH :172707-9816579999.
304.###	KAILASH SERVICE STATION (3527), AMRIT NIWAS MOHALLA, BONGUTA, CHAMBA TOWN, DISTT CHAMBA, PH :176310-98986679445.	KEYLONG		324.###	AGGARWAL MOTORS (3334), GUNNU GHAT, NEAR TELECOM COLONY, NAHAN-173 001, PH :173001-9418023558.	ROHRU	
DARLAGHAT				NALAGARH		336.###	KAMTA SERVICE STATION (2338), ROHRU, DISTT. SHIMLA, (H.P.), PH :171207-9418040106.
				325.###	KRISHINA MOTOR (5275), PEERTHAN,PO NALAGARH, DISTRICT - SOLAN, HIMACHAL PRADESH, PH :174101-9418094064.	SALASHI	
				PALAMPUR		337.###	THAKUR AUTOMOBILES (3838), JALANDHAR MANALI NATIONAL HIGHWAY (NH70), NEAR DAV SCHOOL, VILLAGE SALASHI, DISTT HAMIRPUR, PH :177001-9418490904.

** A-Category Mass : Free & paid Service, Major repairs & Accidental repairs

C-Category Mass : Free & paid Service & Minor repairs

* B-Category Mass : Free & paid Service & Major repairs

D-Category Mass : Free Service & Minor repairs

SARKAGHAT

338.### SHAKUNTLA MOTORS (5755), MANDI ROAD-SARKAGHAT, DISTRICT-MANDI, PIN-175024, HIMACHAL PRADESH, PH :175024-9817818822.

SHIMLA

339.### GURRAJ AUTO SERVICE (757), NEAR CPRI ROAD, BEMLOI, SHIMLA-171 001, PH :171001-9816233030.
340.** MOTO WORLD (6433), NAVBAHAR, SHIMLA-171 002, , PH :171002-9459050769.

SOLAN

341.### SOLAN SERVICE CENTRE (764), BYE PASS, NEAR PWD OFFICE, SOLAN-173 212, PH :173212-9816222640.

SUBATHU

342.### SHYAM AUTOMOBILES (4558), NEAR SHANTI FILLING STATION, V.P.O RADYANA, SUBATHU, DIST SOLAN (HIMACHAL PRADESH), PH :173206-9418061757.

SUNDERNAGAR

343.** V.M. SERVICE STATION (3777), CHAMUKHA, P O HARABAGH, NH-21, SUNDER NAGAR-174 402 (H.P.), PH :175019-9418064130.

THEOG

344.### JOSHI MOTORS (2778), SHALLI BAZAR, THEOG, DIST. SHIMLA, (H.P.), PH :1712101-9459100051.

UNA (H.P)

345.### RUDRA MOTORS (3925), NEAR OLD HOSPITAL CHOWK, NH-22, UNA - 174303 (H.P.), PH :174303-9816590199.

346.### TRINITY AUTO FAST ENGINEERS (1755), JALGRAN TABBA, NANGAL ROAD, UNA, HIMACHAL PRADESH - 174303, PH :174303-9816628020.

JAMMU AND KASHMIR

AWANTIPORA

347.### KESAR AUTOMOBILES (5938), KHAR MORH NATIONAL HIGHWAY 1A, AWANTIPORA-192122, DISTRICT-PULWAMA, JAMMU & KASHMIR, PH :192122-7780873161.

BARAMULA

348.* MARUTI MASTERS (4369), KANISPORA, BARAMULA, KASHMIR, PH :193101-9906864748.

CHADDOORA

349.* VEHICLE MASTERS (4661), MAIN ROAD, CHADDOORA-190001, DIST. BUDGAM, JAMMU & KASHMIR, PH :190001-9419441217.

JAMMU

350.* CARE POINT AUTOMOBILES (4652), OPP. BSF CAMPUS ROAD, AKHNOOR ROAD, JAMMU-180002, PH :180002-9419283151.
351.** CHECK N CARE AUTOMOBILE CENTRE (1773), OPP. GURUDWARA SRI SINGH SABHA, NARWAL BYE PASS ROAD, JAMMU, PH :180001-9419190796.
352.** KWIK FIT (2343), AMBPHALLA, B.C. ROAD, JAMMU-180 001, PH :180001-9419104400.
353.** MOBEL GARAGES (441), NARWAL CHOWK, TRANSPORT NAGAR, JAMMU-180 006, PH :180006-9796800000.
354.### NATIONAL MOTORS (5074), OPP APNA VIHAR.B.P. PETROL PUMP , NH-1A.KUNJWANI JAMMU, DISTRICT - JAMMU, JAMMU & KASHMIR, PH :180010-9419322222.

KARGIL

355.* ZOZILA ENGG. WORKS (374), KARGIL, LADAKH-194 105, PH :194015-9419176212.

KATHUA

356.* KATHUA MOTORS (3323), HATLI MORE, KATHUA-184 102, (J&K), PH :184102-9419150694.

KATRA

357.### VIDYA AUTOMOBILES (1165), JAMMUR ROAD, KATRA JAMMU ROAD, KATRA, (J&K), PH :182320-9596676576.

KISHTWAR

358.### MINTOO MOTORS (4133), NEAR H.H.P.C SCHOOL, KISHTWAR, DISTT DODA (J & K), PH :182204-9622055250.

MATTAN

359.### DANISH AUTOMOBILES (5478), PAHAL GAM ROAD, STATE HIGHWAY - MATTAN, DISTRICT - ANANTNAG, JAMMU & KASHMIR, PH :192125-9419041724.

PHINTER

360.### BADYAL AUTOMOBILES (4149), C/O BADYAL AUTOMOBILE, PHINTER, TEH BILLAWAR, DISTT KATHUA, PHINTER (J & K), PH :184203-9419691916.

PULWAMA

361.** KASHMIR AUTOMOBILES (5352), NEAR FRUIT MANDI, PRICHOO PULWAMA, KASHMIR, PH :192301-9622742291.

RAJOURI

362.### MILLENNIUM MOTORADES (2937), ALPHA GATE, T.C.P., RAJOURI-185 132, (J&K), PH :185132-7006122022.

REASI

363.### U LIKE CAR CLINIC (4771), GITA NAGAR, REASI JYOTIPURAM ROAD, REASI, DISTRICT-UDHAMPUR (JAMMU & KASHMIR), PH :182311-7006083550.

SAMBHA

364.### DHANSAR CAR CLINIC (5146), NATIONAL HIGHWAY , SUPWAL SAMBHA , DISTRICT - JAMMU, J&K, PH :184120-9419393949.

SOPORE

365.### HASSAN MOTORS (2434), BPC DEALER, SOPORE, KASHMIR, PH :193201-9906506786.

SRINAGAR

366.* A.B. MOTORS (5072), BEHIND NEW SECRETARIAT ROAD, SRINAGAR, DISTRICT - SRINAGAR, JAMMU & KASHMIR, PH :190009-9419007966.

367.** ADAM'S AUTOAIDES (5766), SIDCO INDUSTRIAL EXTATE,SHALTENG, SRINAGAR, DISTRICT-SRINAGAR, JAMMU & KASHMIR, PH :191202-9906580089.

368.* HASEEN MOTORS (5249), BY-PASS BRIDGE BAGH MEHTAB, SRINAGAR , JAMMU & KASHMIR, PH :190019-9419006847.

369.### NEW NATIONAL AUTOMOBILES (5073), RAM BAGH AIRPORT ROAD, SRINAGAR, DISTRICT - SRINAGAR, JAMMU & KASHMIR, PH :190009-9419013778.

370.* SRINAGAR AUTOMOBILES (4925), M.A. LINK ROAD, NEAR TRANSPORT YARD BRIDGE, CHINARBAGH, SRINAGAR-190001 (JAMMU & KASHMIR), PH :190001-9419001793.

SURNKOTE

371.### A.S. AUTOMOBILES (5976), IQBAL NAGAR,SURANKOTE, DISTRICT-POONCH, JAMMU & KASHMIR PH :185121-9469014765.

VIJAYPUR

372.### BANSI LAL MARUTI SERVICE STATION (4748), SWANKHA MORH, NATIONAL HIGHWAY, VIJAYPUR-180001, DISTRICT-SAMBA (JAMMU & KASHMIR), PH :180001-9419106798.

JHARKHAND

BOKARO

373.### UJEEA AUTOMOBILES (4845), S-21 CITY CENTRE, BOKARO STEEL CITY, BOKARO-827004, JHARKHAND, PH :827004-9431127441.

DEOGHAR

374.* GARGEET AUTOMOBILE (2276), OPP. D.C. RESIDENCE, CIRCULAR ROAD, BARMASIA, DEOGHAR-814 112 (BIHAR), PH :814112-9940580983.

DHANBAD

375.### MAZUMDAR CAR SCAN (5135), BHUFORCE ,K G ASHRAM ROAD, SARAIDELA - 828301, DISTRICT - DHANBAD, JHARKHAND, PH :828301-9835361472.

376.### PRIYA AUTO (4868), OPPOSITE MINNING SCHOOL, SINDRI ROAD, BHAGA, DHANBAD-828301, JHARKHAND, PH :828301-9431124817.

HAZARIBAGH

377.### ALOK MOTORS (379), NEAR INDRAPURI CHAWK, HAZARIBAG-825 301, (BIHAR), PH :825301-9431140740.

378.### SRI RAM MARUTI SERVICE STATION (3663), DEVI DAYAL LANE, HAZARIBAG-825 301, (JHARKHAND), PH :825301-9431384877.

JAMSHEDPUR

379.** CAR CURE (1261), C/O MODERN AUTO STORES, KALIMATI ROAD, SAKCHI, JAMSHEDPUR-1, PH :831001-9234608016.

380.### MAHESHWARI BROS. (5124), NATIONAL HIGHWAY 33, BALIGUMA MANGO, P.O. -M.G.M. MEDICAL COLLEGE, JAMSHEDPUR-831 018, PH :831018-9031144444.

KHUNTI

381.### MOD MOBILES (5579), MAIN ROAD,RANCHI ROAD - KHUNTI, DISTRICT - KHUNTI, PIN - 835210, JHARKHAND, PH :835210-9304468855.

MAITHON

** A-Category Mass : Free & paid Service, Major repairs & Accidental repairs
C-Category Mass : Free & paid Service & Minor repairs

* B-Category Mass : Free & paid Service & Major repairs
D-Category Mass : Free Service & Minor repairs

Maruti Authorized Service Station (AS ON 30.05.2023)

382.##	MAITHON SERVICING CENTRE (5838), MAITHON ROAD, NEAR VMC COLONY, SANJAY CHOWK ,PO CHIRKUNDA-MAITHON, DISTRICT-DHANBAD, (JHARKHAND), PH :828203-720943707.	393.##	MAHANATH MOTORS (5763), RTO ROAD BAILHONGAL ,TALUK-591102, DISTRICT-BELGAUM, KARNATAKA, PH :591102-9535653166.	405.*	NEXUS (1153), 2ND MAIN KHB COLONY, GANDHI NAGAR, YELAHANKA, BANGALORE-560 064, PH :560 064-9844013436.	417.**	U.M. CARS PVT. LTD. (2847), KARNATAKA GOLF ASSOCIATION ROAD, KODIHALLI, OFF. AIR PORT ROAD, BANGALORE-560 008, PH :560 008-9845165365.
PAKUR		BALEHONNUR		406.**	NEXUS (2768), #275/301, 80 FEET ROAD, OPP. H. S. RAMAIAH HOSPITAL (BEL ROAD), RMV 2ND STAGE, BANGALORE-560 094, PH :560 094-9844013436.	418.*	VISWAS CAR SERVICES PVT. LTD. (3238), NO.2 , (OUT NO OF SY NO 100/2) OFF SERVICE ROAD , KALYAN NAGAR ROAD, CHELEKERE , BANASWADI POST BANGALORE -560043, PH :560043-9591313379.
383.##	SPEED WHEEL SERVICE CENTRE (4976), MAIN ROAD, PAKUR - 816107, , PH :816107-9434101917.	394.##	SRI ANAPOORNA MOTORS (5253), MALLE GOWDA COMPLEX,JAYAPURA, ROAD BALEHONNUR ROAD, DISTRICT - CHIKMAGALUR, KARNATAKA, PH :577204-9448000131.	407.**	PACE AUTOMOBILES (1057), 6TH MAIN HMT LAYOUT, R.T. NAGAR, BANGALORE-560 032, PH :560 032-9845004710.	BELGAUM	
RAMGARH		BANGALORE		408.##	PUNSHPAK MOTORS (4642), 105/1 2ND MAIN NANJAPPA LAYOUT, VIDYARANYAPURA MAIN ROAD, (OPP KRUTHIKA HOSPITAL), BANGLAORE-560097, PH :560097-9845087842.	419.*	BHARAT AUTO SCAN (350), 892/1 PB ROAD, BELGAUM-590 016 , PH :590 016-9448120495.
384.##	RAHIL MOTORS (5054), C/O NIYAMAT MISTRI, DUSHAD MOHLA, DISTRICT RAMGARH CANTT., PH :829122-9771577422.	395.##	ADARSHA AUTOMOBILES (4553), # 974 VARATHUR MAIN ROAD, NEAR PURVANKARA APARTMENTS, AFTER MARATHAHALLI, RAILWAY BRIDGE, BANGALORE-560037, PH :560037-9880195465.	409.##	RAJ (2829), NO.10 MAGADI MAIN ROAD, OPP. UNANI MEDICINE INSTITUTE, KOTIGEPALLY, BANGALORE-560 091, PH :560 091-9663555677.	BIJAPUR	
385.##	SAINI MOTORS (5126), NEAR VISWAKARMA MANDIR, MAIN ROAD, RAMGARH CANTT 829 122, DISTT. HAZARIBAG, PH :829122-9835141302.	396.**	ANEKAR MOTORS (227), 230 MAGADI ROAD, BANGALORE-560 023, (KARNATAKA),. PH :560 023-9845889911.	410.**	SMART CARS (3571), 3RD CROSS NEAR J.B. TILES, KAGGADASA PURA MAIN ROAD, C.V. RAMAN NAGAR, BANGALORE-560 093, PH :560 093-9663324361.	420.##	BAGALI MOTORS (5159), SHIKARKHANA ROAD, BIJAPUR - 586104, DISTRICT - BIJAPUR, KARNATAKA, PH :586104-9448100444.
RANCHI		397.*	ASHWA CARS (2827), #14, 1ST MAIN, 6TH CROSS, SANJEEVINI NAGAR, MOODAPALYA, BANGALORE 560072, PH :560072-9341228231.	411.##	SOLOTECH MOTORS (2760), SURVEY NO.82/2,D'SOUZA NAGAR, HOSAKEREHALLI-BANGALURU, DISTRICT-BANGALURU 560085, KARNATAKA, PH :560085-9845072803/7259589375.	CHIKBALLAPUR	
386.##	BHARAT MOTORS (5970), SHIV JEE CHOWK,HARMU ROAD,RANCHI-834001, DISTRICT-RANCHI, JHARKHAND - 834001, PH :834001-9608502258.	398.##	BENAKA MOTORS (3237), NO.158/2 VIHUTIPURA, VIGNAN NAGAR BEHIND B.E.M.L., NEAR RENUKA SWIMMING POOL, BANGALORE-560 017, PH :560 017-9845212416.	412.##	SOLOTECH SERVICE CENTRE (5245), 50 FEET MAIN ROAD ,AVALAHALLI, MUNESHWARA BLOCK ,DISTRICT - BANGALORE, KARNATAKA, PH :560010-9845772634.	421.##	SUKOVE ENTERPRISES (3426), B.B. ROAD N.H.7, CHIKBALLAPUR-562 101, (KARNATAKA), PH :562 101-9880607034.
387.**	MARUTI AUTOMOBILES (5127), HOTEL AKASHWANI MANSION, RATU ROAD, RANCHI-834 001, PH :834001-9835156186.	399.##	CHANDANA MOTORS (4872), NO. 9 UNIVERSITY ROAD, GNANABHARTHI (POST), MARIYAAPPANA PALYA, BANGALORE-560056 (KARNATAKA), PH :560056-9880659864.	413.*	SPEED MOTORS (1750), 17/1 SUBRAMANYAPURA MAIN ROAD, KADIRENAHALLI, PADMANABHA NAGAR, BANGALORE-560 070, PH :560 070-9845153102.	CHIKMAGALUR	
388.##	MARUTI CLINIC (2548), LAL KOTHI, OLD HAZARIBAGH ROAD, KANTA TOLI, RANCHI-1 (BIHAR), PH :834009-9431109214.	400.*	GIRIMAJI ENTERPRISES (258), NO.2 27TH CROSS, K R ROAD ,B S K II STAGE, BANGALORE-560 070, PH :560 070-9844004403.	414.##	TEAM TECH AUTOMOBILES (5662), 78/1,SULEKUNDE, NEAR MUTHANALLUR CROSS., SARJAPURA MAIN ROAD, BANGALORE -562125, PH :562125-9538516111.	422.##	AAMANTHRANA MOTORS (4346), K.M. ROAD, CHIKMAGALUR, , PH :577101-9945462658.
389.##	MOTOR KRAFT (4769), H.B. ROAD, DIPA TOLI, RANCHI-834009, JHARKHAND, PH :834009-9431152162.	401.**	GREEN CARS PVT. LTD. (2154), NO.12/6 80 FEET ROAD, 6TH BLOCK KORAMANGALA, BANGALORE-560 095, PH :560 095-9845020796.	415.**	TRINITY CAR CARE PVT. LTD (5851), SURVEY NO 52/1,SRI GANDHADAKAVAL VILLAGE, NAGARBHAVI,BANGALORE-560091, DISTRICT-BANGALORE , KARNATAKA, PH :560091-9880793980.	423.##	FORMULA MOTORS (338), K.M. ROAD, CHIKMAGALUR-577 101 , PH :577 101-9448743284.
SIDRAUL		402.*	KESHKAMAL MOTORS (2075), NO.943 21ST MAIN, BANASHANKARI 2ND STAGE, (NEAR KIMS MEDICAL COLLEGE), BANGALORE-560 070, PH :560 070-9448071067.	416.**	TRINITY MOTORS (4638), NO. 36, 4TH STAGE, W.C. ROAD, BASAVESHWARANAGAR, BANGALORE-560079, PH :560079-9845539474.	CHIKODI	
KARNATAKA		403.**	LE MANS MOTORS (3460), NEAR AYYAPPA TEMPLE, S.M. ROAD, T. DASARAHALLY, BANGALORE-560 057, PH :560 057-9845145001.	CHINTAMANI			
390.##	KRITIVASA AUTOMOBILES (4424), RANCHI TATA HIGHWAY, SIDRAUL , P S NAMKOM, PH :834010-9661144866.	404.*	MAYUR ENTERPRISES (249), NEXT TO PIA BHAVAN KIADB MAIN ROAD, PEENYA 1ST STAGE, BANGALORE-58, PH :560058-9845122156.	424.##			
ATHANI		QM MOTORS (4445), 1751, ANKALI ROAD, NEAR B K COLLEGE, CHIKODI-591201, KARNATAKA, PH :591201-8861555999.					
391.##	CHOUGULE MOTORS (3874), MIRAJ ROAD, ATHANI, , , PH :587314-9448436776.	BAGALKOT		CHITRADURGA			
392.##	NARA AUTOMOBILES (4357), TP NO. 158 A/2, WARD NO. 10, SHABADI COMPOUND EXTN, BAGALKOT-587101, PH :587101-9880875595.	BAILHONGAL		425.##			
BALHONGAL		TIPPU AUTO GARAGE (5770), MG ROAD,NEAR BAGEPALLI CROSS, CHINTAMANI-563125, DISTRICT-KALOR, KARNATAKA, PH :563125-9036698340.					
				CHITRADURGA			
				426.##			
				PRINCIPAL (255), J.M.I.T, N.H.4, P.B. NO.73, CHITRADURGA-577 502, PH :577 502-9731330300.			
				DAVANGERE			
				427.##			
				HEGDE AUTO CENTRE (172), NO 2007/37, NEAR BIET, SHAMANUR ROAD, DAVANGERE, KARNATAKA-577004, PH :577004-8494853646.			

** A-Category Mass : Free & paid Service, Major repairs & Accidental repairs

* B-Category Mass : Free & paid Service & Major repairs

C-Category Mass : Free & paid Service & Minor repairs

D-Category Mass : Free Service & Minor repairs

428.### SREE MALLIKARJUNA MOTOR (229), NO 68, RMC ROAD, NEAR KSRCT BUS STAND, DAVANGERE, KARNATAKA - 577003, PH :577 003-9880701015.

DEVANAHALLI

429.### SAHARA AUTOMOBILES (4731), OPP. A. RTO OFFICE, NH-7, B.B. ROAD, DEVANAHALLI-562110, KARNATAKA, PH :562110-9448662364.

DHARWAD

430.** MYSORE GARAGE (2468), BELGAUM ROAD, DHARWAD-580 001, (KARNATAKA), PH :580 001-9844133273.

DODDABALLAPUR

431.### PRESTIGE MOTORS (4875), NEAR RAILWAY STATION KHASBHAG, DODDABALLAPUR, PH :560026-9900274594.

GADAG

432.### MODERN MOTORS (8939), HUBLI ROAD, GADAG-582 103, (KARNATAKA), PH :582 103-9448746579.

GULBARGA

433.### DELUX AUTO SERVICE (5840), SURVEY NO 77/8,VILLAGE KUSNOOR,NEAR -, UNIVERSITY,SEDAM ROAD,GULBARGA-585104, DISTRICT-GULBARGA, (KARNATAKA), PH :585104-9242991292.

HOSPET

434.### SUPREME AUTO SERVICE (2569), NEAR RTO OFFICE, HARIHAR ROAD, HOSPET-583 203, (KARNATAKA), PH :583 203-9845307361.

HUBLI

435.### SHRI BASAVA MOTORS (4968), OPP SANA COLLEGE,APMC PB ROAD, BHIRIDEVARKOPPA,HUBLI-580025 , PH :580025-9980025644.

KADUR

436.### SRI SAI MARUTHI SERVICE STATION (5725), ULKINAKALLU, NH 206, KADUR, PH :583201-9916947196.

KARKALA

437.### KARKALA MOTORS (3549), TELLAR ROAD, KARKALA-574 104, (KARNATAKA), PH :574 104-9845356244.

KOLAR

438.### SHIVA SERVICE POINT (2472), M.B. ROAD, KOLAR-563 101, (KARNATAKA), PH :563 101-9448228604.

KOLLEGAL

439.### FIX PLUS AUTO CARE CENTRE (4249), C-8, IND. ESTATE, MAHADESHWARA COLLEGE ROAD, KOLLEGAL-571440, PH :571440-9448807237.

KOPPA

440.### AUTO TECH (3448), MAIN ROAD, UPPERPET, KOPPA-577 126, (CHIKMAGALUR DIST.), PH :577 126-9448156950.

KUMTA

441.### SOLOTECH (4547), NEAR MARUTI TEMPLE, HANDIGON, KUMTA- 581343, PH :581343-9448149607.

KUNDAPUR

442.* PRAKASH AUTO SERVICE (4522), NEAR: K.E.B., VODERHOBLI, KUNDAPURA-576 201, PH :576 201-9341035642.

MANIPAL

443.### MANIPAL MARUTI AUTO WORKS (4578), MANIPAL ALEVOOR ROAD, NEAR R.C. CHURCH, OPP. SIGMA BAZAR, MANIPAL (UDUPI DIST), PH :591102-9448108318.

MUDHOL

444.### OM MOTORS (5857), OPP TALUKA OFFICE, LOKAPUR ROAD,MUDHOL-587313, DISTRICT-BAGALKOT, KARNATAKA, PH :587313-9663830660.

MUDIGERE

445.### BADRIYA CAR SERVICE POINT (5364), K.M. ROAD,MUDIGERE , DISTRICT-CHIKAMANGALORE , PIN - 577132 , (KARNATAKA), PH :577132-9448007094.

MYSORE

446.** CAR CLINIC (346), 1959/A, BOGADI RING ROAD, NEAR GLN CONVENTION HALL, BOGADI, MYSORE, PH :585106-9342184831.

NELAMANGALA

447.### GOUTHAM MOTORS (4332), PATEL CHANNAPPA EXTN, NELAMANGALA-562123, KARNATAKA, PH :562123-9880251546.

RABAKAVI BANAHATTI

448.### SANGAMA MOTORS (5726), BESIDE CMC,RAMPUR MAIN ROAD, RABAKAVI-587314, DISTRICT-BAGALKOT, KARNATAKA, PH :587314-9480035617.

RAICHUR

449.### HEERA MOTORS (3730), OPP. MOTI MASJID, SHIVJI OIL MILL COMPOUND, TIPU SULTAN ROAD, RAICHUR-584 101 (KARNATAKA), PH :584 101-9845156322.

RANEBENNUR

450.### KIZEN MOTORS (4568), P.B. ROAD, OPP. A.P.M.C MARKET, RANEBENNUR-581115, PH :581115-9900922022.

SAGAR (KARNATAKA)

451.### ADITYA AUTOMOBILES (2077), JOG ROAD, SAGAR-577 401, (KARNATAKA), PH :577 401-9448024395.

452.### MALLIKA AUTO CENTRE (2133), MALLIK COMPLEX, B.H. ROAD, SAGAR-577 401, PH :577 401-9448139605.

SHIMOGA

453.### NEPTUNE AUTO WORKS (5271), PLOT -5 AUTO COMPLEX , SAGAR ROAD - SHIMOGA , DISTRICT - SHIMOGA , KARNATAKA, PH :577204-9448319758.

454.* SHIMOGA AUTO ENGG WORKS (246), GARDEN AREA, SHIMOGA-577 201, KARNATAKA, PH :577 201-7899114872.

SIDDAPUR

455.### MARUTI AUTO WORKS (5335), SORAB ROAD,SIDDAPUR (U.K)-581355, DISTRICT - UTTAR KANAND, PIN- 581355, KARNATAKA, PH :581355-9448525801.

SIRSI

456.* ARUNDHATI MOTORS (1258), HUBLI ROAD, SIRSI-581 402, (UTTAR KARNATAKA), PH :581 402-9845098822.

SRINGERI

457.### SHUBHASHREE MOTORS (5434), AGUMBLE ROAD ,SRINGERI , DISTRICT - CHIKAMAGALUR , SRINGERI - 577139, KARNATAKA, PH :577139-9448170400.

TIRTHALLI

458.### SUMUKA AUTOMOBILES (5133), AP ROAD,CEEBENE KERI, DISTRICT-SIMGA, SHIMGA-577414, KARNATAKA, PH :577414-9686944949.

TUMKUR

459.### APOORVA CAR CARE CENTRE (5327), B.N.P. COMPOUND BEHIND KRISHNA THEATRE, M.G. ROAD - TUMKUR, DISTRICT - TUMKUR, KARNATAKA, PH :571440-9901515516.

UDUPI

460.* ST. JUDE AUTOMOBILE ENGG. WORKS (4521), B.D.MARG, AMBALAPADI, UDUPI-576 103, PH :576 103-98444991241.

UPPINANGADI

461.### RATNA ENTERPRISES (5447), BUILDING NO 5/514 KUKKAJE, SUBRAMNYA ROAD, UPPINANGADI, PH :587313-9972995341.

KERALA

ADIMALY

462.### PLATHOTTAM AUTOMOBILES (3864), NH-49, OPPOSITE TO MINI INDUSTRIAL ESTATE, ADIMALI-685551, PH :685551-9447023073.

ADOOR

463.### AUTO CLUB (2132), NEAR H.P. PUMP, VADAKKADATHUKUVAU P.O, ADOOR, PATHNAMTHITTA DISTT, PH :691523-9447440184.

ALAPPUZA

464.### ESSAR MOTORS (4959), KALARKODE, NEAR CHINMAYA SCHOOL, NH-47, ALAPPUZA-688003, KERALA, PH :688003-9249938474.

ALUVA

465.### AUTO TEAM (2630), A/189 A, PARUR JUNCTION, ALUVA, (KERALA), PH :683108-9947333760.

AMBALLUR

466.### LAKSHMI DEVI AUTO GARAGE (4137), AMBALLUR, P.O. PUDUKAD, TRICHUR, KERALA, PH :680301-9847903949.

ANCHAL

467.### NAMI-TAJ (2534), NEAR ST. GEORGE CENTRAL SCHOOL, R.O. JUNCTION, ANCHAL, KERALA -691 306., PH :691306-9447453745.

ANJUMORTHY

468.### SAFA AUTO CARE (3847), N H ROAD, MANGALAM PALAM, ANJUMORTHY POST, VADAKKENCHERY, PALAKKAD DISTT, KERALA, PH :678682-9447303347.

ATTINGAL

** A-Category Mass : Free & paid Service, Major repairs & Accidental repairs

C-Category Mass : Free & paid Service & Minor repairs

* B-Category Mass : Free & paid Service & Major repairs

D-Category Mass : Free Service & Minor repairs

Maruti Authorized Service Station (AS ON 30.05.2023)

469.## OM SHAKTI AUTOMOBILES (4466), KIZHUVILAM P.O., MAMOM, ATTINGAL, KERALA-695104, PH :695104-9744658681.

AYOOR

470.* MAKKATTU AUTO CLINIC (5051), AYOOR-ANCHAL ROAD,PANACHAILA, AYOOR - 691306, DISTRICT - KOLLAM, KERALA, PH :691306-9847288624.

CALICUT

471.## MALABAR MOTORS (4655), EAST NADAKKAVU, P.O. ERANIPALAM, CALICUT-673006, KERALA, PH :673006-9846089190.

472.## MARUTI SCAN (1675), BYE PASS JUNCTION, MEENCHANDA, CALICUT-673 018, PH :673018-9847130508.

CHALAKUDY

473.## STAR MARUTI GARAGE (5367), NH47 BYE PASS, NEAR CRESCENT PUBLIC SCHOOL, CHALAKUDY, DISTRICT - THRISSUR, PH :690307-9946009375.

474.* VIJAY AUTO SERVICE (1626), POTTA, CHALAKUDY-680 307, , PH :690307-9995074628.

CHANGANACHERRY

475.* PALATHRA MOTORS & SERVICE CENTRE (1072), VADAKKEKARA, VEROOR P.O., CHANGANACHERRY-686 104, PH :686104-9447195154.

476.## SAAFAA AUTOMOBILES (1148), PALATHARA CHIRA, BY PASS ROAD, CHANGANACHERRY, KOTTAYAM-686104, , PH :686104-9447042517.

CHENGANNUR

477.* NEW TECH AUTOMOBILES (1978), INDUSTRIAL ESTATE, MUNDANCAVU, CHENGANNUR-689 121, KERALA, PH :689121-9328915757.

CHERTHALA

478.* POZHICKAL CAR WORLD (3037), NEAR BOYS HIGH SCHOOL, CHERTHALA, ALAPPUZHA DIST., KERALA-688 524, PH :688524-9947474752.

ETTUMANOOR

479.## ROHIT MOTORS (4636), THELLAKOM P.O., M.C. ROAD, ETTUMANOOR, KERALA, PH :686630-9447079010.

KALANJOOR

480.## AGT MOTORS (5937), KIP JUNCTION, KALANJOOR-689694, DISTRICT-PATHANAMTHITTA, KERALA, PH :689698-9744409444.

KALLAMBALAM

481.## PRAKASH AUTO ENGINEERS (5548), VADASSERIKONAM P.O. KALLAMBALAM, VARKALA,KALLAMBALAM-695143, DISTRICT-TRIVANDRUM, KERALA, PH :695143-9847159618.

KALLUMUTTY

482.## MARUTI CARE (4179), KALLUMUTTY, IRITTY P.O., KANNUR, KERALA - 670703, PH :670703-9946703070.

KALPETTA

483.## VARCO MOTORS (4724), 18/226-1, NEAR VELLARAMKUNNU, NH 212, KALPETTA - 673121, , PH :673121-9961569898.

KANJIRAPPALLY

484.## MACK ENTERPRISES (2729), T.B.ROAD, KANJIRAPPALLY, , PH :686507-9447093739.

KANNUR

485.## AREN MOTORS (5139), CHAKKARAKAL P.O. MUZHAPPALA, DISTRICT - KANNUR, KERALA, PH :670613-9446771237.

486.** PIONEER AUTO & ENGG.WORKS (4722), KANNOTHUMCHAL ROAD, KANNUR - 2, (KERALA), PH :670005-9447798255.

KARIMANOOR

487.## MACS AUTOMOBILES (5745), SILVER SQUARE ,KARIMANOOR,THODUPUZHA, DISTRICT-IDUKKI, KERALA, PH :685581-9633275410.

KASARGOD

488.## CARS CARE (4579), ANANDPUR, VIDYANAGAR P.O., KASARGOD, KERALA-671123, PH :671123-9847251115.

KATTAKADA

489.## CITY ENGINEERS (4947), MARUTI SERVICE CENTRE, NEYYATTINKARA ROAD, KATTAKADA-695572, DISTRICT-TRIVANDRUM (KERALA), PH :695572-9447206257.

490.## MADATHIL MOTORS (5456), MADATHIL HOUSE,CHOONDUPALAKA , KATTAKADA P.O. - TRIVANDRUM , DISTRICT - TRIVANDRUM , (KERALA), PH :695543-9495192389.

KATTAPPANA

491.## UNITED SERVICE CENTER (4433), EDASSERT JUNCTION, KATTAPPANA-685508, KERALA, PH :685508-9961432941.

KAYAMKULAM

492.## PERFECT MOTORS (4948), MARUTI SERVICE CENTRE, NH-47, CHEPPAD, KAYANKULAM-690507, DISTRICT-ALAPPUZHA (KERALA), PH :690507-9447048338.

KONNI

493.## GLOBAL MOTORS (2836), VAKAYAR P.O., KONNI-689 698, (KERALA), PH :689698-9446222944.

494.## MUTTATH AUTOMOBILES (5525), AROORPALAM,KONNI-689691, DISTRICT - PATHANANTHITTA, KERALA, PH :689691-9447431751.

KOOTHATTUKULAM

495.## EXTRA CARE SERVICES (3232), DEVA MATHA JUNCTION, M.C. ROAD, KOOTHATTUKULAM-686 662, ERNAKULAM DIST. (KERALA), PH :689121-9544552080.

KOTHAMANGALAM

496.## EXCEL MARUTI SERVICE (4342), BYE-PASS ROAD, KOTHAMANGALAM, ERNAKULAM-686691, PH :686691-8848605865.

497.## MAJESTIC MOTORS (1253), NEAR KOTHAMANGALAM BYE-PASS ROAD, KOTHAMANGALAM-686 691, KERALA, PH :686691-9946427528.

KUNDARA

498.## SPARK SERVICE (5772), ELAMPALLOOR,P.O. KUNDARA-691501, DISTRICT-KOLLAM, (KERALA), PH :691501-9809608020.

KUTHUPARAMBA

499.## KRISHNA MOTORS (3435), KUTTIKKUNNU, NEAR 66 KV SUB STATION, KUTHUPARAMBA-670 643, KANNUR DIST. (KERALA), PH :670643-9497296380.

MANANTHAVADY

500.## AUTO CARE (2541), (SHEEJA AUTO ENGG. WORKS), THALASSERY ROAD, MANANTHAVADY-670 645, WAYANAD (DIST.), PH :670645-9447040068.

MANJERI

501.## MARUTI AUTO HOUSE (4726), CHERANI, KARUVAMBARAM P.O, MANJERI, KERALA. PIN 676123, PH :676123-9447129289.

MANNAR

502.## MOHANS AUTOMOBILES (5457), MOHANS AUTOMOBILES & ENGINEERS , KUTTEMPEROOR P.O. MANNAR, DISTRICT - ALAPPUZHA , (KERALA), PH :689622-9447877377.

MANNUTHY

503.** TOP CLEAN SERVICES (2834), 13/450 MANNUTHI BYE PASS, P.O. OLLUKKARA, THRISSUR, (KERALA), PH :680651-8592947776, 9846037818.

MEENANGADI

504.## MOTOR TECH (2440), EAST MEENANGADI, KRISHNAGIRI P.O., WAYANAD-673 591, (KERALA), PH :673591-9539195850.

MOOCHIKKAL

505.## CHELADAN'S MARUTI ENGINEERS (4659), THANUR ROAD, MOOCHIKKAL-676307, MEENADATHUR, TIRUR, MALAPURAM DIST (KERALA), PH :676307-9895443563.

MUNNAR

506.## PLATHOTTAM AUTOMOBILES (4447), COLONY ROAD, IKKA NAGAR, MUNNAR, IDUKKI, KERALA - 685612, PH :685612-9447023073.

MUVATTUPUZHA

507.** JAWAN AUTOMOBILES (2730), MADAVOOR POST, MUVATTUPUZHA-686 669, , PH :686669-8943345500.

NEYYATTINKARA

508.## XANON ENGINEERS (4635), RAVELI TOLL JUNCTION, NEYYATTINKARA, TRIVANDRUM-695121, PH :695121-9447014813.

NILAMBUR

509.## CONFIDENCE MOTORS (5140), PALUNDA CHUNGATHARA, NILAMBUR-679334, DISTRICT - MALLAPURAM, KERALA, PH :679334-8075272281.

** A-Category Mass : Free & paid Service, Major repairs & Accidental repairs
C-Category Mass : Free & paid Service & Minor repairs

* B-Category Mass : Free & paid Service & Major repairs
D-Category Mass : Free Service & Minor repairs

Maruti Authorized Service Station (AS ON 30.05.2023)

NILAMEL

510.### LIBRA (3431), M.C. ROAD, NILAMEL-691 535, KOLLAM DIST., (KERALA), PH :691535-9895629768.

OCHIRA

511.* MANGALATH AUTOMOBILES (3836), NH 47 VALIYAKULANGARA, OCHIRA P.O, KOLLAM DIST, KERALA-690526, PH :690526-9847258696.

OLLUR

512.### TOPCLEAN SERVICES (4468), 10/153, CHRISTOPHER NAGAR, P.O OLLUR, TRICHUR (KERALA), PH :680306-9846037818.

PALAKKAD

513.### CAR CRAFT (2139), 5/682 (1), MANALI, PALAKAD-678 001, (KERALA), PH :678001-93496071619.

PANDALAM

514.* AISHWARYA AUTOMOBILES (2067), NEAR K.S.R.T.C. BUS STOP, PANDALAM-689 501, . PH :689501-9847049140.

PARIPALLY

515.### ALLIANCE MARUTI SERVICES (3243), NH-47, PARIPPALLY-691 574, KOLLAM DIST. (KERALA), PH :691574-9349926440.

PATHANAPURAM

516.### MANNIL AUTOMOBILES (4150), NEAR PANCHAYAT OFFICE, PATHANAPURAM, KERALA-689695, PH :689695-9447258496.

PATHNAMTHITTA

517.** C.J. MARUTI CARE CENTRE (1255), VARIYAPURAM, ENLANTHOOR EAST P.O., PATHANAMTHITTA-689 643, (KERALA), PH :689643-9446913874.

PERAVOOR

518.### CAR CARE AUTOMOBILES (4422), KODENCHAL, PERAVOOR, NIDUMPOYIL P.O., KANNUR- 670650, PH :670650-9946444691.

PERUMBAVOOR

519.### MILLENNIUM MOTORS (4873), OLD VALLAM ROAD, KADUVAL, PERUMBAVOOR-683542, DISTRICT-ERNAKULAM (KERALA), PH :683542-9446661111.

QUILANDY

520.### HITECH MARUTI (3025), MAIN ROAD, KOYILANDY, PIN-673 305, CALICUT DISTT., PH :673305-9447457996.

RANNY

521.### DEEPA AUTOMOBILES (5177), DEEPA AUTOMOBILES.PAZHAVANGADI, P.O. RANNY :689673, DISTRICT-PATHANAMTHITTA, KERALA, PH :689673-9447216725.

SASTHAMANGALAM

522.### MARSHAL AUTOMOBILES (4035), SWATI NAGAR, TC 10/147, PIPPIN MOODU, SASTHA MANGALAM, PEROORKADA, TRIVANDRUM 695005, PH :695005-9447461101.

SULTAN BATHERY

523.### AUTOMEK (4725), BEENCHI P.O., SULTAN BATTERY-673 592, . PH :673592-9249999515.

524.### NEW INDIAN MARUTI SERVICE CENTRE (4577), 14/789A, 14/789A1, KUPPADI, MYSORE ROAD, SULTHAN BATHERY, WAYANAD -673592, PH :673592-8281682822.

525.### TEE PEE MOTORS (4773), 9/668-B OOTY ROAD, NEAR BLOCK OFFICE, SULTAN BATHERY, WAYANAD (KERALA), PH :673592-8547201421.

TALIPARAMBA

526.### YESKAY (3368), KAKATHODE, TALIPARAMBA - 670141, KANNUR DISTT (KERALA), PH :670141-9744076850.

THALASSERY

527.### SAFE HANDS (3038), ERANHOLI, CHUNGAM, THALASSERY -670 107, (KERALA), PH :670107-9744322317.

THALAYOLAPARAMBU

528.* MYALIPARAMPIL MOTORS (3233), SILON JUNCTION, NEAR THALAYOLARAMBU, POOZHIKOL P O 686604, PH :686604-9447562050.

THAMARASSERY

529.### MALABAR MOTORS (4645), WARD NO. 12, BLDG NO. 121, WAYANAD ROAD, KARADY, THAMARASSERY, CALICUT, PH :673573-9349114119.

THIRUVALLA

530.### MARUTI AUTO SPOT (1628), AYROOKUZHUYIL HOLDINGS, OPPOSITE PUSHPAGIRI MEDICITY, PERUMTHURUTHY, THIRUVALLA, KERALA -689107, PH :689107-9447860777.

THIRUVANANTHAPURAM

531.### EMINENT MARUTI SERVICE (2360), T.C. 610 M.C. ROAD, MANNANTHALA, TRIVANDRUM-695 015, PH :695015-9447713639.

532.### HITECH INDUSTRIES (1951), NEAR ULLOOR BRIDGE, PATTON P.O., THIRUVANANTHAPURAM-695 004, (KERALA), PH :695004-9447732057.

533.### MUKUNDANS (3434), POONTHY ROAD, PADMAVILASAM, KUMARAPURAM,, THIRUVANANTHAPURAM-695 011, PH :695011-9349882788.

534.* PROFESSIONAL MOTORS (1256), NEAR ELECTRICITY BOARD, PEROORKADA, TRIVANDRUM-695 005, PH :695005-9447175650.

535.### SREEKARIYAM AUTOMOBILES (353), SREEKARIYAM P.O., THIRUVANANTHAPURAM-695 017, . PH :695017-9447050313.

THODUPUZZHA

536.### UNIVERSAL MARUTI (2563), VENGALLOOR P.O., THODUPUZZHA, (KERALA), PH :685585-9447023024.

TRIVANDRUM

537.* KICHU MOTORS (5453), TC.49/962 ,SREEMOOLAM NAGAR CHIRAMUKKU MANACAUR (PO) TRIVANDRUM, DISTRICT - TRIVANDRUM, KERALA, PH :695572-9847023025.

VADANAPPALLY

538.### MONARCH MARUTI CARE CENTRE (4079), NEAR NORTH JUMA MASJID, GANESHA MANGALAM, P O VADANAPPALLY, TRICHUR DIST (KERALA), PH :680614-9847792698.

VADAVATHOOR

539.### CCARS (6754), VADAVATHOOR PO-KOTTAYAM, DISTRICT-KOTTAYAM, PIN-686503, KERALA, PH :685503-9447208558.

VARKALA

540.* S.S. MOTORS (2979), NEAR POLICE STATION, VARKALA-695 141, TRIVANDRUM DISTT., PH :695141-9446104991.

VATAKARA

541.### RANI AUTOMOBILES & ENGINEERING WORKS (1674), 10/496, NADAPURAM ROAD, MADAPPALLI COLLEGE POST, VATAKARA, KOZHIKODE - 673102., PH :673102-9400513139.

LAKSHADWEEP

LAKSHADWEEP

542.### POPULAR REPAIR & SERVICE CENTRE (2944), SECRETARIAT ROAD, KAVARATTI, LAKSHADWEEP-682 555, PH :682555-9448463737.

MADHYA PRADESH

BALAGHAT

543.### GULAB AUTOMOBILES (1553), GUJARI CHOWK, BALAGHAT-481 001, MADHYA PRADESH, PH :481001-9425402926.

544.### SAURAV MOTORS (4069), DEENHI ROAD, GARRA INDUSTRIAL AREA, BALAGHAT, MADHYA PRADESH, PH :481001-9300963731.

BARWANI

545.### SPEED AUTOMOBILES (5260), KHANDWA BARODA ROAD, NR. BALAJI TOLL KANTA, BARWANI-451552, DISTRICT-BARWANI, MADHYA PRADESH, PH :451552-9926146073.

BETUL

546.### ADITYA MOTORS (1263), NAGPUR BHOPAL ROAD, SADAR, BETUL-461 001, MADHYA PRADESH, PH :460001-9425381581.

BHIND

547.### MAA PITAMBARA MOTORS (5241), OPP.RAJENDERA CONVENT SCHOOL , LAKSHAR ROAD -BHIND , MADHYA PRADESH, PH :477001-9826240582.

BHOPAL

548.### SHRI KRISHAN CAR CARE (1679), POLYTECHNIC ROAD, NEAR PETROL PUMP, BHOPAL, (M.P.), PH :462002-9424454030.

549.### SHUBHAM AUTOMOBILES (5052), PLOT NO. 1 & 2, TIRANGA ROAD, SHAHPURA, BHOPAL, MADHYA PRADESH -462039, PH :462039-9425009869.

550.* TAURUS AUTOMOBILES (3372), ALAKNANDA COMPLEX, OPP.VIJAY STAMBH PRESS COMPLEX, M.P. NAGAR ZONE-I, BHOPAL (M.P.), PH :462011-9303131403.

** A-Category Mass : Free & paid Service, Major repairs & Accidental repairs

C-Category Mass : Free & paid Service & Minor repairs

* B-Category Mass : Free & paid Service & Major repairs

D-Category Mass : Free Service & Minor repairs

Maruti Authorized Service Station (AS ON 30.05.2023)

551.** VIDHYA AUTOMOBILES (320), PLOT NO. 235,
ZONE II,
B,
PH :462011-9826053198.

BIAORA

552.### GURUKRUPA MOTORS (5670), OPP
PRABHAT BREAD INDUSTRY, AB ROAD -
BIAORA, DISTRICT - BIAORA, MADHYA
PRADESH,
PH :465674-9425038727.

BURHANPUR

553.** SWADESHI MOTORS (4229), NEAR GANPATI
MANDIR, GANPATI NAKA, BURHANPUR,
MADHYA PRADESH,
PH :450331-982637438.

DABRA

554.### MODI MOTORS (3857), BALLA KA DERA,
JHANSI ROAD, DABRA, GWALIOR,
PH :475110-8770360194.

DAMOH

555.### MARUTI PRIME (1156), BUS STAND,
STATION ROAD, DAMOH-470 661,
PH :470 661-8319706998.

DATIA

556.### HIND MOTORS (4470), NH-75, JHANSI
BYPASS ROAD, NEAR S.R.I COLLEGE,
KALAMPURAM TIRHA, DATIA, MADHYA
PRADESH - 475661,
PH :475661-9406969206.

DEWAS

557.### AZAD MOTORS (4534), 10, JAWAHAR
NAGAR COMPLEX AB ROAD
DEWAS(MP)404051,
PH :455001-9827533591.

DHAR

558.### JIYO MOTORS (5031), OPP DAK
BANGLA,INDORE ROAD DHAR., DISTRICT -
DHAR, DHAR -454001, MADHYA PRADESH,
PH :454001-9893633559.

GWALIOR

559.### CLASSIC MOTORS & SERVICE STATION
(5242), CHAUHAN PIAO.M.G. ROAD,
THATIPUR MORAR, GWALIOR , MADHYA
PRADESH,
PH :474011-9329603001.

560.** MARUTI ENTERPRISES (3021), KHERAPATI
ROAD, GWALIOR-474 002, (M.P),
PH :474002-9425116466.

HARDA

561.### MANOJ UDYOG & SERVICE CENTER (4145),
87-88, INDUSTRIAL AREA, CHHIPANER
ROAD, HARDA, M.P.,
PH :461331-9826227245.

INDORE

562.### BADSHAH MOTORS (5027), 150/2,NOORANI
NAGAR,NEAR JAIMAL SINGH PETROL
PUMP, DHAR ROAD,INDORE-452008,
DISTRICT-INDORE, MADHYA PRADESH,
PH :452008-9826098427.

563.** BOMBAY MOTORS (1655), 10 Y.N. ROAD,
INDORE-452 003, (M.P.),
PH :452003-7314222786.

564.### JYOTI RAGHUNATH MOTORS (5149), 3/3
RAMBAGH, BEHIND PETROL PUMP ,
INDORE -452001, MADHYA PRADESH,
PH :452001-9425353568.

ITARSI

565.* PITAMBARA MOTORS (5041), NH-69,BETUL
ROAD,NEAR PLYBOARD, FACTORY ITARSI ,
DISTRICT - ITARSI, MADHYA PRADESH,
PH :461111-9406525060.

566.** UNITY ENTERPRISES (3270), PLOT NO.97,
INDUSTRIAL AREA, KHEDA, ITARSI-461 111
(M.P.),
PH :461 111-8120025666.

JABALPUR

567.### SUPER MARUTI SERVICE (4952), 375-A
PREM NAGAR, OPP. GURUDWARA,
JABALPUR-482001, MADHYA PRADESH,
PH :482001-7999993375.

568.### YASH VEHICLES CARE (2169), 1664,
WRIGHT TOWN, OPP. TELEGRAPH GATE
NO. 2 JABALPUR (M.P),
PH :482002-9893237505.

JAWAD

569.### SHARMA MOTORS (5764), IN FRONT OF
PAWAN MILL, STATION
ROAD,JAWAD-458330, DISTRICT-NEEMUCH,
MADHYA PRADESH,
PH :458330-9425441270.

KATNI

570.### KATNI MOTORS (4949), C/O MAHURANIPUR
UNION, TRANSPORT CORPORATION, NH-7,
PANNA MORH, KATNI-483501 (MADHYA
PRADESH),
PH :483501-9425162660.

KHANDWA

571.### M.K.AUTOMOBILES (5326), SANTOSH
NAGAR, OPP. JHEELODHYAN, INDORE
ROAD, KHANDWA - 450 001,
PH :450001-9425085666.

KUKSHI

572.### DILIP MARUTI SERVICE CENTER (4649),
OPP. GAYATRI SAROVAR, KUKSHI, DISTT
DHAR,
PH :454331-9340709923.

MANDSAUR

573.### DEV MOTORS (4562), SITAMAU FATAK,
MANDSAUR-458001, MADHYA PRADESH,
PH :458001-9826751534.

574.* JANGID MOTORS (2735), NAYAPURA ROAD,
NEAR R.K. HOSPITAL, MANDSAUR-458 001,
(M.P.),
PH :458001-9827665683.

MHOW

575.* HIGHWAY MOTORS (4144), A.B. ROAD,
DONGRAGAON, MIHOW-453441, INDORE
M.P.,
PH :453441-9826035653.

MORENA

576.### SHYAM MARUTI SERVICE STATION (8935),
SHYAM BIHAR COLONY, A.B. ROAD,
MORENA-476 001, MADHYA PRADESH,
PH :476 001-7999624671.

NAGDA

577.### MARUTI NANDAN (3939), 15 VERDHAMAN
NAGAR, MEHATWASA, BIRLAGRAM,
NAGDA, DISTT UJJAIN,
PH :456335-9910074658.

SAGAR (M.P)

578.### SHREE SAGAR MOTORS (4955), NEAR
GURUDWARA, JHANSI BHOPAL ROAD,
BHAGWANGANJ, SAGAR-470002, MADHYA
PRADESH,
PH :470002-9826070549.

SARNI

579.### JHANVI SERVICE STATION (3738), MAIN
ROAD, BAGDONA, SARNI-460 449, DISTT.
BETUL (M.P.),
PH :460449-9425382313.

SATNA

580.* KAPOOR SERVICING CENTRE (1162), 90
PREM NAGAR, SATNA-485 001, (M.P.),
PH :470661-9827095182.

SEONI

581.### HIGHWAY MOTORS (2262), NEAR MOTEL
CENTER POINT, SEONI-JABALPUR
HIGHWAY, SEONI, (M.P.),
PH :480882-9424928978.

SHAHDOL

582.### PACE CRAFTERS (2145), NEAR VIRAT
TEMPLE, BANGANGA TIRAHA, REWA ROAD,
SHAHDOL, (M.P.),
PH :484001-9424701495.

SHAJAPUR

583.### SHRIYA MOTORS (2568), 174 A.B. ROAD,
SHAJAPUR-456 001, (M.P.), MADHYA
PRADESH,
PH :456 001-9826783993.

SHEOPUR

584.### GOYAL AUTO (5446), NEAR NABBAN
MARKET, BARODA ROAD, SHEOPUR,
DISTRICT - SHEOPUR, MADHYA PRADESH,
PH :476337-9826240944.

SHIVPURI

585.* KARUN MOTORS (4273), NEAR ARUN
DHARAMKANTA, GUNA NAKA, A.B. ROAD,
SHIVPURI,
PH :473551-9425728285.

SIDHI

586.### KHARE MOTORS (4068), NH-75, SINGRAULI
ROAD, SIDHI, MADHYA PRADESH,
PH :486661-9425823952.

TIKAMGARH

587.* ASHENDRA AUTOMOBILES (2636), 350 OPP.
JAWAHAR NAVODAYA VIDYALAYA,
KUNDESHWAR, TIKAMGARH-472 001,
MADHYA PRADESH,
PH :472001-9009129909.

UJJAIN

588.### SUGANDHI BROTHERS (324), DEWAS ROAD,
UJJAIN (M.P.), MADHYA PRADESH,
PH :456010-9406822255.

589.### ZALANI AUTO SERVICE (1554), A 15/9,
MAHAKAL VANJUVA KENDRA., NANAKHEDA,
UJJAIN 456010, .
PH :456010-9713884177.

VIDISHA

590.### SAMAY MOTORS (5179), NEAR SC/S SHED ,
PITALMIR CHOURAHA, SAGAR ROAD NH-86,
VIDISHA-464002,
PH :464002-9425392521.

WAIDHAN

591.### ANANT MOTORS (5732), NEAR ESSAR
TOWNSHIP, BILAUJJI, WAIDHAN,
DISTRICT-SINGRAULI, PIN-486886, MADHYA
PRADESH,
PH :486886-9425823952.

MAHARASHTRA

AKLUJ

** A-Category Mass : Free & paid Service, Major repairs & Accidental repairs
C-Category Mass : Free & paid Service & Minor repairs

* B-Category Mass : Free & paid Service & Major repairs
D-Category Mass : Free Service & Minor repairs

592.### SONAJ AUTOMOTIVES PVT. LTD. (2665), SHANKARRAO MOHITE PATIL, CO-OP INDUSTRIAL ESTATE, PLOT NO.36 P.O. BOX NO.-11, AKLUJ -413 101 (MAHARASHTRA), PH :413101-9657713360.

AKOLA

593.### AUTOLAND (5936), RAM NAGAR,TOSHINIWAL LAYOUT, AKOLA-444005, DISTRICT-AKOLA, MAHARASHTRA, PH :444005-9422164050.

AKOLE

594.### SAMARTH CAR CARE (5555), MAHALAXMI COLONY,K.G. ROAD-AKOLE, DISTRICT - AHMEDNAGAR, PIN-422601, MAHARASHTRA, PH :422601-9881759099.

AMALNER

595.### LUCKY AUTO CARES (5853), R.K. COMPLEX,R.K. NAGAR,DHULE ROAD, AMALNER-425401, DISTRICT-JALGAON, MAHARASHTRA, PH :425401-9422789764.

AMBERNATH

596.* J.S. AUTOMOBILES (4567), B-31/3, MIDC, KALYAN AMBERNATH ROAD, AMBERNATH-421501, MAHARASHTRA, PH :421501-9370116436.

AURANGABAD

597.* CAR CARE (5173), #85.SERVICE INDUSTRIAL SECTOR, TOWN CENTRE,CIDCO, DISTRICT-AURANGABAD, MAHARASHTRA, PH :431006-915800029.

598.* MARUTI AUTOMOBILES (3441), CHETAN TRADE CENTRE, JALNA ROAD,OPP. SFS SCHOOL, AURANGABAD - 431001, PH :431101-9767301999.

BADLAPUR

599.### OMKAR AUTO SERVICES (3376), OMKAR BUNGLOW, GOLE WADI, KULGAON STN., BADLAPUR DIST. THANE, PH :421503-9326080457.

BARSHI

600.### OM SERVICE CENTRE (5359), KURWEDI ROAD - BARSI, DISTRICT - SOLAPUR , PIN - 413401, (MAHARASHTRA), PH :413401-9850437003.

BEED

601.### NEW AGWAN SERVICES (2235), 850 SHYOG NAGAR, JALNA ROAD, BEED-431 122, PH :431122-9822217321.

BOISAR

602.### SIFAR CAR CARE (4055), PLOT NO. 15 AT-KURGAON, P O KUNDAN, BOISAR TARAPUR ROAD, TAL PALGHAR, DISTT THANE, PH :401506-9765509990.

CHANDRAPUR (MAHARASHTRA)

603.### SHEIKH AUTOMOBILES (5379), APPOSITE GOVT. ITI.CIVIL LINES , CHANDRAPUR, DISTRICT - CHANDRAPUR, MAHARASHTRA, PH :442401-9422171896.

CHIPLUN

604.### MANORKAR AUTOMOBILES (270), NEAR RAILWAY STATION, BOMBAY-GOA HIGHWAY, WALOPE CHIPLUN-415 605, DISTT. RATNAGIRI, PH :415605-9421239999.

605.### MAYUR MOTORS (168), SITA APARTMENTS, NEAR BAHADUR SHEIKH NAKA, CHIPLUN DISTT. RATNAGIRI, MAHARASHTRA, PH :415605-9422431112.

DAPOLI

606.* ROYAL AUTO SERVICE STATION (3444), DAPOLI-MANDANGAD ROAD, MALJIE-DAPOLI, TAL- DAPOLI, DIST. RATNAGIRI-415 712 (MAHARASHTRA), PH :415712-8888101776.

DEOPUR

607.** AGRO ENGINEERING SERVICES (2244), DIVERSION ROAD, DEOPUR, DHULE-424 005, PH :424005-9823059471.

DOMBIVLI

608.### MEGA SERVICES (2573), A-173,PHASE-1,, NEW KALYAN BYPASS ROAD , OPPOSITE ADARSH PARK,MIDC, DOMBIVLI (E)-421203, PH :421203-8424070777.

GADACHIROLI

609.### VENUS AUTOMOTIVE (4170), PLOT # 2, NR GOVERNMENT ITI COLLEGE, ADJ TO CHANDRAPUR GADACHIROLI HIGHWAY, GADACHIROLI, MAHARASHTRA-442605, PH :442605-9689228222.

ICHALKARANJI

610.### SAI AUTO LEADS (3821), 7/597 SANGLI VES, ICHALKARANJI-416 115, DIST. KOLHAPUR, PH :416115-0230-2426089.

ISLAMPUR

611.### VIJAY MOTORS (5134), PETH ISLAMPUR ROAD , NEAR PETH NAKA -ISLAMPUR, DISTRICT - SANGLI, MAHARASHTRA, PH :415409-9860446084.

JALGAON

612.* SHREE MOTORS (3040), 362 SHIVAJI NAGAR, JALGAON-425 001, , PH :425001-9823150704.

KALWA

613.** SHREE SIDDHI MOTORS (5668), NEXT TO LILAVATI CO-OP SOCIETY,DATTAWADA, KALWA KHAREGAON ROAD-KALWA(W) -400605, DISTRICT - THANE, (MAHARASHTRA), PH :400605-9769775444.

KALWAN

614.### KRISHNA AUTOMOTIVE (4037), GANESH NAGAR, AT POST & TALUKA, KALWAN, DIST NASHIK-423501, PH :423501-8087988735.

KANKAVLI

615.** SAPALE AUTO SERVICE PRIVATE LIMITED (1975), MUMBAI GOA ROAD, N.H.17, KALMATH, KANKAVLI DISTT. SINDHUDURG-416 602, PH :416602-9422434701.

KATOL

616.### BALAJI SERVICE STATION (5962), PLOT NO. XI,MIDC,SAWARGAON ROAD,DONGARGAON-, KATOL,NAGPUR-441302, DISTRICT-NAGPUR, MAHARASHTRA, PH :441302-9763867144.

KHAMGAON

617.### JAIDEEP MOTORS (4779), NEAR RELIANCE PETROL PUMP, NANDURA ROAD, KHAMGAON-444303, DISTRICT-BULDHANA (MAHARASHTRA), PH :444303-9850352826.

KHED

618.### BHARAT AGENCIES (4548), NEAR KAMAKSHI PETROL PUMP, AT POST KALBANI, TALUKA KHED, DISTRICT RATNAGIRI, 415621, PH :415621-9049024781.

KOLHAPUR

619.* VAKRATUNDA MOTORS (3142), OPP MAHAVIR COLLEGE, NAGALA PARK, KOLHAPUR, PH :416003-9822611559.

KOPARGAON

620.* SAI MOTORS (4449), NAGAR MANMAD HIGHWAY, NEAR HOTEL ASHOKA, KOPARGAON, DIST. AHMEDNAGAR (MAHARASHTRA), PH :423601-9850684384.

LONAVLA

621.### APPOLO MOTOR REPAIRING WORKS (2543), MUMBAI-PUNE ROAD, LONAVLA, MAHARASHTRA-410 401, PH :415409-9370721905.

MAHAD

622.### SHREE AUTO (2572), NAGALWADI PHATA BOMBAY-GOA HIGHWAY, AT & TALUKA - MAHAD, DISTT. RAIGAD, MAHARASHTRA-402 301, PH :402301-9422495799.

MALEGAON

623.### MALEGAON AUTO CENTRE (3721), NEAR MOTI BAUG NAKA, MALEGAON-423 203 , PH :423203-9371376911.

MANGAON

624.### KRUPA SERVICES (574), KRUPA SERVICES, AT : NANOR, POST : MANGAON, DISTT-RAIGAD-402 104, PH :402104-9422375444.

MIRAJ

625.### ASHOK AUTOMOBILES (5672), C.S. NO:70-C,CHH - SHIVAJI ROAD, MIRAJ, DISTRICT - SANGLI, MAHARASHTRA, PH :416410-0233-2375961.

MUMBAI

626.* ALLIED AUTO AGENCIES (2666), 86/20 DR. AMBEDKAR ROAD, KHAR, MUMBAI-400 052, PH :400052-9768257450.

627.* ASHA AUTO SERVICE (570), I.O.C DEALER, L.B.SHASTRI MARG, KURLA, MUMBAI-400 070, PH :400070-9833728833.

628.** AUTO CRAFT (4759), PLOT NO. 1-B, NEXT TO DAMJI SHAMJI IND ESTATE, LBS MARG, VIKHROLI (W), MUMBAI-400083, PH :400083-9820022227.

629.### AMAR AUTOMOBILES (526), KING'S CIRCLE, MATUNGA, MUMBAI-400 019 (MHRS.), PH :400019-9869473310.

630.### BANAI AUTO CARE (6053), OPP. MAROL POLICE CAMP. NEXT TO AAREY CHECK POST, MAROL MAROSHI ROAD, MUMBAI-400 059, PH :400059-9819844333.

631.** CARKRAFT AUTOMOBILE SERVICES PVT. LTD. (4654), ABC GODDOWN, MINERVA INDUSTRIAL ESTATE, OFF P.K. ROAD, NEAR SAI DHAM MANDHIR, MULLUND (W), MUMBAI, PH :400080-9820296924.

632.** CHAMUNDA MOTORS (P) LTD. (520), RAM BAUG NEAR SUNDRAL DHAM, OFF S.V.ROAD, BEORLI (W), MUMBAI-400 092, PH :400092-9820063626.

** A-Category Mass : Free & paid Service, Major repairs & Accidental repairs

C-Category Mass : Free & paid Service & Minor repairs

* B-Category Mass : Free & paid Service & Major repairs

D-Category Mass : Free Service & Minor repairs

Maruti Authorized Service Station (AS ON 30.05.2023)

633.##	CHEMBUR MOTORS (2526), 31/A ANAND NAGAR, OFF SION TROMBAY ROAD, SINDHI SOCIETY CHEMBUR, MUMBAI-400 071, PH :400071-9820475704.	645.*	SUPER AUTO SERVICE PVT. LTD. (2430), DESAI WADI JAYWANT SAWANT ROAD, NEAR HAPPY HOME SOCIETY, DAHISAR (W), MUMBAI-400 068, PH :400068-9867253000.	657.*	MAULEE MOTORS (4736), SURVEY NO. 130/2, PLOT NO. 43, ADARSHA NAGAR, NIZAR ROAD, NANDURBAR-425412, MAHARASHTRA, PH :425412-9822377931.	PANVEL	
634.##	CHHAGAN MITHA (5230), CORNER OF WARDEN ROAD & PEDDAR ROAD, POST BOX NO. 6521, MUMBAI -400026, MAHARASHTRA, PH :400026-9820981441.	646.##	SURAJ SANCHI SERVICE STATION (438), DR. ANNIE BESANT ROAD, WORLI, MUMBAI-400 018, PH :400018-9821115492.	NASHIK		668.##	GANGAL MOTORS (2934), PLOT NO :125-127,SECTOR-1S,ROAD NO-5, BEHIND CIDCO GODOWN-NEW PANVEL, DISTRICT - RAIGAD, (MAHARASHTRA), PH :410206-9320226072.
635.##	HIND AUTOMOBILES (550), 29 SEWREE WADALA ROAD, KING'S CIRCLE, MUMBAI - 400 019 (MHRS), PH :400019-9833876440.	MURBAD		658.##	HITECH AUTO SERVICES (4451), SURVEY NO 89/2, PLOT 1 & 2, OPP MOTIWALA MEDICAL COLLEGE, GANGAPUR SHIWAR,, NASHIK, PH :422007-9225142471.	669.**	IDEAL AUTOMOBILES (2279), IDEAL HOUSE, PLOT NO-83,, PANVEL INDUSTRIAL CO OP ESTATE LTD., PANVEL, DISTRICT - RAIGAD, (MAHARASHTRA), PH :410206-9969602650.
636.##	LAXMI AUTO WORKS (2542), PLOT NO.1041, SAYANI ROAD, PRABHADEVI, MUMBAI-400 025, PH :400025-9820303646.	647.##	JAYDEEP AUTOMOBILES (5676), MURBAD KALYAN HIGHWAY(NH-222),NEAR NAVDURGA HOTEL, AT-PO-TAL-MURBAD-421401, DISTRICT-THANE, MAHARASHTRA, PH :415621-9423370219.	659.##	RACCA SERVICE (3720), RACCA ESTATE, OLD GANGAPUR NAKA, HANUMAN WADI LINK ROAD, PANCHVATI, NASHIK - 422003, PH :422003-9096846468.	PARBHANI	
637.**	ORIX AUTO INFRASTRUCTURE SERVICES LTD (1971), 94 MAROL INDUSTRIAL ESTATE, ANDHERI KURLA ROAD, ANDHERI (EAST), MUMBAI-400 059, PH :400059-9820409079.	NAGPUR		660.##	SAI AUTOMOBILES (3722), SAPAT COMPLEX, OPP. PRESS HOSPITAL, NASIK ROAD-422 101, PH :422101-9822027931.	PASHAN	
638.**	POWAI AUTO WORKS (1660), OPP. PANCH KUTIR BUS STOP, 19 ADI SANKARACHARYA MARG, POWAI, MUMBAI-400 076, PH :400076-9820635317.	648.*	AMIT SERVICE STATION (4158), NEAR NAGAPUR HIGHWAY BRIDGE, NAGAR-MANMAD HIGHWAY, NAGAPUR DIST-AHMADNAGAR, MAHARASHTRA, PH :414111-0241-2778336.	NAVI MUMBAI		671.*	MARUTI CAR SANJIVANI (5278), SURVEY NO 5/2,SUTARWADI .SUSROAD.PASHAN, DISTRICT - PUNE, PUNE - 411021, MAHARASHTRA, PH :411021-9960733360.
639.**	POWAI AUTO WORKS (4966), GALI NO 14/15/16, BUILDING NO1, C WING, KALASH INDUSTRIAL COMPLX, PARKSITE VIDHROLI (W), PH :400079-9820635317.	649.*	BALAJI MOTORS (3078), PLOT NO.18/27, NEAR NAKA NO.-1, KORADI ROAD, NAGPUR-20, PH :440020-9960634068.	661.*	BOSS (265), AT/P.O. - TURBHE, SECTOR-22, VASHI, NAVI MUMBAI-400 705, PH :400705-9167766474.	PATHARDI	
640.##	PRINCE SERVICE CENTRE LLP (8931), 34 GAMDEVI ROAD, SANGHANI ESTATE, GHATKOPAR (WEST), MUMBAI-400 086, PH :400086-9869034445.	650.**	HASAN GARAGE (2021), MOHAN NAGAR, NAGPUR - 440 001 (MHRS),, PH :440001-0712-2533805.	662.##	C G MOTORS (4138), PAPER-73, TTC INDUSTRIAL AREA, RABALE, OPP RABALE RAILWAY STATION, THANE- BELAPUR ROAD, MAHARASHTRA, PH :400701-9920205756.	672.##	SAGAR MOTORS (5979), OPP. TEHSIL KACHERI,NAGAR ROAD, TALUKA,PATHARDI-414102, DISTRICT-AHMEDNAGAR, MAHARASHTRA, PH :414102-9822197969.
641.**	RAVI AUTOMOBILE SERVICES (553), GHATKOPAR-MAHUL ROAD, TILAK NAGAR, CHAMBUR, MUMBAI-400 089, PH :400089-8657442190.	651.##	M S SERVICES (5339), 14 HILL ROAD , GANDHI NAGAR - NAGPUR , DISTRICT - NAGPUR , MAHARASHTRA, PH :440010-9373422822.	663.**	CHETAN MOTORS (3143), PLOT NO.45/B SECTOR 19/A, OPP. GATE NO.2 DANA BAZAR, BEHIND SHAMIR VITHAL CO-OP BANK VASHI, NAVI MUMBAI-400 705, PH :400705-9892067288.	PEN	
642.**	SHAH CAR CARE (5436), SADANWADI.LAKE ROAD.OFF LBS MARG, NEAR KRISHNA TALKIES, DISTRICT - MUMBAI , (MAHARASHTRA), PH :400078-9820068380.	652.##	R. K. MOTORS (3023), 69 A V A LAYOUT, LAKADGANI, NAGPUR-440 008, PH :440008-9422113089.	NIGDI		673.##	NAVNATH AUTO (5677), OPPOSITE RAMWADI,S.T. STAND, NATIONAL HIGHWAY-17,TAL PEN-402107, DISTRICT-RAIGAD, MAHARASHTRA, PH :402107-9834279228.
643.**	SHAMAL MOTORS (1154), VAITY WADI, BHANDUP-SONAPUR ROAD, BHANDUP (WEST), MUMBAI-400 078, PH :400078-9773911111.	653.*	SAGAR AUTOMOBILES (2667), MARUTI AUTHORISED SERVICE STATION, PLOT NO.3 NEAR PETROL PUMP, WARDHA ROAD UJJWAL NAGAR, NAGPUR-440 025, PH :440025-9960695823.	664.##	SHALU AGENCY (2872), 516/27 PRADHIKARAN, NIGADI, PUNE-411 044, PH :411014-020-27656354,27652631.	PHALTAN	
644.*	ST.FRANCIS AUTOMOBILES (5154), MOUNT POINSUR BORIVALI (WEST), MUMBAI - 400103, DISTRICT - MUMBAI, MAHARASHTRA, PH :400103-9892876396.	654.**	SAGAR AUTOMOBILES (4971), WARDHA ROAD,, CHINCHBHAWAN, NAGPUR - 441108, PH :441108-9422145365.	NIPHAD		674.##	VORA AUTOMOTIVE (2436), SHINGNAPUR ROAD, KOLKI, PHALTAN-415523, PH :415523-7709436262.
		655.##	SHREEJEE SERVICES (2027), CHANDAK KOTHI, SUBASH ROAD, NAGPUR-440 018, PH :440018-9766699321.	665.##	SHRI SAI SERVICE STATION (4452), NIPHAD AURANGABAD ROAD, NIPHAD, NASIK, MAHARASHTRA, PH :422303-9823679999.	PIMPALGAON	
		NANDED		PACHORA		675.##	ASHWAMEDHA AUTO (2435), "ASHWAMEDH", MUMBAI-AGRA HIGHWAY, PIMPLEGAON (B), DISTT. NASHIK, PH :422209-976660064.
		656.##	MARUTI CARES AND COLOURS (5778), LABH NAGAR BACK SIDE OF SURABH HOTEL, NANDED-431605, DISTRICT-NANDED, MAHARASHTRA, PH :431605-9225751444.	666.##	POOJA MARUTI SERVICE CENTRE (5564), PLOT NO 75,PREM NAGAR ,KRISHNA PURI SHEVAR, PACHORA, DISTRICT - JALGAON , MAHARASHTRA, PH :424201-9890320803.	PUNE	
		NANDURBAR		667.##	SIDDHI MOTORS (5553), THEMBEDE ROAD,GANESH KUND,, PALGHAR,DISTRICT - THANE, MAHARASHTRA, PH :401404-9890609107.	676.##	APPU AUTOMOBILE (5029), MARUTI AUTHORISED REPAIR STATION , #81.SR NO 164.TALAWAD ROAD , KANBAY ROAD,TRIVENI NAGAR , AHAARASHTRA, PH :411062-9371017595.
				PALGHAR		677.*	APPU SERVICE STATION (4927), BG/SEI 11/10, NEAR TELEPHONE EXCHANGE, MIDC, BHOSARI, PUNE-411026 (MAHARASHTRA), PH :411026-020-27123838.

** A-Category Mass : Free & paid Service, Major repairs & Accidental repairs

C-Category Mass : Free & paid Service & Minor repairs

* B-Category Mass : Free & paid Service & Major repairs

D-Category Mass : Free Service & Minor repairs

Maruti Authorized Service Station (AS ON 30.05.2023)

678.*	ATHARVA CAR SERVICES (5161), 5, BHUSARI COLONY, PAUD ROAD, KOTHRUD,PUNE-411038 , MAHARASHTRA, PH :411038-9665024803.	688.**	ASHOK AUTOMOBILES (3723), 595/B, M.G.ROAD, SANGLI-416 416, PH :416416-0233-2221001.	698.*	PATRICIA AUTOMOBILES (529), ALIGHT CHAMBER, ADJACENT GOLDEN DYES, OLD AGRA ROAD, HARDAS NAGAR, GOKUL NAGAR, THANE, WEST - 400601, PH :400601-9987175866.	709.###	SHEIKH AUTOMOBILES (J)PH :- , WARDHA
679.*	MANAS AUTOMOTIVE (5443), SURVEY NO 2/4 PARRANKUTI LANE NO.1., KARVE NAGAR - PUNE, DISTRICT - PUNE, MAHARASHTRA, PH :411052-9822043007.	689.*	AWATI MOTORS (4772), PADMAVATI COLONY, NEMINATH NAGAR VISHRAMBHAG, SANGLI-416415, MAHARASHTRA, PH :416415-9422407284.	699.*	SEAN MOTORS (6377), SATPALA NAKA, ARNALA-VASAI ROAD, NEXT TO ZEAL RESTAURANT, VIRAR (W) PIN 401301, PH :401301-9324003123.	710.###	BHARAT MOTOR (1631), NAGPUR ROAD, NALWADI, WARDHA, MAHARASHTRA, PH :442001-9881588388.
680.*	MARUTI CARE POINT (3337), S. NO 273/5,BANER ROAD,OPP. VARSHA PARK, BANER,PUNE-411045, MAHARASHTRA, PH :411045-7290016518.	690.###	BALAJI AUTO SERVICE (1564), PLOT NO.43.GOLDEN PARK , BYPASS ROAD,SANGLI-416416 , DISTRICT-SANGLI , MAHARASHTRA, PH :416416-9822106126.	700.**	STERLING MOTOR GARAGE (555), OPP. RAVI STEEL INDUSTRIES, 2ND POKHRAN ROAD, THANE-400 601, PH :400601-9820252926.	711.###	ROHIT AUTOMOTIVE (5873), NAGPUR,CHANDRAPUR ROAD,VINAYAK-, LAYOUT,TILAK WARD,WARORA-442907, DISTRICT-CHANDRAPUR, MAHARASHTRA, PH :442907-9172060099.
681.**	SAINATH AUTOMOBILES INDUSTRIES (1569), SURVEY NO.36 PLOT NO.1, VADGAON KHURD SINHAGAD ROAD, NEAR GREEN FIELD HOTEL, PUNE-411 041, PH :411041-9822214282.	SATANA		701.**	THANAWALA MOTOR AGENCY (3724), DHIRAJ BAUG, L.B.S. MARG, NAUPAD, NEAR HARINIWAS CIRCLE, THANE-400 602, PH :400602-9820106904.	YAVATMAL	
682.*	SANTOOR CAR CARE (2053), ASHOK PLAZA, 32/2 WADGAON SHERI NEAR WEIKFIELD, PUNE NAGAR ROAD, PUNE-411 014, PH :411014-020-26632000 ,9579415112.	691.###	PATHAK MOTORS (5037), YASHWANT NAGAR,TAHARABAD ROAD., SATANA - 411014, DISTRICT -, (MAHARASHTRA), PH :411014-98990216257.	702.*	TOP GEAR AUTOMOBILES (4840), SAI NAGAR, GHODBUNDER ROAD, KASARVADAVALI, THANE (W), PH :400615-9833795855.	712.###	M.S. MOTORS (460), AMRAVATI ROAD HIGHWAY, LOHARA, YAVATMAL-445 001, PH :445001-9822225379.
RAHURI		SATARA		ULHASNAGAR		713.###	RAMESH MOTORS (2024), GARDEN ROAD, YAVATMAL, MAHARASHTRA-445 001, PH :445001-9422865222.
683.*	ANAND MOTORS (4152), IN FRONT OF ASHWINI HOTEL, NAGAR MANMA ROAD, A/P RAHURI DIST- AHMADNAGAR, MAHARASHTRA, PH :413705-7350008501.	692.###	SIDDHI AUTOMOBILES (5464), 294/A.DEGAON PATA - SATARA, RAHAMTPUR ROAD,MIDC SATARA, DISTRICT - SATARA , (MAHARASHTRA), PH :415002-9422403178.	703.*	CHIMAN AUTOMOBILES (3845), NEAR KAJAL PETROL PUMP, BALANI COMPOUND, VITHALWADI STATION ROAD, ULHASNAGAR 421003, PH :421003-9850223422.	YEOLA	
RAVER		SAWANTWADI		704.*	MODERN CAR CARE (3260), 171/2.RRV INDUSTRIAL AREA, BEHIND SAI BABA MANDIR,SHANTINAGAR, ULHASNAGAR-421 003, MAHARASHTRA, PH :421003-9819774588.	714.###	BIJASANI AUTOMOTIVE (3041), NAGAR-MANMAD ROAD, YEOLA, DIST. NASIK (MAHARASHTRA), PH :423401-9423185025.
684.###	RUCHI MOTORS (2631), MARUTI AUTHORISED SERVICE STATION, RAVAR-425 508, DISTT. JALGAON, (MAHARASHTRA), PH :425508-9805373406.	693.*	VENKATESHA AUTO CARE (1659), PLOT NO.21 MUMBAI GOA HIGHWAY, KOLGAON-BHOM, SAWANTWADI-416 510, DIST. SINDHUGARH, MAHARASHTRA, PH :416510-9423304639.	URAN		IMPHAL	
ROHA		SHAHADA		705.###	SAI AUTOMOBILES (5665), STATE HIGHWAY NO.56,NEAR JASAI NAKA, JASAI VILLAGE URAN-410206, DISTRICT - RAIGAD, MAHARASHTRA, PH :410206-9821806806.	715.###	BORDIN MARUTI GARAGE (4879), SANGAIPROU AIRPORT ROAD., IMPHAL WEST, MANIPUR - 795001, , PH :795001-9438023659/7005264886.
685.*	AMIT MOTORS (4972), NANA SHANKAR SHETH ROAD , NEAR GOUT REST HOUSE, DISTRICT - RAIGAD , ROHA - 402109, MAHARASHTRA, PH :402109-9028376141.	694.###	MATOSHREE AUTOMOBILES (2870), NO.558 SHAHADA DHONDAICHA ROAD, TAL. SHAHADA, NANDURBAR DISTT., (MAHARASHTRA), PH :425409-9421726230.	VADA		SENAPATI	
SAKURI		SHIRDI		706.###	SAI MOTORS & SERVICE CENTRE (5675), VARALA, OPP. LAKE CITY, MANOR ROAD, WADA, , PH :421303-9226338578.	716.###	KOMUO MARUTI WORKS (4644), NH-2, MAO TAPHOU, SENAPATI HQ, SENAPATI DISTRICT, MANIPUR - 795106, PH :795106-8794109474.
686.###	SHREE SAI SERVICE CENTRE (5344) NAGAR-MANMAD ROAD GODAVARI, HOTEL JEWEL, PO:SAKURI ,TAL:RAHATA, DISTRICT - AHMEDNAGAR, MAHARASHTRA, PH :423107-9970741777.	695.###	SHREE GANESH AUTO CARE (4268), POST SAKURI, TALUKA RAHATA, AHMEDNAGAR-423107, PH :423107-02423-242652.	VITA		MEGHALAYA	
SANGAMNER		SHRIRAMPUR		707.###	SONA AUTOMOTIVE (5671), MAYANI ROAD, NEAR PRUTHIVIRAJ HOTEL, OPP. LAKADE PETROL PUMP, DISTT VITA- 415311, PH :415311-9890223938.	TURA	
687.*	SAI MOTORS (2840), NEAR GULEWADI PHATA, PUNE NASIK ROAD, SANGAMNER DIST. AHMEDNAGAR, PIN-422 608 (MHRS.), PH :422608-9860027513.	696.*	G.K. MOTORS (2871), K.V. ROAD, SHRIRAMPUR, DISTT. AHMEDNAGAR, PIN-413 709., PH :413709-9822094098.	WAI		717.###	MULTI MOBILE PRECISION (3222), AGLANGGORE, PO ARAIMILE, NEW TURA, MEGHALAYA, 794101, PH :794101-8974057627.
SANGLI		SOLAPUR		708.###	ADITYA AUTO SERVICE (4271), WAI SATARA ROAD, WAI-412803, SATARA DIST., PH :412803-9423862119.	MIZORAM	
		THANE		WANI		718.###	IRDIV- TC AUTO WORKS (5744), SVENHTH DAY TLANG,ZOTLANG ROAD, NEW CHAMPHAI-CHAMPHAI, DISTRICT-CHAMPHAI, MIZORAM, PH :796321-9862405715.

** A-Category Mass : Free & paid Service, Major repairs & Accidental repairs
C-Category Mass : Free & paid Service & Minor repairs

* B-Category Mass : Free & paid Service & Major repairs
D-Category Mass : Free Service & Minor repairs

Maruti Authorized Service Station (AS ON 30.05.2023)

719.## LAWMA ENGINEERING WORKS (3125) , A O C SQUARE, LUNGLEI, MIZORAM-796 701, PH :796701-9436147141.

NAGALAND

DIMAPUR

720.** ERJO MOTORS (4871), EAST BLOCK, BURMA CAMP, NEAR BIBLE HOUSE, DIMAPUR, NAGALAND - 797112., PH :797112-9436004350.

ODISHA

ANGUL

721.## ZEET AUTOMOBILES (1573), NALCO NAGAR, KANDASAR, ANGUL - 759 145, ORISSA, PH :759145-9437021285.

BALANGIR

722.## ASHIRWAD AUTOMOBILE WORKS (3177), DAMJI GARAGE, THIKADARPARA, . . . BALANGIR-767 001, PH :767001-9437223452.

BALASORE

723.## AUTO CARE (432), AT-BAMPADA, PO-CHHANPUR, CITY - BALESHWAR (BALASORE), ODISHA - 756056, PH :756056-9437051944.

724.* TEKNO INDIA (3666), D-2/9 INDUSTRIAL AREA, Q.T. ROAD, BALASORE-756 003, (ORISSA), PH :756001-9861034990.

BARBIL

725.## INDU MOTORS (3241), IN FRONT OF UTKAL AUTOMOBILES, JODA-BARBIL HIGHWAY, BARBIL-758 035, (ORISSA), PH :758035-9437718008.

BHUBANESWAR

726.## INDO JAPAN SERVICE (4936), PLOT NO. 18, 19, 30 & 31, BHAGABANPUR INDUSTRIAL ESTATE, PO. PATRAPADA, BHUBANESHWAR-752019, ORISSA, PH :752019-9861095444.

CUTTACK

727.* AUTO MATES (426), 3B/1325, SECTOR-11, CDA, CUTTACK, PH :753014-9437020646.

728.* DALGA SERVICE CENTRE (427), NEAR PULAMANDAP, BADAMBADI, PO - ARUNODAY MARKET, DISTT - CUTTACK, PIN-753012, PH :753012-9692935762.

DHENKANAL

729.## ANAND AUTOMOBILES (5449), ANAND NAGAR, IN FRONT OF TARINI MANDIR , DISTRICT - DHENKANAL , PIN - 759001 , (ORISSA), PH :759001-9437414972.

JHARSUGUDA

730.## AUTO MECHANIKA (2638), S.H.-10 BEHERAMAL, JHARSUGUDA-768 203, ORISSA, PH :768203-9040380001.

PURI

731.## URMILA MOTORS (5040), HERA GOHIRI SAHI CHOWK PURI -1, DISTRICT - PURI, (ORISSA), PH :752001-7008651960.

SAMBALPUR

732.## ANITA AUTO CARE (4834), SALIA BAGICHA, LIONS CLUB ROAD, KUMBHARPARA, SAMBALPUR-768001 (ORISSA), PH :768001-9861248403.

SEMILIGUDA

733.## ASHUTOSH MOTORS (5035), MAIN ROAD, NH-43, NALCO CHOWK, SEMILIGUDA, DISTRICT-KORAPUT, (ORISSA), PH :764036-9437405417.

PONDICHERRY

KARAIKAL

734.## MARUTI TECH (2669), NO.1 AKKARAVATTAM, NAGAORE MAIN ROAD , OPP TO ONGC, KARAIKAL-609604, DISTRICT-KARAIKAL, PONDICHERRY, PH :609604-7373788705.

PUDUCHERRY

735.* A.P.P. MARUTI MOTORS (2670), PLOT NO.6 GUNDU SALAI ROAD, NATESAN NAGAR, NEAR 100 FEET ROAD, PONDICHERRY-605 005, PH :605009-7094449900.

736.## MARUTI MISSION (5067), 60 RAGAVENDIRA NAGAR, KAMARAJ SALAI, THATTANCHAVADY PONDICHERRY, TINDIVANAM ROAD PONDICHERRY-9, PONDICHERRY, PH :605009-9786589000.

737.** S D K MOTORS (471), PLOT NO.12, 100 FEET ROAD, OZHANDAI KEERAPALAYAM MUDALIARPET, PONDICHERRY-605 004, PH :605004-9843045689.

PUNJAB

AHMEDGARH

738.## GAHIR AUTOMOBILES (2877), LUDHIANA MALER KOTLA ROAD, VILL. GOPALPUR CITY, AHMEDGARH, (PUNJAB), PH :148021-9417553627.

AJNALI

739.## VISHWAKARMA MOTORS (5666), NEAR VIMAL DHARAMKANTA - AJNALI, DISTRICT - FATEHGARH SAHIB, PUNJAB, PH :147301-9814528084.

AMLOH

740.## BINDRA MOTORS (5844), NEAR DESH BHAGAT COLLEGE-SONTI, AMLOH, DISTRICT-FATEH GARH SAHIB, PUNJAB, PH :147203-98148 82000.

AMRITSAR

741.** HANSON AUTOMOBILES (1722), MAQBOOL PURA, G.T. ROAD, AMRITSAR, PH :143001-9815167669.

742.** JACKSON LUBRICANTS (364), 16 COURT ROAD, NEAR RAVI GAS AGENCY, AMRITSAR-143 001, PH :143001-9814299944.

743.** KAPOOR'S KAR KARE (737), I/S MAHA LAKSHMI, CALICO PRINTING MILLS, OLD JAIL ROAD, AMRITSAR(PUNJAB), PH :143001-9814213113.

744.* MARKET SERVICE STATION (733), HIDE MARKET, AMRITSAR-143 001 (PUNJAB), . . . PH :143001-8968497779.

BANUR

745.## AMRIK SERVICE STATION (2433), PATIALA ROAD, BANUR, DISTT. MOHALI(PUNJAB), PH :140601-9815591325.

BARNALA

746.## GAURAV MOTORS (4962), DHANAULA ROAD, BARNALA - 148101, DISTRICT SANGRUR, PUNJAB, PH :148101-9317512916.

747.* PUNJAB MOTOR GARAGE (6222), DHANAULA ROAD, BARNALA (PUNJAB), . . . PH :148101-9317512360.

BHADSON

748.## FRIENDS MOTORS (2233), NABHA ROAD, BHADSON-147 202, DISTT. PATIALA, (PUNJAB), PH :147202-9815700778.

BHATINDA

749.## KRISHNA AUTOS (4571), 40FT ROAD NAMDEV MARG NEAR INDRANI HOSPITAL ,BATHINDA (PUNJAB) 151001, PH :151001-9888671810.

750.** MODERN MOTORS (6234), OPP. T.V. TOWER, MANSA ROAD, BHATINDA, PH :151001-98147177075.

751.## SUPER AUTOMOBILES (6232), TINKONI, GONIANA ROAD, BHATINDA, PH :151001-9814036163.

BUDHLADHA

752.## JINDAL AUTOMOBILES (2147), NEAR P.S.E.B., BHIKH ROAD, BUDHLADA-151 502, DISTT. MANSA, PH :151502-9815516964.

DERABASSI

753.## BINDAL AUTOMOBILES (1249), CHANDIGARH AMBALA ROAD, PARAS RAM MARKET, DERA BASSI-140 507, PH :140507-9914449711.

DHURI

754.## SHIV MOTORS (1962), NEAR SDM OFFICE, SANGRUR ROAD, DHURI-148 024, PH :148024-9872851088.

DINANAGAR

755.## D.S. MARUTI SERVICE STATION (3333), G.T. ROAD, DINA NAGAR, DIST. GURDASPUR-143 531, (PUNJAB), PH :143531-9814873101.

DIRBA

756.## PENTAGON MECHANICAL WORKS (2564), JIND-SANGRUR ROAD, DIRBA, DISTT. SANGRUR, (PUNJAB), PH :148035-9876543400.

DORAHA

757.* FATEH MOTORS (2048), G.T. ROAD, DORAHA, (LUDHIANA), PH :141421-9814031784.

FAZILKA

758.## BAHM MOTORS (6229), ABOHAR ROAD, FAZILKA-152 123, . . . PH :152123-9815700550.

FIROZPUR

759.## SUTLEJ AUTOMOBILES (3568), G.T. ROAD, FEROZEPUR CANTT., PIN-152 001 (PUNJAB), PH :152001-9417009985.

GIDDARBAHA

760.* JIWAN CAR CENTRE (3442), BHATINDA ABOHAR, NATIONAL HIGHWAY, GIDDERBAHA-152 101, DIST. MUKETSAR (PUNJAB), PH :152101-9779600086.

GOINDWAL SAHIB

** A-Category Mass : Free & paid Service, Major repairs & Accidental repairs

C-Category Mass : Free & paid Service & Minor repairs

* B-Category Mass : Free & paid Service & Major repairs

D-Category Mass : Free Service & Minor repairs

Maruti Authorized Service Station (AS ON 30.05.2023)

761.## DASS MOTORS (8941), KAPURTHALA CHOWK, GOINDWAL SAHIB, DISTT. AMRITSAR-143 429, (PUNJAB), PH :143429-9914699121.

GURDASPUR

762.* VJAY SERVICE STATION (749), NEAR RAILWAY CROSSING, PATHANKOT ROAD, GURDASPUR, (PUNJAB), PH :143521-9814437637.

HOSHIARPUR

763.## JOGINDER MOTORS (2268), BYE PASS TANDA ROAD, HOSHIARPUR-146 001, , PH :146001-9803227000.

JAGRAON

764.## DHALIWAL AUTOMOBILES (2035), NEAR AJANTA PETROL PUMP, G.T. ROAD, JAGRAON DISTT. LUDHIANA, (PUNJAB), PH :142026-9814318600.

JALANDHAR

765.## CITY POINT SERVICE STATION (4528), AVTAR NAGAR ROAD, BEHIND T.V CENTRE, OPP HOTEL REGENT PARK, JALANDHAR, PH :144003-9779613576.

766.** KAAR KARES (725), G.T.ROAD, JALANDHAR, 144 001 (PUNJAB), PH :144001-9589295585.

767.* KAPOOR MOTOR GARAGE (1649), OPP. SPORTS COLLEGE, KAPURTHALA ROAD, JALANDHAR CITY, PH :144623-9815040411.

768.* PUNJAB MOTOR GARAGE (1575), HMV CHOWK, NEW GRAIN MARKET ROAD, JALANDHAR CITY-144 008, PH :144008-9814675433.

KAPURTHALA

769.## T.S. WALIA MOTORS (267), MANSOORWAL, JALLANDHAR ROAD, KAPURTHALA, PH :144601-9357211525.

KURALI

770.## VISHWAKARMA MOTORS (3335), CHANDIGARH ROPAR ROAD, KURALI, DISTRICT SAS NAGAR (MOHALI), PUNJAB -140103, PH :140103-9814273873.

LALRU

771.## VIKAS MOTORS (2777), IOC PETROL PUMP, AMBALA CHANDIGARH ROAD, LALRU DISTT. PATIALA, PUNJAB, PH :140501-9888911444.

LUDHIANA

772.** PUNJAB AUTO CENTRE (6221), OPP TELEPHONE EXCHANGE, BHARAT NAGAR CHOWK, LUDHIANA-141 001, PH :141001-985517003.

773.* REEHAL AUTOMOBILE SERVICES (1176), OPP. JAMALPUR POWER HOUSE, CHANDIGARH ROAD, LUDHIANA-141 010, PH :141015-9357110000.

774.## SATNAM MOTOR WORKSHOP (4533), OPP MILK PLANT, FIROZPUR ROAD, LUDHIANA, PH :141003-9855228591.

775.## STAR AUTOS (4650), JALANDHAR BY PASS, G.T. ROAD, LUDHIANA, PH :141012-9216844220.

776.## VISHAL AUTOMOBILES (1262), G.T. ROAD, DHOLEWAL, LUDHIANA-141 003, PH :141003-9815206060.

MANDI GOBINDGARH

777.## NATIONAL MOTORS (1070), G.T. ROAD, NEAR P & S BANK, MANDI GOBINDGARH-147 301, PH :147301-9317862000.

MANSA (PUNJAB)

778.## LOVEKESH ENTERPRISES (2162), NEAR N.M. COLLEGE, MANSA-151 505, (PUNJAB), PH :151505-9216524143.

MOGA

779.* GURU NANAK MOTOR REP.WORK (732), G.T.ROAD, MOGA-142 001 (PUNJAB), , PH :142001-9914121387.

MOHALI

780.** BENZ AUTO SCAN (5734), E-153,PHASE 7, INDUSTRIAL AREA -MOHALI, DISTRICT-MOHALI, PUNJAB, PH :160055-9876101806.

781.** MOHALI MOTORS (756), C-55 INDUSTRIAL AREA, PHASE-VI, S.A.S. NAGAR, MOHALI-160 055, PH :160055-9781815959.

782.** SETHI MOTORS (4742), PLOT NO. E-159, INDUSTRIAL AREA, PHASE-7, MOHALI, PUNJAB, PH :160055-9814307002.

783.## UNIPONT (5043), PLOT NO.593., INDUSTRIAL AREA PHASE-IX,MOHALI., DISTRICT - MOHALI, (PUNJAB), PH :160062-7814402838.

MORINDA

784.## SONY MOTOR PALACE (1077), SIRHIND ROAD, MORINDA-140 101, , PH :140101-9815612477.

MUKERIAN

785.* MARSHAL SALES CORPORATION (5251), NEAR RADHA SOAMI SATSANG, PATHANKOT ROAD, MUKERIAN - 144211, DISTRICT HOSHIARPUR,PUNJAB, PH :144211-9283835525.

786.## NEW MODERN AUTOMOBILES (4437), G.T. ROAD, MUKERIAN, PUNJAB, PH :144211-9463292013.

MUKTSAR

787.## MALWA MARUTI CENTRE (4764), OPP GOVT COLLEGE KOTKAPURA ROAD, MUKTSAR, PUNJAB, PH :152026-9814622081.

NAKODAR

788.## MEHTA MOTORS (3531), KHADDAR BHANDAR ROAD, NAKODAR-144040, PH :144040-9815600082.

PATIALA

789.** PARAS MOTORS (4778), PLOT NO. 25-A, NEAR HOTEL FLYOVER FACTORY AREA, PATIALA-147001, PUNJAB, PH :147001-9814089861.

790.## RAJINDRA MOTORS (8924), C-177, INDUSTRIAL FOCAL POINT, PATIALA, PUNJAB, PH :147003-9316200335.

PATTI

791.## ANU AUTOMOBILE (2747), AMRITSAR ROAD, NEAR RADHA SWAMI SATSANG, PATTI DISTT. AMRITSAR, (PUNJAB), PH :143416-857510003.

PHAGWARA

792.## SWAMI MOTORS (3774), (PAMMI W/SHOP), OPP. B.N. DUGGAL PETROL PUMP, G.T. ROAD, PHAGWARA DIST. KAPURTHALA, PH :144401-9815107989.

QADIAN

793.## HI-TECH AUTOMOBILES (4945), VILL NATHPUR BATALA ROAD, QADIAN-143516, DISTRICT-GURDASPUR, PUNJAB, PH :143516-9877510294.

RAIKOT

794.## RANA SUPREME MOTOR GARAGE (3732), NEAR GURUDWARA TAHLIANA SAHIB, BARNALA BYE PASS ROAD, RAIKOT, DISTT. LUDHIANA (PUNJAB), PH :141109-9814265791.

RAJPURA

795.## NOOR MOTORS (3045), PATIALA ROAD, RAJPURA-140 401, (PUNJAB), PH :140401-9814507867.

RAMPURAPHUL

796.## BALAJI AUTOMOBILES (4443), BARNALA ROAD, RAMPURA PHUL-151103, DISTT BHATINDA, PUNJAB, PH :151103-941712671.

797.## VIRDI MOTOR GARAGE (3046), BARNALA ROAD, RAMPURAPHUL-151 103, DISTT. BATHINDA, (PUNJAB), PH :151103-9872874175.

SAMANA

798.* CITY MOTORS (1867), P.B.NO.11, MAIN ROAD, SAMANA-147 101, DISTT. PATIALA (PUNJAB), PH :147101-9814221981.

SANGRUR

799.** RAKESH MARUTI SERVICE (6325), JIND - DELHI ROAD, NEAR E.S.I. DISPENSARY, SANGRUR-148 001, PH :148001-9815103944.

800.## SANGRUR MARUTI CENTRE (1632), PATIALA ROAD, OPP. MILITARY CAMPUS, SANGRUR-148 001, (PUNJAB), PH :148001-9417510111.

SIRHIND

801.## BADRI DHAM CAR SERVICE (1062), G.T. ROAD, SIRHIND-140 406, , PH :140406-81467 11946.

802.## MALHOTRA MOTORS (4657), OPP. INCOME TAX OFFICE, SIRHIND, DISTT FATEHGARH SAHIB, PUNJAB, PH :140406-9815844008.

SULTANPUR LODHI

803.## HANDA MOTORS (2776), TALWANDI ROAD, SULTANPUR LODHI, DISTT. KAPURTHALA, (PUNJAB), PH :144626-9815623392.

SUNAM

804.## SUNAM AUTOMOBILES (3924), PATIALA ROAD, NEAR OCTROI POST, SUNAM, DISTT. SANGRUR, PH :148028-9417076315.

TANDA

805.## MALWA AUTO CARE CENTRE (2073), G.T. ROAD BY-PASS, TANDA, DISTT. HOSHIARPUR, (PUNJAB), PH :144204-9814392103.

ZIRA

806.## NEW AUTOMOBILES (5477), NEAR BYE PASS, FEROPZPUR ROAD, ZIRA, TEHSIL ZIRA, DIST. FEROPZPUR, PUNJAB - 142047., PH :142047-9463240231.

RAJASTHAN

ABU ROAD

** A-Category Mass : Free & paid Service, Major repairs & Accidental repairs

C-Category Mass : Free & paid Service & Minor repairs

* B-Category Mass : Free & paid Service & Major repairs

D-Category Mass : Free Service & Minor repairs

Maruti Authorized Service Station (AS ON 30.05.2023)

807.###	UNIQUE MOTORS (4923), MOUNT ROAD, AKRABHATTA, ABU ROAD-307 510, (RAJASTHAN), PH :307510-9929177781.	BHINIMAL	827.###	SANTOSH AUTOMOBILES (5450), SANTOSH ATUOMOBILES, KUCHAMAN ROAD , DIDWANA , DISTRICT - NAGAU , (RAJASTHAN), PH :341303-9828833363.	838.*	M. R. MOTORS (8933), PLOT NO. 120-121 & 125-126, VANE VIHAR, 200FT BYE PASS, JHOTWARA, JAIPUR (RAJASTHAN), PH :302012-9314881528/0141-2340196.	
AJMER					839.*	RIGHTWAYS CO. (1131), KISHANPOLE BAZAR, JAIPUR, , PH :302002-0141-2372438/0141-4022436/9799220 011.	
808.###	ASHOK AUTOMOBILES (1121), BYEPASS ROAD, PARVATPURA, IND.AREA, AJMER (RAJASTHAN), PH :305002-0145-2695233/0145-2695076/9829087 166.	BHIWADI	DUDU	828.###	NEETA AUTOMOBILE (4855), C/O NEW JAIN GUEST HOUSE, NH-8, JAIPUR AJMER ROAD, DUDU, RAJASTHAN, PH :303008-9667031098.	840.**	SAISHA MOTORS (1764), MAIN SHIPRA PATH, OPP. SECTOR 93, AGARWAL FARM, MANSAROVAR, JAIPUR-302 020, PH :302020-0141-2399196/9414454820.
ALWAR			JAIPUR	829.###	A 1 MOTORS (4856), D-28 MALVIYA NAGAR, INDUSTRIAL AREA JAIPUR, DISTRICT - JAIPUR, RAJASTHAN, PH :302017-9414047628.	841.*	SERVICE CENTRE (1139), OPP. TOURIST HOTEL, M.I. ROAD, JAIPUR-1, PH :302001-9351551181.
809.###	POOJA MOTORS (5439), POOJA MOTORS.NEAR AMARNATH PETROL , PUMP,DELHI ROAD ,MUNGSKA - ALWAR , DISTRICT -ALWAR , RAJASTHAN, PH :301001-9414640279/0144-2700921/0144-2371 382.	BIKANER	829.*	AMGI AUTOMOBILES (1938), AIRPORT CIRCLE, KOTA ROAD, JAIPUR-302 011, PH :302011-9828012009.	842.*	SHARP MOTORS (2032), J-3 HIMMAT NAGAR, MAIN TONK ROAD, GOPAL PURA CIRCLE, JAIPUR-302 004, PH :302004-0141-2705493/0141-2211386/9314877 457.	
810.###	VERTEX AUTOMOBILES PVT. LTD. (1944), CHANDUKA BHAWAN, SWARG ROAD, ALWAR-301 001, PH :301001-0144-2335733/0144-2342117/9828233 299.	819.###	GENERAL AUTOMOBILES (1123), RANI BAZAR, RAIWAY CROSSING, BIKANER (RAJASTHAN), PH :334001-0151-2200338/0151-2549072/9413389 352.	831.###	AUTONITY JAIPUR (4852), GOPALPURA BYPASS, DELHI KISHANGARH, HIGHWAY JAIPUR, DISTRICT - JAIPUR - 302019, RAJASTHAN, PH :302019-9784377503.	843.###	SUPREME MOTORS (1130), A-25 ASSAM MANSION, TRANSPORT NAGAR, JAIPUR-302 003, PH :302003-7737279332.
BARMER		820.###	VISHI MOTORS (5559), PLOT NO 55(A), I.A. RANI BAZAR-BIKANER, DISTRICT - BIKANER, RAJASTHAN, PH :334001-98290-27128.	832.**	AUTONITY VKIA (8927), PLOT NO.6, GIRDHAR COLONY, SIKAR ROAD, JAIPUR-302 013, PH :302013-0141-2232790/0141-3293308/9314505 031.	844.###	TOSHNIWAL AUTOMOBILES (3475), 131 SHRI GOPAL NAGAR, GOPALPURA BYEPASS, JAIPUR, (RAJASTHAN), PH :302015-9887553836.
811.*	VEW SERVICE (1238), S-181 & 182, RICO, BARMER-344 001, (RAJASTHAN), PH :344001-9460158584/02982-223329.	BUNDI	821.###	SHRI JI MOTORS (2174), OPP. KUMBHA STADIUM, KHOJA GATE, BUNDI, (RAJASTHAN), PH :323001-9990270676.	833.###	J.K. AUTOMOBILES (2058), 38 SUSHILPURA, AJMER ROAD, JAIPUR-302 007, PH :302007-7976448538/0141-2810500.	JAISALMER
BASSI		CHOMU	822.###	SHREE LAXMI MOTORS (3072), MORIJA ROAD, CHOMU, JAIPUR-303702, (RAJASTHAN), PH :303702-9828160281.	834.**	R.R. AUTOMOBILES (1473), OPP. GEETA ASHRAM, JAISALMER-345 001, (RAJASTHAN), PH :345001-8619638276.	
812.###	VARDHANI MOTORS (5358), NEAR NALAYA BASSI, DISTRICT - JAIPUR , RAJASTHAN, PH :303301-9950107203.	CHURU	823.*	ABS MOTORS (2978), JAIPUR ROAD, CHURU-331 001, (RAJASTHAN), PH :331001-01562-252333/01562-257333/9667672 324.	835.###	KATARIA MOTORS (2577), 9-A NEMINAGAR VISTAR , AMRAPALI MARG, VAISHALI NAGAR, JAIPUR -302021, PH :302021-967244000/9414468024/0141-235213 6.	JHUNJHUNU
BEHROR		DAUSA	824.###	BALAJI MOTORS (4564), NEAR MANDI ROAD, NEAR TRANSFORMER, DAUSA-303303, PH :303303-9414273443/9828169601.	836.###	VISHWAKARMA AUTOMOBILES (3071), HPC DEALER, RANI SATHI ROAD, JHUNJHUNU-333 001, (RAJASTHAN), PH :333001-9461058839.	
813.###	K.L. INTERNATIONAL AUTOMOBILES (1763), DELHI JAIPUR HIGHWAY, VILLAGE DHAMI, P.O. KANKARDOPA, TEHSIL BEHROR DIST. ALWAR (RAJASTHAN), PH :301701-01492-221396/9414014603.	DHAULPUR	825.**	NARAYAN MOTORS (3345), G.T. ROAD, DHOLPUR, (RAJASTHAN), PH :328001-0564224001/ 9414027335.	837.###	JHUNJHUNU-333 001, (RAJASTHAN), PH :333001-9461058839.	
BHARATPUR		826.###	NARSING SERVICE CENTRE (3074), NEAR JAGDISH TALKIES, BARI ROAD, DHOLPUR-328 001, (RAJASTHAN), PH :328001-9414026820.	DIDWANA	847.###	DADHIMATI MOTORS (1648), OPPOSITE RSEB OFFICE, BAGAR ROAD, JHUNJHUNU, (RAJASTHAN), PH :333001-9587007122.	
814.**	CLASSIC MOTORS (2348), DEEG ROAD, KUMHER GATE, BHARATPUR-321 001, (RAJASTHAN), PH :321001-9414026545.				848.###	DEORA MOTORS (5353), UPPER UNDER BRIDGE PAOTA 'C' ROAD, JODHPUR, DISTRICT - JODHPUR, RAJASTHAN, PH :342006-9829026069.	
BHILWARA							
815.###	NATIONAL SERVICE CENTER (4761), SANGANER COLONY, KOTA ROAD, BHILWARA-311001, RAJASTHAN, PH :311001-9829120285.						
816.*	QUICK SERVICES (3473), SABUN MARG, PURAN DAS JI KI BAGICHEE, BHILWARA-311 001, PH :311001-01482-223456/9414144046.						

** A-Category Mass : Free & paid Service, Major repairs & Accidental repairs

C-Category Mass : Free & paid Service & Minor repairs

* B-Category Mass : Free & paid Service & Major repairs

D-Category Mass : Free Service & Minor repairs

Maruti Authorized Service Station (AS ON 30.05.2023)

849.* P.D. MOTORS (3340), NATIONAL HIGHWAY NO. 62, NEW PALI ROAD, NEAR JHALAMAND CIRLCE, JODHPUR, RAJASTHAN - 342005., PH :342005-0291-272485/0291-2722495/9928974 601.

KALWAR

850.## RADHANI MOTORS (5554), KALWAR MAIN TIRHIA, NEAR KHARBAS, NEAR PETROL PUMP, JHOTWARA ROAD, DISTRICT - KALWAR, RAJASTHAN, PH :303706-9983111634.

KISHANGARH

851.## RADHA SWAMI AUTOMOBILES (440), NEAR AJMER ROAD - BUS STAND,

, KISHANGARH, DISTRICT AJMER, RAJASTHAN , PH :305801-9252059798.

KOTA

852.## FRIENDS AUTOMOBILES (3679), KOTA BUNDI ROAD, NH 12, OPP. HOTEL MENAL RESIDENCY, KOTA, PH :323021-9829529479.

KOTPUTLI

853.## VIKAS MARUTI SERVICE CENTRE (4970), NH-8, NEAR MEENA GAS AGENCY GODOWN, KOTPUTLI - 303108, RAJASTHAN, PH :303108-9929383045.

KUCHAMAM

854.## DALUKA AUTO SALES (4565), NEARBY SHARDA PALACE HOTEL, KUCHAMAM BYE PASS., KUCHAMAM CITY, 341508, PH :341508-9414433240.

MAKRANA

855.## GEHLOT MOTORS (454), OPPOSITE TO G.S.S. MANGLANA ROAD, MAKRANA, RAJASTHAN, PH :341505-9829024687.

MERTA

856.## DELUX CAR SERVICE CENTRE (3856), KUCHERY ROAD, MERTA CITY, DISTT. NAGAUER, PH :341510-9414004543.

NAGAUR

857.* CLASSIC AUTOMOBILES (1179), DIDWANA ROAD, (DELHI GATE), NAGAUR-341 001, (RAJASTHAN), PH :341001-9672501234.

NEWAI

858.## HEENA MOTORS (5568), NEWAI BYEPASS ,NEAR JHILAY MOAD, NEWAI, DISTRICT - TONK, RAJASTHAN, PH :304021-9414228066.

PILANI

859.## MARUTI CARE CENTRE (3073), RAJGARH ROAD, SHANTI NAGAR, PILANI DISTT. JHUNJHUNU, RAJASTHAN-333 031, PH :333031-01596-297021.

PILANI (JHUNJHUNU DIST)

860.## MARUTI CARE CENTRE (3073)PH :-.

PINDWARA

861.## RONEJA MOTORS (5758), NH 14, OPP PATNAIK MIDWAYA , PINDWARA-307022, DISTRICT-SIROHI, RAJASTHAN, PH :307022-9610451492.

RAJSAMAND

862.## VIPUL AUTOMOBILES (2170), NH-8, BHAGWANDA , BEHIND GOVT. PRIMARY SCHOOL , RAJSAMAND, RAJASTHAN, PH :313333-02952-294420, 9929177781.

RAWATBHATA

863.## APNA MARUTI GARAGE (5940), OPP. RAM TEKRI MANDIR,PRATAP MARKET, MAIN ROAD,RAWATBHATA-323305, DISTRICT-CHITTORGARH, RAJASTHAN, PH :323305-9413504447/9413356634.

SIKAR

864.## RAJ AUTOMOBILES (5534), SUSHIL TRADING CO. STATION ROAD, SIKAR, DISTRICT - SIKAR, RAJASTHAN, PH :332001-01572-240721/01572-240722/9414039 783.

SRI MADHOPUR

865.## BHARAT MOTORS (5757), WARD NO.4,BYE PASS ROAD , SRI MADHOPUR-332715, DISTRICT- TONK, (RAJASTHAN), PH :332715-9251377020.

SRIGANGANAGAR

866.## ROHIT UDYOG (1132), 75 K-BLOCK, SRIGANGANAGAR , PH :335001-9414093565/0154-2474823.

SUJANGARH

867.## SHRI CHARBHUJA MARUTI (4924), LANDU ROAD, SUJANGARH, DISTRICT-CHURU, RAJASTHAN, PH :331507-9828118827.

SURATGARH

868.## ROHIN SERVICE STATION (2646), N.H.15 BIKANER ROAD, OPP. G.S.S. POWER HOUSE, SURATGARH-335 804, (RAJASTHAN), PH :335804-01509-222514/9413377914.

TIJARA

869.## M D MOTORS (5875), ALWAR ROAD,NEAR BOLLYWOOD FARM, TIJARA-, DISTRICT-ALWAR, RAJASTHAN, PH :301411-9351607080.

TONK

870.## SUMIT MARUTI (4566), G 1 – 103, RIICO INDUSTRIAL AREA, JAIPUR ROAD, TONK-304001, RAJASTHAN, PH :304001-9214494900.

UDAIPUR (RAJASTHAN)

871.** ALOK AUTOMOBILES PVT. LTD. (1977), B.N. COLLEGE PREMISES, OPP. DALAL PETROL PUMP, SEVASHRAM ROAD, UDAIPUR, PH :313001-9414166305.
872.** SHREE SAI CAR CARE (2376), PUNJAWATI, PULLA, UDAIPUR-313 001, PH :313001-0294-3299901/9414166770.

TAMIL NADU

AMBUR

873.## MARUTHI MOTORS (2864), 10-C M.C. ROAD, AMBUR-635 802, (TAMIL NADU), PH :635802-04174-244880/9443637645.

ARAVAKURICHI

874.## GOWRI MARUTI (5570), OPPOSITE IOCL PETROL PUMP,NH-7, ARAVAKURICHI, DISTRICT - KARUR, TAMILNADU, PH :639201-9994818043.

ARCOT

875.## HARI AGENCIES (468), #27, ANNA SALAI, ARCOT , TAMIL NADU -632503, PH :632503-4172-234050/9442225070.

ATTUR

876.## GANESAA MOTORS (4538), 1/1-D ARANGA BALA NAGAR, SALEM CUDDLORE MAIN ROAD, NARASINGAM, ATTUR-636108 (TAMIL NADU), PH :636108-9443273866.

AVINASHI

877.## K.P.K.AUTOMOTIVE (5547), SF NO.460/2,TIRUPPUR MAIN ROAD, AVINASHILINGAMALAYAM,AVINASHI-641654, DISTRICT-COIMBATORE, TAMILNADU, PH:641654-9443301732.

BHAVANI

878.## CAR ZONE AUTO SERVICE (5332), METTUR MAIN ROAD , NATARAJAPURAM BHAVANI, DISTRICT - ERODE , TAMILNADU, PH :638301-9842085670.

CHENGLEPUT

879.## AMMA AUTOMOBILES (2941), 57-A/1 THIRUKAZHUKUNDANAM, CHENGALPATTU-605 002. (T.N.), PH :603002-44-27421059/8012518012/7373038042

CHENNAI

880.## ABIRAMI MOTORS (5131), 6 ANNA NEDUMATHAI , CHOOLABEDU, CHENNAI-600094, TAMILNADU, PH :600094-9840017558.
881.## AUTO TECH (3445), NO.6 G.S.T. ROAD, KAMATCHI COLONY, SANATORIM, CHENNAI-600 040, PH :600047-9941019455.
882.* EASVARI MOTORS PRIVATE LIMITED (1431), W-110 ANNA NAGAR, CHENNAI-600 040. , PH :600010-9840855655.
883.## KARS KARE SERVICE CENTRE (2579), 648 T.H. ROAD, TONDIARPET, CHENNAI-600 081, PH :600081-9841097259.
884.** MARUTI NEEDS (2531), NO.2 PARK ROAD, PADI, CHENNAI-600 050, PH :600050-9940099500.
885.** NSK MARUTI (4975), 2/247, AST COAST ROAD, NLANKARAI, CHENNAI-600041, TAMIL NADU, PH :600115-9841047232.
886.* O.M.S. MOTORS (P) LTD. (2140), NO.27 VELACHERRY MAIN ROAD, RAM NAGAR NORTH, MADIPAKKAM, CHENNAI-600 091 (TAMIL NADU), PH :600091-9444081390.
887.* P.A. SERVICE STATION (2346), NO. 1 GOVINDARAJ ALUMEL ANNAI NAGAR, NEAR 100 FEET ROAD, AGRAHARAM, KORATTUR, CHENNAI-600 076, PH :600076-9840378025.
888.** SWAMY AUTOMOBILES (456), 23 CASA MAJOR ROAD, EGMORE, CHENNAI-600 008, PH :600008-9840891916.
889.* VAISHALI MOTORS (4529), 4/577 RAJIV STREET, OLD MAHABALIPURAM ROAD, KOTTIVAKAM, CHENNAI-600041, PH :600041-9840138888.
890.* WHEELS AUTO (469), 40 KASTURIBA NAGAR, 1ST CROSS ROAD, ADYAR, CHENNAI-600 020, PH :600020-9840138888.

CHIDAMBARAM

** A-Category Mass : Free & paid Service, Major repairs & Accidental repairs
C-Category Mass : Free & paid Service & Minor repairs

* B-Category Mass : Free & paid Service & Major repairs
D-Category Mass : Free Service & Minor repairs

Maruti Authorized Service Station (AS ON 30.05.2023)

891.## HI-TECH MARUTI (3231), NO.45,SITHIVEL NAGAR,SALIYANTHOPPU , BYE PASS ROAD,CHIDAMBARAM-608001 , DISTRICT-CUDDALORE , TAMILNADU, PH :608001-9585538671.

COIMBATORE

892.## GURU AUTO GARAGE (4965), 2/98, IRUGUR ROAD, NEAR BSNL OFFICE, CHINNAMPALAYAM, COMBATOR-600014, TAMIL NADU, PH :641062-9843256247.

893.## LOTUS AUTOMOBILES (4758), 1647-A AVINASHI ROAD, HOPE COLLEGE, PEELAMEDU, COIMBATORE-641004 (TAMILNADU), PH :641004-9842265133.

894.* SOUTH INDIA MOTORS (MARUTI) (4752), 9A/3 AVINASHI ROAD, NEAR KMCH POLICE CHECK POST, CIVIL AERODROME POST, SITRA, COIMBATORE-641014 (TAMIL NADU), PH :641014-9843027601.

COONOOR

895.## SHANTHI AUTO CARE (6054), FIGURE OF 8 ROAD, COONOOR-643101, NILGRIS, (TAMIL NADU), PH :643101-9443273888.

CUDDALORE

896.## SUNTAR AUTOS (2134), KTR BUILDINGS, CHIDAMBARAM ROAD, CUDDALORE-607 002, PH :607002-9842345690.

CUMBUM

897.## SRI BALAJI MOTOR WORKS (3139), 221-A 1/3 THENI ROAD, NEAR REGULATED MARKET, UTHAMAPURAM, CUMBUM-625 516, PH :625516-9994169309.

DINDIGUL

898.* MAGNUM MOTORS (1241), MEENACHINAICKEN PATTY, NH-7 BYE-PASS ROAD, DINDIGUL-624 002, (TAMIL NADU), PH :624002-9842231340.

ERODE

899.** SRI KRISHNA AUTOMOBILE ENTERPRISES (2320), 560 CAUVERY ROAD, ERODE - 638003, PH :638003-9842721805.

900.** SRI SAKTHI CARE (8937), 13, NGGO COLONY MAIN STREET, ERODE, TAMILNADU, 638009, PH :695011-9597726311.

GADALUR

901.## GREENWAY MARUTI SERVICE CENTER (5471), KALAMPUZHA,D.O. NO 12/59-3, GUDALUR, DISTRICT - NILGIRLS, TAMILNADU, PH :643212-9443603815.

GOBICHETTIPALAYAM

902.## HI-TEC AUTO GARAGE (2426), 426,ASIRIYAR NAGAR, KULLAMPALAYAM POST , ERODE MAIN ROAD, GOBICHETTIPALAYAM-638 476, PH :638476-9842447725.

HOSUR

903.## AUTO SCAN (2070), 58-B BANGALORE ROAD, HOSUR-635 109, (TAMIL NADU), PH :635109-8122904091.

904.** BALAJI MOTORS (5136), PLOT NO.11 MARUTHI NAGAR, NEAR T.V.S. AGENCIES(T V S SHOWROOM), KRISHNAGARI MAIN ROAD- HOSUR, TAMILNADU, PH :635109-9842755402.

905.## SRI VINAYAKA MOTORS (3848), 5/2C/1 (OPP TAMIL NADU HOTEL), BYE PASS ROAD, HOSUR, PH :635109-9443245096.

KALPAKKAM

906.## MARUTI MOTORS (4253), SURVEY 309/5-A, PUDUPATTINAM VILLAGE PANCHAYAT, THIRUKALKUNDARAM TALUKA, KANCHEEPURAM, KALPAKKAM-603102, PH :603102-9443366535.

KANCHEEPURAM

907.* SVS MARUTI SERVICE CENTRE (5466), NO11 MILITARY ROAD, SEVILIMEDU, OPP BRINDAVANAM NAGAR, KANCHIPURAM, TAMILNADU 631501, PH :631501-9994332290 / 9043032290.

KANGAYAM

908.## SRI ARUN CAR CARE (3949), COIMBATORE ROAD, NEAR IBP PETROL BUNK, KANGAYAM - 638701, PH :638701-9443329526.

KARAIKUDI

909.## SURABI MOTORS (2340), NO.11 TRICHY MAIN ROAD, (NEAR RAILWAY CROSS), SRIRAM NAGAR, KOTAIYUR, KARAIKUDI-630 001, PH :630106-9443351484.

KARUMATHAMPATTY

910.## SIVAN MOTORS (3832), OPP IBP NH47, NEAR KONGU VELLALAR SCHOOL, KARUMATHAMATTY, PH :641659-9842231819.

KARUR

911.** SRI SAKTHI AUTO CARE (2532), 3/291 COVAI ROAD, VADIVEL NAGAR L.N.S. POST, KARUR-639 002, (TAMIL NADU), PH :638009-9842426585.

KOVILPATTI

912.## CLASSIC AUTOMOBILES (6037), 3/531 - B, TIRUNELVELI TO MADURAI BYPASS ROAD, NH-7, INAM MANIYACHI, KOVILPATTI, TAMIL NADU- 628502., PH :628502-9442552000.

KRISHNAGIRI

913.## THIRUTHANIGAI MOTORS (2427), SALEM-CHENNAI BYE PASS ROAD, KRISHNAGIRI-635 001, (TAMILNADU), PH :635001-9842129890.

KUMBAKONAM

914.## SRI SAKTHI MOTORS (4330), #7/228, PULIYAMPETTAI, MAYILADUTHURAI MAIN ROAD, KUMBAKONAM, TAMILNADU -612103, PH :612103-9443131513.

MADURAI

915.## FRIENDLY MOTORS (3141), 32 PALAM STATION ROAD, NEAR LIC BUS STOP, SELLUR, MADURAI-625 002, PH :625002-9842714047.

916.## SHALOM MOTORS (4629), THENI MAIN ROAD, ACHAMPATHU, NEAR BHARAT PETROLEUM, MADURAI-625019, PH :625019-8754033244.

MADURANTHAKAM

917.## MARUTHI MOTORS (6036), NO.33,G.S.T. ROAD,KARUNGUZZHI, MADURANTHAKAM-603303, DISTRICT-KANCHIPURAM, TAMILNADU, PH :603303-9443354073.

MAYILADUTHURAI

918.## R.M.S. MARUTI AUTO (2237), 53/54 MAHADHANA STREET, MAYILADUTHURAI-609 001, (TAMIL NADU), PH :609001-9842922685.

NAGAPATTINAM

919.* MARUTI-TECH (1671), PUTHUR ROUNDANA E C R ROAD, NAGAPATTINAM, , PH :611000-9842653718.

NAGERCOIL

920.* SRI GANAPATHI MOTORS (1629), NO.12 JAWAHAR STREET, R.V. PURAM, NAGERCOIL-629 001, PH :629001-9345322333.

NAMAKKAL

921.## ARUNA MOTORS (1461), MARUTI SERVICE CENTRE, OPP. N.S.R. BUILDING, SALEM MAIN ROAD, NAMAKKAL-637 001, PH :637001-9842775761.

PALLADAM

922.## CHENDU MOTORS (4333), KALIVELAMPATTI PIRUVU, TRICHY ROAD, PALLADAM-641662, COIMBATORE DIST, PH :641662-9842225058.

PALLAVARAM

923.* VBK MOTORS (4463), OLD NO. 99, NEW NO. 91, G.S.T ROAD, ALVITONE ESTATE, (BEHIND LAKSHMI THEATRE), PALLAVARAM, CHENNAI-600043, PH :600043-9841425030.

PARAMAKUDI

924.## SIVA AUTOMOBILES (4542), NEAR SRIKUMARA SUBRAMANIAM SWAMY TEMPLE, OPP FIRE STATION, MADURAI RAMESWARAM ROAD, PARAMAKUDI-623707 RAMNAD DIST, PH :623707-9388405305.

PARAMATHIVELUR

925.## RADHA CAR CARE (5828), NO 96/1,BYE PASS ROAD,VETTUKATTU PUDAR, PIRIVUR ROAD,PARAMATHIVELUR-638182, DISTRICT-NAMAKKAL, TAMILNADU, PH :638182-8608090140.

PERUNDURAI

926.## PRIYAM AUTOMOBILES (3036), 139 KOVAI MAIN ROAD, PERUNDURAI-638 052, (TAMIL NADU), PH :638052-9095099999 - 9842701371.

POLACHI

927.* J D & COMPANY (6055), COIMBATORE ROAD, POLLACHI-642 002, , PH :642002-9443565785.

RAJAPALAYAM

928.## RAJA MOTORS (4128), 52/A, SRI JANAKIRAM MILLS ROAD, SRIVILLIPUTTUR MAIN ROAD, RAJAPALAYAM, VIRUDHUNAGAR- 620117, PH :626117-7094597178.

RASIPURAM

929.## ROYAL AUTO CARS (4052), 5/120 NH-7, SALEM MAIN ROAD, NEAR TSTC DEPOT, MUTHUKALIPATTI POST, RASIPURAM TALUK, NAMAKKAL DISTRICT-637408, PH :637401-9443230339.

RED HILLS

** A-Category Mass : Free & paid Service, Major repairs & Accidental repairs

C-Category Mass : Free & paid Service & Minor repairs

* B-Category Mass : Free & paid Service & Major repairs

D-Category Mass : Free Service & Minor repairs

Maruti Authorized Service Station (AS ON 30.05.2023)

930.### UNIQUE CAR CARE (5868), NO.54, FIRST STREET, MANIKANDAPURAM, MTH HIGH ROAD, THIRUMULLAIVOYAL, CHENNAI, TAMILNADU - 600062, PH :600062-9500056658/9841059295.

SALEM

931.### MEENATCHI AUTO (2940), 57 KALARAMPATTY MAIN ROAD, (NEAR DEVI THEATRE), SALEM-636 015, (T.N.), PH :636015-9443201001/ 9976601001.

932.** NATSUN MOTORS (6029), NO.220,BANGALORE BYE PASS ROAD (NH-7), KODALAMPATTY,SALEM-636010, DISTRICT-SALEM, TAMILNADU, PH :636005-9842704499.

SANKAGIRI

933.### TECH ZONE AUTO SERVICE (2640), 10/78 BHAVANI MAIN ROAD, (NEAR ERODE PIRIVU), SANKAGIRI SALEM DISTT., PIN-637 303, PH :637303-9942444753/ 9842651158.

SANKARANKOIL

934.### RAJA MOTORS (4555), RALAPALAYAM ROAD, OPPOSITE TO LIC BUILDING, SANKARANKOIL-627756, PH :627756-9994409363.

TENKASI

935.### CARE ZONE (3766), 5/164(1) KUTHUKKAL VALASAI, MADURAI ROAD, TENKASI-627 811, (TAMIL NADU), PH :627811-9842133134.

THANJAVUR

936.### R K P MOTORS (5238), 121/7,THANJAVUR KUMBakonam, HIGHWAY PALLIAGRAHARAM, THANJAVUR, TAMILNADU, PH :613003-9751125555 / 9563525555.

THENI

937.### SATHURAGIRI MOTOR WORKS (1650), 3-1-31 TO 36, CUMBUM ROAD, THENI-625 531, (TAMIL NADU), PH :625531-9047033678.

TIRUNELVELI

938.### FRIENDS INDIA AUTO CLINIC (5030), NO.16 D.BYE PASS ROAD, VANNARAPETAI, TIRUNELVELI 627003, TAMILNADU, PH :627003-978660111.

TIRUPUR

939.** LAKSHMI MOTORZ (2461), 4/146 PALLADAM ROAD, OPP. LAKSHMI KALYANA MANDAPAM, TIRUPUR-641 604, (T.N.), PH :641605-9842377959.

TRICHY

940.* YITHES MOBILE PARK (443), 8/6 TANJORE ROAD, THIRUCHIRAPALLI-620 008 , PH :620008-6383353727.

UDAMALAPET

941.* S.R.K. MOTORS (1456), C-109 GANDHI NAGAR, UDAMALAPET-642 154, COIMBATORE (DT.), (TAMIL NADU), PH :642126-9843011520.

VELLORE

942.* MARUTI AUTO SERVICE (2844), 106 (OLD NO.: 78), KATPADI ROAD, GANDHI NAGAR, VELLORE-632 006 (T.N.), PH :632006-9843093422.

VILLUPURAM

943.### RAGAVENDRA MOTORS (2361), 2/3 MADRAS TRUNK ROAD, VILLUPURAM-605 602, (TAMIL NADU), PH :605602-9244555860.

VRIDDHACHALAM

944.### VISHWA MARUTI CARE CENTER (8934), NO412,PERIYAR NAGAR (NEAR FIRE SERVICE S. STATION)VRIDDHACHALAM - 606001 , DISTRICT - CUDDALORE , (TAMILNADU), PH :606001-9842246092.

TELANGANA

ADILABAD

945.### MAHA LAXMI AUTOMOTIVES (2240), NH# 7 OPP. H.P. PETROL BUNK, TIRUPALLY, ADILABAD-504 001, (A.P.), PH :504 001-9000345313.

BHADRACHALAM

946.### SRI VENKATARAMANA AUTO CARE (2831), MARUTI SERVICE STATION, OPP. COLLEGE GROUNDS, GOLLAGATTA ROAD, BHADRACHALAM-507 111 (A.P.), PH :507111-9290792269.

GAJWEL

947.### VIJAY MOTORS (4864), HYDERAAD ROAD, STATE HIGH WAY FROM HYDERABAD, TO KARIMNAGAR, PREGHAPUR - GAJWL, ANDHRA PRADESH, PH :502278-9849893665.

HYDERABAD

948.### ARYAN MOTORS (3264), D.NO.17-1-382/K/5 & 6, CHAMPAPET SAIDABAD, SAGAR ROAD, HYDERABAD, PH :500059-9246155464.

949.### COSMO AUTO CLINIC PVT. LTD. (1045), PLOT NO 1, RD NO 5., CHANDRAPURI COLONY , LB NAGAR, HYDERABAD - 500074, PH :500074-9246272733/9849015667.

950.### PISTONS & SPANNERS (2766), 2-3-37 MAHARANA PRATAP JUNCTION HALL, AMBERPET, HYDERABAD-500 013, PH :500 013-9990649504.

951.### SERWELL AUTOMOBILES (5234), PLOT NO 202.203 ADITYA NAGAR. OPP. JNTU, KUKA TRALLY HYDERABAD. ANDHRA PRADESH, PH :500085-9490105147.

JAGTIAL

952.### PARAMESHWARA MOTORS (3851), OPP P R OFFICE, DHAROOR CAMP, JAGTIAL 505327, DT. KARIMNAGAR (A.P.), PH :505455-9912664659.

KARIMNAGAR

953.### MYTRI MOTORS (5152), 8-6 188.KOTHI RAMPUR, KARIMNAGAR, DISTRICT - KARIMNAGAR , ANDHRA PRADESH, PH :505001-9441475357.

954.** PUSHPAK MOTORS (1032), KOTHI RAMPUR, HYDERABAD ROAD, KARIMNAGAR - 505 001 (A.P.), PH :505001-9849489431.

KHAMMAM

955.### EXCEL AUTO CARE (1043), RAPARTHI NAGAR, BYPASS ROAD, KHAMMAM - 507001., PH :507001-9848156363.

KODAD

956.### SAI KAKATIYA SERVICE STATION (4664), SURYAPETA ROAD, OPPOSITE LORRY ASSOCIATION BUILDING, KODAD-508206, DISTRICT-NALGONDA (ANDHRA PRADESH), PH :508206-9848057813.

MAHABUB NAGAR

957.### SRI AYYAPPA MARUTI CLINIC (3941), OPP HOSPITAL, HYDERABAD ROAD, YEMUGONDA, MAHABUB NAGAR (ANDHRA PRADESH), PH :509002-9440569259.

MANCHERIAL

958.### PARVATI MOTORS (4129), 4-53 BPL ROAD, MANCHERIAL, DISTRICT ADILABAD, ANDHRA PRADESH, PH :504208-9885554888.

MIRYALGUDA

959.### GANESH MOTORS (4536), D.NO. 6-366, P.V. COMPLEX, NALGONDA ROAD, MIRYALGUDA, NALGONDA DISTT (ANDHRA PRADESH), PH :508207-9393900666.

NALGONDA

960.### SRIRAM AUTHORISED SERVICE STATION (4627), HYDERABAD ROAD, OPP. SUB STATION, NALGONDA, ANDHRA PRADESH, PH :508001-9848378133.

NIZAMABAD

961.### PRIYA SERVICING (1771), C/O TIRUMALA CHITRA MANDIR, HOUSE NO.1-B-833, PHULANG ROAD, NIZAMABAD-503 003 (A.P.), PH :503 003-9948034523.

RAMAGUNDAM

962.### ALI AUTOMOBILES (2849), NEAR TV RELAY STATION, NTPC JYOTHINAGAR, RAMAGUNDAM-505 215, DISTT. KARIMNAGAR (AP), PH :505208-9848219102.

SECUNDERABAD

963.### ANNAPURNA MOTORS (2947), # 6-3-23/5 JAYANAGAR COLONY, NEAR MEKALMANDI, NEW BHOIGUDA, SECUNDERABAD-500 080, PH :500 080-9849061136.

SIRSILLA

964.### SATHVIKA MOTORS (5649), KARIMNAGAR ROAD,OPP HP PETROL PUMP, SIRSILLA-505301, DISTRICT - KARIMNAGAR , ANDHRA PRADESH, PH :505301-9490284726.

SURYAPET

965.### SAI GLOBAL AUTO SERVICES (4550), OPP. AYYAPPA SWAMY TEMPLE, BY PASS ROAD, NH-9, SURYAPET-508213, ANDHRA PRADESH, PH :508213-9848076108.

WANAPARTHY

966.### SMC MOTORS (5658), K.K.T. ROAD,BASAVANNA GADDA, WANAPARTHY, DISTRICT -MAHABUBNAGAR, ANDHRA PRADESH, PH :509103-9440142927.

WARANGAL

967.### VAISHNAVI AUTOMOBILES (470), OPP. NEW SCIENCE DEGREE COLLEGE, HUNTER ROAD, HANAMKONDA, WARANGAL-506 001, PH :506 001-9849002528.

TRIPURA

AMBASSA

** A-Category Mass : Free & paid Service, Major repairs & Accidental repairs

C-Category Mass : Free & paid Service & Minor repairs

* B-Category Mass : Free & paid Service & Major repairs

D-Category Mass : Free Service & Minor repairs

Maruti Authorized Service Station (AS ON 30.05.2023)

968.## CHAKRABORTY MECHANICAL WORKSHOP (5351), NH-44, NEAR ZILLA PARISWAD OFFICE , AMBASSA, DISTRICT - DHALAI, TRIPURA, PH :799289-9436136054.

DHARMANAGAR

969.## RAI AUTOMOBILES (2868), STATION ROAD, RAJABARI, DHARMANAGAR, TRIPURA (NORTH)-799 253, PH :799253-9436477578.

UDAIPUR

970.## SUR UDYOG (3963), TOWN FULKUMARI NO. 1, BRAMHABARI, P O UDAIPUR COURT, UDAYPUR, TRIPURA SOUTH, PH :799120-9862276650.

UTTAR PRADESH

AGRA

971.## GAYATRI MOTORS (4730), 101-102, SHASHI NAGAR, CHANDRAKALA-, COMPLEX, SIKANDRA BODLA ROAD, AGRA - 282008, (UTTAR PRADESH), PH :282007-8077786331.

ALIGARH

972.## KAPIL AUTOMOBILES (1344), OLD KHURJA BUS STAND, G.T.ROAD, ALIGARH(U.P.), PH :202002-9837007636.
973.## KAR SCAN CENTRE (449), RAMGHAT ROAD, KWARSI, ALIGARH-202 002, PH :202002-8937000111.

ALLAHABAD

974.## ANSHUMAN AUTOMOBILES (4933), 353, NAINI BAZAR NAINI, DISTRICT ALLAHABAD, ALLAHABAD-211008, UTTAR PRADESH, PH :211008-9335138119.
975.** KAY CEE AUTOMOBILES (2155), 72/60 L.B. SHASTRI MARG, ALLAHABAD, , PH :211001-9415317225.
976.## TRIBENI MOTORS (2539), 23 KANPUR ROAD, ALLAHABAD-211 001, (U.P.), PH :211001-9415324244.

ALMORA

977.## AROMA AUTOMOBILES (3149), THE MALL, ALMORA, (UTTARANCHAL), PH :263601-9412093410.

AMROHA

978.## SUNNY MOTORS (2165), BIJNORE ROAD, J.P. NAGAR, AMROHA-244 022, (U.P.), PH :244221-9412248884.

AURAIYA

979.** SINGH AUTOMOBILES (5248), KANPUR ROAD, AURAIYA , DISTRICT - AURAIYA , PIN - 206122, UTTAR PRADESH, PH :206122-9808403258.

BABUGARH

980.* GURUNANAK AUTOMOBILES (5977), NH- 9, VILL SIMROLI , BABUGARH CANTT. , DISTRICT- HAPUR, UTTAR PRADESH, PH :245102-8941838183/9411490827.

BAGHPAT

981.## KAUSHIK MOTORS (4473), PLOT NO 525, DELHI SAHARANPUR ROAD,PALI, BAGHPAT, UTTAR PRADESH 250609, PH :250609-9837800582.

BALRAMPUR

982.## D M AUTOMOBILES (3933), NEAR BCPM, POST SIRSIYA, GONDA ROAD, BALRAMPUR 271201, PH :271201-9415071840.

BANDA

983.## CHAUDHARY TRACTORS (2249), STATION ROAD, BANDA-210 001, (U.P.), PH :210001-9415143033.

BARAUT

984.## HIGH TECH ENGINEERS (4821), 216/5 SAHARANPUR ROAD, BARAUT, , PH :250611-9837168887.
985.## SIGNET AUTOMOBILES (4441), NEAR INDUSTRIAL POLICE CHOWKI, DELHI ROAD, BARAUT-250611, DISTT BAGHPAT (U.P), PH :250611-8279527633 9917668255.

BAREILLY

986.## S P MOTORS (5746), 383, SURKHA CHAWNI, NAINITALI ROAD, BAREILLY-243001, DISTRICT-BAREILLY, UTTAR PRADESH, PH :243001-9568033111.

BIJNOR

987.## SARDAR MOTORS (4671), DELHI HIGHWAY ROAD , 4TH KM MILE STONE , BIJNOR - 246701, UTTAR PRADESH, PH :246701-9837265076.

BULANDSHAHR

988.## DELHI AUTO ENGRS (1351), PLOT NO-106, NEAR TAFE TRACTOR AGENCY, NEAR CHANDPUR VILLAGE, DELHI ALIGARH BYPASS ROAD, BULANDSHAHR (UP) 203001., PH :203001-8700630277/8700982878.

CHANDPUR

989.## BHARTI AUTOMOBILES (1777), DHANORA ROAD, CHANDPUR, DISTT. BIJNOR, (U.P.), PH :246725-9837380551.

CHITRAKOOT

990.* SHYAM MOTORS (4367), BUS STAND, KARWI, CHITRAKOOT-210205, PH :210205-9415143900.

DADRI

991.## NATIONAL MOTOR AGENCY (5143), NOIDA ROAD , DADRI -203207, DISTRICT - GAUTAMBUDH NAGAR , UTTAR PRADESH, PH :203207-9818486888/0120-2667033/987394403 3.

DANKAUR

992.## YASH MOTORS (5934), SIKANDRABAD ROAD, NEAR KISAN INTER COLLEGE, DANKAUR-203201, DISTRICT- GAUTAM BUDDH NAGAR, UTTAR PRADESH, PH :203201-9410491590.

DEOBAND

993.## PRACHI MOTORS (3361), ADJACENT TO CIVIL COURTS, G.T. ROAD, DEOBAND, DISTT. SAHARANPUR (U.P.), PH :247554-7017803402.

DEORIA

994.** CLASSIC MOTORS (2971), D-13/14 INDUSTRIAL ESTATE, OPPOSITE RTO OFFICE, GORAKHPUR ROAD, DEORIA-274 001 (U.P.), PH :274001-9415313939.

DHAMPUR

995.## AUTAR AUTOMOBILES (4846), NOORPUR ROAD, DHAMPUR-246761, DISTRICT-BIJNOR, UTTAR PRADESH, PH :246761-7017211986.

FAIZABAD

996.## S K MOTORS (4672) CHANDPUR HARBANS ALLAHABAD ROAD, NH-96, FAIZABAD-224001, UTTAR PRADESH, PH :224001-9307088750.

FARUKHABAD

997.## APOORVA MOTORS (4675), SATAPUR MAINDIRI ROAD, FARRUKHABAD, DISTRICT FARRUKHABAD, UTTAR PRADESH, PH :209625-9044498958.

998.## SANDEEP MOTORS (4161), THANDI SADAK, OPP. JITENDRA GAS GODOWN, FARUKHABAD, UTTAR PRADESH, PH :209625-9838840322.

FATEHPUR SIKRI

999.## LAXMI MOTORS (5943), FATEHPUR SIKRI ROAD, KHEDA KORAI , FATEHPUR SIKRI-283110, DISTRICT-AGRA, UTTAR PRADESH, PH :283110-9837749949.

FIROZABAD

1000.** AMAN MOTORS (4366), OPP CAR CARE (INDIA), BYE PASS ROAD, FIROZABAD, UTTAR PRADESH, PH :283203-9837500220.
1001.## GOVIND AUTOMOBILES (1739), NH-2, INFRONT OF SUB POWER STATION, MODHA, ASFABAD CHAURAHA, FIROZABAD, UTTAR PRADESH, 283203, PH :283203-9837169332.

GANGOH

1002.## SHRI KRISHNA MOORS (5939), BYE PASS ROAD RAM GARH, GANGOH-247341, DISTRICT-SAHARANPUR, UTTAR PRADESH, PH :247341-9997102785.

GHAZIABAD

1003.* CHAWLA AUTOMOBILES (2643), 67 AMBEDKAR ROAD, OPP. NEHRU YUVA KENDRA, GHAZIABAD, PH :201001-9811720929.
1004.* D.N. AUTOLAND (272), E-4 MEERUT ROAD, INDUSTRIAL AREA, (NEAR OLD MEERUT CHUNGI), GHAZIABAD, PH :201003-9810001121/9811001121.
1005.** KRISHNA AUTOMOBILES (5356), 101 LAL KUAN ,SHIV MANDIR , BULANDSHAHR ROAD, DISTRICT - GHAZIABAD, UTTAR PRADESH, PH :201009-9810311475/999506820.
1006.## S P MOTORS (4973), HAPUR BYPASS ROAD, MEHRAULI, GHAZIABAD, PH :201001-9350936262/0120-2824443/9210266490 5.
1007.* SHIVA MOTORS (3343), 17TH KM STONE, 118-119 SHIVPURI, SECTOR-9 VIJAY NAGAR BYEPASS NH-24, GHAZIABAD-201 009 (U.P.), PH :201009-2744400/3232590/9891464349/987300 0571.

GONDA

1008.** AMAN MOTORS (3858), USAYANI CHAURAHA, RAJA KA TAAL, BYE PASS ROAD, FERZOZABAD, UTTAR PRADESH, PH :271001-9415120101.
1009.* PANKAJ AUTOMOBILES (1370), C/O NEW DELHI MOTOR WORKS, BARAICH ROAD, GONDA, PH :271801-9415664930.

** A-Category Mass : Free & paid Service, Major repairs & Accidental repairs

C-Category Mass : Free & paid Service & Minor repairs

* B-Category Mass : Free & paid Service & Major repairs

D-Category Mass : Free Service & Minor repairs

Maruti Authorized Service Station (AS ON 30.05.2023)

GREATER NOIDA

- 1010.## JAISWAL MOTORS (5078), PLOT NO. 31, SECTOR MUP-II, GREATER NOIDA , DISTRICT - GAUTAM BUDH NAGAR, UTTAR PRADESH, PH :201308-9810062269/6485444/9212142269.
- 1011.## KUMAR MOTORS (8926), M-8, SITE-5, UPSIDC, KASNA INDUSTRIAL AREA, GREATER NOIDA, DISTRICT-GOUTAM BUDH NAGAR, UTTAR PRADESH, PH :201312-9911498777/0120-2341088/981149833 3.

HAPUR

- 1012.* SRASSTHI MOTORS (3076), NEAR HDFC BANK, DELHI ROAD, HAPUR, (U.P.) -245 101, PH :245101-9412221608/9557307976.

HARDOI

- 1013.## M. MOTORS & SERVICE CENTRE (3371), CHAND BEHTA, LUCKNOW ROAD, HARDOI-241 001, (U.P.), PH :241001-9415175610.
- 1014.** TAYAL AUTOMOTIVES (4265), SOHRA KOTHI, BAWAN CHUNGI, HARDOI-241001, PH :241001-9415149951.

HATHRAS

- 1015.## RADHEY RADHEY AUTOMOBILES (4344), NEAR BUS STAND, AGRA ROAD, HATHRAS-204101, PH :204101-9897069159.

JAGDISHPUR

- 1016.## SUPER AUTOMOBILES (3564), JAFARGANJ P.O., INDUSTRIAL AREA, JAGDISHPUR, DISTT. SULTANPUR-227 817 (U.P.), PH :227817-9415177882.

JAUNPUR

- 1017.## SADGURU MOTORS (5071), FAIZBAGH (NEAR TOM OFFICE), UMARPUR,JAUNPUR, JAUNPUR-222142, UTTAR PRADESH, PH :222142-8318984440.

JHANSI

- 1018.## A.B. MOTORS (8938), 4 KHATTERYANA, JHANSI, PH :284001-9415059820.

KANNAUJ

- 1019.## SARALA AUTO CARE (5854), G.T. ROAD, KANNAUJ, DISTRICT-KANNAUJ, UTTAR PRADESH, PH :209725-9918692324.

KANPUR

- 1020.* AJAY MOTOR WORKS PVT. LTD. (3134), 117/N/81 KAKADEVO, KANPUR, PH :208025-9919828000.
- 1021.** AUTO GARAGE (4268), P-22-A, PRATAP GANJ, FACTORY AREA, OPP GANDA NALA, KANPUR-208012, PH :208012-9415126189.
- 1022.** CHANDRA MOTORS (4458), 621/3 W-2 JUHI, BEHIND SACHAN GUEST HOUSE, KANPUR, PH :208027-9839928280.
- 1023.** EXCELLENT MOTORS (2988), 123/793 FAZALGANJ, KANPUR-208 012, PH :208012-9336119874.
- 1024.## KANPUR AUTO CENTRE (2823), 14/142, CHUNNIGANJ, KANPUR, PH :208001-9415045438.
- 1025.** SUJIPA MOTORS (4337), 127/465, U-BLOCK, NIRALA NAGAR, KANPUR, PH :208014-9415050146.

KHALILABAD

- 1026.## RATAN MOTORS (5645), RAILWAY STATION ROAD - KHALLILABAD, DISTRICT- SANT KABIR NAGAR, PIN-272175, UTTAR PRADESH, PH :272175-9621294899.

KHATAULI

- 1027.## EAGLE MOTORS (5142), OPPOSITE EW ROADWAYS , G.T. ROAD. NH -58.KHATAULI, DISTRICT - MUZAFFARNAGAR, UTTAR PRADESH, PH :251201-9997039786.

KHEKRA

- 1028.** KAILASAH MOTORS (5767), OPP TEHSIL ,DELHI BAGHPAT ROAD, KHEKRA-201101, DISTRICT-BAGHPAT, UTTAR PRADESH, PH :250101-9760027001.

KOSIKALAN

- 1029.** ADITYA MOTORS (1940), IOC PUMP, NATIONAL HIGHWAY, KOSIKALAN, (U.P.), PH :281403-9837050778.

LAKHIMPUR KHERI

- 1030.** AJMANI TRACTORS (4143), NIGHASAN ROAD, LAKHIMPUR KHERI, UTTAR PRADESH, PH :262701-9918802167.

LAMBHUA BAZAR

- 1031.## VIKRAM MOTORS (3729), LAMBHUA BAZAR, SULTANPUR (DIST.), UTTAR PRADESH-222 302, PH :222302-9450215996.

LONI

- 1032.## SAMBHAV AUTOMOBILES (5168), 31.RURAL INDUSTRIAL ESTATE , ARYA NAGAR INDUSTRIAL AREA, MAIN DELHI SHAHRANPUR HIGHWAY, UTTAR PRADESH, PH :201102-9311690878/9212128889.

LUCKNOW

- 1033.** B.K. MOTORS (2537), KALYANPUR, RING ROAD, OPP. CARRIER CONVENT BOARD, LUCKNOW-226 015, PH :226015-9335908130.
- 1034.## BALAJI MOTORS (1336), 1 NEWAL KISHORE ROAD, LUCKNOW-226 001.(U.P.) , PH :226001-9336253838.
- 1035.## GALAXY MOTORS (5274), KASHANA SITAPUR ROAD, NEAR SHIA, P G COLLGEG - LUCKNOW - DISTRICT - LUCKNOW, UTTAR PRADESH, PH :226021-9305567878.
- 1036.** GUD'S CAR CARE (2538), MAIN ROAD, NISHATGANJ, LUCKNOW-226 006, PH :226006-9415024495.
- 1037.** KALYAN MOTORS (1161), GOVT. POLYTECHNIC CROSSING, FAIZABAD ROAD, GOMTI NAGAR, LUCKNOW, PH :226010-9936942527.
- 1038.** KAPOOR MOTORS (1751), PLOT NO.380, NEAR GUNGA BAHARA SCHOOL, TILAK NAGAR, UTTAR PRADESH, PH :206122-9795457050.
- 1039.** KAPOOR MOTORS (6044), 555/GA/50, BARA BIRWA, KANPUR ROAD-, ALAMBAGH LUCKNOW-, DISTRICT - LUCKNOW, (UTTAR PRADESH), PH :226005-9795457050.
- 1040.* KRISHNA MOTORS (5026), BALAGANJ HARDOI ROAD, CHOWK LUCKNOW, DISTRICT LUCKNOW, UTTAR PRADESH, PH :226020-9839177777.
- 1041.** MVV MOTORS (5531), A1/14, VIJAY KHAND, GOMTI NAGAR, LUCKNOW-226010, DISTRICT - LUCKNOW, UTTAR PRADESH, PH :226010-9792877779.
- 1042.** RELIANCE MOTORS CARE (1236), 7-B/1 PRIME PALACE, FAIZABAD ROAD, INDIRA NAGAR, LUCKNOW-226 016, PH :226016-9918100051.
- 1043.* S.K. MOTORS (2449), 8/881 VIKAS NAGAR, PICKNIC SPOT ROAD, KHURAM NAGAR, LUCKNOW-226 013, PH :226013-9415005564.
- 1044.* THE GARAGE (5479), BEHIND NEW HANUMAN MANDIR, MADIR PARK , MAHANAGAR - LUCKNOW -, DISTRICT - LUCKNOW, UTTAR PRADESH, PH :226006-9236711634.

- 1045.* V.S. MOTORS (4745), RAMADHIN SINGH INTER COLLEGE CAMPUS, BABU GANJ, LUCKNOW-226007, UTTAR PRADESH, PH :226007-9984749000.

MAHOBA

- 1046.## ROYAL SERVICE STATION (2238), HAMIRPUR CHUNGH, KANPUR ROAD, MAHOBA, (U.P.), PH :210427-9450269053.

MAINPURI

- 1047.## JATIN MOTORS (5540), GANESH MILL COLONY RADHA RAMAN ROAD, MAINPURI-205001, DISTRICT-MAINPURI, UTTAR PRADESH, PH :205001-8193825000.

MARIAHU

- 1048.## BABU MOTORS (5740), MACHALISHAHAR ROAD, NEAR POST OFFICE, MARIAHU-222161, DISTRICT - JAUNPUR, UTTAR PRADESH, PH :222161-9919263663.

MATHURA

- 1049.## GIRIRAJ CAR CARE (5624), BIMAL ENGG COMPLEX, BAD, MATHURA-281 006, PH :281006-9837071321.
- 1050.** NAND SERVICE STATION (3578), GOPAL PURA VILLAGE, REFINDERY TOWNSHIP, NH-2, MATHURA, PH :281001-9997982828.
- 1051.## SHREE GOPAL AUTOMOBILES (5664), DELHI BYE PASS ROAD, NEAR GOKUL RESTAURANT, MATHURA - 281001, DISTRICT - MATHURA, UTTAR PRADESH, PH :281001-9412726760.
- 1052.* SIYA RAM MOTORS (1666), JAYSINGHPURA, NEAR BIRLA MANDIR, MATHURA-281 003, (U.P.), PH :281003-9897053962.

MEERUT

- 1053.** EXPERT CAR SCANNER (1174), 83 HILL STREET (KATH-KA-PUL), BEHIND ABU LANE, MEERUT CANTT., (U.P.), PH :250001-8057301301.
- 1054.## KRISHNA AUTOMOBILES (5573), PLOT NO D-10, SHRADHA PURI,, KANKARKHERA - MEERUT, DISTRICT - MEERUTI, UTTAR PRADESH, PH :250001-9927241738.
- 1055.## SARAN AUTOMOBILES LTD. (1078), DELHI ROAD, RITHANI, MEERUT, PH :250001-6395883392 8977524402.

MIRZAPUR

** A-Category Mass : Free & paid Service, Major repairs & Accidental repairs
C-Category Mass : Free & paid Service & Minor repairs

* B-Category Mass : Free & paid Service & Major repairs
D-Category Mass : Free Service & Minor repairs

Maruti Authorized Service Station (AS ON 30.05.2023)

1056.## PRABHAT MOTORS (4131), NH-7 REWA ROAD, CHANDAPUR LAKHAMPUR, MIRZAPUR, U.P., PH :231309-9838940382.

MOHANLAL GANJ

1057.** GURU TEG BAHADUR AUTO ENTERPRISES (4072), 4 SENANI VIHAR, RAI BAREILLY ROAD, MOHANLAL GANJ, LUCKNOW U.P., PH :246027-9415229172.

MORADABAD

1058.## ASHISH AUTOMOBILES (1477), KANTH ROAD, MORADABAD-244 001 , PH :244001-9837055258.

NAJIBABAD

1059.## SETHI MOTORS (4557), C/O SETHI BOARD INDUSTRIES LIMITED, OPP. HINDUSTAN COCO-COLA BOTTLING PLANT, NAGINA ROAD, NAJIBABAD-246763, DISTT. BIJNOR (UTTAR PRADESH), PH :246732-9837590800.

NOIDA

1060.## AUTOPOINT (2263), G-6,SECTOR 11,NOIDA, PH :201301-8800337770.

1061.## RAHUL MOTORS (4662), A-59 SECTOR-80, PHASE-II, NOIDA-201303, UTTAR PRADESH, PH :201305-9810572900/9312271259/0120-396313 8.

1062.** RAJESH & ANIL MOTOR CO (5330), B-110. SECTOR 2, NOIDA, DISTRICT - GAUTAM BUDDH NAGAR , UTTAR PRADESH, PH :201301-9818578786/0120-4211266/010-25239 555.

1063.* SKUNIVERSE AUTOMOBILE PRIVATE LIMITED (8922), C-2 SECTOR 63, NOIDA - 201301, PH :201301-9219694600/9690581570.

OBRA

1064.## APPRECIATE SERVICES (4678), BY PASS ROAD , ROBERTS GANJ , DISTRICT - SONEBHADRA , UTTAR PRADESH, PH :231219-8765833557.

PILIBHIT

1065.* UNIVERSAL MARUTI SERVICE STATION (4365), BYE PASS ROAD, PILIBHIT, UTTAR PRADESH, PH :243006-9412313499.

PILKHUWA

1066.* SHREE BANKEY BIHARI MOTORS (6025), NH-24,DELHI-GARH ROAD,PILKHUWA-245307, DISTRICT-GHAZIABAD, UTTAR PRADESH, PH :245304-9045548101.

PRATAPGARH (U.P)

1067.** SHREE MOTORS (4146), ALLAHABAD FAIZABAD ROAD, NH-96, CHILBILA RANJEETPUR, PRATAPGARH (UTTAR PRADESH), PH :230001-9415229257.

RAI-BARELI

1068.** STANDARD GARAGE (4429), MANIKA CENEMA ROAD, NEAR INSPECTION HOUSE, RAE BAREILLY, PH :229206-9415190703.

RAMNAGAR

1069.## MAHI AUTOMOBILES (5532), SHANKARPUR RAMNAGAR, DISTRICT - NAINITAL, UTTRAKHAND, PH :244715-8192000724.

RAMPUR

1070.## FIZZA MOTORS (2241), NEAR AMBEDKAR PARK, CIVIL LINES, RAMPUR (U.P.), PIN-244 901, PH :244901-9897879711.

RATH

1071.## MARUTI POINT (4228), ROOP NAGAR, BUDHOLIYANA, NEAR BUS STAND, ORAI ROAD, RATH, DIST. HAMIRPUR (U.P.), PH :210431-9415331735.

RENUKUT

1072.## AMBIKA MOTORS (1050), PATEL NAGAR, MURDHAWA, RENUKUT-231 217, SONEBHADRA (U.P.), PH :231217-9415251724.

ROBERTSGANJ

1073.* KAMAKHYA AUTOMOBILES (4163), PIPRI ROAD, ROBERTSGANJ, SONEBHADRA (U.P.), PH :231216-9918301052.

SADABAD

1074.## ASHU SERVICE CENTRE (5849), AGRA BYE PASS ROAD, SADABAD-281306, DISTRICT-HATHRAS, UTTAR PRADESH, PH :281306-9058832658.

SAHARANPUR

1075.## GANESH CAR SERVICES (1871), OPP. REMOUNT DEPOT GATE, DEHRADUN ROAD, SAHARANPUR-247 001, PH :247001-9358306804.

SAHIBABAD

1076.## MEHAR AUTOMOBILES (3576), 116/1 NEAR GDA MARKET, G.T. ROAD, KATORI MILL MOHAN NAGAR, GHAZIABAD-201 007, PH :201007-9711201557/9871832662.

1077.** MOTOR MAGIC AUTO ZONE (4462), 4/29-A SITE-IV, INDUSTRIAL AREA, SAHIBABAD, DISTT. GHAZIABAD, PH :201005-9810936357/97171949177838615331/ 9717800022.

1078.## PANDIT AUTOMOBILES (4647), 3/1/1, SITE-IV, INDUSTRIAL AREA, SAHIBABAD, OPP. KAUSHAMBI, GHAZIABAD (UTTAR PRADESH, PH :201010-0120-2776808/0120-4114808/9810771 045/9810639100.

1079.## POOJA MOTORS (3562), TEELA MORE, SHAHBAJPUR, LONI, DISTT. GHAZIABAD (U.P.), PH :201102-9810986463/9810986463/9891155954.

SANDILA

1080.## SUBHAM SERVICE CENTRE (4042), NEAR NEHA KOTHI ROAD, SANDILA, HARDOI, PH :241204-9506181818.

SHAHJAHANPUR

1081.## SUPER AUTO (3135), OLD DIST. HOSPITAL ROAD, SHAHJAHANPUR (U.P.), PIN-242 001, PH :242001-9415035644.

SHAMLI

1082.## ROYAL MOTORS (5277), PANIPAT KARANA ROAD, SHAMLI, SHAMLI-247776, UTTAR PRADESH, PH :247776-9927272766.

SHIKOHABAD

1083.## KUMAR MOTORS (5575), SUBHASH TIRAHA ,AGRA GATE - SIKOHABAD, DISTRICT - FERAZABAD, UTTAR PRADESH, PH :283203-9411937033.

SIDDHARTH NAGAR

1084.## MARUTI CARE CENTRE (2736), OPP. SIDDHARTH SCHOOL, AZAD NAGAR, SIDDHARTH NAGAR-272 207. (U.P.), PH :272207-9935642651.

SIKANDRABAD

1085.## NALIN AUTO (8921), G.T. ROAD, SIKANDRABAD, DISTT. BULANDSHAHR, (U.P.), PH :203205-05735-222802/9412227155/976113393 8.

SIRSAGANJ

1086.## SATGURU MOTORS (3739), BYE PASS KAUARARA ROAD, SIRSAGANJ DISTT. FIROZABAD, ETAWAH-AGRA ROAD, SIRSAGANJ (U.P.), PH :281431-9412316660.

SONEBHADRA

1087.## OUDH SERVICE STATION (2925), SHAKTI NAGAR, SONEBHADRA-231 222. , PH :231222-7408434860.

SULTANPUR

1088.## HINDUSTAN AUTO GARAGE (1360), BARHAIYA BEER RD. , (ADJ.BUS STAND), SULTANPUR-228 001 (U.P), PH :228001-9984154002.

VARANASI

1089.** MISHRA ENGINEERS (4957), S-4/68, NAI BASTI, PAHARIA, VARANASI-221002, UTTAR PRADESH, PH :221002-9415301483.

UTTARAKHAND

BAZPUR

1090.## TARAI AUTOMOBILE ENGG WORKS (4459), GURUTEG BAHADUR ROAD, U.S. NAGAR, BAZPUR-26240, UTTARANCHAL, PH :263401-9837506765.

BHAGESWAR

1091.## SHREE ISHT DEV AUTOMOBILES (4570), GARUR ROAD, MOTA SIMAL, DIST. BAGESHWAR, UTTARANCHAL, PH :262642-9997895347.

DEHRADUN

1092.## ASHIRWAD MOTORS (5144), CANAL ROAD, NEAR BALLUPUR CHOWK, DEHRADUN-248001, UTTARANCHAL, PH :248001-9219594748.

1093.## HANS LAKHERA MOTORS (5032), JOGI WIALA RING ROAD, NATHAPUR APPARTMNT., NAR NEHRU GRAM POST OFFC, MASSOORI BYEPASS, DEHRADUN, PH :248001-9897456877.

1094.## KRIPALESHWARI MOTORS (4475), HARIDWAR ROAD, NEAR LIC BUILDING, DEHRADUN-248001, UTTARANCHAL, PH :248001-9412963384.

1095.* SHREE RAM AUTOMOBILES (5066), NEAR TEHSIL, CHAKROTA ROAD, VIKAS NAGAR-DEHRADUN, UTTARANCHAL, PH :248198-9897731200.

HALDWANI

** A-Category Mass : Free & paid Service, Major repairs & Accidental repairs

C-Category Mass : Free & paid Service & Minor repairs

* B-Category Mass : Free & paid Service & Major repairs

D-Category Mass : Free Service & Minor repairs

Maruti Authorized Service Station (AS ON 30.05.2023)

1096.## EXCEL MOTORS & ENGG. WORKS (3827), RAMPUR ROAD, NEAR STM FOREST HOSPITAL, HALDWANI, NAINITAL, PH :263139-9837191688.

1097.* HARYAL SERVICE STATION (5340), BAREILY ROAD, GUAJALI - TALLI, HALDWANI, DISTRICT - NAINITAL, UTTARAKHAND, PH :263139-9997200227.

HARIDWAR

1098.## PREET MOTORS (5561), SHRI NATH NAGAR, RAILWAY ROAD, JAWALPUR - HARDWAR, DISTRICT - HARDWAR, UTTARANCHAL, PH :249408-9012010497.

KANKHAL

1099.## HIGHWAY MOTORS (4261), NEAR SINGH DWAR CHOWK, ROORKEE-HARDWAR BY PASS ROAD, POST OFFICE, GURUKUL KANGRI, KANKHAL, DISTT HARDWAR, PH :249408-9412072889.

KASHIPUR

1100.## OM MOTORS (4329), OPPOSITE SWAGAT MANDAP, BAZPUR ROAD, KASHIPUR DIST., U.S. NAGAR (UTTARANCHAL), PH :244713-9927500007.

1101.## KRISHNA AUTOMOBILES (4824), MORADABAD ROAD, KASHIPUR, PH :244713-9870998368.

KICHHA

1102.## SHREE SHYAM JI AUTO SERVICE CENTRE (5648), BAREILY ROAD, KICHHA, PIN-263148, DISTRICT-UDHAM SINGH NAGAR, UTTARAKHAND, PH :263148-9837033377.

KOTDWAR

1103.## BHATT MOTORS (1775), NAJIBABAD ROAD, KOTDWARA, (GARHWAL), UTTARANCHAL, PH :261419-9917005404.

LAKSAR

1104.## SHIV AUTOMOBILES (5560), 110/1/3 BALAWALI ROAD - LAKSAR, DISTRICT - HARDWAR, PIN - 247663, UTTARANCHAL, PH :247663-9719054422.

LOHRIASAL MALLA

1105.## ANJUNI SERVICE CENTRE (5552), NEAR BLOCK OFFICE, KALADHUNGI ROAD, LOHRIASAL MALLA, CITY - HALDWANI, UTTARAKHAND - 263139., PH :263139-9837098699.

NEW TEHRI

1106.## BHAGWATI SERVICE CENTER (4472), SECTOR-8E/537, NEAR STADIUM, BARURI, NEW TEHRI, GARWAL (UTTARANCHAL), PH :249001-7895219517.

PAURI

1107.## KRISHNA MOTORS (5957), SHRINAGAR ROAD, NEAR KARGIL SHAHEED PETROL, PUMP, PAURI-246001, DISTRICT-PAURI GARHWAL, UTTARANCHAL, PH :246001-9412003074.

PITHORAGARH

1108.## CAR CARE CENTER (4371), CANT ROAD, PITHORAGARH, UTTARANCHAL, PH :262501-9756204288.

1109.## MAHAKALI MOTORS (4142), DHARCHULA ROAD, RAI BRIDGE, PITHORAGARH, UTTARANCHAL, PH :262501-9897922203 9634713124.

RANIKHET

1110.## LATIF MOTOR WORKS (3269), SADAR BAZAR, GANDHI CHOWK, RANIKHET, (UTTARANCHAL), PH :263645-9761250801.

RISHIKESH

1111.## GARHWAL GASOLINE STATION (3639), .H.P. PETROL PUMP, LAXMAN JHULA ROAD, RISHIKESH-249 201, PH :249137-9837377767.

1112.* RAKESH AUTOMOBILE ENGINEERS (1464), OPP. BHARAT MANDIR INTER COLLEGE, HARDWAR ROAD, RISHIKESH-249 201, PH :249137-9412051655.

ROORKEE

1113.## DUM DUM ENGG. WORKS (1343), GROUND FLOOR, A TO Z TOWER, NEAR SOLANI BRIDGE, HARIDWAR ROAD, ROORKEE, PH :247664-8449155002.

1114.## ROORKEE AUTO SCANNERS (2675), 786 WEST AMBER TALAB, RAM NAGAR CHOWK, ROORKEE-247 667, PH :247664-7017003404.

RUDRAPRAYAG

1115.## RAJESHWARI AUTOMOBILES (5669), BADRINATH ROAD, GHOLTIR, RUDRAPRAYAG, DISTRICT - RUDRAPRAYAG, UTTARANCHAL, PH :246171-9997217788.

RUDRAPUR

1116.** BALAJI SERVICE CENTRE (1335), HALDWANI ROAD, RUDRAPUR(NAINITAL), (U.P.), PH :263153-9837021941.

1117.** CORUS MOTORS (5059), D1 D2/20/1, NANITAL ROAD, DISTRICT - U.S. NAGAR , UTTARAKHAND, PH :263153-9927500007.

SIMLI

1118.## PINDER AUTOMOBILES (5527), PLOT # K6-C9, INDUSTRIAL AREA , NEAR KARNAPRAYAG - SIMLI, UTTARANCHAL, PH :246449-9412977249.

SITARGANJ

1119.## SHRI RAM MOTORS (5833), AGARWAL BHAWAN BYE PASS ROAD, SITARGANJ-242605, DISTRICT-UDHAM SINGH NAGAR, UTTARANCHAL, PH :262405-8859485786.

VIKASNAGAR

1120.## SOUMYA MOTORS (4272), CHAKRATA ROAD, BEHIND STATE BANK OF INDIA, VIKASNAGAR, DISTT .DEHRADUN (U.A), PH :248198-9412382490.

WEST BENGAL

ALIPURDUAR

1121.## PRADDYOUT AUTOMOBILE WORK (653), PURAN BAZAR, P.O.ALIPURDUAR, JALPAIGURI, WEST BENGAL, PH :736121-9832487473.

ARAMBAGH

1122.## MARUTI ZONE (3748), PARUL, ARAMBAGH, HOOGHLY, WEST BENGAL, PH :712413-9434345047.

ASANSOL

1123.## AGARWALLA AUTO SERVICE (3122), 181 BURNPUR ROAD, P.O. BURNPUR, DT. BURDWAN-713 325, (WEST BENGAL), PH :713325-9832179346.

1124.** WEST END MOTORS (1665), KALYANPUR SATELITE TOWNSHIP PROJECT, KANYAPUR LINK ROAD, PALASHDIAH MORE, PO-KANYAPUR, PIN-713341, ASANSOL, WESTBENGAL, PH :713341-8798107541.

BAHRAMPUR

1125.* MARUTI CARE (3674), NH-34 UTTARPARA MORE, P.O. RADHARGHAT, BERHAMPORE, MURSHIDABAD -742 187 (WEST BENGAL), PH :742187-9434394040.

1126.## NARAYAN BUS SERVICE (656), 17 RABINDRA THAKUR ROAD, P.O. BAHARAMPUR (WEST BENGAL), PH :742101-9732628065.

BALURGHAT

1127.## GHOSH AUTOMOBILES (2644), NARAYANPUR, BALURGHAT, DAKSHIN DINAJPUR-733 101, PH :733101-9434963493.

BANDEL

1128.## CAR HOSPITAL (3675), 2 NO. NETAJI PARK, G.T. ROAD, (OPP. MILITARY COLONY), BANDEL (WEST BENGAL), PH :712102-9038021085.

BARRACKPORE

1129.## SAMANTA AUTOMOBILES (268), CHIRIMORE, BARRACKPORE-743 101, NORTH -24 PARGANAS, WEST BENGAL, PH :743101-9831054432.

BIRPARA

1130.## PRATAP ENGINEERING WORKS (8942), NH-31, DEMDIMA, PO-BIRPARA, PIN -735204, DISTRICT JALPAIGURI, WEST BENGAL, PH :735204-9832429319.

BOLPUR

1131.## BASUNDHARA AUTOMOBILES (4241), GOAL PARA, BOLPUR SURI ROAD, BOLPUR, PH :731235-9832132851.

CHINSURAH

1132.## UNIVERSAL AUTO REMEDY (648), C/O MR.BN CHATTERJEE, BHAGABOTI DANANG KHADINA MORE, PO CHINSURAH, HOOGHLY-712102, PH :712102-9830056592.

COOCH BEHAR

1133.## PROVA AUTOMOBILES (8936), CHAKCHAKA CHECK POST, NH-31, COOCH BEHAR-736 101, (WEST BENGAL), PH :736101-9434174309.

DINHATA

1134.## DINHATA AUTOMOBILES (6739), BALRAMPUR ROAD PO/PS.DINHATA, DISTRICT.COOCHBEHAR, PIN-736135, WEST BENGAL, PH :736135-9434256518.

DURGAPUR

1135.## THE QUICKEST (2879), BANS KOPA, (NEAR PARADISE INN), G.T. ROAD, DURGAPUR-713 212, PH :713212-9832165126.

FARAUKA

1136.** SPEED WHEEL SERVICE CENTRE (1056), TTS HCC COLONY, FARAUKA, P.O. NABARUN, DISTT. MURSHIDABAD (W.B.), PH :742236-9434101917.

HALDIA

** A-Category Mass : Free & paid Service, Major repairs & Accidental repairs
C-Category Mass : Free & paid Service & Minor repairs

* B-Category Mass : Free & paid Service & Major repairs
D-Category Mass : Free Service & Minor repairs

Maruti Authorized Service Station (AS ON 30.05.2023)

1137.** S.D. REPAIRING CENTRE (2168), I.O.C. GATE NO.1, P.O. HALDIA OIL REFINERY, HALDIA-721 606, DISTT. MIDNAPORE (W.B.), PH :721606-9434021405.

HOWRAH

1138.## GREWAL AUTO SERVICE (1570), 97/1 FORESHORE ROAD, SHIBPUR, HOWRAH-711 102, PH :711102-9831017806.

JAIGAON

1139.** SHAKTI TRADING CO. (770), M.G. ROAD, JAIGAON-736 182, , PH :736182-7760808990.

JALPAIGURI

1140.** AUTOSTEL (646), SAKOAJHORA, P.O. GAIRKATA-735 212, DIST.JALPAIGURI, (W.B.), PH :735212-9934118668.

1141.** S.S. AUTOMOBILES (3664), ASSAM MORE, JALPAIGURI, WEST BENGAL-735 101, PH :735101-9434340252.

KALYANI

1142.## GOPAL AUTO SERVICE CENTRE (3373), B.K. EXPRESSWAY, BUDHHA PARK, KALYANI-741 235, NADIA (WEST BENGAL), PH :741235-9831319161.

1143.## KRISHNA ENGINEERING WORKS (5270), PLOT NO.199,KANTABELE.O.N.G.C ROAD, KALYANI EXPRESS ROAD,PO.GHORAGACHHA, PS - KALYANI, WEST BENGAL, PH :741245-7439007218.

KOLKATA

1144.** ADAMS MOTOR WORKS (465), 61 A SHAKESPEARE SARANI, CALCUTTA-700 017, , PH :700017-9830703287.

1145.## AUTO SCAN (2272), 100/1 B.T. ROAD, CALCUTTA-700 090, , PH :700090-9231622309.

1146.** AUTOKRAFT (620), F 1/G-3, RIC IND.ESTATE UPEN BANERJEE ROAD, PARNASREE, CALCUTTA - 700060 (W.B), PH :700060-9830053331.

1147.* BHAWANIPUR AUTO CENTRE (628), 49 S.P.MUKHERJEE ROAD, CALCUTTA - 700 026 (W.B) , , PH :700026-9831783130.

1148.## CAMAC (621), 2/E CAMAC STREET, CALCUTTA-700016(W.B), , PH :700016-9831493716.

1149.## CLASSIC ENGINEERING WORKS (3171), C/O CLASSIC ENGINEERING WORKS, 620 D H ROAD BEHALA INDUSTRIAL ESTATE, PLOT NO.G-1, KOLKATA-700 034, PH :700034-9903390559.

1150.* DELUXE SERVICE STATION (672), P-256 257 CIT ROAD, CALCUTTA-700 010, , PH :700010-9836490083.

1151.** DIAL AUTOMOBILES PVT.LTD. (643), 162 A PARY MOHAN RAY ROAD, CALCUTTA-700027(W.B), , PH :700027-9830562191.

1152.## FORTUNE AUTO CARE (3167), 16 G/6 KHANPUR ROAD, KOLKATA-700 047, (W.B.), PH :700047-9831754527.

1153.## INTERNATIONAL AUTO WORKS (2648), 48-C SOUTH TANGRA ROAD, KOLKATA-700 046, , PH :700046-9163703015.

1154.* MARUTI LINK (1633), CK-12 SECTOR 2, SALT LAKE, CALCUTTA-700 091, PH :700091-9831180421.

1155.** MOTORKRAFT (635), P-149 REMOUNT ROAD, CALCUTTA-700 027 (W.B) , , PH :700027-033-24493849.

1156.** NORTH POINT MOTORS PVT. LTD. (344), DUTTO BAGAN - 3D/1 BUS TERMINUS, 64/2B BELGACHIA ROAD, CALCUTTA-700 037, PH :700037-9830220069.

1157.* PRINCE MOTOR WORKSHOP (2845), TM - 2/8 TEGHARIA, P.O. HATIARA, CALCUTTA-700 069, , PH :700069-9875625595.

1158.** R.S. SERVICE CENTRE (1948), 1/2 MAHENDRE ROY LANE, CALCUTTA-700 046, PH :700046-9831170273.

1159.* RAJ AUTO SERVICE (5338), 35.CANAL EAST ROAD, KOLKATA , PIN - 700011, WEST BENGAL, PH :700011-9831103901.

1160.## ROYAL CALCUTTA AUTOMOBILES (4651), 68 BROAD STREET, KOLKATA-700019, , PH :700019-877762005.

1161.## RUSSA ROAD SERVICE STATION (622), 30 SP MUKERJEE RROAD, CALCUTTA - 700025 (W.B) , , PH :700025-9748757842.

1162.## SONA AUTO UDYOG (3144), 1404 PURBACHAL MAIN ROAD, OPP. KALIKAPUR MARKET, KOLKATA-700 099, PH :700099-9804608684.

1163.## TECHNIO AUTO WORKS (4669), 619, RAJA RAM MOHAN ROY ROAD, BIREN ROY ROAD EAST, BEHALA, KOLKATA-700008, PH :700008-9830111258.

1164.## ULTRA CRAFT (4643), 103/1B, RAJA DINENDRA STREET, KOLKATA-700006, WEST BENGAL, PH :700006-9831313321.

1165.## YOUNG AUTOMOBILES (637), 50/2 HAZARA ROAD, CALCUTTA-700 019.(W.B) , , PH :700019-9830778611.

1166.## ZENITH AUTO (5529), BOHLA NATH SARANI,CHINAR PARK, RAJARHAT , KOLKATA-700157, DISTRICT - KOLKATA, WEST BENGAL, PH :700157-9830643781.

1167.## ZOVAN AUTOMOBILES PVT. LTD (5578), 42/A1B,RAJA SANTOSH ROAD, KOLKATA, DISTRICT - KOLKATA, WEST BENGAL, PH :700027-9831082193.

KRISHNANAGAR

1168.## HIGHWAY SERVICE CENTRE (4455), ASHA DEEP, N.H-34, KRISHNANAGAR, NADIA-741101, WEST BENGAL, PH :741101-9434165494.

1169.## TARA MA AUTOMOBILES (1947), AURBINDRA SARANI (NEAR KRISHNANAGAR WOMEN'S COLLEGE), KRISHNANAGAR,NADIA, , WEST BENGAL 7411011, PH :741101-8001100930.

MADHYAMGRAM

1170.## BEHAL'S AUTOMOBILE (4653), DOLTALA, GANGANAGAR, MADHYAMGRAM, KOLKATA-700129 (WEST BENGAL), PH :700129-9831094430.

1171.* PAUL AUTOMOBILES (671), JESSORE ROAD, MADHYAMGRAM, DOHARIYA PO GANGANAGAR, DISTT 24 PGNS NORTH, PH :700132-9830239001.

MALDA

1172.## ABHISEK AUTO CENTRE (1976), N.H.34, NEAR ST. XAVIER SCHOOL, P.O. MOKDUMPUR, DISTT. MALDA-732 101 (W.B.), PH :732101-9434065360.

MIDNAPORE

1173.## CHATTERJEE AUTOMOBILE (4960), INDUSTRIAL GROWTH AREA, KHASJANGAL (NEAR KERANCHOTI), MIDNAPORE-721101, DISTRICT-PACHIM MIDNAPORE, PH :721101-9434043558.

NARENDRAPUR

1174.## A.M. AUTOMOBILES (3175), KAMALGAZI, NARENDURPUR, KOLKATA-700 103, (WEST BENGAL), PH :700103-8335860051.

PURULIA

1175.## BANERJEE AUTO SERVICE (640), S.P.BANERJEE ANALBILA VILLA, RANCHI ROAD, PURULIA, (W.B), PH :723101-9434656942.

1176.## RAGHUNATHGANJ

1176.## AUTO WHEEL (4427), NH 34, UMAPUR, PO GHORSALA, DO MURSHIDABAD, WEST BENGAL, PIN 742235, PH :742235-9434101917.

RUPNARAYANPUR

1177.## LK MOTORS PVT.LTD. (3477), NH 2 BYPASS, POINT (CHOWRANGI), RUPNARAYANPUR (CHHALBAPUR), BURDWAN-713 343, PH :713343-9091393214.

SILIGURI

1178.## BHAWANI MOTOR GARAGE (4844), BIDYASAGAR PALLY, NEAR RISHI BHAWAN, BURDWAN ROAD, SILIGURI-734405, WEST BENGAL, PH :734405-9641162127.

1179.## MUM AUTO WORKS (4835), NEAR DELHI PUBLIC SCHOOL, PANCHANAI (DAGAPUR), SILIGURI, WEST BENGAL-734003, PH :734003-9832068537.

SODEPUR

1180.** CAR CARE (8929), B.T. ROAD, SODEPUR, P.O.: SUKCHAR, 24 PARGANAS (NORTH), PH :700115-9674907411.

SRIRAMPUR

1181.* MARUTI AUTO CENTRE (2167), 85/18 G.T. ROAD (WEST), PO : MULLIKPARA, SRIRAMPUR, HOOGLY-712 203 (W.B.), PH :712203-9830191251.

SURI

1182.## PANCHANATH AUTOMOBILES (4456), BROJARGRAM BARABAGAN, BAKRESWAR PATHARCHAPURI HIGHWAY MORE, SURI, WEST BENGAL-731101, PH :731101-9732026250.

ULUBERIA

1183.## APSARA SERVICE STATION (3374), NEAR BANITABLA CHECKPOST, ON NH-6, ULUBERIA-711 316, (W.B), PH :711316-7797484735.

** A-Category Mass : Free & paid Service, Major repairs & Accidental repairs

C-Category Mass : Free & paid Service & Minor repairs

* B-Category Mass : Free & paid Service & Major repairs

D-Category Mass : Free Service & Minor repairs

DELHI

DELHI

1. MARUTI SALES & SERVICE(DELHI) (0810-08-01),
C-119, INDUSTRIAL AREA PHASE-I, NARAINA,
NEW DELHI - 110028
PH :45541113.
2. J J IMPEX (DELHI) LTD(MARUTI SERVICE
MASTERS) (0883-08-01), F-39,OKHLA
INDUSTRIAL AREA,PHASE-II,NEW DELHI -
110020
PH :41612194, 40685500.

TAMIL NADU

CHENNAI

3. J J IMPEX (DELHI) LTD(MARUTI SERVICE
MASTERS) (1485-14-01), # 9, (SP), THIRU-VI-KA
INDUSTRIAL ESTATE, GUINDY, CHENNAI -
600032
PH :044-43563366, 43563367, 9176615000.

ARUNACHAL PRADESH

ITANAGAR

- HIBRO AUTOMOBILES (7581-75-01), D-SECTOR, DISTT: PAPUMPARE, ITANAGAR - 791111 PH :700537938.

ASSAM

BARPETA

- ROY AUTO ENGINEERING WORKS (7Z81-TZ-01), POST OFFICE, BARPETA ROAD, MAIN ROAD , WARD NO.-4, ASSAM - 781315 PH :9954069396.

DULIAJAN

- B.S. MOTORS (X881-X8-01), NO. 01, BORPOTHAR TINALI, DULIAJAN. - 786602 PH :9435719753.

BIHAR

PATNA

- CITY AUTO SERVICES (1582-15-01), 9/1, PATLIPUTRA INDUSTRIAL ESTATE, PATLIPUTRA , PATNA - 800013 PH :9334117070/8210810240.

DELHI

DELHI

- GALAXY AUTOMOBILES (0881-08-01), 8 INDUSTRIAL AREA, TILAK NAGAR, NEW DELHI, - 110018 PH :43276666.
- A M AUTOMOBILES (A UNIT OF BLUE BIRD ENTERPRISES) (0891-08-01), 189-91, ,LAWRANCE ROAD, DELHI - 110035 PH :48280000.

HARYANA

BALLABGARH

- ROYAL MOTORS (9R82-9R-01), 21/5, G. T. ROAD, BALLABHGARD, DISTT-FARIDABAD - 121004 PH :4271800; 9899232536;9212142536.

MURTHAL

- MURTHAL AUTO PVT. LTD. (BV81-BV-01), 44 HSIDIC, MURTHAL - 131027 PH :9215182230.

PANCHKULA

- CARE TAKER (K381-K3-01), PLOT NO. 36, INDUSTRIAL AREA, PHASE-2, PANCHKULA - 134113 PH :9914115427.

PANIPAT

- VIJAY MOTORS (D381-D3-01), PLOT# 136, INDUSTRIAL AREA, PHASE-1 - 132103 PH :9896118618.

SAHA

- PUNJAB MOTOR & ENGG WORKS (1881-18-01), NH-73, SHAHZADPUR ROAD, SAHA, DISTT.- AMBALA - 133104 PH :9896666402.

YAMUNANAGAR

- HIRA MOTOR GARAGE (D281-D2-01), PLOT NO 46, SHIVAJI PARK, OPPOSITE MADHU PALACE, YAMUNANAGAR, HARYANA - 135001 PH :8950000069.

HIMACHAL PRADESH

JASSUR

- CLASSIC MOTOR GARAGE (8H81-8H-01), TEHSEEL NOOPUR, KANGRA, JASSUR, HIMACHAL PRADESH - 176201 PH :9882217575 , 9459500613.

JAMMU AND KASHMIR

SRINAGAR

- RAHIM MOTORS (1281-12-01), SIDGO INDUSTRIAL AREA, RANGRETH, SRINAGAR - 2441384 PH :9906631702.

JHARKHAND

RANCHI

- PODDAR MOTOR (P) LTD. (5181-51-01), 47, 48, KOKAR INDUSTRIAL AREA, RANCHI. - 834001 PH :2544661, 2542650.

KERALA

COCHIN

- AUTOTEAM SALES & SERVICES PVT LTD (2781-27-01), PIPELINE ROAD, PADIVATTOM, COCHIN, ERNAKULAM, COCHIN - 682024 PH :9025730007.

PATHANAMTHITTA

- AGT MOTORS (W881-W8-01), AGT TOWERS, PUTHENPEEDI, OMALLUR, PATHANAMTHITTA - 689640 PH :9288117477.

MADHYA PRADESH

NEEMUCH

- AUTO SCAN (3T81-3T-01), MHOW ROAD, NEEMUCH, MADHYAPRADESH, - 458441 PH :9425106588.

MAHARASHTRA

PUNE

- MARUTI CARE POINT (1981-19-02), 17/1, RAHATANI, AUNDH-CHINCHWAD ROAD, OPP PCMC 'D' PRABHAG KARYALAY, NEXT TO HP SUBHIKA PETROL PUMP, RAHATANI, PUNE, MAHARASHTRA - 411017 PH :9689901459.

THANE

- THANAWALA MOTOR AGENCY (P) LTD (3981-39-01), B-31, OPPOSITE ITI, WAGLE ESTATE MAIN ROAD, WAGLE ESTATE, THANE - 400007 PH :9833947772, 9833947778.

ODISHA

KEONJHAR

- KUMAR AUTOMOBILES (7U81-TU-01), DHRUPADA, KEONJHAR, ORISSA - 758001 PH :9437075366.

PUNJAB

BATALA

- CITI AUTOMOBILES (V581-V5-01), NEAR GURUDWARA ACHAL SAHIB, PATHANKOT JALANDHAR ROAD, BATALA, - 143505 PH :9876024243 , 9876024254.

MOGA

- SM AUTO CARE CENTRE (H681-H6-01), OOP. ITI , G. T. ROAD, MOGA - 142001 PH :06136-228807.

RAJASTHAN

JAIPUR

- KATARIA AUTOZONE PVT.LTD (1181-11-01), 1-A , NARAYANPURI, KATARIA KRISHI FARM, SIRSI ROAD, JAIPUR - 302034 PH :7427059388.

TELANGANA

HYDERABAD

- RETOUCH (1082-10-01), H.NO. 3-67/A, B, C, D, NEW NAGOLE COLONY, NAGOLE VILLAGE, HYDERABAD, NAGOLE, HYDERABAD - 500068 PH :9848062263.

UTTAR PRADESH

ALIGARH

- VINEET MOTORS (B681-B6-02), PLOT NO D-138 &139, SECTOR-1, TALA NAGARI, RAMGHAT ROAD, ALIGARH - 202001 PH :9917473052, 9582123586.

GHAZIABAD

- KAP AUTOMOBILES PVT. LTD. (5981-59-01), D-BLOCK SHASHTRI NAGAR, HAPUR ROAD, GHAZIABAD - 201002 PH :0120-4538200, 9717629599, 9810523345.
- CHIRAG AUTOMOBILES (5983-59-01), PLOT NO. B1, SECTOR-B3, TRONICA CITY, GHAZIABAD - 201102 PH :9582945510, 9999107841.

LUCKNOW

- K M AUTOCRAFT (1381-13-01), 76/3, BARAURA, HUSSAIN BARI, HARDOI ROAD, LUCKNOW - 226003 PH :2473369.

MEERUT

- UNIQUE CAR SCANNERS (4881-48-01), PLOT NO:514/4, SURAJ KUND ROAD, MEERUT, - 250001 PH :9837072642.

NOIDA

- MOTORCRAFT INDIA PVT LTD (A181-A1-01), F-8 & 9, SECTOR-8, NOIDA - 201301 PH :08826172222 & 09971698689.
- MOTORCRAFT INDIA PVT LTD (A181-A1-02), C-125, SECTOR-63, NOIDA, - 201301 PH :09958732222 & 09910282222.
- JKM MOTORS (A184-A1-01), A-25, SECTOR 9, DISTT. GAUTAM BUDH NAGAR, NOIDA - 201303 PH :0120-4052400, 9899424000.
- FAST TRACK AUTOCARE (INDIA) PVT. LTD. (A185-A1-01), A-13, SECTOR 63, NOIDA, G.B. NAGAR - 201301 PH :4581111; 4581131/9650631111.

SAHIBABAD

- FAST TRACK SERVICES (M981-M9-01), PLOT NO.401/B/2, 3 & 4, SITE 4, INDUSTRIAL AREA, SAHIBABAD, DISTT. GHAZIABAD (U.P.) - 201010 PH :9650868111.

UNNAO

- VISHAL WHEELERS PVT. LTD. (1382-KL-01), PLOT NO. 1164, KANPUR-LUCKNOW BYPASS, UNNAO, UTTAR PRADESH, - 209801 PH :2830610,2831248.

VARANASI







- PRATAP ENGINEERS (8481-84-01), S 2, 653/A-2, CLUB ROAD, VARANASI - 221002 PH :25100469, 9415203641.

WEST BENGAL

KOLKATA

- MANOCO SALES (P) LTD. (0681-06-01), 25/1, CHETLA CENTRAL ROAD, OPPOSITE CHETLA PARK, KOLKATA - 700027 PH :24568326, 24486568, 24568325.

BATTERY LABEL SYMBOL MEANINGS

	No smoking, no naked flames, no sparks			Battery acid
	Shield eyes			Note operating instructions
	Keep away from children			Explosive gas

Prepared by

MARUTI SUZUKI INDIA LIMITED

Service Division

October, 2023

Part No. 99011M69R09-74E

Printed in India

**For round-the-clock on-road assistance,
call Maruti On-road Service at 1800 102 1800[#] / 1800 1800 180[#]**

No STD code to be prefixed.

 **MARUTI SUZUKI**
GENUINE ACCESSORIES

 **MARUTI SUZUKI**
GENUINE PARTS

 **MARUTI SUZUKI**
COST PROTECT

 **MARUTI SUZUKI**
HELPLINE

 **MARUTI SUZUKI**
ROAD SERVICE

SERVICE DIVISION
MARUTI SUZUKI INDIA LIMITED

Palam-Gurgaon Road, Gurgaon – 122 015 (Haryana), India

Visit us at: www.marutisuzuki.com



99011M69R09-74E