

TABLE OF CONTENTS

Products 04-06

New Part Numbers 08

Application by Make

| | |
|--------------|-------|
| ACURA | 09 |
| ALFA ROMEO | 09 |
| AUDI | 09-10 |
| AVANTI | 10 |
| BMW | 10 |
| BUICK | 10-11 |
| CADILLAC | 11-12 |
| CHEVROLET | 12-13 |
| CHRYSLER | 13-14 |
| CITROEN | 14-15 |
| DACIA | 15 |
| DAEWOO | 15 |
| DODGE | 15-16 |
| EAGLE | 16 |
| EXCALIBUR | 16 |
| FIAT | 16 |
| FORD | 16-18 |
| FREIGHTLINER | 18 |
| GEO | 18 |
| GM | 18 |
| GM DAEWOO | 18-19 |
| GMC | 19-20 |
| HOLDEN | 20 |
| HONDA | 20 |
| HUMMER | 20 |
| HYUNDAI | 20-21 |
| INFINITI | 22 |
| ISUZU | 22 |
| JAGUAR | 22 |
| JEEP | 22 |
| KIA | 22-23 |
| LANCIA | 23 |
| LEXUS | 23 |
| LINCOLN | 23-24 |

| | |
|-----------------|-------|
| MAZDA | 24 |
| MERCEDES-BENZ | 24-25 |
| MERCURY | 25 |
| MINI | 25 |
| MITSUBISHI | 25 |
| NISSAN | 25-26 |
| OLDSMOBILE | 26 |
| OPEL | 26-27 |
| PEUGEOT | 27-28 |
| PLYMOUTH | 28 |
| PONTIAC | 28-29 |
| RENAULT | 29-30 |
| RENAULT SAMSUNG | 30 |
| ROVER | 30 |
| SAAB | 30 |
| SATURN | 30-31 |
| SCION | 31 |
| SEAT | 31 |
| SKODA | 31 |
| SUBARU | 31 |
| SUZUKI | 31 |
| TOYOTA | 31-32 |
| VAUXHALL | 32-33 |
| VOLKSWAGEN | 33 |
| VOLVO | 33-34 |
| VW | 34 |

Application by part NO. ... 35-78

Competitive Interchange 79-96

ILJIN Interchange 97-121

Dimension by Generation

| | |
|------------------------------|---------|
| Generation.1 Ball and Taper | 121-123 |
| Generation.2 Ball and Taper | 124-127 |
| Generation.3S Ball and Taper | 128-131 |
| Generation.3 Ball and Taper | 132-137 |



MORE CREATIVE, MORE INNOVATIVE, EXCELLENCE IN BEARINGS

ILJIN is widely known as a global leader in providing leading technology automotive components of the highest quality.

ILJIN's core expertise is two-fold; providing application-proven standard product designs or designing a custom-made solution for your specific application. Either way, all of ILJIN's products go through the same rigorous design, testing and quality standards that you would expect from a leader in supplying world-class product solutions.

PRODUCTS

Starting with the production of transmission gears and hot-forged automotive parts in 1978, ILJIN has developed technologies, taken on constant challenges, and played a major role in the domestic production of wheel bearings and the development of steering parts.

1. Wheel Bearings

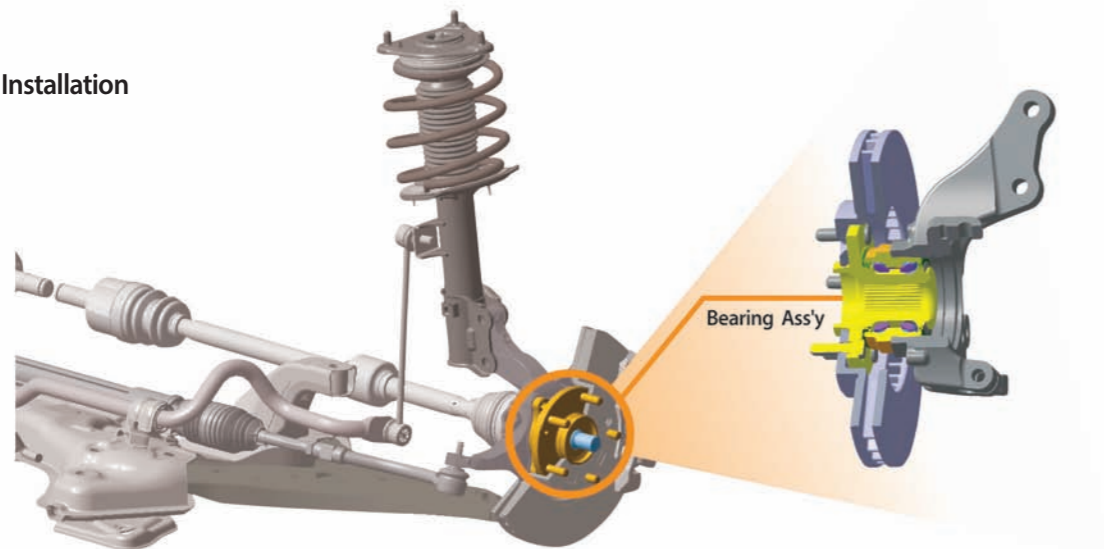
1) Ball Bearings



2) Taper Bearings



Installation



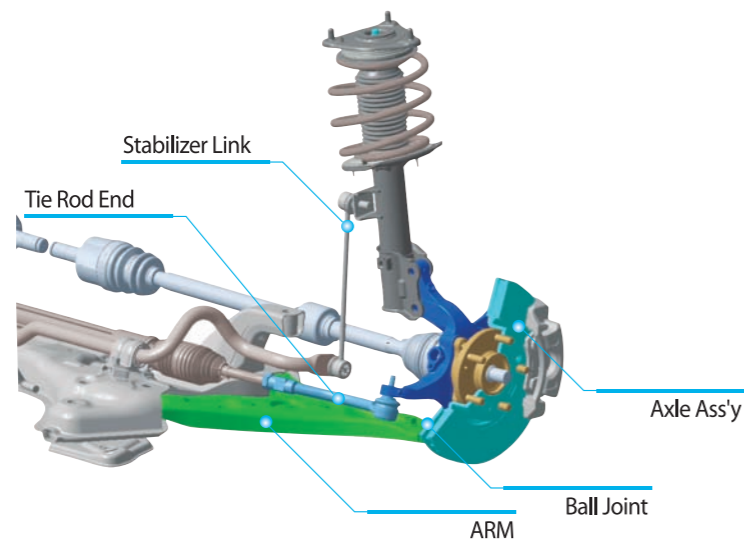
Structure of Wheel Bearing



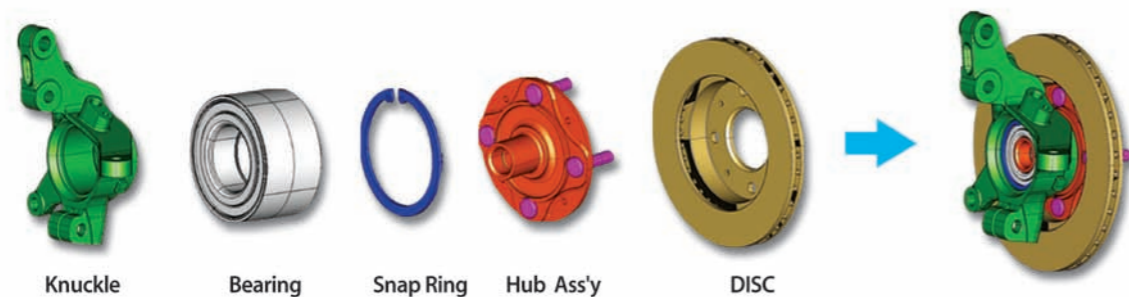
2. Suspension & Steering Parts



Installation



Structure of Axle Ass'y



3. Other Parts

1) Sensor



2) Door Checker



WHEEL BEARINGS

NEW PART NUMBERS

NEW PART NUMBERS

| PART NO. | PART NO. | MODEL | YEAR | LOCATION & VEHICLE TYPE | | |
|-------------------|-----------|---------------------|-----------|-------------------------|-------|-------|
| | | | | | | |
| U133033 | BMW | 1 | 2011- | Front | | |
| | | 3 | 2011- | Front | | |
| U133036 | BMW | X5 | 12-07 | Front | | |
| | | X6 | 12-08 | Front | | |
| U123110 | BUICK | ALLURE | 10 | Rear | | |
| | | RACROSSE | 13-10 | Front | | |
| | | RACROSSE | 14-10 | Rear | | |
| | | REGAL | 13-11 | Rear | | |
| | CHEVROLET | EQUINOX | 13-10 | Front | | |
| | | MALIBU | 13 | Front | | |
| | GMC | TERRAIN | 13-10 | Front | | |
| | | SAAB | 9-5 | 11-10 | Front | |
| U141001 | CHEVROLET | PRIZM | 02-98 | Front | | |
| | | GEO | PRIZM | 97-89 | Front | |
| | TOYOTA | COROLLA | 02-98 | Front | | |
| | | U223086 | CHEVROLET | SILVERADO 2500 | 12-07 | Front |
| SILVERADO 2500 HD | 10-07 | | | Front | | |
| SILVERADO 3500 HD | 10-07 | | | Front | | |
| | GMC | SIERRA 2500 HD | 10-07 | Front | | |
| | | SIERRA 3500 HD | 10-07 | Front | | |
| | | YUKON XL 2500 | 13-07 | Front | | |
| | HUMMER | H2 | 09-08 | Front | | |
| U123109 | CHRYSLER | DODGE GRAND CARAVAN | 11-08 | Rear | | |
| U123111 | | DODGE GRAND CARAVAN | 13-11 | Rear | | |
| U123104 | | DODGE JOURNEY | 08 | Rear, 2WD | | |
| U123105 | | DODGE JOURNEY | 08 | Rear, 2WD | | |
| U123106 | | DODGE JOURNEY | 08 | Rear, 4WD | | |
| U123107 | | DODGE JOURNEY | 08 | Rear, 4WD | | |
| U123108 | | DODGE JOURNEY | 08 | Front | | |
| U111013 | DACIA | NOVA | 03-96 | Front | | |
| | | SOLENZA | 03- | Front | | |
| | | RENAULT | 9 | 89-81 | Front | |
| | | | 11 | 88-83 | Front | |
| | | 19 | 95-88 | Front | | |
| | | CLIO | 98-90 | Front | | |
| | | CLIO II | 09-98 | Front | | |
| | | EXTRA VAN | 98-85 | Front | | |
| | | SUPER 5 | 96-84 | Front | | |
| | | THALIA | 00- | Front | | |
| TWINGO | 93- | Front | | | | |
| U223083 | DODGE | RAM 2500 | 11-09 | Front, 4WD | | |
| | | RAM 3500 | 11-09 | Front, 4WD | | |
| U223084 | DODGE | RAM 2500 | 11-09 | Front, ABS | | |
| | | RAM 3500 | 11-09 | Front, ABS | | |
| U132027 | FORD | C-MAX I | 07- | Front | | |
| | | FOCUS C-MAX | 04- | Front | | |
| | | FOCUS II | 04- | Front | | |

NEW PART NUMBERS

| PART NO. | PART NO. | MODEL | YEAR | LOCATION & VEHICLE TYPE | | |
|----------|----------|--------------------------|-------|-------------------------|-------------|------------|
| | | | | | | |
| U123114 | FORD | EDGE | 13-11 | Rear | | |
| | | FLEX | 14-09 | Front, Rear | | |
| | | POLICE INTERCEPTER SEDAN | 13 | Rear | | |
| | | TAURUS | 14-10 | Front, Rear | | |
| | | LINCOLN | MKS | 14-09 | Front, Rear | |
| | | MKT | 14-10 | Front, Rear | | |
| | | MKX | 13-11 | Rear | | |
| | | UJ223082 | FORD | F-150 | 10-09 | Front, ABS |
| UJ223090 | FORD | F-250 SUPER DUTY | 09-05 | Front, ABS, 4WD | | |
| | | F-350 SUPER DUTY | 10-05 | Front, ABS, 4WD | | |
| UJ223089 | FORD | F-250 SUPER DUTY | 10-05 | Front, ABS, 4WD | | |
| | | F-350 SUPER DUTY | 10-05 | Front, ABS, 4WD | | |
| | | F-450 SUPER DUTY | 10 | Front, ABS, 4WD | | |
| | | F-550 SUPER DUTY | 10 | Front, ABS, 4WD | | |
| UJ223091 | FORD | F-450 SUPER DUTY | 10-05 | Front, ABS, 4WD | | |
| | | F-550 SUPER DUTY | 10-05 | Front, ABS, 4WD | | |
| UJ223092 | FORD | F-450 SUPER DUTY | 10-05 | Front, ABS | | |
| | | F-550 SUPER DUTY | 10-05 | Front, ABS | | |
| UJ232003 | FORD | TRANSIT V1, 1TON | 06- | Front | | |
| UJ232004 | FORD | TRANSIT, 1TON | 12- | Rear | | |
| UJ232005 | FORD | TRANSIT, 2TON | 12- | Rear | | |
| UJ123101 | HONDA | ODYSSEY | 10-05 | Rear | | |
| UJ223085 | INFINITI | QX56 | 10-08 | Front | | |
| | NISSAN | ARMADA | 12-08 | Front | | |
| | | TITAN | 12-08 | Front | | |
| UJ123102 | JEEP | LIBERTY | 05-02 | Front | | |
| UJ123103 | JEEP | WRANGLER | 14-07 | Front | | |
| U143015 | MAZDA | 3 | 13-04 | Rear | | |
| | | 5 | 14-06 | Rear | | |
| U143016 | MAZDA | 3 | 08-04 | Rear | | |
| UJ133034 | MINI | MINI COUNTRYMAN | 11- | Front, Rear | | |
| UJ133035 | PEUGEOT | PICASSO | 13- | Rear | | |

APPLICATION BY MAKE

ACURA

| MODEL | YEAR | LOCATION FRT/RR | VEHICLE TYPE | | | PART NO. |
|---------------------------|-------|--------------------|--------------|-----|-----|----------|
| | | | ABS | 2WD | 4WD | |
| CL | 03-01 | Front | | | | UJ141007 |
| CL | 99-97 | Front | | | | UJ142008 |
| CL 2.2L 4CYL L (2156) (-) | 99 | Front | | | | UJ142008 |
| CL 2.3L 4CYL L (2254) (-) | 99-98 | Front | | | | UJ142008 |
| CL 3.0L 6CYL L (2997) (-) | 99-97 | Front | | | | UJ142008 |
| CSX | 10-06 | Front | | | | UJ141002 |
| EL | 00-97 | Front | • | | | UJ141009 |
| EL | 05-01 | Rear | • | | | UJ142009 |
| INTEGRA | 01-90 | Rear | • | | | UJ142001 |
| INTEGRA | 01-94 | Rear | | | | UJ142010 |
| INTEGRA | 97-94 | Rear | | | | UJ142010 |
| MDX | 02-01 | Rear | | | | UJ141004 |
| MDX | 02-01 | Front | | | | UJ141007 |
| MDX | 06-03 | Front | | | | UJ121007 |
| RSX | 05-02 | Front | | | | UJ141007 |
| RSX | 06-02 | Front | | | | UJ141004 |
| RSX | 06-02 | Front | | | | UJ141007 |
| TL | 03-99 | Front | | | | UJ141007 |
| TL | 03-99 | Rear | • | | | UJ142005 |
| TL | 08-04 | Front | | | | UJ141002 |
| TL | 08-04 | Rear | | | | UJ142006 |
| TSX | 08-04 | Front | • | | | UJ141002 |

ALFA ROMEO

| MODEL | YEAR | LOCATION FRT/RR | VEHICLE TYPE | | | PART NO. |
|-------|-------|--------------------|--------------|-----|-----|----------|
| | | | ABS | 2WD | 4WD | |
| 145 | 01-98 | Rear | • | | | UJ132005 |
| 145 | 96-94 | Rear | • | | | UJ132015 |
| 146 | 01-98 | Rear | • | | | UJ132005 |
| 146 | 96-94 | Rear | • | | | UJ132015 |
| 147 | 03- | Front | • | | | UJ132020 |
| 147 | 04-01 | Rear | • | | | UJ132018 |
| 147 | 05-03 | Front | • | | | UJ132020 |
| 155 | 97-92 | Rear | • | | | UJ132015 |
| 156 | 04-97 | Rear | • | | | UJ132018 |
| 156 | 05-97 | Front | • | | | UJ132020 |
| 156 | 06-97 | Front | • | | | UJ132020 |
| 166 | 05-98 | Front | • | | | UJ132020 |
| 166 | 07-98 | Front | • | | | UJ132020 |
| GT II | 04-03 | Rear | • | | | UJ132018 |
| GT II | 05-03 | Front | • | | | UJ132020 |
| GT II | 10-03 | Front | • | | | UJ132020 |
| MITO | 08- | Rear | • | | | UJ132005 |

AUDI

| MODEL | YEAR | LOCATION FRT/RR | VEHICLE TYPE | | | PART NO. |
|-----------------------|-------|--------------------|--------------|-----|-----|----------|
| | | | ABS | 2WD | 4WD | |
| 90 | 91-88 | Front | | | | UJ131011 |
| 200 | 91-88 | Front, Rear | | | | UJ131011 |
| 200 | 91-89 | Front, Rear | | | | UJ131011 |
| 100 III | 90-88 | Front, Rear | | | | UJ131011 |
| 100 III | 94-89 | Front, Rear | | | | UJ131011 |
| 100 IV | 94-90 | Front, Rear | | | | UJ131011 |
| 80 IV | 94-91 | Front, Rear | | | | UJ131011 |
| A1 | 10- | Rear | | | | UJ132011 |
| A2 | 05-00 | Rear | | | | UJ132011 |
| A3 (8P1) | 08-04 | Rear | • | | | UJ132017 |
| A3 (8P1, OPA) | 08-04 | Rear | • | | | UJ132017 |
| A3 (8P7) | 08- | Rear | • | | | UJ132017 |
| A3 I (8L1) | 03-96 | Rear | • | | | UJ132001 |
| A3 II | 03- | Rear | • | | | UJ132023 |
| A3 SERIES 2 | 04-03 | Rear | • | | | UJ132023 |
| A4 | 07-02 | Front | | | | UJ132025 |
| A4 (8D2, 8D5, B5) | 01-96 | Front | | | | UJ131011 |
| A4 (8E2, B6) | 04-00 | Front | | | | UJ132025 |
| A4 (8E5, B6) | 04-00 | Front | | | | UJ132025 |
| A4 (8EC, 8ED) | 08-04 | Front | | | | UJ132025 |
| A4 (8H7, 8HE, B6, B7) | 09-02 | Front | | | | UJ132025 |
| A4 QUATTRO | 07-02 | Front | | | | UJ132025 |
| A6 | 04-00 | Front | | | | UJ132025 |
| A6 | 05-98 | Front | | | | UJ132025 |
| A6 | 08-04 | Front | | | | UJ132022 |
| A6 | 11-04 | Front | | | | UJ132022 |
| A6 (4A, C4) | 97-94 | Front, Rear | | | | UJ131011 |
| A6 (4B, C5) | 01-97 | Front, Rear | | | | UJ131011 |
| A6 (4B, C5) | 05-97 | Front, Rear | | | | UJ131011 |
| A6 ALLROAD | 06- | Front | | | | UJ132022 |
| A6 ALLROAD | 08-06 | Front | | | | UJ132022 |
| A6 QUATTRO | 04-00 | Front | | | | UJ132025 |
| A8 | 02-99 | Front | | | | UJ132025 |
| A8 (4D2, 4D8) | 99-96 | Front, Rear | | | | UJ131011 |
| A8 QUATTRO | 03-99 | Front | | | | UJ132025 |
| ALLROAD | 05-00 | Front, Rear | | | | UJ131011 |
| ALLROAD QUATTRO | 05-01 | Front, Rear | | | | UJ131011 |
| CABRIOLET | 00-92 | Front | | | | UJ131011 |
| CORDOBA | 05-02 | Rear | | | | UJ132011 |
| CORDOBA | 09-02 | Rear | | | | UJ132011 |
| COUPE | 96-88 | Front, Rear | | | | UJ131011 |
| COUPE QUATTRO | 96-88 | Front, Rear | | | | UJ131011 |
| FABIA | 06-99 | Rear | | | | UJ132011 |
| FOX | 05 | Rear | | | | UJ132011 |
| IBIZA IV | 02-95 | Rear | | | | UJ132011 |
| IBIZA IV | 09-02 | Rear | | | | UJ132011 |
| IBIZA Y | 08- | Rear | | | | UJ132011 |

AUDI

| MODEL | YEAR | LOCATION | VEHICLE TYPE | | | PART NO. |
|------------|-------|-------------|--------------|-----|-----|----------|
| | | FRT/RR | ABS | 2WD | 4WD | |
| POLO IV | 05-01 | Rear | | | | IJ132011 |
| Q3 | 11- | Rear | • | | | IJ132023 |
| R8 | 07- | Front | | | | IJ132022 |
| RS2 | 95-94 | Front, Rear | | | | IJ131011 |
| RS4 | 08-07 | Front | | | | IJ132025 |
| RS4 | 09-00 | Front, Rear | | | | IJ132025 |
| RS6 | 04-03 | Front, Rear | | | | IJ131011 |
| RS6 | 04-03 | Front | | | | IJ132025 |
| RS6 | 05-02 | Rear | | | | IJ131011 |
| RS6 | 05-02 | Front | | | | IJ132025 |
| S2 | 96-90 | Front, Rear | | | | IJ131011 |
| S4 | 01-92 | Front, Rear | | | | IJ131011 |
| S4 | 09-02 | Front | | | | IJ132025 |
| S4 | 09-03 | Front, Rear | | | | IJ132025 |
| S6 | 97-94 | Front, Rear | | | | IJ131011 |
| S6 | 97-95 | Front, Rear | | | | IJ131011 |
| S6 | 03-02 | Front | | | | IJ132025 |
| S6 | 05-99 | Front | | | | IJ132025 |
| S8 | 99-96 | Front, Rear | | | | IJ131011 |
| S8 | 02-99 | Front | | | | IJ132025 |
| S8 | 03-01 | Front | | | | IJ132025 |
| TT | 06- | Rear | • | | | IJ132023 |
| TT | 06-00 | Rear | • | | | IJ132001 |
| TT | 06-98 | Rear | • | | | IJ132001 |
| V8 | 94-88 | Front, Rear | | | | IJ131011 |
| V8 QUATTRO | 94-90 | Front, Rear | | | | IJ131011 |

AVANTI

| MODEL | YEAR | LOCATION | VEHICLE TYPE | | | PART NO. |
|------------|-------|----------|--------------|-----|-----|----------|
| | | FRT/RR | ABS | 2WD | 4WD | |
| AVANTI | 07-05 | Front | | | | IJ122012 |
| II | 04-01 | Front | • | | | IJ123027 |
| PT CRUISER | 10-01 | Rear | • | | | IJ122014 |

BMW

| MODEL | YEAR | LOCATION | VEHICLE TYPE | | | PART NO. |
|---------|-------|----------|--------------|-----|-----|----------|
| | | FRT/RR | ABS | 2WD | 4WD | |
| 1 | 11- | Front | | | | IJ133033 |
| 3 | 11- | Front | | | | IJ133033 |
| 5 (E34) | 04-95 | Front | • | | | IJ133014 |
| 525i | 03-01 | Front | • | | | IJ133014 |
| 528i | 00-97 | Front | • | | | IJ133014 |
| 528iT | 00-99 | Front | • | | | IJ133014 |
| 530i | 03-01 | Front | • | | | IJ133014 |
| 540i | 03-97 | Front | • | | | IJ133014 |
| X5 | 12-07 | Front | | | | IJ133036 |
| X6 | 12-08 | Front | | | | IJ133036 |
| Z8 | 03-00 | Front | • | | | IJ133014 |
| Z8 | 09-00 | Front | • | | | IJ133014 |

BUICK

| MODEL | YEAR | LOCATION | VEHICLE TYPE | | | PART NO. |
|-------------|-------|----------|--------------|-----|-----|----------|
| | | FRT/RR | ABS | 2WD | 4WD | |
| ALLURE | 05 | Rear | • | | | IJ123008 |
| ALLURE | 07-05 | Rear | • | | | IJ123008 |
| ALLURE | 07-05 | Rear | | | | IJ123069 |
| ALLURE | 09-05 | Front | | | | IJ123041 |
| CENTURY | 01-97 | Rear | • | | | IJ123031 |
| CENTURY | 01-97 | Front | • | | | IJ123031 |
| CENTURY | 03-83 | Rear | | | | IJ123018 |
| CENTURY | 03-97 | Rear | • | | | IJ123003 |
| CENTURY | 05-01 | Front | | | | IJ123041 |
| CENTURY | 05-04 | Rear | • | | | IJ123008 |
| CENTURY | 05-04 | Rear | | | | IJ123009 |
| CENTURY | 96-94 | Front | • | | | IJ123025 |
| DEVILLE | 05-01 | Front | • | | | IJ122010 |
| DTS | 10-06 | Front | • | | | IJ122010 |
| ELDORADO | 02-01 | Front | • | | | IJ122010 |
| ELECTRA | 87-85 | Rear | | | | IJ123018 |
| ELECTRA | 90-85 | Rear | | | | IJ123018 |
| ELECTRA | 90-88 | Rear | | | | IJ123018 |
| GENEDEVIOUS | 07-02 | Rear | • | | | IJ123031 |
| LACROSSE | 05 | Rear | • | | | IJ123008 |
| LACROSSE | 07-05 | Rear | • | | | IJ123008 |
| LACROSSE | 07-05 | Rear | | | | IJ123069 |
| LACROSSE | 09-05 | Front | | | | IJ123041 |
| LESABRE | 01-00 | Rear | • | | | IJ123031 |
| LESABRE | 01-00 | Front | • | | | IJ123031 |
| LESABRE | 05-00 | Rear | • | | | IJ123063 |
| LESABRE | 05-01 | Front | | | | IJ123041 |
| LESABRE | 90-86 | Rear | | | | IJ123018 |
| LESABRE | 92-86 | Rear | | | | IJ123018 |
| LESABRE | 92-87 | Rear | | | | IJ123018 |
| LESABRE | 99-91 | Front | • | | | IJ123025 |
| LESABRE | 99-91 | Rear | • | | | IJ123083 |
| LUCERNE | 10-06 | Front | • | | | IJ122010 |
| LUCERNE | 10-06 | Front | | | | IJ123041 |
| LUCERNE | 10-06 | Rear | • | | | IJ123063 |
| LUCERNE | 11-06 | Rear | • | | | IJ123063 |
| MONTANA | 05-02 | Front | • | • | | IJ122011 |
| PARK AVENUE | 01-97 | Rear | • | | | IJ123031 |
| PARK AVENUE | 01-97 | Front | • | | | IJ123031 |
| PARK AVENUE | 05-01 | Front | • | | | IJ122010 |
| PARK AVENUE | 05-01 | Front | | | | IJ123041 |
| PARK AVENUE | 05-97 | Rear | • | | | IJ123063 |
| PARK AVENUE | 92-91 | Rear | | | | IJ123018 |
| PARK AVENUE | 96-91 | Front | • | | | IJ123025 |
| PARK AVENUE | 96-91 | Rear | • | | | IJ123083 |
| RAINIER | 07-04 | Front | • | | | IJ123050 |
| REATA | 90-88 | Rear | | | | IJ123018 |
| REATA | 91-89 | Front | | | | IJ123020 |
| REGAL | 01-97 | Rear | • | | | IJ123031 |
| REGAL | 01-97 | Front | • | | | IJ123031 |
| REGAL | 03-96 | Rear | • | | | IJ123003 |
| REGAL | 04-01 | Front | • | | | IJ122010 |
| REGAL | 04-01 | Front | | | | IJ123041 |
| REGAL | 04-03 | Rear | • | | | IJ123008 |
| REGAL | 04-03 | Rear | | | | IJ123009 |
| REGAL | 93-88 | Rear | | | | IJ123018 |
| REGAL | 96 | Rear | • | | | IJ123003 |

BUICK

| MODEL | YEAR | LOCATION | VEHICLE TYPE | | | PART NO. |
|------------------|-------|----------|--------------|-----|-----|----------|
| | | FRT/RR | ABS | 2WD | 4WD | |
| REGAL | 96-88 | Rear | • | | | IJ123002 |
| REGAL | 96-88 | Front | | | | IJ123019 |
| REGAL | 96-89 | Rear | • | | | IJ123002 |
| RENDEZVOUS | 02 | Front | • | | | IJ122010 |
| RENDEZVOUS | 02 | Front | | | | IJ123041 |
| RENDEZVOUS | 07 | Rear | • | | | IJ123079 |
| RENDEZVOUS | 07-02 | Rear | • | | | IJ123079 |
| RENDEZVOUS | 07-03 | Rear | • | | | IJ123081 |
| RENDEZVOUS (AWD) | 06-02 | Rear | • | | | IJ123031 |
| RENDEZVOUS (FWD) | 02 | Front | | | | IJ123041 |
| RENDEZVOUS (FWD) | 06-02 | Rear | • | | | IJ123079 |
| RIVIERA | 90-86 | Rear | | | | IJ123018 |
| RIVIERA | 91-89 | Front | | | | IJ123020 |
| RIVIERA | 96-92 | Front | • | | | IJ123025 |
| RIVIERA | 99-91 | Rear | • | | | IJ123063 |
| RIVIERA | 99-97 | Rear | • | | | IJ123031 |
| RIVIERA | 99-97 | Front | • | | | IJ123031 |
| SEVILLE | 04-01 | Front | • | | | IJ122010 |
| SKYHAWK | 89-82 | Rear | | | | IJ123015 |
| SKYLARK | 91-80 | Rear | | | | IJ123015 |
| SKYLARK | 98-91 | Rear | • | | | IJ123001 |
| SOMERSET | 87-86 | Rear | | | | IJ123015 |
| SOMERSET REGAL | 85 | Rear | | | | IJ123015 |
| TERRAZA | 05 | Front | • | | | IJ122010 |
| TERRAZA | 05 | Front | | | | IJ123041 |
| TERRAZA | 05 | Rear | | | | IJ123076 |
| TERRAZA | 06 | Rear | | | | IJ123066 |
| TERRAZA | 06 | Rear | | | | IJ123077 |
| TERRAZA | 07 | Rear | | | | IJ123077 |
| TERRAZA | 07-06 | Front | • | | | IJ123066 |
| TERRAZA | 07-06 | Rear | • | | | IJ123074 |
| TERRAZA | 07-06 | Front | | | | IJ123077 |
| TERRAZA | 07-06 | Rear | • | | | IJ123084 |
| TERRAZA (AWD) | 05 | Rear | | | | IJ123041 |
| VERANO | 12- | Rear | • | | | IJ113034 |
| ALLURE | 10 | Rear | | | | IJ123110 |
| LACROSSE | 13-10 | Front | | | | IJ123110 |
| LACROSSE | 14-10 | Rear | | | | IJ123110 |
| REGAL | 13-11 | Rear | | | | IJ123110 |

CADILLAC

| MODEL | YEAR | LOCATION | VEHICLE TYPE | | | PART NO. |
|--------------------|-------|----------|--------------|-----|-----|----------|
| | | FRT/RR | ABS | 2WD | 4WD | |
| 60 SPECIAL | 93 | Rear | | | | IJ123018 |
| 60 SPECIAL | 93 | Front | • | | | IJ123025 |
| 60 SPECIAL | 93 | Rear | • | | | IJ123083 |
| ALLANTE | 93 | Rear | • | | | IJ123071 |
| ALLANTE | 92-91 | Front | | | | IJ123020 |
| ALLANTE | 92-91 | Rear | • | | | IJ123063 |
| ALLANTE | 93 | Front | • | | | IJ123025 |
| BLS | 05- | Front | • | | | IJ133015 |
| CATERA | 01-97 | Front | • | | | IJ122009 |
| CIMARRON | 88-82 | Rear | | | | IJ123015 |
| COMMERCIAL CHASSIS | 91-85 | Rear | | | | IJ123018 |

CADILLAC

| MODEL | YEAR | LOCATION | VEHICLE TYPE | | | PART NO. |
|-------------|-------|----------|--------------|-----|-----|----------|
| | | FRT/RR | ABS | 2WD | 4WD | |
| CTS | 07-03 | Rear | | | | IJ123076 |
| CTS | 07-03 | Rear | | | | IJ123080 |
| CTS | 07-03 | Front | | | | IJ123076 |
| CTS | 07-04 | Rear | | | | IJ123064 |
| CTS | 07-04 | Front | | | | IJ123077 |
| DEVILLE | 01-97 | Rear | • | | | IJ123031 |
| DEVILLE | 01-97 | Front | • | | | IJ123031 |
| DEVILLE | 05-00 | Rear | • | | | IJ123063 |
| DEVILLE | 05-01 | Front | | | | IJ123041 |
| DEVILLE | 90-85 | Rear | | | | IJ123018 |
| DEVILLE | 93-85 | Rear | | | | IJ123018 |
| DEVILLE | 93-91 | Rear | • | | | IJ123083 |
| DEVILLE | 96-92 | Front | • | | | IJ123025 |
| DEVILLE | 99-94 | Rear | • | | | IJ123071 |
| DTS | 10-06 | Front | | | | IJ123041 |
| DTS | 10-06 | Rear | • | | | IJ123063 |
| DTS | 11-06 | Front | | | | IJ123041 |
| DTS | 11-06 | Rear | • | | | IJ123063 |
| ELDORADO | 01-97 | Rear | • | | | IJ123031 |
| ELDORADO | 01-97 | Front | • | | | IJ123031 |
| ELDORADO | 02-01 | Front | | | | IJ123041 |
| ELDORADO | 02-93 | Rear | • | | | IJ123071 |
| ELDORADO | 90-86 | Rear | | | | IJ123018 |
| ELDORADO | 91-89 | Front | | | | IJ123020 |
| ELDORADO | 92-91 | Rear | • | | | IJ123063 |
| ELDORADO | 96-92 | Front | • | | | IJ123025 |
| ESCALADE | 00-99 | Front | • | | | IJ223023 |
| ESCALADE | 06-02 | Front | • | | | IJ223033 |
| ESCALADE | 06-02 | Front | • | | | IJ223044 |
| ESCALADE | 13-07 | Front | • | | | IJ223079 |
| FLEETWOOD | 86-85 | Rear | | | | IJ123018 |
| FLEETWOOD | 89-87 | Rear | | | | IJ123018 |
| FLEETWOOD | 92 | Front | • | | | IJ123025 |
| FLEETWOOD | 92-85 | Rear | | | | IJ123018 |
| FLEETWOOD | 92-91 | Rear | • | | | IJ123083 |
| IMPALA | 09-01 | Front | • | | | IJ122010 |
| LESABRE | 05-01 | Front | • | | | IJ122010 |
| MONTE CARLO | 07-01 | Front | • | | | IJ122010 |
| SEVILLE | 01-97 | Rear | • | | | IJ123031 |
| SEVILLE | 01-97 | Front | • | | | IJ123031 |
| SEVILLE | 04-01 | Front | | | | IJ123041 |
| SEVILLE | 04-91 | Rear | • | | | IJ123063 |
| SEVILLE | 90-86 | Rear | | | | IJ123018 |
| SEVILLE | 91-89 | Front | | | | IJ123020 |
| SEVILLE | 96-92 | Front | • | | | IJ123025 |
| SEVILLE | 97-93 | Rear | • | | | IJ123071 |
| SRX | 09-04 | Rear | | | | IJ123064 |
| SRX | 09-04 | Front | • | | | IJ123065 |
| SRX | 09-04 | Front | | | | IJ123077 |
| SRX | 10-04 | Rear | | | | IJ123064 |
| SRX | 10-04 | Front | • | | | IJ123065 |
| SRX | 10-04 | Front | | | | IJ123077 |
| STS | 10-05 | Rear | | | | IJ123064 |
| STS | 10-05 | Rear | | | | IJ123076 |
| STS | 10-05 | Front | | | | IJ123077 |
| STS | 10-05 | Rear | | | | IJ123080 |
| STS | 10-05 | Front | • | | | IJ123072 |

CADILLAC

| MODEL | YEAR | LOCATION | VEHICLE TYPE | | | PART NO. |
|-----------|-------|----------|--------------|-----|-----|----------|
| | | FRT/RR | ABS | 2WD | 4WD | |
| STS | 10-06 | Front | • | | | IJ123072 |
| STS | 11 | Rear | | | | IJ123064 |
| STS | 11 | Front | | | | IJ123076 |
| STS | 11 | Front | | | | IJ123077 |
| STS | 11 | Rear | | | | IJ123080 |
| STS (AWD) | 10-05 | Rear | | | | IJ123080 |
| STS (RWD) | 10-05 | Front | | | | IJ123076 |
| STS (RWD) | 10-05 | Front | | | | IJ123077 |
| STS (RWD) | 10-05 | Rear | | | | IJ123080 |
| UPLANDER | 05 | Front | • | | | IJ122010 |
| VENTURE | 05-01 | Front | • | | | IJ122010 |
| XLR | 08-04 | Rear | • | | | IJ123067 |
| XLR | 08-04 | Front | • | | | IJ123073 |

CHEVROLET

| MODEL | YEAR | LOCATION | VEHICLE TYPE | | | PART NO. |
|----------------|-------|----------|--------------|-----|-----|----------|
| | | FRT/RR | ABS | 2WD | 4WD | |
| ASTRO | 02-95 | Front | | | | IJ223018 |
| ASTRO | 05-03 | Front | • | | | IJ223038 |
| AURORA | 03-01 | Front | • | | | IJ122010 |
| AVALANCHE | 13-07 | Front | • | | | IJ223079 |
| AVALANCHE 1500 | 06-02 | Front | • | | | IJ223033 |
| AVALANCHE 1500 | 06-02 | Front | • | | | IJ223044 |
| AVALANCHE 2500 | 03-02 | Front | • | | | IJ223057 |
| AVALANCHE 2500 | 06-02 | Front | • | | | IJ223045 |
| BERETTA | 91-87 | Rear | | | | IJ123015 |
| BERETTA | 96-92 | Rear | • | | | IJ123001 |
| BLAZER | 05-97 | Front | • | | • | IJ123034 |
| BLAZER | 05-97 | Front | • | | | IJ123048 |
| BLAZER | 05-98 | Front | • | • | | IJ122012 |
| BLAZER | 94-92 | Front | | | | IJ223001 |
| BLAZER | 97-95 | Front | • | | • | IJ123021 |
| BLAZER | 05-97 | Front | • | | • | IJ123034 |
| BLAZER | 05-97 | Front | • | | • | IJ123048 |
| BLAZER (AWD) | 02-97 | Front | • | | • | IJ123034 |
| BLAZER (AWD) | 02-97 | Front | • | | | IJ123048 |
| BONNEVILLE | 05-01 | Front | • | | | IJ122010 |
| CAMARO | 02-93 | Front | • | | | IJ123027 |
| CAPRICE | 13-11 | Front | • | | | IJ123087 |
| CAPTIVA | 06- | Rear | • | | | IJ113020 |
| CAPTIVA | 14-12 | Front | • | | | IJ113019 |
| CAVALIER | 05-82 | Rear | | | | IJ123015 |
| CAVALIER | 05-92 | Rear | • | | | IJ123001 |
| CELEBRITY | 90-83 | Rear | | | | IJ123018 |
| CITATION | 83-80 | Rear | | | | IJ123015 |
| CITATION II | 85-84 | Rear | | | | IJ123015 |
| CLASSIC | 05-04 | Rear | • | | | IJ123004 |
| CLASSIC | 05-04 | Front | • | | | IJ123035 |
| COBALT | 06-05 | Front | • | | | IJ123046 |
| COBALT | 10-05 | Front | • | | | IJ123041 |
| COBALT | 10-05 | Front | • | | | IJ123042 |
| COBALT | 10-05 | Front | • | | | IJ123043 |
| COBALT | 10-05 | Front | • | | | IJ123046 |
| CORSICA | 91-87 | Rear | | | | IJ123015 |

CHEVROLET

| MODEL | YEAR | LOCATION | VEHICLE TYPE | | | PART NO. |
|------------------------|-------|----------|--------------|-----|-----|----------|
| | | FRT/RR | ABS | 2WD | 4WD | |
| CORSICA | 96-92 | Rear | • | | | IJ123001 |
| CORVETTE | 08-97 | Rear | • | | | IJ123067 |
| CORVETTE | 08-97 | Front | • | | | IJ123073 |
| CORVETTE | 96-91 | Front | • | | | IJ123085 |
| CRUZE | 09- | Rear | • | | | IJ113033 |
| CRUZE | 09- | Rear | • | | | IJ113034 |
| CRUZE 15" WHEEL DRIVE | 12-09 | Rear | • | | | IJ113033 |
| CRUZE 17" WHEEL DRIVE | 12-09 | Rear | • | | | IJ113034 |
| CRUZE, 15" WHEEL DRIVE | 09- | Front | • | | | IJ133023 |
| CRUZE, 17" WHEEL DRIVE | 09- | Front | • | | | IJ133024 |
| EQUINOX | 09-07 | Front | • | | | IJ113019 |
| EQUINOX | 09-07 | Rear | • | | | IJ113020 |
| EQUINOX | 13-10 | Front | | | | IJ123110 |
| EQUINOX (GMT 172/177) | 11- | Rear | • | | | IJ123096 |
| EXPRESS 1500 | 10-03 | Front | • | | | IJ223033 |
| EXPRESS 1500 | 13-03 | Front | • | | | IJ223044 |
| EXPRESS 2500 | 05-03 | Front | • | | | IJ223033 |
| EXPRESS 2500 | 05-03 | Front | • | | | IJ223044 |
| EXPRESS 2500 | 13-03 | Front | • | | | IJ223046 |
| EXPRESS 3500 | 13-03 | Front | • | | | IJ223046 |
| EXPRESS 3500 | 13-03 | Front | • | | | IJ223047 |
| EXPRESS 4500 | 12-09 | Front | • | | | IJ223047 |
| HHR | 07-06 | Rear | • | | | IJ123011 |
| HHR | 08-06 | Front | | | | IJ123082 |
| HHR | 09-06 | Rear | • | | | IJ123011 |
| HHR | 10-06 | Front | • | | | IJ123043 |
| HHR | 10-06 | Front | • | | | IJ123043 |
| HHR | 10-06 | Front | • | | | IJ123046 |
| HHR | 10-08 | Front | • | | | IJ123049 |
| HHR | 10-08 | Rear | • | | | IJ123010 |
| HHR | 11-06 | Front | • | | | IJ123043 |
| IMPALA | 01-00 | Rear | | | | IJ123018 |
| IMPALA | 01-00 | Rear | • | | | IJ123031 |
| IMPALA | 01-00 | Front | • | | | IJ123031 |
| IMPALA | 05-00 | Rear | | | | IJ123009 |
| IMPALA | 05-00 | Rear | • | | | IJ123008 |
| IMPALA | 08-00 | Rear | • | | | IJ123008 |
| IMPALA | 08-06 | Rear | | | | IJ123069 |
| IMPALA | 09-01 | Front | | | | IJ123041 |
| IMPALA | 13-01 | Front | | | | IJ123041 |
| INTRIGUE | 02-01 | Front | • | | | IJ122010 |
| K1500 | 91-88 | Front | | | | IJ223002 |
| K1500 | 94-88 | Front | | | | IJ223001 |
| K1500 | 99-95 | Front | • | | | IJ223023 |
| K1500 | 99-96 | Front | • | | | IJ223037 |
| K1500 SUBURBAN | 94-92 | Front | | | | IJ223001 |
| K1500 SUBURBAN | 99-95 | Front | • | | | IJ223023 |
| K2500 | 95 | Front | • | | | IJ223015 |
| K2500 | 00-96 | Front | • | | | IJ223037 |
| K2500 | 94-88 | Front | | | | IJ223001 |
| K2500 | 94-88 | Front | • | | | IJ223017 |
| K2500 | 95 | Front | • | | | IJ223014 |
| K2500 | 95 | Front | • | | | IJ223023 |
| K2500 SUBURBAN | 95 | Front | • | | | IJ223015 |
| K2500 SUBURBAN | 94-92 | Front | | | | IJ223001 |
| K2500 SUBURBAN | 94-92 | Front | | | | IJ223017 |
| K2500 SUBURBAN | 95 | Front | • | | | IJ223014 |
| K2500 SUBURBAN | 95 | Front | • | | | IJ223023 |

CHEVROLET

| MODEL | YEAR | LOCATION | VEHICLE TYPE | | | PART NO. |
|-------------------|-------|----------|--------------|-----|-----|----------|
| | | FRT/RR | ABS | 2WD | 4WD | |
| K2500 SUBURBAN | 99-96 | Front | • | | | IJ223037 |
| K3500 | 95 | Front | • | | | IJ223015 |
| K3500 | 00-96 | Front | • | | | IJ223037 |
| K3500 | 94-88 | Front | | | | IJ223017 |
| K3500 | 94-88 | Front | | | | IJ223034 |
| K3500 | 95 | Front | • | | | IJ223014 |
| LACETTI | 05- | Front | | | | IJ111012 |
| LUMINA | 01-90 | Rear | | | | IJ123018 |
| LUMINA | 01-90 | Front | | | | IJ123019 |
| LUMINA | 01-96 | Rear | • | | | IJ123003 |
| LUMINA | 96-92 | Rear | • | | | IJ123002 |
| LUMINA APV | 91-90 | Rear | | | | IJ123018 |
| LUMINA APV | 96-92 | Front | • | | | IJ123025 |
| MALIBU | 00-97 | Rear | • | | | IJ123063 |
| MALIBU | 03-97 | Front | • | | | IJ123035 |
| MALIBU | 07-04 | Front | • | | | IJ123051 |
| MALIBU | 08-04 | Front | • | | | IJ123051 |
| MALIBU | 10-04 | Front | • | | | IJ123049 |
| MALIBU | 13 | Front | | | | IJ123110 |
| MALIBU | 03-01 | Rear | • | | | IJ123004 |
| MALIBU | 07-04 | Rear | • | | | IJ123011 |
| MALIBU | 08-04 | Rear | • | | | IJ123011 |
| MALIBU | 10-04 | Rear | • | | | IJ123010 |
| MALIBU | 12-04 | Rear | • | | | IJ123010 |
| MONTE CARLO | 01-00 | Rear | • | | | IJ123031 |
| MONTE CARLO | 01-00 | Front | • | | | IJ123031 |
| MONTE CARLO | 01-95 | Rear | | | | IJ123018 |
| MONTE CARLO | 05-00 | Rear | | | | IJ123009 |
| MONTE CARLO | 05-03 | Rear | • | | | IJ123008 |
| MONTE CARLO | 07-00 | Rear | • | | | IJ123008 |
| MONTE CARLO | 07-01 | Front | | | | IJ123041 |
| MONTE CARLO | 07-06 | Rear | | | | IJ123069 |
| MONTE CARLO | 96-95 | Rear | • | | | IJ123002 |
| MONTE CARLO | 99-95 | Front | | | | IJ123019 |
| MONTE CARLO | 99-96 | Rear | • | | | IJ123003 |
| MUSTANG | 09-05 | Front | | | | IJ122013 |
| NUBIRA | 05- | Front | | | | IJ111012 |
| OLRANCO | 12-11 | Rear | • | | | IJ113034 |
| OPTRA | 07-04 | Rear | | | | IJ113017 |
| OPTRA | 07-04 | Rear | • | | | IJ113018 |
| OPTRA | 08-03 | Front | | | | IJ111012 |
| PRIZM | 02-98 | Front | | | | IJ141001 |
| S10 | 04 | Front | • | | • | IJ123034 |
| S10 | 04 | Front | • | | | IJ123048 |
| S10 | 04-97 | Front | • | | • | IJ123034 |
| S10 | 04-97 | Front | • | | | IJ123048 |
| S10 | 97-90 | Front | • | | • | IJ123021 |
| S10 | 03-97 | Front | • | | • | IJ123034 |
| S10 | 03-97 | Front | • | | • | IJ123048 |
| S10 BLAZER | 94-90 | Front | • | | • | IJ123021 |
| SILHOUETTE | 04-01 | Front | • | | | IJ122010 |
| SILVERADO 1500 | 07-01 | Front | • | | | IJ223045 |
| SILVERADO 1500 | 07-05 | Front | • | | | IJ223061 |
| SILVERADO 1500 | 07-99 | Front | • | | | IJ223033 |
| SILVERADO 1500 | 07-99 | Front | • | | | IJ223044 |
| SILVERADO 1500 | 13-07 | Front | • | | | IJ223079 |
| SILVERADO 1500 HD | 07-01 | Front | • | | | IJ223045 |

CHEVROLET

| MODEL | YEAR | LOCATION | VEHICLE TYPE | | | PART NO. |
|-------------------|-------|----------|--------------|-----|-----|----------|
| | | FRT/RR | ABS | 2WD | 4WD | |
| SILVERADO 1500 HD | 07-01 | Front | • | | | IJ223057 |
| SILVERADO 2500 | 00-99 | Front | • | | | IJ223056 |
| SILVERADO 2500 | 04-01 | Front | • | | | IJ223057 |
| SILVERADO 2500 | 04-99 | Front | • | | | IJ223045 |
| SILVERADO 2500 | 12-07 | Front | | | | IJ223086 |
| SILVERADO 2500 HD | 07-01 | Front | • | | | IJ223045 |
| SILVERADO 2500 HD | 07-01 | Front | • | | | IJ223057 |
| SILVERADO 2500 HD | 10-07 | Front | | | | IJ223086 |
| SILVERADO 3500 | 07-01 | Front | • | | • | IJ223062 |
| SILVERADO 3500 HD | 10-07 | Front | | | | IJ223086 |
| SSR | 06-03 | Front | • | | | IJ123050 |
| SUBURBAN 1500 | 06-00 | Front | • | | | IJ223033 |
| SUBURBAN 1500 | 06-00 | Front | • | | | IJ223044 |
| SUBURBAN 1500 | 13-07 | Front | • | | | IJ223079 |
| SUBURBAN 2500 | 00 | Front | • | | | IJ223056 |
| SUBURBAN 2500 | 06-00 | Front | • | | | IJ223045 |
| SUBURBAN 2500 | 06-01 | Front | • | | | IJ223057 |
| TACUMA | 05- | Front | | | | IJ111012 |
| TAHOE | 00-95 | Front | • | | | IJ223023 |
| TAHOE | 06-00 | Front | • | | | IJ223033 |
| TAHOE | 06-00 | Front | • | | | IJ223044 |
| TAHOE | 13-07 | Front | • | | | IJ223079 |
| TRAILBLAZER | 09-02 | Front | • | | | IJ123050 |
| TRAILBLAZER EXT | 06-02 | Front | • | | | IJ123050 |
| UPLANDER | 05 | Front | | | | IJ123041 |
| UPLANDER | 05 | Rear | | | | IJ123076 |
| UPLANDER | 06 | Rear | | | | IJ123066 |
| UPLANDER | 09-06 | Front | • | | | IJ123066 |
| UPLANDER | 09-06 | Rear | • | | | IJ123074 |
| UPLANDER | 09-06 | Front | | | | IJ123077 |
| UPLANDER | 09-06 | Rear | • | | | IJ123084 |
| UPLANDER | 09-07 | Rear | | | | IJ123077 |
| UPLANDER (AWD) | 05 | Rear | | | | IJ123041 |
| UPLANDER (FWD) | 05 | Rear | | | | IJ123076 |
| UPLANDER (FWD) | 06 | Rear | | | | IJ123077 |
| VENTURE | 01-97 | Front | • | | | IJ123031 |
| VENTURE | 04-97 | Rear | • | | | IJ123031 |
| VENTURE | 05-01 | Front | | | | IJ123041 |
| VENTURE (AWD) | 04-02 | Rear | • | | | IJ123031 |
| VENTURE (FWD) | 04-02 | Front | | | | IJ1230 |

CHRYSLER

| MODEL | YEAR | LOCATION | VEHICLE TYPE | | | PART NO. |
|---------------------|-------|----------|--------------|-----|-----|----------|
| | | FRT/RR | ABS | 2WD | 4WD | |
| CIRUS | 97-95 | Rear | • | | | UJ122017 |
| CONCORDE | 04-93 | Front | | | | UJ123026 |
| CONCORDE | 04-93 | Rear | • | | | UJ122015 |
| CORSSFIRE | 08-04 | Rear | | | | UJ131021 |
| DAYTONA | 93-89 | Front | | | | UJ123023 |
| DODGE GRAND CARAVAN | 11-08 | Rear | | | | UJ123109 |
| DODGE GRAND CARAVAN | 13-11 | Rear | | | | UJ123111 |
| DODGE JOURNEY | 08 | Rear | • | | | UJ123104 |
| DODGE JOURNEY | 08 | Rear | • | | | UJ123105 |
| DODGE JOURNEY | 08 | Rear | | • | | UJ123106 |
| DODGE JOURNEY | 08 | Rear | | • | | UJ123107 |
| DODGE JOURNEY | 08 | Front | | | | UJ123108 |
| DYNASTY | 93-89 | Front | | | | UJ123023 |
| GRAND VOYAGER | 00 | Rear | • | | | UJ123005 |
| GRAND VOYAGER | 00 | Rear | • | | | UJ123006 |
| GRAND VOYAGER | 00 | Front | | • | | UJ123032 |
| GRAND VOYAGER | 00 | Front | | • | | UJ123033 |
| IMPERIAL | 93-90 | Front | | | | UJ123023 |
| INTREPID | 04-93 | Rear | • | | | UJ122015 |
| INTREPID | 04-93 | Front | | | | UJ123026 |
| LEBARON | 95-89 | Front | | | | UJ123023 |
| LHS | 01-94 | Front | | | | UJ123026 |
| LHS | 01-94 | Rear | • | | | UJ122015 |
| NEON | 01-00 | Rear | • | | | UJ122014 |
| NEW YORKER | 93-89 | Front | | | | UJ123023 |
| NEW YORKER | 96-94 | Rear | • | | | UJ122015 |
| NEW YORKER | 96-94 | Front | | | | UJ123026 |
| NOEN | 02-00 | Rear | • | | | UJ122014 |
| PACIFICA | 06-04 | Rear | • | | | UJ123097 |
| PROWLER | 02-01 | Front | | | | UJ123026 |
| PROWLER | 02-01 | Front | | • | | UJ123033 |
| PT CRUISER | 10-01 | Rear | • | | | UJ122014 |
| SABLE | 00 | Rear | • | | | UJ122016 |
| SABLE | 05-01 | Rear | • | | | UJ122004 |
| SEBRING | 05-95 | Front | | | | UJ123038 |
| SEBRING | 06-96 | Front | | | | UJ123036 |
| SEBRING | 06-98 | Rear | • | | | UJ122001 |
| SEBRING | 97-96 | Rear | • | | | UJ122017 |
| SEBRING | 99-98 | Rear | • | | | UJ122003 |
| TAURUS | 00 | Rear | • | | | UJ122016 |
| TAURUS | 07-01 | Rear | • | | | UJ122004 |
| TOWN & COUNTRY | 00-96 | Rear | • | | | UJ123005 |
| TOWN & COUNTRY | 00-96 | Rear | • | | | UJ123006 |
| TOWN & COUNTRY | 00-96 | Front | | • | | UJ123032 |
| TOWN & COUNTRY | 04-96 | Rear | | | | UJ123007 |
| TOWN & COUNTRY | 04-97 | Rear | | | | UJ123007 |
| TOWN & COUNTRY | 07-96 | Front | | • | | UJ123033 |
| TOWN & COUNTRY | 11-08 | Front | • | | | UJ223078 |
| TOWN & COUNTRY | 95-90 | Front | | • | | UJ123022 |
| TOWN & COUNTRY | 95-91 | Front | | | | UJ123023 |
| VISION | 97-93 | Rear | • | | | UJ122015 |
| VOYAGER | 00 | Rear | • | | | UJ123005 |
| VOYAGER | 00 | Rear | • | | | UJ123006 |
| VOYAGER | 00 | Front | | • | | UJ123032 |
| VOYAGER | 03-00 | Front | | • | | UJ123033 |
| WINDSTAR | 03-97 | Rear | | | | UJ122002 |

CITROEN

| MODEL | YEAR | LOCATION | VEHICLE TYPE | | | PART NO. |
|------------------|-------|------------|--------------|-----|-----|----------|
| | | FRT/RR | ABS | 2WD | 4WD | |
| AX | 96-98 | Front,Rear | | | | UJ131020 |
| AX | 98-86 | Front | | | | UJ131020 |
| AX | 97-91 | Front | | | | UJ131008 |
| BERLINGO | 04-99 | Rear | • | | | UJ132007 |
| BERLINGO | 05-96 | Front | | | | UJ131006 |
| BERLINGO | 05-99 | Rear | | | | UJ132004 |
| BERLINGO | 96- | Front | | | | UJ131006 |
| BERLINGO I, II | 04-99 | Rear | • | | | UJ132007 |
| BERLINGO III | 08- | Front | • | | | UJ131024 |
| BX | 93-88 | Front | | | | UJ131006 |
| BX | 94-82 | Rear | • | | | UJ132021 |
| BX | 94-83 | Front,Rear | | | | UJ131006 |
| C15 | 00-88 | Front | | | | UJ131008 |
| C15 | 05-88 | Front | | | | UJ131008 |
| C2 | 03- | Front | • | | | UJ131026 |
| C2 | 03- | Front | | | | UJ131010 |
| C2 | 05-03 | Front | | | | UJ131010 |
| C2 | 05-03 | Front | • | | | UJ131014 |
| C2 | 03- | Rear | • | | | UJ132002 |
| C2 | 05-03 | Rear | • | | | UJ132002 |
| C2 ENTERPRISE | 09- | Front | | | | UJ131010 |
| C2 ENTERPRISE | 09- | Rear | • | | | UJ132002 |
| C3 | 05-02 | Front | | | | UJ131010 |
| C3 | 05-02 | Front | • | | | UJ131014 |
| C3 | 05-02 | Front | • | | | UJ131026 |
| C3 | 05-02 | Rear | • | | | UJ132002 |
| C3 I | 02- | Front | | | | UJ131010 |
| C3 I | 02- | Front | • | | | UJ131026 |
| C3 I | 02- | Rear | • | | | UJ132002 |
| C3 I | 05- | Front | • | | | UJ131024 |
| C3 I PLURIEL | 03- | Front | | | | UJ131010 |
| C3 I PLURIEL | 03- | Front | • | | | UJ131026 |
| C3 I PLURIEL | 03- | Rear | • | | | UJ132002 |
| C3 II | 09- | Front | • | | | UJ131024 |
| C3 II | 09- | Front | • | | | UJ131026 |
| C3 II FACELIFT | 09-05 | Front | • | | | UJ131026 |
| C3 II PICASSO | 09- | Front | • | | | UJ131024 |
| C3 PLURIEL | 03- | Front | • | | | UJ131026 |
| C3[A51] | 10- | Front | • | | | UJ131026 |
| C4 | 04- | Front | • | | | UJ131024 |
| C4 | 07- | Rear | • | | | UJ132012 |
| C4 GRAND PICASSO | 06- | Front | • | | | UJ131024 |
| C4 PICASSO | 07- | Front | • | | | UJ131024 |
| C5 I | 08-01 | Front | • | | | UJ131024 |
| C5 II | 08-01 | Front | • | | | UJ131024 |
| DS3 | 09- | Front | • | | | UJ131024 |
| DS3 | 09- | Front | • | | | UJ131026 |
| DS3 | 10- | Front | • | | | UJ131026 |
| DS4 | 11- | Front | • | | | UJ131024 |
| EVASION | 02-94 | Front | | | | UJ131031 |
| JUMPER I | 02-94 | Front | | | | UJ231004 |
| JUMPER II | 06-02 | Front | | | | UJ231004 |
| JUMPER II | 06-92 | Front | | | | UJ231004 |
| JUMPY I | 06-95 | Front | | | | UJ131031 |
| JUMPY II | 06-95 | Front | | | | UJ131031 |
| NEMO | 08- | Front | • | | | UJ131027 |
| NEMO | 08- | Rear | • | | | UJ132005 |

CITROEN

| MODEL | YEAR | LOCATION | VEHICLE TYPE | | | PART NO. |
|---------------|-------|----------|--------------|-----|-----|----------|
| | | FRT/RR | ABS | 2WD | 4WD | |
| SAXO | 04-96 | Front | | | | UJ131020 |
| SAXO | 04-96 | Front | | | | UJ131008 |
| SAXO | 04-96 | Front | | | | UJ131010 |
| SAXO | 04-99 | Front | | | | UJ131010 |
| SAXO | 99-96 | Front | | | | UJ131008 |
| VISA | 91-84 | Front | | | | UJ131008 |
| XANTIA | 03-93 | Front | | | | UJ131006 |
| XANTIA | 03-99 | Rear | | | | UJ132004 |
| XANTIA | 04-99 | Rear | | | | UJ132004 |
| XANTIA | 04-93 | Front | | | | UJ131006 |
| XSARA | 04-97 | Front | | | | UJ131006 |
| XSARA | 04-98 | Rear | • | | | UJ132006 |
| XSARA | 04-99 | Front | | | | UJ131010 |
| XSARA | 05-98 | Front | | | | UJ131006 |
| XSARA | 05-98 | Rear | • | | | UJ132006 |
| XSARA | 99-97 | Front | | | | UJ131008 |
| XSARA (N1) | 05-99 | Front | | | | UJ131010 |
| XSARA (N1) | 99-97 | Front | | | | UJ131008 |
| XSARA (N2) | 05-99 | Front | | | | UJ131010 |
| XSARA (N2) | 99-97 | Front | | | | UJ131008 |
| XSARA (NO) | 05-99 | Front | | | | UJ131010 |
| XSARA (NO) | 99-97 | Front | | | | UJ131008 |
| XSARA PICASSO | 04-99 | Rear | • | | | UJ132007 |
| XSARA PICASSO | 05-00 | Front | | | | UJ131006 |
| XSARA PICASSO | 05-00 | Rear | | | | UJ132004 |
| XSARA PICASSO | 05-00 | Rear | • | | | UJ132007 |
| XSARA PICASSO | 05-99 | Rear | | | | UJ132004 |
| XSARA PICASSO | 99- | Front | | | | UJ131006 |
| XZ | 97-91 | Front | | | | UJ131008 |
| ZX | 97-91 | Front | | | | UJ131008 |
| ZX | 98-91 | Front | | | | UJ131006 |

DACIA

| MODEL | YEAR | LOCATION | VEHICLE TYPE | | | PART NO. |
|---------|-------|----------|--------------|-----|-----|----------|
| | | FRT/RR | ABS | 2WD | 4WD | |
| LOGAN | 04- | Front | • | | | UJ131014 |
| LOGAN | 09- | Front | | | | UJ131009 |
| NOVA | 03-96 | Front | | | | UJ111013 |
| SANDRO | 08- | Front | • | | | UJ131014 |
| SOLENZA | 03- | Front | | | | UJ111013 |

DAEWOO

| MODEL | YEAR | LOCATION | VEHICLE TYPE | | | PART NO. |
|----------------|-------|----------|--------------|-----|-----|----------|
| | | FRT/RR | ABS | 2WD | 4WD | |
| LACETTI | 04- | Front | | | | UJ111012 |
| LEGANZA | 02-99 | Front | | | | UJ111012 |
| NEXIA / LEMANS | 97-95 | Front | | | | UJ111009 |
| NUBIRA | 03- | Front | | | | UJ111012 |
| TACUMA | 00- | Front | | | | UJ111012 |

DODGE

| MODEL | YEAR | LOCATION | VEHICLE TYPE | | | PART NO. |
|---------------|-------|----------|--------------|-----|-----|----------|
| | | FRT/RR | ABS | 2WD | 4WD | |
| AVENGER | 00-95 | Front | | | | UJ123038 |
| CARAVAN | 00-96 | Rear | • | | | UJ123005 |
| CARAVAN | 00-96 | Rear | • | | | UJ123006 |
| CARAVAN | 00-96 | Front | | • | | UJ123032 |
| CARAVAN | 07-96 | Front | | • | | UJ123033 |
| CARAVAN | 95-89 | Front | | • | | UJ123022 |
| CARAVAN | 95-91 | Front | | | | UJ123023 |
| CARAVAN | 99-96 | Rear | | | | UJ123007 |
| CHALLENGER | 14-08 | Rear | | | | UJ123068 |
| CHARGER | 09-06 | Rear | | | | UJ123058 |
| CHARGER | 10-07 | Front | | | | UJ123057 |
| CHARGER | 14-07 | Front | | | | UJ123057 |
| CHARGER | 14-09 | Rear | | | | UJ123068 |
| CIRUS | 97-95 | Rear | • | | | UJ122017 |
| COLT | 95-93 | Front | • | | | UJ222002 |
| CONCORDE | 04-93 | Rear | • | | | UJ122015 |
| DAKODA | 04-97 | Rear | | | | UJ222001 |
| DAKOTA | 04-97 | Front | | • | | UJ223006 |
| DAKOTA | 04-97 | Front | • | | | UJ223007 |
| DAKOTA | 04-97 | Front | • | | | UJ223008 |
| DAKOTA | 96-90 | Front | | • | | UJ123030 |
| DAYTONA | 93-89 | Front | ABS | | | UJ123023 |
| DURANGO | 03 | Front | | | | UJ223006 |
| DURANGO | 03 | Front | • | | | UJ223007 |
| DURANGO | 03 | Front | • | | | UJ223008 |
| DURANGO | 03-99 | Rear | | | | UJ222001 |
| DURANGO | 03-99 | Front | | • | | UJ223006 |
| DURANGO | 03-99 | Front | • | | | UJ223007 |
| DURANGO | 03-99 | Front | • | | | UJ223008 |
| DURANGO | 98 | Front | • | | | UJ223006 |
| DURANGO | 98 | Front | • | | | UJ223007 |
| DURANGO | 98 | Front | • | | | UJ223008 |
| DURANGO | 98 | Front | • | | | UJ223008 |
| DYNASTY | 93-89 | Front | | | | UJ123023 |
| GARND CARAVAN | 11-08 | Front | • | | | UJ223078 |
| GRAND CARAVAN | 00-96 | Rear | • | | | UJ123005 |
| GRAND CARAVAN | 00-96 | Rear | • | | | UJ123006 |
| GRAND CARAVAN | 00-96 | Front | | • | | UJ123032 |
| GRAND CARAVAN | 00-97 | Rear | • | | | UJ123005 |
| GRAND CARAVAN | 00-97 | Rear | • | | | UJ123006 |
| GRAND CARAVAN | 03-89 | Front | | • | | UJ123022 |
| GRAND CARAVAN | 03-91 | Front | | | | UJ123023 |
| GRAND CARAVAN | 04-96 | Rear | | | | UJ123007 |
| GRAND CARAVAN | 04-97 | Rear | | | | UJ123007 |
| GRAND CARAVAN | 07-96 | Front | | • | | UJ123033 |
| GRAND CARAVAN | 95-89 | Front | | • | | UJ123022 |
| GRAND CARAVAN | 95-91 | Front | | | | UJ123023 |
| GRAND CARAVAN | 96 | Rear | • | | | UJ123005 |
| GRAND CARAVAN | 96 | Rear | • | | | UJ123006 |
| INTREPID | 04-93 | Rear | • | | | UJ122015 |
| INTREPID | 04-93 | Front | | | | UJ123026 |
| MAGNUM | 08-05 | Front | | | | UJ123057 |
| MAGNUM | | | | | | |

DODGE

| MODEL | YEAR | LOCATION | | VEHICLE TYPE | | | PART NO. |
|---------------|-------|----------|-----|--------------|-----|--|----------|
| | | FRT/RR | ABS | 2WD | 4WD | | |
| RAM 1500 | 08-06 | Front | • | | • | | UJ223077 |
| RAM 1500 | 09-06 | Front | • | | | | UJ223080 |
| RAM 1500 | 11-09 | Front | • | | | | UJ223081 |
| RAM 1500 | 98-94 | Front | | | • | | UJ223005 |
| RAM 1500 | 99-97 | Front | • | | • | | UJ223022 |
| RAM 1500 | 99-97 | Front | • | | | | UJ223039 |
| RAM 1500 | 01-00 | Front | | | • | | UJ223035 |
| RAM 1500 | 01-00 | Front | • | | • | | UJ223036 |
| RAM 1500 | 05-02 | Front | • | | | | UJ223065 |
| RAM 1500 | 01-00 | Front | • | • | | | UJ223003 |
| RAM 2500 | 05-03 | Front | • | | • | | UJ223063 |
| RAM 2500 | 08-06 | Front | • | | • | | UJ223077 |
| RAM 2500 | 11-09 | Front | | | • | | UJ223083 |
| RAM 2500 | 11-09 | Front | • | | | | UJ223084 |
| RAM 2500 | 99-94 | Front | | | • | | UJ223010 |
| RAM 2500 | 99-94 | Front | | | • | | UJ223011 |
| RAM 2500 | 99-98 | Front | • | | | | UJ223031 |
| RAM 2500 | 99-98 | Front | • | | | | UJ223032 |
| RAM 2500 | 01-00 | Front | | | • | | UJ223048 |
| RAM 2500 | 02-00 | Front | • | | • | | UJ223049 |
| RAM 3500 | 05-03 | Front | • | | • | | UJ223063 |
| RAM 3500 | 08-06 | Front | • | | • | | UJ223077 |
| RAM 3500 | 11-09 | Front | | | • | | UJ223083 |
| RAM 3500 | 11-09 | Front | • | | | | UJ223084 |
| RAM 3500 | 99-97 | Front | | | • | | UJ223052 |
| RAM 3500 | 99-98 | Front | • | | | | UJ223051 |
| RAM 3500 | 02-00 | Front | • | | • | | UJ223049 |
| RAM 3500 | 99-98 | Front | • | | | | UJ223050 |
| SEBRING | 00-96 | Rear | • | | | | UJ122003 |
| SHADOW | 94-91 | Front | | | | | UJ123023 |
| SPIRIT | 95-91 | Front | | | | | UJ123023 |
| SPRINTER 2500 | 06-03 | Front | | | | | UJ231004 |
| SPRINTER 3500 | 06-03 | Front | | | | | UJ231004 |
| STEALTH | 96-91 | Front | | | | | UJ111003 |
| STRATUS | 05-01 | Front | | | | | UJ123038 |
| STRATUS | 06-95 | Front | | | | | UJ123036 |
| STRATUS | 06-95 | Rear | • | | | | UJ122003 |
| STRATUS | 06-98 | Rear | • | | | | UJ122001 |
| STRATUS | 97-95 | Rear | • | | | | UJ122017 |
| SX 2.0 | 05-03 | Rear | • | | | | UJ122014 |
| VIPER | 95-92 | Front | | | • | | UJ123030 |
| VIPER | 95-92 | Rear | | | • | | UJ123030 |

EAGLE

| MODEL | YEAR | LOCATION | | VEHICLE TYPE | | | PART NO. |
|---------|-------|----------|-----|--------------|-----|--|----------|
| | | FRT/RR | ABS | 2WD | 4WD | | |
| SEBRING | 97-96 | Rear | • | | | | UJ122017 |
| SUMMIT | 96-93 | Front | • | | | | UJ222002 |
| TALON | 98-95 | Front | | | | | UJ123038 |
| VISION | 97-93 | Front | | | | | UJ123026 |
| VISION | 97-93 | Rear | • | | | | UJ122015 |

EXCALIBUR

| MODEL | YEAR | LOCATION | | VEHICLE TYPE | | | PART NO. |
|---------|------|----------|-----|--------------|-----|--|----------|
| | | FRT/RR | ABS | 2WD | 4WD | | |
| LIMITED | 93 | Front | • | | | | UJ123085 |

FIAT

| MODEL | YEAR | LOCATION | | VEHICLE TYPE | | | PART NO. |
|------------|-------|----------|-----|--------------|-----|--|----------|
| | | FRT/RR | ABS | 2WD | 4WD | | |
| 500 II | 07- | Rear | • | | | | UJ132005 |
| BARCETTA | 01-99 | Rear | • | | | | UJ132005 |
| BARCETTA | 05-99 | Rear | • | | | | UJ132005 |
| BRAVA | 01-98 | Front | • | | | | UJ131027 |
| BRAVA | 01-98 | Rear | • | | | | UJ132005 |
| BRAVA | 02-98 | Rear | • | | | | UJ132005 |
| BRAVO I | 01-98 | Front | • | | | | UJ131027 |
| BRAVO I | 02-98 | Rear | • | | | | UJ132005 |
| BRAVO II | 07- | Rear | • | | | | UJ132005 |
| BRAVO VAN | 08- | Rear | • | | | | UJ132005 |
| COUPE | 00-93 | Rear | • | | | | UJ132015 |
| CROMA II | 05- | Front | • | | | | UJ133015 |
| CROMA II | 05- | Rear | • | | | | UJ133011 |
| DUCATO II | 02-01 | Front | | | | | UJ231004 |
| DUCATO III | 04-02 | Front | | | | | UJ231004 |
| FIORINO II | 07- | Front | • | | | | UJ131027 |
| FIORINO II | 07- | Rear | • | | | | UJ132005 |
| IDEA | 03- | Front | • | | | | UJ131027 |
| IDEA | 03- | Rear | • | | | | UJ132005 |
| IDEA | 05-04 | Front | • | | | | UJ131027 |
| LINEA | 07- | Front | • | | | | UJ131027 |
| LINEA | 07- | Rear | • | | | | UJ132005 |
| MAREA | 02-98 | Front | • | | | | UJ131027 |
| MAREA | 07-99 | Rear | • | | | | UJ132005 |
| PALIO | 01- | Rear | • | | | | UJ132005 |
| PANDA II | 03- | Rear | • | | | | UJ132005 |
| PANDA III | 12- | Rear | • | | | | UJ132005 |
| PUNTO II | 05-99 | Front | • | | | | UJ131027 |
| PUNTO II | 05-99 | Rear | • | | | | UJ132005 |
| PUNTO II | 99- | Rear | • | | | | UJ132005 |
| QUBO | 08- | Front | • | | | | UJ131027 |
| QUBO | 08- | Rear | • | | | | UJ132005 |
| SCUDO | 06-96 | Front | | | | | UJ131031 |
| SIENA I | 01- | Rear | • | | | | UJ132005 |
| STILO | 03-02 | Front | • | | | | UJ131027 |
| STILO | 05-02 | Front | • | | | | UJ131027 |
| STILO | 06-01 | Rear | • | | | | UJ132005 |
| TEMPRA | 96-90 | Rear | • | | | | UJ132015 |
| TIPO | 95-88 | Rear | • | | | | UJ132015 |
| TIPO | 96-88 | Rear | • | | | | UJ132015 |
| ULYSSE | 02-94 | Front | | | | | UJ131031 |
| XC70 | 10-03 | Front | | | | | UJ133009 |

FORD

| MODEL | YEAR | LOCATION | | VEHICLE TYPE | | | PART NO. |
|----------|-------|----------|-----|--------------|-----|--|----------|
| | | FRT/RR | ABS | 2WD | 4WD | | |
| AEROSTAR | 97-90 | Front | | | • | | UJ123044 |
| AEROSTAR | 97-90 | Front | | | • | | UJ123044 |

FORD

| MODEL | YEAR | LOCATION | | VEHICLE TYPE | | | PART NO. |
|---------------------|-------|----------|-----|--------------|-----|--|----------|
| | | FRT/RR | ABS | 2WD | 4WD | | |
| AEROSTAR (AWD) | 97-90 | Front | | | • | | UJ123044 |
| AEROSTAR | 97-90 | Front | • | | • | | UJ123047 |
| BREEZE | 00-96 | Rear | • | | | | UJ122003 |
| CATERA | 01-97 | Front | • | | | | UJ122009 |
| C-MAX | 07- | Rear | • | | | | UJ133012 |
| C-MAX | 08-07 | Rear | • | | | | UJ133012 |
| C-MAX I | 07- | Front | | | | | UJ132027 |
| CONTOUR | 00-95 | Rear | | | | | UJ121001 |
| CONTOUR | 00-95 | Front | | | | | UJ121001 |
| COUGAR | 01-98 | Rear | | | | | UJ122039 |
| COUGAR | 97-91 | Front | | | | | UJ122006 |
| CROWN VICTORIA | 02-97 | Front | | | | | UJ122007 |
| CROWN VICTORIA | 02-97 | Front | | | | | UJ122011 |
| CROWN VICTORIA | 05-03 | Front | • | | | | UJ123075 |
| CROWN VICTORIA | 10-05 | Front | | | | | UJ123053 |
| CROWN VICTORIA | 11-05 | Front | | | | | UJ123053 |
| EDGE | 08-07 | Rear | • | | | | UJ123100 |
| EDGE | 10-07 | Rear | | | | | UJ123099 |
| EDGE | 10-07 | Front | | • | | | UJ141003 |
| EDGE | 13-07 | Front | | • | | | UJ141003 |
| EDGE | 13-11 | Rear | | | | | UJ123114 |
| ES330 | 06-04 | Front | | • | | | UJ141003 |
| ES350 | 10-07 | Front | | • | | | UJ141003 |
| ESCAPE | 10-01 | Rear | | | | | UJ121001 |
| ESCAPE | 12-01 | Rear | | | | | UJ121001 |
| EXCURSION | 02-00 | Front | • | | • | | UJ223019 |
| EXCURSION | 05-03 | Front | • | | • | | UJ223059 |
| EXPEDITION | 00-97 | Front | • | | • | | UJ223004 |
| EXPEDITION | 02-00 | Front | • | | • | | UJ223030 |
| EXPEDITION | 06-03 | Front | • | | | | UJ223058 |
| EXPEDITION | 06-03 | Rear | | | | | UJ223064 |
| EXPEDITION | 06-03 | Front | • | | | | UJ223070 |
| EXPEDITION | 10-07 | Rear | | | | | UJ223069 |
| EXPEDITION | 10-07 | Front | • | | • | | UJ223075 |
| EXPLORER | 02-95 | Front | • | | | | UJ223003 |
| EXPLORER | 03-95 | Front | • | | | | UJ223042 |
| EXPLORER | 05-02 | Front | • | | | | UJ223040 |
| EXPLORER | 10-02 | Rear | | | | | UJ221002 |
| EXPLORER | 10-06 | Front | • | | | | UJ223068 |
| EXPLORER SPORT TRAC | 02-01 | Front | • | | | | UJ223003 |
| EXPLORER SPORT TRAC | 05-01 | Front | • | | | | UJ223042 |
| EXPLORER SPORT TRAC | 10-07 | Rear | | | | | UJ221002 |
| EXPLORER SPORT TRAC | 10-07 | Front | • | | | | UJ223068 |
| F-150 | 00-97 | Front | • | | • | | UJ223009 |
| F-150 | 00-97 | Front | | | • | | UJ223016 |
| F-150 | 01-00 | Front | | | • | | UJ223021 |
| F-150 | 01-00 | Front | | | • | | UJ223027 |
| F-150 | 03-00 | Front | • | | • | | UJ223028 |
| F-150 | 03-00 | Front | • | | • | | UJ223029 |
| F-150 | 05-04 | Front | • | | • | | UJ223071 |
| F-150 | 05-04 | Front | • | | | | UJ223072 |
| F-150 | 08-05 | Front | • | | | | UJ223073 |
| F-150 | 08-05 | Front | • | | | | UJ223074 |
| F-150 | 10-09 | Front | • | | • | | UJ223076 |
| F-150 | 10-09 | Front | • | | | | UJ223082 |
| F-150 HERITAGE | 04 | Front | • | | • | | UJ223028 |
| F-150 HERITAGE | 04 | Front | • | | • | | UJ223029 |

FORD

| MODEL | YEAR | LOCATION | | VEHICLE TYPE | | | PART NO. |
|------------------|-------|----------|-----|--------------|-----|--|----------|
| | | FRT/RR | ABS | 2WD | 4WD | | |
| F-250 | 99-97 | Front | | | • | | UJ223021 |
| F-250 | 99-97 | Front | • | | • | | UJ223029 |
| F-250 SUPER DUTY | 99 | Front | | | • | | UJ223053 |
| F-250 SUPER DUTY | 99 | Front | | | | | UJ223054 |
| F-250 SUPER DUTY | 02-99 | Front | • | | | | UJ223024 |
| F-250 SUPER DUTY | 04-03 | Front | • | | • | | UJ223059 |
| F-250 SUPER DUTY | 04-99 | Front | • | | • | | UJ223019 |
| F-250 SUPER DUTY | 04-99 | Front | | | • | | UJ223020 |
| F-250 SUPER DUTY | 04-99 | Front | • | | | | UJ223060 |
| F-250 SUPER DUTY | 09-05 | Front | • | | • | | UJ223090 |
| F-250 SUPER DUTY | 10-05 | Front | • | | • | | UJ223089 |
| F-250 SUPER DUTY | 99 | Front | • | | • | | UJ223055 |
| F-350 SUPER DUTY | 99 | Front | | | • | | UJ223053 |
| F-350 SUPER DUTY | 99 | Front | | | | | UJ223054 |
| F-350 SUPER DUTY | 02-99 | Front | • | | | | UJ223024 |
| F-350 SUPER DUTY | 04-03 | Front | • | | • | | UJ223059 |
| F-350 SUPER DUTY | 04-99 | Front | • | | • | | UJ223019 |
| F-350 SUPER DUTY | 04-99 | Front | | | • | | UJ223020 |
| F-350 SUPER DUTY | 04-99 | Front | • | | | | UJ223060 |
| F-350 SUPER DUTY | 10-05 | Front | • | | • | | UJ223089 |
| F-350 SUPER DUTY | 10-05 | Front | • | | • | | UJ223090 |
| F-350 SUPER DUTY | 99 | Front | • | | • | | UJ223055 |
| F-450 SUPER DUTY | 02-99 | Front | • | | | | UJ223024 |
| F-450 SUPER DUTY | 04-99 | Front | • | | | | UJ223060 |
| F-450 SUPER DUTY | 04-99 | Front | • | | | | UJ223067 |
| F-450 SUPER DUTY | 04-03 | Front | • | | • | | UJ223059 |
| F-450 SUPER DUTY | 04-99 | Front | • | | • | | UJ223019 |
| F-450 SUPER DUTY | 04-99 | Front | | | • | | UJ223020 |
| F-450 SUPER DUTY | 04-99 | Front | • | | | | UJ223060 |
| F-450 SUPER DUTY | 10-05 | Front | • | | • | | UJ223089 |
| F-450 SUPER DUTY | 10-05 | Front | • | | • | | UJ223090 |

| FORD | | | | | | |
|--------------------------|-------|-------------|--------------|-----|-----|----------|
| MODEL | YEAR | LOCATION | VEHICLE TYPE | | | PART NO. |
| | | FRT/RR | ABS | 2WD | 4WD | |
| FUSION | 02- | Rear | | | | UJ221001 |
| FUSION | 12-06 | Rear | | | | UJ22042 |
| HS250H | 10 | Front | | • | | UJ141003 |
| KA II | 08- | Rear | • | | | UJ132005 |
| LACROSSE | 09-05 | Front | • | | | UJ122010 |
| MARK VII | 92 | Front | | | | UJ122006 |
| MONDEO | 00-93 | Rear | | | | UJ122039 |
| MONDEO I | 05-00 | Front | • | | | UJ131025 |
| MONDEO I | 96-93 | Rear | • | | | UJ133010 |
| MONDEO II | 00-98 | Rear | • | | | UJ133027 |
| MONDEO II | 97-96 | Rear | • | | | UJ133010 |
| MONDEO III | 05-00 | Rear | • | | | UJ123061 |
| MONDEO III | 07-00 | Front | • | | | UJ131025 |
| MONDEO IV | 07- | Front | • | | | UJ132026 |
| MONDEO IV | 08-07 | Rear | | | | UJ133029 |
| MONDEO IV | 10-06 | Front | • | | | UJ132026 |
| MONDEO IV | 10-07 | Rear | | | | UJ133029 |
| MUSTANG | 04-94 | Front | | | | UJ122008 |
| MUSTANG | 04-98 | Rear | | | | UJ121003 |
| MUSTANG | 09-05 | Front | | | | UJ122013 |
| MUSTANG | 13-05 | Front | | | | UJ122012 |
| NEON | 05-00 | Rear | • | | | UJ122014 |
| POLICE INTERCEPTER SEDAN | 13 | Rear | | | | UJ23114 |
| RANGER | 00-98 | Front | | | • | UJ223025 |
| RANGER | 00-98 | Front | • | | • | UJ223026 |
| RANGER | 01-00 | Front | | | • | UJ223013 |
| RANGER | 02-00 | Front | • | | • | UJ223012 |
| RANGER | 02-98 | Rear | | | | UJ121003 |
| RANGER | 09-03 | Front | • | | | UJ223042 |
| RANGER (4 WHEEL ABS) | 06-03 | Front | • | | | UJ223041 |
| RX330 | 06-04 | Front | | • | | UJ141003 |
| RX350 | 09-07 | Front | | • | | UJ141003 |
| RX400H | 08-06 | Front | | • | | UJ141003 |
| S60 | 09-01 | Front | | | | UJ133009 |
| S80 | 10-99 | Front | | | | UJ133009 |
| STRATUS | 97-95 | Rear | • | | | UJ122017 |
| SX 2.0 | 05-03 | Rear | • | | | UJ122014 |
| TAURUS | 00-99 | Rear | • | | | UJ122016 |
| TAURUS | 07-01 | Rear | • | | | UJ122004 |
| TAURUS | 07-01 | Rear | | | | UJ122005 |
| TAURUS | 07-96 | Front | | | | UJ123028 |
| TAURUS | 09-08 | Rear | | | | UJ123054 |
| TAURUS | 09-08 | Rear | | | | UJ123055 |
| TAURUS | 09-08 | Front | | | | UJ123056 |
| TAURUS | 14-10 | Front, Rear | | | | UJ123114 |
| TAURUS | 96-95 | Rear | | | | UJ121003 |
| TAURUS X | 09-08 | Rear | | | | UJ123054 |
| TAURUS X | 09-08 | Rear | | | | UJ123055 |
| TAURUS X | 09-08 | Front | | | | UJ123056 |
| THUNDERBIRD | 97-89 | Rear | | | | UJ121003 |
| THUNDERBIRD | 97-91 | Front | | | | UJ122006 |
| TRANSIT CONNECT | 08-02 | Front | • | | | UJ131030 |
| TRANSIT CONNECT | 08-02 | Front | | | | UJ131032 |
| TRANSIT CONNECT | 11-02 | Front | • | | | UJ131030 |
| TRANSIT CONNECT | 11-02 | Front | | | | UJ131032 |
| TRANSIT TOURNEO II | 06-03 | Rear | | | | UJ232002 |
| TRANSIT TOURNEO II, 1TON | 06- | Rear | | | | UJ232001 |

| FORD | | | | | | |
|--------------------------|-------|----------|--------------|-----|-----|----------|
| MODEL | YEAR | LOCATION | VEHICLE TYPE | | | PART NO. |
| | | FRT/RR | ABS | 2WD | 4WD | |
| TRANSIT TOURNEO II, 2TON | 06- | Rear | | | | UJ232002 |
| TRANSIT V | 05-00 | Front | | | | UJ222004 |
| TRANSIT V | 06-- | Front | | | | UJ222004 |
| TRANSIT VI | 06-03 | Rear | | | | UJ232002 |
| TRANSIT VI, 1TON | 06- | Rear | | | | UJ232001 |
| TRANSIT VI, 1TON | 06- | Front | | | | UJ232003 |
| TRANSIT VI, 2TON | 06- | Rear | | | | UJ232002 |
| TRANSIT, 1TON | 06- | Rear | | | | UJ232001 |
| TRANSIT, 1TON | 12- | Rear | | | | UJ232004 |
| TRANSIT, 2TON | 12- | Rear | | | | UJ232005 |
| VILLAGER | 02-97 | Rear | | | | UJ122006 |
| WINDSTAR | 03-97 | Rear | | | | UJ122002 |
| WINDSTAR | 03-98 | Front | | • | | UJ123037 |
| WINDSTAR | 03-99 | Front | | • | | UJ123037 |
| WINDSTAR | 98-95 | Rear | | | | UJ121003 |

| FREIGHTLINER | | | | | | |
|---------------|-------|----------|--------------|-----|-----|----------|
| MODEL | YEAR | LOCATION | VEHICLE TYPE | | | PART NO. |
| | | FRT/RR | ABS | 2WD | 4WD | |
| SPRINTER 2500 | 06-02 | Front | | | | UJ231004 |
| SPRINTER 3500 | 06-02 | Front | | | | UJ231004 |

| GEO | | | | | | |
|-------|-------|----------|--------------|-----|-----|----------|
| MODEL | YEAR | LOCATION | VEHICLE TYPE | | | PART NO. |
| | | FRT/RR | ABS | 2WD | 4WD | |
| PRIZM | 97-89 | Front | | | | UJ141001 |

| GM | | | | | | |
|--------|-------|----------|--------------|-----|-----|----------|
| MODEL | YEAR | LOCATION | VEHICLE TYPE | | | PART NO. |
| | | FRT/RR | ABS | 2WD | 4WD | |
| AVEO | 11- | Rear | | | | UJ113045 |
| COBALT | 10-05 | Front | • | | | UJ123045 |
| SONIC | 12- | Rear | | | | UJ113045 |

| GM DAEWOO | | | | | | |
|------------------|-------|----------|--------------|-----|-----|----------|
| MODEL | YEAR | LOCATION | VEHICLE TYPE | | | PART NO. |
| | | FRT/RR | ABS | 2WD | 4WD | |
| CAPTIVA | 06- | Front | • | | | UJ113019 |
| CAPTIVA | 06- | Rear | • | | | UJ113020 |
| DAMAS | 03- | Front | | | | UJ111006 |
| DAMAS(LABO) | | Front | | | | UJ111006 |
| EPICA | 05-04 | Front | | | | UJ113015 |
| EPICA | 05-04 | Rear | | | | UJ113017 |
| EPICA | 06-04 | Front | • | | | UJ113016 |
| EPICA | 06-04 | Rear | • | | | UJ113018 |
| EPICA | 06-05 | Front | | | | UJ113015 |
| EPICA | 06-05 | Front | • | | | UJ113016 |
| EPICA | 06-05 | Rear | | | | UJ113017 |
| EPICA | 06-05 | Rear | • | | | UJ113018 |
| ESPERO | 96- | Front | | | | UJ111011 |
| LACETTI | | Front | | | | UJ111011 |
| LACETTI PREMIERE | 08- | Rear | • | | | UJ113033 |

| GM DAEWOO | | | | | | |
|-----------------------------------|-------|----------|--------------|-----|-----|----------|
| MODEL | YEAR | LOCATION | VEHICLE TYPE | | | PART NO. |
| | | FRT/RR | ABS | 2WD | 4WD | |
| LACETTI PREMIERE | 08- | Rear | • | | | UJ113034 |
| LACETTI PREMIERE, 15" WHEEL DRIVE | 09- | Front | • | | | UJ133023 |
| LACETTI PREMIERE, 17" WHEEL DRIVE | 09- | Front | • | | | UJ133024 |
| LEGANZA | | Front | | | | UJ111012 |
| LEGANZA 4BOLT TYPE | | | • | | | UJ112038 |
| LEGANZA 4BOLT TYPE | | Rear | • | | | UJ112038 |
| LEGANZA 5BOLT TYPE | 02-99 | Rear | • | | | UJ112039 |
| LEGANZA 5BOLT TYPE | | | • | | | UJ112039 |
| LEMANS | | Front | | | | UJ111009 |
| NUBIRA | | Front | | | | UJ111011 |
| TOSCA | 05-04 | Front | | | | UJ113015 |
| TOSCA | 05-04 | Rear | | | | UJ113017 |
| TOSCA | 06-04 | Front | • | | | UJ113016 |
| TOSCA | 06-04 | Rear | • | | | UJ113018 |
| TOSCA | 06-05 | Front | | | | UJ113015 |
| TOSCA | 06-05 | Front | • | | | UJ113016 |
| TOSCA | 06-05 | Rear | | | | UJ113017 |
| TOSCA | 06-05 | Rear | • | | | UJ113018 |
| WINSTORM | 06- | Front | • | | | UJ113019 |
| WINSTORM | 06- | Rear | • | | | UJ113020 |
| WINSTORM | 14-12 | Front | • | | | UJ113019 |

| GMC | | | | | | |
|----------------|-------|----------|--------------|-----|-----|----------|
| MODEL | YEAR | LOCATION | VEHICLE TYPE | | | PART NO. |
| | | FRT/RR | ABS | 2WD | 4WD | |
| ENVOY | 09-02 | Front | • | | | UJ123050 |
| ENVOY XL | 06-02 | Front | • | | | UJ123050 |
| ENVOY XUV | 05-04 | Front | • | | | UJ123050 |
| JIMMY | 05 | Front | • | | • | UJ123034 |
| JIMMY | 05 | Front | • | | | UJ123048 |
| JIMMY | 05-97 | Front | • | | • | UJ123034 |
| JIMMY | 05-97 | Front | • | | | UJ123048 |
| JIMMY | 05-98 | Front | • | • | | UJ122012 |
| JIMMY | 95 | Front | • | | • | UJ123021 |
| JIMMY | 97-90 | Front | • | | • | UJ123021 |
| JIMMY | 97-95 | Front | • | | • | UJ123021 |
| JIMMY | 04-97 | Front | • | | • | UJ123034 |
| JIMMY | 04-97 | Front | • | | • | UJ123048 |
| JIMMY | 01-99 | Front | • | | • | UJ123034 |
| JIMMY | 01-99 | Front | • | | • | UJ123048 |
| K1500 | 91-88 | Front | | | | UJ223002 |
| K1500 | 94-88 | Front | | | | UJ223001 |
| K1500 | 99-95 | Front | • | | | UJ223023 |
| K1500 | 99-96 | Front | • | | | UJ223037 |
| K1500 SUBURBAN | 94-92 | Front | | | | UJ223001 |
| K1500 SUBURBAN | 99-95 | Front | • | | | UJ223023 |
| K2500 | 95 | Front | • | | | UJ223015 |
| K2500 | 95 | Front | • | | | UJ223023 |
| K2500 | 00-96 | Front | • | | | UJ223037 |
| K2500 | 94-88 | Front | | | | UJ223001 |
| K2500 | 94-88 | Front | | | | UJ223017 |
| K2500 | 95 | Front | • | | | UJ223014 |
| K2500 SUBURBAN | 95 | Front | • | | | UJ223015 |
| K2500 SUBURBAN | 94-92 | Front | | | | UJ223001 |
| K2500 SUBURBAN | 94-92 | Front | | | | UJ223017 |

| GMC | | | | | | |
|----------------|-------|----------|--------------|-----|-----|----------|
| MODEL | YEAR | LOCATION | VEHICLE TYPE | | | PART NO. |
| | | FRT/RR | ABS | 2WD | 4WD | |
| K2500 SUBURBAN | 95 | Front | • | | | UJ223014 |
| K2500 SUBURBAN | 95 | Front | • | | | UJ223023 |
| K2500 SUBURBAN | 99-96 | Front | • | | | UJ223037 |
| K3500 | 95 | Front | • | | | UJ223015 |
| K3500 | 00-96 | Front | • | | | UJ223037 |
| K3500 | 94-88 | Front | | | | UJ223017 |
| K3500 | 94-88 | Front | | | | UJ223034 |
| K3500 | 95 | Front | • | | | UJ223014 |
| NOEN | 02-00 | Rear | • | | | UJ122014 |
| S15 | 90 | Front | • | | • | UJ123021 |
| S15 JIMMY | 91-90 | Front | • | | • | UJ123021 |
| S15 JIMMY | 94-90 | Front | • | | • | UJ123021 |
| SAFARI | 02-95 | Front | | | | UJ223018 |
| SAFARI | 05-03 | Front | • | | | UJ223038 |
| SAVANA 1500 | 10-03 | Front | • | | | UJ223033 |
| SAVANA 1500 | 13-03 | Front | • | | | UJ223044 |
| SAVANA 2500 | 05-03 | Front | • | | | UJ223033 |
| SAVANA 2500 | 05-03 | Front | • | | | UJ223044 |
| SAVANA 2500 | 13-03 | Front | • | | | UJ223046 |
| SAVANA 2500 | 13-03 | Front | • | | | UJ223046 |
| SAVANA 3500 | 13-03 | Front | • | | | UJ223047 |
| SAVANA 4500 | 12-09 | Front | • | | | UJ223047 |
| SIERRA 1500 | 07-01 | Front | • | | | UJ223045 |
| SIERRA 1500 | 07-02 | Front | • | | | UJ223033 |
| SIERRA 1500 | 07-05 | Front | • | | | UJ223061 |
| SIERRA 1500 | 07-99 | Front | • | | | UJ223044 |
| SIERRA 1500 | 13-07 | Front | • | | | UJ223079 |
| SIERRA 1500 HD | 07-01 | Front | • | | | UJ223045 |
| SIERRA 1500 HD | 07-01 | Front | • | | | UJ223057 |
| SIERRA 2500 | 00-99 | Front | • | | | UJ223056 |
| SIERRA 2500 | 04-01 | Front | • | | | UJ223057 |
| SIERRA 2500 | 04-99 | Front | • | | | UJ223045 |
| SIERRA 2500 HD | 07-01 | Front | • | | | UJ223045 |
| SIERRA 2500 HD | 07-01 | Front | • | | | UJ223057 |
| SIERRA 2500 HD | 10-07 | Front | | | | UJ223086 |
| SIERRA 3500 | 07-01 | Front | • | | • | UJ223062 |
| SIERRA 3500 HD | 10-07 | Front | | | | UJ223086 |
| SIERRA DENALI | 06-02 | Front | • | | | UJ223033 |
| SIERRA DENALI | 07-02 | Front | • | | | UJ223045 |
| SONOMA | 04 | Front | • | | | UJ123048 |
| SONOMA | 04-97 | Front | • | | • | UJ123034 |
| SONOMA | 04-97 | Front | • | | | UJ123048 |
| SONOMA | 97-91 | Front | • | | • | UJ123021 |
| SONOMA | 03-97 | Front | • | | • | UJ123048 |
| SONOMA | 04 | Front | • | | • | UJ123034 |
| SONOMA (AWD) | 03-97 | Front | • | | • | UJ123034 |
| SYCLONE | 91 | Front | • | | • | UJ123021 |
| TERRAIN | 13-10 | Front | | | | UJ123110 |
| TYPHOON | 93-92 | Front | • | | • | UJ123021 |
| YOKON XL 2 | | | | | | |

GMC

| MODEL | YEAR | LOCATION | | VEHICLE TYPE | | | PART NO. |
|---------------|-------|----------|-----|--------------|-----|--|----------|
| | | FRT/RR | ABS | 2WD | 4WD | | |
| YUKON XL 1500 | 06-00 | Front | • | | | | UJ223033 |
| YUKON XL 1500 | 06-00 | Front | • | | | | UJ223044 |
| YUKON XL 1500 | 13-07 | Front | • | | | | UJ223079 |
| YUKON XL 2500 | 00 | Front | • | | | | UJ223056 |
| YUKON XL 2500 | 06-00 | Front | • | | | | UJ223045 |
| YUKON XL 2500 | 13-07 | Front | | | | | UJ223086 |

HOLDEN

| MODEL | YEAR | LOCATION | | VEHICLE TYPE | | | PART NO. |
|-------|------|----------|-----|--------------|-----|--|----------|
| | | FRT/RR | ABS | 2WD | 4WD | | |
| CRUZE | 09- | Rear | • | | | | UJ113033 |
| CRUZE | 09- | Rear | • | | | | UJ113034 |

HONDA

| MODEL | YEAR | LOCATION | | VEHICLE TYPE | | | PART NO. |
|-----------------------------|-------|----------|-----|--------------|-----|--|----------|
| | | FRT/RR | ABS | 2WD | 4WD | | |
| ACCORD | 02-98 | Front | | | | | UJ141007 |
| ACCORD | 02-98 | Rear | | | | | UJ142002 |
| ACCORD | 02-98 | Rear | • | | | | UJ142003 |
| ACCORD | 02-98 | Rear | | | | | UJ142004 |
| ACCORD | 02-98 | Rear | • | | | | UJ142005 |
| ACCORD | 07-03 | Front | • | | | | UJ141002 |
| ACCORD | 07-03 | Rear | | | | | UJ142006 |
| ACCORD | 93-91 | Rear | | | | | UJ222001 |
| ACCORD | 97-90 | Front | | | | | UJ142008 |
| ACCORD 2.3L 4CYL (2254) (-) | 02-98 | Rear | • | | | | UJ142003 |
| ACCORD 2.3L 4CYL (2254) (-) | 02-98 | Rear | | | | | UJ142004 |
| ACCORD 3.0 6CYL (2997) (-) | 02-98 | Rear | • | | | | UJ142005 |
| CIVIC | 00-92 | Front | • | | | | UJ141009 |
| CIVIC | 00-92 | Rear | • | | | | UJ142001 |
| CIVIC | 00-92 | Rear | | | | | UJ142010 |
| CIVIC | 05-01 | Rear | • | | | | UJ142009 |
| CIVIC | 05-04 | Front | | | | | UJ141007 |
| CIVIC | 10-06 | Front | • | | | | UJ141002 |
| CIVIC | 11-06 | Front | • | | | | UJ141002 |
| CIVIC DEL SOL | 97-93 | Front | • | | | | UJ141009 |
| CIVIC DEL SOL | 97-93 | Rear | | | | | UJ142010 |
| CIVIC DEL SOL | 97-95 | Rear | • | | | | UJ142001 |
| CR-V | 04-02 | Front | • | | | | UJ141009 |
| CR-V | 04-02 | Rear | | | | | UJ141009 |
| CR-V | 04-97 | Front | | | | | UJ141004 |
| CR-V | 04-97 | Front | | | | | UJ141007 |
| ELEMENT | 05-03 | Front | | | | | UJ141004 |
| ELEMENT | 05-03 | Front | | | | | UJ141007 |
| ODYSSEY | 10-05 | Rear | | | | | UJ23101 |
| PILOT | 08-03 | Front | | | | | UJ141004 |
| PILOT | 08-03 | Front | | | | | UJ141007 |
| PILOT | 08-05 | Front | | | | | UJ121007 |
| PRELUDE | 01-97 | Front | | | | | UJ141004 |
| PRELUDE | 01-97 | Front | | | | | UJ141007 |
| S2000 | 09-00 | Front | | | | | UJ141004 |
| S2000 | 09-00 | Front | | | | | UJ141007 |
| S2000 | 09-00 | Rear | | | | | UJ141007 |

HUMMER

| MODEL | YEAR | LOCATION | | VEHICLE TYPE | | | PART NO. |
|-------|-------|----------|-----|--------------|-----|--|----------|
| | | FRT/RR | ABS | 2WD | 4WD | | |
| H2 | 07-03 | Front | • | | | | UJ223045 |
| H2 | 09-08 | Front | | | | | UJ223086 |

HYUNDAI

| MODEL | YEAR | LOCATION | | VEHICLE TYPE | | | PART NO. |
|-------------------------|-------|----------|-----|--------------|-----|--|----------|
| | | FRT/RR | ABS | 2WD | 4WD | | |
| VERACRUZ | 08- | Rear | • | • | | | UJ113012 |
| VERACRUZ | 12-07 | Rear | • | • | | | UJ113012 |
| VERACRUZ (AWD) | 12-07 | Rear | | | | | UJ113013 |
| VERACRUZ (FRT&4WD ONLY) | 08- | Front | | | • | | UJ113013 |
| ACCENT | 05 | Rear | • | | | | UJ112016 |
| ACCENT | 06-00 | Rear | • | | | | UJ112016 |
| ACCENT | 06-00 | Rear | • | | | | UJ112028 |
| ACCENT | 06-00 | Rear | | | | | UJ112028 |
| ACCENT | 06-95 | Rear | | | | | UJ112001 |
| ACCENT | 10-00 | Front | | | | | UJ111001 |
| ACCENT | 11- | Front | | | | | UJ111001 |
| ACCENT | 95-06 | Rear | | | | | UJ112002 |
| ACCENT | 96-95 | Rear | | | | | UJ112002 |
| ACCENT | 99-97 | Rear | • | | | | UJ112003 |
| ACCENT | 99-97 | Rear | | | | | UJ112004 |
| ACCENT II | 05-00 | Front | | | | | UJ111001 |
| ACCENT III | 10-05 | Front | | | | | UJ111001 |
| AMICA / ATOZ | 98- | Front | | | | | UJ111001 |
| ATOZ | 00 | Rear | | | | | UJ112021 |
| ATOZ | 00 | Rear | • | | | | UJ112022 |
| AVANTE | -98 | Rear | • | | | | UJ112005 |
| AVANTE | 99-94 | | | | | | UJ112006 |
| AVANTE | 99-97 | Rear | | | | | UJ112004 |
| AVANTE MD | 10- | Rear | • | | | | UJ113044 |
| AVANTE TOURING | -98 | Rear | | | | | UJ112006 |
| AVANTE TOURING(99F/L -) | 99 | Rear | • | | | | UJ112012 |
| AVANTE XD | 05 | Rear | | | | | UJ112019 |
| AVANTE XD | 05 | Rear | • | | | | UJ112020 |
| AVANTE-HD | 10-06 | Front | | | | | UJ111010 |
| AVANTE-HD | 10-06 | Rear | | | | | UJ113009 |
| AVANTE-HD | 10-06 | Rear | • | | | | UJ113010 |
| AVANTE-HD(ELANTRA) | 07-12 | Rear | • | | | | UJ113010 |
| AVANTE-HD(ELANTRA) | 10-06 | Rear | | | | | UJ113009 |
| AVANTE-XD DISCTYPE | 02- | Rear | | | | | UJ112026 |
| AVANTE-XD DISCTYPE | 02- | Rear | • | | | | UJ112027 |
| AVANTE-XD DRUM TYPE | 02- | Rear | | | | | UJ112036 |
| AZERA | 10-06 | Front | | | | | UJ111004 |
| AZERA / GRANDEUR | 11-06 | Front | | | | | UJ111004 |
| AZERA / GRANDEUR | 13-12 | Front | | | | | UJ111003 |
| CASTAR | | Rear | | | | | UJ112014 |
| CASTAR | | Rear | • | | | | UJ112015 |
| CLICK | 02 | Rear | | | | | UJ113007 |
| CLICK | 02 | Rear | • | | | | UJ113008 |
| CLICK | 02- | Rear | | | | | UJ113007 |
| COUPE / TIBURON | 02-96 | Front | | | | | UJ111001 |
| COUPE / TIBURON | 08-03 | Front | | | | | UJ111005 |
| COUPE / TIBURON | 09-02 | Front | | | | | UJ111002 |
| EF-SONATA | 02- | Front | | | | | UJ111003 |

HYUNDAI

| MODEL | YEAR | LOCATION | | VEHICLE TYPE | | | PART NO. |
|-----------------------------|-------|----------|-----|--------------|-----|--|----------|
| | | FRT/RR | ABS | 2WD | 4WD | | |
| ELANTRA | 00-95 | Front | | | | | UJ111001 |
| ELANTRA | 00-96 | Front | | | | | UJ111001 |
| ELANTRA | 00-96 | Rear | • | | | | UJ112007 |
| ELANTRA | 06-01 | Front | | | | | UJ111005 |
| ELANTRA | 06-01 | Rear | • | | | | UJ112037 |
| ELANTRA | 06-01 | Front | | | | | UJ111002 |
| ELANTRA | 13-07 | Front | | | | | UJ111010 |
| ELANTRA | -98 | Rear | • | | | | UJ112005 |
| ELANTRA | 99-95 | | | | | | UJ112006 |
| ELANTRA | 06-01 | Rear | | | | | UJ112019 |
| ELANTRA | | Rear | • | | | | UJ112020 |
| ELANTRA DISC TYPE | 02- | Rear | | | | | UJ112026 |
| ELANTRA DISC TYPE | 02- | Rear | • | | | | UJ112027 |
| ELANTRA DRUM TYPE | 02- | Rear | | | | | UJ112036 |
| ENTOURANGE | 08-07 | Rear | | | | | UJ212003 |
| ENTOURANGE | 08-07 | Front | | | | | UJ213001 |
| EQUUS | 08-03 | Rear | • | | | | UJ112013 |
| EQUUS | 09- | Front | | | | | UJ113024 |
| EQUUS | 13-11 | Front | | | | | UJ113024 |
| GENESIS | 09- | Front | | | | | UJ113024 |
| GENESIS | 09- | Rear | | | | | UJ113032 |
| GENESIS | 13-09 | Front | | | | | UJ113024 |
| GENESIS | 13-09 | Rear | | | | | UJ113032 |
| GENESIS COUPE | 09- | Rear | • | | | | UJ113039 |
| GENESIS COUPE | 10- | Front | • | | | | UJ113040 |
| GENESIS COUPE | 10- | Rear | • | | | | UJ113039 |
| GETZ | 02 | Rear | | | | | UJ113007 |
| GETZ | 02 | Rear | • | | | | UJ113008 |
| GETZ | 02- | Rear | | | | | UJ113007 |
| GETZ / CLICK | 09-02 | Front | | | | | UJ111001 |
| GRAND STAREX | 07- | Front | • | | | | UJ212001 |
| GRAND STAREX | 07- | Front | | | | | UJ212002 |
| GRANDEUR-TG | 05-07 | Rear | • | | | | UJ113021 |
| GRANDEUR-TG | 07-05 | Rear | | | | | UJ113022 |
| GRANDEUR-TG | 10-07 | Rear | • | | | | UJ113027 |
| GRANDEUR-XG | 01- | Rear | | | | | UJ113014 |
| HG GRANDEUR | 11- | Rear | • | | | | UJ113041 |
| I30 | 10-06 | Rear | | | | | UJ113009 |
| I30 | 10-06 | Rear | • | | | | UJ113010 |
| LAVITA (OLD MODEL) | | Rear | | | | | UJ112019 |
| LAVITA (OLD MODEL) | | Rear | • | | | | UJ112020 |
| LAVITA(FC) | 08-02 | Rear | • | | | | UJ112035 |
| LAVITA(FS) | 08-02 | Rear | | | | | UJ112034 |
| NEW ACCENT | 11- | Rear | • | | | | UJ113043 |
| NEW EQUUS | 09- | Rear | | | | | UJ113032 |
| NEW GRANDEUR | 13-11 | Rear | | | | | UJ113032 |
| NEW GRANDEUR | 02-97 | Rear | | | | | UJ112010 |
| NEW GRANDEUR | 02-97 | Rear | • | | | | UJ112011 |
| NEW SANTA FE | 13-07 | Front | | | | | UJ113013 |
| NEW SANTA FE | 05- | Rear | • | • | | | UJ113012 |
| NEW SANTA FE | 13-07 | Rear | • | • | | | UJ113012 |
| NEW SANTA FE (AWD) | 11-07 | Rear | | | | | UJ113013 |
| NEW SANTA FE (FRT&4WD ONLY) | 05- | Front | | | • | | UJ113013 |
| NEW SORENTO | 14-11 | Front | | | | | UJ113013 |
| NEW SORENTO | 09- | Rear | • | • | | | UJ113012 |
| NEW SORENTO | 14-11 | Rear | • | • | | | UJ113012 |
| NEW SORENTO (AWD) | 14-11 | Rear | | | | | UJ113013 |

HYUNDAI

| MODEL | YEAR | LOCATION | | VEHICLE TYPE | | | PART NO. |
|----------------------------|-------|----------|-----|--------------|-----|--|----------|
| | | FRT/RR | ABS | 2WD | 4WD | | |
| NEW SORENTO (FRT&4WD ONLY) | 09- | Front | • | | • | | UJ113013 |
| NEW SPORTAGE | 04- | Rear | | | | | UJ112032 |
| RIO | 10-06 | Front | | | | | UJ111001 |
| SANTA FE | 06-01 | Rear | • | | | | UJ112017 |
| SANTA FE | 06-01 | Rear | • | | | | UJ112023 |
| SANTA FE | 06-01 | Rear | | | | | UJ121003 |
| SANTA FE | 06-01 | Front | | | | | UJ111003 |
| SANTA FE | 06-01 | Rear | | | | | UJ112017 |

INFINITI

| MODEL | YEAR | LOCATION | | VEHICLE TYPE | | | PART NO. |
|-------|-------|----------|-----|--------------|-----|--|----------|
| | | FRT/RR | ABS | 2WD | 4WD | | |
| G35 | 07-03 | Rear | | | | | IJ122041 |
| G35 | 07-03 | Front | | | | | IJ143008 |
| G35 | 08-03 | Front | | | | | IJ143008 |
| I30 | 01-00 | Front | | | | | IJ141005 |
| I30 | 01-00 | Rear | | | | | IJ142007 |
| I35 | 04-02 | Front | | | | | IJ141005 |
| I35 | 04-02 | Rear | | | | | IJ142007 |
| Q45 | 06-02 | Front | | | | | IJ123089 |
| QX56 | 10-08 | Front | | | | | IJ223085 |

ISUZU

| MODEL | YEAR | LOCATION | | VEHICLE TYPE | | | PART NO. |
|----------|-------|----------|-----|--------------|-----|--|----------|
| | | FRT/RR | ABS | 2WD | 4WD | | |
| ASCENDER | 08-03 | Front | • | | | | IJ123050 |
| HOMBRE | 00-98 | Front | • | | • | | IJ123034 |
| HOMBRE | 00-98 | Front | • | | | | IJ123048 |

JAGUAR

| MODEL | YEAR | LOCATION | | VEHICLE TYPE | | | PART NO. |
|--------|-------|----------|-----|--------------|-----|--|----------|
| | | FRT/RR | ABS | 2WD | 4WD | | |
| XJ8 | 98 | Rear | | | | | IJ121003 |
| XJR | 98 | Rear | | | | | IJ121003 |
| XK8 | 98-97 | Rear | | | | | IJ121003 |
| X-TYPE | 04-01 | Rear | • | | | | IJ123061 |
| X-TYPE | 04-01 | Front | • | | | | IJ131025 |
| X-TYPE | 09-01 | Front | • | | | | IJ131025 |

JEEP

| MODEL | YEAR | LOCATION | | VEHICLE TYPE | | | PART NO. |
|----------------|-------|----------|-----|--------------|-----|--|----------|
| | | FRT/RR | ABS | 2WD | 4WD | | |
| CHEROKEE | 85-84 | Front | | • | | | IJ123029 |
| CHEROKEE | 89-84 | Front | | • | | | IJ123029 |
| CHEROKEE | 99-90 | Front | | | • | | IJ123024 |
| CHEROKEE | 89-86 | Front | | | • | | IJ123029 |
| CHEROKEE (RWD) | 86 | Front | | • | | | IJ123029 |
| COMANCHE | 89-86 | Front | | | • | | IJ123029 |
| COMANCHE | 92-90 | Front | | | • | | IJ123024 |
| COMANCHE | 89-86 | Front | | | • | | IJ123029 |
| COMANCHE (RWD) | 86 | Front | | • | | | IJ123029 |
| COMMANDER | 10-06 | Front | | | • | | IJ123052 |
| COMMANDER | 10-06 | Rear | | | | | IJ123059 |
| GRAND CHEROKEE | 04-99 | Front | | | • | | IJ123039 |
| GRAND CHEROKEE | 10-05 | Front | | | • | | IJ123052 |
| GRAND CHEROKEE | 10-05 | Rear | | | | | IJ123059 |
| GRAND CHEROKEE | 98-93 | Front | | | • | | IJ123024 |
| GRAND WAGONEER | 93 | Front | | | • | | IJ123024 |
| LIBERTY | 05-02 | Front | | | | | IJ123102 |
| LIBERTY | 07-02 | Front | • | | • | | IJ123040 |
| LIBERTY | 07-02 | Front | • | | | | IJ123093 |
| LIBERTY | 10-08 | Front | • | | | | IJ123060 |

JEEP

| MODEL | YEAR | LOCATION | | VEHICLE TYPE | | | PART NO. |
|----------|-------|----------|-----|--------------|-----|--|----------|
| | | FRT/RR | ABS | 2WD | 4WD | | |
| LIBERTY | 12-08 | Front | • | | | | IJ123060 |
| TJ | 99-97 | Front | | | • | | IJ123024 |
| WAGONEER | 89-84 | Front | | • | | | IJ123029 |
| WAGONEER | 90 | Front | | | • | | IJ123024 |
| WRANGLER | 10-07 | Front | • | | | | IJ123062 |
| WRANGLER | 14-07 | Front | | | | | IJ123103 |
| WRANGLER | 14-07 | Front | • | | | | IJ123062 |
| WRANGLER | 89-87 | Front | | • | | | IJ123029 |
| WRANGLER | 99-90 | Front | | | • | | IJ123024 |

KIA

| MODEL | YEAR | LOCATION | | VEHICLE TYPE | | | PART NO. |
|-------------------|-------|----------|-----|--------------|-----|--|----------|
| | | FRT/RR | ABS | 2WD | 4WD | | |
| AMANTI | 06-04 | Rear | | | | | IJ113001 |
| AMANTI | 09-04 | Front | | | | | IJ111004 |
| AMANTI | 09-07 | Rear | • | | | | IJ113021 |
| AMANTI (OPIRUS) | | Rear | • | | | | IJ113021 |
| AMANTI / OPIRUS | 09-04 | Front | | | | | IJ111004 |
| BORREGO | 10-09 | Rear | | | | | IJ121003 |
| CARENCE F/L | 10- | Rear | • | | | | IJ113041 |
| CARENS | 09-02 | Rear | • | | | | IJ113042 |
| CARENS | 09-07 | Rear | • | | | | IJ113042 |
| CARNIVAL | | Front | | | | | IJ211001 |
| CERATO | 04- | Front | | | | | IJ111002 |
| CERATO DISCTYPE | | Rear | | | | | IJ112031 |
| FORTE | 08- | Rear | • | | | | IJ113037 |
| FORTE | 08- | Rear | | | | | IJ113038 |
| FORTE | 14-10 | Front | | | | | IJ111010 |
| FORTE COUPE | 09- | Rear | • | | | | IJ113037 |
| FORTE COUPE | 09- | Rear | | | | | IJ113038 |
| FORTE KOUP | 13-10 | Front | | | | | IJ111010 |
| K5 | 05- | Rear | • | | | | IJ113041 |
| K7 | 10- | Rear | • | | | | IJ113041 |
| K9 | 12- | Rear | | | | | IJ113032 |
| MAGENTIS | 02-01 | Front | | | | | IJ111002 |
| MAGENTIS | 06-01 | Rear | | | | | IJ113002 |
| MAGENTIS | 06-01 | Rear | • | | | | IJ113003 |
| MAGENTIS | 10-06 | Rear | | | | | IJ113006 |
| MAGENTIS / OPTIMA | 01- | Front | | | | | IJ111002 |
| MAGENTIS / OPTIMA | 10-02 | Front | | | | | IJ111003 |
| MORNING | 06 | Rear | | | | | IJ113007 |
| MORNING | 06 | Rear | • | | | | IJ113008 |
| NEW MORNING | 11- | Rear | • | | | | IJ113046 |
| NEW PRIDE | 05 | Rear | | | | | IJ113007 |
| NEW PRIDE | 05 | Rear | • | | | | IJ113008 |
| NEW PRIDE | 12- | Front | | | | | IJ111001 |
| OPIRUS | 06- | Rear | • | | | | IJ113027 |
| OPIRUS | 06-04 | Front | • | | | | IJ113029 |
| OPIRUS (AMANTI) | 09- | Rear | • | | | | IJ113042 |
| OPTIMA | 02-01 | Front | | | | | IJ111002 |
| OPTIMA | 06-01 | Rear | | | | | IJ113002 |
| OPTIMA | 06-01 | Rear | • | | | | IJ113003 |
| OPTIMA | 08-06 | Rear | | | | | IJ113006 |
| OPTIMA | 10 | Rear | • | | | | IJ113005 |
| OPTIMA | 10-06 | Rear | | | | | IJ113006 |

KIA

| MODEL | YEAR | LOCATION | | VEHICLE TYPE | | | PART NO. |
|-------------|-------|----------|-----|--------------|-----|--|----------|
| | | FRT/RR | ABS | 2WD | 4WD | | |
| OPTIMA | 10-06 | Rear | • | | | | IJ113005 |
| PICANTO | 06 | Rear | | | | | IJ113007 |
| PICANTO | 06 | Rear | • | | | | IJ113008 |
| PICANTO | 11- | Rear | • | | | | IJ113046 |
| RIO | 11-06 | Rear | | | | | IJ113007 |
| RIO | 11-06 | Rear | • | | | | IJ113008 |
| RIO / PRIDE | 05- | Front | | | | | IJ111001 |
| RIO5 | 10-06 | Front | | | | | IJ111001 |
| RONDO | 10-07 | Front | | | | | IJ111003 |
| RONDO | | Rear | • | | | | IJ113021 |
| SEDONA | 05-02 | Rear | | | | | IJ121003 |
| SEDONA | 11-06 | Rear | | | | | IJ212003 |
| SEDONA | 11-06 | Front | | | | | IJ213001 |
| SEDONA | 14-06 | Front | | | | | IJ213001 |
| SEPHIA | 01-94 | Rear | • | | | | IJ112040 |
| SEPHIA | 01-94 | Rear | | | | | IJ122038 |
| SEPHIA | 01-97 | Rear | • | | | | IJ112040 |
| SORENTO | 09-03 | Rear | | | | | IJ121003 |
| SORENTO | 09-03 | Front | | | | | IJ211001 |
| SOUL | 08- | Rear | • | | | | IJ113035 |
| SOUL | 08- | Rear | | | | | IJ113036 |
| SOUL | 14-10 | Front | | | | | IJ111010 |
| SPECTRA | 00 | Rear | • | | | | IJ112040 |
| SPECTRA | 04-00 | Rear | | | | | IJ122038 |
| SPECTRA | 09-04 | Front | | | | | IJ111005 |
| SPECTRA | 09-05 | Front | | | | | IJ111005 |
| SPECTRA | 09-05 | Rear | • | | | | IJ112037 |
| SPECTRA | 09-05 | Rear | | | | | IJ112036 |
| SPECTRA 5 | 09-05 | Front | | | | | IJ111005 |
| SPECTRA 5 | 09-05 | Rear | • | | | | IJ112037 |
| SPORTAGE | 04- | Front | | | | | IJ111003 |
| SPORTAGE | 10-05 | Rear | | | | | IJ121003 |
| SPORTAGE | 14-05 | Front | | | | | IJ111003 |
| SPORTAGER | 09- | Rear | • | | | | IJ113041 |

LANCIA

| MODEL | YEAR | LOCATION | | VEHICLE TYPE | | | PART NO. |
|------------|-------|----------|-----|--------------|-----|--|----------|
| | | FRT/RR | ABS | 2WD | 4WD | | |
| DEDRA | 99-89 | Rear | • | | | | IJ132015 |
| DELTA II | 99-93 | Rear | • | | | | IJ132015 |
| DELTA III | 08- | Rear | • | | | | IJ132005 |
| LYBRA | 05-99 | Rear | • | | | | IJ132005 |
| MUSA | 04- | Front | • | | | | IJ131027 |
| MUSA | 05-04 | Front | • | | | | IJ131027 |
| MUSA | 05-99 | Rear | • | | | | IJ132005 |
| THEISIS | 04-02 | Front | • | | | | IJ132020 |
| THEISIS | 09-02 | Front | • | | | | IJ132020 |
| Y | 03-98 | Front | • | | | | IJ131027 |
| Y | 03-98 | Rear | • | | | | IJ132005 |
| Y | 04-98 | Front | • | | | | IJ131027 |
| YPSILON | 05-03 | Front | • | | | | IJ131027 |
| YPSILON I | 11-03 | Front | • | | | | IJ131027 |
| YPSILON I | 11-03 | Rear | • | | | | IJ132005 |
| YPSILON II | 11- | Rear | • | | | | IJ132005 |
| ZETA | 02-95 | Front | | | | | IJ131031 |

LEXUS

| MODEL | YEAR | LOCATION | | VEHICLE TYPE | | | PART NO. |
|--------|-------|------------|-----|--------------|-----|--|----------|
| | | FRT/RR | ABS | 2WD | 4WD | | |
| ES300 | 03-02 | Rear | | | | | IJ143001 |
| ES300 | 03-02 | Rear | | | | | IJ143002 |
| ES300 | 03-02 | Rear Left | | | | | IJ143001 |
| ES300 | 03-02 | Rear Right | | | | | IJ143002 |
| ES330 | 06-04 | Rear | | | | | IJ143001 |
| ES330 | 06-04 | Rear | | | | | IJ143002 |
| ES330 | 06-04 | Front | | • | | | IJ141003 |
| ES330 | 06-04 | Rear Left | | | | | IJ143001 |
| ES330 | 06-04 | Rear Right | | | | | IJ143002 |
| ES330H | 13 | Front | | • | | | IJ141003 |
| ES350 | 10-07 | Rear | | | | | IJ143001 |
| ES350 | 10-07 | Rear | | | | | IJ143002 |
| ES350 | 12-07 | Rear | | | | | IJ143001 |
| ES350 | 12-07 | Rear | | | | | IJ143002 |
| ES350 | 13-07 | Front | | • | | | IJ141003 |
| ES350 | 12-07 | Rear Left | | | | | IJ143001 |
| ES350 | 12-07 | Rear Right | | | | | IJ143002 |
| HS250H | 10 | Front | | • | | | |

LINCOLN

| MODEL | YEAR | LOCATION | VEHICLE TYPE | | | PART NO. |
|----------|-------|----------|--------------|-----|-----|----------|
| | | FRT/RR | ABS | 2WD | 4WD | |
| TOWN CAR | 10-05 | Front | | | | IJ123053 |
| TOWN CAR | 11-05 | Front | | | | IJ123053 |
| ZEPHYR | 06 | Rear | | | | IJ122042 |

MAZDA

| MODEL | YEAR | LOCATION | VEHICLE TYPE | | | PART NO. |
|--------------------|-------|----------|--------------|-----|-----|----------|
| | | FRT/RR | ABS | 2WD | 4WD | |
| 2 | 13-11 | Front | | | | IJ121004 |
| 3 | 05-04 | Front | | | | IJ142012 |
| 3 | 13-04 | Rear | | | | IJ143015 |
| 5 | 14-06 | Rear | | | | IJ143015 |
| 3 | 08-04 | Rear | | | | IJ143016 |
| 6 | 07-06 | Front | | • | | IJ141003 |
| 6 | 08-03 | Rear | | | | IJ122042 |
| 2 II (DY) | 07-03 | Rear | | | | IJ221001 |
| 323 | 95-89 | Rear | | | | IJ142011 |
| B3000 | 00 | Front | | | • | IJ223013 |
| B3000 | 00-98 | Front | | | • | IJ223025 |
| B3000 | 02-01 | Front | • | | • | IJ223012 |
| B3000 (4WHEEL ABS) | 06-03 | Front | • | | | IJ223041 |
| B4000 | 00 | Front | | | • | IJ223013 |
| B4000 | 00-98 | Front | | | • | IJ223025 |
| B4000 | 00-98 | Front | • | | | IJ223026 |
| B4000 | 02-01 | Front | • | | • | IJ223012 |
| B4000 | 09-03 | Front | • | | | IJ223042 |
| B4000 (4WHEEL ABS) | 06-03 | Front | • | | | IJ223041 |
| BJ | 03-00 | | | | | IJ142011 |
| CX-7 | 10-07 | Front | | • | | IJ141003 |
| CX-7 | 12-07 | Front | | • | | IJ141003 |
| CX-9 | 10-07 | Front | | • | | IJ141003 |
| CX-9 | 13-07 | Front | | • | | IJ141003 |
| MX3 | 95-92 | Rear | | | | IJ142011 |
| TRIBUTE | 10-01 | Rear | | | | IJ121001 |
| TRIBUTE | 11-01 | Rear | | | | IJ121001 |

MERCEDES-BENZ

| MODEL | YEAR | LOCATION | VEHICLE TYPE | | | PART NO. |
|--------|-------|----------|--------------|-----|-----|----------|
| | | FRT/RR | ABS | 2WD | 4WD | |
| 190D | 89-84 | Rear | | | | IJ131021 |
| 190DT | 87 | Rear | | | | IJ131021 |
| 190E | 93-84 | Rear | | | | IJ131021 |
| 260E | 89-87 | Rear | | | | IJ131021 |
| 300CE | 93-88 | Rear | | | | IJ131021 |
| 300D | 93-87 | Rear | | | | IJ131021 |
| 300DT | 87 | Rear | | | | IJ131021 |
| 300E | 93-86 | Rear | | | | IJ131021 |
| 300SL | 93-90 | Rear | | | | IJ131021 |
| 300TDT | 87 | Rear | | | | IJ131021 |
| 300TE | 93-88 | Rear | | | | IJ131021 |
| 350SD | 91 | Rear | | | | IJ131021 |
| 350SDL | 91-90 | Rear | | | | IJ131021 |
| 400E | 93-92 | Rear | | | | IJ131021 |

MERCEDES-BENZ

| MODEL | YEAR | LOCATION | VEHICLE TYPE | | | PART NO. |
|-----------------|-------|-------------|--------------|-----|-----|----------|
| | | FRT/RR | ABS | 2WD | 4WD | |
| 500E | 93-92 | Rear | | | | IJ131021 |
| 500SL | 93-90 | Rear | | | | IJ131021 |
| 600SL | 93 | Rear | | | | IJ131021 |
| C220 | 96-94 | Rear | | | | IJ131021 |
| C230 | 07-97 | Rear | | | | IJ131021 |
| C240 | 05-01 | Rear | | | | IJ131021 |
| C250 | 10 | Rear | | | | IJ131021 |
| C280 | 07-94 | Rear | | | | IJ131021 |
| C300 | 10 | Rear | | | | IJ131021 |
| C32 AMG | 04-02 | Rear | | | | IJ131021 |
| C320 | 05-01 | Rear | | | | IJ131021 |
| C350 | 07-06 | Rear | | | | IJ131021 |
| C36 AMG | 97-95 | Rear | | | | IJ131021 |
| C43 AMG | 00-98 | Rear | | | | IJ131021 |
| C55 AMG | 06-05 | Rear | | | | IJ131021 |
| CLK320 | 05-98 | Rear | | | | IJ131021 |
| CLK350 | 09-06 | Rear | | | | IJ131021 |
| CLK430 | 03-99 | Rear | | | | IJ131021 |
| CLK500 | 06-03 | Rear | | | | IJ131021 |
| CLK55 AMG | 06-01 | Rear | | | | IJ131021 |
| CLK550 | 09-07 | Rear | | | | IJ131021 |
| CLK63 AMG | 09-07 | Rear | | | | IJ131021 |
| E300D | 99-95 | Rear | | | | IJ131021 |
| E320 | 02-94 | Rear | | | | IJ131021 |
| E420 | 97-94 | Rear | | | | IJ131021 |
| E430 | 02-98 | Rear | | | | IJ131021 |
| E500 | 94 | Rear | | | | IJ131021 |
| E55 AMG | 02-99 | Rear | | | | IJ131021 |
| G500 | 08-02 | Front | | | | IJ231004 |
| G55 AMG | 10-03 | Front | | | | IJ231004 |
| G550 | 10-09 | Front | | | | IJ231004 |
| SL320 | 97-94 | Rear | | | | IJ131021 |
| SL500 | 02-94 | Rear | | | | IJ131021 |
| SL600 | 02-94 | Rear | | | | IJ131021 |
| SLK230 | 04-98 | Rear | | | | IJ131021 |
| SLK280 | 08-06 | Rear | | | | IJ131021 |
| SLK300 | 10-09 | Rear | | | | IJ131021 |
| SLK32 AMG | 04-02 | Rear | | | | IJ131021 |
| SLK320 | 04-01 | Rear | | | | IJ131021 |
| SLK350 | 10-05 | Rear | | | | IJ131021 |
| SLK55 AMG | 10-05 | Rear | | | | IJ131021 |
| V-CLASS | 03-96 | Front, Rear | | | | IJ131021 |
| VITO (638) | 03-96 | Front, Rear | | | | IJ131021 |
| 124 | 93-84 | Rear | | | | IJ131018 |
| 190 | 93-82 | Rear | | | | IJ131018 |
| C CLASS (202) | 01-93 | Rear | | | | IJ131018 |
| C CLASS (C203) | 04-01 | Rear | | | | IJ131018 |
| C CLASS (CL203) | 11-01 | Rear | | | | IJ131018 |
| C CLASS (S203) | 07-01 | Rear | | | | IJ131018 |
| C CLASS (T203) | 04-01 | Rear | | | | IJ131018 |
| C CLASS (W203) | 02-00 | Rear | | | | IJ131018 |
| C CLASS (W203) | 07-00 | Rear | | | | IJ131018 |
| CLC-CLASS | 08- | Rear | | | | IJ131018 |
| CLK(208) | 02-97 | Rear | | | | IJ131018 |
| CLK(208) | 04-97 | Rear | | | | IJ131018 |
| CLK(209) | 10-02 | Rear | | | | IJ131018 |
| E CLASS (124) | 98-93 | Rear | | | | IJ131018 |

MERCEDES-BENZ

| MODEL | YEAR | LOCATION | VEHICLE TYPE | | | PART NO. |
|----------------|-------|----------|--------------|-----|-----|----------|
| | | FRT/RR | ABS | 2WD | 4WD | |
| E CLASS (A124) | 98-93 | Rear | | | | IJ131018 |
| E CLASS (C124) | 97-93 | Rear | | | | IJ131018 |
| E CLASS (S210) | 03-99 | Rear | | | | IJ131018 |
| E CLASS (W210) | 02-95 | Rear | | | | IJ131018 |
| E CLASS (W210) | 02-96 | Rear | | | | IJ131018 |
| E CLASS (W214) | 95-93 | Rear | | | | IJ131018 |
| SL(129) | 01-89 | Rear | | | | IJ131018 |
| SL(129) | 01-89 | Rear | | | | IJ131018 |
| SL(R129) | 01-89 | Rear | | | | IJ131018 |
| SLK(170) | 04 | Rear | | | | IJ131018 |
| SLK(170) | 04-96 | Rear | | | | IJ131018 |
| SLK(R170) | 04-96 | Rear | | | | IJ131018 |
| SLK(R171) | 11-04 | Rear | | | | IJ131018 |

MERCURY

| MODEL | YEAR | LOCATION | VEHICLE TYPE | | | PART NO. |
|---------------|-------|----------|--------------|-----|-----|----------|
| | | FRT/RR | ABS | 2WD | 4WD | |
| BREEZE | 97-96 | Rear | | • | | IJ122017 |
| CENTURY | 05-01 | Front | | | | IJ122010 |
| COUGAR | 02-99 | Rear | | | | IJ121001 |
| COUGAR | 02-99 | Front | | | | IJ121001 |
| COUGAR | 97-89 | Rear | | | | IJ121003 |
| COUGAR | 97-91 | Front | | | | IJ122006 |
| GRAND MARQUIS | 02-97 | Front | | | | IJ122007 |
| GRAND MARQUIS | 02-97 | Front | | | | IJ122011 |
| GRAND MARQUIS | 05-03 | Front | • | | | IJ123075 |
| GRAND MARQUIS | 10-05 | Front | | | | IJ123053 |
| GRAND MARQUIS | 11-05 | Front | | | | IJ123053 |
| GRAND MARQUIS | 97-92 | Front | | | | IJ122007 |
| MARAUDER | 04-03 | Front | • | | | IJ123075 |
| MARINER | 10-05 | Rear | | | | IJ121001 |
| MARINER | 11-05 | Rear | | | | IJ121001 |
| MARK VIII | 98-93 | Front | | | | IJ122006 |
| MILAN | 07-06 | Rear | | | | IJ122042 |
| MILAN | 10-06 | Rear | | | | IJ122042 |
| MILAN | 10-08 | Rear | | | | IJ122042 |
| MONTEGO | 07-05 | Rear | | | | IJ123054 |
| MONTEGO | 07-05 | Rear | | | | IJ123055 |
| MONTEGO | 07-05 | Front | | | | IJ123056 |
| MONTEREY | 07-04 | Front | | | | IJ123090 |
| MOUNTAINEER | 01-97 | Front | • | | | IJ223042 |
| MOUNTAINEER | 05-02 | Front | • | | | IJ223040 |
| MOUNTAINEER | 10-02 | Rear | | | | IJ221002 |
| MOUNTAINEER | 10-06 | Front | • | | | IJ223068 |
| MYSTIQUE | 00-95 | Rear | | | | IJ121001 |
| MYSTIQUE | 00-95 | Front | | | | IJ121001 |
| SABLE | 00-99 | Rear | • | | | IJ122016 |
| SABLE | 05-01 | Rear | • | | | IJ122004 |
| SABLE | 05-96 | Front | | | | IJ123028 |
| SABLE | 09-08 | Rear | | | | IJ123054 |
| SABLE | 09-08 | Rear | | | | IJ123055 |
| SABLE | 09-08 | Front | | | | IJ123056 |
| SABLE | 95-86 | Rear | | | | IJ121003 |
| SABLE | 04-01 | Rear | | | | IJ122005 |

MERCURY

| MODEL | YEAR | LOCATION | VEHICLE TYPE | | | PART NO. |
|----------------|-------|----------|--------------|-----|-----|----------|
| | | FRT/RR | ABS | 2WD | 4WD | |
| TOWN CAR | 97-92 | Front | | | | IJ122007 |
| TRUCK/VILLAGER | 97-01 | Rear | | | | IJ122018 |
| VILLAGER | 02-97 | Rear | | | | IJ122006 |

MINI

| MODEL | YEAR | LOCATION | VEHICLE TYPE | | | PART NO. |
|-----------------|-------|-------------|--------------|-----|-----|----------|
| | | FRT/RR | ABS | 2WD | 4WD | |
| MINI (R50, R53) | 06-01 | Rear | • | | | IJ133031 |
| MINI (R52) | 06-04 | Rear | • | | | IJ133031 |
| MINI 2 COOPER | 06- | Rear | • | | | IJ133031 |
| MINI CLUBMAN | 07- | Rear | • | | | IJ133031 |
| MINI COOPER | 06-01 | Rear | • | | | IJ133031 |
| MINI COUNTRYMAN | 11- | Front, Rear | | | | IJ133034 |

MITSUBISHI

| MODEL | YEAR | LOCATION | VEHICLE TYPE | | | PART NO. |
|----------|-------|----------|--------------|-----|-----|----------|
| | | FRT/RR | ABS | 2WD | 4WD | |
| 3000GT | 99-91 | Front | | | | IJ111003 |
| DIAMANTE | 04-92 | Front | | | | IJ111003 |
| ECLIPSE | 06-95 | Front | | | | IJ123038 |
| ECLIPSE | 12-06 | Front | | | | IJ123098 |
| ENDEAVOR | 11-04 | Rear | | | | IJ123091 |
| ENDEAVOR | 11-04 | Front | | | | IJ123098 |
| GALANT | 03-99 | Front | | | | IJ123038 |
| GALANT | 04 | Front | | | | IJ123038 |
| GALANT | 08-04 | Front | | | | IJ123038 |
| GALANT | 09-99 | Front | | | | |

NISSAN

| MODEL | YEAR | LOCATION | | VEHICLE TYPE | | | PART NO. |
|--------------|-------|----------|-----|--------------|-----|--|----------|
| | | FRT/RR | ABS | 2WD | 4WD | | |
| MAXIMA | 08-04 | Rear | | | | | IJ123088 |
| MICRA (K12) | 03- | Front | • | | | | IJ131014 |
| MICRA C+C | 05- | Front | • | | | | IJ131014 |
| MUSTANG | 04-94 | Front | | | | | IJ122008 |
| NOTE | 10-06 | Front | • | | | | IJ131014 |
| PLATINA | 07-02 | Front | | | | | IJ141013 |
| QUASHQUAI | 07- | Front | • | | | | IJ143011 |
| QUASHQUAI | 07- | Rear | • | | | | IJ143012 |
| QUASHQUAI | 07- | Rear | | | | | IJ143013 |
| QUASHQUAI | 10-07 | Front | • | | | | IJ143011 |
| QUASHQUAI | 10-07 | Rear | • | | | | IJ143012 |
| QUASHQUAI | 10-07 | Rear | | | | | IJ143013 |
| QUEST | 02-97 | Rear | | | | | IJ122006 |
| QUEST | 09-04 | Rear | | | | | IJ123088 |
| ROGUE | 12-08 | Front | • | | | | IJ143011 |
| ROGUE | 12-08 | Rear | | | | | IJ143013 |
| ROGUE | 13-08 | Front | • | | | | IJ143011 |
| ROGUE | 13-08 | Rear | | | | | IJ143013 |
| ROGUE SELECT | 14- | Front | • | | | | IJ143011 |
| SENTRA | 06-00 | Front | | | | | IJ141012 |
| SENTRA | 12-07 | Front | • | | | | IJ143011 |
| TITAN | 12-08 | Front | | | | | IJ223085 |
| URVAN | | Front | | | | | IJ242001 |
| X-TRAIL | 06-05 | Front | | | | | IJ141005 |
| X-TRAIL | 07- | Front | • | | | | IJ143011 |
| X-TRAIL | 07- | Rear | • | | | | IJ143012 |
| X-TRAIL | 07- | Rear | | | | | IJ143013 |
| X-TRAIL | 10-07 | Front | • | | | | IJ143011 |
| X-TRAIL | 10-07 | Rear | • | | | | IJ143012 |
| X-TRAIL | 10-07 | Rear | | | | | IJ143013 |

OLDSMOBILE

| MODEL | YEAR | LOCATION | | VEHICLE TYPE | | | PART NO. |
|---------|-------|----------|-----|--------------|-----|--|----------|
| | | FRT/RR | ABS | 2WD | 4WD | | |
| 88 | 92 | Rear | | | | | IJ123018 |
| 88 | 99-92 | Front | | | | | IJ123025 |
| 88 | 99-92 | Rear | | | | | IJ123083 |
| 98 | 90-85 | Rear | | | | | IJ123018 |
| 98 | 96-91 | Rear | | | | | IJ123083 |
| 98 | 96-92 | Front | | | | | IJ123025 |
| ACHIEVA | 98-92 | Rear | | | | | IJ123001 |
| ALERO | 04-99 | Rear | | | | | IJ123004 |
| ALERO | 04-99 | Front | | | | | IJ123035 |
| AURORA | 03-01 | Front | | | | | IJ123041 |
| AURORA | 03-95 | Rear | | | | | IJ123063 |
| AURORA | 96-95 | Front | | | | | IJ123025 |
| AURORA | 99-97 | Rear | | | | | IJ123031 |
| AURORA | 99-97 | Front | | | | | IJ123031 |
| BRAVADA | 01-97 | Front | | | • | | IJ123034 |
| BRAVADA | 01-97 | Front | | | | | IJ123048 |
| BRAVADA | 04-02 | Front | | | | | IJ123050 |
| BRAVADA | 97-91 | Front | | | • | | IJ123021 |
| CALAIS | 87-85 | Rear | | | | | IJ123015 |
| CUTLASS | 99-97 | Front | | | | | IJ123035 |

OLDSMOBILE

| MODEL | YEAR | LOCATION | | VEHICLE TYPE | | | PART NO. |
|------------------|-------|----------|-----|--------------|-----|--|----------|
| | | FRT/RR | ABS | 2WD | 4WD | | |
| CUTLASS | 99-97 | Rear | | | | | IJ123063 |
| CUTLASS CALAIS | 91-88 | Rear | | | | | IJ123015 |
| CUTLASS CIERA | 93-83 | Rear | | | | | IJ123018 |
| CUTLASS CIERA | 96-94 | Front | | | | | IJ123025 |
| CUTLASS CRUISER | 90-87 | Rear | | | | | IJ123018 |
| CUTLASS CRUISER | 93-87 | Rear | | | | | IJ123018 |
| CUTLASS CRUISER | 94 | Front | | | | | IJ123025 |
| CUTLASS SUPREME | 88 | Rear | | | | | IJ123018 |
| CUTLASS SUPREME | 88 | Front | | | | | IJ123019 |
| CUTLASS SUPREME | 93-88 | Rear | | | | | IJ123018 |
| CUTLASS SUPREME | 93-89 | Rear | | | | | IJ123018 |
| CUTLASS SUPREME | 96-88 | Rear | | | | | IJ123002 |
| CUTLASS SUPREME | 96-89 | Rear | | | | | IJ123002 |
| CUTLASS SUPREME | 97 | Rear | | | | | IJ123003 |
| CUTLASS SUPREME | 97 | Front | | | | | IJ123035 |
| CUTLASS SUPREME | 97 | Rear | | | | | IJ123063 |
| CUTLASS SUPREME | 97-88 | Front | | | | | IJ123019 |
| CUTLASS SUPREME | 97-89 | Front | | | | | IJ123019 |
| DELTA 88 | 91 | Rear | | | | | IJ123083 |
| DELTA 88 | 91-86 | Rear | | | | | IJ123018 |
| FIRENZA | 88-82 | Rear | | | | | IJ123015 |
| GRAND PRIX | 08-01 | Front | | | | | IJ222010 |
| INTRIGUE | 01-98 | Rear | | | | | IJ123031 |
| INTRIGUE | 01-98 | Front | | | | | IJ123031 |
| INTRIGUE | 02-01 | Front | | | | | IJ123041 |
| JIMMY | 05-98 | Front | • | • | | | IJ122012 |
| LSS | 99-96 | Front | | | | | IJ123025 |
| LSS | 99-96 | Rear | | | | | IJ123083 |
| MONTANA | 05-01 | Front | | | | | IJ122010 |
| OMEGA | 84-80 | Rear | | | | | IJ123015 |
| REGENCY | 98-97 | Front | | | | | IJ123025 |
| REGENCY | 98-97 | Rear | | | | | IJ123083 |
| RELAY-2 | 05 | Front | | | | | IJ122010 |
| SILHOUETTE | 01 | Front | | | | | IJ123041 |
| SILHOUETTE | 01-97 | Front | | | | | IJ123031 |
| SILHOUETTE | 04-01 | Front | | | | | IJ123041 |
| SILHOUETTE | 04-97 | Rear | | | | | IJ123031 |
| SILHOUETTE | 91-90 | Rear | | | | | IJ123018 |
| SILHOUETTE | 96-92 | Front | | | | | IJ123025 |
| SILHOUETTE (AWD) | 04-02 | Rear | | | | | IJ123031 |
| SILHOUETTE (FWD) | 04-02 | Front | | | | | IJ123041 |
| TORONADO | 90-86 | Rear | | | | | IJ123018 |
| TORONADO | 91-89 | Front | | | | | IJ123020 |
| TORONADO | 92 | Front | | | | | IJ123025 |
| TORONADO | 92-91 | Rear | | | | | IJ123063 |

OPEL

| MODEL | YEAR | LOCATION | | VEHICLE TYPE | | | PART NO. |
|---------------|-------|----------|-----|--------------|-----|--|----------|
| | | FRT/RR | ABS | 2WD | 4WD | | |
| ASCONA C | 88-81 | Front | | | | | IJ111011 |
| ASTRA CLASSIC | 05-98 | Rear | | | | | IJ133002 |
| ASTRA CLASSIC | 05-98 | Rear | • | | | | IJ133007 |
| ASTRA F | 01-91 | Rear | | | | | IJ133002 |
| ASTRA F | 01-91 | Rear | • | | | | IJ133007 |

OPEL

| MODEL | YEAR | LOCATION | | VEHICLE TYPE | | | PART NO. |
|--------------------------|-------|-------------|-----|--------------|-----|--|----------|
| | | FRT/RR | ABS | 2WD | 4WD | | |
| ASTRA F | 99-91 | Front | | | | | IJ111011 |
| ASTRA G | 05-98 | Rear | | | | | IJ133002 |
| ASTRA G | 05-98 | Rear | • | | | | IJ133006 |
| ASTRA G 4BOLTTYPE | 05-98 | Front | | | | | IJ133003 |
| ASTRA G 4BOLTTYPE | 05-98 | Front | • | | | | IJ133004 |
| ASTRA G 4BOLTTYPE | 05-98 | Rear | • | | | | IJ133007 |
| ASTRA G 5BOLTTYPE | 05-98 | Front | • | | | | IJ133005 |
| ASTRA G 5BOLTTYPE | 05-98 | Front | • | | | | IJ133008 |
| ASTRA H | 04- | Front | • | | | | IJ133032 |
| ASTRA H | 08-04 | Front | • | | | | IJ133030 |
| ASTRA H | 08-04 | Front | • | | | | IJ133032 |
| ASTRA H 5BOLTTYPE | 04- | Rear | • | | | | IJ133019 |
| ASTRA H, 4BOLTTYPE | 04- | Front | • | | | | IJ133021 |
| ASTRA H, 4BOLTTYPE | 08-04 | Front | • | | | | IJ133021 |
| ASTRA H, 4BOLTTYPE | 08-04 | Rear | • | | | | IJ133025 |
| ASTRA H, 5BOLTTYPE | 05- | Front | • | | | | IJ133030 |
| ASTRA H, 5BOLTTYPE | 08-04 | Front | • | | | | IJ133022 |
| ASTRA J 15" WHEEL DRIVE | 12-09 | Rear | • | | | | IJ113033 |
| ASTRA J 17" WHEEL DRIVE | 13-09 | Rear | • | | | | IJ113034 |
| ASTRA J, 15" WHEEL DRIVE | 09- | Front | • | | | | IJ133023 |
| ASTRA J, 17" WHEEL DRIVE | 09- | Front | • | | | | IJ133024 |
| ASTRA MK IV 5BOLTTYPE | 05-98 | Front | • | | | | IJ133008 |
| ASTRAVAN | 05-98 | Front | • | | | | IJ133008 |
| CALIBRA A | 97-90 | Front | | | | | IJ111011 |
| COMBO | 04- | Front | | | | | IJ111011 |
| COMBO II | 08-01 | Rear | | | | | IJ133002 |
| COMBO II | 08-01 | Rear | • | | | | IJ133007 |
| COMBO II | 08-04 | Rear | • | | | | IJ133006 |
| CORSA | 06-02 | Front | | | | | IJ141014 |
| CORSA C | 00- | Rear | | | | | IJ231002 |
| CORSA C | 08-00 | Rear | | | | | IJ231002 |
| CORSA C | 09-03 | Front | | | | | IJ111011 |
| INSIGNIA | 08- | Front, Rear | • | | | | IJ133026 |
| KADETT D | 84-81 | Front | | | | | IJ111011 |
| KADETT E | 94-84 | Front | | | | | IJ111011 |
| MERIVA | 08-05 | Rear | | | | | IJ133002 |
| MERIVA | 10-03 | Rear | | | | | IJ133002 |
| MERIVA | 10-03 | Front | | | | | IJ111011 |
| MERIVA 4BOLTTYPE | 08-03 | Rear | • | | | | IJ133007 |
| MERIVA 4BOLTTYPE | 10-03 | Rear | • | | | | IJ133007 |
| MERIVA I | 10-03 | Rear | • | | | | IJ133006 |
| MERIVA II | 10- | Rear | • | | | | IJ133019 |
| MOVANO | 08-98 | Front | | | | | IJ231003 |
| MOVANO A (FD) | 99- | Front | | | | | IJ231003 |
| MOVANO A (HD) | 99- | Front | | | | | IJ231003 |
| MOVANO A (JD) | 98- | Front | | | | | IJ231003 |
| MOVANO A (UD, ED) | 98- | Front | | | | | IJ231003 |
| SIGNUM | 03- | Rear | • | | | | IJ133011 |
| SIGNUM | 03- | Front | • | | | | IJ133020 |
| SIGNUM A | 02- | Front | • | | | | IJ133020 |
| SIGNUM A | 03- | Front | • | | | | IJ133015 |
| SIGNUM B | 02- | Front | • | | | | IJ133020 |
| TIGRA | 08-04 | Rear | | | | | IJ231002 |
| TIGRA II | 04- | Rear | | | | | IJ231002 |
| V70 | 10-01 | Front | | | | | IJ133009 |
| VECTRA A | 95-88 | Front | | | | | IJ111011 |
| VECTRA A | 95-93 | Rear | | | | | IJ133002 |

OPEL

| MODEL | YEAR | LOCATION | | VEHICLE TYPE | | | PART NO. |
|--------------------------|-------|----------|-----|--------------|-----|--|----------|
| | | FRT/RR | ABS | 2WD | 4WD | | |
| VECTRA A | 95-93 | Rear | • | | | | IJ133006 |
| VECTRA A | 95-93 | Rear | • | | | | IJ133007 |
| VECTRA B | 00-95 | Rear | • | | | | IJ133007 |
| VECTRA B | 03-99 | Rear | • | | | | IJ133006 |
| VECTRA C | 02- | Front | • | | | | IJ133015 |
| VECTRA C | 02- | Front | • | | | | IJ133020 |
| VECTRA C | 02- | Rear | • | | | | IJ133011 |
| XC60 | 10 | Front | | | | | IJ133009 |
| ZAFIRA | 05-99 | Front | • | | | | IJ133008 |
| ZAFIRA C 17" WHEEL DRIVE | 11- | Rear | • | | | | IJ113034 |
| ZAFIRA I | 05-99 | Rear | • | | | | IJ133006 |
| ZAFIRA I 5BOLTTYPE | 05-99 | Front | • | | | | IJ133005 |
| ZAFIRA II | 05- | Front | • | | | | IJ133032 |
| ZAFIRA II, 5BOLTTYPE | 05- | Rear | • | | | | IJ133019 |
| ZAFIRA II, 5BOLTTYPE | 05- | Front | • | | | | IJ133030 |
| ZAFIRA II, 5BOLTTYPE | 08-04 | Front | • | | | | IJ133022 |
| ZAFIRA II, 5BOLTTYPE | 08-05 | Front | • | | | | IJ133030 |

PEUGEOT

| MODEL | YEAR | LOCATION | | VEHICLE TYPE | | | PART NO. |
|-------|-------|----------|-----|--------------|-----|--|----------|
| | | FRT/RR | ABS | 2WD | 4WD | | |
| 205 | 04-83 | Front | | | | | IJ131006 |
| 205 | 04-83 | Front | | | | | IJ131008 |
| 205 | 90-83 | Front | | | | | IJ131008 |
| 205 | 98-83 | Front | | | | | IJ131006 |
| 206 | 02- | Rear | • | | | | IJ132002 |
| 206 | 05-02 | Rear | • | | | | IJ132002 |
| 206 | 05-98 | Front | | | | | IJ131010 |
| 206 | 05-99 | Front | | | | | IJ131006 |
| 206 | 07-99 | Front | | | | | IJ131006 |
| 206 | 98- | Front | | | | | IJ131010 |
| 207 | 06- | Front | • | | | | IJ131026 |
| 208 | 12- | Front | • | | | | IJ131026 |
| 305 | 90-84 | Front | | | | | IJ131006 |
| 306 | 02-98 | R | | | | | |

PEUGEOT

| MODEL | YEAR | LOCATION | | VEHICLE TYPE | | | PART NO. |
|---------------|-------|----------|-----|--------------|-----|--|----------|
| | | FRT/RR | ABS | 2WD | 4WD | | |
| 106 II | 04-99 | Front | | | | | IJ131010 |
| 106 II | 04-96 | Front | | | | | IJ131008 |
| 106 II | 99-96 | Front | | | | | IJ131008 |
| 106 VAN I | 00-91 | Front | | | | | IJ131020 |
| 106 VAN I | 04-96 | Front | | | | | IJ131010 |
| 106 VAN II | 04-96 | Front | | | | | IJ131010 |
| 106 | 00-96 | Front | | | | | IJ131020 |
| 206 + | 10-09 | Front | | | | | IJ131010 |
| 306 N3 | 97-93 | Front | | | | | IJ131006 |
| 306 N3 | 97-93 | Front | | | | | IJ131010 |
| 306 N3 | 97-94 | Front | | | | | IJ131010 |
| 306 N3 | 97-93 | Front | | | | | IJ131008 |
| 306 N5 | 01-97 | Front | | | | | IJ131006 |
| 306 N5 | 01-97 | Front | | | | | IJ131010 |
| 306 N5 | 04-97 | Front | | | | | IJ131010 |
| 306 N5 | 04-98 | Rear | • | | | | IJ132006 |
| 306 N5 | 01-97 | Front | | | | | IJ131008 |
| 306 N5 | 04-97 | Front | | | | | IJ131008 |
| 307 (3A/C) | 05-00 | Rear | • | | | | IJ132012 |
| 307 (3A/C) | 06-00 | Rear | • | | | | IJ132012 |
| 308 CC | 09- | Front | • | | | | IJ131024 |
| 308 SW | 07- | Front | • | | | | IJ131024 |
| BIPPER | 08- | Front | • | | | | IJ131027 |
| BIPPER | 08- | Rear | • | | | | IJ132005 |
| BOXER I | 02-94 | Front | | | | | IJ231004 |
| BOXER II | 06-02 | Front | | | | | IJ231004 |
| BOXER II | 06-92 | Front | | | | | IJ231004 |
| EXPERT I | 95- | Front | | | | | IJ131031 |
| PARTNER | 05-96 | Front | | | | | IJ131006 |
| PARTNER | 05-99 | Rear | | | | | IJ132004 |
| PARTNER | 05-99 | Rear | • | | | | IJ132007 |
| PARTNER I | 05-99 | Rear | • | | | | IJ132007 |
| PARTNER I | 96- | Front | | | | | IJ131006 |
| PARTNER II | 08- | Front | • | | | | IJ131024 |
| PARTNER TEPEE | 08- | Front | • | | | | IJ131024 |
| PICASSO | 13- | Rear | | | | | IJ133035 |

PLYMOUTH

| MODEL | YEAR | LOCATION | | VEHICLE TYPE | | | PART NO. |
|---------------|-------|----------|-----|--------------|-----|--|----------|
| | | FRT/RR | ABS | 2WD | 4WD | | |
| ACCLAIM | 95-91 | Front | | | | | IJ123023 |
| BREEZE | 00-96 | Front | | | | | IJ123036 |
| BREEZE | 00-96 | Rear | • | | | | IJ122003 |
| BREEZE | 00-98 | Rear | • | | | | IJ122001 |
| BREEZE | 97-96 | Rear | • | | | | IJ122017 |
| COLT | 95-93 | Front | • | | | | IJ222002 |
| GRAND VOYAGER | 00-96 | Rear | • | | | | IJ123005 |
| GRAND VOYAGER | 00-96 | Rear | • | | | | IJ123006 |
| GRAND VOYAGER | 00-96 | Front | | • | | | IJ123032 |
| GRAND VOYAGER | 00-96 | Front | | | • | | IJ123033 |
| GRAND VOYAGER | 00-97 | Rear | • | | | | IJ123005 |
| GRAND VOYAGER | 00-97 | Rear | • | | | | IJ123006 |
| GRAND VOYAGER | 95-89 | Front | | • | | | IJ123022 |
| GRAND VOYAGER | 95-91 | Front | | | | | IJ123023 |

PLYMOUTH

| MODEL | YEAR | LOCATION | | VEHICLE TYPE | | | PART NO. |
|---------------|-------|----------|-----|--------------|-----|--|----------|
| | | FRT/RR | ABS | 2WD | 4WD | | |
| GRAND VOYAGER | 96 | Rear | | | | | IJ123007 |
| GRAND VOYAGER | 96 | Rear | • | | | | IJ123005 |
| GRAND VOYAGER | 96 | Rear | • | | | | IJ123006 |
| LHS | 01-94 | Rear | • | | | | IJ122015 |
| NEON | 01-00 | Rear | • | | | | IJ122014 |
| PROWLER | 01-97 | Front | | | | | IJ123026 |
| PROWLER | 01-97 | Front | | | • | | IJ123033 |
| STRATUS | 06-95 | Rear | • | | | | IJ122003 |
| SUNDANCE | 94-91 | Front | | | | | IJ123023 |
| THUNDERBIRD | 97-91 | Front | | | | | IJ122006 |
| VOYAGER | 00-96 | Rear | • | | | | IJ123005 |
| VOYAGER | 00-96 | Rear | • | | | | IJ123006 |
| VOYAGER | 00-96 | Front | | • | | | IJ123032 |
| VOYAGER | 00-96 | Front | | | • | | IJ123033 |
| VOYAGER | 95-89 | Front | | • | | | IJ123022 |
| VOYAGER | 95-91 | Front | | | | | IJ123023 |

PONTIAC

| MODEL | YEAR | LOCATION | | VEHICLE TYPE | | | PART NO. |
|-------------|-------|----------|-----|--------------|-----|--|----------|
| | | FRT/RR | ABS | 2WD | 4WD | | |
| 6000 | 91-83 | Rear | | | | | IJ123018 |
| AVANTI | 07-05 | Front | • | | | | IJ122012 |
| AZTEK | 05-01 | Rear | | | | | IJ123009 |
| AZTEK | 05-01 | Rear | • | | | | IJ123031 |
| AZTEK | 05-01 | Rear | • | | | | IJ123008 |
| AZTEK | 05-03 | Rear | • | | | | IJ123008 |
| AZTEK (AWD) | 05-01 | Rear | • | | | | IJ123031 |
| BONNEVILLE | 01-00 | Rear | • | | | | IJ123031 |
| BONNEVILLE | 01-00 | Front | • | | | | IJ123031 |
| BONNEVILLE | 05-00 | Rear | • | | | | IJ123063 |
| BONNEVILLE | 05-01 | Front | | | | | IJ123041 |
| BONNEVILLE | 91-87 | Rear | | | | | IJ123018 |
| BONNEVILLE | 92-87 | Rear | | | | | IJ123018 |
| BONNEVILLE | 99-91 | Rear | • | | | | IJ123083 |
| BONNEVILLE | 99-92 | Front | • | | | | IJ123025 |
| FIREBIRD | 02-93 | Front | • | | | | IJ123027 |
| G5 | 10-07 | Front | • | | | | IJ123041 |
| G5 | 10-07 | Front | • | | | | IJ123042 |
| G5 | 10-07 | Front | • | | | | IJ123043 |
| G5 | 10-07 | Front | • | | | | IJ123045 |
| G5 | 10-07 | Front | • | | | | IJ123046 |
| G6 | 07-05 | Front | • | | | | IJ123051 |
| G6 | 10-05 | Front | • | | | | IJ123049 |
| G6 | 07-05 | Rear | • | | | | IJ123011 |
| G6 | 10-05 | Rear | • | | | | IJ123010 |
| G8 | 09-08 | Front | • | | | | IJ123087 |
| GRAND AM | 00-99 | Rear | • | | | | IJ123063 |
| GRAND AM | 05-99 | Rear | • | | | | IJ123004 |
| GRAND AM | 05-99 | Front | • | | | | IJ123035 |
| GRAND AM | 91-85 | Rear | | | | | IJ123015 |
| GRAND AM | 98-91 | Rear | • | | | | IJ123001 |
| GRAND PRIX | 01-97 | Rear | • | | | | IJ123031 |
| GRAND PRIX | 01-97 | Front | • | | | | IJ123031 |
| GRAND PRIX | 03 | Rear | | | | | IJ123009 |

PONTIAC

| MODEL | YEAR | LOCATION | | VEHICLE TYPE | | | PART NO. |
|---------------------------|-------|----------|-----|--------------|-----|--|----------|
| | | FRT/RR | ABS | 2WD | 4WD | | |
| GRAND PRIX | 08-01 | Front | | | | | IJ123041 |
| GRAND PRIX | 08-03 | Rear | • | | | | IJ123008 |
| GRAND PRIX | 08-04 | Rear | | | | | IJ123069 |
| GRAND PRIX | 96-88 | Rear | • | | | | IJ123002 |
| GRAND PRIX | 96-88 | Rear | | | | | IJ123018 |
| GRAND PRIX | 96-88 | Front | | | | | IJ123019 |
| GRAND PRIX | 96-89 | Rear | • | | | | IJ123002 |
| J2000 | 83-82 | Rear | | | | | IJ123015 |
| J2000 | 84-82 | Rear | | | | | IJ123015 |
| J2000 SUNBIRD | 85-84 | Rear | | | | | IJ123015 |
| MONTANA | 00-99 | Front | • | | | | IJ123031 |
| MONTANA | 05 | Rear | | | | | IJ123076 |
| MONTANA | 05-01 | Front | | | | | IJ123041 |
| MONTANA | 05-99 | Rear | • | | | | IJ123031 |
| MONTANA | 06 | Rear | | | | | IJ123066 |
| MONTANA | 09-06 | Front | • | | | | IJ123066 |
| MONTANA | 09-06 | Rear | • | | | | IJ123074 |
| MONTANA | 09-06 | Front | | | | | IJ123077 |
| MONTANA | 09-06 | Rear | • | | | | IJ123084 |
| MONTANA | 09-07 | Rear | | | | | IJ123077 |
| MONTANA (AWD) | 04-01 | Rear | • | | | | IJ123031 |
| MONTANA (AWD) | 05 | Rear | | | | | IJ123041 |
| MONTANA (FWD) | 01 | Front | • | | | | IJ123031 |
| MONTANA (FWD) | 05 | Rear | | | | | IJ123076 |
| MONTANA (FWD) | 05-01 | Front | | | | | IJ123041 |
| MUSTANG | 10-05 | Front | • | | | | IJ122012 |
| PHOENIX | 84-80 | Rear | | | | | IJ123015 |
| PURSUIT | 06-05 | Front | • | | | | IJ123041 |
| PURSUIT | 06-05 | Front | • | | | | IJ123042 |
| PURSUIT | 06-05 | Front | • | | | | IJ123043 |
| PURSUIT | 06-05 | Front | • | | | | IJ123045 |
| PURSUIT | 06-05 | Front | • | | | | IJ123046 |
| RELAY-3 | 05 | Front | • | | | | IJ122010 |
| RENDEZVOUS | 07-02 | Front | • | • | | | IJ122011 |
| SUNBIRD | 91-85 | Rear | | | | | IJ123015 |
| SUNBIRD | 91-86 | Rear | | | | | IJ123015 |
| SUNBIRD | 94-92 | Rear | • | | | | IJ123001 |
| SUNFIRE | 05-03 | Rear | | | | | IJ123015 |
| SUNFIRE | 05-95 | Rear | • | | | | IJ123001 |
| TEMPEST | 91-87 | Rear | | | | | IJ123015 |
| TORRENT | 09-07 | Front | • | | | | IJ113019 |
| TORRENT | 09-07 | Rear | • | | | | IJ113020 |
| TRANS SPORT | 91-90 | Rear | | | | | IJ123018 |
| TRANS SPORT | 96-92 | Front | • | | | | IJ123025 |
| TRANS SPORT | 99-97 | Rear | • | | | | IJ123031 |
| TRANS SPORT | 99-97 | Front | • | | | | IJ123031 |
| VENTURE | 04-02 | Front | • | • | | | IJ122011 |
| VIBE | 08-03 | Rear | • | | | | IJ143004 |
| VIBE | 08-03 | Rear | • | | | | IJ143005 |
| VIBE | 08-03 | Front | | | | | IJ141011 |
| VIBE | 10-03 | Front | | | | | IJ141011 |
| VIBE | 10-09 | Front | | • | | | IJ141003 |
| VIBE | 10-09 | Front | | | | | IJ141011 |
| VIBE 2.4L 4CYL (2362) (-) | 10-09 | Front | | • | | | IJ141003 |
| VIBE (FWD) | 08-03 | Rear | • | • | | | IJ143004 |

RENAULT

| MODEL | YEAR | LOCATION | | VEHICLE TYPE | | | PART NO. |
|-----------------------|---------|----------|-----|--------------|-----|--|----------|
| | | FRT/RR | ABS | 2WD | 4WD | | |
| 9 | 89-81 | Front | | | | | IJ111013 |
| 11 | 88-83 | Front | | | | | IJ111013 |
| 19 | 95-88 | Front | | | | | IJ111013 |
| MEGANE (BA, DA, EA,) | 98-96 | Front | | | | | IJ131012 |
| MEGANE (DA, EA,) | 98-96 | Front | | | | | IJ131012 |
| MEGANE (DA, EA,) | 02-96 | Front | | | | | IJ131009 |
| MEGANE (DA, EA,) | 96- | Front | | | | | IJ131009 |
| MEGANE (KA,) | 04-99 | Front | | | | | IJ131009 |
| MEGANE (KA,) | 99- | Front | | | | | IJ131009 |
| MEGANE I (BA,) | 98-96 | Front | | | | | IJ131012 |
| VEL SATIS | 05-02 | Front | • | | | | IJ131007 |
| CLIO | 98-90 | Front | | | | | IJ111013 |
| CLIO GRANDTOUR | 08- | Front | • | | | | IJ131014 |
| CLIO I | 98-90 | Front | | | | | IJ131009 |
| CLIO II | 05-98 | Front | | | | | IJ131009 |
| CLIO II | 09-98 | Front | | | | | IJ111013 |
| CLIO II | 98- | Front | | | | | IJ131009 |
| CLIO III | 05- | Front | • | | | | IJ131007 |
| CLIO III | 05- | Front | • | | | | IJ131014 |
| CLIO III GRANDTOUR | 08- | Front | • | | | | IJ131007 |
| EAPRESS | 96-85 | Front | | | | | IJ131009 |
| ESPACE I | 92-98 | Rear | | | | | IJ131009 |
| ESPACE IV | 05-02 | Front | • | | | | IJ131007 |
| EXPRESS | 98-85 | Rear | | | | | IJ231001 |
| EXTRA | 96-85 | Front | | | | | IJ131009 |
| EXTRA | 98-85 | Rear | | | | | IJ231001 |
| EXTRA VAN | 98-85 | Front | | | | | IJ111013 |
| GRAND SCENIC II | 04- | Front | • | | | | IJ131007 |
| KANGOO | 05-98 | Rear | | | | | IJ231001 |
| KANGOO | 08- | Front | • | | | | IJ131014 |
| KANGOO | 97- | Front | | | | | IJ131009 |
| KANGOO | 05-98 | Front | | | | | IJ131009 |
| KOLEOS | 08- | Front | • | | | | IJ143011 |
| KOLEOS | 08- | Rear | • | | | | IJ143012 |
| KOLEOS | 08- | Rear | | | | | IJ143013 |
| KOLEOS | 10-08 | Front | • | | | | IJ143011 |
| KOLEOS | 10-08 | Rear | • | | | | IJ143012 |
| KOLEOS | 10-08</ | | | | | | |

RENAULT

| MODEL | YEAR | LOCATION | | VEHICLE TYPE | | | PART NO. |
|----------------------|-------|----------|-----|--------------|-----|--|----------|
| | | FRT/RR | ABS | 2WD | 4WD | | |
| MEGANE (LA_) | 96- | Front | | | | | IJ131009 |
| MEGANE I (BA_) | 96- | Front | | | | | IJ131009 |
| MEGANE I (KA_) | 01-99 | Rear | • | | | | IJ132010 |
| MEGANE II (BM_, CM_) | 02- | Front | • | | | | IJ131007 |
| MEGANE II (BM_, CM_) | 02- | Front | • | | | | IJ131014 |
| MEGANE II (EM_) | 03- | Front | • | | | | IJ131014 |
| MEGANE II (EM_) | 06- | Front | • | | | | IJ131007 |
| MEGANE II (KM_) | 03- | Front | • | | | | IJ131007 |
| MEGANE II (KM_) | 03- | Front | • | | | | IJ131014 |
| MEGANE II (LM_) | 03- | Front | • | | | | IJ131007 |
| MEGANE II (LM_) | 03- | Front | • | | | | IJ131014 |
| MEGANE SCENIC | 99-97 | Front | | | | | IJ131009 |
| MEGANE SCENIC | 99-97 | Front | | | | | IJ131012 |
| MEGANE SCENIC | 99-97 | Rear | • | | | | IJ132010 |
| MEGANE SCENIC I | 03-99 | Front | | | | | IJ131009 |
| MEGANE SCENIC I | 03-99 | Rear | • | | | | IJ132010 |
| MODUS | 04- | Front | • | | | | IJ131007 |
| MODUS | 04- | Front | • | | | | IJ131014 |
| R19 I | 92-88 | Front | | | | | IJ131009 |
| R19 II | 95-92 | Front | | | | | IJ131009 |
| R19 II | 96-92 | Front | | | | | IJ131009 |
| R21 | 86-95 | Front | | | | | IJ131009 |
| R21 | 95 | Front | | | | | IJ131009 |
| RAPID | 96-85 | Front | | | | | IJ131009 |
| RAPID | 98-85 | Rear | | | | | IJ231001 |
| SAFRANE | 00-92 | Front | | | | | IJ131012 |
| SANDERO | 07- | Front | • | | | | IJ131014 |
| SCENIC I | 03-99 | Front | | | | | IJ131009 |
| SCENIC I | 03-99 | Rear | • | | | | IJ132010 |
| SCENIC II | 03- | Front | • | | | | IJ131007 |
| SMS SERIES | | Front | | | | | IJ111007 |
| SUPER 5 | 96-84 | Front | | | | | IJ111013 |
| THALIA | 00- | Front | | | | | IJ111013 |
| TRAFFIC III | 05-02 | Front | • | | | | IJ131007 |
| TWINGO | 93- | Front | | | | | IJ111013 |
| TWINGO II | 07- | Front | • | | | | IJ131014 |
| TWINGO II | 08- | Front | • | | | | IJ131007 |
| WIND | 10- | Front | • | | | | IJ131007 |

RENAULT SAMSUNG

| MODEL | YEAR | LOCATION | | VEHICLE TYPE | | | PART NO. |
|-------|------|----------|-----|--------------|-----|--|----------|
| | | FRT/RR | ABS | 2WD | 4WD | | |
| SM 5 | | Front | | | | | IJ111007 |

ROVER

| MODEL | YEAR | LOCATION | | VEHICLE TYPE | | | PART NO. |
|-----------|-------|----------|-----|--------------|-----|--|----------|
| | | FRT/RR | ABS | 2WD | 4WD | | |
| CITYROVER | 05-04 | Front | | | | | IJ111011 |

SAAB

| MODEL | YEAR | LOCATION | | VEHICLE TYPE | | | PART NO. |
|------------|-------|-------------|-----|--------------|-----|--|----------|
| | | FRT/RR | ABS | 2WD | 4WD | | |
| 9-3 (YS3F) | 02- | Front | • | | | | IJ133015 |
| 9-3 (YS3F) | 02- | Rear | • | | | | IJ133011 |
| 9-5 | 11-10 | Front, Rear | | | | | IJ123110 |
| 9-5 (YS3G) | 10- | Front, Rear | • | | | | IJ133026 |
| 9-7X | 09-05 | Front | • | | | | IJ123050 |
| XC90 | 10-09 | Front | | | | | IJ133009 |
| 900 | 98-94 | Rear | | | | | IJ133006 |
| 9-3 | 03-99 | Rear | | | | | IJ133006 |

SATURN

| MODEL | YEAR | LOCATION | | VEHICLE TYPE | | | PART NO. |
|-------------|-------|----------|-----|--------------|-----|--|----------|
| | | FRT/RR | ABS | 2WD | 4WD | | |
| AURA | 09-07 | Rear | • | | | | IJ123010 |
| AURA | 09-07 | Front | • | | | | IJ123049 |
| AZTEK | 05-01 | Front | • | • | | | IJ122011 |
| ION | 04-03 | Front | • | | | | IJ123041 |
| ION | 04-03 | Front | • | | | | IJ123042 |
| ION | 04-03 | Front | • | | | | IJ123045 |
| ION | 07-03 | Front | • | | | | IJ123043 |
| ION | 07-03 | Front | • | | | | IJ123046 |
| ION-1 | 05 | Front | • | | | | IJ123041 |
| ION-1 | 05 | Front | • | | | | IJ123042 |
| ION-1 | 05 | Front | • | | | | IJ123045 |
| ION-2 | 07-05 | Front | • | | | | IJ123041 |
| ION-2 | 07-05 | Front | • | | | | IJ123042 |
| ION-2 | 07-05 | Front | • | | | | IJ123045 |
| ION-3 | 07-05 | Front | • | | | | IJ123041 |
| ION-3 | 07-05 | Front | • | | | | IJ123042 |
| ION-3 | 07-05 | Front | • | | | | IJ123045 |
| RELAY | 05 | Rear | | | | | IJ123041 |
| RELAY | 07 | Front | • | | | | IJ123066 |
| RELAY | 07 | Rear | | | | | IJ123076 |
| RELAY (AWD) | 06 | Rear | | | | | IJ123066 |
| RELAY (FWD) | 06-05 | Rear | | | | | IJ123076 |
| RELAY-1 | 07 | Front | • | | | | IJ123066 |
| RELAY-1 | 07 | Rear | | | | | IJ123076 |
| RELAY-1 | 07 | Rear | • | | | | IJ123084 |
| RELAY-2 | 05 | Front | | | | | IJ123041 |
| RELAY-2 | 07-05 | Rear | | | | | IJ123076 |
| RELAY-2 | 07-06 | Front | • | | | | IJ123066 |
| RELAY-2 | 07-06 | Rear | • | | | | IJ123084 |
| RELAY-3 | 05 | Front | | | | | IJ123041 |
| RELAY-3 | 07-05 | Rear | | | | | IJ123076 |
| RELAY-3 | 07-06 | Front | • | | | | IJ123066 |
| RELAY-3 | 07-06 | Rear | • | | | | IJ123084 |
| SC | 92-91 | Rear | • | | | | IJ123070 |
| SC | 92-91 | Rear | • | | | | IJ123078 |
| SC SERIES | 02-91 | Rear | • | | | | IJ123070 |
| SC SERIES | 02-91 | Rear | • | | | | IJ123078 |
| SC1 | 02-93 | Rear | | | | | IJ123070 |
| SC1 | 02-93 | Rear | | | | | IJ123078 |
| SC2 | 02-93 | Rear | | | | | IJ123070 |
| SC2 | 02-93 | Rear | | | | | IJ123078 |
| SILHOUETTE | 04-02 | Front | • | • | | | IJ122011 |
| SL | 02-91 | Rear | • | | | | IJ123078 |

SATURN

| MODEL | YEAR | LOCATION | | VEHICLE TYPE | | | PART NO. |
|-----------|-------|----------|-----|--------------|-----|--|----------|
| | | FRT/RR | ABS | 2WD | 4WD | | |
| SL | 02-91 | Rear | • | | | | IJ123070 |
| SL SERIES | 02-91 | Rear | • | | | | IJ123070 |
| SL SERIES | 02-91 | Rear | • | | | | IJ123078 |
| SL1 | 02-91 | Rear | • | | | | IJ123070 |
| SL1 | 02-91 | Rear | | | | | IJ123078 |
| SL2 | 02-91 | Rear | • | | | | IJ123070 |
| SL2 | 02-91 | Rear | | | | | IJ123078 |
| SW SERIES | 01-93 | Rear | • | | | | IJ123070 |
| SW SERIES | 01-93 | Rear | • | | | | IJ123078 |
| SW1 | 99-93 | Rear | • | | | | IJ123070 |
| SW1 | 99-93 | Rear | • | | | | IJ123078 |
| SW2 | 01-93 | Rear | • | | | | IJ123070 |
| SW2 | 01-93 | Rear | • | | | | IJ123078 |
| VUE | 10-08 | Front | • | | | | IJ113019 |
| VUE | 10-08 | Rear | • | | | | IJ113020 |

SCION

| MODEL | YEAR | LOCATION | | VEHICLE TYPE | | | PART NO. |
|-------|-------|----------|-----|--------------|-----|--|----------|
| | | FRT/RR | ABS | 2WD | 4WD | | |
| TC | 10-05 | Front | | | | | IJ141011 |
| XA | 06-04 | Front | | | | | IJ141008 |
| XB | 06-04 | Front | | | | | IJ141008 |

SEAT

| MODEL | YEAR | LOCATION | | VEHICLE TYPE | | | PART NO. |
|------------|-------|----------|-----|--------------|-----|--|----------|
| | | FRT/RR | ABS | 2WD | 4WD | | |
| ALTEA | 04- | Rear | • | | | | IJ132017 |
| ALTEA | 08-06 | Rear | • | | | | IJ132017 |
| ALTEA XL | 06- | Rear | • | | | | IJ132017 |
| ALTEA XL | 08-06 | Rear | • | | | | IJ132017 |
| AROSA | 04-99 | Rear | • | | | | IJ132003 |
| CORDOBA | 02-95 | Front | | | | | IJ131005 |
| CORDOBA | 02-93 | Front | | | | | IJ131005 |
| CORDOBA | 02-99 | Rear | • | | | | IJ132003 |
| IBIZA II | 99 | Rear | • | | | | IJ132003 |
| IBIZA II | 99-93 | Front | | | | | IJ131005 |
| IBIZA III | 02-99 | Front | | | | | IJ131005 |
| IBIZA III | 02-99 | Rear | • | | | | IJ132003 |
| INCA | 03-95 | Front | | | | | IJ131005 |
| INCA | 04-95 | Front | | | | | IJ131005 |
| LEON (1M1) | 06-99 | Rear | • | | | | IJ132001 |
| LEON (1P1) | 05- | Rear | • | | | | IJ132017 |
| LEON (1P1) | 08-05 | Rear | • | | | | IJ132017 |
| TOLEDO | 99-91 | Front | | | | | IJ131005 |
| TOLEDO I | 99-91 | Front | | | | | IJ131005 |
| TOLEDO II | 06-99 | Rear | • | | | | IJ132001 |

SKODA

| MODEL | YEAR | LOCATION | | VEHICLE TYPE | | | PART NO. |
|--------------------|-------|----------|-----|--------------|-----|--|----------|
| | | FRT/RR | ABS | 2WD | 4WD | | |
| FABIA I | 08-99 | Rear | | | | | IJ132011 |
| FABIA II | 06- | Rear | | | | | IJ132011 |
| FABIA III | 07- | Rear | • | | | | IJ132001 |
| OCTAVIA (1U2, 1U5) | 10-96 | Rear | • | | | | IJ132001 |
| RAPID II | 11- | Rear | • | | | | IJ132001 |
| SUPERB (3U) | 08-02 | Front | | | | | IJ131011 |

SUBARU

| MODEL | YEAR | LOCATION | | VEHICLE TYPE | | | PART NO. |
|---------|-------|----------|-----|--------------|-----|--|----------|
| | | FRT/RR | ABS | 2WD | 4WD | | |
| BAJA | 06-03 | Rear | | | | | IJ122040 |
| LEGACY | 04-00 | Rear | | | | | IJ122040 |
| OUTBACK | 04-00 | Rear | | | | | IJ122040 |

SUZUKI

| MODEL | YEAR | LOCATION | | VEHICLE TYPE | | | PART NO. |
|---------|-------|----------|-----|--------------|-----|--|----------|
| | | FRT/RR | ABS | 2WD | 4WD | | |
| FORENZA | 06-04 | Rear | | | | | IJ113017 |
| FORENZA | 08-04 | Rear | • | | | | IJ113018 |
| RENO | 08-05 | Rear | | | | | IJ113017 |
| RENO | 08-05 | Rear | • | | | | IJ113018 |
| VERONA | 05-04 | Front | | | | | IJ113015 |
| VERONA | 05-04 | Rear | | | | | IJ113017 |
| VERONA | 06-04 | Front | • | | | | IJ113016 |
| VERONA | 06-04 | Rear | • | | | | IJ113018 |
| XL-7 | 09-07 | Front | • | | | | IJ113019 |
| XL-7 | 09-07 | Rear | • | | | | IJ113020 |

TOYOTA

| MODEL | YEAR | LOCATION | | VEHICLE TYPE | | | PART NO. |
|---------|-------|------------|-----|--------------|-----|--|----------|
| | | FRT/RR | ABS | 2WD | 4WD | | |
| AVALON | 10-05 | Front | | • | | | IJ141003 |
| AVALON | 10-05 | Rear | | | | | IJ143001 |
| AVALON | 10-05 | Rear | | | | | IJ143002 |
| AVALON | 12-05 | Rear | | | | | IJ143001 |
| AVALON | 12-05 | Rear | | | | | IJ143002 |
| AVALON | 13-05 | Front | | • | | | IJ141003 |
| AVALON | 12-05 | Rear Left | | | | | IJ143001 |
| AVALON | 12-05 | Rear Right | | | | | IJ143002 |
| CAMRY | 05-02 | Rear | • | | | | IJ143003 |
| CAMRY | 09-02 | Rear | • | | | | IJ143003 |
| CAMRY | 10-04 | Front | | • | | | IJ141003 |
| CAMRY | 13-04 | Front | | • | | | IJ141003 |
| CAMRY | 10-02 | Rear Left | | | | | IJ143001 |
| CAMRY | 11-02 | Rear Left | | | | | IJ143001 |
| CAMRY | 10-02 | Rear Right | | | | | IJ143002 |
| CAMRY | 11-02 | Rear Right | | | | | IJ143002 |
| CELICA | 05-00 | Front | | | | | IJ141011 |
| CELICA | 05-00 | Rear | • | | | | IJ143005 |
| COROLLA | 02-98 | Front | | | | | IJ141001 |

TOYOTA

| MODEL | YEAR | LOCATION | | VEHICLE TYPE | | | PART NO. |
|-----------------------------|-------|------------|-----|--------------|-----|--|----------|
| | | FRT/RR | ABS | 2WD | 4WD | | |
| COROLLA | 08-03 | Rear | • | | | | U143004 |
| COROLLA | 08-03 | Rear | • | | | | U143005 |
| COROLLA | 09 | Front | | • | | | U141003 |
| COROLLA | 10-03 | Front | | | | | U141011 |
| COROLLA | 13-03 | Front | | | | | U141011 |
| ECHO | 05-00 | Front | | | | | U141008 |
| ECHO | 05-00 | Rear | • | | | | U143006 |
| ECHO | 05-00 | Rear | • | | | | U143009 |
| ECHO | 05-01 | Rear | • | | | | U143006 |
| ECHO | 05-01 | Rear | • | | | | U143009 |
| HIGHLANDER | 03-01 | Rear | | | | | U143001 |
| HIGHLANDER | 03-01 | Rear | | | | | U143002 |
| HIGHLANDER | 07-01 | Front | | • | | | U141003 |
| HIGHLANDER (FWD) | 03-01 | Rear | | | | | U143001 |
| HIGHLANDER (FWD) | 03-01 | Rear | | | | | U143002 |
| HIGHLANDER | 03-01 | Rear Left | | | | | U143001 |
| HIGHLANDER | 03-01 | Rear Right | | | | | U143002 |
| MATRIX | 08-03 | Rear | • | | | | U143004 |
| MATRIX | 08-03 | Rear | • | | | | U143005 |
| MATRIX | 08-03 | Front | | | | | U141011 |
| MATRIX | 10-03 | Front | | | | | U141011 |
| MATRIX | 10-09 | Front | | • | | | U141003 |
| MATRIX | 13-03 | Front | | | | | U141011 |
| MATRIX (FWD) | 08-03 | Rear | • | | | | U143004 |
| MATRIX 2.4L 4CYL (2362) (-) | 13-09 | Front | | • | | | U141003 |
| MR2 SPYDER | 05-00 | Front | | | | | U141011 |
| MR2 SPYDER | 05-00 | Rear | | | | | U141011 |
| PRIUS | 03-01 | Front | | | | | U141011 |
| PRIUS | 09-04 | Rear | • | | | | U143004 |
| RAV4 | 05-01 | Rear | | | | | U143007 |
| SCION XA | 06-04 | Rear | • | | | | U143009 |
| SCION XB | 06-04 | Rear | • | | | | U143009 |
| SIENNA | 10-04 | Front | | • | | | U141003 |
| SOLARA | 08-04 | Front | | • | | | U141003 |
| SOLARA | 08-04 | Rear | | | | | U143001 |
| SOLARA | 08-04 | Rear | | | | | U143002 |
| SOLARA | 08-04 | Rear Left | | | | | U143001 |
| SOLARA | 08-04 | Rear Right | | | | | U143002 |
| VENZA | 10-09 | Front | | • | | | U141003 |
| VENZA | 13-09 | Front | | • | | | U141003 |
| XB | 06-04 | Rear | • | | | | U143009 |
| YARIS | 05-01 | Rear | • | | | | U143006 |
| YARIS | 05-01 | Rear | • | | | | U143009 |
| YARIS VERSO | 05-01 | Rear | • | | | | U143006 |
| YARIS VERSO | 05-01 | Rear | • | | | | U143009 |

VAUXHALL

| MODEL | YEAR | LOCATION | | VEHICLE TYPE | | | PART NO. |
|---------------------|-------|----------|-----|--------------|-----|--|----------|
| | | FRT/RR | ABS | 2WD | 4WD | | |
| ASTRA | 86-81 | Front | | | | | U111011 |
| ASTRA TWIN TOP | 05- | Front | • | | | | U133021 |
| ASTRA H, 4BOLT TYPE | 08-04 | Front | • | | | | U133021 |
| ASTRA H, 5BOLT TYPE | 08-04 | Front | • | | | | U133022 |
| ASTRA II | 93-84 | Front | | | | | U111011 |

VAUXHALL

| MODEL | YEAR | LOCATION | | VEHICLE TYPE | | | PART NO. |
|----------------------------|-------|-------------|-----|--------------|-----|--|----------|
| | | FRT/RR | ABS | 2WD | 4WD | | |
| ASTRA III | 01-91 | Front | | | | | U111011 |
| ASTRA J MK 17" WHEEL DRIVE | 12-09 | Rear | • | | | | U113034 |
| ASTRA MK 15" WHEEL DRIVE | 12-09 | Rear | • | | | | U113033 |
| ASTRA MK III | 01-91 | Rear | • | | | | U133007 |
| ASTRA MK IV | 05-98 | Rear | • | | | | U133007 |
| ASTRA MK IV | 05-99 | Rear | • | | | | U133006 |
| ASTRA MK IV 5BOLT TYPE | 05-98 | Front | • | | | | U133008 |
| ASTRA MK V | 04- | Front | • | | | | U133021 |
| ASTRA MK V | 09-04 | Front | • | | | | U133030 |
| ASTRA MK V | 09-04 | Front | • | | | | U133032 |
| ASTRA MK V SPORT HATCH | 05- | Front | • | | | | U133021 |
| ASTRA MK V SPORT HATCH | 05- | Front | • | | | | U133022 |
| ASTRA MK V SPORT HATCH | 05- | Rear | • | | | | U133025 |
| ASTRA MK V SPORT HATCH | 05- | Rear | • | | | | U133025 |
| ASTRA MK V SPORT HATCH | 05- | Front | • | | | | U133030 |
| ASTRA MK V SPORT HATCH | 05- | Front | • | | | | U133032 |
| ASTRA MK V, 4BOLT TYPE | 04- | Rear | • | | | | U133025 |
| ASTRA MK V, 5BOLT TYPE | 09-04 | Front | • | | | | U133022 |
| ASTRA TWIN TOP | 05- | Front | • | | | | U133022 |
| ASTRA TWIN TOP | 05- | Rear | • | | | | U133025 |
| ASTRA TWIN TOP | 06- | Front | • | | | | U133030 |
| ASTRA TWIN TOP | 06- | Front | • | | | | U133032 |
| ASTRAMAX | 94-86 | Front | | | | | U111011 |
| ASTRAVAN | 05-98 | Front | • | | | | U133008 |
| ASTRAVAN | 98-91 | Front | | | | | U111011 |
| ASTRAVAN MK III | 98-91 | Rear | • | | | | U133007 |
| ASTRAVAN MK IV | 05-98 | Rear | • | | | | U133006 |
| ASTRAVAN MK IV | 05-98 | Rear | • | | | | U133007 |
| ASTRAVAN MK V | 05- | Front | • | | | | U133021 |
| ASTRAVAN MK V | 05- | Front | • | | | | U133022 |
| ASTRAVAN MK V | 05- | Rear | • | | | | U133025 |
| ASTRAVAN MK V | 11-05 | Front | • | | | | U133030 |
| ASTRAVAN MK V | 11-05 | Front | • | | | | U133032 |
| CALIBRA | 97-90 | Front | | | | | U111011 |
| CAVALIER | 95-81 | Front | | | | | U111011 |
| CAVALIER MK III | 95-93 | Rear | • | | | | U133007 |
| COMBO | 11-04 | Front | | | | | U111011 |
| COMBO II | 08-01 | Rear | • | | | | U133007 |
| COMBO II | 08-04 | Rear | • | | | | U133006 |
| CORSA | 06-00 | Front | | | | | U111011 |
| CORSA | 08- | Front, Rear | • | | | | U133026 |
| MERIVA | 10-03 | Front | | | | | U111011 |
| MERIVA I | 10-03 | Rear | • | | | | U133006 |
| MERIVA I | 10-03 | Rear | • | | | | U133007 |
| MOVANO MK I (ED, UD, HD) | 10-98 | Front | | | | | U231003 |
| MOVANO MK I (FD) | 10-98 | Front | | | | | U231003 |
| MOVANO MK I (JD) | 10-98 | Front | | | | | U231003 |
| SIGNUM | 02- | Rear | • | | | | U133011 |
| SIGNUM | 02- | Front | • | | | | U133015 |
| SIGNUM | 02- | Front | • | | | | U133020 |
| VECTRA MK I | 00-95 | Rear | • | | | | U133007 |
| VECTRA MK I | 05-99 | Rear | • | | | | U133006 |
| VECTRA MK II | 02- | Rear | • | | | | U133011 |
| VECTRA MK II | 04-02 | Front | • | | | | U133015 |
| VECTRA MK II | 05- | Front | • | | | | U133020 |
| ZAFIRA MK 17" WHEEL DRIVE | 11- | Rear | • | | | | U113034 |
| ZAFIRA MK I | 05-98 | Rear | • | | | | U133006 |
| ZAFIRA MK I | 05-98 | Front | • | | | | U133008 |

VAUXHALL

| MODEL | YEAR | LOCATION | | VEHICLE TYPE | | | PART NO. |
|--------------|------|----------|-----|--------------|-----|--|----------|
| | | FRT/RR | ABS | 2WD | 4WD | | |
| ZAFIRA MK II | 05- | Front | • | | | | U133022 |
| ZAFIRA MK II | 05- | Front | • | | | | U133032 |

VOLKSWAGEN

| MODEL | YEAR | LOCATION | | VEHICLE TYPE | | | PART NO. |
|--------------------|-------|-------------|-----|--------------|-----|--|----------|
| | | FRT/RR | ABS | 2WD | 4WD | | |
| BEETLE | 10-98 | Rear | • | | | | U132001 |
| BEETLE II | 11- | Rear | • | | | | U132023 |
| BORA | 05-98 | Rear | • | | | | U132001 |
| CADDY II | 04-95 | Front | | | | | U131005 |
| CADDY III | 04- | Rear | • | | | | U132023 |
| CC | 12- | Rear | • | | | | U132023 |
| CORRADO | 95-88 | Front | | | | | U131005 |
| EOS | 06- | Rear | • | | | | U132023 |
| GOLF | 05-99 | Rear | • | | | | U132001 |
| GOLF CABRIOLET III | 98-93 | Front | | | | | U131005 |
| GOLF CABRIOLET IV | 04-98 | Front | | | | | U131005 |
| GOLF II | 92-88 | Front | | | | | U131005 |
| GOLF III | 98-91 | Front, Rear | | | | | U131005 |
| GOLF III | 99-91 | Front | | | | | U131005 |
| GOLF IV | 02-98 | Front | | | | | U131005 |
| GOLF IV | 06-99 | Rear | • | | | | U132001 |
| GOLF V | 03 | Rear | • | | | | U132023 |
| GOLF V | 07- | Rear | • | | | | U132023 |
| GOLF V PLUS | 09- | Rear | • | | | | U132023 |
| GOLF VI | 08- | Rear | • | | | | U132023 |
| GOLF VI PLUS | 09- | Rear | • | | | | U132023 |
| JETTA | 05-99 | Rear | • | | | | U132001 |
| JETTA II | 91-88 | Front | | | | | U131005 |
| JETTA II | 92-88 | Front | | | | | U131005 |
| JETTA III | 05- | Rear | • | | | | U132023 |
| JETTA III | 10-05 | Rear | • | | | | U132023 |
| NENTO | 98-91 | Front | | | | | U131005 |
| NEW BEETLE | 98- | Rear | • | | | | U132001 |
| PASSAT | 05- | Rear | • | | | | U132023 |
| PASSAT | 05-92 | Front | | | | | U131011 |
| PASSAT CC | 08- | Rear | • | | | | U132023 |
| PASSAT III | 96-88 | Front | | | | | U131005 |
| PASSAT III | 97-88 | Front, Rear | | | | | U131005 |
| PASSAT IV | 00-96 | Front | | | | | U131011 |
| PASSAT V | 05-00 | Front | | | | | U131011 |
| PASSAT VI | 05- | Rear | • | | | | U132023 |
| PASSAT VII | 10- | Rear | • | | | | U132023 |
| POLO CLASSIC III | 01-95 | Front | | | | | U131005 |
| POLO III | 01-97 | Front | | | | | U131005 |
| POLO III CLASSIC | 05-95 | Front | | | | | U131005 |
| POLO VARIANT III | 01-97 | Front | | | | | U131005 |
| SANTANA II | 97-95 | Front | | | | | U131005 |
| SCIROCCO II | 08- | Rear | • | | | | U132023 |
| SHARAN II | 10- | Rear | • | | | | U132023 |
| TIGUAN | 07- | Rear | • | | | | U132023 |
| TOURAN I | 06-03 | Rear | • | | | | U132023 |
| TOURAN I | 10-03 | Rear | • | | | | U132023 |
| TOURAN II | 06- | Rear | • | | | | U132023 |
| TOURAN II | 10- | Rear | • | | | | U132023 |

VOLKSWAGEN

| MODEL | YEAR | LOCATION | | VEHICLE TYPE | | | PART NO. |
|------------------|-------|----------|-----|--------------|-----|--|----------|
| | | FRT/RR | ABS | 2WD | 4WD | | |
| VENTO | 98-91 | Front | | | | | U131005 |
| BETTLER II | 11- | Rear | • | | | | U132017 |
| GOLF V | 08-03 | Rear | • | | | | U132017 |
| GOLF V | 09-03 | Rear | • | | | | U132017 |
| GOLF V PLUS | 05- | Rear | • | | | | U132017 |
| GOLF V PLUS | 08-05 | Rear | • | | | | U132017 |
| GOLF VI | 11- | Rear | • | | | | U132017 |
| JETTA IV | 10- | Rear | • | | | | U132017 |
| LUPO | 05-98 | Rear | • | | | | U132003 |
| POLO CLASSIC | 01-99 | Rear | • | | | | U132003 |
| POLO III | 01-99 | Rear | • | | | | U132003 |
| POLO III CLASSIC | 05-99 | Rear | • | | | | U132003 |
| POLO VARIANT III | 01-99 | Rear | • | | | | U132003 |
| ROUTAN | 12-09 | Front | • | | | | U223078 |

VOLVO

| MODEL | YEAR | LOCATION | | VEHICLE TYPE | | | PART NO. |
|-----------|-------|----------|-----|--------------|-----|--|----------|
| | | FRT/RR | ABS | 2WD | 4WD | | |
| 760 | 90-88 | REAR | | | | | U131021 |
| 780 | 91-88 | REAR | | | | | U131021 |
| 850 | 97 | REAR | | | | | U131021 |
| 850 | 97-93 | FRONT | | | | | U133001 |
| 850 | 97-94 | FRONT | | | | | U133001 |
| 9-3 (Y3F) | 07-02 | FRONT | • | | | | U133011 |
| C30 | 07- | REAR | • | | | | U133018 |
| C30 | 13-08 | FRONT | | | | | U123092 |
| C70 | 06- | REAR | • | | | | U133018 |
| C70 | 13-06 | FRONT | | | | | U123092 |
| C70 | 98 | FRONT | | | | | U133001 |
| C70 | 98-97 | FRONT | | | | | U133001 |
| CROMA II | 08-05 | FRONT | • | | | | U133011 |
| MONDEO I | 96-93 | REAR | • | | | | U133010 |
| MONDEO II | 97-96 | REAR | • | | | | U133010 |
| S40 | | | | | | | |

VOLVO

| MODEL | YEAR | LOCATION | | VEHICLE TYPE | | | PART NO. |
|----------|-------|----------|-----|--------------|-----|--|----------|
| | | FRT/RR | ABS | 2WD | 4WD | | |
| V70 | 07-01 | REAR | | | | | IJ123086 |
| V70 | 98 | FRONT | | | | | IJ133001 |
| V70 | 98-97 | FRONT | | | | | IJ133001 |
| V70 II | 07-00 | FRONT | | | | | IJ133009 |
| VECTRA C | 07-02 | FRONT | • | | | | IJ133011 |
| XC70 I | 07-00 | FRONT | | | | | IJ133009 |

VW

| MODEL | YEAR | LOCATION | | VEHICLE TYPE | | | PART NO. |
|---------|------|----------|-----|--------------|-----|--|----------|
| | | FRT/RR | ABS | 2WD | 4WD | | |
| FOX | 05 | Rear | | | | | IJ132011 |
| POLO IV | 01- | Rear | | | | | IJ132011 |
| POLO V | 09- | Rear | | | | | IJ132011 |

APPLICATION
BY PART NO.

IJ111001

| MAKE | MODEL | YEAR | LOCATION | | VEHICLE TYPE | | |
|---------|-----------------|-------|----------|-----|--------------|-----|--|
| | | | FRT/RR | ABS | 2WD | 4WD | |
| HYUNDAI | ACCENT | 10-00 | Front | | | | |
| HYUNDAI | ACCENT | 11- | Front | | | | |
| HYUNDAI | ACCENT II | 05-00 | Front | | | | |
| HYUNDAI | ACCENT III | 10-05 | Front | | | | |
| HYUNDAI | AMICA / ATOZ | 98- | Front | | | | |
| HYUNDAI | COUPE / TIBURON | 02-96 | Front | | | | |
| HYUNDAI | ELANTRA | 00-95 | Front | | | | |
| HYUNDAI | ELANTRA | 00-96 | Front | | | | |
| HYUNDAI | GETZ / CLICK | 09-02 | Front | | | | |
| HYUNDAI | RIO | 10-06 | Front | | | | |
| HYUNDAI | TIBURON | 01-97 | Front | | | | |
| KIA | NEW PRIDE | 12- | Front | | | | |
| KIA | RIO / PRIDE | 05- | Front | | | | |
| KIA | RIOS | 10-06 | Front | | | | |

IJ111002

| MAKE | MODEL | YEAR | LOCATION | | VEHICLE TYPE | | |
|---------|-------------------|-------|----------|-----|--------------|-----|--|
| | | | FRT/RR | ABS | 2WD | 4WD | |
| HYUNDAI | COUPE / TIBURON | 09-02 | Front | | | | |
| HYUNDAI | ELANTRA | 06-01 | Front | | | | |
| HYUNDAI | SONATA | 02-99 | Front | | | | |
| HYUNDAI | SONATA III | 04-98 | Front | | | | |
| HYUNDAI | TIBURON | 08-03 | Front | | | | |
| HYUNDAI | XG | 98- | Front | | | | |
| HYUNDAI | XG300 | 01 | Front | | | | |
| HYUNDAI | XG350 | 02 | Front | | | | |
| KIA | CERATO | 04- | Front | | | | |
| KIA | MAGENTIS | 02-01 | Front | | | | |
| KIA | MAGENTIS / OPTIMA | 01- | Front | | | | |
| KIA | OPTIMA | 02-01 | Front | | | | |

IJ111003

| MAKE | MODEL | YEAR | LOCATION | | VEHICLE TYPE | | |
|---------|------------------|-------|----------|-----|--------------|-----|--|
| | | | FRT/RR | ABS | 2WD | 4WD | |
| DODGE | STEALTH | 96-91 | Front | | | | |
| HYUNDAI | AZERA / GRANDEUR | 13-12 | Front | | | | |
| HYUNDAI | EF-SONATA | 02- | Front | | | | |
| HYUNDAI | SANTA FE | 06-01 | Front | | | | |
| HYUNDAI | SANTA FE | 07 | Front | | | | |
| HYUNDAI | TUCSON | 09-04 | Front | | | | |
| HYUNDAI | TUCSON | 13-05 | Front | | | | |
| HYUNDAI | XG350 | 05-02 | Front | | | | |

IJ111003

| MAKE | MODEL | YEAR | LOCATION | | VEHICLE TYPE | | |
|------------|-------------------|-------|----------|-----|--------------|-----|--|
| | | | FRT/RR | ABS | 2WD | 4WD | |
| HYUNDAI | XG-GRANDEUR | 02- | Front | | | | |
| KIA | MAGENTIS / OPTIMA | 10-02 | Front | | | | |
| KIA | RONDO | 10-07 | Front | | | | |
| KIA | SPORTAGE | 04- | Front | | | | |
| KIA | SPORTAGE | 14-05 | Front | | | | |
| MITSUBISHI | 3000GT | 99-91 | Front | | | | |
| MITSUBISHI | DIAMANTE | 04-92 | Front | | | | |

IJ111004

| MAKE | MODEL | YEAR | LOCATION | | VEHICLE TYPE | | |
|---------|------------------|-------|----------|-----|--------------|-----|--|
| | | | FRT/RR | ABS | 2WD | 4WD | |
| HYUNDAI | AZERA | 10-06 | Front | | | | |
| HYUNDAI | AZERA / GRANDEUR | 11-06 | Front | | | | |
| KIA | AMANTI | 09-04 | Front | | | | |
| KIA | AMANTI / OPRIRUS | 09-04 | Front | | | | |

IJ111005

| MAKE | MODEL | YEAR | LOCATION | | VEHICLE TYPE | | |
|---------|-----------------|-------|----------|-----|--------------|-----|--|
| | | | FRT/RR | ABS | 2WD | 4WD | |
| HYUNDAI | COUPE / TIBURON | 08-03 | Front | | | | |
| HYUNDAI | ELANTRA | 06-01 | Front | | | | |
| HYUNDAI | TIBURON | 08-03 | Front | | | | |
| KIA | SPECTRA | 09-04 | Front | | | | |
| KIA | SPECTRA | 09-05 | Front | | | | |
| KIA | SPECTRA 5 | 09-05 | Front | | | | |

IJ111006

| MAKE | MODEL | YEAR | LOCATION | | VEHICLE TYPE | | |
|-----------|-------------|------|----------|-----|--------------|-----|--|
| | | | FRT/RR | ABS | 2WD | 4WD | |
| GM DAEWOO | DAMAS | 03- | Front | | | | |
| GM DAEWOO | DAMAS(LABO) | 03- | Front | | | | |

IJ111007

| MAKE | MODEL | YEAR | LOCATION | | VEHICLE TYPE | | |
|-----------------|------------|------|----------|-----|--------------|-----|--|
| | | | FRT/RR | ABS | 2WD | 4WD | |
| RENAULT | SM5 SERIES | | Front | | | | |
| RENAULT SAMSUNG | SM 5 | | Front | | | | |

IJ111008

| MAKE | MODEL | YEAR | LOCATION | | VEHICLE TYPE | | |
|---------|-----------------|------|----------|-----|--------------|-----|--|
| | | | FRT/RR | ABS | 2WD | 4WD | |
| HYUNDAI | SONATA 3 SERIES | | Front | | | | |
| HYUNDAI | SONATA II-III | 98- | Front | | | | |

IJ111009

| MAKE | MODEL | YEAR | LOCATION | | VEHICLE TYPE | | |
|-----------|----------------|-------|----------|-----|--------------|-----|--|
| | | | FRT/RR | ABS | 2WD | 4WD | |
| DAEWOO | NEXIA / LEMANS | 97-95 | Front | | | | |
| GM DAEWOO | LEMANS | | Front | | | | |

IJ111010

| MAKE | MODEL | YEAR | LOCATION | | VEHICLE TYPE | | |
|---------|------------|-------|----------|-----|--------------|-----|--|
| | | | FRT/RR | ABS | 2WD | 4WD | |
| HYUNDAI | AVANTE-HD | 10-06 | Front | | | | |
| HYUNDAI | ELANTRA | 13-07 | Front | | | | |
| HYUNDAI | VELOSTER | 13-12 | Front | | | | |
| KIA | FORTE | 14-10 | Front | | | | |
| KIA | FORTE KOUP | 13-10 | Front | | | | |
| KIA | SOUL | 14-10 | Front | | | | |

IJ111011

| MAKE | MODEL | YEAR | LOCATION | | VEHICLE TYPE | | |
|-----------|-----------|-------|----------|-----|--------------|-----|--|
| | | | FRT/RR | ABS | 2WD | 4WD | |
| GM DAEWOO | ESPERO | 96- | Front | | | | |
| GM DAEWOO | LACETTI | | Front | | | | |
| GM DAEWOO | NUBIRA | | Front | | | | |
| OPEL | ASCONA C | 88-81 | Front | | | | |
| OPEL | ASTRA F | 99-91 | Front | | | | |
| OPEL | CALIBRA A | 97-90 | Front | | | | |
| OPEL | COMBO | 04- | Front | | | | |
| OPEL | CORSA C | 09-03 | Front | | | | |
| OPEL | KADETT D | 84-81 | Front | | | | |
| OPEL | KADETT E | 94-84 | Front | | | | |
| OPEL | MERIVA | 10-03 | Front | | | | |
| OPEL | VECTRA A | 95-88 | Front | | | | |
| ROVER | CITYROVER | 05-04 | Front | | | | |
| VAUXHALL | ASTRA | 86-81 | Front | | | | |
| VAUXHALL | ASTRA II | 93-84 | Front | | | | |
| VAUXHALL | ASTRA III | 01-91 | Front | | | | |
| VAUXHALL | ASTRAMAX | 94-86 | Front | | | | |
| VAUXHALL | ASTRAVAN | 98-91 | Front | | | | |
| VAUXHALL | CALIBRA | 97-90 | Front | | | | |
| VAUXHALL | CAVALIER | 95-81 | Front | | | | |
| VAUXHALL | COMBO | 11-04 | Front | | | | |
| VAUXHALL | CORSA | 06-00 | Front | | | | |
| VAUXHALL | MERIVA | 10-03 | Front | | | | |

IJ111012

| MAKE | MODEL | YEAR | LOCATION | | VEHICLE TYPE | | |
|-----------|---------|-------|----------|-----|--------------|-----|--|
| | | | FRT/RR | ABS | 2WD | 4WD | |
| CHEVROLET | LACETTI | 05- | Front | | | | |
| CHEVROLET | NUBIRA | 05- | Front | | | | |
| CHEVROLET | OPTRA | 08-03 | Front | | | | |
| CHEVROLET | TACUMA | 05- | Front | | | | |
| DAEWOO | LACETTI | 04- | Front | | | | |
| DAEWOO | LEGANZA | 02-99 | Front | | | | |
| DAEWOO | NUBIRA | 03- | Front | | | | |
| DAEWOO | TACUMA | 00- | Front | | | | |
| GM DAEWOO | LEGANZA | 02-99 | Front | | | | |

IJ111013

| MAKE | MODEL | YEAR | LOCATION | | VEHICLE TYPE | | |
|---------|-----------|-------|----------|-----|--------------|-----|--|
| | | | FRT/RR | ABS | 2WD | 4WD | |
| DACIA | NOVA | 03-96 | Front | | | | |
| DACIA | SOLENZA | 03- | Front | | | | |
| RENAULT | 9 | 89-81 | Front | | | | |
| RENAULT | 11 | 88-83 | Front | | | | |
| RENAULT | 19 | 95-88 | Front | | | | |
| RENAULT | CLIO | 98-90 | Front | | | | |
| RENAULT | CLIO II | 09-98 | Front | | | | |
| RENAULT | EXTRA VAN | 98-85 | Front | | | | |
| RENAULT | SUPER 5 | 96-84 | Front | | | | |
| RENAULT | THALIA | 00- | Front | | | | |
| RENAULT | TWINGO | 93- | Front | | | | |

IJ112001

| MAKE | MODEL | YEAR | LOCATION | | VEHICLE TYPE | | |
|---------|--------|-------|----------|-----|--------------|-----|--|
| | | | FRT/RR | ABS | 2WD | 4WD | |
| HYUNDAI | ACCENT | 06-95 | Rear | | | | |

IJ112002

| MAKE | MODEL | YEAR | LOCATION | | VEHICLE TYPE | | |
|---------|--------|-------|----------|-----|--------------|-----|--|
| | | | FRT/RR | ABS | 2WD | 4WD | |
| HYUNDAI | ACCENT | 95-06 | Rear | | | | |
| HYUNDAI | ACCENT | 96-95 | Rear | | | | |

IJ112003

| MAKE | MODEL | YEAR | LOCATION | | VEHICLE TYPE | | |
|---------|--------|-------|----------|-----|--------------|-----|--|
| | | | FRT/RR | ABS | 2WD | 4WD | |
| HYUNDAI | ACCENT | 99-97 | Rear | • | | | |

IJ111004

| MAKE | MODEL | YEAR | LOCATION | | VEHICLE TYPE | | |
|---------|---------|-------|----------|-----|--------------|-----|--|
| | | | FRT/RR | ABS | 2WD | 4WD | |
| HYUNDAI | ACCENT | 99-97 | Rear | | | | |
| HYUNDAI | AVANTE | 99-97 | Rear | | | | |
| HYUNDAI | TIBURON | 99-97 | Rear | | | | |

IJ112005

| MAKE | MODEL | YEAR | LOCATION | | VEHICLE TYPE | | |
|---------|---------|------|----------|-----|--------------|-----|--|
| | | | FRT/RR | ABS | 2WD | 4WD | |
| HYUNDAI | AVANTE | -98 | Rear | • | | | |
| HYUNDAI | ELANTRA | -98 | Rear | • | | | |

IJ112006

| MAKE | MODEL | YEAR | LOCATION | | VEHICLE TYPE | | |
|---------|---------------|-------|----------|-----|--------------|-----|--|
| | | | FRT/RR | ABS | 2WD | 4WD | |
| HYUNDAI | AVANTE | 99-94 | | | | | |
| HYUNDAI | AVANTETOURING | -98 | Rear | | | | |
| HYUNDAI | ELANTRA | 99-95 | | | | | |

IJ112007

| MAKE | MODEL | YEAR | LOCATION | | VEHICLE TYPE | | |
|---------|---------|-------|----------|-----|--------------|-----|--|
| | | | FRT/RR | ABS | 2WD | 4WD | |
| HYUNDAI | ELANTRA | 00-96 | Rear | • | | | |
| HYUNDAI | TIBURON | 01-97 | Rear | • | | | |

IJ112008

| MAKE | MODEL | YEAR | LOCATION | | VEHICLE TYPE | | |
|---------|--------|-------|----------|-----|--------------|-----|--|
| | | | FRT/RR | ABS | 2WD | 4WD | |
| HYUNDAI | SONATA | 98-92 | Rear | | | | |

IJ112009

| MAKE | MODEL | YEAR | LOCATION | | VEHICLE TYPE | | |
|---------|--------|-------|----------|-----|--------------|-----|--|
| | | | FRT/RR | ABS | 2WD | 4WD | |
| HYUNDAI | SONATA | 98-92 | Rear | • | | | |

IJ112010

| MAKE | MODEL | YEAR | LOCATION | | VEHICLE TYPE | | |
|---------|--------------|-------|----------|-----|--------------|-----|--|
| | | | FRT/RR | ABS | 2WD | 4WD | |
| HYUNDAI | NEW GRANDEUR | 02-97 | Rear | | | | |

IJ112011

| MAKE | MODEL | YEAR | LOCATION | | VEHICLE TYPE | | |
|---------|--------------|-------|----------|-----|--------------|-----|--|
| | | | FRT/RR | ABS | 2WD | 4WD | |
| HYUNDAI | NEW GRANDEUR | 02-97 | Rear | • | | | |

IJ112012

| MAKE | MODEL | YEAR | LOCATION | | VEHICLE TYPE | | |
|---------|-----------------------|-------|----------|-----|--------------|-----|--|
| | | | FRT/RR | ABS | 2WD | 4WD | |
| HYUNDAI | AVANTETOURING(99F/L-) | 99 | Rear | • | | | |
| HYUNDAI | TIBURON | 01-97 | Rear | • | | | |

IJ112013

| MAKE | MODEL | YEAR | LOCATION | | VEHICLE TYPE | | |
|---------|-------|-------|----------|-----|--------------|-----|--|
| | | | FRT/RR | ABS | 2WD | 4WD | |
| HYUNDAI | EQUUS | 08-03 | Rear | • | | | |

IJ112014

| MAKE | MODEL | YEAR | LOCATION | | VEHICLE TYPE | | |
|---------|---------|------|----------|-----|--------------|-----|--|
| | | | FRT/RR | ABS | 2WD | 4WD | |
| HYUNDAI | CASTAR | | Rear | | | | |
| HYUNDAI | SANTAMO | 99- | Rear | | | | |

IJ112015

| MAKE | MODEL | YEAR | LOCATION | | VEHICLE TYPE | | |
|---------|---------|------|----------|-----|--------------|-----|--|
| | | | FRT/RR | ABS | 2WD | 4WD | |
| HYUNDAI | CASTAR | | Rear | • | | | |
| HYUNDAI | SANTAMO | 99- | Rear | • | | | |

IJ112016

| MAKE | MODEL | YEAR | LOCATION | | VEHICLE TYPE | | |
|---------|--------|-------|----------|-----|--------------|-----|--|
| | | | FRT/RR | ABS | 2WD | 4WD | |
| HYUNDAI | ACCENT | 05 | Rear | • | | | |
| HYUNDAI | ACCENT | 06-00 | Rear | • | | | |

IJ112017

| MAKE | MODEL | YEAR | LOCATION | | VEHICLE TYPE | | |
|---------|----------|-------|----------|-----|--------------|-----|--|
| | | | FRT/RR | ABS | 2WD | 4WD | |
| HYUNDAI | SANTA FE | 06-01 | Rear | • | | | |
| HYUNDAI | SANTA FE | 06-01 | Rear | | | | |

IJ112018

| MAKE | MODEL | YEAR | LOCATION | | VEHICLE TYPE | | |
|---------|--------|------|----------|-----|--------------|-----|--|
| | | | FRT/RR | ABS | 2WD | 4WD | |
| HYUNDAI | TRAJET | | Rear | • | | | |

IJ112019

| MAKE | MODEL | YEAR | LOCATION | | VEHICLE TYPE | | |
|---------|--------------------|-------|----------|-----|--------------|-----|--|
| | | | FRT/RR | ABS | 2WD | 4WD | |
| HYUNDAI | AVANTE XD | 05 | Rear | | | | |
| HYUNDAI | ELANTRA | 06-01 | Rear | | | | |
| HYUNDAI | LAVITA (OLD MODEL) | | Rear | | | | |

IJ112020

| MAKE | MODEL | YEAR | LOCATION | | VEHICLE TYPE | | |
|---------|--------------------|-------|----------|-----|--------------|-----|--|
| | | | FRT/RR | ABS | 2WD | 4WD | |
| HYUNDAI | AVANTE XD | 05 | Rear | • | | | |
| HYUNDAI | ELANTRA | 06-01 | Rear | • | | | |
| HYUNDAI | LAVITA (OLD MODEL) | | Rear | • | | | |

IJ112021

| MAKE | MODEL | YEAR | LOCATION | | VEHICLE TYPE | | |
|---------|-------|------|----------|-----|--------------|-----|--|
| | | | FRT/RR | ABS | 2WD | 4WD | |
| HYUNDAI | ATOZ | 00 | Rear | | | | |
| HYUNDAI | VISTO | 00 | Rear | | | | |

IJ112022

| MAKE | MODEL | YEAR | LOCATION | | VEHICLE TYPE | | |
|---------|-------|------|----------|-----|--------------|-----|--|
| | | | FRT/RR | ABS | 2WD | 4WD | |
| HYUNDAI | ATOZ | 00 | Rear | • | | | |
| HYUNDAI | VISTO | 00 | Rear | • | | | |

IJ112023

| MAKE | MODEL | YEAR | LOCATION | | VEHICLE TYPE | | |
|---------|----------|-------|----------|-----|--------------|-----|--|
| | | | FRT/RR | ABS | 2WD | 4WD | |
| HYUNDAI | SANTA FE | 06-01 | Rear | • | | | |

IJ112024

| MAKE | MODEL | YEAR | LOCATION | | VEHICLE TYPE | | |
|---------|---------|-------|----------|-----|--------------|-----|--|
| | | | FRT/RR | ABS | 2WD | 4WD | |
| HYUNDAI | TUSCANI | 02- | Rear | | | | |
| HYUNDAI | TUSCANI | 02-01 | Rear | | | | |

IJ112025

| MAKE | MODEL | YEAR | LOCATION | | VEHICLE TYPE | | |
|---------|---------|-------|----------|-----|--------------|-----|--|
| | | | FRT/RR | ABS | 2WD | 4WD | |
| HYUNDAI | TUSCANI | 02- | Rear | • | | | |
| HYUNDAI | TUSCANI | 02-01 | Rear | • | | | |

IJ112026

| MAKE | MODEL | YEAR | LOCATION | | VEHICLE TYPE | | |
|---------|---------------------|------|----------|-----|--------------|-----|--|
| | | | FRT/RR | ABS | 2WD | 4WD | |
| HYUNDAI | AVANTE-XD DISC TYPE | 02- | Rear | | | | |
| HYUNDAI | ELANTRA DISC TYPE | 02- | Rear | | | | |

IJ112027

| MAKE | MODEL | YEAR | LOCATION | | VEHICLE TYPE | | |
|---------|---------------------|------|----------|-----|--------------|-----|--|
| | | | FRT/RR | ABS | 2WD | 4WD | |
| HYUNDAI | AVANTE-XD DISC TYPE | 02- | Rear | • | | | |
| HYUNDAI | ELANTRA DISC TYPE | 02- | Rear | • | | | |

IJ112028

| MAKE | MODEL | YEAR | LOCATION | | VEHICLE TYPE | | |
|---------|--------|-------|----------|-----|--------------|-----|--|
| | | | FRT/RR | ABS | 2WD | 4WD | |
| HYUNDAI | ACCENT | 06-00 | Rear | • | | | |
| HYUNDAI | ACCENT | 06-00 | Rear | | | | |

IJ112029

| MAKE | MODEL | YEAR | LOCATION | | VEHICLE TYPE | | |
|---------|------------------------|-------|----------|-----|--------------|-----|--|
| | | | FRT/RR | ABS | 2WD | 4WD | |
| HYUNDAI | TUSCANI(01.08 - 02.10) | 08-02 | Rear | | | | |
| HYUNDAI | TUSCANI(02.10 -) | 02- | Rear | | | | |

IJ112030

| MAKE | MODEL | YEAR | LOCATION | | VEHICLE TYPE | | |
|---------|---------|-------|----------|-----|--------------|-----|--|
| | | | FRT/RR | ABS | 2WD | 4WD | |
| HYUNDAI | TIBURON | 05-03 | Rear | • | | | |

IJ112031

| MAKE | MODEL | YEAR | LOCATION | | VEHICLE TYPE | | |
|------|------------------|------|----------|-----|--------------|-----|--|
| | | | FRT/RR | ABS | 2WD | 4WD | |
| KIA | CERATO DISC TYPE | | Rear | | | | |

IJ112032

| MAKE | MODEL | YEAR | LOCATION | | VEHICLE TYPE | | |
|---------|--------------|------|----------|-----|--------------|-----|--|
| | | | FRT/RR | ABS | 2WD | 4WD | |
| HYUNDAI | NEW SPORTAGE | 04- | Rear | | | | |
| HYUNDAI | TUCSON | | Rear | | | | |

IJ112033

| MAKE | MODEL | YEAR | LOCATION | | VEHICLE TYPE | | |
|---------|----------|-------|----------|-----|--------------|-----|--|
| | | | FRT/RR | ABS | 2WD | 4WD | |
| HYUNDAI | SPORTAGE | 08-05 | Rear | • | | | |
| HYUNDAI | SPORTAGE | 10-05 | Rear | | | | |
| HYUNDAI | TUCSON | 08-05 | Rear | • | | | |
| HYUNDAI | TUCSON | 09-05 | Rear | | | | |

IJ112034

| MAKE | MODEL | YEAR | LOCATION | | VEHICLE TYPE | | |
|---------|------------|-------|----------|-----|--------------|-----|--|
| | | | FRT/RR | ABS | 2WD | 4WD | |
| HYUNDAI | LAVITA(FS) | 08-02 | Rear | | | | |

IJ112035

| MAKE | MODEL | YEAR | LOCATION | | VEHICLE TYPE | | |
|---------|------------|-------|----------|-----|--------------|-----|--|
| | | | FRT/RR | ABS | 2WD | 4WD | |
| HYUNDAI | LAVITA(FC) | 08-02 | Rear | • | | | |

IJ112036

| MAKE | MODEL | YEAR | LOCATION | | VEHICLE TYPE | | |
|---------|---------------------|-------|----------|-----|--------------|-----|--|
| | | | FRT/RR | ABS | 2WD | 4WD | |
| HYUNDAI | AVANTE-XD DRUM TYPE | 02- | Rear | | | | |
| HYUNDAI | ELANTRA DRUM TYPE | 02- | Rear | | | | |
| KIA | SPECTRA | 09-05 | Rear | | | | |

IJ112037

| MAKE | MODEL | YEAR | LOCATION | | VEHICLE TYPE | | |
|---------|-----------|-------|----------|-----|--------------|-----|--|
| | | | FRT/RR | ABS | 2WD | 4WD | |
| HYUNDAI | ELANTRA | 06-01 | Rear | • | | | |
| KIA | SPECTRA | 09-05 | Rear | • | | | |
| KIA | SPECTRA 5 | 09-05 | Rear | • | | | |

IJ112038

| MAKE | MODEL | YEAR | LOCATION | | VEHICLE TYPE | | |
|-----------|--------------------|------|----------|-----|--------------|-----|--|
| | | | FRT/RR | ABS | 2WD | 4WD | |
| GM DAEWOO | LEGANZA 4BOLT TYPE | | | • | | | |
| GM DAEWOO | LEGANZA 4BOLT TYPE | | Rear | • | | | |

IJ112039

| MAKE | MODEL | YEAR | LOCATION | | VEHICLE TYPE | | |
|-----------|--------------------|-------|----------|-----|--------------|-----|--|
| | | | FRT/RR | ABS | 2WD | 4WD | |
| GM DAEWOO | LEGANZA 5BOLT TYPE | | | • | | | |
| GM DAEWOO | LEGANZA 5BOLT TYPE | 02-99 | Rear | • | | | |

IJ112040

| MAKE | MODEL | YEAR | LOCATION | | VEHICLE TYPE | | |
|------|---------|-------|----------|-----|--------------|-----|--|
| | | | FRT/RR | ABS | 2WD | 4WD | |
| KIA | SEPHIA | 01-94 | Rear | • | | | |
| KIA | SEPHIA | 01-97 | Rear | • | | | |
| KIA | SPECTRA | 00 | Rear | • | | | |

IJ113001

| MAKE | MODEL | YEAR | LOCATION | | VEHICLE TYPE | | |
|------|--------|-------|----------|-----|--------------|-----|--|
| | | | FRT/RR | ABS | 2WD | 4WD | |
| KIA | AMANTI | 06-04 | Rear | | | | |

IJ113002

| MAKE | MODEL | YEAR | LOCATION | | VEHICLE TYPE | | |
|---------|----------|-------|----------|-----|--------------|-----|--|
| | | | FRT/RR | ABS | 2WD | 4WD | |
| HYUNDAI | SONATA | 05-99 | Rear | | | | |
| KIA | MAGENTIS | 06-01 | Rear | | | | |
| KIA | OPTIMA | 06-01 | Rear | | | | |

IJ113003

| MAKE | MODEL | YEAR | LOCATION | | VEHICLE TYPE | | |
|---------|----------|-------|----------|-----|--------------|-----|--|
| | | | FRT/RR | ABS | 2WD | 4WD | |
| HYUNDAI | SONATA | 05-99 | Rear | • | | | |
| KIA | MAGENTIS | 06-01 | Rear | • | | | |
| KIA | OPTIMA | 06-01 | Rear | • | | | |

IJ113004

| MAKE | MODEL | YEAR | LOCATION | | VEHICLE TYPE | | |
|---------|-------|-------|----------|-----|--------------|-----|--|
| | | | FRT/RR | ABS | 2WD | 4WD | |
| HYUNDAI | XG300 | 01 | Rear | • | | | |
| HYUNDAI | XG350 | 05-02 | Rear | • | | | |

IJ113005

| MAKE | MODEL | YEAR | LOCATION | | VEHICLE TYPE | | |
|---------|--------|-------|----------|-----|--------------|-----|--|
| | | | FRT/RR | ABS | 2WD | 4WD | |
| HYUNDAI | SONATA | 09-06 | Rear | • | | | |
| HYUNDAI | SONATA | 10-06 | Rear | • | | | |
| KIA | OPTIMA | 10 | Rear | • | | | |
| KIA | OPTIMA | 10-06 | Rear | • | | | |

IJ113006

| MAKE | MODEL | YEAR | LOCATION | | VEHICLE TYPE | | |
|---------|----------|-------|----------|-----|--------------|-----|--|
| | | | FRT/RR | ABS | 2WD | 4WD | |
| HYUNDAI | SONATA | 10-06 | Rear | | | | |
| KIA | MAGENTIS | 10-06 | Rear | | | | |
| KIA | OPTIMA | 08-06 | Rear | | | | |
| KIA | OPTIMA | 10-06 | Rear | | | | |

IJ113007

| MAKE | MODEL | YEAR | LOCATION | | VEHICLE TYPE | | |
|---------|-----------|-------|----------|-----|--------------|-----|--|
| | | | FRT/RR | ABS | 2WD | 4WD | |
| HYUNDAI | CLICK | 02 | Rear | | | | |
| HYUNDAI | CLICK | 02- | Rear | | | | |
| HYUNDAI | GETZ | 02 | Rear | | | | |
| HYUNDAI | GETZ | 02- | Rear | | | | |
| KIA | MORNING | 06 | Rear | | | | |
| KIA | NEW PRIDE | 05 | Rear | | | | |
| KIA | PICANTO | 06 | Rear | | | | |
| KIA | RIO | 11-06 | Rear | | | | |

IJ113008

| MAKE | MODEL | YEAR | LOCATION | | VEHICLE TYPE | | |
|---------|-----------|-------|----------|-----|--------------|-----|--|
| | | | FRT/RR | ABS | 2WD | 4WD | |
| HYUNDAI | CLICK | 02 | Rear | • | | | |
| HYUNDAI | GETZ | 02 | Rear | • | | | |
| KIA | MORNING | 06 | Rear | • | | | |
| KIA | NEW PRIDE | 05 | Rear | • | | | |
| KIA | PICANTO | 06 | Rear | • | | | |
| KIA | RIO | 11-06 | Rear | • | | | |

IJ113009

| MAKE | MODEL | YEAR | LOCATION | | VEHICLE TYPE | | |
|---------|--------------------|-------|----------|-----|--------------|-----|--|
| | | | FRT/RR | ABS | 2WD | 4WD | |
| HYUNDAI | AVANTE-HD | 10-06 | Rear | | | | |
| HYUNDAI | AVANTE-HD(ELANTRA) | 10-06 | Rear | | | | |
| HYUNDAI | I30 | 10-06 | Rear | | | | |

IJ113010

| MAKE | MODEL | YEAR | LOCATION | | VEHICLE TYPE | | |
|---------|--------------------|-------|----------|-----|--------------|-----|--|
| | | | FRT/RR | ABS | 2WD | 4WD | |
| HYUNDAI | AVANTE-HD | 10-06 | Rear | • | | | |
| HYUNDAI | AVANTE-HD(ELANTRA) | 07-12 | Rear | • | | | |
| HYUNDAI | I30 | 10-06 | Rear | • | | | |

IJ113012

| MAKE | MODEL | YEAR | LOCATION | | VEHICLE TYPE | | |
|---------|--------------|-------|----------|-----|--------------|-----|--|
| | | | FRT/RR | ABS | 2WD | 4WD | |
| HYUNDAI | VERACRUZ | 08- | Rear | • | • | | |
| HYUNDAI | VERACRUZ | 12-07 | Rear | • | • | | |
| HYUNDAI | NEW SANTA FE | 05- | Rear | • | • | | |
| HYUNDAI | NEW SANTA FE | 13-07 | Rear | • | • | | |
| HYUNDAI | NEW SORENTO | 09- | Rear | • | • | | |
| HYUNDAI | NEW SORENTO | 14-11 | Rear | • | • | | |

IJ113013

| MAKE | MODEL | YEAR | LOCATION | | VEHICLE TYPE | | |
|---------|-----------------------------|-------|----------|-----|--------------|-----|---|
| | | | FRT/RR | ABS | 2WD | 4WD | |
| HYUNDAI | VERACRUZ (AWD) | 12-07 | Rear | | | | |
| HYUNDAI | VERACRUZ (FRT&4WD ONLY) | 08- | | | | | |
| HYUNDAI | NEW SANTA FE | 13-07 | Front | | | | |
| HYUNDAI | NEW SANTA FE (AWD) | 11-07 | Rear | | | | |
| HYUNDAI | NEW SANTA FE (FRT&4WD ONLY) | 05- | | | | | |
| HYUNDAI | NEW SORENTO | 14-11 | Front | | | | |
| HYUNDAI | NEW SORENTO (AWD) | 14-11 | Rear | | | | |
| HYUNDAI | NEW SORENTO (FRT&4WD ONLY) | 09- | Front | | | | • |
| HYUNDAI | VERACRUZ | 12-07 | Front | | | | |

IJ113014

| MAKE | MODEL | YEAR | LOCATION | | VEHICLE TYPE | | |
|---------|-------------|------|----------|-----|--------------|-----|--|
| | | | FRT/RR | ABS | 2WD | 4WD | |
| HYUNDAI | GRANDEUR-XG | 01- | Rear | | | | |

IJ113015

| MAKE | MODEL | YEAR | LOCATION | | VEHICLE TYPE | | |
|-----------|--------|-------|----------|-----|--------------|-----|--|
| | | | FRT/RR | ABS | 2WD | 4WD | |
| GM DAEWOO | EPICA | 05-04 | Front | | | | |
| GM DAEWOO | EPICA | 06-05 | Front | | | | |
| GM DAEWOO | TOSCA | 05-04 | Front | | | | |
| GM DAEWOO | TOSCA | 06-05 | Front | | | | |
| SUZUKI | VERONA | 05-04 | Front | | | | |

IJ113016

| MAKE | MODEL | YEAR | LOCATION | | VEHICLE TYPE | | |
|-----------|--------|-------|----------|-----|--------------|-----|--|
| | | | FRT/RR | ABS | 2WD | 4WD | |
| GM DAEWOO | EPICA | 06-04 | Front | • | | | |
| GM DAEWOO | EPICA | 06-05 | Front | • | | | |
| GM DAEWOO | TOSCA | 06-04 | Front | • | | | |
| GM DAEWOO | TOSCA | 06-05 | Front | • | | | |
| SUZUKI | VERONA | 06-04 | Front | • | | | |

IJ113017

| MAKE | MODEL | YEAR | LOCATION | | VEHICLE TYPE | | |
|-----------|---------|-------|----------|-----|--------------|-----|--|
| | | | FRT/RR | ABS | 2WD | 4WD | |
| CHEVROLET | OPTRA | 07-04 | Rear | | | | |
| GM DAEWOO | EPICA | 05-04 | Rear | | | | |
| GM DAEWOO | EPICA | 06-05 | Rear | | | | |
| GM DAEWOO | TOSCA | 05-04 | Rear | | | | |
| GM DAEWOO | TOSCA | 06-05 | Rear | | | | |
| SUZUKI | FORENZA | 06-04 | Rear | | | | |
| SUZUKI | RENO | 08-05 | Rear | | | | |
| SUZUKI | VERONA | 05-04 | Rear | | | | |

IJ113018

| MAKE | MODEL | YEAR | LOCATION | | VEHICLE TYPE | | |
|-----------|---------|-------|----------|-----|--------------|-----|--|
| | | | FRT/RR | ABS | 2WD | 4WD | |
| CHEVROLET | OPTRA | 07-04 | Rear | • | | | |
| GM DAEWOO | EPICA | 06-04 | Rear | • | | | |
| GM DAEWOO | EPICA | 06-05 | Rear | • | | | |
| GM DAEWOO | TOSCA | 06-04 | Rear | • | | | |
| GM DAEWOO | TOSCA | 06-05 | Rear | • | | | |
| SUZUKI | FORENZA | 08-04 | Rear | • | | | |
| SUZUKI | RENO | 08-05 | Rear | • | | | |
| SUZUKI | VERONA | 06-04 | Rear | • | | | |

IJ113019

| MAKE | MODEL | YEAR | LOCATION | | VEHICLE TYPE | | |
|-----------|----------|-------|----------|-----|--------------|-----|--|
| | | | FRT/RR | ABS | 2WD | 4WD | |
| CHEVROLET | CAPTIVA | 14-12 | Front | • | | | |
| CHEVROLET | EQUINOX | 09-07 | Front | • | | | |
| GM DAEWOO | CAPTIVA | 06- | Front | • | | | |
| GM DAEWOO | WINSTORM | 06- | Front | • | | | |
| GM DAEWOO | WINSTORM | 14-12 | Front | • | | | |
| PONTIAC | TORRENT | 09-07 | Front | • | | | |
| SATURN | VUE | 10-08 | Front | • | | | |
| SUZUKI | XL-7 | 09-07 | Front | • | | | |

IJ113020

| MAKE | MODEL | YEAR | LOCATION | | VEHICLE TYPE | | |
|-----------|----------|-------|----------|-----|--------------|-----|--|
| | | | FRT/RR | ABS | 2WD | 4WD | |
| CHEVROLET | CAPTIVA | 06- | Rear | • | | | |
| CHEVROLET | EQUINOX | 09-07 | Rear | • | | | |
| GM DAEWOO | CAPTIVA | 06- | Rear | • | | | |
| GM DAEWOO | WINSTORM | 06- | Rear | • | | | |
| PONTIAC | TORRENT | 09-07 | Rear | • | | | |
| SATURN | VUE | 10-08 | Rear | • | | | |
| SUZUKI | XL-7 | 09-07 | Rear | • | | | |

IJ113021

| MAKE | MODEL | YEAR | LOCATION | | VEHICLE TYPE | | |
|---------|-------------|-------|----------|-----|--------------|-----|--|
| | | | FRT/RR | ABS | 2WD | 4WD | |
| HYUNDAI | GRANDEUR-TG | 05-07 | Rear | • | | | |
| KIA | AMANTI | 09-07 | Rear | • | | | |

IJ113021

| MAKE | MODEL | YEAR | LOCATION | | VEHICLE TYPE | | |
|------|-----------------|------|----------|-----|--------------|-----|--|
| | | | FRT/RR | ABS | 2WD | 4WD | |
| KIA | AMANTI (OPIRUS) | | Rear | • | | | |
| KIA | RONDO | 07 | Rear | • | | | |

IJ113022

| MAKE | MODEL | YEAR | LOCATION | | VEHICLE TYPE | | |
|---------|-------------|-------|----------|-----|--------------|-----|--|
| | | | FRT/RR | ABS | 2WD | 4WD | |
| HYUNDAI | GRANDEUR-TG | 07-05 | Rear | | | | |

IJ113024

| MAKE | MODEL | YEAR | LOCATION | | VEHICLE TYPE | | |
|---------|---------|-------|----------|-----|--------------|-----|--|
| | | | FRT/RR | ABS | 2WD | 4WD | |
| HYUNDAI | EQUUS | 09- | Front | | | | |
| HYUNDAI | EQUUS | 13-11 | Front | | | | |
| HYUNDAI | GENESIS | 09- | Front | | | | |
| HYUNDAI | GENESIS | 13-09 | Front | | | | |

IJ113027

| MAKE | MODEL | YEAR | LOCATION | | VEHICLE TYPE | | |
|---------|-------------|-------|----------|-----|--------------|-----|--|
| | | | FRT/RR | ABS | 2WD | 4WD | |
| HYUNDAI | GRANDEUR-TG | 10-07 | Rear | • | | | |
| KIA | OPIRUS | 06- | Rear | • | | | |

IJ113029

| MAKE | MODEL | YEAR | LOCATION | | VEHICLE TYPE | | |
|------|--------|-------|----------|-----|--------------|-----|--|
| | | | FRT/RR | ABS | 2WD | 4WD | |
| KIA | OPIRUS | 06-04 | | • | | | |

IJ113032

| MAKE | MODEL | YEAR | LOCATION | | VEHICLE TYPE | | |
|---------|-----------|-------|----------|-----|--------------|-----|--|
| | | | FRT/RR | ABS | 2WD | 4WD | |
| HYUNDAI | GENESIS | 09- | Rear | | | | |
| HYUNDAI | GENESIS | 13-09 | Rear | | | | |
| HYUNDAI | NEW EQUUS | 09- | Rear | | | | |
| HYUNDAI | NEW EQUUS | 13-11 | Rear | | | | |
| KIA | K9 | 12- | Rear | | | | |

IJ113033

| MAKE | MODEL | YEAR | LOCATION | | VEHICLE TYPE | | |
|-----------|--------------------------|-------|----------|-----|--------------|-----|--|
| | | | FRT/RR | ABS | 2WD | 4WD | |
| CHEVROLET | CRUZE | 09- | Rear | • | | | |
| CHEVROLET | CRUZE 15" WHEEL DRIVE | 12-09 | Rear | • | | | |
| GM DAEWOO | LACETTI PREMIERE | 08- | Rear | • | | | |
| HOLDEN | CRUZE | 09- | Rear | • | | | |
| OPEL | ASTRA J 15" WHEEL DRIVE | 12-09 | Rear | • | | | |
| VAUXHALL | ASTRA MK 15" WHEEL DRIVE | 12-09 | Rear | • | | | |

IJ113034

| MAKE | MODEL | YEAR | LOCATION | | VEHICLE TYPE | | |
|-----------|----------------------------|-------|----------|-----|--------------|-----|--|
| | | | FRT/RR | ABS | 2WD | 4WD | |
| BUICK | VERANO | 12- | Rear | • | | | |
| CHEVROLET | CRUZE | 09- | Rear | • | | | |
| CHEVROLET | CRUZE 17" WHEEL DRIVE | 12-09 | Rear | • | | | |
| CHEVROLET | OLRANDO | 12-11 | Rear | • | | | |
| CHEVROLET | VOLT | 13-11 | Rear | • | | | |
| GM DAEWOO | LACETTI PREMIERE | 08- | Rear | • | | | |
| HOLDEN | CRUZE | 09- | Rear | • | | | |
| OPEL | ASTRA J 17" WHEEL DRIVE | 13-09 | Rear | • | | | |
| OPEL | ZAFIRA C 17" WHEEL DRIVE | 11- | Rear | • | | | |
| VAUXHALL | ASTRA J MK 17" WHEEL DRIVE | 12-09 | Rear | • | | | |
| VAUXHALL | ZAFIRA MK 17" WHEEL DRIVE | 11- | Rear | • | | | |

IJ113035

| MAKE | MODEL | YEAR | LOCATION | | VEHICLE TYPE | | |
|------|-------|------|----------|-----|--------------|-----|--|
| | | | FRT/RR | ABS | 2WD | 4WD | |
| KIA | SOUL | 08- | Rear | • | | | |

IJ113036

| MAKE | MODEL | YEAR | LOCATION | | VEHICLE TYPE | | |
|------|-------|------|----------|-----|--------------|-----|--|
| | | | FRT/RR | ABS | 2WD | 4WD | |
| KIA | SOUL | 08- | Rear | | | | |

IJ113037

| MAKE | MODEL | YEAR | LOCATION | | VEHICLE TYPE | | |
|------|-------------|------|----------|-----|--------------|-----|--|
| | | | FRT/RR | ABS | 2WD | 4WD | |
| KIA | FORTE | 08- | Rear | • | | | |
| KIA | FORTE COUPE | 09- | Rear | • | | | |

IJ113038

| MAKE | MODEL | YEAR | LOCATION | | VEHICLE TYPE | | |
|------|-------------|------|----------|-----|--------------|-----|--|
| | | | FRT/RR | ABS | 2WD | 4WD | |
| KIA | FORTE | 08- | Rear | | | | |
| KIA | FORTE COUPE | 09- | Rear | | | | |

IJ113039

| MAKE | MODEL | YEAR | LOCATION | | VEHICLE TYPE | | |
|---------|---------------|------|----------|-----|--------------|-----|--|
| | | | FRT/RR | ABS | 2WD | 4WD | |
| HYUNDAI | GENESIS COUPE | 09- | REAR | • | | | |
| HYUNDAI | GENESIS COUPE | 10- | REAR | • | | | |

IJ113040

| MAKE | MODEL | YEAR | LOCATION | | VEHICLE TYPE | | |
|---------|---------------|------|----------|-----|--------------|-----|--|
| | | | FRT/RR | ABS | 2WD | 4WD | |
| HYUNDAI | GENESIS COUPE | 10- | Front | • | | | |

IJ113041

| MAKE | MODEL | YEAR | LOCATION | | VEHICLE TYPE | | |
|---------|-------------|------|----------|-----|--------------|-----|--|
| | | | FRT/RR | ABS | 2WD | 4WD | |
| HYUNDAI | HG GRANDEUR | 11- | Rear | • | | | |
| HYUNDAI | TUCSON IX | 09- | Rear | • | • | | |
| HYUNDAI | YF SONATA | 09- | Rear | • | | | |
| KIA | CARENCE F/L | 10- | Rear | • | | | |
| KIA | K5 | 05- | Rear | • | | | |
| KIA | K7 | 10- | Rear | • | | | |
| KIA | SPORTAGE R | 09- | Rear | • | • | | |

IJ113042

| MAKE | MODEL | YEAR | LOCATION | | VEHICLE TYPE | | |
|------|----------------|-------|----------|-----|--------------|-----|--|
| | | | FRT/RR | ABS | 2WD | 4WD | |
| KIA | CARENS | 09-02 | Rear | • | | | |
| KIA | CARENS | 09-07 | Rear | • | | | |
| KIA | OPIRUS(AMANTI) | 09- | Rear | • | | | |

IJ113043

| MAKE | MODEL | YEAR | LOCATION | | VEHICLE TYPE | | |
|---------|------------|------|----------|-----|--------------|-----|--|
| | | | FRT/RR | ABS | 2WD | 4WD | |
| HYUNDAI | NEW ACCENT | 11- | Rear | • | | | |

IJ113044

| MAKE | MODEL | YEAR | LOCATION | | VEHICLE TYPE | | |
|---------|-----------|------|----------|-----|--------------|-----|--|
| | | | FRT/RR | ABS | 2WD | 4WD | |
| HYUNDAI | AVANTE MD | 10- | Rear | • | | | |

IJ113045

| MAKE | MODEL | YEAR | LOCATION | | VEHICLE TYPE | | |
|------|-------|------|----------|-----|--------------|-----|--|
| | | | FRT/RR | ABS | 2WD | 4WD | |
| GM | AVEO | 11- | Rear | | | | |
| GM | SONIC | 12- | Rear | | | | |

IJ113046

| MAKE | MODEL | YEAR | LOCATION | | VEHICLE TYPE | | |
|------|-------------|------|----------|-----|--------------|-----|--|
| | | | FRT/RR | ABS | 2WD | 4WD | |
| KIA | NEW MORNING | 11- | REAR | • | | | |
| KIA | PICANTO | 11- | REAR | • | | | |

IJ121001

| MAKE | MODEL | YEAR | LOCATION | | VEHICLE TYPE | | |
|------|---------|-------|----------|-----|--------------|-----|--|
| | | | FRT/RR | ABS | 2WD | 4WD | |
| FORD | CONTOUR | 00-95 | Rear | | | | |
| FORD | CONTOUR | 00-95 | Front | | | | |
| FORD | ESCAPE | 10-01 | Rear | | | | |

IJ121001

| MAKE | MODEL | YEAR | LOCATION | | VEHICLE TYPE | | |
|---------|----------|-------|----------|-----|--------------|-----|--|
| | | | FRT/RR | ABS | 2WD | 4WD | |
| FORD | ESCAPE | 12-01 | Rear | | | | |
| MAZDA | TRIBUTE | 10-01 | Rear | | | | |
| MAZDA | TRIBUTE | 11-01 | Rear | | | | |
| MERCURY | COUGAR | 02-99 | Rear | | | | |
| MERCURY | COUGAR | 02-99 | Front | | | | |
| MERCURY | MARINER | 10-05 | Rear | | | | |
| MERCURY | MARINER | 11-05 | Rear | | | | |
| MERCURY | MYSTIQUE | 00-95 | Rear | | | | |
| MERCURY | MYSTIQUE | 00-95 | Front | | | | |
| VOLVO | S40 | 04-00 | Rear | | | | |
| VOLVO | S40 | 04-00 | Front | | | | |
| VOLVO | V40 | 04-00 | Rear | | | | |
| VOLVO | V40 | 04-00 | Front | | | | |

IJ121003

| MAKE | MODEL | YEAR | LOCATION | | VEHICLE TYPE | | |
|---------|-------------|-------|----------|-----|--------------|-----|--|
| | | | FRT/RR | ABS | 2WD | 4WD | |
| FORD | MUSTANG | 04-98 | Rear | | | | |
| FORD | RANGER | 02-98 | Rear | | | | |
| FORD | TAURUS | 96-95 | Rear | | | | |
| FORD | THUNDERBIRD | 97-89 | Rear | | | | |
| FORD | WINDSTAR | 98-95 | Rear | | | | |
| HYUNDAI | SANTA FE | 06-01 | Rear | | | | |
| HYUNDAI | TUCSON | 10-05 | Rear | | | | |
| JAGUAR | XJ8 | 98 | Rear | | | | |
| JAGUAR | XJR | 98 | Rear | | | | |
| JAGUAR | XK8 | 98-97 | Rear | | | | |
| KIA | BORREGO | 10-09 | Rear | | | | |
| KIA | SEDONA | 05-02 | Rear | | | | |
| KIA | SORENTO | 09-03 | Rear | | | | |
| KIA | SPORTAGE | 10-05 | Rear | | | | |
| LINCOLN | CONTINENTAL | 94-88 | Rear | | | | |
| LINCOLN | MARK VIII | 98-93 | Rear | | | | |
| MERCURY | COUGAR | 97-89 | Rear | | | | |
| MERCURY | SABLE | 95-86 | Rear | | | | |

IJ121004

| MAKE | MODEL | YEAR | LOCATION | | VEHICLE TYPE | | |
|-------|--------|-------|----------|-----|--------------|-----|--|
| | | | FRT/RR | ABS | 2WD | 4WD | |
| FORD | FIESTA | 13-11 | Front | | | | |
| FORD | FOCUS | 10-00 | Front | | | | |
| FORD | FOCUS | 11-00 | Front | | | | |
| MAZDA | 2 | 13-11 | Front | | | | |

IJ121007

| MAKE | MODEL | YEAR | LOCATION | | VEHICLE TYPE | | |
|-------|-------|-------|----------|-----|--------------|-----|--|
| | | | FRT/RR | ABS | 2WD | 4WD | |
| ACURA | MDX | 06-03 | Front | | | | |
| HONDA | PILOT | 08-05 | Front | | | | |

IJ122001

| MAKE | MODEL | YEAR | LOCATION | | VEHICLE TYPE | | |
|----------|---------|-------|----------|-----|--------------|-----|--|
| | | | FRT/RR | ABS | 2WD | 4WD | |
| CHRYSLER | CIRUS | 00-98 | Rear | • | | | |
| CHRYSLER | SEBRING | 06-98 | Rear | • | | | |
| DODGE | STRATUS | 06-98 | Rear | • | | | |
| PLYMOUTH | BREEZE | 00-98 | Rear | • | | | |

IJ122002

| MAKE | MODEL | YEAR | LOCATION | | VEHICLE TYPE | | |
|----------|----------|-------|----------|-----|--------------|-----|--|
| | | | FRT/RR | ABS | 2WD | 4WD | |
| CHRYSLER | WINDSTAR | 03-97 | REAR | | | | |
| FORD | WINDSTAR | 03-97 | REAR | | | | |

IJ122003

| MAKE | MODEL | YEAR | LOCATION | | VEHICLE TYPE | | |
|----------|---------|-------|----------|-----|--------------|-----|--|
| | | | FRT/RR | ABS | 2WD | 4WD | |
| CHRYSLER | CIRRUS | 00- | Rear | • | | | |
| CHRYSLER | CIRRUS | 00-95 | Rear | • | | | |
| CHRYSLER | SEBRING | 99-98 | Rear | • | | | |
| DODGE | SEBRING | 00-96 | Rear | • | | | |
| DODGE | STRATUS | 06-95 | Rear | • | | | |
| FORD | BREEZE | 00-96 | Rear | • | | | |
| PLYMOUTH | BREEZE | 00-96 | Rear | • | | | |
| PLYMOUTH | STRATUS | 06-95 | Rear | • | | | |

IJ122004

| MAKE | MODEL | YEAR | LOCATION | | VEHICLE TYPE | | |
|----------|--------|-------|----------|-----|--------------|-----|--|
| | | | FRT/RR | ABS | 2WD | 4WD | |
| CHRYSLER | SABLE | 05-01 | Rear | • | | | |
| CHRYSLER | TAURUS | 07-01 | Rear | • | | | |
| FORD | TAURUS | 07-01 | Rear | • | | | |
| MERCURY | SABLE | 05-01 | Rear | • | | | |

IJ122005

| MAKE | MODEL | YEAR | LOCATION | | VEHICLE TYPE | | |
|---------|--------|-------|----------|-----|--------------|-----|--|
| | | | FRT/RR | ABS | 2WD | 4WD | |
| FORD | TAURUS | 07-01 | REAR | | | | |
| MERCURY | SABLE | 04-01 | REAR | | | | |

IJ122006

| MAKE | MODEL | YEAR | LOCATION | | VEHICLE TYPE | | |
|---------|-------------|-------|----------|-----|--------------|-----|--|
| | | | FRT/RR | ABS | 2WD | 4WD | |
| FORD | COUGAR | 97-91 | Front | | | | |
| FORD | MARK VII | 92 | Front | | | | |
| FORD | THUNDERBIRD | 97-91 | Front | | | | |
| FORD | VILLAGER | 02-97 | Rear | | | | |
| LINCOLN | MARK VII | 92 | Front | | | | |
| LINCOLN | MARK VIII | 98-93 | Front | | | | |

IJ122006

| MAKE | MODEL | YEAR | LOCATION | | VEHICLE TYPE | | |
|----------|-------------|-------|----------|-----|--------------|-----|--|
| | | | FRT/RR | ABS | 2WD | 4WD | |
| LINCOLN | QUEST | 02-97 | Rear | | | | |
| MERCURY | COUGAR | 97-91 | Front | | | | |
| MERCURY | MARK VIII | 98-93 | Front | | | | |
| MERCURY | VILLAGER | 02-97 | Rear | | | | |
| NISSAN | QUEST | 02-97 | Rear | | | | |
| PLYMOUTH | THUNDERBIRD | 97-91 | Front | | | | |

IJ122007

| MAKE | MODEL | YEAR | LOCATION | | VEHICLE TYPE | | |
|---------|----------------|-------|----------|-----|--------------|-----|--|
| | | | FRT/RR | ABS | 2WD | 4WD | |
| FORD | CROWN VICTORIA | 02-97 | Front | | | | |
| LINCOLN | CROWN VICTORIA | 97-92 | Front | | | | |
| LINCOLN | TOWN CAR | 02-97 | Front | | | | |
| MERCURY | GRAND MARQUIS | 02-97 | Front | | | | |
| MERCURY | GRAND MARQUIS | 97-92 | Front | | | | |
| MERCURY | TOWN CAR | 97-92 | Front | | | | |

IJ122008

| MAKE | MODEL | YEAR | LOCATION | | VEHICLE TYPE | | |
|--------|---------|-------|----------|-----|--------------|-----|--|
| | | | FRT/RR | ABS | 2WD | 4WD | |
| FORD | MUSTANG | 04-94 | Front | | | | |
| NISSAN | MUSTANG | 04-94 | Front | | | | |

IJ122009

| MAKE | MODEL | YEAR | LOCATION | | VEHICLE TYPE | | |
|----------|--------|-------|----------|-----|--------------|-----|--|
| | | | FRT/RR | ABS | 2WD | 4WD | |
| CADILLAC | CATERA | 01-97 | Front | • | | | |
| FORD | CATERA | 01-97 | Front | • | | | |

IJ122010

| MAKE | MODEL | YEAR | LOCATION | | VEHICLE TYPE | | |
|-----------|-------------|-------|----------|-----|--------------|-----|--|
| | | | FRT/RR | ABS | 2WD | 4WD | |
| BUICK | DEVILLE | 05-01 | Front | • | | | |
| BUICK | DTS | 10-06 | Front | • | | | |
| BUICK | ELDORADO | 02-01 | Front | • | | | |
| BUICK | LUCERNE | 10-06 | Front | • | | | |
| BUICK | PARK AVENUE | 05-01 | Front | • | | | |
| BUICK | REGAL | 04-01 | Front | • | | | |
| BUICK | RENDEZVOUS | 02 | Front | • | | | |
| BUICK | SEVILLE | 04-01 | Front | • | | | |
| BUICK | TERRAZA | 05 | Front | • | | | |
| CADILLAC | IMPALA | 09-01 | Front | • | | | |
| CADILLAC | LESABRE | 05-01 | Front | • | | | |
| CADILLAC | MONTE CARLO | 07-01 | Front | • | | | |
| CADILLAC | UPLANDER | 05 | Front | • | | | |
| CADILLAC | VENTURE | 05-01 | Front | • | | | |
| CHEVROLET | AURORA | 03-01 | Front | • | | | |
| CHEVROLET | BONNEVILLE | 05-01 | Front | • | | | |
| CHEVROLET | INTRIGUE | 02-01 | Front | • | | | |

IJ122010

| MAKE | MODEL | YEAR | LOCATION | | VEHICLE TYPE | | |
|------------|------------|-------|----------|-----|--------------|-----|--|
| | | | FRT/RR | ABS | 2WD | 4WD | |
| CHEVROLET | SILHOUETTE | 04-01 | Front | • | | | |
| FORD | LACROSSE | 09-05 | Front | • | | | |
| LINCOLN | ALLURE | 09-05 | Front | | | | |
| MERCURY | CENTURY | 05-01 | Front | | | | |
| OLDSMOBILE | GRAND PRIX | 08-01 | Front | • | | | |
| OLDSMOBILE | MONTANA | 05-01 | Front | • | | | |
| OLDSMOBILE | RELAY-2 | 05 | Front | • | | | |
| PONTIAC | RELAY-3 | 05 | Front | • | | | |

IJ122011

| MAKE | MODEL | YEAR | LOCATION | | VEHICLE TYPE | | |
|---------|----------------|-------|----------|-----|--------------|-----|--|
| | | | FRT/RR | ABS | 2WD | 4WD | |
| BUICK | MONTANA | 05-02 | Front | • | • | | |
| FORD | CROWN VICTORIA | 02-97 | Front | | | | |
| LINCOLN | TOWN CAR | 02-97 | Front | | | | |
| MERCURY | GRAND MARQUIS | 02-97 | Front | | | | |
| PONTIAC | RENDEZVOUS | 07-02 | Front | • | • | | |
| PONTIAC | VENTURE | 04-02 | Front | • | • | | |
| SATURN | AZTEK | 05-01 | Front | • | • | | |
| SATURN | SILHOUETTE | 04-02 | Front | • | • | | |

IJ122012

| MAKE | MODEL | YEAR | LOCATION | | VEHICLE TYPE | | |
|------------|---------|-------|----------|-----|--------------|-----|--|
| | | | FRT/RR | ABS | 2WD | 4WD | |
| AVANTI | AVANTI | 07-05 | Front | | | | |
| CHEVROLET | BLAZER | 05-98 | Front | • | • | | |
| FORD | MUSTANG | 13-05 | Front | | | | |
| GMC | JIMMY | 05-98 | Front | • | • | | |
| OLDSMOBILE | JIMMY | 05-98 | Front | • | • | | |
| PONTIAC | AVANTI | 07-05 | Front | • | • | | |
| PONTIAC | MUSTANG | 10-05 | Front | • | • | | |

IJ122013

| MAKE | MODEL | YEAR | LOCATION | | VEHICLE TYPE | | |
|-----------|---------|-------|----------|-----|--------------|-----|--|
| | | | FRT/RR | ABS | 2WD | 4WD | |
| CHEVROLET | MUSTANG | 09-05 | Front | | | | |
| FORD | MUSTANG | 09-05 | Front | | | | |

IJ122014

| MAKE | MODEL | YEAR | LOCATION | | VEHICLE TYPE | | |
|----------|------------|-------|----------|-----|--------------|-----|--|
| | | | FRT/RR | ABS | 2WD | 4WD | |
| AVANTI | PT CRUISER | 10-01 | Rear | • | • | | |
| CHRYSLER | NEON | 01-00 | Rear | • | | | |
| CHRYSLER | NOEN | 02-00 | Rear | • | | | |
| CHRYSLER | PT CRUISER | 10-01 | Rear | • | | | |
| DODGE | NEON | 05-00 | Rear | • | • | | |
| DODGE | SX 2.0 | 05-03 | Rear | • | • | | |
| FORD | NEON | 05-00 | Rear | • | • | | |
| FORD | SX 2.0 | 05-03 | Rear | • | • | | |

IJ122014

| MAKE | MODEL | YEAR | LOCATION | | VEHICLE TYPE | | |
|----------|-------|-------|----------|-----|--------------|-----|--|
| | | | FRT/RR | ABS | 2WD | 4WD | |
| GMC | NOEN | 02-00 | Rear | • | | | |
| PLYMOUTH | NEON | 01-00 | Rear | • | | | |

IJ122015

| MAKE | MODEL | YEAR | LOCATION | | VEHICLE TYPE | | |
|----------|------------|-------|----------|-----|--------------|-----|--|
| | | | FRT/RR | ABS | 2WD | 4WD | |
| CHRYSLER | 300M | 04-99 | Rear | • | | | |
| CHRYSLER | CONCORDE | 04-93 | Rear | • | | | |
| CHRYSLER | INTREPID | 04-93 | Rear | • | | | |
| CHRYSLER | LHS | 01-94 | Rear | • | | | |
| CHRYSLER | NEW YORKER | 96-94 | Rear | • | | | |
| CHRYSLER | VISION | 97-93 | Rear | • | | | |
| DODGE | CONCORDE | 04-93 | Rear | • | | | |
| DODGE | INTREPID | 04-93 | Rear | • | | | |
| EAGLE | VISION | 97-93 | Rear | • | | | |
| PLYMOUTH | LHS | 01-94 | Rear | • | | | |

IJ122016

| MAKE | MODEL | YEAR | LOCATION | | VEHICLE TYPE | | |
|----------|--------|-------|----------|-----|--------------|-----|--|
| | | | FRT/RR | ABS | 2WD | 4WD | |
| CHRYSLER | SABLE | 00 | Rear | • | | | |
| CHRYSLER | TAURUS | 00 | Rear | • | | | |
| FORD | TAURUS | 00-99 | Rear | • | | | |
| MERCURY | SABLE | 00-99 | Rear | • | | | |

IJ122017

| MAKE | MODEL | YEAR | LOCATION | | VEHICLE TYPE | | |
|----------|---------|-------|----------|-----|--------------|-----|--|
| | | | FRT/RR | ABS | 2WD | 4WD | |
| CHRYSLER | CIRUS | 97-95 | Rear | • | | | |
| CHRYSLER | SEBRING | 97-96 | Rear | • | | | |
| DODGE | CIRUS | 97-95 | Rear | • | | | |
| DODGE | STRATUS | 97-95 | Rear | • | | | |
| EAGLE | SEBRING | 97-96 | Rear | • | | | |
| MERCURY | BREEZE | 97-96 | Rear | • | | | |
| PLYMOUTH | BREEZE | 97-96 | Rear | • | | | |

IJ122018

| MAKE | MODEL | YEAR | LOCATION | | VEHICLE TYPE | | |
|---------|----------------|-------|----------|-----|--------------|-----|--|
| | | | FRT/RR | ABS | 2WD | 4WD | |
| MERCURY | TRUCK VILLAGER | 97-01 | Rear | | | | |

IJ122038

| MAKE | MODEL | YEAR | LOCATION | | VEHICLE TYPE | | |
|------|---------|-------|----------|-----|--------------|-----|--|
| | | | FRT/RR | ABS | 2WD | 4WD | |
| KIA | SEPHIA | 01-94 | Rear | | | | |
| KIA | SPECTRA | 04-00 | Rear | | | | |

IJ122039

| MAKE | MODEL | YEAR | LOCATION | | VEHICLE TYPE | | |
|------|--------|-------|----------|-----|--------------|-----|--|
| | | | FRT/RR | ABS | 2WD | 4WD | |
| FORD | COUGAR | 01-98 | Rear | | | | |
| FORD | FIESTA | 01-94 | Rear | | | | |
| FORD | MONDEO | 00-93 | Rear | | | | |

IJ122040

| MAKE | MODEL | YEAR | LOCATION | | VEHICLE TYPE | | |
|--------|---------|-------|----------|-----|--------------|-----|--|
| | | | FRT/RR | ABS | 2WD | 4WD | |
| SUBARU | BAJA | 06-03 | Rear | | | | |
| SUBARU | LEGACY | 04-00 | Rear | | | | |
| SUBARU | OUTBACK | 04-00 | Rear | | | | |

IJ122041

| MAKE | MODEL | YEAR | LOCATION | | VEHICLE TYPE | | |
|----------|-------|-------|----------|-----|--------------|-----|--|
| | | | FRT/RR | ABS | 2WD | 4WD | |
| INFINITI | G35 | 07-03 | Rear | | | | |
| NISSAN | 350Z | 09-03 | Rear | | | | |

IJ122042

| MAKE | MODEL | YEAR | LOCATION | | VEHICLE TYPE | | |
|---------|--------|-------|----------|-----|--------------|-----|--|
| | | | FRT/RR | ABS | 2WD | 4WD | |
| FORD | FUSION | 12-06 | Rear | | | | |
| LINCOLN | MKZ | 12-07 | Rear | | | | |
| LINCOLN | ZEPHYR | 06 | Rear | | | | |
| MAZDA | 6 | 08-03 | Rear | | | | |
| MERCURY | MILAN | 07-06 | Rear | | | | |
| MERCURY | MILAN | 10-06 | Rear | | | | |
| MERCURY | MILAN | 10-08 | Rear | | | | |

IJ123001

| MAKE | MODEL | YEAR | LOCATION | | VEHICLE TYPE | | |
|------------|----------|-------|----------|-----|--------------|-----|--|
| | | | FRT/RR | ABS | 2WD | 4WD | |
| BUICK | SKYLARK | 98-91 | Rear | • | | | |
| CHEVROLET | BERETTA | 96-92 | Rear | • | | | |
| CHEVROLET | CAVALIER | 05-92 | Rear | • | | | |
| CHEVROLET | CORSICA | 96-92 | Rear | • | | | |
| OLDSMOBILE | ACHIEVA | 98-92 | Rear | • | | | |
| PONTIAC | GRAND AM | 98-91 | Rear | • | | | |
| PONTIAC | SUNBIRD | 94-92 | Rear | • | | | |
| PONTIAC | SUNFIRE | 05-95 | Rear | • | | | |

IJ123002

| MAKE | MODEL | YEAR | LOCATION | | VEHICLE TYPE | | |
|-----------|--------|-------|----------|-----|--------------|-----|--|
| | | | FRT/RR | ABS | 2WD | 4WD | |
| BUICK | REGAL | 96-88 | Rear | • | | | |
| BUICK | REGAL | 96-89 | Rear | • | | | |
| CHEVROLET | LUMINA | 96-92 | Rear | • | | | |

IJ123002

| MAKE | MODEL | YEAR | LOCATION | | VEHICLE TYPE | | |
|------------|-----------------|-------|----------|-----|--------------|-----|--|
| | | | FRT/RR | ABS | 2WD | 4WD | |
| CHEVROLET | MONTE CARLO | 96-95 | Rear | • | | | |
| OLDSMOBILE | CUTLASS SUPREME | 96-88 | Rear | • | | | |
| OLDSMOBILE | CUTLASS SUPREME | 96-89 | Rear | • | | | |
| PONTIAC | GRAND PRIX | 96-88 | Rear | • | | | |
| PONTIAC | GRAND PRIX | 96-89 | Rear | • | | | |

IJ123003

| MAKE | MODEL | YEAR | LOCATION | | VEHICLE TYPE | | |
|------------|-----------------|-------|----------|-----|--------------|-----|--|
| | | | FRT/RR | ABS | 2WD | 4WD | |
| BUICK | CENTURY | 03-97 | Rear | • | | | |
| BUICK | REGAL | 03-96 | Rear | • | | | |
| BUICK | REGAL | 96 | Rear | • | | | |
| CHEVROLET | LUMINA | 01-96 | Rear | • | | | |
| CHEVROLET | MONTE CARLO | 99-96 | Rear | • | | | |
| OLDSMOBILE | CUTLASS SUPREME | 97 | Rear | • | | | |

IJ123004

| MAKE | MODEL | YEAR | LOCATION | | VEHICLE TYPE | | |
|------------|----------|-------|----------|-----|--------------|-----|--|
| | | | FRT/RR | ABS | 2WD | 4WD | |
| CHEVROLET | CLASSIC | 05-04 | Rear | • | | | |
| CHEVROLET | MALIBU | 03-01 | Rear | • | | | |
| OLDSMOBILE | ALERO | 04-99 | Rear | • | | | |
| PONTIAC | GRAND AM | 05-99 | Rear | • | | | |

IJ123005

| MAKE | MODEL | YEAR | LOCATION | | VEHICLE TYPE | | |
|----------|----------------|-------|----------|-----|--------------|-----|--|
| | | | FRT/RR | ABS | 2WD | 4WD | |
| CHRYSLER | GRAND VOYAGER | 00 | Rear | • | | | |
| CHRYSLER | TOWN & COUNTRY | 00-96 | Rear | • | | | |
| CHRYSLER | VOYAGER | 00 | Rear | • | | | |
| DODGE | CARAVAN | 00-96 | Rear | • | | | |
| DODGE | GRAND CARAVAN | 00-96 | Rear | • | | | |
| DODGE | GRAND CARAVAN | 00-97 | Rear | • | | | |
| DODGE | GRAND CARAVAN | 96 | Rear | • | | | |
| PLYMOUTH | GRAND VOYAGER | 00-96 | Rear | • | | | |
| PLYMOUTH | GRAND VOYAGER | 00-97 | Rear | • | | | |
| PLYMOUTH | GRAND VOYAGER | 96 | Rear | • | | | |
| PLYMOUTH | VOYAGER | 00-96 | Rear | • | | | |

IJ123006

| MAKE | MODEL | YEAR | LOCATION | | VEHICLE TYPE | | |
|----------|----------------|-------|----------|-----|--------------|-----|--|
| | | | FRT/RR | ABS | 2WD | 4WD | |
| CHRYSLER | GRAND VOYAGER | 00 | Rear | • | | | |
| CHRYSLER | TOWN & COUNTRY | 00-96 | Rear | • | | | |
| CHRYSLER | VOYAGER | 00 | Rear | • | | | |
| DODGE | CARAVAN | 00-96 | Rear | • | | | |
| DODGE | GRAND CARAVAN | 00-96 | Rear | • | | | |
| DODGE | GRAND CARAVAN | 00-97 | Rear | • | | | |

IJ123006

| MAKE | MODEL | YEAR | LOCATION | | VEHICLE TYPE | | |
|----------|---------------|-------|----------|-----|--------------|-----|--|
| | | | FRT/RR | ABS | 2WD | 4WD | |
| DODGE | GRAND CARAVAN | 96 | Rear | • | | | |
| PLYMOUTH | GRAND VOYAGER | 00-96 | Rear | • | | | |
| PLYMOUTH | GRAND VOYAGER | 00-97 | Rear | | | | |
| PLYMOUTH | GRAND VOYAGER | 96 | Rear | | | | |
| PLYMOUTH | VOYAGER | 00-96 | Rear | | | | |

IJ123007

| MAKE | MODEL | YEAR | LOCATION | | VEHICLE TYPE | | |
|----------|----------------|-------|----------|-----|--------------|-----|--|
| | | | FRT/RR | ABS | 2WD | 4WD | |
| CHRYSLER | TOWN & COUNTRY | 04-96 | Rear | | | | |
| CHRYSLER | TOWN & COUNTRY | 04-97 | Rear | | | | |
| DODGE | CARAVAN | 99-96 | Rear | | | | |
| DODGE | GRAND CARAVAN | 04-96 | Rear | | | | |
| DODGE | GRAND CARAVAN | 04-97 | Rear | | | | |
| PLYMOUTH | GRAND VOYAGER | 96 | Rear | | | | |

IJ123008

| MAKE | MODEL | YEAR | LOCATION | | VEHICLE TYPE | | |
|-----------|-------------|-------|----------|-----|--------------|-----|--|
| | | | FRT/RR | ABS | 2WD | 4WD | |
| BUICK | ALLURE | 05 | Rear | • | | | |
| BUICK | ALLURE | 07-05 | Rear | • | | | |
| BUICK | CENTURY | 05-04 | Rear | • | | | |
| BUICK | LACROSSE | 05 | Rear | • | | | |
| BUICK | LACROSSE | 07-05 | Rear | • | | | |
| BUICK | REGAL | 04-03 | Rear | • | | | |
| CHEVROLET | IMPALA | 05-00 | Rear | • | | | |
| CHEVROLET | IMPALA | 08-00 | Rear | • | | | |
| CHEVROLET | MONTE CARLO | 05-03 | Rear | • | | | |
| CHEVROLET | MONTE CARLO | 07-00 | Rear | • | | | |
| PONTIAC | AZTEK | 05-01 | Rear | • | | | |
| PONTIAC | AZTEK | 05-03 | Rear | • | | | |
| PONTIAC | GRAND PRIX | 08-03 | Rear | • | | | |

IJ123009

| MAKE | MODEL | YEAR | LOCATION | | VEHICLE TYPE | | |
|-----------|-------------|-------|----------|-----|--------------|-----|--|
| | | | FRT/RR | ABS | 2WD | 4WD | |
| BUICK | CENTURY | 05-04 | Rear | | | | |
| BUICK | REGAL | 04-03 | Rear | | | | |
| CHEVROLET | IMPALA | 05-00 | Rear | | | | |
| CHEVROLET | MONTE CARLO | 05-00 | Rear | | | | |
| PONTIAC | AZTEK | 05-01 | Rear | | | | |
| PONTIAC | GRAND PRIX | 03 | Rear | | | | |

IJ123010

| MAKE | MODEL | YEAR | LOCATION | | VEHICLE TYPE | | |
|-----------|--------|-------|----------|-----|--------------|-----|--|
| | | | FRT/RR | ABS | 2WD | 4WD | |
| CHEVROLET | HHR | 10-08 | Rear | • | | | |
| CHEVROLET | MALIBU | 10-04 | Rear | • | | | |
| CHEVROLET | MALIBU | 12-04 | Rear | • | | | |

IJ123010

| MAKE | MODEL | YEAR | LOCATION | | VEHICLE TYPE | | |
|---------|-------|-------|----------|-----|--------------|-----|--|
| | | | FRT/RR | ABS | 2WD | 4WD | |
| PONTIAC | G6 | 10-05 | Rear | • | | | |
| SATURN | AURA | 09-07 | Rear | • | | | |

IJ123011

| MAKE | MODEL | YEAR | LOCATION | | VEHICLE TYPE | | |
|-----------|--------|-------|----------|-----|--------------|-----|--|
| | | | FRT/RR | ABS | 2WD | 4WD | |
| CHEVROLET | HHR | 07-06 | Rear | • | | | |
| CHEVROLET | HHR | 09-06 | Rear | • | | | |
| CHEVROLET | MALIBU | 07-04 | Rear | • | | | |
| CHEVROLET | MALIBU | 08-04 | Rear | • | | | |
| PONTIAC | G6 | 07-05 | Rear | • | | | |

IJ123015

| MAKE | MODEL | YEAR | LOCATION | | VEHICLE TYPE | | |
|------------|----------------|-------|----------|-----|--------------|-----|--|
| | | | FRT/RR | ABS | 2WD | 4WD | |
| BUICK | SKYHAWK | 89-82 | Rear | | | | |
| BUICK | SKYLARK | 91-80 | Rear | | | | |
| BUICK | SOMERSET | 87-86 | Rear | | | | |
| BUICK | SOMERSET REGAL | 85 | Rear | | | | |
| CADILLAC | CIMARRON | 88-82 | Rear | | | | |
| CHEVROLET | BERETTA | 91-87 | Rear | | | | |
| CHEVROLET | CAVALIER | 05-82 | Rear | | | | |
| CHEVROLET | CITATION | 83-80 | Rear | | | | |
| CHEVROLET | CITATION II | 85-84 | Rear | | | | |
| CHEVROLET | CORSICA | 91-87 | Rear | | | | |
| OLDSMOBILE | CALAIS | 87-85 | Rear | | | | |
| OLDSMOBILE | CUTLASS CALAIS | 91-88 | Rear | | | | |
| OLDSMOBILE | FIRENZA | 88-82 | Rear | | | | |
| OLDSMOBILE | OMEGA | 84-80 | Rear | | | | |
| PONTIAC | GRAND AM | 91-85 | Rear | | | | |
| PONTIAC | J2000 | 83-82 | Rear | | | | |
| PONTIAC | J2000 | 84-82 | Rear | | | | |
| PONTIAC | J2000 SUNBIRD | 85-84 | Rear | | | | |
| PONTIAC | PHOENIX | 84-80 | Rear | | | | |
| PONTIAC | SUNBIRD | 91-85 | Rear | | | | |
| PONTIAC | SUNBIRD | 91-86 | Rear | | | | |
| PONTIAC | SUNFIRE | 05-03 | Rear | | | | |
| PONTIAC | TEMPEST | 91-87 | Rear | | | | |

IJ123018

| MAKE | MODEL | YEAR | LOCATION | | VEHICLE TYPE | | |
|-------|---------|-------|----------|-----|--------------|-----|--|
| | | | FRT/RR | ABS | 2WD | 4WD | |
| BUICK | CENTURY | 03-83 | Rear | | | | |
| BUICK | ELECTRA | 87-85 | Rear | | | | |
| BUICK | ELECTRA | 90-85 | Rear | | | | |
| BUICK | ELECTRA | 90-88 | Rear | | | | |
| BUICK | LESABRE | 90-86 | Rear | | | | |
| BUICK | LESABRE | 92-86 | Rear | | | | |

IJ111001

| MAKE | MODEL | YEAR | LOCATION | | VEHICLE TYPE | | |
|------------|--------------------|-------|----------|-----|--------------|-----|--|
| | | | FRT/RR | ABS | 2WD | 4WD | |
| BUICK | LESABRE | 92-87 | Rear | | | | |
| BUICK | PARK AVENUE | 92-91 | Rear | | | | |
| BUICK | REATA | 90-88 | Rear | | | | |
| BUICK | REGAL | 93-88 | Rear | | | | |
| BUICK | RIVIERA | 90-86 | Rear | | | | |
| CADILLAC | 60 SPECIAL | 93 | Rear | | | | |
| CADILLAC | COMMERCIAL CHASSIS | 91-85 | Rear | | | | |
| CADILLAC | DEVILLE | 90-85 | Rear | | | | |
| CADILLAC | DEVILLE | 93-85 | Rear | | | | |
| CADILLAC | ELDORADO | 90-86 | Rear | | | | |
| CADILLAC | FLEETWOOD | 86-85 | Rear | | | | |
| CADILLAC | FLEETWOOD | 89-87 | Rear | | | | |
| CADILLAC | FLEETWOOD | 92-85 | Rear | | | | |
| CADILLAC | SEVILLE | 90-86 | Rear | | | | |
| CHEVROLET | CELEBRITY | 90-83 | Rear | | | | |
| CHEVROLET | IMPALA | 01-00 | Rear | | | | |
| CHEVROLET | LUMINA | 01-90 | Rear | | | | |
| CHEVROLET | LUMINA APV | 91-90 | Rear | | | | |
| CHEVROLET | MONTE CARLO | 01-95 | Rear | | | | |
| OLDSMOBILE | 88 | 92 | Rear | | | | |
| OLDSMOBILE | 98 | 90-85 | Rear | | | | |
| OLDSMOBILE | CUTLASS CIERA | 93-83 | Rear | | | | |
| OLDSMOBILE | CUTLASS CRUISER | 90-87 | Rear | | | | |
| OLDSMOBILE | CUTLASS CRUISER | 93-87 | Rear | | | | |
| OLDSMOBILE | CUTLASS SUPREME | 88 | Rear | | | | |
| OLDSMOBILE | CUTLASS SUPREME | 93-88 | Rear | | | | |
| OLDSMOBILE | CUTLASS SUPREME | 93-89 | Rear | | | | |
| OLDSMOBILE | DELTA 88 | 91-86 | Rear | | | | |
| OLDSMOBILE | SILHOUETTE | 91-90 | Rear | | | | |
| OLDSMOBILE | TORONADO | 90-86 | Rear | | | | |
| PONTIAC | 6000 | 91-83 | Rear | | | | |
| PONTIAC | BONNEVILLE | 91-87 | Rear | | | | |
| PONTIAC | BONNEVILLE | 92-87 | Rear | | | | |
| PONTIAC | GRAND PRIX | 96-88 | Rear | | | | |
| PONTIAC | TRANS SPORT | 91-90 | Rear | | | | |

IJ123019

| MAKE | MODEL | YEAR | LOCATION | | VEHICLE TYPE | | |
|------------|-----------------|-------|----------|-----|--------------|-----|--|
| | | | FRT/RR | ABS | 2WD | 4WD | |
| BUICK | REGAL | 96-88 | Front | | | | |
| CHEVROLET | LUMINA | 01-90 | Front | | | | |
| CHEVROLET | MONTE CARLO | 99-95 | Front | | | | |
| OLDSMOBILE | CUTLASS SUPREME | 88 | Front | | | | |
| OLDSMOBILE | CUTLASS SUPREME | 97-88 | Front | | | | |
| OLDSMOBILE | CUTLASS SUPREME | 97-89 | Front | | | | |
| PONTIAC | GRAND PRIX | 96-88 | Front | | | | |

IJ123020

| MAKE | MODEL | YEAR | LOCATION | | VEHICLE TYPE | | |
|----------|---------|-------|----------|-----|--------------|-----|--|
| | | | FRT/RR | ABS | 2WD | 4WD | |
| BUICK | REATA | 91-89 | Front | | | | |
| BUICK | RIVIERA | 91-89 | Front | | | | |
| CADILLAC | ALLANTE | 92-91 | Front | | | | |

IJ123020

| MAKE | MODEL | YEAR | LOCATION | | VEHICLE TYPE | | |
|------------|----------|-------|----------|-----|--------------|-----|--|
| | | | FRT/RR | ABS | 2WD | 4WD | |
| CADILLAC | ELDORADO | 91-89 | Front | | | | |
| CADILLAC | SEVILLE | 91-89 | Front | | | | |
| OLDSMOBILE | TORONADO | 91-89 | Front | | | | |

IJ123021

| MAKE | MODEL | YEAR | LOCATION | | VEHICLE TYPE | | |
|------------|------------|-------|----------|-----|--------------|-----|--|
| | | | FRT/RR | ABS | 2WD | 4WD | |
| CHEVROLET | BLAZER | 97-95 | Front | • | | | |
| CHEVROLET | S10 | 97-90 | Front | • | | | |
| CHEVROLET | S10 BLAZER | 94-90 | Front | • | | | |
| GMC | JIMMY | 95 | Front | • | | | |
| GMC | JIMMY | 97-90 | Front | • | | | |
| GMC | JIMMY | 97-95 | Front | • | | | |
| GMC | S15 | 90 | Front | • | | | |
| GMC | S15 JIMMY | 91-90 | Front | • | | | |
| GMC | S15 JIMMY | 94-90 | Front | • | | | |
| GMC | SONOMA | 97-91 | Front | • | | | |
| GMC | SYCLONE | 91 | Front | • | | | |
| GMC | TYPHOON | 93-92 | Front | • | | | |
| OLDSMOBILE | BRAVADA | 97-91 | Front | • | | | |

IJ123022

| MAKE | MODEL | YEAR | LOCATION | | VEHICLE TYPE | | |
|----------|----------------|-------|----------|-----|--------------|-----|--|
| | | | FRT/RR | ABS | 2WD | 4WD | |
| CHRYSLER | TOWN & COUNTRY | 95-90 | Front | | | | |
| DODGE | CARAVAN | 95-89 | Front | | | | |
| DODGE | GRAND CARAVAN | 03-89 | Front | | | | |
| DODGE | GRAND CARAVAN | 95-89 | Front | | | | |
| PLYMOUTH | GRAND VOYAGER | 95-89 | Front | | | | |
| PLYMOUTH | VOYAGER | 95-89 | Front | | | | |

IJ123023

| MAKE | MODEL | YEAR | LOCATION | | VEHICLE TYPE | | |
|----------|----------------|-------|----------|-----|--------------|-----|--|
| | | | FRT/RR | ABS | 2WD | 4WD | |
| CHRYSLER | DAYTONA | 93-89 | Front | | | | |
| CHRYSLER | DYNASTY | 93-89 | Front | | | | |
| CHRYSLER | IMPERIAL | 93-90 | Front | | | | |
| CHRYSLER | LEBARON | 95-89 | Front | | | | |
| CHRYSLER | NEW YORKER | 93-89 | Front | | | | |
| CHRYSLER | TOWN & COUNTRY | 95-91 | Front | | | | |
| DODGE | CARAVAN | 95-91 | Front | | | | |
| DODGE | DAYTONA | 93-89 | Front | | | | |
| DODGE | DYNASTY | 93-89 | Front | | | | |
| DODGE | GR | | | | | | |

IJ123024

| MAKE | MODEL | YEAR | LOCATION | | VEHICLE TYPE | | |
|------|----------------|-------|----------|-----|--------------|-----|--|
| | | | FRT/RR | ABS | 2WD | 4WD | |
| JEEP | CHEROKEE | 99-90 | Front | | | • | |
| JEEP | COMANCHE | 92-90 | Front | | | • | |
| JEEP | GRAND CHEROKEE | 98-93 | Front | | | • | |
| JEEP | GRAND WAGONEER | 93 | Front | | | • | |
| JEEP | TJ | 99-97 | Front | | | • | |
| JEEP | WAGONEER | 90 | Front | | | • | |
| JEEP | WRANGLER | 99-90 | Front | | | • | |

IJ123025

| MAKE | MODEL | YEAR | LOCATION | | VEHICLE TYPE | | |
|------------|-----------------|-------|----------|-----|--------------|-----|--|
| | | | FRT/RR | ABS | 2WD | 4WD | |
| BUICK | CENTURY | 96-94 | Front | • | | | |
| BUICK | LESABRE | 99-91 | Front | • | | | |
| BUICK | PARK AVENUE | 96-91 | Front | • | | | |
| BUICK | RIVIERA | 96-92 | Front | • | | | |
| CADILLAC | 60 SPECIAL | 93 | Front | • | | | |
| CADILLAC | ALLANTE | 93 | Front | • | | | |
| CADILLAC | DEVILLE | 96-92 | Front | • | | | |
| CADILLAC | ELDORADO | 96-92 | Front | • | | | |
| CADILLAC | FLEETWOOD | 92 | Front | • | | | |
| CADILLAC | SEVILLE | 96-92 | Front | • | | | |
| CHEVROLET | LUMINA APV | 96-92 | Front | • | | | |
| OLDSMOBILE | 88 | 99-92 | Front | • | | | |
| OLDSMOBILE | 98 | 96-92 | Front | • | | | |
| OLDSMOBILE | AURORA | 96-95 | Front | • | | | |
| OLDSMOBILE | CUTLASS CIERA | 96-94 | Front | • | | | |
| OLDSMOBILE | CUTLASS CRUISER | 94 | Front | • | | | |
| OLDSMOBILE | LSS | 99-96 | Front | • | | | |
| OLDSMOBILE | REGENCY | 98-97 | Front | • | | | |
| OLDSMOBILE | SILHOUETTE | 96-92 | Front | • | | | |
| OLDSMOBILE | TORONADO | 92 | Front | • | | | |
| PONTIAC | BONNEVILLE | 99-92 | Front | • | | | |
| PONTIAC | TRANS SPORT | 96-92 | Front | • | | | |

IJ123026

| MAKE | MODEL | YEAR | LOCATION | | VEHICLE TYPE | | |
|----------|------------|-------|----------|-----|--------------|-----|--|
| | | | FRT/RR | ABS | 2WD | 4WD | |
| CHRYSLER | 300M | 04-99 | Front | | | | |
| CHRYSLER | CONCORDE | 04-93 | Front | | | | |
| CHRYSLER | INTREPID | 04-93 | Front | | | | |
| CHRYSLER | LHS | 01-94 | Front | | | | |
| CHRYSLER | NEW YORKER | 96-94 | Front | | | | |
| CHRYSLER | PROWLER | 02-01 | Front | | | | |
| DODGE | INTREPID | 04-93 | Front | | | | |
| EAGLE | VISION | 97-93 | Front | | | | |
| PLYMOUTH | PROWLER | 01-97 | Front | | | | |

IJ123027

| MAKE | MODEL | YEAR | LOCATION | | VEHICLE TYPE | | |
|-----------|----------|-------|----------|-----|--------------|-----|--|
| | | | FRT/RR | ABS | 2WD | 4WD | |
| AVANTI | II | 04-01 | Front | • | | | |
| CHEVROLET | CAMARO | 02-93 | Front | • | | | |
| PONTIAC | FIREBIRD | 02-93 | Front | • | | | |

IJ123028

| MAKE | MODEL | YEAR | LOCATION | | VEHICLE TYPE | | |
|---------|-------------|-------|----------|-----|--------------|-----|--|
| | | | FRT/RR | ABS | 2WD | 4WD | |
| FORD | TAURUS | 07-96 | Front | | | | |
| LINCOLN | CONTINENTAL | 02-95 | Front | | | | |
| MERCURY | SABLE | 05-96 | Front | | | | |

IJ123029

| MAKE | MODEL | YEAR | LOCATION | | VEHICLE TYPE | | |
|------|----------------|-------|----------|-----|--------------|-----|--|
| | | | FRT/RR | ABS | 2WD | 4WD | |
| JEEP | CHEROKEE | 85-84 | Front | | | • | |
| JEEP | CHEROKEE | 89-84 | Front | | | • | |
| JEEP | CHEROKEE | 89-86 | Front | | | • | |
| JEEP | CHEROKEE (RWD) | 86 | Front | | | • | |
| JEEP | COMANCHE | 89-86 | Front | | | • | |
| JEEP | COMANCHE | 89-86 | Front | | | • | |
| JEEP | COMANCHE (RWD) | 86 | Front | | | • | |
| JEEP | WAGONEER | 89-84 | Front | | | • | |
| JEEP | WRANGLER | 89-87 | Front | | | • | |

IJ123030

| MAKE | MODEL | YEAR | LOCATION | | VEHICLE TYPE | | |
|-------|--------|-------|----------|-----|--------------|-----|--|
| | | | FRT/RR | ABS | 2WD | 4WD | |
| DODGE | DAKOTA | 96-90 | Front | | | • | |
| DODGE | VIPER | 95-92 | Front | | | • | |
| DODGE | VIPER | 95-92 | Rear | | | • | |

IJ123031

| MAKE | MODEL | YEAR | LOCATION | | VEHICLE TYPE | | |
|-----------|------------------|-------|----------|-----|--------------|-----|--|
| | | | FRT/RR | ABS | 2WD | 4WD | |
| BUICK | CENTURY | 01-97 | Rear | | | • | |
| BUICK | CENTURY | 01-97 | Front | | | • | |
| BUICK | GENDEZVOUS | 07-02 | Rear | | | • | |
| BUICK | LESABRE | 01-00 | Rear | | | • | |
| BUICK | LESABRE | 01-00 | Front | | | • | |
| BUICK | PARK AVENUE | 01-97 | Rear | | | • | |
| BUICK | PARK AVENUE | 01-97 | Front | | | • | |
| BUICK | REGAL | 01-97 | Rear | | | • | |
| BUICK | REGAL | 01-97 | Front | | | • | |
| BUICK | RENDEZVOUS (AWD) | 06-02 | Rear | | | • | |
| BUICK | RIVIERA | 99-97 | Rear | | | • | |
| BUICK | RIVIERA | 99-97 | Front | | | • | |
| CADILLAC | DEVILLE | 01-97 | Rear | | | • | |
| CADILLAC | DEVILLE | 01-97 | Front | | | • | |
| CADILLAC | ELDORADO | 01-97 | Rear | | | • | |
| CADILLAC | ELDORADO | 01-97 | Front | | | • | |
| CADILLAC | SEVILLE | 01-97 | Rear | | | • | |
| CADILLAC | SEVILLE | 01-97 | Front | | | • | |
| CHEVROLET | IMPALA | 01-00 | Rear | | | • | |
| CHEVROLET | IMPALA | 01-00 | Front | | | • | |
| CHEVROLET | MONTE CARLO | 01-00 | Rear | | | • | |
| CHEVROLET | MONTE CARLO | 01-00 | Front | | | • | |
| CHEVROLET | VENTURE | 01-97 | Front | | | • | |
| CHEVROLET | VENTURE | 04-97 | Rear | | | • | |

IJ123031

| MAKE | MODEL | YEAR | LOCATION | | VEHICLE TYPE | | |
|------------|------------------|-------|----------|-----|--------------|-----|--|
| | | | FRT/RR | ABS | 2WD | 4WD | |
| CHEVROLET | VENTURE (AWD) | 04-02 | Rear | • | | | |
| OLDSMOBILE | AURORA | 99-97 | Rear | • | | | |
| OLDSMOBILE | AURORA | 99-97 | Front | • | | | |
| OLDSMOBILE | INTRIGUE | 01-98 | Rear | • | | | |
| OLDSMOBILE | INTRIGUE | 01-98 | Front | • | | | |
| OLDSMOBILE | SILHOUETTE | 01-97 | Front | • | | | |
| OLDSMOBILE | SILHOUETTE | 04-97 | Rear | • | | | |
| OLDSMOBILE | SILHOUETTE (AWD) | 04-02 | Rear | • | | | |
| PONTIAC | AZTEK | 05-01 | Rear | • | | | |
| PONTIAC | AZTEK (AWD) | 05-01 | Rear | • | | | |
| PONTIAC | BONNEVILLE | 01-00 | Rear | • | | | |
| PONTIAC | BONNEVILLE | 01-00 | Front | • | | | |
| PONTIAC | GRAND PRIX | 01-97 | Rear | • | | | |
| PONTIAC | GRAND PRIX | 01-97 | Front | • | | | |
| PONTIAC | MONTANA | 00-99 | Front | • | | | |
| PONTIAC | MONTANA | 05-99 | Rear | • | | | |
| PONTIAC | MONTANA (AWD) | 04-01 | Rear | • | | | |
| PONTIAC | MONTANA (FWD) | 01 | Front | • | | | |
| PONTIAC | TRANS SPORT | 99-97 | Rear | • | | | |
| PONTIAC | TRANS SPORT | 99-97 | Front | • | | | |

IJ123032

| MAKE | MODEL | YEAR | LOCATION | | VEHICLE TYPE | | |
|----------|----------------|-------|----------|-----|--------------|-----|--|
| | | | FRT/RR | ABS | 2WD | 4WD | |
| CHRYSLER | GRAND VOYAGER | 00 | Front | | | • | |
| CHRYSLER | TOWN & COUNTRY | 00-96 | Front | | | • | |
| CHRYSLER | VOYAGER | 00 | Front | | | • | |
| DODGE | CARAVAN | 00-96 | Front | | | • | |
| DODGE | GRAND CARAVAN | 00-96 | Front | | | • | |
| PLYMOUTH | GRAND VOYAGER | 00-96 | Front | | | • | |
| PLYMOUTH | VOYAGER | 00-96 | Front | | | • | |

IJ123033

| MAKE | MODEL | YEAR | LOCATION | | VEHICLE TYPE | | |
|----------|----------------|-------|----------|-----|--------------|-----|--|
| | | | FRT/RR | ABS | 2WD | 4WD | |
| CHRYSLER | GRAND VOYAGER | 00 | Front | | | • | |
| CHRYSLER | PROWLER | 02-01 | Front | | | • | |
| CHRYSLER | TOWN & COUNTRY | 07-96 | Front | | | • | |
| CHRYSLER | VOYAGER | 03-00 | Front | | | • | |
| DODGE | CARAVAN | 07-96 | Front | | | • | |
| DODGE | GRAND CARAVAN | 07-96 | Front | | | • | |
| PLYMOUTH | GRAND VOYAGER | 00-96 | Front | | | • | |
| PLYMOUTH | PROWLER | 01-97 | Front | | | • | |
| PLYMOUTH | VOYAGER | 00-96 | Front | | | • | |

IJ123034

| MAKE | MODEL | YEAR | LOCATION | | VEHICLE TYPE | | |
|-----------|--------------|-------|----------|-----|--------------|-----|--|
| | | | FRT/RR | ABS | 2WD | 4WD | |
| CHEVROLET | BLAZER | 05-97 | Front | • | | • | |
| CHEVROLET | BLAZER | 05-97 | Front | • | | • | |
| CHEVROLET | BLAZER (AWD) | 02-97 | Front | • | | • | |

IJ123034

| MAKE | MODEL | YEAR | LOCATION | | VEHICLE TYPE | | |
|------------|--------------|-------|----------|-----|--------------|-----|--|
| | | | FRT/RR | ABS | 2WD | 4WD | |
| CHEVROLET | S10 | 04 | Front | • | | • | |
| CHEVROLET | S10 | 04-97 | Front | • | | • | |
| CHEVROLET | S10 | 03-97 | Front | • | | • | |
| GMC | JIMMY | 05 | Front | • | | • | |
| GMC | JIMMY | 05-97 | Front | • | | • | |
| GMC | JIMMY | 04-97 | Front | • | | • | |
| GMC | JIMMY | 01-99 | Front | • | | • | |
| GMC | SONOMA | 04-97 | Front | • | | • | |
| GMC | SONOMA | 04 | Front | • | | • | |
| GMC | SONOMA (AWD) | 03-97 | Front | • | | • | |
| ISUZU | HOMBRE | 00-98 | Front | • | | • | |
| OLDSMOBILE | BRAVADA | 01-97 | Front | • | | • | |

IJ123035

| MAKE | MODEL | YEAR | LOCATION | | VEHICLE TYPE | | |
|------------|-----------------|-------|----------|-----|--------------|-----|--|
| | | | FRT/RR | ABS | 2WD | 4WD | |
| CHEVROLET | CLASSIC | 05-04 | Front | • | | | |
| CHEVROLET | MALIBU | 03-97 | Front | • | | | |
| OLDSMOBILE | ALERO | 04-99 | Front | • | | | |
| OLDSMOBILE | CUTLASS | 99-97 | Front | • | | | |
| OLDSMOBILE | CUTLASS SUPREME | 97 | Front | • | | | |
| PONTIAC | GRAND AM | 05-99 | Front | • | | | |

IJ123036

| MAKE | MODEL | YEAR | LOCATION | | VEHICLE TYPE | | |
|----------|---------|-------|----------|-----|--------------|-----|--|
| | | | FRT/RR | ABS | 2WD | 4WD | |
| CHRYSLER | CIRRUS | 00-95 | Front | | | | |
| CHRYSLER | SEBRING | 06-96 | Front | | | | |
| DODGE | STRATUS | 06-95 | Front | | | | |
| PLYMOUTH | BREEZE | 00-96 | Front | | | | |

IJ123037

| MAKE | MODEL | YEAR | LOCATION | | VEHICLE TYPE | | |
|------|----------|-------|----------|-----|--------------|-----|--|
| | | | FRT/RR | ABS | 2WD | 4WD | |
| FORD | WINDSTAR | 03-98 | Front | | | • | |
| FORD | WINDSTAR | 03-99 | Front | | | • | |

IJ123038

| MAKE | MODEL | YEAR | LOCATION | | VEHICLE TYPE | | |
|------------|---------|-------|----------|-----|--------------|-----|--|
| | | | FRT/RR | ABS | 2WD | 4WD | |
| CHRYSLER | SEBRING | 05-95 | Front | | | | |
| DODGE | AVENGER | 00-95 | Front | | | | |
| DODGE | STRATUS | 05-01 | Front | | | | |
| EAGLE | TALON | 98-95 | Front | | | | |
| MITSUBISHI | ECLIPSE | 06-95 | Front | | | | |
| MITSUBISHI | GALANT | 03-99 | Front | | | | |
| MITSUBISHI | GALANT | 04 | Front | | | | |
| MITSUBISHI | GALANT | 08-04 | Front | | | | |
| MITSUBISHI | GALANT | 09-99 | Front | | | | |

IJ123039

| MAKE | MODEL | YEAR | LOCATION | | VEHICLE TYPE | | |
|------|----------------|-------|----------|-----|--------------|-----|---|
| | | | FRT/RR | ABS | 2WD | 4WD | |
| JEEP | GRAND CHEROKEE | 04-99 | Front | | | | • |

IJ123040

| MAKE | MODEL | YEAR | LOCATION | | VEHICLE TYPE | | |
|------|---------|-------|----------|-----|--------------|-----|---|
| | | | FRT/RR | ABS | 2WD | 4WD | |
| JEEP | LIBERTY | 07-02 | Front | • | | | • |

IJ123041

| MAKE | MODEL | YEAR | LOCATION | | VEHICLE TYPE | | |
|------------|------------------|-------|----------|-----|--------------|-----|--|
| | | | FRT/RR | ABS | 2WD | 4WD | |
| BUICK | ALLURE | 09-05 | Front | | | | |
| BUICK | CENTURY | 05-01 | Front | | | | |
| BUICK | LACROSSE | 09-05 | Front | | | | |
| BUICK | LESABRE | 05-01 | Front | | | | |
| BUICK | LUCERNE | 10-06 | Front | | | | |
| BUICK | PARK AVENUE | 05-01 | Front | | | | |
| BUICK | REGAL | 04-01 | Front | | | | |
| BUICK | RENDEZVOUS | 02 | Front | | | | |
| BUICK | RENDEZVOUS (FWD) | 02 | Front | | | | |
| BUICK | TERRAZA | 05 | Front | | | | |
| BUICK | TERRAZA (AWD) | 05 | Rear | | | | |
| CADILLAC | DEVILLE | 05-01 | Front | | | | |
| CADILLAC | DTS | 10-06 | Front | | | | |
| CADILLAC | DTS | 11-06 | Front | | | | |
| CADILLAC | ELDORADO | 02-01 | Front | | | | |
| CADILLAC | SEVILLE | 04-01 | Front | | | | |
| CHEVROLET | COBALT | 10-05 | Front | • | | | |
| CHEVROLET | IMPALA | 09-01 | Front | | | | |
| CHEVROLET | IMPALA | 13-01 | Front | | | | |
| CHEVROLET | MONTE CARLO | 07-01 | Front | | | | |
| CHEVROLET | UPLANDER | 05 | Front | | | | |
| CHEVROLET | UPLANDER (AWD) | 05 | Rear | | | | |
| CHEVROLET | VENTURE | 05-01 | Front | | | | |
| CHEVROLET | VENTURE (FWD) | 04-02 | Front | | | | |
| OLDSMOBILE | AURORA | 03-01 | Front | | | | |
| OLDSMOBILE | INTRIGUE | 02-01 | Front | | | | |
| OLDSMOBILE | SILHOUETTE | 01 | Front | | | | |
| OLDSMOBILE | SILHOUETTE | 04-01 | Front | | | | |
| OLDSMOBILE | SILHOUETTE (FWD) | 04-02 | Front | | | | |
| PONTIAC | BONNEVILLE | 05-01 | Front | | | | |
| PONTIAC | G5 | 10-07 | Front | • | | | |
| PONTIAC | GRAND PRIX | 08-01 | Front | | | | |
| PONTIAC | MONTANA | 05-01 | Front | | | | |
| PONTIAC | MONTANA (AWD) | 05 | Rear | | | | |
| PONTIAC | MONTANA (FWD) | 05-01 | Front | | | | |
| PONTIAC | PURSUIT | 06-05 | Front | • | | | |
| SATURN | ION | 04-03 | Front | • | | | |
| SATURN | ION-1 | 05 | Front | • | | | |
| SATURN | ION-2 | 07-05 | Front | • | | | |
| SATURN | ION-3 | 07-05 | Front | • | | | |
| SATURN | RELAY | 05 | Rear | | | | |
| SATURN | RELAY-2 | 05 | Front | | | | |
| SATURN | RELAY-3 | 05 | Front | | | | |

IJ123042

| MAKE | MODEL | YEAR | LOCATION | | VEHICLE TYPE | | |
|-----------|---------|-------|----------|-----|--------------|-----|--|
| | | | FRT/RR | ABS | 2WD | 4WD | |
| CHEVROLET | COBALT | 10-05 | Front | • | | | |
| PONTIAC | G5 | 10-07 | Front | • | | | |
| PONTIAC | PURSUIT | 06-05 | Front | • | | | |
| SATURN | ION | 04-03 | Front | • | | | |
| SATURN | ION-1 | 05 | Front | • | | | |
| SATURN | ION-2 | 07-05 | Front | • | | | |
| SATURN | ION-3 | 07-05 | Front | • | | | |

IJ123043

| MAKE | MODEL | YEAR | LOCATION | | VEHICLE TYPE | | |
|-----------|---------|-------|----------|-----|--------------|-----|--|
| | | | FRT/RR | ABS | 2WD | 4WD | |
| CHEVROLET | COBALT | 10-05 | Front | • | | | |
| CHEVROLET | HHR | 10-06 | Front | • | | | |
| CHEVROLET | HHR | 11-06 | Front | • | | | |
| PONTIAC | G5 | 10-07 | Front | • | | | |
| PONTIAC | PURSUIT | 06-05 | Front | • | | | |
| SATURN | ION | 07-03 | Front | • | | | |

IJ123044

| MAKE | MODEL | YEAR | LOCATION | | VEHICLE TYPE | | |
|------|----------------|-------|----------|-----|--------------|-----|---|
| | | | FRT/RR | ABS | 2WD | 4WD | |
| FORD | AEROSTAR | 97-90 | Front | | | | • |
| FORD | AEROSTAR | 97-90 | Front | | | | • |
| FORD | AEROSTAR (AWD) | 97-90 | Front | | | | • |

IJ123045

| MAKE | MODEL | YEAR | LOCATION | | VEHICLE TYPE | | |
|---------|---------|-------|----------|-----|--------------|-----|--|
| | | | FRT/RR | ABS | 2WD | 4WD | |
| GM | COBALT | 10-05 | Front | • | | | |
| PONTIAC | G5 | 10-07 | Front | • | | | |
| PONTIAC | PURSUIT | 06-05 | Front | • | | | |
| SATURN | ION | 04-03 | Front | • | | | |
| SATURN | ION-1 | 05 | Front | • | | | |
| SATURN | ION-2 | 07-05 | Front | • | | | |
| SATURN | ION-3 | 07-05 | Front | • | | | |

IJ123046

| MAKE | MODEL | YEAR | LOCATION | | VEHICLE TYPE | | |
|-----------|---------|-------|----------|-----|--------------|-----|--|
| | | | FRT/RR | ABS | 2WD | 4WD | |
| CHEVROLET | COBALT | 06-05 | Front | • | | | |
| CHEVROLET | COBALT | 10-05 | Front | • | | | |
| CHEVROLET | HHR | 10-06 | Front | • | | | |
| PONTIAC | G5 | 10-07 | Front | • | | | |
| PONTIAC | PURSUIT | 06-05 | Front | • | | | |
| SATURN | ION | 07-03 | Front | • | | | |

IJ123047

| MAKE | MODEL | YEAR | LOCATION | | VEHICLE TYPE | | |
|------|----------|-------|----------|-----|--------------|-----|---|
| | | | FRT/RR | ABS | 2WD | 4WD | |
| FORD | AEROSTAR | 97-90 | Front | • | | | • |

IJ123048

| MAKE | MODEL | YEAR | LOCATION | | VEHICLE TYPE | | |
|------------|--------------|-------|----------|-----|--------------|-----|---|
| | | | FRT/RR | ABS | 2WD | 4WD | |
| CHEVROLET | BLAZER | 05-97 | Front | • | | | |
| CHEVROLET | BLAZER | 05-97 | Front | • | | | • |
| CHEVROLET | BLAZER (AWD) | 02-97 | Front | • | | | |
| CHEVROLET | S10 | 04 | Front | • | | | |
| CHEVROLET | S10 | 04-97 | Front | • | | | |
| CHEVROLET | S10 | 03-97 | Front | • | | | • |
| GMC | JIMMY | 05 | Front | • | | | |
| GMC | JIMMY | 05-97 | Front | • | | | |
| GMC | JIMMY | 04-97 | Front | • | | | • |
| GMC | JIMMY (AWD) | 01-99 | Front | • | | | |
| GMC | SONOMA | 04 | Front | • | | | |
| GMC | SONOMA | 04-97 | Front | • | | | |
| GMC | SONOMA | 03-97 | Front | • | | | • |
| ISUZU | HOMBRE | 00-98 | Front | • | | | |
| OLDSMOBILE | BRAVADA | 01-97 | Front | • | | | |

IJ123049

| MAKE | MODEL | YEAR | LOCATION | | VEHICLE TYPE | | |
|-----------|--------|-------|----------|-----|--------------|-----|--|
| | | | FRT/RR | ABS | 2WD | 4WD | |
| CHEVROLET | HHR | 10-08 | Front | • | | | |
| CHEVROLET | MALIBU | 10-04 | Front | • | | | |
| PONTIAC | G6 | 10-05 | Front | • | | | |
| SATURN | AURA | 09-07 | Front | • | | | |

IJ123050

| MAKE | MODEL | YEAR | LOCATION | | VEHICLE TYPE | | |
|------------|-----------------|-------|----------|-----|--------------|-----|--|
| | | | FRT/RR | ABS | 2WD | 4WD | |
| BUICK | RAINIER | 07-04 | Front | • | | | |
| CHEVROLET | SSR | 06-03 | Front | • | | | |
| CHEVROLET | TRAILBLAZER | 09-02 | Front | • | | | |
| CHEVROLET | TRAILBLAZER EXT | 06-02 | Front | • | | | |
| GMC | ENVOY | 09-02 | Front | • | | | |
| GMC | ENVOY XL | 06-02 | Front | • | | | |
| GMC | ENVOY XUV | 05-04 | Front | • | | | |
| ISUZU | ASCENDER | 08-03 | Front | • | | | |
| OLDSMOBILE | BRAVADA | 04-02 | Front | • | | | |
| SAAB | 9-7X | 09-05 | Front | • | | | |

IJ123051

| MAKE | MODEL | YEAR | LOCATION | | VEHICLE TYPE | | |
|-----------|--------|-------|----------|-----|--------------|-----|--|
| | | | FRT/RR | ABS | 2WD | 4WD | |
| CHEVROLET | MALIBU | 07-04 | Front | • | | | |
| CHEVROLET | MALIBU | 08-04 | Front | • | | | |
| PONTIAC | G6 | 07-05 | Front | • | | | |

IJ123052

| MAKE | MODEL | YEAR | LOCATION | | VEHICLE TYPE | | |
|------|----------------|-------|----------|-----|--------------|-----|---|
| | | | FRT/RR | ABS | 2WD | 4WD | |
| JEEP | COMMANDER | 10-06 | Front | | | | • |
| JEEP | GRAND CHEROKEE | 10-05 | Front | | | | • |

IJ123053

| MAKE | MODEL | YEAR | LOCATION | | VEHICLE TYPE | | |
|---------|----------------|-------|----------|-----|--------------|-----|--|
| | | | FRT/RR | ABS | 2WD | 4WD | |
| FORD | CROWN VICTORIA | 10-05 | Front | | | | |
| FORD | CROWN VICTORIA | 11-05 | Front | | | | |
| LINCOLN | TOWN CAR | 10-05 | Front | | | | |
| LINCOLN | TOWN CAR | 11-05 | Front | | | | |
| MERCURY | GRAND MARQUIS | 10-05 | Front | | | | |
| MERCURY | GRAND MARQUIS | 11-05 | Front | | | | |

IJ123054

| MAKE | MODEL | YEAR | LOCATION | | VEHICLE TYPE | | |
|---------|--------------|-------|----------|-----|--------------|-----|--|
| | | | FRT/RR | ABS | 2WD | 4WD | |
| FORD | FIVE HUNDRED | 07-05 | Rear | | | | |
| FORD | FREESTYLE | 07-05 | Rear | | | | |
| FORD | TAURUS | 09-08 | Rear | | | | |
| FORD | TAURUS X | 09-08 | Rear | | | | |
| MERCURY | MONTEGO | 07-05 | Rear | | | | |
| MERCURY | SABLE | 09-08 | Rear | | | | |

IJ123055

| MAKE | MODEL | YEAR | LOCATION | | VEHICLE TYPE | | |
|---------|--------------|-------|----------|-----|--------------|-----|--|
| | | | FRT/RR | ABS | 2WD | 4WD | |
| FORD | FIVE HUNDRED | 07-05 | Rear | | | | |
| FORD | FREESTYLE | 07-05 | Rear | | | | |
| FORD | TAURUS | 09-08 | Rear | | | | |
| FORD | TAURUS X | 09-08 | Rear | | | | |
| MERCURY | MONTEGO | 07-05 | Rear | | | | |
| MERCURY | SABLE | 09-08 | Rear | | | | |

IJ123056

| MAKE | MODEL | YEAR | LOCATION | | VEHICLE TYPE | | |
|---------|--------------|-------|----------|-----|--------------|-----|--|
| | | | FRT/RR | ABS | 2WD | 4WD | |
| FORD | FIVE HUNDRED | 07-05 | Front | | | | |
| FORD | FREESTYLE | 07-05 | Front | | | | |
| FORD | TAURUS | 09-08 | Front | | | | |
| FORD | TAURUS X | 09-08 | Front | | | | |
| MERCURY | MONTEGO | 07-05 | Front | | | | |
| MERCURY | SABLE | 09-08 | Front | | | | |

IJ123057

| MAKE | MODEL | YEAR | LOCATION | | VEHICLE TYPE | | |
|----------|---------|-------|----------|-----|--------------|-----|--|
| | | | FRT/RR | ABS | 2WD | 4WD | |
| CHRYSLER | 300 | 10-05 | Front | | | | |
| CHRYSLER | 300 | 14-05 | Front | | | | |
| DODGE | CHARGER | 10-07 | Front | | | | |
| DODGE | CHARGER | 14-07 | Front | | | | |
| DODGE | MAGNUM | 08-05 | Front | | | | |

IJ123058

| MAKE | MODEL | YEAR | LOCATION | | VEHICLE TYPE | | |
|----------|---------|-------|----------|-----|--------------|-----|--|
| | | | FRT/RR | ABS | 2WD | 4WD | |
| CHRYSLER | 300 | 09-05 | Rear | | | | |
| DODGE | CHARGER | 09-06 | Rear | | | | |
| DODGE | MAGNUM | 08-05 | Rear | | | | |

IJ123059

| MAKE | MODEL | YEAR | LOCATION | | VEHICLE TYPE | | |
|------|----------------|-------|----------|-----|--------------|-----|--|
| | | | FRT/RR | ABS | 2WD | 4WD | |
| JEEP | COMMANDER | 10-06 | Rear | | | | |
| JEEP | GRAND CHEROKEE | 10-05 | Rear | | | | |

IJ123060

| MAKE | MODEL | YEAR | LOCATION | | VEHICLE TYPE | | |
|-------|---------|-------|----------|-----|--------------|-----|--|
| | | | FRT/RR | ABS | 2WD | 4WD | |
| DODGE | NITRO | 10-07 | Front | • | | | |
| DODGE | NITRO | 11-07 | Front | • | | | |
| JEEP | LIBERTY | 10-08 | Front | • | | | |
| JEEP | LIBERTY | 12-08 | Front | • | | | |

IJ123061

| MAKE | MODEL | YEAR | LOCATION | | VEHICLE TYPE | | |
|--------|------------|-------|----------|-----|--------------|-----|--|
| | | | FRT/RR | ABS | 2WD | 4WD | |
| FORD | MONDEO III | 05-00 | Rear | • | | | |
| JAGUAR | X-TYPE | 04-01 | Rear | • | | | |

IJ123062

| MAKE | MODEL | YEAR | LOCATION | | VEHICLE TYPE | | |
|------|----------|-------|----------|-----|--------------|-----|--|
| | | | FRT/RR | ABS | 2WD | 4WD | |
| JEEP | WRANGLER | 10-07 | Front | • | | | |
| JEEP | WRANGLER | 14-07 | Front | • | | | |

IJ123063

| MAKE | MODEL | YEAR | LOCATION | | VEHICLE TYPE | | |
|-----------|-------------|-------|----------|-----|--------------|-----|--|
| | | | FRT/RR | ABS | 2WD | 4WD | |
| BUICK | LESABRE | 05-00 | Rear | • | | | |
| BUICK | LUCERNE | 10-06 | Rear | • | | | |
| BUICK | LUCERNE | 11-06 | Rear | • | | | |
| BUICK | PARK AVENUE | 05-97 | Rear | • | | | |
| BUICK | RIVIERA | 99-91 | Rear | • | | | |
| CADILLAC | ALLANTE | 92-91 | Rear | • | | | |
| CADILLAC | DEVILLE | 05-00 | Rear | • | | | |
| CADILLAC | DTS | 10-06 | Rear | • | | | |
| CADILLAC | DTS | 11-06 | Rear | • | | | |
| CADILLAC | ELDORADO | 92-91 | Rear | • | | | |
| CADILLAC | SEVILLE | 04-91 | Rear | • | | | |
| CHEVROLET | MALIBU | 00-97 | Rear | • | | | |

IJ123063

| MAKE | MODEL | YEAR | LOCATION | | VEHICLE TYPE | | |
|------------|-----------------|-------|----------|-----|--------------|-----|--|
| | | | FRT/RR | ABS | 2WD | 4WD | |
| OLDSMOBILE | AURORA | 03-95 | Rear | • | | | |
| OLDSMOBILE | CUTLASS | 99-97 | Rear | • | | | |
| OLDSMOBILE | CUTLASS SUPREME | 97 | Rear | • | | | |
| OLDSMOBILE | TORONADO | 92-91 | Rear | • | | | |
| PONTIAC | BONNEVILLE | 05-00 | Rear | • | | | |
| PONTIAC | GRAND AM | 00-99 | Rear | • | | | |

IJ123064

| MAKE | MODEL | YEAR | LOCATION | | VEHICLE TYPE | | |
|----------|-------|-------|----------|-----|--------------|-----|--|
| | | | FRT/RR | ABS | 2WD | 4WD | |
| CADILLAC | CTS | 07-04 | Rear | | | | |
| CADILLAC | SRX | 09-04 | Rear | | | | |
| CADILLAC | SRX | 10-04 | Rear | | | | |
| CADILLAC | STS | 10-05 | Rear | | | | |
| CADILLAC | STS | 11 | Rear | | | | |

IJ123065

| MAKE | MODEL | YEAR | LOCATION | | VEHICLE TYPE | | |
|----------|-------|-------|----------|-----|--------------|-----|--|
| | | | FRT/RR | ABS | 2WD | 4WD | |
| CADILLAC | SRX | 09-04 | Front | • | | | |
| CADILLAC | SRX | 10-04 | Front | • | | | |

IJ123066

| MAKE | MODEL | YEAR | LOCATION | | VEHICLE TYPE | | |
|-----------|-------------|-------|----------|-----|--------------|-----|--|
| | | | FRT/RR | ABS | 2WD | 4WD | |
| BUICK | TERRAZA | 06 | Rear | | | | |
| BUICK | TERRAZA | 07-06 | Front | • | | | |
| CHEVROLET | UPLANDER | 06 | Rear | | | | |
| CHEVROLET | UPLANDER | 09-06 | Front | • | | | |
| PONTIAC | MONTANA | 06 | Rear | | | | |
| PONTIAC | MONTANA | 09-06 | Front | • | | | |
| SATURN | RELAY | 07 | Front | • | | | |
| SATURN | RELAY (AWD) | 06 | Rear | | | | |
| SATURN | RELAY-1 | 07 | Front | • | | | |
| SATURN | RELAY-2 | 07-06 | Front | • | | | |
| SATURN | RELAY-3 | 07-06 | Front | • | | | |

IJ123067

| MAKE | MODEL | YEAR | LOCATION | | VEHICLE TYPE | | |
|-----------|----------|-------|----------|-----|--------------|-----|--|
| | | | FRT/RR | ABS | 2WD | 4WD | |
| CADILLAC | XLR | 08-04 | Rear | • | | | |
| CHEVROLET | CORVETTE | 08-97 | Rear | • | | | |

IJ123068

| MAKE | MODEL | YEAR | LOCATION | | VEHICLE TYPE | | |
|----------|------------|-------|----------|-----|--------------|-----|--|
| | | | FRT/RR | ABS | 2WD | 4WD | |
| CHRYSLER | 300 | 14-09 | Rear | • | | | |
| DODGE | CHALLENGER | 14-08 | Rear | | | | |
| DODGE | CHARGER | 14-09 | Rear | | | | |

IJ123069

| MAKE | MODEL | YEAR | LOCATION | | VEHICLE TYPE | | |
|-----------|-------------|-------|----------|-----|--------------|-----|--|
| | | | FRT/RR | ABS | 2WD | 4WD | |
| BUICK | ALLURE | 07-05 | Rear | | | | |
| BUICK | LACROSSE | 07-05 | Rear | | | | |
| CHEVROLET | IMPALA | 08-06 | Rear | | | | |
| CHEVROLET | MONTE CARLO | 07-06 | Rear | | | | |
| PONTIAC | GRAND PRIX | 08-04 | Rear | | | | |

IJ123070

| MAKE | MODEL | YEAR | LOCATION | | VEHICLE TYPE | | |
|--------|-----------|-------|----------|-----|--------------|-----|--|
| | | | FRT/RR | ABS | 2WD | 4WD | |
| SATURN | SC | 92-91 | Rear | • | | | |
| SATURN | SC SERIES | 02-91 | Rear | • | | | |
| SATURN | SC1 | 02-93 | Rear | | | | |
| SATURN | SC2 | 02-93 | Rear | | | | |
| SATURN | SL | 02-91 | Rear | • | | | |
| SATURN | SL SERIES | 02-91 | Rear | • | | | |
| SATURN | SL1 | 02-91 | Rear | • | | | |
| SATURN | SL2 | 02-91 | Rear | • | | | |
| SATURN | SW SERIES | 01-93 | Rear | • | | | |
| SATURN | SW1 | 99-93 | Rear | • | | | |
| SATURN | SW2 | 01-93 | Rear | • | | | |

IJ123071

| MAKE | MODEL | YEAR | LOCATION | | VEHICLE TYPE | | |
|----------|----------|-------|----------|-----|--------------|-----|--|
| | | | FRT/RR | ABS | 2WD | 4WD | |
| CADILLAC | ALLANTE | 93 | Rear | • | | | |
| CADILLAC | DEVILLE | 99-94 | Rear | • | | | |
| CADILLAC | ELDORADO | 02-93 | Rear | • | | | |
| CADILLAC | SEVILLE | 97-93 | Rear | • | | | |

IJ123072

| MAKE | MODEL | YEAR | LOCATION | | VEHICLE TYPE | | |
|----------|-------|-------|----------|-----|--------------|-----|--|
| | | | FRT/RR | ABS | 2WD | 4WD | |
| CADILLAC | STS | 10-05 | Front | • | | | |
| CADILLAC | STS | 10-06 | Front | • | | | |

IJ123073

| MAKE | MODEL | YEAR | LOCATION | | VEHICLE TYPE | | |
|-----------|----------|-------|----------|-----|--------------|-----|--|
| | | | FRT/RR | ABS | 2WD | 4WD | |
| CADILLAC | XLR | 08-04 | Front | • | | | |
| CHEVROLET | CORVETTE | 08-97 | Front | • | | | |

IJ123074

| MAKE | MODEL | YEAR | LOCATION | | VEHICLE TYPE | | |
|-----------|----------|-------|----------|-----|--------------|-----|--|
| | | | FRT/RR | ABS | 2WD | 4WD | |
| BUICK | TERRAZA | 07-06 | Rear | • | | | |
| CHEVROLET | UPLANDER | 09-06 | Rear | • | | | |
| PONTIAC | MONTANA | 09-06 | Rear | • | | | |

IJ123076

| MAKE | MODEL | YEAR | LOCATION | | VEHICLE TYPE | | |
|-----------|----------------|-------|----------|-----|--------------|-----|--|
| | | | FRT/RR | ABS | 2WD | 4WD | |
| BUICK | TERRAZA | 05 | Rear | | | | |
| CADILLAC | CTS | 07-03 | Rear | | | | |
| CADILLAC | CTS | 07-03 | Front | | | | |
| CADILLAC | STS | 10-05 | Rear | | | | |
| CADILLAC | STS | 11 | Front | | | | |
| CADILLAC | STS (RWD) | 10-05 | Front | | | | |
| CHEVROLET | UPLANDER | 05 | Rear | | | | |
| CHEVROLET | UPLANDER (FWD) | 05 | Rear | | | | |
| PONTIAC | MONTANA | 05 | Rear | | | | |
| PONTIAC | MONTANA (FWD) | 05 | Rear | | | | |
| SATURN | RELAY | 07 | Rear | | | | |
| SATURN | RELAY (FWD) | 06-05 | Rear | | | | |
| SATURN | RELAY-1 | 07 | Rear | | | | |
| SATURN | RELAY-2 | 07-05 | Rear | | | | |
| SATURN | RELAY-3 | 07-05 | Rear | | | | |

IJ123077

| MAKE | MODEL | YEAR | LOCATION | | VEHICLE TYPE | | |
|-----------|----------------|-------|----------|-----|--------------|-----|--|
| | | | FRT/RR | ABS | 2WD | 4WD | |
| BUICK | TERRAZA | 06 | Rear | | | | |
| BUICK | TERRAZA | 07 | Rear | | | | |
| BUICK | TERRAZA | 07-06 | Front | | | | |
| CADILLAC | CTS | 07-04 | Front | | | | |
| CADILLAC | SRX | 09-04 | Front | | | | |
| CADILLAC | SRX | 10-04 | Front | | | | |
| CADILLAC | STS | 10-05 | Front | | | | |
| CADILLAC | STS | 11 | Front | | | | |
| CADILLAC | STS (RWD) | 10-05 | Front | | | | |
| CHEVROLET | UPLANDER | 09-06 | Front | | | | |
| CHEVROLET | UPLANDER | 09-07 | Rear | | | | |
| CHEVROLET | UPLANDER (FWD) | 06 | Rear | | | | |
| PONTIAC | MONTANA | 09-06 | Front | | | | |
| PONTIAC | MONTANA | 09-07 | Rear | | | | |

IJ123078

| MAKE | MODEL | YEAR | LOCATION | | VEHICLE TYPE | | |
|--------|-----------|-------|----------|-----|--------------|-----|--|
| | | | FRT/RR | ABS | 2WD | 4WD | |
| SATURN | SC | 92-91 | Rear | • | | | |
| SATURN | SC SERIES | 02-91 | Rear | • | | | |
| SATURN | SC1 | 02-93 | Rear | | | | |
| SATURN | SC2 | 02-93 | Rear | | | | |
| SATURN | SL | 02-91 | Rear | • | | | |
| SATURN | SL SERIES | 02-91 | Rear | • | | | |
| SATURN | SL1 | 02-91 | Rear | | | | |
| SATURN | SL2 | 02-91 | Rear | | | | |
| SATURN | SW SERIES | 01-93 | Rear | • | | | |
| SATURN | SW1 | 99-93 | Rear | • | | | |
| SATURN | SW2 | 01-93 | Rear | • | | | |

IJ123079

| MAKE | MODEL | YEAR | LOCATION | | VEHICLE TYPE | | |
|-------|------------------|-------|----------|-----|--------------|-----|--|
| | | | FRT/RR | ABS | 2WD | 4WD | |
| BUICK | RENDEZVOUS | 07 | Rear | • | | | |
| BUICK | RENDEZVOUS | 07-02 | Rear | • | | | |
| BUICK | RENDEZVOUS (FWD) | 06-02 | Rear | • | | | |

IJ123080

| MAKE | MODEL | YEAR | LOCATION | | VEHICLE TYPE | | |
|----------|-----------|-------|----------|-----|--------------|-----|--|
| | | | FRT/RR | ABS | 2WD | 4WD | |
| CADILLAC | CTS | 07-03 | Rear | | | | |
| CADILLAC | STS | 10-05 | Rear | | | | |
| CADILLAC | STS | 11 | Rear | | | | |
| CADILLAC | STS (AWD) | 10-05 | Rear | | | | |
| CADILLAC | STS (RWD) | 10-05 | Rear | | | | |

IJ123081

| MAKE | MODEL | YEAR | LOCATION | | VEHICLE TYPE | | |
|-------|------------|-------|----------|-----|--------------|-----|--|
| | | | FRT/RR | ABS | 2WD | 4WD | |
| BUICK | RENDEZVOUS | 07-03 | Rear | • | | | |

IJ123082

| MAKE | MODEL | YEAR | LOCATION | | VEHICLE TYPE | | |
|-----------|-------|-------|----------|-----|--------------|-----|--|
| | | | FRT/RR | ABS | 2WD | 4WD | |
| CHEVROLET | HHR | 08-06 | Front | | | | |

IJ123083

| MAKE | MODEL | YEAR | LOCATION | | VEHICLE TYPE | | |
|------------|-------------|-------|----------|-----|--------------|-----|--|
| | | | FRT/RR | ABS | 2WD | 4WD | |
| BUICK | LESABRE | 99-91 | Rear | • | | | |
| BUICK | PARK AVENUE | 96-91 | Rear | • | | | |
| CADILLAC | 60 SPECIAL | 93 | Rear | • | | | |
| CADILLAC | DEVILLE | 93-91 | Rear | • | | | |
| CADILLAC | FLEETWOOD | 92-91 | Rear | • | | | |
| OLDSMOBILE | 88 | 99-92 | Rear | • | | | |
| OLDSMOBILE | 98 | 96-91 | Rear | • | | | |
| OLDSMOBILE | DELTA 88 | 91 | Rear | • | | | |
| OLDSMOBILE | LSS | 99-96 | Rear | • | | | |
| OLDSMOBILE | REGENCY | 98-97 | Rear | • | | | |
| PONTIAC | BONNEVILLE | 99-91 | Rear | • | | | |

IJ123084

| MAKE | MODEL | YEAR | LOCATION | | VEHICLE TYPE | | |
|-----------|----------|-------|----------|-----|--------------|-----|--|
| | | | FRT/RR | ABS | 2WD | 4WD | |
| BUICK | TERRAZA | 07-06 | Rear | • | | | |
| CHEVROLET | UPLANDER | 09-06 | Rear | • | | | |
| PONTIAC | MONTANA | 09-06 | Rear | • | | | |
| SATURN | RELAY-1 | 07 | Rear | • | | | |
| SATURN | RELAY-2 | 07-06 | Rear | • | | | |
| SATURN | RELAY-3 | 07-06 | Rear | • | | | |

IJ123085

| MAKE | MODEL | YEAR | LOCATION | | VEHICLE TYPE | | |
|-----------|----------|-------|----------|-----|--------------|-----|--|
| | | | FRT/RR | ABS | 2WD | 4WD | |
| CHEVROLET | CORVETTE | 96-91 | Front | • | | | |
| EXCALIBUR | LIMITED | 93 | Front | • | | | |

IJ123086

| MAKE | MODEL | YEAR | LOCATION | | VEHICLE TYPE | | |
|-------|-------|-------|----------|-----|--------------|-----|--|
| | | | FRT/RR | ABS | 2WD | 4WD | |
| VOLVO | S60 | 09-01 | Rear | | | | |
| VOLVO | S80 | 06-99 | Rear | | | | |
| VOLVO | V70 | 07-01 | Rear | | | | |

IJ123087

| MAKE | MODEL | YEAR | LOCATION | | VEHICLE TYPE | | |
|-----------|---------|-------|----------|-----|--------------|-----|--|
| | | | FRT/RR | ABS | 2WD | 4WD | |
| CHEVROLET | CAPRICE | 13-11 | Front | • | | | |
| PONTIAC | G8 | 09-08 | Front | • | | | |

IJ123088

| MAKE | MODEL | YEAR | LOCATION | | VEHICLE TYPE | | |
|--------|--------|-------|----------|-----|--------------|-----|--|
| | | | FRT/RR | ABS | 2WD | 4WD | |
| NISSAN | ALTIMA | 06-02 | Rear | | | | |
| NISSAN | MAXIMA | 08-04 | Rear | | | | |
| NISSAN | QUEST | 09-04 | Rear | | | | |

IJ123089

| MAKE | MODEL | YEAR | LOCATION | | VEHICLE TYPE | | |
|----------|-------|-------|----------|-----|--------------|-----|--|
| | | | FRT/RR | ABS | 2WD | 4WD | |
| INFINITI | Q45 | 06-02 | Front | | | | |

IJ123090

| MAKE | MODEL | YEAR | LOCATION | | VEHICLE TYPE | | |
|---------|----------|-------|----------|-----|--------------|-----|--|
| | | | FRT/RR | ABS | 2WD | 4WD | |
| FORD | FREESTAR | 07-04 | Front | | | | |
| MERCURY | MONTEREY | 07-04 | Front | | | | |

IJ123091

| MAKE | MODEL | YEAR | LOCATION | | VEHICLE TYPE | | |
|------------|----------|-------|----------|-----|--------------|-----|--|
| | | | FRT/RR | ABS | 2WD | 4WD | |
| MITSUBISHI | ENDEAVOR | 11-04 | Rear | | | | |

IJ123092

| MAKE | MODEL | YEAR | LOCATION | | VEHICLE TYPE | | |
|-------|-------|-------|----------|-----|--------------|-----|--|
| | | | FRT/RR | ABS | 2WD | 4WD | |
| VOLVO | C30 | 13-08 | Front | | | | |
| VOLVO | C70 | 13-06 | Front | | | | |
| VOLVO | S40 | 11-05 | Front | | | | |
| VOLVO | V50 | 11-05 | Front | | | | |

IJ123093

| MAKE | MODEL | YEAR | LOCATION | | VEHICLE TYPE | | |
|------|---------|-------|----------|-----|--------------|-----|--|
| | | | FRT/RR | ABS | 2WD | 4WD | |
| JEEP | LIBERTY | 07-02 | Front | • | | | |

IJ123095

| MAKE | MODEL | YEAR | LOCATION | | VEHICLE TYPE | | |
|--------|--------|-------|----------|-----|--------------|-----|--|
| | | | FRT/RR | ABS | 2WD | 4WD | |
| NISSAN | ALTIMA | 06-02 | Rear | | | | |

IJ123096

| MAKE | MODEL | YEAR | LOCATION | | VEHICLE TYPE | | |
|-----------|-----------------------|------|----------|-----|--------------|-----|--|
| | | | FRT/RR | ABS | 2WD | 4WD | |
| CHEVROLET | EQUINOX (GMT 172/177) | 11- | Rear | • | | | |

IJ123097

| MAKE | MODEL | YEAR | LOCATION | | VEHICLE TYPE | | |
|----------|----------|-------|----------|-----|--------------|-----|--|
| | | | FRT/RR | ABS | 2WD | 4WD | |
| CHRYSLER | PACIFICA | 06-04 | Rear | • | | | |

IJ123098

| MAKE | MODEL | YEAR | LOCATION | | VEHICLE TYPE | | |
|------------|----------|-------|----------|-----|--------------|-----|--|
| | | | FRT/RR | ABS | 2WD | 4WD | |
| MITSUBISHI | ECLIPSE | 12-06 | Front | | | | |
| MITSUBISHI | ENDEAVOR | 11-04 | Front | | | | |
| MITSUBISHI | GALANT | 12-04 | Front | | | | |

IJ123099

| MAKE | MODEL | YEAR | LOCATION | | VEHICLE TYPE | | |
|---------|-------|-------|----------|-----|--------------|-----|--|
| | | | FRT/RR | ABS | 2WD | 4WD | |
| FORD | EDGE | 10-07 | Rear | | | | |
| LINCOLN | MKX | 10-07 | Rear | | | | |

IJ123100

| MAKE | MODEL | YEAR | LOCATION | | VEHICLE TYPE | | |
|---------|-------|-------|----------|-----|--------------|-----|--|
| | | | FRT/RR | ABS | 2WD | 4WD | |
| FORD | EDGE | 08-07 | Rear | • | | | |
| LINCOLN | MKX | 08-07 | Rear | • | | | |

IJ123101

| MAKE | MODEL | YEAR | LOCATION | | VEHICLE TYPE | | |
|-------|---------|-------|----------|-----|--------------|-----|--|
| | | | FRT/RR | ABS | 2WD | 4WD | |
| HONDA | ODYSSEY | 10-05 | Rear | | | | |

IJ123102

| MAKE | MODEL | YEAR | LOCATION | | VEHICLE TYPE | | |
|------|---------|-------|----------|-----|--------------|-----|--|
| | | | FRT/RR | ABS | 2WD | 4WD | |
| JEEP | LIBERTY | 05-02 | Front | | | | |

IJ123103

| MAKE | MODEL | YEAR | LOCATION | | VEHICLE TYPE | | |
|------|----------|-------|----------|-----|--------------|-----|--|
| | | | FRT/RR | ABS | 2WD | 4WD | |
| JEEP | WRANGLER | 14-07 | Front | | | | |

IJ123104

| MAKE | MODEL | YEAR | LOCATION | | VEHICLE TYPE | | |
|----------|---------------|------|----------|-----|--------------|-----|--|
| | | | FRT/RR | ABS | 2WD | 4WD | |
| CHRYSLER | DODGE JOURNEY | 08 | Rear | | • | | |

IJ123105

| MAKE | MODEL | YEAR | LOCATION | | VEHICLE TYPE | | |
|----------|---------------|------|----------|-----|--------------|-----|--|
| | | | FRT/RR | ABS | 2WD | 4WD | |
| CHRYSLER | DODGE JOURNEY | 08 | Rear | | • | | |

IJ123106

| MAKE | MODEL | YEAR | LOCATION | | VEHICLE TYPE | | |
|----------|---------------|------|----------|-----|--------------|-----|--|
| | | | FRT/RR | ABS | 2WD | 4WD | |
| CHRYSLER | DODGE JOURNEY | 08 | Rear | | | • | |

IJ123107

| MAKE | MODEL | YEAR | LOCATION | | VEHICLE TYPE | | |
|----------|---------------|------|----------|-----|--------------|-----|--|
| | | | FRT/RR | ABS | 2WD | 4WD | |
| CHRYSLER | DODGE JOURNEY | 08 | Rear | | | • | |

IJ123108

| MAKE | MODEL | YEAR | LOCATION | | VEHICLE TYPE | | |
|----------|---------------|------|----------|-----|--------------|-----|--|
| | | | FRT/RR | ABS | 2WD | 4WD | |
| CHRYSLER | DODGE JOURNEY | 08 | Front | | | | |

IJ123109

| MAKE | MODEL | YEAR | LOCATION | | VEHICLE TYPE | | |
|----------|---------------------|-------|----------|-----|--------------|-----|--|
| | | | FRT/RR | ABS | 2WD | 4WD | |
| CHRYSLER | DODGE GRAND CARAVAN | 11-08 | Rear | | | | |

IJ123110

| MAKE | MODEL | YEAR | LOCATION | | VEHICLE TYPE | | |
|-------|----------|-------|----------|-----|--------------|-----|--|
| | | | FRT/RR | ABS | 2WD | 4WD | |
| BUICK | ALLURE | 10 | Rear | | | | |
| BUICK | LACROSSE | 13-10 | Front | | | | |

IJ123110

| MAKE | MODEL | YEAR | LOCATION | | VEHICLE TYPE | | |
|-----------|----------|-------|-------------|-----|--------------|-----|--|
| | | | FRT/RR | ABS | 2WD | 4WD | |
| BUICK | LACROSSE | 14-10 | Rear | | | | |
| BUICK | REGAL | 13-11 | Rear | | | | |
| CHEVROLET | EQUINOX | 13-10 | Front | | | | |
| CHEVROLET | MALIBU | 13 | Front | | | | |
| GMC | TERRAIN | 13-10 | Front | | | | |
| SAAB | 9-5 | 11-10 | Front, Rear | | | | |

IJ123111

| MAKE | MODEL | YEAR | LOCATION | | VEHICLE TYPE | | |
|----------|---------------------|-------|----------|-----|--------------|-----|--|
| | | | FRT/RR | ABS | 2WD | 4WD | |
| CHRYSLER | DODGE GRAND CARAVAN | 13-11 | Rear | | | | |

IJ123114

| MAKE | MODEL | YEAR | LOCATION | | VEHICLE TYPE | | |
|---------|--------------------------|-------|-------------|-----|--------------|-----|--|
| | | | FRT/RR | ABS | 2WD | 4WD | |
| FORD | EDGE | 13-11 | Rear | | | | |
| FORD | FLEX | 14-09 | Front, Rear | | | | |
| FORD | POLICE INTERCEPTOR SEDAN | 13 | Rear | | | | |
| FORD | TAURUS | 14-10 | Front, Rear | | | | |
| LINCOLN | MKS | 14-09 | Front, Rear | | | | |
| LINCOLN | MKT | 14-10 | Front, Rear | | | | |
| LINCOLN | MKX | 13-11 | Rear | | | | |

IJ131005

| MAKE | MODEL | YEAR | LOCATION | | VEHICLE TYPE | | |
|------------|--------------------|-------|-------------|-----|--------------|-----|--|
| | | | FRT/RR | ABS | 2WD | 4WD | |
| SEAT | CORDOBA | 02-95 | Front | | | | |
| SEAT | CORDOBA | 02-93 | Front | | | | |
| SEAT | IBIZA II | 99-93 | Front | | | | |
| SEAT | IBIZA III | 02-99 | Front | | | | |
| SEAT | INCA | 03-95 | Front | | | | |
| SEAT | INCA | 04-95 | Front | | | | |
| SEAT | TOLEDO | 99-91 | Front | | | | |
| SEAT | TOLEDO I | 99-91 | Front | | | | |
| VOLKSWAGEN | CADDY II | 04-95 | Front | | | | |
| VOLKSWAGEN | CORRADO | 95-88 | Front | | | | |
| VOLKSWAGEN | GOLF CABRIOLET III | 98-93 | Front | | | | |
| VOLKSWAGEN | GOLF CABRIOLET IV | 04-98 | Front | | | | |
| VOLKSWAGEN | GOLF II | 92-88 | Front | | | | |
| VOLKSWAGEN | GOLF III | 98-91 | Front, Rear | | | | |
| VOLKSWAGEN | GOLF III | 99-91 | Front | | | | |
| VOLKSWAGEN | GOLF IV | 02-98 | Front | | | | |
| VOLKSWAGEN | JETTA II | 91-88 | Front | | | | |
| VOLKSWAGEN | JETTA II | 92-88 | Front | | | | |
| VOLKSWAGEN | NETTO | 98-91 | Front | | | | |
| VOLKSWAGEN | PASSAT III | 96-88 | Front | | | | |
| VOLKSWAGEN | PASSAT III | 97-88 | Front, Rear | | | | |
| VOLKSWAGEN | POLO CLASSIC III | 01-95 | Front | | | | |
| VOLKSWAGEN | POLO III | 01-97 | Front | | | | |
| VOLKSWAGEN | POLO III CLASSIC | 05-95 | Front | | | | |
| VOLKSWAGEN | POLO VARIANT III | 01-97 | Front | | | | |

IJ131005

| MAKE | MODEL | YEAR | LOCATION | | VEHICLE TYPE | | |
|------------|------------|-------|----------|-----|--------------|-----|--|
| | | | FRT/RR | ABS | 2WD | 4WD | |
| VOLKSWAGEN | SANTANA II | 97-95 | Front | | | | |
| VOLKSWAGEN | VENTO | 98-91 | Front | | | | |

IJ131006

| MAKE | MODEL | YEAR | LOCATION | | VEHICLE TYPE | | |
|---------|---------------|-------|-------------|-----|--------------|-----|--|
| | | | FRT/RR | ABS | 2WD | 4WD | |
| CITROEN | BERLINGO | 05-96 | Front | | | | |
| CITROEN | BERLINGO | 96- | Front | | | | |
| CITROEN | BX | 93-88 | Front | | | | |
| CITROEN | BX | 94-83 | Front, Rear | | | | |
| CITROEN | XANTIA | 03-93 | Front | | | | |
| CITROEN | XANTIA | 04-93 | Front | | | | |
| CITROEN | XSARA | 04-97 | Front | | | | |
| CITROEN | XSARA | 05-98 | Front | | | | |
| CITROEN | XSARA PICASSO | 05-00 | Front | | | | |
| CITROEN | XSARA PICASSO | 99- | Front | | | | |
| CITROEN | ZX | 98-91 | Front | | | | |
| PEUGEOT | 205 | 04-83 | Front | | | | |
| PEUGEOT | 205 | 98-83 | Front | | | | |
| PEUGEOT | 206 | 05-99 | Front | | | | |
| PEUGEOT | 206 | 07-99 | Front | | | | |
| PEUGEOT | 305 | 90-84 | Front | | | | |
| PEUGEOT | 306 | 04-97 | Front | | | | |
| PEUGEOT | 309 | 93-85 | Front | | | | |
| PEUGEOT | 405 | 96-87 | Front | | | | |
| PEUGEOT | 406 | 04-95 | Front | | | | |
| PEUGEOT | 406 | 05-95 | Front | | | | |
| PEUGEOT | 306 N3 | 97-93 | Front | | | | |
| PEUGEOT | 306 N5 | 01-97 | Front | | | | |
| PEUGEOT | PARTNER | 05-96 | Front | | | | |
| PEUGEOT | PARTNER I | 96- | Front | | | | |

IJ131007

| MAKE | MODEL | YEAR | LOCATION | | VEHICLE TYPE | | |
|---------|--------------------|-------|----------|-----|--------------|-----|--|
| | | | FRT/RR | ABS | 2WD | 4WD | |
| RENAULT | VEL SATIS | 05-02 | Front | • | | | |
| RENAULT | CLIO III | 05- | Front | • | | | |
| RENAULT | CLIO III GRANDTOUR | 08- | Front | • | | | |
| RENAULT | ESPACE IV | 05-02 | Front | • | | | |
| RENAULT | GRAND SCENIC II | 04- | Front | • | | | |
| RENAULT | MEGANE (BM, CM) | 05-04 | Front | • | | | |
| RENAULT | MEGANE II (BM, CM) | 02- | Front | • | | | |
| RENAULT | MEGANE II (EM) | 06- | Front | • | | | |
| RENAULT | MEGANE II (KM) | 03- | Front | • | | | |
| RENAULT | MEGANE II (LM) | 03- | Front | • | | | |
| RENAULT | MODUS | 04- | Front | • | | | |
| RENAULT | SCENIC II | 03- | Front | • | | | |
| RENAULT | TRAFFIC III | 05-02 | Front | • | | | |
| RENAULT | TWINGO II | 08- | Front | • | | | |
| RENAULT | WIND | 10- | Front | • | | | |

IJ131008

| MAKE | MODEL | YEAR | LOCATION | | VEHICLE TYPE | | |
|---------|------------|-------|----------|-----|--------------|-----|--|
| | | | FRT/RR | ABS | 2WD | 4WD | |
| CITROEN | AX | 97-91 | Front | | | | |
| CITROEN | C15 | 00-88 | Front | | | | |
| CITROEN | C15 | 05-88 | Front | | | | |
| CITROEN | SAXO | 04-96 | Front | | | | |
| CITROEN | SAXO | 99-96 | Front | | | | |
| CITROEN | VISA | 91-84 | Front | | | | |
| CITROEN | XSARA | 99-97 | Front | | | | |
| CITROEN | XSARA (N1) | 99-97 | Front | | | | |
| CITROEN | XSARA (N2) | 99-97 | Front | | | | |
| CITROEN | XSARA (NO) | 99-97 | Front | | | | |
| CITROEN | XZ | 97-91 | Front | | | | |
| CITROEN | ZX | 97-91 | Front | | | | |
| PEUGEOT | 205 | 04-83 | Front | | | | |
| PEUGEOT | 205 | 90-83 | Front | | | | |
| PEUGEOT | 309 | 93-85 | Front | | | | |
| PEUGEOT | 106 VAN I | 99-91 | Front | | | | |
| PEUGEOT | 106 I | 96-91 | Front | | | | |
| PEUGEOT | 106 II | 04-96 | Front | | | | |
| PEUGEOT | 106 II | 99-96 | Front | | | | |
| PEUGEOT | 306 N3 | 97-93 | Front | | | | |
| PEUGEOT | 306 N5 | 01-97 | Front | | | | |
| PEUGEOT | 306 N5 | 04-97 | Front | | | | |

IJ131009

| MAKE | MODEL | YEAR | LOCATION | | VEHICLE TYPE | | |
|---------|-----------------|-------|----------|-----|--------------|-----|--|
| | | | FRT/RR | ABS | 2WD | 4WD | |
| DACIA | LOGAN | 09- | Front | | | | |
| RENAULT | MEGANE (DA, EA) | 02-96 | Front | | | | |
| RENAULT | MEGANE (DA, EA) | 96- | Front | | | | |
| RENAULT | MEGANE (KA) | 04-99 | Front | | | | |
| RENAULT | MEGANE (KA) | 99- | Front | | | | |
| RENAULT | CLIO I | 98-90 | Front | | | | |
| RENAULT | CLIO II | 05-98 | Front | | | | |
| RENAULT | CLIO II | 98- | Front | | | | |
| RENAULT | EAPRESS | 96-85 | Front | | | | |
| RENAULT | ESPACE I | 92-98 | Rear | | | | |
| RENAULT | EXTRA | 96-85 | Front | | | | |
| RENAULT | KANGOO | 97- | Front | | | | |
| RENAULT | KANGOO | 05-98 | Front | | | | |
| RENAULT | LAGUNA I (B56) | 01-93 | Front | | | | |
| RENAULT | LAGUNA I (B56) | 01-95 | Front | | | | |
| RENAULT | LOGAN | 04- | Front | | | | |
| RENAULT | MEGANE (BA) | 04-96 | Front | | | | |
| RENAULT | MEGANE (LA) | 04-96 | Front | | | | |
| RENAULT | MEGANE (LA) | 96- | Front | | | | |
| RENAULT | MEGANE I (BA) | 96- | Front | | | | |
| RENAULT | MEGANE SCENIC | 99-97 | Front | | | | |
| RENAULT | MEGANE SCENIC I | 03-99 | Front | | | | |
| RENAULT | R19 I | 92-88 | Front | | | | |
| RENAULT | R19 II | 95-92 | Front | | | | |
| RENAULT | R19 II | 96-92 | Front | | | | |
| RENAULT | R21 | 86-95 | Front | | | | |
| RENAULT | R21 | 95 | Front | | | | |
| RENAULT | RAPID | 96-85 | Front | | | | |
| RENAULT | SCENIC I | 03-99 | Front | | | | |

IJ131010

| MAKE | MODEL | YEAR | LOCATION | | VEHICLE TYPE | | |
|---------|---------------|-------|----------|-----|--------------|-----|--|
| | | | FRT/RR | ABS | 2WD | 4WD | |
| CITROEN | C2 | 03- | Front | | | | |
| CITROEN | C2 | 05-03 | Front | | | | |
| CITROEN | C2 ENTERPRISE | 09- | Front | | | | |
| CITROEN | C3 | 05-02 | Front | | | | |
| CITROEN | C3 I | 02- | Front | | | | |
| CITROEN | C3 I PLURIEL | 03- | Front | | | | |
| CITROEN | SAXO | 04-96 | Front | | | | |
| CITROEN | SAXO | 04-99 | Front | | | | |
| CITROEN | XSARA | 04-99 | Front | | | | |
| CITROEN | XSARA (N1) | 05-99 | Front | | | | |
| CITROEN | XSARA (N2) | 05-99 | Front | | | | |
| CITROEN | XSARA (NO) | 05-99 | Front | | | | |
| PEUGEOT | 206 | 05-98 | Front | | | | |
| PEUGEOT | 206 | 98- | Front | | | | |
| PEUGEOT | 106 II | 04-99 | Front | | | | |
| PEUGEOT | 106 VAN I | 04-96 | Front | | | | |
| PEUGEOT | 106 VAN II | 04-96 | Front | | | | |
| PEUGEOT | 206 + | 10-09 | Front | | | | |
| PEUGEOT | 306 N3 | 97-93 | Front | | | | |
| PEUGEOT | 306 N3 | 97-94 | Front | | | | |
| PEUGEOT | 306 N5 | 01-97 | Front | | | | |
| PEUGEOT | 306 N5 | 04-97 | Front | | | | |

IJ131011

| MAKE | MODEL | YEAR | LOCATION | | VEHICLE TYPE | | |
|------|-------------------|-------|-------------|-----|--------------|-----|--|
| | | | FRT/RR | ABS | 2WD | 4WD | |
| AUDI | 90 | 91-88 | Front | | | | |
| AUDI | 200 | 91-88 | Front, Rear | | | | |
| AUDI | 200 | 91-89 | Front, Rear | | | | |
| AUDI | 100 III | 90-88 | Front, Rear | | | | |
| AUDI | 100 III | 94-89 | Front, Rear | | | | |
| AUDI | 100 IV | 94-90 | Front, Rear | | | | |
| AUDI | 80 IV | 94-91 | Front, Rear | | | | |
| AUDI | A4 (8D2, 8D5, B5) | 01-96 | Front</ | | | | |

IJ131011

| MAKE | MODEL | YEAR | LOCATION | | VEHICLE TYPE | | |
|------------|-----------|-------|----------|-----|--------------|-----|--|
| | | | FRT/RR | ABS | 2WD | 4WD | |
| VOLKSWAGEN | PASSAT IV | 00-96 | Front | | | | |
| VOLKSWAGEN | PASSAT V | 05-00 | Front | | | | |

IJ131012

| MAKE | MODEL | YEAR | LOCATION | | VEHICLE TYPE | | |
|---------|--------------------------|-------|----------|-----|--------------|-----|--|
| | | | FRT/RR | ABS | 2WD | 4WD | |
| RENAULT | MEGANE (BA, DA, EA) | 98-96 | Front | | | | |
| RENAULT | MEGANE (DA, EA) | 98-96 | Front | | | | |
| RENAULT | MEGANE I (BA) | 98-96 | Front | | | | |
| RENAULT | LAGUNA I (B56) | 01-93 | Front | | | | |
| RENAULT | LAGUNA I (B56, K56, S56) | 01-93 | Front | | | | |
| RENAULT | LAGUNA I (K56, S56) | 01-95 | Front | | | | |
| RENAULT | MEGANE SCENIC | 99-97 | Front | | | | |
| RENAULT | SAFRANE | 00-92 | Front | | | | |

IJ131013

| MAKE | MODEL | YEAR | LOCATION | | VEHICLE TYPE | | |
|---------|--------------------------|-------|----------|-----|--------------|-----|--|
| | | | FRT/RR | ABS | 2WD | 4WD | |
| RENAULT | LAGUNA I (B56) | 01-93 | Front | • | | | |
| RENAULT | LAGUNA I (B56, K56, S56) | 01-95 | Front | • | | | |
| RENAULT | LAGUNA I (K56, S56) | 01-95 | Front | • | | | |

IJ131014

| MAKE | MODEL | YEAR | LOCATION | | VEHICLE TYPE | | |
|---------|--------------------|-------|----------|-----|--------------|-----|--|
| | | | FRT/RR | ABS | 2WD | 4WD | |
| CITROEN | C2 | 05-03 | Front | • | | | |
| CITROEN | C3 | 05-02 | Front | • | | | |
| DACIA | LOGAN | 04- | Front | • | | | |
| DACIA | SANDRO | 08- | Front | • | | | |
| NISSAN | MARCH | 10-03 | Front | • | | | |
| NISSAN | MICRA (K12) | 03- | Front | • | | | |
| NISSAN | MICRA C+C | 05- | Front | • | | | |
| NISSAN | NOTE | 10-06 | Front | • | | | |
| PEUGEOT | 1007 | 06-05 | Front | • | | | |
| RENAULT | CLIO GRANDTOUR | 08- | Front | • | | | |
| RENAULT | CLIO III | 05- | Front | • | | | |
| RENAULT | KANGOO | 08- | Front | • | | | |
| RENAULT | LOGAN | 04- | Front | • | | | |
| RENAULT | MEGANE II (BM, CM) | 02- | Front | • | | | |
| RENAULT | MEGANE II (EM) | 03- | Front | • | | | |
| RENAULT | MEGANE II (KM) | 03- | Front | • | | | |
| RENAULT | MEGANE II (LM) | 03- | Front | • | | | |
| RENAULT | MODUS | 04- | Front | • | | | |
| RENAULT | SANDERO | 07- | Front | • | | | |
| RENAULT | TWINGO II | 07- | Front | • | | | |

IJ131018

| MAKE | MODEL | YEAR | LOCATION | | VEHICLE TYPE | | |
|---------------|-----------------|-------|----------|-----|--------------|-----|--|
| | | | FRT/RR | ABS | 2WD | 4WD | |
| MERCEDES-BENZ | 124 | 93-84 | Rear | | | | |
| MERCEDES-BENZ | 190 | 93-82 | Rear | | | | |
| MERCEDES-BENZ | C CLASS (202) | 01-93 | Rear | | | | |
| MERCEDES-BENZ | C CLASS (C203) | 04-01 | Rear | | | | |
| MERCEDES-BENZ | C CLASS (CL203) | 11-01 | Rear | | | | |
| MERCEDES-BENZ | C CLASS (S203) | 07-01 | Rear | | | | |
| MERCEDES-BENZ | C CLASS (T203) | 04-01 | Rear | | | | |
| MERCEDES-BENZ | C CLASS (W203) | 02-00 | Rear | | | | |
| MERCEDES-BENZ | C CLASS (W203) | 07-00 | Rear | | | | |
| MERCEDES-BENZ | CLC-CLASS | 08- | Rear | | | | |
| MERCEDES-BENZ | CLK(208) | 02-97 | Rear | | | | |
| MERCEDES-BENZ | CLK(208) | 04-97 | Rear | | | | |
| MERCEDES-BENZ | CLK(209) | 10-02 | Rear | | | | |
| MERCEDES-BENZ | E CLASS (124) | 98-93 | Rear | | | | |
| MERCEDES-BENZ | E CLASS (A124) | 98-93 | Rear | | | | |
| MERCEDES-BENZ | E CLASS (C124) | 97-93 | Rear | | | | |
| MERCEDES-BENZ | E CLASS (S210) | 03-99 | Rear | | | | |
| MERCEDES-BENZ | E CLASS (W210) | 02-95 | Rear | | | | |
| MERCEDES-BENZ | E CLASS (W210) | 02-96 | Rear | | | | |
| MERCEDES-BENZ | E CLASS (W214) | 95-93 | Rear | | | | |
| MERCEDES-BENZ | SL(129) | 01-89 | Rear | | | | |
| MERCEDES-BENZ | SL(129) | 01-89 | Rear | | | | |
| MERCEDES-BENZ | SL(R129) | 01-89 | Rear | | | | |
| MERCEDES-BENZ | SLK(170) | 04 | Rear | | | | |
| MERCEDES-BENZ | SLK(170) | 04-96 | Rear | | | | |
| MERCEDES-BENZ | SLK(R170) | 04-96 | Rear | | | | |
| MERCEDES-BENZ | SLK(R171) | 11-04 | Rear | | | | |

IJ131020

| MAKE | MODEL | YEAR | LOCATION | | VEHICLE TYPE | | |
|---------|-----------|-------|-------------|-----|--------------|-----|--|
| | | | FRT/RR | ABS | 2WD | 4WD | |
| CITROEN | AX | 96-98 | Front, Rear | | | | |
| CITROEN | AX | 98-86 | Front | | | | |
| CITROEN | SAXO | 04-96 | Front | | | | |
| PEUGEOT | 106 I | 96-91 | Front | | | | |
| PEUGEOT | 106 VAN I | 00-91 | Front | | | | |
| PEUGEOT | 106 | 00-96 | Front | | | | |

IJ131021

| MAKE | MODEL | YEAR | LOCATION | | VEHICLE TYPE | | |
|---------------|-----------|-------|----------|-----|--------------|-----|--|
| | | | FRT/RR | ABS | 2WD | 4WD | |
| CHRYSLER | CORSSFIRE | 08-04 | Rear | | | | |
| MERCEDES-BENZ | 190D | 89-84 | Rear | | | | |
| MERCEDES-BENZ | 190DT | 87 | Rear | | | | |
| MERCEDES-BENZ | 190E | 93-84 | Rear | | | | |
| MERCEDES-BENZ | 260E | 89-87 | Rear | | | | |
| MERCEDES-BENZ | 300CE | 93-88 | Rear | | | | |
| MERCEDES-BENZ | 300D | 93-87 | Rear | | | | |
| MERCEDES-BENZ | 300DT | 87 | Rear | | | | |
| MERCEDES-BENZ | 300E | 93-86 | Rear | | | | |
| MERCEDES-BENZ | 300SL | 93-90 | Rear | | | | |
| MERCEDES-BENZ | 300TDT | 87 | Rear | | | | |

IJ111001

| MAKE | MODEL | YEAR | LOCATION | | VEHICLE TYPE | | |
|---------------|------------|-------|-------------|-----|--------------|-----|--|
| | | | FRT/RR | ABS | 2WD | 4WD | |
| MERCEDES-BENZ | 300TE | 93-88 | Rear | | | | |
| MERCEDES-BENZ | 350SD | 91 | Rear | | | | |
| MERCEDES-BENZ | 350SDL | 91-90 | Rear | | | | |
| MERCEDES-BENZ | 400E | 93-92 | Rear | | | | |
| MERCEDES-BENZ | 500E | 93-92 | Rear | | | | |
| MERCEDES-BENZ | 500SL | 93-90 | Rear | | | | |
| MERCEDES-BENZ | 600SL | 93 | Rear | | | | |
| MERCEDES-BENZ | C220 | 96-94 | Rear | | | | |
| MERCEDES-BENZ | C230 | 07-97 | Rear | | | | |
| MERCEDES-BENZ | C240 | 05-01 | Rear | | | | |
| MERCEDES-BENZ | C250 | 10 | Rear | | | | |
| MERCEDES-BENZ | C280 | 07-94 | Rear | | | | |
| MERCEDES-BENZ | C300 | 10 | Rear | | | | |
| MERCEDES-BENZ | C32 AMG | 04-02 | Rear | | | | |
| MERCEDES-BENZ | C320 | 05-01 | Rear | | | | |
| MERCEDES-BENZ | C350 | 07-06 | Rear | | | | |
| MERCEDES-BENZ | C36 AMG | 97-95 | Rear | | | | |
| MERCEDES-BENZ | C43 AMG | 00-98 | Rear | | | | |
| MERCEDES-BENZ | C55 AMG | 06-05 | Rear | | | | |
| MERCEDES-BENZ | CLK320 | 05-98 | Rear | | | | |
| MERCEDES-BENZ | CLK350 | 09-06 | Rear | | | | |
| MERCEDES-BENZ | CLK430 | 03-99 | Rear | | | | |
| MERCEDES-BENZ | CLK500 | 06-03 | Rear | | | | |
| MERCEDES-BENZ | CLK55 AMG | 06-01 | Rear | | | | |
| MERCEDES-BENZ | CLK550 | 09-07 | Rear | | | | |
| MERCEDES-BENZ | CLK63 AMG | 09-07 | Rear | | | | |
| MERCEDES-BENZ | E300D | 99-95 | Rear | | | | |
| MERCEDES-BENZ | E320 | 02-94 | Rear | | | | |
| MERCEDES-BENZ | E420 | 97-94 | Rear | | | | |
| MERCEDES-BENZ | E430 | 02-98 | Rear | | | | |
| MERCEDES-BENZ | E500 | 94 | Rear | | | | |
| MERCEDES-BENZ | E55 AMG | 02-99 | Rear | | | | |
| MERCEDES-BENZ | SL320 | 97-94 | Rear | | | | |
| MERCEDES-BENZ | SL500 | 02-94 | Rear | | | | |
| MERCEDES-BENZ | SL600 | 02-94 | Rear | | | | |
| MERCEDES-BENZ | SLK230 | 04-98 | Rear | | | | |
| MERCEDES-BENZ | SLK280 | 08-06 | Rear | | | | |
| MERCEDES-BENZ | SLK300 | 10-09 | Rear | | | | |
| MERCEDES-BENZ | SLK320 AMG | 04-02 | Rear | | | | |
| MERCEDES-BENZ | SLK320 | 04-01 | Rear | | | | |
| MERCEDES-BENZ | SLK350 | 10-05 | Rear | | | | |
| MERCEDES-BENZ | SLK55 AMG | 10-05 | Rear | | | | |
| MERCEDES-BENZ | V-CLASS | 03-96 | Front, Rear | | | | |
| MERCEDES-BENZ | VITO (638) | 03-96 | Front, Rear | | | | |
| VOLVO | 760 | 90-88 | Rear | | | | |
| VOLVO | 780 | 91-88 | Rear | | | | |
| VOLVO | 850 | 97 | Rear | | | | |
| VOLVO | S70 | 00-99 | Rear | | | | |
| VOLVO | V70 | 00-98 | Rear | | | | |

IJ131024

| MAKE | MODEL | YEAR | LOCATION | | VEHICLE TYPE | | |
|---------|--------------|------|----------|-----|--------------|-----|--|
| | | | FRT/RR | ABS | 2WD | 4WD | |
| CITROEN | BERLINGO III | 08- | Front | • | | | |

IJ131024

| MAKE | MODEL | YEAR | LOCATION | | VEHICLE TYPE | | |
|---------|------------------|-------|----------|-----|--------------|-----|--|
| | | | FRT/RR | ABS | 2WD | 4WD | |
| CITROEN | C3 I | 05- | Front | • | | | |
| CITROEN | C3 II | 09- | Front | • | | | |
| CITROEN | C3 II PICASSO | 09- | Front | • | | | |
| CITROEN | C4 | 04- | Front | • | | | |
| CITROEN | C4 GRAND PICASSO | 06- | Front | • | | | |
| CITROEN | C4 PICASSO | 07- | Front | • | | | |
| CITROEN | C5 I | 08-01 | Front | • | | | |
| CITROEN | C5 II | 08-01 | Front | • | | | |
| CITROEN | DS3 | 09- | Front | • | | | |
| CITROEN | DS4 | 11- | Front | • | | | |
| PEUGEOT | 307 | 00- | Front | • | | | |
| PEUGEOT | 307 | 05-00 | Front | • | | | |
| PEUGEOT | 308 | 07- | Front | • | | | |
| PEUGEOT | 5008 | 09- | Front | • | | | |
| PEUGEOT | 308 CC | 09- | Front | • | | | |
| PEUGEOT | 308 SW | 07- | Front | • | | | |
| PEUGEOT | PARTNER II | 08- | Front | • | | | |
| PEUGEOT | PARTNER TEPEE | 08- | Front | • | | | |

IJ131025

| MAKE | MODEL | YEAR | LOCATION | | VEHICLE TYPE | | |
|--------|------------|-------|----------|-----|--------------|-----|--|
| | | | FRT/RR | ABS | 2WD | 4WD | |
| FORD | MONDEO I | 05-00 | Front | • | | | |
| FORD | MONDEO III | 07-00 | Front | • | | | |
| JAGUAR | X-TYPE | 04-01 | Front | • | | | |
| JAGUAR | X-TYPE | 09-01 | Front | • | | | |

IJ131026

| MAKE | MODEL | YEAR | LOCATION | | VEHICLE TYPE | | |
|---------|--------------|-------|----------|-----|--------------|-----|--|
| | | | FRT/RR | ABS | 2WD | 4WD | |
| CITROEN | C2 | 03- | Front | • | | | |
| CITROEN | C3 | 05-02 | Front | • | | | |
| CITROEN | C3 I | 02- | Front | • | | | |
| CITROEN | C3 I PLURIEL | 03- | Front | • | | | |
| CITROEN | C3 II | 09- | Front | • | | | |
| CITROEN | | | | | | | |

IJ131027

| MAKE | MODEL | YEAR | LOCATION | | VEHICLE TYPE | | |
|---------|------------|-------|----------|-----|--------------|-----|--|
| | | | FRT/RR | ABS | 2WD | 4WD | |
| FIAT | FIORINO II | 07- | Front | • | | | |
| FIAT | IDEA | 03- | Front | • | | | |
| FIAT | IDEA | 05-04 | Front | • | | | |
| FIAT | LINEA | 07- | Front | • | | | |
| FIAT | MAREA | 02-98 | Front | • | | | |
| FIAT | PUNTO II | 05-99 | Front | • | | | |
| FIAT | QUBO | 08- | Front | • | | | |
| FIAT | STILO | 03-02 | Front | • | | | |
| FIAT | STILO | 05-02 | Front | • | | | |
| LANCIA | MUSA | 04- | Front | • | | | |
| LANCIA | MUSA | 05-04 | Front | • | | | |
| LANCIA | Y | 03-98 | Front | • | | | |
| LANCIA | Y | 04-98 | Front | • | | | |
| LANCIA | YPSILON | 05-03 | Front | • | | | |
| LANCIA | YPSILON I | 11-03 | Front | • | | | |
| PEUGEOT | BIPPER | 08- | Front | • | | | |

IJ131030

| MAKE | MODEL | YEAR | LOCATION | | VEHICLE TYPE | | |
|------|-----------------|-------|----------|-----|--------------|-----|--|
| | | | FRT/RR | ABS | 2WD | 4WD | |
| FORD | TRANSIT CONNECT | 08-02 | Front | • | | | |
| FORD | TRANSIT CONNECT | 11-02 | Front | • | | | |

IJ131031

| MAKE | MODEL | YEAR | LOCATION | | VEHICLE TYPE | | |
|---------|----------|-------|----------|-----|--------------|-----|--|
| | | | FRT/RR | ABS | 2WD | 4WD | |
| CITROEN | EVASION | 02-94 | Front | | | | |
| CITROEN | JUMPY I | 06-95 | Front | | | | |
| CITROEN | JUMPY II | 06-95 | Front | | | | |
| FIAT | SCUDO | 06-96 | Front | | | | |
| FIAT | ULYSSE | 02-94 | Front | | | | |
| LANCIA | ZETA | 02-95 | Front | | | | |
| PEUGEOT | 806 | 02-94 | Front | | | | |
| PEUGEOT | EXPERT I | 95- | Front | | | | |

IJ131032

| MAKE | MODEL | YEAR | LOCATION | | VEHICLE TYPE | | |
|------|-----------------|-------|----------|-----|--------------|-----|--|
| | | | FRT/RR | ABS | 2WD | 4WD | |
| FORD | TRANSIT CONNECT | 08-02 | Front | | | | |
| FORD | TRANSIT CONNECT | 11-02 | Front | | | | |

IJ132001

| MAKE | MODEL | YEAR | LOCATION | | VEHICLE TYPE | | |
|------|------------|-------|----------|-----|--------------|-----|--|
| | | | FRT/RR | ABS | 2WD | 4WD | |
| AUDI | A3 I (8L1) | 03-96 | Rear | • | | | |
| AUDI | TT | 06-00 | Rear | • | | | |
| AUDI | TT | 06-98 | Rear | • | | | |
| SEAT | LEON (1M1) | 06-99 | Rear | • | | | |

IJ132001

| MAKE | MODEL | YEAR | LOCATION | | VEHICLE TYPE | | |
|------------|--------------------|-------|----------|-----|--------------|-----|--|
| | | | FRT/RR | ABS | 2WD | 4WD | |
| SEAT | TOLEDO II | 06-99 | Rear | • | | | |
| SKODA | FABIA III | 07- | Rear | • | | | |
| SKODA | OCTAVIA (1U2, 1U5) | 10-96 | Rear | • | | | |
| SKODA | RAPID II | 11- | Rear | • | | | |
| VOLKSWAGEN | BEETLE | 10-98 | Rear | • | | | |
| VOLKSWAGEN | BORA | 05-98 | Rear | • | | | |
| VOLKSWAGEN | GOLF | 05-99 | Rear | • | | | |
| VOLKSWAGEN | GOLF IV | 06-99 | Rear | • | | | |
| VOLKSWAGEN | JETTA | 05-99 | Rear | • | | | |
| VOLKSWAGEN | NEW BEETLE | 98- | Rear | • | | | |

IJ132002

| MAKE | MODEL | YEAR | LOCATION | | VEHICLE TYPE | | |
|---------|---------------|-------|----------|-----|--------------|-----|--|
| | | | FRT/RR | ABS | 2WD | 4WD | |
| CITROEN | C2 | 03- | Rear | • | | | |
| CITROEN | C2 | 05-03 | Rear | • | | | |
| CITROEN | C2 ENTERPRISE | 09- | Rear | • | | | |
| CITROEN | C3 | 05-02 | Rear | • | | | |
| CITROEN | C3 I | 02- | Rear | • | | | |
| CITROEN | C3 I PLURIEL | 03- | Rear | • | | | |
| PEUGEOT | 206 | 02- | Rear | • | | | |
| PEUGEOT | 206 | 05-02 | Rear | • | | | |
| PEUGEOT | 1007 | 05- | Rear | • | | | |
| PEUGEOT | 1007 | 06-05 | Rear | • | | | |

IJ132003

| MAKE | MODEL | YEAR | LOCATION | | VEHICLE TYPE | | |
|------------|------------------|-------|----------|-----|--------------|-----|--|
| | | | FRT/RR | ABS | 2WD | 4WD | |
| SEAT | AROSA | 04-99 | Rear | • | | | |
| SEAT | CORDOBA | 02-99 | Rear | • | | | |
| SEAT | IBIZA II | 99 | Rear | • | | | |
| SEAT | IBIZA III | 02-99 | Rear | • | | | |
| VOLKSWAGEN | LUPO | 05-98 | Rear | • | | | |
| VOLKSWAGEN | POLO CLASSIC | 01-99 | Rear | • | | | |
| VOLKSWAGEN | POLO III | 01-99 | Rear | • | | | |
| VOLKSWAGEN | POLO III CLASSIC | 05-99 | Rear | • | | | |
| VOLKSWAGEN | POLO VARIANT III | 01-99 | Rear | • | | | |

IJ132004

| MAKE | MODEL | YEAR | LOCATION | | VEHICLE TYPE | | |
|---------|---------------|-------|----------|-----|--------------|-----|--|
| | | | FRT/RR | ABS | 2WD | 4WD | |
| CITROEN | BERLINGO | 05-99 | Rear | | | | |
| CITROEN | XANTIA | 03-99 | Rear | | | | |
| CITROEN | XANTIA | 04-99 | Rear | | | | |
| CITROEN | XSARA PICASSO | 05-00 | Rear | | | | |
| CITROEN | XSARA PICASSO | 05-99 | Rear | | | | |
| PEUGEOT | PARTNER | 05-99 | Rear | | | | |

IJ132005

| MAKE | MODEL | YEAR | LOCATION | | VEHICLE TYPE | | |
|------------|------------|-------|----------|-----|--------------|-----|--|
| | | | FRT/RR | ABS | 2WD | 4WD | |
| ALFA ROMEO | 145 | 01-98 | Rear | • | | | |
| ALFA ROMEO | 146 | 01-98 | Rear | • | | | |
| ALFA ROMEO | MITO | 08- | Rear | • | | | |
| CITROEN | NEMO | 08- | Rear | • | | | |
| FIAT | 500 II | 07- | Rear | • | | | |
| FIAT | BARCETTA | 01-99 | Rear | • | | | |
| FIAT | BARCETTA | 05-99 | Rear | • | | | |
| FIAT | BRAVA | 01-98 | Rear | • | | | |
| FIAT | BRAVA | 02-98 | Rear | • | | | |
| FIAT | BRAVO I | 02-98 | Rear | • | | | |
| FIAT | BRAVO II | 07- | Rear | • | | | |
| FIAT | BRAVO VAN | 08- | Rear | • | | | |
| FIAT | FIORINO II | 07- | Rear | • | | | |
| FIAT | IDEA | 03- | Rear | • | | | |
| FIAT | LINEA | 07- | Rear | • | | | |
| FIAT | MAREA | 07-99 | Rear | • | | | |
| FIAT | PALIO | 01- | Rear | • | | | |
| FIAT | PANDA II | 03- | Rear | • | | | |
| FIAT | PANDA III | 12- | Rear | • | | | |
| FIAT | PUNTO II | 05-99 | Rear | • | | | |
| FIAT | PUNTO II | 99- | Rear | • | | | |
| FIAT | QUBO | 08- | Rear | • | | | |
| FIAT | SIENA I | 01- | Rear | • | | | |
| FIAT | STILO | 06-01 | Rear | • | | | |
| FORD | KA II | 08- | Rear | • | | | |
| LANCIA | DELTA III | 08- | Rear | • | | | |
| LANCIA | LYBRA | 05-99 | Rear | • | | | |
| LANCIA | MUSA | 05-99 | Rear | • | | | |
| LANCIA | Y | 03-98 | Rear | • | | | |
| LANCIA | YPSILON I | 11-03 | Rear | • | | | |
| LANCIA | YPSILON II | 11- | Rear | • | | | |
| PEUGEOT | BIPPER | 08- | Rear | • | | | |

IJ132006

| MAKE | MODEL | YEAR | LOCATION | | VEHICLE TYPE | | |
|---------|--------|-------|----------|-----|--------------|-----|--|
| | | | FRT/RR | ABS | 2WD | 4WD | |
| CITROEN | XSARA | 04-98 | Rear | • | | | |
| CITROEN | XSARA | 05-98 | Rear | • | | | |
| PEUGEOT | 306 | 02-98 | Rear | • | | | |
| PEUGEOT | 306 N5 | 04-98 | Rear | • | | | |

IJ132007

| MAKE | MODEL | YEAR | LOCATION | | VEHICLE TYPE | | |
|---------|----------------|-------|----------|-----|--------------|-----|--|
| | | | FRT/RR | ABS | 2WD | 4WD | |
| CITROEN | BERLINGO | 04-99 | Rear | • | | | |
| CITROEN | BERLINGO I, II | 04-99 | Rear | • | | | |
| CITROEN | XSARA PICASSO | 04-99 | Rear | • | | | |
| CITROEN | XSARA PICASSO | 05-00 | Rear | • | | | |
| PEUGEOT | PARTNER | 05-99 | Rear | • | | | |
| PEUGEOT | PARTNER I | 05-99 | Rear | • | | | |

IJ132010

| MAKE | MODEL | YEAR | LOCATION | | VEHICLE TYPE | | |
|---------|-----------------|-------|----------|-----|--------------|-----|--|
| | | | FRT/RR | ABS | 2WD | 4WD | |
| RENAULT | MEGANE (KA_) | 04-99 | Rear | • | | | |
| RENAULT | MEGANE I (KA_) | 01-99 | Rear | • | | | |
| RENAULT | MEGANE SCENIC | 99-97 | Rear | • | | | |
| RENAULT | MEGANE SCENIC I | 03-99 | Rear | • | | | |
| RENAULT | SCENIC I | 03-99 | Rear | • | | | |

IJ132011

| MAKE | MODEL | YEAR | LOCATION | | VEHICLE TYPE | | |
|-------|----------|-------|----------|-----|--------------|-----|--|
| | | | FRT/RR | ABS | 2WD | 4WD | |
| AUDI | A1 | 10- | Rear | | | | |
| AUDI | A2 | 05-00 | Rear | | | | |
| AUDI | CORDOBA | 05-02 | Rear | | | | |
| AUDI | CORDOBA | 09-02 | Rear | | | | |
| AUDI | FABIA | 06-99 | Rear | | | | |
| AUDI | FOX | 05 | Rear | | | | |
| AUDI | IBIZA IV | 02-95 | Rear | | | | |
| AUDI | IBIZA IV | 09-02 | Rear | | | | |
| AUDI | IBIZA Y | 08- | Rear | | | | |
| AUDI | POLO IV | 05-01 | Rear | | | | |
| SKODA | FABIA I | 08-99 | Rear | | | | |
| SKODA | FABIA II | 06- | Rear | | | | |
| VW | FOX | 05 | Rear | | | | |
| VW | POLO IV | 01- | Rear | | | | |
| VW | POLO V | 09- | Rear | | | | |

IJ132012

| MAKE | MODEL | YEAR | LOCATION | | VEHICLE TYPE | | |
|---------|------------|-------|----------|-----|--------------|-----|--|
| | | | FRT/RR | ABS | 2WD | 4WD | |
| CITROEN | C4 | 07- | Rear | • | | | |
| PEUGEOT | 307 (3A/C) | 05-00 | Rear | • | | | |
| PEUGEOT | 307 (3A/C) | 06-00 | Rear | • | | | |

IJ132015

| MAKE | MODEL | YEAR | LOCATION | | VEHICLE TYPE | | |
|------------|----------|-------|----------|-----|--------------|-----|--|
| | | | FRT/RR | ABS | 2WD | 4WD | |
| ALFA ROMEO | 145 | 96-94 | Rear | • | | | |
| ALFA ROMEO | 146 | 96-94 | Rear | • | | | |
| ALFA ROMEO | 155 | 97-92 | Rear | • | | | |
| FIAT | COUPE | 00-93 | Rear | • | | | |
| FIAT | TEMPRA | 96-90 | Rear | • | | | |
| FIAT | TIPO | 95-88 | Rear | • | | | |
| FIAT | TIPO | 96-88 | Rear | • | | | |
| LANCIA | DEDRA | 99-89 | Rear | • | | | |
| LANCIA | DELTA II | 99-93 | Rear | • | | | |

IJ132016

| MAKE | MODEL | YEAR | LOCATION | | VEHICLE TYPE | | |
|-------|-------|-------|----------|-----|--------------|-----|--|
| | | | FRT/RR | ABS | 2WD | 4WD | |
| VOLVO | S40 | 03-95 | Rear | | | | |
| VOLVO | S40I | 03-95 | Rear | | | | |
| VOLVO | V40 | 04-95 | Rear | | | | |
| VOLVO | V40I | 04-95 | Rear | | | | |

IJ132017

| MAKE | MODEL | YEAR | LOCATION | | VEHICLE TYPE | | |
|------------|---------------|-------|----------|-----|--------------|-----|--|
| | | | FRT/RR | ABS | 2WD | 4WD | |
| AUDI | A3 (8P1) | 08-04 | Rear | • | | | |
| AUDI | A3 (8P1, OPA) | 08-04 | Rear | • | | | |
| AUDI | A3 (8P7) | 08- | Rear | • | | | |
| SEAT | ALTEA | 04- | Rear | • | | | |
| SEAT | ALTEA | 08-06 | Rear | • | | | |
| SEAT | ALTEA XL | 06- | Rear | • | | | |
| SEAT | ALTEA XL | 08-06 | Rear | • | | | |
| SEAT | LEON (1P1) | 05- | Rear | • | | | |
| SEAT | LEON (1P1) | 08-05 | Rear | • | | | |
| VOLKSWAGEN | BETTLE II | 11- | Rear | • | | | |
| VOLKSWAGEN | GOLF V | 08-03 | Rear | • | | | |
| VOLKSWAGEN | GOLF V | 09-03 | Rear | • | | | |
| VOLKSWAGEN | GOLF V PLUS | 05- | Rear | • | | | |
| VOLKSWAGEN | GOLF V PLUS | 08-05 | Rear | • | | | |
| VOLKSWAGEN | GOLF VI | 11- | Rear | • | | | |
| VOLKSWAGEN | JETTA IV | 10- | Rear | • | | | |

IJ132018

| MAKE | MODEL | YEAR | LOCATION | | VEHICLE TYPE | | |
|------------|-------|-------|----------|-----|--------------|-----|--|
| | | | FRT/RR | ABS | 2WD | 4WD | |
| ALFA ROMEO | 147 | 04-01 | Rear | • | | | |
| ALFA ROMEO | 156 | 04-97 | Rear | • | | | |
| ALFA ROMEO | GT II | 04-03 | Rear | • | | | |

IJ132020

| MAKE | MODEL | YEAR | LOCATION | | VEHICLE TYPE | | |
|------------|---------|-------|----------|-----|--------------|-----|--|
| | | | FRT/RR | ABS | 2WD | 4WD | |
| ALFA ROMEO | 147 | 03- | Front | • | | | |
| ALFA ROMEO | 147 | 05-03 | Front | • | | | |
| ALFA ROMEO | 156 | 05-97 | Front | • | | | |
| ALFA ROMEO | 156 | 06-97 | Front | • | | | |
| ALFA ROMEO | 166 | 05-98 | Front | • | | | |
| ALFA ROMEO | 166 | 07-98 | Front | • | | | |
| ALFA ROMEO | GT II | 05-03 | Front | • | | | |
| ALFA ROMEO | GT II | 10-03 | Front | • | | | |
| LANCIA | THEISIS | 04-02 | Front | • | | | |
| LANCIA | THEISIS | 09-02 | Front | • | | | |

IJ132021

| MAKE | MODEL | YEAR | LOCATION | | VEHICLE TYPE | | |
|---------|-------|-------|----------|-----|--------------|-----|--|
| | | | FRT/RR | ABS | 2WD | 4WD | |
| CITROEN | BX | 94-82 | Rear | • | | | |
| PEUGEOT | 405 | 96-87 | Rear | • | | | |

IJ132022

| MAKE | MODEL | YEAR | LOCATION | | VEHICLE TYPE | | |
|------|------------|-------|----------|-----|--------------|-----|--|
| | | | FRT/RR | ABS | 2WD | 4WD | |
| AUDI | A6 | 08-04 | Front | | | | |
| AUDI | A6 | 11-04 | Front | | | | |
| AUDI | A6 ALLROAD | 06- | Front | | | | |
| AUDI | A6 ALLROAD | 08-06 | Front | | | | |
| AUDI | R8 | 07- | Front | | | | |

IJ132023

| MAKE | MODEL | YEAR | LOCATION | | VEHICLE TYPE | | |
|------------|--------------|-------|----------|-----|--------------|-----|--|
| | | | FRT/RR | ABS | 2WD | 4WD | |
| AUDI | A3 II | 03- | Rear | • | | | |
| AUDI | A3 SERIES 2 | 04-03 | Rear | • | | | |
| AUDI | Q3 | 11- | Rear | • | | | |
| AUDI | TT | 06- | Rear | • | | | |
| VOLKSWAGEN | BEETLE II | 11- | Rear | • | | | |
| VOLKSWAGEN | CADDY III | 04- | Rear | • | | | |
| VOLKSWAGEN | CC | 12- | Rear | • | | | |
| VOLKSWAGEN | EOS | 06- | Rear | • | | | |
| VOLKSWAGEN | GOLF V | 03 | Rear | • | | | |
| VOLKSWAGEN | GOLF V | 07- | Rear | • | | | |
| VOLKSWAGEN | GOLF V PLUS | 09- | Rear | • | | | |
| VOLKSWAGEN | GOLF VI | 08- | Rear | • | | | |
| VOLKSWAGEN | GOLF VI PLUS | 09- | Rear | • | | | |
| VOLKSWAGEN | JETTA III | 05- | Rear | • | | | |
| VOLKSWAGEN | JETTA III | 10-05 | Rear | • | | | |
| VOLKSWAGEN | PASSAT | 05- | Rear | • | | | |
| VOLKSWAGEN | PASSAT CC | 08- | Rear | • | | | |
| VOLKSWAGEN | PASSAT VI | 05- | Rear | • | | | |
| VOLKSWAGEN | PASSAT VII | 10- | Rear | • | | | |
| VOLKSWAGEN | SCIROCCO II | 08- | Rear | • | | | |
| VOLKSWAGEN | SHARAN II | 10- | Rear | • | | | |
| VOLKSWAGEN | TIGUAN | 07- | Rear | • | | | |
| VOLKSWAGEN | TOURAN I | 06-03 | Rear | • | | | |
| VOLKSWAGEN | TOURAN I | 10-03 | Rear | • | | | |
| VOLKSWAGEN | TOURAN II | 06- | Rear | • | | | |
| VOLKSWAGEN | TOURAN II | 10- | Rear | • | | | |

IJ132025

| MAKE | MODEL | YEAR | LOCATION | | VEHICLE TYPE | | |
|------|-----------------------|-------|-------------|-----|--------------|-----|--|
| | | | FRT/RR | ABS | 2WD | 4WD | |
| AUDI | A4 | 07-02 | Front | | | | |
| AUDI | A4 (8E2, B6) | 04-00 | Front | | | | |
| AUDI | A4 (8E5, B6) | 04-00 | Front | | | | |
| AUDI | A4 (8EC, 8ED) | 08-04 | Front | | | | |
| AUDI | A4 (8H7, 8HE, B6, B7) | 09-02 | Front | | | | |
| AUDI | A4 QUATTRO | 07-02 | Front | | | | |
| AUDI | A6 | 04-00 | Front | | | | |
| AUDI | A6 | 05-98 | Front | | | | |
| AUDI | A6 QUATTRO | 04-00 | Front | | | | |
| AUDI | A8 | 02-99 | Front | | | | |
| AUDI | A8 QUATTRO | 03-99 | Front | | | | |
| AUDI | RS4 | 08-07 | Front | | | | |
| AUDI | RS4 | 09-00 | Front, Rear | | | | |
| AUDI | RS6 | 04-03 | Front | | | | |

IJ132025

| MAKE | MODEL | YEAR | LOCATION | | VEHICLE TYPE | | |
|------|-------|-------|-------------|-----|--------------|-----|--|
| | | | FRT/RR | ABS | 2WD | 4WD | |
| AUDI | RS6 | 05-02 | Front | | | | |
| AUDI | S4 | 09-02 | Front | | | | |
| AUDI | S4 | 09-03 | Front, Rear | | | | |
| AUDI | S6 | 03-02 | Front | | | | |
| AUDI | S6 | 05-99 | Front | | | | |
| AUDI | S8 | 02-99 | Front | | | | |
| AUDI | S8 | 03-01 | Front | | | | |

IJ132026

| MAKE | MODEL | YEAR | LOCATION | | VEHICLE TYPE | | |
|------|-----------|-------|----------|-----|--------------|-----|--|
| | | | FRT/RR | ABS | 2WD | 4WD | |
| FORD | MONDEO IV | 07- | Front | • | | | |
| FORD | MONDEO IV | 10-06 | Front | • | | | |

IJ132027

| MAKE | MODEL | YEAR | LOCATION | | VEHICLE TYPE | | |
|------|-------------|------|----------|-----|--------------|-----|--|
| | | | FRT/RR | ABS | 2WD | 4WD | |
| FORD | C-MAX I | 07- | Front | | | | |
| FORD | FOCUS C-MAX | 04- | Front | | | | |
| FORD | FOCUS II | 04- | Front | | | | |

IJ133001

| MAKE | MODEL | YEAR | LOCATION | | VEHICLE TYPE | | |
|-------|-------|-------|----------|-----|--------------|-----|--|
| | | | FRT/RR | ABS | 2WD | 4WD | |
| VOLVO | 850 | 97-93 | Front | | | | |
| VOLVO | 850 | 97-94 | Front | | | | |
| VOLVO | C70 | 98 | Front | | | | |
| VOLVO | C70 | 98-97 | Front | | | | |
| VOLVO | S70 | 98 | Front | | | | |
| VOLVO | S70 | 98-97 | Front | | | | |
| VOLVO | V70 | 98 | Front | | | | |
| VOLVO | V70 | 98-97 | Front | | | | |

IJ133002

| MAKE | MODEL | YEAR | LOCATION | | VEHICLE TYPE | | |
|------|---------------|-------|----------|-----|--------------|-----|--|
| | | | FRT/RR | ABS | 2WD | 4WD | |
| OPEL | ASTRA CLASSIC | 05-98 | Rear | | | | |
| OPEL | ASTRA F | 01-91 | Rear | | | | |
| OPEL | ASTRA G | 05-98 | Rear | | | | |
| OPEL | COMBO II | 08-01 | Rear | | | | |
| OPEL | MERIVA | 08-05 | Rear | | | | |
| OPEL | MERIVA | 10-03 | Rear | | | | |
| OPEL | VECTRA A | 95-93 | Rear | | | | |

IJ133003

| MAKE | MODEL | YEAR | LOCATION | | VEHICLE TYPE | | |
|------|--------------------|-------|----------|-----|--------------|-----|--|
| | | | FRT/RR | ABS | 2WD | 4WD | |
| OPEL | ASTRA G 4BOLT TYPE | 05-98 | Front | | | | |

IJ133004

| MAKE | MODEL | YEAR | LOCATION | | VEHICLE TYPE | | |
|------|--------------------|-------|----------|-----|--------------|-----|--|
| | | | FRT/RR | ABS | 2WD | 4WD | |
| OPEL | ASTRA G 4BOLT TYPE | 05-98 | Front | • | | | |

IJ133005

| MAKE | MODEL | YEAR | LOCATION | | VEHICLE TYPE | | |
|------|---------------------|-------|----------|-----|--------------|-----|--|
| | | | FRT/RR | ABS | 2WD | 4WD | |
| OPEL | ASTRA G 5BOLT TYPE | 05-98 | Front | • | | | |
| OPEL | ZAFIRA I 5BOLT TYPE | 05-99 | Front | • | | | |

IJ133006

| MAKE | MODEL | YEAR | LOCATION | | VEHICLE TYPE | | |
|----------|----------------|-------|----------|-----|--------------|-----|--|
| | | | FRT/RR | ABS | 2WD | 4WD | |
| OPEL | ASTRA G | 05-98 | Rear | • | | | |
| OPEL | COMBO II | 08-04 | Rear | • | | | |
| OPEL | MERIVA I | 10-03 | Rear | • | | | |
| OPEL | VECTRA A | 95-93 | Rear | • | | | |
| OPEL | VECTRA B | 03-99 | Rear | • | | | |
| OPEL | ZAFIRA I | 05-99 | Rear | • | | | |
| SABB | 900 | 98-94 | Rear | | | | |
| SABB | 9-3 | 03-99 | Rear | | | | |
| VAUXHALL | ASTRA MK IV | 05-99 | Rear | • | | | |
| VAUXHALL | ASTRAVAN MK IV | 05-98 | Rear | • | | | |
| VAUXHALL | COMBO II | 08-04 | Rear | • | | | |
| VAUXHALL | MERIVA I | 10-03 | Rear | • | | | |
| VAUXHALL | VECTRA MK I | 05-99 | Rear | • | | | |
| VAUXHALL | ZAFIRA MK I | 05-98 | Rear | • | | | |

IJ133007

| MAKE | MODEL | YEAR | LOCATION | | VEHICLE TYPE | | |
|----------|--------------------|-------|----------|-----|--------------|-----|--|
| | | | FRT/RR | ABS | 2WD | 4WD | |
| OPEL | ASTRA CLASSIC | 05-98 | Rear | • | | | |
| OPEL | ASTRA F | 01-91 | Rear | • | | | |
| OPEL | ASTRA G 4BOLT TYPE | 05-98 | Rear | • | | | |
| OPEL | COMBO II | 08-01 | Rear | • | | | |
| OPEL | MERIVA 4BOLT TYPE | 08-03 | Rear | • | | | |
| OPEL | MERIVA 4BOLT TYPE | 10-03 | Rear | • | | | |
| OPEL | VECTRA A | 95-93 | Rear | • | | | |
| OPEL | VECTRA B | 00-95 | Rear | • | | | |
| VAUXHALL | ASTRA MK III | 01-91 | Rear | • | | | |
| VAUXHALL | ASTRA MK IV | 05-98 | Rear | • | | | |
| VAUXHALL | ASTRAVAN MK III | 98-91 | Rear | • | | | |
| VAUXHALL | ASTRAVAN MK IV | 05-98 | Rear | • | | | |
| VAUXHALL | CAVALIER MK III | 95-93 | Rear | • | | | |
| VAUXHALL | COMBO II | 08-01 | Rear | • | | | |
| VAUXHALL | MERIVA I | 10-03 | Rear | • | | | |

IJ133008

| MAKE | MODEL | YEAR | LOCATION | | VEHICLE TYPE | | |
|----------|------------------------|-------|----------|-----|--------------|-----|--|
| | | | FRT/RR | ABS | 2WD | 4WD | |
| OPEL | ASTRA G 5BOLT TYPE | 05-98 | Front | • | | | |
| OPEL | ASTRA MK IV 5BOLT TYPE | 05-98 | Front | • | | | |
| OPEL | ASTRAVAN | 05-98 | Front | • | | | |
| OPEL | ZAFIRA | 05-99 | Front | • | | | |
| VAUXHALL | ASTRA MK IV 5BOLT TYPE | 05-98 | Front | • | | | |
| VAUXHALL | ASTRAVAN | 05-98 | Front | • | | | |
| VAUXHALL | ZAFIRA MK I | 05-98 | Front | • | | | |

IJ133009

| MAKE | MODEL | YEAR | LOCATION | | VEHICLE TYPE | | |
|-------|--------|-------|----------|-----|--------------|-----|--|
| | | | FRT/RR | ABS | 2WD | 4WD | |
| FIAT | XC70 | 10-03 | Front | | | | |
| FORD | S60 | 09-01 | Front | | | | |
| FORD | S80 | 10-99 | Front | | | | |
| OPEL | V70 | 10-01 | Front | | | | |
| OPEL | XC60 | 10 | Front | | | | |
| SAAB | XC90 | 10-09 | Front | | | | |
| VOLVO | S60 I | 10-00 | Front | | | | |
| VOLVO | S80 I | 06-98 | Front | | | | |
| VOLVO | V70 II | 07-00 | Front | | | | |
| VOLVO | XC70 I | 07-00 | Front | | | | |

IJ133010

| MAKE | MODEL | YEAR | LOCATION | | VEHICLE TYPE | | |
|-------|-----------|-------|----------|-----|--------------|-----|--|
| | | | FRT/RR | ABS | 2WD | 4WD | |
| FORD | MONDEO I | 96-93 | Rear | • | | | |
| FORD | MONDEO II | 97-96 | Rear | • | | | |
| VOLVO | MONDEO I | 96-93 | Rear | • | | | |
| VOLVO | MONDEO II | 97-96 | Rear | • | | | |

IJ133011

| MAKE | MODEL | YEAR | LOCATION | | VEHICLE TYPE | | |
|----------|--------------|-------|----------|-----|--------------|-----|--|
| | | | FRT/RR | ABS | 2WD | 4WD | |
| FIAT | CROMA II | 05- | Rear | • | | | |
| OPEL | SIGNUM | 03- | Rear | • | | | |
| OPEL | VECTRA C | 02- | Rear | • | | | |
| SAAB | 9-3 (YS3F) | 02- | Rear | • | | | |
| VAUXHALL | SIGNUM | 02- | Rear | • | | | |
| VAUXHALL | VECTRA MK II | 02- | Rear | • | | | |
| VOLVO | 9-3 (YS3F) | 07-02 | Front | • | | | |
| VOLVO | CROMA II | 08-05 | Front | • | | | |
| VOLVO | SIGNUM | 07-03 | Front | • | | | |
| VOLVO | VECTRA C | 07-02 | Front | • | | | |

IJ133012

| MAKE | MODEL | YEAR | LOCATION | | VEHICLE TYPE | | |
|------|-------|-------|----------|-----|--------------|-----|--|
| | | | FRT/RR | ABS | 2WD | 4WD | |
| FORD | C-MAX | 07- | Rear | • | | | |
| FORD | C-MAX | 08-07 | Rear | • | | | |

IJ133012

| MAKE | MODEL | YEAR | LOCATION | | VEHICLE TYPE | | |
|------|-------------|-------|----------|-----|--------------|-----|--|
| | | | FRT/RR | ABS | 2WD | 4WD | |
| FORD | FOCUS C-MAX | 07-03 | Rear | • | | | |
| FORD | FOCUS II | 04- | Rear | • | | | |
| FORD | FOCUS II | 08-04 | Rear | • | | | |

IJ133014

| MAKE | MODEL | YEAR | LOCATION | | VEHICLE TYPE | | |
|------|---------|-------|----------|-----|--------------|-----|--|
| | | | FRT/RR | ABS | 2WD | 4WD | |
| BMW | 5 (E34) | 04-95 | Front | • | | | |
| BMW | 525I | 03-01 | Front | • | | | |
| BMW | 528I | 00-97 | Front | • | | | |
| BMW | 528IT | 00-99 | Front | • | | | |
| BMW | 530I | 03-01 | Front | • | | | |
| BMW | 540I | 03-97 | Front | • | | | |
| BMW | Z8 | 03-00 | Front | • | | | |
| BMW | Z8 | 09-00 | Front | • | | | |

IJ133015

| MAKE | MODEL | YEAR | LOCATION | | VEHICLE TYPE | | |
|----------|--------------|-------|----------|-----|--------------|-----|--|
| | | | FRT/RR | ABS | 2WD | 4WD | |
| CADILLAC | BLS | 05- | Front | • | | | |
| FIAT | CROMA II | 05- | Front | • | | | |
| OPEL | SIGNUM A | 03- | Front | • | | | |
| OPEL | VECTRA C | 02- | Front | • | | | |
| SAAB | 9-3 (YS3F) | 02- | Front | • | | | |
| VAUXHALL | SIGNUM | 02- | Front | • | | | |
| VAUXHALL | VECTRA MK II | 04-02 | Front | • | | | |

IJ133018

| MAKE | MODEL | YEAR | LOCATION | | VEHICLE TYPE | | |
|-------|-------|------|----------|-----|--------------|-----|--|
| | | | FRT/RR | ABS | 2WD | 4WD | |
| VOLVO | C30 | 07- | Rear | • | | | |
| VOLVO | C70 | 06- | Rear | • | | | |
| VOLVO | S40 | 04- | Rear | • | | | |
| VOLVO | V50 | 04- | Rear | • | | | |

IJ133019

| MAKE | MODEL | YEAR | LOCATION | | VEHICLE TYPE | | |
|------|-----------------------|------|----------|-----|--------------|-----|--|
| | | | FRT/RR | ABS | 2WD | 4WD | |
| OPEL | ASTRA H 5BOLT TYPE | 04- | Rear | • | | | |
| OPEL | MERIVA II | 10- | Rear | • | | | |
| OPEL | ZAFIRA II, 5BOLT TYPE | 05- | Rear | • | | | |

IJ133020

| MAKE | MODEL | YEAR | LOCATION | | VEHICLE TYPE | | |
|------|----------|------|----------|-----|--------------|-----|--|
| | | | FRT/RR | ABS | 2WD | 4WD | |
| OPEL | SIGNUM | 03- | Front | • | | | |
| OPEL | SIGNUM A | 02- | Front | • | | | |
| OPEL | SIGNUM B | 02- | Front | • | | | |

IJ133020

| MAKE | MODEL | YEAR | LOCATION | | VEHICLE TYPE | | |
|----------|--------------|------|----------|-----|--------------|-----|--|
| | | | FRT/RR | ABS | 2WD | 4WD | |
| OPEL | VECTRA C | 02- | Front | • | | | |
| VAUXHALL | SIGNUM | 02- | Front | • | | | |
| VAUXHALL | VECTRA MK II | 05- | Front | • | | | |

IJ133021

| MAKE | MODEL | YEAR | LOCATION | | VEHICLE TYPE | | |
|----------|------------------------|-------|----------|-----|--------------|-----|--|
| | | | FRT/RR | ABS | 2WD | 4WD | |
| OPEL | ASTRA H, 4BOLT TYPE | 04- | Front | • | | | |
| OPEL | ASTRA H, 4BOLT TYPE | 08-04 | Front | • | | | |
| VAUXHALL | ASTRA TWIN TOP | 05- | Front | • | | | |
| VAUXHALL | ASTRA H, 4BOLT TYPE | 08-04 | Front | • | | | |
| VAUXHALL | ASTRA MK V | 04- | Front | • | | | |
| VAUXHALL | ASTRA MK V SPORT HATCH | 05- | Front | • | | | |
| VAUXHALL | ASTRAVAN MK V | 05- | Front | • | | | |

IJ133022

| MAKE | MODEL | YEAR | LOCATION | | VEHICLE TYPE | | |
|----------|------------------------|-------|----------|-----|--------------|-----|--|
| | | | FRT/RR | ABS | 2WD | 4WD | |
| OPEL | ASTRA H, 5BOLT TYPE | 08-04 | Front | • | | | |
| OPEL | ZAFIRA II, 5BOLT TYPE | 08-04 | Front | • | | | |
| VAUXHALL | ASTRA H, 5BOLT TYPE | 08-04 | Front | • | | | |
| VAUXHALL | ASTRA MK V SPORT HATCH | 05- | Front | • | | | |
| VAUXHALL | ASTRA MK V, 5BOLT TYPE | 09-04 | Front | • | | | |
| VAUXHALL | ASTRA TWIN TOP | 05- | Front | • | | | |
| VAUXHALL | ASTRAVAN MK V | 05- | Front | • | | | |
| VAUXHALL | ZAFIRA MK II | 05- | Front | • | | | |

IJ133023

| MAKE | MODEL | YEAR | LOCATION | | VEHICLE TYPE | | |
|-----------|------------------------------------|------|----------|-----|--------------|-----|--|
| | | | FRT/RR | ABS | 2WD | 4WD | |
| CHEVROLET | CRUZE, 15" WHEEL DRIVE | 09- | Front | • | | | |
| GM DAEWOO | LACETTIE PREMIERE, 15" WHEEL DRIVE | 09- | Front | • | | | |
| OPEL | ASTRA J, 15" WHEEL DRIVE | 09- | Front | • | | | |

IJ133024

| MAKE | MODEL | YEAR | LOCATION | | VEHICLE TYPE | | |
|-----------|------------------------------------|------|----------|-----|--------------|-----|--|
| | | | FRT/RR | ABS | 2WD | 4WD | |
| CHEVROLET | CRUZE, 17" WHEEL DRIVE | 09- | Front | • | | | |
| GM DAEWOO | LACETTIE PREMIERE, 17" WHEEL DRIVE | 09- | Front | • | | | |
| OPEL | ASTRA J, 17" WHEEL DRIVE | 09- | Front | • | | | |

IJ133025

| MAKE | MODEL | YEAR | LOCATION | | VEHICLE TYPE | | |
|----------|------------------------|-------|----------|-----|--------------|-----|--|
| | | | FRT/RR | ABS | 2WD | 4WD | |
| OPEL | ASTRA H, 4BOLT TYPE | 08-04 | Rear | • | | | |
| VAUXHALL | ASTRA MK V SPORT HATCH | 05- | Rear | • | | | |
| VAUXHALL | ASTRA MK V, 4BOLT TYPE | 04- | Rear | • | | | |
| VAUXHALL | ASTRA TWIN TOP | 05- | Rear | • | | | |
| VAUXHALL | ASTRAVAN MK V | 05- | Rear | • | | | |

IJ133026

| MAKE | MODEL | YEAR | LOCATION | | VEHICLE TYPE | | |
|----------|------------|------|-------------|-----|--------------|-----|--|
| | | | FRT/RR | ABS | 2WD | 4WD | |
| OPEL | INSIGNIA | 08- | Front, Rear | • | | | |
| SAAB | 9-5 (YS3G) | 10- | Front, Rear | • | | | |
| VAUXHALL | INSIGNIA | 08- | Front, Rear | • | | | |

IJ133027

| MAKE | MODEL | YEAR | LOCATION | | VEHICLE TYPE | | |
|------|-----------|-------|----------|-----|--------------|-----|--|
| | | | FRT/RR | ABS | 2WD | 4WD | |
| FORD | MONDEO II | 00-98 | Rear | • | | | |

IJ133028

| MAKE | MODEL | YEAR | LOCATION | | VEHICLE TYPE | | |
|------|--------|------|----------|-----|--------------|-----|--|
| | | | FRT/RR | ABS | 2WD | 4WD | |
| FORD | FIESTA | 09- | Rear | • | | | |

IJ133029

| MAKE | MODEL | YEAR | LOCATION | | VEHICLE TYPE | | |
|------|-----------|-------|----------|-----|--------------|-----|--|
| | | | FRT/RR | ABS | 2WD | 4WD | |
| FORD | MONDEO IV | 08-07 | Rear | | | | |
| FORD | MONDEO IV | 10-07 | Rear | | | | |

IJ133030

| MAKE | MODEL | YEAR | LOCATION | | VEHICLE TYPE | | |
|----------|------------------------|-------|----------|-----|--------------|-----|--|
| | | | FRT/RR | ABS | 2WD | 4WD | |
| OPEL | ASTRA H | 08-04 | Front | • | | | |
| OPEL | ASTRA H, 5BOLT TYPE | 05- | Front | • | | | |
| OPEL | ZAFIRA II, 5BOLT TYPE | 05- | Front | • | | | |
| OPEL | ZAFIRA II, 5BOLT TYPE | 08-05 | Front | • | | | |
| VAUXHALL | ASTRA MK V | 09-04 | Front | • | | | |
| VAUXHALL | ASTRA MK V SPORT HATCH | 05- | Front | • | | | |
| VAUXHALL | ASTRA TWIN TOP | 06- | Front | • | | | |
| VAUXHALL | ASTRAVAN MK V | 11-05 | Front | • | | | |

IJ133031

| MAKE | MODEL | YEAR | LOCATION | | VEHICLE TYPE | | |
|------|-----------------|-------|----------|-----|--------------|-----|--|
| | | | FRT/RR | ABS | 2WD | 4WD | |
| MINI | MINI (R50, R53) | 06-01 | Rear | • | | | |
| MINI | MINI (R52) | 06-04 | Rear | • | | | |
| MINI | MINI 2 COOPER | 06- | Rear | • | | | |
| MINI | MINI CLUBMAN | 07- | Rear | • | | | |
| MINI | MINI COOPER | 06-01 | Rear | • | | | |

IJ133032

| MAKE | MODEL | YEAR | LOCATION | | VEHICLE TYPE | | |
|------|---------|-------|----------|-----|--------------|-----|--|
| | | | FRT/RR | ABS | 2WD | 4WD | |
| OPEL | ASTRA H | 04- | Front | • | | | |
| OPEL | ASTRA H | 08-04 | Front | • | | | |

IJ133032

| MAKE | MODEL | YEAR | LOCATION | | VEHICLE TYPE | | |
|----------|-----------------------|-------|----------|-----|--------------|-----|--|
| | | | FRT/RR | ABS | 2WD | 4WD | |
| OPEL | ZAFIRA II | 05- | Front | • | | | |
| VAUXHALL | ASTRA MKV | 09-04 | Front | • | | | |
| VAUXHALL | ASTRA MKV SPORT HATCH | 05- | Front | • | | | |
| VAUXHALL | ASTRA TWIN TOP | 06- | Front | • | | | |
| VAUXHALL | ASTRAVAN MKV | 11-05 | Front | • | | | |
| VAUXHALL | ZAFIRA MK II | 05- | Front | • | | | |

IJ133033

| MAKE | MODEL | YEAR | LOCATION | | VEHICLE TYPE | | |
|------|-------|------|----------|-----|--------------|-----|--|
| | | | FRT/RR | ABS | 2WD | 4WD | |
| BMW | 1 | 11- | Front | | | | |
| BMW | 3 | 11- | Front | | | | |

IJ133034

| MAKE | MODEL | YEAR | LOCATION | | VEHICLE TYPE | | |
|------|-----------------|------|-------------|-----|--------------|-----|--|
| | | | FRT/RR | ABS | 2WD | 4WD | |
| MINI | MINI COUNTRYMAN | 11- | Front, Rear | | | | |

IJ133035

| MAKE | MODEL | YEAR | LOCATION | | VEHICLE TYPE | | |
|---------|---------|------|----------|-----|--------------|-----|--|
| | | | FRT/RR | ABS | 2WD | 4WD | |
| PEUGEOT | PICASSO | 13- | Rear | | | | |

IJ133036

| MAKE | MODEL | YEAR | LOCATION | | VEHICLE TYPE | | |
|------|-------|-------|----------|-----|--------------|-----|--|
| | | | FRT/RR | ABS | 2WD | 4WD | |
| BMW | X5 | 12-07 | Front | | | | |
| BMW | X6 | 12-08 | Front | | | | |

IJ141001

| MAKE | MODEL | YEAR | LOCATION | | VEHICLE TYPE | | |
|-----------|---------|-------|----------|-----|--------------|-----|--|
| | | | FRT/RR | ABS | 2WD | 4WD | |
| CHEVROLET | PRIZM | 02-98 | Front | | | | |
| GEO | PRIZM | 97-89 | Front | | | | |
| TOYOTA | COROLLA | 02-98 | Front | | | | |

IJ141002

| MAKE | MODEL | YEAR | LOCATION | | VEHICLE TYPE | | |
|-------|--------|-------|----------|-----|--------------|-----|--|
| | | | FRT/RR | ABS | 2WD | 4WD | |
| ACURA | CSX | 10-06 | Front | | | | |
| ACURA | TL | 08-04 | Front | | | | |
| ACURA | TSX | 08-04 | Front | • | | | |
| HONDA | ACCORD | 07-03 | Front | • | | | |
| HONDA | CIVIC | 10-06 | Front | • | | | |
| HONDA | CIVIC | 11-06 | Front | • | | | |

IJ141003

| MAKE | MODEL | YEAR | LOCATION | | VEHICLE TYPE | | |
|---------|-----------------------------|-------|----------|-----|--------------|-----|--|
| | | | FRT/RR | ABS | 2WD | 4WD | |
| FORD | EDGE | 10-07 | Front | | | | |
| FORD | EDGE | 13-07 | Front | | | | |
| FORD | ES330 | 06-04 | Front | | | | |
| FORD | ES350 | 10-07 | Front | | | | |
| FORD | HS250H | 10 | Front | | | | |
| FORD | RX330 | 06-04 | Front | | | | |
| FORD | RX350 | 09-07 | Front | | | | |
| FORD | RX400H | 08-06 | Front | | | | |
| LEXUS | ES330 | 06-04 | Front | | | | |
| LEXUS | ES330H | 13 | Front | | | | |
| LEXUS | ES350 | 13-07 | Front | | | | |
| LEXUS | HS250H | 10 | Front | | | | |
| LEXUS | RX330 | 06-04 | Front | | | | |
| LEXUS | RX350 | 09-07 | Front | | | | |
| LEXUS | RX400H | 08-06 | Front | | | | |
| LINCOLN | MKX | 10-07 | Front | | | | |
| LINCOLN | MKX | 13-07 | Front | | | | |
| MAZDA | 6 | 07-06 | Front | | | | |
| MAZDA | CX-7 | 10-07 | Front | | | | |
| MAZDA | CX-7 | 12-07 | Front | | | | |
| MAZDA | CX-9 | 10-07 | Front | | | | |
| MAZDA | CX-9 | 13-07 | Front | | | | |
| PONTIAC | VIBE | 10-09 | Front | | | | |
| PONTIAC | VIBE 2.4L 4CYL (2362) (-) | 10-09 | Front | | | | |
| TOYOTA | AVALON | 10-05 | Front | | | | |
| TOYOTA | AVALON | 13-05 | Front | | | | |
| TOYOTA | CAMRY | 10-04 | Front | | | | |
| TOYOTA | CAMRY | 13-04 | Front | | | | |
| TOYOTA | COROLLA | 09 | Front | | | | |
| TOYOTA | HIGHLANDER | 07-01 | Front | | | | |
| TOYOTA | MATRIX | 10-09 | Front | | | | |
| TOYOTA | MATRIX 2.4L 4CYL (2362) (-) | 13-09 | Front | | | | |
| TOYOTA | SIENNA | 10-04 | Front | | | | |
| TOYOTA | SOLARA | 08-04 | Front | | | | |
| TOYOTA | VENZA | 10-09 | Front | | | | |
| TOYOTA | VENZA | 13-09 | Front | | | | |

IJ141004

| MAKE | MODEL | YEAR | LOCATION | | VEHICLE TYPE | | |
|-------|---------|-------|----------|-----|--------------|-----|--|
| | | | FRT/RR | ABS | 2WD | 4WD | |
| ACURA | MDX | 02-01 | Rear | | | | |
| ACURA | RSX | 06-02 | Front | | | | |
| HONDA | CR-V | 04-97 | Front | | | | |
| HONDA | ELEMENT | 05-03 | Front | | | | |
| HONDA | PILOT | 08-03 | Front | | | | |
| HONDA | PRELUDE | 01-97 | Front | | | | |
| HONDA | S2000 | 09-00 | Front | | | | |

IJ141005

| MAKE | MODEL | YEAR | LOCATION | | VEHICLE TYPE | | |
|----------|-------|-------|----------|-----|--------------|-----|--|
| | | | FRT/RR | ABS | 2WD | 4WD | |
| INFINITI | I30 | 01-00 | Front | | | | |
| INFINITI | I35 | 04-02 | Front | | | | |

IJ141005

| MAKE | MODEL | YEAR | LOCATION | | VEHICLE TYPE | | |
|--------|---------|-------|----------|-----|--------------|-----|--|
| | | | FRT/RR | ABS | 2WD | 4WD | |
| NISSAN | ALTIMA | 06-02 | Front | | | | |
| NISSAN | MAXIMA | 08-00 | Front | | | | |
| NISSAN | X-TRAIL | 06-05 | Front | | | | |

IJ141007

| MAKE | MODEL | YEAR | LOCATION | | VEHICLE TYPE | | |
|-------|---------|-------|----------|-----|--------------|-----|--|
| | | | FRT/RR | ABS | 2WD | 4WD | |
| ACURA | CL | 03-01 | Front | | | | |
| ACURA | MDX | 02-01 | Front | | | | |
| ACURA | RSX | 05-02 | Front | | | | |
| ACURA | RSX | 06-02 | Front | | | | |
| ACURA | TL | 03-99 | Front | | | | |
| HONDA | ACCORD | 02-98 | Front | | | | |
| HONDA | CIVIC | 05-04 | Front | | | | |
| HONDA | CR-V | 04-97 | Front | | | | |
| HONDA | ELEMENT | 05-03 | Front | | | | |
| HONDA | PILOT | 08-03 | Front | | | | |
| HONDA | PRELUDE | 01-97 | Front | | | | |
| HONDA | S2000 | 09-00 | Front | | | | |
| HONDA | S2000 | 09-00 | Rear | | | | |

IJ141008

| MAKE | MODEL | YEAR | LOCATION | | VEHICLE TYPE | | |
|--------|-------|-------|----------|-----|--------------|-----|--|
| | | | FRT/RR | ABS | 2WD | 4WD | |
| SCION | XA | 06-04 | Front | | | | |
| SCION | XB | 06-04 | Front | | | | |
| TOYOTA | ECHO | 05-00 | Front | | | | |

IJ141009

| MAKE | MODEL | YEAR | LOCATION | | VEHICLE TYPE | | |
|-------|---------------|-------|----------|-----|--------------|-----|--|
| | | | FRT/RR | ABS | 2WD | 4WD | |
| ACURA | EL | 00-97 | Front | • | | | |
| HONDA | CIVIC | 00-92 | Front | • | | | |
| HONDA | CIVIC DEL SOL | 97-93 | Front | • | | | |
| HONDA | CR-V | 04-02 | Front | • | | | |
| HONDA | CR-V | 04-02 | Rear | | | | |

IJ141011

| MAKE | MODEL | YEAR | LOCATION | | VEHICLE TYPE | | |
|---------|---------|-------|----------|-----|--------------|-----|--|
| | | | FRT/RR | ABS | 2WD | 4WD | |
| PONTIAC | VIBE | 08-03 | Front | | | | |
| PONTIAC | VIBE | 10-03 | Front | | | | |
| PONTIAC | VIBE | 10-09 | Front | | | | |
| SCION | TC | 10-05 | Front | | | | |
| TOYOTA | CELICA | 05-00 | Front | | | | |
| TOYOTA | COROLLA | 10-03 | Front | | | | |
| TOYOTA | COROLLA | 13-03 | Front | | | | |
| TOYOTA | MATRIX | 08-03 | Front | | | | |
| TOYOTA | MATRIX | 10-03 | Front | | | | |

IJ141011

| MAKE | MODEL | YEAR | LOCATION | | VEHICLE TYPE | | |
|--------|------------|-------|----------|-----|--------------|-----|--|
| | | | FRT/RR | ABS | 2WD | 4WD | |
| TOYOTA | MATRIX | 13-03 | Front | | | | |
| TOYOTA | MR2 SPYDER | 05-00 | Front | | | | |
| TOYOTA | MR2 SPYDER | 05-00 | Rear | | | | |
| TOYOTA | PRIUS | 03-01 | Front | | | | |

IJ141012

| MAKE | MODEL | YEAR | LOCATION | | VEHICLE TYPE | | |
|------------|--------|-------|----------|-----|--------------|-----|--|
| | | | FRT/RR | ABS | 2WD | 4WD | |
| MITSUBISHI | LANCER | 07-02 | Front | | | | |
| MITSUBISHI | LANGER | 07-02 | Front | | | | |
| MITSUBISHI | MIRAGE | 02-00 | Front | | | | |
| NISSAN | SENTRA | 06-00 | Front | | | | |

IJ141013

| MAKE | MODEL | YEAR | LOCATION | | VEHICLE TYPE | | |
|--------|---------|-------|----------|-----|--------------|-----|--|
| | | | FRT/RR | ABS | 2WD | 4WD | |
| NISSAN | PLATINA | 07-02 | Front | | | | |

IJ141014

| MAKE | MODEL | YEAR | LOCATION | | VEHICLE TYPE | | |
|------|-------|-------|----------|-----|--------------|-----|--|
| | | | FRT/RR | ABS | 2WD | 4WD | |
| OPEL | CORSA | 06-02 | Front | | | | |

IJ142001

| MAKE | MODEL | YEAR | LOCATION | | VEHICLE TYPE | | |
|-------|---------------|-------|----------|-----|--------------|-----|--|
| | | | FRT/RR | ABS | 2WD | 4WD | |
| ACURA | INTEGRA | 01-90 | Rear | • | | | |
| HONDA | CIVIC | 00-92 | Rear | • | | | |
| HONDA | CIVIC DEL SOL | 97-95 | Rear | • | | | |

IJ142002

| MAKE | MODEL | YEAR | LOCATION | | VEHICLE TYPE | | |
|-------|--------|-------|----------|-----|--------------|-----|--|
| | | | FRT/RR | ABS | 2WD | 4WD | |
| HONDA | ACCORD | 02-98 | Rear | | | | |

IJ142003

| MAKE | MODEL | YEAR | LOCATION | | VEHICLE TYPE | | |
|-------|-----------------------------|-------|----------|-----|--------------|-----|--|
| | | | FRT/RR | ABS | 2WD | 4WD | |
| HONDA | ACCORD | 02-98 | Rear | • | | | |
| HONDA | ACCORD 2.3L 4CYL (2254) (-) | 02-98 | Rear | • | | | |

IJ142004

| MAKE | MODEL | YEAR | LOCATION | | VEHICLE TYPE | | |
|-------|-----------------------------|-------|----------|-----|--------------|-----|--|
| | | | FRT/RR | ABS | 2WD | 4WD | |
| HONDA | ACCORD | 02-98 | Rear | | | | |
| HONDA | ACCORD 2.3L 4CYL (2254) (-) | 02-98 | Rear | | | | |

IJ142005

| MAKE | MODEL | YEAR | LOCATION | | VEHICLE TYPE | | |
|-------|----------------------------|-------|----------|-----|--------------|-----|--|
| | | | FRT/RR | ABS | 2WD | 4WD | |
| ACURA | TL | 03-99 | Rear | • | | | |
| HONDA | ACCORD | 02-98 | Rear | • | | | |
| HONDA | ACCORD 3.0 6CYL (2997) (-) | 02-98 | Rear | • | | | |

IJ142006

| MAKE | MODEL | YEAR | LOCATION | | VEHICLE TYPE | | |
|-------|--------|-------|----------|-----|--------------|-----|--|
| | | | FRT/RR | ABS | 2WD | 4WD | |
| ACURA | TL | 08-04 | Rear | | | | |
| HONDA | ACCORD | 07-03 | Rear | | | | |

IJ142007

| MAKE | MODEL | YEAR | LOCATION | | VEHICLE TYPE | | |
|----------|--------|-------|----------|-----|--------------|-----|--|
| | | | FRT/RR | ABS | 2WD | 4WD | |
| INFINITI | I30 | 01-00 | Rear | | | | |
| INFINITI | I35 | 04-02 | Rear | | | | |
| NISSAN | MAXIMA | 03-00 | Rear | | | | |

IJ142008

| MAKE | MODEL | YEAR | LOCATION | | VEHICLE TYPE | | |
|-------|-------------------------|-------|----------|-----|--------------|-----|--|
| | | | FRT/RR | ABS | 2WD | 4WD | |
| ACURA | CL | 99-97 | Front | | | | |
| ACURA | CL 2.2L 4CYL (2156) (-) | 99 | Front | | | | |
| ACURA | CL 2.3L 4CYL (2254) (-) | 99-98 | Front | | | | |
| ACURA | CL 3.0L 6CYL (2997) (-) | 99-97 | Front | | | | |
| HONDA | ACCORD | 97-90 | Front | | | | |

IJ142009

| MAKE | MODEL | YEAR | LOCATION | | VEHICLE TYPE | | |
|-------|-------|-------|----------|-----|--------------|-----|--|
| | | | FRT/RR | ABS | 2WD | 4WD | |
| ACURA | EL | 05-01 | Rear | • | | | |
| HONDA | CIVIC | 05-01 | Rear | • | | | |

IJ142010

| MAKE | MODEL | YEAR | LOCATION | | VEHICLE TYPE | | |
|-------|---------------|-------|----------|-----|--------------|-----|--|
| | | | FRT/RR | ABS | 2WD | 4WD | |
| ACURA | INTEGRA | 01-94 | Rear | | | | |
| ACURA | INTEGRA | 97-94 | Rear | | | | |
| HONDA | CIVIC | 00-92 | Rear | | | | |
| HONDA | CIVIC DEL SOL | 97-93 | Rear | | | | |

IJ142011

| MAKE | MODEL | YEAR | LOCATION | | VEHICLE TYPE | | |
|-------|-------|-------|----------|-----|--------------|-----|--|
| | | | FRT/RR | ABS | 2WD | 4WD | |
| MAZDA | 323 | 95-89 | Rear | | | | |
| MAZDA | BJ | 03-00 | | | | | |
| MAZDA | MX3 | 95-92 | Rear | | | | |

IJ142012

| MAKE | MODEL | YEAR | LOCATION | | VEHICLE TYPE | | |
|-------|-------|-------|----------|-----|--------------|-----|--|
| | | | FRT/RR | ABS | 2WD | 4WD | |
| MAZDA | 3 | 05-04 | Front | | | | |

IJ143001

| MAKE | MODEL | YEAR | LOCATION | | VEHICLE TYPE | | |
|--------|------------------|-------|-----------|-----|--------------|-----|--|
| | | | FRT/RR | ABS | 2WD | 4WD | |
| LEXUS | ES300 | 03-02 | Rear | | | | |
| LEXUS | ES300 | 03-02 | Rear Left | | | | |
| LEXUS | ES330 | 06-04 | Rear | | | | |
| LEXUS | ES330 | 06-04 | Rear Left | | | | |
| LEXUS | ES350 | 10-07 | Rear | | | | |
| LEXUS | ES350 | 12-07 | Rear | | | | |
| LEXUS | ES350 | 12-07 | Rear Left | | | | |
| TOYOTA | AVALON | 10-05 | Rear | | | | |
| TOYOTA | AVALON | 12-05 | Rear | | | | |
| TOYOTA | AVALON | 12-05 | Rear Left | | | | |
| TOYOTA | CAMRY | 10-02 | Rear Left | | | | |
| TOYOTA | CAMRY | 11-02 | Rear Left | | | | |
| TOYOTA | HIGHLANDER | 03-01 | Rear | | | | |
| TOYOTA | HIGHLANDER (FWD) | 03-01 | Rear | | | | |
| TOYOTA | HIGHLANDER | 03-01 | Rear Left | | | | |
| TOYOTA | SOLARA | 08-04 | Rear | | | | |
| TOYOTA | SOLARA | 08-04 | Rear Left | | | | |

IJ143002

| MAKE | MODEL | YEAR | LOCATION | | VEHICLE TYPE | | |
|--------|------------------|-------|-----------|-----|--------------|-----|--|
| | | | FRT/RR | ABS | 2WD | 4WD | |
| LEXUS | ES300 | 03-02 | Rear | | | | |
| LEXUS | ES300 | 03-02 | Rear Left | | | | |
| LEXUS | ES330 | 06-04 | Rear | | | | |
| LEXUS | ES330 | 06-04 | Rear Left | | | | |
| LEXUS | ES350 | 10-07 | Rear | | | | |
| LEXUS | ES350 | 12-07 | Rear | | | | |
| LEXUS | ES350 | 12-07 | Rear Left | | | | |
| TOYOTA | AVALON | 10-05 | Rear | | | | |
| TOYOTA | AVALON | 12-05 | Rear | | | | |
| TOYOTA | AVALON | 12-05 | Rear Left | | | | |
| TOYOTA | CAMRY | 10-02 | Rear Left | | | | |
| TOYOTA | CAMRY | 11-02 | Rear Left | | | | |
| TOYOTA | HIGHLANDER | 03-01 | Rear | | | | |
| TOYOTA | HIGHLANDER (FWD) | 03-01 | Rear | | | | |
| TOYOTA | HIGHLANDER | 03-01 | Rear Left | | | | |
| TOYOTA | SOLARA | 08-04 | Rear | | | | |
| TOYOTA | SOLARA | 08-04 | Rear Left | | | | |

IJ143003

| MAKE | MODEL | YEAR | LOCATION | | VEHICLE TYPE | | |
|--------|-------|-------|----------|-----|--------------|-----|--|
| | | | FRT/RR | ABS | 2WD | 4WD | |
| TOYOTA | CAMRY | 05-02 | Rear | • | | | |
| TOYOTA | CAMRY | 09-02 | Rear | • | | | |

IJ143004

| MAKE | MODEL | YEAR | LOCATION | | VEHICLE TYPE | | |
|---------|--------------|-------|----------|-----|--------------|-----|--|
| | | | FRT/RR | ABS | 2WD | 4WD | |
| PONTIAC | VIBE | 08-03 | Rear | • | | | |
| PONTIAC | VIBE (FWD) | 08-03 | Rear | • | | | |
| TOYOTA | COROLLA | 08-03 | Rear | • | | | |
| TOYOTA | MATRIX | 08-03 | Rear | • | | | |
| TOYOTA | MATRIX (FWD) | 08-03 | Rear | • | | | |
| TOYOTA | PRIUS | 09-04 | Rear | • | | | |

IJ143005

| MAKE | MODEL | YEAR | LOCATION | | VEHICLE TYPE | | |
|---------|---------|-------|----------|-----|--------------|-----|--|
| | | | FRT/RR | ABS | 2WD | 4WD | |
| PONTIAC | VIBE | 08-03 | Rear | • | | | |
| TOYOTA | CELICA | 05-00 | Rear | • | | | |
| TOYOTA | COROLLA | 08-03 | Rear | • | | | |
| TOYOTA | MATRIX | 08-03 | Rear | • | | | |

IJ143006

| MAKE | MODEL | YEAR | LOCATION | | VEHICLE TYPE | | |
|--------|-------------|-------|----------|-----|--------------|-----|--|
| | | | FRT/RR | ABS | 2WD | 4WD | |
| TOYOTA | ECHO | 05-00 | Rear | • | | | |
| TOYOTA | ECHO | 05-01 | Rear | • | | | |
| TOYOTA | YARIS | 05-01 | Rear | • | | | |
| TOYOTA | YARIS VERSO | 05-01 | Rear | • | | | |

IJ143007

| MAKE | MODEL | YEAR | LOCATION | | VEHICLE TYPE | | |
|--------|-------|-------|----------|-----|--------------|-----|--|
| | | | FRT/RR | ABS | 2WD | 4WD | |
| TOYOTA | RAV4 | 05-01 | Rear | | | | |

IJ143008

| MAKE | MODEL | YEAR | LOCATION | | VEHICLE TYPE | | |
|----------|-------|-------|----------|-----|--------------|-----|--|
| | | | FRT/RR | ABS | 2WD | 4WD | |
| INFINITI | G35 | 07-03 | Front | | | | |
| INFINITI | G35 | 08-03 | Front | | | | |
| NISSAN | 350Z | 09-03 | Front | | | | |

IJ143009

| MAKE | MODEL | YEAR | LOCATION | | VEHICLE TYPE | | |
|--------|-------------|-------|----------|-----|--------------|-----|--|
| | | | FRT/RR | ABS | 2WD | 4WD | |
| TOYOTA | ECHO | 05-00 | Rear | • | | | |
| TOYOTA | ECHO | 05-01 | Rear | • | | | |
| TOYOTA | SCION XA | 06-04 | Rear | • | | | |
| TOYOTA | SCION XB | 06-04 | Rear | • | | | |
| TOYOTA | XB | 06-04 | Rear | • | | | |
| TOYOTA | YARIS | 05-01 | Rear | • | | | |
| TOYOTA | YARIS VERSO | 05-01 | Rear | • | | | |

IJ143011

| MAKE | MODEL | YEAR | LOCATION | | VEHICLE TYPE | | |
|---------|--------------|-------|----------|-----|--------------|-----|--|
| | | | FRT/RR | ABS | 2WD | 4WD | |
| NISSAN | JUKE | 10- | Front | • | | | |
| NISSAN | LEAF | 10- | Front | • | | | |
| NISSAN | QUASHQUAI | 07- | Front | • | | | |
| NISSAN | QUASHQUAI | 10-07 | Front | • | | | |
| NISSAN | ROGUE | 12-08 | Front | • | | | |
| NISSAN | ROGUE | 13-08 | Front | • | | | |
| NISSAN | ROGUE SELECT | 14- | Front | • | | | |
| NISSAN | SENTRA | 12-07 | Front | • | | | |
| NISSAN | X-TRAIL | 07- | Front | • | | | |
| NISSAN | X-TRAIL | 10-07 | Front | • | | | |
| RENAULT | KOLEOS | 08- | Front | • | | | |
| RENAULT | KOLEOS | 10-08 | Front | • | | | |

IJ143012

| MAKE | MODEL | YEAR | LOCATION | | VEHICLE TYPE | | |
|---------|-----------|-------|----------|-----|--------------|-----|--|
| | | | FRT/RR | ABS | 2WD | 4WD | |
| NISSAN | QUASHQUAI | 07- | Rear | • | | | |
| NISSAN | QUASHQUAI | 10-07 | Rear | • | | | |
| NISSAN | X-TRAIL | 07- | Rear | • | | | |
| NISSAN | X-TRAIL | 10-07 | Rear | • | | | |
| RENAULT | KOLEOS | 08- | Rear | • | | | |
| RENAULT | KOLEOS | 10-08 | Rear | • | | | |

IJ143013

| MAKE | MODEL | YEAR | LOCATION | | VEHICLE TYPE | | |
|---------|-----------|-------|----------|-----|--------------|-----|--|
| | | | FRT/RR | ABS | 2WD | 4WD | |
| NISSAN | JUKE | 10- | Rear | | | | |
| NISSAN | QUASHQUAI | 07- | Rear | | | | |
| NISSAN | QUASHQUAI | 10-07 | Rear | | | | |
| NISSAN | ROGUE | 12-08 | Rear | | | | |
| NISSAN | ROGUE | 13-08 | Rear | | | | |
| NISSAN | X-TRAIL | 07- | Rear | | | | |
| NISSAN | X-TRAIL | 10-07 | Rear | | | | |
| RENAULT | KOLEOS | 08- | Rear | | | | |
| RENAULT | KOLEOS | 10-08 | Rear | | | | |

IJ143015

| MAKE | MODEL | YEAR | LOCATION | | VEHICLE TYPE | | |
|-------|-------|-------|----------|-----|--------------|-----|--|
| | | | FRT/RR | ABS | 2WD | 4WD | |
| MAZDA | 3 | 13-04 | Rear | | | | |
| | 5 | 14-06 | Rear | | | | |

IJ143016

| MAKE | MODEL | YEAR | LOCATION | | VEHICLE TYPE | | |
|-------|-------|-------|----------|-----|--------------|-----|--|
| | | | FRT/RR | ABS | 2WD | 4WD | |
| MAZDA | 3 | 08-04 | Rear | | | | |

IJ211001

| MAKE | MODEL | YEAR | LOCATION | | VEHICLE TYPE | | |
|------|----------|-------|----------|-----|--------------|-----|--|
| | | | FRT/RR | ABS | 2WD | 4WD | |
| KIA | CARNIVAL | | Front | | | | |
| KIA | SORENTO | 09-03 | Front | | | | |

IJ212001

| MAKE | MODEL | YEAR | LOCATION | | VEHICLE TYPE | | |
|---------|--------------|------|----------|-----|--------------|-----|--|
| | | | FRT/RR | ABS | 2WD | 4WD | |
| HYUNDAI | GRAND STAREX | 07- | Front | • | | | |

IJ212002

| MAKE | MODEL | YEAR | LOCATION | | VEHICLE TYPE | | |
|---------|--------------|------|----------|-----|--------------|-----|--|
| | | | FRT/RR | ABS | 2WD | 4WD | |
| HYUNDAI | GRAND STAREX | 07- | Front | | | | |

IJ212003

| MAKE | MODEL | YEAR | LOCATION | | VEHICLE TYPE | | |
|---------|------------|-------|----------|-----|--------------|-----|--|
| | | | FRT/RR | ABS | 2WD | 4WD | |
| HYUNDAI | ENTOURANGE | 08-07 | Rear | | | | |
| KIA | SEDONA | 11-06 | Rear | | | | |

IJ213001

| MAKE | MODEL | YEAR | LOCATION | | VEHICLE TYPE | | |
|---------|------------|-------|----------|-----|--------------|-----|--|
| | | | FRT/RR | ABS | 2WD | 4WD | |
| HYUNDAI | ENTOURANGE | 08-07 | Front | | | | |
| KIA | SEDONA | 11-06 | Front | | | | |
| KIA | SEDONA | 14-06 | Front | | | | |

IJ221001

| MAKE | MODEL | YEAR | LOCATION | | VEHICLE TYPE | | |
|-------|-----------|-------|----------|-----|--------------|-----|--|
| | | | FRT/RR | ABS | 2WD | 4WD | |
| FORD | FIESTA V | 01- | Rear | | | | |
| FORD | FOCUS | 08-00 | Rear | | | | |
| FORD | FOCUS I | 05-98 | Rear | | | | |
| FORD | FUSION | 02- | Rear | | | | |
| MAZDA | 2 II (DY) | 07-03 | Rear | | | | |

IJ221002

| MAKE | MODEL | YEAR | LOCATION | | VEHICLE TYPE | | |
|---------|---------------------|-------|----------|-----|--------------|-----|--|
| | | | FRT/RR | ABS | 2WD | 4WD | |
| FORD | EXPLORER | 10-02 | Rear | | | | |
| FORD | EXPLORER SPORT TRAC | 10-07 | Rear | | | | |
| LINCOLN | AVIATOR | 05-03 | Rear | | | | |
| MERCURY | MOUNTAINEER | 10-02 | Rear | | | | |

IJ222001

| MAKE | MODEL | YEAR | LOCATION | | VEHICLE TYPE | | |
|-------|---------|-------|----------|-----|--------------|-----|--|
| | | | FRT/RR | ABS | 2WD | 4WD | |
| DODGE | DAKODA | 04-97 | Rear | | | | |
| DODGE | DURANGO | 03-99 | Rear | | | | |
| HONDA | ACCORD | 93-91 | Rear | | | | |

IJ222002

| MAKE | MODEL | YEAR | LOCATION | | VEHICLE TYPE | | |
|------------|--------|-------|----------|-----|--------------|-----|--|
| | | | FRT/RR | ABS | 2WD | 4WD | |
| DODGE | COLT | 95-93 | Front | • | | | |
| EAGLE | SUMMIT | 96-93 | Front | • | | | |
| MITSUBISHI | MIRAGE | 96-93 | Front | • | | | |
| PLYMOUTH | COLT | 95-93 | Front | • | | | |

IJ222003

| MAKE | MODEL | YEAR | LOCATION | | VEHICLE TYPE | | |
|-------|----------|-------|----------|-----|--------------|-----|--|
| | | | FRT/RR | ABS | 2WD | 4WD | |
| DODGE | RAM 1500 | 01-00 | Front | • | • | | |

IJ222004

| MAKE | MODEL | YEAR | LOCATION | | VEHICLE TYPE | | |
|------|-----------|-------|----------|-----|--------------|-----|--|
| | | | FRT/RR | ABS | 2WD | 4WD | |
| FORD | TRANSIT V | 05-00 | Front | | | | |
| FORD | TRANSIT V | 06- | Front | | | | |

IJ223001

| MAKE | MODEL | YEAR | LOCATION | | VEHICLE TYPE | | |
|-----------|----------------|-------|----------|-----|--------------|-----|--|
| | | | FRT/RR | ABS | 2WD | 4WD | |
| CHEVROLET | BLAZER | 94-92 | Front | | | | |
| CHEVROLET | K1500 | 94-88 | Front | | | | |
| CHEVROLET | K1500 SUBURBAN | 94-92 | Front | | | | |
| CHEVROLET | K2500 | 94-88 | Front | | | | |
| CHEVROLET | K2500 SUBURBAN | 94-92 | Front | | | | |
| GMC | K1500 | 94-88 | Front | | | | |
| GMC | K1500 SUBURBAN | 94-92 | Front | | | | |
| GMC | K2500 | 94-88 | Front | | | | |
| GMC | K2500 SUBURBAN | 94-92 | Front | | | | |
| GMC | YUKON | 94-92 | Front | | | | |

IJ223002

| MAKE | MODEL | YEAR | LOCATION | | VEHICLE TYPE | | |
|-----------|-------|-------|----------|-----|--------------|-----|--|
| | | | FRT/RR | ABS | 2WD | 4WD | |
| CHEVROLET | K1500 | 91-88 | Front | | | | |
| GMC | K1500 | 91-88 | Front | | | | |

IJ223003

| MAKE | MODEL | YEAR | LOCATION | | VEHICLE TYPE | | |
|------|---------------------|-------|----------|-----|--------------|-----|--|
| | | | FRT/RR | ABS | 2WD | 4WD | |
| FORD | EXPLORER | 02-95 | Front | • | | | |
| FORD | EXPLORER SPORT TRAC | 02-01 | Front | • | | | |

IJ223004

| MAKE | MODEL | YEAR | LOCATION | | VEHICLE TYPE | | |
|---------|------------|-------|----------|-----|--------------|-----|--|
| | | | FRT/RR | ABS | 2WD | 4WD | |
| FORD | EXPEDITION | 00-97 | Front | • | | • | |
| LINCOLN | NAVIGATOR | 00-98 | Front | • | | • | |

IJ223005

| MAKE | MODEL | YEAR | LOCATION | | VEHICLE TYPE | | |
|-------|----------|-------|----------|-----|--------------|-----|--|
| | | | FRT/RR | ABS | 2WD | 4WD | |
| DODGE | RAM 1500 | 98-94 | Front | | | • | |

IJ223006

| MAKE | MODEL | YEAR | LOCATION | | VEHICLE TYPE | | |
|-------|---------|-------|----------|-----|--------------|-----|--|
| | | | FRT/RR | ABS | 2WD | 4WD | |
| DODGE | DAKOTA | 04-97 | Front | | | • | |
| DODGE | DURANGO | 03 | Front | | | • | |
| DODGE | DURANGO | 03-99 | Front | | | • | |
| DODGE | DURANGO | 98 | Front | | | • | |

IJ223007

| MAKE | MODEL | YEAR | LOCATION | | VEHICLE TYPE | | |
|-------|---------|-------|----------|-----|--------------|-----|--|
| | | | FRT/RR | ABS | 2WD | 4WD | |
| DODGE | DAKOTA | 04-97 | Front | • | | • | |
| DODGE | DURANGO | 03 | Front | • | | • | |
| DODGE | DURANGO | 03-99 | Front | • | | • | |
| DODGE | DURANGO | 98 | Front | • | | • | |

IJ223008

| MAKE | MODEL | YEAR | LOCATION | | VEHICLE TYPE | | |
|-------|---------|-------|----------|-----|--------------|-----|--|
| | | | FRT/RR | ABS | 2WD | 4WD | |
| DODGE | DAKOTA | 04-97 | Front | • | | • | |
| DODGE | DURANGO | 03 | Front | • | | • | |
| DODGE | DURANGO | 03-99 | Front | • | | • | |
| DODGE | DURANGO | 98 | Front | • | | • | |

IJ223009

| MAKE | MODEL | YEAR | LOCATION | | VEHICLE TYPE | | |
|------|-------|-------|----------|-----|--------------|-----|--|
| | | | FRT/RR | ABS | 2WD | 4WD | |
| FORD | F-150 | 00-97 | Front | • | | • | |

IJ223010

| MAKE | MODEL | YEAR | LOCATION | | VEHICLE TYPE | | |
|-------|----------|-------|----------|-----|--------------|-----|--|
| | | | FRT/RR | ABS | 2WD | 4WD | |
| DODGE | RAM 2500 | 99-94 | Front | | | • | |

IJ223011

| MAKE | MODEL | YEAR | LOCATION | | VEHICLE TYPE | | |
|-------|----------|-------|----------|-----|--------------|-----|--|
| | | | FRT/RR | ABS | 2WD | 4WD | |
| DODGE | RAM 2500 | 99-94 | Front | | | • | |

IJ223012

| MAKE | MODEL | YEAR | LOCATION | | VEHICLE TYPE | | |
|-------|--------|-------|----------|-----|--------------|-----|--|
| | | | FRT/RR | ABS | 2WD | 4WD | |
| FORD | RANGER | 02-00 | Front | • | | • | |
| MAZDA | B3000 | 02-01 | Front | • | | • | |
| MAZDA | B4000 | 02-01 | Front | • | | • | |

IJ223013

| MAKE | MODEL | YEAR | LOCATION | | VEHICLE TYPE | | |
|-------|--------|-------|----------|-----|--------------|-----|--|
| | | | FRT/RR | ABS | 2WD | 4WD | |
| FORD | RANGER | 01-00 | Front | | | • | |
| MAZDA | B3000 | 00 | Front | | | • | |
| MAZDA | B4000 | 00 | Front | | | • | |

IJ223014

| MAKE | MODEL | YEAR | LOCATION | | VEHICLE TYPE | | |
|-----------|----------------|------|----------|-----|--------------|-----|--|
| | | | FRT/RR | ABS | 2WD | 4WD | |
| CHEVROLET | K2500 | 95 | Front | • | | | |
| CHEVROLET | K2500 SUBURBAN | 95 | Front | • | | | |
| CHEVROLET | K3500 | 95 | Front | • | | | |
| GMC | K2500 | 95 | Front | • | | | |
| GMC | K2500 SUBURBAN | 95 | Front | • | | | |
| GMC | K3500 | 95 | Front | • | | | |

IJ223015

| MAKE | MODEL | YEAR | LOCATION | | VEHICLE TYPE | | |
|-----------|----------------|------|----------|-----|--------------|-----|--|
| | | | FRT/RR | ABS | 2WD | 4WD | |
| CHEVROLET | K2500 | 95 | Front | • | | | |
| CHEVROLET | K2500 SUBURBAN | 95 | Front | • | | | |
| CHEVROLET | K3500 | 95 | Front | • | | | |
| GMC | K2500 | 95 | Front | • | | | |
| GMC | K2500 SUBURBAN | 95 | Front | • | | | |
| GMC | K3500 | 95 | Front | • | | | |

IJ223016

| MAKE | MODEL | YEAR | LOCATION | | VEHICLE TYPE | | |
|------|-------|-------|----------|-----|--------------|-----|--|
| | | | FRT/RR | ABS | 2WD | 4WD | |
| FORD | F-150 | 00-97 | Front | | | • | |

IJ223017

| MAKE | MODEL | YEAR | LOCATION | | VEHICLE TYPE | | |
|-----------|----------------|-------|----------|-----|--------------|-----|--|
| | | | FRT/RR | ABS | 2WD | 4WD | |
| CHEVROLET | K2500 | 94-88 | Front | | | | |
| CHEVROLET | K2500 SUBURBAN | 94-92 | Front | | | | |
| CHEVROLET | K3500 | 94-88 | Front | | | | |
| GMC | K2500 | 94-88 | Front | | | | |
| GMC | K2500 SUBURBAN | 94-92 | Front | | | | |
| GMC | K3500 | 94-88 | Front | | | | |

IJ223018

| MAKE | MODEL | YEAR | LOCATION | | VEHICLE TYPE | | |
|-----------|--------|-------|----------|-----|--------------|-----|--|
| | | | FRT/RR | ABS | 2WD | 4WD | |
| CHEVROLET | ASTRO | 02-95 | Front | | | | |
| GMC | SAFARI | 02-95 | Front | | | | |

IJ223019

| MAKE | MODEL | YEAR | LOCATION | | VEHICLE TYPE | | |
|------|------------------|-------|----------|-----|--------------|-----|---|
| | | | FRT/RR | ABS | 2WD | 4WD | |
| FORD | EXCURSION | 02-00 | Front | • | | | • |
| FORD | F-250 SUPER DUTY | 04-99 | Front | • | | | • |
| FORD | F-350 SUPER DUTY | 04-99 | Front | • | | | • |

IJ223020

| MAKE | MODEL | YEAR | LOCATION | | VEHICLE TYPE | | |
|------|------------------|-------|----------|-----|--------------|-----|---|
| | | | FRT/RR | ABS | 2WD | 4WD | |
| FORD | F-250 SUPER DUTY | 04-99 | Front | | | | • |
| FORD | F-350 SUPER DUTY | 04-99 | Front | | | | • |

IJ223021

| MAKE | MODEL | YEAR | LOCATION | | VEHICLE TYPE | | |
|------|-------|-------|----------|-----|--------------|-----|---|
| | | | FRT/RR | ABS | 2WD | 4WD | |
| FORD | F-150 | 01-00 | Front | | | | • |
| FORD | F-250 | 99-97 | Front | | | | • |

IJ223022

| MAKE | MODEL | YEAR | LOCATION | | VEHICLE TYPE | | |
|-------|----------|-------|----------|-----|--------------|-----|---|
| | | | FRT/RR | ABS | 2WD | 4WD | |
| DODGE | RAM 1500 | 99-97 | Front | • | | | • |

IJ223023

| MAKE | MODEL | YEAR | LOCATION | | VEHICLE TYPE | | |
|-----------|----------------|-------|----------|-----|--------------|-----|--|
| | | | FRT/RR | ABS | 2WD | 4WD | |
| CADILLAC | ESCALADE | 00-99 | Front | • | | | |
| CHEVROLET | K1500 | 99-95 | Front | • | | | |
| CHEVROLET | K1500 SUBURBAN | 99-95 | Front | • | | | |

IJ223023

| MAKE | MODEL | YEAR | LOCATION | | VEHICLE TYPE | | |
|-----------|----------------|-------|----------|-----|--------------|-----|--|
| | | | FRT/RR | ABS | 2WD | 4WD | |
| CHEVROLET | K2500 | 95 | Front | • | | | |
| CHEVROLET | K2500 SUBURBAN | 95 | Front | • | | | |
| CHEVROLET | TAHOE | 00-95 | Front | • | | | |
| GMC | K1500 | 99-95 | Front | • | | | |
| GMC | K1500 SUBURBAN | 99-95 | Front | • | | | |
| GMC | K2500 | 95 | Front | • | | | |
| GMC | K2500 SUBURBAN | 95 | Front | • | | | |
| GMC | YUKON | 00-95 | Front | • | | | |

IJ223024

| MAKE | MODEL | YEAR | LOCATION | | VEHICLE TYPE | | |
|------|------------------|-------|----------|-----|--------------|-----|--|
| | | | FRT/RR | ABS | 2WD | 4WD | |
| FORD | F-250 SUPER DUTY | 02-99 | Front | • | | | |
| FORD | F-350 SUPER DUTY | 02-99 | Front | • | | | |
| FORD | F-450 SUPER DUTY | 02-99 | Front | • | | | |
| FORD | F-550 SUPER DUTY | 02-99 | Front | • | | | |

IJ223025

| MAKE | MODEL | YEAR | LOCATION | | VEHICLE TYPE | | |
|-------|--------|-------|----------|-----|--------------|-----|---|
| | | | FRT/RR | ABS | 2WD | 4WD | |
| FORD | RANGER | 00-98 | Front | | | | • |
| MAZDA | B3000 | 00-98 | Front | | | | • |
| MAZDA | B4000 | 00-98 | Front | | | | • |

IJ223026

| MAKE | MODEL | YEAR | LOCATION | | VEHICLE TYPE | | |
|-------|--------|-------|----------|-----|--------------|-----|---|
| | | | FRT/RR | ABS | 2WD | 4WD | |
| FORD | RANGER | 00-98 | Front | • | | | • |
| MAZDA | B4000 | 00-98 | Front | • | | | • |

IJ223027

| MAKE | MODEL | YEAR | LOCATION | | VEHICLE TYPE | | |
|------|-------|-------|----------|-----|--------------|-----|---|
| | | | FRT/RR | ABS | 2WD | 4WD | |
| FORD | F-150 | 01-00 | Front | | | | • |

IJ223028

| MAKE | MODEL | YEAR | LOCATION | | VEHICLE TYPE | | |
|------|----------------|-------|----------|-----|--------------|-----|---|
| | | | FRT/RR | ABS | 2WD | 4WD | |
| FORD | F-150 | 03-00 | Front | • | | | • |
| FORD | F-150 HERITAGE | 04 | Front | • | | | • |

IJ223029

| MAKE | MODEL | YEAR | LOCATION | | VEHICLE TYPE | | |
|------|----------------|-------|----------|-----|--------------|-----|---|
| | | | FRT/RR | ABS | 2WD | 4WD | |
| FORD | F-150 | 03-00 | Front | • | | | • |
| FORD | F-150 HERITAGE | 04 | Front | • | | | • |
| FORD | F-250 | 99-97 | Front | • | | | • |

IJ223030

| MAKE | MODEL | YEAR | LOCATION | | VEHICLE TYPE | | |
|---------|------------|-------|----------|-----|--------------|-----|---|
| | | | FRT/RR | ABS | 2WD | 4WD | |
| FORD | EXPEDITION | 02-00 | Front | • | | | • |
| LINCOLN | NAVIGATOR | 02-00 | Front | • | | | • |

IJ223031

| MAKE | MODEL | YEAR | LOCATION | | VEHICLE TYPE | | |
|-------|----------|-------|----------|-----|--------------|-----|--|
| | | | FRT/RR | ABS | 2WD | 4WD | |
| DODGE | RAM 2500 | 99-98 | Front | • | | | |

IJ223032

| MAKE | MODEL | YEAR | LOCATION | | VEHICLE TYPE | | |
|-------|----------|-------|----------|-----|--------------|-----|--|
| | | | FRT/RR | ABS | 2WD | 4WD | |
| DODGE | RAM 2500 | 99-98 | Front | • | | | |

IJ223033

| MAKE | MODEL | YEAR | LOCATION | | VEHICLE TYPE | | |
|-----------|-----------------|-------|----------|-----|--------------|-----|--|
| | | | FRT/RR | ABS | 2WD | 4WD | |
| CADILLAC | ESCALADE | 06-02 | Front | • | | | |
| CHEVROLET | AVALANCHE 1500 | 06-02 | Front | • | | | |
| CHEVROLET | EXPRESS 1500 | 10-03 | Front | • | | | |
| CHEVROLET | EXPRESS 2500 | 05-03 | Front | • | | | |
| CHEVROLET | SILVERADO 1500 | 07-99 | Front | • | | | |
| CHEVROLET | SUBURBAN 1500 | 06-00 | Front | • | | | |
| CHEVROLET | TAHOE | 06-00 | Front | • | | | |
| GMC | SAVANA 1500 | 10-03 | Front | • | | | |
| GMC | SAVANA 2500 | 05-03 | Front | • | | | |
| GMC | SIERRA 1500 | 07-02 | Front | • | | | |
| GMC | SIERRA DENALI | 06-02 | Front | • | | | |
| GMC | YUKON | 06-00 | Front | • | | | |
| GMC | YUKON DENALI | 06-05 | Front | • | | | |
| GMC | YUKON DENALI XL | 06-05 | Front | • | | | |
| GMC | YUKON XL 1500 | 06-00 | Front | • | | | |

IJ223034

| MAKE | MODEL | YEAR | LOCATION | | VEHICLE TYPE | | |
|-----------|-------|-------|----------|-----|--------------|-----|--|
| | | | FRT/RR | ABS | 2WD | 4WD | |
| CHEVROLET | K3500 | 94-88 | Front | | | | |
| GMC | K3500 | 94-88 | Front | | | | |

IJ223035

| MAKE | MODEL | YEAR | LOCATION | | VEHICLE TYPE | | |
|-------|----------|-------|----------|-----|--------------|-----|---|
| | | | FRT/RR | ABS | 2WD | 4WD | |
| DODGE | RAM 1500 | 01-00 | Front | | | | • |

IJ223036

| MAKE | MODEL | YEAR | LOCATION | | VEHICLE TYPE | | |
|-------|----------|-------|----------|-----|--------------|-----|---|
| | | | FRT/RR | ABS | 2WD | 4WD | |
| DODGE | RAM 1500 | 01-00 | Front | • | | | • |

IJ223037

| MAKE | MODEL | YEAR | LOCATION | | VEHICLE TYPE | | |
|-----------|----------------|-------|----------|-----|--------------|-----|--|
| | | | FRT/RR | ABS | 2WD | 4WD | |
| CHEVROLET | K1500 | 99-96 | Front | • | | | |
| CHEVROLET | K2500 | 00-96 | Front | • | | | |
| CHEVROLET | K2500 SUBURBAN | 99-96 | Front | • | | | |
| CHEVROLET | K3500 | 00-96 | Front | • | | | |
| GMC | K1500 | 99-96 | Front | • | | | |
| GMC | K2500 | 00-96 | Front | • | | | |
| GMC | K2500 SUBURBAN | 99-96 | Front | • | | | |
| GMC | K3500 | 00-96 | Front | • | | | |

IJ223038

| MAKE | MODEL | YEAR | LOCATION | | VEHICLE TYPE | | |
|-----------|--------|-------|----------|-----|--------------|-----|--|
| | | | FRT/RR | ABS | 2WD | 4WD | |
| CHEVROLET | ASTRO | 05-03 | Front | • | | | |
| GMC | SAFARI | 05-03 | Front | • | | | |

IJ223039

| MAKE | MODEL | YEAR | LOCATION | | VEHICLE TYPE | | |
|-------|----------|-------|----------|-----|--------------|-----|--|
| | | | FRT/RR | ABS | 2WD | 4WD | |
| DODGE | RAM 1500 | 99-97 | Front | • | | | |

IJ223040

| MAKE | MODEL | YEAR | LOCATION | | VEHICLE TYPE | | |
|---------|-------------|-------|----------|-----|--------------|-----|--|
| | | | FRT/RR | ABS | 2WD | 4WD | |
| FORD | EXPLORER | 05-02 | Front | • | | | |
| LINCOLN | AVIATOR | 05-03 | Front | • | | | |
| MERCURY | MOUNTAINEER | 05-02 | Front | • | | | |

IJ223041

| MAKE | MODEL | YEAR | LOCATION | | VEHICLE TYPE | | |
|-------|----------------------|-------|----------|-----|--------------|-----|--|
| | | | FRT/RR | ABS | 2WD | 4WD | |
| FORD | RANGER (4 WHELL ABS) | 06-03 | Front | • | | | |
| MAZDA | B3000 (4 WHEEL ABS) | 06-03 | Front | • | | | |
| MAZDA | B4000 (4 WHEEL ABS) | 06-03 | Front | • | | | |

IJ223042

| MAKE | MODEL | YEAR | LOCATION | | VEHICLE TYPE | | |
|---------|---------------------|-------|----------|-----|--------------|-----|--|
| | | | FRT/RR | ABS | 2WD | 4WD | |
| FORD | EXPLORER | 03-95 | Front | • | | | |
| FORD | EXPLORER SPORT TRAC | 05-01 | Front | • | | | |
| FORD | RANGER | 09-03 | Front | • | | | |
| MAZDA | B4000 | 09-03 | Front | • | | | |
| MERCURY | MOUNTAINEER | 01-97 | Front | • | | | |

IJ223044

| MAKE | MODEL | YEAR | LOCATION | | VEHICLE TYPE | | |
|-----------|----------------|-------|----------|-----|--------------|-----|--|
| | | | FRT/RR | ABS | 2WD | 4WD | |
| CADILLAC | ESCALADE | 06-02 | Front | • | | | |
| CHEVROLET | AVALANCHE 1500 | 06-02 | Front | • | | | |
| CHEVROLET | EXPRESS 1500 | 13-03 | Front | • | | | |
| CHEVROLET | EXPRESS 2500 | 05-03 | Front | • | | | |
| CHEVROLET | SILVERADO 1500 | 07-99 | Front | • | | | |
| CHEVROLET | SUBURBAN 1500 | 06-00 | Front | • | | | |
| CHEVROLET | TAHOE | 06-00 | Front | • | | | |
| GMC | SAVANA 1500 | 13-03 | Front | • | | | |
| GMC | SAVANA 2500 | 05-03 | Front | • | | | |
| GMC | SIERRA 1500 | 07-99 | Front | • | | | |
| GMC | YUKON | 06-00 | Front | • | | | |
| GMC | YUKON XL 1500 | 06-00 | Front | • | | | |

IJ223045

| MAKE | MODEL | YEAR | LOCATION | | VEHICLE TYPE | | |
|-----------|-------------------|-------|----------|-----|--------------|-----|--|
| | | | FRT/RR | ABS | 2WD | 4WD | |
| CHEVROLET | AVALANCHE 2500 | 06-02 | Front | • | | | |
| CHEVROLET | SILVERADO 1500 | 07-01 | Front | • | | | |
| CHEVROLET | SILVERADO 1500 HD | 07-01 | Front | • | | | |
| CHEVROLET | SILVERADO 2500 | 04-99 | Front | • | | | |
| CHEVROLET | SILVERADO 2500 HD | 07-01 | Front | • | | | |
| CHEVROLET | SUBURBAN 2500 | 06-00 | Front | • | | | |
| GMC | SIERRA 1500 | 07-01 | Front | • | | | |
| GMC | SIERRA 1500 HD | 07-01 | Front | • | | | |
| GMC | SIERRA 2500 | 04-99 | Front | • | | | |
| GMC | SIERRA 2500 HD | 07-01 | Front | • | | | |
| GMC | SIERRA DENALI | 07-02 | Front | • | | | |
| GMC | YUKON XL 2500 | 06-00 | Front | • | | | |
| HUMMER | H2 | 07-03 | Front | • | | | |

IJ223046

| MAKE | MODEL | YEAR | LOCATION | | VEHICLE TYPE | | |
|-----------|--------------|-------|----------|-----|--------------|-----|--|
| | | | FRT/RR | ABS | 2WD | 4WD | |
| CHEVROLET | EXPRESS 2500 | 13-03 | Front | • | | | |
| CHEVROLET | EXPRESS 3500 | 13-03 | Front | • | | | |
| GMC | SAVANA 2500 | 13-03 | Front | • | | | |
| GMC | SAVANA 3500 | 13-03 | Front | • | | | |

IJ223047

| MAKE | MODEL | YEAR | LOCATION | | VEHICLE TYPE | | |
|-----------|--------------|-------|----------|-----|--------------|-----|--|
| | | | FRT/RR | ABS | 2WD | 4WD | |
| CHEVROLET | EXPRESS 3500 | 13-03 | Front | • | | | |
| CHEVROLET | EXPRESS 4500 | 12-09 | Front | • | | | |
| GMC | SAVANA 3500 | 13-03 | Front | • | | | |
| GMC | SAVANA 4500 | 12-09 | Front | • | | | |

IJ223048

| MAKE | MODEL | YEAR | LOCATION | | VEHICLE TYPE | | |
|-------|----------|-------|----------|-----|--------------|-----|--|
| | | | FRT/RR | ABS | 2WD | 4WD | |
| DODGE | RAM 2500 | 01-00 | Front | | | • | |

IJ223049

| MAKE | MODEL | YEAR | LOCATION | | VEHICLE TYPE | | |
|-------|----------|-------|----------|-----|--------------|-----|--|
| | | | FRT/RR | ABS | 2WD | 4WD | |
| DODGE | RAM 2500 | 02-00 | Front | • | | • | |
| DODGE | RAM 3500 | 02-00 | Front | • | | • | |

IJ223050

| MAKE | MODEL | YEAR | LOCATION | | VEHICLE TYPE | | |
|-------|----------|-------|----------|-----|--------------|-----|--|
| | | | FRT/RR | ABS | 2WD | 4WD | |
| DODGE | RAM 3500 | 99-98 | Front | • | | | |

IJ223051

| MAKE | MODEL | YEAR | LOCATION | | VEHICLE TYPE | | |
|-------|----------|-------|----------|-----|--------------|-----|--|
| | | | FRT/RR | ABS | 2WD | 4WD | |
| DODGE | RAM 3500 | 99-98 | Front | • | | | |

IJ223052

| MAKE | MODEL | YEAR | LOCATION | | VEHICLE TYPE | | |
|-------|----------|-------|----------|-----|--------------|-----|--|
| | | | FRT/RR | ABS | 2WD | 4WD | |
| DODGE | RAM 3500 | 99-97 | Front | | | • | |

IJ223053

| MAKE | MODEL | YEAR | LOCATION | | VEHICLE TYPE | | |
|------|------------------|------|----------|-----|--------------|-----|--|
| | | | FRT/RR | ABS | 2WD | 4WD | |
| FORD | F-250 SUPER DUTY | 99 | Front | | | • | |
| FORD | F-350 SUPER DUTY | 99 | Front | | | • | |

IJ223054

| MAKE | MODEL | YEAR | LOCATION | | VEHICLE TYPE | | |
|------|------------------|------|----------|-----|--------------|-----|--|
| | | | FRT/RR | ABS | 2WD | 4WD | |
| FORD | F-250 SUPER DUTY | 99 | Front | | | | |
| FORD | F-350 SUPER DUTY | 99 | Front | | | | |

IJ223055

| MAKE | MODEL | YEAR | LOCATION | | VEHICLE TYPE | | |
|------|------------------|------|----------|-----|--------------|-----|--|
| | | | FRT/RR | ABS | 2WD | 4WD | |
| FORD | F-250 SUPER DUTY | 99 | Front | • | | • | |
| FORD | F-350 SUPER DUTY | 99 | Front | • | | • | |
| FORD | F-450 SUPER DUTY | 99 | Front | • | | • | |
| FORD | F-550 SUPER DUTY | 99 | Front | • | | • | |

IJ223056

| MAKE | MODEL | YEAR | LOCATION | | VEHICLE TYPE | | |
|-----------|----------------|-------|----------|-----|--------------|-----|--|
| | | | FRT/RR | ABS | 2WD | 4WD | |
| CHEVROLET | SILVERADO 2500 | 00-99 | Front | • | | | |
| CHEVROLET | SUBURBAN 2500 | 00 | Front | • | | | |
| GMC | SIERRA 2500 | 00-99 | Front | • | | | |
| GMC | YUKON XL 2500 | 00 | Front | • | | | |

IJ223057

| MAKE | MODEL | YEAR | LOCATION | | VEHICLE TYPE | | |
|-----------|-------------------|-------|----------|-----|--------------|-----|--|
| | | | FRT/RR | ABS | 2WD | 4WD | |
| CHEVROLET | AVALANCHE 2500 | 03-02 | Front | • | | | |
| CHEVROLET | SILVERADO 1500 HD | 07-01 | Front | • | | | |
| CHEVROLET | SILVERADO 2500 | 04-01 | Front | • | | | |
| CHEVROLET | SILVERADO 2500 HD | 07-01 | Front | • | | | |
| CHEVROLET | SUBURBAN 2500 | 06-01 | Front | • | | | |
| GMC | SIERRA 1500 HD | 07-01 | Front | • | | | |
| GMC | SIERRA 2500 | 04-01 | Front | • | | | |
| GMC | SIERRA 2500 HD | 07-01 | Front | • | | | |
| GMC | YOKON XL 2500 | 06-01 | Front | • | | | |

IJ223058

| MAKE | MODEL | YEAR | LOCATION | | VEHICLE TYPE | | |
|---------|------------|-------|----------|-----|--------------|-----|--|
| | | | FRT/RR | ABS | 2WD | 4WD | |
| FORD | EXPEDITION | 06-03 | Front | • | | | |
| LINCOLN | NAVIGATOR | 06-03 | Front | • | | | |

IJ223059

| MAKE | MODEL | YEAR | LOCATION | | VEHICLE TYPE | | |
|------|------------------|-------|----------|-----|--------------|-----|--|
| | | | FRT/RR | ABS | 2WD | 4WD | |
| FORD | EXCURSION | 05-03 | Front | • | | • | |
| FORD | F-250 SUPER DUTY | 04-03 | Front | • | | • | |
| FORD | F-350 SUPER DUTY | 04-03 | Front | • | | • | |

IJ223060

| MAKE | MODEL | YEAR | LOCATION | | VEHICLE TYPE | | |
|------|------------------|-------|----------|-----|--------------|-----|--|
| | | | FRT/RR | ABS | 2WD | 4WD | |
| FORD | F-250 SUPER DUTY | 04-99 | Front | • | | | |
| FORD | F-350 SUPER DUTY | 04-99 | Front | • | | | |
| FORD | F-450 SUPER DUTY | 04-99 | Front | • | | | |
| FORD | F-550 SUPER DUTY | 04-99 | Front | • | | | |

IJ223061

| MAKE | MODEL | YEAR | LOCATION | | VEHICLE TYPE | | |
|-----------|----------------|-------|----------|-----|--------------|-----|--|
| | | | FRT/RR | ABS | 2WD | 4WD | |
| CHEVROLET | SILVERADO 1500 | 07-05 | Front | • | | | |
| GMC | SIERRA 1500 | 07-05 | Front | • | | | |

IJ223062

| MAKE | MODEL | YEAR | LOCATION | | VEHICLE TYPE | | |
|-----------|----------------|-------|----------|-----|--------------|-----|--|
| | | | FRT/RR | ABS | 2WD | 4WD | |
| CHEVROLET | SILVERADO 3500 | 07-01 | Front | • | | • | |
| GMC | SIERRA 3500 | 07-01 | Front | • | | • | |

IJ223063

| MAKE | MODEL | YEAR | LOCATION | | VEHICLE TYPE | | |
|-------|----------|-------|----------|-----|--------------|-----|--|
| | | | FRT/RR | ABS | 2WD | 4WD | |
| DODGE | RAM 2500 | 05-03 | Front | • | | • | |
| DODGE | RAM 3500 | 05-03 | Front | • | | • | |

IJ223064

| MAKE | MODEL | YEAR | LOCATION | | VEHICLE TYPE | | |
|---------|------------|-------|----------|-----|--------------|-----|--|
| | | | FRT/RR | ABS | 2WD | 4WD | |
| FORD | EXPEDITION | 06-03 | Rear | | | | |
| LINCOLN | NAVIGATOR | 06-03 | Rear | | | | |

IJ223065

| MAKE | MODEL | YEAR | LOCATION | | VEHICLE TYPE | | |
|-------|----------|-------|----------|-----|--------------|-----|--|
| | | | FRT/RR | ABS | 2WD | 4WD | |
| DODGE | RAM 1500 | 05-04 | Front | • | | | |
| DODGE | RAM 1500 | 05-02 | Front | • | | | |

IJ223066

| MAKE | MODEL | YEAR | LOCATION | | VEHICLE TYPE | | |
|-------|----------|-------|----------|-----|--------------|-----|--|
| | | | FRT/RR | ABS | 2WD | 4WD | |
| DODGE | RAM 1500 | 08-02 | Front | | | | |

IJ223067

| MAKE | MODEL | YEAR | LOCATION | | VEHICLE TYPE | | |
|------|------------------|-------|----------|-----|--------------|-----|--|
| | | | FRT/RR | ABS | 2WD | 4WD | |
| FORD | F-450 SUPER DUTY | 04-99 | Front | • | | | |
| FORD | F-550 SUPER DUTY | 04-99 | Front | • | | | |

IJ223068

| MAKE | MODEL | YEAR | LOCATION | | VEHICLE TYPE | | |
|---------|---------------------|-------|----------|-----|--------------|-----|--|
| | | | FRT/RR | ABS | 2WD | 4WD | |
| FORD | EXPLORER | 10-06 | Front | • | | | |
| FORD | EXPLORER SPORT TRAC | 10-07 | Front | • | | | |
| MERCURY | MOUNTAINEER | 10-06 | Front | • | | | |

IJ223069

| MAKE | MODEL | YEAR | LOCATION | | VEHICLE TYPE | | |
|---------|------------|-------|----------|-----|--------------|-----|--|
| | | | FRT/RR | ABS | 2WD | 4WD | |
| FORD | EXPEDITION | 10-07 | Rear | | | | |
| LINCOLN | NAVIGATOR | 10-07 | Rear | | | | |

IJ223070

| MAKE | MODEL | YEAR | LOCATION | | VEHICLE TYPE | | |
|---------|------------|-------|----------|-----|--------------|-----|--|
| | | | FRT/RR | ABS | 2WD | 4WD | |
| FORD | EXPEDITION | 06-03 | Front | • | | | |
| LINCOLN | NAVIGATOR | 06-03 | Front | • | | | |

IJ223071

| MAKE | MODEL | YEAR | LOCATION | | VEHICLE TYPE | | |
|------|-------|-------|----------|-----|--------------|-----|--|
| | | | FRT/RR | ABS | 2WD | 4WD | |
| FORD | F-150 | 05-04 | Front | • | | • | |

IJ223072

| MAKE | MODEL | YEAR | LOCATION | | VEHICLE TYPE | | |
|------|-------|-------|----------|-----|--------------|-----|--|
| | | | FRT/RR | ABS | 2WD | 4WD | |
| FORD | F-150 | 05-04 | Front | • | | | |

IJ223073

| MAKE | MODEL | YEAR | LOCATION | | VEHICLE TYPE | | |
|---------|---------|-------|----------|-----|--------------|-----|--|
| | | | FRT/RR | ABS | 2WD | 4WD | |
| FORD | F-150 | 08-05 | Front | • | | | |
| LINCOLN | MARK LT | 08-06 | Front | • | | | |

IJ223074

| MAKE | MODEL | YEAR | LOCATION | | VEHICLE TYPE | | |
|------|-------|-------|----------|-----|--------------|-----|--|
| | | | FRT/RR | ABS | 2WD | 4WD | |
| FORD | F-150 | 08-05 | Front | • | | | |

IJ223075

| MAKE | MODEL | YEAR | LOCATION | | VEHICLE TYPE | | |
|---------|------------|-------|----------|-----|--------------|-----|--|
| | | | FRT/RR | ABS | 2WD | 4WD | |
| FORD | EXPEDITION | 10-07 | Front | • | | • | |
| LINCOLN | NAVIGATOR | 11-07 | Front | • | | • | |

IJ223076

| MAKE | MODEL | YEAR | LOCATION | | VEHICLE TYPE | | |
|------|-------|-------|----------|-----|--------------|-----|--|
| | | | FRT/RR | ABS | 2WD | 4WD | |
| FORD | F-150 | 10-09 | Front | • | | • | |

IJ223077

| MAKE | MODEL | YEAR | LOCATION | | VEHICLE TYPE | | |
|-------|----------|-------|----------|-----|--------------|-----|--|
| | | | FRT/RR | ABS | 2WD | 4WD | |
| DODGE | RAM 1500 | 08-06 | Front | • | | • | |
| DODGE | RAM 2500 | 08-06 | Front | • | | • | |
| DODGE | RAM 3500 | 08-06 | Front | • | | • | |

IJ223078

| MAKE | MODEL | YEAR | LOCATION | | VEHICLE TYPE | | |
|------------|----------------|-------|----------|-----|--------------|-----|--|
| | | | FRT/RR | ABS | 2WD | 4WD | |
| CHRYSLER | TOWN & COUNTRY | 11-08 | Front | • | | | |
| DODGE | GARND CARAVAN | 11-08 | Front | • | | | |
| VOLKSWAGEN | ROUTAN | 12-09 | Front | • | | | |

IJ223079

| MAKE | MODEL | YEAR | LOCATION | | VEHICLE TYPE | | |
|-----------|----------------|-------|----------|-----|--------------|-----|--|
| | | | FRT/RR | ABS | 2WD | 4WD | |
| CADILLAC | ESCALADE | 13-07 | Front | • | | | |
| CHEVROLET | AVALANCHE | 13-07 | Front | • | | | |
| CHEVROLET | SILVERADO 1500 | 13-07 | Front | • | | | |

IJ223079

| MAKE | MODEL | YEAR | LOCATION | | VEHICLE TYPE | | |
|-----------|---------------|-------|----------|-----|--------------|-----|--|
| | | | FRT/RR | ABS | 2WD | 4WD | |
| CHEVROLET | SUBURBAN 1500 | 13-07 | Front | • | | | |
| CHEVROLET | TAHOE | 13-07 | Front | • | | | |
| GMC | SIERRA 1500 | 13-07 | Front | • | | | |
| GMC | YUKON | 13-07 | Front | • | | | |
| GMC | YUKON XL 1500 | 13-07 | Front | • | | | |

IJ223080

| MAKE | MODEL | YEAR | LOCATION | | VEHICLE TYPE | | |
|-------|----------|-------|----------|-----|--------------|-----|--|
| | | | FRT/RR | ABS | 2WD | 4WD | |
| DODGE | RAM 1500 | 09-06 | Front | • | | | |

IJ223081

| MAKE | MODEL | YEAR | LOCATION | | VEHICLE TYPE | | |
|-------|----------|-------|----------|-----|--------------|-----|--|
| | | | FRT/RR | ABS | 2WD | 4WD | |
| DODGE | RAM 1500 | 11-09 | Front | • | | | |

IJ223082

| MAKE | MODEL | YEAR | LOCATION | | VEHICLE TYPE | | |
|------|-------|-------|----------|-----|--------------|-----|--|
| | | | FRT/RR | ABS | 2WD | 4WD | |
| FORD | F-150 | 10-09 | Front | • | | | |

IJ223083

| MAKE | MODEL | YEAR | LOCATION | | VEHICLE TYPE | | |
|-------|----------|-------|----------|-----|--------------|-----|--|
| | | | FRT/RR | ABS | 2WD | 4WD | |
| DODGE | RAM 2500 | 11-09 | Front | | | • | |
| DODGE | RAM 3500 | 11-09 | Front | | | • | |

IJ223084

| MAKE | MODEL | YEAR | LOCATION | | VEHICLE TYPE | | |
|-------|----------|-------|----------|-----|--------------|-----|--|
| | | | FRT/RR | ABS | 2WD | 4WD | |
| DODGE | RAM 2500 | 11-09 | Front | • | | | |
| DODGE | RAM 3500 | 11-09 | Front | • | | | |

IJ223085

| MAKE | MODEL | YEAR | LOCATION | | VEHICLE TYPE | | |
|----------|--------|-------|----------|-----|--------------|-----|--|
| | | | FRT/RR | ABS | 2WD | 4WD | |
| INFINITI | QX56 | 10-08 | Front | | | | |
| NISSAN | ARMADA | 12-08 | Front | | | | |
| NISSAN | TITAN | 12-08 | Front | | | | |

IJ223086

| MAKE | MODEL | YEAR | LOCATION | | VEHICLE TYPE | | |
|-----------|-------------------|-------|----------|-----|--------------|-----|--|
| | | | FRT/RR | ABS | 2WD | 4WD | |
| CHEVROLET | SILVERADO 2500 | 12-07 | Front | | | | |
| CHEVROLET | SILVERADO 2500 HD | 10-07 | Front | | | | |

IJ223086

| MAKE | MODEL | YEAR | LOCATION | | VEHICLE TYPE | | |
|-----------|-------------------|-------|----------|-----|--------------|-----|--|
| | | | FRT/RR | ABS | 2WD | 4WD | |
| CHEVROLET | SILVERADO 3500 HD | 10-07 | Front | | | | |
| GMC | SIERRA 2500 HD | 10-07 | Front | | | | |
| GMC | SIERRA 3500 HD | 10-07 | Front | | | | |
| GMC | YUKON XL 2500 | 13-07 | Front | | | | |
| HUMMER | H2 | 09-08 | Front | | | | |

IJ223089

| MAKE | MODEL | YEAR | LOCATION | | VEHICLE TYPE | | |
|------|------------------|-------|----------|-----|--------------|-----|--|
| | | | FRT/RR | ABS | 2WD | 4WD | |
| FORD | F-250 SUPER DUTY | 10-05 | Front | • | | • | |
| FORD | F-350 SUPER DUTY | 10-05 | Front | • | | • | |
| FORD | F-450 SUPER DUTY | 10 | Front | • | | • | |
| FORD | F-550 SUPER DUTY | 10 | Front | • | | • | |

IJ223090

| MAKE | MODEL | YEAR | LOCATION | | VEHICLE TYPE | | |
|------|------------------|-------|----------|-----|--------------|-----|--|
| | | | FRT/RR | ABS | 2WD | 4WD | |
| FORD | F-250 SUPER DUTY | 09-05 | Front | • | | • | |
| FORD | F-350 SUPER DUTY | 10-05 | Front | • | | • | |

IJ223091

| MAKE | MODEL | YEAR | LOCATION | | VEHICLE TYPE | | |
|------|------------------|-------|----------|-----|--------------|-----|--|
| | | | FRT/RR | ABS | 2WD | 4WD | |
| FORD | F-450 SUPER DUTY | 10-05 | Front | • | | • | |
| FORD | F-550 SUPER DUTY | 10-05 | Front | • | | • | |

IJ223092

| MAKE | MODEL | YEAR | LOCATION | | VEHICLE TYPE | | |
|------|------------------|-------|----------|-----|--------------|-----|--|
| | | | FRT/RR | ABS | 2WD | 4WD | |
| FORD | F-450 SUPER DUTY | 10-05 | Front | • | | | |
| FORD | F-550 SUPER DUTY | 10-05 | Front | • | | | |

IJ231001

| MAKE | MODEL | YEAR | LOCATION | | VEHICLE TYPE | | |
|---------|-----------------|-------|----------|-----|--------------|-----|--|
| | | | FRT/RR | ABS | 2WD | 4WD | |
| NISSAN | KUBISTAR | 03- | Rear | | | | |
| RENAULT | EXPRESS | 98-85 | Rear | | | | |
| RENAULT | EXTRA | 98-85 | Rear | | | | |
| RENAULT | KANGOO | 05-98 | Rear | | | | |
| RENAULT | LAGUNA I (B56_) | 01-93 | Rear | | | | |
| RENAULT | RAPID | 98-85 | Rear | | | | |

IJ231002

| MAKE | MODEL | YEAR | LOCATION | | VEHICLE TYPE | | |
|------|---------|-------|----------|-----|--------------|-----|--|
| | | | FRT/RR | ABS | 2WD | 4WD | |
| OPEL | CORSA C | 00- | Rear | | | | |
| OPEL | CORSA C | 08-00 | Rear | | | | |

IJ231002

| MAKE | MODEL | YEAR | LOCATION | | VEHICLE TYPE | | |
|------|----------|-------|----------|-----|--------------|-----|--|
| | | | FRT/RR | ABS | 2WD | 4WD | |
| OPEL | TIGRA | 08-04 | Rear | | | | |
| OPEL | TIGRA II | 04- | Rear | | | | |

IJ231003

| MAKE | MODEL | YEAR | LOCATION | | VEHICLE TYPE | | |
|----------|--------------------------|-------|----------|-----|--------------|-----|--|
| | | | FRT/RR | ABS | 2WD | 4WD | |
| OPEL | MOVANO | 08-98 | Front | | | | |
| OPEL | MOVANO A (FD) | 99- | Front | | | | |
| OPEL | MOVANO A (HD) | 99- | Front | | | | |
| OPEL | MOVANO A (JD) | 98- | Front | | | | |
| OPEL | MOVANO A (UD, ED) | 98- | Front | | | | |
| RENAULT | MASTER II | 07-98 | Front | | | | |
| RENAULT | MASTER II (ED/HD/UD) | 00- | Front | | | | |
| RENAULT | MASTER II (FD) | 00- | Front | | | | |
| RENAULT | MASTER II (JD/ND) | 00- | Front | | | | |
| VAUXHALL | MOVANO MK I (ED, UD, HD) | 10-98 | Front | | | | |
| VAUXHALL | MOVANO MK I (FD) | 10-98 | Front | | | | |
| VAUXHALL | MOVANO MK I (JD) | 10-98 | Front | | | | |

IJ231004

| MAKE | MODEL | YEAR | LOCATION | | VEHICLE TYPE | | |
|---------------|---------------|-------|----------|-----|--------------|-----|--|
| | | | FRT/RR | ABS | 2WD | 4WD | |
| CITROEN | JUMPER I | 02-94 | Front | | | | |
| CITROEN | JUMPER II | 06-02 | Front | | | | |
| CITROEN | JUMPER II | 06-92 | Front | | | | |
| DODGE | SPRINTER 2500 | 06-03 | Front | | | | |
| DODGE | SPRINTER 3500 | 06-03 | Front | | | | |
| FIAT | DUCATO II | 02-01 | Front | | | | |
| FIAT | DUCATO III | 04-02 | Front | | | | |
| FREIGHTLINER | SPRINTER 2500 | 06-02 | Front | | | | |
| FREIGHTLINER | SPRINTER 3500 | 06-02 | Front | | | | |
| MERCEDES-BENZ | G500 | 08-02 | Front | | | | |
| MERCEDES-BENZ | G55 AMG | 10-03 | Front | | | | |
| MERCEDES-BENZ | G550 | 10-09 | Front | | | | |
| PEUGEOT | BOXER I | 02-94 | Front | | | | |
| PEUGEOT | BOXER II | 06-02 | Front | | | | |
| PEUGEOT | BOXER II | 06-92 | Front | | | | |

IJ232001

| MAKE | MODEL | YEAR | LOCATION | | VEHICLE TYPE | | |
|------|--------------------------|------|----------|-----|--------------|-----|--|
| | | | FRT/RR | ABS | 2WD | 4WD | |
| FORD | TRANSIT TOURNEO II, 1TON | 06- | Rear | | | | |
| FORD | TRANSIT VI, 1TON | 06- | Rear | | | | |
| FORD | TRANSIT, 1TON | 06- | Rear | | | | |

IJ232002

| MAKE | MODEL | YEAR | LOCATION | | VEHICLE TYPE | | |
|------|--------------------------|-------|----------|-----|--------------|-----|--|
| | | | FRT/RR | ABS | 2WD | 4WD | |
| FORD | TRANSIT TOURNEO II | 06-03 | Rear | | | | |
| FORD | TRANSIT TOURNEO II, 2TON | 06- | Rear | | | | |

IJ232002

| MAKE | MODEL | YEAR | LOCATION | | VEHICLE TYPE | | |
|------|------------------|-------|----------|-----|--------------|-----|--|
| | | | FRT/RR | ABS | 2WD | 4WD | |
| FORD | TRANSIT VI | 06-03 | Rear | | | | |
| FORD | TRANSIT VI, 2TON | 06- | Rear | | | | |

IJ232003

| MAKE | MODEL | YEAR | LOCATION | | VEHICLE TYPE | | |
|------|------------------|------|----------|-----|--------------|-----|--|
| | | | FRT/RR | ABS | 2WD | 4WD | |
| FORD | TRANSIT VI, 1TON | 06- | Front | | | | |

IJ232004

| MAKE | MODEL | YEAR | LOCATION | | VEHICLE TYPE | | |
|------|---------------|------|----------|-----|--------------|-----|--|
| | | | FRT/RR | ABS | 2WD | 4WD | |
| FORD | TRANSIT, 1TON | 12- | Rear | | | | |

IJ232005

| MAKE | MODEL | YEAR | LOCATION | | VEHICLE TYPE | | |
|------|---------------|------|----------|-----|--------------|-----|--|
| | | | FRT/RR | ABS | 2WD | 4WD | |
| FORD | TRANSIT, 2TON | 12- | Rear | | | | |

IJ242001

| MAKE | MODEL | YEAR | LOCATION | | VEHICLE TYPE | | |
|--------|-------|------|----------|-----|--------------|-----|--|
| | | | FRT/RR | ABS | 2WD | 4WD | |
| NISSAN | URVAN | | Front | | | | |

COMPETITIVE INTERCHANGE

ACURA

| MAKE | PART NO. |
|-------------|----------|
| 00SR3A52 | IJ142001 |
| 05R30030 | IJ141009 |
| 2200SR3A02 | IJ142001 |
| 2200SR3A52 | IJ142010 |
| 42200SO4951 | IJ142001 |
| 44300S0A003 | IJ141007 |
| 44300S3VA11 | IJ121007 |
| 44300S84A01 | IJ141007 |
| 44300S84A02 | IJ141007 |
| 44300SDAA51 | IJ141002 |
| 44300SDAA52 | IJ141002 |
| 44300SR3A02 | IJ141009 |
| 44300SR3A04 | IJ141009 |
| 4430S0A003 | IJ141007 |
| 514080 | IJ142001 |
| 516042 | IJ142001 |

ALFA ROMEO

| MAKE | PART NO. |
|----------|----------|
| 60816007 | IJ132005 |
| 71714478 | IJ132020 |
| 1587590 | IJ132005 |
| 3748.98 | IJ132005 |
| 71714463 | IJ132005 |
| 71714471 | IJ132005 |
| 71737189 | IJ132005 |
| 71737614 | IJ132005 |
| 7613514 | IJ132015 |

AUDI

| MAKE | PART NO. |
|------------|----------|
| 357498625 | IJ131005 |
| 893407625 | IJ131011 |
| 191498625A | IJ131005 |
| 1D0498625B | IJ131011 |
| 1H0498625 | IJ131005 |
| 1K0598611 | IJ132017 |
| 1T0598611 | IJ132023 |
| 1T0598611B | IJ132023 |
| 331598625A | IJ131005 |
| 331598625B | IJ131005 |
| 357498625B | IJ131005 |
| 441407625A | IJ131011 |
| 443498625A | IJ131011 |

AUDI

| MAKE | PART NO. |
|------------|----------|
| 443498625F | IJ131011 |
| 4A0498625 | IJ131011 |
| 4B0498625A | IJ131011 |
| 4B0598625B | IJ131011 |
| 4B0598625C | IJ131011 |
| 4D0407625H | IJ132025 |
| 4F0498625B | IJ132022 |
| 6Q0598611 | IJ132011 |
| 893498625C | IJ131011 |
| 893498625E | IJ131011 |
| 8944716251 | IJ132001 |
| 8D0407625E | IJ131011 |
| 8D0498625 | IJ131011 |
| 8D0498625B | IJ131011 |
| 8D0498625C | IJ132025 |
| 8D0598625A | IJ131011 |
| 8E0498625A | IJ132025 |
| 8E0498625B | IJ132025 |
| 8E0598625B | IJ132025 |
| 94471625 | IJ132001 |

AUTOMOTIVE BEARINGS

| MAKE | PART NO. |
|---------|----------|
| ABK1026 | IJ231001 |
| ABK1034 | IJ132021 |
| ABK1035 | IJ131005 |
| ABK1037 | IJ131011 |
| ABK303 | IJ131018 |
| ABK360 | IJ131006 |
| ABK362 | IJ131008 |
| ABK980 | IJ131020 |

AVANTI

| MAKE | PART NO. |
|---------|----------|
| 271786 | IJ123043 |
| 7470588 | IJ123027 |

BECK-ARNLEY

| MAKE | PART NO. |
|--------|----------|
| 513971 | IJ131021 |
| 513986 | IJ131005 |
| 513991 | IJ131011 |

BECK-ARNLEY

| MAKE | PART NO. |
|--------|----------|
| 514030 | IJ141009 |
| 514080 | IJ142010 |
| 514083 | IJ131006 |
| 516042 | IJ142010 |

BMW

| MAKE | PART NO. |
|-------------|----------|
| 6797164 | IJ133033 |
| 31201095616 | IJ133014 |
| 31221093427 | IJ133014 |
| 31221093428 | IJ133014 |
| 33416756830 | IJ133031 |
| 33416774944 | IJ133031 |
| 33416786620 | IJ133031 |

BRT

| MAKE | PART NO. |
|---------|----------|
| BRT1026 | IJ231001 |
| BRT1034 | IJ132021 |
| BRT1035 | IJ131005 |
| BRT1037 | IJ131011 |
| BRT1119 | IJ132015 |
| BRT1225 | IJ122039 |
| BRT1228 | IJ133010 |
| BRT1231 | IJ133002 |
| BRT1232 | IJ133007 |
| BRT1383 | IJ231001 |
| BRT1428 | IJ131031 |
| BRT901 | IJ131008 |
| BRT902 | IJ131006 |
| BRT956 | IJ131018 |
| BRT980 | IJ131020 |

CHRYSLER

| MAKE | PART NO. |
|---------|----------|
| 4340315 | IJ123030 |
| 4340326 | IJ123022 |
| 4340334 | IJ123023 |
| 4443485 | IJ123022 |
| 4504034 | IJ123022 |
| 4504038 | IJ123023 |
| 4504039 | IJ123022 |
| 4509766 | IJ122014 |

CHRYSLER

| MAKE | PART NO. |
|-------------|----------|
| 4509767 | IJ122014 |
| 4582219 | IJ122015 |
| 4582220 | IJ122015 |
| 4616263 | IJ122017 |
| 4616477 | IJ122003 |
| 4641196 | IJ123022 |
| 4641516 | IJ123032 |
| 4641517 | IJ123033 |
| 4641525 | IJ123007 |
| 4641732 | IJ123022 |
| 4683513 | IJ123005 |
| 4683514 | IJ123006 |
| 4683515 | IJ123006 |
| 4721513 | IJ123005 |
| 4721514 | IJ123006 |
| 4721515 | IJ123006 |
| 4728867 | IJ123026 |
| 4779011 | IJ122015 |
| 4779081 | IJ122015 |
| 4848716 | IJ123030 |
| 5241067 | IJ123023 |
| 5241068 | IJ123022 |
| 5252235 | IJ123024 |
| 6501053 | IJ123023 |
| 52007851 | IJ223010 |
| 52008207 | IJ223011 |
| 52008220 | IJ223005 |
| 52009406 | IJ222002 |
| 52009528 | IJ222001 |
| 52098679 | IJ123039 |
| 53000228 | IJ123029 |
| 53005604 | IJ123024 |
| 53007449 | IJ123024 |
| 3555556488 | IJ123024 |
| 04721762AI | IJ123109 |
| 04779328AA | IJ123057 |
| 04779572AB | IJ123068 |
| 05010018AA | IJ223052 |
| 05073536AA | IJ223051 |
| 05073537AA | IJ223050 |
| 2081 | IJ123023 |
| 31201095616 | IJ123062 |
| 4578144AB | IJ123036 |
| 4593003 | IJ123026 |
| 4593003AB | IJ123026 |
| 4593450AA | IJ123026 |
| 4593462 | IJ123036 |
| 4593462AA | IJ123036 |
| 4593777 | IJ123036 |
| 4616263AA | IJ122017 |
| 4616477AB | IJ122003 |
| 4641517AD | IJ123033 |
| 4641525AC | IJ123007 |
| 4641957AA | IJ123033 |
| 4670292AF | IJ121003 |
| 4721578AD | IJ223078 |
| 4721578AE | IJ223078 |
| 4721632AC | IJ123097 |

CHRYSLER

| MAKE | PART NO. |
|------------|----------|
| 4728867 | IJ123026 |
| 4779218AB | IJ123057 |
| 4779328AA | IJ123057 |
| 4880209AA | IJ123097 |
| 4880209AB | IJ123097 |
| 5003550AA | IJ122017 |
| 5003550AB | IJ122001 |
| 5010018AA | IJ223052 |
| 5010020AA | IJ223011 |
| 5015282AA | IJ223049 |
| 5015456AA | IJ223048 |
| 5073536AA | IJ223051 |
| 5073537AA | IJ223050 |
| 5085406AB | IJ123089 |
| 5085406AC | IJ123089 |
| 5101036AA | IJ131021 |
| 5103507AA | IJ223063 |
| 5103883AA | IJ231004 |
| 5103883AB | IJ231004 |
| 5179955AA | IJ223077 |
| 52008200 | IJ223005 |
| 52008207 | IJ223011 |
| 52009406AB | IJ222002 |
| 52009406AC | IJ222002 |
| 52009406AD | IJ222002 |
| 52009406AE | IJ222002 |
| 52009528 | IJ222002 |
| 52009528AB | IJ222001 |
| 52009528AC | IJ222001 |
| 52009528AD | IJ222001 |
| 52009528AE | IJ222001 |
| 52009863AA | IJ223035 |
| 52009863AC | IJ223035 |
| 52009864AA | IJ223036 |
| 52009864AC | IJ223036 |
| 52009866AC | IJ223036 |
| 52009867AA | IJ222003 |
| 52009867AB | IJ222003 |
| 52060398AC | IJ123062 |
| 52060398AD | IJ123103 |
| 52068963AE | IJ223008 |
| 52068964AB | IJ223008 |
| 52068964AD | IJ223008 |
| 52068964AE | IJ223008 |
| 52068964AF | IJ223008 |
| 52068965AB | IJ223007 |
| 52068965AD | IJ223007 |
| 52068965AE | IJ223007 |
| 52068965AF | IJ223007 |
| 52069361AB | IJ223006 |
| 52069361AC | IJ223006 |
| 52069876AA | IJ223032 |
| 52069877AA | IJ223031 |
| 52069880AA | IJ223022 |
| 52069881AA | IJ223039 |
| 52069882AA | IJ223032 |
| 52069883AA | IJ223031 |
| 52070321AA | IJ223066 |

CHRYSLER

| MAKE | PART NO. |
|--------------|----------|
| 52070321AB | IJ223066 |
| 52070321AC | IJ223066 |
| 52070323AA | IJ223065 |
| 52070323AB | IJ223065 |
| 52089434AA | IJ123052 |
| 52089434AB | IJ123052 |
| 52089434AC | IJ123052 |
| 52089434AD | IJ123052 |
| 52098679 | IJ123039 |
| 52109947AD | IJ123060 |
| 52109947AF | IJ123060 |
| 52111884AA | IJ123059 |
| 52128692AA | IJ123040 |
| 52128692AB | IJ123040 |
| 52128692AE | IJ123040 |
| 52128692AF | IJ123040 |
| 52128693AA | IJ123093 |
| 52128693AB | IJ123093 |
| 52128693AE | IJ123093 |
| 52128693AF | IJ123093 |
| 5272447AA | IJ121003 |
| 5272448AA | IJ121003 |
| 53007449AB | IJ123024 |
| 578144AA | IJ123036 |
| 68030387AA | IJ223065 |
| 68184742AA | IJ123106 |
| 68184743AA | IJ123107 |
| 68184744AA | IJ123104 |
| 68184745AA | IJ123105 |
| 68184748AA | IJ123108 |
| 7466908 | IJ123029 |
| 7466925 | IJ123029 |
| 7466928 | IJ123029 |
| 7466941 | IJ123029 |
| 7466950 | IJ123029 |
| 7466981 | IJ123023 |
| 7466997 | IJ123029 |
| 7470004 | IJ123029 |
| 7470014 | IJ123029 |
| 7470522 | IJ123029 |
| 81408443 | IJ131021 |
| 91409655 | IJ131021 |
| CS05252235 | IJ123024 |
| CS53007449 | IJ123024 |
| CSMR103664 | IJ123038 |
| DS53007449AB | IJ123024 |
| DSMR403970 | IJ123038 |
| FWB215 | IJ123022 |
| MB949047 | IJ123038 |
| MB949097 | IJ123038 |
| MR103664 | IJ123038 |
| MR369521 | IJ123038 |
| MR403970 | IJ123038 |
| R403970 | IJ123038 |

CITROËN

| MAKE | PART NO. |
|------------|----------|
| 330756 | IJ131006 |
| 335016 | IJ131006 |
| 335069 | IJ131024 |
| 335084 | IJ131024 |
| 374874 | IJ132012 |
| 374876 | IJ132002 |
| 374898 | IJ132005 |
| 95619160 | IJ131006 |
| 95654074 | IJ131020 |
| 95654076 | IJ131008 |
| 332635 | IJ131006 |
| 335017 | IJ131008 |
| 335018 | IJ131020 |
| 335027 | IJ131031 |
| 335032 | IJ131010 |
| 335072 | IJ131026 |
| 335086 | IJ131026 |
| 335091 | IJ131031 |
| 335092 | IJ131026 |
| 374838 | IJ132006 |
| 374843 | IJ132004 |
| 374844 | IJ132007 |
| 374879 | IJ132002 |
| 50700495 | IJ132002 |
| 71714473 | IJ131031 |
| 7701207677 | IJ131014 |
| 9567217680 | IJ131031 |

DACIA

| MAKE | PART NO. |
|------------|----------|
| 6001547696 | IJ131009 |
| 6001550915 | IJ131014 |
| 7701207677 | IJ131014 |

DAEWOO

| MAKE | PART NO. |
|----------|----------|
| 96219448 | IJ112039 |
| 96219450 | IJ112039 |
| 96219472 | IJ112039 |
| 96219474 | IJ112039 |

DELPHI

| MAKE | PART NO. |
|--------|----------|
| BK1084 | IJ131031 |
| BK1113 | IJ131012 |
| BK1124 | IJ131011 |
| BK1167 | IJ131010 |
| BK1171 | IJ133005 |
| BK1172 | IJ133008 |
| BK1173 | IJ133004 |
| BK1174 | IJ123086 |
| BK1175 | IJ133009 |

DELPHI

| MAKE | PART NO. |
|--------|----------|
| BK1177 | IJ133003 |
| BK1178 | IJ133027 |
| BK1181 | IJ131009 |
| BK1184 | IJ121004 |
| BK1198 | IJ221001 |
| BK1232 | IJ132016 |
| BK1248 | IJ131011 |
| BK1252 | IJ142011 |
| BK1256 | IJ132018 |
| BK1257 | IJ132020 |
| BK1260 | IJ132010 |
| BK1265 | IJ123061 |
| BK1272 | IJ131013 |
| BK1281 | IJ132005 |
| BK1285 | IJ131027 |
| BK1289 | IJ131025 |
| BK1333 | IJ132003 |
| BK1340 | IJ132025 |
| BK368 | IJ131008 |
| BK381 | IJ131018 |
| BK409 | IJ131011 |
| BK421 | IJ131020 |
| BK491 | IJ131006 |
| BK493 | IJ132021 |
| BK500 | IJ131009 |
| BK512 | IJ131005 |
| BK548 | IJ132015 |
| BK579 | IJ231001 |
| BK679 | IJ133002 |
| BK684 | IJ122039 |
| BK687 | IJ133010 |
| BK701 | IJ133006 |
| BK732 | IJ133001 |
| BK833 | IJ131012 |
| BK970 | IJ133007 |

FAG

| MAKE | PART NO. |
|-----------|----------|
| 713606040 | IJ132018 |
| 713610030 | IJ131011 |
| 713610050 | IJ131011 |
| 713610090 | IJ131011 |
| 713610100 | IJ131005 |
| 713610210 | IJ132003 |
| 713610320 | IJ132003 |
| 713610350 | IJ131011 |
| 713610380 | IJ132025 |
| 713610390 | IJ132025 |
| 713610410 | IJ131011 |
| 713610420 | IJ131011 |
| 713610430 | IJ132025 |
| 713610490 | IJ132011 |
| 713610620 | IJ132023 |
| 713610690 | IJ132017 |
| 713610730 | IJ131005 |
| 713610780 | IJ132022 |

FAG

| MAKE | PART NO. |
|-----------|----------|
| 713610830 | IJ132023 |
| 713610840 | IJ132025 |
| 713615530 | IJ142011 |
| 713618670 | IJ143006 |
| 713618680 | IJ143009 |
| 713626050 | IJ122038 |
| 713626140 | IJ111002 |
| 713630030 | IJ131009 |
| 713630050 | IJ131012 |
| 713630270 | IJ231001 |
| 713630580 | IJ131031 |
| 713630650 | IJ132010 |
| 713630760 | IJ131024 |
| 713630790 | IJ231003 |
| 713630820 | IJ132012 |
| 713630830 | IJ131013 |
| 713630840 | IJ131014 |
| 713630850 | IJ131007 |
| 713640030 | IJ132002 |
| 713640180 | IJ131006 |
| 713640190 | IJ131020 |
| 713640310 | IJ131026 |
| 713640390 | IJ231004 |
| 713640420 | IJ132007 |
| 713644030 | IJ133008 |
| 713644040 | IJ133003 |
| 713644060 | IJ133005 |
| 713644070 | IJ133004 |
| 713644080 | IJ141014 |
| 713644090 | IJ133015 |
| 713644220 | IJ231002 |
| 713644260 | IJ133011 |
| 713644270 | IJ133020 |
| 713644280 | IJ133030 |
| 713644310 | IJ133021 |
| 713644320 | IJ133022 |
| 713644330 | IJ133019 |
| 713644340 | IJ133025 |
| 713644550 | IJ133002 |
| 713644560 | IJ133007 |
| 713644570 | IJ133006 |
| 713644810 | IJ133032 |
| 713649370 | IJ133031 |
| 713650060 | IJ131010 |
| 713650160 | IJ131008 |
| 713650250 | IJ132021 |
| 713650540 | IJ132006 |
| 713660040 | IJ133001 |
| 713660120 | IJ132016 |
| 713660210 | IJ133009 |
| 713660280 | IJ123086 |
| 713660420 | IJ133001 |
| 713667220 | IJ133014 |
| 713667530 | IJ131018 |
| 713667540 | IJ131018 |
| 713667720 | IJ131018 |
| 713667830 | IJ131018 |
| 713667870 | IJ131018 |

| FAG | |
|-----------|----------|
| MAKE | PART NO. |
| 713678030 | IJ221001 |
| 713678100 | IJ121004 |
| 713678340 | IJ22039 |
| 713678360 | IJ133010 |
| 713678410 | IJ131025 |
| 713678430 | IJ123061 |
| 713678650 | IJ22004 |
| 713678700 | IJ133027 |
| 713690600 | IJ132015 |
| 713690710 | IJ132005 |
| 713690750 | IJ131027 |
| 713690760 | IJ132020 |
| 713615750 | IJ123102 |
| 713615750 | IJ143015 |
| 713678900 | IJ232003 |
| FW704 | IJ223004 |
| FW707 | IJ223006 |
| FW715 | IJ223014 |
| FW752 | IJ223042 |
| FW757 | IJ223060 |
| FW780 | IJ223074 |
| RW8039 | IJ123084 |
| RW8178 | IJ142004 |
| RW8194 | IJ112036 |
| RW8195 | IJ112037 |
| RW8208 | IJ143003 |
| RW8236 | IJ123081 |

| FEBI BILSTEIN | |
|---------------|----------|
| MAKE | PART NO. |
| 3662 | IJ131005 |
| 5379 | IJ131005 |
| 5424 | IJ131018 |
| 5528 | IJ131009 |
| 5542 | IJ131008 |
| 5543 | IJ131006 |
| 5578 | IJ131018 |
| 5913 | IJ131011 |
| 8881 | IJ131018 |
| 14538 | IJ131031 |
| 18191 | IJ131010 |
| 19085 | IJ141014 |
| 19088 | IJ231002 |
| 19118 | IJ121004 |
| 19143 | IJ221001 |
| 19183 | IJ221001 |
| 19213 | IJ121004 |
| 19574 | IJ131024 |
| 19706 | IJ131025 |
| 19807 | IJ131012 |
| 19811 | IJ131013 |
| 19897 | IJ231001 |
| 21873 | IJ131018 |
| 22006 | IJ131020 |
| 22805 | IJ222004 |
| 23183 | IJ231003 |

| FEBI BILSTEIN | |
|---------------|----------|
| MAKE | PART NO. |
| 24313 | IJ131007 |
| 24315 | IJ131014 |
| 24517 | IJ131026 |
| 24519 | IJ231004 |
| 24524 | IJ131027 |

| FIAT | |
|------------|----------|
| MAKE | PART NO. |
| 71714459 | IJ131027 |
| 71714463 | IJ132005 |
| 71714471 | IJ132005 |
| 71714473 | IJ131031 |
| 71737189 | IJ132005 |
| 71737614 | IJ132005 |
| 71753062 | IJ131027 |
| 9567217680 | IJ131031 |
| 374877 | IJ131027 |

| FORD | |
|--------------|----------|
| MAKE | PART NO. |
| 1085565 | IJ221001 |
| 1112547 | IJ121004 |
| 1133023 | IJ131025 |
| 1135043 | IJ221001 |
| 1201300 | IJ222004 |
| 1201568 | IJ221001 |
| 1201569 | IJ121004 |
| 1377911 | IJ232001 |
| 1484269 | IJ131030 |
| 1587590 | IJ132005 |
| 5027621 | IJ122039 |
| 5027624 | IJ133010 |
| 1146689 | IJ123061 |
| 1484266 | IJ131032 |
| 1699196 | IJ133028 |
| 1L241104AD | IJ223040 |
| 229285R11 | IJ122006 |
| 30818024 | IJ121001 |
| 6G912C300GAC | IJ132026 |
| 8625007 | IJ122006 |
| 9036945003 | IJ141003 |
| BK212B664AB | IJ232001 |
| BK212B664BB | IJ232002 |
| F15C2B633AA | IJ122006 |
| F15C2C300AA | IJ122006 |
| F15Z1104A | IJ122006 |
| F15Z1104B | IJ122006 |
| F35C2B663AA | IJ122006 |
| F35C2C300AA | IJ122006 |
| F35Z1104A | IJ122006 |
| F4CZ2B663AB | IJ122008 |
| F4CZ2B663AC | IJ122008 |
| F57Z1215AA | IJ223003 |
| F55Z1104AA | IJ122006 |

| FORD | |
|----------------|----------|
| MAKE | PART NO. |
| F65Z114BA | IJ223016 |
| F67A1125BA | IJ223003 |
| F67Z1102HA | IJ223003 |
| F67Z1125BA | IJ223003 |
| F65Z1104AA | IJ122006 |
| F65Z1104AB | IJ122006 |
| F65Z1104BA | IJ122006 |
| F6ZC2B663AAZ | IJ122008 |
| F87A11004BC | IJ223025 |
| F87Z11004BB | IJ223025 |
| F8Z211044AA | IJ122008 |
| X1L241104AC | IJ223040 |
| XC3528663BA | IJ223024 |
| XL341104AG | IJ223027 |
| YL341004AA | IJ223028 |
| YL341104BB | IJ223027 |
| 1F122C299CA | IJ122004 |
| 1F1Z1104 | IJ122002 |
| 1F1Z1104CA | IJ122004 |
| 1F1Z1104DA | IJ122005 |
| 1F222C300AA | IJ123037 |
| 1F222C300BA | IJ123037 |
| 1F2Z1104AA | IJ123037 |
| 1F2Z1104AB | IJ123037 |
| 1L141104AA | IJ223030 |
| 1L341104AA | IJ223028 |
| 1L341104BA | IJ223029 |
| 1L3Z1104BA | IJ223029 |
| 1R332B633AA1R3 | IJ122008 |
| 1R3Z1104AA | IJ122008 |
| 1R3Z1104B | IJ122008 |
| 1R3Z1104BA | IJ122008 |
| 1R3Z1104BB | IJ122008 |
| 3C342B513CA | IJ223024 |
| 3C342B513CB | IJ223024 |
| 3C342B513CC | IJ223024 |
| 3C3Z1104BA | IJ223059 |
| 3C3Z1104CA | IJ223024 |
| 3F1Z1104BA | IJ123028 |
| 3F1Z1104CA | IJ122004 |
| 3F1Z1104DA | IJ122005 |
| 3F2Z1104AB | IJ123090 |
| 3L2Z1104AA | IJ223041 |
| 3L2Z1104AB | IJ223040 |
| 3L2Z1215AA | IJ221002 |
| 3LSZ1104AA | IJ223041 |
| 3W121104BA | IJ123075 |
| 3W132B663BA | IJ123075 |
| 3W132B663BB | IJ123075 |
| 3W1Z1104BA | IJ123075 |
| 4L2Z1104AA | IJ223040 |
| 4R3Z1104AA | IJ122012 |
| 4R3Z1104AB | IJ122013 |
| 5F9Z1104AA | IJ123055 |
| 5F9Z1104AB | IJ123056 |
| 5F9Z1104BA | IJ123054 |
| 5L1Z1104AA | IJ223064 |
| 5L1Z1104CA | IJ223058 |

| FORD | |
|-------------|----------|
| MAKE | PART NO. |
| 5L1Z1104DA | IJ223070 |
| 5L342C530AE | IJ223071 |
| 5L3Z1104AA | IJ223071 |
| 5L3Z1104AB | IJ223071 |
| 5L3Z1104BB | IJ223072 |
| 5L3Z1125BA | IJ223072 |
| 5W1Z1104AA | IJ123053 |
| 5W1Z1104B | IJ123075 |
| 6E5Z1104AA | IJ122042 |
| 6L1Z1104A | IJ223058 |
| 6L1Z1104CA | IJ223058 |
| 6L1Z1104DA | IJ223070 |
| 6L1Z1109AA | IJ223064 |
| 6L1Z1A049AA | IJ223069 |
| 6L2Z1104A | IJ223068 |
| 6L342C530AA | IJ223071 |
| 6L3Z1104A | IJ223028 |
| 6L3Z1104AA | IJ223071 |
| 6L3Z1104BA | IJ223072 |
| 6L3Z1104DA | IJ223071 |
| 6L3Z1104EA | IJ223072 |
| 6L5Z1104A | IJ223041 |
| 6L5Z1104B | IJ223041 |
| 6W1Z1104A | IJ123053 |
| 7F9Z1104B | IJ123054 |
| 7L1Z1104AA | IJ223075 |
| 7L1Z1109AA | IJ223069 |
| 7L2Z1104A | IJ223068 |
| 7L342C530AA | IJ223071 |
| 7L342C530AB | IJ223071 |
| 7L3Z1104A | IJ223071 |
| 7L3Z1104B | IJ223072 |
| 7T4Z1104B | IJ123100 |
| 7T4Z1104C | IJ123099 |
| 7T4Z1215B | IJ141003 |
| 7W1Z1104A | IJ123053 |
| 8F9Z1104A | IJ123055 |
| 8F9Z1104B | IJ123054 |
| 8F9Z1104C | IJ123056 |
| 93BB1215AB | IJ121001 |
| BR930455 | IJ223071 |
| E6DC1215AA | IJ121003 |
| E6DZ1215A | IJ121003 |
| E99Z1104A | IJ123044 |
| E9DC1215AA | IJ121003 |
| E9DZ1215A | IJ121003 |
| F1DC1215AA | IJ121003 |
| F1SZ1215A | IJ121003 |
| F29Z1104A | IJ123044 |
| F2AC2B633AA | IJ122007 |
| F2AC2C300AA | IJ122007 |
| F2AZ1104A | IJ122007 |
| F2AZ1104B | IJ122007 |
| F4ZZ1104A | IJ122008 |
| F50Y1104A | IJ123028 |
| F57A1104CA | IJ223003 |
| F57A1104CC | IJ223003 |
| F5AC2B663AA | IJ122007 |

| FORD | |
|-------------|----------|
| MAKE | PART NO. |
| F5AC2C300AC | IJ122007 |
| F5AZ1104A | IJ122007 |
| F5AZ1104B | IJ122007 |
| F5RZ1215A | IJ121001 |
| F5TZ1104A | IJ223003 |
| F65W1104AA | IJ223009 |
| F65Z1104AA | IJ223009 |
| F65Z1104AB | IJ223009 |
| F65Z1104BA | IJ223016 |
| F6ZC2B663AA | IJ122008 |
| F6Z21104AA | IJ122008 |
| F75W1104AA | IJ223021 |
| F75W1104CA | IJ223004 |
| F75W1104DA | IJ223009 |
| F75W1104EA | IJ223016 |
| F75Z1104AA | IJ223021 |
| F75Z1104CA | IJ223004 |
| F78Z1104AA | IJ122002 |
| F78Z1104AFC | IJ122002 |
| F7AC2B300AA | IJ122002 |
| F7AZ1104AC | IJ122002 |
| F7XZ1109BB | IJ122006 |
| F81A2B663BE | IJ223053 |
| F81A2B663BF | IJ223053 |
| F81A2B663BG | IJ223019 |
| F81A2B663CE | IJ223055 |
| F81A2B663CH | IJ223024 |
| F81A2B663EF | IJ223020 |
| F81Z1104BE | IJ223053 |
| F81Z1104BG | IJ223019 |
| F81Z1104BH | IJ223019 |
| F81Z1104CE | IJ223055 |
| F81Z1104CH | IJ223024 |
| F81Z1104EC | IJ223054 |
| F81Z1104ED | IJ223020 |
| F81Z1104EE | IJ223020 |
| F87A1104AB | IJ223026 |
| F87A1104AC | IJ223026 |
| F87A1104BB | IJ223025 |
| F87A1104BC | IJ223025 |
| F87A1104CA | IJ223003 |
| F87A1104CB | IJ223003 |
| F87Z1104AB | IJ223026 |
| F87Z1104BB | IJ223025 |
| F87Z1104CA | IJ223003 |
| F8RZ1104AA | IJ123028 |
| F8ZC2B663AA | IJ122008 |
| F8Z21104AA | IJ122008 |
| XC352B663BA | IJ223024 |
| XF1Z1104AE | IJ123028 |
| XF1Z1104BA | IJ123028 |
| XF222C300AA | IJ123037 |
| XF222C300AB | IJ123037 |
| XF5Z1109BA | IJ122006 |
| XF122C300BB | IJ123028 |
| XL1Z1104AE | IJ223004 |
| XL241104BA | IJ223003 |
| XL341104BD | IJ223016 |
| XL341104CB | IJ223021 |
| XL341104DC | IJ223029 |
| XL3Z1104AA | IJ223028 |
| XL3Z1104AD | IJ223009 |
| XL3Z1104BA | IJ223027 |
| XL3Z1104BC | IJ223016 |
| XL3Z1104CB | IJ223021 |
| XL3Z1104DA | IJ223029 |
| XL541104AA | IJ223026 |
| XL541104BA | IJ223025 |
| YC352B513BA | IJ223019 |
| YC352B663AA | IJ223020 |
| YC352B663BA | IJ223019 |
| YC352B663CA | IJ223020 |
| YC352B663EA | IJ223020 |
| YC352B663EB | IJ223020 |
| YC352B663EC | IJ223020 |
| YC352B663ED | IJ223020 |
| YC3Z1104D | IJ223020 |
| YF121104AC | IJ122016 |
| YF122C299AB | IJ122016 |
| YF1C1104AC | IJ122016 |
| YF1Z1104AC | IJ122016 |
| YF221104AA | IJ123037 |
| YL1Z1104AA | IJ223030 |
| YL241104BA | IJ223003 |
| YL341104AA | IJ223028 |
| YL3Z1104AA | IJ223028 |
| YL3Z1104BA | IJ223027 |
| YL541104AA | IJ223012 |
| YL541104BA | IJ223013 |
| YLSZ1104AA | IJ223012 |
| YLSZ1104BA | IJ223013 |
| YL8Z1225AA | IJ121001 |
| YR332B663AA | IJ122008 |
| YR333C300AA | IJ122008 |
| YR3Z1104AA | IJ122008 |
| YR3Z1104BA | IJ122008 |
| YS4Z1215AA | IJ121004 |
| YS4Z1215BB | IJ121004 |
| YS4Z1A049AA | IJ221001 |
| YS4Z204CA | IJ223025 |
| ZL3Z1104BC | IJ223016 |

| FORD | |
|-------------|----------|
| MAKE | PART NO. |
| XL341104BD | IJ223016 |
| XL341104CB | IJ223021 |
| XL341104DC | IJ223029 |
| XL3Z1104AA | IJ223028 |
| XL3Z1104AD | IJ223009 |
| XL3Z1104BA | IJ223027 |
| XL3Z1104BC | IJ223016 |
| XL3Z1104CB | IJ223021 |
| XL3Z1104DA | IJ223029 |
| XL541104AA | IJ223026 |
| XL541104BA | IJ223025 |
| YC352B513BA | IJ223019 |
| YC352B663AA | IJ223020 |
| YC352B663BA | IJ223019 |
| YC352B663CA | IJ223020 |
| YC352B663EA | IJ223020 |
| YC352B663EB | IJ223020 |
| YC352B663EC | IJ223020 |
| YC352B663ED | IJ223020 |
| YC3Z1104D | IJ223020 |
| YF121104AC | IJ122016 |
| YF122C299AB | IJ122016 |
| YF1C1104AC | IJ122016 |
| YF1Z1104AC | IJ122016 |
| YF221104AA | IJ123037 |
| YL1Z1104AA | IJ223030 |
| YL241104BA | IJ223003 |
| YL341104AA | IJ223028 |
| YL3Z1104AA | IJ223028 |
| YL3Z1104BA | IJ223027 |
| YL541104AA | IJ223012 |
| YL541104BA | IJ223013 |
| YLSZ1104AA | IJ223012 |
| YLSZ1104BA | IJ223013 |
| YL8Z1225AA | IJ121001 |
| YR332B663AA | IJ122008 |
| YR333C300AA | IJ122008 |
| YR3Z1104AA | IJ122008 |
| YR3Z1104BA | IJ122008 |
| YS4Z1215AA | IJ121004 |
| YS4Z1215BB | IJ121004 |
| YS4Z1A049AA | IJ221001 |
| YS4Z204CA | IJ223025 |
| ZL3Z1104BC | IJ223016 |

| GENERAL MOTORS | |
|----------------|----------|
| MAKE | PART NO. |
| 1860224 | IJ223014 |
| 7470559 | IJ123015 |
| 7470569 | IJ123073 |
| 10305030 | IJ122011 |
| 10393162 | IJ223061 |
| 10393163 | IJ223033 |
| 10393171 | IJ223079 |
| 10434253 | IJ122011 |
| 12385856 | IJ223056 |

GENERAL MOTORS

| MAKE | PART NO. |
|----------|----------|
| 12413001 | IJ123085 |
| 12413003 | IJ123004 |
| 12413029 | IJ123008 |
| 12413031 | IJ123079 |
| 12413037 | IJ123050 |
| 12413045 | IJ123034 |
| 12413089 | IJ123081 |
| 12413091 | IJ123009 |
| 12413092 | IJ123009 |
| 12413093 | IJ122010 |
| 12413099 | IJ123069 |
| 12413103 | IJ123077 |
| 12413105 | IJ123065 |
| 12413121 | IJ123076 |
| 12413122 | IJ123076 |
| 12413228 | IJ123076 |
| 12413244 | IJ123074 |
| 12413247 | IJ123066 |
| 12413262 | IJ123084 |
| 12429201 | IJ123035 |
| 12429202 | IJ123035 |
| 12429203 | IJ122010 |
| 12429204 | IJ123031 |
| 12429205 | IJ122010 |
| 12541129 | IJ223002 |
| 12549138 | IJ223017 |
| 15037207 | IJ223044 |
| 15042868 | IJ223045 |
| 15056760 | IJ223062 |
| 15058393 | IJ223038 |
| 15064670 | IJ223057 |
| 15102293 | IJ223061 |
| 15102294 | IJ223033 |
| 15104582 | IJ223045 |
| 15112380 | IJ223044 |
| 15112382 | IJ223033 |
| 15112409 | IJ223057 |
| 15112411 | IJ223045 |
| 15112412 | IJ223062 |
| 15130858 | IJ123050 |
| 15134584 | IJ223033 |
| 15225751 | IJ223057 |
| 15225753 | IJ223062 |
| 15225770 | IJ223045 |
| 15233111 | IJ223044 |
| 15233113 | IJ223033 |
| 15564913 | IJ223014 |
| 15693437 | IJ223001 |
| 15719007 | IJ223056 |
| 15719015 | IJ223045 |
| 15731627 | IJ122012 |
| 15733637 | IJ223062 |
| 15740291 | IJ223033 |
| 15786534 | IJ123050 |
| 15793213 | IJ123049 |
| 15798483 | IJ123010 |
| 15819433 | IJ123064 |
| 15863440 | IJ223061 |

GENERAL MOTORS

| MAKE | PART NO. |
|----------|----------|
| 15863441 | IJ223033 |
| 15946732 | IJ223045 |
| 15981339 | IJ223014 |
| 15990509 | IJ223014 |
| 15990510 | IJ223015 |
| 15991989 | IJ223037 |
| 15991990 | IJ223037 |
| 15997071 | IJ223023 |
| 15997072 | IJ223023 |
| 15997073 | IJ223018 |
| 15997074 | IJ223018 |
| 18061146 | IJ223046 |
| 18061148 | IJ223047 |
| 19122338 | IJ123069 |
| 19149001 | IJ223046 |
| 19150096 | IJ123034 |
| 19184284 | IJ141003 |
| 19209040 | IJ223033 |
| 21011095 | IJ123070 |
| 21011096 | IJ123078 |
| 21012556 | IJ123070 |
| 21995732 | IJ123049 |
| 22669735 | IJ123010 |
| 22701516 | IJ123041 |
| 22701520 | IJ123042 |
| 22703526 | IJ123015 |
| 22706424 | IJ123011 |
| 22706425 | IJ123051 |
| 22706967 | IJ123049 |
| 22715554 | IJ123043 |
| 22721886 | IJ123010 |
| 22728987 | IJ123082 |
| 25693148 | IJ123080 |
| 25737778 | IJ123064 |
| 25840786 | IJ223046 |
| 25918329 | IJ223079 |
| 25976819 | IJ223079 |
| 25999685 | IJ123066 |
| 88955477 | IJ122011 |
| 88957259 | IJ123035 |
| 88964105 | IJ123076 |
| 88964142 | IJ123069 |
| 88964168 | IJ122010 |
| 88967258 | IJ123066 |
| 88967271 | IJ123074 |
| 88967287 | IJ123073 |
| 88967288 | IJ123067 |
| 88970097 | IJ143005 |
| 88970098 | IJ143004 |
| 88970116 | IJ141011 |
| 89047639 | IJ123064 |
| 89047684 | IJ122011 |
| 89047802 | IJ122011 |
| 89059057 | IJ223057 |
| 89059059 | IJ223045 |
| 89059060 | IJ223062 |
| 89060208 | IJ123072 |
| 90486467 | IJ122009 |

GENERAL MOTORS

| MAKE | PART NO. |
|------------|----------|
| 93178626 | IJ121001 |
| 96219449 | IJ112038 |
| 926728002 | IJ111006 |
| 12413004 | IJ123004 |
| 12413035 | IJ122010 |
| 12413040 | IJ123035 |
| 12413075 | IJ123044 |
| 12413076 | IJ123044 |
| 12413077 | IJ123042 |
| 12413078 | IJ123042 |
| 12413093 | IJ123041 |
| 12413111 | IJ123010 |
| 12413112 | IJ123010 |
| 12413117 | IJ123011 |
| 12413118 | IJ123011 |
| 12413164 | IJ123044 |
| 12413165 | IJ123042 |
| 12413197 | IJ123043 |
| 12413204 | IJ123010 |
| 12413206 | IJ123011 |
| 12413217 | IJ123043 |
| 12413218 | IJ123043 |
| 12429203 | IJ123041 |
| 12429205 | IJ123041 |
| 13500592 | IJ113045 |
| 13502828 | IJ133023 |
| 13502872 | IJ113033 |
| 13502873 | IJ113034 |
| 13582829 | IJ133024 |
| 15564905 | IJ223002 |
| 15564906 | IJ223001 |
| 15595151 | IJ223018 |
| 21012577 | IJ123078 |
| 21013003 | IJ123078 |
| 22667146 | IJ123044 |
| 22667147 | IJ123042 |
| 4241001020 | IJ143005 |
| 4241002080 | IJ143005 |
| 4241012260 | IJ143005 |
| 4241020190 | IJ143005 |
| 4245001010 | IJ143004 |
| 4245001020 | IJ143005 |
| 4245002070 | IJ143004 |
| 52009361AB | IJ123078 |
| 7466959 | IJ123019 |
| 7466960 | IJ123019 |
| 7466966 | IJ123019 |
| 7466967 | IJ123019 |
| 7466972 | IJ123019 |
| 7466982 | IJ123019 |
| 7466983 | IJ123019 |
| 7466989 | IJ123078 |
| 7466991 | IJ123071 |
| 7466992 | IJ123063 |
| 7467106 | IJ123073 |
| 7467107 | IJ123067 |
| 7467110 | IJ123078 |
| 7467111 | IJ123070 |

GENERAL MOTORS

| MAKE | PART NO. |
|-------------|----------|
| 7467113 | IJ123063 |
| 7467117 | IJ123070 |
| 7467119 | IJ123063 |
| 7467129 | IJ123071 |
| 7467133 | IJ123002 |
| 7467140 | IJ123019 |
| 7467144 | IJ123067 |
| 7467145 | IJ123073 |
| 7467190 | IJ123073 |
| 7467557 | IJ123009 |
| 7467559 | IJ123008 |
| 7467564 | IJ122010 |
| 7467657 | IJ122011 |
| 7470006 | IJ123019 |
| 7470007 | IJ123019 |
| 7470013 | IJ123021 |
| 7470017 | IJ123031 |
| 7470504 | IJ123018 |
| 7470509 | IJ123001 |
| 7470511 | IJ123025 |
| 7470515 | IJ123019 |
| 7470517 | IJ123019 |
| 7470518 | IJ123019 |
| 7470519 | IJ123063 |
| 7470520 | IJ123063 |
| 7470543 | IJ123071 |
| 7470544 | IJ123071 |
| 7470555 | IJ123063 |
| 7470556 | IJ123063 |
| 7470560 | IJ123015 |
| 7470571 | IJ123067 |
| 7470572 | IJ123067 |
| 7470586 | IJ123020 |
| 7470604 | IJ123070 |
| 7470610 | IJ123003 |
| 7470625 | IJ123019 |
| 7470626 | IJ123019 |
| 8124130450 | IJ123034 |
| 88971027 | IJ141011 |
| 92192305 | IJ123087 |
| 926739004 | IJ111012 |
| 94535247 | IJ111009 |
| 94535982 | IJ111011 |
| 96639584 | IJ113015 |
| 96639585 | IJ113016 |
| 96639606 | IJ113017 |
| 96639607 | IJ113018 |
| CB31000100E | IJ113019 |
| CB31000200D | IJ113020 |
| CB31000400 | IJ123096 |
| FW157 | IJ122011 |
| FW311 | IJ223033 |

HONDA

| MAKE | PART NO. |
|-------------|----------|
| 4220053VA01 | IJ141004 |

HONDA

| MAKE | PART NO. |
|----------------|----------|
| 4220055A008 | IJ142009 |
| 4220055A0080 | IJ142009 |
| 42200584A01 | IJ142002 |
| 42200584A31 | IJ142003 |
| 42200584C01 | IJ142002 |
| 42200584C010 | IJ142002 |
| 42200584C010M1 | IJ142002 |
| 42200584C31 | IJ142003 |
| 42200584C310 | IJ142003 |
| 42200584C310M1 | IJ142003 |
| 42200584C51 | IJ142003 |
| 42200584C510M1 | IJ142003 |
| 42200584C52 | IJ142003 |
| 42200587A51 | IJ142005 |
| 42200587C51 | IJ142005 |
| 422005DAA51 | IJ142006 |
| 422005R3A05 | IJ142010 |
| 422005R3A52 | IJ142010 |
| 422005R3A53 | IJ142010 |
| 442005M1008 | IJ142008 |
| 442005M4000 | IJ142008 |
| 442005M4003 | IJ142008 |
| 442005M4013 | IJ142008 |
| 442005M40131 | IJ142008 |
| 442005M4018 | IJ142008 |
| 442005M4J00 | IJ142008 |
| 44300504004 | IJ141009 |
| 44300504008 | IJ141009 |
| 4430050A003 | IJ141007 |
| 4430051AE01 | IJ141007 |
| 44300547008 | IJ141004 |
| 44300584A01 | IJ141007 |
| 44300584A02 | IJ141007 |
| 443005DAA52 | IJ141002 |
| 443005O4004 | IJ141009 |
| 443005O4008 | IJ141009 |
| 443005R3003 | IJ141009 |
| 443005R30030 | IJ141009 |
| 443005R3004 | IJ141009 |
| 443005R3005 | IJ141009 |
| 443005R3008 | IJ141009 |
| 443005R3015 | IJ141009 |

HYUNDAI

| MAKE | PART NO. |
|------------|----------|
| 527102E000 | IJ112032 |
| 5172002000 | IJ111001 |
| 5172025000 | IJ111001 |
| 5172029100 | IJ111001 |
| 5172029150 | IJ111001 |
| 5172029300 | IJ111001 |
| 5172029400 | IJ111001 |
| 5172034100 | IJ111008 |
| 5172038000 | IJ111002 |
| 5172038110 | IJ111003 |

HYUNDAI

| MAKE | PART NO. |
|------------|----------|
| 5271002500 | IJ112021 |
| 5271002550 | IJ112022 |
| 5271017000 | IJ112034 |
| 5271017100 | IJ112035 |
| 5271022400 | IJ112001 |
| 5271022500 | IJ112002 |
| 5271022600 | IJ112003 |
| 5271025000 | IJ112028 |
| 5271025001 | IJ112028 |
| 5271025100 | IJ112016 |
| 5271025101 | IJ112016 |
| 5271026500 | IJ121003 |
| 5271026510 | IJ121003 |
| 5271026530 | IJ121003 |
| 5271029100 | IJ112007 |
| 5271029400 | IJ112003 |
| 5271029450 | IJ112005 |
| 5271029460 | IJ112007 |
| 5271029461 | IJ112007 |
| 5271029470 | IJ112007 |
| 5271029670 | IJ112007 |
| 5271029671 | IJ112007 |
| 5271033600 | IJ112009 |
| 5271034501 | IJ112009 |
| 5271034701 | IJ112009 |
| 5271037401 | IJ112010 |
| 5271037500 | IJ112011 |
| 5273038001 | IJ113002 |
| 5273038002 | IJ113002 |
| 5273038003 | IJ113002 |
| 5273038101 | IJ113003 |
| 5273038102 | IJ113003 |
| 5273038103 | IJ113003 |
| 5273039011 | IJ113004 |
| 5273039012 | IJ113004 |
| 5273039013 | IJ113004 |
| 5273039111 | IJ113014 |
| 5275026100 | IJ112023 |
| 5.27E+105 | IJ112033 |
| 5.27E+105 | IJ112033 |
| 517201W000 | IJ111001 |
| 517202D000 | IJ111005 |
| 517202D200 | IJ111002 |
| 517202H000 | IJ111010 |
| 517203A101 | IJ111003 |
| 517203A200 | IJ111004 |
| 517502M000 | IJ113040 |
| 517503J000 | IJ113013 |
| 517503K000 | IJ111004 |
| 517503M000 | IJ113024 |
| 517504H000 | IJ212002 |
| 517504H050 | IJ212001 |
| 527102C000 | IJ112029 |
| 527102C001 | IJ112029 |
| 527102C005 | IJ112024 |
| 527102C100 | IJ112030 |
| 527102C101 | IJ112030 |
| 527102C105 | IJ112025 |

HYUNDAI

| MAKE | PART NO. |
|------------|----------|
| 527102C205 | IJ112024 |
| 527102D000 | IJ112019 |
| 527102D010 | IJ112037 |
| 527102D011 | IJ112026 |
| 527102D015 | IJ112037 |
| 527102D025 | IJ112036 |
| 527102D100 | IJ112020 |
| 527102D110 | IJ112037 |
| 527102D111 | IJ112027 |
| 527102D115 | IJ112037 |
| 527102D225 | IJ112036 |
| 527102D315 | IJ112037 |
| 527103A001 | IJ112017 |
| 527103A101 | IJ112018 |
| 527103B000 | IJ112013 |
| 527103X000 | IJ113044 |
| 52710M3000 | IJ112014 |
| 52710M3050 | IJ112015 |
| 527302G400 | IJ113027 |
| 527302H000 | IJ113010 |
| 527302H100 | IJ113009 |
| 527302M000 | IJ113039 |
| 527303C000 | IJ113002 |
| 527303C100 | IJ113003 |
| 527303K000 | IJ113005 |
| 527303K100 | IJ113006 |
| 527303K200 | IJ113021 |
| 527303K300 | IJ113022 |
| 527303M100 | IJ113032 |
| 527303S200 | IJ113041 |
| 527500U000 | IJ113043 |
| 527501C000 | IJ113007 |
| 527501C100 | IJ113008 |
| 527501G000 | IJ113007 |
| 527501G100 | IJ113008 |
| 527502B100 | IJ113012 |
| 805648C | IJ213001 |
| 806081 | IJ212003 |

INFINITI

| MAKE | PART NO. |
|-------------|----------|
| 40202AL500 | IJ143008 |
| 40202AL510 | IJ143008 |
| 40202AL56C | IJ143008 |
| 402103Z0000 | IJ141005 |
| 43210AL505 | IJ122041 |
| 9008036021 | IJ141005 |

INTL HARVESTER CORP.

| MAKE | PART NO. |
|-----------|----------|
| 141298C91 | IJ123015 |

IRB

| MAKE | PART NO. |
|---------|----------|
| K-02/06 | IJ131011 |
| K-07/11 | IJ131008 |
| K-07/14 | IJ131006 |
| K-07/18 | IJ131020 |
| K-20/05 | IJ131018 |
| K-26/13 | IJ131008 |
| K-26/15 | IJ131006 |
| K-41/06 | IJ131005 |

ISUZU

| MAKE | PART NO. |
|------------|----------|
| 8124130370 | IJ123050 |
| 8124130450 | IJ123034 |
| 8151308580 | IJ123050 |
| 8944716251 | IJ132001 |

JAGUAR

| MAKE | PART NO. |
|-----------|----------|
| C25008276 | IJ121001 |
| C258276 | IJ121001 |

KIA

| MAKE | PART NO. |
|------------|----------|
| 5172002000 | IJ111001 |
| 5172038000 | IJ111002 |
| 5172038100 | IJ111002 |
| 5271026510 | IJ121003 |
| 5273038000 | IJ113002 |
| 5273038002 | IJ113002 |
| 5273038100 | IJ113003 |
| 5273038102 | IJ113003 |
| 0K20226150 | IJ122038 |
| 0K55233047 | IJ121003 |
| 0K56A33047 | IJ211001 |
| 503103E200 | IJ121003 |
| 517202D100 | IJ111005 |
| 517203A200 | IJ111004 |
| 51720FL047 | IJ121003 |
| 517504D000 | IJ213001 |
| 527102D215 | IJ112031 |
| 527102E100 | IJ112033 |
| 527104D100 | IJ212003 |
| 527301D400 | IJ113042 |
| 527301M000 | IJ113037 |
| 527301M100 | IJ113038 |
| 527303F000 | IJ113001 |
| 527303K000 | IJ113005 |
| 527303K100 | IJ113006 |
| 527501Y100 | IJ113046 |
| 527502K000 | IJ113035 |
| 527502K100 | IJ113036 |
| OK20226150 | IJ122038 |

KIA

| MAKE | PART NO. |
|------------|----------|
| OK21626150 | IJ112040 |
| OK56B33047 | IJ121003 |

LANCIA

| MAKE | PART NO. |
|----------|----------|
| 71714478 | IJ132020 |
| 71737189 | IJ132005 |

LUK

| MAKE | PART NO. |
|---------------|----------|
| 801843H93CEM4 | IJ123086 |

MAZDA

| MAKE | PART NO. |
|------------|----------|
| B4552615XB | IJ142011 |
| BP4K3315XB | IJ142012 |
| EC0126151A | IJ121001 |
| GK2H2615X | IJ122042 |
| L2062615XB | IJ123100 |

MERCEDES BENZ

| MAKE | PART NO. |
|------------|----------|
| 1243500749 | IJ131018 |
| 1249800016 | IJ131021 |
| 1293500049 | IJ131018 |
| 1299800016 | IJ131018 |
| 1299800116 | IJ131018 |
| 1299800216 | IJ131018 |
| 1299800316 | IJ131018 |
| 1299800416 | IJ131018 |
| 2013500149 | IJ131021 |
| 2013500249 | IJ131018 |
| 2013500549 | IJ131018 |
| 2019800016 | IJ131018 |
| 2019800116 | IJ131018 |
| 2029800016 | IJ131018 |
| 2029800116 | IJ131021 |
| 2029810127 | IJ131021 |
| 2039800016 | IJ131018 |
| 2099800016 | IJ131018 |
| 2109800816 | IJ131021 |
| 2109810227 | IJ131021 |
| 0009800316 | IJ131018 |

MINI

| MAKE | PART NO. |
|---------|----------|
| 9807960 | IJ133034 |

MITSUBISHI

| MAKE | PART NO. |
|----------|----------|
| 3785A015 | IJ112009 |
| MB949047 | IJ123038 |
| MR103664 | IJ123038 |
| MR334386 | IJ123038 |
| MR403970 | IJ123038 |
| MRS89431 | IJ123098 |
| MRS89517 | IJ123091 |
| MRS89518 | IJ123091 |

MOOG

| MAKE | PART NO. |
|--------|----------|
| 510004 | IJ131005 |
| 510015 | IJ141009 |
| 510019 | IJ131011 |
| 510029 | IJ121001 |
| 510039 | IJ141004 |
| 510050 | IJ141007 |
| 510055 | IJ111001 |
| 510056 | IJ121004 |
| 510060 | IJ141005 |
| 510061 | IJ141012 |
| 510062 | IJ141008 |
| 510063 | IJ141003 |
| 510070 | IJ141011 |
| 510073 | IJ141002 |
| 510076 | IJ111002 |
| 510078 | IJ111005 |
| 510084 | IJ111004 |
| 510085 | IJ121007 |
| 510500 | IJ141013 |
| 510501 | IJ141014 |
| 512000 | IJ123070 |
| 512001 | IJ123001 |
| 512002 | IJ123078 |
| 512003 | IJ123063 |
| 512004 | IJ123002 |
| 512006 | IJ123071 |
| 512008 | IJ143003 |
| 512012 | IJ132001 |
| 512026 | IJ112009 |
| 512027 | IJ112002 |
| 512029 | IJ122015 |
| 512133 | IJ122017 |
| 512149 | IJ122002 |
| 512151 | IJ123003 |
| 512152 | IJ123004 |
| 512153 | IJ123067 |
| 512154 | IJ122003 |
| 512155 | IJ123005 |
| 512156 | IJ123006 |
| 512157 | IJ123007 |
| 512159 | IJ112039 |
| 512160 | IJ112007 |
| 512162 | IJ122016 |
| 512163 | IJ122004 |
| 512164 | IJ122005 |

MOOG

| MAKE | PART NO. |
|--------|----------|
| 512165 | IJ112003 |
| 512167 | IJ122014 |
| 512175 | IJ142009 |
| 512176 | IJ142002 |
| 512177 | IJ142003 |
| 512178 | IJ142004 |
| 512179 | IJ142005 |
| 512183 | IJ122040 |
| 512188 | IJ142006 |
| 512189 | IJ113004 |
| 512190 | IJ113003 |
| 512191 | IJ113002 |
| 512192 | IJ112016 |
| 512193 | IJ112028 |
| 512194 | IJ112036 |
| 512195 | IJ112037 |
| 512196 | IJ112023 |
| 512197 | IJ112017 |
| 512198 | IJ112030 |
| 512200 | IJ122038 |
| 512202 | IJ123095 |
| 512203 | IJ142007 |
| 512206 | IJ143001 |
| 512207 | IJ143002 |
| 512208 | IJ143003 |
| 512209 | IJ143009 |
| 512210 | IJ143006 |
| 512217 | IJ143004 |
| 512218 | IJ143005 |
| 512219 | IJ122018 |
| 512220 | IJ122001 |
| 512221 | IJ123008 |
| 512222 | IJ123079 |
| 512223 | IJ123080 |
| 512223 | IJ123086 |
| 512236 | IJ123081 |
| 512237 | IJ123009 |
| 512243 | IJ123064 |
| 512245 | IJ123069 |
| 512246 | IJ123076 |
| 512251 | IJ112040 |
| 512265 | IJ113005 |
| 512266 | IJ113006 |
| 512267 | IJ112033 |
| 512271 | IJ122042 |
| 512285 | IJ123010 |
| 512286 | IJ113001 |
| 512287 | IJ123011 |
| 512288 | IJ123097 |
| 512289 | IJ123091 |
| 512292 | IJ123088 |
| 512299 | IJ123054 |
| 512300 | IJ123055 |
| 512301 | IJ123058 |
| 512302 | IJ123059 |
| 512304 | IJ133031 |
| 512305 | IJ132025 |
| 512308 | IJ123074 |

MOOG

| MAKE | PART NO. |
|--------|----------|
| 512309 | IJ123084 |
| 512319 | IJ132023 |
| 512320 | IJ123101 |
| 512334 | IJ123100 |
| 512335 | IJ123099 |
| 512338 | IJ143007 |
| 512346 | IJ122041 |
| 512347 | IJ123102 |
| 512347 | IJ143015 |
| 512348 | IJ143016 |
| 512360 | IJ123109 |
| 512373 | IJ143013 |
| 512434 | IJ113035 |
| 512435 | IJ113036 |
| 512436 | IJ113037 |
| 512443 | IJ113038 |
| 512446 | IJ113033 |
| 512447 | IJ113034 |
| 513012 | IJ123015 |
| 513018 | IJ123018 |
| 513044 | IJ123019 |
| 513058 | IJ121003 |
| 513059 | IJ123020 |
| 513061 | IJ123021 |
| 513062 | IJ123083 |
| 513073 | IJ131006 |
| 513074 | IJ123022 |
| 513075 | IJ123023 |
| 513084 | IJ123024 |
| 513085 | IJ123085 |
| 513087 | IJ123025 |
| 513089 | IJ123026 |
| 513090 | IJ123027 |
| 513092 | IJ122006 |
| 513098 | IJ142008 |
| 513100 | IJ123028 |
| 513104 | IJ122007 |
| 513107 | IJ123029 |
| 513109 | IJ123030 |
| 513115 | IJ122008 |
| 513121 | IJ123031 |
| 513122 | IJ123032 |
| 513123 | IJ123033 |
| 513124 | IJ123034 |
| 513130 | IJ131021 |
| 513137 | IJ123035 |
| 513138 | IJ123036 |
| 513139 | IJ123073 |
| 513156 | IJ123037 |
| 513157 | IJ123038 |
| 513159 | IJ123039 |
| 513164 | IJ122009 |
| 513172 | IJ133014 |
| 513174 | IJ133001 |
| 513176 | IJ123093 |
| 513177 | IJ123040 |
| 513179 | IJ123041 |
| 513187 | IJ122011 |

| MOOG | |
|--------|----------|
| MAKE | PART NO. |
| 513188 | IJ123050 |
| 513191 | IJ133015 |
| 513194 | IJ133009 |
| 513196 | IJ123075 |
| 513197 | IJ123077 |
| 513198 | IJ123065 |
| 513199 | IJ122010 |
| 513200 | IJ123043 |
| 513204 | IJ123044 |
| 513205 | IJ123042 |
| 513206 | IJ123043 |
| 513211 | IJ142012 |
| 513214 | IJ123049 |
| 513215 | IJ123051 |
| 513219 | IJ123098 |
| 513221 | IJ122012 |
| 513222 | IJ122013 |
| 513223 | IJ123056 |
| 513225 | IJ123057 |
| 513230 | IJ123053 |
| 513233 | IJ123090 |
| 513234 | IJ123052 |
| 513236 | IJ123066 |
| 513237 | IJ123082 |
| 513238 | IJ123072 |
| 513255 | IJ123092 |
| 513263 | IJ123089 |
| 513268 | IJ143008 |
| 513270 | IJ123060 |
| 513272 | IJ123062 |
| 513272 | IJ123103 |
| 513273 | IJ223078 |
| 513298 | IJ143011 |
| 513315 | IJ133023 |
| 513316 | IJ133024 |
| 515001 | IJ223001 |
| 515002 | IJ223002 |
| 515003 | IJ223003 |
| 515004 | IJ223004 |
| 515006 | IJ223005 |
| 515007 | IJ223006 |
| 515008 | IJ223007 |
| 515009 | IJ223008 |
| 515010 | IJ223009 |
| 515011 | IJ223010 |
| 515012 | IJ223011 |
| 515013 | IJ223012 |
| 515014 | IJ223013 |
| 515015 | IJ223014 |
| 515016 | IJ223015 |
| 515017 | IJ223016 |
| 515018 | IJ223017 |
| 515019 | IJ223018 |
| 515020 | IJ223019 |
| 515021 | IJ223020 |
| 515022 | IJ223021 |
| 515023 | IJ223022 |
| 515024 | IJ223023 |

| MOOG | |
|--------|----------|
| MAKE | PART NO. |
| 515025 | IJ223024 |
| 515026 | IJ223025 |
| 515027 | IJ223026 |
| 515028 | IJ223027 |
| 515029 | IJ223028 |
| 515030 | IJ223029 |
| 515031 | IJ223030 |
| 515032 | IJ222001 |
| 515033 | IJ222002 |
| 515034 | IJ223031 |
| 515035 | IJ223032 |
| 515036 | IJ223033 |
| 515037 | IJ223034 |
| 515038 | IJ223035 |
| 515039 | IJ223036 |
| 515041 | IJ223037 |
| 515042 | IJ223058 |
| 515043 | IJ223070 |
| 515044 | IJ223038 |
| 515046 | IJ223071 |
| 515047 | IJ223072 |
| 515048 | IJ223014 |
| 515049 | IJ223039 |
| 515050 | IJ223040 |
| 515051 | IJ223041 |
| 515052 | IJ223042 |
| 515054 | IJ223044 |
| 515055 | IJ223014 |
| 515056 | IJ223059 |
| 515057 | IJ223060 |
| 515058 | IJ223045 |
| 515059 | IJ223046 |
| 515060 | IJ223047 |
| 515061 | IJ223063 |
| 515062 | IJ223048 |
| 515063 | IJ223049 |
| 515068 | IJ223050 |
| 515069 | IJ223051 |
| 515070 | IJ223052 |
| 515071 | IJ223061 |
| 515072 | IJ223066 |
| 515073 | IJ223065 |
| 515075 | IJ223053 |
| 515076 | IJ223054 |
| 515077 | IJ223055 |
| 515078 | IJ223068 |
| 515079 | IJ223073 |
| 515080 | IJ223074 |
| 515081 | IJ223089 |
| 515082 | IJ223090 |
| 515083 | IJ223091 |
| 515084 | IJ222003 |
| 515085 | IJ223056 |
| 515086 | IJ223057 |
| 515088 | IJ223062 |
| 515090 | IJ213001 |
| 515095 | IJ223075 |
| 515096 | IJ223079 |

| MOOG | |
|--------|----------|
| MAKE | PART NO. |
| 515098 | IJ223086 |
| 515100 | IJ223067 |
| 515101 | IJ223077 |
| 515113 | IJ223080 |
| 515115 | IJ223092 |
| 515117 | IJ223082 |
| 515119 | IJ223076 |
| 515122 | IJ223083 |
| 515123 | IJ223084 |
| 515124 | IJ223085 |
| 515126 | IJ223081 |
| 516007 | IJ221001 |
| 516008 | IJ221002 |
| 516010 | IJ231004 |
| 522032 | IJ242001 |
| 541001 | IJ223064 |
| 541007 | IJ212003 |
| 541008 | IJ223069 |

| MOTORCRAFT | |
|------------|----------|
| MAKE | PART NO. |
| EUB0340 | IJ122039 |
| EUB0343 | IJ133010 |
| EUB1036 | IJ131018 |
| EUB1138 | IJ131008 |
| EUB1185 | IJ131006 |
| HUB10 | IJ122008 |
| HUB107 | IJ223029 |
| HUB108 | IJ122008 |
| HUB11 | IJ223024 |
| HUB111 | IJ223059 |
| HUB117 | IJ122004 |
| HUB118 | IJ122005 |
| HUB12 | IJ123028 |
| HUB120 | IJ223072 |
| HUB128 | IJ122042 |
| HUB131 | IJ223058 |
| HUB136 | IJ223075 |
| HUB138 | IJ223069 |
| HUB139 | IJ223072 |
| HUB14 | IJ123090 |
| HUB15 | IJ223041 |
| HUB16 | IJ223071 |
| HUB17 | IJ122012 |
| HUB18 | IJ122013 |
| HUB19 | IJ123075 |
| HUB23 | IJ223070 |
| HUB24 | IJ223028 |
| HUB25 | IJ223041 |
| HUB29 | IJ223068 |
| HUB30 | IJ223071 |
| HUB33 | IJ123100 |
| HUB34 | IJ123099 |
| HUB35 | IJ123053 |
| HUB37 | IJ123055 |
| HUB38 | IJ123054 |

| MOTORCRAFT | |
|------------|----------|
| MAKE | PART NO. |
| HUB67 | IJ223040 |
| HUB68 | IJ123056 |
| HUB9 | IJ123037 |

| NIPPARTS | |
|----------|----------|
| MAKE | PART NO. |
| J4700508 | IJ111002 |
| J4700513 | IJ111002 |
| J4702040 | IJ141008 |
| J4710305 | IJ122038 |
| J4712058 | IJ143009 |
| J4712077 | IJ143009 |
| J4713023 | IJ142011 |
| N4701039 | IJ143011 |
| N4711058 | IJ143013 |
| N4711059 | IJ143012 |

| NISSAN | |
|-------------|----------|
| MAKE | PART NO. |
| 9008036021 | IJ141005 |
| 40202AL510 | IJ143008 |
| 40202AL56C | IJ143008 |
| 40202EN010 | IJ143011 |
| 40202ET010 | IJ143011 |
| 40202ET01A | IJ143011 |
| 40202JG01A | IJ143011 |
| 40210-00QAA | IJ131009 |
| 402102Y000 | IJ141005 |
| 402103Z000 | IJ141005 |
| 402104Z000 | IJ141012 |
| 432002Y000 | IJ142007 |
| 432023Z000 | IJ123095 |
| 432027B000 | IJ122006 |
| 432027Y000 | IJ123088 |
| 432028J000 | IJ123088 |
| 43210-00QAD | IJ231001 |
| 43210AL505 | IJ122041 |

| OPEL | |
|---------|----------|
| MAKE | PART NO. |
| 328980 | IJ141014 |
| 1603143 | IJ133015 |
| 1603208 | IJ133003 |
| 1603209 | IJ133004 |
| 1603210 | IJ133008 |
| 1603211 | IJ133005 |
| 1603243 | IJ133015 |
| 1603253 | IJ133021 |
| 1603254 | IJ133022 |
| 1603255 | IJ133020 |
| 1603294 | IJ133015 |
| 1603295 | IJ133020 |

| OPEL | |
|------------|----------|
| MAKE | PART NO. |
| 1603296 | IJ133030 |
| 1604002 | IJ133006 |
| 1604003 | IJ133007 |
| 1604004 | IJ133002 |
| 1604007 | IJ231002 |
| 1604301 | IJ133006 |
| 1604302 | IJ133007 |
| 1604303 | IJ133002 |
| 1604306 | IJ133007 |
| 1604307 | IJ133002 |
| 1604314 | IJ133011 |
| 1604315 | IJ133025 |
| 1604316 | IJ133019 |
| 4403023 | IJ231003 |
| 9111023 | IJ231003 |
| 9117619 | IJ133003 |
| 9117620 | IJ133004 |
| 9117621 | IJ133008 |
| 9117622 | IJ133005 |
| 9119931 | IJ133006 |
| 9120128 | IJ133007 |
| 9120129 | IJ133002 |
| 9195608 | IJ141014 |
| 9196286 | IJ231002 |
| 90510543 | IJ133006 |
| 90510629 | IJ133007 |
| 90511494 | IJ133002 |
| 90540069 | IJ133007 |
| 90540262 | IJ133002 |
| 93170611 | IJ133011 |
| 93171495 | IJ133015 |
| 93175327 | IJ133015 |
| 93178625 | IJ133025 |
| 93178626 | IJ133019 |
| 93178651 | IJ133021 |
| 93178652 | IJ133022 |
| 93178661 | IJ133020 |
| 93186387 | IJ133015 |
| 93186388 | IJ133020 |
| 93186389 | IJ133030 |
| 93188477 | IJ133032 |
| 1604005 | IJ133002 |
| 1604007 | IJ231002 |
| 328292 | IJ133026 |
| 4839122 | IJ133006 |
| 7701206740 | IJ231003 |
| 9120128 | IJ133007 |
| 9196286 | IJ231002 |

| OPTIMAL | |
|---------|----------|
| MAKE | PART NO. |
| 100022 | IJ131005 |
| 100053 | IJ132025 |
| 100098 | IJ131011 |
| 100099 | IJ131011 |
| 102075 | IJ132003 |

| OPTIMAL | |
|---------|----------|
| MAKE | PART NO. |
| 102077 | IJ132011 |
| 201031 | IJ133008 |
| 201033 | IJ133003 |
| 201035 | IJ133004 |
| 201043 | IJ133005 |
| 201095 | IJ141014 |
| 202021 | IJ231002 |
| 202140 | IJ133002 |
| 202142 | IJ133007 |
| 202218 | IJ133006 |
| 301045 | IJ121004 |
| 301183 | IJ131025 |
| 301185 | IJ222004 |
| 302037 | IJ133027 |
| 302057 | IJ221001 |
| 302186 | IJ122039 |
| 302192 | IJ133010 |
| 302197 | IJ123061 |
| 400107 | IJ131021 |
| 402116 | IJ131018 |
| 501121 | IJ133014 |
| 600308 | IJ131006 |
| 600334 | IJ131020 |
| 601306 | IJ131008 |
| 601916 | IJ131010 |
| 601953 | IJ131024 |
| 602386 | IJ132006 |
| 602388 | IJ132021 |
| 602956 | IJ132012 |
| 681303 | IJ131031 |
| 701307 | IJ131012 |
| 701914 | IJ131013 |
| 702321 | IJ132010 |
| 702426 | IJ231001 |
| 801836 | IJ131027 |
| 801970 | IJ132020 |
| 802378 | IJ132015 |
| 802839 | IJ132005 |
| 802870 | IJ132018 |
| 891628 | IJ133001 |
| 891878 | IJ133009 |
| 892843 | IJ132016 |
| 892872 | IJ123086 |
| 921215 | IJ111002 |
| 922789 | IJ220338 |
| 942502 | IJ231012 |
| 942773 | IJ142011 |
| 981938 | IJ141008 |
| 982939 | IJ143006 |

| PEUGEOT | |
|---------|----------|
| MAKE | PART NO. |
| 330756 | IJ131006 |
| 335016 | IJ131006 |
| 335017 | IJ131008 |
| 335018 | IJ131020 |

PEUGEOT

| MAKE | PART NO. |
|----------|----------|
| 335027 | IJ131031 |
| 335069 | IJ131024 |
| 335091 | IJ131031 |
| 335092 | IJ131026 |
| 374838 | IJ132006 |
| 374872 | IJ132006 |
| 374874 | IJ132012 |
| 374879 | IJ132002 |
| 332635 | IJ131006 |
| 95619160 | IJ131006 |
| 95654074 | IJ131020 |
| 95654076 | IJ131008 |

QUINTON HAZELL

| MAKE | PART NO. |
|----------|----------|
| BK101039 | IJ133001 |
| BK101049 | IJ132004 |
| BK101050 | IJ131010 |
| BK101057 | IJ131021 |
| BK101084 | IJ131009 |
| BK101096 | IJ131013 |
| BK101101 | IJ132005 |
| BK101113 | IJ133004 |
| BK101114 | IJ133005 |
| BK101127 | IJ121004 |
| BK101128 | IJ221001 |
| BK101131 | IJ132010 |
| BK101150 | IJ131010 |
| BK101160 | IJ132011 |
| BK101189 | IJ133027 |
| BK101200 | IJ133014 |
| BK101211 | IJ141014 |
| BK101225 | IJ231003 |
| BK101257 | IJ132003 |
| BK101258 | IJ222004 |
| BK101261 | IJ131025 |
| BK101265 | IJ131024 |
| BK101272 | IJ132025 |
| BK101315 | IJ231004 |
| BK10487 | IJ131008 |
| BK10536 | IJ131018 |
| BK10564 | IJ131009 |
| BK10634 | IJ131020 |
| BK10698 | IJ131005 |
| BK10733 | IJ131011 |
| BK10734 | IJ132015 |
| BK10781 | IJ131006 |
| BK10835 | IJ131006 |
| BK10861 | IJ133010 |
| BK10877 | IJ133007 |
| BK10907 | IJ231001 |
| BK10921 | IJ142011 |
| BK10950 | IJ131012 |
| BK10974 | IJ131031 |
| QWB1039 | IJ133001 |
| QWB1057 | IJ131021 |

QUINTON HAZELL

| MAKE | PART NO. |
|---------|----------|
| QWB1084 | IJ131012 |
| QWB1096 | IJ131013 |
| QWB1099 | IJ132020 |
| QWB1101 | IJ132005 |
| QWB1102 | IJ131027 |
| QWB1112 | IJ133003 |
| QWB1113 | IJ133004 |
| QWB1114 | IJ133005 |
| QWB1117 | IJ133008 |
| QWB1127 | IJ121004 |
| QWB1128 | IJ221001 |
| QWB1131 | IJ132010 |
| QWB1150 | IJ131010 |
| QWB1160 | IJ132011 |
| QWB1183 | IJ122039 |
| QWB1189 | IJ133027 |
| QWB1200 | IJ133014 |
| QWB1211 | IJ141014 |
| QWB1212 | IJ231002 |
| QWB1225 | IJ231003 |
| QWB1226 | IJ131026 |
| QWB1228 | IJ132012 |
| QWB1229 | IJ131027 |
| QWB1230 | IJ132005 |
| QWB1233 | IJ132016 |
| QWB1236 | IJ123061 |
| QWB1237 | IJ132007 |
| QWB1240 | IJ123086 |
| QWB1244 | IJ133014 |
| QWB1254 | IJ131014 |
| QWB1255 | IJ131007 |
| QWB1257 | IJ132003 |
| QWB1258 | IJ222004 |
| QWB1261 | IJ131025 |
| QWB1265 | IJ131024 |
| QWB1269 | IJ133031 |
| QWB1272 | IJ132025 |
| QWB1275 | IJ132006 |
| QWB1290 | IJ141008 |
| QWB1291 | IJ143006 |
| QWB1299 | IJ142011 |
| QWB1304 | IJ131030 |
| QWB1307 | IJ133021 |
| QWB1308 | IJ133022 |
| QWB1309 | IJ133019 |
| QWB1310 | IJ133025 |
| QWB1315 | IJ231004 |
| QWB1326 | IJ132023 |
| QWB1340 | IJ133015 |
| QWB1341 | IJ133011 |
| QWB1350 | IJ132017 |
| QWB1353 | IJ143009 |
| QWB1446 | IJ123102 |
| QWB487 | IJ131008 |
| QWB536 | IJ131018 |
| QWB560 | IJ231001 |
| QWB564 | IJ131009 |
| QWB634 | IJ131020 |

QUINTON HAZELL

| MAKE | PART NO. |
|--------|----------|
| QWB678 | IJ132021 |
| QWB698 | IJ131005 |
| QWB733 | IJ131011 |
| QWB734 | IJ132015 |
| QWB781 | IJ131006 |
| QWB835 | IJ131006 |
| QWB857 | IJ132021 |
| QWB860 | IJ122039 |
| QWB861 | IJ133010 |
| QWB876 | IJ133002 |
| QWB877 | IJ133007 |
| QWB879 | IJ133006 |
| QWB907 | IJ231001 |
| QWB921 | IJ142011 |
| QWB950 | IJ131012 |
| QWB974 | IJ131031 |

RENAULT

| MAKE | PART NO. |
|------------|----------|
| 4216051200 | IJ111007 |
| 6001550915 | IJ131014 |
| 7701205170 | IJ132010 |
| 7701205596 | IJ231001 |
| 7701205779 | IJ131009 |
| 7701205780 | IJ131012 |
| 7701205972 | IJ131013 |
| 7701206740 | IJ231003 |
| 7701207676 | IJ131007 |
| 7701207677 | IJ131014 |
| 7701210111 | IJ131007 |
| 7701463987 | IJ231001 |
| 7701464049 | IJ131009 |

RUVILLE

| MAKE | PART NO. |
|------|----------|
| 4006 | IJ231003 |
| 4017 | IJ231004 |
| 5030 | IJ133014 |
| 5107 | IJ131018 |
| 5119 | IJ131018 |
| 5129 | IJ131018 |
| 5141 | IJ131018 |
| 5223 | IJ131025 |
| 5224 | IJ123061 |
| 5243 | IJ122039 |
| 5245 | IJ133010 |
| 5253 | IJ133027 |
| 5255 | IJ121004 |
| 5256 | IJ221001 |
| 5260 | IJ222004 |
| 5322 | IJ133002 |
| 5323 | IJ133007 |
| 5327 | IJ133006 |
| 5330 | IJ133008 |

RUVILLE

| MAKE | PART NO. |
|------|----------|
| 5331 | IJ133003 |
| 5332 | IJ133004 |
| 5333 | IJ133005 |
| 5337 | IJ231002 |
| 5339 | IJ141014 |
| 5340 | IJ133015 |
| 5341 | IJ133011 |
| 5343 | IJ133020 |
| 5344 | IJ133030 |
| 5347 | IJ133021 |
| 5348 | IJ133022 |
| 5349 | IJ133019 |
| 5350 | IJ133025 |
| 5351 | IJ133032 |
| 5428 | IJ131005 |
| 5438 | IJ131005 |
| 5445 | IJ132003 |
| 5454 | IJ132017 |
| 5455 | IJ132023 |
| 5461 | IJ132003 |
| 5465 | IJ132023 |
| 5466 | IJ132025 |
| 5516 | IJ131009 |
| 5538 | IJ131012 |
| 5556 | IJ132010 |
| 5558 | IJ231001 |
| 5561 | IJ131013 |
| 5575 | IJ131014 |
| 5576 | IJ131007 |
| 5711 | IJ131011 |
| 5714 | IJ131011 |
| 5718 | IJ131011 |
| 5724 | IJ131011 |
| 5726 | IJ132025 |
| 5731 | IJ132011 |
| 5735 | IJ132025 |
| 5736 | IJ132025 |
| 5737 | IJ131011 |
| 5738 | IJ131011 |
| 5739 | IJ132022 |
| 5821 | IJ132015 |
| 5844 | IJ131027 |
| 5846 | IJ132005 |
| 5914 | IJ131008 |
| 5917 | IJ131010 |
| 5922 | IJ132021 |
| 5931 | IJ131031 |
| 5942 | IJ132012 |
| 5944 | IJ131024 |
| 6025 | IJ132020 |
| 6048 | IJ132018 |
| 6251 | IJ133031 |
| 6517 | IJ133001 |
| 6522 | IJ132016 |
| 6527 | IJ133009 |
| 6528 | IJ123086 |
| 6603 | IJ131026 |
| 6613 | IJ131006 |

RUVILLE

| MAKE | PART NO. |
|-------|----------|
| 6614 | IJ131020 |
| 6629 | IJ132007 |
| 6630 | IJ132006 |
| 6632 | IJ132002 |
| 6930 | IJ143006 |
| 6951 | IJ143009 |
| 7024 | IJ142011 |
| 7049 | IJ123102 |
| 8903 | IJ122038 |
| 8909 | IJ111002 |
| 51075 | IJ131018 |
| 51135 | IJ131018 |

SAAB

| MAKE | PART NO. |
|----------|----------|
| 12413037 | IJ123050 |
| 15130858 | IJ123050 |
| 93170611 | IJ133011 |
| 93175327 | IJ133015 |
| 93186387 | IJ133015 |

SEALED POWER

| MAKE | PART NO. |
|---------|----------|
| B2048 | IJ123018 |
| B20X11M | IJ123044 |
| B20X14 | IJ123024 |
| B20X26 | IJ123018 |
| B20X48 | IJ123018 |
| B20X6 | IJ123015 |
| B20X61 | IJ123020 |
| B20X64 | IJ123021 |
| B20X65 | IJ123085 |
| B20X68 | IJ123083 |
| B20X70 | IJ123001 |
| B20X74 | IJ123022 |
| B20X76 | IJ123025 |
| B20X78 | IJ123023 |
| B20X83 | IJ123019 |
| B20X92 | IJ123063 |
| BFV600 | IJ131005 |
| FS143 | IJ121003 |

SEAT

| MAKE | PART NO. |
|------------|----------|
| 1K0598611 | IJ132017 |
| 1T0598611 | IJ132023 |
| 1T0598611B | IJ132023 |
| 30812651 | IJ132003 |
| 357498625B | IJ131005 |
| 6Q0598611 | IJ132011 |
| 6X0598477 | IJ132003 |
| 8E0498625B | IJ132025 |

SKF

| MAKE | PART NO. |
|-------------|----------|
| 311443B | IJ131005 |
| BAF001D | IJ112028 |
| BAFB447312A | IJ122009 |
| BAH0068D | IJ121001 |
| BART2 | IJ123007 |
| BR30053 | IJ123070 |
| BR3979 | IJ123077 |
| BR930013 | IJ123023 |
| BR930014 | IJ123024 |
| BR930021K | IJ123022 |
| BR930026 | IJ123008 |
| BR930035 | IJ223002 |
| BR930040 | IJ123029 |
| BR930045 | IJ123030 |
| BR930048 | IJ122006 |
| BR930053 | IJ123070 |
| BR930057 | IJ122018 |
| BR930060 | IJ122007 |
| BR930061 | IJ123020 |
| BR930063 | IJ123006 |
| BR930064 | IJ123021 |
| BR930065 | IJ123085 |
| BR930066 | IJ123007 |
| BR930067 | IJ123006 |
| BR930068 | IJ123083 |
| BR930069 | IJ123005 |
| BR930070 | IJ123001 |
| BR930071 | IJ142005 |
| BR930074 | IJ123063 |
| BR930075 | IJ123009 |
| BR930076 | IJ123025 |
| BR930080 | IJ123035 |
| BR930081 | IJ123072 |
| BR930083K | IJ123019 |
| BR930089 | IJ123078 |
| BR930093 | IJ123015 |
| BR930094 | IJ223001 |
| BR930096 | IJ123002 |
| BR930097 | IJ123034 |
| BR930098 | IJ123004 |
| BR930099 | IJ123073 |
| BR930106 | IJ122004 |
| BR930108 | IJ132001 |
| BR930113 | IJ142010 |
| BR930116 | IJ123044 |
| BR930138 | IJ123036 |
| BR930144 | IJ123062 |
| BR930145 | IJ123003 |
| BR930148 | IJ123031 |
| BR930149 | IJ122010 |
| BR930165 | IJ122038 |
| BR930167 | IJ142002 |
| BR930169 | IJ122009 |
| BR930173 | IJ122014 |
| BR930175 | IJ112002 |
| BR930176 | IJ122017 |
| BR930179 | IJ123028 |
| BR930186 | IJ123027 |

| SKF | |
|-----------|----------|
| MAKE | PART NO. |
| BR930189 | IJ122015 |
| BR930190K | IJ123026 |
| BR930191 | IJ123071 |
| BR930194 | IJ122003 |
| BR930198 | IJ123067 |
| BR930199 | IJ122001 |
| BR930203 | IJ223049 |
| BR930204 | IJ223007 |
| BR930205 | IJ223008 |
| BR930207 | IJ223006 |
| BR930208 | IJ223004 |
| BR930209 | IJ223018 |
| BR930214 | IJ123038 |
| BR930215 | IJ123033 |
| BR930216 | IJ123032 |
| BR930218 | IJ223016 |
| BR930222 | IJ122016 |
| BR930223 | IJ122002 |
| BR930224 | IJ123093 |
| BR930225 | IJ123040 |
| BR930232 | IJ143003 |
| BR930234 | IJ142003 |
| BR930236 | IJ223030 |
| BR930246 | IJ123037 |
| BR930249 | IJ133001 |
| BR930250 | IJ122008 |
| BR930252 | IJ223003 |
| BR930253 | IJ113002 |
| BR930255 | IJ142009 |
| BR930256 | IJ223005 |
| BR930260 | IJ112037 |
| BR930262 | IJ112036 |
| BR930266 | IJ143002 |
| BR930267 | IJ143001 |
| BR930273 | IJ112007 |
| BR930275 | IJ112009 |
| BR930276 | IJ142004 |
| BR930277 | IJ133009 |
| BR930280 | IJ112028 |
| BR930281 | IJ112016 |
| BR930282 | IJ113003 |
| BR930283 | IJ113002 |
| BR930284 | IJ223066 |
| BR930285 | IJ223065 |
| BR930287 | IJ113004 |
| BR930288 | IJ112037 |
| BR930298 | IJ123079 |
| BR930304 | IJ223033 |
| BR930305 | IJ223035 |
| BR930306 | IJ123075 |
| BR930307 | IJ223038 |
| BR930312 | IJ123081 |
| BR930313 | IJ123077 |
| BR930314 | IJ123051 |
| BR930315 | IJ123042 |
| BR930316 | IJ123044 |
| BR930317 | IJ123049 |
| BR930318 | IJ223009 |

| SKF | |
|----------|----------|
| MAKE | PART NO. |
| BR930320 | IJ112033 |
| BR930321 | IJ113005 |
| BR930324 | IJ143004 |
| BR930329 | IJ143005 |
| BR930335 | IJ123039 |
| BR930341 | IJ223025 |
| BR930342 | IJ223026 |
| BR930343 | IJ223012 |
| BR930344 | IJ223013 |
| BR930346 | IJ223023 |
| BR930347 | IJ113001 |
| BR930351 | IJ123030 |
| BR930352 | IJ223046 |
| BR930353 | IJ223047 |
| BR930356 | IJ123097 |
| BR930357 | IJ143006 |
| BR930358 | IJ143009 |
| BR930360 | IJ222001 |
| BR930361 | IJ222001 |
| BR930362 | IJ123095 |
| BR930363 | IJ123065 |
| BR930366 | IJ122004 |
| BR930367 | IJ112023 |
| BR930369 | IJ123011 |
| BR930375 | IJ133031 |
| BR930378 | IJ112017 |
| BR930383 | IJ142006 |
| BR930392 | IJ123086 |
| BR930395 | IJ133015 |
| BR930397 | IJ123050 |
| BR930398 | IJ112030 |
| BR930400 | IJ223010 |
| BR930403 | IJ142007 |
| BR930405 | IJ223011 |
| BR930406 | IJ223014 |
| BR930407 | IJ223031 |
| BR930408 | IJ223032 |
| BR930409 | IJ223036 |
| BR930410 | IJ223022 |
| BR930411 | IJ122042 |
| BR930413 | IJ123098 |
| BR930415 | IJ223039 |
| BR930416 | IJ223045 |
| BR930417 | IJ223044 |
| BR930418 | IJ223021 |
| BR930419 | IJ223029 |
| BR930420 | IJ223019 |
| BR930421 | IJ223060 |
| BR930422 | IJ223027 |
| BR930423 | IJ223028 |
| BR930424 | IJ223020 |
| BR930425 | IJ223055 |
| BR930426 | IJ223053 |
| BR930427 | IJ223054 |
| BR930428 | IJ223067 |
| BR930429 | IJ123082 |
| BR930430 | IJ123010 |
| BR930431 | IJ123091 |

| SKF | |
|-----------|----------|
| MAKE | PART NO. |
| BR930432 | IJ123091 |
| BR930438 | IJ223059 |
| BR930446 | IJ123058 |
| BR930447 | IJ123057 |
| BR930448 | IJ123055 |
| BR930449 | IJ123054 |
| BR930450 | IJ123056 |
| BR930451 | IJ223052 |
| BR930452 | IJ223042 |
| BR930453 | IJ223070 |
| BR930454 | IJ223072 |
| BR930455 | IJ223071 |
| BR930456 | IJ223040 |
| BR930457 | IJ223058 |
| BR930458 | IJ123064 |
| BR930459 | IJ223074 |
| BR930461 | IJ123059 |
| BR930462 | IJ213001 |
| BR930465 | IJ123090 |
| BR930470 | IJ123050 |
| BR930479 | IJ113006 |
| BR930483 | IJ223059 |
| BR9304858 | IJ123064 |
| BR930491 | IJ223050 |
| BR930492 | IJ223051 |
| BR930493 | IJ122013 |
| BR930494 | IJ122013 |
| BR930497 | IJ123043 |
| BR930500 | IJ112040 |
| BR930502 | IJ223063 |
| BR930503 | IJ223048 |
| BR930506 | IJ123053 |
| BR930507 | IJ223077 |
| BR930512 | IJ112039 |
| BR930548K | IJ123041 |
| BR930608 | IJ123076 |
| BR930610 | IJ212003 |
| BR930611 | IJ222003 |
| BR930622 | IJ132023 |
| BR930626 | IJ223057 |
| BR930627 | IJ123066 |
| BR930631 | IJ123074 |
| BR930632 | IJ123084 |
| BR930634 | IJ123052 |
| BR930635 | IJ223064 |
| BR930636 | IJ123099 |
| BR930661 | IJ223079 |
| BR930675 | IJ123092 |
| BR930679 | IJ143008 |
| BR930688 | IJ223078 |
| BR930697 | IJ123060 |
| BR930711 | IJ123089 |
| BR930836 | IJ113045 |
| BR930838 | IJ123096 |
| BR930850 | IJ123109 |
| BTD1203 | IJ223038 |
| BTD5107 | IJ223048 |
| FW86 | IJ121001 |

| SKF | |
|-----------------|----------|
| MAKE | PART NO. |
| FW115 | IJ121003 |
| FW130 | IJ131005 |
| FW136 | IJ131011 |
| FW145 | IJ141004 |
| FW152 | IJ141009 |
| FW156 | IJ142008 |
| FW177 | IJ121001 |
| FW178 | IJ111001 |
| FW179 | IJ132025 |
| FW188 | IJ141011 |
| FW191 | IJ111002 |
| FW30 | IJ141008 |
| FW32 | IJ141012 |
| FW40 | IJ111005 |
| FW45 | IJ141007 |
| FW47 | IJ131006 |
| FW48 | IJ141002 |
| FW50 | IJ141003 |
| FW501 | IJ121001 |
| FW60 | IJ141005 |
| FW63 | IJ121004 |
| FW68 | IJ121001 |
| FW87 | IJ111004 |
| FWB130 | IJ131005 |
| GRW200 | IJ131021 |
| GRW219 | IJ131021 |
| GRW239 | IJ221001 |
| GRW241 | IJ122040 |
| GRW259 | IJ221002 |
| GRW266 | IJ121001 |
| GRW329 | IJ231004 |
| VKBA1327 | IJ131020 |
| VKBA1331 | IJ132021 |
| VKBA1356 | IJ131011 |
| VKBA1358 | IJ131005 |
| VKBA1441 / FW86 | IJ132015 |
| VKBA1480 | IJ121001 |
| VKBA1481 | IJ122039 |
| VKBA1484 | IJ133010 |
| VKBA3280 | IJ122038 |
| VKBA3298 | IJ142011 |
| VKBA3409 | IJ133007 |
| VKBA3415 | IJ133001 |
| VKBA3422 | IJ133002 |
| VKBA3423 | IJ131031 |
| VKBA3444 | IJ133014 |
| VKBA3458 | IJ132016 |
| VKBA3486 | IJ131021 |
| VKBA3491 | IJ132010 |
| VKBA3492 | IJ131013 |
| VKBA3495 | IJ131012 |
| VKBA3496 | IJ111013 |
| VKBA3502 | IJ132020 |
| VKBA3503 | IJ132018 |
| VKBA3510 | IJ133003 |
| VKBA3511 | IJ133004 |
| VKBA3512 | IJ133008 |
| VKBA3513 | IJ133005 |

| SKF | |
|----------|----------|
| MAKE | PART NO. |
| VKBA3517 | IJ133027 |
| VKBA3523 | IJ133009 |
| VKBA3524 | IJ123086 |
| VKBA3531 | IJ121004 |
| VKBA3532 | IJ221001 |
| VKBA3536 | IJ132025 |
| VKBA3538 | IJ131027 |
| VKBA3540 | IJ132005 |
| VKBA3545 | IJ132006 |
| VKBA3548 | IJ132003 |
| VKBA3554 | IJ131010 |
| VKBA3555 | IJ133006 |
| VKBA3567 | IJ132011 |
| VKBA3575 | IJ131025 |
| VKBA3576 | IJ123061 |
| VKBA3584 | IJ131024 |
| VKBA3585 | IJ132012 |
| VKBA3587 | IJ132004 |
| VKBA3588 | IJ222004 |
| VKBA3592 | IJ132007 |
| VKBA3596 | IJ131009 |
| VKBA3600 | IJ141014 |
| VKBA3601 | IJ231002 |
| VKBA3613 | IJ231003 |
| VKBA3620 | IJ133015 |
| VKBA3624 | IJ133011 |
| VKBA3637 | IJ131014 |
| VKBA3638 | IJ131007 |
| VKBA3640 | IJ231004 |
| VKBA3644 | IJ132023 |
| VKBA3650 | IJ133021 |
| VKBA3651 | IJ133022 |
| VKBA3652 | IJ133025 |
| VKBA3653 | IJ133019 |
| VKBA3656 | IJ132017 |
| VKBA3657 | IJ131026 |
| VKBA3659 | IJ132002 |
| VKBA3660 | IJ132027 |
| VKBA3661 | IJ133012 |
| VKBA3673 | IJ133031 |
| VKBA3909 | IJ111002 |
| VKBA3929 | IJ141008 |
| VKBA3930 | IJ143006 |
| VKBA3931 | IJ143009 |
| VKBA3953 | IJ142002 |
| VKBA6506 | IJ133030 |
| VKBA6507 | IJ133020 |
| VKBA6519 | IJ131032 |
| VKBA6520 | IJ131030 |
| VKBA6525 | IJ232003 |
| VKBA6527 | IJ232001 |
| VKBA6528 | IJ232002 |
| VKBA6547 | IJ132022 |
| VKBA6558 | IJ132023 |
| VKBA6586 | IJ133029 |
| VKBA6666 | IJ133026 |
| VKBA6667 | IJ133026 |
| VKBA6688 | IJ133032 |

| SKF | |
|----------|----------|
| MAKE | PART NO. |
| VKBA6714 | IJ133023 |
| VKBA6715 | IJ133024 |
| VKBA6801 | IJ123102 |
| VKBA6814 | IJ112030 |
| VKBA6996 | IJ143011 |
| VKBA6997 | IJ143012 |
| VKBA6998 | IJ143013 |
| VKBA7449 | IJ123102 |
| VKBA757 | IJ131018 |
| VKBA882 | IJ131008 |
| VKBA915 | IJ131006 |
| VKBA976 | IJ231001 |

| SKODA | |
|------------|----------|
| MAKE | PART NO. |
| 1T0598611 | IJ132023 |
| 1T0598611B | IJ132023 |
| 4A0498625 | IJ131011 |
| 6Q0598611 | IJ132011 |

| SNR | |
|---------|----------|
| MAKE | PART NO. |
| R14006 | IJ231003 |
| R14017 | IJ231004 |
| R14104 | IJ231003 |
| R14105 | IJ131030 |
| R14109 | IJ232003 |
| R14110 | IJ133029 |
| R14111 | IJ232001 |
| R15030 | IJ133014 |
| R15107 | IJ131018 |
| R15107S | IJ131018 |
| R15119 | IJ131018 |
| R15127 | IJ131021 |
| R15129 | IJ131018 |
| R15223 | IJ131025 |
| R15224 | IJ123061 |
| R15243 | IJ122039 |
| R15245 | IJ133010 |
| R15253 | IJ133027 |
| R15255 | IJ121004 |
| R15260 | IJ222004 |
| R15269 | IJ133012 |
| R15322 | IJ133002 |
| R15323 | IJ133007 |
| R15327 | IJ133006 |
| R15330 | IJ133008 |
| R15331 | IJ133003 |
| R15332 | IJ133004 |
| R15333 | IJ133005 |
| R15337 | IJ231002 |
| R15339 | IJ141014 |
| R15340 | IJ133015 |
| R15341 | IJ133011 |

| SNR | |
|--------|----------|
| MAKE | PART NO. |
| R15343 | IJ133020 |
| R15344 | IJ133030 |
| R15347 | IJ133021 |
| R15348 | IJ133022 |
| R15349 | IJ133019 |
| R15350 | IJ133025 |
| R15353 | IJ133032 |
| R15428 | IJ131005 |
| R15438 | IJ131005 |
| R15443 | IJ131011 |
| R15445 | IJ132003 |
| R15454 | IJ132023 |
| R15455 | IJ132017 |
| R15516 | IJ131009 |
| R15544 | IJ131012 |
| R15556 | IJ132010 |
| R15558 | IJ231001 |
| R15561 | IJ131013 |
| R15562 | IJ131009 |
| R15575 | IJ131014 |
| R15576 | IJ131007 |
| R15711 | IJ131011 |
| R15714 | IJ131011 |
| R15718 | IJ131011 |
| R15721 | IJ131011 |
| R15724 | IJ131011 |
| R15726 | IJ132025 |
| R15731 | IJ132011 |
| R15740 | IJ132022 |
| R15821 | IJ132015 |
| R15844 | IJ131027 |
| R15846 | IJ132005 |
| R15914 | IJ131008 |
| R15917 | IJ131010 |
| R15922 | IJ132021 |
| R15931 | IJ131031 |
| R15937 | IJ132004 |
| R15942 | IJ132012 |
| R15944 | IJ131024 |
| R15958 | IJ131026 |
| R16023 | IJ133025 |
| R16025 | IJ132020 |
| R16048 | IJ132018 |
| R16251 | IJ133031 |
| R16522 | IJ132016 |
| R16523 | IJ133001 |
| R16527 | IJ133009 |
| R16528 | IJ123086 |
| R16603 | IJ131026 |
| R16613 | IJ131006 |
| R16614 | IJ131020 |
| R16629 | IJ132007 |
| R16630 | IJ132006 |
| R16632 | IJ132002 |
| R16874 | IJ143012 |
| R16929 | IJ141008 |
| R16930 | IJ143006 |
| R16951 | IJ143009 |

| SNR | |
|--------|----------|
| MAKE | PART NO. |
| R17024 | IJ142011 |
| R17036 | IJ123102 |
| R17036 | IJ143015 |
| R18412 | IJ111002 |
| R18424 | IJ112030 |
| R18903 | IJ122038 |

| SUBARU | |
|------------|----------|
| MAKE | PART NO. |
| 28474AE000 | IJ122040 |
| 28474AE00A | IJ122040 |
| 28474AE01A | IJ122040 |

| TIMKEN | |
|--------|----------|
| MAKE | PART NO. |
| 51004 | IJ131005 |
| 510015 | IJ141009 |
| 510019 | IJ131011 |
| 510029 | IJ121001 |
| 510039 | IJ141004 |
| 510050 | IJ141007 |
| 510055 | IJ111001 |
| 510056 | IJ121004 |
| 510060 | IJ141005 |
| 510061 | IJ141012 |
| 510062 | IJ141008 |
| 510063 | IJ141003 |
| 510070 | IJ141011 |
| 510073 | IJ141002 |
| 510076 | IJ111002 |
| 510078 | IJ111005 |
| 510084 | IJ111004 |
| 510085 | IJ121007 |
| 512000 | IJ123070 |
| 512001 | IJ123001 |
| 512002 | IJ123078 |
| 512003 | IJ123063 |
| 512004 | IJ123002 |
| 512006 | IJ123071 |
| 512012 | IJ132001 |
| 512026 | IJ112009 |
| 512027 | IJ112002 |
| 512029 | IJ122015 |
| 512133 | IJ122017 |
| 512149 | IJ122002 |
| 512151 | IJ123003 |
| 512152 | IJ123004 |
| 512153 | IJ123067 |
| 512154 | IJ122003 |
| 512155 | IJ123005 |
| 512156 | IJ123006 |
| 512157 | IJ123007 |
| 512160 | IJ112007 |
| 512162 | IJ122016 |

| TIMKEN | |
|--------|----------|
| MAKE | PART NO. |
| 512163 | IJ122004 |
| 512164 | IJ122005 |
| 512165 | IJ112003 |
| 512167 | IJ122014 |
| 512175 | IJ142009 |
| 512176 | IJ142002 |
| 512178 | IJ142004 |
| 512179 | IJ142005 |
| 512183 | IJ122040 |
| 512188 | IJ142006 |
| 512189 | IJ113004 |
| 512190 | IJ113003 |
| 512191 | IJ113002 |
| 512192 | IJ112016 |
| 512193 | IJ112028 |
| 512194 | IJ112036 |
| 512195 | IJ112037 |
| 512196 | IJ112023 |
| 512197 | IJ112017 |
| 512198 | IJ112030 |
| 512200 | IJ122038 |
| 512202 | IJ123095 |
| 512203 | IJ142007 |
| 512217 | IJ143004 |
| 512218 | IJ143005 |
| 512220 | IJ122001 |
| 512221 | IJ123008 |
| 512222 | IJ123079 |
| 512223 | IJ123080 |
| 512236 | IJ123081 |
| 512237 | IJ123009 |
| 512251 | IJ112040 |
| 512265 | IJ113005 |
| 512266 | IJ113006 |
| 512267 | IJ112033 |
| 512299 | IJ123054 |
| 512304 | IJ133031 |
| 512305 | IJ132025 |
| 512319 | IJ132023 |
| 513012 | IJ123015 |
| 513018 | IJ123018 |
| 513044 | IJ123019 |
| 513059 | IJ123020 |
| 513061 | IJ123021 |
| 513062 | IJ123083 |
| 513073 | IJ131006 |
| 513074 | IJ123022 |
| 513075 | IJ123023 |
| 513084 | IJ123024 |
| 513085 | IJ123085 |
| 513087 | IJ123025 |
| 513089 | IJ123026 |
| 513090 | IJ123027 |
| 513092 | IJ122006 |
| 513098 | IJ142008 |
| 513100 | IJ123028 |
| 513104 | IJ122007 |
| 513105 | IJ142001 |

| TIMKEN | |
|----------|----------|
| MAKE | PART NO. |
| 513107 | IJ123029 |
| 513109 | IJ123030 |
| 513115 | IJ122008 |
| 513121 | IJ123031 |
| 513122 | IJ123032 |
| 513123 | IJ123033 |
| 513124 | IJ123034 |
| 513130 | IJ131021 |
| 513137 | IJ123035 |
| 513138 | IJ123036 |
| 513139 | IJ123073 |
| 513156 | IJ123037 |
| 513157 | IJ123038 |
| 513179 | IJ123041 |
| 513187 | IJ122011 |
| 513188 | IJ123050 |
| 513191 | IJ133015 |
| 513194 | IJ133009 |
| 513196 | IJ123075 |
| 513230 | IJ123053 |
| 513255 | IJ123092 |
| 515000 | IJ123047 |
| 515001 | IJ223001 |
| 515002 | IJ223002 |
| 515006 | IJ223005 |
| 515014 | IJ223013 |
| 515017 | IJ223016 |
| 515020 | IJ223019 |
| 515021 | IJ223020 |
| 515022 | IJ223021 |
| 515025 | IJ223024 |
| 515026 | IJ223025 |
| 515027 | IJ223026 |
| 515028 | IJ223027 |
| 515029 | IJ223028 |
| 515030 | IJ223029 |
| 515031 | IJ223030 |
| 516007 | IJ221001 |
| 516008 | IJ221002 |
| 516010 | IJ231004 |
| BM500006 | IJ122041 |
| HA500100 | IJ223066 |
| HA590001 | IJ222003 |
| HA590010 | IJ113001 |
| HA590016 | IJ212003 |
| HA590017 | IJ122012 |
| HA590018 | IJ223052 |
| HA590020 | IJ223011 |
| HA590025 | IJ123090 |
| HA590026 | IJ122013 |
| HA590027 | IJ143008 |
| HA590028 | IJ123056 |
| HA590029 | IJ123055 |
| HA590031 | IJ123058 |
| HA590032 | IJ223063 |
| HA590036 | IJ123052 |
| HA590041 | IJ123100 |
| HA590049 | IJ123072 |

| TIMKEN | |
|----------|----------|
| MAKE | PART NO. |
| HA590056 | IJ123099 |
| HA590057 | IJ122006 |
| HA590068 | IJ123044 |
| HA590069 | IJ123045 |
| HA590070 | IJ123049 |
| HA590071 | IJ123051 |
| HA590074 | IJ123069 |
| HA590077 | IJ123077 |
| HA590078 | IJ123065 |
| HA590079 | IJ123064 |
| HA590080 | IJ123010 |
| HA590081 | IJ123011 |
| HA590086 | IJ123046 |
| HA590087 | IJ123082 |
| HA590091 | IJ123076 |
| HA590097 | IJ142012 |
| HA590100 | IJ122042 |
| HA590108 | IJ123098 |
| HA590111 | IJ123088 |
| HA590116 | IJ123084 |
| HA590127 | IJ143008 |
| HA590132 | IJ223054 |
| HA590141 | IJ123059 |
| HA590142 | IJ123057 |
| HA590143 | IJ123091 |
| HA590156 | IJ223068 |
| HA590157 | IJ123066 |
| HA590158 | IJ123084 |
| HA590161 | IJ133031 |
| HA590166 | IJ223077 |
| HA590180 | IJ123100 |
| HA590183 | IJ123099 |
| HA590187 | IJ133009 |
| HA590188 | IJ112037 |
| HA590194 | IJ112037 |
| HA590203 | IJ223049 |
| HA590206 | IJ213001 |
| HA590209 | IJ123097 |
| HA590212 | IJ123092 |
| HA590219 | IJ123089 |
| HA590233 | IJ223067 |
| HA590234 | IJ133009 |
| HA590242 | IJ123062 |
| HA590243 | IJ223078 |
| HA590245 | IJ123060 |
| HA590275 | IJ112009 |
| HA590277 | IJ143011 |
| HA590278 | IJ143011 |
| HA590307 | IJ223038 |
| HA590323 | IJ123092 |
| HA590325 | IJ113005 |
| HA590342 | IJ122012 |
| HA590343 | IJ123064 |
| HA590352 | IJ223046 |
| HA590353 | IJ223047 |
| HA590389 | IJ123086 |
| HA590425 | IJ223055 |
| HA590503 | IJ223048 |

| TIMKEN | |
|-----------|----------|
| MAKE | PART NO. |
| HA591339 | IJ223014 |
| HA592410 | IJ143006 |
| HA592450 | IJ143002 |
| HA592460 | IJ143001 |
| HA593427 | IJ133014 |
| HA594181 | IJ133001 |
| HA594245 | IJ143009 |
| HA594505 | IJ143007 |
| HA596030 | IJ143003 |
| HA596467 | IJ122009 |
| HA597851 | IJ223010 |
| HA598679 | IJ123039 |
| HA599361 | IJ223006 |
| HA599406 | IJ222002 |
| HA599455L | IJ123093 |
| HA599455R | IJ123040 |
| HA599528 | IJ222001 |
| HA599863 | IJ223035 |
| SET49 | IJ121003 |
| SP450100 | IJ223008 |
| SP450101 | IJ143007 |
| SP450200 | IJ223003 |
| SP450201 | IJ223012 |
| SP450202 | IJ223042 |
| SP450300 | IJ122012 |
| SP450301 | IJ223061 |
| SP470200 | IJ223040 |
| SP470201 | IJ223040 |
| SP500100 | IJ223065 |
| SP500300 | IJ223033 |
| SP500301 | IJ223079 |
| SP550100 | IJ223022 |
| SP550101 | IJ223039 |
| SP550102 | IJ223036 |
| SP550200 | IJ223009 |
| SP550201 | IJ223004 |
| SP550202 | IJ223070 |
| SP550203 | IJ223064 |
| SP550206 | IJ223058 |
| SP550207 | IJ223073 |
| SP550208 | IJ223074 |
| SP550209 | IJ223069 |
| SP550210 | IJ223075 |
| SP550212 | IJ223071 |
| SP550213 | IJ223072 |
| SP550214 | IJ223076 |
| SP550300 | IJ223023 |
| SP550301 | IJ223023 |
| SP550302 | IJ223018 |
| SP550303 | IJ223018 |
| SP550306 | IJ223044 |
| SP550307 | IJ223023 |
| SP550308 | IJ223018 |
| SP580100 | IJ223032 |
| SP580101 | IJ223031 |
| SP580102 | IJ223051 |
| SP580103 | IJ223050 |
| SP580204 | IJ223053 |

| TIMKEN | |
|----------|----------|
| MAKE | PART NO. |
| SP580205 | IJ223059 |
| SP580300 | IJ223015 |
| SP580301 | IJ223014 |
| SP580302 | IJ223037 |
| SP580303 | IJ223037 |
| SP580305 | IJ223057 |
| SP580307 | IJ223056 |
| SP580309 | IJ223062 |
| SP580310 | IJ223057 |
| SP580311 | IJ223062 |

| TOYOTA | |
|------------|----------|
| MAKE | PART NO. |
| 4241001020 | IJ143005 |
| 4241002080 | IJ143005 |
| 4241006030 | IJ143003 |
| 4241006050 | IJ143003 |
| 4241012260 | IJ143005 |
| 4241020190 | IJ143005 |
| 4241033050 | IJ143003 |
| 4241033060 | IJ143003 |
| 4241042020 | IJ143007 |
| 4241052020 | IJ143006 |
| 4241052021 | IJ143006 |
| 4245001010 | IJ143004 |
| 4245002070 | IJ143004 |
| 4245006020 | IJ143002 |
| 4245006021 | IJ143002 |
| 4245006030 | IJ143002 |
| 4245048010 | IJ143002 |
| 4245048011 | IJ143002 |
| 4245052020 | IJ143009 |
| 4245052021 | IJ143009 |
| 4246006020 | IJ143001 |
| 4246006021 | IJ143001 |
| 4246006030 | IJ143001 |
| 4246048010 | IJ143001 |
| 4246048011 | IJ143001 |
| 9008036136 | IJ141011 |
| 9008036193 | IJ141003 |
| 9036938021 | IJ141008 |
| 9036938022 | IJ141008 |
| 9036945003 | IJ141003 |
| 9036945004 | IJ141003 |
| 424100D010 | IJ143006 |

| VAUXHALL | |
|----------|----------|
| MAKE | PART NO. |
| 328980 | IJ141014 |
| 1603143 | IJ133015 |
| 1603208 | IJ133003 |
| 1603209 | IJ133004 |
| 1603210 | IJ133008 |
| 1603211 | IJ133005 |

| VAUXHALL | |
|----------|----------|
| MAKE | PART NO. |
| 1603243 | IJ133015 |
| 1603255 | IJ133020 |
| 1603294 | IJ133015 |
| 1603295 | IJ133020 |
| 1604002 | IJ133006 |
| 1604003 | IJ133007 |
| 1604004 | IJ133002 |
| 1604007 | IJ211002 |
| 1604301 | IJ133006 |
| 1604302 | IJ133007 |
| 1604303 | IJ133002 |
| 1604306 | IJ133007 |
| 1604307 | IJ133002 |
| 1604314 | IJ133011 |
| 4403023 | IJ211003 |
| 9111023 | IJ211003 |
| 9195608 | IJ141014 |
| 9196286 | IJ211002 |
| 90510543 | IJ133006 |
| 90510629 | IJ133007 |
| 90511494 | IJ133002 |
| 90540069 | IJ133007 |
| 90540262 | IJ133002 |
| 93170611 | IJ133011 |
| 93171495 | IJ133015 |
| 93175327 | IJ133015 |
| 93178661 | IJ133020 |
| 93186387 | IJ133015 |
| 93186388 | IJ133020 |
| 93188477 | IJ133032 |
| 09117619 | IJ133003 |
| 09117620 | IJ133004 |
| 09117621 | IJ133008 |
| 09117622 | IJ133005 |
| 09119931 | IJ133006 |
| 09120128 | IJ133007 |
| 09120129 | IJ133002 |

| VOLKSWAGEN | |
|------------|----------|
| MAKE | PART NO. |
| 357498625 | IJ131005 |
| 191498625A | IJ131005 |
| 1D0498625B | IJ131011 |
| 1J0598477 | IJ132001 |
| 1K0598611 | IJ132017 |
| 1T0598611 | IJ132023 |
| 1T0598611A | IJ132023 |
| 1T0598611B | IJ132023 |
| 331598625A | IJ131005 |
| 331598625B | IJ131005 |
| 357498625B | IJ131005 |
| 443498625A | IJ131011 |
| 443498625F | IJ131011 |
| 4A0498625 | IJ131011 |
| 4B0498625 | IJ131011 |
| 4B0498625A | IJ131011 |

| VOLKSWAGEN | |
|------------|----------|
| MAKE | PART NO. |
| 6Q0598611 | IJ132011 |
| 6X0598477 | IJ132003 |
| 7B0407621 | IJ223078 |
| 7B0407621A | IJ223078 |
| 893498625C | IJ131011 |
| 893498625E | IJ131011 |
| 8D0498625B | IJ131011 |

| VOLVO | |
|-----------|----------|
| MAKE | PART NO. |
| 274298 | IJ133009 |
| 274378 | IJ133001 |
| 2717866 | IJ133001 |
| 2741817 | IJ133001 |
| 2743789 | IJ133001 |
| 3516184 | IJ133001 |
| 30683161 | IJ123092 |
| 30711730 | IJ123092 |
| 30818024 | IJ121001 |
| 31212698 | IJ123092 |
| 86723715 | IJ133009 |
| 91408443 | IJ131021 |
| 91409655 | IJ131021 |
| 91739912 | IJ133009 |
| 306831610 | IJ123092 |
| 307147300 | IJ123092 |
| 307147306 | IJ123092 |
| 308890722 | IJ132016 |
| 31262571 | IJ133018 |
| 31280051 | IJ133018 |
| 3516184 | IJ133001 |

ILJIN INTERCHANGE

| PART NO. | MAKE | COMPETITIVE INTERCHANGE |
|----------|----------------------|-------------------------|
| IJ111001 | HYUNDAI | 5172002000 |
| IJ111001 | HYUNDAI | 5172025000 |
| IJ111001 | HYUNDAI | 5172029100 |
| IJ111001 | HYUNDAI | 5172029150 |
| IJ111001 | HYUNDAI | 5172029300 |
| IJ111001 | HYUNDAI | 5172029400 |
| IJ111001 | HYUNDAI | 517201W000 |
| IJ111001 | KIA | 5172002000 |
| IJ111001 | MOOG | 510055 |
| IJ111001 | SKF | FW178 |
| IJ111001 | TIMKEN | 510055 |
| IJ111002 | FAG | 713626140 |
| IJ111002 | HYUNDAI | 5172038000 |
| IJ111002 | HYUNDAI | 517202D200 |
| IJ111002 | KIA | 5172038000 |
| IJ111002 | KIA | 5172038100 |
| IJ111002 | MOOG | 510076 |
| IJ111002 | NIPPARTS | J4700508 |
| IJ111002 | NIPPARTS | J4700513 |
| IJ111002 | OPTIMAL | 921215 |
| IJ111002 | RUVILLE | 8909 |
| IJ111002 | SKF | FW191 |
| IJ111002 | SKF | VKBA3909 |
| IJ111002 | SNR | R18412 |
| IJ111002 | TIMKEN | 510076 |
| IJ111003 | HYUNDAI | 5172038110 |
| IJ111003 | HYUNDAI | 517203A101 |
| IJ111004 | HYUNDAI | 517203A200 |
| IJ111004 | HYUNDAI | 517503K000 |
| IJ111004 | KIA | 517203A200 |
| IJ111004 | MOOG | 510084 |
| IJ111004 | SKF | FW87 |
| IJ111004 | TIMKEN | 510084 |
| IJ111005 | HYUNDAI | 517202D000 |
| IJ111005 | KIA | 517202D100 |
| IJ111005 | MOOG | 510078 |
| IJ111005 | SKF | FW40 |
| IJ111005 | TIMKEN | 510078 |
| IJ111006 | GENERAL MOTORS CORP. | 926728002 |
| IJ111007 | RENAULT | 4216051200 |
| IJ111008 | HYUNDAI | 5172034100 |
| IJ111009 | GENERAL MOTORS CORP. | 94535247 |
| IJ111010 | HYUNDAI | 517202H000 |
| IJ111011 | GENERAL MOTORS CORP. | 94535982 |
| IJ111012 | GENERAL MOTORS CORP. | 926739004 |
| IJ111013 | SKF | VKBA3496 |
| IJ112001 | HYUNDAI | 5271022400 |
| IJ112002 | HYUNDAI | 5271022500 |
| IJ112002 | MOOG | 512027 |
| IJ112002 | SKF | BR930175 |
| IJ112002 | TIMKEN | 512027 |

| PART NO. | MAKE | COMPETITIVE INTERCHANGE |
|----------|------------|-------------------------|
| IJ112003 | HYUNDAI | 5271022600 |
| IJ112003 | HYUNDAI | 5271029400 |
| IJ112003 | MOOG | 512165 |
| IJ112003 | TIMKEN | 512165 |
| IJ112005 | HYUNDAI | 5271029450 |
| IJ112007 | HYUNDAI | 5271029100 |
| IJ112007 | HYUNDAI | 5271029460 |
| IJ112007 | HYUNDAI | 5271029461 |
| IJ112007 | HYUNDAI | 5271029470 |
| IJ112007 | HYUNDAI | 5271029670 |
| IJ112007 | HYUNDAI | 5271029671 |
| IJ112007 | MOOG | 512160 |
| IJ112007 | SKF | BR930273 |
| IJ112007 | TIMKEN | 512160 |
| IJ112009 | HYUNDAI | 5271033600 |
| IJ112009 | HYUNDAI | 5271034501 |
| IJ112009 | HYUNDAI | 5271034701 |
| IJ112009 | MITSUBISHI | 3785A015 |
| IJ112009 | MOOG | 512026 |
| IJ112009 | SKF | BR930275 |
| IJ112009 | TIMKEN | 512026 |
| IJ112009 | TIMKEN | HA590275 |
| IJ112010 | HYUNDAI | 5271037401 |
| IJ112011 | HYUNDAI | 5271037500 |
| IJ112013 | HYUNDAI | 5271038000 |
| IJ112014 | HYUNDAI | 52710M3000 |
| IJ112015 | HYUNDAI | 52710M3050 |
| IJ112016 | HYUNDAI | 5271025100 |
| IJ112016 | HYUNDAI | 5271025101 |
| IJ112016 | MOOG | 512192 |
| IJ112016 | SKF | BR930281 |
| IJ112016 | TIMKEN | 512192 |
| IJ112017 | HYUNDAI | 527103A001 |
| IJ112017 | MOOG | 512197 |
| IJ112017 | SKF | BR930378 |
| IJ112017 | TIMKEN | 512197 |
| IJ112018 | HYUNDAI | 527103A101 |
| IJ112019 | HYUNDAI | 527102D000 |
| IJ112020 | HYUNDAI | 527102D100 |
| IJ112021 | HYUNDAI | 5271002500 |
| IJ112022 | HYUNDAI | 5271002550 |
| IJ112023 | HYUNDAI | 5275026100 |
| IJ112023 | MOOG | 512196 |
| IJ112023 | SKF | BR930367 |
| IJ112023 | TIMKEN | 512196 |
| IJ112024 | HYUNDAI | 527102C005 |
| IJ112024 | HYUNDAI | 527102C205 |
| IJ112025 | HYUNDAI | 527102C105 |
| IJ112026 | HYUNDAI | 527102D011 |
| IJ112027 | HYUNDAI | 527102D111 |
| IJ112028 | HYUNDAI | 5271025000 |

| PART NO. | MAKE | COMPETITIVE INTERCHANGE |
|----------|----------------------|-------------------------|
| U112028 | HYUNDAI | 5271025001 |
| U112028 | MOOG | 512193 |
| U112028 | SKF | BAF001D |
| U112028 | SKF | BR930280 |
| U112028 | TIMKEN | 512193 |
| U112029 | HYUNDAI | 527102C000 |
| U112029 | HYUNDAI | 527102C001 |
| U112030 | HYUNDAI | 527102C100 |
| U112030 | HYUNDAI | 527102C101 |
| U112030 | MOOG | 512198 |
| U112030 | SKF | BR930398 |
| U112030 | SKF | VKBA6814 |
| U112030 | SNR | R18424 |
| U112030 | TIMKEN | 512198 |
| U112031 | KIA | 527102D215 |
| U112032 | HYUNDAI | 527102 |
| U112033 | HYUNDAI | 5.27E+107 |
| U112033 | HYUNDAI | 5.27E+110 |
| U112033 | KIA | 527102E100 |
| U112033 | MOOG | 512267 |
| U112033 | SKF | BR930320 |
| U112033 | TIMKEN | 512267 |
| U112034 | HYUNDAI | 5271017000 |
| U112035 | HYUNDAI | 5271017100 |
| U112036 | FAG | RW8194 |
| U112036 | HYUNDAI | 527102D025 |
| U112036 | HYUNDAI | 527102D225 |
| U112036 | MOOG | 512194 |
| U112036 | SKF | BR930262 |
| U112036 | TIMKEN | 512194 |
| U112037 | FAG | RW8195 |
| U112037 | HYUNDAI | 527102D010 |
| U112037 | HYUNDAI | 527102D015 |
| U112037 | HYUNDAI | 527102D110 |
| U112037 | HYUNDAI | 527102D115 |
| U112037 | HYUNDAI | 527102D315 |
| U112037 | MOOG | 512195 |
| U112037 | SKF | BR930260 |
| U112037 | SKF | BR930288 |
| U112037 | TIMKEN | 512195 |
| U112037 | TIMKEN | HA590188 |
| U112037 | TIMKEN | HA590194 |
| U112038 | GENERAL MOTORS CORP. | 96219449 |
| U112039 | DAEWOO | 96219448 |
| U112039 | DAEWOO | 96219450 |
| U112039 | DAEWOO | 96219472 |
| U112039 | DAEWOO | 96219474 |
| U112039 | MOOG | 512159 |
| U112039 | SKF | BR930512 |
| U112040 | KIA | OK21626150 |
| U112040 | MOOG | 512251 |
| U112040 | SKF | BR930500 |
| U112040 | TIMKEN | 512251 |
| U113001 | KIA | 527303F000 |
| U113001 | MOOG | 512286 |
| U113001 | SKF | BR930347 |
| U113001 | TIMKEN | HA590010 |
| U113002 | HYUNDAI | 5273038001 |
| U113002 | HYUNDAI | 5273038002 |
| U113002 | HYUNDAI | 5273038003 |
| U113002 | HYUNDAI | 527303C000 |

| PART NO. | MAKE | COMPETITIVE INTERCHANGE |
|----------|----------------------|-------------------------|
| U113002 | KIA | 5273038000 |
| U113002 | KIA | 5273038002 |
| U113002 | MOOG | 512191 |
| U113002 | SKF | BR930253 |
| U113002 | SKF | BR930283 |
| U113002 | TIMKEN | 512191 |
| U113003 | HYUNDAI | 5273038101 |
| U113003 | HYUNDAI | 5273038102 |
| U113003 | HYUNDAI | 5273038103 |
| U113003 | HYUNDAI | 527303C100 |
| U113003 | KIA | 5273038100 |
| U113003 | KIA | 5273038102 |
| U113003 | MOOG | 512190 |
| U113003 | SKF | BR930282 |
| U113003 | TIMKEN | 512190 |
| U113004 | HYUNDAI | 5273039011 |
| U113004 | HYUNDAI | 5273039012 |
| U113004 | HYUNDAI | 5273039013 |
| U113004 | MOOG | 512189 |
| U113004 | SKF | BR930287 |
| U113004 | TIMKEN | 512189 |
| U113005 | HYUNDAI | 527303K000 |
| U113005 | KIA | 527303K000 |
| U113005 | MOOG | 512265 |
| U113005 | SKF | BR930321 |
| U113005 | TIMKEN | 512265 |
| U113005 | TIMKEN | HA590325 |
| U113006 | HYUNDAI | 527303K100 |
| U113006 | KIA | 527303K100 |
| U113006 | MOOG | 512266 |
| U113006 | SKF | BR930479 |
| U113006 | TIMKEN | 512266 |
| U113007 | HYUNDAI | 527501C000 |
| U113007 | HYUNDAI | 527501G000 |
| U113008 | HYUNDAI | 527501C100 |
| U113008 | HYUNDAI | 527501G100 |
| U113009 | HYUNDAI | 527302H100 |
| U113010 | HYUNDAI | 527302H000 |
| U113012 | HYUNDAI | 527502B100 |
| U113013 | HYUNDAI | 517503J000 |
| U113014 | HYUNDAI | 5273039111 |
| U113015 | GENERAL MOTORS CORP. | 96639584 |
| U113016 | GENERAL MOTORS CORP. | 96639585 |
| U113017 | GENERAL MOTORS CORP. | 96639606 |
| U113018 | GENERAL MOTORS CORP. | 96639607 |
| U113019 | GENERAL MOTORS CORP. | CB31000100E |
| U113020 | GENERAL MOTORS CORP. | CB31000200D |
| U113021 | HYUNDAI | 527303K200 |
| U113022 | HYUNDAI | 527303K300 |
| U113024 | HYUNDAI | 517503M000 |
| U113027 | HYUNDAI | 527302G400 |
| U113032 | HYUNDAI | 527303M100 |
| U113033 | GENERAL MOTORS CORP. | 13502872 |
| U113033 | MOOG | 512446 |
| U113034 | GENERAL MOTORS CORP. | 13502873 |
| U113034 | MOOG | 512447 |
| U113035 | KIA | 527502K000 |
| U113035 | MOOG | 512434 |
| U113036 | KIA | 527502K100 |
| U113036 | MOOG | 512435 |
| U113037 | KIA | 527301M000 |

| PART NO. | MAKE | COMPETITIVE INTERCHANGE |
|----------|----------------------|-------------------------|
| U113037 | MOOG | 512436 |
| U113038 | KIA | 527301M100 |
| U113038 | MOOG | 512443 |
| U113039 | HYUNDAI | 527302M000 |
| U113040 | HYUNDAI | 517502M000 |
| U113041 | HYUNDAI | 527303S200 |
| U113042 | KIA | 527301D400 |
| U113043 | HYUNDAI | 527500U000 |
| U113044 | HYUNDAI | 527103X000 |
| U113045 | GENERAL MOTORS CORP. | 13500592 |
| U113045 | SKF | BR930836 |
| U113046 | KIA | 527501Y100 |
| U121001 | FORD | 30818024 |
| U121001 | FORD MOTOR COMPANY | 93BB1215AB |
| U121001 | FORD MOTOR COMPANY | F5RZ1215A |
| U121001 | FORD MOTOR COMPANY | YL8Z1225AA |
| U121001 | GENERAL MOTORS CORP. | 93178626 |
| U121001 | JAGUAR | C25008276 |
| U121001 | JAGUAR | C258276 |
| U121001 | MAZDA | EC0126151A |
| U121001 | MOOG | 510029 |
| U121001 | SKF | BAH0068D |
| U121001 | SKF | FW177 |
| U121001 | SKF | FW501 |
| U121001 | SKF | FW68 |
| U121001 | SKF | VKBA1480 |
| U121001 | SKF | FW86 |
| U121001 | SKF | GRW266 |
| U121001 | TIMKEN | 510029 |
| U121001 | VOLVO | 30818024 |
| U121003 | CHRYSLER CORP. | 4670292AF |
| U121003 | CHRYSLER CORP. | 5272447AA |
| U121003 | CHRYSLER CORP. | 5272448AA |
| U121003 | FORD MOTOR COMPANY | E6DC1215AA |
| U121003 | FORD MOTOR COMPANY | E6DZ1215A |
| U121003 | FORD MOTOR COMPANY | E9DC1215AA |
| U121003 | FORD MOTOR COMPANY | E9DZ1215A |
| U121003 | FORD MOTOR COMPANY | F1DC1215AA |
| U121003 | FORD MOTOR COMPANY | F1SZ1215A |
| U121003 | HYUNDAI | 5271026500 |
| U121003 | HYUNDAI | 5271026510 |
| U121003 | HYUNDAI | 5271026530 |
| U121003 | KIA | 5271026510 |
| U121003 | KIA | OK55233047 |
| U121003 | KIA | 503103E200 |
| U121003 | KIA | 51720FL047 |
| U121003 | KIA | OK56B33047 |
| U121003 | MOOG | 513058 |
| U121003 | SEALED POWER | F5143 |
| U121003 | SKF | FW115 |
| U121003 | TIMKEN | SET49 |
| U121004 | DELPHI | BK1184 |
| U121004 | FAG | 713678100 |
| U121004 | FEBI BILSTEIN | 19118 |
| U121004 | FEBI BILSTEIN | 19213 |
| U121004 | FORD | 1112547 |
| U121004 | FORD | 1201569 |
| U121004 | FORD MOTOR COMPANY | YS4Z1215AA |
| U121004 | FORD MOTOR COMPANY | YS4Z1215BB |
| U121004 | MOOG | 510056 |
| U121004 | OPTIMAL | 301045 |

| PART NO. | MAKE | COMPETITIVE INTERCHANGE |
|----------|--------------------|-------------------------|
| U121004 | QUINTON HAZELL | BK101127 |
| U121004 | QUINTON HAZELL | QWB1127 |
| U121004 | RUVILLE | 5255 |
| U121004 | SKF | FW63 |
| U121004 | SKF | VKBA3531 |
| U121004 | SNR | R15255 |
| U121004 | TIMKEN | 510056 |
| U121007 | ACURA | 4430053VA11 |
| U121007 | MOOG | 510085 |
| U121007 | TIMKEN | 510085 |
| U122001 | CHRYSLER CORP. | 5003550AB |
| U122001 | MOOG | 512220 |
| U122001 | SKF | BR930199 |
| U122001 | TIMKEN | 512220 |
| U122002 | FORD MOTOR COMPANY | 1F1Z1104 |
| U122002 | FORD MOTOR COMPANY | F78Z1104AA |
| U122002 | FORD MOTOR COMPANY | F78Z1104AFC |
| U122002 | FORD MOTOR COMPANY | F7AC2B300AA |
| U122002 | FORD MOTOR COMPANY | F7AZ1104AC |
| U122002 | MOOG | 512149 |
| U122002 | SKF | BR930223 |
| U122002 | TIMKEN | 512149 |
| U122003 | CHRYSLER CORP. | 4616477 |
| U122003 | CHRYSLER CORP. | 4616477AB |
| U122003 | MOOG | 512154 |
| U122003 | SKF | BR930194 |
| U122003 | TIMKEN | 512154 |
| U122004 | FORD MOTOR COMPANY | 1F122C299CA |
| U122004 | FORD MOTOR COMPANY | 1F1Z1104CA |
| U122004 | FORD MOTOR COMPANY | 3F1Z1104CA |
| U122004 | MOOG | 512163 |
| U122004 | MOTORCRAFT | HUB117 |
| U122004 | SKF | BR930106 |
| U122004 | SKF | BR930366 |
| U122004 | TIMKEN | 512163 |
| U122005 | FORD MOTOR COMPANY | 1F1Z1104DA |
| U122005 | FORD MOTOR COMPANY | 3F1Z1104DA |
| U122005 | MOOG | 512164 |
| U122005 | MOTORCRAFT | HUB118 |
| U122005 | TIMKEN | 512164 |
| U122006 | FORD | 229285R11 |
| U122006 | FORD | 8625007 |
| U122006 | FORD | F15C2B633AA |
| U122006 | FORD | F15C2C300AA |
| U122006 | FORD | F15Z1104A |
| U122006 | FORD | F15Z1104B |
| U122006 | FORD | F35C2B663AA |
| U122006 | FORD | F35C2C300AA |
| U122006 | FORD | F35Z1104A |
| U122006 | FORD | F55Z1104AA |
| U122006 | FORD | F65Z1104AA |
| U122006 | FORD | F65Z1104AB |
| U122006 | FORD | F65Z1104BA |
| U122006 | FORD MOTOR COMPANY | F7XZ1109BB |
| U122006 | FORD MOTOR COMPANY | XF5Z1109BA |
| U122006 | MOOG | 513092 |
| U122006 | NISSAN | 432027B000 |
| U122006 | SKF | BR930048 |
| U122006 | TIMKEN | 513092 |
| U122006 | TIMKEN | HA590057 |
| U122007 | FORD MOTOR COMPANY | F2AC2B633AA |

| PART NO. | MAKE | COMPETITIVE INTERCHANGE |
|----------|----------------------|-------------------------|
| U122007 | FORD MOTOR COMPANY | F2AC2C300AA |
| U122007 | FORD MOTOR COMPANY | F2AZ1104A |
| U122007 | FORD MOTOR COMPANY | F2AZ1104B |
| U122007 | FORD MOTOR COMPANY | F5AC2B663AA |
| U122007 | FORD MOTOR COMPANY | F5AC2C300AC |
| U122007 | FORD MOTOR COMPANY | F5AZ1104A |
| U122007 | FORD MOTOR COMPANY | F5AZ1104B |
| U122007 | MOOG | 513104 |
| U122007 | SKF | BR930060 |
| U122007 | TIMKEN | 513104 |
| U122008 | FORD | F4CZ2B663AB |
| U122008 | FORD | F4CZ2B663AC |
| U122008 | FORD | F6ZC2B663AAZ |
| U122008 | FORD | F8ZZ11044AA |
| U122008 | FORD MOTOR COMPANY | 1R332B633AA1R3 |
| U122008 | FORD MOTOR COMPANY | 1R3Z1104AA |
| U122008 | FORD MOTOR COMPANY | 1R3Z1104B |
| U122008 | FORD MOTOR COMPANY | 1R3Z1104BA |
| U122008 | FORD MOTOR COMPANY | 1R3Z1104BB |
| U122008 | FORD MOTOR COMPANY | F4ZZ1104A |
| U122008 | FORD MOTOR COMPANY | F6ZC2B663AA |
| U122008 | FORD MOTOR COMPANY | F6Z1104AA |
| U122008 | FORD MOTOR COMPANY | F8ZC2B663AA |
| U122008 | FORD MOTOR COMPANY | F8Z1104AA |
| U122008 | FORD MOTOR COMPANY | YR332B663AA |
| U122008 | FORD MOTOR COMPANY | YR333C300AA |
| U122008 | FORD MOTOR COMPANY | YR3Z1104AA |
| U122008 | FORD MOTOR COMPANY | YR3Z1104BA |
| U122008 | MOOG | 513115 |
| U122008 | MOTORCRAFT | HUB10 |
| U122008 | MOTORCRAFT | HUB108 |
| U122008 | SKF | BR930250 |
| U122008 | TIMKEN | 513115 |
| U122009 | GENERAL MOTORS CORP. | 90486467 |
| U122009 | MOOG | 513164 |
| U122009 | SKF | BAFB447312A |
| U122009 | SKF | BR930169 |
| U122009 | TIMKEN | HA596467 |
| U122010 | GENERAL MOTORS CORP. | 12413093 |
| U122010 | GENERAL MOTORS CORP. | 12429203 |
| U122010 | GENERAL MOTORS CORP. | 12429205 |
| U122010 | GENERAL MOTORS CORP. | 88964168 |
| U122010 | GENERAL MOTORS CORP. | 12413035 |
| U122010 | GENERAL MOTORS CORP. | 7467564 |
| U122010 | MOOG | 513199 |
| U122010 | SKF | BR930149 |
| U122011 | GENERAL MOTORS CORP. | 10305030 |
| U122011 | GENERAL MOTORS CORP. | 10434253 |
| U122011 | GENERAL MOTORS CORP. | 88955477 |
| U122011 | GENERAL MOTORS CORP. | 89047684 |
| U122011 | GENERAL MOTORS CORP. | 89047802 |
| U122011 | GENERAL MOTORS CORP. | 7467657 |
| U122011 | GENERAL MOTORS CORP. | FW157 |
| U122011 | MOOG | 513187 |
| U122011 | TIMKEN | 513187 |
| U122012 | FORD MOTOR COMPANY | 4R3Z1104AA |
| U122012 | GENERAL MOTORS CORP. | 15731627 |
| U122012 | MOOG | 513221 |
| U122012 | MOTORCRAFT | HUB17 |
| U122012 | TIMKEN | HA590017 |
| U122012 | TIMKEN | HA590342 |

| PART NO. | MAKE | COMPETITIVE INTERCHANGE |
|----------|--------------------|-------------------------|
| U122012 | TIMKEN | SP450300 |
| U122013 | FORD MOTOR COMPANY | 4R3Z1104AB |
| U122013 | MOOG | 513222 |
| U122013 | MOTORCRAFT | HUB18 |
| U122013 | SKF | BR930493 |
| U122013 | SKF | BR930494 |
| U122013 | TIMKEN | HA590026 |
| U122014 | CHRYSLER CORP. | 4509766 |
| U122014 | CHRYSLER CORP. | 4509767 |
| U122014 | MOOG | 512167 |
| U122014 | SKF | BR930173 |
| U122014 | TIMKEN | 512167 |
| U122015 | CHRYSLER CORP. | 4582219 |
| U122015 | CHRYSLER CORP. | 4582220 |
| U122015 | CHRYSLER CORP. | 4779011 |
| U122015 | CHRYSLER CORP. | 4779081 |
| U122015 | MOOG | 512029 |
| U122015 | SKF | BR930189 |
| U122015 | TIMKEN | 512029 |
| U122016 | FORD MOTOR COMPANY | YF121104AC |
| U122016 | FORD MOTOR COMPANY | YF122C299AB |
| U122016 | FORD MOTOR COMPANY | YF1C1104AC |
| U122016 | FORD MOTOR COMPANY | YF1Z1104AC |
| U122016 | MOOG | 512162 |
| U122016 | SKF | BR930222 |
| U122016 | TIMKEN | 512162 |
| U122017 | CHRYSLER CORP. | 4616263 |
| U122017 | CHRYSLER CORP. | 4616263AA |
| U122017 | CHRYSLER CORP. | 5003550AA |
| U122017 | MOOG | 512133 |
| U122017 | SKF | BR930176 |
| U122017 | TIMKEN | 512133 |
| U122018 | MOOG | 512219 |
| U122018 | SKF | BR930057 |
| U122038 | FAG | 713626050 |
| U122038 | KIA | 0K20226150 |
| U122038 | KIA | 0K20226150 |
| U122038 | MOOG | 512200 |
| U122038 | NIPPARTS | J4710305 |
| U122038 | OPTIMAL | 922789 |
| U122038 | RUVILLE | 8903 |
| U122038 | SKF | BR930165 |
| U122038 | SKF | VKBA3280 |
| U122038 | SNR | R18903 |
| U122038 | TIMKEN | 512200 |
| U122039 | BRT | BRT1225 |
| U122039 | DELPHI | BK684 |
| U122039 | FAG | 713678340 |
| U122039 | FORD | 5027621 |
| U122039 | MOTORCRAFT | EUB0340 |
| U122039 | OPTIMAL | 302186 |
| U122039 | QUINTON HAZELL | QWB1183 |
| U122039 | QUINTON HAZELL | QWB860 |
| U122039 | RUVILLE | 5243 |
| U122039 | SKF | VKBA1481 |
| U122039 | SNR | R15243 |
| U122040 | MOOG | 512183 |
| U122040 | SKF | GRW241 |
| U122040 | SUBARU | 28474AE000 |
| U122040 | SUBARU | 28474AE00A |
| U122040 | SUBARU | 28474AE01A |

| PART NO. | MAKE | COMPETITIVE INTERCHANGE |
|----------|----------------------|-------------------------|
| U122040 | TIMKEN | 512183 |
| U122041 | INFINITI | 43210AL505 |
| U122041 | MOOG | 512346 |
| U122041 | NISSAN | 43210AL505 |
| U122041 | TIMKEN | BM500006 |
| U122042 | FORD MOTOR COMPANY | 6E5Z1104AA |
| U122042 | MAZDA | GK2H2615X |
| U122042 | MOOG | 512271 |
| U122042 | MOTORCRAFT | HUB128 |
| U122042 | SKF | BR930411 |
| U122042 | TIMKEN | HA590100 |
| U123001 | GENERAL MOTORS CORP. | 7470509 |
| U123001 | MOOG | 512001 |
| U123001 | SEALED POWER | B20X70 |
| U123001 | SKF | BR930070 |
| U123001 | TIMKEN | 512001 |
| U123002 | GENERAL MOTORS CORP. | 7467133 |
| U123002 | MOOG | 512004 |
| U123002 | SKF | BR930096 |
| U123002 | TIMKEN | 512004 |
| U123003 | GENERAL MOTORS CORP. | 7470610 |
| U123003 | MOOG | 512151 |
| U123003 | SKF | BR930145 |
| U123003 | TIMKEN | 512151 |
| U123004 | GENERAL MOTORS CORP. | 12413003 |
| U123004 | GENERAL MOTORS CORP. | 12413004 |
| U123004 | MOOG | 512152 |
| U123004 | SKF | BR930098 |
| U123004 | TIMKEN | 512152 |
| U123005 | CHRYSLER CORP. | 4683513 |
| U123005 | CHRYSLER CORP. | 4721513 |
| U123005 | MOOG | 512155 |
| U123005 | SKF | BR930069 |
| U123005 | TIMKEN | 512155 |
| U123006 | CHRYSLER CORP. | 4683514 |
| U123006 | CHRYSLER CORP. | 4683515 |
| U123006 | CHRYSLER CORP. | 4721514 |
| U123006 | CHRYSLER CORP. | 4721515 |
| U123006 | MOOG | 512156 |
| U123006 | SKF | BR930063 |
| U123006 | SKF | BR930067 |
| U123006 | TIMKEN | 512156 |
| U123007 | CHRYSLER CORP. | 4641525 |
| U123007 | CHRYSLER CORP. | 4641525AC |
| U123007 | MOOG | 512157 |
| U123007 | SKF | BAR12 |
| U123007 | SKF | BR930066 |
| U123007 | TIMKEN | 512157 |
| U123008 | GENERAL MOTORS CORP. | 12413029 |
| U123008 | GENERAL MOTORS CORP. | 7467559 |
| U123008 | MOOG | 512221 |
| U123008 | SKF | BR930026 |
| U123008 | TIMKEN | 512221 |
| U123009 | GENERAL MOTORS CORP. | 12413091 |
| U123009 | GENERAL MOTORS CORP. | 12413092 |
| U123009 | GENERAL MOTORS CORP. | 7467557 |
| U123009 | MOOG | 512237 |
| U123009 | SKF | BR930075 |
| U123009 | TIMKEN | 512237 |
| U123010 | GENERAL MOTORS CORP. | 15798483 |
| U123010 | GENERAL MOTORS CORP. | 22669735 |

| PART NO. | MAKE | COMPETITIVE INTERCHANGE |
|----------|----------------------|-------------------------|
| U123010 | GENERAL MOTORS CORP. | 22721886 |
| U123010 | GENERAL MOTORS CORP. | 12413111 |
| U123010 | GENERAL MOTORS CORP. | 12413112 |
| U123010 | GENERAL MOTORS CORP. | 12413204 |
| U123010 | MOOG | 512285 |
| U123010 | SKF | BR930430 |
| U123010 | TIMKEN | HA590080 |
| U123011 | GENERAL MOTORS CORP. | 22706424 |
| U123011 | GENERAL MOTORS CORP. | 12413117 |
| U123011 | GENERAL MOTORS CORP. | 12413118 |
| U123011 | GENERAL MOTORS CORP. | 12413206 |
| U123011 | MOOG | 512287 |
| U123011 | SKF | BR930369 |
| U123011 | TIMKEN | HA590081 |
| U123015 | GENERAL MOTORS CORP. | 7470559 |
| U123015 | GENERAL MOTORS CORP. | 22703526 |
| U123015 | GENERAL MOTORS CORP. | 7470560 |
| U123015 | INTL HARVESTER CORP. | 141298C91 |
| U123015 | MOOG | 513012 |
| U123015 | SEALED POWER | B20X6 |
| U123015 | SKF | BR930093 |
| U123015 | TIMKEN | 513012 |
| U123018 | GENERAL MOTORS CORP. | 7470504 |
| U123018 | MOOG | 513018 |
| U123018 | SEALED POWER | B2048 |
| U123018 | SEALED POWER | B20X26 |
| U123018 | SEALED POWER | B20X48 |
| U123018 | TIMKEN | 513018 |
| U123019 | GENERAL MOTORS CORP. | 7466959 |
| U123019 | GENERAL MOTORS CORP. | 7466960 |
| U123019 | GENERAL MOTORS CORP. | 7466966 |
| U123019 | GENERAL MOTORS CORP. | 7466967 |
| U123019 | GENERAL MOTORS CORP. | 7466972 |
| U123019 | GENERAL MOTORS CORP. | 7466982 |
| U123019 | GENERAL MOTORS CORP. | 7466983 |
| U123019 | GENERAL MOTORS CORP. | 7467140 |
| U123019 | GENERAL MOTORS CORP. | 7470006 |
| U123019 | GENERAL MOTORS CORP. | 7470007 |
| U123019 | GENERAL MOTORS CORP. | 7470515 |
| U123019 | GENERAL MOTORS CORP. | 7470517 |
| U123019 | GENERAL MOTORS CORP. | 7470518 |
| U123019 | GENERAL MOTORS CORP. | 7470625 |
| U123019 | GENERAL MOTORS CORP. | 7470626 |
| U123019 | MOOG | 513044 |
| U123019 | SEALED POWER | B20X83 |
| U123019 | SKF | BR930083K |
| U123019 | TIMKEN | 513044 |
| U123020 | GENERAL MOTORS CORP. | 7470586 |
| U123020 | MOOG | 513059 |
| U123020 | SEALED POWER | B20X61 |
| U123020 | SKF | BR930061 |
| U123020 | TIMKEN | 513059 |
| U123021 | GENERAL MOTORS CORP. | 7470013 |
| U123021 | MOOG | 513061 |
| U123021 | SEALED POWER | B20X64 |
| U123021 | SKF | BR930064 |
| U123021 | TIMKEN | 513061 |
| U123022 | CHRYSLER CORP. | 4340326 |
| U123022 | CHRYSLER CORP. | 4443485 |
| U123022 | CHRYSLER CORP. | 4504034 |
| U123022 | CHRYSLER CORP. | 4504039 |

| PART NO. | MAKE | COMPETITIVE INTERCHANGE |
|----------|----------------------|-------------------------|
| U123057 | CHRYSLER CORP. | 4779218AB |
| U123057 | CHRYSLER CORP. | 4779328AA |
| U123057 | MOOG | 513225 |
| U123057 | SKF | BR930447 |
| U123057 | TIMKEN | HA590142 |
| U123058 | MOOG | 512301 |
| U123058 | SKF | BR930446 |
| U123058 | TIMKEN | HA590031 |
| U123059 | CHRYSLER CORP. | 52111884AA |
| U123059 | MOOG | 512302 |
| U123059 | SKF | BR930461 |
| U123059 | TIMKEN | HA590141 |
| U123060 | CHRYSLER CORP. | 52109947AD |
| U123060 | CHRYSLER CORP. | 52109947AF |
| U123060 | MOOG | 513270 |
| U123060 | SKF | BR930697 |
| U123060 | TIMKEN | HA590245 |
| U123061 | DELPHI | BK1265 |
| U123061 | FAG | 713678430 |
| U123061 | FORD | 1146689 |
| U123061 | OPTIMAL | 302197 |
| U123061 | QUINTON HAZELL | QWB1236 |
| U123061 | RUVILLE | 5224 |
| U123061 | SKF | VKBA3576 |
| U123061 | SNR | R15224 |
| U123062 | CHRYSLER CORP. | 31201095616 |
| U123062 | JEEP / CHRYSLER | 52060398AC |
| U123062 | MOOG | 513272 |
| U123062 | SKF | BR930144 |
| U123062 | TIMKEN | HA590242 |
| U123063 | GENERAL MOTORS CORP. | 7466992 |
| U123063 | GENERAL MOTORS CORP. | 7467113 |
| U123063 | GENERAL MOTORS CORP. | 7467119 |
| U123063 | GENERAL MOTORS CORP. | 7470519 |
| U123063 | GENERAL MOTORS CORP. | 7470520 |
| U123063 | GENERAL MOTORS CORP. | 7470555 |
| U123063 | GENERAL MOTORS CORP. | 7470556 |
| U123063 | MOOG | 512003 |
| U123063 | SEALED POWER | B20X92 |
| U123063 | SKF | BR930074 |
| U123063 | TIMKEN | 512003 |
| U123064 | GENERAL MOTORS CORP. | 15819433 |
| U123064 | GENERAL MOTORS CORP. | 25737778 |
| U123064 | GENERAL MOTORS CORP. | 89047639 |
| U123064 | MOOG | 512243 |
| U123064 | SKF | BR930458 |
| U123064 | SKF | BR9304858 |
| U123064 | TIMKEN | HA590079 |
| U123064 | TIMKEN | HA590343 |
| U123065 | GENERAL MOTORS CORP. | 12413105 |
| U123065 | MOOG | 513198 |
| U123065 | SKF | BR930363 |
| U123065 | TIMKEN | HA590078 |
| U123066 | GENERAL MOTORS CORP. | 12413247 |
| U123066 | GENERAL MOTORS CORP. | 25999685 |
| U123066 | GENERAL MOTORS CORP. | 88967258 |
| U123066 | MOOG | 513236 |
| U123066 | SKF | BR930627 |
| U123066 | TIMKEN | HA590157 |
| U123067 | GENERAL MOTORS CORP. | 88967288 |
| U123067 | GENERAL MOTORS CORP. | 7467107 |

| PART NO. | MAKE | COMPETITIVE INTERCHANGE |
|----------|----------------------|-------------------------|
| U123067 | GENERAL MOTORS CORP. | 7467144 |
| U123067 | GENERAL MOTORS CORP. | 7470571 |
| U123067 | GENERAL MOTORS CORP. | 7470572 |
| U123067 | MOOG | 512153 |
| U123067 | SKF | BR930198 |
| U123067 | TIMKEN | 512153 |
| U123068 | CHRYSLER CORP. | 04779572AB |
| U123069 | GENERAL MOTORS CORP. | 12413099 |
| U123069 | GENERAL MOTORS CORP. | 19122338 |
| U123069 | GENERAL MOTORS CORP. | 88964142 |
| U123069 | MOOG | 512245 |
| U123069 | TIMKEN | HA590074 |
| U123070 | GENERAL MOTORS CORP. | 21011095 |
| U123070 | GENERAL MOTORS CORP. | 21012556 |
| U123070 | GENERAL MOTORS CORP. | 7467111 |
| U123070 | GENERAL MOTORS CORP. | 7467117 |
| U123070 | GENERAL MOTORS CORP. | 7470604 |
| U123070 | MOOG | 512000 |
| U123070 | SKF | BR30053 |
| U123070 | SKF | BR930053 |
| U123070 | TIMKEN | 512000 |
| U123071 | GENERAL MOTORS CORP. | 7466991 |
| U123071 | GENERAL MOTORS CORP. | 7467129 |
| U123071 | GENERAL MOTORS CORP. | 7470543 |
| U123071 | GENERAL MOTORS CORP. | 7470544 |
| U123071 | MOOG | 512006 |
| U123071 | SKF | BR930191 |
| U123071 | TIMKEN | 512006 |
| U123072 | GENERAL MOTORS CORP. | 89060208 |
| U123072 | MOOG | 513238 |
| U123072 | SKF | BR930081 |
| U123072 | TIMKEN | HA590049 |
| U123073 | GENERAL MOTORS CORP. | 7470569 |
| U123073 | GENERAL MOTORS CORP. | 88967287 |
| U123073 | GENERAL MOTORS CORP. | 7467106 |
| U123073 | GENERAL MOTORS CORP. | 7467145 |
| U123073 | GENERAL MOTORS CORP. | 7467190 |
| U123073 | MOOG | 513139 |
| U123073 | SKF | BR930099 |
| U123073 | TIMKEN | 513139 |
| U123074 | GENERAL MOTORS CORP. | 12413244 |
| U123074 | GENERAL MOTORS CORP. | 88967271 |
| U123074 | MOOG | 512308 |
| U123074 | SKF | BR930631 |
| U123075 | FORD MOTOR COMPANY | 3W121104BA |
| U123075 | FORD MOTOR COMPANY | 3W1328663BA |
| U123075 | FORD MOTOR COMPANY | 3W1328663BB |
| U123075 | FORD MOTOR COMPANY | 3W1Z1104BA |
| U123075 | FORD MOTOR COMPANY | 5W1Z1104B |
| U123075 | MOOG | 513196 |
| U123075 | MOTORCRAFT | HUB19 |
| U123075 | SKF | BR930306 |
| U123075 | TIMKEN | 513196 |
| U123076 | GENERAL MOTORS CORP. | 12413121 |
| U123076 | GENERAL MOTORS CORP. | 12413122 |
| U123076 | GENERAL MOTORS CORP. | 12413228 |
| U123076 | GENERAL MOTORS CORP. | 88964105 |
| U123076 | MOOG | 512246 |
| U123076 | SKF | BR930608 |
| U123076 | TIMKEN | HA590091 |
| U123077 | GENERAL MOTORS CORP. | 12413103 |

| PART NO. | MAKE | COMPETITIVE INTERCHANGE |
|----------|----------------------|-------------------------|
| U123077 | MOOG | 513197 |
| U123077 | SKF | BR3979 |
| U123077 | SKF | BR930313 |
| U123077 | TIMKEN | HA590077 |
| U123078 | GENERAL MOTORS CORP. | 21011096 |
| U123078 | GENERAL MOTORS CORP. | 21012577 |
| U123078 | GENERAL MOTORS CORP. | 21013003 |
| U123078 | GENERAL MOTORS CORP. | 52009361AB |
| U123078 | GENERAL MOTORS CORP. | 7466989 |
| U123078 | GENERAL MOTORS CORP. | 7467110 |
| U123078 | MOOG | 512002 |
| U123078 | SKF | BR930089 |
| U123078 | TIMKEN | 512002 |
| U123079 | GENERAL MOTORS CORP. | 12413031 |
| U123079 | MOOG | 512222 |
| U123079 | SKF | BR930298 |
| U123079 | TIMKEN | 512222 |
| U123080 | GENERAL MOTORS CORP. | 25693148 |
| U123080 | MOOG | 512223 |
| U123080 | TIMKEN | 512223 |
| U123081 | FAG | RW8236 |
| U123081 | GENERAL MOTORS CORP. | 12413089 |
| U123081 | MOOG | 512236 |
| U123081 | SKF | BR930312 |
| U123081 | TIMKEN | 512236 |
| U123082 | GENERAL MOTORS CORP. | 22728987 |
| U123082 | MOOG | 513237 |
| U123082 | SKF | BR930429 |
| U123082 | TIMKEN | HA590087 |
| U123083 | MOOG | 513062 |
| U123083 | SEALED POWER | B20X68 |
| U123083 | SKF | BR930068 |
| U123083 | TIMKEN | 513062 |
| U123084 | FAG | RW8039 |
| U123084 | GENERAL MOTORS CORP. | 12413262 |
| U123084 | MOOG | 512309 |
| U123084 | SKF | BR930632 |
| U123084 | TIMKEN | HA590116 |
| U123084 | TIMKEN | HA590158 |
| U123085 | GENERAL MOTORS CORP. | 12413001 |
| U123085 | MOOG | 513085 |
| U123085 | SEALED POWER | B20X65 |
| U123085 | SKF | BR930065 |
| U123085 | TIMKEN | 513085 |
| U123086 | DELPHI | BK1174 |
| U123086 | FAG | 713660280 |
| U123086 | LUK | 801843H93CEM4 |
| U123086 | MOOG | 512233 |
| U123086 | OPTIMAL | 892872 |
| U123086 | QUINTON HAZELL | QWB1240 |
| U123086 | RUVILLE | 6528 |
| U123086 | SKF | BR930392 |
| U123086 | SKF | VKBA3524 |
| U123086 | SNR | R16528 |
| U123086 | TIMKEN | HA590389 |
| U123087 | GENERAL MOTORS CORP. | 92192305 |
| U123088 | MOOG | 512292 |
| U123088 | NISSAN | 432027Y000 |
| U123088 | NISSAN | 432028J000 |
| U123088 | TIMKEN | HA590111 |
| U123089 | CHRYSLER CORP. | 5085406AB |

| PART NO. | MAKE | COMPETITIVE INTERCHANGE |
|----------|----------------------|-------------------------|
| U123089 | CHRYSLER CORP. | 5085406AC |
| U123089 | MOOG | 513263 |
| U123089 | SKF | BR930711 |
| U123089 | TIMKEN | HA590219 |
| U123090 | FORD MOTOR COMPANY | 3F2Z1104AB |
| U123090 | MOOG | 513233 |
| U123090 | MOTORCRAFT | HUB14 |
| U123090 | SKF | BR930465 |
| U123090 | TIMKEN | HA590025 |
| U123091 | MITSUBISHI | MR589517 |
| U123091 | MITSUBISHI | MR589518 |
| U123091 | MOOG | 512289 |
| U123091 | SKF | BR930431 |
| U123091 | SKF | BR930432 |
| U123091 | TIMKEN | HA590143 |
| U123092 | MOOG | 513255 |
| U123092 | SKF | BR930675 |
| U123092 | TIMKEN | 513255 |
| U123092 | TIMKEN | HA590212 |
| U123092 | TIMKEN | HA590323 |
| U123092 | VOLVO | 30683161 |
| U123092 | VOLVO | 30711730 |
| U123092 | VOLVO | 31212698 |
| U123092 | VOLVO | 306831610 |
| U123092 | VOLVO | 307147300 |
| U123092 | VOLVO | 307147306 |
| U123093 | CHRYSLER CORP. | 52128693AA |
| U123093 | CHRYSLER CORP. | 52128693AB |
| U123093 | CHRYSLER CORP. | 52128693AE |
| U123093 | CHRYSLER CORP. | 52128693AF |
| U123093 | MOOG | 513176 |
| U123093 | SKF | BR930224 |
| U123093 | TIMKEN | HA599455L |
| U123095 | MOOG | 512202 |
| U123095 | NISSAN | 432023Z000 |
| U123095 | SKF | BR930362 |
| U123095 | TIMKEN | 512202 |
| U123096 | GENERAL MOTORS CORP. | CB31000400 |
| U123096 | SKF | BR930838 |
| U123097 | CHRYSLER CORP. | 4721632AC |
| U123097 | CHRYSLER CORP. | 4880209AA |
| U123097 | CHRYSLER CORP. | 4880209AB |
| U123097 | MOOG | 512288 |
| U123097 | SKF | BR930356 |
| U123097 | TIMKEN | HA590209 |
| U123098 | MITSUBISHI | MR589431 |
| U123098 | MOOG | 513219 |
| U123098 | SKF | BR930413 |
| U123098 | TIMKEN | HA590108 |
| U123099 | FORD MOTOR COMPANY | 7T4Z1104C |
| U123099 | MOOG | 512335 |
| U123099 | MOTORCRAFT | HUB34 |
| U123099 | SKF | BR930636 |
| U123099 | TIMKEN | HA590056 |
| U123099 | TIMKEN | HA590183 |
| U123100 | FORD MOTOR COMPANY | 7T4Z1104B |
| U123100 | MAZDA | L2062615XA |
| U123100 | MAZDA | L2062615XB |
| U123100 | MOOG | 512334 |
| U123100 | MOTORCRAFT | HUB33 |
| U123100 | TIMKEN | HA590041 |

| PART NO. | MAKE | COMPETITIVE INTERCHANGE |
|----------|---------------------|-------------------------|
| U123100 | TIMKEN | HA590180 |
| U123101 | MOOG | 512320 |
| U123102 | FAG | 713 6157 50 |
| U123102 | MOOG | 512347 |
| U123102 | SNR | R17036 |
| U123103 | CHRYSLER CORP. | 52060398AD |
| U123103 | MOOG | 513272 |
| U123104 | CHRYSLER CORP. | 68184744AA |
| U123105 | CHRYSLER CORP. | 68184745AA |
| U123106 | CHRYSLER CORP. | 68184742AA |
| U123107 | CHRYSLER CORP. | 68184743AA |
| U123108 | CHRYSLER CORP. | 68184748AA |
| U123109 | CHRYSLER CORP. | 04721762AI |
| U123109 | MOOG | 512360 |
| U123109 | SKF | BR930850 |
| U131005 | AUDI | 357498625 |
| U131005 | AUDI | 191498625A |
| U131005 | AUDI | 1H0498625 |
| U131005 | AUDI | 331598625A |
| U131005 | AUDI | 331598625B |
| U131005 | AUDI | 357498625B |
| U131005 | AUTOMOTIVE BEARINGS | ABK1035 |
| U131005 | BECK-ARNLEY | 513986 |
| U131005 | BRT | BRT1035 |
| U131005 | DELPHI | BK512 |
| U131005 | FAG | 713610100 |
| U131005 | FAG | 713610730 |
| U131005 | FEBI BILSTEIN | 3662 |
| U131005 | FEBI BILSTEIN | 5379 |
| U131005 | IRB | K-41/06 |
| U131005 | MOOG | 510004 |
| U131005 | OPTIMAL | 100022 |
| U131005 | QUINTON HAZELL | BK10698 |
| U131005 | QUINTON HAZELL | QWB698 |
| U131005 | RUVILLE | 5428 |
| U131005 | RUVILLE | 5438 |
| U131005 | SEALED POWER | BFV600 |
| U131005 | SEAT | 357498625B |
| U131005 | SKF | 311443B |
| U131005 | SKF | FW130 |
| U131005 | SKF | FWB130 |
| U131005 | SKF | VKBA1358 |
| U131005 | SNR | R15428 |
| U131005 | SNR | R15438 |
| U131005 | TIMKEN | 510004 |
| U131005 | VOLKSWAGEN | 357498625 |
| U131005 | VOLKSWAGEN | 191498625A |
| U131005 | VOLKSWAGEN | 331598625A |
| U131005 | VOLKSWAGEN | 331598625B |
| U131005 | VOLKSWAGEN | 357498625B |
| U131006 | AUTOMOTIVE BEARINGS | ABK360 |
| U131006 | BECK-ARNLEY | 514083 |
| U131006 | BRT | BRT902 |
| U131006 | CITROËN | 330756 |
| U131006 | CITROËN | 335016 |
| U131006 | CITROËN | 95619160 |
| U131006 | CITROËN | 332635 |
| U131006 | DELPHI | BK491 |
| U131006 | FAG | 713640180 |
| U131006 | FEBI BILSTEIN | 5543 |
| U131006 | IRB | K-07/14 |

| PART NO. | MAKE | COMPETITIVE INTERCHANGE |
|----------|---------------------|-------------------------|
| U131006 | IRB | K-26/15 |
| U131006 | MOOG | 513073 |
| U131006 | MOTORCRAFT | EUB1185 |
| U131006 | OPTIMAL | 600308 |
| U131006 | PEUGEOT | 330756 |
| U131006 | PEUGEOT | 332635 |
| U131006 | PEUGEOT | 335016 |
| U131006 | PEUGEOT | 95619160 |
| U131006 | QUINTON HAZELL | BK10781 |
| U131006 | QUINTON HAZELL | BK10835 |
| U131006 | QUINTON HAZELL | QWB781 |
| U131006 | QUINTON HAZELL | QWB835 |
| U131006 | RUVILLE | 6613 |
| U131006 | SKF | FW47 |
| U131006 | SKF | VKBA915 |
| U131006 | SNR | R16613 |
| U131006 | TIMKEN | 513073 |
| U131007 | FAG | 713630850 |
| U131007 | FEBI BILSTEIN | 24313 |
| U131007 | QUINTON HAZELL | QWB1255 |
| U131007 | RENAULT | 7701207676 |
| U131007 | RENAULT | 7701210111 |
| U131007 | RUVILLE | 5576 |
| U131007 | SKF | VKBA3638 |
| U131007 | SNR | R15576 |
| U131008 | AUTOMOTIVE BEARINGS | ABK362 |
| U131008 | BRT | BRT901 |
| U131008 | CITROËN | 335017 |
| U131008 | CITROËN | 95654076 |
| U131008 | DELPHI | BK368 |
| U131008 | FAG | 713650160 |
| U131008 | FEBI BILSTEIN | 5542 |
| U131008 | IRB | K-07/11 |
| U131008 | IRB | K-26/13 |
| U131008 | MOTORCRAFT | EUB1138 |
| U131008 | OPTIMAL | 601306 |
| U131008 | PEUGEOT | 335017 |
| U131008 | PEUGEOT | 95654076 |
| U131008 | QUINTON HAZELL | BK10487 |
| U131008 | QUINTON HAZELL | QWB487 |
| U131008 | RUVILLE | 5914 |
| U131008 | SKF | VKBA882 |
| U131008 | SNR | R15914 |
| U131009 | DACIA | 6001547696 |
| U131009 | DELPHI | BK1181 |
| U131009 | DELPHI | BK500 |
| U131009 | FAG | 713630030 |
| U131009 | FEBI BILSTEIN | 5528 |
| U131009 | NISSAN | 40210-00QAA |
| U131009 | QUINTON HAZELL | BK101084 |
| U131009 | QUINTON HAZELL | BK10564 |
| U131009 | QUINTON HAZELL | QWB564 |
| U131009 | RENAULT | 7701205779 |
| U131009 | RENAULT | 7701464049 |
| U131009 | RUVILLE | 5516 |
| U131009 | SKF | VKBA3596 |
| U131009 | SNR | R15516 |
| U131009 | SNR | R15562 |
| U131010 | CITROËN | 335032 |
| U131010 | DELPHI | BK1167 |
| U131010 | FAG | 713650060 |

| PART NO. | MAKE | COMPETITIVE INTERCHANGE |
|----------|---------------------|-------------------------|
| U131010 | FEBI BILSTEIN | 18191 |
| U131010 | OPTIMAL | 601916 |
| U131010 | QUINTON HAZELL | BK101050 |
| U131010 | QUINTON HAZELL | BK101150 |
| U131010 | QUINTON HAZELL | QWB1150 |
| U131010 | RUVILLE | 5917 |
| U131010 | SKF | VKBA3554 |
| U131010 | SNR | R15917 |
| U131011 | AUDI | 893407625 |
| U131011 | AUDI | 1D0498625B |
| U131011 | AUDI | 441407625A |
| U131011 | AUDI | 443498625A |
| U131011 | AUDI | 443498625F |
| U131011 | AUDI | 4A0498625 |
| U131011 | AUDI | 4B0498625A |
| U131011 | AUDI | 4B0598625B |
| U131011 | AUDI | 4B0598625C |
| U131011 | AUDI | 893498625C |
| U131011 | AUDI | 893498625E |
| U131011 | AUDI | 8D0407625E |
| U131011 | AUDI | 8D0498625 |
| U131011 | AUDI | 8D0498625B |
| U131011 | AUDI | 8D0598625A |
| U131011 | AUTOMOTIVE BEARINGS | ABK1037 |
| U131011 | BECK-ARNLEY | 513991 |
| U131011 | BRT | BRT1037 |
| U131011 | DELPHI | BK1124 |
| U131011 | DELPHI | BK1248 |
| U131011 | DELPHI | BK409 |
| U131011 | FAG | 713610030 |
| U131011 | FAG | 713610050 |
| U131011 | FAG | 713610090 |
| U131011 | FAG | 713610350 |
| U131011 | FAG | 713610410 |
| U131011 | FAG | 713610420 |
| U131011 | FEBI BILSTEIN | 5913 |
| U131011 | IRB | K-02/06 |
| U131011 | MOOG | 510019 |
| U131011 | OPTIMAL | 100098 |
| U131011 | OPTIMAL | 100099 |
| U131011 | QUINTON HAZELL | BK10733 |
| U131011 | QUINTON HAZELL | QWB733 |
| U131011 | RUVILLE | 5711 |
| U131011 | RUVILLE | 5714 |
| U131011 | RUVILLE | 5718 |
| U131011 | RUVILLE | 5724 |
| U131011 | RUVILLE | 5737 |
| U131011 | RUVILLE | 5738 |
| U131011 | SKF | FW136 |
| U131011 | SKF | VKBA1356 |
| U131011 | SKODA | 4A0498625 |
| U131011 | SNR | R15443 |
| U131011 | SNR | R15711 |
| U131011 | SNR | R15714 |
| U131011 | SNR | R15718 |
| U131011 | SNR | R15721 |
| U131011 | SNR | R15724 |
| U131011 | TIMKEN | 510019 |
| U131011 | VOLKSWAGEN | 1D0498625B |
| U131011 | VOLKSWAGEN | 443498625A |
| U131011 | VOLKSWAGEN | 443498625F |

| PART NO. | MAKE | COMPETITIVE INTERCHANGE |
|----------|---------------------|-------------------------|
| U131011 | VOLKSWAGEN | 4A0498625 |
| U131011 | VOLKSWAGEN | 4B0498625 |
| U131011 | VOLKSWAGEN | 4B0498625A |
| U131011 | VOLKSWAGEN | 893498625C |
| U131011 | VOLKSWAGEN | 893498625E |
| U131011 | VOLKSWAGEN | 8D0498625B |
| U131012 | DELPHI | BK1113 |
| U131012 | DELPHI | BK833 |
| U131012 | FAG | 713630050 |
| U131012 | FEBI BILSTEIN | 19807 |
| U131012 | OPTIMAL | 701307 |
| U131012 | QUINTON HAZELL | BK10950 |
| U131012 | QUINTON HAZELL | QWB1084 |
| U131012 | QUINTON HAZELL | QWB950 |
| U131012 | RENAULT | 7701205780 |
| U131012 | RUVILLE | 5538 |
| U131012 | SKF | VKBA3495 |
| U131012 | SNR | R15544 |
| U131013 | DELPHI | BK1272 |
| U131013 | FAG | 713630830 |
| U131013 | FEBI BILSTEIN | 19811 |
| U131013 | OPTIMAL | 701914 |
| U131013 | QUINTON HAZELL | BK101096 |
| U131013 | QUINTON HAZELL | QWB1096 |
| U131013 | RENAULT | 7701205972 |
| U131013 | RUVILLE | 5561 |
| U131013 | SKF | VKBA3492 |
| U131013 | SNR | R15561 |
| U131014 | CITROËN | 7701207677 |
| U131014 | DACIA | 6001550915 |
| U131014 | DACIA | 7701207677 |
| U131014 | FAG | 713630840 |
| U131014 | FEBI BILSTEIN | 24315 |
| U131014 | QUINTON HAZELL | QWB1254 |
| U131014 | RENAULT | 6001550915 |
| U131014 | RENAULT | 7701207677 |
| U131014 | RUVILLE | 5575 |
| U131014 | SKF | VKBA3637 |
| U131014 | SNR | R15575 |
| U131018 | AUTOMOTIVE BEARINGS | ABK303 |
| U131018 | BRT | BRT956 |
| U131018 | DELPHI | BK381 |
| U131018 | FAG | 713667530 |
| U131018 | FAG | 713667540 |
| U131018 | FAG | 713667720 |
| U131018 | FAG | 713667830 |
| U131018 | FAG | 713667870 |
| U131018 | FEBI BILSTEIN | 5424 |
| U131018 | FEBI BILSTEIN | 5578 |
| U131018 | FEBI BILSTEIN | 8881 |
| U131018 | FEBI BILSTEIN | 21873 |
| U131018 | IRB | K-20/05 |
| U131018 | MERCEDES BENZ | 1243500749 |
| U131018 | MERCEDES BENZ | 1293500049 |
| U131018 | MERCEDES BENZ | 1299800016 |
| U131018 | MERCEDES BENZ | 1299800116 |
| U131018 | MERCEDES BENZ | 1299800216 |
| U131018 | MERCEDES BENZ | 1299800316 |
| U131018 | MERCEDES BENZ | 1299800416 |
| U131018 | MERCEDES BENZ | 2013500249 |
| U131018 | MERCEDES BENZ | 2013500549 |

| PART NO. | MAKE | COMPETITIVE INTERCHANGE |
|----------|---------------------|-------------------------|
| U131018 | MERCEDES BENZ | 2019800016 |
| U131018 | MERCEDES BENZ | 2019800116 |
| U131018 | MERCEDES BENZ | 2029800016 |
| U131018 | MERCEDES BENZ | 2039800016 |
| U131018 | MERCEDES BENZ | 2099800016 |
| U131018 | MERCEDES BENZ | 0009800316 |
| U131018 | MOTORCRAFT | EUB1036 |
| U131018 | OPTIMAL | 402116 |
| U131018 | QUINTON HAZELL | BK10536 |
| U131018 | QUINTON HAZELL | QWB536 |
| U131018 | RUVILLE | 5107 |
| U131018 | RUVILLE | 5119 |
| U131018 | RUVILLE | 5129 |
| U131018 | RUVILLE | 5141 |
| U131018 | RUVILLE | 5107S |
| U131018 | RUVILLE | 5113S |
| U131018 | SKF | VKBA757 |
| U131018 | SNR | R15107 |
| U131018 | SNR | R15107S |
| U131018 | SNR | R15119 |
| U131018 | SNR | R15129 |
| U131020 | AUTOMOTIVE BEARINGS | ABK980 |
| U131020 | BRT | BRT980 |
| U131020 | CITROËN | 335018 |
| U131020 | CITROËN | 95654074 |
| U131020 | DELPHI | BK421 |
| U131020 | FAG | 713640190 |
| U131020 | FEBI BILSTEIN | 22006 |
| U131020 | IRB | K-07/18 |
| U131020 | OPTIMAL | 600334 |
| U131020 | PEUGEOT | 335018 |
| U131020 | PEUGEOT | 95654074 |
| U131020 | QUINTON HAZELL | BK10634 |
| U131020 | QUINTON HAZELL | QWB634 |
| U131020 | RUVILLE | 6614 |
| U131020 | SKF | VKBA1327 |
| U131020 | SNR | R16614 |
| U131021 | BECK-ARNLEY | 513971 |
| U131021 | CHRYSLER CORP. | 5101036AA |
| U131021 | CHRYSLER CORP. | 81408443 |
| U131021 | CHRYSLER CORP. | 91409655 |
| U131021 | MERCEDES BENZ | 1249800016 |
| U131021 | MERCEDES BENZ | 2013500149 |
| U131021 | MERCEDES BENZ | 2029800116 |
| U131021 | MERCEDES BENZ | 2029810127 |
| U131021 | MERCEDES BENZ | 2109800816 |
| U131021 | MERCEDES BENZ | 2109810227 |
| U131021 | MOOG | 513130 |
| U131021 | OPTIMAL | 400107 |
| U131021 | QUINTON HAZELL | BK101057 |
| U131021 | QUINTON HAZELL | QWB1057 |
| U131021 | SKF | GRW200 |
| U131021 | SKF | GRW219 |
| U131021 | SKF | VKBA3486 |
| U131021 | SNR | R15127 |
| U131021 | TIMKEN | 513130 |
| U131021 | VOLVO | 91408443 |
| U131021 | VOLVO | 91409655 |
| U131024 | CITROËN | 335069 |
| U131024 | CITROËN | 335084 |
| U131024 | FAG | 713630760 |

| PART NO. | MAKE | COMPETITIVE INTERCHANGE |
|----------|----------------|-------------------------|
| U131024 | FEBI BILSTEIN | 19574 |
| U131024 | OPTIMAL | 601953 |
| U131024 | PEUGEOT | 335069 |
| U131024 | QUINTON HAZELL | BK101265 |
| U131024 | QUINTON HAZELL | QWB1265 |
| U131024 | RUVILLE | 5944 |
| U131024 | SKF | VKBA3584 |
| U131024 | SNR | R15944 |
| U131025 | DELPHI | BK1289 |
| U131025 | FAG | 713678410 |
| U131025 | FEBI BILSTEIN | 19706 |
| U131025 | FORD | 1133023 |
| U131025 | OPTIMAL | 301183 |
| U131025 | QUINTON HAZELL | BK101261 |
| U131025 | QUINTON HAZELL | QWB1261 |
| U131025 | RUVILLE | 5223 |
| U131025 | SKF | VKBA3575 |
| U131025 | SNR | R15223 |
| U131026 | CITROËN | 335072 |
| U131026 | CITROËN | 335086 |
| U131026 | CITROËN | 335092 |
| U131026 | FAG | 713640310 |
| U131026 | FEBI BILSTEIN | 24517 |
| U131026 | PEUGEOT | 335092 |
| U131026 | QUINTON HAZELL | QWB1226 |
| U131026 | RUVILLE | 6603 |
| U131026 | SKF | VKBA3657 |
| U131026 | SNR | R15958 |
| U131026 | SNR | R16603 |
| U131027 | DELPHI | BK1285 |
| U131027 | FAG | 713690750 |
| U131027 | FEBI BILSTEIN | 24524 |
| U131027 | FIAT | 374877 |
| U131027 | FIAT | 71714459 |
| U131027 | FIAT | 71753062 |
| U131027 | OPTIMAL | 801836 |
| U131027 | QUINTON HAZELL | QWB1102 |
| U131027 | QUINTON HAZELL | QWB1229 |
| U131027 | RUVILLE | 5844 |
| U131027 | SKF | VKBA3538 |
| U131027 | SNR | R15844 |
| U131030 | FORD | 1484269 |
| U131030 | QUINTON HAZELL | QWB1304 |
| U131030 | SKF | VKBA6520 |
| U131030 | SNR | R14105 |
| U131031 | BRT | BRT1428 |
| U131031 | CITROËN | 335027 |
| U131031 | CITROËN | 335091 |
| U131031 | CITROËN | 71714473 |
| U131031 | CITROËN | 9567217680 |
| U131031 | DELPHI | BK1084 |
| U131031 | FAG | 713630580 |
| U131031 | FEBI BILSTEIN | 14538 |
| U131031 | FIAT | 71714473 |
| U131031 | FIAT | 9567217680 |
| U131031 | OPTIMAL | 681303 |
| U131031 | PEUGEOT | 335027 |
| U131031 | PEUGEOT | 335091 |
| U131031 | QUINTON HAZELL | BK10974 |
| U131031 | QUINTON HAZELL | QWB974 |
| U131031 | RUVILLE | 5931 |

| PART NO. | MAKE | COMPETITIVE INTERCHANGE |
|----------|----------------|-------------------------|
| U131031 | SKF | VKBA3423 |
| U131031 | SNR | R15931 |
| U131032 | FORD | 1484266 |
| U131032 | SKF | VKBA6519 |
| U132001 | AUDI | 8944716251 |
| U132001 | AUDI | 94471625 |
| U132001 | ISUZU | 8944716251 |
| U132001 | MOOG | 512012 |
| U132001 | SKF | BR930108 |
| U132001 | TIMKEN | 512012 |
| U132001 | VOLKSWAGEN | 1J0598477 |
| U132002 | CITROËN | 374876 |
| U132002 | CITROËN | 374879 |
| U132002 | CITROËN | 50700495 |
| U132002 | FAG | 713640030 |
| U132002 | PEUGEOT | 374879 |
| U132002 | RUVILLE | 6632 |
| U132002 | SKF | VKBA3659 |
| U132002 | SNR | R16632 |
| U132003 | DELPHI | BK1333 |
| U132003 | FAG | 713610210 |
| U132003 | FAG | 713610320 |
| U132003 | OPTIMAL | 102075 |
| U132003 | QUINTON HAZELL | BK101257 |
| U132003 | QUINTON HAZELL | QWB1257 |
| U132003 | RUVILLE | 5445 |
| U132003 | RUVILLE | 5461 |
| U132003 | SEAT | 30812651 |
| U132003 | SEAT | 6X0598477 |
| U132003 | SKF | VKBA3548 |
| U132003 | SNR | R15445 |
| U132003 | VOLKSWAGEN | 6X0598477 |
| U132004 | CITROËN | 374843 |
| U132004 | QUINTON HAZELL | BK101049 |
| U132004 | SKF | VKBA3587 |
| U132004 | SNR | R15937 |
| U132005 | ALFA ROMEO | 374898 |
| U132005 | ALFA ROMEO | 60816007 |
| U132005 | ALFA ROMEO | 1587590 |
| U132005 | ALFA ROMEO | 71714463 |
| U132005 | ALFA ROMEO | 71714471 |
| U132005 | ALFA ROMEO | 71737189 |
| U132005 | ALFA ROMEO | 71737614 |
| U132005 | CITROËN | 374898 |
| U132005 | DELPHI | BK1281 |
| U132005 | FAG | 713690710 |
| U132005 | FIAT | 71714463 |
| U132005 | FIAT | 71714471 |
| U132005 | FIAT | 71737189 |
| U132005 | FIAT | 71737614 |
| U132005 | FORD | 1587590 |
| U132005 | LANCIA | 71737189 |
| U132005 | OPTIMAL | 802839 |
| U132005 | QUINTON HAZELL | BK101101 |
| U132005 | QUINTON HAZELL | QWB1101 |
| U132005 | QUINTON HAZELL | QWB1230 |
| U132005 | RUVILLE | 5846 |
| U132005 | SKF | VKBA3540 |
| U132005 | SNR | R15846 |
| U132006 | CITROËN | 374838 |
| U132006 | FAG | 713650540 |

| PART NO. | MAKE | COMPETITIVE INTERCHANGE |
|----------|----------------|-------------------------|
| U132006 | OPTIMAL | 602386 |
| U132006 | PEUGEOT | 374838 |
| U132006 | PEUGEOT | 374872 |
| U132006 | QUINTON HAZELL | QWB1275 |
| U132006 | RUVILLE | 6630 |
| U132006 | SKF | VKBA3545 |
| U132006 | SNR | R16630 |
| U132007 | CITROËN | 374844 |
| U132007 | FAG | 713640420 |
| U132007 | QUINTON HAZELL | QWB1237 |
| U132007 | RUVILLE | 6629 |
| U132007 | SKF | VKBA3592 |
| U132007 | SNR | R16629 |
| U132010 | DELPHI | BK1260 |
| U132010 | FAG | 713630650 |
| U132010 | OPTIMAL | 702321 |
| U132010 | QUINTON HAZELL | BK101131 |
| U132010 | QUINTON HAZELL | QWB1131 |
| U132010 | RENAULT | 7701205170 |
| U132010 | RUVILLE | 5556 |
| U132010 | SKF | VKBA3491 |
| U132010 | SNR | R15556 |
| U132011 | AUDI | 6Q0598611 |
| U132011 | FAG | 713610490 |
| U132011 | OPTIMAL | 102077 |
| U132011 | QUINTON HAZELL | BK101160 |
| U132011 | QUINTON HAZELL | QWB1160 |
| U132011 | RUVILLE | 5731 |
| U132011 | SEAT | 6Q0598611 |
| U132011 | SKF | VKBA3567 |
| U132011 | SKODA | 6Q0598611 |
| U132011 | SNR | R15731 |
| U132011 | VOLKSWAGEN | 6Q0598611 |
| U132012 | CITROËN | 374874 |
| U132012 | FAG | 713630820 |
| U132012 | OPTIMAL | 602956 |
| U132012 | PEUGEOT | 374874 |
| U132012 | QUINTON HAZELL | QWB1228 |
| U132012 | RUVILLE | 5942 |
| U132012 | SKF | VKBA3585 |
| U132012 | SNR | R15942 |
| U132015 | ALFA ROMEO | 7613514 |
| U132015 | BRT | BRT1119 |
| U132015 | DELPHI | BK548 |
| U132015 | FAG | 713690600 |
| U132015 | OPTIMAL | 802378 |
| U132015 | QUINTON HAZELL | BK10734 |
| U132015 | QUINTON HAZELL | QWB734 |
| U132015 | RUVILLE | 5821 |
| U132015 | SKF | VKBA1441 |
| U132015 | SNR | R15821 |
| U132016 | DELPHI | BK1232 |
| U132016 | FAG | 713660120 |
| U132016 | OPTIMAL | 892843 |
| U132016 | QUINTON HAZELL | QWB1233 |
| U132016 | RUVILLE | 6522 |
| U132016 | SKF | VKBA3458 |
| U132016 | SNR | R16522 |
| U132016 | VOLVO | 308890722 |
| U132017 | AUDI | 1K0598611 |
| U132017 | FAG | 713610690 |

| PART NO. | MAKE | COMPETITIVE INTERCHANGE |
|----------|---------------------|-------------------------|
| U132017 | QUINTON HAZELL | QWB1350 |
| U132017 | RUVILLE | 5454 |
| U132017 | SEAT | 1K0598611 |
| U132017 | SKF | VKBA3656 |
| U132017 | SNR | R15455 |
| U132017 | VOLKSWAGEN | 1K0598611 |
| U132018 | DELPHI | BK1256 |
| U132018 | FAG | 713606040 |
| U132018 | OPTIMAL | 802870 |
| U132018 | RUVILLE | 6048 |
| U132018 | SKF | VKBA3503 |
| U132018 | SNR | R16048 |
| U132020 | ALFA ROMEO | 71714478 |
| U132020 | DELPHI | BK1257 |
| U132020 | FAG | 713690760 |
| U132020 | LANCIA | 71714478 |
| U132020 | OPTIMAL | 801970 |
| U132020 | QUINTON HAZELL | QWB1099 |
| U132020 | RUVILLE | 6025 |
| U132020 | SKF | VKBA3502 |
| U132020 | SNR | R16025 |
| U132021 | AUTOMOTIVE BEARINGS | ABK1034 |
| U132021 | BRT | BRT1034 |
| U132021 | DELPHI | BK493 |
| U132021 | FAG | 713650250 |
| U132021 | OPTIMAL | 602388 |
| U132021 | QUINTON HAZELL | QWB678 |
| U132021 | QUINTON HAZELL | QWB857 |
| U132021 | RUVILLE | 5922 |
| U132021 | SKF | VKBA1331 |
| U132021 | SNR | R15922 |
| U132022 | AUDI | 4F0498625B |
| U132022 | FAG | 713610780 |
| U132022 | RUVILLE | 5739 |
| U132022 | SKF | VKBA6547 |
| U132022 | SNR | R15740 |
| U132023 | AUDI | 1T0598611 |
| U132023 | AUDI | 1T0598611B |
| U132023 | FAG | 713610620 |
| U132023 | FAG | 713610830 |
| U132023 | MOOG | 512319 |
| U132023 | QUINTON HAZELL | QWB1326 |
| U132023 | RUVILLE | 5455 |
| U132023 | RUVILLE | 5465 |
| U132023 | SEAT | 1T0598611 |
| U132023 | SEAT | 1T0598611B |
| U132023 | SKF | BR930622 |
| U132023 | SKF | VKBA3644 |
| U132023 | SKF | VKBA6558 |
| U132023 | SKODA | 1T0598611 |
| U132023 | SKODA | 1T0598611B |
| U132023 | SNR | R15454 |
| U132023 | TIMKEN | 512319 |
| U132023 | VOLKSWAGEN | 1T0598611 |
| U132023 | VOLKSWAGEN | 1T0598611A |
| U132023 | VOLKSWAGEN | 1T0598611B |
| U132025 | AUDI | 4D0407625H |
| U132025 | AUDI | 8D0498625C |
| U132025 | AUDI | 8E0498625A |
| U132025 | AUDI | 8E0498625B |
| U132025 | AUDI | 8E0598625B |

| PART NO. | MAKE | COMPETITIVE INTERCHANGE |
|----------|----------------|-------------------------|
| U132025 | DELPHI | BK1340 |
| U132025 | FAG | 713610380 |
| U132025 | FAG | 713610390 |
| U132025 | FAG | 713610430 |
| U132025 | FAG | 713610840 |
| U132025 | MOOG | 512305 |
| U132025 | OPTIMAL | 100053 |
| U132025 | QUINTON HAZELL | BK101272 |
| U132025 | QUINTON HAZELL | QWB1272 |
| U132025 | RUVILLE | 5466 |
| U132025 | RUVILLE | 5726 |
| U132025 | RUVILLE | 5735 |
| U132025 | RUVILLE | 5736 |
| U132025 | SEAT | 8E0498625B |
| U132025 | SKF | FW179 |
| U132025 | SKF | VKBA3536 |
| U132025 | SNR | R15726 |
| U132025 | TIMKEN | 512305 |
| U132026 | FORD | 6G912C300GAC |
| U132027 | SKF | VKBA3660 |
| U133001 | DELPHI | BK732 |
| U133001 | FAG | 713660040 |
| U133001 | FAG | 713660420 |
| U133001 | MOOG | 513174 |
| U133001 | OPTIMAL | 891628 |
| U133001 | QUINTON HAZELL | BK101039 |
| U133001 | QUINTON HAZELL | QWB1039 |
| U133001 | RUVILLE | 6517 |
| U133001 | SKF | BR930249 |
| U133001 | SKF | VKBA3415 |
| U133001 | SNR | R16523 |
| U133001 | TIMKEN | HA594181 |
| U133001 | VOLVO | 274378 |
| U133001 | VOLVO | 2717866 |
| U133001 | VOLVO | 2741817 |
| U133001 | VOLVO | 2743789 |
| U133001 | VOLVO | 3516184 |
| U133001 | VOLVO | 3516184 |
| U133002 | BRT | BRT1231 |
| U133002 | DELPHI | BK679 |
| U133002 | FAG | 713644550 |
| U133002 | OPEL | 1604004 |
| U133002 | OPEL | 1604303 |
| U133002 | OPEL | 1604307 |
| U133002 | OPEL | 9120129 |
| U133002 | OPEL | 90511494 |
| U133002 | OPEL | 90540262 |
| U133002 | OPEL | 1604005 |
| U133002 | OPTIMAL | 202140 |
| U133002 | QUINTON HAZELL | QWB876 |
| U133002 | RUVILLE | 5322 |
| U133002 | SKF | VKBA3422 |
| U133002 | SNR | R15322 |
| U133002 | VAUXHALL | 1604004 |
| U133002 | VAUXHALL | 1604303 |
| U133002 | VAUXHALL | 1604307 |
| U133002 | VAUXHALL | 90511494 |
| U133002 | VAUXHALL | 90540262 |
| U133002 | VAUXHALL | 09120129 |
| U133003 | DELPHI | BK1177 |
| U133003 | FAG | 713644040 |

| PART NO. | MAKE | COMPETITIVE INTERCHANGE |
|----------|----------------|-------------------------|
| U133003 | OPEL | 1603208 |
| U133003 | OPEL | 9117619 |
| U133003 | OPTIMAL | 201033 |
| U133003 | QUINTON HAZELL | QWB1112 |
| U133003 | RUVILLE | 5331 |
| U133003 | SKF | VKBA3510 |
| U133003 | SNR | R15331 |
| U133003 | VAUXHALL | 1603208 |
| U133003 | VAUXHALL | 09117619 |
| U133004 | DELPHI | BK1173 |
| U133004 | FAG | 713644070 |
| U133004 | OPEL | 1603209 |
| U133004 | OPEL | 9117620 |
| U133004 | OPTIMAL | 201035 |
| U133004 | QUINTON HAZELL | BK101113 |
| U133004 | QUINTON HAZELL | QWB1113 |
| U133004 | RUVILLE | 5332 |
| U133004 | SKF | VKBA3511 |
| U133004 | SNR | R15332 |
| U133004 | VAUXHALL | 1603209 |
| U133004 | VAUXHALL | 09117620 |
| U133005 | DELPHI | BK1171 |
| U133005 | FAG | 713644060 |
| U133005 | OPEL | 1603211 |
| U133005 | OPEL | 9117622 |
| U133005 | OPTIMAL | 201043 |
| U133005 | QUINTON HAZELL | BK101114 |
| U133005 | QUINTON HAZELL | QWB1114 |
| U133005 | RUVILLE | 5333 |
| U133005 | SKF | VKBA3513 |
| U133005 | SNR | R15333 |
| U133005 | VAUXHALL | 1603211 |
| U133005 | VAUXHALL | 09117622 |
| U133006 | DELPHI | BK701 |
| U133006 | FAG | 713644570 |
| U133006 | OPEL | 1604002 |
| U133006 | OPEL | 1604301 |
| U133006 | OPEL | 9119931 |
| U133006 | OPEL | 90510543 |
| U133006 | OPEL | 4839122 |
| U133006 | OPTIMAL | 202218 |
| U133006 | QUINTON HAZELL | QWB879 |
| U133006 | RUVILLE | 5327 |
| U133006 | SKF | VKBA3555 |
| U133006 | SNR | R15327 |
| U133006 | VAUXHALL | 1604002 |
| U133006 | VAUXHALL | 1604301 |
| U133006 | VAUXHALL | 90510543 |
| U133006 | VAUXHALL | 09119931 |
| U133007 | BRT | BRT1232 |
| U133007 | DELPHI | BK970 |
| U133007 | FAG | 713644560 |
| U133007 | OPEL | 1604003 |
| U133007 | OPEL | 1604302 |
| U133007 | OPEL | 1604306 |
| U133007 | OPEL | 9120128 |
| U133007 | OPEL | 90510629 |
| U133007 | OPEL | 90540069 |
| U133007 | OPEL | 9120128 |
| U133007 | OPTIMAL | 202142 |
| U133007 | QUINTON HAZELL | BK10877 |

| PART NO. | MAKE | COMPETITIVE INTERCHANGE |
|----------|----------------|-------------------------|
| U133007 | QUINTON HAZELL | QWB877 |
| U133007 | RUVILLE | 5323 |
| U133007 | SKF | VKBA3409 |
| U133007 | SNR | R15323 |
| U133007 | VAUXHALL | 1604003 |
| U133007 | VAUXHALL | 1604302 |
| U133007 | VAUXHALL | 1604306 |
| U133007 | VAUXHALL | 90510629 |
| U133007 | VAUXHALL | 90540069 |
| U133007 | VAUXHALL | 09120128 |
| U133008 | DELPHI | BK1172 |
| U133008 | FAG | 713644030 |
| U133008 | OPEL | 1603210 |
| U133008 | OPEL | 9117621 |
| U133008 | OPTIMAL | 201031 |
| U133008 | QUINTON HAZELL | QWB1117 |
| U133008 | RUVILLE | 5330 |
| U133008 | SKF | VKBA3512 |
| U133008 | SNR | R15330 |
| U133008 | VAUXHALL | 1603210 |
| U133008 | VAUXHALL | 09117621 |
| U133009 | DELPHI | BK1175 |
| U133009 | FAG | 713660210 |
| U133009 | MOOG | 513194 |
| U133009 | OPTIMAL | 891878 |
| U133009 | RUVILLE | 6527 |
| U133009 | SKF | BR930277 |
| U133009 | SKF | VKBA3523 |
| U133009 | SNR | R16527 |
| U133009 | TIMKEN | 513194 |
| U133009 | TIMKEN | HA590187 |
| U133009 | TIMKEN | HA590234 |
| U133009 | VOLVO | 274298 |
| U133009 | VOLVO | 86723715 |
| U133009 | VOLVO | 91739912 |
| U133010 | BRT | BRT1228 |
| U133010 | DELPHI | BK687 |
| U133010 | FAG | 713678360 |
| U133010 | FORD | 5027624 |
| U133010 | MOTORCRAFT | EUB0343 |
| U133010 | OPTIMAL | 302192 |
| U133010 | QUINTON HAZELL | BK10861 |
| U133010 | QUINTON HAZELL | QWB861 |
| U133010 | RUVILLE | 5245 |
| U133010 | SKF | VKBA1484 |
| U133010 | SNR | R15245 |
| U133011 | FAG | 713644260 |
| U133011 | OPEL | 1604314 |
| U133011 | OPEL | 93170611 |
| U133011 | QUINTON HAZELL | QWB1341 |
| U133011 | RUVILLE | 5341 |
| U133011 | SAAB | 93170611 |
| U133011 | SKF | VKBA3624 |
| U133011 | SNR | R15341 |
| U133011 | VAUXHALL | 1604314 |
| U133011 | VAUXHALL | 93170611 |
| U133012 | SKF | VKBA3661 |
| U133012 | SNR | R15269 |
| U133014 | BMW | 31201095616 |
| U133014 | BMW | 31221093427 |
| U133014 | BMW | 31221093428 |

| PART NO. | MAKE | COMPETITIVE INTERCHANGE |
|----------|----------------|-------------------------|
| U133014 | FAG | 713667220 |
| U133014 | MOOG | 513172 |
| U133014 | OPTIMAL | 501121 |
| U133014 | QUINTON HAZELL | BK101200 |
| U133014 | QUINTON HAZELL | QWB1200 |
| U133014 | QUINTON HAZELL | QWB1244 |
| U133014 | RUVILLE | 5030 |
| U133014 | SKF | VKBA3444 |
| U133014 | SNR | R15030 |
| U133014 | TIMKEN | HA593427 |
| U133015 | FAG | 713644090 |
| U133015 | MOOG | 513191 |
| U133015 | OPEL | 1603143 |
| U133015 | OPEL | 1603243 |
| U133015 | OPEL | 1603294 |
| U133015 | OPEL | 93171495 |
| U133015 | OPEL | 93175327 |
| U133015 | OPEL | 93186387 |
| U133015 | QUINTON HAZELL | QWB1340 |
| U133015 | RUVILLE | 5340 |
| U133015 | SAAB | 93175327 |
| U133015 | SAAB | 93186387 |
| U133015 | SKF | BR930395 |
| U133015 | SKF | VKBA3620 |
| U133015 | SNR | R15340 |
| U133015 | TIMKEN | 513191 |
| U133015 | VAUXHALL | 1603143 |
| U133015 | VAUXHALL | 1603243 |
| U133015 | VAUXHALL | 1603294 |
| U133015 | VAUXHALL | 93171495 |
| U133015 | VAUXHALL | 93175327 |
| U133015 | VAUXHALL | 93186387 |
| U133018 | VOLVO | 31262571 |
| U133018 | VOLVO | 31280051 |
| U133019 | FAG | 713644330 |
| U133019 | OPEL | 1604316 |
| U133019 | OPEL | 93178626 |
| U133019 | QUINTON HAZELL | QWB1309 |
| U133019 | RUVILLE | 5349 |
| U133019 | SKF | VKBA3653 |
| U133019 | SNR | R15349 |
| U133020 | FAG | 713644270 |
| U133020 | OPEL | 1603255 |
| U133020 | OPEL | 1603295 |
| U133020 | OPEL | 93178661 |
| U133020 | OPEL | 93186388 |
| U133020 | RUVILLE | 5343 |
| U133020 | SKF | VKBA6507 |
| U133020 | SNR | R15343 |
| U133020 | VAUXHALL | 1603255 |
| U133020 | VAUXHALL | 1603295 |
| U133020 | VAUXHALL | 93178661 |
| U133020 | VAUXHALL | 93186388 |
| U133021 | FAG | 713644310 |
| U133021 | OPEL | 1603253 |
| U133021 | OPEL | 93178651 |
| U133021 | QUINTON HAZELL | QWB1307 |
| U133021 | RUVILLE | 5347 |
| U133021 | SKF | VKBA3650 |
| U133021 | SNR | R15347 |
| U133022 | FAG | 713644320 |

| PART NO. | MAKE | COMPETITIVE INTERCHANGE |
|----------|----------------------|-------------------------|
| U133022 | OPEL | 1603254 |
| U133022 | OPEL | 93178652 |
| U133022 | QUINTON HAZELL | QWB1308 |
| U133022 | RUVILLE | 5348 |
| U133022 | SKF | VKBA3651 |
| U133022 | SNR | R15348 |
| U133023 | GENERAL MOTORS CORP. | 13502828 |
| U133023 | MOOG | 513315 |
| U133023 | SKF | VKBA6714 |
| U133024 | GENERAL MOTORS CORP. | 13582829 |
| U133024 | MOOG | 513316 |
| U133024 | SKF | VKBA6715 |
| U133025 | FAG | 713644340 |
| U133025 | OPEL | 1604315 |
| U133025 | OPEL | 93178625 |
| U133025 | QUINTON HAZELL | QWB1310 |
| U133025 | RUVILLE | 5350 |
| U133025 | SKF | VKBA3652 |
| U133025 | SNR | R15350 |
| U133025 | SNR | R16023 |
| U133026 | OPEL | 328292 |
| U133026 | SKF | VKBA6666 |
| U133026 | SKF | VKBA6667 |
| U133027 | DELPHI | BK1178 |
| U133027 | FAG | 713678700 |
| U133027 | OPTIMAL | 302037 |
| U133027 | QUINTON HAZELL | BK101189 |
| U133027 | QUINTON HAZELL | QWB1189 |
| U133027 | RUVILLE | 5253 |
| U133027 | SKF | VKBA3517 |
| U133027 | SNR | R15253 |
| U133028 | FORD | 1699196 |
| U133029 | SKF | VKBA6586 |
| U133029 | SNR | R14110 |
| U133030 | FAG | 713644280 |
| U133030 | OPEL | 1603296 |
| U133030 | OPEL | 93186389 |
| U133030 | RUVILLE | 5344 |
| U133030 | SKF | VKBA6506 |
| U133030 | SNR | R15344 |
| U133031 | BMW | 33416756830 |
| U133031 | BMW | 33416774944 |
| U133031 | BMW | 33416786620 |
| U133031 | FAG | 713649370 |
| U133031 | MOOG | 512304 |
| U133031 | QUINTON HAZELL | QWB1269 |
| U133031 | RUVILLE | 6251 |
| U133031 | SKF | BR930375 |
| U133031 | SKF | VKBA3673 |
| U133031 | SNR | R16251 |
| U133031 | TIMKEN | 512304 |
| U133031 | TIMKEN | HA590161 |
| U133032 | FAG | 713644810 |
| U133032 | OPEL | 93188477 |
| U133032 | RUVILLE | 5351 |
| U133032 | SKF | VKBA6688 |
| U133032 | SNR | R15353 |
| U133032 | VAUXHALL | 93188477 |
| U133033 | BMW | 6797164 |
| U133034 | MINI | 9807960 |
| U141002 | ACURA | 44300SDAA51 |

| PART NO. | MAKE | COMPETITIVE INTERCHANGE |
|----------|----------------------|-------------------------|
| U141002 | ACURA | 44300SDAA52 |
| U141002 | HONDA | 44300SDAA52 |
| U141002 | MOOG | 510073 |
| U141002 | SKF | FW48 |
| U141002 | TIMKEN | 510073 |
| U141003 | FORD | 9036945003 |
| U141003 | FORD MOTOR COMPANY | 7T4Z1215B |
| U141003 | GENERAL MOTORS CORP. | 19184284 |
| U141003 | MOOG | 510063 |
| U141003 | SKF | FW50 |
| U141003 | TIMKEN | 510063 |
| U141003 | TOYOTA | 9008036193 |
| U141003 | TOYOTA | 9036945003 |
| U141003 | TOYOTA | 9036945004 |
| U141004 | HONDA | 4220053VA01 |
| U141004 | HONDA | 44300547008 |
| U141004 | MOOG | 510039 |
| U141004 | SKF | FW145 |
| U141004 | TIMKEN | 510039 |
| U141005 | INFINITI | 402103Z0000 |
| U141005 | INFINITI | 9008036021 |
| U141005 | MOOG | 510060 |
| U141005 | NISSAN | 9008036021 |
| U141005 | NISSAN | 402102Y000 |
| U141005 | NISSAN | 402103Z000 |
| U141005 | SKF | FW60 |
| U141005 | TIMKEN | 510060 |
| U141007 | ACURA | 4430050A003 |
| U141007 | ACURA | 44300584A01 |
| U141007 | ACURA | 44300584A02 |
| U141007 | ACURA | 443050A003 |
| U141007 | HONDA | 4430050A003 |
| U141007 | HONDA | 4430051AE01 |
| U141007 | HONDA | 44300584A01 |
| U141007 | HONDA | 44300584A02 |
| U141007 | MOOG | 510050 |
| U141007 | SKF | FW45 |
| U141007 | TIMKEN | 510050 |
| U141008 | MOOG | 510062 |
| U141008 | NIPPARTS | J4702040 |
| U141008 | OPTIMAL | 981938 |
| U141008 | QUINTON HAZELL | QWB1290 |
| U141008 | SKF | FW30 |
| U141008 | SKF | VKBA3929 |
| U141008 | SNR | R16929 |
| U141008 | TIMKEN | 510062 |
| U141008 | TOYOTA | 9036938021 |
| U141008 | TOYOTA | 9036938022 |
| U141009 | ACURA | 05R30030 |
| U141009 | ACURA | 443005R3A02 |
| U141009 | ACURA | 443005R3A04 |
| U141009 | BECK-ARNLEY | 514030 |
| U141009 | HONDA | 44300504004 |
| U141009 | HONDA | 44300504008 |
| U141009 | HONDA | 44300504004 |
| U141009 | HONDA | 44300504008 |
| U141009 | HONDA | 443005R3003 |
| U141009 | HONDA | 443005R30030 |
| U141009 | HONDA | 443005R3004 |
| U141009 | HONDA | 443005R3005 |
| U141009 | HONDA | 443005R3008 |

| PART NO. | MAKE | COMPETITIVE INTERCHANGE |
|----------|----------------------|-------------------------|
| U141009 | HONDA | 443005R3015 |
| U141009 | MOOG | 510015 |
| U141009 | SKF | FW152 |
| U141009 | TIMKEN | 510015 |
| U141011 | GENERAL MOTORS CORP. | 88970116 |
| U141011 | GENERAL MOTORS CORP. | 88971027 |
| U141011 | MOOG | 510070 |
| U141011 | SKF | FW188 |
| U141011 | TIMKEN | 510070 |
| U141011 | TOYOTA | 9008036136 |
| U141012 | MOOG | 510061 |
| U141012 | NISSAN | 402104Z000 |
| U141012 | SKF | FW32 |
| U141012 | TIMKEN | 510061 |
| U141013 | MOOG | 510500 |
| U141014 | FAG | 713644080 |
| U141014 | FEBI BILSTEIN | 19085 |
| U141014 | MOOG | 510501 |
| U141014 | OPEL | 328980 |
| U141014 | OPEL | 9195608 |
| U141014 | OPTIMAL | 201095 |
| U141014 | QUINTON HAZELL | BK101211 |
| U141014 | QUINTON HAZELL | QWB1211 |
| U141014 | RUVILLE | 5339 |
| U141014 | SKF | VKBA3600 |
| U141014 | SNR | R15339 |
| U141014 | VAUXHALL | 328980 |
| U141014 | VAUXHALL | 9195608 |
| U142001 | ACURA | 005R3A52 |
| U142001 | ACURA | 22005R3A02 |
| U142001 | ACURA | 4220050A951 |
| U142001 | ACURA | 514080 |
| U142001 | ACURA | 516042 |
| U142001 | TIMKEN | 513105 |
| U142002 | HONDA | 42200584A01 |
| U142002 | HONDA | 42200584C01 |
| U142002 | HONDA | 42200584C010 |
| U142002 | HONDA | 42200584C010M1 |
| U142002 | MOOG | 512176 |
| U142002 | SKF | BR930167 |
| U142002 | SKF | VKBA3953 |
| U142002 | TIMKEN | 512176 |
| U142003 | HONDA | 42200584A31 |
| U142003 | HONDA | 42200584C31 |
| U142003 | HONDA | 42200584C310 |
| U142003 | HONDA | 42200584C310M1 |
| U142003 | HONDA | 42200584C51 |
| U142003 | HONDA | 42200584C510 |
| U142003 | HONDA | 42200584C510M1 |
| U142003 | HONDA | 42200584C52 |
| U142003 | MOOG | 512177 |
| U142003 | SKF | BR930234 |
| U142004 | FAG | RW8178 |
| U142004 | MOOG | 512178 |
| U142004 | SKF | BR930276 |
| U142004 | TIMKEN | 512178 |
| U142005 | HONDA | 42200587A51 |
| U142005 | HONDA | 42200587C51 |
| U142005 | MOOG | 512179 |
| U142005 | SKF | BR930071 |
| U142005 | TIMKEN | 512179 |

| PART NO. | MAKE | COMPETITIVE INTERCHANGE |
|----------|----------------|-------------------------|
| U142006 | HONDA | 42200SDAA51 |
| U142006 | MOOG | 512188 |
| U142006 | SKF | BR930383 |
| U142006 | TIMKEN | 512188 |
| U142007 | MOOG | 512203 |
| U142007 | NISSAN | 432002Y000 |
| U142007 | SKF | BR930403 |
| U142007 | TIMKEN | 512203 |
| U142008 | HONDA | 44200SM1008 |
| U142008 | HONDA | 44200SM4000 |
| U142008 | HONDA | 44200SM4003 |
| U142008 | HONDA | 44200SM4013 |
| U142008 | HONDA | 44200SM40131 |
| U142008 | HONDA | 44200SM4018 |
| U142008 | HONDA | 44200SM4J00 |
| U142008 | MOOG | 513098 |
| U142008 | SKF | FW156 |
| U142008 | TIMKEN | 513098 |
| U142009 | HONDA | 422005SA008 |
| U142009 | HONDA | 422005SA0080 |
| U142009 | MOOG | 512175 |
| U142009 | SKF | BR930255 |
| U142009 | TIMKEN | 512175 |
| U142010 | ACURA | 2200SR3A52 |
| U142010 | BECK-ARNLEY | 514080 |
| U142010 | BECK-ARNLEY | 516042 |
| U142010 | HONDA | 42200SR3A05 |
| U142010 | HONDA | 42200SR3A52 |
| U142010 | HONDA | 42200SR3A53 |
| U142010 | SKF | BR930113 |
| U142011 | DELPHI | BK1252 |
| U142011 | FAG | 713615530 |
| U142011 | MAZDA | B4552615XB |
| U142011 | NIPPARTS | J4713023 |
| U142011 | OPTIMAL | 942773 |
| U142011 | QUINTON HAZELL | BK10921 |
| U142011 | QUINTON HAZELL | QWB1299 |
| U142011 | QUINTON HAZELL | QWB921 |
| U142011 | RUVILLE | 7024 |
| U142011 | SKF | VKBA3298 |
| U142011 | SNR | R17024 |
| U142012 | MAZDA | BP4K3315XB |
| U142012 | MOOG | 513211 |
| U142012 | TIMKEN | HA590097 |
| U143001 | MOOG | 512206 |
| U143001 | SKF | BR930267 |
| U143001 | TIMKEN | HA592460 |
| U143001 | TOYOTA | 4246006020 |
| U143001 | TOYOTA | 4246006021 |
| U143001 | TOYOTA | 4246006030 |
| U143001 | TOYOTA | 4246048010 |
| U143001 | TOYOTA | 4246048011 |
| U143002 | MOOG | 512207 |
| U143002 | SKF | BR930266 |
| U143002 | TIMKEN | HA592450 |
| U143002 | TOYOTA | 4245006020 |
| U143002 | TOYOTA | 4245006021 |
| U143002 | TOYOTA | 4245006030 |
| U143002 | TOYOTA | 4245048010 |
| U143002 | TOYOTA | 4245048011 |
| U143003 | FAG | RW8208 |

| PART NO. | MAKE | COMPETITIVE INTERCHANGE |
|----------|----------------------|-------------------------|
| U143003 | MOOG | 512008 |
| U143003 | MOOG | 512208 |
| U143003 | SKF | BR930232 |
| U143003 | TIMKEN | HA596030 |
| U143003 | TOYOTA | 4241006030 |
| U143003 | TOYOTA | 4241006050 |
| U143003 | TOYOTA | 4241033050 |
| U143003 | TOYOTA | 4241033060 |
| U143004 | GENERAL MOTORS CORP. | 88970098 |
| U143004 | GENERAL MOTORS CORP. | 4245001010 |
| U143004 | GENERAL MOTORS CORP. | 4245002070 |
| U143004 | MOOG | 512217 |
| U143004 | SKF | BR930324 |
| U143004 | TIMKEN | 512217 |
| U143004 | TOYOTA | 4245001010 |
| U143004 | TOYOTA | 4245002070 |
| U143005 | GENERAL MOTORS CORP. | 88970097 |
| U143005 | GENERAL MOTORS CORP. | 4241001020 |
| U143005 | GENERAL MOTORS CORP. | 4241002080 |
| U143005 | GENERAL MOTORS CORP. | 4241012260 |
| U143005 | GENERAL MOTORS CORP. | 4241020190 |
| U143005 | GENERAL MOTORS CORP. | 4245001020 |
| U143005 | MOOG | 512218 |
| U143005 | SKF | BR930329 |
| U143005 | TIMKEN | 512218 |
| U143005 | TOYOTA | 4241001020 |
| U143005 | TOYOTA | 4241002080 |
| U143005 | TOYOTA | 4241012260 |
| U143005 | TOYOTA | 4241020190 |
| U143006 | FAG | 713618670 |
| U143006 | MOOG | 512210 |
| U143006 | OPTIMAL | 982939 |
| U143006 | QUINTON HAZELL | QWB1291 |
| U143006 | RUVILLE | 6930 |
| U143006 | SKF | BR930357 |
| U143006 | SKF | VKBA3930 |
| U143006 | SNR | R16930 |
| U143006 | TIMKEN | HA592410 |
| U143006 | TOYOTA | 4241052020 |
| U143006 | TOYOTA | 4241052021 |
| U143006 | TOYOTA | 424100D010 |
| U143007 | MOOG | 512338 |
| U143007 | TIMKEN | HA594505 |
| U143007 | TOYOTA | 4241042020 |
| U143008 | INFINITI | 40202AL500 |
| U143008 | INFINITI | 40202AL510 |
| U143008 | INFINITI | 40202AL56C |
| U143008 | MOOG | 513268 |
| U143008 | NISSAN | 40202AL510 |
| U143008 | NISSAN | 40202AL56C |
| U143008 | SKF | BR930679 |
| U143008 | TIMKEN | HA590027 |
| U143008 | TIMKEN | HA590127 |
| U143009 | FAG | 713618680 |
| U143009 | MOOG | 512209 |
| U143009 | NIPPARTS | J4712058 |
| U143009 | NIPPARTS | J4712077 |
| U143009 | QUINTON HAZELL | QWB1353 |
| U143009 | RUVILLE | 6951 |
| U143009 | SKF | BR930358 |
| U143009 | SKF | VKBA3931 |

| PART NO. | MAKE | COMPETITIVE INTERCHANGE |
|----------|--------------------|-------------------------|
| U143009 | SNR | R16951 |
| U143009 | TIMKEN | HA594245 |
| U143009 | TOYOTA | 4245052020 |
| U143009 | TOYOTA | 4245052021 |
| U143011 | MOOG | 513298 |
| U143011 | NIPPARTS | N4701039 |
| U143011 | NISSAN | 40202EN010 |
| U143011 | NISSAN | 40202ET010 |
| U143011 | NISSAN | 40202ET01A |
| U143011 | NISSAN | 40202JG01A |
| U143011 | SKF | VKBA6996 |
| U143011 | TIMKEN | HA590277 |
| U143011 | TIMKEN | HA590278 |
| U143012 | NIPPARTS | N4711059 |
| U143012 | SKF | VKBA6997 |
| U143012 | SNR | R16874 |
| U143013 | MOOG | 512373 |
| U143013 | NIPPARTS | N4711058 |
| U143013 | SKF | VKBA6998 |
| U143015 | FAG | 713 6157 50 |
| U143015 | MOOG | 512347 |
| U143015 | SNR | R17036 |
| U143016 | MOOG | 512348 |
| U211001 | KIA | 0K56A33047 |
| U212001 | HYUNDAI | 517504H050 |
| U212002 | HYUNDAI | 517504H000 |
| U212003 | HYUNDAI | 806081 |
| U212003 | KIA | 527104D100 |
| U212003 | MOOG | 541007 |
| U212003 | SKF | BR930610 |
| U212003 | TIMKEN | HA590016 |
| U213001 | HYUNDAI | 805648C |
| U213001 | KIA | 517504D000 |
| U213001 | MOOG | 515090 |
| U213001 | SKF | BR930462 |
| U213001 | TIMKEN | HA590206 |
| U221001 | DELPHI | BK1198 |
| U221001 | FAG | 713678030 |
| U221001 | FEBI BILSTEIN | 19143 |
| U221001 | FEBI BILSTEIN | 19183 |
| U221001 | FORD | 1085565 |
| U221001 | FORD | 1135043 |
| U221001 | FORD | 1201568 |
| U221001 | FORD MOTOR COMPANY | YS4Z1A049AA |
| U221001 | MOOG | 516007 |
| U221001 | OPTIMAL | 302057 |
| U221001 | QUINTON HAZELL | BK101128 |
| U221001 | QUINTON HAZELL | QWB1128 |
| U221001 | RUVILLE | 5256 |
| U221001 | SKF | GRW239 |
| U221001 | SKF | VKBA3532 |
| U221001 | TIMKEN | 516007 |
| U221002 | FORD MOTOR COMPANY | 3L2Z1215AA |
| U221002 | MOOG | 516008 |
| U221002 | SKF | GRW259 |
| U221002 | TIMKEN | 516008 |
| U222001 | CHRYSLER CORP. | 52009528 |
| U222001 | CHRYSLER CORP. | 52009528AB |
| U222001 | CHRYSLER CORP. | 52009528AC |
| U222001 | CHRYSLER CORP. | 52009528AD |
| U222001 | CHRYSLER CORP. | 52009528AE |

| PART NO. | MAKE | COMPETITIVE INTERCHANGE |
|----------|----------------------|-------------------------|
| U222001 | MOOG | 515032 |
| U222001 | SKF | BR930360 |
| U222001 | SKF | BR930361 |
| U222001 | TIMKEN | HA599528 |
| U222002 | CHRYSLER CORP. | 52009406 |
| U222002 | CHRYSLER CORP. | 52009406AB |
| U222002 | CHRYSLER CORP. | 52009406AC |
| U222002 | CHRYSLER CORP. | 52009406AD |
| U222002 | CHRYSLER CORP. | 52009406AE |
| U222002 | CHRYSLER CORP. | 52009528 |
| U222002 | MOOG | 515033 |
| U222002 | TIMKEN | HA599406 |
| U222003 | CHRYSLER CORP. | 52009867AA |
| U222003 | CHRYSLER CORP. | 52009867AB |
| U222003 | MOOG | 515084 |
| U222003 | SKF | BR930611 |
| U222003 | TIMKEN | HA590001 |
| U222004 | FAG | 713678650 |
| U222004 | FEBI BILSTEIN | 22805 |
| U222004 | FORD | 1201300 |
| U222004 | OPTIMAL | 301185 |
| U222004 | QUINTON HAZELL | BK101258 |
| U222004 | QUINTON HAZELL | QWB1258 |
| U222004 | RUVILLE | 5260 |
| U222004 | SKF | VKBA3588 |
| U222004 | SNR | R15260 |
| U223001 | GENERAL MOTORS CORP. | 15693437 |
| U223001 | GENERAL MOTORS CORP. | 15564906 |
| U223001 | MOOG | 515001 |
| U223001 | SKF | BR930094 |
| U223001 | TIMKEN | 515001 |
| U223002 | GENERAL MOTORS CORP. | 12541129 |
| U223002 | GENERAL MOTORS CORP. | 15564905 |
| U223002 | MOOG | 515002 |
| U223002 | SKF | BR930035 |
| U223002 | TIMKEN | 515002 |
| U223003 | FORD | F57Z1215AA |
| U223003 | FORD | F67A1125BA |
| U223003 | FORD | F67Z1102HA |
| U223003 | FORD | F67Z1125BA |
| U223003 | FORD MOTOR COMPANY | F57A1104CA |
| U223003 | FORD MOTOR COMPANY | F57A1104CC |
| U223003 | FORD MOTOR COMPANY | F5TZ1104A |
| U223003 | FORD MOTOR COMPANY | F87A1104CA |
| U223003 | FORD MOTOR COMPANY | F87A1104CB |
| U223003 | FORD MOTOR COMPANY | F87Z1104CA |
| U223003 | FORD MOTOR COMPANY | XL241104BA |
| U223003 | FORD MOTOR COMPANY | YL241104BA |
| U223003 | MOOG | 515003 |
| U223003 | SKF | BR930252 |
| U223003 | TIMKEN | SP450200 |
| U223004 | FAG | FW704 |
| U223004 | FORD MOTOR COMPANY | F75W1104CA |
| U223004 | FORD MOTOR COMPANY | F75Z1104CA |
| U223004 | FORD MOTOR COMPANY | XL1Z1104AE |
| U223004 | MOOG | 515004 |
| U223004 | SKF | BR930208 |
| U223004 | TIMKEN | SP550201 |
| U223005 | CHRYSLER CORP. | 52008220 |
| U223005 | CHRYSLER CORP. | 52008200 |
| U223005 | MOOG | 515006 |

| PART NO. | MAKE | COMPETITIVE INTERCHANGE |
|----------|----------------------|-------------------------|
| UJ223005 | SKF | BR930256 |
| UJ223005 | TIMKEN | 515006 |
| UJ223006 | CHRYSLER CORP. | 52069361AB |
| UJ223006 | CHRYSLER CORP. | 52069361AC |
| UJ223006 | FAG | FW707 |
| UJ223006 | MOOG | 515007 |
| UJ223006 | SKF | BR930207 |
| UJ223006 | TIMKEN | HA599361 |
| UJ223007 | CHRYSLER CORP. | 52068965AB |
| UJ223007 | CHRYSLER CORP. | 52068965AD |
| UJ223007 | CHRYSLER CORP. | 52068965AE |
| UJ223007 | CHRYSLER CORP. | 52068965AF |
| UJ223007 | MOOG | 515008 |
| UJ223007 | SKF | BR930204 |
| UJ223007 | TIMKEN | SP450101 |
| UJ223008 | CHRYSLER CORP. | 52068963AE |
| UJ223008 | CHRYSLER CORP. | 52068964AB |
| UJ223008 | CHRYSLER CORP. | 52068964AD |
| UJ223008 | CHRYSLER CORP. | 52068964AE |
| UJ223008 | CHRYSLER CORP. | 52068964AF |
| UJ223008 | MOOG | 515009 |
| UJ223008 | SKF | BR930205 |
| UJ223008 | TIMKEN | SP450100 |
| UJ223009 | FORD MOTOR COMPANY | F65W1104AA |
| UJ223009 | FORD MOTOR COMPANY | F65Z1104AA |
| UJ223009 | FORD MOTOR COMPANY | F65Z1104AB |
| UJ223009 | FORD MOTOR COMPANY | F75W1104DA |
| UJ223009 | FORD MOTOR COMPANY | XL3Z1104AD |
| UJ223009 | MOOG | 515010 |
| UJ223009 | SKF | BR930318 |
| UJ223009 | TIMKEN | SP550200 |
| UJ223010 | CHRYSLER CORP. | 52007851 |
| UJ223010 | MOOG | 515011 |
| UJ223010 | SKF | BR930400 |
| UJ223010 | TIMKEN | HA597851 |
| UJ223011 | CHRYSLER CORP. | 52008207 |
| UJ223011 | CHRYSLER CORP. | 5010020AA |
| UJ223011 | CHRYSLER CORP. | 52008207 |
| UJ223011 | MOOG | 515012 |
| UJ223011 | SKF | BR930405 |
| UJ223011 | TIMKEN | HA590020 |
| UJ223012 | FORD MOTOR COMPANY | YL541104AA |
| UJ223012 | FORD MOTOR COMPANY | YL5Z1104AA |
| UJ223012 | MOOG | 515013 |
| UJ223012 | SKF | BR930343 |
| UJ223012 | TIMKEN | SP450201 |
| UJ223013 | FORD MOTOR COMPANY | YL541104BA |
| UJ223013 | FORD MOTOR COMPANY | YL5Z1104BA |
| UJ223013 | MOOG | 515014 |
| UJ223013 | SKF | BR930344 |
| UJ223013 | TIMKEN | 515014 |
| UJ223014 | FAG | FW715 |
| UJ223014 | GENERAL MOTORS CORP. | 1860224 |
| UJ223014 | GENERAL MOTORS CORP. | 15564913 |
| UJ223014 | GENERAL MOTORS CORP. | 15981339 |
| UJ223014 | GENERAL MOTORS CORP. | 15990509 |
| UJ223014 | MOOG | 515015 |
| UJ223014 | MOOG | 515048 |
| UJ223014 | MOOG | 515055 |
| UJ223014 | SKF | BR930406 |
| UJ223014 | TIMKEN | HA591339 |

| PART NO. | MAKE | COMPETITIVE INTERCHANGE |
|----------|----------------------|-------------------------|
| UJ223014 | TIMKEN | SP580301 |
| UJ223015 | GENERAL MOTORS CORP. | 15990510 |
| UJ223015 | MOOG | 515016 |
| UJ223015 | TIMKEN | SP580300 |
| UJ223016 | FORD | F65Z114BA |
| UJ223016 | FORD MOTOR COMPANY | F65Z1104BA |
| UJ223016 | FORD MOTOR COMPANY | F75W1104EA |
| UJ223016 | FORD MOTOR COMPANY | XL341104BB |
| UJ223016 | FORD MOTOR COMPANY | XL341104BD |
| UJ223016 | FORD MOTOR COMPANY | XL3Z1104BC |
| UJ223016 | FORD MOTOR COMPANY | ZL3Z1104BC |
| UJ223016 | MOOG | 515017 |
| UJ223016 | SKF | BR930218 |
| UJ223016 | TIMKEN | 515017 |
| UJ223017 | GENERAL MOTORS CORP. | 12549138 |
| UJ223017 | MOOG | 515018 |
| UJ223018 | GENERAL MOTORS CORP. | 15997073 |
| UJ223018 | GENERAL MOTORS CORP. | 15997074 |
| UJ223018 | GENERAL MOTORS CORP. | 1595151 |
| UJ223018 | MOOG | 515019 |
| UJ223018 | SKF | BR930209 |
| UJ223018 | TIMKEN | SP550302 |
| UJ223018 | TIMKEN | SP550303 |
| UJ223018 | TIMKEN | SP550308 |
| UJ223019 | FORD MOTOR COMPANY | F81A2B663BG |
| UJ223019 | FORD MOTOR COMPANY | F81Z1104BG |
| UJ223019 | FORD MOTOR COMPANY | F81Z1104BH |
| UJ223019 | FORD MOTOR COMPANY | YC352B513BA |
| UJ223019 | FORD MOTOR COMPANY | YC352B663BA |
| UJ223019 | MOOG | 515020 |
| UJ223019 | SKF | BR930420 |
| UJ223019 | TIMKEN | 515020 |
| UJ223020 | FORD MOTOR COMPANY | F81A2B663EF |
| UJ223020 | FORD MOTOR COMPANY | F81Z1104ED |
| UJ223020 | FORD MOTOR COMPANY | F81Z1104EE |
| UJ223020 | FORD MOTOR COMPANY | YC352B663AA |
| UJ223020 | FORD MOTOR COMPANY | YC352B663CA |
| UJ223020 | FORD MOTOR COMPANY | YC352B663EA |
| UJ223020 | FORD MOTOR COMPANY | YC352B663EB |
| UJ223020 | FORD MOTOR COMPANY | YC352B663EC |
| UJ223020 | FORD MOTOR COMPANY | YC352B663ED |
| UJ223020 | FORD MOTOR COMPANY | YC3Z1104D |
| UJ223020 | MOOG | 515021 |
| UJ223020 | SKF | BR930424 |
| UJ223020 | TIMKEN | 515021 |
| UJ223021 | FORD MOTOR COMPANY | F75W1104AA |
| UJ223021 | FORD MOTOR COMPANY | F75Z1104AA |
| UJ223021 | FORD MOTOR COMPANY | XL341104CB |
| UJ223021 | FORD MOTOR COMPANY | XL3Z1104CB |
| UJ223021 | MOOG | 515022 |
| UJ223021 | SKF | BR930418 |
| UJ223021 | TIMKEN | 515022 |
| UJ223022 | CHRYSLER CORP. | 52069880AA |
| UJ223022 | MOOG | 515023 |
| UJ223022 | SKF | BR930410 |
| UJ223022 | TIMKEN | SP550100 |
| UJ223023 | GENERAL MOTORS CORP. | 15997071 |
| UJ223023 | GENERAL MOTORS CORP. | 15997072 |
| UJ223023 | MOOG | 515024 |
| UJ223023 | SKF | BR930346 |
| UJ223023 | TIMKEN | SP550300 |

| PART NO. | MAKE | COMPETITIVE INTERCHANGE |
|----------|--------------------|-------------------------|
| UJ223023 | TIMKEN | SP550301 |
| UJ223023 | TIMKEN | SP550307 |
| UJ223024 | FORD | XC3528663BA |
| UJ223024 | FORD MOTOR COMPANY | 3C342B513CA |
| UJ223024 | FORD MOTOR COMPANY | 3C342B513CB |
| UJ223024 | FORD MOTOR COMPANY | 3C342B513CC |
| UJ223024 | FORD MOTOR COMPANY | 3C3Z1104CA |
| UJ223024 | FORD MOTOR COMPANY | F81A2B663CH |
| UJ223024 | FORD MOTOR COMPANY | F81Z1104CH |
| UJ223024 | FORD MOTOR COMPANY | XC3528663BA |
| UJ223024 | MOOG | 515025 |
| UJ223024 | MOTORCRAFT | HUB11 |
| UJ223024 | TIMKEN | 515025 |
| UJ223025 | FORD | F87A11004BC |
| UJ223025 | FORD | F87Z11004BB |
| UJ223025 | FORD MOTOR COMPANY | F87A1104BB |
| UJ223025 | FORD MOTOR COMPANY | F87A1104BC |
| UJ223025 | FORD MOTOR COMPANY | F87Z1104BB |
| UJ223025 | FORD MOTOR COMPANY | XL541104BA |
| UJ223025 | FORD MOTOR COMPANY | YS4Z204CA |
| UJ223025 | MOOG | 515026 |
| UJ223025 | SKF | BR930341 |
| UJ223025 | TIMKEN | 515026 |
| UJ223026 | FORD MOTOR COMPANY | F87A1104AB |
| UJ223026 | FORD MOTOR COMPANY | F87A1104AC |
| UJ223026 | FORD MOTOR COMPANY | F87Z1104AB |
| UJ223026 | FORD MOTOR COMPANY | XL541104AA |
| UJ223026 | MOOG | 515027 |
| UJ223026 | SKF | BR930342 |
| UJ223026 | TIMKEN | 515027 |
| UJ223027 | FORD | XL341104AG |
| UJ223027 | FORD | YL341104BB |
| UJ223027 | FORD MOTOR COMPANY | XL3Z1104BA |
| UJ223027 | FORD MOTOR COMPANY | YL3Z1104BA |
| UJ223027 | MOOG | 515028 |
| UJ223027 | SKF | BR930422 |
| UJ223027 | TIMKEN | 515028 |
| UJ223028 | FORD | YL341004AA |
| UJ223028 | FORD MOTOR COMPANY | 1L341104AA |
| UJ223028 | FORD MOTOR COMPANY | 6L3Z1104A |
| UJ223028 | FORD MOTOR COMPANY | XL3Z1104AA |
| UJ223028 | FORD MOTOR COMPANY | YL341104AA |
| UJ223028 | FORD MOTOR COMPANY | YL3Z1104AA |
| UJ223028 | MOOG | 515029 |
| UJ223028 | MOTORCRAFT | HUB24 |
| UJ223028 | SKF | BR930423 |
| UJ223028 | TIMKEN | 515029 |
| UJ223029 | FORD MOTOR COMPANY | 1L341104BA |
| UJ223029 | FORD MOTOR COMPANY | 1L3Z1104BA |
| UJ223029 | FORD MOTOR COMPANY | XL341104DC |
| UJ223029 | FORD MOTOR COMPANY | XL3Z1104DA |
| UJ223029 | MOOG | 515030 |
| UJ223029 | MOTORCRAFT | HUB107 |
| UJ223029 | SKF | BR930419 |
| UJ223029 | TIMKEN | 515030 |
| UJ223030 | FORD MOTOR COMPANY | 1L141104AA |
| UJ223030 | FORD MOTOR COMPANY | YL1Z1104AA |
| UJ223030 | MOOG | 515031 |
| UJ223030 | SKF | BR930236 |
| UJ223030 | TIMKEN | 515031 |
| UJ223031 | CHRYSLER CORP. | 52069877AA |

| PART NO. | MAKE | COMPETITIVE INTERCHANGE |
|----------|----------------------|-------------------------|
| UJ223031 | CHRYSLER CORP. | 52069883AA |
| UJ223031 | MOOG | 515034 |
| UJ223031 | SKF | BR930407 |
| UJ223031 | TIMKEN | SP580101 |
| UJ223032 | CHRYSLER CORP. | 52069876AA |
| UJ223032 | CHRYSLER CORP. | 52069882AA |
| UJ223032 | MOOG | 515035 |
| UJ223032 | SKF | BR930408 |
| UJ223032 | TIMKEN | SP580100 |
| UJ223033 | GENERAL MOTORS CORP. | 10393163 |
| UJ223033 | GENERAL MOTORS CORP. | 15102294 |
| UJ223033 | GENERAL MOTORS CORP. | 15112382 |
| UJ223033 | GENERAL MOTORS CORP. | 15134584 |
| UJ223033 | GENERAL MOTORS CORP. | 15233113 |
| UJ223033 | GENERAL MOTORS CORP. | 15740291 |
| UJ223033 | GENERAL MOTORS CORP. | 15863441 |
| UJ223033 | GENERAL MOTORS CORP. | 19209040 |
| UJ223033 | GENERAL MOTORS CORP. | FW311 |
| UJ223033 | MOOG | 515036 |
| UJ223033 | SKF | BR930304 |
| UJ223033 | TIMKEN | SP500300 |
| UJ223034 | MOOG | 515037 |
| UJ223035 | CHRYSLER CORP. | 52009863AA |
| UJ223035 | CHRYSLER CORP. | 52009863AC |
| UJ223035 | MOOG | 515038 |
| UJ223035 | SKF | BR930305 |
| UJ223035 | TIMKEN | HA599863 |
| UJ223036 | CHRYSLER CORP. | 52009864AA |
| UJ223036 | CHRYSLER CORP. | 52009864AC |
| UJ223036 | CHRYSLER CORP. | 52009866AC |
| UJ223036 | MOOG | 515039 |
| UJ223036 | SKF | BR930409 |
| UJ223036 | TIMKEN | SP550102 |
| UJ223037 | GENERAL MOTORS CORP. | 15991989 |
| UJ223037 | GENERAL MOTORS CORP. | 15991990 |
| UJ223037 | MOOG | 515041 |
| UJ223037 | TIMKEN | SP580302 |
| UJ223037 | TIMKEN | SP580303 |
| UJ223038 | GENERAL MOTORS CORP. | 15058393 |
| UJ223038 | MOOG | 515044 |
| UJ223038 | SKF | BR930307 |
| UJ223038 | SKF | BTD1203 |
| UJ223038 | TIMKEN | HA590307 |
| UJ223039 | CHRYSLER CORP. | 52069881AA |
| UJ223039 | MOOG | 515049 |
| UJ223039 | SKF | BR930415 |
| UJ223039 | TIMKEN | SP550101 |
| UJ223040 | FORD | 1L241104AD |
| UJ223040 | FORD | X1L241104AC |
| UJ223040 | FORD MOTOR COMPANY | 3L2Z1104AB |
| UJ223040 | FORD MOTOR COMPANY | 4L2Z1104AA |
| UJ223040 | MOOG | 515050 |
| UJ223040 | MOTORCRAFT | HUB67 |
| UJ223040 | SKF | BR930456 |
| UJ223040 | TIMKEN | SP470200 |
| UJ223040 | TIMKEN | SP470201 |
| UJ223041 | FORD MOTOR COMPANY | 3L2Z1104AA |
| UJ223041 | FORD MOTOR COMPANY | 3L5Z1104AA |
| UJ223041 | FORD MOTOR COMPANY | 6L5Z1104A |
| UJ223041 | FORD MOTOR COMPANY | 6L5Z1104B |
| UJ223041 | MOOG | 515051 |

| PART NO. | MAKE | COMPETITIVE INTERCHANGE |
|----------|----------------------|-------------------------|
| U223041 | MOTORCRAFT | HUB15 |
| U223041 | MOTORCRAFT | HUB25 |
| U223042 | FAG | FW752 |
| U223042 | MOOG | 515052 |
| U223042 | SKF | BR930452 |
| U223042 | TIMKEN | SP450202 |
| U223044 | GENERAL MOTORS CORP. | 15037207 |
| U223044 | GENERAL MOTORS CORP. | 15112380 |
| U223044 | GENERAL MOTORS CORP. | 15233111 |
| U223044 | MOOG | 515054 |
| U223044 | SKF | BR930417 |
| U223044 | TIMKEN | SP550306 |
| U223045 | GENERAL MOTORS CORP. | 15042868 |
| U223045 | GENERAL MOTORS CORP. | 15104582 |
| U223045 | GENERAL MOTORS CORP. | 15112411 |
| U223045 | GENERAL MOTORS CORP. | 15225770 |
| U223045 | GENERAL MOTORS CORP. | 15719015 |
| U223045 | GENERAL MOTORS CORP. | 15946732 |
| U223045 | GENERAL MOTORS CORP. | 89059059 |
| U223045 | MOOG | 515058 |
| U223045 | SKF | BR930416 |
| U223046 | GENERAL MOTORS CORP. | 18061146 |
| U223046 | GENERAL MOTORS CORP. | 19149001 |
| U223046 | GENERAL MOTORS CORP. | 25840786 |
| U223046 | MOOG | 515059 |
| U223046 | SKF | BR930352 |
| U223046 | TIMKEN | HA590352 |
| U223047 | GENERAL MOTORS CORP. | 18061148 |
| U223047 | MOOG | 515060 |
| U223047 | SKF | BR930353 |
| U223047 | TIMKEN | HA590353 |
| U223048 | CHRYSLER CORP. | 5015456AA |
| U223048 | MOOG | 515062 |
| U223048 | SKF | BR930503 |
| U223048 | SKF | BTD5107 |
| U223048 | TIMKEN | HA590503 |
| U223049 | CHRYSLER CORP. | 5015282AA |
| U223049 | MOOG | 515063 |
| U223049 | SKF | BR930203 |
| U223049 | TIMKEN | HA590203 |
| U223050 | CHRYSLER CORP. | 05073537AA |
| U223050 | CHRYSLER CORP. | 5073537AA |
| U223050 | MOOG | 515068 |
| U223050 | SKF | BR930491 |
| U223050 | TIMKEN | SP580103 |
| U223051 | CHRYSLER CORP. | 05073536AA |
| U223051 | CHRYSLER CORP. | 5073536AA |
| U223051 | MOOG | 515069 |
| U223051 | SKF | BR930492 |
| U223051 | TIMKEN | SP580102 |
| U223052 | CHRYSLER CORP. | 05010018AA |
| U223052 | CHRYSLER CORP. | 5010018AA |
| U223052 | MOOG | 515070 |
| U223052 | SKF | BR930451 |
| U223052 | TIMKEN | HA590018 |
| U223053 | FORD MOTOR COMPANY | F81A2B663BE |
| U223053 | FORD MOTOR COMPANY | F81A2B663BF |
| U223053 | FORD MOTOR COMPANY | F81Z1104BE |
| U223053 | MOOG | 515075 |
| U223053 | SKF | BR930426 |
| U223053 | TIMKEN | SP580204 |

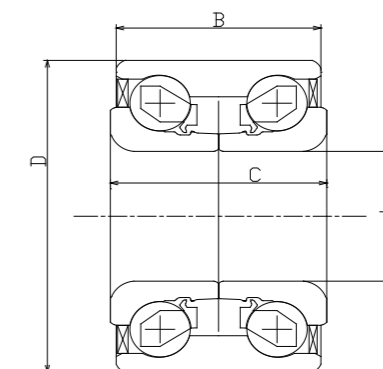
| PART NO. | MAKE | COMPETITIVE INTERCHANGE |
|----------|----------------------|-------------------------|
| U223054 | FORD MOTOR COMPANY | F81Z1104EC |
| U223054 | MOOG | 515076 |
| U223054 | SKF | BR930427 |
| U223054 | TIMKEN | HA590132 |
| U223055 | FORD MOTOR COMPANY | F81A2B663CE |
| U223055 | FORD MOTOR COMPANY | F81Z1104CE |
| U223055 | MOOG | 515077 |
| U223055 | SKF | BR930425 |
| U223055 | TIMKEN | HA590425 |
| U223056 | GENERAL MOTORS CORP. | 12385856 |
| U223056 | GENERAL MOTORS CORP. | 15719007 |
| U223056 | MOOG | 515085 |
| U223056 | TIMKEN | SP580307 |
| U223057 | GENERAL MOTORS CORP. | 15064670 |
| U223057 | GENERAL MOTORS CORP. | 15112409 |
| U223057 | GENERAL MOTORS CORP. | 15225751 |
| U223057 | GENERAL MOTORS CORP. | 89059057 |
| U223057 | MOOG | 515086 |
| U223057 | SKF | BR930626 |
| U223057 | TIMKEN | SP580305 |
| U223057 | TIMKEN | SP580310 |
| U223058 | FORD MOTOR COMPANY | 5L1Z1104CA |
| U223058 | FORD MOTOR COMPANY | 6L1Z1104A |
| U223058 | FORD MOTOR COMPANY | 6L1Z1104CA |
| U223058 | MOOG | 515042 |
| U223058 | MOTORCRAFT | HUB131 |
| U223058 | SKF | BR930457 |
| U223058 | TIMKEN | SP550206 |
| U223059 | FORD MOTOR COMPANY | 3C3Z1104BA |
| U223059 | MOOG | 515056 |
| U223059 | MOTORCRAFT | HUB111 |
| U223059 | SKF | BR930438 |
| U223059 | SKF | BR930483 |
| U223059 | TIMKEN | SP580205 |
| U223060 | FAG | FW757 |
| U223060 | MOOG | 515057 |
| U223060 | SKF | BR930421 |
| U223061 | GENERAL MOTORS CORP. | 10393162 |
| U223061 | GENERAL MOTORS CORP. | 15102293 |
| U223061 | GENERAL MOTORS CORP. | 15863440 |
| U223061 | MOOG | 515071 |
| U223061 | TIMKEN | SP450301 |
| U223062 | GENERAL MOTORS CORP. | 15056760 |
| U223062 | GENERAL MOTORS CORP. | 15112412 |
| U223062 | GENERAL MOTORS CORP. | 15225753 |
| U223062 | GENERAL MOTORS CORP. | 15733637 |
| U223062 | GENERAL MOTORS CORP. | 89059060 |
| U223062 | MOOG | 515088 |
| U223062 | TIMKEN | SP580309 |
| U223062 | TIMKEN | SP580311 |
| U223063 | CHRYSLER CORP. | 5103507AA |
| U223063 | MOOG | 515061 |
| U223063 | SKF | BR930502 |
| U223063 | TIMKEN | HA590032 |
| U223064 | FORD MOTOR COMPANY | 5L1Z1104AA |
| U223064 | FORD MOTOR COMPANY | 6L1Z1109AA |
| U223064 | MOOG | 541001 |
| U223064 | SKF | BR930635 |
| U223064 | TIMKEN | SP550203 |
| U223065 | CHRYSLER CORP. | 52070323AA |
| U223065 | CHRYSLER CORP. | 52070323AB |

| PART NO. | MAKE | COMPETITIVE INTERCHANGE |
|----------|--------------------|-------------------------|
| U223065 | CHRYSLER CORP. | 68030387AA |
| U223065 | MOOG | 515073 |
| U223065 | SKF | BR930285 |
| U223065 | TIMKEN | SP500100 |
| U223066 | CHRYSLER CORP. | 52070321AA |
| U223066 | CHRYSLER CORP. | 52070321AB |
| U223066 | CHRYSLER CORP. | 52070321AC |
| U223066 | MOOG | 515072 |
| U223066 | SKF | BR930284 |
| U223066 | TIMKEN | HA500100 |
| U223067 | MOOG | 515100 |
| U223067 | SKF | BR930428 |
| U223067 | TIMKEN | HA590233 |
| U223068 | FORD MOTOR COMPANY | 6L2Z1104A |
| U223068 | FORD MOTOR COMPANY | 7L2Z1104A |
| U223068 | MOOG | 515078 |
| U223068 | MOTORCRAFT | HUB29 |
| U223068 | TIMKEN | HA590156 |
| U223069 | FORD MOTOR COMPANY | 6L1Z1A049AA |
| U223069 | FORD MOTOR COMPANY | 7L1Z1109AA |
| U223069 | MOOG | 541008 |
| U223069 | MOTORCRAFT | HUB138 |
| U223069 | TIMKEN | SP550209 |
| U223070 | FORD MOTOR COMPANY | 5L1Z1104DA |
| U223070 | FORD MOTOR COMPANY | 6L1Z1104DA |
| U223070 | MOOG | 515043 |
| U223070 | MOTORCRAFT | HUB23 |
| U223070 | SKF | BR930453 |
| U223070 | TIMKEN | SP550202 |
| U223071 | FORD MOTOR COMPANY | 5L342C530AE |
| U223071 | FORD MOTOR COMPANY | 5L3Z1104AA |
| U223071 | FORD MOTOR COMPANY | 5L3Z1104AB |
| U223071 | FORD MOTOR COMPANY | 6L342C530AA |
| U223071 | FORD MOTOR COMPANY | 6L3Z1104AA |
| U223071 | FORD MOTOR COMPANY | 6L3Z1104DA |
| U223071 | FORD MOTOR COMPANY | 7L342C530AA |
| U223071 | FORD MOTOR COMPANY | 7L342C530AB |
| U223071 | FORD MOTOR COMPANY | 7L3Z1104A |
| U223071 | FORD MOTOR COMPANY | BR930455 |
| U223071 | MOOG | 515046 |
| U223071 | MOTORCRAFT | HUB16 |
| U223071 | MOTORCRAFT | HUB30 |
| U223071 | SKF | BR930455 |
| U223071 | TIMKEN | SP550212 |
| U223072 | FORD MOTOR COMPANY | 5L3Z1104BB |
| U223072 | FORD MOTOR COMPANY | 5L3Z1125BA |
| U223072 | FORD MOTOR COMPANY | 6L3Z1104BA |
| U223072 | FORD MOTOR COMPANY | 6L3Z1104EA |
| U223072 | FORD MOTOR COMPANY | 7L3Z1104B |
| U223072 | MOOG | 515047 |
| U223072 | MOTORCRAFT | HUB120 |
| U223072 | MOTORCRAFT | HUB139 |
| U223072 | SKF | BR930454 |
| U223072 | TIMKEN | SP550213 |
| U223073 | MOOG | 515079 |
| U223073 | TIMKEN | SP550207 |
| U223074 | FAG | FW780 |
| U223074 | MOOG | 515080 |
| U223074 | SKF | BR930459 |
| U223074 | TIMKEN | SP550208 |
| U223075 | FORD MOTOR COMPANY | 7L1Z1104AA |

| PART NO. | MAKE | COMPETITIVE INTERCHANGE |
|----------|----------------------|-------------------------|
| U223075 | MOOG | 515095 |
| U223075 | MOTORCRAFT | HUB136 |
| U223075 | TIMKEN | SP550210 |
| U223076 | MOOG | 515119 |
| U223076 | TIMKEN | SP550214 |
| U223077 | CHRYSLER CORP. | 5179955AA |
| U223077 | MOOG | 515101 |
| U223077 | SKF | BR930507 |
| U223077 | TIMKEN | HA590166 |
| U223078 | CHRYSLER CORP. | 4721578AD |
| U223078 | CHRYSLER CORP. | 4721578AE |
| U223078 | MOOG | 513273 |
| U223078 | SKF | BR930688 |
| U223078 | TIMKEN | HA590243 |
| U223078 | VOLKSWAGEN | 7B0407621 |
| U223078 | VOLKSWAGEN | 7B0407621A |
| U223079 | GENERAL MOTORS CORP. | 10393171 |
| U223079 | GENERAL MOTORS CORP. | 25918329 |
| U223079 | GENERAL MOTORS CORP. | 25976819 |
| U223079 | MOOG | 515096 |
| U223079 | SKF | BR930661 |
| U223079 | TIMKEN | SP500301 |
| U223080 | MOOG | 515113 |
| U223081 | MOOG | 515126 |
| U223082 | MOOG | 515117 |
| U223083 | MOOG | 515122 |
| U223084 | MOOG | 515123 |
| U223085 | MOOG | 515124 |
| U223086 | MOOG | 515098 |
| U223089 | MOOG | 515081 |
| U223090 | MOOG | 515082 |
| U223091 | MOOG | 515083 |
| U223092 | MOOG | 515115 |
| U231001 | AUTOMOTIVE BEARINGS | ABK1026 |
| U231001 | BRT | BRT1026 |
| U231001 | BRT | BRT1383 |
| U231001 | DELPHI | BK579 |
| U231001 | FAG | 713630270 |
| U231001 | FEBI BILSTEIN | 19897 |
| U231001 | NISSAN | 43210-00QAD |
| U231001 | OPTIMAL | 702426 |
| U231001 | QUINTON HAZELL | BK10907 |
| U231001 | QUINTON HAZELL | QWB560 |
| U231001 | QUINTON HAZELL | QWB907 |
| U231001 | RENAULT | 7701205596 |
| U231001 | RENAULT | 7701463987 |
| U231001 | RUVILLE | 5558 |
| U231001 | SKF | VKBA976 |
| U231001 | SNR | R15558 |
| U231002 | FAG | 713644220 |
| U231002 | FEBI BILSTEIN | 19088 |
| U231002 | OPEL | 1604007 |
| U231002 | OPEL | 9196286 |
| U231002 | OPEL | 1604007 |
| U231002 | OPEL | 9196286 |
| U231002 | OPTIMAL | 202021 |
| U231002 | QUINTON HAZELL | QWB1212 |
| U231002 | RUVILLE | 5337 |
| U231002 | SKF | VKBA3601 |
| U231002 | SNR | R15337 |
| U231002 | VAUXHALL | 1604007 |

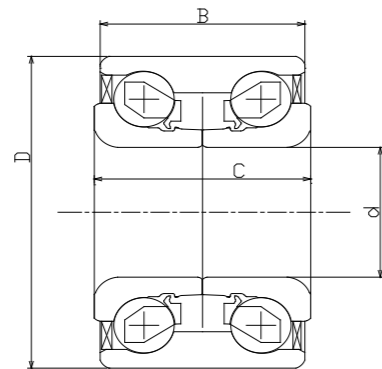
| PART NO. | MAKE | COMPETITIVE INTERCHANGE |
|----------|----------------|-------------------------|
| U231002 | VAUXHALL | 9196286 |
| U231003 | FAG | 713630790 |
| U231003 | FEBI BILSTEIN | 23183 |
| U231003 | OPEL | 4403023 |
| U231003 | OPEL | 9111023 |
| U231003 | OPEL | 7701206740 |
| U231003 | QUINTON HAZELL | BK101225 |
| U231003 | QUINTON HAZELL | QWB1225 |
| U231003 | RENAULT | 7701206740 |
| U231003 | RUVILLE | 4006 |
| U231003 | SKF | VKBA3613 |
| U231003 | SNR | R14006 |
| U231003 | SNR | R14104 |
| U231003 | VAUXHALL | 4403023 |
| U231003 | VAUXHALL | 9111023 |
| U231004 | CHRYSLER CORP. | 5103883AA |
| U231004 | CHRYSLER CORP. | 5103883AB |
| U231004 | FAG | 713640390 |
| U231004 | FEBI BILSTEIN | 24519 |
| U231004 | MOOG | 516010 |
| U231004 | QUINTON HAZELL | BK101315 |
| U231004 | QUINTON HAZELL | QWB1315 |
| U231004 | RUVILLE | 4017 |
| U231004 | SKF | GRW329 |
| U231004 | SKF | VKBA3640 |
| U231004 | SNR | R14017 |
| U231004 | TIMKEN | 516010 |
| U232001 | FORD | 1377911 |
| U232001 | FORD | BK212B664AB |
| U232001 | SKF | VKBA6527 |
| U232001 | SNR | R14111 |
| U232002 | FORD | BK212B664BB |
| U232002 | SKF | VKBA6528 |
| U232003 | FAG | 713 6789 00 |
| U232003 | SKF | VKBA6525 |
| U232003 | SNR | R14109 |
| U242001 | MOOG | 522032 |

Gen. 1 Ball Bearing



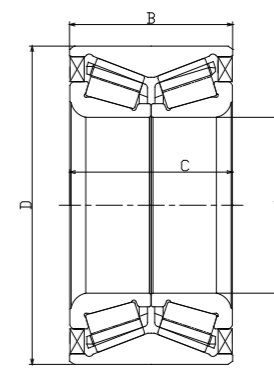
| NO. | PART NO. | DIMENSION | | | |
|-----|----------|-----------|----|------|-----------|
| | | d | D | B | C |
| 1 | U111001 | 38.1 | 70 | 37 | 37 |
| 2 | U111002 | 42 | 80 | 34 | 36 |
| 3 | U111003 | 45 | 84 | 39 | 41 |
| 4 | U111004 | 45 | 87 | 39 | 41 |
| 5 | U111005 | 39.1 | 74 | 34 | 36 |
| 6 | U111006 | 28 | 58 | 42 | 42 |
| 7 | U111007 | 42 | 76 | 35 | 37 |
| 8 | U111008 | 40 | 80 | 34 | 36 |
| 9 | U111009 | 34 | 64 | 37 | 37 |
| 10 | U111010 | 42 | 78 | 40 | 40 |
| 11 | U111011 | 39 | 72 | 37 | 37 |
| 12 | U111012 | 39 | 74 | 39 | 39 |
| 13 | U111013 | 35 | 65 | 35 | 35 |
| 14 | U121001 | 40 | 75 | 37 | 37 |
| 15 | U121002 | 42 | 78 | 45 | 45 |
| 16 | U121003 | 42 | 76 | 39 | 39 |
| 17 | U121004 | 39 | 72 | 37 | 37 |
| 18 | U121005 | 40 | 74 | 40 | 40 |
| 19 | U121006 | 39 | 68 | 37 | 37 |
| 20 | U121007 | 51 | 89 | 44 | 42 |
| 21 | U121008 | 42 | 78 | 45 | 45 |
| 22 | U131001 | 40 | 74 | 40 | 40 |
| 23 | U131002 | 35 | 66 | 37 | 37 |
| 24 | U131003 | 35 | 72 | 31 | 33 |
| 25 | U131004 | 39/41 | 75 | 37 | 23.5/13.5 |
| 26 | U131005 | 40 | 72 | 37 | 37 |
| 27 | U131006 | 42 | 82 | 36 | 36 |
| 28 | U131007 | 42 | 77 | 39 | 39 |
| 29 | U131008 | 35 | 72 | 33 | 33 |
| 30 | U131009 | 37 | 72 | 37 | 37 |
| 31 | U131010 | 37 | 72 | 33 | 33 |
| 32 | U131011 | 43/45 | 82 | 37 | 37 |
| 33 | U131012 | 40 | 84 | 38 | 38 |
| 34 | U131013 | 40 | 84 | 39.7 | 39.7 |
| 35 | U131014 | 37 | 72 | 37 | 37 |
| 36 | U131018 | 45 | 84 | 39 | 39 |
| 37 | U131020 | 35 | 66 | 32 | 32 |
| 38 | U131021 | 45 | 84 | 39 | 39 |
| 39 | U131022 | 34 | 66 | 37 | 37 |
| 40 | U131023 | 35 | 66 | 33 | 33 |
| 41 | U131024 | 42 | 82 | 36 | 36 |
| 42 | U131025 | 40 | 75 | 37 | 37 |
| 43 | U131026 | 37 | 72 | 33 | 33 |

Gen. 1 Ball Bearing



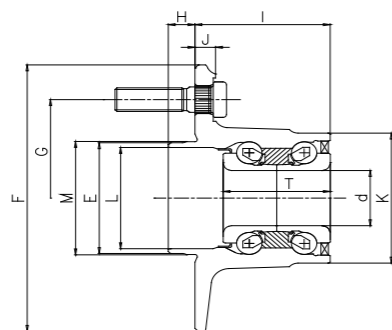
| NO. | PART NO. | DIMENSION | | | |
|-----|----------|-----------|------|----|----|
| | | d | D | B | C |
| 44 | IJ131027 | 35 | 72 | 33 | 33 |
| 45 | IJ131030 | 39 | 74 | 39 | 39 |
| 46 | IJ131031 | 44 | 82.5 | 37 | 37 |
| 47 | IJ131032 | 39 | 74 | 39 | 39 |
| 48 | IJ131033 | 42 | 82 | 36 | 36 |
| 49 | IJ141001 | 38 | 72 | 33 | 36 |
| 50 | IJ141002 | 48 | 86 | 40 | 42 |
| 51 | IJ141003 | 45 | 84 | 45 | 45 |
| 52 | IJ141004 | 45 | 84 | 40 | 42 |
| 53 | IJ141005 | 43 | 76 | 43 | 43 |
| 54 | IJ141006 | 43 | 82 | 45 | 45 |
| 55 | IJ141007 | 45 | 84 | 40 | 42 |
| 56 | IJ141008 | 38 | 71 | 39 | 39 |
| 57 | IJ141009 | 38 | 73 | 40 | 40 |
| 58 | IJ141010 | 43 | 79 | 38 | 41 |
| 59 | IJ141011 | 40 | 74 | 42 | 42 |
| 60 | IJ141012 | 40 | 74 | 36 | 36 |
| 61 | IJ141013 | 37 | 72 | 37 | 37 |
| 62 | IJ141014 | 34 | 67 | 37 | 37 |
| 63 | IJ141015 | 40 | 76 | 38 | 38 |

Gen. 1 Taper Bearing



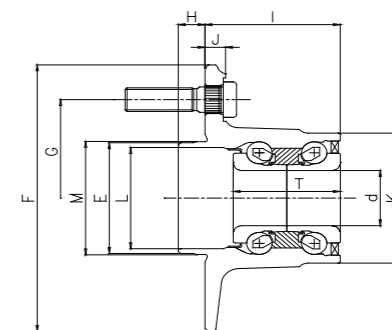
| NO. | PART NO. | DIMENSION | | | |
|-----|----------|-----------|----|----|----|
| | | d | D | B | C |
| 1 | IJ221001 | 29 | 53 | 37 | 37 |
| 2 | IJ221002 | 47 | 85 | 45 | 45 |
| 3 | IJ231001 | 25 | 55 | 43 | 43 |
| 4 | IJ231002 | 27 | 53 | 43 | 43 |
| 5 | IJ231003 | 49 | 84 | 48 | 48 |
| 6 | IJ231004 | 49 | 84 | 48 | 48 |
| 7 | IJ211001 | 42 | 76 | 39 | 39 |
| 8 | IJ211004 | 49 | 84 | 48 | 48 |

Gen. 2 Ball Bearing



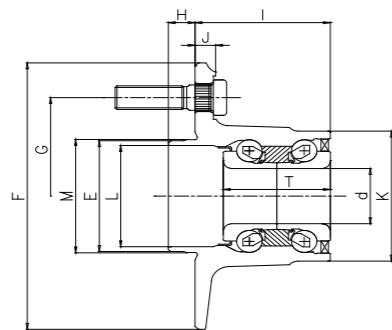
| NO. | PART NO. | DIMENSION | | | | | | | | | | | BOLT Q'TY |
|-----|----------|-----------|--------|-------|-------|-------|-------|------|------|------|------|------|-----------|
| | | d | F | G | M | E | L | T | K | H | I | J | |
| 1 | IJ112001 | 28 | 139 | 114.3 | 58 | 67 | 58 | 38 | 65 | 14 | 50.5 | 9 | 4 |
| 2 | IJ112002 | 28 | 139 | 114.3 | 58 | 67 | 58 | 38 | 65 | 14 | 50.5 | 9 | 4 |
| 3 | IJ112003 | 28 | 139 | 114.3 | 58 | 67 | 58 | 38 | 65 | 14 | 50.5 | 9 | 4 |
| 4 | IJ112004 | 28 | 139 | 114.3 | 58 | 67 | 58 | 38 | 65 | 14 | 50.5 | 9 | 4 |
| 5 | IJ112005 | 28 | 139 | 114.3 | 58 | 67 | - | - | 63 | 14 | 50.5 | - | 4 |
| 6 | IJ112006 | 28 | 139 | 114.3 | 58 | 67 | 58 | 38 | 67 | 14 | 50.5 | 9 | 4 |
| 7 | IJ112007 | 28 | 139 | 114.3 | 58 | 67 | 58 | 38 | 67 | 14 | 50.5 | 9 | 4 |
| 8 | IJ112008 | 34 | 139 | 114.3 | 58 | 67 | 58 | 42 | 74 | 14 | 50.5 | 9 | 4 |
| 9 | IJ112009 | 34 | 139 | 114.3 | 58 | 67 | 58 | 42 | 74 | 14 | 50.5 | 9 | 4 |
| 10 | IJ112010 | 33 | 140 | 114.3 | 58.7 | 67 | 58.7 | 47 | 74 | 14 | 57.2 | 9 | 5 |
| 11 | IJ112011 | 33 | 140 | 114.3 | 58.7 | 67 | 58.7 | 47 | 74 | 14 | 57.2 | 9 | 5 |
| 12 | IJ112012 | 28 | 139 | 114.3 | 58 | 67 | 58 | 38 | 67 | 14 | 50.5 | 9 | 4 |
| 13 | IJ112013 | 38 | 140 | 114.3 | 58.7 | 67 | 58.7 | 52 | 81 | 15.5 | 57.2 | 11 | 5 |
| 14 | IJ112014 | 33 | 140 | 114.3 | 58.7 | 67 | 58.7 | 47 | - | 14 | 57.2 | 9 | 4 |
| 15 | IJ112015 | 33 | 140 | 114.3 | 58.7 | 67 | 58.7 | 47 | - | 14 | 57.2 | 9 | 4 |
| 16 | IJ112016 | 28 | 140 | 100 | 47.7 | 54 | 47.7 | 38 | 67 | 14 | 50.5 | 10 | 4 |
| 17 | IJ112017 | 35 | 148 | 114.3 | 58.7 | 67 | 58.7 | 52 | 78 | 15 | 56.2 | 11 | 5 |
| 18 | IJ112018 | 28 | 139 | 114.3 | 58 | 67 | 58.7 | 52 | 67 | 14 | 50.5 | 9 | 5 |
| 19 | IJ112019 | 32 | 139 | 114.3 | 57.7 | 67 | 57.7 | 42 | 74 | 14 | 50.5 | 9 | 4 |
| 20 | IJ112020 | 32 | 139 | 114.3 | 57.7 | 67 | 57.7 | 42 | 74 | 14 | 50.5 | 9 | 4 |
| 21 | IJ112021 | 28 | 140 | 100 | 47.7 | 54 | 47.7 | 38 | 65 | 14 | 50.5 | 9 | 4 |
| 22 | IJ112022 | 30 | 122 | 100 | 48 | 56 | 47.7 | 38 | 67 | 14 | 56 | 10 | 4 |
| 23 | IJ112023 | 35 | 148 | 114.3 | 58.7 | 67 | 58.7 | 52 | 78 | 15 | 56.2 | 11 | 5 |
| 24 | IJ112024 | 32 | 139 | 114.3 | 57.7 | 67 | 57.7 | 45 | 74 | 19 | 50.5 | 9 | 5 |
| 25 | IJ112025 | 32 | 139 | 114.3 | 57.7 | 67 | 57.7 | 45 | 74 | 19 | 50.5 | 9 | 5 |
| 26 | IJ112026 | 32 | 139 | 114.3 | 57.7 | 67 | 57.7 | 45 | 74 | 14 | 50.5 | 9 | 4 |
| 27 | IJ112027 | 32 | 139 | 114.3 | 57.7 | 67 | 57.7 | 45 | 74 | 14 | 50.5 | 9 | 4 |
| 28 | IJ112028 | 28 | 140 | 100 | 47.7 | 54 | 47.7 | 38 | 67 | 14 | 50.5 | 10 | 4 |
| 29 | IJ112029 | 32 | 139 | 114.3 | 57.7 | 67 | 57.7 | 42 | 74 | 19 | 50.5 | 9 | 5 |
| 30 | IJ112030 | 32 | 139 | 114.3 | 57.7 | 67 | 57.7 | 42 | 74 | 19 | 50.5 | 9 | 5 |
| 31 | IJ112031 | 32 | 139 | 114.3 | 57.7 | 67 | 57.7 | 45 | 74 | 14 | 50.5 | 9 | 4 |
| 32 | IJ112032 | 33 | 139 | 114.3 | 58.7 | 67 | 58.7 | 48 | 76.5 | 14 | 58 | 9 | 5 |
| 33 | IJ112033 | 32 | 139 | 114.3 | 57.7 | 67 | 58.7 | 48 | 74 | 14 | 50.5 | 9 | 5 |
| 34 | IJ112034 | 32 | 139 | 114.3 | 57.7 | 67 | 57.7 | 42 | 74 | 14 | 50.5 | 9 | 4 |
| 35 | IJ112035 | 32 | 139 | 114.3 | 57.7 | 67 | 57.7 | 42 | 74 | 14 | 50.5 | 9 | 4 |
| 36 | IJ112036 | 32 | 139 | 114.3 | 57.7 | 67 | 57.7 | 45 | 74 | 14 | 50.5 | 9 | 4 |
| 37 | IJ112037 | 28 | 140 | 100 | 47.7 | 54 | 57.7 | 45 | 67 | 14 | 50.5 | 10 | 4 |
| 38 | IJ112038 | 30 | 136 | 100 | 56.95 | 56.45 | 48 | 55 | 67 | 20 | 62.1 | 12.5 | 4 |
| 39 | IJ112039 | 30 | 142 | 100 | 56.95 | 56.45 | 48 | 55 | 67 | 20 | 62.1 | 12.5 | 5 |
| 40 | IJ112040 | 30 | 122 | 100 | 57 | 56 | 48 | 46 | 78 | 14 | 56 | 10 | 4 |
| 41 | IJ122001 | 28 | 135.27 | 100 | 57.28 | 56.88 | 51.38 | 47 | 66 | 11.7 | 59.2 | 9 | 5 |
| 42 | IJ122002 | 31.769 | 139 | 108 | 64.37 | 63.2 | 58.01 | 52 | 74 | 16.5 | 55.5 | 10 | 5 |
| 43 | IJ122003 | 28 | 135.27 | 100 | 57.28 | 56.88 | 51.38 | 46.9 | 66 | 11.7 | 59.2 | 9 | 5 |

Gen. 2 Ball Bearing



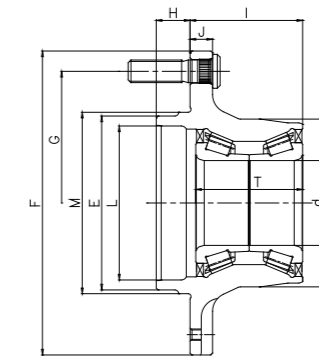
| NO. | PART NO. | DIMENSION | | | | | | | | | | | BOLT Q'TY |
|-----|----------|-----------|--------|--------|-------|--------|-------|------|-------|------|------|------|-----------|
| | | d | F | G | M | E | L | T | K | H | I | J | |
| 44 | IJ122004 | 31.769 | 139 | 108 | 64.37 | 63.2 | 58.01 | 52 | 74 | 16.5 | 55.5 | 10 | 5 |
| 45 | IJ122005 | 31.769 | 139 | 108 | 64.37 | 63.2 | 58.01 | 52 | 74 | 16.5 | 55.5 | 10 | 5 |
| 46 | IJ122006 | 34.5 | 139 | 107.95 | 71 | 63.26 | 58 | 52 | 80 | 17.9 | 57.6 | 10 | 5 |
| 47 | IJ122007 | 37.005 | 151 | 114.3 | 71.63 | 70.465 | 64 | 52 | 78 | 21 | 52 | 10 | 5 |
| 48 | IJ122008 | 34.5 | 139 | 114.3 | 71 | 70.5 | 58.1 | 51 | 80 | 18 | - | 10 | 5 |
| 49 | IJ122009 | 35 | 136.6 | 110 | 69.95 | 64.95 | 57 | 45 | 76 | 25 | 49 | 12.3 | 5 |
| 50 | IJ122010 | 30 | 122 | 100 | 54.9 | 53.9 | 48 | 47 | 65 | 13.2 | 56 | 8 | 4 |
| 51 | IJ122011 | 37 | 151 | 114.3 | 71.63 | 70.45 | 64 | 52 | 78 | 21 | 52 | 10 | 5 |
| 52 | IJ122012 | 37 | 148 | 114.3 | 70.96 | 70.45 | 64 | 52 | 80 | 20 | 55 | 12 | 5 |
| 53 | IJ122013 | 37 | 148 | 114.3 | 70.96 | 70.45 | 64 | 52 | 80 | 20 | 55 | 12 | 5 |
| 54 | IJ122014 | 28 | 135.5 | 100 | 57.3 | 56.85 | 51.3 | 47.9 | 66 | 10 | 57.5 | 8 | 5 |
| 55 | IJ122015 | 32 | 140 | 114.3 | 73.27 | 71.4 | 66 | 38 | 76 | 16.6 | 41.4 | 10.2 | 5 |
| 56 | IJ122016 | 31.769 | 139 | 108 | 64.39 | 63.24 | 58 | 52 | 74 | 13.3 | 58.5 | 10 | 5 |
| 57 | IJ122017 | 28 | 135.3 | 100 | 57.28 | 56.88 | 51.3 | 46.9 | N.M | 11.7 | 59 | 8 | 5 |
| 58 | IJ122018 | 32 | 149 | 114.3 | 73.9 | 65.9 | 58.8 | 54 | N.M | 6.8 | 67.9 | 10 | 5 |
| 59 | IJ122038 | 30 | 122 | 100 | 57 | 56 | 48 | 46 | 67 | 14 | 56 | 10 | 4 |
| 60 | IJ122039 | 35 | 136 | 108 | 63.49 | 63.22 | 56.3 | 42 | 77.4 | 17.9 | 52.1 | 10 | 4 |
| 61 | IJ122040 | 40 | 126 | 107 | - | - | - | 56 | 83.9 | - | - | 12 | 4(TAP) |
| 62 | IJ122041 | 43 | 128.5 | 107 | - | - | - | 45 | 83.9 | - | - | 15 | 4(TAP) |
| 63 | IJ122042 | 36 | 139.7 | 114 | 72 | 66.9 | 60 | 62 | 90 | 18.8 | 60.9 | 10 | 5 |
| 64 | IJ132001 | 30 | 120 | 100 | 64.95 | 56.96 | 51.8 | N.M | 69.6 | 19 | 42.5 | 10 | 5 |
| 65 | IJ132002 | 25 | 129 | 108 | 71.02 | 64.98 | 60 | 38 | 68.8 | 16.8 | 42.2 | 11 | 4 |
| 66 | IJ132003 | 28 | 120 | 100 | 64.95 | 56.96 | 51.8 | 39 | 61.6 | 20 | 41.5 | 10 | 4 |
| 67 | IJ132004 | 32 | 129.1 | 108 | 71 | 64.98 | 60 | 38 | 76.6 | 17 | 42.2 | 12 | 4 |
| 68 | IJ132005 | 30 | 116.7 | 98 | 58.97 | 57.97 | 51.95 | 37 | 70.9 | 16.7 | 44.8 | 10 | 4(TAP) |
| 69 | IJ132006 | 25 | 128 | 108 | 71 | 64.95 | 59.95 | 38 | 70 | 17 | 42 | 11 | 4 |
| 70 | IJ132007 | 32 | 129.1 | 108 | 71 | 64.98 | 60 | 38 | 76.6 | 17 | 42.2 | 12 | 4 |
| 71 | IJ132010 | 25 | 132.8 | 100 | 65.9 | 59.9 | 54.2 | 42.9 | 66.5 | 19.3 | 54 | 11 | 4 |
| 72 | IJ132011 | 28 | 120 | 100 | 64.94 | 56.97 | 51.8 | 39 | 67.9 | 20 | 43.1 | 10.5 | 5 |
| 73 | IJ132012 | 25 | 129 | 108 | 71 | 64.95 | 60 | 38 | 72 | 17 | 41.8 | 11 | 5 |
| 74 | IJ132016 | 30 | 140 | 114.3 | 89.95 | 66.95 | 58.7 | 50 | 68 | 15.6 | 56.4 | 10 | 4 |
| 75 | IJ132017 | 30 | 136.4 | 112 | 64.97 | 57.05 | 51.84 | 40.9 | 72 | 19 | 47.3 | 11 | 5 |
| 76 | IJ132018 | 35 | 116 | 98 | 58.98 | 57.98 | 51.9 | 37 | 88.6 | 16.5 | 46 | 11.5 | 5 |
| 77 | IJ132020 | 42 | 125.6 | 108 | - | - | - | 37 | 84 | - | - | 10 | 4(TAP) |
| 78 | IJ132021 | 32 | 128 | 108 | 71 | 65 | 60 | 34 | 88.35 | 16 | 42 | 12.2 | 5 |
| 79 | IJ132022 | 43 | 130 | 107.1 | - | - | - | 37 | 84.9 | - | - | 11.3 | 4(TAP) |
| 80 | IJ132023 | 32 | 136.5 | 112 | 64.95 | 57.04 | 51.86 | 46 | 79 | 19 | 48.9 | 11 | 5(TAP) |
| 81 | IJ132025 | 43/45 | 132.6 | 107 | - | - | - | 37 | 85 | - | - | 12.3 | 4(TAP) |
| 82 | IJ132026 | - | 136.2 | 108 | 63.4 | 63.2 | 56 | - | 82 | 19 | 73 | 12 | 5 |
| 83 | IJ132027 | - | 131.3 | 108 | 63.4 | 63.2 | 56 | - | 78 | 20.7 | 70.8 | 10 | 5 |
| 84 | IJ142001 | 30 | 135.5 | 100 | 61 | 56 | 51 | 41 | 66 | 11.5 | 54.5 | 8 | 4 |
| 85 | IJ142002 | 30 | 151.69 | 114.3 | 64.08 | 64.067 | 57.86 | 58.9 | 66 | 12.5 | 55.4 | 9.83 | 4 |
| 86 | IJ142003 | 30 | 151.69 | 114.3 | 64.08 | 64.067 | 57.86 | 58.9 | 66 | 12.5 | 55.4 | 9.83 | 4 |

Gen. 2 Ball Bearing



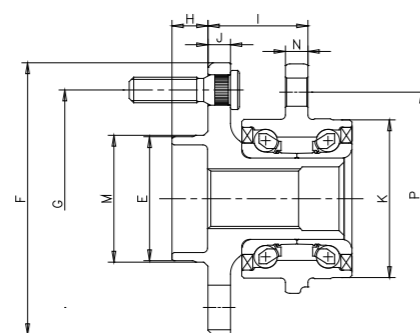
| NO. | PART NO. | DIMENSION | | | | | | | | | | | BOLT Q'TY |
|-----|----------|-----------|--------|-------|-------|--------|-------|------|------|------|------|------|-----------|
| | | d | F | G | M | E | L | T | K | H | I | J | |
| 87 | IJ142004 | 30 | 151.69 | 114.3 | 64.08 | 64.067 | 57.86 | 58.9 | 66 | 12.5 | 55.4 | 9.83 | 4 |
| 88 | IJ142005 | 30 | 151.69 | 114.3 | 64.08 | 64.067 | 57.86 | 58.9 | 66 | 12.5 | 55.4 | 9.83 | 5 |
| 89 | IJ142006 | 30 | 139.24 | 114.3 | 64.07 | 62.94 | 58.06 | N.M | N.M | 12.5 | 55.3 | 12.6 | 5 |
| 90 | IJ142007 | 30 | 148 | 114.3 | 67.95 | 65.9 | 59 | 48 | 67.8 | 17.7 | 49 | 10.7 | 5 |
| 91 | IJ142008 | 43 | 120 | 102 | - | - | - | 44 | 83 | - | - | 14.8 | 4(TAP) |
| 92 | IJ142009 | 30 | 138.7 | 100 | 60.96 | 56 | 51 | 56 | 66 | 11.5 | 55.8 | 9.6 | 4 |
| 93 | IJ142010 | 30 | 135.5 | 100 | 61 | 56 | 51 | 41 | 66 | 11.5 | 54.5 | 8 | 4 |
| 94 | IJ142011 | 30 | 121.7 | 100 | 54.98 | 53.9 | 48 | 47 | 65 | 13.3 | - | 8 | 4 |
| 95 | IJ142012 | - | 137 | 114.3 | 71.9 | 66.9 | 56 | - | 78 | 19.2 | 71.1 | 10.1 | 5 |

Gen. 2 Taper Bearing



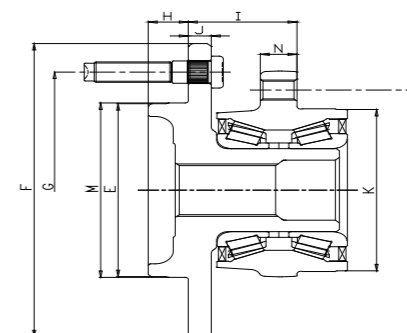
| NO. | PART NO. | DIMENSION | | | | | | | | | | | BOLT Q'TY |
|-----|----------|-----------|-------|-------|-------|-------|------|----|------|------|-------|------|-----------|
| | | d | F | G | M | E | L | T | K | H | I | J | |
| 1 | IJ222001 | 42 | 160.4 | 114.3 | 73.25 | 71.34 | 59.2 | - | 91 | 18 | 57.7 | 12.3 | 6 |
| 2 | IJ222002 | 42 | 160.4 | 114.3 | 73.25 | 71.34 | 59.2 | - | 91 | 18 | 57.7 | 12.3 | 6 |
| 3 | IJ222003 | 42 | 180 | 139.7 | 79.6 | 77.6 | 64.8 | - | 97.3 | 17.8 | 52.95 | 9.8 | 5 |
| 4 | IJ222004 | 45 | 114 | 97.5 | - | - | - | 53 | 78 | - | - | 16 | - |
| 5 | IJ212001 | 45 | 161 | 139.7 | 96.3 | 92.3 | 82 | 57 | 86.8 | 18 | 60 | 12 | 6 |
| 6 | IJ212002 | 45 | 161 | 139.7 | 96.3 | 92.3 | 82 | 57 | 86.8 | 18 | 60 | 12 | 6 |
| 7 | IJ212003 | 45 | 161 | 139.7 | 96.25 | 92.25 | 82 | 57 | 85 | 18 | 60 | 12 | 6 |
| 8 | IJ222004 | 45 | 114 | 97.5 | - | - | - | 53 | 78 | - | - | 16 | - |
| 9 | IJ232001 | 37 | 198.5 | 160 | - | 64.48 | 57.2 | 55 | 96 | - | 77.9 | 18 | 5 |
| 10 | IJ232002 | 45 | 198.5 | 160 | - | 64.48 | 58 | 55 | 96 | - | 79 | 18 | 5 |
| 11 | IJ232003 | 45 | 116 | 97.5 | - | - | - | 57 | 78 | - | - | 16 | - |
| 12 | IJ232004 | 37 | 198.5 | 160 | - | 64.84 | 57.2 | 55 | 96 | 11 | 77.9 | 18 | 5 |
| 13 | IJ232005 | 45 | 198.5 | 160 | - | 64.84 | 58 | 55 | 96 | 11 | 62 | 18 | 5 |
| 14 | IJ242001 | 51 | 131.5 | 112 | - | - | - | 55 | 87 | - | - | 15.8 | 4 |

Gen. 3S(2.5) Ball Bearing



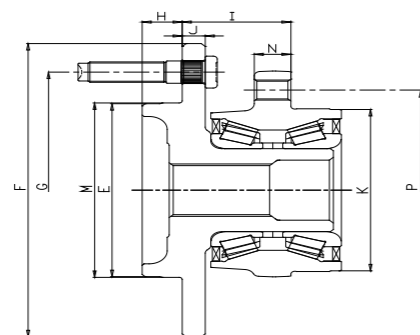
| NO. | PART NO. | DIMENSION | | | | | | | | | | OUTER RING SHAPE | BOLT Q'TY |
|-----|----------|-----------|-------|-------|-------|-------|--------|------|-------|------|------|------------------|-----------|
| | | F | G | M | E | K | P | H | I | J | N | | |
| 1 | U113001 | 148 | 114.3 | 76 | 67 | 69 | 100 | 15.5 | 64 | 9 | 12 | RECTANGLE | 5 |
| 2 | U113002 | 148 | 114.3 | 76 | 67 | 66 | 100 | 14 | 59 | 11 | 10 | RECTANGLE | 4 |
| 3 | U113003 | 148 | 114.3 | 76 | 67 | 66 | 100 | 14 | 59 | 11 | 10 | RECTANGLE | 4 |
| 4 | U113004 | 148 | 114.3 | 76 | 67 | 66 | 100 | 14 | 59 | 11 | 10 | RECTANGLE | 5 |
| 5 | U113005 | 148 | 114.3 | 76 | 67 | 70 | 100 | 15.5 | 59 | 9 | 10 | RECTANGLE | 5 |
| 6 | U113006 | 148 | 114.3 | 76 | 67 | 70 | 100 | 15.5 | 59 | 9 | 10 | RECTANGLE | 5 |
| 7 | U113014 | 148 | 114.3 | 76 | 67 | 66 | 100 | 14 | 59 | 9 | 10 | RECTANGLE | 5 |
| 8 | U113021 | 148 | 114.3 | 76 | 67 | 73 | 100 | 15.5 | 59 | 9 | 10 | RECTANGLE | 5 |
| 9 | U113022 | 148 | 114.3 | 76 | 67 | 73 | 100 | 15.5 | 59 | 9 | 10 | RECTANGLE | 5 |
| 10 | U113042 | 148 | 114.3 | 76 | 67 | 73 | 100 | 15.5 | 59 | 9 | 10 | RECTANGLE | 5 |
| 11 | U123016 | 147 | 115 | 70.63 | 70.14 | 90.05 | 116 | 19.8 | 42.18 | 10 | 10 | TRIANGLE | 5 |
| 12 | U123029 | 144 | 114.3 | 71.83 | 71.3 | 100 | 120.65 | 20 | 46 | 10 | 16 | TRIANGLE | 5 |
| 13 | U123047 | 144.5 | 114.3 | 64.4 | 63.8 | 89.7 | 120.6 | 17.7 | 51.3 | 11 | 15 | TRIANGLE | 5 |
| 14 | U123014 | 125 | 100 | 57.77 | 57 | 71 | 102 | 17.8 | 42.18 | 8 | 8 | TRIANGLE | 5 |
| 15 | U123017 | 125 | 100 | 58.33 | 57 | 73.5 | 98 | 16 | 44.43 | 10 | 10 | TRIANGLE | 5 |
| 16 | U123022 | 140 | 114.3 | 73.32 | 71.3 | 86.45 | 112 | 16.4 | 37.5 | 11 | 12.2 | RECTANGLE | 5 |
| 17 | U123023 | 126 | 100 | 60.8 | 56.8 | 86.45 | 112 | 17.4 | 37.4 | 10.5 | 12.2 | RECTANGLE | 5 |

Gen. 3S(2.5) Taper Bearing

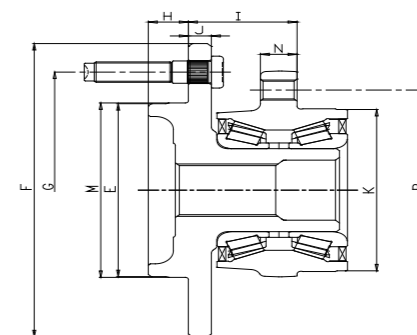


| NO. | PART NO. | DIMENSION | | | | | | | | | | OUTER RING SHAPE | BOLT Q'TY |
|-----|----------|-----------|---------|-------|--------|-------|-------|------|-------|------|------|------------------|-----------|
| | | F | G | M | E | K | P | H | I | J | N | | |
| 1 | U223001 | 181.8 | 139.7 | 78.3 | 77.6 | 99.3 | 126 | 17 | 56.79 | 11.1 | 13.7 | TRIANGLE | 6 |
| 2 | U223002 | 181.8 | 139.7 | 78.3 | 77.6 | 99.3 | 126 | 17.3 | 50.61 | 9.1 | 13.7 | TRIANGLE | 6 |
| 3 | U223003 | 149.4 | 114.3 | 71.9 | 70.5 | 100.1 | 120.6 | 17 | 56.13 | 10 | 13.5 | TRIANGLE | 5 |
| 4 | U223004 | 181 | 134.938 | 92.3 | 86.76 | 99.3 | 126 | 22 | 49.16 | 10 | 13.7 | TRIANGLE | 5 |
| 5 | U223005 | 172.3 | 139.7 | 78 | 77.6 | 99.3 | 126 | 17.2 | 50.86 | 9.2 | 14.4 | TRIANGLE | 5 |
| 6 | U223006 | 160.4 | 114.3 | 73.4 | 71.3 | 89 | 120.6 | 17.5 | 53.13 | 10 | 13.5 | TRIANGLE | 6 |
| 7 | U223007 | 160.4 | 114.3 | 73.4 | 71.3 | 89 | 120.6 | 17.5 | 53.13 | 10 | 13.5 | TRIANGLE | 6 |
| 8 | U223008 | 160.4 | 114.3 | 73.4 | 71.3 | 89 | 120.6 | 17.5 | 53.13 | 10 | 13.5 | TRIANGLE | 6 |
| 9 | U223009 | 181 | 134.938 | 89.9 | 86.76 | 99.3 | 126 | 23 | 49.16 | 10.4 | 13.7 | TRIANGLE | 5 |
| 10 | U223010 | 208 | 165.1 | - | 121.05 | 99.3 | 126 | 9 | 55.89 | 10.2 | 13.7 | TRIANGLE | 5 |
| 11 | U223011 | 213.7 | 165.1 | - | 121.05 | 113.8 | 140 | 8.9 | 75.54 | 17.7 | 18.3 | SQUARE | 8 |
| 12 | U223012 | 149.4 | 114.3 | 71.9 | 70.5 | 100.1 | 120.6 | 17 | 56.13 | 10 | 13.5 | TRIANGLE | 5 |
| 13 | U223013 | 149.4 | 114.3 | 71.9 | 70.5 | 100.1 | 120.6 | 17 | 56.13 | 10 | 13.5 | TRIANGLE | 5 |
| 14 | U223014 | 208 | 165.1 | - | 116.55 | 105.8 | 140 | 9 | 68.34 | 10.1 | 18.3 | SQUARE | 8 |
| 15 | U223015 | 208 | 165.1 | - | 116.55 | 105.8 | 140 | 9 | 68.34 | 10.1 | 18.3 | SQUARE | 8 |
| 16 | U223016 | 181 | 134.938 | 89.9 | 86.76 | 99.3 | 126 | 23 | 49.16 | 10.4 | 13.7 | TRIANGLE | 5 |
| 17 | U223017 | 208 | 165.1 | - | 116.55 | 105.8 | 140 | 9 | 68.34 | 10.1 | 18.3 | SQUARE | 8 |
| 18 | U223018 | 160 | 127 | 78.1 | 77.6 | 99.3 | 126 | 16.8 | 74.86 | 10.8 | 13.7 | TRIANGLE | 5 |
| 19 | U223019 | 203.2 | 170 | 129 | 125 | 113.8 | 140 | 67.1 | 54.4 | 12.9 | 18.3 | SQUARE | 8 |
| 20 | U223020 | 203.2 | 170 | 129 | 125 | 113.8 | 140 | 67.1 | 54.4 | 12.9 | 18.3 | SQUARE | 8 |
| 21 | U223021 | 181 | 150.04 | 92.3 | 86.76 | 99.3 | 126 | 22 | 49.16 | 10 | 13.7 | TRIANGLE | 7 |
| 22 | U223022 | 172 | 139.7 | 78.3 | 77.6 | 99.3 | 126 | 17 | 50.76 | 9 | 13.7 | TRIANGLE | 5 |
| 23 | U223023 | 181.8 | 139.7 | 78.3 | 77.6 | 99.3 | 126 | 17 | 56.79 | 11.1 | 13.7 | TRIANGLE | 6 |
| 24 | U223024 | 203.2 | 170 | 129 | 125 | 113.8 | 140 | 67.1 | 54.4 | 12.9 | 18.3 | SQUARE | 8 |
| 25 | U223025 | 149.4 | 114.3 | 71.9 | 70.5 | 100.1 | 120.6 | 30.2 | 56.09 | 10.5 | 13.5 | TRIANGLE | 5 |
| 26 | U223026 | 149.4 | 114.3 | 71.9 | 70.5 | 100.1 | 120.6 | 30.2 | 56.09 | 10.5 | 13.5 | TRIANGLE | 5 |
| 27 | U223027 | 181 | 134.938 | 89.9 | 86.76 | 99.3 | 126 | 23 | 49.16 | 10.4 | 13.7 | TRIANGLE | 5 |
| 28 | U223028 | 181 | 134.938 | 89.9 | 86.76 | 99.3 | 126 | 23 | 49.16 | 10.4 | 13.7 | TRIANGLE | 5 |
| 29 | U223029 | 181 | 150.04 | 92.3 | 86.76 | 99.3 | 126 | 22 | 49.16 | 10 | 13.7 | TRIANGLE | 7 |
| 30 | U223030 | 181 | 134.938 | 92.3 | 86.76 | 99.3 | 126 | 22 | 49.16 | 10 | 13.7 | TRIANGLE | 5 |
| 31 | U223031 | 212.1 | 165.1 | - | 121.05 | 113.8 | 140 | 9 | 75.54 | 17.5 | 18.3 | SQUARE | 8 |
| 32 | U223032 | 212.1 | 165.1 | - | 121.05 | 113.8 | 140 | 9 | 75.54 | 17.5 | 18.3 | SQUARE | 8 |
| 33 | U223033 | 180 | 139.7 | 78.3 | 77.6 | 99.3 | 126 | 20.9 | 49.96 | 11 | 13.7 | TRIANGLE | 6 |
| 34 | U223034 | 208 | 165.1 | - | 116.55 | 105.8 | 140 | 9 | 68.34 | 10.1 | 18.3 | SQUARE | 8 |
| 35 | U223035 | 183 | 139.7 | 78.3 | 77.6 | 99.3 | 126 | 18 | 50.76 | 10.1 | 13.7 | TRIANGLE | 5 |
| 36 | U223036 | 183 | 139.7 | 78.3 | 77.6 | 99.3 | 126 | 18 | 50.76 | 10.1 | 13.7 | TRIANGLE | 5 |
| 37 | U223037 | 208 | 165.1 | - | 116.55 | 105.8 | 140 | 9 | 68.34 | 10.1 | 18.3 | SQUARE | 8 |
| 38 | U223038 | 180 | 139.7 | 78.3 | 77.6 | 96.9 | 126 | 24 | 49.92 | 11 | 14.9 | TRIANGLE | 6 |
| 39 | U223039 | 172 | 139.7 | 78.3 | 77.6 | 99.3 | 126 | 17 | 50.76 | 9 | 13.7 | TRIANGLE | 5 |
| 40 | U223040 | 160 | 114.3 | 81.91 | 70.46 | 85 | 110 | 17.5 | 48.3 | 15 | 14.2 | TRIANGLE | 5 |
| 41 | U223041 | 149.4 | 114.3 | 71.9 | 70.5 | 100.1 | 120.6 | 16.9 | 56.23 | 15 | 13.5 | TRIANGLE | 5 |
| 42 | U223042 | 149.4 | 114.3 | 71.9 | 70.5 | 100.1 | 120.6 | 16.9 | 56.23 | 15 | 13.5 | TRIANGLE | 5 |
| 43 | U223043 | 180 | 139.7 | 78.3 | 77.6 | 99.3 | 126 | 23.8 | 49.96 | 11 | 13.7 | TRIANGLE | 6 |

Gen. 3S(2.5) Taper Bearing



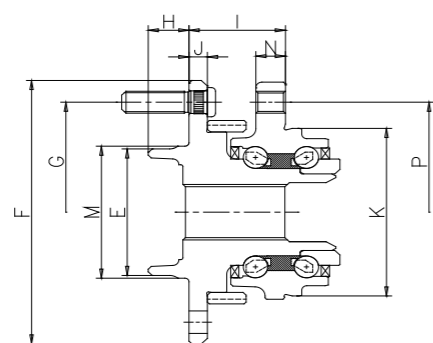
Gen. 3S(2.5) Taper Bearing



| NO. | PART NO. | DIMENSION | | | | | | | | | | OUTER RING SHAPE | BOLT Q'TY |
|-----|----------|-----------|-------|--------|--------|--------|--------|------|-------|------|------|------------------|-----------|
| | | F | G | M | E | K | P | H | I | J | N | | |
| 44 | IJ223044 | 180 | 139.7 | 78.3 | 77.6 | 99.3 | 126 | 21 | 49.96 | 11 | 13.7 | TRIANGLE | 6 |
| 45 | IJ223045 | 199.3 | 165.1 | 117.89 | 116.69 | 105.8 | 140 | 19 | 57.84 | 10.1 | 18.3 | SQUARE | 8 |
| 46 | IJ223046 | 199.3 | 165.1 | 117.89 | 116.69 | 105.8 | 140 | 19 | 65.2 | 10 | 18.3 | SQUARE | 8 |
| 47 | IJ223047 | 199.3 | 165.1 | 117.89 | 116.69 | 105.8 | 140 | 19 | 65.2 | 10 | 18.3 | SQUARE | 8 |
| 48 | IJ223048 | 205 | 165.1 | 121.96 | 120.9 | 113.8 | 140 | 20 | 54.34 | 11.5 | 18.3 | SQUARE | 8 |
| 49 | IJ223049 | 205 | 165.1 | 121.96 | 120.9 | 113.8 | 140 | 20 | 54.34 | 11.5 | 18.3 | SQUARE | 8 |
| 50 | IJ223050 | 208 | 165.1 | - | 116.55 | 113.8 | 140 | 9 | 68.34 | 10.1 | 18.3 | SQUARE | 8 |
| 51 | IJ223051 | 208 | 165.1 | - | 116.55 | 113.8 | 140 | 9 | 68.34 | 10.1 | 18.3 | SQUARE | 8 |
| 52 | IJ223052 | 208 | 165.1 | - | 116.55 | 113.8 | 140 | 9 | 68.34 | 10.1 | 18.3 | SQUARE | 8 |
| 53 | IJ223053 | 203 | 170 | 129 | 125 | 113.8 | 140 | 70 | 51.5 | 10 | 18.3 | SQUARE | 8 |
| 54 | IJ223054 | 203 | 170 | 129 | 125 | 113.8 | 140 | 70 | 51.5 | 10 | 18.3 | SQUARE | 8 |
| 55 | IJ223055 | 203 | 170 | 129 | 125 | 113.8 | 140 | 70 | 51.5 | 10 | 18.3 | SQUARE | 8 |
| 56 | IJ223056 | 199.3 | 165.1 | 117.89 | 116.69 | 105.8 | 140 | 19 | 65.2 | 10 | 18.3 | SQUARE | 8 |
| 57 | IJ223057 | 199.3 | 165.1 | 117.89 | 116.69 | 105.8 | 140 | 19 | 57.8 | 10.2 | 18.3 | SQUARE | 8 |
| 58 | IJ223061 | 180 | 139.7 | 78.3 | 77.7 | 98.9 | 126 | 21 | 49.83 | 11.2 | 14.4 | TRIANGLE | 6 |
| 59 | IJ223058 | 183 | 135 | 89.9 | 86.76 | 99.3 | 160 | 18 | 45.6 | 11.3 | 14.5 | SQUARE | 6 |
| 60 | IJ223059 | 203.2 | 170 | 129 | 104.2 | 113.8 | 140 | 67.1 | 54.4 | 12.9 | 18.3 | SQUARE | 8 |
| 61 | IJ223060 | 203.2 | 170 | 128.9 | 104.2 | 113.8 | 140 | 67.1 | 54.4 | 12.9 | 18.3 | SQUARE | 8 |
| 62 | IJ223063 | 205 | 165.1 | 121.96 | 120.9 | 113.8 | 140 | 20 | 54.34 | 11.5 | 18.3 | SQUARE | 8 |
| 63 | IJ223062 | 199.3 | 165.1 | 117.89 | 116.69 | 105.8 | 140 | 19 | 57.84 | 10.1 | 18.3 | SQUARE | 8 |
| 64 | IJ223064 | 182.8 | 135 | 90 | 86.78 | 99.3 | 138 | 18 | 55 | 11 | 14.5 | SQUARE | 6 |
| 65 | IJ223067 | 203 | 170 | 128.99 | 124.96 | 113.8 | 140 | 21.5 | 54.4 | 13 | 18.3 | SQUARE | 8 |
| 66 | IJ223068 | 160 | 114.3 | 81.91 | 70.46 | 85 | 110 | 18.3 | 48.3 | 15 | 14.2 | TRIANGLE | 5 |
| 67 | IJ223069 | 182.8 | 135 | 89.99 | 86.78 | 99.3 | 134.8 | 18 | 55.5 | 11 | 14.5 | SQUARE | 6 |
| 68 | IJ223070 | 183 | 135 | 89.99 | 86.76 | 99.3 | 160 | 18 | 45.5 | 11 | 14.5 | SQUARE | 6 |
| 69 | IJ223071 | 183 | 135 | 89.99 | 86.76 | 99.3 | 160 | 18 | 45.5 | 11 | 14.5 | SQUARE | 6 |
| 70 | IJ223072 | 190 | 150 | 89.99 | 86.76 | 99.3 | 160 | 18 | 45.5 | 11 | 14.5 | SQUARE | 6 |
| 71 | IJ223073 | 183 | 135 | 89.99 | 86.76 | 99.3 | 160 | 18 | 45.5 | 11 | 14.5 | SQUARE | 6 |
| 72 | IJ223074 | 190 | 150 | 89.99 | 86.76 | 99.3 | 160 | 18 | 45.5 | 11 | 14.5 | SQUARE | 7 |
| 73 | IJ223075 | 183 | 135 | 89.99 | 86.76 | 99.3 | 160 | 19 | 45.5 | 14 | 14.8 | SQUARE | 6 |
| 74 | IJ223076 | 183 | 135 | 89.99 | 86.76 | 99.3 | 160 | 19 | 45.5 | 14 | 14.8 | SQUARE | 6 |
| 75 | IJ223077 | 205 | 165.1 | 121.96 | 120.9 | 113.78 | 140 | 19.9 | 54.3 | 11.7 | 18.3 | SQUARE | 8 |
| 76 | IJ223082 | 183 | 135 | 89.98 | 86.76 | 99.3 | 160 | 19 | 45.6 | 14 | 14.8 | SQUARE | |
| 77 | IJ223083 | 205 | 165.1 | 122.8 | 121 | 120 | 165 | 20 | 56.3 | 14.1 | 18.3 | SQUARE | 8 |
| 78 | IJ223084 | 205 | 165.1 | 122.8 | 121 | 120 | 165 | 20 | 56.3 | 14.1 | 18.3 | SQUARE | 8 |
| 79 | IJ223085 | 171 | 139.7 | 89.99 | 77.6 | 89 | 120.6 | 18.3 | 45.4 | 12 | 14.5 | TRIANGLE | 6 |
| 80 | IJ223086 | 199.3 | 165.1 | 117.83 | 116.63 | 105.8 | 140 | 19 | 57.6 | 10.2 | 18.3 | SQUARE | 8 |
| 81 | IJ223089 | 203 | 170 | 128.99 | 124.94 | 140 | 165 | 18 | 46 | 13 | 15.5 | SQUARE | 8 |
| 82 | IJ223090 | 203 | 170 | 128.99 | 124.94 | 140 | 165 | 18 | 46 | 13 | 15.5 | SQUARE | 8 |
| 83 | IJ223091 | 203 | 170 | 128.99 | 124.94 | 140 | 165 | 18 | 46 | 13 | 15.5 | SQUARE | 10 |
| 84 | IJ213001 | 161.2 | 139.7 | 96.2 | 92.2 | 89 | 120.62 | 18 | 48.16 | 12 | 15.2 | TRIANGLE | 6 |
| 85 | IJ223092 | 203 | 170 | 128.99 | 124.94 | 140 | 165 | 20 | 46 | 13 | 15.5 | SQUARE | 10 |
| 86 | IJ223093 | 203 | 170 | 128.99 | 124.94 | 140 | 165 | 18 | 46 | 13 | 15.5 | SQUARE | 8 |

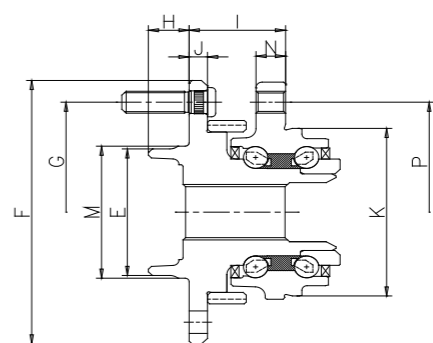
| NO. | PART NO. | DIMENSION | | | | | | | | | | OUTER RING SHAPE | BOLT Q'TY |
|-----|----------|-----------|-----|--------|--------|-----|-----|----|----|----|------|------------------|-----------|
| | | F | G | M | E | K | P | H | I | J | N | | |
| 87 | IJ223094 | 203 | 170 | 128.99 | 124.94 | 140 | 165 | 18 | 46 | 13 | 15.5 | SQUARE | 8 |
| 88 | IJ223095 | 203 | 170 | 128.99 | 124.94 | 140 | 165 | 18 | 46 | 13 | 15.5 | SQUARE | 10 |
| 89 | IJ223096 | 203 | 170 | 128.99 | 124.94 | 140 | 165 | 20 | 46 | 13 | 15.5 | SQUARE | 10 |

Gen. 3 Ball Bearing



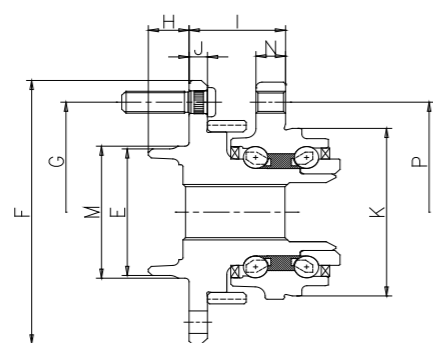
| NO. | PART NO. | DIMENSION | | | | | | | | | | OUTER RING SHAPE | BOLT Q'TY |
|-----|----------|-----------|-------|-------|--------|-------|-------|-------|-------|------|------|------------------|-----------|
| | | F | G | M | E | K | P | H | I | J | N | | |
| 1 | U123040 | 126 | 100 | 60.06 | 56.85 | 87 | 110 | 17.6 | 37.5 | 10 | 12.5 | TRIANGLE | 5 |
| 2 | 513203 | 145.5 | 115 | 70.6 | 70.1 | 91.23 | 116 | 20 | 42.06 | 9.06 | 13.4 | TRIANGLE | 5 |
| 3 | U113007 | 140 | 100 | 62.5 | 54 | 67 | 92 | 14 | 58 | 9 | 10 | RECTANGLE | 4 |
| 4 | U113008 | 145 | 100 | 62.5 | 54 | 67 | 92 | 14 | 58 | 9 | 10 | RECTANGLE | 4 |
| 5 | U113009 | 148 | 114.3 | 76 | 67 | 73 | 100 | 14 | 59 | 9 | 9 | RECTANGLE | 5 |
| 6 | U113010 | 149 | 114.3 | 76 | 67 | 73 | 100 | 14 | 59 | 9 | 9 | RECTANGLE | 5 |
| 7 | U113011 | 139 | 114.3 | 69 | 67 | 92 | - | 15.5 | 53.4 | 11 | 10 | RECTANGLE | 5 |
| 8 | U113012 | 139 | 114.3 | 69 | 67 | 92 | - | 15.5 | 53.4 | 11 | 10 | RECTANGLE | 5 |
| 9 | U113013 | 139 | 114.3 | 69 | 67 | 92 | - | 15.5 | 53.4 | 11 | 10 | RECTANGLE | 5 |
| 10 | U113015 | 139 | 114.3 | 60 | 56.5 | 91.2 | 114 | 22 | 37 | 11 | 12 | TRIANGLE | 4 |
| 11 | U113016 | 139 | 114.3 | 60 | 56.5 | 91.2 | 114 | 22 | 37 | 11 | 12 | TRIANGLE | 4 |
| 12 | U113017 | 139 | 114.3 | 60 | 56.5 | 66 | - | 22 | 63 | 11 | 12 | RECTANGLE | 4 |
| 13 | U113018 | 140 | 114.3 | 60 | 56.5 | 66 | - | 22 | 63 | 11 | 12 | RECTANGLE | 4 |
| 14 | U113019 | 151 | 115 | 70.6 | 70.1 | 91.25 | 116 | 20 | 42.06 | 12.5 | 13.5 | TRIANGLE | 5 |
| 15 | U113020 | 151 | 115 | 70.6 | 70.1 | 91.25 | 116 | 20 | 42.06 | 12.5 | 13.5 | RECTANGLE | 5 |
| 16 | U113024 | 139 | 114.3 | 69 | 67 | 80 | 114.3 | 15.5 | 53.4 | 11 | 14 | RECTANGLE | 5 |
| 17 | U113026 | 139 | 114.3 | 69 | 67 | 92 | - | 15.5 | 53.4 | 11 | 10 | RECTANGLE | 5 |
| 18 | U113032 | 139 | 114.3 | 69 | 67 | 90 | 114.3 | 15.5 | 53.4 | 11 | 12 | RECTANGLE | 5 |
| 19 | U113033 | 136 | 105 | 59.94 | 56.47 | 82.5 | 108 | 18 | 64.76 | 12 | 13.5 | RECTANGLE | 5 |
| 20 | U113034 | 146 | 115 | 70.6 | 70.1 | 82.5 | 108 | 20 | 64.76 | 12 | 13.5 | RECTANGLE | 5 |
| 21 | U113035 | 139 | 114.3 | 76 | 67 | 69 | 92 | 14 | 59 | 10 | 10 | RECTANGLE | 5 |
| 22 | U113036 | 139 | 114.3 | 76 | 67 | 69 | 92 | 14 | 59 | 10 | 10 | RECTANGLE | 5 |
| 23 | U113037 | 139 | 114.3 | 76 | 67 | 69 | 92 | 14 | 59 | 10 | 10 | RECTANGLE | 5 |
| 24 | U113038 | 139 | 114.3 | 76 | 67 | 69 | 92 | 14 | 59 | 10 | 10 | RECTANGLE | 5 |
| 25 | U113039 | 139 | 114.3 | 69 | 67 | 90 | - | 15.5 | 53.4 | 11 | 12 | RECTANGLE | 5 |
| 26 | U113040 | 139 | 114.3 | 69 | 67 | 73 | 100 | 15.5 | 59 | 11 | 9 | RECTANGLE | 5 |
| 27 | U113041 | 148 | 114.3 | 76 | 67 | 73 | 100 | 14.5 | 59 | 9 | 10 | RECTANGLE | 5 |
| 28 | U113043 | 132 | 100 | 62.5 | 54 | 67 | 92 | 14 | 59 | 9 | 10 | RECTANGLE | 4 |
| 29 | U113044 | 139 | 114.3 | 76 | 67 | 73 | 100 | 14 | 59 | 9 | 10 | RECTANGLE | 5 |
| 30 | U113045 | 136 | 105 | 59.97 | 56.485 | 70 | - | 18 | 64.76 | 12 | 13.5 | RECTANGLE | 5 |
| 31 | U113047 | 139 | 114.3 | 60 | 56.5 | 91.2 | 114 | 22 | 37 | 11 | 12 | TRIANGLE | 4 |
| 32 | U113048 | 139 | 114.3 | 60 | 56.5 | 91.2 | - | 22 | 63 | 11 | 12 | RECTANGLE | 4 |
| 33 | U123001 | 138 | 100 | 57.49 | 57 | 61 | - | 12.5 | 65 | 8 | 7.5 | RECTANGLE | 5 |
| 34 | U123002 | 150 | 115 | 70.63 | 70.14 | 71.8 | - | 20 | 65 | 9 | 8 | RECTANGLE | 5 |
| 35 | U123003 | 150 | 115 | 70.59 | 70.1 | 71.8 | - | 20 | 65 | 9 | 8 | RECTANGLE | 5 |
| 36 | U123004 | 150 | 115 | 70.59 | 70.1 | 71.8 | - | 20 | 65 | 9 | 8 | RECTANGLE | 5 |
| 37 | U123005 | 126 | 114.3 | 57.3 | 56.8 | 86 | 108 | 14.25 | 48 | 9 | 10.5 | RECTANGLE | 5 |
| 38 | U123006 | 140 | 114.3 | 71.9 | 71.4 | 86 | 108 | 14.35 | 48 | 9 | 10.5 | RECTANGLE | 5 |
| 39 | U123007 | 139 | 114.3 | 71.9 | 71.4 | 86 | 108 | 16.74 | 48 | 11 | 12.6 | RECTANGLE | 5 |
| 40 | U123008 | 150 | 115 | 70.63 | 70.14 | 71.8 | - | 20 | 65 | 9 | 8 | RECTANGLE | 5 |
| 41 | U123009 | 150 | 115 | 70.61 | 70.14 | 71.8 | - | 20 | 65 | 9 | 8 | RECTANGLE | 4 |
| 42 | U123010 | 140 | 110 | 65.4 | 64.9 | 60 | 84 | 18 | 78.4 | 10.5 | 10 | RECTANGLE | 5 |
| 43 | U123011 | 140 | 110 | 65.4 | 64.9 | 60 | 84 | 18 | 78.4 | 10.5 | 10 | RECTANGLE | 5 |

Gen. 3 Ball Bearing



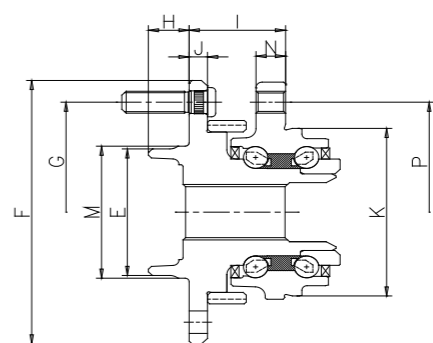
| NO. | PART NO. | DIMENSION | | | | | | | | | | OUTER RING SHAPE | BOLT Q'TY |
|-----|----------|-----------|--------|---------|--------|---------|--------|-------|-------|-------|------|------------------|-----------|
| | | F | G | M | E | K | P | H | I | J | N | | |
| 44 | U123015 | 138 | 100 | 57.49 | 57 | 61 | - | 12 | 65 | 9 | 9.5 | RECTANGLE | 5 |
| 45 | U123018 | 150 | 115 | 70.63 | 70.14 | 71.8 | - | 20 | 65 | 9 | 8 | RECTANGLE | 4 |
| 46 | U123019 | 144.5 | 115 | 70.6 | 70.1 | 119 | 146 | 14.5 | 44.9 | 9.06 | 12 | RECTANGLE | 5 |
| 47 | U123020 | 146.5 | 115 | 70.6 | 70.1 | 90.01 | 116 | 20 | 42.06 | 9.2 | 10 | TRIANGLE | 5 |
| 48 | U123021 | 144.5 | 120.65 | 70.63 | 70.14 | 91.9 | 120.65 | 20 | 47 | 9 | 14.5 | TRIANGLE | 5 |
| 49 | U123024 | 153.5 | 114.3 | 71.93 | 71.43 | 100.13 | 120.65 | 12 | 54.18 | 11 | 13.5 | TRIANGLE | 5 |
| 50 | U123025 | 145.5 | 115 | 70.6 | 70.1 | 91.23 | 116 | 20 | 42.06 | 9.06 | 10 | TRIANGLE | 5 |
| 51 | U123026 | 145.5 | 114.3 | 73.28 | 71.3 | 91 | 116 | 20 | 42.06 | 9.06 | 13.5 | TRIANGLE | 5 |
| 52 | U123027 | 148 | 120.65 | 70.5995 | 70.103 | 71.72 | - | 20 | 68.7 | 9 | 12 | RECTANGLE | 5 |
| 53 | U123028 | 139 | 108 | 70.92 | 63.2 | 85.4 | 112 | 17.8 | 35.9 | 11.2 | 14.3 | TRIANGLE | 5 |
| 54 | U123030 | 143.1 | 114.3 | 73.29 | 71.39 | 97 | 127 | 18 | 53.55 | 11.8 | 15 | RECTANGLE | 6 |
| 55 | U123031 | 145.5 | 15 | 70.62 | 70.12 | 91.23 | 116 | 20 | 42.06 | 9 | 13.5 | TRIANGLE | 5 |
| 56 | U123032 | 126 | 100 | 60.9 | 56.8 | 86.8 | 112 | 16.7 | 37.5 | 10 | 12.5 | RECTANGLE | 5 |
| 57 | U123033 | 140 | 114.3 | 73.28 | 71.4 | 86.8 | 112 | 16.7 | 37.5 | 12 | 12.5 | RECTANGLE | 5 |
| 58 | U123034 | 144 | 120.83 | 70.5 | 70.1 | 83.5 | 120.6 | 20 | 47.19 | 9 | 17 | TRIANGLE | 5 |
| 59 | U123035 | 145 | 115 | 70.6 | 70.1 | 91 | 116 | 20 | 37 | 9 | 13 | TRIANGLE | 5 |
| 60 | U123036 | 127.5 | 100 | 60.06 | 56.85 | 87 | 110 | 17.6 | 37.5 | 9 | 12.5 | TRIANGLE | 5 |
| 61 | U123037 | 139 | 108 | 70.92 | 63.2 | 89.5 | 114 | 17.8 | 41.42 | 11.2 | 12.5 | TRIANGLE | 5 |
| 62 | U123038 | 142 | 114.3 | 68.84 | 66.87 | 84 | 106 | 15.5 | 40.46 | 11 | 10 | RECTANGLE | 5 |
| 63 | U123039 | 164.75 | 126.8 | 71.933 | 71.425 | 100.13 | 120.65 | 14.5 | 53.8 | 14 | 13.5 | TRIANGLE | 5 |
| 64 | U123040 | 153.5 | 114.3 | 71.9 | 71.3 | 100 | 120.6 | 14.4 | 53.7 | 11 | 13 | TRIANGLE | 5 |
| 65 | U123041 | 145.5 | 115 | 70.6 | 70.1 | 91.23 | 116 | 20 | 42.06 | 9.06 | 13.4 | TRIANGLE | 5 |
| 66 | U123042 | 145.5 | 115 | 70.6 | 70.1 | 91.23 | 116 | 20 | 42.06 | 9.06 | 13.4 | TRIANGLE | 5 |
| 67 | U123043 | 146 | 120.83 | 70.5 | 70.1 | 88.9 | 120.6 | 20 | 47 | 9.6 | 14.3 | TRIANGLE | 5 |
| 68 | U123044 | 131.8 | 100 | 59.93 | 56.46 | 85 | 110 | 18 | 38.98 | 10 | 13.5 | TRIANGLE | 4 |
| 69 | U123045 | 131.8 | 100 | 59.93 | 56.46 | 83 | 110 | 18 | 38.98 | 10 | 13.5 | TRIANGLE | 4 |
| 70 | U123046 | 136.9 | 110 | 65.44 | 64.96 | 85 | 110 | 17.8 | 38.98 | 10 | 13.5 | TRIANGLE | 5 |
| 71 | U123048 | 144 | 120.83 | 70.5 | 70.1 | 91.75 | 120.6 | 20 | 47.19 | 9 | 17 | TRIANGLE | 5 |
| 72 | U123049 | 137 | 110 | 65.4 | 64.95 | 89.95 | 114 | 17.8 | 39 | 10 | 13.7 | TRIANGLE | 5 |
| 73 | U123050 | 150 | 127 | 78.96 | 77.76 | 91.9 | 120.6 | 17 | 47 | 9 | 17 | TRIANGLE | 6 |
| 74 | U123051 | 137 | 110 | 65.4 | 64.95 | 89.95 | 114 | 17.8 | 39 | 10 | 13.7 | TRIANGLE | 5 |
| 75 | U123052 | 164.75 | 127 | 71.933 | 71.425 | 100.127 | 120.65 | 15.35 | 51.96 | 13.85 | 13.2 | TRIANGLE | 5 |
| 76 | U123053 | 151 | 114.3 | 71.6 | 71.45 | 89.5 | 112 | 21 | 37.52 | 13 | 12.4 | RECTANGLE | 5 |
| 77 | U123054 | 146 | 114.3 | 68 | 63.23 | 87.5 | 112 | 19 | 43 | 12 | 11 | RECTANGLE | 5 |
| 78 | U123055 | 146 | 114.3 | 68 | 63.23 | 87.5 | 113 | 19 | 58.9 | 12 | 11 | RECTANGLE | 5 |
| 79 | U123056 | 146 | 114.3 | 68 | 63.23 | 87.5 | 112 | 19 | 43 | 12 | 11 | RECTANGLE | 5 |
| 80 | U123057 | 150 | 115 | 72.5 | 71.4 | 90.4 | 110 | 16.5 | 60.3 | 11.8 | 12 | RECTANGLE | 5 |
| 81 | U123058 | 150 | 115 | 72.5 | 71.4 | 90.4 | 110 | 16.5 | 60.3 | 11.8 | 12 | RECTANGLE | 5 |
| 82 | U123059 | 164.75 | 127 | 71.933 | 71.425 | 84.94 | - | 15.45 | 63.5 | 11 | 13.5 | RECTANGLE | 5 |
| 83 | U123060 | 154.3 | 114.3 | 71.93 | 71.43 | 92 | 120.65 | 17.6 | 48.6 | 12 | 13.5 | TRIANGLE | 5 |
| 84 | U123061 | 136 | 107.9 | 63.4 | 63.1 | 82.9 | - | 18 | 63 | 10 | 12 | RECTANGLE | 5 |
| 85 | U123062 | 161.5 | 127 | 71.93 | 71.43 | 100.15 | 120.65 | 17.6 | 48.6 | 12 | 13.5 | TRIANGLE | 5 |
| 86 | U123063 | 150 | 115 | 70.59 | 70.1 | 71.8 | - | 20 | 65 | 9 | 8 | RECTANGLE | 5 |

Gen. 3 Ball Bearing



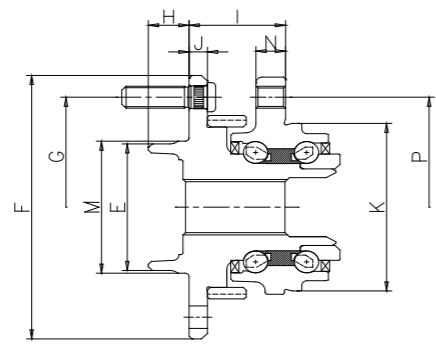
| NO. | PART NO. | DIMENSION | | | | | | | | | | | OUTER RING SHAPE | BOLT Q'TY |
|-----|----------|-----------|--------|--------|--------|--------|--------|------|-------|-------|-------|-----------|------------------|-----------|
| | | F | G | M | E | K | P | H | I | J | N | | | |
| 87 | U123064 | 145 | 120.7 | 70.6 | 70.1 | 91.2 | 116 | 20 | 42 | 9 | 13.5 | TRIANGLE | 6 | |
| 88 | U123065 | 145 | 120.7 | 70.6 | 70.1 | 91.2 | 116 | 20 | 42 | 9 | 13.5 | TRIANGLE | 6 | |
| 89 | U123066 | 145 | 120.7 | 70.6 | 70.1 | 91.2 | 116 | 20 | 42 | 9 | 13.5 | TRIANGLE | 6 | |
| 90 | U123067 | 145 | 120.7 | 70.6 | 70.1 | 91.2 | 116 | 20 | 42 | 9 | 13.5 | TRIANGLE | 5 | |
| 91 | U123069 | 150 | 115 | 70.59 | 70.1 | 71.8 | - | 20 | 65 | 9 | 8 | RECTANGLE | 5 | |
| 92 | U123070 | 138 | 100 | 57.49 | 57 | 61 | - | 12.5 | 65 | 8 | 7.5 | RECTANGLE | 4 | |
| 93 | U123071 | 150 | 115 | 70.59 | 70.1 | 71.8 | - | 20 | 65 | 9 | 8 | RECTANGLE | 5 | |
| 94 | U123072 | 145 | 115 | 70.6 | 70.1 | 91.2 | 116 | 20 | 42 | 9 | 13.5 | TRIANGLE | 5 | |
| 95 | U123073 | 145 | 115 | 70.6 | 70.1 | 91.2 | 116 | 20 | 42 | 9 | 13.5 | TRIANGLE | 5 | |
| 96 | U123074 | 145 | 115 | 70.6 | 70.1 | 91.2 | 116 | 20 | 42 | 9 | 13.5 | TRIANGLE | 6 | |
| 97 | U123075 | 151 | 114.3 | 71.6 | 71.45 | 87 | 112 | 21 | 37.52 | 13 | 12.4 | RECTANGLE | 5 | |
| 98 | U123076 | 145 | 115 | 70.6 | 70.1 | 91.2 | 116 | 20 | 42 | 9 | 13.5 | TRIANGLE | 5 | |
| 99 | U123077 | 145 | 115 | 70.6 | 70.1 | 91.2 | 116 | 20 | 42 | 9 | 13.5 | TRIANGLE | 6 | |
| 100 | U123078 | 138 | 100 | 57.49 | 57 | 61 | - | 12.5 | 65 | 8 | 7.5 | RECTANGLE | 4 | |
| 101 | U123079 | 145 | 115 | 70.6 | 70.1 | 91.2 | 116 | 20 | 42 | 9 | 13.5 | TRIANGLE | 5 | |
| 102 | U123080 | 145 | 115 | 70.6 | 70.1 | 91.2 | 116 | 20 | 42 | 9 | 13.5 | TRIANGLE | 5 | |
| 103 | U123081 | 145 | 115 | 70.6 | 70.1 | 91.2 | 116 | 20 | 42 | 9 | 13.5 | TRIANGLE | 5 | |
| 104 | U123082 | 136.9 | 110 | 65.44 | 64.96 | 85 | 110 | 17.8 | 38.98 | 10 | 13.5 | TRIANGLE | 5 | |
| 105 | U123083 | 150 | 115 | 70.59 | 70.1 | 71.8 | - | 20 | 65 | 9 | 8 | RECTANGLE | 5 | |
| 106 | U123084 | 150 | 115 | 70.61 | 70.11 | 71.8 | - | 20 | 65 | 9 | 8 | RECTANGLE | 6 | |
| 107 | U123085 | 146 | 120.65 | 70.62 | 70.1 | 71.72 | - | 20 | 68.73 | 9 | 8.5 | RECTANGLE | 5 | |
| 108 | U123086 | 135.8 | 108 | 67.98 | 65 | 87.4 | 113 | 18.9 | 58.9 | 13 | 11.4 | RECTANGLE | 5(TAP) | |
| 109 | U123087 | 144.5 | 120 | 67.35 | 66.85 | 91.25 | 116 | 20 | 42.06 | 10 | 13.45 | TRIANGLE | 5 | |
| 110 | U123088 | 148 | 114.3 | 67.9 | 65.8 | 83.9 | 107 | 15.5 | 69 | 11.1 | 15.1 | RECTANGLE | 5 | |
| 111 | U123089 | 141 | 114.3 | 69 | 67 | 85 | 110 | 15.5 | 48.6 | 12 | 11 | RECTANGLE | 5 | |
| 112 | U123090 | 156 | 114.3 | 70.98 | 63.23 | 91.47 | 114 | 17.8 | 41.4 | 12 | 11.8 | TRIANGLE | 5 | |
| 113 | U123091 | 138 | 114.3 | 68.95 | 66.96 | 88 | 112 | 16 | 59.3 | 16 | 12.5 | RECTANGLE | 5 | |
| 114 | U123092 | 131.3 | 108 | 63.4 | 63.2 | 78 | - | 20.7 | - | 10 | - | - | 5 | |
| 115 | U123093 | 153.5 | 114.3 | 71.9 | 71.3 | 100 | 120.6 | 14.4 | 53.7 | 11 | 13 | TRIANGLE | 5 | |
| 116 | U123095 | 148 | 114.3 | 67.9 | 65.8 | 83.9 | 107 | 15.5 | 69 | 11.1 | 15.1 | RECTANGLE | 5 | |
| 117 | U123096 | 157 | 120 | 67.36 | 66.87 | 84 | - | 20 | 64.76 | 12.66 | 13.5 | RECTANGLE | 5 | |
| 118 | U123097 | 167.4 | 127 | 81.89 | 71.38 | 85 | 109.9 | 17.6 | 48.59 | 12 | 13.2 | RECTANGLE | 5 | |
| 119 | U123098 | 142 | 114.3 | 68.93 | 66.94 | 87 | 112 | 15.5 | 40.6 | 11.5 | 12.3 | RECTANGLE | 5 | |
| 120 | U123099 | 139.7 | 114.3 | 72 | 70.5 | 77.9 | 106 | 18.7 | 63 | 11 | 13 | RECTANGLE | 5 | |
| 121 | U123100 | 139.7 | 114.3 | 72 | 70.5 | 77.9 | 106 | 18.7 | 63 | 11 | 13 | RECTANGLE | 5 | |
| 122 | U123101 | 159.7 | 120 | 70.07 | 63.96 | 78.95 | 111.8 | 12 | 62.3 | 10 | 11.5 | RECTANGLE | 5 | |
| 123 | U123102 | 153.5 | 114.3 | 71.9 | 71.3 | 100 | 120.6 | 14.4 | 53.7 | 11 | 13 | TRIANGLE | 5 | |
| 124 | U123103 | 161.5 | 127 | 71.93 | 71.43 | 100.15 | 120.65 | 17.6 | 48.6 | 12 | 13.5 | TRIANGLE | 5 | |
| 125 | U123104 | 161.75 | 127 | 72.435 | 71.395 | 85 | 110 | 15.5 | 48.6 | 12 | 11 | RECTANGLE | 5 | |
| 126 | U123105 | 161.75 | 127 | 72.435 | 71.395 | 85 | 110 | 15.5 | 48.6 | 12 | 11 | RECTANGLE | 5 | |
| 127 | U123106 | 161.75 | 127 | 72.435 | 71.395 | 85 | 110 | 15.5 | 48.6 | 12 | 11 | RECTANGLE | 5 | |
| 128 | U123107 | 161.75 | 127 | 72.435 | 71.395 | 85 | 110 | 15.5 | 48.6 | 12 | 11 | RECTANGLE | 5 | |
| 129 | U123108 | 161.75 | 127 | 72.435 | 71.395 | 85 | 110 | 15.5 | 48.6 | 12 | 11 | RECTANGLE | 5 | |

Gen. 3 Ball Bearing



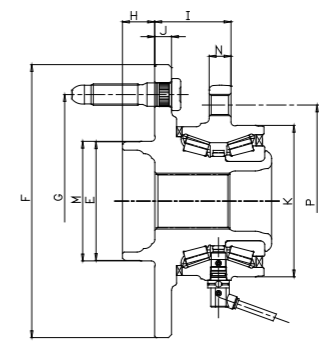
| NO. | PART NO. | DIMENSION | | | | | | | | | | | OUTER RING SHAPE | BOLT Q'TY |
|-----|----------|-----------|---------|--------|--------|-------|--------|------|-------|------|------|-----------|------------------|-----------|
| | | F | G | M | E | K | P | H | I | J | N | | | |
| 130 | U123109 | 161.75 | 127 | 72.435 | 71.395 | 85 | 110 | 15.5 | 48.6 | 12 | 11 | RECTANGLE | 5 | |
| 131 | U123111 | 161.75 | 127 | 72.435 | 71.395 | 85 | 110 | 15.5 | 48.6 | 12 | 11 | RECTANGLE | 5 | |
| 132 | U123114 | 145.6 | 114.3 | 67.98 | 63.25 | 92.11 | 120 | 19 | 42.9 | 12.2 | 13.4 | RECTANGLE | 5 | |
| 133 | U133001 | 135.5 | 108 | 68 | 65 | 81.8 | 103 | 19 | 43 | 14 | 14 | RECTANGLE | - | |
| 134 | U133002 | 136 | 100 | 56.9 | 56.4 | 60 | 84 | 21.9 | 78 | 12.5 | 12.5 | RECTANGLE | 4 | |
| 135 | U133003 | 119 | 100 | 59.94 | 56.45 | 84.94 | 104.1 | 22 | 39 | 13 | 13.5 | TRIANGLE | 4 | |
| 136 | U133004 | 119 | 100 | 59.94 | 56.45 | 84.94 | 104.1 | 22 | 39 | 13 | 13.5 | TRIANGLE | 4 | |
| 137 | U133005 | 136.8 | 110 | 69.97 | 65 | 84.94 | 110 | 23 | 38 | 13 | 13.5 | TRIANGLE | 5 | |
| 138 | U133006 | 136 | 100 | 56.9 | 56.4 | 60 | 84 | 21.9 | 78 | 12.5 | 12.5 | RECTANGLE | 5 | |
| 139 | U133007 | 136 | 100 | 56.9 | 56.4 | 60 | 84 | 21.9 | 78 | 12.5 | 12.5 | RECTANGLE | 4 | |
| 140 | U133008 | 136.8 | 110 | 69.97 | 65 | 84.94 | 104.1 | 23 | 38 | 12 | 13.5 | TRIANGLE | 5 | |
| 141 | U133009 | 135.6 | 108 | 67.98 | 65 | 87.3 | 112 | 18.9 | 43 | 13 | 11 | RECTANGLE | 5 | |
| 142 | U133010 | 136 | 108 | 63.48 | 63.2 | 82.97 | - | 20.4 | 63 | 10 | 16 | RECTANGLE | 4 | |
| 143 | U133011 | 140 | 109.8 | 65.4 | 64.95 | 70 | 94.1 | 22 | 68 | 13 | 12.5 | RECTANGLE | 5 | |
| 144 | U133012 | 136 | 108 | 63.4 | 63.2 | 74 | 98.1 | 30.9 | 63.1 | 10.6 | 12.3 | RECTANGLE | 5 | |
| 145 | U133014 | 139 | 120 | 79 | 74 | 90 | 106 | 19 | 51 | 11.3 | 11.6 | RECTANGLE | 5(TAP) | |
| 146 | U133015 | 137 | 110 | 69.9 | 64.9 | 89.92 | 114 | 23 | 39.1 | 13 | 13.2 | TRIANGLE | 5(TAP) | |
| 147 | U133018 | 136 | 108 | 63.4 | 63.2 | 74 | 98.1 | 19.9 | 63.1 | 10.6 | 12.3 | RECTANGLE | 5 | |
| 148 | U133019 | 140 | 110 | 65.43 | 64.97 | 60 | 84 | 21.8 | 78 | 13 | 12 | RECTANGLE | 5(TAP) | |
| 149 | U133020 | 137 | 110 | 69.9 | 64.9 | 89.9 | 114 | 23 | 39.1 | 13 | 13.2 | TRIANGLE | 5(TAP) | |
| 150 | U133021 | 119 | 100 | 59.94 | 56.45 | 84.9 | 104.1 | 22 | 39 | 13 | 13.5 | TRIANGLE | 4(TAP) | |
| 151 | U133022 | 136 | 110 | 69.97 | 65 | 84.9 | 104.1 | 23 | 38 | 12 | 13.5 | TRIANGLE | 5(TAP) | |
| 152 | U133023 | 136 | 105 | 59.95 | 56.47 | 86.24 | 116 | 18 | 42.06 | 12 | 12 | TRIANGLE | 5 | |
| 153 | U133024 | 146 | 115 | 70.6 | 70.1 | 91.2 | 116 | 20 | 42.06 | 12 | 12 | TRIANGLE | 5 | |
| 154 | U133025 | 136 | 100 | 56.9 | 56.4 | 60 | 106 | 21.9 | 78 | 12.5 | 12.5 | RECTANGLE | 4(TAP) | |
| 155 | U133026 | 157 | 120 | 67.3 | 66.8 | 91.2 | 116 | 20 | 42 | 12 | 13 | TRIANGLE | 5 | |
| 156 | U133027 | 136 | 107.9 | 63.4 | 63.1 | 82.9 | - | 18 | 63 | 10 | 12 | RECTANGLE | 5 | |
| 157 | U133028 | 131 | 108 | 63.48 | 63.21 | - | 90.6 | 19.4 | 68.45 | 10 | 10 | RECTANGLE | 4 | |
| 158 | U133029 | 136 | 108 | 63.48 | 63.23 | 81.37 | 111.9 | 19.5 | 73 | 12 | 12 | RECTANGLE | 5 | |
| 159 | U133030 | 137 | 110 | 69.9 | 64.9 | 89.9 | 114 | 23 | 39.1 | 13 | 13.2 | TRIANGLE | 5(TAP) | |
| 160 | U133031 | 137 | 100 | 64.05 | 56.06 | 73.85 | 93 | 19 | 56.47 | 12.5 | 11 | RECTANGLE | 4(TAP) | |
| 161 | U133032 | 137 | 110 | 69.9 | 64.9 | 89.9 | 114 | 23 | 39.1 | 13 | 13.2 | TRIANGLE | 5(TAP) | |
| 162 | U133033 | 147 | 120 | 79 | 72.5 | 90 | 106 | 19 | 51 | 11.5 | 11 | RECTANGLE | 5(TAP) | |
| 163 | U133034 | 143 | 120 | 79 | 72.5 | 88 | 106 | 19 | 51 | 11 | 11 | RECTANGLE | 5(TAP) | |
| 164 | U133035 | 130 | 108 | 71.05 | 65 | 80 | 104 | 17 | 57 | 12.5 | 12.5 | RECTANGLE | 5(TAP) | |
| 165 | U133036 | 144 | 120 | 74.95 | 73.98 | 97.91 | 118 | 20 | 60 | 12.9 | 13.5 | RECTANGLE | 5(TAP) | |
| 166 | U143001 | 151.5 | 114.291 | 61.95 | 60.05 | 73.87 | 98.952 | 13.5 | 74.5 | 11 | 8.5 | RECTANGLE | 5 | |
| 167 | U143002 | 151.5 | 114.291 | 61.95 | 60.05 | 73.87 | 98.952 | 13.5 | 74.5 | 11 | 8.5 | RECTANGLE | 5 | |
| 168 | U143003 | 151.5 | 114.291 | 61.95 | 60.05 | 73.87 | 98.952 | 13.5 | 74.5 | 11 | 8.5 | RECTANGLE | 5 | |
| 169 | U143004 | 134.6 | 100 | 54.78 | 54 | 73.89 | 93 | 13.4 | 54.59 | 10 | 9.2 | RECTANGLE | 5 | |
| 170 | U143005 | 134.6 | 100 | 54.78 | 54 | 73.89 | 93 | 13.4 | 54.59 | 10 | 9.2 | RECTANGLE | 5 | |
| 171 | U143006 | 135 | 100 | 54.97 | 54 | 66.9 | 92 | 13.5 | 54.56 | 8 | 11 | RECTANGLE | 4 | |
| 172 | U143007 | 151.9 | 114.3 | 61.9 | 60 | 83.8 | - | 13.5 | 69.1 | 10.1 | 10.2 | RECTANGLE | 5 | |

Gen. 3 Ball Bearing



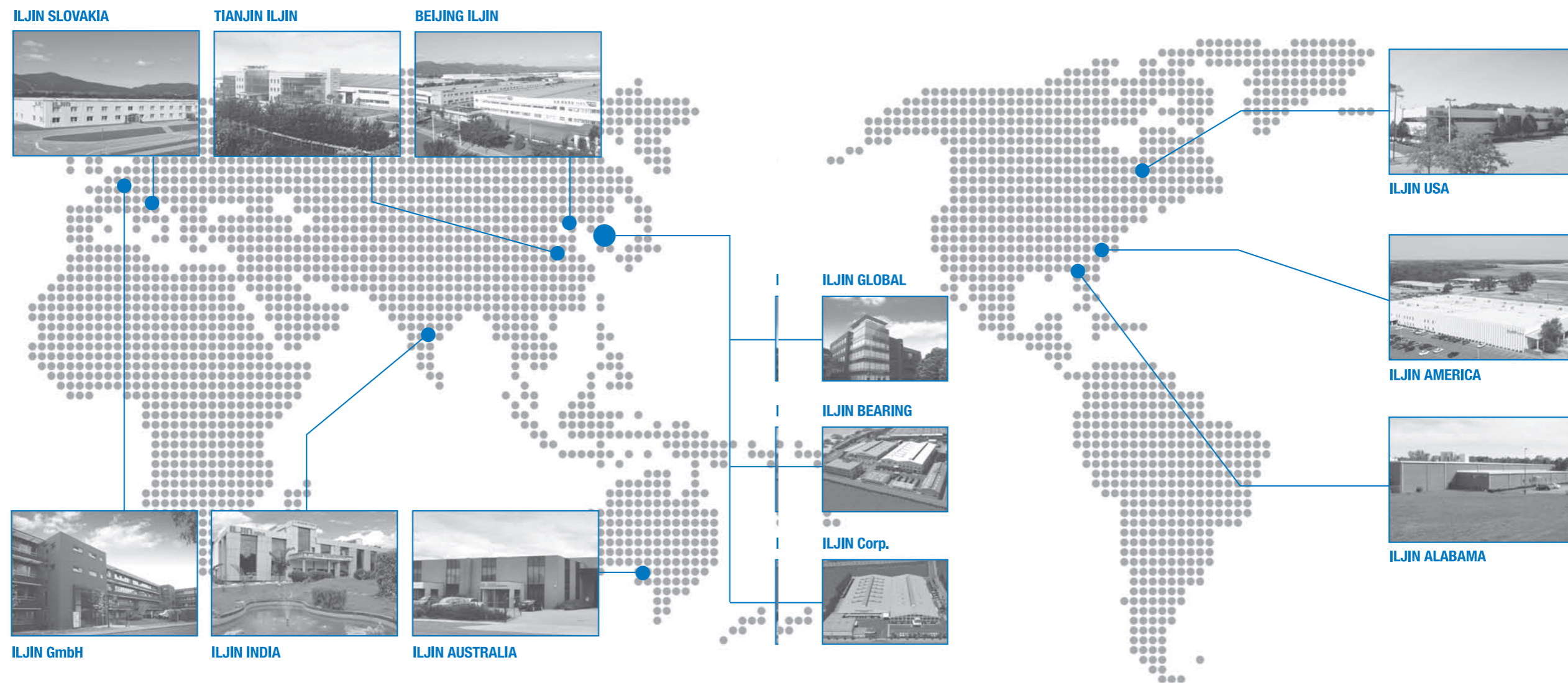
| NO. | PART NO. | DIMENSION | | | | | | | | | | OUTER RING SHAPE | BOLT Q'TY |
|-----|----------|-----------|-------|-------|-------|-------|-----|------|-------|----|------|------------------|-----------|
| | | F | G | M | E | K | P | H | I | J | N | | |
| 173 | UJ143008 | 136 | 114.3 | 67.95 | 65.9 | 84 | 107 | 17.8 | 40.7 | 10 | 15.5 | RECTANGLE | 5 |
| 174 | UJ143009 | 135 | 100 | 54.97 | 54 | 66.9 | 92 | 13.5 | 54.6 | 8 | 11 | RECTANGLE | 4 |
| 175 | UJ143011 | 136 | 114.3 | 67.95 | 65.91 | 79.95 | 103 | 17 | 40.75 | 9 | 12.5 | RECTANGLE | 5 |
| 176 | UJ143012 | 147.7 | 114.3 | 67.9 | 65.8 | 83.9 | 107 | 14.9 | 69 | 9 | 15 | RECTANGLE | 5 |
| 177 | UJ143013 | 147.7 | 114.3 | 67.9 | 65.8 | 83.9 | 107 | 14.9 | 69 | 9 | 15 | RECTANGLE | 5 |
| 178 | UJ143015 | 142 | 114.3 | 71.98 | 66.95 | 74 | 98 | 16.5 | 63 | 10 | 12.3 | RECTANGLE | 5 |
| 179 | UJ143016 | 142 | 114.3 | 71.98 | 66.95 | 74 | 98 | 16.5 | 63 | 10 | 12.3 | RECTANGLE | 5 |

Gen. 3 Taper Bearing



| NO. | PART NO. | DIMENSION | | | | | | | | | | OUTER RING SHAPE | BOLT Q'TY |
|-----|----------|-----------|-------|--------|--------|------|-----|------|------|----|-------|------------------|-----------|
| | | F | G | M | E | K | P | H | I | J | N | | |
| 1 | UJ223065 | 183 | 139.7 | 78.425 | 77.735 | 90 | 126 | 19.4 | 46.8 | 12 | 14.2 | TRIANGLE | 5 |
| 2 | UJ223066 | 183 | 139.7 | 78.425 | 77.735 | 90 | 126 | 19.4 | 46.8 | 12 | 14.2 | TRIANGLE | 5 |
| 3 | UJ223078 | 161.5 | 127 | 72.44 | 71.4 | 85 | 110 | 15.5 | 48.6 | 12 | 11 | SQUARE | 5 |
| 4 | UJ223079 | 179 | 139.7 | 78.4 | 77.77 | 99.3 | 126 | 21 | 49.8 | 11 | 14.25 | TRIANGLE | 6 |
| 5 | UJ223080 | 183 | 139.7 | 78.425 | 77.735 | 90 | 126 | 19.4 | 46.8 | 12 | 14.2 | TRIANGLE | 5 |
| 6 | UJ223081 | 183 | 139.7 | 78.425 | 77.735 | 90 | 126 | 19.4 | 46.8 | 12 | 14.2 | TRIANGLE | 5 |
| 7 | UJ223087 | 161.5 | 127 | 72.44 | 71.4 | 85 | 110 | 15.5 | 48.6 | 12 | 11 | SQUARE | 5 |
| 8 | UJ223088 | 183 | 139.7 | 78.425 | 77.735 | 90 | 126 | 19.4 | 46.8 | 12 | 14.2 | TRIANGLE | 5 |

GLOBAL NETWORKS



DOMESTIC LOCATIONS

| Corporation | | Address | TEL | FAX |
|---------------|-------------------|---|----------------|-------------------|
| ILJIN | HQ. / R&D | 527 SAMSUNG-RO, GANGNAM-GU, SEOUL, KOREA | 82-2-553-1795 | 82-2-566-553-1799 |
| | JECHEON 1ST PLANT | 16 BIO VALLEY 1 (IL-RO, JECHEON-SI, CHUNGCHONGBUK-DO, KOREA | 82-43-652-8711 | 82-43-652-6644 |
| ILJIN GLOBAL | JECHEON 2ND PLANT | 603 WANGAM-DONG, JECHEON-SI, CHUNGCHONGBUK-DO KOREA | 82-43-652-8711 | 82-43-652-6644 |
| | YOUNGWOL PLANT | 241 BAMJAE-RO, YEONGWOL-GUN, GANGWON-DO, KOREA | 82-43-652-8711 | 82-43-652-6644 |
| | GYEONGJU PLANT | 310 ANHYEON-RO, GYEONGJU-SI, GYEONGSANGBUK-DO, KOREA | 82-54-770-7500 | 82-54-770-7579 |
| ILJIN BEARING | 1ST PLANT | 4419 SANEOP-RO, GYEONGJU-SI, GYEONGSANGBUK-DO, KOREA | 82-54-770-5555 | 82-54-770-5549 |
| | 2ND PLANT | 70, GONGDAN-RO, GYEONGJU-SI, GYEONGSANGBUK-DO, KOREA | 82-54-770-5555 | 82-54-770-5549 |
| | 3RD PLANT | 85 GONGDAN-RO, GYEONGJU-SI, GYEONGSANGBUK-DO, KOREA | 82-54-770-5555 | 82-54-770-5549 |
| ILJIN CORP. | 1ST PLANT | 45, YURIM-RO 13BEON-GIL, GYEONGJU-SI, GYEONGSANGBUK-DO, KOREA | 82-54-770-7500 | 82-54-770-7579 |
| | 2ND PLANT | 247-80, HWASANGONGDAN-GIL, GYEONGJU-SI, GYEONGSANGBUK-DO, KOREA | 82-54-770-7500 | 82-54-770-7579 |
| BEARING ART | GYEONGJU PLANT | 247-81, HWASANGONGDAN-GIL, GYEONGJU, GYEONGSANGBUK-DO, KOREA | 82-54-770-7500 | 82-54-770-7579 |
| | YOUNGJU PLANT | 105, BANGU-RO, JANGSU-MYEON, YEONGJU, GYEONGSANGBUK-DO, KOREA | 070-7726-0986 | 82-54-770-7604 |

OVERSEAS LOCATION

| Corporation | | Address | TEL | FAX |
|-------------|--------------------|---|----------------------|----------------------|
| CHINA | BEIJING ILJIN | XINGGU INDUSTRIAL ZONE PINGGU, BEIJING, CHINA | 86-10-6995-0789 | 86-10-6995-0689 |
| | TIANJIN ILJIN | 301-700, NO.12 QUAN DA ROAD WUQING DEVELOPMENT AREA, TIANJIN, CHINA | 86-22-8219-2555 | 86-22-8219-2500 |
| INDIA | ILJIN INDIA | B1&B2 SIPCOT INDUSTRIAL PARK, IRRUNGATTUKOTTAL, SRIPERUMBUDUR TALUK, KACHEEPARAM DIST, CHENNAI, TAMIL NADU-602 105, INDIA | 91-44-4710-2000 | 91-44-4710-2147 |
| SLOVAKIA | ILJIN SLOVAKIA | PRAVENEK 422, 972 16 PRAVENEK, SLOVAKIA | 421-46-544-1070~1 | 421-46-544-1073 |
| AUSTRALIA | ILJIN AUSTRALIA | 112 LAMBECK DRIVE, TULLAMARINE VIC 3043, AUSTRALIA 61-3-9310-4111 | 61-3-9310-4111 | 61-3-9310-4114 |
| USA | 1ST PLANT | 28055 HAGGERTY RD, NOVI, MI 48377-2902, USA | 1-248-848-1020 | 1-248-848-0566 |
| | 2ND PLANT | 1705 POPLAR DRIVE EXTENSION GREER, SOUTH CAROLINA 29651-6518, USA | 1-864-848-4801 | 1-864-848-4811 |
| | ILJIN ALABAMA | 14 DOWNING DRIVE, PHENIX CITY, AL 36869, USA | 1-334-297-4494 | 1-334-297-4122 |
| GERMANY | ILJIN BEARING GMBH | DUESSELDORFER STRASSE 13, 65760 ESCHBORN, GERMANY | 49 (0)6196-76105-100 | 49 (0)6196-76105-200 |