



FSA
FULL SPEED AHEAD

vision

DEALER CATALOG 2022



CABLE ROUTING SYSTEM **8**

FSA is proud to present new cable routing systems for road, aero and mtb bikes. This innovative patented system, unique to FSA and VISION, is a combination of our knowledge bases in both headset and cockpit development and manufacturing, plus our history in aerodynamic development and design.

OFF-ROAD SERIES **18**

Here at FSA, we create some of the world's finest cycling components. An essential part of the development process is our close collaboration with top riders and teams from around the globe.

GRAVEL SERIES **68**

For riders seeking the roads and trails less travelled, FSA's AGX components offer the best performance for Adventure, Gravel and Cyclocross.

POWERBOX SERIES **80**

FSA PowerBox power meter cranksets present the pinnacle of technology for precise power measurements, combined with proven FSA crankset construction featuring the innovative BB386EVO/392EVO 30mm spindle system that fits any frame.

K-FORCE WE SERIES **88**

FSA presents its drivetrain: after years of study and development, K-Force WE is ready to ride. K-Force WE is a high-tech electronic groupset with an elegant design. A unique product that will make you change the way you ride your bike.

ROAD SERIES **96**

Many of the ProTour teams that we have sponsored in the past have won coveted titles such as the Yellow, Green and Polka dot jerseys in the Tour de France, the overall in the Giro d'Italia, Vuelta a España and Tour of California, plus many more races.

CHAINRINGS **128**

Designed to handle the high torque and stresses produced by today's bikes, Full Speed Ahead's chainrings deliver the highest level of chain retention and durability for road, mtb and e-bike disciplines.

PREMIUM SERIES **132**

Featuring high quality headsets and bottom brackets meticulously designed to meet the demanding needs of today's bicycle constructors and customers. Precision CNC products and high quality bearings are the key points of the brand new Premium Series, developed to reach a better customer service.

HEADSET **138**

Headsets are one of FSA's core strengths, with several years of engineering and manufacturing experience meaning that our catalogue contains more than 150 products.

BOTTOM BRACKET **158**

FSA's bottom bracket are designed for greater durability and reliability. FSA's proven know-how and knowledge in manufacturing are the foundation of our range bottom brackets range.

CHAINS **168**

FSA has invested heavily over the years in order to produce marketing leading chains for road and mountain bikes. Whether you're on the road or hitting the trail, you'll certainly appreciate all the technology this chain offers.

E-BIKE SERIES **170**

E-bikes have become a popular option for all types of cycling. FSA is ready with a range of drivetrain components for most E-bike motor systems, including crank arms, sprockets, spiders, chainrings and chain guards.

VISION TECH USA **224**

Since our birth in Kona in the '90s, VISION has been synonymous with a no-expense spared assault on wind resistance. Recent years have seen the innovative application of carbon fiber and the creation of dreamlike shapes to enhance performance. We are the brand to beat, leading the way in time trials and triathlon by creating slippery-fast aero products with proper fit adjustment that allow riders to push their limits in race conditions. We continually refine, test and innovate in the quest for speed, with industry leading products throughout the range. Expert use of wind tunnel technology is a regular part of our research and development, and Computational Fluid Dynamics – CFD – is used to interpret data and refine product design for ultimate aerodynamic performance.

TEAMS & ATHLETES

At FSA we create some of the world's finest cycling components and an essential part of the development process is our close collaboration with the world's finest riders and teams.

ROAD TEAMS	CATEGORY	BIKE
EF EDUCATION NIPPO	UCI WORLD TOUR	CANNONDALE
TEAM BAHRAIN VICTORIOUS	UCI WORLD TOUR	MERIDA
TEAM BIKEXCHANGE	UCI WORLD TOUR	BIANCHI
TEAM COFIDIS	UCI WORLD TOUR	DE ROSA
JUMBO VISMA	UCI WORLD TOUR	CERVELO
BURGOS BH	PRO CONTINENTAL	BH
TEAM NOVO NORDISK	PRO CONTINENTAL	COLNAGO
TEAM RALLY	PRO CONTINENTAL	FELT
TEAM FUNDACION EUSKADI	PRO CONTINENTAL	ORBEA
TEAM B&B VITAL CONCEPT	PRO CONTINENTAL	KTM
BINGOAL WB	CONTINENTAL	DE ROSA
CERATIZIT - WNT PRO CYCLING TEAM	CONTINENTAL	ORBEA
VALCAR - TRAVEL & SERVICE	UCI WOMEN CONTINENTAL	CANNONDALE

MTB TEAMS / RIDERS	CATEGORY	BIKE
TEAM SANTACRUZ FSA	XC	SANTACRUZ
MALOJA PUSHBIKERS MTB	XC	WIAWIS
KROSS ORLEN CYCLING TEAM	XC	KROSS
TEAM BULLS	MARATHON	BULLS
TEAM TREK-PIRELLI	XC / MARATHON	TREK
TEAM KMC-ORBEA	XC / MARATHON	ORBEA
TEAM TORPADO FACTORY	XC / MARATHON	TORPADO
CST POSTNL BAFANG MTB RACING TEAM	XC / MARATHON	AMERICAN EAGLE
TEAM SUNN FRENCH CONNEXION	ENDURO	SUNN
KHS FACTORY RACING	ENDURO / DH	KHS
ATHERTON RACING	ENDURO / DH	ATHERTON
DAN WOLF	ENDURO	POLYGON
JOSH GIBB	ENDURO	NORCO
NIKKI WHILES	ENDURO	MARIN
CONOR MACFARLANE	FREERIDE	INTENSE
REBECCA BEAUMONT	XC / ENDURO	MARIN

MARKETING

The goal of our marketing and advertising plan is to bring awareness to all our brands through focused campaigns that reach the greatest numbers of consumers. We utilize the latest technologies in social media and multimedia, in addition to conventional outlets such as print ads and event sponsorship. Our extensive athlete and Pro team sponsorship program places our brands on prominent display on the world's stage. By employing the best brand ambassadors to ride and promote our products. FSA group products can be seen not only at the Grand Tours, World Cups, Crankworx, and IronMan events, but also at your local track, cyclocross, criterium, and bike festivals.

PARTNERS

Several important international and renowned brands, leaders in their field of competence, have chosen us as partners for the 2021 season. These partnerships validate the perceived and the value of FSA in the world, while the partner brands travel with us in all the international events we take part in.



PARKTOOL
BICYCLE TOOL

















































BIKEVO
VIRTUAL COACH



MISCELA D'ORO
PREMIUM COFFEE

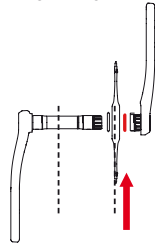
PRODUCT ICON GUIDE

					
GROUPSET	CRANKSET	CRANKSET	CRANKSET	CRANKSET	CRANKSET
Wireless Electronic Drivetrain	An 86.5mm wide PF30 BB designed for our BB386EVO cranksets	An 92mm wide PF30 BB designed for our BB392EVO cranksets	Asymmetric Bolt Spacing	Oversized bottom bracket open standard	Hollow Molded Carbon Technology
					
CRANKSET	CRANKSET	CRANKSET	CRANKSET	BOTTOM BRACKET	BOTTOM BRACKET
Hollow Forging Aluminum Technology	ISIS bottom bracket interface standard	JIS square taper bottom bracket interface standard	Interchangeable crankarm, spindle and spider / chainring system	Megaexo bottom brackets featuring external bearings	Press-Fit composite cups with BB30 bearings fit BB30 crankset to press-fit frames
					
BOTTOM BRACKET	BOTTOM BRACKET	BOTTOM BRACKET	SEATPOST	SEATPOST	SEATPOST
An external bearing threaded BB cup set which adapts threaded frames to our BB386EVO crankset	PowerDrive bottom bracket interface standard	Ceramic ball bearings	Minimal Top Clamp	Side by Side Clamp	Flat Top Clamp
					
SEATPOST	SEATPOST	STEM / HANDLEBAR	STEM / HANDLEBAR	STEM / HANDLEBAR	STEM / HANDLEBAR
Independent Top Clamp	Super fine adjustment system	Aerodynamic integrated Cable Routing (OEM Solution - Road)	Integrated Cable Routing (OEM Solution - Off-Road)	Semi integrated Cable Routing	Simple Routing System
					
STEM / HANDLEBAR	CHAINRING	CHAINRING	WHEELSET	WHEELSET	WHEELSET
Carbon Structural Integration	Anti-Chain drop chainrings	One piece chainring that combines spider and chainring for Modular System	Campagnolo compatible freehub	Shimano compatible freehub	International Standard 6 Bolts disc rotor bosses
					
WHEELSET	WHEELSET	WHEELSET	WHEELSET	WHEELSET	WHEELSET
Tubeless Ready	Boost 148 hub standard	ABS Nipples	Low Drag Construction	25, 27 and 29mm inner bead width improves tubeless tire sidewall stability	IFULLSPEEDAHEAD Complete wheel system
					
WHEELSET	WHEELSET	WHEELSET	WHEELSET	WHEELSET	
Power Ratchet System	Adventure, Gravel and Cyclocross	ANT+ compatible	Bluetooth compatible	EFBE®. Bicycle test lab and safety institution	
					
WHEELSET	WHEELSET	WHEELSET	WHEELSET	WHEELSET	WHEELSET
ASTM Riding Conditions Classifications	Regular paved surfaces Tire maintain ground contact	Include Class 1 Unpaved and gravel roads and trails - moderate grades Loss of tire contact with ground may happen Drops limited to 15cm	Include Class 1 and Class 2 Rough trail, unpaved roads and terrains Unimproved trails that require technical skills Jumps and drops less than 61cm	Include Class 1, Class 2 and Class 3 Downhill grades on rough trails Speed less than 40km/h Jumps less than 122cm	Include Class 1, Class 2, Class 3 and Class 4 Extreme Jumping and/or downhill grades on rough trails Speed in excess of 40km/h



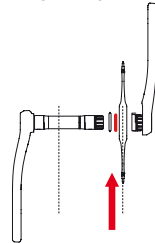
YOUR CRANKSET FOR EVERY SET UP

NARROWER MODULAR
CRANKSET



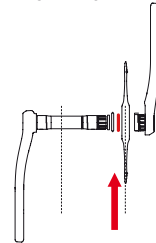
50mm

NARROWER MODULAR
CRANKSET



52mm

WIDER MODULAR
CRANKSET



55mm

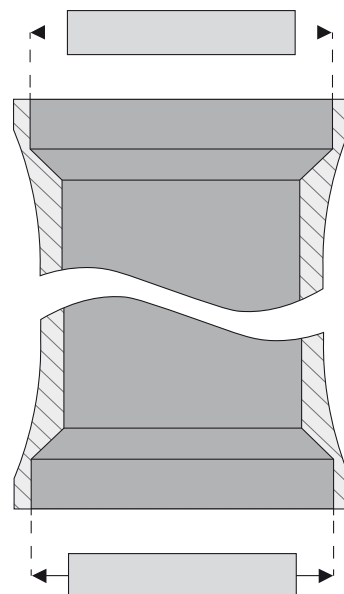
FSA introduces a fully modular crank system featuring a built-in adjustable chain line.

Combining this with user-interchangeable spindles, spiders and direct mount chain rings ensures compatibility with all current and future standards. FSA has you covered for Boost 148, Non-Boost configurations, fatbike and now 157+.

FSAEASY HEADSET.COM

FIND THE RIGHT COMPATIBLE HEADSET

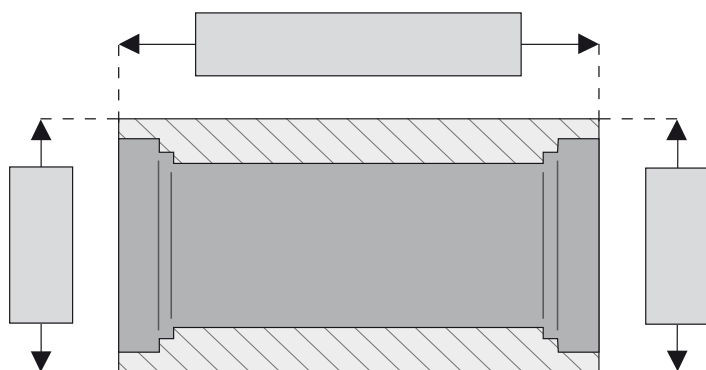
1. Insert your data
2. Get the pdf or visit the website



FSAEASY BOTTOM BRACKETS.COM

FIND THE RIGHT COMPATIBLE BOTTOM BRACKET

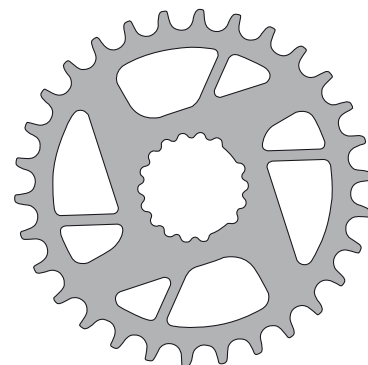
1. Select your discipline
2. Insert the bottom bracket shell
3. Select your crankset standard
4. Get the pdf or visit the website



FSAEASY CHAINRINGS.COM

FIND THE RIGHT COMPATIBLE CHAINRINGS

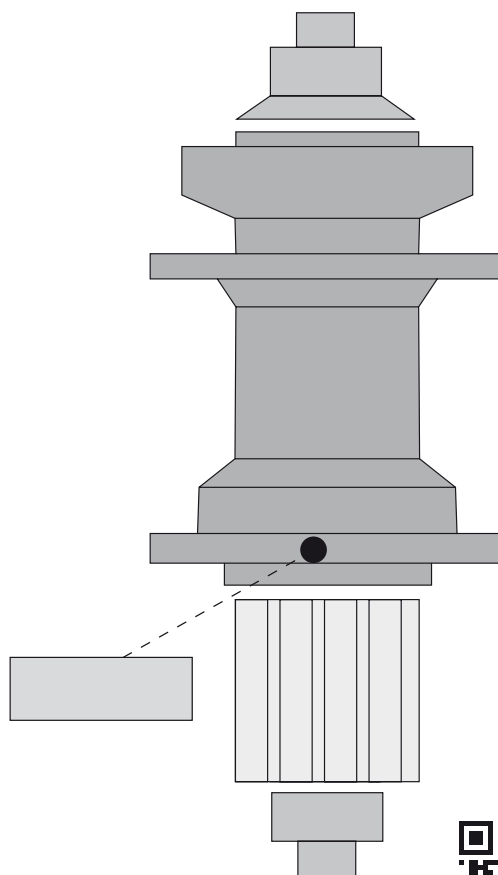
1. Select your discipline
2. Select your chainring standard
3. Visit the website



VISION EASY HUBS.COM

FIND THE RIGHT COMPATIBLE SPARE PARTS IN 3 CLICKS!

1. Select your VISION wheel model
2. Insert the serial number labelled on the hub (U code)
3. Get the pdf with the complete spare parts list





TEAM BAHRAIN VICTORIOUS



CABLE ROUTING SYSTEM

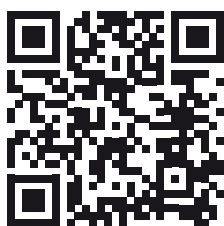
A L W A Y S A H E A D

FSA is proud to present new cable routing systems for road, aero and mtb bikes. This innovative patented system, unique to FSA and VISION, is a combination of our knowledge bases in both headset and cockpit development and manufacturing, plus our history in aerodynamic development and design. The result is a clean, integrated and aerodynamic cable routing solution for frame and bicycle brands.

CABLE ROUTING SYSTEM CHART

ACR	ICR	SMR	SCR	SRS
FSA & VISION	FSA	FSA	FSA	FSA
DESIGN FOR OEM	DESIGN FOR OEM	DESIGN FOR OEM	DESIGN FOR OEM & AFTERMARKET	DESIGN FOR OEM AFTERMARKET
SPECIFIC FRAME AND ACR HS REQUIRED	SPECIFIC FRAME AND ACR HS REQUIRED	SPECIFIC FRAME* AND ACR HS REQUIRED	SUITABLE TO ALL FRAME	SPECIFIC FRAME* REQUIRED

*Fork steerer requires 7mm cable hole



DISCOVER MORE

ACR SYSTEM

AERODYNAMIC CABLE ROUTING

ACR System, a fully integrated Aerodynamic Cable Routing solution that routes all cables, wires and hoses internally, is available for FSA and VISION's top-of-the-line handlebars. This innovative patented system, unique to FSA and VISION, is a combination of our knowledge bases in both headset and cockpit development and manufacturing, plus our history in aerodynamic development and design. The result is a clean, integrated and aerodynamic cable routing solution for frame and bicycle brands.



The CORE of the ACR system is built around our headset and integrated cockpit (or stems) that easily allows brands a “plug-in” solution for clean and simple cable routing for their frames. By using standard headset dimensions, the system maintains frame strength and, by routing cables through the headset, it also safely preserves a round steering column. Additionally, brands have the flexibility to utilize a single frame design at a variety of spec levels simply by adjusting cockpit and headset selection.



ICR SYSTEM

INTEGRATED CABLE ROUTING

This system allows for up to 5 cables or hoses to run internally resulting in a clean, Integrated Cable Routing solution for frame and bicycle brands.

This innovative patented system is unique to FSA and is a combination of our knowledge bases in both headset and cockpit development and manufacturing. The result is a clean and integrated a cable routing solution for frame and bicycle brands. Designed for OEM (Original Equipment Manufacturer). Requires specific frame and ACR headset.



SMR SYSTEM

S M A R T C A B L E R O U T I N G

The FSA SMR System – Smart Cable Routing – is designed around a versatile stem and headset combination that allows for a variety of both integrated and semi-integrated cable routing. Utilizing FSA’s core knowledge base of both headset and cockpit components, the SMR system provides a “plug-in” solution for bike brands looking to internally route cables, wires and hoses from the cockpit into the frame. Compatible with electronic and mechanical shifting plus hydraulic and mechanical braking the SMR system truly is the most versatile and adaptable cable routing solution available on the market.

SMR
DESIGN FOR OEM
 (SPECIFIC FRAME AND
 ACR HS REQUIRED)



The SMR stem is adaptable for both full internal wiring from handlebar through the stem and headset into the frame or in a semi-integrated path with cables, wires and hoses routing underneath the stem and held by the SMR cover. While providing a sleek and aerodynamic shield, the length adjustable cover also allows for routing without stem removal provides a base for a variety of handlebar choices.



SCR SYSTEM

SEMI-INTEGRATED CABLE ROUTING

Semi-integrated cable routing for road and off-road bicycles. Cleanly routes electronic wiring through the handlebar and stem, and can adapt to any frame routing design. Brake cables/hoses route through handlebar only.



SCR
SUITABLE TO
ALL FRAME
(AM SOLUTION)

SRS SYSTEM

SIMPLE CABLE ROUTING

FSA offers economic cable routing solutions for any frame with 1.5 inch (upper and lower) headtube. Besides ACR and SMR, SRS (Simple Routing System) headset system allows all 1.5 inch headtubes to share the advantages of internal cable routing.



SRS
SUITABLE TO
ALL FRAME
(SPECIFIC FRAME AND
ACR HS REQUIRED)



ACR

Compatible with: K-Force Light ACR Compact, SL-K ACR Compact, Energy ACR Compact, K-Wing AGX and K-Wing AGX handlebars.

> NON-SERIES ACR STEM

- Aerodynamic Cable Routing (ACR)
- Low profile frontal area
- No rotation limit
- Body and faceplate - 6061 T6
- Chromoly hardware
- Specific ACR frame and headset required

SIZES

- -6° x L70, 80, 90, 100, 110, 120, 130, 140mm
- Ø31.8mm handlebar clamp diameter
- 30mm fork clamp stack height

FINISH

- Bead blasted anodized black

WEIGHT

- 235 grams (100mm)

CODE	TYPE
175-0034015030	ST ROAD NS ACR alloy -6° 70mm A9
175-0034016030	ST ROAD NS ACR alloy -6° 80mm A9
175-0034017030	ST ROAD NS ACR alloy -6° 90mm A9
175-0034018030	ST ROAD NS ACR alloy -6° 100mm A9
175-0034019030	ST ROAD NS ACR alloy -6° 110mm A9
175-0034020030	ST ROAD NS ACR alloy -6° 120mm A9
175-0034021030	ST ROAD NS ACR alloy -6° 130mm A9
175-0034022030	ST ROAD NS ACR alloy -6° 140mm A9



ICR

Compatible with: FSA ICR Flat/Riser handlebar

> NON-SERIES ICR STEM

- Low profile frontal area
- No rotation limit
- 3D Forged and CNC machined AL6061
- Chromoly hardware
- Specific ICR frame and headset required

SIZES

- -10° x L50, 70mm
- Ø31.8mm handlebar clamp diameter
- 45mm fork clamp stack height

FINISH

- Fine blasted anodized black, laser graphics

WEIGHT

- 210 grams (50mm)
- 230 grams (70mm)

CODE	TYPE
175-0038094050	ST MTB NS ICR alloy 50mm -10° A0
175-0038033050	ST MTB NS ICR alloy 70mm -10° V18



10mm

5mm

> ACR SPACER

- Compatible only with ACR system

CODE	TYPE
670-0259000110	STSP SPACER KIT ACR 1x5mm+2x10mm MW010/011
67000260000110	STSP ACR Spacer 10mm w/o logo MW011
67000263000110	STSP ACR Spacer 5mm w/o logo MW010
670-0264000110	STSP ROAD NS ACR Base Stem Spacer MW672

> ACR BMC CONE SPACER

ACCESSORIES

- ACR cone spacer for BMC SLR01
- A fully integrated cable routing

WEIGHT

- 10.6 grams



CODE	TYPE
160-0167000110	HSSP CONE SPACER ACR to BMC SLR01 H2612

> ACR SPECIALIZED CONE SPACER

ACCESSORIES

- ACR cone spacer for SPECIALIZED TARMAC SL7
- A fully integrated cable routing

WEIGHT

- 10.8 grams



CODE	TYPE
160-0168000110	HSSP CONE SPACER ACR to SPECY SL7 H2613

> ACR TREK CONE SPACER

ACCESSORIES

- ACR cone spacer for TREK EMONDA
- A fully integrated cable routing

WEIGHT

- 23.5 grams



CODE	TYPE
160-0153000870	HSSP CONE SPACER ACR to TREK EMONDA H2593

> ACR PINARELLO CONE SPACER

ACCESSORIES

- ACR cone spacer for PINARELLO F12
- A fully integrated cable routing

WEIGHT

- 15 grams



CODE	TYPE
160-0169000110	HSSP CONE SPACER ACR to PINA F12 H2594

> ACR CERVELO CONE SPACER

ACCESSORIES

- ACR cone spacer for CERVELO CALEDONIA
- A fully integrated cable routing

WEIGHT

- 15 grams



CODE	TYPE
160-0173000110	HSSP CONE SPACER ACR to CERVELO CALEDONIA H2616

> NO.55R 1.5" ACR HEADSET



ACR Compressor

- Specific ACR frame required
- A fully integrated cable routing
- Stem: ACR or ICR
- Angular contact bearing

SIZES

- 1.5" headtube
- 36° / 45° ACB, 1-1/8" to 1.5" tapered fork
- For 55.8mm OD head tube
- Stack height 10.4+0.5=10.9

WEIGHT

- 92 grams

CODE	TYPE
130-002000010	HS NO.55R ACR w/TH-894-1
160-007700060	HSSP Compressor ACR TH-894-1/ACR SB Silver

> NO.55R 1.5"-2 RETROFIT HEADSET



- Specific ACR frame required
- Stem: standard
- Angular contact bearing

SIZES

- 1.5" headtube
- 36° / 45° ACB, 1-1/8" to 1.5" tapered fork
- For 55.8mm OD head tube
- Stack height 6.5+0.5=7

WEIGHT

- 101.4 grams

CODE	TYPE
130-002200010	HS NO.55R/558 1.5 ACR RETROFIT w/TH-874-1

> NO.69 SRS HEADSET



- Simple Cable Routing (SRS)
- Internal cable routing
- Stem: SRS
- Angular contact bearing

SIZES

- 36° / 45° ACB, 1-1/8" to 1.5" tapered fork
- For 55.8mm OD head tube
- Stack height 10.4+0.5=10.9

WEIGHT

- 94 grams

CODE	TYPE
130-0025018010	HS NO.69 SRS w/TH-874-1

> NON-SERIES SMR STEM

- Smart Cable Routing (SMR)
- 3D forged and CNC machined AL6061
- Alloy faceplate
- Chromoly hardware

SIZES

- -6° x L90, 100, 110, 120, 130mm
- Ø31.8mm handlebar clamp diameter
- 33.5mm fork clamp stack height

FINISH

- Fine blasted anodized black

WEIGHT

- 268 grams (-6° x 100mm)



SMR

CODE	TYPE
175-0043015870	ST ROAD NS SMR alloy 70mm -6° B1
175-0043016870	ST ROAD NS SMR alloy 80mm -6° B1
175-0043062870	ST ROAD NS SMR alloy 90mm -6° B1
175-0043095870	ST ROAD NS SMR alloy 100mm -6° B1
175-0043098870	ST ROAD NS SMR alloy 110mm -6° B1
175-0043099870	ST ROAD NS SMR alloy 120mm -6° B1
175-0043100870	ST ROAD NS SMR alloy 130mm -6° B1

> NON-SERIES SMR 1-1/4 NEW22 STEM

- Smart Cable Routing (SMR)
- 3D forged and CNC machined AL6061
- Alloy faceplate
- Chromoly hardware

SIZES

- 0° x L80, 100, 120mm
- Ø31.8mm handlebar clamp diameter
- 33.5mm fork clamp stack height

FINISH

- Fine blasted anodized black

WEIGHT

- 281 grams (0° x 100mm)



SMR



Shim to adapt 1-1/4" stem to 1-1/8" steer tube

CODE	TYPE
17500051101871	ST AGX NS SMR alloy 80mm 0° 1-1/4 w/shim 1-1/8 A0
17500051102871	ST AGX NS SMR alloy 100mm 0° 1-1/4 w/shim 1-1/8 A0
17500051103871	ST AGX NS SMR alloy 120mm 0° 1-1/4 w/shim 1-1/8 A0

> SMR ADAPTER NEW22 CONE SPACER

- Nylon
- Adapts the SMR stem (semi-integrated cable routing) into ACR (integrated cable routing)



CODE	TYPE
175-0078000110	STSP CONE SPACER adapter SMR to ACR MW742



TEAM ATHERTON RACING



OFFROAD SERIES

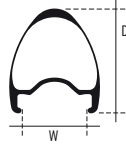
A L W A Y S A H E A D

Here at FSA, we create some of the world’s finest cycling components. An essential part of the development process is our close collaboration with top riders and teams from around the globe.

Team sponsorships are more than just a route to exposure for us, as working alongside our partners plays an essential role in our research and development for new products and technologies. If a component can’t perform at the cutting edge, then it’s simply not worth considering.

PRODUCT COMPARISON CHART

FSA	SHIMANO™	SRAM™
KFX	XTR	XX1 EAGLE / XX1
SL-K	XTR TRAIL	X01 EAGLE / X01
GRADIENT	SAINT	X01 DH / DESCENDANT
AFTERBURNER	XT	GX EAGLE / X1
GRID	ZEE	X1 / DESCENDANT
V-DRIVE	SLX	GX1400 / X7
COMET	DEORE	NX EAGLE / GX1200



RIM PROFILE



GRAVEL



CYCLOCROSS



XC RACE



MARATHON



WIDTH

DEPTH

WIDTH	DEPTH	Category
25MM	30MM	FSA KFX i25
25MM	30MM	FSA SL-K i25
21.5MM	25MM	FSA SL-K AGX i21
29MM	30MM	GRADIENT
30MM	23MM	GRADIENT
21.5MM	25MM	FSA AGX i21
25MM	30MM	AFTERBURNER
27MM	25MM	AFTERBURNER
27MM	25MM	GRID
25MM	30MM	FSA NON SERIES AGX i25
29MM	30MM	E-MTB
30MM	22MM	E-MTB



TRAIL



ENDURO



ALL MOUNTAIN



ASTM RIDING CONDITIONS CLASSIFICATIONS

	TRAIL	ENDURO	ALL MOUNTAIN	ASTM 1	ASTM 2	ASTM 3	ASTM 4	ASTM 5
KFX				1	2	3	4	5
SL-K				1	2	3	4	5
SL-K				1	2	3	4	5
FSA GRADIENT i29				1	2	3	4	5
FSA GRADIENT i30				1	2	3	4	5
AGX				1	2	3	4	5
FSA AFTERBURNER i25				1	2	3	4	5
FSA AFTERBURNER i27				1	2	3	4	5
FSA GRID i27				1	2	3	4	5
NON SERIES				1	2	3	4	5
FSA E-MTB CARBON i30				1	2	3	4	5
FSA E-MTB ALLOY i30				1	2	3	4	5

KFX OFFROAD SERIES

FSA is proud to launch the KFX range. Delivering a selection of unprecedented lightweight, stiff and performance driven MTB components that will take your Cross Country and Trail riding experience to the next level.



> KFX MODULAR 1x

BB392EVO CRANKSET

- Modular super light weight aluminium crank
- Forged and precision CNC machining with advanced bonding technology
- Forged AL7050 BB392EVO spindle
- AL7075 100% CNC chainrings
- Fits Shimano and SRAM 11-12 speed system

SIZES

- Length - 160mm, 165mm, 170mm, 175mm
- Chainrings - 38T, 36T, 34T, 32T, 30T, 28T
- QF / C.L. - 172mm / 52mm

FINISH

- Anodized black

WEIGHT

- 520 grams (30T)

CODE	TYPE
313-0362422011	CK MTB KFX Mod BB392 DM 1x 30T 165mm B1
313-0362423011	CK MTB KFX Mod BB392 DM 1x 30T 170mm B1
313-0362425011	CK MTB KFX Mod BB392 DM 1x 30T 175mm B1
313-0362432011	CK MTB KFX Mod BB392 DM 1x 32T 165mm B1
313-0362433011	CK MTB KFX Mod BB392 DM 1x 32T 170mm B1
313-0362435011	CK MTB KFX Mod BB392 DM 1x 32T 175mm B1
313-0362472011	CK MTB KFX Mod BB392 DM 1x 34T 165mm B1
313-0362473011	CK MTB KFX Mod BB392 DM 1x 34T 170mm B1
313-0362475011	CK MTB KFX Mod BB392 DM 1x 34T 175mm B1

CODE	TYPE
390-0027000600	CKSP QR-21 ME Self Extracting crank bolt



> KFX 12s ^{UPDATE22} CHAINRINGS

- BCD - Direct Mount
- Drivetrain - 12s
- Chain - Only Shimano 12s

CODE	TYPE
380-0515017050	CR MTB KFX DM MT 1x 38T SH12 WA851 B1
380-0514024050	CR MTB KFX DM MT 1x 36T SH12 WA850 B1
380-0513023050	CR MTB KFX DM MT 1x 34T SH12 WA849 B1
380-0512027050	CR MTB KFX DM MT 1x 32T SH12 WA848 B1
380-0511026050	CR MTB KFX DM MT 1x 30T SH12 WA847 B1
380-0510025050	CR MTB KFX DM MT 1x 28T SH12 WA846 B1

> KFX 11s CHAINRINGS

- BCD - Direct Mount
- Drivetrain - 9, 10, 11s
- Chain - Shimano 9, 10, 11s, SRAM Eagle 12s, FSA 11s

CODE	TYPE
380-0454017050	CR MTB KFX DM MT 1x 38T WA718
380-0453024050	CR MTB KFX DM MT 1x 36T WA717
380-0452023050	CR MTB KFX DM MT 1x 34T WA716
380-0451027050	CR MTB KFX DM MT 1x 32T WA715
380-0450026050	CR MTB KFX DM MT 1x 30T WA442
380-0458025050	CR MTB KFX DM MT 1x 28T WA714

> KFX FLAT HANDLEBAR

- Integrated Cable Routing (ICR)
- Carbon composite construction
- Full-width flat-top design (patent pending)
- Reinforced brake-lever and bar-end zones
- Reinforced and textured stem clamp zone
- Compatible with Di2 systems

SIZES

- Ø31.8mm x W700, 760mm
- 0mm rise
- 9° back sweep, 4° up sweep

FINISH

- UD carbon finish
- Color graphics - black and silver

WEIGHT

- 160 grams (700mm/Di2)



ICR



Di2 Compatible

CODE	TYPE
180-0046081030	HB MTB KFX flat ICR carbon 700mm A0
180-0046088030	HB MTB KFX flat ICR carbon 760mm A0

> KFX LOW RISER HANDLEBAR

- Integrated Cable Routing (ICR)
- Carbon composite construction
- Reinforced brake-lever and bar-end zones
- Reinforced and textured stem clamp zone

SIZES

- Ø31.8mm x W700, 760mm
- 18mm rise
- 9° back sweep, 4° up sweep

FINISH

- UD carbon finish
- Color graphics - black and silver

WEIGHT

- 174 grams (700mm)



ICR



CODE	TYPE
180-0047066030	HB MTB KFX riser carbon Di2 18x700mm A0
180-0047087030	HB MTB KFX riser carbon Di2 18x760mm A0

> **KFX SIC NEW22**
INTEGRATED HANDLEBAR

- Integrated Cable Routing (ICR)
- Carbon composite construction
- Integrated handlebar and stem design
- Stable Integrated Cockpit (SIC)
- Fixed geometry to maximize stiffness and light weight
- Headtube Angle 69
- Includes top cap with integrated quarter turn computer mount

SIZES

- -12° x L65 x 780mm
- Ø31.8mm handlebar clamp diameter
- 5mm rise
- 9° back sweep, 5° up sweep

FINISH

- UD carbon finish
- Color graphics - black and silver

WEIGHT

- 265 grams



ICR



CODE	TYPE
180-0054019030	HB MTB KFX SiC Integrated ICR carbon 65x780mm B2

> **KFX -12°**
STEM

- 3D forged and CNC machined AL2014
- Stem and Face Plate - Carbon structural Integration (CSI)
- Titanium hardware

SIZES

- -12° x L60, 70, 80, 90, 100, 110, 120, 130, 140mm
- Ø31.8mm handlebar clamp diameter
- 34mm fork clamp stack height

FINISH

- UD carbon finish
- Color graphics - black and silver

WEIGHT

- 123 grams (80mm)



CODE	TYPE
175-0042063030	ST MTB KFX Carbon CSI 60mm -12° A0
175-0042064030	ST MTB KFX Carbon CSI 70mm -12° A0
175-0042065030	ST MTB KFX Carbon CSI 80mm -12° A0
175-0042066030	ST MTB KFX Carbon CSI 90mm -12° A0
175-0042067030	ST MTB KFX Carbon CSI 100mm -12° A0
175-0042068030	ST MTB KFX Carbon CSI 110mm -12° A0
175-0042069030	ST MTB KFX Carbon CSI 120mm -12° A0
175-0042082030	ST MTB KFX Carbon CSI 130mm -12° A0
175-0042093030	ST MTB KFX Carbon CSI 140mm -12° A0

> KFX SBO SEATPOST

- Forged alloy Minimal Top Clamp (MTC)
- Zero setback for forward saddle placement
- One piece continuous carbon fiber construction
- M5 chromoly hardware

SIZES

- L350, 400mm x Ø27.2, Ø31.6mm
- Zero Setback
- Fits Ø7mm standard rails and 7x9mm oval rails

FINISH

- UD carbon finish
- Color graphics - black and silver

WEIGHT

- 181 grams (Ø27.2 x 350mm)

CODE	TYPE
192-0075029030	SP MTB KFX MTC carbon SBO 31.6x400mm A0
192-0075033030	SP MTB KFX MTC carbon SBO 27.2x400mm A0

Plastic sleeve adapter available also separately

CODE	ACCESSORIES
192-0016000110	SPSP Sleeve K-FORCE/WE/SL-K 31.6mm E0536
192-0019000110	SPSP Sleeve SL-K 27.2mm E0537



w/ drive train battery adapter
Removable plastic sleeve

> KFX SB25 SEATPOST

- Forged alloy Minimal Top Clamp (MTC)
- One piece continuous carbon fiber construction
- M5 chromoly hardware

SIZES

- L350, 400mm x Ø27.2, Ø31.6mm
- 25mm Setback
- Fits Ø7mm standard rails and 7x9mm oval rails

FINISH

- UD carbon finish
- Color graphics - black and silver

WEIGHT

- 193 grams (Ø27.2 x 350mm)

CODE	TYPE
192-0078029030	SP MTB KFX MTC carbon SB25 31.6x400mm B1
192-0078033030	SP MTB KFX MTC carbon SB25 27.2x400mm B1

Plastic sleeve adapter available also separately

CODE	ACCESSORIES
192-0016000110	SPSP Sleeve K-FORCE/WE/SL-K 31.6mm E0536
192-0019000110	SPSP Sleeve SL-K 27.2mm E0537



w/ drive train battery adapter
Removable plastic sleeve



> KFX i25 WHEELSET

- Asymmetric carbon rim
- 30mm depth rim
- 25mm wide rim (inner)
- 30mm wide rim (outer)
- Tubeless compatible
- Available in 650B (27.5") and 700C (29")
- Alloy P. R. A. hubs for direct pull spokes
- Centerlock rotor mount
- Front hub with TA-15 x 110mm axle compatibility
- Rear hub with TA-12 x 148mm axle compatibility
- 7 sealed cartridge bearings
- 2-cross double butted aero spokes with brass nipples
- Artisan built, entirely by hand
- Includes tubeless valves (1 pair), FSA tubeless tape and spoke protector

FREEHUB

- 6-pawl aluminum
- SMN 9-11speed and SRAM 9-10speed
- SMN MicroSpline 12speed
- SRAM XD 11-12speed

FINISH

- Color graphics - gray

WEIGHT FROM

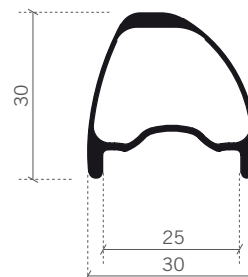
- 1,566 grams / pair (29")
- 1,488 grams / pair (27.5")

CODE	TYPE
720-0056181030	WH Set MTB KFX i25 148 29" SH11 B1
720-0056181031	WH Set MTB KFX i25 148 29" SH12 B1
720-0056186030	WH Set MTB KFX i25 148 29" XD B1
720-0057171032	WH Set MTB KFX i25 148 27.5" SH11 B1
720-0057171031	WH Set MTB KFX i25 148 27.5" SH12 B1
720-0057176032	WH Set MTB KFX i25 148 27.5" XD B1



CODE	TYPE
752-0424000000	Freehub SH11 (3 Bearings) U2056/U2101 EL291
752-0425000000	Freehub XD (3 Bearings) U5056/U5101 EL292
752-0784000000	Freehub MTB 12S Microspline End Cap DS w/Spn EL366

TUBELESS READY



INTENDED USE

ASTM





TEAM SANTACRUZ FSA

FREEDOM AT ITS FASTEST

FSA is proud to launch the KFX range. Delivering a selection of unprecedented lightweight, stiff and performance driven MTB components that will take your Cross Country and Trail riding experience to the next level. At the pinnacle of the group is the KFX two-piece crankset – an engineering masterpiece crafted utilizing a cutting-edge 4.5 axis CNC machine.

KFX

FULLSPEEDAHEAD.COM
#FSAMTB #ALWAYS AHEAD

FSA
FULL SPEED AHEAD

SL-K OFFROAD SERIES

SL-K is the choice of professional racers and enthusiast-level riders alike. SL-K products offer the best combinations of lightweight, strength and advanced technology for the serious athlete who relies on their bike to perform without compromise.



> SL-K MODULAR 1x

BB392EVO CRANKSET

- Convertible spider design
- Hollow carbon composite arms with UD finish
- 30mm forged AL7050 BB392EVO spindle
- AL7075 100% CNC chainrings
- Thick-Thin tooth design for maximum chain engagement
- Fits Shimano and SRAM 11-12 speed system

SIZES

- Length - 160mm, 165mm, 170mm, 175mm
- Chainrings - 38T, 36T, 34T, 32T, 30T, 28T

FINISH

- UD carbon arms
- Color graphics options - grey

WEIGHT

- 517 grams (30T x 170mm)

CODE	TYPE
313-0257423030	CK MTB SL-K Mod BB392 DM 1x 30T 170mm V17
313-0257425030	CK MTB SL-K Mod BB392 DM 1x 30T 175mm V17
313-0257433030	CK MTB SL-K Mod BB392 DM 1x 32T 170mm V17
313-0257435030	CK MTB SL-K Mod BB392 DM 1x 32T 175mm V17
313-0257475030	CK MTB SL-K Mod BB392 DM 1x 34T 175mm V17

CODE	TYPE
390-0028000601	CKSP QR-19 Self Extracting crank bolt PBOX/WE/mod

> SL-K 12s ^{UPDATE22} CHAINRINGS

- BCD - Direct Mount
- Drivetrain - 12s
- Chain - Only Shimano 12s



CODE	TYPE
380-0542017090	CR MTB SL-K DM MT 1x 38T SH12 WA811
380-0541024090	CR MTB SL-K DM MT 1x 36T SH12 WA810
380-0540023090	CR MTB SL-K DM MT 1x 34T SH12 WA809
380-0539027090	CR MTB SL-K DM MT 1x 32T SH12 WA808
380-0538026090	CR MTB SL-K DM MT 1x 30T SH12 WA807
380-0537025090	CR MTB SL-K DM MT 1x 28T SH12 WA806

> SL-K 11s CHAINRINGS

- BCD - Direct Mount
- Drivetrain - 9, 10, 11s
- Chain - Shimano 9, 10, 11s, SRAM Eagle 12s, FSA 11s

CODE	TYPE
380-0229017090	CR MTB SL-K DM MT 1x 38T WA052 V17
380-0230024090	CR MTB SL-K DM MT 1x 36T WA051 V17
380-0231023090	CR MTB SL-K DM MT 1x 34T WA048 V17
380-0232027090	CR MTB SL-K DM MT 1x 32T WA046 V17
380-0235026090	CR MTB SL-K DM MT 1x 30T WA045 V17
380-0234025090	CR MTB SL-K DM MT 1x 28T WA044 V17

> SL-K MODULAR 2x

BB392EVO CRANKSET

- Convertible spider design
- Hollow carbon composite arms with UD finish
- Forged and then CNC machined AL6061 spider
- 30mm forged AL7050 BB392EVO spindle
- AL7075 100% CNC chainrings
- Chromoly chainring bolts
- Fits Shimano and SRAM 11 speed system

SIZES

- Length - 165mm, 170mm, 175mm
- BCD - 96/68mm
- Chainrings - 38/28T, 38/24T, 36/26T, 36/24T, 36/22T

FINISH

- UD carbon arms
- Color graphics options - grey

WEIGHT

- 581 grams (36/24T x 170mm)

CODE	TYPE
313-0258753030	CK MTB SL-K Mod BB392 36x26T 170mm M11 V17
313-0258755030	CK MTB SL-K Mod BB392 36x26T 175mm M11 V17
313-0258AI5030	CK MTB SL-K Mod BB392 38x28T 175mm M11 V17
313-0258AU3030	CK MTB SL-K Mod BB392 38x24T 170mm M11 V17
313-0258AU5030	CK MTB SL-K Mod BB392 38x24T 175mm M11 V17

CODE	TYPE
390-0028000601	CKSP QR-19 Self Extracting crank bolt PBOX/WE/mod



QR-19

> FSA 2x

SPIDER

- BCD - 96/68mm

CODE	TYPE
38000241000050	CRSP SL-K MTB Modular spider 2x 96/68 W0107



> SL-K SL-K 2x

CHAINRINGS

- BCD - 96/68mm
- Holes - 4
- Drivetrain - 9, 10, 11s

CODE	TYPE
380-0239004010	CR MTB SL-K 96x38T (28) M11/D10 WB029 V17
380-0236004010	CR MTB SL-K 96x38T (24) M11/D10 WB026 V17
380-0238003010	CR MTB SL-K 96x36T (24) M11/D10 WB028 V17
380-0237003010	CR MTB SL-K 96x36T (22) M11/D10 WB027 V17
380-0170001050	CR MTB alloy 68x22T M11/D10 WC086 V17
380-0169002050	CR MTB SL-K/AFTB/PBOX 68x24T M11/D10 WC085
380-0171004050	CR MTB alloy 68x28T M11/D10 WC087 V17
390-0043000150	CRSP Chainring BOLT KIT 4+4 ML163+ML121



> SL-K PRO FLAT HANDLEBAR

- Carbon composite construction
- Full-width flat-top design (patent pending)
- Compatible with Di2 systems

SIZES

- Ø31.8 x W740mm
- 0mm rise
- 9° Back sweep, 4° up sweep

FINISH

- UD carbon finish
- Color graphics - black

WEIGHT

- 193 grams (740mm)



CODE	TYPE
180-0051064030	HB MTB SL-K PRO flat carbon 740mm B1

> SL-K PRO LOW RISER HANDLEBAR

- Carbon composite construction
- Compatible with Di2 systems

SIZES

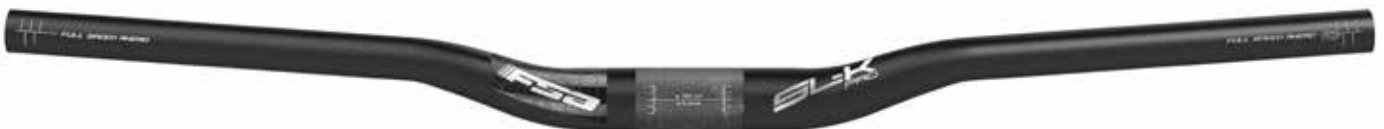
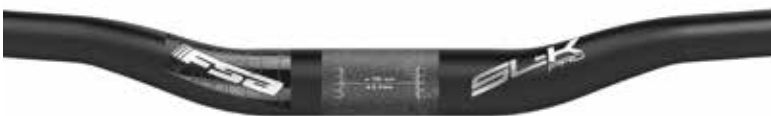
- Ø31.8 x W760mm
- 18mm rise
- 9° Back sweep, 4° up sweep

FINISH

- UD carbon finish
- Color graphics - black

WEIGHT

- 196 grams (760mm)



CODE	TYPE
180-0050087031	HB MTB SL-K PRO riser carbon 18x760mm Di2 B1

> SL-K FLAT HANDLEBAR

- UD carbon and AL6066 material
- Carbon Structural Integration (CSI)
- Textured stem clamp zone

SIZES

- Ø31.8 x W700, 740mm
- 0mm rise
- 9° Back sweep, 4° up sweep

FINISH

- UD carbon finish
- Color graphics - black

WEIGHT

- 200 grams (700mm)
- 215 grams (740mm)



CODE	TYPE
180-0033064030	HB MTB SL-K flat carbon CSI 740mm A0
180-0033081030	HB MTB SL-K flat carbon CSI 700mm A0

> SL-K LOW RISER HANDLEBAR

- UD carbon and AL6066 material
- Carbon Structural Integration (CSI)
- Textured stem clamp zone

SIZES

- Ø31.8 x W760mm
- 18mm rise
- 9° back sweep, 4° up sweep

FINISH

- UD carbon finish
- Color graphics - black

WEIGHT

- 237 grams (760mm)



CODE	TYPE
180-0042087030	HB MTB SL-K riser carbon CSI 18x760mm A9



> SL-K -12° STEM

- 3D forged and CNC machined AL2014
- Face Plate - Carbon structural Integration (CSI)
- Chromoly hardware

SIZES

- -12° x L60, 70, 80, 90, 100, 110, 120, 130, 140mm
- Ø31.8mm handlebar clamp diameter
- 34mm fork clamp stack height

FINISH

- Anodized black
- Color graphics options - black

WEIGHT

- 130 grams (100mm)

CODE	TYPE
175-0031094970	ST MTB SL-K alloy 60mm -12° A0
175-0031091970	ST MTB SL-K alloy 70mm -12° A0
175-0031093970	ST MTB SL-K alloy 80mm -12° A0
175-0031092970	ST MTB SL-K alloy 90mm -12° A0
175-0031070970	ST MTB SL-K alloy 100mm -12° A0
175-0031071970	ST MTB SL-K alloy 110mm -12° A0
175-0031072970	ST MTB SL-K alloy 120mm -12° A0
175-0031073970	ST MTB SL-K alloy 130mm -12° A0
175-0031061970	ST MTB SL-K alloy 140mm -12° A0



> SL-K DROP STEM

- Flat head stem with aggressive drop
- 2D forged and CNC machined from AL2014
- 4-bolt cold-forged alloy faceplate
- Chromoly hardware

SIZES

- -20° x L50, 60, 70, 80, 90, 100, 110, 120mm
- Ø31.8mm handlebar clamp diameter
- 28mm fork clamp stack height

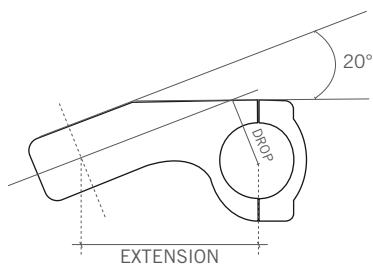
FINISH

- Anodized black
- Color graphics options - black

WEIGHT

- 162 grams (80mm)

LENGTH	DROP
120 mm	-39.5
110 mm	-37
100 mm	-35.5
90 mm	-32
80 mm	-29.5
70 mm	-27
60 mm	-25.5
50 mm	-22



CODE	TYPE
175-0028074010	ST MTB SL-K alloy 50mm -20° A0
175-0028075010	ST MTB SL-K alloy 60mm -20° A0
175-0028076010	ST MTB SL-K alloy 70mm -20° A0
175-0028077010	ST MTB SL-K alloy 80mm -20° A0
175-0028078010	ST MTB SL-K alloy 90mm -20° A0
175-0028079010	ST MTB SL-K alloy 100mm -20° A0
175-0028080010	ST MTB SL-K alloy 110mm -20° A0
175-0028081010	ST MTB SL-K alloy 120mm -20° A0

> SL-K ITC SBO/15

SEATPOST

- UD carbon shaft with bonded alloy head
- Forged alloy ITC (Independent Top Clamp)
- Chromoly hardware

SIZES

- L350mm x Ø27.2mm
- L400mm x Ø31.6mm
- 0mm/15mm setback
- Fits Ø7mm standard rails and 7x9mm oval rails

FINISH

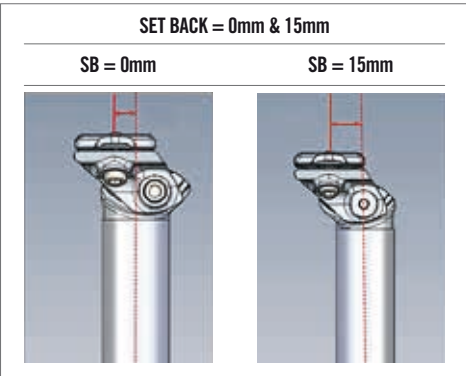
- UD carbon finish
- Color graphics options - black

WEIGHT

- 230 grams (Ø27.2 x 350mm)



ITC SPECIFICS



To obtain the different SETBACK rotate 180° the seatpost and swap the top clamp



CODE	TYPE
192-0069001030	SP SL-K MTB ITC carbon SBO 27.2x350mm V19
192-0069029030	SP SL-K MTB ITC carbon SBO 31.6x400mm V19

> SL-K SBO

SEATPOST

- UD carbon shaft with bonded alloy head
- Forged alloy MTC (Minimal Top Clamp)
- Chromoly hardware

SIZES

- L400mm x Ø27.2, Ø30.9, Ø31.6mm
- L350mm x Ø25.4, Ø27.2, Ø31.6mm
- Zero setback
- Fits Ø7mm standard rails and 7x9mm oval rails

FINISH

- UD carbon finish
- Color graphics options - black

WEIGHT

- 222 grams (Ø27.2 x 350mm)



CODE	TYPE	
192-0059001030	SP MTB SL-K MTC carbon SBO 31.6x350mm A9	Not for EU
192-0059005030	SP MTB SL-K MTC carbon SBO 27.2x350mm A9	Not for EU
192-0059029030	SP MTB SL-K MTC carbon SBO 31.6x400mm A0	
192-0059034030	SP MTB SL-K MTC carbon SBO 30.9x400mm A9	
192-0059033030	SP MTB SL-K MTC carbon SBO 27.2x400mm A0	
192-0059039030	SP MTB SL-K MTC carbon SBO 25.4x350mm A9	



> SL-K i25 WHEELSET

- Asymmetric carbon rim
- 30mm depth rim
- 25mm wide rim (inner)
- 30mm wide rim (outer)
- Tubeless compatible
- Available in 650B (27.5") and 700C (29")
- Alloy P. R. A. hubs for direct pull spokes
- ISO 6-Bolts rotor mount
- Front hub with TA-15 x 110mm axle compatibility
- Rear hub with TA-12 x 148mm axle compatibility
- 6 sealed cartridge bearings
- 2-cross double butted aero spokes with brass nipples
- Artisan built, entirely by hand
- Includes tubeless valves (1 pair), FSA tubeless tape and spoke protector

FREEHUB

- 6-pawl aluminum
- SMN 9-11speed and SRAM 9-10speed
- SMN MicroSpline 12speed
- SRAM XD 11-12speed

FINISH

- Color graphics - gray

WEIGHT FROM

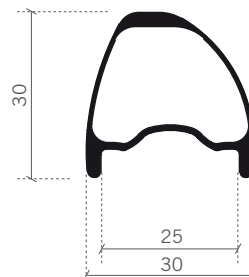
- 1,602 grams / pair (29")
- 1,548 grams / pair (27.5")

CODE	TYPE
720-0041181030	WH Set MTB SL-K i25 148 29" SH TA/QR A9
720-0041181031	WH Set MTB SL-K i25 148 29" SH12 TA/QR A9
720-0041186030	WH Set MTB SL-K i25 148 29" XD TA/QR A9
720-0043171030	WH Set MTB SL-K i25 148 27.5" SH TA/QR A9
720-0043171031	WH Set MTB SL-K i25 148 27.5" SH12 TA/QR A9
720-0041176030	WH Set MTB SL-K i25 148 27.5" XD TA/QR A9



CODE	TYPE
752-0424000000	Freehub SH11 (3 Bearings) U2056/U2101 EL291
752-0425000000	Freehub XD (3 Bearings) U5056/U5101 EL292
752-0784000000	Freehub MTB 12S Microspline End Cap DS w/Spn EL366

TUBELESS READY



INTENDED USE



ASTM





TEAM KROSS

FREEDOM AT ITS FASTEST

At FSA we create some of the world's finest cycling components and an essential part of the development process is our close collaboration with the world's finest riders and teams. For us, sponsorships are more than just a route for exposure: working alongside our partners is an essential part of our research and development for our new products and technologies. If something can't perform at the cutting edge, then it simply won't perform off it.

FULLSPEEDAHEAD.COM
#FSAMTB #ALWAYS AHEAD

FSA
FULL SPEED AHEAD

GRADIENT OFFROAD SERIES

Gradient is FSA's Trail / Enduro Line for those of you that like to crank it up the trail, and flow the single track back down.



> GRADIENT MODULAR 1x

BB392EVO CRANKSET

- Suitable for Trail to Dh
- Dh spindle - 83mm
- Thick-Thin tooth design for maximum chain engagement
- Fits Shimano and SRAM 11-12 speed system

SIZES

- Length - 165mm, 170mm, 175mm
- Chainrings - 38T, 36T, 34T, 32T, 30T, 28T

FINISH

- Bead blasted anodized black arms
- Laser graphics

WEIGHT

- 628 grams (30T x 170mm)

CODE	TYPE
313-0293012051	CK MTB GRADIENT Mod BB83 DM 1x 36T 165mm V18
313-0263433050	CK MTB GRADIENT Mod DM 1x 32T 170mm V18
313-0263435050	CK MTB GRADIENT Mod DM 1x 32T 175mm V18

CODE	TYPE
390-0027000600	CKSP QR-21 ME Self Extracting crank bolt

> GRADIENT 12s UPDATE22 CHAINRINGS

- BCD - Direct Mount
- Drivetrain - 12s
- Chain - Only Shimano 12s



CODE	TYPE
380-0536017050	CR MTB GRADIENT DM MT 1x 38T SH12 WA817
380-0535024050	CR MTB GRADIENT DM MT 1x 36T SH12 WA816
380-0534023050	CR MTB GRADIENT DM MT 1x 34T SH12 WA815
380-0533027050	CR MTB GRADIENT DM MT 1x 32T SH12 WA814
380-0532026050	CR MTB GRADIENT DM MT 1x 30T SH12 WA813
380-0531025050	CR MTB GRADIENT DM MT 1x 28T SH12 WA812

> GRADIENT 11s CHAINRINGS

- BCD - Direct Mount
- Drivetrain - 9, 10, 11s
- Chain - Shimano 9, 10, 11s, SRAM Eagle 12s, FSA 11s

CODE	TYPE
380-0209017050	CR MTB GRADIENT DM MT 1x 38T WA092
380-0210024050	CR MTB GRADIENT DM MT 1x 36T WA089
380-0211023050	CR MTB GRADIENT DM MT 1x 34T WA086
380-0212027050	CR MTB GRADIENT DM MT 1x 32T WA082
380-0213026050	CR MTB GRADIENT DM MT 1x 30T WA081B
380-0214025050	CR MTB GRADIENT DM MT 1x 28T WA080B

> GRADIENT TEAM LTD Ø35 STEM

- 100% CNC machined
- CNC Faceplate
- No Gap design
- Nickel plated hardware

SIZES

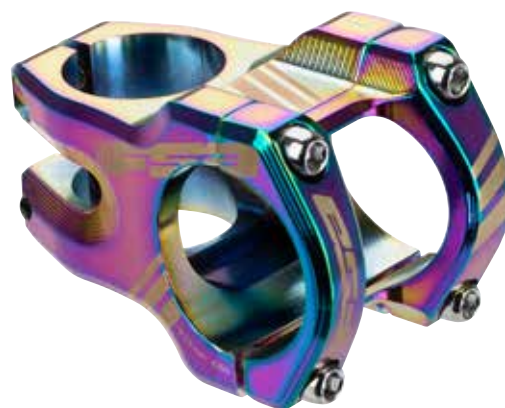
- 0° x L32, 40, 50mm
- Ø35mm handlebar clamp
- 35mm fork clamp stack height

FINISH

- Laser etch team logo and graphics

WEIGHT

- 122 grams (L35mm)
- 157 grams (L50mm)



CODE	TYPE
175-0055097AC0	ST MTB TEAM LTD 50mm 0° Ø35 Oil Slick B1
175-0055104AC0	ST MTB TEAM LTD 40mm 0° Ø35 Oil Slick B1
175-0055105AC0	ST MTB TEAM LTD 32mm 0° Ø35 Oil Slick B1

> GRADIENT TEAM LTD DIRECT MOUNT Ø35 STEM **NEW22**

- CNC machined
- Unique 2pc faceplate design

SIZES

- Length: 45mm
- Extra wide 68mm clamp
- 0mm rise w/o spacer
- 5mm rise w/spacer
- Ø35mm handlebar clamp
- Direct Mount stem

FINISH

- Oil slick and sand blasted black anodized

WEIGHT

- 173 grams (Ø35x45mm w/Spacer)
- 153 grams (Ø35x45mm w/o Spacer)



CODE	TYPE
170-0008044050	ST MTB GRADIENT DM alloy 45mm +5° Ø35 Oil Slick B2

> GRADIENT TEAM LTD DIRECT CONNECT SPACER **NEW22**

- Alloy
- 5mm

WEIGHT

- 20 grams

CODE	TYPE
175-0079000050	STSP MTB GRADIENT DM Spacer 5mm MW067





> GRADIENT Ø35 STEM

- 3D forged then CNC machined
- 4 bolt AL2014 faceplate
- CNC Faceplate
- Chromoly bolts
- No Gap design

SIZES

- +6° x L35, 50mm
- Ø35mm handlebar clamp
- 40mm fork clamp stack height

FINISH

- Bead blasted anodized black

WEIGHT

- 123 grams (L35mm)
- 157 grams (L50mm)

CODE	TYPE
175-0039001050	ST MTB GRADIENT alloy 35mm +6° Ø35 A0
175-0039003050	ST MTB GRADIENT alloy 50mm +6° Ø35 A0

> GRADIENT CARBON Ø35 RISER 30 HANDLEBAR

- Carbon composite construction
- Reinforced and texture clamping areas

SIZES

- Ø35 x W800mm
- 30mm rise
- 8° back sweep x 5° up sweep x 10mm setback

FINISH

- UD carbon finish
- Color graphics

WEIGHT

- 260 grams



CODE	TYPE
180-0045096030	HB MTB GRADIENT riser carbon 30x800mm Ø35mm A0

> GRADIENT CARBON Ø35 RISER 20 HANDLEBAR

- Carbon composite construction
- Reinforced and texture clamping areas

SIZES

- Ø35 x W800mm
- 20mm rise
- 8° back sweep x 5° up sweep x 10mm setback

FINISH

- UD carbon finish
- Color graphics

WEIGHT

- 250 grams



CODE	TYPE
180-0044086030	HB MTB GRADIENT riser carbon 20x800mm Ø35mm A0

> GRADIENT HB STICKER

ACCESSORIES

- Compatible with Gradient Carbon Ø35 Handlebar
- FINISH**
- Colors - Blue, Green, Red, Oil Slick

CODE	TYPE
995-0010000000	HBSP Sticker Gradient Handlebar BLUE
995-0010000001	HBSP Sticker Gradient Handlebar RED
995-0010000002	HBSP Sticker Gradient Handlebar GREEN
995-0010000003	HBSP Sticker Gradient Handlebar OIL SLICK



> GRADIENT ALLOY Ø35 RISER 25 ^{NEW22}

HANDLEBAR

- Flattened bends using butting and stamping
- Unique and bold design not seen in aluminum handlebars

SIZES

- Ø35 x W800mm
- 25mm rise
- 8° back sweep x 5° up sweep x 10mm setback

FINISH

- Polished black
- Color graphics

WEIGHT

- 330 grams



CODE	TYPE
180-0060098050	HB MTB GRADIENT riser alloy 25x800 Ø35mm B2

> GRADIENT ALLOY Ø35 RISER 40 ^{NEW22}

HANDLEBAR

- Flattened bends using butting and stamping
- Unique and bold design not seen in aluminum handlebars

SIZES

- Ø35 x W800mm
- 40mm rise
- 8° back sweep x 5° up sweep x 10mm setback

FINISH

- Polished black
- Color graphics

WEIGHT

- 335 grams



CODE	TYPE
180-00610AF050	HB MTB GRADIENT riser alloy 40x800 Ø35mm B2



> GRADIENT STEM

- 3D forged and CNC machined from AL2014
- 4 bolt AL2014 faceplate

SIZES

- +6° x L45, 60mm
- Ø31.8mm handlebar clamp
- 40mm fork clamp stack height

FINISH

- Bead blasted anodized black

WEIGHT

- 145 grams (L45mm)

CODE	TYPE
170-0009002050	ST MTB GRADIENT alloy 45mm +6° V18
170-0009004050	ST MTB GRADIENT alloy 60mm +6° V18



> GRADIENT STEM DIRECT CONNECT

- Forged and CNC machined from AL6061
- 4 bolt AL6061 faceplate

SIZES

- +5° x L45mm
- Boxer mount standard
- Ø31.8mm handlebar clamp
- 8.5mm stack height

FINISH

- Bead blasted anodized black
- CNC surfaces

WEIGHT

- 118 grams

CODE	TYPE
170-0010044050	ST MTB GRADIENT DM alloy 45mm +5° V18



> GRADIENT HANDLEBAR CARBON RISER 20

- Light enough for XC, but strong enough for Freeride
- Carbon composite construction
- Reinforced and texture clamping areas

SIZES

- Ø31.8 x W800mm
- 20mm rise
- 8° back sweep x 5° up sweep

FINISH

- UD carbon finish
- Color graphics

WEIGHT

- 220 grams



CODE	TYPE
180-0040094030	HB MTB GRADIENT riser carbon 20x800mm A0

> GRADIENT CARBON RISER 30

HANDLEBAR

- Light enough for XC, but strong enough for Freeride
- Carbon composite construction
- Reinforced and texture clamping areas

SIZES

- Ø31.8 x W800mm
- 30mm rise
- 8° back sweep x 5° up sweep

FINISH

- UD carbon finish
- Color graphics

WEIGHT

- 228 grams



CODE	TYPE
180-0041095030	HB MTB GRADIENT riser carbon 30x800mm A0

> GRADIENT ALLOY RISER 25

HANDLEBAR

- Shot-peened to increase surface hardness
- Triple butted and tapered AL7050/T6

SIZES

- Ø31.8 x W760, 800mm
- 25mm rise
- 9° back sweep x 6° up sweep x 15mm setback

FINISH

- Bead blasted anodized black with polished center
- Color graphics

WEIGHT

- 290 grams (25mm x 760mm)
- 295 grams (25mm x 800mm)



CODE	TYPE
180-0026083050	HB MTB GRADIENT riser alloy 25x760 V18
180-0027040050	HB MTB GRADIENT riser alloy 25x800 V18

> GRADIENT ALLOY RISER 40

HANDLEBAR

- Shot-peened to increase surface hardness
- Triple butted and tapered AL7050/T6

SIZES

- Ø31.8 x W800mm
- 40mm rise
- 9° back sweep x 6° up sweep x 15mm setback

FINISH

- Bead blasted anodized black with polished center
- Color graphics

WEIGHT

- 315 grams (40mm x 800mm)



CODE	TYPE
180-0028077050	HB MTB GRADIENT riser alloy 40x800 V18



Blue



Red



Green



Oil Slick

> GRADIENT WH STICKER

ACCESSORIES

- Compatible with Gradient Carbon wheelset

FINISH

- Colors - Blue, Green, Red, Oil Slick

CODE	TYPE
752-0823000000	WHSP Sticker Gradient WideR WHset 148 27.5" BLUE
752-0823000001	WHSP Sticker Gradient WideR WHset 148 27.5" RED
752-0823000002	WHSP Sticker Gradient WideR WHset 148 27.5" GREEN
752-0823000003	WHSP Sticker Gradient WideR WHset 148 27.5" OIL SLICK

CODE	TYPE
752-0824000000	WHSP Sticker Gradient WideR WHset 148 29" BLUE
752-0824000001	WHSP Sticker Gradient WideR WHset 148 29" RED
752-0824000002	WHSP Sticker Gradient WideR WHset 148 29" GREEN
752-0824000003	WHSP Sticker Gradient WideR WHset 148 29" OIL SLICK



DREAM BUILD

FREEDOM AT ITS FASTEST

Gradient is FSA's Trail / Enduro Line for those of you that like to crank it up the trail, and flow the single track back down. Since the introduction of Gradient in 2013, Gradient has been raising the standard on strength and lowering the weight of their trusted components. Look out for Gradient on a trail near you!

GRADIENT

FULLSPEEDAHEAD.COM
#FSAMTB #ALWAYS AHEAD

FSA
FULL SPEED AHEAD



> GRADIENT i29 WHEELSET

- Asymmetric carbon rim
- 30mm depth rim
- 29mm wide rim (inner)
- 35mm wide rim (outer)
- Hookless bead Tubeless compatible rims
- Available in 650B (27.5") and 700C (29")
- Alloy P. R. A. hubs for direct pull spokes
- Centerlock rotor mount
- ISO 6-Bolts rotor mount
- Front hub with TA-15 x 110mm axle compatibility
- Rear hub with TA-12 x 148mm axle compatibility
- 7 sealed cartridge bearings
- 2-cross double butted aero spokes with brass nipples
- Artisan built, entirely by hand
- Includes tubeless valves (1 pair), FSA tubeless tape and spoke protector

FREEHUB

- 6-pawl aluminum
- SMN 9-11speed and SRAM 9-10speed
- SMN MicroSpline 12speed
- SRAM XD 11-12speed

FINISH

- Color graphics - gray
- Color graphics options - Blue, Green, Red, Oil sick (available separately)

WEIGHT FROM

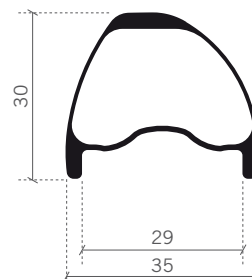
- 1,736 grams / pair (29")
- 1,676 grams / pair (27.5")

CODE	TYPE
720-0058181030	WH Set MTB GRADIENT i29 carbon 148 CL 29" SH B1
720-0042181030	WH Set MTB GRADIENT i29 carbon 148 29" SH A9
720-0042181031	WH Set MTB GRADIENT i29 carbon 148 29" SH12 A9
720-0042186030	WH Set MTB GRADIENT i29 carbon 148 29" XD A9
720-0044171030	WH Set MTB GRADIENT i29 carbon 148 27.5" SH A9
720-0044171031	WH Set MTB GRADIENT i29 carbon 27.5" SH12 A9



CODE	TYPE
752-0424000000	Freehub SH11 (3 Bearings) U2056/U2101 EL291
752-0425000000	Freehub XD (3 Bearings) U5056/U5101 EL292
752-0784000000	Freehub MTB 12S Microspline End Cap DS w/Spn EL366

TUBELESS READY



INTENDED USE



ASTM





GRADIENT i30 ^{NEW22} WHEELSET

- Asymmetric alloy rim
- 23mm depth rim
- 30mm wide rim (inner)
- 34mm wide rim (outer)
- Tubeless compatible rims
- Available in 650B (27.5") and 700C (29")
- ISO 6-Bolts rotor mount
- Front hub with TA-20 x 110mm axle compatibility
- Rear hub with TA-12 x 148mm axle compatibility
- Rear hub with TA-12 x 157mm axle compatibility
- 6 sealed cartridge bearings
- Asymmetric spoke bed
- Artisan built, entirely by hand
- Includes tubeless valves (1 pair), FSA tubeless tape and spoke protector

FREEHUB

- 6-pawl aluminum
- SMN 9-11speed and SRAM 9-10speed
- SMN MicroSpline 12speed
- SRAM XD 11-12speed

FINISH

- Color graphics - gray

WEIGHT FROM

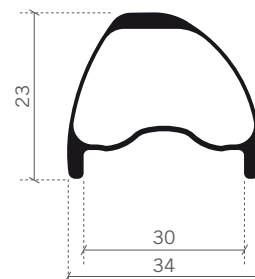
- 2,290 grams / pair (29")
- 2,180 grams / pair (27.5")

CODE	TYPE
720-0065253050	WH Front MTB GRADIENT i30 alloy 29" B2
720-0064243050	WH Front MTB GRADIENT i30 alloy 27.5" B2
720-0065254050	WH Rear MTB GRADIENT i30 148 alloy 29" SH11 B2
720-0065254051	WH Rear MTB GRADIENT i30 148 alloy 29" SH12 B2
720-0065258050	WH Rear MTB GRADIENT i30 148 alloy 29" XD B2
720-0064244050	WH Rear MTB GRADIENT i30 148 alloy 27.5" SH11 B2
720-0064244051	WH Rear MTB GRADIENT i30 148 alloy 27.5" SH12 B2
720-0064248050	WH Rear MTB GRADIENT i30 148 alloy 27.5" XD B2
720-0068254050	WH Rear MTB GRADIENT i30 157 alloy 29" SH11 B2
720-0070244050	WH Rear MTB GRADIENT i30 157 alloy 27.5" SH11 B2



CODE	TYPE
752-0970000010	Freehub SH11 EL416
752-0969000010	Freehub MTB 12S Microspline EL415
752-0971000010	Freehub XD EL417

TUBELESS READY



INTENDED USE

ASTM



AFTERBURNER

SERIES

FSA's Afterburner series is the pinnacle of aluminum alloy technology. Using the most advanced manufacturing techniques like 3D forging, Afterburner components are ideal for the Enduro/Trail rider who wants the uncompromising feel and confidence of high performance alloy.



QR-20

> AFTERBURNER MODULAR 1x

MEGAEXO CRANKSET

- Convertible spider design
- Thick-Thin tooth design for maximum chain engagement
- Hollow forged AL7050 crank arms
- 24mm chromoly spindle
- Direct mount forged then CNC machined AL7075 chainring
- Fits Shimano and SRAM 11-12 speed system

SIZES

- Length - 165mm, 170mm, 175mm
- Chainrings - 38T, 36T, 34T, 32T, 30T, 28T

FINISH

- CNC detailed, 2 tone anodized black
- Color graphics

WEIGHT

- 695 grams (30T x 170mm)

CODE	TYPE
313-0297433090	CK MTB AFTERBURNER Mod DM 1x 32T 170mm V18
313-0297435090	CK MTB AFTERBURNER Mod DM 1x 32T 175mm V18
Not for EU 313-0304423090	30T - 170mm 1X DM BB392 V19 w/oBB,CKM-OS9183C/DM/92
Not for EU 313-0304425090	30T - 175mm 1X DM BB392 V12 w/oBB,CKM-OS9183S/DM/92
Not for EU 313-0304433090	32T - 170mm 1X DM BB392 V19 w/oBB,CKM-OS9183S/DM/92
Not for EU 313-0304435090	32T - 175mm 1X DM BB392 V19 w/oBB,CKM-OS9183S/DM/92

CODE	TYPE
MegaExo 390-0022000010	CKSP QR-20 ME Self Extracting crank bolt
BB392Evo 390-0027000600	CKSP QR-21 ME Self Extracting crank bolt

> AFTERBURNER 12s

CHAINRINGS

- BCD - Direct Mount
- Drivetrain - 12s
- Chain - Only Shimano 12s



CODE	TYPE
380-0500017050	CR MTB AFTERBURNER DM 1x 38T SH12 WA836 B1
380-0499024050	CR MTB AFTERBURNER DM 1x 36T SH12 WA835 B1
380-0498023050	CR MTB AFTERBURNER DM 1x 34T SH12 WA834 B1
380-0497027050	CR MTB AFTERBURNER DM 1x 32T SH12 WA833 B1
380-0496026050	CR MTB AFTERBURNER DM 1x 30T SH12 WA832 B1
380-0495025050	CR MTB AFTERBURNER DM 1x 28T SH12 WA831 B1

> AFTERBURNER 11s

CHAINRINGS

- BCD - Direct Mount
- Drivetrain - 9, 10, 11s
- Chain - Shimano 9, 10, 11s, SRAM Eagle 12s, FSA 11s

CODE	TYPE
380-0216017050	CR MTB AFTERBURNER DM 1x 38T WA115 V17
380-0217024050	CR MTB AFTERBURNER DM 1x 36T WA114 V17
380-0218023050	CR MTB AFTERBURNER DM 1x 34T WA782 V17
380-0219027050	CR MTB AFTERBURNER DM 1x 32T WA781 V17
380-0183026050	CR MTB AFTERBURNER DM 1x 30T WA107 V17
380-0182025050	CR MTB AFTERBURNER DM 1x 28T WA106 V17

> AFTERBURNER MODULAR 2x

MEGAEXO CRANKSET

- Convertible spider design
- Hollow forged AL7050 crank arms
- Forged then CNC machined AL6061 spider
- 24mm chromoly spindle
- AL 7075 CNC chainring
- Chromoly chainring bolts
- Fits Shimano and SRAM 11 speed system

SIZES

- Length - 165mm, 170mm, 175mm
- BCD - 96/68mm
- Chainrings - 38/28T, 38/24T, 36/26T, 36/24T, 36/22T

FINISH

- CNC detailed, 2-Tone anodized black
- Color graphics

WEIGHT

- 794 grams (36/26T x 170mm)



CODE	TYPE
313-0298753090	CK MTB AFTERBURNER Mod 36x26T 170mm M11 V18
313-0298755090	CK MTB AFTERBURNER Mod 36x26T 175mm M11 V18
313-0317803090	22/36T - 170mm BB392 V19 w/oBB CKM-OS9183CS/92
313-0317805090	22/36T - 175mm BB392 V19 w/oBB CKM-OS9183CS/92

Not for EU
Not for EU

CODE	TYPE
390-0022000010	CKSP QR-20 ME Self Extracting crank bolt
390-0027000600	CKSP QR-21 ME Self Extracting crank bolt

MegaExo
BB392Evo

> FSA 2x

SPIDER

- BCD - 96/68mm

CODE	TYPE
380-0026000090	CRSP MTB spider Modular 2x W0115



> AFTERBURNER 2x

CHAINRINGS

- BCD - 96/68mm
- Holes - 4
- Drivetrain - 9, 10, 11s

CODE	TYPE
380-0150004050	CR MTB AFTERBURNER 96x38T M11/D10 WB351 V17
380-0221004050	CR MTB AFTERBURNER ABS 96x38T (28) WB397 V17
380-0151003050	CR MTB AFTERBURNER 96x36T D10 WB352 V16
380-0152003050	CR MTB AFTERBURNER 96x36T (22T) M11/D10 WB353
380-0170001050	CR MTB alloy 68x22T M11/D10 WC086 V17
380-0169002050	CR MTB SL-K/AFTB/PBOX 68x24T M11/D10 WC085
380-0171004050	CR MTB alloy 68x28T M11/D10 WC087 V17
390-0043000150	CRSP Chainring BOLT KIT 4+4 ML163+ML121



> AFTERBURNER FLAT UPDATE22 HANDLEBAR

- Integrated Cable Routing (ICR)
- Triple-buttet, tapered and shot peened AL7050/T76
- Shot peened for surface hardness

SIZES

- Ø31.8 x W760mm
- 0mm rise
- 9.5° Back sweep, 0° up sweep

FINISH

- 2 tone anodized black

WEIGHT

- 350 grams (760mm)



ICR



CODE	TYPE
180-0059088030	HB MTB AFTERBURNER flat ICR alloy 760mm B2

> AFTERBURNER RISER 18 NEW22 HANDLEBAR

- Integrated Cable Routing (ICR)
- Triple-buttet, tapered and shot peened AL7050/T76
- Shot peened for surface hardness

SIZES

- Ø31.8mm x W780mm
- 18mm rise
- 9° back sweep, 4° up sweep

FINISH

- 2 tone anodized black

WEIGHT

- 370 grams



ICR



CODE	TYPE
180-00550AG050	HB MTB AFTERBURNER riser ICR alloy 18x780mm B2

> AFTERBURNER RISER 30 NEW22 HANDLEBAR

- Integrated Cable Routing (ICR)
- Triple-buttet, tapered and shot peened AL7050/T76
- Shot peened for surface hardness

SIZES

- Ø31.8mm x W780mm
- 30mm rise
- 8° back sweep, 5° up sweep

FINISH

- 2 tone anodized black

WEIGHT

- 375 grams



ICR



CODE	TYPE
180-00560AH050	HB MTB AFTERBURNER riser ICR alloy 30x780mm B2

> AFTERBURNER ^{-12°}_{STEM}

- 3D forged and CNC machined from AL6061/T6
- 4-bolt cold forged front clamp
- Chromoly hardware

SIZES

- -12° x L60, 70, 80, 90, 100, 110, 120, 130, 140mm
- Ø31.8mm handlebar clamp diameter
- 34mm fork clamp stack height

FINISH

- Bead blasted black with polished anodized black
- 2-tone laser graphics

WEIGHT

- 128 grams (100mm)



CODE	TYPE
175-0015063090	ST MTB AFTERBURNER alloy 60mm -12° V17
175-0015064090	ST MTB AFTERBURNER alloy 70mm -12° V17
175-0015065090	ST MTB AFTERBURNER alloy 80mm -12° V17
175-0015066090	ST MTB AFTERBURNER alloy 90mm -12° V17
175-0015067090	ST MTB AFTERBURNER alloy 100mm -12° V17
175-0015068090	ST MTB AFTERBURNER alloy 110mm -12° V17
175-0015069090	ST MTB AFTERBURNER alloy 120mm -12° V17

> AFTERBURNER ^{SBO}_{SEATPOST}

- AL2014 3D forged and CNC shaft
- Forged Alloy "MTC" head
- M5 chromoly hardware

SIZES

- L350mm x Ø27.2, Ø31.6mm
- L400mm x Ø27.2, Ø31.6mm
- Zero setback
- Fits Ø7mm standard rails and 7x9mm oval rails

FINISH

- Bead blasted black with polished anodized black
- Laser graphics

WEIGHT

- 228 grams (Ø27.2 x 350mm)



CODE	TYPE	
192-0850N	SP MTB AFTERBURNER MTC alloy SBO 27.2x350mm V12	Not for EU
192-0851N	SP MTB AFTERBURNER MTC alloy SBO 31.6x350mm V12	Not for EU
192-0864	SP MTB AFTERBURNER MTC alloy SBO 27.2x400mm V12	
192-0865	SP MTB AFTERBURNER MTC alloy SBO 31.6x400mm V12	



> AFTERBURNER i25 ^{NEW22} WHEELSET

- Asymmetric alloy rim
- 30mm depth rim
- 25mm wide rim (inner)
- 27.8mm wide rim (outer)
- Hookless bead Tubeless compatible rims
- Available in 700C (29")
- Alloy P. R. A. hubs for direct pull spokes
- ISO 6-Bolts rotor mount
- Front hub with TA-15 x 110mm axle compatibility
- Rear hub with TA-12 x 148mm axle compatibility
- 7 sealed cartridge bearings
- 2-cross double butted aero spokes with brass nipples
- Artisan built, entirely by hand
- Includes tubeless valves (1 pair), FSA tubeless tape and spoke protector

FREEHUB

- 6-pawl aluminum
- SMN 9-11speed and SRAM 9-10speed
- SMN MicroSpline 12speed
- SRAM XD 11-12speed

FINISH

- Color graphics

WEIGHT FROM

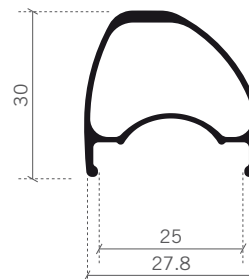
- 1,790 grams / pair (29")

CODE	TYPE
720-0066181050	WH Set MTB AFTERBURNER i25 148 29" SH B2
720-0066181051	WH Set MTB AFTERBURNER i25 148 29" SH12 B2
720-0066186050	WH Set MTB AFTERBURNER i25 148 29" XD B2



CODE	TYPE
752-0424000000	Freehub SH11 (3 Bearings) U2056/U2101 EL291
752-0425000000	Freehub XD (3 Bearings) U5056/U5101 EL292
752-0784000000	Freehub MTB 12S Microspline End Cap DS w/Spn EL366

TUBELESS READY



INTENDED USE



ASTM





> AFTERBURNER i27 ^{UPDATE22} WHEELSET

- Asymmetric alloy rim
- 30mm depth rim
- 25mm wide rim (inner)
- 27mm wide rim (outer)
- Hookless bead Tubeless compatible rims
- Available in 650B (27.5") and 700C (29")
- Non P. R. A. hubs for direct pull spokes
- ISO 6-Bolts rotor mount
- Front hub with TA-15 x 110mm axle compatibility
- Rear hub with TA-12 x 148mm axle compatibility
- 7 sealed cartridge bearings
- 2-cross double butted aero spokes with brass nipples
- Artisan built, entirely by hand
- Includes tubeless valves (1 pair), FSA tubeless tape and spoke protector

FREEHUB

- 6-pawl aluminum
- SMN 9-11speed and SRAM 9-10speed
- SMN MicroSpline 12speed
- SRAM XD 11-12speed

FINISH

- Color graphics

WEIGHT FROM

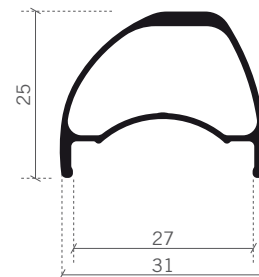
- 1,830 grams / pair (29")
- 1,745 grams / pair (27.5")

CODE	TYPE
720-0078171050	WH Set MTB AFTERBURNER i27 148 27.5" SH11 B2
720-0078171051	WH Set MTB AFTERBURNER i27 148 27.5" SH12 B2
720-0078176050	WH Set MTB AFTERBURNER i27 148 27.5" XD B2
720-0025181052	WH Set MTB AFTERBURNER i27 148 29" SH11 B2
720-0025181053	WH Set MTB AFTERBURNER i27 148 29" SH12 B2
720-0025186052	WH Set MTB AFTERBURNER i27 148 29" XD B2
EU only 720-0011171050	WH Set MTB AFTERBURNER WideR 27.5" SH TA/QR V17
EU only 720-0012181050	WH Set MTB AFTERBURNER WideR 29" SH TA/QR V17
EU only 720-0025181050	WH Set MTB AFTERBURNER WideR 148 29" SH TA/QR V17
EU only 720-0025181051	WH Set MTB AFTERBURNER WideR 148 29" SH12 TA/QR
EU only 720-0021171050	WH Set MTB AFTERBURNER WideR 148 27.5" SH TA/QR
EU only 720-0021171051	WH Set MTB AFTERBURNER WideR 148 27.5" SH12 TA/QR



CODE	TYPE
752-0424000000	Freehub SH11 (3 Bearings) U2056/U2101 EL291
752-0425000000	Freehub XD (3 Bearings) U5056/U5101 EL292
752-0784000000	Freehub MTB 12S Microspline End Cap DS w/Spn EL366

TUBELESS READY



INTENDED USE



ASTM



GRID OFFROAD SERIES

GRID is FSA's alloy group specifically targeted to the budget-conscious yet demanding Enduro rider. This lightweight group was developed with our sponsored riders to ensure authentic trail-ready performance without breaking the budget.



> GRID MODULAR 1x UPDATE22 MEGAEXO CRANKSET

- Convertible spider design
- Thick-Thin tooth design for maximum chain engagement
- Bold shape with aggressive multiple surface industrial design.
- Forged alloy crank arms
- Direct mount stamped AL7075 chainring
- Fits Shimano and SRAM 11-12 speed system

SIZES

- Length - 165mm, 170mm, 175mm
- Chainrings - 38T, 36T, 34T, 32T, 30T, 28T

FINISH

- Bead blasted anodized black arms

WEIGHT

- 695 grams (30T x 170mm)

CODE	TYPE
313-0379433050	CK MTB GRID Mod M/EXO DM 1x 32T 170mm B2
313-0379435050	CK MTB GRID Mod M/EXO DM 1x 32T 175mm B2
313-0379023050	CK MTB GRID Mod M/EXO DM 1x 38T 170mm B2
313-0379025050	CK MTB GRID Mod M/EXO DM 1x 38T 175mm B2

CODE	TYPE
390-0044000600	CKSP Self Extracting crank bolt ML549

> GRID 12s NEW22 CHAINRINGS

- BCD - Direct Mount
- Drivetrain - 12s
- Chain - Only Shimano 12s



CODE	TYPE
380-0553025050	CR MTB GRID/V-DRIVE DM MT 1x 28T SH12 WA825 B2
380-0554026050	CR MTB GRID/V-DRIVE DM MT 1x 30T SH12 WA826 B2
380-0555027050	CR MTB GRID/V-DRIVE DM MT 1x 32T SH12 WA827 B2
380-0556023050	CR MTB GRID/V-DRIVE DM MT 1x 34T SH12 WA828 B2
380-0557024050	CR MTB GRID/V-DRIVE DM MT 1x 36T SH12 WA829 B2
380-0558017050	CR MTB GRID/V-DRIVE DM MT 1x 38T SH12 WA830 B2

> GRID 11s CHAINRINGS

- BCD - Direct Mount
- Drivetrain - 9, 10, 11s
- Chain - Shimano 9, 10, 11s, SRAM Eagle 12s, FSA 11s

CODE	TYPE
380-0548025050	CR MTB GRID/V-DRIVE DM MT 1x 28T WA773 B2
380-0549026050	CR MTB GRID/V-DRIVE DM MT 1x 30T WA774 B2
380-0530027050	CR MTB GRID/V-DRIVE DM MT 1x 32T WA775 B2
380-0550023050	CR MTB GRID/V-DRIVE DM MT 1x 34T WA776 B2
380-0551024050	CR MTB GRID/V-DRIVE DM MT 1x 36T WA777 B2
380-0552017050	CR MTB GRID/V-DRIVE DM MT 1x 38T WA778 B2

> GRID Ø35 STEM

- 3D forged then CNC machined
- 4 bolt AL6061 faceplate
- No Gap design
- Chromoly bolts

SIZES

- +6° x L35, 50mm
- Ø35mm handlebar clamp
- 40mm fork clamp stack height

FINISH

- Bead blasted anodized black

WEIGHT

- 135 grams (L35mm)



CODE	TYPE
175-0022001050	ST MTB GRID alloy 35mm +6° Ø35 V18
175-0022003050	ST MTB GRID alloy 50mm +6° Ø35 V18



TEAM SUNN FRENCH
CONNEXTON ALHE D'HUEZ

> GRID HANDLEBAR Ø35 LOW RISER

- Light enough for XC, but strong enough for Freeride
- Double butted and tapered AL6061/T6
- 35mm clamp diameter

SIZES

- Ø35mm x W760, 780, 800mm
- Rise 20mm
- 8 back sweep x 5 up sweep

FINISH

- Bead blasted anodized black
- Color graphics

WEIGHT

- 305 grams (760mm)



CODE	TYPE
180-0029086050	HB MTB GRID low riser alloy 20x800mm Ø35mm V17



TEAM TREK PIRELLI



> GRID i27 WHEELSET

- Asymmetric alloy rim
- 25mm depth rim
- 27mm wide rim (inner)
- 31mm wide rim (outer)
- Hookless bead Tubeless compatible rims
- Available in 650B (27.5") and 700C (29")
- Alloy P. R. A. hubs for direct pull spokes
- ISO 6-Bolts rotor mount
- Front hub with QR/TA-15 axle compatibility
- Rear hub with QR/TA-12 axle compatibility
- Cartridge bearings
- 2-cross double butted spokes with brass nipples
- Artisan built, entirely by hand
- Includes tubeless valves (1pair) kit and spoke protector

AVAILABLE 148 VERSION

- Front hub with TA-15 x 110mm axle compatibility
- Rear hub with TA-12 x 148mm axle compatibility

FREEHUB

- 6-pawl aluminum
- SMN 9-11speed and SRAM 9-10speed
- SRAM XD 11-12speed

FINISH

- Color graphics

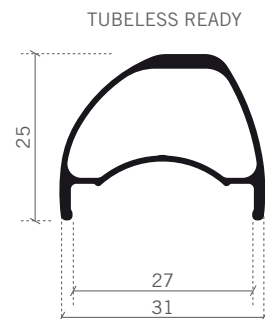
WEIGHT FROM

- 1,940 grams / pair (29")
- 1,835 grams / pair (27.5")

CODE	TYPE
720-0027211050	WH Set MTB GRID 27.5" SH TA/QR V18
720-0033221050	WH Set MTB GRID 148 29" SH TA/QR V18
720-0034211051	WH Set MTB GRID 148 27.5" SH TA/QR V17



CODE	TYPE
75200148000000	Freehub XD GRID D772SB EL251
752-0256000690	Freehub SH11 U2057/U2058 EL262



INTENDED USE



ASTM



V-DRIVE OFFROAD SERIES

V-Drive components offer the best FSA performance at a reasonable cost. The V-Drive cockpit is built solidly, precisely and create a great-looking ride.



> V-DRIVE MODULAR 1x UPDATE22 MEGAEXO CRANKSET

- Convertible spider design
- Thick-Thin tooth design for maximum chain engagement
- Bold shape with smooth surface industrial design.
- Direct mount forged then CNC machined AL7075 chainring
- Fits Shimano and SRAM 11-12 speed system

SIZES

- Length - 165mm, 170mm, 175mm
- Chainrings - 38T, 36T, 34T, 32T, 30T, 28T

FINISH

- Bead blasted anodized black
- Laser graphics

WEIGHT

- 736 grams

CODE	TYPE
313-0393432050	CK MTB V-DRIVE Mod M/EXO DM 1x 32T 165mm B2
313-0393433050	CK MTB V-DRIVE Mod M/EXO DM 1x 32T 170mm B2
313-0393435050	CK MTB V-DRIVE Mod M/EXO DM 1x 32T 175mm B2

CODE	TYPE
390-0121000010	CKSP QR-31 Self Extracting crank bolt

QR-31

> V-DRIVE 12s NEW22 CHAINRINGS

- BCD - Direct Mount
- Drivetrain - 12s
- Chain - Only Shimano 12s



CODE	TYPE
380-0553025050	CR MTB GRID/V-DRIVE DM MT 1x 28T SH12 WA825 B2
380-0554026050	CR MTB GRID/V-DRIVE DM MT 1x 30T SH12 WA826 B2
380-0555027050	CR MTB GRID/V-DRIVE DM MT 1x 32T SH12 WA827 B2
380-0556023050	CR MTB GRID/V-DRIVE DM MT 1x 34T SH12 WA828 B2
380-0557024050	CR MTB GRID/V-DRIVE DM MT 1x 36T SH12 WA829 B2
380-0558017050	CR MTB GRID/V-DRIVE DM MT 1x 38T SH12 WA830 B2

> V-DRIVE 11s CHAINRINGS

- BCD - Direct Mount
- Drivetrain - 9, 10, 11s
- Chain - Shimano 9, 10, 11s, SRAM Eagle 12s, FSA 11s

CODE	TYPE
380-0548025050	CR MTB GRID/V-DRIVE DM MT 1x 28T WA773 B2
380-0549026050	CR MTB GRID/V-DRIVE DM MT 1x 30T WA774 B2
380-0530027050	CR MTB GRID/V-DRIVE DM MT 1x 32T WA775 B2
380-0550023050	CR MTB GRID/V-DRIVE DM MT 1x 34T WA776 B2
380-0551024050	CR MTB GRID/V-DRIVE DM MT 1x 36T WA777 B2
380-0552017050	CR MTB GRID/V-DRIVE DM MT 1x 38T WA778 B2



TEAM SUNN FRENCH
CONNEXION ALHE D'HUEZ

FREEDOM AT ITS FASTEST

At FSA we create some of the world's finest cycling components and an essential part of the development process is our close collaboration with the world's finest riders and teams. For us, sponsorships are more than just a route for exposure: working alongside our partners is an essential part of our research and development for our new products and technologies. If something can't perform at the cutting edge, then it simply won't perform off it.

FULLSPEEDAHEAD.COM
#FSAMTB #ALWAYSAHEAD

FSA
FULL SPEED AHEAD

> V-DRIVE FLAT HANDLEBAR

- Double butted, tapered and shot peened AL6061/T6
- SIZES**
 - Ø31.8mm x W740mm
 - 0mm rise
 - 9° back sweep, 0° up sweep
- FINISH**
 - Bead blasted anodized black
 - Color graphics - black
- WEIGHT**
 - 321 grams (740mm)



CODE	TYPE
180-0036064050	HB MTB V-DRIVE flat alloy 740mm A9

> V-DRIVE RISER HANDLEBAR

- Double-butted tapered and shot peened AL2014/T6
- SIZES**
 - Ø31.8mm x W740mm
 - 15mm rise
 - 9° back sweep, 4° up sweep
- FINISH**
 - Bead blasted anodized black
 - Color graphics - black
- WEIGHT**
 - 318 grams (740mm)



CODE	TYPE
180-0035067050	HB MTB V-DRIVE riser alloy 15x740mm A9

> V-DRIVE ±17° STEM

- 3D forged and CNC machined from AL6061/T6
- 4-bolt cold-forged alloy faceplate
- Chromoly hardware
- SIZES**
 - ±17° x L60,70, 80, 90mm
 - Ø31.8mm handlebar clamp diameter
 - 40mm fork clamp stack height
- FINISH**
 - Bead blasted anodized black
 - Color graphics - black
- WEIGHT**
 - 122 grams (70mm)



CODE	TYPE
175-0030037050	ST MTB V-DRIVE alloy 60mm ±17° A9
175-0030038050	ST MTB V-DRIVE alloy 70mm ±17° A9
175-0030039050	ST MTB V-DRIVE alloy 80mm ±17° A9
175-0030040050	ST MTB V-DRIVE alloy 90mm ±17° A9

> V-DRIVE $\pm 6^\circ$ STEM

- 3D forged and CNC machined from AL6061/T6
- 4-bolt cold-forged alloy faceplate
- Chromoly hardware

SIZES

- $\pm 6^\circ$ x L60,70, 80, 90, 100, 110, 120, 130mm
- $\varnothing 31.8$ mm handlebar clamp diameter
- 40mm fork clamp stack height

FINISH

- Bead blasted anodized black
- Laser graphics

WEIGHT

- 139 grams (100mm)



CODE	TYPE
175-0030004050	ST MTB V-DRIVE alloy 60mm $\pm 6^\circ$ A9
175-0030005050	ST MTB V-DRIVE alloy 70mm $\pm 6^\circ$ A9
175-0030007050	ST MTB V-DRIVE alloy 80mm $\pm 6^\circ$ A9
175-0030008050	ST MTB V-DRIVE alloy 90mm $\pm 6^\circ$ A9
175-0030009050	ST MTB V-DRIVE alloy 100mm $\pm 6^\circ$ A9
175-0030010050	ST MTB V-DRIVE alloy 110mm $\pm 6^\circ$ A9
175-0030011050	ST MTB V-DRIVE alloy 120mm $\pm 6^\circ$ A9
175-0030012050	ST MTB V-DRIVE alloy 130mm $\pm 6^\circ$ A9

> V-DRIVE SBO SEATPOST

- 3D forged and CNC machined 6061 forged alloy Minimal Top Clamp (MTC)
- MTC head
- 5mm chromoly hardware

SIZES

- L400mm x $\varnothing 27.2$, $\varnothing 30.9$, $\varnothing 31.6$ mm
- Zero setback
- Fits $\varnothing 7$ mm standard rails and 7x9mm oval rails

FINISH

- Anodized black
- Laser graphics

WEIGHT

- 270 grams ($\varnothing 27.2$ x 350mm)

CODE	TYPE
192-0067029050	SP MTB V-DRIVE MTC alloy SBO 31.6x400mm A9
192-0067034050	SP MTB V-DRIVE MTC alloy SBO 30.9x400mm A9
192-0067033050	SP MTB V-DRIVE MTC alloy SBO 27.2x400mm A9



COMET OFFROAD SERIES

With MegaExo forged cranks and low riser bars, Comet components are a solid choice. With Comet cranks and cockpit parts, you have an instant winner.



QR-31

> COMET PRESS IN 1x ^{UPDATE22} MEGAEXO CRANKSET

- Convertible spider design
- Solid forged alloy crank arms
- Thick-Thin tooth design
- 24mm forged chromoly spindle
- Direct mount forged AL7075 chainring
- Fits Shimano and SRAM 11-12 speed system

SIZES

- Length - 165mm, 170mm, 175mm
- Chainrings - 38T, 36T, 34T, 32T, 30T, 28T

FINISH

- Fine blasted anodized black
- Laser graphics

WEIGHT

- 854 grams (32T)

CODE	TYPE
310-0374433050	CK MTB COMET Mod M/EXO DM 1x 32T 170mm SH12 B2
310-0374433051	CK MTB COMET Mod M/EXO DM 1x 32T 170mm B2
310-0374435050	CK MTB COMET Mod M/EXO DM 1x 32T 175mm SH12 B2
310-0374435051	CK MTB COMET Mod M/EXO DM 1x 32T 175mm B2

CODE	TYPE
390-0121000010	CKSP QR-31 Self Extracting crank bolt

> COMET 12s ^{NEW22} CHAINRINGS

- BCD - Direct Mount
- Drivetrain - 12s
- Chain - Only Shimano 12s



CODE	TYPE
380-0494017540	CR MTB COMET DM steel MT 1x 38T SH12 WA824 B1
380-0493024540	CR MTB COMET DM steel MT 1x 36T SH12 WA823 B1
380-0492023540	CR MTB COMET DM steel MT 1x 34T SH12 WA822 B1
380-0491027540	CR MTB COMET DM steel MT 1x 32T SH12 WA821 B1
380-0490026540	CR MTB COMET DM steel MT 1x 30T SH12 WA820 B1
380-0489025540	CR MTB COMET DM steel MT 1x 28T SH12 WA819 B1

> COMET 11s CHAINRINGS

- BCD - Direct Mount
- Drivetrain - 9, 10, 11s
- Chain - Shimano 9, 10, 11s, SRAM Eagle 12s, FSA 11s

CODE	TYPE
380-0200017430	CR MTB COMET DM steel MT 1x 38T WA772 V17
380-0201024430	CR MTB COMET DM steel MT 1x 36T WA771 V17
380-0202023430	CR MTB COMET DM steel MT 1x 34T WA031 V17
380-0181027430	CR MTB COMET DM steel MT 1x 32T WA769 V17
380-0180026430	CR MTB COMET DM steel MT 1x 30T WA768 V17
380-0203025430	CR MTB COMET DM steel MT 1x 28T WA024 V17

> COMET MODULAR 2x UPDATE22

MEGAEXO CRANKSET

- Convertible spider design
- Solid forged alloy crankarms
- Forged alloy spider
- 24mm forged chromoly spindle
- Fits Shimano and SRAM 11 speed system

SIZES

- Length - 165mm, 170mm, 175mm
- BCD - 96/68mm
- Chainrings - 38/28T, 38/24T, 36/26T, 36/24T, 36/22T

FINISH

- Bead blasted anodized black arms / spider
- Laser graphics

WEIGHT

- 856 grams



QR-31

CODE	TYPE
310-0371753050	CK MTB COMET Mod M/EXO 36x26T 170mm M11/D10 B2
310-0371755050	CK MTB COMET Mod M/EXO 36x26T 175mm M11/D10 B2
310-0371A13050	CK MTB COMET Mod M/EXO 38x28T 170mm M11/D10 B2
310-0371A15050	CK MTB COMET Mod M/EXO 38x28T 175mm M11/D10 B2

CODE	TYPE
390-0121000010	CKSP QR-31 Self Extracting crank bolt

> FSA 2x

SPIDER

- BCD - 96/68mm

CODE	TYPE
380-0026000090	CRSP MTB spider Modular 2x W0115



> COMET 2x

CHAINRINGS

- BCD - 96/68mm
- Holes - 4
- Drivetrain - 9, 10, 11s

CODE	TYPE
380-0188004050	CR MTB COMET 96x38T (28) M11 WB398 V17
380-0189004050	CR MTB COMET 96x38T (24) M11 WB387 V17
380-0190003050	CR MTB COMET 96x36T (26) M11 WB046 V17
380-0191003050	CR MTB COMET 96x36T (24) M11 WB388 V17
380-0192003050	CR MTB COMET 96x36T (22) M11 WB389 V17
380-0207004140	CR MTB COMET 68x28T M11/D10 WC102 V17
380-0208003140	CR MTB COMET 68x26T M11/D10 WC106 V17
380-0205002140	CR MTB COMET 68x24T M11 WC099 V17
380-0206001140	CR MTB Gamma Drive 68x22T WC101
390-0043000150	CRSP Chainring BOLT KIT 4+4 ML163+ML121



> COMET FLAT HANDLEBAR



- Plain gauge, tapered and shot peened AL6061/T6
- Shot peened for surface hardness

SIZES

- Ø31.8mm x W740mm
- 0mm rise
- 9° back sweep, 0° up sweep

FINISH

- Bead blasted anodized black
- Color graphics - black

WEIGHT

- 375 grams (740mm)



CODE	TYPE
180-0037064050	HB MTB COMET flat alloy 740mm A9

> COMET RISER HANDLEBAR



- Plain gauge, tapered and shot peened AL6061/T6
- Shot peened for surface hardness

SIZES

- Ø31.8mm x W740mm
- 15mm rise
- 9° back sweep, 4° up sweep

FINISH

- Bead blasted anodized black
- Color graphics - black

WEIGHT

- 313 grams (740mm)



CODE	TYPE
180-0034067050	HB MTB COMET riser alloy 15x740mm A9

> COMET Ø35 LOW RISER HANDLEBAR



- Light enough for XC, but strong enough for Freeride
- Aluminum construction
- Strength and stiffness

SIZES

- Ø35 x W760, 800mm width
- 15mm rise
- 8° back sweep x 5° up sweep

FINISH

- Shot peened anodized black
- Color graphics - Black

WEIGHT

- 306 grams (760mm)



CODE	TYPE
180-00480AA050	HB MTB COMET riser alloy 15x760mm Ø35mm A0
180-0048099050	HB MTB COMET riser alloy 15x800mm Ø35mm A0

> COMET Ø35 RISER

HANDLEBAR

- Light enough for XC, but strong enough for Freeride
- Aluminum construction
- Strength and stiffness

SIZES

- Ø35 x W760, 800mm width
- 25mm rise
- 8° back sweep x 5° up sweep

FINISH

- Shot peened anodized black
- Color graphics - Black

WEIGHT

- 310 grams (760mm)
- 315 grams (800mm)



CODE	TYPE
180-00490AB050	HB MTB COMET riser alloy 25x760mm Ø35mm A0
180-0049098050	HB MTB COMET riser alloy 25x800mm Ø35mm A0

> COMET Ø35

STEM

- 3D forged then CNC machined
- 4 bolt AL2014 faceplate
- Chromoly bolts
- No Gap design

SIZES

- +6° x L35, 50mm
- Ø35mm handlebar clamp
- 40mm fork clamp stack height

FINISH

- Bead blasted anodized black

WEIGHT

- 123 grams (L35mm)
- 138 grams (L50mm)



CODE	TYPE
175-0044096050	ST MTB COMET alloy 35mm +6° Ø35 A0
175-0044097050	ST MTB COMET alloy 50mm +6° Ø35 A0

NON-SERIES

SERIES FSA's talented Development and Manufacturing teams create novel components that span a wide range of intended use and price-points. Therefore, rather than forcing these great products into specific model platforms, they are presented in our "Non-Series" category.



Cam actuator

> FLOWTRON Ø27.2 XC ^{UPDATE22} DROPPER SEATPOST

- Lightweight alloy sealed cartridge
- 3-pin brass keyway system
- Internal cable routing
- One piece stanchion and Seatpost head
- 3 position adjustable remote lever
- Remote lever - Flat bar

SIZES

- Ø27.2 x 100mm
- Zero Setback
- Clamp - 2 Bolts
- Travel - 100mm
- Length - 363 mm
- Fits Ø7mm standard rails and 7x9mm oval rails

FINISH

- Shot peende anodized black

WEIGHT

- 510 grams (100mm/27.2mm w/o remote)

CODE	TYPE
192-0100049051	SP MTB FLOWTRON SB0 27.2 trav.100mm flat bar B2



Remote lever

> FLOWTRON MTB UPDATE22

DROPPER SEATPOST

- Lightweight alloy sealed cartridge
- 3-pin brass keyway system
- Internal cable routing
- One piece stanchion and Seatpost head
- 3 position adjustable remote lever
- Remote lever - Flat bar

SIZES

- Ø30.9 x 125mm, 150mm, 175mm
- Ø31.6 x 125mm, 150mm, 175mm
- Zero Setback
- Clamp - 2 Bolts
- Length (Travel 125mm) - 421 mm
- Length (Travel 150mm) - 446 mm
- Length (Travel 175mm) - 508 mm
- Fits Ø7mm standard rails and 7x9mm oval rails

FINISH

- Shot peened anodized black

WEIGHT

- 550 grams (125mm/30.9mm)



Cam actuator



Remote lever



CODE	TYPE
192-0101047050	SP MTB FLOWTRON SB0 30.9 trav.125mm flat bar B2
192-0101048050	SP MTB FLOWTRON SB0 30.9 trav.150mm flat bar B2
192-0101051050	SP MTB FLOWTRON SB0 30.9 trav.175mm flat bar B2
192-0102041050	SP MTB FLOWTRON SB0 31.6 trav.125mm flat bar B2
192-0102046050	SP MTB FLOWTRON SB0 31.6 trav.150mm flat bar B2
192-0102052050	SP MTB FLOWTRON SB0 31.6 trav.175mm flat bar B2

> NON SERIES -20°

STEM

- Flat head stem with aggressive drop for 27.5" and 29" wheels
- 2D forged then CNC machined from AL6061
- 4-bolt cold-forged alloy faceplate
- Chromoly hardware

SIZES

- -20° x L60, 70, 80, 90, 100, 110, 120mm
- Ø31.8mm handlebar clamp diameter
- 34mm fork clamp stack height

FINISH

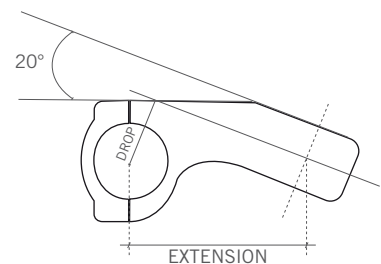
- Bead blasted anodized black
- Printed graphics

WEIGHT

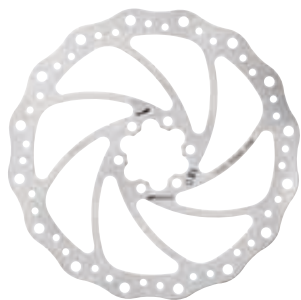
- 190 grams (80mm)



LENGTH	DROP
120 mm	-39.5
110 mm	-37
100 mm	-35.5
90 mm	-32
80 mm	-29.5
70 mm	-27
60 mm	-25.5
50 mm	-22



CODE	TYPE
175-0016075050	ST MTB NS alloy 60mm -20° V17
175-0016076050	ST MTB NS alloy 70mm -20° V17
175-0016077050	ST MTB NS alloy 80mm -20° V17
175-0016078050	ST MTB NS alloy 90mm -20° V17
175-0016079050	ST MTB NS alloy 100mm -20° V17
175-0016080050	ST MTB NS alloy 110mm -20° V17
175-0016081050	ST MTB NS alloy 120mm -20° V17



DB013



DB010

> FSA MTB ROTOR

- 1-pc heavy-duty rotors (DB013/014)
- 2-pc lightweight rotors (DB009/010)

SIZES

- 180mm and 160mm rotors (DB013/014)
- 160mm and 140mm rotors (DB009/010)

WEIGHT

- 166.4 grams (160mm - DB014)
- 98.2 grams (160mm - DB010)

CODE	TYPE
406-0013	BRK MTB AFTERBURNER DB 1 PC ROTOR DB013 180
406-0014	BRK MTB AFTERBURNER DB 1 PC ROTOR DB014 160
406-0010	BRK MTB K-FORCE DB ROTOR DB010 160
406-0011	K-FORCE DB ROTOR DB009 Ø140

Not for EU



> FSA MODULAR TOOL ACCESSORIES

- Modular crank lock ring removal and installation tool
- For both MegaExo and BB392EVO modular cranks
- For both BB386EVO and BB392EVO PowerBox power meter cranks
- Also fits Cannondale Hollowgram cranks

CODE	TYPE
230-0043000520	TOOL ck Modular RD/PBOX removal/installation E0667
23000023000520	TOOL ck Modular MTB removal/installation E0611



> FSA LOCKRING ACCESSORIES

- For Modular crankset

CODE	TYPE
390-0044000600	CKSP lock Ring ck Modular ML549



> FSA CRANK ARM BOOT ACCESSORIES

- Compatible with MTB Carbon crank arms

CODE	TYPE
390-0078000110	CKSP Boots NS MTB Carbon PBox black MS050 2pcs



> FSA COMPUTER/CAMERA MOUNT ACCESSORIES

- Fits 4-bolt stem
- Installation range 14 - 34 mm

CODE	TYPE
670-0137000850	HBSP front stem GPS/Camera mount EL283

SPARE PARTS MTB wheels

	CARBON											ALLOY									
	KFX / K-FORCE				SL-K				GRADIENT			AFTERBURNER				GRID			NS 40 Plus	NS SERIES	
	TA12-142		Boost 148		TA12-142		Wider		Boost 148		Wider	Boost 148		TA12-142		Wider	Boost 148		TA12-142	Boost 148	TA12-142
BEARINGS	752-0123000000	Bearing Front Hub MTB (6804-32x20x7) MR183																			
	752-650202WSP	Bearing (6803-26x17x5) CW Radial Steel																			
FREEHUB	752-0424000000	Freehub SH1.1 (3 Bearings) U2056/U2101 EL291																			
	752-0425000000	Freehub SH1.1 (3 Bearings) U5056/U5101 EL292																			
	752-0784000000	Freehub MTB 12S Microspline End Cap DS w/Spn EL366																			
	75200148000000	Freehub XD GRID D772SB EL251																			
	752-0256000690	Freehub SH1.1 U2057/U2058 EL262																			
	752-0465000000	Freehub NS XD EL297																			
	752-0466000000	Freehub NS SH11 EL298																			
	748-0009019010	SPOKE KIT 5pc Front L+R/Rear L 296mm 29" SK035B																			
	748-0009018010	SPOKE KIT 5pc Rear R 291mm 29" SK035A																			
	748-0008008010	SPOKE KIT 5pc Front L+R/Rear L 275mm 27.5" SK032B																			
	748-0008012010	SPOKE KIT 5pc Rear R 273mm 27.5" SK032A																			
	748-0008042010	Spoke Kit 5pcs Front L+R/Rear- L 290mm 29" SK032H																			
	748-0008041010	Spoke Kit 5pcs Rear-R 288mm 29" SK032G																			
	748-0008020010	Spoke Kit 5pcs Front L+R/Rear- L 273mm 27.5" SK032D																			
	748-0008040010	SPOKE KIT 5pcs Rear-R 269mm 27.5" SK032C																			
	748-0028042110	SPOKE KIT Front /Rear NDS 29" L 290mm 5 Pcs SK052F																			
	748-0028041110	SPOKE KIT Rear DS 29" L 288mm 5 Pcs SK052G																			
	748-0028020110	SPOKE KIT Front/Rear NDS L 271mm 27.5" 5Pcs SK052A																			
	748-0028004110	SPOKE KIT Rear DS L 269mm 27.5" 5 Pcs SK052I																			
	748-0007019010	SPOKE KIT 5pc Front L+R/Rear L 293mm 29" SK036B																			
	748-0007018010	SPOKE KIT 5pc Rear R 291mm 29" SK036A																			
	748-0010012010	SPOKE KIT 5pcs Front L+R/Rear L 273mm 27.5" SK052B																			
	748-0010005010	SPOKE KIT 5pcs Rear DS 271mm 27.5" SK052A																			
	748-0015011010	SK038K SPOKE KIT 283mm x5 pcs DS 29"																			
	748-0015022010	SK038L SPOKE KIT 279mm x5 pcs NDS 29"																			
	748-0015023010	SK038L SPOKE KIT 291mm x5 pcs DS 29"																			
	748-0015029010	SK038L SPOKE KIT 264mm x5 pcs DS 27.5"																			
	748-0015017010	SK038G SPOKE KIT 259mm x5 pcs NDS 27.5"																			
	748-0015004010	SK038C SPOKE KIT 272mm x5 pcs DS 27.5"																			
	748-0015003010	SK038H SPOKE KIT 260mm x5 pcs NDS 27.5"																			
	748-0015036010	Spoke Kit 5pcs Front L 270mm 27.5" SK038?																			
	748-0015029010	SK038L SPOKE KIT 264mm x5 pcs DS 27.5"																			
	748-0015007010	Spoke Kit 5pcs Rear R 277mm 27.5" SK038?																			
	748-0015030010	Spoke Kit 5pcs Front L 266mm 27.5" SK038?																			
	748-0016024010	SK045B SPOKE KIT 282mm x5 pcs																			
	748-0016013010	SK045C SPOKE KIT 285mm x5 pcs																			
	748-0016009010	SK045A SPOKE KIT 281mm x5 pcs																			
	748-0016024010	SK045B SPOKE KIT 282mm x5 pcs																			
	748-0017027010	SK044B SPOKE KIT 263mm x5 pcs																			
	748-0017026010	SK044C SPOKE KIT 266mm x5 pcs																			
	748-0017025010	SK044A SPOKE KIT 262mm x5 pcs																			
	748-0017027010	SK044B SPOKE KIT 263mm x5 pcs																			

SPOKES



FSA AGX



GRAVEL SERIES

A L W A Y S A H E A D

For riders seeking the roads and trails less travelled, FSA's AGX components offer the best performance for Adventure, Gravel and Cyclocross.

Featuring products solidly built using advanced carbon composite and metal alloy technology, coupled with the state-of-art manufacturing processes, the AGX group of components and wheels showcase the range of FSA's advancements in product development.



QR-21

> GOSSAMER AGX+ 1x ^{NEW22} 386EVO CRANKSET

- Convertible spider design
- Cold forged alloy crank arms/spider
- CNC machined alloy BB386EVO spindle
- Chromoly chainring bolts
- Fits Shimano and SRAM 11 speed system

SIZES

- Length - 165mm, 167.5, 170mm, 172.5, 175mm
- Q-Factor - 154mm
- BCD - 120mm
- Chainrings - 44T, 42T, 40T

FINISH

- High polished anodized black
- Laser graphics

WEIGHT

- 754 grams

CODE	TYPE
336-0345042090	CK AGX+ GOSSAMER PRO 386 1x 40T 165mm B1
336-0345043090	CK AGX+ GOSSAMER PRO 386 1x 40T 170mm B1
336-0345044090	CK AGX+ GOSSAMER PRO 386 1x 40T 172.5mm B1
336-0345045090	CK AGX+ GOSSAMER PRO 386 1x 40T 175mm B1

CODE	TYPE
390-0027000600	CKSP QR-21 ME Self Extracting crank bolt



> GOSSAMER AGX+ 1x ^{NEW22} SPIDER

- BCD - 120/90mm
- Holes - 4

CODE	TYPE
380-0459000050	CRSP AGX+ GOSSAMER PRO Spider 1x W0160 B1



> GOSSAMER AGX+ 1x ^{NEW22} CHAINRING

- BCD - 120mm
- Drivetrain - 11s

CODE	TYPE
370-0165010050	CR AGX+ GOSSAMER PRO/OMEGA 1x 120x44T N11 WB475
371-0089008050	CR AGX+ GOSSAMER PRO/OMEGA 1x 120x42T N11 WB138
371-0090006050	CR AGX+ GOSSAMER PRO/OMEGA 1x 120x40T N11 WB068
390-0003000150	CRSP Chainring Bolts ML163

> GOSSAMER AGX+ 2x ^{NEW22} 386EVO CRANKSET

- Convertible spider design
- Cold forged alloy crank arms/spider
- CNC machined alloy BB386EVO spindle
- Chromoly chainring bolts
- Fits Shimano and SRAM 11 speed system

SIZES

- Length - 165mm, 167.5, 170mm, 172.5, 175mm
- Q-Factor - 154mm
- BCD - DM/90mm
- Chainrings - 48/32T, 46/30T

FINISH

- High polished anodized black
- Laser graphics

WEIGHT

- 656 grams

CODE	TYPE
336-0350AJ2090	CK AGX+ GOSSAMER PRO 386 DM 48x32T N11 165mm B1
336-0350AJ3090	CK AGX+ GOSSAMER PRO 386 DM 48x32T N11 170mm B1
336-0350AJ4090	CK AGX+ GOSSAMER PRO 386 DM 48x32T N11 172.5mm B1
336-0350AJ5090	CK AGX+ GOSSAMER PRO 386 DM 48x32T N11 175mm B1
336-0350BJ2090	CK AGX+ GOSSAMER PRO 386 DM 46x30T N11 165mm B1
336-0350BJ3090	CK AGX+ GOSSAMER PRO 386 DM 46x30T N11 170mm B1
336-0350BJ4090	CK AGX+ GOSSAMER PRO 386 DM 46x30T N11 172.5mm B1
336-0350BJ5090	CK AGX+ GOSSAMER PRO 386 DM 46x30T N11 175mm B1

CODE	TYPE
390-0027000600	CKSP QR-21 ME Self Extracting crank bolt



QR-21

> GOSSAMER AGX+ 2x ^{NEW22} ACCESSORIES

- Plastic cover

CODE	TYPE
380-0472000110	CRSP AGX+ GOSSAMER PRO Cover Spider 2x W1158 B1



> GOSSAMER AGX+ 2x ^{NEW22} CHAINRING

- BCD - 120/90mm
- Holes - 4
- Drivetrain - 9, 10, 11s

CODE	TYPE
370-0142003050	CR AGX+ GOSSAMER PRO DM 46T N11 WA740 B1
370-0143004050	CR AGX+ GOSSAMER PRO DM 48T N11 WA741 B1
370-0041001050	CR ROAD Modular 90x32T N11 WB412
370-0042021050	CR ROAD Modular 90x30T N11 WB007
390-0069000150	CRSP Chainring Bolts ML231+ML163+MW058K





Race (90A)

Sport (80A)

Comfort (70A)

> VAS AGX ^{NEW22} STEM

- Vibration Absorbing Stem for dirt applications, modular mounts.
- Polyurethane bushing, 360°HB isolation with keyed clamp interface
- Made with vibration damping material. Up to 47% vibration absorbed compared to standard stem.

BUSHING

- 3 Color bushing options (included)
- Light Grey (70A) Comfort
- Dark Grey (80A) Sport
- Dark Black (90A) Race

SIZES

- L80, 90, 100mm
- Ø31.8mm handlebar clamp diameter

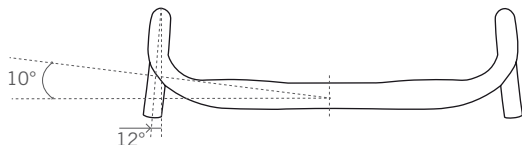
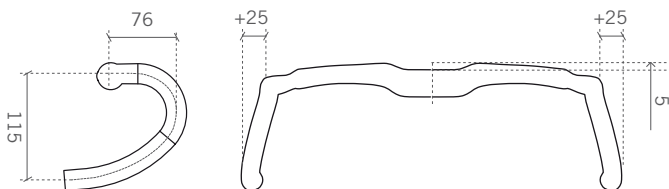
FINISH

- Bead blasted anodized black
- Laser graphics

WEIGHT

- 291 grams (100mm)

CODE	TYPE
175-0075016870	ST AGX VAS 80mm -6° B2
175-0075017870	ST AGX VAS 90mm -6° B2
175-0075018870	ST AGX VAS 100mm -6° B2



10° forward angle for a more natural wrist position and wider elbow stance for easier breathing.

> K-WING AGX HANDLEBAR

- Aerodynamic integrated Cable Routing (ACR)
- Full carbon handlebar is designed for Adventure, Gravel and Cyclocross
- Sculpted contact points for the "hoods" and "drops" riding positions for better ergonomics
- Flared drops for better control and clearance when descending

SIZES

- Ø31.8mm x W400, 420, 440,460, 480mm
- 115mm drop, 76mm reach
- 12° outward bend
- 10° forward angle
- 25 mm offset drops
- 5 mm rise

FINISH

- UD Carbon Finish

WEIGHT

- 205 grams (420mm)

CODE	TYPE
185-0021012030	HB K-WING AGX carbon 400mm A9
185-0021013030	HB K-WING AGX carbon 420mm A9
185-0021014030	HB K-WING AGX carbon 440mm A9
185-0021046030	HB K-WING AGX carbon 460mm A9
185-0021097030	HB K-WING AGX carbon 480mm A9

> A-WING PRO AGX HANDLEBAR

- Aerodynamic integrated Cable Routing (ACR)
- Alloy handlebar is designed for Adventure, Gravel and Cyclocross
- Sculpted contact points for the “hoods” and “drops” riding positions for better ergonomics
- Flared drops for better control and clearance when descending

SIZES

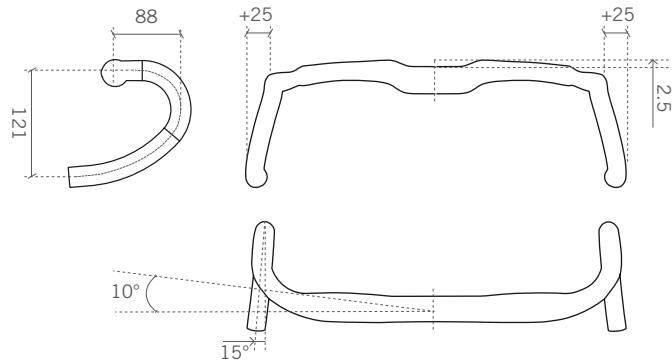
- Ø31.8mm x W420, 440, 460, 480mm
- 121mm drop, 88mm reach
- 15° outward bend
- 25 mm rise

FINISH

- Bead blasted anodized black

WEIGHT

- 296 grams (420mm)



CODE	TYPE
185-0022013870	HB A-WING Pro AGX alloy 420mm A0
185-0022014870	HB A-WING Pro AGX alloy 440mm A0
185-0022046870	HB A-WING Pro AGX alloy 460mm A0
185-0022097870	HB A-WING Pro AGX alloy 480mm A0

> ADVENTURE COMPACT AGX HANDLEBAR

- Double butted, tapered and shot-peened AL6061

SIZES

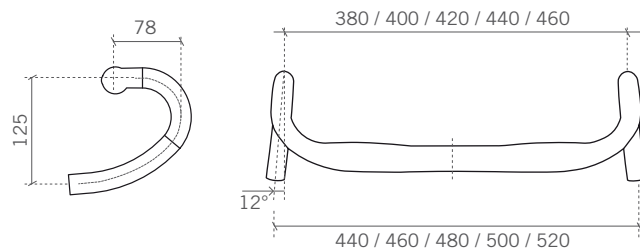
- Ø31.8mm bar clamp diameter with 34x21 oval section
- W380, 400, 420, 440, 460mm
- 125mm drop, 78mm reach
- 12° side flare

FINISH

- Bead blasted anodized black
- Laser graphics

WEIGHT

- 320 grams (420mm)



CODE	TYPE
185-0011092051	HB ADVENTURE AGX Compact alloy 380mm V16
185-0011012050	HB ADVENTURE AGX Compact alloy 400mm V16
185-0011013050	HB ADVENTURE AGX Compact alloy 420mm V16
185-0011014050	HB ADVENTURE AGX Compact alloy 440mm V16
185-0011046050	HB ADVENTURE AGX Compact alloy 460mm V16

Not for EU

> FLOWTRON Ø27.2 AGX ^{UPDATE22} DROPPER SEATPOST



Remote lever

- Lightweight alloy sealed cartridge
- 3-pin brass keyway system
- Internal cable routing
- One piece stanchion and Seatpost head
- 3 position adjustable remote lever
- Remote lever - Drop bar

SIZES

- Ø27.2 x 100mm
- Zero Setback
- Clamp - 2 Bolts
- Travel - 100mm
- Length - 363 mm
- Fits Ø7mm standard rails and 7x9mm oval rails

FINISH

- Bead blasted anodized black

WEIGHT

- 510 grams (w/o remote)
- 80 grams (remote lever)

CODE	TYPE
192-0100049050	SP AGX FLOWTRON SB0 27.2 trav.100mm drop bar B2
192-0077000970	SPSP FLOWTRON AGX Drop bar Remote SP215
192-0085000110	SPSP FLOWTRON AGX Drop bar Cable housing BL042



> FSA SUPERCOMPACT ADAPTER ACCESSORIES

- The SuperCompact adapter is a perfect solution to get the optimum front derailleur cage height for better shifting
- Work with 48/32, 46/30 chainrings
- Not available for Japan

CODE	TYPE
390-0094000000	CKSP Super Compact Adapter Front Derailleur EL344



SIMONE MESCOLINI

YOUR ADVENTURE SO FAR

For riders seeking the roads and trails less travelled, FSA's AGX components offer the best performance for Adventure, Gravel and Cyclocross. Featuring products solidly built using advanced carbon composite and metal alloy technology, coupled with the state-of-the-art manufacturing processes, the AGX group of components and wheels showcase the range of FSA's advancements in product development.



FULLSPEEDAHEAD.COM
#FSAGRAVEL #ALWAYS AHEAD





> K-FORCE AGX i21 WHEELSET

- Asymmetric carbon rim
- 25mm depth rim
- 21.5mm wide rim (inner)
- 26.1mm wide rim (outer)
- Tubeless compatible
- Available in 650B (27.5") and 700C (29")
- Alloy P. R. A. hubs for direct pull spokes
- ISO 6-Bolts rotor mount
- Front hub with QR/TA-15 axle compatibility
- Rear hub with QR/X-12 axle compatibility
- Cartridge bearings (2F+4R)
- 2-cross double butted aero spokes with brass nipples
- Artisan built, entirely by hand
- Includes tubeless valves (1 pair), FSA tubeless tape and spoke protector

FREEHUB

- 6-pawl aluminum freehub
- SMN 9-11speed and SRAM 9-10speed
- SRAM XD 11-12speed

FINISH

- Color graphics - gray

WEIGHT FROM

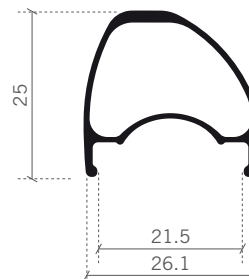
- 1,464 grams / pair (29")
- 1,390 grams / pair (27.5")

CODE	TYPE
720-0028181031	WH Set AGX K-FORCE i21 29" SH TA/QR A9
720-0028186031	WH Set AGX K-FORCE i21 29" XD TA/QR A9
720-0037176035	WH Set AGX K-FORCE i21 27.5" XD TA/QR A9
720-0037171031	WH Set AGX K-FORCE i21 27.5" SH TA/QR A9



CODE	TYPE
752-0424000000	Freehub SH11 (3 Bearings) U2056/U2101 EL291
752-0425000000	Freehub XD (3 Bearings) U5056/U5101 EL292
752-0784000000	Freehub MTB 12S Microspline End Cap DS w/Spn EL366

TUBELESS READY



INTENDED USE

ASTM





> SL-K AGX i21 WHEELSET

- Asymmetric carbon rim
- 25mm depth rim
- 21.5mm wide rim (inner)
- 26.1mm wide rim (outer)
- Tubeless compatible
- Available in 650B (27.5") and 700C (29")
- Alloy P. R. A. hubs for direct pull spokes
- ISO 6-Bolts rotor mount
- Front hub with TA-15 axle compatibility
- Rear hub with X-12 axle compatibility
- Cartridge bearings (2F+4R)
- 2-cross double butted aero spokes with brass nipples
- Artisan built, entirely by hand
- Includes tubeless valves (1 pair), FSA tubeless tape and spoke protector

FREEHUB

- 6-pawl aluminum freehub
- SMN 9-11speed and SRAM 9-10speed
- SRAM XD 11-12speed

FINISH

- Color graphics - gray

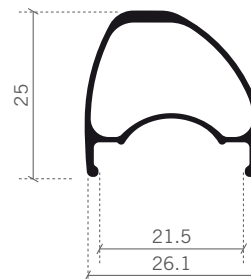
WEIGHT FROM

- 1,500 grams / pair (29")
- 1,450 grams / pair (27.5")

CODE	TYPE
720-0038181031	WH Set AGX SL-K i21 29" SH TA/QR A9
720-0038186031	WH Set AGX SL-K i21 29" XD TA/QR A9
720-0036171031	WH Set AGX SL-K i21 27.5" SH TA/QR A9
720-0036176031	WH Set AGX SL-K i21 27.5" XD TA/QR A9



CODE	TYPE
752-0424000000	Freehub SH11 (3 Bearings) U2056/U2101 EL291
752-0425000000	Freehub XD (3 Bearings) U5056/U5101 EL292
752-0784000000	Freehub MTB 12S Microspline End Cap DS w/Spn EL366



INTENDED USE



ASTM





> AGX i21 WHEELSET

- Asymmetric alloy rim
- 25mm depth rim
- 21.5mm wide rim (inner)
- 26.1mm wide rim (outer)
- Tubeless compatible
- Available in 700C (29")
- Alloy hubs for direct pull spokes
- Centerlock rotor mount
- TA-12 and X-12
- 6 sealed cartridge bearings (2F+4R)
- Double butted aero spokes 24F / 24R
- Artisan built, entirely by hand
- Includes tubeless valves (1 pair), FSA tubeless tape and spoke protector

FREEHUB

- 6-pawl aluminum freehub
- SMN 9-11speed and SRAM 9-10speed
- SRAM XDR

FINISH

- Color graphics - gray

WEIGHT FROM

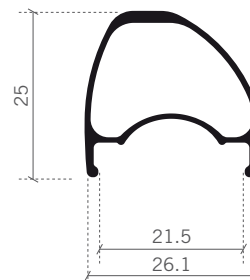
- 1,724 grams / pair (29")

CODE	TYPE
720-0059181050	WH Set AGX i21 CL 29" SH TX-918 B1
720-0059186050	WH Set AGX i21 CL 29" XDR TX-918 B1



CODE	TYPE
752-0424000000	Freehub SH11 (3 Bearings) U2056/U2101 EL291
752-0425000000	Freehub XD (3 Bearings) U5056/U5101 EL292

TUBELESS READY



INTENDED USE



ASTM





> **NS** AGX i25 ^{NEW22}
WHEELSET

- Asymmetric alloy rim
- 30mm depth rim
- 25mm wide rim (inner)
- 27.8mm wide rim (outer)
- Tubeless compatible
- Available in 700C (29")
- ISO 6-Bolts rotor mount
- TA-12 and X-12
- 6 sealed cartridge bearings (2F + 4R)
- J-Bend spokes 24F / 24R
- Artisan built, entirely by hand
- Includes tubeless valves (1 pair), FSA tubeless tape and spoke protector

FREEHUB

- 6-pawl aluminum freehub
- SMN 9-11speed and SRAM 9-10speed
- SRAM XDR

FINISH

- Color graphics

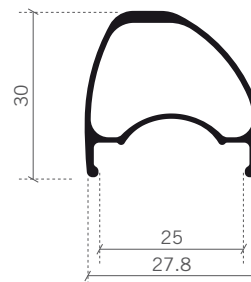
WEIGHT FROM

- 1,780 grams / pair (29")

CODE	TYPE
720-0062081050	WH Set AGX NON-SERIES i25 6B 29" SH11 TX-55 B1
720-0062086050	WH Set AGX NON-SERIES i25 6B 29" XDR TX-55 B1



CODE	TYPE
752-0957000AGO	Freehub SH11 EL410
752-0958000AGO	Freehub SRAM XDR EL399

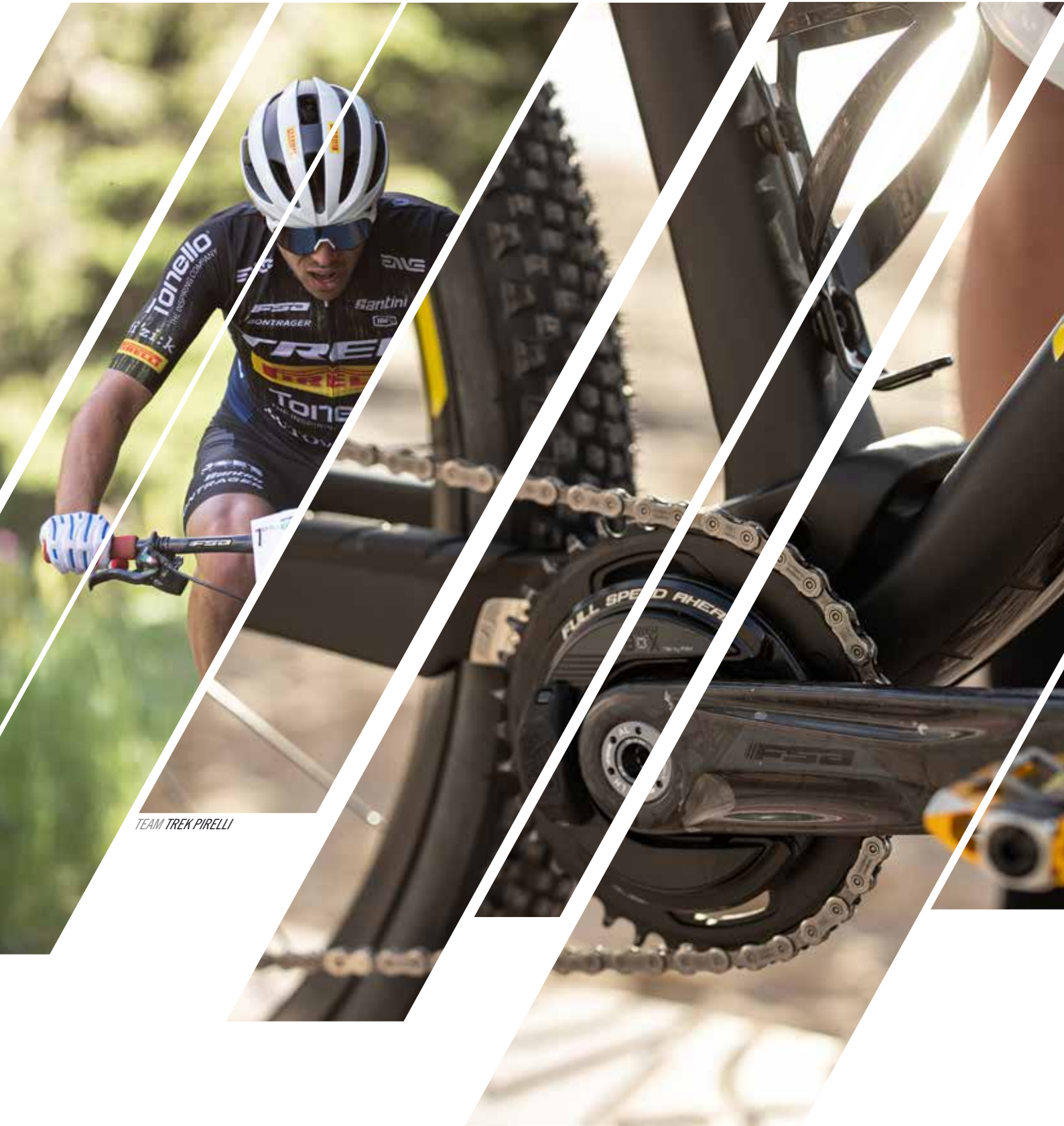


INTENDED USE



ASTM





TEAM TREK PIRELLI



POWER BOX

A L W A Y S A H E A D

FSA PowerBox power meter cranksets present the pinnacle of technology for precise power measurements, combined with proven FSA crankset construction featuring the innovative BB386EVO/392EVO 30mm spindle system that fits any frame.

The PowerBox crankset power meter measures total power plus left and right leg power balance and sends the information to your cycle-computer via Ant+ protocol or via Bluetooth.

The FSA PowerBox power meters are the first choice for riders wanting ease of use, precise and reliable power measurement and robust construction. Unleash your power with brand new FSA PowerBox road!



QR-31

> POWERBOX SC POD ^{NEW22}

POWERMETER BB386EVO

- 1% accuracy and virtual L/R balance
- BLE/ANT compatible
- IPX7 waterproof
- Automatic temperature compensation
- Strain gauges made in Japan
- High accuracy resolution
- Cold forged AL6061/T6 aluminum crank
- 30mm AL7050 BB386EVO spindle
- AL7075 Stamped chainrings
- Optimized for 11-Speed systems
- Fits Shimano and SRAM 10-11 speed systems

SIZES

- Length - 145, 150, 155, 160, 165, 167.5, 170, 172.5, 175mm
- BCD - 120/90mm
- Chainrings - 53/39T, 52/36T, 50/34T, 48/32T, 46/30T

FINISH

- Polished anodized black
- CNC detailed, black chainring
- Laser graphics

WEIGHT

- 793 grams (46/30T x 170mm)
- 20 grams (only Pod w/CR2450)

CODE	TYPE
328-0016293090	CK ROAD PBOX SC POD Alloy 53x39 170mm N11 B2
328-0016294090	CK ROAD PBOX SC POD Alloy 53x39 172.5mm N11 B2
328-0016295090	CK ROAD PBOX SC POD Alloy 53x39 175mm N11 B2
328-0016552090	CK ROAD PBOX SC POD Alloy 50x34 165mm N11 B2
328-0016553090	CK ROAD PBOX SC POD Alloy 50x34 170mm N11 B2
328-0016554090	CK ROAD PBOX SC POD Alloy 50x34 172.5mm N11 B2
328-0016555090	CK ROAD PBOX SC POD Alloy 50x34 175mm N11 B2
328-0016743090	CK ROAD PBOX SC POD Alloy 52x36 170mm N11 B2
328-0016744090	CK ROAD PBOX SC POD Alloy 52x36 172.5mm N11 B2
328-0016745090	CK ROAD PBOX SC POD Alloy 52x36 175mm N11 B2

CODE	TYPE
390-0121000010	CKSP QR-31 Self Extracting crank bolt



FRONT

REAR

CODE	TYPE
340-0108003090	CKSP Left Arm PBOX SC POD 170mm K1684
340-0108004090	CKSP Left Arm PBOX SC POD 172.5mm K1684
340-0108005090	CKSP Left Arm PBOX SC POD 175mm K1684

> POWERBOX SC POD ^{NEW22}

POWERMETER MEGAEXO

- 1% accuracy and virtual L/R balance
- BLE/ANT compatible
- IPX7 waterproof
- Automatic temperature compensation
- Strain gauges made in Japan
- High accuracy resolution
- Cold forged AL6061/T6 aluminum crank
- MegaExo 24mm spindle
- AL7075 Stamped chainrings
- Optimized for 11-Speed systems
- Fits Shimano and SRAM 10-11 speed systems

SIZES

- Length - 145, 150, 155, 160, 165, 167.5, 170, 172.5, 175mm
- BCD - 120/90mm
- Chainrings - 53/39T, 52/36T, 50/34T, 48/32T, 46/30T

FINISH

- Polished anodized black
- CNC detailed, black chainring
- Laser graphics

WEIGHT

- 793 grams (46/30T x 170mm)
- 20 grams (only Pod w/CR2450)



CODE	TYPE	
328-0017292870	CK ROAD PBOX SC POD Alloy M/EXO 53x39 165mm N11 B2	Not for EU
328-0017293870	CK ROAD PBOX SC POD Alloy M/EXO 53x39 170mm N11 B2	Not for EU
328-0017551870	CK ROAD PBOX SC POD Alloy M/EXO 50x34 160mm N11 B2	Not for EU
328-0017552870	CK ROAD PBOX SC POD Alloy M/EXO 50x34 165mm N11 B2	Not for EU
328-0017553870	CK ROAD PBOX SC POD Alloy M/EXO 50x34 170mm N11 B2	Not for EU
328-0017554870	CK ROAD PBOX SC POD Alloy M/EXO 50x34 172.5mm N11 B2	Not for EU
328-0017558870	CK ROAD PBOX SC POD Alloy M/EXO 50x34 155mm N11 B2	Not for EU
328-001755D870	CK ROAD PBOX SC POD Alloy M/EXO 50x34 150mm N11 B2	Not for EU
328-001755B870	CK ROAD PBOX SC POD Alloy M/EXO 50x34 145mm N11 B2	Not for EU
328-001755C870	CK ROAD PBOX SC POD Alloy M/EXO 50x34 167.5mm N11 B2	Not for EU
328-0017742870	CK ROAD PBOX SC POD Alloy M/EXO 52x36 165mm N11 B2	Not for EU
328-0017743870	CK ROAD PBOX SC POD Alloy M/EXO 52x36 170mm N11 B2	Not for EU
328-0017744870	CK ROAD PBOX SC POD Alloy M/EXO 52x36 172.5mm N11 B2	Not for EU
328-0017745870	CK ROAD PBOX SC POD Alloy M/EXO 52x36 167.5mm N11 B2	Not for EU

CODE	TYPE	
328-0017AJ1870	CK ROAD PBOX SC POD Alloy M/EXO 48x32 160mm N11 B2	Not for EU
328-0017AJ2870	CK ROAD PBOX SC POD Alloy M/EXO 48x32 165mm N11 B2	Not for EU
328-0017AJ3870	CK ROAD PBOX SC POD Alloy M/EXO 48x32 170mm N11 B2	Not for EU
328-0017AJ4870	CK ROAD PBOX SC POD Alloy M/EXO 48x32 172.5mm N11 B2	Not for EU
328-0017AJ8870	CK ROAD PBOX SC POD Alloy M/EXO 48x32 155mm N11 B2	Not for EU
328-0017AJD870	CK ROAD PBOX SC POD Alloy M/EXO 48x32 150mm N11 B2	Not for EU
328-0017AJC870	CK ROAD PBOX SC POD Alloy M/EXO 48x32 167.5mm N11 B2	Not for EU
328-0017BJ1870	CK ROAD PBOX SC POD Alloy M/EXO 46x30 160mm N11 B2	Not for EU
328-0017BJ2870	CK ROAD PBOX SC POD Alloy M/EXO 46x30 165mm N11 B2	Not for EU
328-0017BJ3870	CK ROAD PBOX SC POD Alloy M/EXO 46x30 170mm N11 B2	Not for EU
328-0017BJ4870	CK ROAD PBOX SC POD Alloy M/EXO 46x30 172.5mm N11 B2	Not for EU
328-0017BJ8870	CK ROAD PBOX SC POD Alloy M/EXO 46x30 155mm N11 B2	Not for EU
328-0017BJD870	CK ROAD PBOX SC POD Alloy M/EXO 46x30 150mm N11 B2	Not for EU
328-0017BJB870	CK ROAD PBOX SC POD Alloy M/EXO 46x30 145mm N11 B2	Not for EU
328-0017BJC870	CK ROAD PBOX SC POD Alloy M/EXO 46x30 167.5mm N11 B2	Not for EU

> GOSSAMER 2x ^{NEW22}

CHAINRING

- BCD - 120/90mm
- Holes - 4
- Drivetrain - 9, 10, 11s

CODE	TYPE
370-0162007050	CR ROAD GOSSAMER 120x53T N11 WA744 B1
370-0096005050	CR ROAD Modular 90x39T N11 WB110
370-0161006050	CR ROAD GOSSAMER 120x52T N11 WA743 B1
370-0094003050	CR ROAD Modular 90x36T N11 WB108
370-0160005050	CR ROAD GOSSAMER 120x50T N11 WA739 B1
370-0079002050	CR ROAD Modular 90x34T N11 WB109
370-0158004050	CR ROAD GOSSAMER 120x48T N11 WA737 B1
370-0041001050	CR ROAD Modular 90x32T N11 WB412
370-0159003050	CR ROAD GOSSAMER 120x46T N11 WA738 B1
370-0042021050	CR ROAD Modular 90x30T N11 WB007
390-0050000150	CRSP Chainring Bolt GOSSAMER PRO 2x B1 ML138+ML163





QR-19

> POWERBOX MTB CARBON 1x

POWERMETER

- Convertible spider design
- Hollow carbon composite arms with UD finish
- BB392EVO 30mm AL 7050 alloy spindle
- AL7075 100% CNC chainrings
- Thick-Thin tooth design for maximum chain engagement
- Fits Shimano and SRAM 11-12 speed system
- Including - R/L Balance and Bluetooth

SIZES

- Length - 165, 170mm, 175mm
- BCD - 96/68mm
- Chainrings - 38T, 36T, 34T, 32T, 30T

FINISH

- UD carbon arms
- Color graphic - grey

WEIGHT

- 696 grams (30T x 170mm)

	CODE	TYPE
EU Only	328-0003013030	CK MTB PBOX Carbon 96/68 1x36T 170mm V17
EU Only	328-0003015030	CK MTB PBOX Carbon 96/68 1x36T 175mm V17
EU Only	328-0003433030	CK MTB PBOX Carbon 96/68 1x32T 170mm V17
EU Only	328-0003435030	CK MTB PBOX Carbon 96/68 1x32T 175mm V17
EU Only	328-0003473030	CK MTB PBOX Carbon 96/68 1x34T 170mm V17
EU Only	328-0003475030	CK MTB PBOX Carbon 96/68 1x34T 175mm V17

	CODE	TYPE
	390-002800601	CKSP QR-19 Self Extracting crank bolt PBOX/WE/mod

> PBOX 12s ^{NEW22}

CHAINRINGS

- BCD - Direct Mount
- Drivetrain - 12s
- Chain - Only Shimano 12s



CODE	TYPE
380-0505017050	CR MTB PBOX MT 1x 96x38T SH12 WA801 B1
380-0509024050	CR MTB PBOX MT 1x 96x36T SH12 WA805 B1
380-0508023050	CR MTB PBOX MT 1x 96x34T SH12 WA804 B1
380-0507027050	CR MTB PBOX MT 1x 96x32T SH12 WA803 B1
380-0506026050	CR MTB PBOX MT 1x 96x30T SH12 WA802 B1
390-0097000150	CRSP E-BIKE Bolt+Nuts 4pcs ML053+ML551

> PBOX 11s

CHAINRINGS

- BCD - Direct Mount
- Drivetrain - 9, 10, 11s
- Chain - Shimano 9, 10, 11s, SRAM Eagle 12s, FSA 11s

CODE	TYPE
380-0312017051	CR MTB PBOX MT 1x 96x38T WA152
380-0249024051	CR MTB PBOX MT 1x 96x36T WA697
380-0248023051	CR MTB PBOX MT 1x 96x34T WA696
380-0247027051	CR MTB PBOX MT 1x 96x32T WA695
380-0246026051	CR MTB PBOX MT 1x 96x30T WA694
390-0097000150	CRSP E-BIKE Bolt+Nuts 4pcs ML053+ML551

> POWERBOX MTB CARBON 2x

POWERMETER

- Convertible spider design
- Hollow carbon composite arms with UD finish
- BB392EVO 30mm AL 7050 alloy spindle
- AL7075 100% CNC chainrings
- Fits Shimano and SRAM 11-12 speed system
- Including - R/L Balance and Bluetooth

SIZES

- Length - 165, 170mm, 175mm

CHAINRINGS 2X

- BCD - 96/68mm
- Chainrings - 38/28T, 38/26T, 38/24T, 36/24T, 34/26T

FINISH

- UD carbon arms
- Color graphic - grey

WEIGHT

- 728 grams (36/24T x 170mm)



QR-19

CODE	TYPE	
328-0004943030	CK MTB PBOX Carbon 96/68 36x24T 170mm V17	EU Only
328-0004945030	CK MTB PBOX Carbon 96/68 36x24T 175mm V17	EU Only

CODE	TYPE	
390-0028000601	CKSP QR-19 Self Extracting crank bolt PBOX/WE/mod	

> PBOX 2x

CHAINRING

- BCD - 96/68mm
- Holes - 4
- Drivetrain - 9, 10, 11s

CODE	TYPE
380-0236004010	CR MTB SL-K 96x38T (24) M11/D10 WB026 V17
380-0238003010	CR MTB SL-K 96x36T (24) M11/D10 WB028 V17
380-0245003050	CR MTB SL-K/AFTB/PBOX 68x26T M11/D10 WC105
380-0169002050	CR MTB SL-K/AFTB/PBOX 68x24T M11/D10 WC085
380-0239004010	CR MTB SL-K 96x38T (28) M11/D10 WB029 V17
380-0236004010	CR MTB SL-K 96x38T (24) M11/D10 WB026 V17
380-0238003010	CR MTB SL-K 96x36T (24) M11/D10 WB028 V17
380-0237003010	CR MTB SL-K 96x36T (22) M11/D10 WB027 V17
380-0170001050	CR MTB alloy 68x22T M11/D10 WC086 V17
380-0169002050	CR MTB SL-K/AFTB/PBOX 68x24T M11/D10 WC085
380-0171004050	CR MTB alloy 68x28T M11/D10 WC087 V17





QR-21

> POWERBOX MTB ALLOY 1x POWERMETER

- Convertible spider design
- Cold forged AL6061/T6 aluminum crank arms
- BB392EVO 30mm AL 7050 alloy spindle fits every MTB frame (purchase BB separately)
- AL7075 100% CNC chainrings
- Fits Shimano and SRAM 11-12 speed system
- Including - Bluetooth

SIZES

- Length - 165, 170mm, 175mm
- BCD - 96/68mm
- Chainrings - 38T, 36T, 34T, 32T, 30T

FINISH

- 2-Tone black anodized
- Laser graphics

WEIGHT

- 840 grams (30T x 170mm)

	CODE	TYPE
EU Only	328-0339013090	CK MTB PBOX Alloy 1x36T 170mm A0
EU Only	328-0339015090	CK MTB PBOX Alloy 1x36T 175mm A0
EU Only	328-0339473090	CK MTB PBOX Alloy 1x34T 170mm A0
EU Only	328-0339475090	CK MTB PBOX Alloy 1x34T 175mm A0
EU Only	328-0339433090	CK MTB PBOX Alloy 1x32T 170mm A0
EU Only	328-0339435090	CK MTB PBOX Alloy 1x32T 175mm A0

	CODE	TYPE
	390-0027000600	CKSP QR-21 ME Self Extracting crank bolt



> PBOX 12s NEW22 CHAINRINGS

- BCD - Direct Mount
- Drivetrain - 12s
- Chain - Only Shimano 12s

CODE	TYPE
380-0505017050	CR MTB PBOX MT 1x 96x38T SH12 WA801 B1
380-0509024050	CR MTB PBOX MT 1x 96x36T SH12 WA805 B1
380-0508023050	CR MTB PBOX MT 1x 96x34T SH12 WA804 B1
380-0507027050	CR MTB PBOX MT 1x 96x32T SH12 WA803 B1
380-0506026050	CR MTB PBOX MT 1x 96x30T SH12 WA802 B1
390-0097000150	CRSP E-BIKE Bolt+Nuts 4pcs ML053+ML551

> PBOX 11s CHAINRINGS

- BCD - Direct Mount
- Drivetrain - 9, 10, 11s
- Chain - Shimano 9, 10, 11s, SRAM Eagle 12s, FSA 11s

CODE	TYPE
380-0312017051	CR MTB PBOX MT 1x 96x38T WA152
380-0249024051	CR MTB PBOX MT 1x 96x36T WA697
380-0248023051	CR MTB PBOX MT 1x 96x34T WA696
380-0247027051	CR MTB PBOX MT 1x 96x32T WA695
380-0246026051	CR MTB PBOX MT 1x 96x30T WA694
390-0097000150	CRSP E-BIKE Bolt+Nuts 4pcs ML053+ML551

NEVER DROP YOUR CHAIN



DIAMOND TOOTH SHAPE



CHAMFER ON THE TEETH HELPS SHED MUD



TALLER TEETH FOR MORE SECURITY



ASYMMETRIC TOOTH DESIGN PROVIDES SMOOTHER CHAIN ENGAGEMENT



TEAM SANTACRUZ FSA

POWER WITHOUT LIMITS

Our Powerbox cranks let you train with the same tools as the professionals and to also measure your power and enhance your performance at an affordable price. Now also available with alloy crank arms!



PEDRO GOMES



K-FORCE WE

A L W A Y S A H E A D

FSA presents its drivetrain: after years of study and development, K-Force WE is ready to ride.

K-Force WE is a high-tech electronic groupset with an elegant design. A unique product that will make you change the way you ride your bike.

K-FORCE WE IS THE REVOLUTION.



> K-FORCE LIGHT BB386EVO CRANKSET

- Hollow carbon arms with UD carbon finish
- Forged AL7050 BB386EVO spindle
- AL7075 100% CNC chainrings
- Chainrings - 53/39T, 52/36T, 50/34T

SIZES

- Length - 165, 170mm, 172.5mm, 175mm
- BCD - 110mm
- Chainrings - 53/39T, 52/36T, 50/34T

FINISH

- UD carbon finish
- Color graphics - black and silver

WEIGHT

- 579 grams (50/34T x 170mm)

CODE	TYPE
336-0260293030	CK ROAD K-FORCE WE BB386 53x39T 170mm N11 V18
336-0260294030	CK ROAD K-FORCE WE BB386 53x39T 172.5mm N11 V18
336-0260295030	CK ROAD K-FORCE WE BB386 53x39T 175mm N11 V18
336-0260553030	CK ROAD K-FORCE WE BB386 50x34T 170mm N11 V18
336-0260554030	CK ROAD K-FORCE WE BB386 50x34T 172.5mm N11 V18
336-0260555030	CK ROAD K-FORCE WE BB386 50x34T 175mm N11 V18
336-0260743030	CK ROAD K-FORCE WE BB386 52x36T 170mm N11 V18
336-0260744030	CK ROAD K-FORCE WE BB386 52x36T 172.5mm N11 V18
336-0260745030	CK ROAD K-FORCE WE BB386 52x36T 175mm N11 V18

CODE	TYPE
390-0028000601	CKSP QR-19 Self Extracting crank bolt PBOX/WE/mod



> K-FORCE LIGHT 2x CHAINRING

- BCD - 110mm
- Drivetrain - 11s

CODE	TYPE
370-0080007050	CR ROAD K-FORCE WE 4h 110x53T N11 WA102
370-0081005050	CR ROAD K-FORCE WE 4h 110x39T N11 WB043
370-0082006050	CR ROAD K-FORCE WE 4h 110x52T N11 WA104
370-0083003050	CR ROAD K-FORCE WE 4h 110x36T N11 WB052
370-0084005050	CR ROAD K-FORCE WE 4h 110x50T N11 WA127
370-0085002050	CR ROAD K-FORCE WE 4h 110x34T N11 WB053
390-2097	CRSP Bolt K-FORCE ABS ML450x4 ML227/MW058Kx1



> K-FORCE WE 11SPEED

RIM BRAKE SHIFTERS

- Wireless technology to communicate with derailleurs
- Optimal ergonomics with levers in two sizes
- ANT and Bluetooth
- Adjustable reach
- UD carbon levers
- 2x front, 11 speed rear
- Compatibility - FSA K-Force WE
- Coin Cell Battery 2032

FINISH

- UD carbon finish and plastic
- Color graphics - black and silver

WEIGHT

- 313 grams (pair)



CODE	TYPE
407-0004000030	K-FORCE WE Shifter lever LEFT regular size
407-0004000031	K-FORCE WE Shifter lever RIGHT regular size



> K-FORCE WE 11SPEED

DISC BRAKE SHIFTERS

- Compact master cylinder
- Minimal hood and housing design for optimum ergonomics
- Top mount bleed port
- Lever reach adjustment
- Roller actuator lever design
- Integrated reservoir
- Composite lever blade
- Delrin™ piston guide
- Oversized lever pivot bushings
- Stainless steel pivot pin
- Master cylinder clamp
- High pressure three layer FSA hose
- O-ring sealed hose connection
- Custom compound pads
- Flat mount caliper

FINISH

- UD carbon finish
- Color graphics - black and silver

WEIGHT

- 372 grams (Right)
- 358 grams (Left)



CODE	TYPE
407-0023005030	K-FORCE WE RDB RIGHT Shifter w/caliper+Hose 1450mm
407-0024004030	K-FORCE WE RDB LEFT Shifter w/caliper+Hose 800mm
407-0041000110	K-FORCE WE DB Front QC Hose 700mm DB1024
407-0042000110	K-FORCE WE DB Front QC Hose 900mm DB1025
407-0043000110	K-FORCE WE DB Front QC Hose 950mm DB1026
407-0050000110	K-FORCE WE DB Front QC Hose 800mm DB1020
406-0070000000	K-FORCE WE RDB Disc Brake Pad kit (pair) DB051



> **K-FORCE WE 11SPEED** REAR DERAILLEUR

- K-Force WE 11 speed system
- Shifter Compatibility - K-Force WE
- Cassette Compatibility - K-Force WE
- Energy saving composite pulleys

SIZES

- Max Sprocket - 32T
- Total Capacity - 37T

FINISH

- UD carbon finish
- Color graphics - black and silver

WEIGHT

- 216 grams

CODE	TYPE
407-0012000031	K-FORCE WE Rear derailleur 11S (11-32)



> **K-FORCE WE 11SPEED** FRONT DERAILLEUR

- K-Force WE 2 x 11 speed
- All stainless steel hardware
- ANT, ANT+ and Bluetooth
- Shifter Compatibility - K-Force WE
- Crankset Compatibility - K-Force WE

SIZES

- Maximum Tooth Differential - 16T
- Fits standard braze-on mounts

FINISH

- Color graphics - black and silver

WEIGHT

- 162 grams

CODE	TYPE
407-0008000010	K-FORCE WE 11S Front derailleur

> **K-FORCE WE BATTERY**

- Short circuit protected
- 1100 mAh
- Rechargeable (with FSA charger only)
- Compatible with FSA seatpost adaptor – Ø27.2 & Ø31.6 seatposts



CODE	TYPE
407-0027006110	K-FORCE WE Batte/Charger/Sleeve/Cable 650/1050mm
407-0027007110	K-FORCE WE Batte/Charger/Sleeve/Cable 700/1100mm
407-0027008110	K-FORCE WE Batte/Charger/Sleeve/Cable 750/1150mm

Not for EU

> K-FORCE WE ROTOR

- Two piece rotor design with forged aluminum carrier
- Double disc ground stainless steel rub ring
- Countersunk rivets and disc screw mount points
- 6Bolts or Centerlock
- Rounded edge shape

SIZES

- 160mm and 140mm rotors

FINISH

Color graphics - black

WEIGHT

- 120 grams (160mm - 6Bolts)
- 100 grams (140mm - 6Bolts)



160mm
6Bolts



140mm
Centerlock

CODE	TYPE
406-0063000010	K-FORCE WE RDB 6B Rotor 160mm
406-0064000010	K-FORCE WE RDB 6B Rotor 140mm
406-0081000010	K-FORCE WE RDB CL Rotor 160mm w/locking
406-0082000010	K-FORCE WE RDB CL Rotor 140mm w/locking

> K-FORCE WE 11SPEED CASSETTE

- 11 speed cassette sprocket
- Titanium and Heat-Treated carbon steel cogs
- Large contact area saves alloy freehub bodies
- High performance and great durability

SIZES

- Combinations - 11-25, 11-28, 11-32

FINISH

- Electroless Nickel plated cogs
- Anodized black - Lock Ring, Spider

WEIGHT

- 203 grams (11-28T)



CODE	TYPE
407-0001000360	K-FORCE WE 11S cassette 11-25T CS-ED-8400
407-0002000360	K-FORCE WE 11S cassette 11-28T CS-ED-8400
407-0003000360	K-FORCE WE 11S cassette 11-32T CS-ED-8400

> K-FORCE WE CHAIN

- 11 speed compatible
- Quiet and efficient performance
- Superior durability
- lightweight design hollow pin

SIZES

- 5.6mm width

FINISH

- Nickel plated finish
- FSA Logo

WEIGHT

- 250 grams (116 Links)



CODE	TYPE
360-0010007360	CH CHAIN K-FORCE WE 11S 116L CN-1101N



> K-FORCE ROAD BRAKE SET

- FSA's newest and most advanced dual-pivot design
- Greatest power, modulation, and feedback for modern wide-rims
- Low-profile silhouette for superior aerodynamics
- Lightweight alloy components and titanium fasteners
- Sculpted box-section brake arms provide high stiffness with a positive feel

SIZES

- Integral QR adjuster
- Reach - 40-50mm
- Maximum Rim Width - 28mm

FINISH

- Polished anodized black finish
- Color graphics - black and silver

WEIGHT

- 299 grams (pair)

CODE	TYPE
407-006003010	K-FORCE WE BK road (pair)
407-0007000000	K-FORCE WE BK brake cable set BL-040



> NS DIRECT MOUNT BRAKE

- FSA's newest and most advanced dual pivot direct mount design
- Optimal power and modulation for modern wide-rims
- Low-profile silhouette for superior aerodynamics
- Designed for frame and crankarm clearance
- Light weight alloy components
- Sculpted and forged brake arms provide high stiffness with a positive feel and response
- Compatible with Fork, Seatstay, and Chainstay mounting

FINISH

- Anodized gloss and matte black

WEIGHT

- 192 grams (each)

CODE	TYPE
400-0009003010	BRK NS DIRECT MOUNT Brake Front Road DM60 A9
400-0013003010	BRK NS DIRECT MOUNT Brake Rear Road DM80 A9

K-FORCE WE TT 11SPEED SHIFTERS

- Wireless technology to communicate with derailleurs
- Optimal ergonomics
- ANT and Bluetooth
- UD carbon levers
- 2x front, 11 speed rear
- Compatibility - FSA K-Force WE
- 4 ports for connection with bar end and lever switches
- Easy installation on round stem using included adaptor
- Coin Cell Battery 2032

FINISH

Color graphics - black and silver

WEIGHT

- 130 grams (brake lever - pair)
- 35 grams (extension shifters - pair)
- 20 grams (junction box)



CODE	TYPE
407-0028000110	K-FORCE WE TT Extension Left Shifters SF016
407-0028000111	K-FORCE WE TT Extension Right Shifters SF016
407-0029004111	K-FORCE WE TT Left Brake lever SF017
407-0029005111	K-FORCE WE TT Right Brake lever SF017
407-0030000110	K-FORCE WE TT Junction Box Black SF018
40700031000110	K-FORCE WE TT AeroBar Cable F4051





TEAM RALLY



ROAD SERIES

A L W A Y S A H E A D

Many of the ProTour teams that we have sponsored in the past have won coveted titles such as the Yellow, Green and Polka dot jerseys in the Tour de France, the overall in the Giro d'Italia, Vuelta a España and Tour of California, plus many more races. With this amount of experience and success, combined with our close partnerships with these teams, allows us to communicate and develop new ideas and technologies for the bike. We look forward to continuous success while partnered with world-class teams and athletes and we hope to see you out there supporting the riders!

PRODUCT COMPARISON CHART

FSA	SHIMANO™	CAMPAGNOLO™	SRAM™
K-FORCE WE	DURA ACE / DI2	SUPER RECORD	RED / AXS
SL-K	ULTEGRA / DI2	RECORD / EPS	FORCE / AXS
ENERGY	ULTEGRA	CHORUS / EPS	RIVAL
GOSSAMER	105	ATHENA	APEX
OMEGA	TIAGRA	CENTAUR	APEX
VERO	SORA	VELOCE	-
TEMPO	-	-	-

K-FORCE ROAD SERIES

K-Force Light components showcase the epitome of FSA's dedication to advancements in state-of-the-art product design, engineering and manufacturing.



> K-FORCE TEAM EDITION NEW22 BB386EVO CRANKSET

- Hollow 3K carbon fiber arms
- Carbon composite arms
- AL7075 100% CNC chainrings
- 30mm CNC machined AL7050 BB386EVO spindle
- BCD - Direct Mount
- Optimized for 11 Speed, 12S Sram systems

SIZES

- Length - 165, 167.5, 170, 172.5, 175mm
- BCD - Direct Mount
- SMN and SRAM 10-11S - 53/39T, 52/36T, 50/34T, 48/32T, 46/30T
- SRAM 12S - 53/40T, 52/39T, 50/37T, 46/33T

FINISH

- 3K finish
- Bead blasted anodized black
- Color graphics

WEIGHT

- 551 grams (53/39T x 172.5mm)

CODE	TYPE
336-0367272030	CK ROAD K-FORCE T.Edit Mod 52x39T 165mm AXS12 B2
336-0367273030	CK ROAD K-FORCE T.Edit Mod 52x39T 170mm AXS12 B2
336-0367274030	CK ROAD K-FORCE T.Edit Mod 52x39T 172.5mm AXS12 B2
336-0367275030	CK ROAD K-FORCE T.Edit Mod 52x39T 175mm AXS12 B2
336-036727C030	CK ROAD K-FORCE T.Edit Mod 52x39T 167.5mm AXS12 B2
336-0367BQ3030	CK ROAD K-FORCE T.Edit Mod 53x40T 170mm AXS12 B2
336-0367BQ4030	CK ROAD K-FORCE T.Edit Mod 53x40T 172.5mm AXS12 B2
336-0367BQ5030	CK ROAD K-FORCE T.Edit Mod 53x40T 175mm AXS12 B2

CODE	TYPE
390-0119000010	CKSP K-FORCE T.Edit Left crank bolt ML679
390-0120000010	CKSP K-FORCE T.Edit Right Self Extr bolt ML683+659

CODE	TYPE
336-0368292030	CK ROAD K-FORCE T.Edit Mod 53x39T 165mm N11 B2
336-0368293030	CK ROAD K-FORCE T.Edit Mod 53x39T 170mm N11 B2
336-0368294030	CK ROAD K-FORCE T.Edit Mod 53x39T 172.5mm N11 B2
336-0368295030	CK ROAD K-FORCE T.Edit Mod 53x39T 175mm N11 B2
336-036852030	CK ROAD K-FORCE T.Edit Mod 50x34T 165mm N11 B2
336-036853030	CK ROAD K-FORCE T.Edit Mod 50x34T 170mm N11 B2
336-036854030	CK ROAD K-FORCE T.Edit Mod 50x34T 172.5mm N11 B2
336-036855030	CK ROAD K-FORCE T.Edit Mod 50x34T 175mm N11 B2
336-036855C030	CK ROAD K-FORCE T.Edit Mod 50x34T 167.5mm N11 B2
336-0368742030	CK ROAD K-FORCE T.Edit Mod 52x36T 165mm N11 B2
336-0368743030	CK ROAD K-FORCE T.Edit Mod 52x36T 170mm N11 B2
336-0368744030	CK ROAD K-FORCE T.Edit Mod 52x36T 172.5mm N11 B2
336-0368745030	CK ROAD K-FORCE T.Edit Mod 52x36T 175mm N11 B2
Not for EU 336-0368AJ2030	CK ROAD K-FORCE T.Edit Mod 48x32T 165mm N11 B2
Not for EU 336-0368AJ3030	CK ROAD K-FORCE T.Edit Mod 48x32T 170mm N11 B2
Not for EU 336-0368AJ4030	CK ROAD K-FORCE T.Edit Mod 48x32T 172.5mm N11 B2
Not for EU 336-0368AJ5030	CK ROAD K-FORCE T.Edit Mod 48x32T 175mm N11 B2
Not for EU 336-0368BJ2030	CK ROAD K-FORCE T.Edit Mod 46x30T 165mm N11 B2
Not for EU 336-0368BJ3030	CK ROAD K-FORCE T.Edit Mod 46x30T 170mm N11 B2
Not for EU 336-0368BJ4030	CK ROAD K-FORCE T.Edit Mod 46x30T 172.5mm N11 B2
Not for EU 336-0368BJ5030	CK ROAD K-FORCE T.Edit Mod 46x30T 175mm N11 B2

> K-FORCE TEAM EDITION 2x ^{NEW22}

CHAINRINGS

- BCD - Direct Mount
- SMN and SRAM 10-11S - 53/39T, 52/36T, 50/34T, 48/32T, 46/30T
- SRAM 12S - 53/40T, 52/39T, 50/37T, 46/33T

CODE	TYPE
370-0173021050	CR ROAD K-FORCE T.Edition DM 53x39T N11 WA795
370-0174042050	CR ROAD K-FORCE T.Edition DM 52x36T N11 WA860
370-0175022050	CR ROAD K-FORCE T.Edition DM 50x34T N11 WA861
370-0176059050	CR ROAD K-FORCE T.Edition DM 48x32T N11 WA862
370-0177046050	CR ROAD K-FORCE T.Edition DM 46x30T N11 WA863
370-0178007050	CR ROAD K-FORCE T.Edition DM 53x40T AXS12 WA864
370-0179056050	CR ROAD K-FORCE T.Edition DM 52x39T AXS12 WA865
370-0180058050	CR ROAD K-FORCE T.Edition DM 50x37T AXS12 WA866
370-0181057050	CR ROAD K-FORCE T.Edition DM 46x33T AXS12 WA867



> K-FORCE MODULAR SUPERCOMPACT

BB386EVO CRANKSET

- Hollow carbon fiber arms with UD finish
- Forged AL7050 BB386EVO spindle
- AL7075 100% CNC chainrings
- AL7075 Torx T-30 alloy chainring bolts
- Fits Shimano and SRAM 10-11 speed systems

SIZES

- Length - 170mm, 172.5mm, 175mm
- Q-Factor - 148 mm

FINISH

- UD carbon finish
- Color graphics - black

WEIGHT

- 572 grams

CODE	TYPE
336-0280AJ3030	CK ROAD K-FORCE Mod BB386 48x32T 170mm N11 V18
336-0280AJ4030	CK ROAD K-FORCE Mod BB386 48x32T 172.5mm N11 V18
336-0280AJ5030	CK ROAD K-FORCE Mod BB386 48x32T 175mm N11 V18
336-0280BJ3030	CK ROAD K-FORCE Mod BB386 46x30T 170mm N11 A9
336-0280BJ4030	CK ROAD K-FORCE Mod BB386 46x30T 172.5mm N11 A9
336-0280BJ5030	CK ROAD K-FORCE Mod BB386 46x30T 175mm N11 A9

CODE	TYPE
390-0028000601	CKSP QR-19 Self Extracting crank bolt PBOX/WE/mod



QR-19

> FSA K-FORCE MODULAR

ROAD CHAINRINGS

- BCD - Direct Mount/90mm
- Holes - Direct Mount/4

CODE	TYPE
370-0097005050	CR ROAD K-FORCE DM 48T N11 WA128
370-0041001050	CR ROAD Modular 90x32T N11 WB412
370-0110003050	CR ROAD K-FORCE DM 46T(30T) WA376
370-0042021050	CR ROAD Modular 90x30T N11 WB007
390-0061000010	CRSP Chainring Bolt ML021





Shim to adapt 1-1/4" stem to 1-1/8" steer tube

> K-FORCE LIGHT STEM

- Monocoque carbon body
- Alloy faceplate
- Titanium hardware

SIZES

- -6° x L90, 100, 110, 120, 130mm
- Ø31.8mm fork clamp diameter
- Shim to adapt 1-1/4" stem to 1-1/8" steer tube included
- Ø31.8mm handlebar clamp diameter
- 40mm fork clamp stack height
- Includes matching top cap

FINISH

- Body - UD carbon finish
- Faceplate - anodized black

WEIGHT

- 193 grams (100mm)

CODE	TYPE
175-0033017030	ST ROAD K-FORCE Light carbon 90mm -6° A9
175-0033018030	ST ROAD K-FORCE Light carbon 100mm -6° A9
175-0033019030	ST ROAD K-FORCE Light carbon 110mm -6° A9
175-0033020030	ST ROAD K-FORCE Light carbon 120mm -6° A9
175-0033021030	ST ROAD K-FORCE Light carbon 130mm -6° A9



> K-FORCE LIGHT 2.0 STEM

- Alloy 6061/T6 body and faceplate
- Titanium hardware

SIZES

- -6° x L60, 70, 80, 90, 100, 110, 120, 130mm
- Ø31.8mm handlebar clamp
- 33.5mm fork clamp stack height

FINISH

- Final blazed anodized with polished 2 tone black
- Color graphics - black

WEIGHT

- 123 grams (100mm)

CODE	TYPE
175-0041015870	ST ROAD K-FORCE Light 2.0 alloy 70mm -6° A0
175-0041016870	ST ROAD K-FORCE Light 2.0 alloy 80mm -6° A0
175-0041017870	ST ROAD K-FORCE Light 2.0 alloy 90mm -6° A0
175-0041018870	ST ROAD K-FORCE Light 2.0 alloy 100mm -6° A0
175-0041019870	ST ROAD K-FORCE Light 2.0 alloy 110mm -6° A0
175-0041020870	ST ROAD K-FORCE Light 2.0 alloy 120mm -6° A0
175-0041021870	ST ROAD K-FORCE Light 2.0 alloy 130mm -6° A0

> OS-99 $\pm 6^\circ$ STEM

- 3D forged and CNC machined from AL2014
- UD carbon wrap applied through CSI process
- 4 bolt sculpted AL2014 alloy/CSI faceplate
- Titanium hardware

SIZES

- $\pm 6^\circ$ x L60, 70, 80, 90, 100, 110, 120, 130mm
- $\varnothing 31.8$ mm handlebar clamp
- 41mm fork clamp stack height

FINISH

- UD carbon finish
- Color graphics - black

WEIGHT

- 126 grams (100mm)



CODE	TYPE
175-0322BKG	ST ROAD OS-99 CSI 60mm $\pm 6^\circ$ V14
175-0323BKG	ST ROAD OS-99 CSI 70mm $\pm 6^\circ$ V14
175-0320BKG	ST ROAD OS-99 CSI 80mm $\pm 6^\circ$ V14
175-0316BKG	ST ROAD OS-99 CSI 90mm $\pm 6^\circ$ V14
175-0317BKG	ST ROAD OS-99 CSI 100mm $\pm 6^\circ$ V14
175-0318BKG	ST ROAD OS-99 CSI 110mm $\pm 6^\circ$ V14
175-0319BKG	ST ROAD OS-99 CSI 120mm $\pm 6^\circ$ V14
175-0321BKG	ST ROAD OS-99 CSI 130mm $\pm 6^\circ$ V14

> K-FORCE COMPACT HANDLEBAR

- Aerodynamic integrated Cable Routing (ACR) compatible
- Semi-integrated Cable Routing (SCR) compatible
- Continuous UD carbon composite construction
- Wide 110mm center section for clip-ons and accessories
- New internal cable routing options for Di2 improves stiffness and fatigue life while allowing for cleaner cable routing
- Reinforced and textured clamping areas
- Weight reduction

SIZES

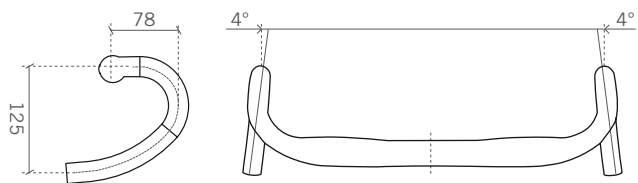
- $\varnothing 31.8$ mm x W400, 420, 440mm (c-c)
- 125mm drop, 78mm reach
- 4° outward bend

FINISH

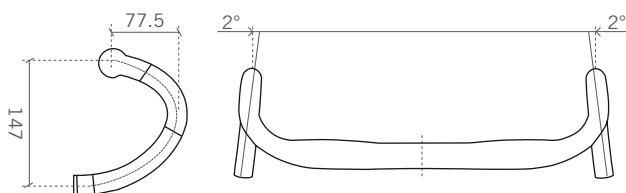
- UD carbon finish
- Color graphics - gray

WEIGHT

- 185 grams (400mm)
- 190 grams (420mm)
- 195 grams (440mm)



CODE	TYPE
185-0055BKG	HB ROAD K-FORCE Compact ACR carbon 400mm A9
185-0056BKG	HB ROAD K-FORCE Compact ACR carbon 420mm A9
185-0057BKG	HB ROAD K-FORCE Compact ACR carbon 440mm A9



> K-FORCE NEW ERGO HANDLEBAR

- Continuous UD carbon composite construction
- Double-width single cable groove design improves stiffness and fatigue life
- Reinforced and textured clamping areas

SIZES

- Ø31.8mm x W400, 420, 440mm (c-c)
- 147mm drop, 77.5mm reach
- 2° outward bend

FINISH

- UD carbon finish
- Color graphics - gray

WEIGHT

- 185 grams (400mm)

CODE	TYPE
185-0065BKG	HB ROAD K-FORCE NewErgo carbon 400mm V14
185-0066BKG	HB ROAD K-FORCE NewErgo carbon 420mm V14
185-0067BKG	HB ROAD K-FORCE NewErgo carbon 440mm V14



w/ drive train battery adapter
Removable plastic sleeve

> K-FORCE LIGHT SB25 SEATPOST

- Forged alloy Minimal Top Clamp (MTC)
- Increased setback for correct fit and saddle support
- One piece continuous carbon fiber construction
- M5 chromoly and stainless steel hardware design

SIZES

- L350mm x Ø27.2, Ø31.6mm
- L400mm x Ø27.2, Ø31.6mm
- 25mm setback
- Fits Ø7mm standard rails and 7x9mm oval rails

FINISH

- UD carbon finish
- Color graphics - black

WEIGHT

- 188 grams (Ø27.2x350mm)

CODE	TYPE
192-0073001030	SP ROAD K-FORCE MTC carbon SB25 27.2x350mm A0
192-0073005030	SP ROAD K-FORCE MTC carbon SB25 31.6x350mm A0
192-0073033030	SP ROAD K-FORCE MTC carbon SB25 27.2x400mm A0
192-0073029030	SP ROAD K-FORCE MTC carbon SB25 31.6x400mm A0

Plastic sleeve adapter available also separately

CODE	ACCESSORIES
192-0016000110	SPSP Sleeve K-FORCE/WE/SL-K 31.6mm E0536
192-0019000110	SPSP Sleeve SL-K 27.2mm E0537

> K-FORCE LIGHT SBO

SEATPOST

- Forged alloy Minimal Top Clamp (MTC)
- One piece continuous carbon fiber construction
- M5 chromoly and stainless steel hardware design

SIZES

- L350 x Ø27.2, 31.6mm
- L400 x Ø27.2, 31.6mm
- Zero Setback
- Fits Ø7mm standard rails and 7x9mm oval rails

FINISH

- UD carbon finish
- Color graphics - black

WEIGHT

- 185 grams (Ø27.2x350mm)

CODE	TYPE
192-0072001030	SP ROAD K-FORCE MTC carbon SBO 27.2x350mm B1
192-0072005030	SP ROAD K-FORCE MTC carbon SBO 31.6x350mm B1
192-0072029030	SP ROAD K-FORCE MTC carbon SBO 31.6x400mm B1
192-0072033030	SP ROAD K-FORCE MTC carbon SBO 27.2x400mm B1

Plastic sleeve adapter available also separately

CODE	ACCESSORIES
192-0016000110	SPSP Sleeve K-FORCE/WE/SL-K 31.6mm E0536
192-0019000110	SPSP Sleeve SL-K 27.2mm E0537



w/ drive train battery adapter
Removable plastic sleeve

> K-FORCE

BOTTLE CAGE

- Ultralight carbon bottle cage in a minimalist design
- M5 Alloy hardware
- Securely holds water bottle
- Universal fitting
- 10mm of adjustment

FINISH

- UD carbon finish
- Color graphics - gray

WEIGHT

- 21 grams

CODE	TYPE
190-0002000031	BTCG K-FORCE bottle cage E0546 V18



SL-K ROAD SERIES

SL-K has been the top choice of professional riders at both road and cyclocross races. SL-K products offer the best combination of light weight, strength, and advanced technology for the serious athlete who relies on their bike to perform without compromise.



QR-19

> SL-K LIGHT BB386EVO CRANKSET

- Hollow carbon arms with UD carbon finish
- Forged AL7050 BB386EVO spindle
- AL7075 100% CNC chainrings
- Fits Shimano and SRAM 10-11 speed systems

SIZES

- Length - 165mm, 170mm, 172.5mm, 175mm
- BCD - 110mm ABS
- Chainrings - 53/39T, 52/36T, 50/34T

FINISH

- UD carbon finish
- Color graphics - black

WEIGHT

- 653 grams (53/39T x 170mm)

CODE	TYPE
336-0313292030	CK ROAD SL-K BB386 ABS 53x39T 165mm N11 A9
336-0313293030	CK ROAD SL-K BB386 ABS 53x39T 170mm N11 A9
336-0313294030	CK ROAD SL-K BB386 ABS 53x39T 172.5mm N11 A9
336-0313295030	CK ROAD SL-K BB386 ABS 53x39T 175mm N11 A9
336-0313552030	CK ROAD SL-K BB386 ABS 50x34T 165mm N11 A9
336-0313553030	CK ROAD SL-K BB386 ABS 50x34T 170mm N11 A9
336-0313554030	CK ROAD SL-K BB386 ABS 50x34T 172.5mm N11 A9
336-0313555030	CK ROAD SL-K BB386 ABS 50x34T 175mm N11 A9
336-0313742030	CK ROAD SL-K BB386 ABS 52x36T 165mm N11 A9
336-0313743030	CK ROAD SL-K BB386 ABS 52x36T 170mm N11 A9
336-0313744030	CK ROAD SL-K BB386 ABS 52x36T 172.5mm N11 A9
336-0313745030	CK ROAD SL-K BB386 ABS 52x36T 175mm N11 A9

CODE	TYPE
390-0028000601	CKSP QR-19 Self Extracting crank bolt PBOX/WE/mod

> SL-K LIGHT 2x CHAINRINGS

- BCD - 110mm ABS
- Hole - 4
- Fits Shimano and SRAM 10-11 speed systems



CODE	TYPE
371-0075008011	CR ROAD SL-K/PBOX carbon Blk ABS 110x55T N11 WA270
371-0075008012	CR ROAD SL-K/PBOX alloy Blk ABS 110x55T N11 WA270
371-0076011011	CR ROAD SL-K/PBOX carbon Blk ABS 110x54T N11 WA100
371-0076011012	CR ROAD SL-K/PBOX alloy Blk ABS 110x54T N11 WA100
371-0082007010	CR ROAD SL-K/PBOX Blk ABS 110x53T N11 WA401
371-0083006010	CR ROAD SL-K/PBOX Blk ABS 110x52T N11 WA400
371-0085005012	CR ROAD SL-K/PBOX Blk ABS 110x50T N11 WA399
371-0038003013	AA CR ROAD PBOX/SL-K ABS 4h 110x46T N11 WA002 A9
371-0077008050	CR ROAD SL-K/PBOX Blk ABS 110x42T N11 WB112
371-0078005050	CR ROAD SL-K/PBOX Blk ABS 110x39T N11 WB074
371-0084003050	CR ROAD SL-K/PBOX Blk ABS 110x36T N11 WB140
371-0086002050	CR ROAD SL-K/PBOX Blk ABS 110x34T N11 WB139
390-0035000260	CRSP Kit Tab+Bolt Black SL-K ABS 4h E0084+ML021

> SL-K LIGHT 1x

BB386EVO CRANKSET

- Hollow carbon arms with UD carbon finish
- Forged AL7050 BB386EVO spindle
- AL7075 100% CNC chainrings
- AL7075 Torx T-30 alloy chainring bolts with tabcover
- Fits Shimano and SRAM 10-11 speed systems
- Thick-Thin tooth design for maximum chain engagement

SIZES

- Length - 165mm, 170mm, 172.5mm, 175mm
- BCD - 110mm ABS
- Chainrings - 46T, 44T, 42T, 40T, 38T, 36T

FINISH

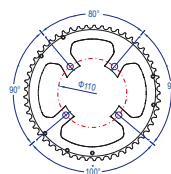
- UD carbon finish
- Color graphics - black

WEIGHT

- 548 grams



QR-19



ASYMMETRICAL BOLT SYSTEM (ABS) - 4 HOLES

Optimized spacing of the arms to increase the stiffness where the load is highest. Forged outer chain ring with special machining increases rigidity for instant shifts and lighter weight.

CODE	TYPE
336-0338063030	CK ROAD SL-K BB386 ABS 42T 170mm B1
336-0338064030	CK ROAD SL-K BB386 ABS 42T 172.5mm B1
336-0338065030	CK ROAD SL-K BB386 ABS 42T 175mm B1

CODE	TYPE
390-0028000601	CKSP QR-19 Self Extracting crank bolt PBOX/WE/mod

> SL-K LIGHT 1x

CHAINRINGS

- BCD - 110mm ABS
- Hole - 4
- Fits Shimano and SRAM 10-11 speed systems

CODE	TYPE
370-0128024050	CR ROAD SL-K MT 1x 4h ABS 110x36T WA215 B1
370-0127017050	CR ROAD SL-K MT 1x 4h ABS 110x38T WA220 B1
370-0126012050	CR ROAD SL-K MT 1x 4h ABS 110x40T WA256 B1
370-0125001050	CR ROAD SL-K MT 1x 4h ABS 110x42T WA257 B1
370-0124002050	CR ROAD SL-K MT 1x 4h ABS 110x44T WA223 B1
370-0112003050	CR ROAD SL-K MT 1x 4h ABS 110x46T WA227 B1
390-0036000260	CRSP Kit Tab+ Bolt Black SL-K RD ABS 1x E0084+E0575
390-0105000110	SL-K RD ABS 1x CR spacer no tabs

US only





QR-19

> SL-K MODULAR DIRECT MOUNT

BB386EVO CRANKSET

- Hollow carbon arms with UD carbon finish
- Forged AL7050 BB386EVO spindle
- AL7075 100% CNC chainrings
- Fits Shimano and SRAM 10-11 speed systems

SIZES

- Length - 165mm, 170mm, 172.5mm, 175mm
- BCD - Direct Mount/90mm
- Chainrings - 48/32T, 46/30T

FINISH

- UD carbon finish

WEIGHT

- 602 grams (46/30T x 170mm)

CODE	TYPE
336-0259AJ2030	CK ROAD SL-K Mod BB386 48x32T 165mm N11 V17
336-0259AJ3030	CK ROAD SL-K Mod BB386 48x32T 170mm N11 V17
336-0259AJ4030	CK ROAD SL-K Mod BB386 48x32T 172.5mm N11 V17
336-0259AJ5030	CK ROAD SL-K Mod BB386 48x32T 175mm N11 V17
336-0259BJ2030	CK ROAD SL-K Mod BB386 46x30T 165mm N11 V17
336-0259BJ3030	CK ROAD SL-K Mod BB386 46x30T 170mm N11 V17
336-0259BJ4030	CK ROAD SL-K Mod BB386 46x30T 172.5mm N11 V17
336-0259BJ5030	CK ROAD SL-K Mod BB386 46x30T 175mm N11 V17

CODE	TYPE
390-0028000601	CKSP QR-19 Self Extracting crank bolt PBOX/WE/mod



> SL-K DIRECT MOUNT 11s

CHAINRINGS

- BCD - Direct Mount/90mm
- Hole - DM/4
- Fits Shimano and SRAM 10-11 speed systems

CODE	TYPE
370-0039004050	CR ROAD SL-K/ENERGY DM 48T N11 WA096
370-0040003050	CR ROAD SL-K/ENERGY DM 46T (30T) N11 WA077
370-0041001050	CR ROAD Modular 90x32T N11 WB412
370-0042021050	CR ROAD Modular 90x30T N11 WB007
390-0044000600	CKSP lock Ring ck Modular ML549
390-0061000010	CRSP Chainring Bolt ML021

> SL-K -6° STEM

- Semi integrated Cable Routing (SCR)
- 3D Forged and CNC machine AL2014
- Chromoly hardware

SIZES

- -6° x L70, 80, 90, 100, 110, 120, 130, 140mm
- Ø31.8mm handlebar clamp diameter
- 40mm fork clamp stack height
- Shim to adapt 1-1/4" stem to 1-1/8" steer tube (included)
- Includes matching top cap

FINISH

- Anodized black
- Color graphics - black

WEIGHT

- 159 grams (100mm)



Shim to adapt 1-1/4" stem to 1-1/8" steer tube

CODE	TYPE
175-0032005010	ST ROAD SL-K SCR alloy 70mm -6° A0
175-0032007010	ST ROAD SL-K SCR alloy 80mm -6° A0
175-0032008010	ST ROAD SL-K SCR alloy 90mm -6° A0
175-0032009010	ST ROAD SL-K SCR alloy 100mm -6° A0
175-0032010010	ST ROAD SL-K SCR alloy 110mm -6° A0
175-0032011010	ST ROAD SL-K SCR alloy 120mm -6° A0
175-0032012010	ST ROAD SL-K SCR alloy 130mm -6° A0
175-0032013010	ST ROAD SL-K SCR alloy 140mm -6° A0



SCR hole

> SL-K -17° STEM

- Semi integrated Cable Routing (SCR)
- 3D Forged and CNC machine AL2014
- Chromoly hardware

SIZES

- -17° x L70, 80, 90, 100, 110, 120, 130mm
- Ø31.8mm handlebar clamp diameter
- 40mm fork clamp stack height
- Shim to adapt 1-1/4" stem to 1-1/8" steer tube (included)
- Includes matching top cap

FINISH

- Anodized black
- Color graphics - black

WEIGHT

- 164 grams (100mm)



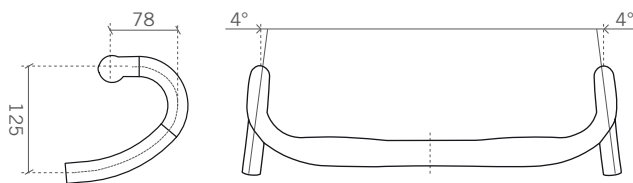
Shim to adapt 1-1/4" stem to 1-1/8" steer tube

CODE	TYPE
175-0032038010	ST ROAD SL-K SCR alloy 70mm -17° A0
175-0032039010	ST ROAD SL-K SCR alloy 80mm -17° A0
175-0032040010	ST ROAD SL-K SCR alloy 90mm -17° A0
175-0032041010	ST ROAD SL-K SCR alloy 100mm -17° A0
175-0032042010	ST ROAD SL-K SCR alloy 110mm -17° A0
175-0032043010	ST ROAD SL-K SCR alloy 120mm -17° A0
175-0032087010	ST ROAD SL-K SCR alloy 130mm -17° A0



SCR hole

> SL-K COMPACT HANDLEBAR



- Aerodynamic integrated Cable Routing (ACR) compatible
- Semi-integrated Cable Routing (SCR) compatible
- Continuous UD carbon monocoque construction
- Reinforced and textured clamping areas
- Di2 internal cable routing
- Wide 120mm center section for clip-ons and accessories

SIZES

- Ø31.8mm x W360, 380, 400, 420, 440mm (c-c)
- 125mm drop, 78mm reach
- 4° outward bend

FINISH

- UD carbon finish
- Color graphics - black

WEIGHT

- 200 grams (360mm)
- 205 grams (380mm)
- 210 grams (400mm)
- 215 grams (420mm)
- 220 grams (440mm)

	CODE	TYPE
US only	185-0038055030	HB ROAD SL-K Compact ACR carbon 360mm A9
	185-0038035030	HB ROAD SL-K Compact ACR carbon 380mm A9
	185-0038012030	HB ROAD SL-K Compact ACR carbon 400mm A9
	185-0038013030	HB ROAD SL-K Compact ACR carbon 420mm A9
	185-0038014030	HB ROAD SL-K Compact ACR carbon 440mm A9



w/ drive train battery adapter
Removable plastic sleeve

> SL-K SB20 SEATPOST

- UD carbon shaft with bonded alloy head
- Forged alloy "SBS" 2-bolt head
- Chromoly hardware

SIZES

- L350mm x Ø25.4 (Not Di2 Compatible)
- L350mm x Ø27.2, Ø31.6mm (Di2 Compatible)
- L400mm x Ø27.2, Ø31.6mm (Di2 Compatible)
- 20mm setback
- Fits Ø7mm standard rails and 7x9mm oval rails

FINISH

- UD carbon finish
- Color graphics - black

WEIGHT

- 221 grams (Ø27.2x350mm)

CODE	TYPE
192-0058001030	SP ROAD SL-K SBS carbon SB20 27.2x350mm A9
192-0058005030	SP ROAD SL-K SBS carbon SB20 31.6x350mm A9
192-0058033030	SP ROAD SL-K SBS carbon SB20 27.2x400mm A9
192-0058039030	SP ROAD SL-K SBS carbon SB20 25.4x350mm A9

Plastic sleeve adapter available also separately

CODE	ACCESSORIES
192-0016000110	SPSP Sleeve K-FORCE/WE/SL-K 31.6mm E0536
192-0019000110	SPSP Sleeve SL-K 27.2mm E0537

> SL-K ITC SB20/10 SEATPOST

- UD carbon shaft with bonded alloy head
- Forged alloy ITC (Independent Top Clamp)
- Chromoly hardware

SIZES

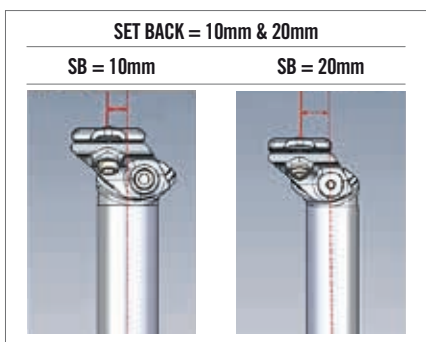
- L350mm x Ø27.2, Ø31.6mm
- 20/10mm setback
- Fits Ø7mm standard rails and 7x9mm oval rails

FINISH

- UD carbon finish
- Color graphics - black

WEIGHT

- 220 grams (Ø27.2 x 350mm)



To obtain the different SETBACK rotate 180° the seatpost and swap the top clamp



CODE	TYPE	
192-0068001030	SP ROAD SL-K ITC carbon SB20 27.2x350mm A9	Not for US
192-0068005030	SP ROAD SL-K ITC carbon SB20 31.6x350mm A9	Not for US

> SL-K BOTTLE CAGE

- Stainless steel hardware
- Securely holds water bottle
- Universal fitting
- 10mm of adjustment

FINISH

- Black
- Color graphics - black

WEIGHT

- 30.6 grams



CODE	TYPE
190-0003000110	BTCG SL-K bottle cage E0100 V18

ENERGY ROAD SERIES

FSA's Energy series components are the pinnacle of aluminum alloy technology. Energy components are ideal for the enthusiast who wants the uncompromising feel of high performance alloy.



> ENERGY MODULAR NEW22 BB386EVO CRANKSET

- Cold forged AL7050/T6 crank arms
- Hollow arms
- Forged AL7050 BB386EVO spindle
- Cold forged AL7075 100% CNC chainrings
- Fits Shimano and SRAM 10-11 speed systems

SIZES

- Length - 170mm, 172.5mm, 175mm
- BCD - Direct Mount/90mm
- Chainrings - 52/36T, 50/34T, 48/32T, 46/30T

FINISH

- Polished anodized black
- 2-tone with laser graphics

WEIGHT

- 720 grams (53/39T x 170mm)

CODE	TYPE
336-0375553870	CK ROAD ENERGY Mod BB386 50x34T 170mm N11 B2
336-0375554870	CK ROAD ENERGY Mod BB386 50x34T 172.5mm N11 B2
336-0375555870	CK ROAD ENERGY Mod BB386 50x34T 175mm N11 B2
336-0375743870	CK ROAD ENERGY Mod BB386 52x36T 170mm N11 B2
336-0375744870	CK ROAD ENERGY Mod BB386 52x36T 172.5mm N11 B2
336-0375745870	CK ROAD ENERGY Mod BB386 52x36T 175mm N11 B2
336-0375AJ3870	CK ROAD ENERGY Mod BB386 48x32T 170mm N11 B2
336-0375AJ4870	CK ROAD ENERGY Mod BB386 48x32T 172.5mm N11 B2
336-0375AJ5870	CK ROAD ENERGY Mod BB386 48x32T 175mm N11 B2
336-0375BJ3870	CK ROAD ENERGY Mod BB386 46x30T 170mm N11 B2
336-0375BJ4870	CK ROAD ENERGY Mod BB386 46x30T 172.5mm N11 B2
336-0375BJ5870	CK ROAD ENERGY Mod BB386 46x30T 175mm N11 B2



> ENERGY DM 2x NEW22 CHAINRINGS

- BCD - Direct Mount/90mm
- Hole - DM/4
- Fits Shimano and SRAM 10-11 speed systems

CODE	TYPE
370-0185007970	CR ROAD ENERGY DM 53T N11 WA852 B2
370-0184006970	CR ROAD ENERGY DM 52T N11 WA853 B2
370-0182005970	CR ROAD ENERGY DM 50T N11 WA799 B2
370-0190003970	CR ROAD ENERGY DM 46T N11 WA854 B2
370-0096005050	CR ROAD ENERGY 90x39T N11 WB110 B2
370-0094003050	CR ROAD ENERGY 90x36T N11 WB108 B2
370-0079002050	CR ROAD ENERGY 90x34T N11 WB109 B2
390-0061000010	CRSP Chainring Bolts ML021 4pcs

> ENERGY SUPER COMPACT UPDATE22

HANDLEBAR

- Aerodynamic integrated Cable Routing (ACR)
- Semi integrated cable routing (SCR)
- Double butted and tapered AL7050
- 34mm ergonomic flat top
- 110mm wide round center section

SIZES

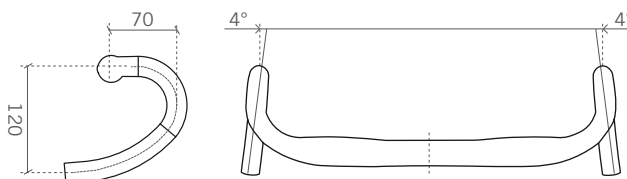
- Ø31.8mm x W360, 380, 400, 420, 440mm (c-c)
- 120mm drop, 70mm reach
- 4° outward bend

FINISH

- Bead blasted black with polished anodized black
- Color graphics - gray

WEIGHT

- 285 grams (380mm)



CODE	TYPE
185-0024014090	HB ROAD ENERGY SuperCompact alloy ACR 440mm B1
185-0024013090	HB ROAD ENERGY SuperCompact alloy ACR 420mm B1
185-0024012090	HB ROAD ENERGY SuperCompact alloy ACR 400mm B1
185-0024035090	HB ROAD ENERGY SuperCompact alloy ACR 380mm B1
185-0024055090	HB ROAD ENERGY SuperCompact alloy ACR 360mm B1



> ENERGY COMPACT HANDLEBAR

- Aerodynamic integrated Cable Routing (ACR)
- Semi integrated cable routing (SCR)
- Double butted and tapered AL7050
- 34mm ergonomic flat top
- 110mm wide round center section

SIZES

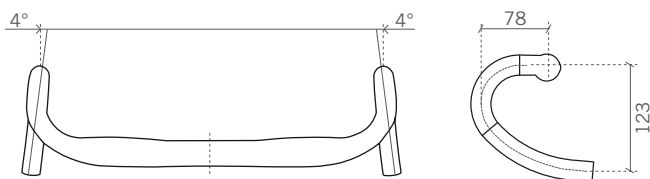
- Ø31.8mm x W380, 400, 420, 440mm (c-c)
- 123mm drop, 78mm reach
- 4° outward bend

FINISH

- Bead blasted black with polished anodized black
- Color graphics - gray

WEIGHT

- 295 grams (420mm)



CODE	TYPE
185-0018035090	HB ROAD ENERGY Compact alloy ACR 380mm A0
185-0018012090	HB ROAD ENERGY Compact alloy ACR 400mm A0
185-0018013090	HB ROAD ENERGY Compact alloy ACR 420mm A0
185-0018014090	HB ROAD ENERGY Compact alloy ACR 440mm A0

> ENERGY TRADITIONAL HANDLEBAR

- Quad butted, tapered and shot-peened AL7050/T6
- Double groove cable routing is compatible with any shifting system
- Very high ratio

SIZES

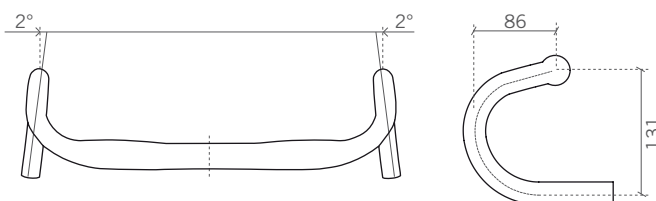
- Ø31.8mm x W400, 420, 440mm (c-c)
- 131mm drop, 86mm reach
- 2° outward bend

FINISH

- Bead blasted anodized black
- Laser graphics

WEIGHT

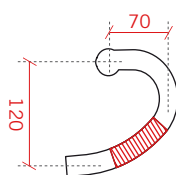
- 275 grams (420mm)



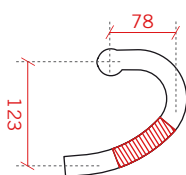
CODE	TYPE
185-0009012050	HB ROAD ENERGY Traditional alloy 400mm V16
185-0009013050	HB ROAD ENERGY Traditional alloy 420mm V16
185-0009014050	HB ROAD ENERGY Traditional alloy 440mm V16

ENERGY HANDLEBARS

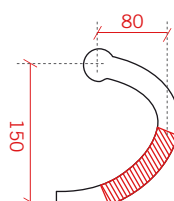
DROP & REACH DIMENSION



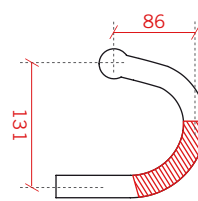
ENERGY SUPERCOMPACT
ACR HANDLEBAR



ENERGY COMPACT
ACR HANDLEBAR



ENERGY NEW ERGO
STANDARD HANDLEBAR



ENERGY TRADITIONAL
STANDARD HANDLEBAR

> ENERGY ^{-6°}_{STEM}

- Semi integrated cable routing (SCR)
- 3D forged and CNC machined from AL2014
- 4 bolt sculpted SL faceplate
- Chromoly hardware

SIZES

- -6° x L80, 90, 100, 110, 120, 130mm
- Ø31.8mm handlebar clamp diameter
- 40mm fork clamp stack height

FINISH

- Bead blasted black with polished anodized black
- Color graphics - gray

WEIGHT

- 113 grams (100mm)



CODE	TYPE	
175-0035016090	ST ROAD ENERGY SCR alloy -6° 80mm A0	
175-0035017090	ST ROAD ENERGY SCR alloy -6° 90mm A0	
175-0035018090	ST ROAD ENERGY SCR alloy -6° 100mm A0	
175-0035019090	ST ROAD ENERGY SCR alloy -6° 110mm A0	
175-0035020090	ST ROAD ENERGY SCR alloy -6° 120mm A0	
175-0035021090	ST ROAD ENERGY SCR alloy -6° 130mm A0	
175-0001007091	31.8 x +/-6 x 80mm Grey Logo ST-OS-99	US only
175-0001008091	31.8 x +/-6 x 90mm Grey Logo ST-OS-99	US only
175-0001009091	31.8 x +/-6 x 100mm Grey Logo ST-OS-99	US only
175-0001010091	31.8 x +/-6 x 110mm Grey Logo ST-OS-99	US only
175-0001011091	31.8 x +/-6 x 120mm Grey Logo ST-OS-99	US only
175-0001012091	31.8 x +/-6 x 130mm Grey Logo ST-OS-99	US only

> ENERGY ^{SBS SB20}_{SEATPOST}

- 3D forged and CNC machined AL6066 w/ alloy head
- Directionally butted tube (thicker wall fore and aft)
- Chromoly hardware

SIZES

- L350mm x Ø27.2, Ø31.6mm
- 20mm setback
- Fits Ø7mm standard rails and 7x9mm oval rails

FINISH

- Anodized black finish
- Color graphics - gray

WEIGHT

- 275 grams (Ø27.2mm)



CODE	TYPE
192-0048001010	SP ROAD ENERGY alloy SB20 27.2x350mm V17
192-0048005010	SP ROAD ENERGY alloy SB20 31.6x350mm V17

GOSSAMER

SERIES

FSA's Gossamer series combined advanced designs with lightweight material technology and high precision manufacturing techniques. Gossamer components are ideal for the enthusiast who wants the uncompromising feel and confidence of high performance alloy at an affordable price.

> GOSSAMER PRO

BB386EVO CRANKSET

- Cold forged AL6061/T6 aluminum crank arms
- Forged AL7050 BB386EVO spindle
- Fits Shimano and SRAM 10-11 speed systems

SIZES

- Length - 145mm, 150mm, 155mm, 160mm, 165mm, 167.5mm, 170mm, 172.5mm, 175mm
- Q-Factor - 145mm
- BCD - 120/90mm
- Chainrings - 53/39T, 52/36T, 50/34T, 48/32T, 46/30T

FINISH

- High polished anodized black
- 2 tone black w/laser graphics

WEIGHT

- 751 grams (50/34T x 170mm)



QR-31

CODE	TYPE
336-0347292090	CK ROAD GOSSAMER PRO 386 120/90 53x39T 165mm B1
336-0347293090	CK ROAD GOSSAMER PRO 386 120/90 53x39T 170mm B1
336-0347294090	CK ROAD GOSSAMER PRO 386 120/90 53x39T 172.5mm B1
336-0347295090	CK ROAD GOSSAMER PRO 386 120/90 53x39T 175mm B1
336-0347551090	CK ROAD GOSSAMER PRO 386 120/90 50x34T 160mm B1
336-0347552090	CK ROAD GOSSAMER PRO 386 120/90 50x34T 165mm B1
336-0347553090	CK ROAD GOSSAMER PRO 386 120/90 50x34T 170mm B1
336-0347554090	CK ROAD GOSSAMER PRO 386 120/90 50x34T 172.5mm B1
336-0347555090	CK ROAD GOSSAMER PRO 386 120/90 50x34T 175mm B1
336-0347742090	CK ROAD GOSSAMER PRO 386 120/90 52x36T 165mm B1
336-0347743090	CK ROAD GOSSAMER PRO 386 120/90 52x36T 170mm B1
336-0347744090	CK ROAD GOSSAMER PRO 386 120/90 52x36T 172.5mm B1
336-0347745090	CK ROAD GOSSAMER PRO 386 120/90 52x36T 175mm B1
336-0347AJ2090	CK ROAD GOSSAMER PRO 386 120/90 48x32T 165mm B1
336-0347AJ3090	CK ROAD GOSSAMER PRO 386 120/90 48x32T 170mm B1
336-0347AJ4090	CK ROAD GOSSAMER PRO 386 120/90 48x32T 172.5mm B1
336-0347AJ5090	CK ROAD GOSSAMER PRO 386 120/90 48x32T 175mm B1
336-0347BJ8090	CK ROAD GOSSAMER PRO 386 120/90 46x30T 155mm B1
336-0347BJ1090	CK ROAD GOSSAMER PRO 386 120/90 46x30T 160mm B1
336-0347BJ2090	CK ROAD GOSSAMER PRO 386 120/90 46x30T 165mm B1
336-0347BJ3090	CK ROAD GOSSAMER PRO 386 120/90 46x30T 170mm B1
336-0347BJ4090	CK ROAD GOSSAMER PRO 386 120/90 46x30T 172.5mm B1
336-0347BJ5090	CK ROAD GOSSAMER PRO 386 120/90 46x30T 175mm B1

CODE	TYPE
390-0121000010	CKSP QR-31 Self Extracting crank bolt

> GOSSAMER PRO 2x

CHAINRINGS

- BCD - 120/90mm
- Hole - 4
- Fits Shimano and SRAM 10-11 speed systems

CODE	TYPE
370-0162007050	CR ROAD GOSSAMER 120x53T N11 WA744 B1
370-0096005050	CR ROAD Modular 90x39T N11 WB110
370-0161006050	CR ROAD GOSSAMER 120x52T N11 WA743 B1
370-0094003050	CR ROAD Modular 90x36T N11 WB108
370-0160005050	CR ROAD GOSSAMER 120x50T N11 WA739 B1
370-0079002050	CR ROAD Modular 90x34T N11 WB109
370-0158004050	CR ROAD GOSSAMER 120x48T N11 WA738 B1
370-0041001050	CR ROAD Modular 90x32T N11 WB412
370-0159003050	CR ROAD GOSSAMER 120x46T WA737 N11 B1
370-0042021050	CR ROAD Modular 90x30T N11 WB007
390-0050000150	CRSP Chainring Bolt GOSSAMER PRO 2x B1 ML138+ML163



TEAM B&B VITAL CONCEPT



QR-31

> GOSSAMER PRO 1x

BB386EVO CRANKSET

- Cold forged AL6061/T6 aluminum crank arms
- Forged AL7050 BB386EVO spindle
- Thick-Thin tooth design for maximum chain engagement
- Fits Shimano and SRAM 11 speed systems

SIZES

- Length - 145mm, 150mm, 155mm, 160mm, 165mm, 167.5mm, 170mm, 172.5mm, 175mm
- Q-Factor - 145mm
- BCD - 120/90mm
- Chainrings - 44T, 42T, 40T, 38T

FINISH

- High polished anodized black
- 2 tone black w/laser graphics

WEIGHT

- 730 grams (40T x 170mm)

CODE	TYPE
336-0363063090	CK ROAD GOSSAMER PRO 386 1x 42T 170mm B1
336-0363064090	CK ROAD GOSSAMER PRO 386 1x 42T 172.5mm B1
336-0363065090	CK ROAD GOSSAMER PRO 386 1x 42T 175mm B1

CODE	TYPE
390-0121000010	CKSP QR-31 Self Extracting crank bolt



> GOSSAMER PRO 1x

CHAINRINGS

- BCD - 120/90mm
- Hole - 4
- Fits Shimano and SRAM 10-11 speed systems

CODE	TYPE
370-0166017050	CR ROAD GOSSAMER 1x 120x38T WA745 B1
370-0167012050	CR ROAD GOSSAMER 1x 120x40T WA746 B1
370-0136001050	CR ROAD GOSSAMER 1x 120x42T WA674 B1
370-0168002050	CR ROAD GOSSAMER 1x 120x44T WA748 B1
390-0054000152	CRSP Chainring Bolt GOSSAMER PRO 1x B1 ML138+ML462

> GOSSAMER COMPACT HANDLEBAR

- Double butted, tapered and shot-peened AL6066
- 34mm Ergo flat top
- 110mm wide round center section makes it easy to mount accessories

SIZES

- Ø31.8mm x W380, 400, 420, 440mm (c-c)
- 123mm drop, 78mm reach
- 4° outward bend

FINISH

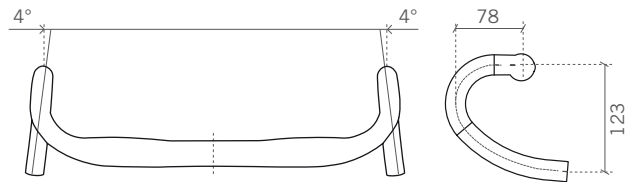
- Bead blasted anodized black
- color graphics

WEIGHT

- 310 grams (420mm)



CODE	TYPE
185-0019035870	HB ROAD GOSSAMER Compact alloy 380mm A9
185-0019012870	HB ROAD GOSSAMER Compact alloy 400mm A9
185-0019013870	HB ROAD GOSSAMER Compact alloy 420mm A9
185-0019014870	HB ROAD GOSSAMER Compact alloy 440mm A9



> GOSSAMER PRO ±6° STEM

- 3D forged and CNC machined from AL6061/T6
- 4-bolt cold forged front clamp diameter
- Chromoly hardware

SIZES

- ±6° x L60, 70, 80, 90, 100, 110, 120, 130mm
- Ø31.8mm handlebar clamp diameter
- 40mm fork clamp stack height

FINISH

- Bead blasted anodized black
- Laser graphics

WEIGHT

- 144 grams (100mm)



CODE	TYPE
175-0025004870	ST ROAD GOSSAMER alloy 60mm ±6° A9
175-0025005870	ST ROAD GOSSAMER alloy 70mm ±6° A9
175-0025007870	ST ROAD GOSSAMER alloy 80mm ±6° A9
175-0025008870	ST ROAD GOSSAMER alloy 90mm ±6° A9
175-0025009870	ST ROAD GOSSAMER alloy 100mm ±6° A9
175-0025010870	ST ROAD GOSSAMER alloy 110mm ±6° A9
175-0025011870	ST ROAD GOSSAMER alloy 120mm ±6° A9
175-0025012870	ST ROAD GOSSAMER alloy 130mm ±6° A9



> GOSSAMER SB20 SEATPOST

- AL6061 tube with forged alloy head
- 1-bolt NANO adjust saddle clamp for simple set-up
- Chromoly hardware

SIZES

- L350mm x Ø27.2, Ø31.6mm
- 20mm setback
- Fits Ø7mm standard rails and 7x9mm oval rails

FINISH

- Bead blasted anodized black
- Laser graphics

WEIGHT

- 302 grams (Ø27.2 x 350mm)
- 355 grams (Ø31.6 x 350mm)

CODE	TYPE
192-0057001010	SP ROAD GOSSAMER alloy SB20 27.2x350mm A9
192-0057005010	SP ROAD GOSSAMER alloy SB20 31.6x350mm A9



> GOSSAMER BRAKESSET

- Ratcheting quick release lever
- Lightweight, compact dual pivot design
- Adjustable spring tension
- Stainless steel hardware

SIZES

- Reach - 40-50mm
- Rim capacity - up to 28mm

FINISH

- Anodized black finish
- Laser graphics

WEIGHT

- 365 grams (pair)

CODE	TYPE
400-0004003010	BRK GOSSAMER Pro Brake-set Road A9



TEAM BURGOS BH

WE MAKE IT POSSIBLE

The K-Force WE Disc is our high-tech electronic drive train with an elegant and highly functional design. It's a unique product that will make you change the way you ride your bike. We have thought of everything, but most importantly, WE have thought of you.

KFORCE
WE

FULLSPEEDAHEAD.COM
#WEMAKEITPOSSIBLE #ALWAYS AHEAD

FSA
FULL SPEED AHEAD

OMEGA ROAD SERIES

FSA's Omega line is the perfect workhorse component group for the sport rider who wants race-winning technology and durability along with classic looks.



> OMEGA MODULAR ^{UPDATE22} MEGAEXO CRANKSET

- Die cast aluminium crank arms
- Fits Shimano and SRAM 10-11 speed systems
- 19mm Ø spindle

SIZES

- Length - 165mm, 170mm, 172.5mm, 175mm
- BCD - Direct Mount/90mm
- Chainrings - 50/34T, 48/32T, 46/30T

FINISH

- Painted bead blasted black
- Printed graphics

WEIGHT

- 979 grams

CODE	TYPE
310-0392552260	CK ROAD OMEGA Mod M/EXO19mm 50x34T 165mm N11 B2
310-0392553260	CK ROAD OMEGA Mod M/EXO19mm 50x34T 170mm N11 B2
310-0392554260	CK ROAD OMEGA Mod M/EXO19mm 50x34T 172.5mm N11 B2
310-0392555260	CK ROAD OMEGA Mod M/EXO19mm 50x34T 175mm N11 B2
310-0392AJ2260	CK ROAD OMEGA Mod M/EXO19mm 48x32T 165mm N11 B2
310-0392AJ3260	CK ROAD OMEGA Mod M/EXO19mm 48x32T 170mm N11 B2
310-0392AJ4260	CK ROAD OMEGA Mod M/EXO19mm 48x32T 172.5mm N11 B2
310-0392AJ5260	CK ROAD OMEGA Mod M/EXO19mm 48x32T 175mm N11 B2
310-0392BJ3260	CK ROAD OMEGA Mod M/EXO19mm 46x30T 170mm N11 B2
310-0392BJ4260	CK ROAD OMEGA Mod M/EXO19mm 46x30T 172.5mm N11 B2
310-0392BJ5260	CK ROAD OMEGA Mod M/EXO19mm 46x30T 175mm N11 B2



> OMEGA DM 2x ^{NEW22} CHAINRINGS

- BCD - Direct Mount/90mm
- Hole - DM/4
- Fits Shimano and SRAM 10-11 speed systems

CODE	TYPE
370-0071005050	CR ROAD OMEGA DM 50T N11 WA141 A0
370-0077004050	CR ROAD OMEGA DM 48T N11 WA181 A0
370-0135003050	CR ROAD OMEGA DM 46T N11 WA359 A0
370-0049002140	CR ROAD VERO PRO/OMEGA BCD90 34T N11 WB024 V17
370-0051001140	CR ROAD VERO PRO/OMEGA BCD90 32T N11 WB050 V17
370-0050021140	CR ROAD VERO PRO/OMEGA BCD90 30T N11 WB025 V17
390-0044000600	CKSP lock Ring ck Modular ML549
390-0061000010	CRSP Chainring Bolt ML021

> OMEGA

MEGAEXO CRANKSET

- Die cast aluminium crank arms
- Fits Shimano and SRAM 10-11 speed systems
- 19mm Ø spindle

SIZES

- Length - 165mm, 170mm, 172.5mm, 175mm
- BCD - 120/90mm
- Chainrings - 52/36T, 50/34T, 48/32T, 46/30T

FINISH

- Painted bead blasted black
- Printed graphics

WEIGHT

- 871 grams



QR-18

CODE	TYPE
330-0329553260	CK ROAD OMEGA M/EXO19mm 50x34T 170mm N11 A0
330-0329554260	CK ROAD OMEGA M/EXO19mm 50x34T 172.5mm N11 A0
330-0329555260	CK ROAD OMEGA M/EXO19mm 50x34T 175mm N11 A0
330-0329AJ3260	CK ROAD OMEGA M/EXO19mm 48x32T 170mm N11 A0
330-0329AJ4260	CK ROAD OMEGA M/EXO19mm 48x32T 172.5mm N11 A0
330-0329AJ5260	CK ROAD OMEGA M/EXO19mm 48x32T 175mm N11 A0
330-0329BJ2260	CK ROAD OMEGA M/EXO19mm 46x30T 165mm N11 A0
330-0329BJ3260	CK ROAD OMEGA M/EXO19mm 46x30T 170mm N11 A0
330-0329BJ4260	CK ROAD OMEGA M/EXO19mm 46x30T 172.5mm N11 A0
330-0329BJ5260	CK ROAD OMEGA M/EXO19mm 46x30T 175mm N11 A0

CODE	TYPE
390-2002	CKSP QR-18 M12 NBD Crank bolts w/washers black

> OMEGA 2x

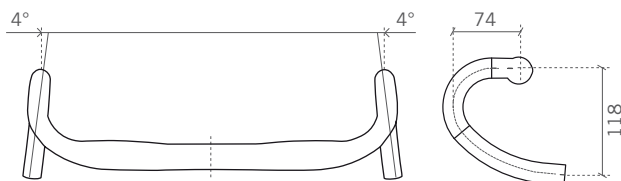
CHAINRINGS

- BCD - 120/90mm
- Hole - 4
- Fits Shimano and SRAM 10-11 speed systems

CODE	TYPE
370-0043006050	CR ROAD VERO PRO/OMEGA 120x52T N11 WA065 V17
370-0044005050	CR ROAD VERO PRO/OMEGA 120x50T N11 WA066 V17
370-0046004050	CR ROAD VERO PRO/OMEGA 120x48T S9 WA172 V17
370-0045003050	CR ROAD VERO PRO/OMEGA 120x46T (36) N11 WA067 V17
370-0047003050	CR ROAD VERO PRO/OMEGA 120x46T (30T) N11 WA068 V17
370-0048003140	CR ROAD VERO PRO/OMEGA 90x36T N11 WB023 V17
370-0049002140	CR ROAD VERO PRO/OMEGA 90x34T N11 WB024 V17
370-0051001140	CR ROAD VERO PRO/OMEGA 90x32T N11 WB050 V17
370-0050021140	CR ROAD VERO PRO/OMEGA 90x30T N11 WB025 V17
390-0030000150	CRSP BOLT&Nut CR 4+4 ML079+ML163 no logo V16



> OMEGA COMPACT HANDLEBAR



- Double butted, tapered and shot-peened AL6061
- Compact drop design for improved reach and comfort
- 110mm wide round center section

SIZES

- Ø31.8mm x W380, 400, 420, 440mm (c-c)
- 118mm drop, 74mm reach
- 4° outward bend

FINISH

- Polished center section
- Laser graphics

WEIGHT

- 300 grams (420mm)

CODE	TYPE
185-1386N	HB ROAD OMEGA Compact alloy 380mm V13
185-1387N	HB ROAD OMEGA Compact alloy 400mm V13
185-1388N	HB ROAD OMEGA Compact alloy 420mm V13
185-1389N	HB ROAD OMEGA Compact alloy 440mm V13

> OMEGA PRO ±6° STEM



- 3D forged and CNC machined from AL6061/T6
- 4-bolt cold forged face plate
- Chromoly hardware

SIZES

- ±6° x L60, 70, 80, 90, 100, 110, 120, 130mm
- Ø31.8mm handlebar clamp diameter
- 40mm fork clamp stack height

FINISH

- Bead blasted anodized black
- Laser graphics

WEIGHT

- 127 grams (100mm)

CODE	TYPE
175-0050004050	ST ROAD OMEGA alloy 60mm ±6° B1
175-0050005050	ST ROAD OMEGA alloy 70mm ±6° B1
175-0050007050	ST ROAD OMEGA alloy 80mm ±6° B1
175-0050008050	ST ROAD OMEGA alloy 90mm ±6° B1
175-0050009050	ST ROAD OMEGA alloy 100mm ±6° B1
175-0050010050	ST ROAD OMEGA alloy 110mm ±6° B1
175-0050011050	ST ROAD OMEGA alloy 120mm ±6° B1
175-0050012050	ST ROAD OMEGA alloy 130mm ±6° B1



TEAM BAHRAIN VICTORIOUS

DESIGN TO PERFORM

FSA produces world class bicycle components for road cycling and mountain biking and we support many of the world's leading road and mountain bike teams.

Our history in the sport and our heritage of innovation, design and manufacturing is important to us. We're proud to constantly invest in our product range, ensuring that we provide the very best components possible – for both professional and enthusiast riders alike.

FULLSPEEDAHEAD.COM
#FSAROAD #ALWAYS AHEAD

FSA
FULL SPEED AHEAD

VERO ROAD SERIES

FSA's Vero line is the perfect workhorse component group for the sport rider who wants race-winning technology and durability along with classic looks.



> VERO PRO JIS CRANKSET

- Solid forged crank arm
- Square interface

SIZES

- Length - 165mm, 170mm, 172.5mm, 175mm

CHAINRINGS

- BCD - 120/90mm
- 50/34T (WA066/WB024)

AVAILABLE SEPARATELY

- 48/32T (WA172/WB050)

FINISH

- Polished anodized black
- Laser graphics

WEIGHT

- 751 grams

CODE	TYPE
330-0351553010	CK ROAD VERO PRO 120/90 50x34T 170mm N11 B1
330-0351554010	CK ROAD VERO PRO 120/90 50x34T 172.5mm N11 B1
330-0351555010	CK ROAD VERO PRO 120/90 50x34T 175mm N11 B1



> VERO PRO 1x JIS CRANKSET

- Solid forged crank arm
- Square interface
- Steel Megatooth chainring

SIZES

- Length - 165 mm, 170mm, 172.5mm, 175mm

CHAINRINGS

- BCD - 120mm
- 44T (WB331)
- 42T (WB115)
- 40T (WB114)

FINISH

- Polished anodized black
- Laser graphics

WEIGHT

- 741 grams

CODE	TYPE
330-0353042010	CK ROAD VERO PRO JIS 1x 40T 165mm B1
330-0353043010	CK ROAD VERO PRO JIS 1x 40T 170mm B1
330-0353044010	CK ROAD VERO PRO JIS 1x 40T 172.5mm B1
330-0353045010	CK ROAD VERO PRO JIS 1x 40T 175mm B1
330-0353062010	CK ROAD VERO PRO JIS 1x 42T 165mm B1
330-0353063010	CK ROAD VERO PRO JIS 1x 42T 170mm B1
330-0353064010	CK ROAD VERO PRO JIS 1x 42T 172.5mm B1
330-0353065010	CK ROAD VERO PRO JIS 1x 42T 175mm B1

> VERO COMPACT

HANDLEBAR

- Double butted, tapered and shot-peened AL6061
- Compact drop design for improved reach and comfort
- Double width cable groove improves cable routing and stiffness
- 120mm wide center section makes it easy to mount accessories

SIZES

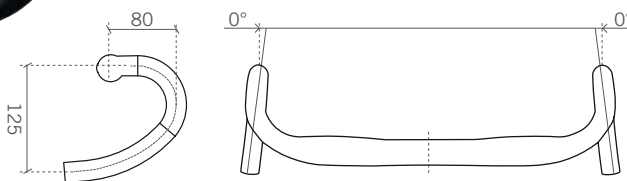
- Ø31.8mm x W400, 420, 440mm (c-c)
- 125mm drop, 80mm reach
- 0° outward bend

FINISH

- Bead blasted anodized black
- Laser graphics

WEIGHT

- 300 grams (420mm)



CODE	TYPE
185-1390	HB ROAD VERO Compact alloy 400mm V13
185-1392	HB ROAD VERO Compact alloy 420mm V13
185-1394	HB ROAD VERO Compact alloy 440mm V13

TEMPO

ROAD

SERIES

FSA's Tempo line is the perfect workhorse component group for the sport rider who wants race-winning technology and durability along with classic looks.

> TEMPO SUPERCOMPACT

JIS CRANKSET

- Die cast alloy crank arms
- Monocoque crank arm/spider
- AL7075 stamped and CNC machined outer chainring
- Heat treated chromoly inner chainring
- Chromoly chainring bolts
- Available for 10 and 11 speed system

SIZES

- Length - 1165, 70mm, 172.5mm, 175mm
- Chainline - 44mm (118mm)
- Q-Factor - 147mm

CHAINRINGS

- BCD - 110/80mm
- 46/30T (WB001/WC093)

AVAILABLE SEPARATELY

- 50/34T (WA327/WB069)
- 48/32T (WB013/WC110)
- 46/36T (WA213/WB077)

FINISH

- Polished painted black
- Printed graphics

WEIGHT

- 820 grams



CODE	TYPE
330-0290BJ2230	CK ROAD TEMPO JIS 46x30T 165mm N11 V18
330-0290BJ3230	CK ROAD TEMPO JIS 46x30T 170mm N11 V18
330-0290BJ4230	CK ROAD TEMPO JIS 46x30T 172.5mm N11 V18
330-0290BJ5230	CK ROAD TEMPO JIS 46x30T 175mm N11 V18



> FSA POWERTOUC^H TAPE

- New design for comfort and feel, in multiple color options to coordinate with all bikes.
- Nanotechnology textured surface for superior grip, dust proof, and antibacterial properties
- Abrasion/water proof surface
- Gel padding for comfort and shock absorption
- Extra fiber layer for enhanced structural integrity
- Made from eco-friendly biodegradable polyurethane
- No residual glue on handle bar after removal
- Thickness: 2mm

COLOR

- White, Black, Red, Blue
- Neon Green, Neon Yellow, Neon Orange, Neon Pink

WEIGHT

- 61 grams

CODE	TYPE
187-0002000110	HBTP POWERTOUC ^H tape black HB301 V17
187-0002000470	HBTP POWERTOUC ^H tape red HB301 V17
187-0002000580	HBTP POWERTOUC ^H tape blue HB301 V17
187-0002000590	HBTP POWERTOUC ^H tape white HB301 V17
187-0002000650	HBTP POWERTOUC ^H tape neon yellow HB301 V17
187-0002000670	HBTP POWERTOUC ^H tape neon orange HB301 V17
187-0002000560	HBTP POWERTOUC ^H tape neon green HB301 V17
187-0002000660	HBTP POWERTOUC ^H tape neon pink HB301 V17
Not for EU 187-0002000710	HBTP POWERTOUC ^H tape teal V17



> FSA POWERTOUC^H DISPLAY TAPE



CODE	TYPE
99900002000000	POWERTOUC ^H display (3 storeys)

> FSA ULTRACORK TAPE

Cork tape for comfort and feel. Multiple color options available to compliment any bike.

- Anti-slip surface for grip in all weather conditions
- Classic cork feel for grip
- Ultra light weight

COLOR

- Colors - Black, White

WEIGHT

- 59 grams



Black



White

CODE	TYPE
187-0005	HBTP ULTRACORK tape black HB030 V17
187-0007	HBTP ULTRACORK tape white HB030 V17

> FSA ULTRACORK DISPLAY TAPE

CODE	TYPE
99900001000000	ULTRACORK display (2 storeys)



EASY CHAINRINGS

STEP 1 SELECT YOUR STYLE (OR SEARCH BY WAWB CODE)

ROAD
CHAINRINGS

MTB
CHAINRINGS

AGX
CHAINRINGS

E-BIKE
CHAINRINGS

STEP 2 SELECT YOUR DRIVETRAIN

1x
DRIVETRAIN

2x
DRIVETRAIN

3x
DRIVETRAIN

STEP 3 SELECT BOLT CIRCLE DIAMETER (BCD) AND HOLE COUNT

130
BCD

120
BCD

4
HOLES

5
HOLES

STEP 4 VISIT THE WEBSITE

> FSA COMET 1x

MTB CHAINRINGS

- BCD - Direct Mount
- Crankset compatibility - COMET MY17

CODE	TYPE
380-0494017540	CR MTB COMET DM steel MT 1x 38T SH12 WA824 B1
380-0493024540	CR MTB COMET DM steel MT 1x 36T SH12 WA823 B1
380-0492023540	CR MTB COMET DM steel MT 1x 34T SH12 WA822 B1
380-0491027540	CR MTB COMET DM steel MT 1x 32T SH12 WA821 B1
380-0490026540	CR MTB COMET DM steel MT 1x 30T SH12 WA820 B1
380-0489025540	CR MTB COMET DM steel MT 1x 28T SH12 WA819 B1
380-0200017430	CR MTB COMET DM steel MT 1x 38T WA772 V17
380-0201024430	CR MTB COMET DM steel MT 1x 36T WA771 V17
380-0202023430	CR MTB COMET DM steel MT 1x 34T WA031 V17
380-0181027430	CR MTB COMET DM steel MT 1x 32T WA769 V17
380-0180026430	CR MTB COMET DM steel MT 1x 30T WA768 V17
380-0203025430	CR MTB COMET DM steel MT 1x 28T WA024 V17



> FSA 1x

MTB CHAINRINGS

- BCD - 104mm
- Holes - 4
- Crankset compatibility - MTB 104/64

CODE	TYPE
380-0115021050	CR MTB 104x30T 1x WB379
380-0064001051	CR MTB 104x32T 1x WB380
380-0065002051	CR MTB 104x34T 1x WB381 V15
380-0091003050	CR MTB 104x36T 1x WB382 V15
380-0092004050	CR MTB 104x38T 1x WB383 V15
380-0227014050	CR MTB 1x 104x48T WB409 V18
390-0017000010	CRSP megatooth Nail Ass TABkit 104x30 EE114



> FSA COMET 2x

MTB CHAINRINGS

- BCD - 96/68mm
- Holes - 4
- Crankset compatibility - COMET MY17

CODE	TYPE
380-0188004050	CR MTB COMET 96x38T (28) M11 WB398 V17
380-0189004050	CR MTB COMET 96x38T (24) M11 WB387 V17
380-0190003050	CR MTB COMET 96x36T (26) M11 WB046 V17
380-0191003050	CR MTB COMET 96x36T (24) M11 WB388 V17
380-0192003050	CR MTB COMET 96x36T (22) M11 WB389 V17
380-0205002140	CR MTB COMET 68x24T M11 WC099 V17
380-0207004140	CR MTB COMET 68x28T M11/D10 WC102 V17
380-0208003140	CR MTB COMET 68x26T M11/D10 WC106 V17



> FSA MTB 2x

MTB CHAINRINGS

- BCD - 104/48mm
- Holes - 4
- Crankset compatibility - MTB 104/64

CODE	TYPE
380-0638B	CR MTB PRO 104x38T M11 pin 12mm WB265B
380-0636F	CR MTB PRO 104x36T M11 pin 12mm WB273B
380-0116003050	CR MTB PRO 104x36T M11 pin 8mm WB320
380-0111003051	CR MTB STA 104x36T M11 pin 4mm WB318
380-0128B	CR MTB alloy 64x28T D10 WC066
380-0112003050	CR MTB alloy 64x26T M11 WC074



> FSA MTB 2x

MTB CHAINRINGS

- BCD - 104/64mm
- Holes - 4
- Crankset compatibility - MTB 104/64

CODE	TYPE
380-0642H	CR MTB PRO 104x42T D10 pin 12mm WA283
380-0638B	CR MTB PRO 104x38T M11 pin 12mm WB265B
380-0636A	CR MTB PRO ALLOY 104x36T (24T) WB081
380-0636D	CR MTB PRO 104x36T M11 pin 8mm WB272B
380-0636G	CR MTB PRO 104x36T D10 pin 12mm WB263A
380-0128B	CR MTB alloy 64x28T D10 WC066
380-0126A	CR MTB alloy 64x26T D10 WC068
380-0124E	CR MTB alloy 64x24T D10 WC059A
380-0125001430	CR MTB steel 64x22T WC020 s8/s9
380-6104	CRSP Chain Tab 4mm+Bolt
380-0450026050	CR MTB KFX DM MT 1x 30T



> FSA MTB 3x

MTB CHAINRINGS

- BCD - 104/64mm
- Holes - 4
- Crankset compatibility - MTB 104/64

CODE	TYPE
380-0642E	CR MTB PRO chainring 1x 104x42T WB156
380-0642c	CR MTB PRO black 104x42T M10 WA314
380-0632E	CR MTB ALLOY 104x32T M10 WB218
380-0633	CR MTB ALLOY 104x32T WB179
380-0110001430	CR MTB steel 104x32T M10 WB225
380-0114002430	CR MTB steel Triple 64x24T M10 WC046



> **FSA** MTB 3x
MTB CHAINRINGS

- BCD - 104/64mm
- Holes - 4
- Crankset compatibility - MTB 104/64

CODE	TYPE
380-0644K	CR MTB PRO 104x44T X10 WA341
380-0632J	CR MTB ALLOY 104x32T X10 WB096B
380-0104001140	CR MTB steel 104x32T X10 WB317
380-0125001430	CR MTB steel 64x22T WC020 s8/s9

> **FSA** COMET 3x
MTB CHAINRINGS

- BCD - 96/68mm
- Holes - 4
- Crankset compatibility - Comet Triple

CODE	TYPE
380-0030012050	CR MTB COMET 96x40T M10 WA455
380-0017021140	CR MTB COMET 96x30T M10 WB343
380-0032001140	CR MTB COMET steel 68x22T S9/M10 WC073
380-0125001430	CR MTB steel 64x22T WC020 s8/s9

> **FSA** CHAINRING BOLTS
ACCESSORIES

CODE	TYPE
390-1000	CRSP Bolts+Nuts Silver double (5+5pcs) T30 E0024
390-1005	CRSP Bolts+Nuts Black double (5+5pcs) T30 E0024
390-1010	CRSP Bolt Kit + wrench Silver 12pcs(triple) MTB
390-1015	CRSP Bolt Kit+ wrench Black 12pcs (triple) MTB
390-2097	CRSP Bolt K-FORCE ABS ML450x4 ML227/MW058Kx1
390-0035000260	CRSP Kit Tab+Bolt Black SL-K ABS 4h E0084+ML021
390-0073000150	CRSP Bolt GOSSM ABS ML023+Spacers 5.5 MW426 4pcs
390-1044	CRSP bolt KIT K-Force 386 ML227/228/MW058
390-1046	CRSP bolt KIT SLK & AFT 386 ML138/144/ML227/MW058
390-2096	CRSP bolt 386 1x ML138/ML003x2-ML450x1



> **FSA** K-FORCE MODULAR
ROAD CHAINRINGS

- BCD - Direct Mount/90mm
- Holes - Direct Mount/4
- Crankset compatibility - K-FORCE MY17

CODE	TYPE
370-0097005050	CR ROAD K-FORCE DM 48T N11 WA128
370-0041001050	CR ROAD Modular 90x32T N11 WB412
370-0110003050	CR ROAD K-FORCE DM 46T(30T) WA376
370-0042021050	CR ROAD Modular 90x30T N11 WB007

> **FSA** PBOX AERO
ROAD CHAINRINGS

- BCD - ABS 110mm
- Holes - 4
- Crankset compatibility - POWERBOX

CODE	TYPE
370-0113007010	CR PBOX AERO 110x53T (46T) N11 WA288 TEAM
370-0107008010	CR PBOX AERO 110x55T (39T) N11 WA371 TEAM
370-0106011010	CR PBOX AERO 110x54T (39T) N11 WA370 TEAM
370-0103007010	CR PBOX AERO 110x53T (39T) N11 WA299 TEAM
370-0118012010	CR PBOX AERO 110x46T (53T) N11 WB440 TEAM

> **VISION** PBOX AERO
ROAD CHAINRINGS

- BCD - ABS 110mm
- Holes - 4
- Crankset compatibility - POWERBOX

CODE	TYPE
670-0225009010	VISION CR PBOX Aero 110x56T (42T) N11 WA312
670-0224008010	VISION CR PBOX Aero 110x55T (42T) N11 WA311
670-0223011010	VISION CR PBOX Aero 110x54T (42T) N11 WA310
670-0246009010	VISION CR PBOX Aero 110x56T (44T) N11 WA330
670-0248009010	VISION CR PBOX Aero 110x56T (46T) N11 WA245
670-0245008010	VISION CR PBOX Aero 110x55T (44T) N11 WA315
670-0247008010	VISION CR PBOX Aero 110x55T (46T) N11 WA333
670-0250012010	VISION CR PBOX Aero 110x46T (56T) N11 WB442
670-0249010010	VISION CR PBOX Aero 110x44T (56T) N11 WB441



> **FSA GOSSAMER 2x**
ROAD CHAINRINGS

- BCD - ABS 110mm
- Holes - 4
- Crankset compatibility - GOSSAMER MY19

CODE	TYPE
371-0033007960	CR ROAD GOSSAMER ABS 110x53T N11 WA626 A9
371-0041005050	CR ROAD GOSSAMER ABS 110x39T N11 WB299
371-0031006960	CR ROAD GOSSAMER ABS 110x52T N11 WA625 A9
371-0036003960	CR ROAD GOSSAMER Pro 110x36T ABS N11 WB300 A9
371-0034005960	CR ROAD GOSSAMER ABS 110x50T N11 WA624 A9
371-0037002960	CR ROAD GOSSAMER Pro ABS 110x34T N11 WB301 A9
371-0066004960	CR ROAD GOSSAMER ABS 110x48T N11 WA635 A9
371-0035003960	CR ROAD GOSSAMER ABS 110x46T N11 WA623 A9
371-0065001140	CR ROAD GOSSAMER steel ABS 110x32T N11 WB395
370-0028024960	CR ROAD GOSSAMER ABS 110x36T WA671 A9

> **FSA GOSSAMER 1x**
ROAD CHAINRINGS

- BCD - ABS 110mm
- Holes - 4
- Crankset compatibility - GOSSAMER MY19

CODE	TYPE
370-0024017050	CR ROAD GOSSAMER 1x ABS 110x38T WA672
370-0025012050	CR ROAD GOSSAMER 1x ABS 110x40T WA673
370-0026001050	CR ROAD GOSSAMER 1x ABS 110x42T WA674
370-0027002050	CR ROAD GOSSAMER ABS 1x 110x44T WA675

> **FSA VERO PRO**
MTB CHAINRINGS

- BCD - 120/90mm
- Holes - 4
- Crankset compatibility - VERO PRO MY17

CODE	TYPE
370-0043006050	CR ROAD VERO PRO/OMEGA 120x52T N11 WA065 V17
370-0044005050	CR ROAD VERO PRO/OMEGA 120x50T N11 WA066 V17
370-0046004050	CR ROAD VERO PRO/OMEGA 120x48T N11 WA172 V17
370-0045003050	CR ROAD VERO PRO/OMEGA 120x46T (36) N11 WA067
370-0047003050	CR ROAD VERO PRO/OMEGA 120x46T (30T) N11 WA068
370-0048003140	CR ROAD VERO PRO/OMEGA 90x36T N11 WB023 V17
370-0049002140	CR ROAD VERO PRO/OMEGA 90x34T N11 WB024 V17
370-0051001140	CR ROAD VERO PRO/OMEGA 90x32T N11 WB050 V17



> **FSA ALLOY 2x**
ROAD CHAINRINGS

- BCD - 130mm
- Holes - 5
- Crankset compatibility - Road standard

CODE	TYPE
371-0153B	CR ROAD SUPER gray 130x53T N11 WA445
371-0153A	CR ROAD SUPER 130x53T pin 12mm N11 WA445
371-0153E	CR ROAD ALLOY 5h 130x53T pin 12mm N11 WA061
371-0139C	CR ROAD PRO black polished 130x39T N11 WB293
370-0152C	CR ROAD PRO 5h 130x52T WA229 SRM/P2M
370-0138	CR ROAD PRO 5h 130x38T N11 WB015
370-0148	CR ROAD PRO black 5h 130x48T pin 8mm S10 WA143

> **FSA PRO 2x**
ROAD CHAINRINGS

- BCD - 110mm
- Holes - 5
- Crankset compatibility - Road standard

CODE	TYPE
371-0252A	CR ROAD SUPER 5h 110x52T N11 pin 12mm WA447
371-0252D	CR ROAD PRO 5h 110x52T N11 WA047
371-0236A	CR ROAD PRO 5h 110x36T N11 WB047
371-0236C	CR ROAD PRO 5h 110x36T N11 WB012
371-0250A	CR ROAD SUPER 5h 110x50T N11 WA446
371-0250F	CR ROAD PRO 5h 110x50T N11 pin 12mm WA049
371-0234A	CR ROAD PRO black polished 5h 110x34 N11 WB290
371-0234C	CR ROAD PRO 5h 110x34 N11 WB291
371-0234E	CR ROAD PRO 5h 110x34T N11 WB294
371-0246D	CR ROAD PRO 5h 110x46T N11 WA441

> **FSA PRO 3x**
ROAD CHAINRINGS

- BCD - 130/74mm
- Holes - 5
- Crankset compatibility - Road triple

CODE	TYPE
370-0150D	CR ROAD PRO Triple 5h 130x50T N11 WA461
370-0330E	CR ROAD PRO triple black 74x30T WC009C
370-0239C	CR ROAD ALLOY Triple 5h 130x39T WB084B



PREMIUM SERIES

FSA is proud to introduce the Premium Series, featuring high quality headsets and bottom brackets meticulously designed to meet the demanding needs of today's bicycle constructors and customers. Precision CNC products and high quality bearings are the key points of the brand new Premium Series, developed to reach a better customer service and the highest level of performance.



> PREMIUM BB PF30 BOTTOM BRACKET

- High quality bearings
- Crankset standard: BB386Evo
- Frame standard: PressFit 30

CODE	TYPE
200-0043000600	BB PREMIUM ck BB386EVO/BB30 to PF30 PF6000/CZ



> PREMIUM BB BSA BOTTOM BRACKET

- Precision CNC
- High quality bearings
- Crankset standard: MegaExo 24mm
- Frame standard: BSA 68mm

CODE	TYPE
200-0044000600	BB PREMIUM ck M/EXO 24mm to BSA68mm BB-6000



> PREMIUM BB BSA BOTTOM BRACKET

- Precision CNC
- High quality bearings
- Crankset standard: BB386Evo
- Frame standard: BSA 68mm, ITA70mm

CODE	TYPE
200-0045000600	BB PREMIUM ck BB386 to BSA 68mm BB-EV08681/DI2
200-0042000601	BB PREMIUM ck BB386 to BSA ITA73mm BB-EV06300/DI2

> **PREMIUM BB PF86** BOTTOM BRACKET **NEW21**

- High quality bearings
- Crankset standard: MegaExo 24mm
- Frame standard: PressFit 86 41mm

WEIGHT

- ? grams



CODE	TYPE
230-0055000600	BB PREMIUM ck M/EXO 24mm to PF BB86

> **PREMIUM BB PF30** BOTTOM BRACKET **NEW21**

- Precision CNC
- Crankset standard: MegaExo 24mm
- Frame standard: PressFit 30



CODE	TYPE
230-0003000601	BB PREMIUM ck M/EXO 24mm to PF30

> **PREMIUM BB PF86** BOTTOM BRACKET

- Ceramic bearings
- Crankset standard: BB386Evo
- Frame standard: PressFit 86 41mm

CODE	TYPE
200-0012000111	BB ck BB386EVO to PF86 41mm Ceramic EL230





> PREMIUM HD ORBIT IS - IS-2 UPPER HEADSET

- For 45mm OD head tube
- For 1-1/8" tapered fork
- Alloy top cover
- Upper: 36°/ 45° ACB (Grey seal)

WEIGHT

- 52.2 grams

CODE	TYPE
121-001000013	HS PREMIUM integrated UP int 41.2 w/TH-874-1



> PREMIUM HD ORBIT IS - IS-2 LOWER HEADSET

- For 45mm OD head tube
- For 1-1/8" tapered fork
- Lower: 36°/ 45° ACB (Grey seal)

WEIGHT

- 24.2 grams

CODE	TYPE
121-001000024	HS PREMIUM integrated LOW int 41.2



> PREMIUM HD ORBIT C - NO.8 UPPER HEADSET

- For tapered 46mm OD head tube
- For 1-1/8" tapered fork
- Alloy top cover
- 45°/ 45° ACB (Grey seal)

WEIGHT

- 60 grams

CODE	TYPE
121-002600015	HS PREMIUM integrated UP int 42 w/TH-874-1



> PREMIUM HD ORBIT C - NO.8 LOWER HEADSET

- For tapered 46mm OD head tube
- For 1-1/8" tapered fork
- 45°/ 45° ACB (Grey seal)

WEIGHT

- 34.7 grams

CODE	TYPE
121-0026000454	HS PREMIUM integrated LOW int 42



> PREMIUM HD NO.44E/CF LOWER HEADSET

- For tapered 62mm OD head tube
- For 1-1/4" tapered fork
- Lower: 1-1/4", 45°/ 45° ACB (Grey seal)

WEIGHT

- 34.8 grams

CODE	TYPE
121-002000001	HS PREMIUM integrated LOW int 47

> PREMIUM HD ORBIT Z - NO.9M/CUP/CC

UPPER HEADSET

- For 50mm OD head tube
- 1-1/8" steerer
- Alloy top cover
- Upper: 1-1/8", 36°/ 45° ACB (Grey seal)

WEIGHT

- 69.7 grams



CODE	TYPE
101-0006000013	HS PREMIUM internal UP int 44 w/TH-874-1

> PREMIUM HD ORBIT Z - NO.9M/CUP/CC

LOWER HEADSET

- For 50mm OD head tube
- 1-1/8" steerer
- Lower: 1-1/8", 36°/ 45° ACB (Grey seal)

WEIGHT

- 34.2 grams



CODE	TYPE
101-0006000024	HS PREMIUM internal LOW int 44

> PREMIUM HD ORBIT 1.5 ZS - NO.57

LOWER HEADSET

- For tapered 62mm OD head tube
- For 1.5" tapered fork
- Lower: Alloy cup with 1.5", 36°/ 45° ACB (Grey seal)

WEIGHT

- 60.5 grams



CODE	TYPE
141-0012000013	HS PREMIUM internal LOW int 55.95

> PREMIUM HD ORBIT ITA - NO.9M/CUP/CC/12B/44-A

LOWER HEADSET

- For tapered 62mm OD head tube
- For 1.5" tapered fork
- Lower: 1.5", 36°/ 45° ACB (Grey seal)

WEIGHT

- 78.7 grams



CODE	TYPE
101-0019000010	HS PREMIUM OnePointFive 1.5 LOW int 44



> PREMIUM HD DX PRO-A

LOWER HEADSET

- For tapered 60mm OD head tube
- For 1.5" tapered fork
- Lower: Alloy cup with 1.5", 36°/ 45° ACB (Grey seal)

WEIGHT

- 78.3 grams

CODE	TYPE
130-000600011	HS PREMIUM OnePointFive 1.5 LOW int 49.57



> PREMIUM HD ORBIT C40 ACB

LOWER HEADSET

- For 1.5" tapered fork
- Lower: 1.5", 36°/ 45° ACB (Black seal)

WEIGHT

- 46.5 grams

CODE	TYPE
121-002100025	HS PREMIUM integrated LOW int 52.1



> PREMIUM HD ORBIT X

UPPER HEADSET

- 1-1/8" steerer
- Alloy top cover
- Forged and CNC machined alloy cups
- 1-1.8", 36°/ 36° ACB (Black seal)

WEIGHT

- 73.7 grams

CODE	TYPE
121-0517	HS PREMIUM threadless UP int 34 w/TH-874-1



> PREMIUM HD ORBIT X

LOWER HEADSET

- 1-1/8" steerer
- Forged and CNC machined alloy cups
- 1-1.8", 36°/ 36° ACB (Black seal)

WEIGHT

- 43.4 grams

CODE	TYPE
121-0516	HS PREMIUM threadless LOW int 34



TEAM MALOJA PUSHBIKERS

FREEDOM AT ITS FASTEST

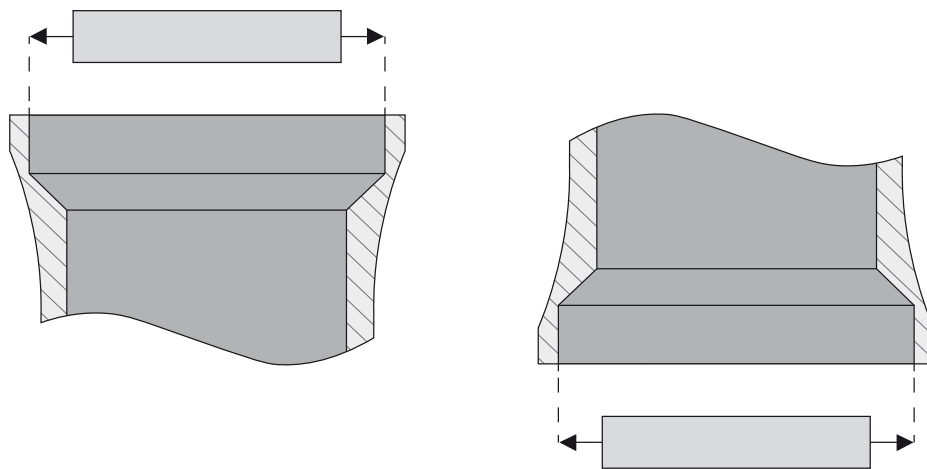
SL-K is the choice of professional racers and enthusiast-level riders alike. SL-K products offer the best combinations of lightweight, strength and advanced technology for the serious athlete who relies on their bike to perform without compromise.

SL-K FULLSPEEDAHEAD.COM
#FSAMTB #ALWAYS AHEAD

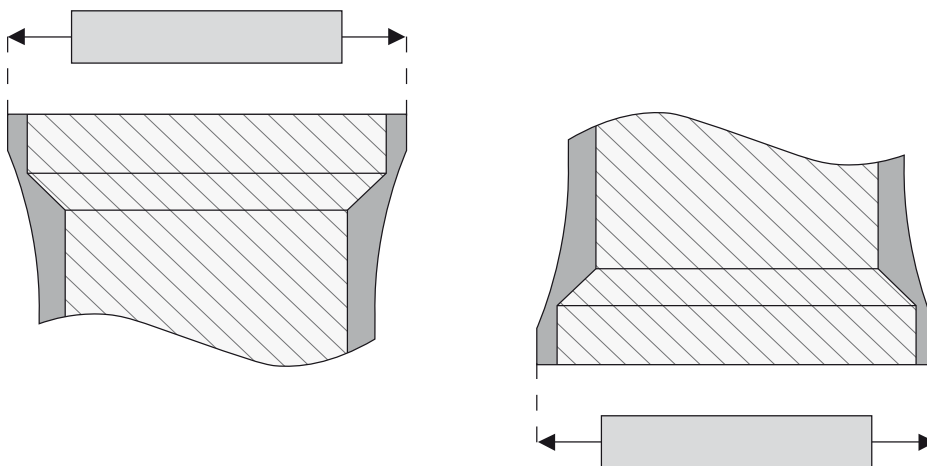
FSA
FULL SPEED AHEAD

EASY HEADSET

STEP 1 INSERT THE I.D MEASUREMENTS



STEP 2 INSERT THE O.D MEASUREMENTS



STEP 3 GET THE PDF OR VISIT THE WEBSITE

INTERNAL HEADSETS

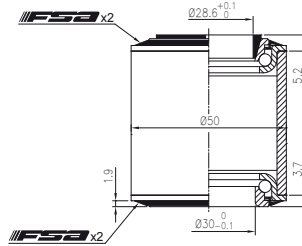
INTERNAL/ZS STYLE - OS (1-1/8") FOR HEAD TUBES OD/ID 50/44MM (UNLESS OTHERWISE NOTED)

> **NO.10** HEADSET

- 1-1/8", Retainer bearings
- For 50mm OD head tube
- 1-1/8" steerer
- Alloy custom top cover
- Ø5/32" x 20 retainer bearings
- Stack height 5.2+3.7=8.9mm

WEIGHT

- 93 grams



Headtube I.D. Ø44mm

CODE	TYPE
141-2269	HS NO.10 16.2mm alloy 1-1/8
141-2270	HS NO.10 2.5mm alloy 1-1/8

> **NO.11** HEADSET

- 1-1/8", Semi-cartridge bearing type
- For 49mm OD head tube
- 1-1/8" steerer
- Alloy top cover
- Cr-Mo steel cups with integrated semi-cartridge bearing
- Stack height 18.7+3=21.7mm

WEIGHT

- 124.3 grams



Headtube I.D. Ø44mm

CODE	TYPE
141-2281	HS NO.11N 16.2mm alloy 1-1/8
141-2282	HS NO.11P 25mm nylon mat 1-1/8
141-2283	HS NO.11P 25mm nylon glossy 1-1/8
141-2435	HS NO.11G 1.5mm alloy 1-1/8

> **NO.11AGY** HEADSET

- 1-1/8", Semi-cartridge bearing type
- For 46mm OD head tube
- 1-1/8" steerer
- Flat 1.5mm alloy top cover
- Chromoly cups with integrated semi-cartridge bearing
- Stack Height 5.4+2.6=8mm

WEIGHT

- 87.3 grams



Headtube I.D. Ø41.4mm

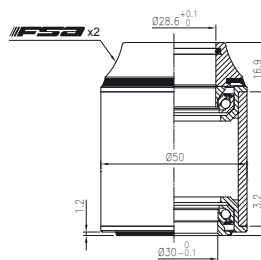
CODE	TYPE
141-2351	HS NO.11AGY 1.5mm alloy 1-1/8

> **ORBIT Z NO.9M/CUP/CC** HEADSET

- 1-1/8", 36°/45° ACB, Deeper cups
- For 50mm OD head tube
- 1-1/8" steerer
- Alloy top cover
- Forged alloy deeper forged alloy cups
- Angular contact bearing (black seal)
- Stack height 16.9+3.2=20.1mm

WEIGHT

- 88.6 grams



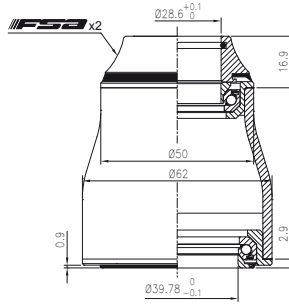
Headtube I.D. Ø44mm

CODE	TYPE
101-1300	HS ORBIT Z 8mm alloy 1-1/8
141-2290	HS NO.9M/CUP/TH 12.3mm alloy 1-1/8

1-1/8" TO 1.5" TAPERED STEERERS AND TAPERED HEADTUBES- 50MM/44MM OD/ID UPPER, 62MM/ 55.95MM OD/ID LOWER HEAD TUBE WITH 1-1/8" ZS TYPE UPPER CUP 1.5" ZS TYPE LOWER CUP FOR 1-1/8"/1.5" STEERER - 1.5" ZS STANDARD



Upper Headtube I.D. Ø44mm
Lower Headtube I.D. Ø55.95mm



> ORBIT 1.5E ZS NO.57E HEADSET

- 1-1/8" / 1.5", 36°/ 45° ACB
- For tapered 50mm / 62mm OD head tube
- For 1-1/8" to 1.5" tapered fork
- Alloy top cover
- Upper: Forged alloy cup with ACB (Black seal)
- Lower: 1.5" CNC machined alloy cup with ACB (Black seal)
- Stack Height 16.9+2.9=19.8mm

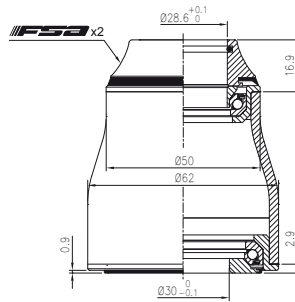
WEIGHT

- 124.6 grams

CODE	TYPE
121-0501	HS NO.57E 8mm alloy 1-1/8 to 1.5
121-0503	HS NO.57E 15mm alloy 1-1/8 to 1.5



Upper Headtube I.D. Ø44mm
Lower Headtube I.D. Ø55.95mm



> ORBIT 1.5E ZS-1 NO.57E-1 HEADSET

- 1-1/8"/1.5", 36/45 ACB
- For tapered 50mm / 62mm OD head tube
- 1-1/8" steerer
- Alloy top cover
- Upper: forged alloy cup with ACB (black seal)
- Lower: 1.5" CNC machined alloy cup with ACB (black seal)
- Stack height 16.9+2.9=19.8mm

WEIGHT

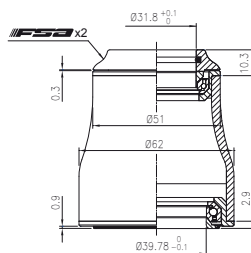
- 129.6 grams

CODE	TYPE
121-0491	HS NO.57E-1 15mm alloy 1-1/8 to 1.5/R

1-1/4" TO 1.5" TAPERED STEERERS AND TAPERED HEADTUBES - 51MM/44MM OD/ID UPPER, 62 MM/55.95 OD/ID LOWER HEAD TUBE WITH 1-1/4" ZS TYPE UPPER 1.5" ZS TYPE LOWER CUP FOR 1-1/4"/1.5" STEERER - 1.5" ZS STANDARD.



Upper Headtube I.D. Ø44mm
Lower Headtube I.D. Ø55.95mm



> NO.51 HEADSET

- 1-1/4" / 1.5" ACB bearings
- For tapered 51mm / 62mm OD head tubes
- For 1-1/4" to 1.5" tapered fork
- Alloy top cover
- Upper: 1-1/4" ACB
- Lower: 1.5" ACB
- Stack height 10.3+2.9mm=13.2mm

WEIGHT

- 98 grams

CODE	TYPE
121-0505	HS NO.51 8mm alloy 1-1/4 to 1.5

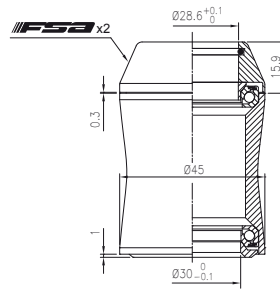
INTEGRATED OS (1-1/8") TO FIT CANE CREEK STANDARD HEAD TUBES - 45MM OD, 36°/45° BEARINGS

> ORBIT | NO.16/CC HEADSET

- 1-1/8", 36°/ 45° ACB
- For 45mm OD head tube
- 1-1/8" steerer
- Alloy top cover
- Angular contact bearing (blue seal)
- Stack height 15.9+1=16.9mm

WEIGHT

- 70.6 grams



Headtube I.D. Ø41.2mm

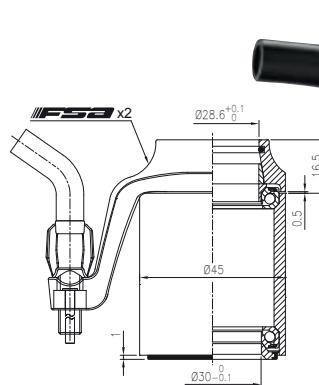
CODE	TYPE
121-0335	HS NO.ORBIT 16 9mm alloy 36°x45° 1-1/8
121-0325N	HS ORBIT IS 15.2mm alloy 1-1/8
121-0328N	HS ORBIT IS-2 20mm alloy 1"

> ORBIT IS-CX IS-2-CX HEADSET

- 1-1/8", 36°/ 45° ACB
- With cable hanger for cyclocross
- For 45mm OD head tube
- 1-1/8" steerer
- Angular contact bearing (blue seal)
- Stack height 16.5+1=17.5mm

WEIGHT

- 84.3 grams



Headtube I.D. Ø41.2mm
With new barrel adjuster cable hanger top cover

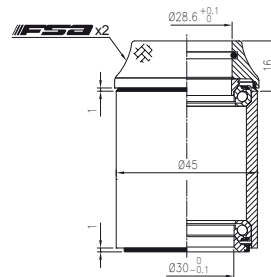
CODE	TYPE
121-0022018010	HS ORBIT IS-CX 16.5mm alloy 1-1/8

> ORBIT IS-CARBON IS-2C HEADSET

- 1-1/8", 36°/ 45° ACB
- For 45mm OD head tube
- 1-1/8" steerer
- Carbon fiber top cover
- Angular contact bearing (black seal)
- Stack height 16+1=17mm

WEIGHT

- 50 grams



Headtube I.D. Ø41.2mm

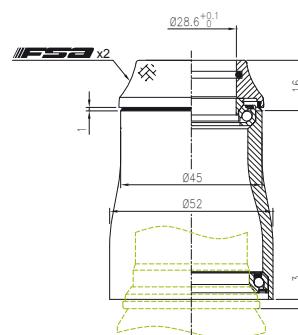
CODE	TYPE
121-0345	HS ORBIT NO.17 15mm carbon CC 1-1/8 36°x45°
121-0340	HS ORBIT IS 8mm carbon 1-1/8

> ORBIT IS-CARBON 138 HEADSET

- 1-1/8" / 1-3/8", 36°/ 45° ACB
- For tapered 45mm / 52mm OD head tube
- For 1-1/8" to 1-3/8" tapered fork
- Carbon fiber top cover
- Angular Contact Bearing (black seal)
- Stack Height 16.1mm

WEIGHT

- 65.4 grams



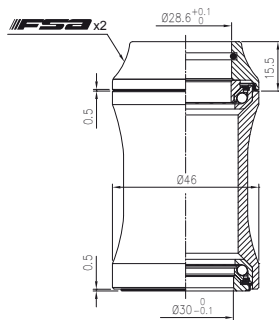
Upper Headtube I.D. Ø41.2mm
Lower Headtube I.D. Ø49.1mm

CODE	TYPE
121-0342	HS ORBIT IS 138 8.7mm carbon 1-1/8 to 1-3/8
121-0343	HS ORBIT IS 138 15.2mm alloy 1-1/8 to 1-3/8

INTEGRATED OS (1-1/8") TO FIT CAMPAGNOLO "HIDDENSET" STD HEAD TUBES - 46MM OD, 42MM ID 45°/45° BEARINGS.



Headtube I.D. Ø42mm



> ORBIT CE NO.8B

HEADSET

- 1-1/8", 45°/ 45° ACB
- For 46mm OD head tube
- 1-1/8" steerer
- Alloy top cover
- Campy angular contact bearing (black seal)
- Stack height 15.5+0.5=16mm

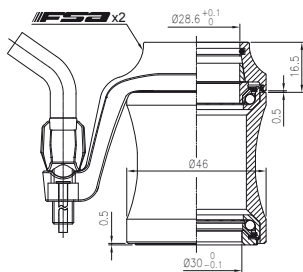
WEIGHT

- 74 grams

CODE	TYPE
121-0405	HS ORBIT CE NO.8B 8mm alloy 1-1/8
121-0407	HS ORBIT CE NO.8B 15mm alloy 1-1/8



Headtube I.D. Ø42mm
With new barrel adjuster cable hanger top cover



> ORBIT CE-CX NO.8B-CX

HEADSET

- 1-1/8", 45°/ 45° ACB
- With cable hanger for cyclocross
- For 46mm OD head tube
- 1-1/8" steerer
- Alloy top cap
- Campy angular contact bearing (black seal)
- Stack height 16.5+0.5=17mm

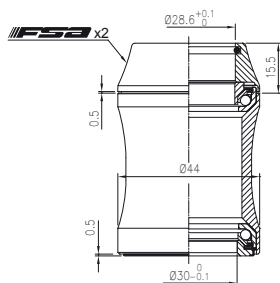
WEIGHT

- 93.3 grams

CODE	TYPE
121-0408N	HS ORBIT CE-CX 16.5mm alloy 1-1/8



Headtube I.D. Ø42mm



> IMPACT NO.8D

HEADSET

- 1-1/8", 45°/ 45° ACB (for BMX/ freestyle)
- Gyro compatible
- For 44mm OD head tube
- 1-1/8" steerer
- Alloy top cover
- Campy angular contact bearing (black seal)
- Stack height 15.5+0.5=16mm

WEIGHT

- 72.3 grams

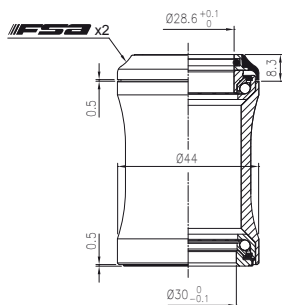
CODE	TYPE
141-0995	HS IMPACT 15mm alloy 1-1/8



NO.8D-PC/TG NO.8D-PC/TB NO.8D-PC/TO NO.8D-PC/TGR NO.8D-PC/TP NO.8D-PC/TW



Headtube I.D. Ø42mm



> IMPACT PC NO.8PC

HEADSET

- 1-1/8", 45°/ 45° ACB
- Unique translucent polycarbonate top cover - clear, gray, orange, red, pink, blue, green
- Gyro compatible
- For 44mm OD head tube
- 1-1/8" steerer; PC top cover
- Campy angular contact bearing (black seal)
- Stack height 8.3+0.5=8.8mm

WEIGHT

- 58 grams

CODE	TYPE
141-0995TB	HS IMPACT transparent blue 15mm alloy 1-1/8
141-0995TG	HS IMPACT transparent green 15mm alloy 1-1/8
141-0995TGR	HS IMPACT transparent gray 15mm alloy 1-1/8
141-0995TO	HS IMPACT transparent orange 15mm alloy 1-1/8
141-0995TP	HS IMPACT transparent pink 15mm alloy 1-1/8
141-0995TR	HS IMPACT transparent red 15mm alloy 1-1/8
141-0995TW	HS IMPACT transparent 15mm alloy 1-1/8

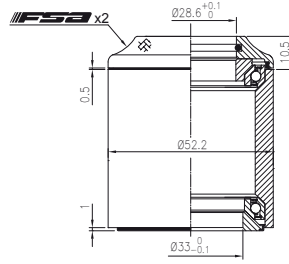
CUSTOM HEADSETS FOR CARBON HEAD TUBES/FORKS, USING 1-1/8" UPPER AND 1-1/4" OR 1.5" LOWER BEARINGS.

> NO.53CF-1 HEADSET

- 1-1/8" / 1-1/4", 45°/ 45° ACB
- Carbon fiber top cover
- For 52.2mm OD head tube
- For 1-1/4" integrated head tube
- For 1-1/8" to 1-1/4" tapered fork
- Carbon fiber top cover
- Campy angular contact bearing (black seal)
- Stack height 10.5+1=11.5mm

WEIGHT

- 82.6 grams



Headtube I.D. Ø47mm

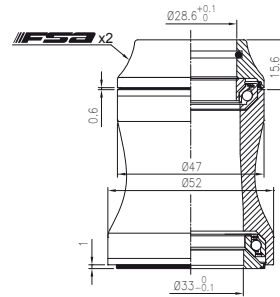
CODE	TYPE
121-0480	HS NO.53 10mm carbon 1-1/4

> ORBIT IC-33 NO.44E HEADSET

- 1-1/8" / 1-1/4", 45°/ 45° ACB
- (compatible with carbon or alloy head tubes)
- For tapered 47mm / 52mm OD head tube
- For 1-1/8" to 1-1/4" tapered fork
- Alloy top cover
- Upper: 1-1/8" angular contact bearing black seal)
- Lower: 1-1/4" angular contact bearing (black seal)
- Stack height 15.6+1=16.6mm

WEIGHT

- 74 grams



Upper Headtube I.D. Ø42mm
Lower Headtube I.D. Ø47mm

CODE	TYPE
121-0474	HS NO.44E/CF 8.7mm carbon 1-1/8 to 1-1/4
121-0476	HS NO.44E/CF 15mm carbon 1-1/8 to 1-1/4
121-0475	HS NO.44E 15mm alloy 1-1/8 to 1-1/4

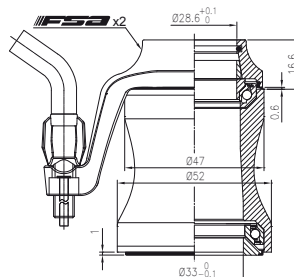
CUSTOM HEADSETS FOR CARBON HEAD TUBES/FORKS, USING 1-1/8" UPPER AND 1-1/4" OR 1.5" LOWER BEARINGS.

> ORBIT C-33-CX NO.44-CX HEADSET

- 1-1/8" / 1-1/4", 45°/ 45° ACB
- (Compatible with carbon or alloy head tubes)
- With cable hanger for Cyclocross
- For tapered 47mm / 52mm OD head tube
- For 1-1/8" to 1-1/4" tapered fork
- Alloy top cover
- Campy stainless angular contact bearing (grey seal)
- Stack height 16.6+1=17.6mm

WEIGHT

- 102.4 grams

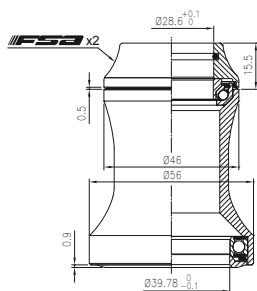


Upper Headtube I.D. Ø42mm
Lower Headtube I.D. Ø47mm
With new barrel adjuster cable hanger top cover

CODE	TYPE
121-0484	HS NO.44-CX 16.6mm alloy 1-1/8 to 1-1/4



Upper Headtube I.D. Ø42mm
Lower Headtube I.D. Ø52mm



> ORBIT C-40 HEADSET

- 1-1/8", 45°/ 45° ACB Upper
- 1.5", Industrial bearing Lower
- (Compatible with Carbon or Alloy head tubes)
- For tapered 46mm / 56mm OD head tube
- For 1-1/8" to 1.5" tapered fork
- Alloy top cover
- Upper: Campy angular Contact Bearing (black seal)
- Lower: Industrial cartridge sealed bearing
- Alloy Crown Race
- Stack Height 15.5+0.9=16.4mm

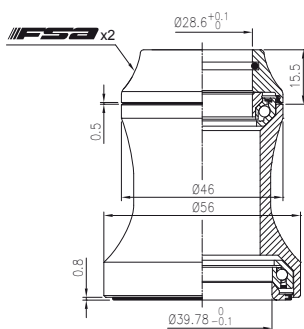
WEIGHT

- 90.8 grams

CODE	TYPE
121-0460A	HS ORBIT C-40 7.8mm 1-1/8 to 1.5 not ACB
121-0463	HS ORBIT C-40 15mm 1-1/8 to 1.5 not ACB



Upper Headtube I.D. Ø42mm
Lower Headtube I.D. Ø52mm



> ORBIT C-40 ACB NO.42/ACB HEADSET

- 1-1/8", 45°/ 45° ACB Upper
- 1.5", 36°/ 45° ACB Lower
- (Compatible with carbon or alloy head tubes)
- For tapered 46mm / 56mm OD head tube
- For 1-1/8" to 1.5" tapered fork
- Alloy top cover
- Upper: Campy angular contact bearing (black seal)
- Lower: 1.5" 36°/ 45° angular contact bearing (black seal)
- Alloy crown race
- Stack height 15.5+0.8=16.3mm

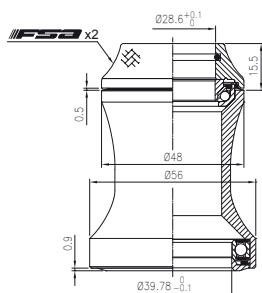
WEIGHT

- 81.2 grams

CODE	TYPE
121-0461A	HS ORBIT C-40-ACB 7.8mm alloy 1-1/8 to 1.5
121-0462A	HS ORBIT C-40-ACB 15mm alloy 1-1/8 to 1.5
121-0514	HS ORBIT NO.C-40-ACB black 7.8mm 1-1/8 to 1.5



Upper Headtube I.D. Ø42mm
Lower Headtube I.D. Ø52.1mm



> ORBIT C-40/48-CF ACB

- 1-1/8", 45°/ 45° ACB upper
- 1.5", 36°/ 45° ACB lower
- (Compatible with carbon or alloy head tubes)
- For tapered 48mm / 56mm OD head tube
- For 1-1/8" to 1.5" tapered fork
- Carbon fiber top cover
- Upper: Campy angular Contact Bearing (Black Seal)
- Lower: 1.5" 36°/ 45° Angular contact bearing (black seal)
- Alloy crown race
- Stack height 15.5+0.9=16.4mm

WEIGHT

- 91.5 grams

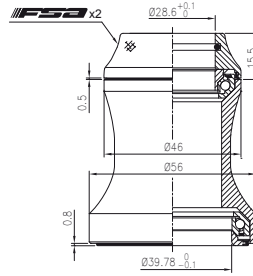
CODE	TYPE
121-0478A	HS ORBIT C-40/48-CF-ACB 10mm carbon 1-1/8 to 1.5
121-0479A	HS ORBIT C-40/48-CF-ACB 15mm carbon 1-1/8 to 1.5

> ORBIT C-40-CF ACB NO.42 CF/ACB HEADSET

- 1-1/8", 45° / 45° ACB upper
- 1.5", 36° / 45° ACB lower
- (Compatible with carbon or alloy head tubes)
- For tapered 46mm / 56mm OD head tube
- For 1-1/8" to 1.5" tapered fork
- Carbon fiber top cover
- Upper: Campy angular contact bearing (black seal)
- Lower: 1.5" 36° / 45° angular contact bearing (black seal)
- Alloy crown race
- Stack height 15.5+0.8=16.3mm

WEIGHT

- 86.2 grams



Upper Headtube I.D. Ø42mm
Lower Headtube I.D. Ø52mm

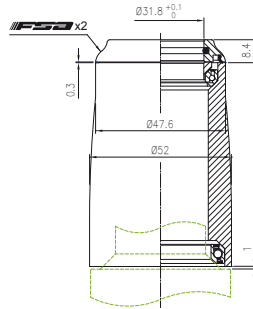
CODE	TYPE
121-0466A	HS ORBIT C-40-CF-ACB 7.8mm carbon 1-1/8 to 1.5
121-0467A	HS ORBIT C-40-CF-ACB 15mm carbon 1-1/8 to 1.5

> NO.54 HEADSET

- 1-1/4", 45° / 45° ACB ball bearings
- For tapered 47.6mm / 52mm OD head tubes
- For 1-1/4" fork
- Alloy top cover
- Upper / Lower: 1-1/4" ACB
- Stack height 8.4+1=9.4mm
- Campy angular contact bearing

WEIGHT

- 55 grams



Upper Headtube I.D. Ø42mm
Lower Headtube I.D. Ø47.1mm

CODE	TYPE
121-0509	HS NO.54 8.15mm alloy 1-1/4

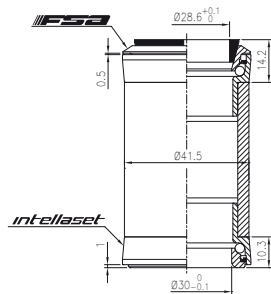
INTELLASET HEADSETS

> INTELLASET ST NO.28 HEADSET

- 1-1/8", retainer bearings
- For 41.5-42mm normal OD head tube
- 1-1/8" steerer
- Alloy custom top cover
- Ø1/8" x 26 retainer bearings
- Forged steel cups
- Stack height 14.2+10.3=24.5mm

WEIGHT

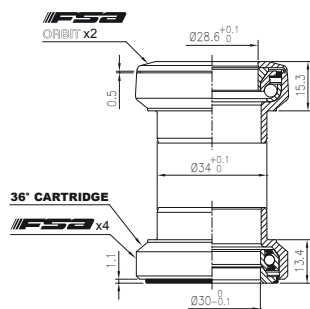
- 105 grams



Headtube I.D. Ø34mm

CODE	TYPE
121-4006	HS Intellaset ST 2.5mm steel 1-1/8

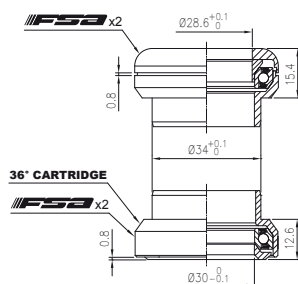
THREADLESS HEADSETS OS (1-1/8") CONVENTIONAL THREADLESS



> **ORBIT UF NO.2N** HEADSET

- 1-1/8", retainer bearings-upper
 - 36°/ 36° ACB-Lower
 - 1-1/8" steerer
 - Alloy top cover
 - Upper and lower water seals
 - Upper: $\varnothing 5/32"$ x 22 retainer bearings
 - Lower: Angular contact bearing (black seal)
 - Stack height 15.3+13.4=28.7mm
- WEIGHT**
- 101 grams

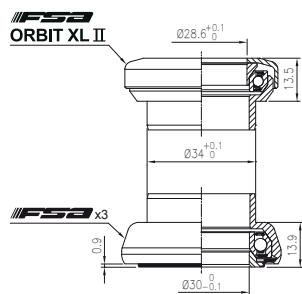
CODE	TYPE
101-1106	HS ORBIT UF 3mm alloy 1-1/8



> **ORBIT EQUIPE NO.21** HEADSET

- 1-1/8", 36°/ 36°ACB
 - 1-1/8" steerer
 - Alloy top cover
 - Forged alloy upper cup and steel lower cup
 - Angular contact bearing (black seal)
 - Stack height 15.4+12.6=28mm
- WEIGHT**
- 105 grams

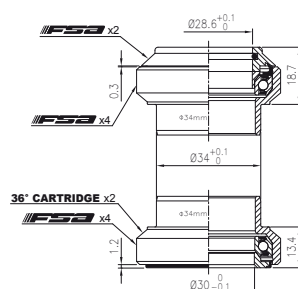
CODE	TYPE
101-1055	HS ORBIT Equipe 7.5mm alloy 1-1/8



> **ORBIT XLII NO.5** HEADSET

- 1-1/8", 36°/ 36° ACB
 - 1-1/8" steerer
 - Alloy top cover
 - Forged and CNC machined alloy cups
 - Angular contact bearing (black seal)
 - Stack height 13.5+13.9=27.4mm
- WEIGHT**
- 103 grams

CODE	TYPE
101-1005	HS ORBIT XLII 9.5mm alloy 1-1/8



> **ORBIT MX NO.20** HEADSET

- 1-1/8", 36°/ 36° ACB
 - 1-1/8" steerer
 - Alloy top cover
 - Forged and CNC machined alloy cups
 - Angular contact bearing (black seal)
 - Stack height 18.7+13.4=32.1mm
- WEIGHT**
- 95 grams

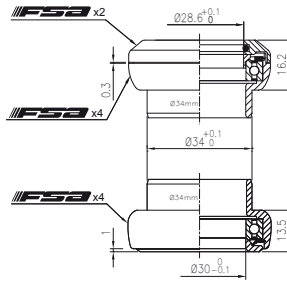
CODE	TYPE
101-0505	HS ORBIT MX 6.1mm alloy 1-1/8
101-0506N	HS ORBIT MX white 6.1mm alloy 1-1/8

> ORBIT XTREME PRO NO.12 HEADSET

- 1-1/8", Special Size
- 1-1/8" steerer
- Alloy top cover
- Forged and CNC machined alloy cups
- Stainless industrial cartridge sealed bearing
- Stainless crown race
- Stack Height 16.2+13.5=29.7mm

WEIGHT

- 99 grams



CODE	TYPE
101-0050	HS ORBIT Xtreme Pro 7.2mm alloy 1-1/8
100-0002018010	HS ORBIT Xtreme Pro 7.2mm alloy 1-1/8

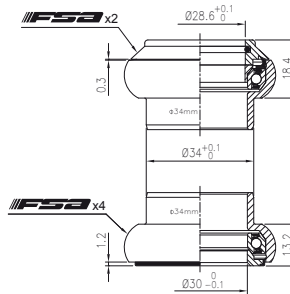
Not for EU

> ORBIT X HEADSET

- 1-1/8", 36°/ 36° ACB
- 1-1/8" steerer
- Alloy top cover
- Forged and CNC machined alloy cups
- Angular contact bearing (black seal)
- Stack height 18.4+13.2=31.6mm

WEIGHT

- 95 grams



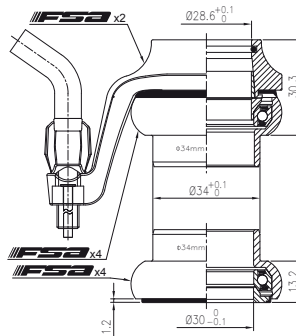
CODE	TYPE
121-0005	HS ORBIT X 6.1mm alloy 1-1/8

> ORBIT X CX HEADSET

- 1-1/8", 36°/ 36° ACB
- With cable hanger for cyclocross
- 1-1/8" steerer
- Forged and CNC machined alloy cups
- Angular contact bearing (black seal)
- Stack height 30.3+13.2=43.5mm

WEIGHT

- 133.6 grams



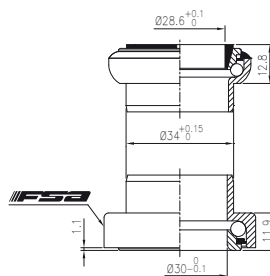
CODE	TYPE
121-0012N	HS ORBIT X-CX 30.3mm alloy 1-1/8

> HAMMER TH-877 HEADSET

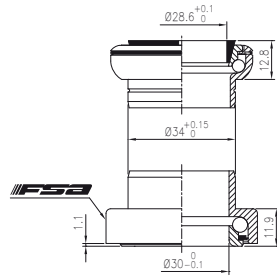
- 1-1/8", for heavy duty retainer bearings
- 1-1/8" steerer
- 12mm "deep cup"
- Nylon top cover & plastic seal
- Forged and CNC machined steel cups
- Upper: Ø5/32" x 20 retainer bearings
- Lower: Oversized Ø3/16" x 20B retainer bearings
- Stack height 12.8+11.9=24.7mm

WEIGHT

- 149 grams



CODE	TYPE
141-2340	HS TH-877 HAMMER 1-1/8



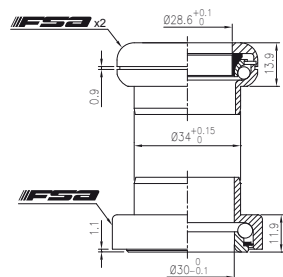
> CHISEL TH-877S HEADSET

- 1-1/8" steerer for Heavy Duty
- 12mm "deep cup" design
- Nylon top cover & steel seal
- Forged and CNC machined steel cups
- Upper: Ø5/32" x 20 retainer bearings
- Lower: oversized Ø3/16" x 20B retainer bearings
- Stack height 12.8+11.9=24.7mm

WEIGHT

- 156 grams

CODE	TYPE
141-2341	HS TH-877S CHISEL 1-1/8



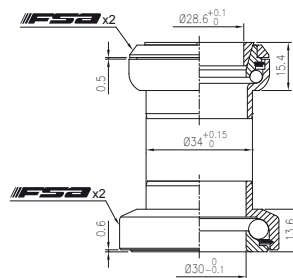
> MALLET TH-872 HEADSET

- 1-1/8" steerer, for heavy duty retainer bearings
- 12mm "deep cup" design
- Alloy top cover
- Forged and CNC machined steel cups
- Upper: Ø5/32" x 20 retainer bearings
- Lower: oversized Ø3/16" x 20B retainer bearings
- Stack height 13.9+11.9=25.8mm

WEIGHT

- 150 grams

CODE	TYPE
141-2335	HS TH-872 MALLET 1-1/8



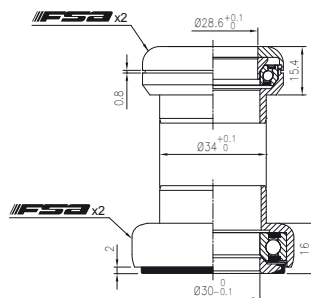
> THE PIG NO.7 HEADSET

- 1-1/8" steerer, for heavy duty retainer bearings
- GYRO compatible
- Forged and CNC machined CrMo lower cup
- Upper: Ø5/32" x 22 retainer bearings
- Lower: super oversized Ø1/4" x 15B retainer bearings
- Stack height 15.4+13.6=29mm

WEIGHT

- 193 grams

CODE	TYPE
141-1005	HS The Pig 4mm alloy 1-1/8



> THE PIG DH PRO NO.15 HEADSET

- 1-1/8", for heavy duty
- 36° / 36° ACB & Industrial bearing
- Fits standard OS headtube and 1-1/8" forks
- GYRO compatible
- 12mm "deep cup" design
- Alloy top cover
- Upper: angular contact bearing (black seal)
- Lower: industrial cartridge sealed bearing
- Stack height 15.4+16=31.4mm

WEIGHT

- 166 grams

CODE	TYPE
141-2005	HS The Pig DH Pro 7.6mm alloy 1-1/8

STD (1") CONVENTIONAL THREADLESS

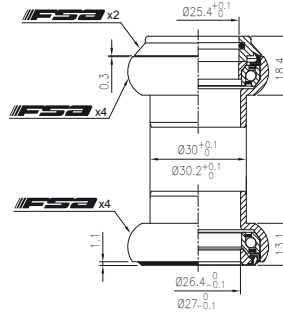
> ORBIT X (1") HEADSET

- 1", 36°/ 36° ACB
- 1" steerer
- Alloy top cover
- Forged and CNC machined alloy cups
- Angular contact bearing (black seal)
- Stack height 18.4+13.1=31.5mm

WEIGHT

- 82 grams

CODE	TYPE
121-0020	HS ORBIT X(1) silver 6.1mm alloy 1"
121-0025	HS ORBIT X(1) 6.1mm alloy 1"



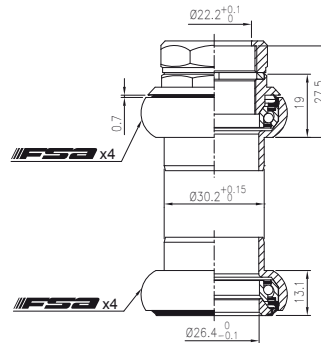
> DURON X HEADSET

- 1", 36°/ 36° ACB
- 1" steerer
- Alloy sealed lock nut
- Forged and CNC machined alloy cups
- Angular contact bearing (black seal)
- Stack height 27.5+13.1=40.6mm

WEIGHT

- 93.8grams

CODE	TYPE
121-1400	HS Duron X 19mm alloy 1"



Headtube I.D. Ø30.2mm

ONEPOINTFIVE HEADSETS

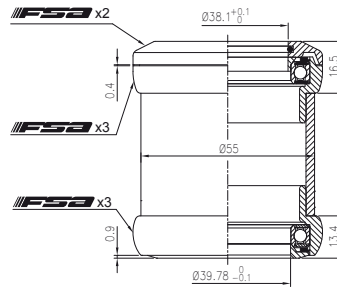
> ORBIT XTREME PRO NO.12B HEADSET

- 1.5", Industrial bearing
- For 55mm OD head tube
- 1.5" steerer
- 9.5mm headtube insertion
- Forged and CNC machined alloy cups
- Alloy crown race
- Stack height 16.5+13.4=29.9mm

WEIGHT

- 150 grams

CODE	TYPE
101-0065	HS ORBIT Xtreme Pro 7.4mm alloy 1.5



Headtube I.D. Ø49.57mm

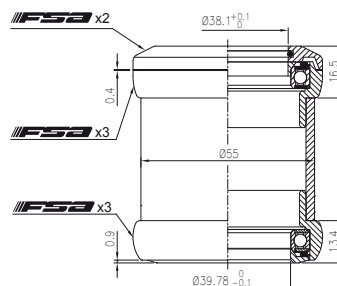
> ORBIT XTREME PRO NO.12B-A HEADSET

- 1.5", Industrial bearing
- For 55mm OD head tube
- 1 1/8" steerer
- 9.5mm headtube insertion
- Forged and CNC machined alloy cups
- Industrial cartridge sealed bearing
- Alloy crown race
- Stack height 16.5+13.4=29.9mm

WEIGHT

- 140 grams

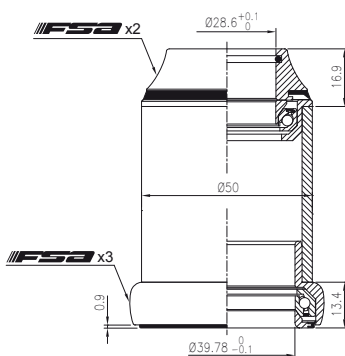
CODE	TYPE
101-0066	HS ORBIT Xtreme Pro 1.5R 7.4mm alloy 1.5



Headtube I.D. Ø49.57mm



Headtube I.D. Ø44mm



> ORBIT ITA NO.9M/CUP/CC/12B/44 HEADSET

- 1.5" / 1-1/8", 36°/ 45° ACB
- Fits 1-1/8" head tube and 1-1/8" to 1.5" tapered fork
- Fits tapered fork to standard 50mm OD head tube
- Upper: 36°/ 45° ACB (blue seal)
- Lower: 1.5" 36°/ 45° ACB (black seal)
- Stack height 16.9+13.4=30.3mm

WEIGHT
• 129 grams

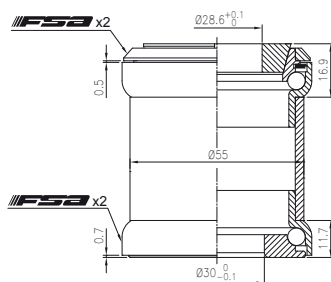
CODE	TYPE
141-2437	HS ORBIT ITA NO.9M/CUP/CC/12B/44 12.3mm 1-1/8
101-1321A	HS ORBIT ITA (I/E) 5.3/23m black

Not for EU

ONEPOINTFIVE REDUCER HEADSETS



Headtube I.D. Ø49.57mm



> THE BIG FAT PIG 1.5R N.7BY HEADSET

- 1-1/8", retainer bearings
- For 55mm OD head tube
- For 1.5" sized head tube and 1-1/8" steerer
- CNC machined steel cups
- Super oversized Ø7/32" x 20 retainer bearings
- Stack height 16.9+11.7=28.6mm

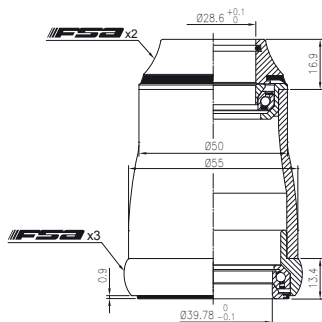
WEIGHT
• 387 grams

CODE	TYPE
141-1308	HS The Big Fat Pig 1.5R 4mm 1-1/8

FSA HEADSETS FOR 50/55MM TAPERED HEAD TUBES WITH STANDARD 1-1/8" FORKS. TAPERED HEAD TUBES ARE INCREASINGLY IMPORTANT, AND WHETHER YOU USE TAPERED FORKS, OR STANDARD OS FORKS. THE FSA DX, SXE, AND DLR ARE INTERNAL UPPER CUPS (50MM HEAD TUBE OD) WITH EXTERNAL 1.5R LOWER CUPS (55MM HEAD TUBE OD).



Upper Headtube I.D. Ø44mm
Lower Headtube I.D. Ø49.57mm



> DX PRO NO.9M/CUP/CC/NO.12B-A HEADSET

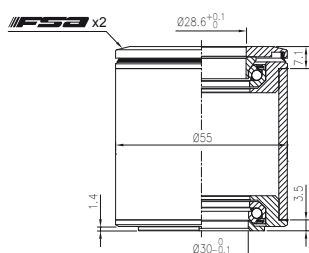
- 1-1/8" / 1.5", 36°/ 45° ACB
- For tapered 50mm / 57mm OD head tube
- For 1-1/8" to 1.5" tapered fork
- Alloy upper cup with forged alloy lower cup
- Upper: 36°/ 45° ACB (Blue seal)
- Lower: 1.5" angular contact bearing (black seal)
- Stack height 16.9+13.4=30.3mm

WEIGHT
• 128.6 grams

CODE	TYPE
130-0006018010	HS DX Pro (I/E) 15mm alloy 1-1/8 to 1.5
130-0034	HS FSA 1/DX Pro (I/E) No.9M/CUP/CC 1.5R/12B
130-0016	HS DX Pro (I/E) 12.3 alloy 1-1/8 to 1.5



Headtube I.D. Ø49.57mm



> ORBIT Z 1.5R NO.9M/CUP/CC 1.5R HEADSET

- 1-1/8", 36°/ 45° ACB
- For 55mm OD head tube
- For 1.5" sized head tube and 1-1/8" steerer
- Alloy top cover
- CNC machined alloy cups
- Angular contact bearing (black seal)
- Stack height 6.1+3=9.1mm

WEIGHT
• 140 grams

CODE	TYPE
101-1312N	HS ORBIT Z 1.5R 3.7mm alloy 1.5

FSA HEADSETS FOR 1.5" HEAD TUBES WITH TAPERED FORKS

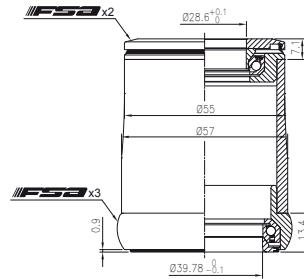
USING EXISTING HEADSET DESIGNS, FSA HAS INTRODUCED 4 MODELS OF HEADSET FOR 1.5" HEAD TUBES, AND THE NEW 1-1/8" TO 1.5" TAPERED FORKS. THE FOUR DIFFERENT VERSIONS ALLOW YOU TO FINE TUNE THE RIDE HEIGHT OR COCKPIT POSITIONING TO SUIT YOUR REQUIREMENTS. ALL FOUR HAVE 1.5" REDUCER UPPER CUPS, WITH 1.5" LOWER CUPS.

> **FSA 1** NO.9M/CUP/CC 1.5R/NO.7B
HEADSET

- 1.5" / 1-1/8", 36°/ 45° ACB upper
- Retainer bearings lower
- For 55mm OD headtube
- For 1.5" to 1-1/8" tapered fork
- Alloy upper cup and CNC machined lower cup
- Upper: 36°/ 45° angular contact bearing (blue seal)
- Lower: Ø7/32" x 20 retainer bearings
- Stack height 7.1+11.7=18.8mm

WEIGHT

- 150.8 grams



Headtube I.D. Ø49.57mm

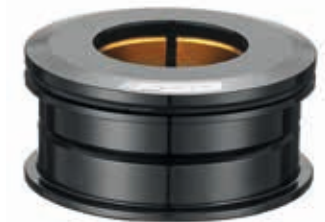
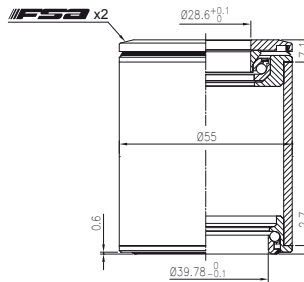
CODE	TYPE
130-0018N	HS 1 (I/E) 3.7mm alloy 1-1/8 to 1.5

> **FSA 2** NO.9M/CUP/CC
HEADSET

- 1-1/8", 36°/ 45° ACB-Upper
- Retainer bearings-Lower
- For 55mm OD head tube
- For 1-1/8" to 1.5" tapered fork
- Alloy upper cup and forged Chromoly lower cup
- Upper: Angular Contact Bearing (black seal)
- Lower: Ø1/8" x 30 retainer bearings
- Stack Height 6.6+2.7=9.3mm

WEIGHT

- 256.9 grams



Headtube I.D. Ø49.57mm

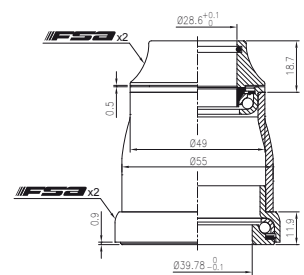
CODE	TYPE
130-0020N	HS 2 (I/I) 3.7mm alloy 1-1/8 to 1.5

> **DL** NO.11N/NO.60AL-2
HEADSET

- 1-1/8" / 1.5", semi-cartridge type upper
- Retainer bearings lower
- For tapered 49mm / 55mm OD head tube
- For 1-1/8" to 1.5" tapered fork
- Alloy top cover
- Cr-mo steel upper cup and steel lower cup
- Upper: semi-cartridge bearing
- Lower: Ø5/32" x 26 retainer bearings
- Stack height 18.7+11.9=30.6mm

WEIGHT

- 156.3 grams

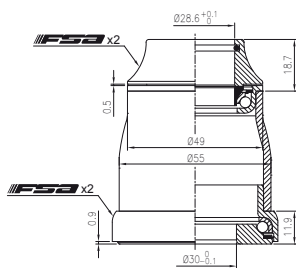


Upper Headtube I.D. Ø44mm
Lower Headtube I.D. Ø49.57mm

CODE	TYPE
130-0033	HS NO.60AL-3 H8.2mm alloy 1.5



Upper Headtube I.D. Ø44mm
Lower Headtube I.D. Ø49.57mm



> DLR NO.11N/NO.60AL-1 HEADSET

- 1-1/8", semi-cartridge type upper
- For tapered 49mm / 55mm OD headtube
- 1-1/8" steerer
- Alloy top cover
- Steel upper cup with forged alloy lower cup
- Upper/Lower: semi-cartridge bearing
- Stack height 18.7+11.9=30.6mm

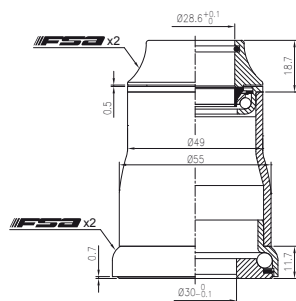
WEIGHT

- 188 grams

CODE	TYPE
130-0032	HS ORBIT DL 6.6mm alloy 1.5/R



Upper Headtube I.D. Ø44mm
Lower Headtube I.D. Ø49.57mm



> SXE NO.11N/NO.60AL-1 HEADSET

- 1-1/8", semi-cartridge type upper
- For tapered 49mm / 55mm OD head tube
- 1-1/8" steerer
- Upper: semi-cartridge type
- Lower: Ø7/32" x 20 retainer bearings
- Stack height oversized 7/32"x20 18.7+11.7=30.4mm

WEIGHT

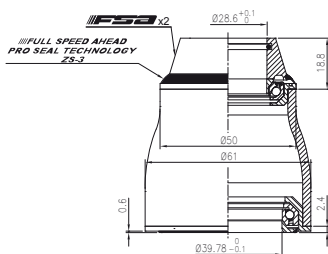
- 248.8 grams

CODE	TYPE
130-0014	HS SXE (I/E) 16.2mm alloy 1-1/8

TAPERED HEAD TUBE (50MM OD/44MM ID UPPER - 61MM OD/55MM ID LOWER) WITH 1.5 TO 1-1/8" TAPERED STEERERS (INTERNAL TYPE LOWER CUP)



Upper Headtube I.D. Ø44mm
Lower Headtube I.D. Ø55mm



> SX PRO NO.55 HEADSET

- 1-1/8" / 1.5", 36°/ 45° ACB
- For tapered 50mm / 61mm OD head tube
- For 1-1/8" to 1.5" tapered fork
- Forged alloy upper cup with CNC machined alloy lower cup
- Upper: 36°/ 45° ACB (blue seal)
- Lower: 1.5" 36°/ 45° ACB (black seal)
- Stack height 18.8+2.4=21.2mm

WEIGHT

- 110.2 grams

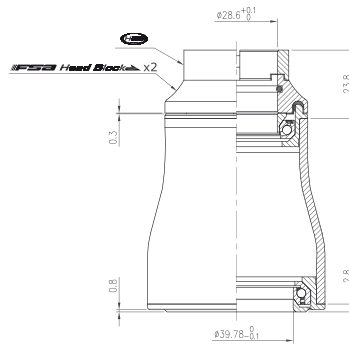
CODE	TYPE
130-0002018010	HS NO.55-1 SX Pro (I/I) 5mm alloy 1-1/8
130-0026	HS SX Pro (I/I) 15mm alloy 1-1/8 to 1.5

> NO.57 HBS BLOCK SYSTEM HEADSET

- 1-1/8" / 1.5", 36°/ 45° ACB
- Headset Blocking System
- For tapered 50mm/62mm OD head tube
- For 1-1/8" to 1.5" tapered fork
- Alloy headset blocking design top cover
- Rotation angle 150°
- Stack height 23.8+2.8=26.6mm

WEIGHT

- 126.8 grams



Upper Headtube I.D. Ø44mm
Lower Headtube I.D. Ø55.95mm

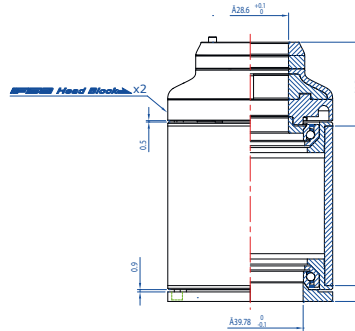
CODE	TYPE
141-0047000011	HS NO.57 HBS-Block System 1-1/8 to 1.5

> NO.94 HBS BLOCK SYSTEM HEADSET

- 1-1/8" / 1.5", 36°/ 45° ACB
- Headset Blocking System
- For 62mm OD head tube
- For 1-1/8" to 1.5" tapered fork
- Alloy headset blocking design top cover
- Rotation angle 150°
- Stack height 31.5+6=37.5mm

WEIGHT

- -



CODE	TYPE
14100056000010	HS NO.94 HBS/CR 1.5

> FSA ALLOY SPACER



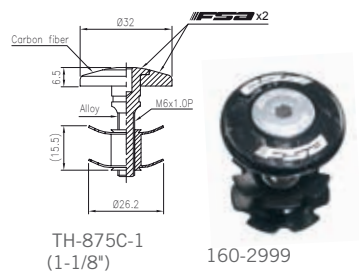
> FSA CARBON SPACER



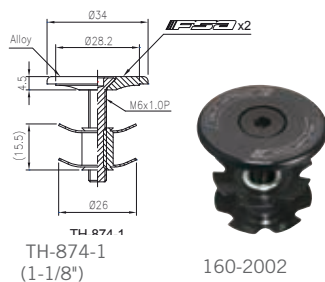
CODE	TYPE
160-4103	HSSP Alloy Spacer 1-1/8 x3mm black
160-4105	HSSP Alloy Spacer 1-1/8 x5mm black FSA LOGO
160-4110	AA HSSP Alloy Spacer - 1-1/8 x10mm black FSA LOGO
160-4120	HSSP Alloy Spacer - 1-1/8 x 20mm black FSA LOGO

CODE	TYPE
160-4324	HSSP Carb Spacer 1-1/8 x5mm black FSA logo H2373
160-4325	HSSP Carb Spacer 1-1/8 x10mm black FSA logo H2373
160-4326	HSSP Carb Spacer 1-1/8 x 20mm black FSA logo H2373

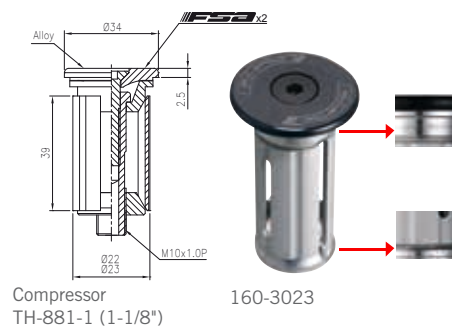
> FSA COMPRESSIONS DEVICES ACCESSORIES



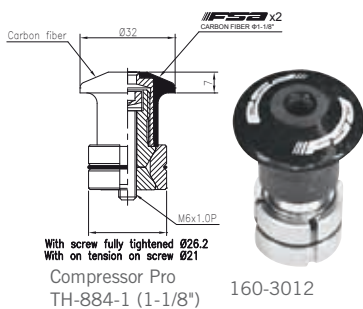
TH-875C-1 (1-1/8") 160-2999



TH-874-1 (1-1/8") 160-2002



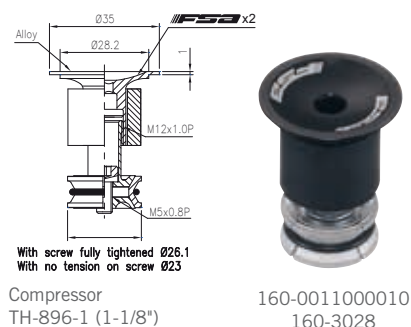
Compressor TH-881-1 (1-1/8") 160-3023



With screw fully tightened Ø26.2
With no tension on screw Ø21
Compressor Pro TH-884-1 (1-1/8") 160-3012



With screw fully tightened Ø26.2
With no tension on screw Ø21
Compressor TH-883-1N (1-1/8") 160-3010



With screw fully tightened Ø26.1
With no tension on screw Ø23
Compressor TH-896-1 (1-1/8") 160-0011000010 160-3028

CODE	TYPE
160-2999	HSSP Star nut Carbon 1-1/8 TH-875c-1
160-2002	HSSP Star nut Alloy FLAT 1-1/8 TH-874-1
160-3023	HSSP Compres 23mm Carb Steerer alloy cap TH-881-1
160-3012	HSSP Compres 1-1/8 Carb Steerer carb cap TH-884-1
160-3010	HSSP Compres 1-1/8 Carb Steerer alloy cap TH-883-1
160-0011000010	HSSP Compres 1-1/8 Carb Steerer alloy cap TH-896-1
160-3028	HSSP Compres 1-1/8 Carb Steerer alloy cap TH-896-1

> FSA MICRO SPACER SPACER



Micro-spacers should be used between the top cover and compression ring to make sure the top cover does not contact the top of the headtube.

- 1" (MW034)
- 1-1/8" (MW006)
- 0.25mm height each

CODE	TYPE
160-3021	HSSP Microspacer 1-1/8 MW006 10pcs
160-3030	HSSP Microspacer 1" MW034
160-3031	HSSP Microspacer 1" MW034

US only

> FSA HEADTUBE REDUCER

ACCESSORIES

- Fit 1-1/8" headset to 1.5" headtube
- WEIGHT**
- 77 grams



CODE	TYPE
160-0150	HSSP 1.5 Reducer to 1-1/8 HS E0068 (pair)

> FSA STAR-NUT TOOL

ACCESSORIES

- Enables, fast, accurate and aligned insertion of star-nuts into fork steerer tubes
- WEIGHT**
- 253 grams



CODE	TYPE
160-9005	TOOL STARNUT DRIVER & GUIDE QR-11



TEAM BULLS

BEARING CHART

36° x 36°													
Item number	Description	Model name	Item number	Inch bearing	IA	OA	Bearing type	I.D.	O.D.	H	Ball material	Seal color	Seal Qty
160-6500B	BEAR TH-871 ACB 36°x36° 1-1/8 Dual S MR033E	TH-871	MR033	1-1/8"	36°	36°	ACB	Ø30.15	Ø44	8	CrMo	Black	Dual
160-0016000000	BEAR TH-872E ACB 36°x36° 1-1/8 Dual S MR043	TH-872E	MR043	1-1/8"	36°	36°	ACB	Ø30.15	Ø41.5	6.5	CrMo	Black	Dual
160-0026000000	BEAR TH-872/DJ ACB 36°x36° 1-1/8 Single S MR172	TH-872/DJ	MR172	1-1/8"	36°	36°	ACB	Ø30.15	Ø41.5	6.7	CrMo	Black	Single
160-0022000000	BEAR ACB 36x36 1.5 Black S MR006	TH-072E	MR006	1.5"	36°	36°	ACB	Ø40	Ø51	6.5	CrMo	Black	Dual
160-6470B	BEAR Micro ACB 36x36 1" Black S MR050	TH-372	MR050	1"	36°	36°	ACB	Ø27.2	Ø38.5	6.5	CrMo	Black	Dual

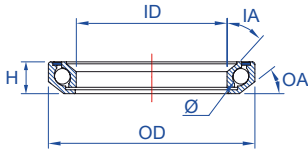
36° x 45° ACB													
Item number	Description	Model name	Item number	Inch bearing	IA	OA	Bearing type	I.D.	O.D.	H	Ball material	Seal color	Seal Qty
160-1655	BEAR SL ACB 36°x45° 1-1/8 Black S MR054R	TH-873R	MR054R	1-1/8"	36°	45°	SL ACB	Ø30.2	Ø41	6.5	CrMo	Black	Single
160-6465	BEAR TH-873S ACB 36°x45° 1-1/8 Dual S MR054S	TH-873S	MR054S	1-1/8"	36°	45°	Stainless ACB	Ø30.2	Ø41	6.5	CrMo	Gray	Dual
160-0014000000	BEAR TH873 ACB 36°x45° Black S MR122	TH-873E	MR122	1-1/8"	36°	45°	ACB	Ø30.2	Ø41	6.5	CrMo	Black	Single
160-0030000000	BEAR TH-873/DJ ACB 36°x45° 1-1/8 Single S MR040	TH-873/DJ	MR040	1-1/8"	36°	45°	ACB	Ø30.15	Ø41	7.3	CrMo	Black	Single
160-67410E	BEAR Micro ACB Ceramic 36°x45° 1-1/8 MR115	TH-873-CB	MR115	1-1/8"	36°	45°	Ceramic ACB	Ø30.15	Ø41	6.5	Si3N4	Red	Dual
160-6747	BEAR TH-800 ACB 36°x45° 1-1/8 Single S MR075	TH-800	MR075	1-1/8"	36°	45°	ACB	Ø30.15	Ø41.7	7.8	1008	Black	Single
160-6753	BEAR IS-2-138 ACB 36°x45° 1-3/8 Dual S MR031	IS-2-138	MR031	1-3/8"	36°	45°	ACB	Ø37	Ø48.9	6.5	CrMo	Black	Dual
160-1656	BEAR SL ACB 36°x45° 1.5 Black S MR110R	TH-073R	MR110R	1.5"	36°	45°	SL ACB	Ø40	Ø51.8	8	CrMo	Black	Single
160-6761	BEAR TH-073 ACB 36°x45° 1.5 Single S MR127	TH-073E	MR127	1.5"	36°	45°	ACB	Ø40	Ø51.8	8	CrMo	Black	Single
160-0012000000	BEAR TH-073/DJ/R 36°x45° 1.5 Black S MR019	TH-073/DJ	MR019	1.5"	36°	45°	ACB	Ø40	Ø51.8	7.5	CrMo	Black	Single
160-6462	BEAR TH-373 ACB 36°x45° 1" Dual S MR055E	TH-373	MR055	1"	36°	45°	ACB	Ø27.2	Ø38	6.5	CrMo	Blue	Dual

45° x 45° ACB													
Item number	Description	Model name	Item number	Inch bearing	IA	OA	Bearing type	I.D.	O.D.	H	Ball material	Seal color	Seal Qty
160-1654	BEAR SL TH-870R ACB 45°x45° 1-1/8 MR042R	TH-870R	MR042R	1-1/8"	45°	45°	SL ACB	Ø30.5	Ø41.8	8	CrMo	Black	Single
160-1647	BEAR TH-870E ACB 45°x45° 1-1/8 Single S MR121	TH-870E	MR121	1-1/8"	45°	45°	ACB	Ø30.5	Ø41.8	8	CrMo	Black	Single
160-0031000000	BEAR TH-870/DJ ACB 45°x45° 1-1/8 Single S MR155	TH-870/DJ	MR155	1-1/8"	45°	45°	ACB	Ø30.5	Ø41.8	7.5	CrMo	Black	Single
160-6483	BEAR TH-870S ACB 45°x45° 1-1/8 Single S MR042S	TH-870S	MR042S	1-1/8"	45°	45°	Stainless ACB	Ø30.5	Ø41.8	8	CrMo	Gray	Single
160-6742	BEAR Micro ACB Ceramic 45°x45° 1-1/8 MR116	TH-870-CB	MR116	1-1/8"	45°	45°	Ceramic ACB	Ø30.5	Ø41.8	8	Si3N4	Red	Single
160-0017000000	BEAR TH-870G-RS ACB 45°x45° 1-1/8 MR123	TH-870G	MR123	1-1/8"	45°	45°	ACB	Ø30.15	Ø39	6.5	CrMo	Black	Dual
160-6754	BEAR SL Micro ACB Light 45°x45° 1-1/4 MR082R	TH-970R	MR082R	1-1/4"	45°	45°	SL ACB	Ø34	Ø46.8	7	CrMo	Black	Single
160-0018000000	BEAR TH-970E ACB 45°x45° 1-1/4 Dual S MR168	TH-970E	MR168	1-1/4"	45°	45°	ACB	Ø34	Ø46.8	7	CrMo	Black	Dual
160-0036000000	BEAR TH970/DJ ACB 45°x45° 1-1/4 Single S MR100	TH-970/DJ	MR100	1-1/4"	45°	45°	ACB	Ø34	Ø46.8	7.3	CrMo	Black	Single
160-6737	BEAR TH-970S ACB 45°x45° 1-1/4 Dual S MR082S	TH-970S	MR082S	1-1/4"	45°	45°	Stainless ACB	Ø34	Ø46.8	7	CrMo	Gray	Dual
160-6746	BEAR NO.51 ACB 45°x45° 1-1/4 Single S MR136	NO.51	MR136	1-1/4"	45°	45°	Micro ACB	Ø32.8	Ø41.8	6	CrMo	Black	Single
160-6752	BEAR NO.54 ACB 45°x45° 1-1/4 37mm Dual S MR137	NO.54	MR137	1-1/4"	45°	45°	ACB	Ø37	Ø46.9	7	CrMo	Black	Dual
160-0015000001	BEAR NO.8C-138 ACB 45°x45° 1-3/8 MR151	NO.8C-138	MR151	1-3/8"	45°	45°	ACB	Ø37	Ø48.9	7	CrMo	Black	Dual
160-1653	BEAR SL TH-070E ACB 45°x45° 1.5 MR128R	TH-070R	MR128R	1.5"	45°	45°	SL ACB	Ø40	Ø52	7	CrMo	Black	Single
160-0010000000	BEAR TH-070E ACB 45°x45° 1.5 Dual S MR170	TH-070E	MR170	1.5"	45°	45°	ACB	Ø40	Ø52	7	CrMo	Black	Dual
160-0037000000	BEAR TH-070/DJ ACB 45°x45° 1.5 Single S MR171	TH-070/DJ	MR171	1.5"	45°	45°	ACB	Ø40	Ø52	7.5	CrMo	Black	Single

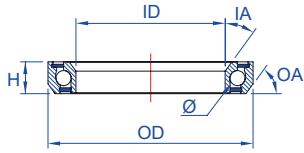
INDUSTRIAL BEARINGS													
Item number	Description	Model name	Item number	Inch bearing	IA	OA	Bearing type	I.D.	O.D.	H	Ball material	Seal color	Seal Qty
160-6735	BEAR ind lower HS PIG DH 1-1/8 MR029	6906	MR029	1-1/8"	40°		Industrial	Ø30	Ø47		CrMo	Black	Dual
160-6290	BEAR ind up/low HS ORBIT XtremePro 1-1/8 MR062	TH-874S	MR062	1-1/8"	45°		Industrial	Ø30.2	Ø41		Stainless	Black	Dual
160-6291	BEAR ind HS ORBIT 1.5 MR069	6808	MR069	1.5"	36°		Industrial	Ø40	Ø52		CrMo	Black	Dual

CAGED BALL BEARINGS													
Item number	Description	Model name	Item number	Inch bearing	IA	OA	Bearing type	I.D.	O.D.	H	Ball material	Seal color	Seal Qty
160-1657	BEAR upper for HS PIG 5/32x20 MR013	5/32"x20	MR013					Ø32.8	Ø40.1	4.6	CrMo		

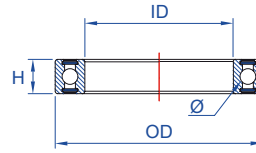
BEARINGS



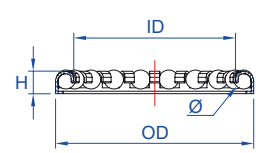
ACB - single seal



ACB - dual seals



Industrial Bearing - dual seals



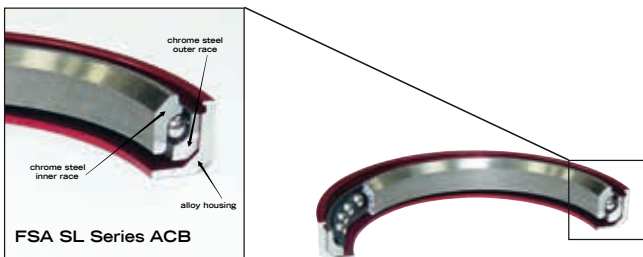
Retainer Bearings

SUPER LIGHT (SL) ACB HEADSET BEARINGS



Size	L ACB (g)	Standard ACB (g)	Weight Saving (g)	Weight Saving (%)	
45° X 45°	1-1/8" (MR042R)	14.1g	22.8g	8.7g	38%
	1-1/4" (MR082R)	17.6g	26.8g	9.2g	34%
	1.5" (MR054R)	22.6g	30.3g	7.7g	25%
36° X 45°	1-1/8" (MR054R)	13.1g	21.8g	8.7g	38%
	1.5" (MR110R)	20.6g	28.3g	7.7g	25%

- New Super Light ACB bearing with alloy housing
- Inexpensive weight-reducing upgrade for any bike
- 45° x 45°, 36° x 45° versions available



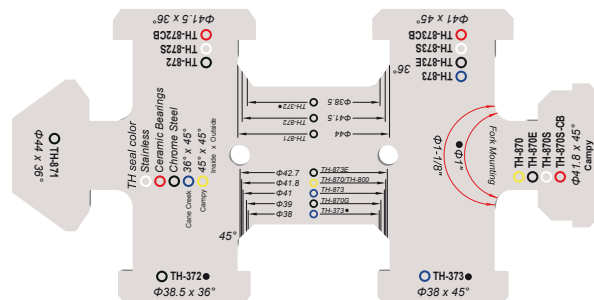
> FSA HEADTUBE GUIDE 1" & 1 1/8"

- Stainless steel
- Multicolor screen printing
- Gauges for all current bearing standards (Campagnolo, Cane Creek, TH)
- For 1" and 1-1/8"
- Inside gauges for bearings

WEIGHT

- 75 grams

CODE	TYPE
160-9000	TOOL HEADSET GUIDE 1" & 1-1/8"



> FSA HEADTUBE GUIDE 1 1/4" & 1.5"

- For 1.5" and 1-1/4"
- Inside gauges for bearings

WEIGHT

- 75 grams

CODE	TYPE
160-9001	TOOL HEADSET GUIDE 1-1/4 & 1.5 E0301



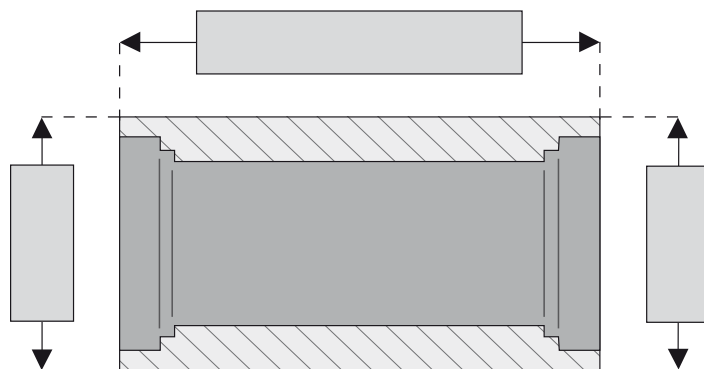
EASY BOTTOM BRACKETS

STEP 1 SELECT YOUR STYLE

ROAD
FRAME

MTB
FRAME

STEP 2 INSERT THE BB MEASUREMENTS



STEP 3 SELECT YOUR CRANKSET STANDARD

386EVO
CRANKSET

BB30
CRANKSET

GXP
CRANKSET

SHM
CRANKSET

STEP 4 GET THE PDF OR VISIT THE WEBSITE

T47		ROAD 86.5mm	ROAD 85.5mm	ROAD 76.75mm	ROAD 68mm	MTB 68/73mm
CRANKSET COMPATIBILITY	BOTTOM BRACKET					
	Ø30 386EVO					
	BOTTOM BRACKET	200-0037000770	200-0050000010	200-0052000770	200-0034000720	200-0047000600
	ADAPTER	NO	NO	NO	NO	NO
Ø24 MEGAEXO W/O UT PINCH BOLTS	[Greyed out]		[Greyed out]			[Greyed out]
BOTTOM BRACKET	NO	NO	NO	200-0034000720	NO	
ADAPTER	NO	NO	NO	200-3208	NO	
Ø24 SMN						
BOTTOM BRACKET	200-0054000A10	200-0049000010	200-0051000010	200-0048000010	200-0047000600	
ADAPTER	NO	NO	NO	NO	NO	

T47		ADAPTER EL316							
CRANKSET COMPATIBILITY	ROAD 68mm	386EVO (Ø30)	MEGAEXO (Ø24)	MEGAEXO (Ø19)	SMN (Ø24)				
	BOTTOM BRACKET	200-0045000600	NO	NO	NO				
	ADAPTER	200-0036000020	200-1869	200-0036000020	200-0036000020				
MTB 68/73.3mm	392EVO (Ø30)	MEGAEXO (Ø24)	MEGAEXO (Ø19)	SMN (Ø24)					
BOTTOM BRACKET	200-3213	200-1969	200-1890	200-1969					
ADAPTER	200-0036000020	200-1852	200-0036000020	200-0036000020					
		200-0002000140 (83mm)							

ROAD	386EVO	BSA	ITA	BB30	PRESS FIT 30																																														
CRANKSET COMPATIBILITY	BOTTOM BRACKET																																																		
	Ø30																																																		
	386EVO	<table border="1"> <tr><td>BOTTOM BRACKET</td><td>ADAPTER</td></tr> <tr><td>CER 200-3111</td><td></td></tr> <tr><td>PRE 200-0043000600</td><td>NO</td></tr> <tr><td>STD 200-3112</td><td></td></tr> </table>	BOTTOM BRACKET	ADAPTER	CER 200-3111		PRE 200-0043000600	NO	STD 200-3112		<table border="1"> <tr><td>BOTTOM BRACKET</td><td>ADAPTER</td></tr> <tr><td>CER NO</td><td></td></tr> <tr><td>PRE 200-0045000600</td><td>NO</td></tr> <tr><td>STD 200-3201</td><td></td></tr> </table>	BOTTOM BRACKET	ADAPTER	CER NO		PRE 200-0045000600	NO	STD 200-3201		<table border="1"> <tr><td>BOTTOM BRACKET</td><td>ADAPTER</td></tr> <tr><td>CER NO</td><td></td></tr> <tr><td>PRE 200-0042000601</td><td>NO</td></tr> <tr><td>STD 200-0016000020</td><td></td></tr> </table>	BOTTOM BRACKET	ADAPTER	CER NO		PRE 200-0042000601	NO	STD 200-0016000020		<table border="1"> <tr><td>BOTTOM BRACKET</td><td>ADAPTER</td></tr> <tr><td>CER 200-3000</td><td></td></tr> <tr><td>PRE NO</td><td>200-3204</td></tr> <tr><td>STD 200-3002</td><td></td></tr> </table>	BOTTOM BRACKET	ADAPTER	CER 200-3000		PRE NO	200-3204	STD 200-3002		<table border="1"> <tr><td>BOTTOM BRACKET</td><td>ADAPTER</td></tr> <tr><td>CER 200-3111</td><td></td></tr> <tr><td>PRE 200-0043000600</td><td>200-3204</td></tr> <tr><td>STD 200-3112</td><td></td></tr> </table>	BOTTOM BRACKET	ADAPTER	CER 200-3111		PRE 200-0043000600	200-3204	STD 200-3112						
	BOTTOM BRACKET	ADAPTER																																																	
	CER 200-3111																																																		
	PRE 200-0043000600	NO																																																	
	STD 200-3112																																																		
BOTTOM BRACKET	ADAPTER																																																		
CER NO																																																			
PRE 200-0045000600	NO																																																		
STD 200-3201																																																			
BOTTOM BRACKET	ADAPTER																																																		
CER NO																																																			
PRE 200-0042000601	NO																																																		
STD 200-0016000020																																																			
BOTTOM BRACKET	ADAPTER																																																		
CER 200-3000																																																			
PRE NO	200-3204																																																		
STD 200-3002																																																			
BOTTOM BRACKET	ADAPTER																																																		
CER 200-3111																																																			
PRE 200-0043000600	200-3204																																																		
STD 200-3112																																																			
MEGAEXO WITHOUT PINCH BOLTS																																																			
MEGAEXO WITH PINCH BOLTS																																																			
Ø24	<table border="1"> <tr><td>BOTTOM BRACKET</td><td>ADAPTER</td></tr> <tr><td>CER 200-3111</td><td>200-3208</td></tr> <tr><td>PRE 200-0043000600</td><td>200-3222 (Ø19)</td></tr> <tr><td>200-3112</td><td>200-1869</td></tr> <tr><td>200-0056000010</td><td>NO</td></tr> </table>	BOTTOM BRACKET	ADAPTER	CER 200-3111	200-3208	PRE 200-0043000600	200-3222 (Ø19)	200-3112	200-1869	200-0056000010	NO	<table border="1"> <tr><td>BOTTOM BRACKET</td><td>ADAPTER</td></tr> <tr><td>CER NO</td><td></td></tr> <tr><td>PRE NO</td><td>NO</td></tr> <tr><td>200-1869</td><td></td></tr> <tr><td>200-1893 (Ø19)</td><td></td></tr> </table>	BOTTOM BRACKET	ADAPTER	CER NO		PRE NO	NO	200-1869		200-1893 (Ø19)		<table border="1"> <tr><td>BOTTOM BRACKET</td><td>ADAPTER</td></tr> <tr><td>CER NO</td><td></td></tr> <tr><td>PRE NO</td><td>NO</td></tr> <tr><td>200-0011000500</td><td></td></tr> </table>	BOTTOM BRACKET	ADAPTER	CER NO		PRE NO	NO	200-0011000500		<table border="1"> <tr><td>BOTTOM BRACKET</td><td>ADAPTER</td></tr> <tr><td>CER 230-6023</td><td></td></tr> <tr><td>PRE NO</td><td>NO</td></tr> <tr><td>STD 230-6024</td><td></td></tr> </table>	BOTTOM BRACKET	ADAPTER	CER 230-6023		PRE NO	NO	STD 230-6024		<table border="1"> <tr><td>BOTTOM BRACKET</td><td>ADAPTER</td></tr> <tr><td>CER 200-3111</td><td>200-3221</td></tr> <tr><td>PRE 230-0003000601*</td><td>20000035000010 (Ø19)</td></tr> <tr><td>200-3112</td><td></td></tr> <tr><td>230-0003000200*</td><td>*NO</td></tr> </table>	BOTTOM BRACKET	ADAPTER	CER 200-3111	200-3221	PRE 230-0003000601*	20000035000010 (Ø19)	200-3112		230-0003000200*	*NO
BOTTOM BRACKET	ADAPTER																																																		
CER 200-3111	200-3208																																																		
PRE 200-0043000600	200-3222 (Ø19)																																																		
200-3112	200-1869																																																		
200-0056000010	NO																																																		
BOTTOM BRACKET	ADAPTER																																																		
CER NO																																																			
PRE NO	NO																																																		
200-1869																																																			
200-1893 (Ø19)																																																			
BOTTOM BRACKET	ADAPTER																																																		
CER NO																																																			
PRE NO	NO																																																		
200-0011000500																																																			
BOTTOM BRACKET	ADAPTER																																																		
CER 230-6023																																																			
PRE NO	NO																																																		
STD 230-6024																																																			
BOTTOM BRACKET	ADAPTER																																																		
CER 200-3111	200-3221																																																		
PRE 230-0003000601*	20000035000010 (Ø19)																																																		
200-3112																																																			
230-0003000200*	*NO																																																		
Ø24	<table border="1"> <tr><td>BOTTOM BRACKET</td><td>ADAPTER</td></tr> <tr><td>CER 200-3111</td><td></td></tr> <tr><td>PRE 200-0043000600</td><td>200-3202</td></tr> <tr><td>200-3112</td><td></td></tr> </table>	BOTTOM BRACKET	ADAPTER	CER 200-3111		PRE 200-0043000600	200-3202	200-3112		<table border="1"> <tr><td>BOTTOM BRACKET</td><td>ADAPTER</td></tr> <tr><td>CER NO</td><td></td></tr> <tr><td>PRE 200-0044000600</td><td>NO</td></tr> <tr><td>200-1867</td><td></td></tr> <tr><td>200-1893 (Ø19)</td><td></td></tr> </table>	BOTTOM BRACKET	ADAPTER	CER NO		PRE 200-0044000600	NO	200-1867		200-1893 (Ø19)		<table border="1"> <tr><td>BOTTOM BRACKET</td><td>ADAPTER</td></tr> <tr><td>CER NO</td><td></td></tr> <tr><td>PRE NO</td><td>NO</td></tr> <tr><td>200-3002</td><td></td></tr> <tr><td>230-6025</td><td></td></tr> </table>	BOTTOM BRACKET	ADAPTER	CER NO		PRE NO	NO	200-3002		230-6025		<table border="1"> <tr><td>BOTTOM BRACKET</td><td>ADAPTER</td></tr> <tr><td>CER NO</td><td>200-3221 + 230-4000</td></tr> <tr><td>PRE NO</td><td></td></tr> <tr><td>200-3002</td><td></td></tr> <tr><td>230-6025</td><td>NO</td></tr> </table>	BOTTOM BRACKET	ADAPTER	CER NO	200-3221 + 230-4000	PRE NO		200-3002		230-6025	NO	<table border="1"> <tr><td>BOTTOM BRACKET</td><td>ADAPTER</td></tr> <tr><td>CER NO</td><td>230-4000</td></tr> <tr><td>PRE 230-0003000601</td><td></td></tr> <tr><td>230-0003000200</td><td>NO</td></tr> </table>	BOTTOM BRACKET	ADAPTER	CER NO	230-4000	PRE 230-0003000601		230-0003000200	NO
BOTTOM BRACKET	ADAPTER																																																		
CER 200-3111																																																			
PRE 200-0043000600	200-3202																																																		
200-3112																																																			
BOTTOM BRACKET	ADAPTER																																																		
CER NO																																																			
PRE 200-0044000600	NO																																																		
200-1867																																																			
200-1893 (Ø19)																																																			
BOTTOM BRACKET	ADAPTER																																																		
CER NO																																																			
PRE NO	NO																																																		
200-3002																																																			
230-6025																																																			
BOTTOM BRACKET	ADAPTER																																																		
CER NO	200-3221 + 230-4000																																																		
PRE NO																																																			
200-3002																																																			
230-6025	NO																																																		
BOTTOM BRACKET	ADAPTER																																																		
CER NO	230-4000																																																		
PRE 230-0003000601																																																			
230-0003000200	NO																																																		
BB30																																																			
Ø30	<table border="1"> <tr><td>BOTTOM BRACKET</td><td>ADAPTER</td></tr> <tr><td>CER NO</td><td></td></tr> <tr><td>PRE NO</td><td>NO</td></tr> <tr><td>STD NO</td><td></td></tr> </table>	BOTTOM BRACKET	ADAPTER	CER NO		PRE NO	NO	STD NO		<table border="1"> <tr><td>BOTTOM BRACKET</td><td>ADAPTER</td></tr> <tr><td>CER NO</td><td></td></tr> <tr><td>PRE NO</td><td>NO</td></tr> <tr><td>STD NO</td><td></td></tr> </table>	BOTTOM BRACKET	ADAPTER	CER NO		PRE NO	NO	STD NO		<table border="1"> <tr><td>BOTTOM BRACKET</td><td>ADAPTER</td></tr> <tr><td>CER NO</td><td></td></tr> <tr><td>PRE NO</td><td>NO</td></tr> <tr><td>STD NO</td><td></td></tr> </table>	BOTTOM BRACKET	ADAPTER	CER NO		PRE NO	NO	STD NO		<table border="1"> <tr><td>BOTTOM BRACKET</td><td>ADAPTER</td></tr> <tr><td>CER 200-3000</td><td></td></tr> <tr><td>PRE NO</td><td>NO</td></tr> <tr><td>STD 200-3002</td><td></td></tr> </table>	BOTTOM BRACKET	ADAPTER	CER 200-3000		PRE NO	NO	STD 200-3002		<table border="1"> <tr><td>BOTTOM BRACKET</td><td>ADAPTER</td></tr> <tr><td>CER 200-3111</td><td></td></tr> <tr><td>PRE 200-0043000600</td><td>NO</td></tr> <tr><td>STD 200-3112</td><td></td></tr> </table>	BOTTOM BRACKET	ADAPTER	CER 200-3111		PRE 200-0043000600	NO	STD 200-3112							
BOTTOM BRACKET	ADAPTER																																																		
CER NO																																																			
PRE NO	NO																																																		
STD NO																																																			
BOTTOM BRACKET	ADAPTER																																																		
CER NO																																																			
PRE NO	NO																																																		
STD NO																																																			
BOTTOM BRACKET	ADAPTER																																																		
CER NO																																																			
PRE NO	NO																																																		
STD NO																																																			
BOTTOM BRACKET	ADAPTER																																																		
CER 200-3000																																																			
PRE NO	NO																																																		
STD 200-3002																																																			
BOTTOM BRACKET	ADAPTER																																																		
CER 200-3111																																																			
PRE 200-0043000600	NO																																																		
STD 200-3112																																																			
SMN																																																			
Ø24	<table border="1"> <tr><td>BOTTOM BRACKET</td><td>ADAPTER</td></tr> <tr><td>CER 200-3111</td><td>200-3202</td></tr> <tr><td>PRE 200-0043000600</td><td></td></tr> <tr><td>200-3112</td><td></td></tr> </table>	BOTTOM BRACKET	ADAPTER	CER 200-3111	200-3202	PRE 200-0043000600		200-3112		<table border="1"> <tr><td>BOTTOM BRACKET</td><td>ADAPTER</td></tr> <tr><td>CER NO</td><td>230-4000</td></tr> <tr><td>PRE 200-0044000600</td><td></td></tr> <tr><td>200-1867</td><td></td></tr> <tr><td>200-1869</td><td></td></tr> </table>	BOTTOM BRACKET	ADAPTER	CER NO	230-4000	PRE 200-0044000600		200-1867		200-1869		<table border="1"> <tr><td>BOTTOM BRACKET</td><td>ADAPTER</td></tr> <tr><td>CER NO</td><td></td></tr> <tr><td>PRE NO</td><td>NO</td></tr> <tr><td>STD NO</td><td></td></tr> </table>	BOTTOM BRACKET	ADAPTER	CER NO		PRE NO	NO	STD NO		<table border="1"> <tr><td>BOTTOM BRACKET</td><td>ADAPTER</td></tr> <tr><td>CER 230-6023</td><td>230-4000</td></tr> <tr><td>PRE NO</td><td></td></tr> <tr><td>STD 230-6024</td><td></td></tr> </table>	BOTTOM BRACKET	ADAPTER	CER 230-6023	230-4000	PRE NO		STD 230-6024		<table border="1"> <tr><td>BOTTOM BRACKET</td><td>ADAPTER</td></tr> <tr><td>CER NO</td><td>200-3221 + 230-4000</td></tr> <tr><td>PRE 230-0003000601*</td><td></td></tr> <tr><td>200-3112</td><td></td></tr> <tr><td>230-0003000200</td><td>*230-4000</td></tr> </table>	BOTTOM BRACKET	ADAPTER	CER NO	200-3221 + 230-4000	PRE 230-0003000601*		200-3112		230-0003000200	*230-4000		
BOTTOM BRACKET	ADAPTER																																																		
CER 200-3111	200-3202																																																		
PRE 200-0043000600																																																			
200-3112																																																			
BOTTOM BRACKET	ADAPTER																																																		
CER NO	230-4000																																																		
PRE 200-0044000600																																																			
200-1867																																																			
200-1869																																																			
BOTTOM BRACKET	ADAPTER																																																		
CER NO																																																			
PRE NO	NO																																																		
STD NO																																																			
BOTTOM BRACKET	ADAPTER																																																		
CER 230-6023	230-4000																																																		
PRE NO																																																			
STD 230-6024																																																			
BOTTOM BRACKET	ADAPTER																																																		
CER NO	200-3221 + 230-4000																																																		
PRE 230-0003000601*																																																			
200-3112																																																			
230-0003000200	*230-4000																																																		

C'DALE BB30A	C'DALE PF30A	BBRIGHT PF79	SMN PF86	TREK BB90	ROAD																																										
					BOTTOM BRACKET																																										
					Ø30																																										
<table border="1"> <tr><td>BOTTOM BRACKET</td><td>ADAPTER</td></tr> <tr><td>CER 200-3000</td><td></td></tr> <tr><td>PRE NO</td><td>200-0005000330</td></tr> <tr><td>STD 200-3002</td><td></td></tr> </table>	BOTTOM BRACKET	ADAPTER	CER 200-3000		PRE NO	200-0005000330	STD 200-3002		<table border="1"> <tr><td>BOTTOM BRACKET</td><td>ADAPTER</td></tr> <tr><td>CER 200-3111</td><td></td></tr> <tr><td>PRE 200-0043000600</td><td>200-0005000330</td></tr> <tr><td>STD 200-3112</td><td></td></tr> </table>	BOTTOM BRACKET	ADAPTER	CER 200-3111		PRE 200-0043000600	200-0005000330	STD 200-3112		<table border="1"> <tr><td>BOTTOM BRACKET</td><td>ADAPTER</td></tr> <tr><td>CER 200-3111</td><td></td></tr> <tr><td>PRE 200-0043000600</td><td>200-0010000011</td></tr> <tr><td>STD 200-3112</td><td></td></tr> </table>	BOTTOM BRACKET	ADAPTER	CER 200-3111		PRE 200-0043000600	200-0010000011	STD 200-3112		<table border="1"> <tr><td>BOTTOM BRACKET</td><td>ADAPTER</td></tr> <tr><td>CER 20000012000111</td><td></td></tr> <tr><td>PRE 200-0012000111</td><td>NO</td></tr> <tr><td>STD 200-0012000110</td><td></td></tr> </table>	BOTTOM BRACKET	ADAPTER	CER 20000012000111		PRE 200-0012000111	NO	STD 200-0012000110		<table border="1"> <tr><td>BOTTOM BRACKET</td><td>ADAPTER</td></tr> <tr><td>CER</td><td></td></tr> <tr><td>PRE NO</td><td>NO</td></tr> <tr><td>STD</td><td></td></tr> </table>	BOTTOM BRACKET	ADAPTER	CER		PRE NO	NO	STD		386EVO		
BOTTOM BRACKET	ADAPTER																																														
CER 200-3000																																															
PRE NO	200-0005000330																																														
STD 200-3002																																															
BOTTOM BRACKET	ADAPTER																																														
CER 200-3111																																															
PRE 200-0043000600	200-0005000330																																														
STD 200-3112																																															
BOTTOM BRACKET	ADAPTER																																														
CER 200-3111																																															
PRE 200-0043000600	200-0010000011																																														
STD 200-3112																																															
BOTTOM BRACKET	ADAPTER																																														
CER 20000012000111																																															
PRE 200-0012000111	NO																																														
STD 200-0012000110																																															
BOTTOM BRACKET	ADAPTER																																														
CER																																															
PRE NO	NO																																														
STD																																															
					Ø24																																										
<table border="1"> <tr><td>BOTTOM BRACKET</td><td>ADAPTER</td></tr> <tr><td>CER 200-3000</td><td></td></tr> <tr><td>PRE NO</td><td>200-0006000330</td></tr> <tr><td>STD 200-3002</td><td></td></tr> </table>	BOTTOM BRACKET	ADAPTER	CER 200-3000		PRE NO	200-0006000330	STD 200-3002		<table border="1"> <tr><td>BOTTOM BRACKET</td><td>ADAPTER</td></tr> <tr><td>CER 200-3111</td><td></td></tr> <tr><td>PRE 200-0043000600</td><td>200-0006000330</td></tr> <tr><td>STD 200-3112</td><td></td></tr> </table>	BOTTOM BRACKET	ADAPTER	CER 200-3111		PRE 200-0043000600	200-0006000330	STD 200-3112		<table border="1"> <tr><td>BOTTOM BRACKET</td><td>ADAPTER</td></tr> <tr><td>CER NO</td><td></td></tr> <tr><td>PRE NO</td><td>NO</td></tr> <tr><td>STD 200-3205</td><td></td></tr> </table>	BOTTOM BRACKET	ADAPTER	CER NO		PRE NO	NO	STD 200-3205		<table border="1"> <tr><td>BOTTOM BRACKET</td><td>ADAPTER</td></tr> <tr><td>CER NO</td><td></td></tr> <tr><td>PRE 230-0055000600</td><td>NO</td></tr> <tr><td>STD 230-6018</td><td></td></tr> <tr><td>230-6019 (Ø19)</td><td></td></tr> </table>	BOTTOM BRACKET	ADAPTER	CER NO		PRE 230-0055000600	NO	STD 230-6018		230-6019 (Ø19)		<table border="1"> <tr><td>BOTTOM BRACKET</td><td>ADAPTER</td></tr> <tr><td>CER NO</td><td></td></tr> <tr><td>PRE NO</td><td>NO</td></tr> <tr><td>STD 230-6001</td><td></td></tr> </table>	BOTTOM BRACKET	ADAPTER	CER NO		PRE NO	NO	STD 230-6001		MEGAEXO W/O PINCH BOLTS
BOTTOM BRACKET	ADAPTER																																														
CER 200-3000																																															
PRE NO	200-0006000330																																														
STD 200-3002																																															
BOTTOM BRACKET	ADAPTER																																														
CER 200-3111																																															
PRE 200-0043000600	200-0006000330																																														
STD 200-3112																																															
BOTTOM BRACKET	ADAPTER																																														
CER NO																																															
PRE NO	NO																																														
STD 200-3205																																															
BOTTOM BRACKET	ADAPTER																																														
CER NO																																															
PRE 230-0055000600	NO																																														
STD 230-6018																																															
230-6019 (Ø19)																																															
BOTTOM BRACKET	ADAPTER																																														
CER NO																																															
PRE NO	NO																																														
STD 230-6001																																															
					Ø24																																										
<table border="1"> <tr><td>BOTTOM BRACKET</td><td>ADAPTER</td></tr> <tr><td>CER NO</td><td></td></tr> <tr><td>PRE NO</td><td>200-0006000330 + 230-4000</td></tr> <tr><td>STD 200-3002</td><td></td></tr> </table>	BOTTOM BRACKET	ADAPTER	CER NO		PRE NO	200-0006000330 + 230-4000	STD 200-3002		<table border="1"> <tr><td>BOTTOM BRACKET</td><td>ADAPTER</td></tr> <tr><td>CER NO</td><td></td></tr> <tr><td>PRE 200-0043000600</td><td>200-0006000330 + 230-4000</td></tr> <tr><td>STD 200-3112</td><td></td></tr> </table>	BOTTOM BRACKET	ADAPTER	CER NO		PRE 200-0043000600	200-0006000330 + 230-4000	STD 200-3112		<table border="1"> <tr><td>BOTTOM BRACKET</td><td>ADAPTER</td></tr> <tr><td>CER NO</td><td></td></tr> <tr><td>PRE NO</td><td>NO</td></tr> <tr><td>STD 200-3205</td><td></td></tr> </table>	BOTTOM BRACKET	ADAPTER	CER NO		PRE NO	NO	STD 200-3205		<table border="1"> <tr><td>BOTTOM BRACKET</td><td>ADAPTER</td></tr> <tr><td>CER NO</td><td></td></tr> <tr><td>PRE NO</td><td>NO</td></tr> <tr><td>STD 230-6018</td><td></td></tr> <tr><td>230-6019 (Ø19)</td><td></td></tr> </table>	BOTTOM BRACKET	ADAPTER	CER NO		PRE NO	NO	STD 230-6018		230-6019 (Ø19)		<table border="1"> <tr><td>BOTTOM BRACKET</td><td>ADAPTER</td></tr> <tr><td>CER NO</td><td></td></tr> <tr><td>PRE NO</td><td>NO</td></tr> <tr><td>STD 230-6001</td><td></td></tr> </table>	BOTTOM BRACKET	ADAPTER	CER NO		PRE NO	NO	STD 230-6001		MEGAEXO WITH PINCH BOLTS
BOTTOM BRACKET	ADAPTER																																														
CER NO																																															
PRE NO	200-0006000330 + 230-4000																																														
STD 200-3002																																															
BOTTOM BRACKET	ADAPTER																																														
CER NO																																															
PRE 200-0043000600	200-0006000330 + 230-4000																																														
STD 200-3112																																															
BOTTOM BRACKET	ADAPTER																																														
CER NO																																															
PRE NO	NO																																														
STD 200-3205																																															
BOTTOM BRACKET	ADAPTER																																														
CER NO																																															
PRE NO	NO																																														
STD 230-6018																																															
230-6019 (Ø19)																																															
BOTTOM BRACKET	ADAPTER																																														
CER NO																																															
PRE NO	NO																																														
STD 230-6001																																															
					Ø30																																										
<table border="1"> <tr><td>BOTTOM BRACKET</td><td>ADAPTER</td></tr> <tr><td>CER</td><td></td></tr> <tr><td>PRE NO</td><td>NO</td></tr> <tr><td>STD</td><td></td></tr> </table>	BOTTOM BRACKET	ADAPTER	CER		PRE NO	NO	STD		<table border="1"> <tr><td>BOTTOM BRACKET</td><td>ADAPTER</td></tr> <tr><td>CER</td><td></td></tr> <tr><td>PRE NO</td><td>NO</td></tr> <tr><td>STD</td><td></td></tr> </table>	BOTTOM BRACKET	ADAPTER	CER		PRE NO	NO	STD		<table border="1"> <tr><td>BOTTOM BRACKET</td><td>ADAPTER</td></tr> <tr><td>CER</td><td></td></tr> <tr><td>PRE NO</td><td>NO</td></tr> <tr><td>STD</td><td></td></tr> </table>	BOTTOM BRACKET	ADAPTER	CER		PRE NO	NO	STD		<table border="1"> <tr><td>BOTTOM BRACKET</td><td>ADAPTER</td></tr> <tr><td>CER</td><td></td></tr> <tr><td>PRE NO</td><td>NO</td></tr> <tr><td>STD</td><td></td></tr> </table>	BOTTOM BRACKET	ADAPTER	CER		PRE NO	NO	STD		<table border="1"> <tr><td>BOTTOM BRACKET</td><td>ADAPTER</td></tr> <tr><td>CER</td><td></td></tr> <tr><td>PRE NO</td><td>NO</td></tr> <tr><td>STD</td><td></td></tr> </table>	BOTTOM BRACKET	ADAPTER	CER		PRE NO	NO	STD		BB30		
BOTTOM BRACKET	ADAPTER																																														
CER																																															
PRE NO	NO																																														
STD																																															
BOTTOM BRACKET	ADAPTER																																														
CER																																															
PRE NO	NO																																														
STD																																															
BOTTOM BRACKET	ADAPTER																																														
CER																																															
PRE NO	NO																																														
STD																																															
BOTTOM BRACKET	ADAPTER																																														
CER																																															
PRE NO	NO																																														
STD																																															
BOTTOM BRACKET	ADAPTER																																														
CER																																															
PRE NO	NO																																														
STD																																															
					Ø30																																										
<table border="1"> <tr><td>BOTTOM BRACKET</td><td>ADAPTER</td></tr> <tr><td>CER</td><td></td></tr> <tr><td>PRE NO</td><td>NO</td></tr> <tr><td>STD</td><td></td></tr> </table>	BOTTOM BRACKET	ADAPTER	CER		PRE NO	NO	STD		<table border="1"> <tr><td>BOTTOM BRACKET</td><td>ADAPTER</td></tr> <tr><td>CER</td><td></td></tr> <tr><td>PRE NO</td><td>NO</td></tr> <tr><td>STD 200-0055000010</td><td></td></tr> </table>	BOTTOM BRACKET	ADAPTER	CER		PRE NO	NO	STD 200-0055000010		<table border="1"> <tr><td>BOTTOM BRACKET</td><td>ADAPTER</td></tr> <tr><td>CER NO</td><td></td></tr> <tr><td>PRE NO</td><td>NO</td></tr> <tr><td>STD 200-3205</td><td></td></tr> </table>	BOTTOM BRACKET	ADAPTER	CER NO		PRE NO	NO	STD 200-3205		<table border="1"> <tr><td>BOTTOM BRACKET</td><td>ADAPTER</td></tr> <tr><td>CER NO</td><td></td></tr> <tr><td>PRE 230-0055000600</td><td>230-4000</td></tr> <tr><td>STD 230-6039</td><td></td></tr> </table>	BOTTOM BRACKET	ADAPTER	CER NO		PRE 230-0055000600	230-4000	STD 230-6039		<table border="1"> <tr><td>BOTTOM BRACKET</td><td>ADAPTER</td></tr> <tr><td>CER NO</td><td></td></tr> <tr><td>PRE NO</td><td>NO</td></tr> <tr><td>STD 230-6001</td><td></td></tr> </table>	BOTTOM BRACKET	ADAPTER	CER NO		PRE NO	NO	STD 230-6001		SMN		
BOTTOM BRACKET	ADAPTER																																														
CER																																															
PRE NO	NO																																														
STD																																															
BOTTOM BRACKET	ADAPTER																																														
CER																																															
PRE NO	NO																																														
STD 200-0055000010																																															
BOTTOM BRACKET	ADAPTER																																														
CER NO																																															
PRE NO	NO																																														
STD 200-3205																																															
BOTTOM BRACKET	ADAPTER																																														
CER NO																																															
PRE 230-0055000600	230-4000																																														
STD 230-6039																																															
BOTTOM BRACKET	ADAPTER																																														
CER NO																																															
PRE NO	NO																																														
STD 230-6001																																															

CRANKSET COMPATIBILITY

MTB	BSA	BSA 83	BB30 68mm	BB30 73mm																																
CRANKSET COMPATIBILITY	<p>Ø30</p> <p>392EVO</p> <table border="1"> <tr> <td>BOTTOM BRACKET</td> <td>ADAPTER</td> </tr> <tr> <td>CER</td> <td>NO</td> </tr> <tr> <td>PRE</td> <td>NO</td> </tr> <tr> <td>STD</td> <td>200-3213</td> </tr> </table>	BOTTOM BRACKET	ADAPTER	CER	NO	PRE	NO	STD	200-3213	<table border="1"> <tr> <td>BOTTOM BRACKET</td> <td>ADAPTER</td> </tr> <tr> <td>CER</td> <td>NO</td> </tr> <tr> <td>PRE</td> <td>NO</td> </tr> <tr> <td>STD</td> <td>200-0032000020</td> </tr> </table>	BOTTOM BRACKET	ADAPTER	CER	NO	PRE	NO	STD	200-0032000020	<table border="1"> <tr> <td>BOTTOM BRACKET</td> <td>ADAPTER</td> </tr> <tr> <td>CER</td> <td>200-3000</td> </tr> <tr> <td>PRE</td> <td>NO</td> </tr> <tr> <td>STD</td> <td>200-3002</td> </tr> </table>	BOTTOM BRACKET	ADAPTER	CER	200-3000	PRE	NO	STD	200-3002	<table border="1"> <tr> <td>BOTTOM BRACKET</td> <td>ADAPTER</td> </tr> <tr> <td>CER</td> <td>200-3000</td> </tr> <tr> <td>PRE</td> <td>NO</td> </tr> <tr> <td>STD</td> <td>200-3002</td> </tr> </table>	BOTTOM BRACKET	ADAPTER	CER	200-3000	PRE	NO	STD	200-3002
	BOTTOM BRACKET	ADAPTER																																		
	CER	NO																																		
	PRE	NO																																		
	STD	200-3213																																		
	BOTTOM BRACKET	ADAPTER																																		
CER	NO																																			
PRE	NO																																			
STD	200-0032000020																																			
BOTTOM BRACKET	ADAPTER																																			
CER	200-3000																																			
PRE	NO																																			
STD	200-3002																																			
BOTTOM BRACKET	ADAPTER																																			
CER	200-3000																																			
PRE	NO																																			
STD	200-3002																																			
<p>Ø24</p> <p>MEGAEXO WITHOUT PINCH BOLTS</p> <table border="1"> <tr> <td>BOTTOM BRACKET</td> <td>ADAPTER</td> </tr> <tr> <td>CER</td> <td>200-1962</td> </tr> <tr> <td>PRE</td> <td>NO</td> </tr> <tr> <td>STD</td> <td>200-1852 200-1969</td> </tr> </table>	BOTTOM BRACKET	ADAPTER	CER	200-1962	PRE	NO	STD	200-1852 200-1969	<table border="1"> <tr> <td>BOTTOM BRACKET</td> <td>ADAPTER</td> </tr> <tr> <td>CER</td> <td>NO</td> </tr> <tr> <td>PRE</td> <td>NO</td> </tr> <tr> <td>STD</td> <td>200-0002000140</td> </tr> </table>	BOTTOM BRACKET	ADAPTER	CER	NO	PRE	NO	STD	200-0002000140	<table border="1"> <tr> <td>BOTTOM BRACKET</td> <td>ADAPTER</td> </tr> <tr> <td>CER</td> <td>200-3000</td> </tr> <tr> <td>PRE</td> <td>NO</td> </tr> <tr> <td>STD</td> <td>200-3002</td> </tr> </table>	BOTTOM BRACKET	ADAPTER	CER	200-3000	PRE	NO	STD	200-3002	<table border="1"> <tr> <td>BOTTOM BRACKET</td> <td>ADAPTER</td> </tr> <tr> <td>CER</td> <td>200-3000</td> </tr> <tr> <td>PRE</td> <td>NO</td> </tr> <tr> <td>STD</td> <td>200-3002</td> </tr> </table>	BOTTOM BRACKET	ADAPTER	CER	200-3000	PRE	NO	STD	200-3002	
BOTTOM BRACKET	ADAPTER																																			
CER	200-1962																																			
PRE	NO																																			
STD	200-1852 200-1969																																			
BOTTOM BRACKET	ADAPTER																																			
CER	NO																																			
PRE	NO																																			
STD	200-0002000140																																			
BOTTOM BRACKET	ADAPTER																																			
CER	200-3000																																			
PRE	NO																																			
STD	200-3002																																			
BOTTOM BRACKET	ADAPTER																																			
CER	200-3000																																			
PRE	NO																																			
STD	200-3002																																			
<p>Ø19</p> <p>MEGAEXO WITHOUT PINCH BOLTS</p> <table border="1"> <tr> <td>BOTTOM BRACKET</td> <td>ADAPTER</td> </tr> <tr> <td>CER</td> <td>NO</td> </tr> <tr> <td>PRE</td> <td>NO</td> </tr> <tr> <td>STD</td> <td>200-1890</td> </tr> </table>	BOTTOM BRACKET	ADAPTER	CER	NO	PRE	NO	STD	200-1890	<table border="1"> <tr> <td>BOTTOM BRACKET</td> <td>ADAPTER</td> </tr> <tr> <td>CER</td> <td>NO</td> </tr> <tr> <td>PRE</td> <td>NO</td> </tr> <tr> <td>STD</td> <td>NO</td> </tr> </table>	BOTTOM BRACKET	ADAPTER	CER	NO	PRE	NO	STD	NO	<table border="1"> <tr> <td>BOTTOM BRACKET</td> <td>ADAPTER</td> </tr> <tr> <td>CER</td> <td>NO</td> </tr> <tr> <td>PRE</td> <td>NO</td> </tr> <tr> <td>STD</td> <td>200-3002</td> </tr> </table>	BOTTOM BRACKET	ADAPTER	CER	NO	PRE	NO	STD	200-3002	<table border="1"> <tr> <td>BOTTOM BRACKET</td> <td>ADAPTER</td> </tr> <tr> <td>CER</td> <td>NO</td> </tr> <tr> <td>PRE</td> <td>NO</td> </tr> <tr> <td>STD</td> <td>200-3002</td> </tr> </table>	BOTTOM BRACKET	ADAPTER	CER	NO	PRE	NO	STD	200-3002	
BOTTOM BRACKET	ADAPTER																																			
CER	NO																																			
PRE	NO																																			
STD	200-1890																																			
BOTTOM BRACKET	ADAPTER																																			
CER	NO																																			
PRE	NO																																			
STD	NO																																			
BOTTOM BRACKET	ADAPTER																																			
CER	NO																																			
PRE	NO																																			
STD	200-3002																																			
BOTTOM BRACKET	ADAPTER																																			
CER	NO																																			
PRE	NO																																			
STD	200-3002																																			
<p>Ø30</p> <p>BB30</p> <table border="1"> <tr> <td>BOTTOM BRACKET</td> <td>ADAPTER</td> </tr> <tr> <td>CER</td> <td>NO</td> </tr> <tr> <td>PRE</td> <td>NO</td> </tr> <tr> <td>STD</td> <td>NO</td> </tr> </table>	BOTTOM BRACKET	ADAPTER	CER	NO	PRE	NO	STD	NO	<table border="1"> <tr> <td>BOTTOM BRACKET</td> <td>ADAPTER</td> </tr> <tr> <td>CER</td> <td>NO</td> </tr> <tr> <td>PRE</td> <td>NO</td> </tr> <tr> <td>STD</td> <td>NO</td> </tr> </table>	BOTTOM BRACKET	ADAPTER	CER	NO	PRE	NO	STD	NO	<table border="1"> <tr> <td>BOTTOM BRACKET</td> <td>ADAPTER</td> </tr> <tr> <td>CER</td> <td>200-3100</td> </tr> <tr> <td>PRE</td> <td>NO</td> </tr> <tr> <td>STD</td> <td>200-3101</td> </tr> </table>	BOTTOM BRACKET	ADAPTER	CER	200-3100	PRE	NO	STD	200-3101	<table border="1"> <tr> <td>BOTTOM BRACKET</td> <td>ADAPTER</td> </tr> <tr> <td>CER</td> <td>200-3100</td> </tr> <tr> <td>PRE</td> <td>NO</td> </tr> <tr> <td>STD</td> <td>200-3101</td> </tr> </table>	BOTTOM BRACKET	ADAPTER	CER	200-3100	PRE	NO	STD	200-3101	
BOTTOM BRACKET	ADAPTER																																			
CER	NO																																			
PRE	NO																																			
STD	NO																																			
BOTTOM BRACKET	ADAPTER																																			
CER	NO																																			
PRE	NO																																			
STD	NO																																			
BOTTOM BRACKET	ADAPTER																																			
CER	200-3100																																			
PRE	NO																																			
STD	200-3101																																			
BOTTOM BRACKET	ADAPTER																																			
CER	200-3100																																			
PRE	NO																																			
STD	200-3101																																			
<p>Ø24</p> <p>SMN</p> <table border="1"> <tr> <td>BOTTOM BRACKET</td> <td>ADAPTER</td> </tr> <tr> <td>CER</td> <td>NO</td> </tr> <tr> <td>PRE</td> <td>NO</td> </tr> <tr> <td>STD</td> <td>200-1969</td> </tr> </table>	BOTTOM BRACKET	ADAPTER	CER	NO	PRE	NO	STD	200-1969	<table border="1"> <tr> <td>BOTTOM BRACKET</td> <td>ADAPTER</td> </tr> <tr> <td>CER</td> <td>NO</td> </tr> <tr> <td>PRE</td> <td>NO</td> </tr> <tr> <td>STD</td> <td>NO</td> </tr> </table>	BOTTOM BRACKET	ADAPTER	CER	NO	PRE	NO	STD	NO	<table border="1"> <tr> <td>BOTTOM BRACKET</td> <td>ADAPTER</td> </tr> <tr> <td>CER</td> <td>200-3000</td> </tr> <tr> <td>PRE</td> <td>NO</td> </tr> <tr> <td>STD</td> <td>200-3002</td> </tr> </table>	BOTTOM BRACKET	ADAPTER	CER	200-3000	PRE	NO	STD	200-3002	<table border="1"> <tr> <td>BOTTOM BRACKET</td> <td>ADAPTER</td> </tr> <tr> <td>CER</td> <td>200-3000</td> </tr> <tr> <td>PRE</td> <td>NO</td> </tr> <tr> <td>STD</td> <td>200-3002</td> </tr> </table>	BOTTOM BRACKET	ADAPTER	CER	200-3000	PRE	NO	STD	200-3002	
BOTTOM BRACKET	ADAPTER																																			
CER	NO																																			
PRE	NO																																			
STD	200-1969																																			
BOTTOM BRACKET	ADAPTER																																			
CER	NO																																			
PRE	NO																																			
STD	NO																																			
BOTTOM BRACKET	ADAPTER																																			
CER	200-3000																																			
PRE	NO																																			
STD	200-3002																																			
BOTTOM BRACKET	ADAPTER																																			
CER	200-3000																																			
PRE	NO																																			
STD	200-3002																																			

PRESS FIT 30 68mm	PRESS FIT 30 73mm	PRESS FIT 92mm	PRESS FIT 89.5mm	MTB																																																								
				BOTTOM BRACKET																																																								
				Ø30 BB386EVO																																																								
<table border="1"> <tr><td>CER</td><td>200-3111</td><td>ADAPTER</td><td></td></tr> <tr><td>PRE</td><td>NO</td><td></td><td>200-0027000600</td></tr> <tr><td>STD</td><td>200-3112</td><td></td><td></td></tr> </table>	CER	200-3111	ADAPTER		PRE	NO		200-0027000600	STD	200-3112			<table border="1"> <tr><td>CER</td><td>200-3111</td><td>ADAPTER</td><td></td></tr> <tr><td>PRE</td><td>NO</td><td></td><td>200-0027000600</td></tr> <tr><td>STD</td><td>200-3112</td><td></td><td></td></tr> </table>	CER	200-3111	ADAPTER		PRE	NO		200-0027000600	STD	200-3112			<table border="1"> <tr><td>CER</td><td>NO</td><td>ADAPTER</td><td></td></tr> <tr><td>PRE</td><td>NO</td><td></td><td>NO</td></tr> <tr><td>STD</td><td>200-0020000110</td><td></td><td></td></tr> <tr><td></td><td>200-0015000520 (US only)</td><td></td><td></td></tr> </table>	CER	NO	ADAPTER		PRE	NO		NO	STD	200-0020000110				200-0015000520 (US only)			<table border="1"> <tr><td>CER</td><td>NO</td><td>ADAPTER</td><td></td></tr> <tr><td>PRE</td><td>NO</td><td></td><td>NO</td></tr> <tr><td>STD</td><td>200-0020000110</td><td></td><td></td></tr> <tr><td></td><td>200-0015000520 (US only)</td><td></td><td></td></tr> </table>	CER	NO	ADAPTER		PRE	NO		NO	STD	200-0020000110				200-0015000520 (US only)			
CER	200-3111	ADAPTER																																																										
PRE	NO		200-0027000600																																																									
STD	200-3112																																																											
CER	200-3111	ADAPTER																																																										
PRE	NO		200-0027000600																																																									
STD	200-3112																																																											
CER	NO	ADAPTER																																																										
PRE	NO		NO																																																									
STD	200-0020000110																																																											
	200-0015000520 (US only)																																																											
CER	NO	ADAPTER																																																										
PRE	NO		NO																																																									
STD	200-0020000110																																																											
	200-0015000520 (US only)																																																											
				Ø24 MEGAEXO W/O PINCH BOLTS																																																								
<table border="1"> <tr><td>CER</td><td>NO</td><td>ADAPTER</td><td></td></tr> <tr><td>PRE</td><td>NO</td><td></td><td>200-0018000600</td></tr> <tr><td>STD</td><td>200-3112</td><td></td><td></td></tr> <tr><td></td><td>230-0005000210</td><td></td><td>NO</td></tr> </table>	CER	NO	ADAPTER		PRE	NO		200-0018000600	STD	200-3112				230-0005000210		NO	<table border="1"> <tr><td>CER</td><td>NO</td><td>ADAPTER</td><td></td></tr> <tr><td>PRE</td><td>NO</td><td></td><td>200-0018000600</td></tr> <tr><td>STD</td><td>200-3112</td><td></td><td></td></tr> <tr><td></td><td>230-0007000210</td><td></td><td>NO</td></tr> </table>	CER	NO	ADAPTER		PRE	NO		200-0018000600	STD	200-3112				230-0007000210		NO	<table border="1"> <tr><td>CER</td><td>230-6040</td><td>ADAPTER</td><td></td></tr> <tr><td>PRE</td><td>NO</td><td></td><td>NO</td></tr> <tr><td>STD</td><td>230-6043</td><td></td><td></td></tr> </table>	CER	230-6040	ADAPTER		PRE	NO		NO	STD	230-6043			<table border="1"> <tr><td>CER</td><td>230-6040</td><td>ADAPTER</td><td></td></tr> <tr><td>PRE</td><td>NO</td><td></td><td>230-4034</td></tr> <tr><td>STD</td><td>230-6043</td><td></td><td></td></tr> </table>	CER	230-6040	ADAPTER		PRE	NO		230-4034	STD	230-6043			
CER	NO	ADAPTER																																																										
PRE	NO		200-0018000600																																																									
STD	200-3112																																																											
	230-0005000210		NO																																																									
CER	NO	ADAPTER																																																										
PRE	NO		200-0018000600																																																									
STD	200-3112																																																											
	230-0007000210		NO																																																									
CER	230-6040	ADAPTER																																																										
PRE	NO		NO																																																									
STD	230-6043																																																											
CER	230-6040	ADAPTER																																																										
PRE	NO		230-4034																																																									
STD	230-6043																																																											
				Ø24 MEGAEXO WITH PINCH BOLTS																																																								
<table border="1"> <tr><td>CER</td><td>NO</td><td>ADAPTER</td><td></td></tr> <tr><td>PRE</td><td>NO</td><td></td><td>200-3220</td></tr> <tr><td>STD</td><td>200-3112</td><td></td><td></td></tr> </table>	CER	NO	ADAPTER		PRE	NO		200-3220	STD	200-3112			<table border="1"> <tr><td>CER</td><td>NO</td><td>ADAPTER</td><td></td></tr> <tr><td>PRE</td><td>NO</td><td></td><td>200-3220</td></tr> <tr><td>STD</td><td>200-3112</td><td></td><td></td></tr> </table>	CER	NO	ADAPTER		PRE	NO		200-3220	STD	200-3112			<table border="1"> <tr><td>CER</td><td>NO</td><td>ADAPTER</td><td></td></tr> <tr><td>PRE</td><td>NO</td><td></td><td>NO</td></tr> <tr><td>STD</td><td>230-6045</td><td></td><td></td></tr> </table>	CER	NO	ADAPTER		PRE	NO		NO	STD	230-6045			<table border="1"> <tr><td>CER</td><td>NO</td><td>ADAPTER</td><td></td></tr> <tr><td>PRE</td><td>NO</td><td></td><td>230-4034</td></tr> <tr><td>STD</td><td>230-6045</td><td></td><td></td></tr> </table>	CER	NO	ADAPTER		PRE	NO		230-4034	STD	230-6045											
CER	NO	ADAPTER																																																										
PRE	NO		200-3220																																																									
STD	200-3112																																																											
CER	NO	ADAPTER																																																										
PRE	NO		200-3220																																																									
STD	200-3112																																																											
CER	NO	ADAPTER																																																										
PRE	NO		NO																																																									
STD	230-6045																																																											
CER	NO	ADAPTER																																																										
PRE	NO		230-4034																																																									
STD	230-6045																																																											
				Ø30 BB30																																																								
<table border="1"> <tr><td>CER</td><td>200-3113</td><td>ADAPTER</td><td></td></tr> <tr><td>PRE</td><td>NO</td><td></td><td>NO</td></tr> <tr><td>STD</td><td>200-3114</td><td></td><td></td></tr> </table>	CER	200-3113	ADAPTER		PRE	NO		NO	STD	200-3114			<table border="1"> <tr><td>CER</td><td>200-3113</td><td>ADAPTER</td><td></td></tr> <tr><td>PRE</td><td>NO</td><td></td><td>NO</td></tr> <tr><td>STD</td><td>200-3114</td><td></td><td></td></tr> </table>	CER	200-3113	ADAPTER		PRE	NO		NO	STD	200-3114			<table border="1"> <tr><td>CER</td><td></td><td>ADAPTER</td><td></td></tr> <tr><td>PRE</td><td></td><td></td><td>NO</td></tr> <tr><td>STD</td><td></td><td></td><td></td></tr> </table>	CER		ADAPTER		PRE			NO	STD				<table border="1"> <tr><td>CER</td><td></td><td>ADAPTER</td><td></td></tr> <tr><td>PRE</td><td></td><td></td><td>NO</td></tr> <tr><td>STD</td><td></td><td></td><td></td></tr> </table>	CER		ADAPTER		PRE			NO	STD												
CER	200-3113	ADAPTER																																																										
PRE	NO		NO																																																									
STD	200-3114																																																											
CER	200-3113	ADAPTER																																																										
PRE	NO		NO																																																									
STD	200-3114																																																											
CER		ADAPTER																																																										
PRE			NO																																																									
STD																																																												
CER		ADAPTER																																																										
PRE			NO																																																									
STD																																																												
				Ø30 SMN																																																								
<table border="1"> <tr><td>CER</td><td>200-3111</td><td>ADAPTER</td><td></td></tr> <tr><td>PRE</td><td>NO</td><td></td><td>200-0018000600</td></tr> <tr><td>STD</td><td>200-3112</td><td></td><td></td></tr> </table>	CER	200-3111	ADAPTER		PRE	NO		200-0018000600	STD	200-3112			<table border="1"> <tr><td>CER</td><td>200-3111</td><td>ADAPTER</td><td></td></tr> <tr><td>PRE</td><td>NO</td><td></td><td>200-0018000600</td></tr> <tr><td>STD</td><td>200-3112</td><td></td><td></td></tr> </table>	CER	200-3111	ADAPTER		PRE	NO		200-0018000600	STD	200-3112			<table border="1"> <tr><td>CER</td><td>NO</td><td>ADAPTER</td><td></td></tr> <tr><td>PRE</td><td>NO</td><td></td><td>230-4000</td></tr> <tr><td>STD</td><td>230-6041</td><td></td><td></td></tr> </table>	CER	NO	ADAPTER		PRE	NO		230-4000	STD	230-6041			<table border="1"> <tr><td>CER</td><td>NO</td><td>ADAPTER</td><td></td></tr> <tr><td>PRE</td><td>NO</td><td></td><td>230-4034 + 230-4000</td></tr> <tr><td>STD</td><td>230-6041</td><td></td><td></td></tr> </table>	CER	NO	ADAPTER		PRE	NO		230-4034 + 230-4000	STD	230-6041											
CER	200-3111	ADAPTER																																																										
PRE	NO		200-0018000600																																																									
STD	200-3112																																																											
CER	200-3111	ADAPTER																																																										
PRE	NO		200-0018000600																																																									
STD	200-3112																																																											
CER	NO	ADAPTER																																																										
PRE	NO		230-4000																																																									
STD	230-6041																																																											
CER	NO	ADAPTER																																																										
PRE	NO		230-4034 + 230-4000																																																									
STD	230-6041																																																											

CRANKSET COMPATIBILITY

> FSA PLATINUM ISIS

BOTTOM BRACKET



- Forged hollow Cr-Mo steel spindle for ISIS drive
- Cold forged aluminium cups
- Composite anti-creak sleeve
- Chromoly M15 bolts

SIZES

- 68mm x 108mm, 113mm, 118mm

WEIGHT

- 225 grams

CODE	TYPE
200-0998	BB Platinum ISIS, 68x108mm BB-9920
200-1000	BB Platinum ISIS 68x113mm BB-9920
200-1008	BB Platinum ISIS 68x118mm BB-9920

> FSA POWER PRO JIS

BOTTOM BRACKET



- Forged chromoly spindle for JIS square taper
- Industrial 6002KRS cartridge sealed bearings with oversized Ø3/16" balls
- Cold forged aluminium cups
- Double seals for water and dirt protection

SIZES

- 68mm x 103, 110, 113, 115, 116, 118, 122.5, 124.5, 127.5mm

WEIGHT

- 295 grams

CODE	TYPE
210-2923	BB Power Pro JIS 68x103mm BB7420ST w/ML016
210-2900	BB Power Pro JIS 68x110.5mm BB7420ST w/ML016
210-2901	BB Power Pro JIS 68x113mm BB7420ST w/ML016
210-2905	BB Power Pro JIS 68x116mm BB7420ST w/ML016
210-2907	BB Power Pro JIS 68x118mm BB7420ST w/ML016
210-2920	BB Power Pro JIS 68x122.5mm BB7420ST w/ML016
210-2908	BB Power Pro JIS 68x124.5mm BB7420ST w/ML016
210-2909	BB Power Pro JIS 68x127.5mm BB7420ST w/ML016

> FSA POWER DRIVE

BOTTOM BRACKET



- Forged hollow SCM4130 chromo spindle
- Industrial 6002KRS cartridge sealed bearings with oversized Ø3/16" balls
- Cold forged aluminium cups
- Double "snap" seals for water and dirt protection

SIZES

- 68mm x 108mm, 113mm, 118mm
- 73mm x 113mm, 118mm

WEIGHT

- 335 grams

CODE	TYPE
210-3508	BB Power Drive 68x108mm BB8420AL w/Bolt
210-3513	BB Power Drive 68x113mm BB8420ST w/Bolt
210-3524	BB Power Drive 68x118mm BB A8420AL w/Bolt
210-3533	BB Power Drive 73x113mm BB8420ST w/Bolt
210-3534	BB Power Drive 73x118mm BB8420 w/Bolt

BOLT CHART

BOLT CODE	ML054 (CrMo M15) 390-2040	ML019 (CrMo M8) 390-2030	ML253 (CrMo M12) 390-2067	ML140 (Alloy M18) 390-2082	QR-19 Self-Extracting 390-0028000601	QR-20 Self-Extracting 390-0022000010
CRANKSET BOTTOM BRACKET	ISIS BB	JIS BB	OMEGA GAMMA DRIVE MegaExo w/PINCH BOLT	ENERGY GOSSAMER AFTERBURNER V-DRIVE COMET MegaExo w/PINCH BOLT	SL-K modular V18 ENERGY modular	COMET modular V18 AFTERBURNER mod V18

BOLT CODE	QR-8A (CrMo M18) 390-2060	QR-8A (CrMo M18) 390-2062	QR-14 (CrMo M17) 390-2072	QR-17 (Alloy M17) 390-2001 QR-18 (Alloy M12) 390-2002	QR-9B (Alloy M18) 230-5004	QR-21 (Alloy M18) 390-0027000600
CRANKSET BOTTOM BRACKET	K-FORCE SL-K TEAM ISSUE ROAD MegaExo w/o WAVE WASHER	K-FORCE SL-K TEAM ISSUE MTB MegaExo w/o WAVE WASHER	K-FORCE LIGHT SL-K LIGHT ROAD -MTB MegaExo w/o WAVE WASHER	QR-17 ENERGY GOSSAMER AFTERBURNER V-DRIVE COMET QR-18 OMEGA GAMMA DRIVE MegaExo NBD	K-FORCE LIGHT SL-K LIGHT ROAD-MTB BB30 - BB386 - BB392	GOSSAMER OMEGA AFTERBURNER V-DRIVE COMET BB30

> FSA MEGAevo / T47 CUP TOOL

- Economical spanner style wrench necessary to install MegaEvo bottom brackets
- Stamped steel

CODE	TYPE
230-2101	TOOL M/EVO Cup Tool E0373



> FSA MEGAevo / T47 SOCKET TOOL

- Professional level socket necessary to install MegaEvo bottom brackets
- Fits on a 1/2" socket or clicker style torque wrench

CODE	TYPE
230-3046	TOOL BB386EVO Socket E0410



> FSA BB86 / M3/ MEGAEXO BEARING INSTALLATION TOOL

- Tool that allows easy removal/installation of the bearings in MegaExo, M3, BB86 and BB92 bottom brackets
- Necessary for proper cleaning and re-greasing of ceramic cartridge bearings

CODE	TYPE
800-0105	TOOL M/EXO Bearing Removal/Installation EE073



> FSA MEGAEXO CUP TOOL

- Inexpensive spanner wrench for removing and installing MegaExo bottom bracket cups
- Stamped steel
- FSA logo

CODE	TYPE
230-2100	TOOL M/EXO Cup E0102



> FSA MEGAEXO SOCKET TOOL

- Professional level tool for removal and installation of MegaExo bottom bracket cups
- Use with 1/2" socket or clicker style torque wrench

CODE	TYPE
230-2210	TOOL M/EXO Socket E0139



> FSA MEGAEXO CRANK BOLT EXTRACTOR

- Socket that allows easy installation and removal of MegaExo extractor caps. Works better than traditional pin spanners
- Pin tool for QR-16/ QR-17/ QR-18/ QR-19/ QR-20/ QR-21

CODE	TYPE
390-2099	TOOL MegaExo NBD Extractor PIN EE023A





> FSA CERAMIC BEARING GREASE

FSA Ceramic Grease is a silicon based high quality grease, designed specifically to maintain the silicon nitride ceramic balls used in our top level bottom brackets. Available in a unique 3cc injector syringe, which allows fine control of application.

CODE	TYPE
230-5016	BBSP Grease Syringe for Ceramic Bearings ME179

> FSA ISIS BB CUP TOOL

- Forged for strength and durability
- Extra depth for long spindle lengths
- Shimano cartridge BB compatible

CODE	TYPE
230-2000	TOOL ISIS BB Cup E0021



> FSA GO/NO GO GAUGE

- Go / no go gauge to quickly check inner diameter (ID) of BB30 bottom bracket shells.
- Hardened tool steel with plated machine ground ends for accuracy and durability

CODE	TYPE
800-0008	TOOL BB30 Bearing ID Go/NoGo Gauge E0171
800-0023	TOOL PF30 Shell ID Go/NoGo Gauge E0382



> FSA BEARING ALIGNMENT GAUGE

- Checks that the bearing seats of the BB30 bottom bracket shell are in alignment and concentric to each other. Bearing seats that are not in alignment will cause poor bearing performance and premature wear.

CODE	TYPE
800-0009	TOOL BB30 Alignment Gauge EE036
800-0024	TOOL PF30 Alignment Gauge EE106



> FSA BEARING INSTALLATION PRESS

- Professional level bearing press installs BB30 bearings straight and in proper alignment
- Hardened tool steel is durable for extended periods of use

CODE	TYPE
800-0011	TOOL BB30 Bearing Installation Press EE037



> FSA BEARING REMOVAL TOOL

- Professional level bearing removal tool takes out BB30 bearings easily without damaging the bearing or frame
- Hardened tool steel is durable for extended periods of use

CODE	TYPE
800-0012	TOOL BB30 Bearing Removal EE038

> FSA BB30 BEARING INSTALLATION TOOL

- Economical tool that fits on traditional bearing presses in order to install BB30 bearings in proper alignment into BB30 shells



CODE	TYPE
230-5010	TOOL BB30 Bearing Installation EE041

> FSA BB30 BEARING REMOVAL TOOL

- Economical tool that helps remove BB30 bearings from frames. Use with a hammer and punch (not included)



CODE	TYPE
230-5011	TOOL BB30 Bearing removal E0019

> FSA BB30 THREADED ADAPTER 68MM

- Presses into a BB30 bottom bracket shell with 42mm Inner Diameter (ID) and 68mm width to allow a threaded bottom bracket to be installed; BC-1.37" x 24T threading
- With Loctite 609



CODE	TYPE
230-5005A	BBSP Shell adapter BB30 to BSA68mm B3119
230-5006A	BBSP Shell adapter BB30 to BSA73mm B3122

> FSA PF30 THREADED ADAPTER 68MM

- Presses into a PF30 bottom bracket shell with 46mm inner diameter (ID) and 68mm width to allow a threaded bottom bracket to be installed; BC-1.37" x 24T threading.
- With Loctite 609



CODE	TYPE
230-5024	BBSP Shell adapter PF30 to BSA68mm B3167
230-5025	BBSP Shell adapter PF30 to BSA73mm B3176

> FSA BB30 MTB PRELOAD ADJUSTER WRENCH

- Wrench to adjust the bearing preload nut on the non-drive arm of FSA and Gravity BB30 MTB cranksets. Not necessary for road cranksets



CODE	TYPE
230-5012	TOOL BB30 MTB Preload Adjuster Wrench E0210

> FSA ADJUSTABLE SPACER

- There are instances where despite proper installation of BB30 cranksets into BB30 or PF30 bottom bracket shells, there is "side play." MS188 shims will remove the side play. Place the necessary shims between the non-drive bearing cover and wave spring washer (road) adjustment collar (for ATB).



CODE	TYPE
230-4038	BBSP BB30 Spacer Kit MS188 3pcs

CHAINS



> K-FORCE WE 11SPEED CHAIN

- 11 speed compatible
- lightweight design hollow pin

SIZES

- 5.6mm width

FINISH

- Nickel plated finish, FSA Logo

WEIGHT

- 246 grams (114 Links)

CODE	TYPE
360-0008007360	CH CHAIN K-FORCE 11S 116L V3 w/Link CN-1101N



> K-FORCE MTB 12SPEED CHAIN

- 12 speed compatible
- Quiet, efficient performance and superior durability

SIZES

- 5.25mm width

FINISH

- Nickel outer plated finish, Black inner plated finish

WEIGHT

- 250 grams (116 Links)

CODE	TYPE
360-0014011360	CH CHAIN K-FORCE MTB 126 links 12s CN-1201
360-0015000361	CH LINK Connector K-FORCE 12S CN029 5pcs



> K-FORCE MTB 11SPEED CHAIN

- 11 speed compatible
- Quiet, efficient performance and superior durability

SIZES

- 5.6mm width

FINISH

- CP finish outer plate, NP finish inner plate

WEIGHT

- 246 grams (114 Links)

CODE	TYPE
360-0011007120	CH CHAIN K-FORCE MTB 11S 116L CN-1103
360-0019000360	CH LINK Connector 11S NOT reusable CN022N 5pcs

EU only

> K-FORCE MTB 10SPEED CHAIN

- 10 speed compatible
- SIZES**
- 5.85mm width
- FINISH**
- Nickel plated finish, FSA Logo
- WEIGHT**
- 250 grams (114 Links)



CODE	TYPE
360-0004007360	CH CHAIN K-FORCE 10S 116L w/Link CN-1002N

> SF11 E-BIKE 11SPEED CHAIN

- 11 speed compatible
- Higher strength solid pin
- SIZES**
- 5.6mm width
- FINISH**
- Nickel outer plated finish, Black inner plated finish
- WEIGHT**
- 274 grams (120 Links)



CODE	TYPE
360-0017009120	CH E-BIKE CHAIN 11S 120L w/Link CN1105

> TEAM ISSUE 11SPEED CHAIN

- 11 speed compatible
- SIZES**
- 5.6mm width
- FINISH**
- Nickel plated finish, FSA Logo
- WEIGHT**
- 261 grams (114 Links)



CODE	TYPE
360-0007007360	CH CHAIN TEAM ISSUE 11S 116L V3 w/Link CN-1102N

> TEAM ISSUE 10SPEED CHAIN

- 10 speed compatible
- SIZES**
- 5.88mm width
- FINISH**
- Nickel plated finish, FSA Logo
- WEIGHT**
- 264 grams (114 Links)



CODE	TYPE
360-0003007360	CH CHAIN TEAM ISSUE 10S 116L w/Link CN-910N
360-0018000070	CH LINK Connector 9/10S NOT reusable CN018N 5pcs

> TEAM ISSUE 9SPEED CHAIN

- 9 speed compatible
- SIZES**
- 6.4mm width
- FINISH**
- Nickel plated finish
- WEIGHT**
- 284 grams (114 Links)



CODE	TYPE	
360-0005007360	CH CHAIN TEAM ISSUE 9S 116L w/Link CN-906	EU Only
360-0018000070	CH LINK Connector 9/10S NOT reusable CN018N 5pcs	EU Only



FSA E-BIKE



E-BIKE SERIES

A L W A Y S A H E A D

E-bikes have become a popular option for all types of cycling.

FSA is ready with a range of drivetrain components for most E-bike motor systems (Bosch, Brose, Yamaha, Fazua, Shimano, Bafang and Polini), including crank arms, sprockets, spiders, chainrings and chain guards.

As with all FSA components, our E-bike parts are designed with the latest technologies and made with the best materials for a lifetime of trouble-free riding enjoyment.

Full Speed Ahead is among the top brands of e-bike world!

> FSA CK-9011/IS

E-BIKE CRANK ARMS

- Hollow Alloy
- SIZES**
- Length - 160, 165, 170, 175mm
- ISIS Drive

FINISH

- Color graphics

WEIGHT

- 350 grams (pair)

CODE	TYPE
324-0065001050	160mm
324-0065002050	165mm
324-0065003050	170mm
324-0065005050	175mm



> FSA CK-702/IS

E-BIKE CRANK ARMS

- Hollow Carbon
- SIZES**
- Length - 160, 165, 170, 175mm
- ISIS Drive

FINISH

- Color graphics

WEIGHT

- 311 grams (pair)

CODE	TYPE
32400035001030	160mm
32400035002030	165mm
32400035003030	170mm
32400035005030	175mm



> FSA CK-762/IS

E-BIKE CRANK ARMS

- Forged AL6061/T6 crank arms
- SIZES**
- Length - 160, 165, 170, 175mm
- ISIS Drive

FINISH

- Anodized black, Laser graphics

WEIGHT

- 450 grams (pair)

CODE	TYPE
32400034001050	160mm
32400034002050	165mm
32400034003050	170mm
32400034005050	175mm

CODE	TYPE
390-2040	ML054 (Pair)



> FSA CK-762/IS/WIDER

E-BIKE CRANK ARMS

- Forged AL6061/T6 crank arms
- SIZES**
- Length - 160, 165, 170, 175mm
- ISIS Drive

FINISH

- Anodized black, Laser graphics,

WEIGHT

- 450 grams (pair)

CODE	TYPE
32400052002050	165mm
32400052003050	170mm
32400052005050	175mm

CODE	TYPE
390-2040	ML054 (Pair)



> FSA CK-320/IS

E-BIKE CRANK ARMS

- Diecast AL crank arms
- SIZES**
- Length - 155, 160, 165, 170, 175mm
- ISIS Drive

- FINISH**
- Painted bead blasted black, Printed graphics

- WEIGHT**
- 505 grams (pair)

CODE	TYPE
32400046002260	165mm
32400046003260	170mm
324-0046005260	175mm
32400046008260	155mm

CODE	TYPE
390-2040	ML054 (Pair)



> FSA CK-745/IS

E-BIKE CRANK ARMS

- Forged AL6061/T6 crank arms
- SIZES**
- Length - 165, 170, 175mm
- ISIS Drive

- FINISH**
- 2-Tone anodized black

- WEIGHT**
- 477grams (pair)

CODE	TYPE
324-0055002090	165mm (2-Tone)
324-0055003090	170mm (2-Tone)
324-0055005090	175mm (2-Tone)

CODE	TYPE
390-2040	ML054 (Pair)



> FSA CK-220/IS

E-BIKE CRANK ARMS

- Die cast alloy crank arms
- SIZES**
- Length - 155, 160, 165, 170, 172.5, 175mm
- ISIS Drive

- FINISH**
- Painted bead blasted black

- WEIGHT**
- 456 grams (pair)

CODE	TYPE
324-0054001230	160mm
324-0054002230	165mm
324-0054003230	170mm
324-0054005230	175mm
324-0054008230	155mm

CODE	TYPE
390-2040	ML054 (Pair)



> FSA CK-220/IS/WIDER

E-BIKE CRANK ARMS

- Die cast alloy crank arms
- SIZES**
- Length - 155, 160, 165, 170, 172.5, 175mm
- ISIS Drive

- FINISH**
- Painted bead blasted black

- WEIGHT**
- 456 grams (pair)

CODE	TYPE
324-0069008230	155mm
324-0069001230	160mm
324-0069002230	165mm
324-0069003230	170mm
324-0069005230	175mm

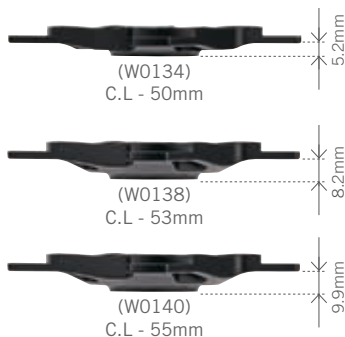
CODE	TYPE
390-2040	ML054 (Pair)



> **FSA** 1x SPIDER V-SHAPE
E-BIKE SPIDER

- Forged AL6061 spider
- BCD 104mm
- 1x C.L - 50mm (W0134)
- 1x C.L - 52mm (W0138)
- 1x C.L - 55mm (W0140)

CODE	TYPE
38000373000050	CRSP E-BIKE BOSCH GEN4 spider 104 W0134
38000372000050	CRSP E-BIKE BOSCH GEN4 spider 104 W0138
38000415000050	CRSP E-BIKE BOSCH GEN4 spider 104 W0140



> **FSA** 1x ALLOY V-SHAPE
E-BIKE CHAINRINGS

- Alloy Megatooth
- 48T, 46T, 44T, 42T
- Holes - 4
- BCD - 104/64mm
- Compatible - W0134, W0138 and W0140

CODE	TYPE
380-0353014050	CR E-BIKE Alloy MT 1x 104x48T WB451A V-SHAPE
380-0409012050	CR E-BIKE Alloy MT 1x 104x46T WB455A V-SHAPE
380-0352010050	CR E-BIKE Alloy MT 1x 104x44T WB450A V-SHAPE
38000351008050	CR E-BIKE Alloy MT 1x 104x42T WB454A V-SHAPE



Compatible only with W0134, W0138 and W0140

> **FSA** 1x STEEL V-SHAPE
E-BIKE CHAINRINGS

- Steel Megatooth
- 48T, 44T, 42T, 38T, 36T, 34T
- Holes - 4
- BCD - 104/64mm
- SH12 - Compatible only with SMN chain 12s

CODE	TYPE
38000412010250	CR E-BIKE Steel MT 1x 104x44T WB465 V-SHAPE
380-0438008540	CR E-BIKE Steel MT 1x 104x42T WB467 V-SHAPE
38000365004250	CR E-BIKE Steel MT 1x 104x38T WB447 V-SHAPE
380-0439003540	CR E-BIKE Steel MT 1x 104x36T WB469 V-SHAPE
38000366002250	CR E-BIKE Steel MT 1x 104x34T WB446 V-SHAPE
380-0482008540	CR E-BIKE Steel MT 1x 104x42T SH12 WB602 V-SHAPE
38000481004540	CR E-BIKE Steel MT 1x 104x38T SH12 WB601 V-SHAPE
38000480002540	CR E-BIKE Steel MT 1x 104x34T SH12 WB499 V-SHAPE



Compatible only with W0134, W0138 and W0140

> **FSA** 1x SPIDER
E-BIKE SPIDER

- Forged Steel spider
- BCD 104mm
- 1x C.L - 50mm (W0146)
- 1x C.L - 53mm (W0147)

CODE	TYPE
38000413000050	CRSP E-BIKE BOSCH GEN4 steel spider W0146
38000411000010	CRSP E-BIKE BOSCH GEN4 steel spider W0147



> **FSA** 1x ALLOY
E-BIKE CHAINRINGS

- Steel Megatooth
- 48T, 46T, 44T, 42T, 40T, 38T, 36T, 34T, 32T, 30T
- Holes - 4
- BCD - 104mm

CODE	TYPE
380-0227014050	CR E-BIKE Alloy MT 1x 104x48T WB409 V18
38000136012051	CR E-BIKE Alloy MT 1x 104x46T WB315A
380-0291010050	CR E-BIKE Alloy MT 1x 104x44T WB416 V18
380-0311008050	CR E-BIKE Alloy MT 1x 104x42T WB054 V18
380-0092004050	CR E-BIKE Alloy MT 1x 104x38T WB383 V15
380-0091003050	CR E-BIKE Alloy MT 1x 104x36T WB382 V15
380-0065002051	CR E-BIKE Alloy MT 1x 104x34T WB381 V15
380-0064001051	CR E-BIKE Alloy MT 1x 104x32T WB380 V15
380-0115021050	CR E-BIKE Alloy MT 1x 104x30T WB379 Bolt Spec.



> **FSA** 1x STEEL
E-BIKE CHAINRINGS

- Steel Megatooth
- 44T, 42T, 40T, 38T, 36T, 34T
- Holes - 4
- BCD - 104mm
- SH12 - Compatible only with SMN chain 12s

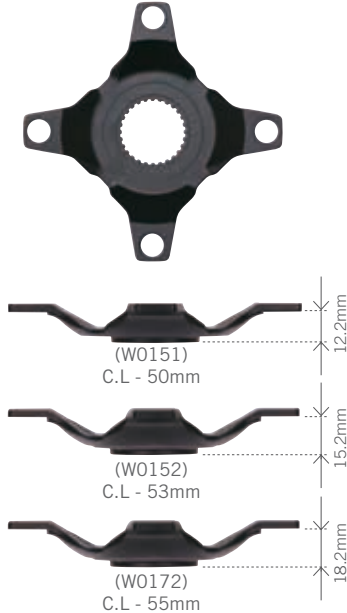
CODE	TYPE
380-0418010540	CR E-BIKE Steel MT 1x 104x44T WB464
380-0440008540	CR E-BIKE Steel MT 1x 104x42T WB466
380-0416004540	CR E-BIKE Steel MT 1x 104x38T WB460
380-0441003540	CR E-BIKE Steel MT 1x 104x36T WB468
38000417002540	CR E-BIKE Steel MT 1x 104x34T WB487
380-0479010540	CR E-BIKE Steel MT 1x 104x44T SH12 WB498 B1
380-0478008540	CR E-BIKE Steel MT 1x 104x42T SH12 WB497 B1
380-0484004540	CR E-BIKE Steel MT 1x 104x38T SH12 WB496 B1
380-0504003540	CR E-BIKE Steel MT 1x 104x36T SH12 WB495 B1
380-0477002540	CR E-BIKE Steel MT 1x 104x34T SH12 WB494 B1



> **FSA 1x SPIDER 12S**
E-BIKE SPIDER

- Forged AL6061 spider
- BCD 104mm
- 1x C.L - 50mm (W0151)
- 1x C.L - 52mm (W0152)
- 1x C.L - 55mm (W0172)

CODE	TYPE
38000446000050	CRSP E-BIKE BOSCH GEN4 spider 1x12 CL50 W0151
38000447000050	CRSP E-BIKE BOSCH GEN4 spider 1x12 CL53 W0152
380-0502000050	CRSP E-BIKE BOSCH GEN4 spider 1x12 CL55 W0172



> **FSA 1x DM STEEL BOOST**
E-BIKE CHAINRINGS

- Steel Megatooth
- 38T, 36T, 34T
- C.L - 52mm
- BCD - Direct Mount
- SH12 - Compatible only with SMN chain 12s

CODE	TYPE
38000369004250	CR E-BIKE DM Steel MT 1x 38T CL52 WB344
38000471003540	CR E-BIKE DM Steel MT 1x 36T CL52 WB349
38000370002250	CR E-BIKE DM Steel MT 1x 34T CL52 WB478
380-0488004540	CR E-BIKE DM Steel MT 1x 38T CL52 SH12 WB605
380-0487003540	CR E-BIKE DM Steel MT 1x 36T CL52 SH12 WB493
380-0483002540	CR E-BIKE DM Steel MT 1x 34T CL52 SH12 WB604



> **FSA DM CHAINRING**
E-BIKE CHAINGUARD

- Alloy
- 42T
- BCD - DM

CODE	TYPE
38000559000540	CR E-BIKE GEN4 DM CG+CR 42T W1174+WB659A
38000560008540	CR E-BIKE BOSCH GEN4 DM 42T WB659A



> **FSA CHAINGUARD**
E-BIKE CHAINGUARD

- Alloy
- 42-44T, 36-38T, 32-34T
- Holes - 4
- BCD - 104mm
- With 3.5mm spacer

CODE	TYPE
32700052009050	CRSP E-BIKE chainguard 104 42-44T W1153 w/bolt
32700055017050	CRSP E-BIKE chainguard 104 36-38T W1155 w/bolt
32700056025050	CRSP E-BIKE chainguard 104 32-34T W1156 w/bolt



Compatible with CR V-Shape and 1x Steel BCD104

> **FSA CHAINGUARD**
E-BIKE CHAINGUARD

- Alloy
- 44-46T, 40-42T, 36-38T
- Holes - 4
- BCD - 104mm
- With 3.5mm spacer

CODE	TYPE
38000283006050	CRSP E-BIKE chainguard 104 44-46T W1086 w/bolt
38000289006050	CRSP E-BIKE chainguard 104 40-42T W1036 w/bolt
38000364017050	CRSP E-BIKE chainguard 104 36-38T W1145 w/bolt



Compatible with CR 1x Steel and Alloy BCD104

> **FSA CHAINGUIDE**
E-BIKE CHAINGUIDE

- For BOSCH GEN4
- C.L - 50mm, 52mm
- Tooth capacity - 34T-42T
- 35.6 grams

CODE	TYPE
324-0066000050	CKSP E-BIKE BOSCH GEN4 Chainguide 32-42T EL357



> FSA CK-702/GEN3

E-BIKE CRANK ARMS

- Hollow Carbon
- SIZES**
- Length - 160, 165, 170, 175mm
- Bosch Spindle Interface BNI

FINISH

- Color graphics

WEIGHT

- 311 grams (pair)

CODE	TYPE
32400035001030	160mm
32400035002030	165mm
32400035003030	170mm
32400035005030	175mm



> FSA CK-602/GEN3

E-BIKE CRANK ARMS

- Forged AL6061/T6 crank arms
- SIZES**
- Length - 165, 170, 172.5, 175mm
- Bosch Spindle Interface BNI

FINISH

- Bead blasted anodized black,

WEIGHT

- 444grams (pair)

CODE	TYPE
32400022002050	165mm
32400022003050	170mm
32400022004050	172.5mm
32400022005050	175mm



CODE	TYPE
390-2040	ML054 (Pair)



> FSA CK-762/WIDER/GEN3

E-BIKE CRANK ARMS

- Forged AL6061/T6 crank arms
- SIZES**
- Length - 160, 165, 170, 175mm
- Bosch Spindle Interface BNI

FINISH

- Anodized black, Laser graphics

WEIGHT

- 450 grams (pair)

CODE	TYPE
32400052002050	165mm (Wider)
32400052003050	170mm (Wider)
32400052005050	175mm (Wider)

CODE	TYPE
390-2040	ML054 (Pair)



> FSA CK-320/GEN3

E-BIKE CRANK ARMS

- Diecast AL crank arms
- SIZES**
- Length - 155, 160, 165, 170, 175mm
- Bosch Spindle Interface BNI

FINISH

- Painted bead blasted black, Printed graphics

WEIGHT

- 505 grams (pair)

CODE	TYPE
324-0044001260	155mm
324-0044002260	160mm
324-0044003260	165mm
324-0044005260	170mm
324-0044008260	175mm



CODE	TYPE
390-2040	ML054 (Pair)



> **FSA CK-220/GEN3**
E-BIKE CRANK ARMS

- Diecast AL crank arms
- SIZES**
- Length - 155, 160, 165, 170, 172.5, 175mm
- Bosch Spindle Interface BNI
- FINISH**
- Painted bead blasted black
- WEIGHT**
- 456 grams (pair)

CODE	TYPE
32400041001260	160mm
324-0041002230	165mm
324-0041003230	170mm
324-0041005230	175mm
32400041008260	155mm

CODE	TYPE
390-2040	ML054 (Pair)



> **FSA CK-220/WIDER/GEN3** **NEW22**
E-BIKE CRANK ARMS

- Diecast AL crank arms
- SIZES**
- Length - 155, 160, 165, 170, 172.5, 175mm
- Bosch Spindle Interface BNI
- FINISH**
- Painted bead blasted black
- WEIGHT**
- 456 grams (pair)

CODE	TYPE
324-0074001230	160mm
324-0074002230	165mm
324-0074003230	170mm
324-0074005230	175mm
324-0074008230	155mm

CODE	TYPE
390-2040	ML054 (Pair)



> **FSA LOCKRING**
ACCESSORIES

- Forged chromoly
- M8x0.75P / 5mm hexagonal

CODE	TYPE
39000103000050	CKSP E-BIKE Lock Ring BOSCH Gen3 ML588



> **FSA 1x SPIDER**
E-BIKE SPIDER

- Forged AL6061 spider
- BCD 104mm,
- 1x C.L - 50mm (W0120)
- 1x C.L - 52mm (W0121)

CODE	TYPE
38000293000050	CRSP E-BIKE 1x Spider W0120
38000295000050	CRSP E-BIKE 1x Spider W0121 Boost148



> **FSA CHAINGUARD**
E-BIKE CHAINGUARD

- Alloy
- 44-46T, 40-42T, 36-38T
- Holes - 4
- BCD - 104mm
- With 3.5mm spacer

CODE	TYPE
38000283006050	CRSP E-BIKE chainguard 104 44-46T W1086 w/bolt
38000289006050	CRSP E-BIKE chainguard 104 40-42T W1036 w/bolt
38000364017050	CRSP E-BIKE chainguard 104 36-38T W1145 w/bolt



> **FSA 1x**
E-BIKE CHAINRING

- Stamp Steel + Heat Treated Megatooth
- 48T, 46T, 44T, 42T, 38T, 36T
- Holes - 4
- BCD - 104mm

CODE	TYPE
38000277003140	CR E-BIKE 1x steel chainring 104x36T WB545
38000278004140	CR E-BIKE 1x steel chainring 104x38T WB531
38000279001140	CR E-BIKE 1x steel chainring 104x42T WA516
38000280002140	CR E-BIKE 1x steel chainring 104x44T WA546
38000281003140	CR E-BIKE 1x steel chainring 104x46T WA527
38000296012140	CR E-BIKE 1x steel chainring 104x40T WA023



> **FSA DM CHAINGUARD**
E-BIKE CHAINGUARD

- Steel
- 40T, 38T, 32T
- C.L - 50mm (Standard)
- C.L - 53mm (Boost 148)
- BCD - Direct Mount

CODE	TYPE
38000315018250	CR E-BIKE DM steel 32T CR+CG WB438+W1148
38000316000250	CR E-BIKE DM steel 38T CR+CG WB385+W1144
38000317004250	CR E-BIKE DM steel 40T CR+CG WB386+W1147
380-0430004250	CR E-BIKE CR+CG DM148 40T WB430+W1147 GEN3
380-0431002250	CR E-BIKE CR+CG DM148 38T WB429+W1144 GEN3
380-0432018250	CR E-BIKE CR+CG DM148 32T WB437+W1148 GEN3



> **FSA DM 1x**
E-BIKE CHAINRINGS

- Steel Megatooth
- 44T, 42T, 38T, 36T, 34T
- C.L - 50mm (Standard)
- C.L - 53mm (Boost 148)
- BCD - Direct Mount

CODE	TYPE
380-0436010250	CR E-BIKE steel DM 44T WB463 GEN3
38000319006250	CR E-BIKE DM steel chainring 40T WB386
38000318004250	CR E-BIKE DM steel chainring 38T WB385
380-0429001250	CR E-BIKE DM 32T WB438 GEN3
380-0421010250	CR E-BIKE DM 148 44T WB462 GEN3
380-0427006250	CR E-BIKE DM 148 40T WB430 GEN3
380-0426004250	CR E-BIKE DM 148 38T WB429 GEN3
380-0428001250	CR E-BIKE DM 148 32T WB437 GEN3



> **FSA BOLT**
ACCESSORIES

- Forged chromoly
- M8x0.75P / 5mm hexagonal

CODE	TYPE
390-0054000151	CRSP E-BIKE Bolt+Nuts 4pcs ML138+ML462 w/logo
390-1068	CRSP Chainring NUT Black Steel 7mm MTB Nail ML231
390-1067	CRSP Chainring BOLT Black 5mm MTB ML137



ML138(bolt)+ML231(nut)
For Chainring with Chainguard



BUILT TO PERFORM

FSA NEW REAR HUB
ELECTRIC-ASSIST MOTOR SYSTEM

Innovative and compact “FSA System” is designed for road, gravel and commuter e-bikes. The “FSA System” comprises of a rear hub electric-assist motor, a 250Wh battery unit, a further 250Wh expansion battery, with an integrated on-bike control unit and smartphone app.

FULLSPEEDAHEAD.COM
#FSAESYSTEM #ALWAYS AHEAD

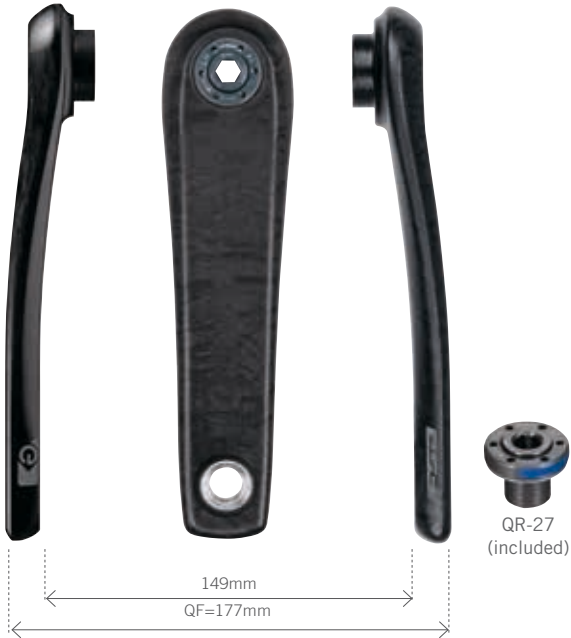
FSA
FULL SPEED AHEAD

> FSA CK-702/IS

E-BIKE CRANK ARMS

- Hollow Carbon
- SIZES**
- Length - 160, 165, 170, 175mm
- ISIS Drive
- FINISH**
- Color graphics
- WEIGHT**
- 311 grams (pair)

CODE	TYPE
32400035001030	160mm
32400035002030	165mm
32400035003030	170mm
32400035005030	175mm



> FSA CK-701/IS/GEN2T

E-BIKE CRANK ARMS

- Hollow Carbon
- SIZES**
- Length - 160, 165, 170, 175mm
- ISIS Drive
- FINISH**
- Color graphics
- WEIGHT**
- 311 grams (pair)

CODE	TYPE
32400032003030	170mm



> FSA CK-761/IS/GEN2T

E-BIKE CRANK ARMS

- Forged AL6061/T6 crank arms
- SIZES**
- Length - 160, 165, 170, 175mm
- ISIS Drive
- FINISH**
- Anodized black, Laser graphics
- WEIGHT**
- 450 grams (pair)

CODE	TYPE
32400030001050	160mm
32400030002050	165mm
32400030003050	170mm
32400030005050	175mm

CODE	TYPE
390-2040	ML054 (Pair)



> FSA CK-762/IS/WIDER

E-BIKE CRANK ARMS

- Forged AL6061/T6 crank arms
- SIZES**
- Length - 160, 165, 170, 175mm
- ISIS Drive
- FINISH**
- Anodized black, Laser graphics
- WEIGHT**
- 450 grams (pair)

CODE	TYPE
32400052002050	165mm
32400052003050	170mm
32400052005050	175mm

CODE	TYPE
390-2040	ML054 (Pair)



> FSA CK-761/IS/GEN2/WIDER

E-BIKE CRANK ARMS

- Forged AL6061/T6 crank arms
- SIZES**
- Length - 160, 165, 170, 175mm
- ISIS Drive
- FINISH**
- Anodized black, Laser graphics
- WEIGHT**
- 450 grams (pair)

CODE	TYPE
32400036001050	160mm
32400036002050	165mm
32400036003050	170mm
32400036005050	175mm

CODE	TYPE
390-2040	ML054 (Pair)



> FSA CK-745/IS/Gen2T

E-BIKE CRANK ARMS

- Forged AL6061/T6 crank arms

SIZES

- Length - 165, 170, 175mm
- ISIS Drive

FINISH

- Bead blasted anodized black

WEIGHT

- 477 grams (pair)

CODE	TYPE
324-0055003090	170mm
324-0055005090	175mm

CODE	TYPE
390-2040	ML054 (Pair)



> **FSA CHAINGUARD**
E-BIKE CHAINGUARD

- Heat - treated chromoly steel
- Boost 148
- 14T-17T, 18T-20T
- 56 grams (W1074)
- 39 grams (W1002B)

CODE	TYPE
32400021000251	CR E-BIKE chainguard for boost148 18-20T 2G
32700029000251	CR E-BIKE chainguard for boost148 14-17T W1002B



14-17T

> **FSA CHAINGUARD**
E-BIKE CHAINGUARD

- Heat - treated chromoly steel
- 18T-20T, 15T-17T
- 38.4 grams (W1125)
- 51 grams (W1126)

CODE	TYPE
32700017000250	CR E-BIKE chainguard 18-20T threaded W1126
32700010000250	CR E-BIKE chainguard 15-17T threaded W1125



15-17T

> **FSA CHAINGUARD**
E-BIKE CHAINGUARD

- Steel flat chain guard for belt drive
- 36 grams

CODE	TYPE
32400001000251	CR E-BIKE flat chainguard for belt W1129B
32400001000120	CR E-BIKE flat chainguard for belt W1129



> **FSA CHAINGUARD**
E-BIKE CHAINGUARD

- Steel
- Developed for Bosch chain guard
- 15T
- 30 grams

CODE	TYPE
32700024020250	CR E-BIKE steel chainguard OD85 W1133
32700024020252	CR E-BIKE steel chainguard OD85 W1133 threaded



> **FSA SPROCKET**
E-BIKE SPROCKET

- Heat treated stainless steel
- 4T, 15T, 16T, 17T, 18T, 19T, 20T,
- C.L - 47.5mm
- 13.1 grams (14T) • 19.4 grams (15T)
- 25.2 grams (16T) • 31.7 grams (17T)

CODE	TYPE
32700021045250	CR E-BIKE sprocket black 14T WA449
32700018029250	CR E-BIKE sprocket black 15T WA648
32700023030250	CR E-BIKE sprocket black 16T WA649
32700019028250	CR E-BIKE sprocket black 17T WA650
32700016032250	CR E-BIKE sprocket black 18T WA651
32700020033250	CR E-BIKE sprocket black 19T WA652
32700022031250	CR E-BIKE sprocket black 20T WA653



> **FSA SPROCKET**
E-BIKE SPROCKET

- Sprocket with offset 2.5mm
- Standard and boost148
- Heat treated stainless steel
- 14T, 15T, 16T, 17T, 18T, 20T

CODE	TYPE
32700031045250	CR E-BIKE Sprocket OFFSET 2.5mm black 14T WA132
32700032029250	CR E-BIKE Sprocket OFFSET 2.5mm black 15T WA133
32700033030250	CR E-BIKE Sprocket OFFSET 2.5mm black 16T WA134
32700035028250	CR E-BIKE Sprocket OFFSET 2.5mm black 17T WA135
32700036032250	CR E-BIKE Sprocket OFFSET 2.5mm black 18T WA136
32700038031250	CR E-BIKE Sprocket OFFSET 2.5mm black 20T WA138



> FSA CK-746/IS

E-BIKE CRANK ARMS

- Forged AL6061/T6 crank arms
- SIZES**
- Length - 165, 170, 172.5, 175mm
- ISIS Drive

FINISH

- Bead blasted anodized black
- Laser graphics

WEIGHT

- 520 grams (pair)

CODE	TYPE
32400029002050	165mm
32400029003050	170mm
32400027004050	172.5mm
32400029005050	175mm

CODE	TYPE
390-2040	ML054 (Pair)



> FSA DOUBLE CHAINGUARD

E-BIKE CHAINGUARD

- Forged AL6061 spider
- Megatooth 44T with 2 chainguards
- BCD 104mm
- Bead blasted anodized black, Laser graphics

CODE	TYPE
38000029006050	CR E-BIKE CG+CR 44T W1119/1021+WB314



W1119 / W1021



WB314 - 44T



ML138(bolt)+ML231(nut)
For Chainring with Chainguard

> FSA BOLT

ACCESSORIES

CODE	TYPE
390-0054000151	CRSP E-BIKE Bolt+Nuts 4pcs ML138+ML462 w/logo
390-1068	CRSP Chainring NUT Black Steel 7mm MTB Nail ML231
390-1067	CRSP Chainring BOLT Black 5mm MTB ML137



> FSA 1x SPIDER

E-BIKE SPIDER

- Forged AL6061 spider
- BCD 104mm
- C.L - 46.6mm
- 78 grams

CODE	TYPE
38000242000050	CRSP E-BIKE BROSE spider W0063



> FSA 1x / 2x SPIDER 148

E-BIKE SPIDER

- Forged AL6061 spider
- BCD 104/64mm
- 1x C.L - 53.3mm
- 2x C.L - 51.9mm
- 101 grams

CODE	TYPE
38000179000050	CRSP E-BIKE BROSE spider W0001



> FSA 1x SPIDER 148

E-BIKE SPIDER

- Forged AL6061 spider
- BCD 104mm
- C.L - 54.3mm
- 101 grams

CODE	TYPE
38000026000050	CRSP E-BIKE BROSE spider W0108



> FSA CK-9011/IS

E-BIKE CRANK ARMS

- Hollow Alloy
- SIZES**
- Length - 160, 165, 170, 175mm
- ISIS Drive
- FINISH**
- Color graphics
- WEIGHT**
- 350 grams (pair)

CODE	TYPE
324-0065001050	160mm
324-0065002050	165mm
324-0065003050	170mm
324-0065005050	175mm

CODE	TYPE
390-2040	ML054 (Pair)



> FSA CK-702/IS

E-BIKE CRANK ARMS

- Hollow carbon
- SIZES**
- Length - 160, 165, 170, 175mm
- ISIS Drive
- FINISH**
- Color graphics
- WEIGHT**
- 311 grams (pair)

CODE	TYPE
32400035001030	160mm
32400035002030	165mm
32400035003030	170mm
32400035005030	175mm



> FSA CK-746-1/IS

E-BIKE CRANK ARMS

- Forged AL6061/T6 crank arms
- SIZES**
- Length - 170, 172.5, 175mm
- ISIS Drive
- FINISH**
- 2-Tone anodized black, Laser graphics
- WEIGHT**
- 495 grams (pair)

CODE	TYPE
32400017003090	170mm(2-Tone)
32400017004090	172.5mm(2-Tone)
32400017005090	175mm(2-Tone)

CODE	TYPE
390-2040	ML054 (Pair)



Note: This crank arms is specially designed for a narrow Q-Factor of 173mm, please check if frame spec is adequate for the crank arms before spec and use.

> FSA CK-746-2/IS

E-BIKE CRANK ARMS

- Forged AL6061/T6 crank arms
- SIZES**
- Length - 165, 170, 172.5, 175mm
- ISIS Drive

FINISH

- 2-Tone anodized black, Laser graphics

WEIGHT

- 477 grams (pair)

CODE	TYPE
32400039002091	CK E-BIKE CK-746-2/IS armset 165mm
32400039003091	CK E-BIKE CK-746-2/IS armset 170mm
32400039004091	CK E-BIKE CK-746-2/IS armset 172.5mm
32400039005091	CK E-BIKE CK-746-2/IS armset 175mm

CODE	TYPE
390-2040	ML054 (Pair)



> FSA CK-762/IS

E-BIKE CRANK ARMS

- Forged AL6061/T6 crank arms
- SIZES**
- Length - 160, 165, 170, 175mm
- ISIS Drive

FINISH

- Anodized black, Laser graphics

WEIGHT

- 450 grams (pair)

CODE	TYPE
32400034001050	CK E-BIKE CK-762/IS armset 160mm
32400034002050	CK E-BIKE CK-762/IS armset 165mm
32400034003050	CK E-BIKE CK-762/IS armset 170mm
32400034005050	CK E-BIKE CK-762/IS armset 175mm

CODE	TYPE
390-2040	ML054 (Pair)



> FSA CK-220/IS

E-BIKE CRANK ARMS

- Die cast alloy crank arms
- SIZES**
- Length - 155, 160, 165, 170, 175mm
- ISIS Drive

FINISH

- Painted bead blasted black

WEIGHT

- 454 grams (pair)

CODE	TYPE
324-0054001230	CK E-BIKE CK-220/IS armset 160mm
324-0054002230	CK E-BIKE CK-220/IS armset 165mm
324-0054003230	CK E-BIKE CK-220/IS armset 170mm
324-0054005230	CK E-BIKE CK-220/IS armset 175mm
324-0054008230	CK E-BIKE CK-220/IS armset 155mm

CODE	TYPE
390-2040	ML054 (Pair)



> FSA 1x SPIDER 157

E-BIKE SPIDER

- Forged AL6061 spider
- BCD 104/64mm
- IC.L - 57.3mm
- 101 grams

CODE	TYPE
38000179000050	CRSP E-BIKE BROSE spider W001



> FSA 1x SPIDER 148

E-BIKE SPIDER

- Forged AL6061 spider
- BCD 104mm
- C.L - 54.3mm
- 101 grams

CODE	TYPE
38000026000050	CRSP E-BIKE BROSE spider W0108



> FSA 1x SPIDER

E-BIKE SPIDER

- Forged AL6061 spider
- BCD 104mm
- C.L - 50.6mm
- 78 grams

CODE	TYPE
38000242000050	CRSP E-BIKE BROSE spider W0063



> **FSA 1x ALLOY**
E-BIKE CHAINRINGS

- Steel Megatooth
- 48T, 46T, 44T, 42T, 40T, 38T, 36T, 34T, 32T, 30T
- Holes - 4
- BCD - 104mm

CODE	TYPE
380-0227014050	CR E-BIKE Alloy MT 1x 104x48T WB409 V18
38000136012051	CR E-BIKE Alloy MT 1x 104x46T WB315A
380-0291010050	CR E-BIKE Alloy MT 1x 104x44T WB416 V18
380-0311008050	CR E-BIKE Alloy MT 1x 104x42T WB054 V18
380-0092004050	CR E-BIKE Alloy MT 1x 104x38T WB383 V15
380-0091003050	CR E-BIKE Alloy MT 1x 104x36T WB382 V15
380-0065002051	CR E-BIKE Alloy MT 1x 104x34T WB381 V15
380-0064001051	CR E-BIKE Alloy MT 1x 104x32T WB380 V15
380-0115021050	CR E-BIKE Alloy MT 1x 104x30T WB379 Bolt Spec.

> **FSA 1x STEEL**
E-BIKE CHAINRINGS

- Steel Megatooth
- 44T, 42T, 40T, 38T, 36T, 34T
- Holes - 4
- BCD - 104mm
- SH12 - Compatible only with SMN chain 12s

CODE	TYPE
380-0418010540	CR E-BIKE Steel MT 1x 104x44T WB464
380-0440008540	CR E-BIKE Steel MT 1x 104x42T WB466
380-0416004540	CR E-BIKE Steel MT 1x 104x38T WB460
380-0441003540	CR E-BIKE Steel MT 1x 104x36T WB468
38000417002540	CR E-BIKE Steel MT 1x 104x34T WB487
380-0479010540	CR E-BIKE Steel MT 1x 104x44T SH12 WB498 B1
380-0478008540	CR E-BIKE Steel MT 1x 104x42T SH12 WB497 B1
380-0484004540	CR E-BIKE Steel MT 1x 104x38T SH12 WB496 B1
380-0504003540	CR E-BIKE Steel MT 1x 104x36T SH12 WB495 B1
380-0477002540	CR E-BIKE Steel MT 1x 104x34T SH12 WB494 B1

> **FSA BOLT AND SPACER**
ACCESSORIES

- Forged chromoly
- M8x0.75P / 5mm hexagonal

CODE	TYPE
3900011000150	CRSP Bolt KIT 4pcs ML138+ML080



ML138(bolt)+ML080(nut)
For Single Chainring



> FSA CK-746-2/JIS

E-BIKE CRANK ARMS

- Die cast alloy crank arms
- SIZES**
- Length - 155, 160, 165, 170, 175mm
- JIS spindle
- FINISH**
- Painted bead blasted black
- WEIGHT**
- 460 grams (pair)

CODE	TYPE
32400047002050	CK E-BIKE CK-746-2/JIS armset 165mm
32400047003050	CK E-BIKE CK-746-2/JIS armset 170mm
32400047005050	CK E-BIKE CK-746-2/JIS armset 175mm

CODE	TYPE
390-0034000122	CRSP Crank Bolt ML019



> FSA CK-220/JIS

E-BIKE CRANK ARMS

- Die cast alloy crank arms
- SIZES**
- Length - 155, 160, 165, 170, 175mm
- JIS spindle
- FINISH**
- Painted bead blasted black
- WEIGHT**
- 460 grams (pair)

CODE	TYPE
32400042001260	CK E-BIKE CK-220/JIS armset 160mm
32400042002260	CK E-BIKE CK-220/JIS armset 165mm
32400042003260	CK E-BIKE CK-220/JIS armset 170mm
32400042005260	CK E-BIKE CK-220/JIS armset 175mm
32400042008260	CK E-BIKE CK-220/JIS armset 155mm

CODE	TYPE
390-0034000122	CRSP Crank Bolt ML019



> FSA CK-320/JIS

E-BIKE CRANK ARMS

- Die cast alloy crank arms
- SIZES**
- Length - 155, 160, 165, 170, 175mm
- JIS spindle
- FINISH**
- Painted bead blasted black, Printed graphics
- WEIGHT**
- 510 grams (pair)

CODE	TYPE
324-0045001260	CK E-BIKE CK-320/JIS armset 160mm
324-0045002260	CK E-BIKE CK-320/JIS armset 165mm
324-0045003260	CK E-BIKE CK-320/JIS armset 170mm
324-0045005260	CK E-BIKE CK-320/JIS armset 175mm
324-0045008260	CK E-BIKE CK-320/JIS armset 155mm

CODE	TYPE
390-0034000122	CRSP Crank Bolt ML019



> FSA 1x SPIDER

E-BIKE SPIDER



- Forged AL6061 spider
- BCD 104/64mm
- C.L - 41.7mm / 45.5mm (Shimano)
- C.L - 45.5mm (Enviolo)
- 70grams

CODE	TYPE
380-0424000050	CRSP E-BIKE YAMAHA spider Belt 104 W0139



> FSA 1x AND 2x SPIDER

E-BIKE SPIDER

- 1x and 2x chainrings
- Forged AL6061 spider
- BCD 104/64mm
- 1x C.L - 50mm
- 2x C.L - 48.6mm
- 70grams

CODE	TYPE
38000301000050	CRSP E-BIKE YAMAHA spider W0025



> FSA 1x AND 2x SPIDER 148

E-BIKE SPIDER

- 1x and 2x chainrings
- Forged AL6061 spider
- BCD 104/64mm
- 1x C.L - 53mm
- 2x C.L - 51.6mm
- 73grams

CODE	TYPE
38000302000050	CRSP E-BIKE YAMAHA spider 148 W0024



> **FSA 1x ALLOY**
E-BIKE CHAINRINGS

- Steel Megatooth
- 48T, 46T, 44T, 42T, 40T, 38T, 36T, 34T, 32T, 30T
- Holes - 4
- BCD - 104mm

CODE	TYPE
380-0227014050	CR E-BIKE Alloy MT 1x 104x48T WB409 V18
38000136012051	CR E-BIKE Alloy MT 1x 104x46T WB315A
380-0291010050	CR E-BIKE Alloy MT 1x 104x44T WB416 V18
380-0311008050	CR E-BIKE Alloy MT 1x 104x42T WB054 V18
380-0092004050	CR E-BIKE Alloy MT 1x 104x38T WB383 V15
380-0091003050	CR E-BIKE Alloy MT 1x 104x36T WB382 V15
380-0065002051	CR E-BIKE Alloy MT 1x 104x34T WB381 V15
380-0064001051	CR E-BIKE Alloy MT 1x 104x32T WB380 V15
380-0115021050	CR E-BIKE Alloy MT 1x 104x30T WB379 Bolt Spec.



> **FSA 1x STEEL**
E-BIKE CHAINRINGS

- Steel Megatooth
- 44T, 42T, 40T, 38T, 36T, 34T
- Holes - 4
- BCD - 104mm
- SH12 - Compatible only with SMN chain 12s

CODE	TYPE
380-0418010540	CR E-BIKE Steel MT 1x 104x44T WB464
380-0440008540	CR E-BIKE Steel MT 1x 104x42T WB466
380-0416004540	CR E-BIKE Steel MT 1x 104x38T WB460
380-0441003540	CR E-BIKE Steel MT 1x 104x36T WB468
38000417002540	CR E-BIKE Steel MT 1x 104x34T WB487
380-0479010540	CR E-BIKE Steel MT 1x 104x44T SH12 WB498 B1
380-0478008540	CR E-BIKE Steel MT 1x 104x42T SH12 WB497 B1
380-0484004540	CR E-BIKE Steel MT 1x 104x38T SH12 WB496 B1
380-0504003540	CR E-BIKE Steel MT 1x 104x36T SH12 WB495 B1
380-0477002540	CR E-BIKE Steel MT 1x 104x34T SH12 WB494 B1



> **FSA 2x**
E-BIKE CHAINRINGS

- Alloy
- 48/36T
- Holes - 4
- BCD - 104/64mm

CODE	TYPE
32700028004050	CK E-BIKE chainring 48/36T WA362+WB082

CODE	TYPE
39000111000150	CRSP Bolt KIT 4pcs ML138+ML080

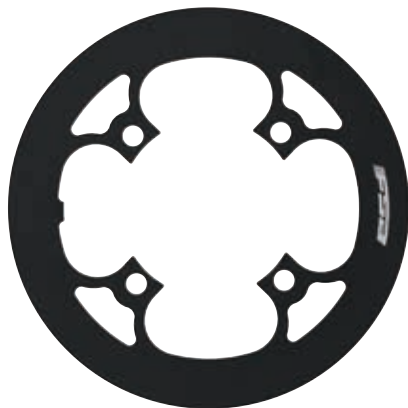


> **FSA CHAINGUARD**
E-BIKE CHAINGUARD

- Alloy
- 44-46T, 40-42T, 36-38T
- Holes - 4
- BCD - 104mm

CODE	TYPE
38000283006050	CRSP E-BIKE chainguard 44-46T W1086 w/bolt kit
38000289006050	CRSP E-BIKE chainguard 40-42T W1036 w/bolt kit
38000364017050	CRSP E-BIKE chainguard 36-38T W1145 w/bolt kit

CODE	TYPE
390-0097000150	CRSP E-BIKE Bolt+Nuts 4pcs ML053+ML551 w/logo
390-0054000151	CRSP E-BIKE Bolt+Nuts 4pcs ML138+ML462 w/logo



> **FSA 1x**
E-BIKE CHAINRINGS

- Steel
- 48T, 46T, 44T, 42T, 40T, 38T, 36T
- Holes - 4
- BCD - 104mm

CODE	TYPE
38000281003140	CR E-BIKE 1x steel chainring 104x46T WA527
38000280002140	CR E-BIKE 1x steel chainring 104x44T WA546
38000279001140	CR E-BIKE 1x steel chainring 104x42T WA516
38000296012140	CR E-BIKE 1x steel chainring 104x40T WA023
38000278004140	CR E-BIKE 1x steel chainring 104x38T WB531
38000277003140	CR E-BIKE 1x steel chainring 104x36T WB545

CODE	TYPE
390-0097000150	CRSP E-BIKE Bolt+Nuts 4pcs ML053+ML551 w/logo
390-0054000151	CRSP E-BIKE Bolt+Nuts 4pcs ML138+ML462 w/logo



> **FSA 1x**
E-BIKE CHAINRINGS

- Alloy
- 38T, 36T
- Holes - 4
- BCD - 104mm

CODE	TYPE
38000107004052	CR E-BIKE chainring 1x 38T WB158

CODE	TYPE
390-0097000150	CRSP E-BIKE Bolt+Nuts 4pcs ML053+ML551 w/logo
390-0054000151	CRSP E-BIKE Bolt+Nuts 4pcs ML138+ML462 w/logo



> **FSA CK-702/IS**
E-BIKE CRANK ARMS

- Hollow carbon
- SIZES**
- Length - 160, 165, 170, 175mm
- ISIS Drive

FINISH

- Color graphics

WEIGHT

- 311 grams (pair)

CODE	TYPE
32400035001030	160mm
32400035002030	165mm
32400035003030	170mm
32400035005030	175mm



> **FSA CK-9011/IS**
E-BIKE CRANK ARMS

- Hollow Alloy
- SIZES**
- Length - 160, 165, 170, 175mm
- ISIS Drive

FINISH

- Color graphics

WEIGHT

- 350 grams (pair)

CODE	TYPE
324-0065001050	160mm
324-0065002050	165mm
324-0065003050	170mm
324-0065005050	175mm



> **FSA CK-762/IS**
E-BIKE CRANK ARMS

- Forged AL6061/T6 crank arms
- SIZES**
- Length - 160, 165, 170, 175mm
- ISIS Drive

FINISH

- Anodized black, Laser graphics

WEIGHT

- 450 grams (pair)

CODE	TYPE
32400034001050	160mm
32400034002050	165mm
32400034003050	170mm
32400034005050	175mm

CODE	TYPE
390-2040	ML054 (Pair)



> **FSA CK-762/IS/WIDER**
E-BIKE CRANK ARMS

- Forged AL6061/T6 crank arms
- SIZES**
- Length - 160, 165, 170, 175mm
- ISIS Drive

FINISH

- Anodized black, Laser graphics

WEIGHT

- 450 grams (pair)

CODE	TYPE
32400052002050	165mm
32400052003050	170mm
32400052005050	175mm



> FSA CK-220/IS

E-BIKE CRANK ARMS

- Die cast alloy crank arms
- SIZES**
- Length - 155, 160, 165, 170, 175mm
- ISIS Drive
- FINISH**
- Painted bead blasted black
- WEIGHT**
- 454 grams (pair)

CODE	TYPE
324-0054001230	160mm
324-0054002230	165mm
324-0054003230	170mm
324-0054005230	175mm
324-0054008230	155mm

CODE	TYPE
390-2040	ML054 (Pair)



> FSA CK-220/IS/WIDER

E-BIKE CRANK ARMS

- Die cast alloy crank arms
- SIZES**
- Length - 155, 160, 165, 170, 172.5, 175mm
- ISIS Drive
- FINISH**
- Painted bead blasted black
- WEIGHT**
- 456 grams (pair)

CODE	TYPE
324-0069008230	155mm
324-0069001230	160mm
324-0069002230	165mm
324-0069003230	170mm
324-0069005230	175mm

CODE	TYPE
390-2040	ML054 (Pair)



> FSA CK-320/IS

E-BIKE CRANK ARMS

- Die cast alloy crank arms
- SIZES**
- Length - 155, 160, 165, 170, 175mm
- ISIS Drive
- FINISH**
- Painted bead blasted black
- WEIGHT**
- 503 grams (pair)

CODE	TYPE
32400046002260	165mm
32400046003260	170mm
324-0046005260	175mm
32400046008260	155mm

CODE	TYPE
390-2040	ML054 (Pair)



> FSA CK-746-2/IS

E-BIKE CRANK ARMS

- Forged AL6061/T6 crank arms
- SIZES**
- Length - 165, 170, 172.5, 175mm
- ISIS Drive
- FINISH**
- 2-Tone anodized black, Laser graphics
- WEIGHT**
- 477 grams (pair)

CODE	TYPE
32400039002091	165mm
32400039003091	170mm
32400039004091	172.5mm
32400039005091	175mm

CODE	TYPE
390-2040	ML054 (Pair)



> **FSA CK-745/IS**
E-BIKE CRANK ARMS

- Forged AL6061/T6 crank arms
- SIZES**
- Length - 165, 170, 175mm
- ISIS Drive
- FINISH**
- 2-Tone anodized black
- WEIGHT**
- 477grams (pair)

CODE	TYPE
324-0055002090	CK E-BIKE CK-745/IS armset 165mm
324-0055003090	CK E-BIKE CK-745/IS armset 170mm
324-0055005090	CK E-BIKE CK-745/IS armset 175mm



> **FSA 1x/2x SPIDER**
E-BIKE SPIDER

- For 1x and 2x chainrings
- Forged AL6061 spider
- BCD 104/64mm
- 1x C.L - 50mm
- 2x C.L - 48.5mm
- 70grams

CODE	TYPE
38000290000050	CRSP E-BIKE YAMAHA PW-X spider 104x64 W0023



> **FSA 1x/2x SPIDER 148**
E-BIKE SPIDER

- For 1x and 2x chainrings
- Forged AL6061 spider
- BCD 104/64mm
- 1x C.L - 53mm
- 2x C.L - 51.5mm
- 71grams

CODE	TYPE
380-0257000050	CRSP E-BIKE YAMAHA PW-X spider 148 W0019



> **FSA 1x SPIDER**
E-BIKE SPIDER

- For 1x chainrings
- Forged AL6061 spider
- BCD 104
- C.L - 50 mm

CODE	TYPE
38000543000050	CRSP E-BIKE YAMAHA PW-X3 spider 104x64 W0170



> **FSA 1x SPIDER 148**
E-BIKE SPIDER

- For 1x chainrings
- Forged AL6061 spider
- BCD 104
- C.L - 53 mm

CODE	TYPE
38000544000050	CRSP E-BIKE YAMAHA PW-X3 148 spider 104 W0171



> **FSA 1x ALLOY**
E-BIKE CHAINRINGS

- Steel Megatooth
- 48T, 46T, 44T, 42T, 40T, 38T, 36T, 34T, 32T, 30T
- Holes - 4
- BCD - 104mm

CODE	TYPE
380-0227014050	CR E-BIKE Alloy MT 1x 104x48T WB409 V18
38000136012051	CR E-BIKE Alloy MT 1x 104x46T WB315A
380-0291010050	CR E-BIKE Alloy MT 1x 104x44T WB416 V18
380-0311008050	CR E-BIKE Alloy MT 1x 104x42T WB054 V18
380-0092004050	CR E-BIKE Alloy MT 1x 104x38T WB383 V15
380-0091003050	CR E-BIKE Alloy MT 1x 104x36T WB382 V15
380-0065002051	CR E-BIKE Alloy MT 1x 104x34T WB381 V15
380-0064001051	CR E-BIKE Alloy MT 1x 104x32T WB380 V15
380-0115021050	CR E-BIKE Alloy MT 1x 104x30T WB379 Bolt Spec.



> **FSA 1x STEEL**
E-BIKE CHAINRINGS

- Steel Megatooth
- 44T, 42T, 40T, 38T, 36T, 34T
- Holes - 4
- BCD - 104mm
- SH12 - Compatible only with SMN chain 12s

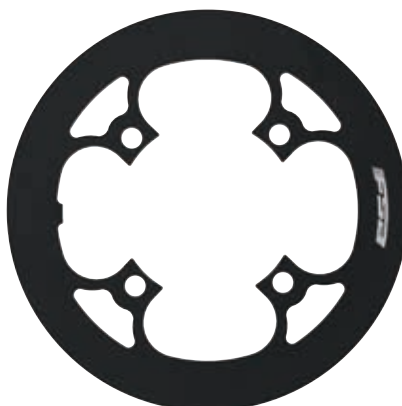
CODE	TYPE
380-0418010540	CR E-BIKE Steel MT 1x 104x44T WB464
380-0440008540	CR E-BIKE Steel MT 1x 104x42T WB466
380-0416004540	CR E-BIKE Steel MT 1x 104x38T WB460
380-0441003540	CR E-BIKE Steel MT 1x 104x36T WB468
38000417002540	CR E-BIKE Steel MT 1x 104x34T WB487
380-0479010540	CR E-BIKE Steel MT 1x 104x44T SH12 WB498 B1
380-0478008540	CR E-BIKE Steel MT 1x 104x42T SH12 WB497 B1
380-0484004540	CR E-BIKE Steel MT 1x 104x38T SH12 WB496 B1
380-0504003540	CR E-BIKE Steel MT 1x 104x36T SH12 WB495 B1
380-0477002540	CR E-BIKE Steel MT 1x 104x34T SH12 WB494 B1



> **FSA CHAINGUARD**
E-BIKE CHAINGUARD

- Alloy
- 44-46T, 40-42T, 36-38T
- Holes - 4
- BCD - 104mm

CODE	TYPE
38000283006050	CRSP E-BIKE chainguard 44-46T W1086 w/bolt kit
38000289006050	CRSP E-BIKE chainguard 40-42T W1036 w/bolt kit
38000364017050	CRSP E-BIKE chainguard 36-38T W1145 w/bolt kit



> **FSA 1x ALLOY**
E-BIKE CHAINRINGS

- Alloy
- 38T, 36T
- Holes - 4
- BCD - 104mm

CODE	TYPE
38000107004052	CR E-BIKE chainring 1x 38T WB158

CODE	TYPE
390-0097000150	CRSP E-BIKE Bolt+Nuts 4pcs ML053+ML551 w/logo
390-0054000151	CRSP E-BIKE Bolt+Nuts 4pcs ML138+ML462 w/logo



> **FSA 1x STEEL**
E-BIKE CHAINRINGS

- Steel
- 48T, 46T, 44T, 42T, 40T, 38T, 36T
- Holes - 4
- BCD - 104mm

CODE	TYPE
38000281003140	CR E-BIKE 1x steel chainring 104x46T WA527
38000280002140	CR E-BIKE 1x steel chainring 104x44T WA546
38000279001140	CR E-BIKE 1x steel chainring 104x42T WA516
38000296012140	CR E-BIKE 1x steel chainring 104x40T WA023
38000278004140	CR E-BIKE 1x steel chainring 104x38T WB531
38000277003140	CR E-BIKE 1x steel chainring 104x36T WB545



> **FSA 2x**
E-BIKE CHAINRINGS

- Alloy
- 48/36T
- Holes - 4
- BCD - 104/64mm

CODE	TYPE
32700028004050	CK E-BIKE chainring 48/36T WA362+WB082

CODE	TYPE
39000111000150	CRSP Bolt KIT 4pcs ML138+ML080



> **FSA BOLT AND SPACER**
ACCESSORIES

- Forged chromoly
- M8x0.75P / 5mm hexagonal

CODE	TYPE
39000111000150	CRSP Bolt KIT 4pcs ML138+ML080



ML138(bolt)+ML080(nut)
For Single Chainring

> FSA CK-8685-1/IS

E-BIKE CRANK ARMS

- Hollow carbon
- SIZES**
- Length - 165, 170, 172.5 175mm
- ISIS Drive
- FINISH**
- Color graphics
- WEIGHT**
- 273 grams (pair)

CODE	TYPE
32400026003030	170mm
32400026004030	172.5mm
32400026005030	175mm



> FSA CK-702/IS

E-BIKE CRANK ARMS

- Hollow carbon
- SIZES**
- Length - 160, 165, 170, 175mm
- ISIS Drive
- FINISH**
- Color graphics
- WEIGHT**
- 311 grams (pair)

CODE	TYPE
32400035001030	160mm
32400035002030	165mm
32400035003030	170mm
32400035005030	175mm



> FSA CK-746-1/IS

E-BIKE CRANK ARMS

- Forged AL6061/T6 crank arms
- SIZES**
- Length - 165, 170, 172.5, 175mm
- ISIS Drive
- FINISH**
- 2-Tone anodized black
- Laser graphics
- WEIGHT**
- 495 grams (pair)

CODE	TYPE
32400017003090	170mm(2-Tone)
32400017004090	172.5mm(2-Tone)
32400017005090	175mm(2-Tone)

CODE	TYPE
390-2040	ML054 (Pair)



> FSA CK-746-2/IS

E-BIKE CRANK ARMS

- Forged AL6061/T6 crank arms
- SIZES**
- Length - 165, 170, 172.5, 175mm
- ISIS Drive
- FINISH**
- 2-Tone anodized black
- Laser graphics
- WEIGHT**
- 477 grams (pair)

CODE	TYPE
32400039002091	165mm(2-Tone)
32400039003091	170mm(2-Tone)
32400039004091	172.5mm(2-Tone)
32400039005091	175mm(2-Tone)

CODE	TYPE
390-2040	ML054 (Pair)



Note: This crank arms is specially designed for a narrow Q-Factor of 158mm, please check if frame spec is adequate for the crank arms before spec and use.

> FSA CK-9011/S

E-BIKE CRANK ARMS

• Hollow Alloy

SIZES

- Length - 160, 165, 170, 175mm
- ISIS Drive

FINISH

- Color graphics

WEIGHT

- 350 grams (pair)

CODE	TYPE
324-0065001050	160mm
324-0065002050	165mm
324-0065003050	170mm
324-0065005050	175mm

CODE	TYPE
390-2040	ML054 (Pair)



> NON-SERIES SMR

STEM

- Smart Cable Routing (SMR)
- 3D forged and CNC machined AL6061
- Alloy faceplate compatible with Fazua Remote FX

SIZE

- -6° x L90, 100, 110, 120, 130mm
- Ø31.8mm handlebar clamp diameter
- 33.5mm fork clamp stack height

FINISH

- Anodized black
- Fine blasted

WEIGHT

- 298 grams (100mm)



SMR

CODE	TYPE
175-0046098870	ST ROAD NS SMR alloy 110mm -6° B1 FAZUA display

> **FSA 1x/2x SPIDER**
E-BIKE SPIDER

- BCD 110mm
- 1x C.L - 48.5mm
- 2x C.L - 50mm
- 71 grams

CODE	TYPE
38000243000050	CRSP E-BIKE FAZUA spider W0005

> **FSA 2x**
E-BIKE CHAINRINGS

- Alloy
- 52/36T, 50/34T
- SRAM AXS 12s - 48/35T
- Holes - 4
- BCD 110mm

CODE	TYPE
370-0099006050	CR ROAD PRO 5h 110x52T (36T) N11 WA129
370-0098005051	CR ROAD PRO 5h 110x50T (34T) N11 WA198
371-0236C	CR ROAD PRO 5h 110x36T N11 WB012
371-0234C	CR ROAD PRO 5h 110x34T N11 WB291
37000172004050	CR E-BIKE KIT 5h 110 48x35T AXS12s WA878+WB655
390-1005	CRSP Bolts+Nuts Black double (5+5pcs) T30 E0024

> **FSA 1x**
E-BIKE CHAINRINGS

- Alloy CNC Megatooth
- 48T, 44T, 42T, 40T, 38T, 36T
- Holes - 5
- BCD - 110mm

CODE	TYPE
380-0448004050	CR ROAD 1x 5h 110x48T WA021
370-0020002050	CR ROAD SUPER 1x 5h 110x44T WA670
370-0019001050	CR ROAD SUPER 1x 5h 110x42T WA669
370-0018012050	CR ROAD SUPER 1x 5h 110x40T WA607
370-0017017050	CR ROAD SUPER 1x 5h 110x38T WA606
370-0016024050	CR ROAD SUPER 1x 5h 110x36T WA662
390-0098000150	CRSP Chainring BOLT&Nut KIT 5+5 ML163+ML085



> **FSA BOLT AND SPACER**
ACCESSORIES

CODE	TYPE
390-1005	CRSP Bolts+Nuts Black double (5+5pcs) T30 E0024
39000111000150	CRSP Bolt KIT 4pcs ML138+ML080



ML138(bolt)+ML080(nut)
For Single Chainring

> **FSA 1x SPIDER 148**
E-BIKE SPIDER

- For 1x chainrings
- BCD 104mm
- C.L - 52mm
- 59 grams

CODE	TYPE
38000304000050	CRSP E-BIKE FAZUA spider Boost148 W0058



> **FSA 1x SPIDER**
E-BIKE SPIDER

- For 1x chainrings
- BCD 104mm
- C.L - 49mm
- 59 grams

CODE	TYPE
38000256000050	CRSP E-BIKE FAZUA spider W0004



> **FSA LOCKRING**
ACCESSORIES

- Steel
- M30x1.0P
- 7.4 grams

CODE	TYPE
327-0045000122	CK E-BIKE Steel Lock Ring ML097 FAZUA



> **FSA 1x ALLOY**
E-BIKE CHAINRINGS

- Steel Megatooth
- 48T, 46T, 44T, 42T, 40T, 38T, 36T, 34T, 32T, 30T
- Holes - 4
- BCD - 104mm

CODE	TYPE
380-0227014050	CR E-BIKE Alloy MT 1x 104x48T WB409 V18
38000136012051	CR E-BIKE Alloy MT 1x 104x46T WB315A
380-0291010050	CR E-BIKE Alloy MT 1x 104x44T WB416 V18
380-0311008050	CR E-BIKE Alloy MT 1x 104x42T WB054 V18
380-0092004050	CR E-BIKE Alloy MT 1x 104x38T WB383 V15
380-0091003050	CR E-BIKE Alloy MT 1x 104x36T WB382 V15
380-0065002051	CR E-BIKE Alloy MT 1x 104x34T WB381 V15
380-0064001051	CR E-BIKE Alloy MT 1x 104x32T WB380 V15
380-0115021050	CR E-BIKE Alloy MT 1x 104x30T WB379 Bolt Spec.



> **FSA 1x STEEL**
E-BIKE CHAINRINGS

- Steel Megatooth
- 44T, 42T, 40T, 38T, 36T, 34T
- Holes - 4
- BCD - 104mm
- SH12 - Compatible only with SMN chain 12s

CODE	TYPE
380-0418010540	CR E-BIKE Steel MT 1x 104x44T WB464
380-0440008540	CR E-BIKE Steel MT 1x 104x42T WB466
380-0416004540	CR E-BIKE Steel MT 1x 104x38T WB460
380-0441003540	CR E-BIKE Steel MT 1x 104x36T WB468
38000417002540	CR E-BIKE Steel MT 1x 104x34T WB487
380-0479010540	CR E-BIKE Steel MT 1x 104x44T SH12 WB498 B1
380-0478008540	CR E-BIKE Steel MT 1x 104x42T SH12 WB497 B1
380-0484004540	CR E-BIKE Steel MT 1x 104x38T SH12 WB496 B1
380-0504003540	CR E-BIKE Steel MT 1x 104x36T SH12 WB495 B1
380-0477002540	CR E-BIKE Steel MT 1x 104x34T SH12 WB494 B1



> **FSA DM 1x FAZUA**
E-BIKE CHAINRINGS

- Alloy CNC Megatooth
- 34T
- Holes - Direct Mount
- BCD - Direct Mount
- Engine - Fazua

CODE	TYPE
32700054023050	CK E-BIKE DM chainring MT 1x 34T WA638 FAZUA



> **FSA DM 1x FAZUA**
E-BIKE CHAINRINGS

- Alloy CNC Megatooth
- 42T
- Holes - Direct Mount
- BCD - Direct Mount
- Engine - Fazua

CODE	TYPE
380-0442001050	CR E-BIKE DM chainring MT 1x 42t WA720 FAZUA



> **FSA DM 2x**
E-BIKE CHAINRINGS

- Alloy CNC
- 48/32T (11s), 46/33T (AXS 12s)
- Holes - Direct Mount/4
- BCD - Direct Mount/90mm
- Engine -

CODE	TYPE
380-0443004050	CR E-BIKE KIT DM 48x32T WA719+WB412 FAZUA
38000474003050	CR E-BIKE KIT DM 46x33T AXS12 WA721+WB341 FAZUA



> FSA CK-752

E-BIKE CRANK ARMS

- Forged AL6061/T6 crank arms
- Include spindle bolt ML598A

SIZES

- Length - 165, 170, 175mm

FINISH

- Bead blasted anodized black, Laser graphics

WEIGHT

- 469 grams (pair)

CODE	TYPE
324-0068002050	CK E-BIKE CK-752 armset 165mm SMN
324-0068003050	CK E-BIKE CK-752 armset 170mm SMN
324-0068005050	CK E-BIKE CK-752 armset 175mm SMN



> FSA CHAINGUIDE

ACCESSORIES

- For SMN EP800
- Tooth capacity - 32T-38T

CODE	TYPE
32400072000110	CKSP E-BIKE SMN Chainguide 32-38T EL384



> FSA 1x SPIDER

E-BIKE SPIDER

- Forged AL6061 spider
- BCD 104mm
- C.L - 50mm (W0169)
- C.L - 52mm (W0164)
- C.L - 55mm (W0174)

CODE	TYPE
380-0519000051	CRSP E-BIKE SMN Spider CL50 W0169
380-0455000050	CRSP E-BIKE SMN Spider CL52 W0164
380-0527000050	CRSP E-BIKE SMN Spider CL55 W0174



> FSA 1x

E-BIKE CHAINRINGS

- Steel Megatooth
- 44T, 42T, 40T, 38T, 36T, 34T, 32T
- Holes - 4
- BCD - 104mm
- Engine -

CODE	TYPE
380-0418010540	CR E-BIKE chainring steel 104x44T WB464
380-0440008540	CR E-BIKE chainring steel 104x42T WB466
38000416004540	CR E-BIKE steel chainring MT 1x 104x38T WB488
380-0441003540	CR E-BIKE chainring steel 104x36T WB468
38000417002540	CR E-BIKE steel chainring 1x 104x34T WB487
390-0054000151	CRSP E-BIKE Bolt+Nuts 4pcs ML138+ML462 w/logo



> FSA 1x

E-BIKE CHAINRINGS

- Alloy Megatooth
- 48T, 44T, 42T, 40T, 38T, 36T, 34T, 32T
- Holes - 4
- BCD - 104mm
- Engine -

CODE	TYPE
380-0227014050	CR MTB 104x48T MT 1x WB409 V18
38000136012051	CR E-BIKE alloy chainring MT 1x 104x46T WB315A
380-0291010050	CR MTB 104x44T MT 1x WB416 V18
380-0311008050	CR MTB 104x42T MT 1x WB054 V18
380-0092004050	CR MTB 104x38T MT 1x WB383 V15
380-0091003050	CR MTB 104x36T MT 1x WB382 V15
380-0065002051	CR MTB 104x34T MT 1x WB381 V15
380-0064001051	CR MTB 104x32T MT 1x WB380
390-0054000151	CRSP E-BIKE Bolt+Nuts 4pcs ML138+ML462 w/logo



> FSA BOLT

ACCESSORIES

- Forged chromoly
- M8x0.75P / 5mm hexagonal

CODE	TYPE
39000111000150	CRSP Bolt KIT 4pcs ML138+ML080



ML138(bolt)+ML080(nut)
For Chaining with Chainguard

> FSA CK-751

E-BIKE CRANK ARMS

- Forged AL6061/T6 crank arms
- Include spindle bolt ML598

SIZES

- Length - 165, 170, 175mm

FINISH

- Bead blasted anodized black, Laser graphics

WEIGHT

- 536 grams (pair)

CODE	TYPE
324-0040002050	CK E-BIKE CK-751 armset 165mm SMN
324-0040000305	CK E-BIKE CK-751 armset 170mm SMN



> FSA CHAINGUIDE

ACCESSORIES

- For SMN EP800
- Tooth capacity - 32T-38T

CODE	TYPE
32400072000110	CKSP E-BIKE SMN Chainguide 32-38T EL384



> FSA 1x SPIDER

E-BIKE SPIDER

- Forged AL6061 spider
- BCD 104mm
- C.L - 50mm (W0169)
- C.L - 52mm (W0164)
- C.L - 55mm (W0174)

CODE	TYPE
380-0519000051	CRSP E-BIKE SMN Spider CL50 W0169
380-0455000050	CRSP E-BIKE SMN Spider CL52 W0164
380-0527000050	CRSP E-BIKE SMN Spider CL55 W0174



> FSA 1x

E-BIKE CHAINRINGS

- Steel Megatooth
- 44T, 42T, 40T, 38T, 36T, 34T, 32T
- Holes - 4
- BCD - 104mm
- Engine -

CODE	TYPE
380-0418010540	CR E-BIKE chainring steel 104x44T WB464
380-0440008540	CR E-BIKE chainring steel 104x42T WB466
380000416004540	CR E-BIKE steel chainring MT 1x 104x38T WB488
380-0441003540	CR E-BIKE chainring steel 104x36T WB468
380000417002540	CR E-BIKE steel chainring 1x 104x34T WB487
390-0054000151	CRSP E-BIKE Bolt+Nuts 4pcs ML138+ML462 w/logo



> FSA 1x

E-BIKE CHAINRINGS

- Alloy Megatooth
- 48T, 44T, 42T, 40T, 38T, 36T, 34T, 32T
- Holes - 4
- BCD - 104mm
- Engine -

CODE	TYPE
380-0227014050	CR MTB 104x48T MT 1x WB409 V18
38000136012051	CR E-BIKE alloy chainring MT 1x 104x46T WB315A
380-0291010050	CR MTB 104x44T MT 1x WB416 V18
380-0311008050	CR MTB 104x42T MT 1x WB054 V18
380-0092004050	CR MTB 104x38T MT 1x WB383 V15
380-0091003050	CR MTB 104x36T MT 1x WB382 V15
380-0065002051	CR MTB 104x34T MT 1x WB381 V15
380-0064001051	CR MTB 104x32T MT 1x WB380
390-0054000151	CRSP E-BIKE Bolt+Nuts 4pcs ML138+ML462 w/logo



> FSA BOLT

ACCESSORIES

- Forged chromoly
- M8x0.75P / 5mm hexagonal

CODE	TYPE
390-0054000151	CRSP E-BIKE Bolt+Nuts 4pcs ML138+ML462 w/logo
39000111000150	CRSP Bolt KIT 4pcs ML138+ML080



ML138(bolt)+ML231(nut)
For Chaining with Chainguard

> FSA CK-746-2/JIS

E-BIKE CRANK ARMS

- Forged AL6061/T6 crank arms
- SIZES**
- Length - 165, 170, 175mm
- JIS Spindle
- FINISH**
- Bead blasted anodized black
- WEIGHT**
- 477 grams (pair)

CODE	TYPE
32400047002050	165mm
32400047003050	170mm
32400047005050	175mm

CODE	TYPE
390-0034000122	ML019



> FSA CK-320/JIS

E-BIKE CRANK ARMS

- Die cast alloy crank arms
- SIZES**
- Length - 155, 160, 165, 170, 175mm
- JIS Spindle
- FINISH**
- Painted bead blasted black, Printed graphics
- WEIGHT**
- 510 grams (pair)

CODE	TYPE
324-0045001260	160mm
324-0045002260	165mm
324-0045003260	170mm
324-0045005260	175mm
324-0045008260	155mm

CODE	TYPE
390-0034000122	ML019



> FSA CK-745/JIS

E-BIKE CRANK ARMS

- Forged AL6061/T6 crank arms
- SIZES**
- Length - 165, 170, 175mm
- JIS Spindle
- FINISH**
- Bead blasted anodized black, Laser graphics
- WEIGHT**
- 477 grams (pair)

CODE	TYPE
32400014003050	170mm
32400014005050	175mm

CODE	TYPE
390-0034000122	ML019



> FSA CK-762/JIS

E-BIKE CRANK ARMS

- Forged AL6061/T6 crank arms
- SIZES**
- Length - 160, 165, 170, 175mm
- JIS Spindle
- FINISH**
- Anodized black, Laser graphics
- WEIGHT**
- 450 grams (pair)

CODE	TYPE
324-0060001050	160mm
324-0060002050	165mm
324-0060003050	170mm
324-0060005050	175mm

CODE	TYPE
390-0034000122	ML019



> FSA CK-602/JIS

E-BIKE CRANK ARMS

- Forged AL6061/T6 crank arms
- SIZES**
- Length - 165, 170, 175mm
- JIS Spindle
- FINISH**
- Anodized black, Laser graphics
- WEIGHT**
- 450 grams (pair)

CODE	TYPE
324-0013002012	165mm
324-0013003012	170mm
324-0013005012	175mm

CODE	TYPE
390-0034000122	ML019



> FSA CK-758/JIS

E-BIKE CRANK ARMS

- Forged AL6061/T6 crank arms
- SIZES**
- Length - 155, 165mm
- JIS Spindle
- FINISH**
- Anodized black, Laser graphics
- WEIGHT**
- 477 grams (pair)

CODE	TYPE
324-0061008051	155mm
324-0061002050	165mm

CODE	TYPE
390-0034000122	ML019



> FSA CK-220/IS

E-BIKE CRANK ARMS

- Die cast alloy crank arms
- SIZES**
- Length - 155, 160, 165, 170, 172.5, 175mm
- ISIS Drive
- FINISH**
- Painted bead blasted black
- WEIGHT**
- 456 grams (pair)

CODE	TYPE
324-0054001230	160mm
324-0054002230	165mm
324-0054003230	170mm
324-0054005230	175mm
324-0054008230	155mm

CODE	TYPE
390-2040	ML054 (Pair)



> FSA CK-746-1/IS

E-BIKE CRANK ARMS

- Forged AL6061/T6 crank arms
- SIZES**
- Length - 165, 170, 172.5, 175mm
- ISIS Drive
- FINISH**
- 2-Tone anodized black
- WEIGHT**
- 495 grams (pair)

CODE	TYPE
32400017003090	170mm(2-Tone)
32400017004090	172.5mm(2-Tone)
32400017005090	175mm(2-Tone)

CODE	TYPE
390-2040	ML054 (Pair)



> FSA CK-746-2/IS

E-BIKE CRANK ARMS

- Forged AL6061/T6 crank arms
- SIZES**
- Length - 165, 170, 172.5, 175mm
- ISIS Drive
- FINISH**
- Bead blasted anodized black
- WEIGHT**
- 477 grams (pair)

CODE	TYPE
32400039002091	165mm
32400039003091	170mm
32400039004091	172.5mm
32400039005091	175mm

CODE	TYPE
390-2040	ML054 (Pair)



> FSA CK-762/IS

E-BIKE CRANK ARMS

- Forged AL6061/T6 crank arms
- SIZES**
- Length - 160, 165, 170, 175mm
- ISIS Drive
- FINISH**
- Bead blasted anodized black
- WEIGHT**
- 450 grams (pair)

CODE	TYPE
32400034001050	160mm
32400034002050	165mm
32400034003050	170mm
32400034005050	175mm

CODE	TYPE
390-2040	ML054 (Pair)



> FSA CK-8685-1/S

E-BIKE CRANK ARMS

- Hollow carbon
- SIZES**
- Length - 170, 172.5 175mm
- ISIS Drive

FINISH

- Color graphics

WEIGHT

- 273 grams (pair)

CODE	TYPE
32400026003030	170mm
32400026004030	172.5mm
32400026005030	175mm



> FSA 1x

E-BIKE CHAINRINGS

- Alloy CNC Megatooth
- 48T, 44T, 42T, 40T, 38T, 36T
- Holes - 5
- BCD - 110mm

CODE	TYPE
380-0448004050	CR ROAD 1x 5h 110x48T WA021
370-0020002050	CR ROAD SUPER 1x 5h 110x44T WA670
370-0019001050	CR ROAD SUPER 1x 5h 110x42T WA669
370-0018012050	CR ROAD SUPER 1x 5h 110x40T WA607
370-0017017050	CR ROAD SUPER 1x 5h 110x38T WA606
370-0016024050	CR ROAD SUPER 1x 5h 110x36T WA662
390-0098000150	CRSP Chainring BOLT&Nut KIT 5+5 ML163+ML085



> FSA 2x

E-BIKE CHAINRINGS

- Alloy
- 52/36T, 50/34T (11S); 48/35T (AXS 12S)
- Holes - 5
- BCD 110mm

CODE	TYPE
370-0099006050	CR ROAD PRO 5h 110x52T (36T) N11 WA129
370-0098005051	CR ROAD PRO 5h 110x50T (34T) N11 WA198
371-0236C	CR ROAD PRO 5h 110x36T N11 WB012
371-0234C	CR ROAD PRO 5h 110x34T N11 WB291
37000172004050	CR E-BIKE KIT 5h 110 48x35T AXS12s WA878+WB655
390-1005	CRSP Bolts+Nuts Black double (5+5pcs) T30 E0024



> FSA CK-320/IS

E-BIKE CRANK ARMS

- Die cast alloy crank arms
- SIZES**
- Length - 155, 165, 170, 175mm
- ISIS Drive

- FINISH**
- Painted bead blasted black, Printed graphics

- WEIGHT**
- 503 grams (pair)

CODE	TYPE
324-0046008260	155mm
324-0046001260	160mm
324-0046002260	165mm
324-0046003260	170mm
324-0046005260	175mm

CODE	TYPE
390-2040	ML054 (Pair)



> FSA CK-746-1/IS

E-BIKE CRANK ARMS

- Forged AL6061/T6 crank arms
- SIZES**
- Length - 165, 170, 172.5, 175mm
- ISIS Drive

- FINISH**
- 2-Tone anodized black

- WEIGHT**
- 495 grams (pair)

CODE	TYPE
32400017003090	170mm(2-Tone)
32400017004090	172.5mm(2-Tone)
32400017005090	175mm(2-Tone)

CODE	TYPE
390-2040	ML054 (Pair)



> FSA CK-746-2/IS

E-BIKE CRANK ARMS

- Forged AL6061/T6 crank arms
- SIZES**
- Length - 165, 170, 172.5, 175mm
- ISIS Drive

- FINISH**
- Bead blasted anodized black

- WEIGHT**
- 477 grams (pair)

CODE	TYPE
32400039002091	165mm
32400039003091	170mm
32400039004091	172.5mm
32400039005091	175mm

CODE	TYPE
390-2040	ML054 (Pair)



> FSA CK-762/IS

E-BIKE CRANK ARMS

- Forged AL6061/T6 crank arms
- SIZES**
- Length - 160, 165, 170, 175mm
- ISIS Drive

- FINISH**
- Bead blasted anodized black

- WEIGHT**
- 450 grams (pair)

CODE	TYPE
32400034001050	160mm
32400034002050	165mm
32400034003050	170mm
32400034005050	175mm

CODE	TYPE
390-2040	ML054 (Pair)



> FSA CK-762/IS/WIDER

E-BIKE CRANK ARMS

- Forged AL6061/T6 crank arms
- SIZES**
- Length - 160, 165, 170, 175mm
- ISIS Drive

FINISH

- Bead blasted anodized black

WEIGHT

- 450 grams (pair)

CODE	TYPE
32400052002050	165mm
32400052003050	170mm
32400052005050	175mm

CODE	TYPE
390-2040	ML054 (Pair)



> FSA CK-758/IS

E-BIKE CRANK ARMS

- Forged AL6061/T6 crank arms
- SIZES**
- Length - 155, 165mm
- ISIS Drive

FINISH

- Anodized black, Laser graphics

WEIGHT

- 477 grams (pair)

CODE	TYPE
324-0029008052	155mm
324-0029002052	165mm

CODE	TYPE
390-2040	ML054 (Pair)



> FSA 1x

E-BIKE CHAINRINGS

- Alloy CNC Megatooth
- 48T, 44T, 42T, 40T, 38T, 36T
- Holes - 5
- BCD - 110mm

CODE	TYPE
380-0448004050	CR ROAD 1x 5h 110x48T WA021
370-0020002050	CR ROAD SUPER 1x 5h 110x44T WA670
370-0019001050	CR ROAD SUPER 1x 5h 110x42T WA669
370-0018012050	CR ROAD SUPER 1x 5h 110x40T WA607
370-0017017050	CR ROAD SUPER 1x 5h 110x38T WA606
370-0016024050	CR ROAD SUPER 1x 5h 110x36T WA662
390-0098000150	CRSP Chainring BOLT&Nut KIT 5+5 ML163+ML085

> FSA 2x

E-BIKE CHAINRINGS

- Alloy
- 52/36T, 50/34T (11S); 48/35T (SRAM 12S)
- Holes - 5
- BCD 110mm

CODE	TYPE
370-0099006050	CR ROAD PRO 5h 110x52T (36T) N11 WA129
370-0098005051	CR ROAD PRO 5h 110x50T (34T) N11 WA198
371-0236C	CR ROAD PRO 5h 110x36T N11 WB012
371-0234C	CR ROAD PRO 5h 110x34T N11 WB291
37000172004050	CR E-BIKE KIT 5h 110 48x35T AXS12s WA878+WB655
390-1005	CRSP Bolts+Nuts Black double (5+5pcs) T30 E0024

> FSA 2x

E-BIKE CHAINRINGS

- Steel
- 42/28T, 38x28T, 38x24T, 36x24T, 36x22T
- Holes - 4
- BCD - 104/64mm

CODE	TYPE
38000094000050	CR E-BIKE BROSE 42x28 W0108+WB284+WC066
38000020008051	CR E-BIKE Chainrings 2x 42x28T WB329+WC066
38000016003051	CR E-BIKE Chainrings 2x 36x24T WB251C+WC060
38000017004051	CR E-BIKE Chainrings 2x 38x24T WB425+WC060
38000097000050	CR E-BIKE BROSE 36x22T W0108+WB273+WC063
38000309004050	CR MTB chainring 104x38T M11/D10 WB419
380-0128B	CR MTB alloy 64x28T D10 WC066
380-0048004140	CR E-BIKE chainring 64x28T D10 WC067



> **FSA CK-9011/IS**
E-BIKE CRANK ARMS

- Hollow Alloy
- SIZES**
- Length - 160, 165, 170, 175mm
- ISIS Drive
- FINISH**
- Color graphics
- WEIGHT**
- 350 grams (pair)

CODE	TYPE
324-0065001050	160mm
324-0065002050	165mm
324-0065003050	170mm
324-0065005050	175mm



> **FSA CK-702/IS**
E-BIKE CRANK ARMS

- Hollow Carbon
- SIZES**
- Length - 160, 165, 170, 175mm
- ISIS Drive
- FINISH**
- Color graphics
- WEIGHT**
- 311 grams (pair)

CODE	TYPE
32400035001030	160mm
32400035002030	165mm
32400035003030	170mm
32400035005030	175mm



> **FSA CK-8685-1/IS**
E-BIKE CRANK ARMS

- Hollow carbon
- SIZES**
- Length - 170, 172.5 175mm
- ISIS Drive
- FINISH**
- Color graphics
- WEIGHT**
- 273 grams (pair)

CODE	TYPE
32400026003030	170mm
32400026004030	172.5mm
32400026005030	175mm



> **FSA CK-703/IS** ^{NEW22}
E-BIKE CRANK ARMS

- Hollow carbon
- SIZES**
- Length - 170, 172.5 175mm
- ISIS Drive
- FINISH**
- Color graphics
- WEIGHT**
- 273 grams (pair)

CODE	TYPE
324-0075003030	170mm
324-0075004030	172.5mm
324-0075005030	175mm



> FSA CK-762/IS

E-BIKE CRANK ARMS

- Forged AL6061/T6 crank arms
- SIZES**
 - Length - 160, 165, 170, 175mm
 - ISIS Drive
- FINISH**
 - Anodized black, Laser graphics
- WEIGHT**
 - 450 grams (pair)

CODE	TYPE
32400034001050	160mm
32400034002050	165mm
32400034003050	170mm
32400034005050	175mm

CODE	TYPE
390-2040	ML054 (Pair)



> FSA CK-762/ISWIDER

E-BIKE CRANK ARMS

- Forged AL6061/T6 crank arms
- SIZES**
 - Length - 160, 165, 170, 175mm
 - ISIS Drive
- FINISH**
 - Anodized black, Laser graphics
- WEIGHT**
 - 450 grams (pair)

CODE	TYPE
32400052002050	165mm
32400052003050	170mm
32400052005050	175mm

CODE	TYPE
390-2040	ML054 (Pair)



> FSA CK-746-1/IS

E-BIKE CRANK ARMS

- Forged AL6061/T6 crank arms
- SIZES**
 - Length - 165, 170, 172.5, 175mm
 - ISIS Drive
- FINISH**
 - 2-Tone anodized black
- WEIGHT**
 - 495 grams (pair)

CODE	TYPE
32400017003090	170mm(2-Tone)
32400017004090	172.5mm(2-Tone)
32400017005090	175mm(2-Tone)

CODE	TYPE
390-2040	ML054 (Pair)



> FSA CK-746-2/IS

E-BIKE CRANK ARMS

- Forged AL6061/T6 crank arms
- SIZES**
 - Length - 165, 170, 172.5, 175mm
 - ISIS Drive
- FINISH**
 - Bead blasted anodized black
- WEIGHT**
 - 477 grams (pair)

CODE	TYPE
32400039002091	165mm
32400039003091	170mm
32400039004091	172.5mm
32400039005091	175mm

CODE	TYPE
390-2040	ML054 (Pair)



> **FSA CK-745/IS**
E-BIKE CRANK ARMS

- Forged AL6061/T6 crank arms

SIZES

- Length - 165, 170, 175mm
- ISIS Drive

FINISH

- 2-Tone anodized black

WEIGHT

- 477grams (pair)

CODE	TYPE
324-0055003090	170mm
324-0055005090	175mm

CODE	TYPE
390-2040	ML054 (Pair)



> **FSA 1x/2x SPIDER**
E-BIKE SPIDER

- BCD 110mm
- 1x C.L - 46.7mm
- 2x C.L - 46.7mm
- 83 grams

CODE	TYPE
380-0528000051	CRSP E-BIKE MAXON Spider BCD110x5h 2x-1x W0142



Compatible with CR 1x Steel and Alloy BCD104

> **FSA 1x**
E-BIKE CHAINRINGS

- Alloy CNC Megatooth
- 48T, 44T, 42T, 40T, 38T, 36T
- Holes - 5
- BCD - 110mm

CODE	TYPE
380-0448004050	CR ROAD 1x 5h 110x48T WA021
370-0020002050	CR ROAD SUPER 1x 5h 110x44T WA670
370-0019001050	CR ROAD SUPER 1x 5h 110x42T WA669
370-0018012050	CR ROAD SUPER 1x 5h 110x40T WA607
370-0017017050	CR ROAD SUPER 1x 5h 110x38T WA606
370-0016024050	CR ROAD SUPER 1x 5h 110x36T WA662
390-0098000150	CRSP Chainring BOLT&Nut KIT 5+5 ML163+ML085



Compatible with CR V-Shape and 1x Steel BCD104

> **FSA 2x**
E-BIKE CHAINRINGS

- Alloy
- 52/36T, 50/34T (11S); 48/35T (SRAM 12S)
- Holes - 5
- BCD 110mm

CODE	TYPE
370-0099006050	CR ROAD PRO 5h 110x52T (36T) N11 WA129
370-0098005051	CR ROAD PRO 5h 110x50T (34T) N11 WA198
371-0236C	CR ROAD PRO 5h 110x36T N11 WB012
371-0234C	CR ROAD PRO 5h 110x34T N11 WB291
37000172004050	CR E-BIKE KIT 5h 110 48x35T AXS12s WA878+WB655 w/b
390-1005	CRSP Bolts+Nuts Black double (5+5pcs) T30 E0024



> **FSA 1x SPIDER**
E-BIKE SPIDER

- BCD 104mm
- 1x C.L - 52mm
- 82 grams

CODE	TYPE
380-0561000051	CRSP E-BIKE MAXON Spider BCD104x4h 1x W0181



> **FSA 1x ALLOY**
E-BIKE CHAINRINGS

- Steel Megatooth
- 48T, 46T, 44T, 42T, 40T, 38T, 36T, 34T, 32T, 30T
- Holes - 4
- BCD - 104mm

CODE	TYPE
380-0227014050	CR E-BIKE Alloy MT 1x 104x48T WB409 V18
38000136012051	CR E-BIKE Alloy MT 1x 104x46T WB315A
380-0291010050	CR E-BIKE Alloy MT 1x 104x44T WB416 V18
380-0311008050	CR E-BIKE Alloy MT 1x 104x42T WB054 V18
380-0092004050	CR E-BIKE Alloy MT 1x 104x38T WB383 V15
380-0091003050	CR E-BIKE Alloy MT 1x 104x36T WB382 V15
380-0065002051	CR E-BIKE Alloy MT 1x 104x34T WB381 V15
380-0064001051	CR E-BIKE Alloy MT 1x 104x32T WB380 V15
380-0115021050	CR E-BIKE Alloy MT 1x 104x30T WB379 Bolt Spec.



> **FSA 1x STEEL**
E-BIKE CHAINRINGS

- Steel Megatooth
- 44T, 42T, 40T, 38T, 36T, 34T
- Holes - 4
- BCD - 104mm
- SH12 - Compatible only with SMN chain 12s

CODE	TYPE
380-0418010540	CR E-BIKE Steel MT 1x 104x44T WB464
380-0440008540	CR E-BIKE Steel MT 1x 104x42T WB466
380-0416004540	CR E-BIKE Steel MT 1x 104x38T WB460
380-0441003540	CR E-BIKE Steel MT 1x 104x36T WB468
38000417002540	CR E-BIKE Steel MT 1x 104x34T WB487
380-0479010540	CR E-BIKE Steel MT 1x 104x44T SH12 WB498 B1
380-0478008540	CR E-BIKE Steel MT 1x 104x42T SH12 WB497 B1
380-0484004540	CR E-BIKE Steel MT 1x 104x38T SH12 WB496 B1
380-0504003540	CR E-BIKE Steel MT 1x 104x36T SH12 WB495 B1
380-0477002540	CR E-BIKE Steel MT 1x 104x34T SH12 WB494 B1



> **FSA CHAINGUARD**
E-BIKE CHAINGUARD

- Alloy
- 44-46T, 40-42T, 36-38T
- Holes - 4
- BCD - 104mm
- With 3.5mm spacer

CODE	TYPE
38000283006050	CRSP E-BIKE chainguard 104 44-46T W1086 w/bolt
38000289006050	CRSP E-BIKE chainguard 104 40-42T W1036 w/bolt
38000364017050	CRSP E-BIKE chainguard 104 36-38T W1145 w/bolt



> **FSA CHAINGUARD**
E-BIKE CHAINRINGS

- Alloy
- 42-44T, 36-38T, 32-34T
- Holes - 4
- BCD - 104mm
- With 3.5mm spacer

CODE	TYPE
32700052009050	CRSP E-BIKE chainguard 104 42-44T W1153 w/bolt
32700055017050	CRSP E-BIKE chainguard 104 36-38T W1155 w/bolt
32700056025050	CRSP E-BIKE chainguard 104 32-34T W1156 w/bolt



> **FSA LOCKRING**
ACCESSORIES

- Steel
- M30x1.0P
- 7.4 grams

CODE	TYPE
327-0045000122	CK E-BIKE Steel Lock Ring ML097



> **FSA CK-9011/IS**
E-BIKE CRANK ARMS

- Hollow Alloy
- SIZES**
- Length - 160, 165, 170, 175mm
- ISIS Drive
- FINISH**
- Color graphics
- WEIGHT**
- 350 grams (pair)

CODE	TYPE
324-0065001050	160mm
324-0065002050	165mm
324-0065003050	170mm
324-0065005050	175mm

> **FSA CK-702/IS**
E-BIKE CRANK ARMS

- Hollow Carbon
- SIZES**
- Length - 160, 165, 170, 175mm
- ISIS Drive
- FINISH**
- Color graphics
- WEIGHT**
- 311 grams (pair)

CODE	TYPE
32400035001030	160mm
32400035002030	165mm
32400035003030	170mm
32400035005030	175mm



> **FSA CK-762/IS**
E-BIKE CRANK ARMS

- Forged AL6061/T6 crank arms
- SIZES**
- Length - 160, 165, 170, 175mm
- ISIS Drive
- FINISH**
- Anodized black, Laser graphics
- WEIGHT**
- 450 grams (pair)

CODE	TYPE
32400034001050	160mm
32400034002050	165mm
32400034003050	170mm
32400034005050	175mm

CODE	TYPE
390-2040	ML054 (Pair)

> **FSA CK-762/IS/WIDER**
E-BIKE CRANK ARMS

- Forged AL6061/T6 crank arms
- SIZES**
- Length - 160, 165, 170, 175mm
- ISIS Drive
- FINISH**
- Anodized black, Laser graphics,
- WEIGHT**
- 450 grams (pair)

CODE	TYPE
32400052002050	165mm
32400052003050	170mm
32400052005050	175mm



> FSA CK-745/IS

E-BIKE CRANK ARMS

- Forged AL6061/T6 crank arms

SIZES

- Length - 165, 170, 175mm
- ISIS Drive

FINISH

- 2-Tone anodized black

WEIGHT

- 477grams (pair)

CODE	TYPE
324-0055003090	170mm
324-0055005090	175mm

CODE	TYPE
390-2040	ML054 (Pair)



> FSA CK-220/IS

E-BIKE CRANK ARMS

- Die cast alloy crank arms

SIZES

- Length - 155, 160, 165, 170, 175mm
- ISIS Drive

FINISH

- Painted bead blasted black

WEIGHT

- 454 grams (pair)

CODE	TYPE
324-0054001230	160mm
324-0054002230	165mm
324-0054003230	170mm
324-0054005230	175mm
324-0054008230	155mm



CODE	TYPE
390-2040	ML054 (Pair)



> FSA CK-220/IS/WIDER

E-BIKE CRANK ARMS

- Die cast alloy crank arms

SIZES

- Length - 155, 160, 165, 170, 172.5, 175mm
- ISIS Drive

FINISH

- Painted bead blasted black

WEIGHT

- 456 grams (pair)

CODE	TYPE
324-0069008230	155mm
324-0069001230	160mm
324-0069002230	165mm
324-0069003230	170mm
324-0069005230	175mm

CODE	TYPE
390-2040	ML054 (Pair)



> FSA CK-320/IS

E-BIKE CRANK ARMS

- Die cast alloy crank arms

SIZES

- Length - 155, 165, 170, 175mm
- ISIS Drive

FINISH

- Painted bead blasted black, Printed graphics

WEIGHT

- 503 grams (pair)

CODE	TYPE
32400046002260	165mm
32400046003260	170mm
324-0046005260	175mm
32400046008260	155mm



CODE	TYPE
390-2040	ML054 (Pair)



> FSA CK-9011/IS

E-BIKE CRANK ARMS

- Hollow Alloy
- SIZES**
- Length - 160, 165, 170, 175mm
- ISIS Drive
- FINISH**
- Color graphics
- WEIGHT**
- 350 grams (pair)

CODE	TYPE
324-0065001050	160mm
324-0065002050	165mm
324-0065003050	170mm
324-0065005050	175mm



> FSA CK-702/IS

E-BIKE CRANK ARMS

- Hollow Carbon
- SIZES**
- Length - 160, 165, 170, 175mm
- ISIS Drive
- FINISH**
- Color graphics
- WEIGHT**
- 311 grams (pair)

CODE	TYPE
32400035001030	160mm
32400035002030	165mm
32400035003030	170mm
32400035005030	175mm



> FSA CK-762/IS

E-BIKE CRANK ARMS

- Forged AL6061/T6 crank arms
- SIZES**
- Length - 160, 165, 170, 175mm
- ISIS Drive
- FINISH**
- Anodized black, Laser graphics
- WEIGHT**
- 450 grams (pair)

CODE	TYPE
32400034001050	160mm
32400034002050	165mm
32400034003050	170mm
32400034005050	175mm

CODE	TYPE
390-2040	ML054 (Pair)



> FSA CK-762/IS/WIDER

E-BIKE CRANK ARMS

- Forged AL6061/T6 crank arms
- SIZES**
- Length - 160, 165, 170, 175mm
- ISIS Drive
- FINISH**
- Anodized black, Laser graphics
- WEIGHT**
- 450 grams (pair)

CODE	TYPE
32400052002050	165mm
32400052003050	170mm
32400052005050	175mm

CODE	TYPE
390-2040	ML054 (Pair)



> FSA CK-745/IS

E-BIKE CRANK ARMS

- Forged AL6061/T6 crank arms

SIZES

- Length - 165, 170, 175mm
- ISIS Drive

FINISH

- 2-Tone anodized black

WEIGHT

- 477grams (pair)

CODE	TYPE
324-0055003090	170mm
324-0055005090	175mm



> FSA CK-220/IS

E-BIKE CRANK ARMS

- Die cast alloy crank arms

SIZES

- Length - 155, 160, 165, 170, 175mm
- ISIS Drive

FINISH

- Painted bead blasted black

WEIGHT

- 454 grams (pair)

CODE	TYPE
324-0054001230	160mm
324-0054002230	165mm
324-0054003230	170mm
324-0054005230	175mm
324-0054008230	155mm



CODE	TYPE
390-2040	ML054 (Pair)



> FSA CK-220/IS/WIDER

E-BIKE CRANK ARMS

- Die cast alloy crank arms

SIZES

- Length - 155, 160, 165, 170, 172.5, 175mm
- ISIS Drive

FINISH

- Painted bead blasted black

WEIGHT

- 456 grams (pair)

CODE	TYPE
324-0069008230	155mm
324-0069001230	160mm
324-0069002230	165mm
324-0069003230	170mm
324-0069005230	175mm

CODE	TYPE
390-2040	ML054 (Pair)



> FSA CK-320/IS

E-BIKE CRANK ARMS

- Die cast alloy crank arms

SIZES

- Length - 155, 165, 170, 175mm
- ISIS Drive

FINISH

- Painted bead blasted black, Printed graphics

WEIGHT

- 503 grams (pair)

CODE	TYPE
32400046002260	165mm
32400046003260	170mm
324-0046005260	175mm
32400046008260	155mm



CODE	TYPE
390-2040	ML054 (Pair)



> FSA CK-602/GEN3

E-BIKE CRANK ARMS

- Forged AL6061/T6 crank arms
- SIZES**
- Length - 165, 170, 172.5, 175mm
- WEIGHT**
- 444grams (pair)

CODE	TYPE
32400022002050	CK E-BIKE CK-602 armset 165mm
32400022003050	CK E-BIKE CK-602 armset 170mm
32400022004050	CK E-BIKE CK-602 armset 172.5mm
32400022005050	CK E-BIKE CK-602 armset 175mm

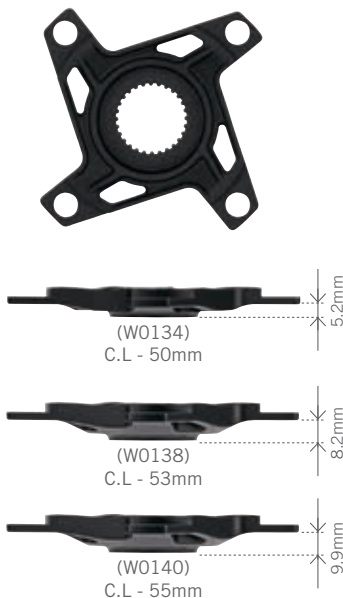


> FSA 1x SPIDER V-SHAPE

E-BIKE SPIDER

- Forged AL6061 spider
- BCD 104mm
- 1x C.L - 50mm (W0134)
- 1x C.L - 52mm (W0138)
- 1x C.L - 55mm (W0140)

CODE	TYPE
38000373000050	CRSP E-BIKE BOSCH GEN4 spider 104 W0134
38000372000050	CRSP E-BIKE BOSCH GEN4 spider 104 W0138
38000415000050	CRSP E-BIKE BOSCH GEN4 spider 104 W0140



> FSA 1x STEEL V-SHAPE

E-BIKE CHAINRINGS

- Steel Megatooth
- 48T, 44T, 42T, 38T, 36T, 34T
- Holes - 4
- BCD - 104/64mm
- SH12 - Compatible only with SMN chain 12s

CODE	TYPE
38000412010250	CR E-BIKE Steel MT 1x 104x44T WB465 V-SHAPE
380-0438008540	CR E-BIKE Steel MT 1x 104x42T WB467 V-SHAPE
38000365004250	CR E-BIKE Steel MT 1x 104x38T WB447 V-SHAPE
380-0439003540	CR E-BIKE Steel MT 1x 104x36T WB469 V-SHAPE
38000366002250	CR E-BIKE Steel MT 1x 104x34T WB446 V-SHAPE
380-0482008540	CR E-BIKE Steel MT 1x 104x42T SH12 WB602 V-SHAPE
38000481004540	CR E-BIKE Steel MT 1x 104x38T SH12 WB601 V-SHAPE
38000480002540	CR E-BIKE Steel MT 1x 104x34T SH12 WB499 V-SHAPE



> FSA 1x ALLOY V-SHAPE

E-BIKE CHAINRINGS

- Alloy Megatooth
- 48T, 46T, 44T, 42T
- Holes - 4
- BCD - 104/64mm
- Compatible - W0134, W0138 and W0140

CODE	TYPE
380-0353014050	CR E-BIKE Alloy MT 1x 104x48T WB451A V-SHAPE
380-0409012050	CR E-BIKE Alloy MT 1x 104x46T WB455A V-SHAPE
380-0352010050	CR E-BIKE Alloy MT 1x 104x44T WB450A V-SHAPE
38000351008050	CR E-BIKE Alloy MT 1x 104x42T WB454A V-SHAPE



Compatible only with W0134, W0138 and W0140

> FSA 1x SPIDER

E-BIKE SPIDER

- Forged Steel spider
- BCD 104mm
- 1x C.L - 50mm (W0146)
- 1x C.L - 53mm (W0147)

CODE	TYPE
38000413000050	CRSP E-BIKE BOSCH GEN4 steel spider W0146
38000411000010	CRSP E-BIKE BOSCH GEN4 steel spider W0147



> FSA 1x ALLOY

E-BIKE CHAINRINGS

- Steel Megatooth
- 48T, 46T, 44T, 42T, 40T, 38T, 36T, 34T, 32T, 30T
- Holes - 4
- BCD - 104mm

CODE	TYPE
380-0227014050	CR E-BIKE Alloy MT 1x 104x48T WB409 V18
38000136012051	CR E-BIKE Alloy MT 1x 104x46T WB315A
380-0291010050	CR E-BIKE Alloy MT 1x 104x44T WB416 V18
380-0311008050	CR E-BIKE Alloy MT 1x 104x42T WB054 V18
380-0092004050	CR E-BIKE Alloy MT 1x 104x38T WB383 V15
380-0091003050	CR E-BIKE Alloy MT 1x 104x36T WB382 V15
380-0065002051	CR E-BIKE Alloy MT 1x 104x34T WB381 V15
380-0064001051	CR E-BIKE Alloy MT 1x 104x32T WB380 V15
380-0115021050	CR E-BIKE Alloy MT 1x 104x30T WB379 Bolt Spec.



> FSA 1x STEEL

E-BIKE CHAINRINGS

- Steel Megatooth
- 44T, 42T, 40T, 38T, 36T, 34T
- Holes - 4
- BCD - 104mm
- SH12 - Compatible only with SMN chain 12s

CODE	TYPE
380-0418010540	CR E-BIKE Steel MT 1x 104x44T WB464
380-0440008540	CR E-BIKE Steel MT 1x 104x42T WB466
380-0416004540	CR E-BIKE Steel MT 1x 104x38T WB460
380-0441003540	CR E-BIKE Steel MT 1x 104x36T WB468
38000417002540	CR E-BIKE Steel MT 1x 104x34T WB487
380-0479010540	CR E-BIKE Steel MT 1x 104x44T SH12 WB498 B1
380-0478008540	CR E-BIKE Steel MT 1x 104x42T SH12 WB497 B1
380-0484004540	CR E-BIKE Steel MT 1x 104x38T SH12 WB496 B1
380-0504003540	CR E-BIKE Steel MT 1x 104x36T SH12 WB495 B1
380-0477002540	CR E-BIKE Steel MT 1x 104x34T SH12 WB494 B1

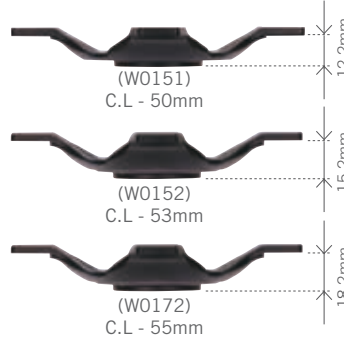


> FSA 1x SPIDER 12S

E-BIKE SPIDER

- Forged AL6061 spider
- BCD 104mm
- 1x C.L - 50mm (W0151)
- 1x C.L - 52mm (W0152)
- 1x C.L - 55mm (W0172)

CODE	TYPE
38000446000050	CRSP E-BIKE BOSCH GEN4 spider 1x12 CL50 W0151
38000447000050	CRSP E-BIKE BOSCH GEN4 spider 1x12 CL53 W0152
380-0502000050	CRSP E-BIKE BOSCH GEN4 spider 1x12 CL55 W0172



> FSA 1x DM STEEL BOOST

E-BIKE CHAINRINGS

- Steel Megatooth
- 38T, 36T, 34T
- C.L - 52mm
- BCD - Direct Mount
- SH12 - Compatible only with SMN chain 12s

CODE	TYPE
38000369004250	CR E-BIKE DM Steel MT 1x 38T CL52 WB344
38000471003540	CR E-BIKE DM Steel MT 1x 36T CL52 WB349
38000370002250	CR E-BIKE DM Steel MT 1x 34T CL52 WB478
380-0488004540	CR E-BIKE DM Steel MT 1x 38T CL52 SH12 WB605
380-0487003540	CR E-BIKE DM Steel MT 1x 36T CL52 SH12 WB493
380-0483002540	CR E-BIKE DM Steel MT 1x 34T CL52 SH12 WB604



> FSA CHAINGUARD

E-BIKE CHAINGUARD

- Alloy
- 44-46T, 40-42T, 36-38T
- Holes - 4
- BCD - 104mm
- With 3.5mm spacer

CODE	TYPE
38000283006050	CRSP E-BIKE chainguard 104 44-46T W1086 w/bolt
38000289006050	CRSP E-BIKE chainguard 104 40-42T W1036 w/bolt
38000364017050	CRSP E-BIKE chainguard 104 36-38T W1145 w/bolt



Compatible with CR 1x Steel and Alloy BCD104

> FSA CHAINGUARD

E-BIKE CHAINGUARD

- Alloy
- 42-44T, 36-38T, 32-34T
- Holes - 4
- BCD - 104mm
- With 3.5mm spacer

CODE	TYPE
32700052009050	CRSP E-BIKE chainguard 104 42-44T W1153 w/bolt
32700055017050	CRSP E-BIKE chainguard 104 36-38T W1155 w/bolt
32700056025050	CRSP E-BIKE chainguard 104 32-34T W1156 w/bolt



Compatible with CR V-Shape and 1x Steel BCD104

> FSA DM CHAINRING

E-BIKE CHAINGUARD

- Alloy
- 42T
- BCD - DM

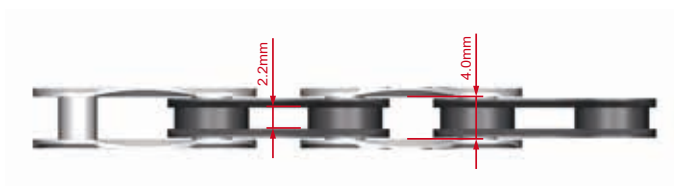
CODE	TYPE
38000559000540	CR E-BIKE GEN4 DM CG+CR 42T W1174+WB659A
38000560008540	CR E-BIKE BOSCH GEN4 DM 42T WB659A



WB659A



W1174+WB659A



> FSA SF11 E-BIKE CHAIN

Smooth, quiet “super fast” shifting, every day and on every ride with SF 11 chain specially designed for e-Bikes. Designed and engineered for rigidity and durability, easy handling under hightorque strength from the motor drive, this chain provides you with the power for speed and clean energy. Optimal stability and durability for daily e-Bikes use. Higher strength solid pin to cope with the high torque from an e-Bike motor.

SIZES

- 5.6mm width

FINISH

- Nickel outer plated finish
- Black inner plated finish

WEIGHT

- 276 grams (120 Links)

CODE	TYPE
360-0017009120	CH E-BIKE CHAIN 11S 120L w/Link CN1105

> BOLT CHART

				
BOLT CODE	QR-27 390-0100000010	ML054 390-2040	ML558 390-0055000151	ML019 390-2030
CRANKSET BOTTOM BRACKET	FSA CK-702/IS	ISIS	GEN3 BNI	JIS

				
BOLT CODE	ML618 390-0099000010	ML598 390-0101000010	QR-26 390-0096000600	QR-32 390-0122000010
CRANKSET BOTTOM BRACKET	BAFANG	SHIMANO	FSA CK-8685	MAXON



BUILT TO PERFORM

Here at FSA we set out to create a rugged carbon eMTB WHEEL option that could handle the demands of trail and enduro eMTB bikes on the market today, providing:

MAXIMUM STRENGTH:

150kg system weight in 28h carbon rim option

ULTIMATE CONTROL:

Wide asymmetric carbon rim profile

SUPERIOR RELIABILITY:

Steel freehub, tubeless, boost & handbuilt assembly

FULLSPEEDAHEAD.COM
#FSAEBIKE #ALWAYS AHEAD

FSA
FULL SPEED AHEAD



> E-MTB CARBON i29

WHEELSET

- Claim a 150kg system weight
- Asymmetric carbon rim
- 30mm depth rim
- 29mm wide rim (inner)
- 35mm wide rim (outer)
- Tubeless compatible
- Available in 650B (27.5") and 700C (29")
- Alloy P. R. A. hubs for direct pull spokes
- ISO 6-Bolts rotor mount
- Front hub with TA-15 x 110mm axle compatibility
- Rear hub with TA-12 X 148mm axle compatibility
- Cartridge bearings
- 2-cross straight gauge spokes
- Artisan built, entirely by hand
- Includes tubeless valves (1 pair) and spoke protector

FREEHUB

- 6-pawl steel
- SMN 9-11speed and SRAM 9-10speed
- SMN MicroSpline 12speed
- SRAM XD 11-12 speed freehub

FINISH

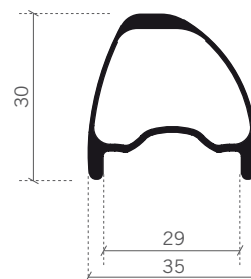
- Color graphics - gray

WEIGHT

- 1,837 grams / pair - 29"
- 1,897 grams / pair - 27.5"

CODE	TYPE
720-0053211030	WH Set E-MTB Carbon 27.5" SH A0
720-0053216030	WH Set E-MTB Carbon 27.5" XD A0
720-0050221030	WH Set E-MTB Carbon 29" SH A0
720-0050226030	WH Set E-MTB Carbon 29" XD A0

TUBELESS READY



INTENDED USE



ASTM





> E-MTB ALLOY i30 WHEELSET

- Claim a 150kg system weight
- Wide alloy rim rim
- 22mm depth rim
- 30mm wide rim (inner)
- 34mm wide rim (outer)
- Tubeless compatible
- Available in 650B (27.5") and 700C (29")
- Alloy P. R. A. hubs for direct pull spokes
- ISO 6-Bolts rotor mount
- Front hub with TA-15 x 110mm axle compatibility
- Rear hub with TA-12 X 148mm axle compatibility
- Cartridge bearings
- 2-cross straight gauge spokes
- Artisan built, entirely by hand
- Includes tubeless valves (1 pair) and spoke protector

FREEHUB

- 6-pawl steel
- SMN 9-11speed and SRAM 9-10speed
- SMN MicroSpline 12speed
- SRAM XD 11-12 speed freehub

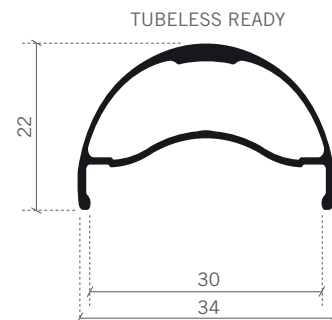
FINISH

- Color graphics - gray

WEIGHT

- 2,010 grams / pair - 29"
- 2,115 grams / pair - 27.5"

CODE	TYPE
720-0054213050	WH Front E-MTB i30 Alloy 15x110 27.5" TX-964 A0
720-0054214050	WH Rear E-MTB i30 Alloy 148 27.5" SH TX-964 A0
720-0054214051	WH Rear E-MTB i30 Alloy 148 27.5" SH12 TX-964 A0
720-0054218050	WH Rear E-MTB i30 Alloy 148 27.5" XD TX-964 A0
720-0055223050	WH Front E-MTB i30 Alloy 15x110 29" TX-964 A0
720-0055224050	WH Rear E-MTB i30 Alloy 148 29" SH11 TX-964 A0
720-0055224051	WH Rear E-MTB i30 Alloy 148 29" SH12 TX-964 A0
720-0055228050	WH Rear E-MTB i30 Alloy 148 29" XD TX-964 A0



INTENDED USE



ASTM





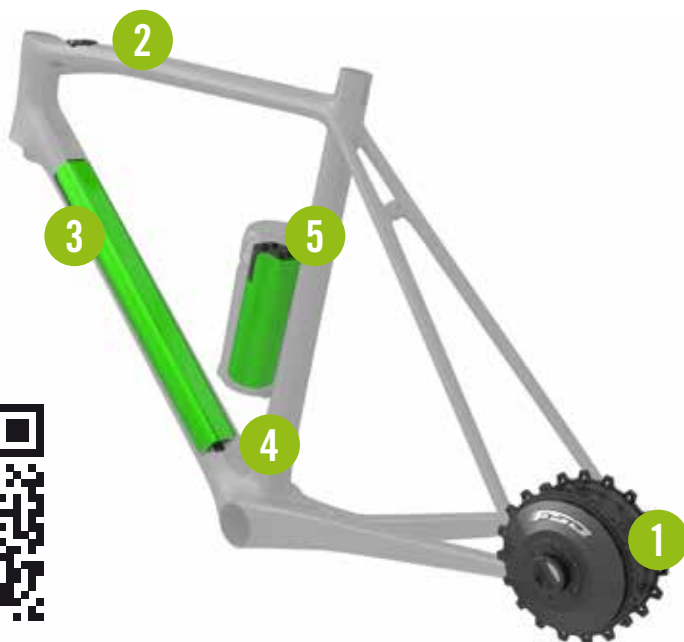
FSA NEW REAR HUB ELECTRIC-ASSIST MOTOR SYSTEM

The “FSA System” comprises of a rear hub electric-assist motor, a total of 500Wh (250Wh battery unit + 250Wh RE) with an integrated on-bike control unit and smartphone app. FSA System’s compact design and low weight (a full system weighs just 3,98kg) ensures sleek integration for e-road, e-gravel and commuter bikes. With a 20-cell, 250Wh battery unit that integrates completely inside the downtube, and an additional 250Wh battery installable within a bottle cage for longer rides, the system has

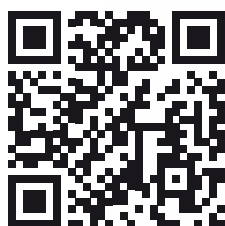
a flexible range to suit all types of riders. The system is completed with a LED HID push button that integrates into the top tube and an easily accessible charge port situated above the bottom bracket. There are five assistance settings, 1 neutral, 4 active, while the motor itself features an integrated torque sensor and speed sensors, which can adapt easily to different riding styles and changing conditions. Not only does it provide extremely responsive yet consistent assistance, it is quiet, outputting less than 55 decibels.

When exceeding the EU-mandated limit of 25km/h for electrical assistance (32km/h for the USA), the “FSA System” hub shuts down and presents minimal friction and resistance to the drivetrain, allowing the rider to experience a natural and free pedaling motion. Together with the low total weight and compact integration of the system, the use of standard cranks allows the e-bike to fit like a standard bike and handle as close to an ordinary pedal-powered bike as possible. The compact design also can fit down to XS sized bike frames and all geometries.

E-SYSTEM OVERVIEW



- 1 HUB MOTOR 43Nm
- 2 CONTROL HID LED
- 3 INNER BATTERY 252Wh
- 4 CHARGING PORT
- 5 EXTRENAL BATTERY 252Wh



DISCOVER MORE

> E-SYSTEM METRON 40 SL DB

WHEELSET

- Claim a 150kg system weight
- Full carbon rim
- 40mm depth rim
- Tubeless compatible
- Available in 700C
- ISO 6-Bolts rotor mount
- Front hub with TA-12 x 100mm
- Rear hub with O.L.D. 135mm
- Artisan built, entirely by hand

FREEHUB

- SMN 9-11speed
- SRAM XDR

WEIGHT

- 4,009 grams / pair



> E-SYSTEM TRIMAX 30 DB

WHEELSET

- Claim a 150kg system weight
- Alloy rim
- 30mm depth rim
- Tubeless compatible
- Available in 700C
- ISO 6-Bolts rotor mount
- Front hub with TA-12 x 100mm
- Rear hub with O.L.D. 135mm
- Artisan built, entirely by hand

FREEHUB

- SMN 9-11speed
- SRAM XDR

WEIGHT

- 4,059 grams / pair



> E-SYSTEM TEAM 30 DB

WHEELSET

- Claim a 150kg system weight
- Alloy rim
- 30mm depth rim
- Tubeless compatible
- Available in 700C
- ISO 6-Bolts rotor mount
- Front hub with TA-12 x 100mm
- Rear hub with O.L.D. 135mm
- Artisan built, entirely by hand

FREEHUB

- SMN 9-11speed
- SRAM XDR

WEIGHT

- 4,160 grams / pair





> E-SYSTEM AGX i21 DB WHEELSET

- Claim a 150kg system weight
- Asymmetric alloy rim
- 25mm depth rim
- Tubeless compatible
- Available in 700C
- ISO 6-Bolts rotor mount
- Front hub with TA-12 x 100mm
- Rear hub with O.L.D. 135mm
- Artisan built, entirely by hand

FREEHUB

- SMN 9-11speed
- SRAM XDR

WEIGHT

- 4,078 grams / pair



> E-SYSTEM TEAM 30 i23 DB WHEELSET

- Claim a 150kg system weight
- Alloy rim
- 30mm depth rim
- Tubeless compatible
- Available in 700C
- ISO 6-Bolts rotor mount
- Front hub with TA-12 x 100mm
- Rear hub with O.L.D. 135mm
- Artisan built, entirely by hand

FREEHUB

- SMN 9-11speed
- SRAM XDR

WEIGHT

- 4,160 grams / pair



> E-SYSTEM HUB MOTOR MOTOR

- Integrated torque sensor
- Integrated battery design (250WH).
- External battery as optional (+250WH) for total 500WH.
- 1 on/off button and assistance level selection.
- 5 assistance levels
- Superior waterproof performance.
- Long life (bearing life).
- Long maintenance cycle.
- Easy to maintain.
- Easy to install.
- No limit for bike frame geometry, even for a pure road race geometry in size S and XS!
- Low Q-factor.
- Incredibly low friction over 25Kmh.
- Just 2.4 kg.
- Spare parts available via FSA Service Centers network.
- Specific FSA app for end user.
- Remote diagnostic for dealer.

> E-SYSTEM LI-ION INTUBE BATTERY

- 252Wh / 7ah 36V
- Downtube integrated
- Fit and forget design
- Easy recharge via frame charging port



CODE	TYPE
41000013000110	SYSTEM HM1 LI-ION Intube Battery 36V 252Wh EB3001

> E-SYSTEM CHARGER

- Specific charger for FSA System
- Charging InTube battery and external battery
- 42V 2a
- EU/US version
- UK version



CODE	TYPE
41000010000110	SYSTEM HM1 Charger EU/US EB2007
41000010000111	SYSTEM HM1 Charger UK only EB2007

> E-SYSTEM LED PUSH BUTTON

- LED HID push button
- Top tube integrated
- On-Off and assistance level selection
- 5 bright colours



CODE	TYPE
41000003000110	SYSTEM HM1 LED Push Button EB2003

> E-SYSTEM LI-ION EXTERNAL BATTERY

- 252Wh / 7ah 36V
- "Bottlecage" position
- External removable design
- Easy recharge via charging adapter







VISION TECH USA

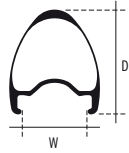
W I N W I T H T H E W I N D

Since our birth in Kona in the '90s, VISION has been synonymous with a no-expense spared assault on wind resistance. Recent years have seen the innovative application of carbon fiber and the creation of dreamlike shapes to enhance performance.

We are the brand to beat, leading the way in time trials and triathlon by creating slippery-fast aero products with proper fit adjustment that allow riders to push their limits in race conditions.

We continually refine, test and innovate in the quest for speed, with industry leading products throughout the range.

Expert use of wind tunnel technology is a regular part of our research and development, and Computational Fluid Dynamics – CFD – is used to interpret data and refine product design for ultimate aerodynamic performance.



RIM PROFILE

WIDTH

DEPTH



GRAVEL



HIGH MOUNTAIN



MIXED TERRAIN

WIDTH	DEPTH	GRAVEL	HIGH MOUNTAIN	MIXED TERRAIN
19MM	30MM		VISION METRON 30 SL	
19MM	40MM			VISION METRON 40 SL
21MM	45MM			VISION METRON 45 SL
19MM	55MM			
21MM	60MM			
19MM	81MM			
18MM	55MM			
19.5MM	-			
23/19MM	30MM	VISION SC30 AGX	VISION SC30	
19MM	40MM			
19MM	55MM			
19MM	30MM		VISION TC30	
19MM	40MM			
19MM	55MM			
23MM	30MM	VISION TRIMAX AGX		
19MM	20/24MM	VISION TRIMAX 25 DISC	VISION TRIMAX 25 KB	
19MM	30MM	VISION TRIMAX 30 DISC		
19MM	35MM	VISION TRIMAX 35 DISC		
23MM	30MM	VISION TEAM AGX		
17MM	30MM			
19MM	30MM			
19MM	30MM	VISION TEAM 30 DISC		



FLAT TERRAIN



TT/TRIATHLON



ASTM RIDING CONDITIONS CLASSIFICATIONS

	1	2	3	4	5
VISION METRON 55 SL					
VISION METRON 60 SL					
VISION METRON 81 SL					
VISION METRON 3SPOKE					
VISION METRON TFW					
VISION SC40					
VISION SC55					
VISION TC40					
VISION TC55					
VISION TRIMAX 30 KB - 30					
VISION TRIMAX 35 KB - 35					
TEAM 35 COMP SL					
TEAM 35 DISC					
TEAM 30					

METRON SERIES

Metron is our fastest and most aerodynamic model line, for the competitor who rides without compromise and demands every watt and gram advantage to have fastest bike possible.



> METRON TFA AEROBAR

- Patent pending Snakebite stem allows for flip-able base bar with internal cable routing
- Full carbon wing and ergonomic extensions
- Normalized fit increments in every dimension
- Easy adjustability with no occluded bolts
- Stem allows for internal Di2 junction box positioning and internal cable routing.
- JS-Bend extension
- Stem: 90mm

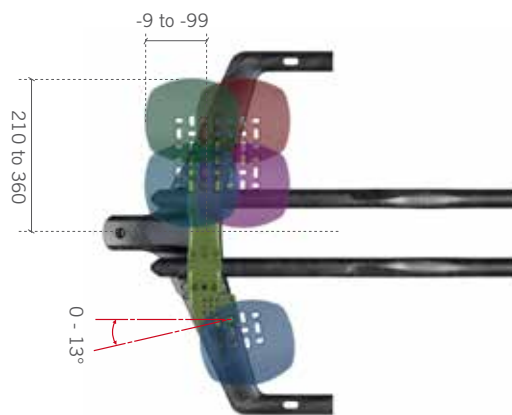
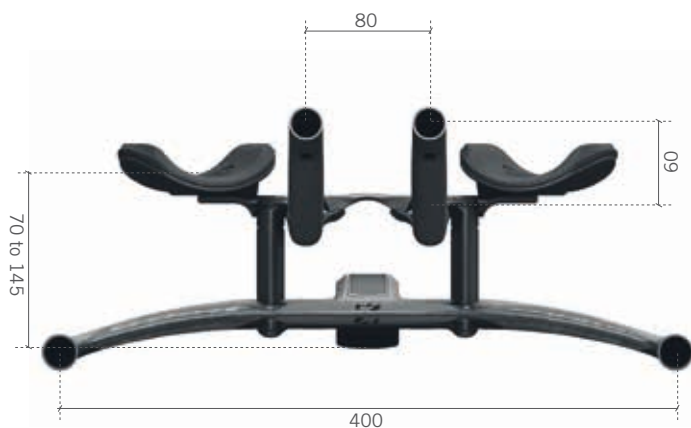
FINISH

- UD carbon finish

WEIGHT

- 1,155 grams (with stem, bolts and spacers)

CODE	TYPE
670-0207012031	VISION HBTT METRON TFA Aerobar A0



> METRON TFA STACK KIT ACCESSORIES

- Suitable to Metron TFA
- Underside bolts assembling

CODE	TYPE
670-0304000750	VISION HBTT Armrest stack SPACER KIT TFA MW037

> METRON TFA EXTENSION

- Flip-Flop design
- Full carbon construction

SIZES

- JS-Bend
- Ø 22mm
- Width: 385mm

WEIGHT

- 130 grams



Extensions only

CODE	TYPE
670-0273000031	VISION HBTT TFA L/R Extension JS-Bend 385mm V3108

> METRON TFA PADS

- Pads compatible with METRON TFA

CODE	TYPE
670-0278000110	VISION HBTT TFA L/R Arm Rest PADS MS032



> VISION R25 PADS

- Suitable to Metron TFA, Trimax Carbon SI 013
- Dual-density foam for maximum comfort
- Full cover with non-slip texture
- Fits Multi Deluxe and arm rest pads
- Nylon with glass fiber

WEIGHT

- 196 grams (pair)

CODE	TYPE
670-0340000110	VISION HBTT R25 Arm Rest L/R plate+pad+bolt V0209



> METRON TFA BRIDGE ACCESSORIES

- Suitable to Metron TFA

CODE	TYPE
670-0310000110	VISION HBTT Extension BRIDGE TFA ME358

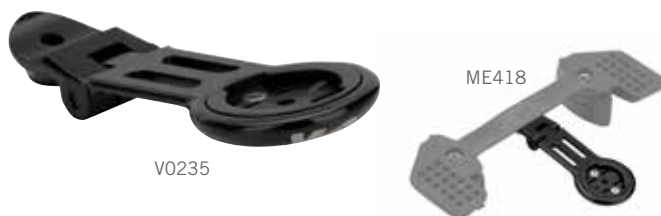


> METRON TFA COMPUTER MOUNT NEW22 ACCESSORIES

- Alloy 6061/T6 forged
- ±8° adjustable

WEIGHT

- 28.6 grams



V0235

ME418

CODE	TYPE
670-0417000871	VISION HBTT TFA Computer Mount V0235 B2



> METRON TFE PRO

EXTENSION

- Full carbon construction
- Suitable to Metron TFA, Trimax Carbon SI 013
- Suitable to Specialized Shiv Tri MY19+ with adaptor (available separately)
- Underside bolts assembling
- Extension bridge for TFA included (ME388)

SIZES

- Length: 265 (Small), 285 (Medium), 305mm (Large)

WEIGHT

- 360 grams (305mm - pair)

CODE	TYPE
670-0328012030	VISION HBTT TFE PRO Extension L/R 265mm Small B1
670-0328012031	VISION HBTT TFE PRO Extension L/R 285mm Medium B1
670-0328012032	VISION HBTT TFE PRO Extension L/R 305mm Large B1



> METRON CPC TFE PADS

ACCESSORIES

- Suitable to Metron TFE PRO / WA extensions

CODE	TYPE
670-0364000110	VISION HBTT TFE CPC L/R PADS MS057 B1



> METRON TFE CLIP-ON

EXTENSION

NEW22

- 6061/T6 Bracket material
- TFE Extension compatible

SIZES

- Ø 31.8mm

WEIGHT

- 100 grams (pair)

CODE	TYPE
670-0377000050	VISION HBTT Clip-On adapter kit for TFE V0225



> METRON TFE SHIV ADAPTOR

ACCESSORIES

- Suitable to Metron TFA extensions
- Suitable to SPECIALIZED SHIV Tri MY19+

CODE	TYPE
670-0360000870	VISION HBTT TFE Adapter Specialized Shiv V3139 B1

> METRON TFE PRO P5 EXTENSION ^{NEW22}

- Full carbon construction
- Suitable to CERVELO P5

SIZES

- Length: Small, Medium, Large

WEIGHT

- 380 grams (Small)



CODE	TYPE
67000429000030	VISION HBTT TFE PRO P5 Monoriser Small B2
67000429014030	VISION HBTT TFE PRO P5 Monoriser Medium B2
67000429015030	VISION HBTT TFE PRO P5 Monoriser Large B2

> METRON DS2 ACCESSORIES ^{NEW22}

- CFD-design head unit gives aerodynamic frontal profile
- Head unit with anti-splash, quick-fill port, and adjustable straw
- Ergonomically positioned computer mount
- Universal “V-cage” mounts on any extensions

SIZES

- 750ml

FINISH

- Color graphics, Red straw

WEIGHT

- 241 grams



CODE	TYPE
670-0430000110	VISION BTCG METRON DS2 Drinking System V0245 B2

> METRON HYDRATION SYSTEM ACCESSORIES ^{UPDATE22}

- CFD refined integrated bottle with bento box and computer mount
- Patented and removable labyrinth water fill-spout for rapid refills without splashing
- Forward computer mount
- Included Vision Drop Bottle System and Extension Mount
- Metron TFE compatible with adaptor

SIZES

- 700ml

FINISH

- Matte black, Red straw

WEIGHT

- 335 grams



CODE	TYPE
670-0251000680	VISION BTCG METRON Front Hydration System V0189 A9

CODE	TYPE
670-0081000680	VISION BTCG METRON Hydration extension mount V17
670-0339000680	VISION BTCG Hydration System adaptor TFA V0208

670-0081000680

670-0339000680



QR-19

> METRON TT 2x

BB386EVO CRANKSET

- Monocoque design with hollow carbon arms
- Forged AL7050 BB30 spindle
- AL7075 CNC chainrings
- Fits Shimano and SRAM 10-11 speed system

SIZES

- Length - 165mm, 170mm, 172.5mm, 175mm, 177.5mm, 180mm
- BCD - 130mm
- Chainrings - 56/42T, 55/42T, 54/42T, 53/39T

FINISH

- UD carbon finish
- Color graphics - gray

WEIGHT

- 782,5 grams (172.5mm - 53/39T)

CODE	TYPE
670-0063293032	VISION CK METRON BB386EVO 53x39T 170mm N11 V17
670-0063294032	VISION CK METRON BB386EVO 53x39T 172.5mm N11 V17
670-0063295032	VISION CK METRON BB386EVO 53x39T 175mm N11 V17
670-0063852032	VISION CK METRON BB386EVO 54x42T 165mm N11 V17
670-0063853032	VISION CK METRON BB386EVO 54x42T 170mm N11 V17
670-0063854032	VISION CK METRON BB386EVO 54x42T 172.5mm N11 V17
670-0063855032	VISION CK METRON BB386EVO 54x42T 175mm N11 V17
670-0063857032	VISION CK METRON BB386EVO 54x42T 180mm N11 V17

CODE	TYPE
390-0028000601	CKSP QR-19 Self Extracting crank bolt PBOX/WE/mod



> METRON TT

CHAINRINGS

- BCD - 130mm
- Hole - 5
- Fits Shimano and SRAM 10-11 speed systems

CODE	TYPE
368-0010011050	VISION CR TT METRON 130x54T N11 WA628 V18
368-0011008050	VISION CR TT METRON 130x55T N11 WA629 V18
368-0035009050	VISION CR TT METRON 5h 130x56T (42T) N11 WA235
368-0012008050	VISION CR TT METRON 130x42T N11 WB327
368-0013005050	VISION CR TT METRON 130x44T N11 WB009

> NON-SERIES STEM SMR

- Smart Cable Routing (SMR)
- 3D forged and CNC machined AL6061
- Alloy faceplate
- Chromoly hardware

SIZES

- -6° x L70, 80, 90, 100, 110, 120, 130mm
- Ø31.8mm handlebar clamp diameter
- 33.5mm fork clamp stack height

FINISH

- Fine blasted anodized black

WEIGHT

- 268 grams (100mm)



SMR

CODE	TYPE
670-0321015870	VISION ST NS SMR alloy 70mm -6° B1
670-0321016870	VISION ST NS SMR alloy 80mm -6° B1
670-0321062870	VISION ST NS SMR alloy 90mm -6° B1
670-0321095870	VISION ST NS SMR alloy 100mm -6° B1
670-0321098870	VISION ST NS SMR alloy 110mm -6° B1
670-0321099870	VISION ST NS SMR alloy 120mm -6° B1
670-0321100870	VISION ST NS SMR alloy 130mm -6° B1

> SMR ADAPTER ACCESSORIES NEW22

- Nylon
- Adapts the SMR stem (semi-integrated cable routing) into ACR (integrated cable routing)

CODE	TYPE
175-0078000110	STSP CONE SPACER adapter SMR to ACR MW742



> METRON STEM CARBON ACR

- Aerodynamic integrated Cable Routing (ACR)
- Optimized aero design
- Monocoque carbon body
- Carbon faceplate
- Chromoly hardware

SIZES

- -6 x L100, 110, 120, 130mm
- Ø31.8mm handlebar clamp diameter
- 35mm fork clamp stack height

FINISH

- UD carbon finish
- Neutral graphics

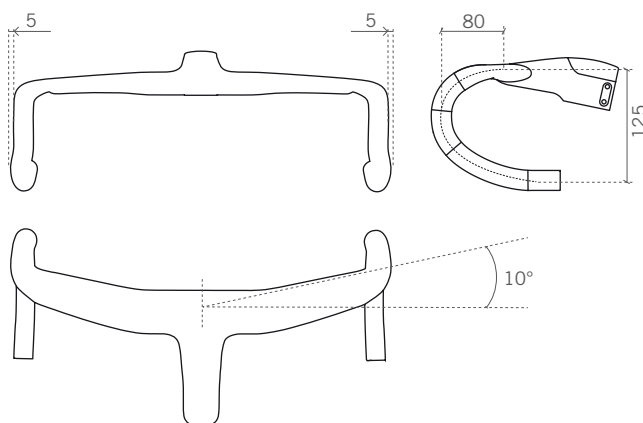
WEIGHT

- 256 grams (100mm)



ACR

CODE	TYPE
670-0241018030	VISION ST METRON Carbon ACR -6° 100mm A9
670-0241019030	VISION ST METRON Carbon ACR -6° 110mm A9
670-0241020030	VISION ST METRON Carbon ACR -6° 120mm A9
670-0241021030	VISION ST METRON Carbon ACR -6° 130mm A9



10° forward angle for a more natural wrist position and wider elbow stance for easier breathing.

> METRON 5D ACR 3K NEW22 INTEGRATED

- Aerodynamic integrated Cable Routing (ACR)
- All carbon construction
- Di2 compatible with integrated junction box compartment and wiring conduits
- 5mm offset drops

SIZES

- -6 x L90 x W380 mm (c-c)
- -6 x L100 x W400, 420mm (c-c)
- -6 x L110 x W400, 420mm (c-c)
- -6 x L120 x W400, 420mm (c-c)
- -6 x L130 x W400, 420, 440mm (c-c)
- -6 x L140 x W400, 420mm (c-c)
- Compact 125mm drop, 80mm reach

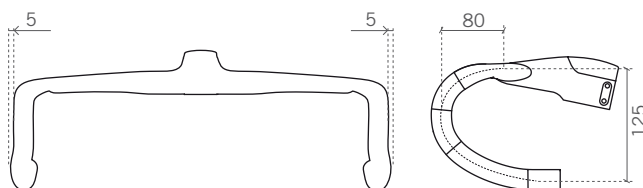
FINISH

- 3K carbon finish
- Color graphics - black

WEIGHT

- 363 grams (110 x 420mm)

CODE	TYPE
670-0428016030	VISION HB METRON 5D ACR 3K 90x380mm B2
670-0428001030	VISION HB METRON 5D ACR 3K 100x400mm B2
670-0428002030	VISION HB METRON 5D ACR 3K 100x420mm B2
670-0428015030	VISION HB METRON 5D ACR 3K 110x400mm B2
670-0428003030	VISION HB METRON 5D ACR 3K 110x420mm B2
670-0428007030	VISION HB METRON 5D ACR 3K 120x400mm B2
670-0428004030	VISION HB METRON 5D ACR 3K 120x420mm B2
670-0428014030	VISION HB METRON 5D ACR 3K 130x400mm B2
670-0428009030	VISION HB METRON 5D ACR 3K 130x420mm B2
670-0428006030	VISION HB METRON 5D ACR 3K 130x440mm B2
670-0428020030	VISION HB METRON 5D ACR 3K 140x400mm B2
670-0428021030	VISION HB METRON 5D ACR 3K 140x420mm B2



> METRON 5D ACR INTEGRATED

- Aerodynamic integrated Cable Routing (ACR)
- All carbon construction
- Di2 compatible with integrated junction box compartment and wiring conduits
- 5mm offset drops

SIZES

- -6 x L100 x W400mm (c-c)
- -6 x L110 x W400, 420mm (c-c)
- -6 x L120 x W400, 420mm (c-c)
- -6 x L130 x W400, 420, 440mm (c-c)
- Compact 125mm drop, 80mm reach

FINISH

- UD carbon finish
- Color graphics - gray

WEIGHT

- 363 grams (110 x 420mm)

CODE	TYPE
670-0236001030	VISION HB METRON 5D ACR 100x400mm A9
670-0236015030	VISION HB METRON 5D ACR 110x400mm A9
670-0236007030	VISION HB METRON 5D ACR 120x400mm A9
670-0236003030	VISION HB METRON 5D ACR 110x420mm A9
670-0236004030	VISION HB METRON 5D ACR 120x420mm A9
670-0236009030	VISION HB METRON 5D ACR 130x420mm A9
670-0236006030	VISION HB METRON 5D ACR 130x440mm A9
670-0236014030	VISION HB METRON 5D ACR 130x400mm A9

> VISION TOP CAP

ACCESSORIES

- Compatible only with 5D ACR Integrated handlebar

CODE	TYPE
670-0287000030	VISION HBSP 5D ACR Carbon Top Cap T2082
670-0287000031	VISION HBSP 5D ACR 3K Carbon Top Cap T2118 B2



> VISION SPACER

ACCESSORIES

- Compatible only with ACR system

CODE	TYPE
670-0259000110	STSP SPACER KIT ACR 1x5mm+2x10mm MW010/011
67000260000110	STSP ACR Spacer 10mm w/o logo MW011
67000263000110	STSP ACR Spacer 5mm w/o logo MW010
670-0264000110	STSP ROAD NS ACR Base Stem Spacer MW672



> VISION COMPUTER MOUNT

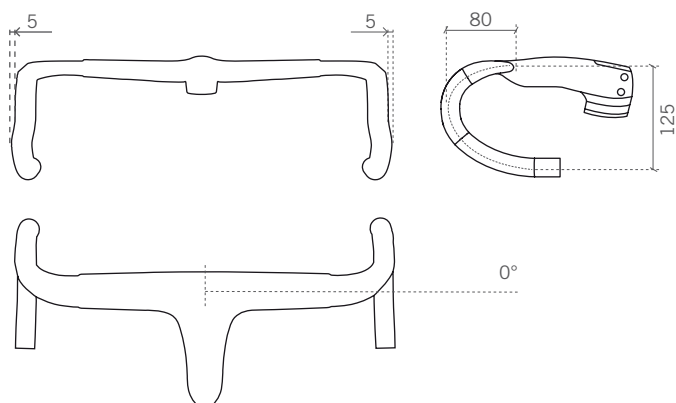
ACCESSORIES

- Compatible only with 5D ACR Integrated handlebar

CODE	TYPE
670-0258000110	VISION HBSP 5D ACR Control Center



> METRON 6D INTEGRATED



- All carbon construction
- Di2 compatible with integrated junction box compartment and wiring conduits
- 5mm offset drops
- Straight top (0° Forward angle)

SIZES

- -6 x L90 x W400mm (c-c)
- -6 x L100 x W400, 420mm (c-c)
- -6 x L110 x W420mm (c-c)
- -6 x L120 x W420mm (c-c)
- -6 x L130 x W420, 440mm (c-c)
- Compact 125mm drop, 80mm reach

FINISH

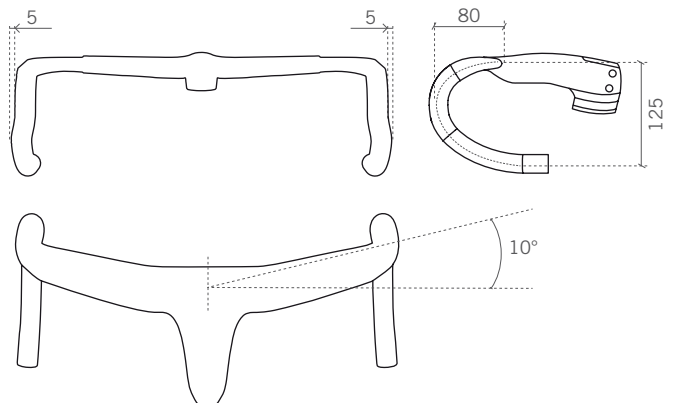
- UD carbon finish
- Color graphics - gray

WEIGHT

- 415 grams (110 x 420mm)

CODE	TYPE
670-0238010030	VISION HB METRON 6D 90x400mm A9
670-0238001030	VISION HB METRON 6D 100x400mm A9
670-0238002030	VISION HB METRON 6D 100x420mm A9
670-0238003030	VISION HB METRON 6D 110x420mm A9
670-0238004030	VISION HB METRON 6D 120x420mm A9
670-0238009030	VISION HB METRON 6D 130x420mm A9
670-0238006030	VISION HB METRON 6D 130x440mm A9

> METRON 5D INTEGRATED



- All carbon construction
- Di2 compatible with integrated junction box compartment and wiring conduits
- 10° forward angle
- 5mm offset drops

SIZES

- -6 x L100 x W400, 420, 440mm (c-c)
- -6 x L110 x W400, 420, 440mm (c-c)
- -6 x L120 x W400, 420, 440mm (c-c)
- -6 x L130 x W 420, 440mm (c-c)
- Compact 125mm drop, 80mm reach

FINISH

- UD carbon finish
- Color graphics - gray

WEIGHT

- 406 grams (110 x 420mm)

CODE	TYPE
670-0070001030	VISION HB METRON 5D 100x400mm V17
670-0070015030	VISION HB METRON 5D 110x400mm V17
670-0070007030	VISION HB METRON 5D 120x400mm V17
670-0070014030	VISION HB METRON 5D 130x400mm V17
670-0070002030	VISION HB METRON 5D 100x420mm V17
670-0070003030	VISION HB METRON 5D 110x420mm V17
670-0070004030	VISION HB METRON 5D 120x420mm V17
670-0070009030	VISION HB METRON 5D 130x420mm V17
670-0070008030	VISION HB METRON 5D 110x440mm V17
670-0070005030	VISION HB METRON 5D 120x440mm V17
670-0070006030	VISION HB METRON 5D 130x440mm V17

10° forward angle for a more natural wrist position and wider elbow stance for easier breathing.

> METRON 5D SUPER COMPACT INTEGRATED NEW21

- All carbon construction
- Di2 compatible with integrated junction box compartment and wiring conduits
- 10° forward angle
- 5mm offset drops

SIZES

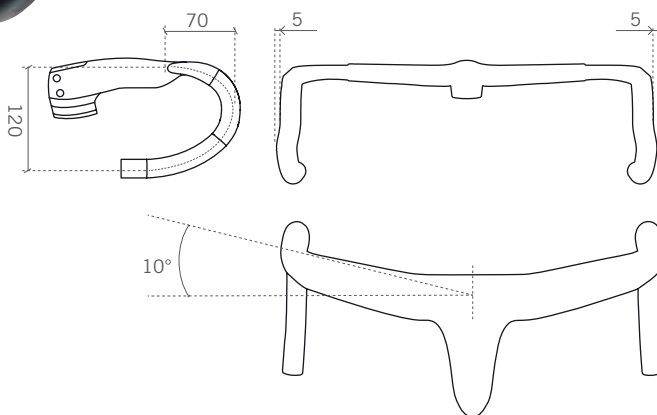
- -6 x L80 x W360mm (c-c)
- -6 x L90 x W380mm (c-c)
- Super Compact 120mm drop, 70mm reach

FINISH

- UD carbon finish
- Color graphics - gray

WEIGHT

- 340 grams (80 x 360mm)



10° forward angle for a more natural wrist position and wider elbow stance for easier breathing.

CODE	TYPE
670-0348016030	VISION HB METRON 5D SuperCompact 90x380mm B1
670-0348017030	VISION HB METRON 5D SuperCompact 80x360mm B1

> METRON MINI CLIP-ON BAR CLIP-ON NEW21

- UD Carbon extensions
- Metron 5D/5D ACR compatible

FINISH

- UD carbon finish
- Color graphics - gray

WEIGHT

- 423 grams



CODE	TYPE
670-0368040030	VISION HBTT MINI Clip-On METRON 5D 117mm V0214



> **VISION** COMPUTER MOUNT
ACCESSORIES

- Compatible only with 5D and 6D Integrated handlebar

CODE	TYPE
187-0006000110	HBSP Control Center STANDARD METRON 5D EL259



670-0369000110

670-0366000010

> **VISION** GARMIN MOUNT **UPDATE21**
ACCESSORIES

- Compatible only with 5D and 6D Integrated handlebar

CODE	TYPE
670-0369000110	HBSP Control Center GARMIN METRON 5D E0758 B1
670-0366000010	HBSP GOPRO FIXED for Control Center 5D E0757 B1
187-0005000110	HBSP Control Center GARMIN METRON 5D EL258



> **VISION** TOP CAP
ACCESSORIES

- Compatible only with 5D and 6D Integrated handlebar

CODE	TYPE
670-0124000030	VISION HBSP Carbon Top CAP METRON 5D V4041



> **VISION** COVER
ACCESSORIES

- Compatible only with 5D and 6D Integrated handlebar

CODE	TYPE
670-0127000110	VISION HBSP Cover METRON 5D EPS-Di23P/5P E0631



10mm



5mm

> **VISION** SPACER
ACCESSORIES

- Compatible only with 5D and 6D Integrated handlebar

CODE	TYPE
670-0128000030	VISION HBSP SPACER KIT 5D/6D 1xMW081A/82/52+2x81B
670-0097000030	VISION HBSP Carbon Spacer 5D/6D 5mm MW081A 1pc
670-0097000031	VISION HBSP Carbon Spacer 5D/6D 10mm MW081B 1pc

> METRON 4D FLAT HANDLEBAR

- Aerodynamic integrated Cable Routing (ACR)
- Internal cable routing options for Di2

SIZES

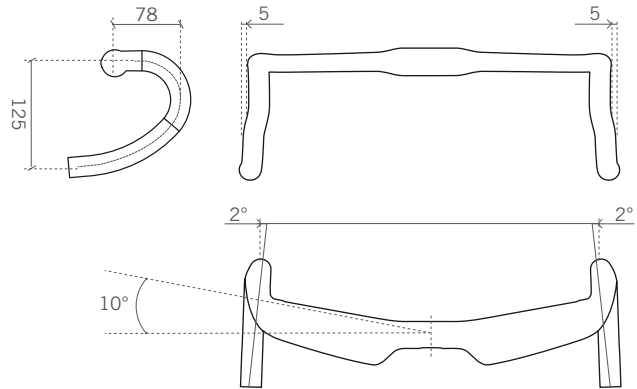
- Ø31.8mm x W400+10mm, 420+10mm, 440+10mm (c-c)
- 125mm drop, 78mm reach
- 2° outward bend

FINISH

- UD carbon finish
- Color graphics - gray

WEIGHT

- 281 grams (420mm)



10° forward angle for a more natural wrist position and wider elbow stance for easier breathing.

CODE	TYPE
670-0138012031	VISION HB METRON 4D FLAT MAS w/o ext 400mm A9
670-0138013031	VISION HB METRON 4D FLAT MAS w/o ext 420mm A9
670-0138014031	VISION HB METRON 4D FLAT MAS w/o ext 440mm A9

> METRON 4D FLAT M.A.S. HANDLEBAR

The Metron 4D Flat combines the superb ergonomics and aerodynamics of the Metron 4D, with a lower hand position and a innovative optional Modular Aero System (MAS) direct-mount clip-on system for additional versatility.

- Aerodynamic integrated Cable Routing (ACR)
- New internal cable routing options for Di2

SIZES

- Ø31.8mm x W380+10mm, 400+10mm, 420+10mm, 440+10mm (c-c)
- 125mm drop, 80mm reach
- 2° outward bend

- Extensions included - J-Bend or S-Bend
- Spacers and accessories available separately

FINISH

- UD carbon finish
- Color graphics - gray

WEIGHT

- 733 grams (420mm - J-Bend)
- 702 grams (420mm - S-Bend)



CODE	TYPE
670-0144020030	VISION HB METRON 4D FLAT MAS S-Bend 400mm
670-0144021030	VISION HB METRON 4D FLAT MAS S-Bend 420mm
670-0144022030	VISION HB METRON 4D FLAT MAS S-Bend 440mm
670-0196020030	VISION HB METRON 4D FLAT MAS J-Bend 400mm
670-0196021030	VISION HB METRON 4D FLAT MAS J-Bend 420mm
670-0196022030	VISION HB METRON 4D FLAT MAS J-Bend 440mm

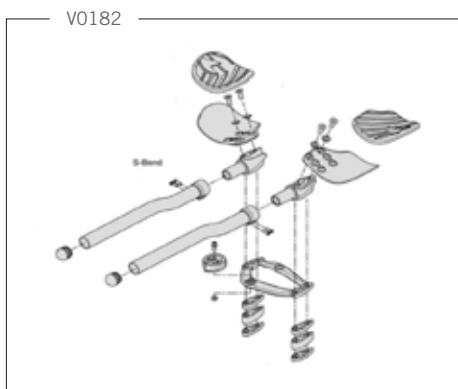


> METRON 4D FLAT MAS KIT

ACCESSORIES

- V0183 & V0182 include: Extension + armrest mounts/plates/pads and spacer kit
- Spacer kit available separately (V0107)

CODE	TYPE
670-0230004030	VISION HBTT MAS Clip-On KIT J-Bend 290mm w/spacer
670-0230003030	VISION HBTT MAS Clip-On KIT J-Bend 270mm w/spacer
670-0230002030	VISION HBTT MAS Clip-On KIT J-Bend 250mm w/spacer
670-0229000030	VISION HBTT MAS Clip-On KIT S-Bend w/spacer
670-0235000110	VISION HBTT MAS Rubber Cover MS011 2pcs
670-0169000000	VISION HBSP SPACER KIT+Bridge METRON 4D MAS V0107



> METRON TFE 4D FLAT MAS KIT ^{NEW22}

ACCESSORIES

- 6061/T6 Full CNC
- TFE Extension compatible

WEIGHT

- 53 grams (adapter / pair)

CODE	TYPE
670-0415000870	VISION HBTT TFE L/R adapters 4D Flat MAS V0234 B1



> METRON AERO HANDLEBAR

- Aerodynamic integrated Cable Routing (ACR)
- 10° Forward angle
- Cable groove compatible with new Di2 systems w/larger internal cable tunnel

SIZES

- Ø31.8mm x W380+10mm, 400+10mm, 420+10mm, 440+10mm (c-c)
- 125mm drop, 78mm reach
- 2° outward bend

FINISH

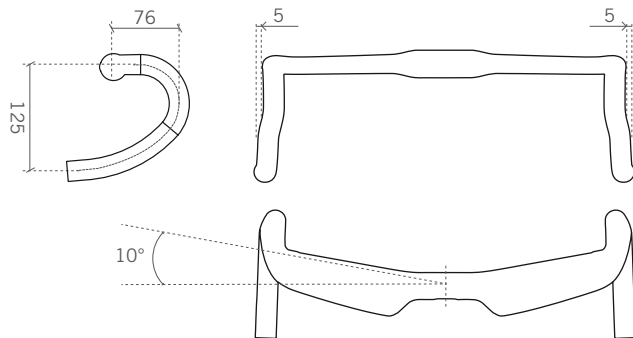
- UD carbon finish

WEIGHT

- 219 grams (420mm)



CODE	TYPE
670-0307012030	VISION HB METRON AERO 400mm B1
670-0307013030	VISION HB METRON AERO 420mm B1
670-0307014030	VISION HB METRON AERO 440mm B1
670-0307035030	VISION HB METRON AERO 380mm B1



10° forward angle for a more natural wrist position and wider elbow stance for easier breathing.

> METRON 4D COMPACT HANDLEBAR

- Aerodynamic integrated Cable Routing (ACR)
- Continuous carbon composite construction
- Aero-ergo flat-top riser central section follows the natural arc of the arms with a 10° forward bend for more ergonomic climbing position and easier breathing
- Cable groove compatible with new Di2 systems w/larger internal cable tunnel
- Reinforced and textured lever and stem clamping areas

SIZES

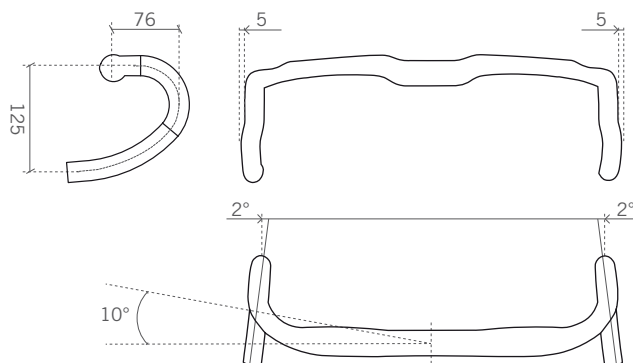
- Ø31.8mm x W400+10mm, 420+10mm, 440+10mm (c-c)
- 125mm drop, 76mm reach
- 2° outward bend

FINISH

- UD carbon finish
- Color graphics - gray

WEIGHT

- 215 grams (420mm)



10° forward angle for a more natural wrist position and wider elbow stance for easier breathing.

CODE	TYPE
670-0057012030	VISION HB METRON 4D ACR 400mm V16
670-0057013030	VISION HB METRON 4D ACR 420mm V16
670-0057014030	VISION HB METRON 4D ACR 440mm V16

> METRON CARBON STEM



Shim to adapt 1-1/4" stem to 1-1/8" steer tube

- Monocoque Carbon Body
- Alloy faceplate
- Titanium hardware

SIZES

- -6 x L90, 100, 110, 120, 130mm
- Ø31.8mm handlebar clamp diameter
- 40mm fork clamp stack height
- Shim to adapt 1-1/4" stem to 1-1/8" steer tube included

FINISH

- UD carbon finish

WEIGHT

- 194 grams (100mm)

CODE	TYPE
670-0244017030	VISION ST METRON carbon 90mm -6° A9
670-0244018030	VISION ST METRON carbon 100mm -6° A9
670-0244019030	VISION ST METRON carbon 110mm -6° A9
670-0244020030	VISION ST METRON carbon 120mm -6° A9
670-0244021030	VISION ST METRON carbon 130mm -6° A9



w/ drive train battery adapter
Removable plastic sleeve

> METRON SB32 SEATPOST

- One piece continuous carbon fiber construction
- Box-section carbon head
- Forged alloy minimalist clamps
- Dual M6 chromoly hardware

SIZES

- L350mm x Ø27.2, Ø31.6mm
- 32mm Setback
- Fits Ø7mm standard rails and 7x9mm oval rails

FINISH

- UD carbon finish
- Color graphics - gray

WEIGHT

- 238 grams (Ø31.6x350mm)

CODE	TYPE
670-0108001030	VISION SP METRON SB32 27.2x350mm V18
670-0108005030	VISION SP METRON SB32 31.6x350mm V18

> METRON SB20 SEATPOST

- One piece continuous carbon fiber construction
- Box-section carbon head
- Forged alloy minimalist clamps
- Dual M6 chromoly hardware

SIZES

- L350mm x Ø27.2, Ø31.6mm
- 20mm Setback
- Fits Ø7mm standard rails and 7x9mm oval rails

FINISH

- UD carbon finish
- Color graphics - gray

WEIGHT

- 234 grams (Ø31.6x350mm)

CODE	TYPE
670-0072001031	VISION SP METRON SB20 27.2x350mm V18
670-0072005030	VISION SP METRON SB20 31.6x350mm V18



w/ drive train battery adapter
Removable plastic sleeve

> METRON SB0 SEATPOST

- One piece continuous carbon fiber construction
- Box-section carbon head
- Forged alloy minimalist clamps
- Dual M6 chromoly hardware

SIZES

- L350mm x Ø27.2, Ø31.6mm
- 0mm setback
- Fits Ø7mm standard rails and 7x9mm oval rails

FINISH

- UD carbon finish
- Color graphics - gray

WEIGHT

- 242 grams (Ø31.6x350mm)

CODE	TYPE
670-0071001030	VISION SP METRON SB0 27.2x350mm V18
670-0071005030	VISION SP METRON SB0 31.6x350mm V18



w/ drive train battery adapter
Removable plastic sleeve



> METRON 30 SL WHEELSET

- Full carbon rim
- 30mm depth rim
- Tubular, Tubeless ready - clincher
- P.R.A. hubs with DP spokes
- 6 sealed cartridge bearings (2F + 4R)
- Spokes - 16F / 21R
- 2:1 aero bladed spokes (rear)
- Aero bladed spokes
- ABS self locking nipples
- Artisan built, entirely by hand
- Includes QR-93, brake pads, valve extenders (tubular) rim tape (clincher), valve and tape for TLR (clincher/TLR), spoke protector and wheels bag

FREEHUB

- Alloy freehub
- Shimano 10-11sp
- SRAM XDR
- Campagnolo 10-11sp (available separately)

FINISH

- Color graphics - gray

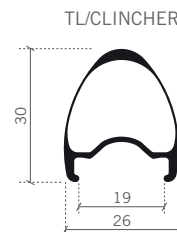
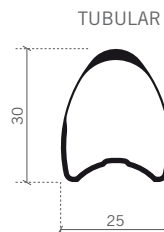
WEIGHT FROM

- TUBULAR - 1,258 grams / pair (w/o QR)
- TLR/CLINCHER - 1,367 grams / pair (w/o QR)

CODE	TYPE
710-0039191030	VISION WH Set METRON30 SL RB Tub SH11 V17
710-0039196031	VISION WH Set METRON30 SL RB Tub XDR A0
710-0040191030	VISION WH Set METRON30 SL RB CH-TL SH11 V19
710-0040196030	VISION WH Set METRON30 SL RB CH-TL XDR A0



CODE	TYPE
752-0665000000	Freehub RB SH11 U2124 EL335
752-0711000010	Freehub RB XDR U2124/U5124 EL345
752-0667000060	Freehub Campy U2124 EL336



INTENDED USE



ASTM





> METRON 30 SL DISC WHEELSET

- Full carbon rim
- 30mm depth rim
- Tubular, tubeless ready - clincher rim
- Centerlock rotor mount
- ISO 6-Bolts rotor mount
- TA-12 and X-12
- 6 sealed cartridge bearings (2F + 4R)
- 2:1 aero bladed spokes 21F / 24R
- ABS self locking nipples
- Artisan built, entirely by hand
- Includes QR-93, valve extenders (tubular) rim tape (clincher), valve and tape for TLR (clincher/TLR), spoke protector and wheels bag

ADAPTERS

- Front - QR, TA-12 and TA-15 (included)
- Rear - QR and X-12 (included)

FREEHUB

- Alloy freehub
- Shimano 10-11sp
- SRAM XDR

FINISH

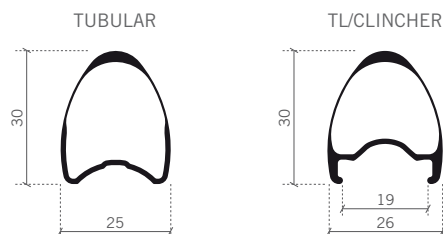
- Color graphics - gray

WEIGHT FROM

- TUBULAR - 1,319 grams / pair (w/o QR)
- TLR/CLINCHER - 1,396 grams / pair (w/o QR)

CODE	TYPE
710-0085231030	VISION WH Set METRON30 SL DB-6B Tub SH11 A9
710-0085236030	VISION WH Set METRON30 SL DB-6B Tub XDR A9
710-0084231030	VISION WH Set METRON30 SL DB-CL Tub SH11 A9
710-0084236030	VISION WH Set METRON30 SL DB-CL Tub XDR A0
710-0079231030	VISION WH Set METRON30 SL DB-6B CH-TL SH11 A9
710-0079236030	VISION WH Set METRON30 SL DB-6B CH-TL XDR A0
710-0080231030	VISION WH Set METRON30 SL DB-CL CH-TL SH11 A9
710-0080236030	VISION WH Set METRON30 SL DB-CL CH-TL XDR A0

CODE	TYPE
752-0648000000	Freehub DB SH11 U2098/U2115 EL333
752-0712000010	Freehub DB XDR U2098/U2115 EL346



INTENDED USE



ASTM





> METRON 40 SL WHEELSET

- Full carbon rim
- 40mm depth rim
- Tubular, Tubeless ready - clincher
- P.R.A. hubs with DP spokes
- 6 sealed cartridge bearings (2F + 4R)
- Spokes - 16F / 21R
- 2:1 aero bladed spokes (rear)
- Aero bladed spokes
- ABS self locking nipples
- Artisan built, entirely by hand
- Includes QR-93, brake pads, valve extenders (tubular) rim tape (clincher), valve and tape for TLR (clincher/TLR), spoke protector and wheels bag

FREEHUB

- Alloy freehub
- Shimano 10-11sp
- SRAM XDR
- Campagnolo 10-11sp (available separately)

FINISH

- Color graphics - gray

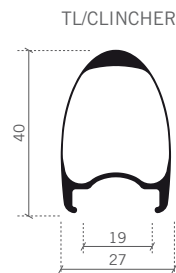
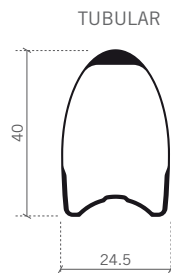
WEIGHT FROM

- TUBULAR - 1,327 grams / pair (w/o QR)
- TLR/CLINCHER - 1,379 grams / pair (w/o QR)

CODE	TYPE
710-0008191038	VISION WH Set METRON40 SL RB Tub SH11 V17
710-000819603D	VISION WH Set METRON40 SL RB Tub XDR A0
710-000919103D	VISION WH Set METRON40 SL RB CH-TL SH11 A9
710-0035196032	VISION WH Set METRON40 SL RB CH-TL XDR A0



CODE	TYPE
752-0665000000	Freehub RB SH11 U2124 EL335
752-0711000010	Freehub RB XDR U2124/U5124 EL345
752-0667000060	Freehub Campy U2124 EL336



INTENDED USE



ASTM





> METRON 40 SL DISC WHEELSET

- Full carbon rim
- 40mm depth rim
- Tubular, tubeless ready - clincher rim
- P.R.A. hubs with DP spokes
- Centerlock rotor mount
- ISO 6-Bolts rotor mount
- TA-12 and X-12
- 6 sealed cartridge bearings (2F + 4R)
- 2:1 aero bladed spokes 21F / 24R
- ABS self locking nipples
- Artisan built, entirely by hand
- Includes QR-93, valve extenders (tubular) rim tape (clincher), valve and tape for TLR (clincher/TLR), spoke protector and wheels bag

ADAPTERS

- Front - QR, TA-12 and TA-15 (included)
- Rear - QR and X-12 (included)

FREEHUB

- Alloy freehub
- Shimano 10-11sp
- SRAM XDR

FINISH

- Color graphics - gray

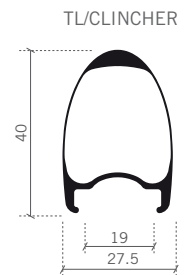
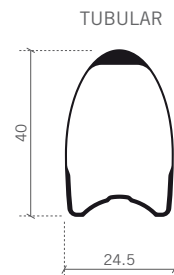
WEIGHT FROM

- TUBULAR - 1,420 grams / pair (w/o QR)
- TLR/CLINCHER - 1,479 grams / pair (w/o QR)

CODE	TYPE
710-0025231052	VISION WH Set METRON40 SL DB-6B Tub SH11 V17
710-0025236033	VISION WH Set METRON40 SL DB-6B Tub XDR A0
710-0029231054	VISION WH Set METRON40 SL DB-CL Tub SH11 A0
710-0029236035	VISION WH Set METRON40 SL DB-CL Tub XDR A0
710-0061231034	VISION WH Set METRON40 SL DB-6B CH-TL SH11 B1
710-0061236034	VISION WH Set METRON40 SL DB-6B CH-TL XDR B1
710-0062231035	VISION WH Set METRON40 SL DB-CL CH-TL SH11 B1
710-0062236035	VISION WH Set METRON40 SL DB-CL CH-TL XDR B1



CODE	TYPE
752-0648000000	Freehub DB SH11 U2098/U2115 EL333
752-0712000010	Freehub DB XDR U2098/U2115 EL346



INTENDED USE



ASTM





> METRON 45 SL DISC WHEELSET

- Full carbon rim
- 45mm depth rim
- Tubular, tubeless ready - clincher rim
- New P.R.S. hubs with DP spokes
- Centerlock rotor mount
- TA-12 and X-12
- 6 sealed cartridge bearings (2F + 4R)
- 2:1 aero bladed spokes 21F / 24R
- Aero bladed spokes
- ABS self locking nipples
- Artisan built, entirely by hand
- Includes valve extenders (tubular) rim tape (clincher), valve and tape for TLR (clincher/TLR), spoke protector and wheels bag

ADAPTERS

- Included: Front TA-15
- Available separately: Front TA-12, Rear X-12

FREEHUB

- Alloy freehub
- Shimano 10-11sp
- SRAM XDR

FINISH

- Color graphics - black

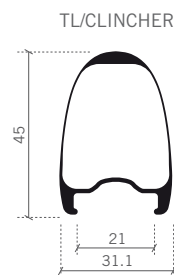
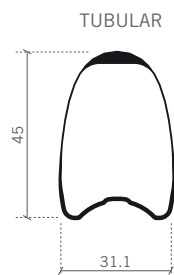
WEIGHT FROM

- TUBULAR - 1,270 grams / pair (w/o QR)
- TLR/CLINCHER - 1,372 grams / pair (w/o QR)

CODE	TYPE
710-0156231030	VISION WH Set METRON45 SL DB-CL CH-TL SH11 B1
710-0156236030	VISION WH Set METRON45 SL DB-CL CH-TL XDR B1
710-0157236030	VISION WH Set METRON45 SL DB-CL Tub XDR B1
710-0157231030	VISION WH Set METRON45 SL DB-CL Tub SH11 B1



CODE	TYPE
752-0921000020	Freehub DB SH11 U2149 w/oSpindle EL401
752-0938000010	Freehub DB XDR U5149 w/oSpn EL402
752-0918000520	TOOL Ratchet Ring Removal for Rear Hub PRS E0791



INTENDED USE



ASTM

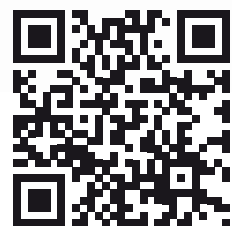
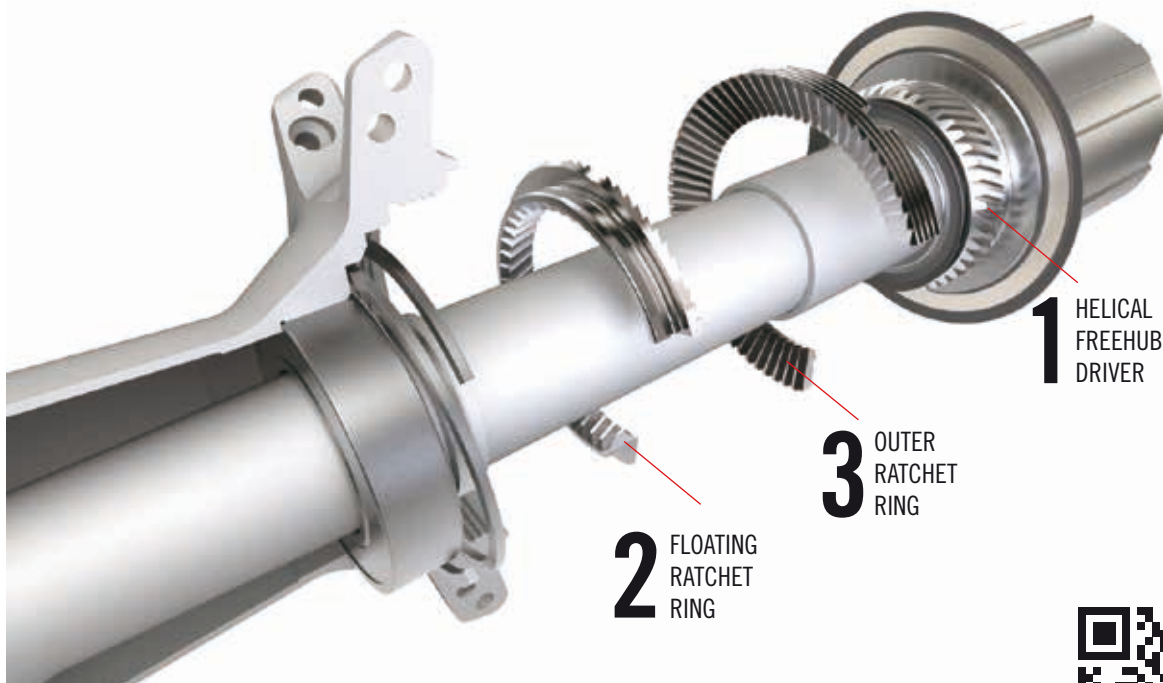


PRS HUB

POWER RATCHET SYSTEM

COMBINING AXIAL AND LATERAL FORCES FOR SUPERIOR PERFORMANCE

- 1) The Helical Driver engages with the Floating Ratchet Ring, combining the Floating Ratchet Ring and Outer Ratchet Ring together. Due to a greater surface contact area of the high tooth count rings, the resulting large torque force creates a "lightning-quick" link between all interfaces delivering a high concentration of forces under load while also reducing loss of power.
- 2) When freewheeling and coasting, the Floating Ratchet Ring disengages from the driver to reduce resistance and friction while increasing system reliability over time.
- 3) The 5° of engagement between the Floating Ratchet Ring and Outer Ratchet Ring is a 25% improvement over previous hub, resulting in faster engagement with improved power transfer.



DISCOVER **MORE**



> METRON 55 SL WHEELSET

- Full carbon rim
- 55mm depth rim
- Tubular, Tubeless ready - clincher
- P.R.A. hubs with DP spokes
- 6 sealed cartridge bearings (2F + 4R)
- Spokes - 16F / 21R
- 2:1 aero bladed spokes (rear)
- Aero bladed spokes
- ABS self locking nipples
- Artisan built, entirely by hand
- Includes QR-93, brake pads, valve extenders (tubular) rim tape (clincher), valve and tape for TLR (clincher/TLR), spoke protector and wheels bag

FREEHUB

- Alloy freehub
- Shimano 10-11sp
- SRAM XDR
- Campagnolo 10-11sp (available separately)

FINISH

- Color graphics - gray

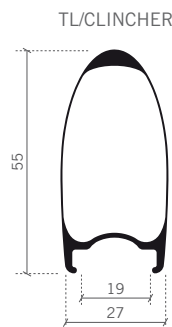
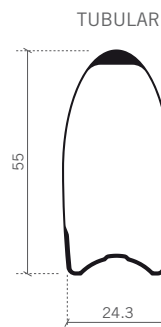
WEIGHT FROM

- TUBULAR - 1,430 grams / pair (w/o QR)
- TLR/CLINCHER - 1,483 grams / pair (w/o QR)

CODE	TYPE
710-0007191030	VISION WH Set METRON55 SL RB Tub SH11 A0
710-0007196037	VISION WH Set METRON55 SL RB Tub XDR A0
710-0006191039	VISION WH Set METRON55 SL RB CH-TL SH11 A9
710-0006196039	VISION WH Set METRON55 SL RB CH-TL XDR A0



CODE	TYPE
752-0665000000	Freehub RB SH11 U2124 EL335
752-0711000010	Freehub RB XDR U2124/U5124 EL345
752-0667000060	Freehub Campy U2124 EL336



INTENDED USE



ASTM





> METRON 55 SL DISC WHEELSET

- Full carbon rim
- 55mm depth rim
- Tubular, tubeless ready - clincher rim
- P.R.A. hubs with DP spokes
- Centerlock rotor mount
- ISO 6-Bolts rotor mount
- TA-12 and X-12
- 6 sealed cartridge bearings (2F + 4R)
- 2:1 aero bladed spokes 21F / 24R
- ABS self locking nipples
- Artisan built, entirely by hand
- Includes QR-93, valve extenders (tubular) rim tape (clincher), valve and tape for TLR (clincher/TLR), spoke protector and wheels bag

ADAPTERS

- Front - QR, TA-12 and TA-15 (included)
- Rear - QR and X-12 (included)

FREEHUB

- Alloy freehub
- Shimano 10-11sp
- SRAM XDR

FINISH

- Color graphics - gray

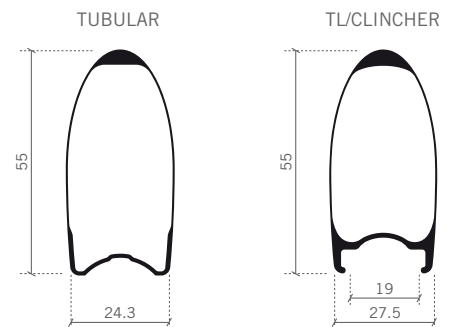
WEIGHT FROM

- TUBULAR - 1,519 grams / pair (w/o QR)
- TLR/CLINCHER - 1,591 grams / pair (w/o QR)

	CODE	TYPE
EU only	710-0046231050	VISION WH Set METRON55 SL DB-6B Tub SH11 V17
Not for EU	710-0046231036	VISION WH Set METRON55 SL DB-6B Tub SH11 V17
	710-0046236036	VISION WH Set METRON55 SL DB 6B Tub XDR V19
EU only	710-0047231030	VISION WH Set METRON55 SL DB-CL Tub SH11 V17
Not for EU	710-0047231036	VISION WH Set METRON55 SL DB-CL Tub SH11 V17
	710-0047236036	VISION WH Set METRON55 SL DB-CL Tub XDR A0
	710-0044231036	VISION WH Set METRON55 SL DB-6B CH-TL SH11 B1
	710-0044236036	VISION WH Set METRON55 SL DB-6B CH-TL XDR B1
	710-0045231032	VISION WH Set METRON55 SL DB-CL CH-TL SH11 B1
	710-0045236032	VISION WH Set METRON55 SL DB-CL CH-TL XDR B1



CODE	TYPE
752-0648000000	Freehub DB SH11 U2098/U2115 EL333
752-0712000010	Freehub DB XDR U2098/U2115 EL346



INTENDED USE



ASTM





> METRON 60 SL DISC WHEELSET **NEW21**

- Full carbon rim
- 60mm depth rim
- Tubular, tubeless ready - clincher rim
- New P.R.S. hubs with DP spokes
- Centerlock rotor mount
- TA-12 and X-12
- 6 sealed cartridge bearings (2F + 4R)
- 2:1 aero bladed spokes 21F / 24R
- ABS self locking nipples
- Artisan built, entirely by hand
- Includes valve extenders (tubular) rim tape (clincher), valve and tape for TLR (clincher/TLR), spoke protector and wheels bag

ADAPTERS

- Included: Front TA-15
- Available separately: Front TA-12, Rear X-12

FREEHUB

- Alloy freehub
- Shimano 10-11sp
- SRAM XDR

FINISH

- Color graphics - black

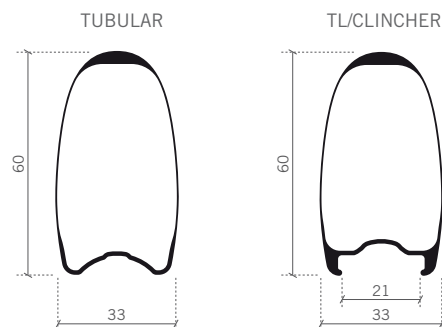
WEIGHT FROM

- TUBULAR - 1,350 grams / pair (w/o QR)
- TLR/CLINCHER - 1,460 grams / pair (w/o QR)

CODE	TYPE
710-0152231030	VISION WH Set METRON60 SL DB-CL CH-TL SH11 B1
710-0152236030	VISION WH Set METRON60 SL DB-CL CH-TL XDR B1
710-0153236030	VISION WH Set METRON60 SL DB-CL Tub XDR B1
710-0153231030	VISION WH Set METRON60 SL DB-CL Tub SH11 B1



CODE	TYPE
752-0921000020	Freehub DB SH11 U2149 w/oSpindle EL401
752-0938000010	Freehub DB XDR U5149 w/oSpn EL402
752-09180000520	TOOL Ratchet Ring Removal for Rear Hub PRS E0791



INTENDED USE



ASTM





YOUR RIDE, OUR HERITAGE

VISION WHEELS ...PERFORMANCE FOR ALL!

Metron

Metron is our fastest and most aerodynamic model line, for the competitor who rides without compromise and demands every watt and gram advantage to have the fastest bike possible. You will find Metron components at the top level of professional road racing and triathlon racing, giving the athletes the competitive edge to win!

SC

SC is the newest range of light and versatile carbon racing wheels. They have been developed using extensive wind tunnel testing and on the road with professional cyclists of our sponsored teams, offering a great balance of performance and light weight at a competitive price.

TC

Redefining value and performance, the Vision TC series can be found on bikes of all levels. When robustness and cost-effectiveness is needed, Vision TC has the answer.

vision

VISIONTECHUSA.COM
#WINWITHTHEWIND



> METRON 81 SL WHEELSET

- Full carbon rim
- 81mm depth rim
- Tubular, Tubeless ready - clincher
- P.R.A. hubs with DP spokes
- 6 sealed cartridge bearings (2F + 4R)
- Spokes - 16F / 21R
- 2:1 aero bladed spokes (rear)
- Aero bladed spokes
- ABS self locking nipples
- Artisan built, entirely by hand
- Includes QR-93, brake pads, valve extenders (tubular) rim tape (clincher), valve and tape for TLR (clincher/TLR), spoke protector and wheels bag

FREEHUB

- Alloy freehub
- Shimano 10-11sp
- SRAM XDR
- Campagnolo 10-11sp (available separately)

FINISH

- Color graphics - gray

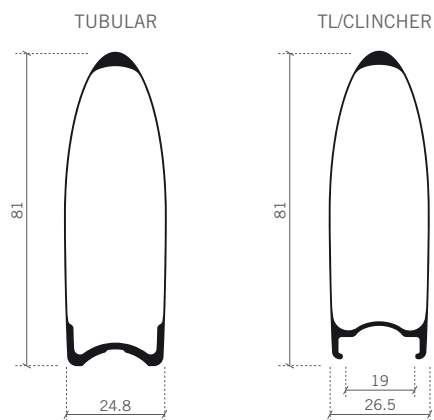
WEIGHT FROM

- TUBULAR - 1,550 grams / pair (w/o QR)
- TLR/CLINCHER - 1,740 grams / pair (w/o QR)

CODE	TYPE
710-0020191032	VISION WH Set METRON81 SL RB CH-TL SH11 A9
710-0020196033	VISION WH Set METRON81 SL RB CH-TL XDR A0
EU only 710-0026191030	VISION WH Set METRON81 SL RB Tub SH11 V17
Not for EU 710-0026191035	VISION WH Set METRON81 SL RB Tub SH11 V17
710-0026196035	VISION WH Set METRON81 SL RB Tub XDR A0



CODE	TYPE
752-0665000000	Freehub RB SH11 U2124 EL335
752-0711000010	Freehub RB XDR U2124/U5124 EL345
752-0667000060	Freehub Campy U2124 EL336



INTENDED USE



ASTM





> METRON 81 SL DISC WHEELSET

- Full carbon rim
- 81mm depth rim
- Tubular, tubeless ready - clincher rim
- P.R.A. hubs with DP spokes
- Centerlock rotor mount
- ISO 6-Bolts rotor mount
- TA-12 and X-12
- 6 sealed cartridge bearings (2F + 4R)
- 2:1 aero bladed spokes 21F / 24R
- ABS self locking nipples
- Artisan built, entirely by hand
- Includes valve extenders (tubular) rim tape (clincher), valve and tape for TLR (clincher/TLR), spoke protector and wheels bag

ADAPTERS

- Front - QR, TA-12 and TA-15 (included)
- Rear - QR and X-12 (included)

FREEHUB

- Alloy freehub
- Shimano 10-11sp
- SRAM XDR

FINISH

- Color graphics - gray

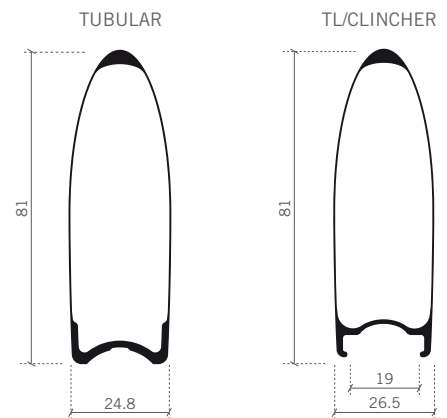
WEIGHT FROM

- TUBULAR - 1,628 grams / pair (w/o QR)
- TLR/CLINCHER - 1,810 grams / pair (w/o QR)

CODE	TYPE
710-0074231030	VISION WH Set METRON81 SL DB-6B Tub SH11
710-0074236030	VISION WH Set METRON81 SL DB-6B Tub XDR A0
710-0064231030	VISION WH Set METRON81 SL DB-CL Tub SH11 A9
710-0064236030	VISION WH Set METRON81 SL DB-CL Tub XDR A0
710-0071231030	VISION WH Set METRON81 SL DB-6B CH-TL SH11 A9
710-0071236030	VISION WH Set METRON81 SL DB-6B CH-TL XDR A9
710-0066231030	VISION WH Set METRON81 SL DB-CL CH-TL SH11 A9
710-0066236030	VISION WH Set METRON81 SL DB-CL CH-TL XDR A0



CODE	TYPE
752-0648000000	Freehub DB SH11 U2098/U2115 EL333
752-0712000010	Freehub DB XDR U2098/U2115 EL346



INTENDED USE

ASTM





> METRON 3 SPOKE WHEELSET

- Full carbon rim
- 55mm depth rim
- Tubular, Tubeless ready - clincher
- Balanced layering of UD and 3K carbon fibers
- P.R.A. hubs with Preload Reduction Assembly system
- 6 sealed chromoly steel cartridge bearings
- 3 Carbon bladed spokes
- Hand laminated rim and spoke
- Open area - 50%.
- Includes QR-93, brake pads, valve extenders (tubular), valve and tape for TLR (clincher/TLR), spoke protector and wheel bags

FREEHUB

- Alloy freehub
- Shimano 10-11sp
- SRAM XDR (available separately)
- Campagnolo 10-11sp (available separately)

FINISH

- Color graphics - gray

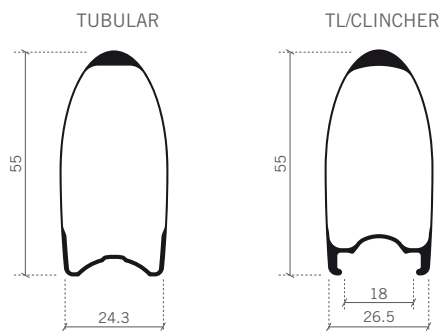
WEIGHT FROM

- TUBULAR FRONT - 712 grams (w/o QR)
- TUBULAR REAR - 822 grams (w/o QR)
- TLR/CLINCHER FRONT - 845 grams (w/o QR)
- TLR/CLINCHER REAR - 940 grams (w/o QR)

CODE	TYPE
710-0072003030	VISION WH Front METRON 3SPOKE RB Tub A9
710-0075003030	VISION WH Front METRON 3SPOKE RB CH-TL A9



CODE	TYPE
752-0665000000	Freehub RB SH11 U2124 EL335
752-0711000010	Freehub RB XDR U2124/U5124 EL345
752-0667000060	Freehub Campy U2124 EL336



INTENDED USE



ASTM





> METRON 3 SPOKE DISC WHEELSET

- Full carbon rim
- 55mm depth rim
- Tubular, tubeless ready - clincher rim
- Balanced layering of UD and 3K carbon fibers
- P.R.A. hubs with Preload Reduction Assembly system
- ISO 6-Bolts rotor mount
- Centerlock rotor mount
- TA-12 and X-12
- 6 sealed chromoly steel cartridge bearings
- 3 Carbon bladed spokes
- Open area - 50%.
- Hand laminated rim and spoke
- Includes valve extenders (tubular) rim tape (clincher), valve and tape for TLR (clincher/TLR), spoke protector and wheel bags

ADAPTERS

- Front - QR, TA-12 and TA-15 (included)
- Rear - QR and X-12 (included)

FREEHUB

- Alloy freehub
- Shimano 10-11sp
- SRAM XDR (available separately)

FINISH

- Color graphics - gray

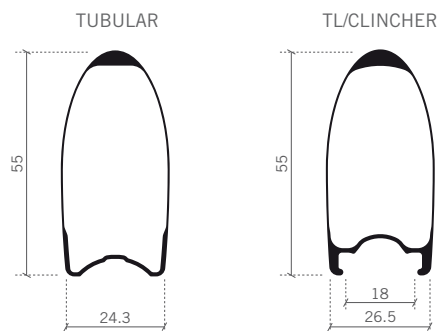
WEIGHT FROM

- TUBULAR FRONT - 685 grams (w/o QR)
- TUBULAR REAR - 790 grams (w/o QR)
- TLR/CLINCHER FRONT - 810 grams (w/o QR)
- TLR/CLINCHER REAR - 905 grams (w/o QR)

CODE	TYPE
710-0077003030	VISION WH Front METRON 3SPOKE DB-6B CH-TL A9
710-0078003030	VISION WH Front METRON 3SPOKE DB-CL CH A9
710-0081003030	VISION WH Front METRON 3SPOKE DB-6B Tub A9
710-0082003030	VISION WH Front METRON 3SPOKE DB-CL Tub A9



CODE	TYPE
752-0648000000	Freehub DB SH11 U2098/U2115 EL333
752-0712000010	Freehub DB XDR U2098/U2115 EL346



INTENDED USE



ASTM





> METRON DISC SL WHEELSET

- Full UD Carbon fairings construction
- Tubular, tubeless ready - clincher rim
- 6 sealed chromoly steel cartridge bearings
- Ø 17mm axle hub

RIM BRAKE VERSION

- Includes QR-93, brake pads, valve extenders (tubular), valve and tape for TLR (clincher/TLR), spoke protector and wheel bags

DISC BRAKE VERSION

- Centerlock rotor mount
- ISO 6-Bolts rotor mount
- 6 sealed chromoly steel cartridge bearings
- Includes QR-93, valve extenders (tubular), valve and tape for TLR (clincher/TLR), spoke protector and wheel bags

ADAPTERS

- Front - QR, TA-12 and TA-15 (included)
- Rear - QR and X-12 (included)

FREEHUB

- Alloy freehub
- Shimano 10-11sp
- SRAM XDR
- Campagnolo 10-11sp (Only rim brake - available separately)

FINISH

- Color graphics - gray

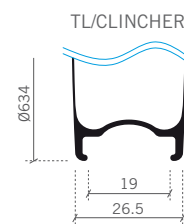
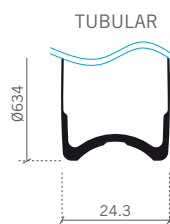
WEIGHT FROM

- TUBULAR - 1,050 grams (w/o QR)
- TUBULAR DISC - 1,005 grams / pair (w/o QR)
- TLR/CLINCHER - 1,090 grams (w/o QR)
- TLR/CLINCHER DISC - 1,045 grams / pair (w/o QR)

CODE	TYPE
710-0053004032	VISION WH Rear METRON Disc SL RB CH-TL SH11 A0
710-0053008032	VISION WH Rear METRON Disc SL RB CH-TL XDR A0
710-0073004030	VISION WH Rear METRON Disc SL RB Tub SH11 V18
710-0073008030	VISION WH Rear METRON Disc SL RB Tub XDR A0
710-0165004030	VISION WH Rear METRON Disc SL DB-CL CH-TL SH11 B2
710-0165008030	VISION WH Rear METRON Disc SL DB-CL CH-TL XDR B2
710-0172004030	VISION WH Rear METRON Disc SL DB-CL Tub SH11 B2
710-0172008030	VISION WH Rear METRON Disc SL DB-CL Tub XDR B2



CODE	TYPE
752-0665000000	Freehub RB SH11 U2124 EL335
752-0711000010	Freehub RB XDR U2124/U5124 EL345
752-0667000060	Freehub Campy U2124 EL336



INTENDED USE



ASTM





> METRON TFW WHEELSET

- Full carbon construction
- Tubular, tubeless ready - clincher rim
- Specific design hub
- 6 sealed chromoly steel cartridge bearings
- Includes QR-93, brake pads, valve extenders (tubular), valve and tape for TLR (clincher/TLR), spoke protector and wheel bags

DISC BRAKE VERSION

- Centerlock rotor mount
- ISO 6-Bolts rotor mount
- 6 sealed chromoly steel cartridge bearings
- Includes QR-93, valve extenders (tubular), valve and tape for TLR (clincher/TLR), spoke protector and wheel bags

ADAPTERS

- Front - QR, TA-12 and TA-15 (included)
- Rear - QR and X-12 (included)

FREEHUB

- Alloy freehub
- Shimano 10-11sp
- SRAM XDR (available separately)
- Campagnolo 10-11sp (Only rim brake - available separately)

FINISH

- Color graphics - gray

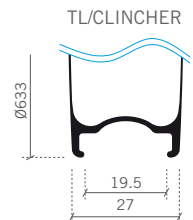
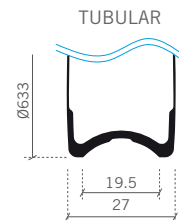
WEIGHT FROM

- TUBULAR - 950 grams (w/o QR)
- TUBULAR DISC - 970 grams / pair (w/o QR)
- TLR/CLINCHER - 928 grams (w/o QR)
- TLR/CLINCHER DISC - 934 grams / pair (w/o QR)

	CODE	TYPE
EU only	710-0116004030	VISION WH Rear Disc TFW RB CH-TL
EU only	710-0117004030	VISION WH Rear Disc TFW RB Tub
EU only	710-0118004030	VISION WH Rear Disc TFW DB-CL CH-TL
EU only	710-0119004030	VISION WH Rear Disc TFW DB-CL Tub



CODE	TYPE
752-0665000000	Freehub RB SH11 U2124 EL335
752-0711000010	Freehub RB XDR U2124/U5124 EL345
752-0667000060	Freehub Campy U2124 EL336



INTENDED USE



ASTM



TRIMAX CARBON

SERIES The TriMax Carbon series of components offer the best combination of light weight, aerodynamics, and performance. The components are designed to adjust to all rider types suiting road and triathlon pro's and age-groupers alike.

> TRIMAX CARBON SI 013 AEROBAR



- Aerodynamic integrated Cable Routing (ACR)
- Highly adjustable and customizable Semi-integrated design
- Lightweight carbon wing and extensions
- Internal cable routing and Di2 compatible
- Forged 6061-T6 AL brackets and hardware
- Composite armrests with low profile ergonomic pads
- JS-Bend extension
- J-Bend, S-Bend, Speed extension (available separately)
- Clamp area diameter - Ø31.8mm
- Fits with all TT bikes
- Spare parts: Metron TFA accessories page

FINISH

- UD carbon finish

WEIGHT

- 1130 grams (with bolts and spacers)



CODE	TYPE
670-0261006030	VISION HBTT TRIMAX CARBON SI-013 JS-Bend A9



> TRIMAX CARBON STACK KIT ACCESSORIES

- Suitable to Trimax Carbon SI 013
- Underside bolts assembling

CODE	TYPE
670-0315000750	VISION HBTT Armrest stack SPACER KIT TRX CAR V0200

> TRIMAX CARBON CLIP-ON ADJUSTABLE

- Highly adjustable and customizable Clip-on design
- Easy set-up and adjustability via open-access underside bolts
- Lightweight carbon extensions
- Low-profile armrest pads
- Internal cable routing and Di2 compatible
- 40mm armrest width adjustment
- JS Bend
- J Bend
- S Bend

SIZES

- For Ø31.8mm Basebar
- Stack: 55mm
- Reach: -9mm to -99 (Center of clamp to rear edge of armrest -7.5mm Increments)
- Width: 210mm to 360 (15mm Increments)
- Armrest Rotation: 0-13°

FINISH

- UD carbon finish
- Color graphics - gray

WEIGHT

- J-Bend: 500 grams



JS-Bend

J-Bend

CODE	TYPE
670-0265013030	VISION HBBT TRIMAX CARBON Clip-On JS-Bend A0
670-0290013030	VISION HBBT TRIMAX CARBON Clip-On J-Bend A0
670-0291013030	VISION HBBT TRIMAX CARBON Clip-On S-bend A0



S-Bend

> TRIMAX CARBON BASE BAR

- Carbon fiber basebar
- Custom shaped for optimized aerodynamics
- Fits most standard clip-on aero extensions
- Fully internal cable routing - Di2 compatible

SIZES

- Fits Ø31.8mm stem & clip-on clamps
- Width - 410mm (c-c)
- Drop: 0mm

FINISH

- UD carbon finish
- Color graphics

WEIGHT

- 205 grams



Union Cyclist International Legal

CODE	TYPE
670-0306053030	VISION HBBT TRIMAX CARBON Base Bar 31.8x410mm A0

> TRIMAX CARBON AERO HANDLEBAR



- Aerodynamic integrated Cable Routing (ACR)
- 10° Forward angle
- Cable groove compatible with new Di2 systems w/larger internal cable tunnel

SIZES

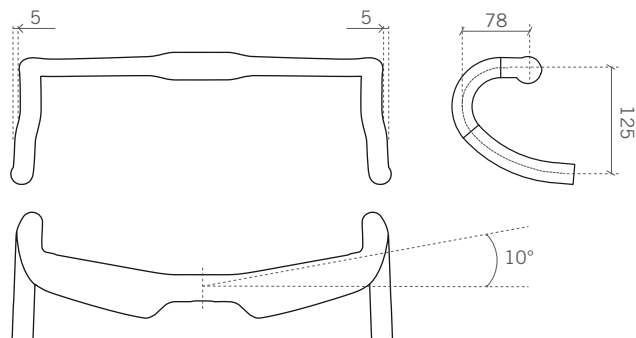
- Ø31.8mm x W380+10mm, 400+10mm, 420+10mm, 440+10mm (c-c)
- 125mm drop, 76mm reach
- 2° outward bend

FINISH

- UD carbon finish

WEIGHT

- 240 grams (420mm)



10° forward angle for a more natural wrist position and wider elbow stance for easier breathing.

CODE	TYPE
670-0308012030	VISION HB TRIMAX CARBON AERO ACR 400mm B1
670-0308013030	VISION HB TRIMAX CARBON AERO ACR 420mm B1
670-0308014030	VISION HB TRIMAX CARBON AERO ACR 440mm B1
670-0308035030	VISION HB TRIMAX CARBON AERO ACR 380mm B1

> TRIMAX CARBON ERGO HANDLEBAR



- Aerodynamic integrated Cable Routing (ACR)
- Continuous carbon composite construction
- Aero-ergo flat-top riser central section
- 10° forward bend
- Cable groove compatible with new DI2 systems w/ larger internal cable tunnel
- Reinforced and textured lever and stem clamping areas
- Weight reduction

SIZES

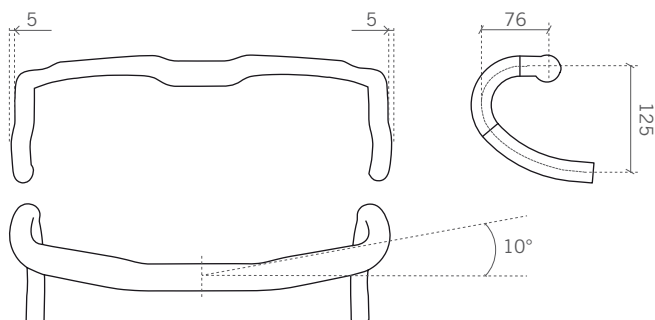
- Ø31.8mm x W400+10mm, 420+10mm, 440+10m (c-c)
- 125mm drop, 76mm reach
- 2° outward bend

FINISH

- UD carbon finish
- Color graphics - gray

WEIGHT

- 245 grams (420mm)



10° forward angle for a more natural wrist position and wider elbow stance for easier breathing.

CODE	TYPE
670-0309012030	VISION HB TRIMAX CARBON 4D ERGO Compact ACR 400mm B1
670-0309013030	VISION HB TRIMAX CARBON 4D ERGO Compact ACR 420mm B1
670-0309014030	VISION HB TRIMAX CARBON 4D ERGO Compact ACR 440mm B1

> TRIMAX CARBON 4D HANDLEBAR

- Continuous carbon composite construction
- Aero-ergo flat-top riser central section
- 10° forward bend
- Cable groove compatible with new Di2 systems w/ larger internal cable tunnel
- Reinforced and textured lever and stem clamping areas
- Weight reduction

SIZES

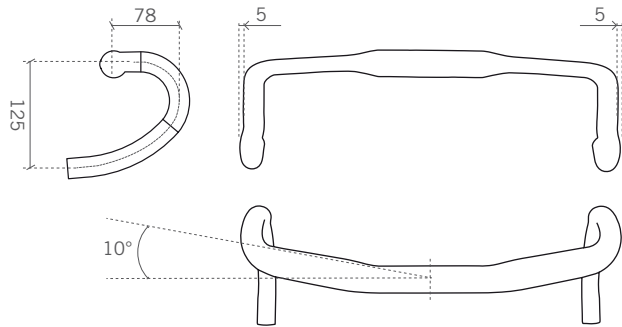
- Ø31.8mm x W400+10mm, 420+10mm, 440+10mm (c-c)
- 125mm drop, 78mm reach
- 2° outward bend

FINISH

- UD carbon finish
- Color graphics - gray

WEIGHT

- 225 grams (420mm)



10° forward angle for a more natural wrist position and wider elbow stance for easier breathing.

CODE	TYPE
670-0175012030	VISION HB TRIMAX CARBON 4D 400mm Di2 V18
670-0175013030	VISION HB TRIMAX CARBON 4D 420mm Di2 V18
670-0175014030	VISION HB TRIMAX CARBON 4D 440mm Di2 V18

> TRIMAX CARBON -6° STEM

- 4 bolt sculpted AL2014 alloy
- New alloy faceplate
- UD carbon skin applied through CSI process
- 3D forged and CNC machined from AL2014
- Chromoly hardware

SIZES

- -6° x L80, 90, 100, 110, 120, 130mm
- Ø31.8mm handlebar clamp diameter
- 35mm fork clamp stack height

FINISH

- UD carbon finish
- Faceplate - Fine blasted anodized black

WEIGHT

- 157 grams (100mm)



CODE	TYPE
670-0338016030	VISION ST TRIMAX CARBON 80mm -6° B1
670-0338017030	VISION ST TRIMAX CARBON 90mm -6° B1
670-0338018030	VISION ST TRIMAX CARBON 100mm -6° B1
670-0338019030	VISION ST TRIMAX CARBON 110mm -6° B1
670-0338020030	VISION ST TRIMAX CARBON 120mm -6° B1
670-0338021030	VISION ST TRIMAX CARBON 130mm -6° B1



w/ drive train battery adapter
Removable plastic sleeve

> TRIMAX CARBON SB0 SEATPOST

- UD carbon shaft with bonded alloy head
- Forged alloy Minimal Top Clamp (MTC)
- Chromoly hardware

SIZES

- L400mm x Ø 27.2mm
- Zero setback
- Fits Ø7mm standard rails and 7x9mm oval rails

FINISH

- UD carbon finish
- Color graphics - gray

WEIGHT

- 219 g (Ø27.2x400mm)

CODE	TYPE
670-0143033030	VISION SP TRIMAX CARBON SB0 27.2x400mm V17



w/ drive train battery adapter
Removable plastic sleeve

> TRIMAX CARBON SB20 SEATPOST

- UD carbon shaft with bonded alloy head
- Forged alloy "SBS" 2-bolt head
- Chromoly hardware

SIZES

- L350mm x Ø 25.4, Ø 27.2, Ø31.6mm
- 20mm setback
- Fits Ø7mm standard rails and 7x9mm oval rails

FINISH

- UD carbon finish
- Color graphics - gray

WEIGHT

- 221 g (Ø27.2x350mm)

CODE	TYPE
670-0142001030	VISION SP TRIMAX CARBON SB20 27.2x350mm V17
670-0142005030	VISION SP TRIMAX CARBON SB20 31.6x350mm V17
670-0153039030	VISION SP TRIMAX CARBON SB20 25.4x350mm V17

YOUR RIDE, OUR HERITAGE

WIN WITH THE WIND

Since its birth in Kona in the '90s, Vision has been synonymous with a no-expense spared assault on wind resistance.

Recent years have seen the innovative application of carbon fiber and the creation of dream-like shapes to enhance performance. Vision is the brand to beat, leading the way in time trials and triathlon by creating slippery-fast aero products with proper fit adjustment that allow the rider to push their limits in race conditions. Vision continually refine, test and innovate in the quest for speed, with industry-leading products throughout the range.

vision

VISIONTECHUSA.COM
#WINWITHTHEWIND



TRIMAX SERIES

The TriMax series represents the very best alloy components available for the race against the clock. With outstanding aerodynamic technology and great fitment options, each part represents a smart selection for riders wanting durability and high performance.



> TRIMAX AERO HANDLEBAR

- Aerodynamic integrated Cable Routing (ACR)
- Alloy construction
- 7° Forward angle
- Cable groove compatible with new Di2 systems w/larger internal cable tunnel

SIZES

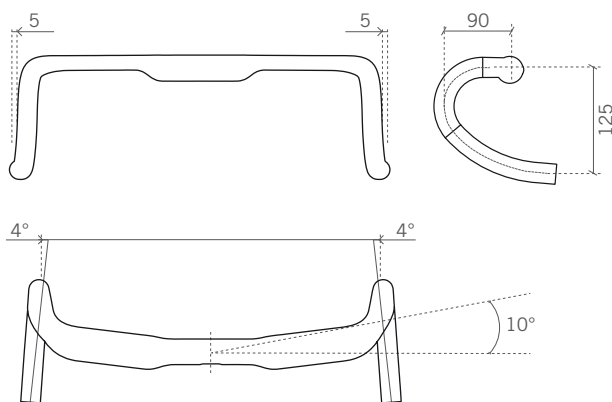
- Ø31.8mm x W380+10mm, 400+10mm, 420+10mm, 440+10mm (c-c)
- 125mm drop, 90mm reach
- 4° outward bend

FINISH

- Shot peen black anodized

WEIGHT

- 310 grams (420mm)



10° forward angle for a more natural wrist position and wider elbow stance for easier breathing.

CODE	TYPE
670-0311012870	VISION HB TRIMAX AERO ACR 400mm B1
670-0311013870	VISION HB TRIMAX AERO ACR 420mm B1
670-0311014870	VISION HB TRIMAX AERO ACR 440mm B1

> TRIMAX COMPACT HANDLEBAR

- Double butted, tapered and shot-peened AL6061
- Compact drop design for improved reach and comfort
- Double width cable drive improves cable routing and stiffness
- 100mm round center section

SIZES

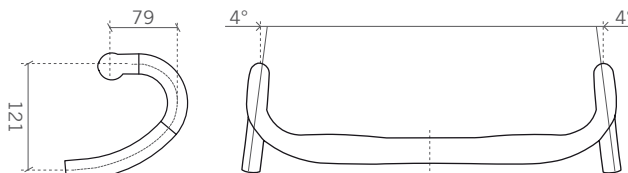
- Ø31.8mm x W400, 420, 440mm (c-c)
- 121mm drop, 79mm reach
- 4° outward bend

FINISH

- Bead blasted anodized black
- Laser graphics

WEIGHT

- 330 grams (420mm)



CODE	TYPE
670-0152012010	VISION HB TRIMAX Compact 400mm V18
670-0152013010	VISION HB TRIMAX Compact 420mm V18
670-0152014010	VISION HB TRIMAX Compact 440mm V18

> TRIMAX -6° UPDATE21 STEM

- 4 bolt sculpted AL2014 alloy
- New alloy faceplate
- 3D forged and CNC machined from AL2014
- Chromoly hardware

SIZES

- -6° x L80, 90, 100, 110, 120, 130mm
- Ø31.8mm handlebar clamp diameter
- 34mm fork clamp stack height

FINISH

- Fine blasted anodized black

WEIGHT

- 129 grams (100mm)



CODE	TYPE
670-0349016050	VISION ST TRIMAX 80mm -6° B1
670-0349017050	VISION ST TRIMAX 90mm -6° B1
670-0349018050	VISION ST TRIMAX 100mm -6° B1
670-0349019050	VISION ST TRIMAX 110mm -6° B1
670-0349020050	VISION ST TRIMAX 120mm -6° B1
670-0349021050	VISION ST TRIMAX 130mm -6° B1

> TRIMAX SB20 SEATPOST

- 3D forged and CNC machined AL6066 with alloy head
- Directionally butted tube (thicker wall fore and aft)
- Chromoly hardware

SIZES

- L350mm x Ø 27.2, Ø31.6mm
- 20mm setback
- Fits Ø7mm standard rails and 7x9mm oval rails

FINISH

- Anodized black finish

WEIGHT

- 281 grams (Ø27.2x350mm)



CODE	TYPE
670-0179001010	VISION SP TRIMAX SB20 27.2x350mm V18
670-0179005010	VISION SP TRIMAX SB20 31.6x350mm V18

> TRIMAX BASE BAR



- Aerodynamic integrated Cable Routing (ACR)
- Custom shaped for optimized aerodynamics
- Zero degree flat wing
- Fits most standard clip-on aero extensions
- AL6061/T6 triple butted
- Fully internal cable routing

SIZES

- Fits Ø31.8mm stem & clip-on clamps
- Width - 400, 420mm (c-c)

FINISH

- Polished anodized black

WEIGHT

- 237 grams (420mm)

CODE	TYPE
670-0233012050	VISION HBTT TRIMAX Base Bar ACR UCI flat 400mm B2
670-0233013050	VISION HBTT TRIMAX Base Bar ACR UCI flat 420mm B2



> TRIMAX CLIP-ON ADJUSTABLE

- Highly adjustable and customizable Clip-on design
- Underside bolts
- Alloy extensions
- Low-profile armrest pads
- Internal cable routing and Di2 compatible
- 40mm armrest width adjustment
- JS Bend
- J Bend
- S Bend

SIZES

- Stack: 55mm
- Reach: -9mm to -99 (Center of clamp to rear edge of armrest -7.5mm Increments)
- Width: 210mm to 360 (15mm Increments)
- Armrest Rotation: 0-13°

FINISH

- Polished anodized black

WEIGHT

- 660 grams (J-Bend)



CODE	TYPE
670-0266013010	VISION HBTT TRIMAX Clip-On JS-Bend 245/385mm A9
670-0292013970	VISION HBTT TRIMAX Clip-On J-Bend 210/360mm A9
670-0293014970	VISION HBTT TRIMAX Clip-On S-Bend 210/360mm A0

> TRIMAX HYDRATION SYSTEM

ACCESSORIES

- Modular saddle drink system universally fits both traditional and snub-nose saddles
- Multiple mounting and lashing points can be customized for water bottle, CO2 pump, accessory bag, and tie-strap combinations
- 3-Position (40 degrees) saddle rail mounting options.
- Bottle cages are mounted for optimized accessibility and ideal aerodynamics
- 5-Position (40 degrees) bottle cage tilt adjustability.
- Precision-made alloy frame with corrosion-resistant hardware
- Includes Saddle Mount and two High Grip Cages (V0135)

FINISH

- Saddle Mount - bead blasted anodized black
- Neutral graphics

WEIGHT

- 191 grams (420mm)
- 48 grams (bottle cage)



Trimax high grip

Trimax rear hydration system

CODE	TYPE
670-0076000230	VISION BTCG TRIMAX Rear Hydration System V17
670-0079000680	VISION BTCG TRIMAX bottlecage highgrip

YOUR RIDE, OUR HERITAGE

WIN WITH THE WIND

VISION produces world class bicycle components for road cycling and triathlon biking and we support many of the world's leading road teams.

We're proud to constantly invest in our product range, ensuring that we provide the very best components possible – for both professional and enthusiast riders alike.



VISIONTECHUSA.COM

> TRIMAX AERO BRAKE LEVERS



- Utilizes internally expanding wedge design with full internal cable routing
- Ergonomic lever shape
- Designed for single or dual pivot short pull brake calipers
- Includes Vision DragOn brake cable set

SIZED

- Compatible with Ø24mm OD bars
- Compatible with specific brake cable

FINISH

- Anodized black
- Laser graphics

WEIGHT

- 91 grams (pair)



VisionTech DragOn brake cable set included with all Vision brake lever sets

CODE	TYPE
670-0228000010	VISION BRK TRIMAX brake levers BL-RO-171 V18
670-3785	VISION BRK Brake Cable+Hose set V0015

> TRIMAX AERO CALIPER



- Ratcheting quick release lever
- Extremely rigid, compact dual pivot design, equipped with thrust bearings
- Stainless main pivot bolts
- Stainless cable attachment hardware
- Adjustable spring tension
- Orbital pad adjustment
- Chromoly hardware
- New brake pad compound

SIZED

- Reach - 40-50mm
- Rim capacity - 18-28mm

FINISH

- Polished anodized black

WEIGHT

- 384 grams (pair)

CODE	TYPE
671-0008001010	VISION BRK TRIMAX Alloy Front Brake VT-6026/F V18
671-0008002010	VISION BRK TRIMAX Alloy Rear Brake VT-6026/F V18



> TRIMAX AERO GRAVEL i23 ^{NEW21} WHEELSET

- Alloy rim
- 30mm depth rim
- Tubeless ready - clincher
- Centerlock rotor mount
- ISO 6-Bolts rotor mount
- TA-12 and X-12
- CNC machined aluminum hubs
- 6 sealed cartridge bearings (2F+4R)
- Aero bladed DP spokes 21F / 24R
- ABS self-locking nipples
- Artisan built, entirely by hand
- Includes QR-65

ADAPTERS

- Front - QR, TA-12 and TA-15 (included)
- Rear - QR and X-12 (included)

FREEHUB

- Alloy freehub
- Shimano 10-11sp
- SRAM XDR

FINISH

- Color graphics - gray

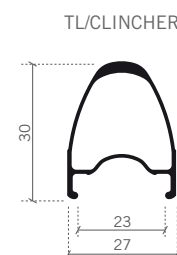
WEIGHT FROM

- 1,640 grams / pair (w/o QR)

CODE	TYPE
710-0160111050	VISION WH Set TRIMAX AGX i23 DB-CL CH-TL SH11 B1
710-0160116050	VISION WH Set TRIMAX AGX i23 DB-CL CH-TL XDR B1
710-0135231050	VISION WH Set TRIMAX AGX i23 DB-6B CH-TL SH11 B1
710-0135116050	VISION WH Set TRIMAX AGX i23 DB-6B CH-TL XDR B1



CODE	TYPE
752-0832000060	Freehub Alloy SH11 U2152/72/44/61 EL381
752-0833000060	Freehub Alloy XDR U5152/72/44/61 w/DS Cap EL382



INTENDED USE



ASTM





> TRIMAX 25 KB WHEELSET

- Alloy rim
- Front - 20mm depth rim
- Rear - asymmetric 24mm depth
- Tubeless ready - clincher
- Interspoke milling R06 system
- P.R.A. hubs for DP spokes
- 6 sealed cartridge bearings (2F+4R)
- P.E.O. surface treatment by Keronite®
- 17mm axle diameter
- Aero bladed spokes (20F / 24R)
- Spokes (F/R): 20 radial front wheel; 24 rear wheel, 12 cross 2 drive side and 12 radial non drive side
- ABS self-locking nipples
- Artisan built, entirely by hand
- Includes alloy QR-93 and rim tape

FREEHUB

- Alloy freehub
- Shimano 10-11sp
- SRAM XDR
- Campagnolo 10-11sp (available separately)

FINISH

- Front & rear hubs – black anodized
- Spokes – black

WEIGHT FROM

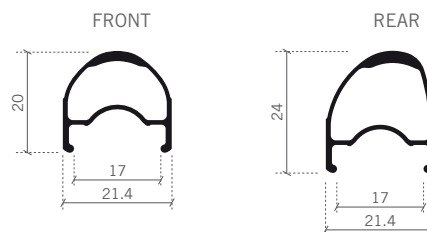
- 1,420 grams / pair (w/o QR)

CODE	TYPE
710-0060011110	VISION WH Set TRIMAX25 KB RB CH-TL SH11 20x24H V18
710-0060016110	VISION WH Set TRIMAX25 KB RB CH-TL XDR 20x24H A0



CODE	TYPE
752-0665000000	Freehub RB SH11 U2124 EL335
752-0711000010	Freehub RB XDR U2124/U5124 EL345
752-0667000060	Freehub Campy U2124 EL336

TL/CLINCHER



INTENDED USE



ASTM





> TRIMAX 25 DISC WHEELSET

- Alloy rim
- Front - 20mm depth rim
- Rear - asymmetric 24mm depth
- Tubeless ready - clincher
- Interspoke milling R06 system
- Centerlock rotor mount
- TA-12 and X-12
- P.R.A. hubs for DP spokes
- 6 sealed cartridge bearings (2F+4R)
- 17mm axle diameter
- Aero bladed spokes (21F / 24R)
- ABS self-locking nipples
- Artisan built, entirely by hand
- Includes rim tape

ADAPTERS

- Front - TA-12 and TA-15 (available separately)
- Rear - X-12 (available separately)

FREEHUB

- Alloy freehub
- Shimano 10-11sp
- SRAM XDR

FINISH

- Front & rear hubs – black anodized
- Spokes – black

WEIGHT FROM

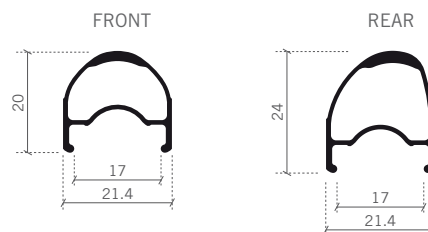
- 1,470 grams / pair (w/o QR)

CODE	TYPE
710-0139231050	VISION WH Set TRIMAX25 DB-CL CH-TL SH11 B1
710-0139236050	VISION WH Set TRIMAX25 DB-CL CH-TL XDR B1



CODE	TYPE
752-0501000000	Freehub DB PRA/N-PRA SH11 U2098/U2115
752-0712000010	Freehub DB XDR U2098/U2115 EL346

TL/CLINCHER



INTENDED USE



ASTM





> TRIMAX 30 KB WHEELSET

- Alloy rim
- 30mm depth rim
- Tubeless ready - clincher
- Interspoke milling R06 system
- P.R.A. hubs for DP spokes
- 6 sealed cartridge bearings (2F+4R)
- P.E.O. surface treatment by Keronite®
- 17mm axle diameter
- Aero bladed spokes (16F / 21R)
- Spokes (F/R): 16 radial front wheel; 21 rear wheel, 14 cross 3 drive side and 7 radial non drive side (2:1 ratio)
- ABS self-locking nipples
- Artisan built, entirely by hand
- Includes alloy QR-93 and rim tape

FREEHUB

- Alloy freehub
- Shimano 10-11sp
- SRAM XDR
- Campagnolo 10-11sp (available separately)

FINISH

- Front & rear hubs – black anodized
- Spokes – black

WEIGHT FROM

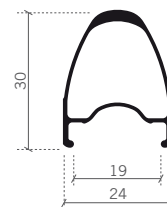
- 1,495 grams / pair (w/o QR)

CODE	TYPE
710-0042191051	VISION WH Set TRIMAX30 KB RB CH-TL SH11 B1
710-0042196820	VISION WH Set TRIMAX30 KB RB CH-TL XDR B1



CODE	TYPE
752-0665000000	Freehub RB SH11 U2124 EL335
752-0711000010	Freehub RB XDR U2124/U5124 EL345
752-0667000060	Freehub Campy U2124 EL336

TL/CLINCHER



INTENDED USE



ASTM





> TRIMAX 30 WHEELSET

- Alloy rim
- 30mm depth rim
- Tubeless ready - clincher
- Interspoke milling R06 system
- Extra light non-P.R.A. hubs with DP spokes
- 6 sealed cartridge bearings (2F+4R)
- Silver anodized CNC braking surface
- 17mm axle diameter
- Aero bladed spokes (16F / 21R)
- Spokes (F/R): 16 radial front wheel; 21 rear wheel, 14 cross 3 drive side and 7 radial non drive side (2:1 ratio)
- Artisan built, entirely by hand
- Includes alloy QR-25

FREEHUB

- Alloy freehub
- Shimano 10-11sp
- SRAM XDR
- Campagnolo 10-11sp (available separately)

FINISH

- Color graphics - gray

WEIGHT FROM

- 1,578 grams / pair (w/o QR)

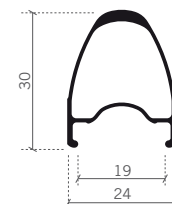
CODE	TYPE
710-0014191054	VISION WH Set TRIMAX30 RB CH-TL Silver S. SH11 B1
710-0049196050	VISION WH Set TRIMAX30 RB CH-TL Silver S. XDR A0
Not for EU 710-0049191050	VISION WH set TriMax30 (silver Brake Surface) SH11s

Not for EU



CODE	TYPE
752-0304000061	Freehub+ End Cap RB SH11 U2081 EL272
752-0722000020	Freehub TEAM35SL/TRI/SC RB XDR U2081/U5081 EL347
752-0317000063	Freehub Campy U3082/U2081 w/Spn EL276

TL/CLINCHER



INTENDED USE



ASTM





> TRIMAX 30 SC ^{NEW22} WHEELSET

- Alloy rim
- 30mm depth rim
- Tubeless ready - clincher
- Extra light non-P.R.A. hubs
- Centerlock rotor mount
- TA-12 and X-12
- 6 sealed cartridge bearings (2F+4R)
- 2:1 aero bladed spokes 21F / 24R
- ABS self-locking nipples
- Artisan built, entirely by hand
- Includes QR-65

ADAPTERS

- Front - QR, TA-12 and TA-15 (available separately)
- Rear - QR and X-12 (available separately)

FREEHUB

- Alloy freehub
- Shimano 10-11sp
- SRAM XDR

FINISH

- Front & rear hubs – black anodized
- Spokes – black

WEIGHT FROM

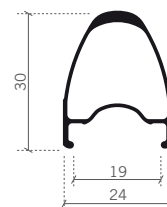
- 1,580 grams / pair (w/o QR)

CODE	TYPE
710-0056116051	VISION WH Set TRIMAX30 SC DB-CL CH-TL XDR B1
710-0056231050	VISION WH Set TRIMAX30 SC DB-CL CH-TL SH11 B1



CODE	TYPE
752-0832000060	Freehub Alloy SH11 U2152/72/44/61 EL381
752-0833000060	Freehub Alloy XDR U5152/72/44/61 w/DS Cap EL382

TL/CLINCHER



INTENDED USE



ASTM





> TRIMAX 35 KB WHEELSET

- Alloy rim
- 35mm depth rim
- Tubeless ready - clincher
- Interspoke milling R06 system
- P.R.A. hubs for DP spokes
- 6 sealed cartridge bearings (2F+4R)
- P.E.O. surface treatment by Keronite®
- 17mm axle diameter
- Aero bladed spokes (16F / 21R)
- Spokes (F/R): 16 radial front wheel; 21 rear wheel, 14 cross 3 drive side and 7 radial non drive side (2:1 ratio)
- ABS self-locking nipples
- Artisan built, entirely by hand
- Includes alloy QR-93 and rim tape

FREEHUB

- Alloy freehub
- Shimano 10-11sp
- SRAM XDR
- Campagnolo 10-11sp (available separately)

FINISH

- Front & rear hubs – black anodized
- Spokes – black

WEIGHT FROM

- 1,595 grams / pair (w/o QR)

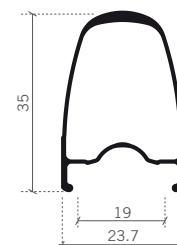
Not for EU

CODE	TYPE
710-0034191113	VISION WH Set TRIMAX35 KB RB CH-TL SH11 2X B1
710-0110191820	VISION WH Set TRIMAX35 KB RB CH-TL SH11 2X B1
710-0110196821	VISION WH Set TRIMAX35 KB RB CH-TL XDR B1



CODE	TYPE
752-0665000000	Freehub RB SH11 U2124 EL335
752-0711000010	Freehub RB XDR U2124/U5124 EL345
752-0667000060	Freehub Campy U2124 EL336

TL/CLINCHER



INTENDED USE



ASTM





> TRIMAX 35 WHEELSET

- Alloy rim
- 35mm depth rim
- Clincher
- Interspoke milling R06 system
- Extra light hubs for DP spokes
- 6 sealed cartridge bearings (2F+4R)
- Silver anodized CNC braking surface
- 17mm axle diameter
- Aero bladed spokes (16F / 21R)
- Spokes (F/R): 16 radial front wheel; 21 rear wheel, 14 cross 3 drive side and 7 radial non drive side (2:1 ratio)
- ABS self-locking nipples
- Artisan built, entirely by hand
- Includes alloy QR-25

FREEHUB

- Alloy freehub
- Shimano 10-11sp
- SRAM XDR
- Campagnolo 10-11sp (available separately)

FINISH

- Color graphics - gray

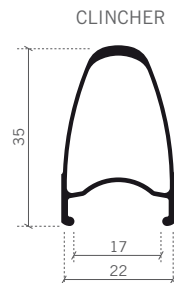
WEIGHT FROM

- 1,650 grams / pair (w/o QR)

CODE	TYPE
710-0034191053	VISION WH Set TRIMAX35 RB CH-TL Silver S. SH11 B1
710-0111196051	VISION WH Set TRIMAX35 RB CH-TL Silver S. XDR B1
Not for EU 710-0111191050	VISION WH Set TRIMAX35 RB CH-TL Silver S. SH11 B1



CODE	TYPE
752-0304000061	Freehub+ End Cap RB SH11 U2081 EL272
752-0722000020	Freehub TEAM35SL/TRI/SC RB XDR U2081/U5081 EL347
752-0317000063	Freehub Campy U3082/U2081 w/Spn EL276



INTENDED USE



ASTM





> TRIMAX 35 SC ^{NEW22} WHEELSET

- Alloy rim
- 35mm depth rim
- Tubeless ready - clincher
- Interspoke milling R06 system
- Extra light non-P.R.A. hubs with DP spokes
- Centerlock rotor mount
- ISO 6-Bolts rotor mount
- TA-12 and X-12
- 6 sealed cartridge bearings (2F+4R)
- Aero bladed spokes 21F / 24R
- ABS self-locking nipples
- Artisan built, entirely by hand
- Includes alloy QR-65 and rim tape

ADAPTERS

- Front - QR, TA-12 and TA-15 (available separately)
- Rear - QR and X-12 (available separately)

FREEHUB

- Alloy freehub
- Shimano 10-11sp
- SRAM XDR

FINISH

- Front & rear hubs – black anodized
- Spokes – black

WEIGHT FROM

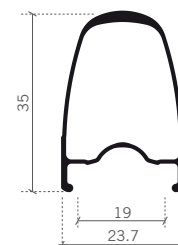
- 1,680 grams / pair (w/o QR)

CODE	TYPE
710-0113231051	VISION WH Set TRIMAX35 SC DB-CL CH-TL SH11 B1
710-0113236051	VISION WH Set TRIMAX35 SC DB-CL CH-TL XDR B1



CODE	TYPE
752-0832000060	Freehub Alloy SH11 U2152/72/44/61 EL381
752-0833000060	Freehub Alloy XDR U5152/72/44/61 w/DS Cap EL382

TL/CLINCHER



INTENDED USE



ASTM



NON-SERIES

SERIES Vision's talented Development and Manufacturing teams create novel components that span a wide range of intended use and price-points. Therefore, rather than forcing these great products into specific model platforms, they are presented in our "Non-Series" category.



> NS MODULAR COMPACT AERO BB386EVO CRANKSET

- Dish spider
- Rigid aero arms
- Solid forged alloy 6061
- Forged 7050 30mm spindle

SIZES

- Length - 165mm, 170mm, 172.5mm, 175mm
- BCD - 110mm
- 52/36T, 50/34T
- Q-Factor - 148mm
- Chainline - 44mm

FINISH

- Color graphics - grey

WEIGHT

- 869 grams

CODE	TYPE
670-0206552050	VISION CK NS Modular BB386EVO 50x34 165mm A9
670-0206553050	VISION CK NS Modular BB386EVO 50x34 170mm A9
670-0206554050	VISION CK NS Modular BB386EVO 50x34 172.5mm A9
670-0206555050	VISION CK NS Modular BB386EVO 50x34 175mm A9
670-0206742050	VISION CK NS Modular BB386EVO 52x36 165mm A9
670-0206743050	VISION CK NS Modular BB386EVO 52x36 170mm A9
670-0206744050	VISION CK NS Modular BB386EVO 52x36 172.5mm A9
670-0206745050	VISION CK NS Modular BB386EVO 52x36 175mm A9

CODE	TYPE
390-0027000600	CKSP QR-21 ME Self Extracting crank bolt

> NS TRACK 1x

BB386EVO CRANKSET

- A revolution in track cranks with ultra-stiff 30mm spindle, dish spider, and rigid-aero arms.
- Solid forged alloy 6061
- Forged 7050 30mm spindle

SIZES

- Length - 165mm, 167.5mm, 170mm, 172.5mm, 175mm

CHAINRINGS

- BCD - 144mm
- Chainrings - 55T, 54T, 52T, 51T, 50T, 49T, 48T, 46T, 45T

FINISH

- Polished anodized black
- Laser graphics

WEIGHT

- 818 grams



CODE	TYPE
670-0069642010	VISION CK TRACK BB386EVO 49T 165mm V17
670-0069643010	VISION CK TRACK BB386EVO 49T 170mm V17
670-0069644010	VISION CK TRACK BB386EVO 49T 172.5mm V17
670-0069640010	VISION CK TRACK BB386EVO 49T 167.5mm V17

CODE	TYPE
390-0027000600	CKSP QR-21 ME Self Extracting crank bolt

> NS TRACK 1x

CHAINRING

- Precision CNC machined AL7075/T6

SIZES

- BCD - 144mm
- 55T, 54T, 52T, 51T, 50T, 49T, 48T, 46T, 45T

FINISH

- Anodized black
- Laser etched logo

CODE	TYPE
368-0027015050	VISION CR TRACK NS 144x45T WA053
368-0026003050	VISION CR TRACK NS 144x46T WA054
368-0024004050	VISION CR TRACK NS 144x48T WA056
368-0023014050	VISION CR TRACK NS 144x49T WA013
368-0022005050	VISION CR TRACK NS 144x50T WA057
368-0021013050	VISION CR TRACK NS 144x51T WA093
368-0020006050	VISION CR TRACK NS 144x52T WA094
368-0028011050	VISION CR TRACK NS 144x54T WA155
368-0029008050	VISION CR TRACK NS 144x55T WA156





> **SC 30**
WHEELSET

- Full carbon rim
- 30mm depth rim
- Tubeless ready - clincher
- 6 sealed cartridge bearings (2F + 4R)
- DP spokes - 16F / 21R
- 2:1 aero bladed spokes
- Artisan built, entirely by hand
- Includes QR-25, spoke protector

FREEHUB

- Alloy freehub
- Shimano 10-11sp
- SRAM XDR
- Campagnolo 10-11sp (available separately)

FINISH

- Color graphics - gray

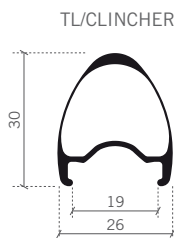
WEIGHT FROM

- 1,330 grams / pair (w/o QR)

CODE	TYPE
710-0122191030	VISION WH Set SC30 RB CH-TL SH11
710-0122196030	VISION WH Set SC30 RB CH-TL XDR



CODE	TYPE
752-0665000000	Freehub RB SH11 U2124 EL335
752-0711000010	Freehub RB XDR U2124/U5124 EL345
752-0667000060	Freehub Campy U2124 EL336



INTENDED USE



ASTM





> SC 30 DISC WHEELSET

- Full carbon rim
- 30mm depth rim
- Tubeless ready - clincher
- Centerlock rotor mount
- TA-12 and X-12
- 6 sealed cartridge bearings (2F + 4R)
- Aero bladed spokes 24F / 24R
- Artisan built, entirely by hand
- Includes rim tape (clincher), spoke protector

ADAPTERS

- Front - QR, TA-12 and TA-15 (included)
- Rear - QR and X-12 (included)

FREEHUB

- Alloy freehub
- Shimano 10-11sp
- SRAM XDR

FINISH

- Color graphics - gray

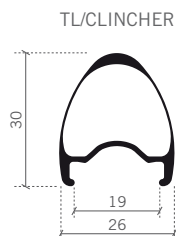
WEIGHT FROM

- 1,424 grams / pair (w/o QR)

CODE	TYPE
710-0124111030	VISION WH Set SC30 DB-CL CH-TL SH11
710-0124116030	VISION WH Set SC30 DB-CL CH-TL XDR



CODE	TYPE
752-0648000000	Freehub DB SH11 U2098/U2115 EL333
752-0712000010	Freehub DB XDR U2098/U2115 EL346



INTENDED USE



ASTM





> **SC 30 AGX DISC** WHEELSET **NEW22**

- Full carbon rim
- Front - 30mm depth rim
- Rear - 35mm depth rim
- Tubeless ready - clincher
- Centerlock rotor mount
- TA-12 and X-12
- 6 sealed cartridge bearings (2F + 4R)
- DP spokes 24F / 24R
- Artisan built, entirely by hand
- Includes rim tape (clincher), spoke protector

ADAPTERS

- Front - TA-12 and TA-15 (available separately)
- Rear - X-12 (available separately)

FREEHUB

- Alloy freehub
- Shimano 10-11sp
- SRAM XDR

FINISH

- Color graphics - gray

WEIGHT FROM

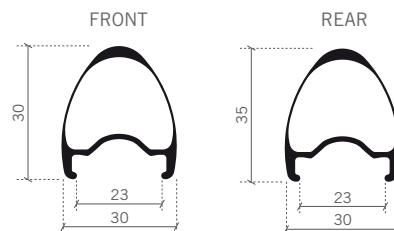
- 1,390 grams / pair (w/o QR)

CODE	TYPE
710-0162111031	VISION WH Set SC30 AGX i23 DB-CL CH-TL SH11 B2
710-0162116031	VISION WH Set SC30 AGX i23 DB-CL CH-TL XDR B2



CODE	TYPE
752-0965000060	Freehub DB SH11 EL413
752-0966000020	Freehub DB XDR EL414

TL/CLINCHER



INTENDED USE



ASTM



YOUR RIDE, OUR HERITAGE

WIN WITH THE WIND

VISION has long been a supporter of women's teams and athletes.

These include road racing icons such as Team Ceratizit, Team GreenEdge, and Team Valcar along with triathletes Simone Mitchell and Carrie Lester.

Women's teams and athletes have always been part of our heritage and cycling culture.

VISION

VISIONTECHUSA.COM
#WINWITHTHEWIND



> SC 40 WHEELSET

- Full carbon rim
- 40mm depth rim
- Tubeless ready - clincher
- 6 sealed cartridge bearings (2F + 4R)
- DP spokes - 16F / 21R
- 2:1 aero bladed spokes
- Artisan built, entirely by hand
- Includes QR-25, spoke protector

FREEHUB

- Alloy freehub
- Shimano 10-11sp
- SRAM XDR
- Campagnolo 10-11sp (available separately)

FINISH

- Color graphics - gray

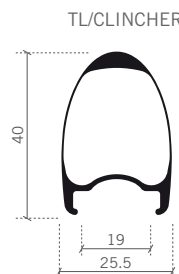
WEIGHT FROM

- 1,412 grams / pair (w/o QR)

CODE	TYPE
710-0089191030	VISION WH Set SC40 RB CH-TL SH11 w/QR A0
710-0089196030	VISION WH Set SC40 RB CH-TL XDR w/QR A0



CODE	TYPE
752-0665000000	Freehub RB SH11 U2124 EL335
752-0711000010	Freehub RB XDR U2124/U5124 EL345
752-0667000060	Freehub Campy U2124 EL336



INTENDED USE



ASTM





> SC 40 DISC

WHEELSET

- Full carbon rim
- 40mm depth rim
- Tubeless ready - clincher
- Centerlock rotor mount
- TA-12 and X-12
- 6 sealed cartridge bearings (2F + 4R)
- Aero bladed spokes 24F / 24R
- Artisan built, entirely by hand
- Includes rim tape (clincher), spoke protector

ADAPTERS

- Front - TA-12 and TA-15 (available separately)
- Rear - X-12 (available separately)

FREEHUB

- Alloy freehub
- Shimano 10-11sp
- SRAM XDR

FINISH

- Color graphics - gray

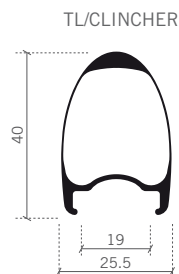
WEIGHT FROM

- 1,536 grams / pair (w/o QR)

CODE	TYPE
710-0092111030	VISION WH Set SC40 DB-CL CH-TL SH11 w/o QR A0
710-0092116030	VISION WH Set SC40 DB-CL CH-TL XDR w/o QR A0



CODE	TYPE
752-0648000000	Freehub DB SH11 U2098/U2115 EL333
752-0712000010	Freehub DB XDR U2098/U2115 EL346



INTENDED USE



ASTM





> SC 55 WHEELSET

- Full carbon rim
- 55mm depth rim
- Tubeless ready - clincher
- 6 sealed cartridge bearings (2F + 4R)
- DP spokes - 16F / 21R
- 2:1 aero bladed spokes
- Artisan built, entirely by hand
- Includes QR-25, spoke protector

FREEHUB

- Alloy freehub
- Shimano 10-11sp
- SRAM XDR
- Campagnolo 10-11sp (available separately)

FINISH

- Color graphics - gray

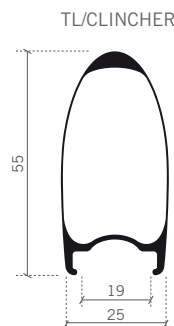
WEIGHT FROM

- 1,512 grams / pair (w/o QR)

CODE	TYPE
710-0090191030	VISION WH Set SC55 RB CH-TL SH11 w/QR A0
710-0090196030	VISION WH Set SC55 RB CH-TL XDR w/QR A0



CODE	TYPE
752-0665000000	Freehub RB SH11 U2124 EL335
752-0711000010	Freehub RB XDR U2124/U5124 EL345
752-0667000060	Freehub Campy U2124 EL336



INTENDED USE



ASTM





> SC 55 DISC

WHEELSET

- Full carbon rim
- 55mm depth rim
- Tubeless ready - clincher
- Centerlock rotor mount
- TA-12 and X-12
- 6 sealed cartridge bearings (2F + 4R)
- Aero bladed spokes 24F / 24R
- Artisan built, entirely by hand
- Includes rim tape (clincher), spoke protector

ADAPTERS

- Front - TA-12 and TA-15 (available separately)
- Rear - X-12 (available separately)

FREEHUB

- Alloy freehub
- Shimano 10-11sp
- SRAM XDR

FINISH

- Color graphics - gray

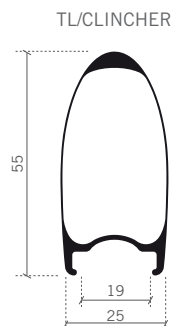
WEIGHT FROM

- 1,618 grams / pair (w/o QR)

CODE	TYPE
710-0091111030	VISION WH Set SC55 DB-CL CH-TL SH11 w/o QR A0
710-0091116030	VISION WH Set SC55 DB-CL CH-TL XDR w/o QR A0



CODE	TYPE
752-0648000000	Freehub DB SH11 U2098/U2115 EL333
752-0712000010	Freehub DB XDR U2098/U2115 EL346



INTENDED USE



ASTM





> TC 30 DISC WHEELSET

- Full carbon rim
- 30mm depth rim
- Tubeless ready - clincher
- Centerlock rotor mount
- TA-12 and X-12
- 6 sealed cartridge bearings (2F + 4R)
- J-Bend spokes 24F / 24R
- Artisan built, entirely by hand
- Includes rim tape (clincher), spoke protector

ADAPTERS

- Front - QR, TA-12 and TA-15 (available separately)
- Rear - QR and X-12 (available separately)

FREEHUB

- Alloy freehub
- Shimano 10-11sp
- SRAM XDR

FINISH

- Color graphics - gray

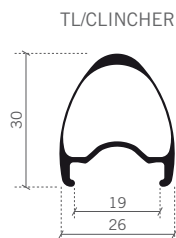
WEIGHT FROM

- 1,550 grams / pair (w/o QR)

CODE	TYPE
710-0138111030	VISION WH Set TC30 DB-CL CH-TL SH11
710-0138116030	VISION WH Set TC30 DB-CL CH-TL XDR



CODE	TYPE
752-0832000060	Freehub Alloy SH11 U2152-U2172-U2144-U2143 EL381
752-0833000060	Freehub Alloy XDR U5152-U5172-U5144 w/DS Cap EL382



INTENDED USE



ASTM





> TC 40 DISC

WHEELSET

- Full carbon rim
- 40mm depth rim
- Tubeless ready - clincher
- Centerlock rotor mount
- TA-12 and X-12
- 6 sealed cartridge bearings (2F + 4R)
- J-Bend spokes 24F / 24R
- Artisan built, entirely by hand
- Includes rim tape (clincher), spoke protector

ADAPTERS

- Front - QR, TA-12 and TA-15 (available separately)
- Rear - QR and X-12 (available separately)

FREEHUB

- Steel freehub
- Shimano 10-11sp
- SRAM XDR

FINISH

- Color graphics - gray

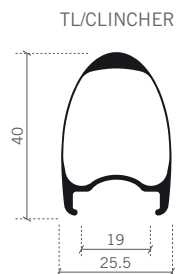
WEIGHT FROM

- 1,631 grams / pair (w/o QR)

CODE	TYPE
710-0137111040	VISION WH Set TC40 DB-CL CH-TL SH11 B1
710-0137116040	VISION WH Set TC40 DB-CL CH-TL XDR B1



CODE	TYPE
752-0832000060	Freehub Alloy SH11 U2152-U2172-U2144-U2143 EL381
752-0833000060	Freehub Alloy XDR U5152-U5172-U5144 w/DS Cap EL382



INTENDED USE



ASTM





> TC 55 DISC

WHEELSET

- Full carbon rim
- 55mm depth rim
- Tubeless ready - clincher
- Centerlock rotor mount
- TA-12 and X-12
- 6 sealed cartridge bearings (2F + 4R)
- J-Bend spokes 24F / 24R
- Artisan built, entirely by hand
- Includes rim tape (clincher), spoke protector

ADAPTERS

- Front - QR, TA-12 and TA-15 (available separately)
- Rear - QR and X-12 (available separately)

FREEHUB

- Alloy freehub
- Shimano 10-11sp
- SRAM XDR

FINISH

- Color graphics - gray

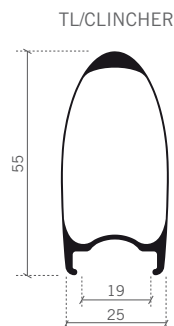
WEIGHT FROM

- 1,728 grams / pair (w/o QR)

CODE	TYPE
710-0121111041	VISION WH Set TC55 DB-CL CH-TL SH11 B1
710-0121116041	VISION WH Set TC55 DB-CL CH-TL XDR B1



CODE	TYPE
752-0832000060	Freehub Alloy SH11 U2152-U2172-U2144-U2143 EL381
752-0833000060	Freehub Alloy XDR U5152-U5172-U5144 w/DS Cap EL382



INTENDED USE



ASTM





YOUR RIDE, OUR HERITAGE

METRON 6D INTEGRATED HANDLEBAR

Metron 6D integrated handlebar, the stiffest and most aero integrated handlebar and stem system. Mixing aerodynamics and ergonomics, the unique shape includes our Aero-Ergo central section.

The 6D accommodates the natural position of your arms for more comfort and easier breathing, while the wing-like shape of the bar top aids aerodynamics.

Reinforced carbon fiber construction gives a great strength-to-weight ratio. The 6D features internal cable routing, with guides that accommodate wiring for electronic shifting.

vision

VISIONTECHUSA.COM
#WINWITHTHEWIND

TEAM SERIES

Redefining value and performance, the Vision Team series can be found on bikes of all levels. When robustness and cost-effectiveness is needed, Vision Team has the answer.



> TEAM CLIP-ON OPEN TWO PIECE

- Fixed extension adjustment
- J-Bend
- Extension length - adjustable from 230 - 270mm
- For Ø31.8mm basebar
- Width: 80 mm (c-c)

FINISH

- Bead blasted anodized black
- Laser graphic

WEIGHT

- 464 grams

CODE	TYPE
670-0131000260	VISION HBTT TEAM alloy Clip-On J-Bend V18



> TEAM ACCESSORIES SPACER

- Spacer - 20mm (x4pcs)
- Bolt - 55mm (x4pcs)
- Bolt - 75mm (x4pcs)

CODE	TYPE
670-0231000000	VISION HBTT SPACER KIT TEAM Clip-On V0178 A0



> TEAM CLIP-ON MINI TT

- Double Butted alloy extensions
- 6 position ergonomic angular arm rests

SIZES

- 170mm extensions
- For use with Ø31.8mm

FINISH

- Anodized Black
- White graphics

WEIGHT

- 471 grams

CODE	TYPE
670-2829	VISION HBTT TEAM MINI Clip-On V15
670-0020000110	VISION HBTT ArmRest plates MINI Clip-On V4026+4027

YOUR RIDE, OUR HERITAGE

WIN WITH THE WIND

VISION has long been a supporter of women's teams and athletes.

These include road racing icons such as Team Ceratizit, Team GreenEdge, and Team Valcar along with triathletes Simone Mitchell and Carrie Lester.

Women's teams and athletes have always been part of our heritage and cycling culture.

VISION

VISIONTECHUSA.COM
#WINWITHTHEWIND



> TEAM AERO GRAVEL i23 WHEELSET

- Alloy rim
- 30mm depth rim
- Tubeless ready - clincher
- Centerlock rotor mount
- ISO 6-Bolts rotor mount
- TA-12 and X-12
- CNC machined aluminum hubs
- 6 sealed cartridge bearings (2F+4R)
- Aero bladed DP spokes 21F / 24R
- ABS self-locking nipples
- Artisan built, entirely by hand

ADAPTERS

- Front - QR, TA-12 (included), TA-15 (available separately)
- Rear - QR and X-12 (available separately)

FREEHUB

- Alloy freehub
- Shimano 10-11sp
- SRAM XDR

FINISH

- Color graphics options - gray

WEIGHT FROM

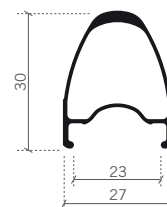
- 1,920 grams / pair (w/o QR)

CODE	TYPE
710-0140091010	VISION WH Set TEAM AGX i23 DB-CL CH-TL SH11 B1
710-0140096010	VISION WH Set TEAM AGX i23 DB-CL CH-TL XDR B1
710-0134111010	VISION WH Set TEAM AGX i23 DB-6B CH-TL SH11 B1
710-0134096010	VISION WH Set TEAM AGX i23 DB-6B CH-TL XDR B1



CODE	TYPE
752-0832000060	Freehub Alloy SH11 U2152-U2172-U2144-U2143 EL381
752-0833000060	Freehub Alloy XDR U5152-U5172-U5144 w/DS Cap EL382

TL/CLINCHER



INTENDED USE



ASTM





> TEAM 35 DISC WHEELSET

- Alloy rim
- 35mm depth rim
- Tubeless ready - clincher
- Centerlock rotor mount
- ISO 6-Bolts rotor mount
- TA-12 and X-12
- Round spokes
- 4 cartridge bearings
- Artisan built, entirely by hand
- Includes spoke protector

ADAPTERS

- Front - QR, TA-12 and TA-15 (available separately)
- Rear - QR and X-12 (available separately)

FREEHUB

- Alloy freehub
- Shimano 10-11sp
- SRAM XDR

FINISH

- Color graphics - gray

WEIGHT FROM

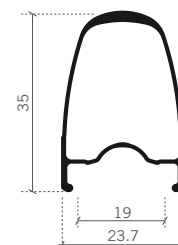
- 1,991 grams / pair (w/o QR)

CODE	TYPE
710-0133111440	VISION WH Set TEAM35 DB-CL CH-TL SH11 B2
710-0133116440	VISION WH Set TEAM35 DB-CL CH-TL XDR B2



CODE	TYPE
752-0832000060	Freehub Alloy SH11 U2152-U2172-U2144-U2143 EL381
752-0833000060	Freehub Alloy XDR U5152-U5172-U5144 w/DS Cap EL382

TL/CLINCHER



INTENDED USE



ASTM





> TEAM 35 COMP SL WHEELSET

- Alloy rim
- 35mm depth rim
- Clincher
- Alloy hubs for DP spokes
- Anodized black CNC braking surface
- Aero bladed spokes
- Artisan built, entirely by hand
- Includes Alloy QR-25 and spoke protector

FREEHUB

- Alloy freehub
- Shimano 10-11sp
- SRAM XDR
- Campagnolo 10-11sp (available separately)

FINISH

- Color graphics - gray

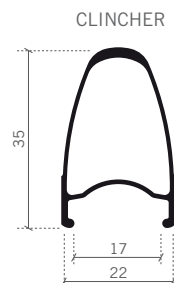
WEIGHT FROM

- 1,782 grams / pair (w/o QR)

CODE	TYPE
710-0093191050	VISION WH Set TEAM35 COMP SL RB CH SH11 A0
710-0093196050	VISION WH Set TEAM35 COMP SL RB CH XDR A0
EU only 71000093191050	VISION WH Set TEAM35 COMP SL RB CH SH11 (3set) A9
EU only 71000093196050	VISION WH set TEAM35 COMP SL RB CH XDR (3set) A9



CODE	TYPE
752-0304000061	Freehub+ End Cap RB SH11 U2081 EL272
752-0722000020	Freehub TEAM35SL/TRI/SC RB XDR U2081/U5081 EL347
752-0317000063	Freehub Campy U3082/U2081 w/Spn EL276



INTENDED USE



ASTM





> TEAM 30 DISC WHEELSET

- Alloy rim
- 30mm depth rim
- Tubeless ready - clincher
- CNC machined aluminum hubs
- TA-12 and X-12
- 4 sealed chromoly cartridge bearings
- Aero bladed spokes
- ISO 6-Bolts rotor mount
- Centerlock rotor mount
- Artisan built, entirely by hand
- Includes spoke protector

ADAPTERS

- Front - QR, TA-12 (included), TA-15 (available separately)
- Rear - QR and X-12 (available separately)

FREEHUB

- Alloy freehub
- Shimano 10-11sp
- SRAM XDR

FINISH

- Color graphics - gray

WEIGHT FROM

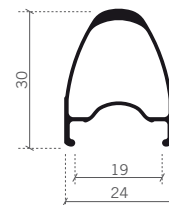
- 1,888 grams / pair (w/o QR)

CODE	TYPE
710-0114111050	VISION WH set TEAM30 DB-6B CH-TL SH11 24x24H B1
710-0115111050	VISION WH set TEAM30 DB-CL CH-TL SH11 24x24H B1
710-0114116050	VISION WH set TEAM30 DB-6B CH-TL XDR 24x24H B1
710-0115116050	VISION WH set TEAM30 DB-CL CH-TL XDR 24x24H B1



CODE	TYPE
752-0559000000	Freehub SH11 U2096/2111 EL323 V18
752-0721000790	Freehub XDR steel + End Cap U2096/2111

TL/CLINCHER



INTENDED USE



ASTM





> TEAM 30 TC DISC ^{NEW22} WHEELSET

- Alloy rim
- 30mm depth rim
- Tubeless ready - clincher
- Extra light non-P.R.A. hubs
- Centerlock rotor mount
- TA-12 and X-12
- 6 sealed cartridge bearings (2F+4R)
- 2:1 aero bladed spokes 21F / 24R
- ABS self-locking nipples
- Artisan built, entirely by hand
- Includes spoke protector

ADAPTERS

- Front - QR, TA-12 and TA-15 (available separately)
- Rear - QR and X-12 (available separately)

FREEHUB

- Alloy freehub
- Shimano 10-11sp
- SRAM XDR

FINISH

- Front & rear hubs – black anodized
- Spokes – black

WEIGHT FROM

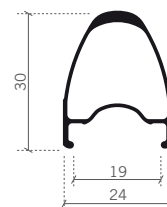
- 1,920 grams / pair (w/o QR)

CODE	TYPE
710-0126111010	VISION WH Set TEAM30 TC DB-CL CH-TL SH11 B2
710-0126116010	VISION WH Set TEAM30 TC DB-CL CH-TL XDR B2



CODE	TYPE
752-0832000060	Freehub Alloy SH11 U2152-U2172-U2144-U2143 EL381
752-0833000060	Freehub Alloy XDR U5152-U5172-U5144 w/DS Cap EL382

TL/CLINCHER



INTENDED USE



ASTM





> TEAM 30 WHEELSET

- Alloy rim
- 30mm depth rim
- Tubeless ready - clincher
- Anodized black CNC braking surface
- Aero bladed J-bend spokes
- 4 cartridge bearings
- Artisan built, entirely by hand
- Includes Alloy QR-25 and spoke protector

FREEHUB

- Alloy freehub
- Shimano 10-11sp
- SRAM XDR

FINISH

- Color graphics - gray

WEIGHT FROM

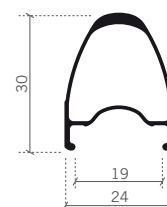
- 1,920 grams / pair (w/o QR)

	CODE	TYPE
EU only	710-0016051441	VISION WH Set TEAM30 RB CH-TL SH11 A0
Not for EU	710-0030031051	VISION WH Set TEAM30 RB CH SH11 A9



CODE	TYPE
752-0293000000	Freehub SH11 U2086/U2064 EL269

TL/CLINCHER



INTENDED USE



ASTM



ACCESSORIES



> VISION SPEED ^{NEW21} EXTENSIONS

- Full carbon construction
- J-Bend extension
- Pads included

WEIGHT

- 128 grams (pair)

CODE	TYPE
670-0335000030	VISION HBTT SPEED Extension J-Bend V3123 B1



> VISION SPEED ^{NEW21} EXTENSIONS

- Full carbon construction
- S-Bend extension
- Pads included

WEIGHT

- 128 grams (pair)

CODE	TYPE
670-0343000030	VISION HBTT SPEED Extension S-Bend B1



> VISION SPEED PADS

- Compatible only with Speed extensions

CODE	TYPE
670-0399000110	VISION HBTT Speed Extension L/R PADS V4071

> TRIMAX CARBON REVERSIBLE EXTENSION

- Flip-Flop design
- Full carbon construction
- Reversible design

SIZES

- J-Bend
- Ø 22mm
- Width: 388mm

WEIGHT

- 150 grams

CODE	TYPE
670-029500030	VISION HBTT Revers Carbon Extens J-Bend V3109



Extensions only

> TRIMAX REVERSIBLE EXTENSION

- Flip-Flop design
- Alloy construction
- Reversible design

SIZES

- J-Bend
- Ø 22mm
- Width: 388mm

WEIGHT

- 315 grams

CODE	TYPE
670-0297000970	VISION HBTT Revers Alloy Extens J-Bend V3117



Extensions only

> METRON TFA BRIDGE COVER ACCESSORIES

- Suitable to Metron TFA

CODE	TYPE
670-0336000110	VISION HBTT Bridge Top COVER TFA MS137





> **VISION DELUXE**
PADS

- Dual-density foam for maximum comfort
- Full cover with non-slip texture
- Full-surface coverage velcro sticker

SIZES

- Fits multi-deluxe and deluxe armrest plates

FINISH

- Black color
- Color graphics

WEIGHT

- 25.2 grams / set

CODE	TYPE
670-3765	VISION HBTT DELUXE PADS V0024



> **VISION TRIMAX CARBON**
PADS

	CODE	TYPE
EU only	670-0084000110	VISION HBTT Arm Rest PADS TRIMAX CARBON A351 MS293



> **VISION TRIMAX**
PADS

	CODE	TYPE
EU only	670-0085000110	VISION HBTT Arm Rest PADS TRIMAX A352 MS317



> **VISION TRIMAX**
PADS

	CODE	TYPE
EU only	670-0090000110	VISION HBTT Arm Rest PLATE L/R ML066/MW225 TRIMAX

> METRON SPACER KIT

ACCESSORIES

- Armrest stack spacers for height adjustment
- Aero extruded alloy
- Includes chromoly screw set
- Compatible with Clip-On until MY15

SIZES

- H12.5mm (1/2")

FINISH

- Anodized black
- Laser-marked

WEIGHT

- 28 grams / set



CODE	TYPE
670-3700N	VISION HBTT Arm Rest SPACER 12.5mm V0009 2pcs

> VISION TRIMAX SPACER KIT

ACCESSORIES

- Only compatible with Trimax Clip-On from MY15

CODE	TYPE
670-0005000010	VISION HBTT TRIMAX Clip-On SPACER KIT V0124



YOUR RIDE, OUR HERITAGE

WIN WITH THE WIND

VISION produces world class bicycle components for road cycling and triathlon biking and we support many of the world's leading road teams.

We're proud to constantly invest in our product range, ensuring that we provide the very best components possible – for both professional and enthusiast riders alike.



VISIONTECHUSA.COM



> VISION BRAKE PADS - CARBON RIMS

ACCESSORIES

- Special rubber composite material
- Designed specifically for Vision carbon rims
- Shimano compatible
- 4 brake pads per package

WEIGHT

- 33.4 grams / set

CODE	TYPE
405-0016000170	VISION WHSP Brake Pads Carbon T-83 E0065 4pcs



> VISION BRAKE PADS - ALLOY RIMS

ACCESSORIES

- Special rubber composite material
- Designed specifically for Vision alloy and KB rims
- Shimano compatible
- 4 brake pads per package

WEIGHT

- 33.4 grams / set

CODE	TYPE
405-0018000110	VISION WHSP Brake Pads Alloy/KB E0707 4pcs



> VISION QR-93

ACCESSORIES

- Alloy lever and locknut
- Internal-cam design: much improved durability

SIZES

- Front - 100mm O.L.D.
- Rear - 130mm O.L.D. (Road), 135mm O.L.D. (Disc)

FINISH

- Anodized black
- Laser logos

WEIGHT

- 115.2 grams / pair (Road)

CODE	TYPE
750-0012305010	VISION Quick Release QR-93 Black L114/146 V17



> VISION QR-65

ACCESSORIES

- Forged aluminum lever
- Chromoly shaft and springs
- Forged aluminum nut

SIZES

- Front - 100mm O.L.D.
- Rear - 130mm O.L.D. (Road), 135mm O.L.D. (Disc)

FINISH

- Anodized black
- Laser logos

WEIGHT

- 102.1 grams / pair

CODE	TYPE
750-0004304010	VISION Alloy QR-65 Black 112+143 mm w/Logo

> VISION TUBELESS VALVE

ACCESSORIES

- Aluminium valve + extender for TLR carbon rim
- Recommended tape for TLR rim, 25mm x 8m



CODE	TYPE
752-067000000	Alloy Valve + Extender CH-TLR 50 mm (1pair) E0706A
752-067000001	Alloy Valve + Extender CH-TLR 60 mm (1pair) E0706B
752-067000002	Alloy Valve + Extender CH-TLR 70 mm (1pair) E0706C
752-067000003	Alloy Valve + Extender CH-TLR 100mm (1pair) E0706D
752-0117000110	Asymmetric Rim Valve Adapter E0507 V16

> VISION VALVE EXTENDER

ACCESSORIES

- Aluminium valve extenders
- Anodized black with Vision laser etched logo
- Includes V-Valve installation tool



E0310

CODE	TYPE
752-5113	Alloy valve extender 65mm E0282E
752-5114	Alloy valve extender 30mm E0282D
752-5115	Alloy valve extender 20mm E0282C
752-5126	VISION Wrench for alloy valve extender

> VISION VALVE STOP STICKER

ACCESSORIES

CODE	TYPE
752-5127	VISION Valve stop sticker gray/black V18



> VISION TUBELESS TAPE

ACCESSORIES

- Compatible with Vision CH-TL wheels
- 25mm x 8m



CODE	TYPE
752-0580000110	Road TL Tape Black 25mm x 8M w/Logo ME309



> VISION XDR FREEHUB

ACCESSORIES

- Freehub compatible with SRAM XDR
- Alloy or Steel version

CODE	TYPE
752-0711000010	Freehub RB XDR U2124/U5124 EL345
752-0712000010	Freehub DB XDR U2098/U2115 EL346
752-0721000790	Freehub XDR steel + End Cap U2096/2111
752-0722000020	Freehub TEAM35SL/TRI/SC RB XDR U2081/U5081 EL347



MR024



MR025

> VISION CERAMIC BEARING KIT

ACCESSORIES

CODE	TYPE
752-0747000000	Ceramic KIT METRON SL/KB MR024x4 MR025x2
752-0748000000	Ceramic KIT METRON SLDB-6B MR024x2+MR025x2+MR027x2
752-0748000001	Ceramic KIT METRON SLDB-CL MR024x2+MR025x1+MR027x3



ML656B



ML678

> VISION LOCK RING

ACCESSORIES

CODE	TYPE
752-0741000010	VISION WHSP Lockring DB-CL ML656B (2pcs)
752-0902000010	VISION WHSP Lockring DB-CL ML ML678 (1pcs) B1



FRONT

REAR

> VISION WHEEL BAG

ACCESSORIES

- Durable nylon and heavy duty zips
- Includes reinforced pads to prevent axle protruding
- Internal pocket for QR and accessories

SIZES

- Holds 2 road wheels

WEIGHT

- 857 grams

CODE	TYPE
752-90030E	VISION WHEEL BAG B1

YOUR RIDE, OUR HERITAGE

METRON TFW

The Metron TFW uses monocoque ultra performing 3K carbon fiber construction for great stiffness and low weight. With aero performance optimised, ceramic bearings minimise mechanical losses. The handcrafted TFW is all about going fast, and it's unique using an ultra-light paint that improves aerodynamics: in nutshell The Fastest Wheel in the World Tour.

vision

VISIONTECHUSA.COM
#WINWITHTHEWIND



MODEL	SPOKES KIT	Bearings / Hubs / Spares	Description		
METRON 30 SL Tub & CH-TL 710-0039196031 (XDR) 710-0040196030 (XDR) 710-0039191030 710-0040191030	SPK-MTR30SL-A9	752-0467000011	Rear Hub Axle Alloy U2124 V2 ME260		
		75200615007011	Front Hub 16H Anod Blk U1122 A0		
		75200610006011	Rear Hub 2X SH11 21H Anod Blk U2124		
		752-6502CWSP	Bearing Front Hub/Freehub (6803-26x17x5)		
		752-6514CWSP	Bearing Rear Hub (30x17x7)		
		75200778000000	Rear Hub Spacer U2124/2091		
METRON30 SL DB-6B/CL Tub/ CH-TLR 710-0079231030 710-0080231030 710-0084231030 710-0085231030 710-0085236030 (XDR) 710-0079236030 (XDR) 710-0084236030 (XDR) 710-0080236030 (XDR)	SPK-MTR30DBV18	75200379006010	Front Hub Metron DB-CL TA12 21H U1098		
		75200380002010	Rear Hub Metron DB-CL X12 SH11 24H U2098		
		75200377006010	Front Hub Metron DB-6B TA12 21H U1097		
		75200378002010	Rear Hub Metron DB-6B X12 SH11 U2097		
		752-0565000010	Front Hub Axle DB QR/TA12 U1097/U1098 ME242		
		752-0566000010	Front Hub Axle DB TA15 U1097/U1098 ME257		
		752-0563000010	Rear Hub Axle DB-6B QR/X12 V2 U2097 ME278		
		752-0562000010	Rear Hub Axle DB-CL QR/X12 V2 U2098 ME274		
		752-0633000000	Bearing Front Hub (DB-6B/CL) Rear Hub (DB-CL NDS) (28X17x7)		
		752-6514CWSP	Bearing Rear Hub (DB-6B DS/NDS) (DB-CL DS) (30x17x7)		
		752-6502CWSP	Bearing Freehub (6803-26x17x5)		
		METRON 40 SL Tub & CH-TL 710-000819603D (XDR) 710-0035196032 (XDR) 710-0008191038 710-000919103D	SPK-MTR40SL-A9	752-0467000011	Rear Hub Axle Alloy U2124 V2 ME260
				75200615007011	Front Hub 16H Anod Blk U1122 A0
75200610006011	Rear Hub 2X SH11 21H Anod Blk U2124				
752-6502CWSP	Bearing Front Hub/Freehub (6803-26x17x5)				
752-6514CWSP	Bearing Rear Hub (30x17x7)				
75200778000000	Rear Hub Spacer U2124/2091				
METRON40 SL DB-6B/CL Tub/ CH-TLR 710-0025236033 (XDR) 710-0061236034 (XDR) 710-0029236035 (XDR) 710-0062236035 (XDR) 710-0029231054 710-0025231052 710-0062231035 710-0061231034	SPK-MTR40DBV18	75200379006010	Front Hub Metron DB-CL TA12 21H U1098		
		75200380002010	Rear Hub Metron DB-CL X12 SH11 24H U2098		
		75200377006010	Front Hub Metron DB-6B TA12 21H U1097		
		75200378002010	Rear Hub Metron DB-6B X12 SH11 U2097		
		752-0565000010	Front Hub Axle DB QR/TA12 U1097/U1098 ME242		
		752-0566000010	Front Hub Axle DB TA15 U1097/U1098 ME257		
		752-6514CWSP	Rear Hub Axle DB-6B QR/X12 V2 U2097 ME278		
		75200778000000	Rear Hub Axle DB-CL QR/X12 V2 U2098 ME274		
		752-0633000000	Bearing Front Hub (DB-6B/CL) Rear Hub (DB-CL NDS) (28X17x7)		
		752-6514CWSP	Bearing Rear Hub (DB-6B DS/NDS) (DB-CL DS) (30x17x7)		
		752-0124000110	Rear Hub Labyrinth Dust Spacer MS296 SH U2098		
		752-6502CWSP	Bearing Freehub (6803-26x17x5)		
		METRON 45 SL 710-0156231030 710-0156236030 (XDR) 710-0157231030 710-0157236030 (XDR)	SPK-MTR45DBB1	752-0898000010	Rear Hub End Cap X12 U2149 EL396
752-0897000010	Front Hub End Cap TA12 U1149 EL395				
752-0848000750	Front Hub End Cap TA15 U1149 EL391				
752-6502CWSP	Freehub Bearing (6803-26x17x5) CW Radial Steel				
752-0633000000	Front hub (DS-NDS) Rear hub (NDS) bearings (17287-28x17x7) CW				
752-6514CWSP	Rear hub DS Bearing (6903-30x17x7) CW Radial Steel				
METRON 55 SL Tub & CH-TL 710-0007196037 (XDR) 710-0006196039 (XDR) 710-0007191030 710-0006191039	SPK-MTR55SL-A9	752-0467000011	Rear Hub Axle Alloy U2124 V2 ME260		
		75200615007011	Front Hub 16H Anod Blk U1122 A0		
		75200610006011	Rear Hub 2X SH11 21H Anod Blk U2124		
		752-6502CWSP	Bearing Front Hub/Freehub (6803-26x17x5)		
		752-6514CWSP	Bearing Rear Hub (30x17x7)		
		75200778000000	Rear Hub Spacer U2124/2091		

MODEL	SPOKES KIT	Bearings / Hubs / Spares	Description		
METRON 55 SL Tub & CH-TL 710-0007196037 (XDR) 710-0006196039 (XDR) 710-0007191030 710-0006191039	SPK-MTR55SL-A9	752-0467000011	Rear Hub Axle Alloy U2124 V2 ME260		
		75200615007011	Front Hub 16H Anod Blk U1122 A0		
		75200610006011	Rear Hub 2X SH11 21H Anod Blk U2124		
		752-6502CWSP	Bearing Front Hub/Freehub (6803-26x17x5)		
		752-6514CWSP	Bearing Rear Hub (30x17x7)		
		75200778000000	Rear Hub Spacer U2124/2091		
METRON55 SL DB-6B/CLTub/CH-TLR 710-0045231032 710-0044231036 710-0046231050 710-0047231030 710-0046236036 (XDR) 710-0044236036 (XDR) 710-0047236036 (XDR) 710-0045236032 (XDR)	SPK-MTR55DBV18	75200379006010	Front Hub Metron DB-CL TA12 21H U1098		
		75200380002010	Rear Hub Metron DB-CL X12 SH11 24H U2098		
		75200377006010	Front Hub Metron DB-6B TA12 21H U1097		
		75200378002010	Rear Hub Metron DB-6B X12 SH11 U2097		
		752-0565000010	Front Hub Axle DB QR/TA12 U1097/U1098 ME242		
		752-0566000010	Front Hub Axle DB TA15 U1097/U1098 ME257		
		752-0563000010	Rear Hub Axle DB-6B QR/X12 V2 U2097 ME278		
		752-0562000010	Rear Hub Axle DB-CL QR/X12 V2 U2098 ME274		
		752-0633000000	Bearing Front Hub (DB-6B/CL) Rear Hub (DB-CL NDS) (28X17x7)		
		752-6514CWSP	Bearing Rear Hub (DB-6B DS/NDS) (DB-CL DS) (30x17x7)		
		752-6514CWSP	Bearing Rear Hub (30x17x7)		
		752-6502CWSP	Bearing Freehub (6803-26x17x5)		
		METRON 60 SL 710-0152231030 SMN 710-0152236030 XDR 710-0153231030 SMN 710-0153236030 XDR	SPK-MTR60DBB1	752-0898000010	Rear Hub End Cap X12 U2149 EL396
				752-0897000010	Front Hub End Cap TA12 U1149 EL395
752-0848000750	Front Hub End Cap TA15 U1149 EL391				
752-6502CWSP	Freehub Bearing (6803-26x17x5) CW Radial Steel				
752-0633000000	Front hub (DS-NDS) Rear hub (NDS) bearings (17287-28x17x7) CW				
752-6514CWSP	Rear hub DS Bearing (6903-30x17x7) CW Radial Steel				
METRON 81 SL Tub & CH-TL 710-0026196035 (XDR) 710-0020196033 (XDR) 710-0026191030 710-0020191032	SPK-MTR81SL-A9	752-0467000011	Rear Hub Axle Alloy U2124 V2 ME260		
		75200615007011	Front Hub 16H Anod Blk U1122 A0		
		75200610006011	Rear Hub 2X SH11 21H Anod Blk U2124		
		752-6502CWSP	Bearing Front Hub/Freehub (6803-26x17x5)		
		752-6514CWSP	Bearing Rear Hub (30x17x7)		
		75200778000000	Rear Hub Spacer U2124/2091		
METRON81 SL DB-6B/CLTub/CH-TLR 710-0074236030 (XDR) 710-0071236030 (XDR) 710-0064236030 (XDR) 710-0066236030 (XDR) 710-0074231030 710-0064231030 710-0065231030 710-0066231030	SPK-MTR81DBV18	75200379006010	Front Hub Metron DB-CL TA12 21H U1098		
		75200380002010	Rear Hub Metron DB-CL X12 SH11 24H U2098		
		75200377006010	Front Hub Metron DB-6B TA12 21H U1097		
		75200378002010	Rear Hub Metron DB-6B X12 SH11 U2097		
		752-0565000010	Front Hub Axle DB QR/TA12 U1097/U1098 ME242		
		752-0566000010	Front Hub Axle DB TA15 U1097/U1098 ME257		
		752-0563000010	Rear Hub Axle DB-6B QR/X12 V2 U2097 ME278		
		752-0562000010	Rear Hub Axle DB-CL QR/X12 V2 U2098 ME274		
		752-0633000000	Bearing Front Hub (DB-6B/CL) Rear Hub (DB-CL NDS) (28X17x7)		
		752-6514CWSP	Bearing Rear Hub (DB-6B DS/NDS) (DB-CL DS) (30x17x7)		
		75200778000000	Rear Hub Spacer U2124/2091		
		752-6502CWSP	Bearing Freehub (6803-26x17x5)		
3-SPOKES DB-6B/CL Tub/CH-TLR 710-0081006030 (XDR) 710-0077006030 (XDR) 710-0082006030 (XDR) 710-0078006030 (XDR)		752-0500000000	Front Hub End Cap DB-CL/6B TA12 U1097/U1098 EL303		
		752-0496000010	DBkit Metron Rear Hub X12 DB-CL U2098 EL306		

MODEL	SPOKES KIT	Bearings / Hubs / Spares	Description	
METRON DISC CRONO		75200610006011	Rear Hub 2X 21H SH11 Anod Blk U2124	
		752-6502CWSP	Bearing Front Hub/Freehub (6803-26x17x5)	
		752-6514CWSP	Bearing Rear Hub (30x17x7)	
		710-0073008030 (XDR)		
		710-0053008032 (XDR)		
710-0073004030				
TRIMAX25 KB	SPK-TRI25-KB-A9	75200616001010	Front Hub 20H Matt Blk U1123 V19	
		75200485002011	Rear Hub 24H Matt Blk U2120 V19	
		752-6502CWSP	Bearing Front Hub/Freehub (6803-26x17x5)	
		752-6514CWSP	Bearing Rear Hub (30x17x7)	
710-0060011110				
710-0060016110 (XDR)				
TRIMAX30 KB	SPK-TRI30-KB-A9	75200615007010	Front Hub 16H Matt Blk U1122 V19	
		75200610006010	Rear Hub 2X SH11 21H Matt Blk U2124	
		752-6502CWSP	Bearing Front Hub/Freehub (6803-26x17x5)	
		752-6514CWSP	Bearing Rear Hub (30x17x7)	
710-0042196820 (XDR)				
710-0042191051				
TRIMAX30 Silver Surface	SPK-TRI30-SBS	752-0235007010	Front Hub 16H U1081 V16	
		75200236006010	Rear Hub SH11 21H U2081 V16	
		75200682000000	Rear Hub Washer 0.5mm U2081 MW021	
		75200683000000	Rear Hub Spacer 13mm U2081/U3082 MW022	
		752-0307000000	Bearing Front Hub (24x12x5)U1081/U1082/U1086 MR021	
		752-0633000000	Bearing Freehub/Rear Hub NDS (17287-28x17x7)	
		752-6514CWSP	Bearing Rear Hub DS (30x17x7)	
710-0014191053				
710-0049196050 (XDR)				
TRIMAX30 SC	SPK-TRI30DBB1	752-0201000111	Bearing Freehub (15x26x7) MR193	
		752-0323000001	Bearing Front Hub (18x28x7) MR018/MR243	
		75200295000000	Bearing Rear Hub NDS (15x28x7) MR202/MR244/MR245	
		75200841006010	Front Hub DB-CL TA12 SH11 2:1 21H U1161	
		752-0847000010	Front Hub End Cap DB TA12 EL390 U1161	
		752-0523000010	Front Hub End Cap DB TA15 U1111/U40/61/U1152/72 MW634	
		75200842002010	Rear Hub DB-CL X12 SH11 2:1 24H U2161	
		75200843002010	Rear Hub DB-CL X12 XDR 2:1 24H U2161/U5161	
		710-0056231050		
		752-0855000AG0	Rear Hub Spacer DB U2152/72/73-U2144-U2161 MW717	
710-0056116051 (XDR)				
752-0798000010	Rear Hub Axle DB U2140-U2152/72-U2161 ME378/ME367			
TRIMAX35 KB	SPK-TRI35-KB-A9	75200615007010	Front Hub 16H Matt Blk U1122 V19	
		75200778000000	Rear Hub Spacer U2124/2091	
		75200610006010	Rear Hub 2X SH11 21H Matt Blk U2124	
		752-6502CWSP	Bearing Front Hub/Freehub (6803-26x17x5)	
		752-6514CWSP	Bearing Rear Hub (30x17x7)	
710-0110196820 XDR				
710-0034191113				
TRIMAX35 Silver Surface	SPK-TRIMAX35 / SPK-TRI35-SBS	752-0235007010	Front Hub 16H U1081 V16	
		75200236006010	Rear Hub SH11 21H U2081 V16	
		75200682000000	Rear Hub Washer 0.5mm U2081 MW021	
		75200683000000	Rear Hub Spacer 13mm U2081/U3082 MW022	
		752-0307000000	Bearing Front Hub (24x12x5)U1081/U1082/U1086 MR021	
		752-0633000000	Bearing Freehub/Rear Hub NDS (17287-28x17x7)	
		752-6514CWSP	Bearing Rear Hub DS (30x17x7)	
710-0034191053				
710-0111196050 (XDR)				

MODEL	SPOKES KIT	Bearings / Hubs / Spares	Description	
TRIMAX35 SC		752-0201000111	Bearing Freehub (15x26x7) MR193	
		752-0323000001	Bearing Front Hub (18x28x7) MR018/MR243	
		75200295000000	Bearing Rear Hub NDS (15x28x7) MR202/MR244/MR245	
		75200841006010	Front Hub DB-CL TA12 SH11 2:1 21H U1161	
		752-0847000010	Front Hub End Cap DB TA12 EL390 U1161	
		752-0523000010	Front Hub End Cap DB TA15 U1111/U40/61/U1152/72 MW634	
		75200842002010	Rear Hub DB-CL X12 SH11 2:1 24H U2161	
		75200843002010	Rear Hub DB-CL X12 XDR 2:1 24H U2161/U5161	
		710-0113231051	752-0855000AG0	Rear Hub Spacer DB U2152/72/73-U2144-U2161 MW717
710-0113236051 (XDR)	752-0798000010	Rear Hub Axle DB U2140-U2152/72-U2161 ME378/ME367		
SC40 Tub & CH-TL	SPK-SC40RBA0 (2mm) SPK-SC40RBB1 (2/1.5/2)	75200235007010	Front Hub 16H U1081 V16	
		752-0719000010	Rear Hub Axle Alloy U2081 ME357	
		752-0373000190	Front Hub End Cap U1081/U1086 MW575	
		710-0089191030 (SMN)	75200569000010	Rear Hub End Cap U2081 SH11 (2pcs) MW633
		710-0089196030 (XDR)	75200682000000	Rear Hub Washer 0.5mm U2081 MW021
			75200683000000	Rear Hub Spacer 13mm U2081/U3082 MW022
			752-6514CWSP	Bearing Rear Hub DS (6903-30x17x7)
			752-0307000000	Bearing Front Hub U1081/U1082/U1086 MR021
			752-0633000000	Bearing Freehub/Rear Hub (NDS) 17x28x7
SC40 DB-CL CH-TL	SPK-SC40DBA0 (2mm) SPK-SC40DBB1 (2/1.5/2)	752-0453020010	Front Hub DB-CL QR 24H U1111 V18	
		752-0453020011	Front Hub DB-CL TA12 24H U1111	
		752-0521000010	Front Hub End Cap QR Team30/35/SC MW630	
		710-0092116030 (XDR)	752-0522000010	Front Hub End Cap TA12 Team30/35/SC MW632
		710-0092111030 (SMN)	752-0523000010	Front Hub End Cap TA15 Team30/35/SC MW634
			752-0741000010	Lockring DB-CL ML634
			752-0525000010	Rear Hub End Cap DB X12 Team30/SC MW637
			752-0524000010	Rear Hub End Cap DB QR Team30/SC MW636
			752-0806000790	Freehub Spacer Steel U2111/U2126 MW199 B1
			752-6514CWSP	Bearing Rear Hub DS MR028 6903 (30x17x7)
			752-6502CWSP	Bearing Freehub XDR (6803-26x17x5)
			752-0323000001	Front Hub Bearing (28x18x7) x2pcs
			752-0633000000	Bearing Freehub SH/Rear Hub NDS (28x17x7)
			752-0558000010	Rear Hub Axle ME303
		SC55 Tub & CH-TL	SPK-SC55RBB1 (2/1.5/2)	75200235007010
752-0373000190	Front Hub End Cap U1081/U1086 MW575			
752-0307000000	Bearing Front Hub U1081/U1082/U1086 MR021			
710-0090191030 (SMN)	75200569000010			Rear Hub End Cap U2081 SH11 (2pcs) MW633
710-0090196030 (XDR)	752-0719000010			Rear Hub Axle Alloy U2081 ME357
	75200682000000			Rear Hub Washer 0.5mm U2081 MW021
	75200683000000			Rear Hub Spacer 13mm U2081/U3082 MW022
	752-6514CWSP			Bearing Rear Hub DS (6903-30x17x7)
	752-0307000000			Bearing Front Hub U1081/U1082/U1086 MR021
	752-0633000000	Bearing Freehub/Rear Hub (NDS) 17x28x7		

MODEL	SPOKES KIT	Bearings / Hubs / Spares	Description	
SC55 DB-CL CH-TL	SPK-SC55RBA0 (2mm) SPK-SC55RBB1 (2/1.5/2)	752-0453020010	Front Hub DB-CL QR 24H U1111 V18	
		752-0453020011	Front Hub DB-CL TA12 24H U1111	
752-0521000010		Front Hub End Cap QR Team30/35/SC MW630		
710-0091111030 (SMN)		752-0522000010	Front Hub End Cap TA12 Team30/35/SC MW632	
710-0091116030 (XDR)		752-0523000010	Front Hub End CapTA15 Team30/35/SC MW634	
		752-0741000010	Lockring DB-CL ML656	
		752-0525000010	Rear Hub End Cap DB X12Team30/SC MW637	
		752-0524000010	Rear Hub End Cap DB QR Team30/SC MW636	
		752-0718000010	Rear Hub End Cap X12 DB NS/Team30/SC XDR MW053	
		752-6514CWSP	Bearing Rear Hub DS MR028 6903 (30x17x7)	
		752-0323000001	Front Hub Bearing (28x18x7) x2pcs	
		752-0806000790	Rear Hub Spacer Steel U2111/U2126 MW199 B1	
		752-6502CWSP	Bearing Freehub XDR (6803-26x17x5)	
		752-0633000000	Bearing Freehub SH/Rear Hub NDS (28x17x7)	
		752-0558000010	Rear Hub Axle ME303	
TC30 DB-CL CH-TL		SPK-TC30DBB2	75200878002010	Front Hub Assembly U1172 (2:1)
			752-0767000010	Rear Hub End Cap X12 U2132/U2152/U2172 MW695
752-0855000AGO			Rear Hub Spacer MW717	
710-0138111030 (SMN)			752-0768000010	Rear Hub End Cap X12 XDR U5132/U5152/U5172 MW696
710-0138116030 (XDR)			75200108000110	Bearing Rear Hub U2132-U2152 DS-NDS (6902 28x15x7) MR191
	752-0522000010		Front Hub End Cap TA12 U1111-U1140-U1172 MW632	
	752-0523000010		Front Hub End Cap DB TA15 U1111/U1140/U1152/U1172	
	752-0323000001		Bearing Front Hub U1132-U1152-U1172 (18x28x7) MR018	
	75200108000110		Bearing Rear Hub U2132-U2152-U2172 DS-NDS (28x15x7) MR191	
	752-0201000111		Bearing Freehub U2152-U2172 (15x26x7) MR193	
	752-0863000010		Front Hub End Cap DB QR U1152-U1172 MW720	
	752-0864000010		Rear Hub End Cap DB QR U2152-U2172-U2173 MW721	
TC40 DB-CL CH-TL	SPK-TC40DBB1		75200816002010	Front Hub TC/TriMaxTC DB-CL TA12 24H U1152
			752-0523000010	Front Hub End Cap DB TA15 U1111/U1140/U1152 MW634
752-0863000010		Front Hub End Cap DB QR U1152-U1172 MW720		
710-0137111030 (SMN)		75200817002010	Rear Hub TC/TriMaxTC DB-CL SH11 24H U2152	
710-0137116030 (XDR)		75200826002010	Rear Hub TC/TriMaxTC DB-CL X12 XDR 24H U5152	
		752-0767000010	Rear Hub End Cap X12 U2132/U2152/U2172 MW695	
		752-0768000010	Rear Hub End Cap X12 XDR U5132/U5152/U5172 MW696	
		752-0864000010	Rear Hub End Cap DB QR U2152-U2172-U2173 MW721	
		752-0798000010	Rear Hub Axle TEAM35/TC DB ME378/ME367	
		752-0323000001	Bearing Front Hub U1132-U1152 (18x28x7) MR018	
		75200108000110	Bearing Rear Hub U2132-U2152 DS-NDS (6902 28x15x7) MR191	
		752-0201000111	Bearing Freehub U2152 (15x26x7) MR193	
		75200295000000	Bearing Freehub U2132 (15x28x7) MR202	
		752-0855000AGO	Rear Hub Spacer MW717	
		752-0854000010	Front Hub End Cap TA12 U1152 MW716	
		752-0769000010	Front Hub End Cap TA12 U1132 MW697	

MODEL	SPOKES KIT	Bearings / Hubs / Spares	Description		
TC55 DB-CL CH-TL	SPK-TC55DBB1	75200816002010	Front Hub TC/TriMaxTC DB-CL TA12 24H U1152		
		752-0523000010	Front Hub End Cap DB TA15 U1111/U1140/U1152 MW634		
		752-0863000010	Front Hub End Cap DB QR U1152-U1172 MW720		
		710-0121111031 (SMN)	75200817002010	Rear Hub TC/TriMaxTC DB-CL SH11 24H U2152	
		710-0121116031 (XDR)	75200826002010	Rear Hub TC/TriMaxTC DB-CL X12 XDR 24H U5152	
			752-0767000010	Rear Hub End Cap X12 U2132/U2152 MW695	
			752-0768000010	Rear Hub End Cap X12 XDR U5132/U5152/U5172 MW696	
			752-0864000010	Rear Hub End Cap DB QR U2152-U2172-U2173 MW721	
			752-0798000010	Rear Hub Axle TEAM35/TC DB ME378/ME367	
			75200108000110	Bearing Rear Hub U2132-U2152 DS-NDS (6902 28x15x7) MR191	
			752-0323000001	Bearing Front Hub U1132-U1152 (18x28x7) MR018	
			752-0201000111	Bearing Freehub U2152 (15x26x7) MR193	
			75200295000000	Bearing Freehub U2132 (15x28x7) MR202	
			752-0855000AG0	Rear Hub Spacer MW717	
			752-0854000010	Front Hub End Cap TA12 U1152 MW716	
			752-0769000010	Front Hub End Cap TA12 U1132 MW697	
		TEAM 35 DB-CL CH-TL	SPK-TEAM35DBCL6BA0	752-0757002010	Front Hub DB-CL TA12 U1140
				75200757002013	Front Hub DB-CL TA12 U1140
				75200759002010	Rear Hub DB-CL X12 SH11 U2140
710-0095111012 SMN	752-0759002010			Rear Hub DB-CL X12 SH11 U2140	
710-0095116011 XDR	752-0790000010			Rear Hub End Cap DB QR SH11 U2140-U2152 MW132	
	752-0791000010			Rear Hub End Cap DB X12 SH11 U2140 MW133	
	752-0523000010			Front Hub End Cap Team30/35/SC TA15 MW634	
	752-0522000010			Front Hub End Cap Team30/35/SC TA12 MW632	
	752-0521000010			Front Hub End Cap DB QR U1096-U1111-U1140-U1152 MW630	
	752-0323000001			Bearing Front Hub (18x28x7) MR018	
	75200108000110			Bearing Rear Hub + Freehub (6902 28x15x7) MR191	
TEAM 35 Comp SL	SPK-TEAM35COMP	752-0719000010	Rear Hub Axle Alloy U2081 ME357		
		75200569000010	Rear Hub End Cap U2081 SH11 (2pcs) MW633		
		710-0093196050 XDR	75200683000000	Rear Hub Spacer 13mm U2081/U3082 MW022	
		71000093191050	75200682000000	Rear Hub Washer 0.5mm U2081 MW021	
		710-0093191050	752-0373000190	Front Hub End Cap U1081/U1086 MW575	
			75200235007010	Front Hub 16H U1081 V16	
			75200236006010	Rear Hub SH11 21H U2081 V16	
			752-0307000000	Bearing Front Hub U1081/U1082/U1086 MR021	
			752-0633000000	Bearing Freehub/Rear Hub NDS (17287-28x17x7)	
			752-6514CWSP	Bearing Rear Hub DS (6903-30x17x7)	

MODEL	SPOKES KIT	Bearings / Hubs / Spares	Description	
TEAM30 DB-6B DP	SPK-TEAM30DB-6BCLV18	75200351002010	Front Hub DB-6B/QR 24H U1096 V18	
		75200352002010	Rear Hub DB-6B/QR 24H U2096 V18	
		752-0323000001	Bearing Front Hub (18x28x7) MR018	
		752-6514CWSP	Bearing Rear Hub DS (6903-30x17x7)	
		752-0633000000	Bearing Rear Hub NDS/FreeHub (17x28x7)	
710-0051111050				
710-0051116010 XDR				
TEAM30 TC		75200825002010	Rear Hub TeamTC DB-CL X12 SH11 24H FH Steel U2156	
		752-0855000AGO	Rear Hub Spacer DB U2152-U2172-U2173-U2144 MW717	
		752-0323000001	Bearing Front Hub (18x28x7) MR018/MR243	
		71000126111010	752-0522000010	Front Hub End Cap TA12 U1096/U1040/U1111 MW632
		71000126116010 (XDR)	752-0523000010	Front Hub End Cap DB TA15 U1111/U40/U1152/72 MW634
			752-0719000010	Rear Hub Axle Alloy U2081-U2172 ME357
			75200295000000	Bearing Rear Hub DS-NDS (15x28x7) MR202/MR244/MR245
			752-0791000010	Rear Hub End Cap DB X12 SH11 U2140 MW133
			752-0863000010	Front Hub End Cap DB QR U1152-U1172 MW720
			752-0521000010	Front Hub End Cap DB QR U1096-U1111/40/52/72 MW630
			752-0808000790	Freehub Spacer Steel U2140 MW315 14mm B1
			752-0790000010	Rear Hub End Cap DB QR SH11 U2140-U2152/72 MW132
			752-0864000010	Rear Hub End Cap DB QR U2152-U2172-U2173 MW721
		TEAM30	SPK-TC40DBB1	75200031005010
75200050000010	Rear Hub 24H SH11 U2064 V15			
752-0307000000	Bearing Front Hub U1081/U1082/U1086 690 MR021			
710-0016051441	752-0296000001			Bearing Rear Hub DS/NDS (10x26x8) MR203

YOUR RIDE, OUR HERITAGE

WIN WITH THE WIND

VISION produces world class bicycle components for road cycling and triathlon biking and we support many of the world's leading road teams.

We're proud to constantly invest in our product range, ensuring that we provide the very best components possible – for both professional and enthusiast riders alike.



VISIONTECHUSA.COM

> FSA MECHANIC BAG

ACCESSORIES

CODE	TYPE
80000002000110	Mechanic Tool Bag FSA-Vision logo E0145



> FSA MECHANIC CLOTHES

CLOTHES

CODE	TYPE
864-0115	FSA Overalls Mechanics Long Sleeve S B1
864-0116	FSA Overalls Mechanics Long Sleeve M B1
864-0117	FSA Overalls Mechanics Long Sleeve L B1
864-0118	FSA Overalls Mechanics Long Sleeve XL B1
864-0105	FSA Mechanics Salopette S B1
864-0106	FSA Mechanics Salopette M B1
864-0107	FSA Mechanics Salopette L B1
864-0108	FSA Mechanics Salopette XL B1
863-0046	Mechanic Apron Black with Pocket A9



OVERALLS



SALOPETTE



APRON

> FSA SOCKS

CLOTHES

- 100% made in Italy by MB Wear

CODE	TYPE
863-0036	FSA socks by MB WEAR GRAY S-M (36/40)
863-0037	FSA socks by MB WEAR GRAY L-XL (41/46)
863-0038	FSA socks by MB WEAR BLUE S-M (36/40)
863-0039	FSA socks by MB WEAR BLUE L-XL (41/46)
863-0026	VISION socks by MB WEAR gray S-M (36/40)
863-0027	VISION socks by MB WEAR gray L-XL (41/46)
863-0028	VISION socks by MB WEAR BLUE S-M (36/40)
863-0029	VISION socks by MB WEAR BLUE L-XL (41/46)



> FSA & VISION DISPLAY

ACCESSORIES

CODE	TYPE
999-VISDISP6WH	Show Display VISION 6 Wheels
999-FSADISP13	FSA Show Display Main Support V13
999-STAFRU013	Show Display Wheel Support V13
999-PANFOR13	Show Display Punched Panel V13

CODE	TYPE
999-FSADISP13	FSA Show Display Main Support V13
999-STAFRU013	Show Display Wheel Support V13
999-PANFOR13	Show Display Punched Panel V13





FULL SPEED AHEAD ASIA
NO.6, WUGONG 8TH RD., WUFENG DIST., - TAICHUNG CITY 41353 - TAIWAN



FULL SPEED AHEAD EUROPE
VIA DEL LAVORO, 56 - 20874 BUSNAGO, MILAN, ITALY



FULL SPEED AHEAD USA
12212 CYRUS WAY - MUKILTEO, WA 98275-5702, USA



FULL SPEED AHEAD CHINA
ROOM A405, BUILDING 2, NO.88, BAIFU ROAD, CHINA





FOUR OFFICES

A L W A Y S A H E A D

FSA ASIA is located in Taichung, Taiwan, in the “Silicon Valley” of cycling: in fact the headquarters of many important brands of the bike sector are there. FSA Asia sales and marketing office is operational in many Asian fairs as well as in cycling events.

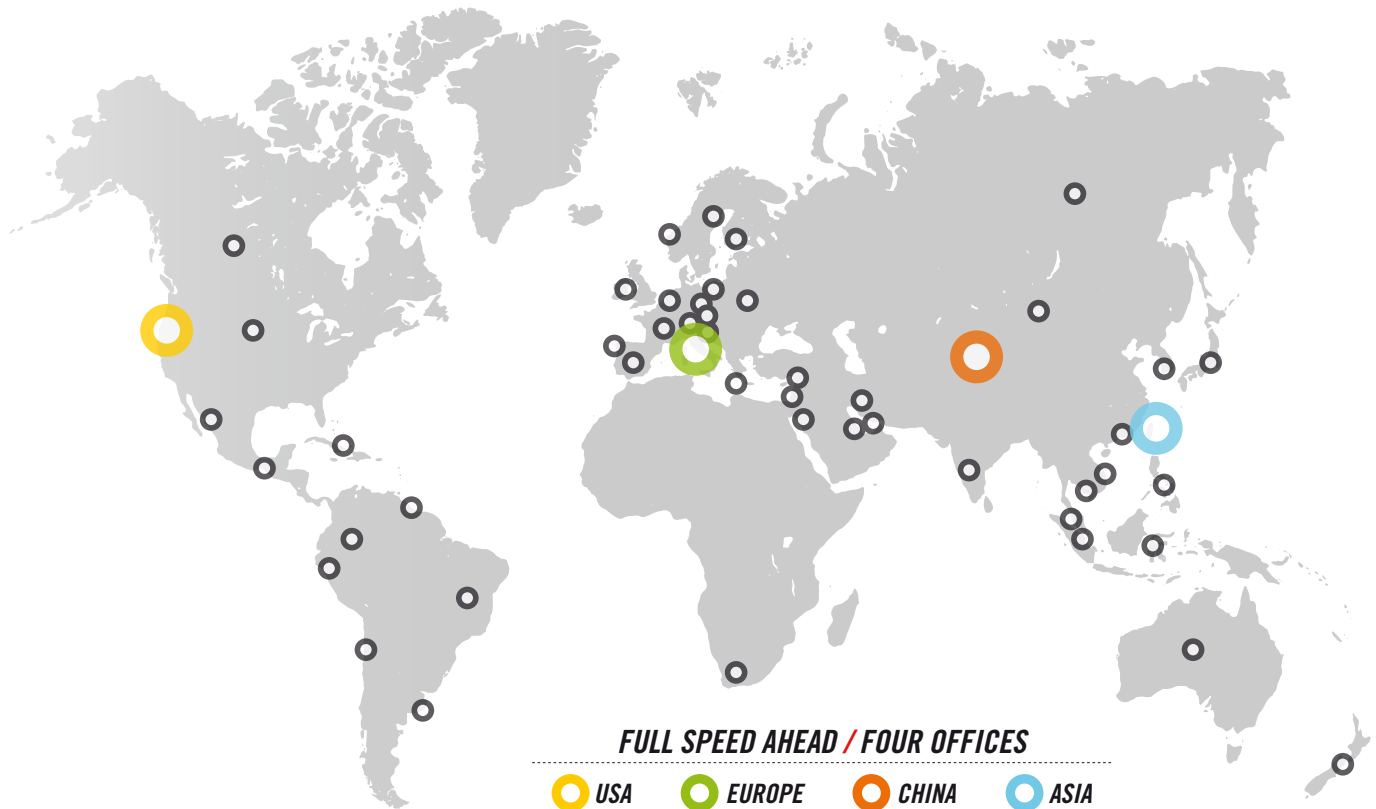
FSA EUROPE is located in Busnago, near Milan, the capital of Lombard. Milan and its outskirts represent the largest industrial area in Italy with many different industrial sectors. The company is the reference point for all European Countries, working with more than 30 distributors located in every part of the Old Continent.

FSA USA is located in the beautiful Pacific Northwest, on the east side of Puget Sound in Mukilteo, WA, close to Seattle, home of Boeing, Microsoft and Amazon. Located in the heart of arguably some of the best off-road riding in the world, FSA-USA HQ serves as the ultimate proving ground for off-road product testing, innovation, and brand development.

FSA CHINA is located in Kunshan in the Jiangsu Province. Kunshan city is considered one of the fastest-growing modern industrial cities in China. Located near Shanghai, a key entrance port in eastern China, Kunshan city is conveniently located for servicing bicycles dealers throughout China.

FSA
WORLDWIDE
SERVICE CENTERS

40
SERVICE CENTERS



NORTH AMERICA

FSA	VISION	COUNTRY	COMPANY NAME	E-MAIL	TEL	COMPANY WEBSITE
x	x	USA	BICYCLE TECHNOLOGIES INTERNATIONAL (BTI)	Info@bti-usa.com	18.005.588.324	http://www.bti-usa.com
x	x	USA	QUALITY BICYCLE PRODUCTS (QBP)	Sales@qbp.com	18.003.460.004	http://qbp.com
x	x	USA	HAWLEY, LLC	info-us@hlc.bike	18.033.593.492	http://www.hawleyusa.com
x	x	USA	CYCLONE BICYCLE SUPPLY	Info@cyclonebicycle.com	15.032.260.696	http://cyclonebicycle.com
x	x	USA	J&B IMPORTERS, INC.	Info@jbimporters.com	18.006.665.000	http://www.jbi.bike/web/index.php
x	x	USA	OLYMPIC SUPPLY COMPANY	info@osco.bike	14.144.618.380	http://www.osco.bike/
x	x	USA	KHS, INC.	Info@khsbicycles.com	18.003.477.854	http://khsbicycles.com/e_resources.htm
x	x	CANADA	ORANGE SPORT SUPPLY, INC.	Info@orangesportsupply.com	18.779.905.554	http://www.orangesportsupply.com
x	x	CANADA	CYCLES LAMBERT	Info@cycleslambert.com	14.188.351.685	http://www.cycleslambert.com/default.aspx

SOUTH AMERICA

FSA	VISION	COUNTRY	COMPANY NAME	E-MAIL	TEL	COMPANY WEBSITE
x	x	BRASIL	DAX BIKE	Alancesar@daxbike.com	+55.86.3131.7600	http://www.daxbike.com
x	x	CHILE	INTERBIKES	info@interbikes.cl	+56.9.3436.0304	http://www.interbikes.cl
x	x	COLOMBIA	DISANDINA S.A.	componentes@disandina.com	+57.4.444.2404	http://www.disandina.com
x	x	COLOMBIA	IMPORTACIONES GRAFAM S.A.S	gerencia@grafamlda.com	+57.3508121774	
x	x	COSTA RICA	EL SPRINTER	rigobertozuniga@elsprinter.com	50.622.414.818	http://www.elsprinter.com/
x	x	ECUADOR	BASE EXTREME	info@baseextreme.com.ec	+593.7.281.4686	http://www.baseextreme.com.ec/index.aspx
x	x	EL SALVADOR	IMPORNET / PROBIKESV	info@probikesv.com	50.322.660.759	http://www.probikesv.com
x	x	GUATEMALA	IMPORNET / PROBIKES BY JOSE	info@donde-jose.com	+502.2.369.2009	http://www.donde-jose.com
x	x	JAMAICA	CYCLE CITY & FITNESS, LTD	cyclecity_fitnesscentre@yahoo.com	18.767.547.433	https://www.facebook.com/cyclecityandfitness/
x	x	MEXICO	WINDSOR SPORT GROUP	contacto@windsorsportsgroup.com	+01.800.06.23.773	http://www.windsorsportsgroup.com
x	x	PANAMA	DESARROLLO DEPORTIVO LOS 40, S.A.	Desarrollodeportivo40@gmail.com	+507.6050-4513	
x	x	PANAMA	RUFUS LATIN AMERICA INC	natachagrau@rufuslatinamerica.com	+584.14.896.4644	http://www.rufuslatinamerica.com/index.php
x	x	TRINIDAD	MOTORCYCLES ETC	larry.ali@motorcycleetc.com	18.686.787.080	http://www.motorcycleetc.com/motorcycleetc/

EUROPE

FSA	VISION	COUNTRY	COMPANY NAME	E-MAIL	TEL
x	x	BENELUX	CODAGEX	info@codagex.be	+32 14347474
	x	BULGARIA	MAXCOM LTD.	aftermarket@sprintmaxcom.com	+359 32600897
x	x	CZECH REP.	DEMA SENICA A.S.	sport@dema.sk	+421 346945111
x	x	CYPRUS	A & P ANDREOU BROTHERS LTD	mariap@andreou.com	+357 24811031
	x	DENMARK	BJARNE, EGEDESØ A/S	info@bikersbest.dk	+45 63168001
x	x	ESTONIA	VELOPLUS OÜ	info@veloplus.ee	+372 5070860
	x	FINLAND	BJARNE, EGEDESØ A/S	info@bikersbest.dk	+45 63168001
x	x	FRANCE	SPORTPULSION PÔLE VÉLO	velo@sportpulsion.fr	+33 0479843680
x		FRANCE	SAVOYE	info@savoie.fr	+334 74 36 13 77
x	x	FRANCE	COMET DISTRIBUCIONES COMERCIAL S.A.	fsa@comet.es	+34 943331393
x	x	GERMANY	MERIDA & CENTURION GERMANY GMBH	fsagermany@fullspeedahead.com	+49 07159 945930
x	x	GREECE	BIKEFORMANCE	info@bikeformance.gr	+30 2182189414
x		HUNGARY	VELOSSIMO KFT	velossimo.hu@gmail.com	+36 302212929
x	x	ITALY	RMS S.P.A.	info@rms.it	+39 0362 27301
x	x	ITALY	CICLO PROMO COMPONENTS S.P.A.	info@ciclopromo.com	+39 04231996363
x	x	MALTA	MAGRI CYCLES & SPARES	magricyc@nextgen.net.mt	+356 21414399
	x	NORWAY	BJARNE, EGEDESØ A/S	info@bikersbest.dk	+45 63168001
x	x	POLAND	DEMA SENICA A.S.	sport@dema.sk	+421 346945111
x	x	PORTUGAL	CICLO COIMBROES	geral@ciclocoimbroes.com	+351 223794461
x	x	ROMANIA	CROSSBIKE	office@crossbike.ro	+40 0735 151 260
x	x	SLOVAKIA	DEMA SENICA A.S.	sport@dema.sk	+421 346945111
x	x	RUSSIA	JSC VELOCENTER	tbogdanova@velo.ru	+7 0951230460
x	x	RUSSIA	VELOMARKET CSKA	sergey@velomarket-cska.ru	+7 4956132938
x	x	SLOVENIA	VEB COMPANY	veb-company@siol.net	+38 614303922
x	x	SOUTH AFRICA	CAPEGRO SPORTS	fsa@capegroports.co.za	+27 72 3799074
x	x	SPAIN	COMET DISTRIBUCIONES COMERCIAL S.A.	fsa@comet.es	+34 943331393
	x	SPAIN	BHBIKES EUROPE, S.L.	alfonso@bhbikes.com	+34 945135202
x		SWEDEN	BOOVE AB	info@boove.se	+46 8 761 0266
x	x	SWISS	BELIMPORT	daniele@belimport.ch	+41 91 260 35 15
x	x	TURKEY	ACCELL BISIKLET SAN VE TIC AS	aftermarket@accellbisiklet.com.tr	+90 236 213 00 45
x	x	UKRAINE	BIKESPORT LLC	shop@veloplaneta.com.ua	+38 0991002909
x	x	U.K. & IRELAND	SOLENT	fsa.uk@fullspeedahead.com	+44 2392521912

ASIA PACIFIC

FSA	VISION	COUNTRY	COMPANY NAME	E-MAIL	TEL	COMPANY WEBSITE
x	x	TAIWAN	FSA ASIA	support@fullspeedahead.com.tw	+886 4 2331 9134	http://www.fullspeedahead.com
	x	AUSTRALIA	MCH IMPORTS	info@mchimports.com	1300 783 556 / (03) 7020 1122	www.mchimports.com
x	x	CHINA	FSA CHINA	daniel@fullspeedahead.com.cn	+86 512 5702 2458	http://www.fullspeedahead.com
x	x	HONG KONG	LOCATION SPORTS LIMITED	info@locationcycles.com	+852 24418628	http://www.locationcycles.com
x	x	INDIA	TI CYCLES OF INDIA	customer@bsahercules.com	+991 44 42093434	http://www.tiindia.com/
x	x	INDONESIA	PT. WAHANA INTI UTAMA	customerservice@bab-indonesia.com	+62 21 30052621	http://www.unitedbike.com
x	x	ISRAEL	D. Z. SYSTEMS LTD	tzahi@dzsystems.co.il	+97 289188983	-
x	x	JAPAN	FUTABA	zac_r@e-ftb.co.jp	+81 52 5048345	info@e-ftb.co.jp
x	x	JAPAN	PODIUM CO LTD	fsa_vision@podium.co.jp	+81 742643555	fsa_vision@podium.co.jp
	x	MALAYSIA	SA SPORT SDN BHD	yeann@senaik.com	+60 3 3358 6650	http://www.senaik.com/
x		MALAYSIA	SLM	info@slmbicycle.com	+6012 4253369	http://www.slmbicycle.com
x	x	NEW ZELAND	WIDE OPEN DISTRIBUTORS	sales@wideopen.co.nz	+64 7 3453280	http://www.wideopen.co.nz
x	x	PHILIPPINES	NANOTECH TRADING INC	inquiry@nanotechtradinginc.com	+63 32 2558853	http://www.nanotechtradinginc.com
x	x	SINGAPORE	CAPPA TRADING PTE LTD	catherine@cappa.com.sg	+65 68415151	-
x	x	SINGAPORE	BYX PRIVATE LIMITED	info@byx.com.sg	+65 6235 5221	http://www.byx.com.sg/
	x	SINGAPORE	TRILAB	trilabsg@gmail.com	+65 96254225	https://www.facebook.com/trilabSG/
x	x	SINGAPORE	YAP BICYCLE COMPANIA	chris@yapbicycle.co	+65 91113130	http://www.bikeaid.sg
x	x	SOUTH KOREA	WATTS	daniel@watts-sports.com	+82 02 7978279	http://watts-sports.com
	x	THAILAND	CRCSPTS CO.,LTD	atsuppachai@crspts.co.th	+66 2 1509020	https://www.supersports.co.th/shop/cycling/
	x	THAILAND	BIKEZONE	info@bikezone.co.th	+66 818327679	www.bikezone.co.th
x	x	VIETNAM	BIKE LIFE	info@bikelife.com.vn	+84 8 54124217	http://www.bikelife.com.vn/
x	x	UAE	REVOLUTION CYCLES DUBAI	info@rcdx.com	+971 4 3697441	http://rcdx.com
x	x	UAE	AL BOOM MARINE	contact@beyondthebeach.com	+971 4 289 4858	http://www.alboommarine.com

FULL SPEED AHEAD EUROPE

VIA DEL LAVORO, 56
20874 BUSNAGO, (MB), ITALY
PH. +39 039 688 52 65
FAX + 39 039 682 33 36

FULL SPEED AHEAD USA

12212 CYRUS WAY
MUKILTEO, WA 98275-5702
PH. +1 425 488 8653
FAX +1 4254891082

FULL SPEED AHEAD ASIA

NO.6, WUGONG 8TH RD., WUFENG DIST.,
TAICHUNG CITY 41353 - TAIWAN (R.O.C.)
PH. +886 4 2331 9134
FAX + 886 4 2331 1943

FULL SPEED AHEAD CHINA

ROOM A405, BUILDING 2, NO.88, BAIFU ROAD.,
KUNSHAN DEVELOPMENT ZONE
PH. +86 512 5702 2458
FAX +86 512 5702 2498



FULLSPEEDAHEAD.COM
#ALWAYS AHEAD



VISIONTECHUSA.COM
#WINWITHTHEWIND