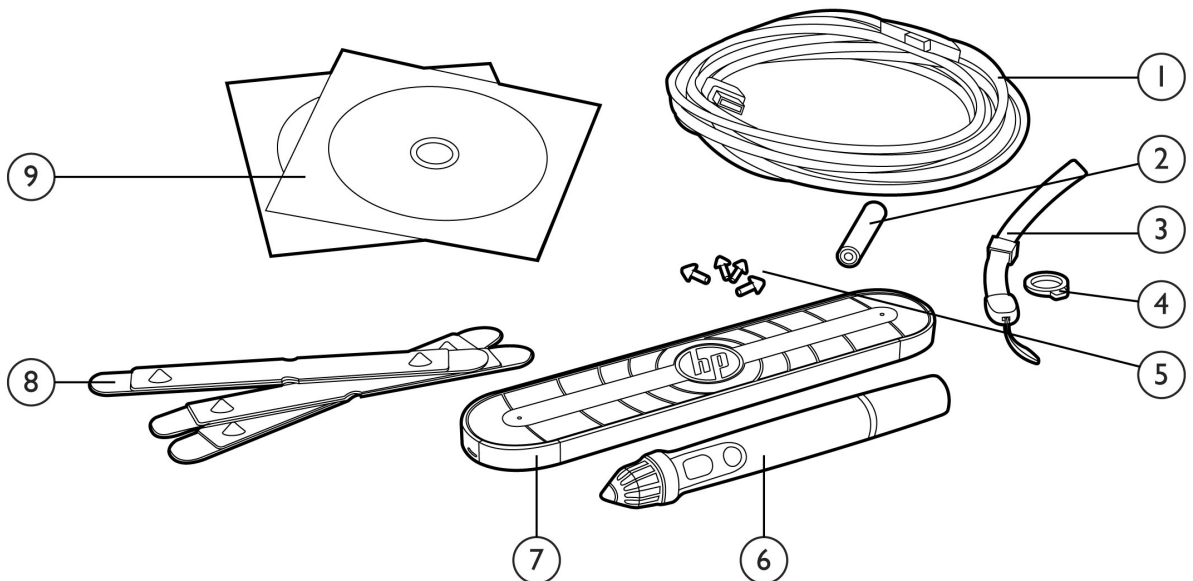
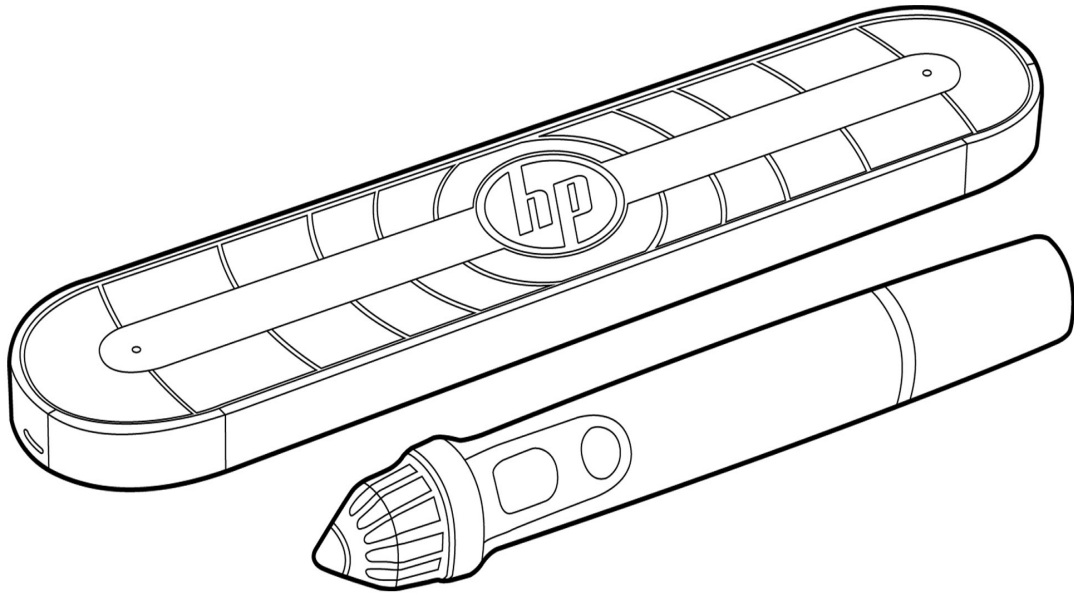


## Overview



1. 15-foot USB cable
2. AAA battery for stylus
3. Adjustable wrist strap
4. Additional gasket for stylus
5. Small circular component
6. Wireless 3-button stylus
7. Pocket whiteboard receiver
8. Metal mounting strips with adhesive back
9. Software set-up CD



### Overview

5. Additional tips for stylus
- 

### Models

Part Numbers: A0X37AA, QL796AA

---

### Introduction

The HP Pocket Whiteboard is the next generation in interactive technology from HP, perfect for the classroom or the meeting room. The small, lightweight tool lets you take the functionality of a standard digital white board, integrate it onto any surface, and add interactivity to any class or meeting presentation.

The product includes a magnetic receiver that attaches to a whiteboard or any surface. Additional metal mounting strips with adhesive backs are included for use on non-magnetic surfaces. The receiver then connects to a PC through an included USB cable.

The three-button stylus or pointing device operates with left and right click buttons, and transmits directly to the laptop. The user will also receive software CDs to set-up the device; the software includes a colorful user interface that projects on the screen for easy interaction. Online access to additional software and tools is also available. The Pocket Whiteboard is compatible with Microsoft Windows®.

---

### Key features and benefits

- Write, calculate, create – turn almost any surface into an enhanced interactive space
  - Lightweight compact size lets you move it easily around a classroom or between meeting rooms
  - Capture strokes transmit directly to the laptop with the lightweight, ultra-portable receiver and smart 3-button stylus
  - Low Total Cost of Ownership – initial costs, legacy surfaces, and secure from theft or damage
  - Choose from a range education software and online applications
  - USB- based plug-and-play installation for easy fast set-up and multi-user/location usage
  - Remote meeting services enable distance learning or remote employee interaction
- 

### Compatibility

The HP Pocket Whiteboard is compatible with all of the HP Business Notebook PCs.

---

### Service and support

The HP Pocket Whiteboard carries a three-year limited warranty on SKU A0X37AA and a one-year limited warranty on SKU QL796AA. Technical support is available seven days a week, 24 hours a day, by phone, as well as online support forums. Certain restrictions and exclusions apply.



### Technical Specifications

Hardware Specifications	Unit Body Dimensions (LxWxH)	7.80 x 1.61 x 0.39 in (198 x 41 x 10 mm)
	Receiver Dimensions (LxWxH)	7.72 x 1.42 x 0.354 in (196 x 36 x 9 mm)
	Weight	< 4oz. (113.39 g)
	Operating Temperature	60° – 90°F (16°– 32° C)
	Operating Humidity	40% – 70%
	Power Consumption	100 mA/5V, 500mW
	Smallest Supported Capture Area	17 x 11 in (0.432 x 0.279 m)
	Largest Supported Capture Area	8 x 4 ft (2.44 x 1.22 m)
	Connection type	USB micro-b
	Unit Body Material	Cover is Chi Mei PC122 or equivalent. Base is Chi Mei 757K ABS or equivalent.
	Unit IR Lens Color	IR Green
	Unit IR Lens Material	Polycarbonate
	Unit IR Lens Texture	Polished
	PCB Standards	IPC-A-600 Class 2 Acceptability of Printed Boards
	PCB Material	Epoxy glass laminate. Type NEMA FR4 green. Tg >= 140 deg C. ½ oz. copper clad on external layers (top and bottom).
	PCB Flame Retardancy	94V-0
	Drop Testing	Dropped in all six orientations (base, top, front side, rear side, left side, right side) from 3', 5', and 7'
	TUV, CU Mark Certificate No.	CU 72090980 01, Report Reference No.
	TUV, T Mark Certificate No.	T 72090979 01, Report Reference No. 30981326.001
	CE Mark	Certificate Nr. 17411, Report Nr. M90409B3
	VCCI Conformity Acceptance No.	Certificate Nr. 17411, Report Nr. M90409A5
	FCC Class B Compliance Certificate No.	Certificate Nr. 17411, Report Nr. M90409A4
	Australia/New Zealand Standards AS/NZS 3548, AS/NZS 4252.1	Certificate Nr. 17411, Report Nr. M90409A6
	RoHS Compliance	Meets all RoHS standards. Statement of Self-Declaration provided upon request.
	Reach Compliance	Meets Reach requirements as defined in Reach Article 3. Self-Declaration provided upon request.
	Kit Contents	Receiver, stylus and battery, cords, AC Adapter, software



### Technical Specifications

Software Specifications	Minimum System Requirements	<ul style="list-style-type: none"><li>• Windows®-compatible computer with Intel® Pentium® IV or equivalent with 512 MB RAM (1014 MB RAM needed when installing the Encyclopedia Britannica software)</li><li>• Windows® 7, Vista® or XP</li><li>• 120 MB available hard drive space for standard eBeam Education software (1.96 GB available when installing Encyclopedia Britannica software)</li><li>• 65K color SVGA or comparable high performance video card</li><li>• CD-ROM drive or Internet connection (for software installation)</li><li>• Internet connection (for registering your software and participating in shared meetings)</li><li>• One available USB port</li><li>• Digital projector or display device attached to computer</li></ul>
	Software Installed	<p>The user is given the option to choose between two software applications:</p> <ul style="list-style-type: none"><li>• Software for Education (Interact which includes Scrapbook)</li><li>• Software for Business (Workspace)</li></ul> <p><b>NOTE:</b> Both software applications cannot be installed at the same time and requires the user to uninstall previously installed software before loading new software.</p>
	Languages	<p>The HP Interact software and help files are localized in the following languages:</p> <p>English-US French Italian German Spanish (Mexican &amp; Spain but not international Spanish) Japanese Portuguese (Brazilian) Dutch Danish (Help files are only in English)</p> <p>Localization: The Workspace software and help files are localized in the following languages:</p> <p>English US French Italian German Spanish (Mexican &amp; Spain but not international Spanish) Japanese</p>



## *Technical Specifications*

© 2011 Hewlett-Packard Development Company, L.P.

The information contained herein is subject to change without notice. The only warranties for HP products and services are set forth in the express warranty statements accompanying such products and services. Nothing herein should be construed as constituting an additional warranty. HP shall not be liable for technical or editorial errors or omissions contained herein. Intel and Pentium are trademarks of Intel Corporation in the U.S. and other countries. Windows and Vista are U.S. registered trademarks of Microsoft Corporation.

