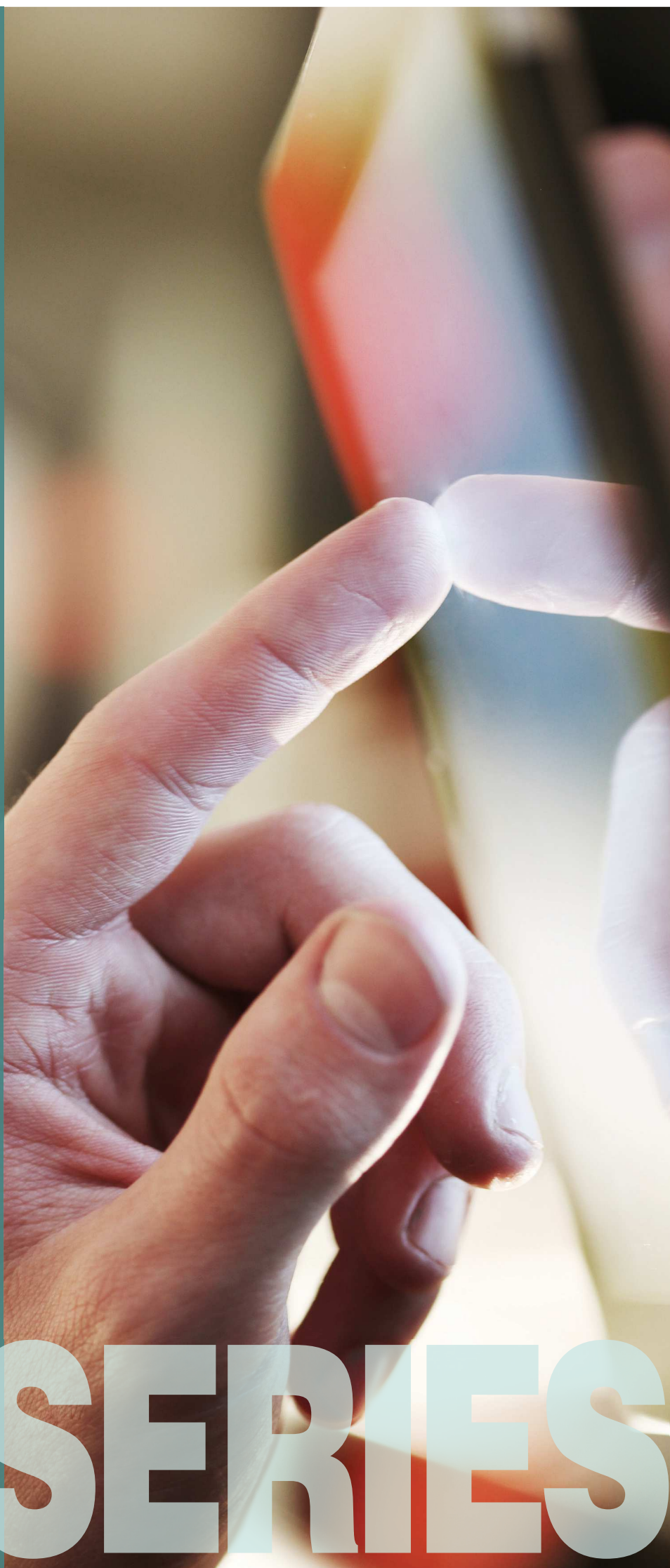


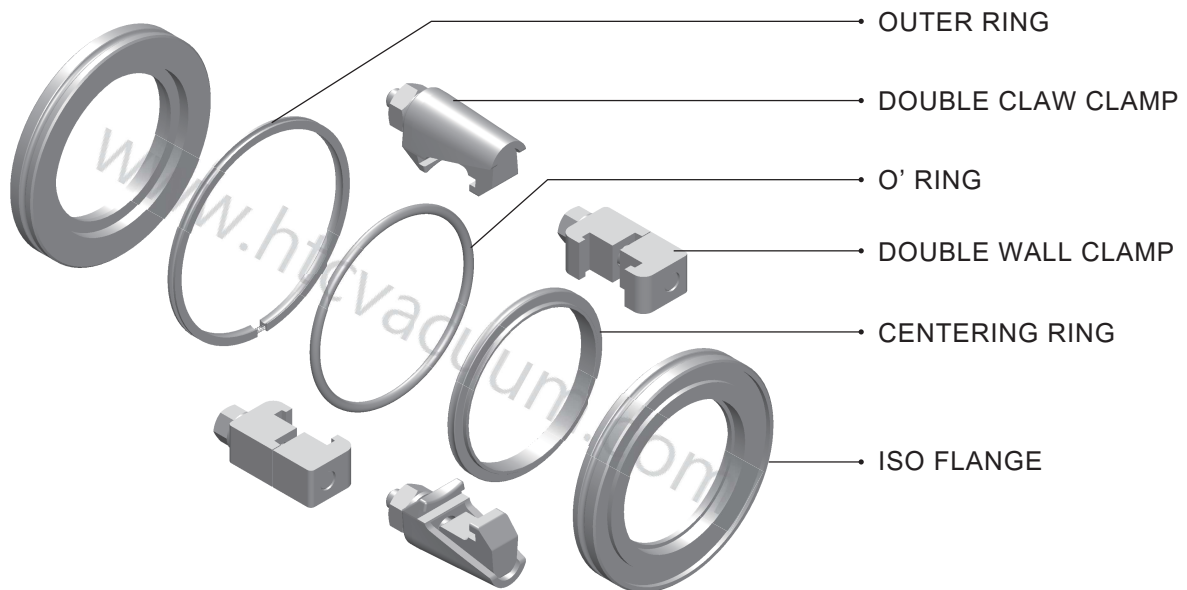
02 ISO SERIES

| | |
|--|---------|
| General Information | 2-2 |
| Complete Clamp Assemblies | 2-3 |
| Application for ISO Components | 2-5 |
| Connections of ISO series Fittings | 2-5 |
| Center Ring | 2-6 |
| Blank | 2-7 |
| Bored Blank | 2-7 |
| ISO Bolted Blank | 2-8 |
| Bolted Flange | 2-8 |
| Bolted Flange-Tapped | 2-9 |
| Rotatable Bolt Ring | 2-9 |
| Half Nipple | 2-10 |
| Split Retainer Ring | 2-10 |
| Single Wall Clamp | 2-11,12 |
| Double Wall Clamp | 2-12 |
| Double Claw Clamp | 2-13 |
| Cap | 2-14 |
| ISO Flexible Hoses | 2-15 |
| ISO Compressible Bellows Connections | 2-15 |
| ISO Teflon Bellows | 2-16 |
| ISO Full Nipples | 2-17 |
| ISO 90° Elbows | 2-17 |
| ISO Tees | 2-18 |
| ISO 4-Way Crosses | 2-18 |
| ISO Five-Way Crosses | 2-19 |
| ISO Six-Way Crosses | 2-19 |
| ISO Centering Ring-Europe | 2-20 |
| ISO Centering Ring-USA | 2-21 |
| ISO Centering Ring with Viton O'Ring | 2-22 |
| ISO Centering Ring with NBR O'Ring | 2-23 |
| ISO Centering Ring with Viton O'Ring | 2-24 |
| ISO Centering Ring with NBR O'Ring | 2-25 |
| ISO Outer Ring Centering Ring & Viton O'Ring | 2-26 |
| ISO Outer Ring Centering Ring & NBR O'Ring | 2-27 |
| ISO Outer Ring Centering Ring & Viton O'Ring | 2-28 |
| ISO Outer Ring Centering Ring & NBR O'Ring | 2-29 |



ISO SERIES

➤ General Information



Features

- The components of ISO universal flange system are defined by the International Standards Organization (ISO).
- The construction of ISO flange series includes two smooth-faced sexless flanges clamped together with a combination metal centering ring and elastomeric O-ring between them.
- ISO components are reusable and changeable with other ISO dimension components of the same size.

Specifications

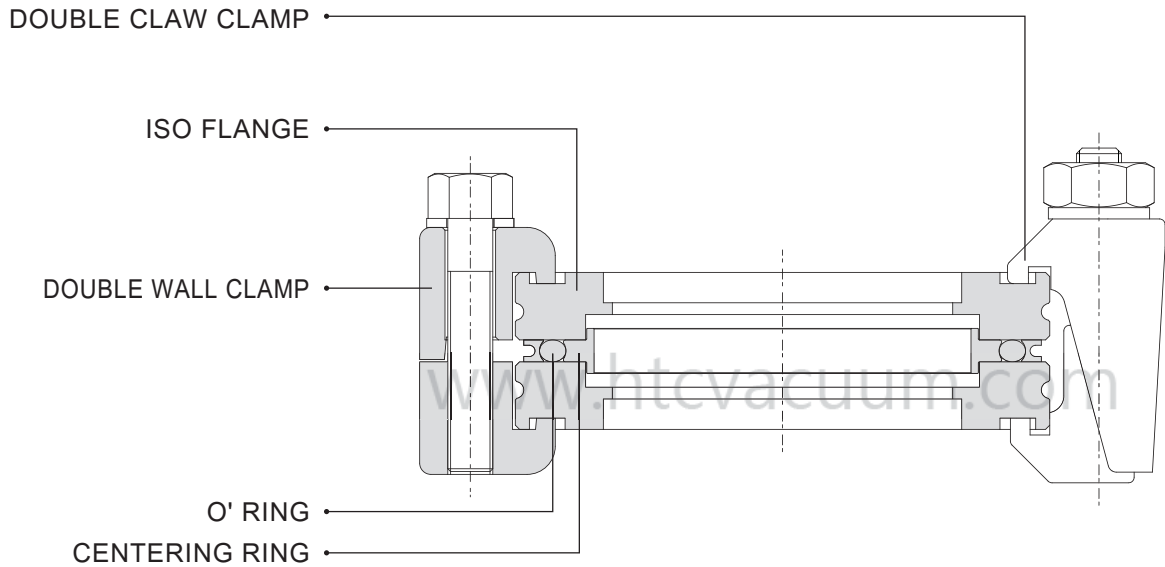
- Blanks & Flanges : 304 S.S. (Other material available upon request)
- Retainer Rings : 304 S.S. (Other material available upon request)
- Centering Rings : 304 S.S. (Other material available upon request)
- Outer Rings : Aluminum
- Clamps : Aluminum, Stainless steel, Steel plated
- Fastening torque : 1~1.4kg-m
- O'ring material : Viton or NBR
- Temperature Range : 150°C (Viton) 80°C (NBR)
- Vacuum Rate : 1×10^{-8} mbar

➤ Complete Clamp Assemblies

The system is versatile because of the many ways in which components can be assembled.

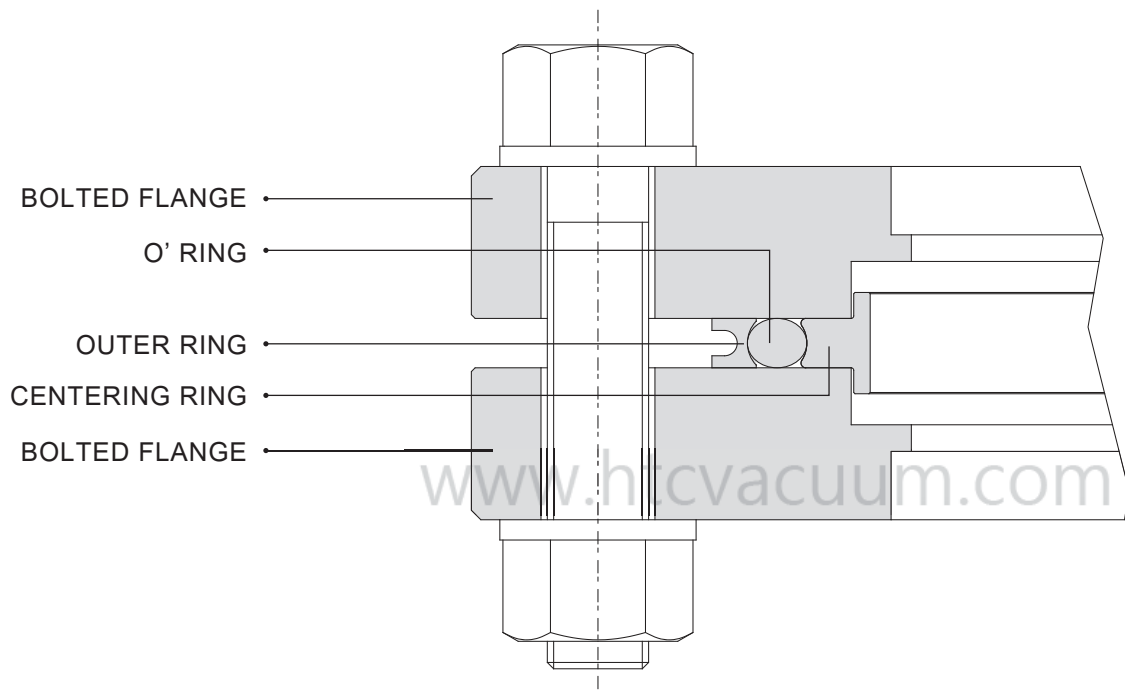
1 Double Wall-Clamp or Double Claw Clamp

Illustrates the double wall (claw) clamp assembly to connect pairs of ISO flanges. Ease of use and economic make this the most commonly used configuration.



2 Bolted Nonrotatable

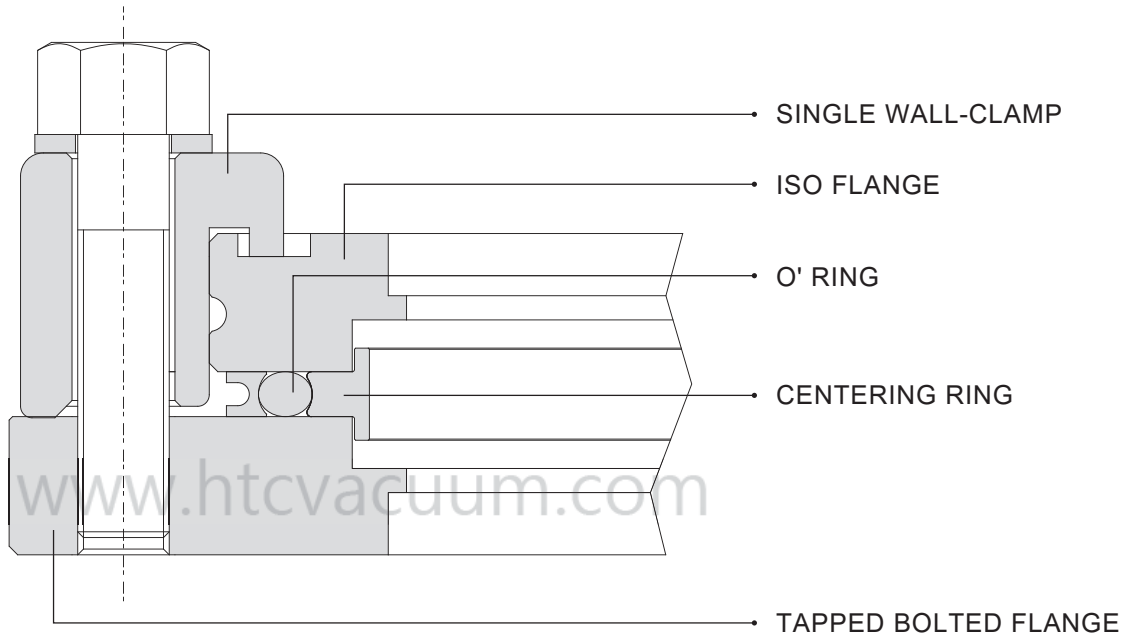
The two bolt flanges connected in the normal way.



➤ Complete Clamp Assemblies

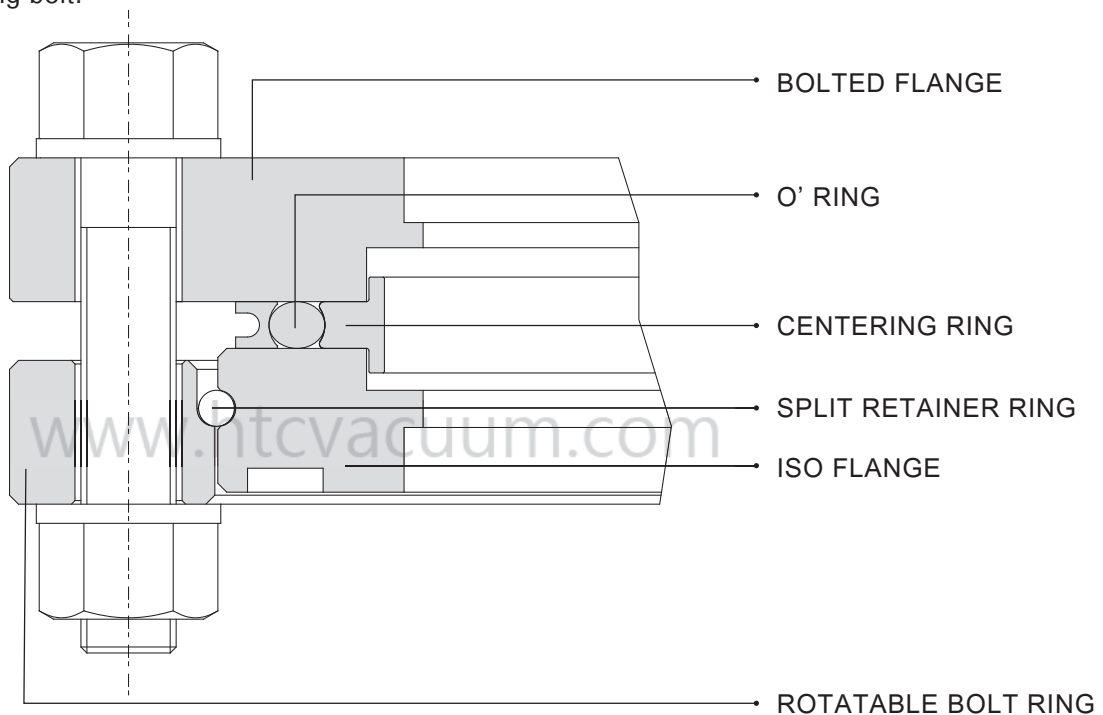
③ Single Wall Clamp

Single wall clamps are used to join an ISO flange to a tapped flange on a pump, chamber or gate valve.

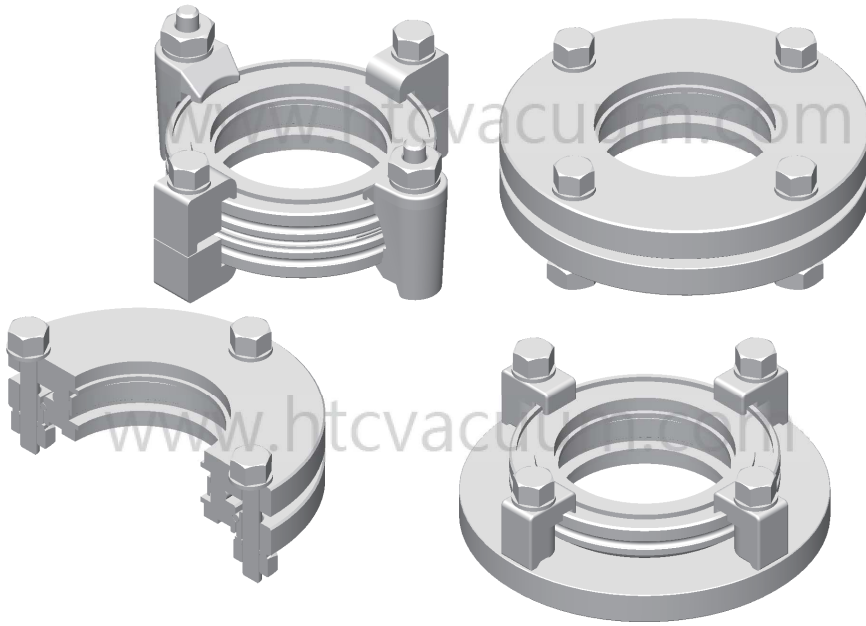


④ Bolted Rotatable

This fastening method allows the ISO flange to be rotated for ease of component alignment. Additionally, a rotatable bolt ring can be used to fasten an ISO flange to a non-rotatable flange using bolt.



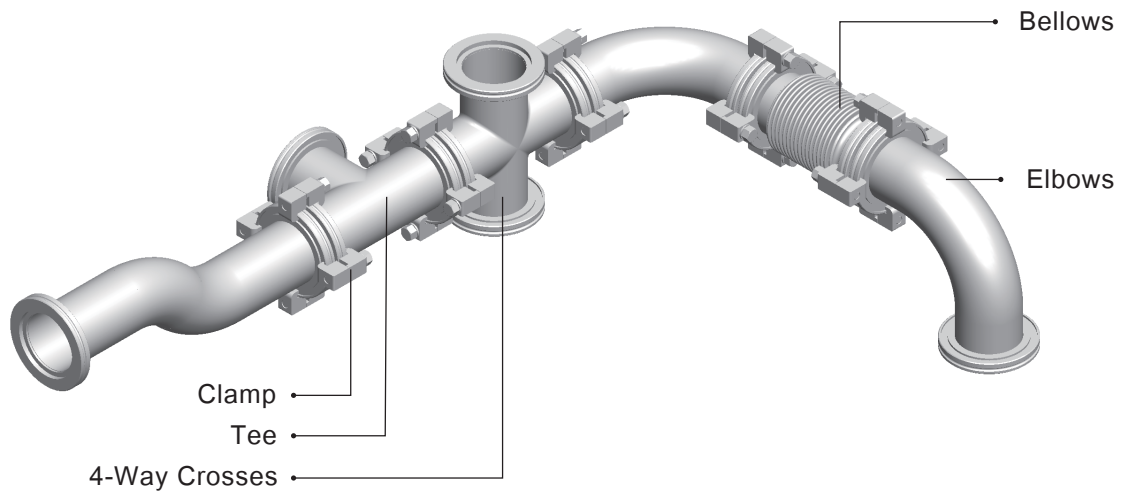
➤ Application for ISO Components



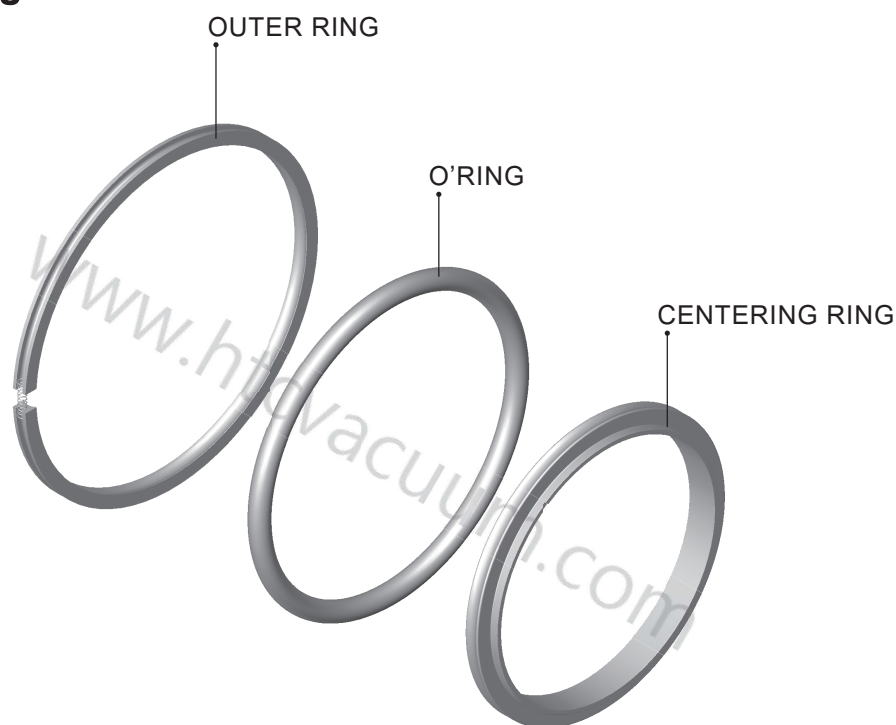
Applications for this system are as varied as the imagination can make them. Some examples are:

- ➊ Roughing and foreline plumbing for large vacuum system.
- ➋ High vacuum, high conductance, inter-connections.
- ➌ Modular system which will be modified frequently.
- ➍ System requiring frequent cleaning.
- ➎ Experimental system in research laboratories.

➤ Connections of ISO-series Fittings



Center Ring



Features

- Viton O'ring bakeable to 200°C intermittently, sustained use to 150°C.
- Vacuum seal of KF-series: O'ring compression by uniform pressure application around the 15° outer flange surface.
- The vacuum seal of ISO-series is made by compressing the O'ring between the mating flanges. This done by alternately wrench-tightening opposing pairs of clamps or bolts until the first metal-to-metal contact is made between the inner surfaces of the flanges and the spacing lips of the centering ring.

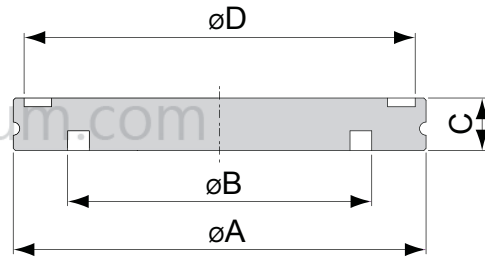
Specifications

- Centering Ring : 304 S.S. (Other material available upon request)
- O'ring : Viton (Other material available upon request)
- Outer Ring : Aluminum
- Mesh : 304 S.S.
- Temperature Range : 150°C (Viton) 80°C (NBR)
- Larger or special size available upon request

Applications

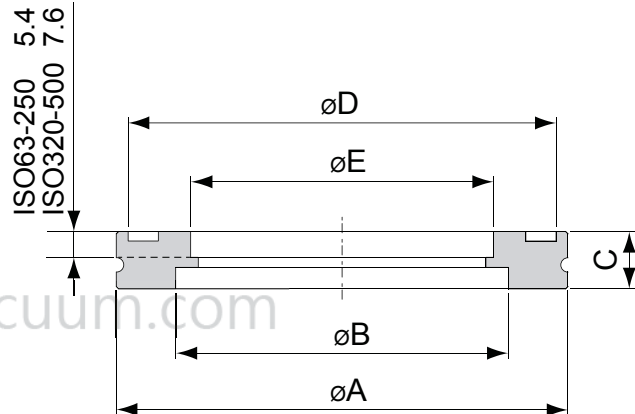
- The O'ring is considered a universal sealing device. Used as static, dynamic, radial or face seals.
- Vacuum seal.

Blank



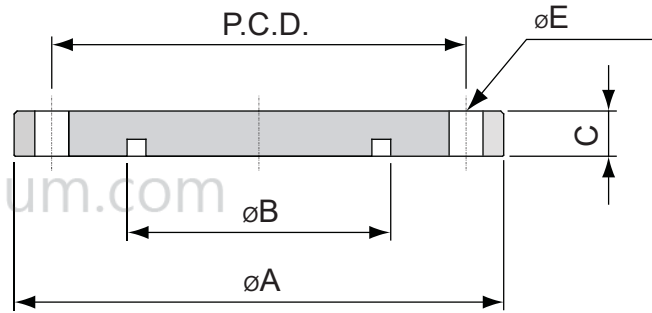
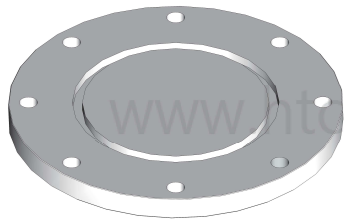
| Model No. | Material | A | B | C | D | Parts No. |
|-----------|----------|-----|-----|----|-----|-----------|
| ISO63B | 304 S.S. | 95 | 70 | 12 | 90 | 152107003 |
| ISO80B | 304 S.S. | 110 | 83 | 12 | 105 | 152108003 |
| ISO100B | 304 S.S. | 130 | 102 | 12 | 125 | 152109003 |
| ISO160B | 304 S.S. | 180 | 153 | 12 | 175 | 152112003 |
| ISO200B | 304 S.S. | 240 | 213 | 12 | 235 | 152113003 |
| ISO250B | 304 S.S. | 290 | 261 | 12 | 285 | 152114003 |
| ISO320B | 304 S.S. | 370 | 318 | 17 | 365 | 152116003 |
| ISO400B | 304 S.S. | 450 | 400 | 17 | 445 | 152118003 |
| ISO500B | 304 S.S. | 550 | 501 | 17 | 545 | 152120003 |
| ISO630B | 304 S.S. | 690 | 651 | 22 | 685 | 152122003 |

Bored Blank



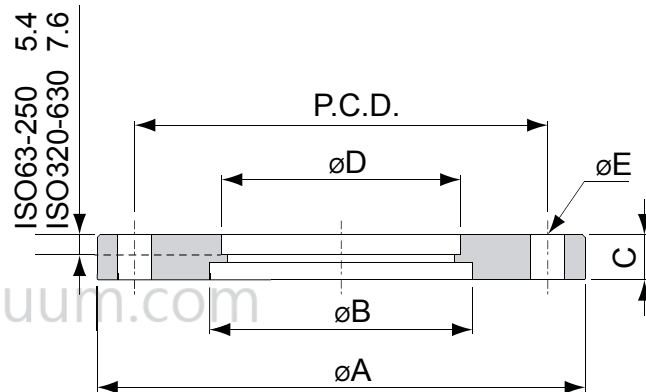
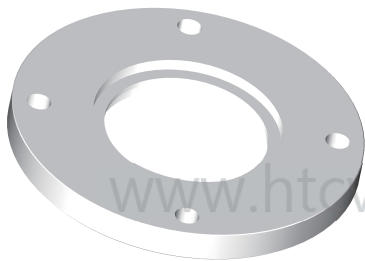
| Model No. | Material | A | B | C | D | E | Parts No. |
|------------|----------|-----|-----|----|-----|-------|-----------|
| ISO63B63 | 304 S.S. | 95 | 70 | 12 | 90 | 63.7 | 152207153 |
| ISO80B76 | 304 S.S. | 110 | 83 | 12 | 105 | 76.8 | 152208163 |
| ISO100B102 | 304 S.S. | 130 | 102 | 12 | 125 | 102.2 | 152209183 |
| ISO160B153 | 304 S.S. | 180 | 153 | 12 | 175 | 152.9 | 152212203 |
| ISO200B204 | 304 S.S. | 240 | 213 | 12 | 235 | 203.7 | 152213213 |
| ISO250B255 | 304 S.S. | 290 | 261 | 12 | 285 | 254.5 | 152214223 |
| ISO320B305 | 304 S.S. | 370 | 318 | 17 | 365 | 305.3 | 152216233 |
| ISO400B407 | 304 S.S. | 450 | 400 | 17 | 445 | 406.9 | 152218253 |
| ISO500B509 | 304 S.S. | 550 | 501 | 17 | 545 | 508.8 | 152220273 |

➔ **ISO Bolted Blank**



| Model No. | Material | A | B | C | E*No | P.C.D. | Parts No. |
|-----------|----------|-----|-----|----|-------|--------|-----------|
| ISO63BB | 304 S.S. | 130 | 70 | 12 | 9*4 | 110 | 152307003 |
| ISO80BB | 304 S.S. | 145 | 83 | 12 | 9*8 | 125 | 152308003 |
| ISO100BB | 304 S.S. | 165 | 102 | 12 | 9*8 | 145 | 152309003 |
| ISO160BB | 304 S.S. | 225 | 153 | 16 | 11*8 | 200 | 152312003 |
| ISO200BB | 304 S.S. | 285 | 213 | 16 | 11*12 | 260 | 152313003 |
| ISO250BB | 304 S.S. | 335 | 261 | 16 | 11*12 | 310 | 152314003 |
| ISO320BB | 304 S.S. | 425 | 318 | 20 | 14*12 | 395 | 152316003 |
| ISO400BB | 304 S.S. | 510 | 400 | 20 | 14*16 | 480 | 152318003 |
| ISO500BB | 304 S.S. | 610 | 501 | 20 | 14*16 | 580 | 152320003 |
| ISO630BB | 304 S.S. | 750 | 651 | 24 | 14*20 | 720 | 152322003 |

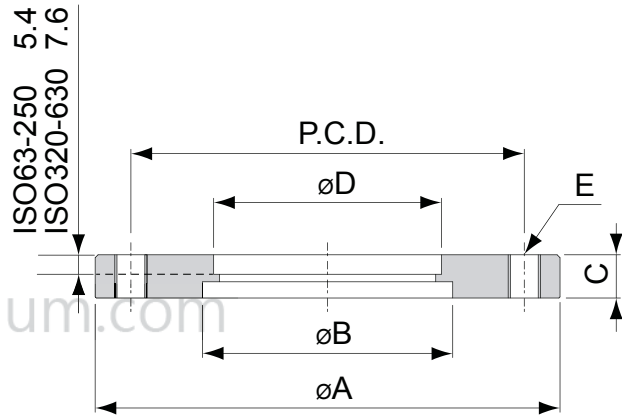
➔ **Bolted Flange**



| Model No. | Material | A | B | C | D | E*No. | P.C.D. | Parts No. |
|-----------|----------|-----|-----|----|-------|-------|--------|-----------|
| ISO63BF | 304 S.S. | 130 | 70 | 12 | 63.7 | 9*4 | 110 | 152307153 |
| ISO80BF | 304 S.S. | 145 | 83 | 12 | 76.8 | 9*8 | 125 | 152308163 |
| ISO100BF | 304 S.S. | 165 | 102 | 12 | 102.2 | 9*8 | 145 | 152309183 |
| ISO160BF | 304 S.S. | 225 | 153 | 16 | 152.9 | 11*8 | 200 | 152312203 |
| ISO200BF | 304 S.S. | 285 | 213 | 16 | 203.7 | 11*12 | 260 | 152313213 |
| ISO250BF | 304 S.S. | 335 | 261 | 16 | 254.5 | 11*12 | 310 | 152314223 |
| ISO320BF | 304 S.S. | 425 | 318 | 20 | 305.3 | 14*12 | 395 | 152316233 |
| ISO400BF | 304 S.S. | 510 | 400 | 20 | 406.9 | 14*16 | 480 | 152318253 |
| ISO500BF | 304 S.S. | 610 | 501 | 20 | 508.8 | 14*16 | 580 | 152320273 |
| ISO630BF | 304 S.S. | 750 | 651 | 24 | 610.4 | 14*20 | 720 | 152322293 |

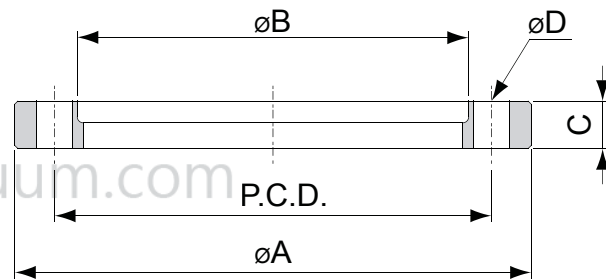


➤ Bolted Flange-Tapped



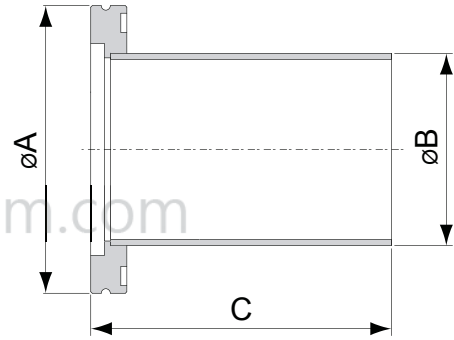
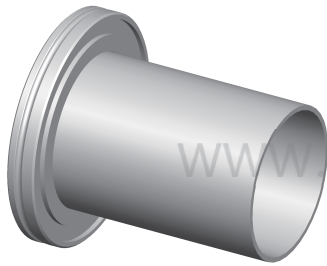
| Model No. | Material | A | B | C | D | E*No. | P.C.D. | Parts No. |
|-------------|----------|-----|-----|----|-------|--------|--------|-----------|
| ISO63BFTAP | 304 S.S. | 130 | 70 | 12 | 63.7 | M8*4 | 110 | 152407153 |
| ISO80BFTAP | 304 S.S. | 145 | 83 | 12 | 76.8 | M8*8 | 125 | 152408163 |
| ISO100BFTAP | 304 S.S. | 165 | 102 | 12 | 102.2 | M8*8 | 145 | 152409183 |
| ISO160BFTAP | 304 S.S. | 225 | 153 | 16 | 152.9 | M10*8 | 200 | 152412203 |
| ISO200BFTAP | 304 S.S. | 285 | 213 | 16 | 203.7 | M10*12 | 260 | 152413213 |
| ISO250BFTAP | 304 S.S. | 335 | 261 | 16 | 254.5 | M10*12 | 310 | 152414223 |
| ISO320BFTAP | 304 S.S. | 425 | 318 | 20 | 305.3 | M12*12 | 395 | 152416233 |
| ISO400BFTAP | 304 S.S. | 510 | 400 | 20 | 406.9 | M12*16 | 480 | 152418253 |
| ISO500BFTAP | 304 S.S. | 610 | 501 | 20 | 508.8 | M12*16 | 580 | 152420273 |
| ISO630BFTAP | 304 S.S. | 750 | 651 | 24 | 610.4 | M12*20 | 720 | 152422293 |

➤ Rotatable Bolt Ring



| Model No. | Material | A | B | C | D*No. | P.C.D. | Parts No. |
|-----------|----------|-----|-------|----|-------|--------|-----------|
| ISO63RBR | 304 S.S. | 130 | 98.5 | 12 | 9*4 | 110 | 152507073 |
| ISO80RBR | 304 S.S. | 145 | 113.5 | 12 | 9*8 | 125 | 152508083 |
| ISO100RBR | 304 S.S. | 165 | 133.5 | 12 | 9*8 | 145 | 152509093 |
| ISO160RBR | 304 S.S. | 225 | 185.7 | 16 | 11*8 | 200 | 152512123 |
| ISO200RBR | 304 S.S. | 285 | 245.7 | 16 | 11*12 | 260 | 152513133 |
| ISO250RBR | 304 S.S. | 335 | 295.7 | 16 | 11*12 | 310 | 152514143 |
| ISO320RBR | 304 S.S. | 425 | 375.8 | 20 | 14*12 | 395 | 152516163 |
| ISO400RBR | 304 S.S. | 510 | 458.8 | 20 | 14*16 | 480 | 152518183 |
| ISO500RBR | 304 S.S. | 610 | 558.8 | 20 | 14*16 | 580 | 152520203 |

➤ Half Nipple

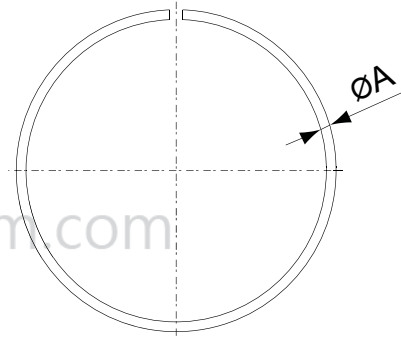


| Model No. | Material | A | B | C | Parts No. |
|-----------|----------|-----|-------|-----|-----------|
| ISO63HN | 304 S.S. | 95 | 63.5 | 100 | 152607153 |
| ISO80HN | 304 S.S. | 110 | 76.2 | 100 | 152608163 |
| ISO100HN | 304 S.S. | 130 | 101.6 | 100 | 152609183 |
| ISO160HN | 304 S.S. | 180 | 152.4 | 100 | 152612203 |
| ISO200HN | 304 S.S. | 240 | 203.2 | 100 | 152613213 |
| ISO250HN | 304 S.S. | 290 | 254 | 100 | 152614223 |
| ISO320HN | 304 S.S. | 370 | 304.8 | 100 | 152616233 |
| ISO400HN | 304 S.S. | 450 | 406.8 | 100 | 152618253 |
| ISO500HN | 304 S.S. | 550 | 508 | 100 | 152620273 |

* Part number plus "K" for sand blasting surface

* Part number plus "L" for polished surface

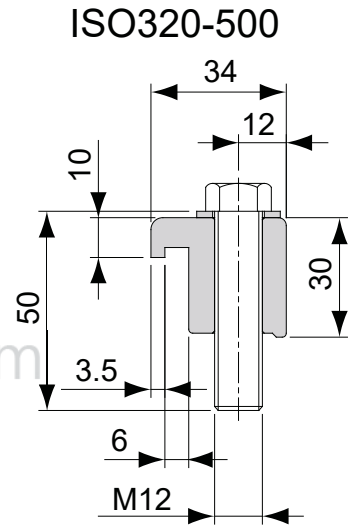
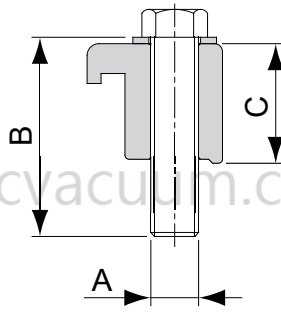
➤ Split Retainer Ring



| Model No. | Material | A | Fit Flange | Parts No. |
|-----------|----------|-----|------------|-----------|
| ISO63SRR | 304 S.S. | 3 | ISO63 | 20011041 |
| ISO80SRR | 304 S.S. | 3 | ISO80 | 20011141 |
| ISO100SRR | 304 S.S. | 3 | ISO100 | 20011241 |
| ISO160SRR | 304 S.S. | 4.5 | ISO160 | 20011541 |
| ISO200SRR | 304 S.S. | 4.5 | ISO200 | 20011641 |
| ISO250SRR | 304 S.S. | 4.5 | ISO250 | 20011741 |
| ISO320SRR | 304 S.S. | 4.5 | ISO320 | 20011941 |
| ISO400SRR | 304 S.S. | 8 | ISO400 | 20012141 |
| ISO500SRR | 304 S.S. | 8 | ISO500 | 20012341 |

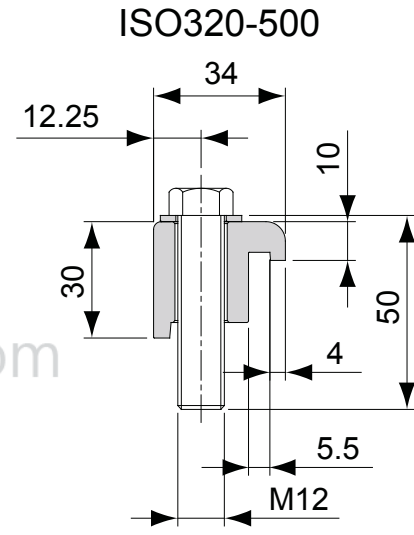
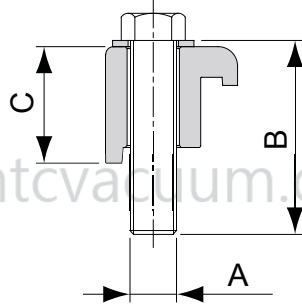


Single Wall Clamp



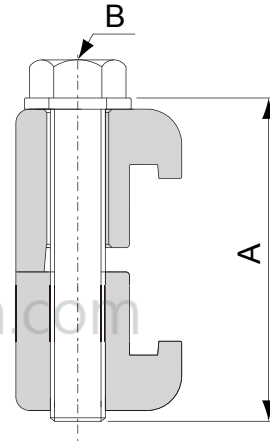
| Model No. | Material | A | B | C | Fit Flange | Parts No. |
|------------------|-----------------|-----|----|----|------------|-----------|
| ISO63-100SWC304 | 304 S.S. | M8 | 35 | 23 | ISO63 | 2121A241 |
| | | | | | ISO80 | |
| | | | | | ISO100 | |
| ISO160-250SWC304 | 304 S.S. | M10 | 35 | 23 | ISO160 | 2121A441 |
| | | | | | ISO200 | |
| | | | | | ISO250 | |
| | | | | | ISO320 | |
| ISO320-500SWC304 | 304 S.S. | M12 | 50 | 30 | ISO400 | 2121A541 |
| | | | | | ISO500 | |
| | | | | | | |
| ISO63-100SWC-ZP | Steel+Zn Plated | M8 | 35 | 23 | ISO63 | 2121A231 |
| | | | | | ISO80 | |
| | | | | | ISO100 | |
| ISO160-250SWC-ZP | Steel+Zn Plated | M10 | 35 | 23 | ISO160 | 2121A431 |
| | | | | | ISO200 | |
| | | | | | ISO250 | |
| | | | | | ISO320 | |
| ISO320-500SWC-ZP | Steel+Zn Plated | M12 | 50 | 30 | ISO400 | 2121A531 |
| | | | | | ISO500 | |
| | | | | | | |

➔ **Single Wall Clamp**



| Model No. | Material | A | B | C | Fit Flange | Parts No. |
|----------------|----------|-----|----|------|------------|-----------|
| ISO63-100SWCA | Aluminum | M8 | 35 | 23.5 | ISO63 | 2121A211 |
| | | | | | ISO80 | |
| | | | | | ISO100 | |
| ISO160-250SWCA | Aluminum | M10 | 35 | 23.5 | ISO160 | 2121A411 |
| | | | | | ISO200 | |
| | | | | | ISO250 | |
| ISO320-500SWCA | Aluminum | M12 | 50 | 30 | ISO320 | 2121A511 |
| | | | | | ISO400 | |
| | | | | | ISO500 | |

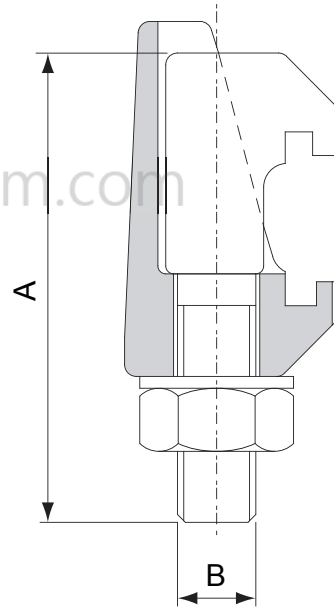
➔ **Double Wall Clamp**



| Model No. | Material | A | B | Min. Quantity | Fit Flange | Parts No. |
|----------------|----------|----|-----|---------------|------------|-----------|
| ISO63-100DWCA | Aluminum | 45 | M8 | 4 | ISO63 | 2122A211 |
| | | | | 4 | ISO80 | |
| | | | | 4 | ISO100 | |
| ISO160-250DWCA | Aluminum | 45 | M10 | 4 | ISO160 | 2122A411 |
| | | | | 6 | ISO200 | |
| | | | | 6 | ISO250 | |
| ISO320-500DWCA | Aluminum | 60 | M12 | 8 | ISO320 | 2122A511 |
| | | | | 8 | ISO400 | |
| | | | | 12 | ISO500 | |



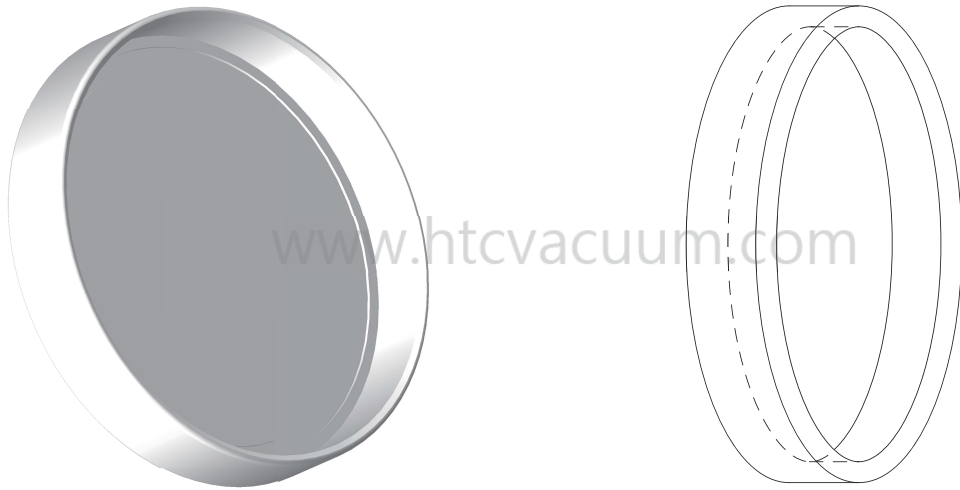
➤ Double Claw Clamp



| Model No. | Material | A | B | Min. Quantity | Fit Flange | Parts No. |
|------------------|-----------------|------|-----|---------------|------------|-----------|
| ISO63-250DCC316 | 316 S.S. | 61.5 | M10 | 4 | ISO63 | 2123A361 |
| | | | | 4 | ISO80 | |
| | | | | 4 | ISO100 | |
| | | | | 4 | ISO160 | |
| | | | | 6 | ISO200 | |
| | | | | 6 | ISO250 | |
| ISO320-500DCC316 | 316 S.S. | 76 | M12 | 8 | ISO320 | 2123A561 |
| | | | | 8 | ISO400 | |
| | | | | 12 | ISO500 | |
| ISO630DCC316 | 316 S.S. | 86 | M12 | 12 | ISO630 | 2123A661 |
| ISO63-250DCC-ZP | Steel+Zn Plated | 61.5 | M10 | 4 | ISO63 | 2123A331 |
| | | | | 4 | ISO80 | |
| | | | | 4 | ISO100 | |
| | | | | 4 | ISO160 | |
| | | | | 6 | ISO200 | |
| | | | | 6 | ISO250 | |
| ISO320-500DCC-ZP | Steel+Zn Plated | 76 | M12 | 8 | ISO320 | 2123A531 |
| | | | | 8 | ISO400 | |
| | | | | 12 | ISO500 | |
| ISO630DCC-ZP | Steel+Zn Plated | 86 | M12 | 12 | ISO630 | 2123A631 |

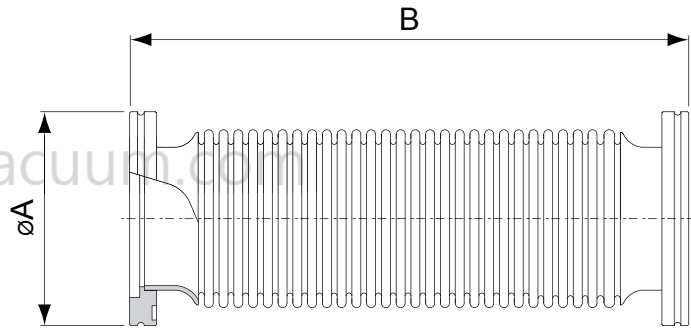


Cap



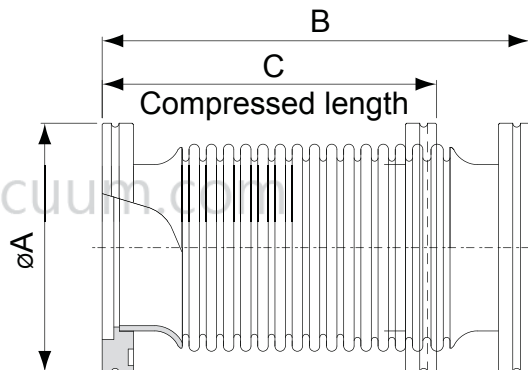
| Model No. | Material | Fit Flange | Parts No. |
|-----------|--------------|------------|-----------|
| ISO63CAP | Polyethylene | ISO63 | 5085G9 |
| ISO80CAP | Polyethylene | ISO80 | 5085GU |
| ISO100CAP | Polyethylene | ISO100 | 5085HJ |
| ISO160CAP | Polyethylene | ISO160 | 5085JR |
| ISO200CAP | Polyethylene | ISO200 | 5085KU |
| ISO250CAP | Polyethylene | ISO250 | 5085LE |
| ISO320CAP | Polyethylene | ISO320 | 5085MA |

ISO Flexible Hoses



| Model No. | Material | A | Fit Flange | Parts No. |
|---------------|----------|-----|------------|---------------|
| ISO63FXC250 | 304 S.S. | 95 | 250 | 40310670250BB |
| ISO63FXC500 | 304 S.S. | 95 | 500 | 40310670500BB |
| ISO63FXC750 | 304 S.S. | 95 | 750 | 40310670750BB |
| ISO63FXC1000 | 304 S.S. | 95 | 1000 | 40310671000BB |
| ISO80FXC250 | 304 S.S. | 110 | 250 | 40310680250BB |
| ISO80FXC500 | 304 S.S. | 110 | 500 | 40310680500BB |
| ISO80FXC750 | 304 S.S. | 110 | 750 | 40310680750BB |
| ISO80FXC1000 | 304 S.S. | 110 | 1000 | 40310681000BB |
| ISO100FXC250 | 304 S.S. | 130 | 250 | 40310690250BB |
| ISO100FXC500 | 304 S.S. | 130 | 500 | 40310690500BB |
| ISO100FXC750 | 304 S.S. | 130 | 750 | 40310690750BB |
| ISO100FXC1000 | 304 S.S. | 130 | 1000 | 40310691000BB |

ISO Compressible Bellows Connections

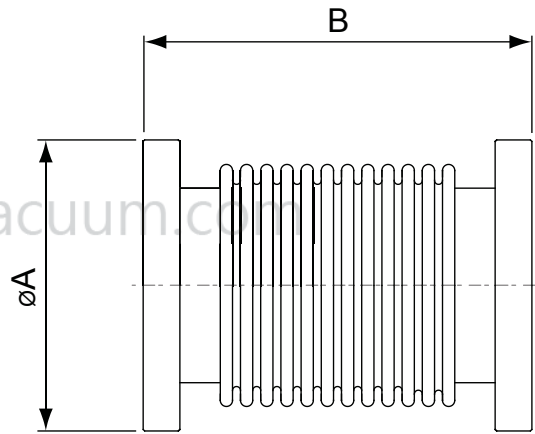
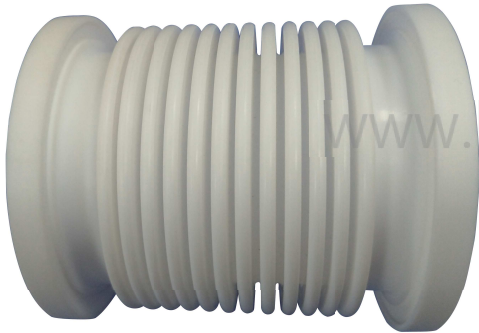


| Model No. | Material | A | B | C | Parts No. |
|--------------|----------|-----|-----|-----|---------------|
| ISO63FXC140 | 304 S.S. | 95 | 140 | 125 | 40310470140BB |
| ISO80FXC187 | 304 S.S. | 110 | 187 | 160 | 40310480187BB |
| ISO100FXC187 | 304 S.S. | 130 | 187 | 160 | 40310490187BB |



➔ **ISO Flexible Hoses**

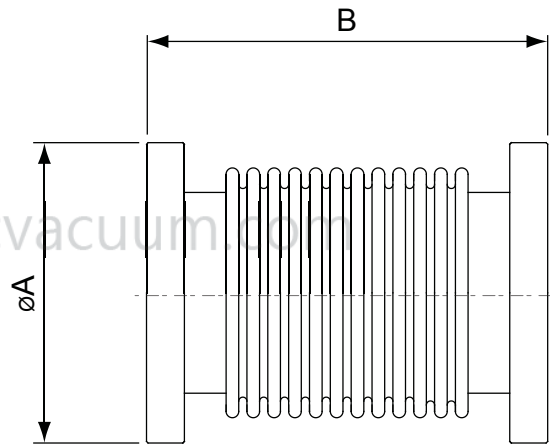
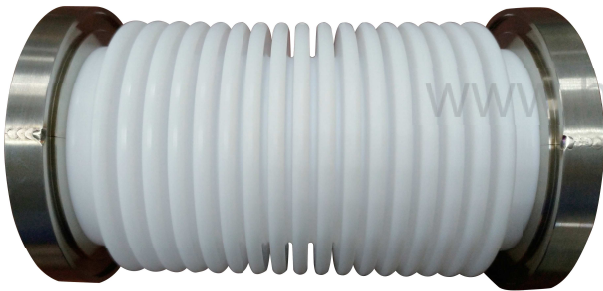
Teflon Bellows



| Model No. | Material | A | B | Parts No. |
|-------------|----------|-----|-----|---------------|
| ISO80FX150T | TEFLON | 110 | 150 | 42001700150BB |

➔ **ISO Flexible Hoses**

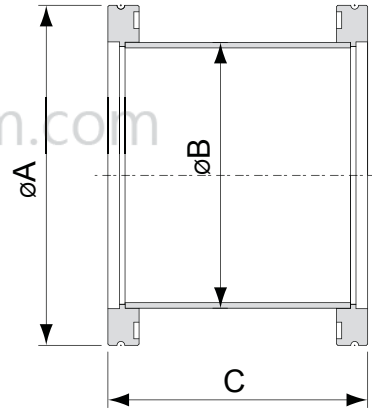
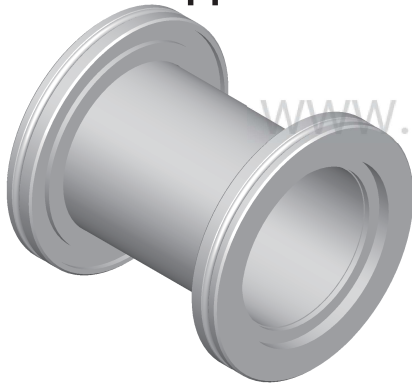
ISO Teflon bellows with Metal flange frame



| Model No. | Material | A | B | Parts No. |
|--------------|----------|-----|-----|---------------|
| ISO80FX180TS | TEFLON | 110 | 180 | 42021700180BB |



ISO Full Nipples

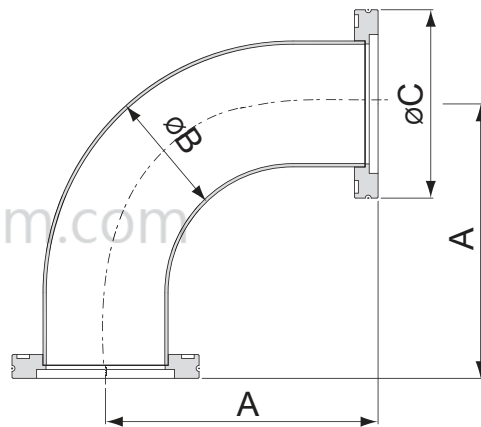


| Model No. | Material | A | B | C | Parts No. |
|------------|----------|-----|-------|-----|-----------------|
| ISO63N100 | 304 S.S. | 95 | 63.5 | 100 | 160120720701004 |
| ISO80N100 | 304 S.S. | 110 | 76.2 | 100 | 160120820801004 |
| ISO100N100 | 304 S.S. | 130 | 101.6 | 100 | 160120920901004 |
| ISO160N100 | 304 S.S. | 180 | 152.4 | 100 | 160121221201004 |
| ISO200N100 | 304 S.S. | 240 | 203.2 | 100 | 160121321301004 |
| ISO250N100 | 304 S.S. | 290 | 254 | 100 | 160121421401004 |
| ISO320N200 | 304 S.S. | 370 | 304.8 | 200 | 160121621602004 |
| ISO400N200 | 304 S.S. | 450 | 406.4 | 200 | 160121821802004 |
| ISO500N200 | 304 S.S. | 550 | 508 | 200 | 160121921902004 |

* Part number plus "K" for sand blasting surface

* Part number plus "L" for polished surface

ISO 90° Elbows



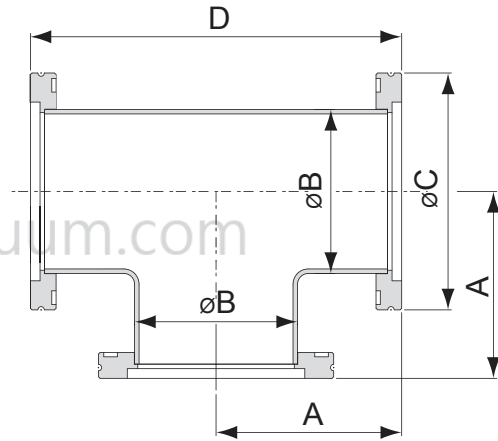
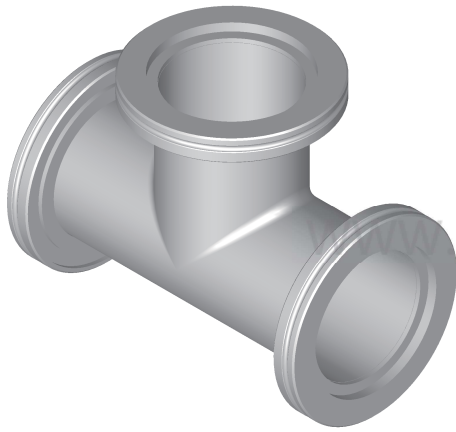
| Model No. | Material | A | B | C | Parts No. |
|-------------|----------|-------|-------|-----|-------------|
| ISO63EL90A | 304 S.S. | 138.4 | 63.5 | 95 | 16032072074 |
| ISO80EL90A | 304 S.S. | 166.9 | 76.2 | 110 | 16032082084 |
| ISO100EL90A | 304 S.S. | 217.7 | 101.6 | 130 | 16032092094 |
| ISO160EL90A | 304 S.S. | 235.2 | 152.4 | 180 | 16032122124 |

* Part number plus "K" for sand blasting surface

* Part number plus "L" for polished surface



ISO Tees

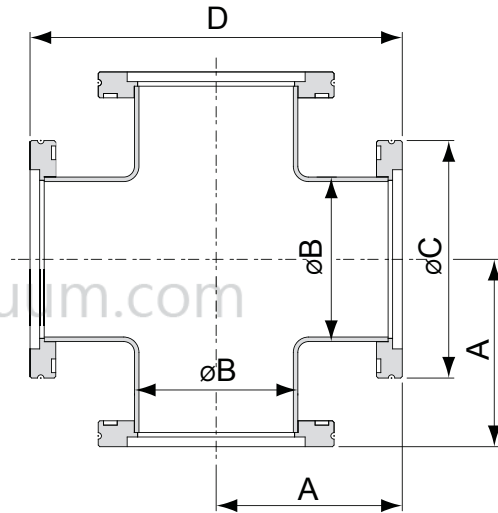


| Model No. | Material | A | B | C | D | Parts No. |
|-----------|----------|-------|-------|-----|-------|-------------|
| ISO63TA | 304 S.S. | 82.8 | 63.5 | 95 | 165.6 | 16152072074 |
| ISO80TA | 304 S.S. | 89.15 | 76.2 | 110 | 178.3 | 16152082084 |
| ISO100TA | 304 S.S. | 105 | 101.6 | 130 | 210 | 16152092094 |
| ISO160TA | 304 S.S. | 133.6 | 152.4 | 180 | 267.2 | 16152122124 |

* Part number plus "K" for sand blasting surface

* Part number plus "L" for polished surface

ISO 4-Way Crosses



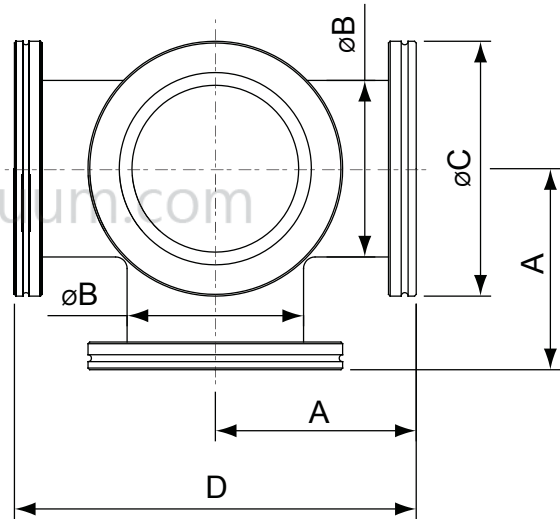
| Model No. | Material | A | B | C | D | Parts No. |
|-----------|----------|-------|-------|-----|-------|-------------|
| ISO63XA | 304 S.S. | 82.8 | 63.5 | 95 | 165.6 | 16192072074 |
| ISO80XA | 304 S.S. | 89.15 | 76.2 | 110 | 178.3 | 16192082084 |
| ISO100XA | 304 S.S. | 105 | 101.6 | 130 | 210 | 16192092094 |
| ISO160XA | 304 S.S. | 133.6 | 152.4 | 180 | 267.2 | 16192122124 |

* Part number plus "K" for sand blasting surface

* Part number plus "L" for polished surface



ISO Five-Way Crosses

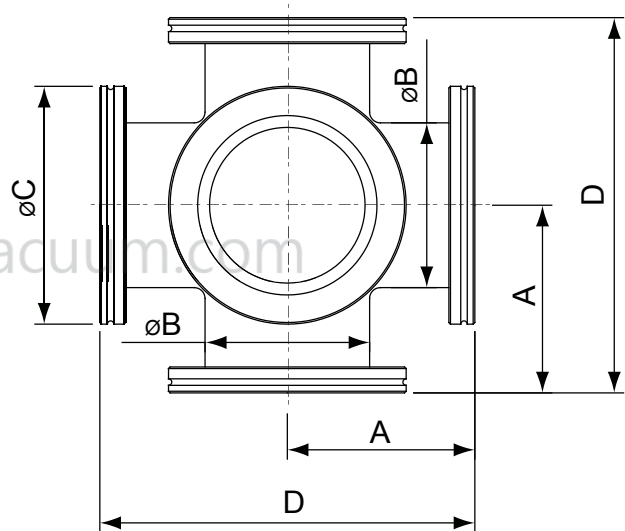


| Model No. | Material | A | B | C | D | Parts No. |
|-----------|----------|-------|-------|-----|-------|-------------|
| ISO63FXA | 304 S.S. | 82.8 | 63.5 | 95 | 165.6 | 16262072074 |
| ISO80FXA | 304 S.S. | 89.15 | 76.2 | 110 | 178.3 | 16262082084 |
| ISO100FXA | 304 S.S. | 105 | 101.6 | 130 | 210 | 16262092094 |
| ISO160FXA | 304 S.S. | 133.6 | 152.4 | 180 | 267.2 | 16262122124 |

* Part number plus "K" for sand blasting surface

* Part number plus "L" for polished surface

ISO Six-Way Crosses



| Model No. | Material | A | B | C | D | Parts No. |
|-----------|----------|-------|-------|-----|-------|-------------|
| ISO63SXA | 304 S.S. | 82.8 | 63.5 | 95 | 165.6 | 16282072074 |
| ISO80SXA | 304 S.S. | 89.15 | 76.2 | 110 | 178.3 | 16282082084 |
| ISO100SXA | 304 S.S. | 105 | 101.6 | 130 | 210 | 16282092094 |
| ISO160SXA | 304 S.S. | 133.6 | 152.4 | 180 | 267.2 | 16282122124 |

* Part number plus "K" for sand blasting surface

* Part number plus "L" for polished surface

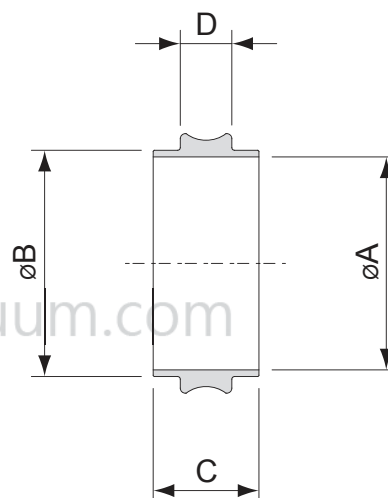


ISO Centering Ring

Available Area : Europe

C/R' with a notch

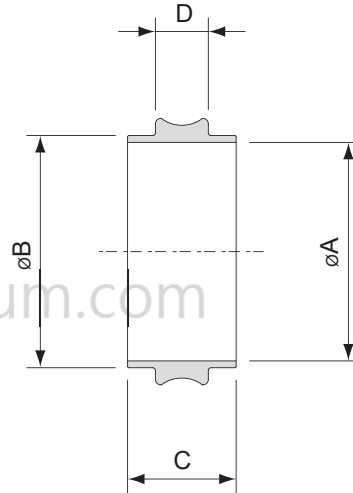
Special sizes available upon request



| Model No. | Material | A | B | C | D | Parts No. |
|------------|----------|-------|-------|----|-----|-----------|
| ISO63CRSE | 304 S.S. | 68 | 70 | 8 | 3.9 | 191010420 |
| ISO80CRSE | 304 S.S. | 81 | 82.6 | 8 | 3.9 | 191011420 |
| ISO100CRSE | 304 S.S. | 100 | 102 | 8 | 3.9 | 191012420 |
| ISO160CRSE | 304 S.S. | 148 | 153 | 8 | 3.9 | 191015420 |
| ISO200CRSE | 304 S.S. | 210 | 213 | 8 | 3.9 | 191016420 |
| ISO250CRSE | 304 S.S. | 257.5 | 261 | 8 | 3.9 | 191017420 |
| ISO320CRSE | 304 S.S. | 312 | 318 | 12 | 5.6 | 191019420 |
| ISO400CRSE | 304 S.S. | 394 | 400 | 12 | 5.6 | 191021420 |
| ISO500CRSE | 304 S.S. | 494 | 501 | 12 | 5.6 | 191023420 |
| ISO630CRSE | 304 S.S. | 644.5 | 650.5 | 12 | 5.6 | 191025420 |
| ISO63CRAE | Al | 68 | 70 | 8 | 3.9 | 191010120 |
| ISO80CRAE | Al | 81 | 82.6 | 8 | 3.9 | 191011120 |
| ISO100CRAE | Al | 100 | 102 | 8 | 3.9 | 191012120 |
| ISO160CRAE | Al | 148 | 153 | 8 | 3.9 | 191015120 |
| ISO200CRAE | Al | 210 | 213 | 8 | 3.9 | 191016120 |
| ISO250CRAE | Al | 257.5 | 261 | 8 | 3.9 | 191017120 |
| ISO320CRAE | Al | 312 | 318 | 12 | 5.6 | 191019120 |
| ISO400CRAE | Al | 394 | 400 | 12 | 5.6 | 191021120 |
| ISO500CRAE | Al | 494 | 501 | 12 | 5.6 | 191023120 |
| ISO630CRAE | Al | 644.5 | 650.5 | 12 | 5.6 | 191025120 |

ISO Centering Ring

Available Area : U.S.A.



| Model No. | Material | A | B | C | D | Parts No. |
|------------|----------|-------|-------|----|-----|-----------|
| ISO63CRSA | 304 S.S. | 67 | 69.6 | 8 | 3.9 | 191010410 |
| ISO80CRSA | 304 S.S. | 80 | 82.6 | 8 | 3.9 | 191011410 |
| ISO100CRSA | 304 S.S. | 99 | 101.6 | 8 | 3.9 | 191012410 |
| ISO160CRSA | 304 S.S. | 150 | 152.6 | 8 | 3.9 | 191015410 |
| ISO200CRSA | 304 S.S. | 210 | 212.6 | 8 | 3.9 | 191016410 |
| ISO250CRSA | 304 S.S. | 257.5 | 260.4 | 8 | 3.9 | 191017410 |
| ISO320CRSA | 304 S.S. | 312 | 317.3 | 12 | 5.6 | 191019410 |
| ISO400CRSA | 304 S.S. | 394 | 399.2 | 12 | 5.6 | 191021410 |
| ISO500CRSA | 304 S.S. | 494 | 500.2 | 12 | 5.6 | 191023410 |
| ISO630CRSA | 304 S.S. | 644.5 | 650.5 | 12 | 5.6 | 191025410 |
| ISO63CRAA | Al | 67 | 69.6 | 8 | 3.9 | 191010110 |
| ISO80CRAA | Al | 80 | 82.6 | 8 | 3.9 | 191011110 |
| ISO100CRAA | Al | 99 | 101.6 | 8 | 3.9 | 191012110 |
| ISO160CRAA | Al | 150 | 152.6 | 8 | 3.9 | 191015110 |
| ISO200CRAA | Al | 210 | 212.6 | 8 | 3.9 | 191016110 |
| ISO250CRAA | Al | 257.5 | 260.4 | 8 | 3.9 | 191017110 |
| ISO320CRAA | Al | 312 | 317.3 | 12 | 5.6 | 191019110 |
| ISO400CRAA | Al | 394 | 399.2 | 12 | 5.6 | 191021110 |
| ISO500CRAA | Al | 494 | 500.2 | 12 | 5.6 | 191023110 |
| ISO630CRAA | Al | 644.5 | 650.5 | 12 | 5.6 | 191025110 |

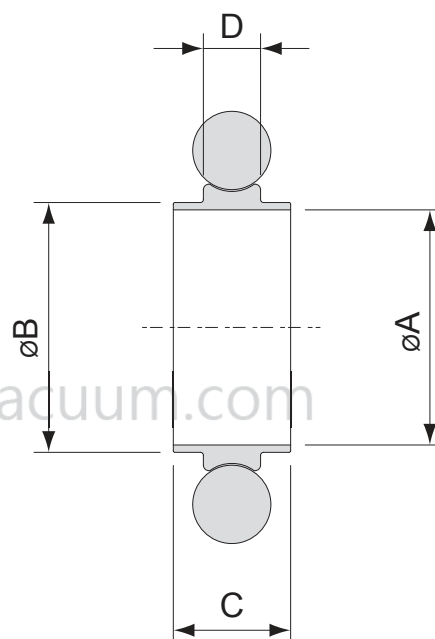


ISO Centering Ring with Viton O'Ring

Available Area : Europe

C/R' with a notch

Special sizes available upon request



| Model No. | Material C/R | Material O'Ring | A | B | C | D | O'Ring Size | Parts No. |
|-------------|--------------|-----------------|-------|-------|----|-----|-------------|-----------|
| ISO63CRVSE | 304 S.S. | Viton | 68 | 70 | 8 | 3.9 | AS-337 | 191110421 |
| ISO80CRVSE | 304 S.S. | Viton | 81 | 82.6 | 8 | 3.9 | AS-341 | 191111421 |
| ISO100CRVSE | 304 S.S. | Viton | 100 | 102 | 8 | 3.9 | AS-347 | 191112421 |
| ISO160CRVSE | 304 S.S. | Viton | 148 | 153 | 8 | 3.9 | AS-362 | 191115421 |
| ISO200CRVSE | 304 S.S. | Viton | 210 | 213 | 8 | 3.9 | AS-371 | 191116421 |
| ISO250CRVSE | 304 S.S. | Viton | 257.5 | 261 | 8 | 3.9 | AS-378 | 191117421 |
| ISO320CRVSE | 304 S.S. | Viton | 312 | 318 | 12 | 5.6 | AS-454 | 191119421 |
| ISO400CRVSE | 304 S.S. | Viton | 394 | 400 | 12 | 5.6 | AS-461 | 191121421 |
| ISO500CRVSE | 304 S.S. | Viton | 494 | 501 | 12 | 5.6 | AS-469 | 191123421 |
| ISO630CRVSE | 304 S.S. | Viton | 644.5 | 650.5 | 12 | 5.6 | AS-475 | 191125421 |
| ISO63CRVAE | Al | Viton | 68 | 70 | 8 | 3.9 | AS-337 | 191110121 |
| ISO80CRVAE | Al | Viton | 81 | 82.6 | 8 | 3.9 | AS-341 | 191111121 |
| ISO100CRVAE | Al | Viton | 100 | 102 | 8 | 3.9 | AS-347 | 191112121 |
| ISO160CRVAE | Al | Viton | 148 | 153 | 8 | 3.9 | AS-362 | 191115121 |
| ISO200CRVAE | Al | Viton | 210 | 213 | 8 | 3.9 | AS-371 | 191116121 |
| ISO250CRVAE | Al | Viton | 257.5 | 261 | 8 | 3.9 | AS-378 | 191117121 |
| ISO320CRVAE | Al | Viton | 312 | 318 | 12 | 5.6 | AS-454 | 191119121 |
| ISO400CRVAE | Al | Viton | 394 | 400 | 12 | 5.6 | AS-461 | 191121121 |
| ISO500CRVAE | Al | Viton | 494 | 501 | 12 | 5.6 | AS-469 | 191123121 |
| ISO630CRVAE | Al | Viton | 644.5 | 650.5 | 12 | 5.6 | AS-475 | 191125121 |

The color of O'Ring is brown, black is available upon request

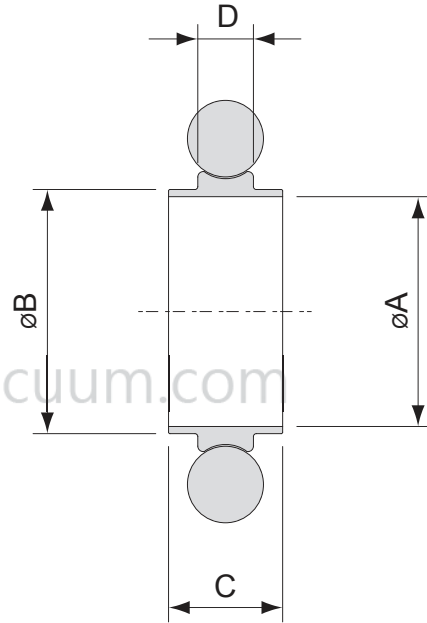


ISO Centering Ring with NBR O'Ring

Available Area : Europe

C/R' with a notch

Special sizes available upon request



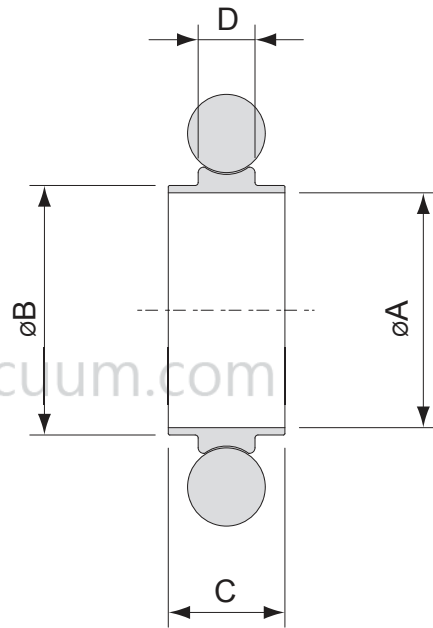
| Model No. | Material C/R | Material O'Ring | A | B | C | D | O'Ring Size | Parts No. |
|-------------|--------------|-----------------|-------|-------|----|-----|-------------|-----------|
| ISO63CRNSE | 304 S.S. | NBR | 68 | 70 | 8 | 3.9 | AS-337 | 191310422 |
| ISO80CRNSE | 304 S.S. | NBR | 81 | 82.6 | 8 | 3.9 | AS-341 | 191311422 |
| ISO100CRNSE | 304 S.S. | NBR | 100 | 102 | 8 | 3.9 | AS-347 | 191312422 |
| ISO160CRNSE | 304 S.S. | NBR | 148 | 153 | 8 | 3.9 | AS-362 | 191315422 |
| ISO200CRNSE | 304 S.S. | NBR | 210 | 213 | 8 | 3.9 | AS-371 | 191316422 |
| ISO250CRNSE | 304 S.S. | NBR | 257.5 | 261 | 8 | 3.9 | AS-378 | 191317422 |
| ISO320CRNSE | 304 S.S. | NBR | 312 | 318 | 12 | 5.6 | AS-454 | 191319422 |
| ISO400CRNSE | 304 S.S. | NBR | 394 | 400 | 12 | 5.6 | AS-461 | 191321422 |
| ISO500CRNSE | 304 S.S. | NBR | 494 | 501 | 12 | 5.6 | AS-469 | 191323422 |
| ISO630CRNSE | 304 S.S. | NBR | 644.5 | 650.5 | 12 | 5.6 | AS-475 | 191325422 |
| ISO63CRNAE | Al | NBR | 68 | 70 | 8 | 3.9 | AS-337 | 191310122 |
| ISO80CRNAE | Al | NBR | 81 | 82.6 | 8 | 3.9 | AS-341 | 191311122 |
| ISO100CRNAE | Al | NBR | 100 | 102 | 8 | 3.9 | AS-347 | 191312122 |
| ISO160CRNAE | Al | NBR | 148 | 153 | 8 | 3.9 | AS-362 | 191315122 |
| ISO200CRNAE | Al | NBR | 210 | 213 | 8 | 3.9 | AS-371 | 191316122 |
| ISO250CRNAE | Al | NBR | 257.5 | 261 | 8 | 3.9 | AS-378 | 191317122 |
| ISO320CRNAE | Al | NBR | 312 | 318 | 12 | 5.6 | AS-454 | 191319122 |
| ISO400CRNAE | Al | NBR | 394 | 400 | 12 | 5.6 | AS-461 | 191321122 |
| ISO500CRNAE | Al | NBR | 494 | 501 | 12 | 5.6 | AS-469 | 191323122 |
| ISO630CRNAE | Al | NBR | 644.5 | 650.5 | 12 | 5.6 | AS-475 | 191325122 |

O'Ring color for NBR material is black, brown is available upon request



ISO Centering Ring with Viton O'Ring

Available Area: U.S.A.



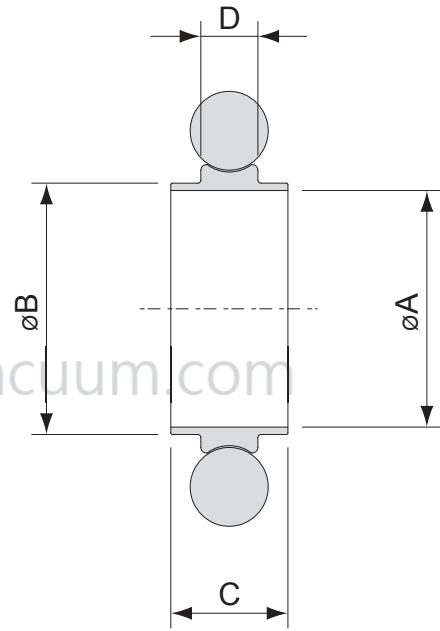
| Model No. | Material C/R | Material O'Ring | A | B | C | D | O'Ring Size | Parts No. |
|-------------|--------------|-----------------|-------|-------|----|-----|-------------|-----------|
| ISO63CRVSA | 304 S.S. | Viton | 67 | 69.6 | 8 | 3.9 | AS-337 | 191110411 |
| ISO80CRVSA | 304 S.S. | Viton | 80 | 82.6 | 8 | 3.9 | AS-341 | 191111411 |
| ISO100CRVSA | 304 S.S. | Viton | 99 | 101.6 | 8 | 3.9 | AS-347 | 191112411 |
| ISO160CRVSA | 304 S.S. | Viton | 150 | 152.6 | 8 | 3.9 | AS-362 | 191115411 |
| ISO200CRVSA | 304 S.S. | Viton | 210 | 212.6 | 8 | 3.9 | AS-371 | 191116411 |
| ISO250CRVSA | 304 S.S. | Viton | 257.5 | 260.4 | 8 | 3.9 | AS-378 | 191117411 |
| ISO320CRVSA | 304 S.S. | Viton | 312 | 317.3 | 12 | 5.6 | AS-454 | 191119411 |
| ISO400CRVSA | 304 S.S. | Viton | 394 | 399.2 | 12 | 5.6 | AS-461 | 191121411 |
| ISO500CRVSA | 304 S.S. | Viton | 494 | 500.2 | 12 | 5.6 | AS-469 | 191123411 |
| ISO630CRVSA | 304 S.S. | Viton | 644.5 | 650.5 | 12 | 5.6 | AS-475 | 191125411 |
| ISO63CRVAA | Al | Viton | 67 | 69.6 | 8 | 3.9 | AS-337 | 191110111 |
| ISO80CRVAA | Al | Viton | 80 | 82.6 | 8 | 3.9 | AS-341 | 191111111 |
| ISO100CRVAA | Al | Viton | 99 | 101.6 | 8 | 3.9 | AS-347 | 191112111 |
| ISO160CRVAA | Al | Viton | 150 | 152.6 | 8 | 3.9 | AS-362 | 191115111 |
| ISO200CRVAA | Al | Viton | 210 | 212.6 | 8 | 3.9 | AS-371 | 191116111 |
| ISO250CRVAA | Al | Viton | 257.5 | 260.4 | 8 | 3.9 | AS-378 | 191117111 |
| ISO320CRVAA | Al | Viton | 312 | 317.3 | 12 | 5.6 | AS-454 | 191119111 |
| ISO400CRVAA | Al | Viton | 394 | 399.2 | 12 | 5.6 | AS-461 | 191121111 |
| ISO500CRVAA | Al | Viton | 494 | 500.2 | 12 | 5.6 | AS-469 | 191123111 |
| ISO630CRVAA | Al | Viton | 644.5 | 650.5 | 12 | 5.6 | AS-475 | 191125111 |

The color of O'Ring is brown, black is available upon request



ISO Centering Ring with NBR O'Ring

Available Area: U.S.A.



| Model No. | Material C/R | Material O'Ring | A | B | C | D | O'Ring Size | Parts No. |
|-------------|--------------|-----------------|-------|-------|----|-----|-------------|-----------|
| ISO63CRNSA | 304 S.S. | NBR | 67 | 69.6 | 8 | 3.9 | AS-337 | 191310412 |
| ISO80CRNSA | 304 S.S. | NBR | 80 | 82.6 | 8 | 3.9 | AS-341 | 191311412 |
| ISO100CRNSA | 304 S.S. | NBR | 99 | 101.6 | 8 | 3.9 | AS-347 | 191312412 |
| ISO160CRNSA | 304 S.S. | NBR | 150 | 152.6 | 8 | 3.9 | AS-362 | 191315412 |
| ISO200CRNSA | 304 S.S. | NBR | 210 | 212.6 | 8 | 3.9 | AS-371 | 191316412 |
| ISO250CRNSA | 304 S.S. | NBR | 257.5 | 260.4 | 8 | 3.9 | AS-378 | 191317412 |
| ISO320CRNSA | 304 S.S. | NBR | 312 | 317.3 | 12 | 5.6 | AS-454 | 191319412 |
| ISO400CRNSA | 304 S.S. | NBR | 394 | 399.2 | 12 | 5.6 | AS-461 | 191321412 |
| ISO500CRNSA | 304 S.S. | NBR | 494 | 500.2 | 12 | 5.6 | AS-469 | 191323412 |
| ISO630CRNSA | 304 S.S. | NBR | 644.5 | 650.5 | 12 | 5.6 | AS-475 | 191325412 |
| ISO63CRNAA | Al | NBR | 67 | 69.6 | 8 | 3.9 | AS-337 | 191310112 |
| ISO80CRNAA | Al | NBR | 80 | 82.6 | 8 | 3.9 | AS-341 | 191311112 |
| ISO100CRNAA | Al | NBR | 99 | 101.6 | 8 | 3.9 | AS-347 | 191312112 |
| ISO160CRNAA | Al | NBR | 150 | 152.6 | 8 | 3.9 | AS-362 | 191315112 |
| ISO200CRNAA | Al | NBR | 210 | 212.6 | 8 | 3.9 | AS-371 | 191316112 |
| ISO250CRNAA | Al | NBR | 257.5 | 260.4 | 8 | 3.9 | AS-378 | 191317112 |
| ISO320CRNAA | Al | NBR | 312 | 317.3 | 12 | 5.6 | AS-454 | 191319112 |
| ISO400CRNAA | Al | NBR | 394 | 399.2 | 12 | 5.6 | AS-461 | 191321112 |
| ISO500CRNAA | Al | NBR | 494 | 500.2 | 12 | 5.6 | AS-469 | 191323112 |
| ISO630CRNAA | Al | NBR | 644.5 | 650.5 | 12 | 5.6 | AS-475 | 191325112 |

O'Ring color for NBR material is black, brown is available upon request

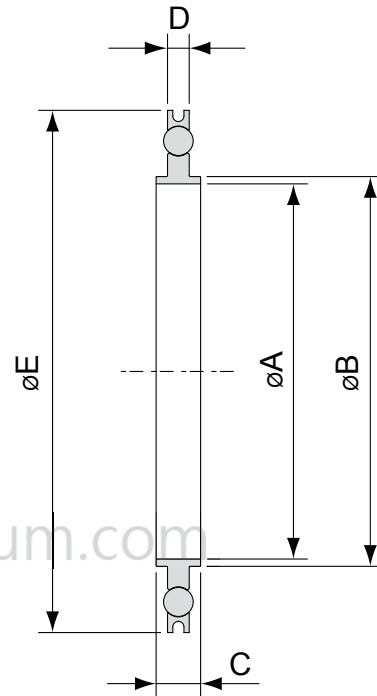


ISO Outer Ring Centering Ring & Viton O'Ring

Available Area: Europe

C/R' with a notch

Special sizes available upon request



| Model No. | Material C/R | Material O'Ring | A | B | C | D | E | Material O/R | O'Ring Size | Parts No. |
|--------------|--------------|-----------------|-------|-------|----|-----|-------|--------------|-------------|-----------|
| ISO630CRVSE | 304 S.S. | Viton | 68 | 70 | 8 | 3.9 | 94 | Al | AS-337 | 192110421 |
| ISO800CRVSE | 304 S.S. | Viton | 81 | 82.6 | 8 | 3.9 | 109 | Al | AS-341 | 192111421 |
| ISO1000CRVSE | 304 S.S. | Viton | 100 | 102 | 8 | 3.9 | 128 | Al | AS-347 | 192112421 |
| ISO1600CRVSE | 304 S.S. | Viton | 148 | 153 | 8 | 3.9 | 179 | Al | AS-362 | 192115421 |
| ISO2000CRVSE | 304 S.S. | Viton | 210 | 213 | 8 | 3.9 | 238 | Al | AS-371 | 192116421 |
| ISO2500CRVSE | 304 S.S. | Viton | 257.5 | 261 | 8 | 3.9 | 287 | Al | AS-378 | 192117421 |
| ISO3200CRVSE | 304 S.S. | Viton | 312 | 318 | 12 | 5.6 | 344 | Al | AS-454 | 192119421 |
| ISO4000CRVSE | 304 S.S. | Viton | 394 | 400 | 12 | 5.6 | 446 | Al | AS-461 | 192121421 |
| ISO5000CRVSE | 304 S.S. | Viton | 494 | 501 | 12 | 5.6 | 535 | Al | AS-469 | 192123421 |
| ISO6300CRVSE | 304 S.S. | Viton | 644.5 | 650.5 | 12 | 5.6 | 684.8 | Al | AS-475 | 192125421 |

| | | | | | | | | | | |
|--------------|----|-------|-------|-------|----|-----|-------|----|--------|-----------|
| ISO630CRVAE | Al | Viton | 68 | 70 | 8 | 3.9 | 94 | Al | AS-337 | 192110121 |
| ISO800CRVAE | Al | Viton | 81 | 82.6 | 8 | 3.9 | 109 | Al | AS-341 | 192111121 |
| ISO1000CRVAE | Al | Viton | 100 | 102 | 8 | 3.9 | 128 | Al | AS-347 | 192112121 |
| ISO1600CRVAE | Al | Viton | 148 | 153 | 8 | 3.9 | 179 | Al | AS-362 | 192115121 |
| ISO2000CRVAE | Al | Viton | 210 | 213 | 8 | 3.9 | 238 | Al | AS-371 | 192116121 |
| ISO2500CRVAE | Al | Viton | 257.5 | 261 | 8 | 3.9 | 287 | Al | AS-378 | 192117121 |
| ISO3200CRVAE | Al | Viton | 312 | 318 | 12 | 5.6 | 344 | Al | AS-454 | 192119121 |
| ISO4000CRVAE | Al | Viton | 394 | 400 | 12 | 5.6 | 446 | Al | AS-461 | 192121121 |
| ISO5000CRVAE | Al | Viton | 494 | 501 | 12 | 5.6 | 535 | Al | AS-469 | 192123121 |
| ISO6300CRVAE | Al | Viton | 644.5 | 650.5 | 12 | 5.6 | 684.8 | Al | AS-475 | 192125121 |

The color of O'Ring is brown, black is available upon request

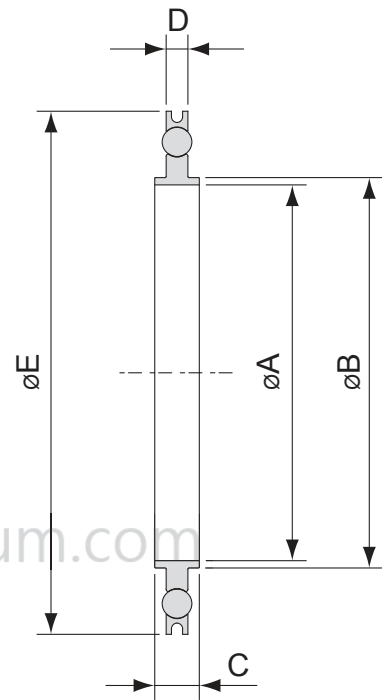


ISO Outer Ring Centering Ring & NBR O'Ring

Available Area: Europe

C/R' with a notch

Special sizes available upon request



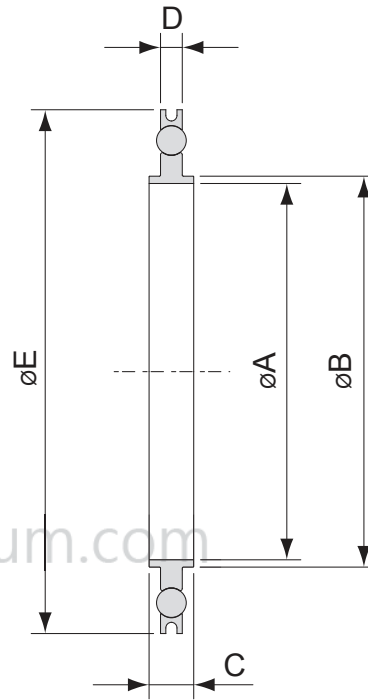
| Model No. | Material C/R | Material O'Ring | A | B | C | D | E | Material O/R | O'Ring Size | Parts No. |
|--------------|--------------|-----------------|-------|-------|----|-----|-------|--------------|-------------|-----------|
| ISO630CRNSE | 304 S.S. | NBR | 68 | 70 | 8 | 3.9 | 94 | Al | AS-337 | 192310422 |
| ISO800CRNSE | 304 S.S. | NBR | 81 | 82.6 | 8 | 3.9 | 109 | Al | AS-341 | 192311422 |
| ISO1000CRNSE | 304 S.S. | NBR | 100 | 102 | 8 | 3.9 | 128 | Al | AS-347 | 192312422 |
| ISO1600CRNSE | 304 S.S. | NBR | 148 | 153 | 8 | 3.9 | 179 | Al | AS-362 | 192315422 |
| ISO2000CRNSE | 304 S.S. | NBR | 210 | 213 | 8 | 3.9 | 238 | Al | AS-371 | 192316422 |
| ISO2500CRNSE | 304 S.S. | NBR | 257.5 | 261 | 8 | 3.9 | 287 | Al | AS-378 | 192317422 |
| ISO3200CRNSE | 304 S.S. | NBR | 312 | 318 | 12 | 5.6 | 344 | Al | AS-454 | 192319422 |
| ISO4000CRNSE | 304 S.S. | NBR | 394 | 400 | 12 | 5.6 | 446 | Al | AS-461 | 192321422 |
| ISO5000CRNSE | 304 S.S. | NBR | 494 | 501 | 12 | 5.6 | 535 | Al | AS-469 | 192323422 |
| ISO6300CRNSE | 304 S.S. | NBR | 644.5 | 650.5 | 12 | 5.6 | 684.8 | Al | AS-475 | 192325422 |
| ISO630CRNAE | Al | NBR | 68 | 70 | 8 | 3.9 | 94 | Al | AS-337 | 192310122 |
| ISO800CRNAE | Al | NBR | 81 | 82.6 | 8 | 3.9 | 109 | Al | AS-341 | 192311122 |
| ISO1000CRNAE | Al | NBR | 100 | 102 | 8 | 3.9 | 128 | Al | AS-347 | 192312122 |
| ISO1600CRNAE | Al | NBR | 148 | 153 | 8 | 3.9 | 179 | Al | AS-362 | 192315122 |
| ISO2000CRNAE | Al | NBR | 210 | 213 | 8 | 3.9 | 238 | Al | AS-371 | 192316122 |
| ISO2500CRNAE | Al | NBR | 257.5 | 261 | 8 | 3.9 | 287 | Al | AS-378 | 192317122 |
| ISO3200CRNAE | Al | NBR | 312 | 318 | 12 | 5.6 | 344 | Al | AS-454 | 192319122 |
| ISO4000CRNAE | Al | NBR | 394 | 400 | 12 | 5.6 | 446 | Al | AS-461 | 192321122 |
| ISO5000CRNAE | Al | NBR | 494 | 501 | 12 | 5.6 | 535 | Al | AS-469 | 192323122 |
| ISO6300CRNAE | Al | NBR | 644.5 | 650.5 | 12 | 5.6 | 684.8 | Al | AS-475 | 192325122 |

O'Ring color for NBR material is black, brown is available upon request



ISO Outer Ring Centering Ring & Viton O'Ring

Available Area: U.S.A.



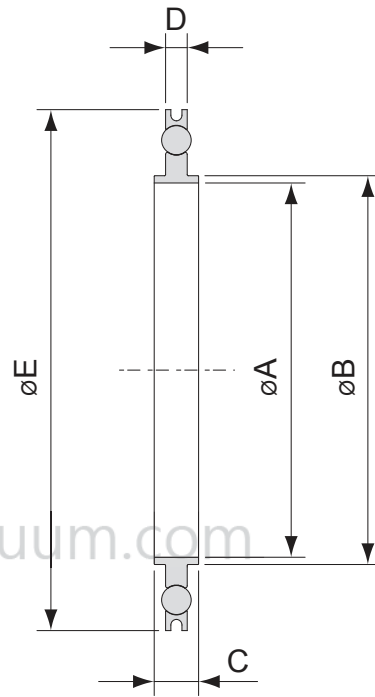
| Model No. | Material C/R | Material O'Ring | A | B | C | D | E | Material O/R | O'Ring Size | Parts No. |
|--------------|--------------|-----------------|-------|-------|----|-----|-------|--------------|-------------|-----------|
| ISO630CRVSA | 304 S.S. | Viton | 67 | 69.6 | 8 | 3.9 | 94 | Al | AS-337 | 192110411 |
| ISO800CRVSA | 304 S.S. | Viton | 80 | 82.6 | 8 | 3.9 | 109 | Al | AS-341 | 192111411 |
| ISO1000CRVSA | 304 S.S. | Viton | 99 | 101.6 | 8 | 3.9 | 128 | Al | AS-347 | 192112411 |
| ISO1600CRVSA | 304 S.S. | Viton | 150 | 152.6 | 8 | 3.9 | 179 | Al | AS-362 | 192115411 |
| ISO2000CRVSA | 304 S.S. | Viton | 210 | 212.6 | 8 | 3.9 | 238 | Al | AS-371 | 192116411 |
| ISO2500CRVSA | 304 S.S. | Viton | 257.5 | 260.4 | 8 | 3.9 | 287 | Al | AS-378 | 192117411 |
| ISO3200CRVSA | 304 S.S. | Viton | 312 | 317.3 | 12 | 5.6 | 344 | Al | AS-454 | 192119411 |
| ISO4000CRVSA | 304 S.S. | Viton | 394 | 399.2 | 12 | 5.6 | 446 | Al | AS-461 | 192121411 |
| ISO5000CRVSA | 304 S.S. | Viton | 494 | 500.2 | 12 | 5.6 | 535 | Al | AS-469 | 192123411 |
| ISO6300CRVSA | 304 S.S. | Viton | 644.5 | 650.5 | 12 | 5.6 | 684.8 | Al | AS-475 | 192125411 |
| ISO630CRVAA | Al | Viton | 67 | 69.6 | 8 | 3.9 | 94 | Al | AS-337 | 192110111 |
| ISO800CRVAA | Al | Viton | 80 | 82.6 | 8 | 3.9 | 109 | Al | AS-341 | 192111111 |
| ISO1000CRVAA | Al | Viton | 99 | 101.6 | 8 | 3.9 | 128 | Al | AS-347 | 192112111 |
| ISO1600CRVAA | Al | Viton | 150 | 152.6 | 8 | 3.9 | 179 | Al | AS-362 | 192115111 |
| ISO2000CRVAA | Al | Viton | 210 | 212.6 | 8 | 3.9 | 238 | Al | AS-371 | 192116111 |
| ISO2500CRVAA | Al | Viton | 257.5 | 260.4 | 8 | 3.9 | 287 | Al | AS-378 | 192117111 |
| ISO3200CRVAA | Al | Viton | 312 | 317.3 | 12 | 5.6 | 344 | Al | AS-454 | 192119111 |
| ISO4000CRVAA | Al | Viton | 394 | 399.2 | 12 | 5.6 | 446 | Al | AS-461 | 192121111 |
| ISO5000CRVAA | Al | Viton | 494 | 500.2 | 12 | 5.6 | 535 | Al | AS-469 | 192123111 |
| ISO6300CRVAA | Al | Viton | 644.5 | 650.5 | 12 | 5.6 | 684.8 | Al | AS-475 | 192125111 |

The color of O'Ring is brown, black is available upon request



ISO Outer Ring Centering Ring & NBR O'Ring

Available Area: U.S.A.



| Model No. | Material C/R | Material O'Ring | A | B | C | D | E | Material O/R | O'Ring Size | Parts No. |
|--------------|--------------|-----------------|-------|-------|----|-----|-------|--------------|-------------|-----------|
| ISO630CRNSA | 304 S.S. | NBR | 67 | 69.6 | 8 | 3.9 | 94 | Al | AS-337 | 192310412 |
| ISO800CRNSA | 304 S.S. | NBR | 80 | 82.6 | 8 | 3.9 | 109 | Al | AS-341 | 192311412 |
| ISO1000CRNSA | 304 S.S. | NBR | 99 | 101.6 | 8 | 3.9 | 128 | Al | AS-347 | 192312412 |
| ISO1600CRNSA | 304 S.S. | NBR | 150 | 152.6 | 8 | 3.9 | 179 | Al | AS-362 | 192315412 |
| ISO2000CRNSA | 304 S.S. | NBR | 210 | 212.6 | 8 | 3.9 | 238 | Al | AS-371 | 192316412 |
| ISO2500CRNSA | 304 S.S. | NBR | 257.5 | 260.4 | 8 | 3.9 | 287 | Al | AS-378 | 192317412 |
| ISO3200CRNSA | 304 S.S. | NBR | 312 | 317.3 | 12 | 5.6 | 344 | Al | AS-454 | 192319412 |
| ISO4000CRNSA | 304 S.S. | NBR | 394 | 399.2 | 12 | 5.6 | 446 | Al | AS-461 | 192321412 |
| ISO5000CRNSA | 304 S.S. | NBR | 494 | 500.2 | 12 | 5.6 | 535 | Al | AS-469 | 192323412 |
| ISO6300CRNSA | 304 S.S. | NBR | 644.5 | 650.5 | 12 | 5.6 | 684.8 | Al | AS-475 | 192325412 |
| ISO630CRNAA | Al | NBR | 67 | 69.6 | 8 | 3.9 | 94 | Al | AS-337 | 192310112 |
| ISO800CRNAA | Al | NBR | 80 | 82.6 | 8 | 3.9 | 109 | Al | AS-341 | 192311112 |
| ISO1000CRNAA | Al | NBR | 99 | 101.6 | 8 | 3.9 | 128 | Al | AS-347 | 192312112 |
| ISO1600CRNAA | Al | NBR | 150 | 152.6 | 8 | 3.9 | 179 | Al | AS-362 | 192315112 |
| ISO2000CRNAA | Al | NBR | 210 | 212.6 | 8 | 3.9 | 238 | Al | AS-371 | 192316112 |
| ISO2500CRNAA | Al | NBR | 257.5 | 260.4 | 8 | 3.9 | 287 | Al | AS-378 | 192317112 |
| ISO3200CRNAA | Al | NBR | 312 | 317.3 | 12 | 5.6 | 344 | Al | AS-454 | 192319112 |
| ISO4000CRNAA | Al | NBR | 394 | 399.2 | 12 | 5.6 | 446 | Al | AS-461 | 192321112 |
| ISO5000CRNAA | Al | NBR | 494 | 500.2 | 12 | 5.6 | 535 | Al | AS-469 | 192323112 |
| ISO6300CRNAA | Al | NBR | 644.5 | 650.5 | 12 | 5.6 | 684.8 | Al | AS-475 | 192325112 |

O'Ring color for NBR material is black, brown is available upon request



