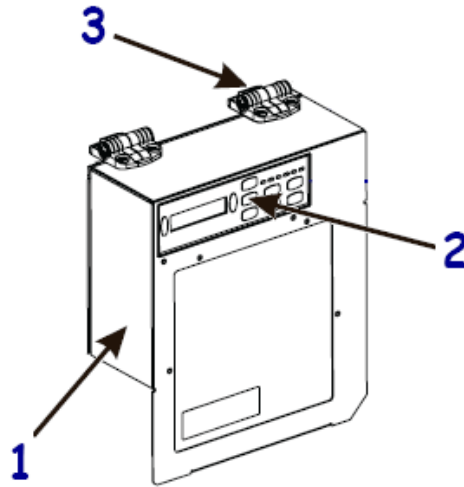
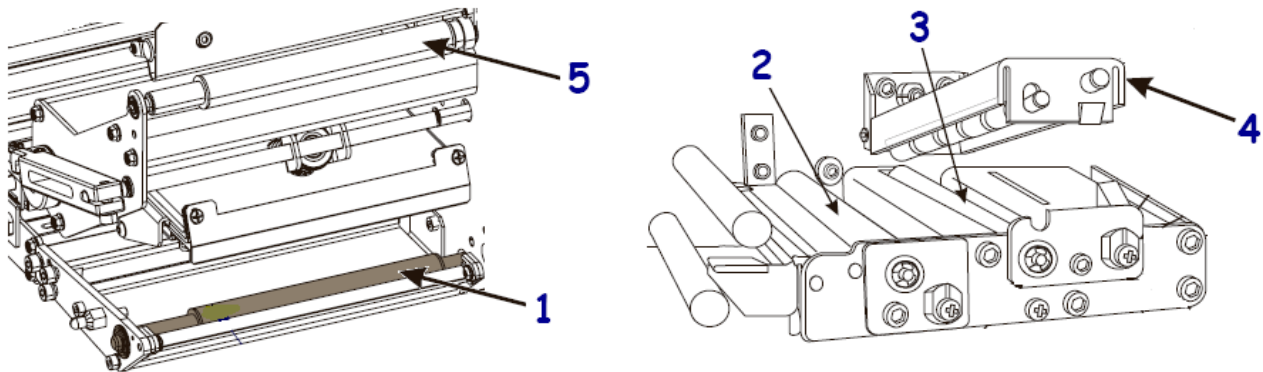


Outer Casing Components

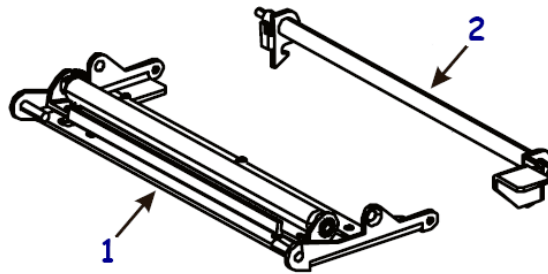


Item Number	Description	Part Number	Kit Quantity
1	Kit Front Cover RH (does not include control panel or door hinges)	G57235M	1
1	Kit Front Cover LH (does not include control panel or door hinges)	G57236M	1
2	Kit Control Panel RH & LH	G49398M	1
3	Kit Door Hinge RH & LH	49244M	2



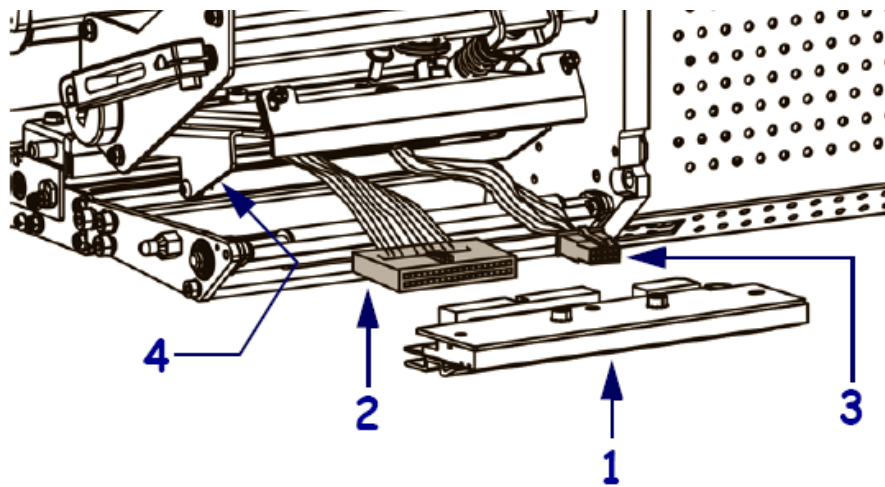
Item Number	Description	Part Number	Kit Quantity
1	Kit Platen Roller RH & LH	G43110M	1
2	Kit Peel Roller RH & LH	G57131M	1
3	Kit Elastomer Pinch Roller RH & LH	G57130M	1
4	Kit Upper Pinch Segmented Roller Assembly RH	G43013M	1
4	Kit Upper Pinch Segmented Roller Assembly LH	G43012M	1
5	Kit Auxillary Roller RH & LH	57167M	1

**Peel Roller Bracket and Latch**



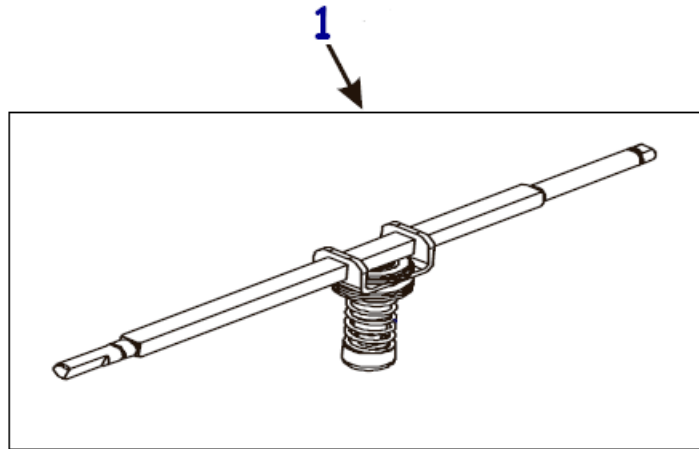
Item Number	Description	Part Number	Kit Quantity
1	Kit Bracket for Peel Roller	43310M	1
2	Latch Assembly for Peel Roller Bracket RH	43125	1
2	Latch Assembly for Peel Roller Bracket LH	43260	1

**Printhead Components**



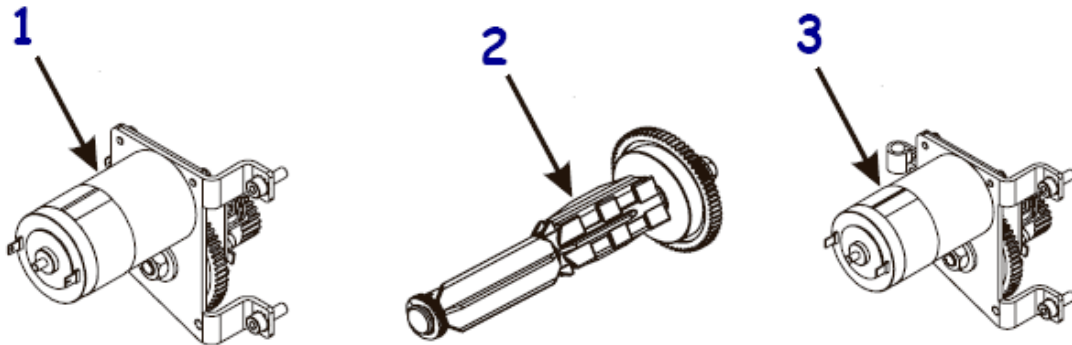
Item Number	Description	Part Number	Kit Quantity
1	Kit Printhead 203 dpi RH & LH	G57202-1M	1
1	Kit Printhead 300 dpi RH	G57212M	1
1	Kit Printhead 300 dpi LH	G57242M	1
2	Printhead Data Cable RH	37939	1
2	Printhead Data Cable LH	37940	1
3	Printhead Power Cable RH & LH	37836	1
4	Printhead Bracket RH	57204	1
4	Printhead Bracket LH	57232	1
	Kit Printhead dpi Conversion 300 dpi to 203 dpi RH & LH	G57600M	1
	Kit Printhead dpi Conversion 203 dpi to 300 dpi RH	G57601M	1
	Kit Printhead dpi Conversion 203 dpi to 300 dpi LH	G57602M	1

**Toggle Assembly**



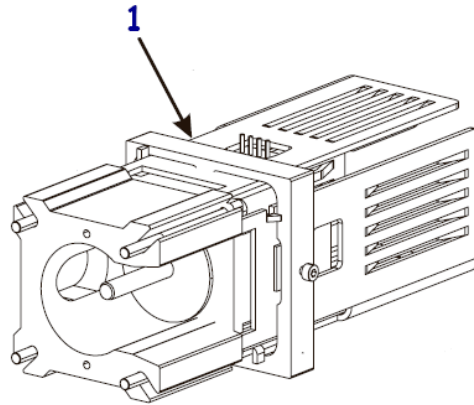
Item Number	Description	Part Number	Kit Quantity
1	Kit Pivot Bar & Toggle Assy RH	G57187M	1
1	Kit Pivot Bar & Toggle Assy LH	G57189M	1

**Ribbon Spindles and Motors**



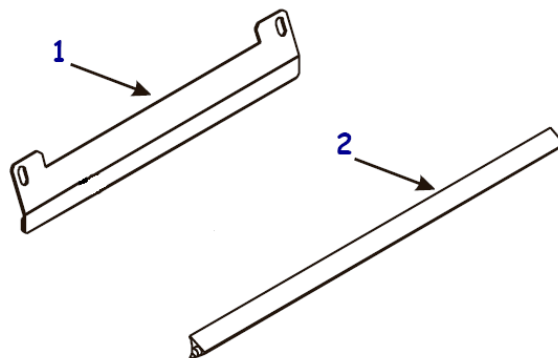
Item Number	Description	Part Number	Kit Quantity
1	Kit Ribbon Supply DC Motor RH	G57466M	1
1	Kit Ribbon Supply DC Motor LH	G57468M	1
2	Kit Ribbon Supply/Take-Up Spindle RH & LH	G43059M	1
3	Kit Ribbon Take-Up DC Motor RH	G57467M	1
3	Kit Ribbon Take-Up DC Motor LH	G57469M	1

**Drive System Components**



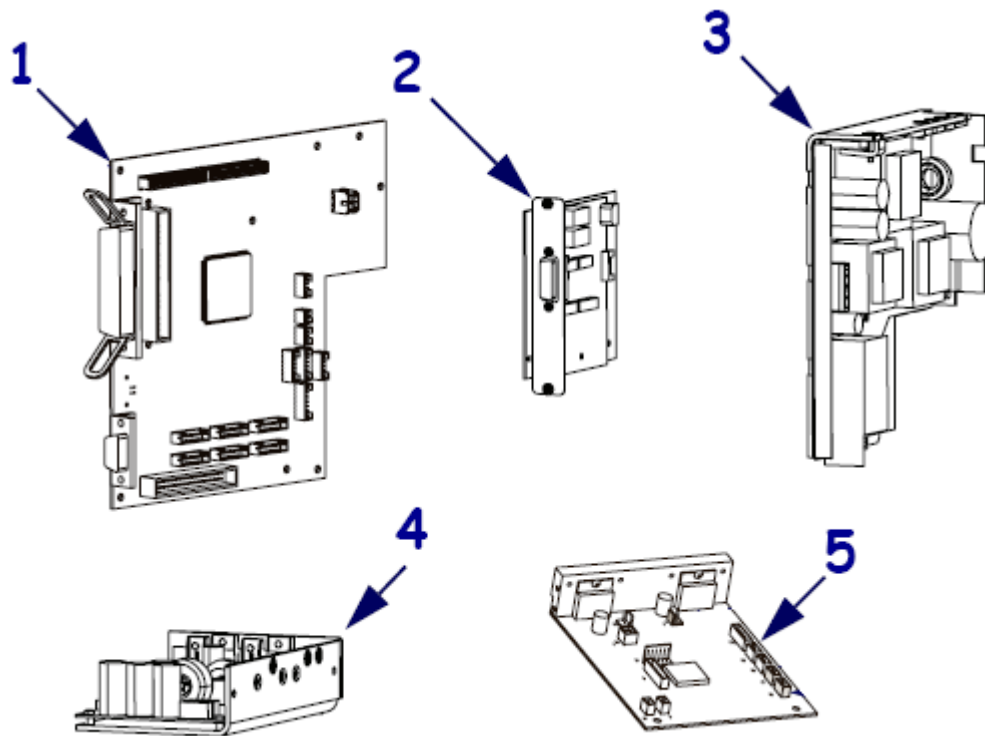
Item Number	Description	Part Number	Kit Quantity
1	Kit Stepper Motor 203 & 300 dpi RH & LH (does not include belt pulley)	G57527M	1
	Kit Pulley for Stepper Motor 203 dpi RH & LH	G57604M	1
	Kit Pulley for Stepper Motor 300 dpi RH & LH	G57464M	1
	Kit Platen Roller Pulley 203 & 300 dpi RH & LH	57299M	1
	Kit Compound Pulley 203 & 300 dpi RH & LH	G57069M	1
	Kit Drive Belts 203 & 300 dpi RH & LH (for replacing all 4 drive belts)	57603M	1

**Ribbon Strip Plate – Peel Bar**



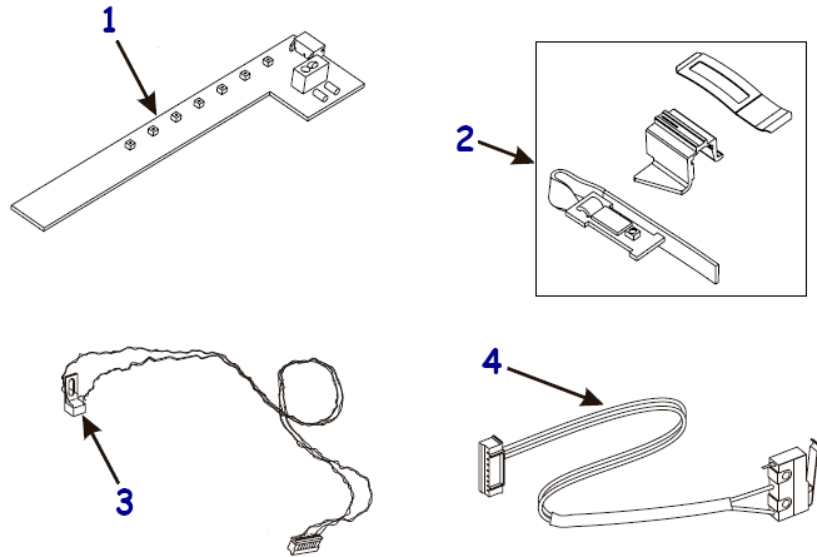
Item Number	Description	Part Number	Kit Quantity
1	Ribbon Strip Plate RH & LH	43049	1
2	Peel Bar RH & LH	43114	1

**Electronic Components**



Item Number	Description	Part Number	Kit Quantity
1	Kit Main Logic Board (MLB) 4MB RH & LH	34901-040M	1
1	Kit Main Logic Board (MLB) 64MB RH & LH	34901-042M	1
2	Kit Applicator Interface 24V I/O RH & LH	G57389M	1
2	Kit Applicator Interface 5V I/O RH & LH	G57056M	1
3	Kit AC Power Supply RH & LH	P1022188	1
4	Kit DC Power Supply RH	P1040667	1
4	Kit DC Power Supply LH	P1040678	1
5	Kit Motor Control Board RH & LH	G43210M	1
	Kit PCMCIA Board RH & LH	G57350M	1
	Kit ZebraNet Wireless b/g Print Server. Includes Magnetic Mount for Antenna.	P1032274	1
	Kit Replacement Antenna for b/g Print Servers	P1032276	1
	Kit Magnetic Mount Replacement (Antenna not included)	39518M	1
	Kit Wireless Plus Board. In order to achieve wireless function, a separate radio card must be purchased (not included).	29651-004M	1
	Kit Replacement Antenna for Internal Wireless Plus Print Servers	39538M	1
	Kit Internal Print Server 10/100 RH & LH	G57546	1
	Kit External Print Server 10/100 RH & LH	P1031031	1

**Sensors**



Item Number	Description	Part Number	Kit Quantity
1	Kit Lower Media Sensor RH	G43212M	1
1	Kit Lower Media Sensor LH	G43250M	1
2	Kit Upper Media Sensor RH	G43214M	1
2	Kit Upper Media Sensor LH	G43084M	1
3	Kit Ribbon Sensor RH	59000M	1
3	Kit Ribbon Sensor LH	G43467M	1
4	Kit Door Open Switch RH & LH	G57339M	1
	Printhead Open Sensor	37920	1

**Packing Material for Printer Shipping**

Item Number	Description	Part Number	Kit Quantity
1	Kit Packing Materials for shipping printer	G57533PM	1

**Hardware**

Item Number	Description	Part Number	Kit Quantity
	Cable Ties 3.62 inches in length (qty of 20)	HWQ06020	20
	Screw M5X0.8X12 Pan PH ZN QTY 25	HW43971	25
	Lock Washer External #6 (Bag of 100)	HW45946	100
	Split Washer M5	HW32410	10
	Washer Flt .375 x .156 x .065. Qty of 100	HW33822	100
	Screw 2-56 X .187 Fl Ph Zn 25 CNT	HW43975	25
	Nut Hex M3, Qty of 25	HW10460	25
	Flat Washer .250 x .125 x .028, Qty of 100	HW43893	100
	Screw M4 x 0.7 x 12, Qty of 25	HW10432	25
	Screw M3 x 0.6 x 20, Qty of 25	HW49152	25
	Crescent Ring Ext .250 Yel, Qty of 100	HW33810	100
	Bearing Nylon .312 .251 .078 Qty of 25	HW30105	25
	E-Ring Ext .125, Qty of 100	HW45947	100
	Screw M3 x 0.5 x 6, Qty of 50	HW78805	50
	Rivet Snap .138 x .08, Qty of 10	HW48182	10
	Ring E Ext .312 Yel, Qty of 25	HW06250	25
	Screw 6-32 x .37 Bu So H Bo, Qty of 25	HW30402-006	25
	Screw M3 x .5 x 6, Qty of 50	HW78804	50
	Ring Ext Ret, Qty of 25	HW49228	25
	Wave Washer Adj Hub, Qty of 5	HW49227	5
	Head Open Flag, Qty of 50	HW46352	50
	Screw M3 x 0.5 x 8mm, Qty of 25	HW44924	25
	Washer Split M4, Qty of 25	HW45931	25
	Set Screw Cup M3 x 0.5 x 4, Qty of 25	HW44147	25
	Ring E Ext .094, Qty of 25	HW07309	25
	Screw M3 x .5 x 4, Qty of 50	HW78803	50
	Screw M3 x 0.5 x 18, Qty of 10	HW10412	10
	Washer Flat M3, Qty of 50	HW10470	50
	Washer Split M3, Qty of 50	HW10471	50
	Screw M4 x 0.7 x 10, Qty of 25	HW10856	25
	Washer Fl .500 x .191 x .030 Qty of 25	HW33805	25
	Spring Compression .07 x .12 x .31, Qty of 25	HW46166	25
	Ring E Ext .140 x .025, Qty of 25	HW30485	25
	Washer .32 x .119 x .062 Neo Bl, Qty of 25	HW30494	25
	Cvd Washer .344 x .172 x .006, Qty of 25	HW40194	25
	Screw M3.5 x 0.5 x 11, Qty of 25	HW44001	25
	Nut Hex M5 X .8 X 2.6, Qty of 25	HW44055	25
	Washer Flat Nylon, Qty of 25	HW46128	25
	Screw M4x0.7 20 Qty of 10	HW43976	10
	Screw M3 x 0.5 x 14, Qty of 10	HW49185	10
	Washer Adj Hub, Qty of 5	HW49223	5
	Washer .381 x .126 x .042, Qty of 25	HW45950	25