

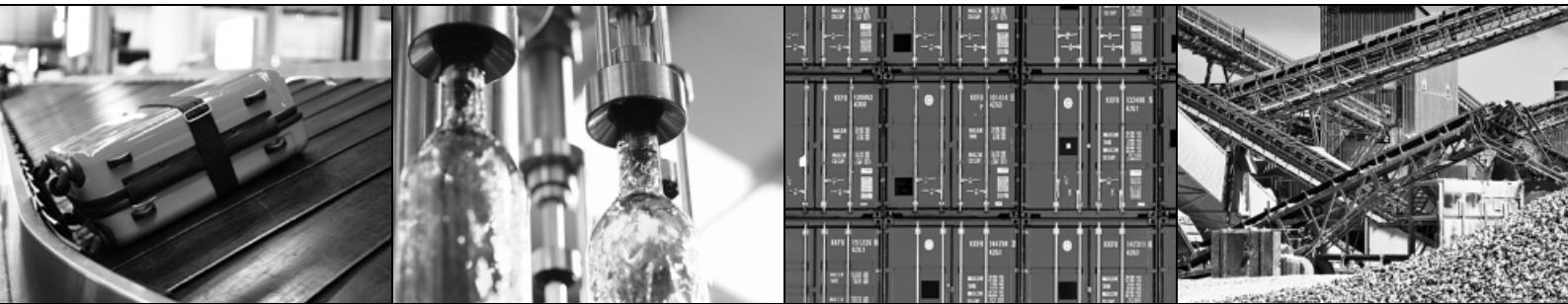


**SEW**  
**EURODRIVE**

# Operating Instructions



**MOVI4R-U<sup>®</sup>**





<b>1</b>	<b>General Information</b>	<b>5</b>
1.1	About this documentation	5
1.2	Structure of the safety notes	5
1.3	Rights to claim under limited warranty	6
1.4	Exclusion of liability	6
1.5	Other applicable documentation	6
1.6	Product names and trademarks	6
1.7	Copyright	6
<b>2</b>	<b>Safety Notes</b>	<b>7</b>
2.1	Preliminary information	7
2.2	General	7
2.3	Target group	7
2.4	Designated use	8
2.5	Transportation and storage	8
2.6	Installation	8
2.7	Electrical connection	9
2.8	Safe disconnection	9
2.9	Operation	9
<b>3</b>	<b>Unit Structure</b>	<b>10</b>
3.1	MOVI4R-U® inverter	10
3.2	Spare parts	11
3.3	MOVI4R-U® inverter type designation	12
3.4	Control plate type designation	14
<b>4</b>	<b>Mechanical Installation</b>	<b>15</b>
4.1	Installation instructions	15
4.2	Mounting position	16
4.3	MOVI4R-U® installation	16
<b>5</b>	<b>Electrical Installation</b>	<b>17</b>
5.1	General information	17
5.2	Installation planning taking EMC aspects into account	17
5.3	Installation instructions	19
5.4	MOVI4R-U® inverter	23
5.5	Electrical connections	25
<b>6</b>	<b>Startup</b>	<b>32</b>
6.1	General information	32
6.2	Requirements	32
6.3	Control knob	33
6.4	Function menus	35
6.5	Startup procedure	48
6.6	Functions of the MOVI4R-U® inverter	50
<b>7</b>	<b>Operation</b>	<b>52</b>
7.1	Operating display (LEDs)	52
7.2	Manual mode	53



<b>8 Services</b> .....	<b>54</b>
8.1 List of faults .....	54
8.2 Unit replacement .....	55
8.3 Inspection/maintenance .....	68
8.4 Shutdown .....	68
8.5 Storage .....	68
8.6 Extended storage .....	68
8.7 Waste disposal .....	69
<b>9 Technical Data</b> .....	<b>70</b>
9.1 Conformity .....	70
9.2 MOVI4R-U® inverter 1 x 200 – 240 V .....	71
9.3 MOVI4R-U® inverter 3 x 200 – 240 V .....	72
9.4 MOVI4R-U® inverter 3 x 380 – 400 V .....	73
9.5 MOVI4R-U® inverter 3 x 380 – 500 V .....	74
9.6 Inputs .....	75
9.7 Outputs .....	75
9.8 Technical data of options .....	76
9.9 Motor assignment .....	76
9.10 MOVI4R-U® dimension drawing .....	77
<b>10 Declaration of Conformity</b> .....	<b>78</b>
<b>11 Address List</b> .....	<b>79</b>
<b>Index</b> .....	<b>91</b>





# 1 General Information

## 1.1 About this documentation

This documentation is an integral part of the product. The documentation is intended for all employees who perform assembly, installation, startup, and service work on the product.

Make sure this documentation is accessible and legible. Ensure that persons responsible for the system and its operation, as well as persons who work independently on the unit, have read through the entire documentation and understood it. If you are unclear about any of the information in this documentation, or if you require further information, contact SEW-EURODRIVE.

## 1.2 Structure of the safety notes

### 1.2.1 Meaning of signal words

The following table shows the grading and meaning of the signal words for safety notes.

Signal word	Meaning	Consequences if disregarded
<b>▲ DANGER</b>	Imminent hazard	Severe or fatal injuries
<b>▲ WARNING</b>	Possible dangerous situation	Severe or fatal injuries
<b>▲ CAUTION</b>	Possible dangerous situation	Minor injuries
<b>NOTICE</b>	Possible damage to property	Damage to the drive system or its environment
<b>INFORMATION</b>	Useful information or tip: Simplifies handling of the drive system.	

### 1.2.2 Structure of section-related safety notes

Section-related safety notes do not apply to a specific action but to several actions pertaining to one subject. The danger symbols used either indicate a general hazard or a specific hazard.

This is the formal structure of a safety note for a specific section:



#### **▲ SIGNAL WORD**

Type and source of hazard.

Possible consequence(s) if disregarded.

- Measure(s) to prevent the hazard.

### 1.2.3 Structure of embedded safety notes

Embedded safety notes are directly integrated into the instructions just before the description of the dangerous action.

This is the formal structure of an embedded safety note:

- **▲ SIGNAL WORD** Type and source of hazard.  
Possible consequence(s) if disregarded.
  - Measure(s) to prevent the hazard.



### **1.3 Rights to claim under limited warranty**

A requirement of fault-free operation and fulfillment of any rights to claim under limited warranty is that you adhere to the information in the documentation. You should therefore read the documentation before you start working with the unit!

### **1.4 Exclusion of liability**

You must comply with the information contained in this documentation to ensure safe operation and to achieve the specified product characteristics and performance features. SEW-EURODRIVE assumes no liability for injury to persons or damage to equipment or property resulting from non-observance of these operating instructions. In such cases, any liability for defects is excluded.

### **1.5 Other applicable documentation**

Note also the following documentation:

- "DR.71 – 315 AC Motors" operating instructions

You can download or order this publication on the Internet (<http://www.sew-eurodrive.com> under the heading "Documentation").

### **1.6 Product names and trademarks**

All product names in this documentation are trademarks or registered trademarks of their respective titleholders.

### **1.7 Copyright**

© 2014 SEW-EURODRIVE. All rights reserved.

Unauthorized duplication, modification, distribution, or other utilization of the whole or any part of this documentation is strictly prohibited.



## 2 Safety Notes

The following basic safety notes must be read carefully to prevent injury to persons and damage to property. The operator must ensure that the basic safety notes are read and adhered to. Ensure that persons responsible for the system and its operation, as well as persons who work independently on the unit, have read through the operating instructions carefully and understood them. If you are unclear about any of the information in this documentation, or if you require further information, please contact SEW-EURODRIVE.

### 2.1 Preliminary information

The following safety notes are primarily concerned with the use of MOVI4R-U<sup>®</sup> units. If you use other SEW components, also refer to the safety notes for these particular components in the corresponding documentation.

Please also observe the supplementary safety notes in the individual chapters of this documentation.

### 2.2 General

Never install or operate damaged products. In the event of damage, submit a complaint to the shipping company immediately.

During operation, the MOVI4R-U<sup>®</sup> unit can have live or uninsulated parts, as well as hot surfaces according to the degree of protection.

Removing covers without authorization, improper use as well as incorrect installation or operation may result in severe injuries to persons or damage to machinery.

Consult the documentation for further information.

### 2.3 Target group

**Only qualified electricians** are authorized to install, start up or service the units or correct unit faults (observing IEC 60364 or CENELEC HD 384 or DIN VDE 0100 and IEC 60664 or DIN VDE 0110 as well as national accident prevention guidelines).

Qualified personnel in the context of these basic safety notes are persons familiar with installation, assembly, startup and operation of the product who possess the necessary qualifications.

All persons involved in any other work, such as transportation, storage, operation and disposal, must be trained appropriately.



## 2.4 Designated use

The MOVI4R-U<sup>®</sup> unit is a component intended for installation in electrical systems or machines.

In case of installation in machines, startup of MOVI4R-U<sup>®</sup> units (i.e. start of designated operation) is prohibited until it is determined that the machine meets the requirements stipulated in the Machinery Directive 2006/42/EC.

Startup (i.e. the start of designated use) is only permitted under observance of EMC Directive 2004/108/EC.

The MOVI4R-U<sup>®</sup> unit meets the requirements stipulated in the Low Voltage Directive 2006/95/EC. The standards contained in the declaration of conformity are applied to the MOVI4R-U<sup>®</sup> unit.

Observe the technical data and information on the connection requirements as provided on the nameplate and in the documentation.

### 2.4.1 Safety functions

MOVI4R-U<sup>®</sup> units may not perform safety functions.

### 2.4.2 Lifting applications

MOVI4R-U<sup>®</sup> units are not designed for lifting applications.

## 2.5 Transportation and storage

You must observe the notes on transportation, storage and proper handling. Observe the climatic conditions as stated in the "Technical Data" sections.

## 2.6 Installation

The units must be installed and cooled according to the regulations and specifications in the corresponding documentation.

Protect the MOVI4R-U<sup>®</sup> units from improper strain.

The following applications are prohibited unless explicitly permitted:

- Use in potentially explosive atmospheres.
- Use in areas exposed to harmful oils, acids, gases, vapors, dust, radiation, aggressive cleaning agents and solvents, etc.
- Use in non-stationary applications with strong mechanical oscillation and impact loads; see the "Technical Data" chapter.



## 2.7 **Electrical connection**

Observe applicable national accident prevention regulations (e.g. BGV A3) when working on a live MOVI4R-U<sup>®</sup> unit.

Perform electrical installation according to the pertinent regulations (e.g. cable cross sections, fusing, protective conductor connection). For any additional information, refer to the applicable documentation.

For notes on EMC compliant installation, such as shielding, grounding, arrangement of filters and routing of lines, refer to the "Installation instructions" chapter. The manufacturer of the system or machine is responsible for maintaining the limits established by EMC legislation.

Protective measures and protection devices must comply with the regulations in force (e.g. EN 60204-1 or EN 61800-5-1).

## 2.8 **Safe disconnection**

The MOVI4R-U<sup>®</sup> unit meets all requirements for reliable disconnection of power and electronics connections in accordance with EN 61800-5-1. All connected circuits must also satisfy the requirements for safe disconnection to ensure reliable isolation.

## 2.9 **Operation**

Systems into which MOVI4R-U<sup>®</sup> unit is installed must, if necessary, be equipped with additional monitoring and protection devices according to applicable safety regulations; e.g., the German law governing technical equipment (Gesetz über technische Arbeitsmittel), accident prevention regulations, etc. Additional protective measures may be necessary for applications with increased potential risk.

Do not touch live parts or power connections immediately after disconnecting the MOVI4R-U<sup>®</sup> unit from the supply voltage because there may still be some charged capacitors. Wait at least for 1 minute after having switched off the supply voltage.

As soon as supply voltage is applied to the MOVI4R-U<sup>®</sup> unit, the MOVI4R-U<sup>®</sup> unit must be closed, i.e. the control plate and any optional fans must be connected.

Never disconnect cable connections during operation. Doing so can lead to dangerous electric arcs forming, which can cause irreparable damage to the unit (fire risk, irreparable contacts).

The unit may still be live and connected to the supply system, even if the operation LEDs are no longer illuminated.

Mechanical blocking or internal safety functions of the unit can cause a motor standstill. Eliminating the cause of the problem or performing a reset may result in the drive restarting automatically. If, for safety reasons, this is not permitted for the drive-controlled machine, disconnect the unit from the supply system before correcting the error.

Warning – danger of burns: The surface temperature of MOVI4R-U<sup>®</sup> unit can exceed 60°C during operation!

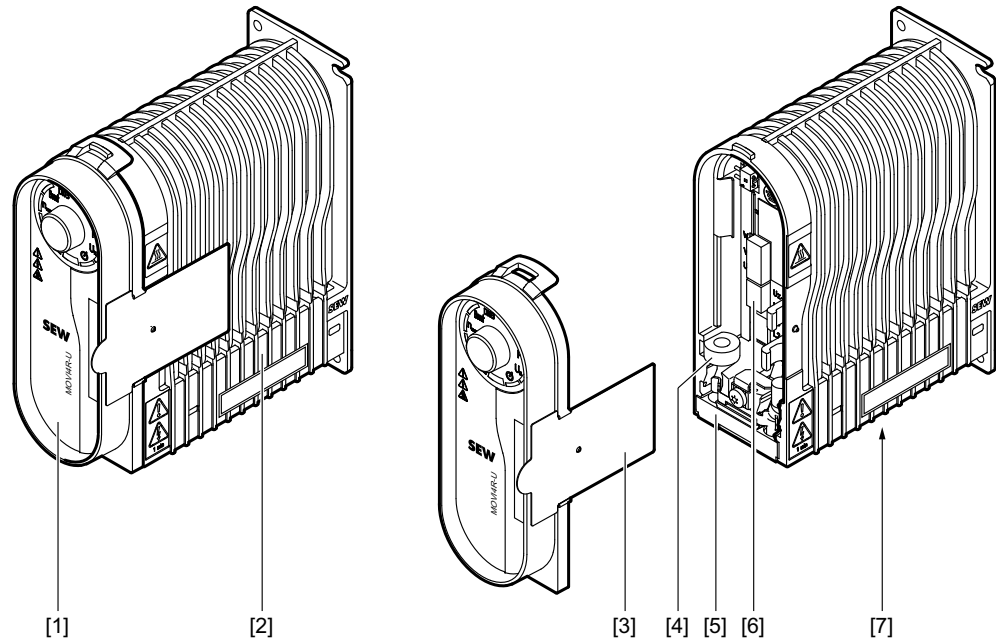


## 3 Unit Structure

### 3.1 MOVI4R-U<sup>®</sup> inverter

MOVI4R-U<sup>®</sup> is an inverter for controlling asynchronous motors.

The following figure illustrates the structure of the size 1 MOVI4R-U<sup>®</sup> inverter:



9282334859

- [1] Control plate
- [2] Housing with cooling fins
- [3] Instruction sign
- [4] EMC toroidal core
- [5] Cable seal
- [6] Power section
- [7] Fan (optional)

#### 3.1.1 MOVI4R-U<sup>®</sup> inverter features

The MOVI4R-U<sup>®</sup> inverter has the following characteristics:

- Robust housing with IP54 protection
- Frequency inverter with V/f control
- Power range from 0.25 to 1.1 kW
- Binary input control, or operation at the unit
- Setpoint selection using the analog input, or settings can be made on the unit
- 2 speed setpoints
- Simple startup and operation at the control plate
- Quick replacement of the power section and the control plate
- The housing can be reused



### 3.2 Spare parts

The following spare parts are available for the MOVI4R-U<sup>®</sup> inverter:

Spare part	Part number
Housing for version without fan	18151213
Housing for version with fan	18155529
1 x AC 200 – 240 V power section	28213556
3 x AC 200 – 240 V power section	28213688
3 x AC 380 – 500 V power section	28213661
Flat ribbon cable between the power section and the control plate	19104936
MUOP11A control plate	18258328
MUPF11A fan	28208668
Cable seal for cables with $\varnothing = 5 - 8 \text{ mm} / 8 - 11.5 \text{ mm}$	18151221
Shield plate	18151248
Grounding bracket	00104426
Screw (for shield plate)	00130591
EMC toroidal core	19103360



### 3.3 MOVI4R-U<sup>®</sup> inverter type designation


#### 3.3.1 Nameplate of complete unit

The following figure shows an example of the nameplate of the complete MOVI4R-U<sup>®</sup> inverter unit (on the side of the housing):

Input: 1x200..240V/6,3A/50..60Hz
Output: 3x..Un/2,8A/2..100Hz

9651342347


The following figure shows an example of the nameplate of the complete MOVI4R-U<sup>®</sup> inverter unit (on the front of the control plate):

01.1234567890.0001.13	
MUWA037-231-S00-00/PF	

9651345803

#### 3.3.2 Power section nameplate

The following figure shows an example of the nameplate of the power section:

part#: 18226485.10	
10.11.10.xx - 12345678901	
Input:	Output:
1x200..240V	3x..Un
6,3A(6,8A*)	2,8A (3,3A*)
50..60Hz	2..100Hz
*) with SEW fan MUPF11A	
<b>SEW</b>	
D-76646 Bruchsal	
	

9651348875

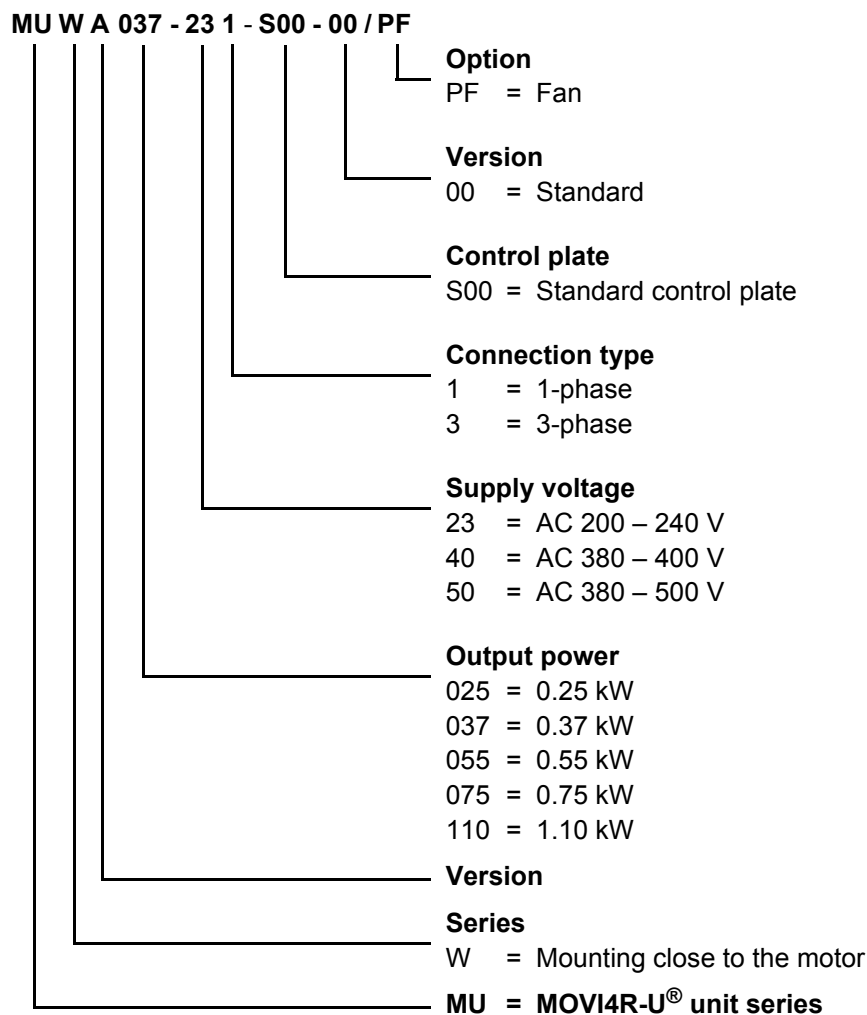
The nameplate for the power section can be found on the front of the power section. It is not visible from the outside when the unit is closed.





### 3.3.3 Type designation

The following table shows an example of the type designation of the MOVI4R-U<sup>®</sup> inverter:





### 3.4 Control plate type designation

#### 3.4.1 Control plate nameplate

The following figure shows an example of the nameplate of the control plate:

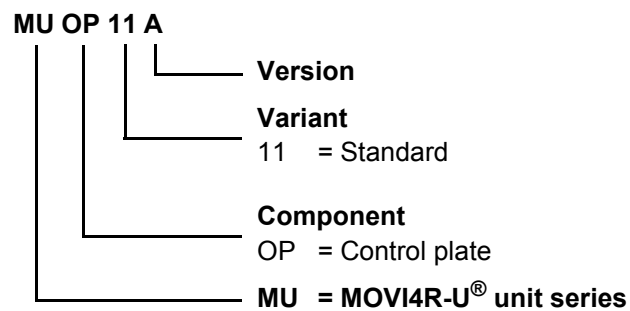


9652695563

The nameplate for the control plate can be found on the control plate (inside the unit). It is not visible from the outside when the unit is closed.

#### 3.4.2 Type designation

The following table shows an example of the type designation of the control plate:





## 4 Mechanical Installation

### 4.1 Installation instructions

#### 4.1.1 General information



#### NOTICE

Loss of guaranteed degree of protection if the MOVI4R-U<sup>®</sup> inverter is installed incorrectly or not at all.

Damage to the MOVI4R-U<sup>®</sup> inverter.

- Protect the power section and the control plate from dust and moisture when removing the control plate from the housing.

Note the following when installing the MOVI4R-U<sup>®</sup> inverter:

- Observe the general safety notes.
- Only install the MOVI4R-U<sup>®</sup> inverter drive on a level, low-vibration, and torsionally rigid support structure.
- Ensure sufficient clearance around the unit to allow for adequate cooling. Warm outlet air of other units must not be drawn in.
- Comply with all instructions referring to the technical data and the permissible conditions where the unit is operated.
- Use only the provided attachment options when mounting the drive.
- Seal unused cable entries.

The degree of protection specified in the technical data only applies if the MOVI4R-U<sup>®</sup> inverter is properly installed.

#### 4.1.2 Installation requirements

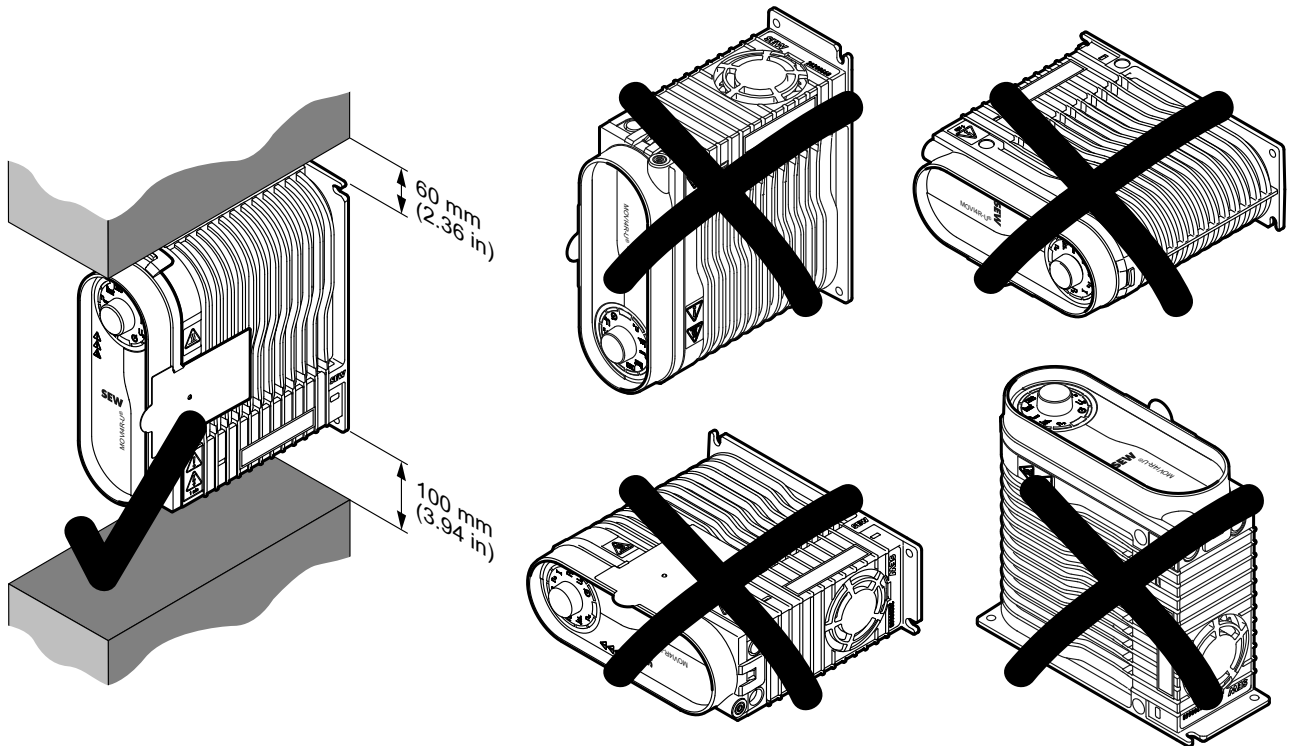
Make sure that the following requirements are met before you start installing the unit:

- The entries on the nameplate of the MOVI4R-U<sup>®</sup> inverter match the voltage supply system.
- The MOVI4R-U<sup>®</sup> inverter is undamaged (no damage caused by transport or storage).
- The ambient temperature corresponds to the specifications in the "Technical Data" chapter.



#### 4.2 Mounting position

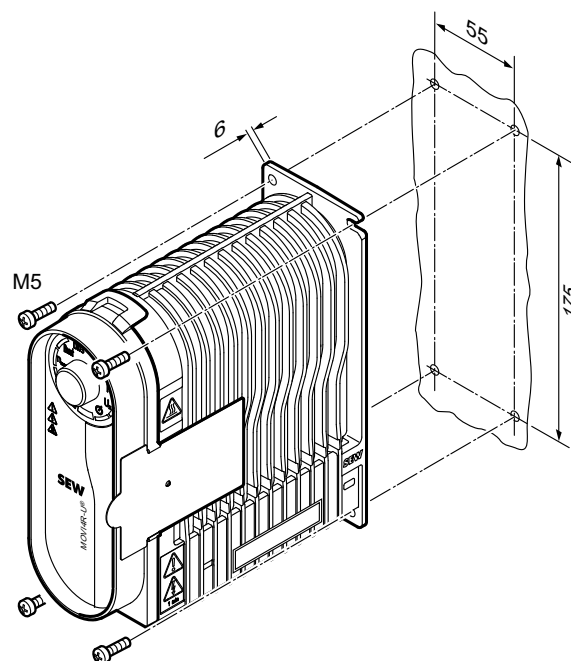
The MOVI4R-U<sup>®</sup> inverter may only be installed according to the following mounting positions.



9282518667

#### 4.3 MOVI4R-U<sup>®</sup> installation

Mount the MOVI4R-U<sup>®</sup> inverter with 4 M5 screws according to the following figure:  
(Tightening torque 2.0 – 2.4 Nm (18 – 21 lb.in))



9282535691



## 5 Electrical Installation

### 5.1 General information

Observe the following notes on electrical installation:

- Observe the general safety notes.
- Comply with all instructions referring to the technical data and the permissible conditions where the unit is operated.
- Seal unused cable entries.

### 5.2 Installation planning taking EMC aspects into account



#### INFORMATION

This drive system is not designed for operation on a public low voltage grid that supplies residential areas.

MOVI4R-U<sup>®</sup> units can cause EMC interference within the permitted limit range according to EN 61800-3. (see Technical Data). In this case, it is recommended that the user take suitable measures.

For detailed information on EMC-compliant installation, refer to the SEW publication Drive Engineering – Practical Implementation, "Electromagnetic Compatibility in Drive Engineering".

Successful installation depends on selecting the correct cables, providing correct grounding and a functioning equipotential bonding.

You must always apply the **relevant standards**.

Observe the notes in the following chapters in particular.



#### 5.2.1 Equipotential bonding

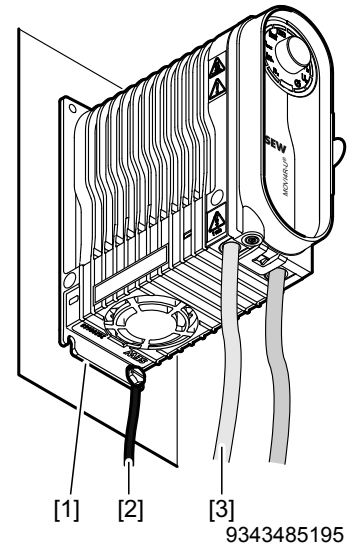
Regardless of the protective earth connection, it is essential that low-impedance, **HF-capable equipotential bonding** is provided (see also EN 60204-1 or DIN VDE 0100-540):

Establish a connection over a wide surface area between the MOVI4R-U<sup>®</sup> housing and the system (untreated, unpainted, uncoated mounting surface).

[1] Conductive connection over a large area between MOVI4R-U<sup>®</sup> inverter and the mounting plate

[2] PE conductor on housing

[3] PE conductor in the power supply cable



Do not use the cable shields of data lines for equipotential bonding.

#### 5.2.2 Data cables (binary inputs/outputs)

Route the data cables for the binary inputs/outputs separately from cables that emit interference (such as control cables of solenoid valves, motor cables).

#### 5.2.3 Cable shields

- Must have good EMC properties (high shield attenuation)
- May not serve only as mechanical protection for the cable.
- Must be connected to a wide area of the unit's metal housing at the cable ends.



### 5.3 Installation instructions

#### 5.3.1 Connecting power supply cables

- The rated voltage and frequency of the MOVI4R-U® inverter must correspond to the data for the power supply system.
- Install line fuses at the beginning of the power supply cable behind the supply bus junction. Use D, D0, NH fuses or circuit breakers. Select the fuse size according to the cable cross section.
- Cable cross section according to input current  $I_{line}$  for rated power (see the "Technical Data" chapter).

Operation on  
IT system

Operation of MOVI4R-U® inverters on IT supply systems is in preparation.

#### 5.3.2 Permitted outer cable diameter and cable cross section

**Power terminals** Observe the permitted outer cable diameters and cable cross sections for installation:

Power terminals	
<b>Outer cable diameter</b>	Power supply cable: 7.0 – 10.0 mm Motor cable: 8.0 – 11.5 mm
<b>Cable cross section</b>	0.25 mm <sup>2</sup> – 2.5 mm <sup>2</sup> AWG24 – AWG14
<b>Conductor end sleeves</b>	<ul style="list-style-type: none"> <li>• Connect only single-wire conductors or flexible conductors with conductor end sleeves (DIN 46228, material E-CU) <u>with or without plastic collars</u></li> <li>• Permitted length of the conductor end sleeve: at least 8 mm</li> </ul>

**Control terminals** Observe the permitted outer cable diameters and cable cross sections for installation:

Control terminals	
<b>Outer cable diameter</b>	Control cable: 5.0 – 8.0 mm
<b>Cable cross section</b> <ul style="list-style-type: none"> <li>• Flexible conductor (bare litz wire)</li> <li>• Conductor with conductor end sleeve <u>without</u> plastic collar</li> </ul>	0.25 mm <sup>2</sup> – 1.5 mm <sup>2</sup> AWG24 – AWG16
<ul style="list-style-type: none"> <li>• Conductor with conductor end sleeve <u>with</u> plastic collar</li> </ul>	0.25 mm <sup>2</sup> – 0.75 mm <sup>2</sup> AWG24 – AWG19



#### 5.3.3 Line contactor



#### NOTICE

Damage due to jog mode.

Damage to the MOVI4R-U<sup>®</sup> inverter.

- Do not use the line contactor for jog mode, but only for switching the MOVI4R-U<sup>®</sup> inverter on and off. In jog mode, use the control signals (binary inputs).
  - Observe the minimum switch-off time for the line contactor:
    - 20 s for MOVI4R-U<sup>®</sup> with 1-phase voltage supply
    - 2 s for MOVI4R-U<sup>®</sup> with 3-phase voltage supply
- 
- Use only a contactor of utilization category AC3 (EN 60947-4-1) as a line contactor.

#### 5.3.4 Residual current device



#### ⚠ WARNING

Electric shock due to incorrect RCD type.

Severe or fatal injuries.

- MOVI4R-U<sup>®</sup> can cause direct current in the protective earth conductor. When a residual current device (RCD) is used for protection against direct or indirect contact, only install a type B residual current device on the supply system end of the MOVI4R-U<sup>®</sup> inverter.
- 
- Do not use a conventional RCD as a protective device. Universal current-sensitive RCDs are permitted as a protective device. During normal operation of MOVI4R-U<sup>®</sup> inverter, earth-leakage currents of > 3.5 mA can occur.
  - SEW-EURODRIVE recommends that you do not use RCDs. However, if a residual current device is stipulated for direct or indirect protection against contact, observe the above note.





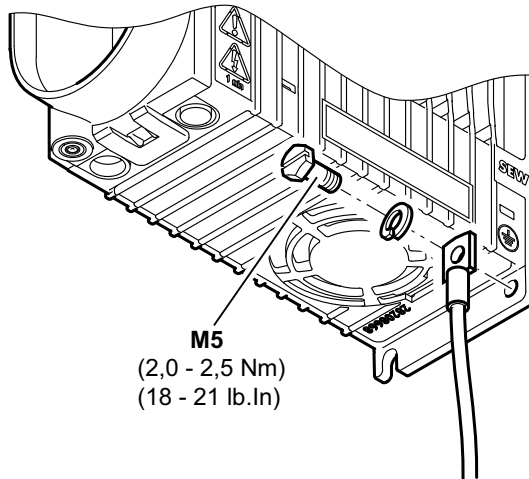
### 5.3.5 Information on PE connection



#### ⚠ WARNING

Electric shock due to incorrect connection of PE.  
Severe or fatal injuries.

- Observe the following notes regarding PE connection.



9347830667

Earth-leakage currents  $\geq 3.5$  mA may occur during normal operation. To meet the requirements of EN 61800-5-1, observe the following notes:

- The protective earth (PE) connection must meet the requirements for plants with high earth-leakage currents.
- This usually means
  - installing a PE connection cable with a minimum cross section of  $10 \text{ mm}^2$
  - or installing a second PE connection cable in parallel with the original PE connection.

### 5.3.6 Protection devices

- MOVI4R-U<sup>®</sup> inverters are equipped with integrated protection devices against overload of the drive. External motor protection devices are not necessary.

**5.3.7 EMC-compliant installation****INFORMATION**

This drive system is not designed for operation on a public low voltage grid that supplies residential areas.

This is a product with restricted availability in accordance with IEC 61800-3. This product may cause EMC interference. In this case, it is recommended that the user take suitable measures.

For detailed information on EMC compliant installation, refer to the publication "Electromagnetic Compatibility in Drive Engineering" from SEW-EURODRIVE.

---

With respect to the EMC regulation, frequency inverters cannot be operated as stand-alone units. Regarding EMC, they can only be evaluated when they are integrated in a drive system. Conformity is declared for a described, CE-typical drive system. These operating instructions contain further information.

**5.3.8 UL-compliant installation (in preparation)**

UL and cUL approval for the MOVI4R-U<sup>®</sup> inverter series is in preparation.

**5.3.9 Installation above 1000 m amsl**

MOVI4R-U<sup>®</sup> inverters can also be operated at an altitude of 1000 – 4000 m amsl. To do so, you must observe the following basic conditions.

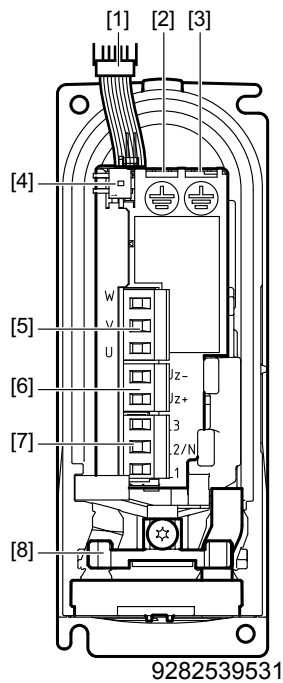
- At heights above 1000 m amsl, the nominal continuous power is reduced due to reduced cooling:  $I_N$  reduction by 1% per 100 m.
- For heights from 2000 m to max. 4000 m amsl, observe the following notes:
  - The safe disconnection of power and electronics connections can no longer be assured above 2000 m. For safe disconnection, you have to take measures according to IEC 60664-1 / EN 61800-5-1.
  - Connect an overvoltage protection device upstream of MOVI4R-U<sup>®</sup> inverter to reduce overvoltages from category III to category II.



## 5.4 MOVI4R-U® inverter

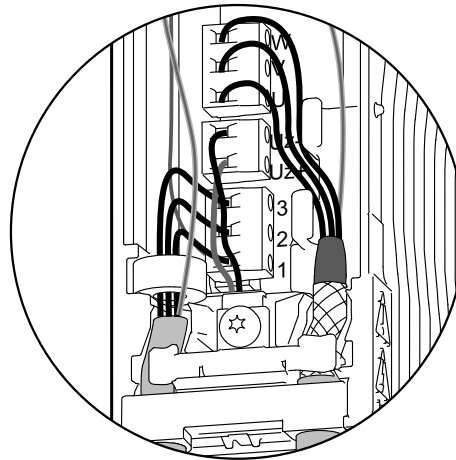
### 5.4.1 Power section connections

The following figure shows the electrical connection of the power section:



- [1] X5 Connection for the control plate
- [2] PE connection (IN, supply system)
- [3] PE connection (OUT, motor)
- [4] X4 Connection for fan control
- [5] X3 Connection for motor U, V, W
- [6] X2 Connection for fan supply
- [7] X1 Connection for supply system L1 – L3
- [8] Shield plate

Note the following cable routing:

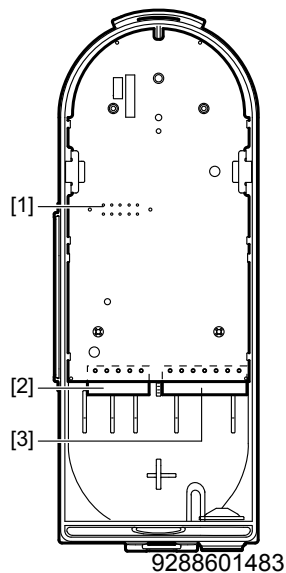


Refer to chapter "Electrical connections" for connection and cable assignment



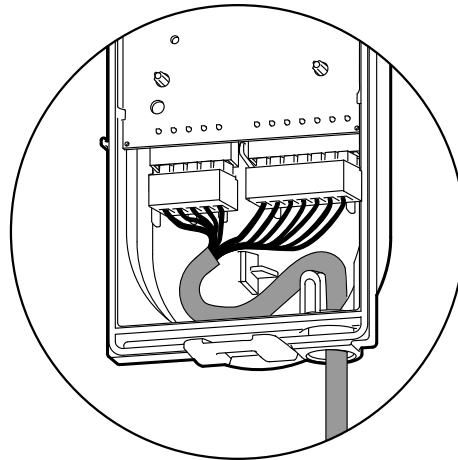
### 5.4.2 Control plate connections

The following figure shows the electrical connections on the back of the MUOP11A control plate:



- [1] X3 Connection for the power section
- [2] X2 Analog inputs/outputs
  - Analog input AI
  - Analog output AO
- [3] X1 Binary inputs/outputs
  - Connection for relay
  - Binary output DO
  - Binary inputs DI01 – DI03

Note the following cable routing:



9687031051

Refer to chapter "Electrical connections" for connection and cable assignment

*Wiring diagram  
for MUOP11A  
control plate*

#### X1: Binary inputs/outputs

- 1 Normally open contact relay
- 2 Common relay
- 3 Normally closed contact relay
- 4 DC 24 V output
- 5 Binary input DI01 (enable)
- 6 Binary input DI02 (direction of rotation)
- 7 Binary input DI03 (setpoint source, error reset)

#### X2: Analog inputs/outputs

- 1 Reference potential/mass
- 2 +10 V output
- 3 Analog input, 0 – 10 V
- 4 Analog output, 0 – 10 V
- 5 Reference potential/mass

After connecting the inputs/outputs, put the insulating sheet on the rear of the control plate.

MUOP11A	
<b>X1</b>	
REL NO	1
REL C	2
REL NC	3
DO01	4
DI01	5
DI02	6
DI03	7
<b>X2</b>	
COM	1
REF10V	2
AIN	3
AOUT	4
COM	5

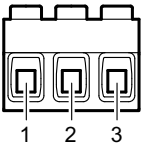
9687031051



## 5.5 Electrical connections

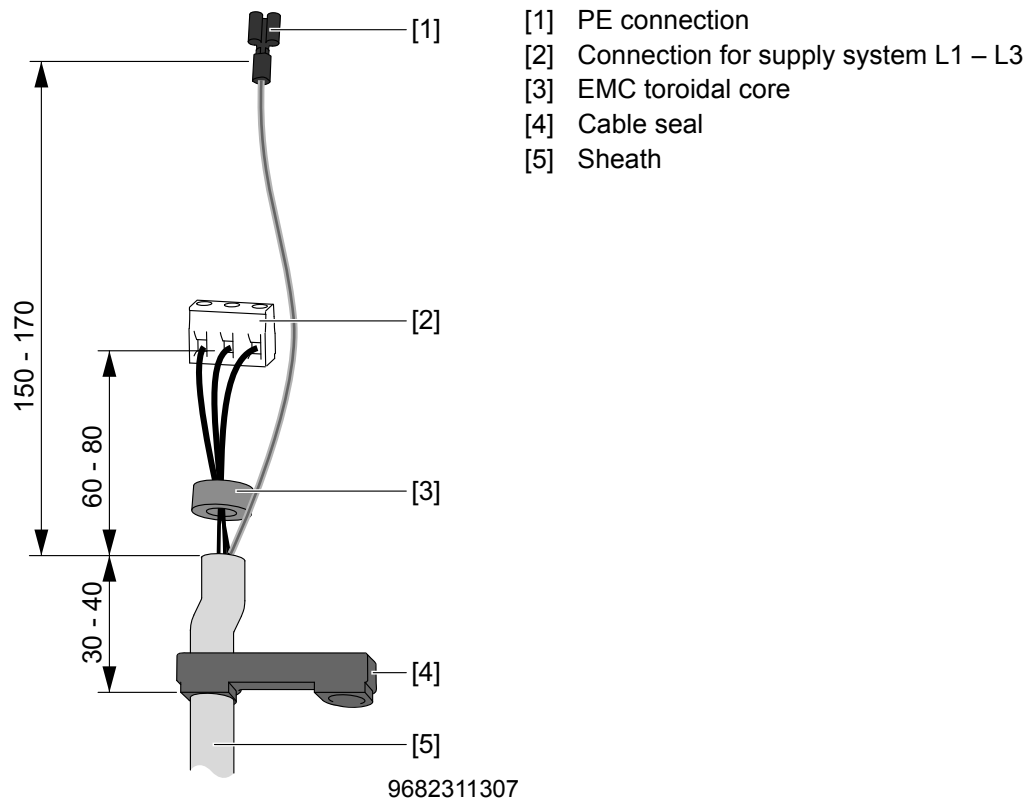
### 5.5.1 X1: Supply system connection

The following table shows information about this connection:

Function		
Unit supply line connection		
Connection type		
Terminals, separable		
<ul style="list-style-type: none"> <li>• 2-pole (for 1-phase supply)</li> <li>• 3-pole (for 3-phase supply)</li> </ul>		
Wiring diagram		
		
Assignment		
No.	Name	Function
1	L3	Phase L3 line connection (Only for 3-phase supply)
2	L2 / N	Phase L2 line connection
3	L1	Line connection phase L1

Power  
supply cable  
prefabrication

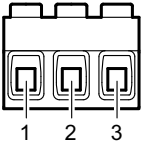
Assemble the power supply cable as shown in the following figure:





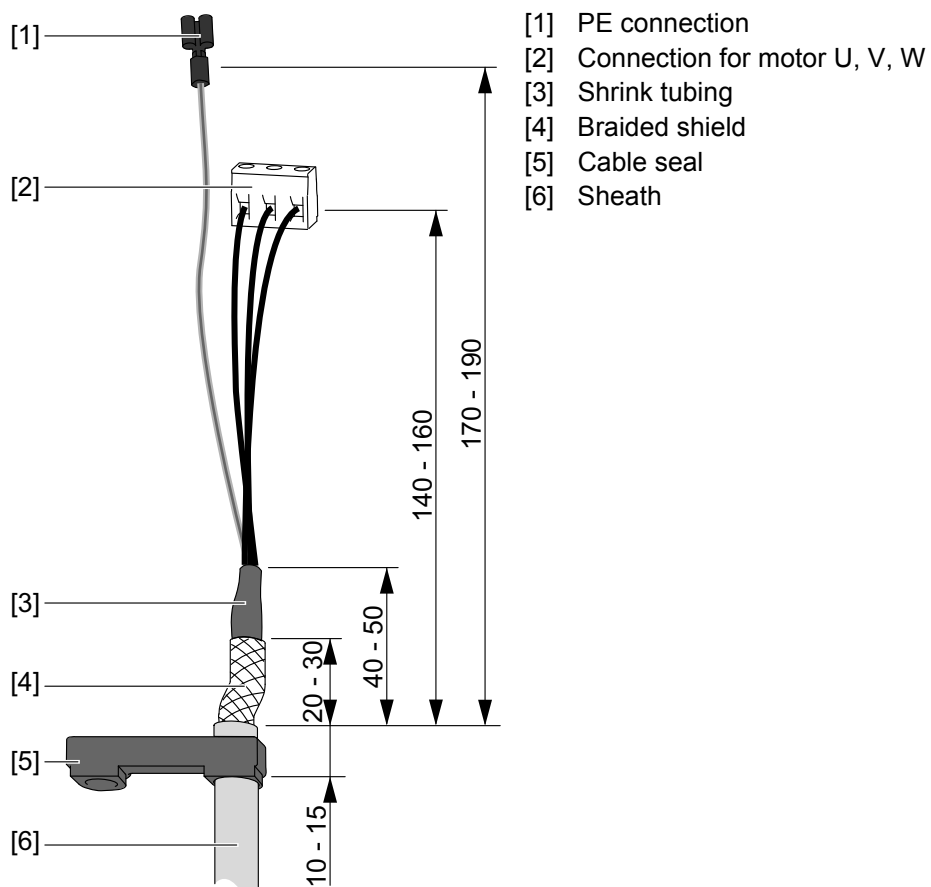
#### 5.5.2 X3: Motor connection

The following table shows information about this connection:

Function		
Motor connection		
Connection type		
Terminals, separable, 3-pole		
Wiring diagram		
		
Assignment		
No.	Name	Function
1	W	W motor phase output
2	V	V motor phase output
3	U	U motor phase output

*Motor cable  
prefabrication*

Assemble the motor cable as shown in the following figure:

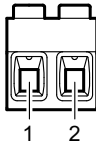


9683105675



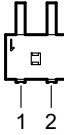
### 5.5.3 X2: Connection for fan supply

The following table shows information about this connection:

Function		
Connection for fan supply		
Connection type		
Terminals, separable, 2-pole		
Wiring diagram		
		
Assignment		
No.	Name	Function
1	UZ-	DC link voltage, - phase
2	UZ+	DC link voltage, + phase

### 5.5.4 X4: Connection for fan control

The following table shows information about this connection:

Function		
Connection for fan controller		
Connection type		
Terminals, separable, 2-pole		
Wiring diagram		
		
Assignment		
No.	Name	Function
1	0V24	Reference potential
2	+24V	+24 V control signal



#### 5.5.5 X5: Connection for the control plate (on the power section)

The following table shows information about this connection:

Function		
Connection for the control plate on the power section		
Connection type		
Flat ribbon cable plug connector, male, 10-pole		
Wiring diagram		
Assignment		
No.	Name	Function
1	COM	Reference potential
2	COM	Reference potential
3	RxD	Receive line
4	+24V	+24 V voltage supply
5	TxD	Transmit line
6	TxD	Sending cable
7	+24V	+24 V voltage supply
8	RxD	Receive line
9	COM	Reference potential
10	COM	Reference potential

#### *Flat ribbon cable*

The flat ribbon cable for connecting the power section and the control plate is equipped with 2 flat ribbon cable plug connectors (10-pin, 1 male + 1 female). The flat ribbon cable is assembled at the factory; it is connected using the plug connector on to the top of the power section and guided to the front to the control plate.





**5.5.6 X3: Connection for the power section (on the control plate)**

The following table shows information about this connection:

Function		
Connection of the power section on the control plate		
Connection type		
Flat ribbon cable plug connector, female, 10-pole		
Wiring diagram		
Assignment		
No.	Name	Function
1	COM	Reference potential
2	COM	Reference potential
3	RxD	Receive line
4	+24V	+24 V voltage supply
5	TxD	Transmit line
6	TxD	Transmit line
7	+24V	+24 V voltage supply
8	RxD	Receive line
9	COM	Reference potential
10	COM	Reference potential



#### 5.5.7 X1: Binary inputs/outputs

The following table shows information about this connection:

Function		
Binary inputs/outputs (on the control plate)		
Connection type		
Terminals, separable, 7-pole		
Wiring diagram		
Assignment		
No.	Name	Function
1	REL NO	Normally open contact relay
2	REL C	Common relay
3	REL NC	Normally closed contact relay
4	DO01	Binary DC 24 V output DO
5	DI01	Binary input DI01 (enable)
6	DI02	Binary input DI02 (direction of rotation)
7	DI03	Binary input DI03 (setpoint source, error reset)



5.5.8 X2: Analog inputs/outputs

The following table shows information about this connection:

Function		
Analog inputs/outputs (on the control plate)		
Connection type		
Terminals, separable, 5-pole		
Wiring diagram		
Assignment		
No.	Name	Function
1	COM	Reference potential/mass
2	REF10V	+10 V output
3	AIN	Analog input, 0 – 10 V
4	AOUT	Analog output, 0 – 10 V
5	COM	Reference potential/mass



## 6 Startup

### 6.1 General information



#### INFORMATION

You must comply with the general safety notes in the chapter "Safety notes" during startup.



#### ⚠ WARNING

Risk of crushing due to missing or defective protective covers.

Severe or fatal injuries.

- Install the protective covers of the plant according to the instructions, also see the operating instructions of the motor and the gear unit.
- Never start up the MOVI4R-U<sup>®</sup> drive if the protective covers are not installed.



#### ⚠ WARNING

Danger of burns due to hot surfaces of the MOVI4R-U<sup>®</sup> inverter (in particular the cooling fins).

Serious injuries.

- Do not touch the MOVI4R-U<sup>®</sup> inverter until it has cooled down sufficiently.



#### ⚠ WARNING

Unit malfunction due to incorrect inverter settings.

Severe or fatal injuries.

- Comply with the startup instructions.
- The installation must be carried out by qualified personnel only.
- Only use settings that are consistent with the function.



#### INFORMATION

- Observe the minimum switch-off time for the line contactor:
  - 20 s for MOVI4R-U<sup>®</sup> with 1-phase voltage supply
  - 2 s for MOVI4R-U<sup>®</sup> with 3-phase voltage supply

### 6.2 Requirements

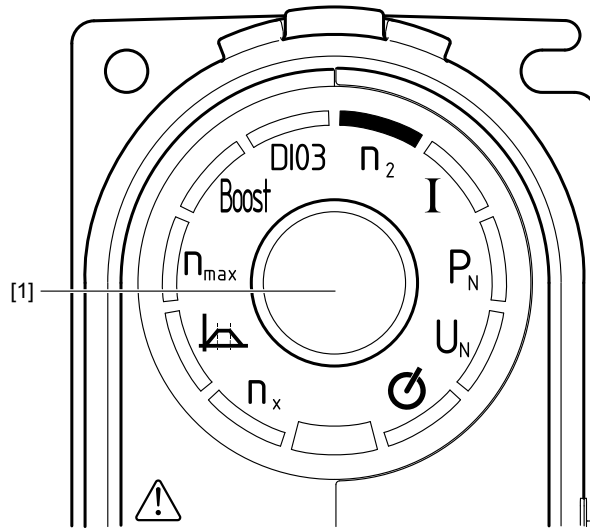
#### The following conditions apply to startup:

- The MOVI4R-U<sup>®</sup> inverter and the drive must be installed correctly both mechanically and electrically.
- The insulating sheet is connected to the control plate; see the "Control plate unit replacement" / "Installing the control plate" chapters.
- Appropriate safety measures prevent the drive from starting up unintentionally.
- Appropriate safety measures must be taken to prevent risk of injury or damage to the machine.



### 6.3 Control knob

The following figure shows the control knob of the MOVI4R-U® inverter



9282518667

[1] Control knob with pushbutton

#### 6.3.1 Function

The control knob is used for startup, setting parameters and operation of the drive.

The control knob is a combination of a rotary button and a pushbutton.

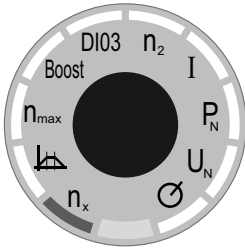
There are 10 function LEDs and 1 status LED arranged around the control knob. The function LED that is currently illuminated or flashing indicates the current position of the control knob.



#### 6.3.2 Menus

You can switch between the following menu levels using the control knob:

##### Selection menu



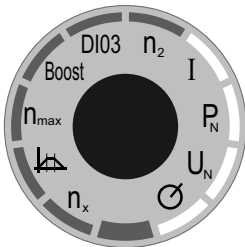
After switching the unit on, briefly press (< 1 s) the control knob to return the selection menu.

Select one of 10 function menus from the selection menu.

##### Switching to the function menu

To switch to any function menu, turn the control knob until the LED of the function menu desired is illuminated, then briefly press the control knob.

##### Function menus



Set the desired values in the function menus (setpoint values, actual values, parameters).

##### Setting values

To set the value of a function menu, (setpoint values, actual values, parameters), turn the control knob

- until all LEDs are illuminated up to the appropriate setpoint (bargraph display),
- or until the LED of the selected parameter flashes.

The value is only active when saved.

##### Saving values

To save the current value, press the control knob for longer (> 1 s).

##### Switching to the selection menu

To switch the selection menu, briefly press the control knob (< 1 s).

You can find additional information on the function menus in the following chapter.

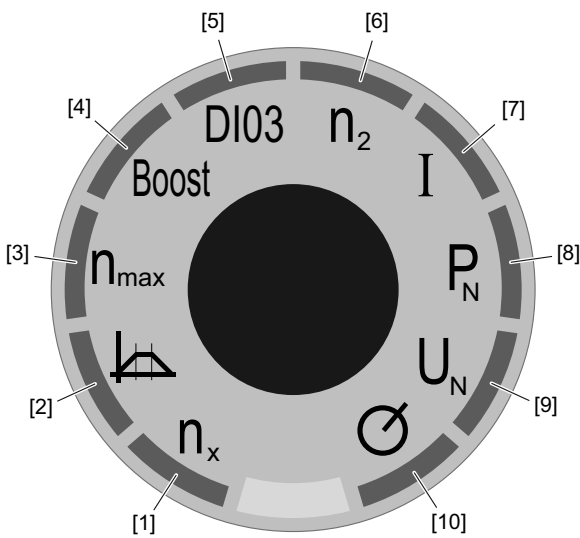
##### Submenus

Only Function menu 9 – Nominal motor voltage  $V_N$  has several submenus, see chapter 9 "Nominal motor voltage".



### 6.4 Function menus

The following function menus are available in the selection menu:



- [1]  $n_x$  Actual speed value display + Setpoint setting
- [2] Acceleration/deceleration
- [3]  $n_{max}$  Maximum speed
- [4] Boost Boost
- [5] DI03 Terminal assignment DI03/setpoint source
- [6]  $n_2$  Fixed speed setpoint
- [7]  $I$  Inverter output current (only display)
- [8]  $P_N$  Nominal motor power
- [9]  $V_N$  Nominal motor voltage
- [10] Manual mode

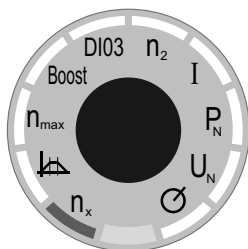
8895242251

The following table shows an overview of setting options in the function menus. The factory settings are underlined.

LED	Function menu																			
	1 $n_x$ [% $n_{max}$ ]		2  [rpm / s]		3 $n_{max}$ [rpm]		4 Boost [V]		5 DI03		6 $n_2$ [% $n_{max}$ ]		7 $I$ [% $I_M$ ]		8 $P_N$ [kW]		9 $V_N$ [V]		10  [% $n_{max}$ ]	
1 $n_x$	<u>10</u>	<u>100</u>	12000	50	<u>0</u>	$n_x$	<u>10</u>	20	0.09	<u>230</u>	10	100								
2	20	90	6000	100	5	0: $n_x$ 1: AI	20	40	0.12	400	20	90								
3 $n_{max}$	30	80	<u>3000</u>	250	10	1: Error reset / $n_x$	30	60	0.18	400	30	80								
4 Boost	40	70	2000	500	15	1: Error reset / AI	40	80	<u>0.25</u>	400	40	70								
5 DI03	50	60	1000	750	20	0: $n_x$ 1: $n_2$	50	100	0.37	400	50	60								
6 $n_2$	60	50	500	1000	25	0: AI 1: $n_2$	60	120	0.55	400	60	50								
7 $I$	70	40	250	<u>1500</u>	30	$n_x$	70	140	0.75	400	70	40								
8 $P_N$	80	30	100	2000	35	$n_x$	80	160	1.1	Delivery state	80	30								
9 $V_N$	90	20	50	2500	40	$n_x$	90	180	1.5	Firmware for power section	90	20								
10	100	10	10	3000	50	$n_x$	100	200	2.2	Firmware for the control plate	100	10								



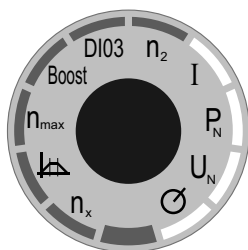
#### 6.4.1 Function menu 1 Actual speed value display + Setpoint setting



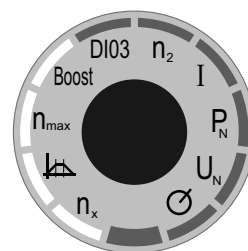
After being switched on for the first time, the MOVI4R-U® inverter starts up in Function menu 1 Actual speed value display + Setpoint setting.

The illuminated LEDs show the current actual speed value of the drive as a bargraph display. The display is scaled from 0 to 100% of  $n_{max}$ .

When rotating in **clockwise direction**, all LEDs from LED 1 through to the LED that signals the current actual speed value are illuminated.



When rotating in **counterclockwise direction**, all LEDs from LED 10 through to the LED that signals the current actual speed value are illuminated.



If the setpoint source is set to  $n_x$ , set the speed as follows (Setting the setpoint source in Function menu 5):

You can increase the speed setpoint by turning the control knob to the right.

You can decrease the speed setpoint by turning the control knob to the left.

You can increase the speed setpoint by turning the control knob to the left.

You can decrease the speed setpoint by turning the control knob to the right.

Turn the control knob slowly for small acceleration values. The actual speed value could otherwise unintentionally overshoot.

The LEDs 1 – 10 show the current direction of rotation and the actual speed value of the motor as a bargraph display, according to the following assignment.

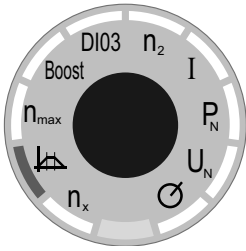
Clockwise rotation		Counterclockwise rotation	
LED	Actual speed value $n_x$ [% $n_{max}$ ]	LED	Actual speed value $n_x$ [% $n_{max}$ ]
1 $n_x$	10	10 – 1 $n_x$	100
1 – 2	20	10 – 2	90
1 – 3 $n_{max}$	30	10 – 3 $n_{max}$	80
1 – 4 Boost	40	10 – 4 Boost	70
1 – 5 DI03	50	10 – 5 DI03	60
1 – 6 $n_2$	60	10 – 6 $n_2$	50
1 – 7 I	70	10 – 7 I	40
1 – 8 $P_N$	80	10 – 8 $P_N$	30
1 – 9 $V_N$	90	10 – 9 $V_N$	20
1 – 10	100	10	10

To save the speed setpoint, press the control knob for longer. All LEDs briefly flash to confirm your entry.

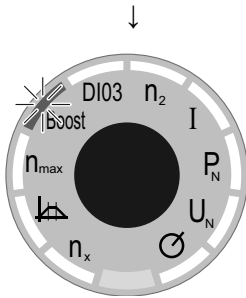







### 6.4.2 Function menu 2 Acceleration/Deceleration



Select Function menu 2 Acceleration/Deceleration in the selection menu, and briefly press the control knob.



The flashing LED shows the acceleration and deceleration of the motor during every change of speed according to the following assignment:

LED	Acceleration/deceleration 	Ramp time <sup>1)</sup>
	[rpm / s]	[s]
1 $n_x$	12000	0.25
2 	6000	0.5
3 $n_{max}$	3000	1.0
4 Boost	2000	1.5
5 DI03	1000	3
6 $n_2$	500	6
7 I	250	12
8 $P_N$	100	30
9 $V_N$	50	60
10 	10	300

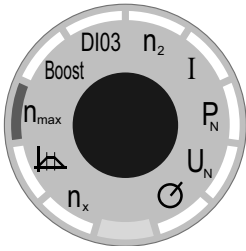
1) Ramp time = Duration for acceleration from 0 to 3000 rpm

Set motor acceleration/deceleration using the control knob.

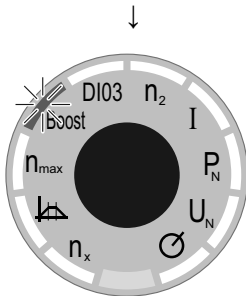
To save the current value, give the control knob a longer press. All LEDs briefly flash to confirm your entry.



#### 6.4.3 Function menu 3 Maximum speed



Select Function menu 3 – Maximum speed in the selection menu, and briefly press the control knob.



The flashing LED shows the maximum speed according to the following assignment:

LED	Maximum speed $n_{max}$ [rpm]
1 $n_x$	50
2	100
3 $n_{max}$	250
4 Boost	500
5 DI03	750
6 $n_2$	1000
7 I	1500
8 $P_N$	2000
9 $V_N$	2500
10	3000

Set the maximum motor speed using the control knob.

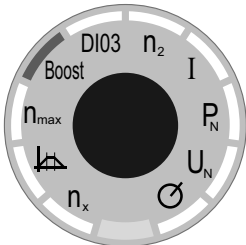
To save the current value, give the control knob a longer press. All LEDs briefly flash to confirm your entry.



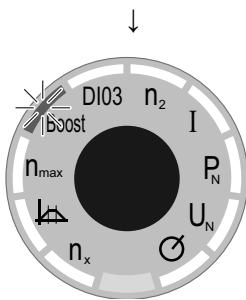
#### 6.4.4 Function menu 4 Boost

At very low speeds, the V/f operating mode of the inverter leads to a small torque due to the ohmic resistance of the winding. To correct this, you can use this function menu to set a voltage offset (Boost) in the lower frequency range.

You can increase the motor torque at very low speeds using an increasing voltage offset.



Select Function menu 4 Boost in the selection menu, and briefly press the control knob.



The flashing LED shows the voltage offset of the V/f characteristic curve (Boost) according to the following assignment:

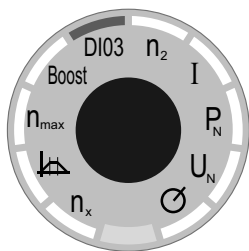
LED	Voltage offset (Boost) [V]
1 $n_x$	0
2	5
3 $n_{max}$	10
4 Boost	15
5 DI03	20
6 $n_2$	25
7 I	30
8 $P_N$	35
9 $V_N$	40
10	50

Set the voltage offset of the V/f characteristic curve using the control knob.

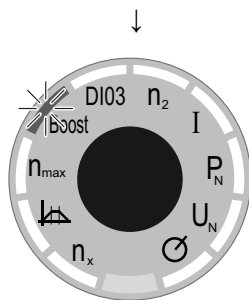
To save the current value, give the control knob a longer press. All LEDs briefly flash to confirm your entry.



### 6.4.5 Function menu 5 Terminal assignment DI03/Setpoint source



Select Function menu 5 – Terminal assignment DI03/Setpoint source in the selection menu, and briefly press the control knob.



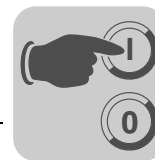
The flashing LED shows the function of the binary input DI03 according to the following assignment:

LED	Function of binary input DI03/setpoint source, delivery state or firmware display
1 $n_x$	<b>Binary input DI03 does not have any function.</b> The speed is specified by using the control knob to set the <b>setpoint <math>n_x</math></b> from 0 – 100% of $n_{max}$ .
2	<b>Switching the speed setpoint source <math>n_x</math> – AI</b> DI03 = 0 V The speed is specified by using the control knob to set the <b>setpoint <math>n_x</math></b> from 0 – 100% of $n_{max}$ . DI03 = 24 V The speed is specified by the <b>analog input AI</b> (0 – 10 V) from 0 – 100% of $n_{max}$ .
3 $n_{max}$	<b>Error reset</b> Reset the unit error by setting the binary input DI03 = 24 V. (Setpoint source = $n_x$ )
4 Boost	<b>Error reset</b> Reset the unit error by setting the binary input DI03 = 24 V. (Setpoint source = AI)
5 DI03	<b>Switching the speed setpoint source <math>n_x</math> – <math>n_2</math></b> DI03 = 0 V The speed is specified by using the control knob to set the <b>setpoint <math>n_x</math></b> from 0 – 100% of $n_{max}$ . DI03 = 24 V The specified speed is the <b>fixed setpoint <math>n_2</math></b> set in Function menu 6 from 10 – 100% of $n_{max}$ .
6 $n_2$	<b>Switching the speed setpoint source AI – <math>n_2</math></b> DI03 = 0 V The speed is specified by the <b>analog input AI</b> (0 – 10 V) from 0 – 100% of $n_{max}$ . DI03 = 24 V The specified speed is the <b>fixed setpoint <math>n_2</math></b> set in Function menu 6 from 10 – 100% of $n_{max}$ .
7 I	<b>Binary input DI03 does not have any function.</b> The speed is specified by using the control knob to set the <b>setpoint <math>n_x</math></b> from 0 – 100% of $n_{max}$ .
8 $P_N$	
9 $V_N$	
10	

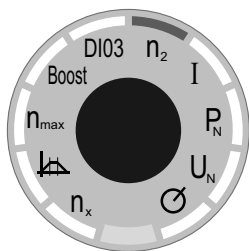
You can find additional information on the functions of the binary inputs in the chapter "Functions of the MOVI4R-U® inverter".

Set the function of the binary input DI03 using the control knob.

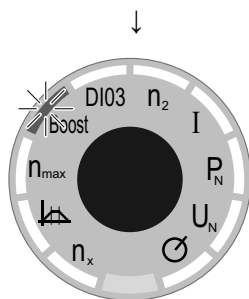
To save the current value, give the control knob a longer press. All LEDs briefly flash to confirm your entry.



### 6.4.6 Function menu 6 Fixed speed setpoint $n_2$



Select Function menu 6 – Fixed speed setpoint  $n_2$  in the selection menu, and briefly press the control knob.



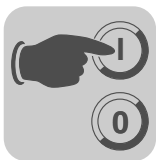
The flashing LED shows the fixed speed setpoint  $n_2$  according to the following assignment:

LED	Fixed speed setpoint $n_2$ [% $n_{max}$ ]
1 $n_x$	10
2	20
3 $n_{max}$	30
4 Boost	40
5 DI03	50
6 $n_2$	60
7 I	70
8 $P_N$	80
9 $V_N$	90
10	100

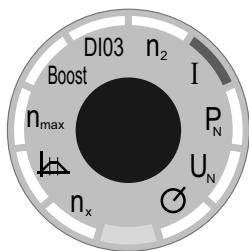
Set the fixed speed setpoint  $n_2$  using the control knob.

To save the current value, give the control knob a longer press. All LEDs briefly flash to confirm your entry.

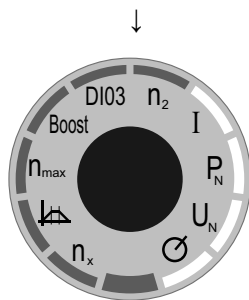
The fixed speed setpoint  $n_2$  can only be activated when parameter DI03 in Function menu 5 is set to 4 or 5, see Function menu 5.



#### 6.4.7 Function menu 7 Inverter output current (only display)



Select Function menu 7 – Inverter output current in the selection menu, and briefly press the control knob.



The illuminated LEDs show the current output current of the MOVI4R-U<sup>®</sup> inverter as a bargraph display. The display is scaled from 0 to 200% of the nominal motor current of the started up motor:

LED		Inverter output current $i$ [% $I_N$ ]
1	$n_x$	20
1 – 2		40
1 – 3	$n_{max}$	60
1 – 4	Boost	80
1 – 5	DI03	100
1 – 6	$n_2$	120
1 – 7	$I$	140
1 – 8	$P_N$	160
1 – 9	$V_N$	180
1 – 10		200



### 6.4.8 Function menu 8 Nominal motor power

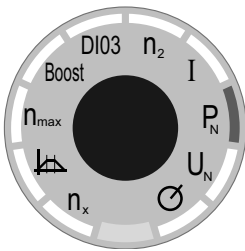


#### NOTICE

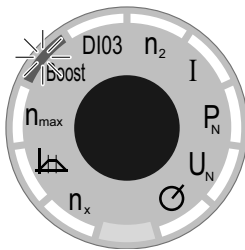
Overload of the connected motor possible due to incorrect setting of the nominal motor power  $P_N$ . The nominal motor power  $P_N$  is set to 0.25 kW in delivery state.

Damage to the motor.

- Set the nominal motor power only according to the value specified on the nameplate of the connected motor.
- Operating the motor (e.g. 0.25 kW) with the inverter set to a higher nominal motor power (e.g. 0.75 kW) can destroy the motor.



Select Function menu 8 – Nominal motor power in the selection menu, and briefly press the control knob.



The flashing LED shows the nominal motor power according to the following assignment:

LED	Nominal motor power $P_N$ [kW]
1 $n_x$	0.09
2	0.12
3 $n_{max}$	0.18
4 Boost	0.25
5 DI03	0.37
6 $n_2$	0.5
7 I	0.75
8 $P_N$	1.1
9 $V_N$	1.5
10	2.2

Set the nominal motor power using the control knob.

To save the current value, give the control knob a longer press. All LEDs briefly flash to confirm your entry.



#### 6.4.9 Function menu 9 Nominal motor voltage

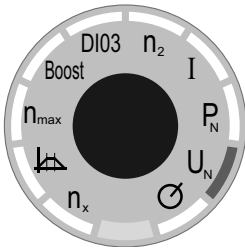


#### NOTICE

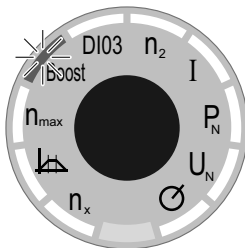
Overload of the connected motor possible due to incorrect setting of the nominal motor voltage  $V_N$ . The nominal motor voltage  $V_N$  is set to 230 V in delivery state.

Damage to the motor.

- Set the nominal motor voltage only according to the value specified on the motor nameplate.
- Operating the motor (e.g. 230 V) with the inverter set to a higher nominal motor voltage (e.g. 400 V) can destroy the motor.



Select Function menu 9 – Nominal motor voltage in the selection menu, and briefly press the control knob.



The flashing LED 1 – 7 shows the nominal motor voltage according to the following assignment:

LED	Nominal motor voltage $V_N$ [V]
1 $n_x$	230
2	400
3 $n_{max}$	400
4 Boost	400
5 DI03	400
6 $n_2$	400
7 I	400
8 $P_N$	Submenu 8 Delivery state
9 $V_N$	Submenu 9 Firmware power section
10	Submenu 10 Control plate firmware

Set the nominal motor voltage using the control knob.

To save the current value, give the control knob a longer press. All LEDs briefly flash to confirm your entry.

The flashing LEDs 8 – 10 ( $P_N$ ,  $V_N$ , ) are exceptions. When one of these LEDs flashes, switch to the selected submenu by giving the control knob a longer press (see the following page).





**Submenu 8 Delivery state**

In this submenu, you can reset the operating parameters of the MOVI4R-U® inverter to the delivery state as follows (only possible when the drive is not enabled):

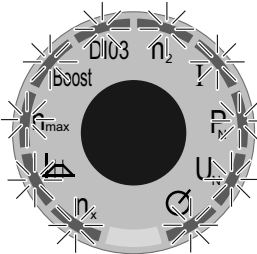
In Function menu 9 - Nominal motor voltage, select Submenu 8 (P<sub>N</sub>) Delivery state, and give the control knob a longer press.

All LEDs flash simultaneously. The drive can now no longer be enabled.

Briefly press the control knob if you would like to return to Function menu 9 Nominal motor voltage.

To reset the inverter back to delivery state, press the control knob until all LEDs briefly light up. All settable functions will be reset to their default value.

The control plate then automatically switches to Function menu 9 – Nominal motor voltage.



**Submenu 9 Firmware power section**

In Function menu 9 – Nominal motor voltage, select Submenu 9 (V<sub>N</sub>) Firmware power section, and give the control knob a longer press.

In Submenu 9 (V<sub>N</sub>) Firmware power section, the illuminated LEDs show the firmware release number of the power section in binary format, see the table to the right.

**Example:** LEDs I and P<sub>N</sub> light up.  
Release No. = 2<sup>3</sup> + 2<sup>2</sup> = 8 + 4 = 12

LED	Significance	
1 n <sub>x</sub>	2 <sup>9</sup>	512
2	2 <sup>8</sup>	256
3 n <sub>max</sub>	2 <sup>7</sup>	128
4 Boost	2 <sup>6</sup>	64
5 DI03	2 <sup>5</sup>	32
6 n <sub>2</sub>	2 <sup>4</sup>	16
7 I	2 <sup>3</sup>	8
8 P <sub>N</sub>	2 <sup>2</sup>	4
9 V <sub>N</sub>	2 <sup>1</sup>	2
10	2 <sup>0</sup>	1

**Submenu 10 Control plate firmware**

In Function menu 9 – Nominal motor voltage, select Submenu 10 () Control plate firmware, and hold down the control knob.

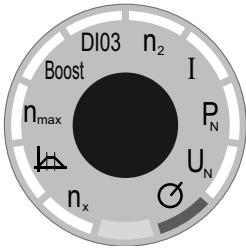
In Submenu 10 () Control plate firmware, the illuminated LEDs show the firmware release number of the control plate in binary format; see the table to the right.

**Example:** LEDs I, P<sub>N</sub> and light up.  
Release No. = 2<sup>3</sup> + 2<sup>2</sup> + 2<sup>0</sup> = 8 + 4 + 1 = 13

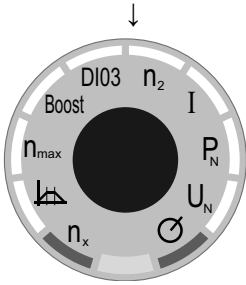
LED	Significance	
1 n <sub>x</sub>	2 <sup>9</sup>	512
2	2 <sup>8</sup>	256
3 n <sub>max</sub>	2 <sup>7</sup>	128
4 Boost	2 <sup>6</sup>	64
5 DI03	2 <sup>5</sup>	32
6 n <sub>2</sub>	2 <sup>4</sup>	16
7 I	2 <sup>3</sup>	8
8 P <sub>N</sub>	2 <sup>2</sup>	4
9 V <sub>N</sub>	2 <sup>1</sup>	2
10	2 <sup>0</sup>	1



#### 6.4.10 Function menu 10 Manual mode



Select Function menu 10 Manual mode in the selection menu, and briefly press the control knob.

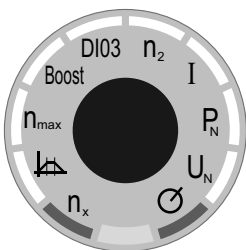
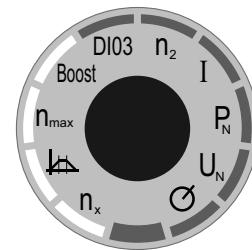
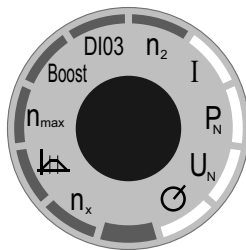


Manual mode is now activate.  
LED 1 and LED 10 are lit up.  
The drive is not enabled.

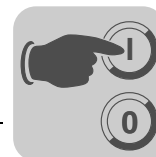
When you turn the control knob to the right, you enable **clockwise rotation** and increase the speed setpoint to  $n_{max}$ .  
When you then turn the control knob to the left again, you decrease the speed setpoint to 0.

When you turn the control knob to the left, you enable **counterclockwise rotation** and increase the speed setpoint to  $n_{max}$ .







When you then turn the control knob to the right again, you decrease the speed setpoint to 0.



You disable the drive when you set the speed setpoint to 0.  
LED 1 and LED 10 are lit up.



The illuminated LEDs show the current direction of rotation and the speed setpoint of the motor as a bargraph display, according to the following assignment.

Clockwise rotation			Counterclockwise rotation	
LED	Speed setpoint Manual mode  [% n <sub>max</sub> ]		LED	Speed setpoint Manual mode  [% n <sub>max</sub> ]
1 n <sub>x</sub>	10		10 – 1 n <sub>x</sub>	100
1 – 2 	20		10 – 2 	90
1 – 3 n <sub>max</sub>	30		10 – 3 n <sub>max</sub>	80
1 – 4 Boost	40		10 – 4 Boost	70
1 – 5 DI03	50		10 – 5 DI03	60
1 – 6 n <sub>2</sub>	60		10 – 6 n <sub>2</sub>	50
1 – 7 I	70		10 – 7 I	40
1 – 8 P <sub>N</sub>	80		10 – 8 P <sub>N</sub>	30
1 – 9 V <sub>N</sub>	90		10 – 9 V <sub>N</sub>	20
1 – 10 	100		10 	10

**▲ WARNING** Risk of crushing if the drive starts up unintentionally.

When manual mode is deactivated, the binary signals at the binary inputs are active. When manual mode is deactivated, the drive can start up unintentionally if it has been enabled by the binary signals.

Severe or fatal injuries.

- Before deactivating manual mode, set the binary signals in such way that the drive is not enabled.
- Change the binary signals again only after deactivating manual mode.

Briefly press the control knob to deactivate manual mode, and to switch to the selection menu.



## 6.5 Startup procedure

Proceed as follows to start up the MOVI4R-U<sup>®</sup> inverter:

### 6.5.1 Setting parameters




#### NOTICE

Overload of the motor possible due to incorrect setting of the nominal motor power or the nominal motor voltage.

Damage to the motor.

- Observe the values specified on the motor nameplate when setting the nominal motor power and the nominal motor voltage.

1. Check the connection of the MOVI4R-U<sup>®</sup> inverter.  
See chapter "Electrical Installation".
2. **NOTICE** Loss of guaranteed degree of protection if the MOVI4R-U<sup>®</sup> inverter is not sealed correctly.  
Damage to the MOVI4R-U<sup>®</sup> inverter.
  - Make sure that the MOVI4R-U<sup>®</sup> inverter is sealed correctly.
3. Set binary input DI01 to 0 V.
4. Switch on the line voltage.  
If no error is present, the status LED should light up yellow.  
If there is an error present, the status LED lights up red, see the "Error list MOVI4R-U<sup>®</sup>" chapter.
5. Set the following parameters in the function menus:
 

	Acceleration/deceleration	(10 – 12000 rpm / s)
$n_{\max}$	Maximum speed	(50 – 3000 rpm)
Boost	Voltage offset V/f characteristic curve	(0 – 50 V)
$P_N$	Nominal motor power	(according to motor nameplate)
$V_N$	Nominal motor voltage	(according to motor nameplate)

The remaining procedure for startup depends on the required operating mode:

- Manual mode (control using the control plate in function menu 10)
- Binary control (control using the binary inputs DI01 – DI03)



## 6.5.2 Startup in different operating modes

After presetting parameters, perform the following steps:

### *Manual mode*

1. Activate manual mode in Function menu 10.
2. Enable the motor by setting the motor's direction of rotation and the speed setpoint using the control knob.

You can now control the drive in Function menu 10, see the "Function menu 10 Manual mode" chapter.

**▲ WARNING** Risk of crushing if the drive starts up unintentionally.

When manual mode is deactivated, the binary signals at the binary inputs are active. When manual mode is deactivated, the drive can start up unintentionally if it has been enabled by the binary signals.

Severe or fatal injuries.

- Before deactivating manual mode, set the binary signals in such way that the drive is not enabled.
- Change the binary signals again only after deactivating manual mode.

Briefly press the control knob to deactivate manual mode, and to switch to the selection menu.

### *Binary control*

1. In Function menu 5, select the setpoint sources ( $n_x$ ,  $n_2$ , AI) that binary input DI03 should switch between, see the "Functions of the MOVI4R-U<sup>®</sup> inverter" chapter.
2. Select the desired speed setpoint.
  - When selecting setpoint source  $n_x$ , set speed setpoint  $n_x$  in function menu 1.
  - When selecting setpoint source  $n_2$ , set fixed speed setpoint  $n_2$  in function menu 6.
  - When selecting setpoint source AI, set the speed setpoint by setting the voltage on analog input AI.
3. Select the setpoint source ( $n_x$ ,  $n_2$ , AI) by setting binary input DI03 = 0 V or 24 V (see the following chapter).
4. Select the direction of rotation by setting binary input DI02 = 0 V (clockwise rotation) or 24 V (counterclockwise rotation).
5. Enable the drive by setting the binary input DI01 = 24 V.



## 6.6 Functions of the MOVI4R-U® inverter

### 6.6.1 Operating modes

The following table shows the operating modes and enabled direction of rotation of the MOVI4R-U® inverter depending on the settings on the control plate and the terminal signal levels:

Operating mode	Enable	Manual mode	Terminal signal level		
			DI01 Enable	DI02 Direction of rotation	Supply system L1 - L3
Inverter off	No enable	X	X	X	Off
Manual mode	Counterclockwise rotation	Active	X	X	On
	Clockwise rotation				
Binary control	No enable	Not active	0 V	X	On
	Counterclockwise rotation		24 V	24 V	
	Clockwise rotation		24 V	0 V	

X = Any

### 6.6.2 Speed setpoint

The speed setpoint of the MOVI4R-U® inverter depends on the following factors:

- Maximum speed  $n_{max}$
- Manual mode active/not active
- Setting in Function menu 5 "Terminal assignment DI03/Setpoint source"
- Speed setpoint  $n_x$ , fixed speed setpoint  $n_2$  or analog input AI

The following table shows the setting of the speed setpoint:

Setting		Terminal signal level DI03	Speed setpoint		
Manual mode	Function menu 5		Scaling by		Setpoint [% $n_{max}$ ]
Active	X	X	Manual mode (Clockwise rotation)	$\odot = 1 - 10$	0 - 100%
			Manual mode (Counterclockwise rotation)	$\ominus = 10 - 1$	0 - 100%
Not active	1, 3, 7 - 10	X	Setpoint <sup>1)</sup>	$n_x = 0 - 10$	0 - 100%
	2	0 V	Setpoint <sup>1)</sup>	$n_x = 0 - 10$	0 - 100%
		24 V	Analog input	AI = 0 - 10 V	0 - 100%
	4	X	Analog input	AI = 0 - 10 V	0 - 100%
	5	0 V	Setpoint <sup>1)</sup>	$n_x = 0 - 10$	0 - 100%
		24 V	Fixed setpoint <sup>1)</sup>	$n_2 = 1 - 10$	10 - 100%
	6	0 V	Analog input	AI = 0 - 10 V	0 - 100%
		24 V	Fixed setpoint <sup>1)</sup>	$n_2 = 1 - 10$	10 - 100%

1) Setting on the rotary button

X = Any



### 6.6.3 Output signals

The following table shows the meaning of the output signals of the MOVI4R-U® inverter:

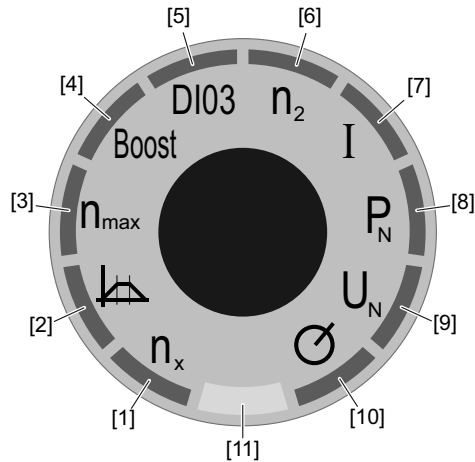
Output	Meaning
<b>DO</b>	<b>DC 24 V output</b>
<b>AO</b>	<b>Amount is the actual speed</b> 0 – 10 V: $\triangleq 0 - n_{max}$
<b>Relays</b>	<b>Inverter enable feedback</b> Inverter <u>not</u> enabled: Contact REL NO – REL C open Contact REL NC – REL C closed Inverter enabled: Contact REL NO – REL C closed Contact REL NC – REL C open



## 7 Operation

### 7.1 Operating display (LEDs)

The following figure shows the LEDs of the MOVI4R-U<sup>®</sup> inverter



9290647051

[1] – [10] LED 1 – 10  
[11] Status LED

#### 7.1.1 LED 1 – 10

LEDs 1 – 10 are used to visualize the menus, setpoints, actual values and parameters. It is for this reason that the LED display depends on the current status of the MOVI4R-U<sup>®</sup> inverter.

LED 1 – 10	Status MOVI4R-U <sup>®</sup> inverter	Display
<b>Lights up</b> (1 LED)	Selection menu	Function menu no.
<b>Lights up</b> (bargraph display)	Setting a setpoint, display of an actual value	Setpoint/actual value
<b>Flashes</b> (400 ms on) (100 ms off)	Setting a parameter	Parameter value
<b>Flashes</b> (100 ms on) (400 ms off)	An error has occurred. See chapter "Error list".	Error code no.

Refer to the "Function menu" chapter for more information on the meaning of the LEDs.

#### 7.1.2 Status LED

The status LED shows the current status of the MOVI4R-U<sup>®</sup> inverter:

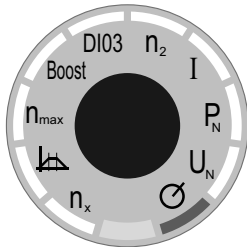
Status LED	Meaning
<b>Off</b>	Voltage supply missing.
Lights up <b>yellow</b>	The MOVI4R-U <sup>®</sup> inverter is ready for operation.
Lights up <b>green</b>	The MOVI4R-U <sup>®</sup> inverter is enabled.
Lights up <b>red</b>	An error has occurred. The inverter is not ready for operation. See chapter "Error list".





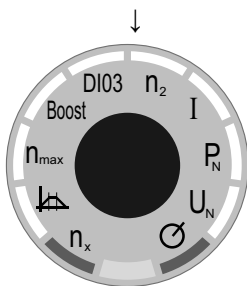
## 7.2 Manual mode

In manual mode, you control inverter enable, the direction of rotation, and specify speed using only the control knob.



Connect the voltage supply.

Select Function menu 10 Manual mode in the selection menu, and briefly press the control knob.



Manual mode is now activate.

LED 1 and LED 10 are lit up.

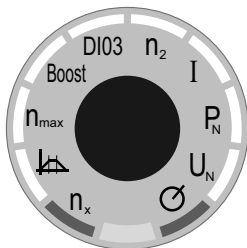
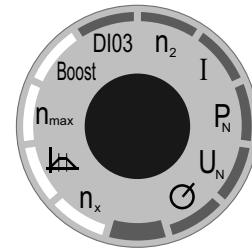
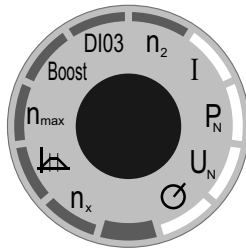
The drive is not enabled.

When you turn the control knob to the right, you enable **clockwise rotation** and increase the speed setpoint to  $n_{max}$ .

When you then turn the control knob to the left again, you decrease the speed setpoint to 0.

When you turn the control knob to the left, you enable **counterclockwise rotation** and increase the speed setpoint to  $n_{max}$ .

When you then turn the control knob to the right again, you decrease the speed setpoint to 0.



The illuminated LEDs show the direction of rotation and the speed setpoint of the motor as a bargraph display from 0 – 100% of  $n_{max}$ ; see the "Function menu 10 Manual mode".

You disable the drive when you set the speed setpoint to 0.

LED 1 and LED 10 are lit up.

**▲ WARNING** Risk of crushing if the drive starts up unintentionally.

When manual mode is deactivated, the binary signals at the binary inputs are active. When manual mode is deactivated, the drive can start up unintentionally if it has been enabled by the binary signals.

Severe or fatal injuries.

- Before deactivating manual mode, set the binary signals in such way that the drive is not enabled.
- Change the binary signals again only after deactivating manual mode.

Briefly press the control knob to deactivate manual mode, and to switch to the selection menu.



## 8 Services

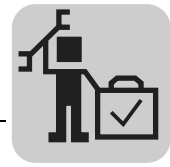
### 8.1 List of faults

The status LED lights up red when an error occurs on the MOVI4R-U<sup>®</sup> drive. In the selection menu, one of the 10 LEDs (100 ms on, 400 ms off) also flashes. The flashing LED shows the error according to the following error list:

Status LED	LED	Error	Elimination of errors
lights up red	1 $n_x$	<b>Error code 00</b> Reserved	<ul style="list-style-type: none"> <li>Contact the SEW-EURODRIVE Service.</li> </ul>
	2	<b>Error code 45</b> Error during initialization of the power section	<ul style="list-style-type: none"> <li>Reset error</li> <li>If this problem occurs repeatedly, contact SEW-EURODRIVE service.</li> </ul>
	3 $n_{max}$	<b>Error code 11</b> Excessive power section temperature	<ul style="list-style-type: none"> <li>Check inverter cooling.</li> <li>Provide additional space or cooling, if necessary.</li> <li>Retrofit a fan</li> </ul>
	4 Boost	<b>Error code 50</b> Power section supply voltage error	<ul style="list-style-type: none"> <li>Hardware defect → Replace power section.</li> </ul>
	5 DI03	<b>Error code 06</b> Line phase failure	<ul style="list-style-type: none"> <li>Check the power supply cables for phase failure.</li> </ul>
	6 $n_2$	<b>Error code 43</b> Error during communication with the power section	<ul style="list-style-type: none"> <li>Check the connection cable between the control plate and the power section.</li> <li>When this connection has been reestablished, MOVI4R-U<sup>®</sup> automatically resets the error.</li> </ul>
	7 I	<b>Error code 01</b> Overcurrent at inverter output to the motor	<ul style="list-style-type: none"> <li>Check motor and motor cable for phase short circuits or ground faults.</li> <li>Check load for blocking, stalling, or impact loads.</li> <li>Ensure that the "Nominal motor voltage" and "Nominal motor power" parameters are set according to the motor nameplate.</li> <li>Reduce the acceleration/deceleration parameters.</li> </ul>
	8 $P_N$	<b>Error code 84</b> Error UL motor protection (thermal overload)	<ul style="list-style-type: none"> <li>Reduce the load on the motor.</li> <li>Ensure that the "Nominal motor power" parameter is set according to the motor nameplate.</li> <li>Reduce the "Boost" parameter at a very low speed.</li> </ul>
	9 $V_N$	<b>Error code 07</b> DC link overvoltage	<ul style="list-style-type: none"> <li>Check whether the supply voltage is too high.</li> <li>If the inverter switches off during deceleration, reduce the acceleration/deceleration parameters.</li> </ul>
	10	Error code unknown/not verified	<ul style="list-style-type: none"> <li>Contact the SEW-EURODRIVE Service.</li> </ul>

#### 8.1.1 Error reset

Remedy the cause of the error, and then reset the error by giving the control knob a longer press (> 1 s). You can also reset the error with binary input DI03 (see chapter "Function menu 5 ..."). In terminal mode, you can only reset the error when binary input DI01 = 0 V (no enable).



## 8.2 Unit replacement

This chapter describes unit replacement and retrofitting of the following components:

- Power section
- Control plate
- Fan

You can reuse the housing.



### INFORMATION

Refer to the operating conditions in the "Technical Data" chapter.

### 8.2.1 Power section unit replacement



#### ⚠ WARNING

Electric shock due to charged capacitors.

Severe or fatal injuries.

- Observe the minimum switch-off time after disconnection from the supply system:

**1 minute**

*Power section  
removal*

Remove the power section from the housing as follows:

#### 1. If required:

To make removal easier, undo the retaining screws and remove the MOVI4R-U® inverter from the installation location.

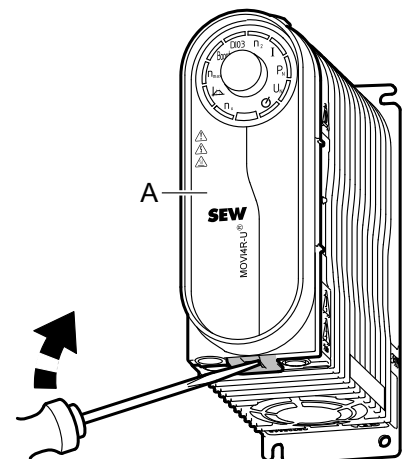
#### 2. Remove the instruction sign from the control plate.

#### 3. Unlock the lower mounting lug on the control plate using a screwdriver (blade width max. 4.5 mm) and remove the control plate [A] from the housing.

**NOTICE** The lower mounting lug can become damaged by being bent too far.

If the lower mounting lug is bent too far (plastic deformation), the mounting lug will no longer latch in when closing the housing, making the control plate defective.

- Unlock the mounting lug with a screw driver only enough to remove the control plate.



9287936139



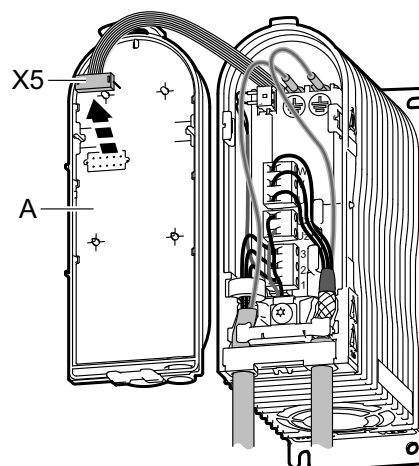
## Services

### Unit replacement

- Unplug plug connector X5 on the flat ribbon cable from the control plate [A].

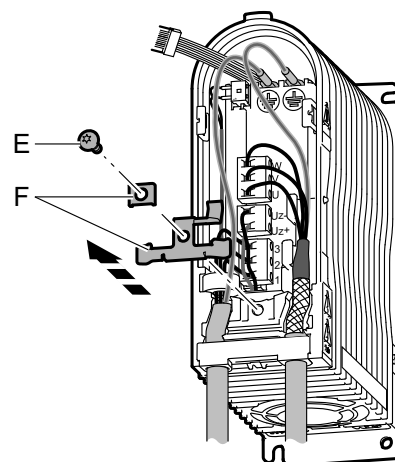
**NOTICE** The flat ribbon cable could become damaged due to tensile loads.

- Do not pull on the flat ribbon cable, but rather on the plug connector.



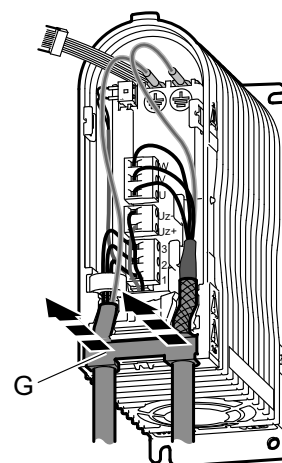
9287938315

- Undo the shielding screw [E] using a hexalobular screw driver (Torx) T25 and remove the shield plate [F].

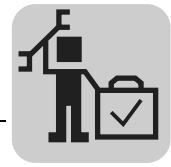


9287940235

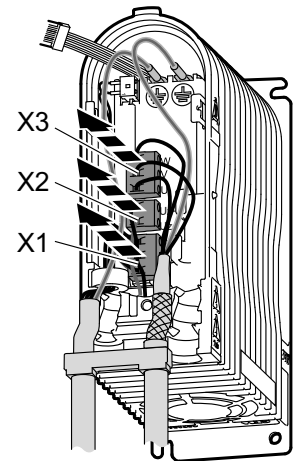
- Remove the cable seal [G] together with the power supply cable and the motor cable from the housing.



9287944075

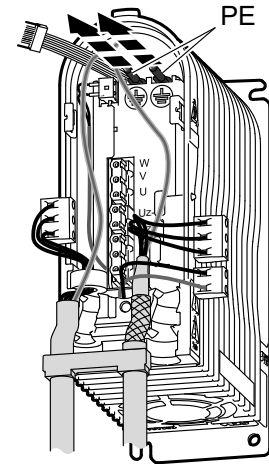


7. Remove the separable terminals of the following cables from the power section:
- X3: Motor cable (U, V, W)
  - X2: Fan cable (Uz+, Uz-)
  - X1: Power supply cable (L1 – L3)



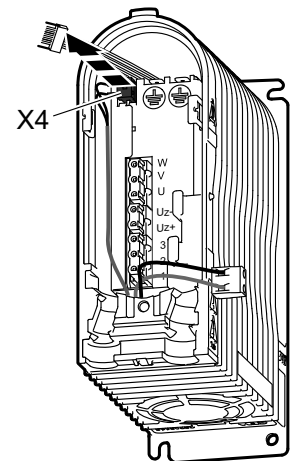
9287945995

8. Remove both grounding cables of the PE connections ⊕ from the power section.
- NOTICE** The grounding cable could become damaged due to tensile loads on the conductors.
- Do not pull on the conductors, but rather on the cable lugs.



9287947915

9. Remove the separable fan terminals X4 (control) from the power section.



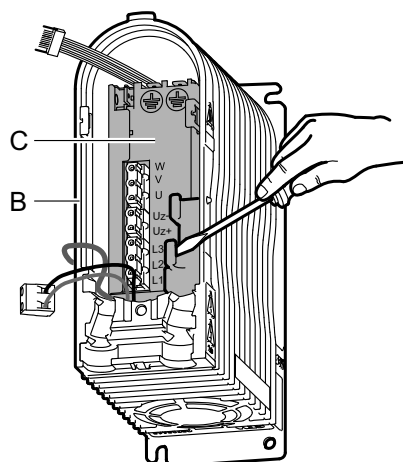
9287949835



## Services

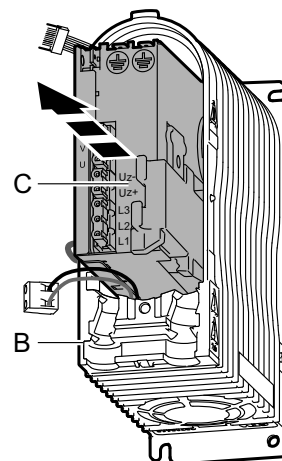
### Unit replacement

10. Carefully lever the power section [C] out of the housing [B] using a screw driver according to the figure to the right.



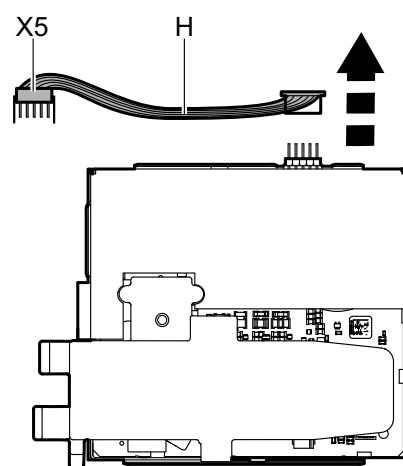
9287951755

11. Remove the power section [C] from the housing [B].

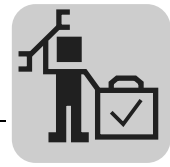


9287967115

12. Remove the plug connector of the flat ribbon cable [H] from the power section.



9287963275



*Power section installation*

Compare the data on the nameplate of the previous power section with the data on the nameplate of the new power section. Only replace the power section with a power section with the same part number.

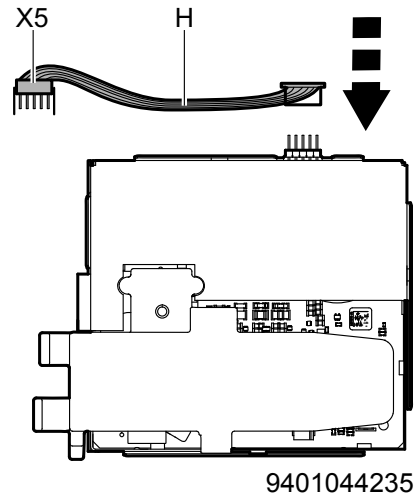
Install the power section in the housing as follows:

1. **NOTICE** Risk of short circuit due to loose foreign objects in the housing.

Inverter damage.

- Ensure that no loose foreign objects (e.g. metal chips, nuts, screws, conductors) remain in the housing.

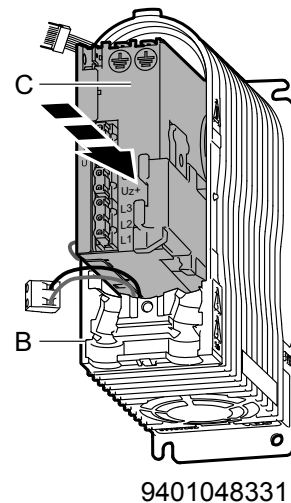
2. Plug the plug connector of the flat ribbon cable [H] onto the power section.



3. Slide the power section [C] into the housing [B] and carefully press the power section on.

**NOTICE** Damage to the fan cable of the flat ribbon cable due to crushing.

- Make sure you do not jam both fan cables and the flat ribbon cable.



4. If the power supply cable, the motor cable, or the cable seal are damaged, replace them as follows:

A. Undo the screws for the separable line and motor terminals, and pull the conductors out of the terminals.

B. Pull the cable out of the cable seal.

C. If necessary, remove the jacket insulation from the cables at the same height as the shield plate. In order to ensure a shield connection over a large area, the cable shield there must be blank over a width of about 1.5 cm.

D. Insert correct power supply and motor cables in the correct cable seal.

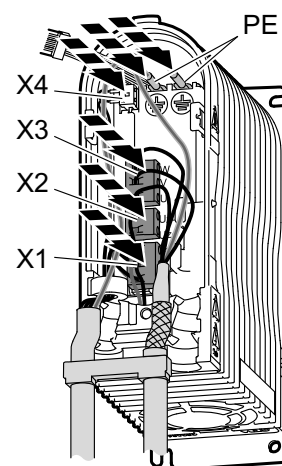
E. Connect the conductors to the separable line and motor terminals. In doing so, observe the terminal assignment, see the "Electrical connections" chapter.



## Services

### Unit replacement

5. Plug the separable terminals/cable lugs of the following components onto the power section:
- PE conductor, motor ⊕
  - PE conductor, power supply ⊕
  - X4 fan cable control
  - X3 motor cable (U, V, W)
  - X2 fan cable supply (Uz-, Uz+)
  - X1 power supply cable (L1, L2, L3)



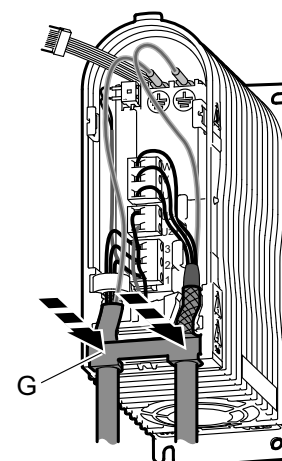
9401052171

6. Push the cable seal [G] together with the power supply cable and the motor cable into the housing.

**NOTICE** Faulty shield connection.

EMC problems.

- Ensure that the sections with blank cable shields are positioned at the same height as the shield plate, see figure on the right.

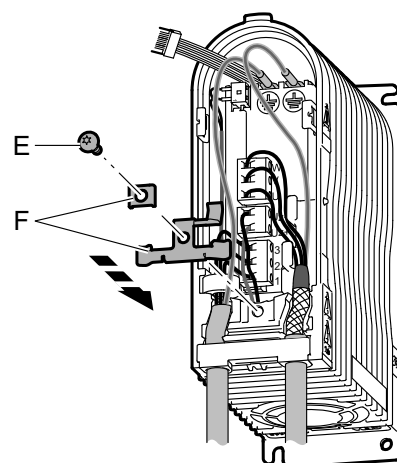


9401068683

7. Place the shield plate and the grounding screw [F] on the motor cable and power supply cable, and screw the shield plate using the shielding screw [E] (tightening torque: 2.0 – 3.5 Nm) onto the housing.

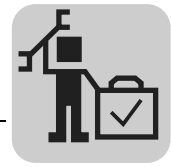
**NOTICE** Damage to cables/conductors due to crushing.

- Make sure that you do not jam any other cables/conductors under the shield plate.

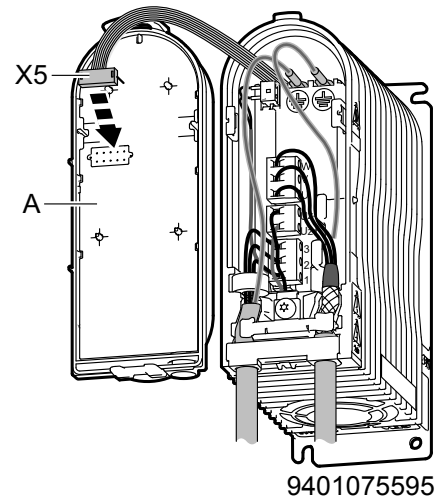


9287942155

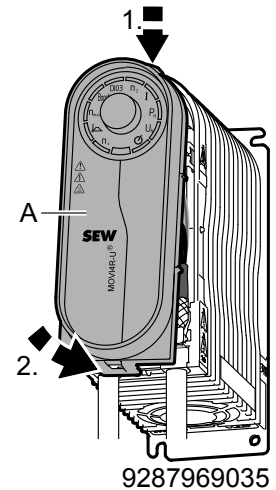




8. Connect plug connector X5 on the flat ribbon cable to the control plate [A].
9. **NOTICE** Loss of guaranteed degree of protection due to missing or faulty sealing. Inverter damage.
  - Ensure that the sealing on the edge of the control plate is complete and not damaged (no notches, no deep pressure marks).



10. Mount the lug of the control plate in the fastening slot at the top of the housing and attach the control plate [A] to the housing.  
Make sure that the lower mounting lug engages properly.



11. Insert the instruction sign from the front into the holding fixture on the side of the control plate.
12. Install the MOVI4R-U<sup>®</sup> inverter at the installation location.
13. Supply voltage to the MOVI4R-U<sup>®</sup> inverter.
14. Check whether the MOVI4R-U<sup>®</sup> inverter is functioning properly.



#### 8.2.2 Control plate unit replacement



#### **⚠ WARNING**

Electric shock due to charged capacitors.  
Severe or fatal injuries.

- Observe the minimum switch-off time after disconnection from the supply system:  
**1 minute**

#### *Removing the control plate*

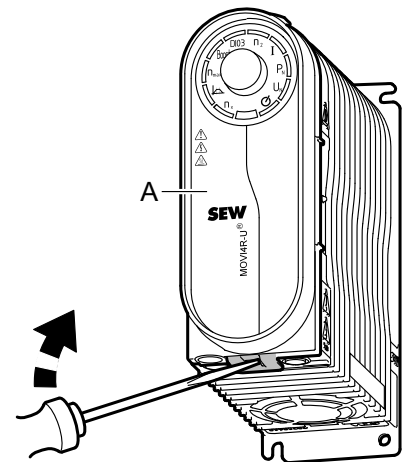
Remove the control plate from the housing as follows:

1. Remove the instruction sign from the control plate.
2. Unlock the lower mounting lug on the control plate using a screwdriver (blade width max. 4.5 mm) and remove the control plate [A] from the housing.

**NOTICE** The lower mounting lug can become damaged by being bent too far.

If the lower mounting lug is bent too far (plastic deformation), the mounting lug will no longer latch in correctly when closing the housing, making the control plate defective.

- Unlock the mounting lug with a screwdriver only enough to remove the control plate.

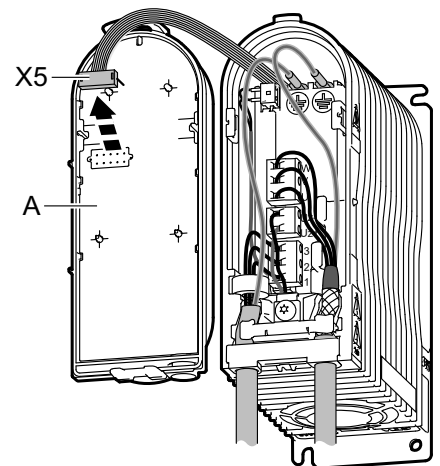


9287936139

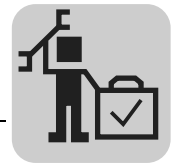
3. Unplug plug connector X5 on the flat ribbon cable from the control plate [A].

**NOTICE** The flat ribbon cable could become damaged due to tensile loads.

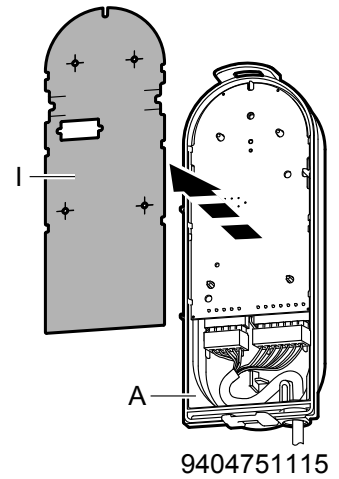
- Do not pull on the flat ribbon cable, but rather on the plug connector.



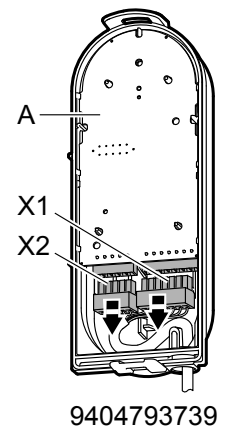
9287938315



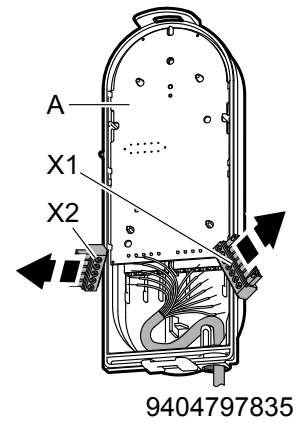
4. Remove the insulating sheet [I] from the control plate [A].



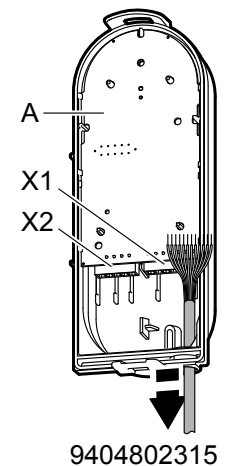
5. Remove both separable terminals X1 and X2 from the control plate [A].



6. Undo the screws for the terminals X1 and X2, and pull all the conductors out of the terminals.



7. Remove the control cable from the control plate [A].





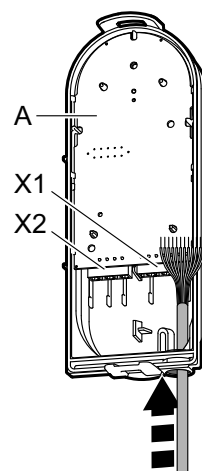
#### Installing the control plate

Compare the data on the inner nameplate of the old control plate with the data on the inner nameplate of the new control plate.

Only replace the control plate with a control plate with the same part number.

Install the control plate on the housing as follows:

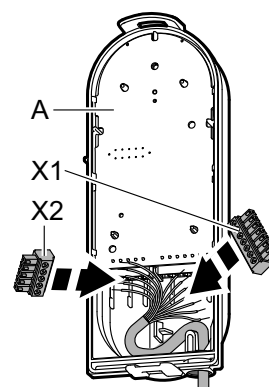
1. Insert the control cable into the cable seal on the control plate [A] from below.



9404807435

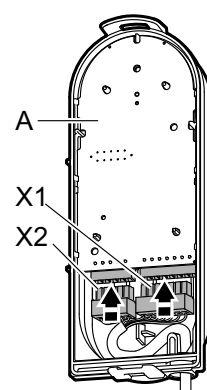
2. Connect the control cable conductors to the separable terminals X1 and X2.

In doing so, observe the assignment of terminals X1 and X2 according to the "Electrical connections" chapter.

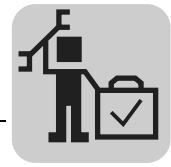


9404813067

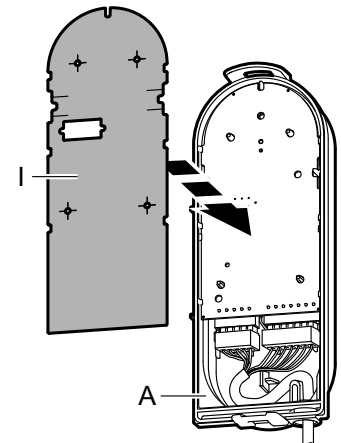
3. Plug both separable terminals X1 and X2 into the control plate [A].



9404819083

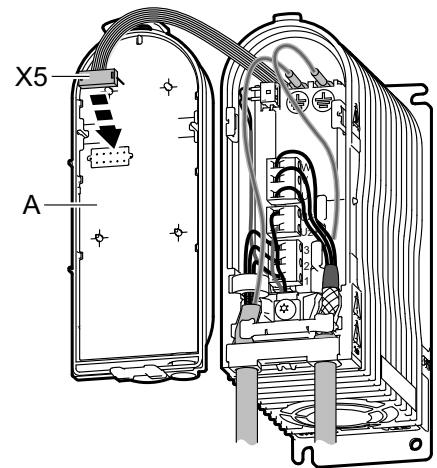


4. Put the insulating sheet [I] onto the control plate [A].



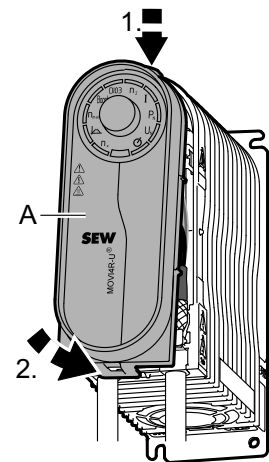
9404825483

5. Connect plug connector X5 on the flat ribbon cable to the control plate [A].
6. **NOTICE** Loss of guaranteed degree of protection due to missing or faulty sealing. Inverter damage.
  - Ensure that the sealing on the edge of the control plate is complete and not damaged (no notches, no deep pressure marks).



9401075595

7. Mount the lug of the control plate in the fastening slot at the top of the housing and attach the control plate [A] to the housing.  
Make sure that the lower mounting lug engages properly.



9287969035

8. Insert the instruction sign into the holding fixture on the side of the control plate.
9. Install the MOVI4R-U<sup>®</sup> inverter at the installation location.
10. Supply voltage to the MOVI4R-U<sup>®</sup> inverter.
11. Check whether the MOVI4R-U<sup>®</sup> inverter is functioning properly.



#### 8.2.3 Fan unit replacement/retrofitting



#### **⚠ WARNING**

Electric shock due to charged capacitors.

Severe or fatal injuries.

- Observe the minimum switch-off time after disconnection from the supply system:

**1 minute**

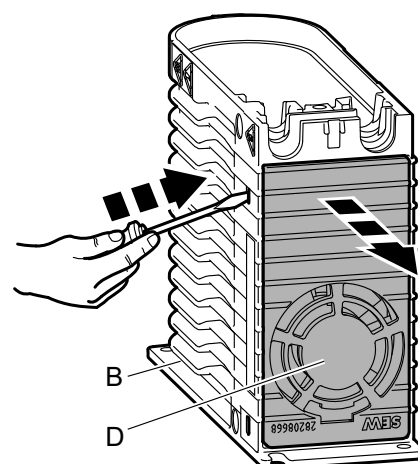
If high operating temperatures occur frequently on an MOVI4R-U<sup>®</sup> inverter that is not fitted with a fan (e.g. Error, power section overtemperature), you can retrofit the inverter with MUPF11A fan (part number: 28208668):

#### *Fan removal*

Remove the fan from the housing as follows:

1. Remove the power section from the housing according to the "Power section removal" chapter.
2. Unlock all fan detents by pushing a screw driver (blade width max. 4.5 mm) into each lateral opening on the bottom of the housing.

While doing to, gently release the fan [D] from the housing [B].



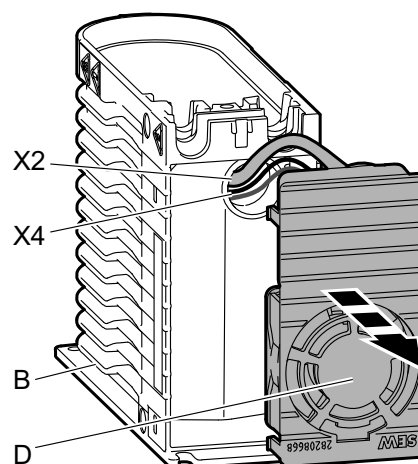
9287953675

3. Carefully pull the fan [D] from below out of the housing [B].

While doing so, first remove the long fan cable (control) X4 and then the short fan cable (supply) X2 from inside the housing.

**NOTICE** Fan does not function due to incorrect connection of the fan cable conductors.

- Do not undo the fan cable conductors from the terminal.



9287955595



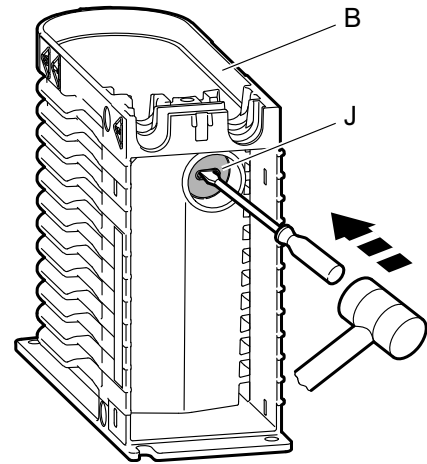
*Fan installation*

Install the fan in the housing as follows:

1. If there is no opening between the fan space and the inside of the housing [B], open up the knock-out [J] in the housing using a hammer and a screw driver, see figure to the right.

**NOTICE** Damage to the fan cable by sharp break lines.

- Deburr the break line that has been generated by opening up the knock-out.



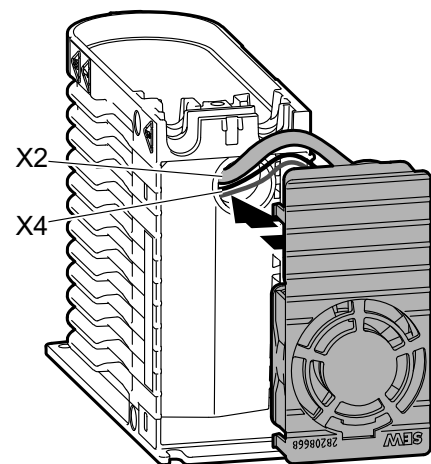
9287957515

2. **NOTICE** Risk of short circuit due to loose foreign objects in the housing.

Inverter damage.

- Ensure that no loose foreign objects (e.g. metal chips, nuts, screws, conductors) remain in the housing.

3. First route the short fan cable (supply) X4 and then the long fan cable (control) X2 from below through the opening into the housing.

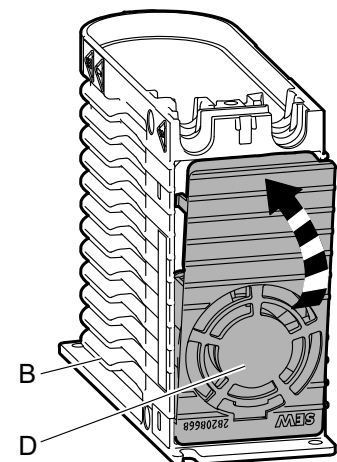


9287959435

4. Mount the fan [D] from below onto the housing [B] and carefully push it in.

**NOTICE** Insufficient fastening of the fan.

- Ensure that all fan detents latch in properly.



9287961355

5. Install the power section and the control plate on the housing according to the chapter "Power section installation."



#### 8.3 Inspection/maintenance

The MOVI4R-U<sup>®</sup> inverter is maintenance-free. SEW-EURODRIVE does not prescribe any inspection or maintenance work for the MOVI4R-U<sup>®</sup> inverter.

Exception: For extended storage, refer to the instructions in the "Service/Extended storage" chapter.

#### 8.4 Shutdown

To shut down the drive, de-energize the MOVI4R-U<sup>®</sup> inverter using appropriate measures.



#### **⚠ WARNING**

Electric shock due to charged capacitors.

Severe or fatal injuries.

- Observe the minimum switch-off time after disconnection from the supply system:

**1 minute**

---

#### 8.5 Storage

Observe the following instructions when shutting down or storing the MOVI4R-U<sup>®</sup> inverter:

- If you shut down and store the MOVI4R-U<sup>®</sup> inverter, you must close open cable bushings.
- Make sure that the unit is not subject to mechanical impact during storage.

Observe the notes on storage temperature in chapter "Technical Data".

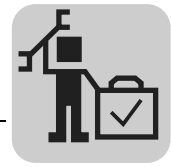
#### 8.6 Extended storage

MOVI4R-U<sup>®</sup> is equipped with capacitors which are subject to aging effects when de-energized.

The capacity and impedance of the built-in capacitors of MOVI4R-U<sup>®</sup> do not change significantly during extended storage. However, the leakage current of the capacitors slowly increases.

If the unit is stored for a long time, connect it to the power supply for at least 5 minutes every 2 years. Otherwise, the unit's service life may be reduced.





## 8.7 Waste disposal

You can reuse the aluminum housing.

If necessary, you only need to replace the power section, the control plate and/or the fan (see previous chapters).

The power section, the control plate and the fan consist of:

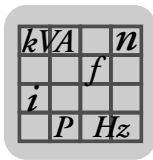
- Plastic
- Electronic components

Dispose of all these components in accordance with applicable regulations.



### INFORMATION

The MOVI4R-U<sup>®</sup> is a product that complies with SEW-EURODRIVE's sustainability concept. A process for the return of the product is in preparation.



## 9 Technical Data

### 9.1 Conformity

#### 9.1.1 CE marking

- Low voltage directive:  
The MOVI4R-U<sup>®</sup> drive system complies with the regulations of Low Voltage Directive 2006/95/EC.
- Electromagnetic compatibility (EMC):  
MOVI4R-U<sup>®</sup> units are designed for use as components for installation in machinery and systems. They comply with the EMC product standard EN 61800-3 "Adjustable speed electrical power drive systems." Provided that you comply with the installation instructions, the CE marking requirements for the entire machine/system in which they are installed are satisfied on the basis of EMC Directive 2004/108/EC. For detailed information on EMC-compliant installation, refer to the publication "Electromagnetic Compatibility in Drive Engineering" from SEW-EURODRIVE.



The CE mark on the nameplate indicates conformity with the Low Voltage Directive 2006/95/EC and the EMC Directive 2004/108/EC.

#### 9.1.2 UL approval (in preparation)



UL and cUL approval for the MOVI4R-U<sup>®</sup> inverter series is in preparation.

#### 9.1.3 C-Tick (in preparation)



C-Tick approval for the MOVI4R-U<sup>®</sup> basic unit series is in preparation.

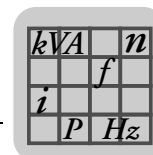
C-Tick certifies conformity with ACA (Australian Communications Authority) standards.

#### 9.1.4 Gost-R certification (in preparation)



Gost-R certification for the MOVI4R-U<sup>®</sup> basic unit series is in preparation.

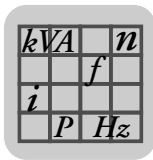
The Gost-R certificate certifies compliance with certain quality and safety standards in Russia.



## 9.2 MOVI4R-U<sup>®</sup> inverter 1 x 200 – 240 V

MOVI4R-U <sup>®</sup> type		MUWA 025- 231-...-00 ER001010	MUWA 037- 231-...-00 ER001011	MUWA 055- 231-...-00/PF ER001012
Order ID				
Apparent output power	$S_N$	0.25 kVA	0.37 kVA	0.55 kVA
Supply voltage	$V_{line}$	AC 1 x 230 V	AC 1 x 230 V	AC 1 x 230 V
Permitted range		AC 1 x 200 – 240 V according to EN 50160 ±10%		
Line frequency	$f_{line}$	50/60 Hz ±5%		
Nominal line current	$I_{line}$	AC 3.2 A	AC 5.2 A	AC 6.3 A
Output voltage	$V_O$	0 – $V_{line}$ (output is short-circuit-proof)		
Output frequency	$f_O$	2 – 100 Hz		
Operating point		AC 1 x 230 V at 50 Hz		
Nominal output current	$I_N$	AC 1.2 A	AC 2.0 A	AC 2.7 A
Inverter power	P	<b>0.25 kW</b> (0.37 HP)	<b>0.37 kW</b> (0.5 HP)	<b>0.55 kW</b> (0.75 HP)
PWM frequency		4 kHz		
Efficiency		> 96%		
Current limitation	$I_{max}$	Motor: 150%, 60 s, Regenerative: 150%, 60 s		
Motor cable length		Max. 25 m shielded, max. 50 m unshielded		
Interference immunity		Complies with EN 61800-3		
Interference emission		Meets category C3 according to EN 61800-3 (EMC toroidal core installed)		
Ambient temperature	$\vartheta_A$	–25°C to +40°C		
Climate class		EN 60721-3-3, class 3K3		
Storage temperature <sup>1)</sup>		–25°C to +75°C		
Maximum permitted vibration and impact load		According to EN 50178 According to EN 60721-3-3, class 3M7		
Degree of protection		IP54 (housing closed, all cable entries sealed)		
Operating mode		S1 (EN 60149-1-1 and 1-3)		
Type of cooling (DIN 41751)		Natural cooling		Fan cooling
Installation altitude		h ≤ 1000 m: no reduction h > 1000 m: $I_N$ reduction by 1% per 100 m h <sub>max</sub> = 2000 m		
Weight		Approx. 1.7 kg		Approx. 1.8 kg
Dimensions (W x H x D)		Approx. 70 x 180 x 190 mm		
Required preventive measures		Grounding the unit		

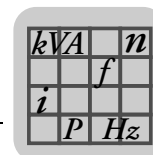
1) If the unit is stored for a long time, connect it to the supply system voltage for at least 5 minutes every 2 years. Otherwise, the unit's service life may be reduced.



### 9.3 MOVI4R-U<sup>®</sup> inverter 3 x 200 – 240 V

MOVI4R-U <sup>®</sup> type		MUWA 025- 233-...-00	MUWA 037- 233-...-00	MUWA 055- 233-...-00
Order ID		ER001013	ER001014	ER001015
Apparent output power	$S_N$	0.25 kVA	0.37 kVA	0.55 kVA
Supply voltage	$V_{line}$	AC 3 x 230 V	AC 3 x 230 V	AC 3 x 230 V
Permitted range		AC 3 x 200 – 240 V according to EN 50160 ±10%		
Line frequency	$f_{line}$	50/60 Hz ±5%		
Nominal line current	$I_{line}$	AC 1.2 A	AC 1.9 A	AC 2.2 A
Output voltage	$V_O$	0 – $V_{line}$ (output is short-circuit-proof)		
Output frequency	$f_O$	2 – 100 Hz		
Operating point		AC 3 x 230 V at 50 Hz		
Nominal output current	$I_N$	AC 1.2 A	AC 2.0 A	AC 2.7 A
Inverter power	P	<b>0.25 kW</b> (0.37 HP)	<b>0.37 kW</b> (0.5 HP)	<b>0.55 kW</b> (0.75 HP)
PWM frequency		4 kHz		
Efficiency		> 96%		
Current limitation	$I_{max}$	Motor: 150%, 60 s, Regenerative: 150%, 60 s		
Motor cable length		Max. 25 m shielded, max. 50 m unshielded		
Interference immunity		Complies with EN 61800-3		
Interference emission		Meets category C3 according to EN 61800-3 (EMC toroidal core installed)		
Ambient temperature	$\vartheta_A$	–25°C to +40°C		
Climate class		EN 60721-3-3, class 3K3		
Storage temperature <sup>1)</sup>		–25°C to +75°C		
Maximum permitted vibration and impact load		According to EN 50178 According to EN 60721-3-3, class 3M7		
Degree of protection		IP54 (housing closed, all cable entries sealed)		
Operating mode		S1 (EN 60149-1-1 and 1-3)		
Type of cooling (DIN 41751)		Natural cooling		
Installation altitude		h ≤ 1000 m: no reduction h > 1000 m: $I_N$ reduction by 1% per 100 m $h_{max} = 2000$ m		
Weight		Approx. 1.7 kg		
Dimensions (W x H x D)		Approx. 70 x 180 x 190 mm		
Required preventive measures		Grounding the unit		

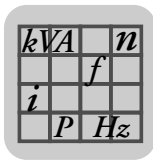
1) If the unit is stored for a long time, connect it to the supply system voltage for at least 5 minutes every 2 years. Otherwise, the unit's service life may be reduced.



### 9.4 MOVI4R-U<sup>®</sup> inverter 3 x 380 – 400 V

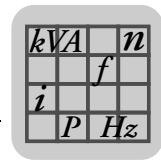
<b>MOVI4R-U<sup>®</sup> type</b>		<b>MUWA</b>
<b>Order ID</b>		<b>075-403-...-00</b>
		<b>ER001021</b>
<b>Apparent output power</b>	$S_N$	0.75 kVA
<b>Supply voltage</b>	$V_{line}$	AC 3 x 400 V
Permitted range		AC 3 x 380 – 400 V according to EN 50160 ±10%
<b>Line frequency</b>	$f_{line}$	50/60 Hz ±5%
<b>Nominal line current</b>	$I_{line}$	AC 1.5 A
<b>Output voltage</b>	$V_O$	0 – $V_{line}$ (output is short-circuit-proof)
<b>Output frequency</b>	$f_O$	2 – 100 Hz
<b>Operating point</b>		AC 3 x 400 V at 50 Hz
<b>Nominal output current</b>	$I_N$	AC 1.7 A
<b>Inverter power</b>	$P$	<b>0.75 kW</b> (1.0 HP)
<b>PWM frequency</b>		4 kHz
<b>Efficiency</b>		> 96%
<b>Current limitation</b>	$I_{max}$	Motor: 150%, 60 s, Regenerative: 150%, 60 s
<b>Motor cable length</b>		Max. 25 m shielded, max. 50 m unshielded
<b>Interference immunity</b>		Complies with EN 61800-3
<b>Interference emission</b>		Meets category C3 according to EN 61800-3 (EMC toroidal core installed)
<b>Ambient temperature</b>	$\vartheta_A$	–25°C to +40°C
<b>Climate class</b>		EN 60721-3-3, class 3K3
<b>Storage temperature<sup>1)</sup></b>		–25°C to +75°C
<b>Maximum permitted vibration and impact load</b>		According to EN 50178 According to EN 60721-3-3, class 3M7
<b>Degree of protection</b>		IP54 (housing closed, all cable entries sealed)
<b>Operating mode</b>		S1 (EN 60149-1-1 and 1-3)
<b>Type of cooling</b> (DIN 41751)		Natural cooling
<b>Installation altitude</b>		$h \leq 1000$ m: no reduction $h > 1000$ m: $I_N$ reduction by 1% per 100 m $h_{max} = 2000$ m
<b>Weight</b>		Approx. 1.7 kg
<b>Dimensions (W x H x D)</b>		Approx. 70 x 180 x 190 mm
<b>Required preventive measures</b>		Grounding the unit

1) If the unit is stored for a long time, connect it to the supply system voltage for at least 5 minutes every 2 years. Otherwise, the unit's service life may be reduced.

9.5 MOVI4R-U<sup>®</sup> inverter 3 x 380 – 500 V

MOVI4R-U <sup>®</sup> type		MUWA 025- 503-...-00	MUWA 037- 503-...-00	MUWA 055- 503-...-00	MUWA 075- 503-...-00/PF	MUWA 110- 503-...-00/PF
Order ID		ER001016	ER001017	ER001018	ER001019	ER001020
Apparent output power	$S_N$	0.25 kVA	0.37 kVA	0.55 kVA	0.75 kVA	1.1 kVA
Supply voltage	$V_{line}$	AC 3 x 400 V				
Permitted range		AC 3 x 380 – 500 V according to EN 50160 ±10%				
Line frequency	$f_{line}$	50/60 Hz ±5%				
Nominal line current	$I_{line}$	AC 0.6 A	AC 1.0 A	AC 1.4 A	AC 1.5 A	AC 2.2 A
Output voltage	$V_O$	0 – $V_{line}$ (output is short-circuit-proof)				
Output frequency	$f_O$	2 – 100 Hz				
Operating point		AC 3 x 400 V at 50 Hz				
Nominal output current	$I_N$	AC 0.7 A	AC 1.1 A	AC 1.6 A	AC 1.7 A	AC 2.5 A
Inverter power	P	<b>0.25 kW</b> (0.37 HP)	<b>0.37 kW</b> (0.5 HP)	<b>0.55 kW</b> (0.75 HP)	<b>0.75 kW</b> (1.0 HP)	<b>1.1 kW</b> (1.5 HP)
PWM frequency		4 kHz				
Efficiency		> 96%				
Current limitation	$I_{max}$	Motor: 150%, 60 s,		Regenerative: 150%, 60 s		
Motor cable length		Max. 25 m shielded, max. 50 m unshielded				
Interference immunity		Complies with EN 61800-3				
Interference emission		Meets category C3 according to EN 61800-3 (EMC toroidal core installed)				
Ambient temperature	$\vartheta_A$	–25°C to +40°C				
Climate class		EN 60721-3-3, class 3K3				
Storage temperature <sup>1)</sup>		–25°C to +75°C				
Maximum permitted vibration and impact load		According to EN 50178 According to EN 60721-3-3, class 3M7				
Degree of protection		IP54 (housing closed, all cable entries sealed)				
Operating mode		S1 (EN 60149-1-1 and 1-3)				
Type of cooling (DIN 41751)		Natural cooling			Fan cooling	
Installation altitude		h ≤ 1000 m: no reduction h > 1000 m: $I_N$ reduction by 1% per 100 m h <sub>max</sub> = 2000 m				
Weight		Approx. 1.7 kg			Approx. 1.8 kg	
Dimensions (W x H x D)		Approx. 70 x 180 x 190 mm				
Required preventive measures		Grounding the unit				

1) If the unit is stored for a long time, connect it to the supply system voltage for at least 5 minutes every 2 years. Otherwise, the unit's service life may be reduced.



## 9.6 Inputs

### 9.6.1 Binary inputs DI01 – DI03

Binary inputs	
Input type	PLC-compatible according to EN 61131-2 type 1 or 3 $R_i$ approx. 3 k $\Omega$ , IE = 10 mA, sampling cycle $\leq$ 8 ms
Signal level	+11 V – +30 V = "1" = Contact closed –3 V – +5 V = "0" = Contact open
Control functions	DI01: Enable DI02: Direction of rotation DI03: Programmable, see chapter "Functions of the MOVI4R-U® inverter"

### 9.6.2 Analog input AI

Analog input	
Input type	Unipolar analog input
Signal level	DC 0 – 10 V ( $R_i > 40$ k $\Omega$ )
Control function	Speed control

## 9.7 Outputs

### 9.7.1 Binary output DO

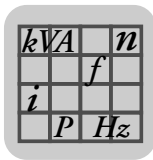
Binary output	
Output type	PLC-compatible to EN 61131-2, interference voltage proof and short-circuit proof
Rated current	50 mA
Leakage current	Max. 0.2 mA
Function	DC-24 V supply for binary inputs

### 9.7.2 Analog output AO

Analog output	
Output type	Unipolar analog output
Signal level	DC 0 – 10 V ( $R_L = 10 - 40$ k $\Omega$ )
Function	Actual speed feedback

### 9.7.3 Reference output REF

Reference output	
Reference output voltage	DC 10 V + 5 % ( $R_L > 8$ k $\Omega$ )
Function	Reference voltage for analog signals



### 9.7.4 Relay contact REL

Relay contact	
<b>Contact details</b>	DC 30 V, 1.0 A DC 30 V according to DIN 60947-5-1 (only SELV or PELV circuits)
<b>Response time</b>	≤ 8 ms
<b>Function</b>	Inverter enable feedback

## 9.8 Technical data of options

### 9.8.1 MUPF11A fan

Option	MUPF11A
<b>Supply voltage</b>	DC 200 – 800 V
<b>Control voltage</b>	DC 19 – 30 V
<b>Power</b>	3 W
<b>Degree of protection</b>	IP54
<b>Ambient temperature</b>	–25°C to +40°C

## 9.9 Motor assignment

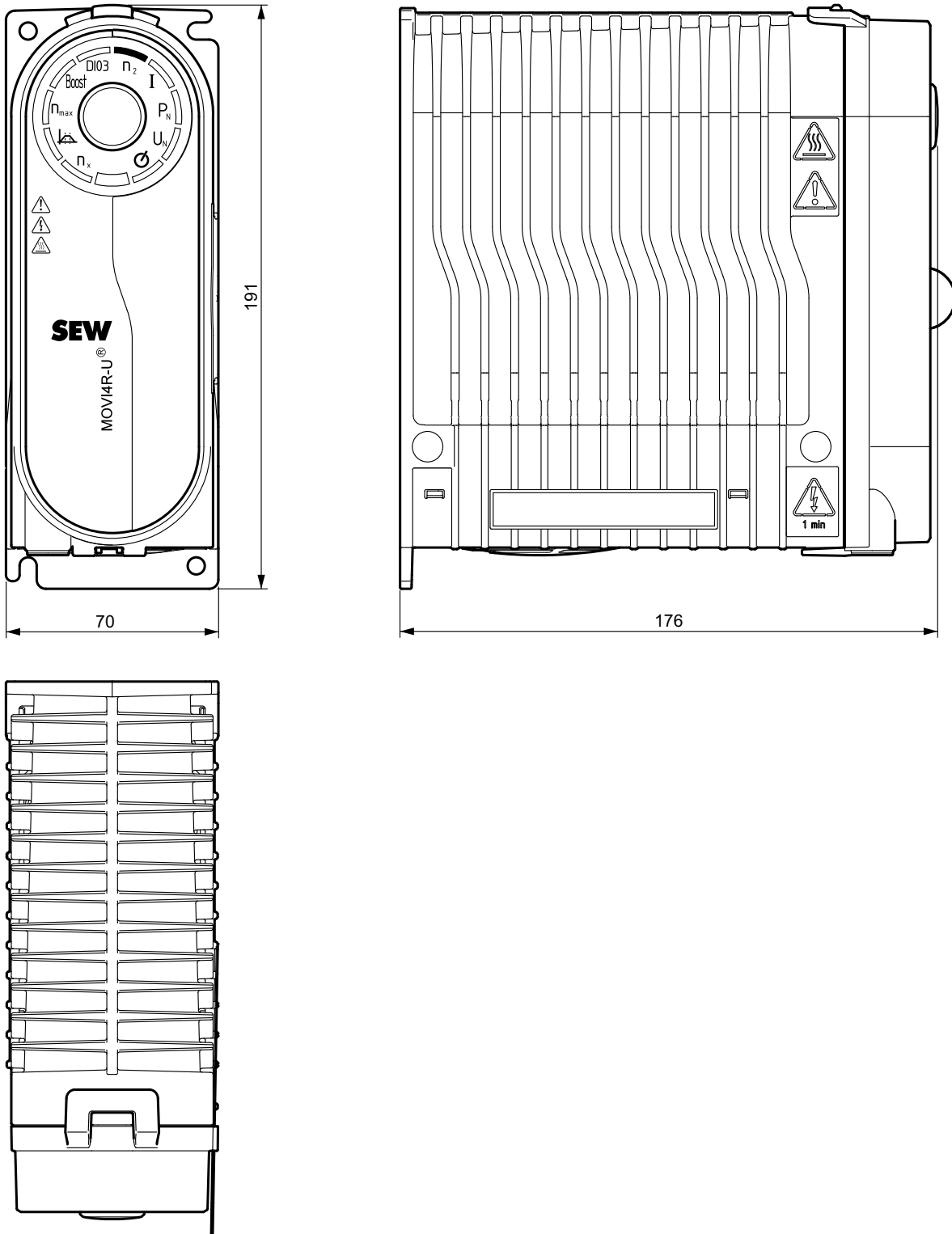
MOVI4R-U<sup>®</sup> inverters are suitable for 4-pole asynchronous motors according to the following assignment:

V <sub>line</sub>	Fan	MOVI4R-U		Motor						
		Type	Power [kW]	Nominal power P <sub>N</sub> [kW]						
1 x 200 – 240 V	without fan	MUWA025-231-...-00	0.25	0.09	0.18	0.25	-	-	-	-
		MUWA037-231-...-00	0.37	0.09	0.18	0.25	0.37	-	-	-
	with fan	MUWA055-231-...-00/PF	0.55	0.09	0.18	0.25	0.37	0.55	-	-
3 x 200 – 240 V	without fan	MUWA025-233-...-00	0.25	0.09	0.18	0.25	-	-	-	-
		MUWA037-233-...-00	0.37	0.09	0.18	0.25	0.37	-	-	-
		MUWA055-233-...-00	0.55	0.09	0.18	0.25	0.37	0.55	-	-
3 x 380 – 400 V	without fan	MUWA075-403-...-00	0.75	0.09	0.18	0.25	0.37	0.55	0.75	-
3 x 380 – 500 V	without fan	MUWA025-503-...-00	0.25	0.09	0.18	0.25	-	-	-	-
		MUWA037-503-...-00	0.37	0.09	0.18	0.25	0.37	-	-	-
		MUWA055-503-...-00	0.55	0.09	0.18	0.25	0.37	0.55	-	-
	with fan	MUWA075-503-...-00/PF	0.75	0.09	0.18	0.25	0.37	0.55	0.75	-
		MUWA110-503-...-00/PF	1.1	0.09	0.18	0.25	0.37	0.55	0.75	1.1



$kVA$	$n$
$f$	
$i$	
$P$	$Hz$

9.10 MOVI4R-U<sup>®</sup> dimension drawing



9290850187



## 10 Declaration of Conformity

## EC Declaration of Conformity

**SEW**  
**EURODRIVE**

902210013

**SEW-EURODRIVE GmbH & Co KG**  
**Ernst-Blickle-Straße 42, D-76646 Bruchsal**  
 declares under sole responsibility that the



frequency inverters of the series	MUWA...	
are in conformity with		
Low Voltage Directive	2006/95/EC	
EMC Directive	2004/108/EC	4)
Applied harmonized standards:	EN 61800-5-1:2007 EN 61800-3:2004	

- 4) According to the EMC Directive, the listed products are not independently operable products. EMC assessment is only possible after these products have been integrated in an overall system. The assessment was verified for a typical system constellation, but not for the individual product.

Bruchsal 13.12.13

Place

Date

Johann Soder  
 Managing Director Technology

a) b)

- a) Authorized representative for issuing this declaration on behalf of the manufacturer  
 b) Authorized representative for compiling the technical documents

9739356043



## 11 Address List

Germany			
<b>Headquarters</b> <b>Production</b> <b>Sales</b>	<b>Bruchsal</b>	SEW-EURODRIVE GmbH & Co KG Ernst-Blickle-Straße 42 D-76646 Bruchsal P.O. Box Postfach 3023 • D-76642 Bruchsal	Tel. +49 7251 75-0 Fax +49 7251 75-1970 <a href="http://www.sew-eurodrive.de">http://www.sew-eurodrive.de</a> <a href="mailto:sew@sew-eurodrive.de">sew@sew-eurodrive.de</a>
<b>Production / Industrial Gears</b>	<b>Bruchsal</b>	SEW-EURODRIVE GmbH & Co KG Christian-Pähr-Str.10 D-76646 Bruchsal	Tel. +49 7251 75-0 Fax +49 7251 75-2970
<b>Service Competence Center</b>	<b>Mechanics / Mechatronics</b>	SEW-EURODRIVE GmbH & Co KG Ernst-Blickle-Straße 1 D-76676 Graben-Neudorf	Tel. +49 7251 75-1710 Fax +49 7251 75-1711 <a href="mailto:sc-mitte@sew-eurodrive.de">sc-mitte@sew-eurodrive.de</a>
	<b>Electronics</b>	SEW-EURODRIVE GmbH & Co KG Ernst-Blickle-Straße 42 D-76646 Bruchsal	Tel. +49 7251 75-1780 Fax +49 7251 75-1769 <a href="mailto:sc-elektronik@sew-eurodrive.de">sc-elektronik@sew-eurodrive.de</a>
<b>Drive Technology Center</b>	<b>North</b>	SEW-EURODRIVE GmbH & Co KG Alte Ricklinger Straße 40-42 D-30823 Garbsen (near Hannover)	Tel. +49 5137 8798-30 Fax +49 5137 8798-55 <a href="mailto:sc-nord@sew-eurodrive.de">sc-nord@sew-eurodrive.de</a>
	<b>East</b>	SEW-EURODRIVE GmbH & Co KG Dänkritzer Weg 1 D-08393 Meerane (near Zwickau)	Tel. +49 3764 7606-0 Fax +49 3764 7606-30 <a href="mailto:sc-ost@sew-eurodrive.de">sc-ost@sew-eurodrive.de</a>
	<b>South</b>	SEW-EURODRIVE GmbH & Co KG Domagkstraße 5 D-85551 Kirchheim (near München)	Tel. +49 89 909552-10 Fax +49 89 909552-50 <a href="mailto:sc-sued@sew-eurodrive.de">sc-sued@sew-eurodrive.de</a>
	<b>West</b>	SEW-EURODRIVE GmbH & Co KG Siemensstraße 1 D-40764 Langenfeld (near Düsseldorf)	Tel. +49 2173 8507-30 Fax +49 2173 8507-55 <a href="mailto:sc-west@sew-eurodrive.de">sc-west@sew-eurodrive.de</a>
	<b>Drive Service Hotline / 24 Hour Service</b>		
Additional addresses for service in Germany provided on request!			

France			
<b>Production</b> <b>Sales</b> <b>Service</b>	<b>Hagenau</b>	SEW-USOCOME 48-54 route de Soufflenheim B. P. 20185 F-67506 Hagenau Cedex	Tel. +33 3 88 73 67 00 Fax +33 3 88 73 66 00 <a href="http://www.usocome.com">http://www.usocome.com</a> <a href="mailto:sew@usocome.com">sew@usocome.com</a>
<b>Production</b>	<b>Forbach</b>	SEW-USOCOME Zone industrielle Technopôle Forbach Sud B. P. 30269 F-57604 Forbach Cedex	Tel. +33 3 87 29 38 00
<b>Assembly</b> <b>Sales</b> <b>Service</b>	<b>Bordeaux</b>	SEW-USOCOME Parc d'activités de Magellan 62 avenue de Magellan - B. P. 182 F-33607 Pessac Cedex	Tel. +33 5 57 26 39 00 Fax +33 5 57 26 39 09
	<b>Lyon</b>	SEW-USOCOME Parc d'affaires Roosevelt Rue Jacques Tati F-69120 Vaulx en Velin	Tel. +33 4 72 15 37 00 Fax +33 4 72 15 37 15
	<b>Nantes</b>	SEW-USOCOME Parc d'activités de la forêt 4 rue des Fontenelles F-44140 Le Bignon	Tel. +33 2 40 78 42 00 Fax +33 2 40 78 42 20



France			
	<b>Paris</b>	SEW-USOCOME Zone industrielle 2 rue Denis Papin F-77390 Verneuil l'Etang	Tel. +33 1 64 42 40 80 Fax +33 1 64 42 40 88
Additional addresses for service in France provided on request!			
Algeria			
<b>Sales</b>	<b>Algiers</b>	REDUCOM Sarl 16, rue des Frères Zaghroune Bellevue 16200 El Harrach Alger	Tel. +213 21 8214-91 Fax +213 21 8222-84 info@reducom-dz.com http://www.reducom-dz.com
Argentina			
<b>Assembly Sales</b>	<b>Buenos Aires</b>	SEW EURODRIVE ARGENTINA S.A. Ruta Panamericana Km 37.5, Lote 35 (B1619IEA) Centro Industrial Garín Prov. de Buenos Aires	Tel. +54 3327 4572-84 Fax +54 3327 4572-21 sewar@sew-eurodrive.com.ar http://www.sew-eurodrive.com.ar
Australia			
<b>Assembly Sales Service</b>	<b>Melbourne</b>	SEW-EURODRIVE PTY. LTD. 27 Beverage Drive Tullamarine, Victoria 3043	Tel. +61 3 9933-1000 Fax +61 3 9933-1003 http://www.sew-eurodrive.com.au enquires@sew-eurodrive.com.au
	<b>Sydney</b>	SEW-EURODRIVE PTY. LTD. 9, Sleigh Place, Wetherill Park New South Wales, 2164	Tel. +61 2 9725-9900 Fax +61 2 9725-9905 enquires@sew-eurodrive.com.au
Austria			
<b>Assembly Sales Service</b>	<b>Wien</b>	SEW-EURODRIVE Ges.m.b.H. Richard-Strauss-Strasse 24 A-1230 Wien	Tel. +43 1 617 55 00-0 Fax +43 1 617 55 00-30 http://www.sew-eurodrive.at sew@sew-eurodrive.at
Belarus			
<b>Sales</b>	<b>Minsk</b>	SEW-EURODRIVE BY RybalkoStr. 26 BY-220033 Minsk	Tel.+375 17 298 47 56 / 298 47 58 Fax +375 17 298 47 54 http://www.sew.by sales@sew.by
Belgium			
<b>Assembly Sales Service</b>	<b>Brussels</b>	<b>SEW-EURODRIVE n.v./s.a.</b> Researchpark Haasrode 1060 Evenementenlaan 7 BE-3001 Leuven	Tel. +32 16 386-311 Fax +32 16 386-336 http://www.sew-eurodrive.be info@sew-eurodrive.be
<b>Service Competence Center</b>	<b>Industrial Gears</b>	<b>SEW-EURODRIVE n.v./s.a.</b> Rue de Parc Industriel, 31 BE-6900 Marche-en-Famenne	Tel. +32 84 219-878 Fax +32 84 219-879 http://www.sew-eurodrive.be service-wallonie@sew-eurodrive.be
Brazil			
<b>Production Sales Service</b>	<b>São Paulo</b>	SEW-EURODRIVE Brasil Ltda. Avenida Amâncio Gaiolli, 152 - Rodovia Presidente Dutra Km 208 Guarulhos - 07251-250 - SP SAT - SEW ATENDE - 0800 7700496	Tel. +55 11 2489-9133 Fax +55 11 2480-3328 http://www.sew-eurodrive.com.br sew@sew.com.br



Brazil			
Assembly Sales Service	<b>Rio Claro</b>	SEW-EURODRIVE Brasil Ltda. Rodovia Washington Luiz, Km 172 Condomínio Industrial Conpark Caixa Postal: 327 13501-600 – Rio Claro / SP	Tel. +55 19 3522-3100 Fax +55 19 3524-6653 montadora.rc@sew.com.br
	<b>Joinville</b>	SEW-EURODRIVE Brasil Ltda. Rua Dona Francisca, 12.346 – Pirabeiraba 89239-270 – Joinville / SC	Tel. +55 47 3027-6886 Fax +55 47 3027-6888 filial.sc@sew.com.br
	<b>Indaiatuba</b>	SEW-EURODRIVE Brasil Ltda. Estrada Municipal Jose Rubim, 205 Rodovia Santos Dumont Km 49 13347-510 - Indaiatuba / SP	Tel. +55 19 3835-8000 sew@sew.com.br
Bulgaria			
Sales	<b>Sofia</b>	BEVER-DRIVE GmbH Bogdanovetz Str.1 BG-1606 Sofia	Tel. +359 2 9151160 Fax +359 2 9151166 bever@bever.bg
Cameroon			
Sales	<b>Douala</b>	Electro-Services Rue Drouot Akwa B.P. 2024 Douala	Tel. +237 33 431137 Fax +237 33 431137 electrojemba@yahoo.fr
Canada			
Assembly Sales Service	<b>Toronto</b>	SEW-EURODRIVE CO. OF CANADA LTD. 210 Walker Drive Bramalea, ON L6T 3W1	Tel. +1 905 791-1553 Fax +1 905 791-2999 <a href="http://www.sew-eurodrive.ca">http://www.sew-eurodrive.ca</a> l.watson@sew-eurodrive.ca
	<b>Vancouver</b>	SEW-EURODRIVE CO. OF CANADA LTD. Tilbury Industrial Park 7188 Honeyman Street Delta, BC V4G 1G1	Tel. +1 604 946-5535 Fax +1 604 946-2513 b.wake@sew-eurodrive.ca
	<b>Montreal</b>	SEW-EURODRIVE CO. OF CANADA LTD. 2555 Rue Leger Lasalle, PQ H8N 2V9	Tel. +1 514 367-1124 Fax +1 514 367-3677 a.peluso@sew-eurodrive.ca
Additional addresses for service in Canada provided on request!			
Chile			
Assembly Sales Service	<b>Santiago</b>	SEW-EURODRIVE CHILE LTDA. Las Encinas 1295 Parque Industrial Valle Grande LAMP RCH-Santiago de Chile P.O. Box Casilla 23 Correo Quilicura - Santiago - Chile	Tel. +56 2 2757 7000 Fax +56 2 2757 7001 <a href="http://www.sew-eurodrive.cl">http://www.sew-eurodrive.cl</a> ventas@sew-eurodrive.cl
China			
Production Assembly Sales Service	<b>Tianjin</b>	SEW-EURODRIVE (Tianjin) Co., Ltd. No. 46, 7th Avenue, TEDA Tianjin 300457	Tel. +86 22 25322612 Fax +86 22 25323273 info@sew-eurodrive.cn <a href="http://www.sew-eurodrive.cn">http://www.sew-eurodrive.cn</a>
	<b>Tianjin</b>	SEW Industrial Gears (Tianjin) Co., Ltd. No.38,9th Avenue, TEDA Tianjin 300457	Tel. +86 22 25322612 Fax +86 22 25323273 logistic@sew-eurodrive.cn <a href="http://www.sew-eurodrive.cn">http://www.sew-eurodrive.cn</a>



China			
<b>Assembly Sales Service</b>	<b>Suzhou</b>	SEW-EURODRIVE (Suzhou) Co., Ltd. 333, Suhong Middle Road Suzhou Industrial Park Jiangsu Province, 215021	Tel. +86 512 62581781 Fax +86 512 62581783 suzhou@sew-eurodrive.cn
	<b>Guangzhou</b>	SEW-EURODRIVE (Guangzhou) Co., Ltd. No. 9, JunDa Road East Section of GETDD Guangzhou 510530	Tel. +86 20 82267890 Fax +86 20 82267922 guangzhou@sew-eurodrive.cn
	<b>Shenyang</b>	SEW-EURODRIVE (Shenyang) Co., Ltd. 10A-2, 6th Road Shenyang Economic Technological Development Area Shenyang, 110141	Tel. +86 24 25382538 Fax +86 24 25382580 shenyang@sew-eurodrive.cn
	<b>Wuhan</b>	SEW-EURODRIVE (Wuhan) Co., Ltd. 10A-2, 6th Road No. 59, the 4th Quanli Road, WEDA 430056 Wuhan	Tel. +86 27 84478388 Fax +86 27 84478389 wuhan@sew-eurodrive.cn
	<b>Xi'An</b>	SEW-EURODRIVE (Xi'An) Co., Ltd. No. 12 Jinye 2nd Road Xi'An High-Technology Industrial Development Zone Xi'An 710065	Tel. +86 29 68686262 Fax +86 29 68686311 xian@sew-eurodrive.cn
Additional addresses for service in China provided on request!			
Colombia			
<b>Assembly Sales Service</b>	<b>Bogotá</b>	SEW-EURODRIVE COLOMBIA LTDA. Calle 22 No. 132-60 Bodega 6, Manzana B Santafé de Bogotá	Tel. +57 1 54750-50 Fax +57 1 54750-44 <a href="http://www.sew-eurodrive.com.co">http://www.sew-eurodrive.com.co</a> sew@sew-eurodrive.com.co
Croatia			
<b>Sales Service</b>	<b>Zagreb</b>	KOMPEKS d. o. o. Zeleni dol 10 HR 10 000 Zagreb	Tel. +385 1 4613-158 Fax +385 1 4613-158 kompeks@inet.hr
Czech Republic			
<b>Sales Assembly Service</b>	<b>Hostivice</b>	SEW-EURODRIVE CZ s.r.o. Floriánova 2459 253 01 Hostivice	Tel. +420 255 709 601 Fax +420 235 350 613 <a href="http://www.sew-eurodrive.cz">http://www.sew-eurodrive.cz</a> sew@sew-eurodrive.cz
	<b>Drive Service Hotline / 24 Hour Service</b>	HOT-LINE +420 800 739 739 (800 SEW SEW)	<b>Servis:</b> Tel. +420 255 709 632 Fax +420 235 358 218 servis@sew-eurodrive.cz
Denmark			
<b>Assembly Sales Service</b>	<b>Copenhagen</b>	SEW-EURODRIVE A/S Geminivej 28-30 DK-2670 Greve	Tel. +45 43 9585-00 Fax +45 43 9585-09 <a href="http://www.sew-eurodrive.dk">http://www.sew-eurodrive.dk</a> sew@sew-eurodrive.dk
Egypt			
<b>Sales Service</b>	<b>Cairo</b>	Copam Egypt for Engineering & Agencies 33 El Hegaz ST, Heliopolis, Cairo	Tel. +20 2 22566-299 +1 23143088 Fax +20 2 22594-757 <a href="http://www.copam-egypt.com/">http://www.copam-egypt.com/</a> copam@datum.com.eg



Estonia			
<b>Sales</b>	<b>Tallin</b>	ALAS-KUUL AS Reti tee 4 EE-75301 Peetri küla, Rae vald, Harjumaa	Tel. +372 6593230 Fax +372 6593231 veiko.soots@alas-kuul.ee
Finland			
<b>Assembly Sales Service</b>	<b>Hollola</b>	SEW-EURODRIVE OY Vesimäentie 4 FIN-15860 Hollola 2	Tel. +358 201 589-300 Fax +358 3 780-6211 <a href="http://www.sew-eurodrive.fi">http://www.sew-eurodrive.fi</a> sew@sew.fi
<b>Service</b>	<b>Hollola</b>	SEW-EURODRIVE OY Keskikankaantie 21 FIN-15860 Hollola	Tel. +358 201 589-300 Fax +358 3 780-6211 <a href="http://www.sew-eurodrive.fi">http://www.sew-eurodrive.fi</a> sew@sew.fi
<b>Production Assembly</b>	<b>Karkkila</b>	SEW Industrial Gears Oy Valurinkatu 6, PL 8 FI-03600 Karkkila, 03601 Karkkila	Tel. +358 201 589-300 Fax +358 201 589-310 sew@sew.fi <a href="http://www.sew-eurodrive.fi">http://www.sew-eurodrive.fi</a>
Gabon			
<b>Sales</b>	<b>Libreville</b>	ESG Electro Services Gabun Feu Rouge Lalala 1889 Libreville Gabun	Tel. +241 741059 Fax +241 741059 esg_services@yahoo.fr
Great Britain			
<b>Assembly Sales Service</b>	<b>Normanton</b>	SEW-EURODRIVE Ltd. DeVilliers Way Trident Park Normanton West Yorkshire WF6 1GX	Tel. +44 1924 893-855 Fax +44 1924 893-702 <a href="http://www.sew-eurodrive.co.uk">http://www.sew-eurodrive.co.uk</a> info@sew-eurodrive.co.uk
		<b>Drive Service Hotline / 24 Hour Service</b>	Tel. 01924 896911
Greece			
<b>Sales</b>	<b>Athens</b>	Christ. Boznos & Son S.A. 12, K. Mavromichali Street P.O. Box 80136 GR-18545 Piraeus	Tel. +30 2 1042 251-34 Fax +30 2 1042 251-59 <a href="http://www.boznos.gr">http://www.boznos.gr</a> info@boznos.gr
Hong Kong			
<b>Assembly Sales Service</b>	<b>Hong Kong</b>	SEW-EURODRIVE LTD. Unit No. 801-806, 8th Floor Hong Leong Industrial Complex No. 4, Wang Kwong Road Kowloon, Hong Kong	Tel. +852 36902200 Fax +852 36902211 contact@sew-eurodrive.hk
Hungary			
<b>Sales Service</b>	<b>Budapest</b>	SEW-EURODRIVE Kft. Csillaghegyi út 13. H-1037 Budapest	Tel. +36 1 437 06-58 Fax +36 1 437 06-50 <a href="http://www.sew-eurodrive.hu">http://www.sew-eurodrive.hu</a> office@sew-eurodrive.hu
India			
<b>Registered Office Assembly Sales Service</b>	<b>Vadodara</b>	SEW-EURODRIVE India Private Limited Plot No. 4, GIDC POR Ramangamdi • Vadodara - 391 243 Gujarat	Tel. +91 265 3045200 Fax +91 265 3045300 <a href="http://www.seweurodriveindia.com">http://www.seweurodriveindia.com</a> salesvadodara@seweurodriveindia.com



India			
<b>Assembly Sales Service</b>	<b>Chennai</b>	SEW-EURODRIVE India Private Limited Plot No. K3/1, Sipcot Industrial Park Phase II Mambakkam Village Sriperumbudur - 602105 Kancheepuram Dist, Tamil Nadu	Tel. +91 44 37188888 Fax +91 44 37188811 saleschennai@seweurodriveindia.com
	<b>Pune</b>	SEW-EURODRIVE India Private Limited Plant: Plot No. D236/1, Chakan Industrial Area Phase- II, Warale, Tal- Khed, Pune-411003, Maharashtra	salespune@seweurodriveindia.com
Ireland			
<b>Sales Service</b>	<b>Dublin</b>	Alperon Engineering Ltd. 48 Moyle Road Dublin Industrial Estate Glasnevin, Dublin 11	Tel. +353 1 830-6277 Fax +353 1 830-6458 info@alperon.ie http://www.alperon.ie
Israel			
<b>Sales</b>	<b>Tel-Aviv</b>	Liraz Handasa Ltd. Ahofer Str 34B / 228 58858 Holon	Tel. +972 3 5599511 Fax +972 3 5599512 http://www.liraz-handasa.co.il office@liraz-handasa.co.il
Italy			
<b>Assembly Sales Service</b>	<b>Solaro</b>	SEW-EURODRIVE di R. Blickle & Co.s.a.s. Via Bernini,14 I-20020 Solaro (Milano)	Tel. +39 02 96 9801 Fax +39 02 96 980 999 http://www.sew-eurodrive.it sewit@sew-eurodrive.it
Ivory Coast			
<b>Sales</b>	<b>Abidjan</b>	SICA Société Industrielle & Commerciale pour l'Afrique 165, Boulevard de Marseille 26 BP 1173 Abidjan 26	Tel. +225 21 25 79 44 Fax +225 21 25 88 28 sicamot@aviso.ci
Japan			
<b>Assembly Sales Service</b>	<b>Iwata</b>	SEW-EURODRIVE JAPAN CO., LTD 250-1, Shimoman-no, Iwata Shizuoka 438-0818	Tel. +81 538 373811 Fax +81 538 373855 http://www.sew-eurodrive.co.jp sewjapan@sew-eurodrive.co.jp
Kazakhstan			
<b>Sales</b>	<b>Almaty</b>	SEW-EURODRIVE LLP 291A, Tole bi street 050031, Almaty Republic of Kazakhstan	Tel. +7 (727) 238 1404 Fax +7 (727) 243 2696 http://www.sew-eurodrive.kz sew@sew-eurodrive.kz
Kenya			
<b>Sales</b>	<b>Nairobi</b>	Barico Maintenances Ltd Kamutaga Place Commercial Street Industrial Area P.O.BOX 52217 - 00200 Nairobi	Tel. +254 20 6537094/5 Fax +254 20 6537096 info@barico.co.ke





Latvia			
<b>Sales</b>	<b>Riga</b>	SIA Alas-Kuul Katlakalna 11C LV-1073 Riga	Tel. +371 6 7139253 Fax +371 6 7139386 <a href="http://www.alas-kuul.com">http://www.alas-kuul.com</a> <a href="mailto:info@alas-kuul.com">info@alas-kuul.com</a>
Lebanon			
<b>Sales Lebanon</b>	<b>Beirut</b>	Gabriel Acar & Fils sarl B. P. 80484 Bourj Hammoud, Beirut	Tel. +961 1 510 532 Fax +961 1 494 971 <a href="mailto:ssacar@inco.com.lb">ssacar@inco.com.lb</a>
		After Sales Service	<a href="mailto:service@medrives.com">service@medrives.com</a>
<b>Sales Jordan / Kuwait / Saudi Arabia / Syria</b>	<b>Beirut</b>	Middle East Drives S.A.L. (offshore) Sin El Fil. B. P. 55-378 Beirut	Tel. +961 1 494 786 Fax +961 1 494 971 <a href="mailto:info@medrives.com">info@medrives.com</a> <a href="http://www.medrives.com">http://www.medrives.com</a>
		After Sales Service	<a href="mailto:service@medrives.com">service@medrives.com</a>
Lithuania			
<b>Sales</b>	<b>Alytus</b>	UAB Irseva Statybininku 106C LT-63431 Alytus	Tel. +370 315 79204 Fax +370 315 56175 <a href="mailto:irmantas@irseva.lt">irmantas@irseva.lt</a> <a href="http://www.sew-eurodrive.lt">http://www.sew-eurodrive.lt</a>
Luxembourg			
<b>Assembly Sales Service</b>	<b>Brussels</b>	<b>SEW-EURODRIVE n.v./s.a.</b> Researchpark Haasrode 1060 Evenementenlaan 7 BE-3001 Leuven	Tel. +32 16 386-311 Fax +32 16 386-336 <a href="http://www.sew-eurodrive.lu">http://www.sew-eurodrive.lu</a> <a href="mailto:info@sew-eurodrive.be">info@sew-eurodrive.be</a>
Madagascar			
<b>Sales</b>	<b>Antananarivo</b>	Ocean Trade BP21bis. Andraharo Antananarivo. 101 Madagascar	Tel. +261 20 2330303 Fax +261 20 2330330 <a href="mailto:oceantrabp@moov.mg">oceantrabp@moov.mg</a>
Malaysia			
<b>Assembly Sales Service</b>	<b>Johor</b>	SEW-EURODRIVE SDN BHD No. 95, Jalan Seroja 39, Taman Johor Jaya 81000 Johor Bahru, Johor West Malaysia	Tel. +60 7 3549409 Fax +60 7 3541404 <a href="mailto:sales@sew-eurodrive.com.my">sales@sew-eurodrive.com.my</a>
Mexico			
<b>Assembly Sales Service</b>	<b>Quéretaro</b>	SEW-EURODRIVE MEXICO SA DE CV SEM-981118-M93 Tequisquiapan No. 102 Parque Industrial Quéretaro C.P. 76220 Quéretaro, México	Tel. +52 442 1030-300 Fax +52 442 1030-301 <a href="http://www.sew-eurodrive.com.mx">http://www.sew-eurodrive.com.mx</a> <a href="mailto:scmexico@seweurodrive.com.mx">scmexico@seweurodrive.com.mx</a>
Mongolia			
<b>Sales</b>	<b>Ulan Bator</b>	SEW EURODRIVE LLP Representative office in Mongolia Suite 407, Tushig Centre Seoul street 23, Sukhbaatar district, Ulaanbaatar 14250	Tel. +976-70009997 Fax +976-70009997 <a href="http://www.sew-eurodrive.mn">http://www.sew-eurodrive.mn</a> <a href="mailto:sew@sew-eurodrive.mn">sew@sew-eurodrive.mn</a>



Morocco			
<b>Sales Service</b>	<b>Mohammedia</b>	SEW-EURODRIVE SARL 2 bis, Rue Al Jahid 28810 Mohammedia	Tel. +212 523 32 27 80/81 Fax +212 523 32 27 89 sew@sew-eurodrive.ma http://www.sew-eurodrive.ma
Namibia			
<b>Sales</b>	<b>Swakopmund</b>	DB Mining & Industrial Services Einstein Street Strauss Industrial Park Unit1 Swakopmund	Tel. +264 64 462 738 Fax +264 64 462 734 sales@dbminingnam.com
Netherlands			
<b>Assembly Sales Service</b>	<b>Rotterdam</b>	SEW-EURODRIVE B.V. Industrieweg 175 NL-3044 AS Rotterdam Postbus 10085 NL-3004 AB Rotterdam	Tel. +31 10 4463-700 Fax +31 10 4155-552 Service: 0800-SEWHELP http://www.sew-eurodrive.nl info@sew-eurodrive.nl
New Zealand			
<b>Assembly Sales Service</b>	<b>Auckland</b>	SEW-EURODRIVE NEW ZEALAND LTD. P.O. Box 58-428 82 Greenmount drive East Tamaki Auckland	Tel. +64 9 2745627 Fax +64 9 2740165 http://www.sew-eurodrive.co.nz sales@sew-eurodrive.co.nz
	<b>Christchurch</b>	SEW-EURODRIVE NEW ZEALAND LTD. 10 Settlers Crescent, Ferrymead Christchurch	Tel. +64 3 384-6251 Fax +64 3 384-6455 sales@sew-eurodrive.co.nz
Nigeria			
<b>Sales</b>	<b>Lagos</b>	EISNL Engineering Solutions and Drives Ltd Plot 9, Block A, Ikeja Industrial Estate (Ogba Scheme) Adeniyi Jones St. End Off ACME Road, Ogba, Ikeja, Lagos Nigeria	Tel. +234 (0)1 217 4332 team.sew@eisnl.com http://www.eisnl.com
Norway			
<b>Assembly Sales Service</b>	<b>Moss</b>	SEW-EURODRIVE A/S Solgaard skog 71 N-1599 Moss	Tel. +47 69 24 10 20 Fax +47 69 24 10 40 http://www.sew-eurodrive.no sew@sew-eurodrive.no
Pakistan			
<b>Sales</b>	<b>Karachi</b>	Industrial Power Drives Al-Fatah Chamber A/3, 1st Floor Central Commercial Area, Sultan Ahmed Shah Road, Block 7/8, Karachi	Tel. +92 21 452 9369 Fax +92-21-454 7365 seweurodrive@cyber.net.pk
Paraguay			
<b>Sales</b>	<b>Fernando de la Mora</b>	SEW-EURODRIVE PARAGUAY S.R.L De la Victoria 112, Esquina nueva Asunción Departamento Central Fernando de la Mora, Barrio Bernardino	Tel. +595 991 519695 Fax +595 21 3285539 sew-py@sew-eurodrive.com.py
Peru			
<b>Assembly Sales Service</b>	<b>Lima</b>	SEW DEL PERU MOTORES REDUCTORES S.A.C. Los Calderos, 120-124 Urbanizacion Industrial Vulcano, ATE, Lima	Tel. +51 1 3495280 Fax +51 1 3493002 http://www.sew-eurodrive.com.pe sewperu@sew-eurodrive.com.pe



Poland			
Assembly Sales Service	Lodz	SEW-EURODRIVE Polska Sp.z.o.o. ul. Techniczna 5 PL-92-518 Łódź	Tel. +48 42 676 53 00 Fax +48 42 676 53 49 <a href="http://www.sew-eurodrive.pl">http://www.sew-eurodrive.pl</a> <a href="mailto:sew@sew-eurodrive.pl">sew@sew-eurodrive.pl</a>
		Service	Tel. +48 42 6765332 / 42 6765343 Fax +48 42 6765346 Linia serwisowa Hotline 24H Tel. +48 602 739 739 (+48 602 SEW SEW) <a href="mailto:serwis@sew-eurodrive.pl">serwis@sew-eurodrive.pl</a>
Portugal			
Assembly Sales Service	Coimbra	SEW-EURODRIVE, LDA. Apartado 15 P-3050-901 Mealhada	Tel. +351 231 20 9670 Fax +351 231 20 3685 <a href="http://www.sew-eurodrive.pt">www.sew-eurodrive.pt</a> <a href="mailto:infosew@sew-eurodrive.pt">infosew@sew-eurodrive.pt</a>
Romania			
Sales Service	Bucharest	Sialco Trading SRL str. Brazilia nr. 36 011783 Bucuresti	Tel. +40 21 230-1328 Fax +40 21 230-7170 <a href="mailto:sialco@sialco.ro">sialco@sialco.ro</a>
Russia			
Assembly Sales Service	St. Petersburg	ZAO SEW-EURODRIVE P.O. Box 36 RUS-195220 St. Petersburg	Tel. +7 812 3332522 +7 812 5357142 Fax +7 812 3332523 <a href="http://www.sew-eurodrive.ru">http://www.sew-eurodrive.ru</a> <a href="mailto:sew@sew-eurodrive.ru">sew@sew-eurodrive.ru</a>
Senegal			
Sales	Dakar	SENEMECA Mécanique Générale Km 8, Route de Rufisque B.P. 3251, Dakar	Tel. +221 338 494 770 Fax +221 338 494 771 <a href="mailto:senemeca@sentoo.sn">senemeca@sentoo.sn</a> <a href="http://www.senemeca.com">http://www.senemeca.com</a>
Serbia			
Sales	Beograd	DIPAR d.o.o. Ustanicka 128a PC Košum, IV sprat SRB-11000 Beograd	Tel. +381 11 347 3244 / +381 11 288 0393 Fax +381 11 347 1337 <a href="mailto:office@dipar.rs">office@dipar.rs</a>
Singapore			
Assembly Sales Service	Singapore	SEW-EURODRIVE PTE. LTD. No 9, Tuas Drive 2 Jurong Industrial Estate Singapore 638644	Tel. +65 68621701 Fax +65 68612827 <a href="http://www.sew-eurodrive.com.sg">http://www.sew-eurodrive.com.sg</a> <a href="mailto:sewsingapore@sew-eurodrive.com">sewsingapore@sew-eurodrive.com</a>
Slovakia			
Sales	Bratislava	SEW-Eurodrive SK s.r.o. Rybničná 40 SK-831 06 Bratislava	Tel. +421 2 33595 202 Fax +421 2 33595 200 <a href="mailto:sew@sew-eurodrive.sk">sew@sew-eurodrive.sk</a> <a href="http://www.sew-eurodrive.sk">http://www.sew-eurodrive.sk</a>
	Žilina	SEW-Eurodrive SK s.r.o. Industry Park - PChZ ulica M.R.Štefánika 71 SK-010 01 Žilina	Tel. +421 41 700 2513 Fax +421 41 700 2514 <a href="mailto:sew@sew-eurodrive.sk">sew@sew-eurodrive.sk</a>
	Banská Bystrica	SEW-Eurodrive SK s.r.o. Rudlovska cesta 85 SK-974 11 Banská Bystrica	Tel. +421 48 414 6564 Fax +421 48 414 6566 <a href="mailto:sew@sew-eurodrive.sk">sew@sew-eurodrive.sk</a>
	Košice	SEW-Eurodrive SK s.r.o. Slovenská ulica 26 SK-040 01 Košice	Tel. +421 55 671 2245 Fax +421 55 671 2254 <a href="mailto:sew@sew-eurodrive.sk">sew@sew-eurodrive.sk</a>



Slovenia			
<b>Sales Service</b>	<b>Celje</b>	Pakman - Pogonska Tehnika d.o.o. Ul. XIV. divizije 14 SLO - 3000 Celje	Tel. +386 3 490 83-20 Fax +386 3 490 83-21 pakman@siol.net
South Africa			
<b>Assembly Sales Service</b>	<b>Johannesburg</b>	SEW-EURODRIVE (PROPRIETARY) LIMITED Eurodrive House Cnr. Adcock Ingram and Aerodrome Roads Aeroton Ext. 2 Johannesburg 2013 P.O.Box 90004 Bertsham 2013	Tel. +27 11 248-7000 Fax +27 11 494-3104 <a href="http://www.sew.co.za">http://www.sew.co.za</a> info@sew.co.za
	<b>Cape Town</b>	SEW-EURODRIVE (PROPRIETARY) LIMITED Rainbow Park Cnr. Racecourse & Omuramba Road Montague Gardens Cape Town P.O.Box 36556 Chempet 7442 Cape Town	Tel. +27 21 552-9820 Fax +27 21 552-9830 Telex 576 062 bgriffiths@sew.co.za
	<b>Durban</b>	SEW-EURODRIVE (PROPRIETARY) LIMITED 48 Prospecton Road Isipingo Durban P.O. Box 10433, Ashwood 3605	Tel. +27 31 902 3815 Fax +27 31 902 3826 cdejager@sew.co.za
	<b>Nelspruit</b>	SEW-EURODRIVE (PTY) LTD. 7 Christie Crescent Vintonia P.O.Box 1942 Nelspruit 1200	Tel. +27 13 752-8007 Fax +27 13 752-8008 robermeyer@sew.co.za
South Korea			
<b>Assembly Sales Service</b>	<b>Ansan</b>	SEW-EURODRIVE KOREA CO., LTD. B 601-4, Banweol Industrial Estate #1048-4, Shingil-Dong, Danwon-Gu, Ansan-City, Kyunggi-Do Zip 425-839	Tel. +82 31 492-8051 Fax +82 31 492-8056 <a href="http://www.sew-korea.co.kr">http://www.sew-korea.co.kr</a> master.korea@sew-eurodrive.com
	<b>Busan</b>	SEW-EURODRIVE KOREA Co., Ltd. No. 1720 - 11, Songjeong - dong Gangseo-ku Busan 618-270	Tel. +82 51 832-0204 Fax +82 51 832-0230 master@sew-korea.co.kr
Spain			
<b>Assembly Sales Service</b>	<b>Bilbao</b>	SEW-EURODRIVE ESPAÑA, S.L. Parque Tecnológico, Edificio, 302 E-48170 Zamudio (Vizcaya)	Tel. +34 94 43184-70 Fax +34 94 43184-71 <a href="http://www.sew-eurodrive.es">http://www.sew-eurodrive.es</a> sew.spain@sew-eurodrive.es
Swaziland			
<b>Sales</b>	<b>Manzini</b>	C G Trading Co. (Pty) Ltd PO Box 2960 Manzini M200	Tel. +268 2 518 6343 Fax +268 2 518 5033 engineering@cgtrading.co.sz
Sweden			
<b>Assembly Sales Service</b>	<b>Jönköping</b>	SEW-EURODRIVE AB Gnejsvägen 6-8 S-55303 Jönköping Box 3100 S-55003 Jönköping	Tel. +46 36 3442 00 Fax +46 36 3442 80 <a href="http://www.sew-eurodrive.se">http://www.sew-eurodrive.se</a> jonkoping@sew.se



Switzerland			
<b>Assembly</b> <b>Sales</b> <b>Service</b>	<b>Basel</b>	Alfred Imhof A.G. Jurastrasse 10 CH-4142 Münchenstein bei Basel	Tel. +41 61 417 1717 Fax +41 61 417 1700 <a href="http://www.imhof-sew.ch">http://www.imhof-sew.ch</a> <a href="mailto:info@imhof-sew.ch">info@imhof-sew.ch</a>
Tanzania			
<b>Sales</b>	<b>Dar es Salaam</b>	SEW-EURODRIVE PTY LIMITED TANZANIA Plot 52, Regent Estate PO Box 106274 Dar Es Salaam	Tel. +255 0 22 277 5780 Fax +255 0 22 277 5788 <a href="http://www.sew-eurodrive.co.tz">http://www.sew-eurodrive.co.tz</a> <a href="mailto:uroos@sew.co.tz">uroos@sew.co.tz</a>
Thailand			
<b>Assembly</b> <b>Sales</b> <b>Service</b>	<b>Chonburi</b>	SEW-EURODRIVE (Thailand) Ltd. 700/456, Moo.7, Donhuaroh Muang Chonburi 20000	Tel. +66 38 454281 Fax +66 38 454288 <a href="mailto:sewthailand@sew-eurodrive.com">sewthailand@sew-eurodrive.com</a>
Tunisia			
<b>Sales</b>	<b>Tunis</b>	T. M.S. Technic Marketing Service Zone Industrielle Mghira 2 Lot No. 39 2082 Fouchana	Tel. +216 79 40 88 77 Fax +216 79 40 88 66 <a href="http://www.tms.com.tn">http://www.tms.com.tn</a> <a href="mailto:tms@tms.com.tn">tms@tms.com.tn</a>
Turkey			
<b>Assembly</b> <b>Sales</b> <b>Service</b>	<b>Kocaeli-Gebze</b>	SEW-EURODRIVE Sistemleri San. Ve TIC. Ltd. Sti Gebze Organize Sanayi Böl. 400 Sok No. 401 41480 Gebze Kocaeli	Tel. +90-262-9991000-04 Fax +90-262-9991009 <a href="http://www.sew-eurodrive.com.tr">http://www.sew-eurodrive.com.tr</a> <a href="mailto:sew@sew-eurodrive.com.tr">sew@sew-eurodrive.com.tr</a>
Ukraine			
<b>Assembly</b> <b>Sales</b> <b>Service</b>	<b>Dnipropetrovsk</b>	ООО «СЕВ-Евродрайв» ул.Рабочая, 23-В, офис 409 49008 Днепропетровск	Тел. +380 56 370 3211 Факс. +380 56 372 2078 <a href="http://www.sew-eurodrive.ua">http://www.sew-eurodrive.ua</a> <a href="mailto:sew@sew-eurodrive.ua">sew@sew-eurodrive.ua</a>
United Arab Emirates			
<b>Sales</b> <b>Service</b>	<b>Sharjah</b>	Copam Middle East (FZC) Sharjah Airport International Free Zone P.O. Box 120709 Sharjah	Tel. +971 6 5578-488 Fax +971 6 5578-499 <a href="mailto:copam_me@eim.ae">copam_me@eim.ae</a>
USA			
<b>Production</b> <b>Assembly</b> <b>Sales</b> <b>Service</b>	<b>Southeast Region</b>	SEW-EURODRIVE INC. 1295 Old Spartanburg Highway P.O. Box 518 Lyman, S.C. 29365	Tel. +1 864 439-7537 Fax Sales +1 864 439-7830 Fax Manufacturing +1 864 439-9948 Fax Assembly +1 864 439-0566 Fax Confidential/HR +1 864 949-5557 <a href="http://www.seweurodrive.com">http://www.seweurodrive.com</a> <a href="mailto:cslyman@seweurodrive.com">cslyman@seweurodrive.com</a>
<b>Assembly</b> <b>Sales</b> <b>Service</b>	<b>Northeast Region</b>	SEW-EURODRIVE INC. Pureland Ind. Complex 2107 High Hill Road, P.O. Box 481 Bridgeport, New Jersey 08014	Tel. +1 856 467-2277 Fax +1 856 845-3179 <a href="mailto:csbridgeport@seweurodrive.com">csbridgeport@seweurodrive.com</a>
	<b>Midwest Region</b>	SEW-EURODRIVE INC. 2001 West Main Street Troy, Ohio 45373	Tel. +1 937 335-0036 Fax +1 937 332-0038 <a href="mailto:cstroy@seweurodrive.com">cstroy@seweurodrive.com</a>
	<b>Southwest Region</b>	SEW-EURODRIVE INC. 3950 Platinum Way Dallas, Texas 75237	Tel. +1 214 330-4824 Fax +1 214 330-4724 <a href="mailto:csdallas@seweurodrive.com">csdallas@seweurodrive.com</a>



USA			
	<b>Western Region</b>	SEW-EURODRIVE INC. 30599 San Antonio St. Hayward, CA 94544	Tel. +1 510 487-3560 Fax +1 510 487-6433 cshayward@seweurodrive.com
Additional addresses for service in the USA provided on request!			
Venezuela			
<b>Assembly Sales Service</b>	<b>Valencia</b>	SEW-EURODRIVE Venezuela S.A. Av. Norte Sur No. 3, Galpon 84-319 Zona Industrial Municipal Norte Valencia, Estado Carabobo	Tel. +58 241 832-9804 Fax +58 241 838-6275 <a href="http://www.sew-eurodrive.com.ve">http://www.sew-eurodrive.com.ve</a> ventas@sew-eurodrive.com.ve sewfinanzas@cantv.net
Vietnam			
<b>Sales</b>	<b>Ho Chi Minh City</b>	<b>Huế - South Vietnam / Construction Materials</b> Nam Trung Co., Ltd 250 Binh Duong Avenue, Thu Dau Mot Town, Binh Duong Province HCM office: 91 Tran Minh Quyen Street District 10, Ho Chi Minh City	Tel. +84 8 8301026 Fax +84 8 8392223 namtrungco@hcm.vnn.vn truongtantam@namtrung.com.vn khanh-nguyen@namtrung.com.vn
	<b>Hanoi</b>	<b>Quảng Trị - North Vietnam / All sectors except Construction Materials</b> MICO LTD 8th Floor, Ocean Park Building, 01 Dao Duy Anh St, Ha Noi, Viet Nam	Tel. +84 4 39386666 Fax +84 8 39742709 nam_ph@micogroup.com.vn
<b>Laos</b>	<b>Ho Chi Minh City</b>	DUC VIET INT LTD Industrial Trading and Engineering Services 11 Hoang Sa Str., Da Kao Ward, District 1, HCM City	Tel. +84 8 3820 60 64 Fax +84 8 3820 60 23 totien@ducvietint.com
Zambia			
<b>Sales</b>	<b>Kitwe</b>	EC Mining Limited Plots No. 5293 & 5294, Tangaanyika Road, Off Mutentemuko Road, Heavy Industrial Park, P.O.BOX 2337 Kitwe	Tel. +260 212 210 642 Fax +260 212 210 645 sales@ecmining.com <a href="http://www.ecmining.com">http://www.ecmining.com</a>



## Index

### 0...9

10 V output, connection .....	31
24 V output, connection .....	30
24 V supply, connection .....	29

### A

Acceleration .....	37
Analog inputs/outputs, connection .....	31
Analog input, technical data .....	75
Analog output, technical data .....	75
Assignment motor .....	76

### B

Binary control .....	49
Binary inputs, technical data .....	75
Binary inputs/outputs, connection .....	30
Binary output, technical data .....	75
Boost .....	39

### C

Cable cross section .....	19
Cable diameter, permitted .....	19
Cable routing .....	18, 23
CE marking .....	70

### Connection

10 V output .....	31
24 V output .....	30
24 V supply .....	29
Analog inputs/outputs .....	31
Binary inputs/outputs .....	30
Control plate .....	28
Fan control .....	27
Fan supply .....	27
General information .....	17
Motor .....	26
MOVI4R-U® .....	23
On the control plate .....	24
On the power section .....	23
PE .....	21
Power section .....	29
Power supply cables .....	19
Relay .....	30
Supply system .....	25
Control knob .....	33
Control plate	
Connections .....	24
Firmware .....	45
Installation .....	64
Removal .....	62
Unit replacement .....	62
Cooling air .....	15

Copyright .....	6
Cross section of power and control cables .....	19
C-Tick .....	70

### D

Deceleration .....	37
Delivery state .....	45
Description .....	10
Designated use .....	8
DI03 terminal assignment .....	40
Direction of rotation with DI02 .....	50
Drilling template .....	16

### E

Electrical .....	17
Electrical connection .....	9
Electrical installation .....	17
Embedded safety notes .....	5
EMC-compliant installation .....	22
Enable with DI01 .....	50
Equipotential bonding .....	18
Error reset .....	54
Exclusion of liability .....	6
Extended storage .....	68

### F

#### Fan

Controller connection .....	27
Installation .....	67
Removal .....	66
Supply connection .....	27
Technical data .....	76
Unit replacement .....	66
Firmware for control plate .....	45
Firmware for power section .....	45
Fixed speed setpoint n2 .....	41
Flat ribbon cable .....	28
Function menu	
1 Speed display/setpoint setting .....	36
10 Manual mode .....	46
2 Acceleration/Deceleration .....	37
3 Maximum speed .....	38
4 Boost .....	39
5 Terminal assignment DI03/Setpoint source .....	40
6 Fixed speed setpoint .....	41
7 Inverter output current .....	42
8 Nominal motor power .....	43
9 Nominal motor voltage .....	44
Overview .....	35
Functions of the MOVI4R-U® .....	50

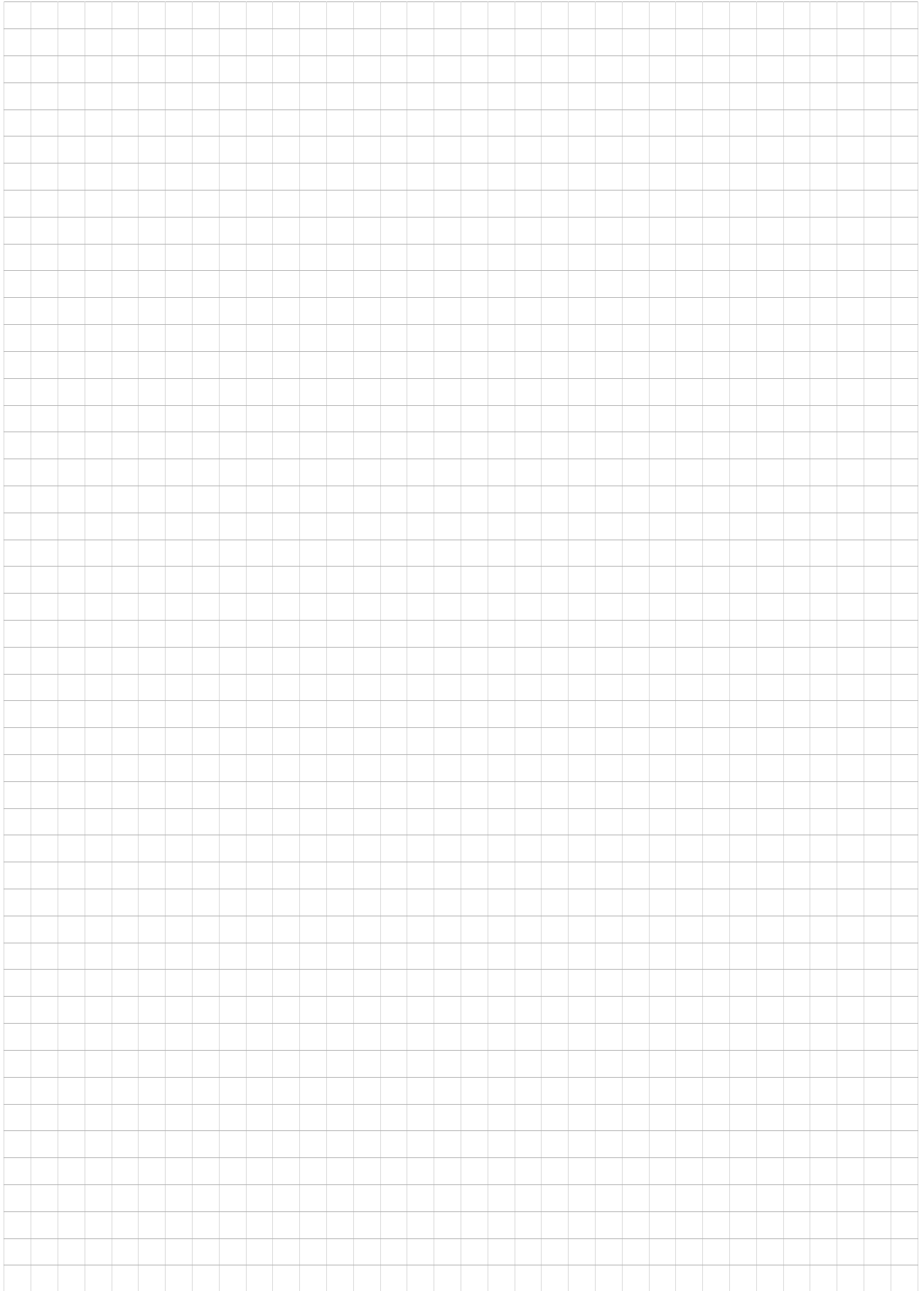


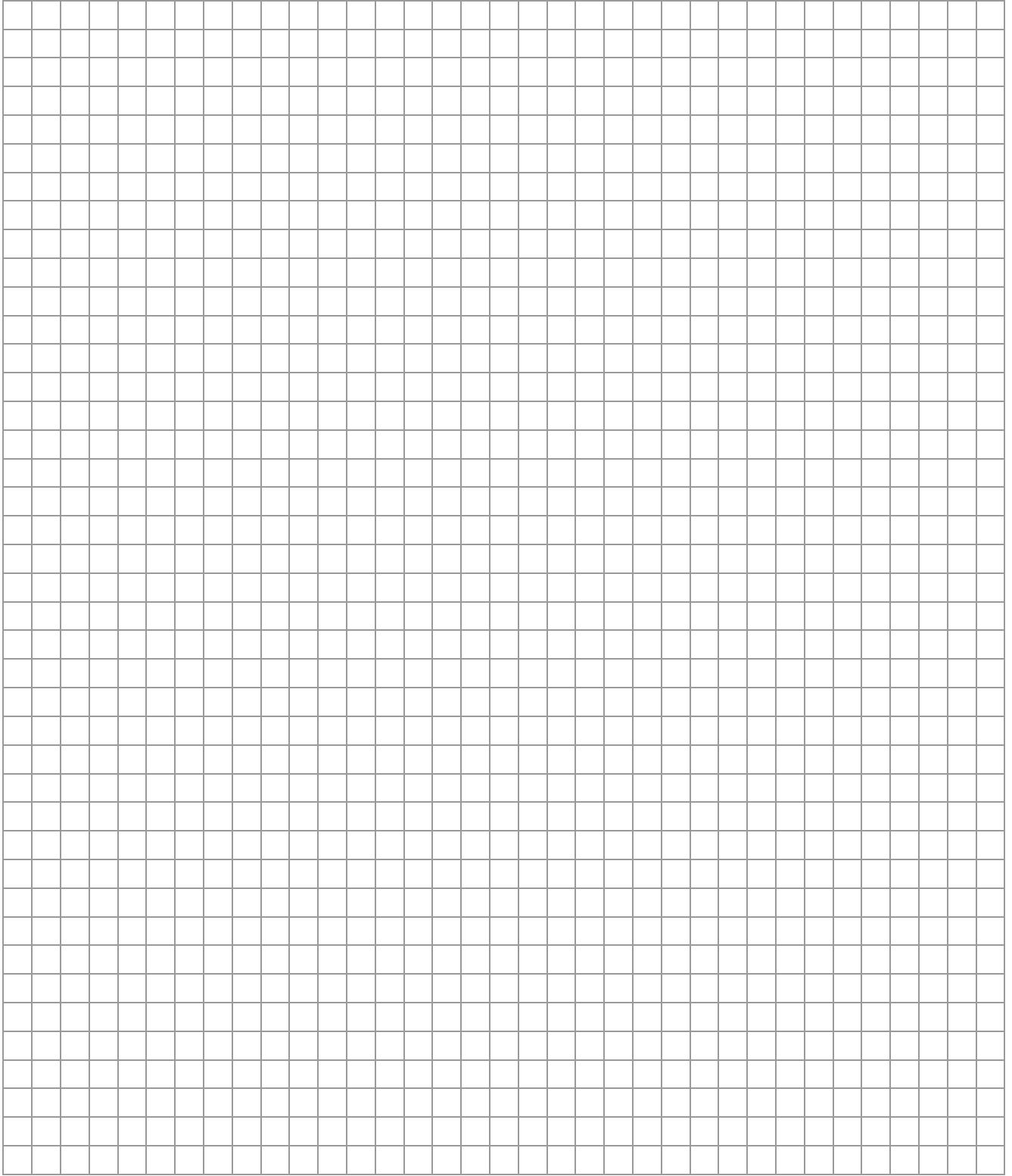
<b>G</b>		<b>N</b>	
Gost-R certification	70	n2 Fixed speed setpoint	41
<b>I</b>		Nameplate	12, 14
Inputs, technical data	75	nmax maximum speed	38
Inspection	68	Nominal motor power	43
Installation	8, 16, 17	Nominal motor power PN	43
<i>Control plate</i>	64	Nominal motor voltage	44
<i>Drilling template</i>	16	Nominal motor voltage VN	44
<i>Fan</i>	67	Notes	
<i>General information</i>	15	<i>Designation in the documentation</i>	5
<i>Line contactor</i>	20	nx speed display	36
<i>Mechanical</i>	15	<b>O</b>	
<i>Power section</i>	59	Operating display	52
<i>Requirements</i>	15	Operating modes	49, 50
<i>Residual current device</i>	20	Operation, safety notes	9
Installation altitude	22	Other applicable documentation	6
Installation instructions	19	Output current inverter	42
Installation planning, EMC-compliant	17	Output signals	51
Inverter output current	42	Outputs, technical data	75
<b>L</b>		<b>P</b>	
LEDs	52	PE connection	21
Lifting applications	8	PN nominal motor power	43
Line contactor	20	Power section	
Line termination	19	<i>Connections</i>	23
List of faults	54	<i>Firmware</i>	45
<b>M</b>		<i>Installation</i>	59
Maintenance	68	<i>Removal</i>	55
Manual mode	49, 53	<i>Unit replacement</i>	55
Manual mode (Function menu 10)	46	Power supply cables	19
Maximum speed nmax	38	Prefabrication	
Mechanical Installation	15	<i>Motor cable</i>	26
Menus		<i>Power supply cable</i>	25
<i>Function menus</i>	34	Product names	6
<i>Selection menu</i>	34	Protection devices	21
<i>Submenus</i>	34	Protective cover	32
Motor assignment	76	Putting into storage	8
Motor, connection	26	<b>R</b>	
Mounting dimensions	16	Ramp time	37
Mounting position	16	Reference output, technical data	75
MOVI4R-U® characteristics	10	Relays	
MOVI4R-U® dimension drawing	77	<i>Connection</i>	30
MOVI4R-U® properties	10	<i>Technical data</i>	76
MUPF11A		Removal	
<i>Installation</i>	67	<i>Control plate</i>	62
<i>Removal</i>	66	<i>Fan</i>	66
<i>Technical data</i>	76	<i>Power section</i>	55
		Requirements for startup	32





Reset, error .....	54	<b>T</b>	
Residual current device .....	20	Target group .....	7
Rights to claim under limited warranty .....	6	Technical data	
<b>S</b>		<i>Analog input</i> .....	75
Safe disconnection .....	9	<i>Analog output</i> .....	75
Safety functions .....	8	<i>Binary inputs</i> .....	75
Safety notes		<i>Binary output</i> .....	75
<i>Designated use</i> .....	8	<i>CE marking</i> .....	70
<i>Designation in the documentation</i> .....	5	<i>C-Tick</i> .....	70
<i>"Easy" startup</i> .....	32	<i>MOVI4R-U<sup>®</sup> 1 x 200 – 240 V</i> .....	71
<i>Electrical connection</i> .....	9	<i>MOVI4R-U<sup>®</sup> 3 x 200 – 240 V</i> .....	72
<i>General information</i> .....	7	<i>MOVI4R-U<sup>®</sup> 3 x 380 – 400 V</i> .....	73
<i>Installation</i> .....	8	<i>MOVI4R-U<sup>®</sup> 3 x 380 – 500 V</i> .....	74
<i>Operation</i> .....	9	<i>MUPF11A fan</i> .....	76
<i>Other applicable documentation</i> .....	6	<i>Reference output</i> .....	75
<i>Safe disconnection</i> .....	9	<i>Relays</i> .....	76
<i>Structure of the embedded safety notes</i> .....	5	<i>UL approval</i> .....	70
<i>Structure of the section safety notes</i> .....	5	Terminal assignment DI03 .....	40
<i>Target group</i> .....	7	Trademarks .....	6
<i>Transportation, storage</i> .....	8	Transport .....	8
Section safety notes .....	5	Type designation .....	13, 14
Setpoint setting .....	36	<b>U</b>	
Setpoint source .....	40, 50	UL approval .....	70
Setpoint, dependency .....	50	UL-compliant installation (in preparation) .....	22
Setting parameters .....	48	Unit replacement	
Shielding .....	18	<i>Control plate</i> .....	62
Shutdown .....	68	<i>Fan</i> .....	66
Signal words in safety notes .....	5	<i>Power section</i> .....	55
Spare parts .....	11	Unit structure .....	10
Speed display nx .....	36	<b>V</b>	
Startup		VN nominal motor voltage .....	44
<i>Requirements</i> .....	32	<b>W</b>	
<i>Setting parameters</i> .....	48	Waste disposal .....	69
<i>Startup procedure</i> .....	48	Wiring	
<i>With different operating modes</i> .....	49	<i>MOVI4R-U<sup>®</sup></i> .....	23
Storage .....	8, 68	<i>Power supply cables</i> .....	19
Submenu			
10 <i>Control plate firmware</i> .....	45		
8 <i>Delivery state</i> .....	45		
9 <i>Firmware power section</i> .....	45		
Supply system, connection .....	25		
Sustainability .....	69		







**SEW-EURODRIVE**  
Driving the world

**SEW**  
**EURODRIVE**

SEW-EURODRIVE GmbH & Co KG  
P.O. Box 3023  
76642 BRUCHSAL  
GERMANY  
Phone +49 7251 75-0  
Fax +49 7251 75-1970  
sew@sew-eurodrive.com

→ [www.sew-eurodrive.com](http://www.sew-eurodrive.com)