

OVENS / COMPACT APPLIANCES 6551 SERIES



Küppersbusch

Küppersbusch
FÜR KÜCHEN MIT STIL



+ Awarded Design

Over 60 design awards, 1 Iconic Award: Best of the Best 2017, 11 Red dot Awards over the last 5 years, 1 Best-of-the-Best Award in 2012, 1 Plus X Award in 2015, as well as 2 German Design Awards in 2016 and since 2015, member of the German Design Council.

+ Individual Concept

Several handles and stripes enable maximum individuality in your kitchen. Stylish and variable, for your individual style.

+ ökotherm® catalytic converter

Unique and only at Küppersbusch! The catalytic converter ensures the appliance stays clean on the inside, saves energy and optimises the cooking results.

+ Full glass inner door

The quality full glass inner door with triple glazing ensures perfect insulation. Clear advantages: Energy-saving, easy to clean, highest safety and longevity.

+ Learn from the professionals


The know-how of commercial kitchens, perfectly tailored to your needs at home. Our sister company's vast experience contributes to the product development of our household appliances.

+ 140 years of experiences

Rooted in the Ruhr area since 1875: A region that – like no other – stands for reliability and down-to-earthness. Quality from tradition.

+ Full-range

A broad portfolio of products – covering everything from built-in ovens to sinks.

For more information, please contact your nearest certified Küppersbusch dealer or visit us at www.kuppersbusch.com and www.facebook.com/kuppersbuschcom 

OVEN.

Premium+



Black, Design Stainless Steel (pre-assembled)



White, Design Stainless Steel (pre-assembled)



EEB 6551.0

Features:

- 10 oven functions
- 2 special functions
- 16 Automatic programmes
- 3,9" TFT graphic display
- Electronic oven control by means of back-lit sensor touch controls
- Electronic timer (cooking time, end of cooking time, minute minder, starting time) with white Display
- Full glass inner door with a stainless steel frame, triple glazed, removable
- Rapid heating
- Stand-by-modus
- 57 litres capacity
- Halogen lighting
- Door contact switch
- Drop-down large-area grill

Technical data:

- Electrical connection 3,3 kW
- Niche dimensions W x H x D approx. 560 x 590 x 550 mm

Standard accessories:

- 1 enamel baking tray; 1 enamel universal/deep tray; 1 roasting grid

Optional accessories:

- Telescopic glide-out shelves (2 standard glide-outs) Acc. no. 1085
- Telescopic glide-out shelves (2 standard glide-outs, 1 glide-out with PerfectStop) Acc. no. 1094
- Telescopic glide-out shelves (1 standard glide-out, 2 glide-outs with PerfectStop) Acc. no. 1096

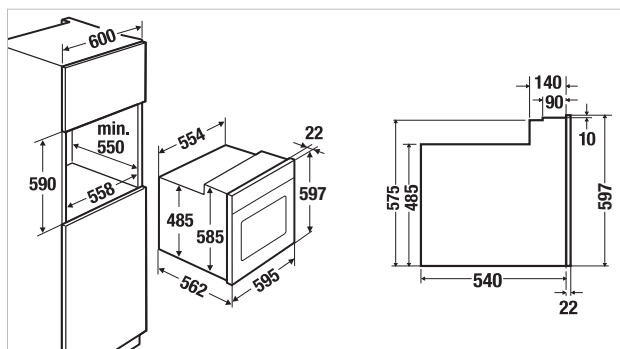
Design kits:

- Design Black Chrome Acc. no. 3001
- Design Silver Chrome Acc. no. 4001
- Design Gold Acc. no. 5001
- Design Black Velvet Acc. no. 6001
- Design Copper Acc. no. C6000
- Design Hot Chili Acc. no. R6000

EEB 6551.0 JX1 Black Design Stainless Steel
 EEB 6551.0 JX Black + Design kit Acc. no. ...

EEB 6551.0 WX1 White Design Stainless Steel
 EEB 6551.0 WX White + Design kit Acc. no. ...

Further Information about Individual and Individual Plus see page 28–31 of the current catalogue 2017/2018.



COMPACT. OVEN.

Premium+



Black, Design Stainless Steel (pre-assembled)



White, Design Stainless Steel (pre-assembled)



EEBK 6551.0

Features:

- 10 oven functions
- 2 special functions
- 16 Automatic programmes
- 3,9" TFT graphic display
- Electronic oven control by means of back-lit sensor touch controls
- Electronic timer (cooking time, end of cooking time, minute minder, starting time) with white Display
- Full glass inner door with a stainless steel frame, triple glazed, removable
- Rapid heating
- Stand-by-modus
- 46 litres capacity
- Oven lighting
- Door contact switch
- Drop-down large-area grill

Technical data:

- Electrical connection 3,2 kW
- Appliance dimensions W x H x D approx. 595 x 455 x 562 mm (incl. front 22 mm)
- Niche dimensions W x H x D approx. 560 x 450 x 550 mm

Standard accessories:

- 1 enamel baking tray, 1 enamel universal/deep tray, 1 roasting grid

Optional accessories:

- Telescopic glide-out shelf Acc. no. 1089 (1 standard glide-out)

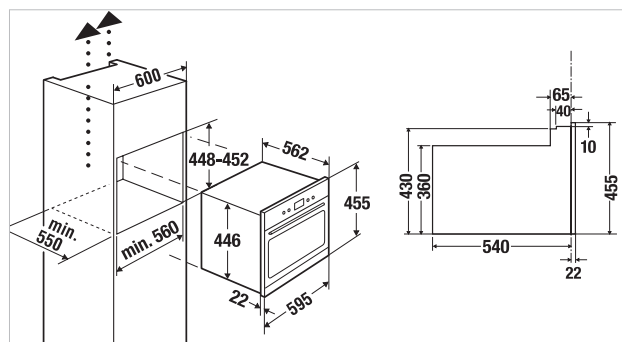
Design kits:

- Design Black Chrome Acc. no. 3001
- Design Silver Chrome Acc. no. 4001
- Design Gold Acc. no. 5001
- Design Black Velvet Acc. no. 6001
- Design Copper Acc. no. C6000
- Design Hot Chili Acc. no. R6000

EEBK 6551.0 JX1 Black Design Stainless Steel
 EEBK 6551.0 JX Black + Design kit Acc. no. ...

EEBK 6551.0 WX1 White Design Stainless Steel
 EEBK 6551.0 WX White + Design kit Acc. no. ...

Further Information about Individual and Individual Plus see page 28–31 of the current catalogue 2017/2018.



COMPACT. OVEN. STEAMER.

Premium+



Black, Design Stainless Steel (pre-assembled)



White, Design Stainless Steel (pre-assembled)



EKDG 6551.0

Features:

- 2 oven functions
- 4 steam functions
- 45 Automatic programmes
- 5 favorite programmes for saving own processes
- 3,9" TFT graphic display
- Electronic oven control by means of back-lit sensor touch controls
- Electronic timer (cooking time, end of cooking time, minute minder, starting time) with white Display
- Full glass inner door, triple glazed, removable
- Stainless steel oven cavity
- Stand-by-modus
- 35 litres capacity
- Oven lighting
- Door contact switch
- Grill

Technical data:

- Electrical connection 2,9 kW
- Appliance dimensions W x H x D approx. 595 x 455 x 562 mm (incl. front 22 mm)
- Niche dimensions W x H x D approx. 560 x 450 x 550 mm

Standard accessories:

- 1 roasting grid; 1 cooking trivet, non-perforated, flat;
- 1 Cooking trivet, perforated, deep

Optional accessories:

- Cooking trivet, non-perforated, deep Acc. no. 1117
- Cooking trivet, perforated, flat Acc. no. 1116

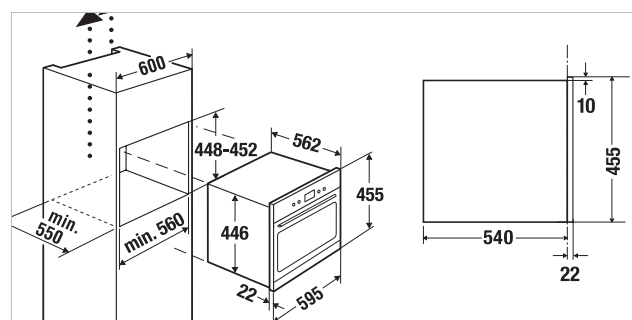
Design kits:

- Design Black Chrome Acc. no. 3001
- Design Silver Chrome Acc. no. 4001
- Design Gold Acc. no. 5001
- Design Black Velvet Acc. no. 6001
- Design Copper Acc. no. C6000
- Design Hot Chili Acc. no. R6000

EKDG 6551.0 J1 Black Design Stainless Steel
EKDG 6551.0 J Black + Design kit Acc. no. ...

EKDG 6551.0 W1 White Design Stainless Steel
EKDG 6551.0 W White + Design kit Acc. no. ...

Further Information about Individual and Individual Plus see page 28–31 of the current catalogue 2017/2018.



COMPACT. STEAMER.

Premium+



Black, Design Stainless Steel (pre-assembled)



White, Design Stainless Steel (pre-assembled)



EDG 6551.0

Features:

- 2 steam functions
- 25 Automatic programmes
- 3,9" TFT graphic display
- Electronic oven control by means of back-lit sensor touch controls
- Electronic timer (cooking time, end of cooking time, minute minder, starting time) with white Display
- Full glass inner door, triple glazed, removable
- Stainless steel oven cavity
- Stand-by-modus
- 35 litres capacity
- Oven lighting
- Door contact switch

Technical data:

- Electrical connection 1,5 kW
- Appliance dimensions W x H x D approx. 595 x 455 x 562 mm (incl. front 22 mm)
- Niche dimensions W x H x D approx. 560 x 450 x 550 mm

Standard accessories:

- 1 roasting grid; 1 cooking trivet, non-perforated, flat; 1 Cooking trivet, perforated, deep

Optional accessories:

- Cooking trivet, non-perforated, deep Acc. no. 1117
- Cooking trivet, perforated, flat Acc. no. 1116

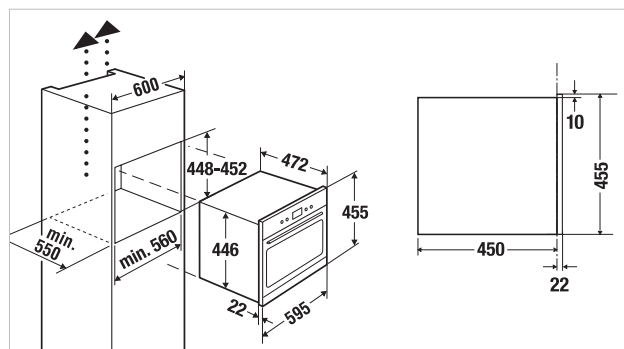
Design kits:

- Design Black Chrome Acc. no. 3001
- Design Silver Chrome Acc. no. 4001
- Design Gold Acc. no. 5001
- Design Black Velvet Acc. no. 6001
- Design Copper Acc. no. C6000
- Design Hot Chili Acc. no. R6000

EDG 6551.0 J1 Black Design Stainless Steel
EDG 6551.0 J Black + Design kit Acc. no. ...

EDG 6551.0 W1 White Design Stainless Steel
EDG 6551.0 W White + Design kit Acc. no. ...

Further Information about Individual and Individual Plus see page 28–31 of the current catalogue 2017/2018.



COMPACT. OVEN. MICROWAVE.

Premium+



Black, Design Stainless Steel (pre-assembled)



White, Design Stainless Steel (pre-assembled)



EMWK 6551.0

Features:

- 3 oven functions
- 3 microwave functions (microwave only, microwave + grill and microwave + hot air)
- 16 Automatic programmes
- 5 microwave output levels
- Microwave output 1000 watts
- Grill 1500 watts
- 3,9" TFT graphic display
- Electronic oven control by means of back-lit sensor touch controls
- Electronic timer (cooking time, end of cooking time, minute minder, starting time) with white Display
- Full glass inner door, double glazed, removable
- Stainless steel oven cavity
- Stand-by-modus
- 35 litres capacity
- Oven lighting
- Door contact switch
- Turntable with switch-off function
- Grill

Technical data:

- Electrical connection 2,9 kW
- Appliance dimensions W x H x D approx. 595 x 455 x 562 mm (incl. front 22 mm)
- Niche dimensions W x H x D approx. 560 x 450 x 550 mm

Standard accessories:

- 1 universal/deep tray, glass; 1 roasting grid; 1 grid

Optional accessories:

- Cooking trivet, non-perforated, deep Acc. no. 1117
- Cooking trivet, perforated, flat Acc. no. 1116

Design kits:

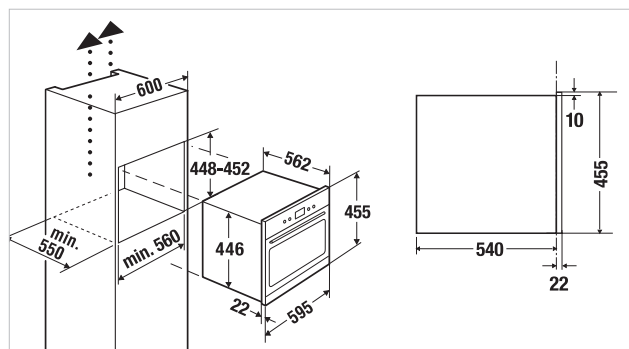
- Design Black Chrome Acc. no. 3001
- Design Silver Chrome Acc. no. 4001
- Design Gold Acc. no. 5001
- Design Black Velvet Acc. no. 6001
- Design Copper Acc. no. C6000
- Design Hot Chili Acc. no. R6000

EMWK 6551.0 J1 Black Design Stainless Steel
EMWK 6551.0 J Black + Design kit Acc. no. ...

EMWK 6551.0 W1 White Design Stainless Steel
EMWK 6551.0 W White + Design kit Acc. no. ...



Further Information about Individual and Individual Plus see page 28–31 of the current catalogue 2017/2018.



COMPACT. COFFEE. FULLY-AUTOMATIC.

Premium+



Black, Design Stainless Steel



White, Design Stainless Steel



EKV 6500.1

Features:

- LCD-Display with clear text and graphic display
- Electronic control with touch control sensors
- 5 programmable cup sizes (espresso cup, small cup, medium cup, large cup, mug)
- Dispenser for 1 or 2 cups
- Real milk function for cappuccino or coffee latte
- Removable milk container with cleaning function
- Suitable for use with coffee beans and coffee powder
- Height-adjustable coffee dispenser
- Boiling pressure approx. 15 bar
- 3 selectable coffee temperatures
- Selectable coffee flavour (5 preset coffee strengths)
- Separate boiler for coffee and for hot water
- Decalcification programme
- Automatic cleaning when switching on and off
- Hot water function
- Water container removable from the front
- Electronic timer with red display*
- Programmable starting time
- Stand-by-modus
- Telescopic rails for easy re-filling

Technical data:

- Electrical connection 1,35 kW
- Appliance dimensions W x H x D approx. 595 x 455 x 475 mm (incl. front 20 mm and telescopic rails)
- Niche dimensions W x H x D approx. 560 x 450 x 550 mm

Design kits:

- Design Stainless Steel Acc. no. 2002
- Design Black Chrome Acc. no. 3002
- Design Silver Chrome Acc. no. 4002
- Design Gold Acc. no. 5002
- Design Black Velvet Acc. no. 6002
- Design Copper Acc. no. C6001
- Design Hot Chili Acc. no. R6001

* Red display, that can be turned off by the Stand-by-modus

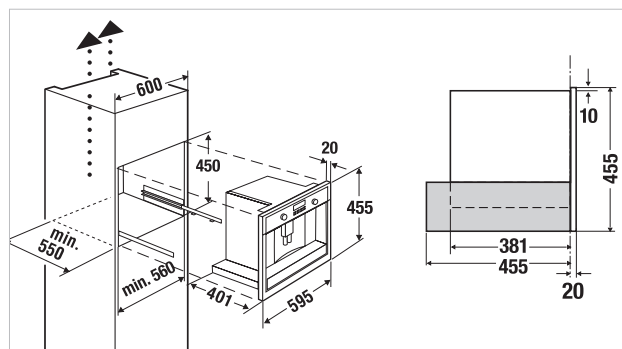


- EKV 6500.1 J1** Black Design Stainless Steel
- EKV 6500.1 J** Black + Design kit Acc. no. ...
- EKV 6500.1 W1** White Design Stainless Steel
- EKV 6500.1 W** White + Design kit Acc. no. ...

Further Information about Individual and Individual Plus see page 28–31 of the current catalogue 2017/2018.



reddot design award
winner 2013
EKV 6500.1 J5,
Black,
Design Black
Velvet



COMPACT. TV.

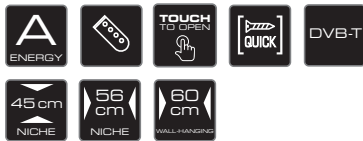
Profession+



Black, Design Stainless Steel (pre-assembled)



White, Design Stainless Steel (pre-assembled)



ETV 6800.2

Features:

- 19" LED-colour television (48 cm screen diagonal)
- HD ready
- Videotext function
- Sleep-timer function
- Selectable picture size (16:10 / 16:9)
- Integrated DVB-T tuner / Cable tuner
- Integrated DVD-player
- USB recording
- Memory settings for 200 programmes
- Lift-up mechanism with Touch to open function

Technical data:

- Energy consumption 26 kWh (per year)
- Electrical connection 18 watts
- Appliance dimensions W x H x D approx. 595 x 455 x 150 mm
- Niche dimensions W x H x D approx. 560 x 450 x 200 mm
- Connectivity 1 x HDMI, 1 x Scart, AV/S-Video in, VGA, USB, CI, headphones

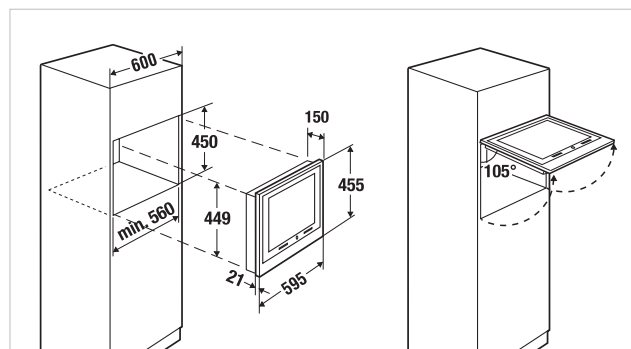
Design kits:

- Design Black Chrome Acc. no. 3002
- Design Silver Chrome Acc. no. 4002
- Design Gold Acc. no. 5002
- Design Black Velvet Acc. no. 6002
- Design Copper Acc. no. C6001
- Design Hot Chili Acc. no. R6001

ETV 6800.2 J1 Black Design Stainless Steel
ETV 6800.2 J Black + Design kit Acc. no. ...

ETV 6800.2 W1 White Design Stainless Steel
ETV 6800.2 W White + Design kit Acc. no. ...







Further Information about Individual and Individual Plus see page 28–31 of the current catalogue 2017/2018.



Küppersbusch installation options: Diversity in possibilities

The **vertical** arrangement of two appliances creates a harmonious overall look and also shortens distances to make work processes easier. Oven and steam oven, microwave oven and fully automatic coffee machine – with Küppersbusch there is no limit to the diversity of combination options.

Arranging several appliances **horizontally** at eye level is a clear commitment to more design homogeneity for kitchen planners: the horizontal arrangement dominates the overall picture, and several appliances complement one another and create a continuous line. Küppersbusch compact appliances also provide genuine planning diversity here. We recommend ConceptLine® for the horizontal combination of a 60-cm oven and a 45-cm compact appliance.

	Product series 6551 black	Product series 6551 white
Vertical Compact appliance (45 cm) + oven (60 cm)		
Vertical Compact appliance (45 cm)		
Horizontal Compact appliance (45 cm)		

Product series black/white

Installation recommendation for ovens and compact appliances

Combinations			Vertical							Horizontal						
<p>Product Individual/Individual Plus possible; shown here only in stainless steel</p>			EEB 6551.0 JX1 / EEB 6551.0 WX1	EKDG 6551.0 J1 / EKDG 6551.0 W1	EDG 6551.0 J1 / EDG 6551.0 W1	EEBK 6551.0 JX1 / EEBK 6551.0 WX1	EMWK 6551.0 JX1 / EMWK 6551.0 WX1	ETV 6800.2 J1 / ETV 6800.2 W1	EKV 6500.1 J1* / EKV 6500.1 W1*	EEB 6551.0 JX1 / EEB 6551.0 WX1	EKDG 6551.0 J1 / EKDG 6551.0 W1	EDG 6551.0 J1 / EDG 6551.0 W1	EEBK 6551.0 JX1 / EEBK 6551.0 WX1	EMWK 6551.0 JX1 / EMWK 6551.0 WX1	ETV 6800.2 J1 / ETV 6800.2 W1	EKV 6500.1 J1* / EKV 6500.1 W1*
		EEB 6551.0 JX1 / EEB 6551.0 WX1	■	■	■	■	■	■	■	■						
		EKDG 6551.0 J1 / EKDG 6551.0 W1	■	■	■	■	■	■	■		■	■	■	■	■	■
		EDG 6551.0 J1 / EDG 6551.0 W1	■	■	■	■	■	■	■		■	■	■	■	■	■
		EEBK 6551.0 JX1 / EEBK 6551.0 WX1	■	■	■	■	■	■	■		■	■	■	■	■	■
		EMWK 6551.0 JX1 / EMWK 6551.0 WX1	■	■	■	■	■	■	■		■	■	■	■	■	■
		ETV 6800.2 J1 / ETV 6800.2 W1	■	■	■	■	■	■	■		■	■	■	■	■	■
		EKV 6500.1 J1* / EKV 6500.1 W1*	■	■	■	■	■	■	■		■	■	■	■	■	■

* Red display, that can be turned off by the Stand-by-modus




Küppersbusch

Küppersbusch Hausgeräte GmbH

Küppersbuschstraße 16, D-45883 Gelsenkirchen

www.keppersbusch.com

www.facebook.com/kueppersbuschcom 

info@kueppersbusch.de