

Kit Instructions

NCR SelfServ™ go (7709) Kiosk Sensormatic

7709-K738
Issue D



The product described in this document is a licensed product of NCR Corporation.

NCR is a registered trademark of NCR Corporation. NCR SelfServ™ is a trademark of NCR Corporation in the United States and/or other countries. Other product names mentioned in this publication may be trademarks or registered trademarks of their respective companies and are hereby acknowledged.

The terms HDMI and HDMI High-Definition Multimedia Interface, and the HDMI Logo are trademarks or registered trademarks of HDMI Licensing LLC in the United States and other countries.

Where creation of derivative works, modifications or copies of this NCR copyrighted documentation is permitted under the terms and conditions of an agreement you have with NCR, NCR's copyright notice must be included.

It is the policy of NCR Corporation (NCR) to improve products as new technology, components, software, and firmware become available. NCR, therefore, reserves the right to change specifications without prior notice.

All features, functions, and operations described herein may not be marketed by NCR in all parts of the world. In some instances, photographs are of equipment prototypes. Software screen images are representative, and in some cases, may not match a customer's installed software exactly. Therefore, before using this document, consult with your NCR representative or NCR office for information that is applicable and current.

To maintain the quality of our publications, we need your comments on the accuracy, clarity, organization, and value of this book. Please use the link below to send your comments.

Email: FD230036@ncr.com

Copyright © 2016, 2018, 2020

By NCR Corporation

864 Spring St. NW

Atlanta, GA 30308

United States

All Rights Reserved

Revision Record

Issue	Date	Remarks
A	Apr 2016	First Issue
B	May 2018	Added components and instructions for latest kiosk model
C	Aug 2018	<ul style="list-style-type: none">• Added cable ties.• Added Interconnection Diagram and notes on cable colors.
D	May 2020	Added procedure for 7709 R2.0

Sensormatic

Introduction

This kit provides components to support integration of a Sensormatic EAS device to the NCR SelfServ™ 90 Kiosk.

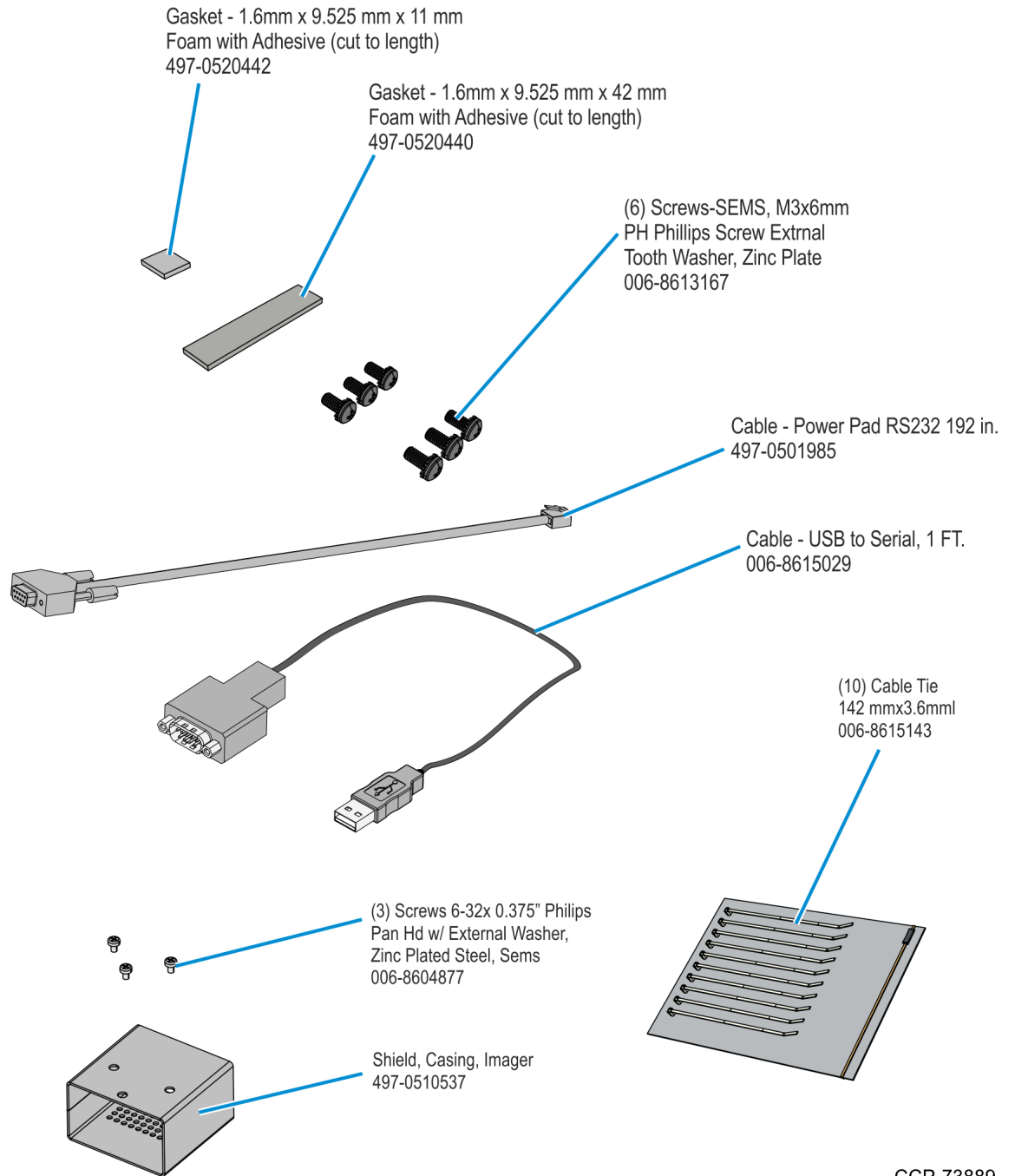
The installation procedure and components used vary depending on the Product ID (PID) of the kiosk. Refer to the appropriate section below as appropriate for the kiosk PID.



Note: The Sensormatic Controller and Antenna are customer supplied.

Product ID	Installation Procedure
7709-1000-8090	NCR 7709 R1.0/1.1 Installation Procedure on page 3
7709-2000-8090	
7709-2200-8090	NCR 7709 R1.2 Installation Procedure on page 14
7709-3000-8090	NCR 7709 R2.0 Installation Procedure on page 31
7709-4000-8090	

Kit Contents



NCR 7709 R1.0/1.1 Installation Procedure

This sections provides the installation procedure for NCR SelfServ 90 Kiosks with legacy model PIDs:

- 7709-1000-8090
- 7709-2000-8090



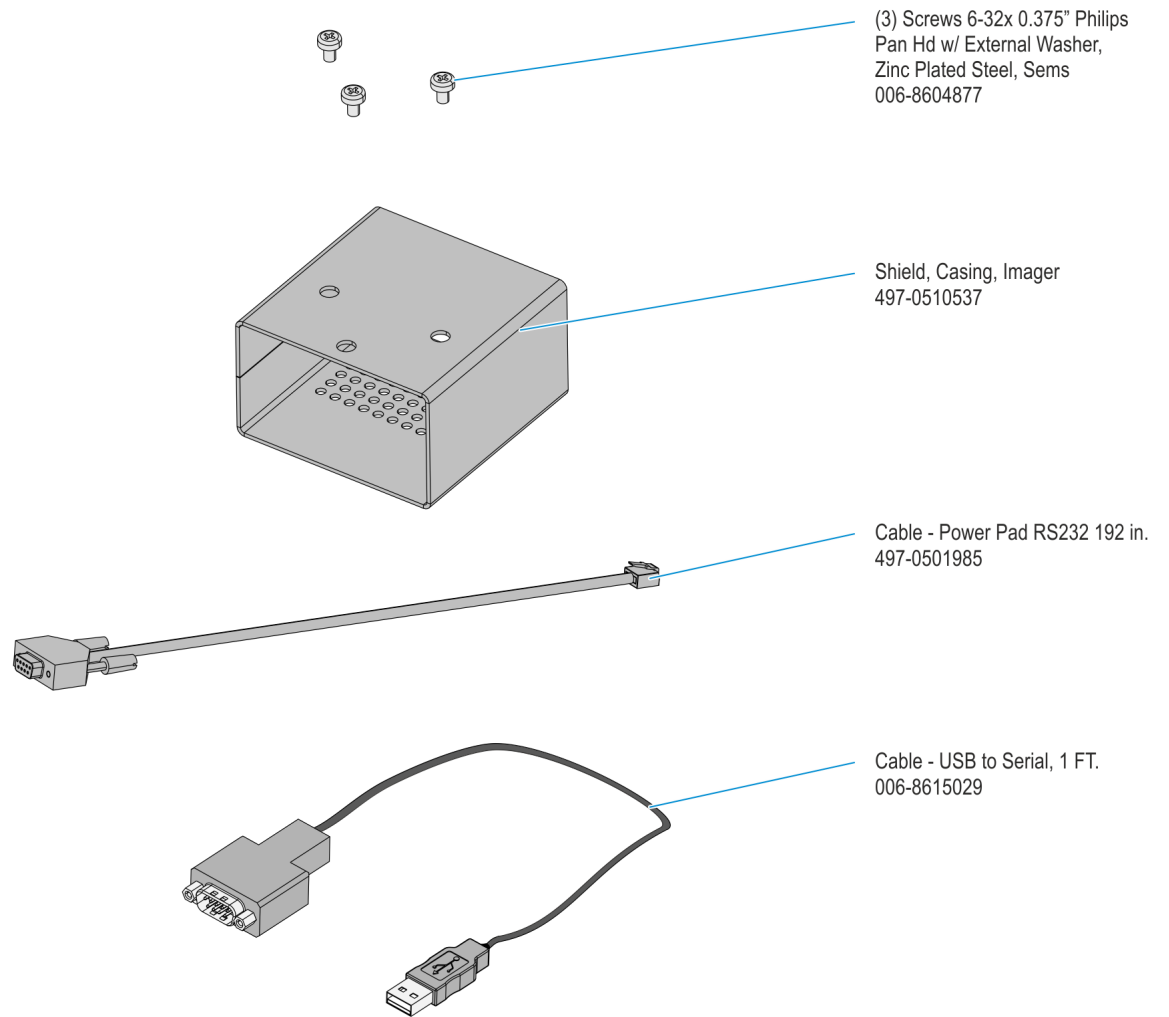
Warning: Disconnect the AC power cord before disassembling the Terminal.



Caution: Observe the following precautions to safely install the Sensormatic Controller:

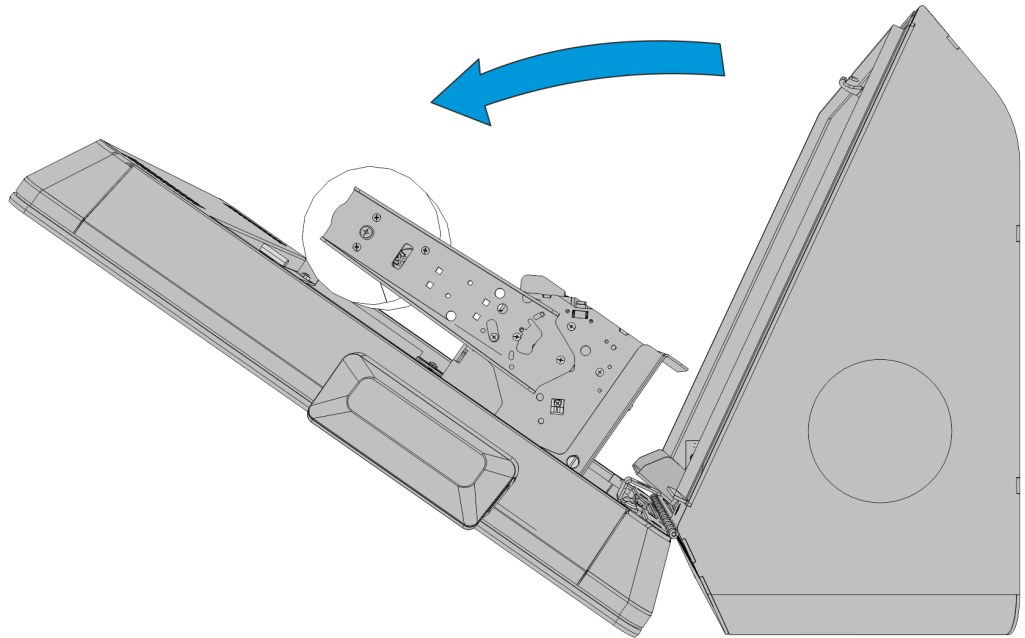
- Do not connect or disconnect the Sensormatic Antenna or any Sensormatic Cable to the Sensormatic Controller when power is on as this damages the controller.
- Make sure that the cables are routed as shown. Sensormatic Modules give off strong electrical discharge that may damage other modules.
- Static Electricity Discharge may permanently damage your system. Discharge any static electricity build up in your body by touching your terminal's exterior panels for a few seconds. Avoid any contact with internal parts and handle cards only by their external edges.

Only the following components in the illustration below are needed to install the Sensormatic EAS device to the NCR SelfServ 90 London Kiosk legacy models.



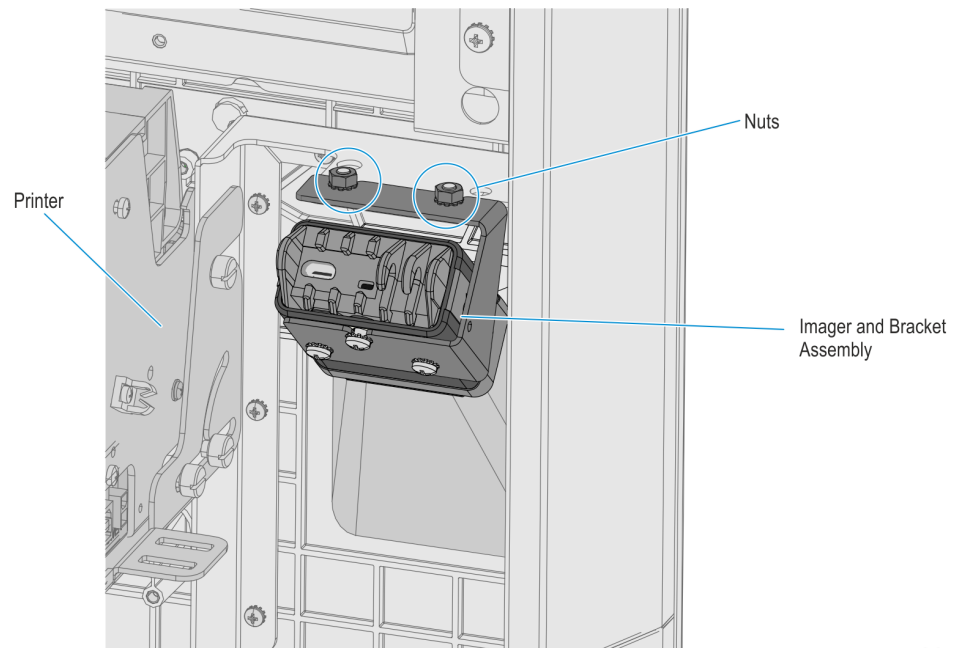
To install the Sensormatic EAS device, perform the following steps:

1. Shutdown and power off the terminal.
2. Open the front of the kiosk.



60922

3. Install the imager shield casing to the imager.
 - a. Remove the screws (2) that secure the imager and bracket assembly to the fascia.

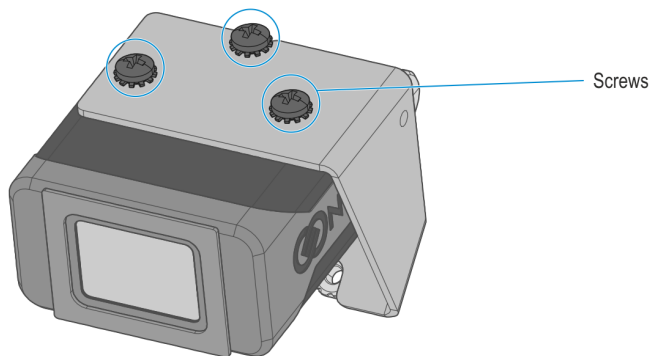


CCP-60833

- b. Remove the screws (3) that secure the imager to the bracket.

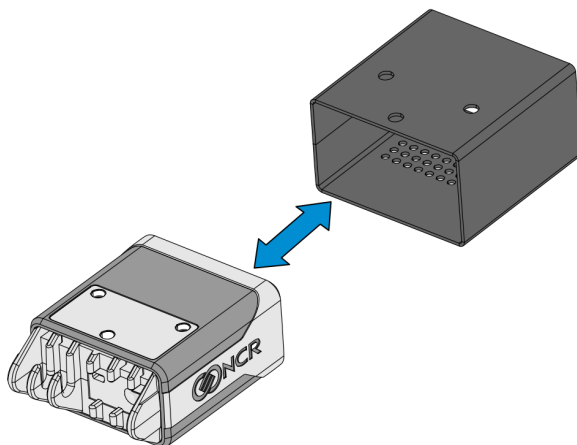


Note: Do not re-use these screws when re-installing the imager to the bracket. Use the new screws provided in this kit.



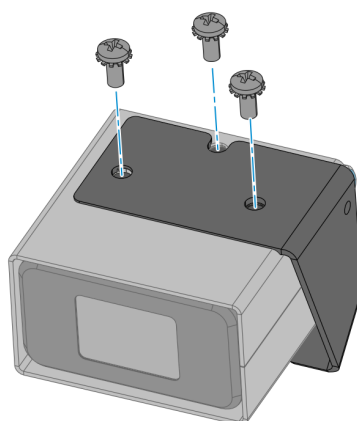
CCP-60845

- c. Insert the imager to the shield casing, aligning their mounting holes.



CCP-60829

- d. Mount the imager and shield assembly to the imager bracket, aligning their mounting holes, then secure with the screws (3) provided in this kit.

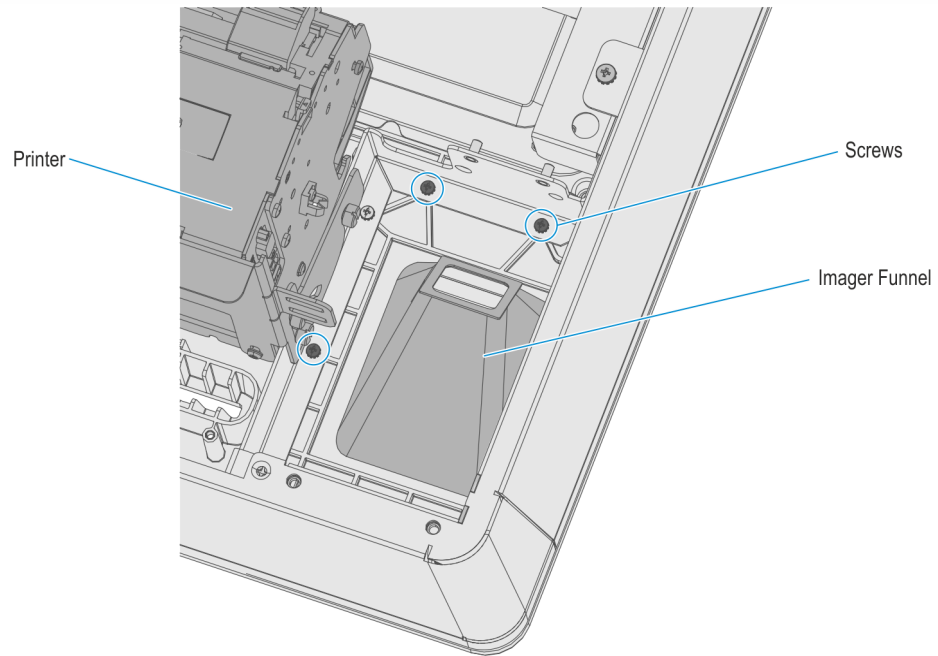


CCP-60830

4. Remove the screws (3) on the Display Head Assembly, around the imager funnel. These screws will be used to secure the Sensormatic antenna and bracket to the head assembly.

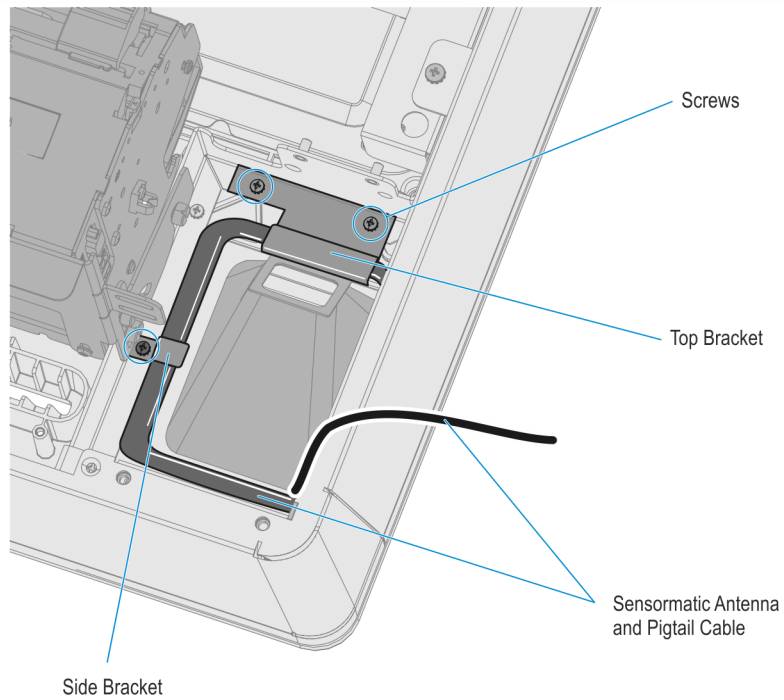


Caution: Take care not to damage existing cables in this area. Lift up the cables as necessary.

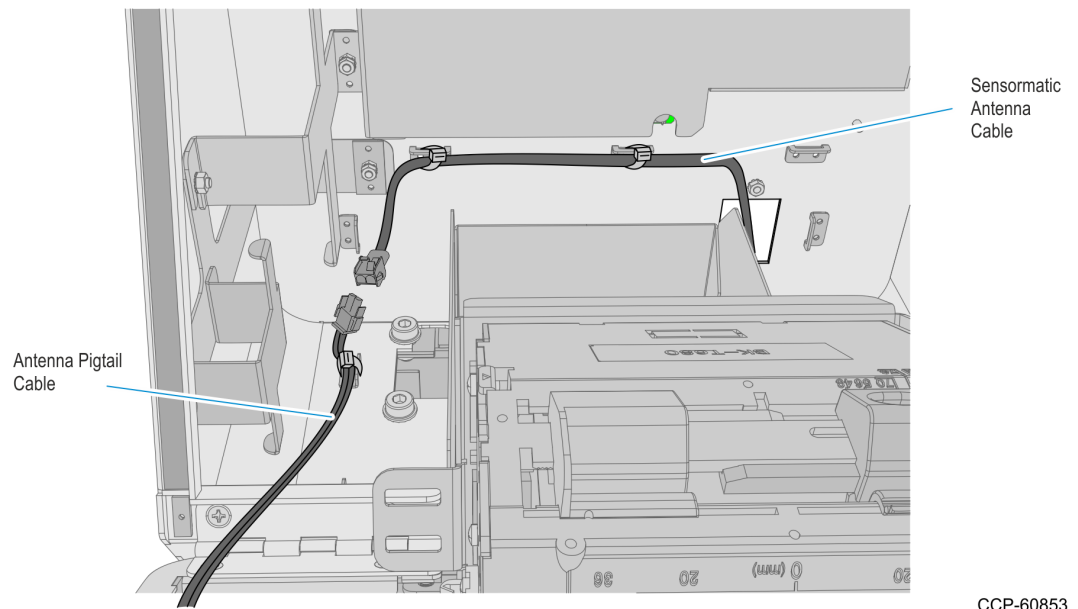



CCP-60831

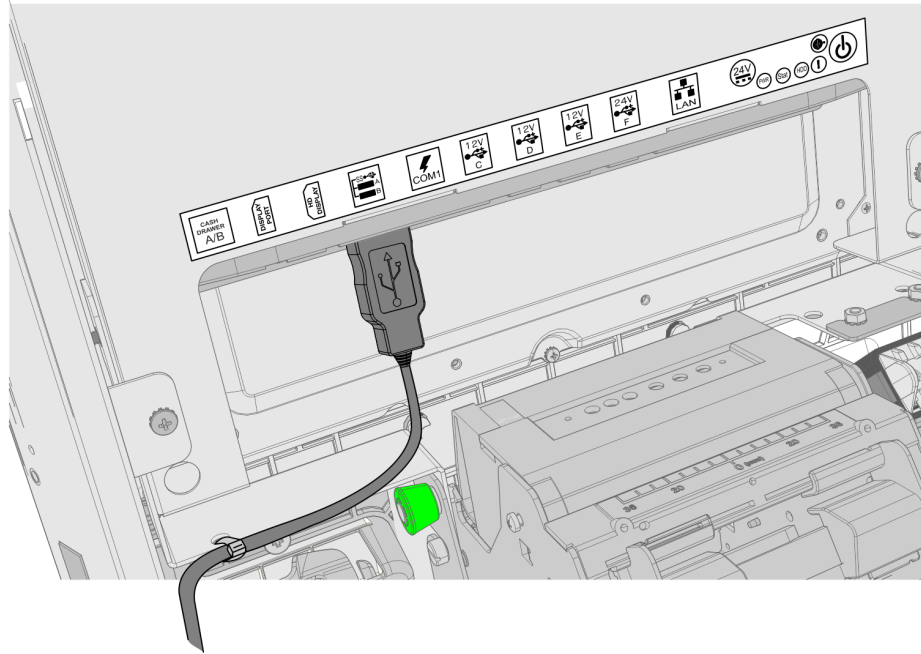
5. Place the Sensormatic antenna over the imager funnel with its pigtail cable sticking out at the lower-right hand corner of the Display Head Assembly. Secure the antenna with brackets (2) and screws (3).



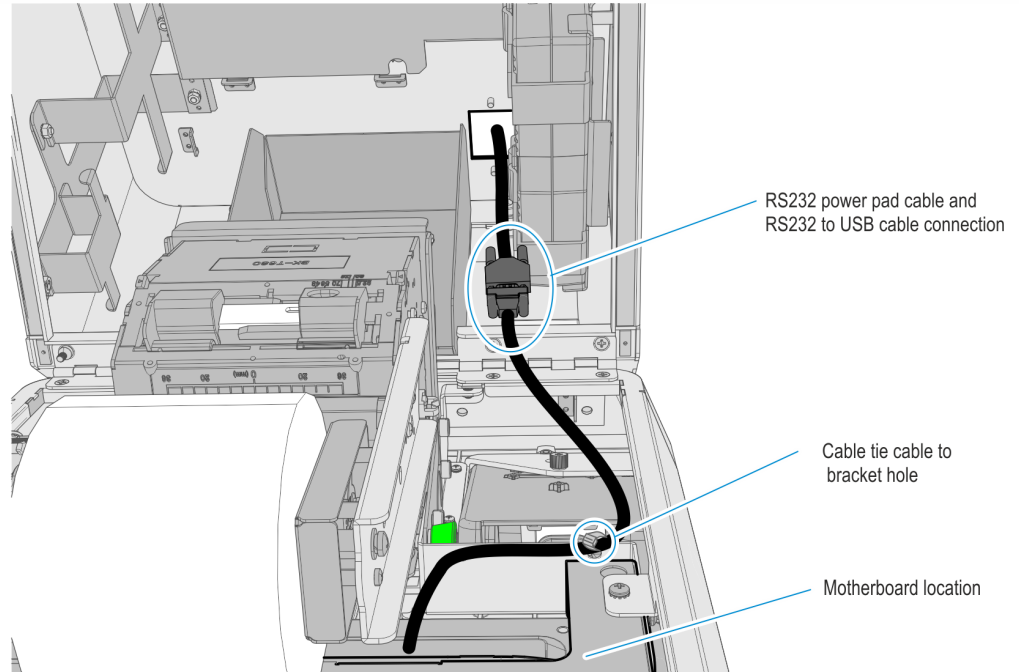
6. Mount and secure the imager assembly to the head assembly with screws (2).
7. Route the Sensormatic cables from the Sensormatic controller into the cabinet through the rear access hole.
8. Route the Sensormatic Antenna Cable inside the kiosk.
 - a. Route the antenna pigtail cable into the cabinet and on the left-hand side of the coupon bin, and then secure it with a cable tie.
 - b. Route the Sensormatic antenna cable towards the antenna pigtail cable and plug the connectors together.
 - c. Cut-off existing cable ties shown in the following image. Bundle the antenna cable with other cables and then secure the cables using two new cable ties.



9. Route the RS-232 Power Pad and the USB to Serial Cable inside the kiosk.
 - a. Connect the USB connector of the USB to Serial cable to a vacant USB port on the motherboard I/O Panel.
 -  **Note:** If the two ports are vacant, connect the cable to the top port.
 - b. Route the cable downward towards RS-232 Power Pad cable in the kiosk cabinet.



- c. Connect the USB to Serial cable to the RS232 Power Pad cable and tuck the connectors under the PSU.
- d. Secure the USB to Serial cable to the two cable clamps along its route.
- e. Cut off existing cable ties securing the cable bundle to the bracket just below the I/O Panel.
- f. Bundle the USB to Serial cable together with the other cables and then secure the cables using two new cable ties.

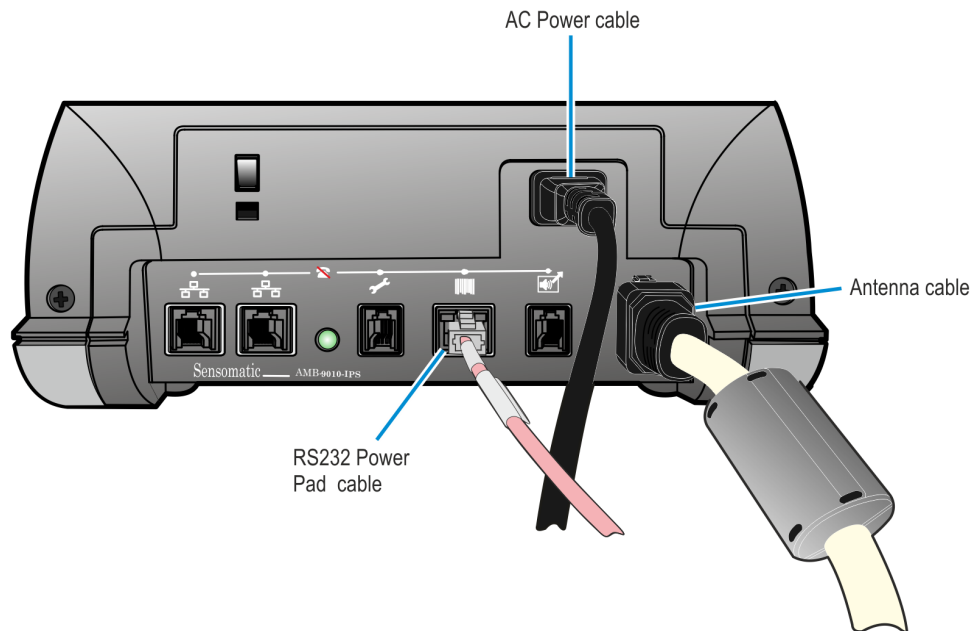


10. Connect the Sensormatic cables to the Sensormatic Controller ports in the following order:



Caution: To avoid damage to the controller, make sure that the Sensormatic Controller power is OFF before connecting the cables. DO NOT reverse the order of connecting the Sensormatic cables, and DO NOT connect or disconnect the cables from the controller when power is ON.

- a. RS-232 Power Pad Cable
- b. Antenna Cable
- c. Sensormatic AC Power Cable



CCP-60873

11. Place and secure all extra cable length of the Sensormatic cables outside of the kiosk cabinet.

NCR 7709 R1.2 Installation Procedure

This sections provides the installation procedure for NCR SelfServ 90 Kiosks with PID 7709-2200-8090.



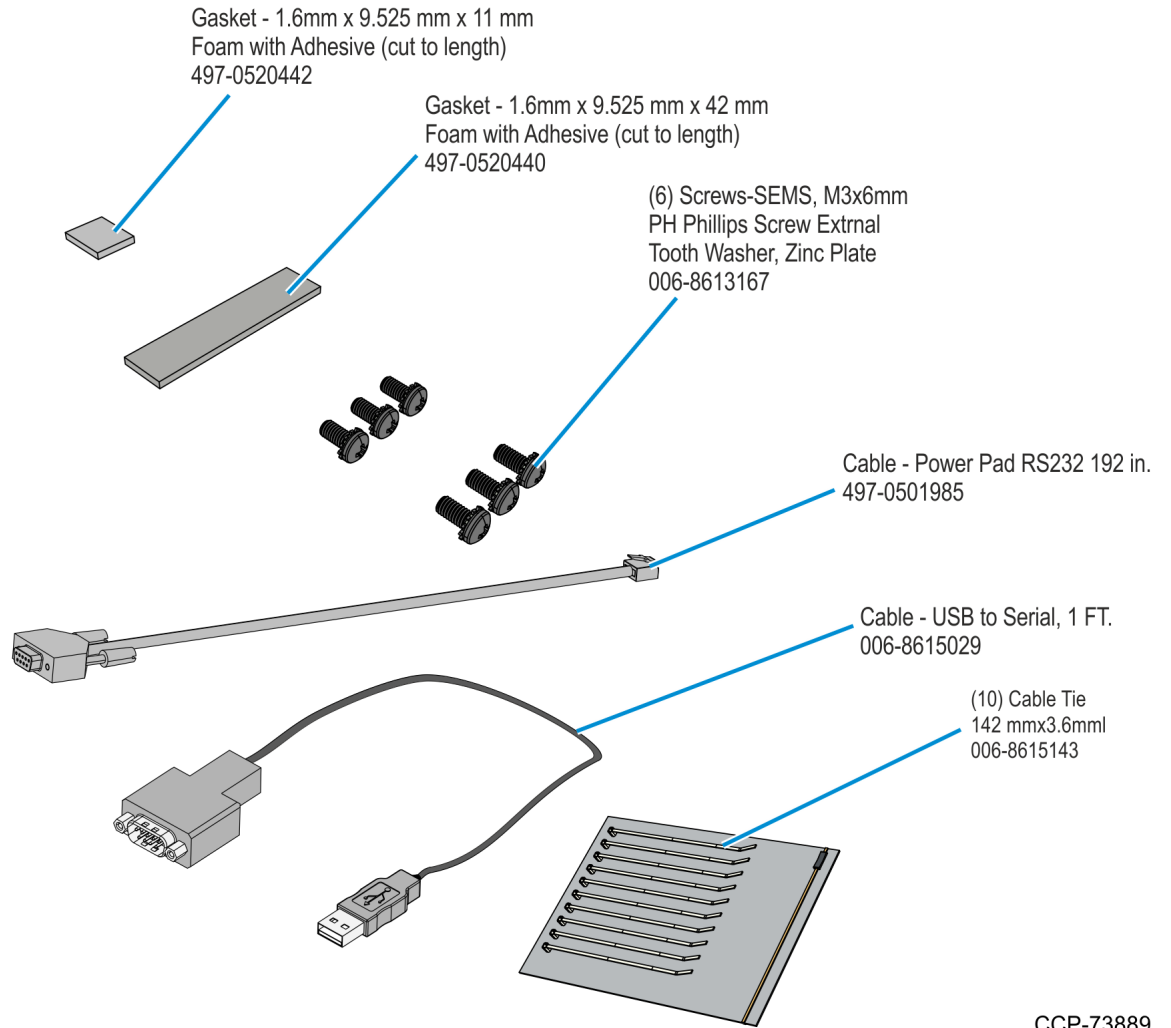
Warning: Disconnect the AC power cord before disassembling the Terminal.



Caution: Observe the following precautions to safely install the Sensormatic Controller:

- Do not connect or disconnect the Sensormatic Antenna or any Sensormatic Cable to the Sensormatic Controller when power is on as this damages the controller.
- Make sure that the cables are routed as shown. Sensormatic Modules give off strong electrical discharge that may damage other modules.
- Static Electricity Discharge may permanently damage your system. Discharge any static electricity build up in your body by touching your terminal's exterior panels for a few seconds. Avoid any contact with internal parts and handle cards only by their external edges.

Only the following components in the illustration below are needed to install the Sensormatic EAS device to **7709 R1.2** units.



To install the Sensormatic EAS device, follow these steps:

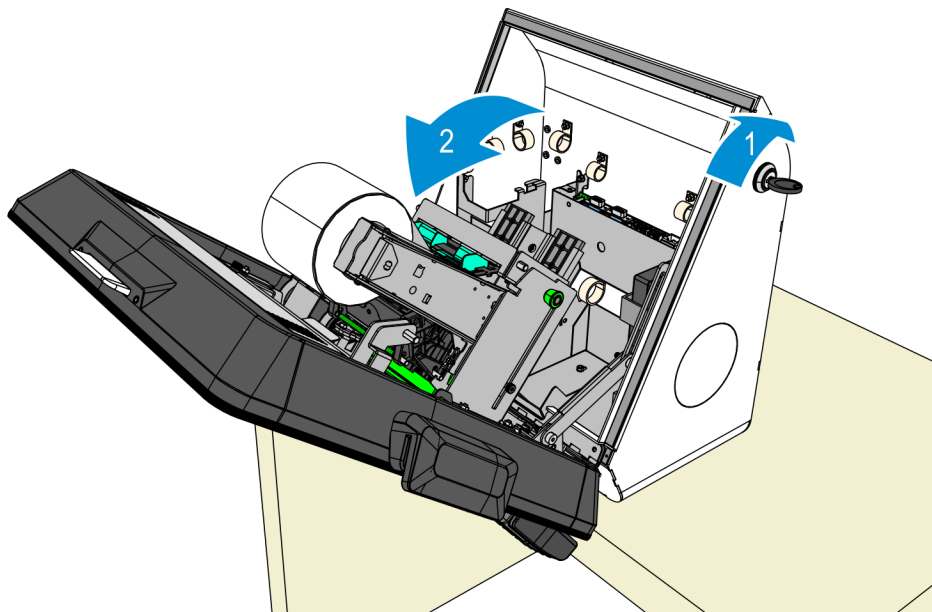


Note: Actual cable colors are black, they are shown as different colors in the illustrations for easier reference and identification. See [Interconnection Diagram](#) on page 47 for more information.

1. Shutdown and power off the terminal. Disconnect the Kiosk AC Power Cable from the outlet.
2. To open the kiosk, insert the key into the lock at the right-hand side of the kiosk, turn the key clockwise, and carefully open the front of the kiosk.

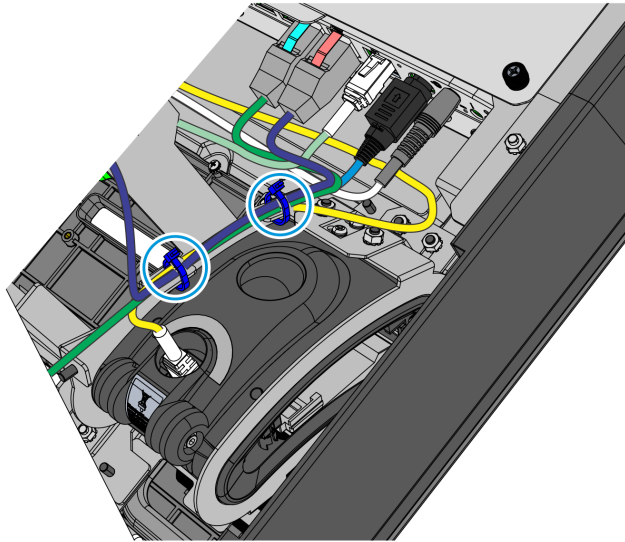


Caution: Do NOT abruptly open and release the front of the kiosk. Hold and support the front of the kiosk until fully extended.



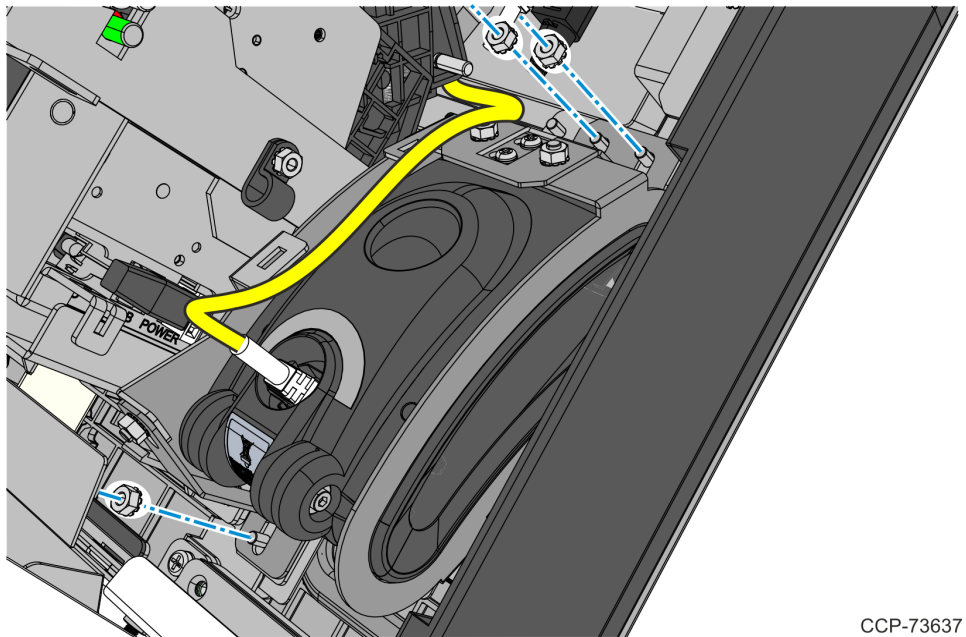
CCP-73618

3. Remove the Imager Scanner assembly.
 - a. Cut off the cable ties securing the cables routed at the back of the scanner.



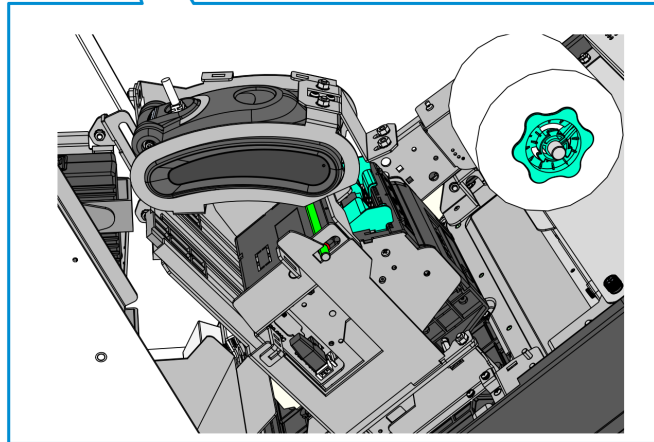
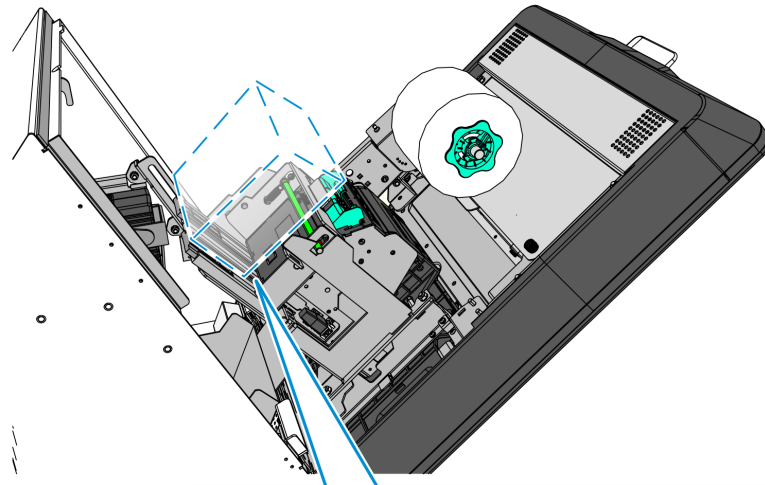
CCP-78446

- b. Remove the three nuts securing the Imager to the kiosk and then lift the imager out of its position.



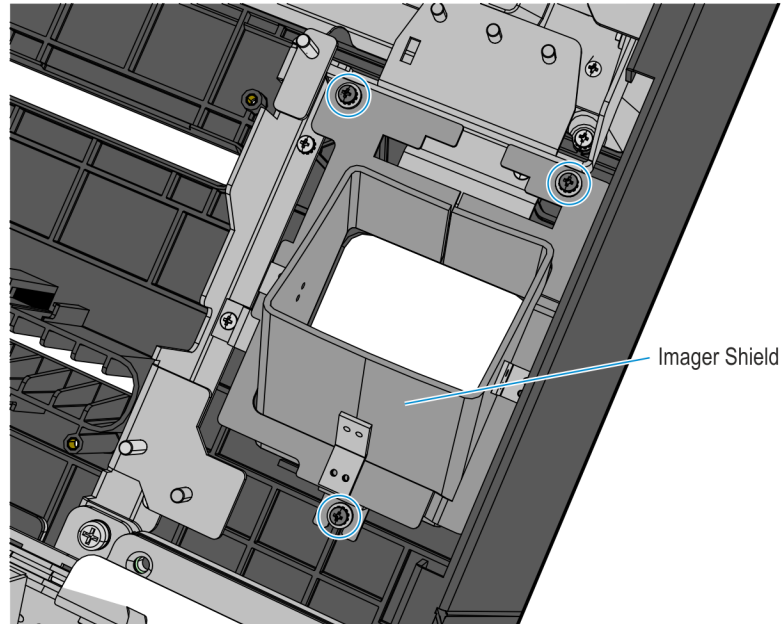
CCP-73637

- c. Place the Imager on the space behind the Receipt Printer.



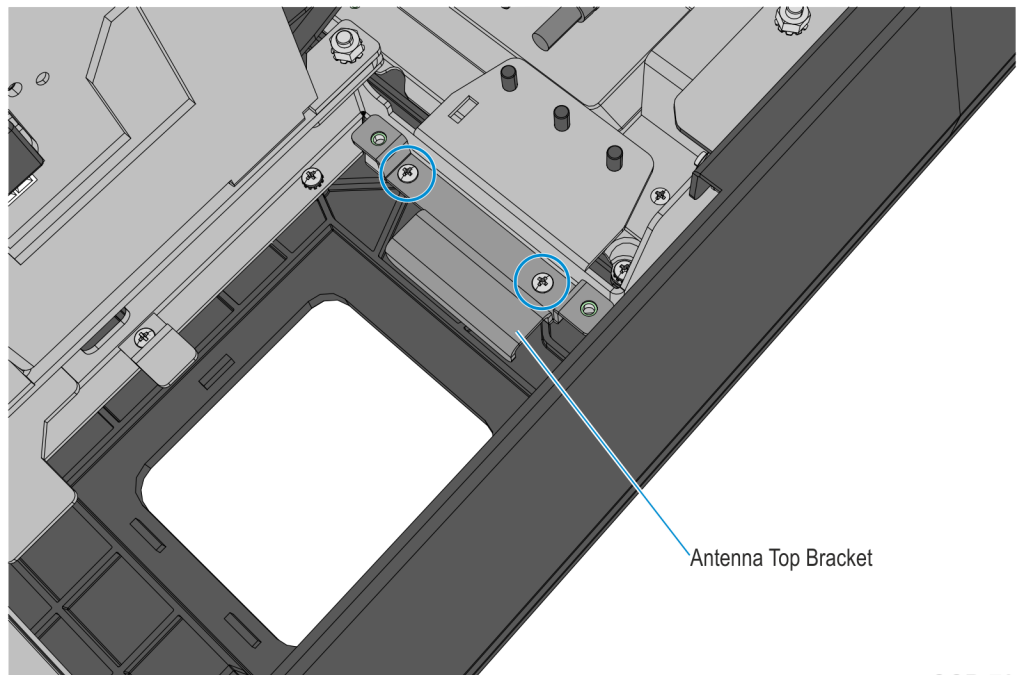
4. Remove the three screws and washers securing the Imager Shield assembly and then remove the assembly from the kiosk.

! Important: Do not throw away the washers. Keep the washers and use these when re-installing the Imager Shield.



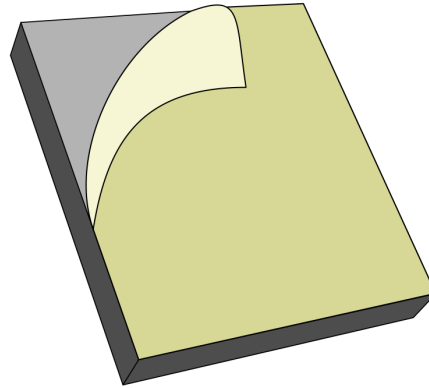
CCP-73725

5. Remove the two screws securing the top antenna bracket.



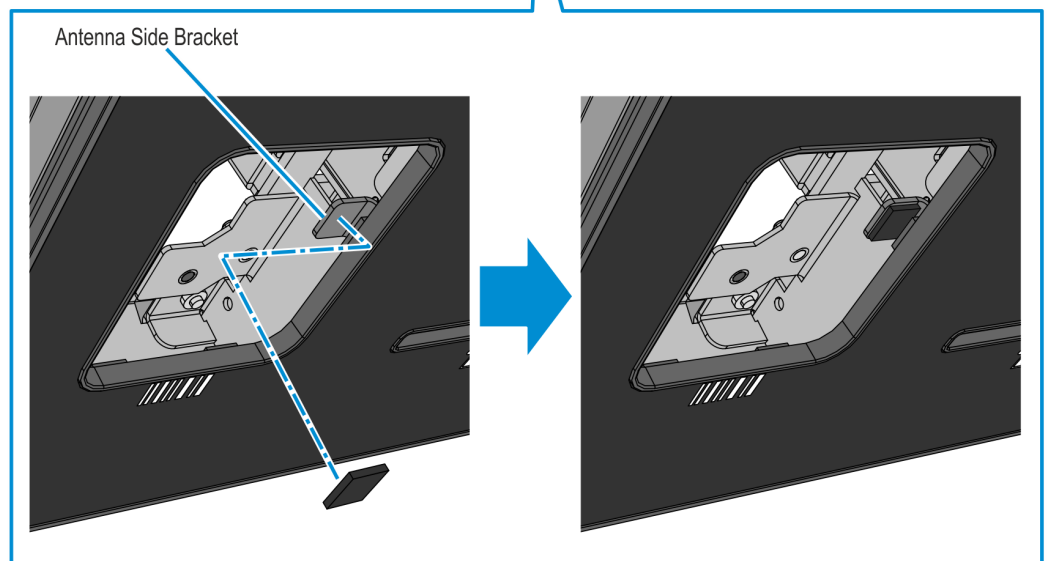
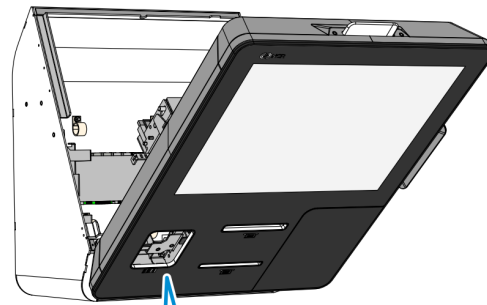
CCP-73694

6. Install the small gasket included in this kit to the antenna side bracket mounted on the kiosk.
 - a. Remove the back liner from the rear side of the gasket.



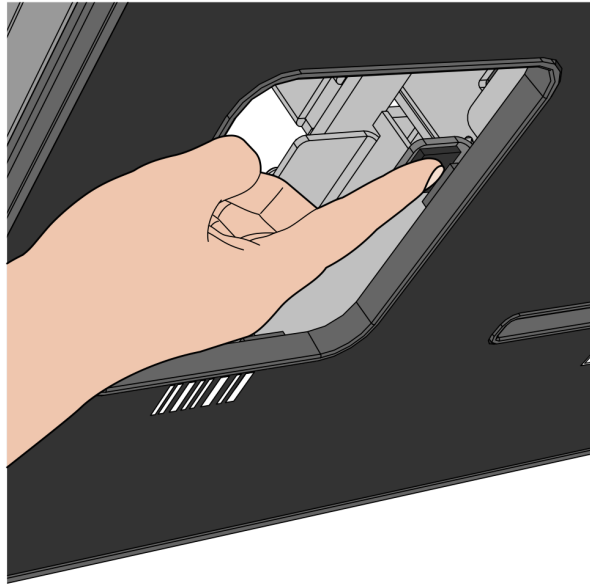
CCP-73898

- b. Attach the gasket to the bracket.



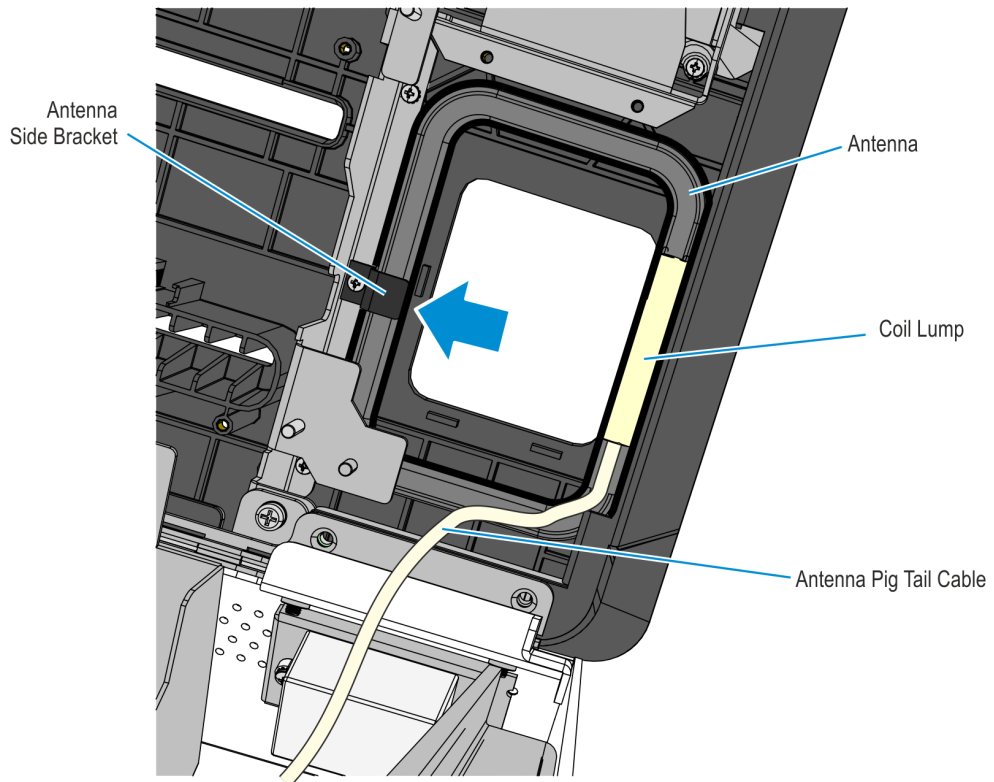
CCP-73890

- c. Use your finger or a long thin object to press the gasket unto the bracket to make sure that it is firmly attached. Repeat this step as many times as necessary.



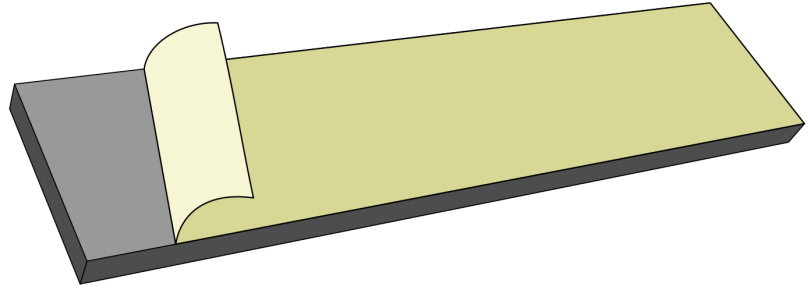
CCP-73891

- 7. Mount the Sensormatic Antenna by sliding it under the side bracket. The coil lump should be located on the right-hand side of the antenna and the pigtail cable should stick out at the lower right-hand corner of the display head assembly.



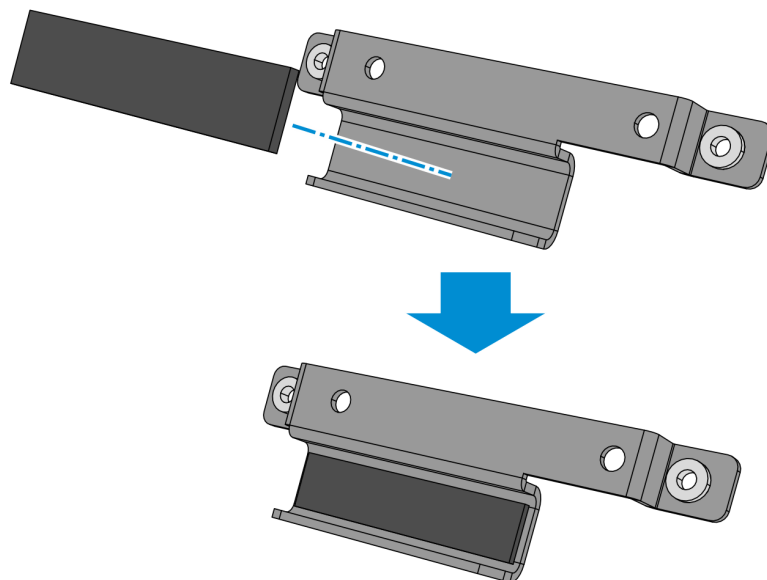
CCP-73649

8. Install the large gasket to the Antenna Top Bracket.
 - a. Remove the back liner from the rear side of the gasket.



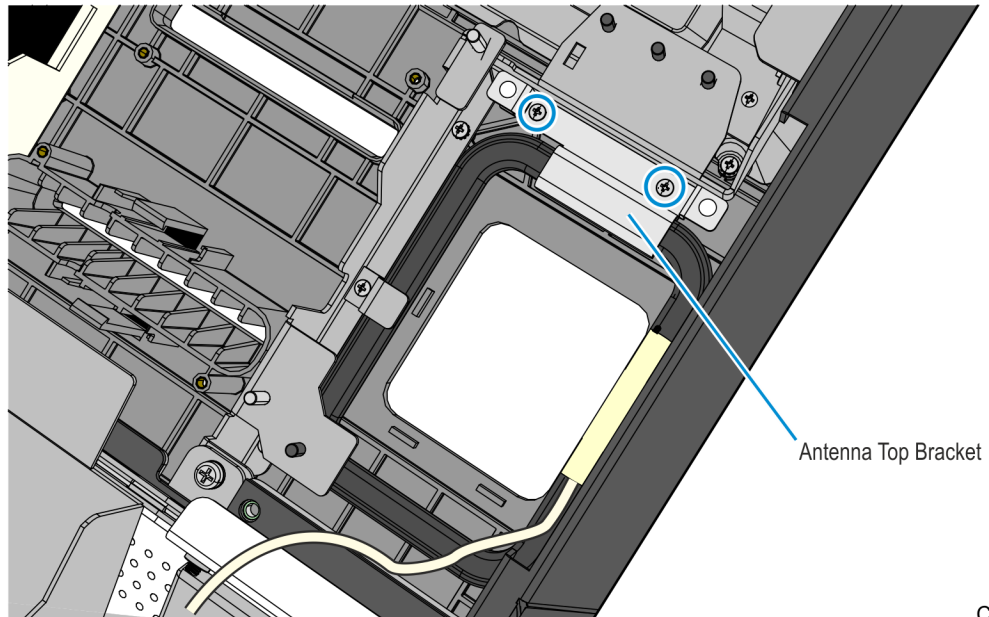
CCP-73899

- b. Attach the gasket to the Antenna Top Bracket. Use your finger to press the gasket to the bracket to make sure that it is firmly attached.



CCP-73892

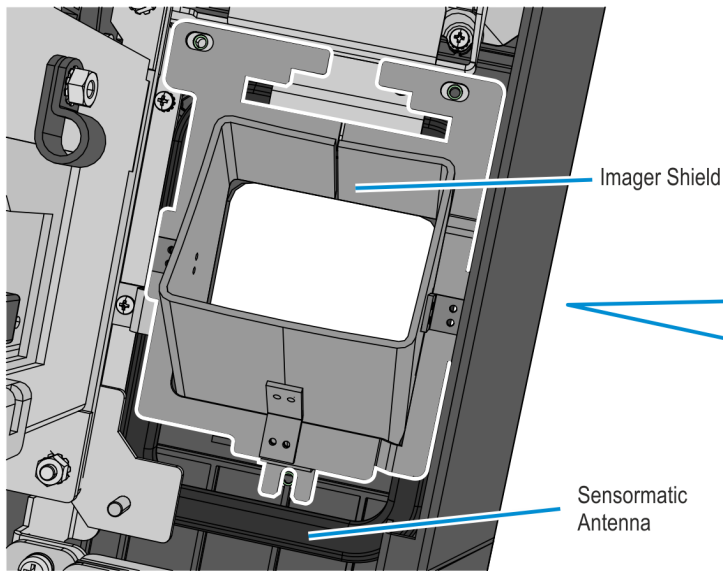
9. Mount and secure the Antenna Top Bracket using two screws.



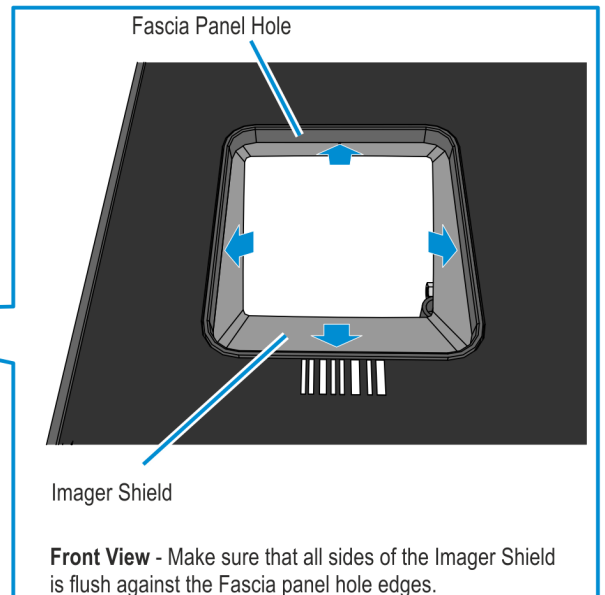
CCP-73179

10. Install the Imager Shield assembly.
 - a. Mount the Imager Shield assembly over the antenna.

! Important: On the front side of the fascia, make sure that there is no gap between the Imager Shield and Fascia panel. All sides of the Imager Shield should be flush against the Fascia Panel. Adjust the alignment of the Imager Shield accordingly.



Rear View

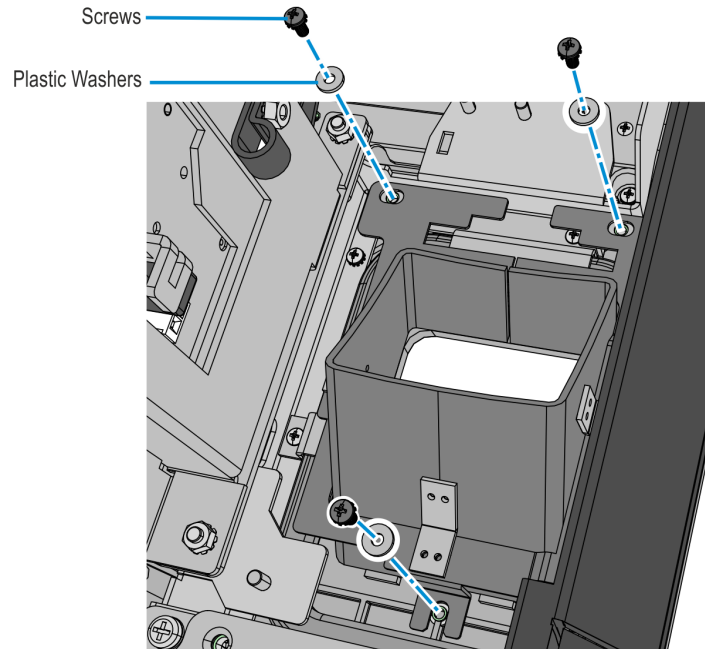


CCP-73893

- b. Secure the Imager Shield assembly using three M3 screws and plastic washers.



Caution: Make sure that the plastic washers are installed with the screws. These washers help protect the Imager from electromagnetic waves given off by the antenna.

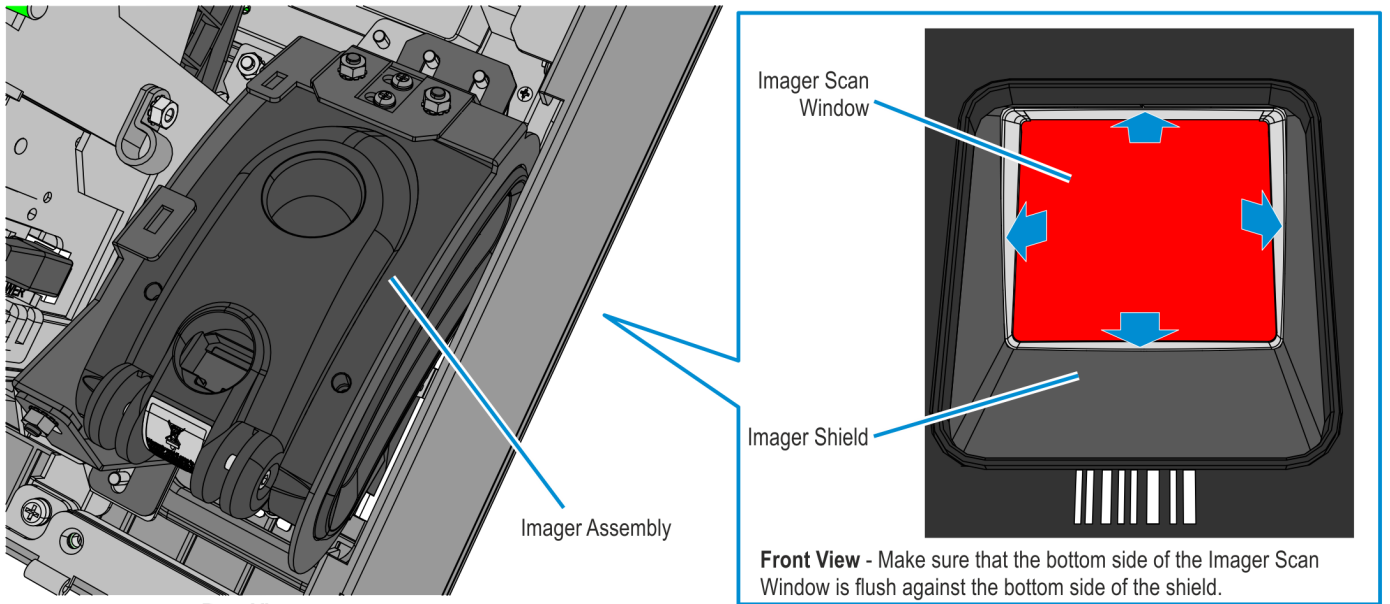


CCP-73894

11. Install the Imager Scanner assembly.

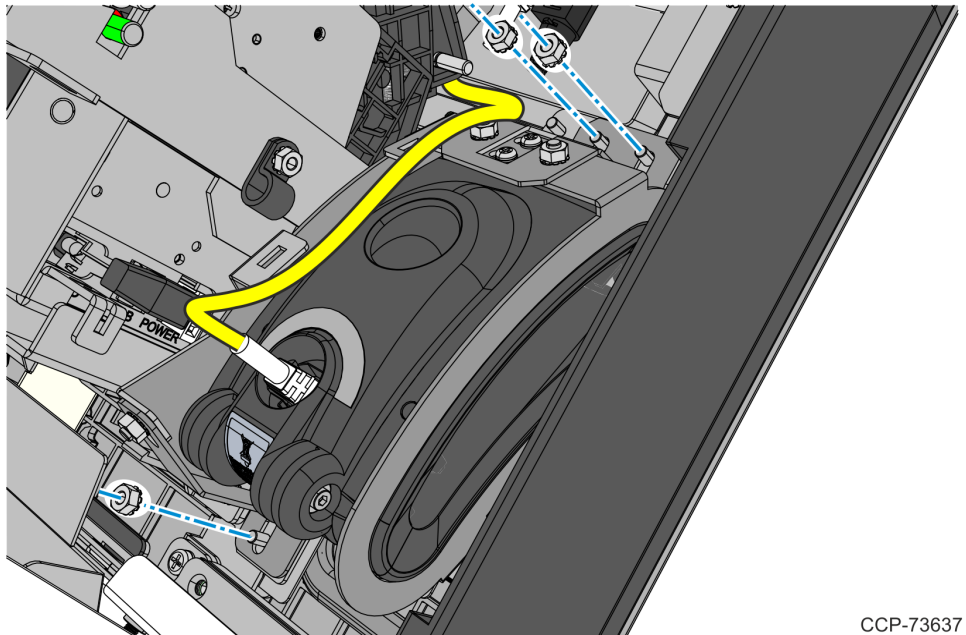
- a. Mount the Imager assembly over the Imager Shield.

! Important: On the front side of the fascia, make sure that all sides of the Imager Scan Window is flush against the sides of the Imager Shield. Adjust the alignment of the Imager accordingly.



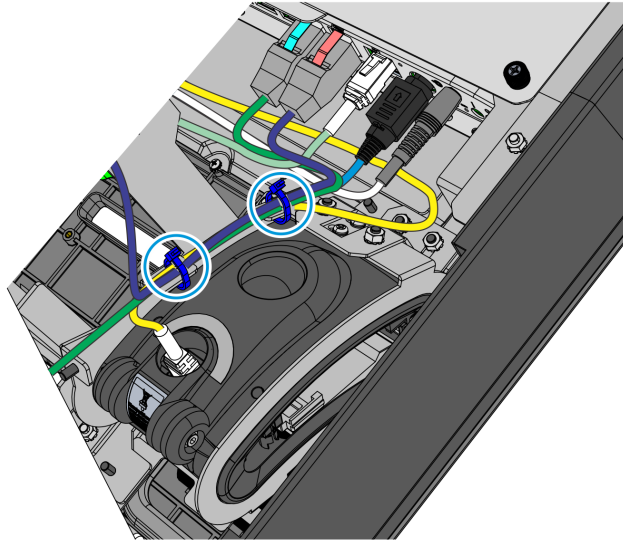
CCP-73895

- b. Secure the Imager assembly to the kiosk using three nuts.



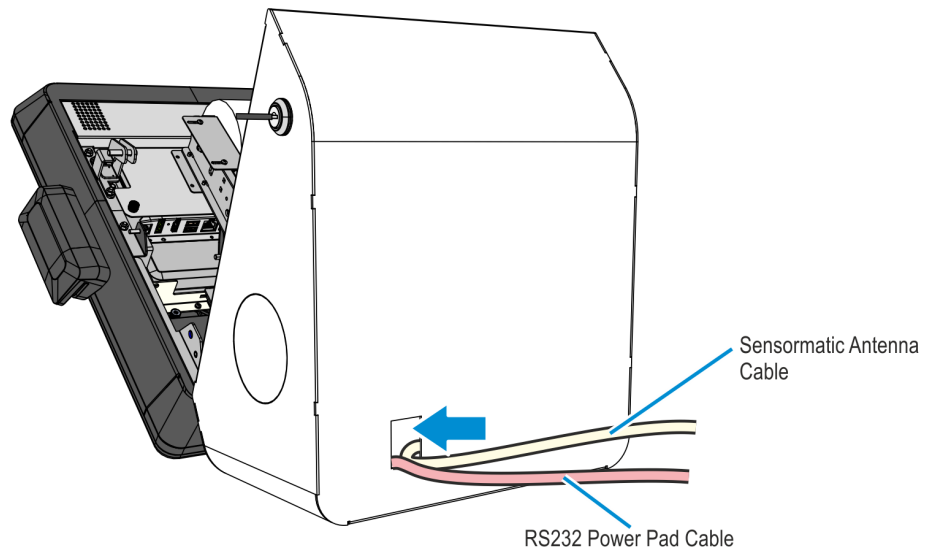
CCP-73637

- c. Bundle the following cables together and secure them to the Imager bracket using two cable ties.
- Imager USB cable
 - Printer USB and Power cable
 - I/O Daughter Card Power cable



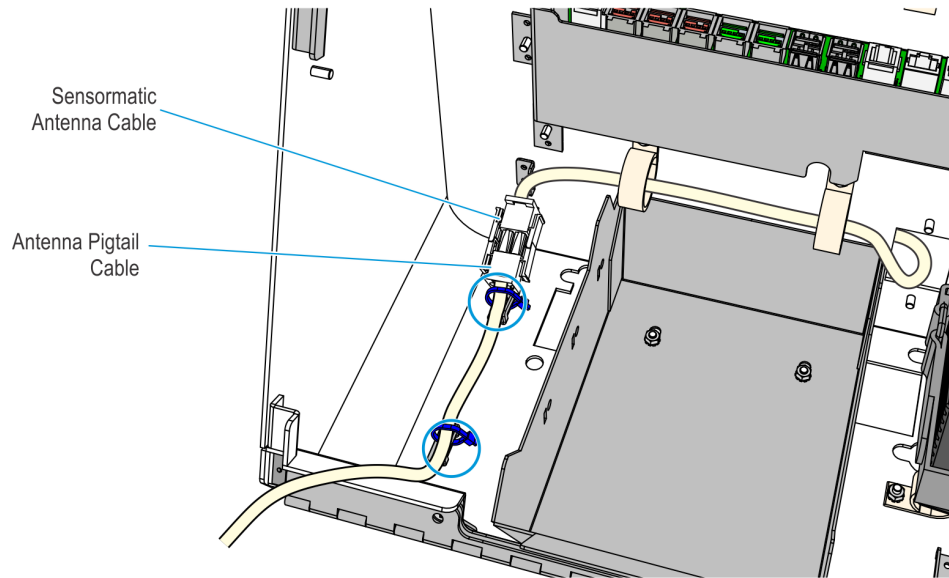
CCP-78446

12. Route the RS232 Power Pad Cable and Sensormatic Antenna cable into the cabinet through the rear access hole.




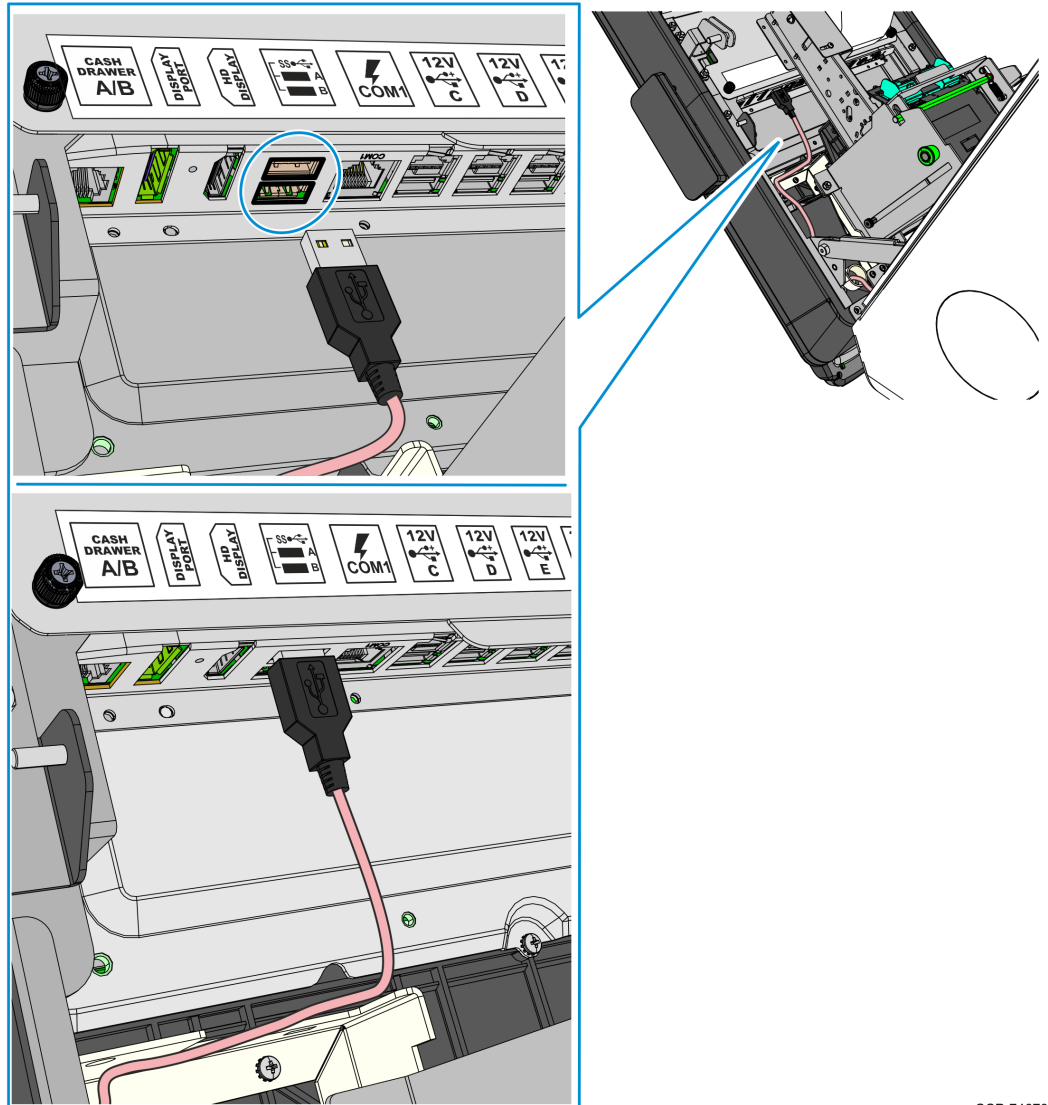
CCP-73897

13. Route the Sensormatic Antenna Cable inside the kiosk.
 - a. Route the antenna pigtail cable into the cabinet and on the left-hand side of the coupon bin, and then secure it with a cable tie.
 - b. Route the Sensormatic antenna cable towards the antenna pigtail cable and plug the connectors together.
 - c. Cut-off existing cable ties shown in the following image. Bundle the antenna cable with other cables and then secure the cables using two new cable ties.

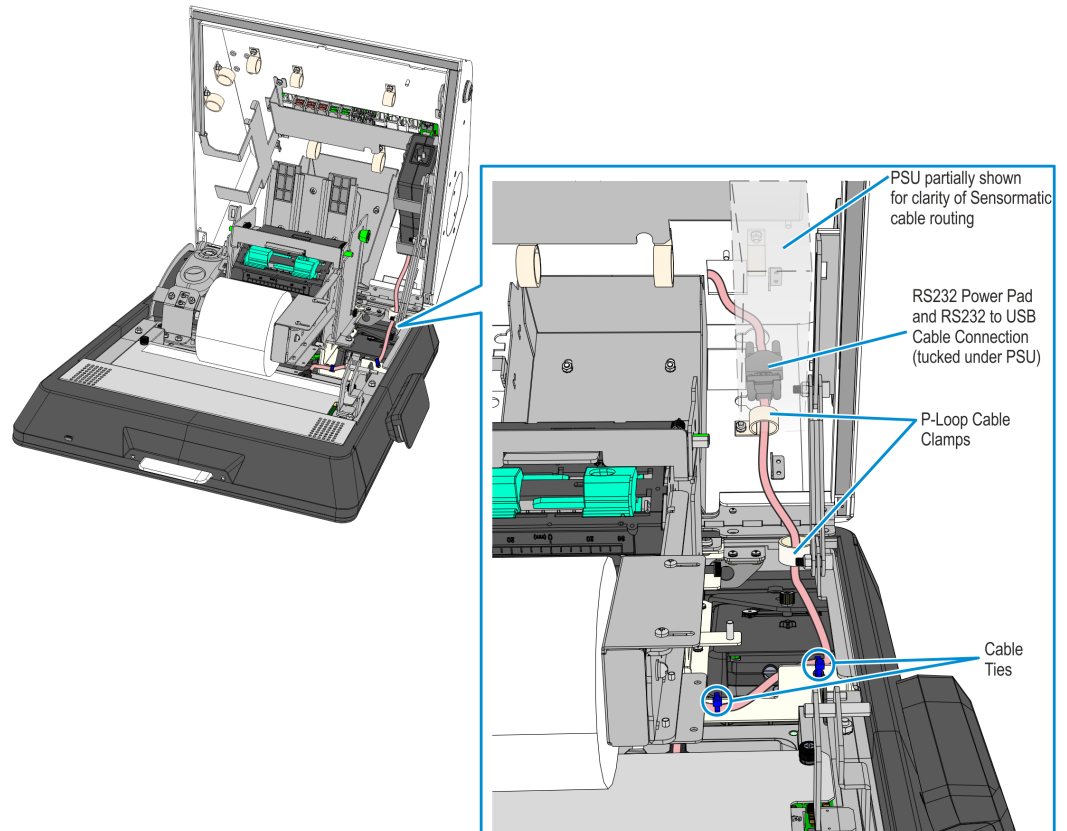


CCP-79150

14. Route the RS-232 Power Pad and the USB to Serial Cable inside the kiosk.
 - a. Connect the USB connector of the USB to Serial cable to a vacant USB port on the motherboard I/O Panel.
 -  **Note:** If the two ports are vacant, connect the cable to the top port.
 - b. Route the cable downward towards RS-232 Power Pad cable in the kiosk cabinet.



- c. Connect the USB to Serial cable to the RS232 Power Pad cable and tuck the connectors under the PSU.
- d. Secure the USB to Serial cable to the two cable clamps along its route.
- e. Cut off existing cable ties securing the cable bundle to the bracket just below the I/O Panel.
- f. Bundle the USB to Serial cable together with the other cables and then secure the cables using two new cable ties.

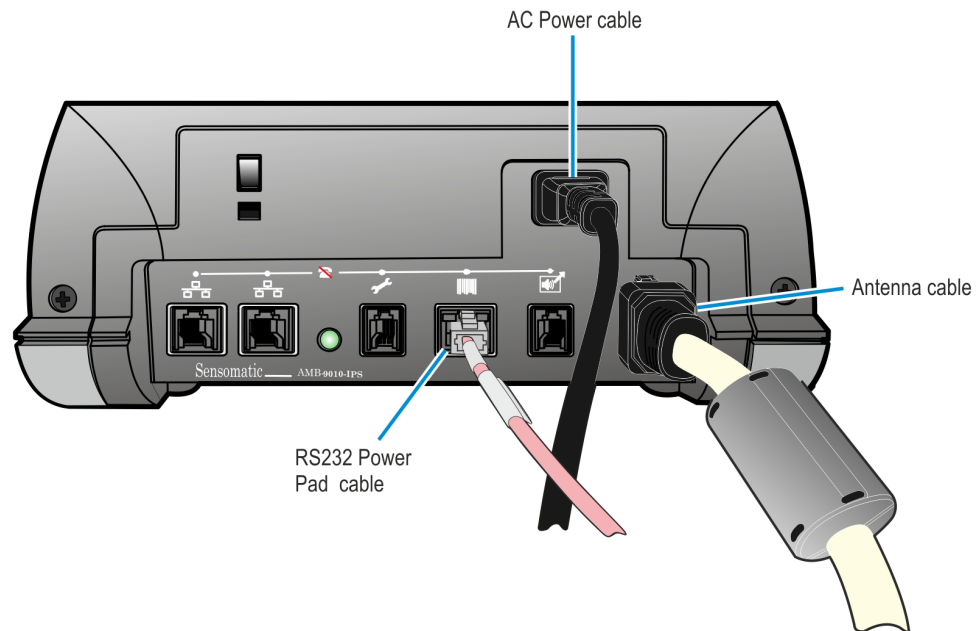


15. Connect the Sensormatic cables to the Sensormatic Controller ports in the following order:



Caution: To avoid damage to the controller, make sure that the Sensormatic Controller power is OFF before connecting the cables. DO NOT reverse the order of connecting the Sensormatic cables, and DO NOT connect or disconnect the cables from the controller when power is ON.

- a. RS-232 Power Pad Cable
- b. Antenna Cable
- c. Sensormatic AC Power Cable



CCP-60873

16. Place and secure extra length of the sensormatic cables outside the kiosk cabinet.

NCR 7709 R2.0 Installation Procedure

This sections provides the installation procedure for NCR SelfServ 90 Kiosks with PID 7709-3000-8090 and 7709-4000-8090.



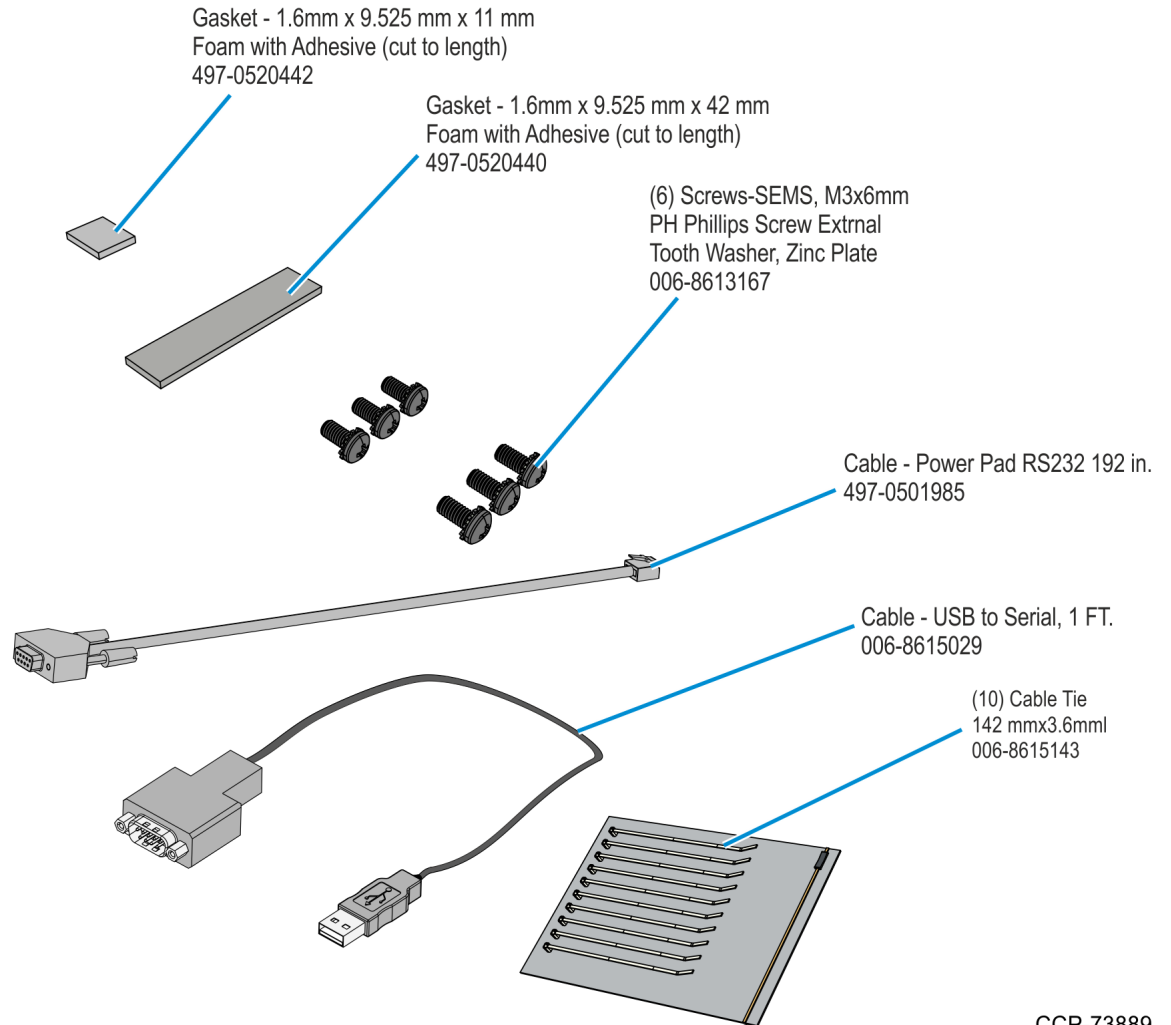
Warning: Disconnect the AC power cord before disassembling the Terminal.



Caution: Observe the following precautions to safely install the Sensormatic Controller:

- Do not connect or disconnect the Sensormatic Antenna or any Sensormatic Cable to the Sensormatic Controller when power is on as this damages the controller.
- Make sure that the cables are routed as shown. Sensormatic Modules give off strong electrical discharge that may damage other modules.
- Static Electricity Discharge may permanently damage your system. Discharge any static electricity build up in your body by touching your terminal's exterior panels for a few seconds. Avoid any contact with internal parts and handle cards only by their external edges.

Only the following components in the illustration below are needed to install the Sensormatic EAS device to **7709 R2.0** units.



CCP-73889

To install the Sensormatic EAS device, follow these steps:

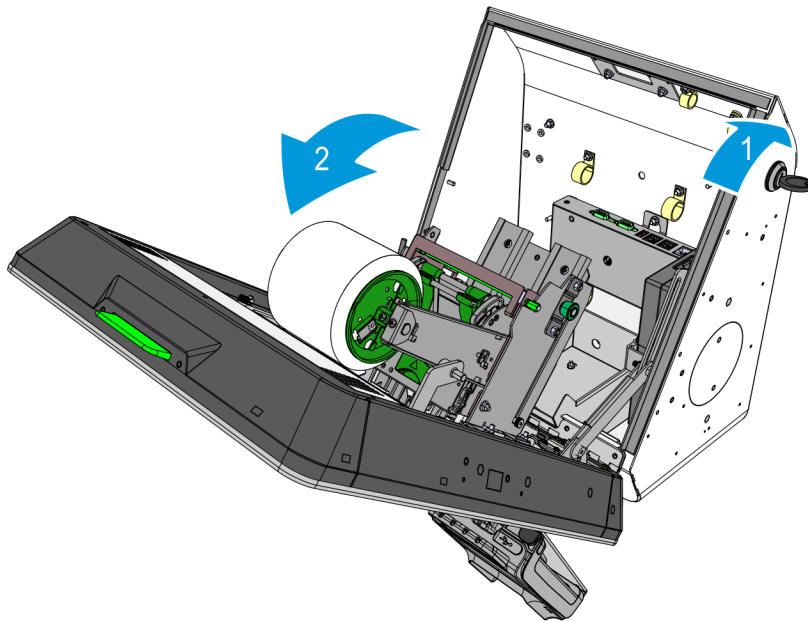


Note: Actual cable colors are black, they are shown as different colors in the illustrations for easier reference and identification. See [Interconnection Diagram](#) on page 47 for more information.

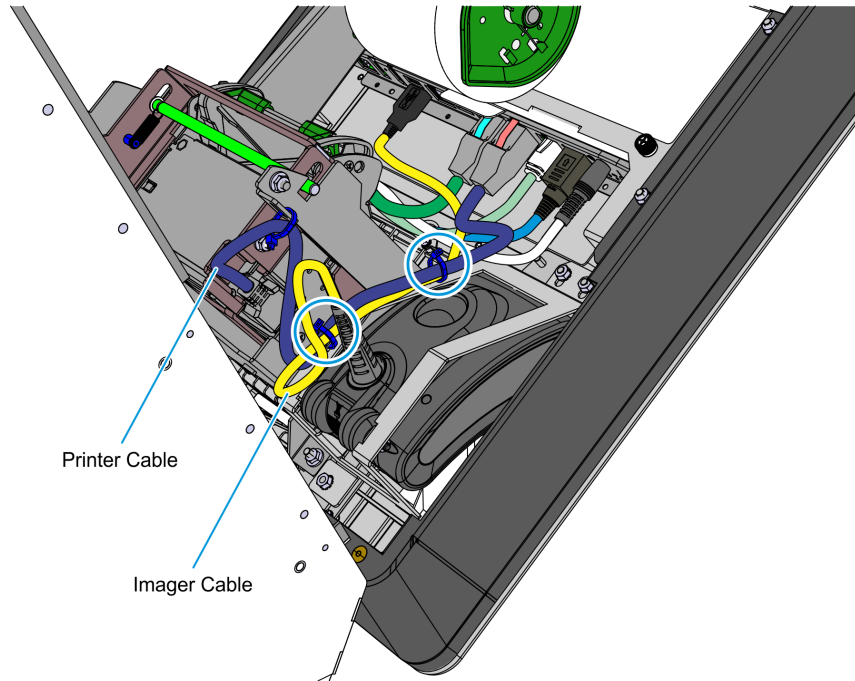
1. Shutdown and power off the terminal. Disconnect the Kiosk AC Power Cable from the outlet.
2. To open the kiosk, insert the key into the lock at the right-hand side of the kiosk, turn the key clockwise, and carefully open the front of the kiosk.



Caution: Do NOT abruptly open and release the front of the kiosk. Hold and support the front of the kiosk until fully extended.

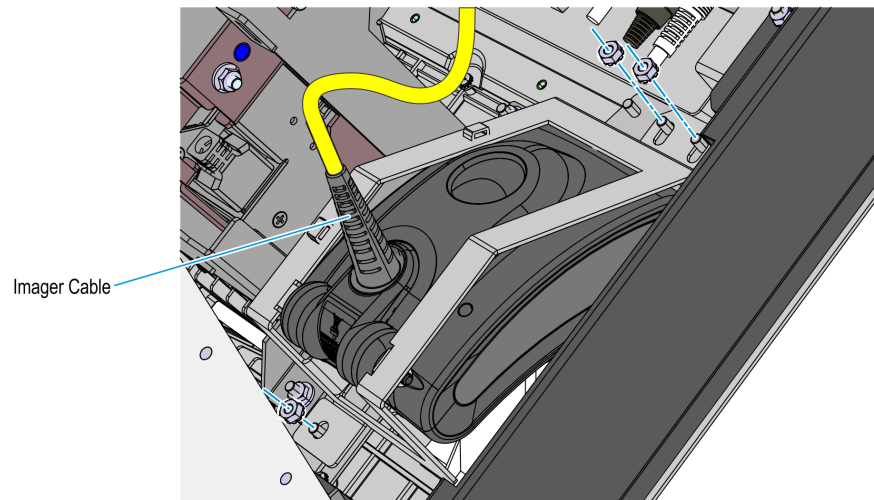


3. Remove the Imager Scanner assembly.
 - a. Cut off the cable ties securing the cables routed at the back of the scanner.



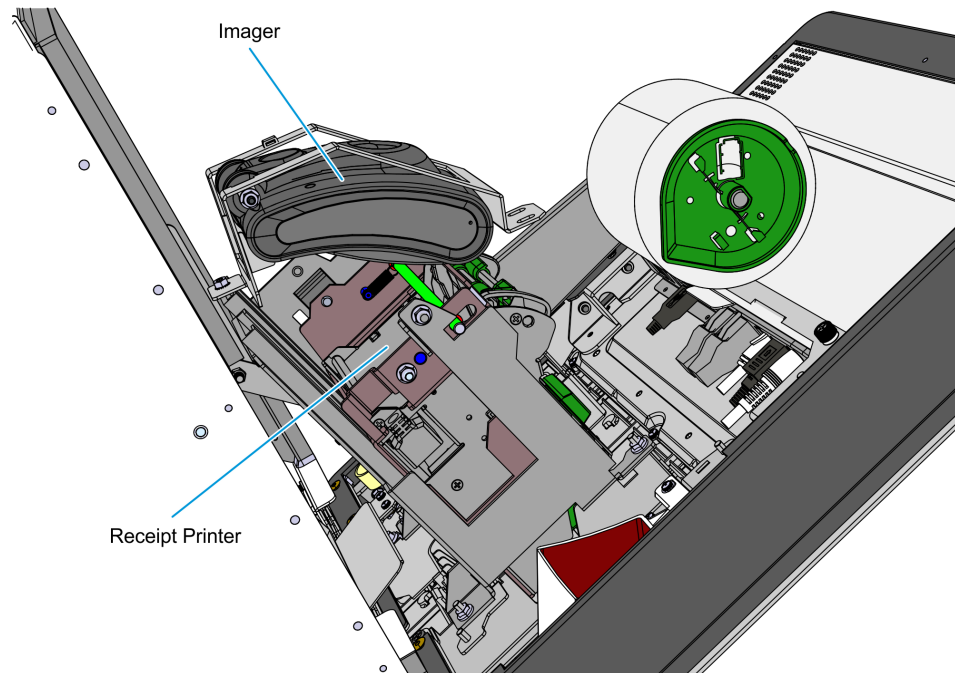
CCP-77965

- b. Remove the three nuts securing the Imager to the kiosk and then lift the imager out of its position.



CCP-77975

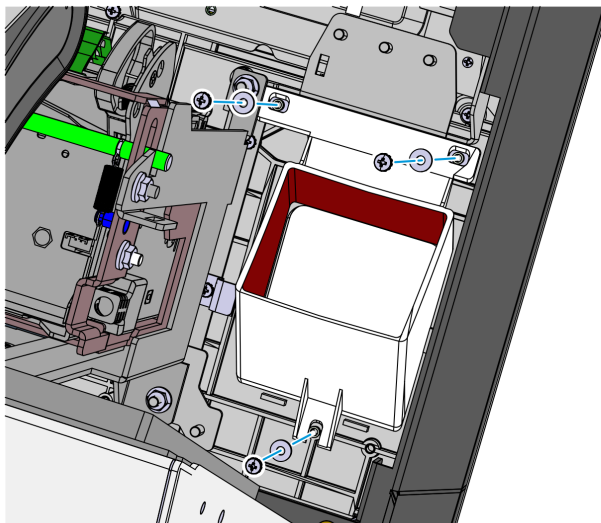
- c. Place the Imager on the space behind the Receipt Printer.



CCP-77967

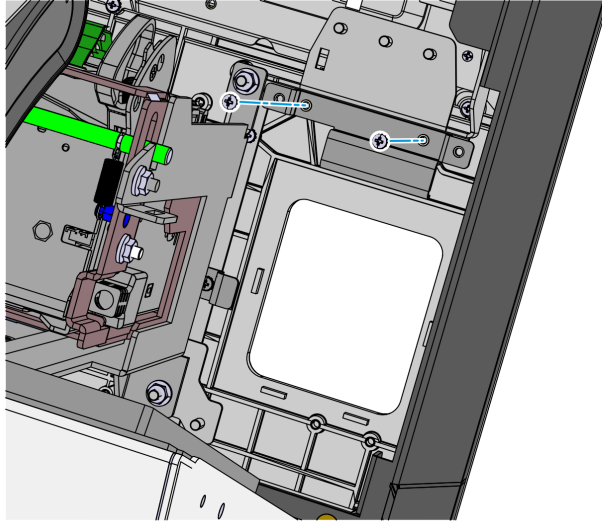
4. Remove the three screws and washers securing the Imager Shield assembly and then remove the assembly from the kiosk.

! Important: Do not throw away the washers. Keep the washers and use these when re-installing the Imager Shield.



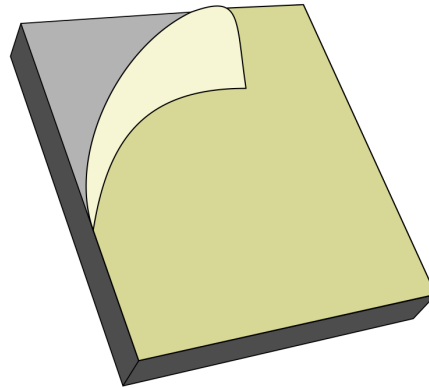
CCP-77968

5. Remove the two screws securing the top antenna bracket.



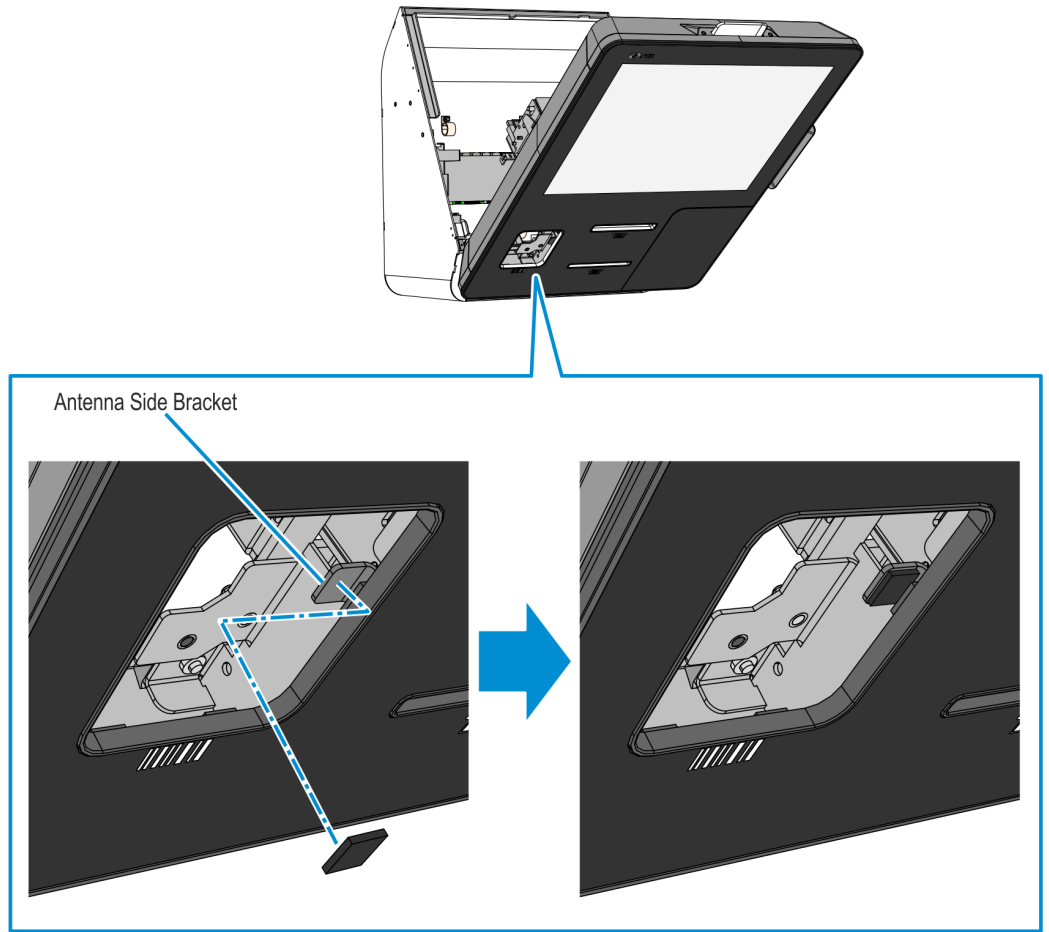
CCP-77969

6. Install the small gasket included in this kit to the antenna side bracket mounted on the kiosk.
 - a. Remove the back liner from the rear side of the gasket.



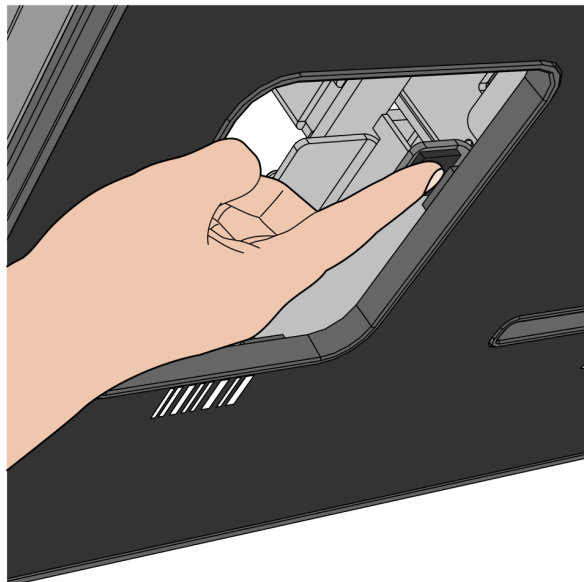
CCP-73898

- b. Attach the gasket to the bracket.



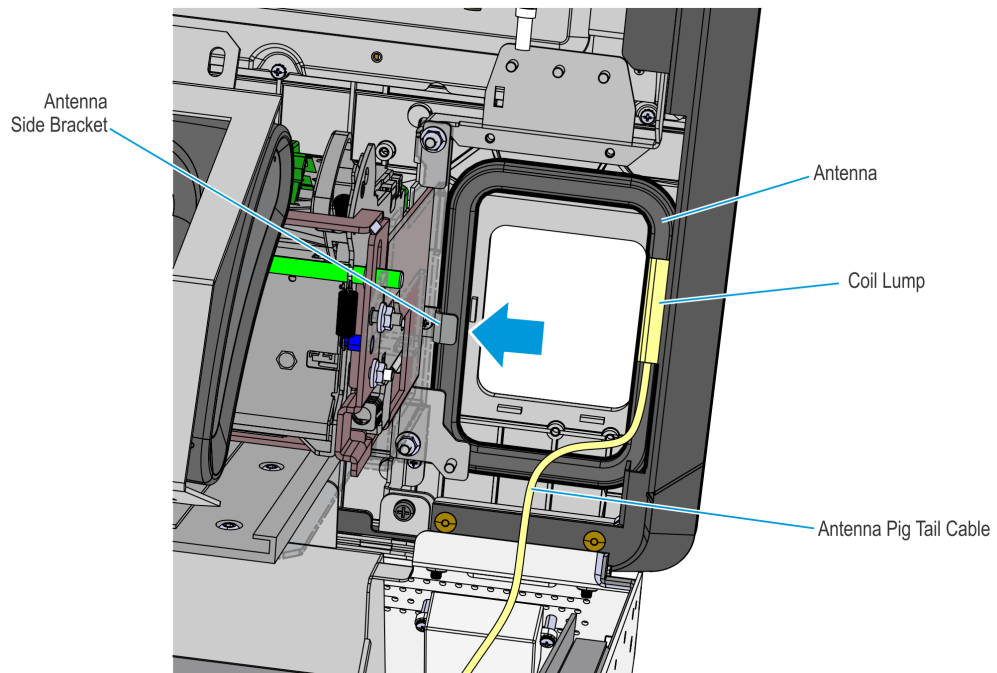
CCP-73890

- c. Use your finger or a long thin object to press the gasket unto the bracket to make sure that it is firmly attached. Repeat this step as many times as necessary.



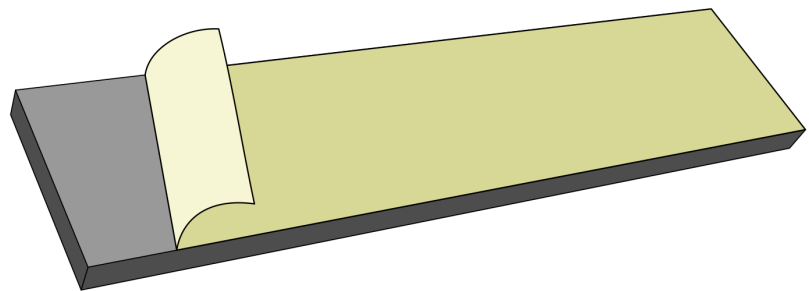
CCP-73891

7. Mount the Sensormatic Antenna by sliding it under the side bracket. The coil lump should be located on the right-hand side of the antenna and the pigtail cable should stick out at the lower right-hand corner of the display head assembly.



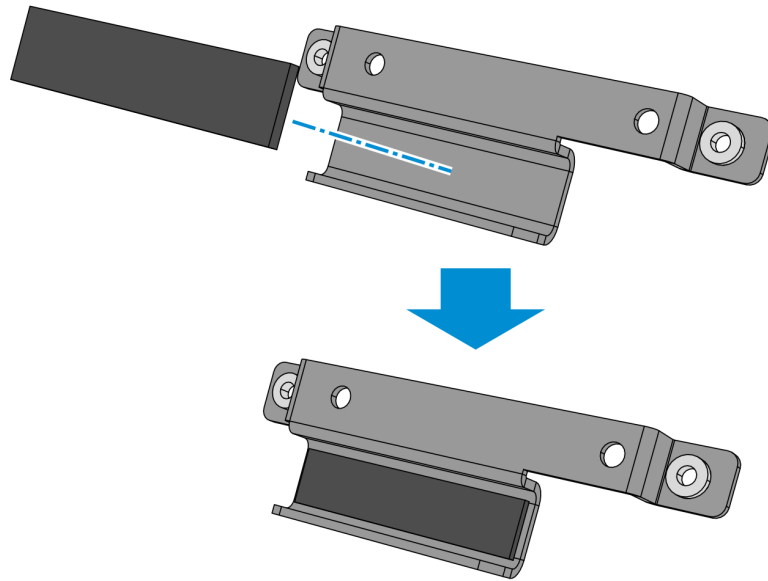
CCP-77970

8. Install the large gasket to the Antenna Top Bracket.
 - a. Remove the back liner from the rear side of the gasket.



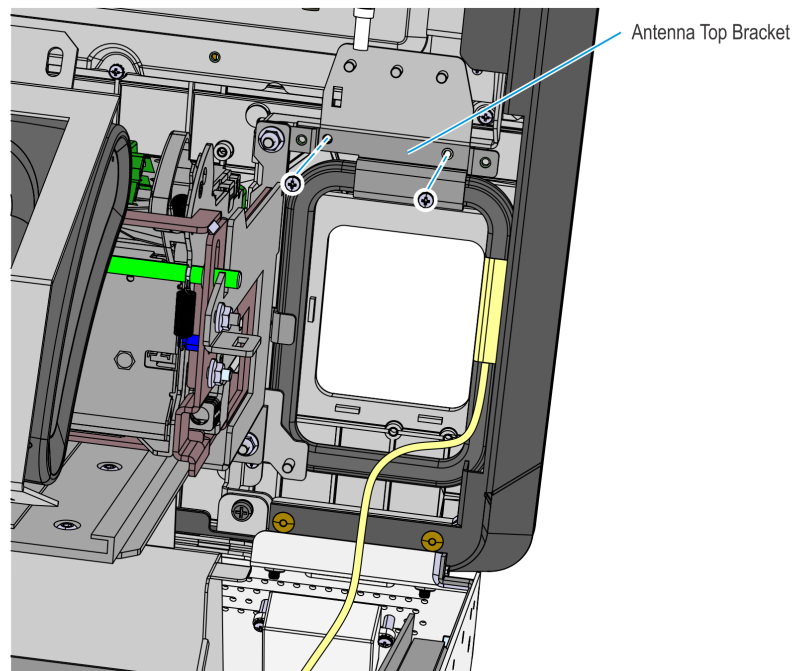
CCP-73899

- b. Attach the gasket to the Antenna Top Bracket. Use your finger to press the gasket to the bracket to make sure that it is firmly attached.



CCP-73892

9. Mount and secure the Antenna Top Bracket using two screws.

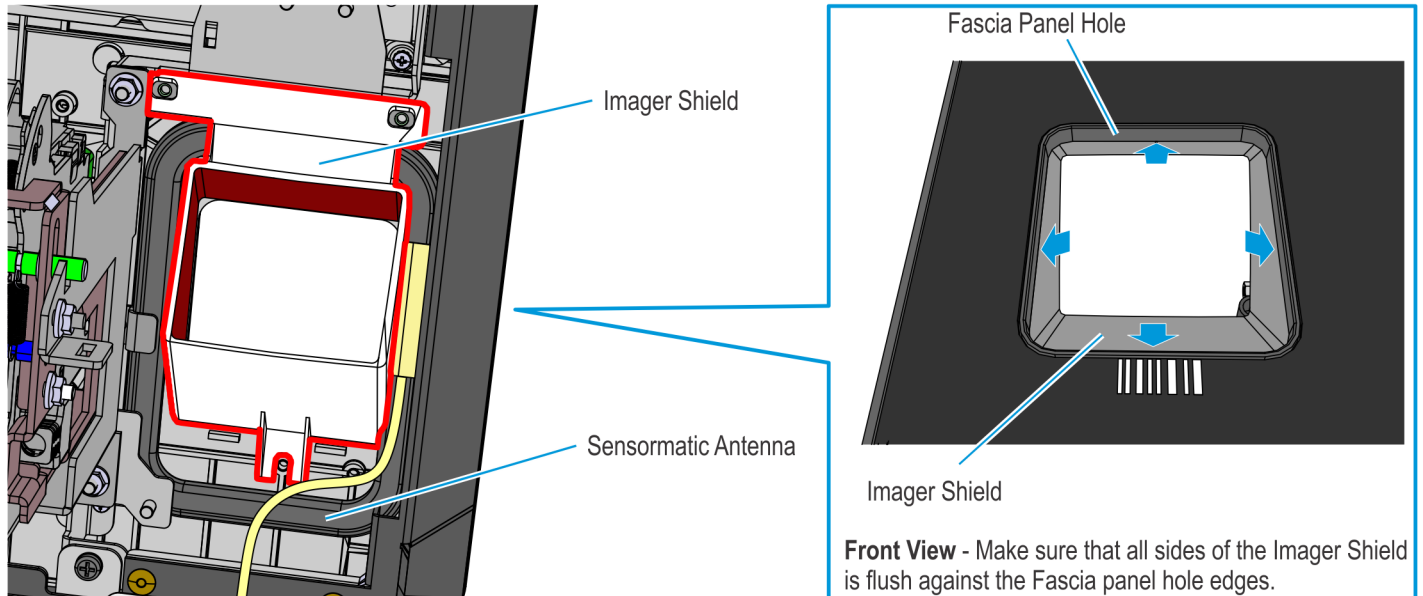


CCP-77971

10. Install the Imager Shield assembly.

- a. Mount the Imager Shield assembly over the antenna.

! Important: On the front side of the fascia, make sure that there is no gap between the Imager Shield and Fascia panel. All sides of the Imager Shield should be flush against the Fascia Panel. Adjust the alignment of the Imager Shield accordingly.

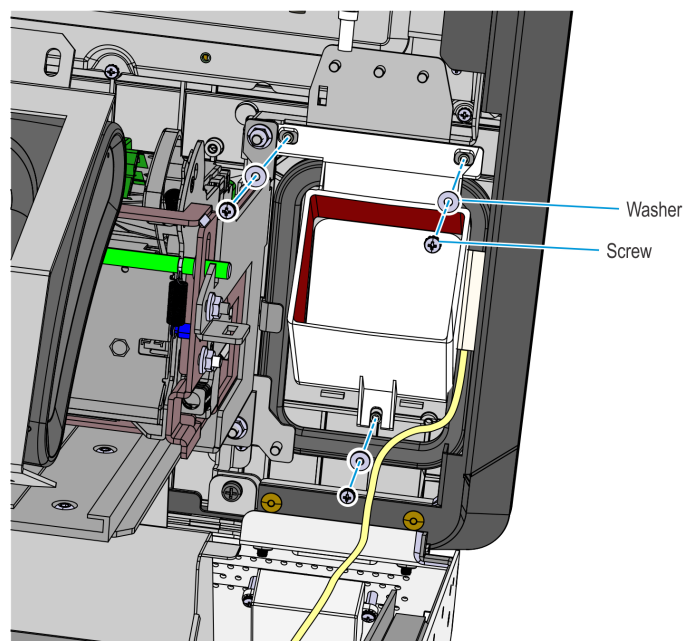


CCP-77972

- b. Secure the Imager Shield assembly using three M3 screws and plastic washers.



Caution: Make sure that the plastic washers are installed with the screws. These washers help protect the Imager from electromagnetic waves given off by the antenna.

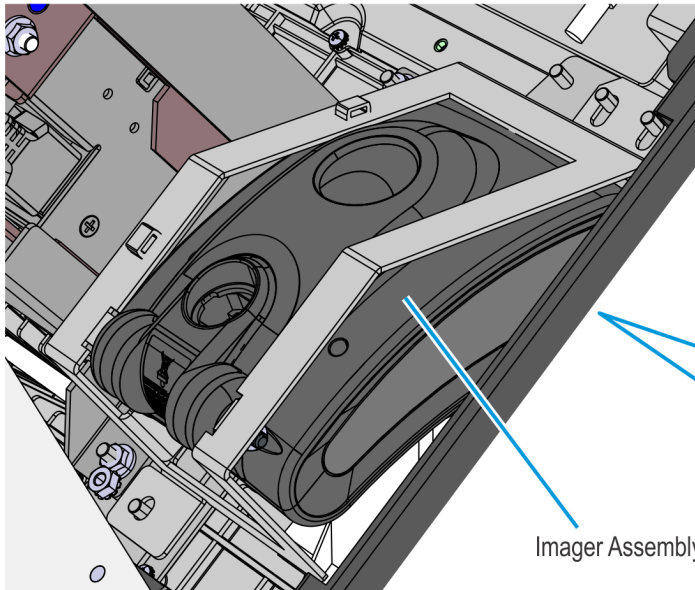


CCP-77973

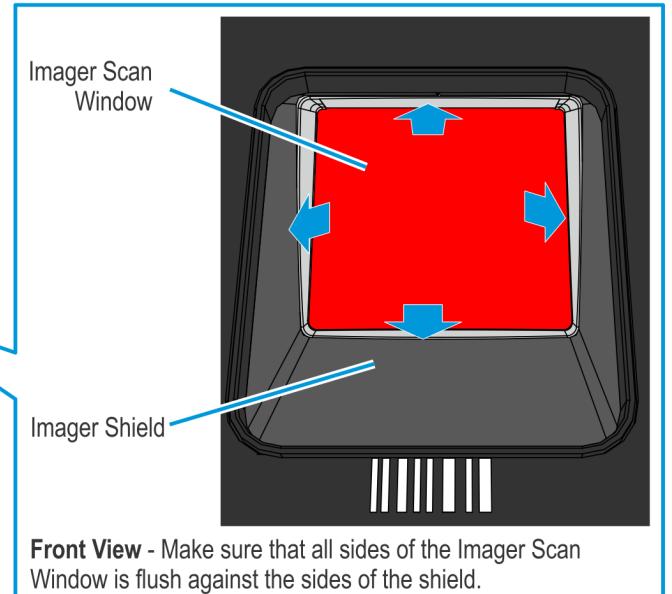
11. Install the Imager Scanner assembly.

- a. Mount the Imager assembly over the Imager Shield.

! Important: On the front side of the fascia, make sure that all sides of the Imager Scan Window is flush against the sides of the Imager Shield. Adjust the alignment of the Imager accordingly.



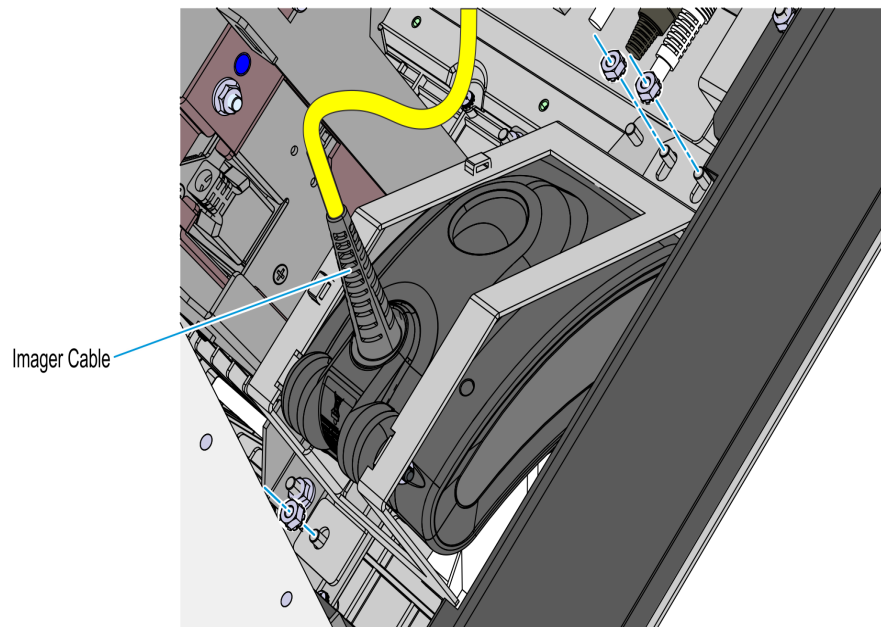
Rear View



Front View - Make sure that all sides of the Imager Scan Window is flush against the sides of the shield.

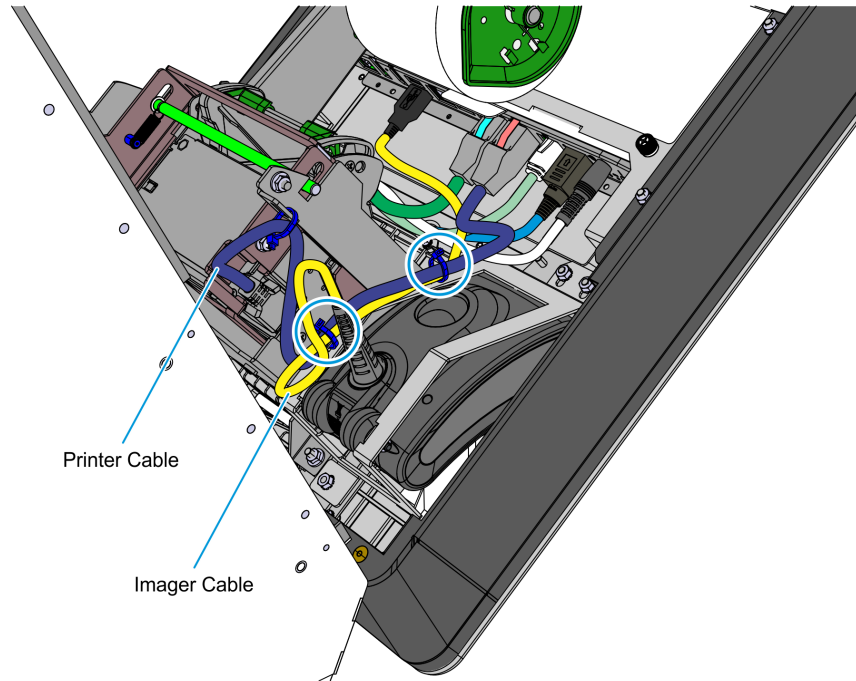
CCP-77974

- b. Secure the Imager assembly to the kiosk using three nuts.



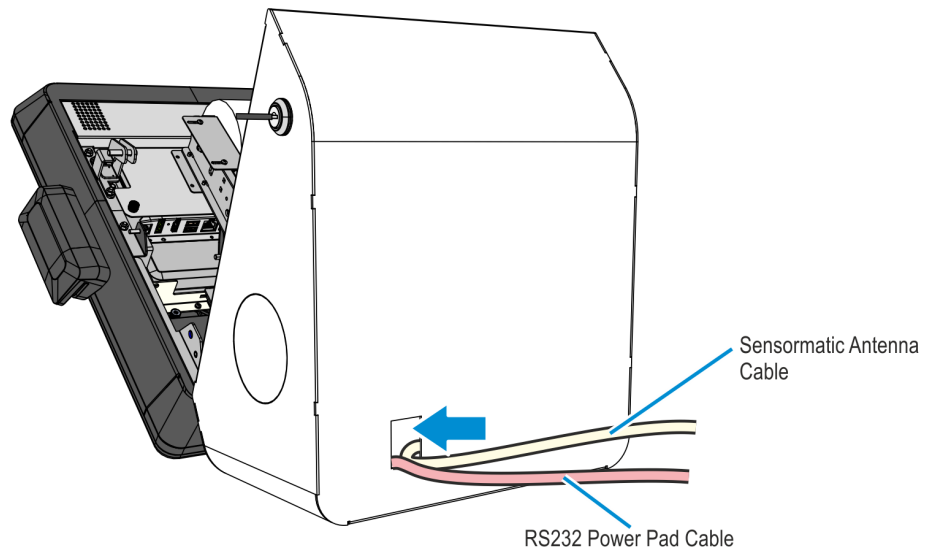
CCP-77975

- c. Bundle the following cables together and secure them to the Imager bracket using two cable ties.
- Imager USB cable
 - Printer USB and Power cable



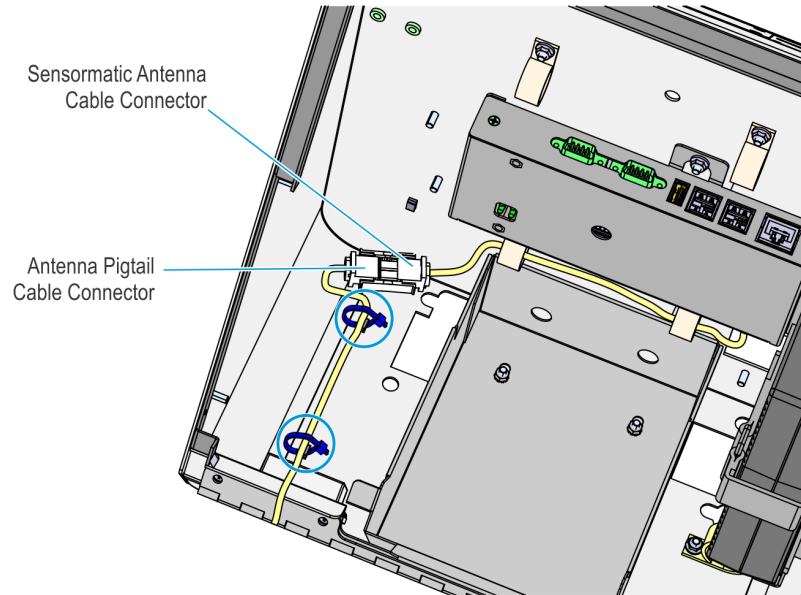
CCP-77965

12. Route the RS-232 Power Pad Cable and Sensormatic Antenna cable into the cabinet through the rear access hole.



CCP-73897

13. Route the Sensormatic Antenna Cable inside the kiosk.
 - a. Route the antenna pigtail cable into the cabinet and on the left-hand side of the coupon bin, and then secure it with a cable tie.
 - b. Route the Sensormatic antenna cable towards the antenna pigtail cable and plug the connectors together.
 - c. Cut-off existing cable ties shown in the following image. Bundle the antenna cable with other cables and then secure the cables using two new cable ties.



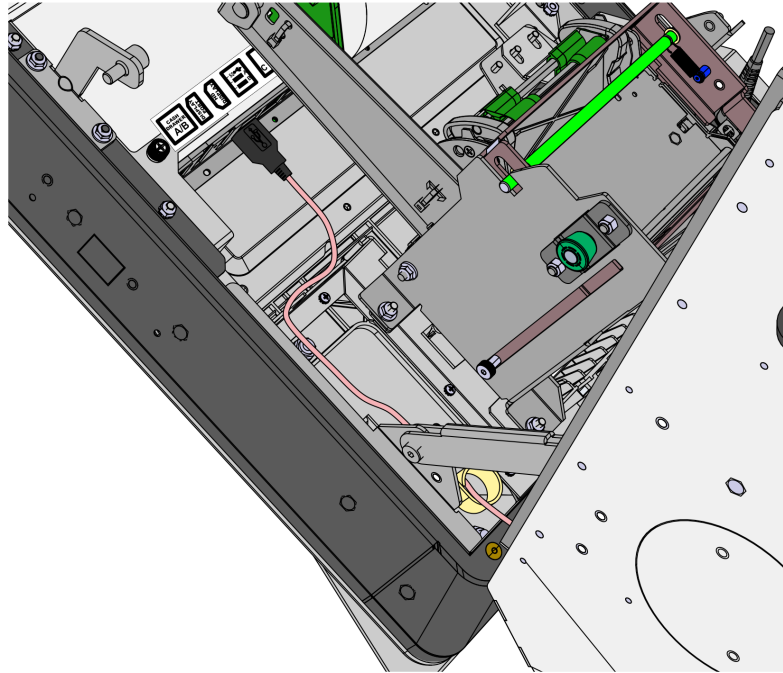
CCP-77976

14. Route the RS-232 Power Pad and the USB to Serial Cable inside the kiosk.
 - a. Connect the USB connector of the USB to Serial cable to a vacant USB port on the motherboard I/O Panel.

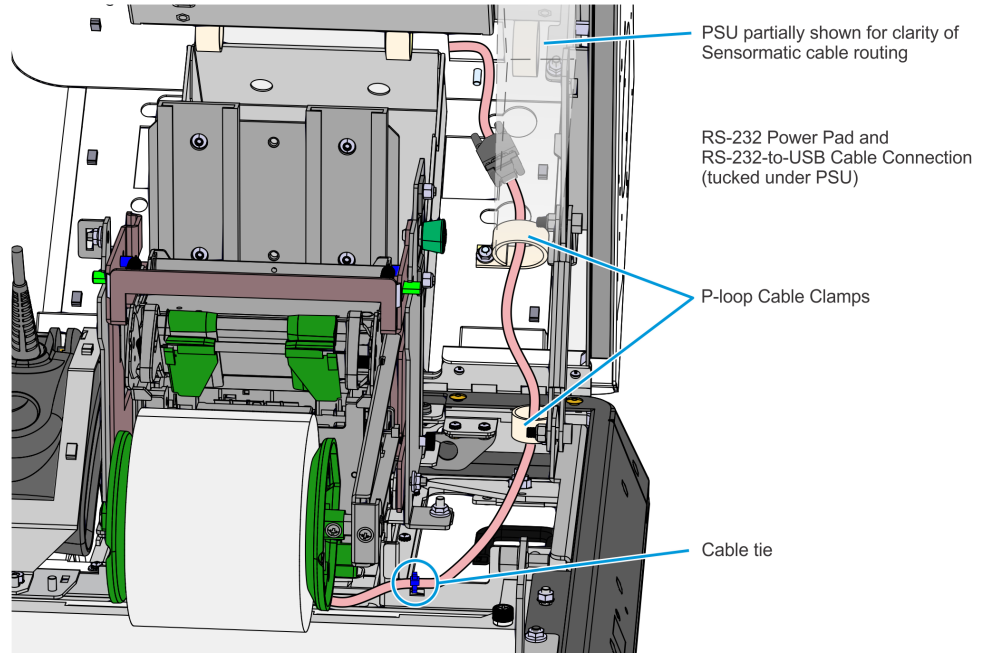


Note: If the two ports are vacant, connect the cable to the top port.

- b. Route the cable downward towards RS-232 Power Pad cable in the kiosk cabinet.



- c. Connect the USB to Serial cable to the RS232 Power Pad cable and tuck the connectors under the PSU.
- d. Secure the USB to Serial cable to the two cable clamps along its route.
- e. Cut off existing cable ties securing the cable bundle to the bracket just below the I/O Panel.
- f. Bundle the USB to Serial cable together with the other cables and then secure the cables using two new cable ties.

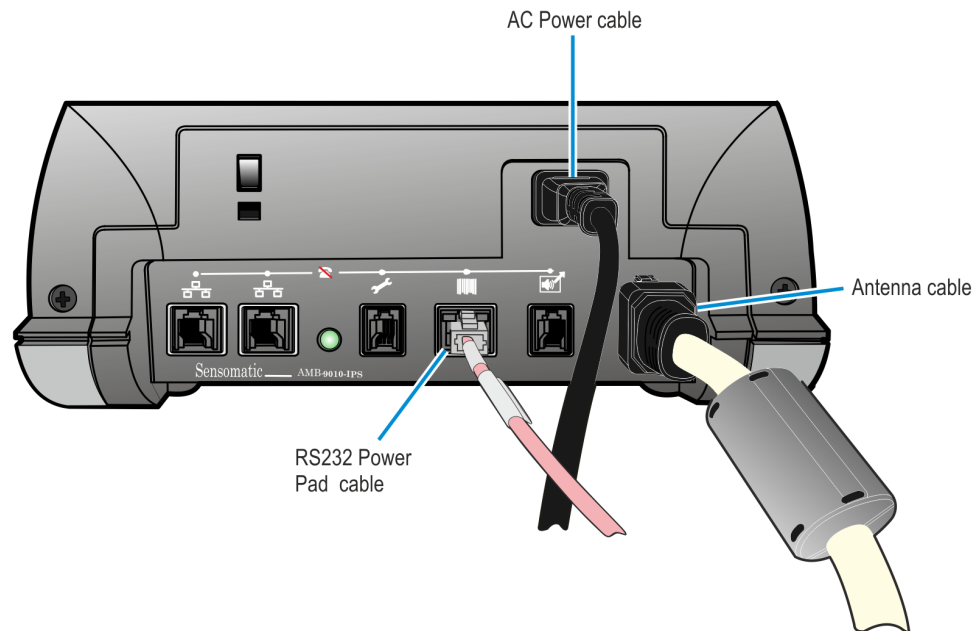


15. Connect the Sensormatic cables to the Sensormatic Controller ports in the following order:



Caution: To avoid damage to the controller, make sure that the Sensormatic Controller power is OFF before connecting the cables. DO NOT reverse the order of connecting the Sensormatic cables, and DO NOT connect or disconnect the cables from the controller when power is ON.

- a. RS-232 Power Pad Cable
- b. Antenna Cable
- c. Sensormatic AC Power Cable



CCP-60873

16. Place and secure extra length of the Sensormatic cables outside the kiosk cabinet.

Interconnection Diagram



Note: Actual cable colors are black, they are shown in different colors in the illustrations for easier reference.

Component Cables		Port	
1	Imaging Scanner	USB B	Motherboard I/O Panel
2	I/O Daughter Card	USB E	
3	Receipt Printer	USB F	
4A	USB to Serial Cable	USB A	
4B	RS232 Power Pad Cable	Data Port	Sensormatic Controller
5A	Antenna Cable	Antenna Port	
5B	Antenna Pigtail Cable		
6	AC Power Cable	AC In Port	

Motherboard I/O Panel

