



OEM & CUSTOM FASTENERS

- 2024 -
**PRODUCT
CATALOG**



MANUFACTURED
IN THE
USA



www.optitorque.com



TABLE OF CONTENTS

OEM + Custom Fasteners For Your Specific Needs

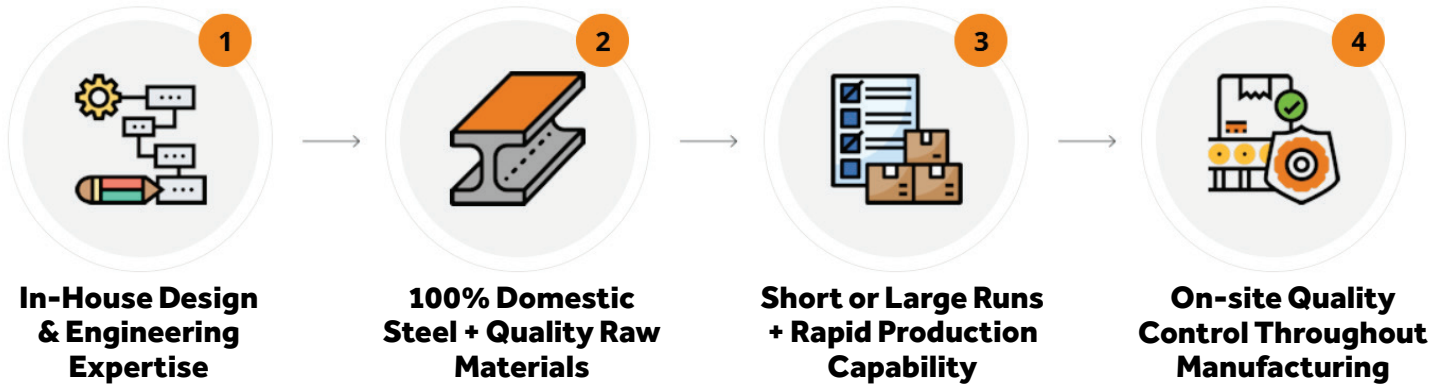


ABOUT OPTITORQUE	4
MATERIAL SPECIFICATIONS	5
AUTOMOTIVE ENGINE / POWERTRAIN	6
BMW	6
CHEVROLET SMALL BLOCK.....	8
CHEVROLET BIG BLOCK	9
CHEVROLET LS	12
CHRYSLER.....	14
FORD.....	16
HONDA	19
MAZDA.....	21
MCCLAREN	21
MITSUBISHI.....	22
NISSAN.....	24
SUBARU.....	26
TOYOTA.....	27
VOLKSWAGEN/AUDI.....	29
DIESEL	30
CAT	30
CUMMINS.....	31
DURAMAX	33
NAVISTAR / IH.....	35
POWER STROKE.....	37
RV & POWERSPORTS	39
BULK / GENERAL HARDWARE	40
CARBURETOR STUDS.....	40
STAINLESS ACCESSORY STUDS	40
TURBO STUDS	40
BULK NUTS	41
BULK WASHERS	42
PART NUMBER DESCRIPTIONS	43
CUSTOM BOLT ORDER FORM	57
CUSTOM STUD ORDER FORM	58



DELIVERING A NEW STANDARD

We design, engineer, and manufacture fastening products for a broad spectrum of high-demand industries. From standard OEM to custom-made solutions, you can depend on the strength, reliability, and precision of our fasteners.

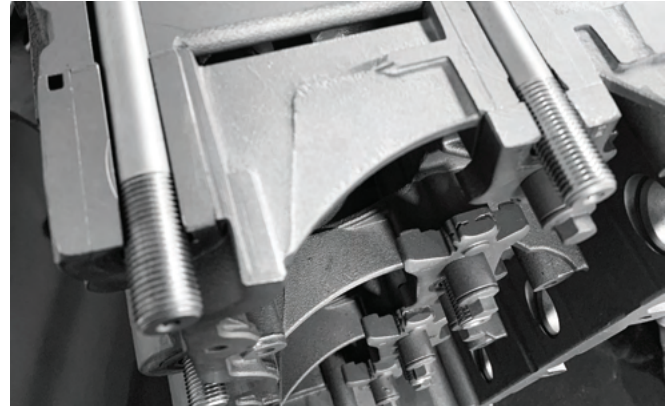


Our passion for innovation, modern manufacturing methods, attention to detail, commitment to quality, and customer satisfaction have become the cornerstones of our company's success.

With specialized and dedicated equipment, we are able to accommodate short runs, rapid prototype production, private labeling, and fast turnaround regardless of quantity demands.

Coupled with an experienced staff, we are not only able to embrace emerging technologies, but also fabricate replacement fastener parts for custom and standard OEM uses.

As technology continues to improve, performance demands continue to grow, and OptiTorque has the equipment, personnel, and engineering know-how it takes to make sure your components can be pushed to their highest level.





MATERIAL

<u>Alloys:</u>	<u>KSI:</u>
Patriot (8740)	180 - 220
TorqueMaster (HSLA)	190 - 240
Tool Steel H11	220 - 260
Double Vac Melt Custom Age.	260 - 300
Stainless Steel - Aged (630)	180
Aermet 340.	340
Titanium.	180

OptiTorque's multiple grades of material insure each customer has a solution for a variety of applications.

Studs and bolts are produced from the finest quality domestically melted premium steels. The over sized steel bars are further cold worked to increase mechanical properties and remove any surface impurities.

Our fasteners are heat treated with a proprietary process, unique from the automotive, commercial, and aerospace industries allowing each fastener the ability to achieve higher tensile strengths without sacrificing toughness.

Fasteners are centerless ground to ensure concentricity and any surface defects from heat treating are removed. Threads are roll formed on the fastener in the hardened state.

Once threaded, the fasteners are stress relieved, deburred, and plated or polished prior to meeting each customer's packaging requirements.



BMW

BMW

Head Bolts / Head Studs

	Patriot Studs	Patriot Bolts	TorqueMaster Studs	TorqueMaster Bolts	Custom Age	Tool Steel	Custom Mfg.
1.6 - 2.0L - N Series	10420		10421		10422		
2.0 - 3.2L M52/N54/S54	10423		10424		10425		
2.9 - 3.0L M57 Diesel	10426		10427		10428		
3.0L N55B/S55B	10429		10430		10431		
S63			10432				

BMW

Main Bolts / Main Studs

	Patriot Studs	Patriot Bolts	TorqueMaster Studs	TorqueMaster Bolts	Custom Age	Tool Steel	Custom Mfg.
1.6 - 2.0L - N Series	10433		10434				
2.0 - 3.2 L M52/M54/S54	10435		10436				
2.9 - 3.0 L M57 Diesel	10437		10438				
3.0 L N55B/S55B	10439		10440				



BMW

BMW Bolts / Studs

	1.6 - 2.0 L	2.0 - 3.2 L	2.9 - 3.0 M57 Diesel	3.0 L N54/55	N54/55	B58	S63
Rod Bolts		10442				10447	10448
Exhaust Manifold/ Header Studs	10441	10443	10444	10445	10446		

BMW Driveline / Powertrain

	Bell Housing Bolts	Bell Housing Studs	Clutch Cover Bolts	Converter Bolts	Flexplate Bolts	Flywheel Bolts	Ring Gear Bolts	Wheel Studs (Double End)	Wheel Studs (Single End)
1.6 - 2.0 L									
2.0 - 3.2 L						10829			
2.9 - 3.0 M57 Diesel									
3.0 L N54/55									
N54/55									
B58									
2.3L						11086			
S63									



CHEVROLET

Chevrolet Small Block Head Bolts / Head Studs

	Patriot Studs	Patriot Bolts	TorqueMaster Studs	TorqueMaster Bolts	Custom Age	Tool Steel	Custom Mfg.
OEM Aluminum/Cast Iron 23°/Gen III/LT Brodix/Dart/AFR/Edelbrock/Trick Flow	10470	10471	10472	10473			
Brodix 18°	10474				10475	10476	
Rodeck Brodix Aluminum Block	10467		10477			10479	
Rodeck Brodix Aluminum Block 23 deg 3/8-7/16 studs			10478				
Dart Little M	10480		10481			10483	
Dart Little M Sportsman	10482						

Chevrolet Small Block Main Bolts / Main Studs

	Patriot Studs	Patriot Bolts	TorqueMaster Studs	TorqueMaster Bolts	Custom Age	Tool Steel	Custom Mfg.
Small Journal 2 Bolt			10486	10485		10487	
Large Journal 2 Bolt			10488	10489	10490	10491	
4 Bolt w/ Windage Tray			10492		10493		
400ci, 4 bolt w/ Windage Tray			10484				
4 Bolt w/ Windage Tray and Splayed Cap Bolts			10494		10495		
4 Bolt Large Journal w/ Windage Tray			10496		10497		
4 Bolt Large Journal w/ Windage Tray and Splayed Cap Bolts			10498		10499		
Dart Little M Splayed			10500		10501		



CHEVROLET

Chevrolet Small Block Bolts / Studs

Chevrolet Small Block
Small Journal 283 - 327
305 - 400
Small Block with Girdle

Damper Bolts	10449	10456	10463	
Rocker Studs	10450	10457	10464	
Valve Cover Studs	10451	10458	10458	
Exhaust Manifold/ Header Studs	10452	10459	10459	
Oil Pump Drive Shaft	10453	10453	10453	
Oil Pan Studs	10454	10460	10460	10461
Cam Bolt	10455	10455	10455	

Chevrolet Big Block Head Bolts / Head Studs

Patriot Studs
Patriot Bolts
TorqueMaster Studs
TorqueMaster Bolts
Custom Age
Tool Steel
Custom Mfg.

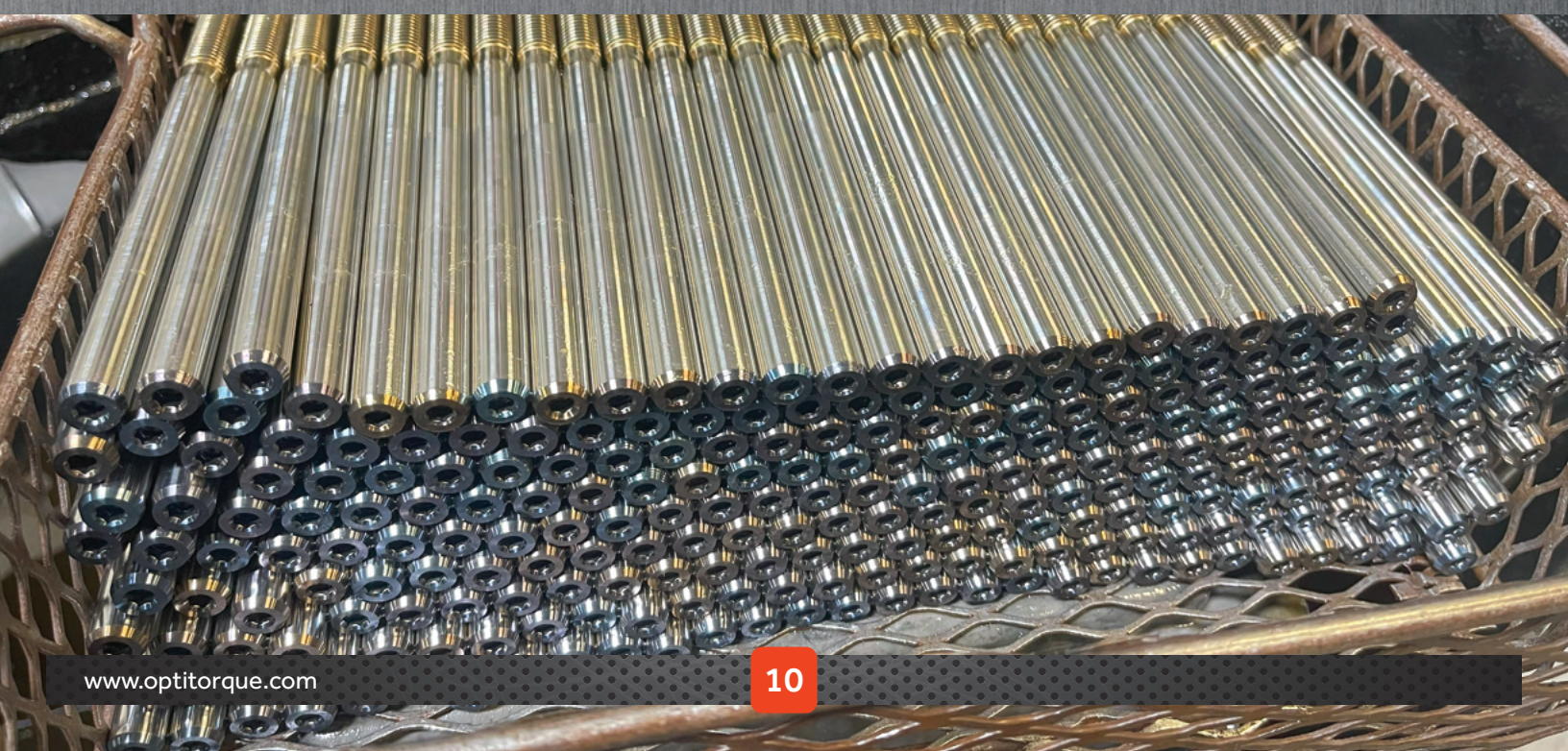
396-454 Aluminum/Cast Iron OEM, Mark IV Aluminum	10502	10503	10504				
Mark IV Late Bowtie Iron Dart Pro 1				10505			
Energy Mfg. Aluminum Block	10506		10507			10509	10510
Dart Big Chief Block	10508						
7/16 - 1/2 Aluminum Block	10511		10512				
396-454 Edelbrock	10513	10514	10515	10516			
396-454 Brodix	10517	10518	10519	10520			
396-454 Dart	10521	10522	10523	10524			



CHEVROLET

Chevrolet Big Block Main Studs / Main Bolts

	Patriot Studs	Patriot Bolts	TorqueMaster Studs	TorqueMaster Bolts	Custom Age	Tool Steel	Custom Mfg.
396-454 2 Bolt	10525	10526	10527	10528			
396-454 4 Bolt	10529	10530		10532			
Dart Big M Outer Splay studs			10531				
396-454 2 Bolt w/ Windage Tray	10533		10539				
396-454 4 Bolt w/ Windage Tray	10540		10541				
Mark IV Bowtie w/ Windage Tray	10542		10543				
Mark IV Aluminum	10544		10545				
Dart Big M Splayed Cap	10546		10547				
Energy Mfg. Aluminum Block	10548		10549		10550	10551	





CHEVROLET

Chevrolet Big Block Bolts / Studs

	<i>Chevrolet Big Block</i>	<i>396 - 454 Small Rod Stud</i>	<i>454 - 502 7/16" Large Rod Stud, Tail Deck</i>
Damper Bolts	10552/10558*	10559	
Rocker Studs	10553	10560	
Valve Cover Bolts		10561	
Valve Cover Studs	10554		
Exhaust Manifold/ Header Studs	10555	10555	10555
Oil Pump Drive Shaft	10570	10570	10571
Oil Pump Studs	10556		
Oil Pan Bolts		10563	10566
Oil Pan Studs	10557	10564/10565*	
Cam Bolt	10455	10455	
Cam Stud			10572

*See part description for more detail

*See part description for more detail





CHEVROLET

Chevrolet LS

Head Bolts / Head Studs

	<i>Patriot Studs</i>	<i>Patriot Bolts</i>	<i>TorqueMaster Studs</i>	<i>TorqueMaster Bolts</i>	<i>Custom Age</i>	<i>Tool Steel</i>	<i>Custom Mfg.</i>
Gen III LS - 2 Length /Brodix/Dart/ AFR/World/ Edelbrock	10573	10574	10575	10576	10577	10578	
Gen IV LS	10413P		10413		10579	10580	
LSX	10581				10583	10584	
Dart 15 Bolt			10582				
Energy Mfg.	10585		10586		10587	10588	
World Products	10589		10590				

Chevrolet LS

Main Studs / Main Bolts

	<i>Patriot Studs</i>	<i>Patriot Bolts</i>	<i>TorqueMaster Studs</i>	<i>TorqueMaster Bolts</i>	<i>Custom Age</i>	<i>Tool Steel</i>	<i>Custom Mfg.</i>
Gen III LS	10593		10594				
Energy Mfg.	10596		10597		10598	10599	
Dart	10600		10601				
World Products	10604		10605				
LT1 -6.2L	10606		10607				



CHEVROLET

Chevrolet LS Bolts / Studs

	Gen III LS	Gen IV LS7	Gen V LT
Damper Bolts	10608	10613	10618
Rod Bolts	10609	10614	
Rocker Studs	10610		10620
Exhaust Manifold/ Header Studs	10611/10616*	10611/10616*	10621
Cam Bolt	10612	10617	
Cam Stud			10622

*See part description for more detail

Chevrolet Driveline / Powertrain

	Bell Housing Bolts	Bell Housing Studs	Clutch Cover Bolts	Converter Bolts	Flexplate Bolts	Flywheel Bolts	Ring Gear Bolts	Wheel Studs (Double End)	Wheel Studs (Single End)
V6 / V8 - 1 Piece Seal	10841			10837	10832				
V6 / V8 - 2 Piece Seal	10841			10838	10833				
Gen III / Gen IV LS	10842			10839	10834				
Gen V / LT1 - LT4				10840	10835				
LT1 6.2L					10836				



CHRYSLER

Chrysler Head Bolts / Head Studs

	<i>Patriot Studs</i>	<i>Patriot Bolts</i>	<i>TorqueMaster Studs</i>	<i>TorqueMaster Bolts</i>	<i>Custom Age</i>	<i>Tool Steel</i>	<i>Custom Mfg.</i>
273 - 360 Wedge	10623		10624				
Gen III Hemi 5.7L, 6.1L - 6.4L	10625		10626	10627			
Energy Mfg. Block	10628		10629		10630		
383-440 Wedge w/ Factory or Edelbrock	10631		10632				
Viper 96-03	11078						
Jeep 2.8L					see diesel		
426 Hemi	10633		10634				

Chrysler Main Studs / Main Bolts

	<i>Patriot Studs</i>	<i>Patriot Bolts</i>	<i>TorqueMaster Studs</i>	<i>TorqueMaster Bolts</i>	<i>Custom Age</i>	<i>Tool Steel</i>	<i>Custom Mfg.</i>
318 - 440 Wedge	10635		10636				
5.7L - 6.4L Hemi (Gen III)			10637				
426 Hemi			10639				



CHRYSLER

Chrysler Bolts / Studs

	Wedge	Gen III 5.7L Hemi	Gen III 6.1L/6.4L Hemi	426 Hemi	Hellcat Demon
Damper Bolts	10640	10644			10652
Rod Bolts		10645	10648		
Rocker Studs	10641				
Exhaust Manifold/Header Studs		10646	10649	10650	
Oil Pump Studs	10647				
Oil Pan Studs	10642			10651	
Cam Bolt	10643				

Chrysler Driveline / Powertrain

	Bell Housing Bolts	Bell Housing Studs	Clutch Cover Bolts	Converter Bolts	Flexplate Bolts	Flywheel Bolts	Ring Gear Bolts	Wheel Studs (Double End)	Wheel Studs (Single End)
273 - 440 V8 (6 Bolt)					10846	10843			
After-Market V8 / 426 Hemi (8 Bolt)					10847	10844			
5.7L, 6.1L, 6.4L Hemi V8 (NEW)					10848	10845			



FORD

Ford Head Bolts / Head Studs

	Patriot Studs	Patriot Bolts	TorqueMaster Studs	TorqueMaster Bolts	Custom Age	Tool Steel	Custom Mfg.
289 - 302 Factory/Edelbrock/AFR	10653	10654					
289 - 302 Factory/Edelbrock/AFR/Widsor Aluminum	10655						
351 w/ Factory/Edelbrock/Dart	10656						
Coyote Mid 2017 & Later	10660						
Coyote M11	10661						
Coyote Early M12	10664						
7.3l Godzilla			10697				
EcoBoost 2.3L	11030						
Barra	10658						

Ford Big Block Head Studs / Head Bolts

	Patriot Studs	Patriot Bolts	TorqueMaster Studs	TorqueMaster Bolts	Custom Age	Tool Steel	Custom Mfg.
390 - 428 FE Factory/Edelbrock	10657*						
	10659*						
429 - 460 Factory/Edelbrock	10662	10663					

*See part description for more detail



FORD

Ford Main Bolts / Main Studs

	<i>Patriot Studs</i>	<i>Patriot Bolts</i>	<i>TorqueMaster Studs</i>	<i>TorqueMaster Bolts</i>	<i>Custom Age</i>	<i>Tool Steel</i>	<i>Custom Mfg.</i>
289 - 302 2 Bolt	10665		10666				
289 - 302 w/ Windage 2 Bolt	10667		10668				
302 Dart 4 Bolt	10669		10670				
351c / 351w - 2 Bolt	10671		10672				
351w - 4 Bolt	10673		10674				
351 Dart	10675		10676				
7.3L Godzilla			10696				
EcoBoost 2.3L	11026						
Barra	10677		10678				

Ford Big Block Main Studs / Main Bolts

	<i>Patriot Studs</i>	<i>Patriot Bolts</i>	<i>TorqueMaster Studs</i>	<i>TorqueMaster Bolts</i>	<i>Custom Age</i>	<i>Tool Steel</i>	<i>Custom Mfg.</i>
390 - 428 - 2 Bolt - No Modification Required	10679		10680				
390 - 428 - 2 Bolt - Modification Required	10680						
429 - 460 2 Bolt	10681						
Coyote	10682						
429 - 460 - 4 Bolt	10683						
429 - 460 4 Bolt w/ Windage Tray	10684						



FORD

Ford Bolts / Studs

	289 - 302	351 W	Barra	390 - 428 FE	429 - 460
Damper Bolts	10685	10691			
Rocker Studs	10686				
Exhaust Manifold/Header Studs	10687	10692			
Oil Pump Drive Shaft	10688	10693			10701
Oil Pan Studs	10689	10694			
Cam Bolt	10690	10695		10698	

Ford Driveline / Powertrain

	Bell Housing Bolts	Bell Housing Studs	Clutch Cover Bolts	Converter Bolts	Flexplate Bolts	Flywheel Bolts	Ring Gear Bolts	Wheel Studs (Double End)	Wheel Studs (Single End)
4.6L / 5.4L Modular V8					10853	10849			
5.0 Coyote V8									10850
289 - 460 V8					10854	10851			
After-Market Performance V8					10855	10852			
Mustang II - Front									10856
Mustang ('94 1/2 - '04 - Front)									11089
Mustang ('05 - Later - Front)									11090
Mustang ('05 - Later - Rear)									11091



HONDA

Honda Head Bolts / Head Studs

	Patriot Studs	Patriot Bolts	TorqueMaster Studs	TorqueMaster Bolts	Custom Age	Tool Steel	Custom Mfg.
L15B7	10702		10703		10704		
2 - 2.3L VTEC		10705		10706		10707	
1.8L VTEC m11		10708		10709		10710	
K20C1			10711				

Honda Main Studs / Main Bolts

	Patriot Studs	Patriot Bolts	TorqueMaster Studs	TorqueMaster Bolts	Custom Age	Tool Steel	Custom Mfg.
L15B7		10718		10719			
2 - 2.3L		10720		10721			
1.8L		10722		10723			





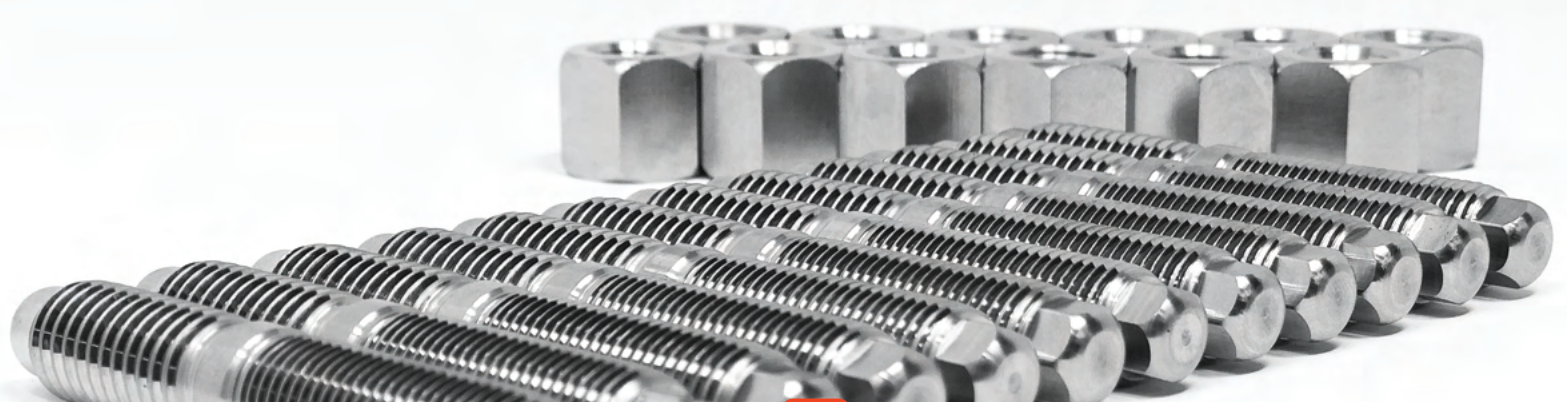
HONDA

Honda Bolts / Studs

	K20C1	1.5L B Series Engine
Damper Bolts		10729
Rod Bolts		10730
Exhaust Manifold/ Header Studs	10728	10731
Cam Stud		10732

Honda Driveline / Powertrain

	Bell Housing Bolts	Bell Housing Studs	Clutch Cover Bolts	Converter Bolts	Flexplate Bolts	Flywheel Bolts	Ring Gear Bolts	Wheel Studs (Double End)	Wheel Studs (Single End)
SOHC - D Series						11092			
DOHC (8 Bolt)						11093			





MAZDA

Mazda
Head Bolts / Head Studs

<i>Patriot Studs</i>	<i>Patriot Bolts</i>	<i>TorqueMaster Studs</i>	<i>TorqueMaster Bolts</i>	<i>Custom Age</i>	<i>Tool Steel</i>	<i>Custom Mfg.</i>
----------------------	----------------------	---------------------------	---------------------------	-------------------	-------------------	--------------------

2.3L DOHC	11027					
-----------	-------	--	--	--	--	--

MCCLAREN

McClaren
Head Bolts / Head Studs

<i>Patriot Studs</i>	<i>Patriot Bolts</i>	<i>TorqueMaster Studs</i>	<i>TorqueMaster Bolts</i>	<i>Custom Age</i>	<i>Tool Steel</i>	<i>Custom Mfg.</i>
----------------------	----------------------	---------------------------	---------------------------	-------------------	-------------------	--------------------

720		11075				
-----	--	-------	--	--	--	--

McClaren
Main Studs / Main Bolts

<i>Patriot Studs</i>	<i>Patriot Bolts</i>	<i>TorqueMaster Studs</i>	<i>TorqueMaster Bolts</i>	<i>Custom Age</i>	<i>Tool Steel</i>	<i>Custom Mfg.</i>
----------------------	----------------------	---------------------------	---------------------------	-------------------	-------------------	--------------------

720		11076				
-----	--	-------	--	--	--	--



mitsubishi

Mitsubishi Head Bolts / Head Studs

	Patriot Studs	Patriot Bolts	TorqueMaster Studs	TorqueMaster Bolts	Custom Age	Tool Steel	Custom Mfg.
4B-11			10713	10714			
4G63			10716	10717			

Mitsubishi Main Bolts / Main Studs

	Patriot Studs	Patriot Bolts	TorqueMaster Studs	TorqueMaster Bolts	Custom Age	Tool Steel	Custom Mfg.
4B11	10724		10725				
4G63	10726		10727				

Mitsubishi Bolts / Studs

	4B11	4G63
Damper Bolts		10735
Rod Bolts	10733	
Cam Stud		10736



MITSUBISHI

Mitsubishi
Driveline / Powertrain

	Bell Housing Bolts	Bell Housing Studs	Clutch Cover Bolts	Converter Bolts	Flexplate Bolts	Flywheel Bolts	Ring Gear Bolts	Wheel Studs (Double End)	Wheel Studs (Single End)
--	--------------------	--------------------	--------------------	-----------------	-----------------	----------------	-----------------	--------------------------	--------------------------

4G63 - DOHC (6 pc)					10712	11094			
4B11 - DOHC						11095			
4G63 - DOHC (7 pc)					10715	10734			
Late 4G63/EVO (7 pc)						11096		11097	





NISSAN

Nissan

Head Bolts / Head Studs

	<i>Patriot Studs</i>	<i>Patriot Bolts</i>	<i>TorqueMaster Studs</i>	<i>TorqueMaster Bolts</i>	<i>Custom Age</i>	<i>Tool Steel</i>	<i>Custom Mfg.</i>
RB26 GTR	10737		10401		10738		
RB 30/26			10397				
RB25/30DOHC							
RB25 DOHC			11084				
RB30 SOHC			11085				
RB30			10402				
VR38			10740		10741		
SR 20			11080				
VG30			11074				

Nissan

Main Bolts / Main Studs

	<i>Patriot Studs</i>	<i>Patriot Bolts</i>	<i>TorqueMaster Studs</i>	<i>TorqueMaster Bolts</i>	<i>Custom Age</i>	<i>Tool Steel</i>	<i>Custom Mfg.</i>
RB26	10748		10749				
RB30			10751				
KA24DE							
VQ35			10753				



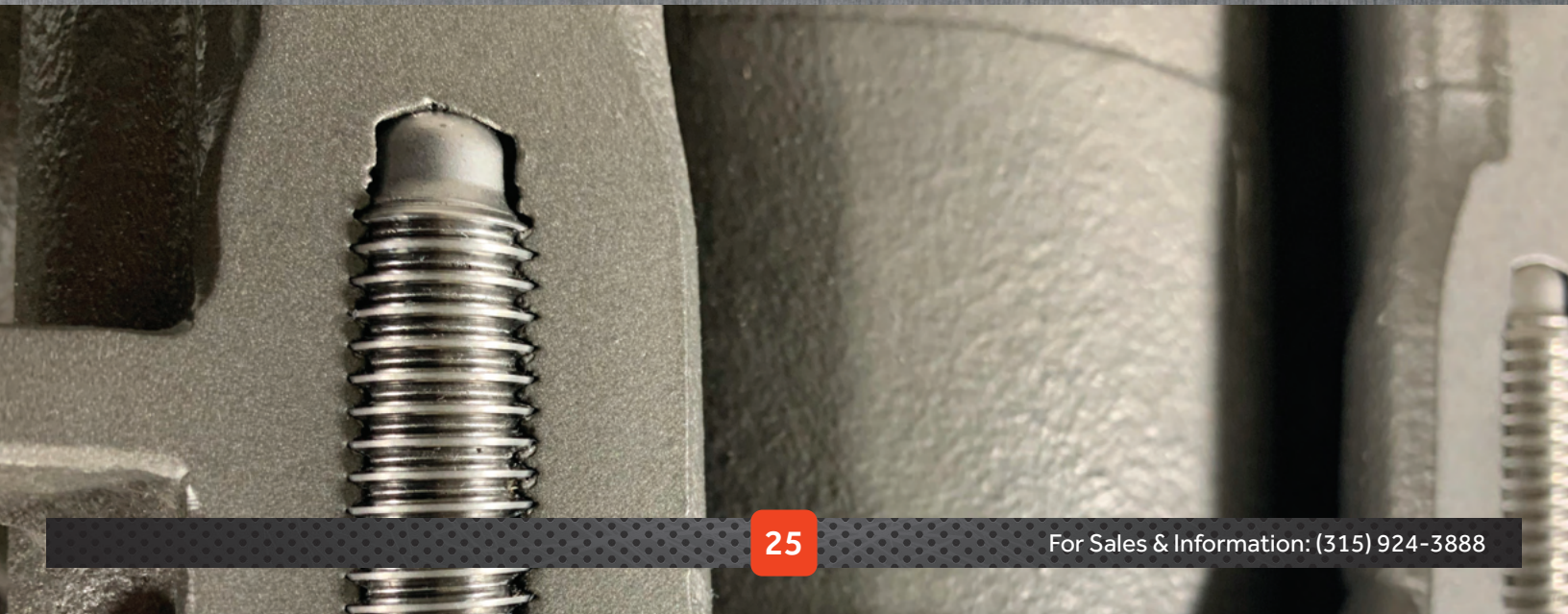
NISSAN

Nissan Bolts / Studs

	GTR RB26	RB30	VR38
Damper Bolts	10754		
Rod Bolts			10757
Exhaust Manifold/Header Studs	10755	10756	10758

Nissan Driveline / Powertrain

	Bell Housing Bolts	Bell Housing Studs	Clutch Cover Bolts	Converter Bolts	Flexplate Bolts	Flywheel Bolts	Ring Gear Bolts	Wheel Studs (Double End)	Wheel Studs (Single End)
SR20						11098			
RB25 / RB26				11100	11099				





SUBARU

Subaru Head Bolts / Head Studs

	<i>Patriot Studs</i>	<i>Patriot Bolts</i>	<i>TorqueMaster Studs</i>	<i>TorqueMaster Bolts</i>	<i>Custom Age</i>	<i>Tool Steel</i>	<i>Custom Mfg.</i>
FA20	10742		10743		10744		
EJ257	10745		10746		10747		

Subaru Bolts / Studs

	<i>FA Series</i>	<i>EJ257</i>
Exhaust Manifold/Header Studs	10759	10760

Subaru Driveline / Powertrain

	<i>Bell Housing Bolts</i>	<i>Bell Housing Studs</i>	<i>Clutch Cover Bolts</i>	<i>Converter Bolts</i>	<i>Flexplate Bolts</i>	<i>Flywheel Bolts</i>	<i>Ring Gear Bolts</i>	<i>Wheel Studs (Double End)</i>	<i>Wheel Studs (Single End)</i>
DOHL - 2.0 L									
BRZ / WRX									11101
BRZ / WRX - Extended									11102



TOYOTA

Toyota Head Bolts / Head Studs

<i>Patriot Studs</i>	<i>Patriot Bolts</i>	<i>TorqueMaster Studs</i>	<i>TorqueMaster Bolts</i>	<i>Custom Age</i>	<i>Tool Steel</i>	<i>Custom Mfg.</i>
----------------------	----------------------	---------------------------	---------------------------	-------------------	-------------------	--------------------

1 HZ/1HD	10412					
2JZ-GTE	10761	10762				

Toyota Main Bolts / Main Studs

<i>Patriot Studs</i>	<i>Patriot Bolts</i>	<i>TorqueMaster Studs</i>	<i>TorqueMaster Bolts</i>	<i>Custom Age</i>	<i>Tool Steel</i>	<i>Custom Mfg.</i>
----------------------	----------------------	---------------------------	---------------------------	-------------------	-------------------	--------------------

2JZ	10765	10766				
-----	-------	-------	--	--	--	--

Toyota Bolts / Studs

<i>2JZ</i>	<i>1.8/2.0L</i>
------------	-----------------

Rod Bolts	10769	10771
Exhaust Manifold/Header Studs	10770	



TOYOTA

Toyota

Driveline / Powertrain

	Bell Housing Bolts	Bell Housing Studs	Clutch Cover Bolts	Converter Bolts	Flexplate Bolts	Flywheel Bolts	Ring Gear Bolts	Wheel Studs (Double End)	Wheel Studs (Single End)
1.6L DOHC (8 pc)						11103			
2ZZ - DOHC - 1.8L						11104			
3SG - DOHC (8 pc)						11105			
2AZ - DOHC (8 pc)						11106			





VW / AUDI

Volkswagen / Audi Head Bolts / Head Studs

	Patriot Studs	Patriot Bolts	TorqueMaster Studs	TorqueMaster Bolts	Custom Age	Tool Steel	Custom Mfg.
1.6 - 1.9 ALH/AHW			10763		10764		

Volkswagen / Audi Main Bolts / Main Studs

	Patriot Studs	Patriot Bolts	TorqueMaster Studs	TorqueMaster Bolts	Custom Age	Tool Steel	Custom Mfg.
1.9 TDI ALH/BEW/BHW	10767		10768				

Volkswagen / Audi Driveline / Powertrain

	Bell Housing Bolts	Bell Housing Studs	Clutch Cover Bolts	Converter Bolts	Flexplate Bolts	Flywheel Bolts	Ring Gear Bolts	Wheel Studs (Double End)	Wheel Studs (Single End)
1.6L DOHC (8 pc)						11103			
2ZZ - DOHC - 1.8L						11104			
3SG - DOHC (8 pc)						11105			
2AZ - DOHC (8 pc)						11106			



DIESEL

OEM + Custom Fasteners For Your Specific Needs

CAT

CAT Head Bolts / Head Studs

	<i>Patriot Studs</i>	<i>Patriot Bolts</i>	<i>TorqueMaster Studs</i>	<i>TorqueMaster Bolts</i>	<i>Custom Age</i>	<i>Tool Steel</i>	<i>Custom Mfg.</i>
C15 / 3406e - 2 Length	10791		10274				

CAT Main Bolts / Main Studs

	<i>Patriot Studs</i>	<i>Patriot Bolts</i>	<i>TorqueMaster Studs</i>	<i>TorqueMaster Bolts</i>	<i>Custom Age</i>	<i>Tool Steel</i>	<i>Custom Mfg.</i>
7/8 C15 with Girdle			10275				

CAT Bolts / Studs

	<i>CAT - 3406B, 3406E, C15/16</i>
Damper Bolts	10795
Rod Bolts	10796
Exhaust Manifold/Header Studs	10797
Oil Pan Studs	10798



CUMMINS

Cummins
Head Bolts / Head Studs

	Patriot Studs	Patriot Bolts	TorqueMaster Studs	TorqueMaster Bolts	Custom Age	Tool Steel	Custom Mfg.
5.9-12V (1989 - 1998)	10392P		10392		10775		
5.9/6.7-24V 1998.5 - 2009	10341P		10272		10776		
6.7 2012-2018 - 1 Length Stud	10341P		10341		10777		
5.9 Deck Mod 14mm Std 12 v Head and Deck Height			10338				
1998.5 & Later Deck Mod 14mm w/12V Head +1" Length			10339				
1998.5 & Later Deck Mod 14mm w/24V Head +1" Length			10340				
6.7L CGI 2019 - Current			11087				
1998.5 & Later Deck Mod 14mm 2 length Block Hole Depth w/24V Head			10398				
8.3	10778						
8.9			10779				
KTA/QSK 19			10289				





DIESEL

OEM + Custom Fasteners For Your Specific Needs

CUMMINS

Cummins Main Bolts / Main Studs

	Patriot Studs	Patriot Bolts	TorqueMaster Studs	TorqueMaster Bolts	Custom Age	Tool Steel	Custom Mfg.
5.9-12V (1989 - 1998)			10381				
5.9-12V - Girdled			10380				
5.9/6.7-24V 1998 -2018 OE Replacement			11047				
5.9-24V 1998 w/ Block Bed Plate			10273*				
6.7L CGI 2019 - Current			11088				
5.9/6.7-24V 14mm Girdled			Call For availability				

*modification may be required

Cummins Bolts / Studs

	5.9 -12V	5.9/6.7 CR OE Replacement	5.9 /6.7 -24V	Chrysler 6.7 HO - CGI 2019 - Present
Damper Bolts	10780		10786	COMING SOON!
Rod Bolts	10781		10787	
Rocker Studs	10782		10788	
Valve Cover Studs	10783		10789	
Exhaust Manifold/Header Studs		10266	10334	
Oil Pump Drive Shaft	10384	10267	10276	
Oil Pump Studs		10268		
Oil Pan Studs	10785		10790	



CUMMINS

Cummins

Driveline / Powertrain

	Bell Housing Bolts	Bell Housing Studs	Clutch Cover Bolts	Converter Bolts	Flexplate Bolts	Flywheel Bolts	Ring Gear Bolts	Wheel Studs (Double End)	Wheel Studs (Single End)
Chrysler 5.9/12V					10785	10784			
Chrysler 24V 5.9									
Chrysler 24V 6.7					COMING SOON!				
Chrysler 6.7 HO- CGI-2019 - Present					COMING SOON!				

DURAMAX

Duramax

Head Bolts / Head Studs

	Patriot Studs	Patriot Bolts	TorqueMaster Studs	TorqueMaster Bolts	Custom Age	Tool Steel	Custom Mfg.
LB7	10286P		10826		10792		
L5P			10793				



DIESEL

OEM + Custom Fasteners For Your Specific Needs

DURAMAX

Duramax Main Bolts / Main Studs

	Patriot Studs	Patriot Bolts	TorqueMaster Studs	TorqueMaster Bolts	Custom Age	Tool Steel	Custom Mfg.
LB7			10794				

Duramax Bolts / Studs

	Duramax - LLY, LB7, L5P
Damper Bolts	10799
Rod Bolts	10800
Exhaust Manifold/Header Studs	10801
Exhaust Up Pipe Stainless	11115

Duramax Driveline / Powertrain

	Patriot Studs	Patriot Bolts	TorqueMaster Studs	TorqueMaster Bolts	Custom Age	Tool Steel	Custom Mfg.
LB7	10286P		10826		10792		
L5P			10793				



NAVISTAR / IH

NAVISTAR / IH Head Bolts / Head Studs

	Patriot Studs	Patriot Bolts	TorqueMaster Studs	TorqueMaster Bolts	Custom Age	Tool Steel	Custom Mfg.
DT 414 - 466 A, B, C (Casting Number 466, 467, 468, 469, 470) OEM Deck Height and Head	10284		10277				Please Call For Availability
DT 414 - 466 A, B, C (Added Length + 5/8")			10279				
DT 414 - 466 A, B, C (Added Length + 1")			10280				
DT 414 - 466 A, B, C (Added length + 2")			11049				

NAVISTAR / IH Main Bolts / Main Studs

	Patriot Studs	Patriot Bolts	TorqueMaster Studs	TorqueMaster Bolts	Custom Age	Tool Steel	Custom Mfg.
DT 414 - 466 (All Revs Through 1992.5)			10342				
DT 414 - 466 w/ 0.750" - 1.00" Girdle			10409				



DIESEL

OEM + Custom Fasteners For Your Specific Needs

NAVISTAR / IH

NAVISTAR / IH Bolts / Studs

	DT - 407	DT 360 - 466
Rod Bolts	10809	10810
Rocker Studs		10811
Exhaust Manifold/ Header Studs		10265
Intake Manifold Studs		10812
Oil Pan Studs		10265

NAVISTAR / IH Driveline / Powertrain

	Bell Housing Bolts	Bell Housing Studs	Clutch Cover Bolts	Converter Bolts	Flexplate Bolts	Flywheel Bolts	Ring Gear Bolts	Wheel Studs (Double End)	Wheel Studs (Single End)
DT - 360						11112			
DT - 466						11110			





POWER STROKE

Power Stroke
Head Bolts / Head Studs

	<i>Patriot Studs</i>	<i>Patriot Bolts</i>	<i>TorqueMaster Studs</i>	<i>TorqueMaster Bolts</i>	<i>Custom Age</i>	<i>Tool Steel</i>	<i>Custom Mfg.</i>
6.0L	10270P		10270				
6.4L			10802				
6.7L			10803				
7.3L			10804				

Power Stroke
Main Bolts / Main Studs

	<i>Patriot Studs</i>	<i>Patriot Bolts</i>	<i>TorqueMaster Studs</i>	<i>TorqueMaster Bolts</i>	<i>Custom Age</i>	<i>Tool Steel</i>	<i>Custom Mfg.</i>
6.0L			10271				
6.4L			10805				
6.7L			10806				





DIESEL

OEM + Custom Fasteners For Your Specific Needs

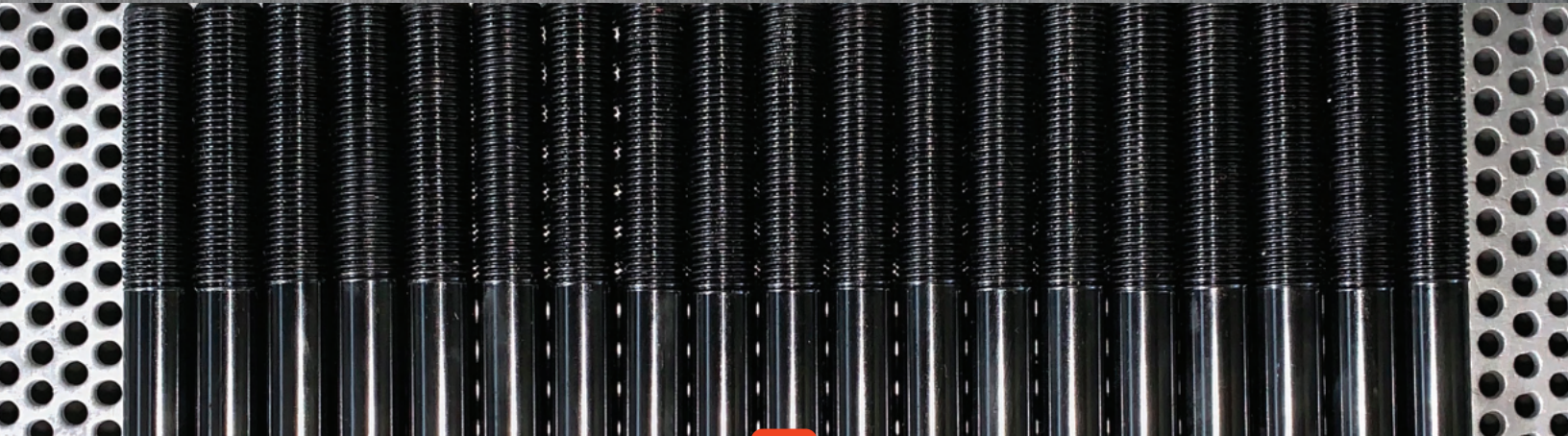
POWER STROKE

Power Stroke Bolts / Studs

	6.0L	6.4L	6.7L
Damper Bolts	11107	11107	11108
Exhaust Manifold/Header Studs	10287	10807	10808
Turbo Mount Studs Stainless	COMING SOON!		
Exhaust Up Pipe Stainless			

Power Stroke Driveline / Powertrain

	Bell Housing Bolts	Bell Housing Studs	Clutch Cover Bolts	Converter Bolts	Flexplate Bolts	Flywheel Bolts	Ring Gear Bolts	Wheel Studs (Double End)	Wheel Studs (Single End)
Power Stroke 6.0						11109			
Power Stroke 6.4 Adaptor						11110			
6.7 Power Stroke						11111			



RV & POWERSPORTS

OEM + Custom Fasteners For Your Specific Needs



Visit us at optitorque.com for our full lineup of Performance Engine, Suspension, and PowerTrain System Hardware. Parts are available for Polaris, Can-Am Side-By-Side vehicles, and Harley Davidson.





BULK / GENERAL HARDWARE

OEM + Custom Fasteners For Your Specific Needs

Carburetor Studs

Length	Diameter	Patriot Studs	Stainless Steel
1.705 OAL	5/16	10813	10814
2.045 OAL	5/16	10815	10816
2.220 OAL	5/16	10817	10818
2.705 OAL	5/16	10819	10820
3.045 OAL	5/16	10821	10822
3.195 OAL	5/16	10823	10824
4.395 OAL	5/16	10825	10826
4.695 OAL	5/16	10827	10828

Stainless Accessory Studs

Metric/Imperial Stainless Accessory Studs with External Hex & Internal Broach. Lengths from 1/2" - 5"

	Internal Broach	External Hex	Inconel
m8/1.25	10857	10858	
3/8"	10859	10860	
m10/1.25	10861	10862	
m10/1.25 - 1.5	10863	10864	
m11/1.25	10865	10866	
7/16"	10867	10868	10869
m12	10870		10871
1/2"	10872		10873

Turbo Studs

	Internal Broach	External Hex	Inconel
T3 Turbine Housing Base	10384		
T4 Foot Turbine Housing Base	10874	10875	
T6 Foot Turbine Housing Base	10876	10877	

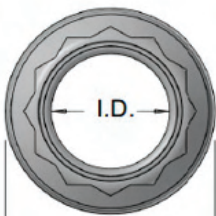
BULK / GENERAL HARDWARE

OEM + Custom Fasteners For Your Specific Needs

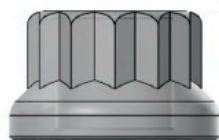


Bulk Nuts

	Material	Thread Size / Pitch	Wrench Grip	Collar O/D	Over All Height (OAH)	12 pt.	Hex
10343	Steel	5/16 - 24	7/16	0.625	0.390	●	
11062	Steel	3/8 - 24	7/16	0.625	0.390	●	
10344	Steel	3/8 - 24	1/2	0.700	0.425	●	
10251	S.S.	m10 x 1.25	12mm	0.700	0.425	●	
10345	Steel	7/16 - 20	1/2	0.700	0.435	●	
10790	Steel	7/16 - 20	9/16	0.825	0.475	●	
10335	S.S.	7/16 - 20	11/16	0.688 af	0.625		●
10410	Steel	m12 x 1.25	16mm	0.825	0.480	●	
10372	Steel	1/2 - 20	5/8	0.825	0.520	●	
10255	Steel	9/16 - 18	11/16	0.950	0.650	●	
10256	Steel	9/16 - 18	3/4	0.975	0.650	●	
10332	Steel	9/16 - 18	7/8	0.875 af	0.485		●
10333	Steel	9/16 - 18	7/8	0.875 af	0.750		●
10262	Steel	5/8 - 18	3/4	1.050	0.650	●	
10361	Steel	5/8 - 18	15/16	0.9375 af	1.050		●
10378	Steel	3/4 - 16	1	1.375	0.930	●	
10812	Steel	7/8 - 14	1 - 1/4	1.600	1.080	●	



O.D.



Height

Our stocking bulk inventory allows flexible packaging options from single piece blister packs to bulk bag/box for large quantity requirements.

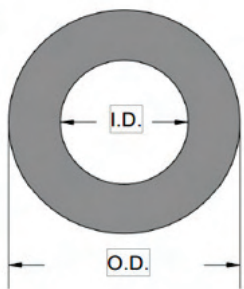


BULK / GENERAL HARDWARE

OEM + Custom Fasteners For Your Specific Needs

Bulk Washers

	Type	Internal Diameter (I.D.)	Outer Diameter (O.D.)	Thickness	Material
10535	Flat	5/16 & m8	0.680	0.125	Steel
10537	Flat	5/16 & m8	0.550	0.095	Steel
11069	Flat	m9	20.5mm (0.813)	3.2mm (0.125)	Steel
10534	Flat	3/8	0.750	0.125	Steel
11064	Flat	3/8	0.625	0.125	Steel
10252	Flat	3/8 & m10	0.750	0.125	S.S.
11070	Flat	m10	20.5mm (0.813)	3.2mm (0.125)	Steel
10383	Flat	7/16	0.875	0.125	Steel
10536	Flat	7/16	0.750	0.125	Steel
10538	Flat	7/16 & m11	0.950	0.125	Steel
11063	Flat	7/16	0.750	0.090	Steel
11067	Flat	7/16	0.8125	0.125	Steel
10411	Flat	m12	22.2mm (0.875)	3.2mm (0.125)	Steel
11068	Flat	m12	25mm (0.995)	3.2mm (0.125)	Steel
10257	Flat	1/2	0.875	0.125	Steel
10254	Flat	9/16	0.988	1.375	Steel
10328	Flat	5/8	1.120	0.120	Steel
10347	Flat	5/8	1.160	0.145	Steel



Our washers are manufactured from domestic melted hardened clean steel. Stamped, machined and dual disc ground. Inventory is available in single piece blister pack through bulk bag/box count easily tailored to meet our customers needs.

PART NUMBER DESCRIPTIONS

OEM + Custom Fasteners For Your Specific Needs



Regardless of your demands, our team can help design, engineer, and fabricate a solution to meet your specific needs. If you don't see a part or fastener that you need, call our team at (315) 924-3888.

10250	Cummins 2nd gen m10 w7mm ext hex ss exh stud kit
10251	m10 x 1.25 12 pt. Nut, S.S., 11mm tall (0.425), 17.8mm collar 0.700), 12mm wrench grip
10252	Flat 3/8 & m10 ID x 0.750 OD x 0.125 Thick SS Washer
10254	Flat 9/16 ID x 0.988 OD x 0.125 Thick Steel Washer
10255	9/16 - 18 12 pt. Nut, Heavy Wall, Black Oxide, 0.650 tall, 0.950 collar, 11/16 wrench grip
10256	9/16 - 18 12 pt. Nut, Ex Heavy Wall, Black Oxide, 0.650 tall, 0.975 collar, 3/4 wrench grip
10257	Flat 1/2 ID x 0.875 OD x 0.125 Thick Steel Washer
10262	5/8 - 18 12 pt. Nut, Heavy Wall, Black Oxide, 0.650 tall, 1.050 collar, 3/4 wrench grip
10265	IH 300/400 series 7/16 w5/16 ext hex ss exh stud kit
10266	Cummins cr fact m10x1.25/m10x1.5 w7mm ext hex ss exh stud (base) kit
10267	Cummins 5.9/6.7cr m10x1.5 ss fact replacement turbo exh stud kit 12pt nuts & washers
10268	Cummins 5.9/6.7cr m10x1.5 ss factory replacement egr stud kit 12pt nuts & washers
10269	Cummins cr fact replc m10 w7mm ext hex ss exh stud (full) kit base turbo & egr combined
10270	Ford 6.0pwr stroke m14 (tqmstr) head stud kit
10270P	Ford 6.0pwr stroke m14 (patriot) head stud kit
10271	Ford 6.0pwr stroke m14 (tqmstr) main stud kit
10272	Cummins 5.9/6.7cr m12 (tqmstr) head stud kit (2 lengths)
10273	Cummins 5.9 24 vlv 1998.5- 02. m12 (tqmstr) main stud kit fact block stifner modifcation may be required
10274	CAT c15/ late 3406e head stud kit ,2 length (req socket mod)
10275	CAT c15/ 3406e main stud kit

10276	Cummins cr m10x1.25/m10x1.5ss mini broch 4mm turbo/egr stud kit 12pt nuts & washers
10277	IH 400eng 9/16 standad deck int broach tqmster head stud kit hvy 12 pt nut
10279	IH 400eng 9/16 standad deck +5/8" length int broach tqmster head studs hvy 12 pt nut
10280	IH 400eng 9/16 standad deck +1" length int broach tqmster head stud kit hvy 12 pt nut
10281	IH 400eng 9/16 standad deck int broach tqmster head stud kit ex-hvy 12 pt nut
10282	IH 400eng 9/16 standad deck +5/8" length int broach tqmster head studs ex-hvy 12 pt nut
10283	IH 400eng 9/16 standad deck +1" length int broach tqmster head stud kit ex-hvy 12 pt nut
10284	IH 400eng 9/16 standad deck int broach tqmster head stud kit hvy hex 6 pt nut
10285	IH 400eng 9/16 tqmstr main stud kit with 1"gidrle 9.800oal with hvy 12 pt nut
10286	Durmax 12mm tqmstr head stud kit stock deck height and cylinder head config
10286P	Durmax 12mm patriot series head stud kit stock deck height and cylinder head config
10287	Ford 6.0 power stroke ss exh stud kit
10288	CAT c15 3406 e exhaust manifold stud kit
10289	Cummins kta/qsq 19 head stud kit
10304	Detroit series 60 exhaust manifold studs
10328	Flat 5/8 ID x 1.120 OD x 0.120 Thick Steel Washer
10329	CAT Acert head studs
10330	CAT Injector studs
10331	CAT Jakebrake studs
10332	9/16 - 18 Heavy Wall Low Profile, Black Oxide, 0.485 tall, 0.875 across flats Hex Nut
10333	9/16 - 18 Heavy Wall High Hex, Black Oxide, 0.750 tall, 0.875 across flats Hex Nut



PART NUMBER DESCRIPTIONS

OEM + Custom Fasteners For Your Specific Needs

10334	Cummins 5.9 12V with after market manifold 24V- current factory long style cr spacers (heat shield deleted)
10335	7/16 - 20 Heavy Wall High Hex, S.S., 0.630 tall, 0.688 across flats Hex Nut
10338	Cummins 5.912v w/ 12v cyl head m14x2.0mm std deck, std head, stud kit
10339	Cummins 5.9-6.7cr w/ 12v cyl head m14x2.0mm std deck, std head, stud kit plus 1" length
10340	Cummins 5.9-6.7cr w/ 24v cyl head m14x2.0mm std deck, std head, stud kit plus 1" length
10341	Cummins 6.7l 2012-2018 12mm head stud kit - all one length
10341P	Cummins late 5.9/6.7 patriot series 12mm head stud kit - all one length 1998.5 - 2018
10342	IH 9/16 main stud kit non-girdle torq master series with 12 pt nuts
10343	5/16 - 24 12 pt. Nut, Heavy Wall, Black Oxide, 0.390 tall, 0.625 collar, 7/16 wrenching grip
10344	3/8 - 24 12 pt. Nut, Black Oxide, 0.425 tall, 0.700 collar, 1/2 wrenching grip
10345	7/16 - 20 12 pt. Nut, Black Oxide, 0.435 tall, 0.700 collar, 1/2 wrenching grip
10346	IH oil pan stud 5/16-24 w/1.850 thread length x 5/16-18 with 1/8 hex broach for use with single nut on pan or counter bore for nut in girdle and pan
10347	Flat 5/8 ID x 1.160 OD x 0.145 Thick Steel Washer
10361	5/8-18 Heavy High Hex Nut, Black Oxide, 0.850 tall, 15/16 across flats Hex Nut
10372	1/2 - 20 12 Pt. Nut, Black Oxide, 0.520 tall, 0.825 collar, 5/8 wrench grip
10378	3/4 - 16 12 Pt. Nut, Ex. Heavy Wall, Black Oxide, 0.930 tall, 1.375 collar, 1.00 wrenching grip
10380	9/16-M14x2 (6.780oal) main stud kit 0.375 max girdle torq master series with 12 pt nuts
10381	9/16-M14x2 (6.250oal) main stud kit non girdle torq master series with 12 pt nuts
10382	9/16-M14x2 (7.250oal) main stud kit 0.625-1" thick girdle torq master series with 12 pt nuts
10383	Flat 7/16 ID x 0.875 OD 0.125 Thick Steel Washer

10384	m10x1.25-m10x1.5 ss t3 turbo stud mount kit 12 point ss nut
10392	Cummins 12V (Years 89-98) m12x1.75mm x 1/2"-20, Standard length head stud kit Torque master series
10392P	Cummins 12V (Years 89-98) m12x1.75mm x m12x1.25mm patriot series Standard length head stud kit
10396	Ford Barra Head Stud Kit with Machined Washers and 12 pt Nuts
10397	Nissan RB30/26 Head Stud Kit with Std. Nuts and Washers
10398	Cummins m14x2mm 5.9/6.7 Head Stud kit w/ 24V Head (non-deck plate) bottom tap required (2 length hole depth block)
10401	Nissan GTR-RB26 m12x1.25mm x m12x1.5mm 4.900 OAL Head Stud Kit
10402	Nissan RB30 1/2-20 fine x 1/2-13 coarse 6.580 OAL Head Stud Kit
10409	IH 400eng 9/16 tqmstr main stud kit with 0.750" - 1.00" girdle 9.375 oal with hvy 12 pt nut
10410	m12 x 1.25mm Nut, Heavy Wall thru hard, Black Oxide, 12.2mm tall (0.480), 21mm Collar (0.825), 16mm wrench grip
10411	Flat m12 ID x 22.2m OD (0.875) x 3.2m Thick (0.125) Thick Steel Washer
10412	Toyota 1HZ/1HD m11 x 1.25 / 7/16 - 20
10413	Small Block Chevy LS studs - 2004 and later - all one length - TorqueMaster
10413P	Small Block Chevy LS Studs - 2004 and later - all one length - Patriot
10414	Chrysler - Main Studs - 5.7L - 6.4L Hemi - Gen III - Patriot
10418	Volkswagen - PD-TDI head stud kit - 7.700 OAL
10420	BMW Head Studs - 1.6 - 2.0L - N Series - Patriot
10421	BMW Head Studs - 1.6 - 2.0L - N Series - TorqueMaster
10422	BMW Head Studs - 1.6 - 2.0L - N Series - Custom Age
10423	BMW Head Studs - 2.0 - 3.2L M52/N54/S54 - Patriot

PART NUMBER DESCRIPTIONS

OEM + Custom Fasteners For Your Specific Needs



10424	BMW Head Studs - 2.0 - 3.2L M52/N54/S54 - TorqueMaster
10425	BMW Head Studs - 2.0 - 3.2L M52/N54/S54 - Custom Age
10426	BMW Head Studs- 2.9 - 3.0L M57 Diesel - Patriot
10427	BMW Head Studs- 2.9 - 3.0L M57 Diesel - TorqueMaster
10428	BMW Head Studs- 2.9 - 3.0L M57 Diesel - Custom Age
10429	BMW Head Studs - 3.0L N55B/S55B - Patriot
10430	BMW Head Studs - 3.0L N55B/S55B - TorqueMaster
10431	BMW Head Studs - 3.0L N55B/S55B - Custom Age
10432	BMW Head Studs - S63 - TorqueMaster
10433	BMW Main Studs - 1.6 - 2.0L - N Series - Patriot
10434	BMW Main Studs - 1.6 - 2.0L - N Series - TorqueMaster
10435	BMW Main Studs - 2.0 - 3.2L M52/N54/S54 - Patriot
10436	BMW Main Studs - 2.0 - 3.2L M52/N54/S54 - TorqueMaster
10437	BMW Main Studs- 2.9 - 3.0L M57 Diesel - Patriot
10438	BMW Main Studs- 2.9 - 3.0L M57 Diesel - TorqueMaster
10439	BMW Main Studs - 3.0L N55B/S55B - Patriot
10440	BMW Main Studs - 3.0L N55B/S55B - TorqueMaster
10441	BMW - 1.6 - 2.0 L - Exhaust Manifold/Header Studs/Bolts
10442	BMW - 2.0 - 3.2 L - Rod Bolts
10443	BMW - 2.0 - 3.2 L - Exhaust Manifold/Header Studs/Bolts
10444	BMW - 2.9 - 3.0 M57 Diesel - Exhaust Manifold/Header Studs/Bolts
10445	BMW - 3.0 L N54/55 - Exhaust Manifold/Header Studs/Bolts

10446	BMW - N54/55 - Exhaust Manifold/Header Studs/Bolts
10447	BMW - B58 - Rod Bolts
10448	BMW - S63 - Rod Bolts
10449	SBC - Damper Bolts 2.475 uhl 7/16-20, 13/16 wrenching
10450	SBC - Rocker Stud 1.750 3/8-24 x7/16-14
10451	SBC - Valve Cover Studs 1/4-20 1.500 oal 12 pt external hex
10452	SBC - Exhaust Manifold/Header Studs 3/8 x 1.675 oal qty12
10453	SBC - Oil Pump Drive Studs
10454	SBC - Oil Pan Studs 2 piece gasket hex nut
10455	SBC - Cam Bolt .750 uhl 5/16-18 with 7/16 wrenching oversize head
10456	SBC - Damper Bolts 2.475 uhl 7/16-20, 1-1/16 wrenching
10457	SBC - Rocker Stud 1.775 7/16-20 x7/16-14
10458	SBC - Valve Cover Studs 1/4-20 1.500 oal 12 pt external hex stainless
10459	SBC - Exhaust Manifold/Header Studs 3/8 x 1.675 oal 12 point
10460	SBC - Oil Pan Studs 2 piece gasket hex nut stainless
10461	SBC - 358 v8 with girdle 5/16 12 point
10463	SBC - Damper Bolt 2.470 UHL 7/16 - 20, 1-1/16 Wrench
10464	SBC - Rocker Stud roller rocker 1.900 3/8-24 x7/16-14
10467	SBC Head Studs - Patriot - Rodeck Brodix Aluminum Block w/ all pro heads
10469	SBC Head Bolts - Patriot - OEM Aluminum/ Cast Iron 23°/Gen III / LT Brodix/Dart/AFR/ Edelbrock/Trick Flow hex head
10470	SBC Head Studs - Patriot - OEM Aluminum/ Cast Iron 23°/Gen III / LT Brodix/Dart/AFR/ Edelbrock/Trick Flow



PART NUMBER DESCRIPTIONS

OEM + Custom Fasteners For Your Specific Needs

10471	SBC Head Bolts - Patriot - OEM Aluminum/ Cast Iron 23°/Gen III / LT Brodix/Dart/AFR/ Edelbrock/Trick Flow 12 pt
10472	SBC Head Studs - TorqueMaster - OEM Aluminum/Cast Iron 23°/Gen III / LT Brodix/ Dart/AFR/Edelbrock/Trick Flow
10473	SBC Head Bolts - TorqueMaster - OEM Aluminum/Cast Iron 23°/Gen III / LT Brodix/ Dart/AFR/Edelbrock/Trick Flow 12 pt
10474	SBC Head Studs - Patriot - Brodix 18°
10475	SBC Head Studs - Custom Age - Brodix 18°
10476	SBC Head Studs - Tool Steel - Brodix 18°
10477	SBC Head Studs - TorqueMaster - Rodeck Brodix Aluminum Block 8 thru 11x track 1 brodix
10478	SBC Head Studs - TorqueMaster - Rodeck Brodix Aluminum Block 23 deg. 3/8 & 7/16 studs
10479	SBC Head Studs - Tool Steel - Rodeck Brodix Aluminum Block
10480	SBC Head Studs - Patriot - Dart Gen II w 18 deg. Heads
10481	SBC Head Studs - TorqueMaster - Dart Little M
10482	SBC Head Studs -Patriot - Dart sportsman .955 coarse threads
10483	SBC Head Studs - Tool Steel - Dart Little M
10484	SBC Main Studs - Patriot - w/ windage tray 4 bolt
10485	SBC Main Bolts - Patriot - Small Journal 2 Bolt
10486	SBC Main Studs - Patriot - Small Journal 2 Bolt
10487	SBC Main Bolts - TorqueMaster - Small Journal 2 Bolt
10488	SBC Main Studs - Patriot - Large Journal 2 Bolt hex
10489	SBC Main Bolts - Patriot - Large Journal 2 Bolt hex
10490	SBC Main Studs - TorqueMaster - Large Journal 2 Bolt 12 point

10491	SBC Main Bolts - TorqueMaster - Large Journal 4 Bolt 12 point
10492	SBC Main Studs - Patriot - 4 Bolt with Windage Tray splayed
10493	SBC Main Studs - TorqueMaster - 4 Bolt with Windage Tray
10494	SBC Main Studs - Patriot - 4 Bolt with Windage Tray & Splayed Cap Bolts 3" outer
10495	SBC Main Studs - TorqueMaster - 4 Bolt with Windage Tray and Splayed Cap Bolts
10496	SBC Main Studs - Patriot - 4 Bolt Large Journal with windage tray
10497	SBC Main Studs - TorqueMaster - 4 Bolt Large Journal with Windage Tray
10498	SBC Main Studs - Patriot - 4 Bolt Large Journal with Windage Tray and Splayed Cap Bolts
10499	SBC Main Studs - TorqueMaster - 4 Bolt Large Journal with Windage Tray and Splayed Cap Bolts
10500	SBC Main Studs - Patriot - Dart Little M with splay bolts
10501	SBC Main Studs - TorqueMaster - Dart Little M with splay studs
10502	BBC Head Studs - 396-454 cast iron oem, Mark IV - Patriot
10503	BBC Head Bolts - iron oem - Patriot 12 point
10504	BBC Head Studs - 396-454 cast iron oem, Mark IV - TorqueMaster
10505	BBC Head Bolts - Mark IV late bowtie, iron dart, pro1 world iron - TorqueMaster 12 pt
10506	BBC Head Studs - Energy Mfg. Aluminum Block - Patriot
10507	BBC Head Studs - Energy Mfg. Aluminum Block - TorqueMaster
10508	BBC Head Studs -Dart Big Chief Block - Patriot
10509	BBC Head Studs - Energy Mfg. Aluminum Block - Tool Steel
10510	BBC Head Studs - Energy Mfg. Aluminum Block - Custom Mfg.
10511	BBC Head Studs - 7/16 Aluminum Block - Patriot
10512	BBC Head Studs - 1/2 Aluminum Block - Patriot

PART NUMBER DESCRIPTIONS

OEM + Custom Fasteners For Your Specific Needs



10513	BBC Head Studs - 396-454 Edelbrock performer/proline - Patriot
10514	BBC Head Bolts - 396-454 Edelbrock - Patriot
10515	BBC Head Studs -bowtie,dart, afr, pro1 early, 0.750" thread - Patriot
10516	BBC Head Bolts - 396-454 Edelbrock - TorqueMaster
10517	BBC Head Studs - 396-454 Brodix -2,4,2-3x, holley- Patriot
10518	BBC Head Bolts - 396-454 Brodix - Patriot
10519	BBC Head Studs - 396-454 Brodix - TorqueMaster
10520	BBC Head Bolts - 396-454 Brodix - TorqueMaster
10521	BBC Head Studs -late bow tie,Dart 360, pro1 ealry 1"coarse thread - Patriot
10522	BBC Head Bolts - 396-454 Dart alum, mark V, VI, world - Patriot
10523	BBC Head Studs - 396-454 Dart - TorqueMaster
10524	BBC Head Bolts - mark IV,V with brodix alum head - TorqueMaster
10525	BBC Main Studs - 396-454 2 Bolt - Patriot
10526	BBC Main Bolts - 396-454 2 Bolt - Patriot
10527	BBC Main Studs - 396-454 2 Bolt - TorqueMaster
10528	BBC Main Bolts - 396-454 4 Bolt - world merlin
10529	BBC Main Studs - 396-454 4 Bolt - Patriot
10530	BBC Main Bolts - 396-454 4 Bolt - Patriot
10531	BBC Main Studs - dart big m splay outer studs
10532	BBC Main Bolts - 396-454 4 Bolt - TorqueMaster 12 point
10533	BBC Main Studs - 396-454 2 Bolt with Windage Tray - Patriot
10534	Flat 3/8 ID x 0.750 OD x 0.125 Thick Steel Washer
10535	Flat 5/16 & m8 ID x 0.680 OD x 0.125 Thick Steel Washer

10536	Flat 7/16 ID x 0.750 OD 0.125 Thick Steel Washer
10537	Flat 5/16 & m8 ID x 0.550 OD x 0.095 Thick Steel Washer
10538	Flat 7/16 & m11 ID x 0.950 OD x 0.125 Thick Steel Washer
10539	BBC Main Studs - 396-454 2 Bolt with Windage Tray - TorqueMaster 12 pt
10540	BBC Main Studs - 396-454 4 Bolt with Windage Tray - Patriot
10541	BBC Main Studs - 396-454 4 Bolt with Windage Tray - TorqueMaster 12 pt
10542	BBC Main Studs - Mark IV bowtie windage tray - Patriot
10543	BBC Main Studs - Mark IV - TorqueMaster
10544	BBC Main Studs - Mark IV Aluminum - Patriot
10545	BBC Main Studs - Mark V,VI bowtie with splay studs - Patriot
10546	BBC Main Studs - Dart Big M Splayed Cap bolts - Patriot
10547	BBC Main Studs - Dart Big M Splayed Cap - TorqueMaster
10548	BBC Main Studs - Energy Mfg. Aluminum Block - Patriot
10549	BBC Main Studs - Energy Mfg. Aluminum Block - TorqueMaster
10550	BBC Main Studs - Energy Mfg. Aluminum Block - Custom Age
10551	BBC Main Studs - Energy Mfg. Aluminum Block - Tool Steel
10552	BBC - Damper Bolts 1.550 uhl 1/2-20 5/8 wrenching
10553	BBC - Rocker Studs 1.750 oal 7/16-14, 7/16-20
10554	BBC - Valve Cover Studs
10555	BBC - Exhaust Manifold/Header Studs 1.670 oal 3/8
10556	BBC - Oil Pump Drive Stud high volume also fits sbc 3.125 oal
10557	BBC - Oil Pan Studs std 2 piece gasket
10558	BBC - Damper Bolts 1.550 uhl 1/2-20 5, 1-1/16 wrenching



PART NUMBER DESCRIPTIONS

OEM + Custom Fasteners For Your Specific Needs

10559	BBC - Damper Bolts 1.550 uhl 1/2-20 5, 13/16 wrenching
10560	BBC - Rocker Studs alum head 2.350 oal 7/16 threads
10561	BBC - Valve Cover bolts 1/4-20 4"uhl
10563	BBC - Oil Pan Studs std 2 piece gasket stainless
10564	BBC - Oil Pan bolts std 2 piece gasket
10565	BBC - Oil Pan bolts std 2 piece gasket stainless
10566	BBC - Oil Pan bolts std 2 piece gasket 12 point
10570	BBC - Oil Pump Drive Shaft
10571	BBC - Oil Pump Drive Shaft tall deck
10572	BBC - 454 -502 7/16" Large Rod Stud - Cam Bolt/Cam Stud
10573	Chevrolet LS - Head Studs - Gen III LS - 2 Length 23°/Brodix/Dart/AFR/World/ Edelbrock - Patriot 2 lengths
10574	Chevrolet LS - Head Bolts - Gen III LS - 2 Length 23°/Brodix/Dart/AFR/World/ Edelbrock - Patriot 2 length
10575	Chevrolet LS - Head Studs - Gen III LS - 2 Length 23°/Brodix/Dart/AFR/World/ Edelbrock - TorqueMaster 2 lengths
10576	Chevrolet LS - Head Bolts - Gen III LS - 2 Length 23°/Brodix/Dart/AFR/World/ Edelbrock - TorqueMaster 2 lengths
10577	Chevrolet LS - Head Studs - Gen III LS - 2 Length 23°/Brodix/Dart/AFR/World/ Edelbrock - Custom Age 2 lengths
10578	Chevrolet LS - Head Studs - Gen III LS - 2 Length 23°/Brodix/Dart/AFR/World/ Edelbrock - Tool Steel
10579	Chevrolet LS - Head Studs - Gen IV LS - Custom Age
10580	Chevrolet LS - Head Bolts - Gen IV LS - TorqueMaster single length 12 pt
10581	Chevrolet LSX small block - Head Studs - Patriot
10582	Chevrolet LS - Head Studs - Dart - TorqueMaster 15 bolt 7/16

10585	Chevrolet LS - Head Studs - Energy Mfg.- Patriot
10586	Chevrolet LS - Head Studs - Energy Mfg.- TorqueMaster
10587	Chevrolet LS - Head Studs - Energy Mfg.- Custom Age
10588	Chevrolet LS - Head Studs - Energy Mfg.- Tool Steel
10589	Chevrolet LS - Head Studs - World Products - 9.800 Ls7
10590	Chevrolet LS - Head Studs - World Products - 9.240 Is7
10593	Chevrolet LS - Main Studs - Gen III LS - Patriot
10594	Chevrolet LS - Main Studs - Gen III LS - TorqueMaster
10596	Chevrolet LS - Main Studs - Energy Mfg. - Patriot
10597	Chevrolet LS - Main Studs - Energy Mfg. - TorqueMaster
10598	Chevrolet LS - Main Studs - Energy Mfg. - Custom Age
10599	Chevrolet LS - Main Studs - Energy Mfg. - Tool Steel
10600	Chevrolet LS - Main Studs - Dart - Patriot
10601	Chevrolet LS - Main Studs - Dart - TorqueMaster
10604	Chevrolet LS - Main Studs - World Products - Patriot
10605	Chevrolet LS - Main Studs - World Products - TorqueMaster
10606	Chevrolet Lt1 6.2l main stud kit patriot
10607	Chevrolet Lt1 6.2l main stud kit tq master
10608	Chevrolet LS - Gen III LS - Damper Bolt 4.325 uhl m16x2.0mm
10609	Chevrolet LS - Gen III LS - Rod Bolts
10610	Chevrolet LS - Gen III LS - Rocker Studs 1.750 oal 3/8-24xm8x1.25mm
10611	Chevrolet LS - Gen III/IV LS - Exhaust Manifold/Header Studs stainless
10612	Chevrolet LS - Gen III/IV LS - Cam Bolt m8 .780 uhl

PART NUMBER DESCRIPTIONS

OEM + Custom Fasteners For Your Specific Needs



10613	Chevrolet LS - Gen IV LS 7 LT1 - Damper Bolts 5.185 uhl uhl m16x2.0mm
10614	Chevrolet LS - Gen IV LS 7 - Rod Bolts
10615	Chevrolet LS
10616	Chevrolet LS - Gen III/IV LS - Exhaust Manifold/Header Studs 12 point blk oxide
10617	Chevrolet LS - Gen III/IV LS - Cam Bolt m8 .985 uhl
10618	Chevrolet LS - Gen V LT - Damper Bolts
10619	Chevrolet LSR patriot 7.00 oal loose stud 1/2-20-1/2-13 0.490 neck clearance(2.100)
10620	Chevrolet LSR tqmstr 7.00 oal loose stud 1/2-20_1.250TL)-1/2-13(1.250tl) 0.490 neck clearance(2.100)
10623	Chrysler - Head Studs - 273 - 360 Wedge - Patriot
10624	Chrysler - Head Studs - 273 - 360 Wedge - TorqueMaster
10625	Chrysler - Head Studs - Gen III Hemi 5.7L, 6.1L - 6.4L - Patriot
10626	Chrysler - Head Studs - Gen III Hemi 5.7L, 6.1L - 6.4L - TorqueMaster
10627	Chrysler - Head Bolts - Gen III Hemi 5.7L, 6.1L - 6.4L - TorqueMaster
10628	Chrysler - Head Studs - Energy Mfg. Block - Patriot
10629	Chrysler - Head Studs - Energy Mfg. Block - TorqueMaster
10630	Chrysler - Head Studs - Energy Mfg. Block - Custom Age
10631	Chrysler - Head Studs - 383-440 Wedge with Factory or Edelbrock - Patriot
10632	Chrysler - Head Studs - 383-440 Wedge with Factory or Edelbrock - TorqueMaster
10633	Chrysler - Head Studs - 426 Hemi - Patriot 7/16
10634	Chrysler - Head Studs - 426 Hemi - TorqueMaster 1/2"
10635	Chrysler - Main Studs - 318 - 440 Wedge - Patriot
10636	Chrysler - Main Studs - 318 - 440 Wedge - Patriot 12 point

10637	Chrysler - Main Studs - 5.7L - 6.4L Hemi - Gen III - TorqueMaster side studs
10638	Chrysler - Main Studs - 426 Hemi - Patriot
10639	Chrysler - Main Studs - KB block 426 Hemi - TorqueMaster
10640	Chrysler - Wedge - Damper Bolt thin dampner 1.420 uhl 3/4-16 1-1/16 wrench
10641	Chrysler - Wedge - Rocker Studs non adj. 1.425 oal 5/16 threads
10642	Chrysler - Wedge - Oil Pan Studs
10643	Chrysler - Wedge - Cam Bolt/Cam Stud .875 uhl
10644	Gen III 5.7L,6.1,6.4 Hemi - Damper Bolt m14x1.5 4"uhl
10645	Chrysler - Gen III 5.7L Hemi - Rod Bolts
10646	Chrysler - Gen III 5.7L Hemi - Exhaust Manifold/Header Studs/Bolts
10647	Chrysler - Wedge - Oil Pan Studs stainless
10648	Chrysler - Gen III 6.1L/6.4L Hemi - Rod Bolts
10649	Chrysler - 426 Hemi - Exhaust Manifold/Header Studs 1.670/2.0 stainless
10650	Chrysler - 426 Hemi - Exhaust Manifold/Header Studs 1.670/2.0
10651	Chrysler - 426 Hemi - Oil Pan Studs 1.700 uhl
10652	Chrysler - Hellcat Demon - Damper Bolt m16x1.5mm 4"uhl
10653	Ford - Head Studs - 289 - 302 Factory/AFR - Patriot
10654	Ford - Head Bolts - 289 - 302 Factory/Edelbrock/AFR - Patriot
10655	Ford - Head Studs - 289 - 302 Factory windsor/Edelbrock/ - Patriot
10656	Ford - Head Studs - 351 with Factory/Edelbrock/Dart - Patriot
10657	Ford - Head Studs - 390 - 428 FE Factory/Edelbrock - Patriot hex nut
10658	Ford - Head Studs - Ford Barra - Patriot
10659	Ford - Head Studs - 390 - 428 FE Factory/Edelbrock - Patriot



PART NUMBER DESCRIPTIONS

OEM + Custom Fasteners For Your Specific Needs

10660	Ford - Head Studs - Coyote - Patriot m12 (2017-1/2) & later
10661	Ford - Head Studs - Coyote - Patriot m11
10662	Ford - Head Studs - 429 - 460 Factory/ Edelbrock - Patriot
10663	Ford - Head Bolts - 429 - 460 Factory/ Edelbrock - Patriot
10664	Ford - Head Studs - Coyote - Patriot m12 early
10665	Ford - Main Studs - 289 - 302 2 Bolt - Patriot
10666	Ford - Main Studs - 289 - 302 2 Bolt - TorqueMaster
10667	Ford - Main Studs - 289 - 302 with Windage 2 Bolt - Patriot
10668	Ford - Main Studs - 289 - 302 with Windage 2 Bolt - TorqueMaster
10669	Ford - Main Studs - 302 Dart shp 4 Bolt - Patriot
10670	Ford - Main Studs - 302 Dart shp 4 Bolt - TorqueMaster
10671	Ford - Main Studs - 351 Cleveland 2 Bolt - Patriot
10672	Ford - Main Studs - 351 Windsor 2 Bolt - Patriot
10673	Ford - Main Studs - 351 Cleveland 4 Bolt - Patriot
10674	Ford - Main Studs - 351 Windsor 4 Bolt - Patriot
10675	Ford - Main Studs - 351 Dart SHP - Patriot
10676	Ford - Main Studs - 351 Dart SHP- TorqueMaster
10677	Ford - Main Studs - Ford Barra - Patriot
10678	Ford - Main Studs - Ford Barra - TorqueMaster
10679	Ford BB - Main Studs - 390 - 428 2 Bolt - No Modification Required - Patriot
10680	Ford BB - Main Studs - 390 - 428 2 Bolt - Modification Required - Patriot
10681	Ford BB - Main Studs - 429 - 460 2 Bolt - Patriot
10682	Ford Coyote main stud 5.0l side bolts included

10683	Ford BB - Main Studs - 429 - 460 4 Bolt - Patriot
10684	Ford BB - Main Studs - 429 - 460 4 Bolt - Patriot windage tray
10685	Ford - 289 - 302 -460 Damper Bolt 2.050 uhl 5/8-18
10686	Ford 289-302 - Rocker Studs alum head 1.900 oal 7/16 threads
10687	Ford - Exhasut Manifold 3/8
10688	Ford - 289 - 302 - Oil Pump Drive Shaft 239-312 "Y" series
10689	Ford - 289 - 302 - Oil Pan Studs
10690	Ford - 302 - 351 - Cam Bolt 1969 & later 3/8-16 1.580 uhl Ford 429-460
10691	Ford - 351 C - Damper Bolt 1.800 UHL 5/8-18
10692	Ford - 302-351 late oil pan studs w/ side rails
10693	Ford - 351 c, 351-400m - Oil Pump Drive Shaft
10694	Ford -25-302 pre 68 cam bolt 1.460 uhl 3/8-16
10695	Ford - 351 -400m Cam Bolt 1.970 uhl 3/8-16
10696	Ford - Godzilla TorqueMaster main stud kit
10697	Ford - Godzilla TorqueMaster Head stud kit
10698	Ford - 390 - 428 FE - Cam Bolt 1.750 uhl, 7/16-14
10701	Ford oil pump drive shaft 429-460
10702	Honda - Head Studs - L15B7 - Patriot
10703	Honda - Head Studs - L15B7 - TorqueMaster
10704	Honda - Head Studs - L15B7 - Custom Age
10705	Honda - Head Studs - 2 - 2.3L VTEC - Patriot
10706	Honda - Head Studs - 2 - 2.3L VTEC - TorqueMaster
10707	Honda - Head Studs - 2 - 2.3L VTEC - Custom Age

PART NUMBER DESCRIPTIONS

OEM + Custom Fasteners For Your Specific Needs



10708	Honda - Head Studs - 1.8L VTEC m11 - Patriot
10709	Honda - Head Studs - 1.8L VTEC m11 - TorqueMaster
10710	Honda - Head Studs - 1.8L VTEC m11 - Custom Age
10711	Honda - Head Studs - K20C1 - TorqueMaster
10712	Driveline - 4G63 - DOHC (6 pc) - Flexplate bolt m12 x 1.25mm x .700 uhl
10713	Mitsubishi - Head Studs - 4B-11 - TorqueMaster 2008 & later
10714	Mitsubishi - Head Studs - 4B-11 - Custom Age 2008 & later
10715	Driveline - 4G63 - DOHC (7 pc) - '93-+ Flexplate bolt m12 x 1.25mm x .460 uhl
10716	Mitsubishi - Head Studs - 4G63 - TorqueMaster 94-07
10717	Mitsubishi - Head Studs - 4G63 - Custom Age 94-07
10718	Honda - Main Studs - L15B7 - Patriot
10719	Honda - Main Studs - L15B7 - TorqueMaster
10720	Honda - Main Studs - 2 - 2.3L - Patriot
10721	Honda - Main Studs - 2 - 2.3L - TorqueMaster
10722	Honda - Main Studs - 1.8L - Patriot
10723	Honda - Main Studs - 1.8L - TorqueMaster
10724	Mitsubishi - Main Studs - 4B11 - Patriot 2008 & later
10725	Mitsubishi - Main Studs - 4B11 - TorqueMaster
10726	Mitsubishi - Main Studs - 4G63 - Patriot pre 2008
10727	Mitsubishi - Main Studs - 4G63 - TorqueMaster
10728	Honda - K20C1 - Exhaust Manifold/Header Studs/Bolts
10729	Honda - 1.5L B Series Engine - Damper Bolts
10730	Honda - 1.5L B Series Engine - Rod Bolts

10731	Honda - 1.5L B Series Engine - Exhaust Manifold/Header Studs/Bolts
10732	Honda - 1.5L B Series Engine - Cam Bolt/Cam Stud
10733	Mitsubishi - 4B11 - Rod Bolts 2008+
10734	Driveline - 4G63 - DOHC (7 pc) - '93-+ Flywheel Bolt m12 x 1.25mm x .825 uhl
10735	Mitsubishi - 4G63 - Damper Bolt 1.525 uhl m14x1.5mm
10736	Mitsubishi - 4G63 - Cam Bolt 1.18 uhl m12x1.5
10737	Nissan - Head Studs - RB26 GTR - Patriot
10738	Nissan - Head Studs - RB26 GTR - Custom Age
10739	Nissan - Head Studs - RB 30/26 - Patriot
10740	Nissan - Head Studs - VR38 - TorqueMaster
10741	Nissan - Head Studs - VR38 - Custom Age
10742	Subaru - Head Studs - FA20 - Patriot
10743	Subaru - Head Studs - FA20 - TorqueMaster
10744	Subaru - Head Studs - FA20 - Custom Age
10745	Subaru - Head Studs - EJ257 - Patriot
10746	Subaru - Head Studs - EJ257 - TorqueMaster
10747	Subaru - Head Studs - EJ257 - Custom Age
10748	Nissan - Main Studs - RB26 - Patriot
10749	Nissan - Main Studs - RB26 - TorqueMaster
10750	Nissan - Main Studs - RB30 - Patriot
10751	Nissan - Main Studs - RB30 - TorqueMaster
10752	Nissan - Main Studs - KA24DE - Patriot
10753	Nissan - Main Studs - VQ35 - TorqueMaster



PART NUMBER DESCRIPTIONS

OEM + Custom Fasteners For Your Specific Needs

10754	Nissan - GTR RB26 - Damper Bolts
10755	Nissan - GTR RB26 - Exhaust Manifold/Header Studs
10756	Nissan - RB30 - Exhaust Manifold/Header Studs
10757	Nissan - VR38 - Rod Bolts
10758	Nissan - VR38 - Exhaust Manifold/Header Studs
10759	Subaru - FA Series - Exhaust Manifold/Header Studs
10760	Subaru - EJ257 - Exhaust Manifold/Header Studs
10761	Toyota - Head Studs - 2JZ - GTE - Patriot
10762	Toyota - Head Studs - 2JZ - GTE - Custom Age
10763	Volkswagen/Audi - Head Studs - 1.6 - 1.9 ALH/AHW -
10764	Volkswagen/Audi - Head Studs 96-03, motor engine codes 1Z, AHU, ALH -TorqueMaster
10765	Toyota - Main Studs - 2JZ - Patriot
10766	Toyota - Main Studs - 2JZ - TorqueMaster
10767	Volkswagen/Audi - Main Studs - 1.9 ALH/BEW/BHW - Patriot
10768	Volkswagen/Audi - Main Studs - 1.9 ALH/BEW/BHW - TorqueMaster
10769	Toyota - 2JZ - Rod Bolts
10770	Toyota - 2JZ - Exhaust Manifold/Header Studs
10771	Toyota - 1.8/2.0L - Rod Bolts
10772	Volkswagen/Audi - 1.9 TDI - Exhaust Manifold/Header Studs
10773	Volkswagen/Audi - 2.7L Turbo - Rod Bolts
10774	Volkswagen/Audi - 2.7L Turbo - Exhaust Manifold/Header Studs
10775	Cummins - Head Studs - 5.9 12V (1989 - 1998) - Custom Age
10776	Cummins - Head Studs - 5.9/6.7V 1998.5 -to early 6.7 - Custom Age 2 lengths

10777	Cummins Late 6.7 12mm head stud kit - Custom age (one) length
10778	Cummins - 8.3 - Head Studs - Patriot 90-98 production
10779	Cummins - 8.9 - Head Studs - TorqueMaster
10780	Cummins - 5.9 12V/24V - Damper Bolts 2007 and eariler
10781	Cummins - 5.9 12/24V - Rod Bolts
10782	Cummins - 5.9 24V - Rocker Studs
10783	Cummins - 5.9 12V - Valve Cover Studs
10784	Driveline - Cummins/Chrysler 5.9 - Flywheel Bolts ('89-'04) - m12 x 1.25mm x 1.250 UHL
10785	Driveline - Cummins/Chrysler 5.9 - Flexplate Bolts ('89-'04) - m12 x 1.25mm x 0.700 UHL
10786	Cummins - 5.9 - 6.7 24V - Damper Bolt late
10789	5.310oal tqmstr 1/2-20 1-1/4tlx2.100tl 1/2-13w/ .2 nipple
10790	7/16-20 12 pt. Nut, Black Oxide, 0.475 tall, 0.825 collar, 9/16 wrench grip
10791	CAT - Head Studs - C15 - 2 Length - Patriot
10792	Duramax - Head Studs - LB7 - Custom Age
10793	Duramax - Head Studs - L5P - TorqueMaster
10794	Duramax - Main Studs - LB7 - TorqueMaster
10795	CAT - 3406B, 3406E, C15/16 - Damper Bolts
10796	CAT - 3406B, 3406E, C15/16 - Rod Bolts
10797	CAT - 3406B, 3406E, C15/16 - Exhaust Manifold/Header Studs/Bolts
10798	CAT - 3406B, 3406E, C15/16 - Oil Pan Studs
10799	Duramax - LLY, LB7, L5P - Damper Bolt
10800	Duramax - LLY, LB7, LBZ,LMM - Rod Bolts
10801	Duramax - LLY, LB7, L5P - Exhaust Manifold/Header Studs/Bolts

PART NUMBER DESCRIPTIONS

OEM + Custom Fasteners For Your Specific Needs



10802	Ford Power Stroke - Head Studs - 6.4L - TorqueMaster
10803	Ford Power Stroke - Head Studs - 6.7L - TorqueMaster
10804	Ford Power Stroke - Head Studs - 7.3L - TorqueMaster
10805	Ford Power Stroke - Main Studs - 6.4L - TorqueMaster
10806	Ford Power Stroke - Main Studs - 6.7L - TorqueMaster
10807	Ford Power Stroke - 6.4L - Exhaust Manifold/ Header Studs/Bolts
10808	Ford Power Stroke - 6.7L - Exhaust Manifold/ Header Studs/Bolts
10809	Navistar/International - DT 407 - Rod Bolts
10810	Navistar/International - DT 360 - 466 - Rod Bolts
10811	Navistar/International - DT 360 - 466 - Rocker adjusting screws
10812	7/8 - 14 12 pt. Nut, Ex. Heavy Wall, Black Oxide, 1.080 tall, 1.600 collar, 1 - 1/4 wrench grip
10813	Carb Studs - 1.705 OAL - moroso short 5/16 Ø - Patriot
10814	Carb Studs - 1.705 OAL - moroso short 5/16 Ø - Stainless
10815	Carb Studs - 2.045 OAL - moroso long 5/16 Ø - Patriot
10816	Carb Studs - 2.045 OAL - moroso long 5/16 Ø - Stainless
10817	Carb Studs - 2.220 OAL - 1/2" or dominator w/o spacer 5/16 Ø - Patriot
10818	Carb Studs - 2.220 OAL - 1/2" or dominator w/o spacer 5/16 Ø - Stainless
10819	Carb Studs - 2.705 OAL - dominator w/ 1/2" spacer 5/16 Ø - Patriot
10820	Carb Studs - 2.705 OAL - dominator w/ 1/2" spacer 5/16 Ø - Stainless
10821	Carb Studs - 3.045 OAL - moroso long w/ spacer 5/16 Ø - Patriot
10822	Carb Studs - 3.045 OAL - moroso long w/ spacer 5/16 Ø - Stainless
10823	Carb Studs - 3.195 OAL dominator w- 1/2" or 1" - 5/16 Ø - Patriot

10824	Carb Studs - 3.195 OAL - 5/16 Ø - Stainless
10825	Carb Studs - 4.395 OAL - dominator w / spacer 5/16 Ø - Patriot
10826	Carb Studs - 4.395 OAL - dominator w / spacer 5/16 Ø - Stainless
10827	Carb Studs - 4.695 OAL 3" spacer - 5/16 Ø - Patriot
10828	Carb Studs - 4.695 OAL 3" spacer - 5/16 Ø - Stainless
10829	Driveline - Fly Wheel Bolts - m12 x 1.5mm 22mmUHL
10830	Driveline/Powertrain - CAT - Clutch
10831	Driveline/Powertrain - CAT - Fly Wheel
10832	Driveline - Chevrolet 265-454ci - Flywheel bolt 7/16-20 x 1.000" uhl 1pc rear seal
10833	Driveline - Chevrolet 265-454ci - Flywheel bolt 7/16-20 x 1.000" uhl 2 pc rear seal
10834	Driveline - Chevrolet Gen III/IV LS - Flywheel bolt M11 x 1.5mm .885" uhl
10835	Driveline - Chevrolet Gen V LT1/LT4 (2013-later) - Flywheel bolt M11 x 1.5mm 1.125" uhl
10836	Driveline - Chevrolet Gen V LT1 - Flywheel bolt M11 x 1.0mm .895" uhl
10837	Driveline - Chevrolet 265-454ci - Flexplate bolt 7/16-20 x .725" uhl 1pc rear seal
10838	Driveline - Chevrolet 265-454ci - Flexplate bolt 7/16-20 x .675" uhl 2 pc rear seal
10839	Driveline - Chevrolet Gen III/IV LS - Flexplate bolt M11 x 1.5mm .885" uhl
10840	Driveline - Chevrolet Gen V LT1/LT4 - Flexplate bolt M11 x 1.5mm .760" uhl
10841	Driveline - Bell Housing Stud - - V6 & V8 3/8-16 1.375" oal blk oxide 12 pt
10842	Driveline - Bell Housing Stud - Gen III-LS M10x1.5mm 1.375" oal blk oxide 12 pt
10843	Driveline - 273-440 ci - Flywheel bolt 7/16-20 x .880" uhl
10844	Driveline - Aftermarket V8/426 Hemi - Flywheel bolt 1/2-20 x .880" uhl
10845	Driveline - 5.7,6.1-6.4L Hemi V8 - Flywheel bolt M10x1.0mm 1.000" uhl



PART NUMBER DESCRIPTIONS

OEM + Custom Fasteners For Your Specific Needs

10846	Driveline - 273-440 ci - Flexplate bolt 7/16-20 x .500" uhl
10847	Driveline - Aftermarket V8/426 Hemi - Flexplate bolt 1/2-20 x .500" uhl
10848	Driveline - 5.7,6.1-6.4L Hemi V8 - Flexplate bolt M10x1.0mm .705"uhl
10849	Driveline - 4.6-5.4L Modular V8 - Flywheel bolt M10x1.0mm 1.150"uhl
10850	Driveline - Coyote 5.0L V8 - Flywheel bolt M10x1.0mm 1.00"uhl
10851	Driveline - Ford 289-460 ci V8 - Flywheel bolt 7/16-20 x 1.000" uhl
10852	Driveline - Ford - Aftermarket / Performance V8- Flywheel bolt 7/16-20 x 1.000" uhl
10853	Driveline - 4.6-5.4L Modular V8 - Flexplate bolt M10x1.0mm .805"uhl
10854	Driveline - Ford 289-460 ci V8 - Flexplate bolt 7/16-20 x .680" uhl
10855	Driveline - Ford - Aftermarket / Performance V8- Flexplate bolt 7/16-20 x .680" uhl
10856	Driveline - Mustang II- Wheel Studs- knurl 0.555 diam, 0.390 long , 3.440 uhl, w/ 0.305 nose 1/2 - 20
10857	Stainless Accessory Studs - m8/1.25 - Internal Broach 1.750 oal
10858	Stainless Accessory Studs - m8/1.25 - External Hex 1.750 oal
10859	Stainless Accessory Studs - 3/8" - Internal Broach 1.500 oal
10860	Stainless Accessory Studs - 3/8" - External Hex
10861	Stainless Accessory Studs - m10/1.25 - Internal Broach 2.155 oal
10862	Stainless Accessory Studs - m10/1.25 - External Hex 2.155 oal
10863	Stainless Accessory Studs - m10/1.25 - 1.5 - Internal Broach 2.155 oal
10864	Stainless Accessory Studs - m10/1.25 - 1.5 - External Hex 2.155 oal
10865	Stainless Accessory Studs - m11/1.25 - Internal Broach
10866	Stainless Accessory Studs - m11/1.25 - External Hex
10867	Stainless Accessory Studs - 7/16" - Internal Broach

10868	Stainless Accessory Studs - 7/16" - External Hex
10869	Stainless Accessory Studs - 7/16" - Inconel
10870	Stainless Accessory Studs - m12 - Internal Broach
10871	Stainless Accessory Studs - m12 - Inconel
10872	Stainless Accessory Studs - 1/2" - Internal Broach
10873	Stainless Accessory Studs - 1/2" - Inconel
10874	Turbo Studs - T4 Foot Turbine Housing Base - Internal Broach
10875	Turbo Studs - T4 Foot Turbine Housing Base - External Hex
10876	Turbo Studs - T6 Foot Turbine Housing Base - Internal Broach
10877	Turbo Studs - T6 Foot Turbine Housing Base - External Hex
11026	Ford eco boost 2.3 L, 2 bolt m10x1.25mm main stud kit
11027	Mazda 2.3L Head stud kit patriot
11028	Toyota 2.4L (2AZ) 2007+ head stud kit patriot
11029	Toyota 2.4L (2AZ) 2006 and earlier head stud kit patriot
11030	Ford Eco Boost 2.3l Head stud Kit Patriot
11031	Stainless Accessory Studs - m10/1.25 - Internal Broach 1.905 oal
11032	Stainless Accessory Studs - m10/1.25 - External Hex 1.905 oal
11033	Stainless Accessory Studs - m10/1.25 - 1.5 - Internal Broach 1.905 oal
11034	Stainless Accessory Studs - m10/1.25 - 1.5 - External Hex 1.905 oal
11035	Stainless Accessory Studs - m8/1.25 - Internal Broach 2.255 oal
11036	Stainless Accessory Studs - m8/1.25 - External Hex 2.255 oal
11037	Stainless Accessory Studs - m8/1.25 - Internal Broach 2.005 oal
11038	Stainless Accessory Studs - m8/1.25 - External Hex 2.005 oal

PART NUMBER DESCRIPTIONS

OEM + Custom Fasteners For Your Specific Needs



11039	Stainless Accessory Studs - m8/1.25 - Internal Broach 1.505 oal
11040	Stainless Accessory Studs - m8/1.25 - External Hex 1.505 oal
11041	Stainless Accessory Studs - m8/1.25 - Internal Broach 1.255 oal
11042	Stainless Accessory Studs - m8/1.25 - External Hex 1.255 oal
11043	True Torq lube 1.0 oz tub
11044	True Torq lube 0.5 oz tub
11045	True Torq Lube Brush top squeeze dispenser
11046	Ford 6.0pwr stroke m14 (patriot) main stud kit
11047	Cummins 5.9/6.7cr m12 (tqmstr) main stud kit fact block stifner
11048	Chrysler - Main Studs - Energy Mfg. Block - TorqueMaster
11049	IH DT 466 Head Studs Standard deck height + 2" tq master
11050	2.250 oal 8740 7/16-14(3/4"tl) x 3/8-24(1") 5/32 hex
11051	4.400 oal 8740 1/2-20 x 1/2-13 1-1/4 thrd length 3/16 hex
11052	5.750 oal 8740 1/2-20 x 1/2-13 1-1/4 thrd length 3/16 hex
11053	5.250 oal 8740 1/2-20 x 1/2-13 1-1/4 thrd length 3/16 hex
11054	4.750 oal 8740 1/2-20 x 1/2-13 1-1/4 thrd length 3/16 hex
11055	4.060 oal 8740 1/2-20 x 1/2-13 1-1/4 thrd length 3/16 hex
11056	2.160 oal 8740 3/8-24(3/4" tl) x 3/8-16 (1/2"tl) 5/32 hex
11057	2.500 oal 8740 3/8-24(3/4" tl) x 3/8-16 (3/4"tl) 5/32 hex
11058	2.235oal 8740 7/16-14(3/4" tl) x 7/16-20 (1"tl) 5/32 hex
11059	2.250oal 8740 7/16-14(3/4" tl) x 7/16-20 (1"tl) 5/32 hex
11060	1.800 oal ss 1/4-20 (1/2"tl)x1/4-28 (1"tl)1/8 int mini broach
11061	1.670 oal 8740 3/8-24(3/4" tl) x 3/8-16 (1/2"tl) 1/8ball

11062	3/8 12 pt. Nut, Black Oxide, 0.390 tall, 0.625 collar, 7/16 wrench grip
11063	Flat 7/16 ID x 0.750 OD x 0.090 Thick Steel Washer
11064	Flat 3/8 ID x 0.625 OD x 0.125 Thick Steel Washer
11065	3/8-24 bolt 12pt 1.25 UHL, .385 head hgt,0.645 collar 7/16 wrench 180ksi
11066	7/16-20 bolt 12pt 1.25 UHL, .435 head hgt,0.745 collar 1/2 wrench 180ksi
11067	Flat 7/16 ID x 0.8125 OD x 0.125 Thick Steel Washer
11068	Flat m12 ID x 25mm OD (0.995) x 3.2mm Thick (0.125) Steel Washer
11069	Flat m9 ID x 20.5mm OD (0.813) x 3.2mm Thick (0.125) Steel Washer
11070	Flat m10 ID x 20.5mm OD (0.813) x 3.2mm Thick (0.125) Steel Washer
11071	3/8 stud x 3.00 oal .900 fine thrd w nipple .850 coarse .370 body
11072	3/8 stud x 3.00 oal .900 fine thrd w nipple .850 coarse .400 dowel stud
11073	2.310 oal 8740 3/8-24(3/4" tl) x 3/8-16 (.700"tl) 5/32 hex
11074	nissan vg30 tq master head stud kit
11075	mcclaren 720 head stud kit
11076	mcclaren 720 main stud kit
11077	Nissan rb25 / rb30 dohc patriot head stud kit no-nipple
11078	chrysler viper hsk 1/2-13 by 1/2-20 pat yrs 96-03
11079	4.250 oal 8740 1/2-20 x 1/2-13 1-1/4 thrd length 3/16 hex
11080	Nissan SR20 tqmaster head stud kit
11081	Jeep 2.8L Diesel - 2005-2006 Head Stud Kit
11082	Vw head stud kit
11083	4.620 oal 8740 1/2-20 x 1/2-13 1-1/4 thrd length 3/16 hex
11084	RB25 DOHC HSK 7/16 - 20 x m11 x 1.5 (5.000" OAL)



PART NUMBER DESCRIPTIONS

OEM + Custom Fasteners For Your Specific Needs

11085	RB30 SOHC HSK 7/16 - 20 x 311 x 1.5 (6.550" OAL)
11086	Driveline - Flywheel Bolts - m12 x 1.5mm 28mmUHL
11087	Cummins 6.7 2019 - Current Head Stud Kit Factory Deck height and 24v head
11088	Cummins 6.7 2019 - current main stud kit factory
11089	Driveline - Mustang (94-04) front- Wheel Studs- knurl 0.595 diam, 0.300 long , 3.115 uhl, w/ 0.305 nose 1/2 - 20
11090	Driveline - Mustang (05 +) front- Wheel Studs- knurl 0.550 diam, 0.300 long , 3.320 uhl, w/ 0.305 nose 1/2 - 20
11091	Driveline - Mustang (05 +) rear - Wheel Studs- knurl 0.615 diam, 0.300 long , 3.320 uhl, w/ 0.305 nose 1/2 - 20
11092	Driveline - SOHC - D Series (6 pc.) Flywheel Bolt - m12 x 1.0mm, uhl 0.780
11093	Driveline - DOHC - B Series (8 pc.) Flywheel Bolt - m12 x 1.0mm, uhl 0.890
11094	Driveline - 4G63 - DOHC (6 pc) - Flywheel Bolt m12 x 1.25mm x 0.825 uhl
11095	Driveline - 4B11 - DOHC '08/+ - Flywheel Bolt m12 x 1.25mm x 0.700 uhl
11096	Driveline - Late 4G63 / EVO 4-9 (7pc) - Flywheel Bolt m12 x 1.25mm x 0.600 uhl
11097	Driveline - Lancer EVO - VIII - Wheel Studs knurl 0.565 diam, 0.270 long , 3.005 uhl, w/ 0.355 nose m12 x 1.50mm
11098	Driveline - SR20 DE/DET - Flywheel Bolt m10 x 1.0mm x 0.925 uhl
11099	Driveline - RB25 / RB26 Inline - 6 - Flywheel Bolt m12 x 1.25mm x 1.180 uhl
11100	Driveline - RB25 / RB26 Inline - 6 - Flexplate Bolt m12 x 1.25mm x 0.700 uhl
11101	Driveline - BRZ / WRX (Stock) - Wheel Studs- knurl 0.565 diam, 0.270 long , 1.750 uhl, no nose m12x 1.25mm
11102	Driveline - BRZ / WRX (Extended) - Wheel Studs- knurl 0.565 diam, 0.270 long , 2.535 uhl, w/ 0.200 nose m12x 1.25mm
11103	Driveline - 1.6L - 4AGE - DOHC (8 pc) - Flywheel Bolt m10 x 1.25mm x 1.050 uhl
11104	Driveline - 1.8L - 2ZZGE - DOHC - Flywheel Bolt m10 x 1.25mm x 0.875 uhl

11105	Driveline - 2.0L - 3SGTE - DOHC (8 pc) - Flywheel Bolt m12 x 1.25mm x 1.000 uhl
11106	Driveline - 2.4L - 4AZFE - DOHC (8 pc) - Flywheel Bolt m12 x 1.25mm x 1.000 uhl
11107	Ford - Damper Bolt - 6.0 - 6.4L - 12pt. wrenching with washer
11108	Ford - Damper Bolt - 6.7L - 12pt. wrenching with washer
11109	Driveline - Ford - 6.0L / 6.4L (Single Mass) - Flywheel Bolt m10 x 1.00mm x 2.015 UHL
11110	Driveline - Ford - 6.4L - Flywheel Bolt w/ Cranke Flange Adaptor m12 x 1.25mm x 2.425 UHL
11111	Driveline - Ford - 6.7L - Flywheel Bolt m12 x 1.5mm x 1.825 UHL
11112	Driveline - IH with Atlas/Crower-Rursch,Hyper - Flywheel Bolt kit w/ 0.550 thick Flywheel, stock crank flange thread and thickness (16 bolt) 1/2 - 20
11113	Driveline - Duramax - Flexplate Bolt m16 x 1.5mm x 0.775 UHL
11114	Driveline - Duramax - Flywheel Bolt m16 x 1.5mm x 0.600 UHL
11115	Driveline - Duramax - Exhaust Up Pipe - Stainless - Bolt Kit



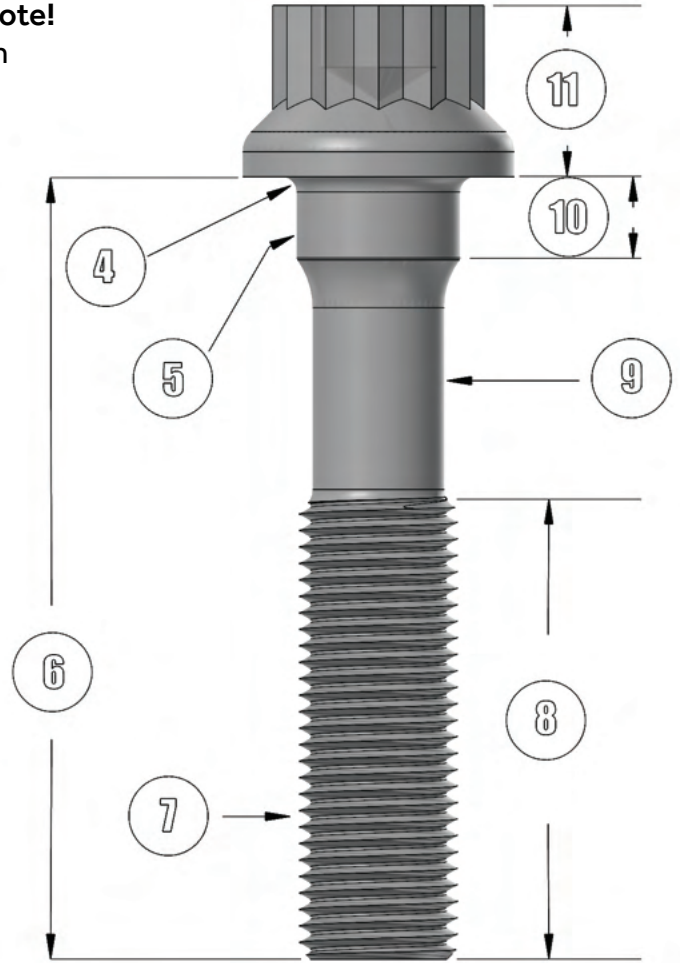
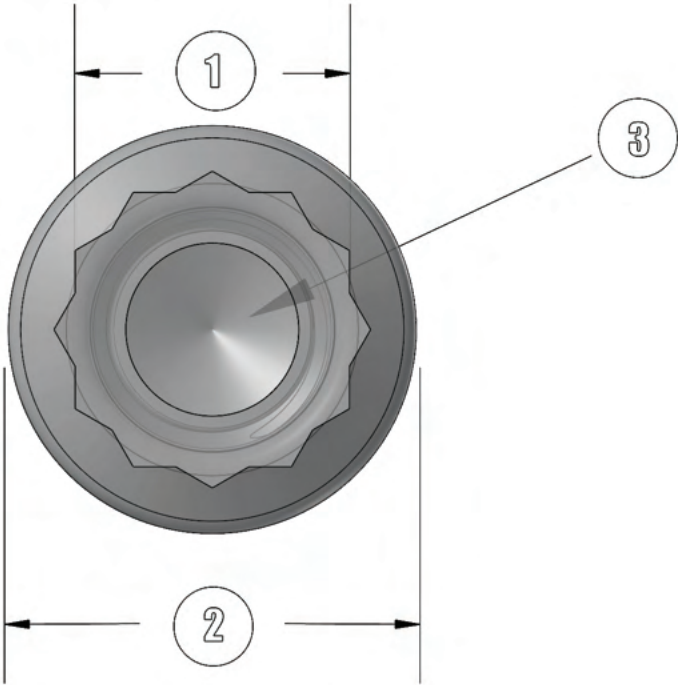
CUSTOM BOLT ORDER FORM

OEM + Custom Fasteners For Your Specific Needs



Simply copy and complete this form to obtain a free quote!

Have questions? Call (315) 924-3888 for assistance with ordering or if you need additional product information.



1. Across Flats _____

2. Flange Diameter _____

3. Lightening Drill Hole Yes ___ No ___

4. Fillet Roll Yes ___ No ___ ; Size ___

5. Shoulder Diameter _____

6. Under Head Length (UHL) _____

7. Thread Size _____

8. UNJ UNR MJ (M) ISO _____

9. Under Cut Yes ___ No ___

10. Shoulder Length _____

11. Head Height _____

12. Mating female thread material _____

13. Application _____

14. Quantity _____

15. Customer Name _____

16. Customer Email _____



CUSTOM STUD ORDER FORM

OEM + Custom Fasteners For Your Specific Needs

Simply copy and complete this form to obtain a free quote! Have questions? Call (315) 924-3888 for help.

Thread Size and Pitch of Block

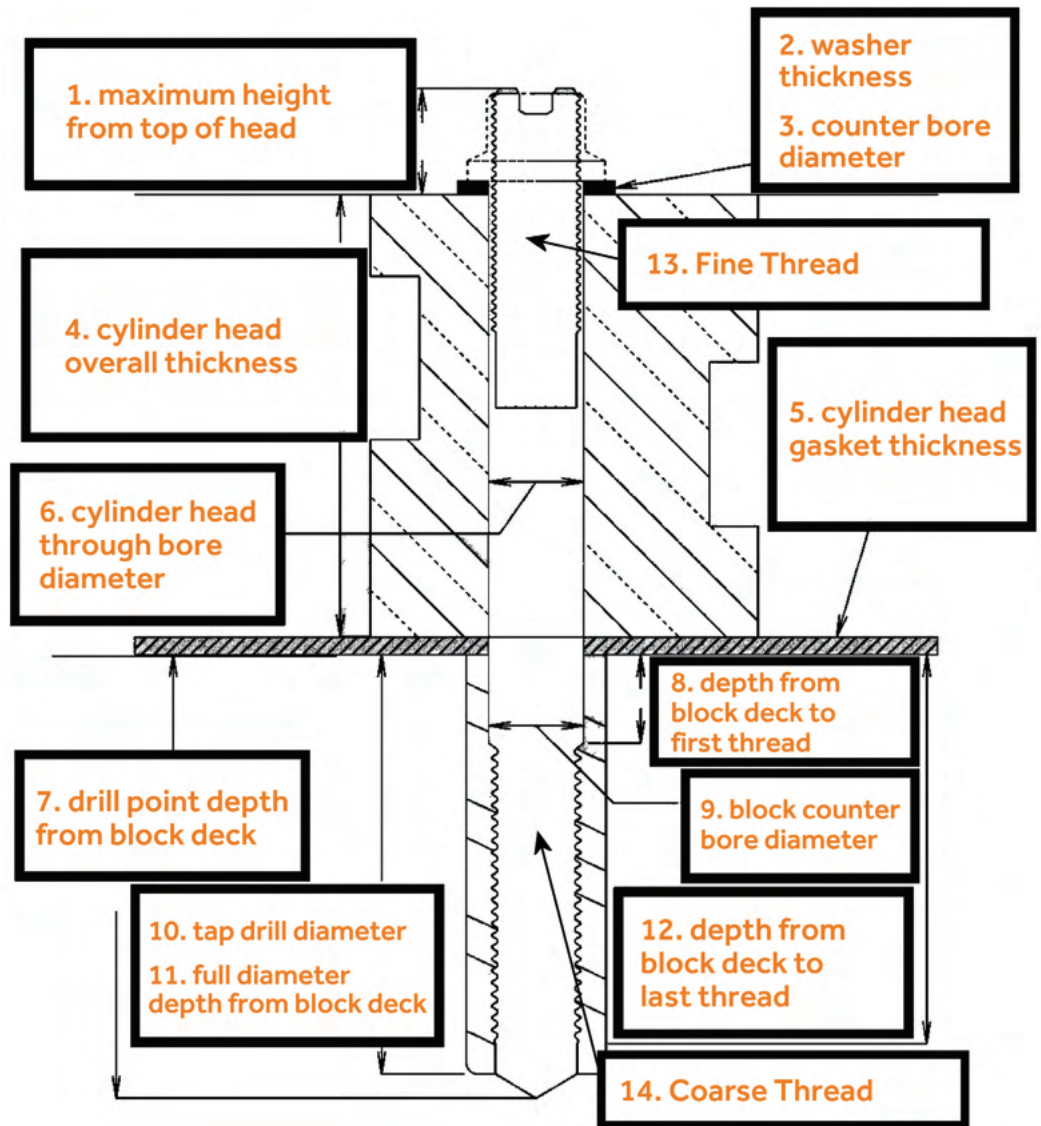
Block Material

Product Application

Quantity Needed

Your Name

Your Telephone Number



1. _____	8. _____
2. _____	9. _____
3. _____	10. _____
4. _____	11. _____
5. _____	12. _____
6. _____	13. _____
7. _____	14. _____



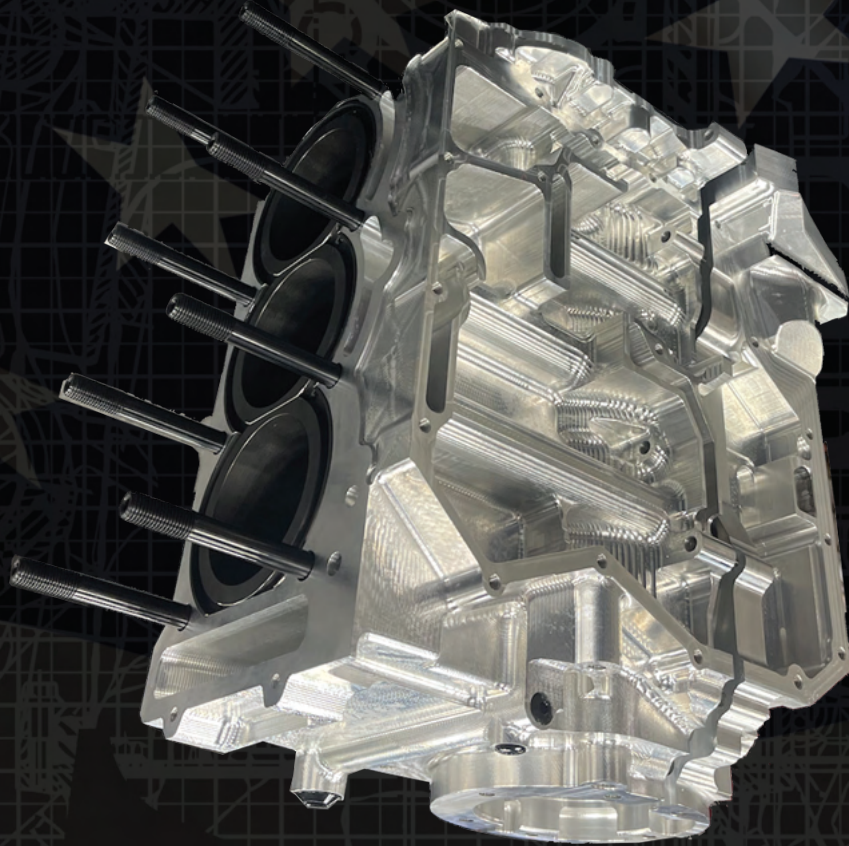
In-House Fastener Design & Fabrication

From design to manufacturing, our advanced facility and experienced team are able to meet your specific quantities, challenges, and demands.

If you need fasteners, we can help.

Regardless of your demands, our team can help design, engineer, and create a solution to meet your specific needs. Let's talk!

- Full Range In-house Services & Capabilities
- Can Accommodate Any Quantity Range
- Rapid Production & Prototype Turnaround
- Quality Control Throughout Production
- Adhere to Custom & OEM Specifications
- Private Label Manufacturing Available



OptiTorque Technologies

1B Powell Lane • Penn Yan, New York 14527

(315) 924-3888

www.optitorque.com