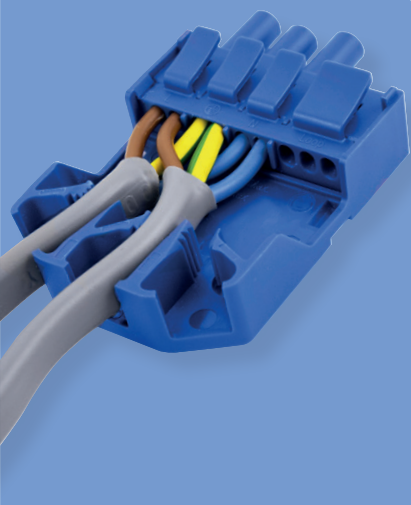




Flow Connectors



With the emphasis on flexibility and ease of installation, many building design projects are now focusing on products and services that can adapt to changing legislation, energy efficiency and the ever changing needs of the client.

Click Flow Connectors allow quick connection, configuration and re-configuration of circuits, primarily intended for lighting.

Flow Connectors

Product Range

Flow Connectors (Screw Terminals)

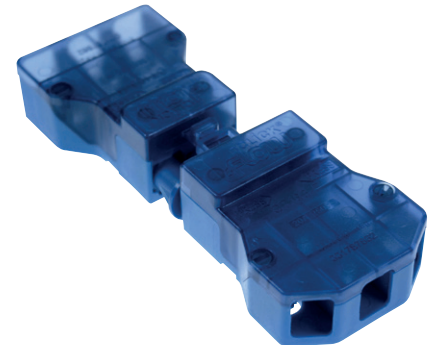
CT101C	250V~ 20A 3 Pole Connector (With Loop)
CT102C	250V~ 20A 3 Pole Connector (Screw Cable Clamps) (With Loop)
CT103C	250V~ 20A 3 Pole Connector (Fast-fit Cable Clamps) (With Loop)
CT103M	250V~ 20A 3 Pole Male (To Load) Connector (Fast-fit Cable Clamps)
CT202C	250V~ 20A 4 Pole Connector (Screw Cable Clamps) (With Loop)
CT203C	250V~ 20A 4 Pole Connector (Fast-fit Cable Clamps) (With Loop)
CT203M	250V~ 20A 4 Pole Male (To Load) Connector (Fast-fit Cable Clamps)



CT101C



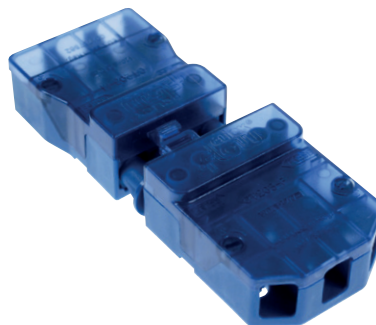
CT102C



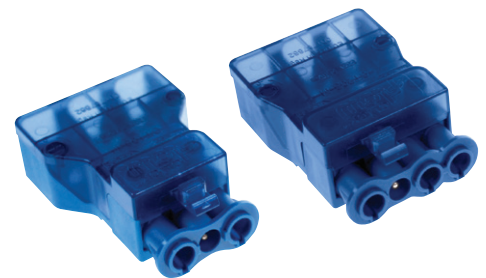
CT103C



CT202C



CT203C



CT103M

CT203M

Flow Connectors

Product Range

Flow Connectors (Push Fit Terminals & Push Fit Cable Clamps)

CT105C	250V~ 20A 3 Pole Male & Female Connectors (No Loop)
CT105M	250V~ 20A 3 Pole Male (To Load) Connector
CT115C	250V~ 20A 3 Pole Male & Female (With Loop) Connectors
CT115F	250V~ 20A 3 Pole Male (To Supply) Connector (With Loop)
CT205C	250V~ 20A 4 Pole Male & Female Connectors (No Loop)
CT205M	250V~ 20A 4 Pole Male (To Load) Connector
CT215F	250V~ 20A 4 Pole Male (To Supply) Connector (With Loop)



CT105C



CT105M



CT115C



CT115F



CT205C



CT205M



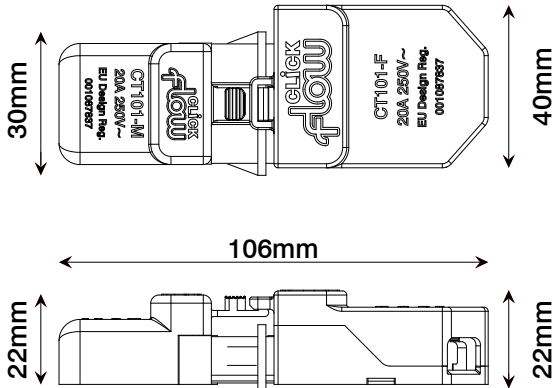
CT215F



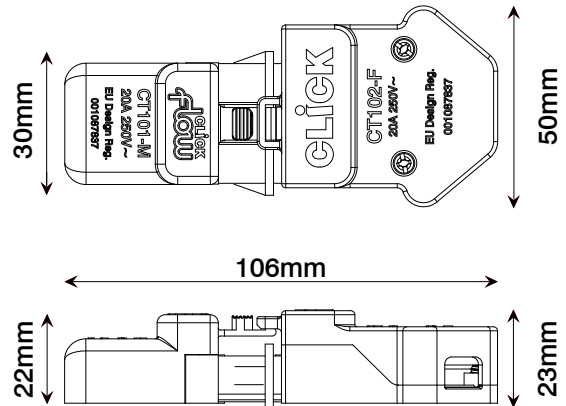
Flow Connectors

Product Dimensional Drawings

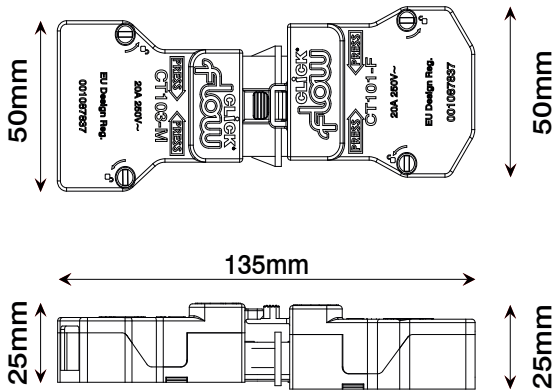
CT101C



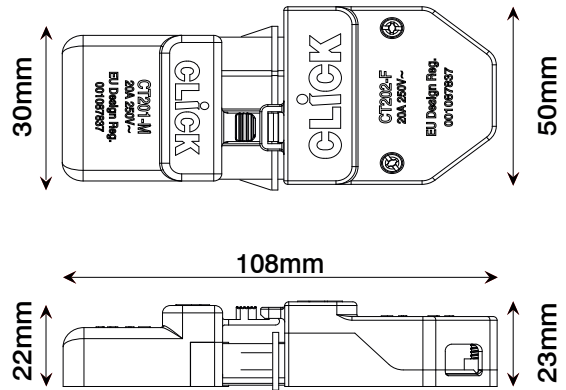
CT102C



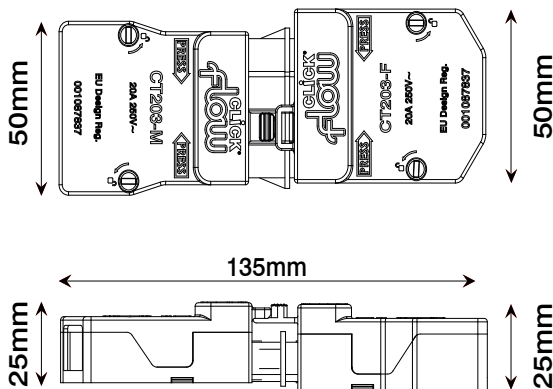
CT103C



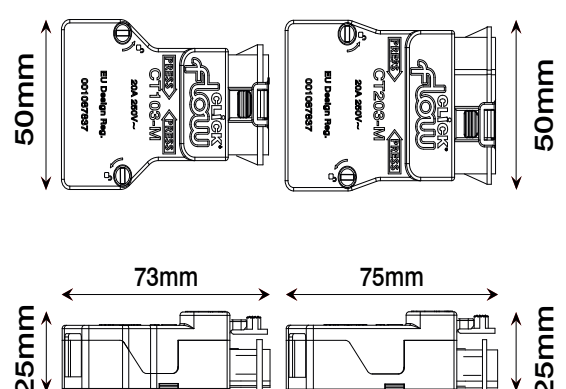
CT202C



CT203C



CT103M



Errors & Omissions excluded. Specification is subject to change without notice. Pre-Fabricated wiring systems manufactured to BS 8488 by other manufacturers may not be compatible or safely inter-connectable with this system. Any dangerous compatibility between different manufacturers installation coupler systems is not automatically prevented by compliance with IEC 61535.

V2.0

Scolmore International Ltd, 1 Scolmore Park, Landsberg, Lichfield Road Ind. Estate, Tamworth, Staffordshire, B79 7XB

Telephone: 01827 63454

E-mail: sales@scolmore.com, technical@scolmore.com

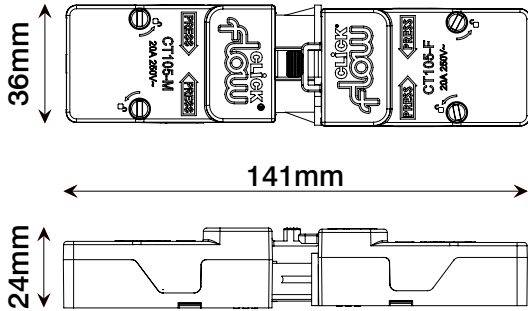
Facsimile: 01827 63362

Website: www.scolmore.com

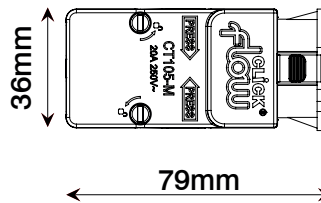
Flow Connectors

Product Dimensional Drawings

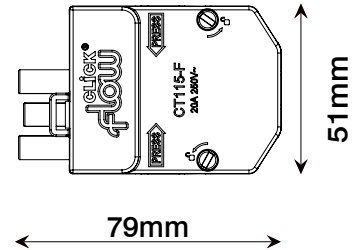
CT105C



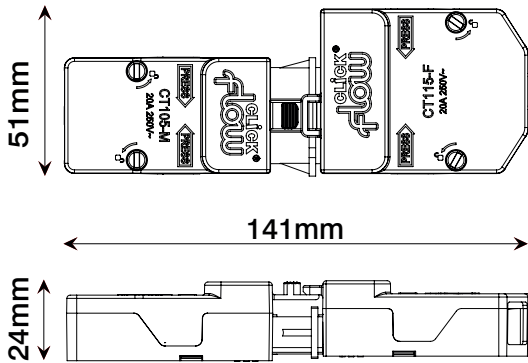
CT105M



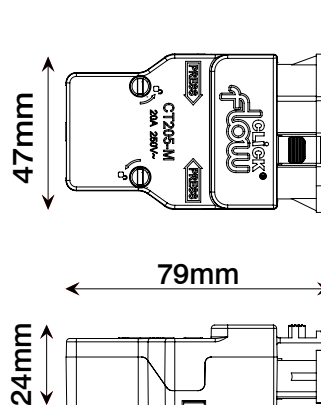
CT115F



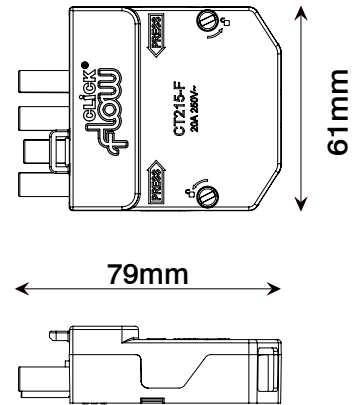
CT115C



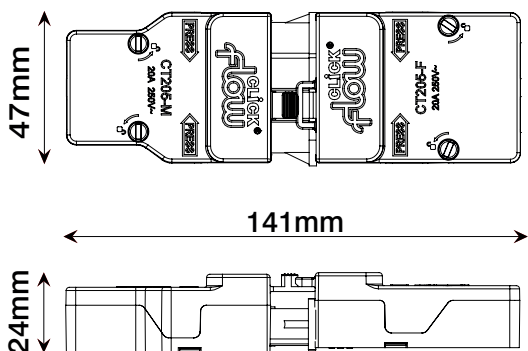
CT205M



CT215F

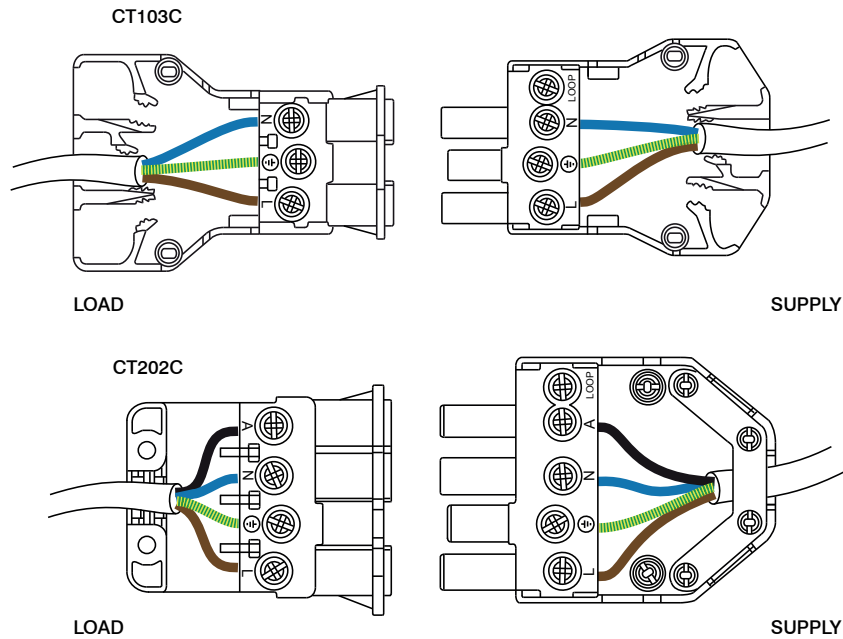


CT205C



Flow Connectors

Wiring Diagrams



Errors & Omissions excluded. Specification is subject to change without notice. Pre-Fabricated wiring systems manufactured to BS 8488 by other manufacturers may not be compatible or safely inter-connectable with this system. Any dangerous compatibility between different manufacturers installation coupler systems is not automatically prevented by compliance with IEC 61535. V2.0

Scolmore International Ltd, 1 Scolmore Park, Landsberg, Lichfield Road Ind. Estate, Tamworth, Staffordshire, B79 7XB

Telephone: 01827 63454

E-mail: sales@scolmore.com, technical@scolmore.com

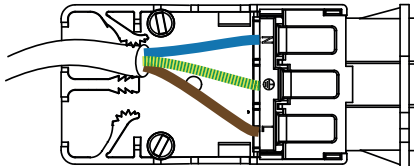
Facsimile: 01827 63362

Website: www.scolmore.com

Flow Connectors

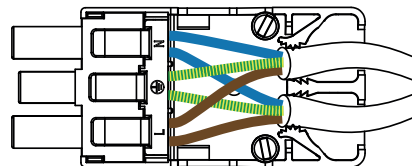
Wiring Diagrams

CT105C - CT105M



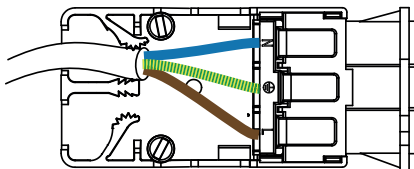
LOAD

CT105C - CT105F



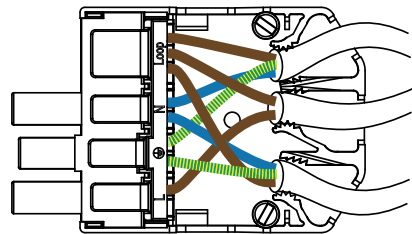
SUPPLY

CT115C - CT105M



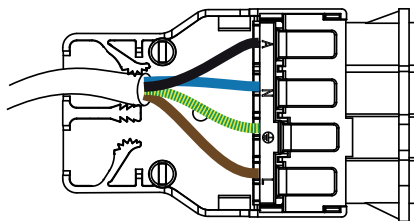
LOAD

CT115C - CT115F



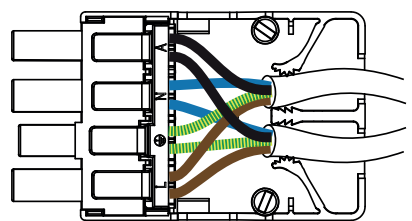
SUPPLY

CT215C - CT205M



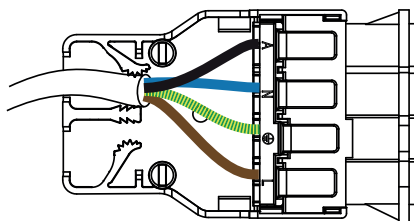
LOAD

CT215C - CT205F



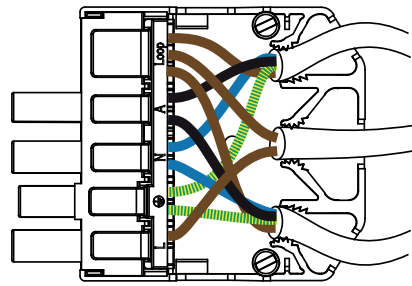
SUPPLY

CT205M



LOAD

CT215F



SUPPLY

Errors & Omissions excluded. Specification is subject to change without notice. Pre-Fabricated wiring systems manufactured to BS 8488 by other manufacturers may not be compatible or safely inter-connectable with this system. Any dangerous compatibility between different manufacturers installation coupler systems is not automatically prevented by compliance with IEC 61535.

V2.0

Scolmore International Ltd, 1 Scolmore Park, Landsberg, Lichfield Road Ind. Estate, Tamworth, Staffordshire, B79 7XB

Telephone: 01827 63454

E-mail: sales@scolmore.com, technical@scolmore.com

Facsimile: 01827 63362

Website: www.scolmore.com

Flow Connectors

Technical Specification

Flow Connectors (Screw Terminal Options)

Material Composition	Cover: Polycarbonate (RAL 5013) Base: Nylon PA66 (RAL 5005) Terminals: HPb59-1 (CU 59%) Silver Plated Terminal Screws: Steel and Yellow Passivated
Voltage	250V~ 50Hz
Current Rating	20A Max
Rated Impulse Voltage	4kV
Terminal Diameter	4.2mm
Terminal Conductor Sizes	CT101C - CT101F = up to 3 x 2.5mm ² T&E, CT101M = up to 1.5mm ² Flex CT102C - CT102F = up to 3 x 2.5mm ² T&E, CT101M = up to 1.5mm ² Flex CT103C - Either: up to 3 x 2.5mm ² T&E or 4 x 1.5mm ² Flex can be used CT202C - CT202F = up to 3 x 2.5mm ² T&E, CT202M = up to 1.5mm ² Flex CT203C - Either: up to 3 x 2.5mm ² T&E or 4 x 1.5mm ² Flex can be used
Cutout Required	55mm Diameter Aperture, 46mm Diameter Aperture (CT101C)
Warranty	10 Years
IP Rating	IP20
Operational Temperature	-5° to +40°C
Standards	KEMA-KEUR BS 5733 : 2010 + A1 : 2014 (CT101C) IEC EN 61535 : 2009 + A1: 2013 + C1: 2014

Additional Information

Ensure that the mains supply is isolated before commencing installation and refer to the circuit diagram with the relevant product.

Bare earth cables must always be covered with appropriate sleeving and wired to the earth terminal.

Flow Connectors

Technical Specification

Flow Connectors (Push Fit Terminal Options)

Material Composition	Cover: Polycarbonate (RAL 5013)
	Base: Nylon PA66 (RAL 5005)
	Terminals: H62-Y2
	Contact Spring: Stainless Steel
Voltage	250V~ 50Hz
Current Rating	20A Max
Rated Impulse Voltage	4kV
Terminal Diameter	4mm
Terminal Conductor Sizes	1.5mm ² - 2.5mm ² Solid or Flex
Conductor Strip Length	12mm
Cable Grip	Fast-Fit Cable Clamps
Cutout Required	40mm Dia. - CT105C & CT105M
	55mm Dia. - CT115F
	50mm Dia. - CT205C & CT205M
	5mm Dia. - CT215F
Warranty	10 Years
IP Rating	IP20
Operational Temperature	-5° to +40°C
Standards	KEMA-KEUR
	BS 5733: 2010+A1 :2014
	IEC 61535: 2009+A1: 2013 + C1: 2014

Additional Information

Ensure that the mains supply is isolated before commencing installation and refer to the circuit diagram with the relevant product.

Bare earth cables must always be covered with appropriate sleeving and wired to the earth terminal.

EU DECLARATION OF CONFORMITY

Issuer Name: Scolmore International Ltd
Issuer Address: 1, Scolmore Park, Landsberg, Lichfield Road Industrial Estate,
Tamworth, Staffordshire B79 7XB UK
Issuer Contact Details: Tel: +44 (0) 1827 63454
Fax: +44 (0) 1827 63362
Email: sales@scolmore.com
Website: www.scolmore.com

Object(s) Of Declaration: CLICK FLOW
Group: 3 Pole Screw Terminal Connector
Model No. (s): CT101C

The object of the declaration is in conformity with the relevant union harmonisation legislation:

2014/35/EU Low Voltage Directive
2011/65/EU RoHS Directive
2015/863/EU RoHS 2 Directive
1907/2006/EU REACH Directive

All products contained within the aforementioned comply with the relevant standards and requirements listed below.

BS 5733: 2010 + A1: 2014

I hereby declare that the equipment named above has been designed to comply with the relevant sections of the above referenced specifications.

In conjunction with the above all manufacture and process controls are in accordance with ISO 9001: 2015.

This declaration has been issued under the sole responsibility of the manufacturer, signed at, for and on behalf of:
Scolmore International Limited.



Karl Rawlins - Senior Technical Support Engineer

Date: 24th January 2019

EU DECLARATION OF CONFORMITY

Issuer Name: Scolmore International Ltd

Issuer Address: 1, Scolmore Park, Landsberg, Lichfield Road Industrial Estate,
Tamworth, Staffordshire B79 7XB UK

Issuer Contact Details: Tel: +44 (0) 1827 63454
Fax: +44 (0) 1827 63362
Email: sales@scolmore.com
Website: www.scolmore.com

Object(s) Of Declaration: CLICK FLOW

Group: 3 Pole & 4 Pole Screw Terminal Connectors

Model No.(s): CT102C,CT103C,CT202C,CT203C,CT103M,CT203M

The object of the declaration is in conformity with the relevant union harmonisation legislation:

2014/35/EU Low Voltage Directive
2011/65/EU RoHS Directive
2015/863/EU RoHS 2 Directive
1907/2006/EU REACH Directive

All products contained within the aforementioned comply with the relevant standards and requirements listed below.

EN 61535: 2009 + A1: 2013
BS 5733: 2010 + A1: 2014

I hereby declare that the equipment named above has been designed to comply with the relevant sections of the above referenced specifications.

In conjunction with the above all manufacture and process controls are in accordance with ISO 9001: 2015.

This declaration has been issued under the sole responsibility of the manufacturer, signed at, for and on behalf of:
Scolmore International Limited.



Karl Rawlins - Senior Technical Support Engineer

Date: 24th January 2019

EU DECLARATION OF CONFORMITY

Issuer Name: Scolmore International Ltd

Issuer Address: 1, Scolmore Park, Landsberg, Lichfield Road Industrial Estate,
Tamworth, Staffordshire B79 7XB UK

Issuer Contact Details: Tel: +44 (0) 1827 63454
Fax: +44 (0) 1827 63362
Email: sales@scolmore.com
Website: www.scolmore.com

Object(s) Of Declaration: CLICK FLOW

Group: 3 Pole & 4 Pole Fast Fit Connectors

Model No. (s): CT105C,CT105F,CT105M,CT115C,CT115F,CT205C,CT205F,CT205M,CT215C,CT215F

The object of the declaration is in conformity with the relevant union harmonisation legislation:

2014/35/EU Low Voltage Directive
2011/65/EU RoHS Directive
2015/863/EU RoHS 2 Directive
1907/2006/EU REACH Directive

All products contained within the aforementioned comply with the relevant standards and requirements listed below.

EN 61535: 2009
EN 61535: 2009 + A1: 2013

I hereby declare that the equipment named above has been designed to comply with the relevant sections of the above referenced specifications.

In conjunction with the above all manufacture and process controls are in accordance with ISO 9001: 2015.

This declaration has been issued under the sole responsibility of the manufacturer, signed at, for and on behalf of:
Scolmore International Limited.



Karl Rawlins - Senior Technical Support Engineer

Date: 24th January 2019