

# SPARE PARTS CATALOG



Buying a ROLTEC wheelchair is just the beginning of a journey into the world of opportunity.

Keep your wheelchair in good shape, so it can do their best, with original spare parts in the highest quality from ROLTEC.

The ROLTEC spare parts catalog contains spare parts and accessories- structured with split drawings, so you can easily find the parts, you are looking for. In the tables to the pictures of products can you see the spare part numbers

We constantly (manufacture) new products that helps you get the best out of the wheelchair, and they are all (manufactured) to same high standard.

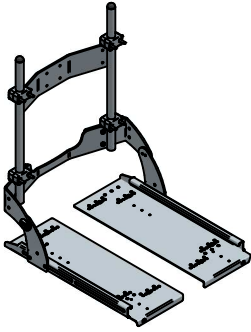


## Table of contents

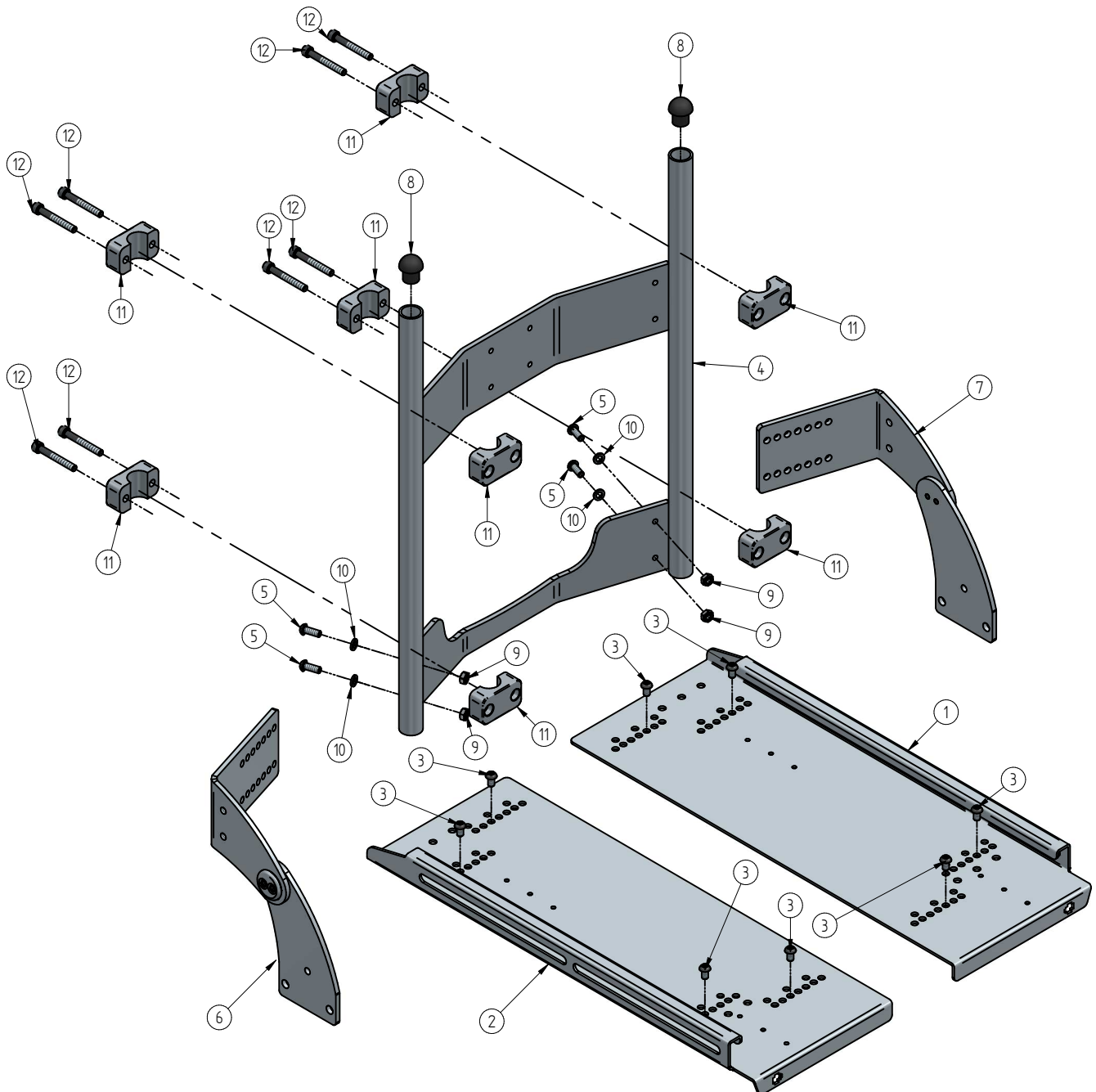
<b>R-SEAT</b>	4
R-Seat Seatframe B:400-520mm excl. mounting plate Left-71432	4
R-Seat Seatframe B:400-520mm incl. mounting plate-71951	5
R-Seat Seatframe B:520-640mm incl. mountingplate-71952	6
R-Seat Back manuel B:400-520mm / B:520-640mm-71491-71955	7
R-Seat Power back 125mm W:400-520mm / W:520-640mm-71526-71957	8
R-Seat Power back 250mm W:400-520mm / W:520-640mm-71579-71956	9
Bracket for headrest-71972	10
<b>ARMREST</b>	12
Armrest base, Collabsable Left-69277	12
Armrest base, Collabsable Left-69276	13
Armrest base Fixed left-69279	14
Armrest base Fixed right-69278	15
Armrest base, Foldable Left L:250/300/350/400-66105-66106-66107-66108	16
Armrest base, Foldable Right L:250/300/350/400 66101-66102-66103-66104	17
Armrest base, Upfoldable Obliquely Left L300/350/400mm -68972-68931-68973	18
Armrest base, Upfoldable Obliquely Right L300/350/400mm-68930-68970-68971	19
<b>LEGREST</b>	20
Legrest, Seperate, Electric elevation, Left-68702	20
Legrest, Seperate, Electric elevation, Right-68701	21
Legrest, Seperate, Manuel elevation, Right-70996	22
Legrest, Seperate, Manuel elevation, Left-70997	23
Legrest, Central, Electric elevation (B20)-71383-71618	24
Legrest, Central, Manuel elevation-71394-71619	25
<b>Various accessories</b>	26
Thigh/hip support base-71498	26
Aktuator-71348	27
Attadent control-71076	28
Bracket for attendant control-71891	29
Swing mount V2.0 Right-71682	30
<b>BOA2</b>	31
Boa 2 Wheelbase from the top-71492	32
Boa2 Lift/Tilt-71251	33
Boa 2 Wheelbase from behind-71492	34
Boa 2 Wheelbase from the right-71492	35
Boa 2 Wheelbase from the Left-71492	36
Additional parts-xxxxx	37
Lights-75008	38
Turn signal Boa2-69320	39
Wheel 3.00-8"-71597	40
Wheel 7"x1,75-71601	41
Wire harness-71127	42
Battery fittings-xxxxx	43
Schematic diagram BOA2-xxxxx	44
Table of contents alphabetically	46
Table of contents number order	47

71432

R-Seat Seatframe B:400-520mm excl. mounting plate



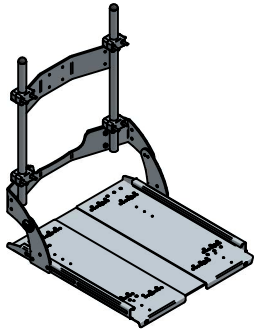
Item Number	Document Number	SparePart Title	Quantity
1	71328	Seat side - left	1
2	71331	Seat side - right	1
3	70596	Bolt RHJUZ M6x10 ISO7980-1 10.9	8
4	71330	Back frame	1
5	71439	Bolt RHJUZ M6x16 ISO7380-1 10.9	4
6	71924	Hinge B400-520mm Right	1
7	71925	Hinge B400-520mm Left	1
8	71426	Φ22 Cap	2
9	60556	Nut M6 DIN934 k110	4
10	66815	Washer	4
11	71559	Clamp (half part)	8
12	70600	Bolt CHJUZ M6x45 DIN912 12.9	8



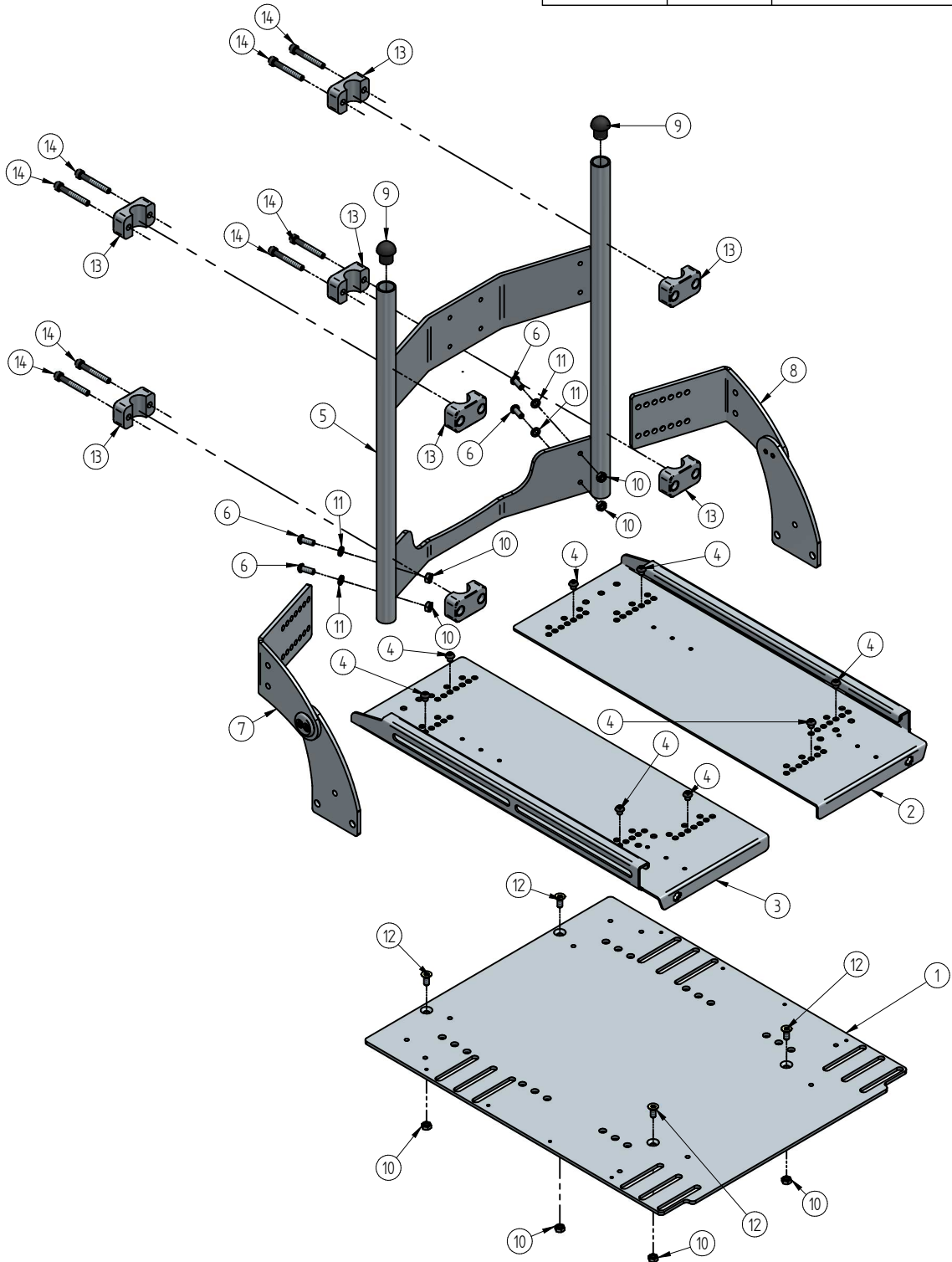
000891

71951

R-Seat Seatframe B:400-520mm incl. mounting plate



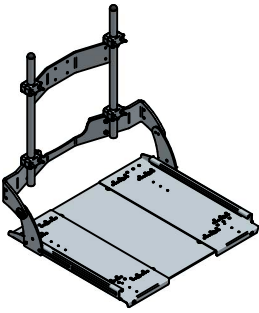
Item Number	Document Number	SparePart Title	Quantity
1	71336	Seat platform 400-500mm	1
2	71328	Seat side - Left	1
3	71331	Seat side - right	1
4	68072	Bolt RHJUZ M6x6 10.9/12.9 ISO7980-1	8
5	71330	Back frame	1
6	71439	Bolt RHJUZ M6x16 ISO7380-1 10.9	4
7	71924	Hinge B400-520mm Right	1
8	71925	Hinge B400-520mm Left	1
9	71426	Ø22 Cap	2
10	60556	Nut M6 DIN934 kl10	8
11	66815	Washer	4
12	71950	Bolt UHJUZ M6x14 DIN7991 10.9	4
13	71559	Clamp (half part)	8
14	70600	Bolt CHJUZ M6x45 DIN912 12.9	8



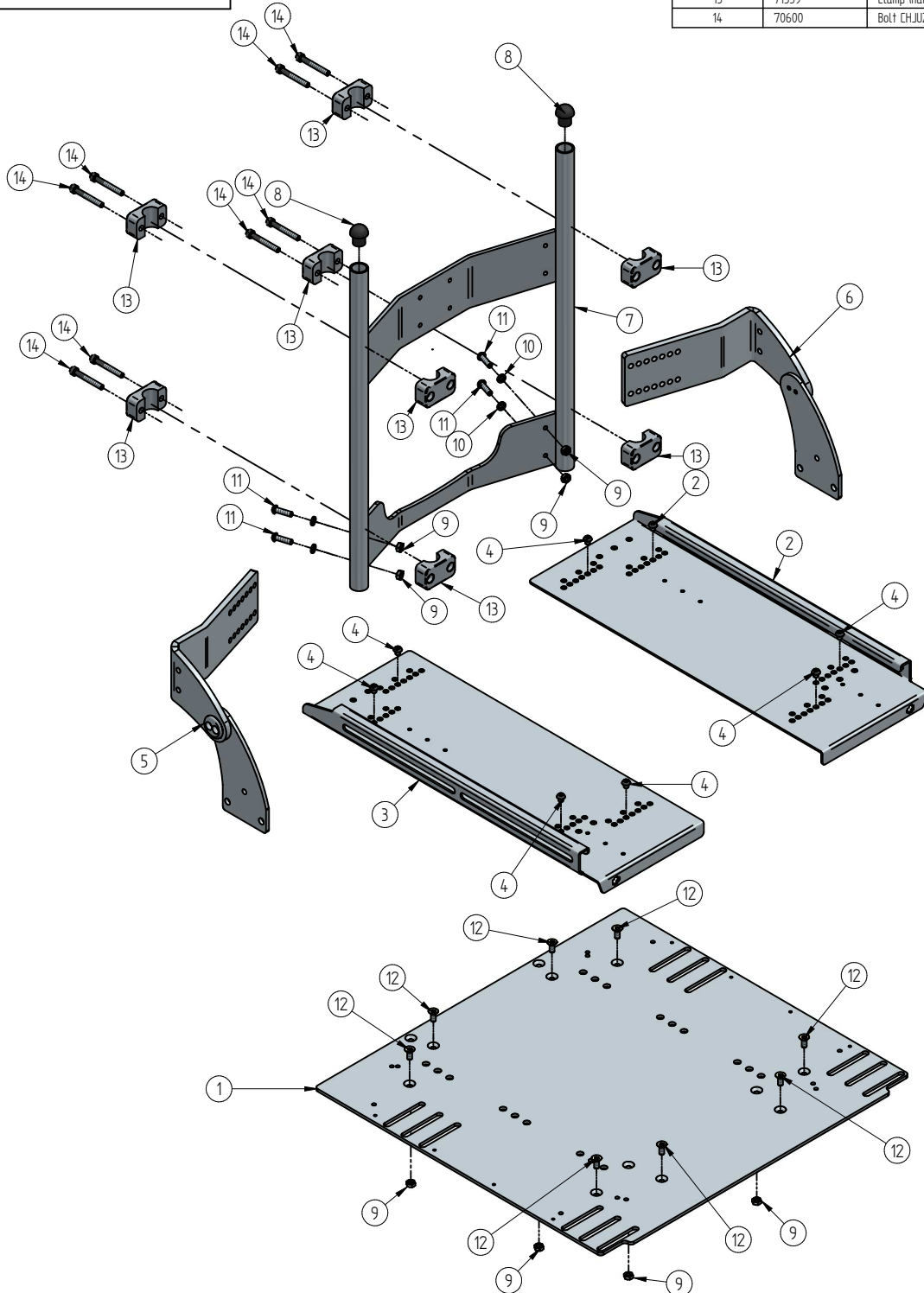
000124

71952

## R-Seat Seatframe B:520-640mm incl. mountingplate



Item Number	Document Number	SparePart Title	Quantity
1	71576	Seat platform 520mm-640mm	1
2	71328	Seat side - Left	1
3	71331	Seat side - right	1
4	68072	Bolt RHJUZ M6x6 10.9/12.9	8
5	71926	Back hinge Right W520-640mm	1
6	71927	Back hinge Left W520-640mm	1
7	71330	Back frame	1
8	71426	Ø22 Cap	2
9	60556	Nut M6 DIN934 kt10	8
10	66815	Washer	4
11	71905	Bolt RHJUZ M6x22 ISO7380	4
12	71950	Bolt UHJUZ M6x14 DIN7991 10.9	8
13	71559	Clamp (half part)	8
14	70600	Bolt LHJUZ M6x45 DIN912 12.9	8



000975

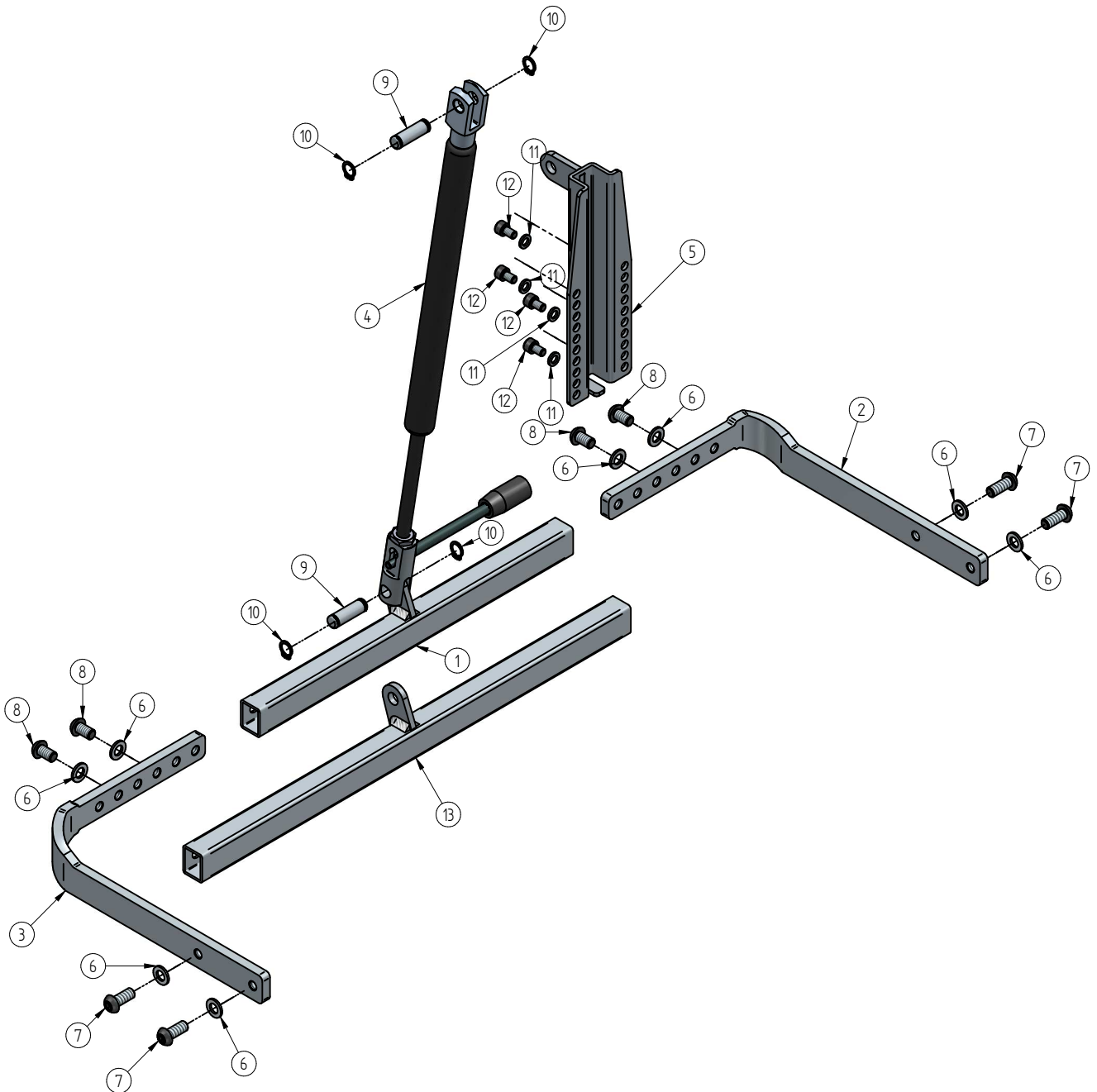
71491-71955

R-Seat Back manuel B:400-520mm / B:520-640mm



Item Number	Document Number	SparePart Title	Quantity
1	71420	Actuator bracket W400-520	1
2	71338	Seatcorner offset rear left	1
3	71339	Seatcorner offset rear right	1
4	71968	Gas spring	1
5	71985	Top bracket	1
6	60569	Washer $\varnothing 8,4 \times \Phi 15 \times 1,6$ DIN443	8
7	71490	Screw RHJUJZ M8x20	4
8	68909	Screw RHJUJZ M8x14 ISO7380	4
9	67822	Shaft	2
10	10072	Retaining ring for shaft A10	4
11	66815	Washer	4
12	60833	Screw CHJUJZ M6x10 DIN912	4
13	71944	Actuator bracket W520-640	1

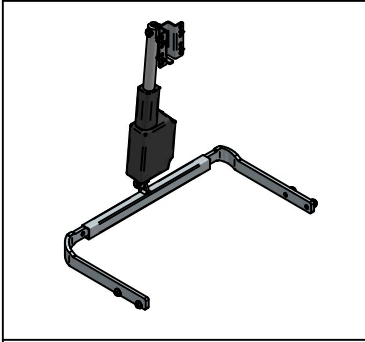
Part no. 71420 included in 71491  
Part no. 71944 included in 71955



001511

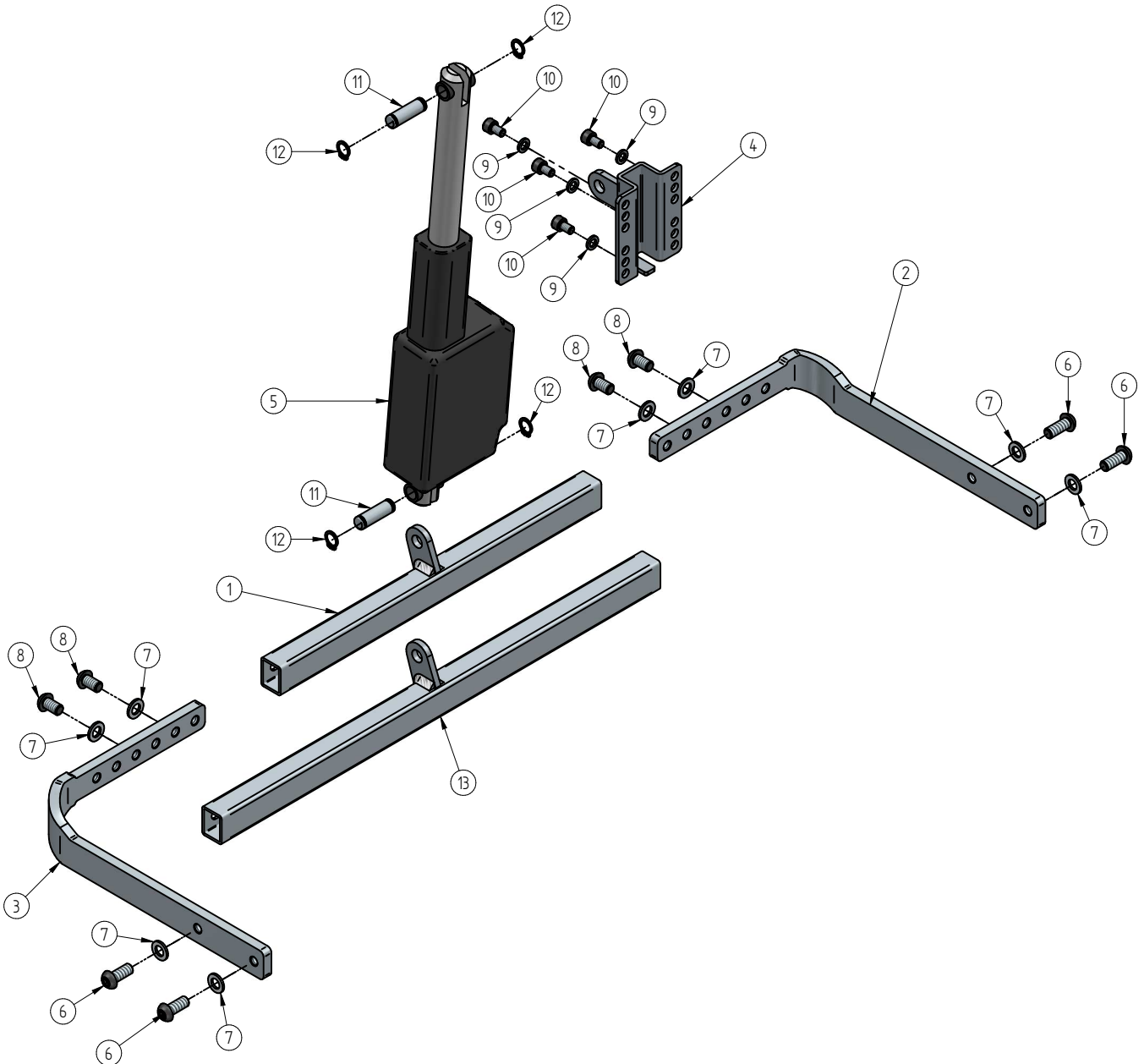
71526-71957

R-Seat Power back 125mm W:400-520mm / W:520-640mm



Item Number	Document Number	SparePart Title	Quantity
1	71420	Actuator bracket W400-520	1
2	71338	Seatcorner offset rear left	1
3	71339	Seatcorner offset rear right	1
4	71987	Top bracket	1
5	71384	Aktuator	1
6	71490	Screw RHJUZ M8x20 ISO7380-1	4
7	60569	Washer $\varnothing 8,4 \times \Phi 15 \times 1,6$ DIN443	8
8	68909	Screw RHJUZ M8x14 ISO7380 10.9	4
9	66815	Washer	4
10	60833	Screw CHJUZ M6x10 DIN912 12.9	4
11	67822	Shaft	2
12	10072	Retaining ring for shaft A10	4
13	71944	Actuator bracket W520-640	1

Part no. 71420 included in 71526  
Part no. 71944 included in 71957

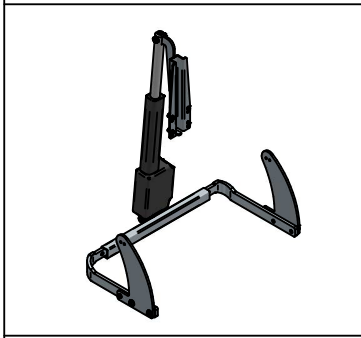


001487



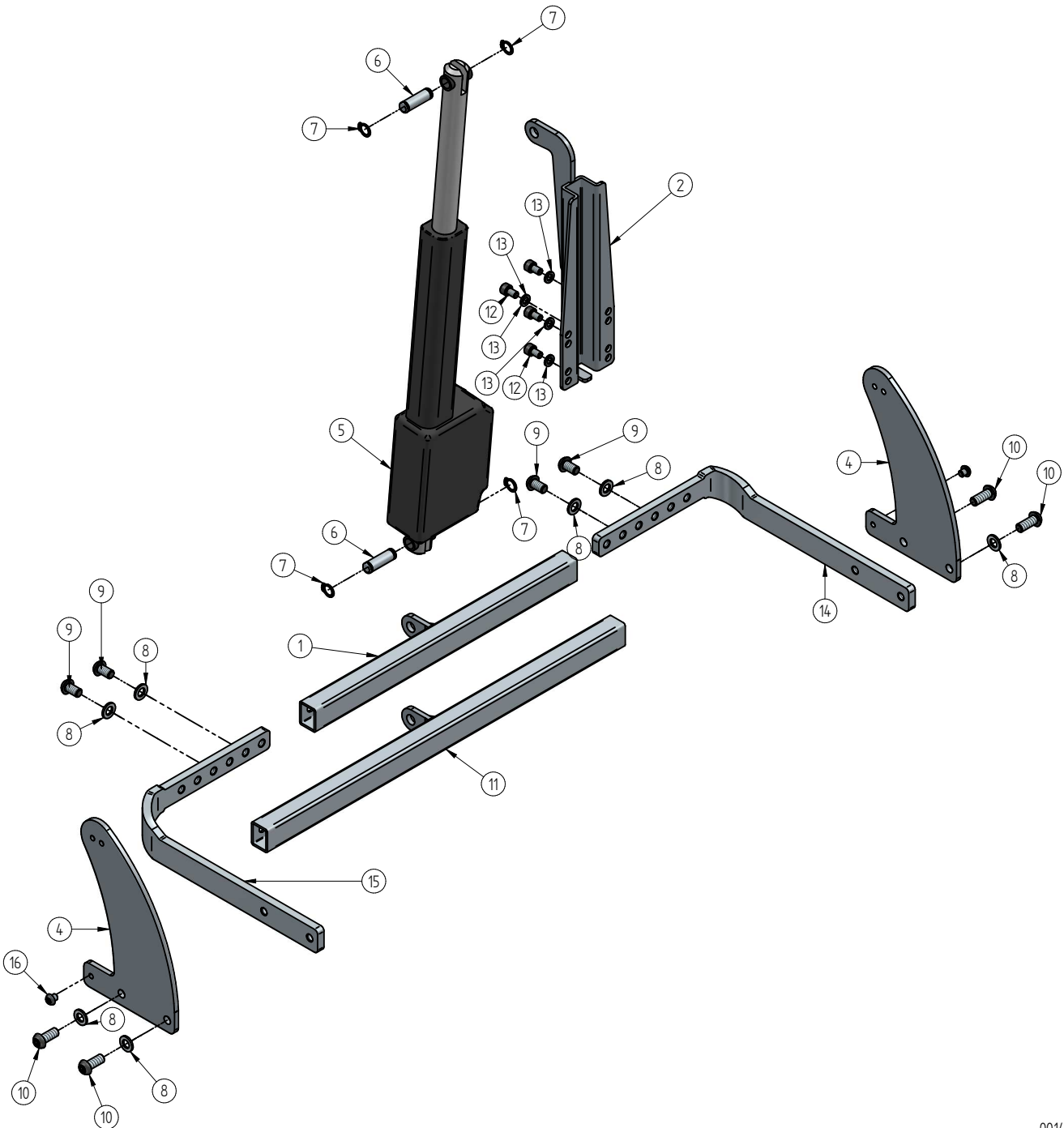
71579-71956

R-Seat Power back 250mm W:400-520mm / W:520-640mm



Item Number	Document Number	SparePart Title	Quantity
1	71988	Actuator bracket W400-520mm	1
2	71989	Top bracket	1
4	71582	Lower hinge	2
5	71990	Actuator	1
6	67822	Shaft	2
7	10072	Retaining ring for shaft A10	4
8	60569	Washer $\varnothing 8,4 \times \Phi 15 \times 1,6$ DIN443	8
9	68909	Screw RHJUZ M8x14 ISO7380 10.9	4
10	71490	Screw RHJUZ M8x20 ISO7380-1	4
11	71991	Actuator bracket W520-640mm	1
12	60833	Screw CHJUZ M6x10 DIN912 12.9	4
13	66815	Washer	4
14	71338	Seatcorner offset rear left	1
15	71339	Seatcorner offset rear right	1
16	68072	Bolt RHJUZ M6x6 10.9/12.9	2

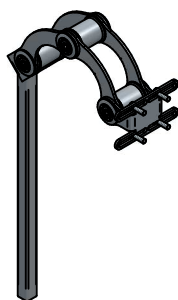
Part no. 71988 included in 71579  
Part no. 71991 included in 71956



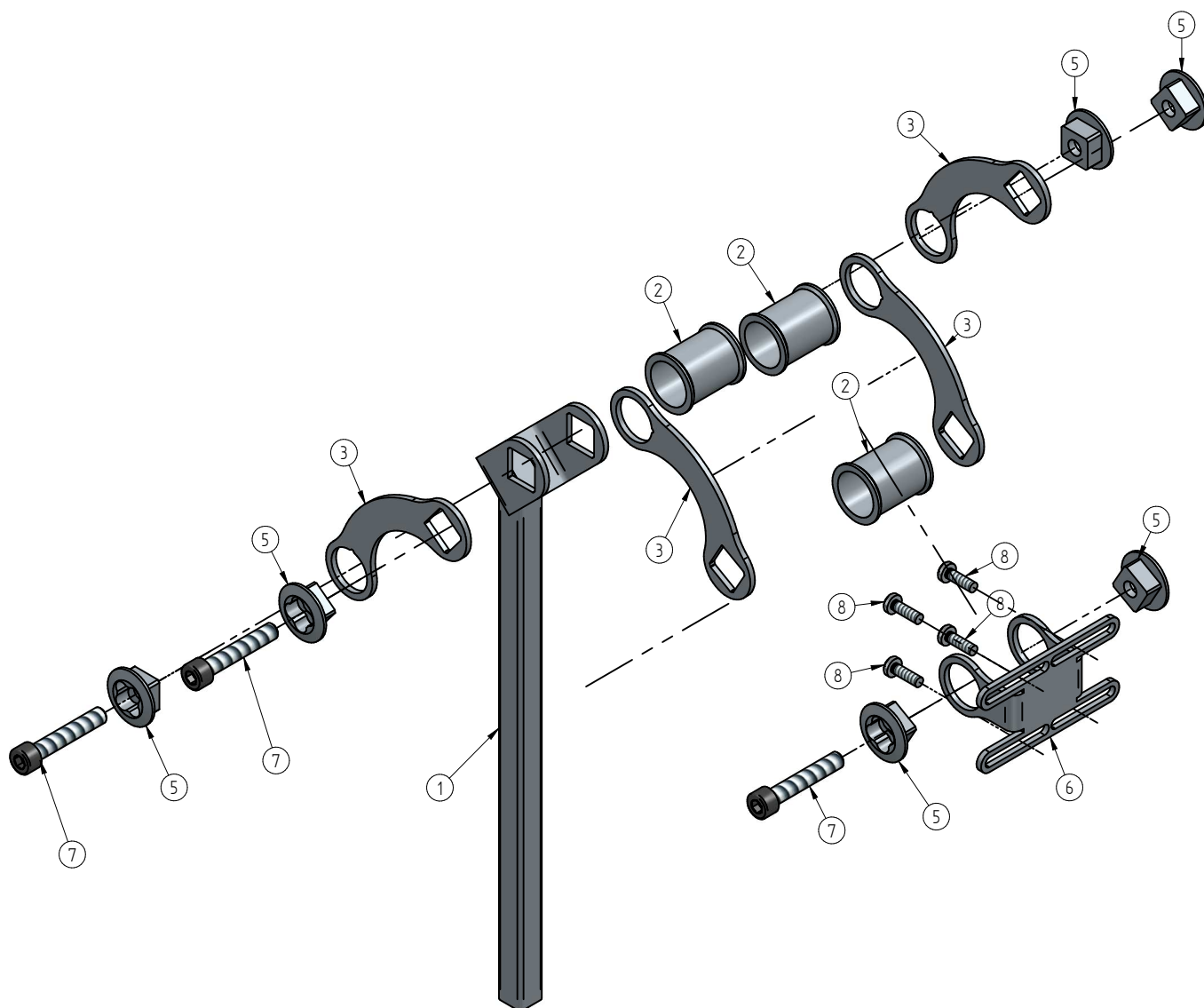
001484

71972

Bracket for headrest



Item Number	Document Number	SparePart Title	Quantity
1	71979	Pole	1
2	71980	Tube	3
3	71975	Arm	4
5	71982	Screw plug	6
6	71976	Cushion bracket	1
7	68936	Bolt CHJUZ M8x45 DIN912 12.9	3
8	68914	Screw PHJTZ M5x16 -ISO14583	4
9*	71997	Square nut M8 NV13 H6,5	3



001597

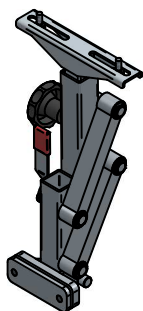


**ROLTEC we are developing for you**

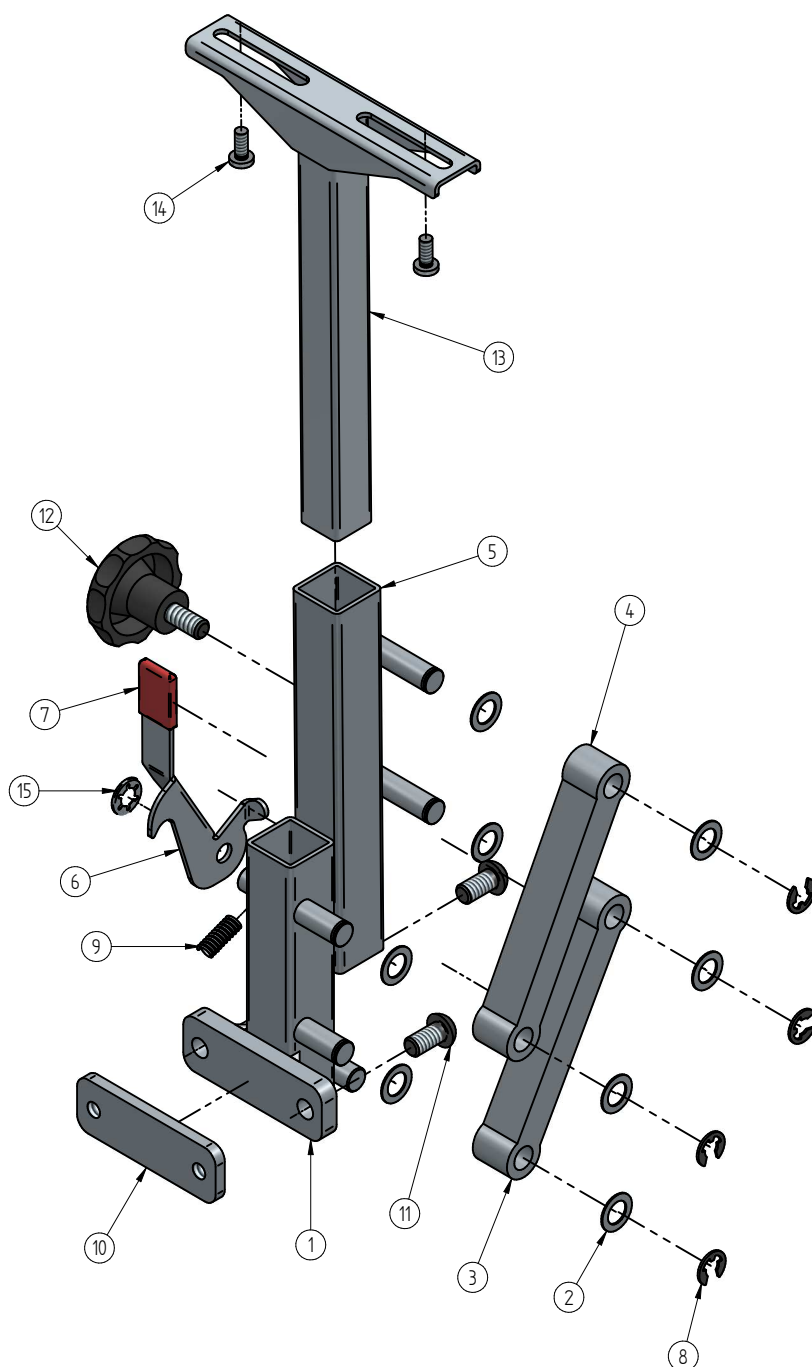


69277

Armrest base, Collapsible Left



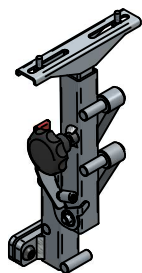
Item Number	Document Number	SparePart Title	Quantity
1	66570	Lower part Left	1
2	60706	Shim Ring $\varnothing 10 \times \varnothing 16 \times 0,5$ DIN988	8
3	60260	Arm short	1
4	60261	Arm long	1
5	60095	Upper part Left	1
6	66220	Lock Left	1
7	60702	Cap	1
8	60707	Circlips for shaft $\varnothing 7$	4
9	60704	Spring	1
10	68185	C-profile bracket treaded	1
11	71428	Screw RHJUZ M8x16 ISO7380-1	2
12	60520	Handle M8x17	1
13	71462	Downpost	1
14	68799	Bolt PHJTZ M5x12 -ISO14583 4.8	2
15	60364	Starlock $\varnothing 8$ mm	1



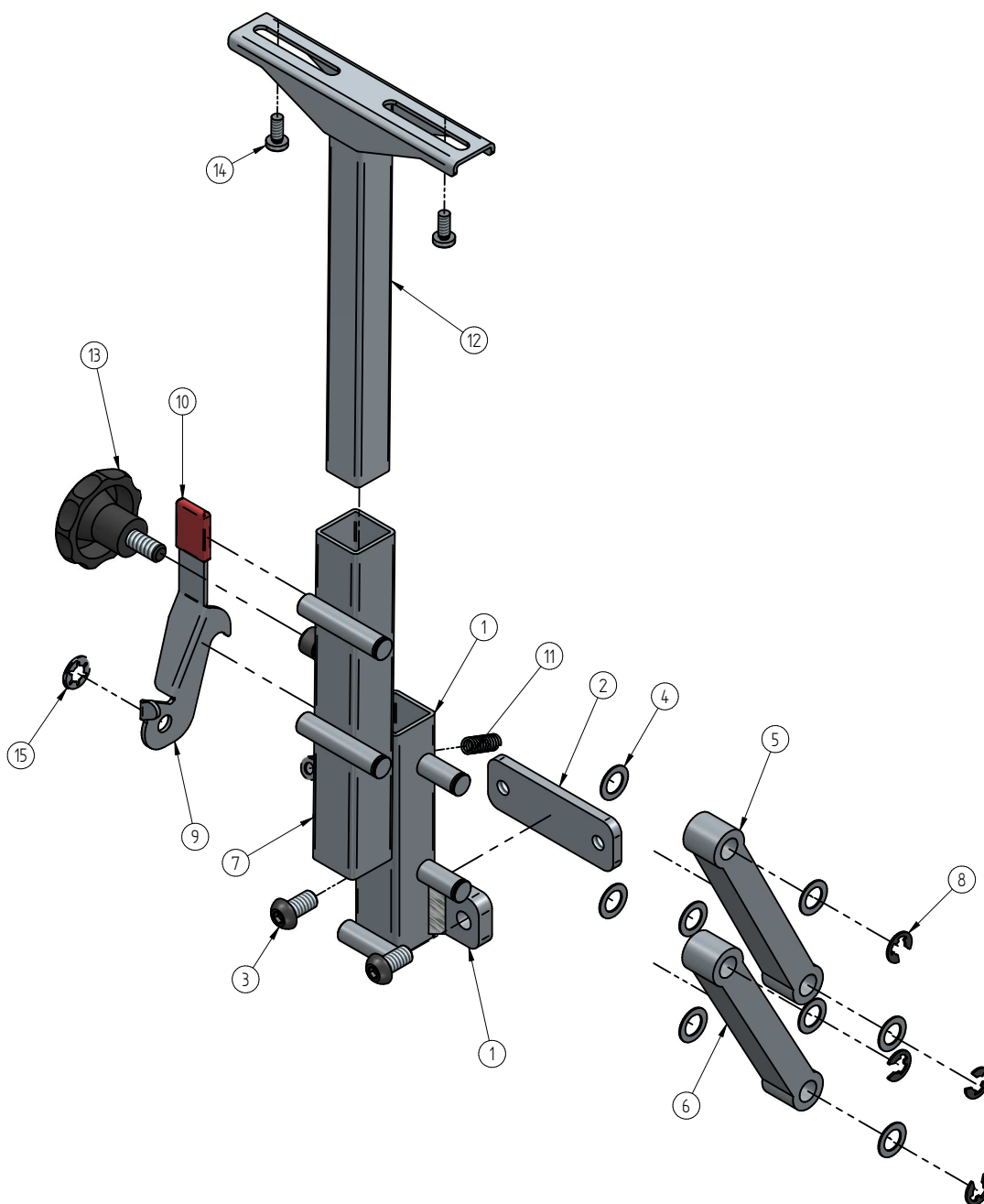
000289

69276

Armrest base, Collapsible Right



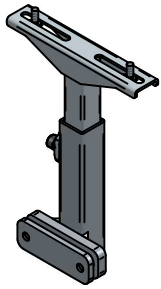
Item Number	Document Number	SparePart Title	Quantity
1	66571	Lower part Right	1
2	68185	C-profile bracket treaded	1
3	71428	Screw RHJUZ M8x16 ISO7380-1	2
4	60706	Shim Ring $\phi 10 \times \phi 16 \times 0,5$ DIN988	8
5	60261	Arm long	1
6	60260	Arm short	1
7	60094	Upper part Right	1
8	60707	Circlips for shaft $\phi 7$	4
9	66219	Lock Right	1
10	60702	Cap	1
11	60704	Spring	1
12	71462	Downpost	1
13	60520	Handle M8x17	1
14	68799	Bolt PHJUZ M5x12 ~ISO14583 4.8	2
15	60364	Starlock $\phi 8$ mm	1



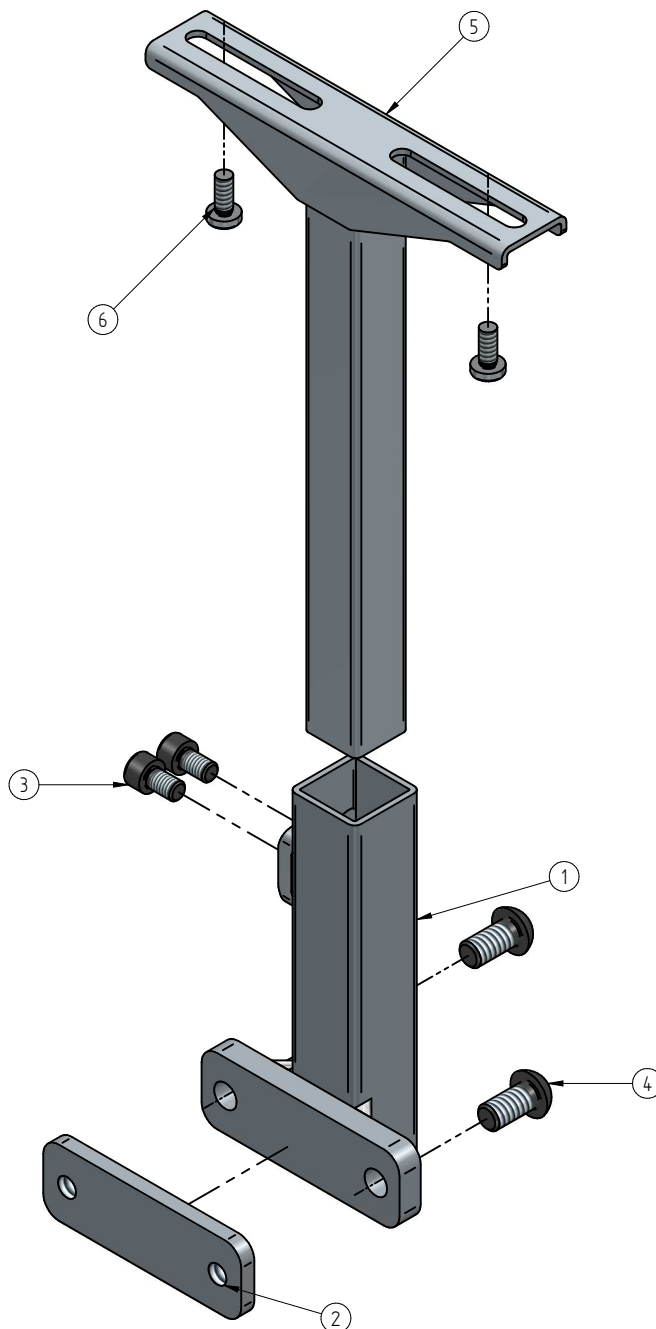
000295

69279

## Armrest base Fixed left



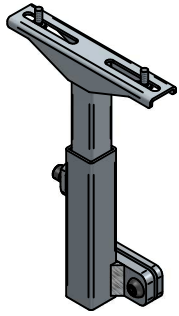
Item Number	Document Number	SparePart Title	Quantity
1	69304	C-profile holding tube, Left	1
2	68185	C-profile bracket treaded	1
3	60833	Screw CHJUJZ M6x10 DIN912 12.9	2
4	71428	Screw RHJUJZ M8x16 ISO7380-1	2
5	71462	Downpost	1
6	68799	Bolt PHJTZ M5x12 ~ISO14583 4.8	2



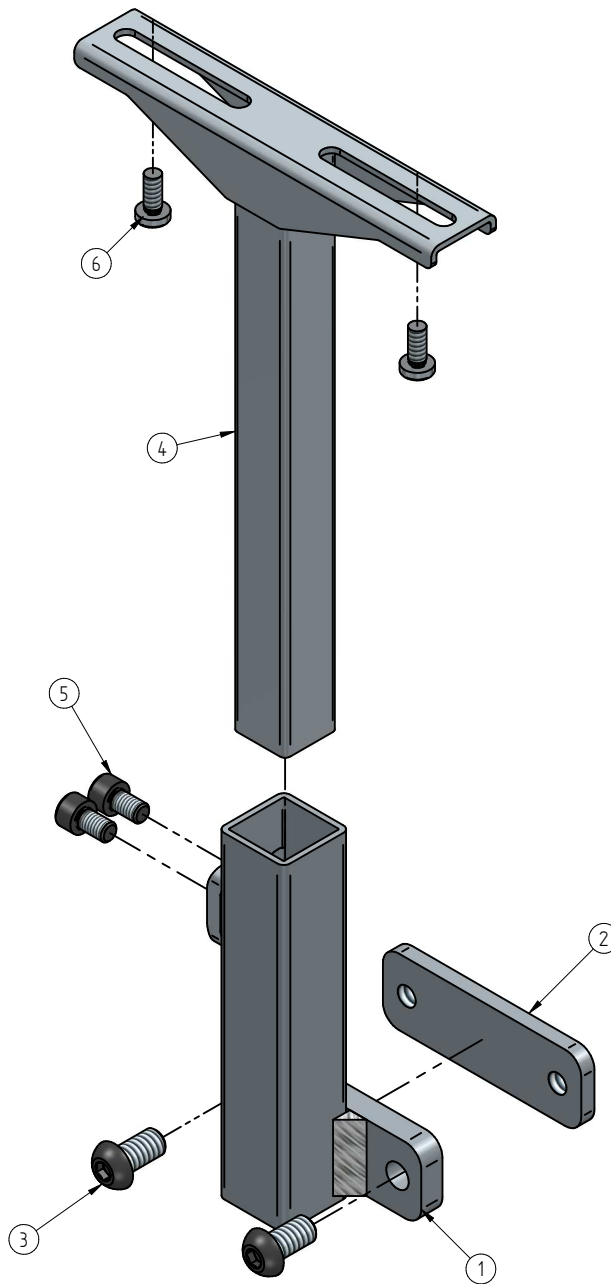
000221

69278

Armrest base Fixed right



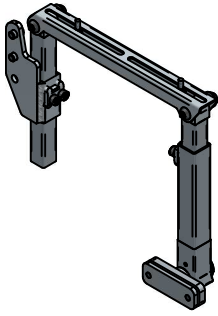
Item Number	Document Number	SparePart Title	Quantity
1	69303	C-profile holding tube, Right	1
2	68185	C-profile bracket treaded	1
3	71428	Screw RHJUZ M8x16 ISO7380-1	2
4	71462	Downpost	1
5	60833	Screw CHJUZ M6x10 DIN912 12.9	2
6	68799	Bolt PHJTZ M5x12 ~ISO14583 4.8	2



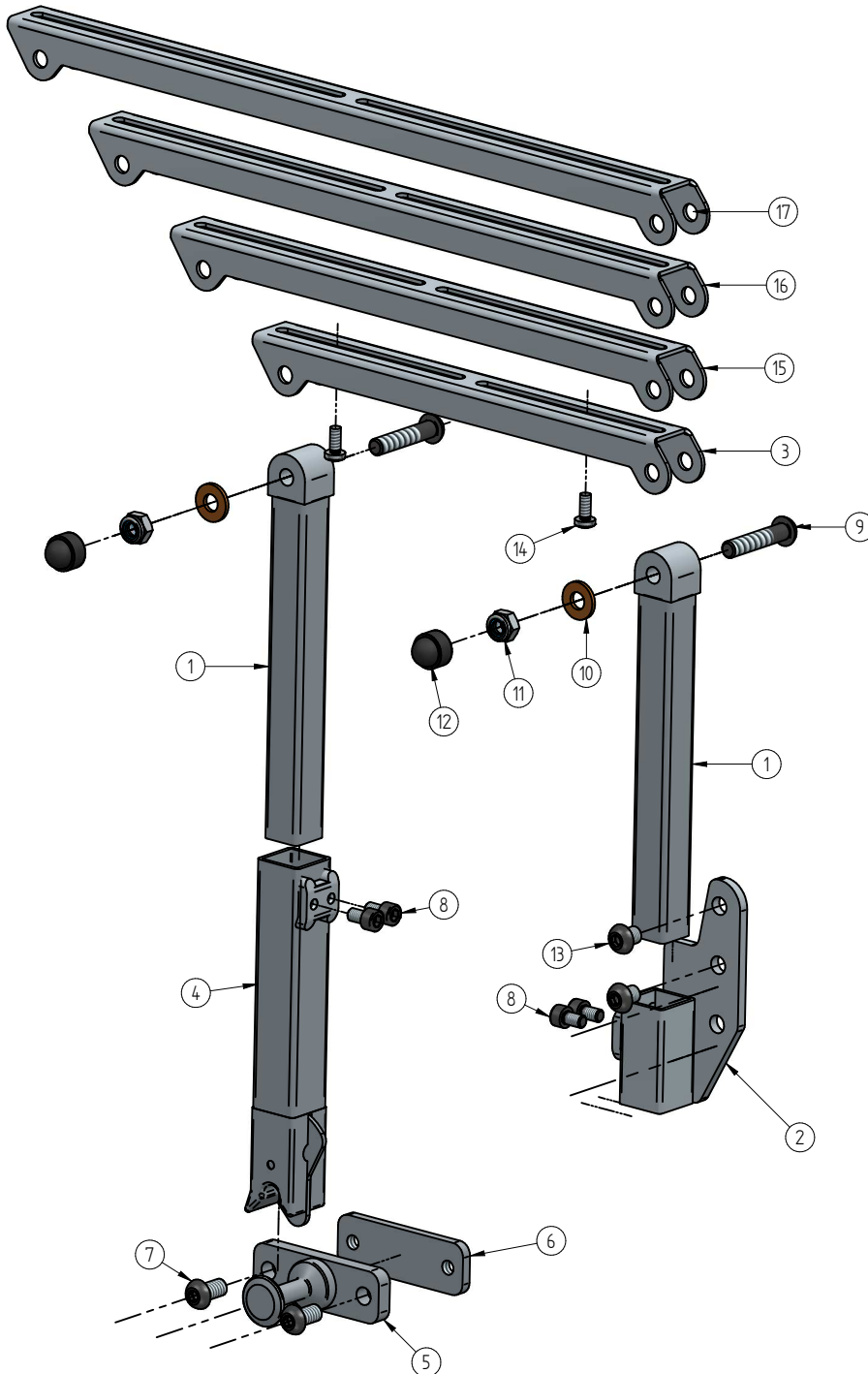
000215

66105-66106-66107-66108

## Armrest base, Foldable Left L:250/300/350/400



Item Number	Document Number	SparePart Title	Quantity
1	68300	Armrest tube	2
2	71334	Back bracket for armrest, Left	1
3	71406	Upper bar 250mm	1
4	66595	Lock tube	1
5	66579	Lock bracket	1
6	68185	C-profile bracket treaded	1
7	71428	Screw RHJUZ M8x16 ISO7380-1	2
8	60833	Screw CHJUZ M6x10 DIN912 12.9	4
9	66791	Bolt RHJUZ M8x40 ISO7380-1 10.9/12.9	2
10	60620	Disc spring M8 DIN6796	2
11	60616	Lock Nut M8 DIN985 cL6	2
12	10039	Nut cap M8	2
13	71487	Bolt RHJUZ M8x10 ISO7980-1 10.9/12.9	2
14	68799	Bolt PHJTZ M5x12 ~ISO14583 4.8	2
15	71407	Upper bar 300mm	1
16	71408	Upper bar 350mm	1
17	71409	Upper bar 400mm	1



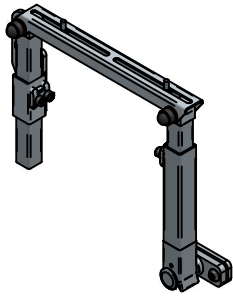
Part no. 71406 included in 66105  
 Part no. 71407 included in 66106  
 Part no. 71408 included in 66173  
 Part no. 71409 included in 66184

000230



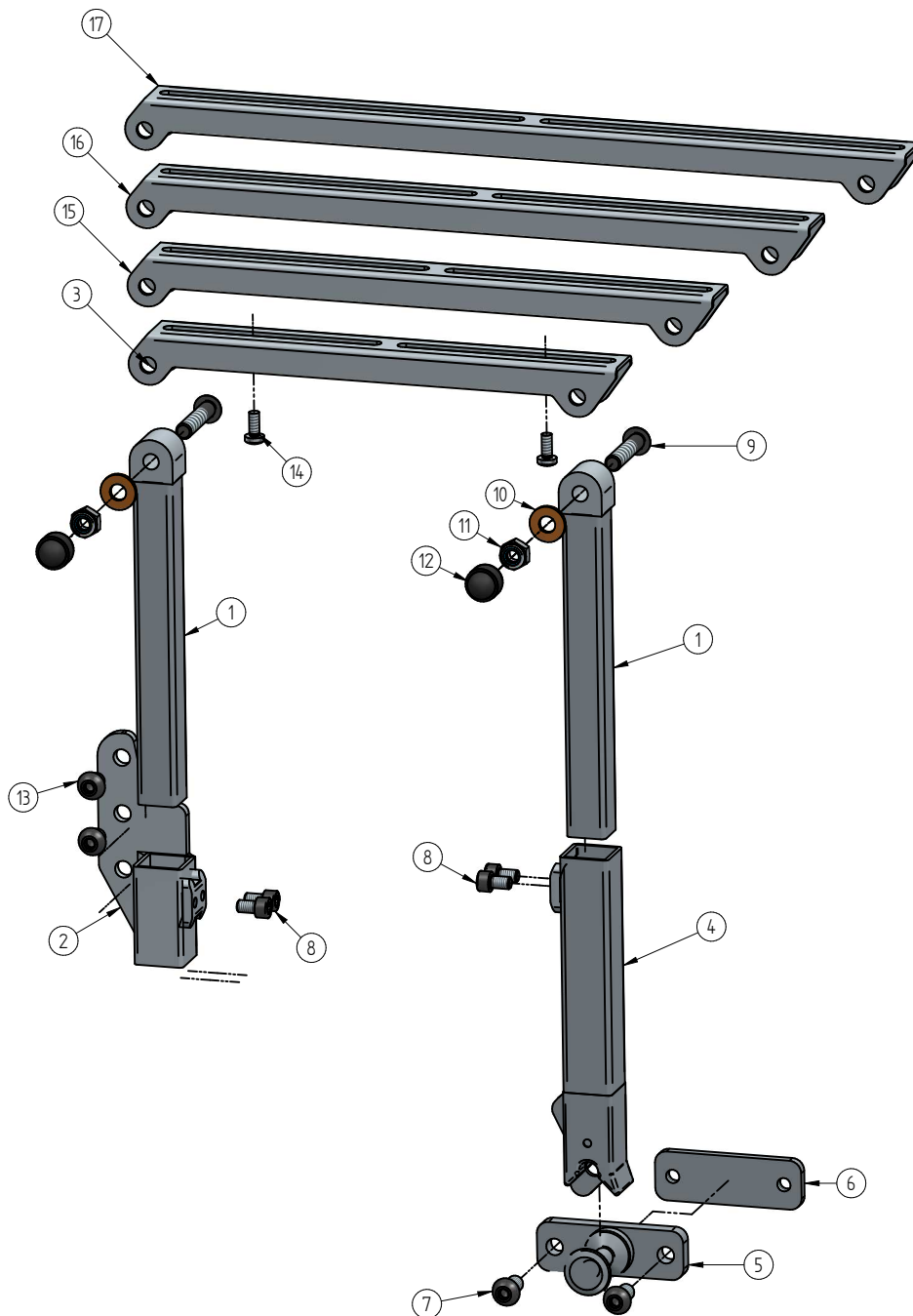
66101-66102-66103-66104

Armrest base, Foldable Right L:250/300/350/400



Item Number	Document Number	SparePart Title	Quantity
1	68300	Armrest tube	2
2	71335	Back bracket for armrest, Right	1
3	71406	Upper bar 250mm	1
4	66595	Lock tube	1
5	66579	Lock bracket	1
6	68185	C-profile bracket treaded	1
7	71428	Screw RHJUZ M8x16 ISO7380-1	2
8	60833	Screw CHJUZ M6x10 DIN912 12.9	4
9	66791	Bolt RHJUZ M8x40 ISO7380-1 10.9/12.9	2
10	60620	Disc spring M8 DIN6796	2
11	60616	Lock Nut M8 DIN985 cL6	2
12	10039	Nut cap M8	2
13	71487	Bolt RHJUZ M8x10 ISO7980-1 10.9/12.9	2
14	68799	Bolt PHJUZ M5x12 ~ISO14583 4.8	2
15	71407	Upper bar 300mm	1
16	71408	Upper bar 350mm	1
17	71409	Upper bar 400mm	1

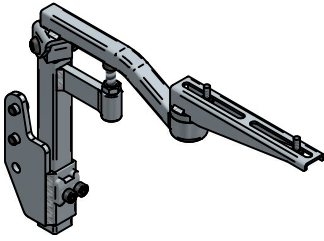
Part no. 71406 included in 66101  
 Part no. 71407 included in 66102  
 Part no. 71408 included in 66103  
 Part no. 71409 included in 66104



000229

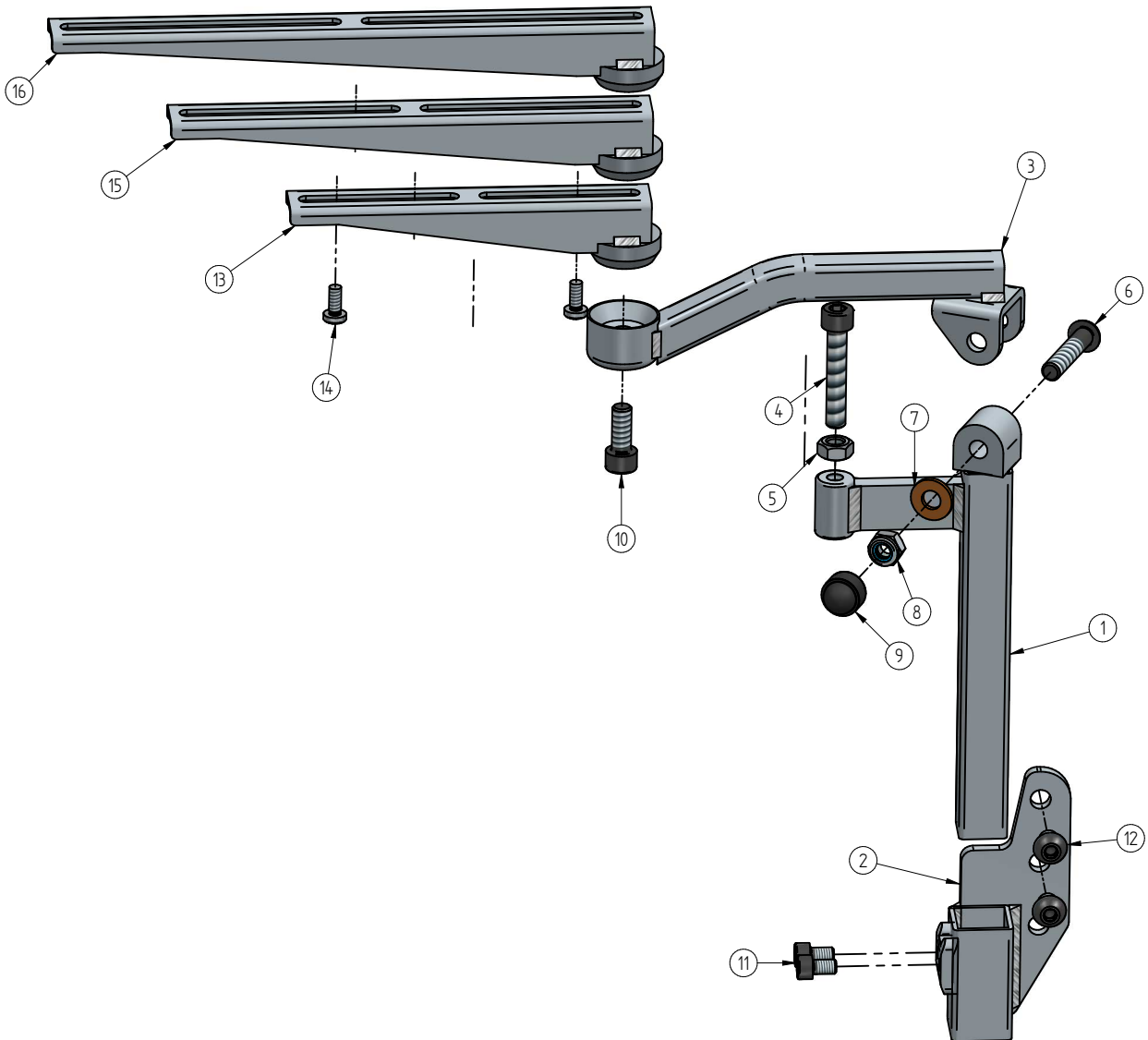
68972-68931-68973

Armrest base, Upfoldable Obliquely Left L300/350/400mm



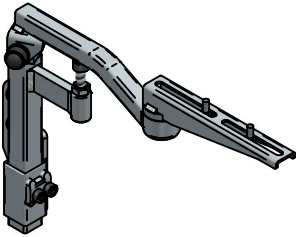
Item Number	Document Number	SparePart Title	Quantity
1	68958	Armrest hinge lower part left	1
2	71334	Back bracket for armrest, Left	1
3	68947	Armrest hinge upper part, Left	1
4	68936	Bolt CHJUZ M8x45 DIN912 12.9	1
5	60557	Nut M8 DIN934 kt10	1
6	66791	Bolt RHJUZ M8x40 ISO7380-1 10.9/12.9	1
7	60620	Disc spring M8 DIN6796	1
8	60616	Lock Nut M8 DIN985 cL6	1
9	10039	Nut cap M8	1
10	70602	Bolt CHJUZ M8x20 DIN912 12.9	1
11	60833	Screw CHJUZ M6x12 DIN912 12.9	2
12	71487	Bolt RHJUZ M8x10 ISO7980-1 10.9/12.9	2
13	71468	Upper bar 150/300mm	1
14	68799	Bolt PHJTZ M5x12 ~ISO14583 4.8	2
15	71470	Upper bar 200/350mm	1
16	71472	Upper bar 250/400mm	1

Part no 68972 include 71468  
 Part no 68931 include 71470  
 Part no 68973 include 71472



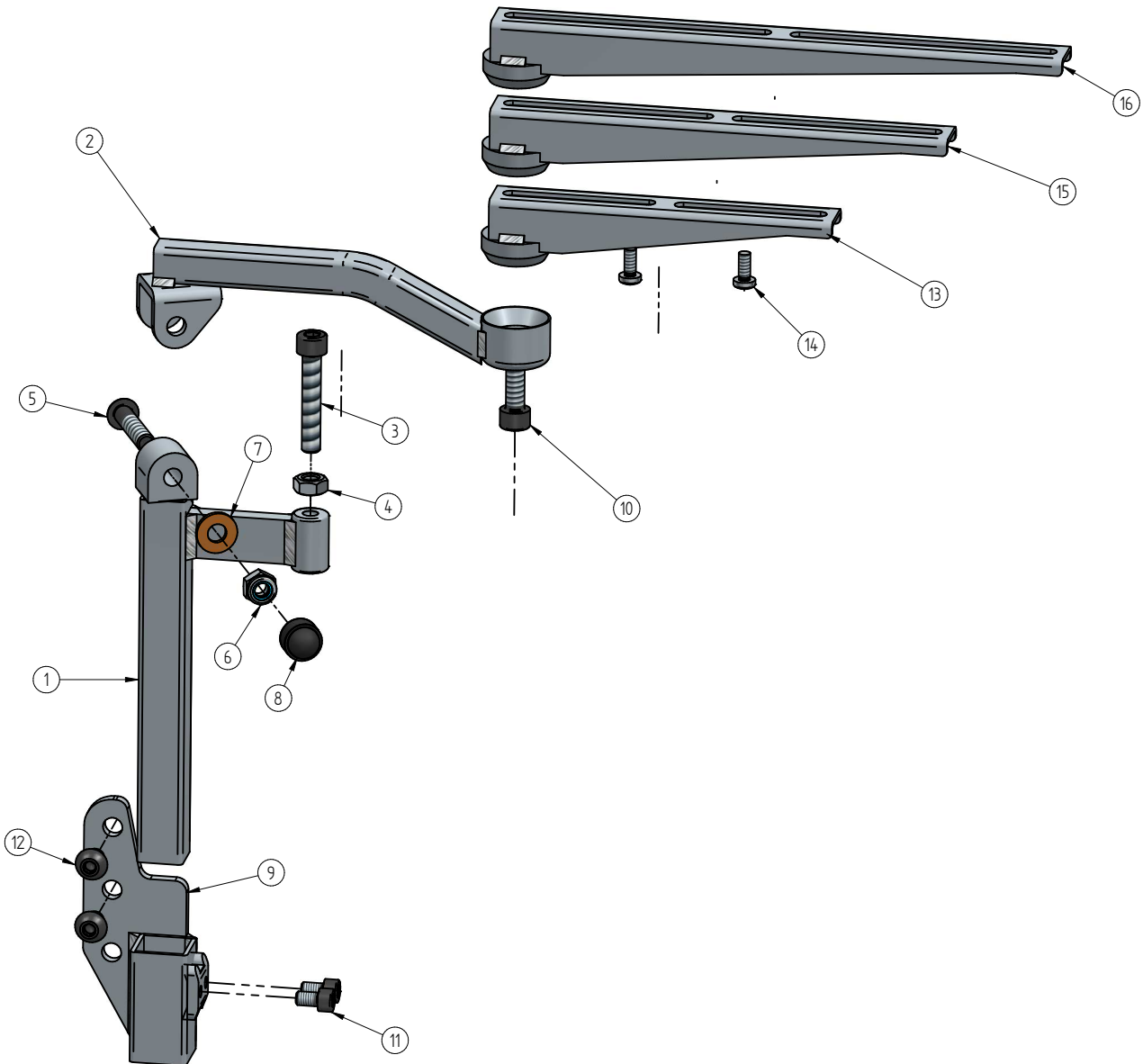
000218

68930-68970-68971 Armrest base, Upfoldable Obliquely Right L300/350/400mm



Item Number	Document Number	SparePart Title	Quantity
1	68959	Armrest hinge lower part, right	1
2	68946	Armrest hinge upper part, Right	1
3	68936	Bolt CHJUZ M8x45 DIN912 12.9	1
4	60557	Nut M8 DIN934 kl10	1
5	66791	Bolt RHJUZ M8x40 ISO7380-1 10.9/12.9	1
6	60616	Lock Nut M8 DIN985 cL6	1
7	60620	Disc spring M8 DIN6796	1
8	10039	Nut cap M8	1
9	71335	Back bracket for armrest, Right	1
10	70602	Bolt CHJUZ M8x20 DIN912 12.9	1
11	60833	Screw CHJUZ M6x10 DIN912 12.9	2
12	71487	Bolt RHJUZ M8x10 ISO7980-1 10.9/12.9	2
13	71468	Upper bar 150/300mm	1
14	68799	Bolt PHJTZ M5x12 ~ISO14583 4.8	2
15	71470	Upper bar 200/350mm	1
16	71472	Upper bar 250/400mm	1

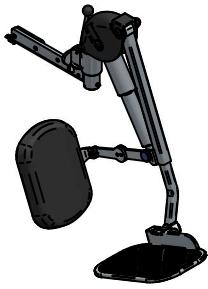
Part no. 68930 include 71468  
 Part no. 68970 include 71470  
 Part no. 68971 include 71472



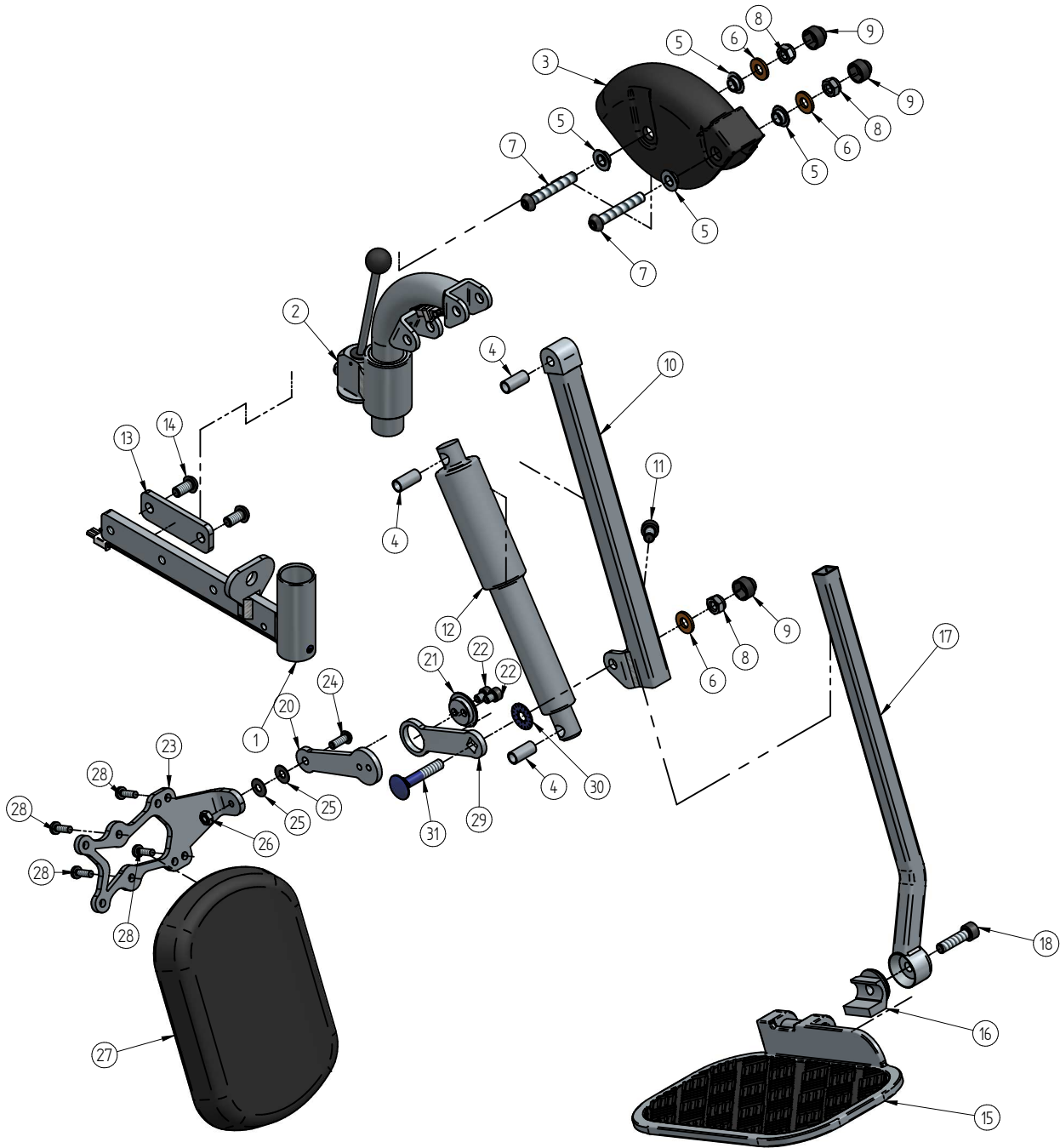
000216

68702

## Legrest, Seperate, Electric elevation, Right

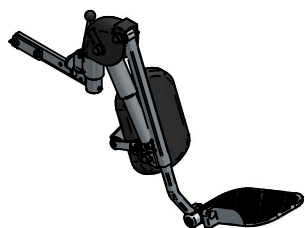


Item Number	Document Number	SparePart Title	Quantity	Item Number	Document Number	SparePart Title	Quantity
1	67610	Mounting post electric legrest	1	15	60085	Footplate	1
2	67315	Lock assembly	1	16	60257	End stop	1
3	10045	Cover	1	17	60052	Legrest tube	1
4	10224	Bushing	3	18	66823	Bolt CHJUZ M8x30 DIN912 12.9	1
5	67625	Bushing	4	20	69305	Arm	1
6	60620	Disc spring M8 DIN6796	3	21	71028	Fixation plug	1
7	69159	Bolt RHJUZ M8x50 ISO7380 10.9/12.9	2	22	66274	Bolt CHJUZ M6x8 DIN912 12.9	2
8	60616	Lock Nut M8 DIN985 cl.6	3	23	69306	Cushion plate	1
9	10039	Nut cap M8	3	24	71439	Bolt RHJUZ M6x16 ISO7380-1 10.9	1
10	67627	Hinge tube Left	1	25	71363	Disc Spring 15x6,2x0,7	2
11	60502	Bolt CHJUZ M8x16 DIN912 12.9	1	26	60556	Nut M6 DIN934 kl10	1
12	68896	Actuator	1	27	69322	Cushion	1
13	67500	C-Profile bracket	1	28	68914	Screw PHJITZ M5x16 --ISO14583 4.8	4
14	71428	Screw RHJUZ M8x16 ISO7380-1	2	29	69299	Arm	1
				30	71007	Serrated lock washer Type DD ø8,	1
				31	71964	Round head square neck bolt M8x45	1

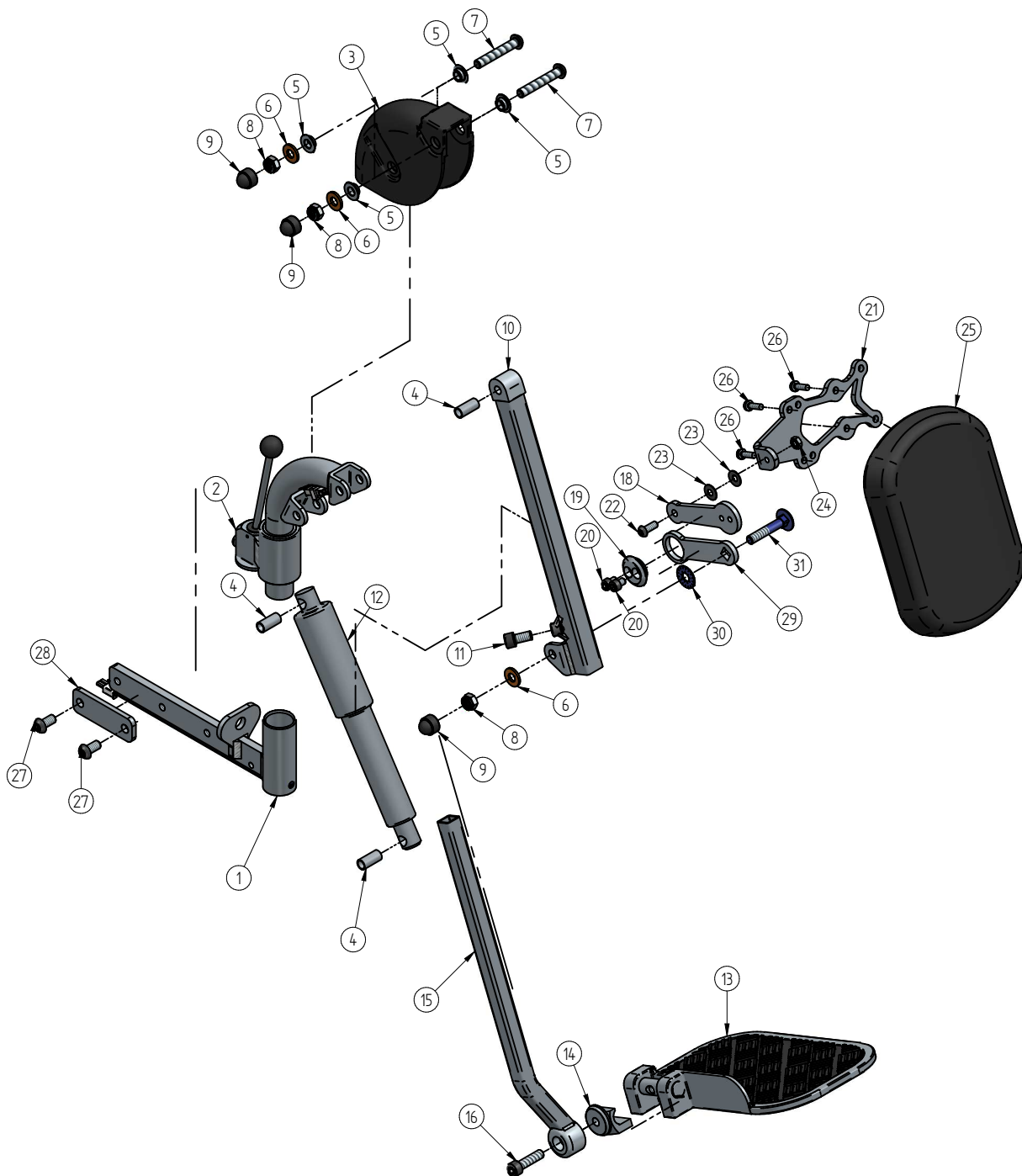


000502

68701 Legrest, Seperate, Electric elevation, Right



Item Number	Document Number	SparePart Title	Quantity	Item Number	Document Number	SparePart Title	Quantity
1	67610	Mounting post electric Legrest	1	16	66823	Bolt CHJUZ M8x30 DIN912 12.9	1
2	67315	Lock assembly	1	18	69305	Arm	1
3	10045	Cover	1	19	71028	Fixation plug	1
4	10224	Bushing	3	20	66274	Bolt CHJUZ M6x8 DIN912 12.9	2
5	67625	Bushing	4	21	69306	Cushion plate	1
6	60620	Disc spring M8 DIN6796	3	22	71439	Bolt RHJUZ M6x16 IS07380-1 10.9	1
7	69159	Bolt RHJUZ M8x50 IS07380 10.9/12.9	2	23	71363	Disc Spring 15x6,2x0,7	2
8	60616	Lock Nut M8 DIN985 cl.6	3	24	60556	Nut M6 DIN934 kl10	1
9	10039	Nut cap M8	3	25	69322	Cushion	1
10	67626	Hinge tube Right	1	26	68914	Screw PHJTZ M5x16 ~IS014583 4.8	4
11	60502	Bolt CHJUZ M8x16 DIN912 12.9	1	27	71428	Screw RHJUZ M8x16 IS07380-1	2
12	68896	Actuator	1	28	67500	C-Profile bracket	1
13	60084	Footplate Right	1	29	69299	Arm	1
14	60257	End stop	1	30	71007	Serrated lock washer Type DD ø8,	1
15	60052	Legrest tube	1	31	71964	Round head square neck bolt M8x45	1



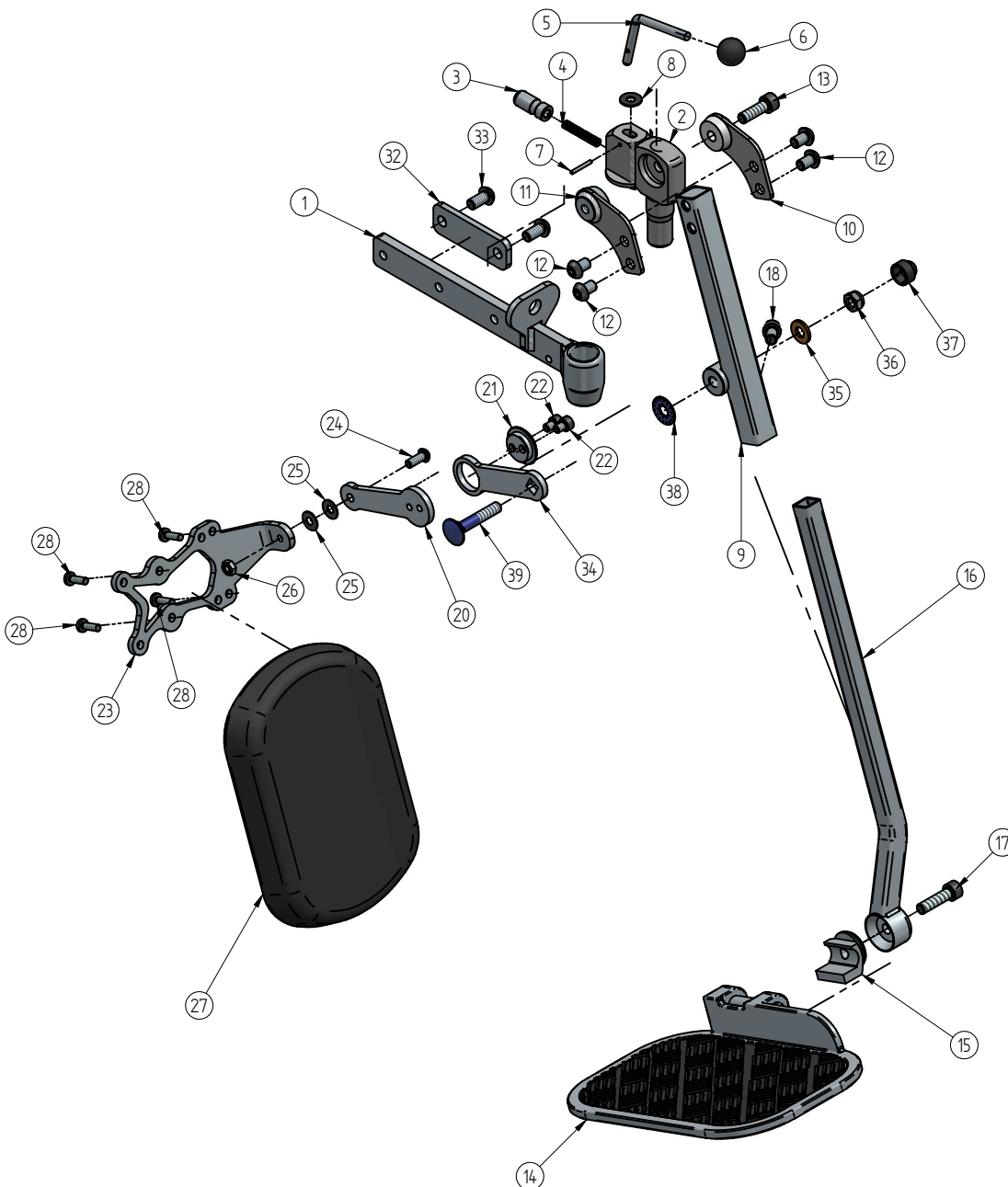
000501

70997

## Legrest, Seperate, Manuel elevation, Left



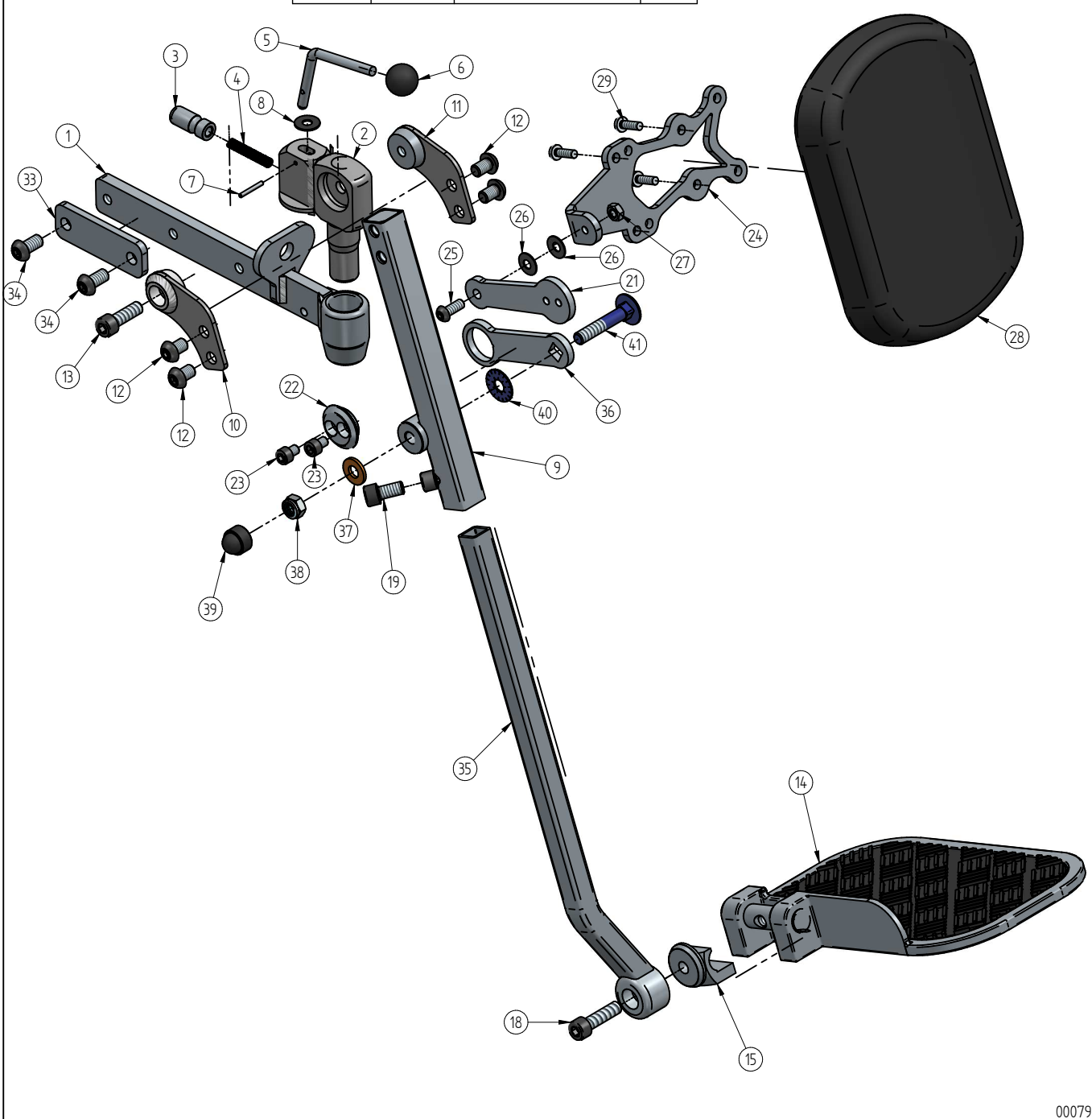
Item Number	Document Number	SparePart Title	Quantity	Item Number	Document Number	SparePart Title	Quantity
1	71008	Mounting post	1	18	60502	Bolt CHJUZ M8x16 DIN912 12.9	1
2	71022	Holder	1	20	69305	Arm	1
3	10053	Lock	1	21	71028	Fixation plug	1
4	10049	Spring	1	22	66274	Bolt CHJUZ M6x8 DIN912 12.9	2
5	71025	Handle	1	23	69306	Cushion plate	1
6	60359	Handle	1	24	71439	Bolt RHJUZ M6x16 ISO7380-1 10.9	1
7	10042	Dowel Pin 2.5x20 DIN6325	1	25	71363	Disc Spring 15x6,2x0,7	2
8	71024	Dust cap	1	26	60556	Nut M6 DIN934 k110	1
9	71018	Upper tube	1	27	69322	Cushion	1
10	71012	Cone bracket	1	28	68914	Screw PHJTZ M5x16 ~ISO14583 4.8	4
11	71013	Cone bracket threaded	1	32	67500	C-Profile bracket	1
12	71036	Bolt RHJUZ M8x12 ISO7380-1 10.9/12.9	4	33	71428	Screw RHJUZ M8x16 ISO7380-1	2
13	71037	Bolt CHJUZ M8x25 DIN912 12.9	1	34	69299	Arm	1
14	60085	Footplate	1	35	60620	Disc spring M8 DIN6796	1
15	60257	End stop	1	36	60616	Lock Nut M8 DIN985 c1.6	1
16	60052	Legrest tube	1	37	10039	Nut cap M8	1
17	66823	Bolt CHJUZ M8x30 DIN912 12.9	1	38	71007	Serrated lock washer Type DD ø8,	1
				39	71964	Round head square neck bolt M8x45	1



000797

70996 Legrest, Seperate, Manual elevation, Right

Item Number	Document Number	SparePart Title	Quantity	Item Number	Document Number	SparePart Title	Quantity
1	71008	Mounting post	1	22	71028	Fixation plug	1
2	71022	Holder	1	23	66274	Bolt CHJUZ M6x8 DIN912 12.9	2
3	10053	Lock	1	24	69306	Cushion plate	1
4	10049	Spring	1	25	71439	Bolt RHJUZ M6x16 ISO7380-1 10.9	1
5	71025	Handle	1	26	71363	Disc Spring 15x6,2x0,7	2
6	60359	Handle	1	27	60556	Nut M6 DIN934 kl10	1
7	10042	Dowel Pin 2,5x20 DIN6325	1	28	69322	Cushion	1
8	71024	Dust cap	1	29	68914	Screw PHJTZ M5x16 ~ISO14583 4.8	4
9	71017	Upper tube	1	33	67500	C-Profile bracket	1
10	71014	Cone bracket	1	34	71428	Screw RHJUZ M8x16 ISO7380-1	2
11	71015	Cone bracket threaded	1	35	60052	Legrest tube	1
12	71036	Bolt RHJUZ M8x12 ISO7380-1 10.9/12.9	4	36	69299	Arm	1
13	71037	Bolt CHJUZ M8x25 DIN912 12.9	1	37	60620	Disc spring M8 DIN6796	1
14	60084	Footplate Right	1	38	60616	Lock Nut M8 DIN985 cL6	1
15	60257	End stop	1	39	10039	Nut cap M8	1
18	66823	Bolt CHJUZ M8x30 DIN912 12.9	1	40	71007	Serrated lock washer Type DD ø8,	1
19	60502	Bolt CHJUZ M8x16 DIN912 12.9	1	41	71964	Round head square neck bolt M8x45	1
21	69305	Arm	1				



000796

71383-71618

Legrest, Central, Electric elevation (B20)

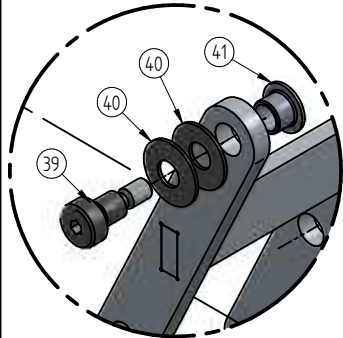
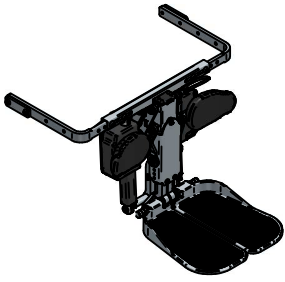
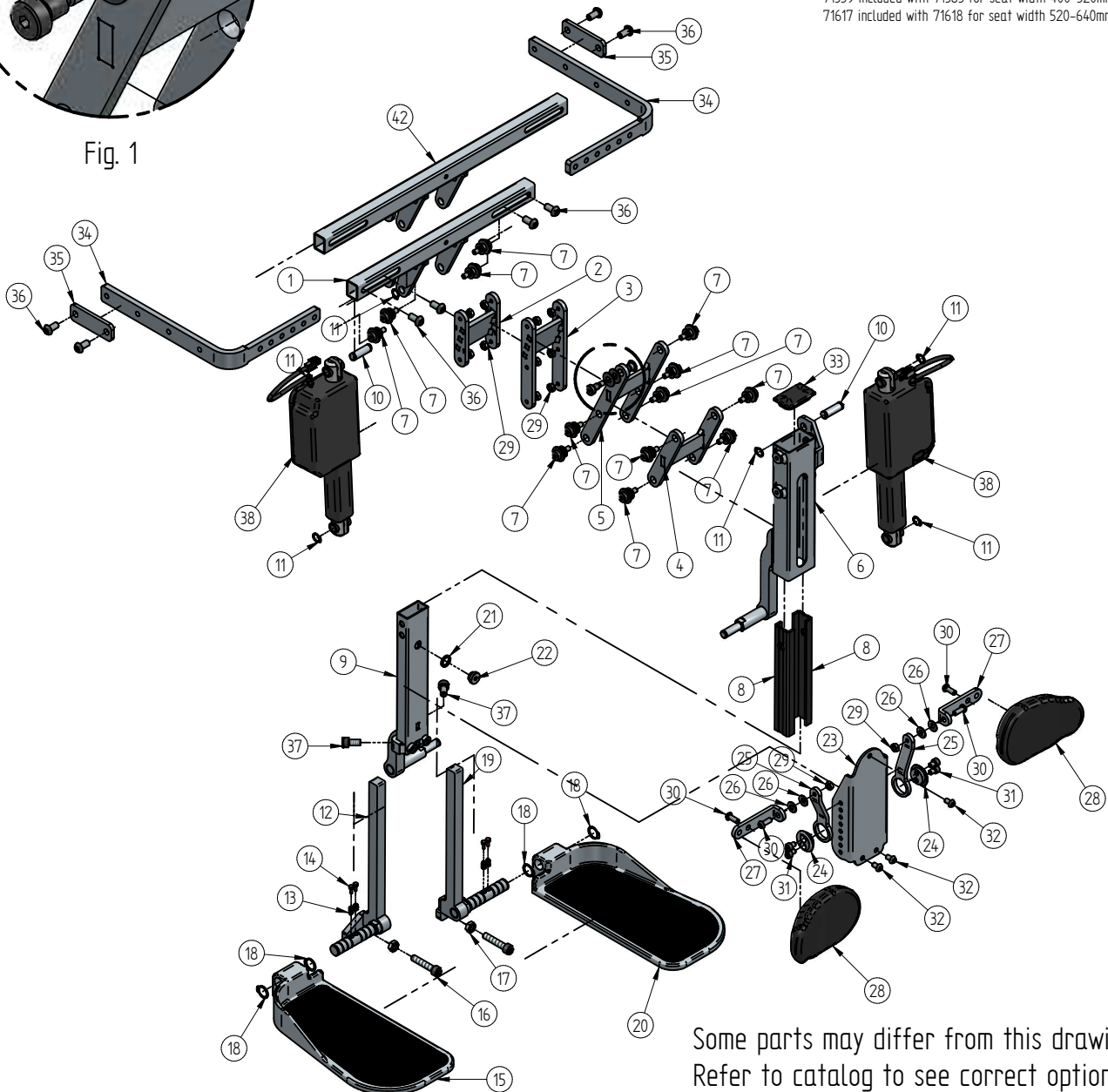


Fig. 1

Item Number	Document Number	SparePart Title	Quantity	Item Number	Document Number	SparePart Title	Quantity
1	71359	Mounting tube	1	22	71342	Threaded bushing M12x1M6	1
2	71353	Arm A1	1	23	71374	U-bracket	1
3	71357	Arm B1	1	24	71028	Fixation plug	2
4	71351	Arm A2	1	25	71377	Cushion arm	2
5	71355	Arm B2	1	26	71363	Disc Spring 15x6,2x0,7	4
6	71382	Outer legrest tube	1	27	71376	Cushion bracket	2
7	See fig. 1	N/A	13	28	71349	Cushion	2
8	71347	Glide bearing	2	29	60556	Nut M6 DIN934 kt10	12
9	71381	Inner legrest tube	1	30	71439	Bolt RHJUZ M6x16 ISO7380-1 10.9	4
10	67822	Shaft	2	31	66274	Bolt CHJUZ M6x8 DIN912 12.9	4
11	10072	Retaining ring for shaft A10 DIN471	6	32	70596	Bolt RHJUZ M6x10 ISO7980-1 10.9	3
12	71372	Footplate holder Right	1	33	71350	End cap	1
13	60456	Spring	4	34	71373	Seatcorner straight	2
14	60641	Plastic feed pad	4	35	67500	C-Profile bracket	2
15	71387	Foot support Right	1	36	71428	Screw RHJUZ M8x16 ISO7380-1	8
16	71621	Bolt CHJUZ M8x40 DIN912 12.9	2	37	60502	Bolt CHJUZ M8x16 DIN912 12.9	2
17	60557	Nut M8 DIN934 kt10	2	38	71384	Aktuator	2
18	71368	Retaining ring for shaft A15 DIN471	4	39	66254	Head Shoulder Screw M6-Ø8x10	1
19	71371	Footplate holder Left	1	40	71364	Disc Spring 20x8,2x1	2
20	71388	Foot support Left	1	41	71280	Bearing	1
21	71367	Washer Ø12xØ16x2	1	42	71617	Mounting tube	1

71359 included with 71383 for seat width 400-520mm  
71617 included with 71618 for seat width 520-640mm



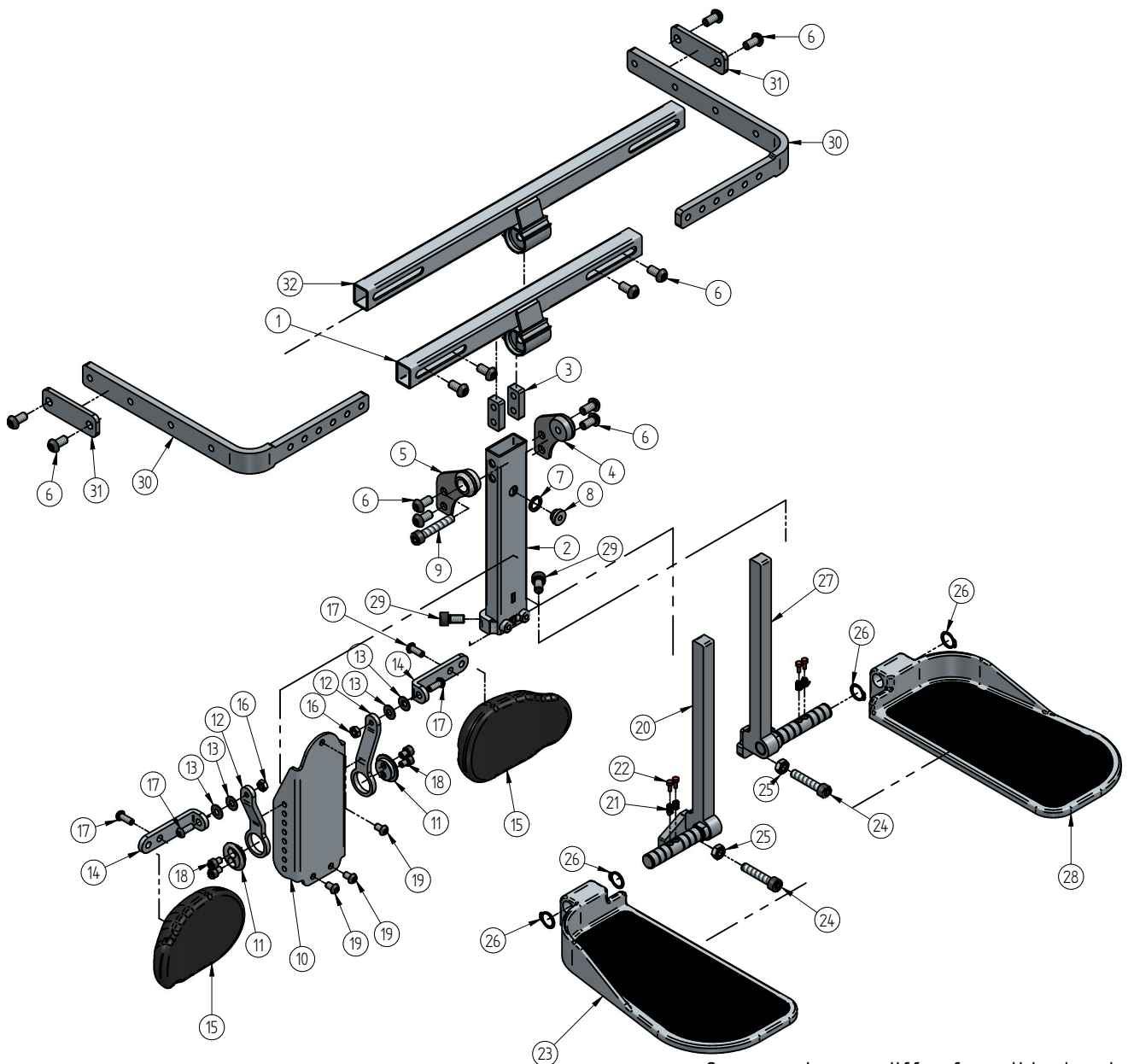
Some parts may differ from this drawing.  
Refer to catalog to see correct options.

000044



71394-71619		Legrest, Central, Manuel elevation					
Item Number	Document Number	SparePart Title	Quantity	Item Number	Document Number	SparePart Title	Quantity
1	71395	Mounting tube	1	17	71439	Bolt RHJUZ M6x16 ISO7380-1 10.9	4
2	71397	Legrest tube	1	18	66274	Bolt CHJUZ M6x8 DIN912 12.9	4
3	71399	Double nut M8	2	19	70596	Bolt RHJUZ M6x10 ISO7980-1 10.9	3
4	71013	Cone bracket threaded	1	20	71372	Footplate holder Right	1
5	71012	Cone bracket	1	21	60456	Spring	4
6	71428	Screw RHJUZ M8x16 ISO7380-1	12	22	60641	Plastic feed pad	4
7	71367	Washer $\phi 12 \times \phi 16 \times 2$	1	23	71387	Foot support Right	1
8	71342	Threaded bushing M12x1/M6	1	24	71621	Bolt CHJUZ M8x40 DIN912 12.9	2
9	68936	Bolt CHJUZ M8x45 DIN912 12.9	1	25	60557	Nut M8 DIN934 k10	2
10	71374	U-bracket	1	26	71368	Retaining ring for shaft A15 DIN471	4
11	71028	Fixation plug	2	27	71371	Footplate holder Left	1
12	71377	Cushion arm	2	28	71388	Foot support Left	1
13	71363	Disc Spring 15x6.2x0.7	4	29	60502	Bolt CHJUZ M8x16 DIN912 12.9	2
14	71376	Cushion bracket	2	30	71373	Seatcorner straight	2
15	71349	Cushion	2	31	67500	C-Profile bracket	2
16	60556	Nut M6 DIN934 k10	2	32	71620	Mounting tube	1

71395 included with 71394 for seat width 400-520mm  
71620 included with 71619 for seat width 520-640mm

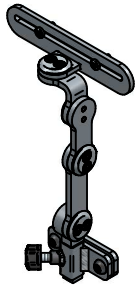


Some parts may differ from this drawing.  
Refer to catalog to see correct options.

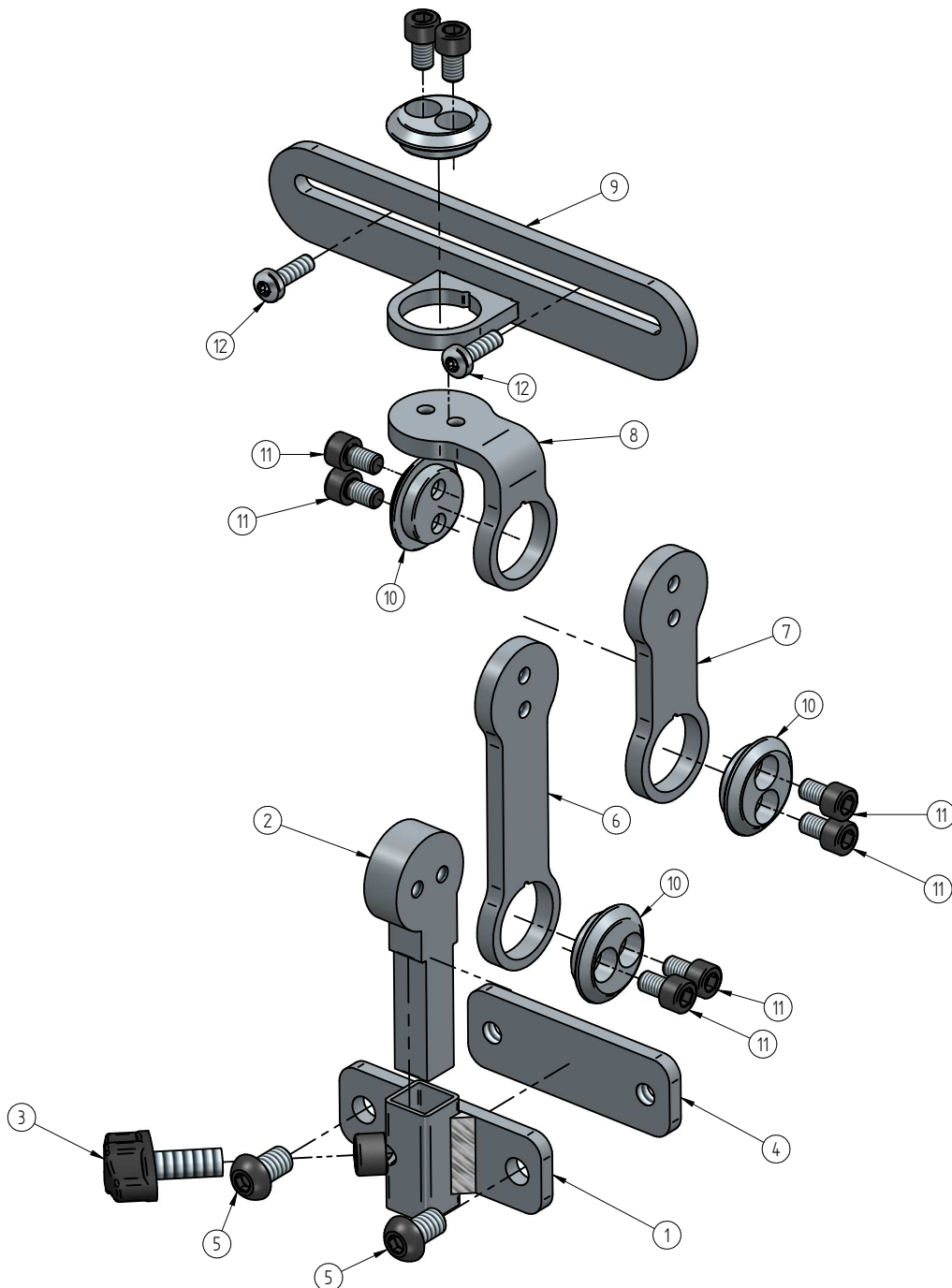
001101

71498

Thigh/hip support base



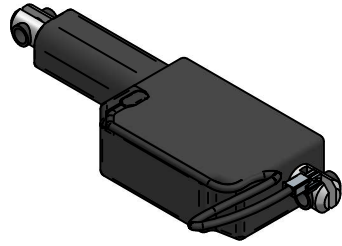
Item Number	Document Number	SparePart Title	Quantity
1	71499	Mounting bracket	1
2	69291	Start bracket	1
3	67745	Wing bolt M8x20	1
4	68185	C-profile bracket threaded	1
5	68909	Screw RHJUZ M8x14 ISO7380 10.9	2
6	69293	Arm 75mm	1
7	69294	Arm 50mm	1
8	69296	Angel	1
9	69292	Cushion bracket	1
10	71028	Fixation plug	4
11	60833	Screw CHJUZ M6x10 DIN912 12.9	8
12	68914	Screw PHJTZ M5x16 -ISO14583 4.8	2



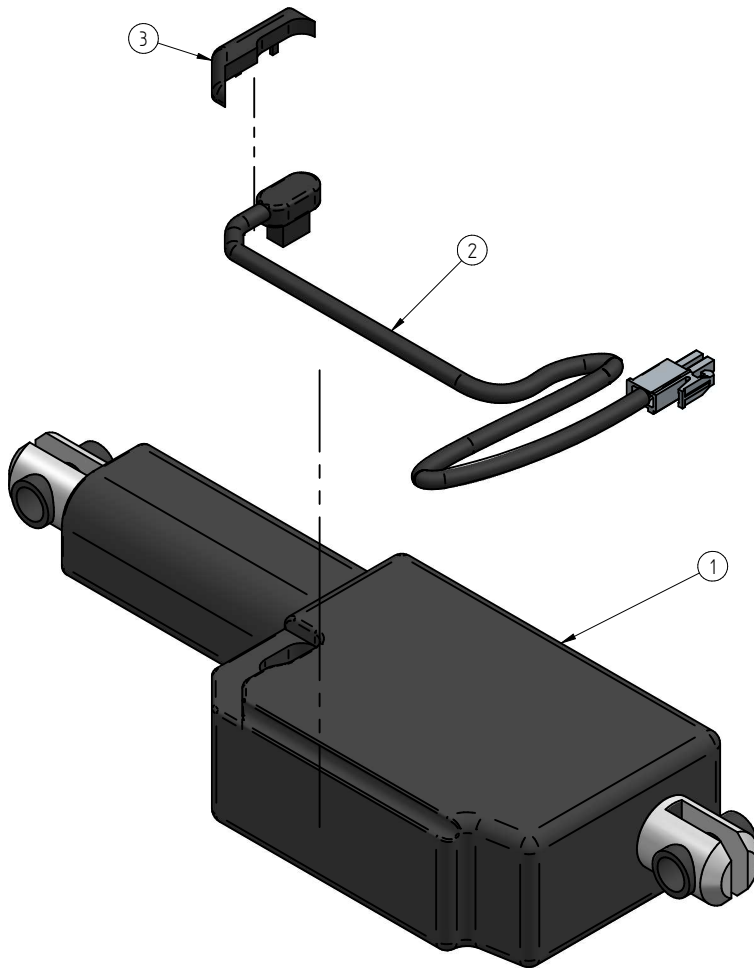
000368

71384

Aktuator



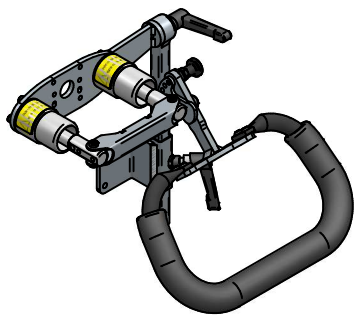
Item Number	Document Number	SparePart Title	Quantity
1	71288	Aktuator	1
2	71922	Cable	1
3	71290	Cable lock	1



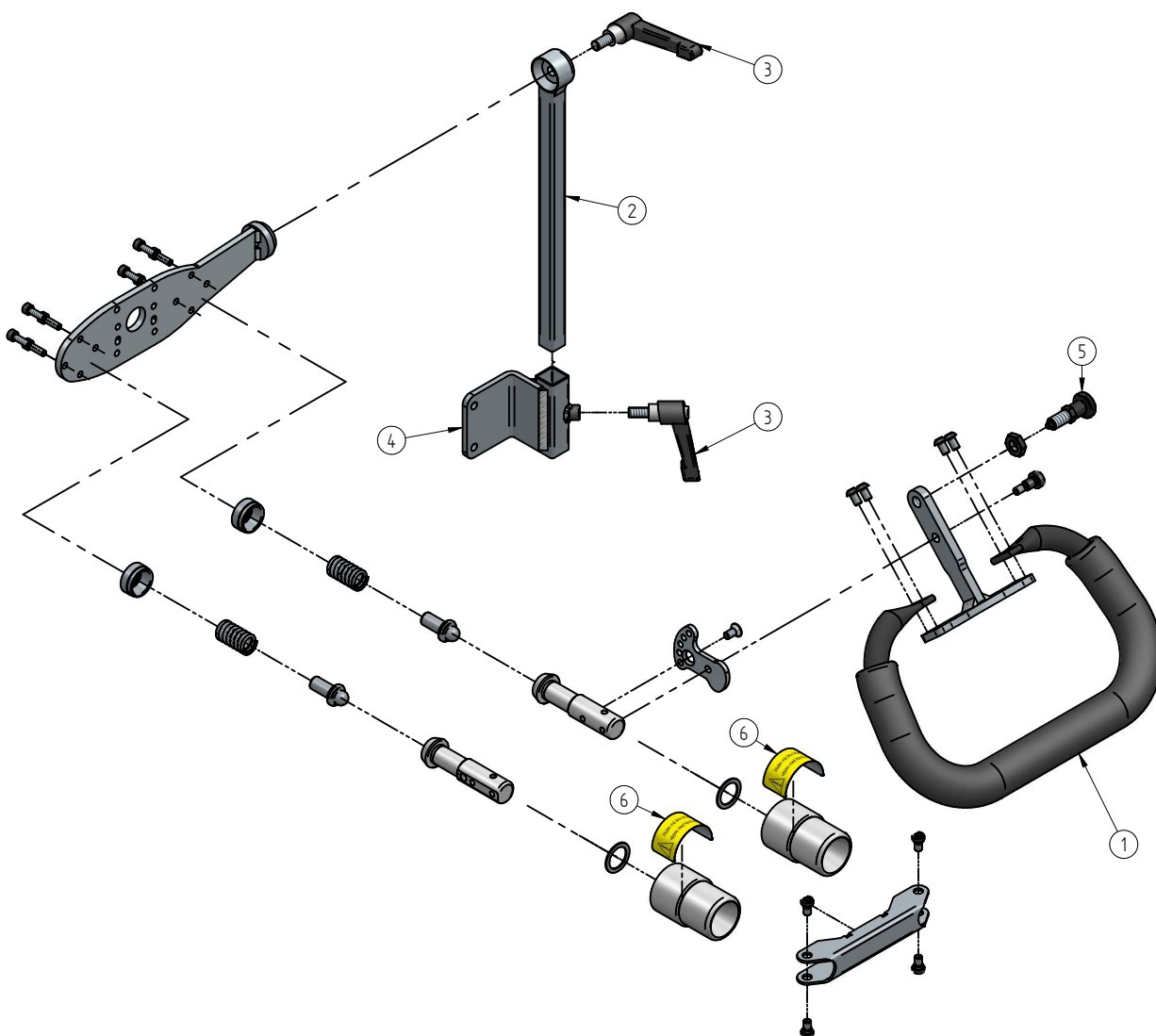
001093

71076

## Bracket for intuitiv attendant control



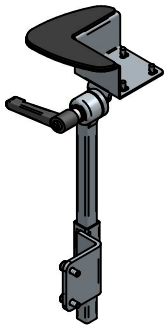
Item Number	Part no.	SparePart Title	Quantity
1	71999	Handle bar	1
2	71890	Tube holder	1
3	70546	Handle	2
4	71892	Back bracket	1
5	66252	Positioning Bolt	1
6		AC-A_LABEL0001_Warning V10.0	2



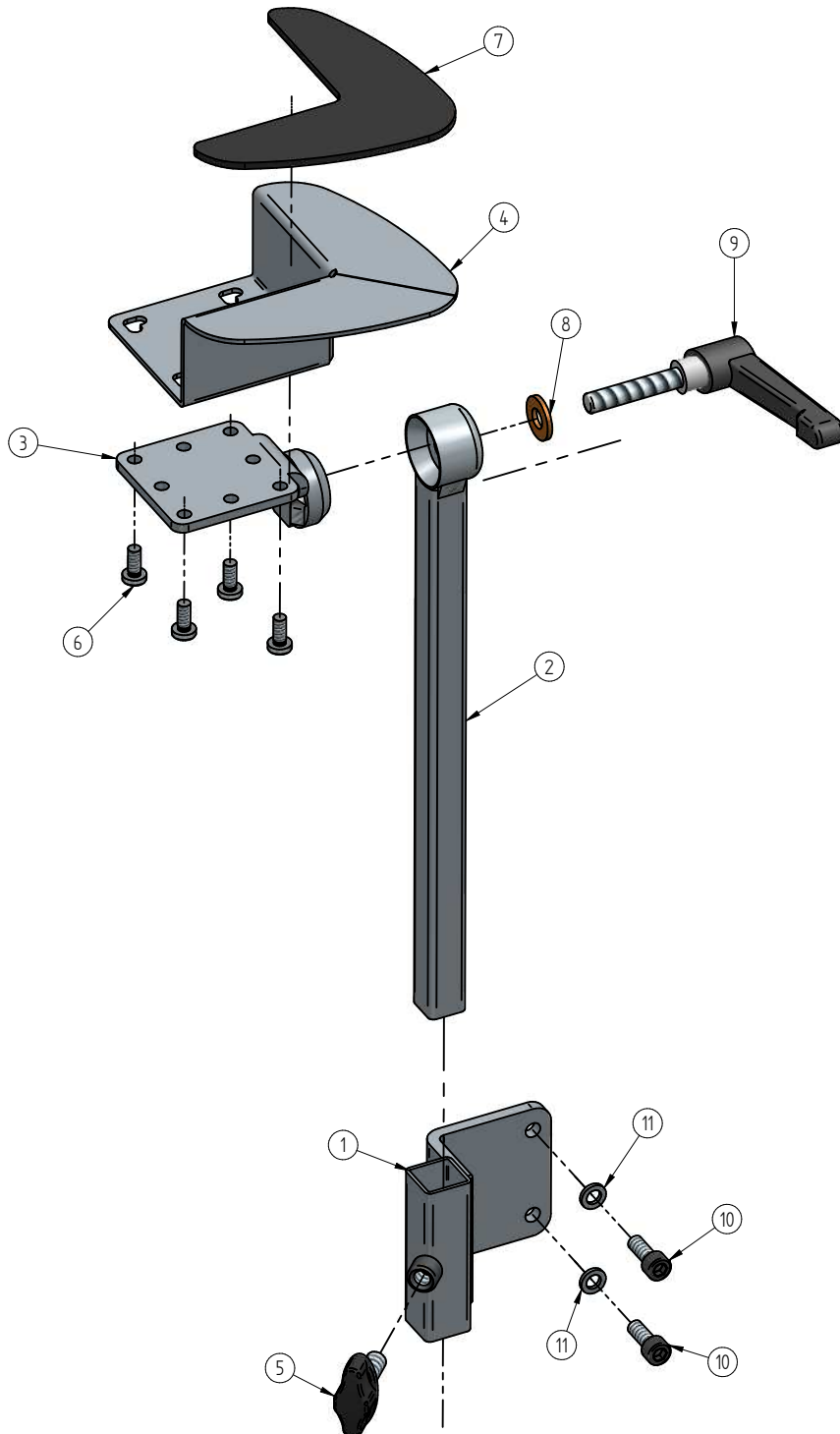
001268

71891

Bracket for attendant control



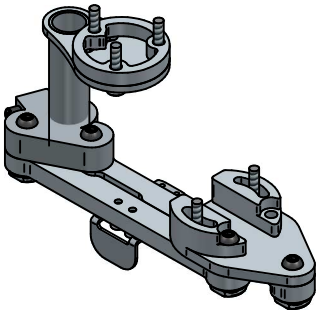
Item Number	Document Number	SparePart Title	Quantity
1	71892	Back bracket	1
2	71890	Tube holder	1
3	71893	Conical bracket	1
4	71887	Hand rest	1
5	67745	Wing bolt M8x20	1
6	68799	Bolt PHJTZ M5x12 ~ISO14583 4.8	4
7	71886	Cushion	1
8	60620	Disc spring M8 DIN6796	1
9	70547	Handle	1
10	66654	Screw CHJUJZ M6x16 DIN912 12.9	2
11	66815	Washer	2



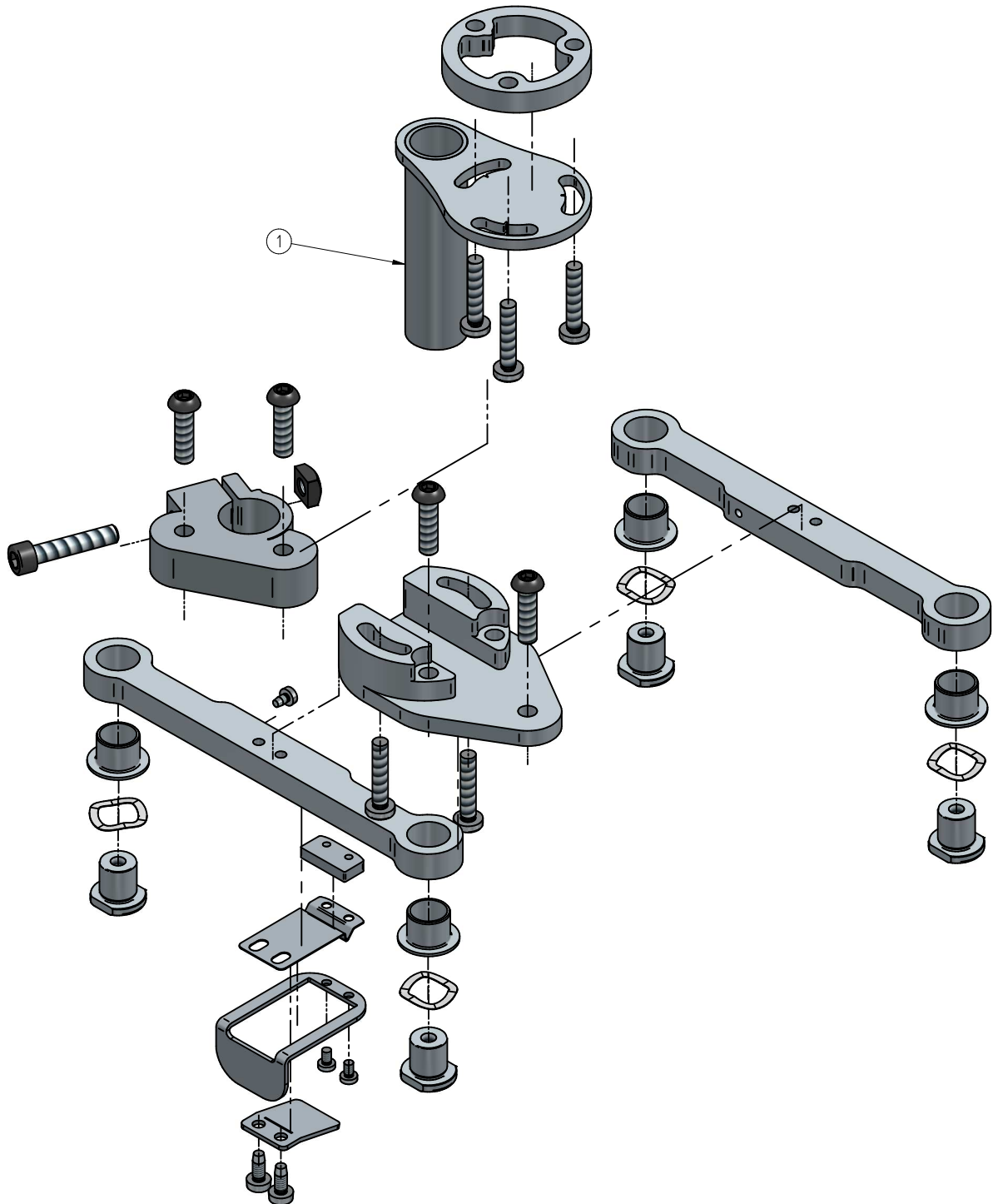
001352

71682

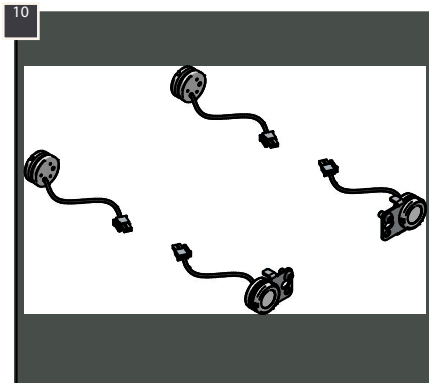
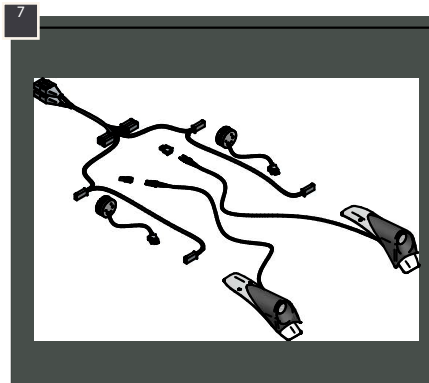
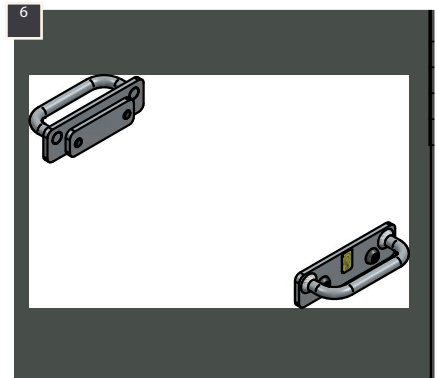
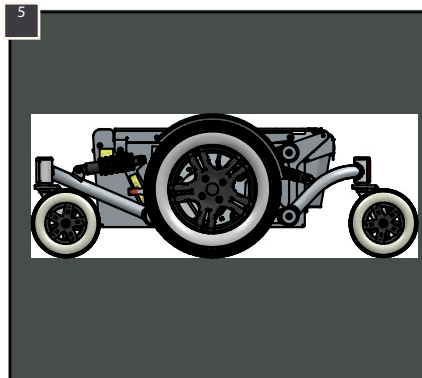
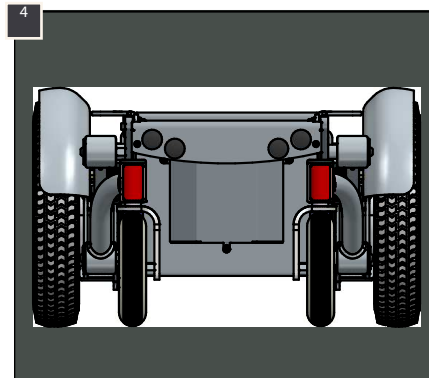
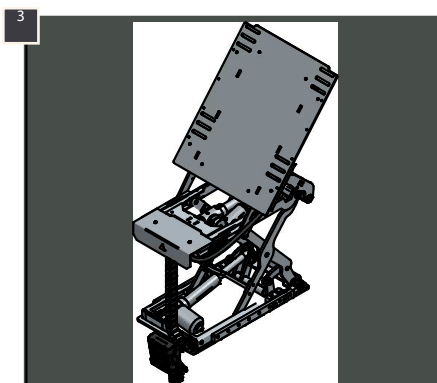
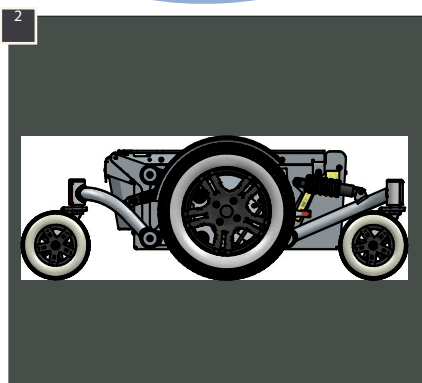
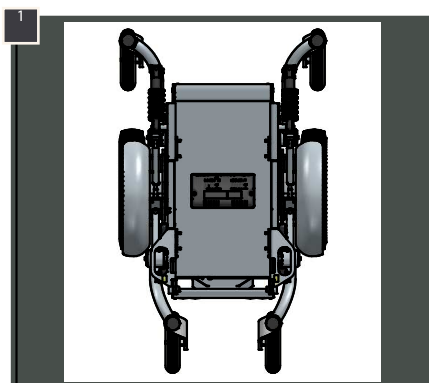
## Swing mount V2.0 Right



Item Number	Part no.	SparePart Title	Quantity
1	71874	Mounting pole	1



001189



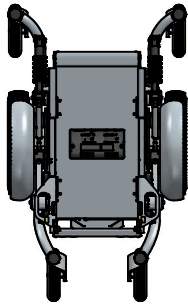
- 1. Boa 2 Wheelbase from the top
- 2. Boa 2 Wheelbase from the right
- 3. Boa2 Lift/Tilt
- 4. Boa 2 Wheelbase from behind

- 5. Boa 2 Wheelbase from the Left
- 6. Additional parts
- 7. Lights
- 8. LOGO ROLTEC

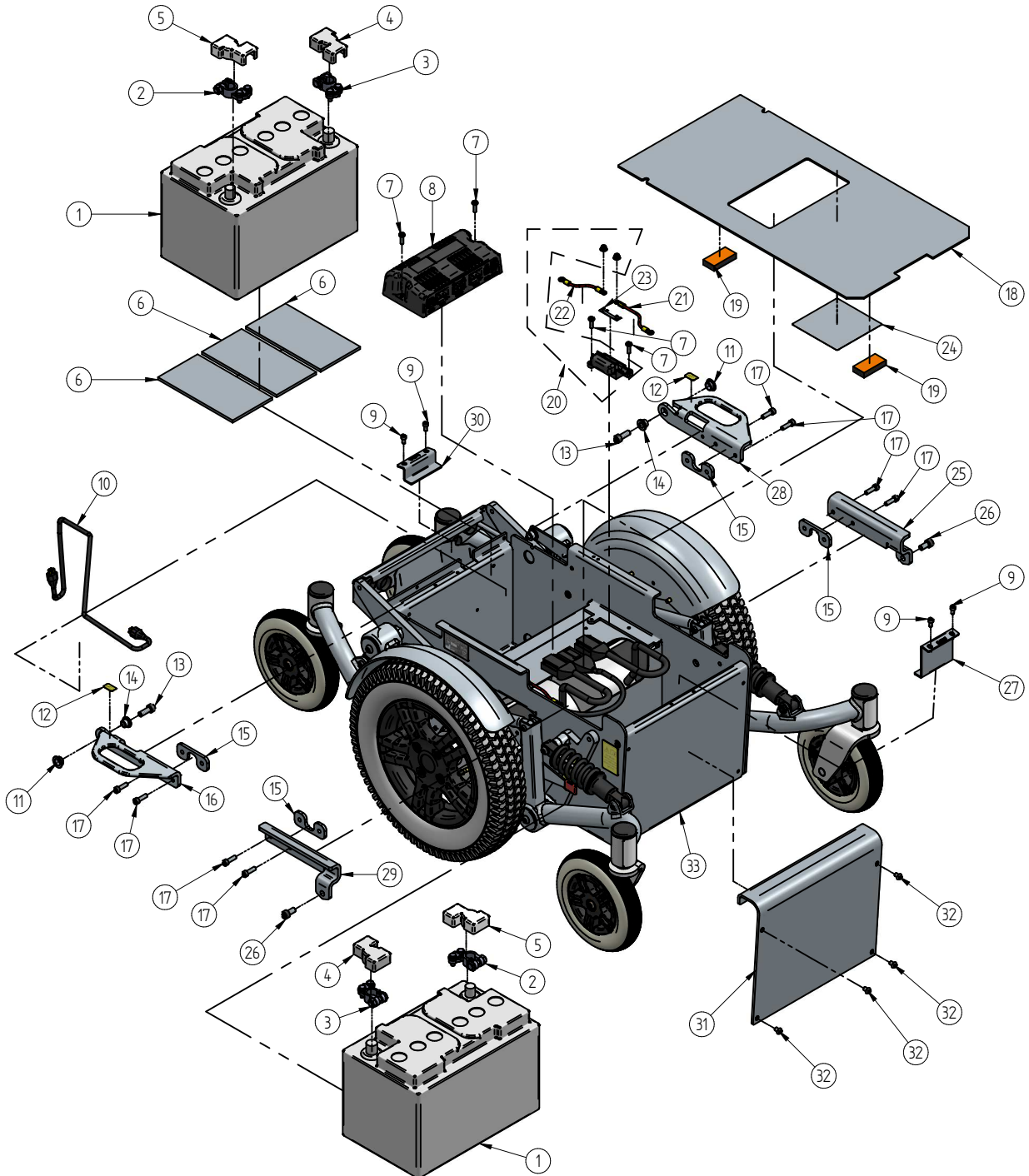
- 9. Wheel 3.00-8"
- 10. Turn signal Boa2
- 11. Wheel 7"x1,75
- 12. Wire harness

71492

## Boa 2 Wheelbase



Item Number	Document Number	SparePart Title	Quantity	Item Number	Document Number	SparePart Title	Quantity
1	60735	Accumulator 56Ah	2	17	70598	Screw CHJUZ M6x20	8
2	60643	Battery terminal -	2	18	71513	Battery cover	1
3	60642	Battery terminal +	2	19	71546	Neoprene sticker	2
4	71542	Terminal cover	2	20	60030	Fuseholder	1
5	71543	Terminal cover	2	21	71253	Wire	1
6	71585	Battery spacer	3	22	71253	Wire	1
7	68914	Screw PHITZ M5x16	4	23	70651	Fuse 100A	1
8	75001	Power Module	1	24		BOA2_LABEL0001	1
9	60282	Bolt CHJUZ M5x10	4	25	71461	Corner bracket front	1
10	75005	R-Net kabel 10M	1	26	60502	Bolt CHJUZ M8x16	2
11	71255	Bearing	2	27	71563	Accumulator bracket	1
12		BOA2_LABEL0004	2	28	71459	Corner Bracket rear	1
13	71532	Bolt CHJUZ M8x22	2	29	71460	Corner bracket front	1
14	71141	Bearing	2	30	71564	Accumulator bracket	1
15	71314	Spacer	4	31	71455	Front cover	1
16	71458	Corner bracket rear	1	32	71520	Screw RHJUZ M6x8	4
				33	71506	Chassis	1

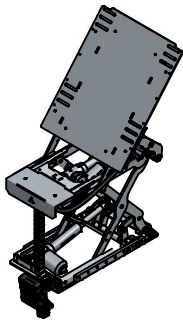


000307

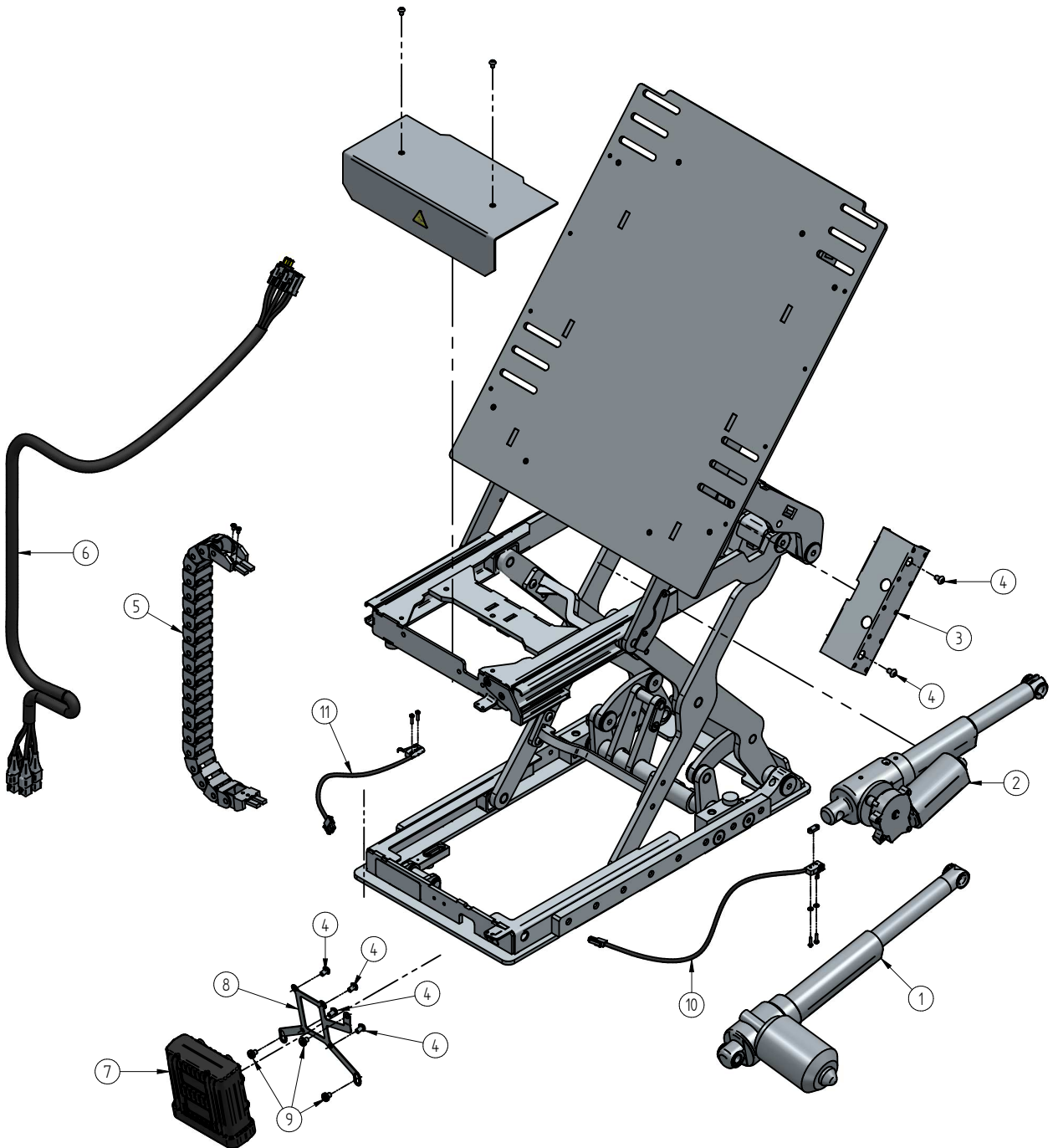


71251

Boa2 Lift/Tilt



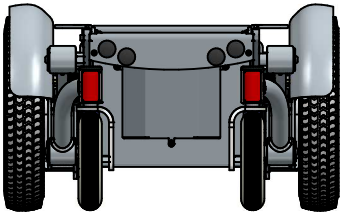
Item Number	Document Number	SparePart Title	Quantity
1	71263	Lift actuator	1
2	71264	Tilt actuator	1
3	71193	Cabel guard	1
4	60956	Screw RHJTZ M5x8 ~ISO7380	6
5	72003	Cable chain	1
6	71127	Wiring harness	1
7	75002	Seating Module ISM-6L	1
8	71456	ISM bracket	1
9	71531	Bolt PHJUZ M5x6	1
10	72001	Lift limit switch	1
11	72000	Tilt limit switch	1



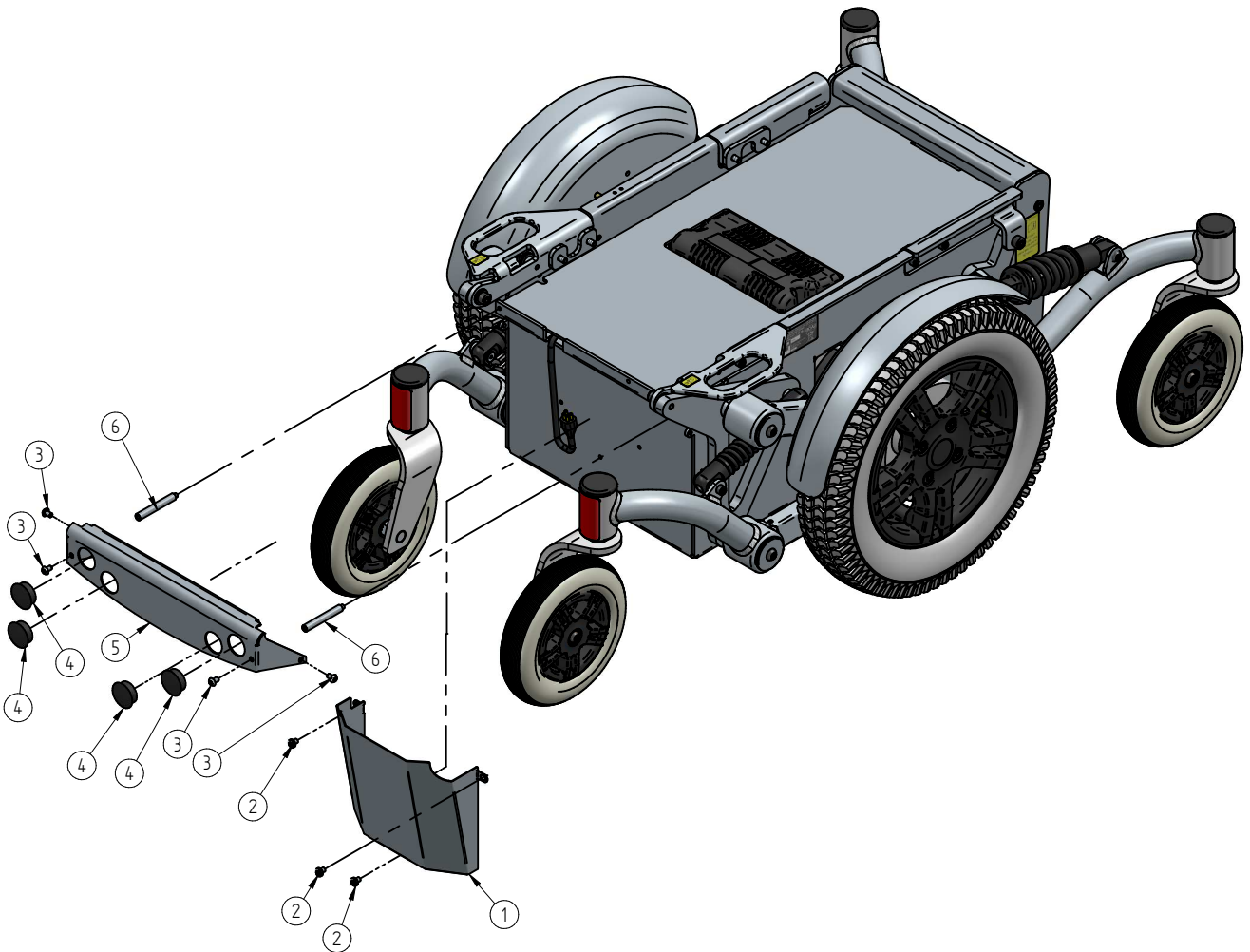
001683

71492

## Boa 2 Wheelbase



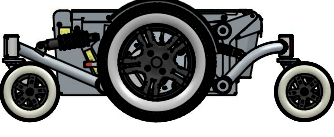
Item Number	Document Number	SparePart Title	Quantity
1	71677	Cover	1
2	71531	Bolt PHJUJZ M5x6	3
3	60956	Screw RHJTZ M5x8 ~ISO7380 8.8	4
4	71527	Cap	4
5	71457	Back frame	1
6	71521	Mounting post	2

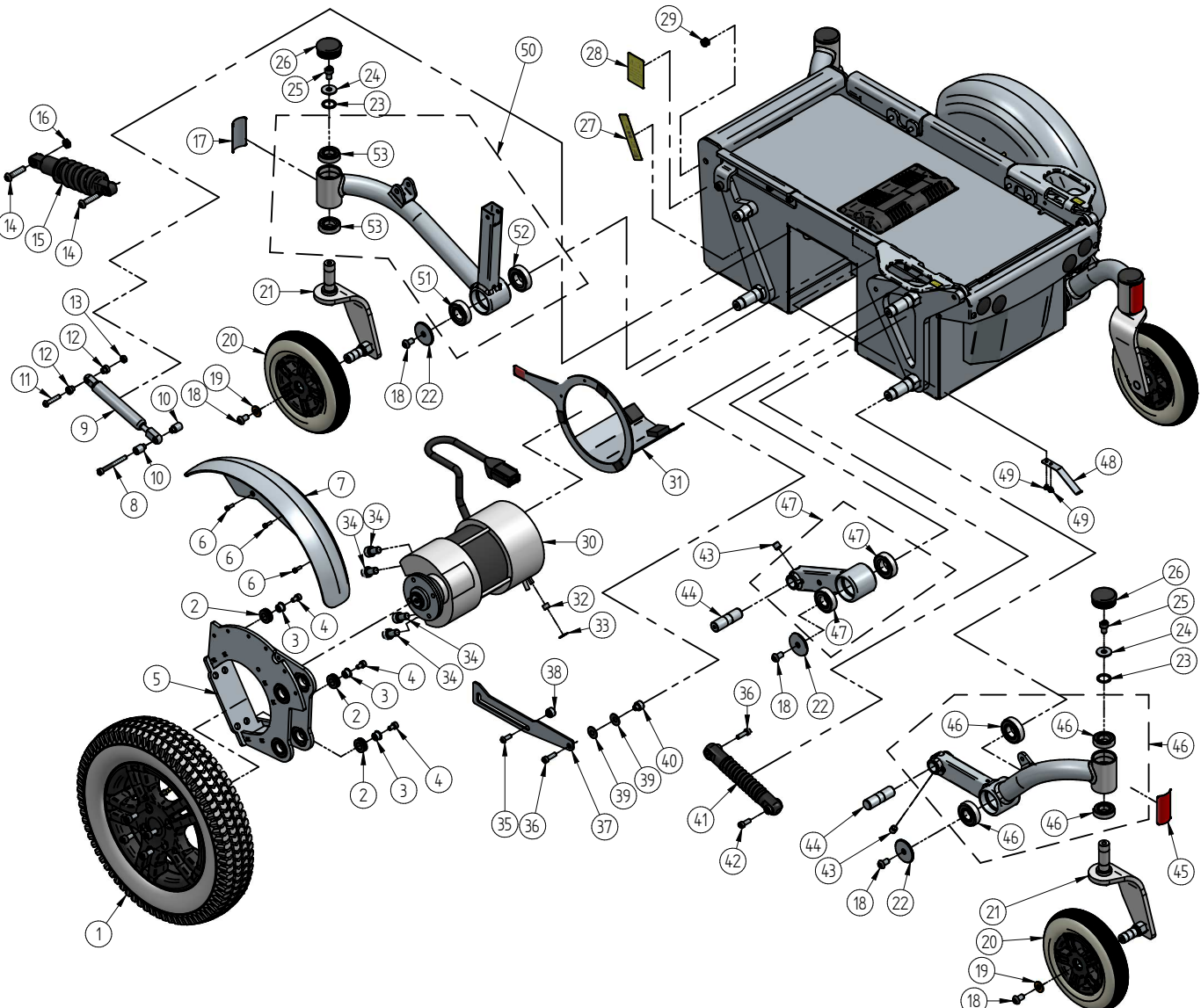


000307

71492		Boa 2 Wheelbase					
Item Number	Part no.	SparePart Title	Quantity	Item Number	Part no.	SparePart Title	Quantity
1	60316	Cap	2	24	70595	Screw M4 x 12 ISO14580 8.8	3
2	60424	Screw CHJUZ M8x12 DIN912 12.9	2	25	71998	Wheel guard	1
3	60417	Washer	2	26	71597	Wheel	1
4	60379	O-Ring	2	27	60502	Bolt CHJUZ M8x16 DIN912 12.9	4
5	71149	Shaft	2	28	71234	Starlock ø6mm	1
6	68909	Screw RHJUZ M8x14 ISO7380 10.9	5	29	71237	Rubber bushing	1
7	71215	Bearing	3	30	71538	Brake release handle Right	1
8	60351	Bearing	4	31	71120	Screw CHJUZ M10x20 DIN912 8.8	4
9	71552	Motor/wheel arm Right	1	32	71560	Grommet	1
10	71214	Bearing	3	33		BOA2_LABEL0007 Battery access	1
11	68814	Reflex red	1	34		BOA2_LABEL0002 Brake release	1
12	71245	Wheel swingarm Right	2	35	69176	Bolt CHJUZ M6x55 DIN912 12.9	1
13	71601	Wheel	2	36	71541	Bushing	2
14	60620	Disc spring M8 DIN6796	2	37	71533	Bolt RHJUZ M8x35 ISO7380 10.9/12.9	2
15	71239	Bearing cover	3	38	71058	Right motor	1
16	71240	Socket screw M10x10 DIN913 A2	2	39	67261	Reflex red	1
17	71228	Spring hard	1	40	71522	Gasspring	1
18	66654	Screw CHJUZ M6x16 DIN912 12.9	1	41	60556	Nut M6 DIN934 k10	1
19	70598	Screw CHJUZ M6x20 DIN912 12.9	1	42	71517	Bushing	2
20	60833	Screw CHJUZ M6x10 DIN912 12.9	3	43	69259	Bolt RHJUZ M6x30 ISO7380 10.9/12.9	1
21	71137	Bearing	3	44	71501	Shock	1
22	71138	Bearing	3	45	71530	Jam nut M8 DIN4938 cL04	1
23	71211	Motor bracket Right	1	46	71218	Motor arm	1
				47	71555	Front right wheelarm	1

000307

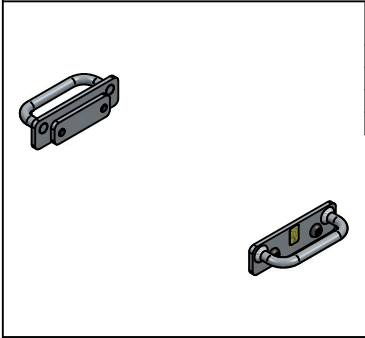
71492		Boa 2 Wheelbase						
Item Number	Part no.	SparePart Title	Quantity	Item Number	Part no.	SparePart Title	Quantity	
	1	71597	Wheel	1	26	60316	Cap	2
	2	71138	Bearing	3	27	BOA2_LABEL0002	Brake release	1
	3	71137	Bearing	3	28	BOA2_LABEL0007	Battery access	1
	4	60833	Screw CHJUZ M6x10 DIN912 12.9	3	29	71560	Grommet	1
	5	71212	Motor bracket Right	1	30	71057	Motor left	1
	6	70595	Screw M4 x 12 ISO14580 8.8	3	31	71537	Brake release handle Left	1
	7	71998	Wheel guard	1	32	71237	Rubber bushing	1
	8	69176	Bolt CHJUZ M6x55 DIN912 12.9	1	33	71234	Starlock ø6mm	1
	9	71522	Gaspring	1	34	71120	Screw CHJUZ M10x20 DIN912 8.8	4
	10	71541	Bushing	2	35	71439	Bolt RHJUZ M6x16 ISO7380-1 10.9	1
	11	69259	Bolt RHJUZ M6x30 ISO7380 10.9/12.9	1	36	70598	Screw CHJUZ M6x20 DIN912 12.9	2
	12	71517	Bushing	2	37	71524	Arm	1
	13	60556	Nut M6 DIN934 kl10	1	38	71523	Bushing	1
	14	71533	Bolt RHJUZ M8x35 ISO7380 10.9/12.9	2	39	71364	Disc Spring 20x8,2x1	2
	15	71501	Shock	1	40	71519	Bushing	1
	16	71530	Jam nut M8 DIN4938 cl.04	1	41	71228	Spring hard	1
	17	67261	Reflex red	1	42	66654	Screw CHJUZ M6x16 DIN912 12.9	1
	18	68909	Screw RHJUZ M8x14 ISO7380 10.9	5	43	71240	Socket screw M10x10 DIN913 A2	2
	19	60620	Disc spring M8 DIN6796	2	44	71149	Shaft	2
	20	71601	Wheel	2	45	68814	Reflex red	1
	21	71246	Wheel swingarm Left	2	46	71553	Motor/wheel arm Left	1
	22	71239	Bearing cover	3	47	71218	Motor arm	1
	23	60379	O-Ring	2	48	71540	Spring	1
	24	60477	Washer	2	49	67013	Screw PHJKZ M4x4 DIN84A 4.8	2
	25	60424	Screw CHJUZ M8x12 DIN912 12.9	2	50	71558	Front left wheelarm	1
					51	71214	Bearing	1
					52	71215	Bearing	1
					53	60351	Bearing	2

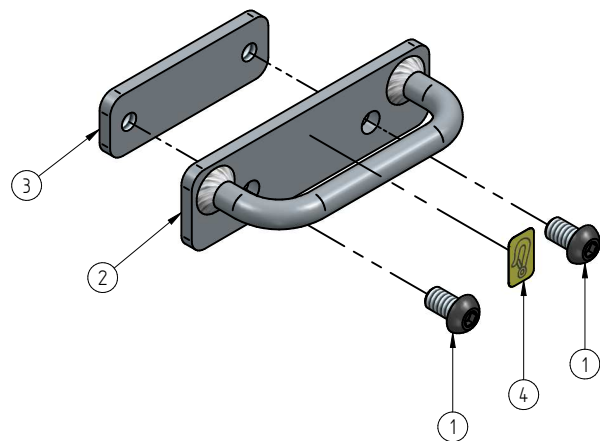
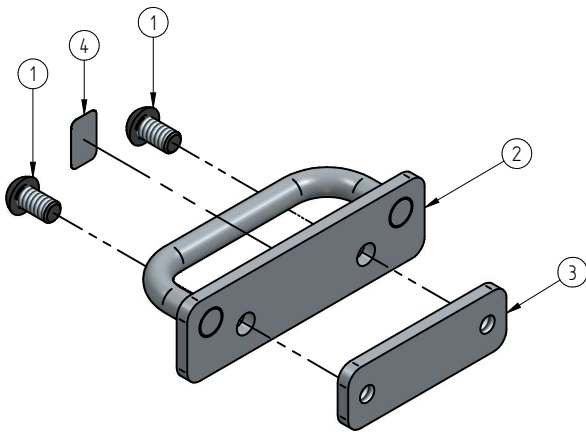
000307

71492

Boa 2 Wheelbase



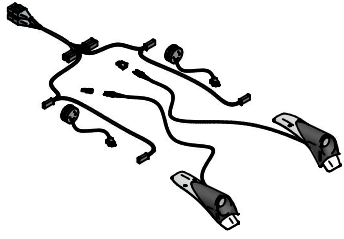
Item Number	Part no.	SparePart Title	Quantity
1	68909	Screw RHJUZ M8x14 ISO7380 10.9	4
2	71994	Anchor point	2
3	68185	C-profile bracket treaded	2
4		BOA2_LABEL0004 Hook	2



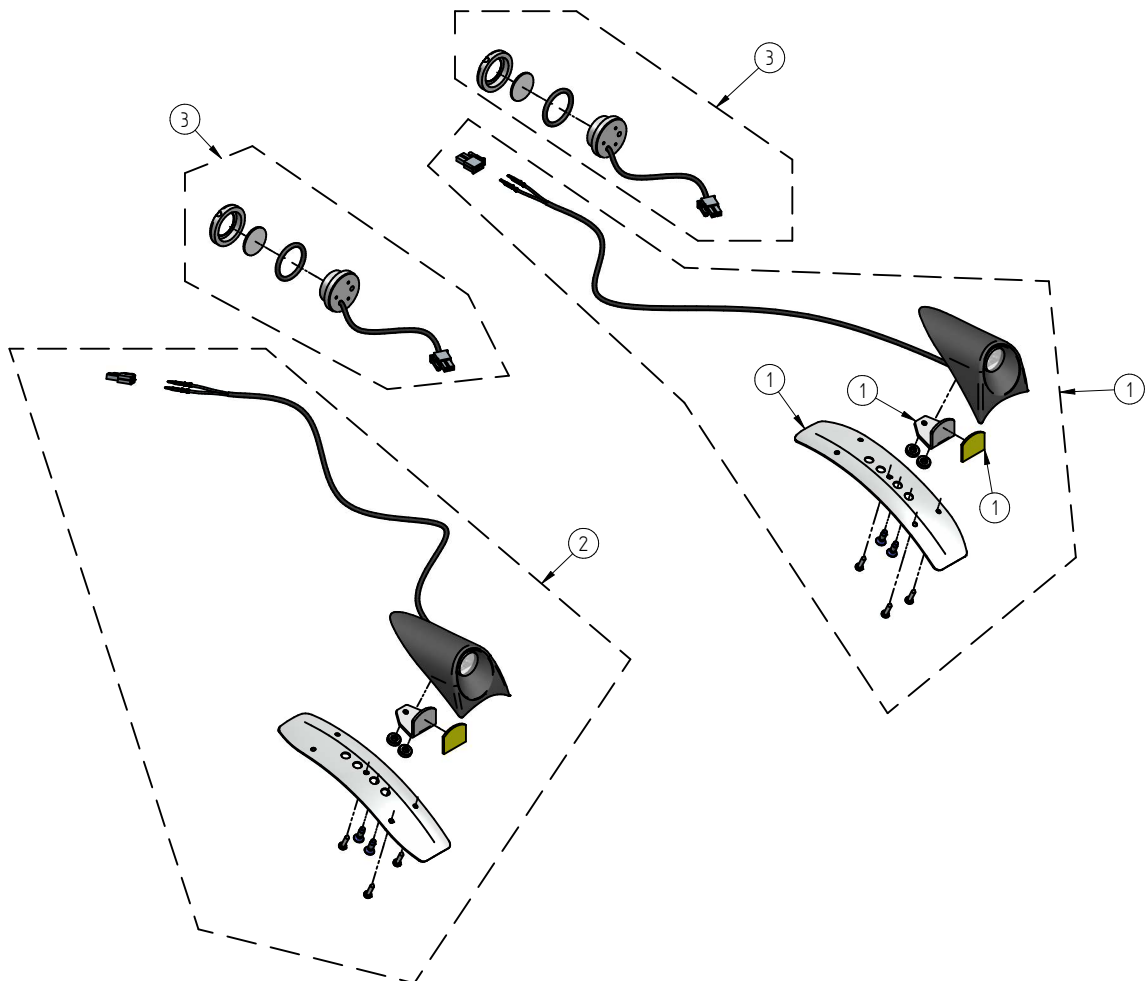
000307

69280

## Lights Boa 2

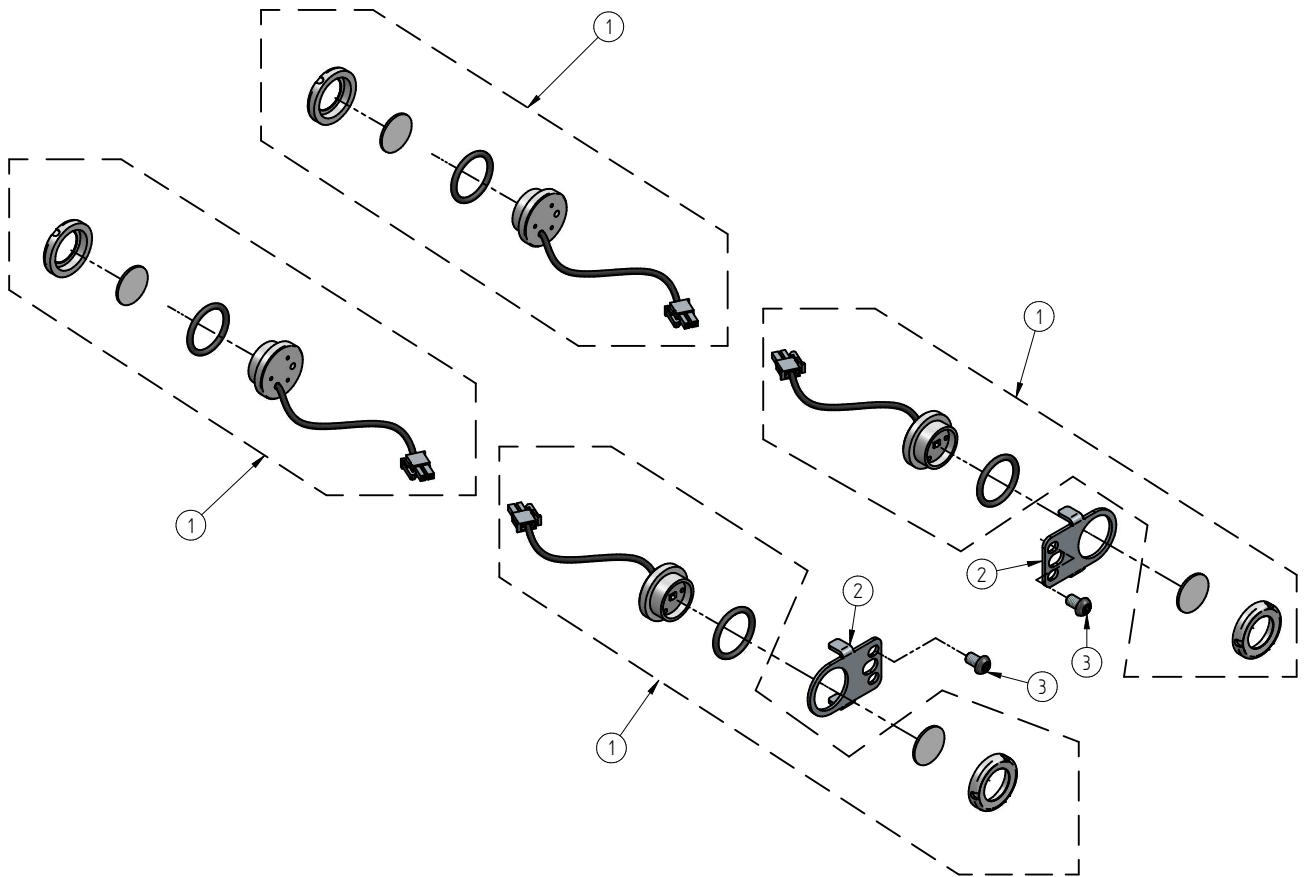


Item Number	Part no.	SparePart Title	Quantity
1	70987	Head light LED Left	1
2	70988	Head light LED Right	1
3	70981	Rear light	2
4	71291	Wiring harness Lights Boa2	1



001708

69320	Turn signal Boa2			
	Item Number	Part no.	SparePart Title	Quantity
	1	71476	Turn signal light	4
	2	71536	Bracket	2
	3	70596	Bolt RHJUZ M6x10 ISO7980-1 10.9	2

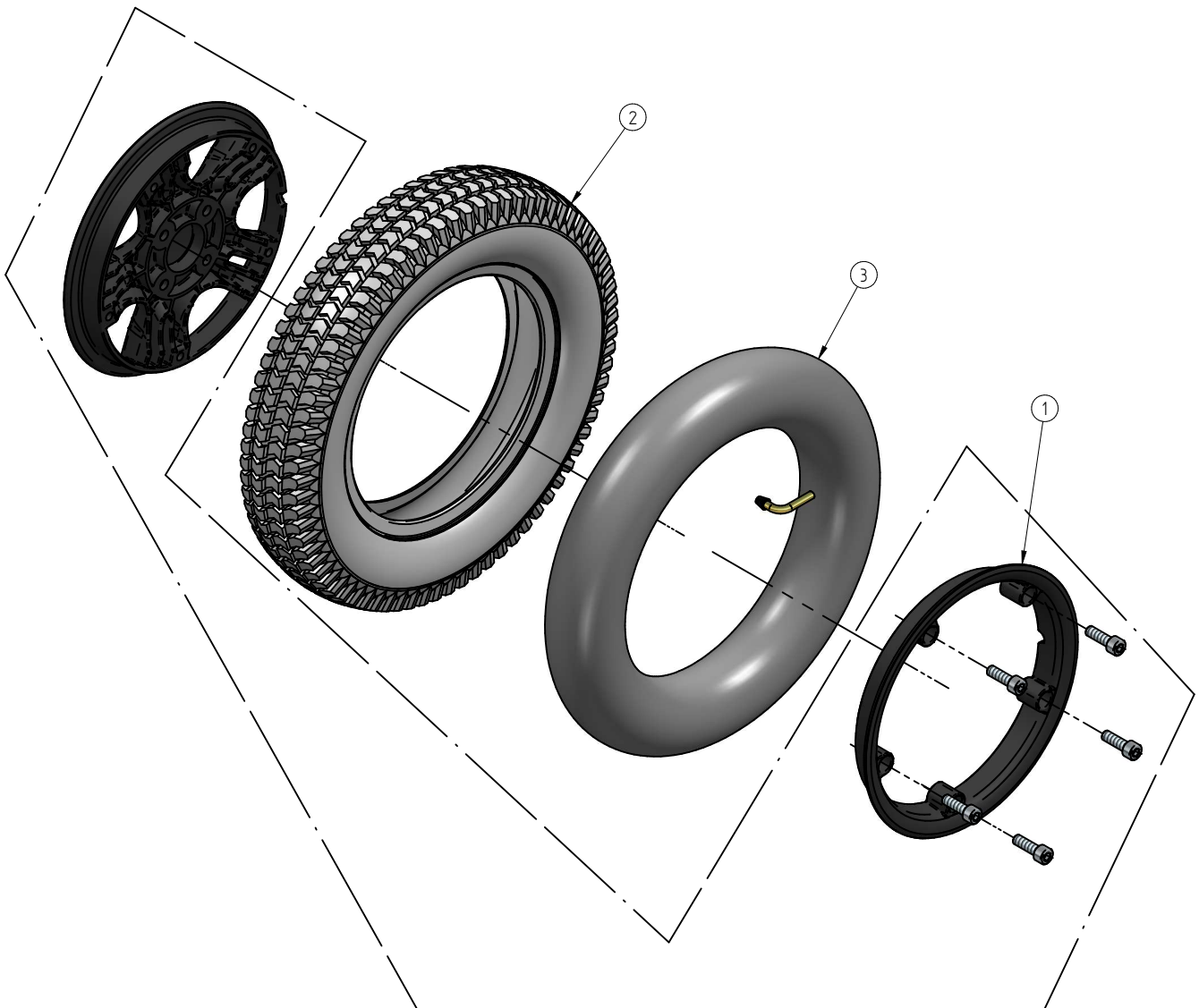


71597

Wheel


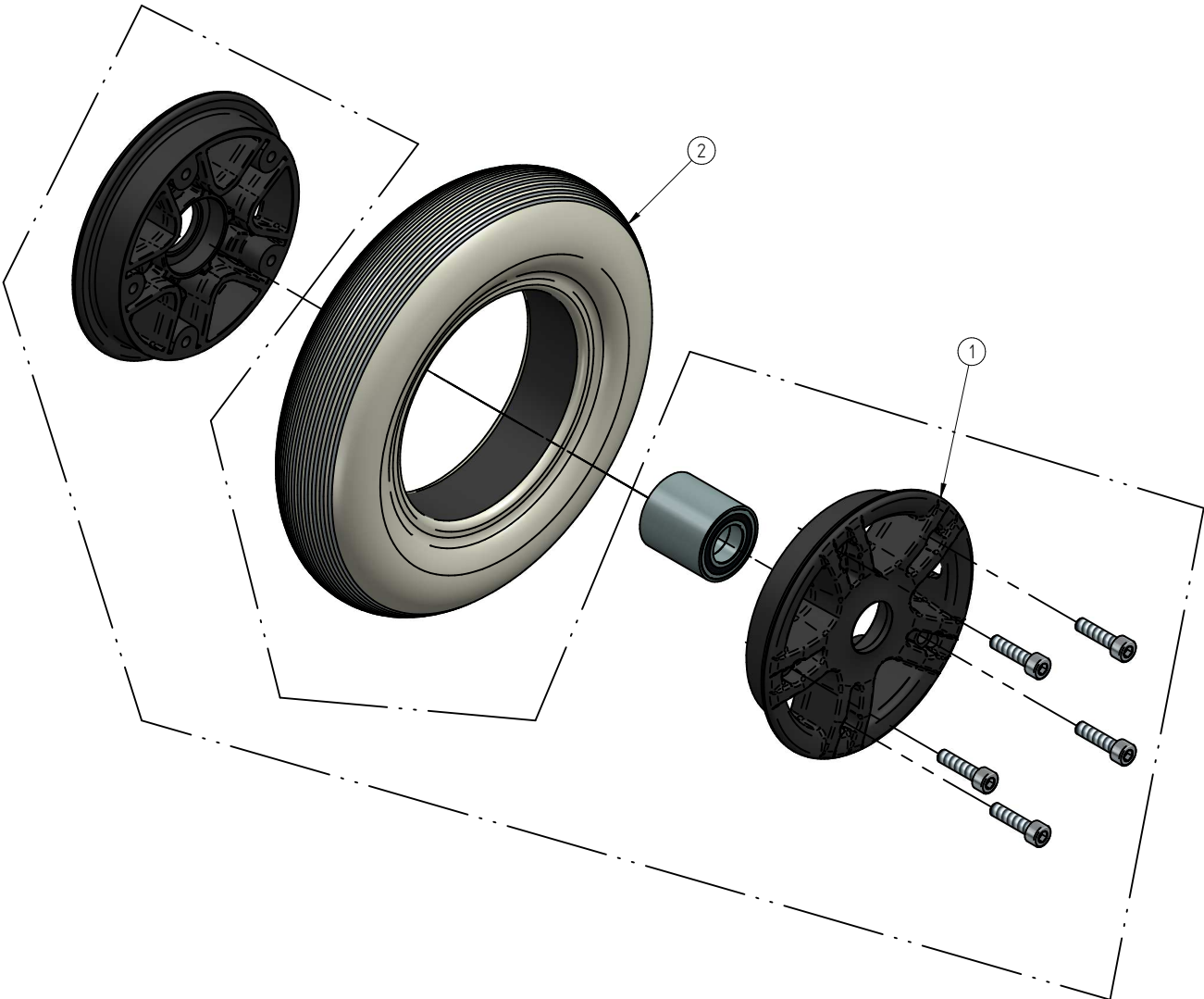


Item Number	Document Number	SparePart Title	Quantity
1	71511	Rim 3.00-8"	1
2	71605	Tire 3.00-8"	1
3	69321	Tube 300-8"	1



000561

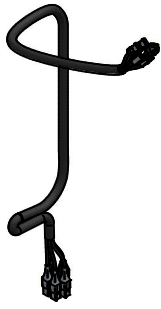


71601	Wheel													
		<table border="1" style="margin: auto; border-collapse: collapse;"> <thead> <tr> <th style="padding: 2px;">Item Number</th> <th style="padding: 2px;">Document Number</th> <th style="padding: 2px;">SparePart Title</th> <th style="padding: 2px;">Quantity</th> </tr> </thead> <tbody> <tr> <td style="text-align: center; padding: 2px;">1</td> <td style="text-align: center; padding: 2px;">71512</td> <td style="padding: 2px;">Rim 7"x1,75</td> <td style="text-align: center; padding: 2px;">1</td> </tr> <tr> <td style="text-align: center; padding: 2px;">2</td> <td style="text-align: center; padding: 2px;">71391</td> <td style="padding: 2px;">Tyre 7"x1,75 flexel</td> <td style="text-align: center; padding: 2px;">1</td> </tr> </tbody> </table>	Item Number	Document Number	SparePart Title	Quantity	1	71512	Rim 7"x1,75	1	2	71391	Tyre 7"x1,75 flexel	1
Item Number	Document Number	SparePart Title	Quantity											
1	71512	Rim 7"x1,75	1											
2	71391	Tyre 7"x1,75 flexel	1											
														

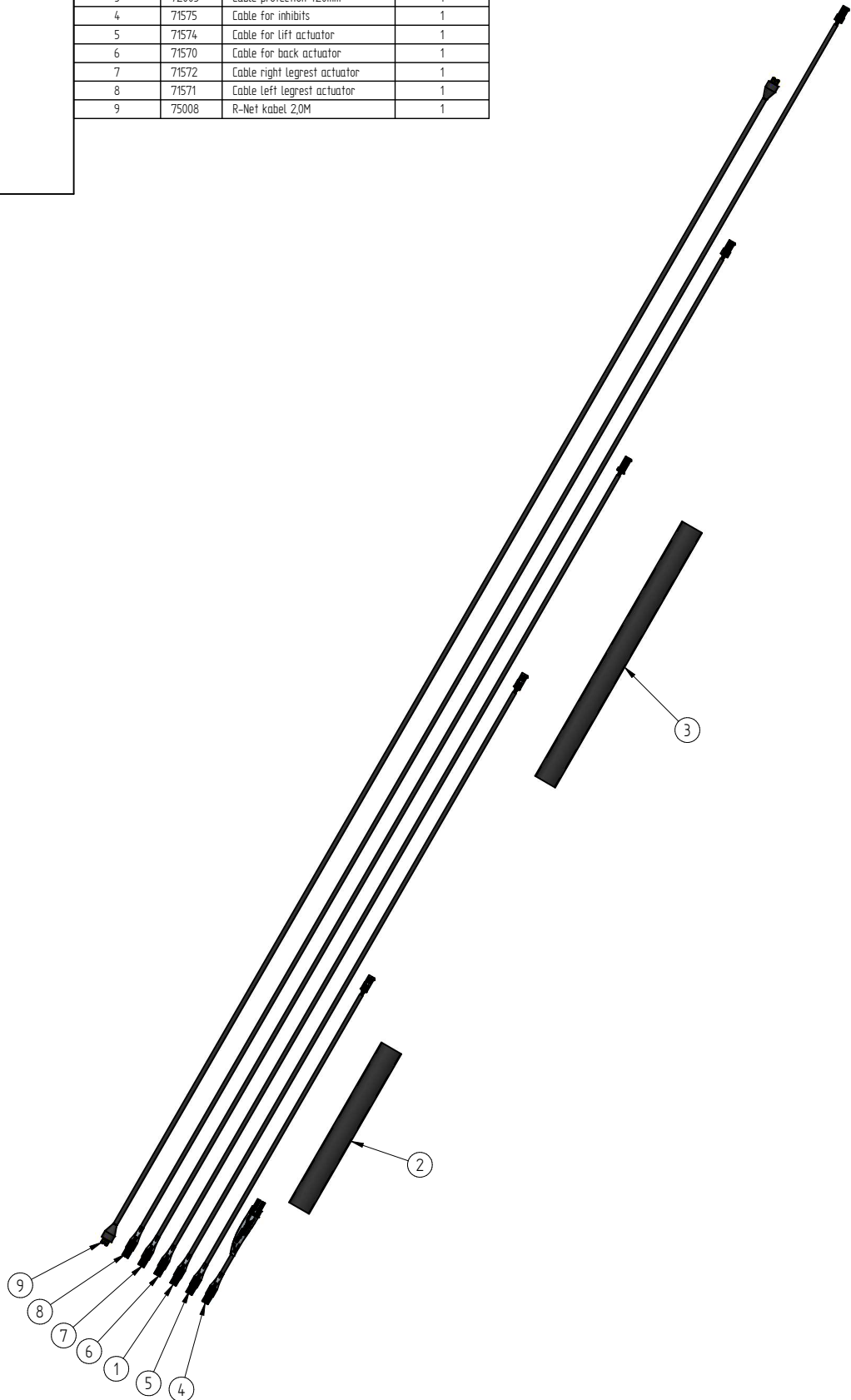
000417

71127

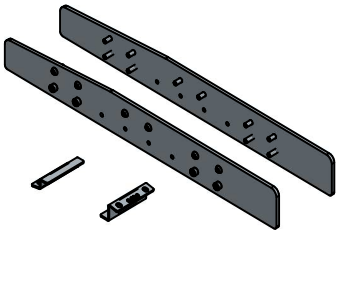
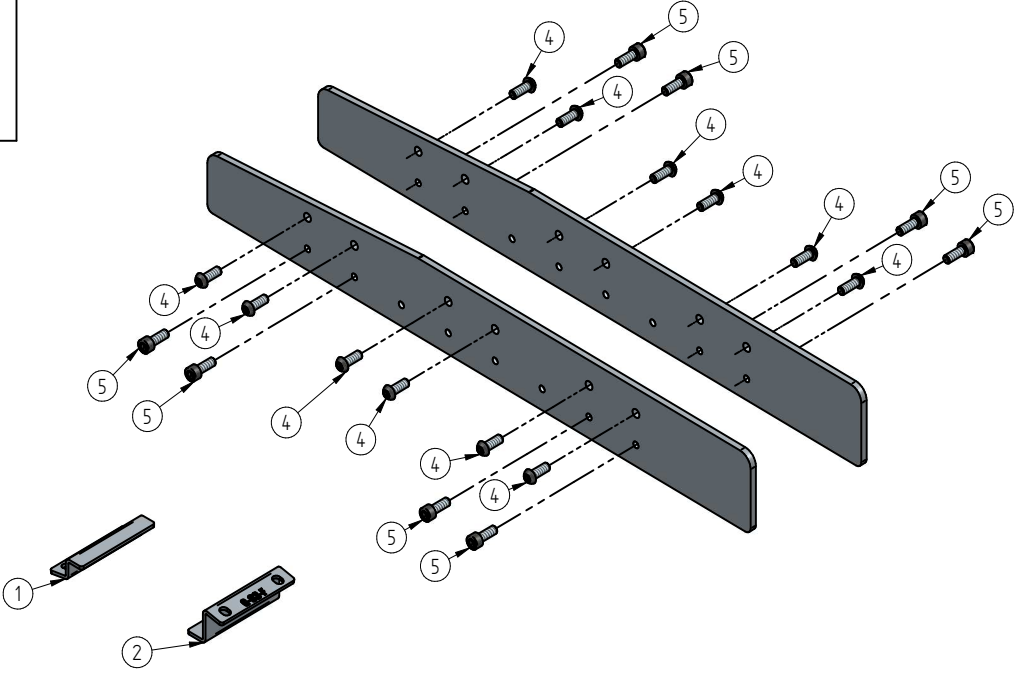
## Wire harness



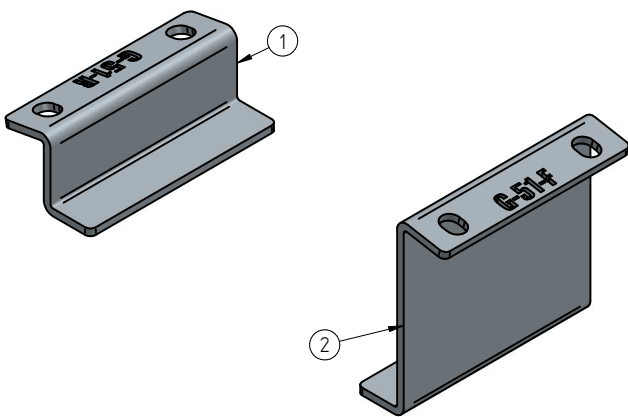
Item Number	Part no.	SparePart Title	Quantity
1	71573	Cable for tilt actuator	1
2	72004	Cable protection 270mm	1
3	72005	Cable protection 420mm	1
4	71575	Cable for inhibits	1
5	71574	Cable for lift actuator	1
6	71570	Cable for back actuator	1
7	71572	Cable right legrest actuator	1
8	71571	Cable left legrest actuator	1
9	75008	R-Net kabel 2,0M	1



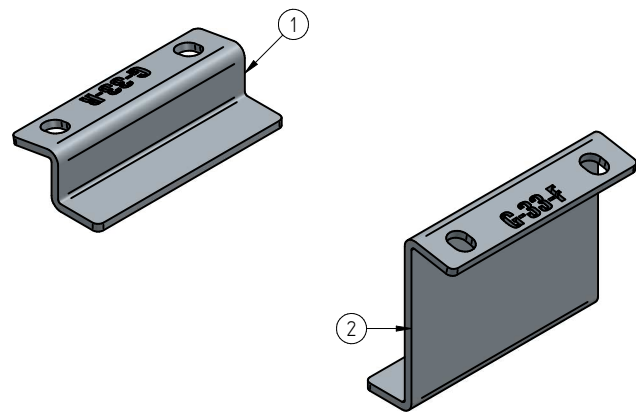
001686

<p style="font-size: 24px; margin: 0;">69297</p> 	<h3 style="margin: 0;">MMounting kit 63Ah battery</h3> <table border="1" style="width: 100%; border-collapse: collapse; margin-bottom: 10px;"> <thead> <tr> <th style="width: 10%;">Item Number</th> <th style="width: 15%;">Part no.</th> <th style="width: 55%;">SparePart Title</th> <th style="width: 20%;">Quantity</th> </tr> </thead> <tbody> <tr> <td>1</td> <td>71566</td> <td>Accumulator bracket 63Ah battery</td> <td>1</td> </tr> <tr> <td>2</td> <td>71565</td> <td>Accumulator bracket 63Ah battery</td> <td>1</td> </tr> <tr> <td>3*</td> <td>69273</td> <td>Space bar for 63Ahbatteries</td> <td>2</td> </tr> <tr> <td>4</td> <td>71439</td> <td>Bolt RHJUZ M6x16 ISO7380-1 10.9</td> <td>12</td> </tr> <tr> <td>5</td> <td>66654</td> <td>Screw CHJUZ M6x16 DIN912 12.9</td> <td>8</td> </tr> </tbody> </table> 	Item Number	Part no.	SparePart Title	Quantity	1	71566	Accumulator bracket 63Ah battery	1	2	71565	Accumulator bracket 63Ah battery	1	3*	69273	Space bar for 63Ahbatteries	2	4	71439	Bolt RHJUZ M6x16 ISO7380-1 10.9	12	5	66654	Screw CHJUZ M6x16 DIN912 12.9	8
Item Number	Part no.	SparePart Title	Quantity																						
1	71566	Accumulator bracket 63Ah battery	1																						
2	71565	Accumulator bracket 63Ah battery	1																						
3*	69273	Space bar for 63Ahbatteries	2																						
4	71439	Bolt RHJUZ M6x16 ISO7380-1 10.9	12																						
5	66654	Screw CHJUZ M6x16 DIN912 12.9	8																						

001712

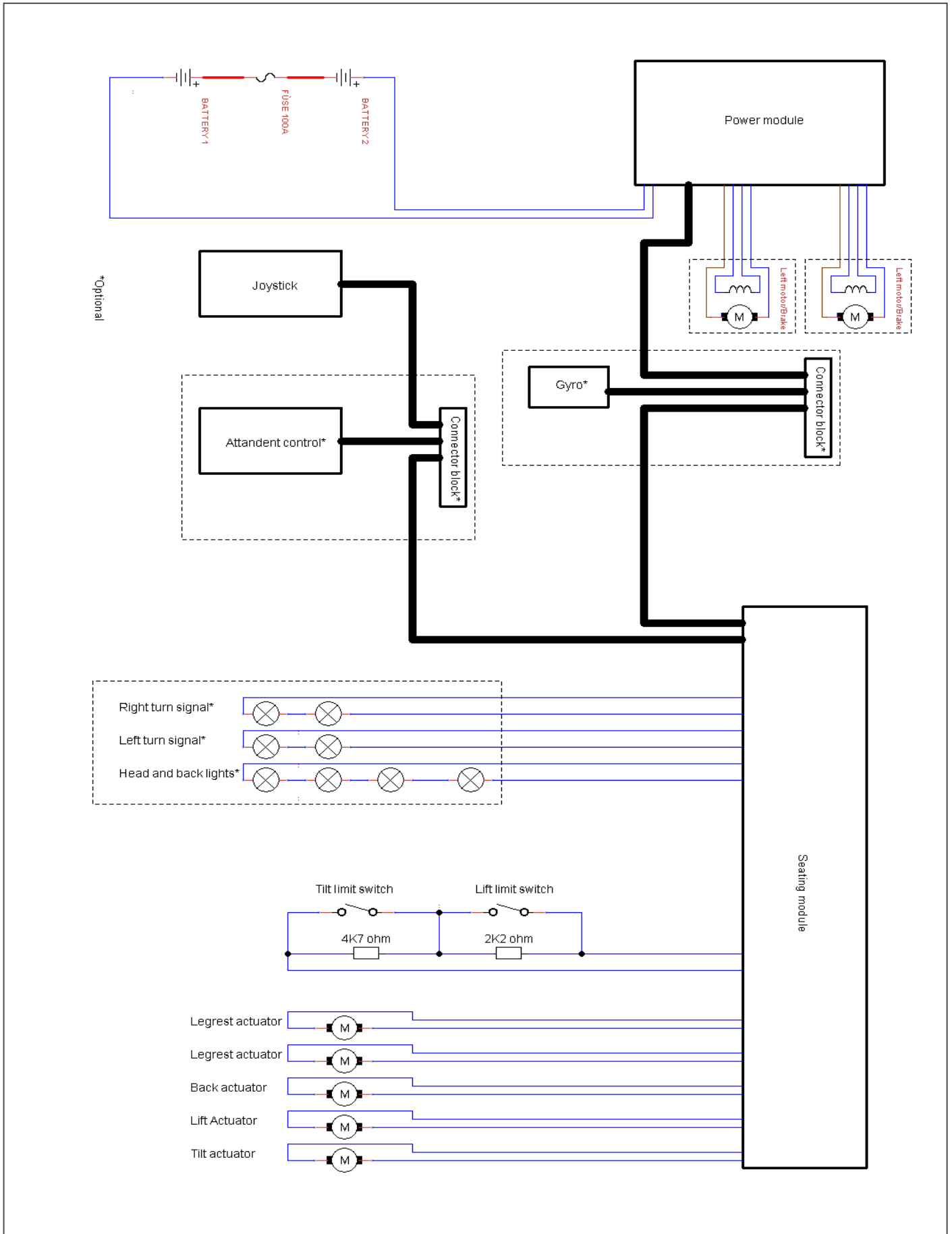
<p style="font-size: 24px; margin: 0;">69340</p>	<h3 style="margin: 0;">Bracket kit 51Ah battery</h3> <table border="1" style="width: 100%; border-collapse: collapse; margin-bottom: 10px;"> <thead> <tr> <th style="width: 10%;">Item Number</th> <th style="width: 15%;">Part no.</th> <th style="width: 55%;">SparePart Title</th> <th style="width: 20%;">Quantity</th> </tr> </thead> <tbody> <tr> <td>1</td> <td>71564</td> <td>Accumulator bracket 56Ah battery</td> <td>1</td> </tr> <tr> <td>2</td> <td>71563</td> <td>Accumulator bracket 56Ah battery</td> <td>1</td> </tr> </tbody> </table> 	Item Number	Part no.	SparePart Title	Quantity	1	71564	Accumulator bracket 56Ah battery	1	2	71563	Accumulator bracket 56Ah battery	1
Item Number	Part no.	SparePart Title	Quantity										
1	71564	Accumulator bracket 56Ah battery	1										
2	71563	Accumulator bracket 56Ah battery	1										

001713

<p style="font-size: 24px; margin: 0;">69341</p>	<h3 style="margin: 0;">Bracket kit 33Ah battery</h3> <table border="1" style="width: 100%; border-collapse: collapse; margin-bottom: 10px;"> <thead> <tr> <th style="width: 10%;">Item Number</th> <th style="width: 15%;">Part no.</th> <th style="width: 55%;">SparePart Title</th> <th style="width: 20%;">Quantity</th> </tr> </thead> <tbody> <tr> <td>1</td> <td>71568</td> <td>Accumulator bracket 33Ah</td> <td>1</td> </tr> <tr> <td>2</td> <td>71567</td> <td>Accumulator bracket 33Ah</td> <td>1</td> </tr> </tbody> </table> 	Item Number	Part no.	SparePart Title	Quantity	1	71568	Accumulator bracket 33Ah	1	2	71567	Accumulator bracket 33Ah	1
Item Number	Part no.	SparePart Title	Quantity										
1	71568	Accumulator bracket 33Ah	1										
2	71567	Accumulator bracket 33Ah	1										

001714

# Schematic diagram BOA2





## Table of contents alphabetically

Additional parts-xxxxx	31
Aktuator-71348	37
Armrest base, Collapsible Left-69276	27
Armrest base, Collapsible Left-69277	13
Armrest base Fixed left-69279	12
Armrest base Fixed right-69278	14
Armrest base, Foldable Left L:250/300/350/400-66105-66106-66107-66108	15
Armrest base, Foldable Right L:250/300/350/400-66101-66102-66103-66104	16
Armrest base, Upfoldable Obliquely Left L300/350/400mm -68972-68931-68973	17
Armrest base, Upfoldable Obliquely Right L300/350/400mm-68930-68970-68971	18
Attendant control-71076	19
Battery fittings-xxxxx	28
Boa2 Lift/Tilt-71251	43
Boa 2 Wheelbase from behind-71492	33
Boa 2 Wheelbase from the Left-71492	34
Boa 2 Wheelbase from the right-71492	36
Boa 2 Wheelbase from the top-71492	35
Bracket for attendant control-71891	32
Bracket for headrest-71972	29
Legrest, Central, Electric elevation (B20)-71383-71618	10
Legrest, Central, Manual elevation-71394-71619	24
Legrest, Separate, Electric elevation, Left-68702	25
Legrest, Separate, Electric elevation, Right-68701	20
Legrest, Separate, Manual elevation, Left-70997	21
Legrest, Separate, Manual elevation, Right-70996	23
Lights-75008	22
R-Seat Back manuel B:400-520mm / B:520-640mm-71491-71955	38
R-Seat Power back 125mm W:400-520mm / W:520-640mm-71526-71957	7
R-Seat Power back 250mm W:400-520mm / W:520-640mm-71579-71956	8
R-Seat Seatframe B:400-520mm excl. mounting plate-71432	9
R-Seat Seatframe B:400-520mm incl. mounting plate-71951	4
R-Seat Seatframe B:520-640mm incl. mountingplate-71952	5
Schematic diagram BOA2-xxxxx	6
Swing mount V2.0 Right-71682	44
Table of contents alphabetically	30
Table of contents number order	46
Thigh/hip support base-71498	47
Turn signal Boa2-69320	26
Wheel 3.00-8"-71597	39
Wheel 7"x1,75-71601	40
Wire harness-71127	41
	42

## Table of contents number order

66101 Armrest base, Foldable Right L:250/300/350/400	17
66102 Armrest base, Foldable Right L:250/300/350/400	17
66103 Armrest base, Foldable Right L:250/300/350/400	17
66104 Armrest base, Foldable Right L:250/300/350/400	17
66105 Armrest base, Foldable Left L:250/300/350/400	16
66106 Armrest base, Foldable Left L:250/300/350/400	16
66107 Armrest base, Foldable Left L:250/300/350/400	16
66108 Armrest base, Foldable Left L:250/300/350/400	16
68701 Legrest, Seperate, Electric elevation, Right	21
68702 Legrest, Seperate, Electric elevation, Left	20
68930 Armrest base, Upfoldable Obliquely Right L300/350/400mm	19
68931 Armrest base, Upfoldable Obliquely Left L300/350/400mm	18
68970 Armrest base, Upfoldable Obliquely Right L300/350/400mm	19
68971 Armrest base, Upfoldable Obliquely Right L300/350/400mm	19
68972 Armrest base, Upfoldable Obliquely Left L300/350/400mm	18
68973 Armrest base, Upfoldable Obliquely Left L300/350/400mm	18
69276 Armrest base, Collabsable Left	13
69277 Armrest base, Collabsable Left	12
69278 Armrest base Fixed right	15
69279 Armrest base Fixed left	14
69320 Turn signal Boa2	39
70996 Legrest, Seperate, Manuel elevation, Right	22
70997 Legrest, Seperate, Manuel elevation, Left Left	23
71076 Attadent control	28
71127 Wire harness	42
71251 Boa2 Lift/Tilt	33
71348 Aktuator	27
71383-71618 Legrest, Central, Electric elevation (B20)	24
71394-71618 Legrest, Central, Manuel elevation	25
71432 R-Seat Seatframe B:400-520mm excl. mounting plate	4
71491-71955 R-Seat Back manuel B:400-520mm / B:520-640mm	7
71492 Boa 2 Wheelbase from behind	34
71492 Boa 2 Wheelbase from the Left	36
71492 Boa 2 Wheelbase from the right	35
71492 Boa 2 Wheelbase from the top	32
71498 Thigh/hip support base	26
71526-71957 R-Seat Power back 125mm W:400-520mm / W:520-640mm	8
71579-71956 R-Seat Power back 250mm W:400-520mm / W:520-640mm	9
71597 Wheel 3.00-8"	40
71601 Wheel 7"x1,75	41
71682 Swing mount V2.0 Right	30
71891 Bracket for attendant control	29
71951 R-Seat Seatframe B:400-520mm incl. mounting plate	5
71952 R-Seat Seatframe B:520-640mm incl. mountingplate	6
71972 Bracket for headrest	10
75008 Lights	38
xxxxx Additional parts	37
xxxxx Battery fittings	43
xxxxx Schematic diagram BOA2	44



Company's headquarters  
ROLTEC el-kørestole A/S  
Lægårdsvej 13  
DK - 8520 Lystrup  
Telefon +45 87 43 49 00  
Telefax +45 87 43 49 29

---

Website: [www.roltec.com](http://www.roltec.com)

Mail: [info@roltec.com](mailto:info@roltec.com)