

13 cm Dual Cone Speaker 230 W MAX.

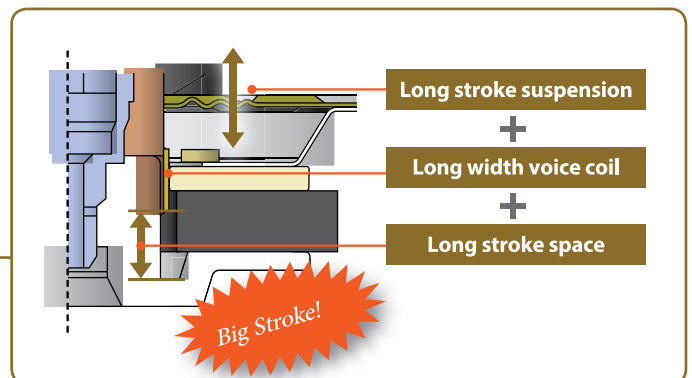
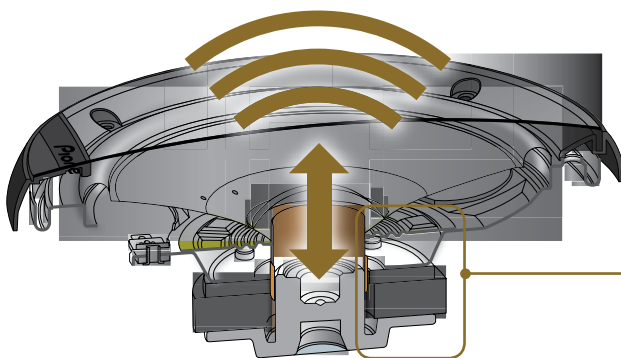


Key Selling Point

- Optimal sound reproduction features well-balanced combination of vocal and bass.
- Shallow Mounting depth and comprehensive lineup allows for wide applications.
- Long-stroke motor and suspension for high-impact bass.
- Universally appealing advanced stylish design.

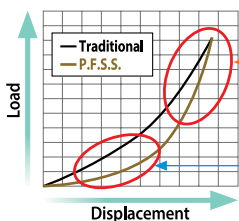
Speaker Technology

Higher-Impact Bass



P.F.S.S Patented Technology

With exclusive material inherited from Pioneer's high-end PRS Series, this system realizes ideal sound reproduction.

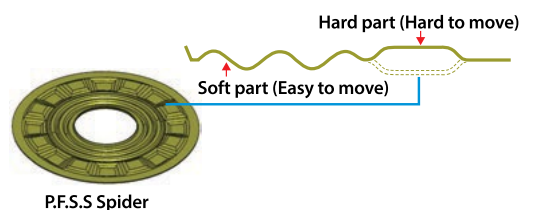


Excessive input
(irregular situation)
Controls excessive vibration

High Durability!!
Maximizes power

Small input
(usually for listening)
Easy to move!

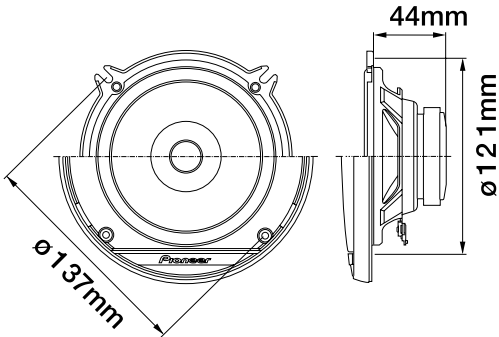
Low resonance frequency!!
Contributes to deep bass sound



Main Specifications

Max music power output	Nominal music power output	Frequency Response	Sensitivity	Impedance	Size	Mounting Depth	Cut-Out Dimensions
230 W	35 W	25Hz to 22kHz	89 dB	4Ω	13 cm	44mm	ø121 mm

Dimension



For more information please visit
www.pioneer-mea.com
facebook.com/PioneerMEA

Year of Release: 2017

Pioneer, Gulf Free Zone Dubai, U.A.E.
Tel: +971 4 8815756, Fax 8816414
Email: support@pioneer-uae.com
www.pioneer-mea.com

Corporate web : www.pioneer.jp

Copyright Info: ©2016 Pioneer MEA. All Rights Reserved. Reproduction in whole or in part without written permission is prohibited. Design, Features and Specifications are subject to change without notice.

