

# A-Class™

Replacement Parts Catalog ■ ■ ■



right by our customers. ■ ■ ■



datamax·o'neil

# Contents

<b>A-Class Right Hand 4" Model Printer Assemblies</b> .....	<b>1</b>
Cover Assembly (15-3021-01) .....	2
Display Assembly (24-2605-01) .....	3
Direct Thermal (78-2474-01) .....	4
Printer Assembly 1 of 6 .....	5
Printer Assembly 2 of 6 .....	6
Printer Assembly 3 of 6 .....	7
Printer Assembly 4 of 6 .....	8
Printer Assembly 5 of 6 .....	9
Printer Assembly 6 of 6 .....	9
Platen Roller Assembly, Main (15-3019-01) .....	12
Platen Roller Assembly, Linerless Models only (15-3019-21) .....	12
Peel Roller Assembly (15-3019-02) .....	13
Peel Roller Assembly, Linerless Models only (15-3019-22) .....	13
Take-up Roller Assembly (15-3019-03) .....	14
Printhead / Pulley Kit, 203DPI .....	15
Printhead / Pulley Kit, 300DPI .....	16
Printhead / Pulley Kit, 406DPI .....	17
Printhead / Pulley Kit, 600DPI .....	18
Printhead Assembly (15-2977-01) .....	19
Printhead Pressure Assembly (15-3186-01) .....	20
Latch Assembly 4" (15-2975-01) .....	21
Peel Assembly (15-2974-01) .....	22
Card Cage Assembly (24-2569-01) .....	23
 <b>A-Class Right Hand 6" Model Printer Assemblies</b> .....	 <b>24</b>
Cover Assembly (15-3021-02) .....	25
Display Assembly (24-2605-01) .....	26
Direct Thermal (78-2474-01) .....	27
Printer Assembly 1 of 6 .....	28
Printer Assembly 2 of 6 .....	29
Printer Assembly 3 of 6 .....	30
Printer Assembly 4 of 6 .....	31
Printer Assembly 5 of 6 .....	32
Printer Assembly 6 of 6 .....	32
Platen Roller Assembly (15-3019-11) .....	35
Peel Roller Assembly (15-3019-12) .....	35
Take-up Roller Assembly (15-3019-13) .....	36
Printhead / Pulley Kit, 203DPI .....	37
Printhead / Pulley Kit, 300DPI .....	38
Printhead Assembly (15-2977-02) .....	39
Printhead Pressure Assembly (15-3186-02) .....	40
Latch Assembly 6" (15-2975-02) .....	41
Peel Assembly (15-2974-02) .....	42
Card Cage Assembly (24-2569-01) .....	43

<b>A-Class Left Hand 4" Model Printer Assemblies</b> .....	<b>44</b>
Cover Assembly (15-3021-11) .....	45
Display Assembly (24-2605-01) .....	46
Direct Thermal (78-2474-01) .....	47
Printer Assembly 1 of 6 .....	48
Printer Assembly 2 of 6 .....	49
Printer Assembly 3 of 6 .....	50
Printer Assembly 4 of 6 .....	51
Printer Assembly 5 of 6 .....	52
Printer Assembly 6 of 6 .....	52
Platen Roller Assembly (15-3019-01) .....	55
Platen Roller Assembly, Linerless Models only (15-3019-21) .....	55
Peel Roller Assembly (15-3019-02) .....	56
Peel Roller Assembly, Linerless Models only (15-3019-22) .....	56
Take-up Roller Assembly (15-3019-03) .....	57
Printhead / Pulley Kit, 203DPI .....	58
Printhead / Pulley Kit, 300DPI .....	59
Printhead / Pulley Kit, 406DPI .....	60
Printhead / Pulley Kit, 600DPI .....	61
Printhead Assembly (15-2977-11) .....	62
Printhead Pressure Assembly (15-3186-11) .....	63
Latch Assembly 4" (15-2975-01) .....	64
Peel Assembly (15-2974-11) .....	65
Card Cage Assembly (24-2569-01) .....	66
 <b>A-Class Left Hand 6" Model Printer Assemblies</b> .....	 <b>67</b>
Cover Assembly (15-3021-12) .....	68
Display Assembly (24-2605-01) .....	69
Direct Thermal (78-2474-01) .....	70
Printer Assembly 1 of 6 .....	71
Printer Assembly 2 of 6 .....	72
Printer Assembly 3 of 6 .....	73
Printer Assembly 4 of 6 .....	74
Printer Assembly 5 of 6 .....	75
Printer Assembly 6 of 6 .....	75
Platen Roller Assembly (15-3019-11) .....	78
Peel Roller Assembly (15-3019-12) .....	78
Take-up Roller Assembly (15-3019-13) .....	79
Printhead / Pulley Kit, 203DPI .....	80
Printhead / Pulley Kit, 300DPI .....	81
Printhead Assembly (15-2977-12) .....	82
Printhead Pressure Assembly (15-3186-12) .....	83
Latch Assembly 6" (15-2975-02) .....	84
Peel Assembly (15-2974-12) .....	85
Card Cage Assembly (24-2569-01) .....	86

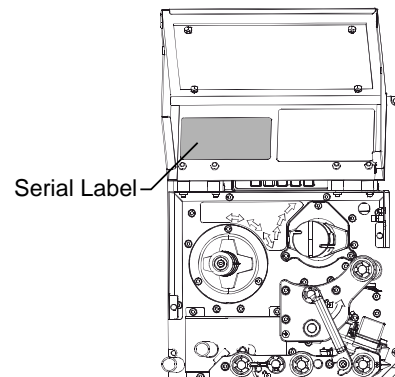
A-Class Options .....	87
Twinax Interface (78-2305-21) .....	88
Coax Interface (78-2305-22) .....	89
Ethernet Interfaces .....	90
Main Logic Board (78-2476-02) .....	91
Remote Display Assembly .....	91
Thermal Transfer Option Assembly – Bi-Directional.....	92
Ribbon Take-up Assembly .....	93
Ribbon Supply Hub Assembly .....	94
Ribbon Supply Hub .....	95
Ribbon Saver, Right Hand Four-Inch Models (78-2449-01) .....	96
Brake Assembly (24-2611-01) .....	98
Ribbon Saver, Right Hand Six-Inch Models (78-2449-02) .....	99
Brake Assembly (24-2611-01) .....	101
Ribbon Saver, Left Hand Four-Inch Models (78-2449-11) .....	102
Brake Assembly (24-2611-02) .....	104
Ribbon Saver, Left Hand Six-Inch Models (78-2449-12) .....	105
Brake Assembly (24-2611-02) .....	107
Ribbon Saver Cam Assembly, all Ribbon Saver models (15-3002-01) .....	108
RFID Option.....	109
Linerless Cutter, Right Hand, Four-Inch Models only (DPO61-2173-02) .....	111

## Using this Manual

Before using this manual it is important to identify the model printer you are locating parts for. Many parts are used across all models, yet some are specific to certain models. The model of printer is located on the serial label on the rear of the printer.

This manual covers the following A-Class models:

A-4212, A-4310, A-4408, A-4606, A-6212, and A-6310



For more information on ordering or becoming a partner please contact:

**Datamax-O'Neil Customer Care**  
407-523-5550  
*customer care@datamax-oneil.com*

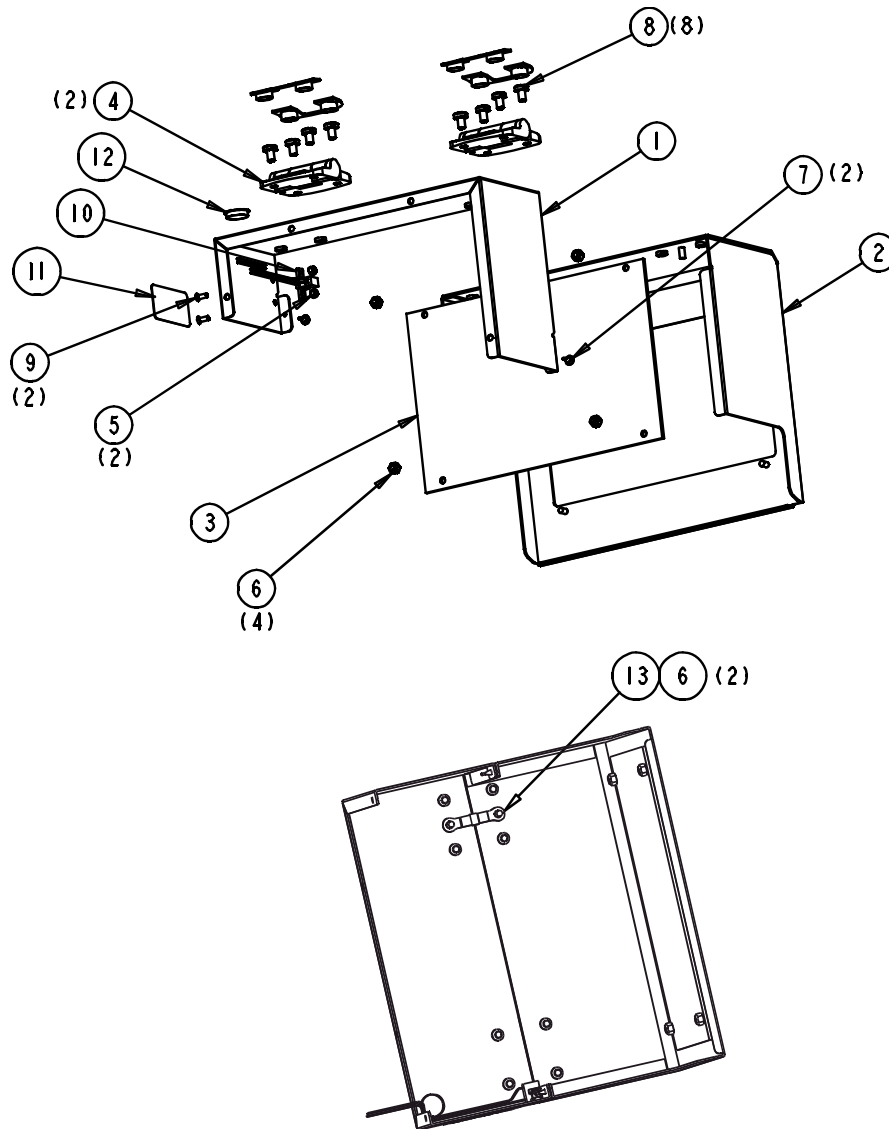
## Revision Listing

Date	Rev.	Changes
10/1/09	A	Initial Release
3/16/11	B	16-2906-01 CAM NARROW MEDIA, Replaced with: DPO16-2906-01 (2PK) CAM NARROW MEDIA
10/1/11	C	Removed 17-2630-01 17-2816-01 replaced with DPO17-2816-01 (10 pack) 20-2181-01 replaced with PHD20-2181-01 20-2182-01 replaced with PHD20-2182-01 20-2208-01 replaced with PHD20-2208-01 20-2209-01 replaced with PHD20-2209-01 20-2164-01 replaced with PHD20-2164-01 20-2195-01 replaced with PHD20-2195-01
6/1/12	D	24-2604-01 replaced with DPO24-2604-01 (2 pack) 15-2776-21 replaced by DPR15-2776-21 (2 pack)
12/1/12	E	51-2354-00 CCA Applicator Interface Replaced with: DPO51-2404-10 (1/PK)CCA, Applicator 17-3071-01 Spring Torsion Replaced with: DPO17-3221-01 (4PK) Spring Torsion Added: DPO17-3104-02 Antenna R. Duck RP/SMA
12/1/13	F	17-2989-01 Spring Extension Replaced with 17-3094-01 Spring Extension

92-2548-01 Rev.F

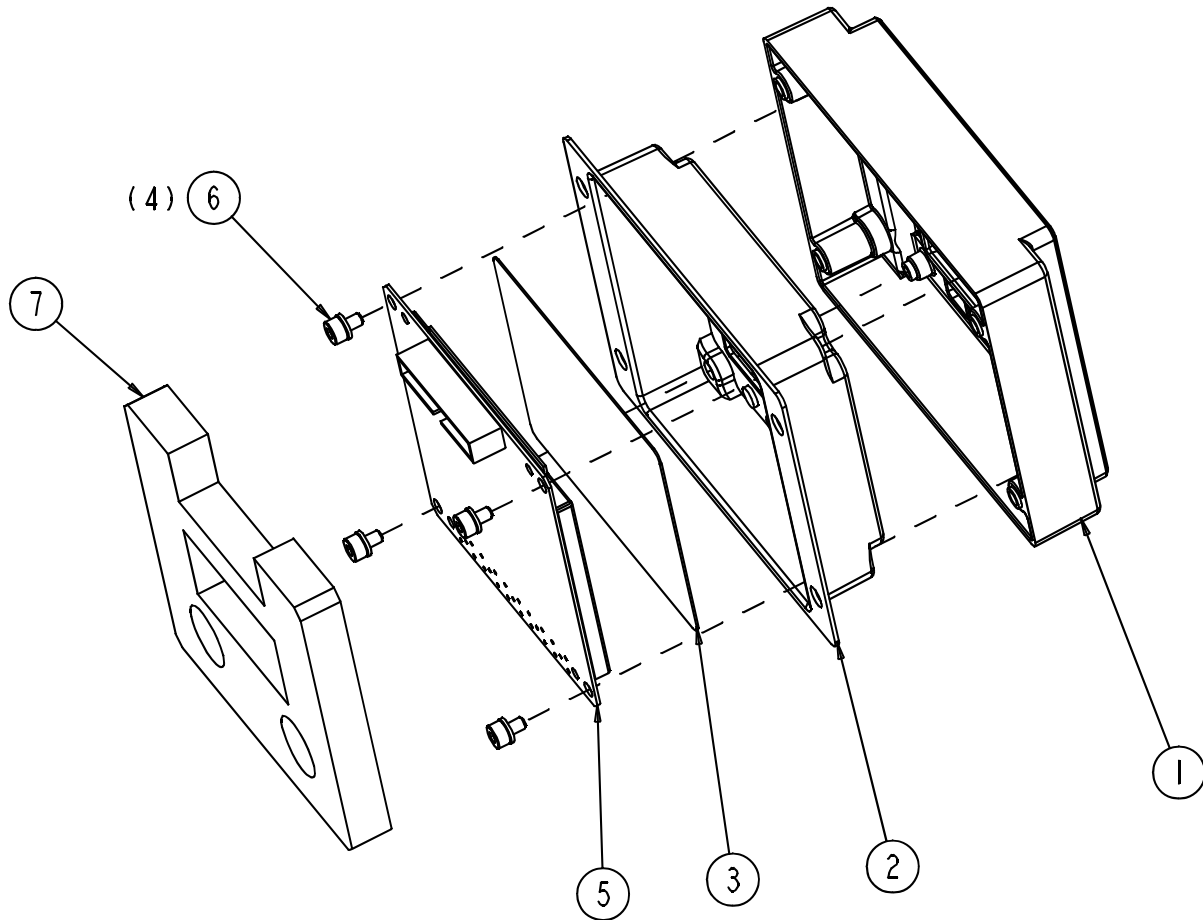
# A-Class Right Hand 4" Model Printer Assemblies

Cover Assembly (15-3021-01)



#	Part#	Description	Notes
1	11-5533-01	COVER INNER 4" RH	
2	11-5534-01	COVER OUTER RH	
3	16-2887-01	WINDOW	
4	17-3036-01	HINGE	
5	DPO10-3086-01	(25PK) NUT HEX SELF-LOCKING M3 CRES	
6	DPO10-3091-01	(50PK) NUT HEX SELF-LOCKING M4 CRES	
7	13-2392-01	BUMPER PULL THRU	
8	DPO10-3090-01	(50PK) SCREW PANHEAD M5 X 8 CRES	
9	DPO10-3088-02	(25PK) SCREW FLATHEAD CRES M3 X 8	
10	24-2618-01	CABLE ASSY COVER OPEN	
11	14-2835-01	LABEL WARNING	
12	17-3067-01	PLUG 5/8 HOLE	
13	32-2553-01	GROUND CABLE A-CLASS COVER	

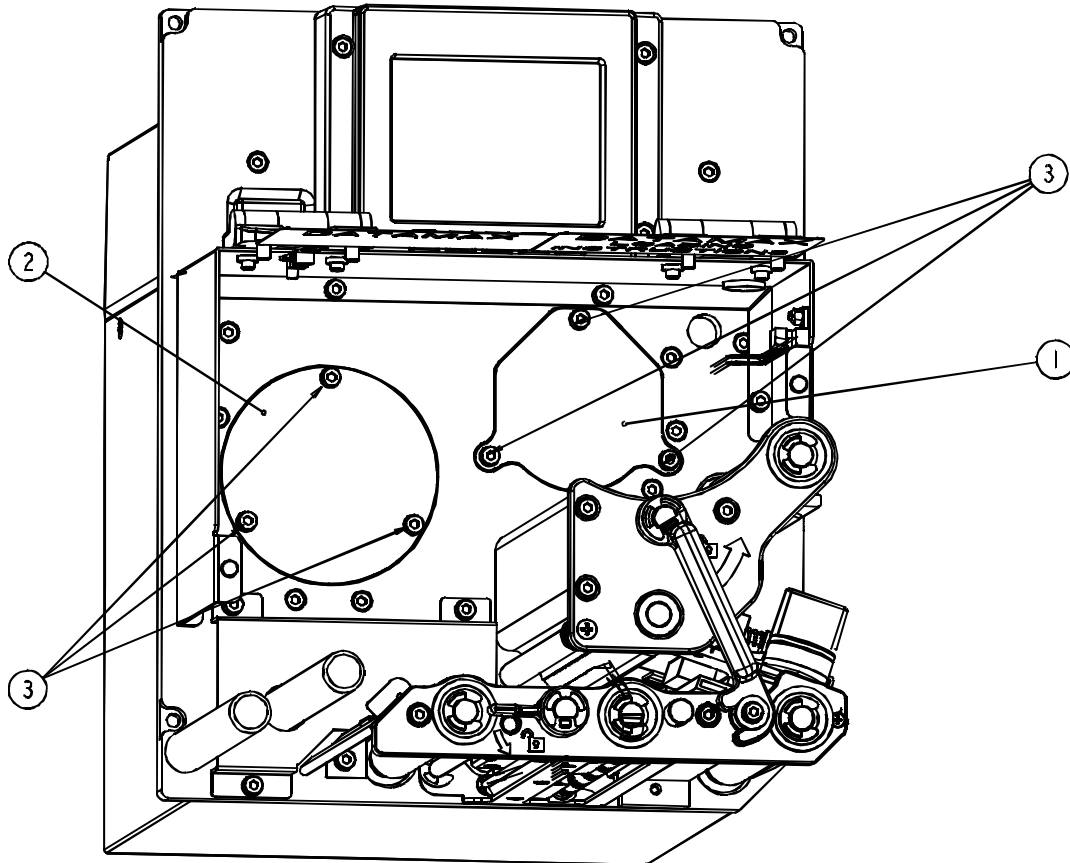
Display Assembly (24-2605-01)



#	Part#	Description	Notes
1	12-3270-01	BEZEL DISPLAY	
2	16-2916-01	KEYPAD 5 BUTTON	
3	16-2961-01	COVER LCD	
5	45-2021-01	DISPLAY GRAPHICS 320X240	
6	DPO10-3085-02	(25PK) SCREW SOC HD CAP W/ LW M4 X 8	
7	13-2425-01	FILLER CONTROL PANEL BOOT	

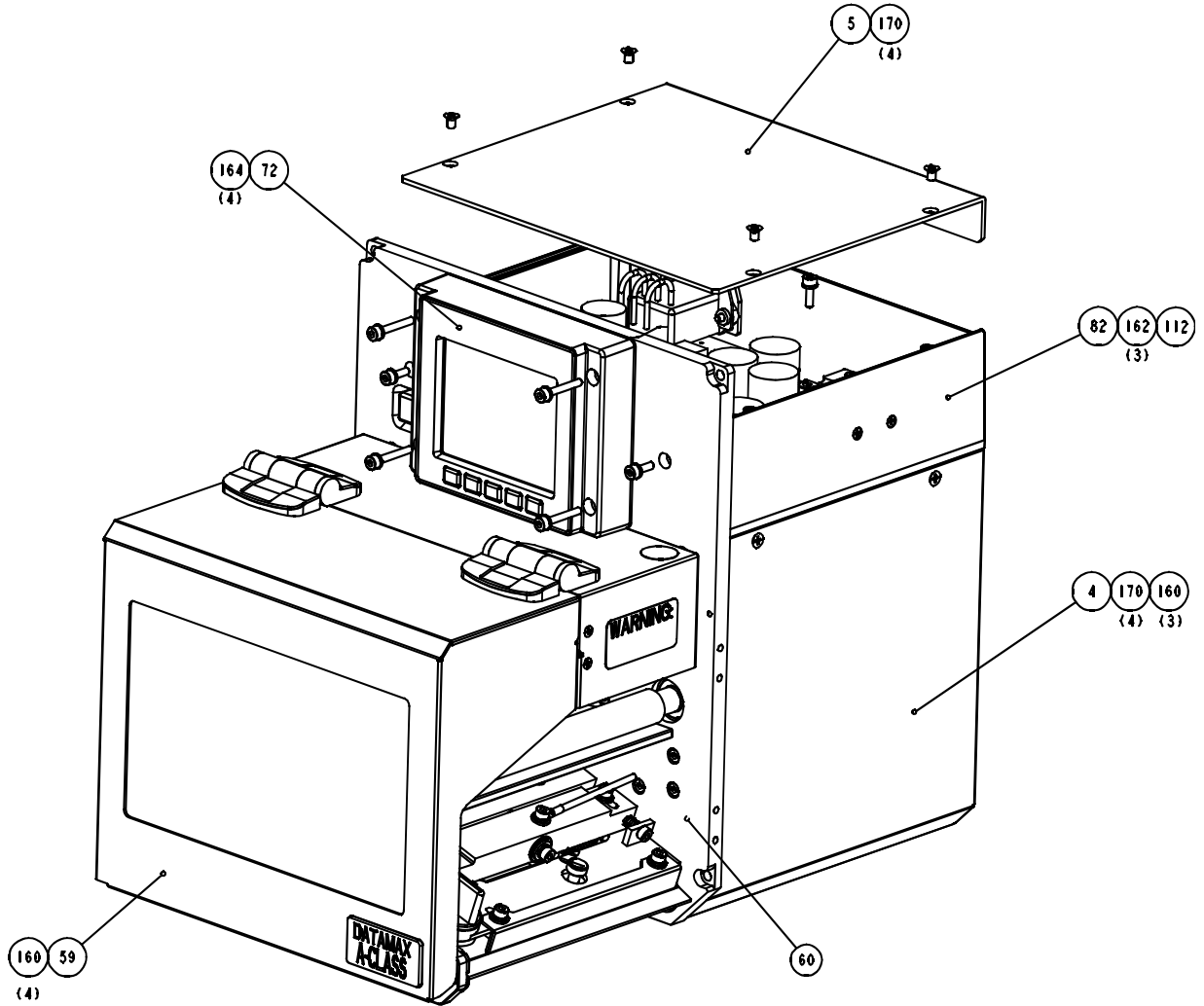


Direct Thermal (78-2474-01)

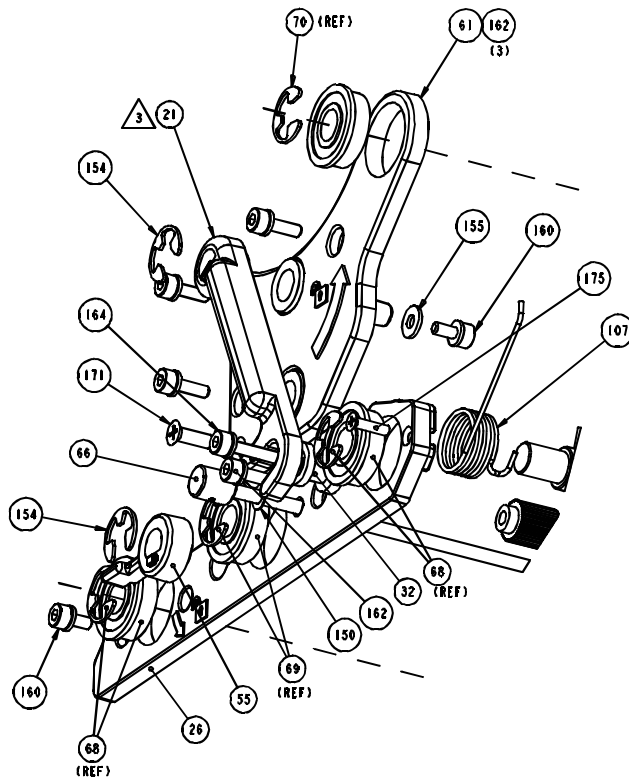
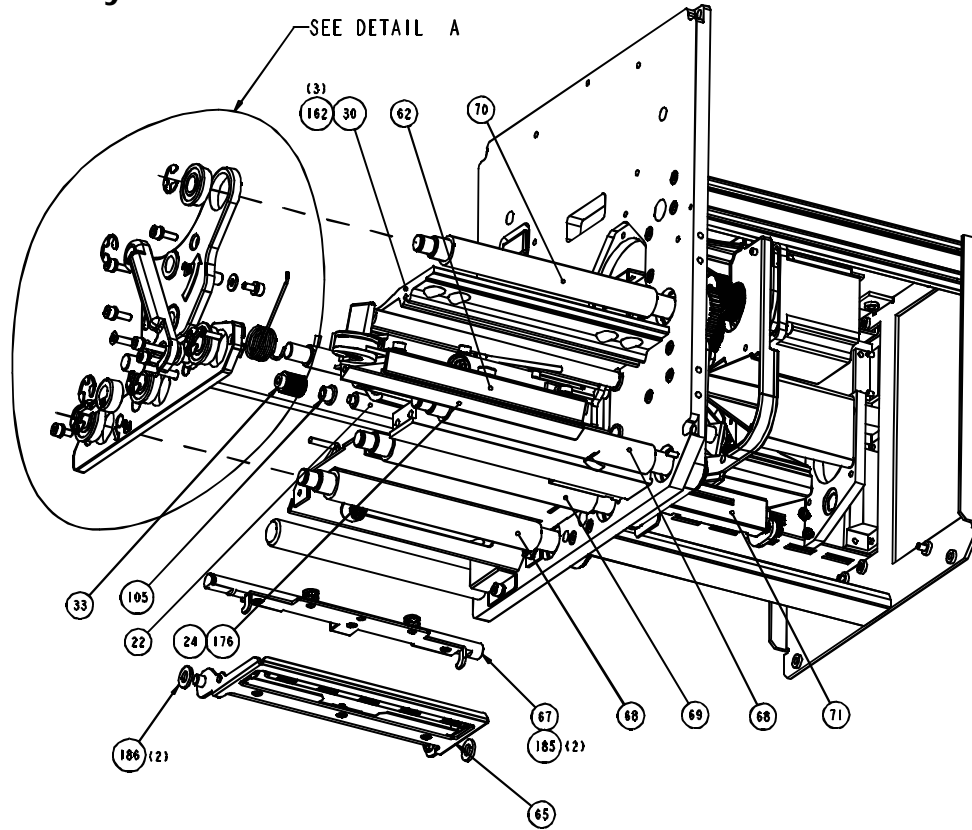


#	Part#	Description	Notes
1	11-5584-01	COVER RIBBON TAKE-UP	
2	11-5585-01	COVER RIBBON SUPPLY	
3	DPO10-3085-02	(25PK) SCREW SOC HD CAP W/ LW M4 X 8	

Printer Assembly 1 of 6

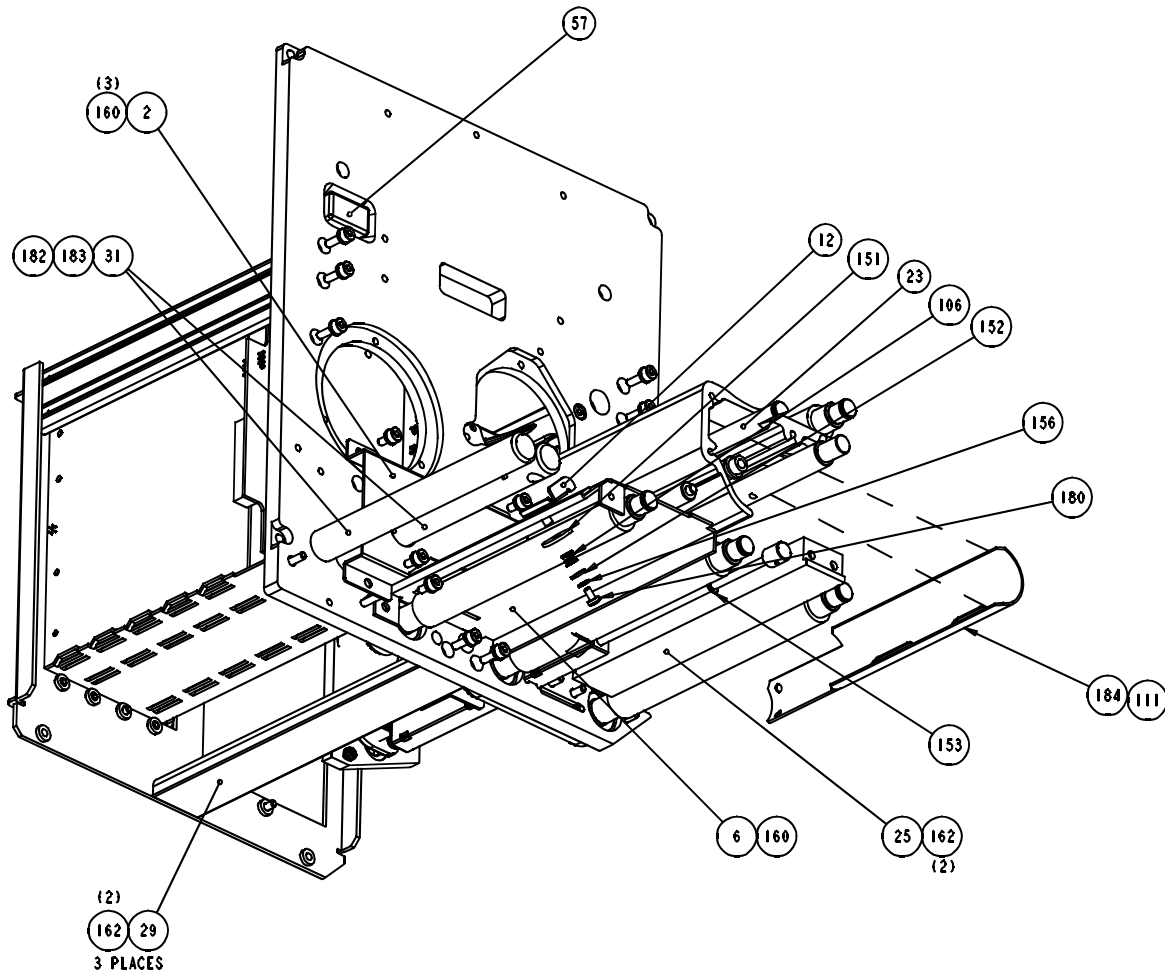


Printer Assembly 2 of 6

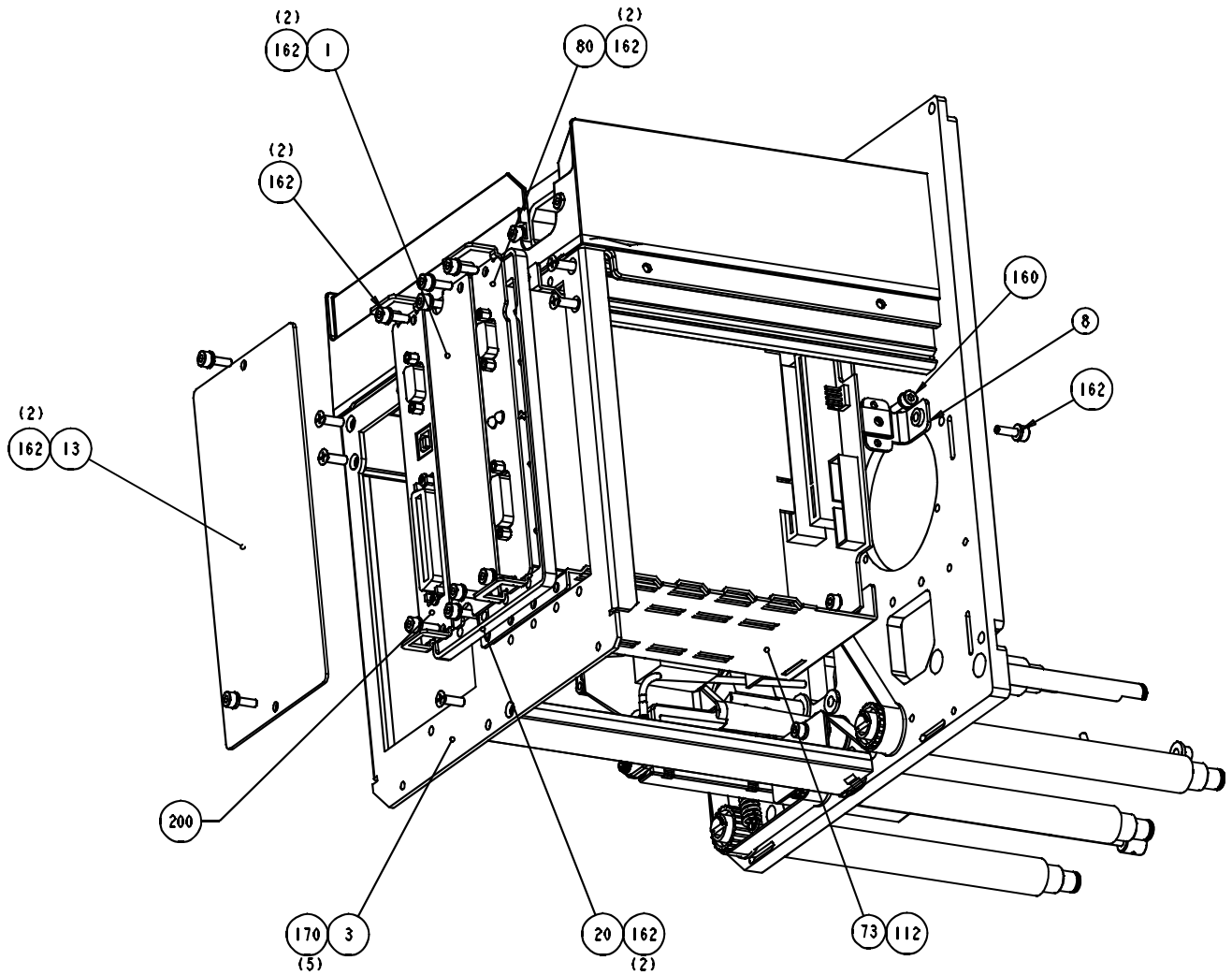


DETAIL A

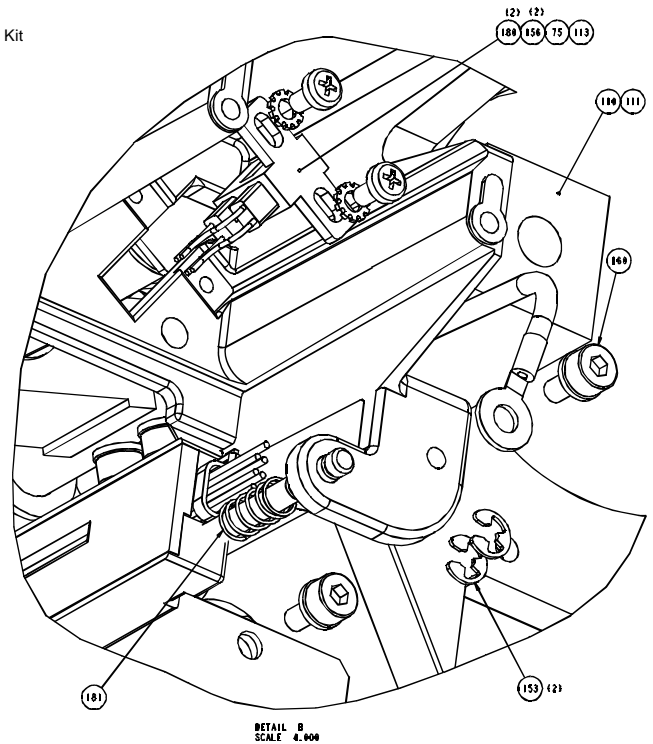
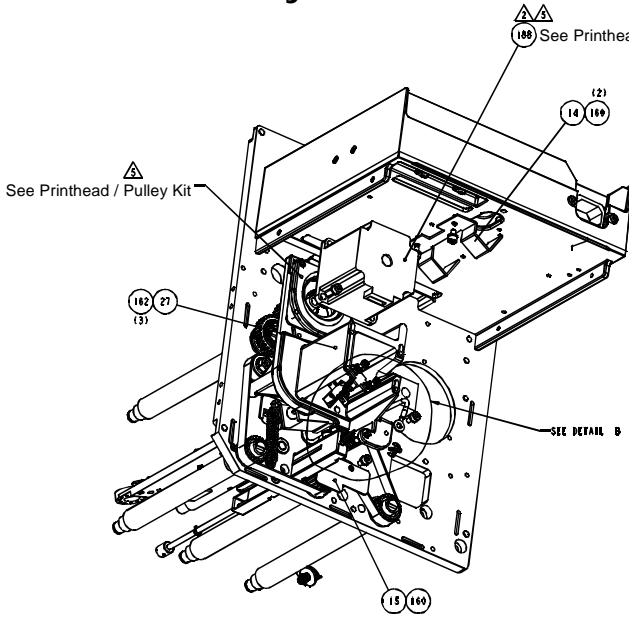
Printer Assembly 3 of 6



Printer Assembly 4 of 6

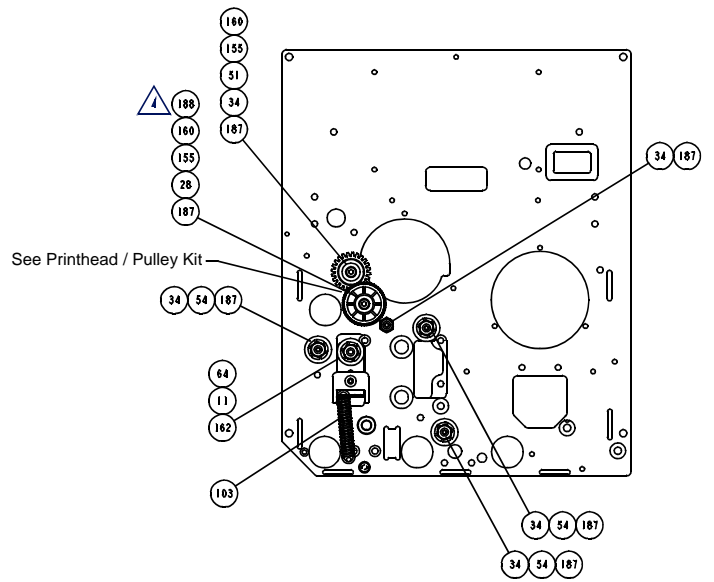
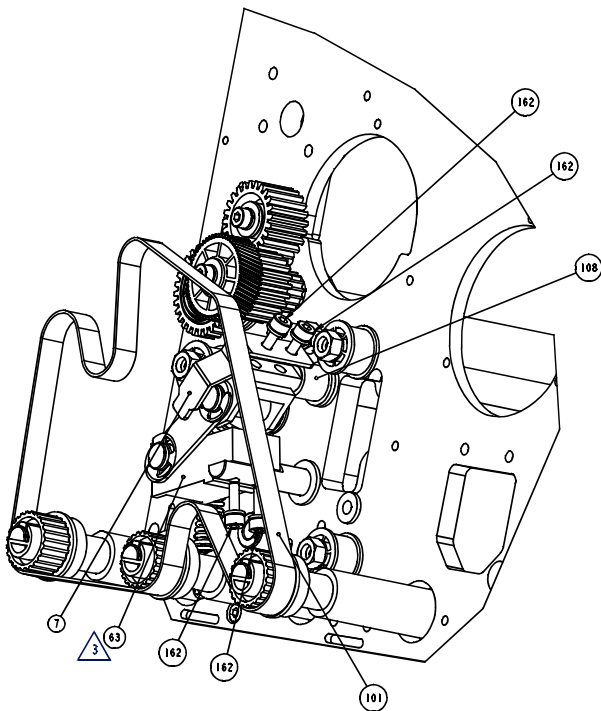


Printer Assembly 5 of 6



- ⚠️ Apply Item 188 to the motor gear.
- ⚠️ Position Motor Spacer and Motor so helical gears are tightly meshed.

Printer Assembly 6 of 6



- ⚠️ Handle must rotate freely. Loosen screws that mount Item 63, raise and lower handle, then tighten screws.
- ⚠️ Add Item 188 to Item 28 prior to installing compound gear.

## Printer Assemblies 1 - 6

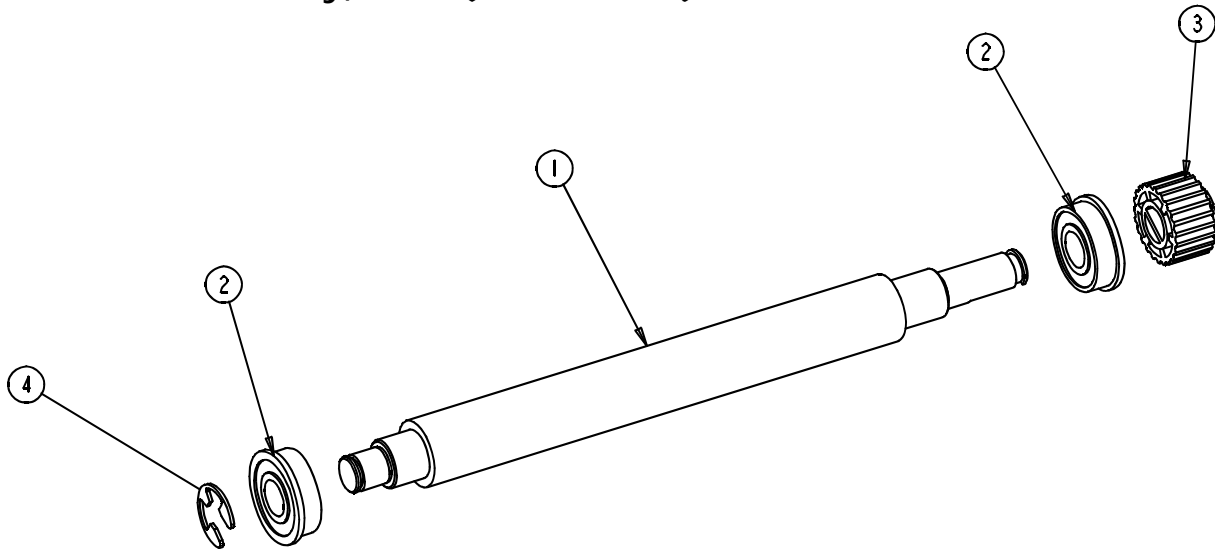
#	Part#	Description	Notes
1	11-5279-01	PLATE COVER EXPANSION	
2	11-5528-01	PLATE GUIDE MEDIA RH	
	11-5528-11	<i>Linerless Models only:</i> PLATE GUIDE MEDIA RH, COATED	
3	11-5529-03	PLATE REAR RH	
4	11-5530-01	COVER REAR	
5	11-5531-01	COVER TOP	
6	11-5532-01	PLATE LOWER 4" RH	
	11-5532-21	<i>Linerless Models only:</i> PLATE LOWER 4" RH, COATED	
7	11-5556-01	FLAG PH OPEN	
8	11-5577-01	SUPPORT CARD CAGE	
11	11-5570-01	PLATE NUT	
12	11-5536-01	GUIDE MEDIA ADJUSTABLE RH	
	11-5536-11	<i>Linerless Models only:</i> GUIDE MEDIA ADJ. RH, COATED	
13	11-5427-01	PLATE COVER	
14	11-5602-01	BRACKET RETAINER CABLE	
15	11-5603-01	COVER CABLE	
20	12-2958-01	PLATE MOUNTING REAR	
21	12-3255-01	HANDLE LATCH RH	
22	12-3052-02	SHAFT RIBBON IDLER 4"	
23	12-3217-01	SHAFT LATCH PRINTHEAD 4"	
24	12-3488-01	BAR PEEL 4"	
25	12-3244-01	BLOCK SUPPORT PLATEN 4"	
	12-3380-01	<i>Linerless Models only:</i> BLOCK SUPPORT PLATEN 4"	
26	12-3214-01	PLATE SIDE LOWER RH 4"	
27	12-3286-01	BRACKET SUPPORT MOTOR RH	
28	12-3432-01	POST IDLER	
29	12-3221-01	BLOCK SUPPORT REAR	
30	12-3215-01	SUPPORT CENTER 4"	
31	12-3254-01	POST MEDIA 4"	
32	12-3282-01	POST LATCH	
33	12-3051-01	CAM IDLER RIBBON	
34	12-3219-01	POST IDLER	
51	16-2935-01	GEAR IDLER	
54	15-3119-01	ASSEMBLY, PULLEY	
55	16-2924-02	HANDLE LATCH RH	
57	16-2950-01	COVER SWITCH - PROTECTIVE	
59	15-3021-01	COVER ASSEMBLY 4" RH	
60	15-3005-01	CENTERPLATE ASSEMBLY RH	
61	15-3015-01	UPPER SIDE PLATE ASSY RH	
62	15-2977-01	ASSY 4" RH PRINTHEAD	
63	15-3186-01	PH PRESS ASSY 4" RH	
64	15-2970-01	TENSION ASSY	
65	15-2974-01	PINCH ROLLER ASSEMBLY 4" RH	
66	15-2976-01	ASSY THREADED ROD 4"	
67	15-2975-01	LATCH ASSEMBLY 4"	
68	15-3019-01	PLATEN ROLLER ASSY 4" MAIN	
	15-3019-21	<i>Linerless Models only:</i> PLATEN ROLLER ASSY 4" MAIN	
69	15-3019-02	PLATEN ROLLER ASSY 4" PEEL	
	15-3019-22	<i>Linerless Models only:</i> PLATEN ROLLER ASSY 4" PEEL	

## Printer Assemblies 1 - 6 (continued)

#	Part#	Description	Notes
70	15-3019-03	PLATEN ROLLER ASSY 4" TAKE-UP	
71	DPO24-2604-01	(2PK) MEDIA SENSOR ASSEMBLY	
72	24-2605-01	DISPLAY ASSEMBLY	
73	24-2569-01	CARD CAGE ASSEMBLY 4"	
75	24-2619-01	CABLE ASSY HEAD UP SENSOR	
80	DPO51-2404-10	(1/PK) CCA, Applicator	
82	24-2617-01	POWER SUPPLY ASSEMBLY	
101	17-2987-01	BELT TIMING 184 TEETH 3MM HTD	
103	17-3094-01	SPRING EXTENSION	
105	DPO17-2816-01	(10PK) BUSHING FLANGED.1895 ID .314OD 1/4L	
106	17-3064-01	SPRING COMP .24 ODX.032WD X .375LG	
107	17-3029-01	SPRING TORSION HEAD LIFT RH	
108	17-3011-01	BUSHING FLANGED FF-520-5	
110	44-2060-01	ASSY FERRITE	
111	--	TYWRAP 8"	
112	--	TIE TWIST LOCK	
113	--	TYWRAP 4"	
150	DPO899325	(50PK) SPACER	
151	DPO899294	(20PK) PLATE - BEARING	
152	DPO10-2518-01	(50PK) WASHER FLAT SS	
153	DPO10-3021-03	(25PK) RING RETAINING 5/32 CRES	
154	DPO10-3021-07	(25PK) E-RING 3/8 TRUARC CRES	
155	DPO10-3018-04	(25PK) WASHER FLAT #8 CRES	
156	DPO10-3093-01	(25PK) WASHER M3 EXT TOOTH LOCK CRES	
160	DPO10-3085-02	(25PK) SCREW SOC HD CAP W/ LW M4 X 8	
162	DPO10-3085-04	(25PK) SCREW SOC HD CAP W/ LW M4 X 12	
164	DPO10-3085-07	(25PK) SCREW SOC HD CAP W/ LW M4 X 25	
170	DPO10-3066-01	(25PK) SCREW FLAT HEAD SS M4 X 6	
171	DPO10-3066-04	(25PK) SCREW FLAT HEAD SS M4 X 12	
175	DPO10-3088-04	(25PK) SCREW FLATHEAD CRES M3 X 12	
176	DPO10-3088-05	(25PK) SCREW FLATHEAD CRES M3 X 14	
180	DPO10-3092-01	(25PK) SCREW PHP M3 X 6MM CRES	
181	17-3046-01	SPRING COMPRESSION	
182	DPO10-3096-03	(50PK) WASHER SPLIT LOCK M5 CRES	
183	DPO10-3097-01	(20PK) SCREW SOCKET HD SET M5 X 12 CRES	
184	13-2422-01	RETAINER PRINT HD CABLE 4"	
185	17-3065-01	SPRING COMP .36 ODX.035 WD X .75LG	
186	DPO10-2630-01	(50PK) WASH FLT NYLON .250 ID .500 OD	
187	DPO10-3085-14	(25PK) SCREW SHC W/ LK COMP M4 X 12	
188	--	GREASE SILCONE	
200	DPO51-2342-01	Main Board, A-4212, 4MB	
	DPO51-2342-11	Main Board, A-4212, 8MB	
	DPO51-2342-02	Main Board, A-4310, 4MB	
	DPO51-2342-12	Main Board, A-4310, 8MB	
	DPO51-2342-03	Main Board, A-4408, 4MB	
	DPO51-2342-13	Main Board, A-4408, 8MB	
	DPO51-2342-04	Main Board, A-4606, 4MB	
	DPO51-2342-14	Main Board, A-4606, 8MB	

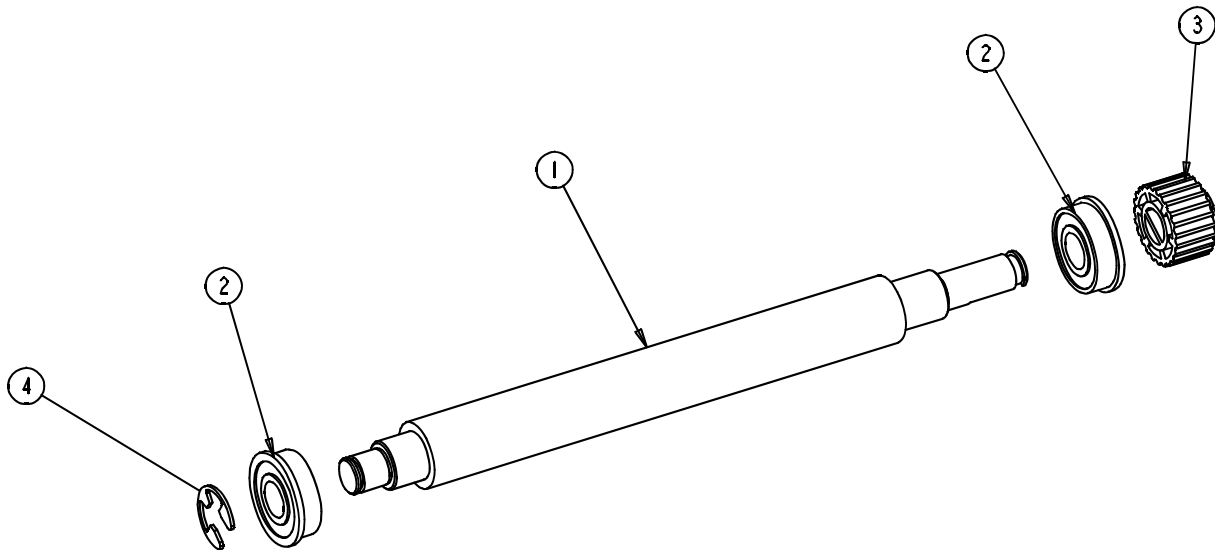


**Platen Roller Assembly, Main (15-3019-01)**



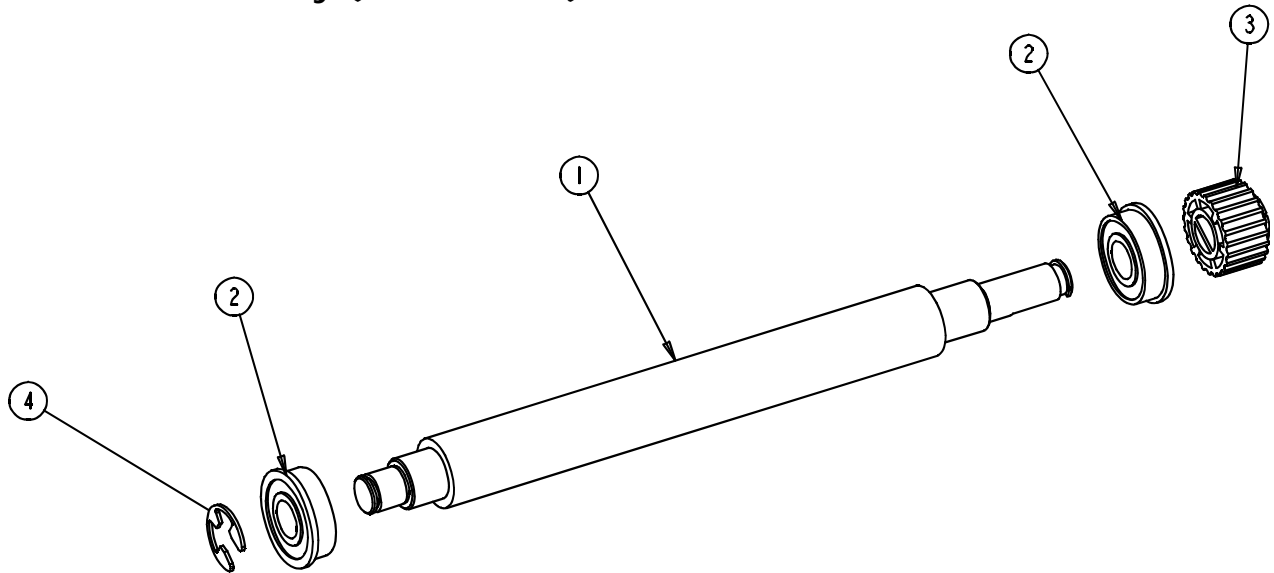
#	Part#	Description	Notes
1	13-2405-01	ROLLER PLATEN 4"	
2	17-3028-01	BEARING FLANGED 440C 3/8 X 7/8	
3	16-2903-01	PULLEY (WHITE) TIMING 23 TEETH	
4	DPO10-3021-07	(25PK) E-RING 3/8 TRUARC CRES	

**Platen Roller Assembly, Linerless Models only (15-3019-21)**



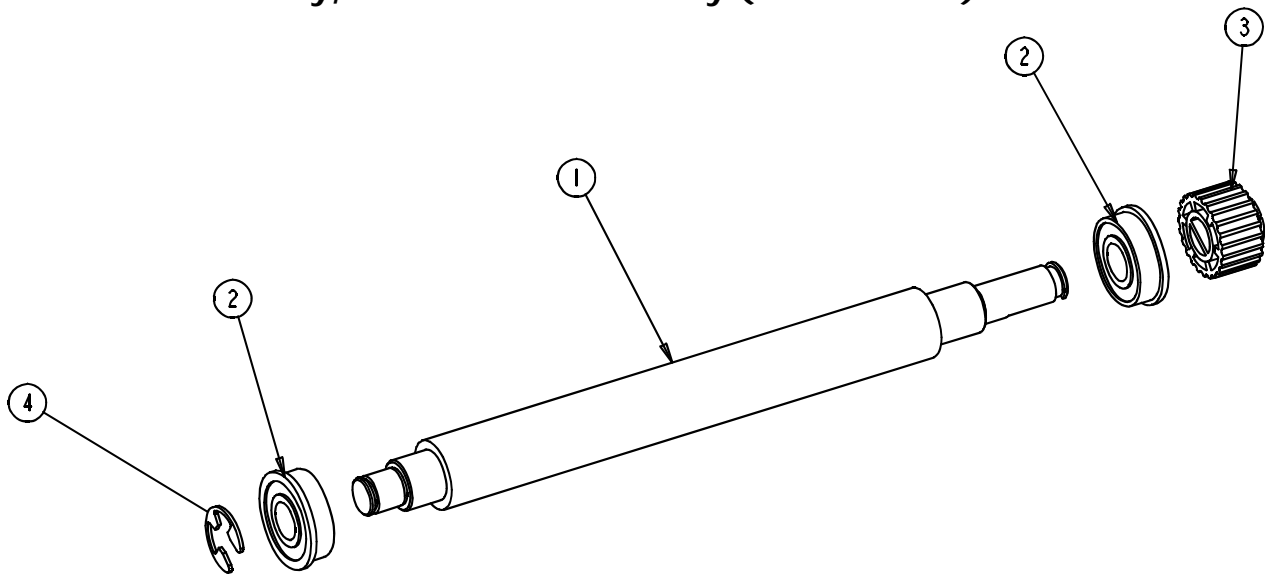
#	Part#	Description	Notes
1	13-2428-01	ROLLER PLATEN 4", LINERLESS	
2	17-3028-01	BEARING FLANGED 440C 3/8 X 7/8	
3	16-2903-01	PULLEY (WHITE) TIMING 23 TEETH	
4	DPO10-3021-07	(25PK) E-RING 3/8 TRUARC CRES	

**Peel Roller Assembly (15-3019-02)**



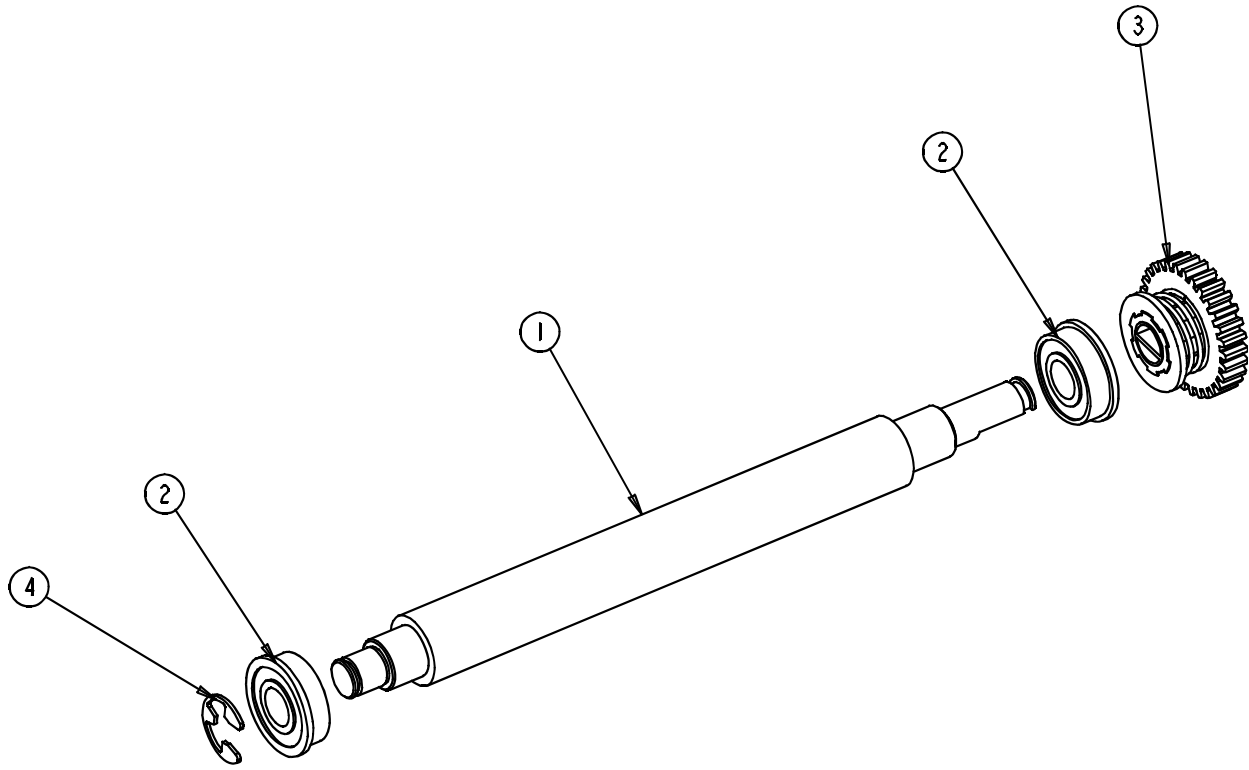
#	Part#	Description	Notes
1	13-2405-01	ROLLER PLATEN 4"	
2	17-3028-01	BEARING FLANGED 440C 3/8 X 7/8	
3	16-2904-01	PULLEY (BLACK) TIMING 22 TEETH	
4	DPO10-3021-07	(25PK) E-RING 3/8 TRUARC CRES	

**Peel Roller Assembly, Linerless Models only (15-3019-22)**



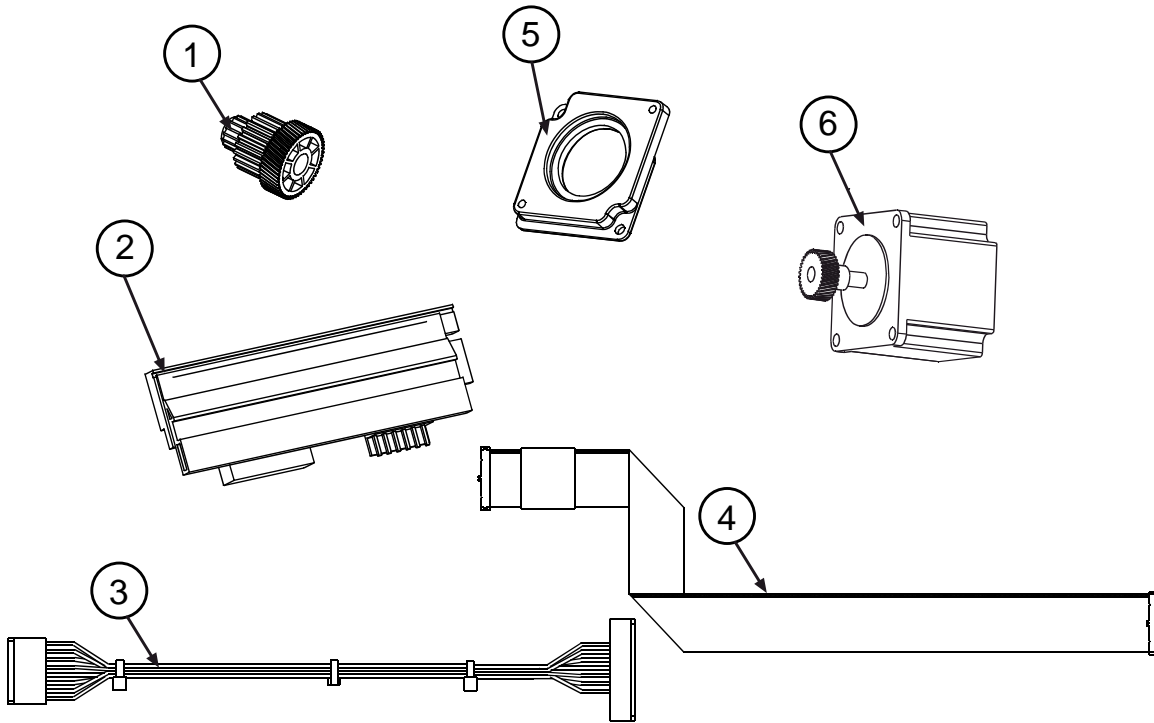
#	Part#	Description	Notes
1	13-2428-01	ROLLER PLATEN 4", LINERLESS	
2	17-3028-01	BEARING FLANGED 440C 3/8 X 7/8	
3	16-2904-01	PULLEY (BLACK) TIMING 22 TEETH	
4	DPO10-3021-07	(25PK) E-RING 3/8 TRUARC CRES	

Take-up Roller Assembly (15-3019-03)



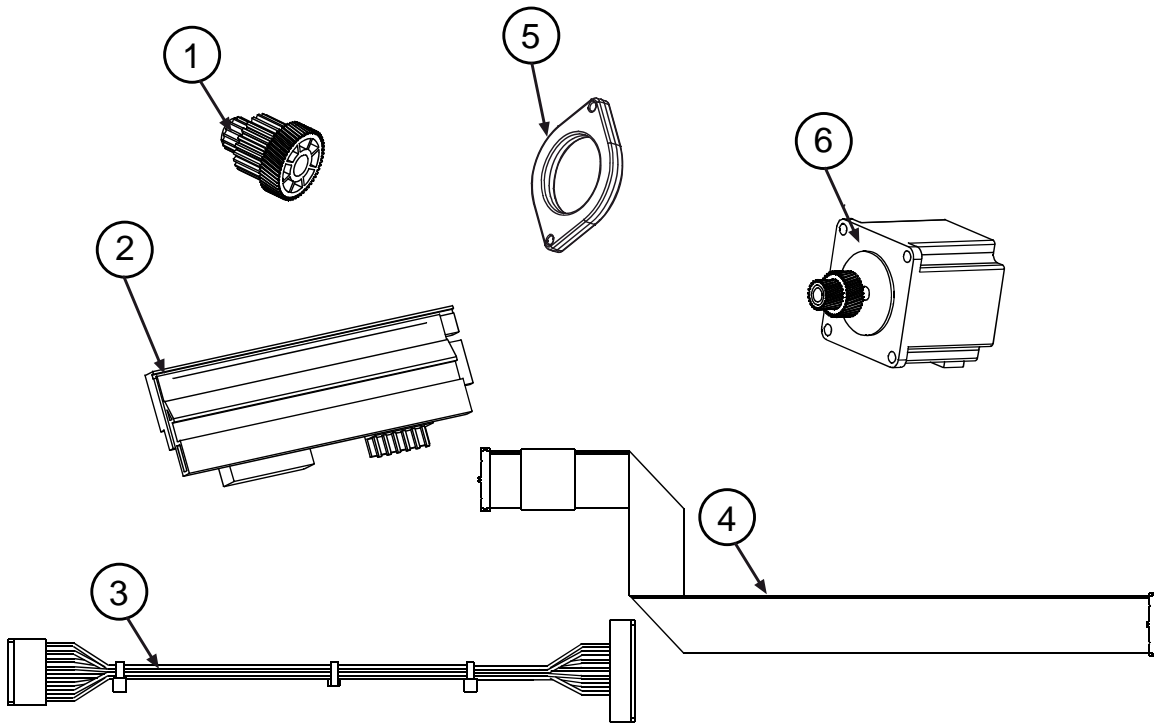
#	Part#	Description	Notes
1	13-2405-01	ROLLER PLATEN 4"	
2	17-3028-01	BEARING FLANGED 440C 3/8 X 7/8	
3	15-3020-01	CLUTCH RIBBON TAKE-UP	
4	DPO10-3021-07	(25PK) E-RING 3/8 TRUARC CRES	

Printhead / Pulley Kit, 203DPI



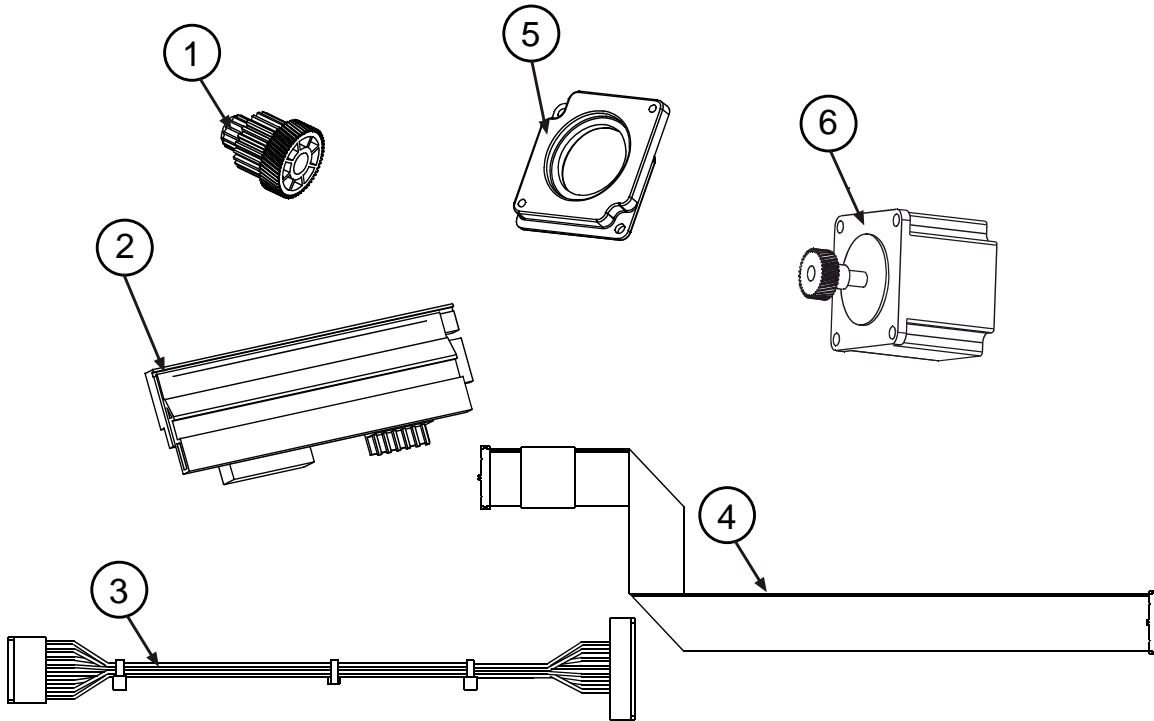
#	Part#	Description	Notes
1	15-3117-01	PULLEY COMPOUND 203DPI	
2	PHD20-2181-01	PRINTHEAD 203DPI, 4"	
3	32-2532-01	CABLE ASSY 4" PRINTHEAD PWR	
4	32-2533-01	CABLE ASSY PRINTHEAD DATA 4"	
5	12-3384-01	SPACER MOTOR MOUNTING RH	
6	24-2543-03	STEPPER MOTOR ASSEMBLY	

Printhead / Pulley Kit, 300DPI



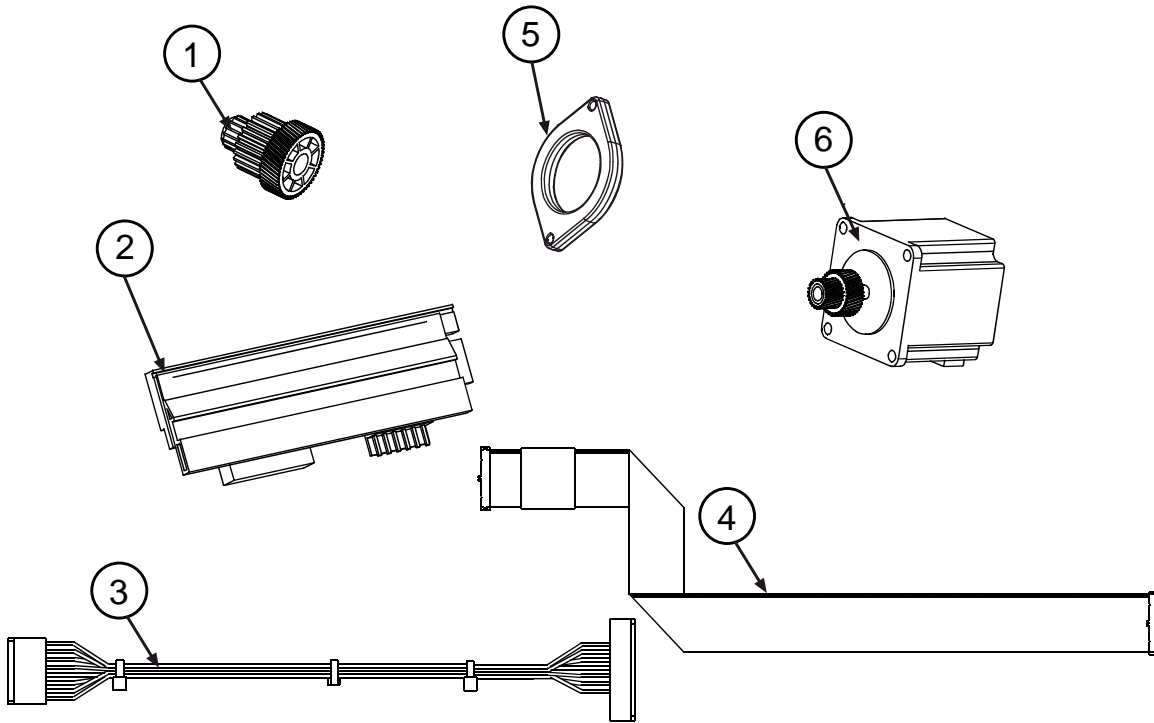
#	Part#	Description	Notes
1	15-3118-01	GEAR COMPOUND 300DPI	
2	PHD20-2182-01	PRINTHEAD 300 DPI, 4"	
3	32-2532-01	CABLE ASSY 4" PRINTHEAD PWR	
4	32-2533-01	CABLE ASSY PRINTHEAD DATA 4"	
5	12-3370-01	SPACER MOTOR MOUNTING	
6	24-2543-02	STEPPER MOTOR ASSEMBLY	

Printhead / Pulley Kit, 406DPI



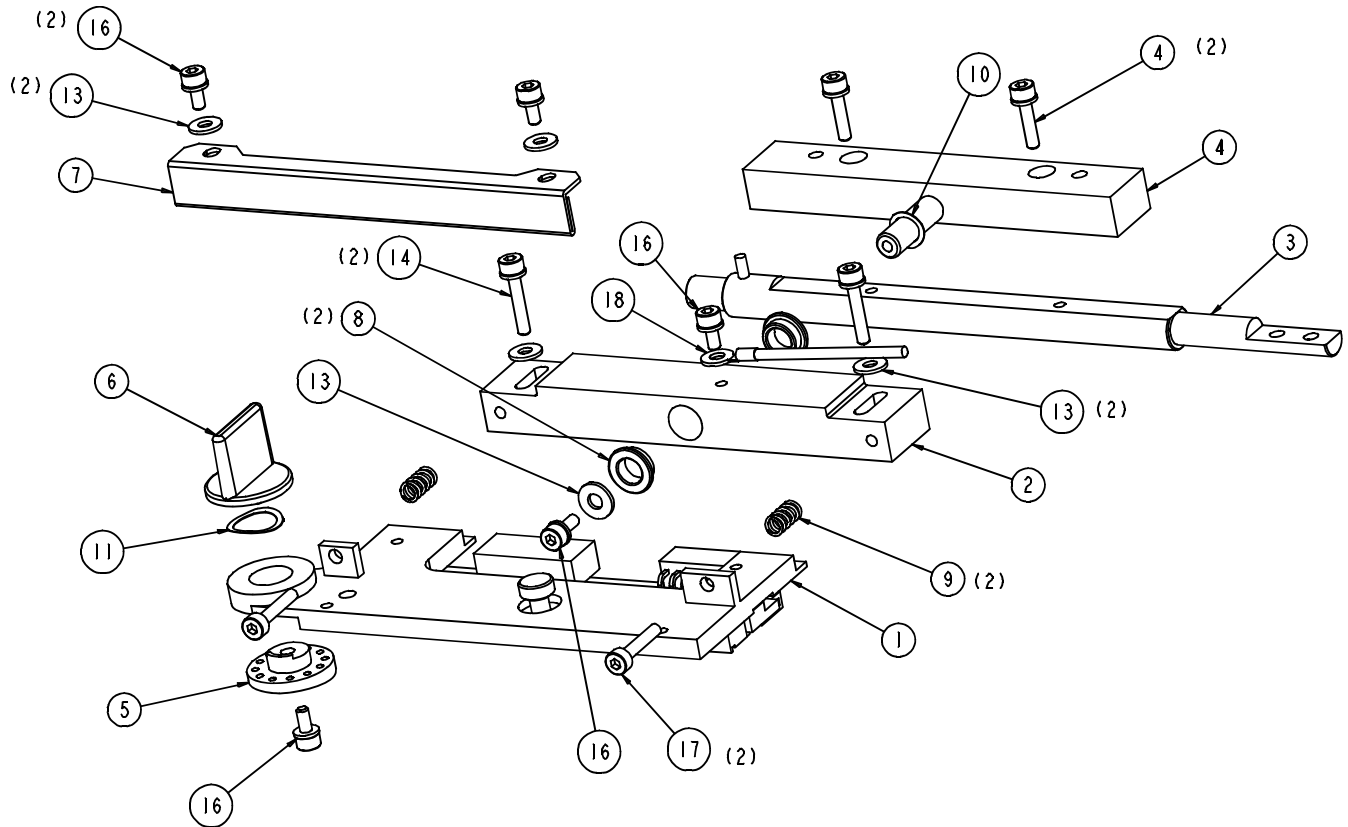
#	Part#	Description	Notes
1	15-3117-01	PULLEY COMPOUND 203DPI	
2	PHD20-2208-01	PRINTHEAD 406 DPI 4"	
3	32-2532-01	CABLE ASSY 4" PRINTHEAD PWR	
4	32-2533-01	CABLE ASSY PRINTHEAD DATA 4"	
5	12-3384-01	SPACER MOTOR MOUNTING RH	
6	24-2543-03	STEPPER MOTOR ASSEMBLY	

Printhead / Pulley Kit, 600DPI



#	Part#	Description	Notes
1	15-3118-01	GEAR COMPOUND 300DPI	
2	PHD20-2209-01	PRINTHEAD 600 DPI 6"	
3	32-2532-01	CABLE ASSY 4" PRINTHEAD PWR	
4	32-2533-01	CABLE ASSY PRINTHEAD DATA 4"	
5	12-3370-01	SPACER MOTOR MOUNTING	
6	24-2543-02	STEPPER MOTOR ASSEMBLY	

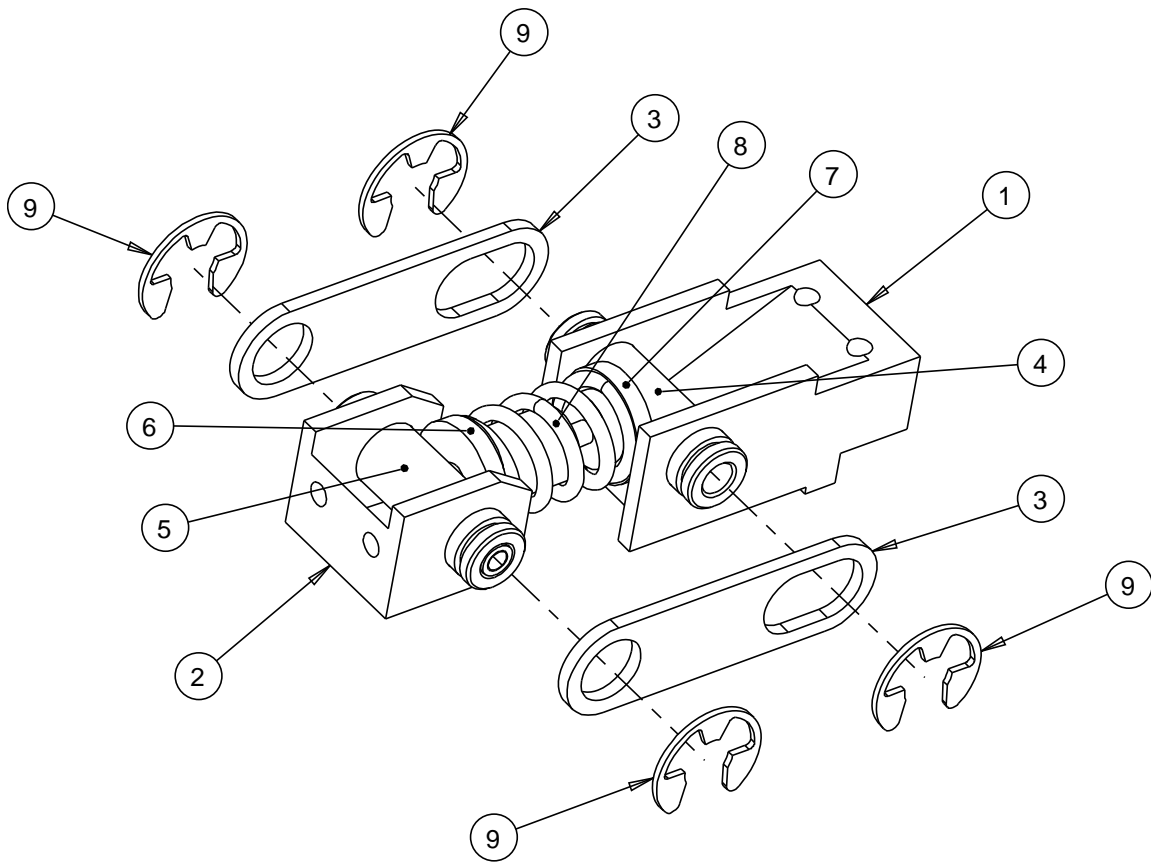
Printhead Assembly (15-2977-01)



#	Part#	Description	Notes
1	15-3102-01	ASSY, 4" RH PRINthead MOUNT	
2	12-3267-01	PIVOT 4" PRINthead	
3	12-3233-01	SHAFT PRINthead MOUNT	
4	12-3266-01	PLATE PRINthead ADAPTER	
5	DPO16-2906-01	(2PK) CAM NARROW MEDIA	
6	16-2907-01	KNOB NARROW MEDIA	
7	11-5552-01	SHIELD RIBBON 4"	
8	DPO899349	(10PK) BEARING - FLANGED .312	
9	17-3061-01	SPRING COMP .300ODX.045WD X.44LG	
10	DPO10-3084-01	(10PK) WASHER WAVE .312 ID CRES	
11	DPO10-3084-02	(10PK) WASHER WAVE .505 ID CRES	
13	DPO10-3018-04	(25PK) WASHER FLAT #8 CRES	
14	DPO10-3085-06	(25PK) SCREW SOC HD CAP W/ LW M4 X 20	
16	DPO10-3085-02	(25PK) SCREW SOC HD CAP W/ LW M4 X 8	
17	DPO10-3015-43	(10PK) SCREW SHC M4X20 CRES W/LKG COMP	
18	32-2528-01	GROUND STRAP	

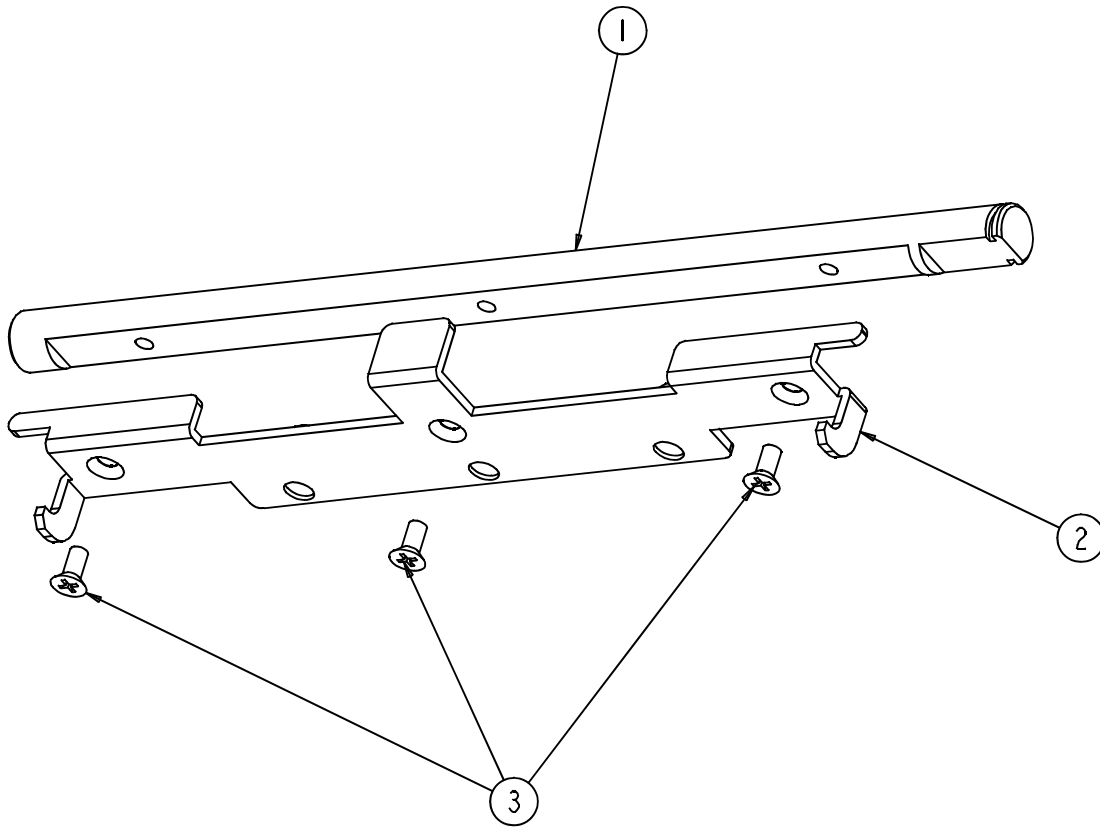


Printhead Pressure Assembly (15-3186-01)



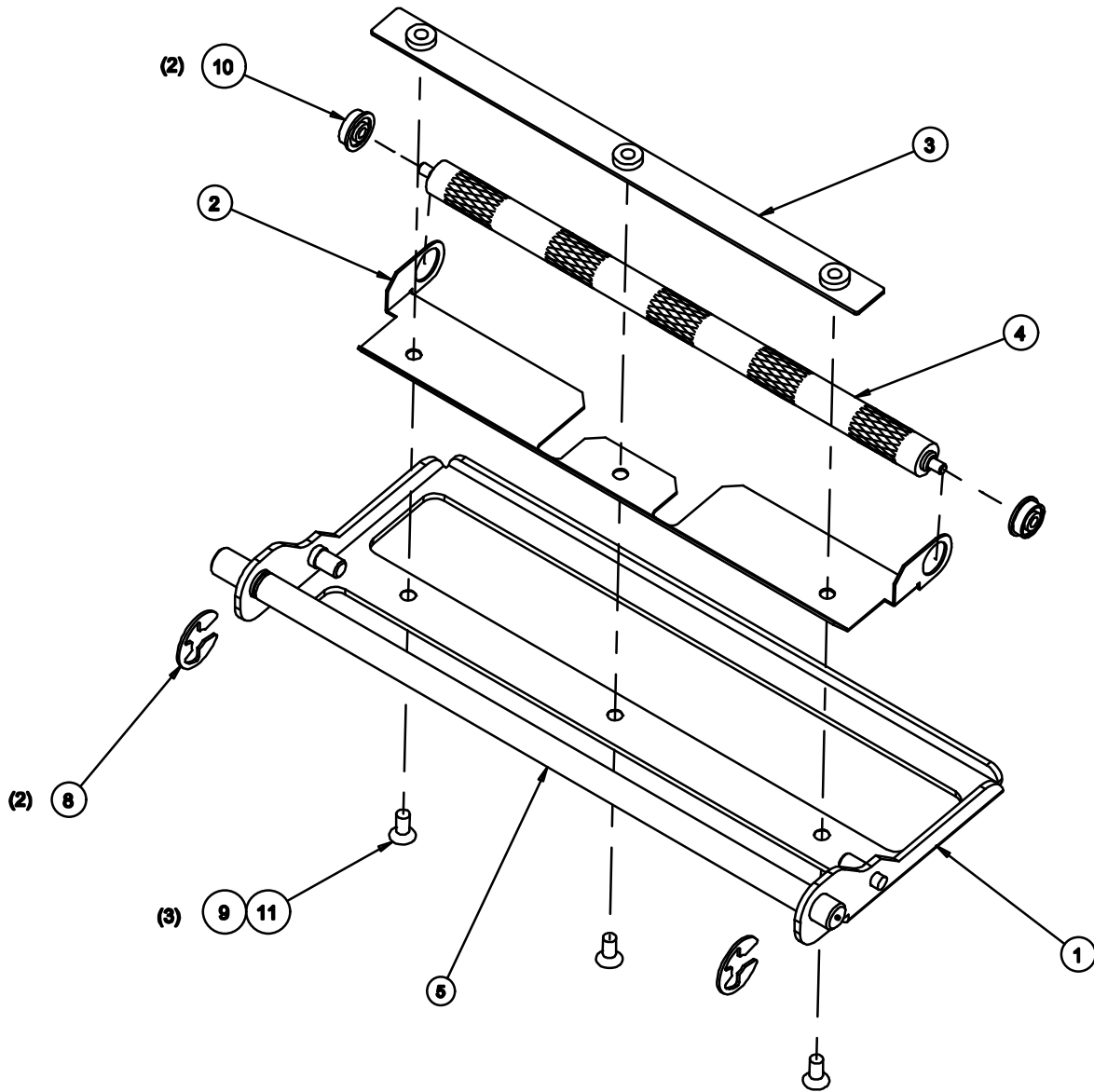
#	Part#	Description	Notes
1	12-3229-01	BRACKET, PRESSURE, LOWER	
2	12-3485-01	BRACKET, PRESSURE UPPER	
3	11-5537-01	RETAINER, PRINthead PRESSURE	
4	12-3486-01	SHAFT, PRINthead PRESSURE	
5	15-3187-01	ASSY, PIVOT PIN	
6	12-3353-01	SLIDE UPPER	
7	12-3354-01	SLIDE, LOWER	
8	17-3160-01	SPRING, COMPRESSION	
9	DPO10-3021-07	(25PK) E-RING 3/8 TRUARC CRES	

Latch Assembly 4" (15-2975-01)



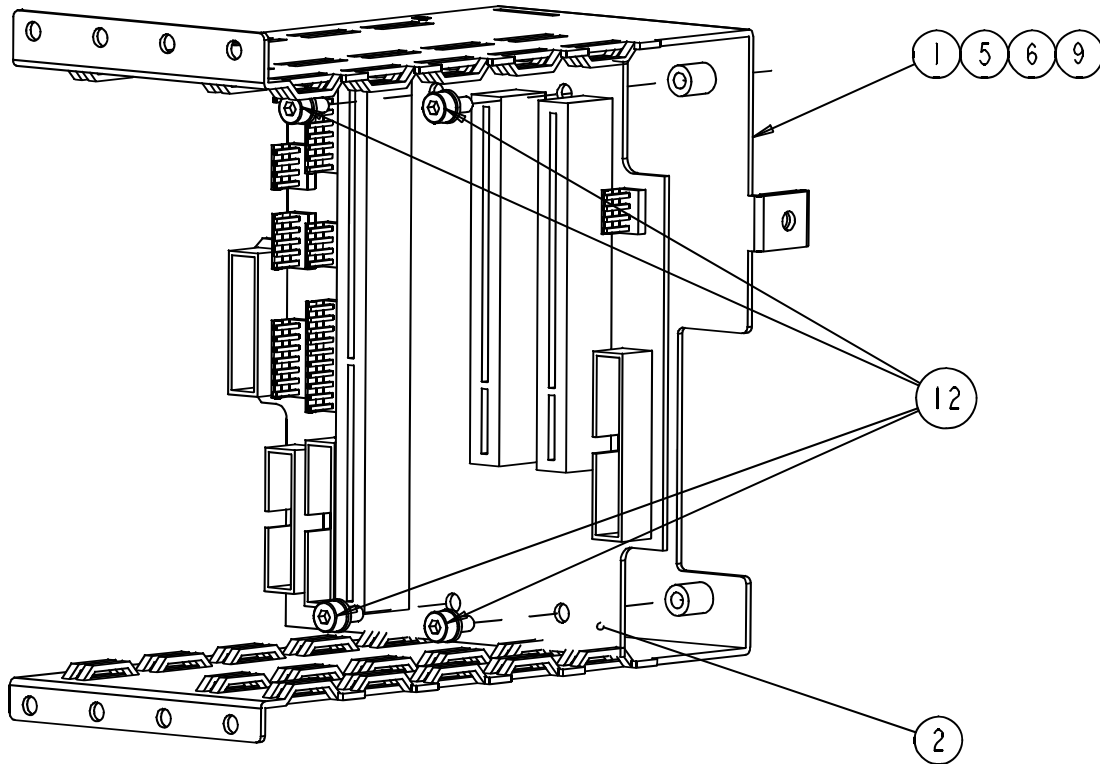
#	Part#	Description	Notes
1	11-5578-01	LATCH 4"	
2	12-3280-01	SHAFT LATCH PIVOT	
3	DPO10-3088-01	(25PK) SCREW FLATHEAD CRES M3 X 6	

Peel Assembly (15-2974-01)



#	Part#	Description	Notes
1	15-3183-01	ASSY 4" PINCH ROLLER FRAME	
2	11-5256-01	SPRING FLAT	
3	11-5599-01	SCREW PLATE 4"	
4	12-3295-01	ROLLER PINCH 4"	
5	12-2574-01	HINGE SHAFT 4"	
8	DPO10-3021-05	(20PK) E-RING 1/4 TRUARC CRES	
9	DPO10-3088-07	(25PK) SCREW FLATHEAD CRES M3 X 5	
10	17-2856-01	BEARING BALL FL .0937 X .3125	
11	--	LOCTITE 242	

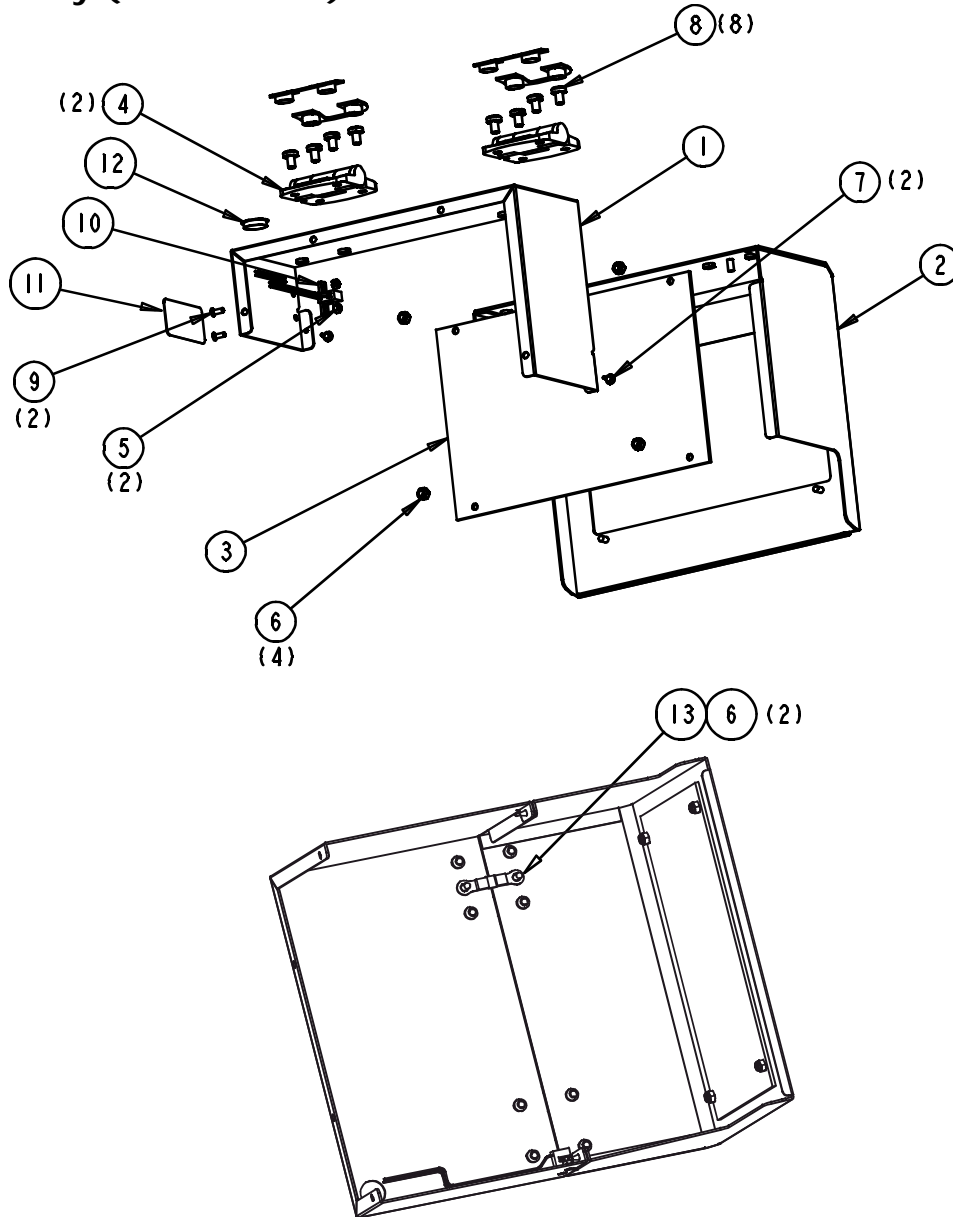
Card Cage Assembly (24-2569-01)



#	Part#	Description	Notes
1	11-5253-02	CARD CAGE	
2	51-2353-00	CCA BACKPLANE A-CLASS	
5	32-2530-01	CABLE ASSY BACK PLANE PWR (not shown)	
6	32-2531-01	CABLE ASSY MOTOR CONTROL (not shown)	
9	32-2540-01	CABLE ASSEMBLY GRAPHICS DISPLAY (not shown)	
12	DPO10-3085-04	(25PK) SCREW SOC HD CAP W/ LW M4 X 12	

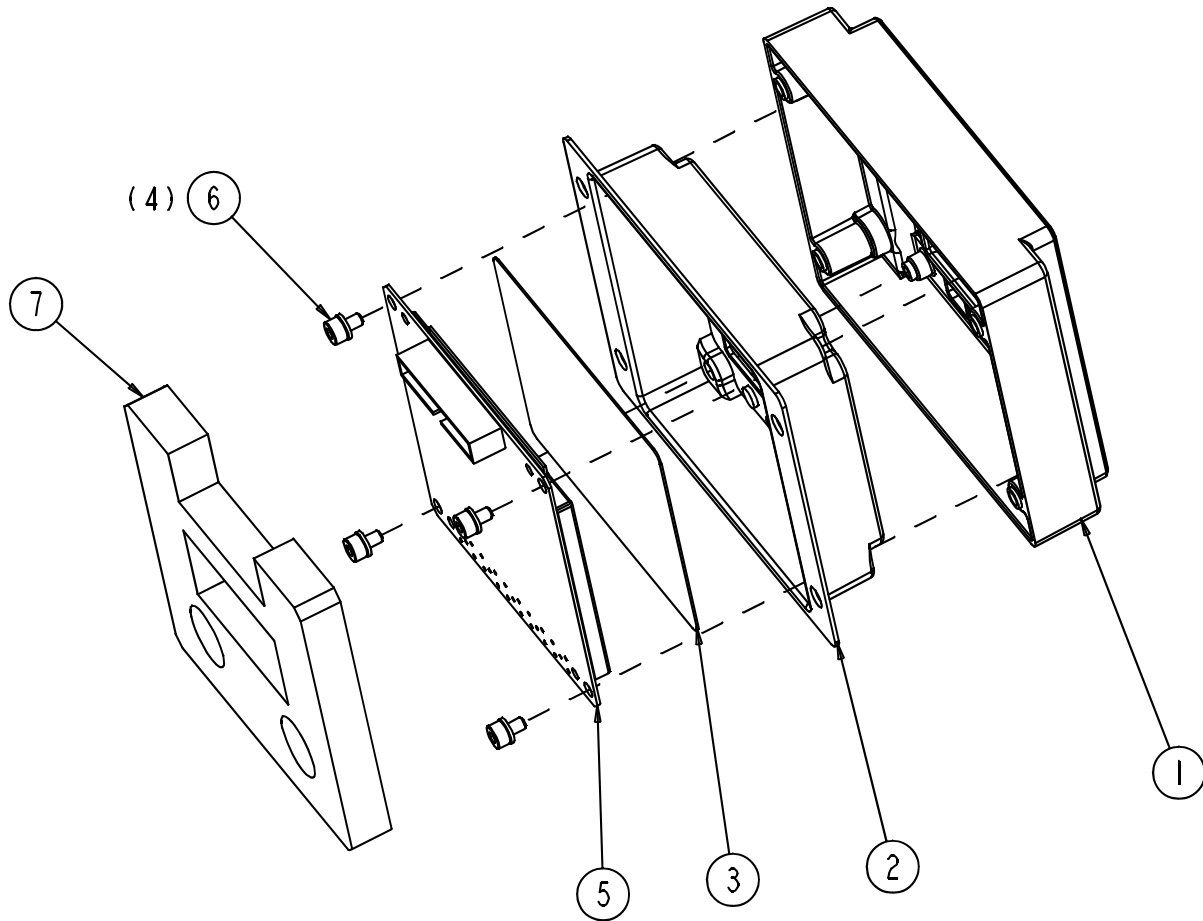
# A-Class Right Hand 6" Model Printer Assemblies

Cover Assembly (15-3021-02)



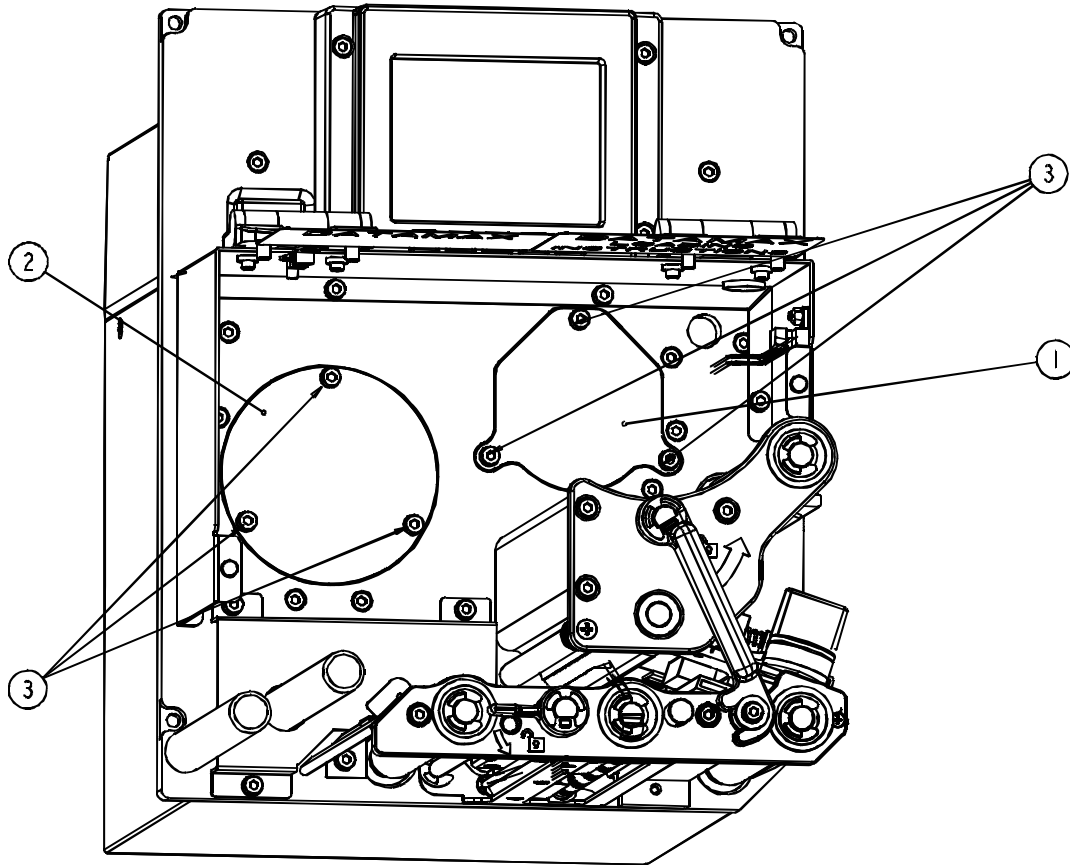
#	Part#	Description	Notes
1	11-5533-02	COVER INNER 6" RH	
2	11-5534-01	COVER OUTER RH	
3	16-2887-01	WINDOW	
4	17-3036-01	HINGE	
5	DPO10-3086-01	(25PK) NUT HEX SELF-LOCKING M3 CRES	
6	DPO10-3091-01	(50PK) NUT HEX SELF-LOCKING M4 CRES	
7	13-2392-01	BUMPER PULL THRU	
8	DPO10-3090-01	(50PK) SCREW PANHEAD M5 X 8 CRES	
9	DPO10-3088-02	(25PK) SCREW FLATHEAD CRES M3 X 8	
10	24-2618-01	CABLE ASSY COVER OPEN	
11	14-2835-01	LABEL WARNING	
12	17-3067-01	PLUG 5/8 HOLE	
13	32-2553-01	GROUND CABLE A-CLASS COVER	

Display Assembly (24-2605-01)



#	Part#	Description	Notes
1	12-3270-01	BEZEL DISPLAY	
2	16-2916-01	KEYPAD 5 BUTTON	
3	16-2961-01	COVER LCD	
5	45-2021-01	DISPLAY GRAPHICS 320X240	
6	DPO10-3085-02	(25PK) SCREW SOC HD CAP W/ LW M4 X 8	
7	13-2425-01	FILLER CONTROL PANEL BOOT	

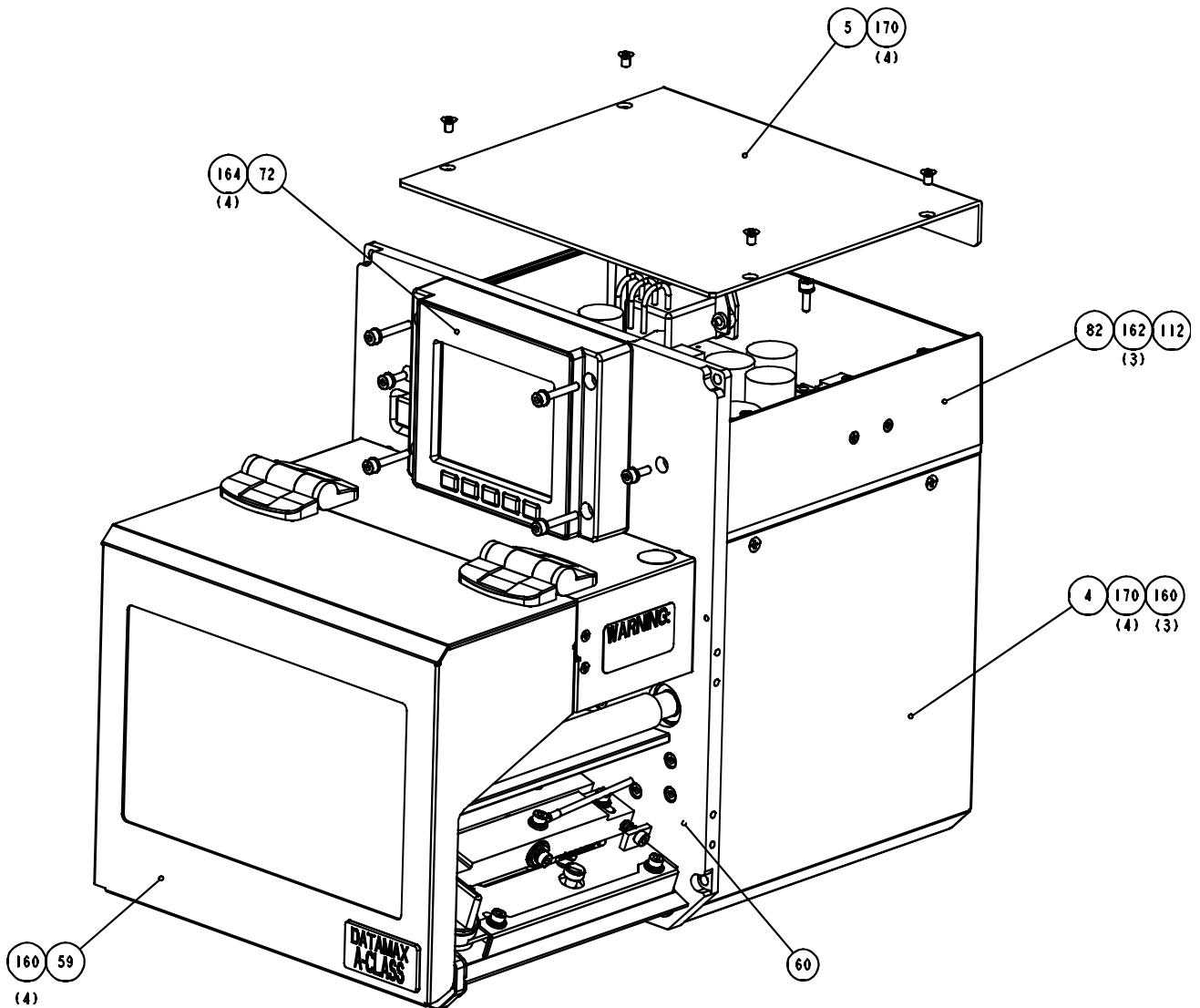
Direct Thermal (78-2474-01)



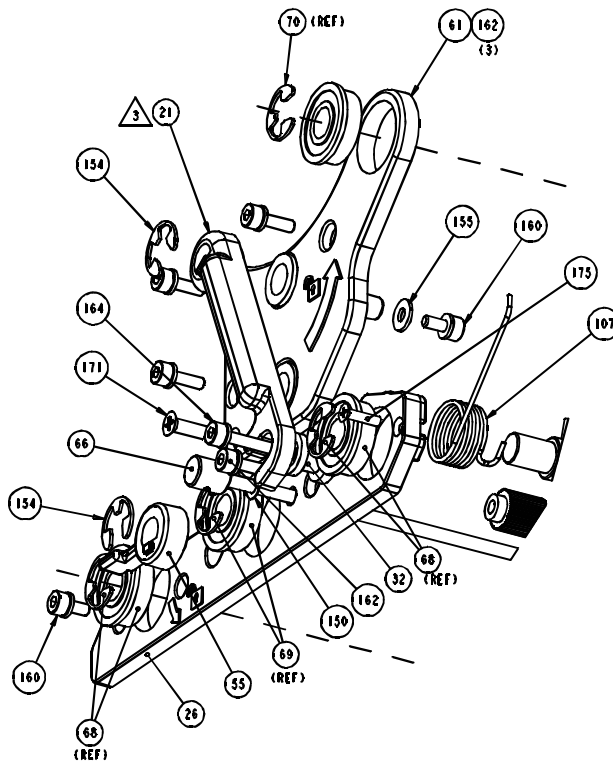
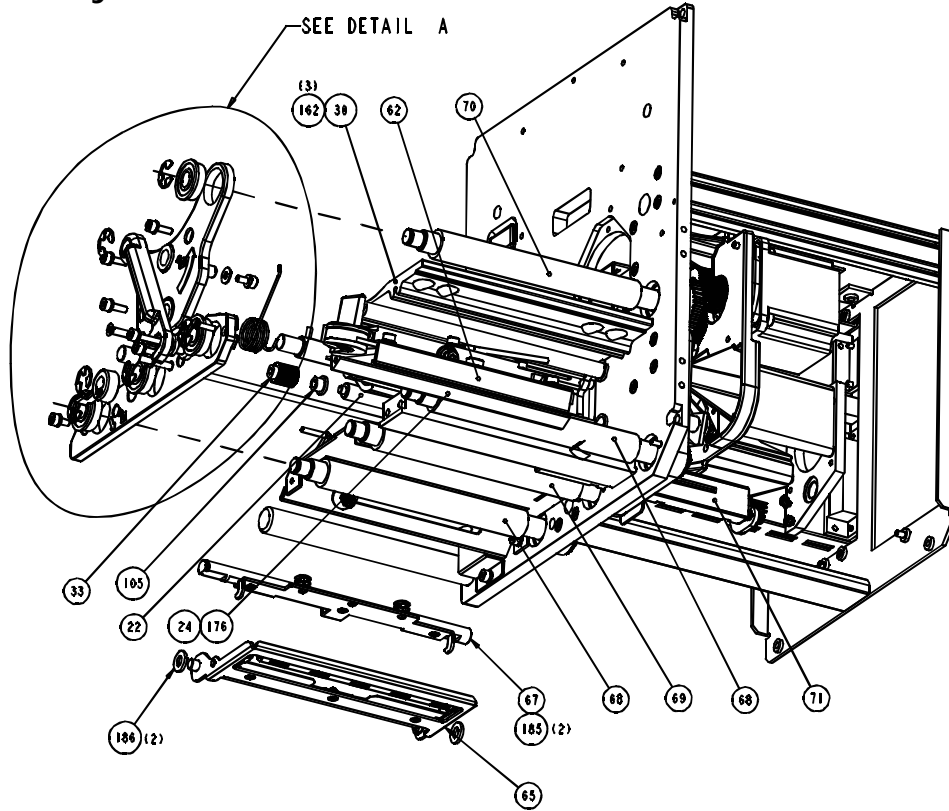
#	Part#	Description	Notes
1	11-5584-01	COVER RIBBON TAKE-UP	
2	11-5585-01	COVER RIBBON SUPPLY	
3	DPO10-3085-02	(25PK) SCREW SOC HD CAP W/ LW M4 X 8	



Printer Assembly 1 of 6

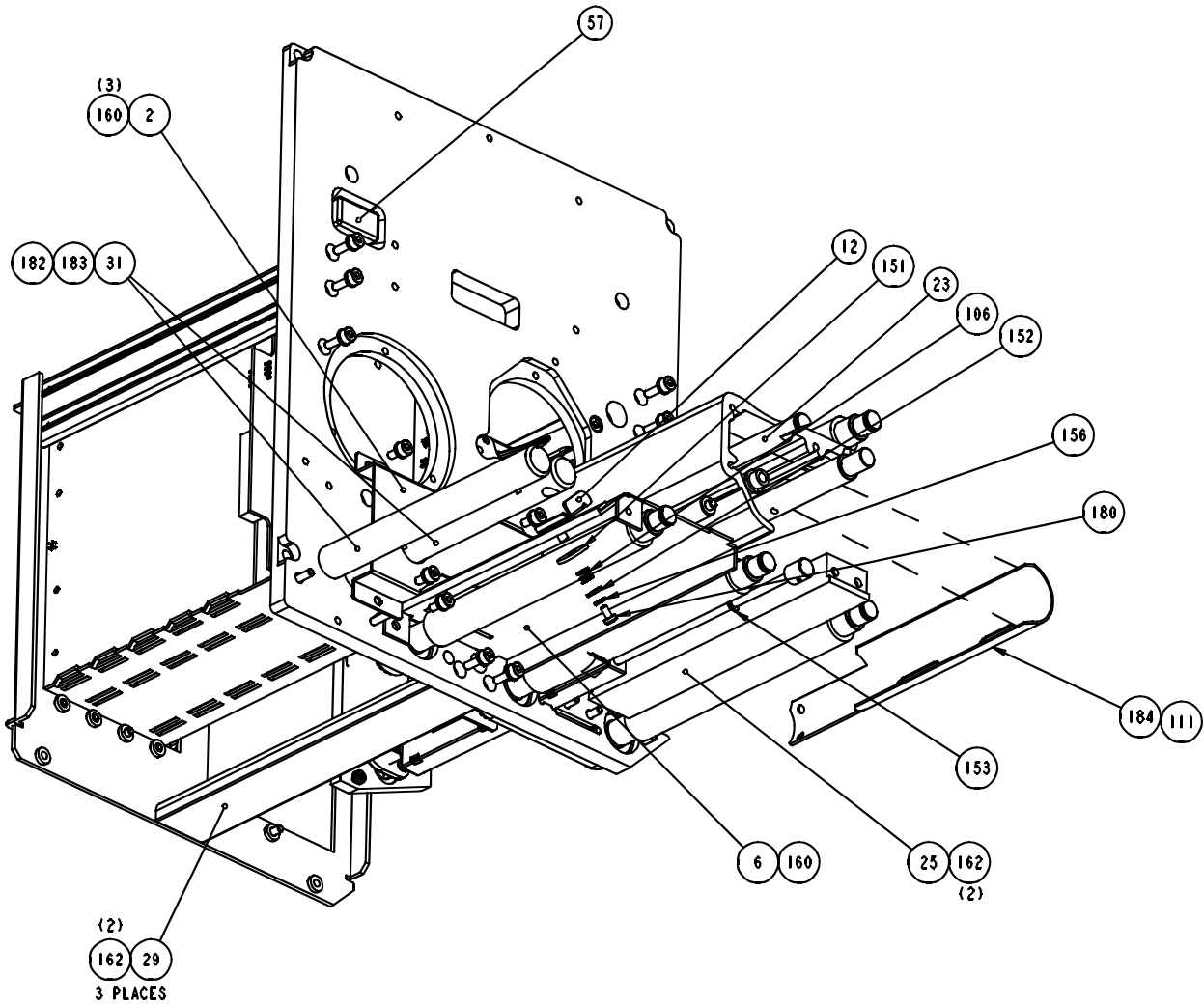


Printer Assembly 2 of 6

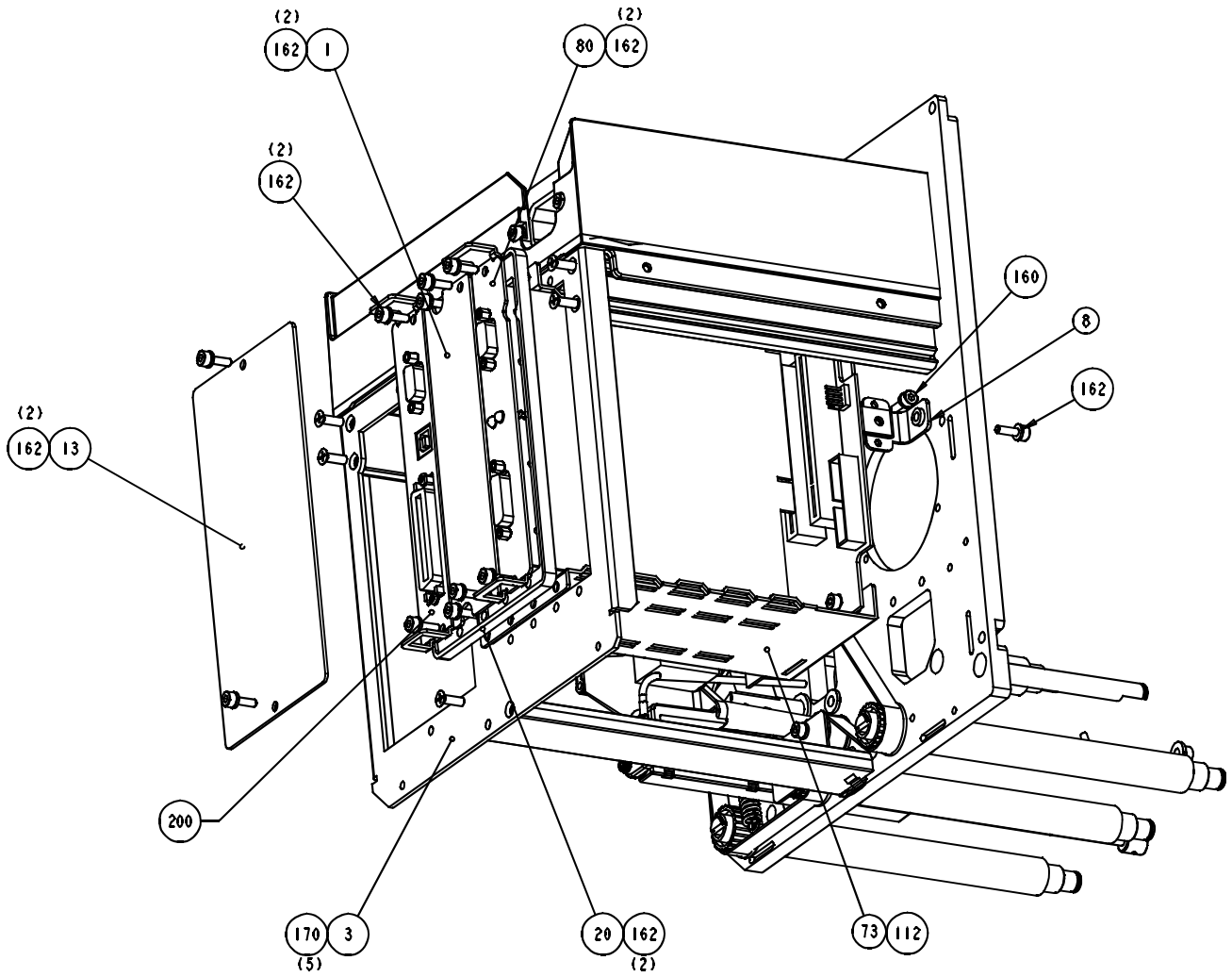


DETAIL A

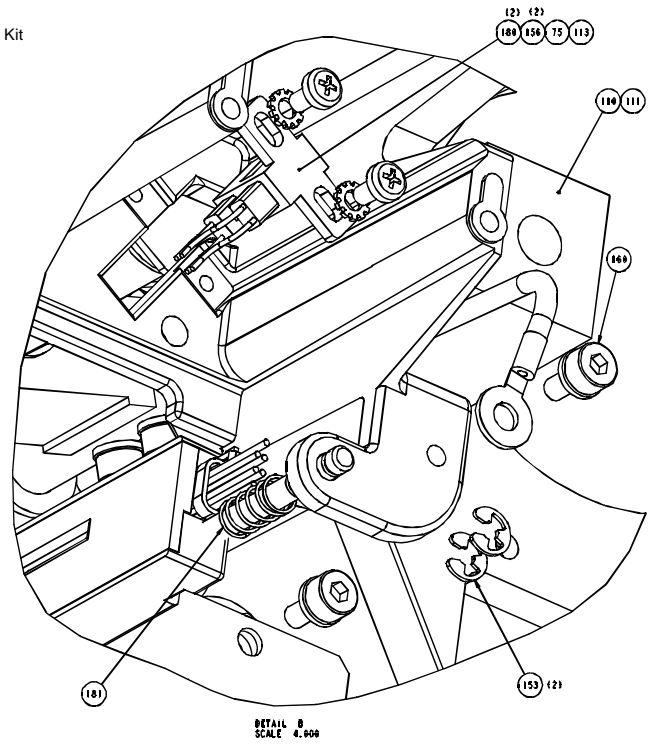
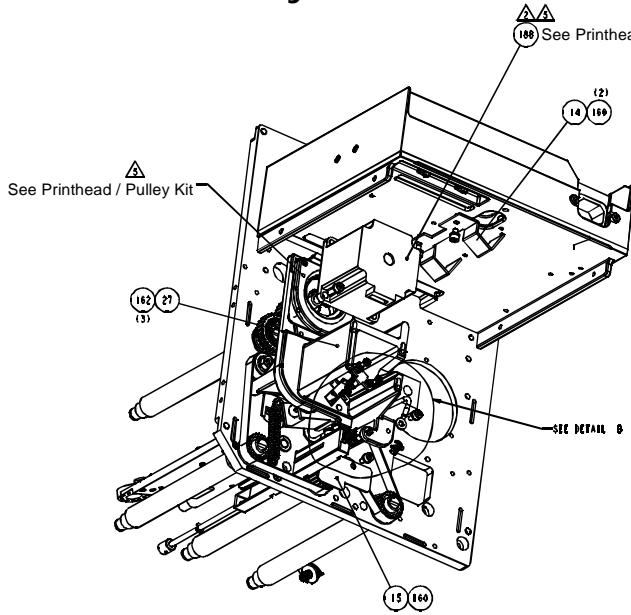
Printer Assembly 3 of 6



Printer Assembly 4 of 6

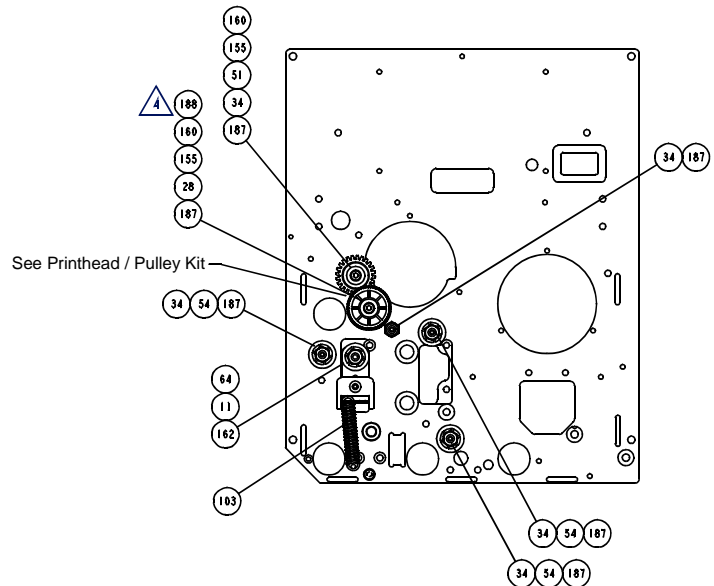
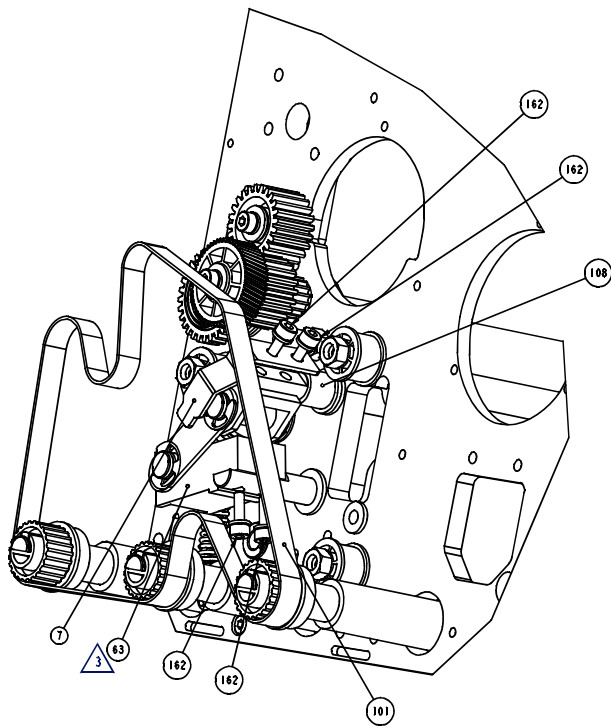


Printer Assembly 5 of 6



- 2 Apply Item 188 to the motor gear.
- 5 Position Motor Spacer and Motor so helical gears are tightly meshed.

Printer Assembly 6 of 6



- 3 Handle must rotate freely. Loosen screws that mount Item 63, raise and lower handle, then tighten screws.
- 4 Add Item 188 to Item 28 prior to installing compound gear.

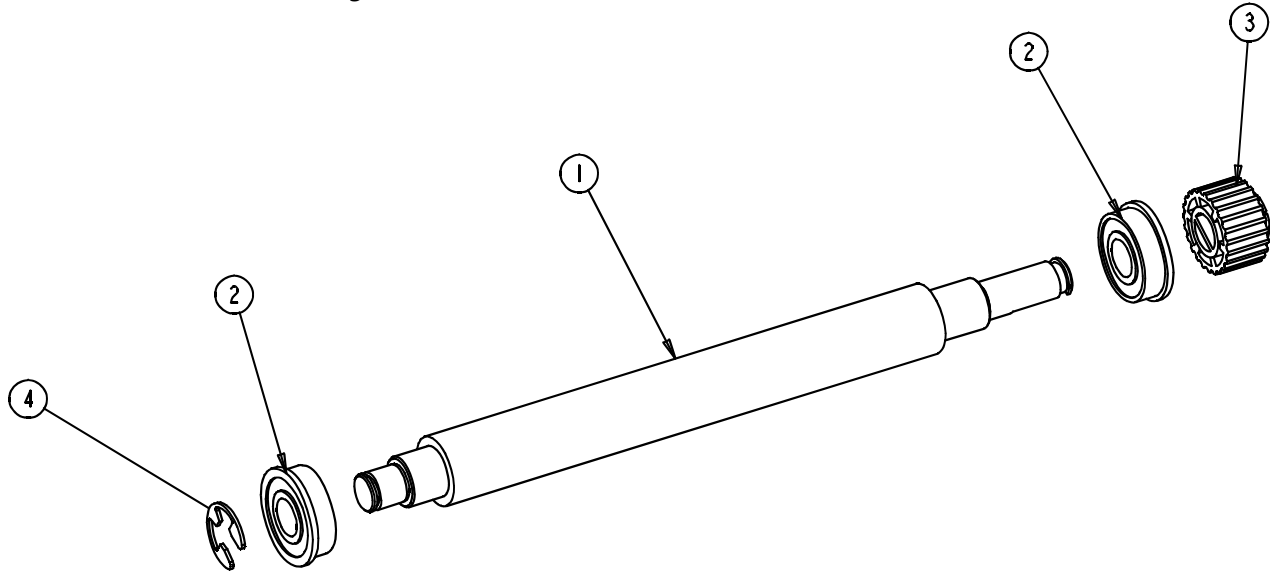
## Printer Assemblies 1 - 6

#	Part#	Description	Notes
1	11-5279-01	PLATE COVER EXPANSION	
2	11-5528-01	PLATE GUIDE MEDIA RH	
3	11-5529-03	PLATE REAR RH	
4	11-5530-01	COVER REAR	
5	11-5531-01	COVER TOP	
6	11-5532-02	PLATE LOWER 6" RH	
7	11-5556-01	FLAG PH OPEN	
8	11-5577-01	SUPPORT CARD CAGE	
11	11-5570-01	PLATE NUT	
12	11-5536-01	GUIDE MEDIA ADJUSTABLE RH	
13	11-5427-01	PLATE COVER	
14	11-5602-01	BRACKET RETAINER CABLE	
15	11-5603-01	COVER CABLE	
20	12-2958-01	PLATE MOUNTING REAR	
21	12-3255-01	HANDLE LATCH RH	
22	12-3052-03	SHAFT RIBBON IDLER 6"	
23	12-3217-02	SHAFT LATCH PRINTHEAD 6"	
24	12-3488-02	BAR PEEL 6"	
25	12-3244-02	BLOCK SUPPORT PLATEN 6"	
26	12-3214-01	PLATE SIDE LOWER RH 6"	
27	12-3286-01	BRACKET SUPPORT MOTOR RH	
28	12-3432-01	POST IDLER	
29	12-3221-01	BLOCK SUPPORT REAR	
30	12-3215-02	SUPPORT CENTER 6"	
31	12-3254-02	POST MEDIA 6"	
32	12-3282-01	POST LATCH	
33	12-3051-01	CAM IDLER RIBBON	
34	12-3219-01	POST ILDER	
51	16-2935-01	GEAR IDLER	
54	15-3119-01	ASSEMBLY, PULLEY	
55	16-2924-02	HANDLE LATCH RH	
57	16-2950-01	COVER SWITCH - PROTECTIVE	
59	15-3021-02	COVER ASSEMBLY 6" RH	
60	15-3005-01	CENTERPLATE ASSEMBLY RH	
61	15-3015-01	UPPER SIDE PLATE ASSY RH	
62	15-2977-02	ASSY 6" RH PRINTHEAD	
63	15-3186-02	PH PRESS ASSY 6" RH	
64	15-2970-01	TENSION ASSY	
65	15-2974-02	PINCH ROLLER ASSEMBLY 6" RH	
66	15-2976-02	ASSY THREADED ROD 6"	
67	15-2975-02	LATCH ASSEMBLY 6"	
68	15-3019-11	PLATEN ROLLER ASSY 6" MAIN	
69	15-3019-12	PLATEN ROLLER ASSY 6" PEEL	
70	15-3019-13	PLATEN ROLLER ASSY 6" TAKE-UP	

## Printer Assemblies 1 - 6 (continued)

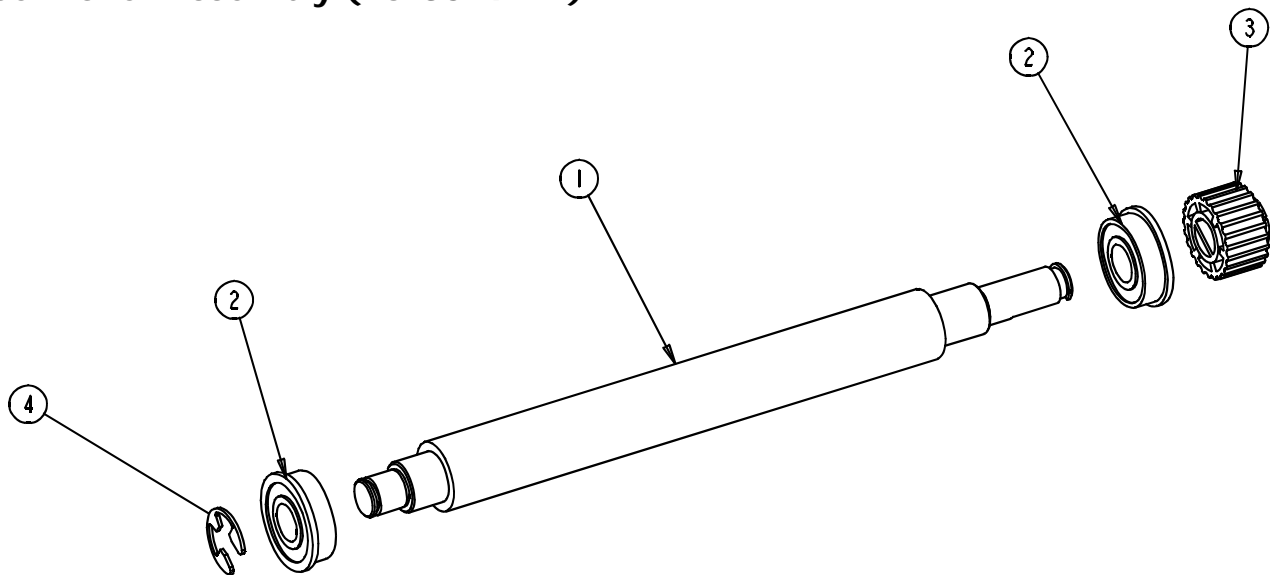
#	Part#	Description	Notes
71	DPO24-2604-01	(2PK) MEDIA SENSOR ASSEMBLY	
72	24-2605-01	DISPLAY ASSEMBLY	
73	24-2569-01	CARD CAGE ASSEMBLY A-CLASS 4"	
75	24-2619-01	CABLE ASSY HEAD UP SENSOR	
80	DPO51-2404-10	(1/PK) CCA, Applicator	
82	24-2617-01	POWER SUPPLY ASSEMBLY	
101	17-2987-01	BELT TIMING 184 TEETH 3MM HTD	
103	17-3094-01	SPRING EXTENSION	
105	DPO17-2816-01	(10PK) BUSHING FLANGED.1895 ID .314OD 1/4L	
106	17-3064-01	SPRING COMP .24 ODX.032WD X .375LG	
107	17-3078-01	SPRING TORSION RH 6"	
108	17-3011-01	BUSHING FLANGED FF-520-5	
110	44-2060-01	ASSY FERRITE	
111	--	TYWRAP 8"	
112	--	TIE TWIST LOCK	
113	--	TYWRAP 4"	
150	DPO899325	(50PK) SPACER	
151	DPO899294	(20PK) PLATE - BEARING	
152	DPO10-2518-01	(50PK) WASHER FLAT SS	
153	DPO10-3021-03	(25PK) RING RETAINING 5/32 CRES	
154	DPO10-3021-07	(25PK) E-RING 3/8 TRUARC CRES	
155	DPO10-3018-04	(25PK) WASHER FLAT #8 CRES	
156	DPO10-3093-01	(25PK) WASHER M3 EXT TOOTH LOCK CRES	
160	DPO10-3085-02	(25PK) SCREW SOC HD CAP W/ LW M4 X 8	
162	DPO10-3085-04	(25PK) SCREW SOC HD CAP W/ LW M4 X 12	
164	DPO10-3085-07	(25PK) SCREW SOC HD CAP W/ LW M4 X 25	
170	DPO10-3066-01	(25PK) SCREW FLAT HEAD SS M4 X 6	
171	DPO10-3066-04	(25PK) SCREW FLAT HEAD SS M4 X 12	
175	DPO10-3088-04	(25PK) SCREW FLATHEAD CRES M3 X 12	
176	DPO10-3088-05	(25PK) SCREW FLATHEAD CRES M3 X 14	
180	DPO10-3092-01	(25PK) SCREW PHP M3 X 6MM CRES	
181	17-3046-01	SPRING COMPRESSION	
182	DPO10-3096-03	(50PK) WASHER SPLIT LOCK M5 CRES	
183	DPO10-3097-01	(20PK) SCREW SOCKET HD SET M5 X 12 CRES	
184	13-2422-02	RETAINER PRINT HD CABLE 6"	
185	17-3065-01	SPRING COMP .36 ODX.035 WD X .75LG	
187	DPO10-3085-14	(25PK) SCREW SHC W/ LK COMP M4 X 12	
188	--	GREASE SILCONE	
200	DPO51-2342-05	Main Board, A-6212, 4MB	
	DPO51-2342-15	Main Board, A-6212, 8MB	
	DPO51-2342-06	Main Board, A-6310, 4MB	
	DPO51-2342-16	Main Board, A-6310, 8MB	

**Platen Roller Assembly (15-3019-11)**



#	Part#	Description	Notes
1	13-2405-02	ROLLER PLATEN 6"	
2	17-3028-01	BEARING FLANGED 440C 3/8 X 7/8	
3	16-2903-01	PULLEY (WHITE) TIMING 23 TEETH	
4	DPO10-3021-07	(25PK) E-RING 3/8 TRUARC CRES	

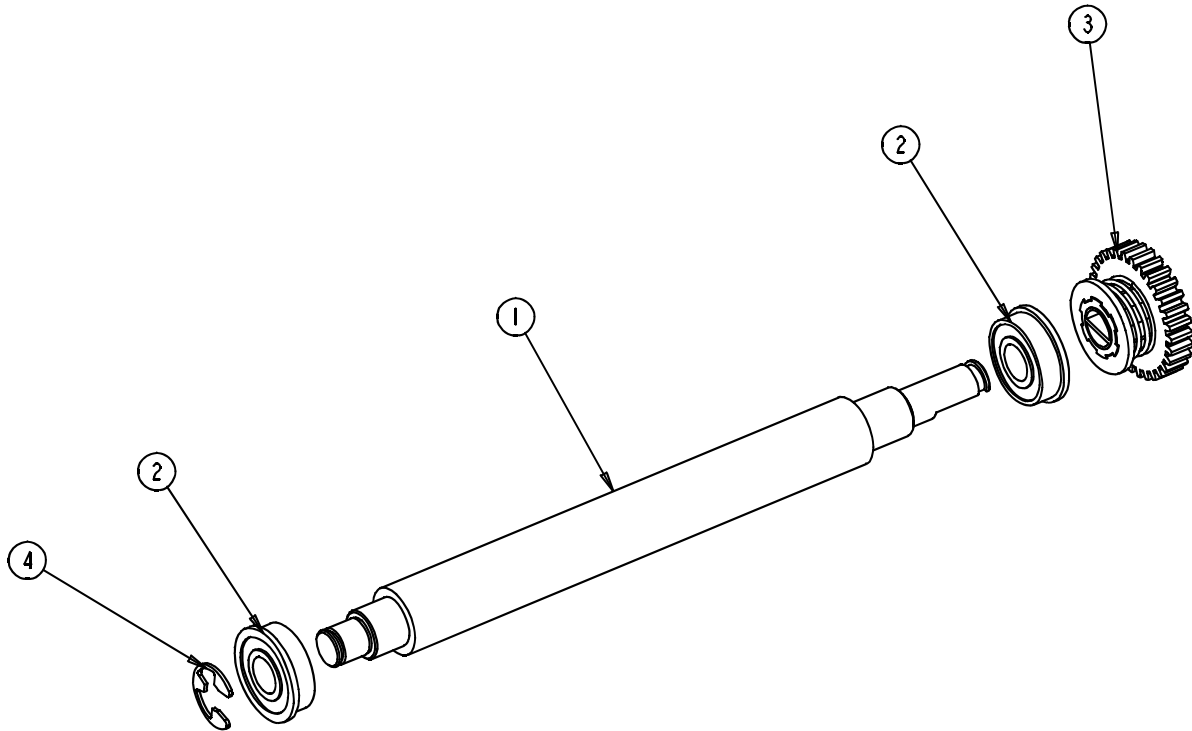
**Peel Roller Assembly (15-3019-12)**



#	Part#	Description	Notes
1	13-2405-02	ROLLER PLATEN 6"	
2	17-3028-01	BEARING FLANGED 440C 3/8 X 7/8	
3	16-2904-01	PULLEY (BLACK) TIMING 22 TEETH	
4	DPO10-3021-07	(25PK) E-RING 3/8 TRUARC CRES	

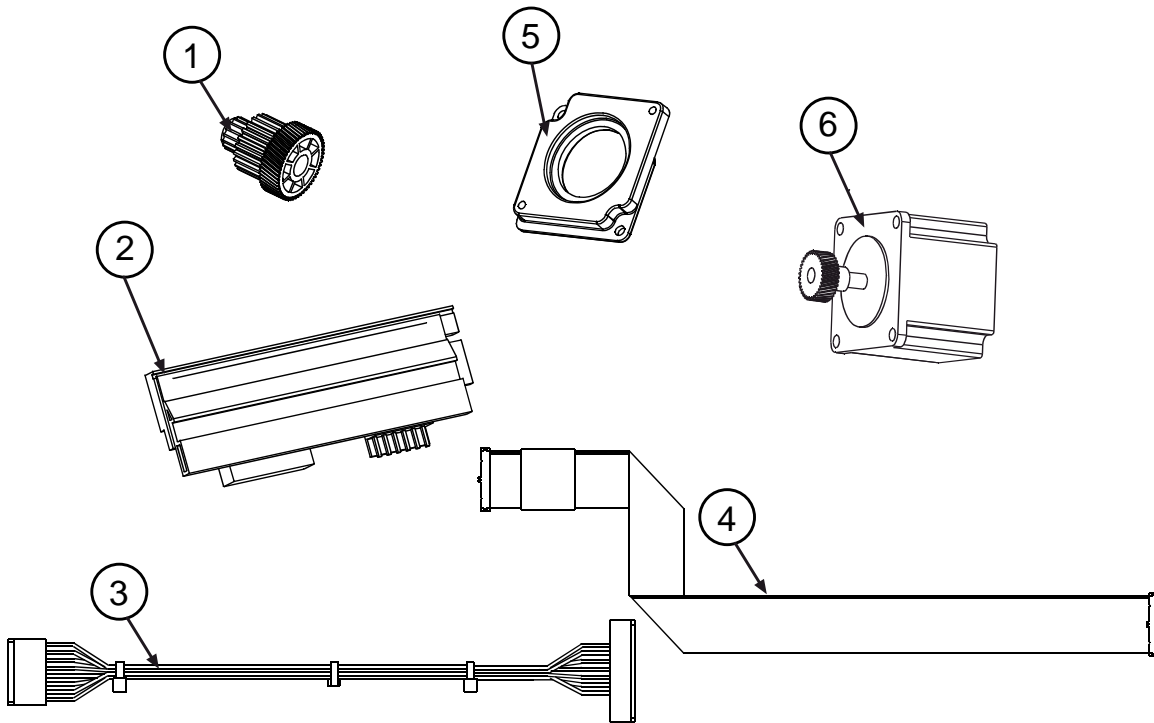


Take-up Roller Assembly (15-3019-13)



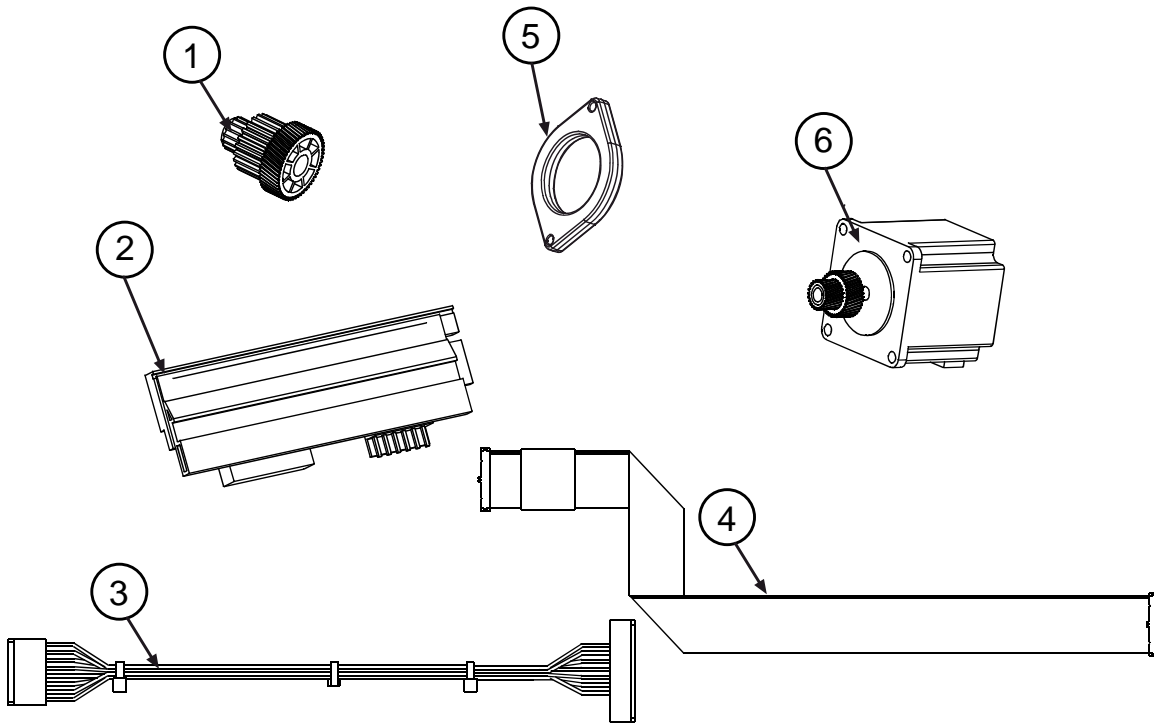
#	Part#	Description	Notes
1	13-2405-02	ROLLER PLATEN 6"	
2	17-3028-01	BEARING FLANGED 440C 3/8 X 7/8	
3	15-3020-01	CLUTCH RIBBON TAKE-UP	
4	DPO10-3021-07	(25PK) E-RING 3/8 TRUARC CRES	

Printhead / Pulley Kit, 203DPI



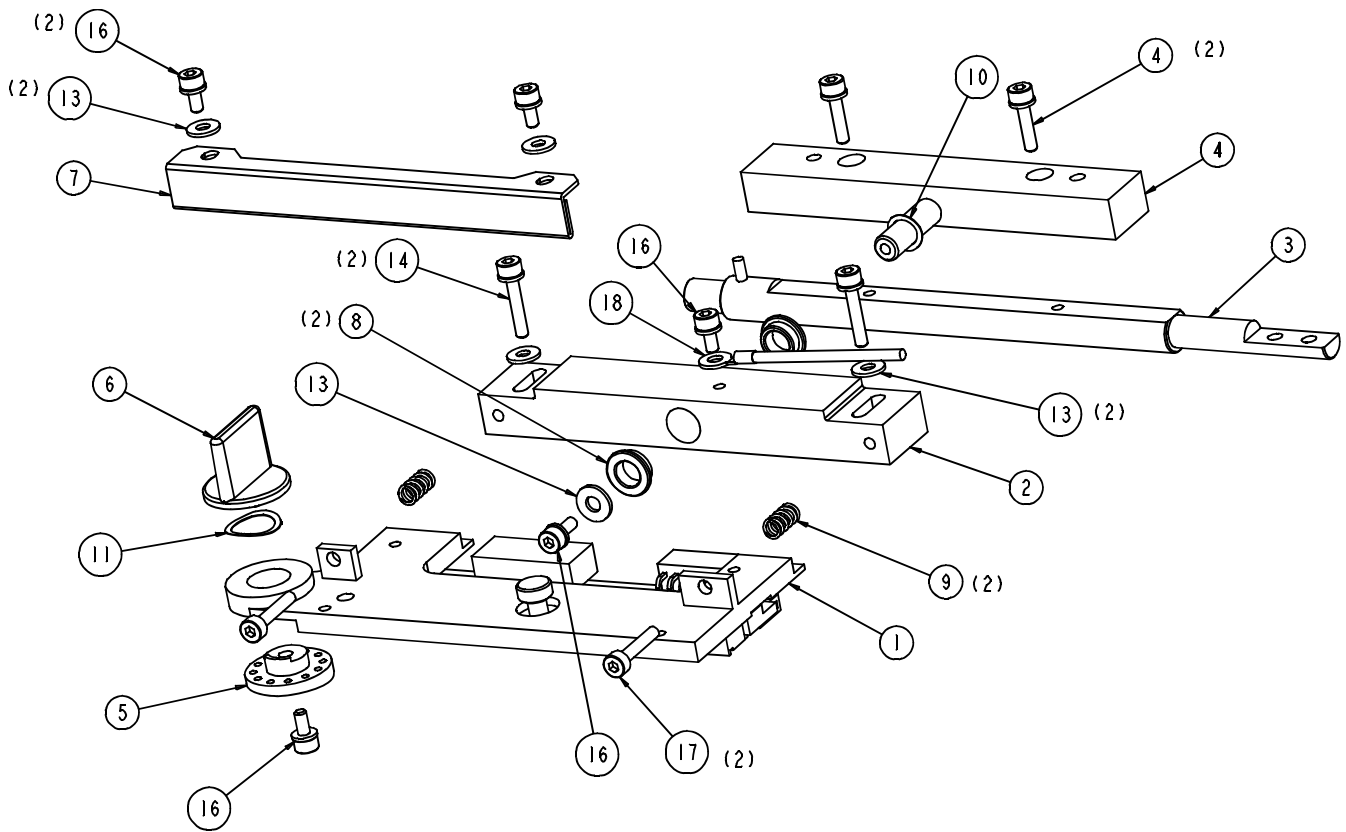
#	Part#	Description	Notes
1	15-3117-01	PULLEY COMPOUND 203DPI	
2	PHD20-2164-01	PRINthead 203 DPI 6"	
3	32-2535-01	CABLE ASSY PRINthead DATA 6" 203	
4	32-2534-02	CABLE ASSY 6" PRINthead PWR	
5	12-3384-01	SPACER MOTOR MOUNTING RH	
6	24-2543-03	STEPPER MOTOR ASSEMBLY	

Printhead / Pulley Kit, 300DPI



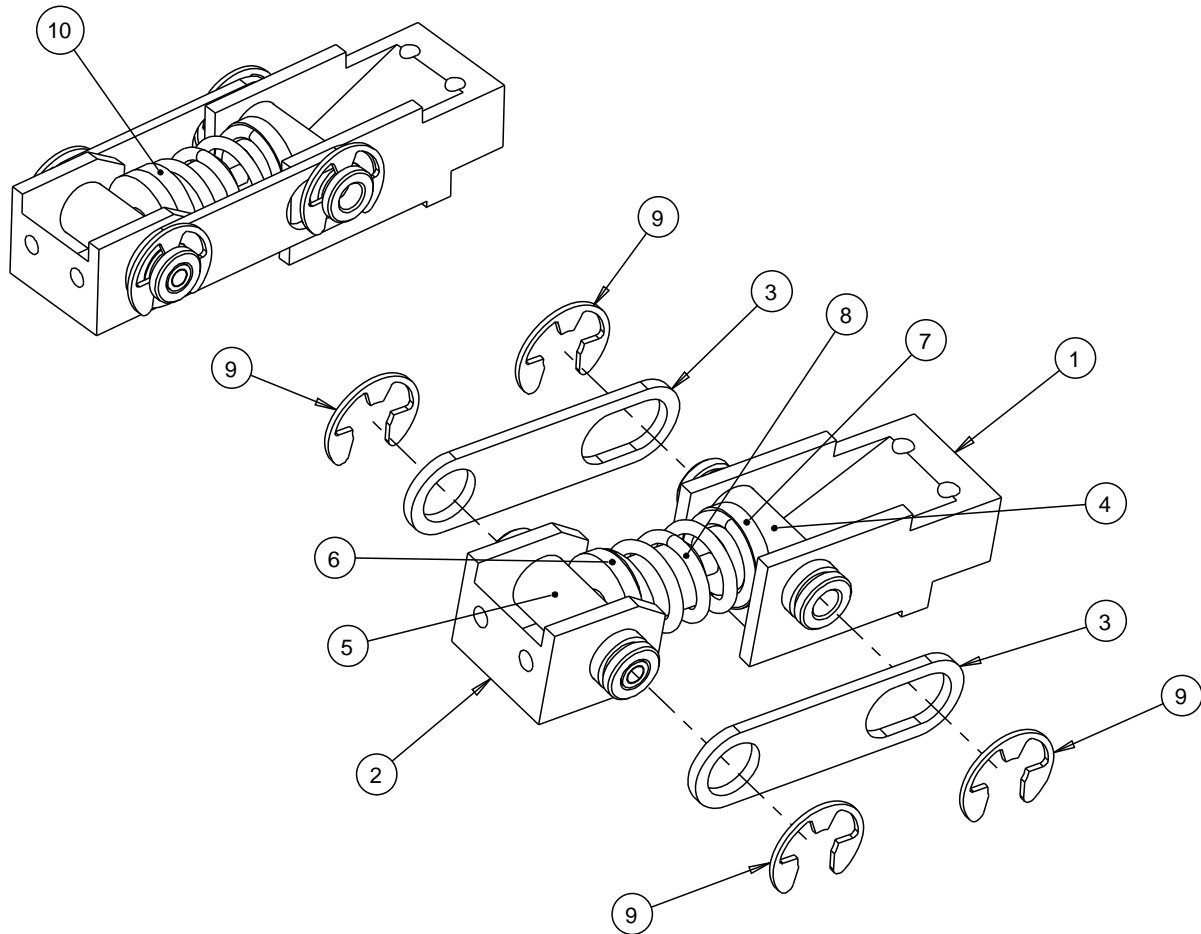
#	Part#	Description	Notes
1	15-3118-01	GEAR COMPOUND 300DPI	
2	PHD20-2195-01	PRINTHEAD 300 DPI, 6"	
3	32-2534-02	CABLE ASSY 6" PRINTHEAD PWR	
4	32-2536-01	CABLE ASSY PRINTHEAD DATA 6" 300	
5	12-3370-01	SPACER MOTOR MOUNTING	
6	24-2543-02	STEPPER MOTOR ASSEMBLY	

Printhead Assembly (15-2977-02)



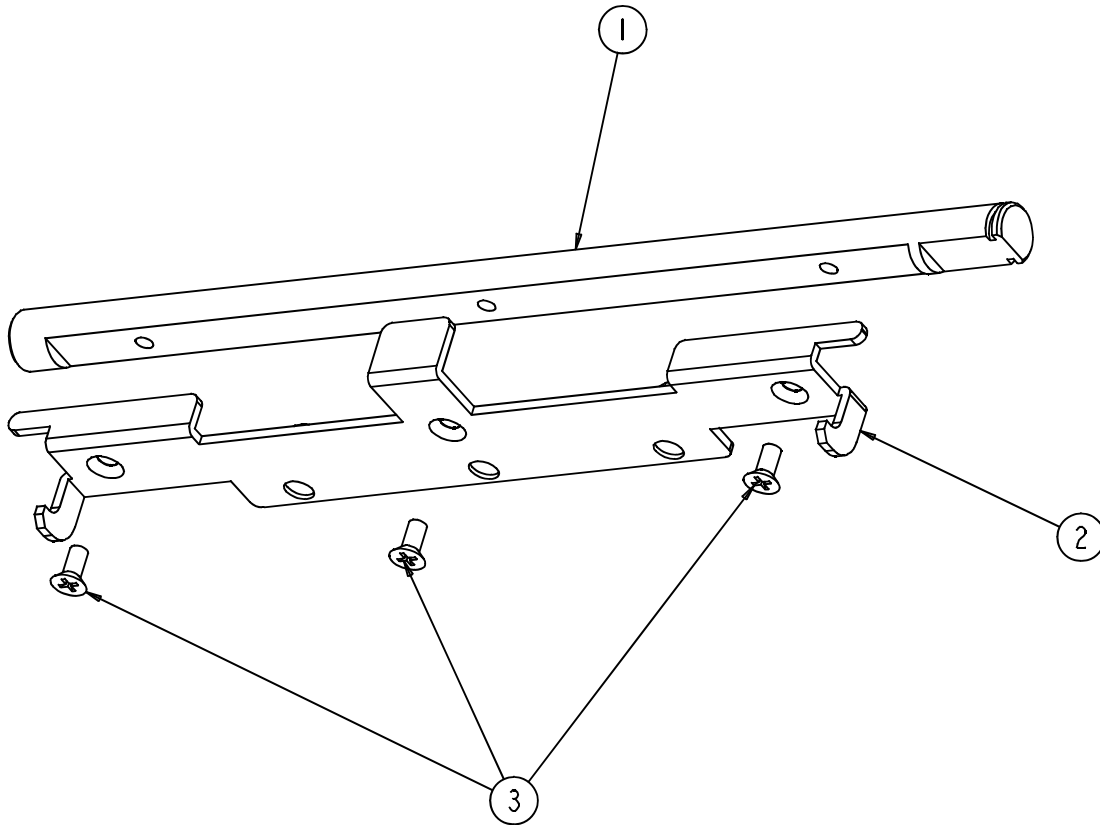
#	Part#	Description	Notes
1	15-3103-01	ASSY, 6" RH PRINthead MOUNT	
2	12-3267-02	PIVOT 6" PRINthead	
3	12-3233-02	SHAFT PRINthead MOUNT	
4	12-3266-01	PLATE PRINthead ADAPTER	
5	DPO16-2906-01	(2PK) CAM NARROW MEDIA	
6	16-2907-01	KNOB NARROW MEDIA	
7	11-5552-02	SHIELD RIBBON 6"	
8	DPO899349	(10PK) BEARING - FLANGED .312	
9	17-3075-01	SPRING COMP .30 OD X .045WD X.56LG	
10	DPO10-3084-01	(10PK) WASHER WAVE .312 ID CRES	
11	DPO10-3084-02	(10PK) WASHER WAVE .505 ID CRES	
13	DPO10-3018-04	(25PK) WASHER FLAT #8 CRES	
14	DPO10-3085-06	(25PK) SCREW SOC HD CAP W/ LW M4 X 20	
16	DPO10-3085-02	(25PK) SCREW SOC HD CAP W/ LW M4 X 8	
17	DPO10-3015-43	(10PK) SCREW SHC M4X20 CRES W/LKG COMP	
18	32-2528-01	GROUND STRAP	

Printhead Pressure Assembly (15-3186-02)



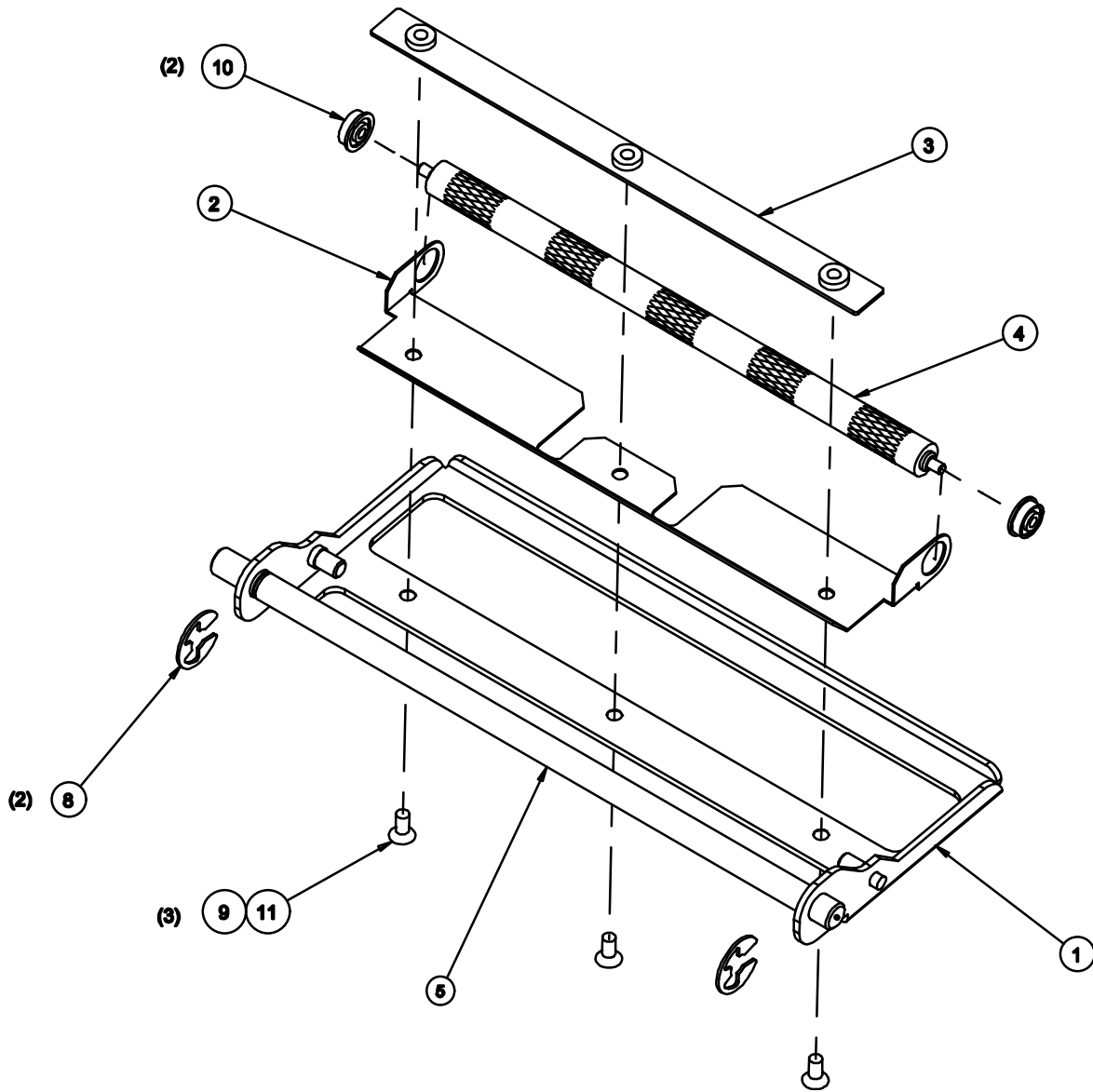
#	Part#	Description	Notes
1	12-3229-01	BRACKET, PRESSURE, LOWER	
2	12-3485-01	BRACKET, PRESSURE UPPER	
3	11-5537-01	RETAINER, PRINthead PRESSURE	
4	12-3486-01	SHAFT, PRINthead PRESSURE	
5	15-3187-01	ASSY, PIVOT PIN	
6	12-3353-01	SLIDE UPPER	
7	12-3354-01	SLIDE, LOWER	
8	17-3160-01	SPRING, COMPRESSION	
9	DPO10-3021-07	(25PK) E-RING 3/8 TRUARC CRES	
10	16-3005-01	SPACER, PH PRESSURE	

Latch Assembly 6" (15-2975-02)



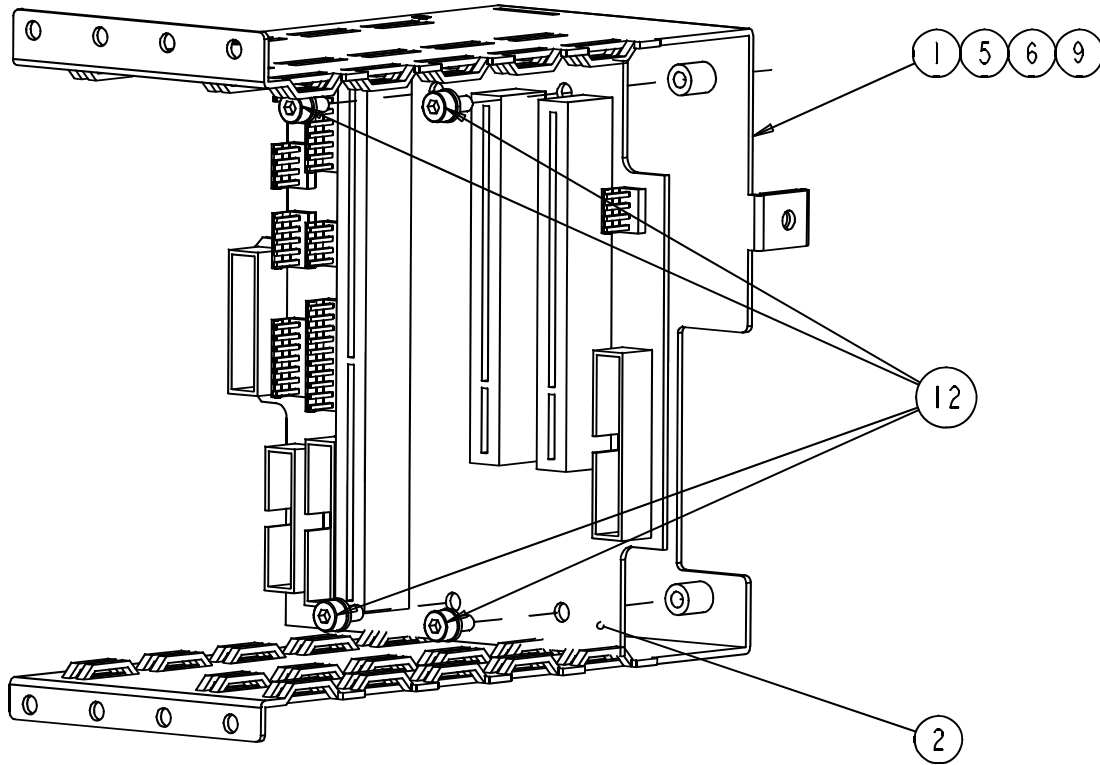
#	Part#	Description	Notes
1	11-5578-02	LATCH 6"	
2	12-3280-02	SHAFT LATCH PIVOT	
3	DPO10-3088-01	(25PK) SCREW FLATHEAD CRES M3 X 6	

Peel Assembly (15-2974-02)



#	Part#	Description	Notes
1	15-3183-02	ASSY 6" PINCH ROLLER FRAME	
2	11-5256-02	SPRING FLAT	
3	11-5599-02	SCREW PLATE 6"	
4	12-3295-02	ROLLER PINCH 6"	
5	12-2574-02	HINGE SHAFT 6"	
8	DPO10-3021-05	(20PK) E-RING 1/4 TRUARC CRES	
9	DPO10-3088-07	(25PK) SCREW FLATHEAD CRES M3 X 5	
10	17-2856-01	BEARING BALL FL .0937 X .3125	
11	--	LOCTITE 242	

Card Cage Assembly (24-2569-01)

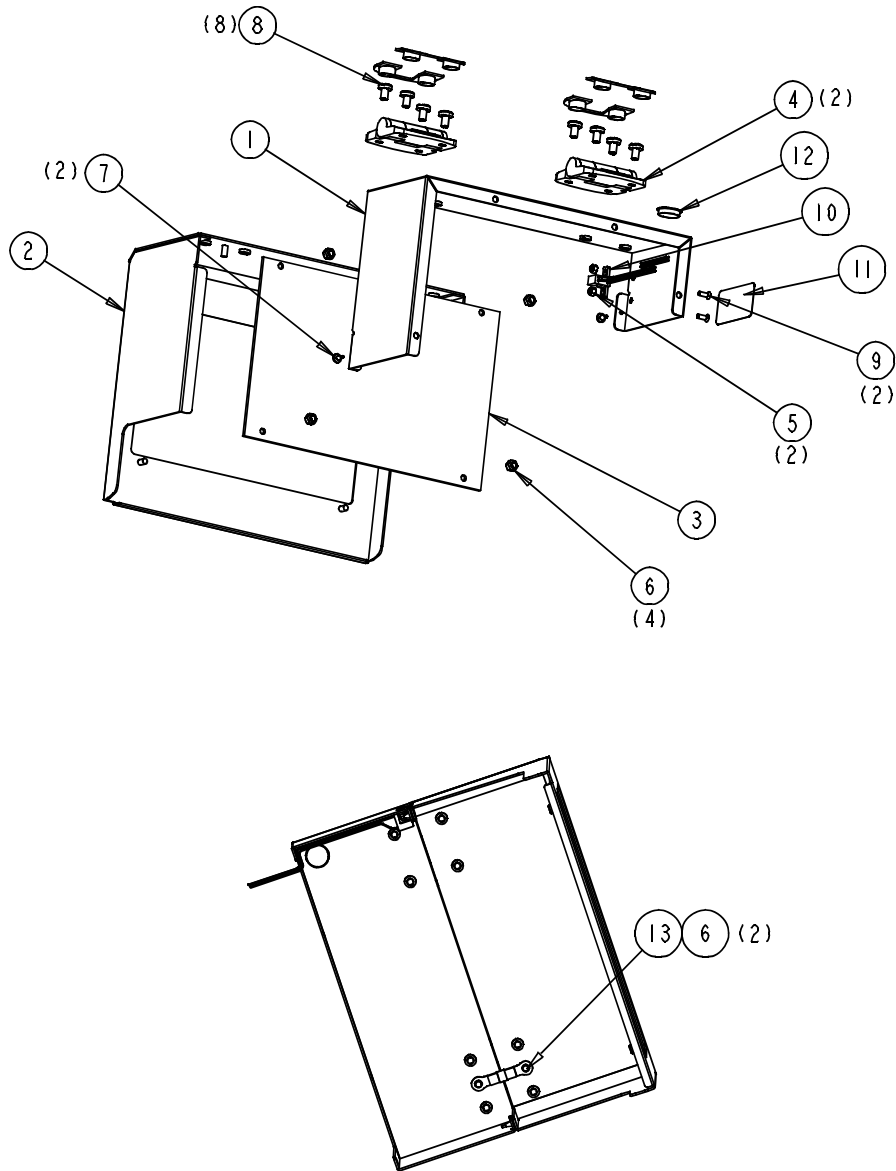


#	Part#	Description	Notes
1	11-5253-02	CARD CAGE	
2	51-2353-00	CCA BACKPLANE A-CLASS	
5	32-2530-01	CABLE ASSY BACK PLANE PWR (not shown)	
6	32-2531-01	CABLE ASSY MOTOR CONTROL (not shown)	
9	32-2540-01	CABLE ASSEMBLY GRAPHICS DISPLAY (not shown)	
12	DPO10-3085-04	(25PK) SCREW SOC HD CAP W/ LW M4 X 12	



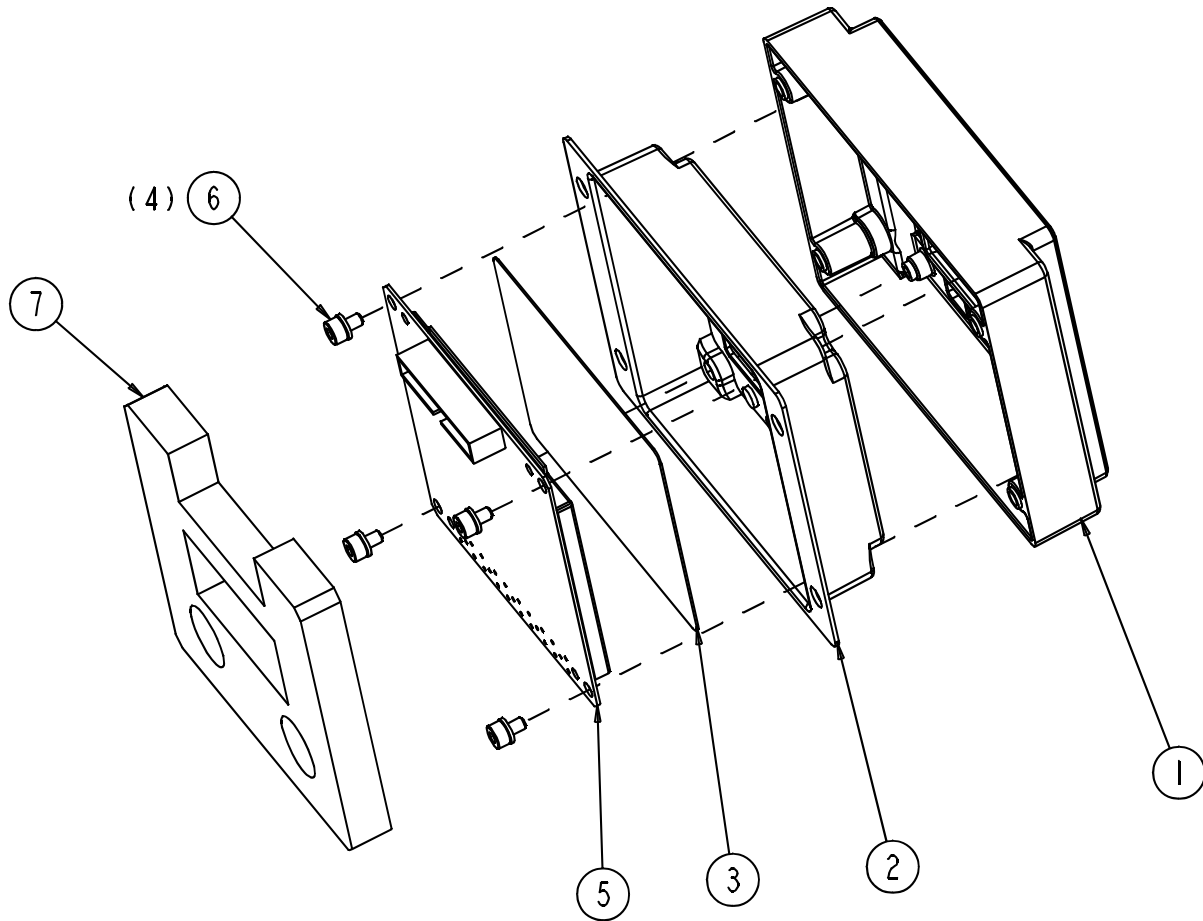
# A-Class Left Hand 4" Model Printer Assemblies

Cover Assembly (15-3021-11)



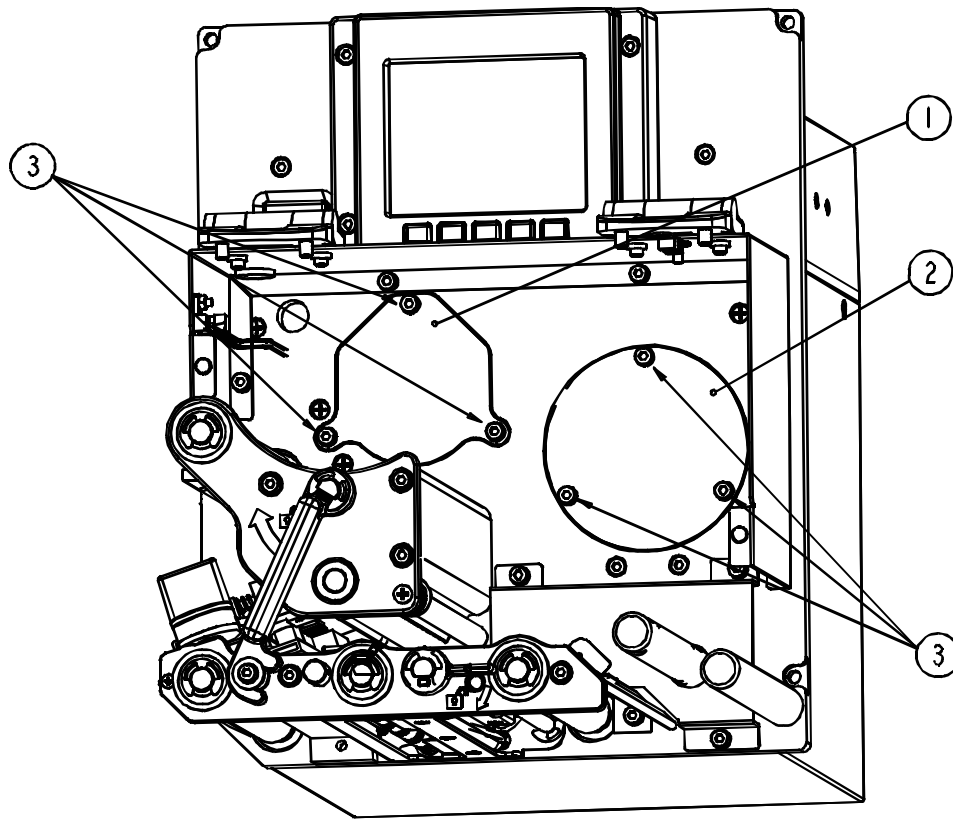
#	Part#	Description	Notes
1	11-5533-11	COVER INNER 4" LH	
2	11-5534-02	COVER OUTER LH	
3	16-2887-01	WINDOW	
4	17-3036-01	HINGE	
5	DPO10-3086-01	(25PK) NUT HEX SELF-LOCKING M3 CRES	
6	DPO10-3091-01	(50PK) NUT HEX SELF-LOCKING M4 CRES	
7	13-2392-01	BUMPER PULL THRU	
8	DPO10-3090-01	(50PK) SCREW PANHEAD M5 X 8 CRES	
9	DPO10-3088-02	(25PK) SCREW FLATHEAD CRES M3 X 8	
10	24-2618-01	CABLE ASSY COVER OPEN	
11	14-2835-01	LABEL WARNING	
12	17-3067-01	PLUG 5/8 HOLE	
13	32-2553-01	GROUND CABLE A-CLASS COVER	

Display Assembly (24-2605-01)



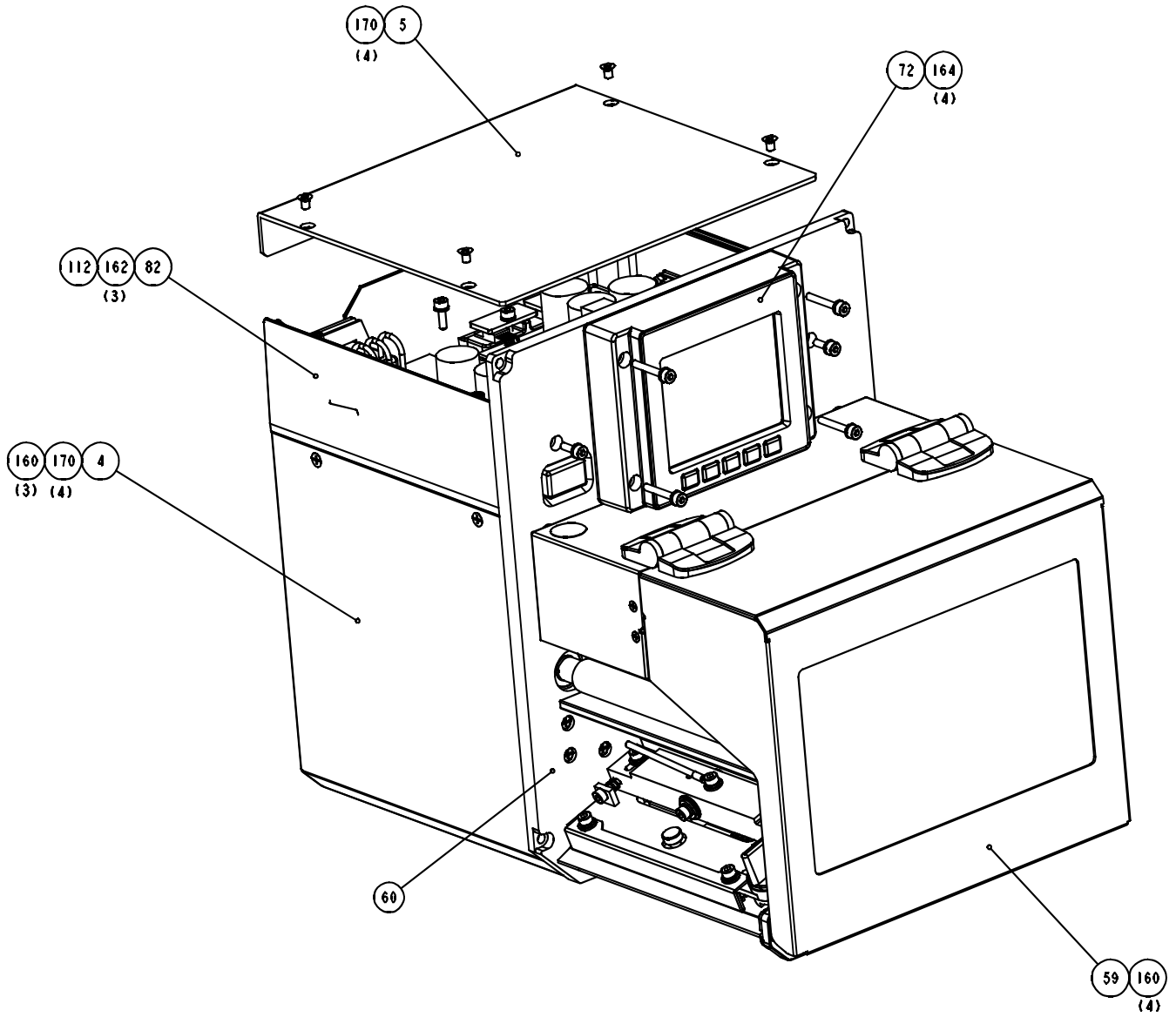
#	Part#	Description	Notes
1	12-3270-01	BEZEL DISPLAY	
2	16-2916-01	KEYPAD 5 BUTTON	
3	16-2961-01	COVER LCD	
5	45-2021-01	DISPLAY GRAPHICS 320X240	
6	DPO10-3085-02	(25PK) SCREW SOC HD CAP W/ LW M4 X 8	
7	13-2425-01	FILLER CONTROL PANEL BOOT	

Direct Thermal (78-2474-01)

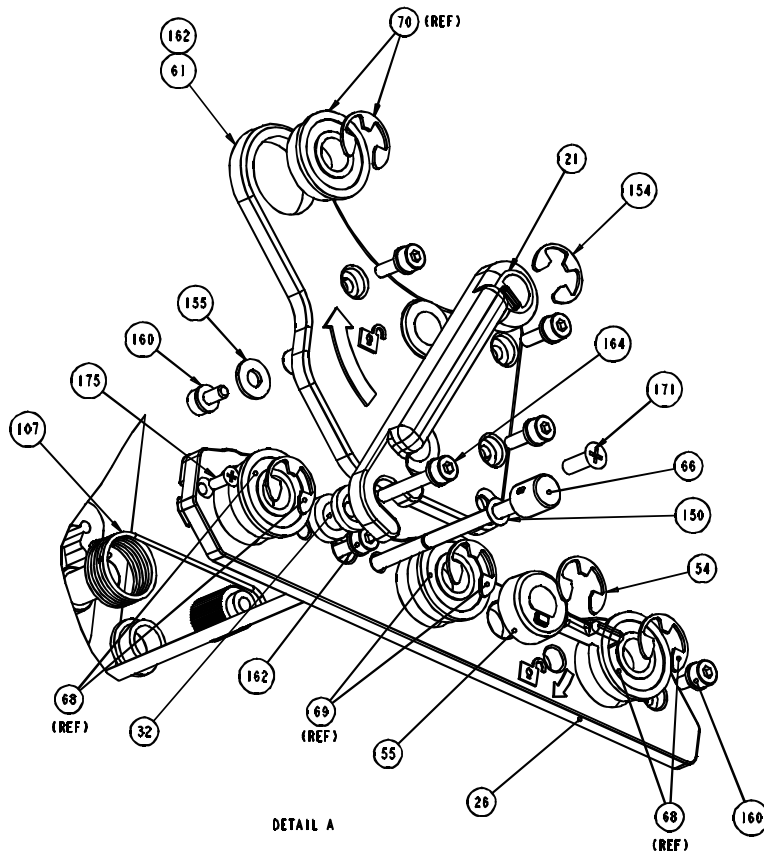
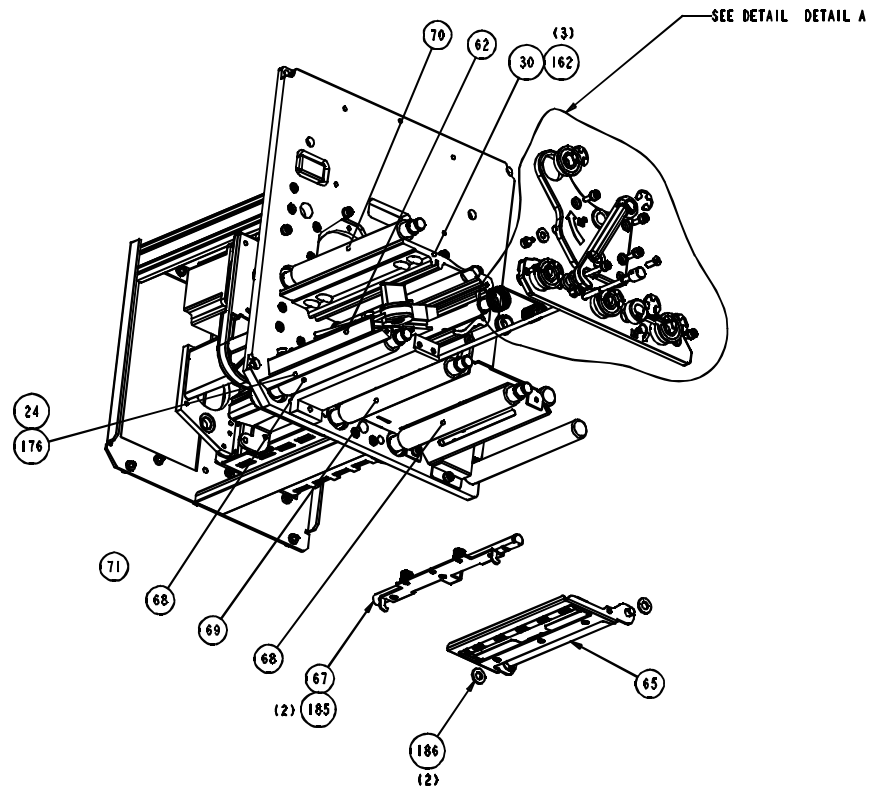


#	Part#	Description	Notes
1	11-5584-01	COVER RIBBON TAKE-UP	
2	11-5585-01	COVER RIBBON SUPPLY	
3	DPO10-3085-02	(25PK) SCREW SOC HD CAP W/ LW M4 X 8	

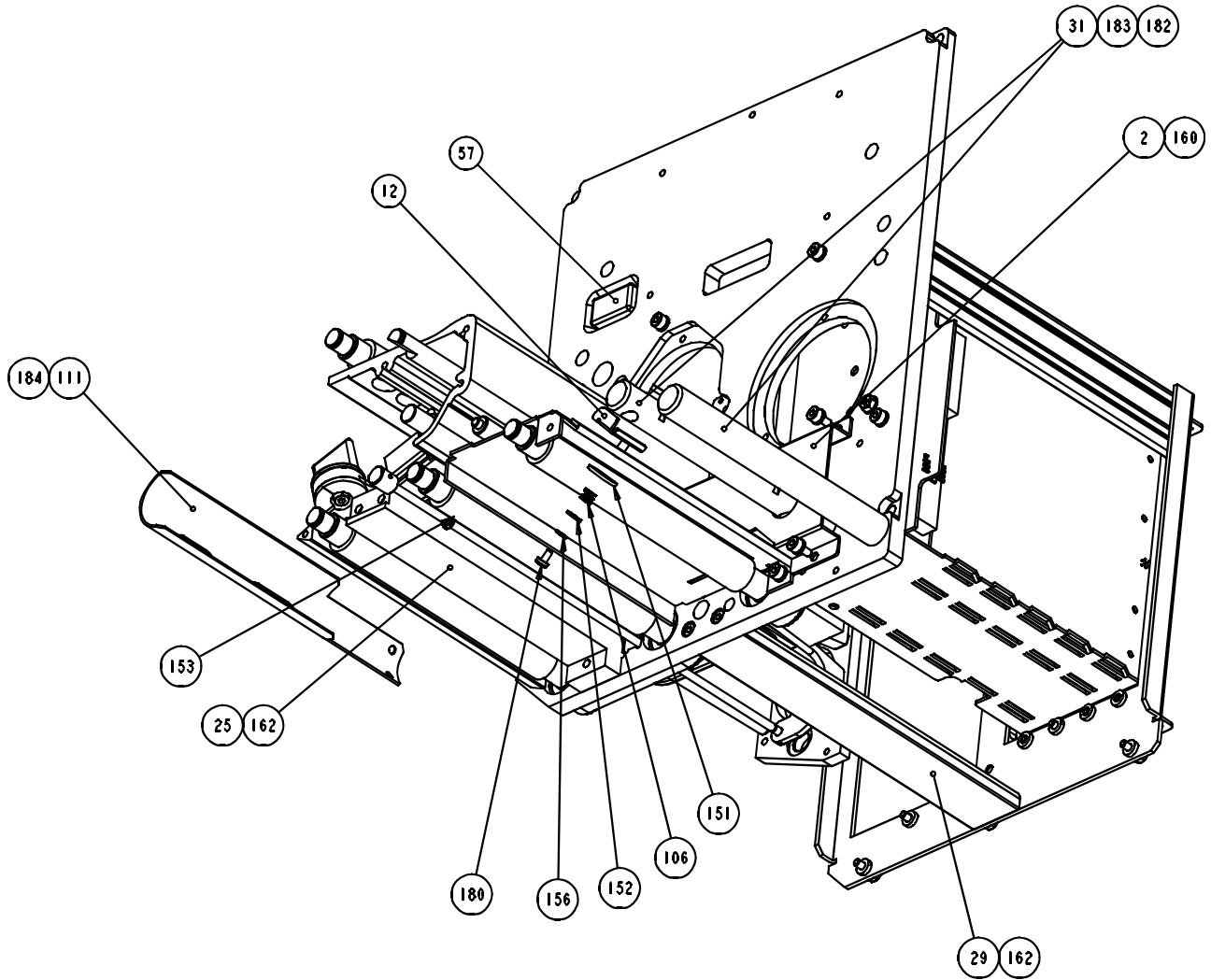
Printer Assembly 1 of 6



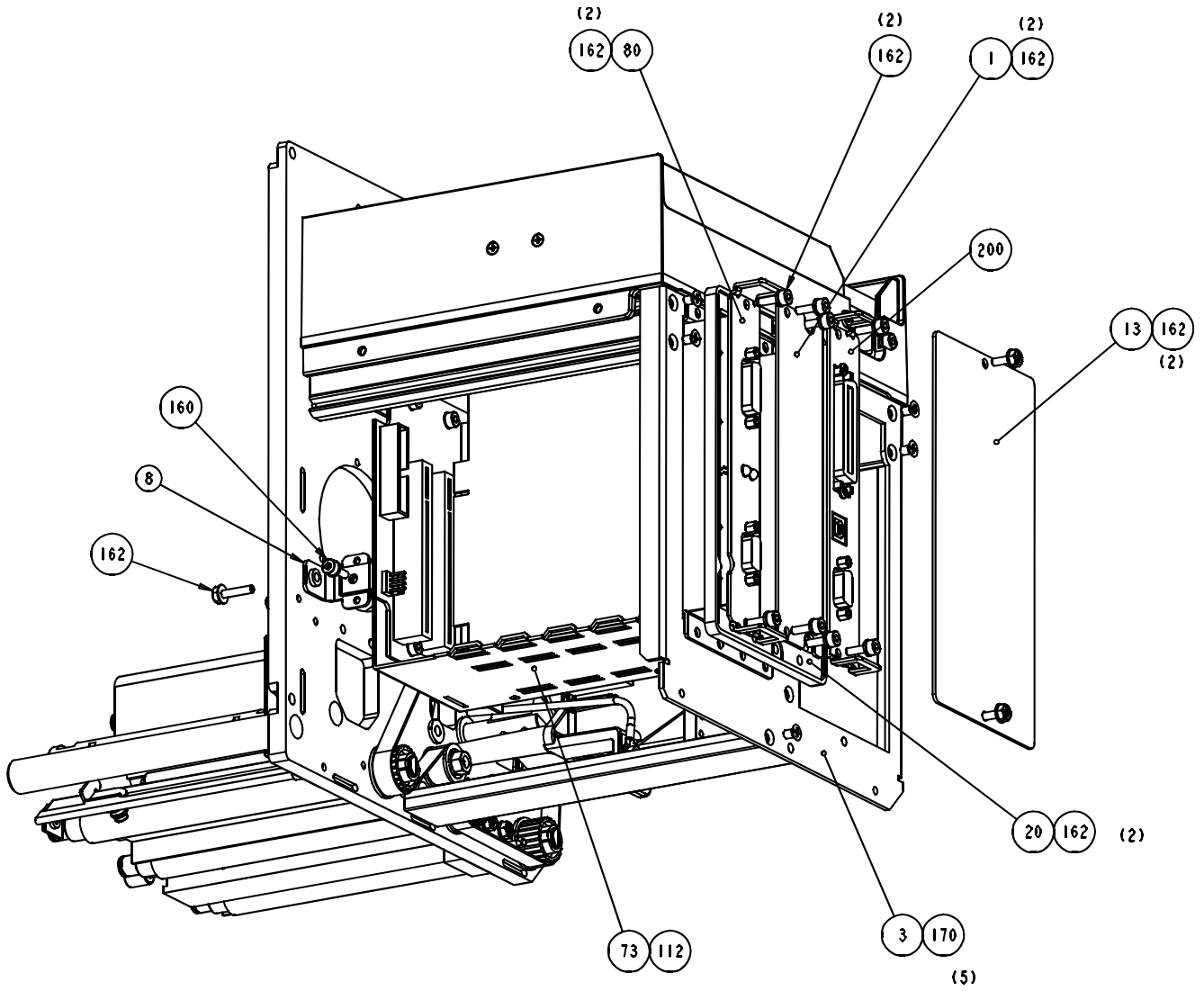
Printer Assembly 2 of 6



Printer Assembly 3 of 6

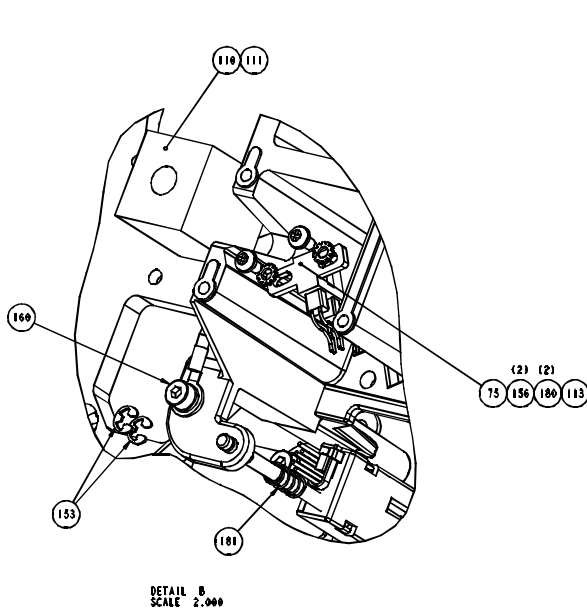


Printer Assembly 4 of 6

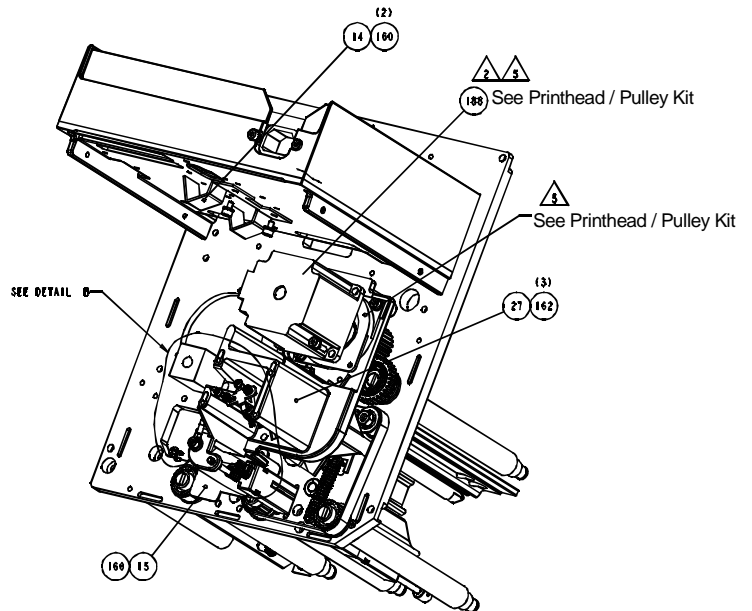




Printer Assembly 5 of 6

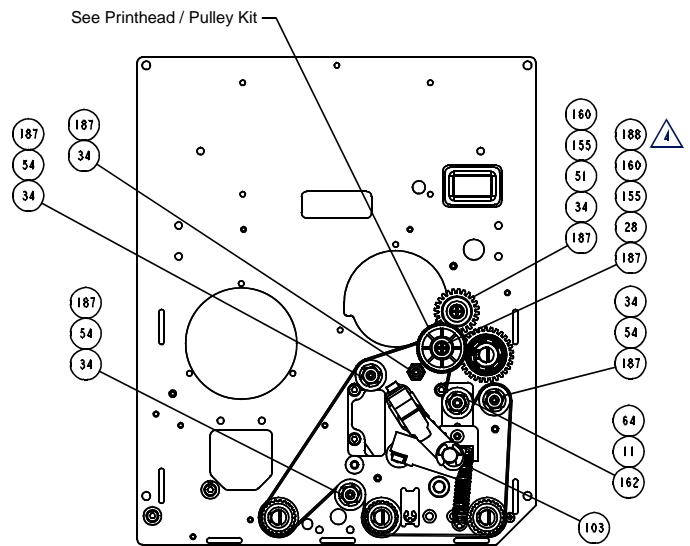
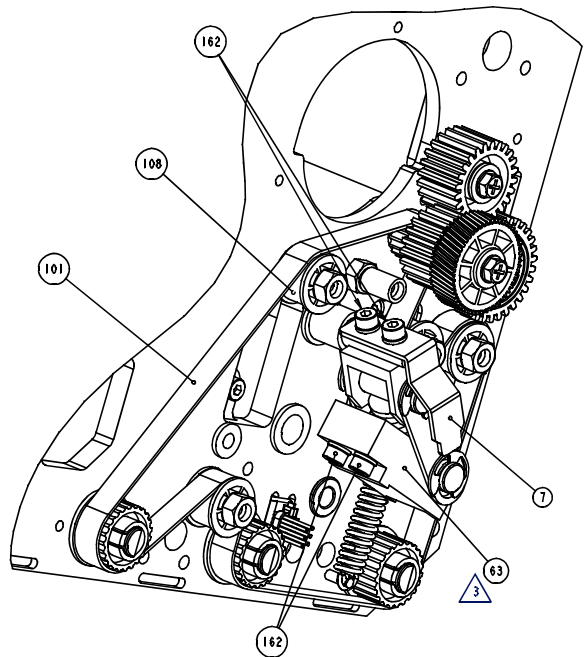


DETAIL B  
SCALE 2.000



- ⚠️ 2 Apply Item 188 to the motor gear.
- ⚠️ 3 Position Motor Spacer and Motor so helical gears are tightly meshed.

Printer Assembly 6 of 6



- ⚠️ 3 Handle must rotate freely. Loosen screws that mount Item 63, raise and lower handle, then tighten screws.
- ⚠️ 4 Add Item 188 to Item 28 prior to installing compound gear.

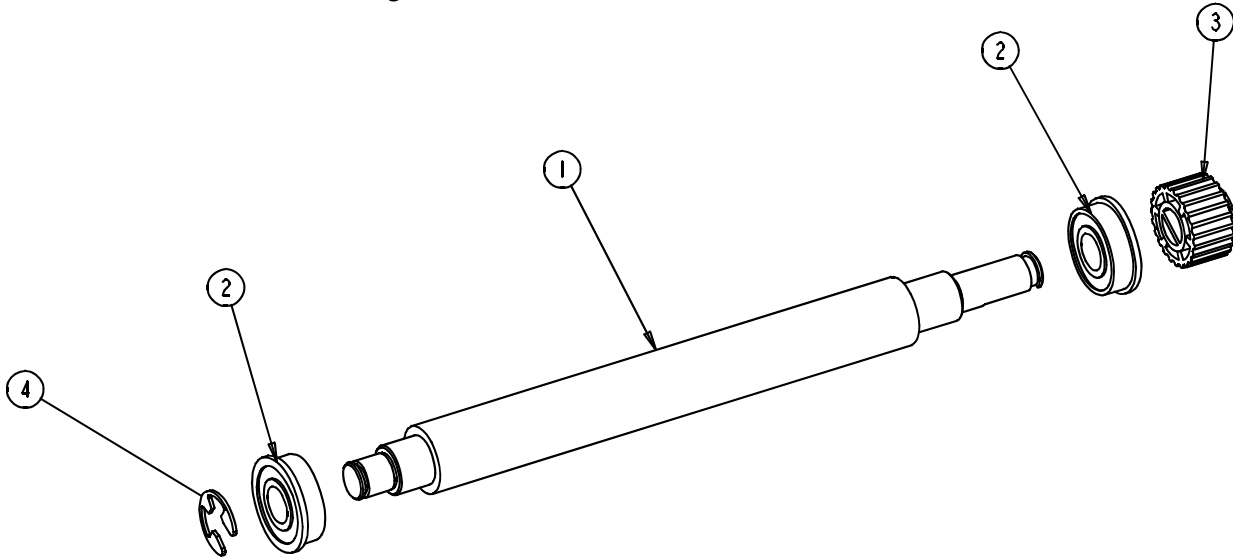
## Printer Assemblies 1 - 6

#	Part#	Description	Notes
1	11-5279-01	PLATE COVER EXPANSION	
2	11-5528-02	PLATE GUIDE MEDIA LH	
	11-5528-12	<i>Linerless Models only:</i> PLATE GUIDE MEDIA LH, COATED	
3	11-5529-04	PLATE REAR LH	
4	11-5530-02	COVER REAR LH	
5	11-5531-01	COVER TOP	
6	11-5532-11	PLATE LOWER 4" LH	
	11-5532-31	<i>Linerless Models only:</i> PLATE LOWER 4" LH, COATED	
7	11-5556-01	FLAG PH OPEN	
8	11-5577-01	SUPPORT CARD CAGE	
11	11-5570-01	PLATE NUT	
12	11-5536-02	GUIDE MEDIA ADJUSTABLE LH	
	11-5536-12	<i>Linerless Models only:</i> GUIDE MEDIA ADJ. LH, COATED	
13	11-5427-01	PLATE COVER	
14	11-5602-01	BRACKET RETAINER CABLE	
15	11-5603-01	COVER CABLE	
20	12-2958-01	PLATE MOUNTING REAR	
21	12-3255-02	HANDLE LATCH LH	
22	12-3052-02	SHAFT RIBBON IDLER 4"	
23	12-3217-01	SHAFT LATCH PRINTHEAD 4"	
24	12-3488-01	BAR PEEL 4"	
25	12-3244-01	BLOCK SUPPORT PLATEN 4"	
	12-3380-01	<i>Linerless Models only:</i> BLOCK SUPPORT PLATEN 4"	
26	12-3214-02	PLATE SIDE LOWER LH 4"	
27	12-3286-02	BRACKET SUPPORT MOTOR LH	
28	12-3432-01	POST IDLER	
29	12-3221-01	BLOCK SUPPORT REAR	
30	12-3215-01	SUPPORT CENTER 4"	
31	12-3254-01	POST MEDIA 4"	
32	12-3282-01	POST LATCH	
33	12-3051-01	CAM IDLER RIBBON	
34	12-3219-01	POST ILDER	
51	16-2935-01	GEAR IDLER	
54	15-3119-01	ASSEMBLY, PULLEY	
55	16-2924-04	HANDLE LATCH LH	
57	16-2950-01	COVER SWITCH - PROTECTIVE	
59	15-3021-11	COVER ASSEMBLY 4" LH	
60	15-3005-02	CENTERPLATE ASSEMBLY LH	
61	15-3015-02	UPPER SIDE PLATE ASSY LH	
62	15-2977-11	ASSY 4" LH PRINTHEAD	
63	15-3186-11	PH PRESS ASSY 4" LH	
64	15-2970-01	TENSION ASSY	
65	15-2974-11	PINCH ROLLER ASSEMBLY 4" LH	
66	15-2976-01	ASSY THREADED ROD 4"	
67	15-2975-01	LATCH ASSEMBLY 4"	
68	15-3019-01	PLATEN ROLLER ASSY 4" MAIN	
	15-3019-21	<i>Linerless Models only:</i> PLATEN ROLLER ASSY 4" MAIN	
69	15-3019-02	PLATEN ROLLER ASSY 4" PEEL	
	15-3019-22	<i>Linerless Models only:</i> PLATEN ROLLER ASSY 4" PEEL	

## Printer Assemblies 1 - 6 (continued)

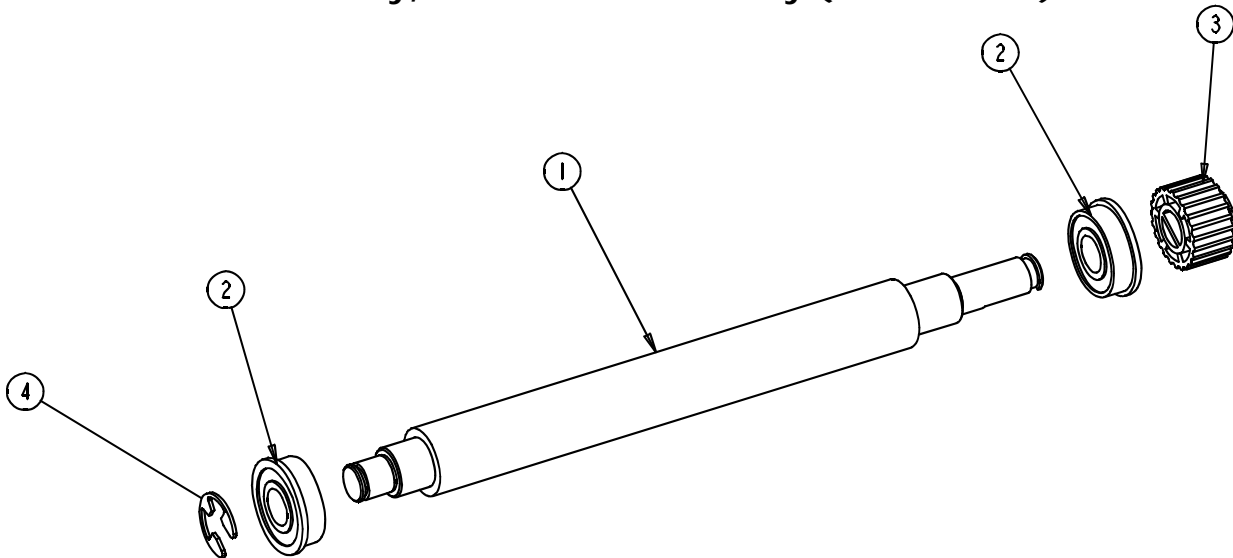
#	Part#	Description	Notes
70	15-3019-03	PLATEN ROLLER ASSY 4" TAKE-UP	
71	DPO24-2604-01	(2PK) MEDIA SENSOR ASSEMBLY	
72	24-2605-01	DISPLAY ASSEMBLY	
73	24-2569-01	CARD CAGE ASSEMBLY A-CLASS 4"	
75	24-2619-01	CABLE ASSY HEAD UP SENSOR	
80	DPO51-2404-10	(1/PK) CCA, Applicator	
82	24-2617-01	POWER SUPPLY ASSEMBLY	
101	17-2987-01	BELT TIMING 184 TEETH 3MM HTD	
103	17-3094-01	SPRING EXTENSION	
105	DPO17-2816-01	(10PK) BUSHING FLANGED.1895 ID .314OD 1/4L	
106	17-3064-01	SPRING COMP .24 ODX.032WD X .375LG	
107	17-3029-02	SPRING TORSION HEAD LIFT LH	
108	17-3011-01	BUSHING FLANGED FF-520-5	
110	44-2060-01	ASSY FERRITE	
111	--	TYWRAP 8"	
112	--	TIE TWIST LOCK	
113	--	TYWRAP 4"	
150	DPO899325	(50PK) SPACER	
151	DPO899294	(20PK) PLATE - BEARING	
152	DPO10-2518-01	(50PK) WASHER FLAT SS	
153	DPO10-3021-03	(25PK) RING RETAINING 5/32 CRES	
154	DPO10-3021-07	(25PK) E-RING 3/8 TRUARC CRES	
155	DPO10-3018-04	(25PK) WASHER FLAT #8 CRES	
156	DPO10-3093-01	(25PK) WASHER M3 EXT TOOTH LOCK CRES	
160	DPO10-3085-02	(25PK) SCREW SOC HD CAP W/ LW M4 X 8	
162	DPO10-3085-04	(25PK) SCREW SOC HD CAP W/ LW M4 X 12	
164	DPO10-3085-07	(25PK) SCREW SOC HD CAP W/ LW M4 X 25	
170	DPO10-3066-01	(25PK) SCREW FLAT HEAD SS M4 X 6	
171	DPO10-3066-04	(25PK) SCREW FLAT HEAD SS M4 X 12	
175	DPO10-3088-04	(25PK) SCREW FLATHEAD CRES M3 X 12	
176	DPO10-3088-05	(25PK) SCREW FLATHEAD CRES M3 X 14	
180	DPO10-3092-01	(25PK) SCREW PHP M3 X 6MM CRES	
181	17-3046-01	SPRING COMPRESSION	
182	DPO10-3096-03	(50PK) WASHER SPLIT LOCK M5 CRES	
183	DPO10-3097-01	(20PK) SCREW SOCKET HD SET M5 X 12 CRES	
184	13-2422-01	RETAINER PRINT HD CABLE 4"	
185	17-3065-01	SPRING COMP .36 ODX.035 WD X .75LG	
186	DPO10-2630-01	(50PK) WASH FLT NYLON .250 ID .500 OD	
187	DPO10-3085-14	(25PK) SCREW SHC W/ LK COMP M4 X 12	
188	--	GREASE SILCONE	
200	DPO51-2342-01	Main Board, A-4212, 4MB	
	DPO51-2342-11	Main Board, A-4212, 8MB	
	DPO51-2342-02	Main Board, A-4310, 4MB	
	DPO51-2342-12	Main Board, A-4310, 8MB	
	DPO51-2342-03	Main Board, A-4408, 4MB	
	DPO51-2342-13	Main Board, A-4408, 8MB	
	DPO51-2342-04	Main Board, A-4606, 4MB	
	DPO51-2342-14	Main Board, A-4606, 8MB	

**Platen Roller Assembly (15-3019-01)**



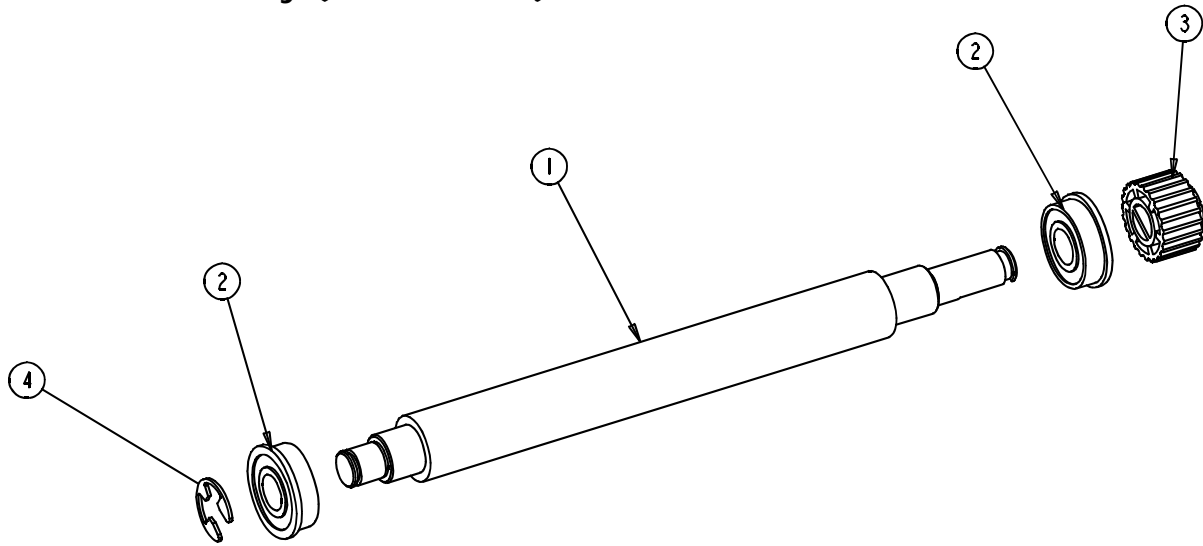
#	Part#	Description	Notes
1	13-2405-01	ROLLER PLATEN 4"	
2	17-3028-01	BEARING FLANGED 440C 3/8 X 7/8	
3	16-2903-01	PULLEY (WHITE) TIMING 23 TEETH	
4	DPO10-3021-07	(25PK) E-RING 3/8 TRUARC CRES	

**Platen Roller Assembly, Linerless Models only (15-3019-21)**



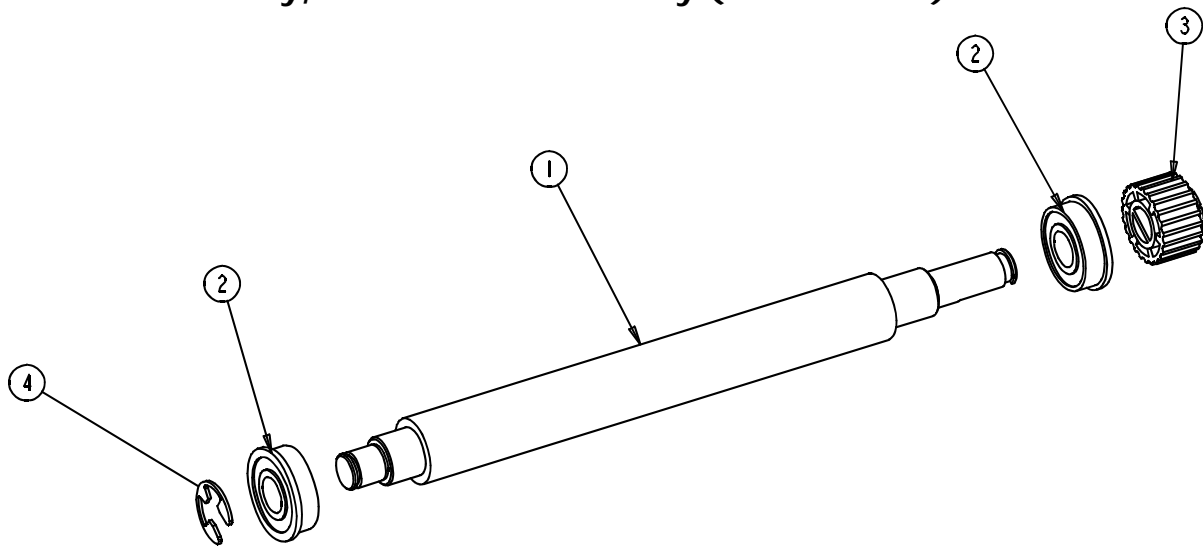
#	Part#	Description	Notes
1	13-2428-01	ROLLER PLATEN 4", LINERLESS	
2	17-3028-01	BEARING FLANGED 440C 3/8 X 7/8	
3	16-2903-01	PULLEY (WHITE) TIMING 23 TEETH	
4	DPO10-3021-07	(25PK) E-RING 3/8 TRUARC CRES	

**Peel Roller Assembly (15-3019-02)**



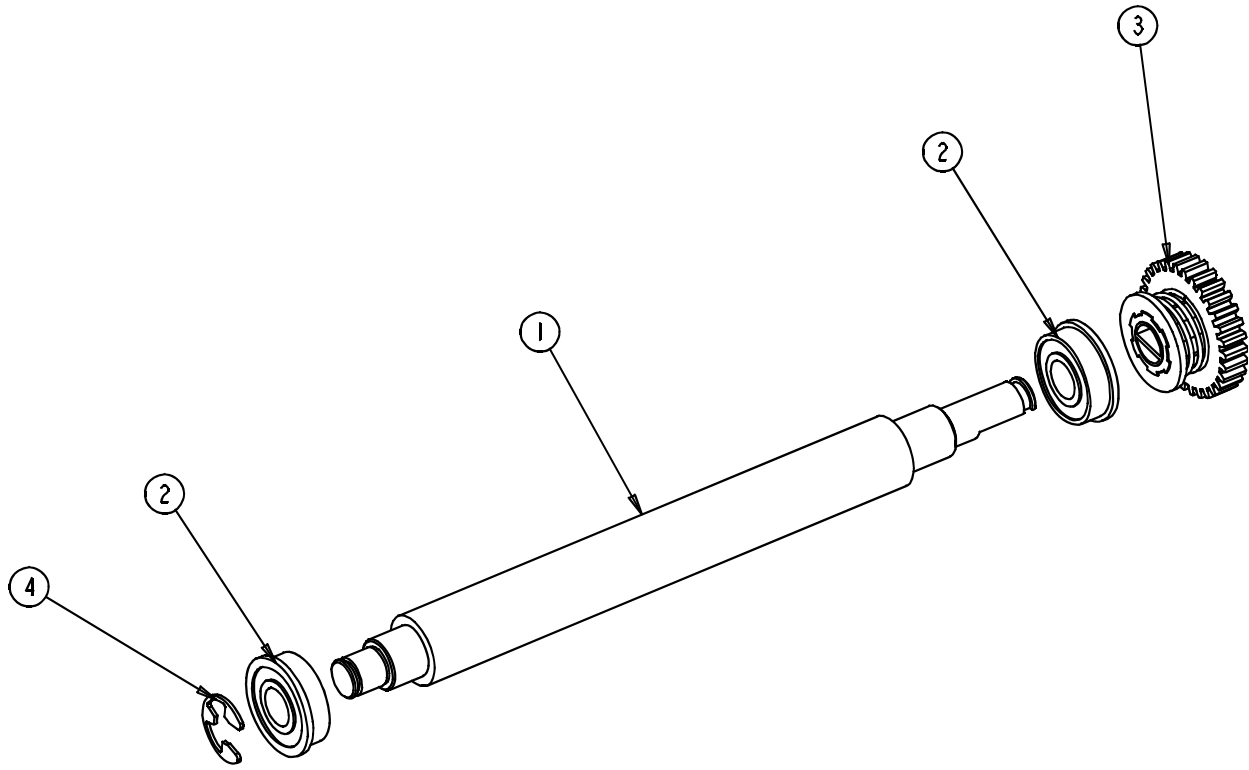
#	Part#	Description	Notes
1	13-2405-01	ROLLER PLATEN 4"	
2	17-3028-01	BEARING FLANGED 440C 3/8 X 7/8	
3	16-2904-01	PULLEY (BLACK) TIMING 22 TEETH	
4	DPO10-3021-07	(25PK) E-RING 3/8 TRUARC CRES	

**Peel Roller Assembly, Linerless Models only (15-3019-22)**



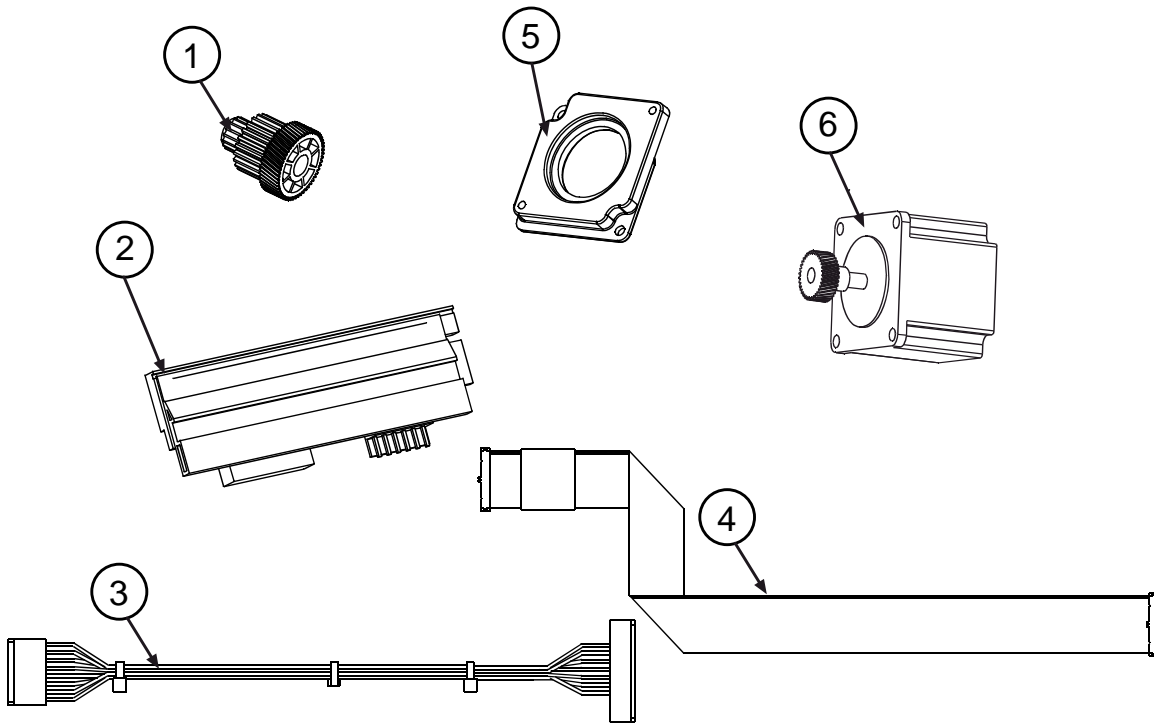
#	Part#	Description	Notes
1	13-2428-01	ROLLER PLATEN 4", LINERLESS	
2	17-3028-01	BEARING FLANGED 440C 3/8 X 7/8	
3	16-2904-01	PULLEY (BLACK) TIMING 22 TEETH	
4	DPO10-3021-07	(25PK) E-RING 3/8 TRUARC CRES	

Take-up Roller Assembly (15-3019-03)



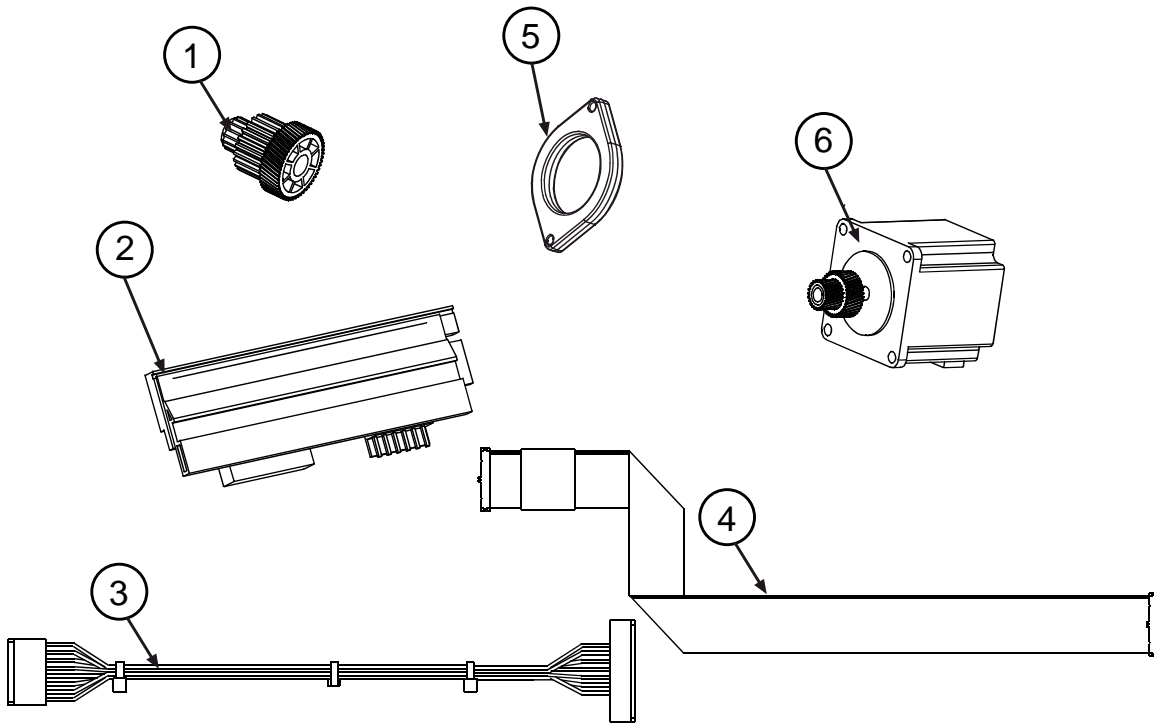
#	Part#	Description	Notes
1	13-2405-01	ROLLER PLATEN 4"	
2	17-3028-01	BEARING FLANGED 440C 3/8 X 7/8	
3	15-3020-01	CLUTCH RIBBON TAKE-UP	
4	DPO10-3021-07	(25PK) E-RING 3/8 TRUARC CRES	

Printhead / Pulley Kit, 203DPI



#	Part#	Description	Notes
1	15-3117-01	PULLEY COMPOUND 203DPI	
2	PHD 20-2181-01	PRINthead 203DPI, 4"	
3	32-2532-01	CABLE ASSY 4" PRINthead PWR	
4	32-2533-01	CABLE ASSY PRINthead DATA 4"	
5	12-3384-02	SPACER MOTOR MOUNTING LH	
6	24-2543-03	STEPPER MOTOR ASSEMBLY	

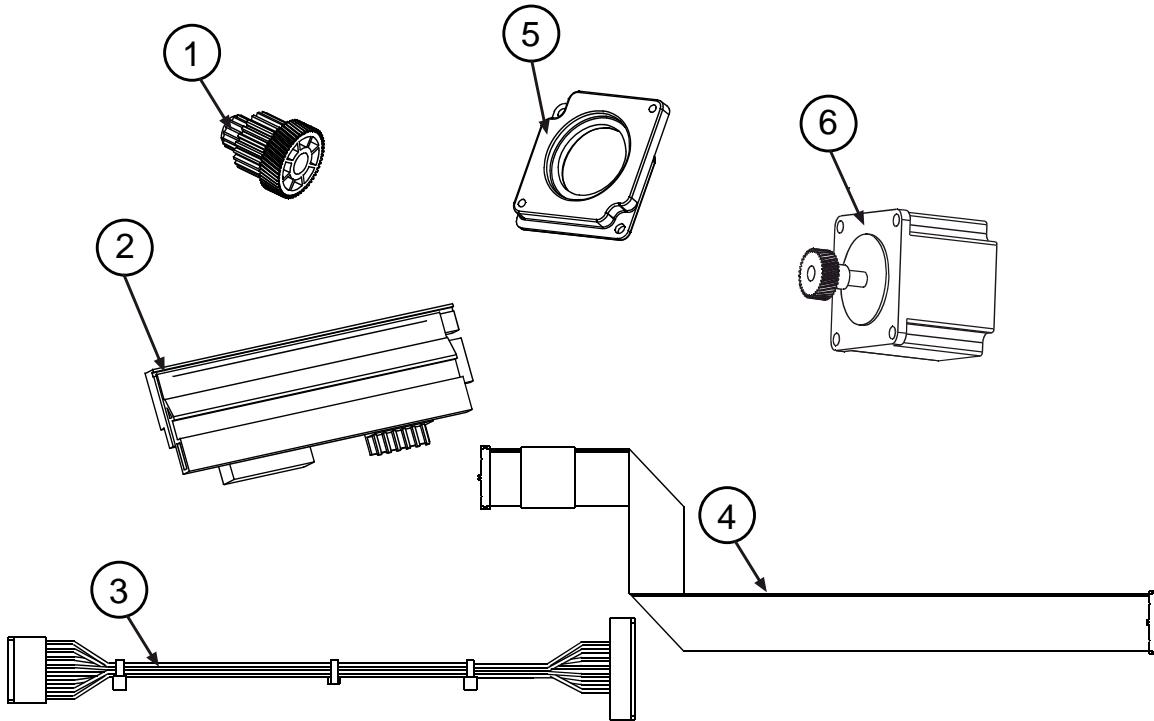
Printhead / Pulley Kit, 300DPI



#	Part#	Description	Notes
1	15-3118-01	GEAR COMPOUND 300DPI	
2	PHD20-2182-01	PRINTHEAD 300 DPI, 4"	
3	32-2532-01	CABLE ASSY 4" PRINTHEAD PWR	
4	32-2533-01	CABLE ASSY PRINTHEAD DATA 4"	
5	12-3370-01	SPACER MOTOR MOUNTING	
6	24-2543-02	STEPPER MOTOR ASSEMBLY	

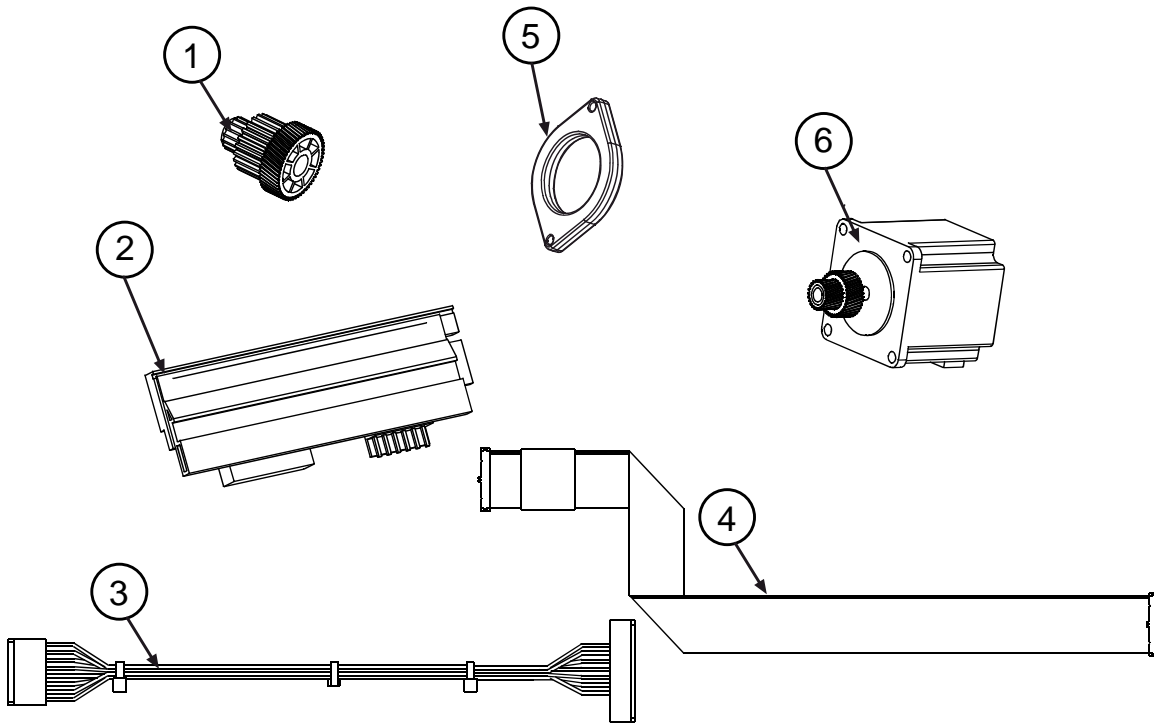


Printhead / Pulley Kit, 406DPI



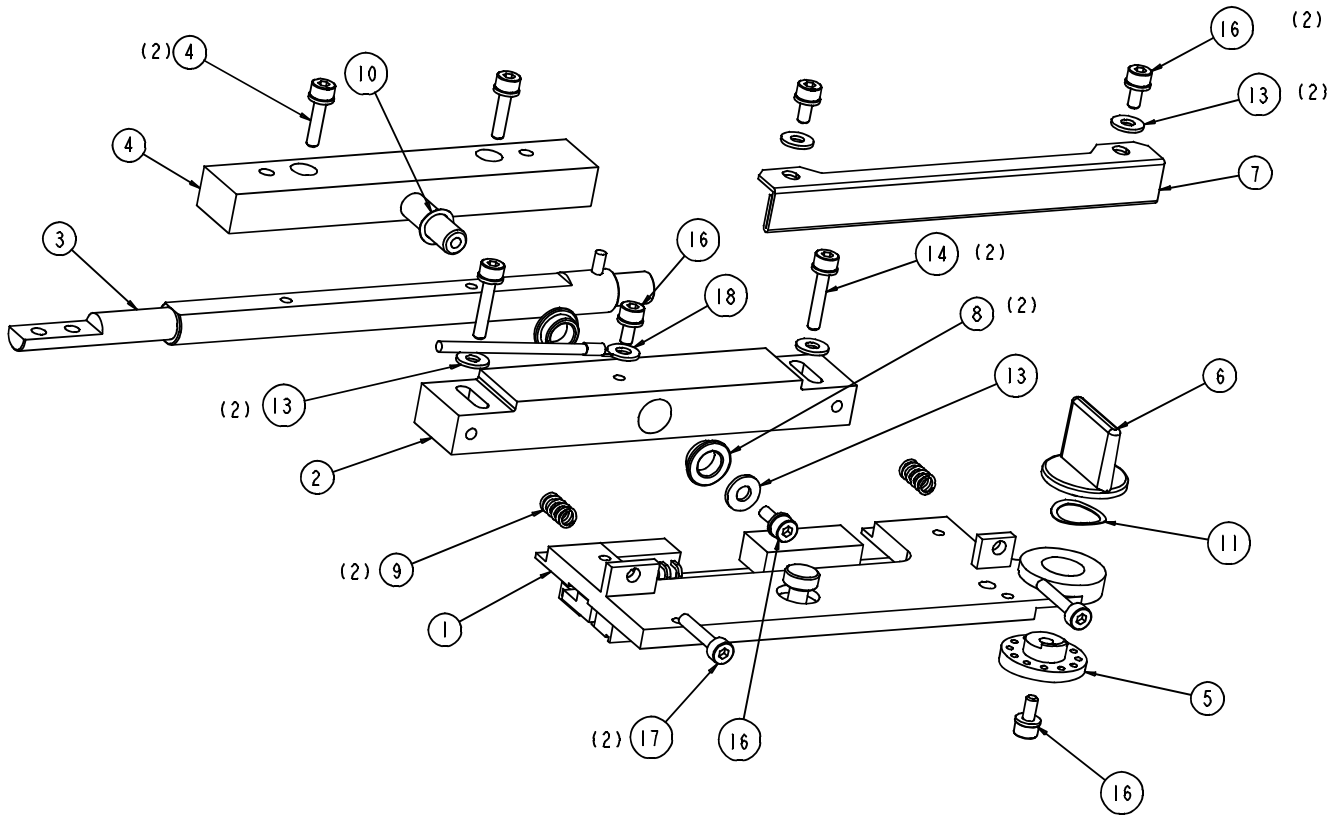
#	Part#	Description	Notes
1	15-3117-01	PULLEY COMPOUND 203DPI	
2	PHD20-2208-01	PRINthead 406 DPI 4"	
3	32-2532-01	CABLE ASSY 4" PRINthead PWR	
4	32-2533-01	CABLE ASSY PRINthead DATA 4"	
5	12-3384-02	SPACER MOTOR MOUNTING LH	
6	24-2543-03	STEPPER MOTOR ASSEMBLY	

Printhead / Pulley Kit, 600DPI



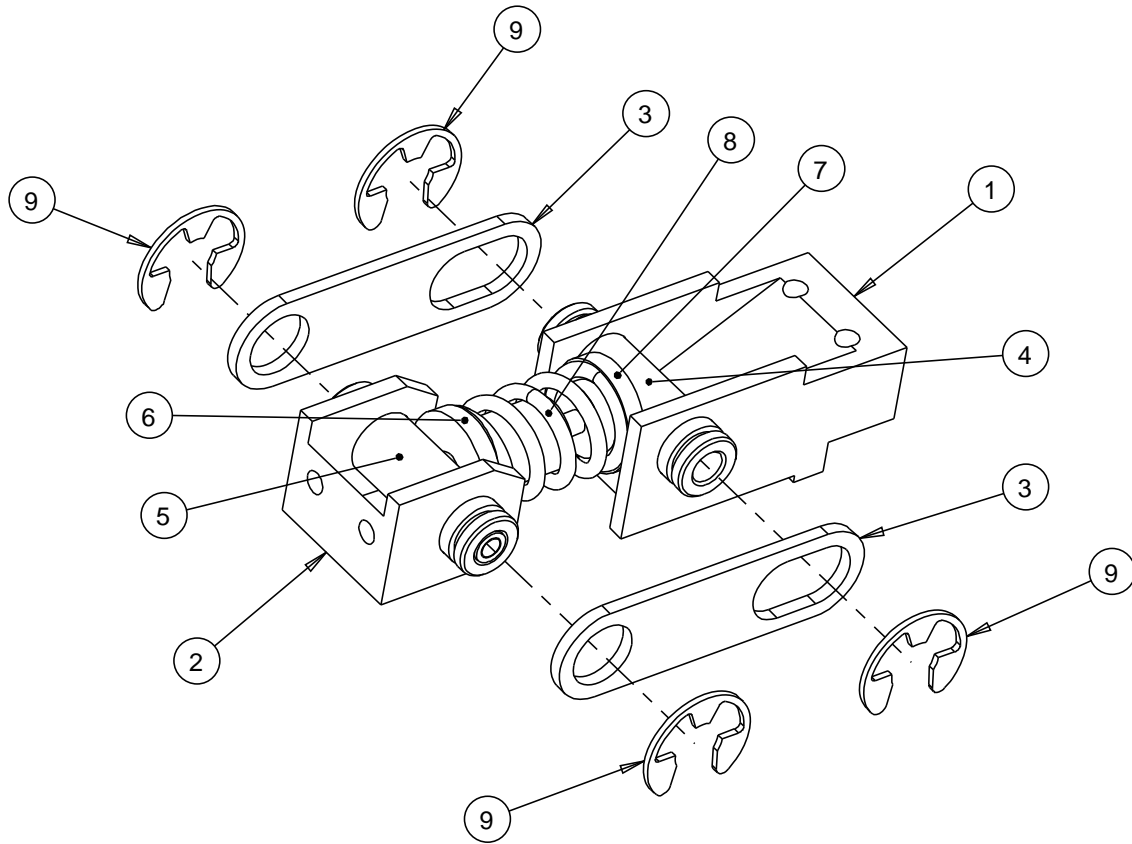
#	Part#	Description	Notes
1	15-3118-01	GEAR COMPOUND 300DPI	
2	PHD20-2209-01	PRINTHEAD 600 DPI	
3	32-2532-01	CABLE ASSY 4" PRINTHEAD PWR	
4	32-2533-01	CABLE ASSY PRINTHEAD DATA 4"	
5	12-3370-01	SPACER MOTOR MOUNTING	
6	24-2543-02	STEPPER MOTOR ASSEMBLY	

Printhead Assembly (15-2977-11)



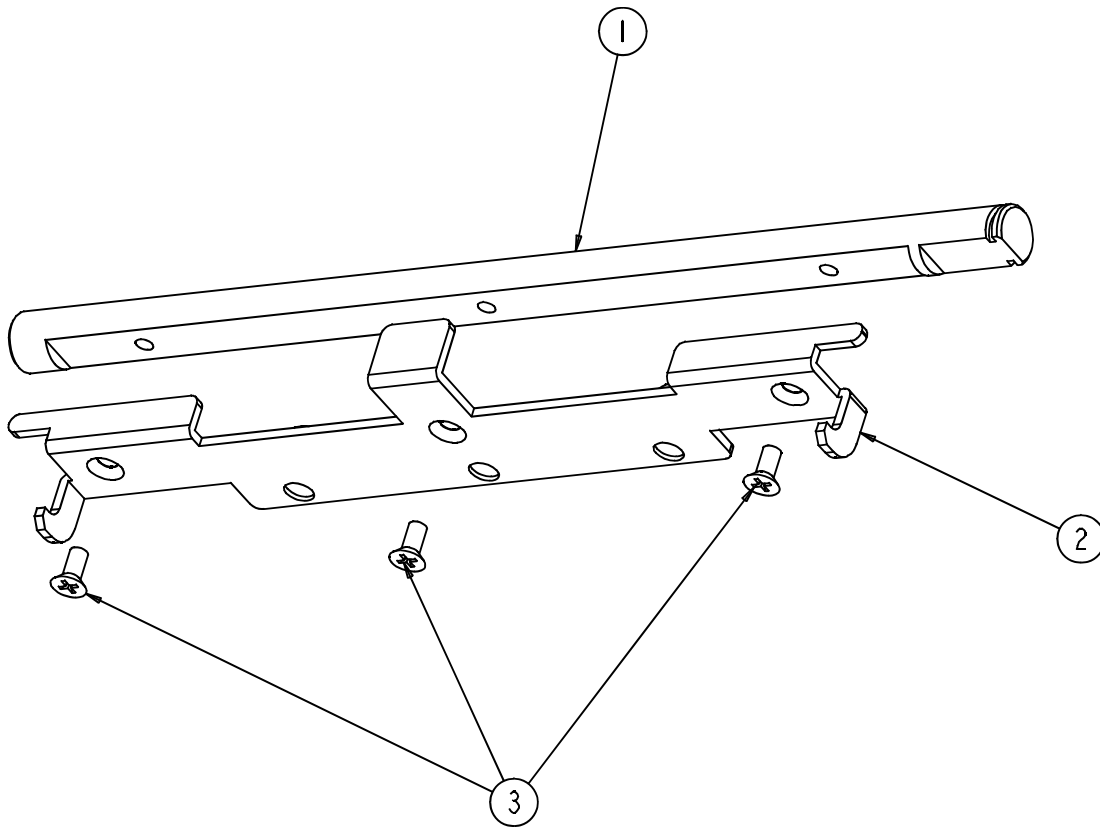
#	Part#	Description	Notes
1	15-3104-01	ASSY, 4" LH PRINthead MOUNT	
2	12-3267-01	PIVOT 4" PRINthead	
3	12-3233-01	SHAFT PRINthead MOUNT	
4	12-3266-01	PLATE PRINthead ADAPTER	
5	DPO16-2906-01	(2PK) CAM NARROW MEDIA	
6	16-2907-01	KNOB NARROW MEDIA	
7	11-5552-01	SHIELD RIBBON 4"	
8	DPO899349	(10PK) BEARING - FLANGED .312	
9	17-3061-01	SPRING COMP .300ODX.045WD X.44LG	
10	DPO10-3084-01	(10PK) WASHER WAVE .312 ID CRES	
11	DPO10-3084-02	(10PK) WASHER WAVE .505 ID CRES	
13	DPO10-3018-04	(25PK) WASHER FLAT #8 CRES	
14	DPO10-3085-06	(25PK) SCREW SOC HD CAP W/ LW M4 X 20	
16	DPO10-3085-02	(25PK) SCREW SOC HD CAP W/ LW M4 X 8	
17	DPO10-3015-43	(10PK) SCREW SHC M4X20 CRES W/LKG COMP	
18	32-2528-01	GROUND STRAP	

Printhead Pressure Assembly (15-3186-11)



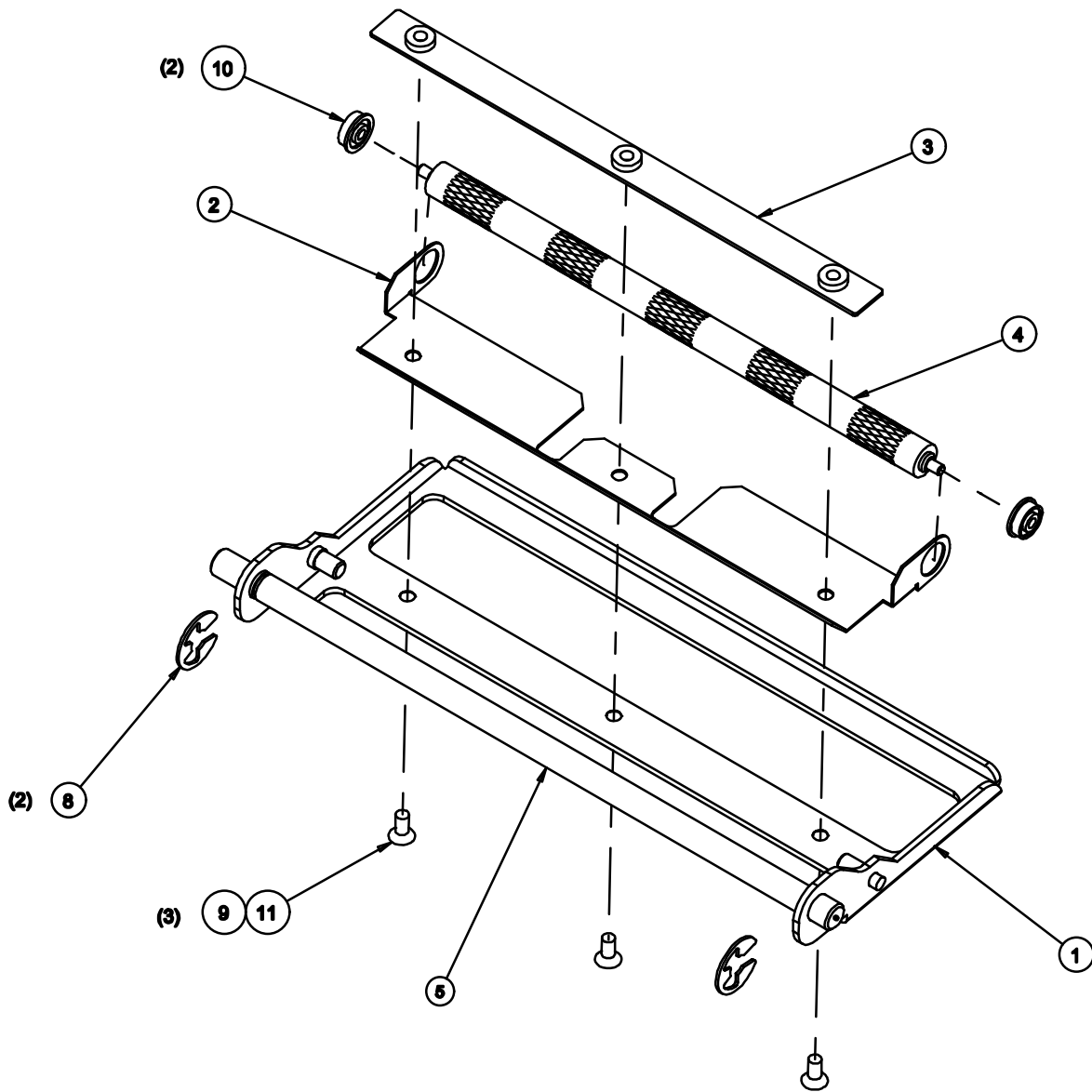
#	Part#	Description	Notes
1	12-3229-01	BRACKET, PRESSURE, LOWER	
2	12-3485-01	BRACKET, PRESSURE UPPER	
3	11-5537-01	RETAINER, PRINthead PRESSURE	
4	12-3486-01	SHAFT, PRINthead PRESSURE	
5	15-3187-01	ASSY, PIVOT PIN	
6	12-3353-01	SLIDE UPPER	
7	12-3354-01	SLIDE, LOWER	
8	17-3160-01	SPRING, COMPRESSION	
9	DPO10-3021-07	(25PK) E-RING 3/8 TRUARC CRES	

Latch Assembly 4" (15-2975-01)



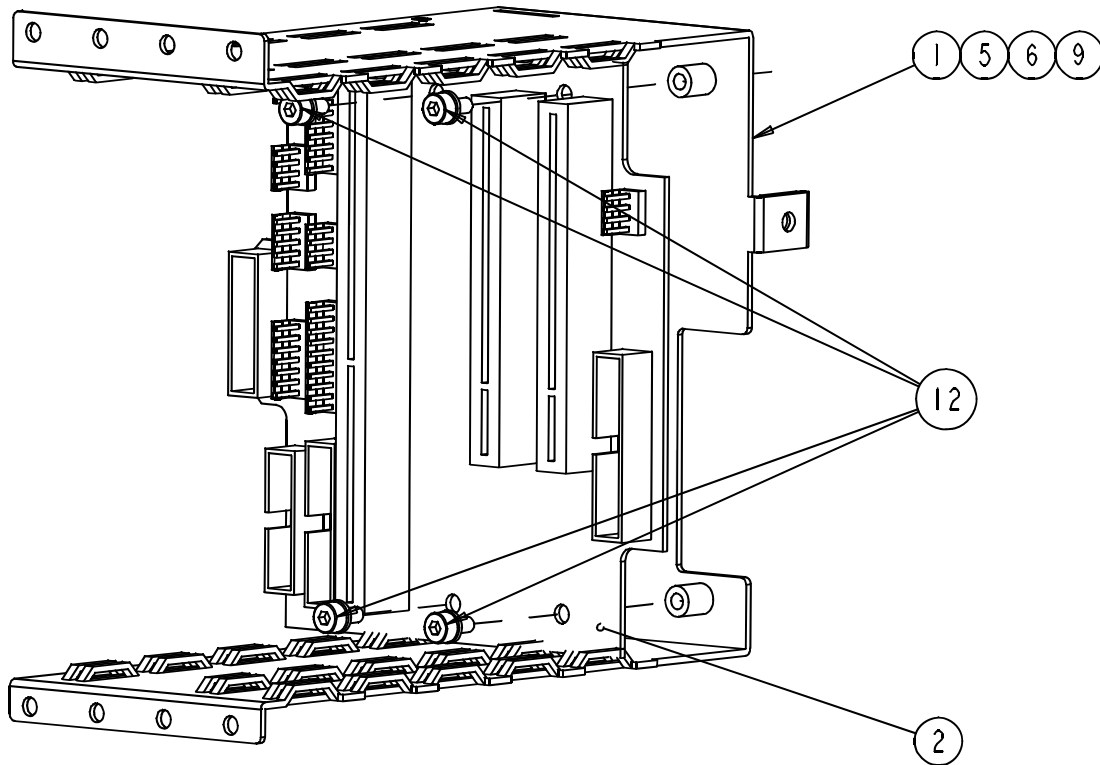
#	Part#	Description	Notes
1	11-5578-01	LATCH 4"	
2	12-3280-01	SHAFT LATCH PIVOT	
3	DPO10-3088-01	(25PK) SCREW FLATHEAD CRES M3 X 6	

Peel Assembly (15-2974-11)



#	Part#	Description	Notes
1	15-3183-01	ASSY 4" PINCH ROLLER FRAME	
2	11-5256-01	SPRING FLAT	
3	11-5599-01	SCREW PLATE 4"	
4	12-3295-01	ROLLER PINCH 4"	
5	12-2574-01	HINGE SHAFT 4"	
8	DPO10-3021-05	(20PK) E-RING 1/4 TRUARC CRES	
9	DPO10-3088-07	(25PK) SCREW FLATHEAD CRES M3 X 5	
10	17-2856-01	BEARING BALL FL .0937 X .3125	
11	--	LOCTITE 242	

Card Cage Assembly (24-2569-01)

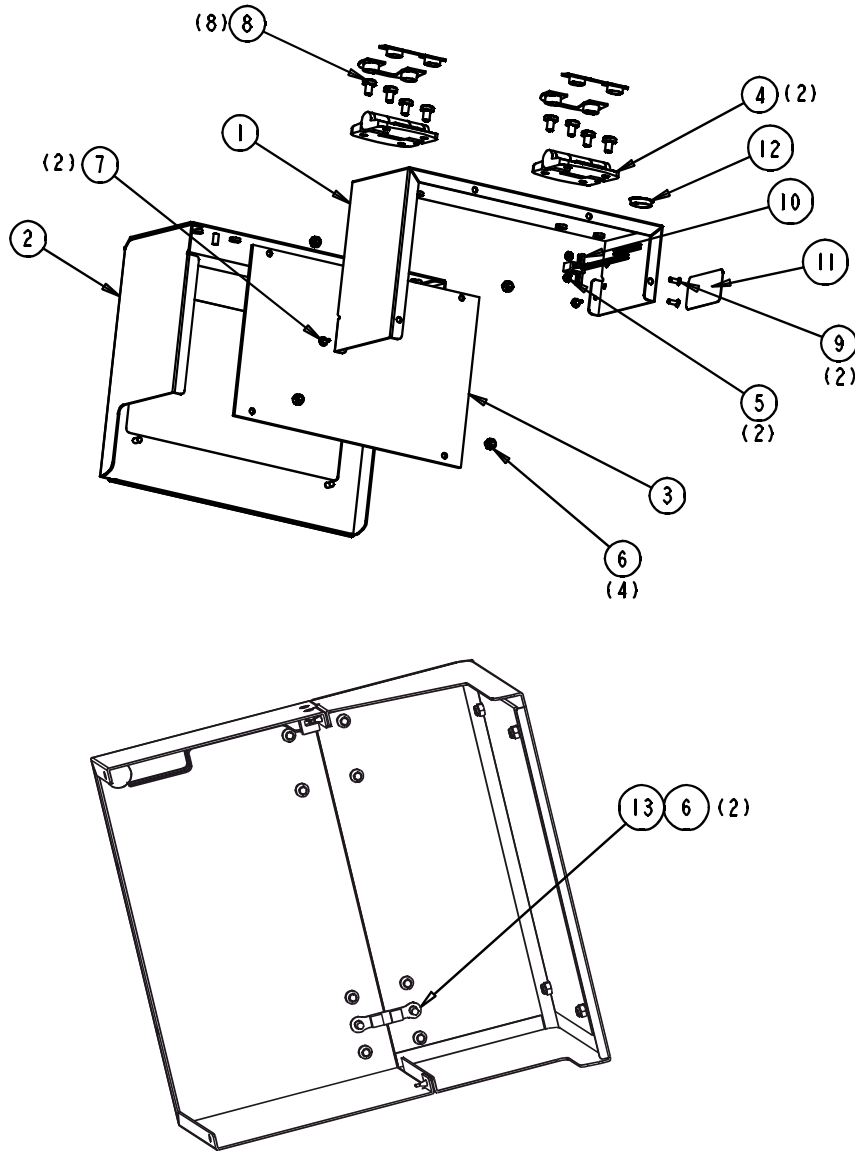


#	Part#	Description	Notes
1	11-5253-02	CARD CAGE	
2	51-2353-00	CCA BACKPLANE A-CLASS	
5	32-2530-01	CABLE ASSY BACK PLANE PWR (not shown)	
6	32-2531-01	CABLE ASSY MOTOR CONTROL (not shown)	
9	32-2540-01	CABLE ASSEMBLY GRAPHICS DISPLAY (not shown)	
12	DPO10-3085-04	(25PK) SCREW SOC HD CAP W/ LW M4 X 12	

# A-Class Left Hand 6" Model Printer Assemblies

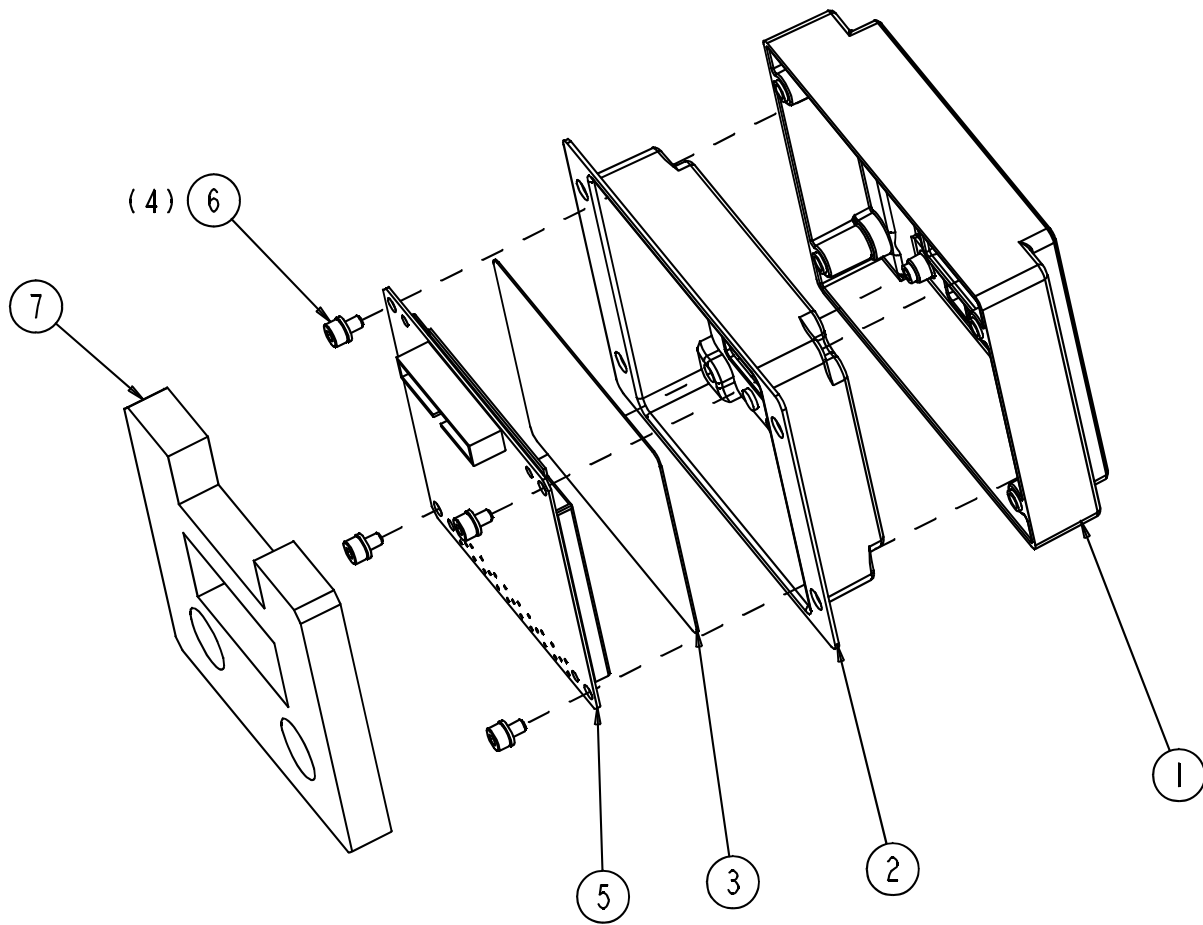


Cover Assembly (15-3021-12)



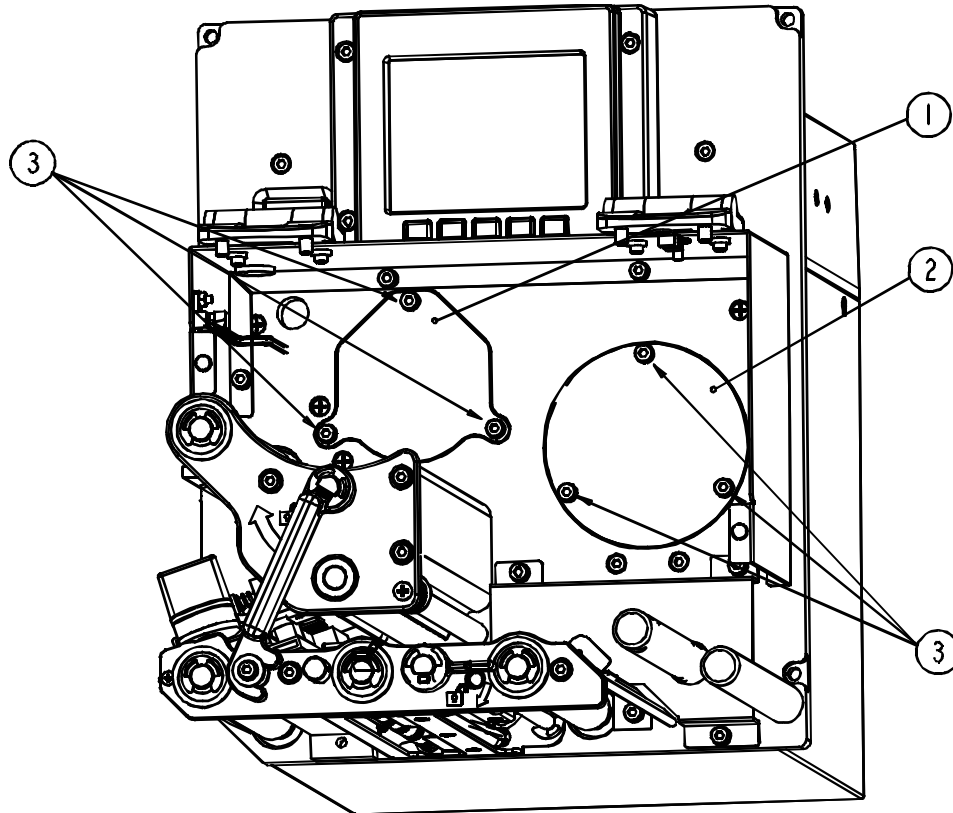
#	Part#	Description	Notes
1	11-5533-12	COVER INNER 6" LH	
2	11-5534-02	COVER OUTER LH	
3	16-2887-01	WINDOW	
4	17-3036-01	HINGE	
5	DPO10-3086-01	(25PK) NUT HEX SELF-LOCKING M3 CRES	
6	DPO10-3091-01	(50PK) NUT HEX SELF-LOCKING M4 CRES	
7	13-2392-01	BUMPER PULL THRU	
8	DPO10-3090-01	(50PK) SCREW PANHEAD M5 X 8 CRES	
9	DPO10-3088-02	(25PK) SCREW FLATHEAD CRES M3 X 8	
10	24-2618-01	CABLE ASSY COVER OPEN	
11	14-2835-01	LABEL WARNING	
12	17-3067-01	PLUG 5/8 HOLE	
13	32-2553-01	GROUND CABLE A-CLASS COVER	

Display Assembly (24-2605-01)



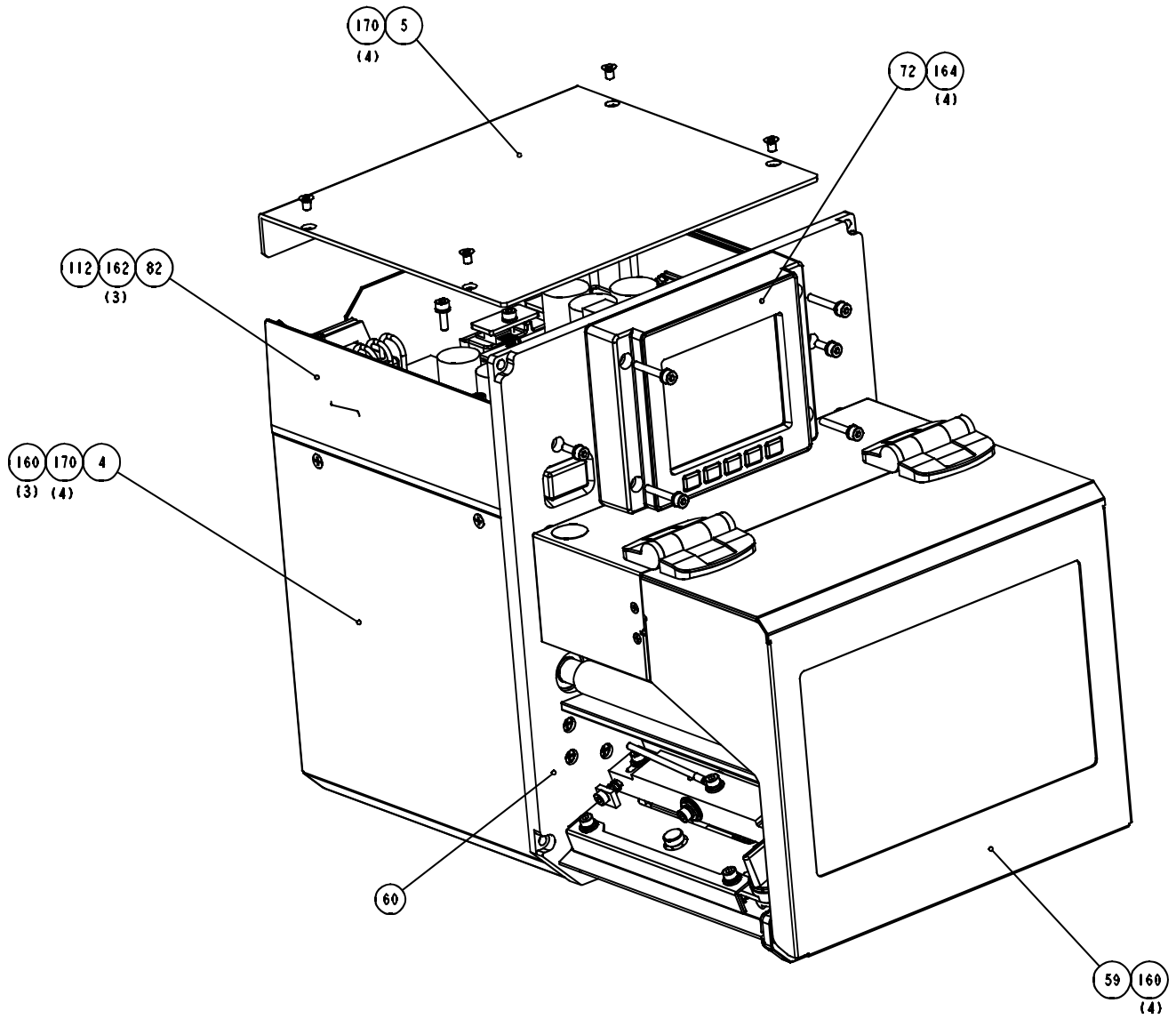
#	Part#	Description	Notes
1	12-3270-01	BEZEL DISPLAY	
2	16-2916-01	KEYPAD 5 BUTTON	
3	16-2961-01	COVER LCD	
5	45-2021-01	DISPLAY GRAPHICS 320X240	
6	DPO10-3085-02	(25PK) SCREW SOC HD CAP W/ LW M4 X 8	
7	13-2425-01	FILLER CONTROL PANEL BOOT	

Direct Thermal (78-2474-01)

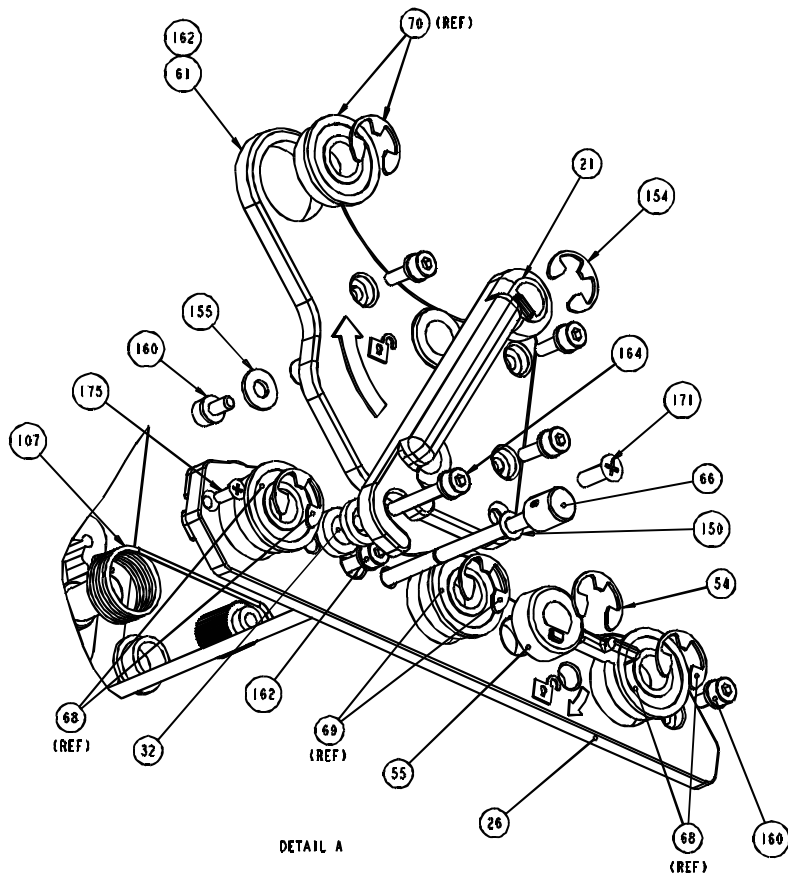
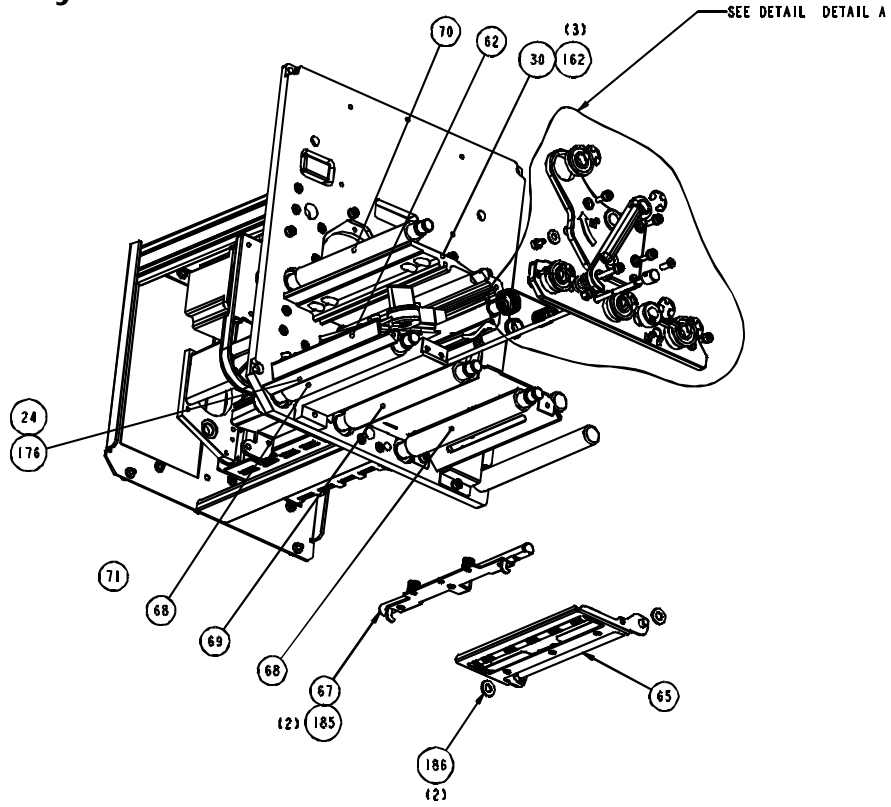


#	Part#	Description	Notes
1	11-5584-01	COVER RIBBON TAKE-UP	
2	11-5585-01	COVER RIBBON SUPPLY	
3	DPO10-3085-02	(25PK) SCREW SOC HD CAP W/ LW M4 X 8	

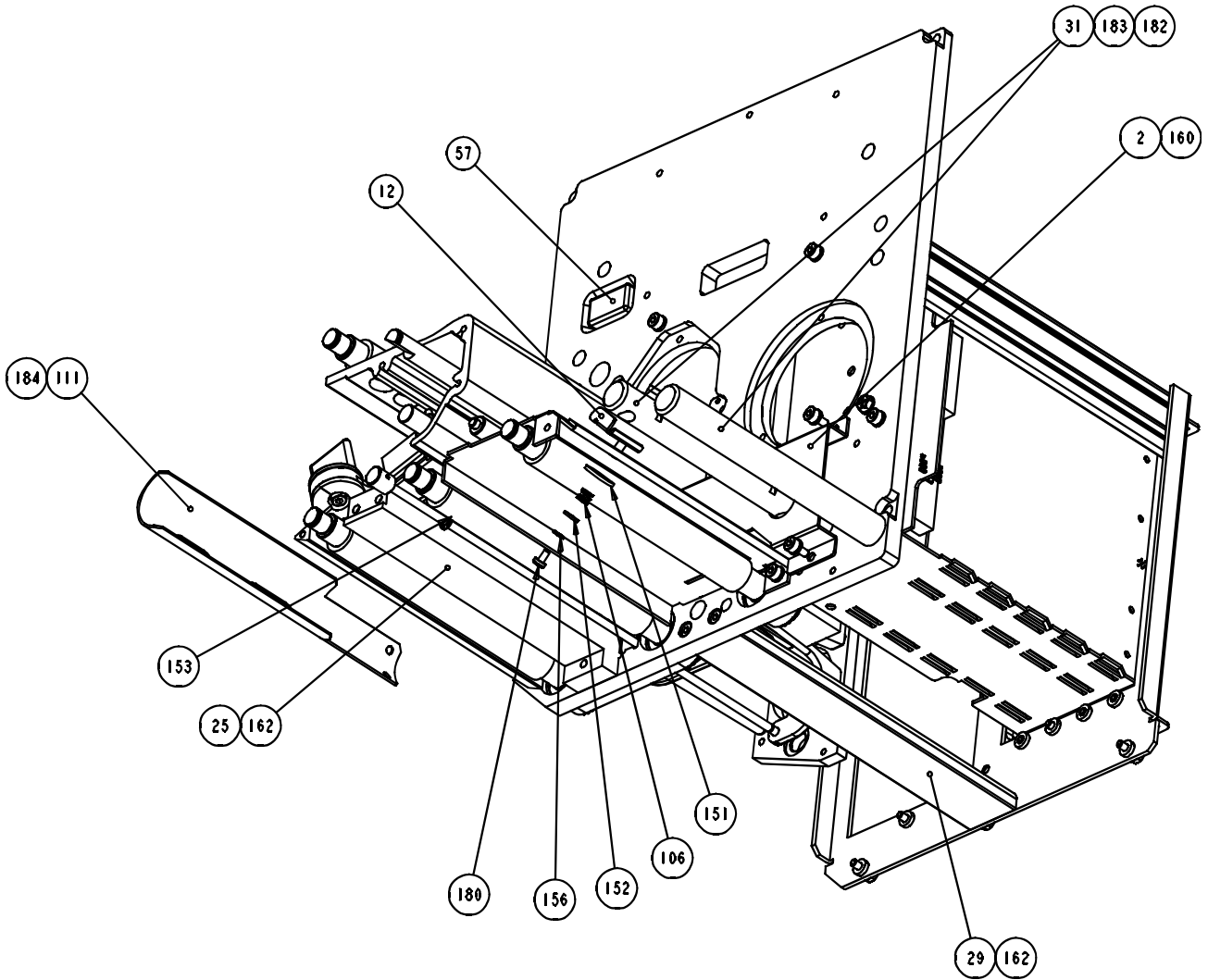
Printer Assembly 1 of 6



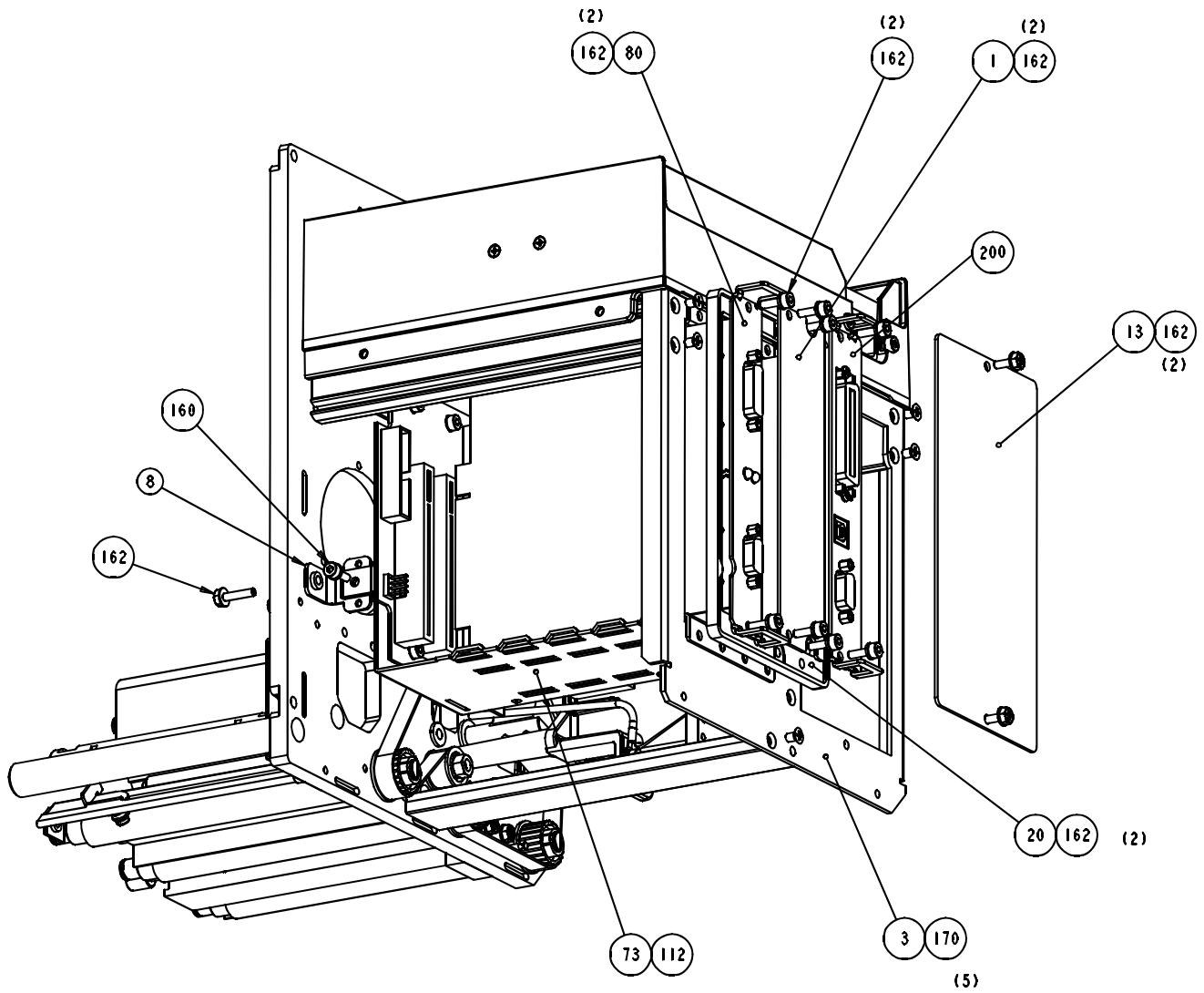
Printer Assembly 2 of 6



Printer Assembly 3 of 6



Printer Assembly 4 of 6







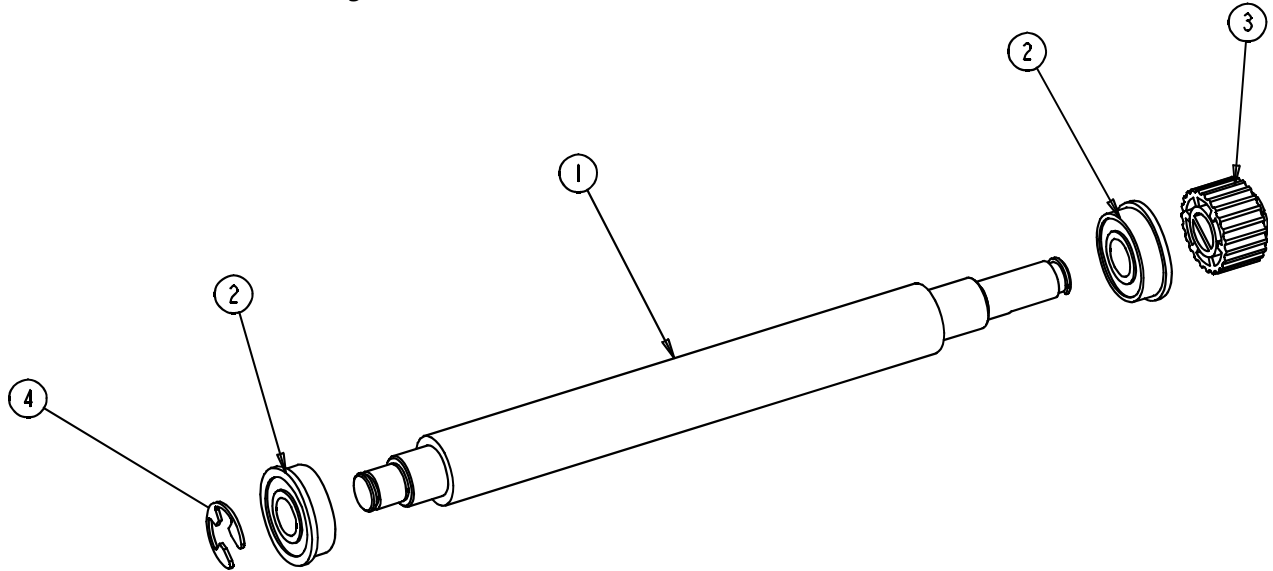
## Printer Assemblies 1 - 6

#	Part#	Description	Notes
1	11-5279-01	PLATE COVER EXPANSION	
2	11-5528-02	PLATE GUIDE MEDIA LH	
3	11-5529-04	PLATE REAR LH	
4	11-5530-02	COVER REAR LH	
5	11-5531-01	COVER TOP	
6	11-5532-12	PLATE LOWER 6" LH	
7	11-5556-01	FLAG PH OPEN	
8	11-5577-01	SUPPORT CARD CAGE	
11	11-5570-01	PLATE NUT	
12	11-5536-02	GUIDE MEDIA ADJUSTABLE LH	
13	11-5427-01	PLATE COVER	
14	11-5602-01	BRACKET RETAINER CABLE	
15	11-5603-01	COVER CABLE	
20	12-2958-01	PLATE MOUNTING REAR	
21	12-3255-02	HANDLE LATCH LH	
22	12-3052-03	SHAFT RIBBON IDLER 6"	
23	12-3217-02	SHAFT LATCH PRINTHEAD 6"	
24	12-3488-02	BAR PEEL 6"	
25	12-3244-02	BLOCK SUPPORT PLATEN 6"	
26	12-3214-02	PLATE SIDE LOWER LH 6"	
27	12-3286-02	BRACKET SUPPORT MOTOR LH	
28	12-3432-01	POST IDLER	
29	12-3221-01	BLOCK SUPPORT REAR	
30	12-3215-02	SUPPORT CENTER 6"	
31	12-3254-02	POST MEDIA 6"	
32	12-3282-01	POST LATCH	
33	12-3051-01	CAM IDLER RIBBON	
34	12-3219-01	POST ILDER	
51	16-2935-01	GEAR IDLER	
54	15-3119-01	ASSEMBLY, PULLEY	
55	16-2924-04	HANDLE LATCH LH	
57	16-2950-01	COVER SWITCH - PROTECTIVE	
59	15-3021-12	COVER ASSEMBLY 6" LH	
60	15-3005-02	CENTERPLATE ASSEMBLY LH	
61	15-3015-02	UPPER SIDE PLATE ASSY LH	
62	15-2977-12	ASSY 6" LH PRINTHEAD	
63	15-3186-12	PH PRESS ASSY 6" LH	
64	15-2970-01	TENSION ASSY	
65	15-2974-12	PINCH ROLLER ASSEMBLY 6" LH	
66	15-2976-02	ASSY THREADED ROD 6"	
67	15-2975-02	LATCH ASSEMBLY 6"	
68	15-3019-11	PLATEN ROLLER ASSY 6" MAIN	
69	15-3019-12	PLATEN ROLLER ASSY 6" PEEL	
70	15-3019-13	PLATEN ROLLER ASSY 6" TAKE-UP	
71	DPO24-2604-01	(2PK) MEDIA SENSOR ASSEMBLY	
72	24-2605-01	DISPLAY ASSEMBLY	
73	24-2569-01	CARD CAGE ASSEMBLY A-CLASS 4"	
75	24-2619-01	CABLE ASSY HEAD UP SENSOR	

## Printer Assemblies 1 - 6 (continued)

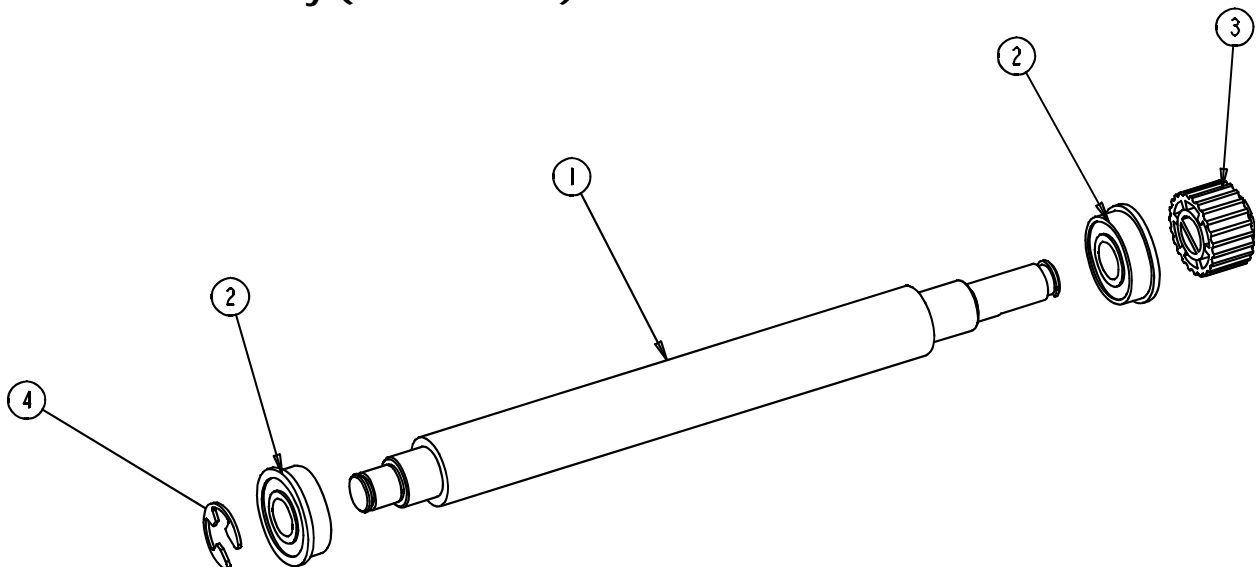
#	Part#	Description	Notes
80	DPO51-2404-10	(1/PK) CCA, Applicator	
82	24-2617-01	POWER SUPPLY ASSEMBLY	
101	17-2987-01	BELT TIMING 184 TEETH 3MM HTD	
103	17-3094-01	SPRING EXTENSION	
105	DPO17-2816-01	(10PK) BUSHING FLANGED.1895 ID .314OD 1/4L	
106	17-3064-01	SPRING COMP .24 ODX.032WD X .375LG	
107	17-3078-02	SPRING TORSION LH 6"	
108	17-3011-01	BUSHING FLANGED FF-520-5	
110	44-2060-01	ASSY FERRITE	
111	--	TYWRAP 8"	
112	--	TIE TWIST LOCK	
113	--	TYWRAP 4"	
150	DPO899325	(50PK) SPACER	
151	DPO899294	(20PK) PLATE - BEARING	
152	DPO10-2518-01	(50PK) WASHER FLAT SS	
153	DPO10-3021-03	(25PK) RING RETAINING 5/32 CRES	
154	DPO10-3021-07	(25PK) E-RING 3/8 TRUARC CRES	
155	DPO10-3018-04	(25PK) WASHER FLAT #8 CRES	
156	DPO10-3093-01	(25PK) WASHER M3 EXT TOOTH LOCK CRES	
160	DPO10-3085-02	(25PK) SCREW SOC HD CAP W/ LW M4 X 8	
162	DPO10-3085-04	(25PK) SCREW SOC HD CAP W/ LW M4 X 12	
164	DPO10-3085-07	(25PK) SCREW SOC HD CAP W/ LW M4 X 25	
170	DPO10-3066-01	(25PK) SCREW FLAT HEAD SS M4 X 6	
171	DPO10-3066-04	(25PK) SCREW FLAT HEAD SS M4 X 12	
175	DPO10-3088-04	(25PK) SCREW FLATHEAD CRES M3 X 12	
176	DPO10-3088-05	(25PK) SCREW FLATHEAD CRES M3 X 14	
180	DPO10-3092-01	(25PK) SCREW PHP M3 X 6MM CRES	
181	17-3046-01	SPRING COMPRESSION	
182	DPO10-3096-03	(50PK) WASHER SPLIT LOCK M5 CRES	
183	DPO10-3097-01	(20PK) SCREW SOCKET HD SET M5 X 12 CRES	
184	13-2422-02	RETAINER PRINT HD CABLE 6"	
185	17-3065-01	SPRING COMP .36 ODX.035 WD X .75LG	
186	DPO10-2630-01	(50PK) WASH FLT NYLON .250 ID .500 OD	
187	DPO10-3085-14	(25PK) SCREW SHC W/ LK COMP M4 X 12	
188	--	GREASE SILCONE	
200	DPO51-2342-05	Main Board, A-6212, 4MB	
	DPO51-2342-15	Main Board, A-6212, 8MB	
	DPO51-2342-06	Main Board, A-6310, 4MB	
	DPO51-2342-16	Main Board, A-6310, 8MB	

**Platen Roller Assembly (15-3019-11)**



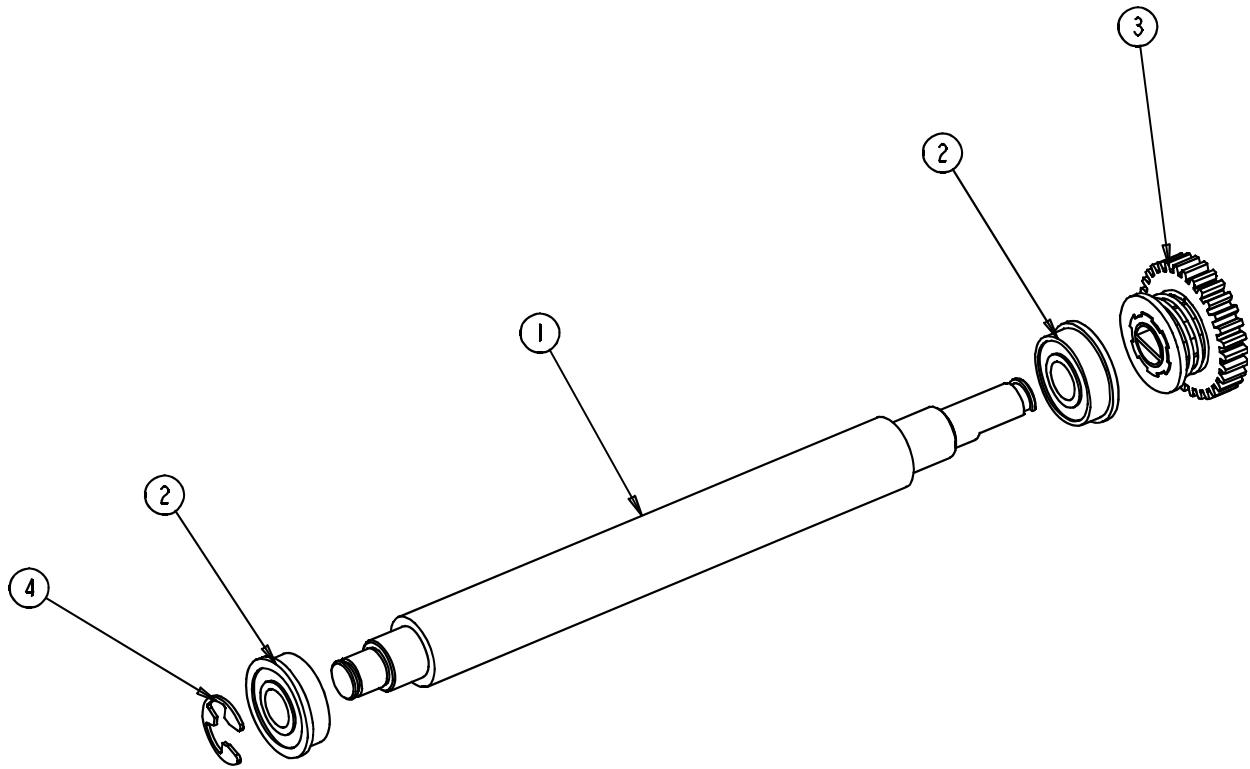
#	Part#	Description	Notes
1	13-2405-02	ROLLER PLATEN 6"	
2	17-3028-01	BEARING FLANGED 440C 3/8 X 7/8	
3	16-2903-01	PULLEY (WHITE) TIMING 23 TEETH	
4	DPO10-3021-07	(25PK) E-RING 3/8 TRUARC CRES	

**Peel Roller Assembly (15-3019-12)**



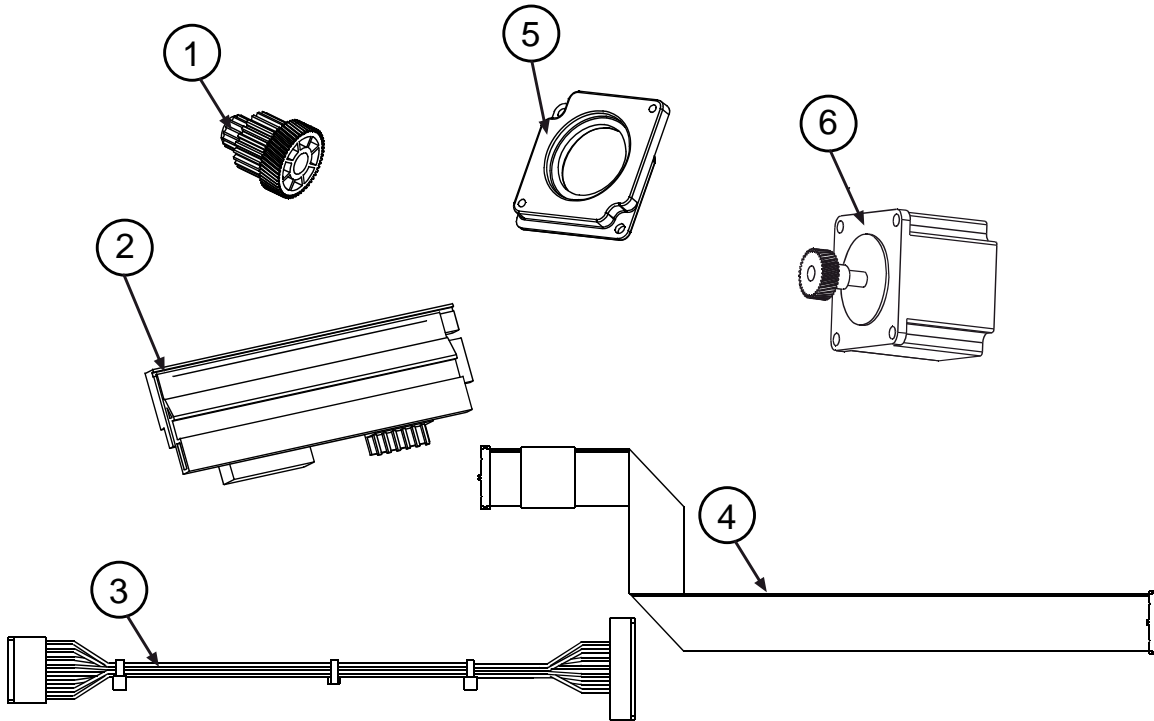
#	Part#	Description	Notes
1	13-2405-02	ROLLER PLATEN 6"	
2	17-3028-01	BEARING FLANGED 440C 3/8 X 7/8	
3	16-2904-01	PULLEY (BLACK) TIMING 22 TEETH	
4	DPO10-3021-07	(25PK) E-RING 3/8 TRUARC CRES	

Take-up Roller Assembly (15-3019-13)



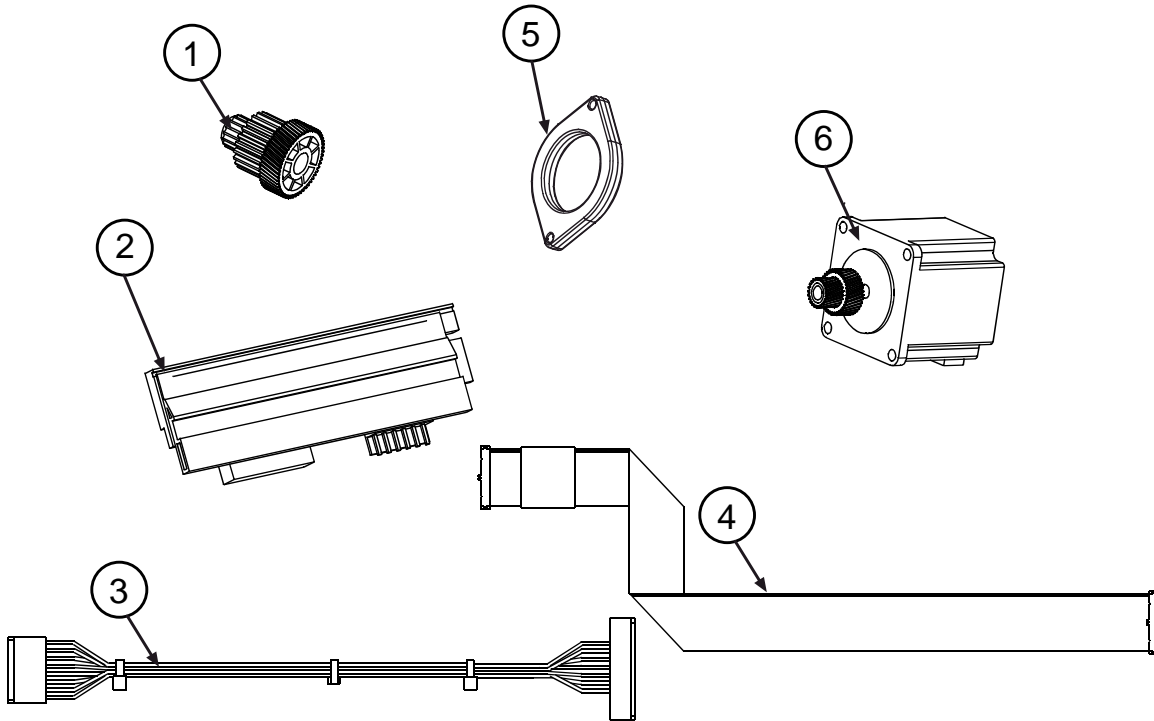
#	Part#	Description	Notes
1	13-2405-02	ROLLER PLATEN 6"	
2	17-3028-01	BEARING FLANGED 440C 3/8 X 7/8	
3	15-3020-01	CLUTCH RIBBON TAKE-UP	
4	DPO10-3021-07	(25PK) E-RING 3/8 TRUARC CRES	

Printhead / Pulley Kit, 203DPI



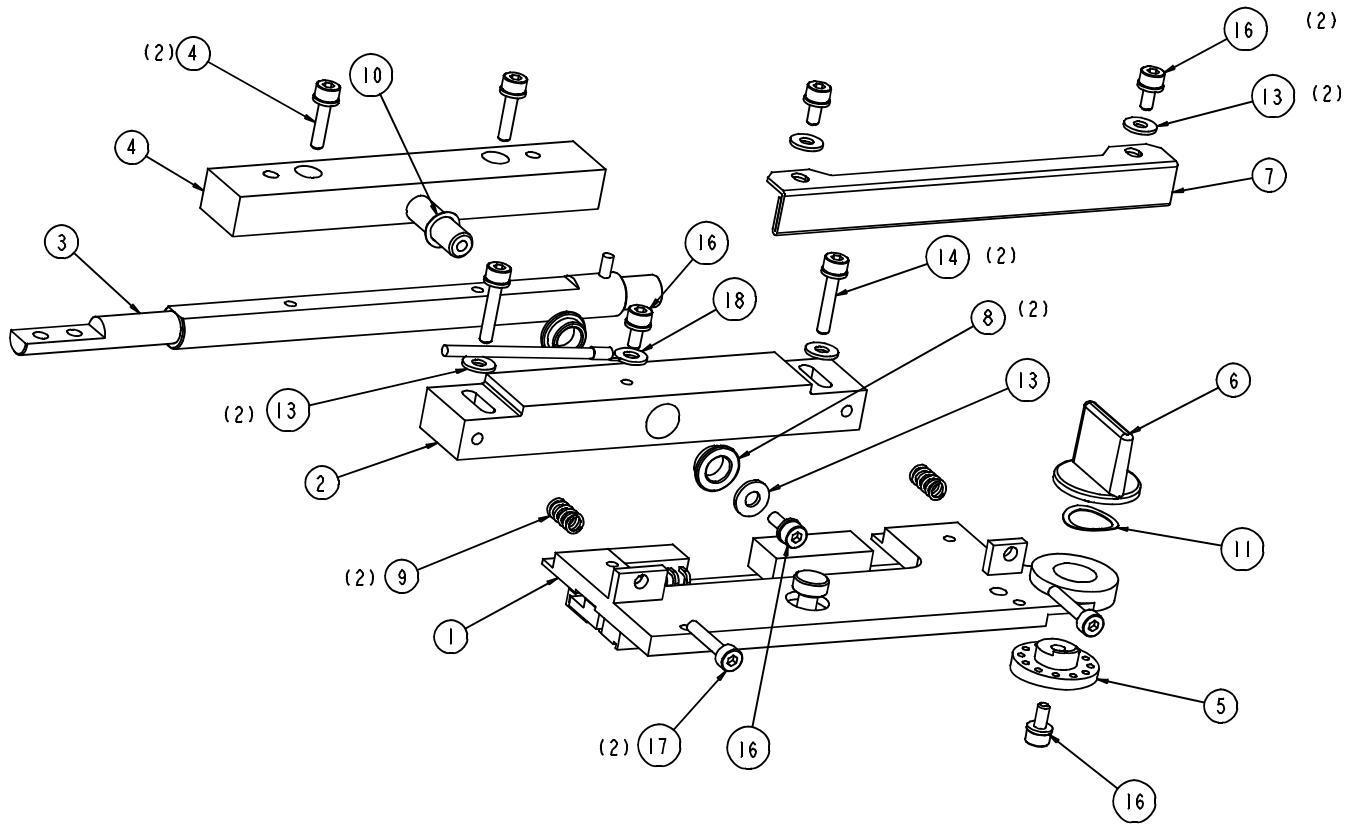
#	Part#	Description	Notes
1	15-3117-01	PULLEY COMPOUND 203DPI	
2	PHD20-2164-01	PRINthead 203DPI, 6"	
3	32-2535-01	CABLE ASSY PRINthead DATA 6" 203	
4	32-2534-02	CABLE ASSY 6" PRINthead PWR	
5	12-3384-02	SPACER MOTOR MOUNTING LH	
6	24-2543-03	STEPPER MOTOR ASSEMBLY	

Printhead / Pulley Kit, 300DPI



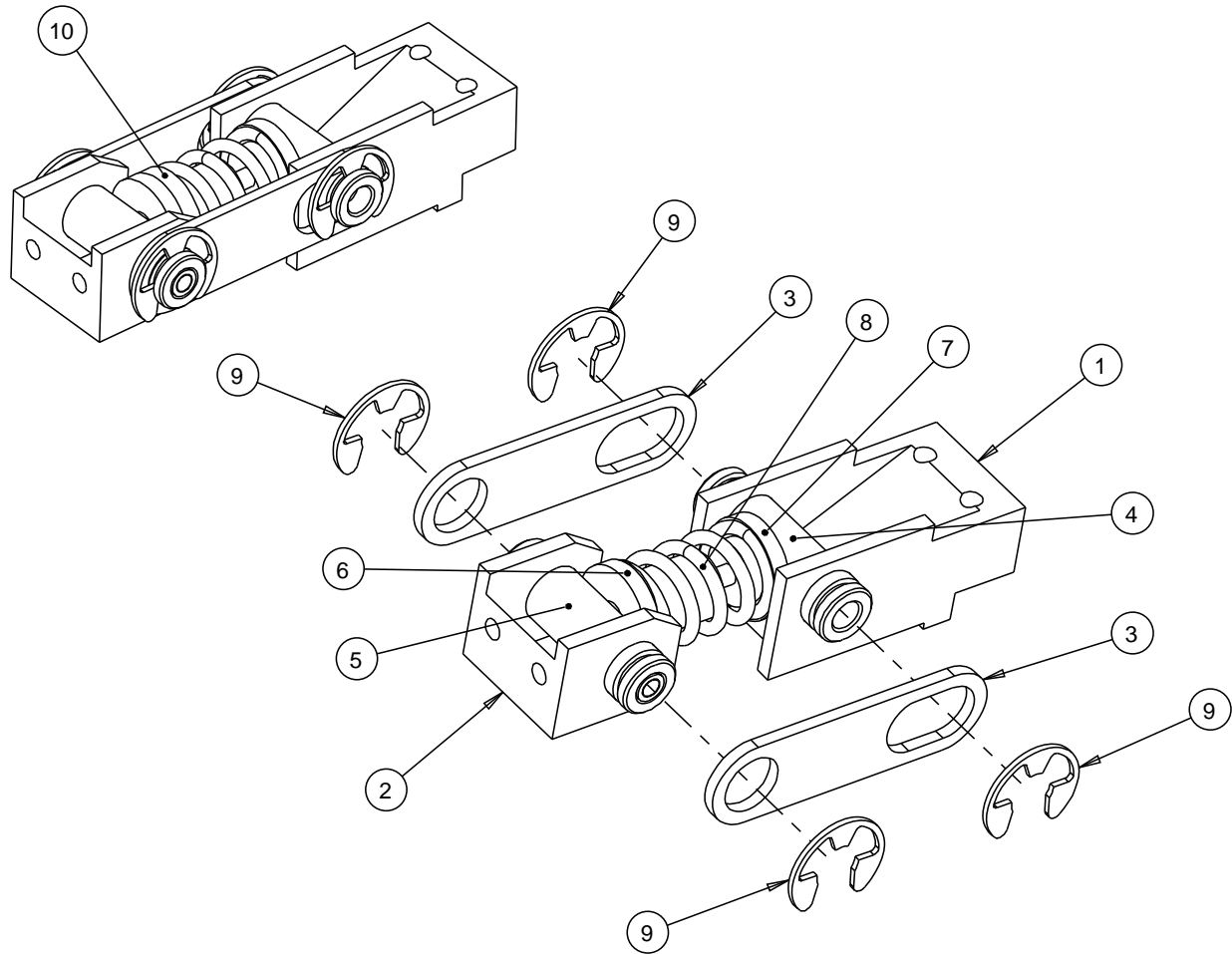
#	Part#	Description	Notes
1	15-3118-01	GEAR COMPOUND 300DPI	
2	PHD20-2195-01	PRINTHEAD 300 DPI, 6"	
3	32-2534-02	CABLE ASSY 6" PRINTHEAD PWR	
4	32-2536-01	CABLE ASSY PRINTHEAD DATA 6" 300	
5	12-3370-01	SPACER MOTOR MOUNTING	
6	24-2543-02	STEPPER MOTOR ASSEMBLY	

Printhead Assembly (15-2977-12)



#	Part#	Description	Notes
1	15-3105-01	ASSY, 6" LH PRINthead MOUNT	
2	12-3267-02	PIVOT 6" PRINthead	
3	12-3233-02	SHAFT PRINthead MOUNT	
4	12-3266-01	PLATE PRINthead ADAPTER	
5	DPO16-2906-01	(2PK) CAM NARROW MEDIA	
6	16-2907-01	KNOB NARROW MEDIA	
7	11-5552-02	SHIELD RIBBON 6"	
8	DPO899349	(10PK) BEARING - FLANGED .312	
9	17-3075-01	SPRING COMP .30 OD X .045WD X.56LG	
10	DPO10-3084-01	(10PK) WASHER WAVE .312 ID CRES	
11	DPO10-3084-02	(10PK) WASHER WAVE .505 ID CRES	
13	DPO10-3018-04	(25PK) WASHER FLAT #8 CRES	
14	DPO10-3085-06	(25PK) SCREW SOC HD CAP W/ LW M4 X 20	
16	DPO10-3085-02	(25PK) SCREW SOC HD CAP W/ LW M4 X 8	
17	DPO10-3015-43	(10PK) SCREW SHC M4X20 CRES W/LKG COMP	
18	32-2528-01	GROUND STRAP	

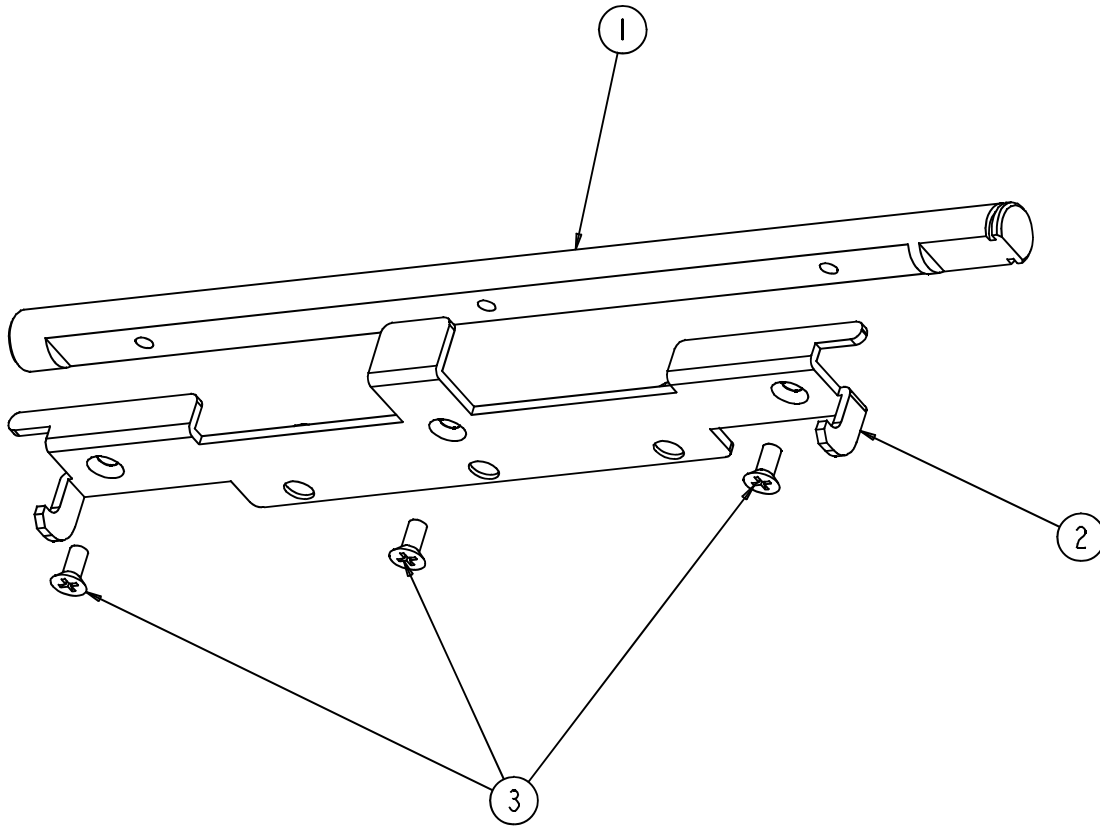
Printhead Pressure Assembly (15-3186-12)



#	Part#	Description	Notes
1	12-3229-01	BRACKET, PRESSURE, LOWER	
2	12-3485-01	BRACKET, PRESSURE UPPER	
3	11-5537-01	RETAINER, PRINTHEAD PRESSURE	
4	12-3486-01	SHAFT, PRINTHEAD PRESSURE	
5	15-3187-01	ASSY, PIVOT PIN	
6	12-3353-01	SLIDE UPPER	
7	12-3354-01	SLIDE, LOWER	
8	17-3160-01	SPRING, COMPRESSION	
9	DPO10-3021-07	(25PK) E-RING 3/8 TRUARC CRES	
10	16-3005-01	SPACER, PH PRESSURE	

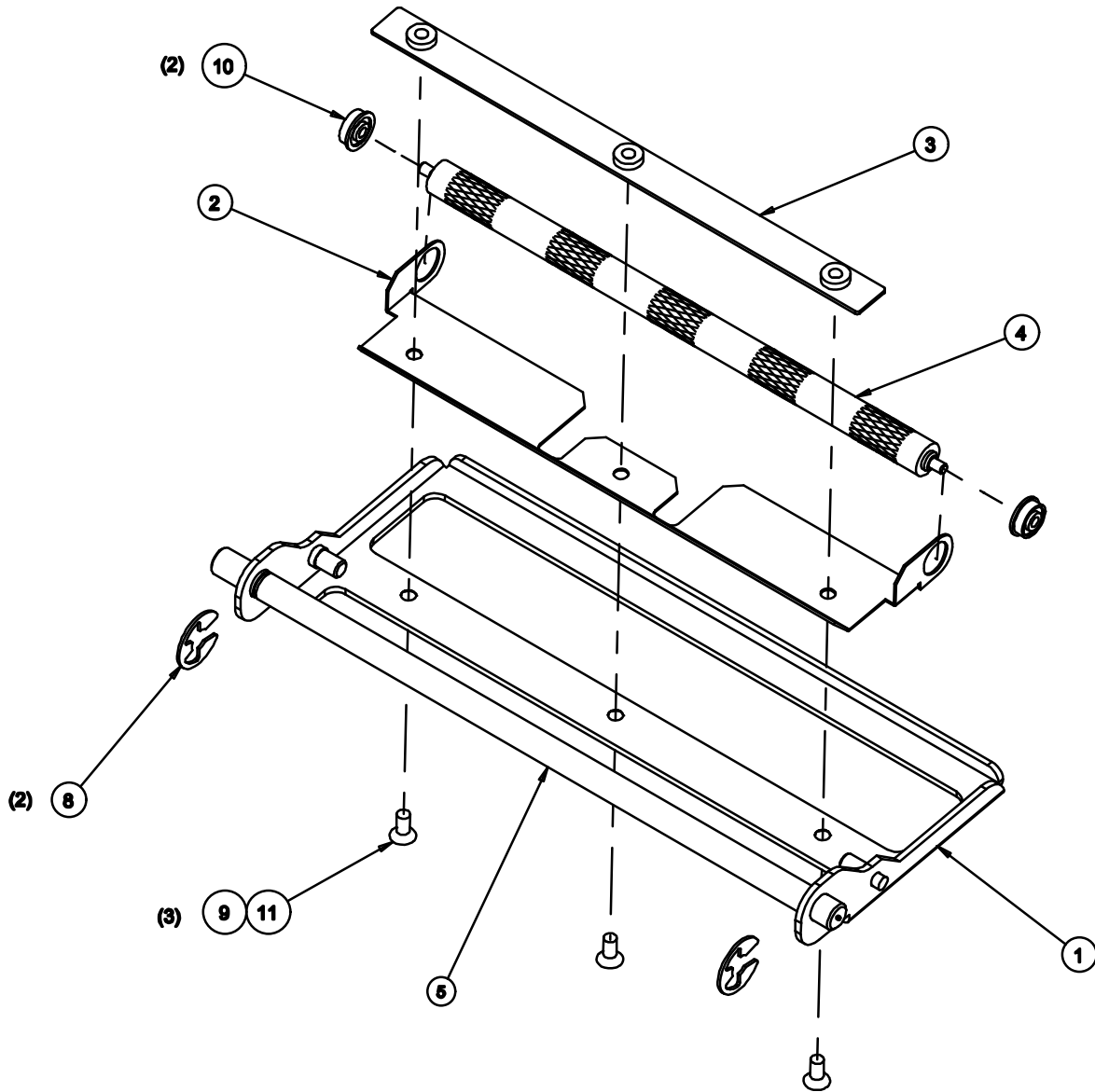


Latch Assembly 6" (15-2975-02)



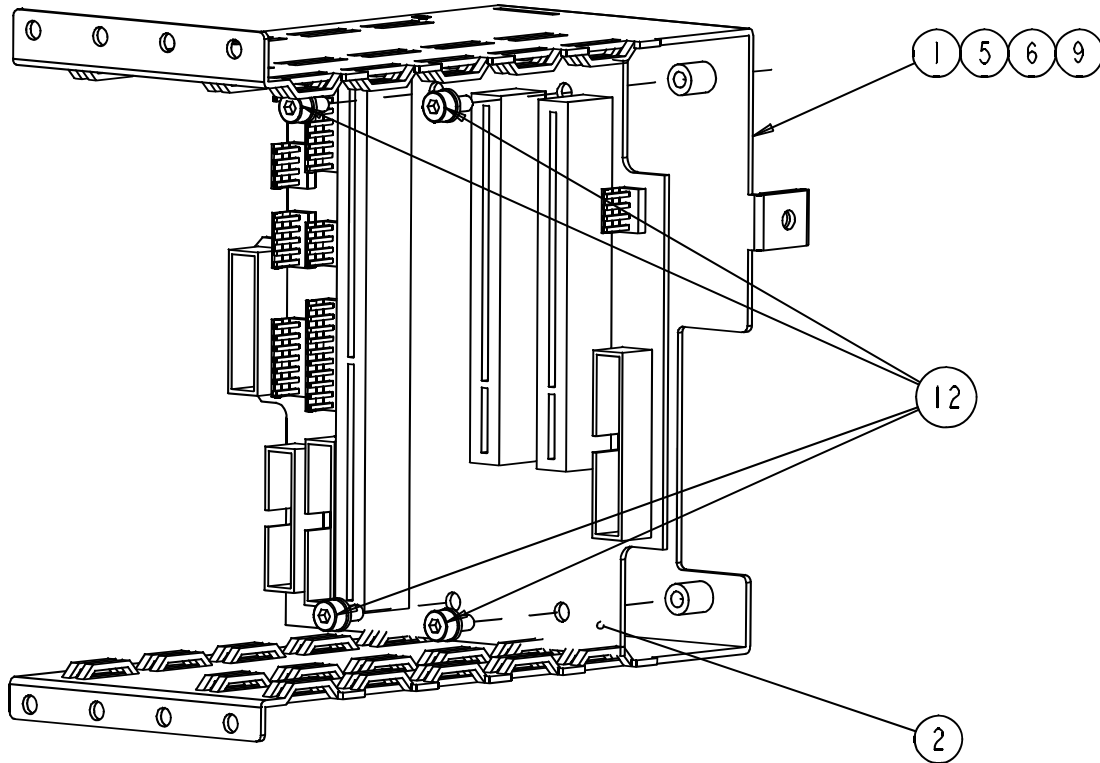
#	Part#	Description	Notes
1	11-5578-02	LATCH 6"	
2	12-3280-02	SHAFT LATCH PIVOT	
3	DPO10-3088-01	(25PK) SCREW FLATHEAD CRES M3 X 6	

Peel Assembly (15-2974-12)



#	Part#	Description	Notes
1	15-3183-02	ASSY 6" PINCH ROLLER FRAME	
2	11-5256-02	SPRING FLAT	
3	11-5599-02	SCREW PLATE 6"	
4	12-3295-02	ROLLER PINCH 6"	
5	12-2574-02	HINGE SHAFT 6"	
8	DPO10-3021-05	(20PK) E-RING 1/4 TRUARC CRES	
9	DPO10-3088-07	(25PK) SCREW FLATHEAD CRES M3 X 5	
10	17-2856-01	BEARING BALL FL .0937 X .3125	
11	--	LOCTITE 242	

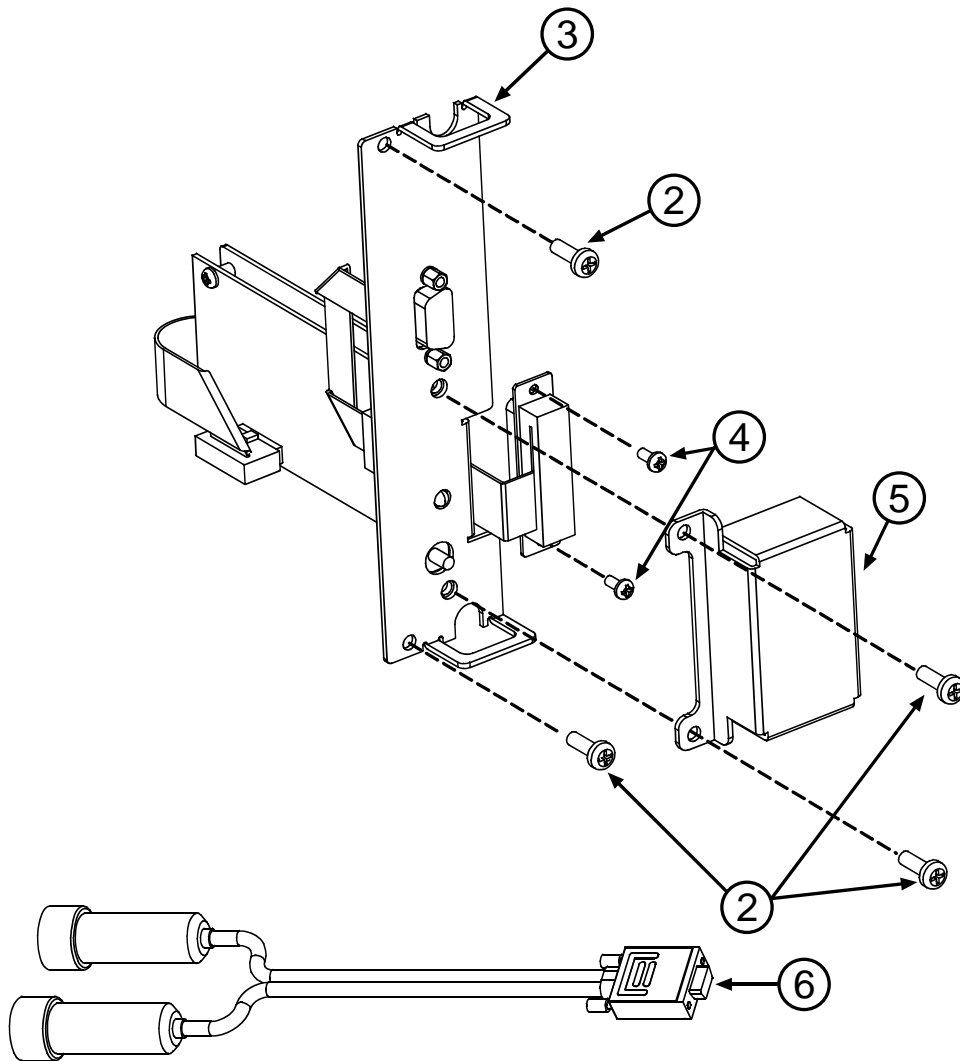
Card Cage Assembly (24-2569-01)



#	Part#	Description	Notes
1	11-5253-02	CARD CAGE	
2	51-2353-00	CCA BACKPLANE A-CLASS	
5	32-2530-01	CABLE ASSY BACK PLANE PWR (not shown)	
6	32-2531-01	CABLE ASSY MOTOR CONTROL (not shown)	
9	32-2540-01	CABLE ASSEMBLY GRAPHICS DISPLAY (not shown)	
12	DPO10-3085-04	(25PK) SCREW SOC HD CAP W/ LW M4 X 12	

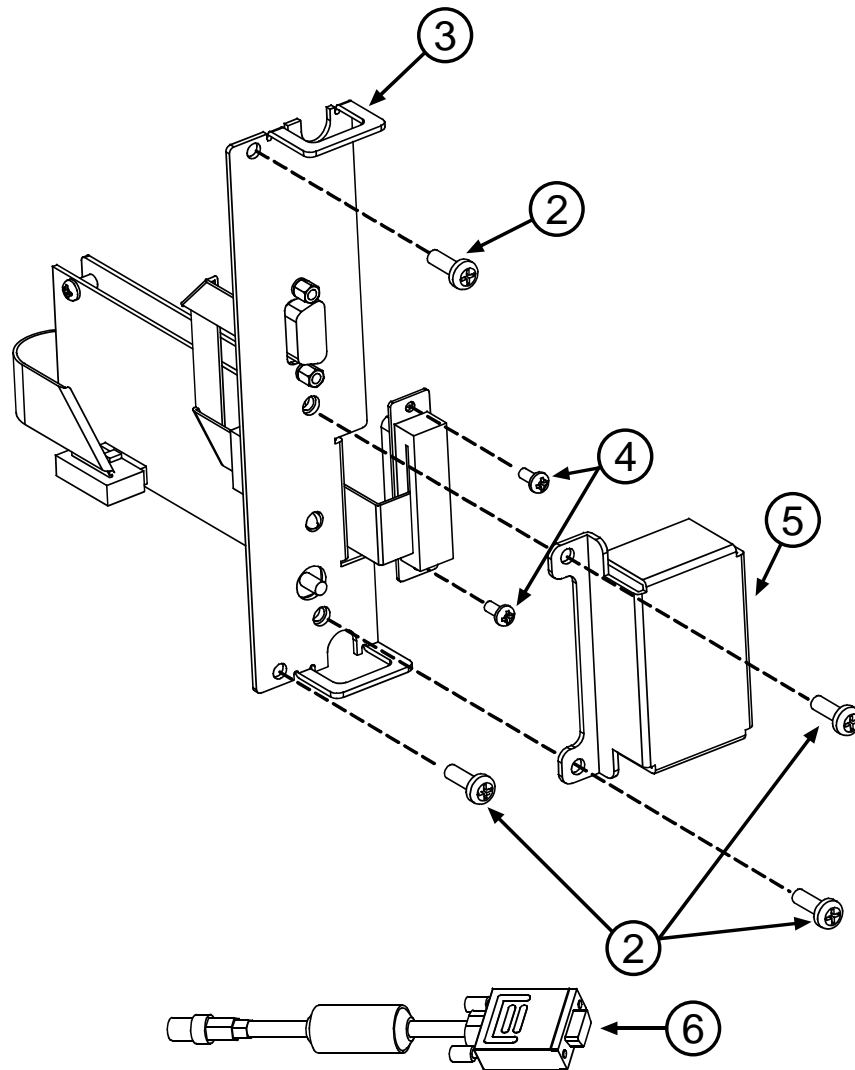
# A-Class Options

Twinax Interface (78-2305-21)



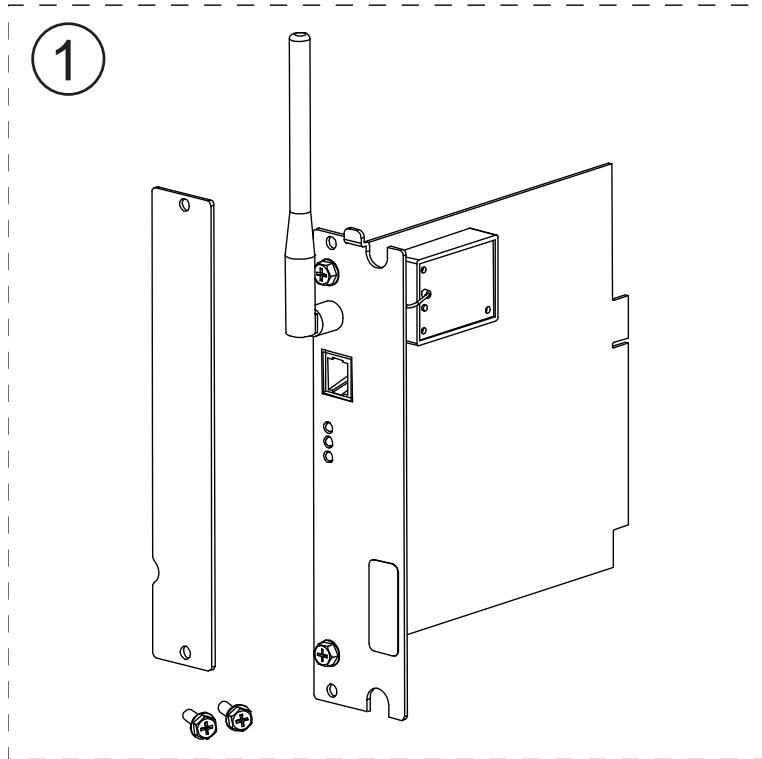
#	Part#	Description	Notes
2	DPO10-2903-04	(50PK) SCREW, M4 X 12 PHILLIPS HEAD	
3	--	CCA, TWINAX/COAX	
4	DPO10-2520-01	(50PK) SCREW, 4-40 X 2.5	
5	11-5632-01	BRACKET, COVER CONNECTOR	
6	32-2328-01	CABLE ASSEMBLY, TWINAX INTERFACE	

Coax Interface (78-2305-22)



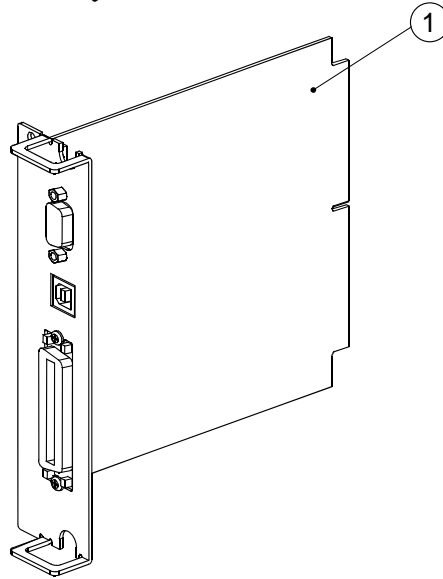
#	Part#	Description	Notes
2	DPO10-2903-04	(50PK) SCREW, M4 X 12 PHILLIPS HEAD	
3	--	CCA, TWINAX/COAX	
4	DPO10-2520-01	(50PK) SCREW, 4-40 X 2.5	
5	11-5632-01	BRACKET, COVER CONNECTOR	
6	32-2327-01	CABLE ASSEMBLY, COAX INTERFACE	

Ethernet Interfaces



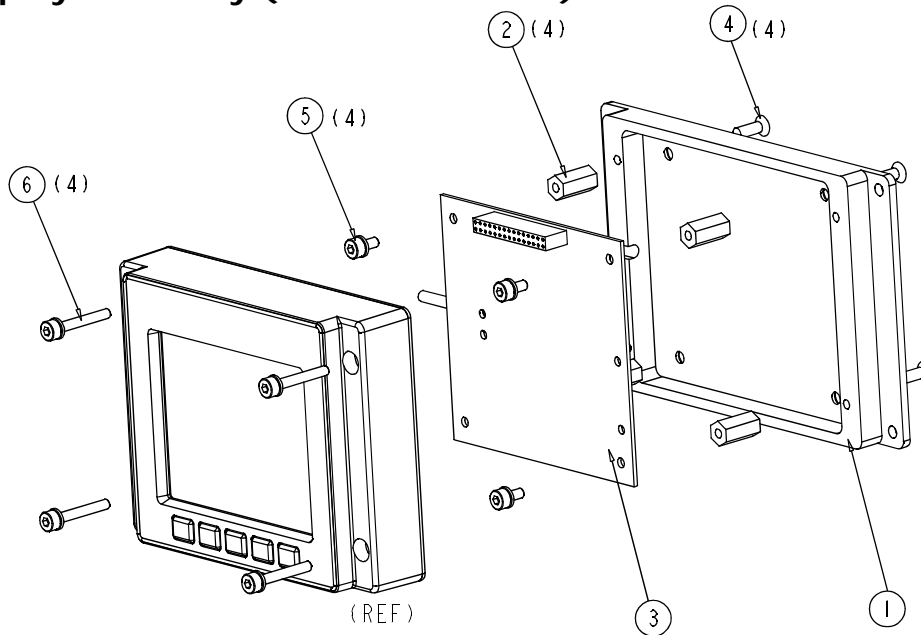
#	Part#	Description	Notes
1	OPT78-2657-01	DMXNet II Ethernet Interface Kit	
	OPT78-2657-12	DMXrfNet II 802.11b/g Wired/Wireless Kit	
	DPO17-3104-02	Antenna R. Duck RP/SMA	

Main Logic Board (78-2476-02)



#	Part#	Description	Notes
1	78-2476-02	CARD, MAIN LOGIC	

Remote Display Assembly (DPO78-2516-02)



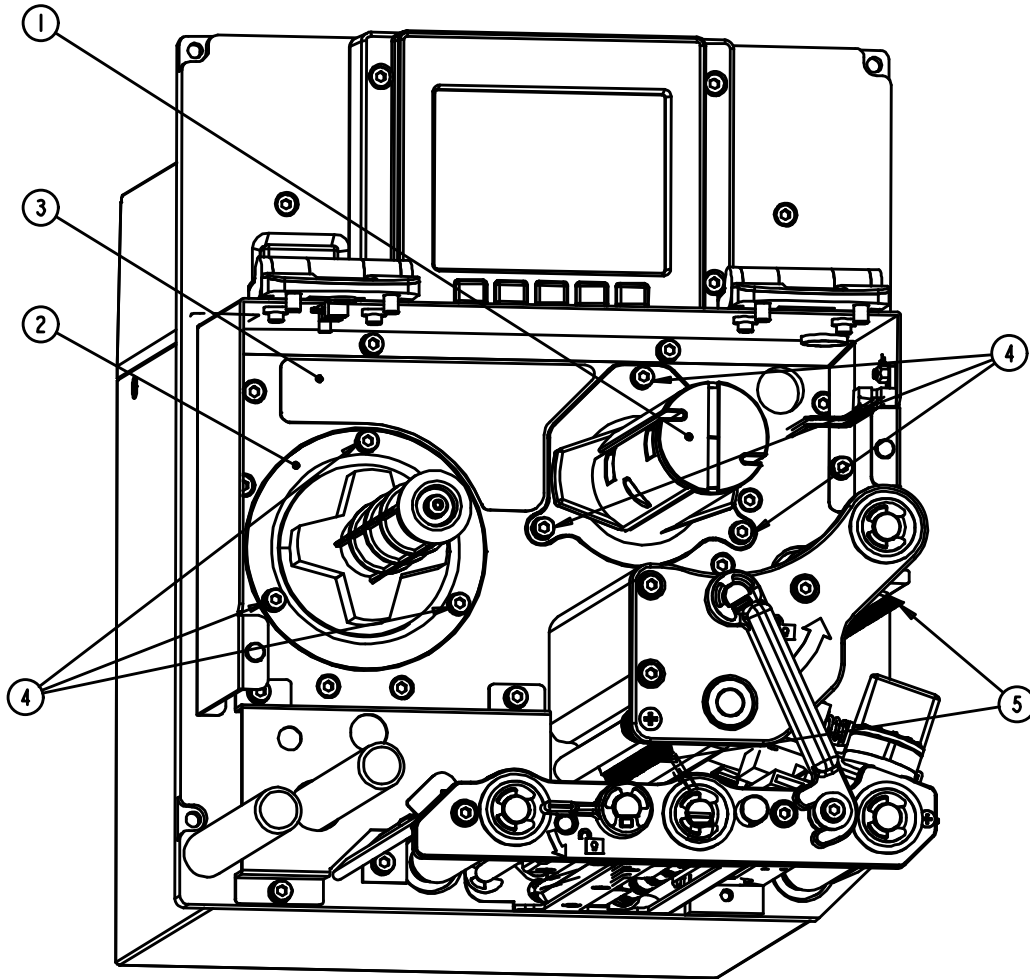
#	Part#	Description	Notes
1	12-3297-01	MOUNT REMOTE DISPLAY	
2	12-3298-01	STANDOFF M4 THD X 16MM	
3	51-2373-00	CCA REMOTE LCD INTERFACE A-CLASS	
4	DPO10-3066-01	(25PK) SCREW FLAT HEAD SS M4 X 6	
5	DPO10-3085-02	(25PK) SCREW SOC HD CAP W/ LW M4 X 8	
6	DPO10-3085-07	(25PK) SCREW SOC HD CAP W/ LW M4 X 25	



**Thermal Transfer Option Assembly – Bi-Directional**

Four-Inch Models: (78-2448-41 Right Hand & 78-2448-43 Left Hand)

Six Inch Models: (78-2448-42 Right Hand & 78-2448-44 Left Hand)

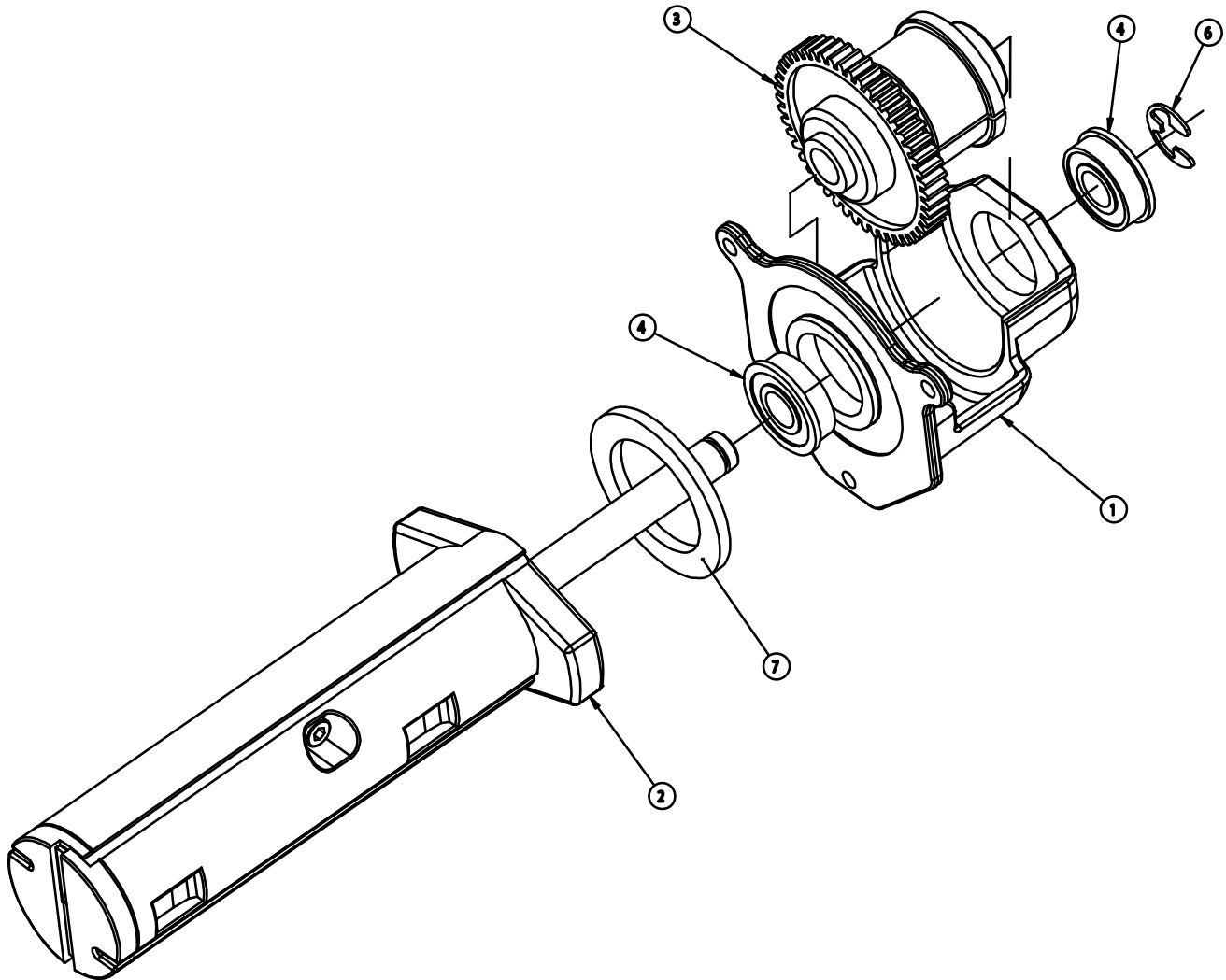


#	Part#	Description	Notes
1	15-3007-01	RIBBON TAKE-UP ASSY, 4", RH	
	15-3007-11	RIBBON TAKE-UP ASSY, 4", LH	
	15-3007-02	RIBBON TAKE-UP ASSY, 6", RH	
	15-3007-12	RIBBON TAKE-UP ASSY, 6", LH	
2	15-2979-21	ASSY, HUB, RIB SUPPLY, 4",	
	15-2979-22	ASSY, HUB, RIB SUPPLY, 6",	
3	14-2807-05	LABEL, LOADING, RH	
4	DPO10-3085-02	(25PK) SCREW, SH CAP W/ LW, M4 X 8	
5	17-2715-01	BRUSH-STATIC 6.5"	
	17-2716-01	BRUSH-STATIC 9.0"	

**Ribbon Take-up Assembly**

Four-Inch Models: (15-3007-01 Right Hand & 15-3007-11 Left Hand)

Six Inch Models: (15-3007-02 Right Hand & 15-3007-12 Left Hand)

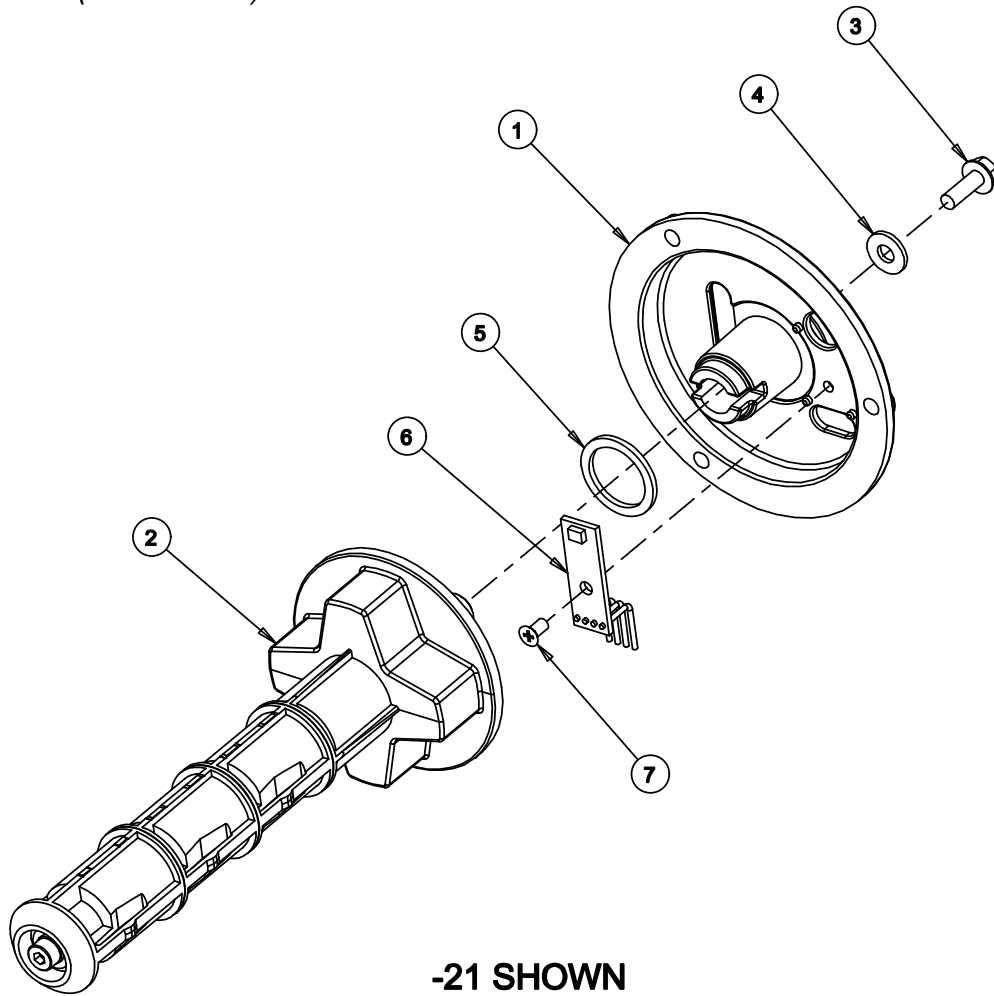


#	Part#	Description	Notes
1	12-3225-01	HOUSING, RIBBON SPOOL	
2	15-2978-01	HUB ASSEMBLY, TAKE-UP, 4"	
	15-2978-02	HUB ASSEMBLY, TAKE-UP, 6"	
3	DPR15-2776-21	(2/PK) CLUTCH ASSEMBLY, RIBBON REWIND	
	15-2776-22	CLUTCH ASSY, RIBBON, LH 4" & 6"	
4	17-3028-01	BEARING, FLANGED, 440C, 3/8X7/8	
6	DPO10-3021-07	(25PK) E-RING 3/8 TRUARC CRES	
7	13-2409-01	DISK, FRICTION .125 THICK	

**Ribbon Supply Hub Assembly**

Four-Inch Models: (15-2979-21)

Six Inch Models: (15-2979-22)



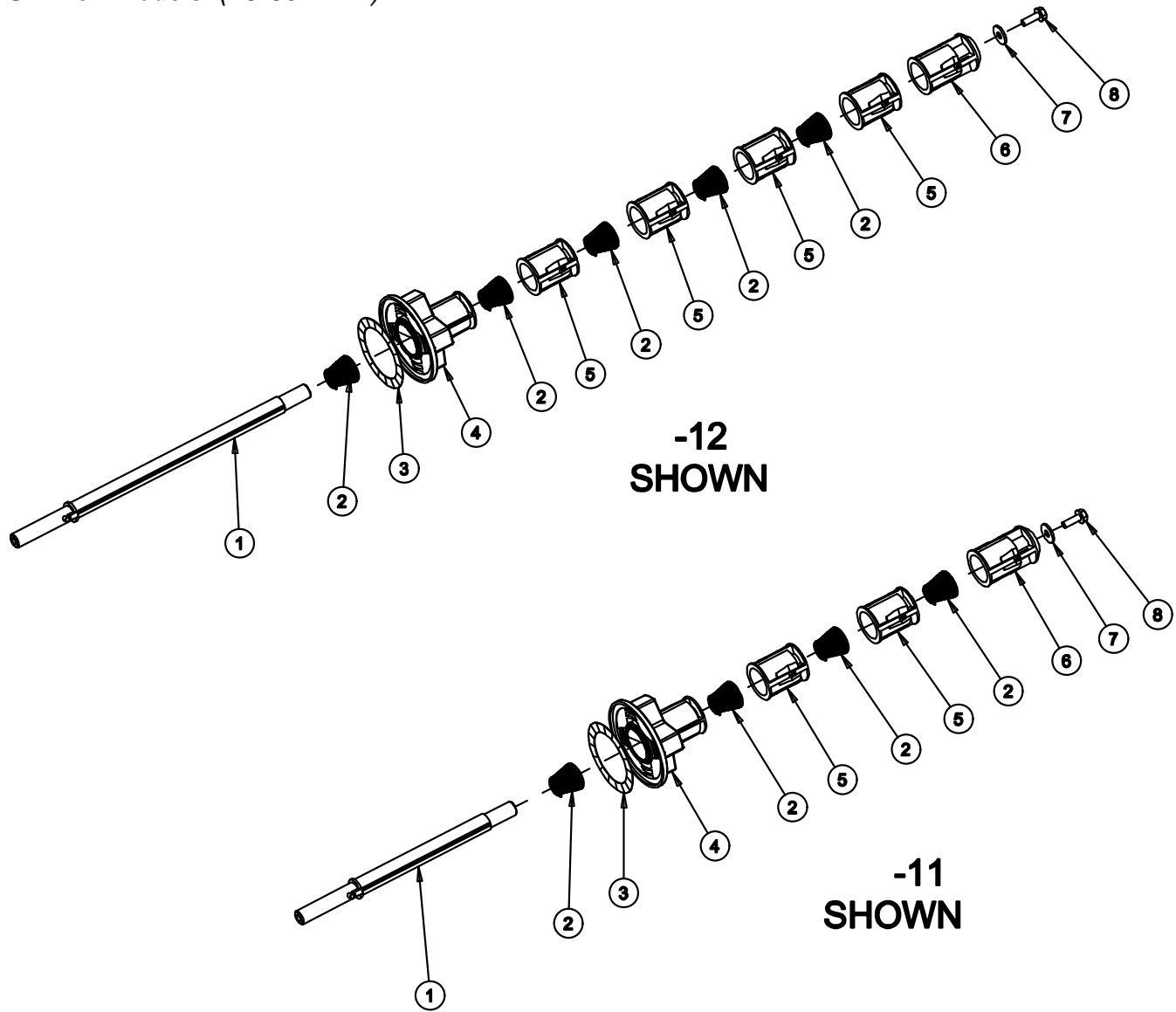
-21 SHOWN

#	Part#	Description	Notes
1	12-3248-01	HOUSING RIBBON SUPPORT	
2	15-3044-11	HUB ASSY A-CLASS RIB SUP 4"	
	15-3044-12	HUB ASSY A-CLASS RIB SUP 6"	
3	DPO10-2903-04	(50PK) SCRW SWGFRM M4 PHILIPS HD 12	
4	DPO10-3018-04	(25PK) WASHER FLAT #8 CRES	
5	17-2869-01	WASHER FLAT NYLON	
6	51-2375-01	CCA RIBBON SENSOR A-CLASS	
7	DPO10-3088-01	(25PK) SCREW FLATHEAD CRES M3 X 6	
8	12-3248-01	HOUSING RIBBON SUPPORT	

**Ribbon Supply Hub**

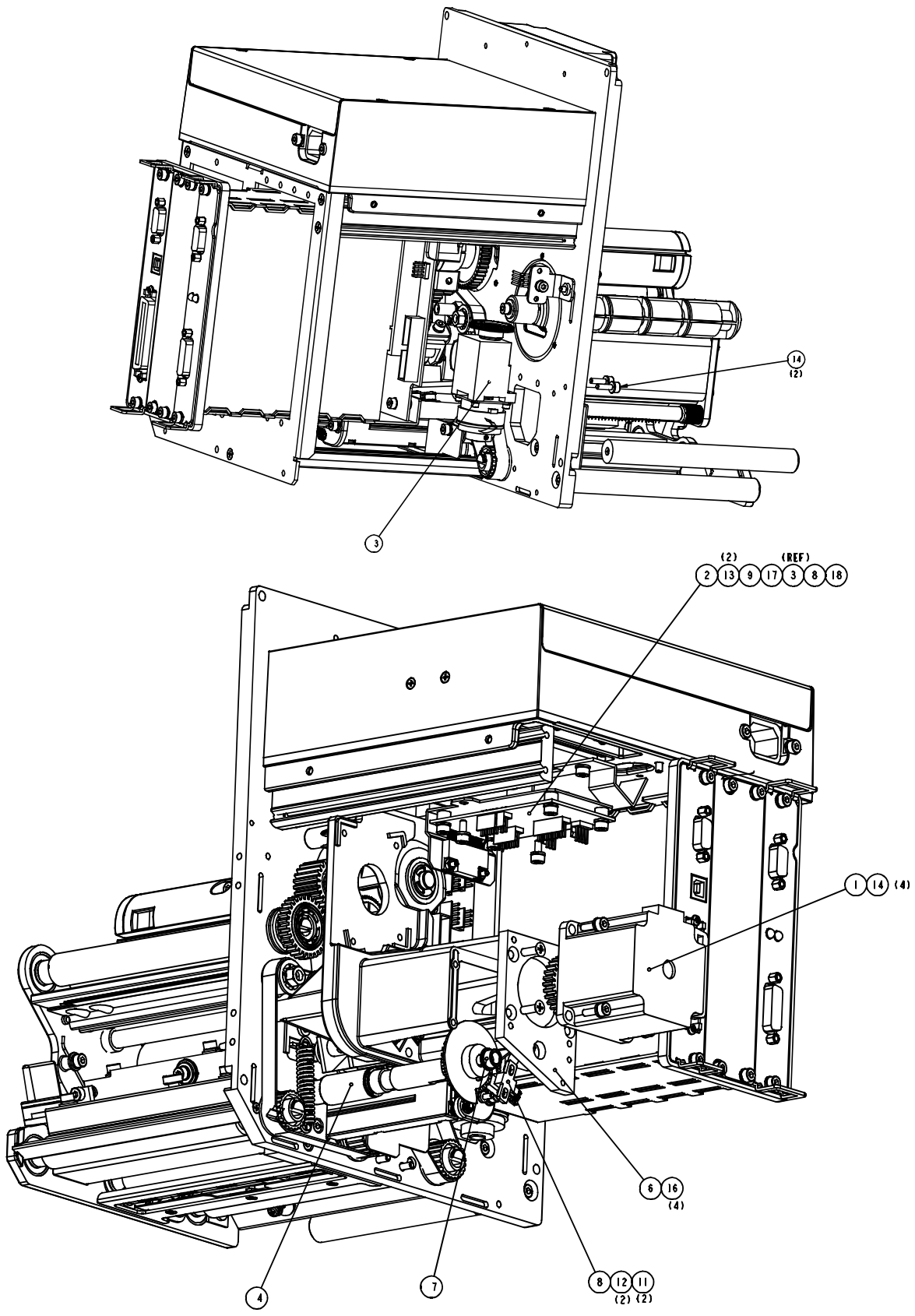
Four-Inch Models: (15-3044-11)

Six Inch Models: (15-3044-12)



#	Part#	Description	Notes
1	16-3000-01	SHAFT FRICTION 4"	
	16-3000-02	SHAFT FRICTION 6"	
2	DPO17-3221-01	(4PK) Spring Torsion	
3	14-2706-01	LABEL RIBBON SENSOR	
4	16-2996-01	HUB INNER	
5	16-2997-01	HUB MIDDLE	
6	16-2998-01	HUB OUTER	
7	DPO10-3018-04	(25PK) WASHER FLAT #8 CRES	
8	DPO10-3085-04	(25PK) SCRW SH CAP W/ LW M4 X 12	

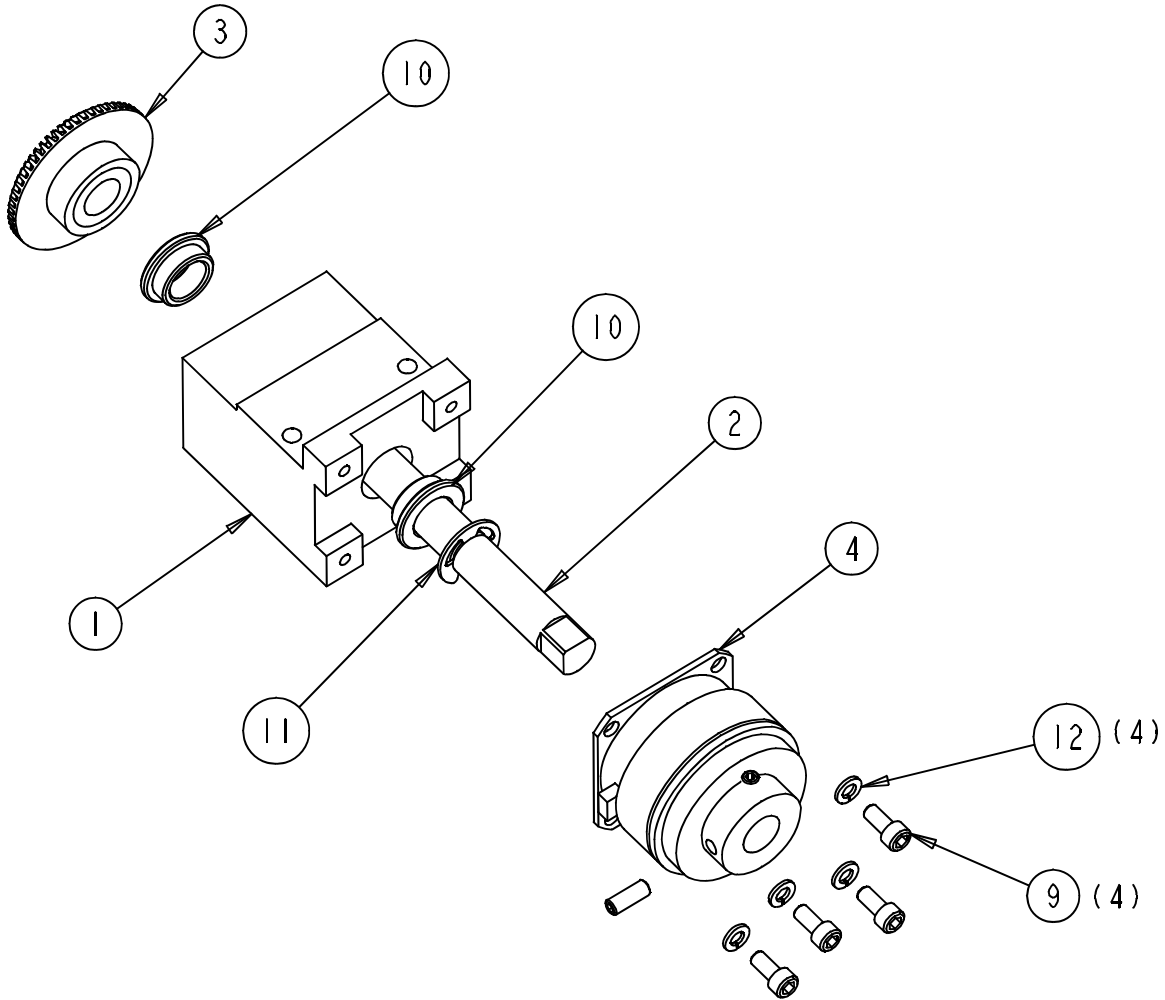
### Ribbon Saver, Right Hand Four-Inch Models (78-2449-01)



## Ribbon Saver, Right Hand Four-Inch Models

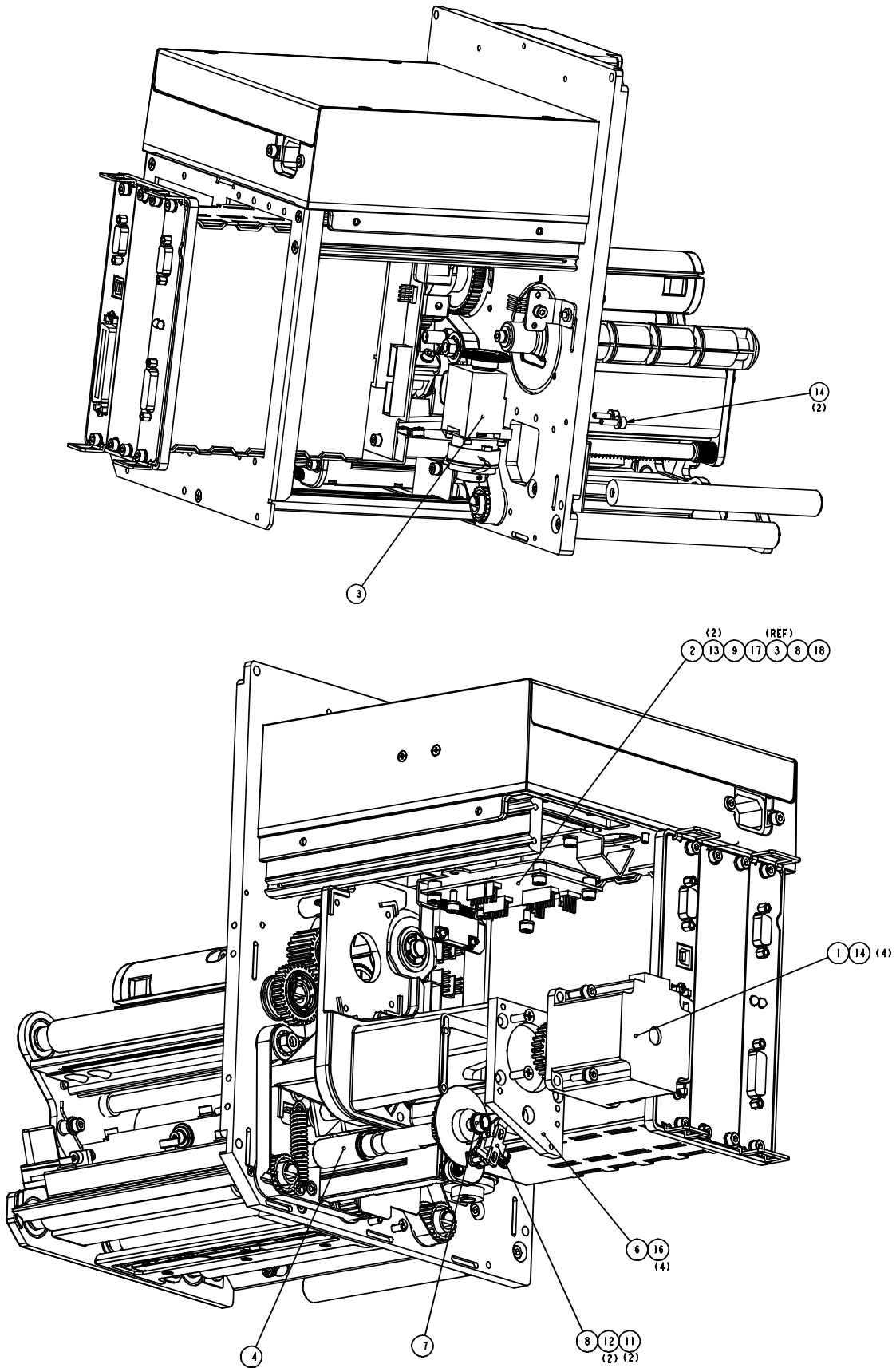
#	Part#	Description	Notes
1	24-2602-01	MOTOR ASSEMBLY	
2	51-2363-00	CCA RIBBON SAVER A-CLASS	
3	24-2611-01	BRAKE ASSEMBLY RIBBON SAVER RH	
4	15-3002-01	CAM ASSEMBLY RIBBON SAVER	
6	12-3231-02	PLATE MOTOR MTG RS	
7	17-2505-01	BUSHING FLANGED .250 ID	
8	24-2620-01	CABLE ASSY RIBBON SAVER CAM	
9	32-2541-01	CABLE ASSEMBLY RIBBON SAVER	
11	DPO10-3092-01	(25PK) SCREW PHP M3 X 6MM CRES	
12	DPO10-3093-01	(25PK) WASHER M3 EXT TOOTH LOCK CRES	
13	DPO10-3085-01	(25PK) SCREW SOC HD CAP W/ LW M4 X 6	
14	DPO10-3085-03	(25PK) SCREW SOC HD CAP W/ LW M4 X 10	
16	DPO10-3066-04	(25PK) SCREW FLAT HEAD SS M4 X 12	
17	32-2550-01	CABLE ASSEMBLY RIBBON SAVER POWER	
18	--	TIE TWIST LOCK	

Brake Assembly (24-2611-01)



#	Part#	Description	Notes
1	12-3222-01	BLOCK MOUNTING BRAKE	
2	12-3260-01	SHAFT RIBBON SAVER	
3	16-2905-01	GEAR BEVEL	
4	15-2996-03	BRAKE 24 VOLT (MOD)	
8	DPO10-2976-01	(50PK) SET SCREW M3 X 8	
9	DPO10-0557-01	(50PK) SCREW SOC HD CAP 4-40 X 1/4	
10	DPO899349	(10PK) BEARING - FLANGED .312	
11	DPO10-3021-06	(10PK) E-RING 5/16 CRES	
12	DPO10-3019-02	(50PK) WASHER SPLIT LOCK #4 CRES	

Ribbon Saver, Right Hand Six-Inch Models (78-2449-02)

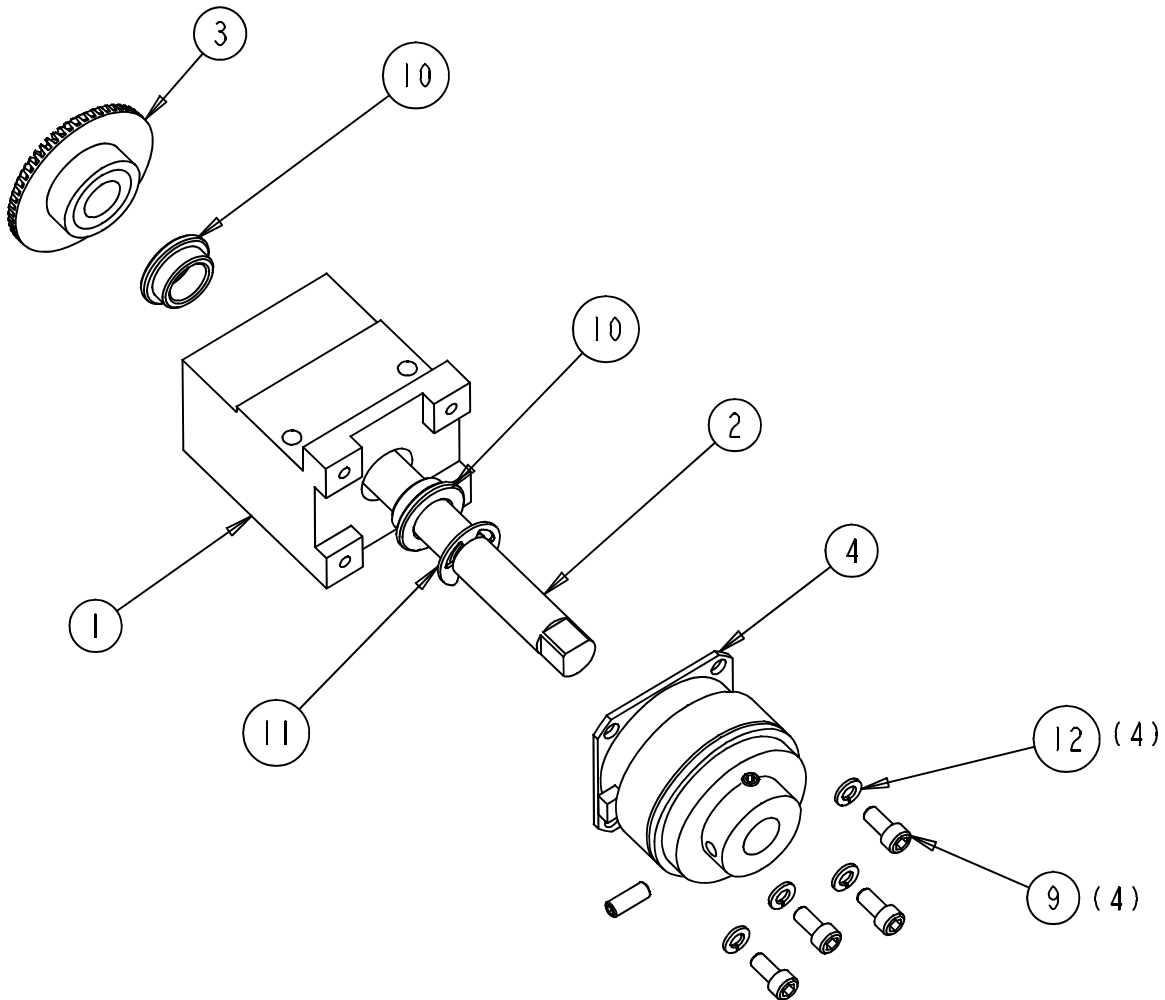




### Ribbon Saver, Right Hand Six-Inch Models (78-2449-02)

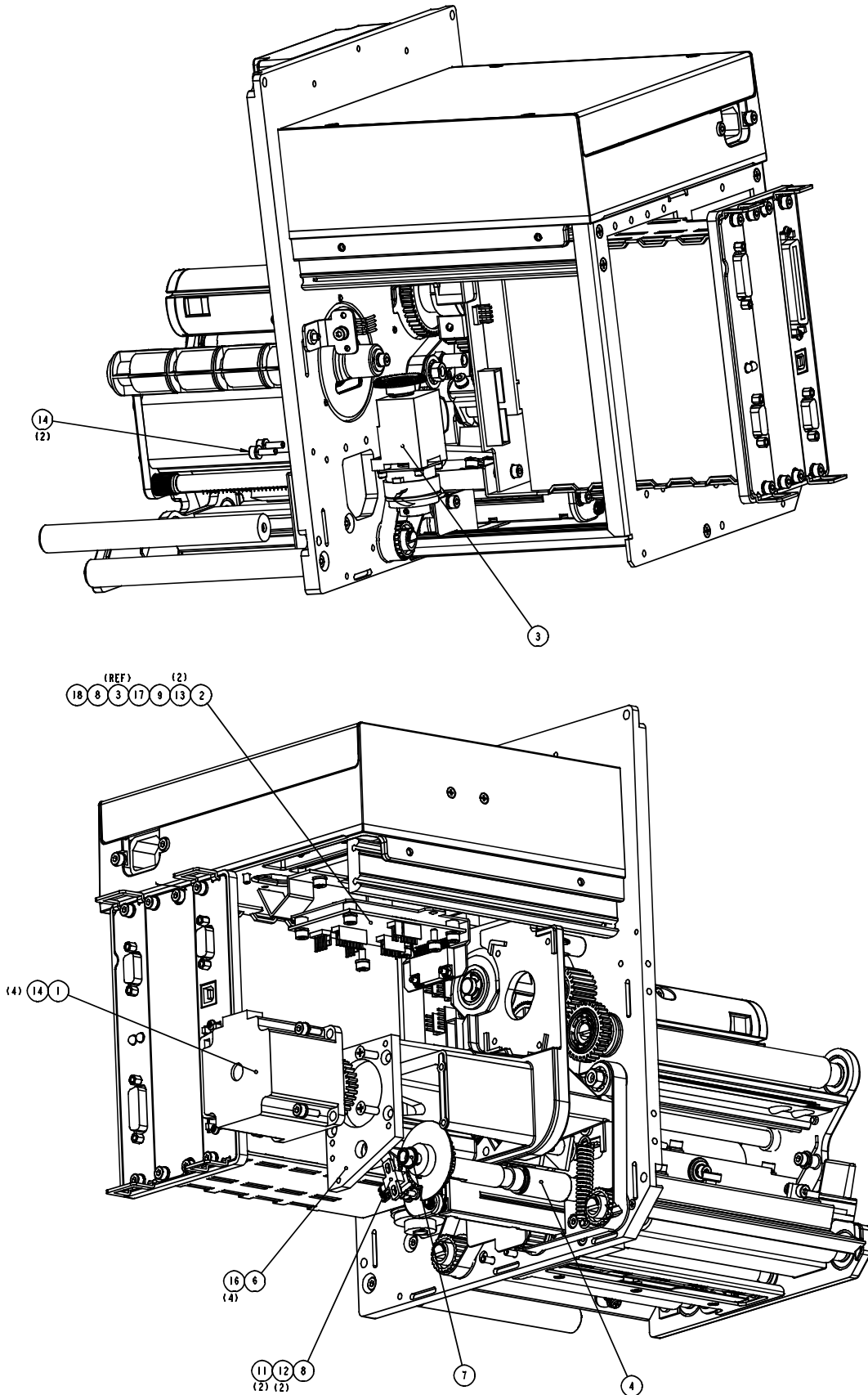
#	Part#	Description	Notes
1	24-2602-01	MOTOR ASSEMBLY	
2	51-2363-00	CCA RIBBON SAVER A-CLASS	
3	24-2611-01	BRAKE ASSEMBLY RIBBON SAVER RH	
4	15-3002-01	CAM ASSEMBLY RIBBON SAVER	
6	12-3231-02	PLATE MOTOR MTG RS	
7	17-2505-01	BUSHING FLANGED .250 ID	
8	24-2620-01	CABLE ASSY RIBBON SAVER CAM	
9	32-2541-01	CABLE ASSEMBLY RIBBON SAVER	
11	DPO10-3092-01	(25PK) SCREW PHP M3 X 6MM CRES	
12	DPO10-3093-01	(25PK) WASHER M3 EXT TOOTH LOCK CRES	
13	DPO10-3085-01	(25PK) SCREW SOC HD CAP W/ LW M4 X 6	
14	DPO10-3085-03	(25PK) SCREW SOC HD CAP W/ LW M4 X 10	
16	DPO10-3066-04	(25PK) SCREW FLAT HEAD SS M4 X 12	
17	32-2550-01	CABLE ASSEMBLY RIBBON SAVER POWER	
18	--	TIE TWIST LOCK	

Brake Assembly (24-2611-01)



#	Part#	Description	Notes
1	12-3222-01	BLOCK MOUNTING BRAKE	
2	12-3260-01	SHAFT RIBBON SAVER	
3	16-2905-01	GEAR BEVEL	
4	15-2996-03	BRAKE 24 VOLT (MOD)	
8	DPO10-2976-01	(50PK) SET SCREW M3 X 8	
9	DPO10-0557-01	(50PK) SCREW SOC HD CAP 4-40 X 1/4	
10	DPO899349	(10PK) BEARING - FLANGED .312	
11	DPO10-3021-06	(10PK) E-RING 5/16 CRES	
12	DPO10-3019-02	(50PK) WASHER SPLIT LOCK #4 CRES	

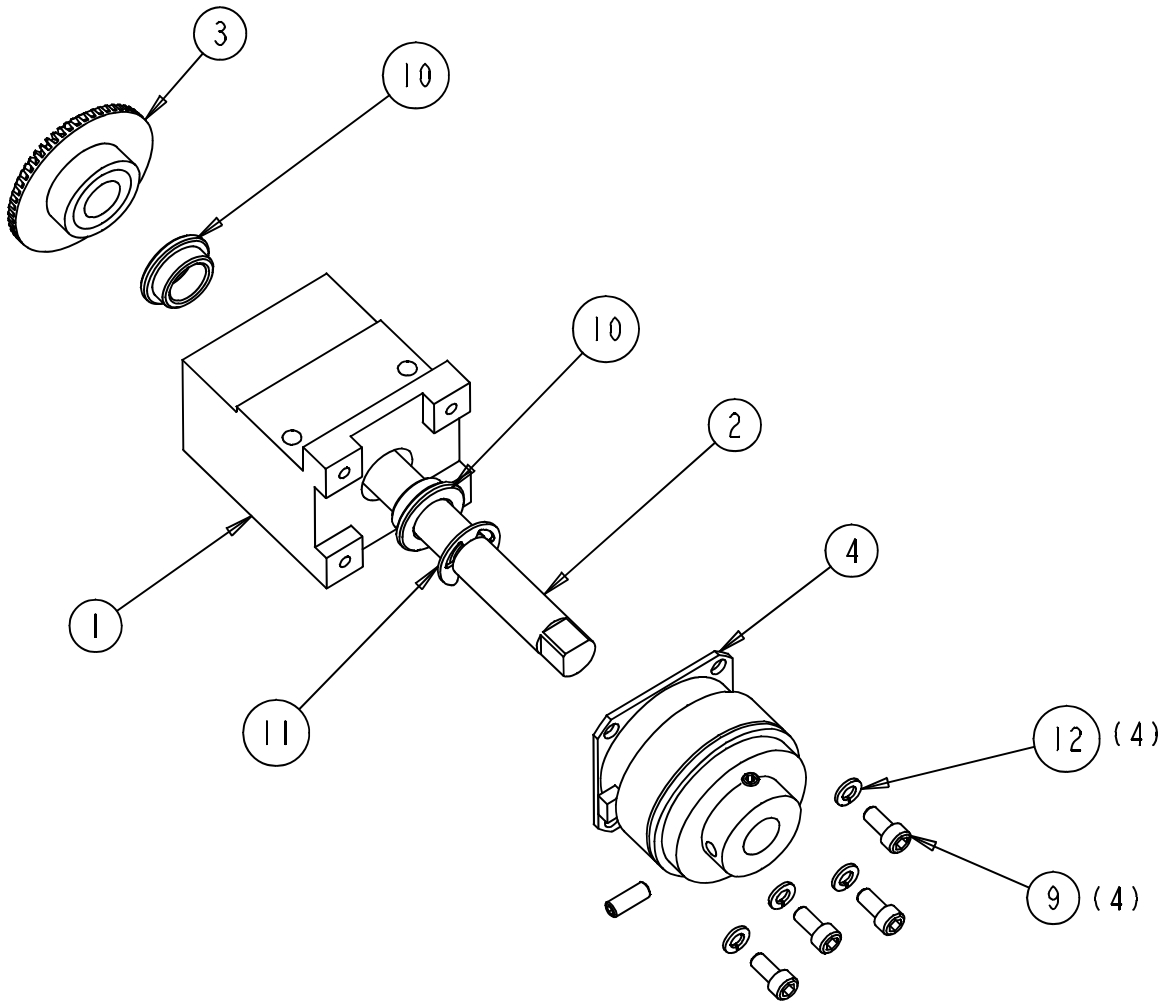
Ribbon Saver, Left Hand Four-Inch Models (78-2449-11)



## Ribbon Saver, Left Hand Four-Inch Models (78-2449-11)

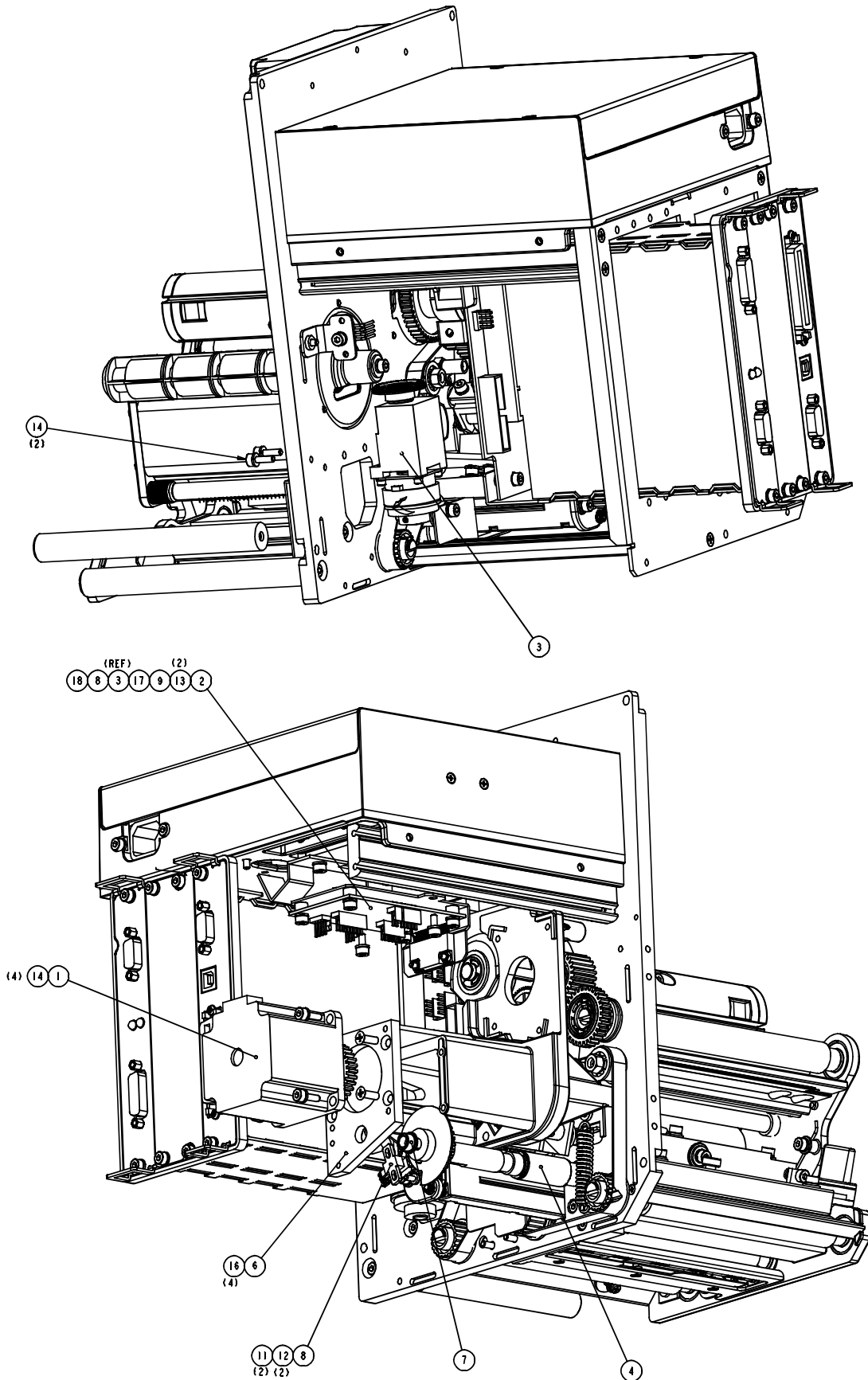
#	Part#	Description	Notes
1	24-2602-01	MOTOR ASSEMBLY	
2	51-2363-00	CCA RIBBON SAVER A-CLASS	
3	24-2611-02	BRAKE ASSEMBLY RIBBON SAVER LH	
4	15-3002-01	CAM ASSEMBLY RIBBON SAVER	
6	12-3231-01	PLATE MOUNTING MOTOR RS	
7	17-2505-01	BUSHING FLANGED .250 ID	
8	24-2620-01	CABLE ASSY RIBBON SAVER CAM	
9	32-2541-01	CABLE ASSEMBLY RIBBON SAVER	
11	DPO10-3092-01	(25PK) SCREW PHP M3 X 6MM CRES	
12	DPO10-3093-01	(25PK) WASHER M3 EXT TOOTH LOCK CRES	
13	DPO10-3085-01	(25PK) SCREW SOC HD CAP W/ LW M4 X 6	
14	DPO10-3085-03	(25PK) SCREW SOC HD CAP W/ LW M4 X 10	
16	DPO10-3066-04	(25PK) SCREW FLAT HEAD SS M4 X 12	
17	32-2550-01	CABLE ASSEMBLY RIBBON SAVER POWER	
18	--	TIE TWIST LOCK	

Brake Assembly (24-2611-02)



#	Part#	Description	Notes
1	12-3222-01	BLOCK MOUNTING BRAKE	
2	12-3260-01	SHAFT RIBBON SAVER	
3	16-2905-01	GEAR BEVEL	
4	15-2996-03	BRAKE 24 VOLT (MOD)	
8	DPO10-2976-01	(50PK) SET SCREW M3 X 8	
9	DPO10-0557-01	(50PK) SCREW SOC HD CAP 4-40 X 1/4	
10	DPO899349	(10PK) BEARING - FLANGED .312	
11	DPO10-3021-06	(10PK) E-RING 5/16 CRES	
12	DPO10-3019-02	(50PK) WASHER SPLIT LOCK #4 CRES	

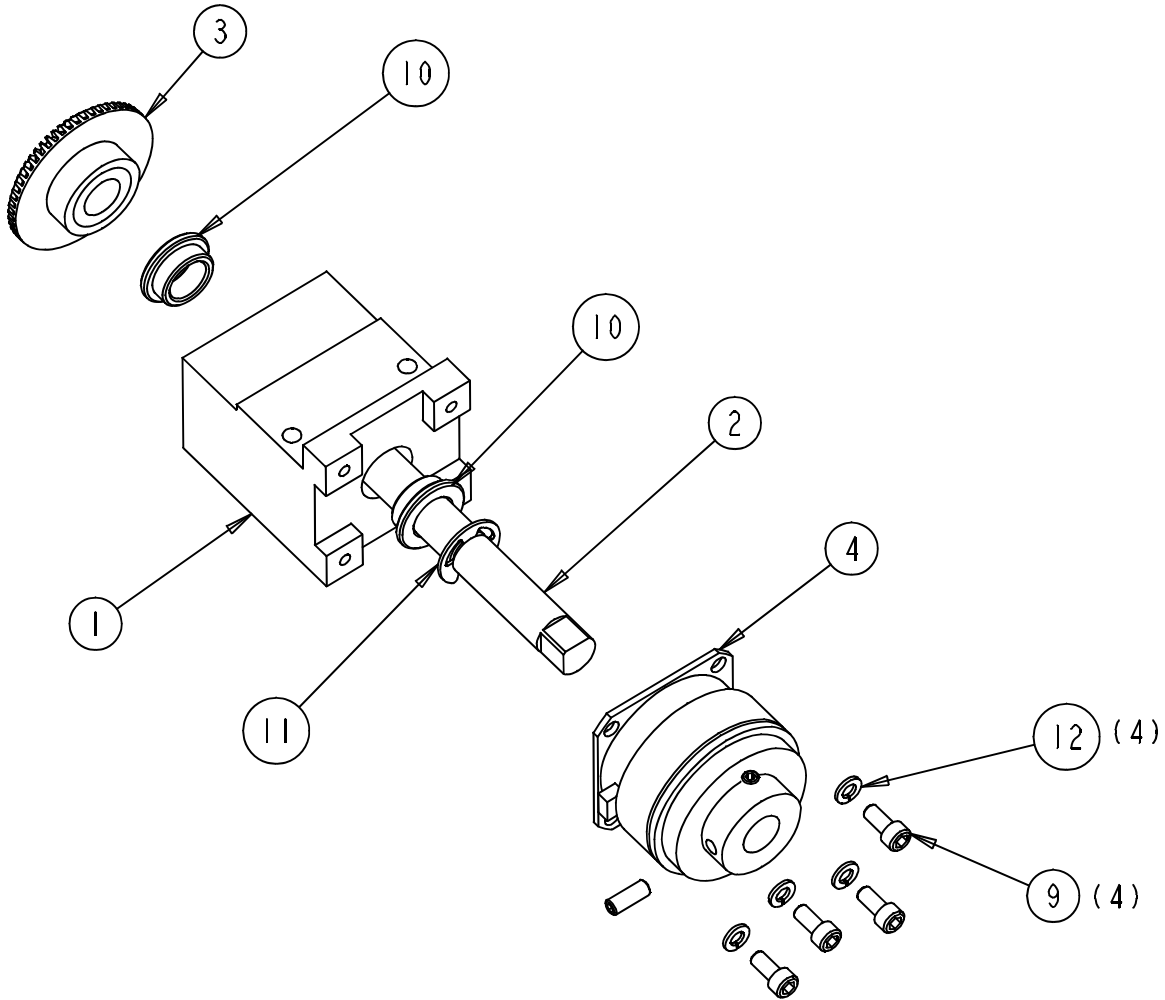
### Ribbon Saver, Left Hand Six-Inch Models (78-2449-12)



## Ribbon Saver, Left Hand Six-Inch Models (78-2449-12)

#	Part#	Description	Notes
1	24-2602-01	MOTOR ASSEMBLY	
2	51-2363-00	CCA RIBBON SAVER A-CLASS	
3	24-2611-02	BRAKE ASSEMBLY RIBBON SAVER LH	
4	15-3002-01	CAM ASSEMBLY RIBBON SAVER	
6	12-3231-01	PLATE MOUNTING MOTOR RS	
7	17-2505-01	BUSHING FLANGED .250 ID	
8	24-2620-01	CABLE ASSY RIBBON SAVER CAM	
9	32-2541-01	CABLE ASSEMBLY RIBBON SAVER	
11	DPO10-3092-01	(25PK) SCREW PHP M3 X 6MM CRES	
12	DPO10-3093-01	(25PK) WASHER M3 EXT TOOTH LOCK CRES	
13	DPO10-3085-01	(25PK) SCREW SOC HD CAP W/ LW M4 X 6	
14	DPO10-3085-03	(25PK) SCREW SOC HD CAP W/ LW M4 X 10	
16	DPO10-3066-04	(25PK) SCREW FLAT HEAD SS M4 X 12	
17	32-2550-01	CABLE ASSEMBLY RIBBON SAVER POWER	
18	--	TIE TWIST LOCK	

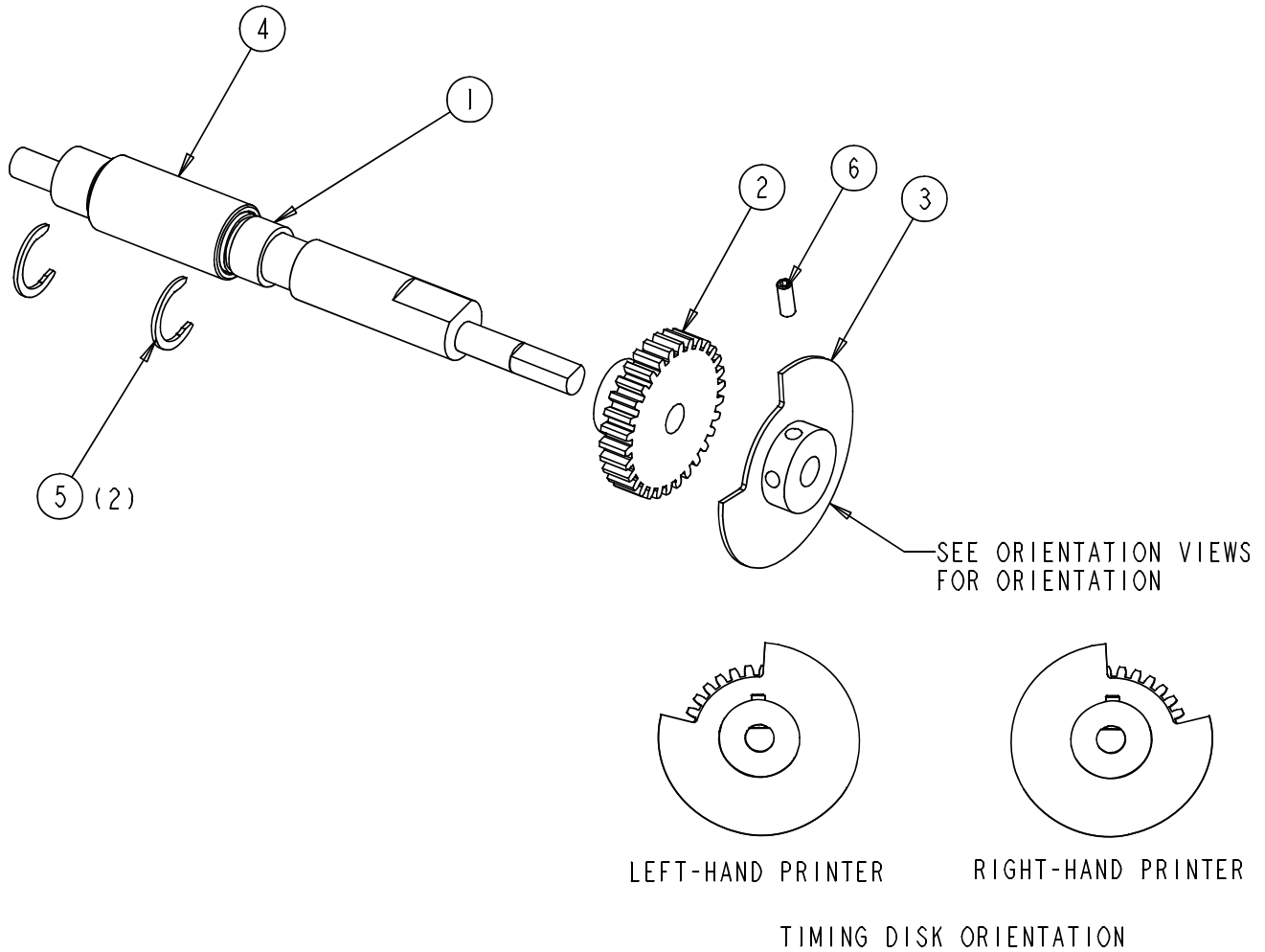
Brake Assembly (24-2611-02)



#	Part#	Description	Notes
1	12-3222-01	BLOCK MOUNTING BRAKE	
2	12-3260-01	SHAFT RIBBON SAVER	
3	16-2905-01	GEAR BEVEL	
4	15-2996-03	BRAKE 24 VOLT (MOD)	
8	DPO10-2976-01	(50PK) SET SCREW M3 X 8	
9	DPO10-0557-01	(50PK) SCREW SOC HD CAP 4-40 X 1/4	
10	DPO899349	(10PK) BEARING - FLANGED .312	
11	DPO10-3021-06	(10PK) E-RING 5/16 CRES	
12	DPO10-3019-02	(50PK) WASHER SPLIT LOCK #4 CRES	



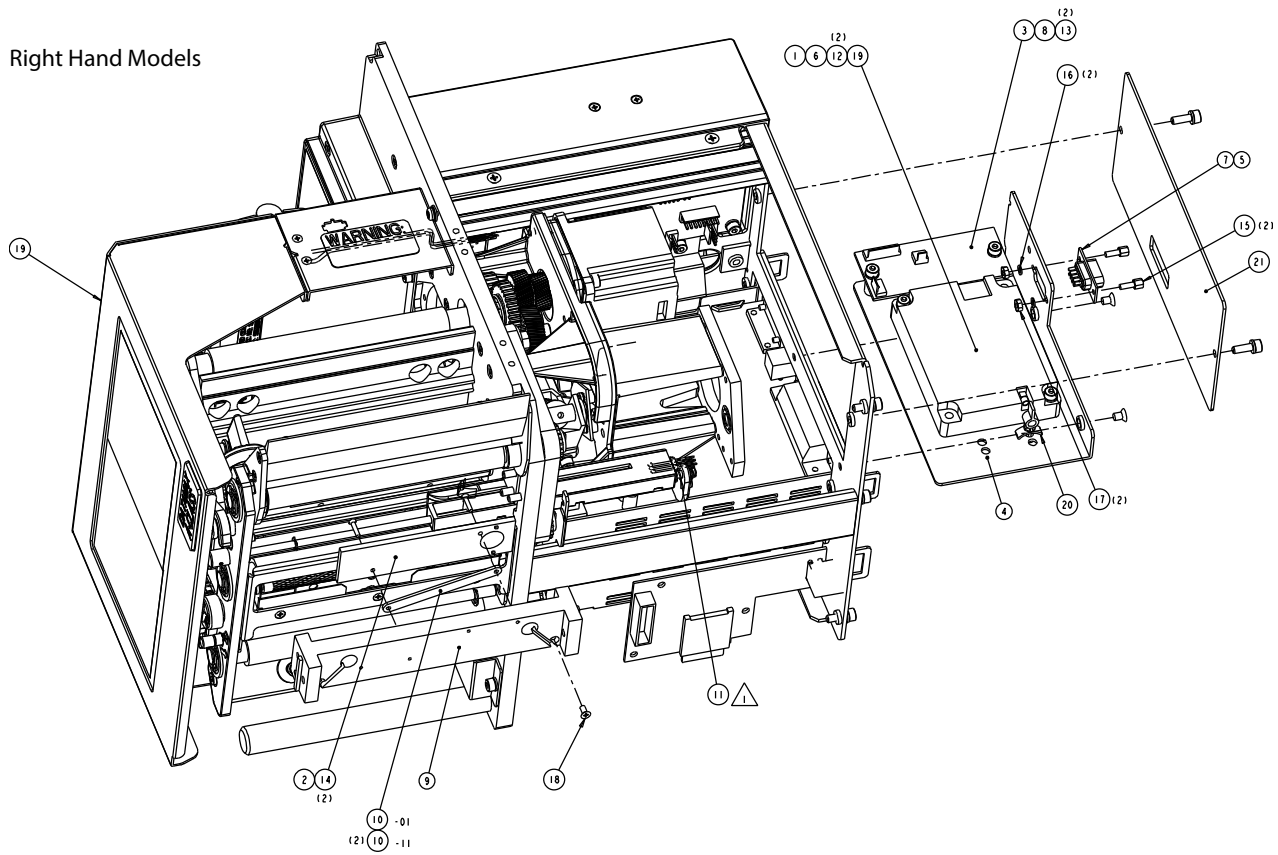
Ribbon Saver Cam Assembly, all Ribbon Saver models (15-3002-01)



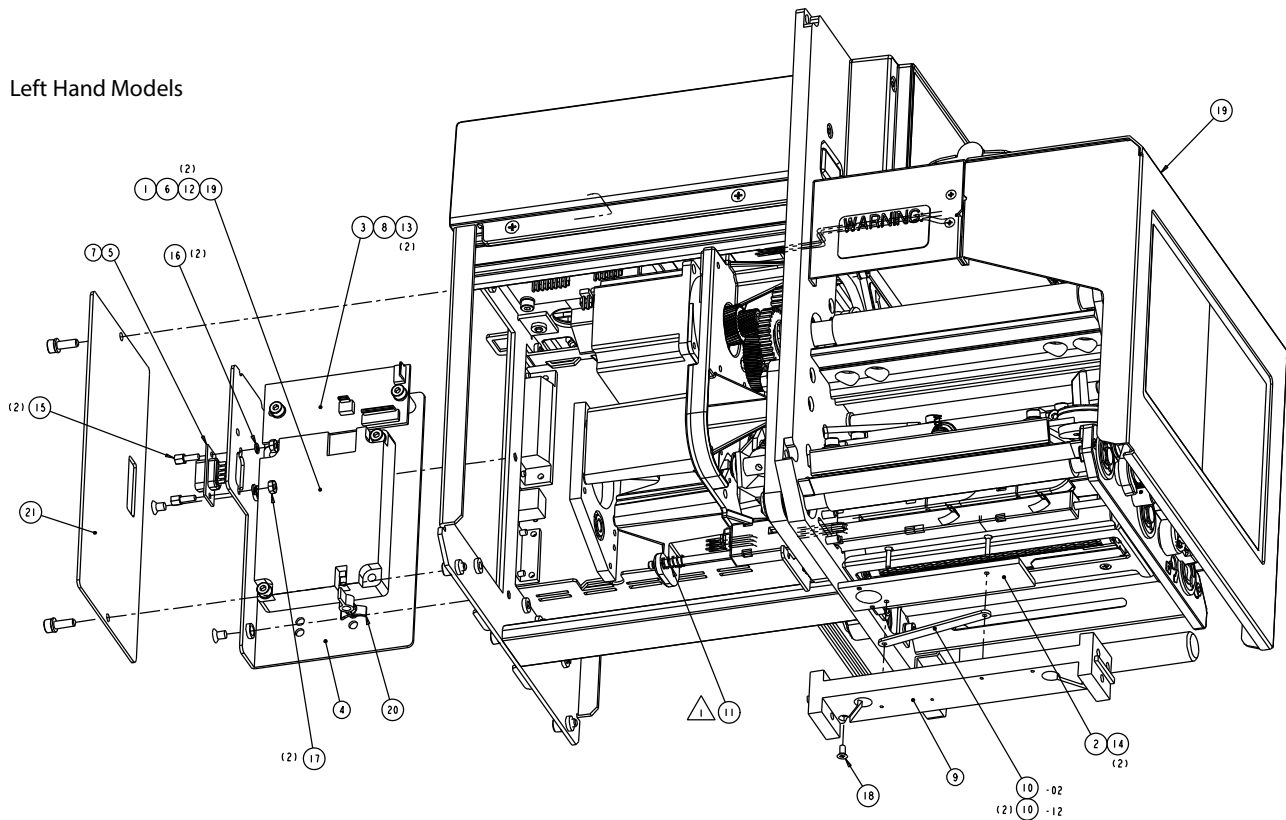
#	Part#	Description	Notes
1	12-3259-01	CAM RIBBON SAVER	
2	16-2936-01	GEAR 30 TEETH	
3	12-3238-01	DISK TIMING	
4	17-2992-01	BUSHING SLEEVE AA-628-11	
5	DPO10-3083-09	(10PK) RING RETAINING C 1/2" CRES	
6	DPO10-3025-05	(50PK) SCREW SET CUP POINT 6-32 X 3/16 SS	

# RFID Option

Right Hand Models



Left Hand Models



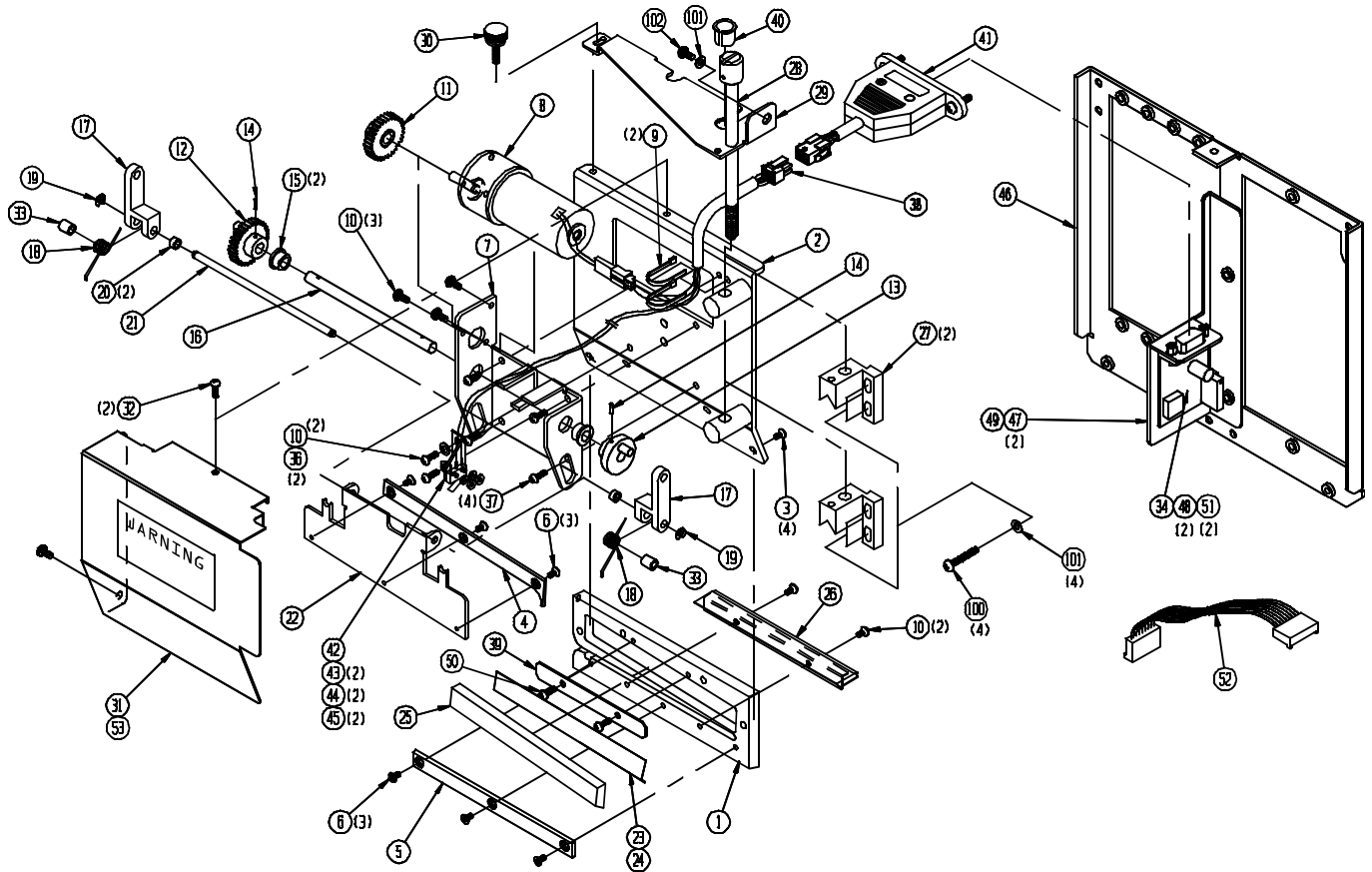
**RFID Option***Right Hand Printers*

#	Part#	Description	Notes
1	20-2244-01	MOD. RFID UHF MULTI-PROTOCOL	
2	50-2062-01	RFID UHF TRANSDUCER	4" Models
	50-2066-01	RFID UHF 6 INCH TRANSDUCER	6" Models
3	51-2417-00	CCA,SW. REG BRD.,RFID	
4	11-5679-01	BRACKET, RFID MTG (RH)	
5	32-2565-01	CABLE ASSEMBLY RFID RS232	
6	32-2597-01	CBL. ASSY, RFID INT., A-CLASS	
7	32-2586-01	CABLE ASSY, AUX. COMM. A-CLASS-	
8	32-2585-01	CBL ASSY, RFID AUX PWR A-CLS-	
9	12-3469-01	BAR, RFID SUPPORT	4" Models
	12-3469-02	BAR, 6" RFID SUPPORT	6" Models
10	13-2459-01	SPACER, RFID ANTENNA	4" Models
	DPO10-2690-01	(50PK) WASHER FLAT .141ID X .250 OD	6" Models
11	--	CABLE TIE	
12	DPO10-3085-07	(25PK) SCRW, SH CAP W/ LW, M4 X 25	
13	DPO10-3085-04	(25PK) SCRW, SH CAP W/ LW, M4 X 12	
14	DPO10-3123-01	(50PK) SCREW, NYLON 2-56 X .44 LG	
15	DPO10-3038-01	(10PK) JCK SCRW,3/16,4-40 X 5/16, SS	
16	DPO10-3019-02	(50PK) WASHER SPLIT LOCK #4 CRES	
17	DPO10-3026-02	(25PK) NUT, HEX #4-40 CRES	
18	DPO10-3088-01	(25PK) SCREW, FLATHEAD, CRES, M3 X 6	
19	--	LABEL, RFID FCC CLASS 1	
20	17-3137-01	CLIP, STANDOFF LOCKING	
21	11-5427-02	PLATE, COVER - RFID	

*Left Hand Printers*

#	Part#	Description	Notes
1	20-2244-01	MOD. RFID UHF MULTI-PROTOCOL	
2	50-2062-01	RFID UHF TRANSDUCER	4" Models
	50-2066-01	RFID UHF 6 INCH TRANSDUCER	6" Models
3	51-2417-00	CCA,SW. REG BRD.,RFID	
4	11-5679-02	BRACKET, RFID MTG (LH)	
5	32-2565-01	CABLE ASSEMBLY RFID RS232	
6	32-2597-01	CBL. ASSY, RFID INT., A-CLASS	
7	32-2586-01	CABLE ASSY, AUX. COMM. A-CLASS-	
8	32-2585-01	CBL ASSY, RFID AUX PWR A-CLS-	
9	12-3469-01	BAR, RFID SUPPORT	4" Models
	12-3469-02	BAR, 6" RFID SUPPORT	6" Models
10	13-2459-01	SPACER, RFID ANTENNA	4" Models
	DPO10-2690-01	(50PK) WASHER FLAT .141ID X .250 OD	6" Models
11	--	CABLE TIE	
12	DPO10-3085-07	(25PK) SCRW, SH CAP W/ LW, M4 X 25	
13	DPO10-3085-04	(25PK) SCRW, SH CAP W/ LW, M4 X 12	
14	DPO10-3123-01	(50PK) SCREW, NYLON 2-56 X .44 LG	
15	DPO10-3038-01	(10PK) JCK SCRW,3/16,4-40 X 5/16, SS	
16	DPO10-3019-02	(50PK) WASHER SPLIT LOCK #4 CRES	
17	DPO10-3026-02	(25PK) NUT, HEX #4-40 CRES	
18	DPO10-3088-01	(25PK) SCREW, FLATHEAD, CRES, M3 X 6	
19	--	LABEL, RFID FCC CLASS 1	
20	17-3137-01	CLIP, STANDOFF LOCKING	
21	11-5427-02	PLATE, COVER - RFID	

Linerless Cutter, Right Hand, Four-Inch Models only (DPO61-2173-02)



## Linerless Cutter, Right Hand, Four-Inch Models only (DPO61-2173-02)

#	Part#	Description	Notes
1	12-2881-01	PLATE BASE	
2	15-2751-01	ASSY BACKPLATE	
3	DPO10-2894-01	(50PK) SCREW FHP 8-32 X 3/8	
4	12-2884-01	BLADE CUTTING UPPER	
5	12-2885-01	BLADE CUTTING LOWER	
6	DPO10-2364-01	(50PK) SCRW 4-40 X 3/16 PFH UNDERCUT	
7	11-5079-01	BRACKET LOWER	
8	24-2507-01	ASSY MOTOR	
9	--	TYWRAP 4"	
10	DPO130809	(50PK) SCRW PHP 4-40 X 1/4 EX SEMS	
11	17-2814-01	SPUR GEAR 30T	
12	899397	GEAR - CRANK	
13	899433	CRANK CUTTER	
14	17-2376-01	PIN-RETAINING	
15	17-2525-01	BEARING OILITE FF 312-2	
16	12-2886-01	SHAFT DRIVE	
17	16-2518-01	LINK	
18	17-2807-01	SPRING TORSION R.H.	
19	DPO140065	(50PK) E-RING RETAINING 5/32	
20	17-2812-01	ROLLER BEARING	
21	12-2887-01	SHAFT BLADE CARRIER	
22	11-5080-01	BLADE CARRIER	
23	11-5172-01	SPACER PAD	
24	--	ADHESIVE RTV	
25	13-2350-01	PAD WICK	
26	11-5082-02	GUIDE INPUT	
27	12-2880-02	MOUNT CUTTER	
28	15-2753-01	MOUNTING SCREW	
29	11-5155-01	BRACKET	
30	17-2815-01	THUMB SCREW	
31	11-5161-01	COVER	
32	DPO10-2708-01	(50PK) SCREW SEM 6-32 X 1/4	
33	--	TUBING TEFLON	
34	51-2257-00	CCA CUTTER DAUGHTER	
36	DPO10-0438-01	(50PK) WASHER #4 FLAT .250 X.125 X.025	
37	DPO130810	(50PK) SCRW 6-32 X 1/4 PHIL PH EXT/S	
38	32-2423-02	CABLE ASSY CUTTER	
39	11-5173-01	PLATE KEEPER	
40	17-0149-01	BUSHING OPEN-CLOSED	
41	32-2423-03	CABLE ASSY CUTTER INTERFACE	
42	11-5174-01	BRACKET SWITCH MTG	
43	DPO10-2733-01	(20PK) SCREW PAN HEAD M2X10 ZINC	
44	DPO140029	(50PK) WASHER #2 INT TOOTH LOCK	
45	DPO10-2510-01	(50PK) HEX NUT M2 X .4	
46	11-5529-03	PLATE REAR RH (3M)	
47	DPO10-3066-01	(25PK) SCREW FLAT HEAD SS M4 X 6	
48	DPO10-3038-01	(10PK) JCK SCRW 3/16 4-40 X 5/16 SS	
49	11-5670-01	BRACKET CUTTER BD MTG	
50	DPO10-2660-01	(50PK) SCREW PHP 2-56 X 1/4 ZP	
51	DPO10-3019-02	(50PK) WASHER LOCK	
52	32-2611-01	CABLE ASSY CUTTER	
53	14-2835-01	LABEL WARNING	
100	DPO10-3085-06	(25PK) SCREW SH CAP W/LW M4 X 20	
101	DPO10-3139-01	(50PK) WASHER FLAT .188 ID X .375 OD	
102	DPO10-3085-03	(25PK) SCREW SH CAP W/LW M4 X 10	