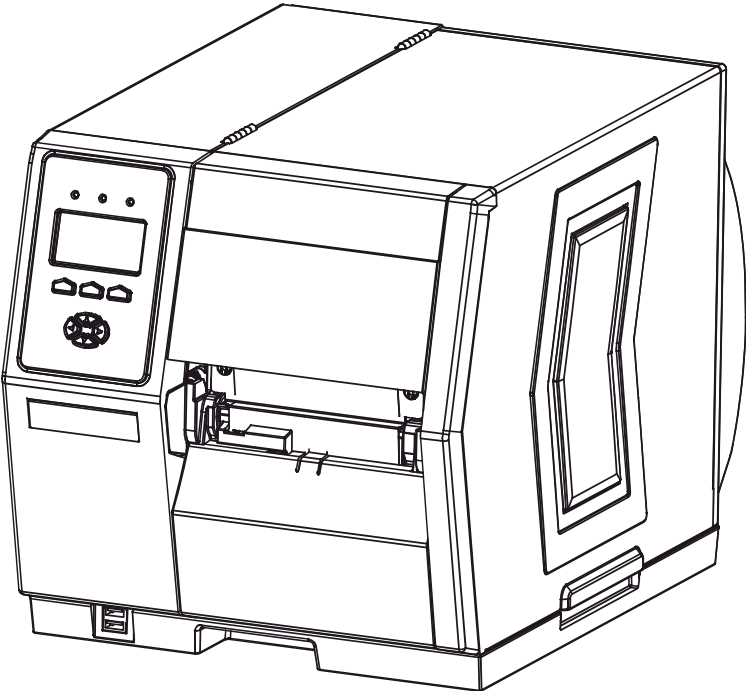


# H-Class™

Internal Rewind Option ■■■



right by our customers. ■■■



datamax·o'neil



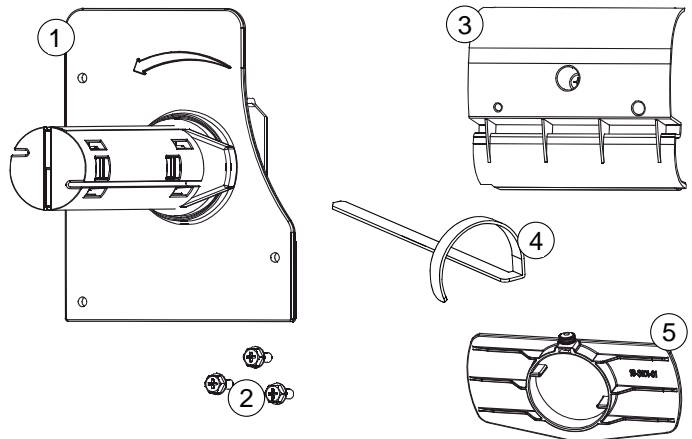
## Overview

This document describes the installation and use of the Internal Rewind option for the H-Class printer. The Internal Rewind option, with an outer diameter capacity of 5.5 inches (140 mm), will hold a partial 8 inch (203 mm) roll of media or, if using Peel and Present, all of the liner material. After taking a moment to verify the contents of the kit and the tools required, follow the steps below to install and use the option.

## Contents

In addition to this procedure, the kit contains the following items:

Item	Description
①	Rewinder Assembly
②	Screw (3)
③	Arc Plate
④	Retainer
⑤	Guide



## Tools Required

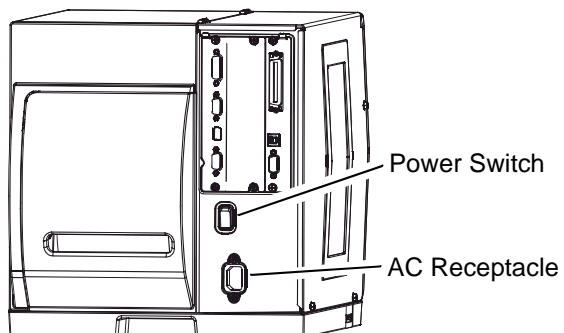
To install this option, you will need a Phillips screwdriver.

## Installing the Rewinder



*Remove power before performing this installation.*

- 1) Turn OFF the **Power Switch** and unplug the power cord from the **AC Receptacle**.

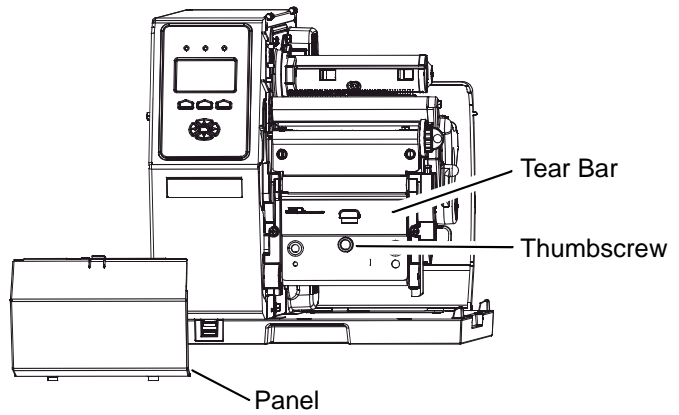


- 2) Raise the cover and remove media.  
Remove the **Panel**, **Thumbscrew** and **Tear Bar**.

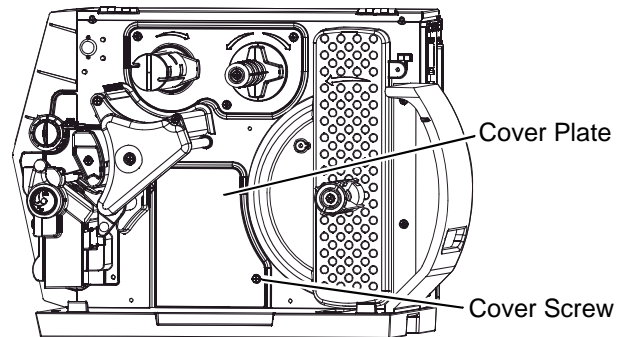
---

☑ **Note:** Alternately, if equipped with a Cutter or Present Sensor, remove that device.

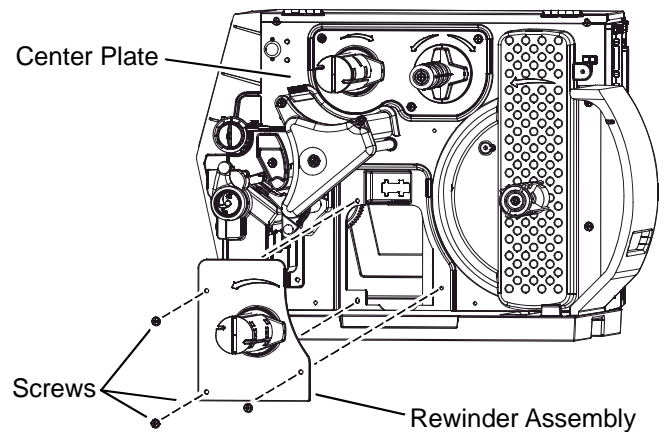
---



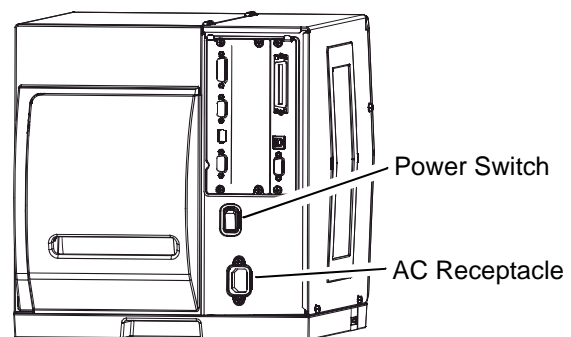
- 3) Remove the **Cover Screw** and then the **Cover Plate**.



- 4) Mount the **Rewinder Assembly** (Item ①) onto the **Center Plate** and then secure it using the three **Screws** (Item ②).



- 5) Plug the power cord into the **AC Receptacle** and turn ON the **Power Switch**. This completes the installation.



## Using the Rewinder

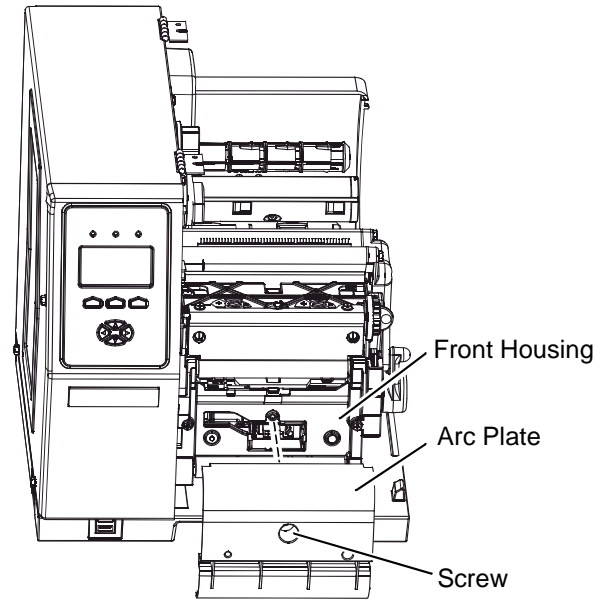
---

- 1) To wind labels, mount the **Arc Plate** (Item ③) to the **Front Housing** then secure it using the captivated **Screw**.

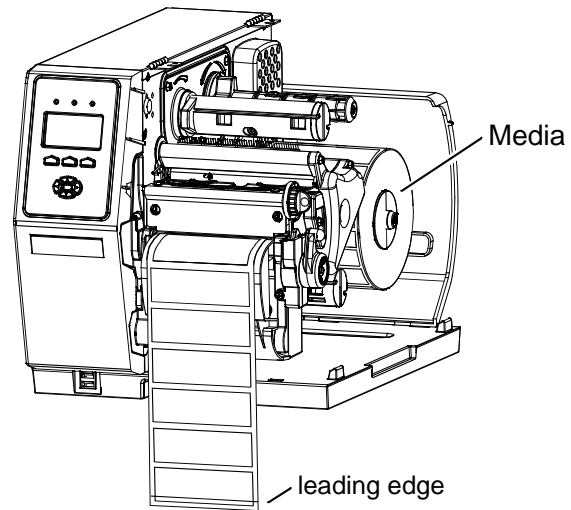
---

**Note:** Alternately, to peel labels reference the instructions for that option.

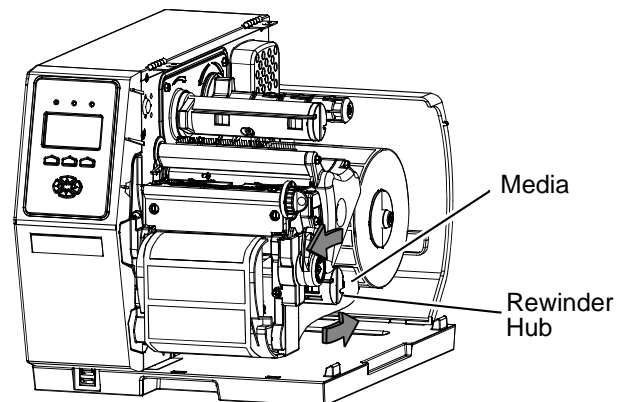
---



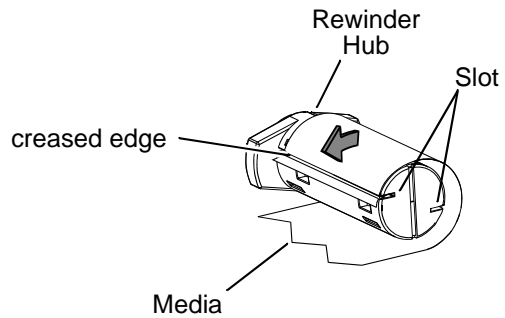
- 2) Load **Media**, extending an additional 20 inches (50 cm) and creasing its **leading edge**.



- 3) Route the **Media** counterclockwise, under and around the **Rewinder Hub**.

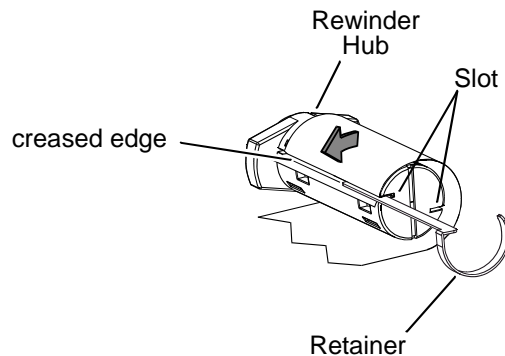


- 4) Insert the **creased edge** of the **Media** into a **Slot**, and then proceed according to the width:



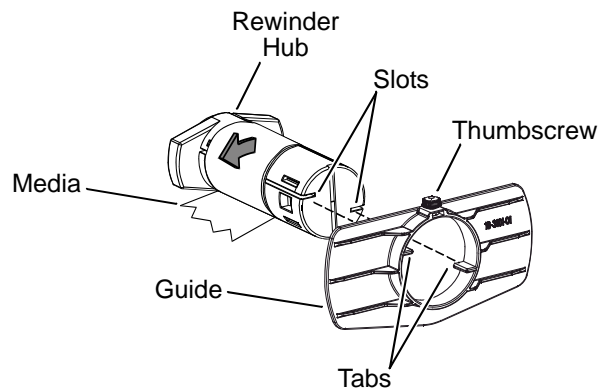
*Full Width Media –*

Insert the **Retainer** (Item ④) into the **Slot**, over the **creased edge** and around the **Rewinder Hub**. Begin printing.



*Narrow Width Media –*

While holding the **creased edge** in place, manually rotate the **Rewinder Hub** counterclockwise several times to secure the **Media**. Then align the **Tabs** to the **Slots** and slide the **Guide** (Item ⑤) onto the **Rewinder Hub**. Position the **Guide** lightly against the **Media** and tighten the **Thumbscrew**. Begin printing.



- 5) When it's time to unload the Internal Rewind option, tear or cut the **Media** (and, if installed, remove the **Guide**) then grasp and slide the **Roll** off the **Rewinder Hub**.

