

E-Class™ Mark III

Replacement Parts Catalog ■ ■ ■

Basic, Advanced, and Pro and Pro+ Models



right by our customers. ■ ■ ■



datamax·oneil

Contents

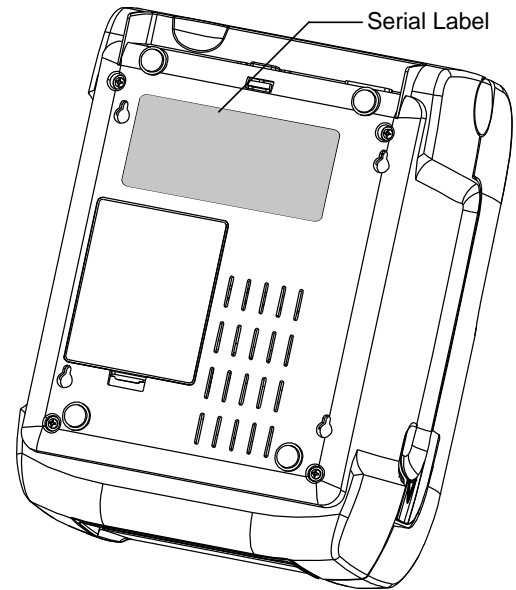
E-Class Mark III	1
Printer Enclosure	2
Sensor Assemblies	3
Lower Printer Mechanism	4
Lower Printer Mechanism Pro Plus	5
Main Board	6
Motor and Platen Assemblies	7
Upper Printer Mechanism 1 of 2	8
Upper Printer Mechanism 2 of 2	9
Printhead Assembly	10
E-Class Mark III Options and Accessories	11
Box and Packing Materials	12
Power Supply and Cords	13
Core Adapters	13
Fan-Fold/External Media Guides	14
Peeler Option	14
Cutter Option	15
Wireless LAN Kit	15
Bluetooth Kit	16

Using this Manual

Before using this manual it is important to identify the model printer you are locating parts for. Many parts are used across all models, yet some are specific to certain models. The model of printer is located on the serial label on the rear of the printer.

This manual covers the following E-Class Mark III models:

E-4204B, E-4304B, E-4205A, E-4305A, E-4206P, E-4305P,
E-4206L, and E-4305L



For more information on ordering or becoming a DASC partner please contact:

Datamax-O'Neil Customer Care
407-523-5550
customercare@datamax-oneil.com

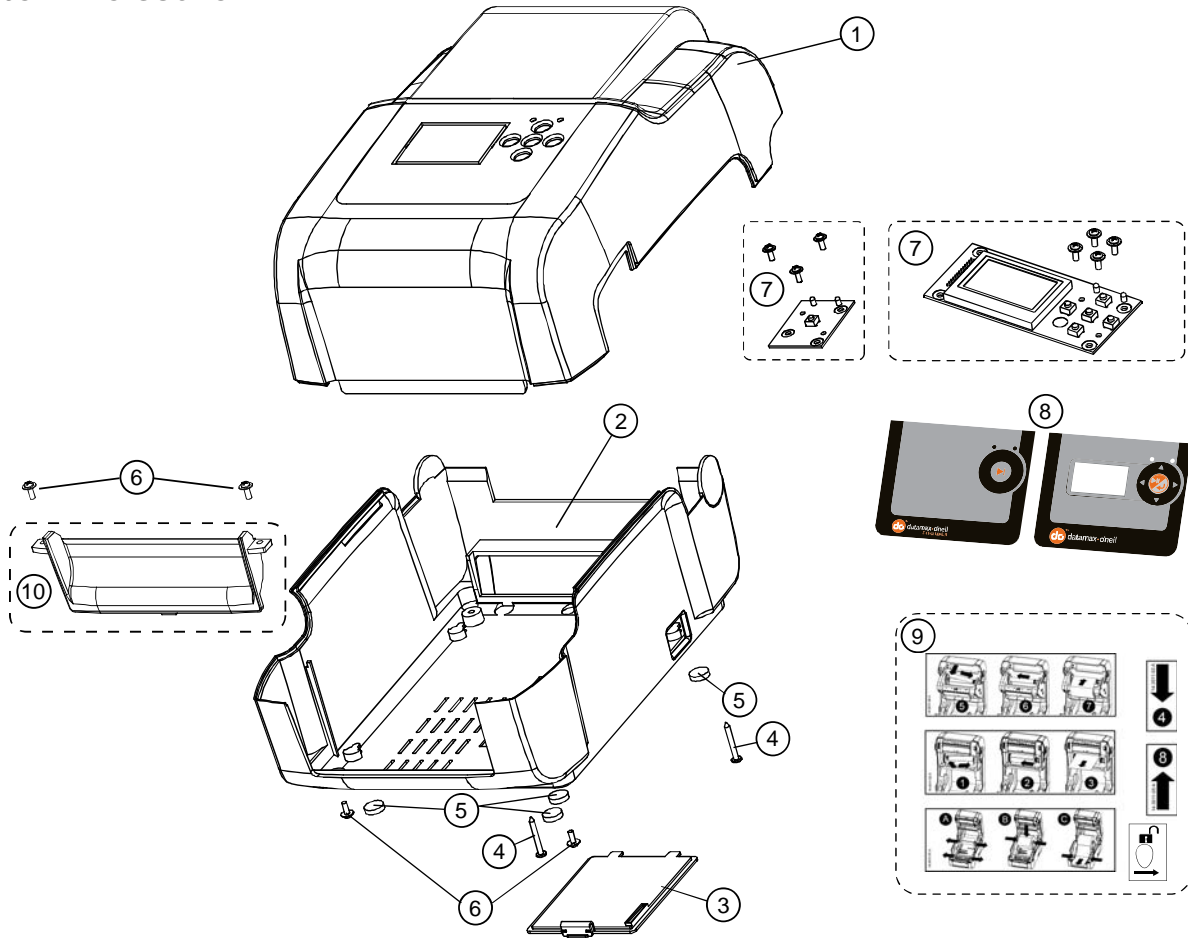
Revision Listing

Date	Rev.	Changes
11/10/11	A	Initial Release
7/1/12	B	32-2497-01 Replaced with 32-2683-01
7/9/12	C	Added support for Pro+ models
12/1/12	D	Added: MPU-4000 replacement parts Added: DPR16-3276-01 (2PK) Wheel, Ribbon Support Added: DPR16-3217-01 (2PK) Wheel, Ribbon-Rewind Added: DPR23-2014-02 Battery, Lithium, 3V
12/1/13	E	Added: OPT78-2970-01 Media Guide Extensions Added: DPR78-2972-01 Media Guide Extensions Retrofit Added: OPT78-2973-01 (10PK) Printhead Spring Upgrade Added: DPO17-3177-01(10PK) Printhead Spring Added: DPR78-2865-01 Label Roll Holder Assy. Kit DPR78-2854-02 replaced with DPR78-2854-01 DPR78-2853-01 replaced with DPR78-2853-02 OPT78-2836-01 replaced with OPT78-2836-02 Added: DPR78-2853-03 Main Board Assy. Kit (Basic) Added: DPR78-2854-03 Main Board Assy. Kit (Advanced)

92-2575-01 Rev.E

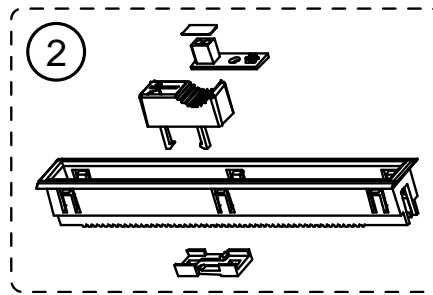
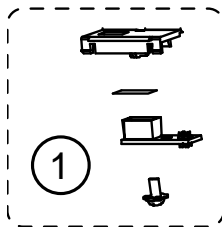
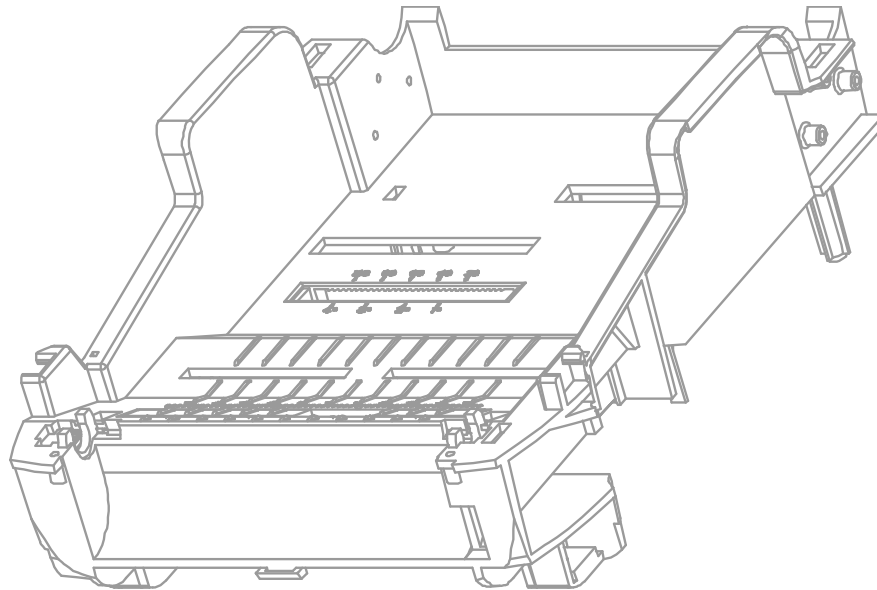
E-Class Mark III Printer Assemblies

Printer Enclosure



#	Part#	Description	Notes
1	DPR78-2874-01	Top Cover Assembly 5"	Basic and Advanced Models <i>Includes Overlay</i>
	DPR78-2875-01	Top Cover Assembly 5"	Professional Models <i>Includes Overlay</i>
	DPR78-2944-01	Top Cover Assembly Pro+	Professional Plus Models <i>Includes Overlay</i>
2	DPR16-3221-01	Case, Bottom	
	DPR16-3220-01	Case, Bottom Pro+	Professional Plus Models
3	DPR16-3287-01	Option Cover, Bottom-Case	
4	DPO10-3194-01	(40PK) Tapping Screw 3 X 19	
5	DPO17-3195-01	(120PK) Rubber Foot	
6	DPO10-3179-01	(40PK) Tapping Screw 3 X 8	
7	DPR78-2849-01	Feed Switch Assy Kit	Basic and Advanced Models
	DPR78-2850-01	LCD Assy Kit	Professional/Plus Models
8	DPO14-3006-01	Overlay EM3 Non-Display	Basic and Advanced Models
	DPO14-3006-02	Overlay EM3 Display	Professional/Plus Models
9	DPO78-2894-01	EM3 Loading Label Set	
10	DPR16-3252-01	Front Cover, Bottom Case	

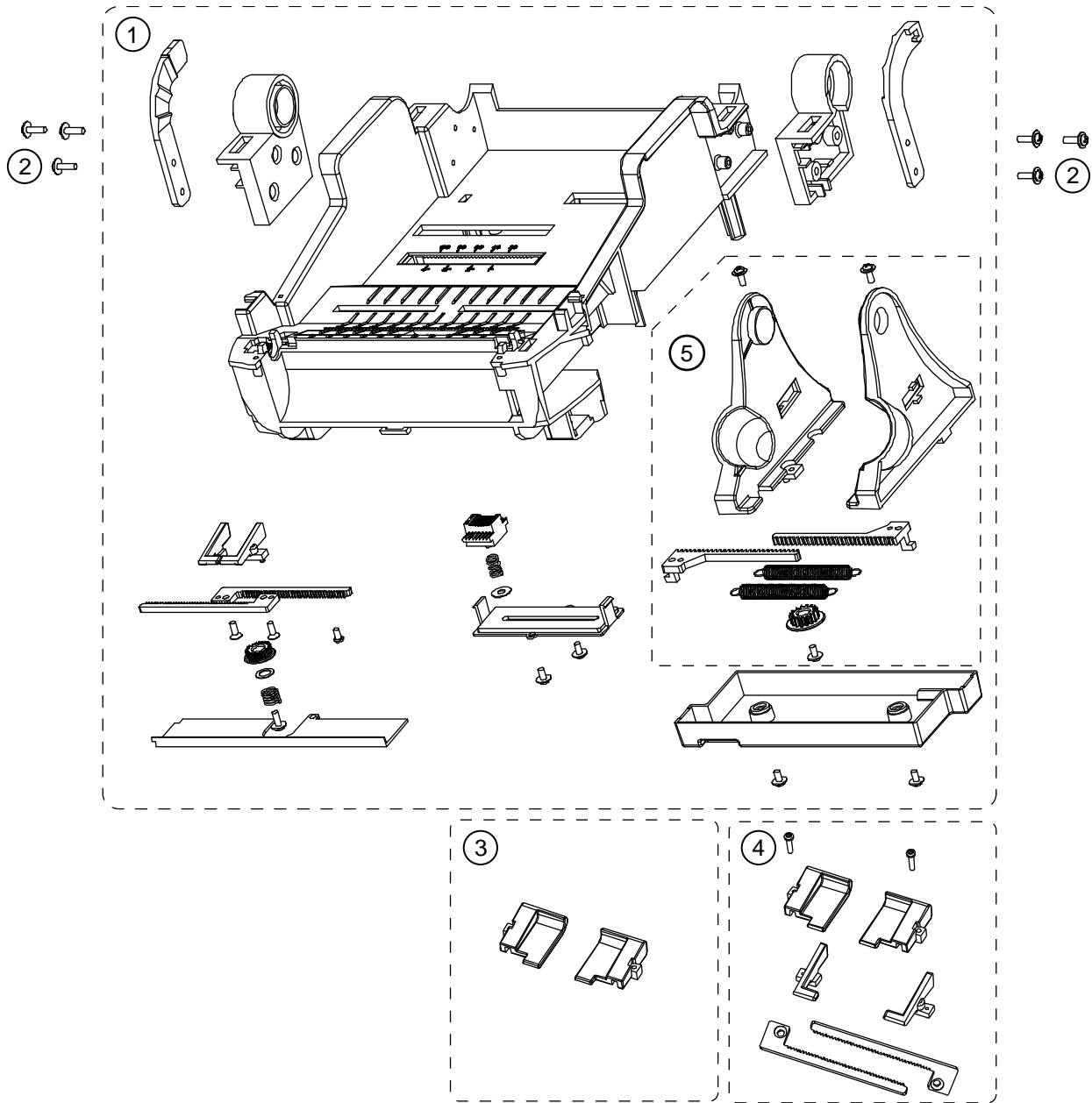
Sensor Assemblies



#	Part#	Description	Notes
1	DPR78-2846-01	Label Sensor Assy Kit	Basic Models
2	DPR78-2847-01	Movable Label Sensor Assy Kit	Advanced and Professional/Plus Models

Lower Printer Mechanism

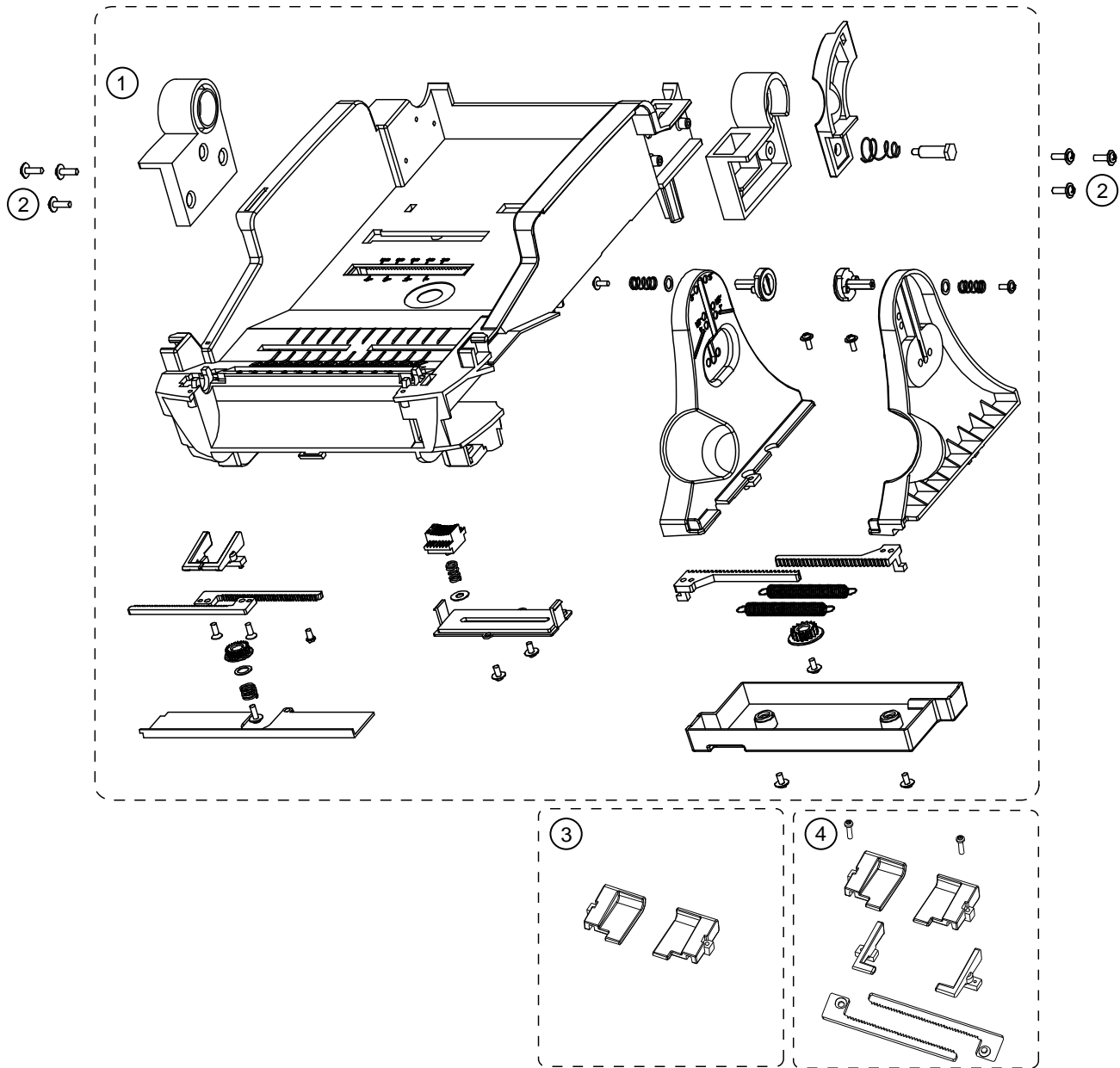
Basic, Advanced and Professional Models



#	Part#	Description	Notes
1	DPR78-2899-01	Base Assembly	<i>Shipped Unassembled</i>
2	DPO10-3189-01	(40PK) Tapping Screw, 3 X 10	
3	OPT78-2970-01	Media Guide Extensions	
4	DPR78-2972-01	Media Guide Extensions Retrofit	
5	DPR78-2865-01	Label Roll Holder Assy. Kit	

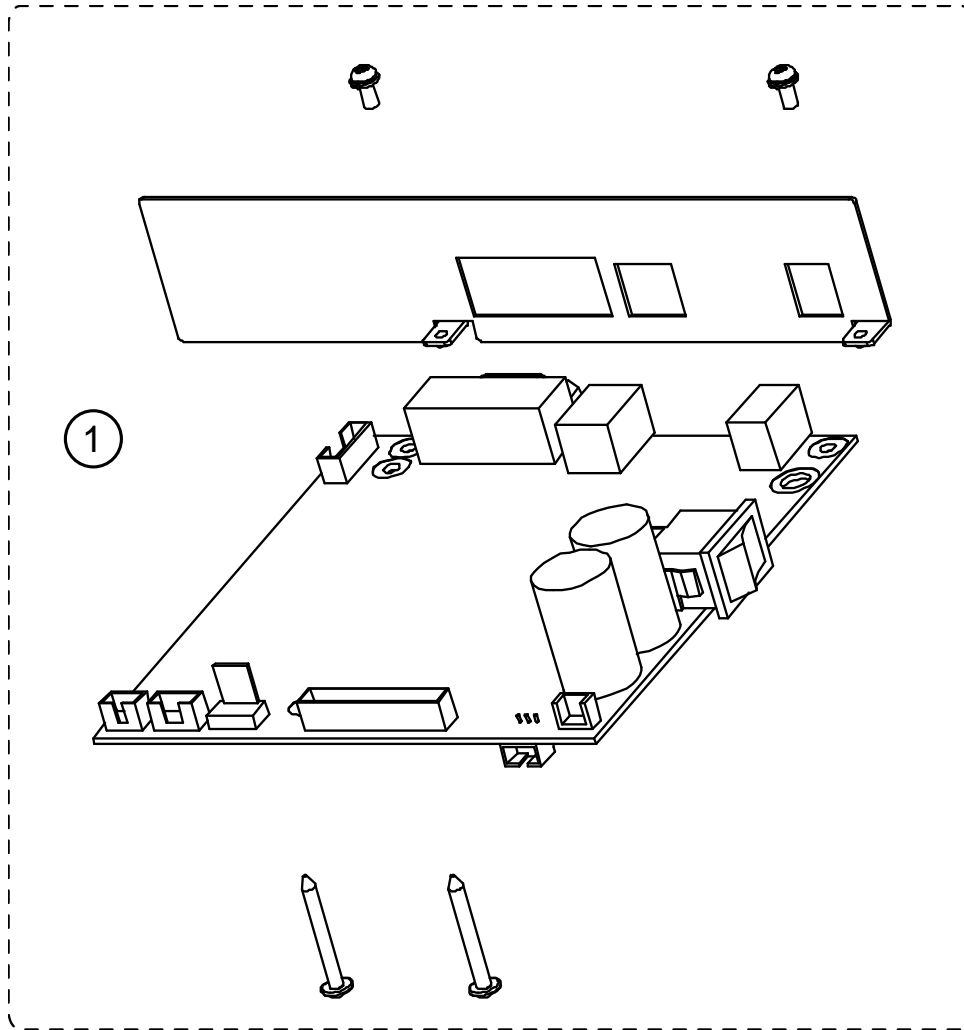
Lower Printer Mechanism Pro Plus

Professional Plus Models



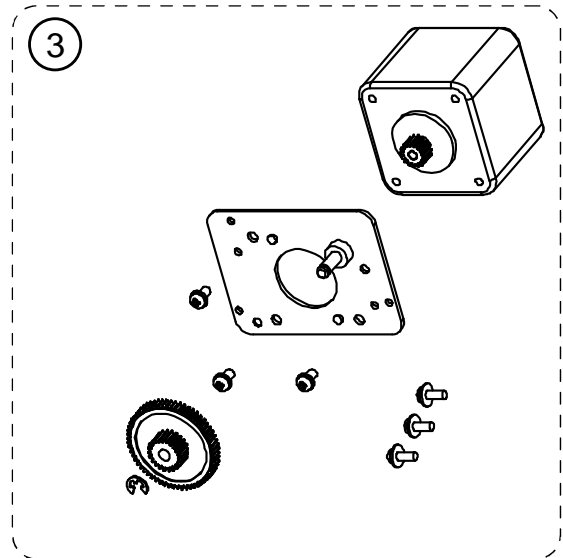
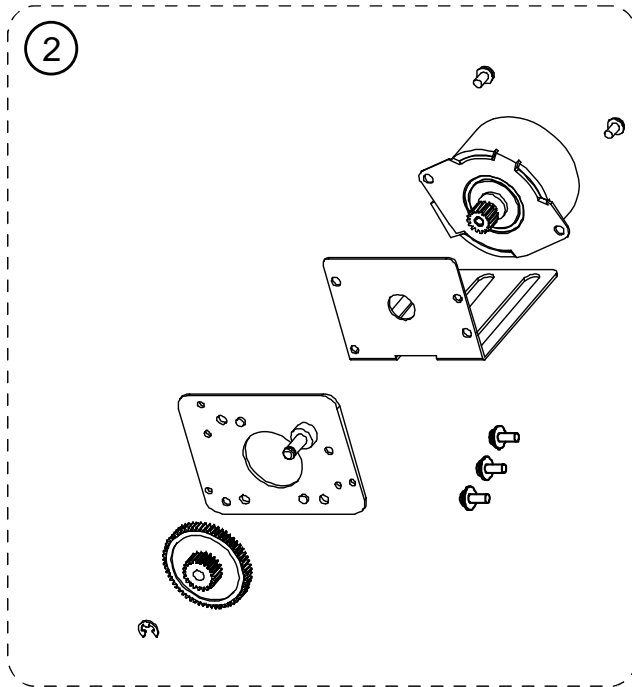
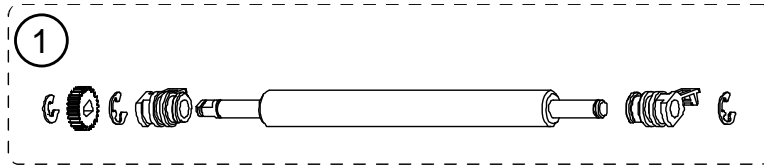
#	Part#	Description	Notes
1	DPR78-2945-01	Base Assembly Pro Plus	<i>Shipped Unassembled</i>
2	DPO10-3189-01	(40PK) Tapping Screw, 3 X 10	
3	OPT78-2970-01	Media Guide Extensions	
4	DPR78-2972-01	Media Guide Extensions Retrofit	

Main Board



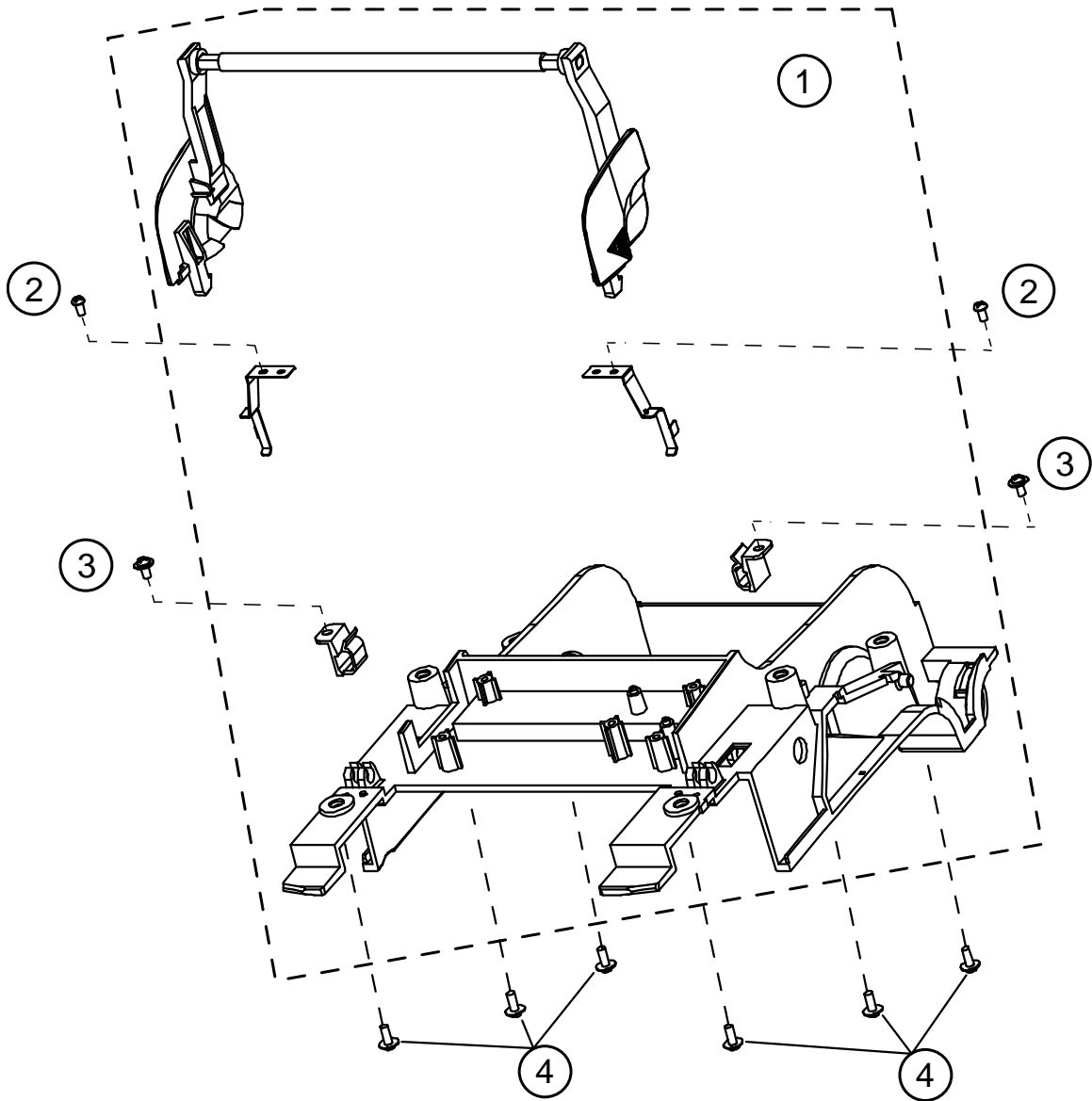
#	Part#	Description	Notes
1	DPR78-2853-02	Main Board Assy. Kit	Basic Models; Serial# 3xxxxxxx or earlier
	DPR78-2853-03	Main Board Assy. Kit	Basic Models; Serial# 4xxxxxxx or greater
	DPR78-2854-02	Main Board Assy. Kit	Advanced Models; Serial# 3xxxxxxx or earlier
	DPR78-2854-03	Main Board Assy. Kit	Advanced Models; Serial# 4xxxxxxx or greater
	DPR78-2855-01	Main Board Assy. Kit	Professional/Plus Models
--	DPR23-2014-02	Battery, Lithium, 3V	

Motor and Platen Assemblies



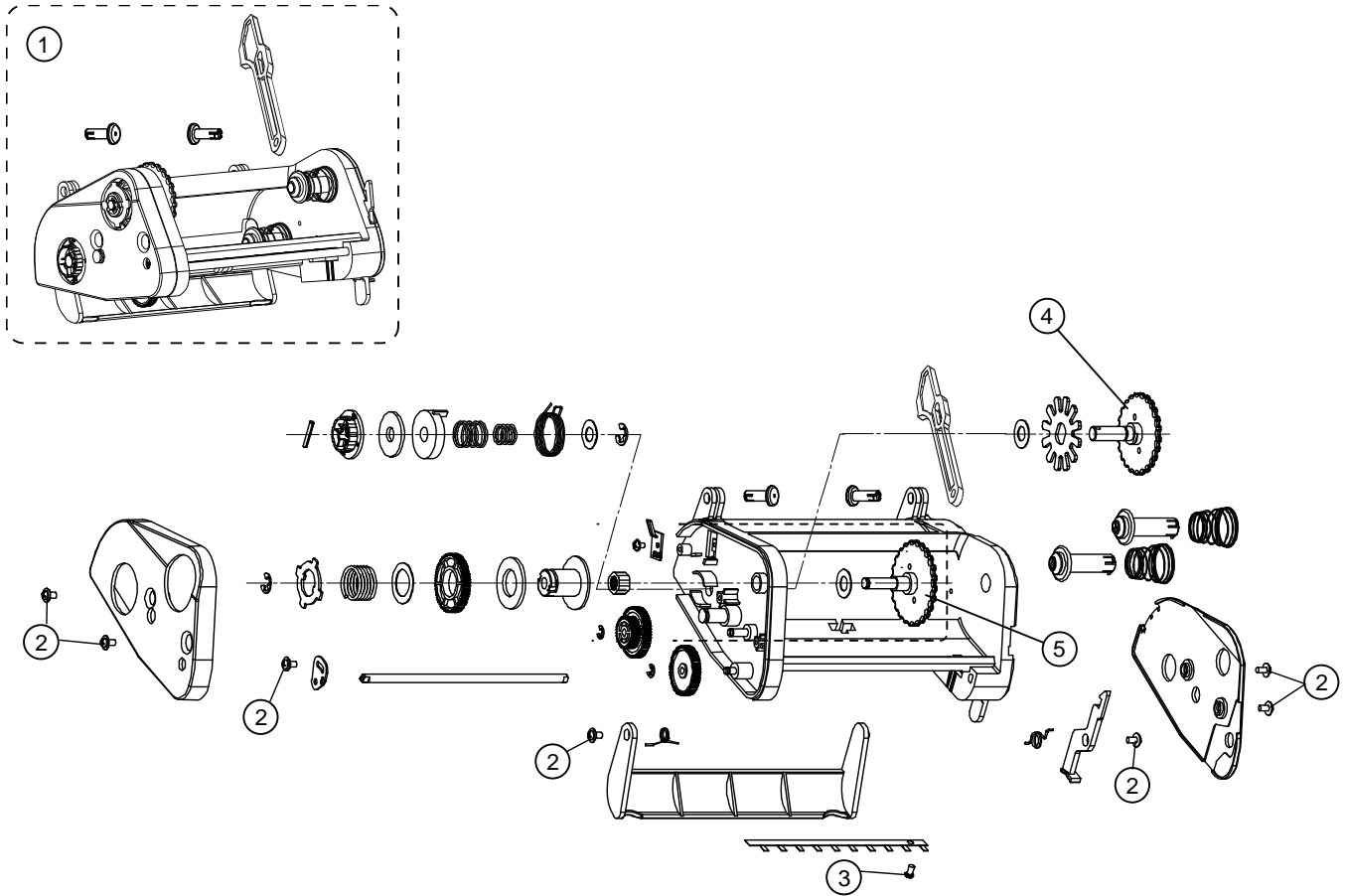
#	Part#	Description	Notes
1	ROL78-2867-01	Platen Roller Assy Kit	
2	DPR78-2857-01	Motor Assy Kit	Basic and Advanced Models
3	DPR78-2858-01	Motor Assy Kit	Professional/Plus Models

Upper Printer Mechanism 1 of 2



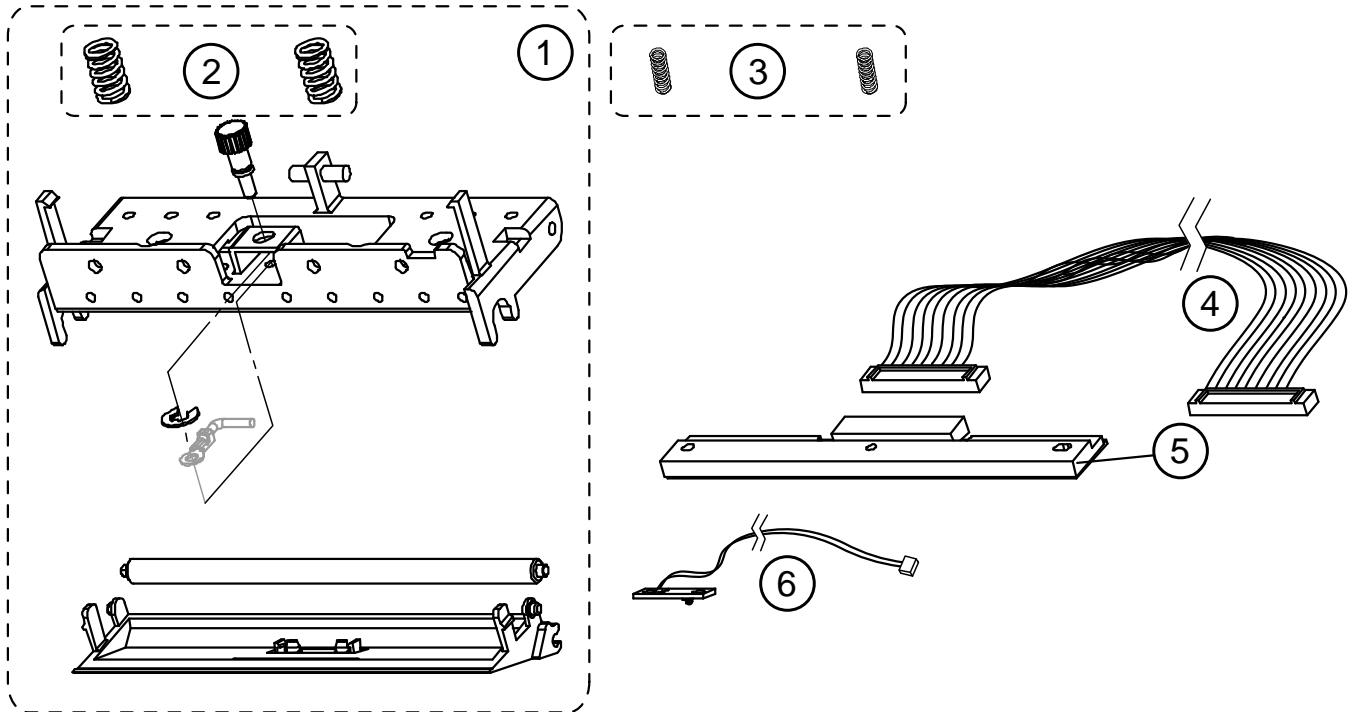
#	Part#	Description	Notes
1	DPR78-2864-01	Latch and Inner Enclosure Assy Kit, M5	<i>Shipped Unassembled; Screws Not Included.</i>
	DPR78-2946-01	Latch and Inner Enclosure Assy Kit, Pro Plus	
2	DPO10-3177-01	(40PK) Tapping Screw 3 X 5	
3	DPO10-3189-01	(40PK) Tapping Screw, 3 X 10	
4	DPO10-3179-01	(40PK) Tapping Screw 3 X 8	

Upper Printer Mechanism 2 of 2



#	Part#	Description	Notes
1	DPR78-2880-01	Thermal Transfer Ribbon Carriage Assy	Shipped Assembled; Screws Included
	DPR78-2947-01	Thermal Transfer Ribbon Carriage Assy, Pro Plus	
2	DPO10-3178-01	(40PK) Screw 3 X 6	
3	DPO10-3177-01	(40PK) Tapping Screw 3 X 5	
4	DPR16-3276-01	(2PK) Wheel, Ribbon Support	
5	DPR16-3217-01	(2PK) Wheel, Ribbon-Rewind	

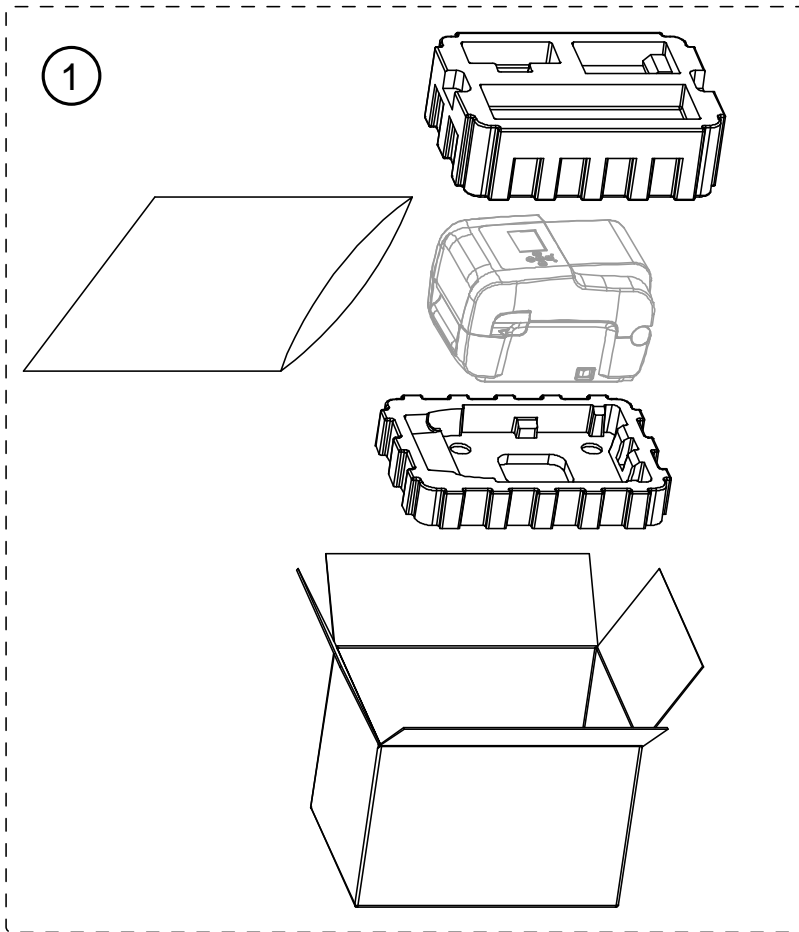
Printhead Assembly



#	Part#	Description	Notes
1	DPR78-2900-01	Printhead Holder Assy	Shipped unassembled
2	DPO17-3177-01	(10PK) Printhead Spring	2 springs required for each printer
3	OPT78-2973-01	(10PK) Printhead Spring Upgrade	Upgrades 5 printers
4	DPR32-2665-01	Cable, TPH	
5	PHD20-2267-01	Printhead, 203 DPI	
	PHD20-2268-01	Printhead, 300 DPI	
6	DPR78-2844-01	See Through Assy PCB	

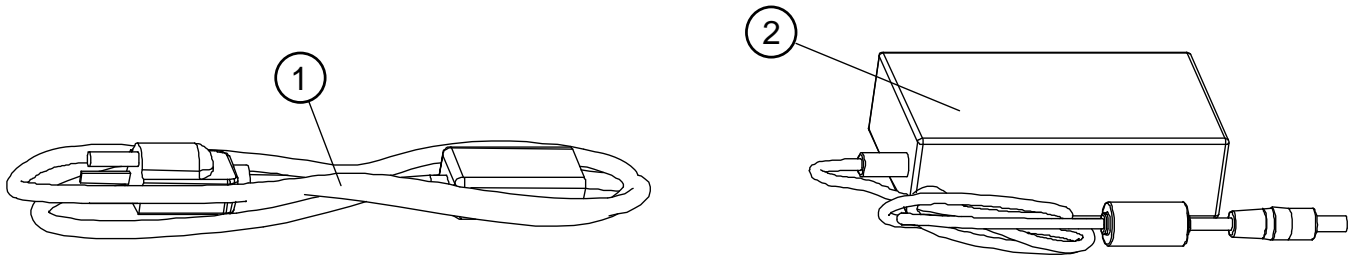
E-Class Mark III Options and Accessories

Box and Packing Materials



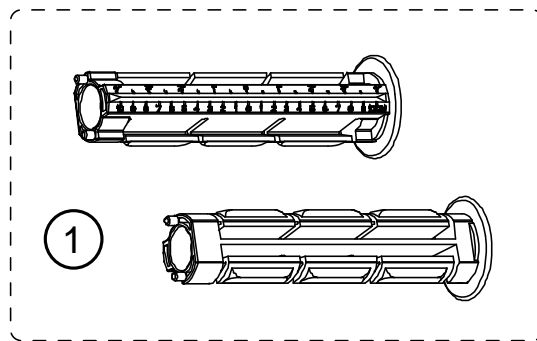
#	Part#	Description	Notes
1	DPO78-2882-01	M3 Packing Box Assy	
2	DPO73-2477-01	M3 Packing Box Assy, Pro+	

Power Supply and Cords



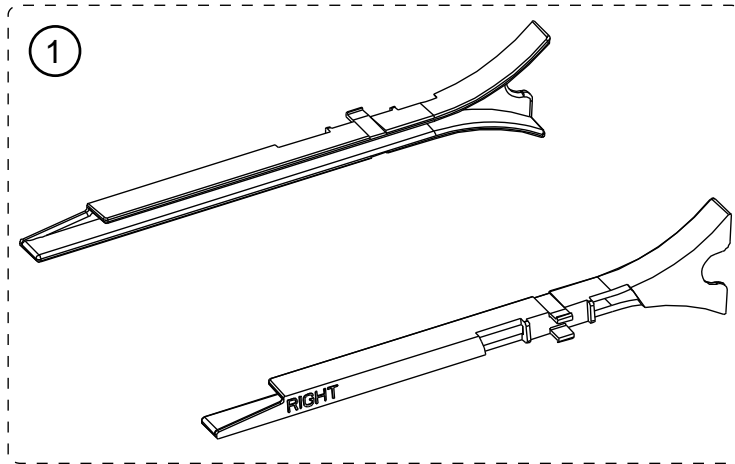
#	Part#	Description	Notes
1	32-2637-01	South Africa Cord	
	32-2638-01	Israel Cord	
	130063	Us Power Cord	
	32-2025-01	British Power Cord	
	586267	European Power Cord	
	32-2375-01	Swiss Power Cord	
	32-2683-01	Chinese Power Cord	
	32-2488-01	Australian Power Cord	
	32-2489-01	Italian Power Cord	
	32-2493-01	Straight In Argentinean Cord	
	32-2669-01	Brazilian Power Cord	
32-2275-01	Japanese Power Cord		
2	DPO78-2856-01	Auto-Ranging Power Supply	All E-class Mark III Models Input: 100-240VAC

Core Adapters



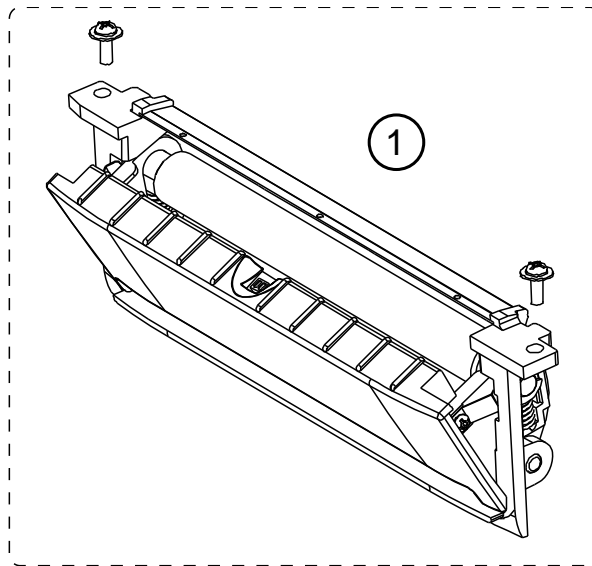
#	Part#	Description	Notes
1	DPO78-2868-01	1" Ribbon Core Adapters	

Fan-Fold/External Media Guides



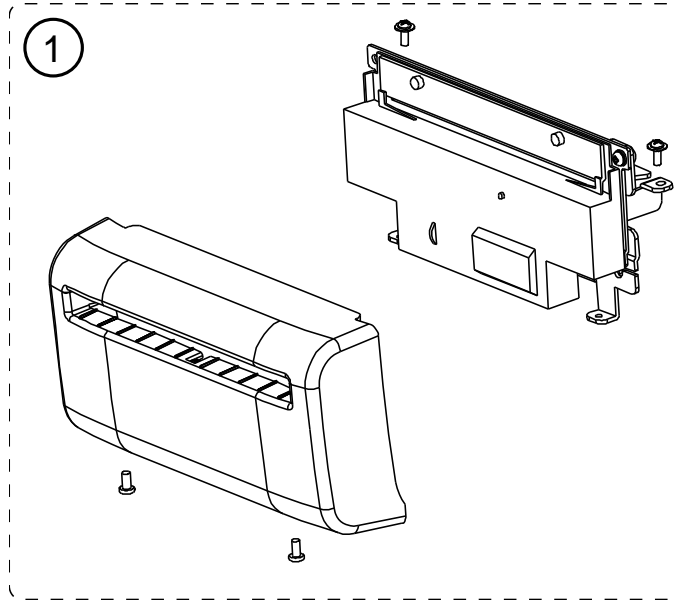
#	Part#	Description	Notes
1	DPO78-2842-01	Fan-Fold/External Media Guide, 1 Set	

Peeler Option



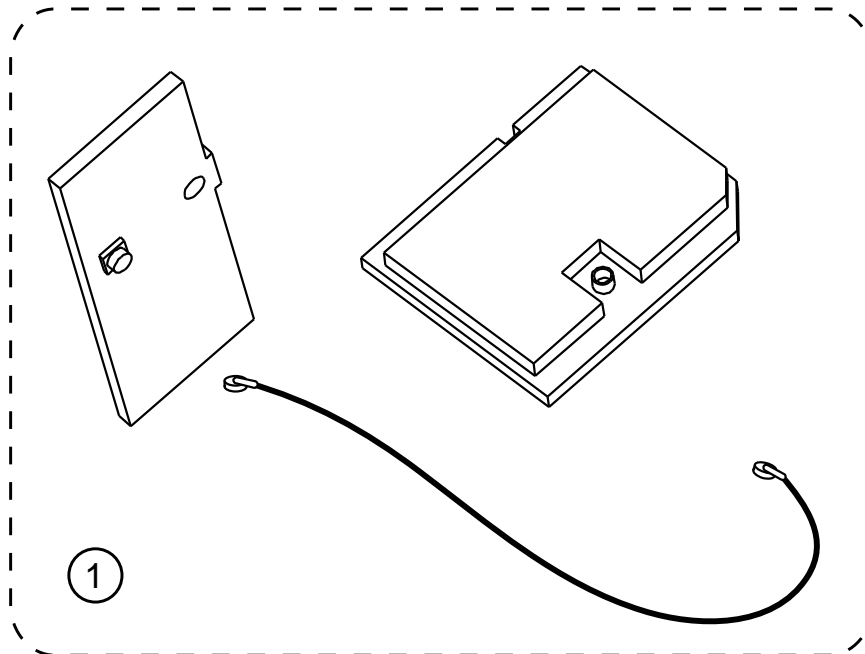
#	Part#	Description	Notes
1	OPT78-2836-02	Label Peeler Kit w/sensor	<i>Also Senses Label Tear-Off</i>

Cutter Option



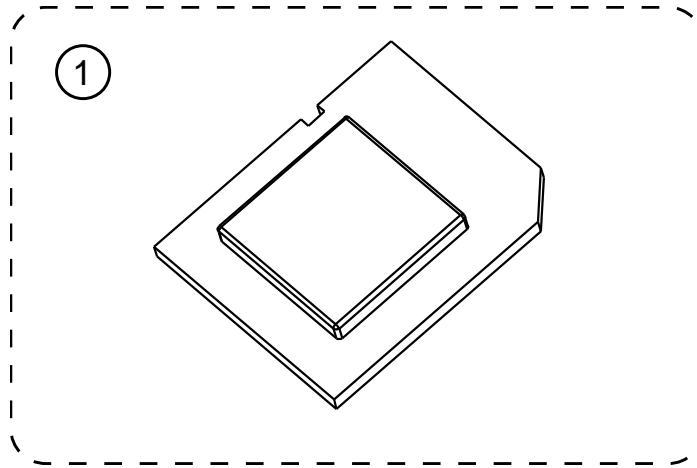
#	Part#	Description	Notes
1	OPT78-2835-01	Cutter Kit, Guillotine, w/sensor (not compatible with Basic model)	Advanced and Professional Models Only

Wireless LAN Kit



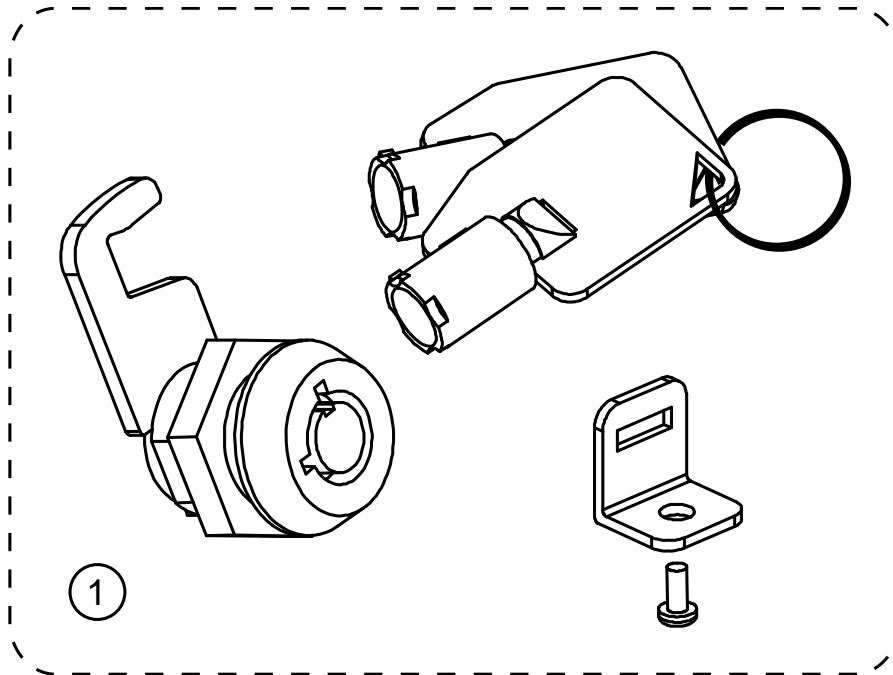
#	Part#	Description	Notes
1	OPT78-2840-01	Wireless LAN Kit	(Pro and Pro+ models)

Bluetooth Kit



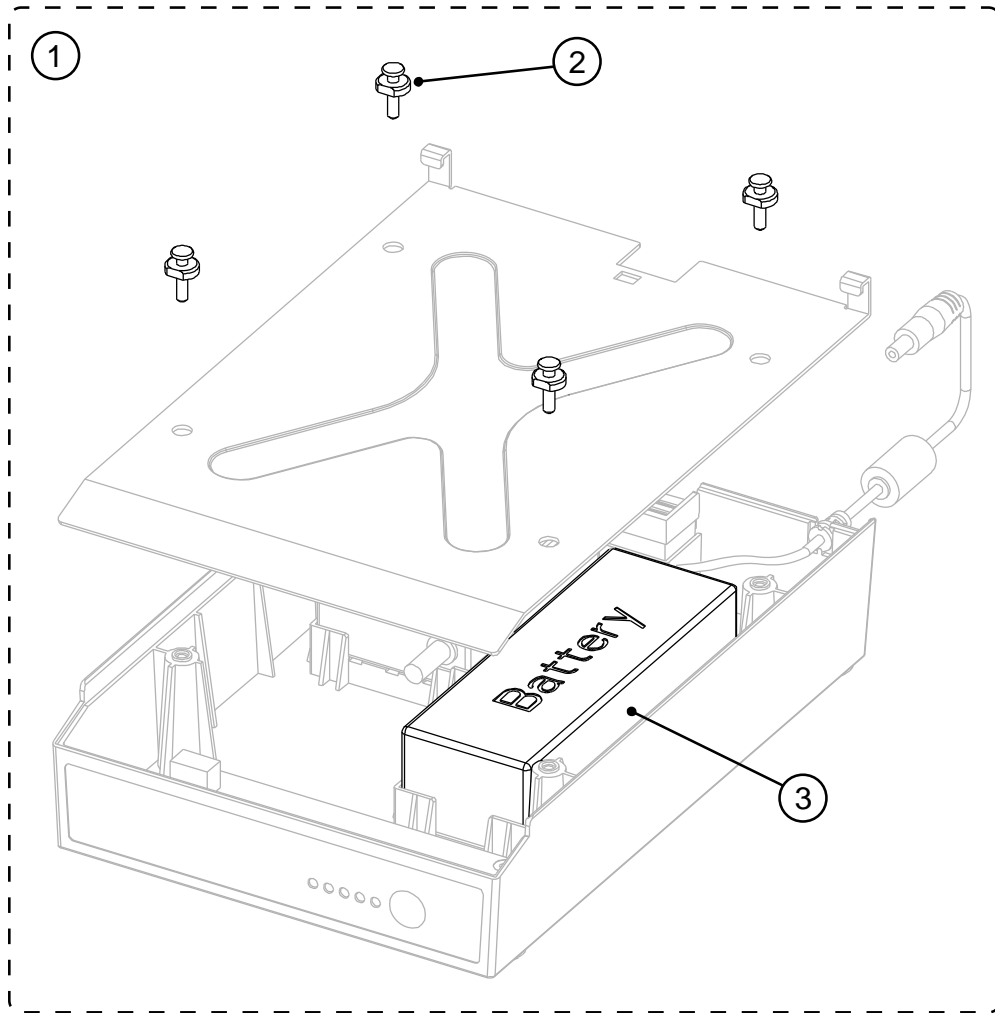
#	Part#	Description	Notes
1	OPT78-2841-01	Bluetooth Kit	(Pro and Pro+ models)

Cabinet Lock w/Security Slot



#	Part#	Description	Notes
1	OPT78-2906-01	EM3 Cabinet Lock Acc.	(Pro+ models only)

MPU-4000 Mobile Power Unit



#	Part#	Description	Notes
1	OPT78-2907-01	MPU-4000 Mobile Power Unit	
2	DPO12-3529-01	(4PK) Standoffs, MPU-4000	
3	DPR23-2013-01	Replacement Battery, MPU-4000	

