

Lenovo™ **ThinkStation.**

PSREF



Product Specifications Reference

Version 496, October 2016

U.S.

Visit <http://psref.lenovo.com> for the latest version

Contents

Cover	1	ThinkStation P900 - TopSeller - 30A5	33
Contents	2	ThinkStation P900 - 30A4	34
Summary Of Change	3	ThinkStation P910	35
P Series	5	ThinkStation P910 Platform Specifications	35
ThinkStation P310 SFF	5	ThinkStation P910 - TopSeller - 30B9	36
ThinkStation P310 SFF Platform Specifications	6	Info Of Law	37
ThinkStation P310 SFF - TopSeller - 30AV - 1 of 2	7		
ThinkStation P310 SFF - TopSeller - 30AV - 2 of 2	8		
ThinkStation P310 Tower	9		
ThinkStation P310 Tower Platform Specifications	10		
ThinkStation P310 Tower - TopSeller - 30AT - 1 of 2	11		
ThinkStation P310 Tower - TopSeller - 30AT - 2 of 2	12		
ThinkStation P410	13		
ThinkStation P410 Platform Specifications	13		
ThinkStation P410 - TopSeller - 30B3 - 1 of 2	14		
ThinkStation P410 - TopSeller - 30B3 - 2 of 2	15		
ThinkStation P500	16		
ThinkStation P500 Platform Specifications	17		
ThinkStation P500 - TopSeller - 30A7 - 1 of 2	18		
ThinkStation P500 - TopSeller - 30A7 - 2 of 2	19		
ThinkStation P500 - 30A6	20		
ThinkStation P510	21		
ThinkStation P510 Platform Specifications	21		
ThinkStation P510 - TopSeller - 30B5 - 1 of 3	22		
ThinkStation P510 - TopSeller - 30B5 - 2 of 3	23		
ThinkStation P510 - TopSeller - 30B5 - 3 of 3	24		
ThinkStation P700	25		
ThinkStation P700 Platform Specifications	26		
ThinkStation P700 - TopSeller - 30A9	27		
ThinkStation P700 - 30A8	28		
ThinkStation P710	29		
ThinkStation P710 Platform Specifications	29		
ThinkStation P710 - TopSeller - 30B7	30		
ThinkStation P900	31		
ThinkStation P900 Platform Specifications	32		

Summary of Changes

This section describes the changes made in this version of ThinkStation PSREF and in previous version. This edition might also include minor corrections and editorial changes which are not identified.

October 12, 2016 - Version 496

- ▶ Remove flash option on ThinkStation P510/P710/P910
- ▶ Add ThinkStation P310/P410/P510/P710/P910 models announced September 2016

August 3, 2016 - Version 493

- ▶ Remove ThinkStation P500/P700/P900 Windows 7 DG from Win8.1 U.S. models
- ▶ Add keyboard and mouse features on all ThinkStation

July 13, 2016 - Version 492

- ▶ Add ThinkStation P500, P700, and P900 Windows 10 downgrade to Windows 7 models
- ▶ Update Maximum configuration weight of ThinkStation P410
- ▶ Add ThinkStation P710 and P910 models announced on July 2016
- ▶ Add "Maximum drives in 3.5" bay" feature on ThinkStation P500/P510/P700/P710/P900/P910

June 22, 2016 - Version 491

- ▶ Add new product ThinkStation P410/P510
- ▶ Add NVIDIA Quadro M2000 on ThinkStation P310 Tower
- ▶ Add keyboard and mouse information on ThinkStation P710/P910
- ▶ Add internal USB information on ThinkStation P710/P910

June 2, 2016 - Version 490

- ▶ Add ThinkStation P710/P910 US models
- ▶ Update ThinkStation P710/P910 processor information

May 19, 2016 - Version 489

- ▶ Add NVIDIA Quadro M2000 on compatible product
- ▶ Update maximum weight on ThinkStation P710
- ▶ Remove 30AT000BUS

April 6, 2016 - Version 488

- ▶ Add ThinkStation P710 and P910 models for EMEA, announced on April 2016
- ▶ Update Energy star information on ThinkStation P500/P700/P710/P900/P910

April 6, 2016 - Version 487

- ▶ New ThinkStation P710 and P910, announced April 5, 2016 (specification only)

March 23, 2016 - Version 486

- ▶ Add processors specifications for P310/P500/P700/P900

February 24, 2016 - Version 485

- ▶ Add ThinkStation P310 and P700 models for US, announced on February 2016
- ▶ Add ThinkStation P700 and P900 models for EMEA, announced on February 2016

December 9, 2015 - Version 482

- ▶ New ThinkStation P310 Tower and SFF, announced November 24, 2015

November 18, 2015 - Version 481

- ▶ Combines ThinkStation PSREF United States version and Western Europe version.
- ▶ Extends the supported GEO into Europe, Middle East and Africa.
- ▶ Covers all TopSeller and Relationship models for US and all focus models for EMEA

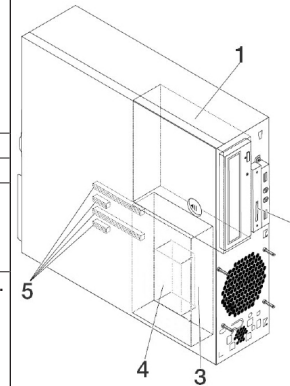


ThinkStation P310 SFF Platform Specifications

Product Specifications Reference (PSREF)

Components	Specification																																			
Chipset	Intel C236 Chipset																																			
Intel AMT	Intel Active Management Technology 11 supported on Xeon models																																			
Processor	One LGA1151 socket, supports one the following processors:																																			
	Xeon E3-1280 v5	4C/3.7GHz/8MB/80W/DDR4-2133																																		
	Xeon E3-1275 v5	4C/3.6GHz/8MB/80W/DDR4-2133																																		
	Xeon E3-1270 v5	4C/3.6GHz/8MB/80W/DDR4-2133																																		
	Xeon E3-1245 v5	4C/3.5GHz/8MB/80W/DDR4-2133																																		
	Xeon E3-1240 v5	4C/3.5GHz/8MB/80W/DDR4-2133																																		
	Xeon E3-1230 v5	4C/3.4GHz/8MB/80W/DDR4-2133																																		
	Xeon E3-1225 v5	4C/3.3GHz/8MB/80W/DDR4-2133																																		
	Xeon E3-1220 v5	4C/3GHz/8MB/80W/DDR4-2133																																		
	Core i7-6700	4C/3.4GHz/8MB/65W/DDR4-2133																																		
	Core i5-6600	4C/3.3GHz/6MB/65W/DDR4-2133																																		
	Core i5-6500	4C/3.2GHz/6MB/65W/DDR4-2133																																		
	Core i5-6400	4C/2.7GHz/6MB/65W/DDR4-2133																																		
	Core i3-6320	2C/3.9GHz/4MB/51W/DDR4-2133																																		
Core i3-6300	2C/3.8GHz/4MB/51W/DDR4-2133																																			
Core i3-6100	2C/3.7GHz/3MB/51W/DDR4-2133																																			
Memory DIMM slots	4 DIMM slots, 2-channel (integrated memory controller in processor)																																			
Memory type/capacity	Up to 64GB ECC/non-ECC (4 x 16GB), DDR4-2133, UDIMM																																			
Intel HD Graphics in processor	Integrated Intel HD P530 in Xeon E3-12x5 v5 processors; or Intel HD 530 in Core i7, i5, or i3 processors. Works along with discrete graphics to support multi-display, enables three display connectors (2 DP, 1 VGA) on rear. Max Resolution: 4096 x 2304																																			
Discrete graphics	Two PCI Express 3.0 x16 slots for graphics adapters. Up to two Quadro K1200. Supports the following NVIDIA graphics adapters:																																			
	<table border="1"> <thead> <tr> <th>Adapter</th> <th>Cores</th> <th>Memory</th> <th>Power</th> <th>Connector</th> </tr> </thead> <tbody> <tr> <td>NVS 310</td> <td>48</td> <td>1GB</td> <td>19.5W</td> <td>2xDP</td> </tr> <tr> <td>NVS 315</td> <td>48</td> <td>1GB</td> <td>19.5W</td> <td>2xDVI-I SL/2xDP</td> </tr> <tr> <td>NVS 510</td> <td>192</td> <td>2GB</td> <td>33.4W</td> <td>4xmini DP</td> </tr> <tr> <td>Quadro K420</td> <td>192</td> <td>2GB</td> <td>41W</td> <td>1xDVI-I DL+1xDP</td> </tr> <tr> <td>Quadro K620</td> <td>384</td> <td>2GB</td> <td>45W</td> <td>1xDVI-I DL+1xDP</td> </tr> <tr> <td>Quadro K1200</td> <td>512</td> <td>4GB</td> <td>45W</td> <td>4xminiDP</td> </tr> </tbody> </table>	Adapter	Cores	Memory	Power	Connector	NVS 310	48	1GB	19.5W	2xDP	NVS 315	48	1GB	19.5W	2xDVI-I SL/2xDP	NVS 510	192	2GB	33.4W	4xmini DP	Quadro K420	192	2GB	41W	1xDVI-I DL+1xDP	Quadro K620	384	2GB	45W	1xDVI-I DL+1xDP	Quadro K1200	512	4GB	45W	4xminiDP
	Adapter	Cores	Memory	Power	Connector																															
	NVS 310	48	1GB	19.5W	2xDP																															
	NVS 315	48	1GB	19.5W	2xDVI-I SL/2xDP																															
	NVS 510	192	2GB	33.4W	4xmini DP																															
	Quadro K420	192	2GB	41W	1xDVI-I DL+1xDP																															
Quadro K620	384	2GB	45W	1xDVI-I DL+1xDP																																
Quadro K1200	512	4GB	45W	4xminiDP																																
Onboard drive controller	Five onboard SATA 6.0Gb/s connectors for optical and disk drives plus one SATA connector for optional eSATA. RAID 0, 1, 5* support * RAID 5 supports three 2.5" SSD drives only.																																			
Drive Bays	One external 5.25" bay, one internal 3.5" bay (see right). Up to one 9.5mm optical + 2 x 3.5" disk drive bays + 1 x 2.5" disk drive bay + one M.2 NVMe SSD																																			
Supporting disk drives	<table border="1"> <tbody> <tr> <td>3.5" SATA HDD (7.2K 6Gbs)</td> <td>500GB/1TB/2TB/3TB/4TB/1TB hybrid/2TB hybrid</td> </tr> <tr> <td>2.5" SATA SSD (6Gbs)</td> <td>128GB/180GB*/240GB*/256GB*/480GB*/512GB/1TB*</td> </tr> <tr> <td>M.2 NVMe SSD</td> <td>256GB*/512GB, via PCIe 3.0 x4 adapter</td> </tr> </tbody> </table>	3.5" SATA HDD (7.2K 6Gbs)	500GB/1TB/2TB/3TB/4TB/1TB hybrid/2TB hybrid	2.5" SATA SSD (6Gbs)	128GB/180GB*/240GB*/256GB*/480GB*/512GB/1TB*	M.2 NVMe SSD	256GB*/512GB, via PCIe 3.0 x4 adapter																													
	3.5" SATA HDD (7.2K 6Gbs)	500GB/1TB/2TB/3TB/4TB/1TB hybrid/2TB hybrid																																		
2.5" SATA SSD (6Gbs)	128GB/180GB*/240GB*/256GB*/480GB*/512GB/1TB*																																			
M.2 NVMe SSD	256GB*/512GB, via PCIe 3.0 x4 adapter																																			
	** Includes OPAL options																																			
Max internal storage	9TB (2 x 4TB 3.5" HDDs + 1 x 1TB 2.5" SSD) plus one 512GB M.2 NVMe SSD																																			
Media reader	9-in-1 card reader. Optional 29-in-1 card reader on selected models																																			
Power supply	210 watts with variable speed fan, autosensing, 85% PSU, Climate Savers Computing Bronze, 80 PLUS Bronze qualified																																			
Onboard Ethernet	One onboard gigabit ethernet, Intel I219LM, supports Wake-on-LAN																																			
HD Audio	Realtek ALC662 codec																																			
TPM	Standard, TCG 1.2-compliant																																			
Front ports	Two USB 3.0, microphone (3.5mm), headphone (3.5mm)																																			
Rear ports	1 VGA and 2 DisplayPort (functional only on Intel HD Graphics models), two USB 2.0, four USB 3.0 (blue), one serial (9-pin), one ethernet (RJ-45), three analog audio ports (line-in, line-out, mic-in)																																			
Additional ports	Supports the following optional ports: <ul style="list-style-type: none"> Two IEEE 1394 (one on rear and one on front flex module) via PCIe adapter, up to one adapter per system. Supports one of the following per system: <ul style="list-style-type: none"> Two rear USB 3.0 per PCIe adapter. One front eSATA (on flex module), or one rear eSATA via cable and PCIe slot bracket, up to one eSATA port per system. One additional serial port via cable. One parallel port via cable 																																			

Components	Specification
Mechanical	<ul style="list-style-type: none"> Raven black color; metal case 4.02"W x 15.53"D x 13.31"H 102mm W x 394.5mm D x 338mm H 17.2 lb (7.9kg) max configuration 12.9-liter
	Environmental certifications
Limited warranty	1 or 3-year limited onsite service with 9x5/NBD. Some parts are Customer Replaceable Units.



Drive Bays and PCIe Slots

Bay 1	5.25", supports one of the following: HH optical/flex module***/9.5mm optical+3.5" HDD bay/ 3.5" HDD bay/Front Access Storage Enclosure *** Flex module supports one or more of the following: 9.5mm optical/ 29-in-1 reader/front IEEE 1394/front eSATA. Up to one flex module is supported per system.
Bay 2	Optional 9-in-1 single slot reader
Bay 3	Standard 3.5" HDD bay
Bay 4	Optional 2.5" HDD bay (under Bay 3)
5 - Slots	Four PCIe slots (top-down): Slot 1: Low Profile, PCIe 3.0 x16 (near CPU) Slot 2: Low Profile, PCIe 3.0 x1 Slot 3: Low Profile, PCIe 3.0 x16 (x4 elec) Slot 4: Low Profile, PCIe 3.0 x1

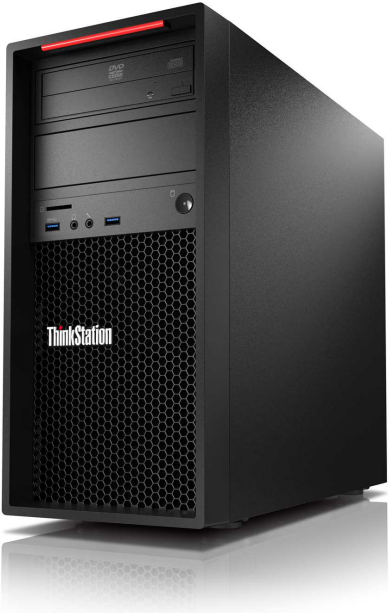
For the list of ISV certifications, please visit www.thinkworkstations.com/isv-certifications/
 For a list of all supported options, please visit https://download.lenovo.com/pccbbs/options_iso/ocm_july_2016.xlsx sheet

ThinkStation P310 SFF - TopSeller - 30AV - 1 of 2

Product Specifications Reference (PSREF)

Model	Region	Processor	Graphics	Memory	Storage	Optical	Media Reader	Power Supply	Add-on Ports	Keyboard / Mouse	Operating System	Warranty	Global	Ann Date (mm/yy)
30AV0007US	US	Core i5-6500 4C/3.2GHz/6MB/65W/DDR4-2133	Intel HD 530	1x4GB UDIMM DDR4-2133 Non-ECC	1x1TB HDD 7.2K 3.5" SATA6Gbs	HH DVD±RW	9-in-1	210W 85%	None	USB / USB Optical	Windows 10 DG Windows 7 Pro 64	3-year	No	11/15
30AV0008US	US	Core i3-6100 2C/3.7GHz/3MB/51W/DDR4-2133	Intel HD 530	1x4GB UDIMM DDR4-2133 Non-ECC	1x1TB HDD 7.2K 3.5" SATA6Gbs	HH DVD±RW	9-in-1	210W 85%	None	USB / USB Optical	Windows 10 DG Windows 7 Pro 64	3-year	No	11/15
30AV0009US	US	Core i3-6100 2C/3.7GHz/3MB/51W/DDR4-2133	Intel HD 530	1x4GB UDIMM DDR4-2133 Non-ECC	1x500GB HDD 7.2K 3.5" SATA6Gbs	HH DVD±RW	9-in-1	210W 85%	None	USB / USB Optical	Windows 10 DG Windows 7 Pro 64	3-year	No	11/15
30AV000AUS	US	Core i5-6600 4C/3.3GHz/6MB/65W/DDR4-2133	Intel HD 530	1x8GB UDIMM DDR4-2133 Non-ECC	1x1TB HDD 7.2K 3.5" SATA6Gbs	HH DVD±RW	9-in-1	210W 85%	None	USB / USB Optical	Windows 10 DG Windows 7 Pro 64	3-year	No	11/15
30AV000BUS	US	Core i7-6700 4C/3.4GHz/8MB/65W/DDR4-2133	Intel HD 530	1x8GB UDIMM DDR4-2133 Non-ECC	1x1TB HDD 7.2K 3.5" SATA6Gbs	HH DVD±RW	9-in-1	210W 85%	None	USB / USB Optical	Windows 10 DG Windows 7 Pro 64	3-year	No	11/15
30AV000CUS	US	Core i7-6700 4C/3.4GHz/8MB/65W/DDR4-2133	Intel HD 530	1x8GB UDIMM DDR4-2133 Non-ECC	1x256GB SSD 2.5" SATA6Gbs Opal	HH DVD±RW	9-in-1	210W 85%	None	USB / USB Optical	Windows 10 DG Windows 7 Pro 64	3-year	No	11/15
30AV000DUS	US	Xeon E3-1245 v5 4C/3.5GHz/8MB/80W/DDR4-2133	Intel HD P530	1x8GB UDIMM DDR4-2133 Non-ECC	1x256GB SSD 2.5" SATA6Gbs Opal	HH DVD±RW	9-in-1	210W 85%	None	USB / USB Optical	Windows 10 DG Windows 7 Pro 64	3-year	No	11/15
30AV000EUS	US	Xeon E3-1240 v5 4C/3.5GHz/8MB/80W/DDR4-2133	NVIDIA Quadro K620 2GB	1x8GB UDIMM DDR4-2133 Non-ECC	1x256GB SSD 2.5" SATA6Gbs Opal	HH DVD±RW	9-in-1	210W 85%	None	USB / USB Optical	Windows 10 DG Windows 7 Pro 64	3-year	No	11/15
30AV000VUS	US	Core i5-6500 4C/3.2GHz/6MB/65W/DDR4-2133	Intel HD 530+NVIDIA Quadro K620 2GB	1x8GB UDIMM DDR4-2133 Non-ECC	1x1TB HDD 7.2K 3.5" SATA6Gbs	HH DVD±RW	9-in-1	210W 85%	None	USB / USB Optical	Windows 10 DG Windows 7 Pro 64	3-year	No	02/16
30AV000WUS	US	Core i7-6700 4C/3.4GHz/8MB/65W/DDR4-2133	Intel HD 530+NVIDIA Quadro K620 2GB	2x8GB UDIMM DDR4-2133 Non-ECC	1x256GB SSD 2.5" SATA6Gbs Opal	HH DVD±RW	9-in-1	210W 85%	None	USB / USB Optical	Windows 10 DG Windows 7 Pro 64	3-year	No	02/16
30AV000XUS	US	Xeon E3-1230 v5 4C/3.4GHz/8MB/80W/DDR4-2133	NVIDIA Quadro K1200 4GB	4x8GB UDIMM DDR4-2133 Non-ECC	1x512GB SSD 2.5" SATA6Gbs	HH DVD±RW	9-in-1	210W 85%	None	USB / USB Optical	Windows 10 DG Windows 7 Pro 64	3-year	No	02/16
30AV0012US	US	Core i7-6700 4C/3.4GHz/8MB/65W/DDR4-2133	Intel HD 530+NVIDIA Quadro K620 2GB	1x8GB UDIMM DDR4-2133 Non-ECC	1x1TB HDD 7.2K 3.5" SATA6Gbs	HH DVD±RW	9-in-1	210W 85%	None	USB / USB Optical	Windows 10 Pro 64	3-year	No	07/16
30AV001TUS	US	Core i7-6700 4C/3.4GHz/8MB/65W/DDR4-2133	Intel HD 530	1x8GB UDIMM DDR4-2133 Non-ECC	1x1TB HDD 7.2K 3.5" SATA6Gbs	HH DVD±RW	9-in-1	210W 85%	None	USB / USB Optical	Windows 10 Pro 64	3-year	No	07/16
30AV001UUS	US	Core i5-6500 4C/3.2GHz/6MB/65W/DDR4-2133	Intel HD 530	1x8GB UDIMM DDR4-2133 Non-ECC	1x1TB HDD 7.2K 3.5" SATA6Gbs	HH DVD±RW	9-in-1	210W 85%	None	USB / USB Optical	Windows 10 Pro 64	3-year	No	07/16
30AV001VUS	US	Xeon E3-1240 v5 4C/3.5GHz/8MB/80W/DDR4-2133	NVIDIA Quadro K1200 4GB	1x8GB UDIMM DDR4-2133 ECC	1x256GB SSD 2.5" SATA6Gbs Opal	HH DVD±RW	9-in-1	210W 85%	None	USB / USB Optical	Windows 10 Pro 64	3-year	No	07/16
30AV001WUS	US	Xeon E3-1240 v5 4C/3.5GHz/8MB/80W/DDR4-2133	NVIDIA Quadro K620 2GB	1x8GB UDIMM DDR4-2133 ECC	1x1TB HDD 7.2K 3.5" SATA6Gbs	HH DVD±RW	9-in-1	210W 85%	None	USB / USB Optical	Windows 10 Pro 64	3-year	No	07/16
30AV001XUS	US	Xeon E3-1245 v5 4C/3.5GHz/8MB/80W/DDR4-2133	Intel HD P530	1x8GB UDIMM DDR4-2133 ECC	1x1TB HDD 7.2K 3.5" SATA6Gbs	HH DVD±RW	9-in-1	210W 85%	None	USB / USB Optical	Windows 10 Pro 64	3-year	No	07/16

Model	Region	Processor	Graphics	Memory	Storage	Optical	Media Reader	Power Supply	Add-on Ports	Keyboard / Mouse	Operating System	Warranty	Global	Ann Date (mm/yy)
30AV001YUS	US	Core i3-6100 2C/3.7GHz/3MB/51W/DDR4-2133	Intel HD 530	1x8GB UDIMM DDR4-2133 Non-ECC	1x1TB HDD 7.2K 3.5" SATA6Gbs	HH DVD±RW	9-in-1	210W 85%	None	USB / USB Optical	Windows 10 Pro 64	3-year	No	07/16
30AV0020US	US	Xeon E3-1245 v5 4C/3.5GHz/8MB/80W/DDR4-2133	Intel HD P530	1x8GB UDIMM DDR4-2133 ECC	1x256GB SSD 2.5" SATA6Gbs Opal	HH DVD±RW	9-in-1	210W 85%	None	USB / USB Optical	Windows 10 Pro 64	3-year	No	07/16
30AV0021US	US	Xeon E3-1220 v5 4C/3GHz/8MB/80W/DDR4-2133	NVIDIA Quadro K620 2GB	1x8GB UDIMM DDR4-2133 ECC	1x1TB HDD 7.2K 3.5" SATA6Gbs	HH DVD±RW	9-in-1	210W 85%	None	USB / USB Optical	Windows 10 Pro 64	3-year	No	07/16
30AV0022US	US	Xeon E3-1240 v5 4C/3.5GHz/8MB/80W/DDR4-2133	NVIDIA Quadro K1200 4GB	1x8GB UDIMM DDR4-2133 ECC	1x1TB HDD 7.2K 3.5" SATA6Gbs	HH DVD±RW	9-in-1	210W 85%	None	USB / USB Optical	Windows 10 Pro 64	3-year	No	07/16
30AV0023US	US	Xeon E3-1240 v5 4C/3.5GHz/8MB/80W/DDR4-2133	NVIDIA Quadro K620 2GB	1x8GB UDIMM DDR4-2133 ECC	1x256GB SSD 2.5" SATA6Gbs Opal	HH DVD±RW	9-in-1	210W 85%	None	USB / USB Optical	Windows 10 Pro 64	3-year	No	07/16

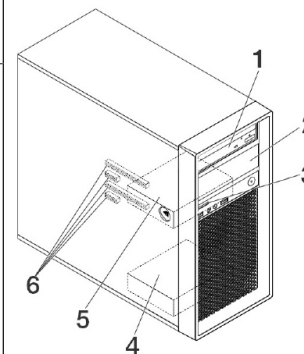


ThinkStation P310 Tower Platform Specifications

Product Specifications Reference (PSREF)

Components	Specification																																																		
Chipset	Intel C236 Chipset																																																		
Intel AMT	Intel Active Management Technology 11 supported on Xeon models																																																		
Processor	One LGA1151 socket, supports one the following processors:																																																		
	Xeon E3-1280 v5	4C/3.7GHz/8MB/80W/DDR4-2133																																																	
	Xeon E3-1275 v5	4C/3.6GHz/8MB/80W/DDR4-2133																																																	
	Xeon E3-1270 v5	4C/3.6GHz/8MB/80W/DDR4-2133																																																	
	Xeon E3-1245 v5	4C/3.5GHz/8MB/80W/DDR4-2133																																																	
	Xeon E3-1240 v5	4C/3.5GHz/8MB/80W/DDR4-2133																																																	
	Xeon E3-1230 v5	4C/3.4GHz/8MB/80W/DDR4-2133																																																	
	Xeon E3-1225 v5	4C/3.3GHz/8MB/80W/DDR4-2133																																																	
	Xeon E3-1220 v5	4C/3GHz/8MB/80W/DDR4-2133																																																	
	Core i7-6700	4C/3.4GHz/8MB/65W/DDR4-2133																																																	
	Core i5-6600	4C/3.3GHz/6MB/65W/DDR4-2133																																																	
	Core i5-6500	4C/3.2GHz/6MB/65W/DDR4-2133																																																	
	Core i5-6400	4C/2.7GHz/6MB/65W/DDR4-2133																																																	
	Core i3-6320	2C/3.9GHz/4MB/51W/DDR4-2133																																																	
Core i3-6300	2C/3.8GHz/4MB/51W/DDR4-2133																																																		
Core i3-6100	2C/3.7GHz/3MB/51W/DDR4-2133																																																		
Memory DIMM slots	4 DIMM slots, 2-channel (integrated memory controller in processor)																																																		
Memory type/capacity	Up to 64GB ECC/non-ECC (4 x 16GB), DDR4-2133, UDIMM																																																		
Intel HD Graphics in processor	Integrated Intel HD P530 in Xeon E3-12x5 v5 processors; or Intel HD 530 in Core i7, i5, or i3 processors. Works along with discrete graphics to support multi-display, enables three display connectors (2 DP, 1 VGA) on rear. Max resolution: 4096 x 2304																																																		
Discrete graphics	Two PCI Express 3.0 x16 slots for graphics adapters. Up to two Quadro K1200 on 250 watts models. Or up to two Quadro K2200, or up to one Quadro M4000 on 400 watts models. Supports the following NVIDIA graphics adapters:																																																		
	<table border="1"> <thead> <tr> <th>Adapter</th> <th>Cores</th> <th>Memory</th> <th>Power</th> <th>Connector</th> </tr> </thead> <tbody> <tr> <td>NVS 310</td> <td>48</td> <td>1GB</td> <td>19.5W</td> <td>2xDP</td> </tr> <tr> <td>NVS 315</td> <td>48</td> <td>1GB</td> <td>19.5W</td> <td>2xDVI-I SL/2xDP</td> </tr> <tr> <td>NVS 510</td> <td>192</td> <td>2GB</td> <td>33.4W</td> <td>4xmini DP</td> </tr> <tr> <td>Quadro K420</td> <td>192</td> <td>2GB</td> <td>41W</td> <td>1xDVI-I DL+1xDP</td> </tr> <tr> <td>Quadro K620</td> <td>384</td> <td>2GB</td> <td>45W</td> <td>1xDVI-I DL+1xDP</td> </tr> <tr> <td>Quadro K1200</td> <td>512</td> <td>4GB</td> <td>45W</td> <td>4xminiDP</td> </tr> <tr> <td>Quadro K2200</td> <td>640</td> <td>4GB</td> <td>68W</td> <td>1xDVI-I DL+2xDP</td> </tr> <tr> <td>Quadro M2000</td> <td>768</td> <td>4GB</td> <td>75W</td> <td>4xDP</td> </tr> <tr> <td>Quadro M4000</td> <td>1664</td> <td>8GB</td> <td>120W</td> <td>4xDP</td> </tr> </tbody> </table>	Adapter	Cores	Memory	Power	Connector	NVS 310	48	1GB	19.5W	2xDP	NVS 315	48	1GB	19.5W	2xDVI-I SL/2xDP	NVS 510	192	2GB	33.4W	4xmini DP	Quadro K420	192	2GB	41W	1xDVI-I DL+1xDP	Quadro K620	384	2GB	45W	1xDVI-I DL+1xDP	Quadro K1200	512	4GB	45W	4xminiDP	Quadro K2200	640	4GB	68W	1xDVI-I DL+2xDP	Quadro M2000	768	4GB	75W	4xDP	Quadro M4000	1664	8GB	120W	4xDP
	Adapter	Cores	Memory	Power	Connector																																														
	NVS 310	48	1GB	19.5W	2xDP																																														
	NVS 315	48	1GB	19.5W	2xDVI-I SL/2xDP																																														
	NVS 510	192	2GB	33.4W	4xmini DP																																														
	Quadro K420	192	2GB	41W	1xDVI-I DL+1xDP																																														
	Quadro K620	384	2GB	45W	1xDVI-I DL+1xDP																																														
	Quadro K1200	512	4GB	45W	4xminiDP																																														
	Quadro K2200	640	4GB	68W	1xDVI-I DL+2xDP																																														
Quadro M2000	768	4GB	75W	4xDP																																															
Quadro M4000	1664	8GB	120W	4xDP																																															
Onboard drive controller	Five onboard SATA 6.0Gb/s connectors for optical and disk drives plus one SATA connector for optional eSATA. RAID 0, 1, 5, 10 support																																																		
Drive Bays	Two external 5.25" bays, two internal 3.5" bays (see right). Up to one 9.5mm optical plus 4 x 3.5" disk drive bays plus one M.2 NVMe SSD																																																		
Supporting disk drives	3.5" SATA HDD (7.2K 6Gbs)	500GB/1TB/2TB/3TB/4TB/1TB hybrid/2TB hybrid																																																	
	2.5" SATA SSD (6Gbs)	128GB/180GB*/240GB*/256GB*/480GB*/512GB/1TB*																																																	
	M.2 NVMe SSD	256GB*/512GB, via PCIe 3.0 x4 adapter																																																	
	* Includes OPAL options																																																		
Max internal storage	16TB (4 x 4TB 3.5" HDDs) plus 512GB M.2 NVMe SSD																																																		
Media reader	9-in-1 card reader. Optional 29-in-1 card reader on selected models																																																		
Power supply	Supports one of the following: <ul style="list-style-type: none"> 250 watts with variable speed fan, autosensing, 85% PSU, Climate Savers Computing Bronze, 80 PLUS Bronze qualified 400 watts with variable speed fan, autosensing, 92% PSU, Climate Savers Computing Platinum, 80 PLUS Platinum qualified 																																																		
Onboard Ethernet	One onboard gigabit ethernet, Intel I219LM, supports Wake-on-LAN																																																		
HD Audio	Realtek ALC662 codec																																																		
TPM	Standard, TCG 1.2-compliant																																																		
Front ports	Two USB 3.0, microphone (3.5mm), headphone (3.5mm)																																																		
Rear ports	1 VGA and 2 DisplayPort (for Intel HD Graphics models only), two USB 2.0, four USB 3.0 (blue), one serial (9-pin), one ethernet (RJ-45), three analog audio ports (line-in, line-out, mic-in)																																																		

Components	Specification
Additional ports	Supports the following optional ports: <ul style="list-style-type: none"> Two IEEE 1394 (one on rear and one on front flex module) via PCIe adapter, up to one adapter per system. Supports one of the following per system: <ul style="list-style-type: none"> Two rear USB 3.0 per PCIe adapter. One rear Thunderbolt via PCIe adapter. One front eSATA (on flex module), or one rear eSATA via cable and PCIe slot bracket, up to one eSATA port per system. One additional serial port via cable. One parallel port via cable
Mechanical	<ul style="list-style-type: none"> Raven black color; metal case 6.89"W x 16.77"D x 14.8"H 175mm W x 426mm D x 376mm H 28.66 lb (13kg) max configuration 25-liter
Environmental certifications	GREENGUARD certified/RoHS-compliant/EPEAT Gold rating/ENERGY STAR 6.1 qualified
Limited warranty	3-year limited onsite service with 9x5/NBD. Some parts are Customer Replaceable Units.



Drive Bays and PCIe Slots

Bay 1 and Bay 2	5.25", support one of the following: HH optical/flex module**/9.5mm optical+3.5" HDD bay/ 3.5" HDD bay/Front Access Storage Enclosure ** Flex module supports one or more of the following: 9.5mm optical/ 29-in-1 reader/front IEEE 1394/front eSATA Up to one flex module is supported per system.
Bay 3	Optional 9-in-1 single slot reader
Bay 4	Standard 3.5" HDD bay
Bay 5	Standard 3.5" HDD bay
6 -Slots	Four PCIe slots (top-down): Slot 1: Half length, full height, PCIe 3.0 x16 (near CPU) Slot 2: Half length, full height, PCIe 3.0 x1 Slot 3: Half length, full height, PCIe 3.0 x16 (x4 elec) Slot 4: Half length, full height, PCIe 3.0 x1

For the list of ISV certifications, please visit www.thinkworkstations.com/isv-certifications/
For a list of all supported options, please visit https://download.lenovo.com/pccbbs/options_iso/ocm_july_2016.xlsx sheet

Model	Region	Processor	Graphics	Memory	Storage	Optical	Media Reader	Power Supply	Add-on Ports	Keyboard / Mouse	Operating System	Warranty	Global	Ann Date (mm/yy)
30AT000BUS	US	Core i7-6700 4C/3.4GHz/8MB/65W/DDR4-2133	Intel HD 530	1x8GB UDIMM DDR4-2133 ECC	1x1TB HDD 7.2K 3.5" SATA6Gbs	HH DVD±RW	9-in-1	250W 85%	None	USB / USB Optical	Windows 10 DG Windows 7 Pro 64	3-year	No	11/15
30AT000CUS	US	Xeon E3-1245 v5 4C/3.5GHz/8MB/80W/DDR4-2133	Intel HD P530	1x8GB UDIMM DDR4-2133 ECC	1x1TB HDD 7.2K 3.5" SATA6Gbs	HH DVD±RW	9-in-1	250W 85%	None	USB / USB Optical	Windows 10 DG Windows 7 Pro 64	3-year	No	11/15
30AT000EUS	US	Core i7-6700 4C/3.4GHz/8MB/65W/DDR4-2133	Intel HD 530	1x8GB UDIMM DDR4-2133 Non-ECC	1x1TB HDD 7.2K 3.5" SATA6Gbs	HH DVD±RW	9-in-1	250W 85%	None	USB / USB Optical	Windows 10 DG Windows 7 Pro 64	3-year	No	11/15
30AT000FUS	US	Xeon E3-1245 v5 4C/3.5GHz/8MB/80W/DDR4-2133	Intel HD P530	1x8GB UDIMM DDR4-2133 Non-ECC	1x1TB HDD 7.2K 3.5" SATA6Gbs	HH DVD±RW	9-in-1	250W 85%	None	USB / USB Optical	Windows 10 DG Windows 7 Pro 64	3-year	No	11/15
30AT000GUS	US	Xeon E3-1245 v5 4C/3.5GHz/8MB/80W/DDR4-2133	Intel HD P530	1x8GB UDIMM DDR4-2133 Non-ECC	1x256GB SSD 2.5" SATA6Gbs Opal	HH DVD±RW	9-in-1	250W 85%	None	USB / USB Optical	Windows 10 DG Windows 7 Pro 64	3-year	No	11/15
30AT000HUS	US	Xeon E3-1240 v5 4C/3.5GHz/8MB/80W/DDR4-2133	NVIDIA Quadro K620 2GB	1x8GB UDIMM DDR4-2133 Non-ECC	1x1TB HDD 7.2K 3.5" SATA6Gbs	HH DVD±RW	9-in-1	250W 85%	None	USB / USB Optical	Windows 10 DG Windows 7 Pro 64	3-year	No	11/15
30AT000JUS	US	Core i7-6700 4C/3.4GHz/8MB/65W/DDR4-2133	Intel HD 530+NVIDIA Quadro K620 2GB	1x8GB UDIMM DDR4-2133 Non-ECC	1x1TB HDD 7.2K 3.5" SATA6Gbs	HH DVD±RW	9-in-1	250W 85%	None	USB / USB Optical	Windows 10 DG Windows 7 Pro 64	3-year	No	11/15
30AT000KUS	US	Core i7-6700 4C/3.4GHz/8MB/65W/DDR4-2133	Intel HD 530+NVIDIA Quadro K2200 4GB	1x8GB UDIMM DDR4-2133 Non-ECC	1x1TB HDD 7.2K 3.5" SATA6Gbs	HH DVD±RW	9-in-1	250W 85%	None	USB / USB Optical	Windows 10 DG Windows 7 Pro 64	3-year	No	11/15
30AT000LUS	US	Core i7-6700 4C/3.4GHz/8MB/65W/DDR4-2133	Intel HD 530+NVIDIA Quadro K2200 4GB	2x8GB UDIMM DDR4-2133 Non-ECC	1x256GB SSD 2.5" SATA6Gbs Opal	HH DVD±RW	9-in-1	250W 85%	None	USB / USB Optical	Windows 10 DG Windows 7 Pro 64	3-year	No	11/15
30AT000MUS	US	Core i7-6700 4C/3.4GHz/8MB/65W/DDR4-2133	Intel HD 530	2x8GB UDIMM DDR4-2133 Non-ECC	1x256GB SSD 2.5" SATA6Gbs Opal	HH DVD±RW	9-in-1	250W 85%	None	USB / USB Optical	Windows 10 DG Windows 7 Pro 64	3-year	No	11/15
30AT000NUS	US	Core i5-6500 4C/3.2GHz/6MB/65W/DDR4-2133	Intel HD 530	1x8GB UDIMM DDR4-2133 Non-ECC	1x1TB HDD 7.2K 3.5" SATA6Gbs	HH DVD±RW	9-in-1	250W 85%	None	USB / USB Optical	Windows 10 DG Windows 7 Pro 64	3-year	No	11/15
30AT000PUS	US	Xeon E3-1245 v5 4C/3.5GHz/8MB/80W/DDR4-2133	Intel HD P530	2x8GB UDIMM DDR4-2133 Non-ECC	1x256GB SSD M.2 PCIe Opal	HH DVD±RW	9-in-1	400W 92%	None	USB / USB Optical	Windows 10 DG Windows 7 Pro 64	3-year	No	11/15
30AT005CUS	US	Xeon E3-1240 v5 4C/3.5GHz/8MB/80W/DDR4-2133	NVIDIA Quadro K620 2GB	1x8GB UDIMM DDR4-2133 ECC	1x256GB SSD M.2 PCIe Opal	HH DVD±RW	9-in-1	250W 85%	None	USB / USB Optical	Windows 10 Pro 64	3-year	No	07/16
30AT005DUS	US	Xeon E3-1220 v5 4C/3GHz/8MB/80W/DDR4-2133	NVIDIA Quadro K620 2GB	1x8GB UDIMM DDR4-2133 ECC	1x1TB HDD 7.2K 3.5" SATA6Gbs	HH DVD±RW	9-in-1	250W 85%	None	USB / USB Optical	Windows 10 Pro 64	3-year	No	07/16
30AT005EUS	US	Xeon E3-1240 v5 4C/3.5GHz/8MB/80W/DDR4-2133	NVIDIA Quadro M2000 4GB	1x8GB UDIMM DDR4-2133 ECC	1x256GB SSD M.2 PCIe Opal	HH DVD±RW	9-in-1	250W 85%	None	USB / USB Optical	Windows 10 Pro 64	3-year	No	07/16
30AT005FUS	US	Xeon E3-1245 v5 4C/3.5GHz/8MB/80W/DDR4-2133	Intel HD P530	1x8GB UDIMM DDR4-2133 ECC	1x256GB SSD M.2 PCIe Opal	HH DVD±RW	9-in-1	250W 85%	None	USB / USB Optical	Windows 10 Pro 64	3-year	No	07/16
30AT005G++	US	Core i7-6700 4C/3.4GHz/8MB/65W/DDR4-2133	Intel HD 530+NVIDIA Quadro K620 2GB	1x8GB UDIMM DDR4-2133 Non-ECC	1x1TB HDD 7.2K 3.5" SATA6Gbs	HH DVD±RW	9-in-1	250W 85%	None	USB / USB Optical	Windows 10 Pro 64	3-year	No	07/16

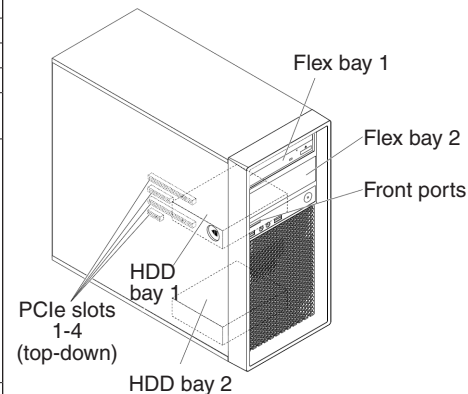
Model	Region	Processor	Graphics	Memory	Storage	Optical	Media Reader	Power Supply	Add-on Ports	Keyboard / Mouse	Operating System	Warranty	Global	Ann Date (mm/yy)
30AT005GUS	US	Core i7-6700 4C/3.4GHz/8MB/65W/DDR4-2133	Intel HD 530+NVIDIA Quadro K620 2GB	1x8GB UDIMM DDR4-2133 Non-ECC	1x1TB HDD 7.2K 3.5" SATA6Gbs	HH DVD±RW	9-in-1	250W 85%	None	USB / USB Optical	Windows 10 Pro 64	3-year	No	07/16
30AT005HUS	US	Core i7-6700 4C/3.4GHz/8MB/65W/DDR4-2133	Intel HD 530	1x8GB UDIMM DDR4-2133 Non-ECC	1x1TB HDD 7.2K 3.5" SATA6Gbs	HH DVD±RW	9-in-1	400W 92%	None	USB / USB Optical	Windows 10 Pro 64	3-year	No	07/16
30AT005JUS	US	Xeon E3-1245 v5 4C/3.5GHz/8MB/80W/DDR4-2133	Intel HD P530	1x8GB UDIMM DDR4-2133 ECC	1x1TB HDD 7.2K 3.5" SATA6Gbs	HH DVD±RW	9-in-1	400W 92%	None	USB / USB Optical	Windows 10 Pro 64	3-year	No	07/16
30AT005KUS	US	Core i5-6500 4C/3.2GHz/6MB/65W/DDR4-2133	Intel HD 530+NVIDIA Quadro K620 2GB	1x8GB UDIMM DDR4-2133 Non-ECC	1x1TB HDD 7.2K 3.5" SATA6Gbs	HH DVD±RW	9-in-1	250W 85%	None	USB / USB Optical	Windows 10 Pro 64	3-year	No	07/16
30AT005LUS	US	Core i3-6100 2C/3.7GHz/3MB/51W/DDR4-2133	Intel HD 530	1x8GB UDIMM DDR4-2133 Non-ECC	1x1TB HDD 7.2K 3.5" SATA6Gbs	HH DVD±RW	9-in-1	250W 85%	None	USB / USB Optical	Windows 10 Pro 64	3-year	No	07/16
30AT005MUS	US	Xeon E3-1245 v5 4C/3.5GHz/8MB/80W/DDR4-2133	Intel HD P530	1x8GB UDIMM DDR4-2133 ECC	1x1TB HDD 7.2K 3.5" SATA6Gbs	HH DVD±RW	9-in-1	250W 85%	None	USB / USB Optical	Windows 10 Pro 64	3-year	No	07/16
30AT005NUS	US	Xeon E3-1240 v5 4C/3.5GHz/8MB/80W/DDR4-2133	NVIDIA Quadro K620 2GB	1x8GB UDIMM DDR4-2133 ECC	1x1TB HDD 7.2K 3.5" SATA6Gbs	HH DVD±RW	9-in-1	250W 85%	None	USB / USB Optical	Windows 10 Pro 64	3-year	No	07/16
30AT005PUS	US	Core i7-6700 4C/3.4GHz/8MB/65W/DDR4-2133	Intel HD 530+NVIDIA Quadro M2000 4GB	1x8GB UDIMM DDR4-2133 Non-ECC	1x256GB SSD 2.5" SATA6Gbs Opal	HH DVD±RW	9-in-1	250W 85%	None	USB / USB Optical	Windows 10 Pro 64	3-year	No	07/16

ThinkStation P410 Platform Specifications

Product Specifications Reference (PSREF)

Components	Specification					
Chipset	Intel C612 Platform Controller Hub (PCH)					
System mgmt	Intel Active Management Technology 9					
Processor	Up to one 140W Intel Xeon E5-1600 v4 family processors. Some Intel Xeon E5-2600 v4 processors are also available:					
	E5-2637 v4	4C/3.5GHz/15MB/135W/DDR4-2400				
	E5-2623 v4	4C/2.6GHz/10MB/85W/DDR4-2133				
	E5-2620 v4	8C/2.1GHz/20MB/85W/DDR4-2133				
	E5-1680 v4	8C/3.4GHz/20MB/140W/DDR4-2400 333				
	E5-1660 v4	8C/3.2GHz/20MB/140W/DDR4-2400				
	E5-1650 v4	6C/3.6GHz/15MB/140W/DDR4-2400				
	E5-1630 v4	4C/3.7GHz/10MB/140W/DDR4-2400				
	E5-1620 v4	4C/3.5GHz/10MB/140W/DDR4-2400				
	E5-1607 v4	4C/3.1GHz/10MB/140W/DDR4-2133				
E5-1603 v4	4C/2.8GHz/10MB/140W/DDR4-2133					
Coprocessor	None					
Memory DIMM slots	4 DIMM sockets. 4-channel capable. RDIMM. ECC. DDR4-2400					
Memory capacity	128GB (32GB x 4)					
Graphics	Two PCIe 3.0 x16 slots, up to two NVIDIA Quadro M4000, or up to one Quadro M5000					
Supporting Graphics and GPU computing	Adapter	Cores	Memory	Power	SLI	Connector***
	NVS 310	48	1GB	19.5W		2xDP
	NVS 315	48	1GB	19.5W		2xDVI-I SL/2xDP
	NVS 510	192	2GB	35W		4xmini DP
	NVS 810	1024	4GB	68W		8xmini DP
	Quadro K420	192	2GB	41W		DVI-I DL+DP
	Quadro K620	384	2GB	45W		DVI-I DL+DP
	Quadro K1200	512	4GB	45W		4xmini DP
	Quadro M2000	768	4GB	75W		4xDP
	Quadro M4000	1664	8GB	120W		4xDP
Quadro M5000	2048	8GB	150W		DVI-I DL+4xDP	
Disk drive controller	RAID 0, 1, 5, 10 with onboard SATA controller in chipset, SATA 6Gb/s. Optional RAID 0, 1, 10 with optional LSI 9340-8i PCIe adapter, 12Gb/s SAS and SATA, optional upgrade to RAID 5 is available					
Drive Bays	Two external 5.25" flex bays, two internal 3.5" bays. Up to one 9.5mm optical plus four 3.5"/2.5" disk drives plus three M.2 PCIe SSD (see right)					
Supporting storage	3.5" HDD, 7.2K SATA6Gbs	500GB/1TB/2TB/3TB/4TB, 1TB/2TB hybrid				
	2.5" HDD, 10K SAS12Gbs	300GB/600GB				
	2.5" SSD, SATA6Gbs	180GB/240GB/256GB/480GB with OPAL, 256GB/512GB/1TB without OPAL				
	PCIe SSD, M.2 via PCIe 3.0 x4 adapter	256GB/512GB/1TB, NVMe				
Flex connector	None					
Network interfaces	One onboard gigabit ethernet, Intel I218LM, supports Wake-on-LAN. Optional discrete ethernet adapters are available					
HD Audio	Realtek ALC662 codec					
TPM	TCG 1.2-compliant					
Power supply	One fixed 450 watts, autosensing, 92%, 80 PLUS Platinum qualified					
Front ports	Two USB 3.0, microphone (3.5mm), headphone (3.5mm)					
Rear ports	Two USB 2.0, four USB 3.0, one ethernet (RJ-45), three analog audio ports (line-in, line-out, mic-in)					
Additional ports	Supports the following optional ports: Two IEEE 1394 (one on rear and one on front flex module) via PCIe adapter, up to one adapter per system. Two rear USB 3.0 per PCIe adapter, up to three adapters per system. One rear Thunderbolt via PCIe adapter, or two front Thunderbolt (on flex module) via PCIe adapter, front and rear Thunderbolt cannot be intermixed. One rear serial via cable, up to one per system. One front eSATA (on flex module), or one rear eSATA via cable and PCIe slot bracket, up to one eSATA port per system					
Media reader	9-in-1 USB 2.0 card reader. Optional 29-in-1 USB 2.0 card reader on flex module					

Components	Specification											
Mechanical	<ul style="list-style-type: none"> 6.89"W x 16.77"D x 14.8"H 175mm W x 426mm D x 376mm H 30.86 lb (14kg) max configuration 25-liter 											
	<table border="1"> <tr> <td>Temperature - operating</td> <td>50 °F to 95 °F (10 °C to 35 °C)</td> </tr> <tr> <td>Temperature - non operating (no package)</td> <td>14 °F to 140 °F (-10 °C to 60 °C)</td> </tr> <tr> <td>Temperature - non operating (with package)</td> <td>-40 °F to 140 °F (-40 °C to 60 °C)</td> </tr> <tr> <td>Altitude - operating</td> <td>(Unpressurized): 0-10000ft (0-3048m)</td> </tr> <tr> <td>Humidity - operating</td> <td>10%-80%, non-condensing</td> </tr> <tr> <td>Humidity - storage (with package)</td> <td>10%-90%, non-condensing</td> </tr> </table>	Temperature - operating	50 °F to 95 °F (10 °C to 35 °C)	Temperature - non operating (no package)	14 °F to 140 °F (-10 °C to 60 °C)	Temperature - non operating (with package)	-40 °F to 140 °F (-40 °C to 60 °C)	Altitude - operating	(Unpressurized): 0-10000ft (0-3048m)	Humidity - operating	10%-80%, non-condensing	Humidity - storage (with package)
Temperature - operating	50 °F to 95 °F (10 °C to 35 °C)											
Temperature - non operating (no package)	14 °F to 140 °F (-10 °C to 60 °C)											
Temperature - non operating (with package)	-40 °F to 140 °F (-40 °C to 60 °C)											
Altitude - operating	(Unpressurized): 0-10000ft (0-3048m)											
Humidity - operating	10%-80%, non-condensing											
Humidity - storage (with package)	10%-90%, non-condensing											
Environmental specification	RoHS-compliant, GREENGUARD on all models. EPEAT Gold rating, ENERGY STAR 6.1 qualified on selected models.											
Base warranty	1 or 3-year limited onsite service with 9x5/NBD											



Expansion slots	
Slot 1	PCIe 3.0 x16, full length, full height
Slot 2	PCIe 3.0 x8, full length, full height
Slot 3	PCIe 3.0 x16, full length, full height
Slot 4	PCIe 2.0 x4, half length, full height

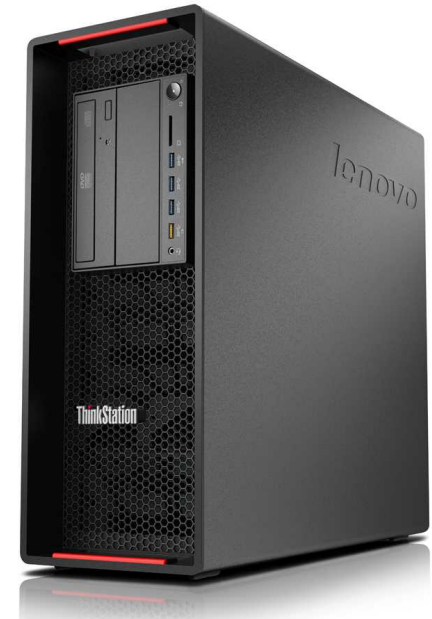
Drive Bays	
HDD bay 1	3.5", for one 3.5"/2.5" drive
HDD bay 2	3.5", for one 3.5"/2.5" drive
Flex bay 1	HH optical, or 3.5" HDD bay via optional conversion kit, or slim optical+3.5" HDD bay kit via optional conversion kit, or flex module
Flex bay 2	HH optical, or 3.5" HDD bay via optional conversion kit, or slim optical+3.5" HDD bay kit via optional conversion kit, or flex module

Note:
 1. HDD bay 2 is not available when one Quadro M5000, two Quadro M4000, or two NVS 810 are used.
 2. Flex module supports one or more of the following options: 9.5mm optical/29-in-1 USB 2.0 reader/one front IEEE 1394/one front eSATA/two front Thunderbolt. Up to one flex module is supported per system.
 3. Up to one slim optical+3.5" HDD bay kit is supported per system.

For the list of ISV certifications, please visit www.thinkworkstations.com/isv-certifications
 For a list of all supported options, please visit https://download.lenovo.com/pccbbs/options_iso/ocm_april_2016.xlsx sheet

Model	Region	Processor	Graphics	Memory	RAID Controller	Storage	Optical	Media Reader	Power Supply	Add-on Ports	Keyboard / Mouse	Operating System	Warranty	Global	Ann Date (mm/yy)
30B3001PUS	US	Xeon E5-1620 v4 4C/3.5GHz/10MB/140W/DDR4-2400	NVIDIA Quadro K620 2GB	1x8GB RDIMM DDR4-2400 ECC	Onboard	1x256GB SSD M.2 PCIe Opal	HH DVD±RW	9-in-1	450W 92%	None	USB / USB Optical	Windows 10 Pro 64	3-year	No	06/16
30B3001QUS	US	Xeon E5-1607 v4 4C/3.1GHz/10MB/140W/DDR4-2133	Open	1x8GB RDIMM DDR4-2400 ECC	Onboard	1x1TB HDD 7.2K 3.5" SATA6Gbs	HH DVD±RW	9-in-1	450W 92%	None	USB / USB Optical	Windows 10 Pro 64	3-year	No	06/16
30B3001RUS	US	Xeon E5-1630 v4 4C/3.7GHz/10MB/140W/DDR4-2400	NVIDIA Quadro K1200 4GB	1x8GB RDIMM DDR4-2400 ECC	Onboard	1x256GB SSD M.2 PCIe Opal	HH DVD±RW	9-in-1	450W 92%	None	USB / USB Optical	Windows 10 Pro 64	3-year	No	06/16
30B3001SUS	US	Xeon E5-1630 v4 4C/3.7GHz/10MB/140W/DDR4-2400	NVIDIA Quadro M2000 4GB	2x8GB RDIMM DDR4-2400 ECC	Onboard	1x256GB SSD 2.5" SATA6Gbs Opal	HH DVD±RW	9-in-1	450W 92%	None	USB / USB Optical	Windows 10 Pro 64	3-year	No	06/16
30B3001TUS	US	Xeon E5-1620 v4 4C/3.5GHz/10MB/140W/DDR4-2400	NVIDIA Quadro K620 2GB	2x8GB RDIMM DDR4-2400 ECC	Onboard	1x1TB SSD 2.5" SATA6Gbs	HH DVD±RW	9-in-1	450W 92%	None	USB / USB Optical	Windows 10 Pro 64	3-year	No	06/16
30B3001UUS	US	Xeon E5-1620 v4 4C/3.5GHz/10MB/140W/DDR4-2400	Open	1x8GB RDIMM DDR4-2400 ECC	Onboard	1x1TB HDD 7.2K 3.5" SATA6Gbs	HH DVD±RW	9-in-1	450W 92%	None	USB / USB Optical	Windows 10 Pro 64	3-year	No	06/16
30B3001VUS	US	Xeon E5-1650 v4 6C/3.6GHz/15MB/140W/DDR4-2400	NVIDIA Quadro M2000 4GB	2x8GB RDIMM DDR4-2400 ECC	Onboard	1x256GB SSD 2.5" SATA6Gbs Opal	HH DVD±RW	9-in-1	450W 92%	None	USB / USB Optical	Windows 10 Pro 64	3-year	No	06/16
30B3001WUS	US	Xeon E5-1620 v4 4C/3.5GHz/10MB/140W/DDR4-2400	NVIDIA Quadro K620 2GB	1x8GB RDIMM DDR4-2400 ECC	Onboard	1x1TB HDD 7.2K 3.5" SATA6Gbs	HH DVD±RW	9-in-1	450W 92%	None	USB / USB Optical	Windows 10 Pro 64	3-year	No	06/16
30B3001XUS	US	Xeon E5-1630 v4 4C/3.7GHz/10MB/140W/DDR4-2400	NVIDIA Quadro K620 2GB	2x8GB RDIMM DDR4-2400 ECC	Onboard	1x256GB SSD 2.5" SATA6Gbs Opal	HH DVD±RW	9-in-1	450W 92%	None	USB / USB Optical	Windows 10 Pro 64	3-year	No	06/16
30B3001YUS	US	Xeon E5-1650 v4 6C/3.6GHz/15MB/140W/DDR4-2400	NVIDIA Quadro M4000 8GB	2x8GB RDIMM DDR4-2400 ECC	Onboard	1x1TB SSD 2.5" SATA6Gbs	HH DVD±RW	9-in-1	450W 92%	None	USB / USB Optical	Windows 10 Pro 64	3-year	No	06/16
30B30020US	US	Xeon E5-1650 v4 6C/3.6GHz/15MB/140W/DDR4-2400	Open	2x8GB RDIMM DDR4-2400 ECC	Onboard	1x1TB HDD 7.2K 3.5" SATA6Gbs	HH DVD±RW	9-in-1	450W 92%	None	USB / USB Optical	Windows 10 Pro 64	3-year	No	06/16
30B30021US	US	Xeon E5-1620 v4 4C/3.5GHz/10MB/140W/DDR4-2400	NVIDIA Quadro K1200 4GB	1x8GB RDIMM DDR4-2400 ECC	Onboard	1x256GB SSD M.2 PCIe Opal	HH DVD±RW	9-in-1	450W 92%	None	USB / USB Optical	Windows 10 Pro 64	3-year	No	06/16
30B30022US	US	Xeon E5-1650 v4 6C/3.6GHz/15MB/140W/DDR4-2400	NVIDIA Quadro K1200 4GB	2x8GB RDIMM DDR4-2400 ECC	Onboard	1x512GB SSD M.2 PCIe	HH DVD±RW	9-in-1	450W 92%	None	USB / CadMouse	Windows 10 Pro 64	3-year	No	06/16
30B3002AUS	US	Xeon E5-1607 v4 4C/3.1GHz/10MB/140W/DDR4-2133	Open	1x8GB RDIMM DDR4-2400 ECC	Onboard	1x1TB HDD 7.2K 3.5" SATA6Gbs	HH DVD±RW	9-in-1	450W 92%	None	USB / USB Optical	Windows 10 DG Windows 7 Pro 64	3-year	No	09/16
30B3002HUS	US	Xeon E5-1620 v4 4C/3.5GHz/10MB/140W/DDR4-2400	Open	1x8GB RDIMM DDR4-2400 ECC	Onboard	1x1TB HDD 7.2K 3.5" SATA6Gbs	HH DVD±RW	9-in-1	450W 92%	None	USB / USB Optical	Windows 10 DG Windows 7 Pro 64	3-year	No	09/16
30B3003KUS	US	Xeon E5-1620 v4 4C/3.5GHz/10MB/140W/DDR4-2400	NVIDIA Quadro K620 2GB	1x8GB RDIMM DDR4-2400 ECC	Onboard	1x256GB SSD M.2 PCIe Opal	HH DVD±RW	9-in-1	450W 92%	None	USB / USB Optical	Windows 10 DG Windows 7 Pro 64	3-year	No	09/16
30B3003LUS	US	Xeon E5-1620 v4 4C/3.5GHz/10MB/140W/DDR4-2400	NVIDIA Quadro K620 2GB	2x8GB RDIMM DDR4-2400 ECC	Onboard	1x1TB SSD 2.5" SATA6Gbs	HH DVD±RW	9-in-1	450W 92%	None	USB / USB Optical	Windows 10 DG Windows 7 Pro 64	3-year	No	09/16

Model	Region	Processor	Graphics	Memory	RAID Controller	Storage	Optical	Media Reader	Power Supply	Add-on Ports	Keyboard / Mouse	Operating System	Warranty	Global	Ann Date (mm/yy)
30B3003MUS	US	Xeon E5-1630 v4 4C/3.7GHz/10MB/140W/DDR4-2400	NVIDIA Quadro K620 2GB	2x8GB RDIMM DDR4-2400 ECC	Onboard	1x256GB SSD 2.5" SATA6Gbs Opal	HH DVD±RW	9-in-1	450W 92%	None	USB / USB Optical	Windows 10 DG Windows 7 Pro 64	3-year	No	09/16
30B3003NUS	US	Xeon E5-1650 v4 6C/3.6GHz/15MB/140W/DDR4-2400	NVIDIA Quadro M4000 8GB	2x8GB RDIMM DDR4-2400 ECC	Onboard	1x1TB SSD 2.5" SATA6Gbs	HH DVD±RW	9-in-1	450W 92%	None	USB / USB Optical	Windows 10 DG Windows 7 Pro 64	3-year	No	09/16
30B3003PUS	US	Xeon E5-1620 v4 4C/3.5GHz/10MB/140W/DDR4-2400	NVIDIA Quadro K620 2GB	1x8GB RDIMM DDR4-2400 ECC	Onboard	1x1TB HDD 7.2K 3.5" SATA6Gbs	HH DVD±RW	9-in-1	450W 92%	None	USB / USB Optical	Windows 10 DG Windows 7 Pro 64	3-year	No	09/16
30B3003QUS	US	Xeon E5-1650 v4 6C/3.6GHz/15MB/140W/DDR4-2400	NVIDIA Quadro K1200 4GB	2x8GB RDIMM DDR4-2400 ECC	Onboard	1x512GB SSD M.2 PCIe	HH DVD±RW	9-in-1	450W 92%	None	USB / CadMouse	Windows 10 DG Windows 7 Pro 64	3-year	No	09/16
30B3003RUS	US	Xeon E5-1650 v4 6C/3.6GHz/15MB/140W/DDR4-2400	Open	2x8GB RDIMM DDR4-2400 ECC	Onboard	1x1TB HDD 7.2K 3.5" SATA6Gbs	HH DVD±RW	9-in-1	450W 92%	None	USB / USB Optical	Windows 10 DG Windows 7 Pro 64	3-year	No	09/16
30B3003SUS	US	Xeon E5-1630 v4 4C/3.7GHz/10MB/140W/DDR4-2400	NVIDIA Quadro M2000 4GB	2x8GB RDIMM DDR4-2400 ECC	Onboard	1x256GB SSD 2.5" SATA6Gbs Opal	HH DVD±RW	9-in-1	450W 92%	None	USB / USB Optical	Windows 10 DG Windows 7 Pro 64	3-year	No	09/16
30B3003TUS	US	Xeon E5-1620 v4 4C/3.5GHz/10MB/140W/DDR4-2400	NVIDIA Quadro K1200 4GB	1x8GB RDIMM DDR4-2400 ECC	Onboard	1x256GB SSD M.2 PCIe Opal	HH DVD±RW	9-in-1	450W 92%	None	USB / USB Optical	Windows 10 DG Windows 7 Pro 64	3-year	No	09/16
30B3003UUS	US	Xeon E5-1650 v4 6C/3.6GHz/15MB/140W/DDR4-2400	NVIDIA Quadro M2000 4GB	2x8GB RDIMM DDR4-2400 ECC	Onboard	1x256GB SSD 2.5" SATA6Gbs Opal	HH DVD±RW	9-in-1	450W 92%	None	USB / USB Optical	Windows 10 DG Windows 7 Pro 64	3-year	No	09/16
30B3003VUS	US	Xeon E5-1630 v4 4C/3.7GHz/10MB/140W/DDR4-2400	NVIDIA Quadro K1200 4GB	1x8GB RDIMM DDR4-2400 ECC	Onboard	1x256GB SSD M.2 PCIe Opal	HH DVD±RW	9-in-1	450W 92%	None	USB / USB Optical	Windows 10 DG Windows 7 Pro 64	3-year	No	09/16
30B3004JUS	US	Xeon E5-1630 v4 4C/3.7GHz/10MB/140W/DDR4-2400	NVIDIA Quadro M2000 4GB	2x16GB RDIMM DDR4-2400 ECC	Onboard	1x512GB SSD 2.5" SATA6Gbs+1x256GB SSD M.2 PCIe Opal	None	None	450W 92%	None	USB / USB Optical	Windows 10 DG Windows 7 Pro 64	3-year	No	09/16



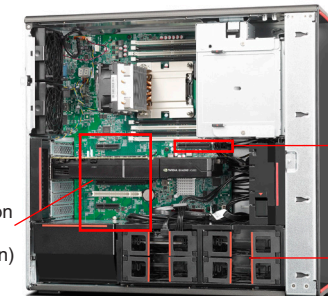
ThinkStation P500 Platform Specifications

Components	Specification
Chipset	Intel C612 Platform Controller Hub (PCH)
System mgmt	Intel Active Management Technology 9
Processor	Up to one 145W Intel Xeon E5-2600 v3 family processors, Or up to one 140W Intel Xeon E5-1600 v3 family processor:
	E5-2699 v3 18C/2.3GHz/45MB/145W/DDR4-2133
	E5-2698 v3 16C/2.3GHz/40MB/135W/DDR4-2133
	E5-2697 v3 14C/2.6GHz/35MB/145W/DDR4-2133
	E5-2695 v3 14C/2.3GHz/35MB/120W/DDR4-2133
	E5-2690 v3 12C/2.6GHz/30MB/135W/DDR4-2133
	E5-2685 v3 12C/2.6GHz/30MB/120W/DDR4-2133
	E5-2683 v3 14C/2GHz/35MB/120W/DDR4-2133
	E5-2680 v3 12C/2.5GHz/30MB/120W/DDR4-2133
	E5-2670 v3 12C/2.3GHz/30MB/120W/DDR4-2133
	E5-2667 v3 8C/3.2GHz/20MB/135W/DDR4-2133
	E5-2660 v3 10C/2.6GHz/25MB/105W/DDR4-2133
	E5-2650L v3 12C/1.8GHz/30MB/65W/DDR4-2133
	E5-2650 v3 10C/2.3GHz/25MB/105W/DDR4-2133
	E5-2643 v3 6C/3.4GHz/20MB/135W/DDR4-2133
	E5-2640 v3 8C/2.6GHz/20MB/90W/DDR4-1866
	E5-2637 v3 4C/3.5GHz/15MB/135W/DDR4-2133
	E5-2630L v3 8C/1.8GHz/20MB/55W/DDR4-1866
	E5-2630 v3 8C/2.4GHz/20MB/85W/DDR4-1866
	E5-2623 v3 4C/3GHz/10MB/105W/DDR4-1866
	E5-2620 v3 6C/2.4GHz/15MB/85W/DDR4-1866
	E5-2609 v3 6C/1.9GHz/15MB/85W/DDR4-1600
	E5-2603 v3 6C/1.6GHz/15MB/85W/DDR4-1600
	E5-1680 v3 8C/3.2GHz/20MB/140W/DDR4-2133
E5-1660 v3 8C/3GHz/20MB/140W/DDR4-2133	
E5-1650 v3 6C/3.5GHz/15MB/140W/DDR4-2133	
E5-1630 v3 4C/3.7GHz/10MB/140W/DDR4-2133	
E5-1620 v3 4C/3.5GHz/10MB/140W/DDR4-2133	
E5-1607 v3 4C/3.1GHz/10MB/140W/DDR4-1866	
E5-1603 v3 4C/2.8GHz/10MB/140W/DDR4-1866	
Coprocessor	None
Memory DIMM slots	8 DIMM sockets, 4-channel capable. RDIMM and LRDIMM (cannot be intermixed), ECC, DDR4-2133
Memory capacity	512GB (LRDIMM)/256GB (RDIMM)
Graphics, GPU computing, coprocessors	Two PCIe 3.0 x16 slots, up to 2 graphics, GPU computing adapters per system
	PSU Maximum quantity of adapters supported per system
	490W 1x150W+1x75W (only supports onboard SATA controller) 650W 1x225W+1x75W, or 2x150W
RAID controller	RAID 0, 1, 5, 10 with onboard SATA controller in chipset, SATA 6Gb/s. RAID 0, 1, 5, 10 with optional LSI RAID flex adapter, 12Gb/s SAS and SATA. RAID 0, 1, 5, 6, 10 with optional LSI 9364-8i PCIe adapter, 1GB memory, optional 1GB flash with super capacitor, 12Gb/s SAS and SATA
Drive Bays	Two external 5.25" bays, four internal 3.5" bays (see right)
Media reader	Optional 9-in-1 USB 2.0 or 29-in-1 USB 3.0 reader
Flex connector	One flex connectors (see right), supports one of the following: • Up to one LSI RAID flex adapter for SATA/SAS RAID • Up to one Multi-I/O flex adapters for one PCIe SSD • Up to one M.2 flex adapters for one M.2 SSD
Network interfaces	Integrated one Gigabit Ethernet (Intel i218LM), supports Wake-on-LAN. Optional discrete Ethernet is available
HD Audio	Realtek ALC662 codec
TPM	TCG 1.2-compliant
Power supply	One fixed 490 watts, autosensing, 90%, 80 PLUS Gold qualified; or one fixed 650 watts, autosensing, 92%, 80 PLUS Platinum qualified
Front ports	Four USB 3.0 (one Diagnostic, one Always On), one combo audio/microphone jack (3.5mm)
Rear ports	Four USB 2.0, four USB 3.0, one serial (9-pin), one ethernet (RJ-45), three analog audio ports (line-in, line-out, mic-in), two PS/2
IEEE 1394	1 front, 1 rear, via 1394 adapter, selected models
Thunderbolt	1 Thunderbolt via optional PCIe adapter. Uses slot 6.
Mechanical	• 36-liter: 175mm/6.89" W x 470mm/18.5" D x 440mm/17.32" H (with feet) • Tool-less parts: power supply, disk drive, fans, adapter retention • 48.94 lb (22.2kg) max configuration
Base warranty	3-year limited onsite service with 9x5/NBD

Drive Bays and Expansion slots



2 x 5.25", for half-height optical, or up to one optional flex module (Flex module supports one or more of the following options: 9.5mm optical/29-in-1 USB 3.0 reader/front IEEE 1394/front eSATA), or up to two optional front HDD bays



Expansion slots 1-6 (top-down)

Flex connector

HDD 1 HDD 3
HDD 2 HDD 4*

Note:

- When LSI RAID flex adapter or 9364-8i adapter is installed, each HDD bay (HDD 1 - 4) can support 2 disk drives (1 x 3.5" drives + 2.5" SATA/SAS SSD, or 2 x 2.5" SATA/SAS SSD).
- More than 4 drives requires LSI RAID flex adapter or 9364-8i adapter.

Slot 1: PCIe 3.0 x4, Half length, full height
Slot 2: PCIe 3.0 x16, Full length, full height
Slot 3: PCIe 2.0 x1, Full length, full height
Slot 4: PCIe 3.0 x16, Full length, full height
Slot 5: PCI, Full length, full height
Slot 6: PCIe 2.0 x4, Half length, full height

Supporting NVIDIA graphics and GPU computing list

Adapter	Cores	Memory	Power	SLI	Connector***
NVS 310	48	1GB	19.5W		2xDP
NVS 315	48	1024MB	19.5W		2xDVI-I SL/2xDP
NVS 510	192	2048MB	33.4W		4xmini DP
Quadro 410	192	512MB	36.7W		DVI-I DL+DP
Quadro K600	192	1GB	41W		DVI-I DL+DP
Quadro K2000	384	2GB	51.1W		DVI-I DL+2xDP
Quadro K2000D	384	2GB	51.1W		DVI-I DL+DVI-D DL+mini DP
Quadro K4000	768	3GB	80W		DVI-I DL+2xDP
Quadro K5000	1536	4GB	122W		DVI-I DL+DVI-D DL+2xDP
Quadro K6000	2880	12GB	225W		DVI-I DL+DVI-D DL+2xDP
Quadro K420	192	2GB	41W		DVI-I DL+DP
Quadro K620	384	2GB	45W		DVI-I DL+DP
Quadro K2200	640	4GB	68W		DVI-I DL+2xDP
Quadro K4200	1344	4GB	108W		DVI-I DL+2xDP
Quadro K5200	2304	8GB	150W	SLI	DVI-I DL+DVI-D DL+2xDP
Quadro M4000	1664	8GB	120W		4xDP
Quadro M5000	2048	8GB	150W		DVI-I DL+4xDP
Quadro M6000	3072	12GB	250W		DVI-I DL+4xDP
Tesla K20	2496	5GB	225W		
GRID K2	3072	8GB	225W		

** DL = Dual link, SL = Single Link, DP = DisplayPort 1.2

Supporting storage list

(SAS drive needs LSI RAID flex adapter or 9364-8i adapter)

3.5" SATA (7.2K 6Gbs HDD)	500GB/1TB/2TB/3TB/4TB/1TB hybrid/2TB hybrid
2.5" SAS (15K 12Gbs HDD)	300GB/450GB/600GB
2.5" SAS SSD (12Gbs)	200GB/400GB/800GB
2.5" SATA SSD (6Gbs)	128GB/180GB/240GB/256GB/480GB/512GB/1TB (Optional OPAL)
M.2 SSD	256 GB/512GB (Optional NVMe)
PCIe SSD adapter	410GB/1.6TB

Environment specification and certifications

Temperature	
Operating:	50 ° F to 95 ° F (10 ° C to 35 ° C)
Storage:	-10 ° C to 60 ° C, no package -40 ° C to 60 ° C, with package
Altitude	
Operating:	-50~10000ft (-15.2~3048m)
Humidity	
Operating:	10%~80%, non-condensing
Storage:	10%~90%, non-condensing
RoHS-compliant/EPEAT Gold rating on all models, ENERGY STAR 6.1 qualified on selected models.	

For the latest list of ISV certifications, please visit www.lenovo.com/support/ISV
For a list of all supported options, please visit https://download.lenovo.com/pccbbs/options_iso/ocm_april_2016.xlsx sheet

Model	Region	Processor	Graphics	Memory	RAID Controller	Max Drives in 3.5" Bays	Storage	Optical	Media Reader	Power Supply	Add-on Ports	Keyboard / Mouse	Operating System	Warranty	Global	Ann Date (mm/yy)
30A70013US	US	Xeon E5-1607 v3 4C/3.1GHz/10MB/140W/DDR4-1866	NVIDIA Quadro K620 2GB	1x4GB RDIMM DDR4-2133 ECC	Onboard	4	1x500GB HDD 7.2K 3.5" SATA6Gbs	HH DVD±RW	9-in-1	490W 90%	None	USB / USB Optical	Windows 8.1 Pro 64-bit	3-year	No	09/14
30A70014US	US	Xeon E5-1620 v3 4C/3.5GHz/10MB/140W/DDR4-2133	NVIDIA Quadro K2200 4GB	1x4GB RDIMM DDR4-2133 ECC	Onboard	4	1x1TB HDD 7.2K 3.5" SATA6Gbs	HH DVD±RW	9-in-1	490W 90%	None	USB / USB Optical	Windows 8.1 Pro 64-bit	3-year	No	09/14
30A70015US	US	Xeon E5-1630 v3 4C/3.7GHz/10MB/140W/DDR4-2133	NVIDIA Quadro K4200 4GB	1x4GB RDIMM DDR4-2133 ECC	Onboard	4	1x1TB HDD 7.2K 3.5" SATA6Gbs	HH DVD±RW	9-in-1	490W 90%	None	USB / USB Optical	Windows 8.1 Pro 64-bit	3-year	No	09/14
30A70016US	US	Xeon E5-1630 v3 4C/3.7GHz/10MB/140W/DDR4-2133	Open	1x4GB RDIMM DDR4-2133 ECC	Onboard	4	1x180GB SSD 2.5" SATA6Gbs	HH DVD±RW	9-in-1	490W 90%	None	USB / USB Optical	Windows 8.1 Pro 64-bit	3-year	No	09/14
30A70017US	US	Xeon E5-1650 v3 6C/3.5GHz/15MB/140W/DDR4-2133	Open	1x8GB RDIMM DDR4-2133 ECC	Onboard	4	1x256GB SSD 2.5" SATA6Gbs Opal	HH DVD±RW	9-in-1	650W 92%	None	USB / USB Optical	Windows 8.1 Pro 64-bit	3-year	No	09/14
30A7003VUS	US	Xeon E5-1620 v3 4C/3.5GHz/10MB/140W/DDR4-2133	Open	1x8GB RDIMM DDR4-2133 ECC	Onboard	4	1x1TB Hybrid HDD 7.2K 3.5" SATA6Gbs	HH DVD±RW	9-in-1	650W 92%	None	USB / USB Optical	Windows 10 DG Windows 7 Pro 64	3-year	No	09/15
30A7003WUS	US	Xeon E5-1650 v3 6C/3.5GHz/15MB/140W/DDR4-2133	Open	1x8GB RDIMM DDR4-2133 ECC	Onboard	4	1x1TB Hybrid HDD 7.2K 3.5" SATA6Gbs	HH DVD±RW	9-in-1	650W 92%	None	USB / USB Optical	Windows 10 DG Windows 7 Pro 64	3-year	No	09/15
30A7003XUS	US	Xeon E5-1650 v3 6C/3.5GHz/15MB/140W/DDR4-2133	Open	1x8GB RDIMM DDR4-2133 ECC	Onboard	4	1x256GB SSD M.2 PCIe Opal	HH DVD±RW	9-in-1	650W 92%	None	USB / USB Optical	Windows 10 DG Windows 7 Pro 64	3-year	No	09/15
30A7003YUS	US	Xeon E5-1620 v3 4C/3.5GHz/10MB/140W/DDR4-2133	Open	1x8GB RDIMM DDR4-2133 ECC	Onboard	4	1x256GB SSD M.2 PCIe Opal	HH DVD±RW	9-in-1	650W 92%	None	USB / USB Optical	Windows 10 DG Windows 7 Pro 64	3-year	No	09/15
30A70040US	US	Xeon E5-1620 v3 4C/3.5GHz/10MB/140W/DDR4-2133	NVIDIA Quadro M4000 8GB	1x8GB RDIMM DDR4-2133 ECC	Onboard	4	1x256GB SSD M.2 PCIe Opal	HH DVD±RW	9-in-1	650W 92%	None	USB / USB Optical	Windows 10 DG Windows 7 Pro 64	3-year	No	09/15
30A70041US	US	Xeon E5-1650 v3 6C/3.5GHz/15MB/140W/DDR4-2133	NVIDIA Quadro M5000 8GB	1x8GB RDIMM DDR4-2133 ECC	Onboard	4	1x256GB SSD M.2 PCIe Opal	HH DVD±RW	9-in-1	650W 92%	None	USB / USB Optical	Windows 10 DG Windows 7 Pro 64	3-year	No	09/15
30A7004JUS	US	Xeon E5-2630 v3 8C/2.4GHz/20MB/85W/DDR4-1866	NVIDIA Quadro K2200 4GB	4x8GB RDIMM DDR4-2133 ECC	Onboard	4	1x1TB HDD 7.2K 3.5" SATA6Gbs	HH DVD±RW	9-in-1	490W 90%	None	USB / USB Optical	Windows 10 DG Windows 7 Pro 64	3-year	No	02/16
30A7004MUS	US	Xeon E5-1660 v3 8C/3GHz/20MB/140W/DDR4-2133	Open	1x8GB RDIMM DDR4-2133 ECC	Onboard	4	1x512GB SSD 2.5" SATA6Gbs	HH DVD±RW	9-in-1	650W 92%	None	USB / USB Optical	Windows 10 DG Windows 7 Pro 64	3-year	No	03/16
30A7004NUS	US	Xeon E5-1630 v3 4C/3.7GHz/10MB/140W/DDR4-2133	NVIDIA Quadro K4200 4GB	1x4GB RDIMM DDR4-2133 ECC	Onboard	4	1x1TB HDD 7.2K 3.5" SATA6Gbs	HH DVD±RW	9-in-1	490W 90%	None	USB / USB Optical	Windows 10 DG Windows 7 Pro 64	3-year	No	03/16
30A7004PUS	US	Xeon E5-1660 v3 8C/3GHz/20MB/140W/DDR4-2133	Open	1x8GB RDIMM DDR4-2133 ECC	Onboard	4	1x256GB SSD 2.5" SATA6Gbs Opal	HH DVD±RW	9-in-1	650W 92%	None	USB / USB Optical	Windows 10 DG Windows 7 Pro 64	3-year	No	03/16

Model	Region	Processor	Graphics	Memory	RAID Controller	Max Drives in 3.5" Bays	Storage	Optical	Media Reader	Power Supply	Add-on Ports	Keyboard / Mouse	Operating System	Warranty	Global	Ann Date (mm/yy)
30A7004QUS	US	Xeon E5-1630 v3 4C/3.7GHz/10MB/140W/DDR4-2133	Open	1x4GB RDIMM DDR4-2133 ECC	Onboard	4	1x180GB SSD 2.5" SATA6Gbs	HH DVD±RW	9-in-1	490W 90%	None	USB / USB Optical	Windows 10 DG Windows 7 Pro 64	3-year	No	03/16
30A7004RUS	US	Xeon E5-1650 v3 6C/3.5GHz/15MB/140W/DDR4-2133	Open	1x8GB RDIMM DDR4-2133 ECC	Onboard	4	1x2TB HDD 7.2K 3.5" SATA6Gbs	HH DVD±RW	9-in-1	650W 92%	None	USB / USB Optical	Windows 10 DG Windows 7 Pro 64	3-year	No	03/16
30A7004SUS	US	Xeon E5-1620 v3 4C/3.5GHz/10MB/140W/DDR4-2133	NVIDIA Quadro K2200 4GB	1x4GB RDIMM DDR4-2133 ECC	Onboard	4	1x1TB HDD 7.2K 3.5" SATA6Gbs	HH DVD±RW	9-in-1	490W 90%	None	USB / USB Optical	Windows 10 DG Windows 7 Pro 64	3-year	No	03/16
30A7004TUS	US	Xeon E5-1620 v3 4C/3.5GHz/10MB/140W/DDR4-2133	Open	1x4GB RDIMM DDR4-2133 ECC	Onboard	4	1x1TB HDD 7.2K 3.5" SATA6Gbs	HH DVD±RW	9-in-1	490W 90%	None	USB / USB Optical	Windows 10 DG Windows 7 Pro 64	3-year	No	03/16
30A7004UUS	US	Xeon E5-1607 v3 4C/3.1GHz/10MB/140W/DDR4-1866	NVIDIA Quadro K620 2GB	1x4GB RDIMM DDR4-2133 ECC	Onboard	4	1x500GB HDD 7.2K 3.5" SATA6Gbs	HH DVD±RW	9-in-1	490W 90%	None	USB / USB Optical	Windows 10 DG Windows 7 Pro 64	3-year	No	03/16
30A7004VUS	US	Xeon E5-1620 v3 4C/3.5GHz/10MB/140W/DDR4-2133	Open	1x8GB RDIMM DDR4-2133 ECC	Onboard	4	1x1TB HDD 7.2K 3.5" SATA6Gbs	HH DVD±RW	9-in-1	650W 92%	None	USB / USB Optical	Windows 10 DG Windows 7 Pro 64	3-year	No	03/16
30A7004WUS	US	Xeon E5-1650 v3 6C/3.5GHz/15MB/140W/DDR4-2133	NVIDIA Quadro K4200 4GB	1x8GB RDIMM DDR4-2133 ECC	Onboard	4	1x2TB HDD 7.2K 3.5" SATA6Gbs	HH DVD±RW	9-in-1	650W 92%	None	USB / USB Optical	Windows 10 DG Windows 7 Pro 64	3-year	No	03/16
30A7004XUS	US	Xeon E5-1650 v3 6C/3.5GHz/15MB/140W/DDR4-2133	Open	1x8GB RDIMM DDR4-2133 ECC	Onboard	4	1x240GB SSD 2.5" SATA6Gbs Opal	HH DVD±RW	9-in-1	650W 92%	None	USB / USB Optical	Windows 10 DG Windows 7 Pro 64	3-year	No	03/16
30A7004YUS	US	Xeon E5-1620 v3 4C/3.5GHz/10MB/140W/DDR4-2133	NVIDIA Quadro K620 2GB	1x4GB RDIMM DDR4-2133 ECC	Onboard	4	1x1TB HDD 7.2K 3.5" SATA6Gbs	HH DVD±RW	9-in-1	490W 90%	None	USB / USB Optical	Windows 10 DG Windows 7 Pro 64	3-year	No	03/16
30A70050US	US	Xeon E5-1650 v3 6C/3.5GHz/15MB/140W/DDR4-2133	Open	1x8GB RDIMM DDR4-2133 ECC	9364-8i PCIe	8	1x256GB SSD M.2 PCIe Opal	HH DVD±RW	9-in-1	650W 92%	None	USB / USB Optical	Windows 10 DG Windows 7 Pro 64	3-year	No	03/16
30A70051US	US	Xeon E5-1650 v3 6C/3.5GHz/15MB/140W/DDR4-2133	Open	1x8GB RDIMM DDR4-2133 ECC	Onboard	4	1x256GB SSD 2.5" SATA6Gbs Opal	HH DVD±RW	9-in-1	650W 92%	None	USB / USB Optical	Windows 10 DG Windows 7 Pro 64	3-year	No	03/16
30A70052US	US	Xeon E5-1607 v3 4C/3.1GHz/10MB/140W/DDR4-1866	Open	1x4GB RDIMM DDR4-2133 ECC	Onboard	4	1x500GB HDD 7.2K 3.5" SATA6Gbs	HH DVD±RW	9-in-1	490W 90%	None	USB / USB Optical	Windows 10 DG Windows 7 Pro 64	3-year	No	03/16

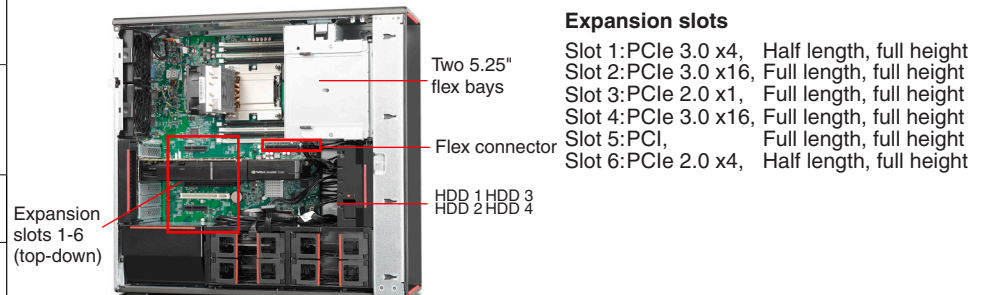
Model	Region	Processor	Graphics	Memory	RAID Controller	Max Drives in 3.5" Bays	Storage	Optical	Media Reader	Power Supply	Add-on Ports	Keyboard / Mouse	Operating System	Warranty	Global	Ann Date (mm/yy)
30A6000PUS	US	Xeon E5-1620 v3 4C/3.5GHz/10MB/140W/DDR4-2133	NVIDIA Quadro K2200 4GB	2x4GB RDIMM DDR4-2133 ECC	Onboard	4	2x500GB HDD 7.2K 3.5" SATA6Gbs	HH DVD±RW	9-in-1	650W 92%	None	USB / USB Optical	Windows 8.1 Pro 64-bit	3-year	No	09/14
30A6000QUS	US	Xeon E5-1620 v3 4C/3.5GHz/10MB/140W/DDR4-2133	NVIDIA Quadro K4200 4GB	2x8GB RDIMM DDR4-2133 ECC	Onboard	4	2x180GB SSD 2.5" SATA6Gbs	HH DVD±RW	9-in-1	650W 92%	None	USB / USB Optical	Windows 8.1 Pro 64-bit	3-year	No	09/14
30A6003XUS	US	Xeon E5-1620 v3 4C/3.5GHz/10MB/140W/DDR4-2133	NVIDIA Quadro K620 2GB	1x4GB RDIMM DDR4-2133 ECC	LSI Flex	8	1x300GB HDD 15K 2.5" SAS12Gbs	HH DVD±RW	9-in-1	650W 92%	None	USB / USB Optical	Windows 8.1 Pro 64-bit	3-year	No	09/14
30A6003YUS	US	Xeon E5-1607 v3 4C/3.1GHz/10MB/140W/DDR4-1866	Open	1x4GB RDIMM DDR4-2133 ECC	Onboard	4	1x500GB HDD 7.2K 3.5" SATA6Gbs	HH DVD±RW	9-in-1	490W 90%	None	USB / USB Optical	Windows 8.1 Pro 64-bit	3-year	No	09/14
30A60040US	US	Xeon E5-1620 v3 4C/3.5GHz/10MB/140W/DDR4-2133	NVIDIA Quadro K620 2GB	1x4GB RDIMM DDR4-2133 ECC	Onboard	4	1x1TB HDD 7.2K 3.5" SATA6Gbs	HH DVD±RW	9-in-1	490W 90%	None	USB / USB Optical	Windows 8.1 Pro 64-bit	3-year	No	09/14
30A60041US	US	Xeon E5-1650 v3 6C/3.5GHz/15MB/140W/DDR4-2133	NVIDIA Quadro K5200 8GB	1x8GB RDIMM DDR4-2133 ECC	Onboard	4	1x1TB HDD 7.2K 3.5" SATA6Gbs	HH DVD±RW	9-in-1	650W 92%	None	USB / USB Optical	Windows 8.1 Pro 64-bit	3-year	No	09/14
30A60042US	US	Xeon E5-1650 v3 6C/3.5GHz/15MB/140W/DDR4-2133	NVIDIA Quadro K4200 4GB	1x8GB RDIMM DDR4-2133 ECC	Onboard	4	1x256GB SSD 2.5" SATA6Gbs Opal	HH DVD±RW	9-in-1	650W 92%	None	USB / USB Optical	Windows 8.1 Pro 64-bit	3-year	No	09/14

ThinkStation P510 Platform Specifications

Product Specifications Reference (PSREF)

Components	Specification																																																																																																
Chipset	Intel C612 Platform Controller Hub (PCH)																																																																																																
System mgmt	Intel Active Management Technology 9																																																																																																
Processor	Up to one 145W Intel Xeon E5-2600 v4 or E5-1600 v4 family processors. 22 cores up to 2.2GHz, 16 cores up to 2.6GHz, 14 cores up to 2.6GHz, 12 cores up to 2.2GHz, 10 cores up to 2.4GHz, 8 cores up to 3.4GHz, 6 cores up to 3.6GHz, 4 cores up to 3.7GHz Or up to one Intel Xeon E5-2600 v3 or E5-1600 v3 processors (not available in EMEA).																																																																																																
Coprocessor	None																																																																																																
Memory DIMM slots	8 DIMM sockets, 4-channel capable. RDIMM, ECC, DDR4, 2400MHz																																																																																																
Memory capacity	256GB																																																																																																
Graphics, GPU computing	Two PCIe 3.0 x16 slots for graphics and GPU computing adapters. Up to two NVIDIA Quadro M5000 SLI																																																																																																
Supporting Graphics and GPU computing	<table border="1"> <thead> <tr> <th>Adapter</th> <th>Cores</th> <th>Memory</th> <th>Power</th> <th>SLI</th> <th>Connector***</th> </tr> </thead> <tbody> <tr> <td>NVS 310</td> <td>48</td> <td>1GB</td> <td>19.5W</td> <td></td> <td>2xDP</td> </tr> <tr> <td>NVS 315</td> <td>48</td> <td>1GB</td> <td>19.5W</td> <td></td> <td>2xDVI-I SL/2xDP</td> </tr> <tr> <td>NVS 510</td> <td>192</td> <td>2GB</td> <td>35W</td> <td></td> <td>4xmini DP</td> </tr> <tr> <td>NVS 810</td> <td>1024</td> <td>4GB</td> <td>68W</td> <td></td> <td>8xmini DP</td> </tr> <tr> <td>Quadro K420</td> <td>192</td> <td>2GB</td> <td>41W</td> <td></td> <td>DVI-I DL+DP</td> </tr> <tr> <td>Quadro K620</td> <td>384</td> <td>2GB</td> <td>45W</td> <td></td> <td>DVI-I DL+DP</td> </tr> <tr> <td>Quadro K1200</td> <td>512</td> <td>4GB</td> <td>45W</td> <td></td> <td>4xmini DP</td> </tr> <tr> <td>Quadro K2200</td> <td>640</td> <td>4GB</td> <td>68W</td> <td></td> <td>DVI-I DL+2xDP</td> </tr> <tr> <td>Quadro K4200</td> <td>1344</td> <td>4GB</td> <td>108W</td> <td></td> <td>DVI-I DL+2xDP</td> </tr> <tr> <td>Quadro K5200</td> <td>2304</td> <td>8GB</td> <td>150W</td> <td>SLI</td> <td>DVI-I DL+DVI-D DL+2xDP</td> </tr> <tr> <td>Quadro M2000</td> <td>768</td> <td>4GB</td> <td>75W</td> <td></td> <td>4xDP</td> </tr> <tr> <td>Quadro M4000</td> <td>1664</td> <td>8GB</td> <td>120W</td> <td></td> <td>4xDP</td> </tr> <tr> <td>Quadro M5000</td> <td>2048</td> <td>8GB</td> <td>150W</td> <td>SLI</td> <td>DVI-I DL+4xDP</td> </tr> <tr> <td>Quadro M6000</td> <td>3072</td> <td>24GB</td> <td>250W</td> <td></td> <td>DVI-I DL+4xDP</td> </tr> <tr> <td>Tesla K40</td> <td>2880</td> <td>12GB</td> <td>235W</td> <td></td> <td></td> </tr> </tbody> </table>	Adapter	Cores	Memory	Power	SLI	Connector***	NVS 310	48	1GB	19.5W		2xDP	NVS 315	48	1GB	19.5W		2xDVI-I SL/2xDP	NVS 510	192	2GB	35W		4xmini DP	NVS 810	1024	4GB	68W		8xmini DP	Quadro K420	192	2GB	41W		DVI-I DL+DP	Quadro K620	384	2GB	45W		DVI-I DL+DP	Quadro K1200	512	4GB	45W		4xmini DP	Quadro K2200	640	4GB	68W		DVI-I DL+2xDP	Quadro K4200	1344	4GB	108W		DVI-I DL+2xDP	Quadro K5200	2304	8GB	150W	SLI	DVI-I DL+DVI-D DL+2xDP	Quadro M2000	768	4GB	75W		4xDP	Quadro M4000	1664	8GB	120W		4xDP	Quadro M5000	2048	8GB	150W	SLI	DVI-I DL+4xDP	Quadro M6000	3072	24GB	250W		DVI-I DL+4xDP	Tesla K40	2880	12GB	235W		
	Adapter	Cores	Memory	Power	SLI	Connector***																																																																																											
	NVS 310	48	1GB	19.5W		2xDP																																																																																											
	NVS 315	48	1GB	19.5W		2xDVI-I SL/2xDP																																																																																											
	NVS 510	192	2GB	35W		4xmini DP																																																																																											
	NVS 810	1024	4GB	68W		8xmini DP																																																																																											
	Quadro K420	192	2GB	41W		DVI-I DL+DP																																																																																											
	Quadro K620	384	2GB	45W		DVI-I DL+DP																																																																																											
	Quadro K1200	512	4GB	45W		4xmini DP																																																																																											
	Quadro K2200	640	4GB	68W		DVI-I DL+2xDP																																																																																											
	Quadro K4200	1344	4GB	108W		DVI-I DL+2xDP																																																																																											
	Quadro K5200	2304	8GB	150W	SLI	DVI-I DL+DVI-D DL+2xDP																																																																																											
	Quadro M2000	768	4GB	75W		4xDP																																																																																											
Quadro M4000	1664	8GB	120W		4xDP																																																																																												
Quadro M5000	2048	8GB	150W	SLI	DVI-I DL+4xDP																																																																																												
Quadro M6000	3072	24GB	250W		DVI-I DL+4xDP																																																																																												
Tesla K40	2880	12GB	235W																																																																																														
RAID controller	Supports one of the following: RAID 0, 1, 5, 10 with onboard SATA controller in chipset, SATA 6Gb/s. RAID 0, 1, 5, 10 with optional LSI RAID flex adapter, 12Gb/s SAS and SATA. RAID 0, 1, 5, 6, 10 with optional LSI 9364-8i PCIe adapter, 1GB memory, 12Gb/s SAS and SATA																																																																																																
Drive Bays	Two external 5.25" flex bays for flex module, optical drives, or optional disk drives. Four 3.5" internal bays. Each 3.5" bay can support dual drives on selected models (see right).																																																																																																
Supporting storage	3.5" HDD, 7.2K SATA6Gbs																																																																																																
	2.5" HDD, 15K SAS12Gbs																																																																																																
	2.5" SSD, SAS12Gbs																																																																																																
	2.5" SSD, SATA6Gbs																																																																																																
	PCIe SSD, U.2																																																																																																
	PCIe SSD, M.2																																																																																																
Flex connector	One flex connector, supports one of the following: • Up to one LSI RAID flex adapter for SATA/SAS RAID • Up to one Multi-I/O flex adapters for one 2.5" PCIe SSD • Up to one M.2 flex adapters for one M.2 PCIe SSD																																																																																																
Network interfaces	Integrated one Gigabit Ethernet (Intel i218LM), supports Wake-on-LAN. Optional discrete Ethernet is available																																																																																																
HD Audio	Realtek ALC662 codec																																																																																																
TPM	TCG 1.2-compliant																																																																																																
Power supply	One fixed 490 watts, autosensing, 90%, 80 PLUS Gold qualified. Or one fixed 650 watts, autosensing, 92%, 80 PLUS Platinum qualified																																																																																																

Components	Specification
Front ports	Four USB 3.0 (one Diagnostic, one Always On), one combo audio/microphone jack (3.5mm)
Rear ports	Four USB 2.0, four USB 3.0, one serial (9-pin), one ethernet (RJ-45), three analog audio ports (line-in, line-out, mic-in), two PS/2
Add-on ports	Supports the following optional ports: Two IEEE 1394 (one on rear and one on front flex module) via PCIe adapter, up to one adapter per system. Two rear USB 3.0 per PCIe adapter, up to three adapters per system. One rear Thunderbolt via PCIe adapter. One front eSATA (on flex module), or one rear eSATA via cable (also needs one PCIe slot), up to one eSATA port per system. One internal USB 3.0 port via cable, cannot be intermixed with 29-in-1 reader
Media reader	9-in-1 USB 2.0 or 29-in-1 USB 3.0 card reader
Mechanical	<ul style="list-style-type: none"> 36-liter: 175mm/6.89" W x 470mm/18.5" D x 440mm/17.32" H (with feet) Tool-less parts: all except CPU fansink 48.94 lb (22.2kg) max configuration
Environmental specification	Temperature - operating
	Temperature - non operating (no package)
	Temperature - non operating (with package)
	Altitude - operating
	Humidity - operating
Humidity - storage (with package)	
Base warranty	3-year limited onsite service with 9x5/NBD



Expansion slots

- Slot 1: PCIe 3.0 x4, Half length, full height
- Slot 2: PCIe 3.0 x16, Full length, full height
- Slot 3: PCIe 2.0 x1, Full length, full height
- Slot 4: PCIe 3.0 x16, Full length, full height
- Slot 5: PCI, Full length, full height
- Slot 6: PCIe 2.0 x4, Half length, full height

Drive Bays

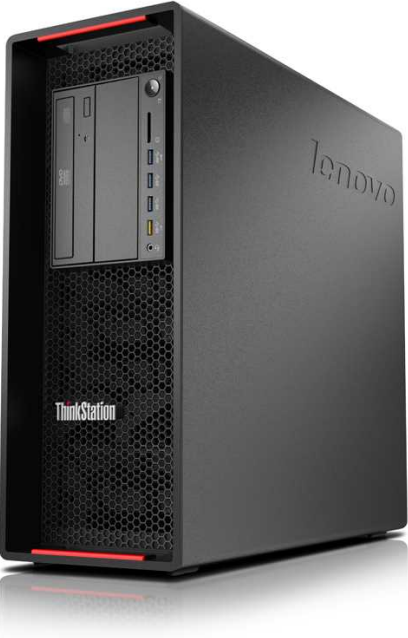
- HDD 1-4: Standard 3.5" HDD bay, up to four 3.5" or 2.5" disk drives.
On selected models, each 3.5" bay can support 2.5" (9mm or less) drive plus 3.5" drive, or two 2.5" (15mm or less) drives.
- Flex bay: Two 5.25" flex bays, for HH optical drives.
Or up to one optional flex module (Flex module supports one or more of the following options: 9.5mm optical/29-in-1 USB 3.0 reader/front IEEE 1394/front eSATA).
Or up to two HDD bays for two drives, 3.5" or 2.5" each, SATA only.

For the list of ISV certifications, please visit www.thinkworkstations.com/isv-certifications
For a list of all supported options, please visit https://download.lenovo.com/pccbbs/options_iso/ocm_july_2016.xlsx sheet

Model	Region	Processor	Graphics	Memory	RAID Controller	Max Drives in 3.5" Bays	Storage	Optical	Media Reader	Power Supply	Add-on Ports	Keyboard / Mouse	Operating System	Warranty	Global	Ann Date (mm/yy)
30B5000VUS	US	Xeon E5-1650 v4 6C/3.6GHz/15MB/140W/DDR4-2400	Open	1x8GB RDIMM DDR4-2400 ECC	Onboard	4	1x1TB HDD 7.2K 3.5" SATA6Gbs	HH DVD±RW	9-in-1	650W 92%	None	USB / USB Optical	Windows 10 Pro 64	3-year	No	06/16
30B50019US	US	Xeon E5-1630 v4 4C/3.7GHz/10MB/140W/DDR4-2400	Open	2x8GB RDIMM DDR4-2400 ECC	Onboard	4	1x256GB SSD 2.5" SATA6Gbs	HH DVD±RW	9-in-1	650W 92%	None	USB / USB Optical	Windows 10 Pro 64	3-year	No	06/16
30B5001GUS	US	Xeon E5-1620 v4 4C/3.5GHz/10MB/140W/DDR4-2400	NVIDIA Quadro M2000 4GB	1x8GB RDIMM DDR4-2400 ECC	Onboard	4	1x1TB HDD 7.2K 3.5" SATA6Gbs	HH DVD±RW	9-in-1	490W 90%	None	USB / USB Optical	Windows 10 Pro 64	3-year	No	06/16
30B5001HUS	US	Xeon E5-1620 v4 4C/3.5GHz/10MB/140W/DDR4-2400	Open	1x8GB RDIMM DDR4-2400 ECC	Onboard	4	1x1TB HDD 7.2K 3.5" SATA6Gbs	HH DVD±RW	9-in-1	650W 92%	None	USB / USB Optical	Windows 10 Pro 64	3-year	No	06/16
30B5001JUS	US	Xeon E5-1620 v4 4C/3.5GHz/10MB/140W/DDR4-2400	NVIDIA Quadro M2000 4GB	2x8GB RDIMM DDR4-2400 ECC	Onboard	4	1x512GB SSD 2.5" SATA6Gbs	HH DVD±RW	9-in-1	490W 90%	None	USB / USB Optical	Windows 10 Pro 64	3-year	No	06/16
30B5001KUS	US	Xeon E5-1620 v4 4C/3.5GHz/10MB/140W/DDR4-2400	Open	1x8GB RDIMM DDR4-2400 ECC	Onboard	4	1x1TB HDD 7.2K 3.5" SATA6Gbs	HH DVD±RW	9-in-1	490W 90%	None	USB / USB Optical	Windows 10 Pro 64	3-year	No	06/16
30B5001LUS	US	Xeon E5-1607 v4 4C/3.1GHz/10MB/140W/DDR4-2133	NVIDIA Quadro K620 2GB	1x8GB RDIMM DDR4-2400 ECC	Onboard	4	1x1TB HDD 7.2K 3.5" SATA6Gbs	HH DVD±RW	9-in-1	490W 90%	None	USB / USB Optical	Windows 10 Pro 64	3-year	No	06/16
30B5001MUS	US	Xeon E5-1607 v4 4C/3.1GHz/10MB/140W/DDR4-2133	NVIDIA Quadro K620 2GB	1x8GB RDIMM DDR4-2400 ECC	Onboard	4	1x500GB HDD 7.2K 3.5" SATA6Gbs	HH DVD±RW	9-in-1	490W 90%	None	USB / USB Optical	Windows 10 Pro 64	3-year	No	06/16
30B5001NUS	US	Xeon E5-1630 v4 4C/3.7GHz/10MB/140W/DDR4-2400	NVIDIA Quadro M4000 8GB	2x8GB RDIMM DDR4-2400 ECC	Onboard	4	1x512GB SSD 2.5" SATA6Gbs	HH DVD±RW	9-in-1	650W 92%	None	USB / USB Optical	Windows 10 Pro 64	3-year	No	06/16
30B5001PUS	US	Xeon E5-1607 v4 4C/3.1GHz/10MB/140W/DDR4-2133	Open	1x8GB RDIMM DDR4-2400 ECC	Onboard	4	1x1TB HDD 7.2K 3.5" SATA6Gbs	HH DVD±RW	9-in-1	490W 90%	None	USB / USB Optical	Windows 10 Pro 64	3-year	No	06/16
30B5001QUS	US	Xeon E5-1630 v4 4C/3.7GHz/10MB/140W/DDR4-2400	NVIDIA Quadro M4000 8GB	2x8GB RDIMM DDR4-2400 ECC	Onboard	4	1x1TB HDD 7.2K 3.5" SATA6Gbs	HH DVD±RW	9-in-1	650W 92%	None	USB / USB Optical	Windows 10 Pro 64	3-year	No	06/16
30B50022US	US	Xeon E5-1650 v4 6C/3.6GHz/15MB/140W/DDR4-2400	Open	1x8GB RDIMM DDR4-2400 ECC	Onboard	4	1x1TB HDD 7.2K 3.5" SATA6Gbs	HH DVD±RW	9-in-1	650W 92%	None	USB / USB Optical	Windows 10 DG Windows 7 Pro 64	3-year	No	09/16
30B5002EUS	US	Xeon E5-1630 v4 4C/3.7GHz/10MB/140W/DDR4-2400	Open	2x8GB RDIMM DDR4-2400 ECC	Onboard	4	1x256GB SSD 2.5" SATA6Gbs	HH DVD±RW	9-in-1	650W 92%	None	USB / USB Optical	Windows 10 DG Windows 7 Pro 64	3-year	No	09/16
30B5002TUS	US	Xeon E5-1620 v4 4C/3.5GHz/10MB/140W/DDR4-2400	NVIDIA Quadro K620 2GB	1x8GB RDIMM DDR4-2400 ECC	Onboard	4	1x1TB HDD 7.2K 3.5" SATA6Gbs	HH DVD±RW	9-in-1	490W 90%	None	USB / USB Optical	Windows 10 Pro 64	3-year	No	06/16
30B5002UUS	US	Xeon E5-1630 v4 4C/3.7GHz/10MB/140W/DDR4-2400	Open	1x8GB RDIMM DDR4-2400 ECC	Onboard	4	1x256GB SSD 2.5" SATA6Gbs	HH DVD±RW	9-in-1	490W 90%	None	USB / USB Optical	Windows 10 Pro 64	3-year	No	06/16
30B5002VUS	US	Xeon E5-1630 v4 4C/3.7GHz/10MB/140W/DDR4-2400	NVIDIA Quadro K1200 4GB	1x8GB RDIMM DDR4-2400 ECC	Onboard	4	1x256GB SSD 2.5" SATA6Gbs	HH DVD±RW	9-in-1	490W 90%	None	USB / USB Optical	Windows 10 Pro 64	3-year	No	06/16
30B5002WUS	US	Xeon E5-1630 v4 4C/3.7GHz/10MB/140W/DDR4-2400	NVIDIA Quadro M2000 4GB	1x8GB RDIMM DDR4-2400 ECC	Onboard	4	1x256GB SSD 2.5" SATA6Gbs	HH DVD±RW	9-in-1	490W 90%	None	USB / USB Optical	Windows 10 Pro 64	3-year	No	06/16

Model	Region	Processor	Graphics	Memory	RAID Controller	Max Drives in 3.5" Bays	Storage	Optical	Media Reader	Power Supply	Add-on Ports	Keyboard / Mouse	Operating System	Warranty	Global	Ann Date (mm/yy)
30B5002XUS	US	Xeon E5-1630 v4 4C/3.7GHz/10MB/140W/DDR4-2400	NVIDIA Quadro K1200 4GB	1x8GB RDIMM DDR4-2400 ECC	Onboard	4	1x1TB HDD 7.2K 3.5" SATA6Gbs	HH DVD±RW	9-in-1	490W 90%	None	USB / USB Optical	Windows 10 Pro 64	3-year	No	06/16
30B5002YUS	US	Xeon E5-1620 v4 4C/3.5GHz/10MB/140W/DDR4-2400	NVIDIA Quadro M4000 8GB	2x8GB RDIMM DDR4-2400 ECC	Onboard	4	1x1TB HDD 7.2K 3.5" SATA6Gbs	HH DVD±RW	9-in-1	650W 92%	None	USB / USB Optical	Windows 10 Pro 64	3-year	No	06/16
30B50030US	US	Xeon E5-1630 v4 4C/3.7GHz/10MB/140W/DDR4-2400	Open	1x8GB RDIMM DDR4-2400 ECC	Onboard	4	1x256GB SSD 2.5" SATA6Gbs	HH DVD±RW	9-in-1	650W 92%	None	USB / USB Optical	Windows 10 Pro 64	3-year	No	06/16
30B50031US	US	Xeon E5-1630 v4 4C/3.7GHz/10MB/140W/DDR4-2400	NVIDIA Quadro M2000 4GB	1x8GB RDIMM DDR4-2400 ECC	Onboard	4	1x256GB SSD 2.5" SATA6Gbs	HH DVD±RW	9-in-1	650W 92%	None	USB / USB Optical	Windows 10 Pro 64	3-year	No	06/16
30B50032US	US	Xeon E5-1650 v4 6C/3.6GHz/15MB/140W/DDR4-2400	Open	2x8GB RDIMM DDR4-2400 ECC	Onboard	4	1x256GB SSD 2.5" SATA6Gbs	HH DVD±RW	9-in-1	650W 92%	None	USB / USB Optical	Windows 10 Pro 64	3-year	No	06/16
30B50033US	US	Xeon E5-1650 v4 6C/3.6GHz/15MB/140W/DDR4-2400	NVIDIA Quadro M2000 4GB	2x8GB RDIMM DDR4-2400 ECC	Onboard	4	1x1TB HDD 7.2K 3.5" SATA6Gbs	HH DVD±RW	9-in-1	650W 92%	None	USB / USB Optical	Windows 10 Pro 64	3-year	No	06/16
30B50034US	US	Xeon E5-1650 v4 6C/3.6GHz/15MB/140W/DDR4-2400	NVIDIA Quadro M4000 8GB	2x8GB RDIMM DDR4-2400 ECC	Onboard	4	1x1TB HDD 7.2K 3.5" SATA6Gbs	HH DVD±RW	9-in-1	650W 92%	None	USB / USB Optical	Windows 10 Pro 64	3-year	No	06/16
30B50035US	US	Xeon E5-1650 v4 6C/3.6GHz/15MB/140W/DDR4-2400	NVIDIA Quadro M4000 8GB	2x8GB RDIMM DDR4-2400 ECC	Onboard	4	1x512GB SSD 2.5" SATA6Gbs	HH DVD±RW	9-in-1	650W 92%	None	USB / USB Optical	Windows 10 Pro 64	3-year	No	06/16
30B50036US	US	Xeon E5-1650 v4 6C/3.6GHz/15MB/140W/DDR4-2400	NVIDIA Quadro M5000 8GB	2x8GB RDIMM DDR4-2400 ECC	Onboard	4	1x512GB SSD 2.5" SATA6Gbs	HH DVD±RW	9-in-1	650W 92%	None	USB / USB Optical	Windows 10 Pro 64	3-year	No	06/16
30B5003KUS	US	Xeon E5-1607 v4 4C/3.1GHz/10MB/140W/DDR4-2133	Open	1x8GB RDIMM DDR4-2400 ECC	Onboard	4	1x1TB HDD 7.2K 3.5" SATA6Gbs	HH DVD±RW	9-in-1	490W 90%	None	USB / USB Optical	Windows 10 DG Windows 7 Pro 64	3-year	No	09/16
30B5003NUS	US	Xeon E5-1620 v4 4C/3.5GHz/10MB/140W/DDR4-2400	NVIDIA Quadro M4000 8GB	2x8GB RDIMM DDR4-2400 ECC	Onboard	4	1x1TB HDD 7.2K 3.5" SATA6Gbs	HH DVD±RW	9-in-1	650W 92%	None	USB / USB Optical	Windows 10 DG Windows 7 Pro 64	3-year	No	09/16
30B5003UUS	US	Xeon E5-1620 v4 4C/3.5GHz/10MB/140W/DDR4-2400	Open	1x8GB RDIMM DDR4-2400 ECC	Onboard	4	1x1TB HDD 7.2K 3.5" SATA6Gbs	HH DVD±RW	9-in-1	490W 90%	None	USB / USB Optical	Windows 10 DG Windows 7 Pro 64	3-year	No	09/16
30B5004YUS	US	Xeon E5-1630 v4 4C/3.7GHz/10MB/140W/DDR4-2400	NVIDIA Quadro M4000 8GB	2x8GB RDIMM DDR4-2400 ECC	Onboard	4	1x1TB HDD 7.2K 3.5" SATA6Gbs	HH DVD±RW	9-in-1	650W 92%	None	USB / USB Optical	Windows 10 DG Windows 7 Pro 64	3-year	No	09/16
30B50050US	US	Xeon E5-1630 v4 4C/3.7GHz/10MB/140W/DDR4-2400	NVIDIA Quadro M4000 8GB	2x8GB RDIMM DDR4-2400 ECC	Onboard	4	1x512GB SSD 2.5" SATA6Gbs	HH DVD±RW	9-in-1	650W 92%	None	USB / USB Optical	Windows 10 DG Windows 7 Pro 64	3-year	No	09/16
30B50051US	US	Xeon E5-1620 v4 4C/3.5GHz/10MB/140W/DDR4-2400	NVIDIA Quadro M2000 4GB	2x8GB RDIMM DDR4-2400 ECC	Onboard	4	1x512GB SSD 2.5" SATA6Gbs	HH DVD±RW	9-in-1	490W 90%	None	USB / USB Optical	Windows 10 DG Windows 7 Pro 64	3-year	No	09/16
30B50052US	US	Xeon E5-1607 v4 4C/3.1GHz/10MB/140W/DDR4-2133	NVIDIA Quadro K620 2GB	1x8GB RDIMM DDR4-2400 ECC	Onboard	4	1x500GB HDD 7.2K 3.5" SATA6Gbs	HH DVD±RW	9-in-1	490W 90%	None	USB / USB Optical	Windows 10 DG Windows 7 Pro 64	3-year	No	09/16
30B50053US	US	Xeon E5-1620 v4 4C/3.5GHz/10MB/140W/DDR4-2400	Open	1x8GB RDIMM DDR4-2400 ECC	Onboard	4	1x1TB HDD 7.2K 3.5" SATA6Gbs	HH DVD±RW	9-in-1	650W 92%	None	USB / USB Optical	Windows 10 DG Windows 7 Pro 64	3-year	No	09/16

Model	Region	Processor	Graphics	Memory	RAID Controller	Max Drives in 3.5" Bays	Storage	Optical	Media Reader	Power Supply	Add-on Ports	Keyboard / Mouse	Operating System	Warranty	Global	Ann Date (mm/yy)
30B50054US	US	Xeon E5-1607 v4 4C/3.1GHz/10MB/140W/DDR4-2133	NVIDIA Quadro K620 2GB	1x8GB RDIMM DDR4-2400 ECC	Onboard	4	1x1TB HDD 7.2K 3.5" SATA6Gbs	HH DVD±RW	9-in-1	490W 90%	None	USB / USB Optical	Windows 10 DG Windows 7 Pro 64	3-year	No	09/16
30B50055US	US	Xeon E5-1620 v4 4C/3.5GHz/10MB/140W/DDR4-2400	NVIDIA Quadro M2000 4GB	1x8GB RDIMM DDR4-2400 ECC	Onboard	4	1x1TB HDD 7.2K 3.5" SATA6Gbs	HH DVD±RW	9-in-1	490W 90%	None	USB / USB Optical	Windows 10 DG Windows 7 Pro 64	3-year	No	09/16
30B50056US	US	Xeon E5-1650 v4 6C/3.6GHz/15MB/140W/DDR4-2400	NVIDIA Quadro M4000 8GB	2x8GB RDIMM DDR4-2400 ECC	Onboard	4	1x1TB HDD 7.2K 3.5" SATA6Gbs	HH DVD±RW	9-in-1	650W 92%	None	USB / USB Optical	Windows 10 DG Windows 7 Pro 64	3-year	No	09/16
30B50057US	US	Xeon E5-1630 v4 4C/3.7GHz/10MB/140W/DDR4-2400	NVIDIA Quadro K1200 4GB	1x8GB RDIMM DDR4-2400 ECC	Onboard	4	1x1TB HDD 7.2K 3.5" SATA6Gbs	HH DVD±RW	9-in-1	490W 90%	None	USB / USB Optical	Windows 10 DG Windows 7 Pro 64	3-year	No	09/16
30B50058US	US	Xeon E5-1630 v4 4C/3.7GHz/10MB/140W/DDR4-2400	Open	1x8GB RDIMM DDR4-2400 ECC	Onboard	4	1x256GB SSD 2.5" SATA6Gbs Opal	HH DVD±RW	9-in-1	490W 90%	None	USB / USB Optical	Windows 10 DG Windows 7 Pro 64	3-year	No	09/16
30B50059US	US	Xeon E5-1630 v4 4C/3.7GHz/10MB/140W/DDR4-2400	NVIDIA Quadro M2000 4GB	1x8GB RDIMM DDR4-2400 ECC	Onboard	4	1x256GB SSD 2.5" SATA6Gbs Opal	HH DVD±RW	9-in-1	490W 90%	None	USB / USB Optical	Windows 10 DG Windows 7 Pro 64	3-year	No	09/16
30B5005AUS	US	Xeon E5-1650 v4 6C/3.6GHz/15MB/140W/DDR4-2400	NVIDIA Quadro M5000 8GB	2x8GB RDIMM DDR4-2400 ECC	Onboard	4	1x512GB SSD 2.5" SATA6Gbs	HH DVD±RW	9-in-1	650W 92%	None	USB / USB Optical	Windows 10 DG Windows 7 Pro 64	3-year	No	09/16
30B5005BUS	US	Xeon E5-1630 v4 4C/3.7GHz/10MB/140W/DDR4-2400	NVIDIA Quadro K1200 4GB	1x8GB RDIMM DDR4-2400 ECC	Onboard	4	1x256GB SSD 2.5" SATA6Gbs Opal	HH DVD±RW	9-in-1	490W 90%	None	USB / USB Optical	Windows 10 DG Windows 7 Pro 64	3-year	No	09/16
30B5005CUS	US	Xeon E5-1650 v4 6C/3.6GHz/15MB/140W/DDR4-2400	NVIDIA Quadro M2000 4GB	2x8GB RDIMM DDR4-2400 ECC	Onboard	4	1x1TB HDD 7.2K 3.5" SATA6Gbs	HH DVD±RW	9-in-1	650W 92%	None	USB / USB Optical	Windows 10 DG Windows 7 Pro 64	3-year	No	09/16
30B5005DUS	US	Xeon E5-1630 v4 4C/3.7GHz/10MB/140W/DDR4-2400	Open	1x8GB RDIMM DDR4-2400 ECC	Onboard	4	1x256GB SSD 2.5" SATA6Gbs Opal	HH DVD±RW	9-in-1	650W 92%	None	USB / USB Optical	Windows 10 DG Windows 7 Pro 64	3-year	No	09/16
30B5005EUS	US	Xeon E5-1650 v4 6C/3.6GHz/15MB/140W/DDR4-2400	Open	2x8GB RDIMM DDR4-2400 ECC	Onboard	4	1x256GB SSD 2.5" SATA6Gbs Opal	HH DVD±RW	9-in-1	650W 92%	None	USB / USB Optical	Windows 10 DG Windows 7 Pro 64	3-year	No	09/16
30B5005FUS	US	Xeon E5-1650 v4 6C/3.6GHz/15MB/140W/DDR4-2400	NVIDIA Quadro M4000 8GB	2x8GB RDIMM DDR4-2400 ECC	Onboard	4	1x512GB SSD 2.5" SATA6Gbs	HH DVD±RW	9-in-1	650W 92%	None	USB / USB Optical	Windows 10 DG Windows 7 Pro 64	3-year	No	09/16
30B5005GUS	US	Xeon E5-1620 v4 4C/3.5GHz/10MB/140W/DDR4-2400	NVIDIA Quadro K620 2GB	1x8GB RDIMM DDR4-2400 ECC	Onboard	4	1x1TB HDD 7.2K 3.5" SATA6Gbs	HH DVD±RW	9-in-1	490W 90%	None	USB / USB Optical	Windows 10 DG Windows 7 Pro 64	3-year	No	09/16
30B5005HUS	US	Xeon E5-1630 v4 4C/3.7GHz/10MB/140W/DDR4-2400	NVIDIA Quadro M2000 4GB	1x8GB RDIMM DDR4-2400 ECC	Onboard	4	1x256GB SSD 2.5" SATA6Gbs Opal	HH DVD±RW	9-in-1	650W 92%	None	USB / USB Optical	Windows 10 DG Windows 7 Pro 64	3-year	No	09/16



ThinkStation P700 Platform Specifications

Components	Specification
Chipset	Intel C612 Platform Controller Hub (PCH)
System mgmt	Intel Active Management Technology 9
Processor	Up to two 145W Intel Xeon E5-2600 v3 family processors, Or up to one 140W Intel Xeon E5-1600 v3 family processor:
	E5-2699 v3 18C/2.3GHz/45MB/145W/DDR4-2133
	E5-2698 v3 16C/2.3GHz/40MB/135W/DDR4-2133
	E5-2697 v3 14C/2.6GHz/35MB/145W/DDR4-2133
	E5-2695 v3 14C/2.3GHz/35MB/120W/DDR4-2133
	E5-2690 v3 12C/2.6GHz/30MB/135W/DDR4-2133
	E5-2685 v3 12C/2.6GHz/30MB/120W/DDR4-2133
	E5-2683 v3 14C/2GHz/35MB/120W/DDR4-2133
	E5-2680 v3 12C/2.5GHz/30MB/120W/DDR4-2133
	E5-2670 v3 12C/2.3GHz/30MB/120W/DDR4-2133
	E5-2667 v3 8C/3.2GHz/20MB/135W/DDR4-2133
	E5-2660 v3 10C/2.6GHz/25MB/105W/DDR4-2133
	E5-2650L v3 12C/1.8GHz/30MB/65W/DDR4-2133
	E5-2650 v3 10C/2.3GHz/25MB/105W/DDR4-2133
	E5-2643 v3 6C/3.4GHz/20MB/135W/DDR4-2133
	E5-2640 v3 8C/2.6GHz/20MB/90W/DDR4-1866
	E5-2637 v3 4C/3.5GHz/15MB/135W/DDR4-2133
	E5-2630L v3 8C/1.8GHz/20MB/55W/DDR4-1866
	E5-2630 v3 8C/2.4GHz/20MB/85W/DDR4-1866
	E5-2623 v3 4C/3GHz/10MB/105W/DDR4-1866
	E5-2620 v3 6C/2.4GHz/15MB/85W/DDR4-1866
	E5-2609 v3 6C/1.9GHz/15MB/85W/DDR4-1600
	E5-2603 v3 6C/1.6GHz/15MB/85W/DDR4-1600
	E5-1680 v3 8C/3.2GHz/20MB/140W/DDR4-2133
E5-1660 v3 8C/3GHz/20MB/140W/DDR4-2133	
E5-1650 v3 6C/3.5GHz/15MB/140W/DDR4-2133	
E5-1630 v3 4C/3.7GHz/10MB/140W/DDR4-2133	
E5-1620 v3 4C/3.5GHz/10MB/140W/DDR4-2133	
E5-1607 v3 4C/3.1GHz/10MB/140W/DDR4-1866	
E5-1603 v3 4C/2.8GHz/10MB/140W/DDR4-1866	
Coprocessor	None
Memory DIMM slots	12 DIMM sockets (6 DIMMs per processor), 8-channel capable (4-channel per processor). Supports RDIMM and LRDIMM (cannot be intermixed), ECC, DDR4-2133.
Memory capacity	768GB (LRDIMM)/384GB, 2nd CPU is needed
Graphics, GPU computing, coprocessors	Three PCIe 3.0 x16 slots, two via CPU1, one via CPU2 Up to 3 graphics, GPU computing adapters per system, 2nd CPU is needed
	PSU Maximum quantity of PCIe x16 adapters per system (by power) 650W/1x150W+2x75W (supports onboard SATA controller and up to 85W CPU) 850W/1x225W+2x75W, or 2x150W+1x75W
Disk drive controller	RAID 0, 1, 5, 10 with onboard SATA controller in chipset, SATA 6Gb/s. RAID 0, 1, 5, 10 with optional LSI RAID flex adapter, 12Gb/s SAS and SATA. RAID 0, 1, 5, 6, 10 with optional LSI 9364-8i PCIe adapter, 1GB memory, optional 1GB flash with super capacitor, 12Gb/s SAS and SATA
Drive Bays	Two external 5.25" bays, four internal 3.5" bays (see right)
Flex connector	One flex connectors (see right), supports one of the following: • Up to one LSI RAID flex adapter for SATA/SAS RAID • Up to one Multi-I/O flex adapters for two PCIe SSD • Up to one M.2 flex adapters for two M.2 SSD
Network interfaces	Integrated two Gigabit Ethernet ports, supports Wake-on-LAN. Optional discrete Ethernet is available
HD Audio	Realtek ALC662 codec
TPM	TCG 1.2-compliant
Power supply	One fixed 650 watts or 850 watts, autosensing, 92%, 80 PLUS Platinum qualified
Front ports	Four USB 3.0 (one Diagnostic, one Always On), one combo audio/microphone jack (3.5mm)
Rear ports	Four USB 2.0, four USB 3.0 (blue), one serial (9-pin), two ethernet (RJ-45), three analog audio ports (line-in, line-out, mic-in), two PS/2
IEEE 1394	Up to one 6-pin port on rear, one 6-pin port on front, 1394a-2000, 400Mbps
Thunderbolt	1 Thunderbolt via optional PCIe adapter. Uses slot 6.
Mechanical	• 36-liter: 175mm/6.89" W x 470mm/18.5" D x 440mm/17.32" H (with feet)
	• Tool-less parts: power supply, disk drive, fans, adapter retention
	• 52.25 lb (23.7kg) max configuration
Base warranty	3-year limited onsite service with 9x5/NBD

Drive Bays and Expansion slots



2 x 5.25", for half-height optical, or up to one optional flex module (Flex module supports one or more of the following options: 9.5mm optical/29-in-1 USB 3.0 reader/front IEEE 1394/front eSATA), or up to two optional front HDD bays



CPU 2
CPU 1

Expansion slots 1-6 (top-down)

Flex connector

HDD 1HDD 3
HDD 2HDD 4

Slot 1: PCIe 3.0 x16, Half length, full height, by CPU2
Slot 2: PCIe 3.0 x16, Full length, full height, by CPU1
Slot 3: PCIe 3.0 x8, Full length, full height, by CPU2
Slot 4: PCIe 3.0 x16, Full length, full height, by CPU1
Slot 5: PCI, Full length, full height, by PCH
Slot 6: PCIe 2.0 x4, Half length, full height, by PCH

Note:
1. When LSI RAID flex adapter or 9364-8i adapter is installed, each HDD bay (HDD 1 - 4) can support 2 disk drives (1 x 3.5" drives + 2.5" SATA/SAS SSD, or 2 x 2.5" SATA/SAS SSD).
2. More than 4 drives requires LSI RAID flex adapter or 9364-8i adapter.

Supporting NVIDIA graphics and GPU computing list

Adapter	Cores	Memory	Power	SLI	Connector***
NVS 310	48	1GB	19.5W		2xDP
NVS 315	48	1024MB	19.5W		2xDVI-I SL/2xDP
NVS 510	192	2048MB	33.4W		4xmini DP
Quadro 410	192	512MB	36.7W		DVI-I DL+DP
Quadro K600	192	1GB	41W		DVI-I DL+DP
Quadro K2000	384	2GB	51.1W		DVI-I DL+2xDP
Quadro K2000D	384	2GB	51.1W		DVI-I DL+DVI-D DL+mini DP
Quadro K4000	768	3GB	80W		DVI-I DL+2xDP
Quadro K5000	1536	4GB	122W		DVI-I DL+DVI-D DL+2xDP
Quadro K6000	2880	12GB	225W		DVI-I DL+DVI-D DL+2xDP
Quadro K420	192	2GB	41W		DVI-I DL+DP
Quadro K620	384	2GB	45W		DVI-I DL+DP
Quadro K2200	640	4GB	68W		DVI-I DL+2xDP
Quadro K4200	1344	4GB	108W		DVI-I DL+2xDP
Quadro K5200	2304	8GB	150W	SLI	DVI-I DL+DVI-D DL+2xDP
Quadro M4000	1664	8GB	120W		4xDP
Quadro M5000	2048	8GB	150W		DVI-I DL+4xDP
Quadro M6000	3072	12GB	250W		DVI-I DL+4xDP
Tesla K20	2496	5GB	225W		
GRID K2	3072	8GB	225W		

** DL = Dual link, SL = Single Link, DP = DisplayPort 1.2

Supporting storage list

(SAS drive needs LSI RAID flex adapter or 9364-8i adapter)

Storage	Capacity
3.5" SATA (7.2K 6Gbs HDD)	500GB/1TB/2TB/3TB/4TB/1TB hybrid/2TB hybrid
2.5" SAS (15K 12Gbs HDD)	300GB/450GB/600GB
2.5" SAS SSD (12Gbs)	200GB/400GB/800GB
2.5" SATA SSD (6Gbs)	128GB/180GB/240GB/256GB/480GB/512GB/1TB (Optional OPAL)
M.2 SSD	256 GB/512GB (Optional NVMe)
PCIe SSD adapter	410GB/1.6TB

Environment specification and certifications

Temperature	
Operating:	50 °F to 95 °F (10 °C to 35 °C)
Storage:	-10 °C to 60 °C, no package -40 °C to 60 °C, with package
Altitude	
Operating:	-50~10000ft (-15.2~3048m)
Humidity	
Operating:	10%~80%, non-condensing
Storage:	10%~90%, non-condensing

RoHS-compliant/EPEAT Gold rating on all model, ENERGY STAR 6.1 qualified on selected models.

For the latest list of ISV certifications, please visit www.lenovo.com/support/ISV
For a list of all supported options, please visit https://download.lenovo.com/pccbbs/options_iso/ocm_april_2016.xlsx sheet

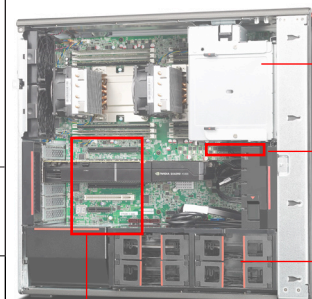
Model	Region	Processor	Graphics	Memory	RAID Controller	Max Drives in 3.5" Bays	Storage	Optical	Media Reader	Power Supply	Add-on Ports	Keyboard / Mouse	Operating System	Warranty	Global	Ann Date (mm/yy)
30A9001CUS	US	1xE5-2609 v3 6C/1.9GHz/15MB/85W/DDR4-1600	Open	1x4GB RDIMM DDR4-2133 ECC	Onboard	4	1x1TB HDD 7.2K 3.5" SATA6Gbs	HH DVD±RW	9-in-1	650W 92%	None	USB / USB Optical	Windows 8.1 Pro 64-bit	3-year	No	10/14
30A9001DUS	US	1xE5-2620 v3 6C/2.4GHz/15MB/85W/DDR4-1866	Open	2x4GB RDIMM DDR4-2133 ECC	Onboard	4	1x180GB SSD 2.5" SATA6Gbs	HH DVD±RW	9-in-1	650W 92%	None	USB / USB Optical	Windows 8.1 Pro 64-bit	3-year	No	10/14
30A9001EUS	US	1xE5-2640 v3 8C/2.6GHz/20MB/90W/DDR4-1866	Open	2x4GB RDIMM DDR4-2133 ECC	Onboard	4	1x256GB SSD M.2 PCIe	HH DVD±RW	9-in-1	850W 92%	None	USB / USB Optical	Windows 8.1 Pro 64-bit	3-year	No	10/14
30A9002EUS	US	1xE5-2609 v3 6C/1.9GHz/15MB/85W/DDR4-1600	Open	1x8GB RDIMM DDR4-2133 ECC	Onboard	4	1x1TB Hybrid HDD 7.2K 3.5" SATA6Gbs	HH DVD±RW	9-in-1	850W 92%	None	USB / USB Optical	Windows 10 DG Windows 7 Pro 64	3-year	No	09/15
30A9002FUS	US	1xE5-2620 v3 6C/2.4GHz/15MB/85W/DDR4-1866	Open	1x8GB RDIMM DDR4-2133 ECC	Onboard	4	1x256GB SSD M.2 PCIe Opal	HH DVD±RW	9-in-1	850W 92%	None	USB / USB Optical	Windows 10 DG Windows 7 Pro 64	3-year	No	09/15
30A9002GUS	US	1xE5-2643 v3 6C/3.4GHz/20MB/135W/DDR4-2133	Open	1x8GB RDIMM DDR4-2133 ECC	Onboard	4	1x256GB SSD M.2 PCIe Opal	HH DVD±RW	9-in-1	850W 92%	None	USB / USB Optical	Windows 10 DG Windows 7 Pro 64	3-year	No	09/15
30A9002HUS	US	2xE5-2667 v3 8C/3.2GHz/20MB/135W/DDR4-2133	Open	2x8GB RDIMM DDR4-2133 ECC	Onboard	4	1x256GB SSD M.2 PCIe Opal	HH DVD±RW	9-in-1	850W 92%	None	USB / USB Optical	Windows 10 DG Windows 7 Pro 64	3-year	No	09/15
30A9002PUS	US	2xE5-2630 v3 8C/2.4GHz/20MB/85W/DDR4-1866	NVIDIA Quadro K2200 4GB	4x8GB RDIMM DDR4-2133 ECC	Onboard	4	1x512GB SSD 2.5" SATA6Gbs	HH DVD±RW	9-in-1	650W 92%	None	USB / USB Optical	Windows 10 DG Windows 7 Pro 64	3-year	No	02/16
30A9002UUS	US	1xE5-2609 v3 6C/1.9GHz/15MB/85W/DDR4-1600	Open	1x4GB RDIMM DDR4-2133 ECC	Onboard	4	1x1TB HDD 7.2K 3.5" SATA6Gbs	HH DVD±RW	9-in-1	650W 92%	None	USB / USB Optical	Windows 10 DG Windows 7 Pro 64	3-year	No	03/16
30A9002VUS	US	1xE5-2637 v3 4C/3.5GHz/15MB/135W/DDR4-2133	Open	2x8GB RDIMM DDR4-2133 ECC	Onboard	4	1x256GB SSD M.2 PCIe Opal	HH DVD±RW	9-in-1	850W 92%	None	USB / USB Optical	Windows 10 DG Windows 7 Pro 64	3-year	No	03/16
30A9002WUS	US	2xXeon E5-2650L v3 12C/1.8GHz/30MB/65W/DDR4-2133	Open	2x8GB RDIMM DDR4-2133 ECC	LSI Flex	8	1x1TB HDD 7.2K 3.5" SATA6Gbs	HH DVD±RW	9-in-1	850W 92%	None	USB / USB Optical	Windows 10 DG Windows 7 Pro 64	3-year	No	03/16
30A9002XUS	US	1xE5-2620 v3 6C/2.4GHz/15MB/85W/DDR4-1866	Open	1x8GB RDIMM DDR4-2133 ECC	Onboard	4	1x180GB SSD 2.5" SATA6Gbs Opal	HH DVD±RW	9-in-1	650W 92%	None	USB / USB Optical	Windows 10 DG Windows 7 Pro 64	3-year	No	03/16
30A9002YUS	US	1xE5-2620 v3 6C/2.4GHz/15MB/85W/DDR4-1866	NVIDIA Quadro K4200 4GB	1x8GB RDIMM DDR4-2133 ECC	Onboard	4	1x1TB HDD 7.2K 3.5" SATA6Gbs	HH DVD±RW	9-in-1	850W 92%	None	USB / USB Optical	Windows 10 DG Windows 7 Pro 64	3-year	No	03/16
30A90030US	US	1xE5-2630 v3 8C/2.4GHz/20MB/85W/DDR4-1866	NVIDIA Quadro K4200 4GB	1x8GB RDIMM DDR4-2133 ECC	Onboard	4	1x2TB HDD 7.2K 3.5" SATA6Gbs	HH DVD±RW	9-in-1	850W 92%	None	USB / USB Optical	Windows 10 DG Windows 7 Pro 64	3-year	No	03/16

Model	Region	Processor	Graphics	Memory	RAID Controller	Max Drives in 3.5" Bays	Storage	Optical	Media Reader	Power Supply	Add-on Ports	Keyboard / Mouse	Operating System	Warranty	Global	Ann Date (mm/yy)
30A8000LUS	US	2xE5-2620 v3 6C/2.4GHz/15MB/85W/DDR4-1866	NVIDIA Quadro K2200 4GB	2x8GB RDIMM DDR4-2133 ECC	Onboard	4	2x500GB HDD 7.2K 3.5" SATA6Gbs	HH DVD±RW	None	850W 92%	None	USB / USB Optical	Windows 8.1 Pro 64-bit	3-year	No	10/14
30A8000MUS	US	2xE5-2623 v3 4C/3GHz/10MB/105W/DDR4-1866	NVIDIA Quadro K4200 4GB	2x8GB RDIMM DDR4-2133 ECC	Onboard	4	2x180GB SSD 2.5" SATA6Gbs	HH DVD±RW	None	850W 92%	None	USB / USB Optical	Windows 8.1 Pro 64-bit	3-year	No	10/14
30A8003AUS	US	1xE5-2609 v3 6C/1.9GHz/15MB/85W/DDR4-1600	Open	2x4GB RDIMM DDR4-2133 ECC	Onboard	4	1x1TB HDD 7.2K 3.5" SATA6Gbs	HH DVD±RW	9-in-1	650W 92%	None	USB / USB Optical	Windows 8.1 Pro 64-bit	3-year	No	10/14
30A8003BUS	US	1xE5-2620 v3 6C/2.4GHz/15MB/85W/DDR4-1866	NVIDIA Quadro K620 2GB	2x4GB RDIMM DDR4-2133 ECC	Onboard	4	1x1TB HDD 7.2K 3.5" SATA6Gbs	HH DVD±RW	9-in-1	650W 92%	None	USB / USB Optical	Windows 8.1 Pro 64-bit	3-year	No	10/14
30A8003CUS	US	1xE5-2630 v3 8C/2.4GHz/20MB/85W/DDR4-1866	NVIDIA Quadro K2200 4GB	2x4GB RDIMM DDR4-2133 ECC	Onboard	4	1x180GB SSD 2.5" SATA6Gbs	HH DVD±RW	9-in-1	650W 92%	None	USB / USB Optical	Windows 8.1 Pro 64-bit	3-year	No	10/14

ThinkStation P710 Platform Specifications

Components	Specification					
Chipset	Intel C612 Platform Controller Hub (PCH)					
System mgmt	Intel Active Management Technology 9					
Processor	Up to two 145W Intel Xeon E5-2600 v4 family processors. Each processor supports up to 22 cores up to 2.2GHz, 16 cores up to 2.6GHz, 14 cores up to 2.6GHz, 12 cores up to 2.2GHz, 10 cores up to 2.4GHz, 8 cores up to 3.2GHz, 6 cores up to 3.4GHz, 4 cores up to 3.5GHz. Or up to two Intel Xeon E5-2620 v3 or E5-2609 v3 processors (not available in EMEA)					
Coprocessor	None					
Memory DIMM slots	12 DIMM sockets (6 DIMMs per processor), 8-channel capable (4-channel per processor). RDIMM, ECC, DDR4-2400					
Memory capacity	384GB, 2nd CPU is needed					
Graphics, GPU computing	Three PCIe 3.0 x16 slots, two via CPU1, one via CPU2. Up to three graphics and GPU computing adapters, 2nd CPU is needed					
	PSU Maximum quantity of PCIe x16 adapters per system (by power) 650W 1x150W+2x75W with onboard SATA controller and up to two 120W CPU each 850W 1x300W+2x75W (up to two 120W CPU each), or 2x150W+1x75W					
Supporting Graphics and GPU computing	Adapter	Cores	Memory	Power	SLI	Connector***
	NVS 310	48	1GB	19.5W		2xDP
	NVS 315	48	1GB	19.5W		2xDVI-I SL/2xDP
	NVS 510	192	2GB	35W		4xmini DP
	NVS 810	1024	4GB	68W		8xmini DP
	Quadro K420	192	2GB	41W		DVI-I DL+DP
	Quadro K620	384	2GB	45W		DVI-I DL+DP
	Quadro K1200	512	4GB	45W		4xmini DP
	Quadro K2200	640	4GB	68W		DVI-I DL+2xDP
	Quadro K4200	1344	4GB	108W		DVI-I DL+2xDP
	Quadro K5200	2304	8GB	150W	SLI	DVI-I DL+DVI-D DL+2xDP
	Quadro M2000	768	4GB	75W		4xDP
	Quadro M4000	1664	8GB	120W		4xDP
	Quadro M5000	2048	8GB	150W	SLI	DVI-I DL+4xDP
Quadro M6000	3072	24GB	250W		DVI-I DL+4xDP	
Tesla K40	2880	12GB	235W			
Disk drive controller	RAID 0, 1, 5, 10 with onboard SATA controller in chipset, SATA 6Gb/s. RAID 0, 1, 5, 10 with optional LSI RAID flex adapter, 12Gb/s SAS and SATA. RAID 0, 1, 5, 6, 10 with optional LSI 9364-8i PCIe adapter, 1GB memory, 12Gb/s SAS and SATA					
Drive Bays	Two external 5.25" flex bays, four 3.5" internal bays. Each 3.5" bay can support dual drives on selected models (see right)					
Supporting storage	3.5" SATA HDD, 7.2K 6Gbs	500GB/1TB/2TB/3TB/4TB/1TB hybrid				
	2.5" SAS HDD, 15K 12Gbs	300GB/600GB				
	2.5" SAS SSD, 12Gbs	200GB/400GB/800GB				
	2.5" SATA SSD, 6Gbs	180GB/240GB/256GB/480GB/512GB/1TB, optional OPAL				
	PCIe SSD, 2.5"	400GB				
	PCIe SSD, M.2	256 GB/512GB				
PCIe SSD adapter	400GB (up to 4 per system)					
Flex connector	One flex connectors (see right), supports one of the following: <ul style="list-style-type: none"> Up to one LSI RAID flex adapter for SATA/SAS RAID Up to one Multi-I/O flex adapters for two PCIe SSD Up to one M.2 flex adapters for two M.2 PCIe SSD 					
Network interfaces	Integrated two-port gigabit ethernet (Intel i218LM and i210AT), supports Wake-on-LAN. Optional discrete ethernet adapters are available					
HD Audio	Realtek ALC662 codec					
TPM	TCG 1.2-compliant					
Power supply	One fixed 650 watts or 850 watts, autosensing, 92%, 80 PLUS Platinum qualified					

Components	Specification												
Front ports	Four USB 3.0 (one Diagnostic, one Always On), one combo audio/microphone jack (3.5mm)												
Rear ports	Four USB 2.0, four USB 3.0 (blue), one serial (9-pin), two ethernet (RJ-45), three analog audio ports (line-in, line-out, mic-in), two PS/2												
Add-on ports	Supports the following optional ports: Two IEEE 1394 (one on rear and one on front flex module) via PCIe adapter, up to one adapter per system. Two rear USB 3.0 per PCIe adapter, up to three adapters per system. One rear Thunderbolt via PCIe adapter. One front eSATA (on flex module), or one rear eSATA via cable (also needs one PCIe slot), up to one eSATA port per system. One internal USB 3.0 port via cable, cannot be intermixed with 29-in-1 reader												
Media reader	9-in-1 USB 2.0 card reader. Optional 29-in-1 USB 3.0 card reader on flex module												
Mechanical	<ul style="list-style-type: none"> 36-liter: 175mm/6.89" W x 485mm/19.1" D x 446mm/17.6" H (with feet) Tool-less parts: all except CPU fansink 52.25 lb (23.7kg) max configuration 												
	Environmental specification	<table border="1"> <tr> <td>Temperature - operating</td> <td>50 °F to 95 °F (10 °C to 35 °C)</td> </tr> <tr> <td>Temperature - non operating (no package)</td> <td>14 °F to 140 °F (-10 °C to 60 °C)</td> </tr> <tr> <td>Temperature - non operating (with package)</td> <td>-40 °F to 140 °F (-40 °C to 60 °C)</td> </tr> <tr> <td>Altitude - operating</td> <td>(Unpressurized): 0-10000ft (0-3048m)</td> </tr> <tr> <td>Humidity - operating</td> <td>10%-80%, non-condensing</td> </tr> <tr> <td>Humidity - storage (with package)</td> <td>10%-90%, non-condensing</td> </tr> </table> <p>RoHS-compliant, GREENGUARD on all models. EPEAT Gold rating, ENERGY STAR 6.1 qualified on selected models.</p>	Temperature - operating	50 °F to 95 °F (10 °C to 35 °C)	Temperature - non operating (no package)	14 °F to 140 °F (-10 °C to 60 °C)	Temperature - non operating (with package)	-40 °F to 140 °F (-40 °C to 60 °C)	Altitude - operating	(Unpressurized): 0-10000ft (0-3048m)	Humidity - operating	10%-80%, non-condensing	Humidity - storage (with package)
Temperature - operating	50 °F to 95 °F (10 °C to 35 °C)												
Temperature - non operating (no package)	14 °F to 140 °F (-10 °C to 60 °C)												
Temperature - non operating (with package)	-40 °F to 140 °F (-40 °C to 60 °C)												
Altitude - operating	(Unpressurized): 0-10000ft (0-3048m)												
Humidity - operating	10%-80%, non-condensing												
Humidity - storage (with package)	10%-90%, non-condensing												
Base warranty	3-year limited onsite service with 9x5/NBD												



Expansion slots 1-6 (top-down)

Drive Bays

HDD 1-4: Standard 3.5" HDD bay, up to four 3.5" or 2.5" disk drives.
On selected models, each 3.5" bay can supports 2.5" (9mm or less) drive plus 3.5" drive, or two 2.5" (15mm or less) drives.

Flex bay: Two 5.25" flex bays, for HH optical drives.

Or up to one optional flex module (Flex module supports one or more of the following options: 9.5mm optical/29-in-1 USB 3.0 reader/front IEEE 1394/front eSATA).
Or up to two HDD bays for two drives, 3.5" or 2.5" each, SATA only.

Expansion slots

Slot 1: PCIe 3.0 x16, half length, full height, CPU2 needed (full length, full height if no flex adapter)
Slot 2: PCIe 3.0 x16, full length, full height
Slot 3: PCIe 3.0 x8, full length, full height, CPU2 needed
Slot 4: PCIe 3.0 x16, full length, full height
Slot 5: PCI, full length, full height
Slot 6: PCIe 2.0 x4, half length, full height
Also supports one flex connector

For the list of ISV certifications, please visit www.thinkworkstations.com/isv-certifications/
For a list of all supported options, please visit https://download.lenovo.com/pccbbs/options_iso/ocm_july_2016.xlsx sheet

Model	Region	Processor	Graphics	Memory	RAID Controller	Max Drives in 3.5" Bays	Storage	Optical	Media Reader	Power Supply	Add-on Ports	Keyboard / Mouse	Operating System	Warranty	Global	Ann Date (mm/yy)
30B7000RUS	US	2xXeon E5-2623 v4 4C/2.6GHz/10MB/85W/DDR4-2133	Open	2x8GB RDIMM DDR4-2400 ECC	Onboard	4	1x256GB SSD 2.5" SATA6Gbs Opal	HH DVD±RW	9-in-1	650W 92%	None	USB / USB Optical	Windows 10 Pro 64	3-year	No	04/16
30B7000SUS	US	1xXeon E5-2623 v4 4C/2.6GHz/10MB/85W/DDR4-2133	Open	2x8GB RDIMM DDR4-2400 ECC	Onboard	4	1x256GB SSD 2.5" SATA6Gbs Opal	HH DVD±RW	9-in-1	650W 92%	None	USB / USB Optical	Windows 10 Pro 64	3-year	No	04/16
30B7000TUS	US	2xXeon E5-2620 v4 8C/2.1GHz/20MB/85W/DDR4-2133	Open	2x8GB RDIMM DDR4-2400 ECC	Onboard	4	1x1TB HDD 7.2K 3.5" SATA6Gbs	HH DVD±RW	9-in-1	850W 92%	None	USB / USB Optical	Windows 10 Pro 64	3-year	No	04/16
30B7000UUS	US	2xXeon E5-2637 v4 4C/3.5GHz/15MB/135W/DDR4-2400	Open	2x8GB RDIMM DDR4-2400 ECC	Onboard	4	1x256GB SSD 2.5" SATA6Gbs Opal	HH DVD±RW	9-in-1	850W 92%	None	USB / USB Optical	Windows 10 Pro 64	3-year	No	04/16
30B7000VUS	US	1xXeon E5-2637 v4 4C/3.5GHz/15MB/135W/DDR4-2400	Open	2x8GB RDIMM DDR4-2400 ECC	Onboard	4	1x256GB SSD 2.5" SATA6Gbs Opal	HH DVD±RW	9-in-1	850W 92%	None	USB / USB Optical	Windows 10 Pro 64	3-year	No	04/16
30B7000WUS	US	2xXeon E5-2643 v4 6C/3.4GHz/20MB/135W/DDR4-2400	NVIDIA Quadro M4000 8GB	4x8GB RDIMM DDR4-2400 ECC	Onboard	4	1x1TB SSD 2.5" SATA6Gbs	HH DVD±RW	9-in-1	850W 92%	None	USB / USB Optical	Windows 10 Pro 64	3-year	No	04/16
30B7000XUS	US	2xXeon E5-2623 v4 4C/2.6GHz/10MB/85W/DDR4-2133	NVIDIA Quadro M2000 4GB	2x8GB RDIMM DDR4-2400 ECC	Onboard	4	1x256GB SSD 2.5" SATA6Gbs Opal	HH DVD±RW	9-in-1	650W 92%	None	USB / USB Optical	Windows 10 Pro 64	3-year	No	04/16
30B7000YUS	US	1xXeon E5-2620 v4 8C/2.1GHz/20MB/85W/DDR4-2133	Open	2x8GB RDIMM DDR4-2400 ECC	Onboard	4	1x1TB HDD 7.2K 3.5" SATA6Gbs	HH DVD±RW	9-in-1	850W 92%	None	USB / USB Optical	Windows 10 Pro 64	3-year	No	04/16
30B7001MUS	US	1xXeon E5-2650 v4 12C/2.2GHz/30MB/105W/DDR4-2400	NVIDIA Quadro M4000 8GB	2x8GB RDIMM DDR4-2400 ECC	Onboard	4	1x1TB HDD 7.2K 3.5" SATA6Gbs+1x256GB SSD M.2 PCIe	HH DVD±RW	9-in-1	850W 92%	None	USB / USB Optical	Windows 10 Pro 64	3-year	No	07/16
30B7001NUS	US	2xXeon E5-2620 v4 8C/2.1GHz/20MB/85W/DDR4-2133	Open	2x8GB RDIMM DDR4-2400 ECC	Onboard	4	1x1TB HDD 7.2K 3.5" SATA6Gbs+1x256GB SSD M.2 PCIe	HH DVD±RW	9-in-1	850W 92%	None	USB / USB Optical	Windows 10 Pro 64	3-year	No	07/16
30B7001PUS	US	2xXeon E5-2620 v4 8C/2.1GHz/20MB/85W/DDR4-2133	NVIDIA Quadro M2000 4GB	2x8GB RDIMM DDR4-2400 ECC	Onboard	4	1x1TB HDD 7.2K 3.5" SATA6Gbs+1x256GB SSD M.2 PCIe	HH DVD±RW	9-in-1	850W 92%	None	USB / USB Optical	Windows 10 Pro 64	3-year	No	07/16
30B70023US	US	2xXeon E5-2620 v4 8C/2.1GHz/20MB/85W/DDR4-2133	Open	2x8GB RDIMM DDR4-2400 ECC	Onboard	4	1x1TB HDD 7.2K 3.5" SATA6Gbs+1x256GB SSD M.2 PCIe	HH DVD±RW	9-in-1	850W 92%	None	USB / USB Optical	Windows 10 DG Windows 7 Pro 64	3-year	No	09/16
30B70024US	US	1xXeon E5-2650 v4 12C/2.2GHz/30MB/105W/DDR4-2400	NVIDIA Quadro M4000 8GB	2x8GB RDIMM DDR4-2400 ECC	Onboard	4	1x1TB HDD 7.2K 3.5" SATA6Gbs+1x256GB SSD M.2 PCIe	HH DVD±RW	9-in-1	850W 92%	None	USB / USB Optical	Windows 10 DG Windows 7 Pro 64	3-year	No	09/16
30B70025US	US	2xXeon E5-2620 v4 8C/2.1GHz/20MB/85W/DDR4-2133	NVIDIA Quadro M2000 4GB	2x8GB RDIMM DDR4-2400 ECC	Onboard	4	1x1TB HDD 7.2K 3.5" SATA6Gbs+1x256GB SSD M.2 PCIe	HH DVD±RW	9-in-1	850W 92%	None	USB / USB Optical	Windows 10 DG Windows 7 Pro 64	3-year	No	09/16



ThinkStation P900 Platform Specifications

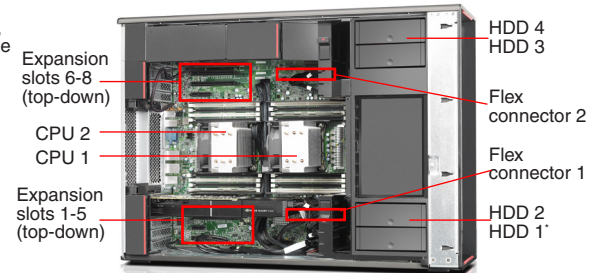
Components	Specification	
Chipset	Intel C612 Platform Controller Hub (PCH)	
System mgmt	Intel Active Management Technology 9	
Processor	Up to two 160W Intel Xeon E5-2600 v3 family processors, Or up to one 140W Intel Xeon E5-1600 v3 family processor:	
	E5-2699 v3 18C/2.3GHz/45MB/145W/DDR4-2133	
	E5-2698 v3 16C/2.3GHz/40MB/135W/DDR4-2133	
	E5-2697 v3 14C/2.6GHz/35MB/145W/DDR4-2133	
	E5-2695 v3 14C/2.3GHz/35MB/120W/DDR4-2133	
	E5-2690 v3 12C/2.6GHz/30MB/135W/DDR4-2133	
	E5-2687 v3 10C/3.1GHz/25MB/160W/DDR4-2133	
	E5-2685 v3 12C/2.6GHz/30MB/120W/DDR4-2133	
	E5-2683 v3 14C/2GHz/35MB/120W/DDR4-2133	
	E5-2680 v3 12C/2.5GHz/30MB/120W/DDR4-2133	
	E5-2670 v3 12C/2.3GHz/30MB/120W/DDR4-2133	
	E5-2667 v3 8C/3.2GHz/20MB/135W/DDR4-2133	
	E5-2660 v3 10C/2.6GHz/25MB/105W/DDR4-2133	
	E5-2650L v3 12C/1.8GHz/30MB/65W/DDR4-2133	
	E5-2650 v3 10C/2.3GHz/25MB/105W/DDR4-2133	
	E5-2643 v3 6C/3.4GHz/20MB/135W/DDR4-2133	
	E5-2640 v3 8C/2.6GHz/20MB/90W/DDR4-1866	
	E5-2637 v3 4C/3.5GHz/15MB/135W/DDR4-2133	
	E5-2630L v3 8C/1.8GHz/20MB/55W/DDR4-1866	
	E5-2630 v3 8C/2.4GHz/20MB/85W/DDR4-1866	
E5-2623 v3 4C/3GHz/10MB/105W/DDR4-1866		
E5-2620 v3 6C/2.4GHz/15MB/85W/DDR4-1866		
E5-2609 v3 6C/1.9GHz/15MB/85W/DDR4-1600		
E5-2603 v3 6C/1.6GHz/15MB/85W/DDR4-1600		
E5-1680 v3 8C/3.2GHz/20MB/140W/DDR4-2133		
E5-1660 v3 8C/3GHz/20MB/140W/DDR4-2133		
E5-1650 v3 6C/3.5GHz/15MB/140W/DDR4-2133		
E5-1630 v3 4C/3.7GHz/10MB/140W/DDR4-2133		
E5-1620 v3 4C/3.5GHz/10MB/140W/DDR4-2133		
E5-1607 v3 4C/3.1GHz/10MB/140W/DDR4-1866		
E5-1603 v3 4C/2.8GHz/10MB/140W/DDR4-1866		
Coprocessor	Up to one Intel Xeon Phi Coprocessor 3120A, PCIe 2.0 x16 adapter, 57 cores, 1.1GHz, 28.5MB L2 cache, 6GB memory, 300W	
Memory DIMM slots	16 DIMM sockets (8 DIMMs per processor), 8-channel capable (4-channel per processor). RDIMM or LRDIMM (cannot be intermixed), ECC, DDR4-2133	
Memory capacity	1024GB(LRDIMM)/512GB (RDIMM), 2nd CPU is needed	
Graphics and GPU computing	Four PCIe 3.0 x16 slots, two slots per processor. Up to 4 graphics, GPU computing, or coprocessors adapters per system. 2nd CPU is needed.	
	Installed CPU	Maximum quantity of PCIe x16 adapters per system (by power)
	1	1x300W+1x75W or 2x225W
2	2x300W+2x75W, or 1x300W+2x225W+1x75W, or 3x225W+1x150W	
<i>Note: PSU needs to operate at full 1300W.</i>		
Disk drive controller	RAID 0, 1, 5, 10 with onboard SATA controller in chipset, 6Gb/s SATA. RAID 0, 1, 5, 10 with optional LSI RAID flex adapter, 12Gb/s SAS and SATA. RAID 0, 1, 5, 6, 10 with optional LSI 9364-8i PCIe adapter, 1GB memory, optional 1GB flash with super capacitor, 12Gb/s SAS and SATA	
Drive Bays	Three external 5.25" bays, four internal 3.5" bays (see right)	
Flex connector	Two flex connectors (see right), one per processor. Supports one of the following: • Up to one LSI RAID flex adapter for SATA/SAS RAID. • Up to two Multi-I/O adapters for four PCIe SSD (two PCIe SSD per adapter). • Up to two M.2 flex adapters for four M.2 SSD (two M.2 SSD per adapter)	
Network interfaces	Integrated two-port Gigabit Ethernet (Intel i218LM and i210AT), supports Wake-on-LAN. Optional discrete Ethernet is available	
HD Audio	Realtek ALC662 codec	
TPM	TCG 1.2-compliant	
Power supply	One fixed 1300 watts, autosensing, 92% PSU, 80 PLUS Platinum qualified <i>Note: PSU will automatically operate in 1120W (restricted) mode if the system line input is 100-110V. For other supported system line input voltages, the PSU will operate at the full 1300W.</i>	
Front ports	Four USB 3.0 (one Diagnostic, one Always On), one combo audio/microphone jack (3.5mm)	
Rear ports	Four USB 2.0, four USB 3.0 (blue), one serial (9-pin), two ethernet (RJ-45), three analog audio ports (line-in, line-out, mic-in), two PS/2	
Media reader	Optional 29-in-1 USB 3.0 or 9-in-1 USB 2.0 card reader	
IEEE 1394	Up to one 6-pin port on rear, one 6-pin port on front, 1394a-2000, 400Mbps	

Components	Specification
Thunderbolt	Up to one Thunderbolt via optional PCIe adapter. Uses slot 5.
Mechanical	<ul style="list-style-type: none"> • 55-liter: 200mm/7.87" W x 620mm/24.4" D x 446mm/17.56" H (with feet) • Tool-less parts: power supply, disk drive, fans, adapter retention • 65.92 lb (29.9kg) max configuration
Base warranty	3-year limited onsite service with 9x5/NBD

Drive Bays and Expansion slots



3 x 5.25", for half-height optical, or up to one optional flex module (Flex module supports one or more of the following options: 9.5mm optical/29-in-1 USB 3.0 reader/front IEEE 1394/front eSATA), or up to two optional front HDD bays



- Slot 1: PCIe 3.0 x16, Full length, full height,
- Slot 2: PCIe 2.0 x1, Full length, full height
- Slot 3: PCIe 3.0 x16, Full length, full height
- Slot 4: PCIe 2.0 x1, Full length, full height
- Slot 5: PCIe 2.0 x4, Half length, full height
- Slot 6: PCIe 3.0 x16, Full length, full height, CPU2 needed
- Slot 7: PCIe 3.0 x16, Full length, full height, CPU2 needed
- Slot 8: PCIe 2.0 x4, Full length, full height, CPU2 needed

Note:

1. When LSI RAID flex adapter or 9364-8i adapter is installed, each HDD bay (HDD 1 - 4) can support 2 disk drives (1 x 3.5" drives + 2.5" SATA/SAS SSD, or 2 x 2.5" SATA/SAS SSD). SSD drives should be 7mm
2. If flex connector 1 is used, slot 2 is limited to half length.
3. If flex connector 2 is used, slot 6 and 7 are limited to half length.
4. More than 4 drives requires LSI RAID flex adapter or 9364-8i adapter

Supporting NVIDIA graphics and GPU computing list

Adapter	Cores	Memory	Power	SLI	Connector***
NVS 310	48	1GB	19.5W		2xDP
NVS 315	48	1024MB	19.5W		2xDVI-I SL/2xDP
NVS 510	192	2048MB	33.4W		4xmini DP
Quadro 410	192	512MB	36.7W		DVI-I DL+DP
Quadro K600	192	1GB	41W		DVI-I DL+2xDP
Quadro K2000	384	2GB	51.1W		DVI-I DL+2xDP
Quadro K2000D	384	2GB	51.1W		DVI-I DL+DVI-D DL+mini DP
Quadro K4000	768	3GB	80W		DVI-I DL+2xDP
Quadro K5000	1536	4GB	122W		DVI-I DL+DVI-D DL+2xDP
Quadro K6000	2880	12GB	225W	SLI	DVI-I DL+DVI-D DL+2xDP
Quadro K420	192	2GB	41W		DVI-I DL+DP
Quadro K620	384	2GB	45W		DVI-I DL+DP
Quadro K2200	640	4GB	68W		DVI-I DL+2xDP
Quadro K4200	1344	4GB	108W		DVI-I DL+2xDP
Quadro K5200	2304	8GB	150W	SLI	DVI-I DL+DVI-D DL+2xDP
Quadro M4000	1664	8GB	120W		4xDP
Quadro M5000	2048	8GB	150W		DVI-I DL+4xDP
Quadro M6000	3072	12GB	250W		DVI-I DL+4xDP
Tesla K20	2496	5GB	225W		
GRID K2	3072	8GB	225W		

*** DL = Dual link, SL = Single Link, DP = DisplayPort 1.2

Supporting storage list

(SAS drive needs LSI RAID flex adapter or 9364-8i adapter)

3.5" SATA (7.2K 6Gbs HDD)	500GB/1TB/2TB/3TB/4TB/1TB hybrid
2.5" SAS (15K 12Gbs HDD)	300GB/450GB/600GB
2.5" SATA SSD (6Gbs)	128GB/180GB/240GB/256GB/480GB/512GB/1TB (Optional OPAL)
M.2 SSD	256 GB/512GB (Optional NVMe)
2.5" PCIe SSD	400GB NVMe
PCIe SSD adapter	410GB

Environment specification and certifications

Temperature	
Operating:	50 ° F to 95 ° F (10 ° C to 35 ° C)
Storage:	-10 ° C to 60 ° C, no package -40 ° C to 60 ° C, with package
Altitude	
Operating:	-50~10000ft (-15.2~3048m)
Humidity	
Operating:	10%~80%, non-condensing
Storage:	10%~90%, non-condensing

RoHS-compliant/EPEAT Gold rating on all models, ENERGY STAR 6.1 qualified on selected models.

For the latest list of ISV certifications, please visit www.lenovo.com/support/ISV
For a list of all supported options, please visit https://download.lenovo.com/pccbbs/options_iso/ocm_april_2016.xlsx sheet

Model	Region	Processor	Graphics	Memory	RAID Controller	Max Drives in 3.5" Bays	Storage	Optical	Media Reader	Power Supply	Add-on Ports	Keyboard / Mouse	Operating System	Warranty	Global	Ann Date (mm/yy)
30A5001FUS	US	2xXeon E5-2660 v3 10C/2.6GHz/25MB/105W/DDR4-2133	NVIDIA Quadro K5200 8GB	4x8GB RDIMM DDR4-2133 ECC	Onboard	4	2x512GB SSD 2.5" SATA6Gbs	HH DVD	None	1300W 92%	None	USB / USB Optical	Windows 8.1 Pro 64-bit	3-year	No	09/15
30A5001VUS	US	1xXeon E5-2620 v3 6C/2.4GHz/15MB/85W/DDR4-1866	NVIDIA Quadro K4200 4GB	1x8GB RDIMM DDR4-2133 ECC	Onboard	4	1x1TB HDD 7.2K 3.5" SATA6Gbs	HH DVD±RW	9-in-1	1300W 92%	None	USB / USB Optical	Windows 10 DG Windows 7 Pro 64	3-year	No	03/16
30A5001WUS	US	1xXeon E5-2650 v3 10C/2.3GHz/25MB/105W/DDR4-2133	Open	2x8GB RDIMM DDR4-2133 ECC	Onboard	4	1x256GB SSD M.2 PCIe Opal	HH DVD±RW	9-in-1	1300W 92%	None	USB / USB Optical	Windows 10 DG Windows 7 Pro 64	3-year	No	03/16

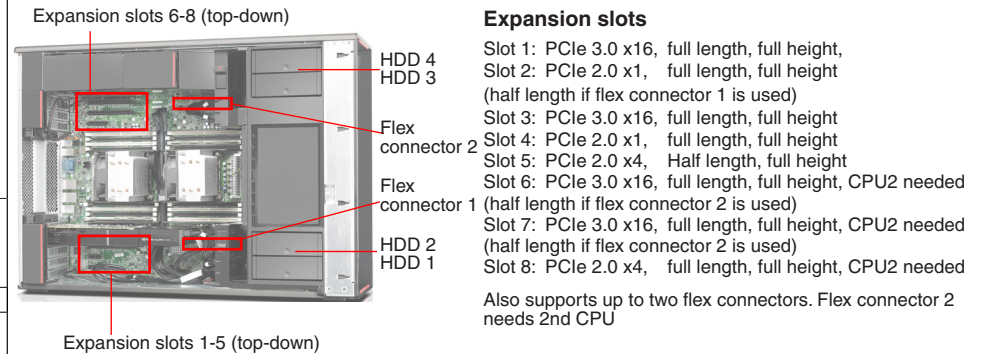
Model	Region	Processor	Graphics	Memory	RAID Controller	Max Drives in 3.5" Bays	Storage	Optical	Media Reader	Power Supply	Add-on Ports	Keyboard / Mouse	Operating System	Warranty	Global	Ann Date (mm/yy)
30A4002CUS	US	1xXeon E5-2623 v3 4C/3GHz/10MB/105W/DDR4-1866	Open	2x4GB RDIMM DDR4-2133 ECC	Onboard	4	1x180GB SSD 2.5" SATA6Gbs	HH DVD±RW	9-in-1	1300W 92%	None	USB / USB Optical	Windows 8.1 Pro 64-bit	3-year	No	10/14
30A4002DUS	US	1xXeon E5-2637 v3 4C/3.5GHz/15MB/135W/DDR4-2133	Open	2x4GB RDIMM DDR4-2133 ECC	Onboard	4	1x256GB SSD M.2 PCIe	HH DVD±RW	9-in-1	1300W 92%	None	USB / USB Optical	Windows 8.1 Pro 64-bit	3-year	No	10/14
30A4002EUS	US	1xXeon E5-2643 v3 6C/3.4GHz/20MB/135W/DDR4-2133	Open	2x8GB RDIMM DDR4-2133 ECC	Onboard	4	1x512GB SSD 2.5" SATA6Gbs	HH DVD±RW	9-in-1	1300W 92%	None	USB / USB Optical	Windows 8.1 Pro 64-bit	3-year	No	10/14
30A4002FUS	US	1xXeon E5-2667 v3 8C/3.2GHz/20MB/135W/DDR4-2133	Open	2x8GB RDIMM DDR4-2133 ECC	Onboard	4	1x512GB SSD 2.5" SATA6Gbs	HH DVD±RW	9-in-1	1300W 92%	None	USB / USB Optical	Windows 8.1 Pro 64-bit	3-year	No	10/14
30A40032US	US	2xXeon E5-2640 v3 8C/2.6GHz/20MB/90W/DDR4-1866	NVIDIA Quadro K4200 4GB	4x8GB RDIMM DDR4-2133 ECC	Onboard	4	2x256GB SSD 2.5" SATA6Gbs Opal	HH DVD±RW	None	1300W 92%	None	USB / USB Optical	Windows 8.1 Pro 64-bit	3-year	No	09/15

ThinkStation P910 Platform Specifications

Product Specifications Reference (PSREF)

Components	Specification					
Chipset	Intel C612 Platform Controller Hub (PCH)					
System mgmt	Intel Active Management Technology 9					
Processor	Up to two 160W Intel Xeon E5-2600 v4 family processors. Each processor supports up to 22 cores up to 2.2GHz, 16 cores up to 2.6GHz, 14 cores up to 2.6GHz, 12 cores up to 3GHz, 10 cores up to 2.4GHz, 8 cores up to 3.2GHz, 6 cores up to 3.4GHz, 4 cores up to 3.5GHz. Or up to two Intel Xeon E5-2620 v3 or E5-2609 v3 processors (not available in EMEA)					
Coprocessor	Optional. Up to one Intel Xeon Phi Coprocessor 3120A, PCIe 2.0 x16 adapter, 57 cores, 1.1GHz, 28.5MB L2 cache, 6GB memory, 300W					
Memory DIMM slots	16 DIMM sockets (8 DIMMs per processor), 8-channel capable (4-channel per processor). RDIMM or LRDIMM (cannot be intermixed), ECC, DDR4, 2400MHz					
Memory capacity	896GB (LRDIMM, 14x64GB)/512GB (RDIMM, 16x32GB), 2nd CPU is needed					
Graphics and GPU computing	Four PCIe 3.0 x16 slots for graphics and GPU computing cards, two slots per processor					
	Installed CPU	Maximum quantity of PCIe x16 adapters per system (by power)				
	1	1x300W+1x75W or 2x150W				
2	2x300W+2x75W, or 1x300W+2x150W+1x75W, or 4x150W					
Supporting Graphics and GPU computing	Adapter	Cores	Memory	Power	SLI	Connector***
	NVS 310	48	1GB	19.5W		2xDP
	NVS 315	48	1GB	19.5W		2xDVI-I SL/2xDP
	NVS 510	192	2GB	35W		4xmini DP
	NVS 810	1024	4GB	68W		8xmini DP
	Quadro K420	192	2GB	41W		DVI-I DL+DP
	Quadro K620	384	2GB	45W		DVI-I DL+DP
	Quadro K1200	512	4GB	45W		4xmini DP
	Quadro K2200	640	4GB	68W		DVI-I DL+2xDP
	Quadro K4200	1344	4GB	108W		DVI-I DL+2xDP
	Quadro K5200	2304	8GB	150W	SLI	DVI-I DL+DVI-D DL+2xDP
	Quadro M2000	768	4GB	75W		4xDP
	Quadro M4000	1664	8GB	120W		4xDP
Quadro M5000	2048	8GB	150W	SLI	DVI-I DL+4xDP	
Quadro M6000	3072	24GB	250W	SLI	DVI-I DL+4xDP	
Tesla K40	2880	12GB	235W			
Disk drive controller	RAID 0, 1, 5, 10 with onboard SATA controller in chipset, 6Gb/s SATA. RAID 0, 1, 5, 10 with optional LSI RAID flex adapter, 12Gb/s SAS and SATA. RAID 0, 1, 5, 6, 10 with optional LSI 9364-8i PCIe adapter, 1GB memory, 12Gb/s SAS and SATA					
Drive Bays	Three external 5.25" bays, four internal 3.5" dual drives bays (see right)					
Supporting storage	3.5" SATA HDD, 7.2K 6Gbs	500GB/1TB/2TB/3TB/4TB/1TB hybrid/2TB hybrid				
	2.5" SAS HDD, 15K 12Gbs	300GB/600GB				
	2.5" SAS SSD, 12Gbs	200GB/400GB/800GB				
	2.5" SATA SSD, 6Gbs	180GB/240GB/256GB/480GB/512GB/1TB, optional OPAL				
	PCIe SSD, 2.5"	400GB				
	PCIe SSD, M.2	256 GB/512GB				
PCIe SSD adapter	400GB					
Flex connector	Two flex connectors (see right), one per processor. Supports one of the following: • Up to one LSI RAID flex adapter for SATA/SAS RAID. • Up to two Multi-I/O adapters for four PCIe SSD (two PCIe SSD per adapter). • Up to two M.2 flex adapters for four M.2 PCIe SSD (two M.2 PCIe SSD per adapter)					
Network interfaces	Integrated two-port gigabit ethernet (Intel i218LM and i210AT), supports Wake-on-LAN. Optional discrete ethernet adapters are available					
HD Audio	Realtek ALC662 codec					
TPM	TCG 1.2-compliant					
Power supply	One fixed 1300 watts, autosensing, 92% PSU, 80 PLUS Platinum qualified <i>Note: PSU will automatically operate in 1120W (restricted mode) if the system line input is 100-110V. For other supported system line input voltages, the PSU will operate at the full 1300W.</i>					

Components	Specification	
Front ports	Four USB 3.0 (one Diagnostic, one Always On), one combo audio/microphone jack (3.5mm)	
Rear ports	Four USB 2.0, four USB 3.0 (blue), one serial (9-pin), two ethernet (RJ-45), three analog audio ports (line-in, line-out, mic-in), two PS/2	
Add-on ports	Supports the following optional ports: Two IEEE 1394 (one on rear and one on front flex module) via PCIe adapter, up to one adapter per system. Two rear USB 3.0 per PCIe adapter, up to three adapters per system. One rear Thunderbolt via PCIe adapter. One front eSATA (on flex module), or one rear eSATA via cable (also needs one PCIe slot), up to one eSATA port per system. One internal USB 3.0 port via cable, cannot be intermixed with 29-in-1 reader	
Media reader	9-in-1 USB 2.0 card reader. Optional 29-in-1 USB 3.0 card reader on flex module	
Mechanical	• 55-liter: 200mm/7.87" W x 620mm/24.4" D x 446mm/17.56" H (with feet) • Tool-less parts: all except CPU fansink • 71.3 lb (32.3kg) max configuration	
	Temperature - operating	50 °F to 95 °F (10 °C to 35 °C)
Environmental specification	Temperature - non operating (no package)	14 °F to 140 °F (-10 °C to 60 °C)
	Temperature - non operating (with package)	-40 °F to 140 °F (-40 °C to 60 °C)
	Altitude - operating	(Unpressurized): 0-10000ft (0-3048m)
	Humidity - operating	10%-80%, non-condensing
	Humidity - storage (with package)	10%-90%, non-condensing
	RoHS-compliant, GREENGUARD on all models. EPEAT Gold rating, ENERGY STAR 6.1 qualified on selected models.	
Base warranty	3-year limited onsite service with 9x5/NBD	



Drive bays
HDD 1-4: Standard 3.5" HDD bay, up to four 3.5" or 2.5" disk drives.
Each 3.5" bay supports 2.5" (9mm or less) drive plus 3.5" drive, or two 2.5" (15mm or less) drives. More than 4 drives requires LSI RAID flex adapter or 9364-8i adapter,
Flex bay: Three 5.25" flex bays, for HH optical drives.
Or up to one optional flex module (Flex module supports one or more of the following options: 9.5mm optical/29-in-1 USB 3.0 reader/front IEEE 1394/front eSATA).
Or up to two HDD bays for two drives, 3.5" or 2.5" each, SATA only.

For the list of ISV certifications, please visit www.thinkworkstations.com/isv-certifications/
For a list of all supported options, please visit https://download.lenovo.com/pccbbs/options_iso/ocm_july_2016.xlsx

Model	Region	Processor	Graphics	Memory	RAID Controller	Max Drives in 3.5" Bays	Storage	Optical	Media Reader	Power Supply	Add-on Ports	Keyboard / Mouse	Operating System	Warranty	Global	Ann Date (mm/yy)
30B9000EUS	US	1xXeon E5-2643 v4 6C/3.4GHz/ 20MB/135W/DDR4-2400	Open	2x8GB RDIMM DDR4-2400 ECC	Onboard	4	1x512GB SSD 2.5" SATA6Gbs	HH DVD±RW	9-in-1	1300W 92%	None	USB / None	Windows 10 Pro 64	3-year	No	04/16
30B9000FUS	US	2xXeon E5-2650 v4 12C/2.2GHz/ 30MB/105W/DDR4-2400	NVIDIA Quadro M5000 8GB	4x8GB RDIMM DDR4-2400 ECC	Onboard	4	1x1TB SSD 2.5" SATA6Gbs	HH DVD±RW	9-in-1	1300W 92%	None	USB / None	Windows 10 Pro 64	3-year	No	04/16
30B9000GUS	US	2xXeon E5-2643 v4 6C/3.4GHz/ 20MB/135W/DDR4-2400	Open	4x8GB RDIMM DDR4-2400 ECC	Onboard	4	1x1TB SSD 2.5" SATA6Gbs	HH DVD±RW	9-in-1	1300W 92%	None	USB / None	Windows 10 Pro 64	3-year	No	04/16
30B9000HUS	US	1xXeon E5-2623 v4 4C/2.6GHz/ 10MB/85W/DDR4-2133	Open	2x8GB RDIMM DDR4-2400 ECC	Onboard	4	1x512GB SSD 2.5" SATA6Gbs	HH DVD±RW	9-in-1	1300W 92%	None	USB / None	Windows 10 Pro 64	3-year	No	04/16
30B9001NUS	US	2xXeon E5-2650 v4 12C/2.2GHz/ 30MB/105W/DDR4-2400	NVIDIA Quadro M4000 8GB	4x8GB RDIMM DDR4-2400 ECC	Onboard	4	1x1TB HDD 7.2K 3.5" SATA6Gbs+1x512GB SSD M.2 PCIe	HH DVD±RW	9-in-1	1300W 92%	None	USB / USB Optical	Windows 10 Pro 64	3-year	No	07/16
30B9001PUS	US	2xXeon E5-2650 v4 12C/2.2GHz/ 30MB/105W/DDR4-2400	Open	4x8GB RDIMM DDR4-2400 ECC	Onboard	4	1x1TB HDD 7.2K 3.5" SATA6Gbs+1x512GB SSD M.2 PCIe	HH DVD±RW	9-in-1	1300W 92%	None	USB / USB Optical	Windows 10 Pro 64	3-year	No	07/16
30B9001UUS	US	2xXeon E5-2650 v4 12C/2.2GHz/ 30MB/105W/DDR4-2400	NVIDIA Quadro M4000 8GB	4x8GB RDIMM DDR4-2400 ECC	Onboard	4	1x1TB HDD 7.2K 3.5" SATA6Gbs+1x512GB SSD M.2 PCIe	HH DVD±RW	9-in-1	1300W 92%	None	USB / USB Optical	Windows 10 DG Windows 7 Pro 64	3-year	No	09/16
30B9001VUS	US	2xXeon E5-2650 v4 12C/2.2GHz/ 30MB/105W/DDR4-2400	Open	4x8GB RDIMM DDR4-2400 ECC	Onboard	4	1x1TB HDD 7.2K 3.5" SATA6Gbs+1x512GB SSD M.2 PCIe	HH DVD±RW	9-in-1	1300W 92%	None	USB / USB Optical	Windows 10 DG Windows 7 Pro 64	3-year	No	09/16
30B9001WUS	US	1xXeon E5-2643 v4 6C/3.4GHz/ 20MB/135W/DDR4-2400	Open	2x8GB RDIMM DDR4-2400 ECC	Onboard	4	1x512GB SSD 2.5" SATA6Gbs	HH DVD±RW	9-in-1	1300W 92%	None	USB / None	Windows 10 DG Windows 7 Pro 64	3-year	No	09/16
30B9001XUS	US	2xXeon E5-2650 v4 12C/2.2GHz/ 30MB/105W/DDR4-2400	NVIDIA Quadro M5000 8GB	4x8GB RDIMM DDR4-2400 ECC	Onboard	4	1x1TB SSD 2.5" SATA6Gbs	HH DVD±RW	9-in-1	1300W 92%	None	USB / None	Windows 10 DG Windows 7 Pro 64	3-year	No	09/16
30B9001YUS	US	2xXeon E5-2643 v4 6C/3.4GHz/ 20MB/135W/DDR4-2400	Open	4x8GB RDIMM DDR4-2400 ECC	Onboard	4	1x1TB SSD 2.5" SATA6Gbs	HH DVD±RW	9-in-1	1300W 92%	None	USB / None	Windows 10 DG Windows 7 Pro 64	3-year	No	09/16
30B90020US	US	1xXeon E5-2623 v4 4C/2.6GHz/ 10MB/85W/DDR4-2133	Open	2x8GB RDIMM DDR4-2400 ECC	Onboard	4	1x512GB SSD 2.5" SATA6Gbs	HH DVD±RW	9-in-1	1300W 92%	None	USB / None	Windows 10 DG Windows 7 Pro 64	3-year	No	09/16



Availability: All offers subject to availability. Lenovo reserves the right to alter product offerings and specifications at any time, without notice. Lenovo is not responsible for photographic or typographic errors.

Warranty: For a copy of applicable product warranties, write to: Warranty Support Dept., EMEA Services, Lenovo, Eisteinova 21, 851 01 Bratislava, Slovakia. Lenovo makes no representation or warranty regarding third party products or services.

¹ **Limited warranty:** Support unrelated to a warranty issue may be subject to additional charges.

² **Hard drive:** GB = billion bytes, TB = trillion bytes. Accessible capacity is less.

³ **Systems with limited onsite service** are designed to be repaired during the applicable warranty period primarily with customer-replaceable parts provided by Lenovo. Lenovo will only send a technician onsite to perform a repair if (a) remote telephone diagnosis and/or customer part replacement are unable to resolve the problem, or (b) the part is one of the few designated by Lenovo for onsite replacement. For a list of onsite replaceable parts, contact Lenovo. Support unrelated to a warranty issue may be subject to additional charges. Support phone list available at www-307.ibm.com/pc/support/site.wss/document.do?Indocid=MIGR-70552

⁴ **SATA/SAS:** The system configuration supports the installation of SATA, SAS, or mixing of SATA and SAS. But mixing of SATA and SAS disks into one RAID array will not be supported.

⁵ **Included software** may differ from its retail version (if available), and may not include user manuals or all program functionality. License agreements may apply.

⁶ **Multi-Burner Plus** is a DVD±RW device that reads and writes to DVD-RAM, DVD-R, DVD-RW, DVD+R, and DVD+RW. It also reads and writes to CD-R and CD-RW media. Super Multi-Burner DL also writes to DVD+R double layer media.

⁷ **Lenovo Services:** These services are available for machines normally used for business, professional, or trade purposes, rather than personal, family, or household purposes. Not all machine types and models are covered. Service period begins with the equipment date of purchase. Service must be purchased during the original limited product warranty period. Service levels are response time objectives and are not guarantees. If the machine problem turns out to be a Customer Replaceable Unit (CRU), a part will be express shipped to you for quick replacement. See Lenovo Warranty Services terms and conditions for complete details and restrictions.

⁸ **RAID:** Supported RAID levels for a system will vary from the stated capabilities of the RAID controller due to dependencies on the number and capacity of physical disks in the system and on customer requirements for performance, fault tolerance, or data redundancy.

RAID levels and requirements:

- **RAID 0 (striping)** provides increased performance by writing data across multiple drives.
- **RAID 1 (mirroring)** provides fault tolerance by writing the data on two drives.
- **RAID 5 (striping with parity)** uses distributed parity data to provide fault tolerance more efficiently than RAID 1. Requires three or more drives.
- **RAID 10 (or RAID 1+0)** combines RAID 1 and RAID 0 to create a stripe of mirrors that is fault tolerant while offering increased performance. Requires four drives.

⁹ **International Warranty Service** is available in any country in which this product is sold and serviced. Service delivery methods and parts availability vary by country, may be different from that in the country of purchase, and are subject to change without notice. Fees and restrictions may apply in some countries.

¹⁴ **Response times may vary.** May exclude some holidays. Telephone support may be subject to additional charges.

²⁰ **Operating System:** Level of support varies by operating system. Operating systems not preloaded on the system may not provide full feature functionality. Refer to lenovo.com/pc/support and enter your machine type and model number for more information.

This publication was developed for products and services offered in the United States. Lenovo may not offer the products, services or features discussed in this document in other countries. Lenovo may withdraw an offering at any time. Information is subject to change without notice. Consult your local representative for information on offerings available in your area.

Lenovo reserves the right to change specifications and other product information at any time without prior notice. Lenovo is not responsible for photographic or typographical errors. LENOVO PROVIDES THIS PUBLICATION "AS IS" WITHOUT WARRANTY OF ANY KIND, EITHER EXPRESS OR IMPLIED, INCLUDING THE IMPLIED WARRANTIES OF MERCHANTABILITY OR FITNESS FOR A PARTICULAR PURPOSE. Some jurisdictions do not allow disclaimer of express or implied warranties in certain transactions; therefore this disclaimer may not apply to you.

Trademarks: Lenovo, the Lenovo logo, New World, New Thinking., Access Connections, Rescue and Recovery, ThinkCentre, ThinkPad, ThinkServer, ThinkStation, ThinkVantage, and ThinkVision are trademarks of Lenovo. Microsoft, Windows, and Vista are registered trademarks of Microsoft Corporation. Intel, the Intel logo, Intel Inside logo, Intel Core and Core Inside are trademarks of Intel Corporation in the US and other countries. Other company, product, or service names may be trademarks or service marks of others.

Visit www.lenovo.com/safecomputing periodically for the latest information on safe and effective computing.

Visit www.lenovo.com/thinkstation/europe for the latest version of Product Specifications Reference.

© Lenovo
All rights reserved.

Lenovo
1009 Think Place
Morrisville, NC 27560
U.S.A.