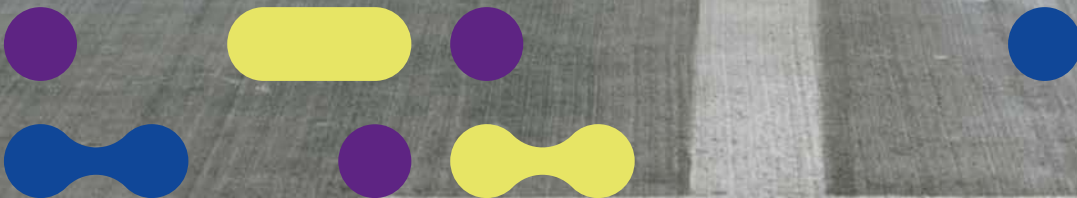




# Welcome on board

Silicone solutions for the aviation industry





DECORATIVE PRODUCTS

Worldwide, our exclusive partner Decorative Products supports with the distribution of selected line fit and aftermarket items.

# »Developing custom-fit and cross-industry silicone solutions.«

## Contents

Our values .....	4
Materials and formulations .....	8
Professional solutions .....	9
1 Silicone .....	10
1.1 Silicone profiles .....	11
1.1.1 Standard ABS components .....	12
1.1.2 Interior area seals .....	14
1.2 Silicone hoses .....	16
1.2.1 RTM hose .....	16
Competence and reliability .....	17
2 Combined know-how .....	18



Our verbal and written advice relating to technical applications is based on experience and is to the best of our knowledge correct but is given without obligation. The use of Silnova products in conditions that are beyond our control or for applications other than those specified releases us from any obligation in regard to claims made in respect of the products. We recommend that the suitability of any Silnova product for the intended application should be checked. Utilization and processing of our products are beyond our control and are therefore exclusively your responsibility. In the event that a liability is nevertheless considered, any compensation will be limited to the value of the goods supplied by us and used by you. Our warranty assumes consistent quality of our products in accordance with our specification and in accordance with our general conditions of sale.

This document is protected by copyright. All rights based on this are reserved. No part of this publication may be translated, reproduced or transmitted in any form or by any similar means, electronic or mechanical, photocopying, recording or otherwise, or stored in a data retrieval system.

# Our values



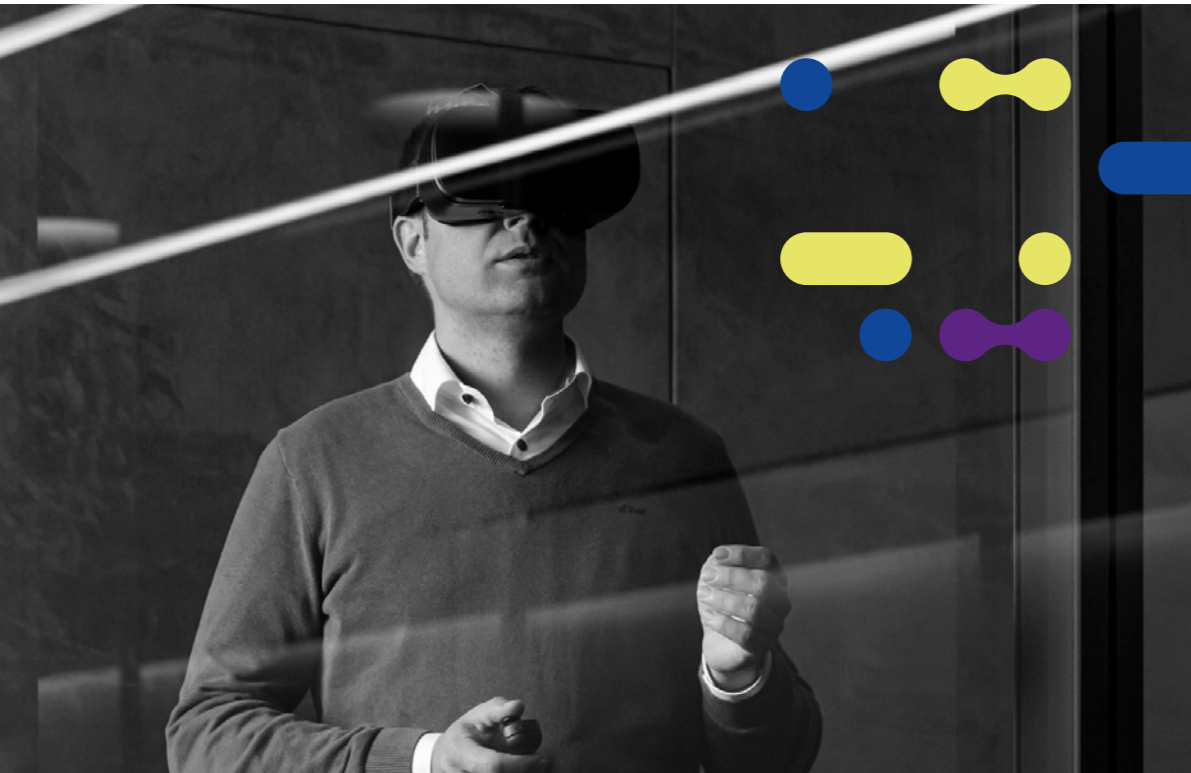
Development partner + Standards competence

## thinking silicone

We know how. We are a development partner with materials expertise and wide-ranging knowledge of industry standards. Our core competence is the extrusion and injection molding of customer-specific silicone solutions. Numerous high-profile companies already rely on our know-how and expertise.

We develop and produce customized silicone solutions that comply with the local requirements of your target market, including certifications and production standards, regardless of industry or application.





Innovative spirit + Challenge

# driven by tomorrow

We are the innovators of the silicone industry. From smartification, sustainability and innovative manufacturing to time optimization in logistics processes: We stand ready to take on new challenges with pioneering spirit and innovative strength. We have our finger on the pulse of the industry, so that we can continue to develop optimal solutions in the future, too.

You will always find the right solution at Silnova. If it has not already been developed, we will design it especially to suit your specific application. As your experienced development partner, we always look beyond the product itself.

Partnership + Peace of mind

# easy to work with

As a comprehensive business partner, we can offer you a full-service, "no-worries" package to give you greater peace of mind. Our industry expertise allows us to provide our customers with long-term advisory services and practical support.

As a member of the REHAU group we can create a synergy from which we gain unique added value from the earliest stages of ideation through to serial production. Working with us, you will always have the familiar face of a personal contact to whom you can turn at every stage of your project. Our unparalleled service is available to you in word and deed; no matter where, no matter when.



Our Know-how:

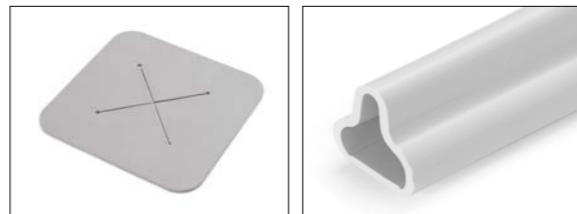
# Materials and formulations

**Development of our own materials is one of our cornerstones and quality, reliability and customer value are at its core. Our material competence is focused on silicone.**

Silicone combines extreme properties in structure and durability. The performance spectrum of silicone begins where other materials reach their limits. However, the material is not a product solution in itself. Only when development work, prototype construction and certification have been completed does the product become a custom-fit solution. Our synergy concept allows

us to supply you with tailor-made silicone solutions. Our tubings, profiles, seals and molded parts offer you unique quality thanks to our German production site coupled with our worldwide network. From idea to serial production, we partner with you through the whole process. We can accelerate implementation with our prototyping services, such as 3D printing.

**For the aviation industry we design and produce profiles, gaskets and molded parts for the interior of aircraft cabins. Our innovative silicone formulations with aviation approvals meet the stringent requirements for fire behavior and toxicity. Our corporate silicone compounding facilities allow colors individually matched to your specific requirements.**



### Certified formulations

Shore A50: AIMS 04-07-003 · DAN 1106 · RAU-SIK 8968

Shore A70: AIMS 04-07-006 · DAN 1107 · RAU-SIK 8964

For the aviation industry

# Professional solutions

**Our Silnova engineers guide the product from first idea through development until final usage and are always there to support our customers.**

Our **production- and processing department** offers a variety of solutions for all requirements, from individual to series manufacturing to optimized manufacturing processes.

The material competence of our Silnova **Inhouse material development** offers cost- and benefit optimized solutions even for special applications.

In **post processing** Silnova trusts on a variety of surface finishes as well as confectioning to realize various product characteristics.

### Material competence

Silicone

### Production processes

Extrusion, injection molding

### Assembly/finishing:

braiding, cutting, punching, drilling, bonding, annealing, talcum powdering



»High performing – even under the most extreme conditions«



## 1 Silicone

### 1.1 Silicone profiles

#### 1.1.1 Standard ABS components

**Product**

Standard profile (AIRBUS), gap sealing for side wall panels and hatracks, further standard profiles and developments on request

**Function**

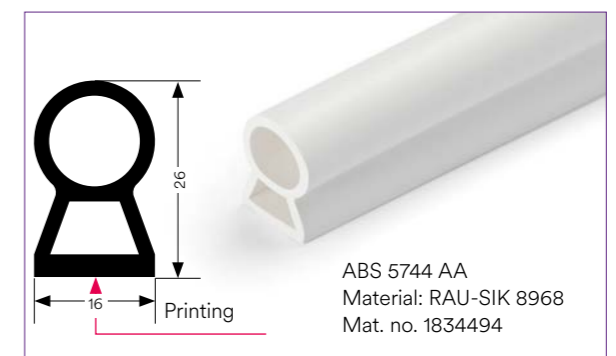
Sealing  
hiding gaps  
fixing elements

**Material**

Silicone  
DAN 1106 · AIMS 04-07-003 · RAU-SIK 8968  
DAN 1107 · AIMS 04-07-006 · RAU-SIK 8964

**Process**

Extrusion

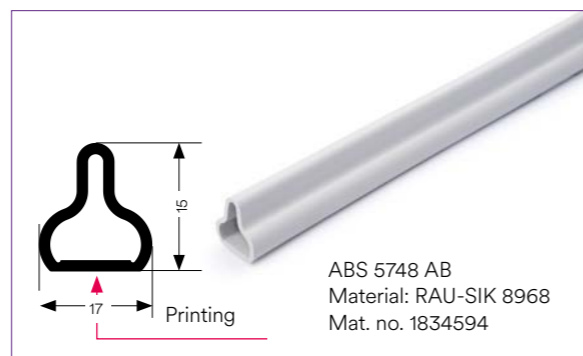
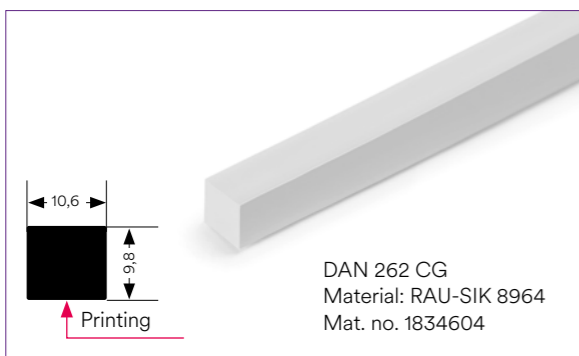
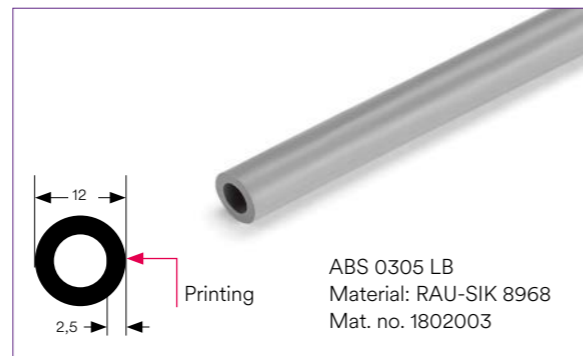
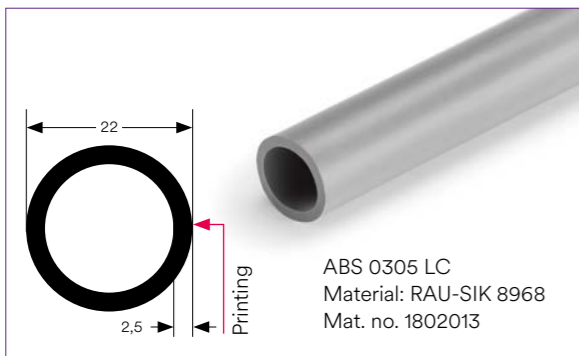
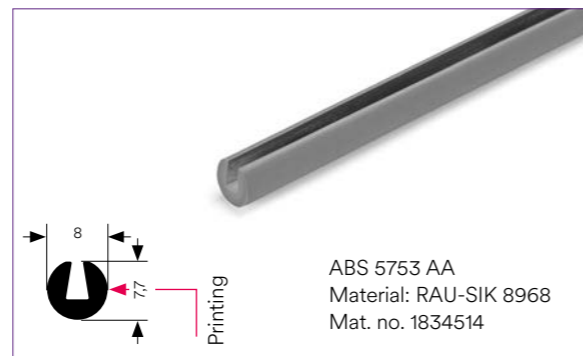
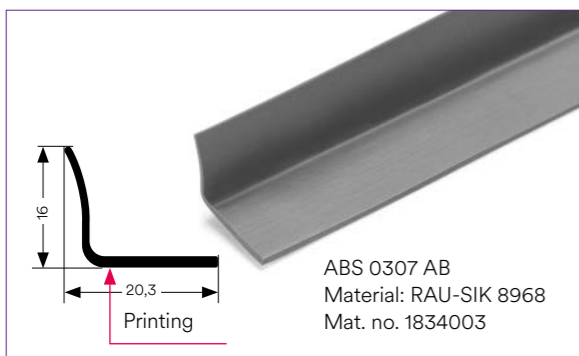




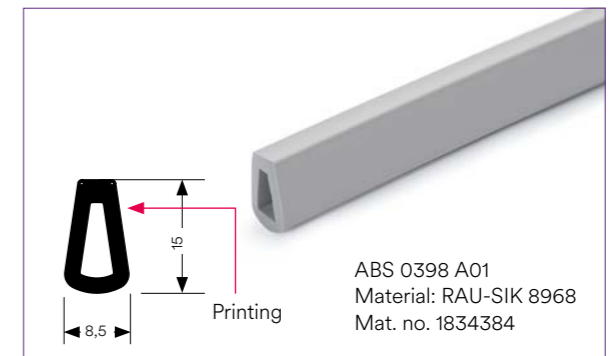
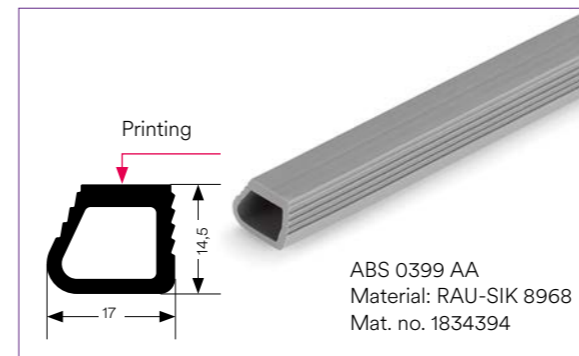
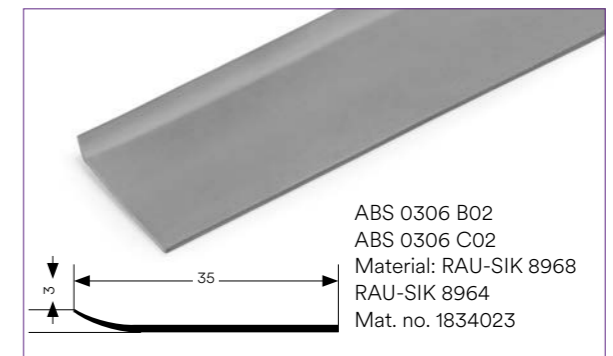
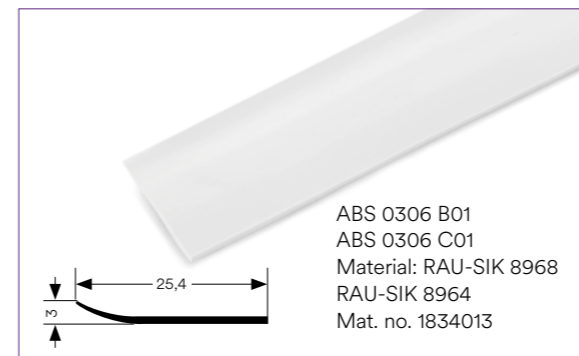
**Silicone**



**1.1.1 Standard ABS components**



**1.1.1 Standard ABS components**





# Silicone

## 1.1.2 Interior area seals

Material: RAU-SIK 8968  
Mat.-No. 1834484

Material: RAU-SIK 8968  
Mat.-No. 1834095

Material: RAU-SIK 8968  
Mat.-No. 1834085

Material: RAU-SIK 8968  
Mat.-No. 1834354

Material: RAU-SIK 8968  
Mat.-No. 1850758  
Fabrication: Water-jet cut

Material: RAU-SIK 8325  
Mat.-No. 1825541  
Fabrication: Compression moulded part, slotted

## 1.1.2 Interior area seals

Material: RAU-SIK 8968  
Mat.-No. 1834075  
Fabrication: Adhesive tape application

Material: RAU-SIK 8968  
Mat.-No. 1834175  
Fabrication: Punching + adhesive tape application

Material: RAU-SIK 8964  
Mat.-No. 1834224  
Fabrication: Punching + forming bonding

Material: RAU-SIK  
Mat.-No. 1834314

Material: RAU-SIK 8964  
Mat.-No. 1834074

Material: RAU-SIK 8964  
Mat.-No. 1834714

Material: RAU-SIK 8964  
Mat.-No. 1834178

Material: RAU-SIK 8968  
Mat.-No. 1834179

Material: RAU-SIK 8968  
Mat.-No. 1834274

Material: RAU-SIK 8968  
Mat.-No. 1834176





# Silicone



1.2.1

## 1.2 Silicone hoses

### 1.2.1 RTM hose

**Material**  
Silicone

**Product**  
RAUSILAM FG 8 x 13,6d

**Process**  
Extrusion

**Function**  
Reinforced RAUSILAM hose for resin injection in resin transfer moulding process



Material: RAU-SIK 8763  
Mat.-No. 1807388

### Advantages

- High safety, including temperature resistance up to 180°C for short periods of time
- Reduction of volatile compounds through post-curing during production, thus avoiding migration / contamination in the resin
- Transparent solution without talc, thus no contamination of the resin and full monitoring of resin flow-related impurities, blistering and premature cross-linking

On top of this flexible hose system impresses with resistance to heat and pressure and is plasticiser-free, in contrast to other flexible hose systems. It ensures good gliding properties without the use of talc and is versatile High flexibility thanks to PES filament reinforcement. It also allows to check/monitor the burst pressure.

## Competence & reliability

Quality is the basis for our success. By fulfilling our customers quality needs and requirements we can supply a significant puzzle piece to a successful project.

- Extreme heat resistance<sup>1</sup>
- Extreme low temperature flexibility<sup>2</sup>
- Permanently elastic at high and low temperatures
- Excellent resilience
- Weather-, ozone- and UV-resistance
- Odorless and tasteless
- Water-repellent
- Electrically insulating
- Can be sterilized
- Wide-ranging chemical resistance
- Free of plasticizers (consequently no plasticizer migration)
- Transparency & color settings
- Suitable for food contact
- Water vapor resistance<sup>3</sup>
- Physiological inertness
- Flame retardant
- Flue gas resistance

<sup>1</sup> In dry heat up to +200 °C, in specific formulations up to approximately +300°C, briefly up to approximately +315°C

<sup>2</sup> Up to approximately -60 °C, special types up to approximately -90 °C

<sup>3</sup> Up to approximately 2 bar



# 2 Combined know-how

## Looking for even more?

Silnova is part of the REHAU group. Inside of it you will find even more tailor-made solutions for the aviation industry.



**01.01**  
**Seat rail covers**  
The safe connection point between passenger and aircraft



**01.02**  
**Bumper system**  
The bodyguard for lightweight structures



**01.03**  
**Cover profiles**  
The clever transition between different floor coverings



**01.04**  
**Lighting covers**  
Elegant design with sophisticated functional details



**02.01**  
**Handrails**  
Ergonomic and functional safety



**02.02**  
**PSU intermediate rail**  
The elegant connection between operating unit and overhead locker



**02.03**  
**Air ducts**  
For a pleasant and hygienic atmosphere in the aircraft



**03.01**  
**Edge protector**  
Safely covered, both in the overhead locker and on the handrails



**03.02**  
**Overhead locker brackets**  
The reliable support in the overhead locker



**04.01**  
**Retainers and slide guides for window systems**  
Permanent fixing of interior elements



**04.02**  
**Guide rails for side wall panels**  
The custom-fit connection between wall panels



**04.03**  
**Clamping rails for side wall panels**  
Fixation between side walls panels and the fuselage



**You + Silnova**

# Let's synergize!

Contact us to benefit from our unique synergy of industry knowledge and material expertise. We offer custom-fit silicone solutions for every industry.

**Silnova GmbH**

Zehstraße 5  
D – 95111 Rehau  
+49 9283 - 770  
info@silnova.eu  
silnova.eu