

MP Compact4 / MP Compact4 Mobile

Replacement Parts Catalog ■ ■ ■

Covers the following models:

MP Compact4

MP Compact4 Mobile



right by our customers. ■ ■ ■



datamax·o'neil

Table of Contents

Spare Part Catalog



1. Instructions

2. Printer

3. Compact

- Top Cover
- Body
- Base
- Cables
- Repair Spare Kit
- Options
- Peel Off
- Cleaning

4. Compact Mobile

- Top Cover
- Body
- Base
- Plate
- Cables
- Repair Spare Kit
- Options
- Peel Off
- Cleaning

1. Instructions



Liability

Datamax-O'Neil cannot be held responsible if safety instructions and, generally speaking, basic safety rules for using and servicing these products are not followed.

Any modifications carried out may be counter to product compliance and the relevant safety standards. Therefore, Datamax-O'Neil cannot be held liable for any malfunction or damage caused by any modification unless recommended by DATAMAX-O'NEIL, or for any incident arising from use of the product for any purposes other than those for which it is designed. It is the sole responsibility of the user to take the required precautions.

Use

Only use Datamax-O'Neil original spare parts and consumables (ribbon, cleaning products, servicing products).

Other types of consumables should not be used without Datamax-O'Neil's written approval, and any consequences shall be under the entire responsibility of the user.

Servicing

Always unplug the printer from the electrical outlet before performing any maintenance.

Use appropriate tools for any work on the electrical circuits.

We recommend that the repairs be carried out by persons who have been given the technical training proposed by Datamax-O'Neil.



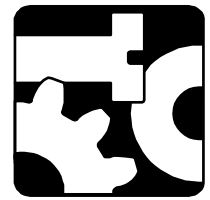
Lithium Battery: There is a danger of explosion or fire if the battery is incorrectly replaced. Replace only with the same or equivalent type recommended by the manufacturer. Discard used batteries according to the manufacturer's instructions.

Information in this document is subject to change without notice and does not represent a commitment on the part of Datamax-O'Neil Corporation. No part of this manual may be reproduced or transmitted in any form or by any means, for any purpose other than the purchaser's personal use, without the expressed written permission of Datamax-O'Neil Corporation.

Part Number 88-2346-01 Rev. E

All rights reserved. © Copyright 2011 by Datamax-O'Neil Corporation

2. Thermal Printers



This manual lists all major spare parts, for each of the models shown below. The printer can also be equipped with accessories or options, the most common are also found in this manual.



Compact

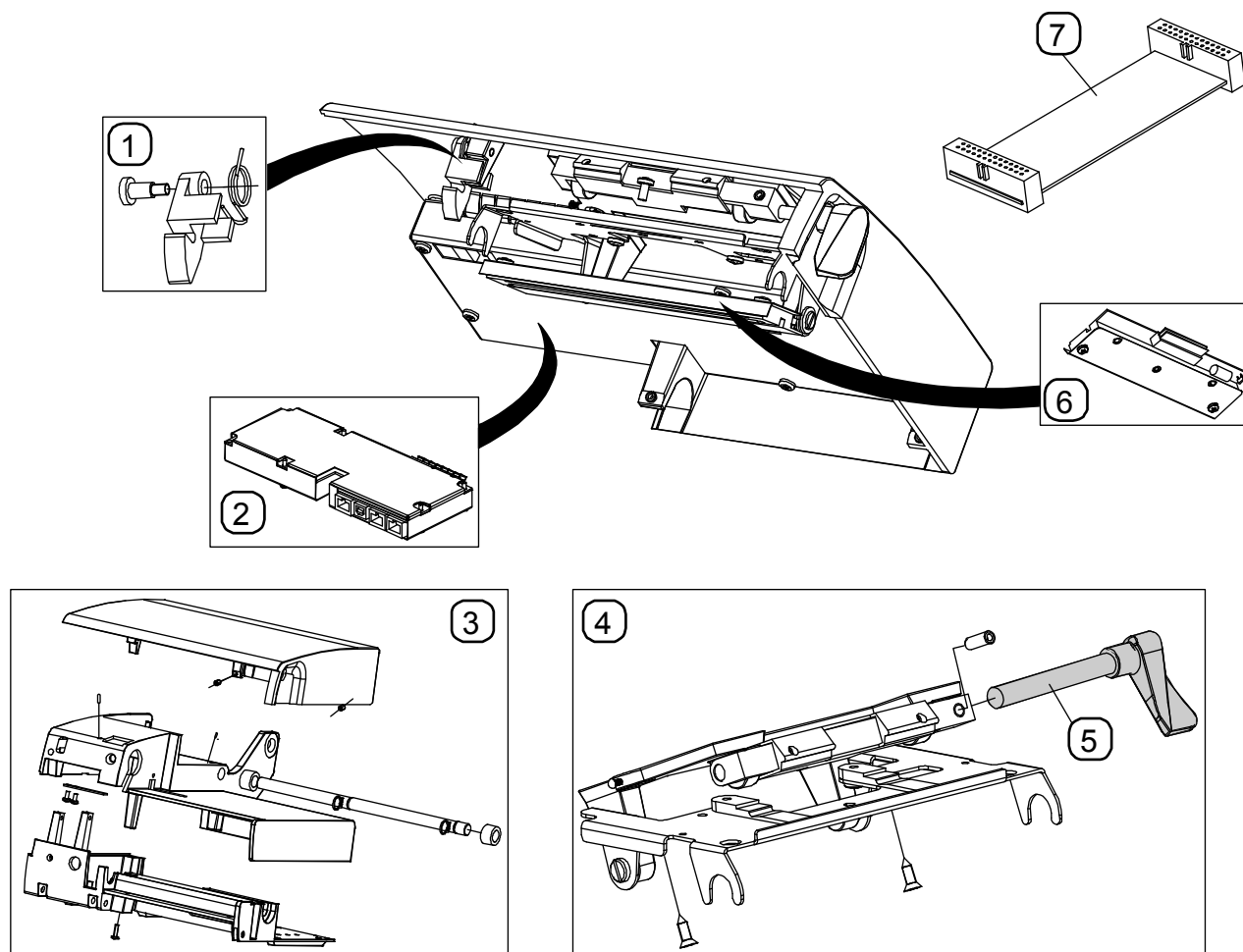


Compact Mobile

3. Compact



Top Cover

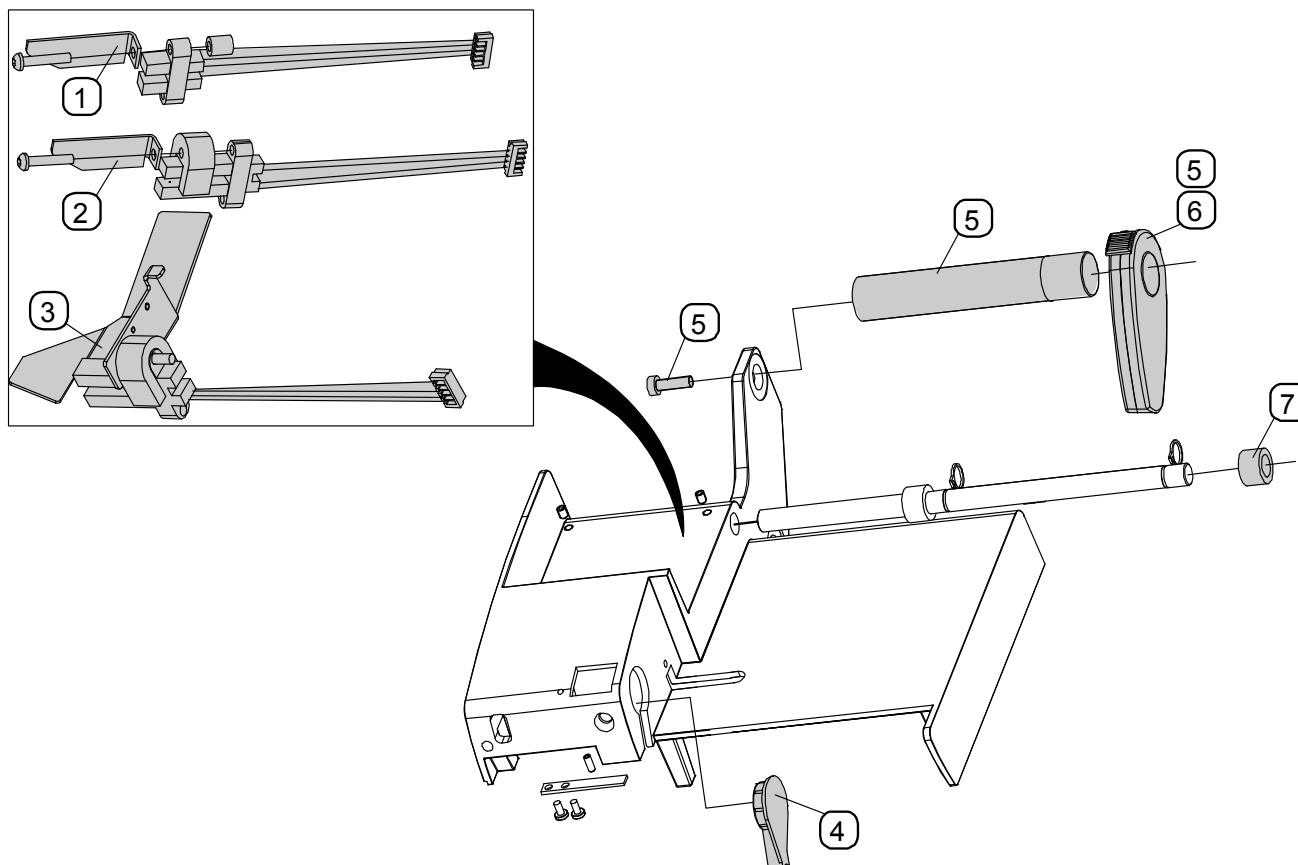


Item	Part number	Description	Remark
1	532520	LOCKING HOOK KIT	
2	532765	CPU UNIT COMPLETE	
3	532551	PRINTER BODY KIT-COMPACT	
4	532532	HEAD LIFT-COMPACT	Including pos 5
5	532506	HANDLE COMPLETE	
6	PHD20-2270-01	PRINT HEAD-200 DPI	
6	PHD20-2271-01	PRINTHEAD-300DPI-COMPACT	
7	502630	CABLE PRINTHEAD-200DPI-COMPACT	0,1 M

3. Compact



Body

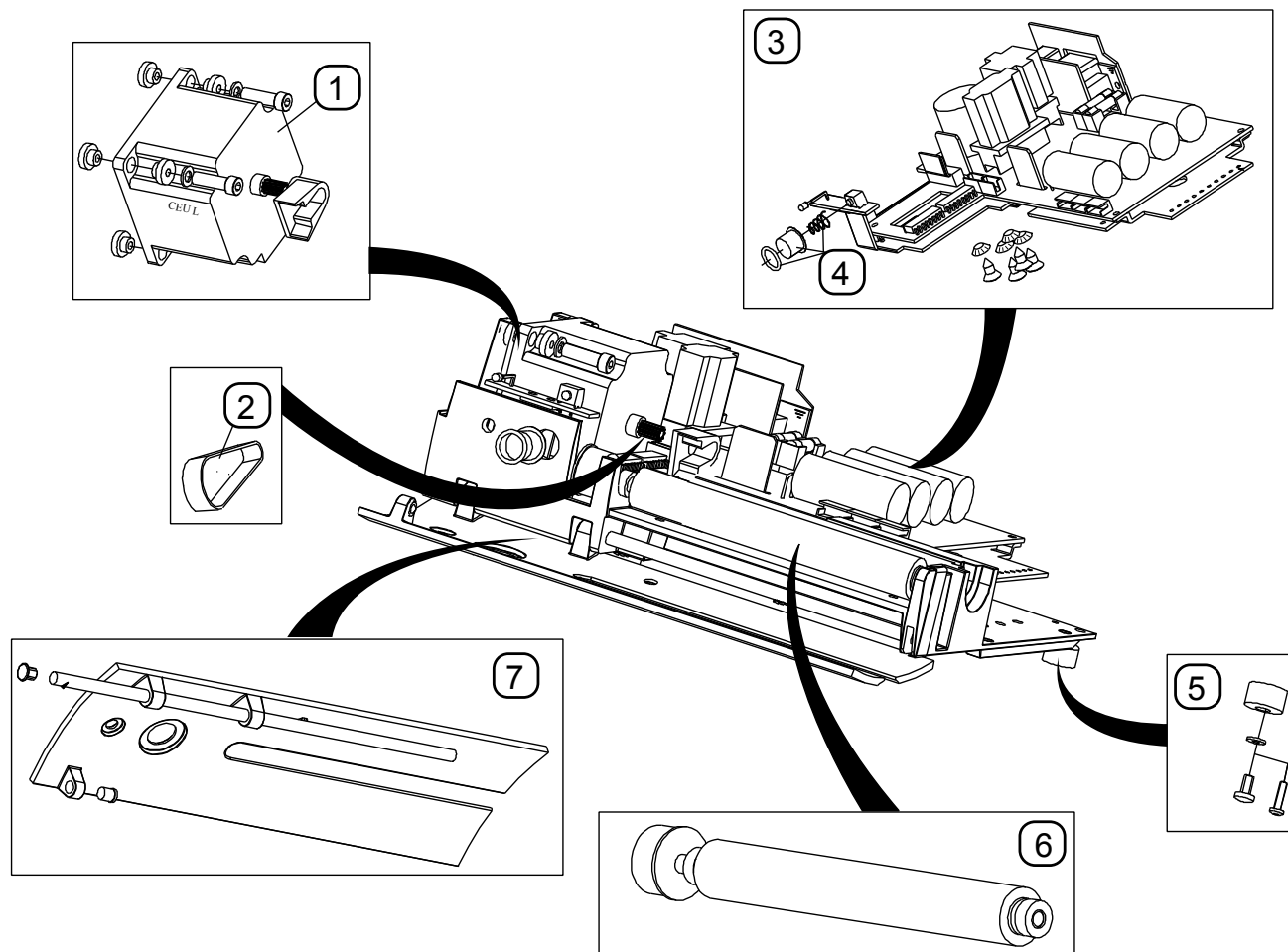


Item	Part number	Description	Remark
1	532562	PHOTOCELL KIT-SHORT-COMPACT	
2	532541	PHOTOCELL KIT-LONG-COMPACT	Standard
3	532563	PHOTOCELL KIT-REFL.-COMPACT	
4	532555	LOCK-PRINTROLL-COMPACT (x20)	
5	532518	MEDIA SHAFT-COMPACT	Including pos 6 (x1)
6	532598	ROLL STEERING COMPLETE	
7	532554	BEARING-TOP COVER (x20)	

3. Compact

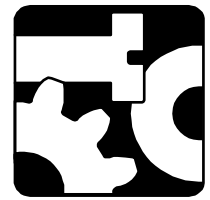


Base

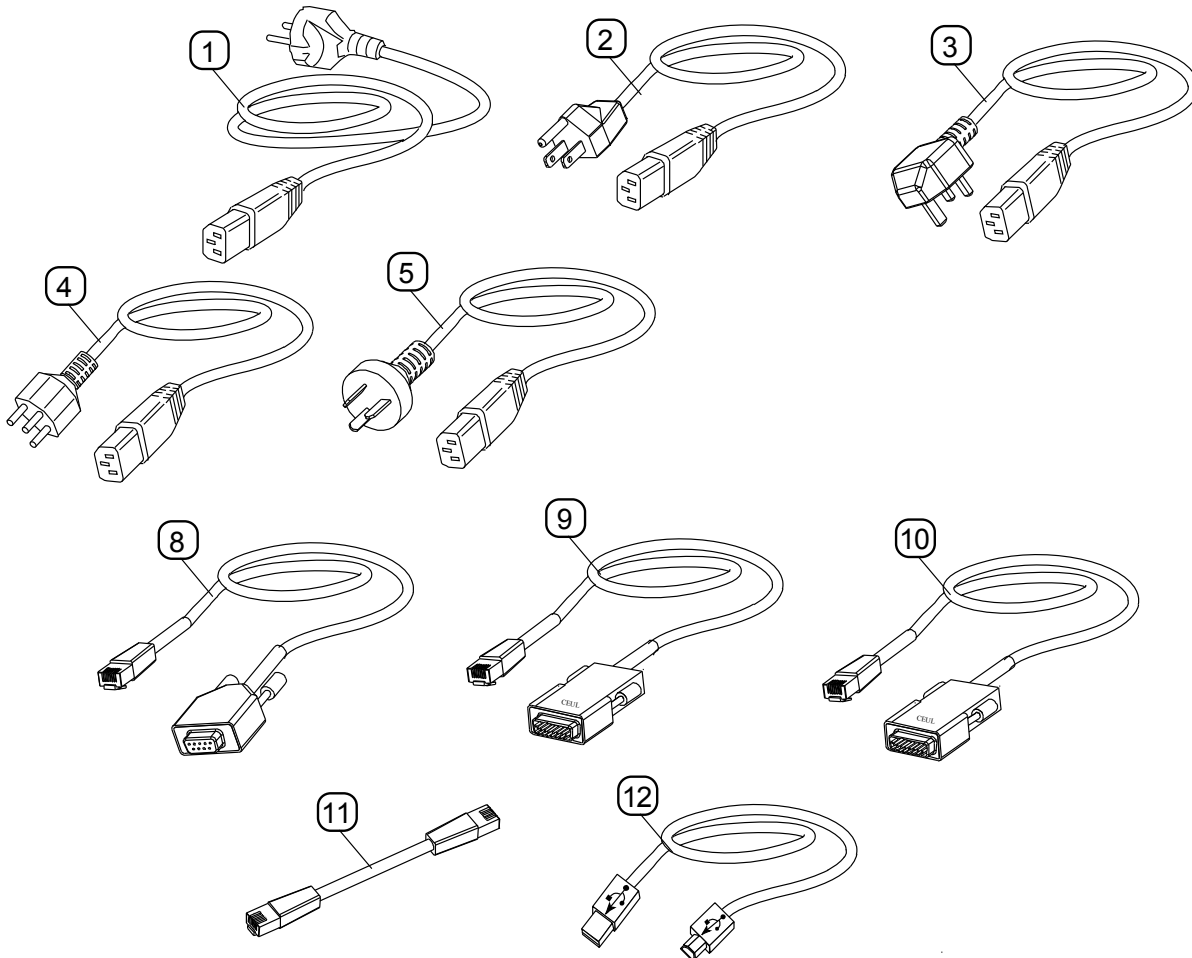


Item	Part number	Description	Remark
1	532152	STEPPER MOTOR KIT-COMPACT	
2	532557	T-BELT-PRINTROLL-COMPACT (x5)	
3	DPR78-2833-01	KIT AC PWR SUPPLY REPLACE	Including pos 4 (x1)
4	532552	PRINT BUTTON-COMPACT (x10)	
5	532559	FEET-COMPACT (x20)	
6	532513	PRINT ROLL COMPLETE	
7	15-3228-01	FRONT LID KIT-COMPACT	

3. Compact

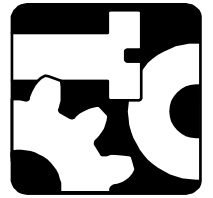


Cables

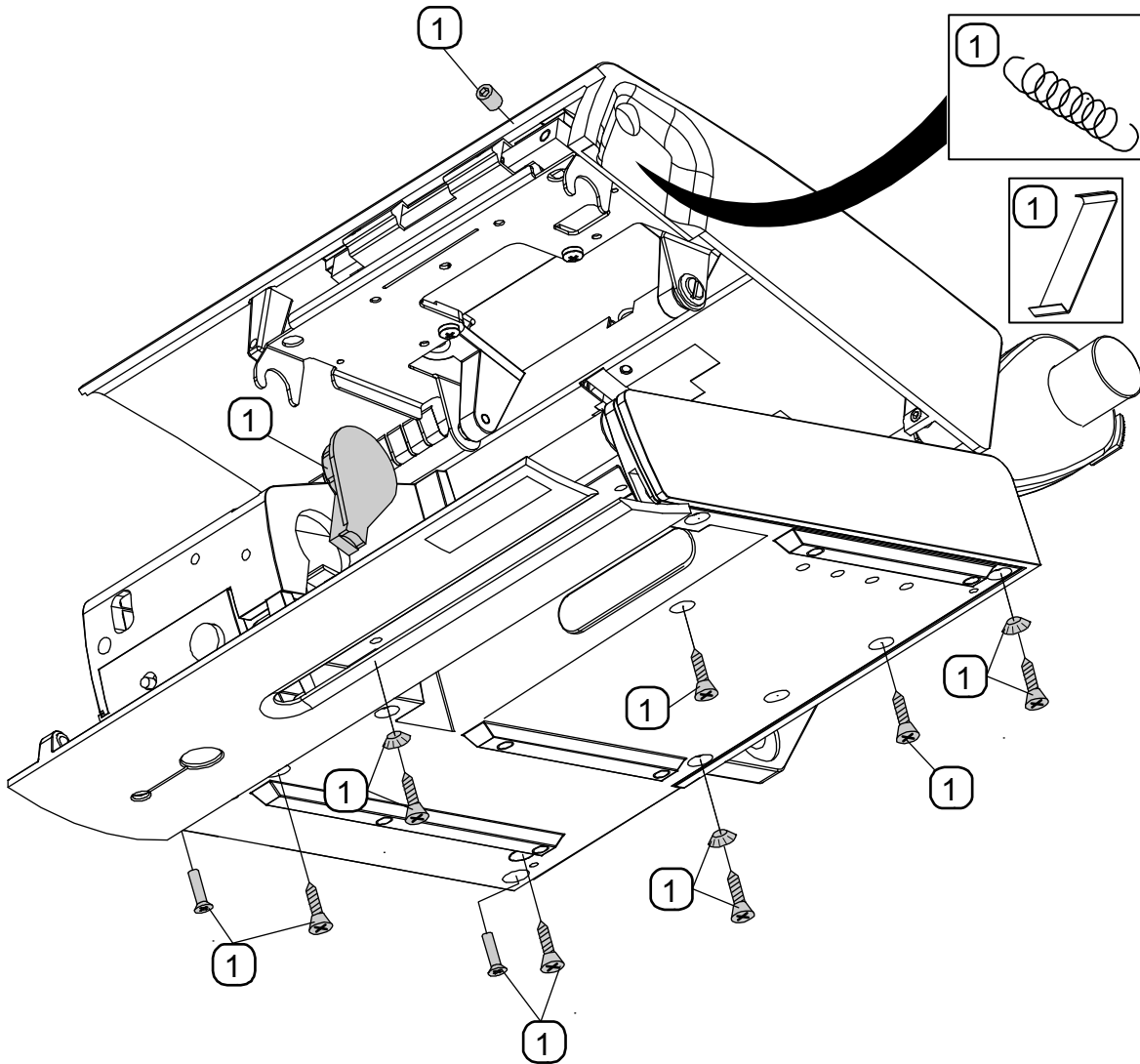


Item	Part number	Description	Remark
1	586267	CABLE MAIN EU BLACK	2,5 M
2	130063	CABLE-MAIN-USA/CANADA BLACK	2,5 M
3	32-2025-01	CABLE-MAIN-UK BLACK	2,5 M
4	32-2375-01	CABLE-MAIN-SWISS BLACK	2,5 M, Option
5	100147	CABLE-MAIN-DENMARK	2,5 M, Option
8	502542	CABLE SER (RJ45)	2 M
9	540707	CABLE-PAR/SER-STD-COMPACT	
10	540706	CABLE-PAR/SER-SPECIAL-COMPACT	
11	502631	DAISY-CHAIN CABLE	0,2M, Option
12	502543	USB-CABLE	Option

3. Compact

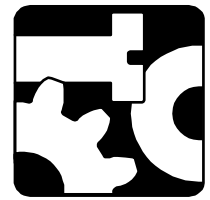


Repair Spare Kit

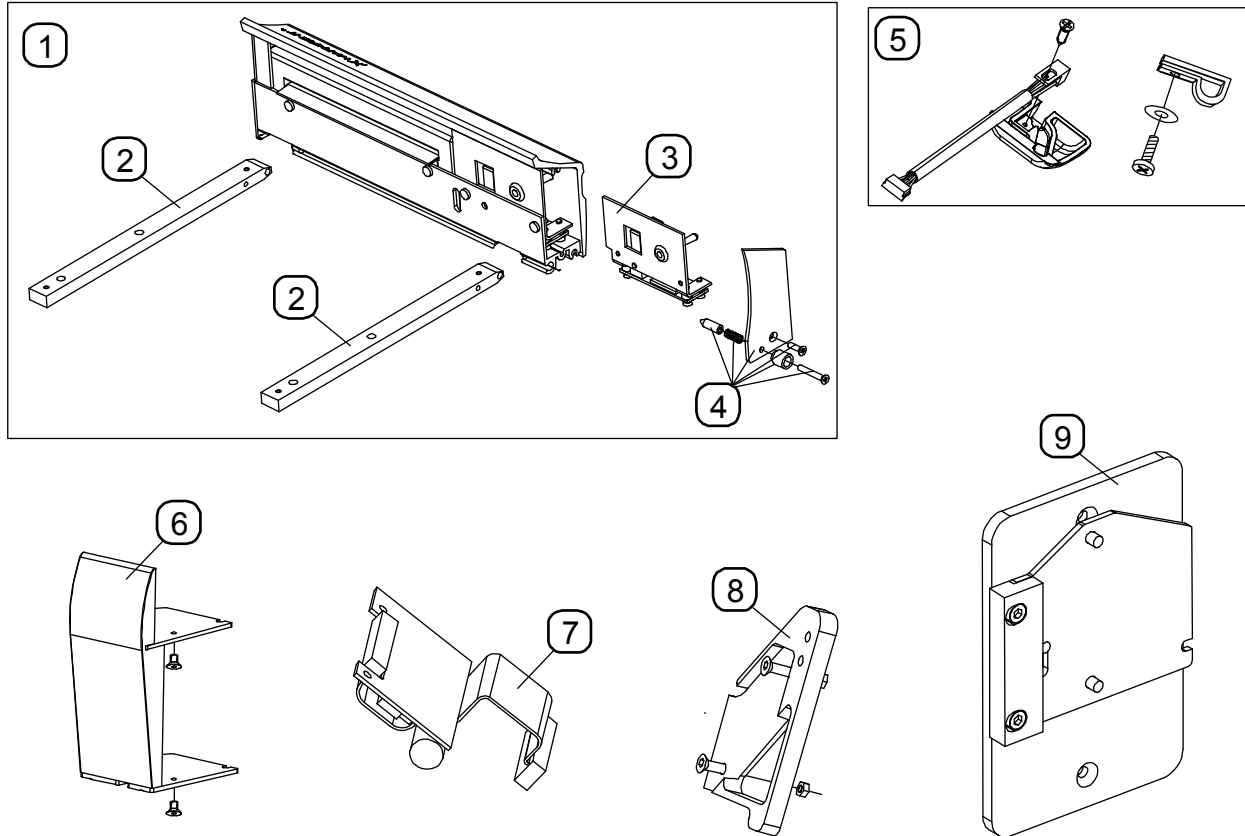


Item	Part number	Description	Remark
1	540102	REPAIR SPARE KIT COMPACT	The kit also includes parts not suitable for this model.

3. Compact



Options & Accessories

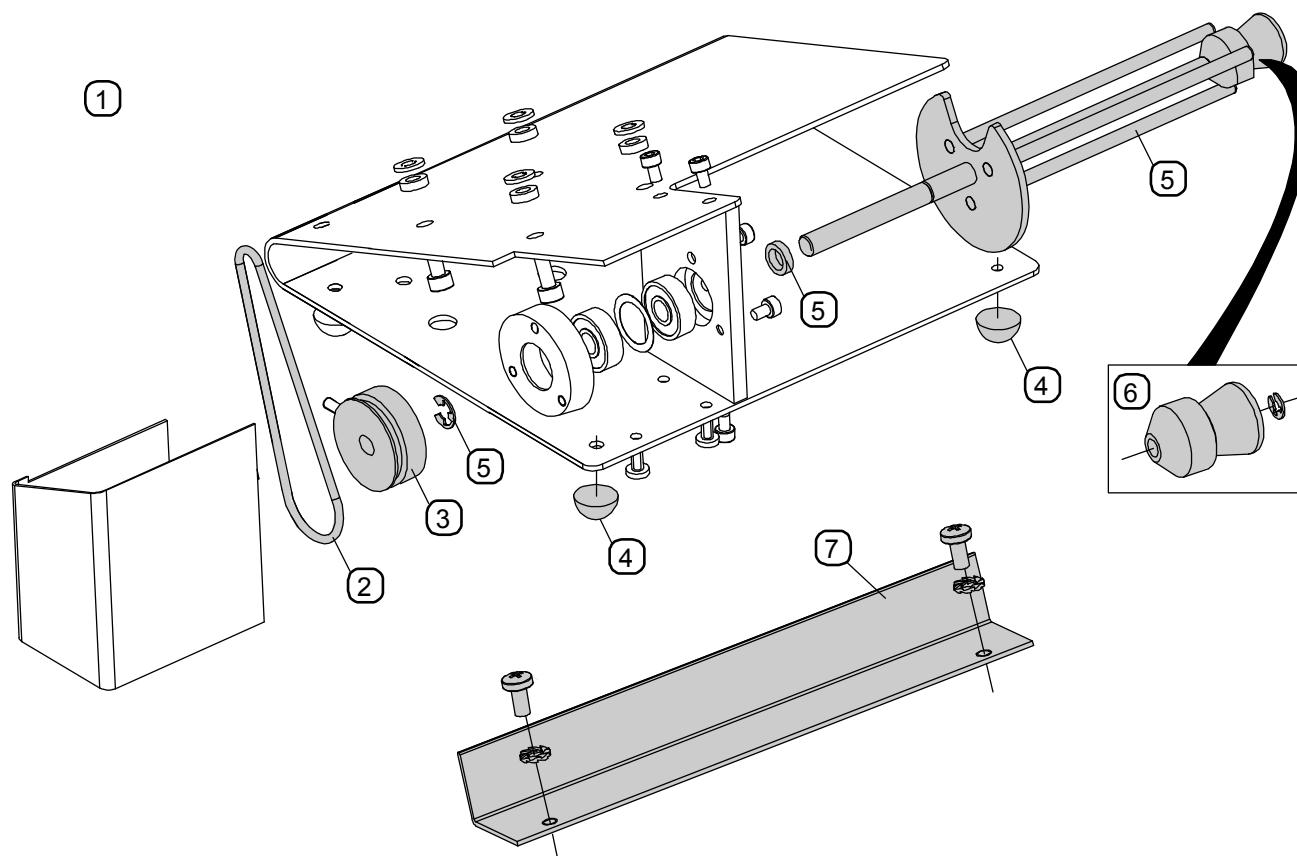


Item	Part number	Description	Remark
1	400002	CUTTER-HEAVY DUTY- COMPACT	Accessory, Not factory fitted
2	502732	CUTTER HOLDER (X1)	Option
3	532741	RELAY HOLDER COMPL	Option
4	532743	LOCK MECH-CUTTER-COMPACT	Option
5	400003	LTS KIT-COMPACT	Accessory, Not factory fitted
6	532546	TOWERMOUNT KIT-COMPACT	Option
7	532775	PHD-200DPI-COMPACT	Option, Print Head Diagnostic
7	400004	PHD-200DPI-COMPACT	Accessory, Not factory fitted
8	400006	LABELROLL KIT-150MM-COMPACT	Accessory, Not factory fitted
9	532575	WALLMOUNT KIT-COMPACT	Option

3. Compact



Peel Off

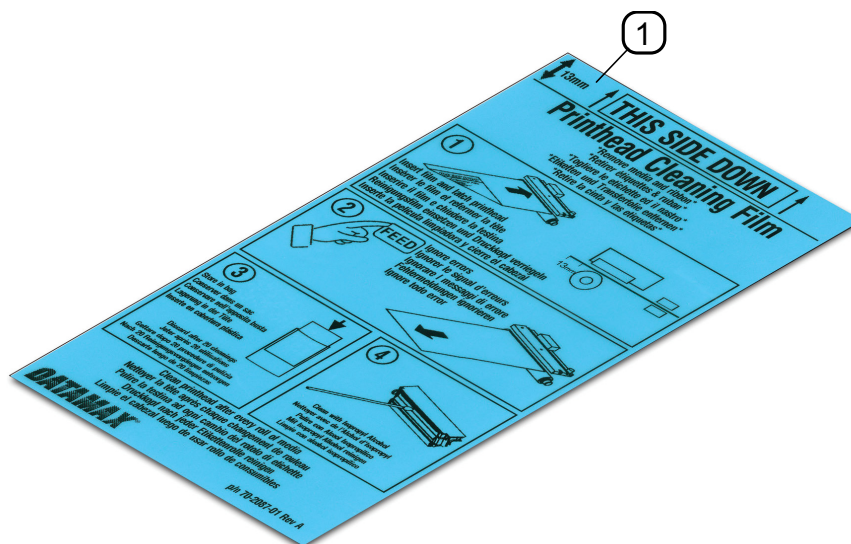


Item	Part number	Description	Remark
1	400000	PEEL-OFF KIT-100MM-COMPACT	Accessory, Not factory fitted
2	502670	DRIVE BELT-PEEL-OFF-COMPACT	Option
3	502667	T-WHEEL-PEEL-OFF-COMPACT	Option
4	532625	FEET-PEEL-OFF-COMPACT (X20)	Option
5	532667	BOBBIN KIT-PEEL-OFF-COMPACT	Including pos 6, Option
6	532643	KIT TURNING KNOB COMPACT	Option
7	532669	PEEL-OFF BAR	Option

3. Compact

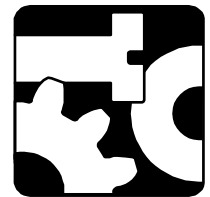


Cleaning

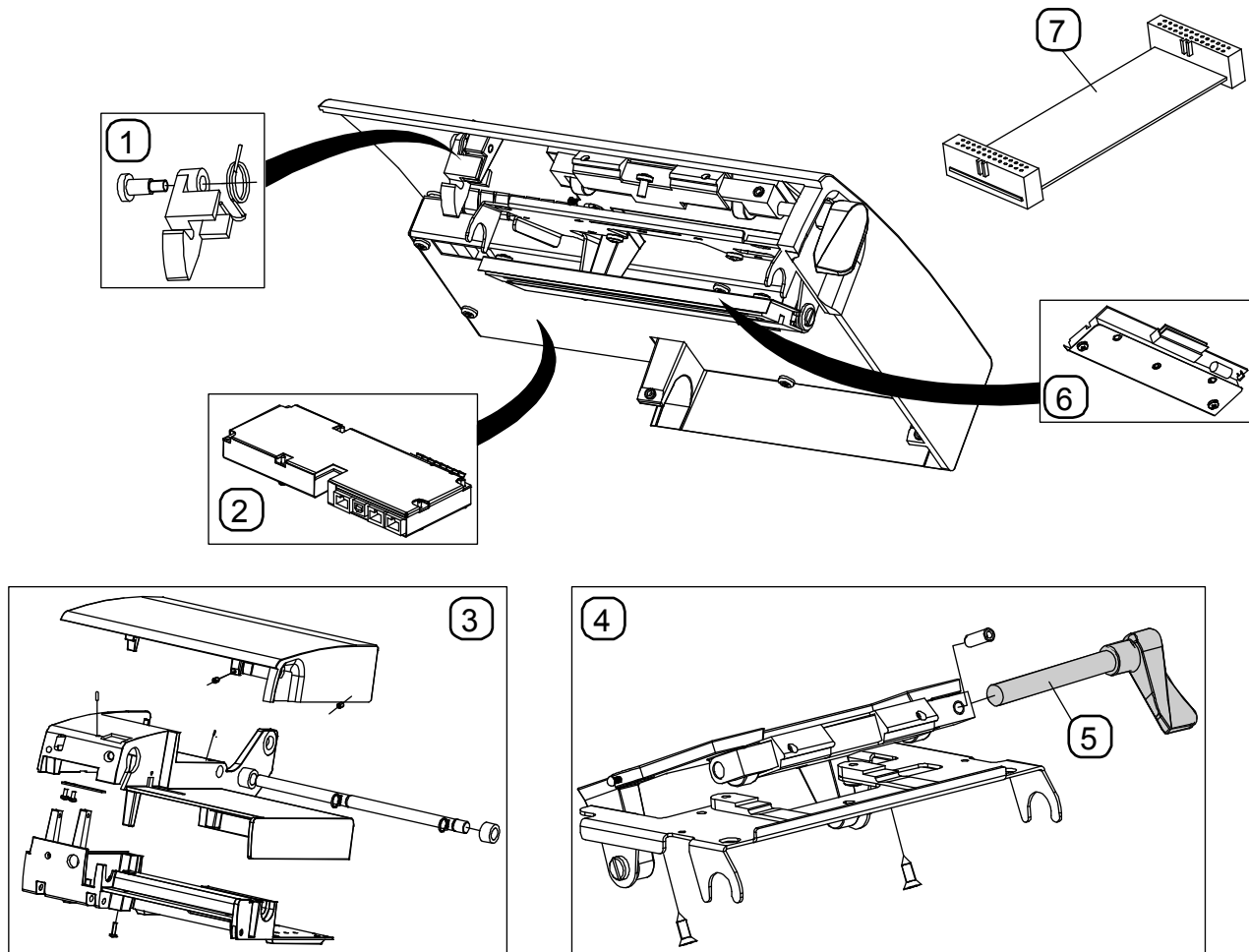


Item	Part number	Description	Remark
1	DPO70-2087-01	(3PK) CLEANING FILM-4"	For 104 mm
	DPO70-2087-21	(12PK) CLEANING FILM-4"	For 104 mm
2	501934	CLEANING CARD FOR 104MM (4") (50PCS)	not shown

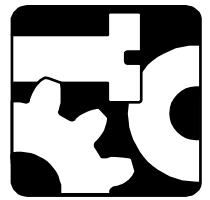
4. Compact Mobile



Top Cover

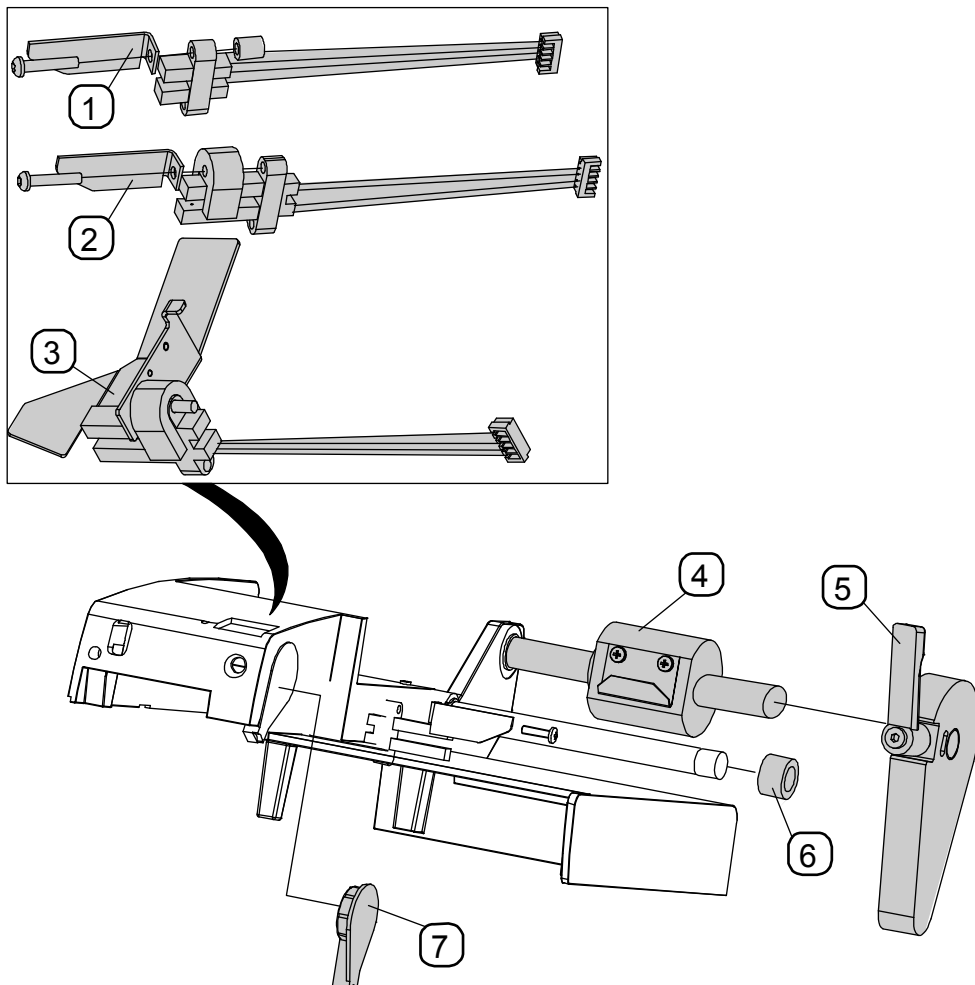


Item	Part number	Description	Remark
1	532520	LOCKING HOOK KIT	
2	532765	CPU UNIT COMPLETE	
3	532551	PRINTER BODY KIT-COMPACT	
4	532532	HEAD LIFT-COMPACT	Including pos 5
5	502556	HANDLE COMPLETE	
6	PHD20-2270-01	PRINT HEAD-200 DPI	
6	PHD20-2271-01	PRINTHEAD-300DPI-COMPACT	
7	502630	CABLE PRINthead-200DPI-COMPACT	0,1 M



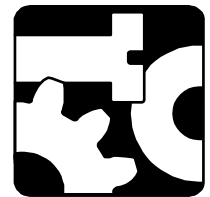
4. Compact Mobile

Body

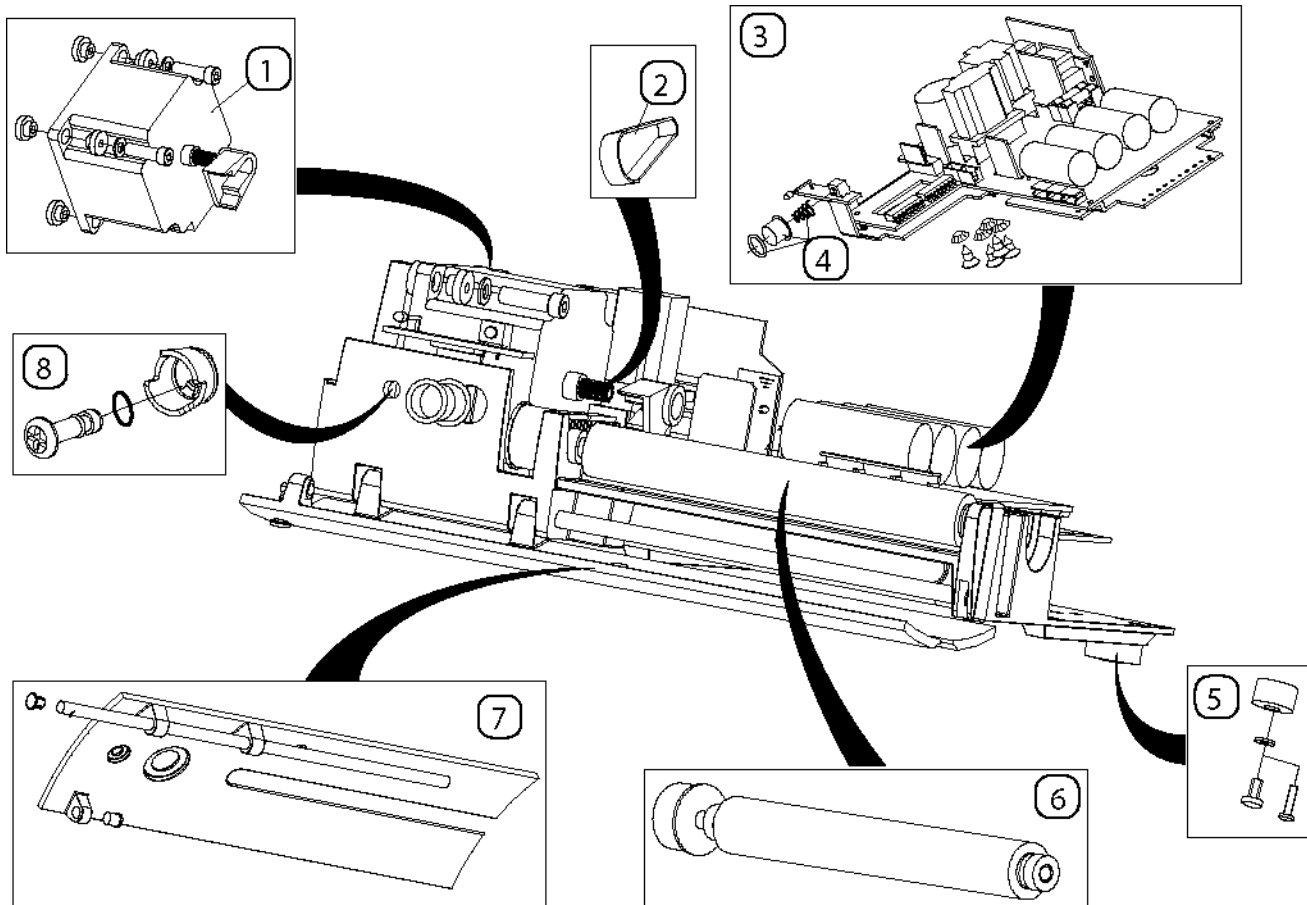


Item	Part number	Description	Remark
1	532562	PHOTOCELL KIT-SHORT-COMPACT	
2	532541	PHOTOCELL KIT-LONG-COMPACT	
3	532563	PHOTOCELL KIT-REFL.-COMPACT	
4	532652	MEDIA SHAFT & GUIDE COMPACT MOBILE	
5	532069	MEDIAGUIDE-LOCKABLE-COMPACT	
6	532554	BEARING-TOP COVER (x20)	
7	532555	LOCK-PRINTROLL-COMPACT (x20)	

4. Compact Mobile



Base

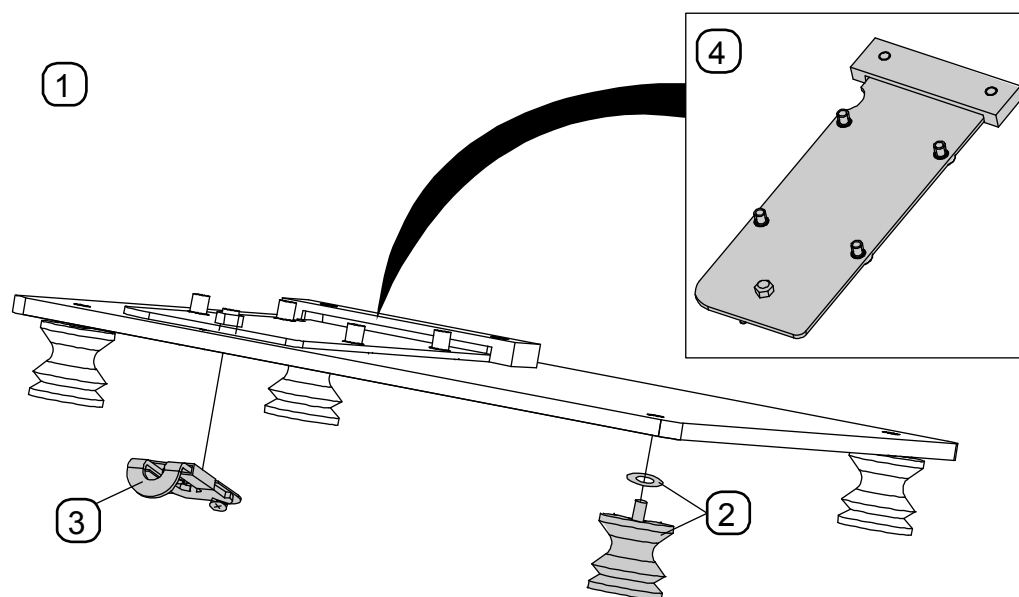


Item	Part number	Description	Remark
1	532152	STEPPER MOTOR KIT-COMPACT	
2	532557	T-BELT-PRINTROLL-COMPACT (x5)	
3	DPR78-2833-02	KIT DC PWR SUPPLY REPLACE	
4	532552	PRINT BUTTON-COMPACT (x10)	
5	532559	FEET-COMPACT (x20)	
6	532513	PRINT ROLL COMPLETE	Including pos 8 (x1)
7	15-3229-01	FRONT LID KIT-COMPACT MOBILE	
8	532622	LOCKING SCREW-10PCS-COMPACT MOBILE	

4. Compact Mobile

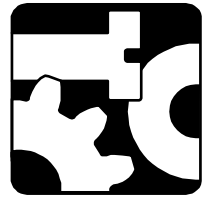


Plate

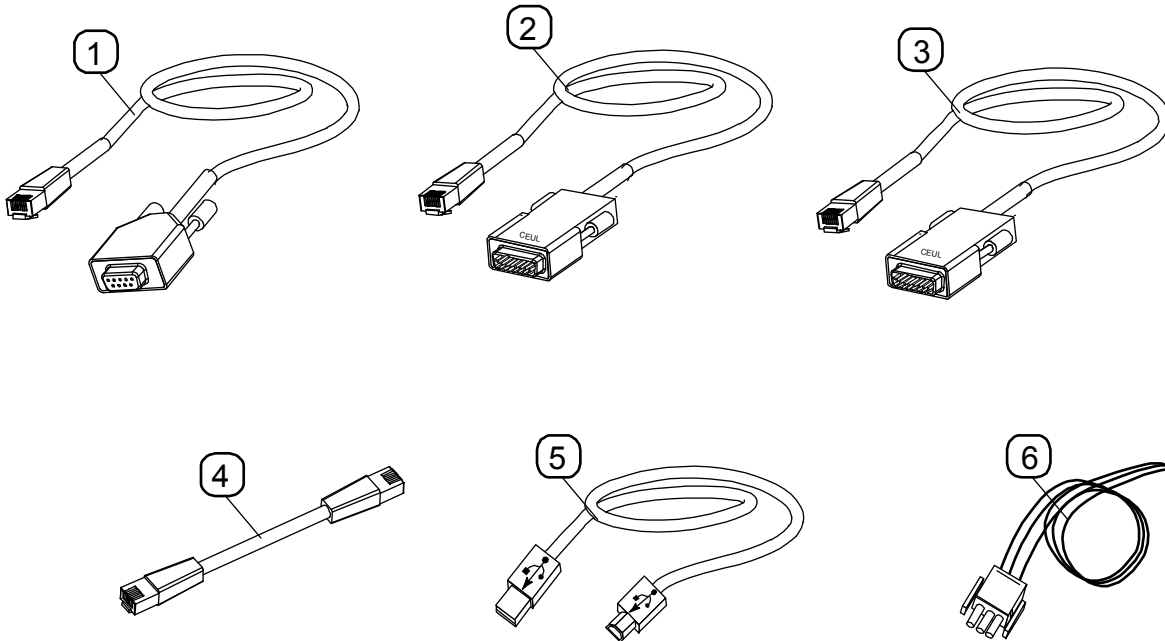


Item	Part number	Description	Remark
1	532595	PLATE KIT-COMPACT MOB	
2	532615	SHOCK ABS FEET-COMPACT MOBILE (x4)	
3	532617	SLIDE LATCH KIT-COMPAC TMOBILE (x5)	
4	532596	PRINTER ATTACHMENT	

4. Compact Mobile



Cables

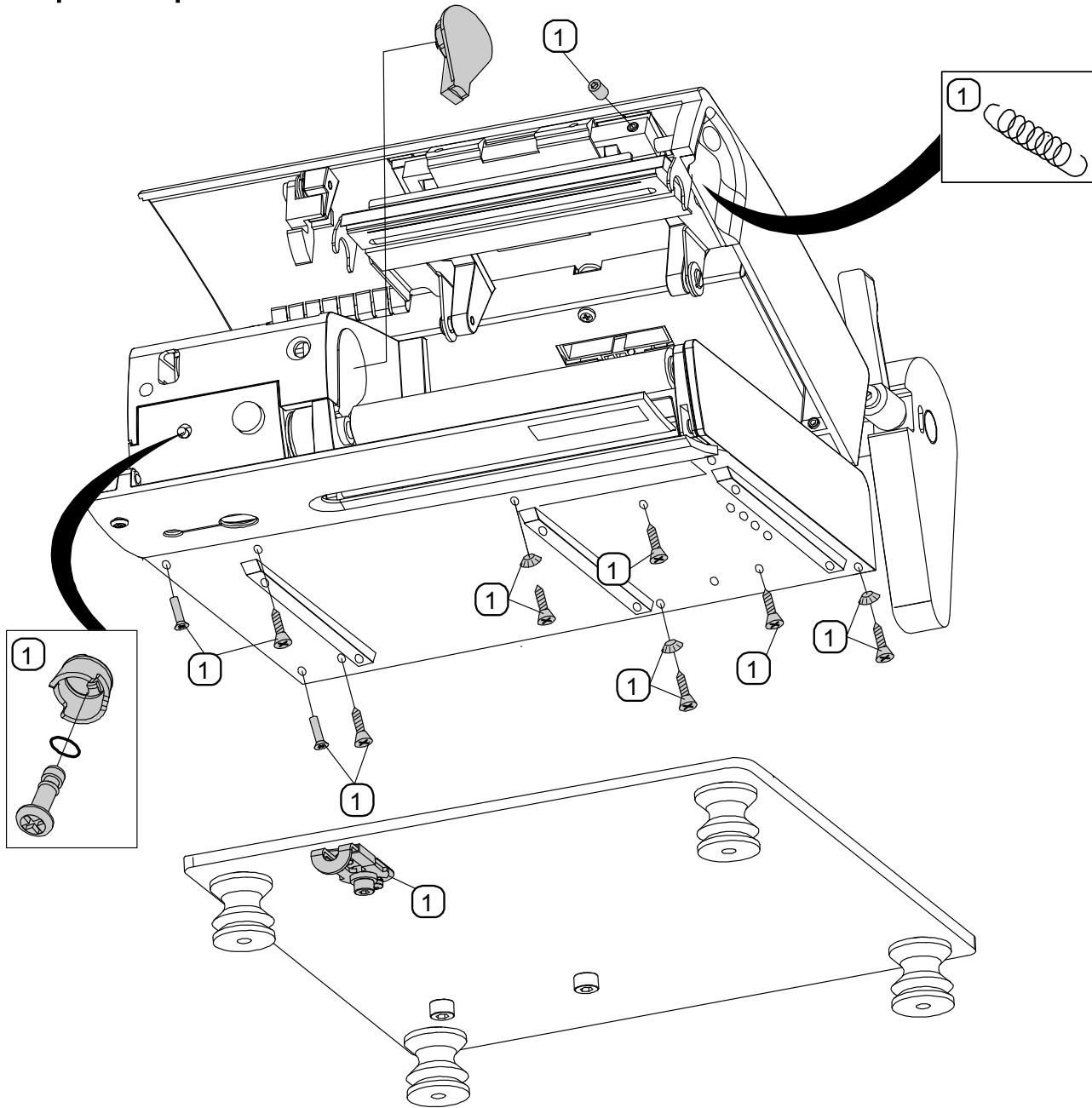


Item	Part number	Description	Remark
1	502542	CABLE SER (RJ45)	2 M
2	540707	CABLE-PAR/SER-STD-COMPACT	
3	540706	CABLE-PAR/SER-SPECIAL-COMPACT	
4	502631	DAISY-CHAIN CABLE	0,2M Option
5	502543	USB-CABLE	Option
6	501139	CABLE-DC-MOB	0,9 M

4. Compact Mobile



Repair Spare Kit

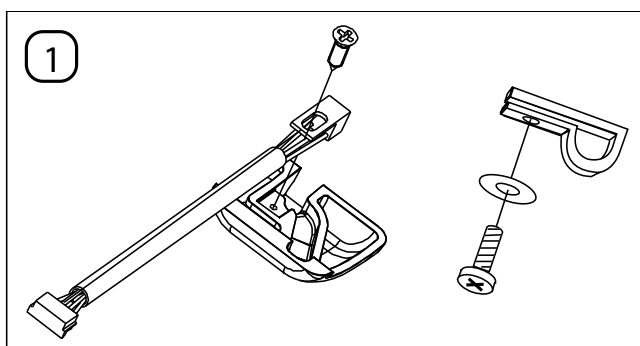


Item	Part number	Description	Remark
1	540102	REPAIR SPARE KIT COMPACT	

4. Compact Mobile

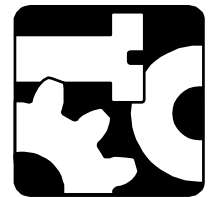


Options & Accessories

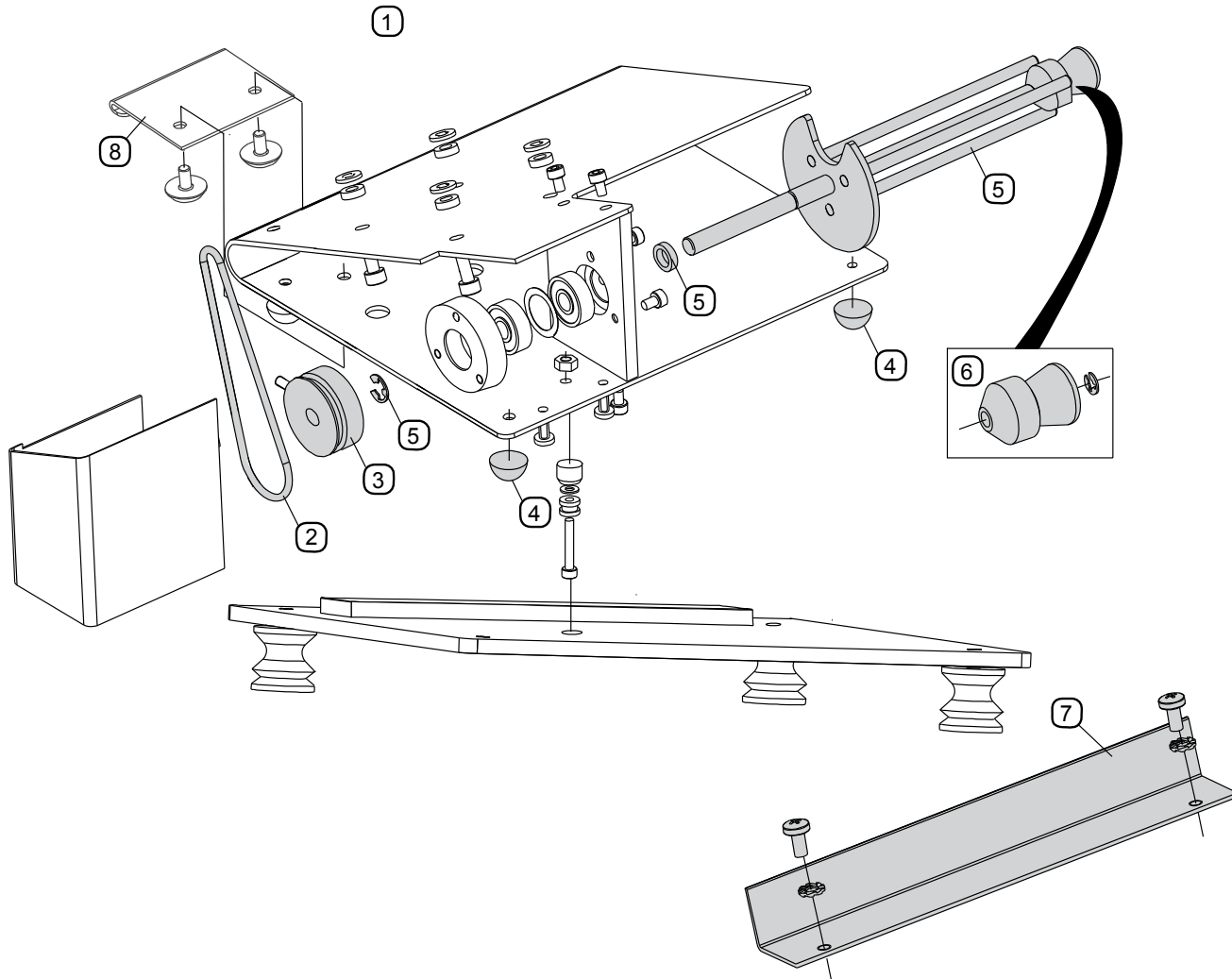


Item	Part number	Description	Remark
1	400003	LTS KIT-COMPACT	Accessory, Not factory fitted

4. Compact Mobile

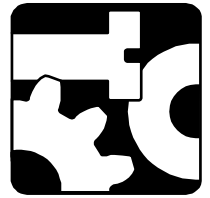


Peel Off

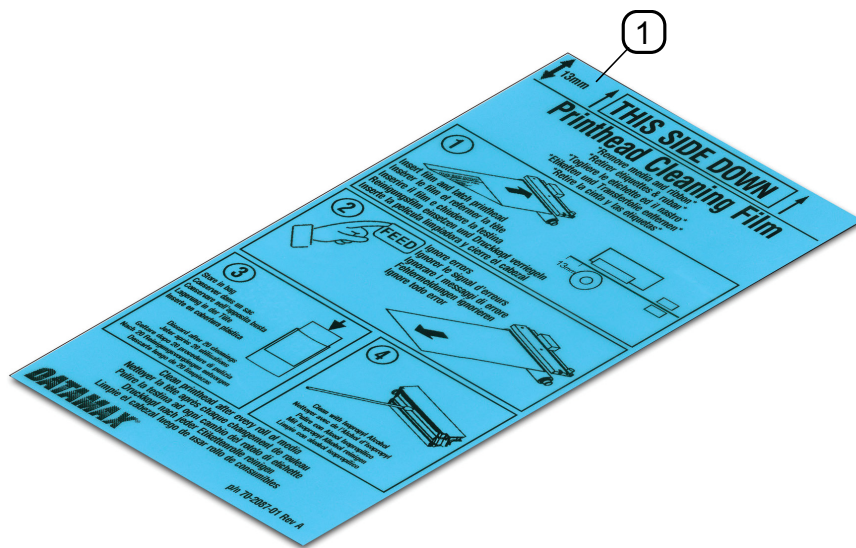


Item	Part number	Description	Remark
1	532640	PEEL-OFF KIT-10MM COMPACT MOBILE	Option
1	400001	PEEL-OFF KIT-10MM COMPACT MOBILE	Accessory, Not factory fitted
2	502670	DRIVE BELT-PEEL-OFF-COMPACT	Option
3	502667	T-WHEEL-PEEL-OFF-COMPACT	Option
4	532625	FEET-PEEL-OFF-COMPACT (X20)	Option
5	532667	BOBBIN KIT-PEEL-OFF-COMPACT	Including pos 6, Option
6	532643	KIT TURNING KNOB COMPACT	Option
7	532669	PEEL-OFF BAR	Option
8	400069	PEEL OFF HOOK	Option

4. Compact Mobile



Cleaning



Item	Part number	Description	Remark
1	DPO70-2087-01	(3PK) CLEANING FILM-4"	For 104 mm
	DPO70-2087-21	(12PK) CLEANING FILM-4"	For 104 mm
2	501934	CLEANING CARD FOR 104MM (4") (50PCS)	not shown