

MP-Nova

Replacement Parts Catalog ■ ■ ■

Covers the following models:
MP-Nova



right by our customers. ■ ■ ■



datamax·o'neil

Table of Contents

Spare Part Catalog

1. Instructions

2. Printer

3. Nova DT

- General
- Body
- Print Mechanism
- Label Taken Sensor Kit
- Peel Off
- Big Roll Kit
- Fan Fold Kit
- Cable Kit
- Cables
- Cleaning

4. Nova TT

- General
- Body
- Print Mechanism
- Label Taken Sensor Kit
- Peel Off
- Big Roll Kit
- Cable Kit
- Cables
- Cleaning

1. Instructions

Liability

Datamax-O'Neil cannot be held responsible if safety instructions and, generally speaking, basic safety rules for using and servicing these products are not followed.

Any modifications carried out may be counter to product compliance and the relevant safety standards. Therefore, Datamax-O'Neil cannot be held liable for any malfunction or damage caused by any modification unless recommended by Datamax-O'Neil, or for any incident arising from use of the product for any purposes other than those for which it is designed. It is the sole responsibility of the user to take the required precautions.

Use

Only use Datamax-O'Neil original spare parts and consumables (ribbon, cleaning products, servicing products).

Other types of consumables should not be used without Datamax-O'Neil's written approval, and any consequences shall be under the entire responsibility of the user.

Servicing

Always unplug the printer from the electrical outlet before performing any maintenance.

Use appropriate tools for any work on the electrical circuits.

We recommend that the repairs be carried out by persons who have been given the technical training proposed by Datamax-O'Neil.



Lithium Battery: There is a danger of explosion or fire if the battery is incorrectly replaced. Replace only with the same or equivalent type recommended by the manufacturer. Discard used batteries according to the manufacturer's instructions.

Information in this document is subject to change without notice and does not represent a commitment on the part of Datamax-O'Neil Corporation. No part of this manual may be reproduced or transmitted in any form or by any means, for any purpose other than the purchaser's personal use, without the expressed written permission of Datamax-O'Neil Corporation.

Part Number 92-2567-01 Rev. A

All rights reserved. © Copyright 2010 by Datamax-O'Neil Corporation

2. Thermal Printers

This manual lists all major spare parts, for each of the models listed below. The printer can also be equipped with accessories or options, the most common are also found in this manual.

Nova4 DT

Nova6 DT

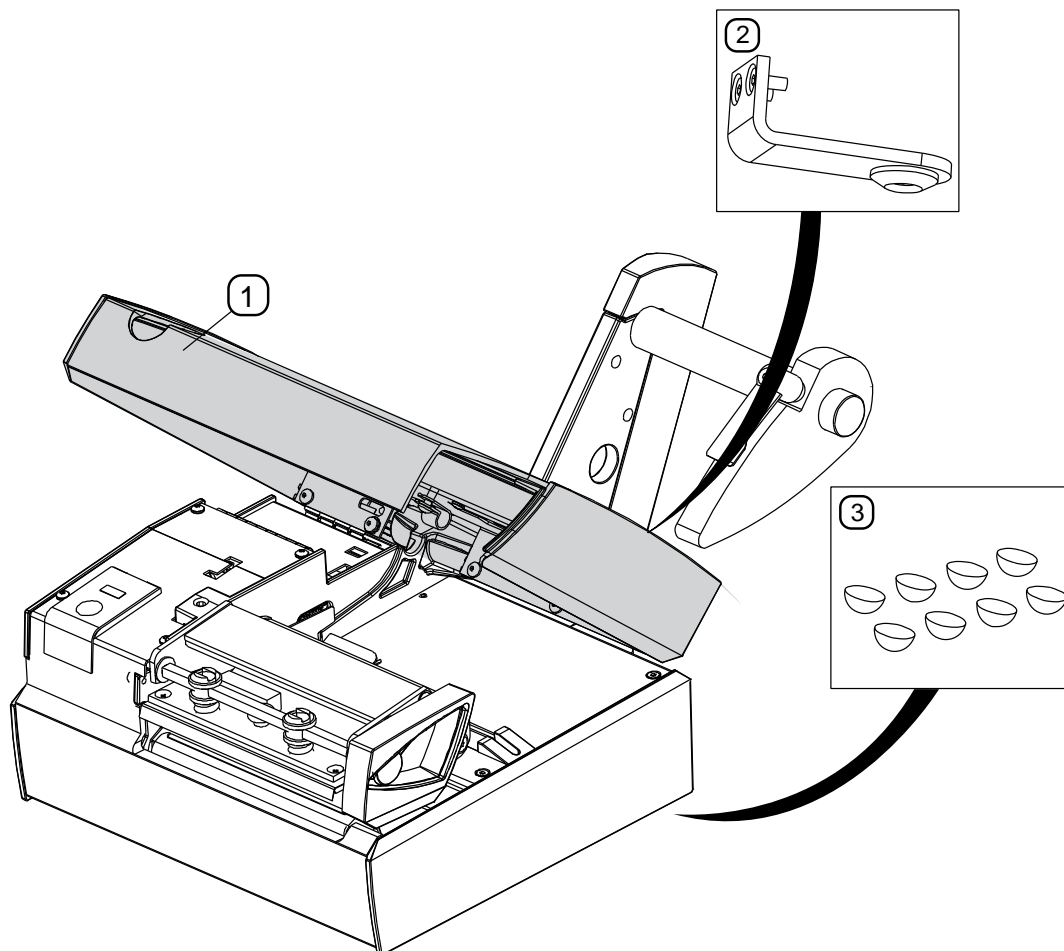
Nova8 DT

Nova4 TT

Nova6 TT

3. Nova DT

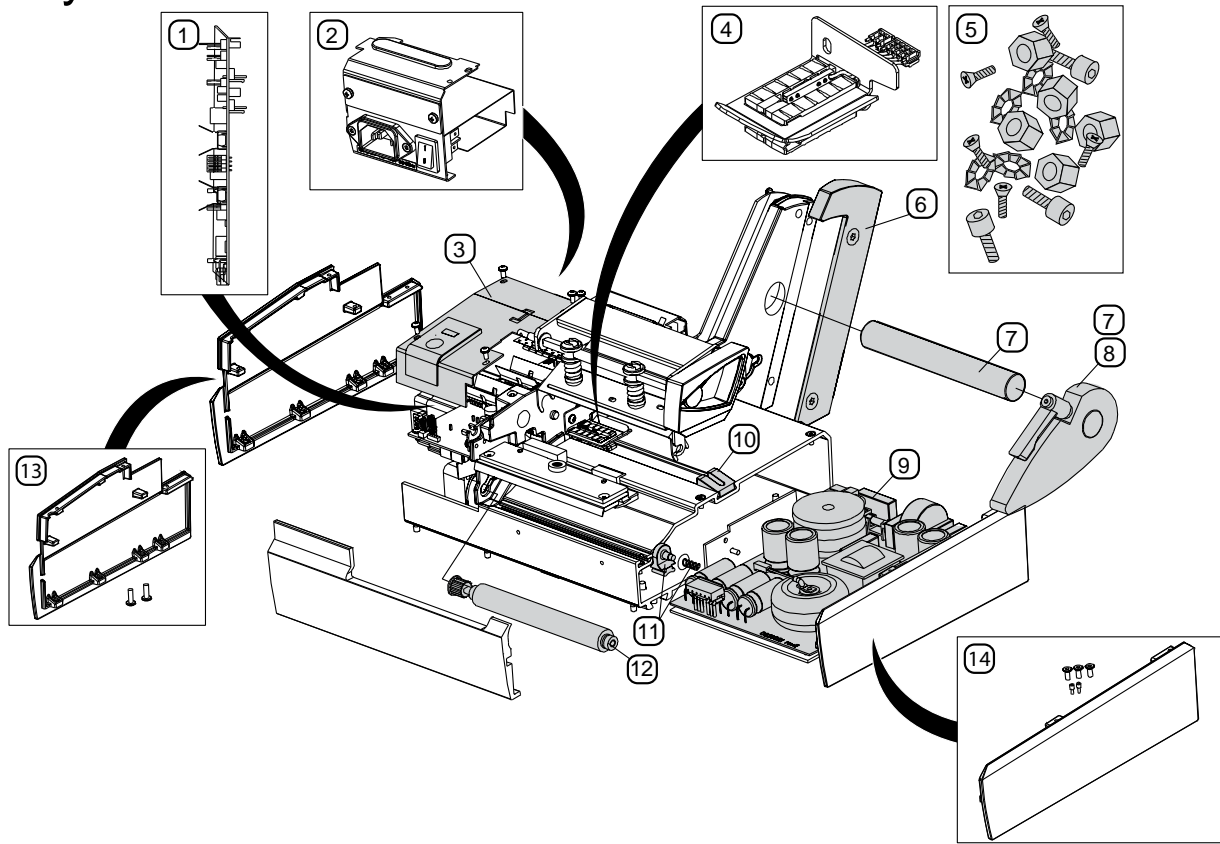
General



Item	Part number	Description	Remark
1	ENM533523	CPU MODULE NOVA 4 DT ASSY	
1	ENM533631	CPU MODULE NOVA 6 DT ASSY	
1	ENM533605	CPU MODULE NOVA 8 DT ASSY	
2	400096	REAR FOOT COMPLETE KIT	
3	400097	BUMPER SET	

3. Nova DT

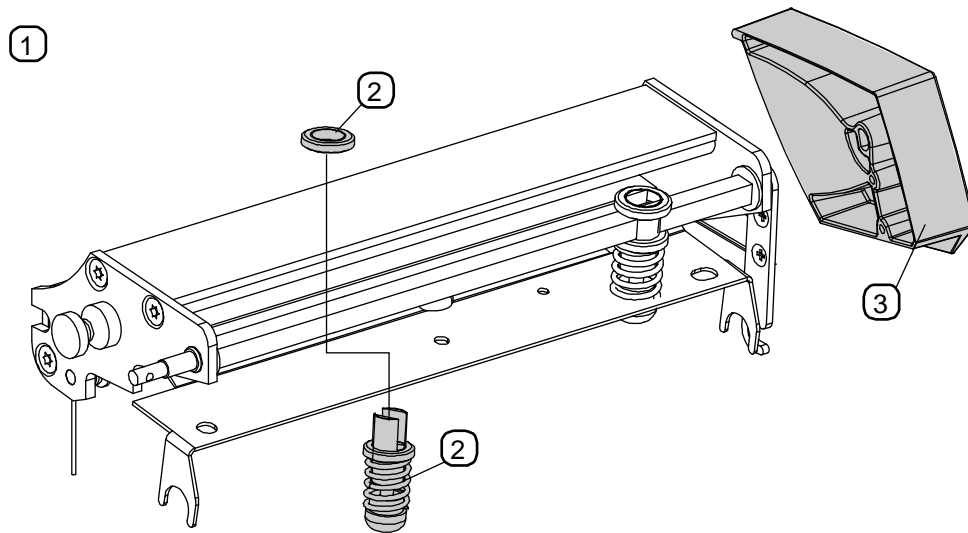
Body



Item	Part number	Description	Remark
1	503685	I/O CARD ASSY	
2	ENM533544	MAINS INPUT COMPLETE	
3	ENM533546	PRINT BUTTON DT ASSY	
4	ENM533616	NOVA MPS	
5	533760	KIT FASTENERS NOVA DT	Misc screws, nuts, washers (x5 of each)
6	ENM533615	215-KIT	Includes screws,
7	533610	MEDIA SHAFT-NOVA4	Includes item #8
7	533689	MEDIA SHAFT-NOVA6	Includes item #8
8	ENM532089	MEDIAGUIDE-LOCKABLE	
9	ENM503549	POWER SUPPLY UNIT 220V	
10	ENM503643	PAPER GUIDE NOVA	
11	533531	PRINTROLL HOLDER KIT	
12	ENM533530	PRINTROLL-NOVA4	
12	ENM533636	PRINTROLL-NOVA6	
12	ENM533607	PRINTROLL-NOVA8	
13	400098	LEFT PSU END KIT	
14	400099	RIGHT PSU END KIT	

3. Nova DT

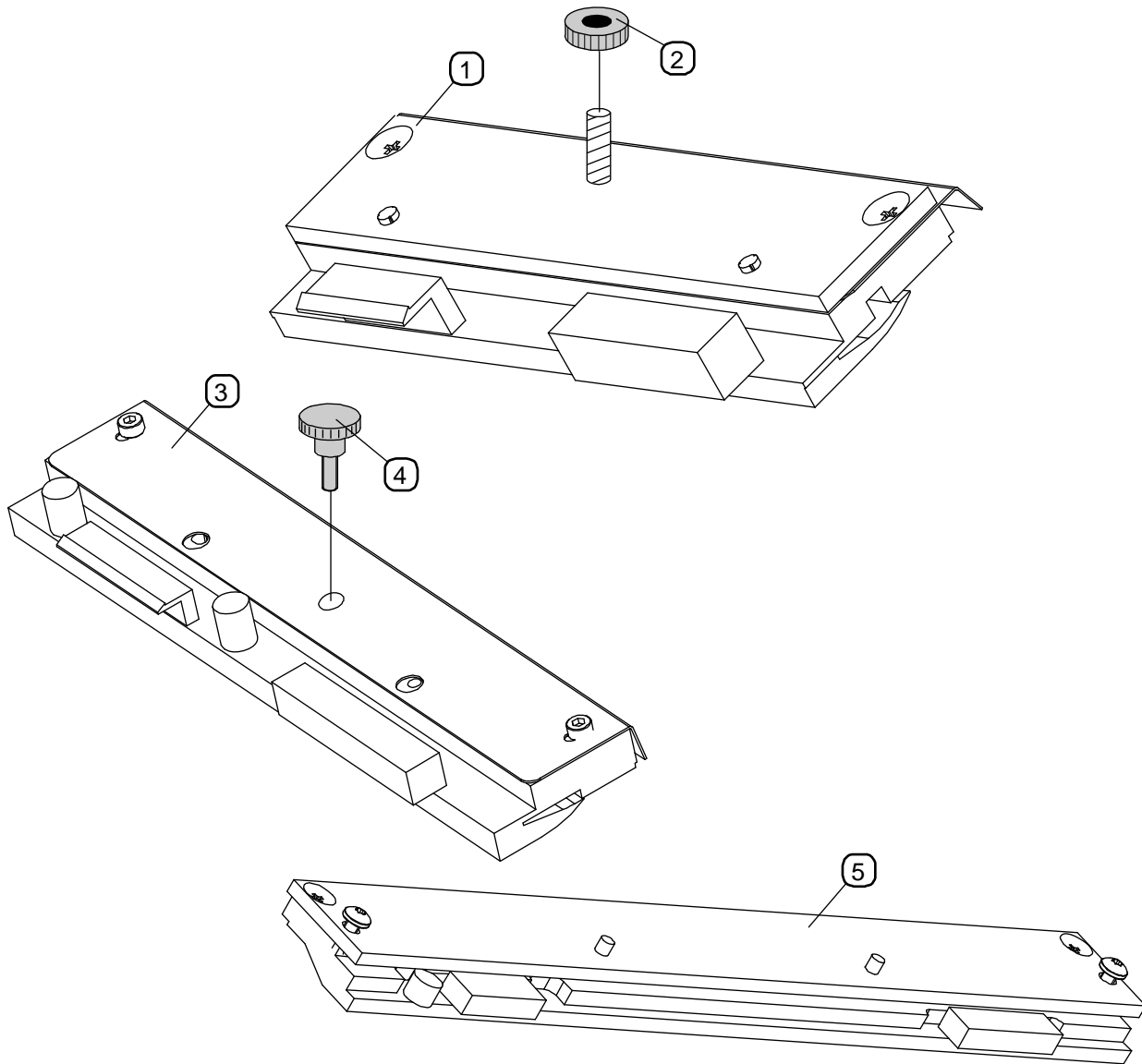
Print Mechanism



Item	Part number	Description	Remark
1	ENM533535	PRINT MECHANISM COMPLETE NOVA4 DT	Includes items #2 & #3
1	ENM533634	PRINT MECHANISM COMPLETE NOVA6 DT	Includes items #2 & #3
1	ENM533600	PRINT MECHANISM COMPLETE NOVA8 DT	Includes items #2 & #3
2	ENM533688	ADJUSTMENT SCREW COMPLETE	
3	ENM503506	HANDLE NOVA	

3. Nova DT

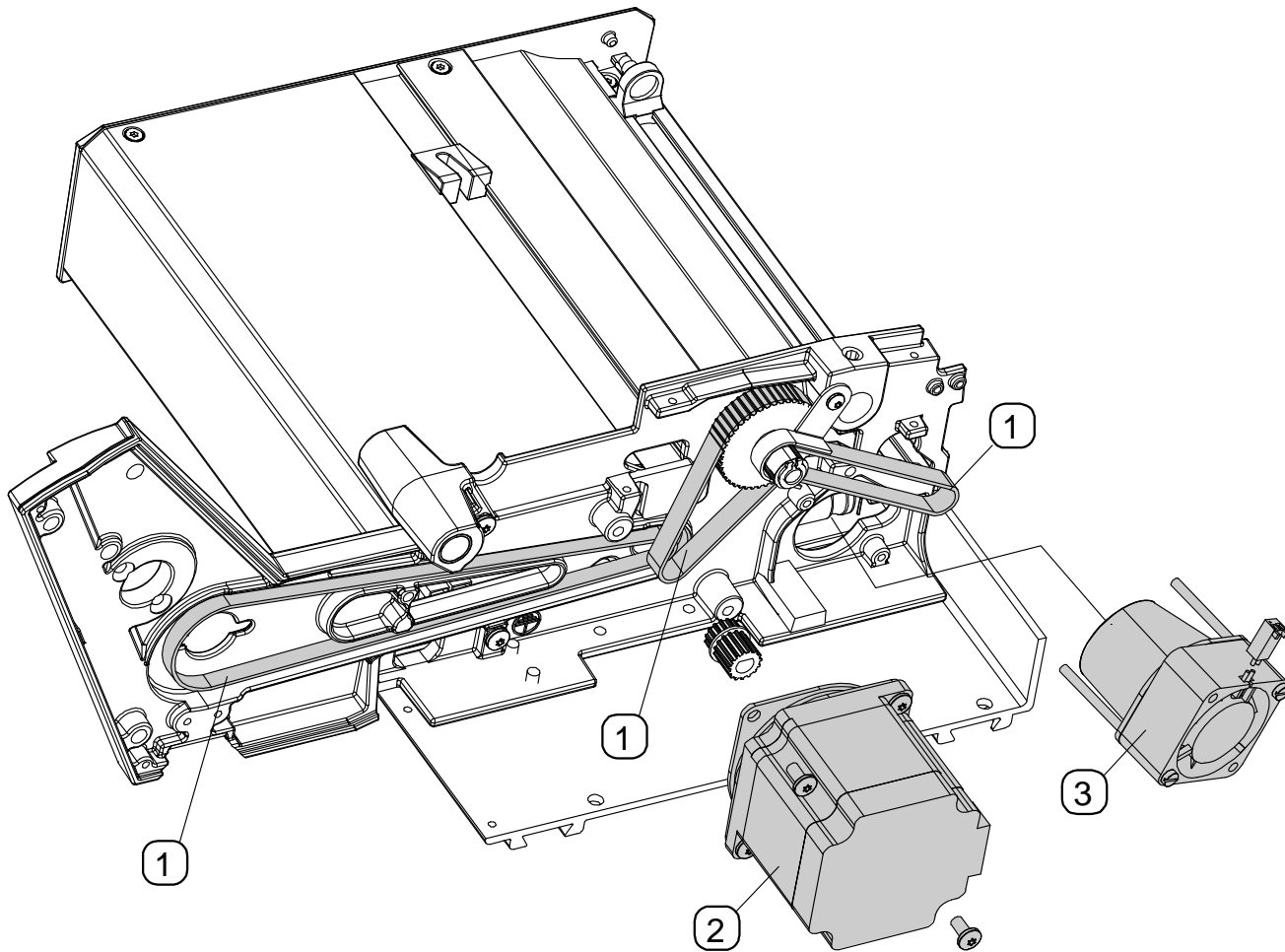
Print Head



Item	Part number	Description	Remark
1	ENM533529	PRINTHEAD NOVA4 COMPL. 200dpi	Nova4 DT
1	ENM533667	PRINTHEAD NOVA4 COMPL 300dpi	Nova4 DT
2	ENM502396	LETTERNUT	Nova4 DT
3	ENM533640	PRINTHEAD COMPLETE	Nova4 DT
4	ENM502073	LETTER SCREW	Nova4 DT
5	ENM531675	PRINTHEAD COMPLETE	Nova4 DT

3. Nova DT

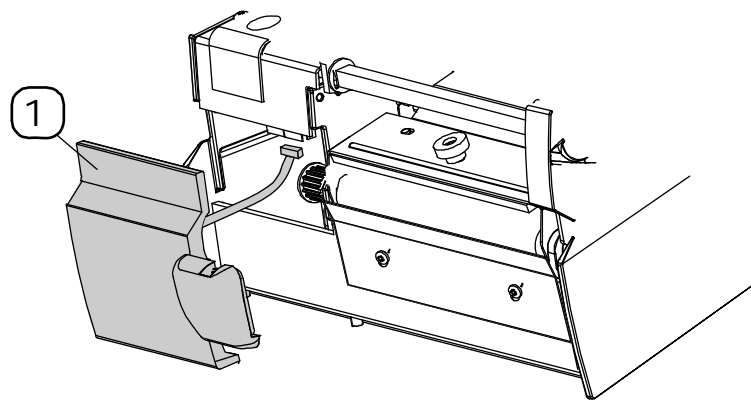
Drive Mechanism



Item	Part number	Description	Remark
1	533521	TOOTH-BELT-KIT-DT-NOVA	
2	ENM533538	STEPPER MOTOR NOVA ASSY	
3	ENM533537	FAN ASSY	

3. Nova DT

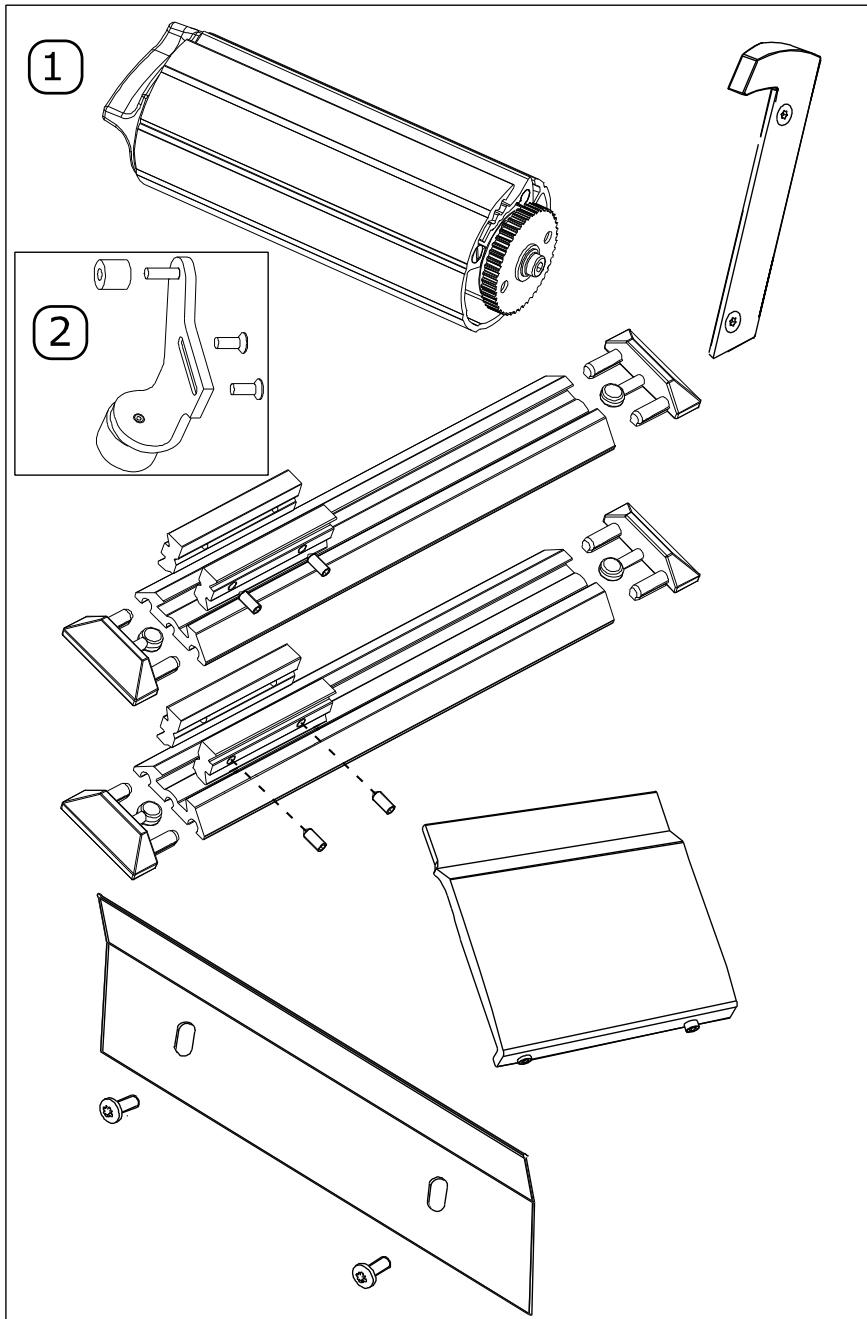
Label Taken Sensor (LTS) Kit



Item	Part number	Description	Remark
1	ENM533625	LTS NOVA COMPLETE	

3. Nova DT

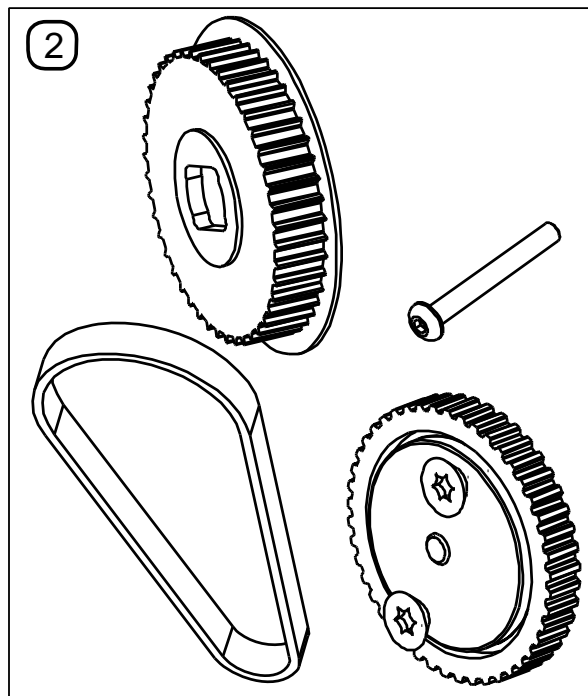
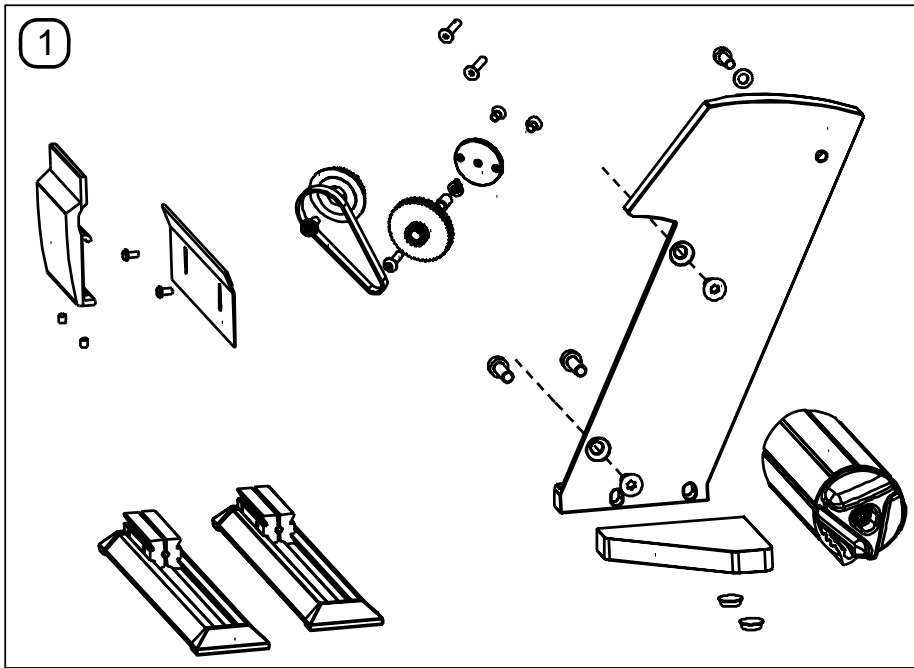
Peel Off



Item	Part number	Description	Remark
1	ENM533541	PEEL OFF COMPL. NOVA 4	
1	ENM533542	PEEL OFF COMPL. NOVA 6	
2	ENM533706	REAR PEEL-OFF FOOT ASSY. NOVA	

3. Nova DT

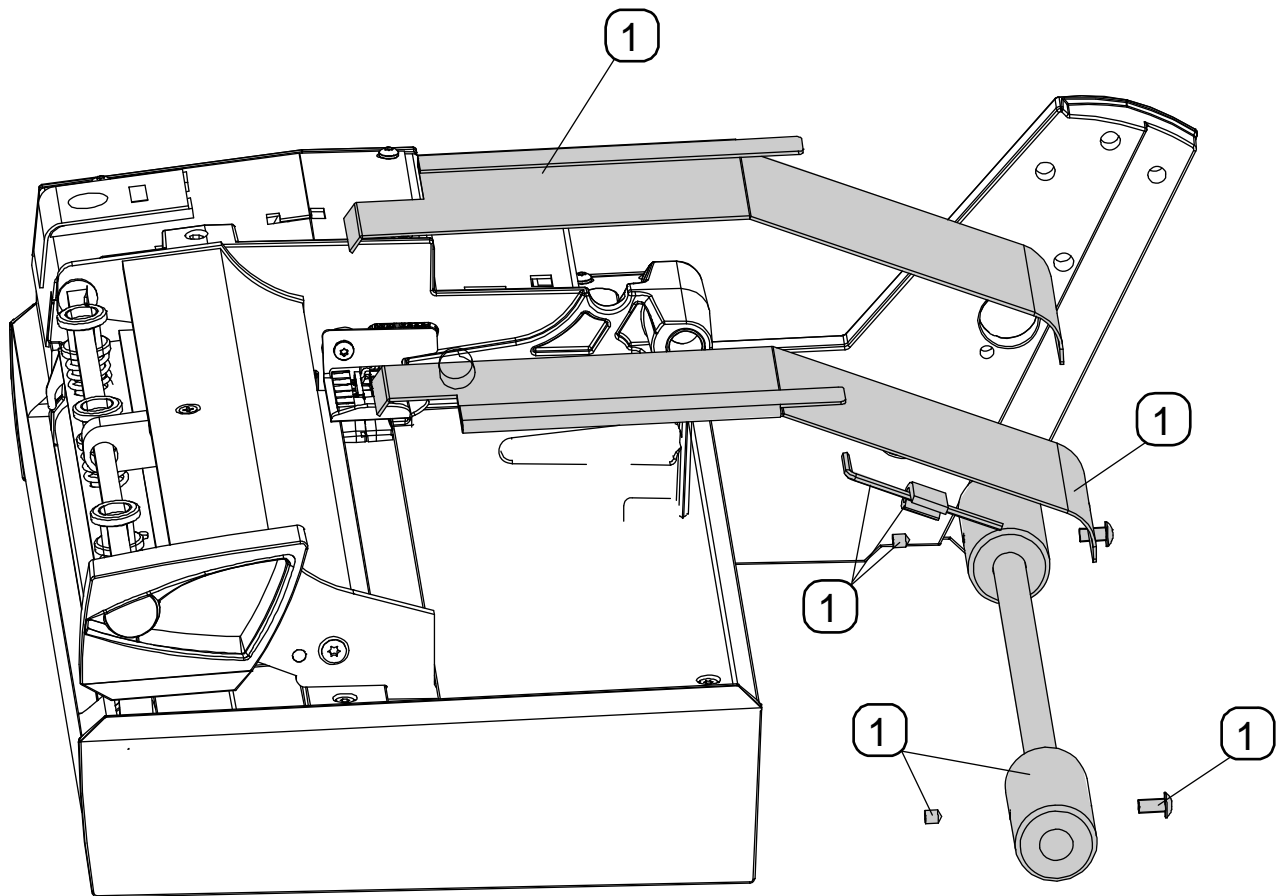
Big Roll Kit



Item	Part number	Description	Remark
1	ENM533742	BIG ROLL/PELL OFF KIT	
2	400060	BIG ROLL/PEEL OFF REPAIR KIT	

3. Nova DT

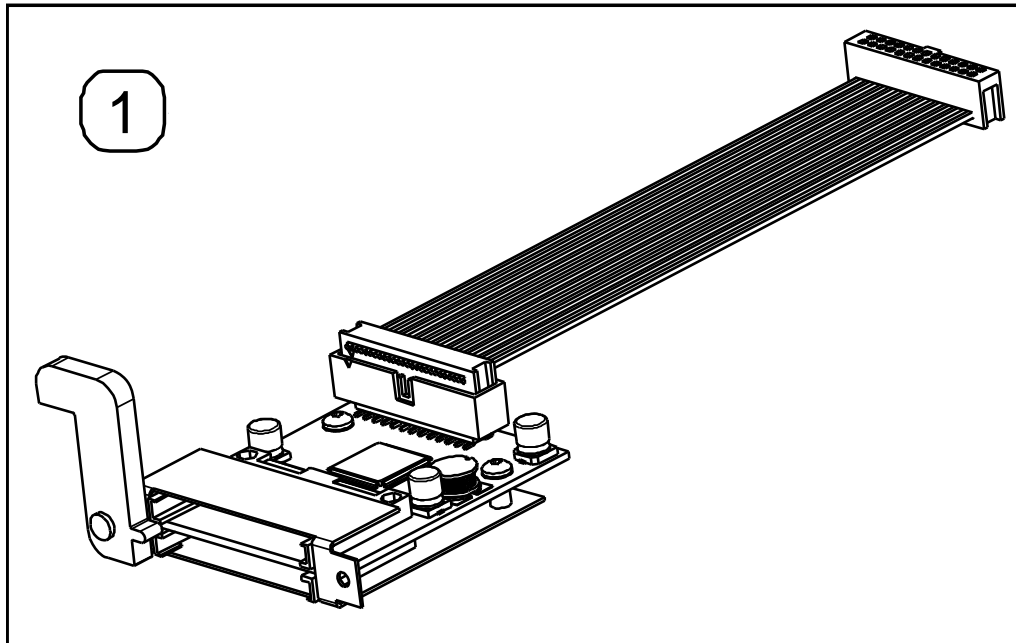
Fan Fold Kit



Item	Part number	Description	Remark
1	ENM533757	FAN FOLD KIT	Nova 8

3. Nova DT

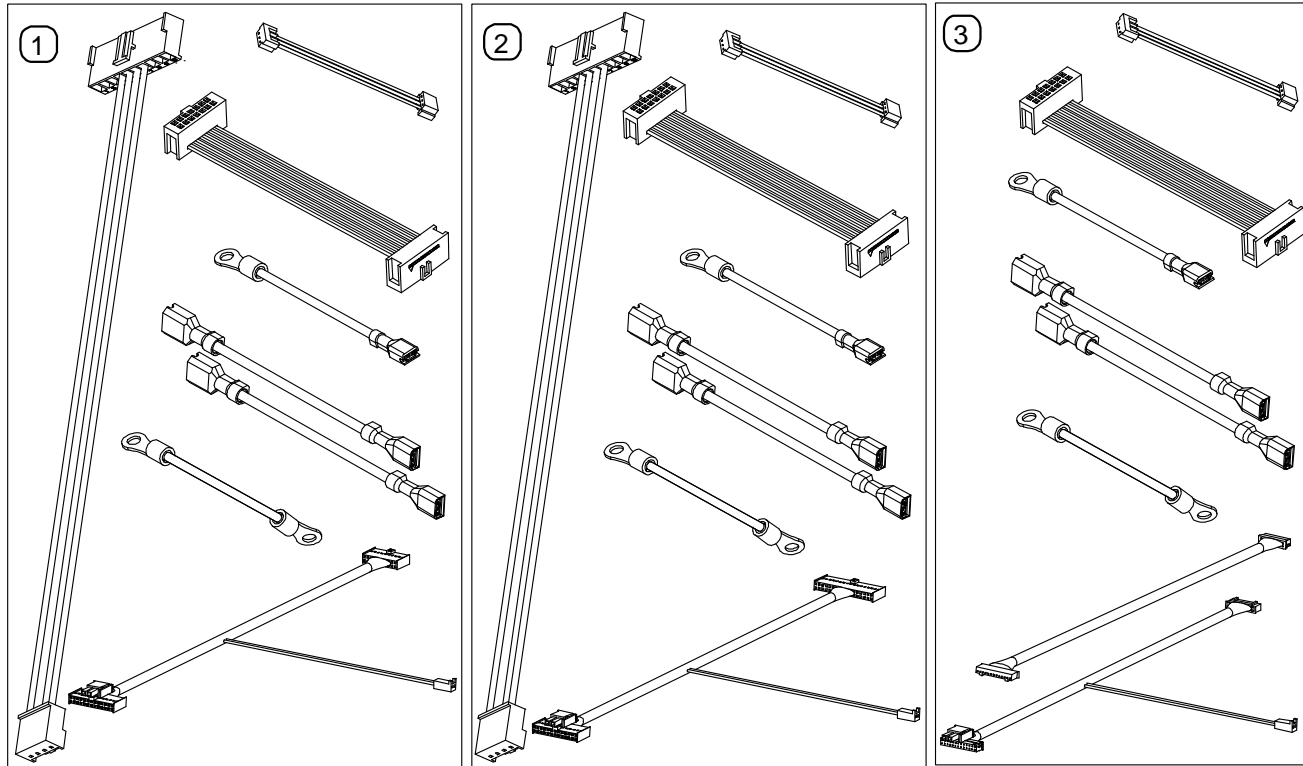
Memory Card Adapter Kit



Item	Part number	Description	Remark
1	533702	MEMORY CARD HOLDER COMPLETE DT	

3. Nova DT

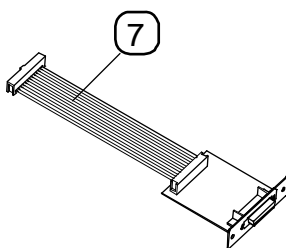
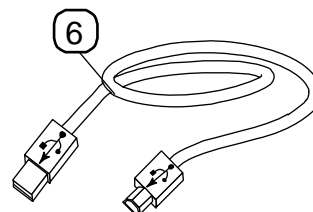
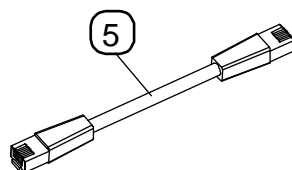
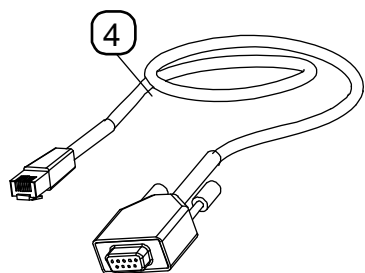
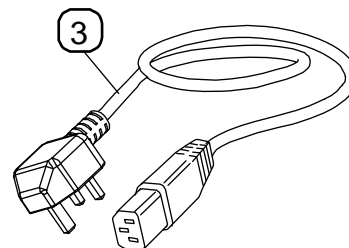
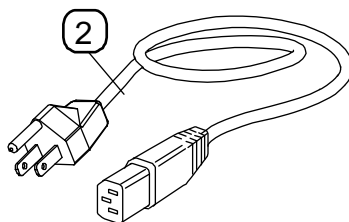
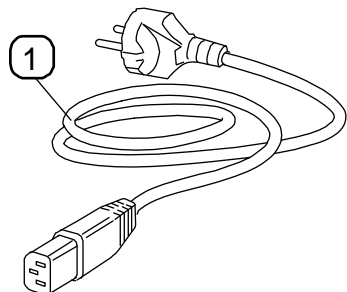
Cable Kit



Item	Part number	Description	Remark
1	ENM533665	KIT-CABLES-NOVA4 DT	
2	ENM533750	KIT CABLES NOVA6 DT	
3	ENM533751	KIT CABLES NOVA8 DT	

3. Nova DT

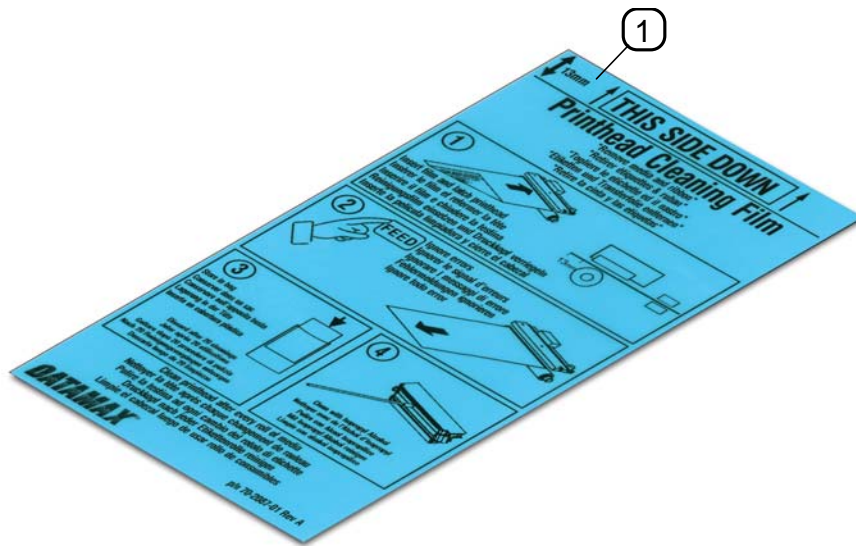
Cables



Item	Part number	Description	Remark
1	586267	CABLE MAIN EU BLACK	
2	130063	CABLE-MAIN-USA/CANADA BLACK	
3	32-2025-01	CABLE-MAIN-UK BLACK	
4	502542	CABLE SER (RJ45)	
5	502631	DAISY-CHAIN CABLE	
6	502543	USB-CABLE	
7	533707	PARALLEL INTERFACE BOARD DT	

3. Nova DT

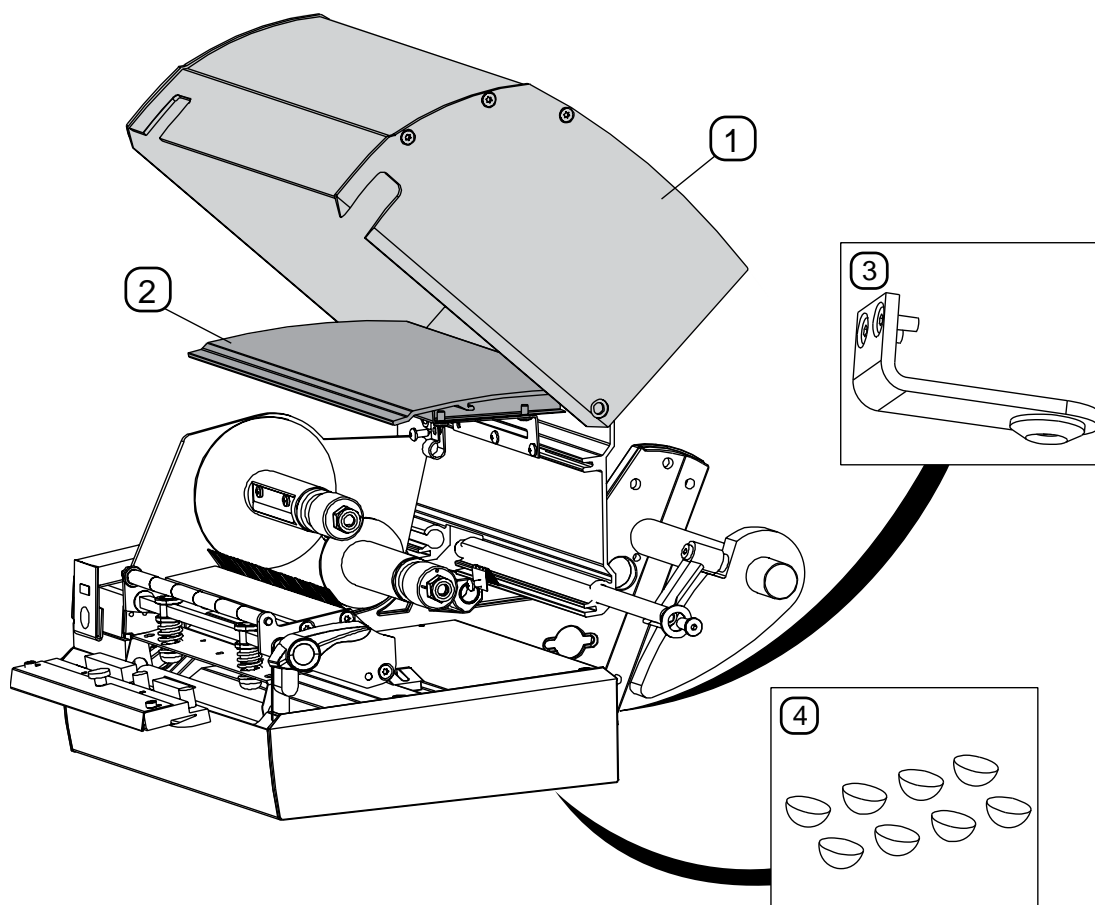
Cleaning



Item	Part number	Description	Remark
1	DPO70-2087-01	(3PK) CLEANING FILM-4"	For 104 mm
1	DPO70-2087-02	(3PK) CLEANING FILM-6"	For 160 mm
1	DPO70-2087-03	(3PK) CLEANING FILM-8"	For 216 mm
1	DPO70-2087-21	(12PK) CLEANING FILM-4"	For 104 mm
1	DPO70-2087-22	(12PK) CLEANING FILM-6"	For 160 mm
1	DPO70-2087-23	(12PK) CLEANING FILM-8"	For 216 mm

4. Nova TT

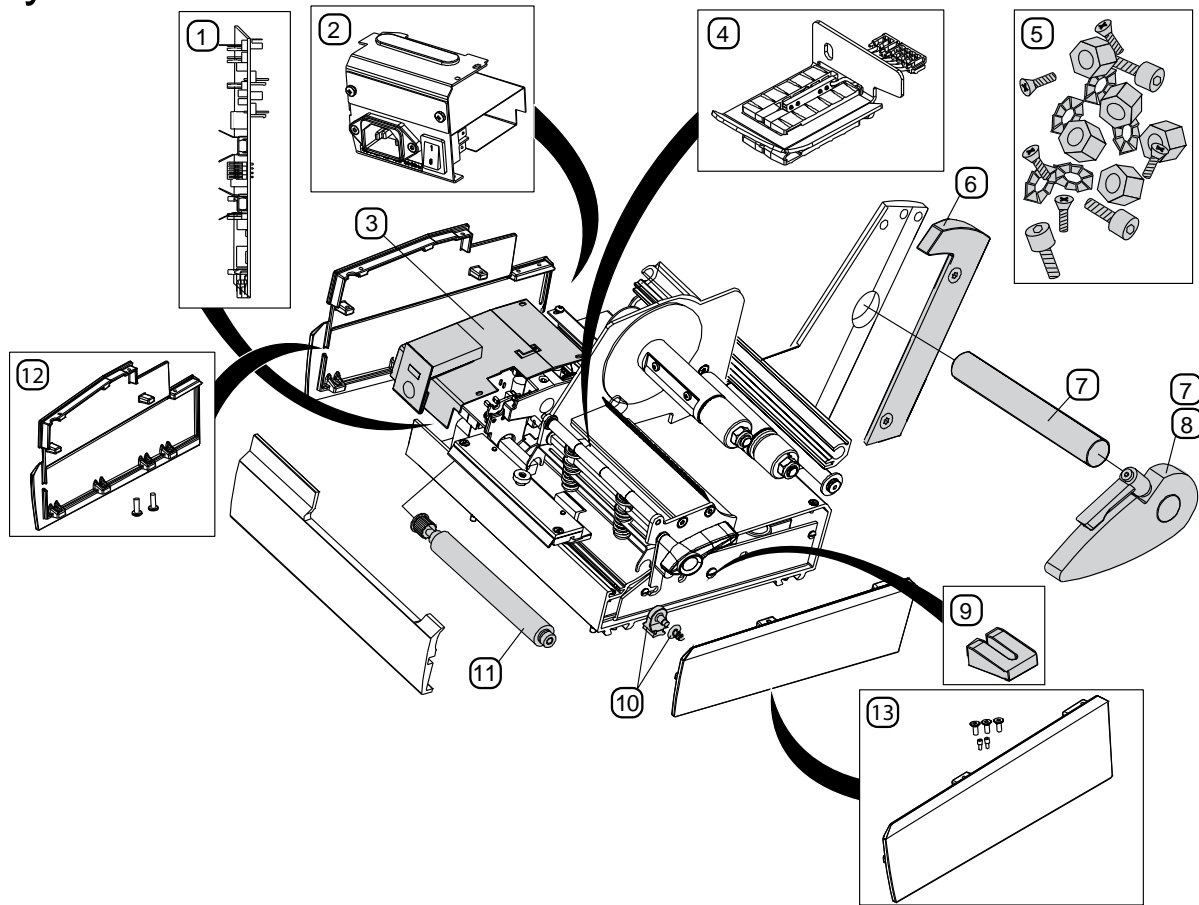
General



Item	Part number	Description	Remark
1	ENM533571	FRONT LID COMPLETE NOVA 4 TT	
1	ENM533664	FRONT LID COMPLETE NOVA 6 TT	
2	ENM533573	CPU MODULE NOVA 4 TT ASSY	
2	ENM533663	CPU MODULE NOVA 6 TT ASSY	
3	400096	REAR FOOT COMPLETE KIT	
4	400097	BUMPER SET	

4. Nova TT

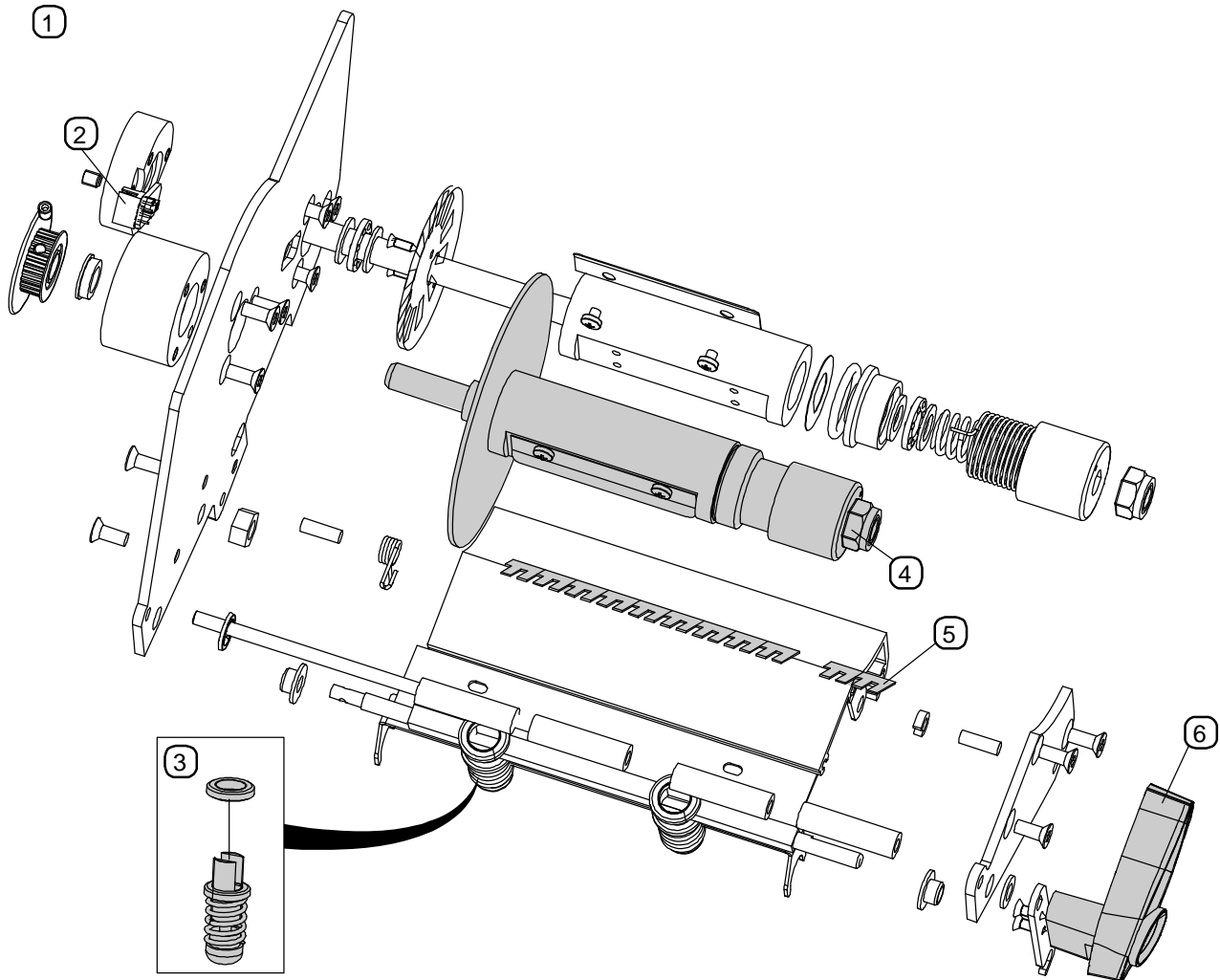
Body



Item	Part number	Description	Remark
1	503685	I/O CARD ASSY	
2	ENM533544	MAINS INPUT COMPLETE	
3	ENM533629	PRINT BUTTON TT ASSY	
4	ENM533616	NOVA MPS	Media Position Sensor
5	533770	KIT FASTENERS NOVA TT	Misc screws, nuts, washers (x5 of each)
6	ENM533615	215-KIT	Option
7	533610	MEDIA SHAFT-NOVA4	Includes item #8
7	533689	MEDIA SHAFT-NOVA6	Includes item #8
8	ENM532089	MEDIA GUIDE-LOCKABLE	
9	ENM503643	PAPER GUIDE NOVA	
10	533531	PRINTROLL HOLDER KIT	
11	ENM533530	PRINTROLL-NOVA4	
11	ENM533636	PRINTROLL-NOVA6	
12	400098	LEFT PSU END KIT	
13	400099	RIGHT PSU END KIT	

4. Nova TT

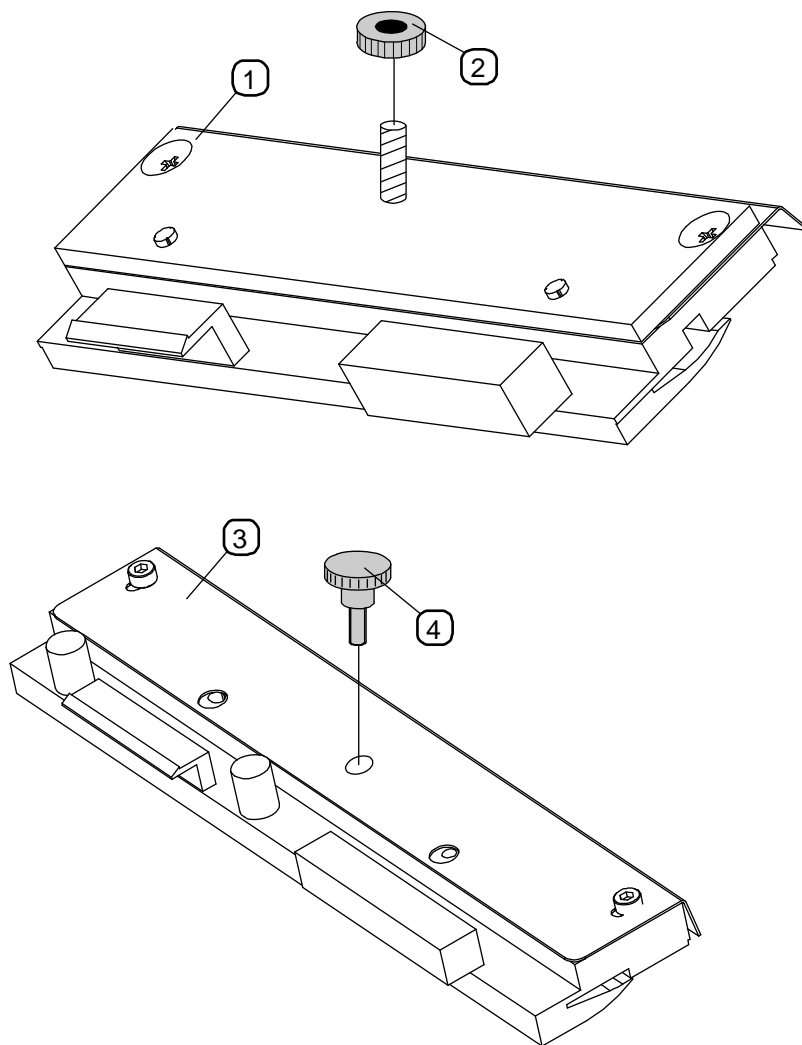
Print Mechanism



Item	Part number	Description	Remark
1	ENM533580	PRINT MECHANISM COMPLETE NOVA4 TT	
1	ENM533772	PRINT MECHANISM COMPLETE NOVA6 TT	
2	400091	RIBBON SENSOR BOARD NOVA4	
3	ENM533688	ADJUSTMENT SCREW COMPLETE	
4	ENM533590	REELING SPINDLE COMPLETE	
5	ENM503767	ANTI STATIC BRUSH NOVA 4 TT	
5	ENM503768	ANTI STATIC BRUSH NOVA 6 TT	
6	ENM503577	HANDLE TT	

4. Nova TT

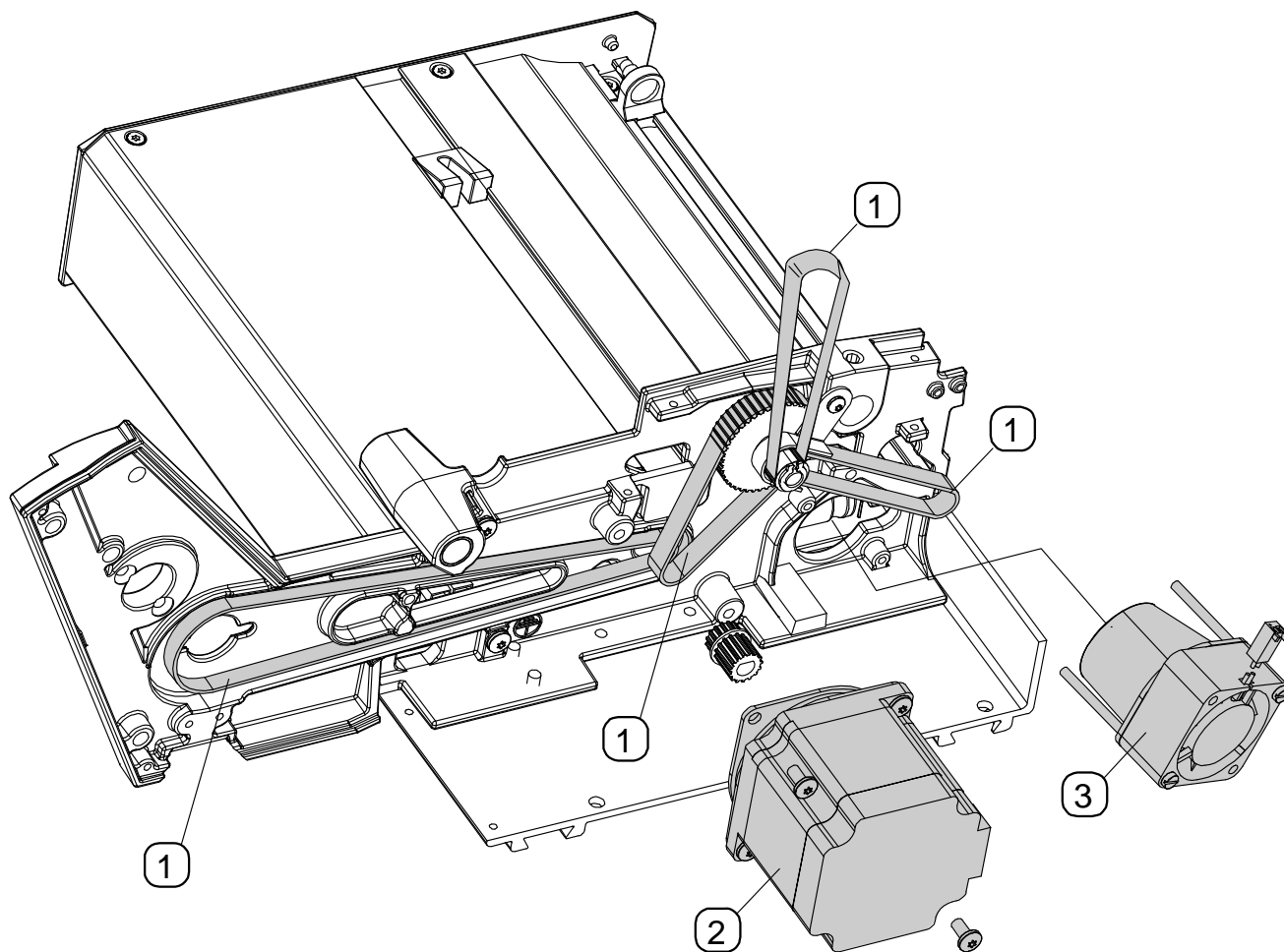
Print Head



Item	Part number	Description	Remark
1	ENM533578	PRINthead NOVA4 COMPL 200dpi	Nova4 TT
1	ENM533668	PRINthead NOVA4 COMPL 300dpi	Nova4 TT
2	ENM502396	LETTER NUT	Nova4 TT
3	ENM533709	PRINthead COMPLETE	Nova6 TT
4	ENM502073	LETTER SCREW	Nova6 TT

4. Nova TT

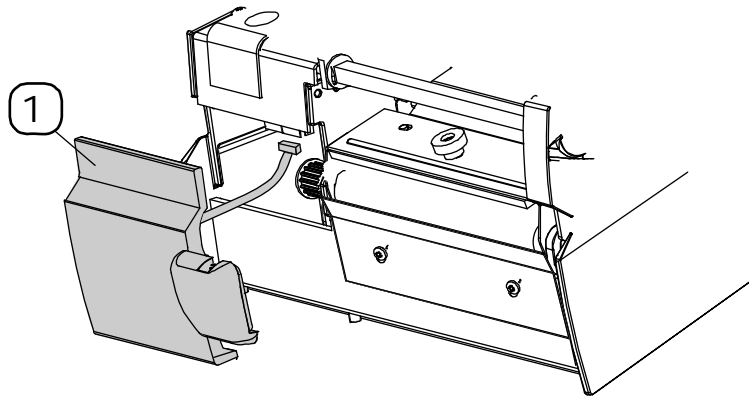
Drive Mechanism



Item	Part number	Description	Remark
1	533579	TOOTH-BELT-KIT-TT-NOVA	
2	ENM533538	STEPPER MOTOR NOVA ASSY	
3	ENM533537	FAN ASSY	

4. Nova TT

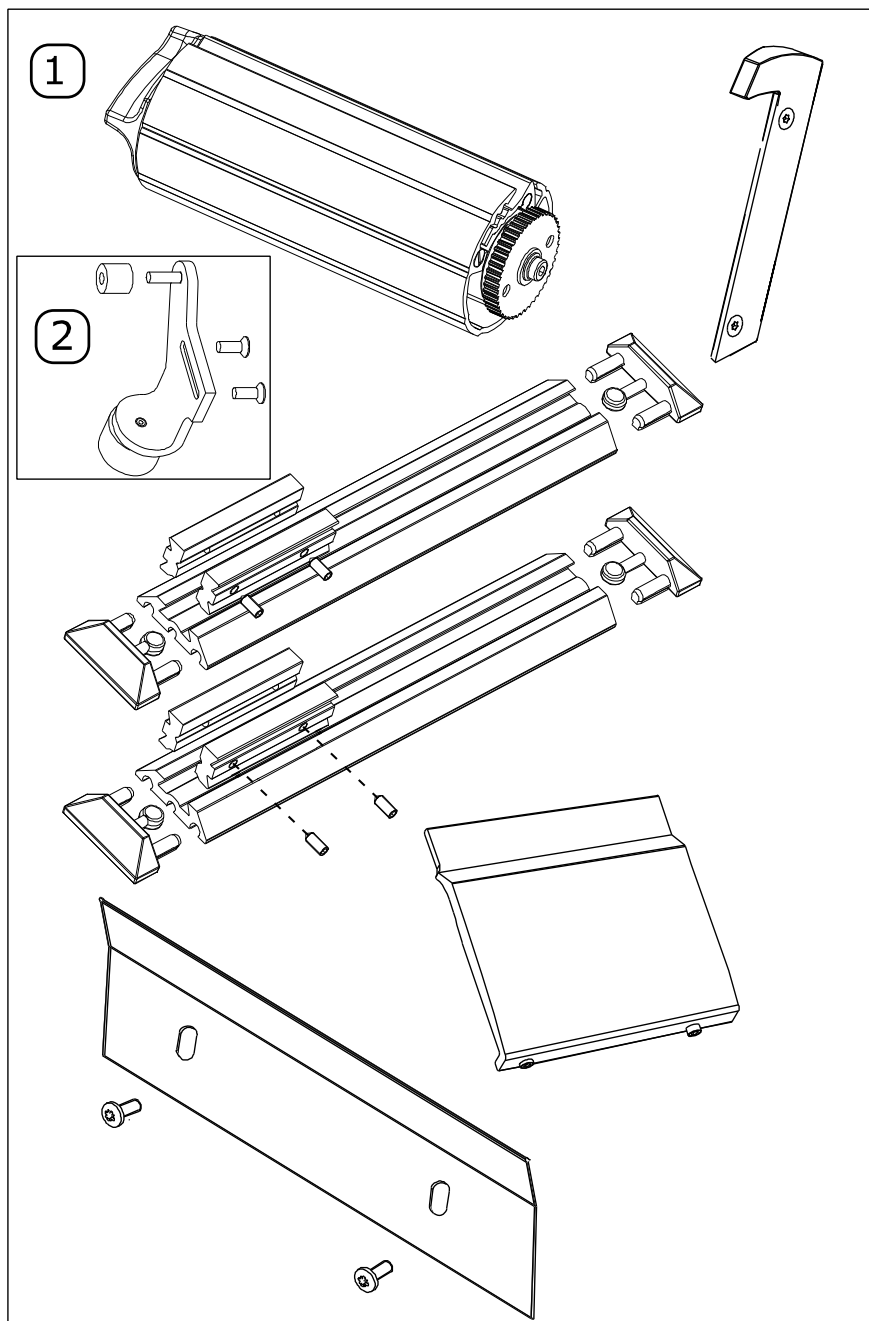
Label Taken Sensor (LTS) Kit



Item	Part number	Description	Remark
1	ENM533625	LTS NOVA COMPLETE	

4. Nova TT

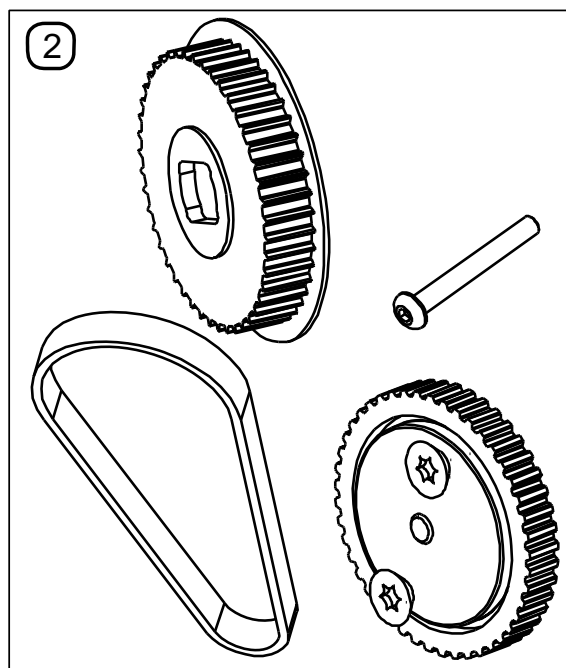
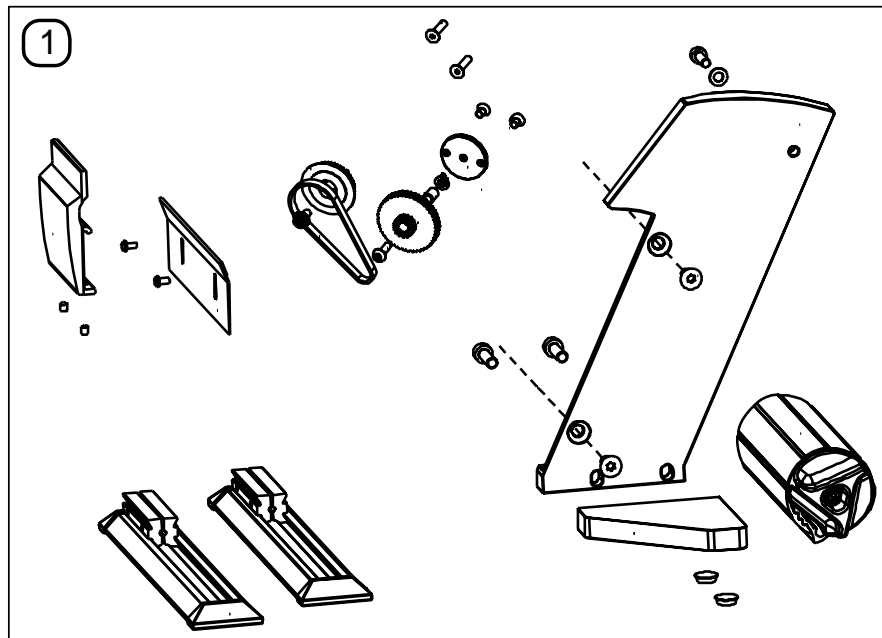
Peel Off



Item	Part number	Description	Remark
1	ENM533541	PEEL OFF COMPL. NOVA 4	
1	ENM533542	PEEL OFF COMPL. NOVA 6	
2	ENM533706	REAR PEEL-OFF FOOT ASSY. NOVA	

4. Nova TT

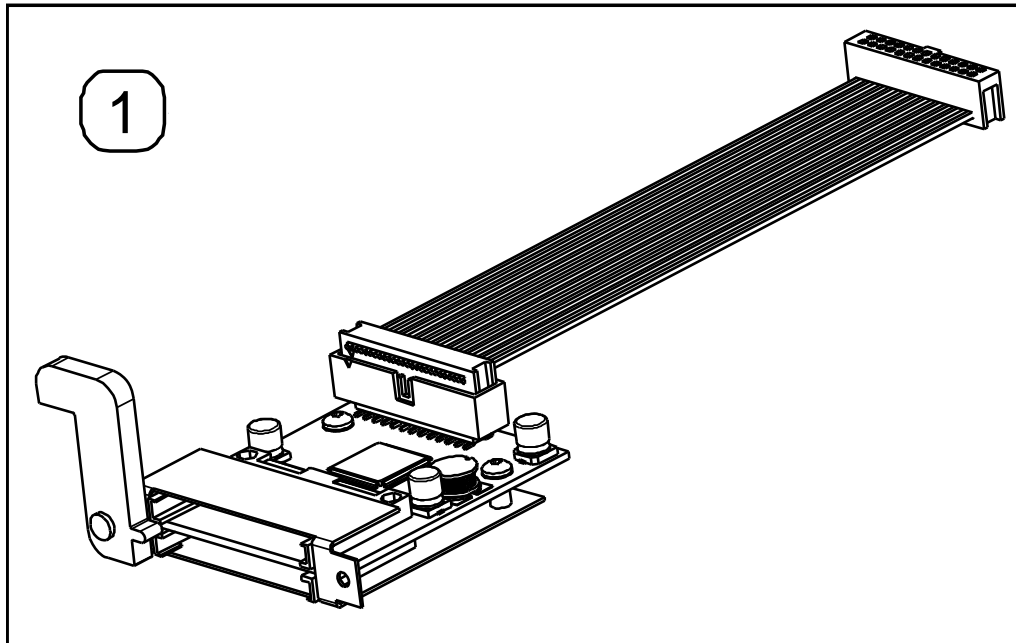
Big Roll Kit



Item	Part number	Description	Remark
1	ENM533742	BIG ROLL/PELL OFF KIT	
2	400060	BIG ROLL/PEEL OFF REPAIR KIT	

4. Nova TT

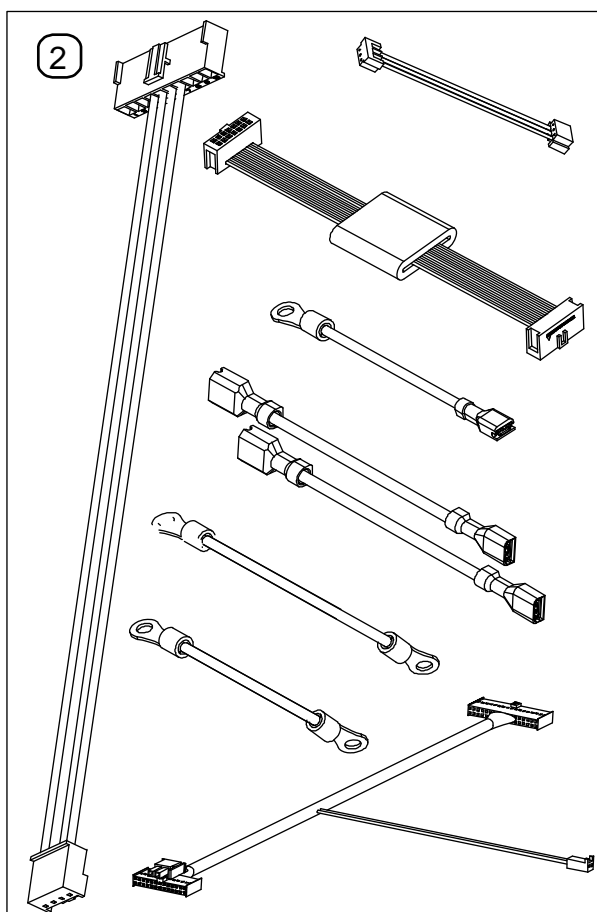
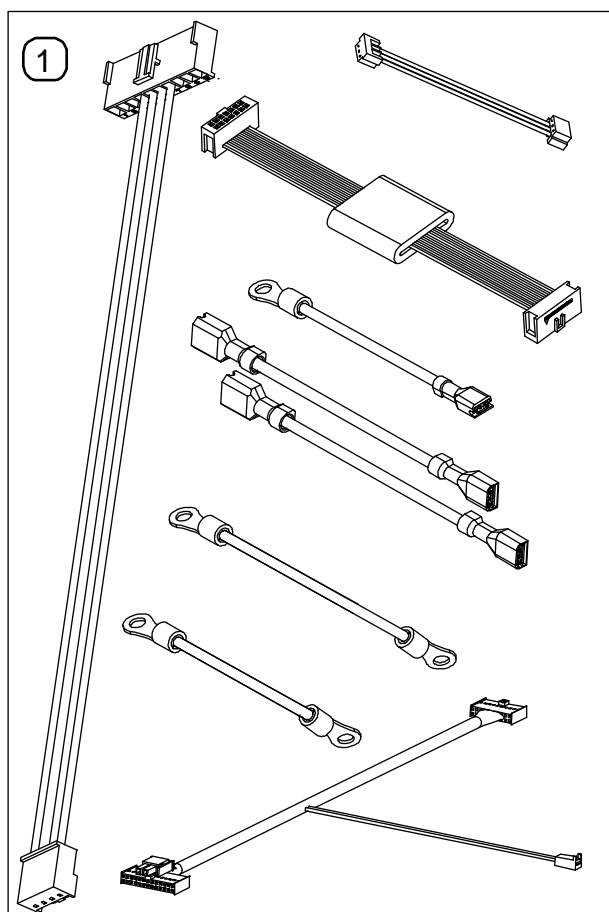
Memory Card Adapter Kit



Item	Part number	Description	Remark
1	533703	MEMORY CARD HOLDER COMPLETE TT	

4. Nova TT

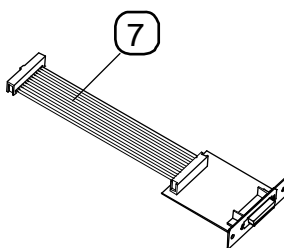
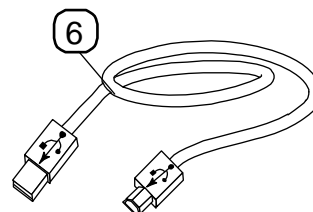
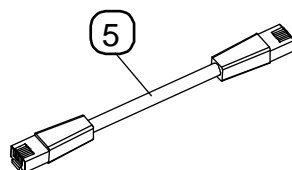
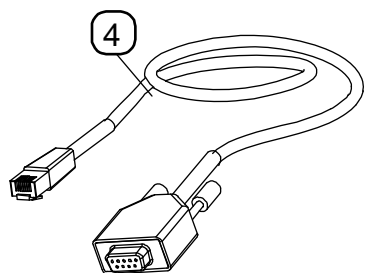
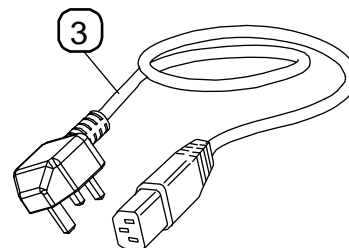
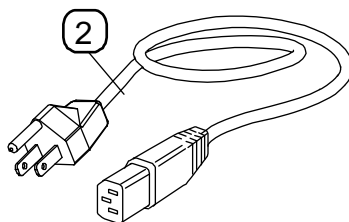
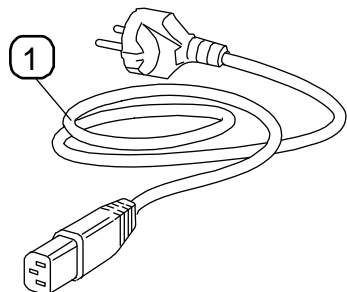
Cable Kit



Item	Part number	Description	Remark
1	ENM533666	KIT-CABLES-NOVA4 TT	
2	ENM533754	KIT CABLES NOVA6 TT	

4. Nova TT

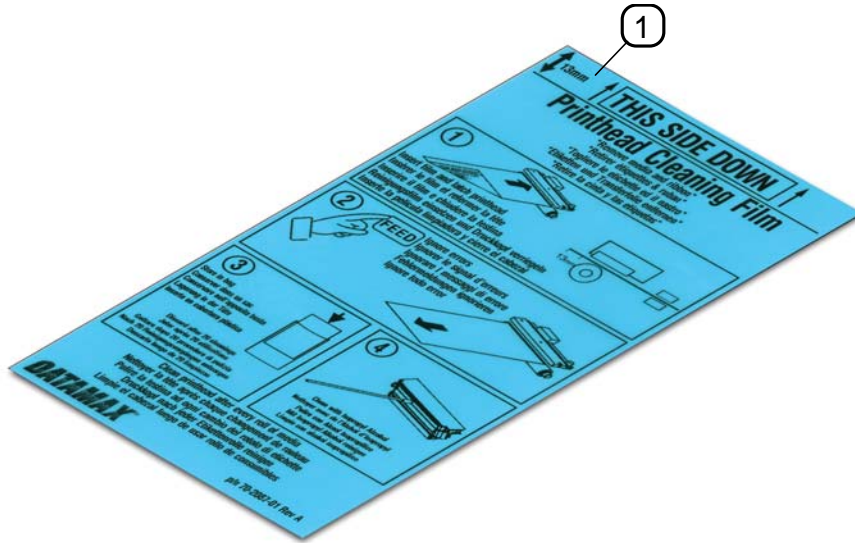
Cables



Item	Part number	Description	Remark
1	586267	CABLE MAIN EU BLACK	
2	130063	CABLE-MAIN-USA/CANADA BLACK	
3	32-2025-01	CABLE-MAIN-UK BLACK	
4	502542	CABLE SER (RJ45)	
5	502631	DAISY-CHAIN CABLE	
6	502543	USB-CABLE	
7	533708	PARALLEL INTERFACE BOARD TT	

4. Nova TT

Cleaning



Item	Part number	Description	Remark
1	DPO70-2087-01	(3PK) CLEANING FILM-4"	For 104 mm
1	DPO70-2087-02	(3PK) CLEANING FILM-6"	For 160 mm
1	DPO70-2087-03	(3PK) CLEANING FILM-8"	For 216 mm
1	DPO70-2087-21	(12PK) CLEANING FILM-4"	For 104 mm
1	DPO70-2087-22	(12PK) CLEANING FILM-6"	For 160 mm
1	DPO70-2087-23	(12PK) CLEANING FILM-8"	For 216 mm
