

PM4i

Mid-Range Printer



Spare Parts Catalog

Intermec Technologies Corporation

Worldwide Headquarters

6001 36th Ave.W.

Everett, WA 98203

U.S.A.

www.intermec.com

The information contained herein is provided solely for the purpose of allowing customers to operate and service Intermec-manufactured equipment and is not to be released, reproduced, or used for any other purpose without written permission of Intermec Technologies Corporation.

Information and specifications contained in this document are subject to change without prior notice and do not represent a commitment on the part of Intermec Technologies Corporation.

© 2009-2012 by Intermec Technologies Corporation. All rights reserved.

The word Intermec, the Intermec logo, Norand, ArciTech, Beverage Routebook, CrossBar, dcBrowser, Duratherm, EasyADC, EasyCoder, EasySet, Fingerprint, INCA (under license), i-gistics, Intellitag, Intellitag Gen2, JANUS, LabelShop, MobileLAN, Picolink, Ready-to-Work, RoutePower, Sabre, ScanPlus, ShopScan, Smart Mobile Computing, SmartSystems, TE 2000, Trakker Antares, and Vista Powered are either trademarks or registered trademarks of Intermec Technologies Corporation.

There are U.S. and foreign patents as well as U.S. and foreign patents pending.

Document Change Record

This page records changes to this document. The document was previously released as version 1-960607-05.

Version Number	Date	Description of Change
940-002-004	4/2012	Revised to update the description of the media supply roll post assembly.
940-002-003	4/2011	Revised to update the parallel interface part number.
940-002-002	1/2010	Revised to update printhead part number.
940-002-001	12/2009	Revised to include changes for the Asterix Upgrade Program.

Contents

PM4i Spare Parts Catalog	7
Spare Parts Overview	8
PM4i Spare Parts	10
Keyboard and Cover	10
Chassis	11
Print Mechanism (Media Compartment Side)	12
Print Mechanism (Electronics Compartment Side 1)	14
Print Mechanism (Electronics Compartment Side 2)	15
Label Stop Sensor	16
Ribbon Supply Unit	17
Ribbon Rewind Unit	18
Ribbon Motor	19
Side Doors	20
Front Door	21
Media Supply Roll Post	22
Label Slack Absorber	23
Media Supply Roll Hub Kit (Option)	24
Fanfold Guide (Option)	25
Liner Takeup Unit	26
Paper Cutter Kit (Option)	27
CPU Board	28
Power Supply Unit	29
Double Serial Interface Kit (Fingerprint Option)	30
Serial/Industrial Interface Kit (Fingerprint Option)	31
IEEE 1284 Parallel Interface Kit (Option)	32
EasyLAN Ethernet Interface Kit (Option)	33
EasyLAN Wireless Interface Kit (Option)	34
RFID Kit (IM4 869 MHz) (Option)	35
RFID Kit (IM4 915 MHz) (Option)	36
RFID Kit (IM5 869 MHz) (Option)	37
RFID Kit (Class 1, 915 MHz) (Option)	38
RFID Kit (Gen 2, 869 MHz) (Option)	39
RFID Kit (Gen 2, 915 MHz) (Option)	40
RFID Kit 920 MHz, Hong Kong (Option)	41
Label Taken Sensor (Option)	42

PM4i Spare Parts Catalog

This spare parts catalog contains information about spare parts and accessories for the Intermecc PM4i Mid-Range Printer. For information about parts not included in this catalog, please contact your Intermecc Service representative.

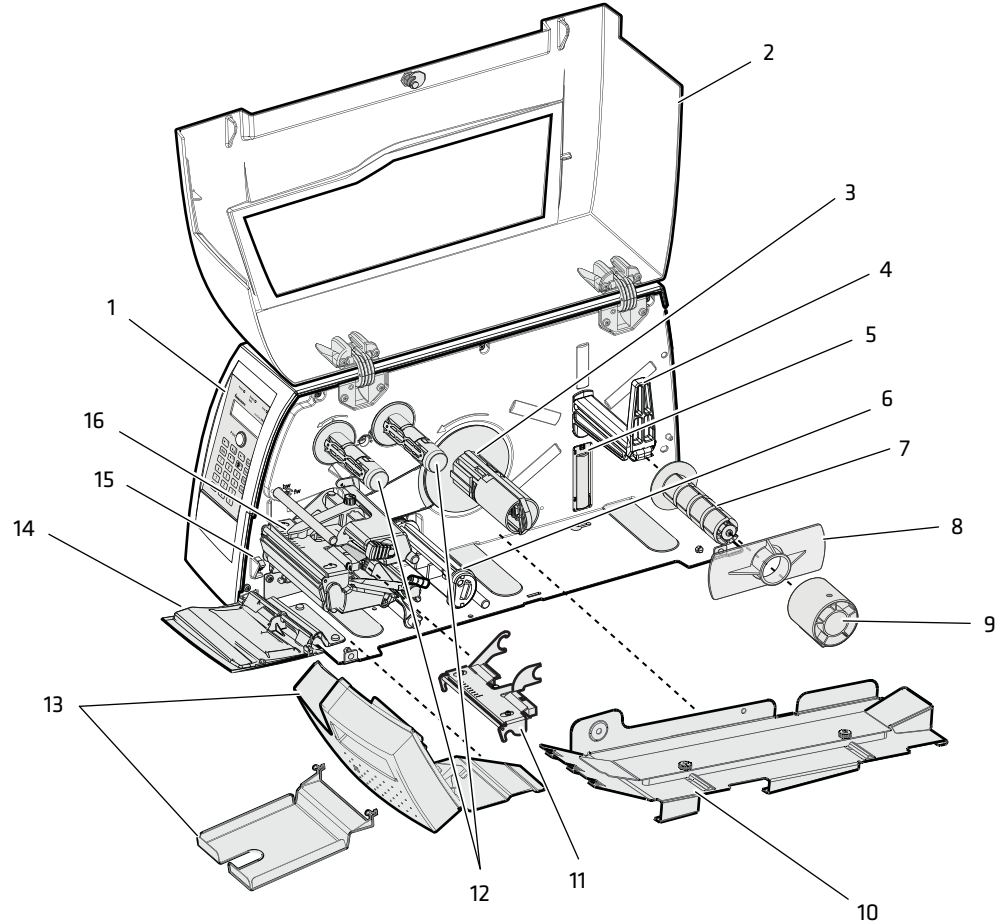
Information in this manual is subject to change without prior notice and does not represent a commitment on the part of Intermecc. For the most current information, see the latest edition of the Spare Parts Price List available from the Intermecc web site at www.intermecc.com.



Always make sure that you have the correct part. Some electrical parts, such as printheads, printhead cables, and interface boards, may look similar to parts for other printers. However, these parts are not compatible. Installing the wrong part may damage the printer.

Spare Parts Overview

This section contains information about spare parts for the PM4i printer. Use the overview illustration and tables to locate and identify each spare part assembly.



Overview of the PM4i

PM4i Spare Parts

Callout	Description	Page
1	Keyboards	10
2	Side door (with/without optional keylock)	20
3	Liner takeup unit	26
4	Media supply roll post	22
5	Paper low sensor (option)	24
6	Label slack absorber	23
7	Media supply roll hub (option)	24
8	Media roll retainer (option)	24
9	Bobbin adapter (option)	24
10	Fan-fold guide (option)	25

PM4i Spare Parts (continued)

Callout	Description	Page
11	Optional printheads	12
12	Transfer ribbon mechanism	16, 17, 19
13	Cutter and tray (option)	27
14	Front Door	21
15	Label taken sensor (option)	42
16	Print mechanism	11, 12, 15
	Chassis	11
	Label stop sensor	16
	CPU board	28
	Power supply unit	29
	Serial/parallel interface kits	30, 31, 32
	EasyLAN Ethernet/wireless interface kits	33, 34
	RFID kits	35, 36, 37, 38, 39, 40

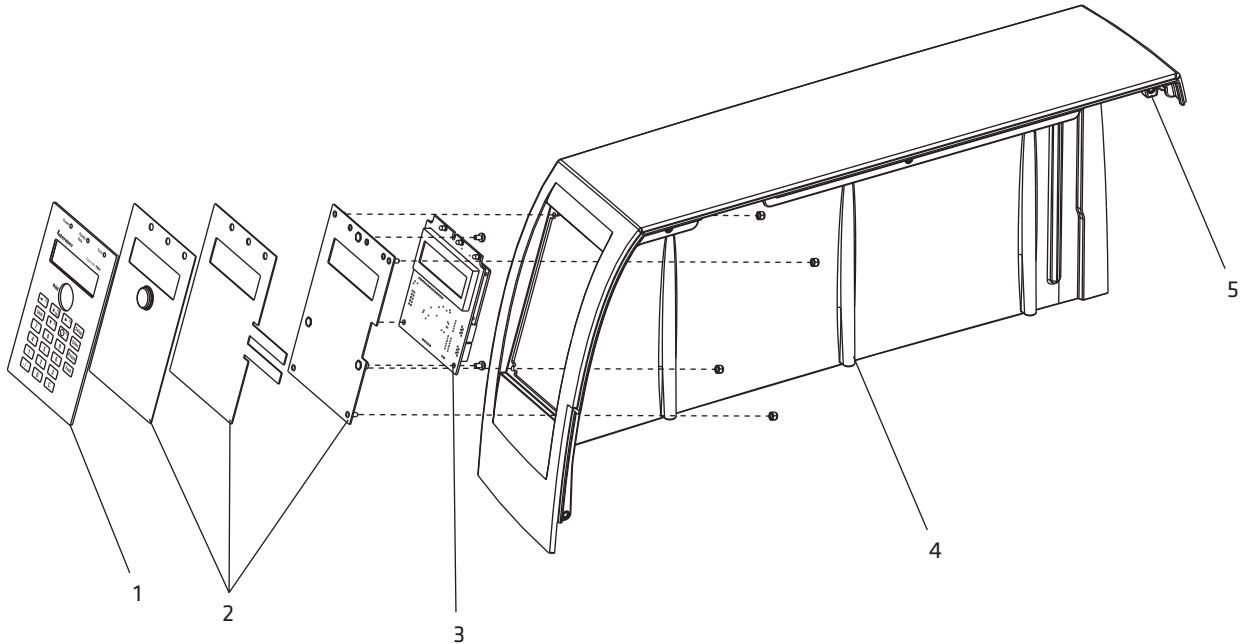
PM4i Accessories

Part Number	RoHS Part Number	Description	Notes
1-975571-20		Power cord UL/CSA	U.S.A., Canada
1-975571-30		Power cord	U.K., Ireland
1-975571-10		Power cord	European standard
1-975571-00		Power cord	Australia, New Zealand
1-975583-18	1-974022-018	Parallel interface cable	
1-091122-06		Serial interface cable RS-232	
1-206368-05		Printhead cable, PM4i assembly, shielded	
1-110501-00		Cleaning card 25-pack	
GEZ400STB		Abrasive pH cleaning cards	
1-010590-90		Configuration kit for external keyboard	Includes PC cable, PC software, manual, and clear and blind keytops
1-206508-51		Cushion pad, pair	
1-206179-01		CompactFlash assembly cover	
		CompactFlash memory card (various sizes)	Refer to Spare Parts List
		Font card (various font collections)	Refer to Spare Parts List

PM4i Spare Parts

This section contains detailed illustrations, descriptions, and part numbers for the PM4i spare parts. Note that the description text is not necessarily the same as the text on drawings, packing slips, or invoices.

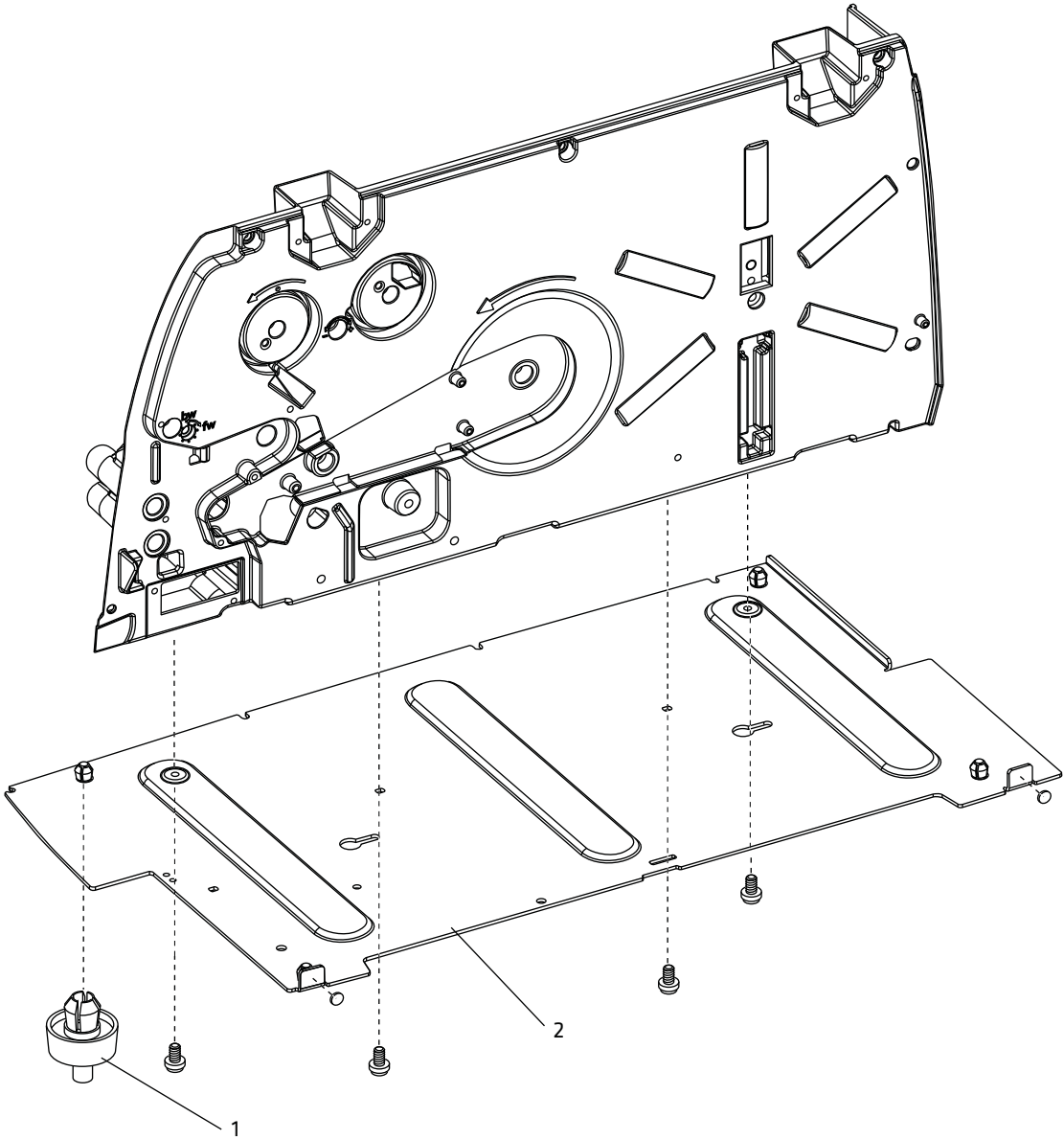
Keyboard and Cover



Keyboard and Cover Spare Parts

Callout	Part Number	Description	Notes
1	1-206431-12	Keyboard overlay (Fingerprint)	
	1-206431-02	Keyboard overlay (IPL)	
	355-422-001	Overlay graphic, PM4iD	
2	1-206161-04	Membrane keyboard assembly, PM4iD	
	1-206161-03	Membrane keyboard assembly	P/N 1-206161-03 and P/N 1-971151-900 need to be ordered as a set
3	1-971651-26	Console PCB	Includes cable to CPU board
	1-971151-900	Console board PM	P/N 1-971151-900 contains P/N 1-971151-001
4	1-206174-002	Front/left side cover	
5	1-994059-008	Cover screw	8 required

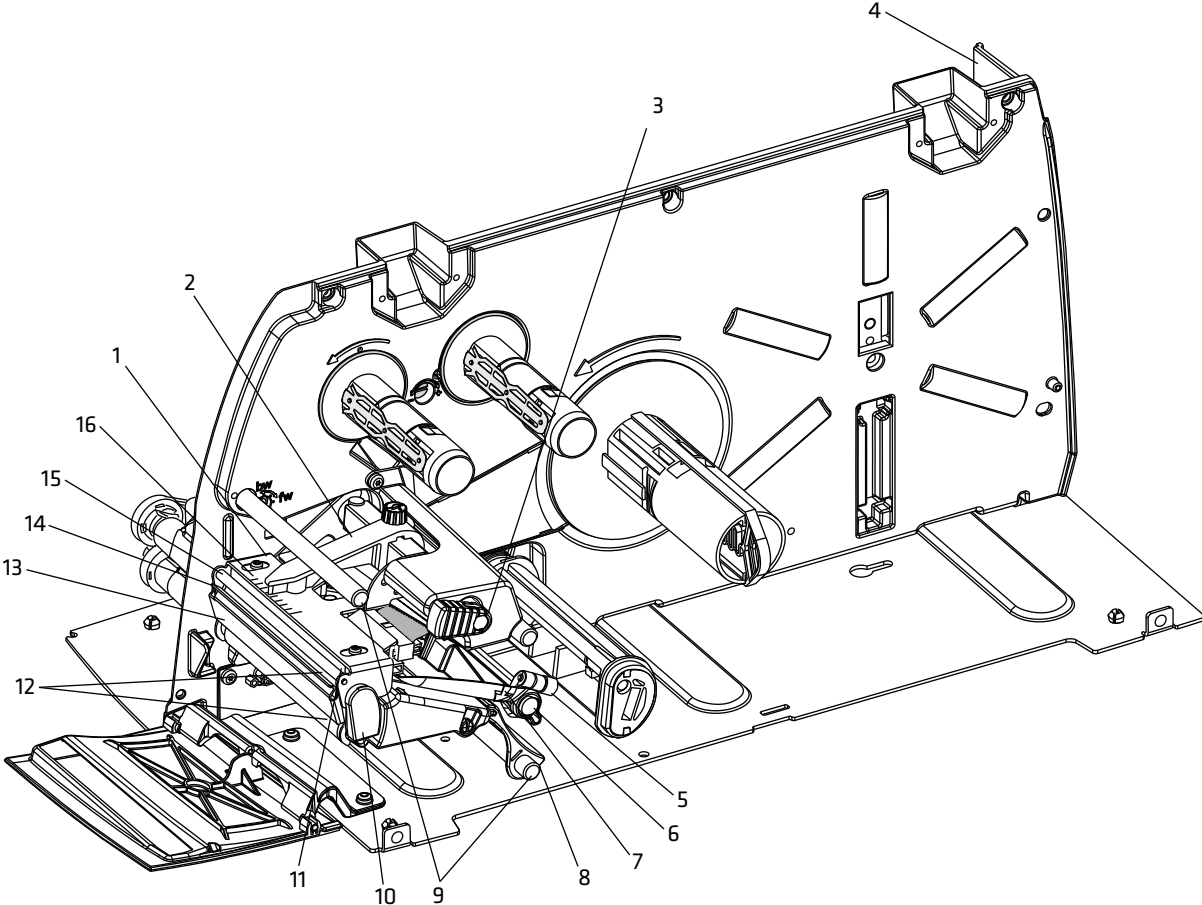
Chassis



Chassis Spare Parts

Callout	Part Number	Description	Notes
1	1-992328-90	Rubber foot (4 pieces in each printer)	12-pack
2	1-206350-02	Bottom plate (M4)	

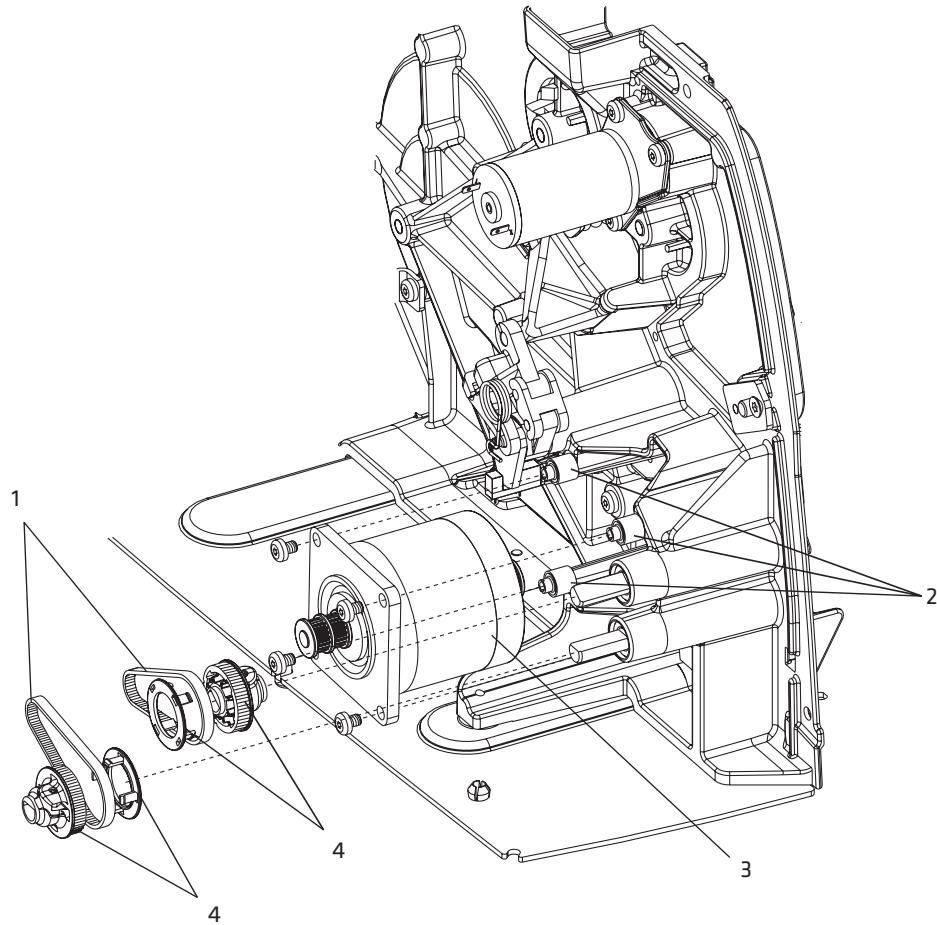
Print Mechanism (Media Compartment Side)



Print Mechanism (Media Compartment Side) Spare Parts

Callout	Part Number	RoHS Part Number	Description	Notes
1		710-047-900	PM4D 406 dpi printhead assembly	
	1-010043-90	1-010043-900	Thermal printhead assembly (8 dots/mm)	Media thickness max 175µm
	1-010043-91	1-010043-910	Thermal printhead assembly (8 dots/mm)	Media thickness max 170-220µm
	1-010044-90	1-010044-900	Thermal printhead assembly (11.81 dots/mm)	Media thickness max 175µm
	1-010044-91	1-010044-910	Thermal printhead assembly (11.81 dots/mm)	Media thickness max 170-220µm
	1-010045-90	1-010045-900	Thermal printhead assembly (8 dots/mm) 3 mm offset	Media thickness 170-220µm
2	1-206239-00		Pressure arm	
3	1-206301-90		Cam handle	
4	524-125-001		Rear plate, PM4iD	
5	1-206154-90		Edge guide spare kit	
6	1-206398-00		Guide shaft, media (M4)	
7	1-206389-01		Paper guide (upper)	
8	1-206380-00		Media link	
9	1-206242-00		Guide shaft	
10	1-206248-01		Guide link	
	642-941-001		Guide link PM4iD	Backward compatible
11	1-206288-00		Plastic clip	Used on shaft P/N 1-206250-00
12	1-206203-95		Platen roller/liner drive roller	Includes bearing
		656-005-001	PM4i peel-off kit roller/liner drive roller	
13	1-206182-00		Adjustable dispenser plate for PF4/PM4	
14	1-206278-04		Tear bar	
15	1-206250-00		Shaft, 4-in	
16	655-156-001		Dispenser, PM4iD	
	1-206147-00		Label stop sensor assembly	See page 16

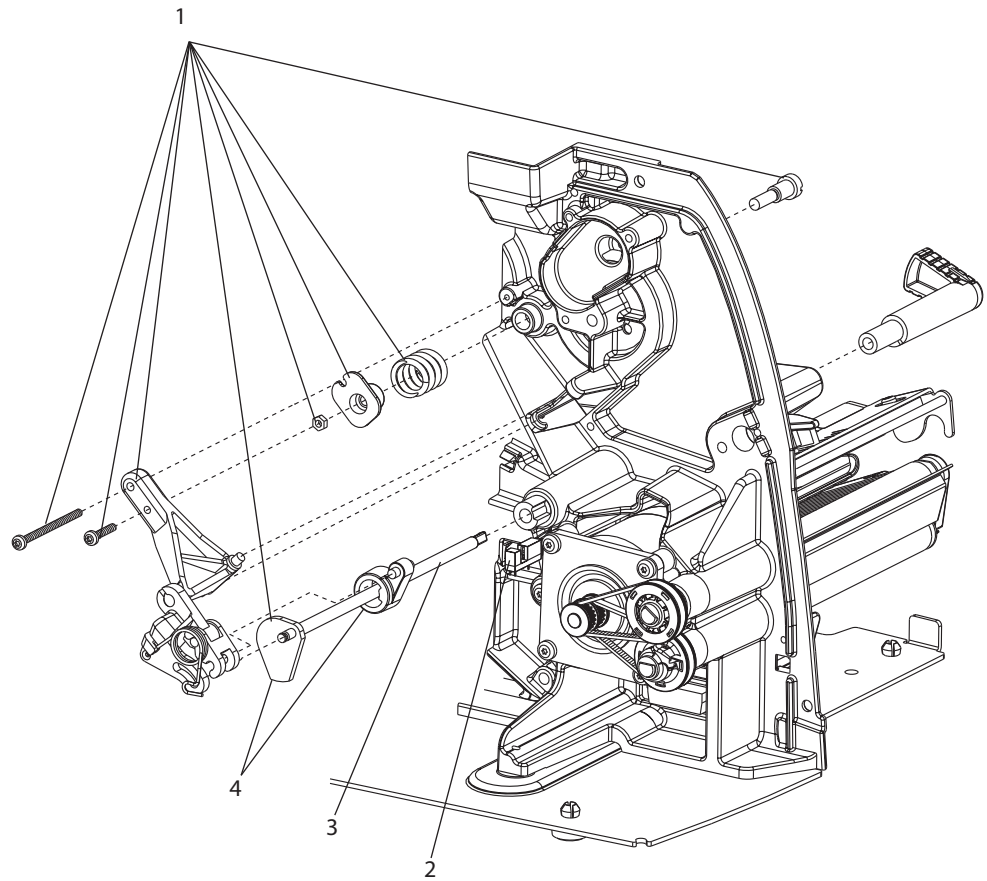
Print Mechanism (Electronics Compartment Side 1)



Print Mechanism (Electronics Compartment Side 1) Spare Parts

Callout	Part Number	Description	Notes
1	1-995103-01	Belt	
2	1-206039-02	Vibration damper	4 required
3	1-206960-11	Stepper motor assembly	Includes pulleys
4	1-206100-01	Pulley assembled	

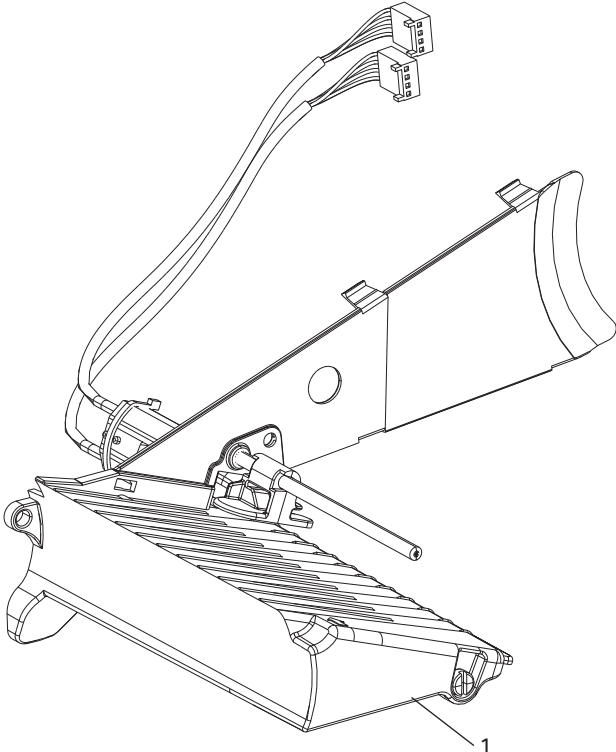
Print Mechanism (Electronics Compartment Side 2)



Print Mechanism (Electronics Compartment Side 2) Spare Parts

Callout	Part Number	RoHS Part Number	Description	Notes
1	1-206106-95		Headlift linkage assembly	
2		1-974001-011	RoHS sensor headlift assembly, PM4	
3	1-206352-01		Crank shaft (M4)	Also included in P/N 1-206106-95
4	1-206150-95		Pressure arm assembly	

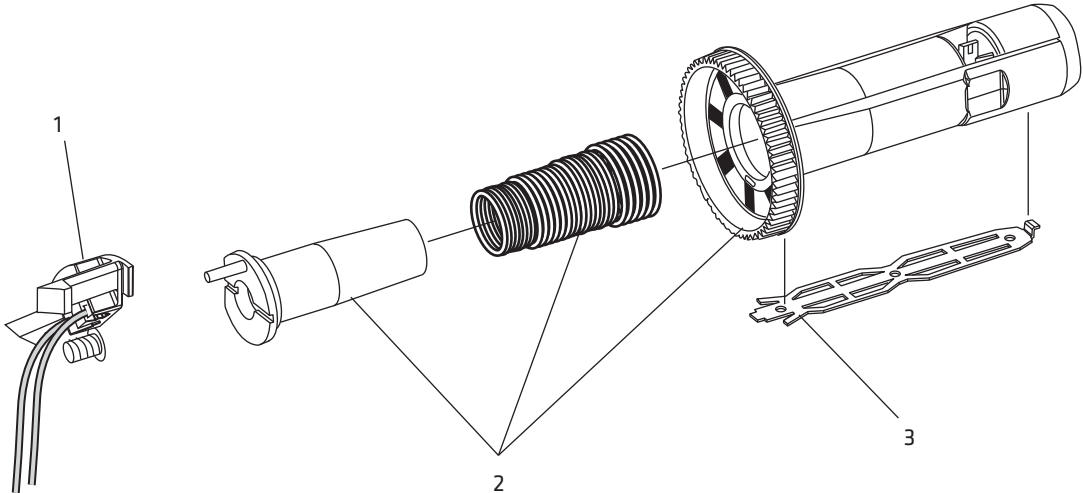
Label Stop Sensor



Label Stop Sensor Spare Parts

Callout	Part Number	Description	Notes
1	1-206147-01	Label stop sensor	Complete unit includes cables and paper guide

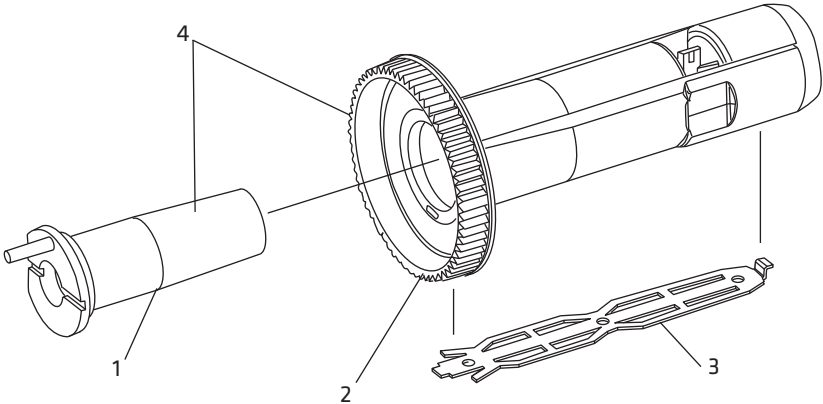
Ribbon Supply Unit



Ribbon Supply Unit Spare Parts

Callout	Part Number	Description	Notes
1	1-974002-001	Ribbon sensor assembly	Includes cable
2	1-206112-02	Ribbon supply unit assembly	Bobbin, hub with code disc, and spring clutch
3	1-206266-01	Bobbin plate	

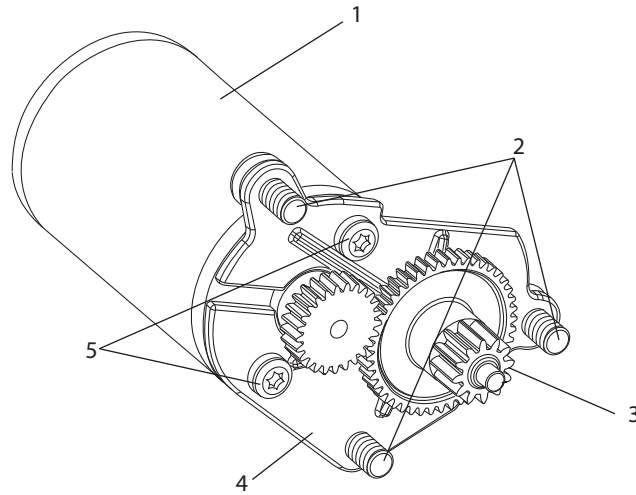
Ribbon Rewind Unit



Ribbon Rewind Unit Spare Parts

Callout	Part Number	Description	Notes
1	1-206271-00	Hub	
2	1-206111-02	Bobbin	
3	1-206266-01	Bobbin plate	
4	1-206112-02	Ribbon supply assembly	Includes P/N 1-206271-00 and P/N 1-206111-02

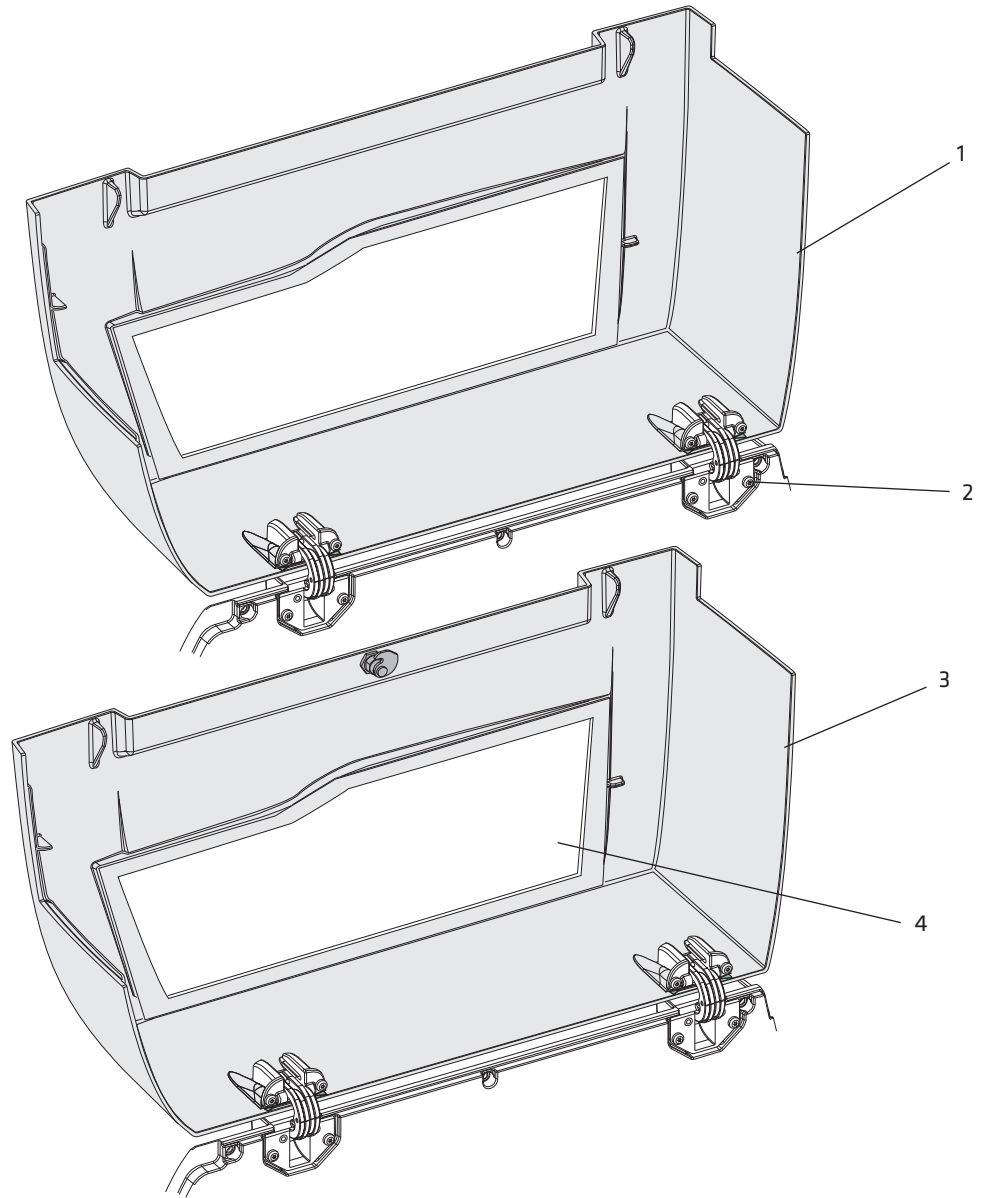
Ribbon Motor



Ribbon Motor Spare Parts

Callout	Part Number	RoHS Part Number	Description	Notes
1	1-206159-90	1-206159-900	Ribbon motor assembly	Includes gear wheel and cable
2	1-994059-008		Screw, MRT 4X8 ZP	3 required
3	1-206332-00		Gear wheel	
4	1-206132-00		Motor plate assembly	
5	1-994058-005		Screw, MRT 3X5 ZP	2 required

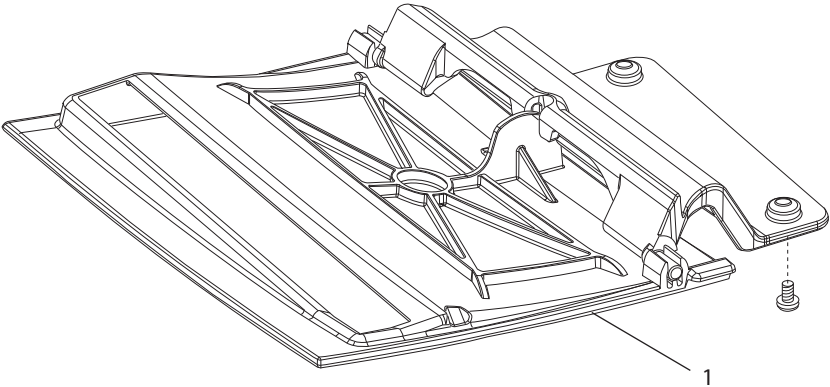
Side Doors



Side Doors Spare Parts

Callout	Part Number	Description	Notes
1	1-206135-91	Side door (standard)	Includes window and label No hinges
2	1-206138-00	Hinge assembly	
3	1-206177-90	Side door with keylock	Includes hinges
4	1-206153-02	Window assembly (M4)	

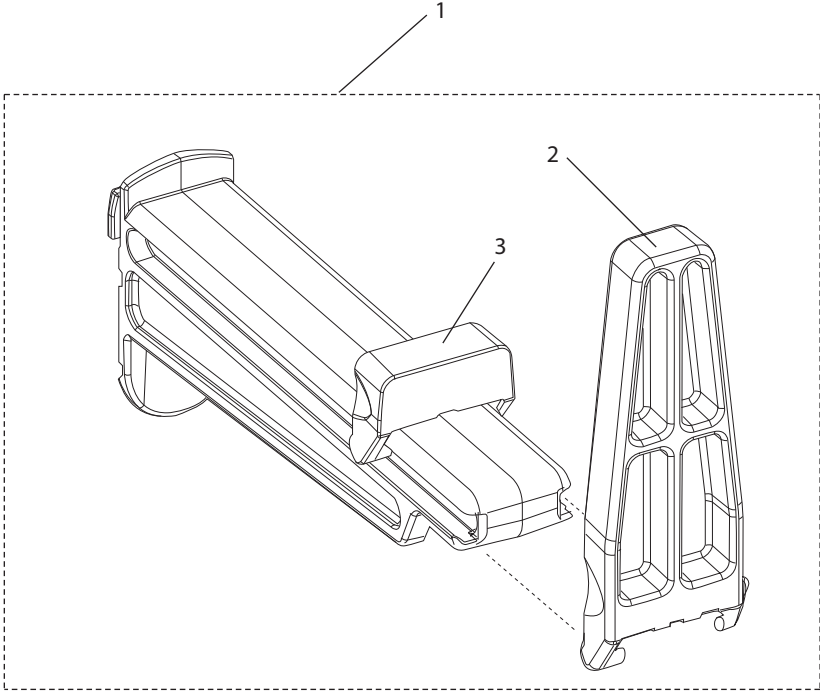
Front Door



Front Door Spare Parts

Callout	Part Number	Description
1	1-206141-00	Door, front, RoHS compliant

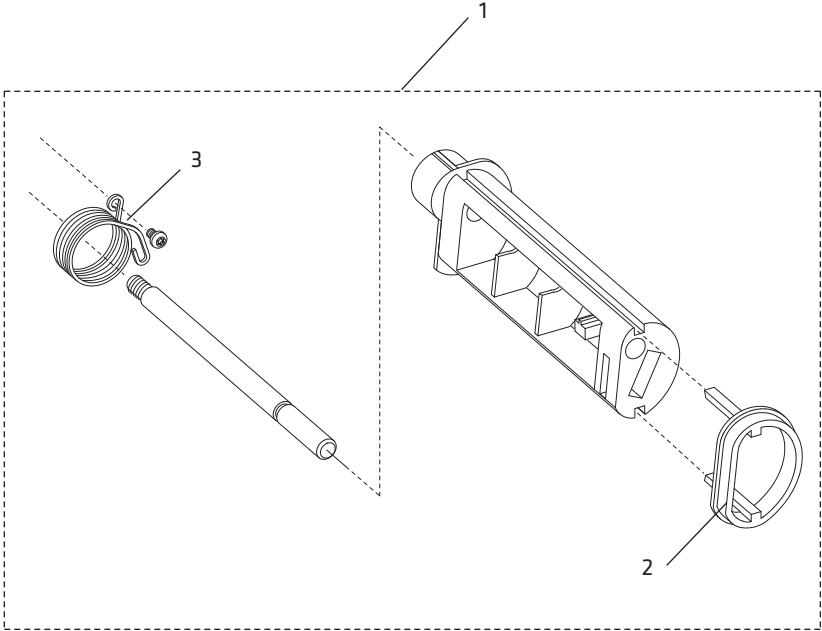
Media Supply Roll Post



Media Supply Roll Post Spare Parts

Callout	Part Number	Description	Notes
1	1-206383-90	Media supply roll post assembly	Includes small edge guide and screw only, order large edge guide P/N 1-206384-05 separately
2	1-206384-05	Edge guide, large	
3	1-206438-01	Edge guide, small	

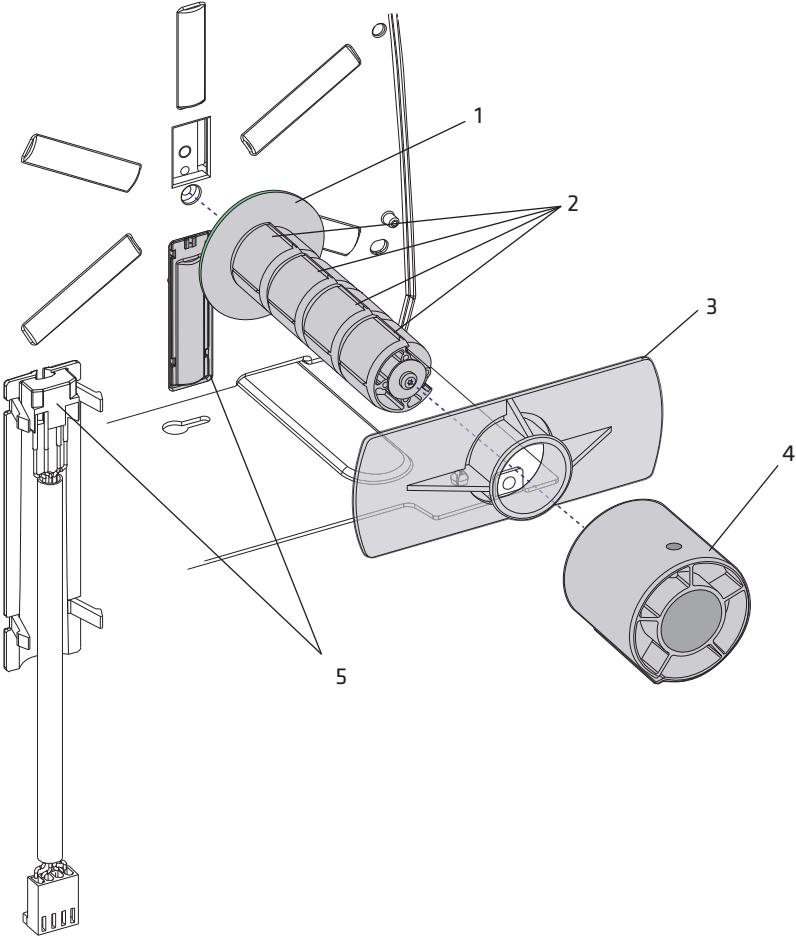
Label Slack Absorber



Label Slack Absorber Spare Parts

Callout	Part Number	Description	Notes
1	1-206318-00	Label slack absorber assembly	Includes edge guide, spring, shaft, and screw
2	1-040329-00	Edge guide	
3	1-040321-00	Spring	

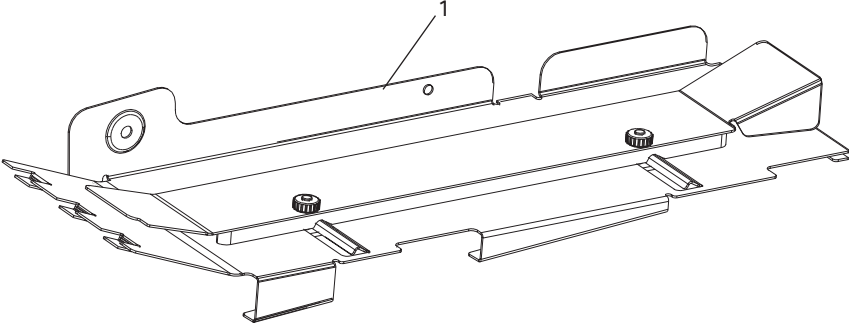
Media Supply Roll Hub Kit (Option)



Media Supply Roll Hub Kit Spare Parts

Callout	Part Number	RoHS Part Number	Description	Notes
	1-206651-70	1-206651-700	Media supply roll hub kit	Includes all illustrated parts
1	1-206172-00		Media supply roll hub assembly	
2	1-150166-00		Bobbin assembly	
3	1-776290-00		Media roll retainer	
4	1-040327-52		Bobbin adapter	For core inner diameter 76 mm/3 in
5	1-206158-01		Paper low sensor assembly	

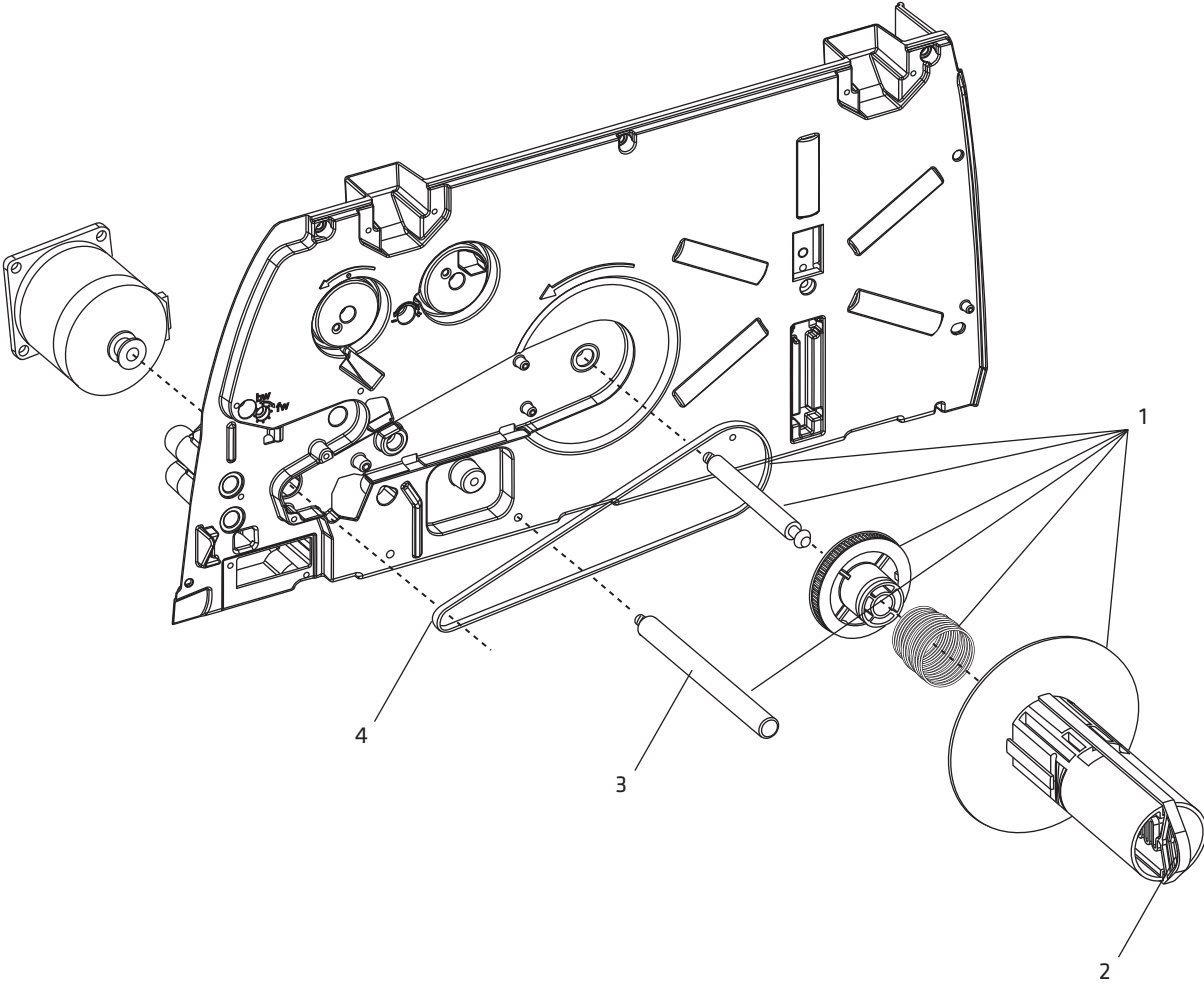
Fanfold Guide (Option)



Fanfold Guide Spare Parts

Callout	Part Number	Description	Notes
1	1-206651-80	Fanfold guide assembly	Complete unit

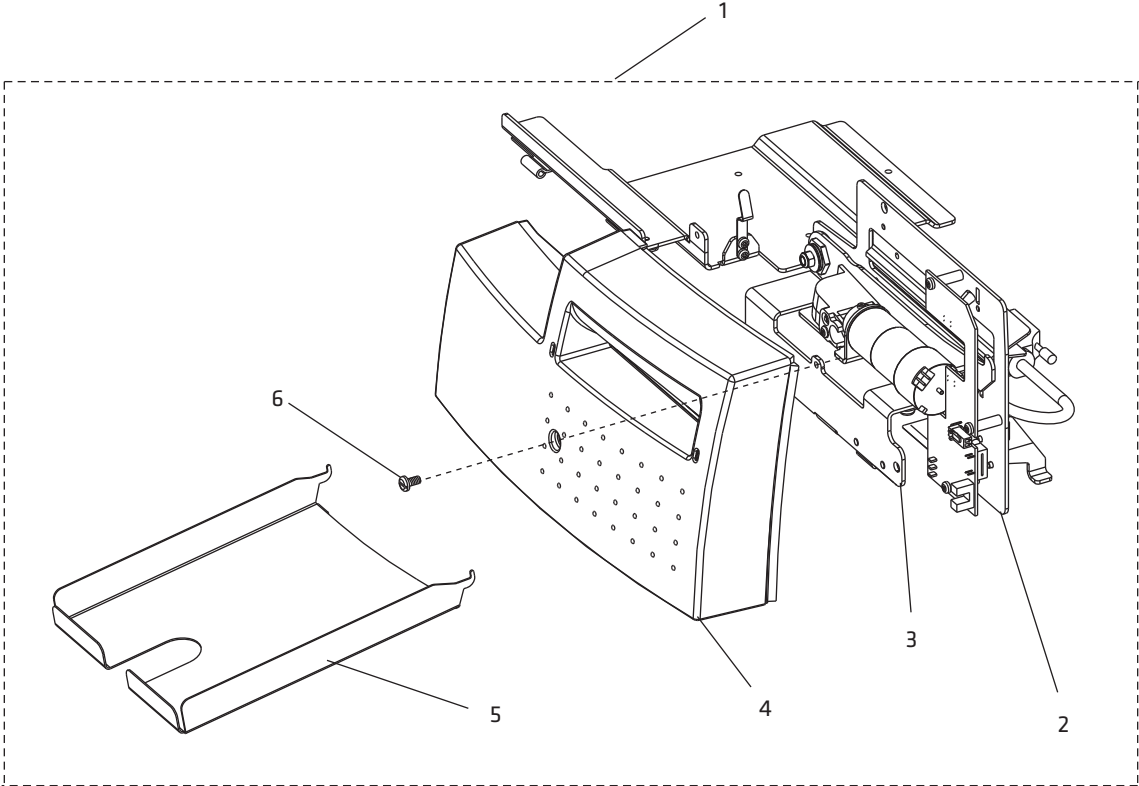
Liner Takeup Unit



Liner Takeup Unit Spare Parts

Callout	Part Number	Description	Notes
1	1-206571-90	Liner takeup unit assembly	Includes hub, spring clutch, pulley, shaft, belt, and guide shaft
2	1-206226-01	Brace	
3	1-206224-00	Shaft	
4	1-995103-05	Timing belt	

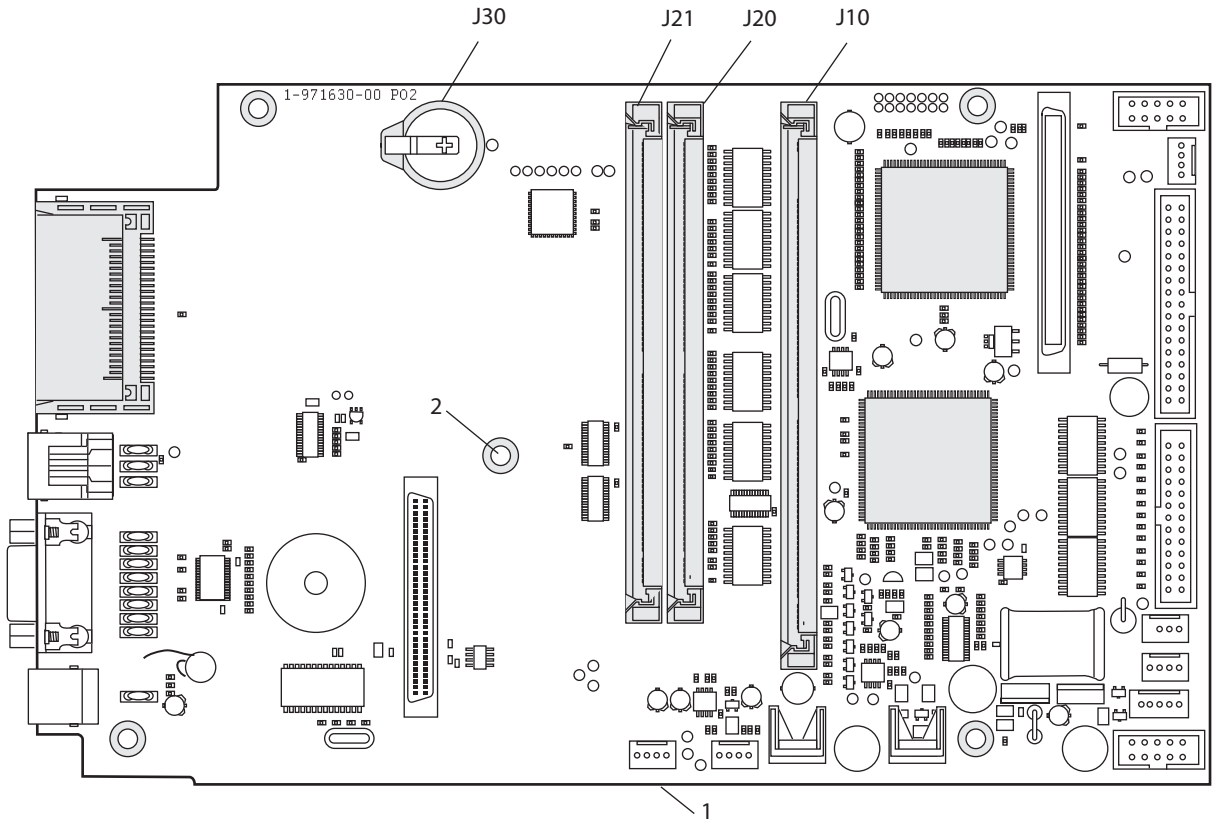
Paper Cutter Kit (Option)



Paper Cutter Kit Spare Parts

Callout	Part Number	RoHS Part Number	Description	Notes
1	1-206012-90	1-206012-900	Cutter kit assembly	Complete kit
2	1-971650-50	1-971150-001	Cutter board assembly RoHS cutter board PM assembly / ASX	
3	1-206163-01		Cutter assembly	
4	1-206164-00		Cover	
5	1-206432-00		Tray	
6	1-994059-006		Screw, MRT 4X6 ZP	

CPU Board



CPU Board Spare Parts

Callout	Part Number	RoHS Part Number	Description	Notes
1	1-971630-90	1-971130-900	CPU board assembly	Flash and DRAM SIMMs not included
	1-971156-900		MLB PM4D	Different layout than P/N 1-971630-90
2	1-995190-01		Spacer screw DSS M4070	Not shown, used to secure optional interface boards
J21	1-020040-04	1-020040-004	Flash SIMM 4MB (Boot)	Flash memory expansion
	1-020040-08	1-020040-008	Flash SIMM 8MB (Boot)	Flash memory expansion
	1-020040-16		Flash SIMM 16MB (Boot)	Flash memory expansion
J10	1-971634-25	1-971134-001	SDRAM SIMM 8MB	SDRAM memory expansion
	1-971634-30	1-971134-001	SDRAM SIMM 16MB	SDRAM memory expansion
J30	1-956009-90	1-936009-900	Real time clock circuit	

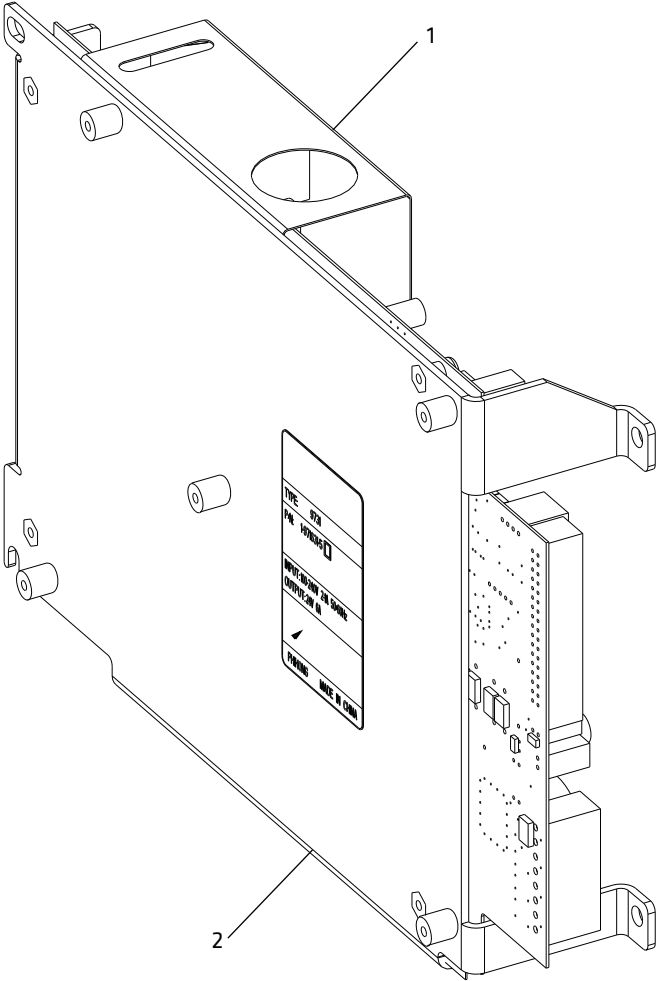


You need to configure the CPU board. For help, see the *PM4i Mid-Range Printer Service Manual* (P/N 939-021-xxx).



Note: All flash memory expansion units are delivered blank except for the boot sector. The latest firmware releases are available from the printer download page on the Intermec web site at www.intermec.com.

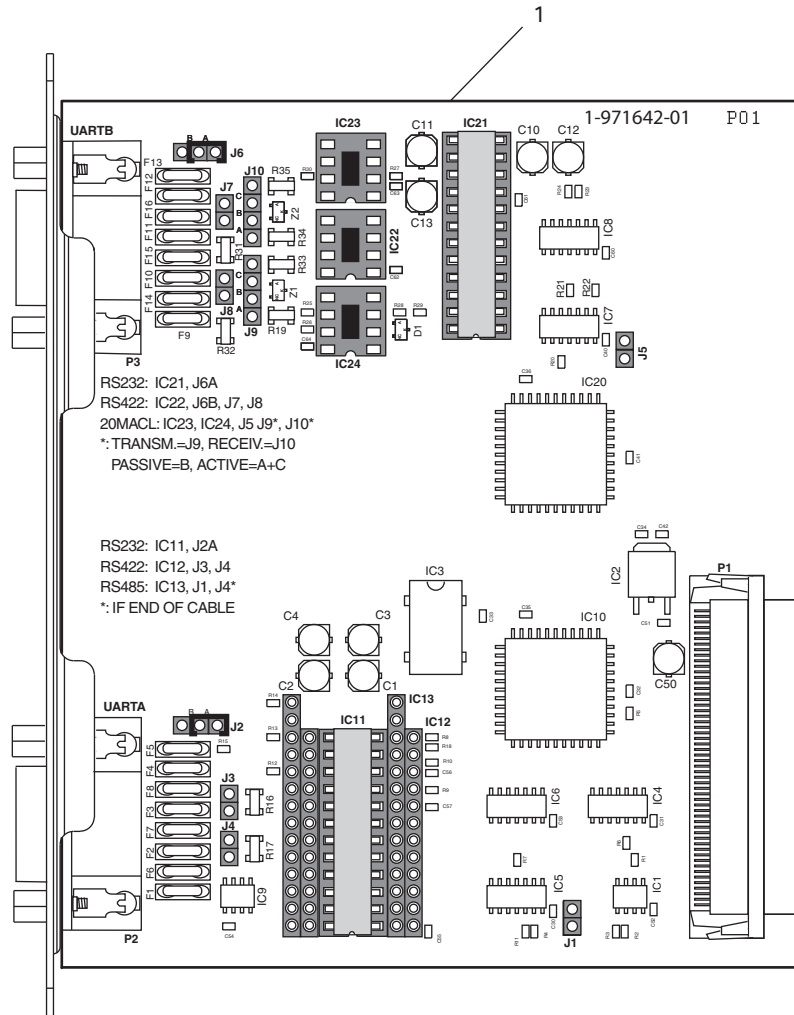
Power Supply Unit



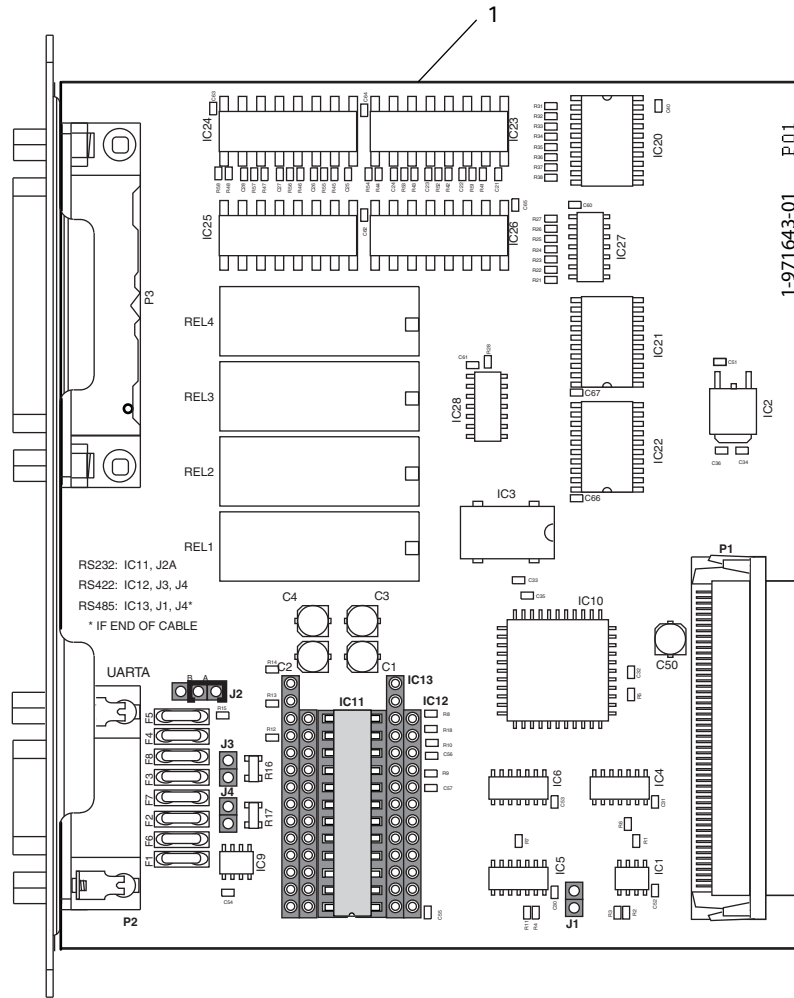
Power Supply Unit Spare Parts

Callout	Part Number	Description	Notes
1	1-971131-001 or 1-971131-002	Power supply assembly	P/N 1-971131-002 replaces P/N 1-971131-001
2	1-206170-00	Cooling plate assembly	

Double Serial Interface Kit (Fingerprint Option)



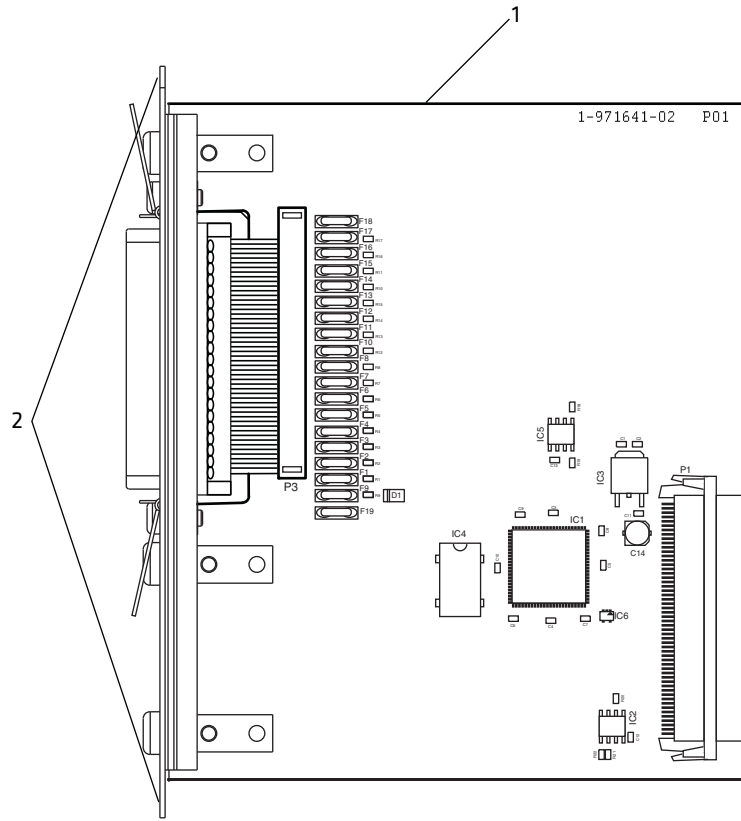
Serial/Industrial Interface Kit (Fingerprint Option)



Serial/Industrial Interface Kit Spare Parts

Callout	Part Number	RoHS Part Number	Description	Notes
1	1-971643-80	1-971141-800	Serial/industrial interface board kit	Complete kit, serial port fitted for RS-232
Modification circuits (for serial port):				
	1-956038-01	1-936038-001	RS-422 isolated	1 circuit
	1-956037-01	1-956007-001	RS-485	1 circuit

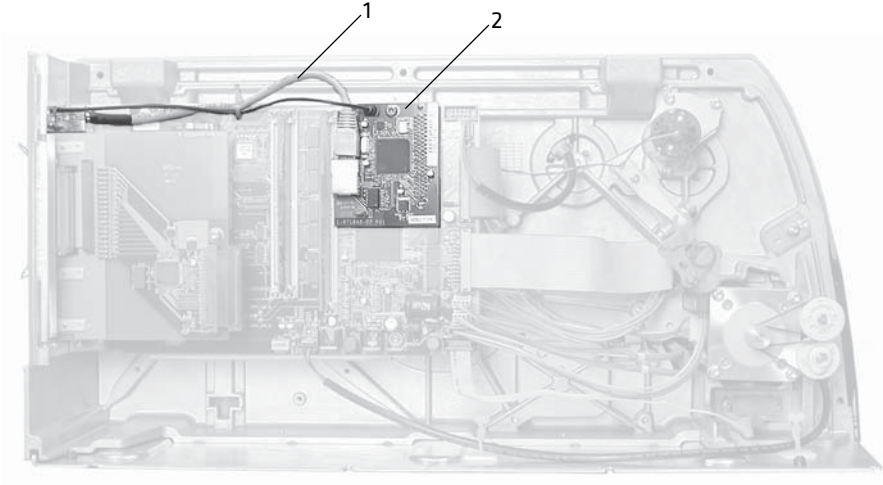
IEEE 1284 Parallel Interface Kit (Option)



IEEE 1284 Parallel Interface Kit Spare Parts

Callout	Part Number	RoHS Part Number	Description	Notes
1	1-971641-80	1-971141-800	IEEE 1284 parallel interface board kit	Complete kit
2	1-994058-005		Screw, MRT 3X5 ZP	Common screw used to install interface boards

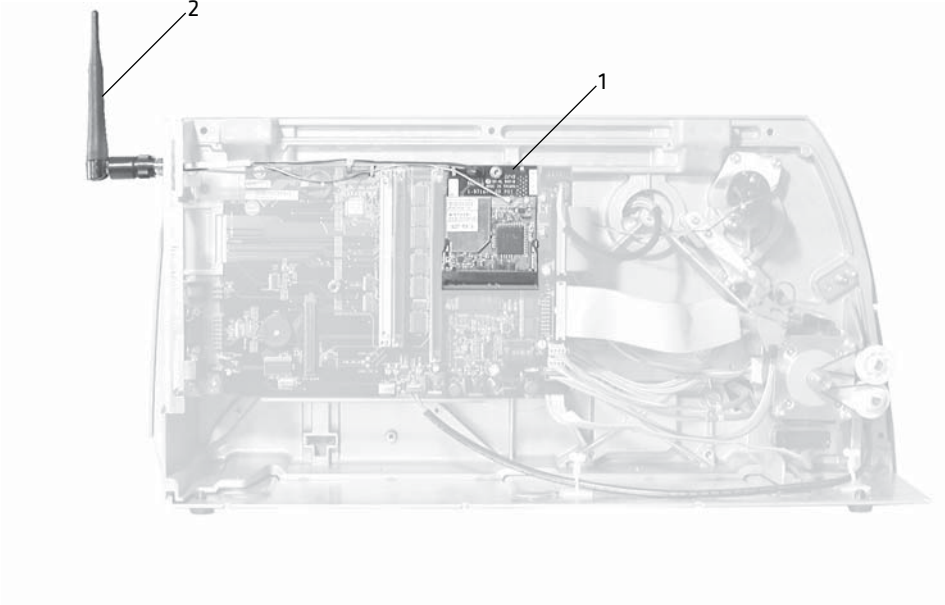
EasyLAN Ethernet Interface Kit (Option)



EasyLAN Ethernet Interface Kit Spare Parts

Callout	Part Number	RoHS Part Number	Description	Notes
1	1-975569-00		RJ45 extension cable	
2	1-971645-80	1-971145-800	EasyLAN Ethernet interface kit	Complete kit includes CD-ROM

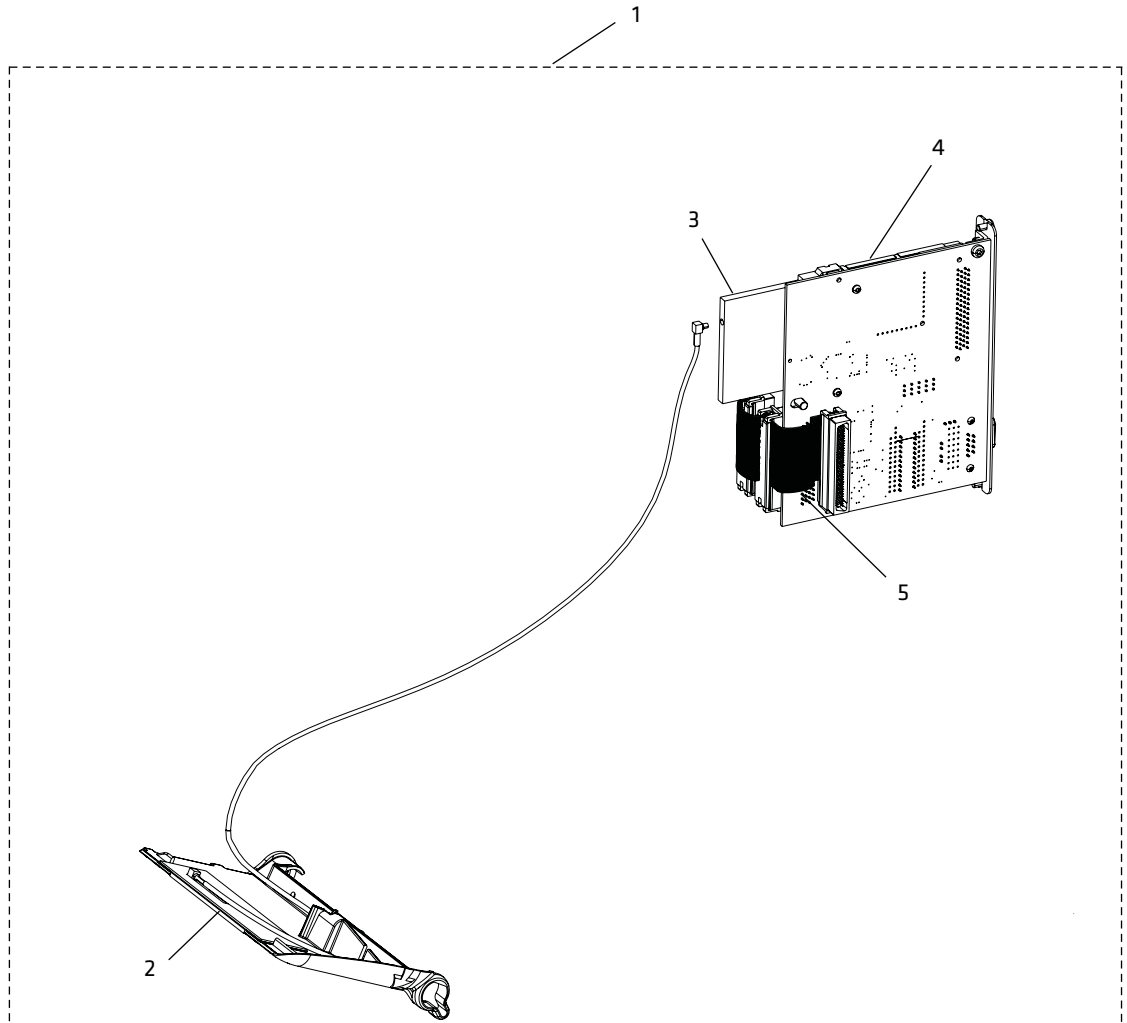
EasyLAN Wireless Interface Kit (Option)



EasyLAN Wireless Interface Kit Spare Parts

Callout	Part Number	RoHS Part Number	Description	Notes
1	1-971646-80	1-971146-800	EasyLAN wireless interface kit	Complete kit includes CD-ROM
2	066147-002		Antenna, TNC, 2.4GHz, Dipole	

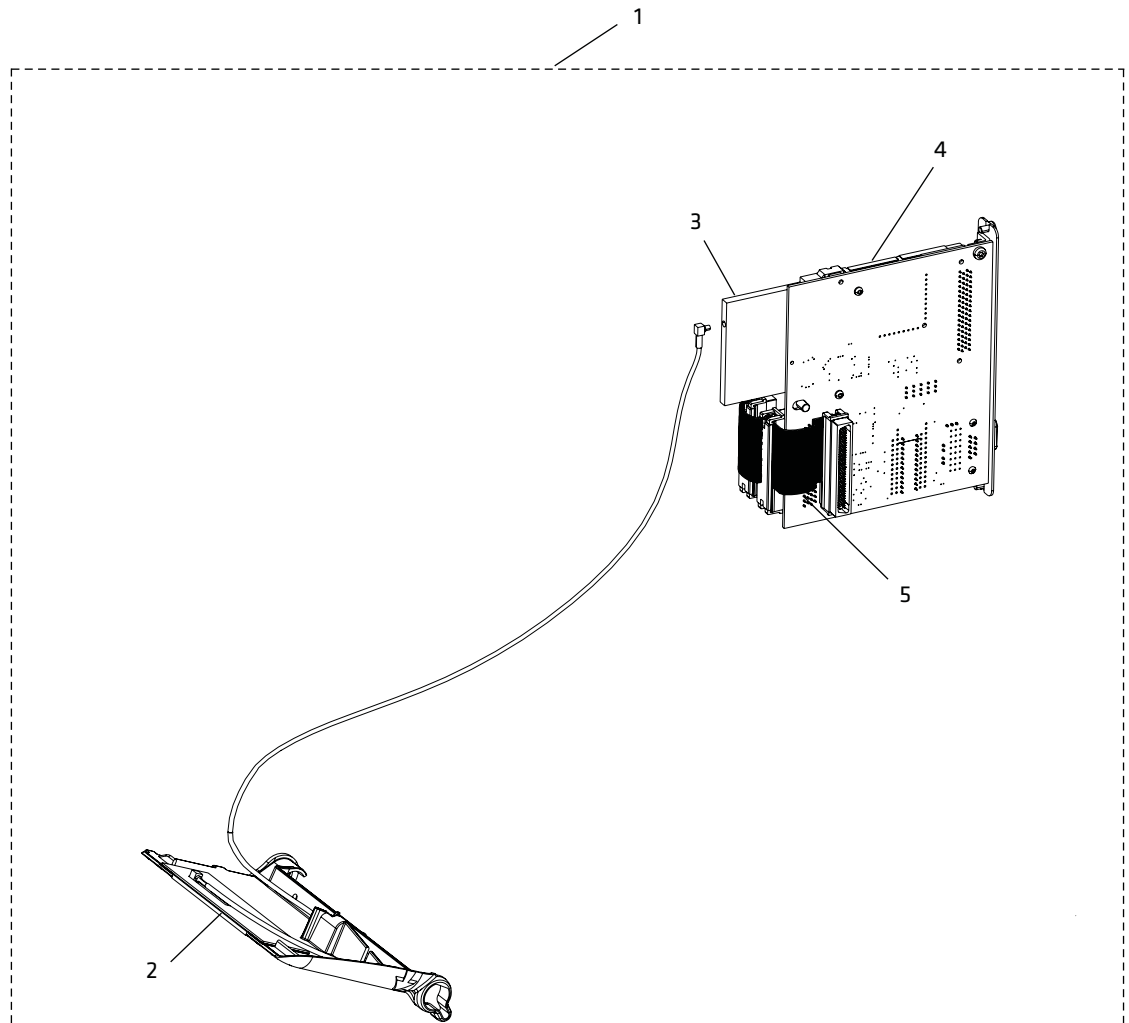
RFID Kit (IM4 869 MHz) (Option)



RFID Kit (IM4 869 MHz) Spare Parts

Callout	Part Number	Description	Notes
1		RFID kit (869 MHz)	Complete kit
2	1-207150-001	Antenna (coupler) RFID PM4i assembly	
3	245-299-200	RFID module (869 MHz)	
4	1-971144-003	I/O board	
	1-971144-810	UART + RFID, RS-232 kit	
5	1-974010-012	Dual slot I/O bus cable	
	1-207022-001	RFID label (869 MHz)	Not shown

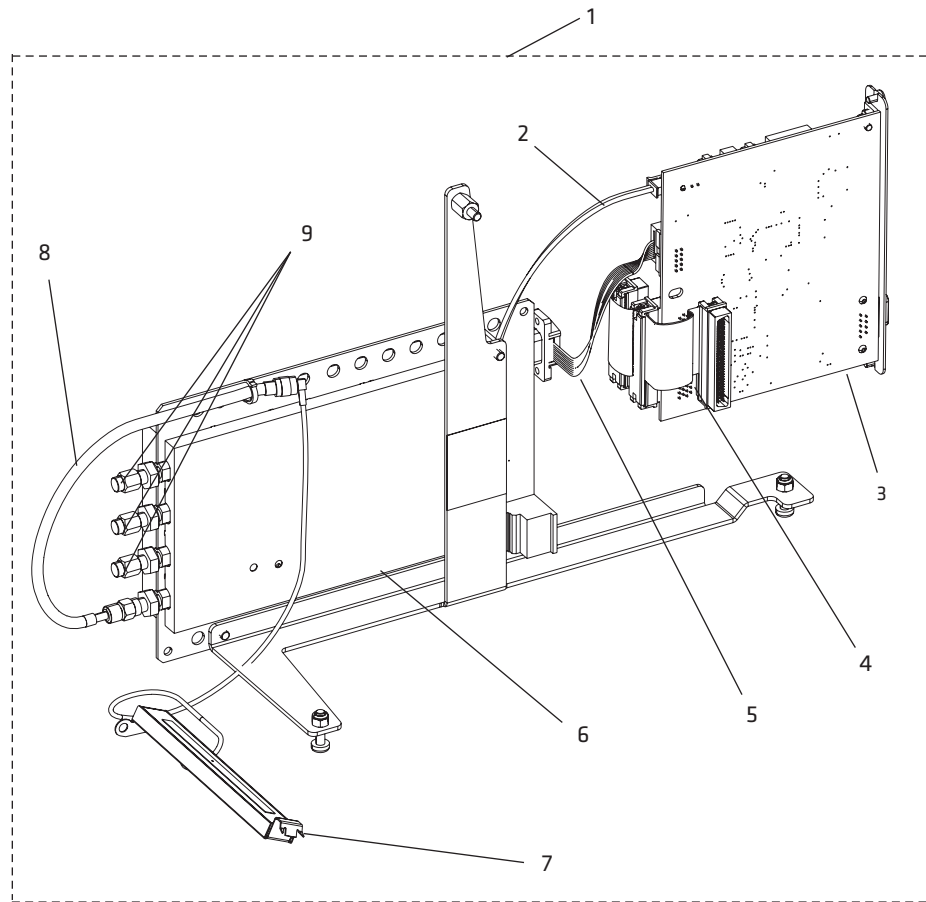
RFID Kit (IM4 915 MHz) (Option)



RFID Kit (IM4 915 MHz) Spare Parts

Callout	Part Number	Description	Notes
1	1-207201-100	RFID kit (915 MHz)	Complete kit
2	1-207150-001	Antenna (coupler) RFID PM4i assembly	
3	245-299-240	RFID module (915 MHz)	
4	1-971144-003	I/O board	
5	1-974010-012	Dual slot I/O bus cable	

RFID Kit (IM5 869 MHz) (Option)



RFID Kit (IM5 869 MHz) Spare Parts

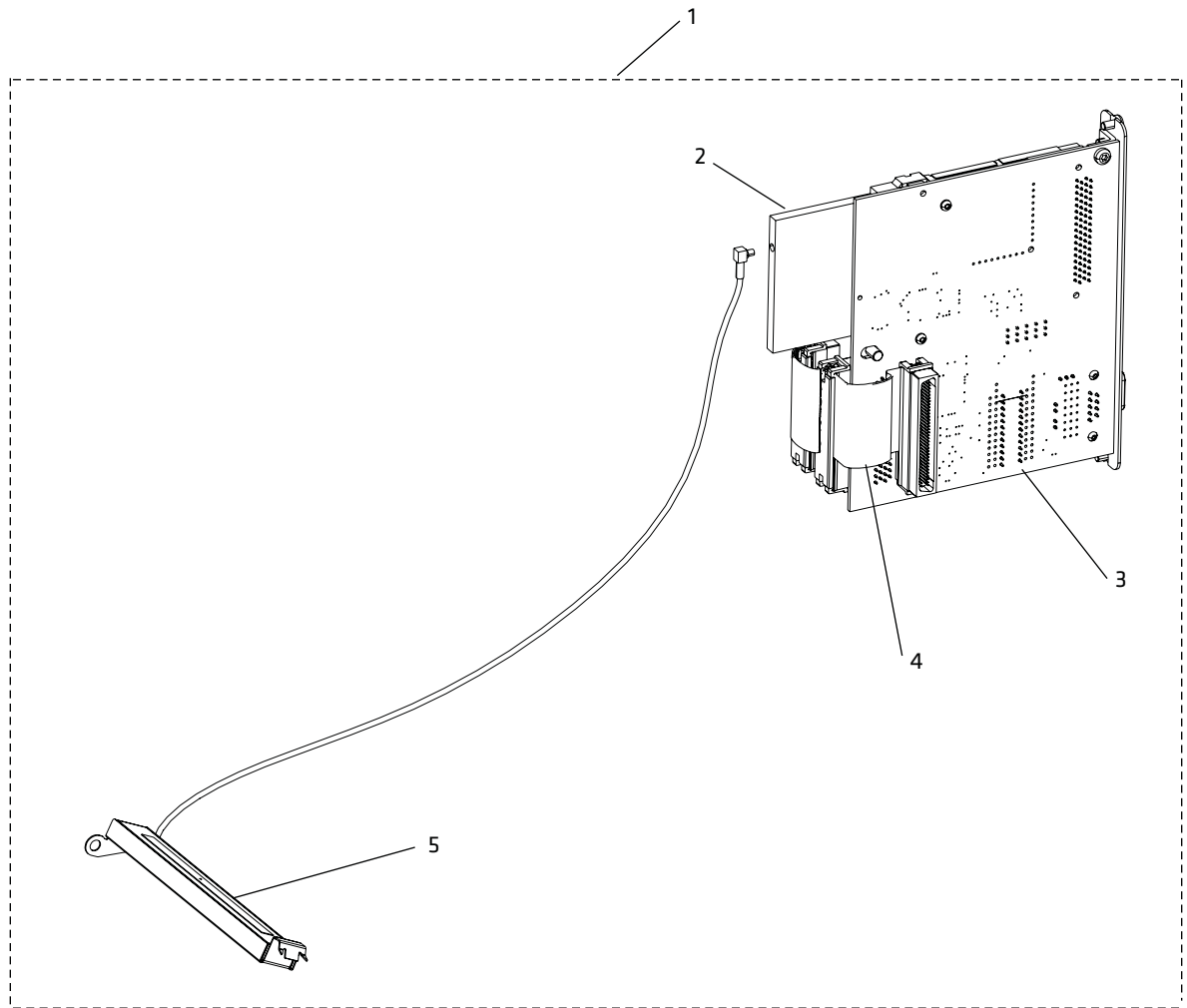
Callout	Part Number	RoHS Part Number	Description	Notes
1	1-207028-800		RFID kit (IM5 869 MHz)	Complete kit
2	1-975624-20	1-974034-020	IM5 power cable	
3	1-971647-90	1-971147-900	I/O board	
4	1-975567-01		Dual Slot I/O Bus Cable	
5	1-975623-11	1-974025-011	IM5 data cable	
6	224-423-401A		IM5 module	
7	1-206586-10	1-206586-90	Antenna 869 MHz, RFID PM4i assembly	
8	1-975626-20	1-974032-020	SMA to MMCX adapter cable	
9	345-005-001		Terminator, SMA plug One plug	



Caution

This product is intended for use under a general license or license exemption in the following countries only: Austria, Belgium, Denmark, Finland, France, Germany, Greece, Ireland, Luxembourg, The Netherlands, Portugal, Spain, Sweden, United Kingdom, Norway, and Switzerland.

RFID Kit (Class 1, 915 MHz) (Option)



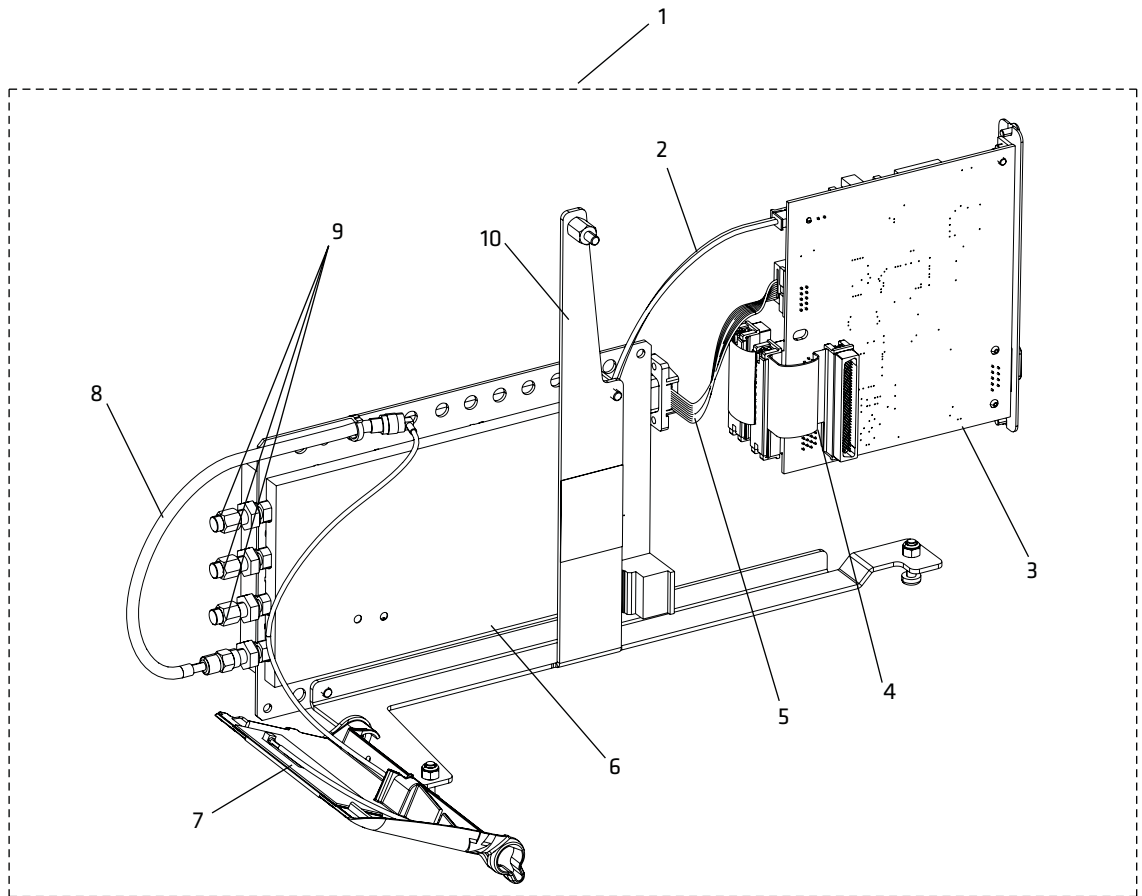
RFID Kit (Class 1, 915 MHz) Spare Parts

Callout	Part Number	RoHS Part Number	Description	Notes
1	1-207033-800		RFID kit (Class 1, 915 MHz)	Complete kit
2	1-959184-90	1-959184-90	Class 1 RFID module	
3	1-971644-90 1-971644-80	1-971144-900	RFID option board UART and RFID option board	
4	1-975567-01		Dual slot I/O bus cable	
5	1-206586-90	1-206586-90	Antenna assembly Includes cable	



This product is intended for use under a general license or license exemption in the USA only.

RFID Kit (Gen 2, 869 MHz) (Option)



RFID Kit (Gen 2, 869 MHz) Spare Parts

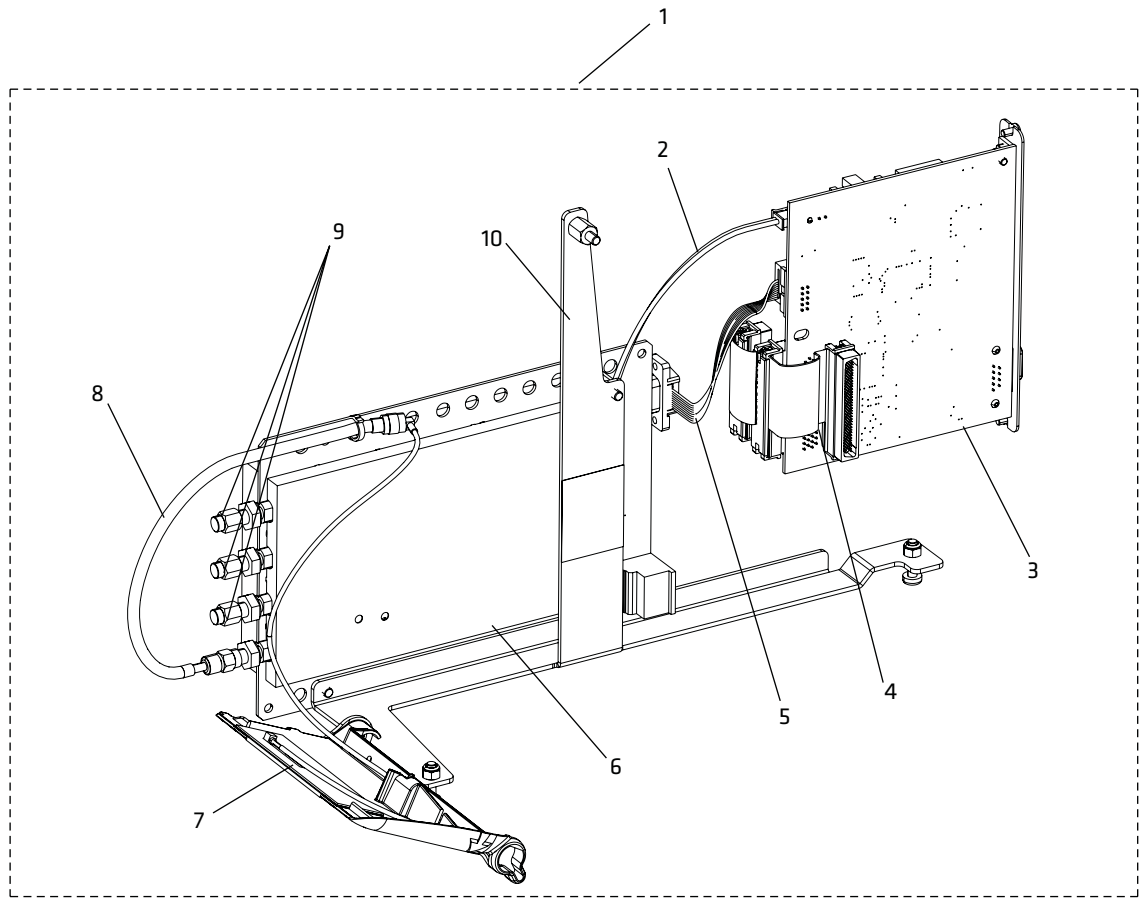
Callout	Part Number	Description	Notes
1	1-207100-001	RFID kit (Gen 2, 869 MHz)	Complete kit
2	1-975624-20	IM5 power cable	
3	1-971747-90	I/O board	
4	1-975567-01	Dual slot I/O bus cable	
5	1-975623-11	IM5 data cable	
6	IM5A002003	IM5 module 869 MHz + terminator	
7	1-207112-900	Antenna (coupler) RFID PM4i assembly	
8	1-94032-020	SMA to MMCX adapter cable	
9	345-005-001	Terminator, SMA plug	1 plug
10	1-207021-001	Bracket assembly	



Caution

This product is intended for use under a general license or license exemption in the following countries only: Austria, Belgium, Denmark, Finland, France, Germany, Greece, Ireland, Luxembourg, The Netherlands, Portugal, Spain, Sweden, United Kingdom, Norway, and Switzerland.

RFID Kit (Gen 2, 915 MHz) (Option)



RFID Kit (Gen 2, 915 MHz) Spare Parts

Callout	Part Number	Description	Notes
1	1-207101-001	RFID kit (Gen 2, 915 MHz)	Complete kit
2	1-975624-20	IM5 power cable	
3	1-971647-90	I/O board	
4	1-975567-01	Dual slot I/O bus cable	
5	1-975623-11	IM5 data cable	
6	IM5A002014	IM5 module 915MHz + terminator	
7	1-207112-900	Antenna (coupler) RFID PM4i assembly	
8	1-974033-020	RSMA to MMCX adapter cable	
9	345-005-001	Terminator, SMA plug	1 plug
10	1-207021-001	Bracket assembly	



Caution

This product is intended for use under a general license or license exemption in the USA only.

RFID Kit 920 MHz, Hong Kong (Option)

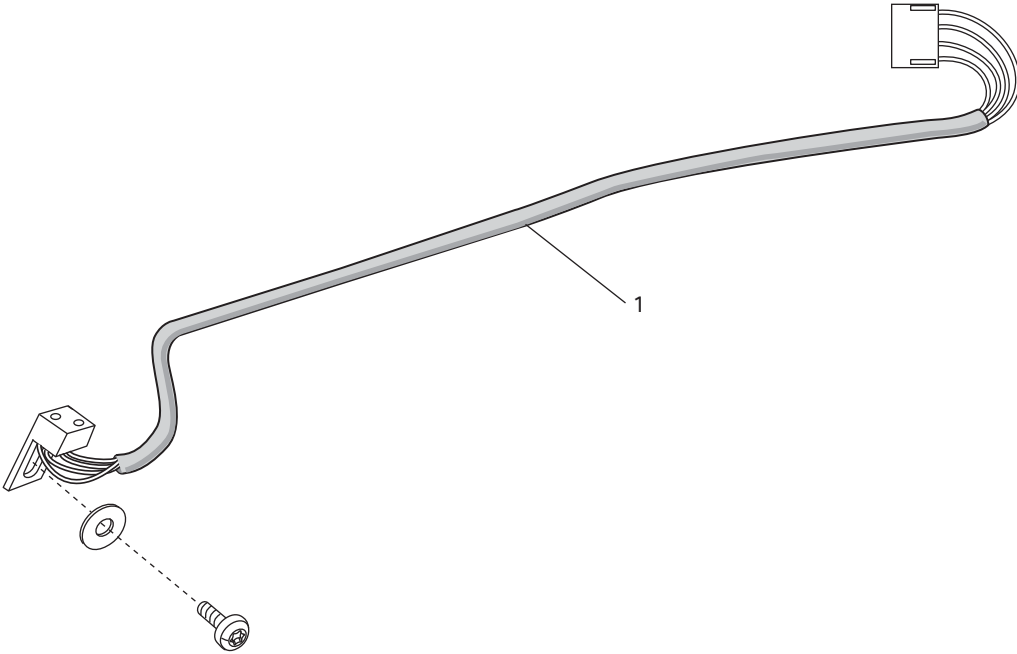


Note: There is no diagram available for this kit.

RFID Kit 920 MHz, Hong Kong Spare Parts

Part Number	Description	Notes
245-333-001	RFID Kit 920 MHz, Hong Kong	Complete kit

Label Taken Sensor (Option)



Label Taken Sensor Spare Parts

Callout	Part Number	RoHS Part Number	Description	Notes
1	1-206652-80	1-206652-800	Label taken sensor kit	Complete kit includes 2 cable clips



Worldwide Headquarters
6001 36th Avenue West
Everett, Washington 98203
U.S.A.

tel 425.348.2600

fax 425.355.9551

www.intermec.com

© 2012 Intermec Technologies
Corporation. All rights reserved.

PM4i Mid-Range Printer Spare Parts Catalog



P/N 940-002-004