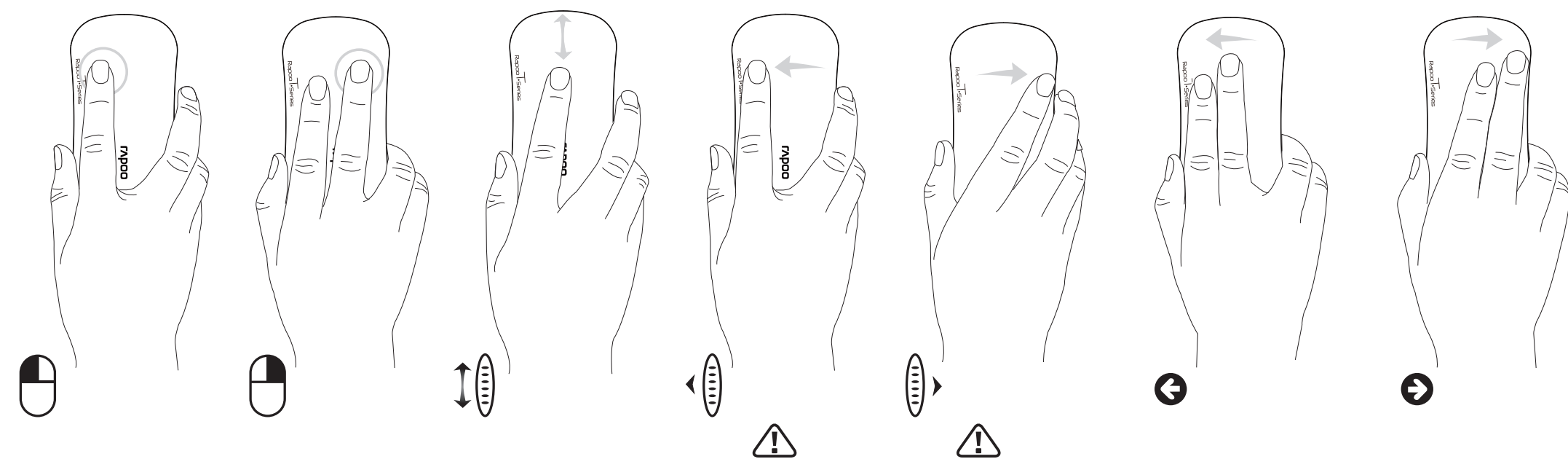
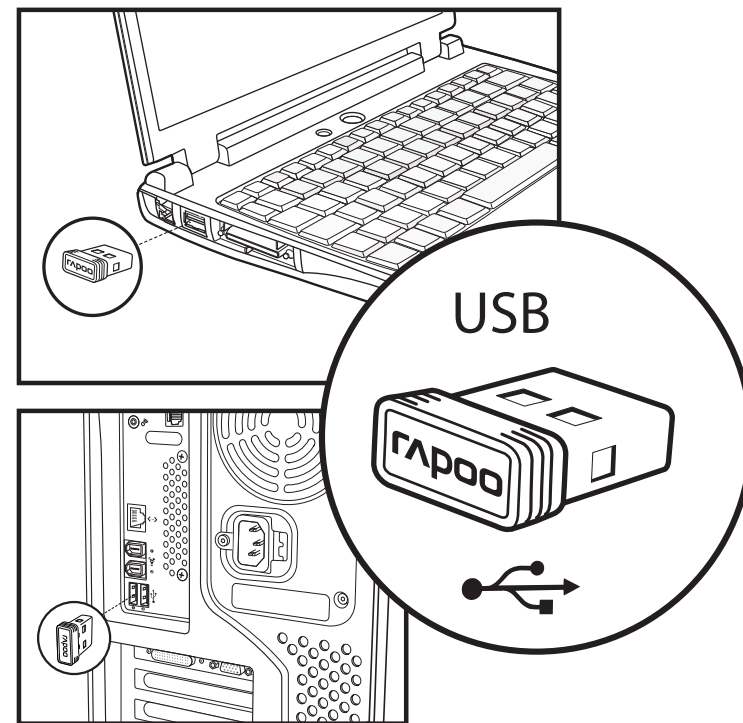
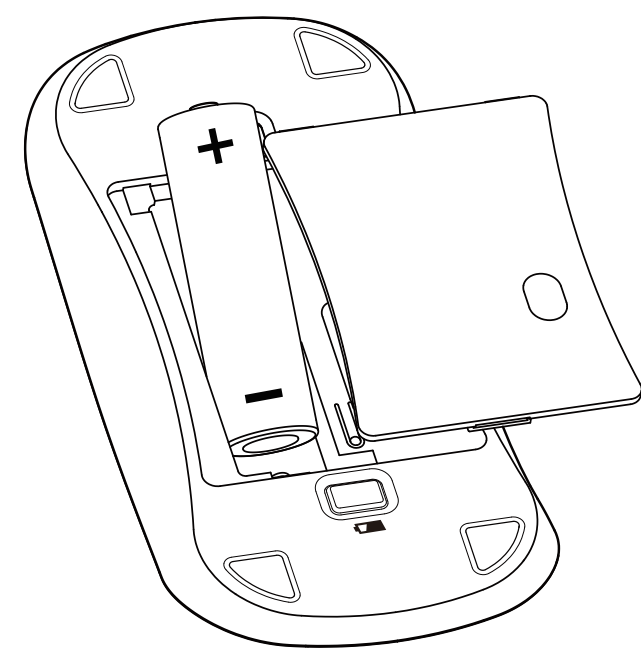
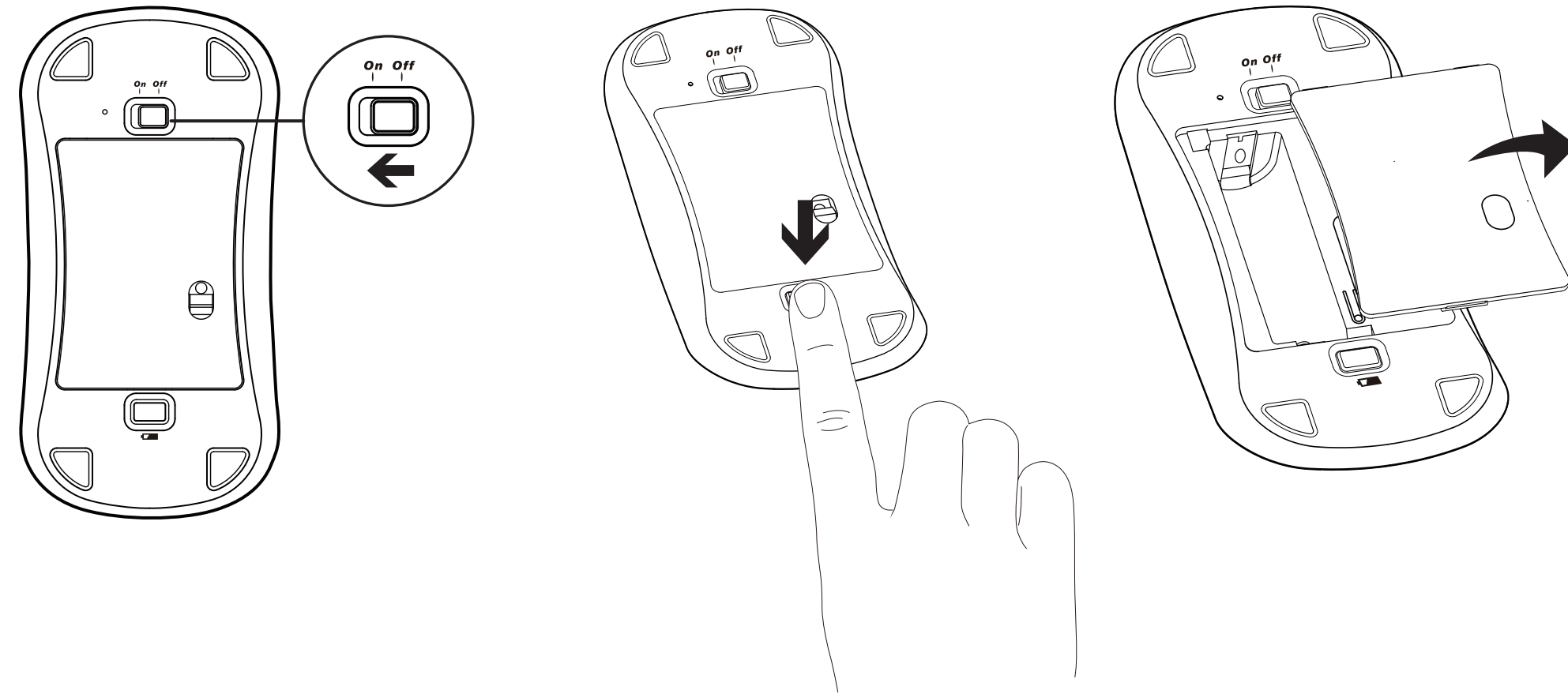


T6

Wireless Touch Optical Mouse

Quick Start Guide (V1.0)

The ultimate Wireless
rapoo



正面

Troubleshooting

See www.rapoo.com/T6/faq for latest FAQs, drivers and quick start guide. For extensive service, register at www.rapoo.com/register.

Copyright

It is forbidden to reproduce any part of this quick start guide without the permission of Rapoo Technology Co., Ltd.

Safety instructions

Do not open or repair this device. Do not use the device in a damp environment. Clean the device with a dry cloth.

Warranty

This device is provided with two-year limited hardware warranty from the purchase day. Please see www.rapoo.com/warranty for more information.

⚠ The two gestures under Windows XP/Vista can only be functional by driver installed, please download on www.rapoo.com/T6/Driver.

Resolução de problemas

Visite www.rapoo.com/T6/faq para consultar as perguntas frequentes, os mais recentes controladores e o guia de consulta rápida. Para obter assistência mais extensa, registre-se em www.rapoo.com/register.

Direitos de autor

É proibido reproduzir qualquer parte deste guia de consulta rápida sem a permissão da Rapoo Technology Co., Ltd.

Instruções de segurança

Não abra nem efectue reparações a este dispositivo. Não utilize o dispositivo em ambientes húmidos. Utilize um pano seco para limpar o dispositivo.

Garantia

Este dispositivo é fornecido com uma garantia de hardware limitada de dois anos com início no dia da compra. Consulte www.rapoo.com/warranty para mais informações.

⚠ Em Windows XP/Vista, os dois gestos apenas funcionam se o controlador correcto estiver instalado. Pode transferir o controlador em www.rapoo.com/T6/Driver.

Dépannage

Consultez www.rapoo.com/T6/faq pour les toutes dernières questions, les pilotes et le guide de démarrage rapide. Pour des services étendus, s'inscrire sur www.rapoo.com/register.

Droit réservés

Il est interdit de reproduire une quelconque partie de ce guide de démarrage rapide sans la permission de Rapoo Technology Co., Ltd.

Consignes de sécurité

Ne pas ouvrir ou réparer cet appareil. Ne pas utiliser l'appareil dans un environnement humide. Nettoyer l'appareil avec un chiffon sec.

Garantie

L'appareil est fourni avec deux ans de garantie matérielle limitée à compter du jour d'achat. Merci de consulter www.rapoo.com/warranty pour plus d'informations.

⚠ Les deux gestes sous Windows XP/Vista ne sont exécutoires qu'une fois le pilote installé. Veuillez le télécharger sur www.rapoo.com/T6/Driver.

Solucionar problemas

Consulte la página web www.rapoo.com/T6/faq para obtener la información más reciente en lo que a preguntas más frecuentes, controladores y guía de inicio rápido se refiere. Para obtener un servicio amplio, registre-se en www.rapoo.com/register.

Copyright

Está terminantemente prohibido reproducir cualquier parte de esta guía de inicio rápido sin el consentimiento de Rapoo Technology Co., Ltd.

Instrucciones de seguridad

No abra ni repare este dispositivo. No utilice el dispositivo en un entorno húmedo. Limpie el dispositivo con un paño seco.

Garantía

El dispositivo se proporciona con una garantía de hardware limitada de dos años a partir de la fecha de compra. Consulte la dirección www.rapoo.com/warranty para obtener más información.

⚠ Los dos gestos de Windows XP/Vista solamente funcionan con el controlador instalado, por lo que debe descargarlo de www.rapoo.com/T6/Driver.

FCC Statement

This equipment has been tested and found to comply with the limits for a Class B digital device, pursuant to part 15 of the FCC rules. These limits are designed to provide reasonable protection against harmful interference in a residential installation. This equipment generates, uses and can radiate radio frequency energy and, if not installed and used in accordance with the instructions, may cause harmful interference to radio communications. However, there is no guarantee that interference will not occur in a particular installation. If this equipment does cause harmful interference to radio or television reception, which can be determined by turning the equipment off and on, the user is encouraged to try to correct the interference by one or more of the following measures:

- Reorient or relocate the receiving antenna.
 - Increase the separation between the equipment and receiver.
 - Connect the equipment into an outlet on a circuit different from that to which the receiver is connected.
 - Consult the dealer or an experienced radio/TV technician for help.
- To assure continued compliance, any changes or modifications not expressly approved by the party responsible for compliance could void the user's authority to operate this equipment. (Example- use only shielded interface cables when connecting to computer or peripheral devices).

This equipment complies with Part 15 of FCC RF Rules. Operation is subject to the following two conditions:

- 1) This device may not cause interference and
- 2) This device must accept any interference, including interference that may cause undesired operation of the device.

Caution!

The manufacturer is not responsible for any radio or TV interference caused by unauthorized modifications to this equipment. Such modifications could void the user authority to operate the equipment.

Canada Statement

Canada Statement
This device complies with Industry Canada licence-exempt RSS standard(s). Operation is subject to the following two conditions: (1) this device may not cause interference, and (2) this device must accept any interference, including interference that may cause undesired operation of the device.

Le présent appareil est conforme aux CNR d'Industrie Canada applicables aux appareils radio exempts de licence. L'exploitation est autorisée aux deux conditions suivantes : (1) l'appareil ne doit pas produire de brouillage, et (2) l'utilisateur de l'appareil doit accepter tout brouillage radioélectrique subi, même si le brouillage est susceptible d'en compromettre le fonctionnement.

5601-06K02-222

size:297mm X 420mm 80g书纸 先风琴再对折

背面