

# Mercury LED suspension 2-wire dimming

## SPECIFICATIONS

1367118A



### Design By

Ross Lovegrove

### Collection

Design





### Specifications

Delivered lumens	2692lm
Light output ratio	46lm/W
Power consumption	58W
Led type	2X27W C.O.B.*
CCT (Correlated Color Temperature)	3000K
CRI (Color Rendering Index)	>93
Life expectancy	50000Hrs
Control type	Dimmable 2-Wire**
Input Voltage	120-277V
Driver	HATCH - 2 x XTC32-0700P-UNV-I

\*\*Reverse or forward phase (120v only)

### Colors & Finishes

-  Polished Aluminum (Pebbles)
-  Stainless Steel (Reflector)

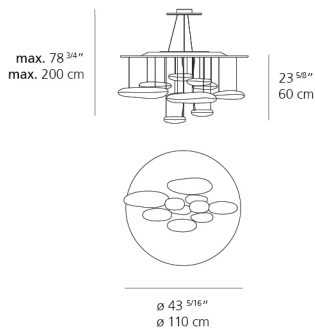
### Materials

- Lighting units in die-cast aluminum
- Reflective units made of injection-molded thermoplastic material with a metallic finish
- Reflector in stainless steel

### Features & Accessories

- Custom applications available

### Dimensions



### Packaging

1 Box

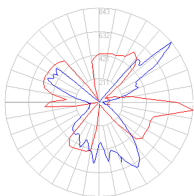
1 x 47-5/16" x 47-5/16" x 9-15/16" / 58.42 lbs - 120 cm x 120 cm x 25 cm / 26.5 kg

### Light distribution

Indirect

### Luminaire weight

41.12 lbs / 18.65 kg



Red = Max Cd. Through Vertical plane

Blue = Max Cd. Through Horizontal plane

### Warranty

5 year limited warranty,  
Upon registration. Click here  
to register your purchase.