



DESIGNER GUIDE AND
SPECIFICATIONS BOOK

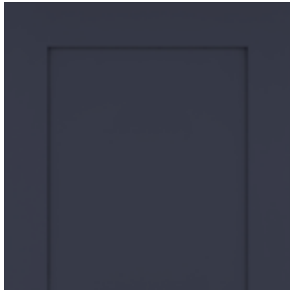


An Incredible Opportunity. A Simplified Sale.

KraftMaid Momentum® provides you, as a Lowe's designer, with an exciting way to offer the unbeatable combination of high style and uncompromising quality that is the hallmark of the KraftMaid name at an incredible value. So, you can offer your more budget-minded customers an opportunity they simply can't get anywhere else.

An exclusive collection comprised of only today's most on-trend door styles and options, KraftMaid Momentum still offers the high-end features homeowners expect from KraftMaid, like full-depth solid wood drawer boxes and six-way adjustable soft-close hinges. Plus, unlike most limited collections, KraftMaid Momentum is available in a stunning array of the most popular finishes and colors, so your customers no longer have to compromise style for affordability.

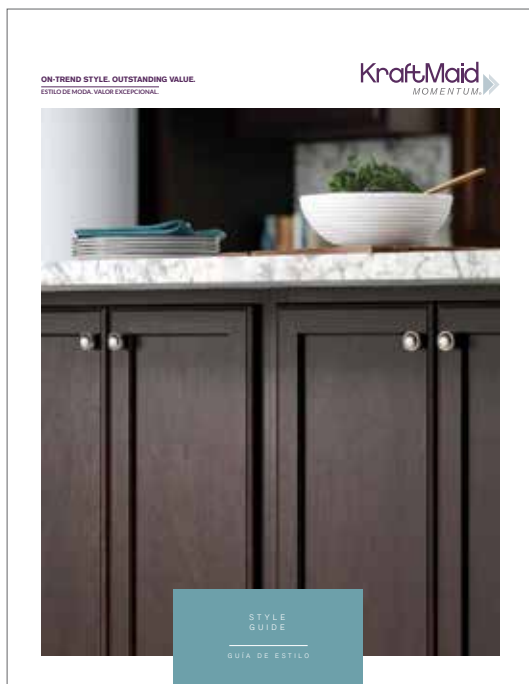
Today's homeowners have never had more ways to plan their project. From pinned mood boards and social media shares, to informative blogs and a glut of DIY-based online magazines, inspiration is literally at your customers' fingertips 24-7. Unfortunately, this often adds unintended confusion and complexity to the process among homeowners. KraftMaid Momentum offers a greatly simplified approach to kitchen remodeling that provides the on-trend, lifestyle-based inspiration that your customers expect, without the higher cost and unnecessary complication—and that provides you with a simplified sales opportunity.



A Simply Inspired Approach

Our KraftMaid Momentum® line of cabinetry has always provided homeowners with a simpler way to make their kitchen dreams a reality. Now, we've streamlined the process even further, creating an exclusive collection of today's most on-trend styles in the freshest colors and finishes. We've put together this style guide to assist in you in giving your customers the guidance and inspiration they need to create their vision, while providing you with an uncomplicated, fuss-free way of cutting through the clutter and making the sale. With KraftMaid Momentum, getting your budget-minded customers into a quality KraftMaid kitchen is as easy and 1,2,3.

FOX RIDGE MAPLE | MOONSHINE & COGNAC



This style guide was created to inspire and inform, with a collection of images, articles—and, of course, cabinet selections—that bring you the latest looks and timeliest trends.

1 ENVISION THE ENVIRONMENT

A collection of images, articles—and, of course, cabinet selections—the KraftMaid Momentum Style Guide makes it easy for your customers to visualize the style and personality they want to achieve in their space.

2 SIMPLIFY THE SELECTION

By streamlining the selection to a limited collection of today's most on-trend styles in the freshest colors and finishes, your customers can quickly discover their perfect look in less time, for less cost and with less hassle.

3 SEAL THE DEAL

Backed by KraftMaid's reliable service and simplified ordering structure, you can trust that we're providing you with the support you need to confidently complete the sale.



Many people who come to Lowe's for their kitchen remodeling project are looking for the style and quality of KraftMaid® cabinets, but face the reality of a tight budget. The KraftMaid Momentum line has been re-engineered to be beautiful, simple, and streamlined. This exclusive line of cabinets represents a great opportunity for Lowe's designers, empowering them to build cost-effective solutions that put the joys of a KraftMaid kitchen into more homes.

JERAMY BAGOZZI

Lowe's Merchandise Director - Cabinet and Countertops

INSIGHT AND INSPIRATION.

We have woven helpful tips, pointers and pairings throughout the KraftMaid Momentum® consumer brochure. Look for the following icons within the brochure to provide your customers with the insightful information and inspiration they need to better visualize, design and plan their ideal space.



Design Tips From product features to spatial considerations, these professional recommendations can help customers better prepare for their kitchen remodel.



Construction Pointers Use these tips of the trade to help your customers visualize their space for more accurate planning and better final results.



NEW! PAIR THEIR STYLE

Bring your customer's vision to life with these suggested accessory and décor pairings that can help them achieve the perfect high-end look for their space at a modest budget.



Countertop selection goes a long way toward completing the look of a room. Using a neutral color, like these Silestone Quartz countertops, can give your space a truly timeless and versatile look.

La selección de la cubierta determina en gran medida el aspecto de una habitación. El uso de un color neutro, como estas cubiertas de cuarzo Silestone, puede darle a su espacio un aspecto verdaderamente clásico y versátil.

Each kitchen is labeled by the design approach it represents, including its door style and finish. Pricing for each set is included to provide your customers with a starting point for their planning.

traditional
tradicional

KINGSTON MAPLE | KAFFÉ



Consider installing cabinets that reach all the way to your ceiling. This provides a clean, finished appearance while allowing additional areas for storage or display.

Puede instalar gabinetes que lleguen hasta el techo. Esto crea un aspecto limpio y completo, al mismo tiempo que abre otras áreas para almacenamiento o exhibición.

The accessories you choose can really serve to put the finishing touch on a room. This Kaleen Evolution Grey Indoor Rug coordinates with the countertop and backsplash tones in this kitchen to really enhance the overall appearance.

Los accesorios que elija realmente pueden servir para darle el toque final a una habitación. Este tapete para interior gris Kaleen Evolution armoniza con los tonos de la cubierta y el protector contra salpicaduras de esta cocina para realzar claramente el aspecto general.



Cabinetry price for this wet bar: \$4,900



RUXTON MAPLE | PEPPERCORN

Cabinet Specification Comparison

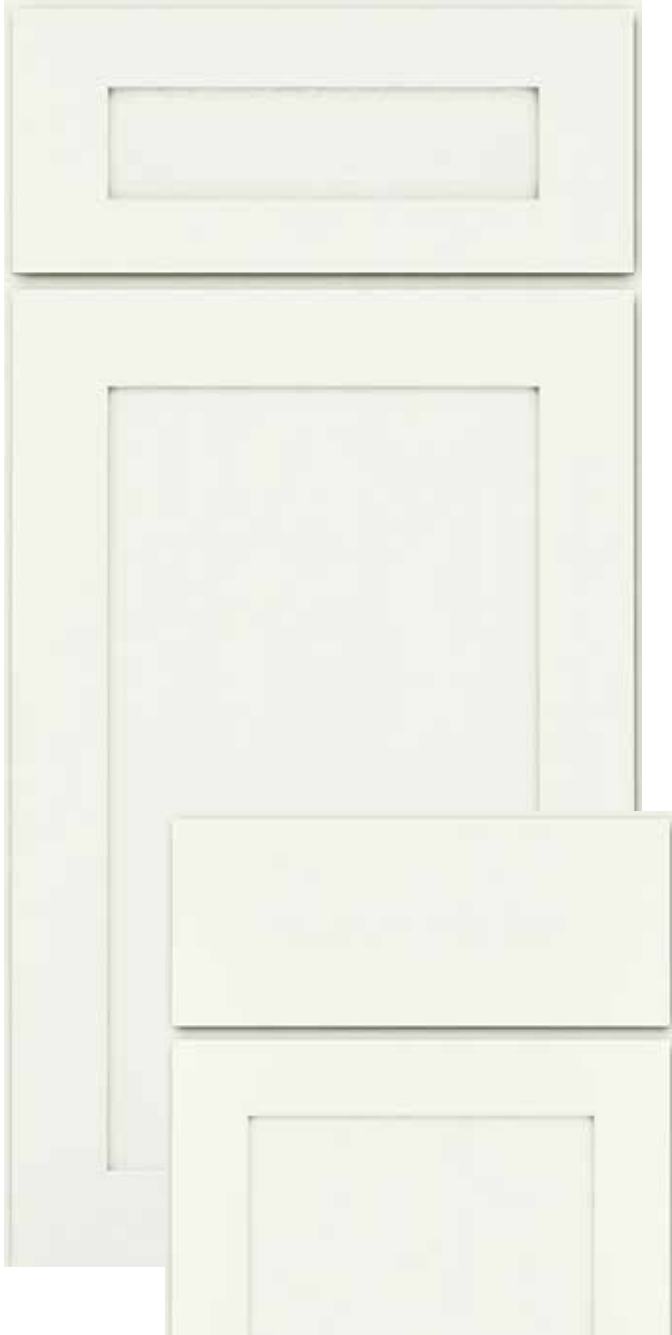
KraftMaid Momentum® provides you with an exceptional opportunity to offer the quality and appeal of a KraftMaid® kitchen to more of your customers. The chart below highlights the key differences between the KraftMaid Momentum collection and our flagship KraftMaid Cabinetry line, so you can easily help your customers make an informed decision on which KraftMaid cabinetry works best for their home.



CONSTRUCTION		
End Panels – Wall & Base	3/8" Engineered Wood	1/2" Engineered Wood
End Panels – Talls	1/2" Thick	1/2" Thick
Floors/Ceilings	1/2" Thick	1/2" Thick
Shelves	3/4" Full Depth	3/4" Full Depth
Backs – Walls	3/8" Thick	1/8" Thick
Backs – Base & Talls	1/4" Thick	3/8" Thick
Face Frame	3/4" Solid Wood Eased	3/4" Solid Wood Eased
Base Support	I-Beam	I-Beam
Interior	Natural Woodgrain Laminate	Natural Woodgrain Laminate
Drawer Box	Solid Wood, Dovetail	Solid Wood, Dovetail
Drawer Runners	Full Extension, Soft-Close	Full Extension, Soft-Close
Door Hinge(s)	Standard 6-Way Soft-Close Adjustable	Standard 6-Way Adjustable Whisper Touch™ Soft-Close
Door Bumpers	Clear PermaSet™	Clear PermaSet™
WARRANTY	25-Year Limited Warranty (see details at KraftMaidMomentum.com)	Lifetime Limited Warranty (see details at KraftMaid.com)

Door Styles

Traditional to modern. Industrial to transitional. The KraftMaid Momentum® collection offers a variety of door styles that make it easy to strike just the right look...for whatever your customer envisions. Door frames are made from solid maple for natural beauty that endures for years.



DEVERON

Overlay: Full

Door Center Panel: Recessed

Drawer Front: 5-Piece, Optional Slab

Species: Maple



FOX RIDGE

Overlay: Full

Door Center Panel: Raised

Drawer Front: Slab, Optional 5-Piece

Species: Maple



K I N G S T O N

Overlay: Partial

Door Center Panel: Recessed

Drawer Front: Slab

Species: Maple



R U X T O N

Overlay: Full

Door Center Panel: Recessed

Drawer Front: Slab, Optional 5-Piece

Species: Maple

Finishes

With the KraftMaid Momentum® collection, we've streamlined our finish offering to only include today's most popular finishes and colors, making it easy for your customers to find the perfect finish to color their world.

DEVERON



Dove White

Canvas

Moonshine

Pebble Grey

Greylot

FOX RIDGE



Dove White

Canvas

Moonshine

Pebble Grey

Greylot

KINGSTON



Dove White

Canvas

Moonshine

Pebble Grey

Greylot

RUXTON



Dove White

Canvas

Moonshine

Pebble Grey

Greylot

25-YEAR LIMITED WARRANTY

KRAFTMAID MOMENTUM® CABINETS 25 YEAR LIMITED WARRANTY

Masco Cabinetry LLC warrants to the original consumer purchaser that our KraftMaid Momentum cabinetry will be free from defects in material and workmanship under normal use for a period of TWENTY-FIVE (25) YEARS from date of purchase. This warranty is not transferable. No changes or modifications can be made to this warranty except by an officer of Masco Cabinetry LLC.

Masco Cabinetry LLC may elect to repair or replace any defective KraftMaid Momentum product covered by our warranty.

THIS WARRANTY DOES NOT COVER:

- The natural aging or darkening of wood color, or the inherent growth characteristics of, or variation, in wood.
- Defects caused by misuse, abuse, negligence, alterations, environmental conditions, improper installation, storage or handling.

As with other natural materials, wood is affected by environmental factors such as natural and artificial lighting. Darkening or mellowing of the wood can be expected and is a natural process of wood as it ages. Each wood species also exhibits its own distinctive patterns and characteristics that add to its natural beauty. These variations in color and characteristics are not considered imperfections or defects.

Masco Cabinetry LLC further provides a Limited Lifetime Warranty on the door hinges and drawer guides to the original consumer purchaser for as long as you own the product. This Limited Lifetime Warranty provides that the door hinges and drawer glides will be free from defects in material and workmanship under normal use. Replacement hinges and drawer glides are subject to their availability from our suppliers.

From time to time, we will change design, specifications and materials as conditions require and improvements are developed, but we have no obligation to incorporate such changes in products we previously manufactured.

TO THE MAXIMUM EXTENT PERMITTED BY APPLICABLE LAW, THIS WARRANTY DOES NOT COVER INDIRECT, SPECIAL, INCIDENTAL, OR CONSEQUENTIAL DAMAGES, LOSS OF USE, OR LABOR EXPENSES IN UNINSTALLING OR INSTALLING ANY MATERIAL OR PARTS, WHETHER ARISING OUT OF BREACH OF WARRANTY, BREACH OF CONTRACT, NEGLIGENCE, TORT, OR ANY OTHER LEGAL THEORY, EVEN IF MASCO CABINETS LLC HAS BEEN ADVISED OF THE POSSIBILITY THEREOF. MASCO CABINETS LLC DISCLAIMS RESPONSIBILITY FOR DAMAGES IN EXCESS OF YOUR PURCHASE PRICE. Some states do not allow the exclusion or limitation of incidental or consequential damages, so the above limitation or exclusion may not apply to you.

This warranty is only valid in the United States of America. This warranty gives you specific legal rights, and you may also have other rights which vary from state to state.

To obtain performance under this warranty, you must contact your KraftMaid Momentum® supplier and report, in writing, all defects claimed and provide your original sales receipt or other documentation acceptable to Masco Cabinetry LLC. If you have difficulty obtaining assistance, write to: Masco Cabinetry LLC, Warranty Department, P.O. Box 1055, Middlefield, Ohio 44062



*Fast forward to
customer satisfaction
with KraftMaid Momentum®*

At KraftMaid®, we know there is an art to designing the right kitchen. Similarly, there's an art to selling the right kitchen—one that meets your client's specific design wishes.

We've simplified the selling process, making it easier to share with your clients the many advantages of KraftMaid Momentum cabinetry.

- We've redesigned our product nomenclature, spec book and 2020 catalog to make it easier for you to design and sell KraftMaid Momentum cabinetry.
- KraftMaid Momentum is serviced directly through our KraftMaid Customer Care team. Phone: 855-556-4021
- Hours of service: Monday through Friday: 8 a.m. to 8 p.m. EST. Saturday: 8 a.m. to 5 p.m. EST
- We've made order placement easier than ever – using electronic EDI.
- We provide 24/7 access to order and delivery information through DesignerXchange. Simply log on to KMDesignerXchange.com and select Order Tracking to locate your information.
- All of our service policies have been aligned with KraftMaid, whenever possible.

Your customers demand quality, style and prompt expert service, during and after the sale. With the KraftMaid Momentum collection you can be confident knowing that you are backed by KraftMaid, the #1 consumer-recognized cabinetry brand in the industry.

RUXTON MAPLE | PEBBLE GREY

SPECIFICATIONS





Specifications

©2018

Table of Contents

Index	i-iv	Vanity Cabinets	G1-G10
		Vanity Cabinets	G1-G8
		Vanity Accessories	G9-G10
Door Styles	A1-A4	Office Cabinets	H1-H4
		Office Cabinets	H1-H2
		Office Accessories	H3-H4
Finishes	B1-B2	Furniture Accessories	I1-I4
Construction Specifications and Options	C1-C14	Universal Cabinets	J1-J8
Cabinet Specifications	C1-C6	Universal Cabinets	J1-J7
Construction Options	C7-C13	Universal Accessories	J8
Wall Cabinets	D1-D26	Panels-Shelving-Trays	K1-K10
Wall Cabinets	D1-D5	Paneling	K1-K2
Peninsula Wall Cabinets	D6-D7	Shelving	K3-5
Wall Corner Cabinets	D8-D11	Roll-out Trays	K6-K10
Peninsula Wall Corner Cabinets	D12		
Wall End Run Cabinets	D13		
Wall Open Cabinets	D14-D15	Decorative Enhancements	L1-L22
Wall Microwave Cabinets	D16-D17	Supports and Valances	L1
Wall Hoods	D18-D19	Moldings	L2-L9
Wall Specialty Cabinets	D20-D21	Molding Accents	L10-L13
Wall Accessories	D22-D26	Decorative Hardware	L14-L21
Base Cabinets	E1-E34	Replacement Parts	M1-M16
Base Cabinets	E1-E16	Hardware	M1-M7
Base Appliance Cabinets	E17-E18	Touch-Up	M8-M10
Base Corner Cabinets	E19-E23	Door & Drawer Fronts - Sizes	M11-M15
Base End Run Cabinets	E24		
Base Specialty Cabinets	E25-E26	Nomenclature Index	N1-N8
Base Accessories	E27-E34		
Tall Cabinets	F1-F6		
Tall Cabinets	F1-F2		
Tall Appliance Cabinets	F3		
Tall Accessories	F4-F6		

Customer Care Guidelines

At KraftMaid Momentum®, we're committed to providing you with the very best service from start to finish. We're always here to help.

Care and Contact

Contacting Customer Care:

Phone – (855) 556-4021
Fax – (855) 556-4020

Hours of Operation:

Monday through Friday – 8 a.m. to 8 p.m. EST
Saturday – 8 a.m. to 5 p.m. EST
Sunday – Closed

Contact Customer Care With Questions or Concerns Associated With:

- Product availability
- Warranty claims
- Order status – Open Order Report issues
- Purchase order numbers
- Technical issues
- Return Authorizations (RAs) inquiries
- Promotional inquiries
- Service issue resolution

Reasons to Contact Your KraftMaid Field Representative:

- Showroom needs
- Literature needs
- Design questions
- Any questions



Your 24/7 access to order tracking, electronic literature, training and more!

Click and discover www.KMDesignerXchange.com

Login Information: _____

Ordering Process

EDI (Electronic Data Interchange):

- EDI orders are placed from the store in 20/20.
- Once the designer enters the order into 20/20, it is then sent to the Lowe's Genesis system, creating the Purchase Order number. This can take up to 3 hours for KraftMaid Momentum to receive the PO and up to 48 hours to be entered with an invoice number.
- Once Lowe's Corporate authorizes the PO, it is transmitted to KraftMaid Momentum® to be processed.

Faxed Orders

- **XP Orders** – These are chargeable orders that are placed at the store level. An XP order form is completed and faxed to the number listed above. It can be for store or home delivery. Pricing must be included on the form. XP orders exceeding \$100 must have a manager's signature.
- **RP Orders** – RP orders can be placed by the designer or your KraftMaid Representative. These are no charge orders that result from replacement items. This is for small items only that ship to the store via UPS.

Order Confirmation:

You will receive a fax confirmation that the order was accepted, generally within 48 hours.

Monitoring Your Order:

- Refer to your faxed open order report from KraftMaid for details of whether the order is in production or not.
- You can check the status of an order at any time by logging into www.KMDesignerXchange.com and going to the Order Tracking Tab.

Refund/Rebill:

Should you discover a discrepancy on a price after an order has been placed, it is the policy of Lowe's Corporate that a refund and rebill be completed. The store will be responsible for completing the refund and rebill. The store must reissue the order without the discrepancy, and the reissued order must have a new purchase order number.

How to Order Add-On Parts:

- Generate a new order via XP or new PO, and reference the original PO# under vendor special instructions.
- A fax acknowledgement will be sent when the order has been entered.
- Track your order on www.KMDesignerXchange.com or on your Open Order Report.
- For an order to qualify for this program, it must be for the same consumer, placed within six months of the original cabinet order delivery and include no more than six cabinets.

Canceling an Order:

- Once an order has been put into production, it can be canceled and is subject to a restocking fee.
- Orders must be cancelled via phone. Designers should document the date and time of the call, along with the Customer Care representative that they spoke with.
- Once installed, cabinets cannot be returned.

Delivery

Delivery Process

- KraftMaid Momentum will have the cross dock arrange delivery by calling the consumer for home deliveries or the store for in-store deliveries.
- Orders containing six or more cabinets ship via HMD, unless authorized by a store manager at the time the order is placed.
- Orders of five cabinets or less will ship to the store unless a Home Delivery (HMD) fee is paid.
- If an EDI order of five cabinets or less populates as a HMD with the customer's address, KraftMaid Momentum will process the order as a HMD regardless of the number of cabinets.
- A home delivery fee is added to the invoice on all HMD orders.

When to Order Replacement Parts:

- Design error – affecting parts ordered and/or installed (a new PO is required).
- Damage – as soon as it's delivered. If a customer received the product and the packaging is visibly damaged, they can request that the driver open the package while on site. The customer is then responsible for contacting the store for reordering if there is damage.
- Missing – if noted at the time of delivery, contact Customer Care for a replacement. If product is signed for at the time of delivery, a new PO will be required for any reorder.
- Installer error – during installation (a new PO is required).
- A fax acknowledgement will be sent for any replacement part orders.
- Must be within 90 days of receipt for damaged, defective or inaccurately built items.

Return Authorization (RA):

- Items must be returned to the store prior to calling for an RA.
- The authorization for a return must be within 90 days from actual delivery date.
- Only a portion of the order amount will be credited.
- Only uninstalled and unaltered product will be authorized for a return.
- To obtain an RA number, call (855) 556-4021.



Craftsmanship and durability are what we built our reputation on. KraftMaid Momentum cabinetry is warranted to be free of defects in materials and workmanship for 25 years. For details about our 25-year limited warranty, visit www.kraftmaidmomentum.com/warranty. If you have a customer with a warranty issue, please direct them to Customer Care at (855) 556-4021.

ITEM	PAGE	ITEM	PAGE	ITEM	PAGE
1		Base Double Door w/Two Full-Width Trays	E3	Copper-Pewter Knob	L17
1 Full-Width Tray	C11	Base Double Door w/Two Full-Width Trays - Full Extension	E3	CoreGuard Panel Backer	K2
1 Roll-out Tray	C10	Base End Angle	E24	CoreGuard Sink Base	E11
1 Shelf Lazy Susan Kit	D22	Base End Corner	E24	CoreGuard Sink Base w/Utensil Tray	E11
1/2 Overlay 2 Way Hinge	M4	Base End Panel w/Stile	E34	Countertop Support	L1
1/2 Overlay 6-Way Hinge	M4	Base Filler	G10	Countertop Wood Edge	L3
170 Hinge	M3	Base Filler	E32	Crown Molding	L4
		Base Filler Overlay	E32	Cutlery Divider Kit	E30
		Base Filler Pull-Out	E25		
2		Base Fluted Column	E33	D	
2 Deep Full-Width Roll-out Trays	C13	Base Fluted Filler	E33	Deep Roll-out Trays - Field Installation	K7
2 Deep Roll-out Trays	C12	Base Four Drawer	E10	Deep Roll-out Trays - Full Extension Field Installation	K6
2 Full-Width Trays	C12	Base Full-Height Double Door	E5	Deep Sink Base	E13
2 Roll-out Trays	C10	Base Full-Height Double Door 12 Deep	E6	Deep Wood Tall End Panel	F6
		Base Full-Height Double Door w/Four Deep Trays	E7	Deluxe Recessed Panel Drawer Front	C8
		Base Full-Height Double Door w/Four Trays	E7	Dentil Molding	L4
		Base Full-Height Double Door w/Two Deep Full-Width Trays	E7	Depth Modification	C8
3		Base Full-Height Double Door w/Two Full-Width Trays	E6	Desk Drawer Cabinet	H1
3 Roll-out Trays	C11	Base Full-Height Single Door	E5	Desk End Panel	H3
3 Shelf Lazy Susan Kit	D23	Base Full-Height Single Door 12 Deep	E5	Desk File Drawer Cabinet	H2
3/4 Extension Side Mount Roller Guide Kit	M1	Base Full-Height Single Door w/Two Deep Full-Width Trays	E6	Desk Knee Drawer Cabinet	H2
3/4 Extension Side Mount Roller Guide Peninsula Base Kit	M1	Base Full-Height Single Door w/Two Deep Full-Width Trays	E6	Desk Knee Drawer Cabinet - Trimmable	H2
3/4 Shelf Clip with Stop	M5	Base Full-Height Single Door w/Two Full-Width Trays	E6	Dishwasher Panel	E18
		Base Microwave Cabinet 34 H w/Deep Bottom Drawer	E18	Dishwasher Raised Panel	E18
		Base Oven Cabinet Universal	E17	Door Mount Towel Bar	E29
4		Base Pantry Pull-Out	E25	Door Pantry Rack	F4
4 Deep Roll-out Trays	C12	Base Pots and Pans Storage Two Drawer	E10	Door Spice Rack	D23
4 Roll-out Trays	C11	Base Single Door	E1	Door Storage	D21
		Base Single Door w/Two Deep Full-Width Trays	E3	Drawer Organizer Kit	E30
		Base Single Door w/Two Full-Width Trays	E2	Drawer Partition	E29
		Base Three Door	E2	Drop-In Range Panel	E17
		Base Three Door w/Six Deep Trays	E5		
		Base Three Door w/Six Trays	E4	E	
		Base Three Drawer	E10	Edge Banding	M7
		Base Top Mount Wastebasket - Double	E26	Estero Corbel	L10
		Base Top Mount Wastebasket - Single	E25	Estero Foot	L10
		Base Wastebasket Floor Mount Kit	E27	Estero Leg	L10
		Base Wastebasket ROT Floor Mount Kit	E27		
		Beaded Paneling	K2	F	
		Bi-Fold Hinge	M3	Face Mount Hinge	M3
		Bistro Glass Door	C9	Fill Stick	M10
		Black Ceramic Insert Pull	L19	Filler Extension	D24
		Black Ceramic Insert Round Knob	L18	Flower Knob	L17
		Bright Chrome Knob	L15	Fluted Filler Extension	D25
		Brushed Satin Pewter French Tassel Pull	L18	Foil Box Rack	E28
		Brushed Satin Pewter French Tassel Round Knob	L18	Full Extension Heavy Duty Under Mount Guide Set	M2
				Full Extension Side Mount Ball Bearing Guide Kit	M1
		C		Full Extension Under Mount Guide Kit	M2
		Cabinet Care Kit	M8	Full Extension Under Mount Peninsula Base Guide Kit	M2
		Cabinet Front Only	C13	Full Overlay 4-Way Hinge	M4
		Chair Rail	L3	Full Overlay 6-Way Hinge	M4
		Classic Crown Molding	L3	Furniture End Panel - Center Drilled	I2
		Classic Drawer Front	C8	Furniture End Panels	I1
		Contemporary Base Board	L3	Furniture Shelves	I2
		Contemporary Crown Molding	L3	Furniture Shelves - Heavy-Duty	I2

ITEM	PAGE	ITEM	PAGE	ITEM	PAGE
Furniture Shelves - Top and Bottom	I3	Pegged Deep Drawer Organizer	E31	Satin Nickel Wire Cable Pull	L17
Furniture Toeboard Valance	I3	Peninsula Base Blind Corner Double Door	E21	Savannah Mullion Glass	C9
Fusilli Pull	L18	Peninsula Base Blind Corner Single Door	E20	Scribe Cove Molding	L6
G		Peninsula Base Blind Corner w/Two Deep Full-Width Trays	E21	Scribe Molding	L6
Galley Rail	L4	Peninsula Base Blind Corner w/Two Full-Width Trays	E21	Shelf Kits	K3
Glass Retainer	M6	Peninsula Base Double Door	E8	Shelf Support Center	M5
H		Peninsula Base Double Door w/Two Deep Full-Width Trays	E9	Shoe Molding	L6
Hardware Template Kit	M7	Peninsula Base Double Door w/Two Full-Width Trays	E8	Single Bead Pilaster	L7
I		Peninsula Base Single Door	E7	Single Bead Round Edge	L7
Inset Light Rail	L4	Peninsula Base Single Door w/Two Deep Full-Width Trays	E8	Single Door Desk Cabinet	H1
Inside Corner Molding	L4	Peninsula Base Single Door w/Two Full-Width Trays	E8	Sink Base Angle	E14
Installation Screws	M6	Peninsula Wall Angle	D12	Sink Front	E14
L		Peninsula Wall Blind Corner	D12	Sink Front Angle	E15
Large Starter Molding	L4	Peninsula Wall Double Door 18 H	D6	Sink Front Angle Floor	E32
Lattice Wall	D15	Peninsula Wall Double Door 23 1/2 H	D7	Sink Front Angle Full-Height	E15
Lazy Susan	E22	Peninsula Wall Double Door 30 H	D7	Sink Front Floor	E32
Lazy Susan Angle	E23	Peninsula Wall Single Door 18 H	D6	Sink Front Full-Height	E14
Library Molding	L5	Peninsula Wall Single Door 23 1/2 H	D7	Sliding Towel Bar	E29
Locking Device - Full Extension Heavy Duty Under Mount Guides	M2	Peninsula Wall Single Door 30 H	D7	Small Starter Molding	L7
M		Plain Square Posts	L12	Soffit Crown Molding	L7
Matching Base End Panel	E34	Plywood Ends	C7	Soft-close Angle Restrictor Clip	M7
Matching Desk End Panel	H3	Q		Solid Bright Brass Knob	L15
Matching Interior	C8	Quarter Round Molding	L5	Solid Wood Stock	L7
Matching Tall End Panel	F6	R		Solid Wood Wall End Open Shelf	D13
Matching Vanity End Panel	G10	Radius Cabinet Molding	L6	Spice Drawer Cabinet	D20
Matching Wall End Panel	D26	Rear Adjustment Adapter - Full Extension Heavy Duty Under Mount Soft-close Guides	M3	Spice Drawer Insert Kit	E30
Medicine Cabinet Pack Hinge	M5	Removable Sink Front	E15	Spindles	L13
Mirror Cabinet	G8	Replacement Shelving - Base	K4	Stem Glass Holder	D23
Mirror Molding	L5	Replacement Shelving - Tall	K5	Swing-Out Pantry Rack	F4
Modern Satin Nickel Knob	L17	Replacement Shelving - Vanity	K5	T	
Molding Stack Information	L5	Replacement Shelving - Walls	K4	Tall End Panel w/Stile	F6
N		Roll-out Trays - Field Installation	K10	Tall Filler	F5
Narrow Batten Molding	L5	Roll-out Trays Double Faced - Field Installation	K9	Tall Filler Overlay	F5
Nickel Knob	L15	Roll-out Trays Solid Wood - Field Installation	K8	Tall Fluted Filler	F5
O		Roman Spindles	L13	Tambour Storage	D20
Ochre Finished Ceramic Totem Knob	L20	Rope Molding	L6	Tambour Storage Angle	D20
Ochre Finished Ceramic Totem Pull	L20	S		Tapered Foot	L13
Oil Rubbed Bronze Cup Pull	L19	Satin Aluminum Boat Cleat Transitional Pull	L15	Tapered Leg	L13
Oil Rubbed Bronze Round Knob	L19	Satin Aluminum Knob	L15	Tapestry Corbel	L11
Open Cube Organizer	D23	Satin Nickel Canoe Pull	L17	Tapestry Foot	L11
Organizer	H3	Satin Nickel Diminishing Knob	L20	Tapestry Insert Molding	L7
Outside Corner Molding	L5	Satin Nickel Football Shaped Knob	L18	Tapestry Leg	L11
Oven Cabinet - Single w/3 Stiles	F3	Satin Nickel Rope Knob	L14	Toe Kick	E31
Oven Cabinet - Universal	F3	Satin Nickel Rope Pull	L14	Toe Kick Backer	E31
Oven Cabinet Support Platform	F5	Satin Nickel Round Knob	L16	Touch-Up Kit	M9
Oven Drawer Kit	F3	Satin Nickel Suitcase Pull	L14	Touch-Up Pen	M10
P		Satin Nickel Traditional Pull	L16	Touch-Up Quart	M9
Pantry Cabinet	F2	Satin Nickel Wavy Pull	L20	Traditional Base Board	L8
Pantry Cabinet Shelf Kit	F4			Traditional Mullion Glass	C10

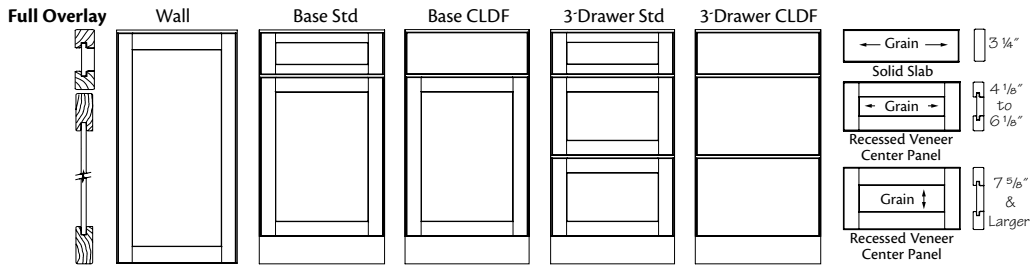
ITEM	PAGE	ITEM	PAGE	ITEM	PAGE
U					
Under Cabinet Molding	L8	Vanity Combination Drawer (2)	G3	Wall Microwave Shelf Cabinet	D17
Under Cabinet Shelf	D22	Vanity Combination Drawer (3)	G3	Wall Open Cabinet	D14
Under Cabinet Shelf Corner	D22	Vanity Combination Drawer (6)	G3	Wall Refrigerator 24 Deep 12 H	D1
Under Sink Tote	E28	Vanity Combination Drawer (8)	G4	Wall Refrigerator 24 Deep 15 H	D2
Universal Access Panel	E16	Vanity Filler	G9	Wall Refrigerator 24 Deep 18 H	D3
Universal Base Double Door	J1	Vanity Fluted Filler	G9	Wall Refrigerator 24 Deep 23 1/2 H	D3
Universal Base Double Door w/Four Deep Trays	J3	Vanity Hamper Roll-Out	G9	Wall Refrigerator 24 Deep 27 H	D4
Universal Base Double Door w/Four Trays	J3	Vanity Linen Cabinet	G6	Wall Single Door 18 H	D2
Universal Base Double Door w/Two Deep Full-Width Trays	J2	Vanity Linen Cabinet Short	G7	Wall Single Door 23 1/2 H	D3
Universal Base Double Door w/Two Full-Width Trays	J2	Vanity Sink Base Double Door	G1	Wall Single Door 30 H	D4
Universal Base Full-Height Double Door	J5	Vanity Sink Base Four Door	G2	Wall Single Door 36 H	D5
Universal Base Full-Height Double Door w/Four Deep Trays	J6	Vanity Sink Base Four Door	G2	Wall Single Door 39 and 42 H	D5
Universal Base Full-Height Double Door w/Four Trays	J5	Vanity Sink Base Four Drawer	G3	Wall Wine Rack Scalloped	D15
Universal Base Full-Height Double Door w/Two Deep Full-Width Trays	J5	Vanity Sink Base Three Door	G2	White Ceramic Knob	L14
Universal Base Full-Height Double Door w/Two Full-Width Trays	J5	Vanity Sink Base Three Drawer	G2	Wide Scribe Molding	L9
Universal Base Full-Height Single Door	J4	Vanity Sink Base Two Drawer	G2	Windmere Corbel	L12
Universal Base Full-Height Single Door w/Two Deep Full-Width Trays	J4	Vanity Wall Boutique	G7	Windmere Foot	L12
Universal Base Full-Height Single Door w/Two Full-Width Trays	J4	Vanity Wall Boutique w/Towel Bar	G7	Windmere Leg	L12
Universal Base Pull-out Table	J3	Vanity Wall Cabinet	G7	Windmere Rope Molding	L9
Universal Base Pull-Out Table w/Two Deep Full-Width Trays	J4	Venetian Bronze Copper French Lace Knob	L20	Wire Tray Divider Kit	E28
Universal Base Pull-Out Table w/Two Full-Width Trays	J5	Vent Clip Pack	M6	Wire Tray Divider Roll-out	E28
Universal Base Single Door	J4	W			
Universal Base Single Door w/Two Deep Full-Width Trays	J4	Wall Angle 12 Deep	D10	Wood Lazy Susan	E22
Universal Base Single Door w/Two Full-Width Trays	J4	Wall Angle 15 Deep	D10	Wood Sink Base	E12
Universal Base Three Drawer	J6	Wall Blind Corner Double Door 30 H	D9	Wood Sink Base 27 Deep	E12
Universal Lazy Susan	J6	Wall Blind Corner Single Door 23 1/2 H and 30 H	D9	Wood Sink Base 27 Deep w/Utensil Tray	E13
Universal Removable Sink Front	J7	Wall Blind Corner Single Door 36 H	D9	Wood Sink Base Full-Height	E13
Universal Sink Front Doors	J6	Wall Blind Corner Single Door 39 and 42 H	D9	Wood Sink Base w/Utensil Tray	E12
Universal Sink Front Kit	J7	Wall Box	D25	Wood Veneer Paneling	K1
Universal Toe Kick	J8	Wall China Display 12 Deep 15 H	D14	Woodgrain Laminate Paneling	K1
Utensil Tray Kit	E31	Wall Corner Angle	D13		
Utility Cabinets 12 Deep	F1	Wall Double Door 12 H	D1		
Utility Cabinets 24 Deep	F2	Wall Double Door 15 H	D2		
Utility Tray Hinge	M5	Wall Double Door 18 H	D2		
V					
Valance Raised Panel	L1	Wall Double Door 20 1/2 and 23 1/2 H	D3		
Valance Shaker	L1	Wall Double Door 27 H	D4		
Valance Traditional	L1	Wall Double Door 30 H	D4		
Vanity Base Double Door	G4	Wall Double Door 36 H	D5		
Vanity Base Drawer	G6	Wall Double Door 39 and 42 H	D5		
Vanity Base Four Drawer	G6	Wall Easy Reach	D11		
Vanity Base Full-Height Double Door	G5	Wall End Corner	D13		
Vanity Base Full-Height Four Door	G5	Wall Filler	D24		
Vanity Base Full-Height Single Door	G4	Wall Filler Overlay	D24		
Vanity Base Full-Height Three Door	G5	Wall Filler Pull-out	D21		
Vanity Base Single Door	G4	Wall Fluted Column	D25		
		Wall Fluted Filler	D24		
		Wall Hood Blower	D19		
		Wall Hood Classic Chimney	D18		
		Wall Hood Cove	D19		
		Wall Hood Front	D18		
		Wall Hood Front Blower	D19		
		Wall Hood Liner	D19		
		Wall Microwave Cabinet 36 H	D16		
		Wall Microwave Cabinet 45 H	D16		
		Wall Microwave Shelf	D17		

Notes

Deveron

Full Overlay

AK4M2 Maple



- Solid wood door frame with 2 3/16" stiles and rails
- Square veneer recessed panel on wall and base doors
- Five-piece drawer front
- Classic Drawer Front (CLDF) option available
- Concealed hinge
- Decorative hardware is required
- **Note:** When CLDF option is applied, all drawer fronts will be slab

Deveron Finishes

- ❖ Available as Standard
- Premium Upcharge

		AK4M2
		Deveron Maple
Canvas	CVM	●
Cognac	COM	❖
Dove White	DWM	●
Greyloft	B65M	●
Honey Spice	HSM	❖
Kaffe	KAM	❖
Midnight	B69M	●
Moonshine	D98M	●
Pebble Grey	B83M	●
Peppercorn	PCM	❖

Deveron Inserts

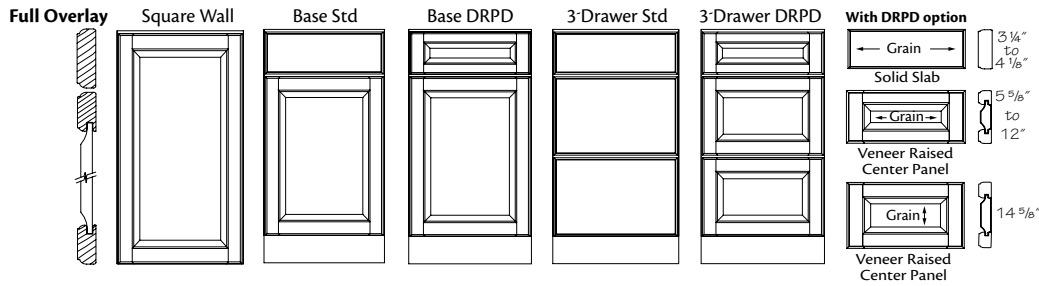
- Upcharge

		AK4M2
		Deveron Maple
Bistro/Prep for Glass		●
Savannah Mullion/Prep for Glass		●
Traditional Mullion/Prep for Glass		●

Fox Ridge

Full Overlay

AK2M2 Maple Square



- Solid wood door frame with 2 3/16" stiles and rails
- Square design has veneer raised panel on wall and base doors
- Slab drawer front is solid wood
- Deluxe Raised Panel Drawer (DRPD) front available
- Concealed hinge
- Decorative hardware is required

Fox Ridge Finishes

- ❖ Available as Standard
- Premium Upcharge

		AK2M2
	Fox Ridge Maple	
Canvas	CVM	●
Cognac	COM	❖
Dove White	DWM	●
Greyloft	B65M	●
Honey Spice	HSM	❖
Kaffe	KAM	❖
Midnight	B69M	●
Moonshine	D98M	●
Pebble Grey	B83M	●
Peppercorn	PCM	❖

Fox Ridge Inserts

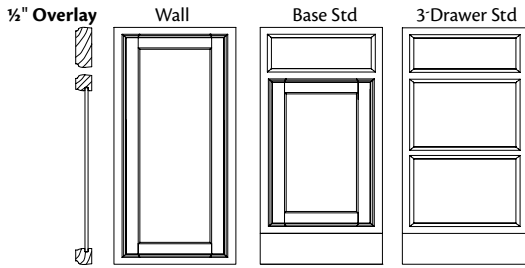
- Upcharge

		AK2M2
	Fox Ridge Maple	
	Bistro/Prep for Glass	●
	Savannah Mullion/Prep for Glass	●
	Traditional Mullion/Prep for Glass	●

Kingston

1/2" Overlay

AJ9M2 Maple



- Solid wood door frame with 2 3/16" stiles and rails
- Square design has veneer recessed panel on wall and base doors
- Doors with painted finishes will either have a recessed veneer or Medium Density Fiberboard (MDF) center panel
- Top and bottom edges of doors and drawers have a 15° reverse bevel
- Slab drawer front is solid wood
- Concealed hinge
- Decorative hardware is optional

Kingston Finishes

- ❖ Available as Standard
- Premium Upcharge

		AJ9M2
		Kingston Maple
Canvas	CVM	●
Cognac	COM	❖
Dove White	DWM	●
Greyloft	B65M	●
Honey Spice	HSM	❖
Kaffe	KAM	❖
Midnight	B69M	●
Moonshine	D98M	●
Pebble Grey	B83M	●
Peppercorn	PCM	❖

Kingston Inserts

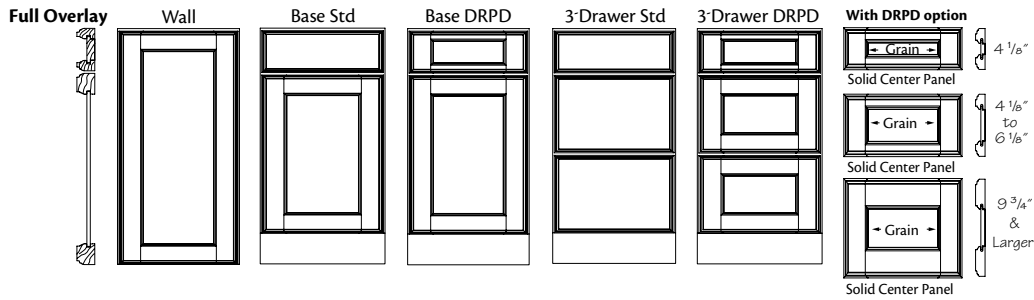
- Upcharge

		AJ9M2
		Kingston Maple
Bistro/Prep for Glass		●
Savannah Mullion/Prep for Glass		●
Traditional Mullion/Prep for Glass		●

Ruxton

Full Overlay

AK7M2 Maple



- Solid wood door frame with 3" stiles and rails
- Square design has veneer recessed panel on wall and base doors
- Doors with painted finishes will either have a recessed veneer or Medium Density Fiberboard (MDF) center panel
- Slab drawer front is solid wood
- Deluxe Recessed Panel Drawer (DRPD) front available
- DRPD drawer front with solid wood 3" stiles and 1 1/2" rails and solid wood center panel except for 9 3/4" tall or taller which have 3" rails
- Concealed hinge
- Decorative hardware is required

Ruxton Finishes

- ❖ Available as Standard
- Premium Upcharge

			AK7M2
		Ruxton Maple	
Canvas	CVM	●	
Cognac	COM	❖	
Dove White	DWM	●	
Greyloft	B65M	●	
Honey Spice	HSM	❖	
Kaffe	KAM	❖	
Midnight	B69M	●	
Moonshine	D98M	●	
Pebble Grey	B83M	●	
Peppercorn	PCM	❖	

Ruxton Inserts

- Upcharge

			AK7M2
		Ruxton Maple	
	Bistro/Prep for Glass	●	
	Savannah Mullion/Prep for Glass	●	
	Traditional Mullion/Prep for Glass	●	

Wood Species & Characteristics



Maple is a strong wood that is primarily off-white in its raw state. However, maple sometimes contains light hues of yellow-brown and pink as well as light tan or reddish-tinged streaks that darken with stain. Typically straight-grained, maple can be wavy or even curly. Hard maple offers more uniformity than other wood types, making it ideal for living spaces that feature a clean, streamlined appearance.

Finish Terminology

- End Grain

End grain surfaces and softer areas of the wood may accept more stain and often appear darker than other surfaces. This is a natural reaction when finishing wood products and potential variances **cannot** be controlled

- Joint Lines

Since wood is in a constant state of expansion and contraction, visible lines are normal at the joints on the cabinet face frames and doors. This does **not** weaken the finish or the strength of the joint

- Telegraphing

Show through or “telegraphing” of wood characteristics may happen when paint is applied to any specie of natural wood. These characteristics, such as open grain, pin holes, knots and mineral streaks, may be visible through the paint. Telegraphing may happen on doors, face frames, moldings, decorative end panels or other decorative enhancements made of natural wood. Please consider this when selling any of our finishes that feature paint

Note: Individual veneer doors vary in absorption of finishes, therefore it is recommended that a sample veneer door be viewed in the desired finish before placing a full kitchen order

Warping, Cracking & Proper Humidity

As a natural characteristic, all wood products contain moisture. Changes in temperature and humidity affect the moisture content in wood, which causes wood to expand or contract. Over time, this expansion or contraction can cause warping and joint cracks to occur, potentially causing permanent deformations, in wood cabinetry.

To help prevent excessive movement in your wood cabinetry, we recommend maintaining a controlled environment of 70 to 75 degrees Fahrenheit and 30% to 50% humidity in the areas where your cabinetry is stored or installed. Environmental conditions **cannot** be controlled by Masco Cabinetry and the effects of the movement in wood is **not** considered to be a manufacturing defect and will **not** be considered a reason for replacement.

See the doors section for door specie information and descriptions

Note: Wood products, including cabinet doors and face frames, are typically affected by environmental conditions. Color variation over time, as well as normal movement due to wood’s expansion and contraction is part of the natural beauty of wood. This normal movement may cause hairline cracks in the finish surface at the joints and is considered a normal characteristic of semi-opaque or painted finishes. This will **not** be considered a reason for product replacement

Standard Stain Finishes

Stain Finish Process:

Stained finishes truly showcase the natural beauty and characteristics inherent in each individual wood species. Based on the stain color chosen, a toner may be applied to the wood to equalize natural sap levels. The stain color is applied and hand-rubbed to ensure full and equal color coverage for doors and drawer fronts

Cognac

Medium brown stained finish with pale yellow and dark brown undertones

- **COM** Maple

Honey Spice

A warm golden stained finish

- **HSM** Maple

Kaffé

A warm, rich brown stained finish with deep brown undertones and black overtones

- **KAM** Maple

Peppercorn

A dark brown stained finish with rich black overtones

- **PCM** Maple

Premium Paint Finishes

Painted Finish Process:

Painted finishes feature rich, beautiful color coating the wood, adding rich depth to your selected profile.

Paint is applied utilizing a spray application process to Maple.

All painted surfaces are available in Maple due to the more uniform appearance and smooth, clean characteristics of this wood. Since wood naturally expands and contracts, you may see hairline separation in the finish surface at the joints. Joint lines are normal and do **not** affect the strength of the door's construction. Alternative materials may be used in the construction of the door and drawer fronts to minimize the environmental effects of joints and panels.

Natural wood characteristics such as gum pockets, streaks and pin knots may be visible, particularly with some of our lighter paints. These characteristics tend to be more pronounced on the backs of our doors and drawers

Canvas

Off white painted finish

- **CVM** Maple

Dove White

White painted finish

- **DWM** Maple

Greylift

Warm, earthy, midtone grey painted finish

- **B65M** Maple

Midnight

Rich, dark blue painted finish reminiscent of the night sky

- **B69M** Maple

Moonshine

Very light and soft, grey neutral painted finish

- **D98M** Maple

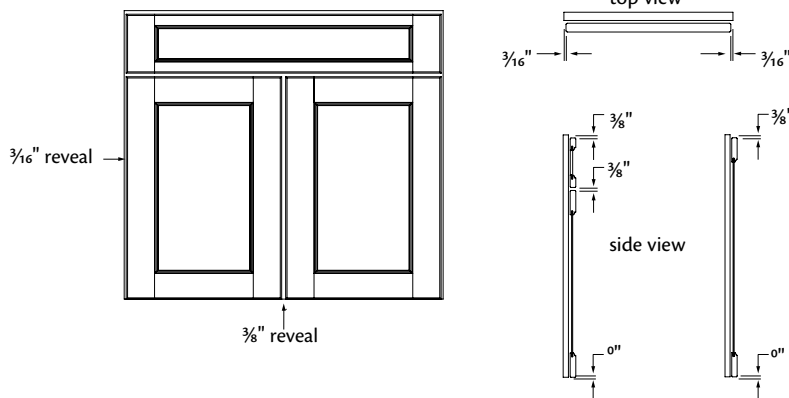
Pebble Grey

A cool, light grey painted finish

- **B83M** Maple

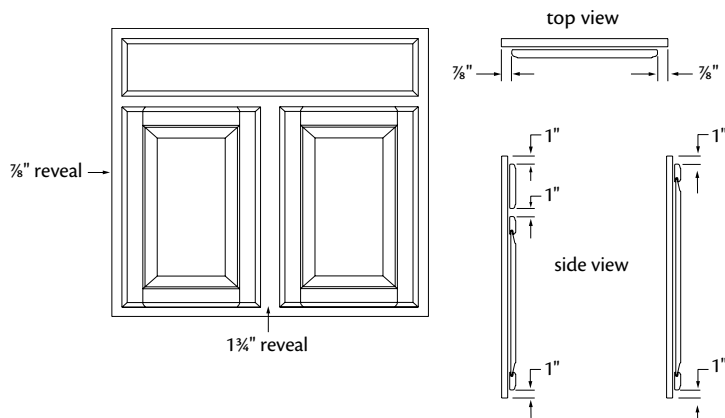
Cabinet Specifications

Full Overlay – Concealed Hinges



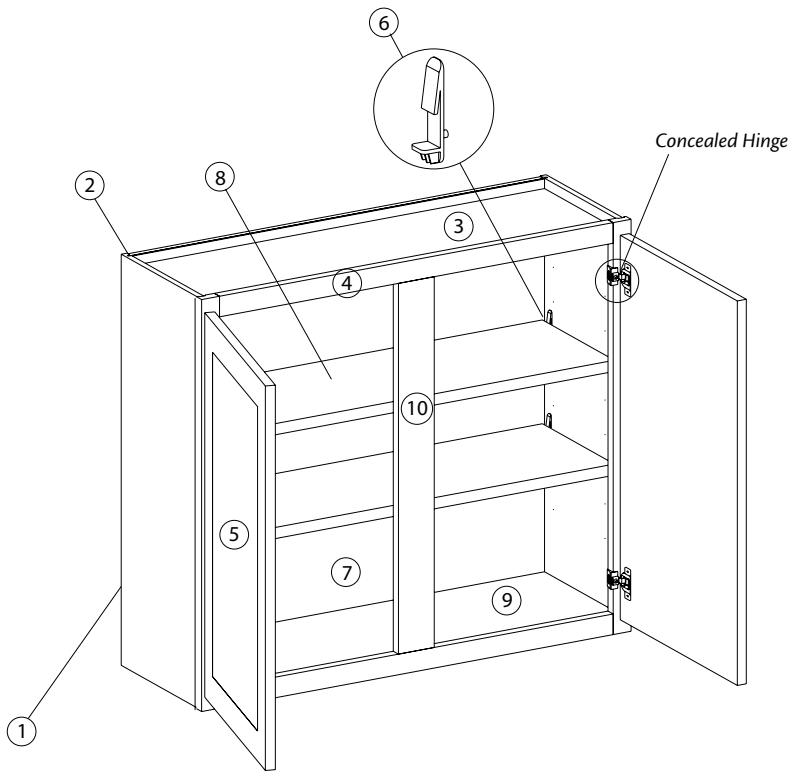
- Full Overlay doors leave $\frac{3}{16}$ " of the cabinet's face frame exposed on either side of the doors and $\frac{3}{8}$ " exposed between doors
- Butt door cabinets have $\frac{1}{8}$ " reveal between doors
- Nickel-finished self-closing hinges with soft-close action on most cabinets. Adjustable six ways for door alignment
- The reveals shown here may vary slightly on some cabinets due to actual door/drawer front sizes used. Refer to the replacement door and drawer section for actual door/drawer sizes for specific cabinets
- **Note:** A combination of soft-close and non-soft-close hinges may be used based on door size and weight

1/2" Overlay – Concealed Hinges

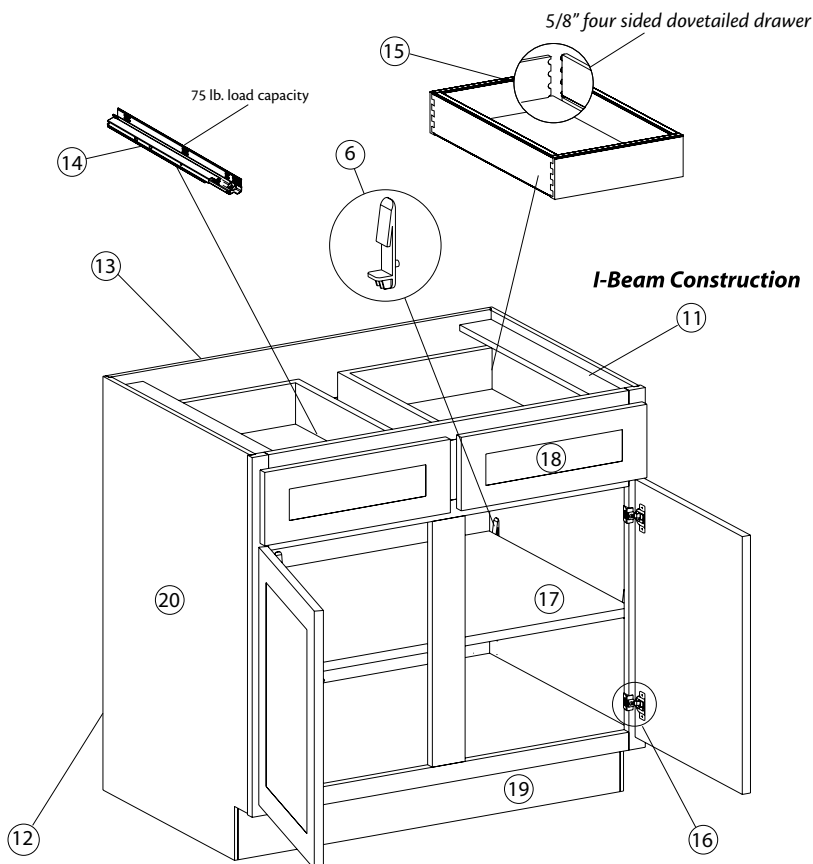


- 1/2" overlay doors leave $\frac{7}{8}$ " of the cabinet's face frame exposed on either side of the doors and $1\frac{3}{4}$ " exposed between doors
- Butt door cabinets have $\frac{1}{8}$ " reveal between doors
- Nickel-finished self-closing hinges with soft-close action on most cabinets. Adjustable six ways for door alignment
- The reveals shown here may vary slightly on some cabinets due to actual door/drawer front sizes used. Refer to the replacement door and drawer section for actual door/drawer sizes for specific cabinets
- **Note:** A combination of soft-close and non-soft-close hinges may be used based on door size and weight

Cabinet Specifications

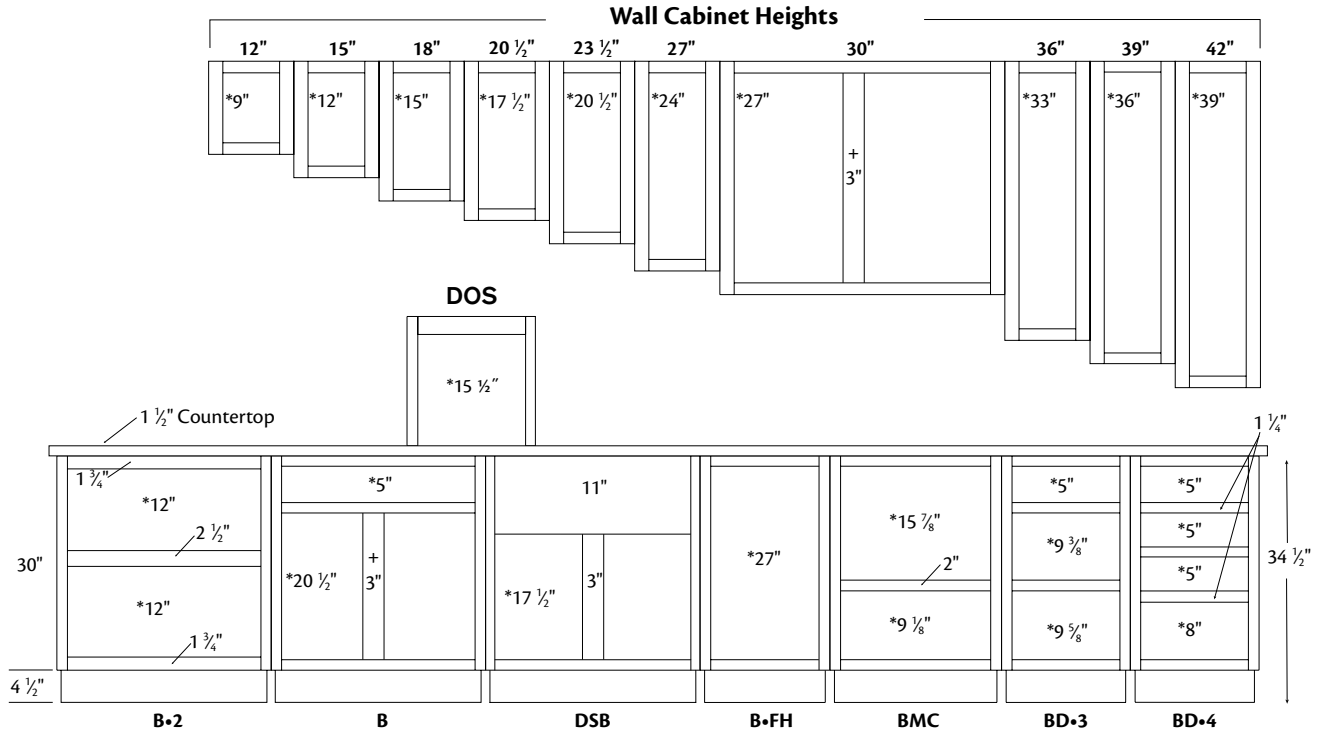


- (1) 3/8" (Wall) or 1/4" (Tall) engineered wood with natural wood grain laminate clad back panel unless otherwise noted
- (2) 3/8" (Wall) or 1/4" (Tall) engineered wood hanging rail
- (3) 1/2" thick engineered wood ceiling with natural wood grain laminate
- (4) 3/4" thick solid hardwood front frame constructed using hardened steel fasteners. Front frame species complements selected door style
- (5) Extensive and unique door style and wood species selection in Maple. Solid and wood veneer construction available
- (6) Clear Polycarbonate shelf rests for all cabinets. Easily adjustable positive locking shelf clips for all cabinets. Double door wall cabinets use non-locking clips on the center stile
- (7) Natural wood grain laminate interior
- (8) 3/4" thick fully adjustable wood grain laminate shelving is a standard feature in wall, base and tall cabinets
- (9) 1/2" thick engineered wood floor with natural wood grain laminate
- (10) 3" wide solid hardwood center stile except on BUTT door cabinets. Exterior is finished to match door; interior is unfinished
- (11) 1/2" engineered wood I-Beam braces
- (12) 1/4" thick engineered wood Base and Vanity back panel with natural wood grain laminate on interior side
- (13) 1/4" thick full height engineered wood back with 1/4" engineered wood hanging rail
- (14) Standard drawer runners with adjustable front corners and a 75 pound load capacity feature full extension, concealed under-mount slide system with soft-close action that allows the drawer to gently close
- (15) 5/8" thick, solid wood, full-depth, dovetailed drawer featuring four sided construction and 5.2mm plywood bottom. Drawers 30" and wider have 3/8" wood cleat underneath for additional support
- (16) Self-closing, concealed, 6-way adjustable hinges with soft-close action on most doors
- (17) 3/4" thick, full-depth, fully adjustable engineered wood shelving with natural wood grain laminate
- (18) Drawer fronts are solid hardwood or wood veneer to complement each door style
- (19) Fully closed toe space area:
Standard Toespace: 4 1/2" tall x **3 1/8" deep
Universal Toespace: 5 1/2" tall x **3 1/8" deep
- (20) 3/8" thick (Wall, Base and Vanity) or 1/2" thick (Tall) engineered wood side panels with natural wood grain laminate interior and laminate exterior that matches the door and frame
- * See inside cover for warranty details
- ****Not** including toe kick cover



When choosing the Plywood End (PE or PEB) options, refer to the Construction Options section for details

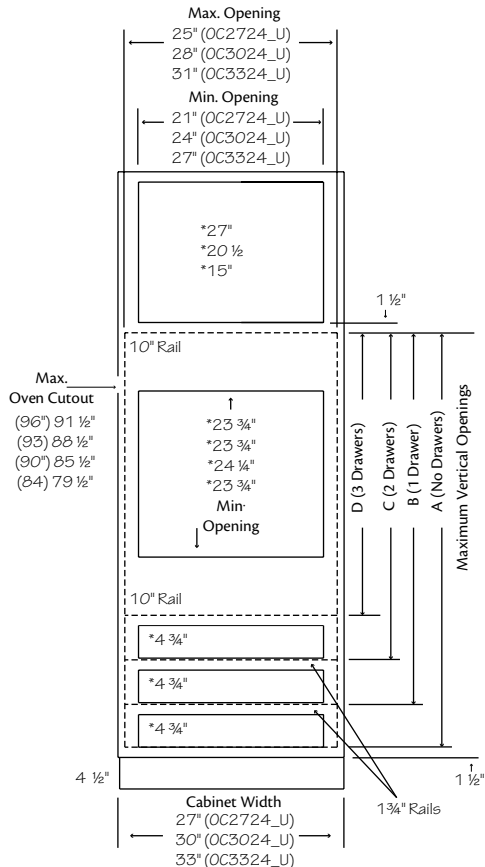
Wall and Base Frame Dimensions



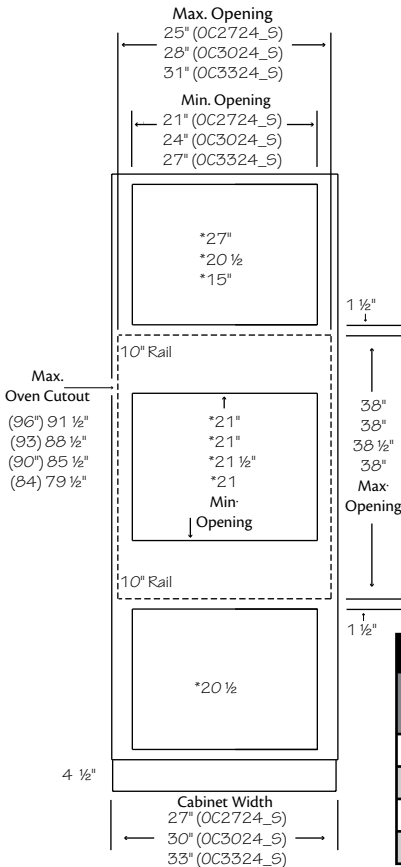
- Vertical opening sizes are preceded by an asterisk (*)
- Unless otherwise noted, all stiles and rails are 1 1/2" wide
- Unless otherwise noted, depth of cabinets excludes doors
- 3" wide vertical stiles divide double door cabinets, + indicates stiles are removed on butt door cabinets

Oven Cabinet Frame Dimensions

Oven Cabinet Universal (OCU)



Oven Cabinet Single (OCS)



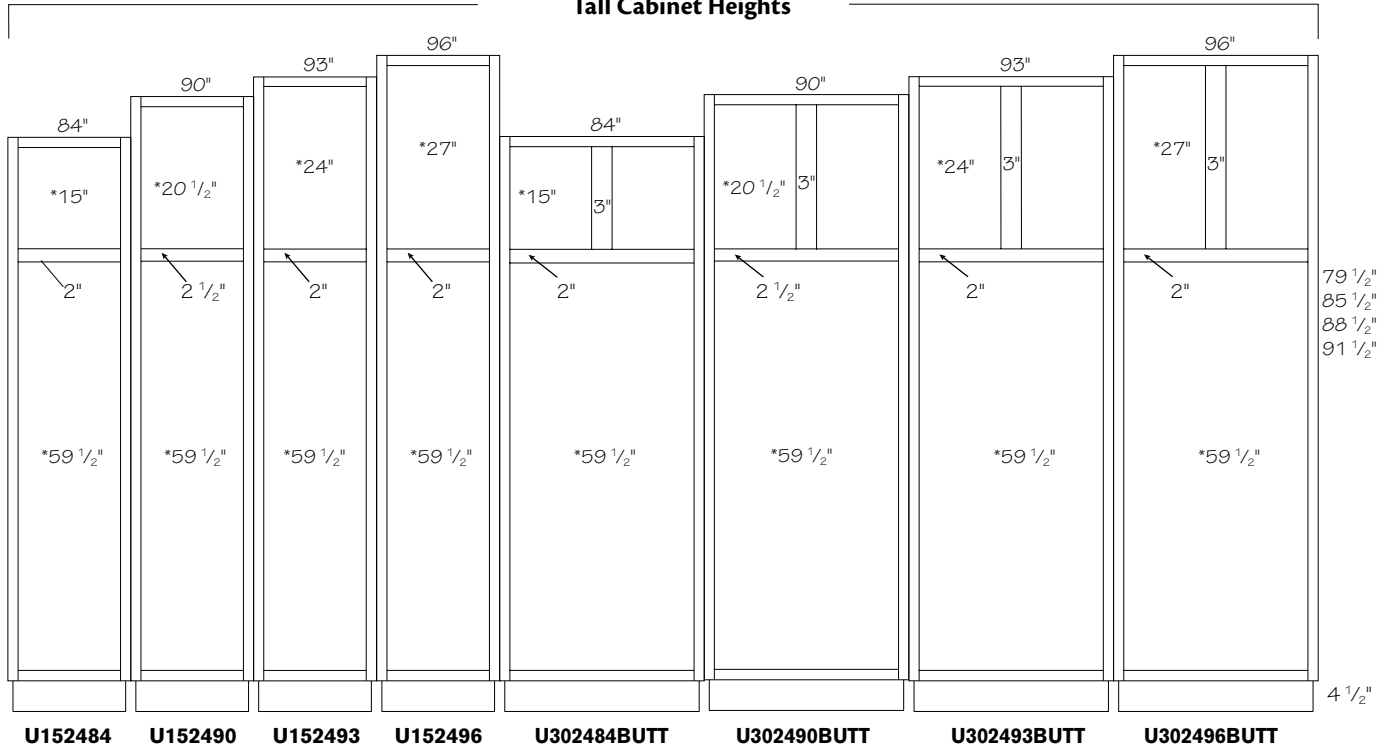
- Vertical opening sizes are preceded by an asterisk (*)
- Unless otherwise noted, all stiles and rails are 1 1/2" wide
- Unless otherwise noted, depth of cabinets excludes doors
- OC cabinets with stain have 1 1/2" face frame stiles. Painted finishes will have 3" face frame stiles

Maximum Vertical Openings for Oven

Cabinet Height	A	B	C	D
84"	60"	53 3/4"	47 1/4"	40 3/4"
90"	60 1/2"	54 1/4"	47 3/4"	41 1/4"
93"	60"	53 3/4"	47 1/4"	40 3/4"
96"	60"	53 3/4"	47 1/4"	40 3/4"

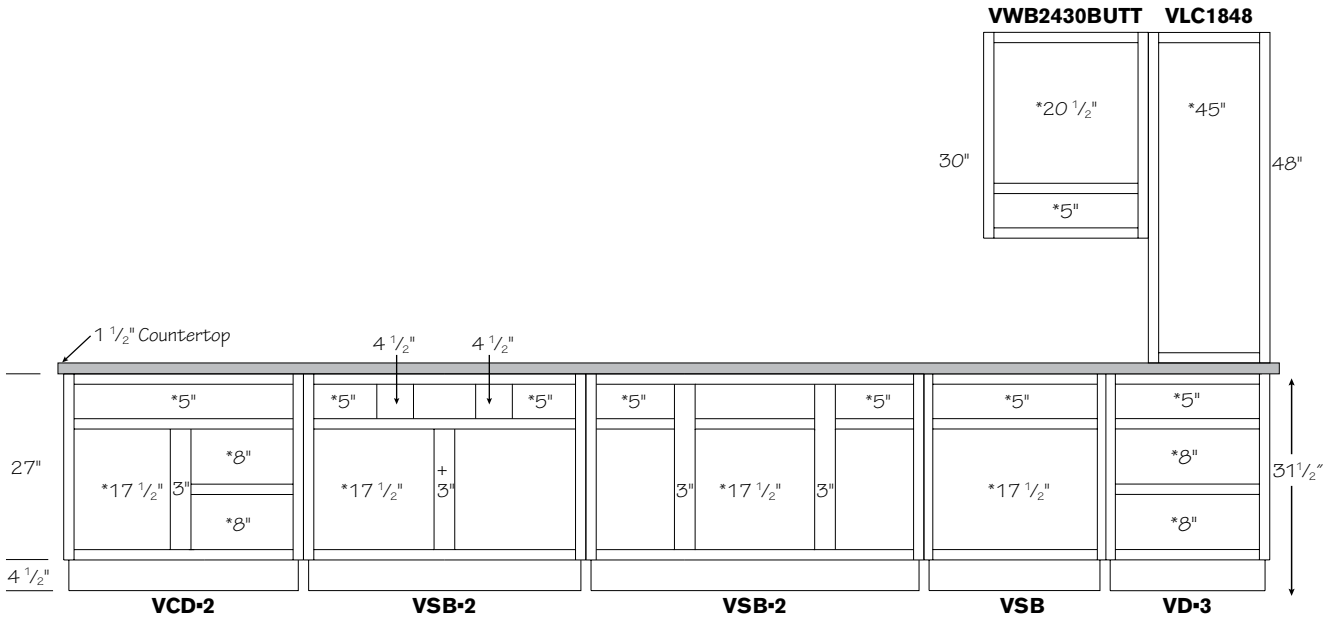
Tall Frame Dimensions

Tall Cabinet Heights



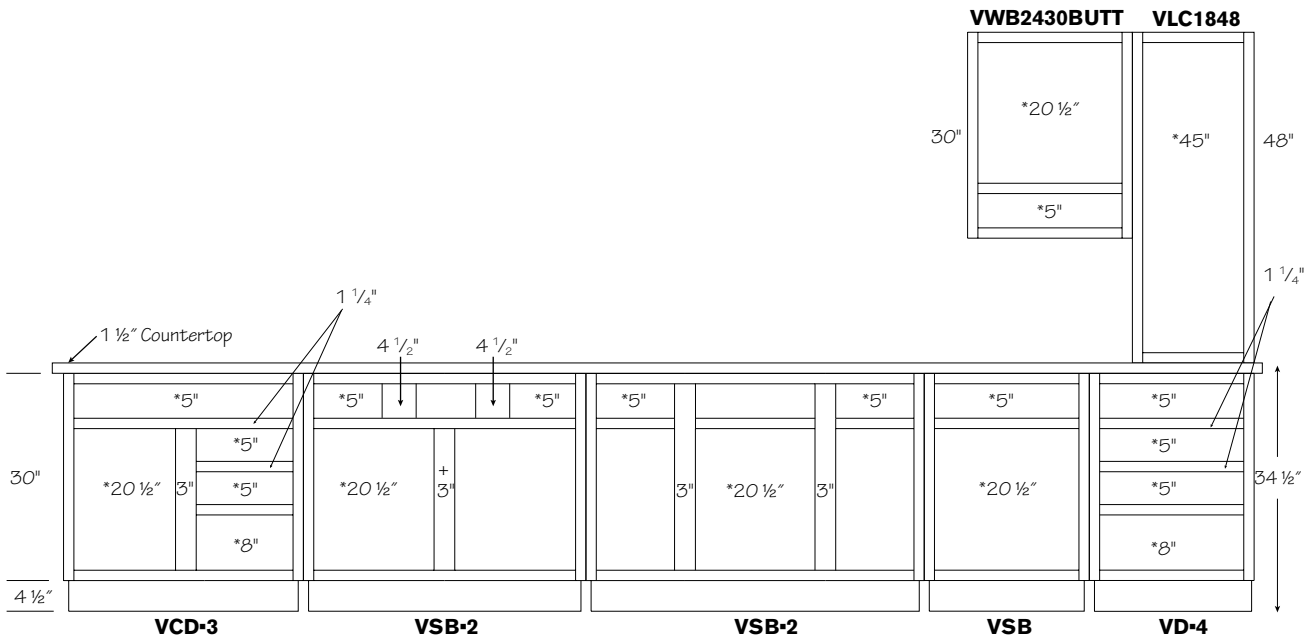
- Vertical opening sizes are preceded by an asterisk (*)
- Unless otherwise noted, all stiles and rails are 1 1/2" wide
- Unless otherwise noted, depth of cabinets excludes doors
- 3" wide vertical stiles divide double door cabinets

31 1/2" Vanity Frame Dimensions



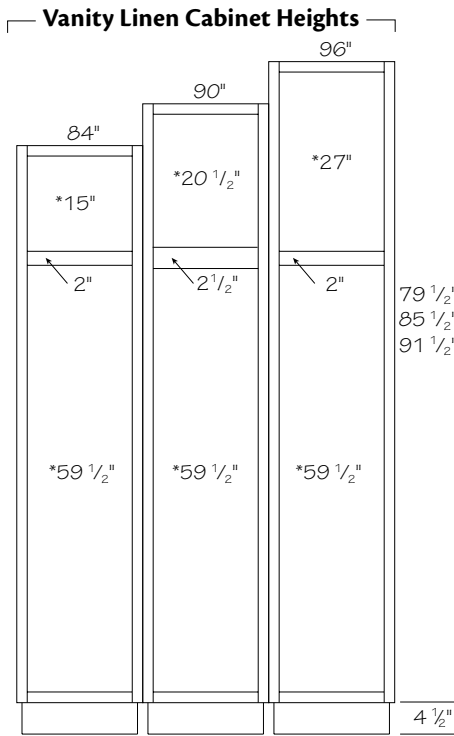
- Vertical opening sizes are preceded by an asterisk (*)
- Unless otherwise noted, all stiles and rails are 1 1/2" wide
- Unless otherwise noted, depth of cabinets excludes doors
- 3" wide vertical stiles divide double door cabinets, + indicates stiles are removed on butt door cabinets

34 1/2" Vanity Frame Dimensions



- Vertical opening sizes are preceded by an asterisk (*)
- Unless otherwise noted, all stiles and rails are 1 1/2" wide
- Unless otherwise noted, depth of cabinets excludes doors
- 3" wide vertical stiles divide double door cabinets, + indicates stiles are removed on butt door cabinets

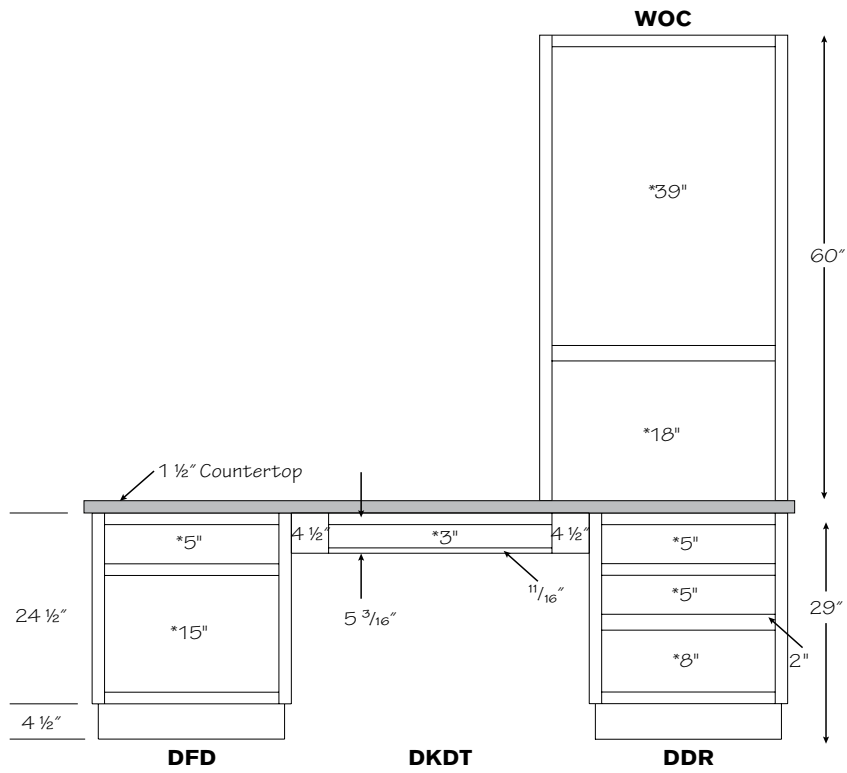
Vanity Tall Dimensions



VLC151884 VLC151890 VLC151896

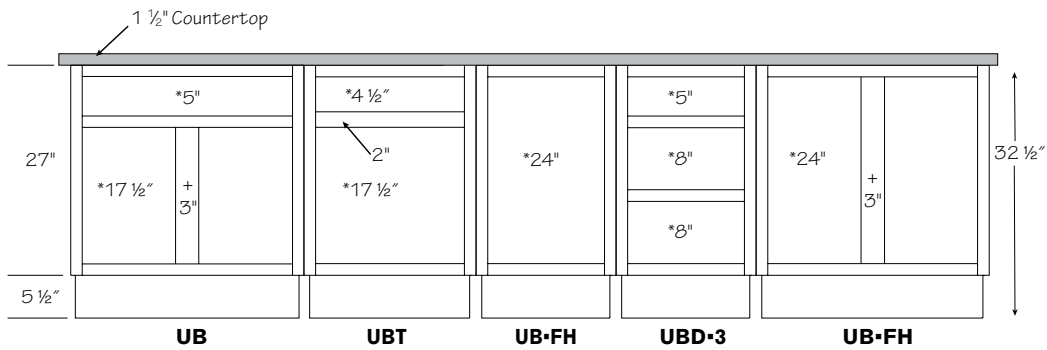
- Vertical opening sizes are preceded by an asterisk (*)
- Unless otherwise noted, all stiles and rails are 1 1/2" wide
- Unless otherwise noted, depth of cabinets excludes doors

Office Frame Dimensions



- Vertical opening sizes are preceded by an asterisk (*)
- Unless otherwise noted, all stiles and rails are 1 1/2" wide
- Unless otherwise noted, depth of cabinets excludes doors

Universal Design Frame Dimensions



- Vertical opening sizes are preceded by an asterisk (*)
- Unless otherwise noted, all stiles and rails are 1 1/2" wide
- Unless otherwise noted, depth of cabinets excludes doors
- 3" wide vertical stiles divide double door cabinets, + indicates stiles are removed on butt door cabinets

Construction Options

Construction Options and Modifications

- ☆ Available with exceptions
- Available with an upcharge
- ❖ Included as standard
- (Blank) **Not** available

Use the option availability chart at the right of each item to determine which construction options are available for your desired cabinet.

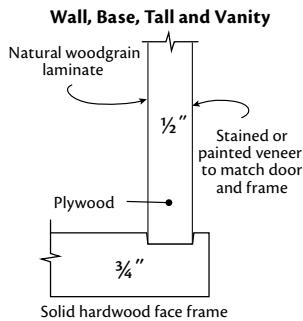
Material dimensions listed may vary slightly from actual dimensions of the product.

Specification subject to change without notice.

PE	Plywood Ends
APC	All Plywood Construction
RD9	Reduce Depth 9"
RD12	Reduce Depth 12"
RD15	Reduce Depth 15"
RD18	Reduce Depth 18"
RD21	Reduce Depth 21"
ID15	Increase Depth 15"
ID18	Increase Depth 18"
ID21	Increase Depth 21"
ID24	Increase Depth 24"
BIS	Bistro Glass
SV	Savannah Mullion Glass
MD	Traditional Mullion Glass
1ROT	1 Roll-out Tray
2ROT	2 Roll-out Trays
3ROT	3 Roll-out Trays
4ROT	4 Roll-out Trays
6ROT	6 Roll-out Trays
1FWROT	1 Full-Width Tray
2FWROT	2 Full-Width Trays
2DROT	2 Deep Roll-out Trays
4DROT	4 Deep Roll-out Trays
6DROT	6 Deep Roll-out Trays
2DFWROT	2 Deep Full-Width Roll-out Trays
MI	Matching Interior
CFO	Cabinet Front Only

Plywood Ends

- PE** Full Kitchens
- PEB** Individual Cabinets

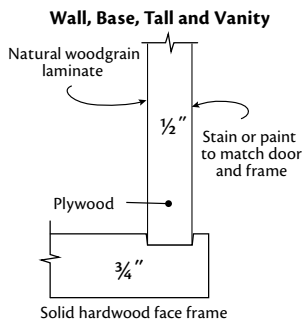


- This construction option affects end panels only
- Available for full or partial kitchen orders
- To order a full kitchen with Plywood Ends, use PE in the header of your order
- To order individual line items with Plywood Ends, dash each line item with PEB. Order Example: W3030 BUTT-PEB
- 1/2" plywood end panels are available for most cabinets and have a wood veneer exterior and wood grain laminate interior
- Consult the Plywood Ends (PE) option box for your desired cabinet
- Shelves, ceilings and floors are engineered wood, finished with a natural wood grain laminate
- **Note:** Standard Construction will be produced for product **not** identified as available with PE when ordered under PE construction

● PE	1ROT
APC	2ROT
RD9	3ROT
RD12	4ROT
RD15	6ROT
RD18	1FWROT
RD21	2FWROT
ID15	2DROT
ID18	4DROT
ID21	6DROT
ID24	2DFWROT
BIS	MI
SV	CFO
MD	

All Plywood Construction

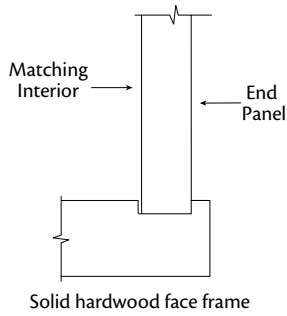
- APC** Full Kitchens
- AP** Individual Cabinets



- This construction option affects the entire cabinet
- Available for full or partial kitchen orders
- To order individual line items with All Plywood Construction, dash each line item with AP. Order Example: W3030 BUTT-AP, B12L-AP
- All Plywood Construction (APC) is available for most cabinets
- Consult All Plywood Construction (APC) option box for your desired cabinet construction
- This All Plywood option features:
 - 1/2" plywood base, vanity and tall end panels
 - 1/2" plywood wall and tall floors and ceilings, I-beams and toe kick backer
 - 1/2" plywood base and vanity floors
 - 3/8" plywood wall backs
 - 1/4" plywood base and vanity backs
 - 1/4" plywood tall backs except for PC and U36 which is 3/8" plywood
 - 5.2 mm plywood drawer bottoms
 - 11/16" plywood wall, tall, base and vanity shelves
 - 3/8" plywood wall and base hang rails
 - 1/4" plywood tall hang rails
- **Note:** Standard Construction will be produced for product **not** identified as available with APC when ordered under APC construction

PE	1ROT
● APC	2ROT
RD9	3ROT
RD12	4ROT
RD15	6ROT
RD18	1FWROT
RD21	2FWROT
ID15	2DROT
ID18	4DROT
ID21	6DROT
ID24	2DFWROT
BIS	MI
SV	CFO
MD	

Matching Interior



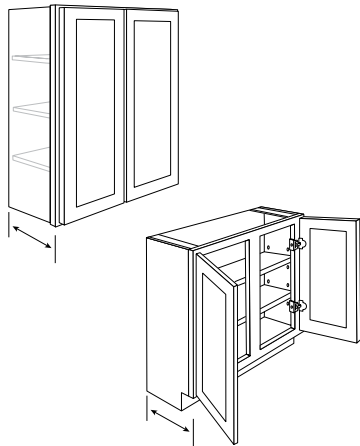
MI

- Matching interior option affects:
 - End Panels
 - Shelves
 - Ceilings and Floors
 - Back Panel
- Interior surfaces are easy clean laminate
- Consult Matching Interior (MI) option box for availability for your desired cabinet

PE	1ROT
APC	2ROT
RD9	3ROT
RD12	4ROT
RD15	6ROT
RD18	1FWROT
RD21	2FWROT
ID15	2DROT
ID18	4DROT
ID21	6DROT
ID24	2DFWROT
BIS	☆ MI
SV	CFO
MD	

☆ **Note:** Matching Interior (MI) option is only available in cabinets with Glass Door (BIS_, MD_, SV_) or Prepared for Glass Door (DRS.PREP_, MD.PREP_, SV.PREP_) options

Depth Modification



Reduced Depth

RD9
RD12
RD15
RD18
RD21

Increased Depth

ID15
ID18
ID21
ID24

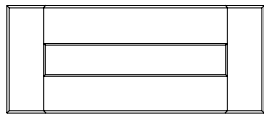


Note: Additional support is required for wall cabinets increased to 15" deep or deeper

- Some cabinets can be reduced or increased in depth to fit design requirements. See specific cabinet information for availability
- When this option is selected, Cabinet Front Only (CFO) is no longer available
- Select trays are **not** available with this option. See individual cabinets for specific availability
- Cabinets that normally have drawers ordered less than 18" deep will be replaced with a false drawer front only
- When base cabinets are reduced, shelf will be 10 19/32" deep; shelves 39" wide and wider will have a front cleat for additional support, except for Base Combination Drawer cabinets (BCD)

PE	1ROT
APC	2ROT
● RD9	3ROT
● RD12	4ROT
● RD15	6ROT
● RD18	1FWROT
● RD21	2FWROT
● ID15	2DROT
● ID18	4DROT
● ID21	6DROT
● ID24	2DFWROT
BIS	MI
SV	CFO
MD	

Deluxe Recessed Panel Drawer Front



DRPD

- 5-piece drawer front (DRPD) option is only available in Fox Ridge Maple and Ruxton Maple door styles

PE	1ROT
APC	2ROT
RD9	3ROT
RD12	4ROT
RD15	6ROT
RD18	1FWROT
RD21	2FWROT
ID15	2DROT
ID18	4DROT
ID21	6DROT
ID24	2DFWROT
BIS	MI
SV	CFO
MD	

Classic Drawer Front

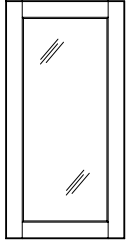


CLDF

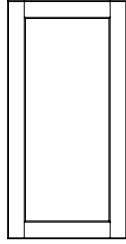
- Available on Deveron Maple door styles

PE	1ROT
APC	2ROT
RD9	3ROT
RD12	4ROT
RD15	6ROT
RD18	1FWROT
RD21	2FWROT
ID15	2DROT
ID18	4DROT
ID21	6DROT
ID24	2DFWROT
BIS	MI
SV	CFO
MD	

Bistro Glass Door



With Glass



Prepared for Glass

Bistro With Glass
18" - 30" H

1BIS1

2BIS1

4BIS1

36" - 42" H

1BIS2

2BIS2

Bistro Prepared for Glass
18" - 30" H

1DRS.PREP1

2DRS.PREP1

4DRS.PREP1

36" - 42" H

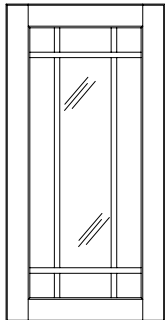
1DRS.PREP2

2DRS.PREP2

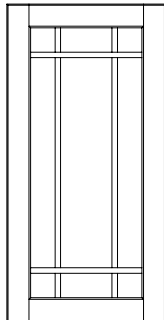
- 1/8" removable tempered glass with BIS option. No glass with DRS.PREP option
- Available for select wall cabinets
- Order Example: W1830R-1BIS1 (1 Qty, Code, Size), W3636-2BIS2 (2 Qty, Code, Size)
- **Note:** Available for the following door styles: Deveron Maple, Fox Ridge Maple, Kingston Maple and Ruxton Maple

PE	1ROT
APC	2ROT
RD9	3ROT
RD12	4ROT
RD15	6ROT
RD18	1FWROT
RD21	2FWROT
ID15	2DROT
ID18	4DROT
ID21	6DROT
ID24	2DFWROT
● BIS	MI
SV	CFO
MD	

Savannah Mullion Glass



With Glass



Without Glass

With Glass
18" - 30" H

1SV1

2SV1

4SV1

36" - 42" H

1SV2

2SV2

Prepared for Glass
18" - 30" H

1SV.PREP1

2SV.PREP1

4SV.PREP1

36" - 42" H

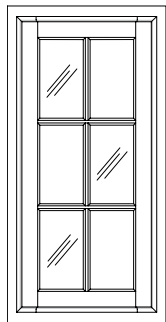
1SV.PREP2

2SV.PREP2

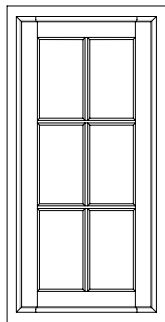
- 1/8" removable tempered glass with SV option. No glass with SV.PREP option
- Available for select wall cabinets
- All doors have two vertical and two horizontal mullions
- Order Example: W1830R-1SV1 (1 Qty, Code, Size), W3636-2SV2 (2 Qty, Code, Size)
- **Note:** Available for the following door styles: Deveron Maple, Fox Ridge Maple and Ruxton Maple

PE	1ROT
APC	2ROT
RD9	3ROT
RD12	4ROT
RD15	6ROT
RD18	1FWROT
RD21	2FWROT
ID15	2DROT
ID18	4DROT
ID21	6DROT
ID24	2DFWROT
BIS	MI
● SV	CFO
MD	

Traditional Mullion Glass



With Glass



Without Glass

With Glass
18" - 30"H

- 1MD1**
- 2MD1**
- 4MD1**

36" - 42" H

- 1MD2**
- 2MD2**

Prepared for Glass
18" - 30"H

- 1MD.PREP1**
- 2MD.PREP1**
- 4MD.PREP1**

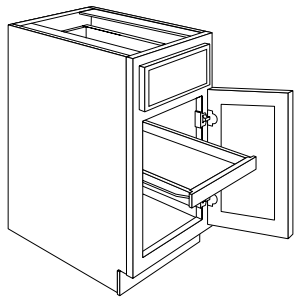
18" - 30"H

- 1MD.PREP2**
- 2MD.PREP2**

- 1/8" removable tempered glass with MD option. No glass with MD.PREP option
- Mullions are equally divided
- Available for select wall cabinets
- For 15" and 18" wide cabinets: 36" and 42" high cabinets have 2x4 lites, 30" high cabinets have 2x3 lites and 18" and 24" high cabinets have 2x2 lites
- For 21" and 24" wide cabinets: 36" and 42" high cabinets have 3x4 lites, 30" high cabinets have 3x3 lites and 24" high cabinets have 3x2 lites
- Order Example: W1830R-1MD1 (1 Qty, Code, Size), W3636-2MD2 (2 Qty, Code, Size)
- **Note:** Available for the following door styles: Deveron Maple, Fox Ridge Maple, Kingston Maple and Ruxton Maple

PE	1ROT
APC	2ROT
RD9	3ROT
RD12	4ROT
RD15	6ROT
RD18	1FWROT
RD21	2FWROT
ID15	2DROT
ID18	4DROT
ID21	6DROT
ID24	2DFWROT
BIS	MI
SV	CFO
● MD	

1 Roll-out Tray

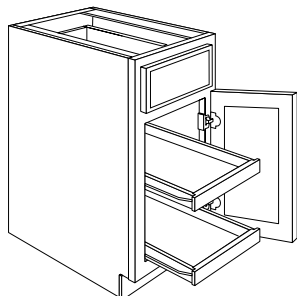


1ROT

- Standard trays sides and back are 1/2" thick engineered wood with 1/4" thick engineered wood bottom, natural wood grain laminate. Fronts are 3/4" thick solid hardwood
- Available for most Base and Universal cabinets
- Natural wood grain laminate
- 3/4 extension side mount glide
- 75 lbs. capacity
- Shelves are omitted from cabinets when roll-out tray options are selected
- **Note: Not** available on cabinets reduced to 12" or 15" deep

PE	● 1ROT
APC	2ROT
RD9	3ROT
RD12	4ROT
RD15	6ROT
RD18	1FWROT
RD21	2FWROT
ID15	2DROT
ID18	4DROT
ID21	6DROT
ID24	2DFWROT
BIS	MI
SV	CFO
MD	

2 Roll-out Trays

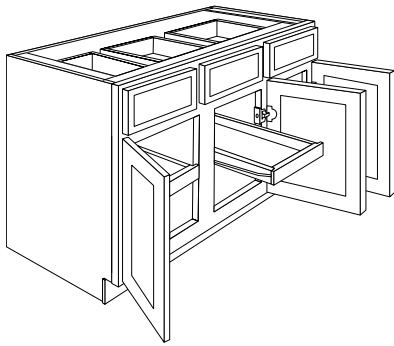


2ROT

- Standard trays sides and back are 1/2" thick engineered wood with 1/4" thick engineered wood bottom, natural wood grain laminate. Fronts are 3/4" thick solid hardwood
- Available for most Base and Universal cabinets
- Natural wood grain laminate
- 3/4 extension side mount glide
- 75 lbs. capacity
- Shelves are omitted from cabinets when roll-out tray options are selected
- **Note: Not** available on cabinets reduced to 12" or 15" deep

PE	1ROT
APC	● 2ROT
RD9	3ROT
RD12	4ROT
RD15	6ROT
RD18	1FWROT
RD21	2FWROT
ID15	2DROT
ID18	4DROT
ID21	6DROT
ID24	2DFWROT
BIS	MI
SV	CFO
MD	

3 Roll-out Trays

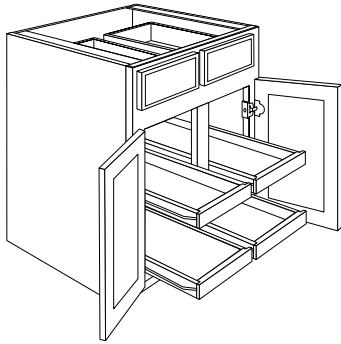


3ROT

- Standard trays sides and back are 1/2" thick engineered wood with 1/4" thick engineered wood bottom, natural wood grain laminate. Fronts are 3/4" thick solid hardwood
- Available for most three door Base and Universal cabinets
- Natural wood grain laminate
- 3/4 extension side mount glide
- 75 lbs. capacity
- Shelves are omitted from cabinets when roll-out tray options are selected
- **Note: Not** available on cabinets reduced to 12" or 15" deep

PE	1ROT
APC	2ROT
RD9	● 3ROT
RD12	4ROT
RD15	6ROT
RD18	1FWROT
RD21	2FWROT
ID15	2DROT
ID18	4DROT
ID21	6DROT
ID24	2DFWROT
BIS	MI
SV	CFO
MD	

4 Roll-out Trays

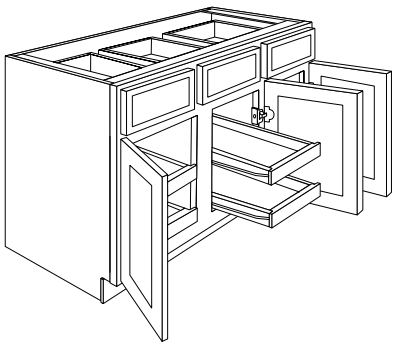


4ROT

- Standard trays sides and back are 1/2" thick engineered wood with 1/4" thick engineered wood bottom, natural wood grain laminate. Fronts are 3/4" thick solid hardwood
- Available for most two door Base and Universal cabinets with center stile
- Natural wood grain laminate
- 3/4 extension side mount glide
- 75 lbs. capacity
- Shelves are omitted from cabinets when roll-out tray options are selected
- **Note: Not** available on cabinets reduced to 12" or 15" deep

PE	1ROT
APC	2ROT
RD9	3ROT
RD12	● 4ROT
RD15	6ROT
RD18	1FWROT
RD21	2FWROT
ID15	2DROT
ID18	4DROT
ID21	6DROT
ID24	2DFWROT
BIS	MI
SV	CFO
MD	

6 Roll-out Trays

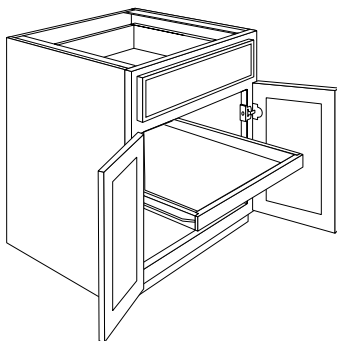


6ROT

- Standard trays sides and back are 1/2" thick engineered wood with 1/4" thick engineered wood bottom, natural wood grain laminate. Fronts are 3/4" thick solid hardwood
- Available for most three door Base and Universal cabinets
- Natural wood grain laminate
- 3/4 extension side mount glide
- 75 lbs. capacity
- Shelves are omitted from cabinets when roll-out tray options are selected
- **Note: Not** available on cabinets reduced to 12" or 15" deep

PE	1ROT
APC	2ROT
RD9	3ROT
RD12	4ROT
RD15	● 6ROT
RD18	1FWROT
RD21	2FWROT
ID15	2DROT
ID18	4DROT
ID21	6DROT
ID24	2DFWROT
BIS	MI
SV	CFO
MD	

1 Full-Width Tray

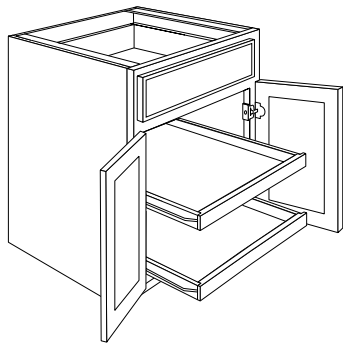


1FWROT

- Full-width standard tray spans the full width of cabinet
- Standard trays sides and back are 1/2" thick engineered wood with 1/4" thick engineered wood bottom, natural wood grain laminate. Fronts are 3/4" thick solid hardwood
- Available for most Base and Universal Butt Door cabinets
- Natural wood grain laminate
- Trays 30" and wider will have a 3/8" thick engineered wood bottom for additional support
- 3/4 extension side mount glide
- 75 lbs. capacity
- Shelves are omitted from cabinets when roll-out tray options are selected
- **Note: Not** available on cabinets reduced to 12" or 15" deep

PE	1ROT
APC	2ROT
RD9	3ROT
RD12	4ROT
RD15	6ROT
RD18	● 1FWROT
RD21	2FWROT
ID15	2DROT
ID18	4DROT
ID21	6DROT
ID24	2DFWROT
BIS	MI
SV	CFO
MD	

2 Full-Width Trays

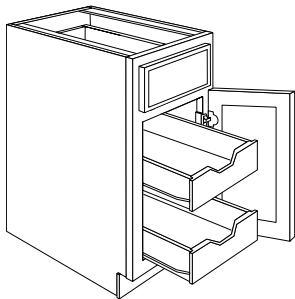


2FWROT

- Full-width standard tray spans the full width of cabinet
- Standard trays sides and back are 1/2" thick engineered wood with 1/4" thick engineered wood bottom, natural wood grain laminate. Fronts are 3/4" thick solid hardwood
- Available for most Base and Universal Butt Door cabinets
- Natural wood grain laminate
- Trays 30" and wider will have a 3/8" thick engineered wood bottom for additional support
- 3/4 extension side mount glide
- 75 lbs. capacity
- Shelves are omitted from cabinets when roll-out tray options are selected
- **Note: Not** available on cabinets reduced to 12" or 15" deep

PE	1ROT
APC	2ROT
RD9	3ROT
RD12	4ROT
RD15	6ROT
RD18	1FWROT
RD21	● 2FWROT
ID15	2DROT
ID18	4DROT
ID21	6DROT
ID24	2DFWROT
BIS	MI
SV	CFO
MD	

2 Deep Roll-out Trays

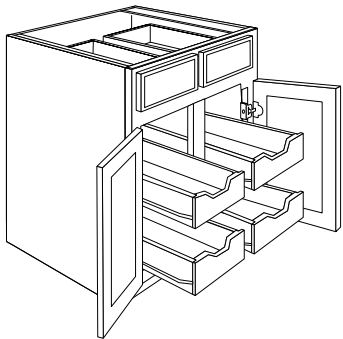


2DROT

- Sides, front and back, are 1/2" thick solid hardwood with 3-ply 3/16" thick plywood bottom panel
- 1 15/16" deep scalloped finger pull cut out
- Available for most Base and Universal cabinets
- Natural finish
- 3/4 extension side mount glide
- 75 lbs. capacity
- Shelves are omitted from cabinets when roll-out tray options are selected
- **Note:** Only available in 24" deep cabinets

PE	1ROT
APC	2ROT
RD9	3ROT
RD12	4ROT
RD15	6ROT
RD18	1FWROT
RD21	2FWROT
ID15	● 2DROT
ID18	4DROT
ID21	6DROT
ID24	2DFWROT
BIS	MI
SV	CFO
MD	

4 Deep Roll-out Trays

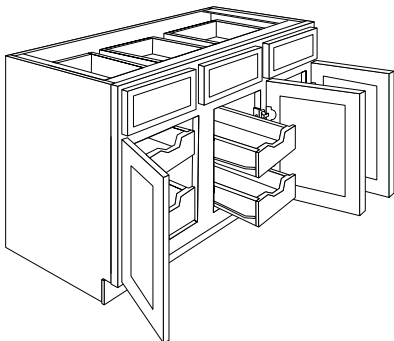


4DROT

- Sides, front and back, are 1/2" thick solid hardwood with 3-ply 3/16" thick plywood bottom panel
- 1 15/16" deep scalloped finger pull cut out
- Available for most two door Base and Universal cabinets with center stile
- Natural finish
- 3/4 extension side mount glide
- 75 lbs. capacity
- Shelves are omitted from cabinets when roll-out tray options are selected
- **Note:** Only available in 24" deep cabinets

PE	1ROT
APC	2ROT
RD9	3ROT
RD12	4ROT
RD15	6ROT
RD18	1FWROT
RD21	2FWROT
ID15	2DROT
ID18	● 4DROT
ID21	6DROT
ID24	2DFWROT
BIS	MI
SV	CFO
MD	

6 Deep Roll-out Trays

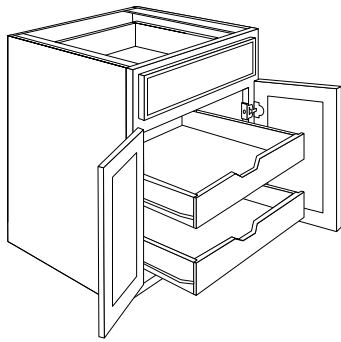


6DROT

- Sides, front and back, are 1/2" thick solid hardwood with 3-ply 3/16" thick plywood bottom panel
- 1 15/16" deep scalloped finger pull cut out
- Available for most three door Base and Universal cabinets
- Natural finish
- 3/4 extension side mount glide
- 75 lbs. capacity
- Shelves are omitted from cabinets when roll-out tray options are selected
- **Note:** Only available in 24" deep cabinets

PE	1ROT
APC	2ROT
RD9	3ROT
RD12	4ROT
RD15	6ROT
RD18	1FWROT
RD21	2FWROT
ID15	2DROT
ID18	4DROT
ID21	● 6DROT
ID24	2DFWROT
BIS	MI
SV	CFO
MD	

2 Deep Full-Width Roll-out Trays

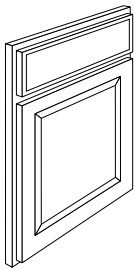


2DFWROT

- Full-width deep tray spans the full width of cabinet
- Sides, front and back, are 1/2" thick solid hardwood with 3-ply 3/16" thick plywood bottom panel
- 1 15/16" deep scalloped finger pull cut out
- Available for most Base and Universal Butt Door cabinets
- Natural finish
- Trays 30" and wider will have a 3/8" thick engineered wood bottom for additional support
- 3/4 extension side mount glide
- 75 lbs. capacity
- Shelves are omitted from cabinets when roll-out tray options are selected
- **Note:** Only available in 24" deep cabinets

PE	1ROT
APC	2ROT
RD9	3ROT
RD12	4ROT
RD15	6ROT
RD18	1FWROT
RD21	2FWROT
ID15	2DROT
ID18	4DROT
ID21	6DROT
ID24	●2DFWROT
BIS	MI
SV	CFO
MD	

Cabinet Front Only



CFO

- Front frame and appropriate doors and drawer fronts only
- Does **not** include toe kick
- **Note: Cannot** be combined with any depth modifications or tray options



We recommend using this option on cabinetry containing

no factory installed accessories, since all cabinet components will be eliminated except face frame, doors and drawer fronts. For example, order BCFS36L-CFO instead of LS36L-CFO

PE	1ROT
APC	2ROT
RD9	3ROT
RD12	4ROT
RD15	6ROT
RD18	1FWROT
RD21	2FWROT
ID15	2DROT
ID18	4DROT
ID21	6DROT
ID24	2DFWROT
BIS	MI
SV	● CFO
MD	

Notes

Wall Cabinets

Construction Options and Modifications

W	30	12
code	width	height

- ☆ Available with exceptions
- Available with an upcharge
- ❖ Included as standard
- (Blank) **Not** available

- PE Plywood Ends
- APC All Plywood Construction
- RD9 Reduce Depth 9"
- ID15 Increase Depth 15"
- ID18 Increase Depth 18"
- ID21 Increase Depth 21"
- ID24 Increase Depth 24"
- BIS Bistro Glass
- SV Savannah Mullion Glass
- MD Traditional Mullion Glass
- MI Matching Interior
- CFO Cabinet Front Only

Note: Standard wall cabinet box depth is 12" unless stated otherwise. Add door thickness with bumpers for total depth.

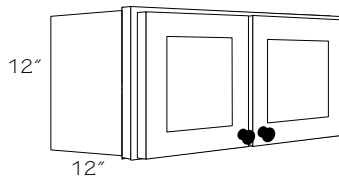
Caution: Installation of a wall cabinet 30" or wider requires additional support, such as attachment to a soffit, or support from below. Failure to provide additional support could result in collapse of the cabinet, serious personal injury, or property damage. Damage relating to failure to provide additional support is **not** covered by the limited warranty. See inside cover for warranty details.

Any wall cabinet over 24" wide or 30" high with a depth greater than 12" and/or butt doors, in addition to Wine Cabinets and Plate Racks, **must** be installed between two cabinets, a cabinet and a wall, or supported from below.

Material dimensions listed may vary slightly from actual dimensions of the product.

Specifications subject to change without notice.

Wall Double Door 12" H



- W2712 (Butt)
- W3012 BUTT
- W3312 BUTT
- W3612 BUTT
- W3912
- W4212
- W4512
- W4812

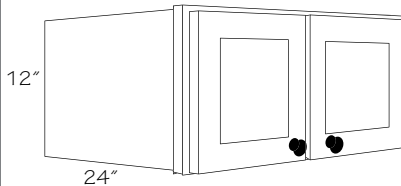
- No shelf
- Any wall cabinet over 24" wide, at least 30" high with a depth greater than 12" **must** be installed between two cabinets, a cabinet and a wall or supported from below. The same is also true for cabinets with BUTT doors



Remember, a cabinet designated BUTT or (Butt) has no center stile. When you see the word BUTT in all capitals, it **must** be included as part of your ordering nomenclature, a (Butt) in parentheses is for your information and isn't required on an order form

- PE
- APC
- RD9
- ID15
- ID18
- ID21
- ID24
- BIS
- SV
- MD
- MI
- CFO

Wall Refrigerator 24" Deep 12" H



- WR3012 BUTT
- WR3312 BUTT
- WR3612 BUTT
- WR3912
- WR4212

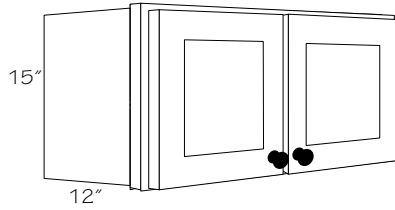
- No shelf
- Designed for use over refrigerators where there is adequate clearance
- Additional support is required



When designing a built-in refrigerator area, remember that many side by side refrigerators measure up to 36" wide. If you have the extra space, it is recommended to use at least a 1" filler with a 36" wide Wall Refrigerator (WR) cabinet to assure clearance for the appliance. Also, verify the height of the appliance to make sure you are using the correct Wall Refrigerator cabinet.

- PE
- APC
- RD9
- ID15
- ID18
- ID21
- ID24
- BIS
- SV
- MD
- MI
- CFO

Wall Double Door 15" H

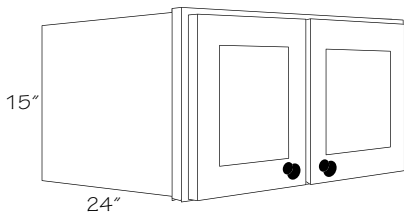


W2715 (Butt)
W3015 BUTT
W3315 BUTT
W3615 BUTT
W3915
W4215
W4515
W4815

- No shelf
- Any wall cabinet over 24" wide, at least 30" high with a depth greater than 12" **must** be installed between two cabinets, a cabinet and a wall or supported from below. The same is also true for cabinets with BUTT doors

● PE
● APC
● RD9
● ID15
● ID18
● ID21
● ID24
● BIS
● SV
● MD
● MI
● CFO

Wall Refrigerator 24" Deep 15" H



WR3015 BUTT
WR3315 BUTT
WR3615 BUTT
WR3915

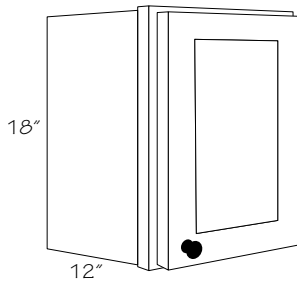
- No shelf
- Designed for use over refrigerators where there is adequate clearance
- Additional support is required



When designing a built-in refrigerator area, remember that many side by side refrigerators measure up to 36" wide. If you have the extra space, it is recommended to use at least a 1" filler with a 36" wide Wall Refrigerator (WR) cabinet to assure clearance for the appliance. Also, verify the height of the appliance to make sure you are using the correct Wall Refrigerator cabinet.

● PE
● APC
● RD9
● ID15
● ID18
● ID21
● ID24
● BIS
● SV
● MD
● MI
● CFO

Wall Single Door 18" H

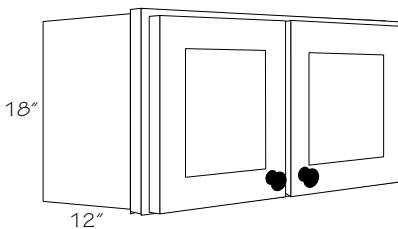


W2418 R or L

- Specify R or L for single door hinging
- No shelf

● PE
● APC
● RD9
● ID15
● ID18
● ID21
● ID24
● BIS
● SV
● MD
● MI
● CFO

Wall Double Door 18" H



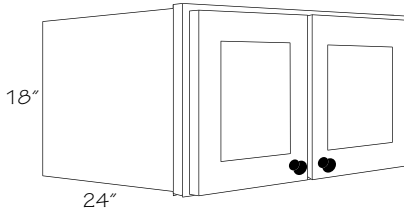
W2418 BUTT
W2718 (Butt)
W3018 BUTT
W3318 BUTT
W3618 BUTT
W3918
W4218
W4518
W4818

- No shelf
- Any wall cabinet over 24" wide, at least 30" high with a depth greater than 12" **must** be installed between two cabinets, a cabinet and a wall or supported from below. The same is also true for cabinets with BUTT doors

☆ Glass doors (BIS, DRS.PREP, MD, MD.PREP, SV, SV.PREP) with Matching Interior (MI) are available on select door styles. See Construction Options for specifics

● PE
● APC
● RD9
● ID15
● ID18
● ID21
● ID24
☆ BIS
☆ SV
☆ MD
☆ MI
● CFO

Wall Refrigerator 24" Deep 18" H



WR3018 BUTT
WR3318 BUTT
WR3618 BUTT
WR3918
WR4218

- No shelf
- Designed for use over refrigerators where there is adequate clearance
- Additional support is required
- ☆ Glass doors (BIS, DRS.PREP, MD, MD.PREP, SV, SV.PREP) with Matching Interior (MI) are available on select door styles. See Construction Options for specifics

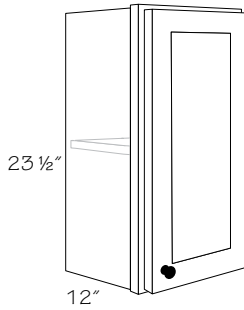


When designing a built-in refrigerator area, remember that many side by side refrigerators

measure up to 36" wide. If you have the extra space, it is recommended to use at least a 1" filler with a 36" wide Wall Refrigerator (WR) cabinet to assure clearance for the appliance. Also, verify the height of the appliance to make sure you are using the correct Wall Refrigerator cabinet.

● PE
● APC
RD9
ID15
ID18
ID21
ID24
☆ BIS
☆ SV
☆ MD
☆ MI
● CFO

Wall Single Door 23 1/2" H

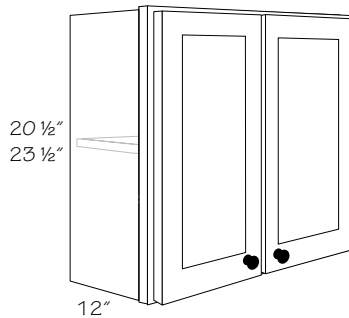


W1224 R or L
W1524 R or L
W1824 R or L
W2124 R or L
W2424 R or L

- Specify R or L for single door hinging
- One adjustable shelf
- ☆ Glass doors (BIS, DRS.PREP, MD, MD.PREP, SV, SV.PREP) with Matching Interior (MI) are available on select door styles. See Construction Options for specifics

● PE
● APC
● RD9
● ID15
● ID18
● ID21
● ID24
☆ BIS
☆ SV
☆ MD
☆ MI
● CFO

Wall Double Door 20 1/2" and 23 1/2" H



No shelf
 20 1/2" High

W3021 BUTT
W3321 BUTT
W3621 BUTT
W3921
W4221

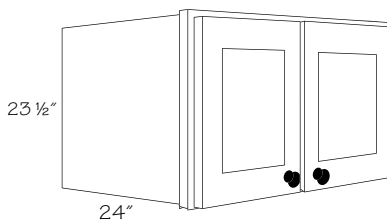
One shelf
 23 1/2" High

W2424 BUTT
W2724 (Butt)
W3024 BUTT
W3324 BUTT
W3624 BUTT
W3924
W4224
W4524
W4824

- One adjustable shelf in 23 1/2" high cabinet
- Any wall cabinet over 24" wide, at least 30" high with a depth greater than 12" **must** be installed between two cabinets, a cabinet and a wall or supported from below. The same is also true for cabinets with BUTT doors
- ☆ Glass doors (BIS, DRS.PREP, MD, MD.PREP, SV, SV.PREP) with Matching Interior (MI) are available on select door styles. See Construction Options for specifics

● PE
● APC
● RD9
● ID15
● ID18
● ID21
● ID24
☆ BIS
☆ SV
☆ MD
☆ MI
● CFO

Wall Refrigerator 24" Deep 23 1/2" H



WR3624 BUTT
WR3924
WR4224

- No shelf
- Designed for use over refrigerators where there is adequate clearance
- Additional support is required
- Glass doors (BIS, DRS.PREP, MD, MD.PREP, SV, SV.PREP) with Matching Interior (MI) are available on select door styles. See Construction Options for specifics

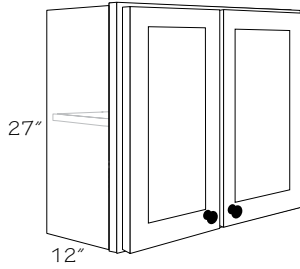


When designing a built-in refrigerator area, remember that many side by side refrigerators

measure up to 36" wide. If you have the extra space, it is recommended to use at least a 1" filler with a 36" wide Wall Refrigerator (WR) cabinet to assure clearance for the appliance. Also, verify the height of the appliance to make sure you are using the correct Wall Refrigerator cabinet.

● PE
● APC
RD9
ID15
ID18
ID21
ID24
☆ BIS
☆ SV
☆ MD
☆ MI
● CFO

Wall Double Door 27" H

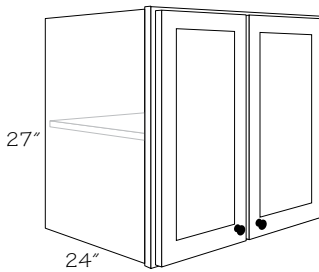


W3027 BUTT
W3327 BUTT
W3627 BUTT
W3927
W4227

- One adjustable shelf
- Any wall cabinet over 24" wide, at least 30" high with a depth greater than 12" **must** be installed between two cabinets, a cabinet and a wall or supported from below. The same is also true for cabinets with BUTT doors

● PE
● APC
● RD9
● ID15
● ID18
● ID21
● ID24
● BIS
● SV
● MD
● MI
● CFO

Wall Refrigerator 24" Deep 27" H



WR3627 BUTT
WR3927

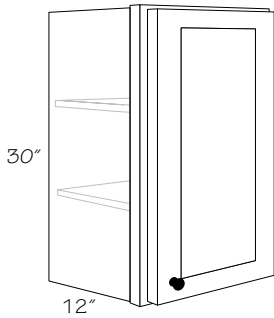
- One adjustable shelf
- Designed for use over refrigerators where there is adequate clearance
- Additional support is required



When designing a built-in refrigerator area, remember that many side by side refrigerators measure up to 36" wide. If you have the extra space, it is recommended to use at least a 1" filler with a 36" wide Wall Refrigerator (WR) cabinet to assure clearance for the appliance. Also, verify the height of the appliance to make sure you are using the correct Wall Refrigerator cabinet.

● PE
● APC
● RD9
● ID15
● ID18
● ID21
● ID24
● BIS
● SV
● MD
● MI
● CFO

Wall Single Door 30" H

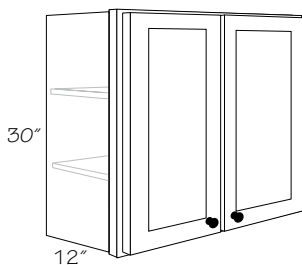


- **W930 R or L**
- **W1230 R or L**
- **W1530 R or L**
- **W1830 R or L**
- **W2130 R or L**
- **W2430 R or L**
- **Not** available with glass options (BIS, DRS.PREP, MD, MD.PREP, SV, SV.PREP)

- Specify R or L for single door hinging
- Two adjustable shelves
- Any wall cabinet over 24" wide, at least 30" high with a depth greater than 12" **must** be installed between two cabinets, a cabinet and a wall or supported from below. The same is also true for cabinets with BUTT doors
- ☆ Glass doors (BIS, DRS.PREP, MD, MD.PREP, SV, SV.PREP) with Matching Interior (MI) are available on select door styles. See Construction Options for specifics

● PE
● APC
● RD9
● ID15
● ID18
● ID21
● ID24
☆ BIS
☆ SV
☆ MD
☆ MI
● CFO

Wall Double Door 30" H

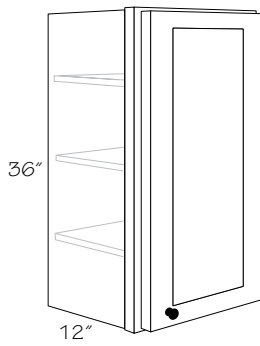


W2430 BUTT
W2730 (Butt)
W3030 BUTT
W3330 BUTT
W3630 BUTT
W3930
W4230
W4530
W4830

- Two adjustable shelves
- Any wall cabinet over 24" wide, at least 30" high with a depth greater than 12" **must** be installed between two cabinets, a cabinet and a wall or supported from below. The same is also true for cabinets with BUTT doors
- ☆ Glass doors (BIS, DRS.PREP, MD, MD.PREP, SV, SV.PREP) with Matching Interior (MI) are available on select door styles. See Construction Options for specifics

● PE
● APC
● RD9
● ID15
● ID18
● ID21
● ID24
☆ BIS
☆ SV
☆ MD
☆ MI
● CFO

Wall Single Door 36" H

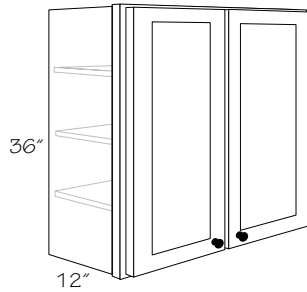


- **W936 R or L**
- **W1236 R or L**
- **W1536 R or L**
- **W1836 R or L**
- **W2136 R or L**
- **W2436 R or L**
- **Not** available with glass options (BIS, DRS, PREP, MD, MD.PREP, SV, SV.PREP)

- Specify R or L for single door hinging
- Three adjustable shelves
- Any wall cabinet over 24" wide, at least 30" high with a depth greater than 12" **must** be installed between two cabinets, a cabinet and a wall or supported from below. The same is also true for cabinets with BUTT doors
- ☆ Glass doors (BIS, DRS, PREP, MD, MD.PREP, SV, SV.PREP) with Matching Interior (MI) are available on select door styles. See Construction Options for specifics

●	PE
●	APC
●	RD9
●	ID15
●	ID18
●	ID21
●	ID24
☆	BIS
☆	SV
☆	MD
☆	MI
●	CFO

Wall Double Door 36" H

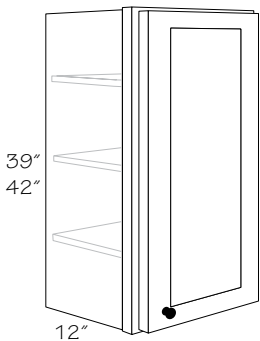


- **W2436 BUTT**
- **W2736 (Butt)**
- **W3036 BUTT**
- **W3336 BUTT**
- **W3636 BUTT**
- **W3936**
- **W4236**

- Three adjustable shelves
- Any wall cabinet over 24" wide, at least 30" high with a depth greater than 12" **must** be installed between two cabinets, a cabinet and a wall or supported from below. The same is also true for cabinets with BUTT doors
- ☆ Glass doors (BIS, DRS, PREP, MD, MD.PREP, SV, SV.PREP) with Matching Interior (MI) are available on select door styles. See Construction Options for specifics

●	PE
●	APC
●	RD9
●	ID15
●	ID18
●	ID21
●	ID24
☆	BIS
☆	SV
☆	MD
☆	MI
●	CFO

Wall Single Door 39" and 42" H

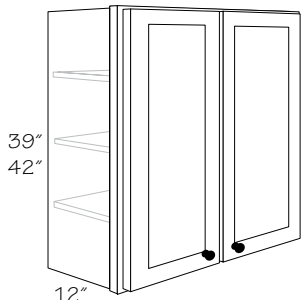


- | | |
|---|---|
| <p>39" High</p> <ul style="list-style-type: none"> ■ W939 R or L ■ W1239 R or L ■ W1539 R or L ■ W1839 R or L ■ W2139 R or L ■ W2439 R or L | <p>42" High</p> <ul style="list-style-type: none"> ■ W942 R or L ■ W1242 R or L ■ W1542 R or L ■ W1842 R or L ■ W2142 R or L ■ W2442 R or L |
|---|---|
- **Not** available with glass options (BIS, DRS, PREP, MD, MD.PREP, SV, SV.PREP)

- Specify R or L for single door hinging
- Three adjustable shelves
- Any wall cabinet over 24" wide, at least 30" high with a depth greater than 12" **must** be installed between two cabinets, a cabinet and a wall or supported from below. The same is also true for cabinets with BUTT doors
- ☆ Glass doors (BIS, DRS, PREP, MD, MD.PREP, SV, SV.PREP) with Matching Interior (MI) are available on select door styles. See Construction Options for specifics

●	PE
●	APC
●	RD9
●	ID15
●	ID18
●	ID21
●	ID24
☆	BIS
☆	SV
☆	MD
☆	MI
●	CFO

Wall Double Door 39" and 42" H



- | | |
|---|---|
| <p>39" High</p> <ul style="list-style-type: none"> ■ W2439 BUTT ■ W2739 (Butt) ■ W3039 BUTT ■ W3339 BUTT ■ W3639 BUTT ■ W3939 ■ W4239 | <p>42" High</p> <ul style="list-style-type: none"> ■ W2442 BUTT ■ W2742 (Butt) ■ W3042 BUTT ■ W3342 BUTT ■ W3642 BUTT ■ W3942 ■ W4242 |
|---|---|

- Three adjustable shelves
- Any wall cabinet over 24" wide, at least 30" high with a depth greater than 12" **must** be installed between two cabinets, a cabinet and a wall or supported from below. The same is also true for cabinets with BUTT doors
- ☆ Glass doors (BIS, DRS, PREP, MD, MD.PREP, SV, SV.PREP) with Matching Interior (MI) are available on select door styles. See Construction Options for specifics

●	PE
●	APC
●	RD9
●	ID15
●	ID18
●	ID21
●	ID24
☆	BIS
☆	SV
☆	MD
☆	MI
●	CFO

Peninsula Wall Cabinets

Construction Options and Modifications

PE	Plywood Ends
APC	All Plywood Construction
BIS	Bistro Glass
SV	Savannah Mullion Glass
MD	Traditional Mullion Glass
MI	Matching Interior

PW	30	18
code	width	height

- ☆ Available with exceptions
- Available with an upcharge
- ◆ Included as standard
- (Blank) **Not** available

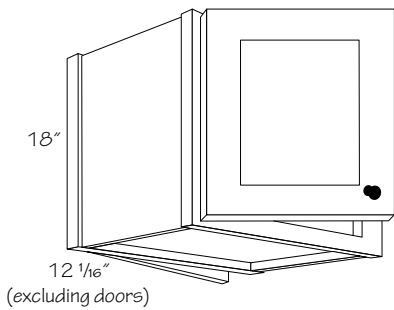
When BUTT is in all capitals, it **must** be included as part of your ordering nomenclature. A (Butt) in parentheses is for your information and isn't required on an order form.

Note: Peninsula wall cabinets **must** be installed against soffit, ceiling or supported by countertop

Material dimensions listed may vary slightly from actual dimensions of the product.

Specifications subject to change without notice.

Peninsula Wall Single Door 18" H



PW2418

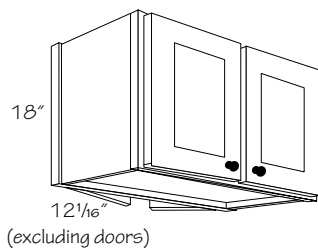
- No shelf
- Cabinet door is hinged left on the kitchen side and hinged right on the peninsula side. If a right hinged door is preferred on the kitchen side, install the cabinet with the peninsula side facing the kitchen side

●	PE
●	APC
	BIS
	SV
	MD
	MI



Peninsula Wall Cabinets **must** be installed against a soffit, ceiling or supported by a countertop. See Cabinet installation guide for specific instructions

Peninsula Wall Double Door 18" H

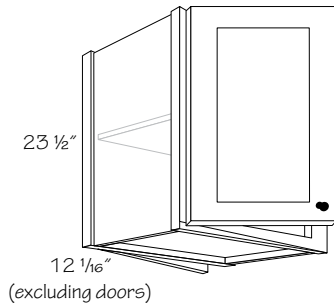


PW2418 BUTT
PW3018 BUTT
PW3618 BUTT

- No shelf
- Each side has two doors
- ☆ Glass doors (BIS, DRS.PREP, MD, MD.PREP, SV, SV.PREP) with Matching Interior (MI) are available on select door styles. See Construction Options for specifics

●	PE
●	APC
☆	BIS
☆	SV
☆	MD
☆	MI

Peninsula Wall Single Door 23 1/2" H

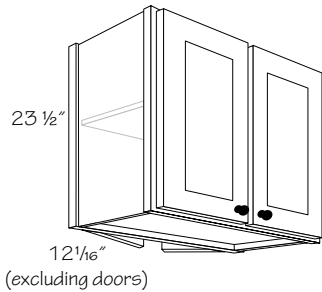


PW1824
PW2124
PW2424

- One adjustable shelf
- Cabinet door is hinged left on the kitchen side and hinged right on the peninsula side. If a right hinged door is preferred on the kitchen side, install the cabinet with the peninsula side facing the kitchen side
- ☆ Glass doors (BIS, DRS.PREP, MD, MD.PREP, SV, SV.PREP) with Matching Interior (MI) are available on select door styles. See Construction Options for specifics

●	PE
●	APC
☆	BIS
☆	SV
☆	MD
☆	MI

Peninsula Wall Double Door 23 1/2" H



PW2424 BUTT
PW3024 BUTT
PW3624 BUTT

- One adjustable shelf
- Each side has two doors
- ☆ Glass doors (BIS, DRS.PREP, MD, MD.PREP, SV, SV.PREP) with Matching Interior (MI) are available on select door styles. See Construction Options for specifics

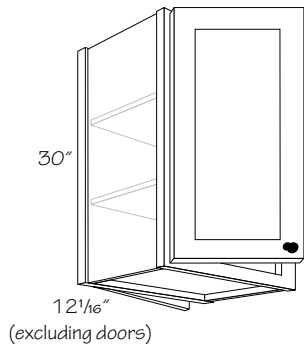
●	PE
●	APC
☆	BIS
☆	SV
☆	MD
☆	MI



Peninsula Wall Cabinets **must** be installed against a soffit, ceiling or supported by a countertop. See

Cabinet installation guide for specific instructions

Peninsula Wall Single Door 30" H

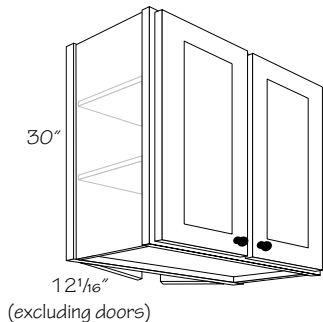


PW1830
PW2130
PW2430

- Two adjustable shelves
- Cabinet door is hinged left on the kitchen side and hinged right on the peninsula side. If a right hinged door is preferred on the kitchen side, install the cabinet with the peninsula side facing the kitchen side
- ☆ Glass doors (BIS, DRS.PREP, MD, MD.PREP, SV, SV.PREP) with Matching Interior (MI) are available on select door styles. See Construction Options for specifics

●	PE
●	APC
☆	BIS
☆	SV
☆	MD
☆	MI

Peninsula Wall Double Door 30" H



PW2430 BUTT
PW3030 BUTT
PW3630 BUTT

- Two adjustable shelves
- Each side has two doors
- ☆ Glass doors (BIS, DRS.PREP, MD, MD.PREP, SV, SV.PREP) with Matching Interior (MI) are available on select door styles. See Construction Options for specifics

●	PE
●	APC
☆	BIS
☆	SV
☆	MD
☆	MI

Wall Corner Cabinets

Construction Options and Modifications

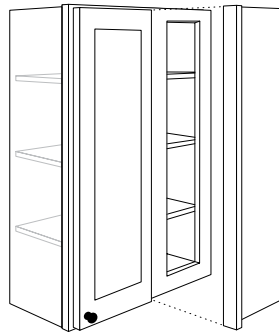
PE	Plywood Ends
APC	All Plywood Construction
RD9	Reduce Depth 9"
ID15	Increase Depth 15"
ID18	Increase Depth 18"
ID21	Increase Depth 21"
ID24	Increase Depth 24"
BIS	Bistro Glass
SV	Savannah Mullion Glass
MD	Traditional Mullion Glass
MI	Matching Interior
CFO	Cabinet Front Only

WBC	24	30
code	width	height

- ☆ Available with exceptions
- Available with an upcharge
- ❖ Included as standard
- (Blank) **Not** available

Material dimensions listed may vary slightly from actual dimensions of the product.

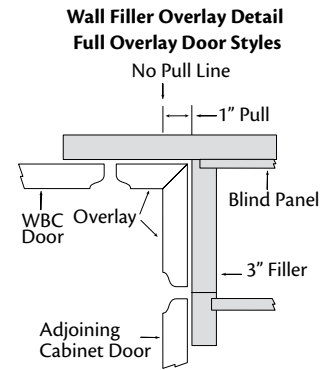
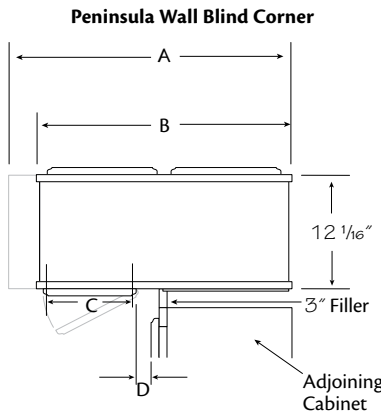
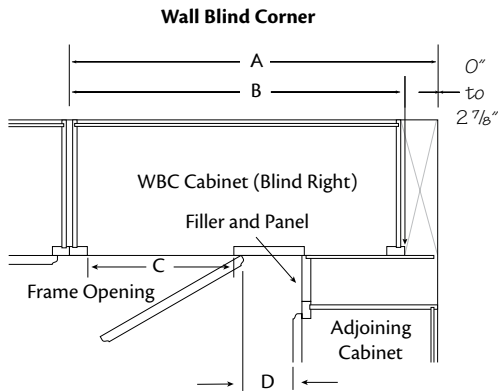
Specifications subject to change without notice.



Right blind shown

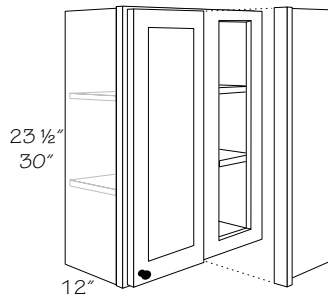
Wall Blind Corner Cabinet Information

- Wall blind corner cabinets provide access to corner space and permits adjustability of up to 2 7/8" maximum to aid in kitchen cabinet layout. Consult chart for "pull" dimensions and minimum wall space requirements
- "Pulling" the cabinet away from the corner (2 7/8" maximum), and using the supplied filler and panel provides clearance for opening doors when decorative hardware is used
- R or L indicates blind end of cabinet. Please specify
- Door hinged on same side as blind
- Square design door cabinets may be changed from right to left by inverting cabinet
- Wall Filler Overlay (WFOL) is available separately for all full overlay door styles. Overlays are used to cover the exposed filler and frame. This provides a continuous door appearance. Overlays **must** be field cut (mitered) to required width determined by cabinet "pull". See Filler Overlay Detail below
- **Note:** A 3" Wall Filler and Blind Panel is included with each WBC cabinet ordered, shipped unattached



Wall Blind Corner	1/2" Overlay				Full Overlay							
	(A) Wall Space		(B) Cabinet Width	(C) Frame Opening	(D) Door Hardware Clearance		(A) Wall Space		(B) Cabinet Width	(C) Frame Opening	(D) Door Hardware Clearance	
	No Pull	Max Pull			No Pull	Max Pull	No Pull	Max Pull			No Pull	Max Pull
WBC27	24"	26 7/8"	24"	7 1/2"	1 1/2"	4 3/8"	24"	26 7/8"	24"	7 1/2"	13/16"	3 11/16"
WBC30	27"	29 7/8"	27"	10 1/2"	1 1/2"	4 3/8"	27"	29 7/8"	27"	10 1/2"	13/16"	3 11/16"
WBC33	30"	32 7/8"	30"	13 1/2"	1 1/2"	4 3/8"	30"	32 7/8"	30"	13 1/2"	13/16"	3 11/16"
WBC36	33"	35 7/8"	33"	16 1/2"	1 1/2"	4 3/8"	33"	35 7/8"	33"	16 1/2"	13/16"	3 11/16"
WBC39	36"	38 7/8"	36"	19 1/2"	1 1/2"	4 3/8"	36"	38 7/8"	36"	19 1/2"	13/16"	3 11/16"
WBC45	42"	44 7/8"	42"	10 1/2", 12"	1 1/2"	4 3/8"	42"	44 7/8"	42"	10 1/2", 12"	13/16"	3 11/16"
WBC51	48"	50 7/8"	48"	13 1/2", 15"	1 1/2"	4 3/8"	48"	50 7/8"	48"	13 1/2", 15"	13/16"	3 11/16"
PWBC27	24"	26 7/8"	24"	7 1/2"	1 1/2"	4 3/8"	24"	26 7/8"	24"	7 1/2"	13/16"	3 11/16"

Wall Blind Corner Single Door 23 1/2" H and 30" H



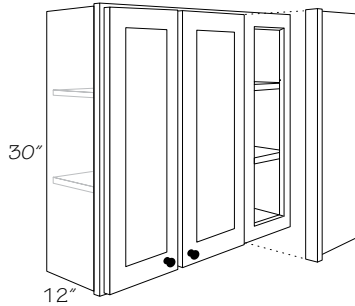
One shelf
23 1/2" High
WBC3024 R or L
WBC3924 R or L

Two shelves
30" High
WBC2730 R or L
WBC3030 R or L
WBC3330 R or L
WBC3630 R or L
WBC3930 R or L

- Specify R or L; R or L indicates blind
- Adjustable shelves
- Door hinged to center stile
- Any wall cabinet over 24" wide, at least 30" high with a depth greater than 12" **must** be installed between two cabinets, a cabinet and a wall or supported from below. The same is also true for cabinets with BUTT doors
- Do **not** pull cabinet more than 2 7/8" from corner
- Blind Panel with 3" filler included, shipped unattached

● PE
● APC
● RD9
● ID15
● ID18
● ID21
● ID24
● BIS
● SV
● MD
● MI
● CFO

Wall Blind Corner Double Door 30" H

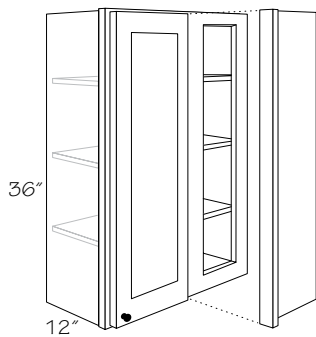


WBC4530 R or L
WBC5130 R or L

- Specify R or L; R or L indicates blind
- Two adjustable shelves
- Two different width doors; the narrower is located next to the blind panel
- Any wall cabinet over 24" wide, at least 30" high with a depth greater than 12" **must** be installed between two cabinets, a cabinet and a wall or supported from below. The same is also true for cabinets with BUTT doors
- Do **not** pull cabinet more than 2 7/8" from corner
- Blind Panel with 3" filler included, shipped unattached

● PE
● APC
● RD9
● ID15
● ID18
● ID21
● ID24
● BIS
● SV
● MD
● MI
● CFO

Wall Blind Corner Single Door 36" H

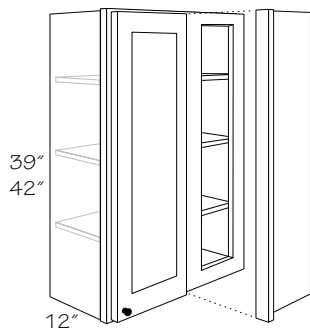


WBC2736 R or L
WBC3036 R or L
WBC3336 R or L
WBC3936 R or L

- Specify R or L; R or L indicates blind
- Three adjustable shelves
- Door hinged to center stile
- Any wall cabinet over 24" wide, at least 30" high with a depth greater than 12" **must** be installed between two cabinets, a cabinet and a wall or supported from below. The same is also true for cabinets with BUTT doors
- Do **not** pull cabinet more than 2 7/8" from corner
- Blind Panel with 3" filler included, shipped unattached

● PE
● APC
● RD9
● ID15
● ID18
● ID21
● ID24
● BIS
● SV
● MD
● MI
● CFO

Wall Blind Corner Single Door 39" and 42" H



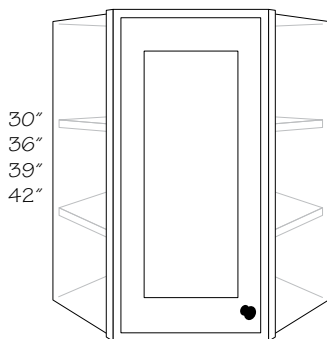
39" High
WBC2739 R or L
WBC3039 R or L
WBC3339 R or L
WBC3939 R or L

42" High
WBC2742 R or L
WBC3042 R or L
WBC3342 R or L
WBC3942 R or L

- Specify R or L; R or L indicates blind
- Three adjustable shelves
- Door hinged to center stile
- Any wall cabinet over 24" wide, at least 30" high with a depth greater than 12" **must** be installed between two cabinets, a cabinet and a wall or supported from below. The same is also true for cabinets with BUTT doors
- Do **not** pull cabinet more than 2 7/8" from corner
- Blind Panel with 3" filler included, shipped unattached

● PE
● APC
● RD9
● ID15
● ID18
● ID21
● ID24
● BIS
● SV
● MD
● MI
● CFO

Wall Angle 12" Deep



Two shelves

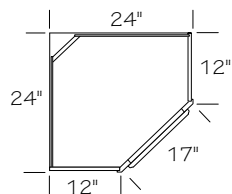
WA2430 R or L

Three shelves

WA2436 R or L

WA2439 R or L

WA2442 R or L



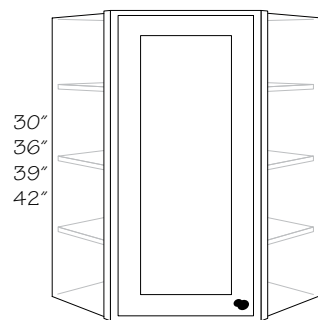
- Specify R or L for single door hinging
- Adjustable shelves
- Back corner removed for easy installation
- Full and 1/2" overlay diagonal door widths are similar to avoid interference with adjacent cabinet doors
- Adjacent cabinets can be installed directly without fillers
- ☆ Glass doors (BIS, DRS.PREP, MD, MD.PREP, SV, SV.PREP) with Matching Interior (MI) are available on select door styles. See Construction Options for specifics

●	PE
●	APC
	RD9
	ID15
	ID18
	ID21
	ID24
☆	BIS
☆	SV
☆	MD
☆	MI
●	CFO



Do **not** design a corner cabinet adjacent to an object deeper than the end panel. The door of the corner cabinet may **not** function properly.

Wall Angle 15" Deep



Two shelves

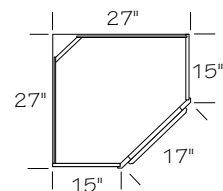
WA2730 R or L

Three shelves

WA2736 R or L

WA2739 R or L

WA2742 R or L



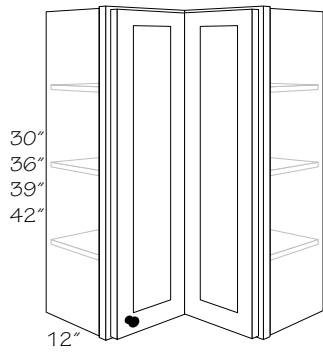
- Specify R or L for single door hinging
- Adjustable shelves
- Back corner removed for easy installation
- Full and 1/2" overlay diagonal door widths are similar to avoid interference with adjacent cabinet doors
- Adjacent cabinets can be installed directly without fillers
- ☆ Glass doors (BIS, DRS.PREP, MD, MD.PREP, SV, SV.PREP) with Matching Interior (MI) are available on select door styles. See Construction Options for specifics

●	PE
●	APC
	RD9
	ID15
	ID18
	ID21
	ID24
☆	BIS
☆	SV
☆	MD
☆	MI
●	CFO



Consider using a filler on adjacent cabinets for additional door swing clearance

Wall Easy Reach



Specify R or L
Two shelves

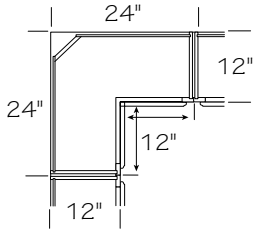
WEZR2430 R or L

Three shelves

WEZR2436 R or L

WEZR2439 R or L

WEZR2442 R or L



- Adjustable shelves
- Two piece bi-fold door with independent adjustment
- 168° hinge opening
- Back corner removed for easy installation



Do **not** design a corner cabinet adjacent to an object deeper than the end panel. The door of the corner cabinet may **not** function properly.

● PE
● APC
RD9
ID15
ID18
ID21
ID24
BIS
SV
MD
MI
● CFO

Peninsula Wall Corner Cabinets

Construction Options and Modifications

PE Plywood Ends
APC All Plywood Construction

PWA	24	30	L
code	width	height	rear door placement

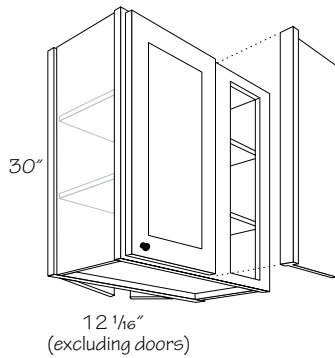
- ☆ Available with exceptions
- Available with an upcharge
- ◆ Included as standard
- (Blank) **Not** available

Material dimensions listed may vary slightly from actual dimensions of the product.

Specifications subject to change without notice.

Peninsula Wall Blind Corner

- PE
- APC

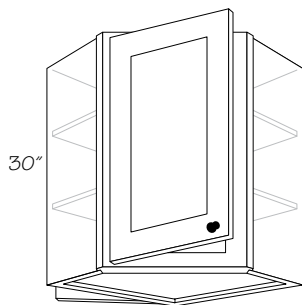


PWBC2730 R or L

- Specify R or L; R or L indicates blind
- Two adjustable shelves
- Door hinged to center stile
- Single door on kitchen side; double doors on peninsula side
- Do **not** pull cabinet more than 2 7/8" from corner
- Blind Panel with 3" filler included, shipped unattached
- See Wall Blind Corner Cabinet Information at the beginning of Wall Corner Cabinets for more information about wall blind cabinets

Peninsula Wall Angle

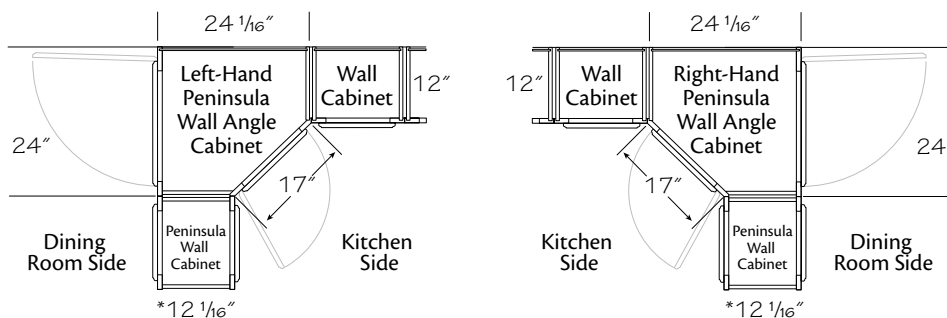
- PE
- APC



Left hand shown

PWA2430 R or L

- R or L designates dining room side door hinging
- Two adjustable shelves
- Stile on dining room frame is extra wide to clear window or door molding
- Full and 1/2" overlay diagonal door widths are similar to avoid interference with adjacent cabinet doors
- Adjacent cabinets can be installed directly without fillers
- Requires 24 1/16" of wall space excluding dining room side cabinet door



Left Hand shown

*Excluding doors

Right Hand shown

Wall End Run Cabinets

Construction Options and Modifications

- ☆ Available with exceptions
- Available with an upcharge
- ❖ Included as standard
- (Blank) **Not** available

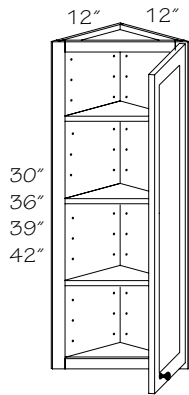
- PE Plywood Ends
- APC All Plywood Construction
- BIS Bistro Glass
- SV Savannah Mullion Glass
- MD Traditional Mullion Glass
- MI Matching Interior
- CFO Cabinet Front Only

WCA	12	30
code	width	height

Material dimensions listed may vary slightly from actual dimensions of the product.

Specifications subject to change without notice.

Wall Corner Angle



Two shelves

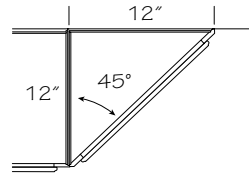
WCA1230 R or L

Three shelves

WCA1236 R or L

WCA1239 R or L

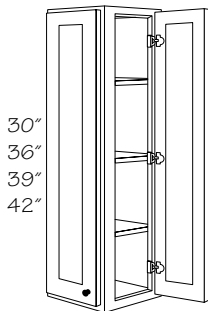
WCA1242 R or L



- Specify R or L for single door hinging
- Adjustable shelves
- For use at end of cabinet run or in a corner
- ☆ Glass doors (BIS, DRS.PREP, MD, MD.PREP, SV, SV.PREP) with Matching Interior (MI) are available on select door styles. See Construction Options for specifics

PE
● APC
☆ BIS
☆ SV
☆ MD
☆ MI
● CFO

Wall End Corner



Two shelves

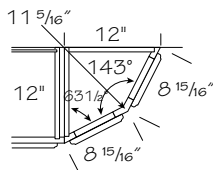
WEC1230

Three shelves

WEC1236

WEC1239

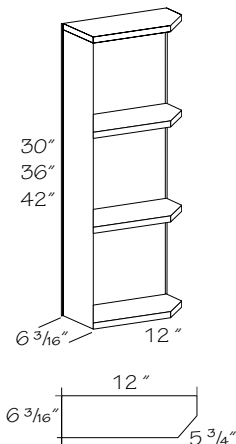
WEC1242



- Adjustable shelves
- Two doors
- Can be installed on either right or left end of run or in a corner

PE
● APC
BIS
SV
MD
MI
● CFO

Solid Wood Wall End Open Shelf



Three shelves

SWEOS30

Four shelves

SWEOS36

SWEOS42

- 5/8" thick solid wood fixed shelves and top
- 30" high has three shelves with equal spacing of 9 1/8" high
- 36" high has four shelves with equal spacing of 8 3/16" high
- 42" high has four shelves with equal spacing of 9 11/16" high
- Invertible for right or left hand use
- Trimmable to 5 7/8" wide
- Back **not** finished
- End and back panels are 3/16" with veneered plywood finish on exposed surfaces

PE
APC
BIS
SV
MD
MI
CFO

Wall Open Cabinets

Construction Options and Modifications

PE	Plywood Ends
APC	All Plywood Construction
RD9	Reduce Depth 9"
ID15	Increase Depth 15"
ID18	Increase Depth 18"
ID21	Increase Depth 21"
ID24	Increase Depth 24"

WOC	15	30
code	width	height

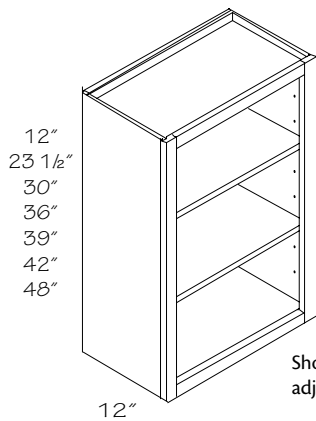
- ☆ Available with exceptions
- Available with an upcharge
- ◆ Included as standard
- (Blank) **Not** available

Caution! Installation of a wall cabinet 30" or wider requires additional support, such as attachment to a soffit, or support from below.

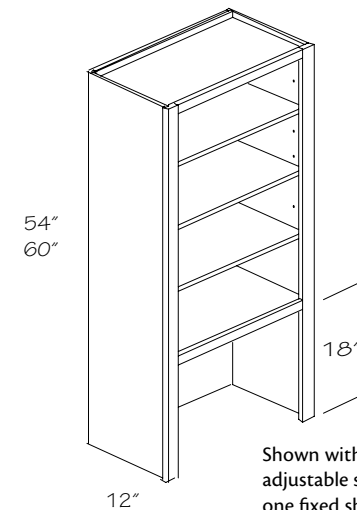
Material dimensions listed may vary slightly from actual dimensions of the product.

Specifications subject to change without notice.

Wall Open Cabinet



Shown with two adjustable shelves



Shown with three adjustable shelves, one fixed shelf

No shelf
12" High

WOC3012

WOC3612

One shelf
23 1/2" H

WOC1524

WOC1824

WOC2124

WOC2424

Two shelves
30" High

WOC1530

WOC1830

WOC2130

WOC2430

Three shelves
36" High

WOC1536

WOC1836

WOC2136

WOC2436

39" High

WOC1539

WOC1839

WOC2139

WOC2439

42" High

WOC1542

WOC1842

WOC2142

WOC2442

48" High

WOC1848

WOC2148

WOC2448

Three adjustable shelves,
one fixed shelf
54" High

WOC1854

WOC2154

WOC2454

60" High

WOC1860

WOC2160

WOC2460

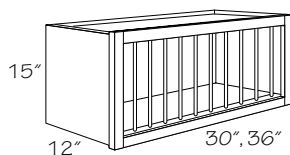
- Adjustable shelves
- No door
- Matching laminate interior
- Includes low profile clear polycarbonate shelf supports in addition to hold-down style supports used for shipping
- 54" and 60" high are designed for countertop mount



Additional support is required. Wall hung applications **must** be limited to 15 lbs. per square foot of shelf area; **not** to exceed 50 lbs. per shelf.

◆	PE
●	APC
●	RD9
●	ID15
●	ID18
●	ID21
●	ID24

Wall China Display 12" Deep 15" H



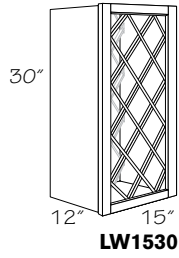
WCD3015 13 Plates

WCD3615 16 Plates

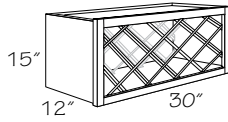
- Each plate opening is 1 5/8" wide x 11 1/4" deep x 1 1/2" high
- Matching laminate interior
- Plate spindles finished to match
- Plate spindles are **not** removable
- Vertical wood grain back panel; except for painted door styles

●	PE
●	APC
●	RD9
●	ID15
●	ID18
●	ID21
●	ID24

Lattice Wall



LW1530



LW3015

30" High

LW1530 11 Bottles

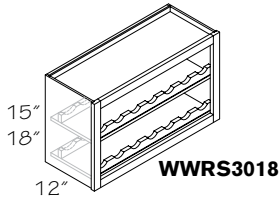
15" High

LW3015 11 Bottles

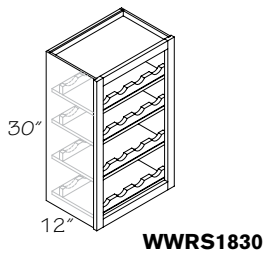
- 4" x 4" bottle openings
- Matching laminate interior
- Lattices are finished to match
- Lattices are *not* removable
- Vertical wood grain back panel; except for painted door styles

● PE
● APC
RD9
ID15
ID18
ID21
ID24

Wall Wine Rack Scalloped



WWRS3018



WWRS1830

15" High

WWRS3015 14 Bottles

WWRS3615 16 Bottles

18" High

WWRS3018 14 Bottles

WWRS3618 16 Bottles

30" High

WWRS1530 12 Bottles

WWRS1830 16 Bottles

WWRS2430 20 Bottles

- Matching laminate interior
- Vertical wood grain back panel; except for painted door styles
- Shelves fixed into position and are *not* adjustable
- **Note: Must** be installed between two cabinets or between cabinet and side wall

● PE
● APC
RD9
ID15
ID18
ID21
ID24

Wall Microwave Cabinets

Construction Options and Modifications

PE	Plywood Ends
APC	All Plywood Construction
ID21	Increase Depth 21"
ID24	Increase Depth 24"
CFO	Cabinet Front Only

WMC	30	18	36
code	width	depth	height

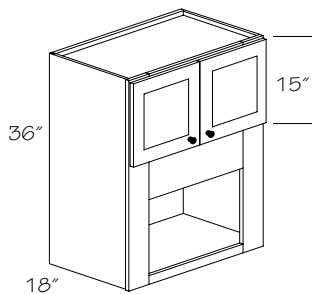
- ☆ Available with exceptions
- Available with an upcharge
- ◆ Included as standard
- (Blank) **Not** available

Installation notes: Installation of a wall cabinet 30" or wider, by itself, is **not** recommended and requires additional support, such as attachment to a soffit or support from below.

Caution: Additional support is required. Any wall cabinet over 24" wide or 30" high with a depth greater than 12" or butt doors **must** be installed between two cabinets, a cabinet and a wall, or supported from below.

Material dimensions listed may vary slightly from actual dimensions of the product.

Specifications subject to change without notice.



Wall Microwave Cabinet 36" H

WMC271836 (Butt)
WMC301836 BUTT

- PE
- APC
- ID21
- ID24
- CFO

- No shelf in upper section
- Matching laminate interior
- 4 1/2" wide trimmable face frame stiles
- Doors are attached with face-mounted concealed hinges
- Designed for "built-in" style microwaves
- **Note: Must** be installed between two cabinets or between cabinet and side wall

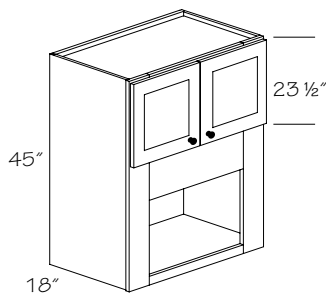
Cabinet	Opening Size	Trimmable to
WMC271836	13" high x 18" wide	19 1/2" high x 24" wide
WMC301836	13" high x 21" wide	19 1/2" high x 27" wide



Installation of a wall cabinet 30" or wider, by itself, is **not** recommended and requires additional support, such as attachment to a soffit or support from below



Remember, a cabinet designated BUTT or (Butt) has no center stile. When you see the word BUTT in all capitals, it **must** be included as part of your ordering nomenclature, a (Butt) in parentheses is for your information and isn't required on an order form



Wall Microwave Cabinet 45" H

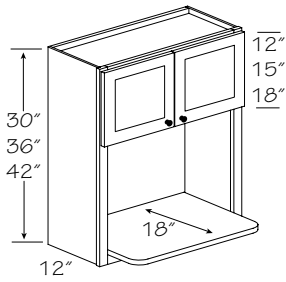
WMC271845 (Butt)
WMC301845 BUTT

- PE
- APC
- ID21
- ID24
- CFO

- No shelf in upper section
- Matching laminate interior
- 4 1/2" wide trimmable face frame stiles
- Doors are attached with face-mounted concealed hinges
- Designed for "built-in" style microwaves
- **Note: Must** be installed between two cabinets or between cabinet and side wall

Cabinet	Opening Size	Trimmable to
WMC271845	13 1/2" high x 18" wide	20" high x 24" wide
WMC301845	13 1/2" high x 21" wide	20" high x 27" wide

Wall Microwave Shelf Cabinet



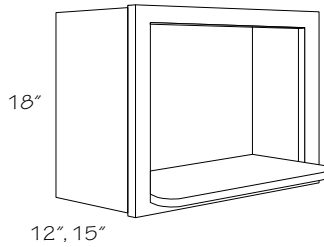
- 30" High
WMSC271230 (Butt)
- 36" High
WMSC241236 (Butt)
- WMSC271236 (Butt)**
- 42" High
WMSC271242 (Butt)

- 3/4" thick shelf extends 6 25/32" beyond face frame
- Matching laminate interior
- No shelf in upper section
- Shelf shipped unattached for easier installation; mounting hardware included
- Designed for countertop style microwaves
- **Note: Must** be installed between two cabinets or between cabinet and side wall

● PE
● APC
ID21
ID24
● CFO

Cabinet	Opening Sizes
WMSC241236	18 3/4" high x 21" wide x 18" deep (shelf)
WMSC271230	15 3/4" high x 24" wide x 18" deep (shelf)
WMSC271236	18 3/4" high x 24" wide x 18" deep (shelf)
WMSC271242	21 3/4" high x 24" wide x 18" deep (shelf)

Wall Microwave Shelf



- 12" Deep
WMS271218
WMS301218
- 15" Deep
WMS271518
WMS301518

- 3/4" thick shelf extends 3 25/32" beyond face frame of cabinet
- Grain direction runs lengthwise (when applicable)
- Shelf shipped unattached for easier installation; mounting hardware included
- Designed for countertop style microwaves
- **Note: Must** be installed between two cabinets or between cabinet and side wall

● PE
● APC
ID21
ID24
CFO

Cabinet	Opening Sizes
WMSC271218	24" high x 14 1/4" wide x 15" deep
WMSC301218	27" high x 14 1/4" wide x 15" deep
WMSC271518	24" high x 14 1/4" wide x 18" deep
WMSC301518	27" high x 14 1/4" wide x 18" deep

Wall Hoods

Construction Options and Modifications

APC All Plywood Construction

WHCC	36	24	42
code	width	depth	height

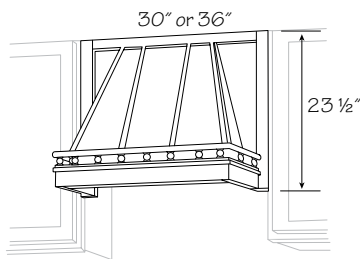
- ☆ Available with exceptions
- Available with an upcharge
- ◆ Included as standard
- (Blank) **Not** available

Consult your local building code for rules and regulations that may apply to the installation of this product.

Specifications subject to change without notice.

Wall Hood Front

◆ APC



RHF3024SP
RHF3624SP

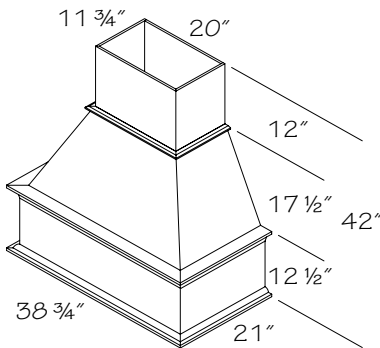
- For installations with exterior ductwork
- Almond colored painted metal liner included
- **Note: Must** be installed between two cabinets or between cabinet and side wall



Mount hood a minimum of 24" above range cooking surface. Consult building codes prior to installation. Hood **must** be securely anchored to wall

Wall Hood Classic Chimney

◆ APC



WHCC362442P

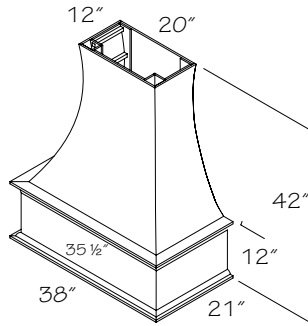
- Solid wood/wood veneer construction
- For installations with exterior ductwork
- A 3" space is recommended on both sides of hood for adjacent cabinet runs
- Can accommodate ceilings up to 9' high with installation of the chimney or 8' without the chimney
- **Not** designed to be used with a soffit
- 12" tall chimney is shipped unattached for easier installation
- Requires a metal liner and blower. See Wall Hood Liner (WHL36) and Wall Hood Blower (WHB36)
- **Note:** Cabinetry and appliances located below these Wall Hoods **must** be pulled to a minimum of 27" deep and a maximum of 30" deep for improved function



Mount hood a minimum of 24" above range cooking surface. Consult building codes prior to installation. Hood **must** be securely anchored to wall

Wall Hood Cove

◆ APC



WHCV362442

- Solid wood/wood veneer construction
- For installations with exterior ductwork
- A 3" space is recommended on both sides of hood for adjacent cabinet runs
- **Not** designed to be used with a soffit
- Requires a metal liner and blower. See Wall Hood Liner (WHL36) and Wall Hood Blower (WHB36)
- Unit can be field trimmed down 12" from the chimney top
- **Note:** Cabinetry and appliances located below these Wall Hoods **must** be pulled to a minimum of 27" deep and a maximum of 30" deep for improved function

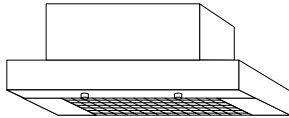


Mount hood a minimum of 24" above range cooking surface. Consult building codes prior to installation. Hood **must** be securely anchored to wall

Wall Hood Front Blower

APC

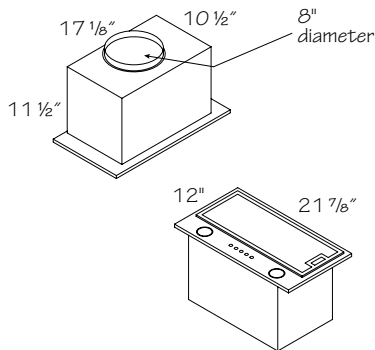
RHB



- Double squirrel cage blower unit (360 CFM maximum) with a solid state, variable speed control, on/off switch, and two 40 watt tubular light fixtures with lens diffuser and dimming switch. Tubular bulbs **not** included
- For installations with exterior ductwork
- 3 1/4" x 10" top exhaust with built-in back draft damper unit; duct **not** included
- Pre-wired for electrical connection
- AC 120 volt required
- Washable aluminum mesh grease filter included
- UL and CSA approved
- For use with Wall Hood Front (RHF)
- Almond colored painted finish

Wall Hood Blower

APC



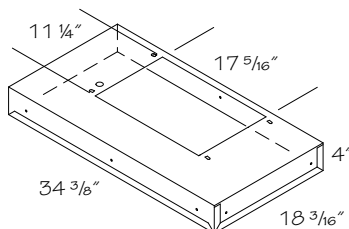
WHB36.620

- 620 CFM/7.5 Sones; three-speed motor with push button electronic control
- For installations with exterior ductwork
- Constructed of heavy gauge steel
- Pre-wired for electrical connection
- AC 120 volt required
- 8" diameter duct vents on top
- Dual bulb halogen lighting (PAR 20) included
- UL and HVI approved
- For use with Wall Hood Cove (WHCV) and Wall Hood Classic Chimney (WHCC)
- For use with Wall Hood Liner (WHL36)
- Metallic medium grey painted finish on cover plate is corrosion and rust resistant. Blowerbox has galvanized finish

Wall Hood Liner

APC

WHL36



- Constructed of heavy gauge steel
- For installations with exterior ductwork
- For use with Wall Hood Cove (WHCV) and Wall Hood Classic Chimney (WHCC)
- For use with Wall Hood Blower (WHB)
- Metallic medium grey painted finish

Wall Specialty Cabinets

Construction Options and Modifications

PE Plywood Ends
APC All Plywood Construction

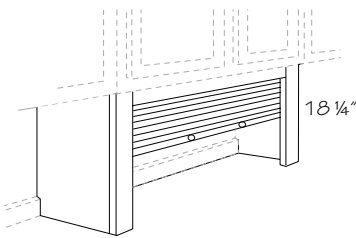
TSA	24	18
code	width	height

- ☆ Available with exceptions
- Available with an upcharge
- ◆ Included as standard
- (Blank) **Not** available

Material dimensions listed may vary slightly from actual dimensions of the product.

Specifications subject to change without notice.

Tambour Storage

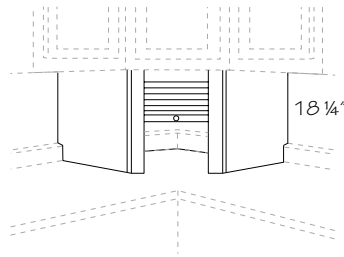


- TS18**
- TS24**
- TS30**

PE
APC

- Provides countertop out-of-sight storage for small appliances
- Designed to set back 1/4" from wall cabinet frame for easier installation
- Fits under 18", 24" and 30" wide wall cabinets
- Features a torsion spring activated roll-up tambour door
- "No back" design allows easy access to electrical outlets and notching for backsplash
- Bottom edges may be trimmed a maximum of 1" before interfering with tambour track stop. Width **cannot** be trimmed
- End panels are 1/2" thick and have matching exterior surface. End panels shipped unattached
- Matching laminate interior
- Holes for knobs are pre-drilled. One antique brass knob is included with TS18 and TS24; two with TS30
- Installation instructions and mounting hardware included

Tambour Storage Angle

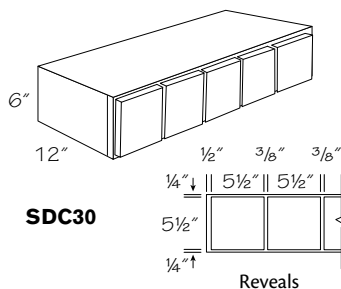


- TSA2418**
- TSA2718**

PE
APC

- Provides countertop out-of-sight storage for small appliances
- Designed to set back 1/4" from wall angle cabinet frame for easier installation
- TSA24 for use under Wall Angle (WA24); TSA27 for use under Wall Angle (WA27)
- Features a torsion spring activated roll-up tambour door
- "No back" design allows easy access to electrical outlets and notching for backsplash
- Bottom edges may be trimmed a maximum of 1" before interfering with tambour track stop
- End panels are 1/2" thick and have matching exterior surface. End panels shipped unattached
- Hole for knob is pre-drilled and one antique brass knob included
- Matching laminate interior
- Installation instructions and mounting hardware included
- **Installation Note:** Requires field fabricated back on one side when used with PWA

Spice Drawer Cabinet



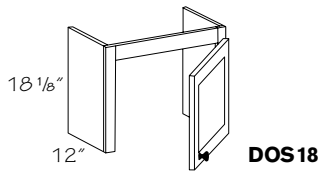
- SDC18** 3 drawers
- SDC24** 4 drawers
- SDC30** 5 drawers
- SDC36** 6 drawers

PE
APC

- Solid half blind, 1/2" thick, dovetail drawers
- Drawer fronts are solid wood
- Matching wood veneer interior and exterior surfaces
- Includes a matching solid wood strip at each end to align with cabinet when installed horizontally
- Interior drawer is 10" deep, 4 1/8" wide and 4 7/16" tall
- Units may be stacked horizontally or mounted vertically
- Decorative hardware may be required

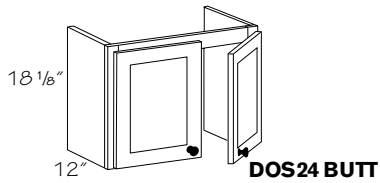
Door Storage

● PE
● APC



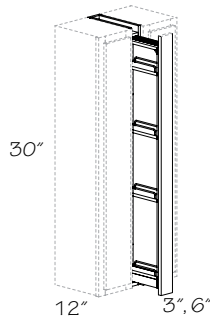
DOS18 R or L
DOS24 BUTT

- Specify R or L for single door hinging
- Provides countertop out-of-sight storage for small appliances
- Designed to be flush mounted with 12" deep wall cabinets
- Frame and end panels oversized for custom fit
- End panels are shipped unattached
- "No back" design allows easy access to electrical outlets and notching for backsplash



Wall Filler Pull-out

PE
APC



WFP3.30

2 3/4" shelf width; 1 3/4" usable space between chrome rails; 3 1/16" required between adjacent cabinets

WFP6.30

5 3/4" shelf width; 4 3/4" usable space between chrome rails; 6 1/16" required between adjacent cabinets

- Three adjustable natural finished hardwood shelves
- 3/4" thick solid wood pre-drilled filler included, shipped unattached
- Wood filler aligns with face frames of adjacent wall cabinets
- Unit slides on full extension runners; one on the top and two at the bottom
- **Must** be installed between two cabinets that are at least 30" high and 12" deep
- Natural finish hardwood interior



Do **not** use filler pullouts at the end of cabinet runs or next to appliances. They **must** be installed between two cabinets or a cabinet and an end panel

Wall Accessories

Construction Options and Modifications

M Maple

WFOL	3	•12
code	width	height

- ☆ Available with exceptions
- Available with an upcharge
- ◆ Included as standard
- (Blank) **Not** available

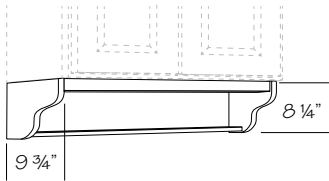
Material dimensions listed may vary slightly from actual dimensions of the product.

Specifications subject to change without notice.

Under Cabinet Shelf

◆ M

UCS36

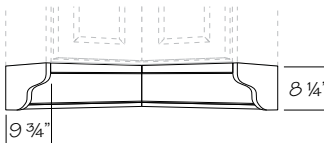


- Solid wood ends and wood veneered shelf
- 4 3/4" deep shelves with groove for displaying plates up to 6 1/8" diameter
- For use under 36" wide wall cabinets
- Back and top panels included for strength and ease of installation
- Ends can be removed so that the assembly can be cut down in 3" increments to only 12" wide for narrower cabinet applications
- Shipped assembled

Under Cabinet Shelf Corner

◆ M

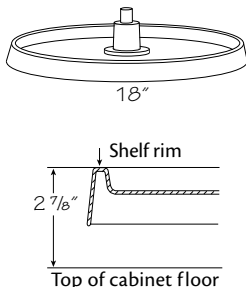
UCSC2424



- Solid wood ends and wood veneered shelves
- 4 3/4" deep shelves with groove for displaying plates up to 6 1/8" diameter
- Extends 24" from corner in both directions
- Fits under WA24 and WEZR24
- Back and top panels included for strength and ease of installation
- Shipped assembled

1 Shelf Lazy Susan Kit

M

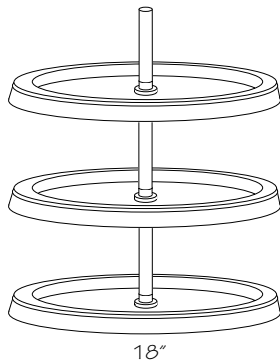


LS18.1

- One 18" diameter wide impact white plastic shelf
- Distance from top of shelf rim to top of cabinet surface is 2 7/8"
- Attaches to cabinet shelf or bottom, 1 1/2" clearance gap between bottom of shelf and cabinet floor
- Installation instructions and mounting hardware included
- Fits 30", 36", 39" and 42" high Wall Angle (WA) and Peninsula Wall Angle (PWA) cabinets

3 Shelf Lazy Susan Kit

M

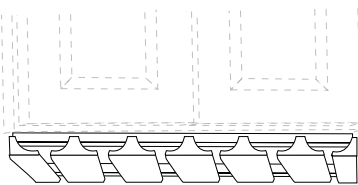


LS18.3

- Three 18" diameter wide impact white plastic shelves that rotate together
- Fits 24" wide Wall Angle (WA) and Peninsula Wall Angle (PWA) cabinets
- Replaces adjustable shelves shipped with cabinet
- Includes center post and installation hardware
- Adjust 22" to 33" in height

Stem Glass Holder

❖ M

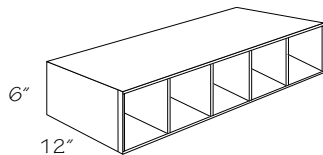


SGH30 6 sections
SGH36 8 sections

- Solid wood
- SGH30 - six 11 5/8" long x 1 1/8" wide slots
- SGH36 - eight 11 5/8" long x 1 1/8" wide slots
- Fits under standard 12" deep wall cabinet
- Rack may be cut down for narrower cabinet application
- Installation instructions and mounting hardware included

Open Cube Organizer

❖ M



OCO18 3 compartments
OCO24 4 compartments
OCO30 5 compartments
OCO36 6 compartments

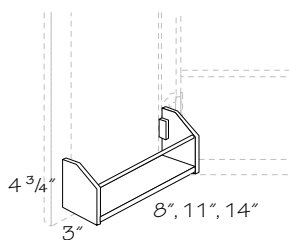
- Units may be stacked horizontally or mounted vertically
- 5 1/4" x 5 1/4" square compartments
- Matching wood veneer interior and exterior surfaces
- Includes a matching solid wood strip at each end to align with cabinet when installed horizontally
- **Note:** This cabinet features "frameless" type construction



When using an Organizer (O—) Cabinet under a wall cabinet at the end of a run, order Wood Veneer Paneling (WSK) for the wall cabinet to flush the ends. (There will be a seam)

Door Spice Rack

M

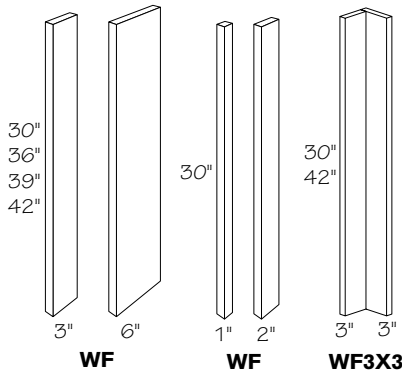


DSR12 8" Wide
DSR15 11" Wide
DSR18 14" Wide

- Solid wood rack with natural finish
- Installs on backside of cabinet door
- Installation instructions and mounting hardware included
- **Not** for use on any BUTT door cabinets
- For Fox Ridge door styles, the rack installs onto the backside of the door center panel. DSR12 installs on 15" and 30" wide cabinets. DSR15 installs on 18" and 36" wide cabinets. DSR18 installs on 21" and 42" wide cabinets

Wall Filler

◆ M



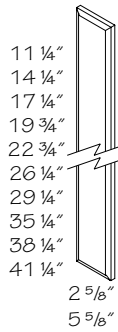
30" High
WF1.30
WF2.30
WF3.30
WF6.30
36" High
WF3.36
WF6.36
39" High
WF3.39
WF6.39

42" High
WF3.42
WF6.42
30" High
WF3X3.30
42" High
WF3X3.42

- 3/4" thick solid wood
- Backside of filler **not** finished

Wall Filler Overlay

◆ M



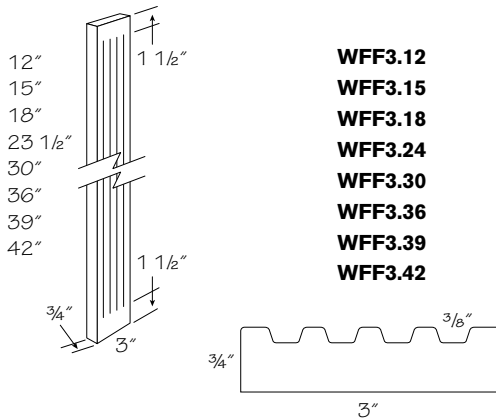
3" Wide
WFOL3.12
WFOL3.15
WFOL3.18
WFOL3.21
WFOL3.24
WFOL3.27
WFOL3.30
WFOL3.36
WFOL3.39
WFOL3.42
6" Wide

WFOL6.21
WFOL6.24
WFOL6.30
WFOL6.36
WFOL6.39
WFOL6.42

- Attaches to 3" or 6" wide filler, **not** included. Order separately
- 3/4" thick with matching profile on all four edges, sized to match door height of adjacent cabinet
- Spacers installed on backside to align with doors of adjacent cabinet
- Mounting hardware included
- Available in full overlay door styles only

Wall Fluted Filler

◆ M

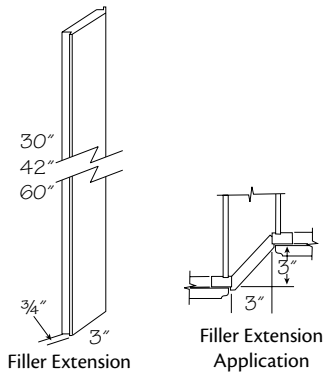


WFF3.12
WFF3.15
WFF3.18
WFF3.24
WFF3.30
WFF3.36
WFF3.39
WFF3.42

- 3/4" thick solid wood
- Four flutes
- Backside of filler **not** finished

Filler Extension

◆ M

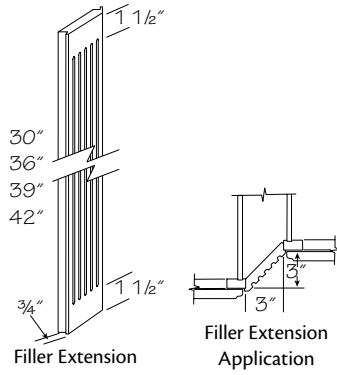


FE3 .30
FE3 .42
FE3 .60

- 3/4" thick solid wood
- Fills 3" space between cabinets that are offset 3"
- For right or left hand use
- Backside of filler **not** finished

Fluted Filler Extension

◆ M

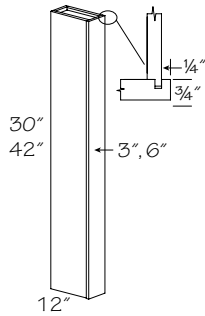


FFE3 .30
FFE3 .36
FFE3 .39
FFE3 .42

- 3/4" thick solid wood
- Five flutes
- Fills 3" space between cabinets that are offset 3"
- For right or left hand use
- Backside of filler **not** finished

Wall Box

◆ M

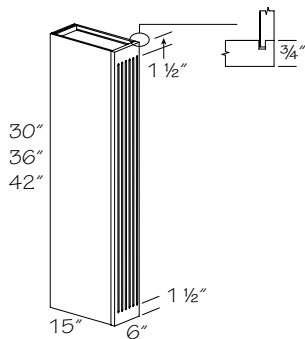


30" High
WB3 .30
WB6 .30
 42" High
WB3 .42
WB6 .42

- Front is 3/4" solid wood
- End panels recessed 1/4"
- Finished front and both sides
- Vertical wood grain
- May be used on either right or left end
- **Not** available in All Plywood Construction (APC)

Wall Fluted Column

◆ M

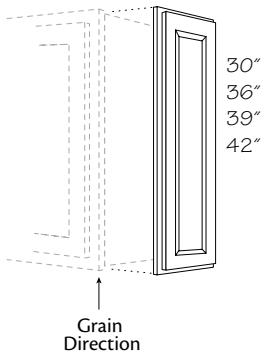


WFC61530
WFC61536
WFC61542

- Fluted front is 3/4" solid wood
- Six flutes
- Finished front and sides
- Flush end panels
- Vertical wood grain
- May be used on either right or left end
- Available in All Plywood Construction (APC)

Matching Wall End Panel

◆ M



MWEP1230
MWEP1236
MWEP1239
MWEP1242

- Provides a finished furniture look to 12" deep wall cabinet ends
- 1/8" thick veneered plywood panel
- Door shipped attached to panel
- Full overlay door styles overlap cabinet frame edge to provide matching reveals
- For right or left hand use
- Field installation only

Item	Panel Size		Full Overlay Doors		1/2" Overlay Doors	
	Width	Height	Width	Height	Width	Height
MWEP1230	11 1/4"	30"	11 5/8"	29 1/4"	10 1/4"	28"
MWEP1236	11 1/4"	36"	11 5/8"	35 1/4"	10 1/4"	34"
MWEP1239	11 1/4"	39"	11 5/8"	38 1/4"	10 1/4"	37"
MWEP1242	11 1/4"	42"	11 5/8"	41 1/4"	10 1/4"	40"

Base Cabinets

Construction Options and Modifications

B	15	12	R	•FH
code	width	depth	hinge	suffix

- ☆ Available with exceptions
- Available with an upcharge
- ◆ Included as standard
- (Blank) **Not** available

Note: Standard base cabinet box depth is 24" unless stated otherwise. Add door thickness with bumpers for total depth.

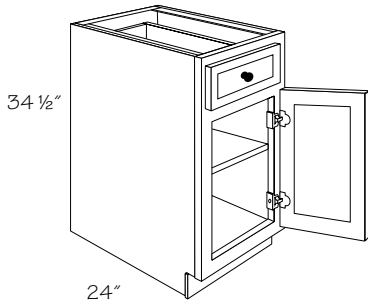
When BUTT is in all capitals, it **must** be included as part of your ordering nomenclature. A (Butt) in parentheses is for your information and isn't required on an order form.

Material dimensions listed may vary slightly from actual dimensions of the product.

Specifications subject to change without notice.

- PE Plywood Ends
- APC All Plywood Construction
- RD12 Reduce Depth 12"
- RD15 Reduce Depth 15"
- RD18 Reduce Depth 18"
- RD21 Reduce Depth 21"
- 1ROT 1 Roll-out Tray
- 2ROT 2 Roll-out Trays
- 3ROT 3 Roll-out Trays
- 4ROT 4 Roll-out Trays
- 6ROT 6 Roll-out Trays
- 1FWROT 1 Full-Width Tray
- 2FWROT 2 Full-Width Trays
- 2DROT 2 Deep Roll-out Trays
- 4DROT 4 Deep Roll-out Trays
- 6DROT 6 Deep Roll-out Trays
- 2DFWROT 2 Deep Full-Width Roll-out Trays
- CFO Cabinet Front Only

Base Single Door

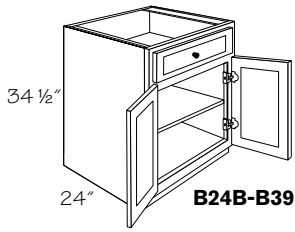


- B12 R or L**
- B15 R or L**
- B18 R or L**
- B21 R or L**
- B24 R or L**

- Specify R or L for single door hinging
- One adjustable shelf
- When depth is reduced to 12" or 15", drawers become a false front
- ☆ Roll-out Trays (ROT) **cannot** be included when a Reduced Depth (RD) option of less than 18" is selected
- ☆ Deep Roll-out Trays (DROT) are **not** available with reduced depth options

- PE
- APC
- RD12
- RD15
- RD18
- RD21
- ☆ 1ROT
- ☆ 2ROT
- 3ROT
- 4ROT
- 6ROT
- 1FWROT
- 2FWROT
- ☆ 2DROT
- 4DROT
- 6DROT
- 2DFWROT
- CFO

Base Double Door



B24B-B39

One drawer

- **B24 BUTT**
- **B27 (Butt)**
- **B30 BUTT**
- **B33 BUTT**
- **B36 BUTT**
- ◆ **B39**

Two drawers

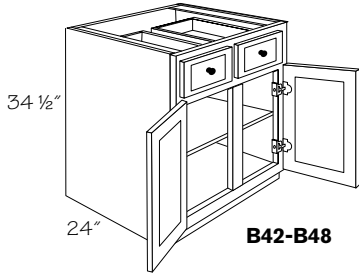
- ◆ **B42**
- ◆ **B45**
- ◆ **B48**

- Available with Full-width Roll-out Trays (FWROT) or Deep Full-width Roll-out Trays (DFWROT) only
- ◆ Available with standard-width Roll-out Trays (ROT) or Deep Roll-out Trays (DROT) only

- One adjustable shelf
- When depth is reduced to 12" or 15", drawers become a false front
- ☆ Roll-out Trays (ROT) **cannot** be included when a Reduced Depth (RD) option of less than 18" is selected
- ☆ Deep Roll-out Trays (DROT) or Deep Full-width Roll-out Trays (DFWROT) are **not** available with reduced depth options



Remember, a cabinet designated BUTT or (Butt) has no center stile. When you see the word BUTT in all capitals, it **must** be included as part of your ordering nomenclature, a (Butt) in parentheses is for your information and isn't required on an order form

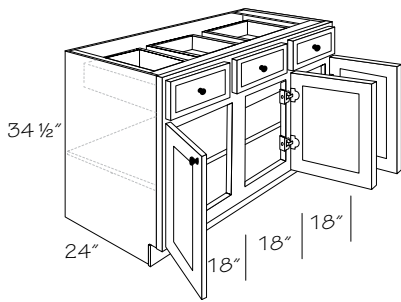


B42-B48

- PE
- APC
- RD12
- RD15
- RD18
- RD21
- 1ROT
- ☆ 2ROT
- 3ROT
- ☆ 4ROT
- 6ROT
- ☆ 1FWROT
- ☆ 2FWROT
- 2DROT
- ☆ 4DROT
- 6DROT
- ☆ 2DFWROT
- CFO

Base Three Door

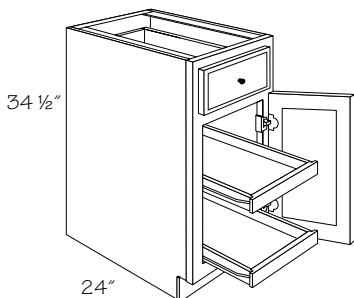
B54



- Three drawers
- Three equal sized doors; center door hinged right
- One adjustable shelf
- 3 3/16" wide full-width support cross rail across top front of cabinet
- When depth is reduced to 12" or 15", drawers become a false front
- ☆ Roll-out Trays (ROT) **cannot** be included when a Reduced Depth (RD) option of less than 18" is selected
- ☆ Deep Roll-out Trays (DROT) are **not** available with reduced depth options

- PE
- APC
- RD12
- RD15
- RD18
- RD21
- 1ROT
- 2ROT
- ☆ 3ROT
- 4ROT
- ☆ 6ROT
- 1FWROT
- 2FWROT
- 2DROT
- 4DROT
- ☆ 6DROT
- 2DFWROT
- CFO

Base Single Door w/Two Full-Width Trays

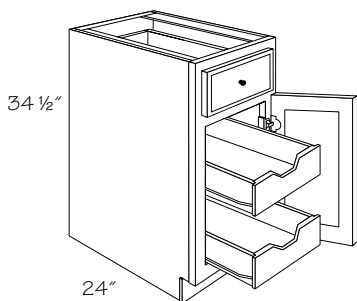


- B12 R or L.2FWT**
- B15 R or L.2FWT**
- B18 R or L.2FWT**
- B21 R or L.2FWT**
- B24 R or L.2FWT**

- Specify R or L for single door hinging
- One drawer
- Two standard Full-width Roll-out Trays (FWROT)

- PE
- APC
- RD12
- RD15
- RD18
- RD21
- 1ROT
- 2ROT
- 3ROT
- 4ROT
- 6ROT
- 1FWROT
- 2FWROT
- 2DROT
- 4DROT
- 6DROT
- 2DFWROT
- CFO

Base Single Door w/Two Deep Full-Width Trays

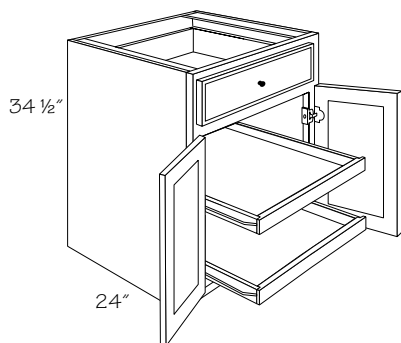


B12 R or L.2DFWT
B15 R or L.2DFWT
B18 R or L.2DFWT
B21 R or L.2DFWT
B24 R or L.2DFWT

- Specify R or L for single door hinging
- One drawer
- Two Deep Full-width Roll-out Trays (DFWROT)

● PE
● APC
RD12
RD15
RD18
RD21
1ROT
2ROT
3ROT
4ROT
6ROT
1FWROT
2FWROT
2DROT
4DROT
6DROT
2DFWROT
CFO

Base Double Door w/Two Full-Width Trays



B24 BUTT.2FWT
B27 (Butt).2FWT
B30 BUTT.2FWT
B33 BUTT.2FWT
B36 BUTT.2FWT

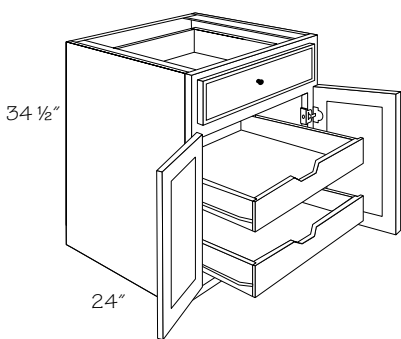
- One full-width drawer
- Two standard Full-width Roll-out Trays (FWROT)



Remember, when designing a space for storing heavy items, avoid using 30–36" wide Roll-Out Trays (ROT). These units are **not** designed for extremely heavy loads

● PE
● APC
RD12
RD15
RD18
● RD21
1ROT
2ROT
3ROT
4ROT
6ROT
1FWROT
2FWROT
2DROT
4DROT
6DROT
2DFWROT
CFO

Base Double Door w/Two Deep Full-Width Trays

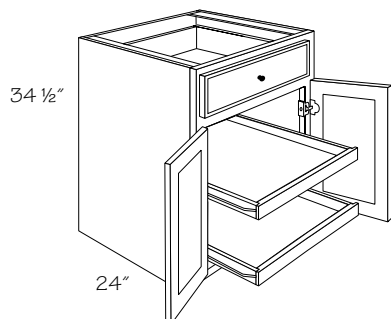


B24 BUTT.2DFWT
B27 (Butt).2DFWT
B30 BUTT.2DFWT
B33 BUTT.2DFWT
B36 BUTT.2DFWT

- One full-width drawer
- Two Deep Full-width Roll-out Trays (DFWROT)

● PE
● APC
RD12
RD15
RD18
RD21
1ROT
2ROT
3ROT
4ROT
6ROT
1FWROT
2FWROT
2DROT
4DROT
6DROT
2DFWROT
CFO

Base Double Door w/Two Full-Width Trays – Full Extension

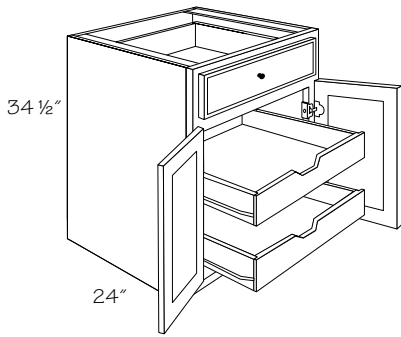


B30 BUTT.2FWTFX
B36 BUTT.2FWTFX

- One full-width drawer
- Two Full-width Roll-out Trays (FWROT) with full extension, ball bearing runners

● PE
● APC
RD12
RD15
RD18
RD21
1ROT
2ROT
3ROT
4ROT
6ROT
1FWROT
2FWROT
2DROT
4DROT
6DROT
2DFWROT
CFO

Base Double Door w/Two Deep Full-Width Trays – Full Extension

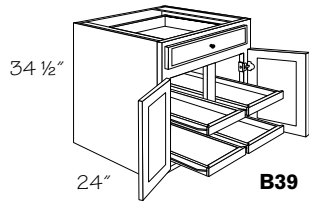


B30 BUTT.2DFWTFX
B36 BUTT.2DFWTFX

- One full-width drawer
- Two Deep Full-width Roll-out Trays (DFWROT) with full extension, ball bearing runners

- PE
- APC
- RD12
- RD15
- RD18
- RD21
- 1ROT
- 2ROT
- 3ROT
- 4ROT
- 6ROT
- 1FWROT
- 2FWROT
- 2DROT
- 4DROT
- 6DROT
- 2DFWROT
- CFO

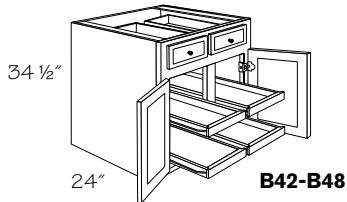
Base Double Door w/Four Trays



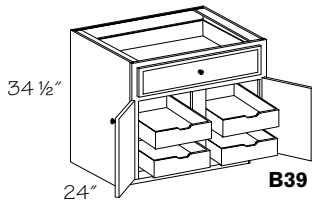
One Drawer
B39 .4T
Two Drawers
B42 .4T
B45 .4T
B48 .4T

- Four standard Roll-out Trays (ROT)

- PE
- APC
- RD12
- RD15
- RD18
- RD21
- 1ROT
- 2ROT
- 3ROT
- 4ROT
- 6ROT
- 1FWROT
- 2FWROT
- 2DROT
- 4DROT
- 6DROT
- 2DFWROT
- CFO



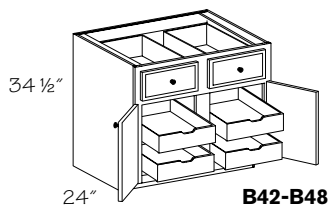
Base Double Door w/Four Deep Trays



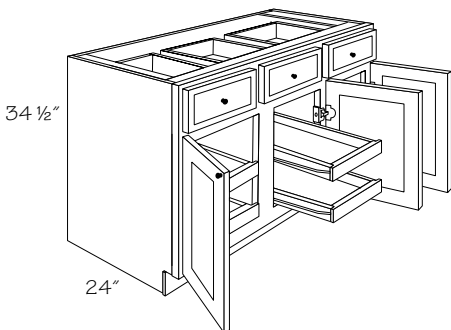
One Drawer
B39 .4DT
Two Drawers
B42 .4DT
B45 .4DT
B48 .4DT

- Four Deep Roll-out Trays (DROT)

- PE
- APC
- RD12
- RD15
- RD18
- RD21
- 1ROT
- 2ROT
- 3ROT
- 4ROT
- 6ROT
- 1FWROT
- 2FWROT
- 2DROT
- 4DROT
- 6DROT
- 2DFWROT
- CFO



Base Three Door w/Six Trays

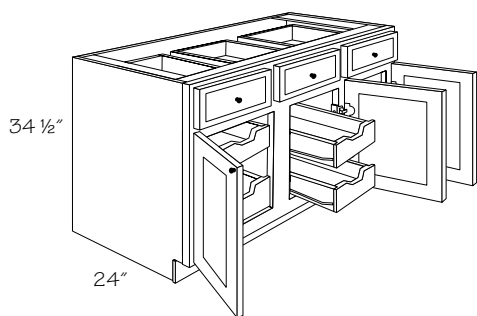


B54 .6T

- Three drawers
- Six standard Roll-out Trays (ROT)

- PE
- APC
- RD12
- RD15
- RD18
- RD21
- 1ROT
- 2ROT
- 3ROT
- 4ROT
- 6ROT
- 1FWROT
- 2FWROT
- 2DROT
- 4DROT
- 6DROT
- 2DFWROT
- CFO

Base Three Door w/Six Deep Trays

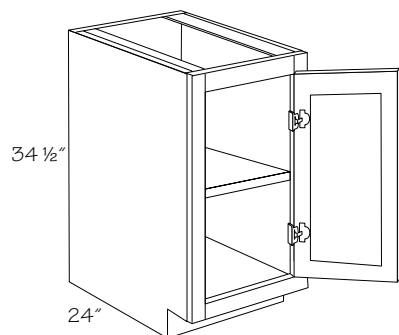


B54 .6DT

- Three drawers
- Six Deep Roll-out Trays (DROT)

- PE
- APC
- RD12
- RD15
- RD18
- RD21
- 1ROT
- 2ROT
- 3ROT
- 4ROT
- 6ROT
- 1FWROT
- 2FWROT
- 2DROT
- 4DROT
- 6DROT
- 2DFWROT
- CFO

Base Full-Height Single Door



No Shelf

- ◆ **B9 R or L.FH**

One Shelf

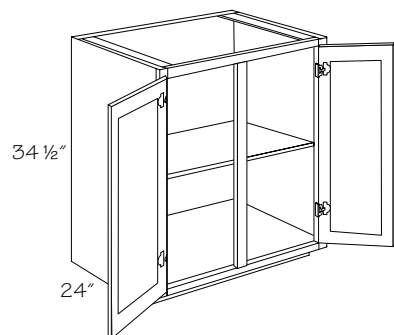
- ◆ **B12 R or L.FH**
- ◆ **B15 R or L.FH**
- ◆ **B18 R or L.FH**
- ◆ **B21 R or L.FH**
- ◆ **B24 R or L.FH**

- ◆ Roll-out Trays (ROT) and Deep Roll-out Trays (DROT) are **not** available

- Specify R or L for single door hinging
- One adjustable shelf
- ☆ Roll-out Trays (ROT) **cannot** be included when a Reduced Depth (RD) option of less than 18" is selected
- ☆ Deep Roll-out Trays (DROT) or Deep Full-width Roll-out Trays (DFWROT) are **not** available with reduced depth options

- PE
- APC
- RD12
- RD15
- RD18
- RD21
- ☆ 1ROT
- ☆ 2ROT
- 3ROT
- 4ROT
- 6ROT
- 1FWROT
- 2FWROT
- ☆ 2DROT
- 4DROT
- 6DROT
- 2DFWROT
- CFO

Base Full-Height Double Door



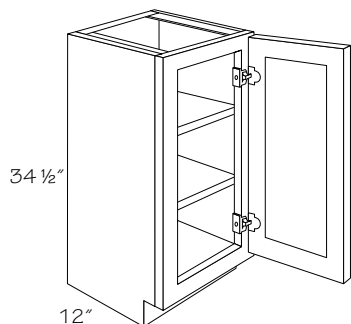
- **B24 BUTT.FH** ◆ **B39 .FH**
- **B27 (Butt).FH** ◆ **B42 .FH**
- **B30 BUTT.FH** ◆ **B45 .FH**
- **B33 BUTT.FH** ◆ **B48 .FH**
- **B36 BUTT.FH**

- Available with Full-width Roll-out Trays (FWROT) or Deep Full-width Roll-out Trays (DFWROT) only
- ◆ Available with standard-width Roll-out Trays (ROT) or Deep Roll-out Trays (DROT) only

- One adjustable shelf
- ☆ Roll-out Trays (ROT) **cannot** be included when a Reduced Depth (RD) option of less than 18" is selected
- ☆ Deep Roll-out Trays (DROT) or Deep Full-width Roll-out Trays (DFWROT) are **not** available with reduced depth options

- PE
- APC
- RD12
- RD15
- RD18
- RD21
- ☆ 1ROT
- ☆ 2ROT
- 3ROT
- ☆ 4ROT
- 6ROT
- ☆ 1FWROT
- ☆ 2FWROT
- 2DROT
- ☆ 4DROT
- 6DROT
- ☆ 2DFWROT
- CFO

Base Full-Height Single Door 12" Deep

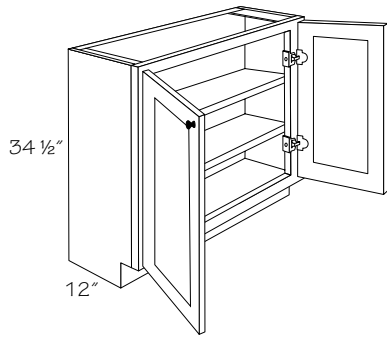


- ◆ **B1212 R or L.FH**
- ◆ **B1512 R or L.FH**
- ◆ **B1812 R or L.FH**
- ◆ **B2112 R or L.FH**
- ◆ **B2412 R or L.FH**

- Specify R or L for single door hinging
- Two adjustable shelves

- PE
- APC
- RD12
- RD15
- RD18
- RD21
- 1ROT
- 2ROT
- 3ROT
- 4ROT
- 6ROT
- 1FWROT
- 2FWROT
- 2DROT
- 4DROT
- 6DROT
- 2DFWROT
- CFO

Base Full-Height Double Door 12" Deep

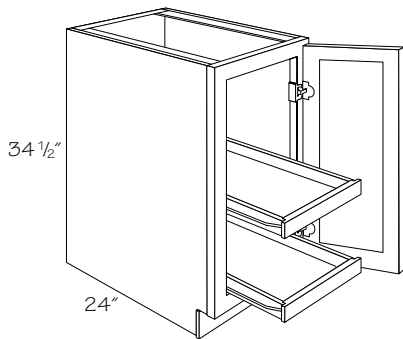


B2412 BUTT.FH
B2712 (Butt).FH
B3012 BUTT.FH

- Two adjustable shelves

- PE
- APC
- RD12
- RD15
- RD18
- RD21
- 1ROT
- 2ROT
- 3ROT
- 4ROT
- 6ROT
- 1FWROT
- 2FWROT
- 2DROT
- 4DROT
- 6DROT
- 2DFWROT
- CFO

Base Full-Height Single Door w/Two Full-Width Trays

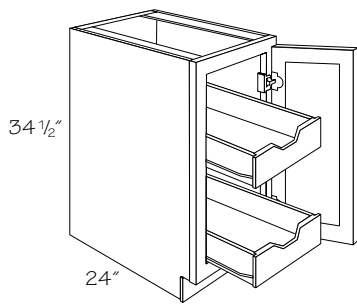


B12 R or L.FH.2FWT
B15 R or L.FH.2FWT
B18 R or L.FH.2FWT
B21 R or L.FH.2FWT
B24 R or L.FH.2FWT

- Specify R or L for single door hinging
- Two standard Full-width Roll-out Trays (FWROT)

- PE
- APC
- RD12
- RD15
- RD18
- RD21
- 1ROT
- 2ROT
- 3ROT
- 4ROT
- 6ROT
- 1FWROT
- 2FWROT
- 2DROT
- 4DROT
- 6DROT
- 2DFWROT
- CFO

Base Full-Height Single Door w/Two Deep Full-Width Trays

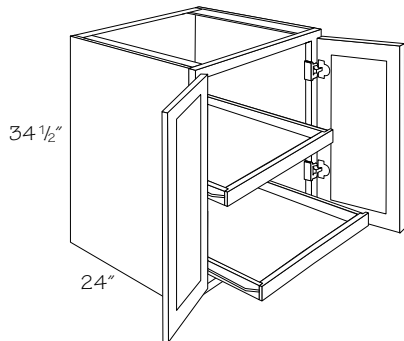


B12 R or L.FH.2DFWT
B15 R or L.FH.2DFWT
B18 R or L.FH.2DFWT
B21 R or L.FH.2DFWT
B24 R or L.FH.2DFWT

- Specify R or L for single door hinging
- Two Deep Full-width Roll-out Trays (DFWROT)

- PE
- APC
- RD12
- RD15
- RD18
- RD21
- 1ROT
- 2ROT
- 3ROT
- 4ROT
- 6ROT
- 1FWROT
- 2FWROT
- 2DROT
- 4DROT
- 6DROT
- 2DFWROT
- CFO

Base Full-Height Double Door w/Two Full-Width Trays



B24 BUTT.FH.2FWT
B27 (Butt).FH.2FWT
B30 BUTT.FH.2FWT
B33 BUTT.FH.2FWT
B36 BUTT.FH.2FWT

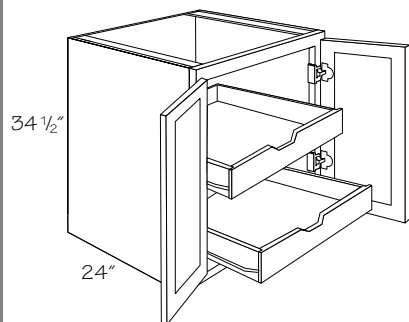
- Two standard Full-width Roll-out Trays (FWROT)



Remember, when designing a space for storing heavy items, avoid using 30–36" wide Roll-Out Trays (ROT). These units are **not** designed for extremely heavy loads

- PE
- APC
- RD12
- RD15
- RD18
- RD21
- 1ROT
- 2ROT
- 3ROT
- 4ROT
- 6ROT
- 1FWROT
- 2FWROT
- 2DROT
- 4DROT
- 6DROT
- 2DFWROT
- CFO

Base Full-Height Double Door w/Two Deep Full-Width Trays

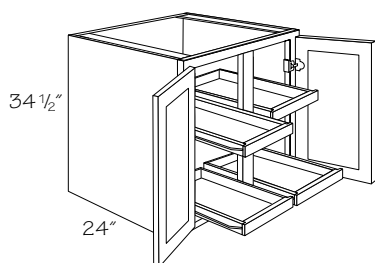


- B24 .BUTT.FH.2DFWT**
- B27 (.Butt).FH.2DFWT**
- B30 .BUTT.FH.2DFWT**
- B33 .BUTT.FH.2DFWT**
- B36 .BUTT.FH.2DFWT**

- Two Deep Full-width Roll-out Trays (DFWROT)

● PE
● APC
RD12
RD15
RD18
RD21
1ROT
2ROT
3ROT
4ROT
6ROT
1FWROT
2FWROT
2DROT
4DROT
6DROT
2DFWROT
CFO

Base Full-Height Double Door w/Four Trays

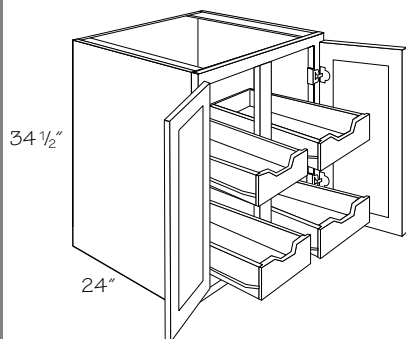


- B39 .FH.4T**
- B42 .FH.4T**
- B45 .FH.4T**
- B48 .FH.4T**

- Four standard Roll-out Trays (ROT)

● PE
● APC
RD12
RD15
● RD18
● RD21
1ROT
2ROT
3ROT
4ROT
6ROT
1FWROT
2FWROT
2DROT
4DROT
6DROT
2DFWROT
CFO

Base Full-Height Double Door w/Four Deep Trays

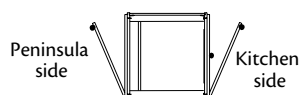
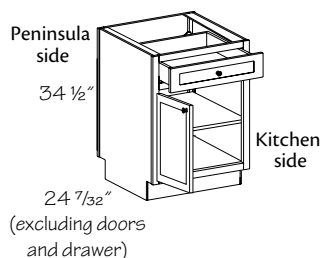


- B39 .FH.4DT**
- B42 .FH.4DT**
- B45 .FH.4DT**
- B48 .FH.4DT**

- Four Deep Roll-out Trays (DROT)

● PE
● APC
RD12
RD15
RD18
RD21
1ROT
2ROT
3ROT
4ROT
6ROT
1FWROT
2FWROT
2DROT
4DROT
6DROT
2DFWROT
CFO

Peninsula Base Single Door

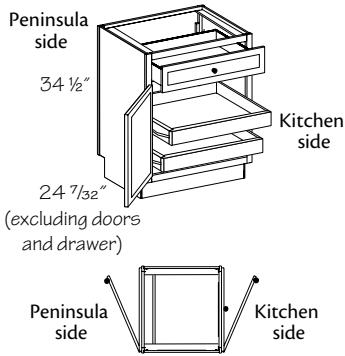


- PB18**
- PB21**
- PB24**

- Peninsula side has false drawer front
- Cabinet door is hinged left on the kitchen side and hinged right on the peninsula side. If a right hinged door is preferred on the kitchen side, install the cabinet with the peninsula side facing the kitchen side

● PE
● APC
RD12
RD15
RD18
RD21
● 1ROT
● 2ROT
3ROT
4ROT
6ROT
1FWROT
2FWROT
● 2DROT
4DROT
6DROT
2DFWROT
CFO

Peninsula Base Single Door w/Two Full-Width Trays

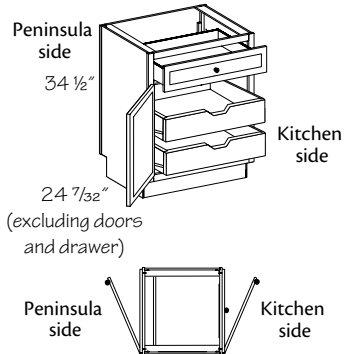


PB18 .2FWT
PB21 .2FWT
PB24 .2FWT

- Peninsula side has false drawer front
- Door hinged left on kitchen side
- Two standard Full-width Roll-out Trays (FWROT)

- PE
- APC
- RD12
- RD15
- RD18
- RD21
- 1ROT
- 2ROT
- 3ROT
- 4ROT
- 6ROT
- 1FWROT
- 2FWROT
- 2DROT
- 4DROT
- 6DROT
- 2DFWROT
- CFO

Peninsula Base Single Door w/Two Deep Full-Width Trays

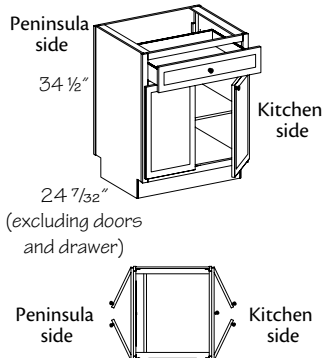


PB18 .2DFWT
PB21 .2DFWT
PB24 .2DFWT

- Peninsula side has false drawer front
- Door hinged left on kitchen side
- Two Deep Full-width Roll-out Trays (DFWROT)

- PE
- APC
- RD12
- RD15
- RD18
- RD21
- 1ROT
- 2ROT
- 3ROT
- 4ROT
- 6ROT
- 1FWROT
- 2FWROT
- 2DROT
- 4DROT
- 6DROT
- 2DFWROT
- CFO

Peninsula Base Double Door

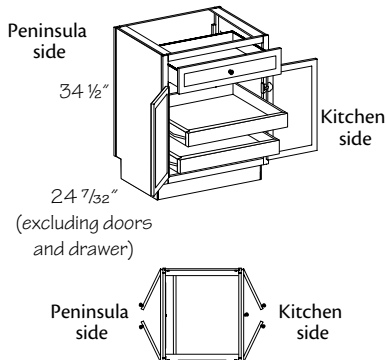


PB24 BUTT
PB27 (Butt)
PB30 BUTT
PB36 BUTT

- One adjustable shelf
- Peninsula side has false drawer front

- PE
- APC
- RD12
- RD15
- RD18
- RD21
- 1ROT
- 2ROT
- 3ROT
- 4ROT
- 6ROT
- 1FWROT
- 2FWROT
- 2DROT
- 4DROT
- 6DROT
- 2DFWROT
- CFO

Peninsula Base Double Door w/Two Full-Width Trays

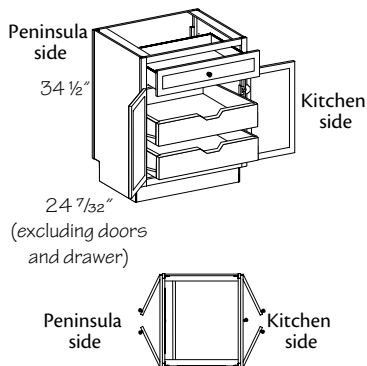


PB24 BUTT.2FWT
PB27 (Butt).2FWT
PB30 BUTT.2FWT
PB36 BUTT.2FWT

- Peninsula side has false drawer front
- Two standard Full-width Roll-out Trays (FWROT)

- PE
- APC
- RD12
- RD15
- RD18
- RD21
- 1ROT
- 2ROT
- 3ROT
- 4ROT
- 6ROT
- 1FWROT
- 2FWROT
- 2DROT
- 4DROT
- 6DROT
- 2DFWROT
- CFO

Peninsula Base Double Door w/Two Deep Full-Width Trays

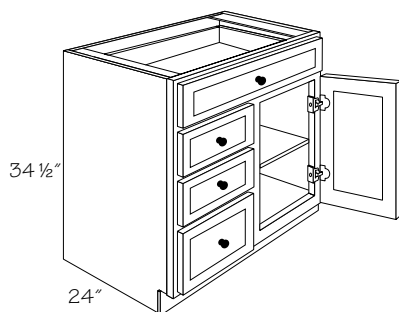


PB24 BUTT.2DFWT
PB27 (Butt).2DFWT
PB30 BUTT.2DFWT
PB36 BUTT.2DFWT

- Peninsula side has false drawer front
- Two Deep Full-width Roll-out Trays (DFWROT)

● PE
● APC
RD12
RD15
RD18
RD21
1ROT
2ROT
3ROT
4ROT
6ROT
1FWROT
2FWROT
2DROT
4DROT
6DROT
2DFWROT
CFO

Base Combination Drawer (4)

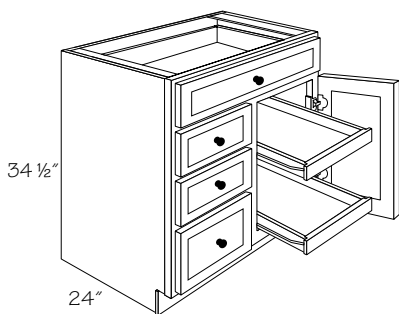


BCD24 DR or DL.4D
BCD30 DR or DL.4D
BCD36 DR or DL.4D

- Specify DL (Drawer Left) or DR (Drawer Right) position for drawers
- Three standard height drawers; top drawer is full-width
- One deep drawer
- One fixed shelf
- Specify DL (Drawer Left) or DR (Drawer Right) position for drawers
- ☆ Deep Roll-out Trays (DROT) are *not* available with reduced depth options

● PE
● APC
RD12
RD15
● RD18
● RD21
● 1ROT
● 2ROT
3ROT
4ROT
6ROT
1FWROT
2FWROT
☆ 2DROT
4DROT
6DROT
2DFWROT
● CFO

Base Combination Drawer (4) w/Two Full-Width Trays

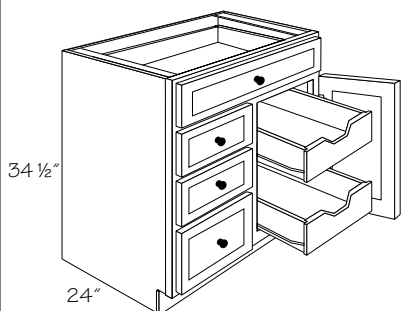


BCD24 DR or DL.4D.2FWT
BCD30 DR or DL.4D.2FWT
BCD36 DR or DL.4D.2FWT

- Specify DL (Drawer Left) or DR (Drawer Right) position for drawers
- Three standard height drawers; top drawer is full-width
- One deep drawer
- Two standard Full-width Roll-out Trays (FWROT)
- Specify DL (Drawer Left) or DR (Drawer Right) position for drawers

● PE
● APC
RD12
RD15
● RD18
● RD21
1ROT
2ROT
3ROT
4ROT
6ROT
1FWROT
2FWROT
2DROT
4DROT
6DROT
2DFWROT
CFO

Base Combination Drawer (4) w/Two Deep Full-Width Trays

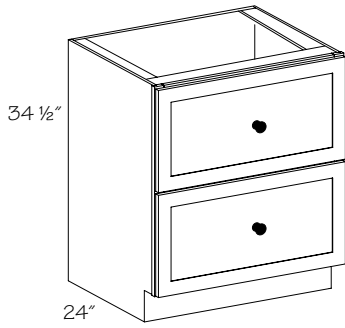


BCD24 DR or DL.4D.2DFWT
BCD30 DR or DL.4D.2DFWT
BCD36 DR or DL.4D.2DFWT

- Specify DL (Drawer Left) or DR (Drawer Right) position for drawers
- Three standard height drawers; top drawer is full-width
- One deep drawer
- Two Deep Full-width Roll-out Trays (DFWROT)
- Specify DL (Drawer Left) or DR (Drawer Right) position for drawers

● PE
● APC
RD12
RD15
RD18
RD21
1ROT
2ROT
3ROT
4ROT
6ROT
1FWROT
2FWROT
2DROT
4DROT
6DROT
2DFWROT
CFO

Base Pots and Pans Storage Two Drawer

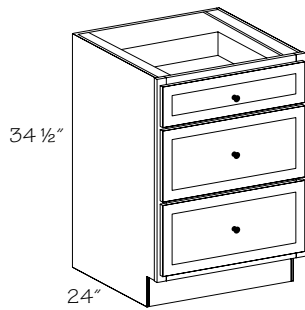


- BPPS27 .2**
- BPPS30 .2**
- BPPS33 .2**
- BPPS36 .2**

- Two 11" tall plywood drawers
- Heavy duty full extension undermount guides
- 3 3/16" wide full-width support cross rail across top front of cabinet
- Drawer interior height is 8 5/8"
- **Note:** Solid wood drawers *not* available

- PE
- APC
- RD12
- RD15
- RD18
- RD21
- 1ROT
- 2ROT
- 3ROT
- 4ROT
- 6ROT
- 1FWROT
- 2FWROT
- 2DROT
- 4DROT
- 6DROT
- 2DFWROT
- CFO

Base Three Drawer

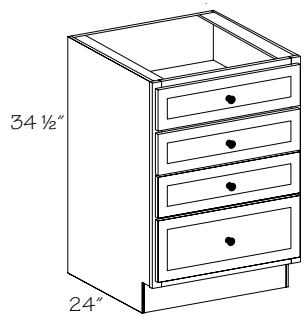


- BD12 .3**
- BD15 .3**
- BD18 .3**
- BD21 .3**
- BD24 .3**
- BD27 .3**
- BD30 .3**
- BD33 .3**
- BD36 .3**

- One standard height drawer
- Two deep drawers
- Full extension undermount soft-close slides on all three drawers

- PE
- APC
- RD12
- RD15
- RD18
- RD21
- 1ROT
- 2ROT
- 3ROT
- 4ROT
- 6ROT
- 1FWROT
- 2FWROT
- 2DROT
- 4DROT
- 6DROT
- 2DFWROT
- CFO

Base Four Drawer



- BD12**
- BD15**
- BD18**
- BD21**
- BD24**
- BD27**

- Three standard height drawers
- One deep drawer

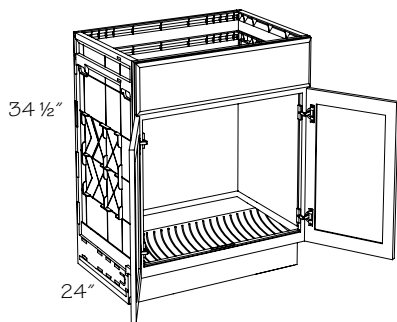
- PE
- APC
- RD12
- RD15
- RD18
- RD21
- 1ROT
- 2ROT
- 3ROT
- 4ROT
- 6ROT
- 1FWROT
- 2FWROT
- 2DROT
- 4DROT
- 6DROT
- 2DFWROT
- CFO

CoreGuard® Sink Base

PE
APC
RD12
RD15
RD18
RD21
1ROT
2ROT
3ROT
4ROT
6ROT
1FWROT
2FWROT
2DROT
4DROT
6DROT
2DFWROT
CFO

- SB30 BUTT.CG
- SB33 BUTT.CG
- SB36 BUTT.CG

- No shelf
- Easy to clean and durable sink base helps protect the cabinetry from everyday leaks and spills
- Back, end and bottom panels are made of an engineered polymer material
- Bottom panel slants 1° toward front of cabinet and has raised ribs to slightly elevate stored items
- Decorative end panel required for end of peninsula or island. **Not** included, order separately
- One full-width false drawer front above doors
- Use CoreGuard® Panel Backer in the paneling section to resolve cutting and installation errors



Opening Sizes		
Cabinet	Top Width	Top Depth
SB30BUTT.CG	27 1/16"	22 3/8"
SB33BUTT.CG	30 1/16"	22 3/8"
SB36BUTT.CG	33 1/16"	22 3/8"



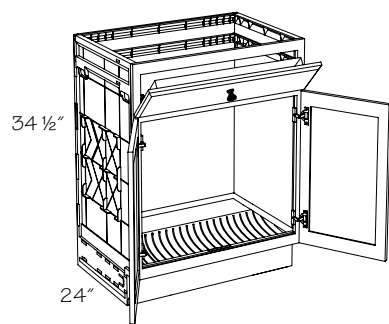
Caution: For an island/peninsula installation, the CoreGuard® Sink cabinet **must** have a minimum of one (1) 15" cabinet or larger installed adjacent to it in order for the island/peninsula to have adequate structural stability. Accessories **cannot** be installed on end panels, back or floor of the cabinet

CoreGuard® Sink Base w/Utensil Tray

PE
APC
RD12
RD15
RD18
RD21
1ROT
2ROT
3ROT
4ROT
6ROT
1FWROT
2FWROT
2DROT
4DROT
6DROT
2DFWROT
CFO

- SB30 BUTT.CG.UT
- SB33 BUTT.CG.UT
- SB36 BUTT.CG.UT

- No shelf
- Easy to clean and durable sink base helps protect the cabinetry from everyday leaks and spills
- Removable high-impact, tilt down, white plastic storage tray installed on backside of drawer front
- Concealed self-closing hinges allow drawer front to tilt down 51° for tray access
- Hinge detent holds drawer front in full open position
- Back, end and bottom panels are made of an engineered polymer material
- Bottom panel slants 1° toward front of cabinet and has raised ribs to slightly elevate stored items
- Decorative end panel required for end of peninsula or island. **Not** included, order separately
- Use CoreGuard® Panel Backer in the paneling section to resolve cutting and installation errors

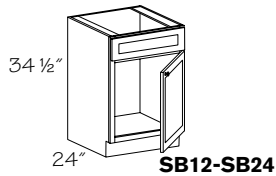


Opening Sizes		
Cabinet	Top Width	Top Depth
SB30BUTT.CG.UT	27 1/16"	22 3/8"
SB33BUTT.CG.UT	30 1/16"	22 3/8"
SB36BUTT.CG.UT	33 1/16"	22 3/8"



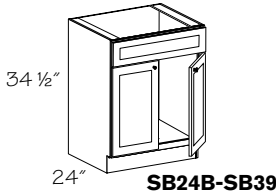
Caution: For an island/peninsula installation, the CoreGuard® Sink cabinet **must** have a minimum of one (1) 15" cabinet or larger installed adjacent to it in order for the island/peninsula to have adequate structural stability. Accessories **cannot** be installed on end panels, back or floor of the cabinet

Wood Sink Base

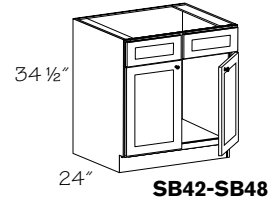


*Single Door
One Drawer*
SB12 R or L.W
SB15 R or L.W
SB18 R or L.W
SB21 R or L.W
SB24 R or L.W

- Specify R or L for single door hinging
- No shelf
- False drawer front(s)



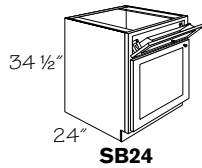
*Double Door
One Drawer*
SB24 BUTT.W
SB27 (Butt).W
SB30 BUTT.W
SB33 BUTT.W
SB36 BUTT.W



*Double Door
Two Drawers*
SB39 .W
SB42 .W
SB48 .W

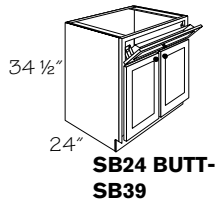
- PE
- APC
- RD12
- RD15
- RD18
- RD21
- 1ROT
- 2ROT
- 3ROT
- 4ROT
- 6ROT
- 1FWROT
- 2FWROT
- 2DROT
- 4DROT
- 6DROT
- 2DFWROT
- CFO

Wood Sink Base w/Utensil Tray

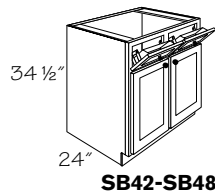


*Single Door
One Utensil Tray*
SB24 R or L.W.UT

- Specify R or L for single door hinging
- No shelf
- Removable high-impact, tilt down, white plastic storage tray installed on backside of drawer front
- Hinge detent holds drawer front in full open position
- Concealed self-closing hinges allow drawer front to tilt down 51° for tray access



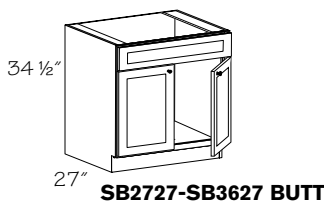
*Double Door
One Utensil Tray*
SB24 BUTT.W.UT
SB27 (Butt).W.UT
SB30 BUTT.W.UT
SB33 BUTT.W.UT
SB36 BUTT.W.UT
SB39 .W.UT



*Double Door
Two Utensil Trays*
SB42 .W.UT
SB48 .W.UT

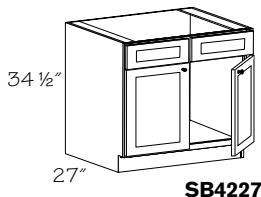
- PE
- APC
- RD12
- RD15
- RD18
- RD21
- 1ROT
- 2ROT
- 3ROT
- 4ROT
- 6ROT
- 1FWROT
- 2FWROT
- 2DROT
- 4DROT
- 6DROT
- 2DFWROT
- CFO

Wood Sink Base 27" Deep



One Drawer Front
SB2727 (Butt).W
SB3027 BUTT.W
SB3327 BUTT.W
SB3627 BUTT.W

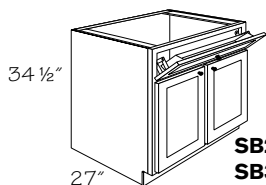
- No shelf
- False drawer front(s)



Two Drawer Fronts
SB4227 .W

- PE
- APC
- RD12
- RD15
- RD18
- RD21
- 1ROT
- 2ROT
- 3ROT
- 4ROT
- 6ROT
- 1FWROT
- 2FWROT
- 2DROT
- 4DROT
- 6DROT
- 2DFWROT
- CFO

Wood Sink Base 27" Deep w/Utensil Tray



**SB2727-
SB3627 BUTT**

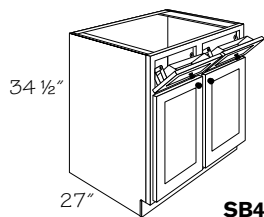
One Utensil Tray

- SB2727 (Butt).W.UT**
- SB3027 BUTT.W.UT**
- SB3327 BUTT.W.UT**
- SB3627 BUTT.W.UT**

Two Utensil Trays

- SB4227 .W.UT**

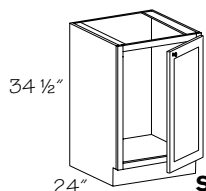
- No shelf
- Removable high-impact, tilt down, white plastic storage tray installed on backside of drawer front
- Hinge detent holds drawer front in full open position
- Concealed self-enclosing hinging allows drawer front to tilt down 51° for tray access



SB4227

- PE
- APC
- RD12
- RD15
- RD18
- RD21
- 1ROT
- 2ROT
- 3ROT
- 4ROT
- 6ROT
- 1FWROT
- 2FWROT
- 2DROT
- 4DROT
- 6DROT
- 2DFWROT
- CFO

Wood Sink Base Full-Height



SB24

*Specify R or L
Single Door*

- SB24 R or L.W.FH**

Double Door

- SB24 BUTT.W.FH**

- SB27 (Butt).W.FH**

- SB30 BUTT.W.FH**

- SB33 BUTT.W.FH**

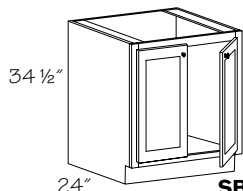
- SB36 BUTT.W.FH**

- SB39 .W.FH**

- SB42 .W.FH**

- SB48 .W.FH**

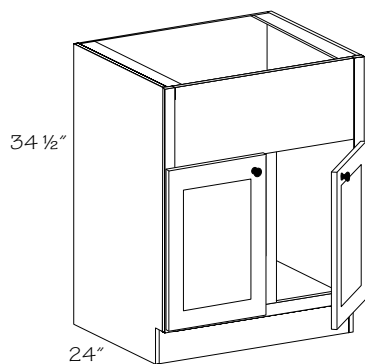
- No shelf



**SB24 BUTT-
SB48**

- PE
- APC
- RD12
- RD15
- RD18
- RD21
- 1ROT
- 2ROT
- 3ROT
- 4ROT
- 6ROT
- 1FWROT
- 2FWROT
- 2DROT
- 4DROT
- 6DROT
- 2DFWROT
- CFO

Deep Sink Base



- DSB30**
- DSB33**
- DSB36**

- No shelf
- Designed for use with "farm/farm house" style sinks
- Trimmable face frame rail across top
- Face frame center stile included on all widths to provide extra sink support



Be sure to follow sink manufacturer specifications and instructions to ensure proper fit.

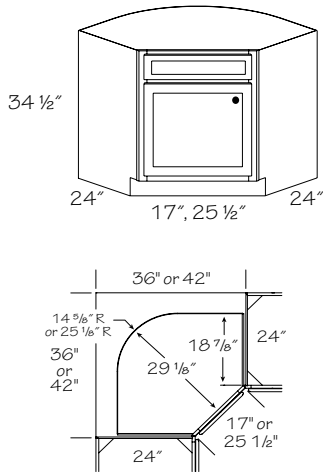
Make sure to choose a cabinet that is at least 4 1/2" wider than the outside sink dimensions

- PE
- APC
- RD12
- RD15
- RD18
- RD21
- 1ROT
- 2ROT
- 3ROT
- 4ROT
- 6ROT
- 1FWROT
- 2FWROT
- 2DROT
- 4DROT
- 6DROT
- 2DFWROT
- CFO

Max. Trimmable Opening Sizes

Cabinet	Max. Width	Max. Height
DSB30	25 1/2"	9 1/2"
DSB33	28 1/2"	9 1/2"
DSB36	31 1/2"	9 1/2"

Sink Base Angle



SBA36 R or L
SBA42 R or L

- Specify R or L for single door hinging
- One full-width false drawer front
- Top panel **must** be cut in field to receive sink
- 29 1/4" minimum doorway clearance required for delivery with cabinet door removed
- Adjacent cabinets can be installed directly without fillers
- Full overlay sink front door and false drawer front are similar in width to 1/2" overlay cabinets in order to avoid interference with adjacent cabinet doors. This exposes more of the cabinet face frame

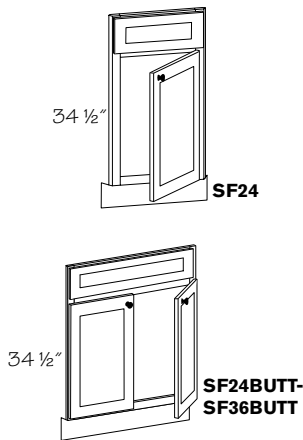
☆ **Note:** Back panel (barrel) will **not** be plywood when APC is ordered



Caution: If cabinet is installed next to an appliance deeper than 25", it may interfere with the cabinet door opening. Options available: A) Use a filler between cabinet and appliance, B) Pull cabinet even with appliance front, which will result in a deeper countertop and overall base cabinet depth dimension

PE
☆ APC
RD12
RD15
RD18
RD21
1ROT
2ROT
3ROT
4ROT
6ROT
1FWROT
2FWROT
2DROT
4DROT
6DROT
2DFWROT
● CFO

Sink Front

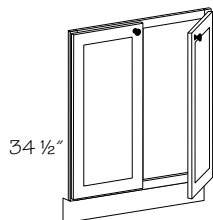


Single Door
SF24 R or L
Double Door
SF24 BUTT
SF30 BUTT
SF36 BUTT

- Specify R or L for single door hinging
- One full-width false drawer front
- **Not** trimmable
- Toe Kick Backer included, shipped unattached
- Bottom panel **not** supplied, order separately. See Sink Front Floor (SFF) in Base Accessories
- Optional Utensil Tray Kit (UTK) is available in Base Accessories

PE
APC
RD12
RD15
RD18
RD21
1ROT
2ROT
3ROT
4ROT
6ROT
1FWROT
2FWROT
2DROT
4DROT
6DROT
2DFWROT
CFO

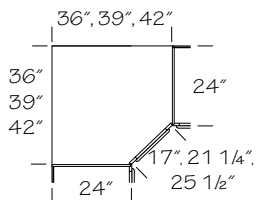
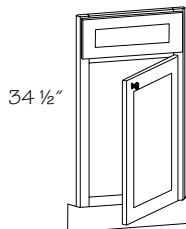
Sink Front Full-Height



SF24 BUTT.FH
SF30 BUTT.FH
SF36 BUTT.FH

- Toe Kick Backer included, shipped unattached
- **Not** trimmable
- Bottom panel **not** supplied, order separately. See Sink Front Floor (SFF) in Base Accessories

PE
APC
RD12
RD15
RD18
RD21
1ROT
2ROT
3ROT
4ROT
6ROT
1FWROT
2FWROT
2DROT
4DROT
6DROT
2DFWROT
CFO

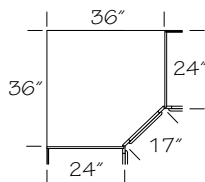
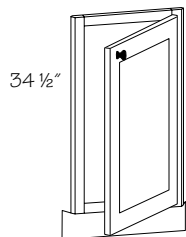


Sink Front Angle

SFA36 R or L
SFA39 R or L
SFA42 R or L

- Specify R or L for single door hinging
- One full-width false drawer front
- Full overlay sink front door and false drawer front are similar in width to 1/2" overlay cabinets in order to avoid interference with adjacent cabinet doors. This exposes more of the cabinet face frame
- Toe Kick Backer included, shipped unattached
- Bottom panel **not** supplied, order separately. See Sink Front Angle Floor (SFAF) in Base Accessories
- Optional Utensil Tray Kit (UTK) is available in Base Accessories

PE
APC
RD12
RD15
RD18
RD21
1ROT
2ROT
3ROT
4ROT
6ROT
1FWROT
2FWROT
2DROT
4DROT
6DROT
2DFWROT
CFO



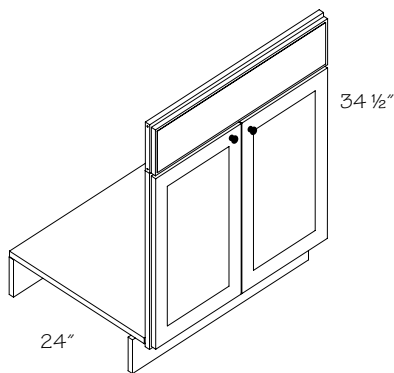
Sink Front Angle Full-Height

SFA36 .FH

- Invertible for right or left hand use
- Full overlay sink front door is similar in width to 1/2" overlay cabinets in order to avoid interference with adjacent cabinet doors. This exposes more of the cabinet face frame
- Toe Kick Backer included, shipped unattached
- Bottom panel **not** supplied, order separately. See Sink Front Angle Floor (SFAF) in Base Accessories

PE
APC
RD12
RD15
RD18
RD21
1ROT
2ROT
3ROT
4ROT
6ROT
1FWROT
2FWROT
2DROT
4DROT
6DROT
2DFWROT
CFO

Removable Sink Front

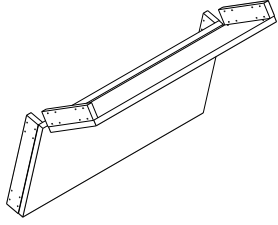


One Drawer Front
RSF30 BUTT
RSF33 BUTT
RSF36 BUTT
Two Drawer Fronts
RSF42

- Designed for easy field conversion from a standard sink base functionality to access open space
- Permanently installed countertop support rail is 6-1/2" high x 3/4" thick solid wood with a factory installed standard height matching false drawer front(s) providing a seamless sink base appearance. (1) full-width drawer front on 30", 33" and 36" widths; (2) false drawer fronts on 42" wide
- If a shorter countertop support is required when used for universal access as additional vertical clearance, a 3" filler can be used in place of the 6 1/2" high support rail. Order separately
- 3/4" thick removable plywood bottom panel with support hardware / leveling legs and a removable clipped-on toeboard provided
- Matching solid wood baseboard provided for bottom panel support along the kitchen wall
- Frame, doors, floor bottom and toeboard can be flat packed for easy storage in a minimum amount of space
- Frame attached to bottom panel using quick connect (cam-locks) fasteners providing a solid tight joint
- Some field assembly required; instructions and hardware included
- A Universal Access Panel (UAP) can be purchased separately to conceal/protect the water and drain lines. See "Panels" section. Please specify specie and finish
- Doors and frame are shipped pre-assembled

PE
APC
RD12
RD15
RD18
RD21
1ROT
2ROT
3ROT
4ROT
6ROT
1FWROT
2FWROT
2DROT
4DROT
6DROT
2DFWROT
CFO

Universal Access Panel



UAP30
UAP33
UAP36
UAP42

- Designed for optional use with Removable Sink Front (RSF) and Universal Removable Sink Front (URSF)
- Conceals/protects drain and water lines
- Includes one 9" and one 15" high, 3/4" thick laminate plywood panel
- Panels are held with hidden spring clips, removable without tools for easy access to plumbing
- **Must** be trimmed when Wood Veneer Paneling (WSK) is used on adjacent cabinets
- Installation instructions and mounting hardware included

PE
APC
RD12
RD15
RD18
RD21
1ROT
2ROT
3ROT
4ROT
6ROT
1FWROT
2FWROT
2DROT
4DROT
6DROT
2DFWROT
CFO

Base Appliance Cabinets

Construction Options and Modifications

- PE Plywood Ends
- APC All Plywood Construction
- RD21 Reduce Depth 21"
- CFO Cabinet Front Only

BMC	30	24	34
code	width	depth	height

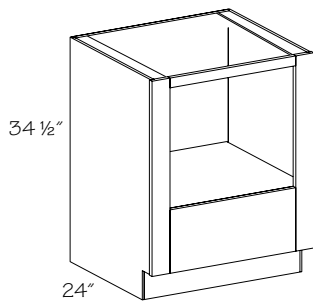
- ☆ Available with exceptions
- Available with an upcharge
- ❖ Included as standard
- (Blank) **Not** available

When BUTT is in all capitals, it **must** be included as part of your ordering nomenclature. A (Butt) in parentheses is for your information and isn't required on an order form.

Material dimensions listed may vary slightly from actual dimensions of the product.

Specifications subject to change without notice.

Base Oven Cabinet Universal



BOCU30
BOCU33

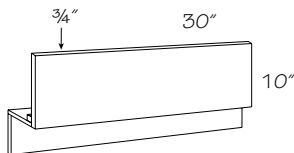
- Designed for under counter mounting of single built-in ovens
- Cabinet has a full-height back
- Includes an adjustable oven platform supported with heavy-duty metal mounting brackets and screws which install into pre-drilled end panel holes at the four corners
- 1/2" end panels
- 3" wide trimmable vertical stiles provide oven opening width adjustment
- 10" high trimmable horizontal rail along the bottom provides opening height adjustment. May be trimmed to 1 1/2"

- PE
- APC
- RD21
- CFO

Opening Sizes		
Cabinet	Min. Opening	*Max. Opening
BOCU30	24" wide x 18 1/2" high	28" wide x 28 1/2" high
BOCU33	27" wide x 18 1/2" high	31" wide x 28 1/2" high
*Bottom rail trimmed to 1 1/2" high and top rail removed		

Drop-In Range Panel

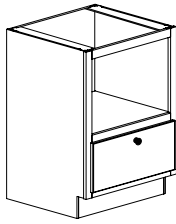
DIP30



- 3/4" thick solid wood panel
- Matching front panel may be trimmed to fit drop-in range
- **Must** be installed between two base cabinets
- Toe Kick Backer included, shipped unattached
- Matching Toe Kick cover (MTK) is required
- Field trim as needed

- PE
- APC
- RD21
- CFO

Base Microwave Cabinet 34" H w/Deep Bottom Drawer



BMC242434
BMC272434
BMC302434

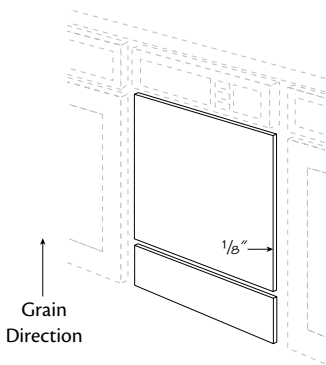
- Matching interior
- 1/2" thick fixed shelf
- Deep bottom drawer with full extension slides
- Designed for countertop style microwaves
- Shelf top surface is 3/16" below face frame rail top edge
- Cabinet opening *cannot* be trimmed

- PE
- APC
- RD21
- CFO

Opening Sizes	
Cabinet	Opening Sizes
BMC242434	15 7/8" high x 21" wide x 23 15/32" deep
BMC272434	15 7/8" high x 24" wide x 23 15/32" deep
BMC302434	15 7/8" high x 27" wide x 23 15/32" deep

Dishwasher Panel

DWP

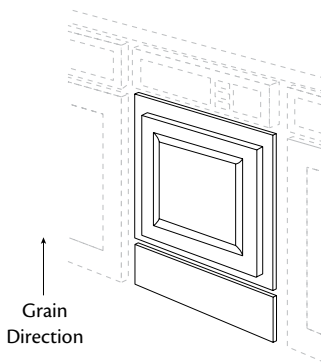


- 1/8" thick veneered plywood panel
- 23 3/4" x 26" high panel
- Provides finished look to dishwasher
- Trimmed to fit installation
- Finished one side only

- PE
- APC
- RD21
- CFO

Dishwasher Raised Panel

DWP .RP



- 1/8" thick veneered plywood panel
- 23 3/4" x 26" high panel
- 22 1/8" wide x 16" high door (both 1/2" and full overlay)
- Provides finished look to dishwasher
- Panel trimmed to fit installation
- May weigh up to 10 lbs. depending on door style
- Hardware to mount door to panel included
- Check with dishwasher manufacturers instructions prior to installing panel

- PE
- APC
- RD21
- CFO

Base Corner Cabinets

Construction Options and Modifications

- ☆ Available with exceptions
- Available with an upcharge
- ❖ Included as standard
- (Blank) **Not** available

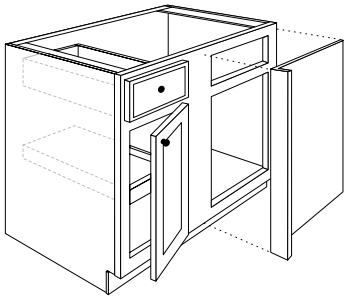
- PE Plywood Ends
- APC All Plywood Construction
- RD12 Reduce Depth 12"
- RD15 Reduce Depth 15"
- RD18 Reduce Depth 18"
- RD21 Reduce Depth 21"
- 1ROT 1 Roll-out Tray
- 2ROT 2 Roll-out Trays
- 1FWROT 1 Full-Width Tray
- 2FWROT 2 Full-Width Trays
- 2DROT 2 Deep Roll-out Trays
- 2DFWROT 2 Deep Full-Width Roll-out Trays
- CFO Cabinet Front Only

PBBC	27	R	•2FWT
code	width	hinge	suffix

Material dimensions listed may vary slightly from actual dimensions of the product.

Specifications subject to change without notice.

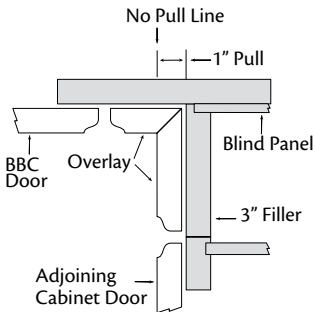
Base Blind Corner Cabinet Information



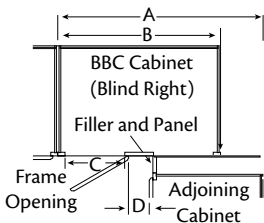
Blind Right (BR)

- R or L indicates blind end of cabinet. Please specify
- Base blind corner cabinets provide access to corner space and permit adjustability of up to 2 7/8" maximum to aid in kitchen layout. Consult chart for "pull" dimensions and minimum wall space requirements
- Do **not** pull cabinet more than 2 7/8". This is **not** the space from the wall to the cabinet. This varies depending on cabinet size
- Door hinged on same side as blind
- Full overlay products **must** be pulled the maximum 2 7/8" for proper hardware clearance for drawer and roll-out tray of adjoining cabinet
- Base Filler Overlays (BFOL) available separately for all full overlay door styles. Overlays are used to cover the exposed filler and frame. This provides a continuous door appearance. Overlays **must** be field cut (mitered) to required width determined by cabinet "pull". See Filler Overlay Detail below
- **Note:** A 3" Base Filler and Blind Panel is included with each BBC cabinet ordered, shipped unattached

Filler Overlay Detail Full Overlay Door Styles



Base Blind Corner



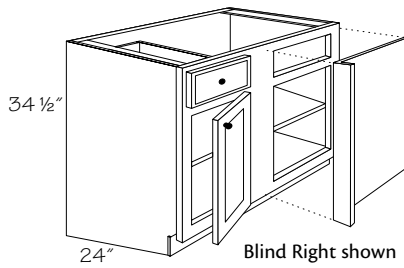
1/2" Overlay

Base Blind Corner	(A) Wall Space		(B) Cabinet Width	(C) Frame Opening		(D) Door Hardware Clearance	
	No Pull	Max Pull		Drawer Opening	Door Opening	No Pull	Max Pull
	BBC27	36"	38 7/8"	24"	5" h x 7 1/2" w	7 1/2" h x 20 1/2" w	1 1/2"
BBC30	39"	41 7/8"	30"	5" h x 10 1/2" w	10 1/2" h x 20 1/2" w	1 1/2"	4 3/8"
BBC33	42"	44 7/8"	36"	5" h x 13 1/2" w	13 1/2" h x 20 1/2" w	1 1/2"	4 3/8"
BBC36	45"	47 7/8"	42"	5" h x 16 1/2" w	16 1/2" h x 20 1/2" w	1 1/2"	4 3/8"
BBC39	48"	50 7/8"	48"	5" h x 19 1/2" w	19 1/2" h x 20 1/2" w	1 1/2"	4 3/8"

Full Overlay

Base Blind Corner	(A) Wall Space		(B) Cabinet Width	(C) Frame Opening		(D) Door Hardware Clearance	
	No Pull	Max Pull		Drawer Opening	Door Opening	No Pull	Max Pull
BBC27	36"	38 7/8"	24"	5" h x 7 1/2" w	7 1/2" h x 20 1/2" w	13/16"	3 11/16"
BBC30	39"	41 7/8"	30"	5" h x 10 1/2" w	10 1/2" h x 20 1/2" w	13/16"	3 11/16"
BBC33	42"	44 7/8"	36"	5" h x 13 1/2" w	13 1/2" h x 20 1/2" w	13/16"	3 11/16"
BBC36	45"	47 7/8"	42"	5" h x 16 1/2" w	16 1/2" h x 20 1/2" w	13/16"	3 11/16"
BBC39	48"	50 7/8"	48"	5" h x 19 1/2" w	19 1/2" h x 20 1/2" w	13/16"	3 11/16"

Base Blind Corner



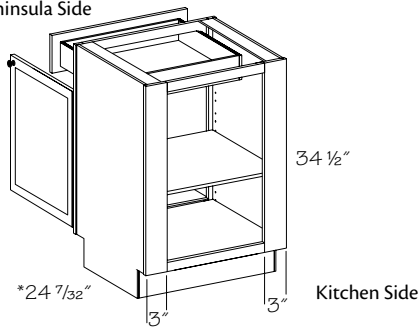
- BBC39 R or L**
- BBC42 R or L**
- BBC45 R or L**
- BBC48 R or L**
- BBC51 R or L**

- Specify R or L; R or L indicates blind
- One drawer
- Blind Panel with 3" filler included, shipped unattached
- ☆ Roll-out Trays (ROT) **cannot** be included when a Reduced Depth (RD) option of less than 18" is selected
- When depth is reduced to 12" or 15", drawers become a false front

● PE
● APC
● RD12
● RD15
● RD18
● RD21
☆ 1ROT
2ROT
1FWROT
2FWROT
2DROT
2DFWROT
● CFO

Peninsula Base Blind Corner Single Door

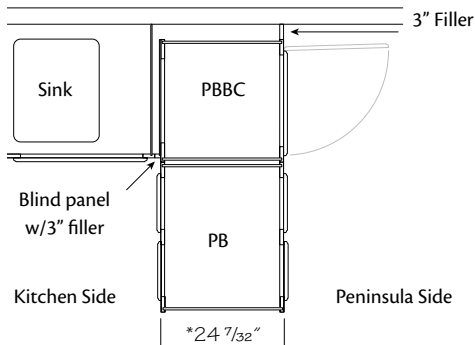
Peninsula Side



PBBC27 R or L

- Specify R or L for single door hinging
- One adjustable shelf
- Cabinet is 24" wide
- Cabinet can be pulled a maximum of 3" from wall
- Working drawer and door(s) on peninsula side
- Use to start a peninsula run
- One 3" filler (BF3) included, shipped unattached
- Blind Panel with 3" filler included, shipped unattached
- Back face frame pre-drilled for optional roll out trays

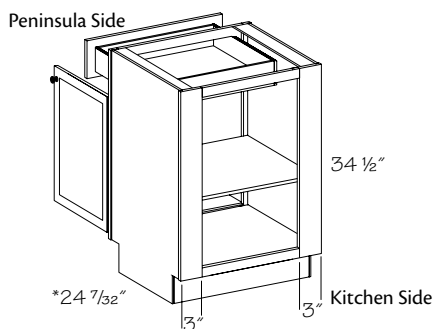
● PE
● APC
RD12
RD15
RD18
RD21
● 1ROT
● 2ROT
1FWROT
2FWROT
● 2DROT
2DFWROT
CFO



*Excluding door and drawer

Illustration is Right Hand hinging

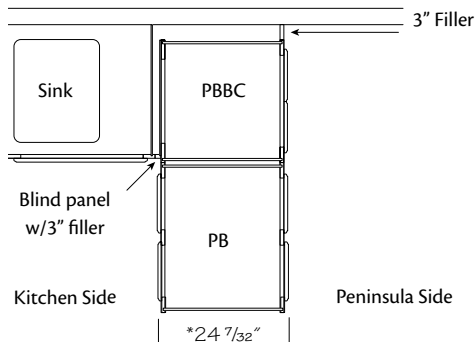
Peninsula Base Blind Corner Double Door



PBBC27 BUTT

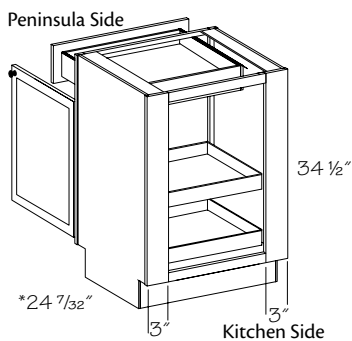
- One adjustable shelf
- Cabinet is 24" wide
- Cabinet can be pulled a maximum of 3" from wall
- Working drawer and door(s) on peninsula side
- Use to start a peninsula run
- One 3" filler (BF3) included, shipped unattached
- Blind Panel with 3" filler included, shipped unattached
- Back face frame pre-drilled for optional roll out trays

● PE
● APC
RD12
RD15
RD18
RD21
1ROT
2ROT
● 1FWROT
● 2FWROT
2DROT
● 2DFWROT
CFO



*Excluding door and drawer

Peninsula Base Blind Corner w/Two Full-Width Trays



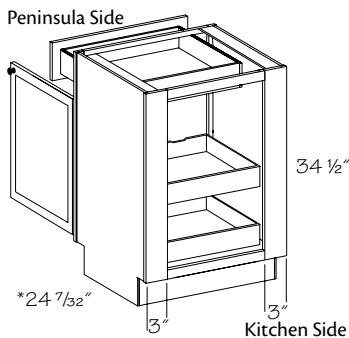
PBBC27 R or L.2FWT
PBBC27 BUTT.2FWT

- Specify R or L for single door hinging
- Cabinet is 24" wide
- Cabinet can be pulled a maximum of 3" from wall
- Working drawer and door(s) on peninsula side
- Use to start a peninsula run
- One 3" filler (BF3) included, shipped unattached
- Blind Panel with 3" filler included, shipped unattached
- Two standard Full-width Roll-out Trays (FWROT)
- Back face frame pre-drilled for optional roll out trays

● PE
● APC
RD12
RD15
RD18
RD21
1ROT
2ROT
1FWROT
2FWROT
2DROT
2DFWROT
CFO

*Excluding door and drawer

Peninsula Base Blind Corner w/Two Deep Full-Width Trays



PBBC27 R or L.2DFWT
PBBC27 BUTT.2DFWT

- Specify R or L for single door hinging
- Cabinet is 24" wide
- Cabinet can be pulled a maximum of 3" from wall
- Working drawer and door(s) on peninsula side
- Use to start a peninsula run
- One 3" filler (BF3) included, shipped unattached
- Blind Panel with 3" filler included, shipped unattached
- Two Deep Full-width Roll-out Trays (DFWROT)
- Back face frame pre-drilled for optional roll out trays

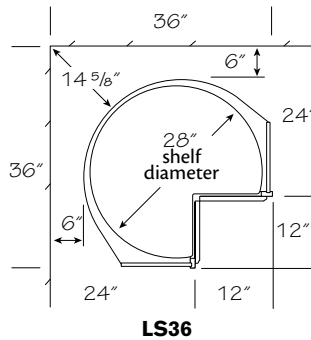
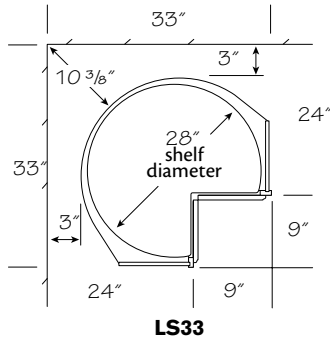
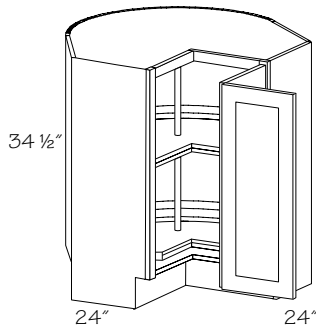
● PE
● APC
RD12
RD15
RD18
RD21
1ROT
2ROT
1FWROT
2FWROT
2DROT
2DFWROT
CFO

*Excluding door and drawer

Lazy Susan

PE
☆ APC
RD12
RD15
RD18
RD21
1ROT
2ROT
1FWROT
2FWROT
2DROT
2DFWROT
● CFO

LS33 R or L
LS36 R or L



- Specify R or L for single door hinging
- Two 28" diameter high impact, pie-cut revolving white plastic shelves
- Shelves rotate independently of doors and each other
- Shelf load rating of 15 lbs. per square foot, **not** to exceed 50 lbs.
- Two piece bi-fold door with independent adjustment
- 168° opening hinges on face frame door
- Full overlay door style face frame stiles are notched to accept door hinges. Door hinging **cannot** be inverted in field
- ☆ **Note:** Back panel (barrel) will **not** be plywood when APC is ordered
- **Note:** Soft-close action hinges are **not** available

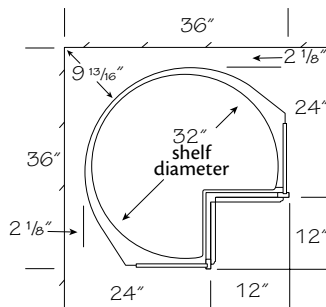
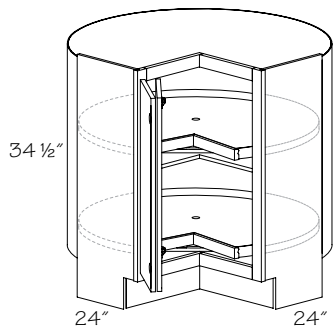


Caution: If cabinet is installed next to an appliance deeper than 25", it may interfere with the cabinet door opening. Options available: A) Use a filler between cabinet and appliance, B) Pull cabinet even with appliance front, which will result in a deeper countertop and overall base cabinet depth dimension

Wood Lazy Susan

PE
☆ APC
RD12
RD15
RD18
RD21
1ROT
2ROT
1FWROT
2FWROT
2DROT
2DFWROT
● CFO

LS36 R or L.WLS

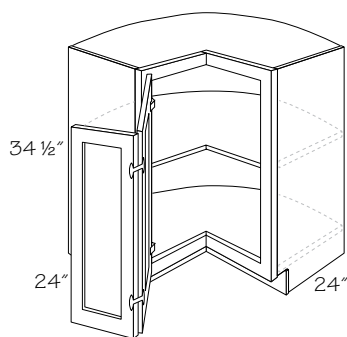


- Specify R or L for single door hinging
- Two 32" diameter pie-cut revolving wood shelves
- Shelves rotate independently of doors and each other
- Shelf height **cannot** be adjusted
- Shelf load rating of 15 lbs. per square foot, **not** to exceed 50 lbs.
- Two piece bi-fold door with independent adjustment
- 33" minimum doorway clearance suggested for delivery
- 168° opening hinges on face frame door
- Full overlay door style face frame stiles are notched to accept door hinges. Door hinging **cannot** be inverted in field
- ☆ **Note:** Back panel (barrel) will **not** be plywood when APC is ordered
- **Note:** Soft-close action hinges are **not** available

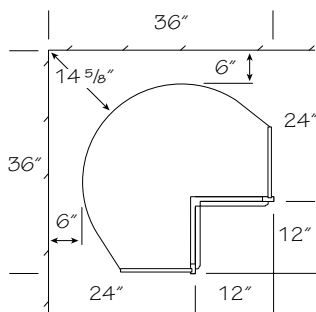


Caution: If cabinet is installed next to an appliance deeper than 25", it may interfere with the cabinet door opening. Options available: A) Use a filler between cabinet and appliance, B) Pull cabinet even with appliance front, which will result in a deeper countertop and overall base cabinet depth dimension

Base Corner Fixed Shelf



BCFS36 R or L



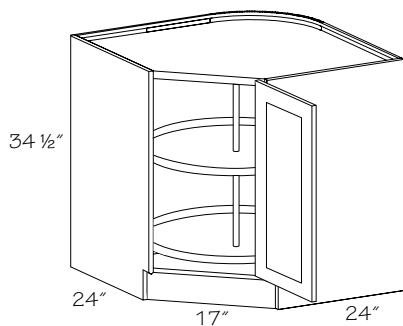
- Specify R or L for single door hinging
- One fixed, pie-cut shelf in center position (**not** adjustable)
- Two piece bi-fold door with independent adjustment
- 168° opening hinges on face frame door
- Full overlay door style face frame stiles are notched to accept door hinges. Door hinging **cannot** be inverted in field
- ☆ **Note:** Back panel (barrel) will **not** be plywood when APC is ordered
- **Note:** Soft-close action hinges are **not** available

PE
☆ APC
RD12
RD15
RD18
RD21
1ROT
2ROT
1FWROT
2FWROT
2DROT
2DFWROT
● CFO

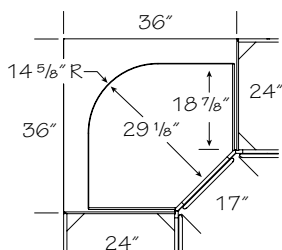


Caution: If cabinet is installed next to an appliance deeper than 25", it may interfere with the cabinet door opening. Options available: A) Use a filler between cabinet and appliance, B) Pull cabinet even with appliance front, which will result in a deeper countertop and overall base cabinet depth dimension

Lazy Susan Angle



LSA36 R or L



- Specify R or L for single door hinging
- Two 28" diameter high impact white plastic rotating shelves
- Shelves rotate independently of doors and each other
- Shelf load rating of 15 lbs. per square foot, **not** to exceed 50 lbs.
- Adjacent cabinets can be installed directly without fillers
- Requires 36" of wall space in each direction
- 29 1/4" minimum doorway clearance required for delivery with cabinet door removed
- Full and 1/2" overlay diagonal door widths are similar to avoid interference with adjacent cabinet doors
- ☆ **Note:** Back panel (barrel) will **not** be plywood when APC is ordered
- **Note:** Soft-close action hinges are **not** available

PE
☆ APC
RD12
RD15
RD18
RD21
1ROT
2ROT
1FWROT
2FWROT
2DROT
2DFWROT
● CFO



Caution: If cabinet is installed next to an appliance deeper than 25", it may interfere with the cabinet door opening. Options available: A) Use a filler between cabinet and appliance, B) Pull cabinet even with appliance front, which will result in a deeper countertop and overall base cabinet depth dimension

Base End Run Cabinets

Construction Options and Modifications

APC All Plywood Construction
CFO Cabinet Front Only

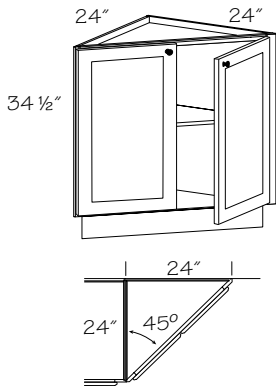
BEA	12	R
code	depth	hinge

- ☆ Available with exceptions
- Available with an upcharge
- ❖ Included as standard
- (Blank) **Not** available

Material dimensions listed may vary slightly from actual dimensions of the product.

Specifications subject to change without notice.

Base Corner Angle

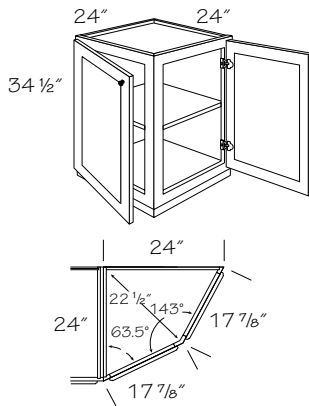


BCA24 BUTT

- APC
- CFO

- One adjustable shelf
- For use at the right or left end of cabinet run or in a corner

Base End Corner

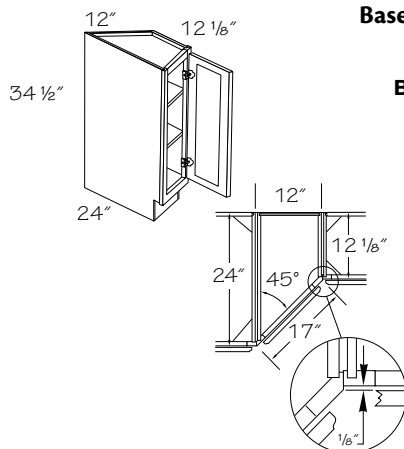


BEC24

- APC
- CFO

- One adjustable shelf
- Two full-height doors
- For use at the right or left end of cabinet run or in a corner

Base End Angle



BEA12 R or L

- APC
- CFO

- Specify R or L for single door hinging
- Two adjustable shelves
- Specify R or L hand to designate 12" deep orientation
- Designed to transition from 24" deep base cabinet to 12" deep base cabinet
- 24" deep end **not** designed to be exposed
- Full and 1/2" overlay diagonal door widths are similar to avoid interference with adjacent cabinet doors

Base Specialty Cabinets

Construction Options and Modifications

PE Plywood Ends
APC All Plywood Construction

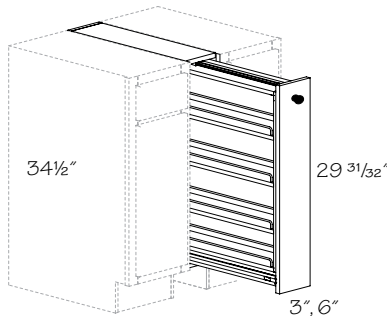
BWBT	18	•2
code	width	suffix

- ☆ Available with exceptions
- Available with an upcharge
- ❖ Included as standard
- (Blank) **Not** available

Material dimensions listed may vary slightly from actual dimensions of the product.

Specifications subject to change without notice.

Base Filler Pull-Out



BFP3

2 3/4" shelf width; 1 3/4" usable space between chrome rails; 3 1/16" required between adjacent cabinets

BFP6

5 3/4" shelf width; 4 3/4" usable space between chrome rails; 6 1/16" required between adjacent cabinets

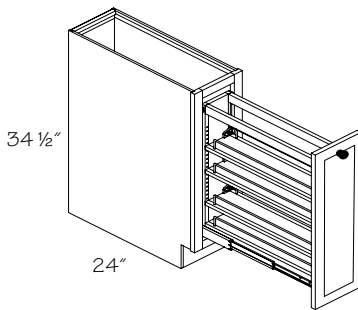
- 3/4" thick solid wood pre-drilled filler included, shipped unattached
- Wood filler aligns with face frames of adjacent wall cabinets
- Three adjustable hardwood shelves
- Full extension runners; one on top, two on bottom
- **Must** be installed between two base cabinets
- Natural finish hardwood interior



Do **not** use filler pullouts at the end of cabinet runs or next to appliances. They **must** be installed between two cabinets or a cabinet and an end panel

PE
APC

Base Pantry Pull-Out

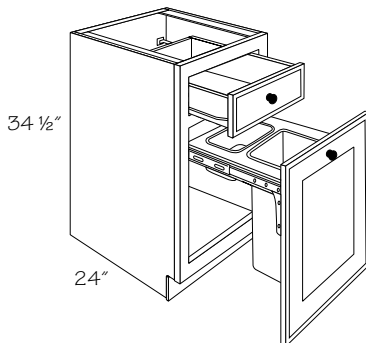


BPP9

- Four-tier (three adjustable shelves) Maple base organizer with clear coat finish
- Full-height door attached to pull-out
- Tiers are 3 3/4" wide
- 1/4" diameter chrome plated steel rail side extensions help prevent stored items from falling out, yet still viewable
- White epoxy coated full-extension ball bearing slides

● PE
● APC

Base Top Mount Wastebasket – Single



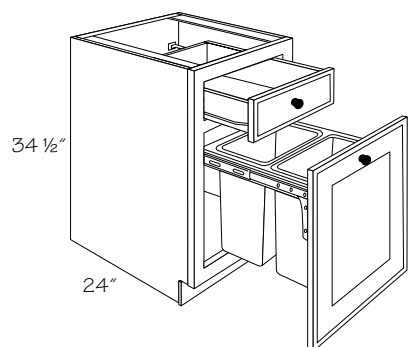
BWBT15

- One standard height full-width drawer
- Includes one 35 qt. white plastic basket and one 5 1/2" deep white plastic tray for garbage bag storage
- Basket is easily removable for emptying or cleaning
- Wastebasket assembly rolls out on full-extension ball-bearing slides
- Basket and tray rest on solid wood frame

● PE
● APC

Base Top Mount Wastebasket – Double

● PE
● APC

**BWBT18 .2**

- One standard height full-width drawer
- Includes two 35 qt. capacity white baskets
- Baskets are easily removable for emptying or cleaning
- Baskets rest on solid wood frame
- Wastebasket assembly rolls out on full-extension ball-bearing slides

Base Accessories

Construction Options and Modifications

M Maple

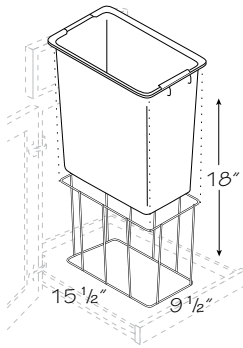
BFOL	3	•30
code	width	suffix

- ☆ Available with exceptions
- Available with an upcharge
- ◆ Included as standard
- (Blank) **Not** available

Specifications subject to change without notice.

Base Wastebasket ROT Floor Mount Kit

M

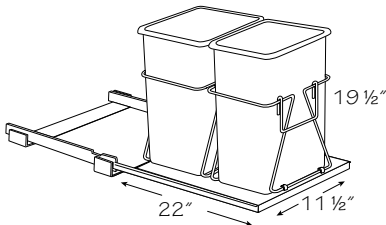


BWBFMK .ROT

- Requires base cabinet roll-out tray in the bottom position, **not** included
- Fits base cabinets 15" or wider
- White epoxy coated wire
- Includes 30 qt. white plastic bin
- Installation instructions and mounting hardware included

Base Wastebasket Floor Mount Kit

M

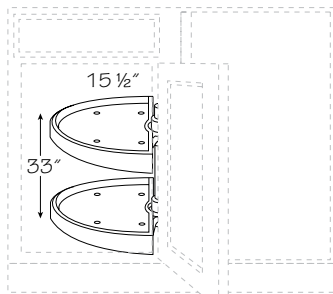


BWBFMK .2

- Bins mounted on white laminated platform with full extension slides
- 11 1/2" wide pull out, fits minimum 15" single door cabinet or 27" double door cabinet unless cabinet is butt door
- White epoxy coated wire
- Includes two 27-qt. white plastic bins
- Load rated at 40 lbs.
- Does **not** fit 9" or 12" wide base or 27" wide base with center stile
- Installation instructions and mounting hardware included

Base Blind Corner Lazy Susan Kit

M



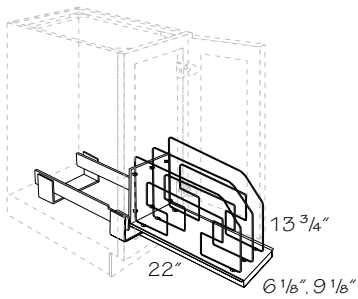
BSOS48 shown

LSK45
LSK48

- Two high-impact white plastic half-moon swing-out shelves
- LSK45 shelves supports up to 45 lbs. and is 31 9/16" x 12 1/2"; requires 13 1/4" minimum cabinet opening (BBC45)
- LSK48 shelves supports up to 45 lbs. and is 33" x 15 1/2"; requires 16 1/16" minimum cabinet opening (BBC48 and BBC51)
- Bottom shelf pulls out for easy access
- Fixed height shelves attach to center post (included) and rotate independently to 90°
- Installation instructions and mounting hardware included

Wire Tray Divider Roll-out

M



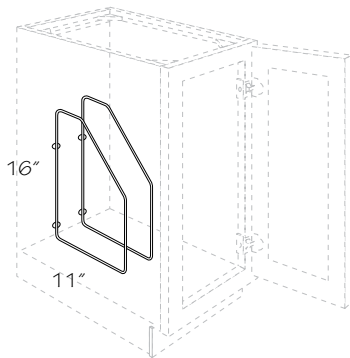
WTDRO9 shown

WTDRO9 2 partitions
WTDRO12 3 partitions

- White epoxy coated wire
- 3/4 extension sides
- For 9" or 12" wide base cabinets
- Load rated at 20 lbs.
- Installation instructions and mounting hardware included

Wire Tray Divider Kit

M

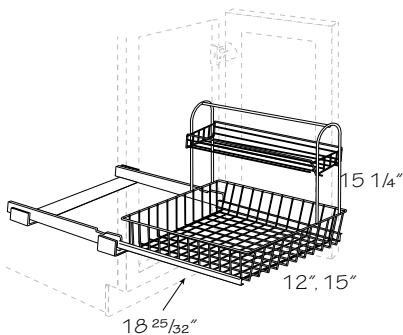


WTDK16

- White epoxy coated wire
- Installation instructions and mounting hardware included

Under Sink Tote

M

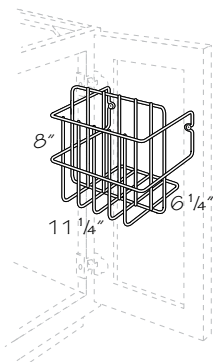


UST12
UST15

- White epoxy coated wire
- Designed for under sink storage; maximizes space around plumbing fixtures
- 3/4 extension roll-out assembly mounts to floor of cabinet
- Load rated at 20 lbs.
- Installation instructions and mounting hardware included

Foil Box Rack

M

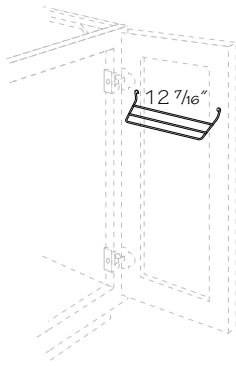


FBRK18

- White epoxy coated wire
- Installation instructions and mounting hardware included
- Designed to fit a 36" Sink Base (SB36)

Door Mount Towel Bar

M

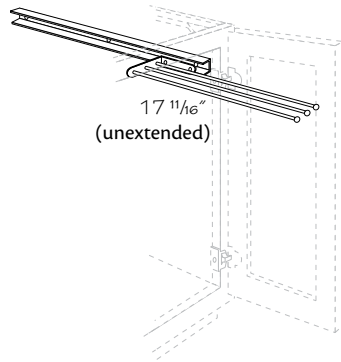


DMTB

- White epoxy coated wire
- Three 10" long towel bars
- Designed to fit Sink Base (SB33) cabinets or wider
- Installation instructions and mounting hardware included

Sliding Towel Bar

M

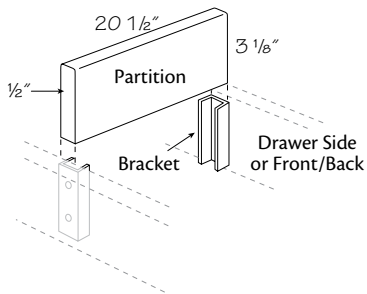


STB

- Three-prong chrome-plated 17" long wire towel bars
- Mounts to interior of cabinet side panel
- Slides on ball bearing slides
- Designed for sink base or 21" deep vanity bowl cabinets
- Installation instructions and mounting hardware included

Drawer Partition

M



DPK

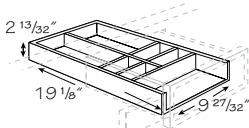
- Natural finish hardwood
- Kit contains two self-adhesive end brackets and one natural finished hardwood divider
- Brackets are clear plastic and include two holes for optional screw attachment to drawer side (screws **not** included)
- For use in all drawers and Deep Roll-out Trays (DROT)
- Field trim divider to fit
- Installation instructions and mounting hardware included

Drawer Organizer Kit

M

DOKN

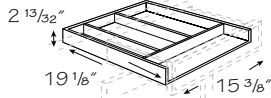
Suggested layouts are shown
(including dividers)



DOKN DOKW

DOKW

Suggested layouts are shown
(including dividers)

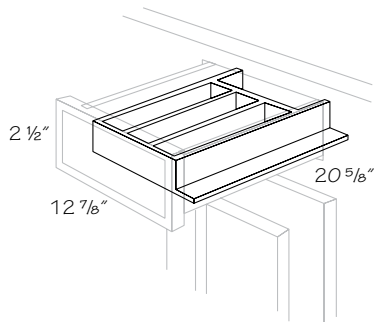


- Natural finish hardwood
- Adjustable drawer organizing system
- DOKN fits B15 and wider drawers
- DOKW fits B21 and wider drawers
- DOKN includes:
 - two dividers: 14 17/32" long x 2 1/4" high x 3/8" thick;
 - three dividers: 2 11/16" long x 2 1/4" high x 3/8" thick;
 - four dividers: 4 1/4" long x 2 1/4" high x 3/8" thick
- DOKW includes:
 - three dividers: 14 17/32" long x 2 1/4" high x 3/8" thick;
 - four dividers: 2 17/32" long x 2 1/4" high x 3/8" thick;
 - two dividers: 5 17/32" long x 2 1/4" high x 3/8" thick;
 - four dividers: 8 17/32" long x 2 1/4" high x 3/8" thick
- Installation instructions and mounting hardware included

Cutlery Divider Kit

◆ M

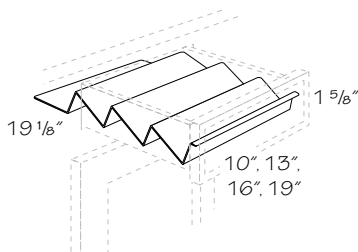
CDK18



- Five compartment cutlery organizer for 18" wide cabinets; can be cut down for 15" wide cabinets
- Natural wood grain laminate
- 1 7/16" **must** be field cut off back edge

Spice Drawer Insert Kit

M

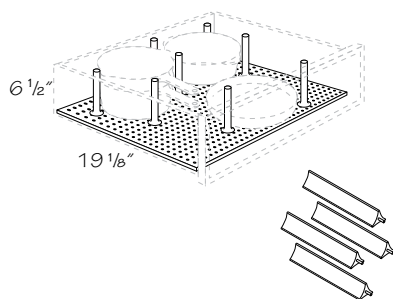


Height	Width
SDIK15	1 5/8" 10"
SDIK18	1 5/8" 13"
SDIK21	1 5/8" 16"
SDIK24	1 5/8" 19"

- Textured white polymer plastic
- Trimmed to fit installation

Pegged Deep Drawer Organizer

M



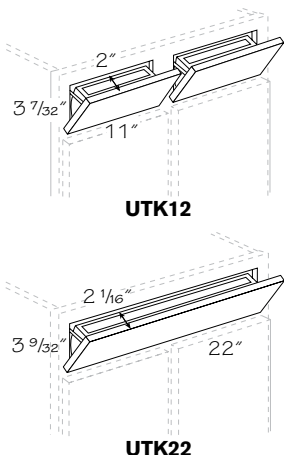
PDO30
PDO36

Width
27 1/2"
30 7/8"

- Natural finish hardwood
- For securing pots, pans, plates and other bulky items in deep drawers of cabinets
- Kit includes eight 6" long triangular shaped natural finished solid hardwood pegs with a metal locating pin extended out of one end
- Additional triangular hardwood pegs are available in quantity of 4; order SKU: PDOPK/4CT

Utensil Tray Kit

M



UTK12
UTK22

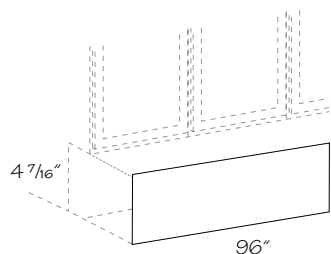
- Removable high-impact white plastic tray installs on backside of drawer front for convenient out-of-sight storage of small items, soap, scouring pads, etc.
- Installation instructions and mounting hardware included
- UTK22 fits sink base cabinets 27" through 39" wide
- UTK12 fits sink base cabinets 30" or wider
- Concealed self-closing hinges allow drawer front to tilt down 51° for tray access
- Hinge detent holds drawer front in full open position
- Order decorative hardware separately



If installing one UTK12 on a 24" or 27" wide sink base, consider utilizing the second tray on the backside for storage

Toe Kick

❖ M



Laminate - 1/8" thick MDF

MTK8
MTK8 .4

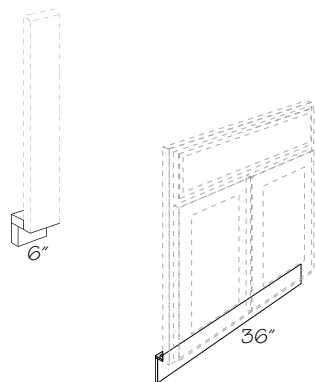
Wood Veneer - 1/8" thick plywood

WMTK8
WMTK8 .4

- Edges are unfinished
- Field installation only
- Offered individually or four per carton (32 ft.)
- **Note:** Matching toe kick is **not** automatically supplied with cabinets. It **must** be ordered as a separate item

Toe Kick Backer

❖ M



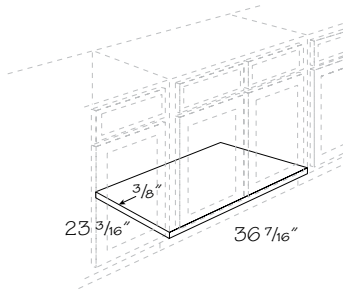
TKBK6
TKBK36

- Plywood construction
- Provides support for matching toe kick cover
- Shipped assembled
- Field trim as needed
- TKBK6 for use with Base Fillers (BF3 and BF6)
- TKBK36 for use with Sink Fronts (SF and SFA) and Drop-in Range Panel (DIP30)

Sink Front Floor

M

SFF2336

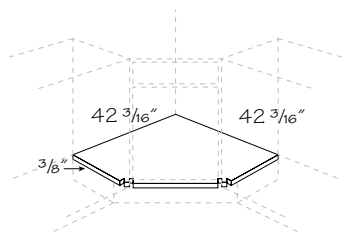


- Easy to clean natural wood grain laminate on one side; backside unfinished
- Natural wood grain laminate
- Grain direction runs lengthwise
- Field trim as needed
- Installation screws included
- Available in All Plywood Construction (APC)

Sink Front Angle Floor

M

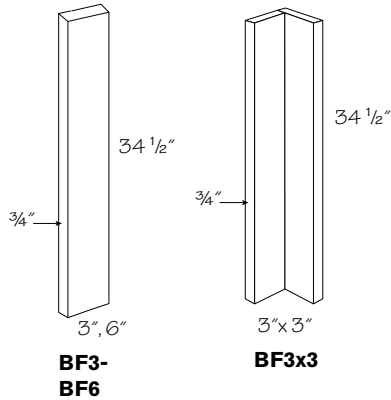
SFAF4242



- Easy to clean natural wood grain laminate on one side; backside unfinished
- Natural wood grain laminate
- Field trim as needed
- Installation screws included
- Available in All Plywood Construction (APC)

Base Filler

◆ M

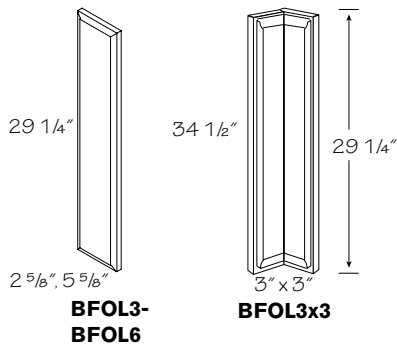


BF3
BF6
BF3X3

- 3/4" thick solid wood
- BF3X3 shipped assembled
- Backside of filler **not** finished

Base Filler Overlay

◆ M

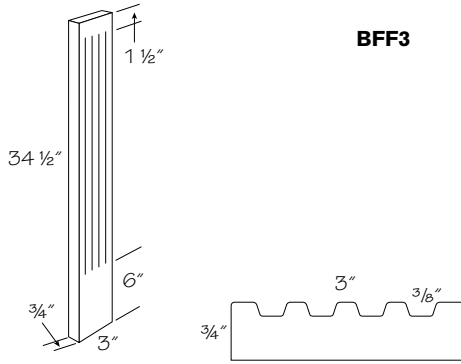


BFOL3.30
BFOL6.30
BFOL3X3

- Available in full overlay door styles only
- 3/4" thick with matching profile on all four edges, sized to match door height of adjacent cabinet
- Spacers installed on backside to align with doors of adjacent cabinet
- Mounting hardware included

Base Fluted Filler

◆ M

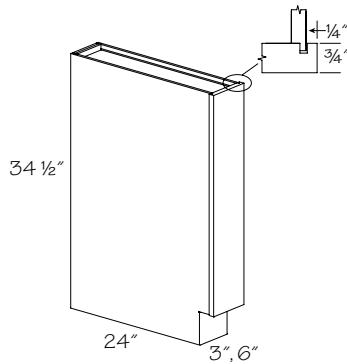


BFF3

- 3/4" thick solid wood
- Use between cabinets or to create a column effect. Can be combined with other moldings and panels for decorative effects
- Four flutes
- Backside of filler **not** finished

Base Box

◆ M

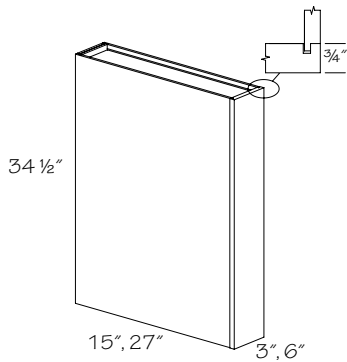


**BB3
BB6**

- Front is 3/4" solid wood
- End panels are recessed 1/4"
- Finished front and both sides
- Vertical wood grain
- May be used on either right or left end
- **Not** available in All Plywood Construction (APC)
- Available with Plywood Ends (PE)

Base Column

◆ M

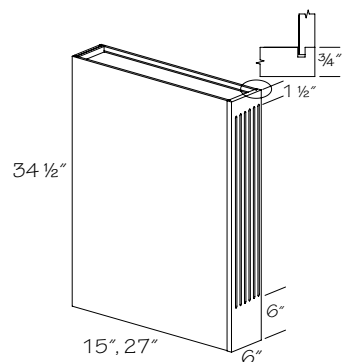


3" Wide
**BC315
BC327**
6" Wide
**BC615
BC627**

- Front is 3/4" solid wood
- Finished front and both sides
- No toe kick
- Vertical wood grain
- Flush end panels
- **Not** available in All Plywood Construction (APC)
- Available with Plywood Ends (PE)

Base Fluted Column

◆ M

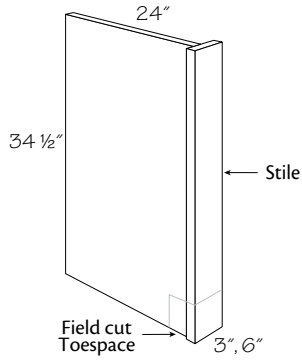


**BFC615
BFC627**

- Fluted front is 3/4" solid wood
- Six flutes
- Finished front and both sides
- No toe kick
- Flush end panels
- Vertical wood grain
- May be used on either right or left end
- **Not** available in All Plywood Construction (APC)
- Available with Plywood Ends (PE)

Base End Panel w/Stile

◆ M

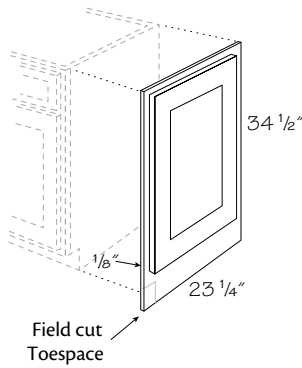


BEP3
BEP6

- For right or left hand use
- The mounting cleat is finished but is **not** a matching wood species to the face
- Toospace notch **must** be field cut
- Available in All Plywood Construction (APC)
- Available with Plywood Ends (PE)

Matching Base End Panel

◆ M



MBEP2434

- Provides a finished furniture look to 34 1/2" base cabinets
- Includes end panel with decorative door
- For right or left hand use
- 1/8" thick veneered plywood panel
- Full overlay door styles; door shipped attached to panel
- 1/2" overlay door styles; door shipped attached to panel
- Field installation only
- Toospace notch **must** be field cut

Item	Panel Size		Full Overlay Door		1/2" Overlay Door	
	Width	Height	Width	Height	Width	Height
MBEP2434	23 1/4"	34 1/2"	23 5/8"	29 1/4"	22 1/4"	28"

Tall Cabinets

Construction Options and Modifications

PE	Plywood Ends
APC	All Plywood Construction
RD9	Reduce Depth 9"
RD12	Reduce Depth 12"
RD15	Reduce Depth 15"
RD18	Reduce Depth 18"
RD21	Reduce Depth 21"
CFO	Cabinet Front Only

U	15	12	84	R
code	width	depth	height	hinge

- ☆ Available with exceptions
- Available with an upcharge
- ❖ Included as standard
- (Blank) **Not** available

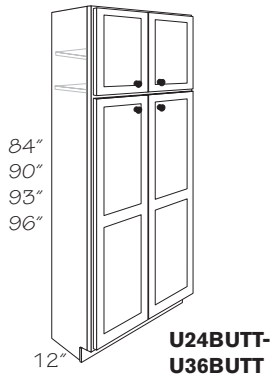
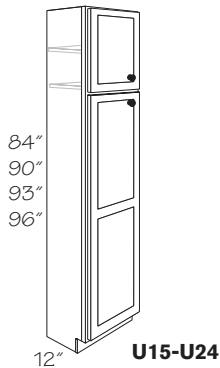
Note: Standard tall cabinet box depth is 12" or 24" unless stated otherwise. Add door thickness with bumpers for total depth.

When BUTT is in all capitals, it **must** be included as part of your ordering nomenclature. A (Butt) in parentheses is for your information and isn't required on an order form.

Material dimensions listed may vary slightly from actual dimensions of the product.

Specifications subject to change without notice.

Utility Cabinets 12" Deep



84" High

- U151284 R or L**
- U181284 R or L**
- U241284 R or L**
- U241284 BUTT**
- U301284 BUTT**
- U361284 BUTT**

90" High

- U151290 R or L**
- U181290 R or L**
- U241290 R or L**
- U241290 BUTT**
- U301290 BUTT**
- U361290 BUTT**

93" High

- U151293 R or L**
- U181293 R or L**
- U241293 R or L**
- U241293 BUTT**
- U301293 BUTT**
- U361293 BUTT**

96" High

- U151296 R or L**
- U181296 R or L**
- U241296 R or L**
- U241296 BUTT**
- U301296 BUTT**
- U361296 BUTT**

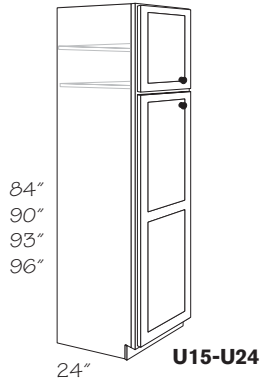
- Specify R or L for single door hinging
- Fixed shelf between top and bottom section with adjustable shelves in top section: 84" high-no shelves; 90" and 93" high-1 shelf; 96" high-2 shelves
- Bottom, Tall doors are two-piece panel construction
- Interior height of tall section on 84", 93" and 96" tall cabinets is 60 15/16"; 90" tall is 61 7/16"
- 93" and 96" tall cabinets include toe kick platform, shipped unattached
- Toe kick cover required on exposed sides of toe kick platform
- End panels of bottom section are pre-drilled for optional shelves and accessory Tray Kits. See tray availability charts in the Trays section.
- **Note:** Shelf Kit (SK) for lower section **must** be ordered separately; see Shelving section



If ordering a 93" or higher unit, consider ordering a tall end panel to flush out the exposed side

● PE
● APC
● RD9
● RD12
● RD15
● RD18
● RD21
● CFO

Utility Cabinets 24" Deep



84" High

U152484 R or L**U182484 R or L****U242484 R or L****U242484 BUTT****U302484 BUTT****U362484 BUTT**

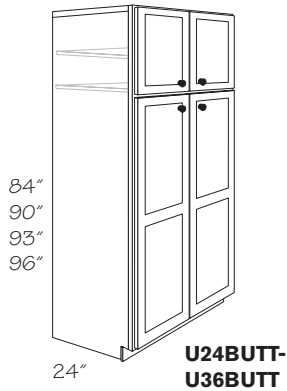
90" High

U152490 R or L**U182490 R or L****U242490 R or L****U242490 BUTT****U302490 BUTT****U362490 BUTT**

93" High

U152493 R or L**U182493 R or L****U242493 R or L****U242493 BUTT****U302493 BUTT****U362493 BUTT**

96" High

U152496 R or L**U182496 R or L****U242496 R or L****U242496 BUTT****U302496 BUTT****U362496 BUTT**

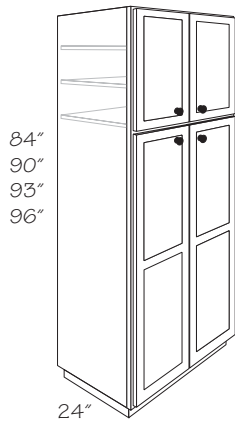
- Specify R or L for single door hinging
- Fixed shelf between top and bottom section with adjustable shelves in top section: 84" high-no shelves; 90" and 93" high-1 shelf; 96" high-2 shelves
- Bottom, Tall doors are two-piece panel construction
- Interior height of tall section on 84", 93" and 96" tall cabinets is 60 15/16"; 90" tall is 61 7/16"
- 93" and 96" tall cabinets include toe kick platform, shipped unattached
- Toe kick cover required on exposed sides of toe kick platform
- End panels of bottom section are pre-drilled for optional shelves and accessory Tray Kits. See tray availability charts in the Trays section.
- **Note:** Shelf Kit (SK) for lower section **must** be ordered separately; see Shelving section



If ordering a 93" or higher unit, consider ordering a tall end panel to flush out the exposed side

● PE
● APC
● RD9
● RD12
● RD15
● RD18
● RD21
● CFO

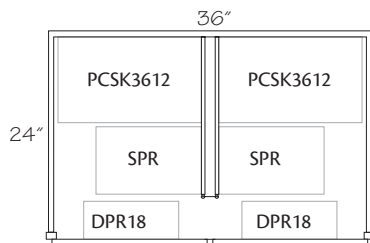
Pantry Cabinet

**PC362484 BUTT****PC362490 BUTT****PC362493 BUTT****PC362496 BUTT**

- Fixed shelf between top and bottom section with adjustable shelves in top section: 84" high-no shelves; 90" and 93" high-1 shelf; 96" high-2 shelves
- Toe kick cover required on exposed sides of toe kick platform
- 3" wide center stile in upper section only
- 93" and 96" tall cabinets include toe kick platform, shipped unattached
- Tall doors are pre-drilled for mounting Door Pantry Rack (DPR)
- Full overlay doors require special hardware for Door Pantry Rack (DPR) installation; included with kit
- Bottom, Tall doors are two-piece panel construction
- 1" thick center partition runs full height in bottom section
- End panels and center partition in bottom section are pre-drilled for half-depth adjustable shelves (**not** included)
- Will **not** accept Roll-out Trays (ROT)
- Pantry Cabinet can be installed next to a wall or refrigerator. Optional interior racks will function if door opening is restricted to no less than 90°
- Reinforced cabinet bottom

● PE
● APC
● RD9
● RD12
● RD15
● RD18
● RD21
● CFO

Pantry Cabinet Accessory Configuration



Note: The Door Pantry Rack (DPR), Pantry Cabinet Shelf Kit (PCSK) and Swing-Out Pantry Rack (SPR) accessories are sold separately. See Tall Accessories for details

Tall Appliance Cabinets

Construction Options and Modifications

PE Plywood Ends
 APC All Plywood Construction
 CFO Cabinet Front Only

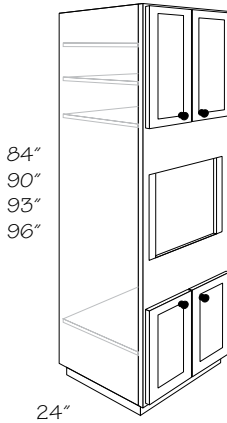
- ☆ Available with exceptions
- Available with an upcharge
- ❖ Included as standard
- (Blank) **Not** available

OC	33	24	90
code	width	depth	height

Note: Standard tall cabinet box depth is 12" or 24" unless stated otherwise. Add door thickness with bumpers for total depth.

Material dimensions listed may vary slightly from actual dimensions of the product.

Specifications subject to change without notice.



Oven Cabinet – Single w/3" Stiles

84" High

OC272484 (Butt)S

OC302484 BUTTS

OC332484 BUTTS

90" High

OC272490 (Butt)S

OC302490 BUTTS

OC332490 BUTTS

93" High

OC272493 (Butt)S

OC302493 BUTTS

OC332493 BUTTS

96" High

OC272496 (Butt)S

OC302496 BUTTS

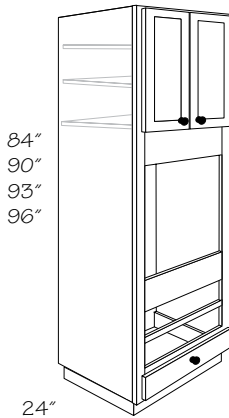
OC332496 BUTTS

- Fixed shelf between top and middle section. Adjustable shelves in top section: 84" high—no shelves; 90" high and 93" high—1 shelf; 96" high—2 shelves
- One adjustable shelf in bottom section
- Cabinet doors are: 5 1/2" shorter on top than the bottom for 84" high cabinets, are equal height on 90" high cabinets, 3 1/2" taller on top than the bottom for 93" high cabinets and are 6 1/2" taller on top than the bottom for 96" high cabinets
- Center section accommodates single ovens
- 93" and 96" tall cabinets include toe kick platform, shipped unattached
- 3" wide, trimmable stiles provide opening width adjustment for painted finishes. All other finishes have 1 1/2" wide removable, trimmable vertical stiles for easy adjustment
- Toe kick cover required on exposed sides of toe kick platform
- See Cabinet Specifications and Options for oven cutout dimensions

- PE
- APC
- CFO



If ordering a 93" or higher unit, consider ordering a tall end panel to flush out the exposed side



Oven Cabinet – Universal

84" High

OC272484 (Butt)U

OC302484 BUTTU

OC332484 BUTTU

90" High

OC272490 (Butt)U

OC302490 BUTTU

OC332490 BUTTU

93" High

OC272493 (Butt)U

OC302493 BUTTU

OC332493 BUTTU

96" High

OC272496 (Butt)U

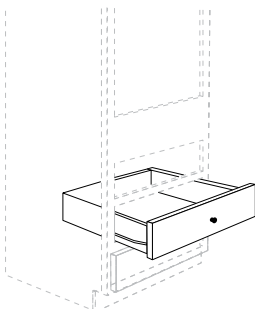
OC302496 BUTTU

OC332496 BUTTU

- Fixed shelf between top and middle section. Adjustable shelves in top section: 84" high—no shelves; 90" high and 93" high—1 shelf; 96" high—2 shelves
- Three full-width drawer openings at bottom
- Includes one full-width drawer. Order additional drawer(s) as needed. See Oven Drawer Kit (ODK)
- Face-mounted door hinges provide matching frame reveals
- Center section accommodates single and double ovens by trimming or removing horizontal cross rails
- Face frame rails are attached to stiles with screws on the back side for easy removal
- 93" and 96" tall cabinets include toe kick platform, shipped unattached
- 3" wide, trimmable stiles provide opening width adjustment for painted finishes. All other finishes have 1 1/2" wide removable, trimmable vertical stiles for easy adjustment
- Toe kick cover required on exposed sides of toe kick platform
- See Cabinet Specifications and Options for oven cutout dimensions

- PE
- APC
- CFO

Oven Drawer Kit



ODK27

ODK30

ODK33

- Available in all door styles
- Kit includes:
 - 1 drawer front
 - 1 drawer core
 - Guides and all mounting hardware

- PE
- APC
- CFO

Tall Accessories

Construction Options and Modifications

M Maple

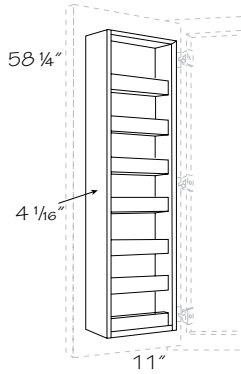
MTEP	21	96
code	width	height

- ☆ Available with exceptions
- Available with an upcharge
- ◆ Included as standard
- (Blank) **Not** available

Specifications subject to change without notice.

Door Pantry Rack

M

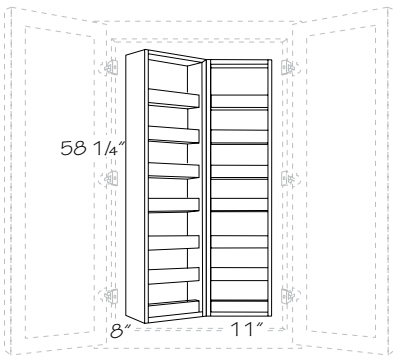


DPR18

- Solid, natural finished, hardwood unit, adjustable shelves and fences
- Includes: six adjustable shelves, 12 wire supports and seven 2" high fences
- Rack is designed to support up to 50 lbs. (3 1/2 lbs. per shelf)
- Mounts to backsides of tall doors on all pantry and 18" or 36" wide utility cabinets,
- Full overlay door styles require drilling at the bottom end of rack and special hardware that is included for Door Pantry Rack installation

Swing-Out Pantry Rack

M



SPR

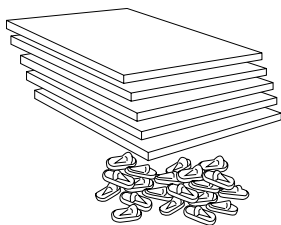
- Solid, natural finished, hardwood unit, adjustable shelves, fences and wire shelf supports
- Includes: 12 adjustable shelves, 24 wire shelf supports and 14 - 2" high fences
- Rack is designed to support up to 50 lbs. (3 1/2 lbs. per shelf)
- Pantry cabinet is pre-drilled for installation
- Mounting hardware included

Pantry Cabinet Shelf Kit

◆ M

10 19/32" Deep x 16 1/2" Wide

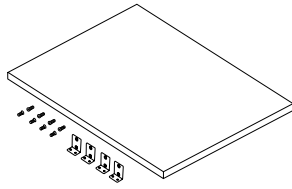
PCSK3612



- For use in bottom section of 36" wide pantry cabinets
- 3/4" thick engineered wood
- Shelves are laminated on both sides with matching edge banding on front edge
- Natural wood grain laminate
- Kit includes five shelves and 20 clear polycarbonate shelf supports per carton
- Order two kits to add five shelves to both halves of a pantry cabinet
- Available in All Plywood Construction (APC)

Oven Cabinet Support Platform

M

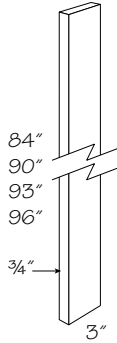


OCSP27
OCSP30
OCSP33

- For installing second appliance in Oven Cabinet Universal (OC_U)
- Same shelf platform and hardware as included with Oven Cabinet Universal (OC_U)
- Available in All Plywood Construction (APC)
- Includes four heavy-duty metal mounting brackets and eight screws which install into pre-drilled holes in cabinet end panels

Tall Filler

◆ M

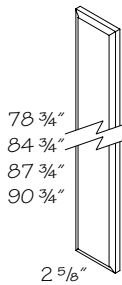


TF3.84
TF3.90
TF3.93
TF3.96

- 3/4" thick solid wood
- Backside of filler **not** finished

Tall Filler Overlay

◆ M

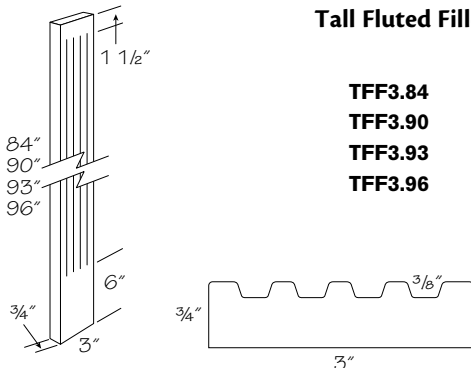


TFOL3.84
TFOL3.90
TFOL3.93
TFOL3.96

- Attaches to 3" wide fillers, **not** included. Order separately
- 3/4" thick with matching profile on all four edges, sized to match door height of adjacent cabinet
- Spacers installed on backside to align with doors of adjacent cabinet
- Mounting hardware included
- Available for all full overlay door styles
- Specify door style, specie and finish

Tall Fluted Filler

◆ M

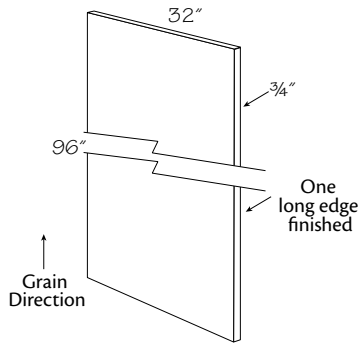


TFF3.84
TFF3.90
TFF3.93
TFF3.96

- Use between cabinets or to create a column effect. Can be combined with other moldings and panels for decorative effects
- 3/4" thick solid wood
- Four flutes
- Backside of filler **not** finished

Deep Wood Tall End Panel

◆ M

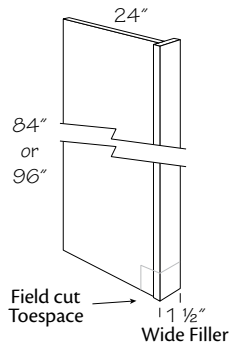


Engineered Wood
Finished both sides
DWTEP96 96"x32"x3/4"

- Use next to refrigerator to conceal side, also supports 24" deep wall cabinet over refrigerator
- 3/4" thick engineered wood core with vertical grain on both sides
- Available in All Plywood Construction (APC)

Tall End Panel w/Stile

◆ M

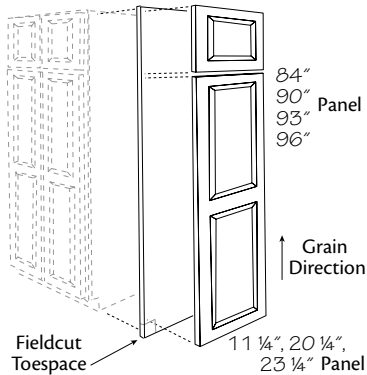


TEP 1 1/2.84
TEP 1 1/2.96

- Use next to refrigerator to conceal side, also supports 24" deep wall cabinet over refrigerator
- 1/2" thick plywood finished to match
- Toespace notch **must** be field cut

Matching Tall End Panel

◆ M



84" High
MTEP1284
MTEP2184
MTEP2484
90" High
MTEP1290
MTEP2190
MTEP2490
93" High
MTEP1293
MTEP2193
MTEP2493
96" High
MTEP1296
MTEP2196
MTEP2496

- Provides a finished furniture look to Oven Cabinet Single (OC_S), Oven Cabinet Universal (OC_U), Pantry Cabinet (PC_), Utility Cabinet (U_) and Vanity Linen Tall (VLC_) cabinet ends
- For right or left hand use
- 1/8" thick veneered plywood panel
- Full overlay door styles overlap cabinet frame to match reveals
- Toespace notch **must** be field cut
- Doors and panel are shipped separately; field assembly required

Item	Opening Sizes	
	Width	Height
METP12	11 1/4"	84"
METP1290	11 1/4"	90"
METP1293	11 1/4"	93"
METP1296	11 1/4"	96"
METP2184	20 1/4"	84"
METP2190	20 1/4"	90"
METP2193	20 1/4"	93"
METP2196	20 1/4"	96"
METP2484	23 1/4"	84"
METP2490	23 1/4"	90"
METP2493	23 1/4"	93"
METP2496	23 1/4"	96"

Vanity Cabinets

Construction Options and Modifications

PE	Plywood Ends
APC	All Plywood Construction
RD9	Reduce Depth 9"
RD12	Reduce Depth 12"
RD15	Reduce Depth 15"
RD18	Reduce Depth 18"
CFO	Cabinet Front Only

VCD	42	18	34	•8
code	width	depth	height	suffix

- ☆ Available with exceptions
- Available with an upcharge
- ❖ Included as standard
- (Blank) **Not** available

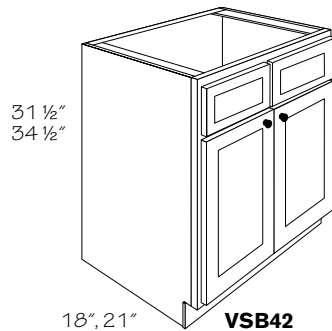
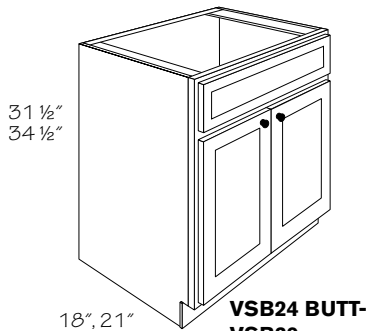
Note: Standard vanity cabinet box depth is 18" or 21" unless stated otherwise. Add door thickness for total depth. Standard vanity cabinet height is 34 1/2" unless stated otherwise.

All double door cabinets will have butt doors unless stated otherwise. When BUTT is in all capitals, it **must** be included as part of your ordering nomenclature. A (Butt) in parentheses is for your information and isn't required on an order form.

Material dimensions listed may vary slightly from actual dimensions of the product.

Specifications subject to change without notice.

Vanity Sink Base Double Door



31 1/2" High, 18" Deep
One Drawer Front

- ▲ **VSB241831 BUTT**
- ▲ **VSB271831 (Butt)**
- ▲ **VSB301831 BUTT**
- ▲ **VSB331831 BUTT**
- ▲ **VSB361831 BUTT**
- ▲ **VSB391831**

Two Drawer Fronts

- ▲ **VSB421831**

34 1/2" High, 18" Deep
One Drawer Front

- ▲ **VSB241834 BUTT**
- ▲ **VSB271834 (Butt)**
- ▲ **VSB301834 BUTT**
- ▲ **VSB331834 BUTT**
- ▲ **VSB361834 BUTT**
- ▲ **VSB391834**

Two Drawer Fronts

- ▲ **VSB421834**

31 1/2" High, 21" Deep
One Drawer Front

- VSB242131 BUTT**
- VSB272131 (Butt)**
- VSB302131 BUTT**
- VSB332131 BUTT**
- VSB362131 BUTT**
- VSB392131**

Two Drawer Fronts

- VSB422131**

34 1/2" High, 21" Deep
One Drawer Front

- VSB242134 BUTT**
- VSB272134 (Butt)**
- VSB302134 BUTT**
- VSB332134 BUTT**
- VSB362134 BUTT**
- VSB392134**

Two Drawer Fronts

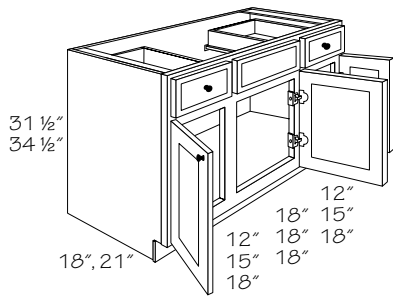
- VSB422134**

- ▲ Reduce to 18" depth **not** available

- False drawer front(s)
- No shelf

●	PE
●	APC
	RD9
●	RD12
●	RD15
☆	RD18
●	CFO

Vanity Sink Base Three Door

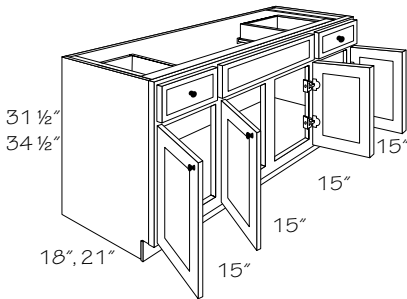


- | | |
|------------------------|------------------------|
| 31 1/2" High, 18" Deep | 31 1/2" High, 21" Deep |
| ▲ VSB421831 .2 | VSB422131 .2 |
| ▲ VSB481831 .2 | VSB482131 .2 |
| ▲ VSB541831 .2 | VSB542131 .2 |
| 34 1/2" High, 18" Deep | 34 1/2" High, 21" Deep |
| ▲ VSB421834 .2 | VSB422134 .2 |
| ▲ VSB481834 .2 | VSB482134 .2 |
| ▲ VSB541834 .2 | VSB542134 .2 |
- ▲ Reduce to 18" depth *not* available

- False drawer front only between top drawers
- Two standard drawers
- When depth is reduced to 12" or 15", drawers become a false front
- Center door is hinged right
- Space between drawers for sink installation is 21"
- 54" wide cabinets have a 3 3/16" wide full-width support cross rail across top front of cabinet
- Back panel is pre-drilled for Roll-Out Trays (ROT) behind center door on VSB54
- Instructions and hardware included to convert drawers into false drawer fronts for larger vanity bowls

● PE
● APC
● RD9
● RD12
● RD15
☆ RD18
● CFO

Vanity Sink Base Four Door

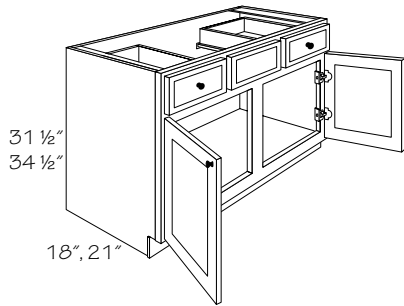


- | | |
|------------------------|----------------------|
| 18" Deep | 21" Deep |
| ▲ VSBT601831 .2 | VSBT602131 .2 |
| ▲ VSBT601834 .2 | VSBT602134 .2 |
- ▲ Reduce to 18" depth *not* available

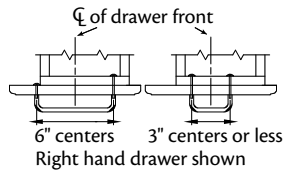
- Two standard height top drawers
- False drawer front only between top drawers
- When depth is reduced to 12" or 15", drawers become a false front
- Doors left of center hinged left, doors right of center hinged right
- Space between drawers for sink installation is 33"
- 3 3/16" wide full-width support crossrail across top front of cabinet

● PE
● APC
● RD9
● RD12
● RD15
☆ RD18
● CFO

Vanity Sink Base Two Drawer



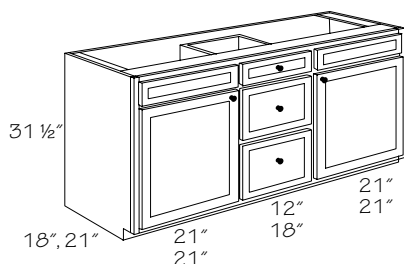
- | | |
|-----------------------|---------------------|
| 18" Deep | 21" Deep |
| ▲ VSB361831 .2 | VSB362131 .2 |
| ▲ VSB361834 .2 | VSB362134 .2 |
- ▲ Reduce to 18" depth *not* available



- False drawer front only between top drawers
- When depth is reduced to 12" or 15", drawers become a false front
- Space between drawers for sink installation is 18"
- **Note:** Two standard height top drawers. Drawer fronts are offset from drawer core. This limits the sizes of pulls that can be positioned in the middle of the drawer front to pulls with 6" centers or 3" and narrower centers.

● PE
● APC
● RD9
● RD12
● RD15
☆ RD18
● CFO

Vanity Sink Base Three Drawer



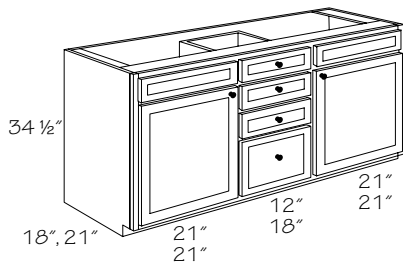
- | | |
|------------------------|----------------------|
| 18" Deep | 21" Deep |
| ▲ VSB541831 .3 | VSB542131 .3 |
| ▲ VSBT601831 .3 | VSBT602131 .3 |
- ▲ Reduce to 18" depth *not* available

- False drawer fronts above each door
- One standard drawer
- Two deep drawers
- When depth is reduced to 12" or 15", drawers become a false front
- 3 3/16" wide full-width support crossrail across top front of cabinet
- Opening on each end for sink installation is 21 7/8" for 54" cabinet and 21 1/4" for 60" cabinet
- Optional Accessory Roll-Out Trays (ROT) available for 54" wide cabinets only
- Back panel is *not* pre-drilled
- Instructions and hardware included to convert the top drawer into a false drawer front for larger vanity bowls

● PE
● APC
● RD9
● RD12
● RD15
☆ RD18
● CFO

Vanity Sink Base Four Drawer

- PE
- APC
- RD9
- RD12
- RD15
- ☆ RD18
- CFO

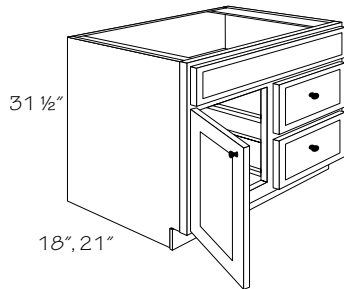


- 18" Deep 21" Deep
- ▲ **VSB541834 .4** **VSB542134 .4**
 - ▲ **VSBT601834 .4** **VSBT602134 .4**
 - ▲ Reduce to 18" depth *not* available

- False drawer fronts above each door
- Three standard drawers
- One deep drawer
- When depth is reduced to 12" or 15", drawers become a false front
- 3 3/16" wide full-width support cross rail across top front of cabinet

Vanity Combination Drawer (2)

- PE
- APC
- RD9
- RD12
- RD15
- ☆ RD18
- CFO



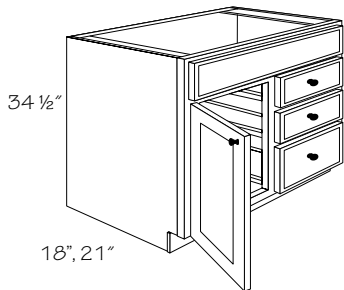
- 31 1/2" High, 18" Deep 31 1/2" High, 18" Deep
- ▲ **VCD241831 DL2** ▲ **VCD241831 DR2**
 - ▲ **VCD301831 DL2** ▲ **VCD301831 DR2**
 - ▲ **VCD361831 DL2** ▲ **VCD361831 DR2**
- 31 1/2" High, 21" Deep 31 1/2" High, 21" Deep
- VCD242131 DL2** **VCD242131 DR2**
 - VCD302131 DL2** **VCD302131 DR2**
 - VCD362131 DL2** **VCD362131 DR2**

▲ Reduce to 18" depth *not* available

- Specify DL (Drawer Left) or DR (Drawer Right) position for drawers
- One full-width false drawer front above door and drawers
- Two deep drawers
- When depth is reduced to 12" or 15", drawers become a false front

Vanity Combination Drawer (3)

- PE
- APC
- RD9
- RD12
- RD15
- ☆ RD18
- CFO



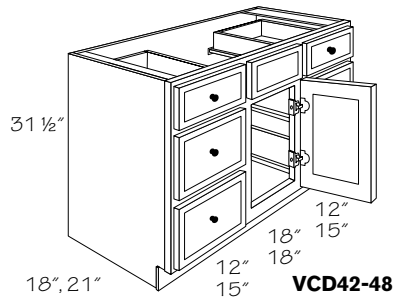
- 34 1/2" High, 18" Deep 34 1/2" High, 18" Deep
- ▲ **VCD241834 DL3** ▲ **VCD241834 DR3**
 - ▲ **VCD301834 DL3** ▲ **VCD301834 DR3**
 - ▲ **VCD361834 DL3** ▲ **VCD361834 DR3**
- 34 1/2" High, 21" Deep 34 1/2" High, 21" Deep
- VCD242134 DL3** **VCD242134 DR3**
 - VCD302134 DL3** **VCD302134 DR3**
 - VCD362134 DL3** **VCD362134 DR3**

▲ Reduce to 18" depth *not* available

- Specify DL (Drawer Left) or DR (Drawer Right) position for drawers
- One full-width false drawer front above door and drawers
- Two standard drawers
- One deep drawer
- When depth is reduced to 12" or 15", drawers become a false front

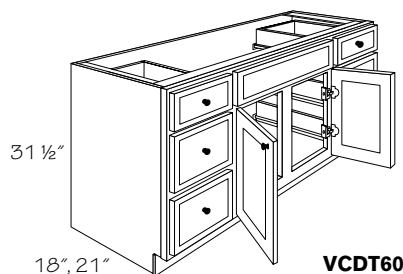
Vanity Combination Drawer (6)

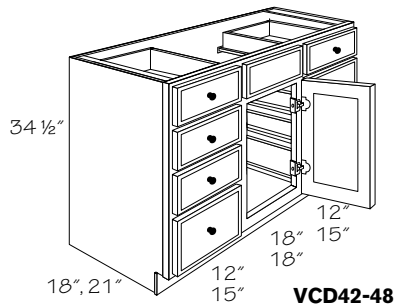
- PE
- APC
- RD9
- RD12
- RD15
- ☆ RD18
- CFO



- 31 1/2" High, 18" Deep 31 1/2" High, 21" Deep
- ▲ **VCD421831 .6** **VCD422131 .6**
 - ▲ **VCD481831 .6** **VCD482131 .6**
 - ▲ **VCDT601831 .6** **VCDT602131 .6**
- ▲ Reduce to 18" depth *not* available

- Two standard height top drawers and four deep lower drawers
- Drawer front only between top drawers
- VCD42 and VCD48 center door are hinged right
- VCD42 and VCD48 space between drawers for sink installation is 21"
- VCDT60 space between drawers for sink installation is 33"
- Accessory Roll-Out Trays (ROT) *not* available for VCDT60 cabinets
- When depth is reduced to 12" or 15", drawers become a false front
- Instructions and hardware included to convert top drawers into false drawer fronts only for offset or double vanity bowls





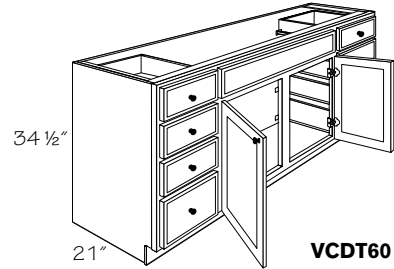
VCD42-48

Vanity Combination Drawer (8)

- | | |
|--|--|
| <p>34 1/2" High, 18" Deep</p> <ul style="list-style-type: none"> ▲ VCD421834 .8 ▲ VCD481834 .8 ▲ VCDT601834 .8 | <p>34 1/2" High, 21" Deep</p> <ul style="list-style-type: none"> VCD422134 .8 VCD482134 .8 VCDT602134 .8 |
|--|--|
- ▲ Reduce to 18" depth *not* available

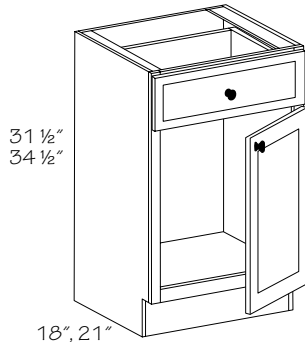
- Six standard height upper drawers and two deep lower drawers
- Drawer front only between top drawers
- When depth is reduced to 12" or 15", drawers become a false front
- VCD42 and VCD48 center door are hinged right
- VCD42 and VCD48 space between drawers for sink installation is 21"
- VCDT60 space between drawers for sink installation is 33"
- Accessory Roll-Out Trays (ROT) *not* available for VCDT60 cabinets
- Instructions and hardware included to convert top drawers into false drawer fronts only for offset or double vanity bowls

- PE
- APC
- RD9
- RD12
- RD15
- ☆ RD18
- CFO



VCDT60

Vanity Base Single Door

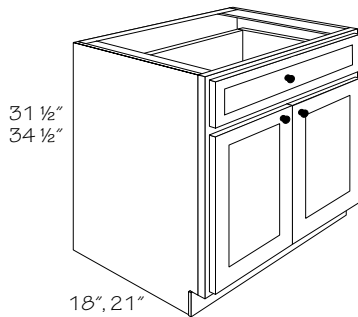


- | | |
|--|--|
| <p>31 1/2" High, 18" Deep</p> <ul style="list-style-type: none"> ▲ VB121831 R or L ▲ VB151831 R or L ▲ VB181831 R or L ▲ VB211831 R or L ▲ VB241831 R or L | <p>31 1/2" High, 21" Deep</p> <ul style="list-style-type: none"> VB122131 R or L VB152131 R or L VB182131 R or L VB212131 R or L VB242131 R or L |
| <p>34 1/2" High, 18" Deep</p> <ul style="list-style-type: none"> ▲ VB121834 R or L ▲ VB151834 R or L ▲ VB181834 R or L ▲ VB211834 R or L ▲ VB241834 R or L | <p>34 1/2" High, 21" Deep</p> <ul style="list-style-type: none"> VB122134 R or L VB152134 R or L VB182134 R or L VB212134 R or L VB242134 R or L |
- ▲ Reduce to 18" depth *not* available

- Specify R or L for single door hinging
- One standard drawer
- When depth is reduced to 12" or 15", drawers become a false front

- PE
- APC
- RD9
- RD12
- RD15
- ☆ RD18
- CFO

Vanity Base Double Door

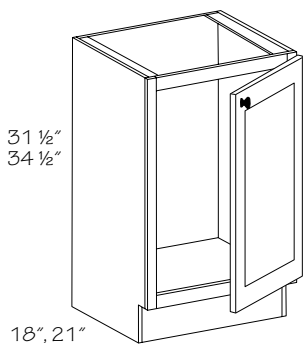


- | | |
|--|--|
| <p>31 1/2" High</p> <ul style="list-style-type: none"> ▲ VB241831 BUTT ▲ VB242131 BUTT | <p>34 1/2" High</p> <ul style="list-style-type: none"> ▲ VB241834 BUTT ▲ VB242134 BUTT |
|--|--|
- ▲ Reduce to 18" depth *not* available

- One full-width drawer
- When depth is reduced to 12" or 15", drawers become a false front

- PE
- APC
- RD9
- RD12
- RD15
- ☆ RD18
- CFO

Vanity Base Full-Height Single Door

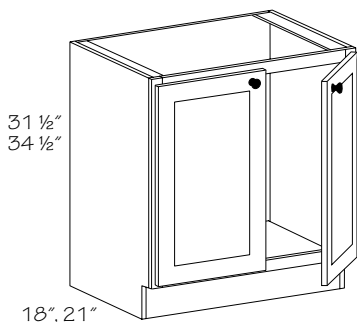


- | | |
|---|---|
| <p>31 1/2" High, 18" Deep</p> <ul style="list-style-type: none"> ▲ VB181831 R or L.FH ▲ VB211831 R or L.FH ▲ VB241831 R or L.FH | <p>31 1/2" High, 21" Deep</p> <ul style="list-style-type: none"> VB182131 R or L.FH VB212131 R or L.FH VB242131 R or L.FH |
| <p>34 1/2" High, 18" Deep</p> <ul style="list-style-type: none"> ▲ VB181834 R or L.FH ▲ VB211834 R or L.FH ▲ VB241834 R or L.FH | <p>34 1/2" High, 21" Deep</p> <ul style="list-style-type: none"> VB182134 R or L.FH VB212134 R or L.FH VB242134 R or L.FH |
- ▲ Reduce to 18" depth *not* available

- Specify R or L for single door hinging
- Full-height door
- No shelf

- PE
- APC
- RD9
- RD12
- RD15
- ☆ RD18
- CFO

Vanity Base Full-Height Double Door



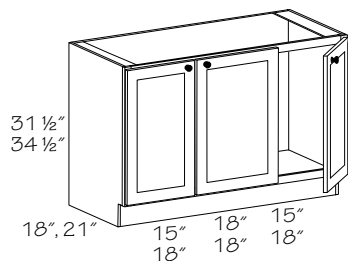
- | | |
|---|---|
| <p>31 1/2" High, 18" Deep</p> <ul style="list-style-type: none"> ▲ VB241831 BUTT.FH ▲ VB271831 (Butt).FH ▲ VB301831 BUTT.FH ▲ VB331831 BUTT.FH ▲ VB361831 BUTT.FH ▲ VB391831 .FH ▲ VB421831 .FH <p>34 1/2" High, 18" Deep</p> <ul style="list-style-type: none"> ▲ VB241834 BUTT.FH ▲ VB271834 (Butt).FH ▲ VB301834 BUTT.FH ▲ VB331834 BUTT.FH ▲ VB361834 BUTT.FH ▲ VB391834 .FH ▲ VB421834 .FH | <p>31 1/2" High, 21" Deep</p> <ul style="list-style-type: none"> VB242131 BUTT.FH VB272131 (Butt).FH VB302131 BUTT.FH VB332131 BUTT.FH VB362131 BUTT.FH VB392131 .FH VB422131 .FH <p>34 1/2" High, 21" Deep</p> <ul style="list-style-type: none"> VB242134 BUTT.FH VB272134 (Butt).FH VB302134 BUTT.FH VB332134 BUTT.FH VB362134 BUTT.FH VB392134 .FH VB422134 .FH |
|---|---|

- Full-height doors
- No shelf

- PE
- APC
- RD9
- RD12
- RD15
- ☆ RD18
- CFO

▲ Reduce to 18" depth *not* available

Vanity Base Full-Height Three Door



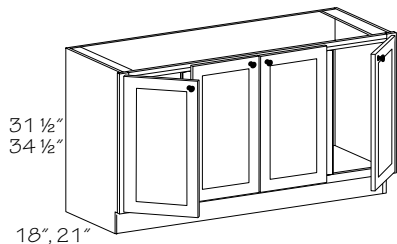
- | | |
|---|---|
| <p>31 1/2" High, 18" Deep</p> <ul style="list-style-type: none"> ▲ VB481831 .FH ▲ VB541831 .FH <p>34 1/2" High, 18" Deep</p> <ul style="list-style-type: none"> ▲ VB481834 .FH ▲ VB541834 .FH | <p>31 1/2" High, 21" Deep</p> <ul style="list-style-type: none"> VB482131 .FH VB542131 .FH <p>34 1/2" High, 21" Deep</p> <ul style="list-style-type: none"> VB482134 .FH VB542134 .FH |
|---|---|

- Full-height doors
- No shelf
- Center door is hinged right

- PE
- APC
- RD9
- RD12
- RD15
- ☆ RD18
- CFO

▲ Reduce to 18" depth *not* available

Vanity Base Full-Height Four Door



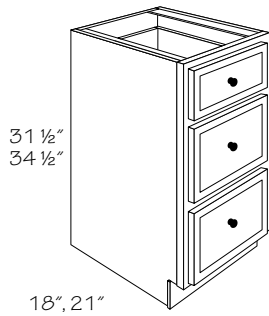
- | | |
|--|--|
| <p>31 1/2" High</p> <ul style="list-style-type: none"> ▲ VBT601831 .FH VBT602131 .FH | <p>34 1/2" High</p> <ul style="list-style-type: none"> ▲ VBT601834 .FH VBT602134 .FH |
|--|--|

▲ Reduce to 18" depth *not* available

- Full-height doors
- No shelf
- Doors left of center hinged left, doors right of center hinged right
- 3 3/16" wide full-width support crossrail across top front of cabinet
- 1/2" overlay inner doors are 12 5/8" wide and outer doors are 13 1/4" wide. Full overlay inner doors are 14" wide and outer doors are 14 5/8"

- PE
- APC
- RD9
- RD12
- RD15
- ☆ RD18
- CFO

Vanity Base Drawer



31 1/2" High, 18" Deep

- ▲ **VBD121831 .3**
- ▲ **VBD151831 .3**
- ▲ **VBD181831 .3**
- ▲ **VBD211831 .3**
- ▲ **VBD241831 .3**

31 1/2" High, 21" Deep

- VBD122131 .3**
- VBD152131 .3**
- VBD182131 .3**
- VBD212131 .3**
- VBD242131 .3**

- One standard height drawer
- Two deep drawers

34 1/2" High, 18" Deep

- ▲ **VBD121834 .3**
- ▲ **VBD151834 .3**
- ▲ **VBD181834 .3**
- ▲ **VBD211834 .3**
- ▲ **VBD241834 .3**

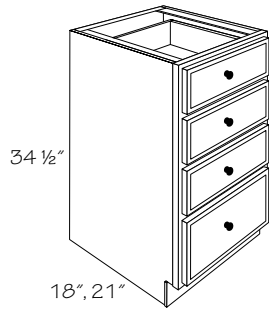
34 1/2" High, 21" Deep

- VBD122134 .3**
- VBD152134 .3**
- VBD182134 .3**
- VBD212134 .3**
- VBD242134 .3**

▲ Reduce to 18" depth *not* available

● PE
● APC
RD9
RD12
RD15
☆ RD18
● CFO

Vanity Base Four Drawer



34 1/2" High, 18" Deep

- ▲ **VBD121834 .4**
- ▲ **VBD151834 .4**
- ▲ **VBD181834 .4**
- ▲ **VBD211834 .4**
- ▲ **VBD241834 .4**

34 1/2" High, 21" Deep

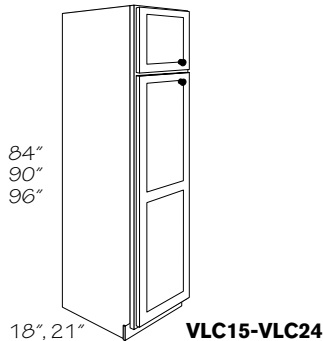
- VBD122134 .4**
- VBD152134 .4**
- VBD182134 .4**
- VBD212134 .4**
- VBD242134 .4**

- Three standard height drawers
- One deep drawer

▲ Reduce to 18" depth *not* available

● PE
● APC
RD9
RD12
RD15
☆ RD18
● CFO

Vanity Linen Cabinet



84" High, 18" Deep

- ▲ **VLC151884 R or L**
- ▲ **VLC181884 R or L**
- ▲ **VLC241884 R or L**
- ▲ **VLC241884 BUTT**

84" High, 21" Deep

- VLC152184 R or L**
- VLC182184 R or L**
- VLC242184 R or L**
- VLC242184 BUTT**

- Specify R or L for single door hinging
- Fixed shelf between top and bottom section with adjustable shelves in top section: 84" high-no shelves; 90" and 93" high-1 shelf; 96" high-2 shelves
- Interior height of tall section on 84" and 96" tall cabinets is 60 15/16"; 90" tall is 61 7/16"

90" High, 18" Deep

- ▲ **VLC151890 R or L**
- ▲ **VLC181890 R or L**
- ▲ **VLC241890 R or L**
- ▲ **VLC241890 BUTT**

90" High, 21" Deep

- VLC152190 R or L**
- VLC182190 R or L**
- VLC242190 R or L**
- VLC242190 BUTT**

- 96" high cabinets include toe kick platform shipped unattached for easier handling and installation
- Bottom, Tall doors are two-piece panel construction

96" High, 18" Deep

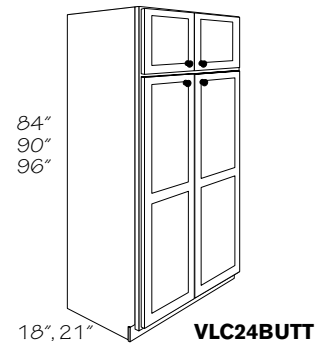
- ▲ **VLC151896 R or L**
- ▲ **VLC181896 R or L**
- ▲ **VLC241896 R or L**
- ▲ **VLC241896 BUTT**

96" High, 21" Deep

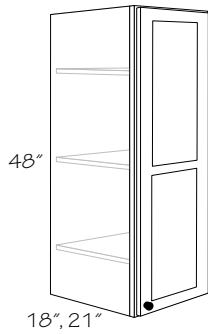
- VLC152196 R or L**
- VLC182196 R or L**
- VLC242196 R or L**
- VLC242196 BUTT**

▲ Reduce to 18" depth *not* available

● PE
● APC
● RD9
● RD12
● RD15
☆ RD18
● CFO



Vanity Linen Cabinet Short



- 18" Deep
▲ VLC181848 R or L
 21" Deep
VLC182148 R or L
▲ Reduce to 18" depth *not* available

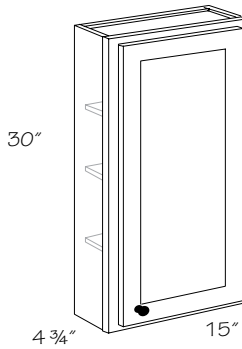
- Specify R or L for single door hinging
- Three adjustable shelves
- Accessory Roll-out Trays *not* available
- Door is two piece construction
- Cabinet designed to stack directly on VBD_ cabinets or sit directly on countertop
- **Not** intended as a stand alone, single wall mount cabinet

●	PE
●	APC
●	RD9
●	RD12
●	RD15
☆	RD18
●	CFO



Caution: Additional support is required. See installation sheet provided with cabinet

Vanity Wall Cabinet

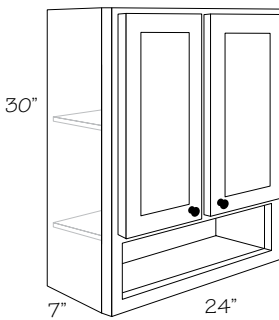


VW1530 R or L

- Specify R or L for single door hinging
- Three adjustable shelves
- For surface mount installation

●	PE
●	APC
	RD9
	RD12
	RD15
	RD18
	CFO

Vanity Wall Boutique

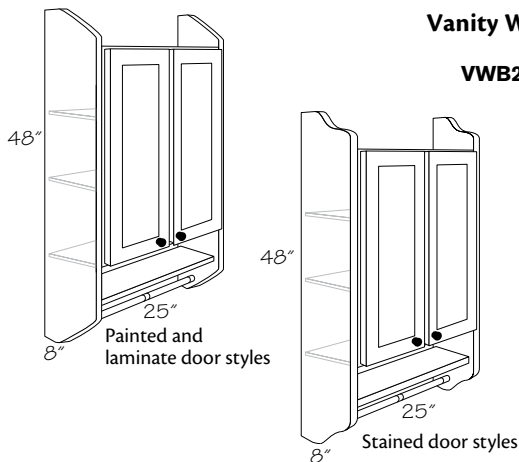


VWB2430 BUTT

- One adjustable shelf
- Exposed full-depth fixed shelf in lower section
- Matching color laminate interior and shelves
- 5" high frame opening in lower section
- Cabinet back extends through opening in lower section
- Back panel has vertical grain except for painted finishes
- No towel bar

☆	PE
☆	APC
	RD9
	RD12
	RD15
	RD18
	CFO

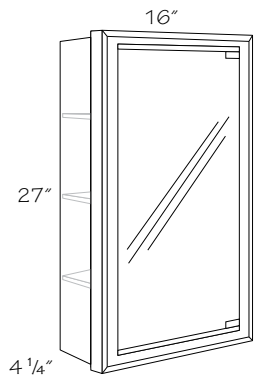
Vanity Wall Boutique w/Towel Bar



VWB2648

- Two adjustable shelves
- Cabinet includes:
 - 3/4" matching solid wood side panels
 - Matching exposed fixed shelf
 - Matching solid wood towel bar
- 6 7/8" high opening between fixed shelf and cabinet

	PE
●	APC
	RD9
	RD12
	RD15
	RD18
	CFO

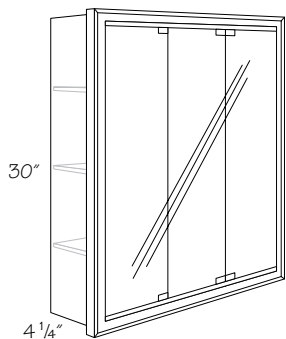


Mirror Cabinet

MC1627 .PC

- Polished chrome finish
- Three adjustable 5/8" thick no-tilt shelves with clear shelf supports
- Door is 3/16" thick plate glass mirror with rounded edges with pivot hinges, magnetic touch latch and vinyl safety backer
- Cabinet can be inverted, magnetic latch **must** be relocated
- Hinged right
- For surface mount or recess installation
- Cutout required for recessed installation; 14 1/2" wide, 25 3/4" high, 3 1/2" deep
- Mirror door shipped unattached for easier handling and installation
- Mounting hardware included
- Solid wood frame has profile on all four outside edges complementing Kingston door styles

PE
● APC
RD9
RD12
RD15
RD18
CFO



Tri-View Mirror

TV2430 .PC
TV3030 .PC
TV3630 .PC

- Polished chrome finish
- Three adjustable 5/8" thick no-tilt shelves with clear shelf supports
- Doors are 3/16" thick plate glass mirror with rounded edges, pivot hinges, magnetic touch latch and vinyl safety backer
- Left and center doors hinged right, right door hinged left to create a three-way reflection
- Vertical divider between center and left hand door in 30" and 36" cabinet
- For surface mount or recess installation
- Mirror door shipped unattached for easier handling and installation
- Mounting hardware included
- Solid wood frame has profile on all four outside edges complementing Kingston door styles

PE
● APC
RD9
RD12
RD15
RD18
CFO

Cutout dimensions for recessed installation

Item	Width	Height	Depth
TV2430	22 3/4"	28 3/4"	3 1/2"
TV3030	28 3/4"	28 3/4"	3 1/2"
TV3630	34 3/4"	28 3/4"	3 1/2"

Vanity Accessories

Construction Options and Modifications

M Maple

MVEP	21	31
code	width	height

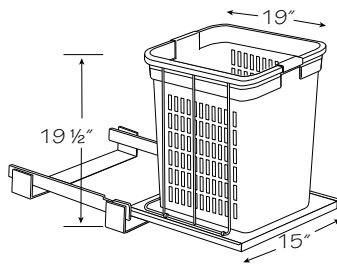
- ☆ Available with exceptions
- Available with an upcharge
- ❖ Included as standard
- (Blank) **Not** available

Specifications subject to change without notice.

Vanity Hamper Roll-Out

M

VHRO18

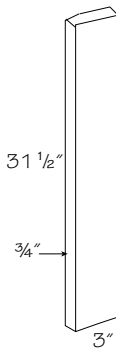


- White epoxy coated wire frame rolls on full-extension slides, designed for easy removal of basket
- Fits 31 1/2" high vanities with full height doors 18" and wider or 34 1/2" high vanity cabinets 18" and wider with or without a top drawer
- Mounts to cabinet floor
- 60 qt. white plastic laundry basket included
- Load rating of 30 lbs.
- Installation instructions and mounting hardware included
- Offered as individual kit
- 19 1/2" high x 15" wide x 19" deep

Vanity Filler

❖ M

VF3.31

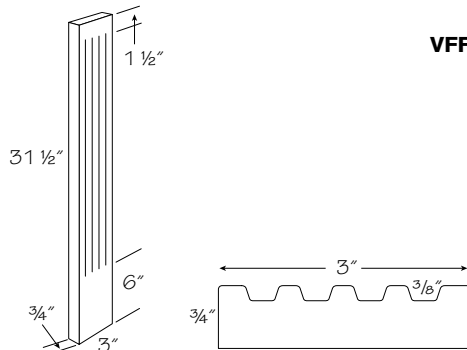


- 3/4" thick solid wood
- Backside of filler **not** finished

Vanity Fluted Filler

❖ M

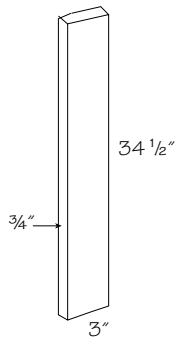
VFF3.31



- 3/4" thick solid wood
- Four flutes
- Backside of filler **not** finished

Base Filler

◆ M

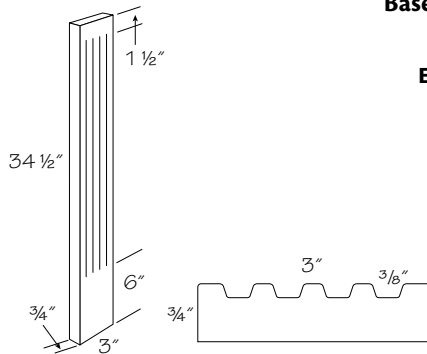


BF3
BF6
BF3X3

- 3/4" thick solid wood
- Base Filler (BF3) is used with 34 1/2" Vanity cabinets
- Backside of filler **not** finished

Base Fluted Filler

◆ M

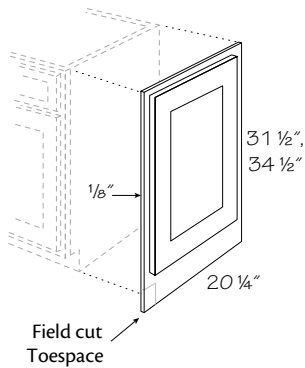


BFF3

- 3/4" thick solid wood
- Use between cabinets or to create a column effect. Can be combined with other moldings and panels for decorative effects
- Base Fluted Filler (BFF3) is used with 34 1/2" Vanity cabinets
- Four flutes
- Backside of filler **not** finished

Matching Vanity End Panel

◆ M



MVEP2131
MVEP2134

- Provides a finished furniture look to 31 1/2" and 34 1/2" Vanity cabinets
- Includes end panel with decorative door
- For right or left hand use
- 1/8" thick panel with matching decorative door
- Full overlay door styles; door shipped attached to panel
- 1/2" overlay door styles; door shipped attached to panel
- Field installation only
- Toespace notch **must** be field cut

Item	Panel Size		Full Overlay Door		1/2" Overlay Door	
	Width	Height	Width	Height	Width	Height
MVEP2131	20 1/4"	31 1/2"	20 5/8"	26 1/4"	19 1/4"	25"
MVEP2134	20 1/4"	34 1/2"	20 5/8"	29 1/4"	19 1/4"	28"

Office Cabinets

Construction Options and Modifications

PE	Plywood Ends
APC	All Plywood Construction
RD12	Reduce Depth 12"
RD15	Reduce Depth 15"
RD18	Reduce Depth 18"
CFO	Cabinet Front Only

DKD	30	18
code	width	depth

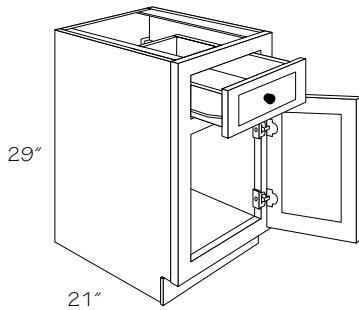
- ☆ Available with exceptions
- Available with an upcharge
- ◆ Included as standard
- (Blank) **Not** available

Note: Standard office cabinet box depth is 18" or 21" unless stated otherwise. Add door thickness with bumpers for total depth. Standard base desk cabinet height is 29" unless stated otherwise.

Material dimensions listed may vary slightly from actual dimensions of the product.

Specifications subject to change without notice.

Single Door Desk Cabinet

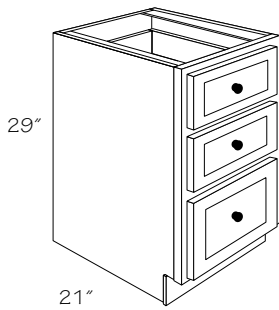


- DDO15 R or L
- DDO18 R or L
- DDO21 R or L
- DDO24 R or L

- Specify R or L for single door hinging
- No shelf
- Standard height top drawer
- ☆ When depth is reduced to 12" or 15", drawers become a false front

● PE
● APC
☆ RD12
☆ RD15
● RD18
● CFO

Desk Drawer Cabinet



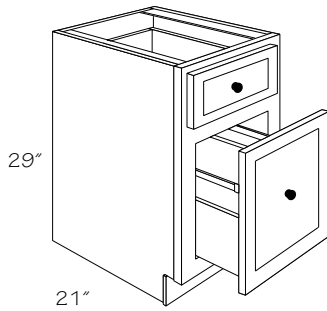
- DDR12
- DDR15
- DDR18
- DDR21
- DDR24

- Two standard height top drawers on top
- One deep bottom drawer
- 3/4 extension on drawer(s)
- Designed to be used in conjunction with Desk Knee Drawer (DKD) units

● PE
● APC
RD12
RD15
● RD18
● CFO

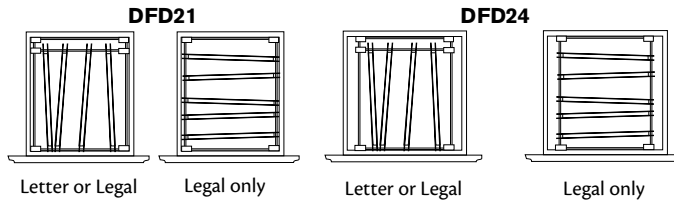
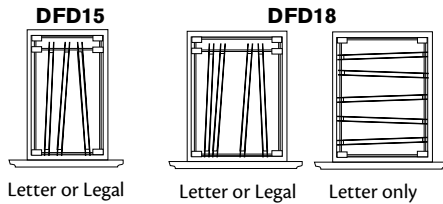
Desk File Drawer Cabinet

● PE
● APC
RD12
RD15
RD18
CFO



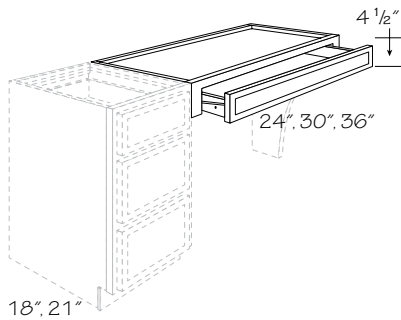
DFD15
DFD18
DFD21
DFD24

- Standard height top drawer
- 3/4 extension on top drawer
- Bottom file drawer has full extension slides and hanging folder hardware to accommodate letter or legal size folders
- Drawer front on bottom drawer is styled as a door
- DFD24 cabinet uses same hanging folder hardware as DFD21 cabinet
- Designed to be used in conjunction with Desk Knee Drawer (DKD) units



Desk Knee Drawer Cabinet

PE
● APC
RD12
RD15
RD18
● CFO

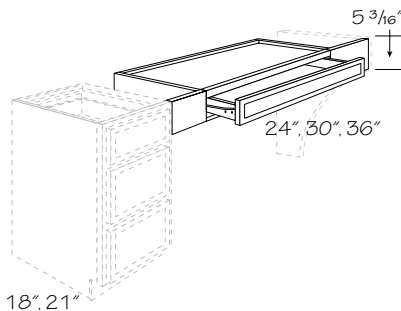


18" Deep
DKD2418
DKD3018
DKD3618
21" Deep
DKD24
DKD30
DKD36

- Designed for use between base, desk, vanity, tall cabinets or with desk leg on one end
- Full-width top panel is recessed for easier installation
- Drawer front is profiled on all edges
- Drawer fronts are solid slab; except Deveron and Ruxton, which are DRPD
- Requires countertop or writing surface

Desk Knee Drawer Cabinet – Trimmable

PE
● APC
RD12
RD15
RD18
● CFO



18" Deep
DKDT2418
DKDT3018
DKDT3618
21" Deep
DKDT24
DKDT30
DKDT36

- Designed for use between base, desk, vanity, tall cabinets or with desk leg on one end
- Full-width top panel is recessed for easier installation
- Drawer front is profiled on all edges
- Face frame includes 11/16" tall bottom rail for added strength
- 4 1/2" wide face frame stiles permit DKDT to be trimmed up to 6" in overall width (3" each side)
- May be trimmed in field
- Drawer fronts are solid slab; except Deveron and Ruxton, which are DRPD
- Requires countertop or writing surface

Office Accessories

Construction Options and Modifications

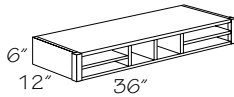
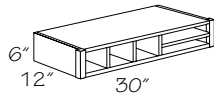
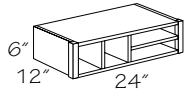
M Maple

DEP	24	31
code	depth	height

- ☆ Available with exceptions
- Available with an upcharge
- ❖ Included as standard
- (Blank) **Not** available

Organizer

❖ M

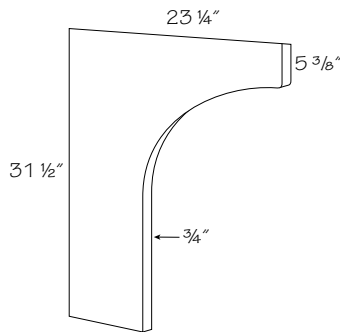


O24
O30
O36

- For use beneath wall cabinets or open shelves
- Matching wood veneer interior and exterior surfaces
- Use a Wall End Panel (WEP) on exposed sides to cover end panel joints between wall cabinet and organizer
- Includes a matching solid wood strip at each end to align with wall cabinet frame above when stacked

Desk End Panel

❖ M

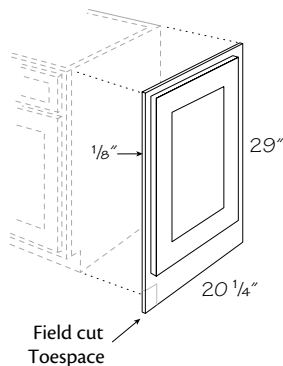


DEP2431

- Used to support end of Desk Knee Drawer (DKD) or Desk Knee Drawer Trimmable (DKDT). Fits behind extended frame stile
- Field cut to correct height where applicable
- Available in All Plywood Construction (APC)

Matching Desk End Panel

❖ M



MDEP

- Provides a finished furniture look to Desk Drawer (DDR) and Desk File Drawer (DFD) cabinet ends
- Includes end panel with decorative door
- For right or left hand use
- 1/8" thick panel with matching decorative door
- Full overlay door styles shipped unattached to panel. When installed, door overlaps cabinet frame edge to provide matching reveals
- 1/2" overlay door styles; door shipped attached to panel
- Toespace notch **must** be field cut
- Field installation only

Item	Panel Size		Full Overlay Door		1/2" Overlay Door	
	Width	Height	Width	Height	Width	Height
MDEP	20 1/4"	29"	20 5/8"	23 3/4"	19 1/4"	22 1/2"

Notes

Furniture Accessories

Construction Options and Modifications

M Maple

FEP	21	53	•CE
code	depth	height	suffix

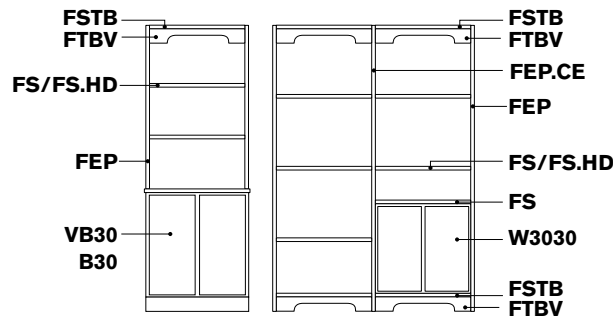
- ☆ Available with exceptions
- Available with an upcharge
- ❖ Included as standard
- (Blank) **Not** available

Material dimensions listed may vary slightly from actual dimensions of the product.

Specifications subject to change without notice.

Furniture Component Design Idea

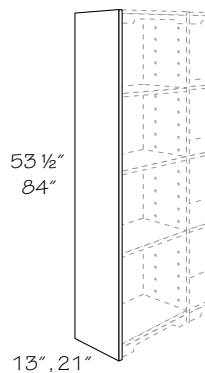
Sample Component Configuration



- These units are **not** to be used free-standing.
- Units **must** be attached to a wall for proper support.

Furniture End Panels

❖ M



53 1/2" High

FEP1353

FEP2153

84" High

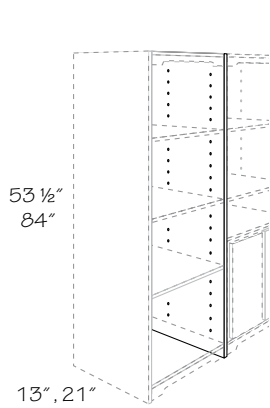
FEP1384

FEP2184

- 3/4" thick engineered wood
- Bored one side for adjustable shelves, tops, bottoms, hanger rails and valances
- 53 1/2" Furniture Panels are for mounting on desk cabinets or panels and can be trimmed to 48" for mounting on kitchen base cabinets
- 84" Furniture Panels are for floor mounted installation
- Front and back edges finished
- Maple has wood veneer surfaces, except for painted finishes, which have matching laminate surfaces

Furniture End Panel – Center Partition

◆ M



53 1/2" High

FEP1353 .CE

FEP2153 .CE

84" High

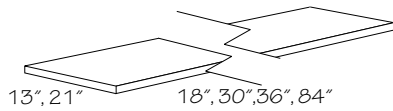
FEP1384 .CE

FEP2184 .CE

- 3/4" thick engineered wood
- Bored on both sides for adjustable shelves, tops, bottoms, hanger rails and valances
- 53 1/2" Furniture Panels are for mounting on desk cabinets or panels and can be trimmed to 48" for mounting on kitchen base cabinets
- 84" Furniture Panels are for floor mounted installation
- Front and back edges finished
- Maple has wood veneer surfaces, except for painted finishes, which have matching laminate surfaces
- **Not** available in All Plywood Construction (APC)

Furniture Shelves

◆ M



13" Deep

FS1813

FS3013

FS3613

FS1384

21" Deep

FS1821

FS3021

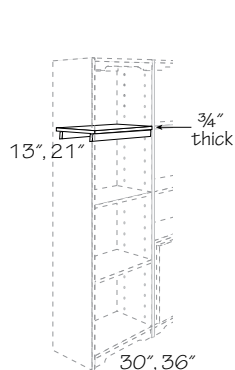
FS3621

FS2184

- 3/4" thick engineered wood
- Shelf load rating of 15 lbs. per square foot, **not** to exceed 50 lbs.
- 13" deep for books and decorative accessories, 21" deep for electronics
- Front and back edges finished
- Trimmed to fit installation
- Shelf supports **not** included
- Maple has wood veneer surfaces, except for painted finishes, which have matching laminate surfaces
- **Not** available in All Plywood Construction (APC)

Furniture Shelves – Heavy-Duty

◆ M



13" Deep

FS3013 .HD

FS3613 .HD

21" Deep

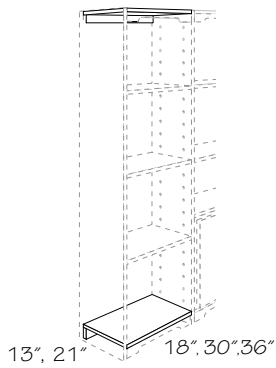
FS3021 .HD

FS3621 .HD

- 3/4" thick engineered wood
- Additional support is required
- Reinforced and will support 30 lbs. per sq. ft.
- 13" deep for books and decorative accessories, 21" deep for electronics
- Front and back edges finished
- Trimmed to fit installation
- Includes four shelf supports
- Maple has wood veneer surfaces, except for painted finishes, which have matching laminate surfaces
- **Not** available in All Plywood Construction (APC)

Furniture Shelves – Top and Bottom

◆ M



13" Deep

FSTB1813

FSTB3013

FSTB3613

21" Deep

FSTB1821

FSTB3021

FSTB3621

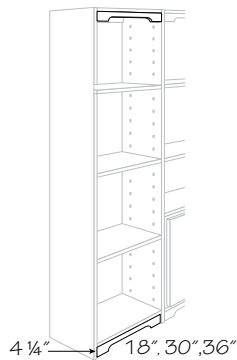
- 3/4" thick engineered wood
- Includes: shelf, hanger rail (to attach to wall) and cam lock fastener
- Front and back edges finished
- Maple has wood veneer surfaces, except for painted finishes, which have matching laminate surfaces
- **Not** available in All Plywood Construction (APC)



Furniture Top and Bottom Shelves are required for modular shelving system

Furniture Toeboard Valance

◆ M



FTBV18

FTBV30

FTBV36

- Attaches between uprights on the underside of Furniture Shelves Top and Bottom (FSTB) for decorative effect and to stabilize units
- Maple is 3/4" solid wood and have a traditional furniture shape on bottom
- Painted finishes are 3/4" engineered wood with matching laminate surfaces and straight finished bottom edge
- **Not** available in All Plywood Construction (APC)

Notes

Universal Cabinets

Construction Options and Modifications

UB	12	R	•FH
code	width	hinge	suffix

- ☆ Available with exceptions
- Available with an upcharge
- ◆ Included as standard
- (Blank) **Not** available

- PE Plywood Ends
- APC All Plywood Construction
- RD12 Reduce Depth 12"
- RD15 Reduce Depth 15"
- RD18 Reduce Depth 18"
- RD21 Reduce Depth 21"
- 1ROT 1 Roll-out Tray
- 2ROT 2 Roll-out Trays
- 4ROT 4 Roll-out Trays
- 1FWROT 1 Full-Width Tray
- 2FWROT 2 Full-Width Trays
- 2DROT 2 Deep Roll-out Trays
- 4DROT 4 Deep Roll-out Trays
- 2DFWROT 2 Deep Full-Width Roll-out Trays
- CFO Cabinet Front Only

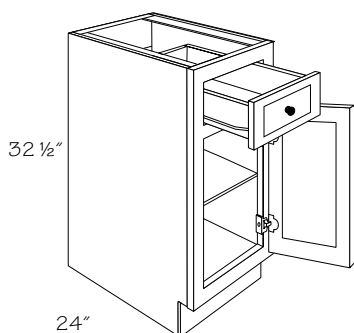
We manufacture cabinets that are readily used in floor plans that meet current ADA Accessibility Guidelines for Building and Facilities (ADAAG) guidelines. The primary responsibility to make a space comply with these guidelines is on the architect or space planner. Our products can be used to help satisfy the storage needs and accessibility requirements of disabled persons but depends on the knowledge, skill and creativity of the design professional and proper installation of these products. ADA Accessibility Guidelines for buildings and facilities can be visited online at: www.access-board.gov

All double door cabinets will have butt doors unless stated otherwise. When BUTT is in all capitals, it **must** be included as part of your ordering nomenclature. A (Butt) in parentheses is for your information and isn't required on an order form.

Material dimensions listed may vary slightly from actual dimensions of the product.

Specifications subject to change without notice.

Universal Base Single Door

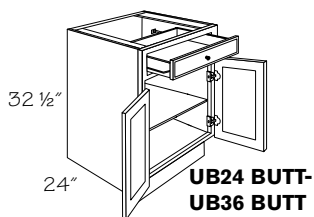


- UB12 R or L
- UB15 R or L
- UB18 R or L
- UB21 R or L
- UB24 R or L

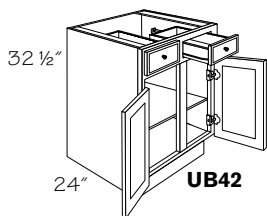
- Specify R or L for single door hinging
- One standard drawer
- ☆ When depth is reduced to 12" or 15", drawers become a false front
- ☆ Deep Roll-out Trays (DROT) or Deep Full-width Roll-out Trays (DFWROT) are **not** available with reduced depth options
- ☆ Roll-out Trays (ROT) **cannot** be included when a Reduced Depth (RD) option of less than 18" is selected

- PE
- APC
- ☆ RD12
- ☆ RD15
- RD18
- RD21
- ☆ 1ROT
- ☆ 2ROT
- 4ROT
- 1FWROT
- 2FWROT
- ☆ 2DROT
- 4DROT
- 2DFWROT
- CFO

Universal Base Double Door



UB24 BUTT-UB36 BUTT



UB42

- One Drawer
- Two Drawers

- UB24 BUTT
- UB27 (Butt)
- UB30 BUTT
- UB33 BUTT
- UB36 BUTT

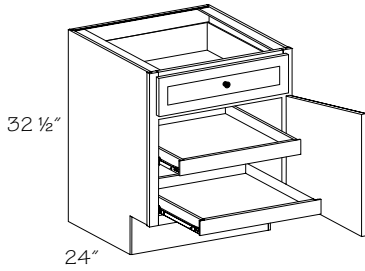
- ◆ UB42

- Available with Full-width Roll-out Trays (FWROT) or Deep Full-width Roll-out Trays (DFWROT) only
- ◆ Available with standard-width Roll-out Trays (ROT) or Deep Roll-out Trays (DROT) only

- When depth is reduced to 12" drawer becomes a false front
- ☆ Deep Roll-out Trays (DROT) or Deep Full-width Roll-out Trays (DFWROT) are **not** available with reduced depth options
- ☆ Roll-out Trays (ROT) **cannot** be included when a Reduced Depth (RD) option of less than 18" is selected
- **Note:** When depth is reduced to 12" or 15", drawers become false fronts

- PE
- APC
- ☆ RD12
- ☆ RD15
- RD18
- RD21
- 1ROT
- ☆ 2ROT
- ☆ 4ROT
- ☆ 1FWROT
- ☆ 2FWROT
- ☆ 2DROT
- ☆ 4DROT
- ☆ 2DFWROT
- CFO

Universal Base Single Door w/Two Full-Width Trays

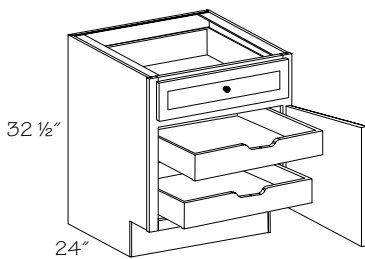


UB12 R or L.2FWT
UB15 R or L.2FWT
UB18 R or L.2FWT
UB21 R or L.2FWT
UB24 R or L.2FWT

- Specify R or L for single door hinging
- One standard drawer
- Two standard Full-width Roll-out Trays (FWROT)

● PE
● APC
RD12
RD15
● RD18
● RD21
1ROT
2ROT
4ROT
1FWROT
2FWROT
2DROT
4DROT
2DFWROT
CFO

Universal Base Single Door w/Two Deep Full-Width Trays

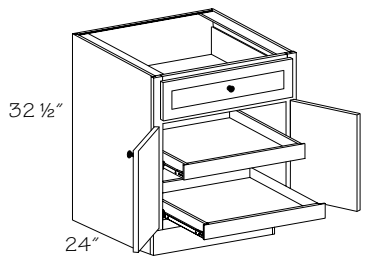


UB12 R or L.2DFWT
UB15 R or L.2DFWT
UB18 R or L.2DFWT
UB21 R or L.2DFWT
UB24 R or L.2DFWT

- Specify R or L for single door hinging
- One standard drawer
- Two Deep Full-width Roll-out Trays (DFWROT)

● PE
● APC
RD12
RD15
RD18
RD21
1ROT
2ROT
4ROT
1FWROT
2FWROT
2DROT
4DROT
2DFWROT
CFO

Universal Base Double Door w/Two Full-Width Trays



UB24 BUTT.2FWT
UB27 (Butt).2FWT
UB30 BUTT.2FWT
UB33 BUTT.2FWT
UB36 BUTT.2FWT

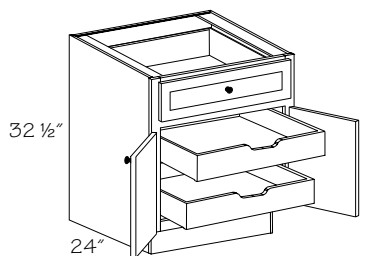
- One standard drawer
- Two standard Full-width Roll-out Trays (FWROT)



Remember, when designing a space for storing heavy items, avoid using 30–36" wide Roll-Out Trays (ROT). These units are **not** designed for extremely heavy loads

● PE
● APC
RD12
RD15
● RD18
● RD21
1ROT
2ROT
4ROT
1FWROT
2FWROT
2DROT
4DROT
2DFWROT
CFO

Universal Base Double Door w/Two Deep Full-Width Trays



UB24 BUTT.2DFWT
UB27 (Butt).2DFWT
UB30 BUTT.2DFWT
UB33 BUTT.2DFWT
UB36 BUTT.2DFWT

- One standard drawer
- Two Deep Full-width Roll-out Trays (DFWROT)

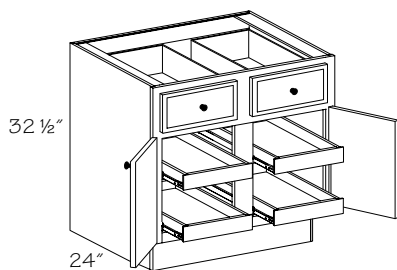
● PE
● APC
RD12
RD15
RD18
RD21
1ROT
2ROT
4ROT
1FWROT
2FWROT
2DROT
4DROT
2DFWROT
CFO

Universal Base Double Door w/Four Trays

UB42 .4T

- Two standard drawers
- Four standard Roll-out Trays (ROT)

● PE
● APC
RD12
RD15
● RD18
● RD21
1ROT
2ROT
4ROT
1FWROT
2FWROT
2DROT
4DROT
2DFWROT
CFO

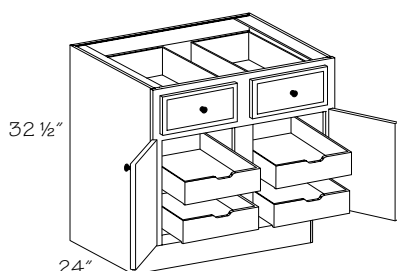


Universal Base Double Door w/Four Deep Trays

UB42 .4DT

- Two standard drawers
- Four Deep Roll-out Trays (DROT)

● PE
● APC
RD12
RD15
RD18
RD21
1ROT
2ROT
4ROT
1FWROT
2FWROT
2DROT
4DROT
2DFWROT
CFO

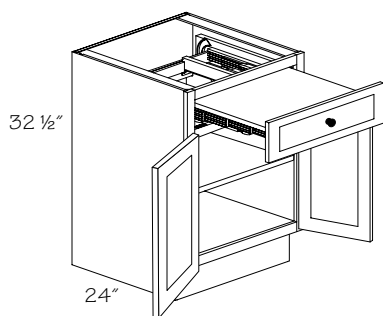


Universal Base Pull-out Table

UBT24 BUTT

- Top drawer is replaced with full-width 20 1/4" wide, solid wood, pull-out tambour table with natural lacquer finish
- Pullout top has hardwood telescoping slides
- Pull-out table extends 30" from front of cabinet on telescoping hardwood slides
- Drawer front **must** be attached to pullout table by installer. Hardware and instructions included
- **Not** intended to be used as a chopping block

● PE
● APC
RD12
RD15
RD18
RD21
1ROT
2ROT
4ROT
● 1FWROT
● 2FWROT
2DROT
4DROT
● 2DFWROT
CFO

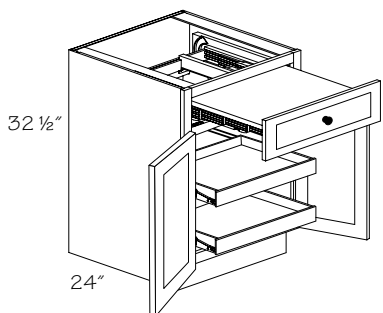


Universal Base Pull-Out Table w/Two Full-Width Trays

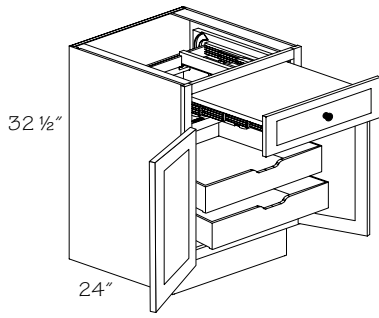
UBT24 BUTT.2FWT

- Top drawer is replaced with full-width 20 1/4" wide, solid wood, pull-out tambour table with natural lacquer finish
- Pullout top has hardwood telescoping slides
- Pull-out table extends 30" from front of cabinet on telescoping hardwood slides
- Drawer front **must** be attached to pullout table by installer. Hardware and instructions included
- **Not** intended to be used as a chopping block
- Two adjustable, Full-width Roll-out Trays (FWROT)

● PE
● APC
RD12
RD15
RD18
RD21
1ROT
2ROT
4ROT
1FWROT
2FWROT
2DROT
4DROT
2DFWROT
CFO



Universal Base Pull-Out Table w/Two Deep Full-Width Trays

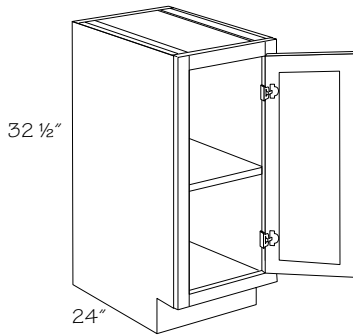


UBT24 BUTT.2DFWT

- Top drawer is replaced with full-width 20 1/4" wide, solid wood, pull-out tambour table with natural lacquer finish
- Pullout top has hardwood telescoping slides
- Pull-out table extends 30" from front of cabinet on telescoping hardwood slides
- Drawer front **must** be attached to pullout table by installer. Hardware and instructions included
- **Not** intended to be used as a chopping block
- Two Deep Full-width Roll-out Trays (DFWROT)

● PE
● APC
RD12
RD15
RD18
RD21
1ROT
2ROT
4ROT
1FWROT
2FWROT
2DROT
4DROT
2DFWROT
CFO

Universal Base Full-Height Single Door



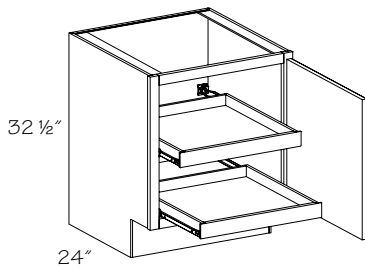
- ☆ **UB9 R or L.FH**
- UB12 R or L.FH**
- UB15 R or L.FH**
- UB18 R or L.FH**
- UB24 R or L.FH**

☆ Roll-out Trays (ROT) are **not** available

- Specify R or L for single door hinging
- Full-height door
- One adjustable shelf
- ☆ Roll-out Trays (ROT) **cannot** be included when a Reduced Depth (RD) option of less than 18" is selected
- ☆ Deep Roll-out Trays (DROT) or Deep Full-width Roll-out Trays (DFWROT) are **not** available with reduced depth options

● PE
● APC
RD12
RD15
RD18
RD21
☆ 1ROT
☆ 2ROT
4ROT
1FWROT
2FWROT
☆ 2DROT
4DROT
2DFWROT
● CFO

Universal Base Full-Height Single Door w/Two Full-Width Trays

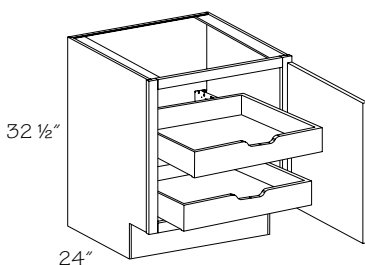


- UB12 R or L.FH.2FWT**
- UB15 R or L.FH.2FWT**
- UB18 R or L.FH.2FWT**
- UB24 R or L.FH.2FWT**

- Specify R or L for single door hinging
- Full-height door
- Two standard Full-width Roll-out Trays (FWROT)

● PE
● APC
RD12
RD15
● RD18
● RD21
1ROT
2ROT
4ROT
1FWROT
2FWROT
2DROT
4DROT
2DFWROT
CFO

Universal Base Full-Height Single Door w/Two Deep Full-Width Trays

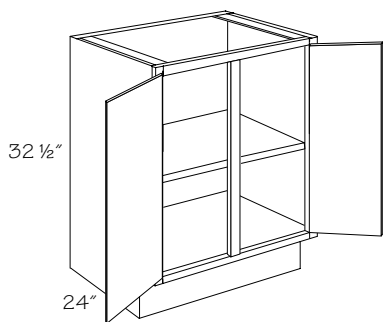


- UB12 R or L.FH.2DFWT**
- UB15 R or L.FH.2DFWT**
- UB18 R or L.FH.2DFWT**
- UB24 R or L.FH.2DFWT**

- Specify R or L for single door hinging
- Full-height door
- Two Deep Full-width Roll-out Trays (DFWROT)

● PE
● APC
RD12
RD15
RD18
RD21
1ROT
2ROT
4ROT
1FWROT
2FWROT
2DROT
4DROT
2DFWROT
CFO

Universal Base Full-Height Double Door



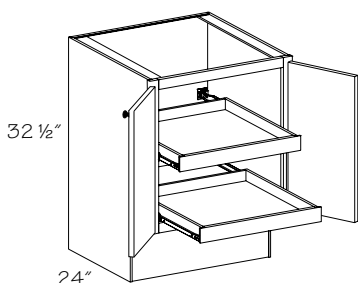
- **UB24 BUTT.FH** ◆ **UB39 .FH**
- **UB27 (Butt).FH** ◆ **UB42 .FH**
- **UB30 BUTT.FH** ◆ **UB45 .FH**
- **UB33 BUTT.FH** ◆ **UB48 .FH**
- **UB36 BUTT.FH**

- Available with Full-width Roll-out Trays (FWROT) or Deep Full-width Roll-out Trays (DFWROT) only
- ◆ Available with standard-width Roll-out Trays (ROT) or Deep Roll-out Trays (DROT) only

- Full-height doors
- ☆ Roll-out Trays (ROT) *cannot* be included when a Reduced Depth (RD) option of less than 18" is selected
- ☆ Deep Roll-out Trays (DROT) are only available in cabinets 24" deep

● PE
● APC
● RD12
● RD15
● RD18
● RD21
1ROT
☆ 2ROT
☆ 4ROT
☆ 1FWROT
☆ 2FWROT
2DROT
☆ 4DROT
☆ 2DFWROT
● CFO

Universal Base Full-Height Double Door w/Two Full-Width Trays

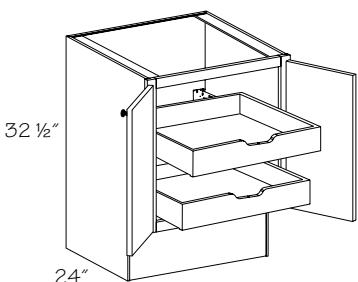


- UB24 BUTT.FH.2FWT**
- UB27 (Butt).FH.2FWT**
- UB30 BUTT.FH.2FWT**
- UB33 BUTT.FH.2FWT**
- UB36 BUTT.FH.2FWT**

- Full-height doors
- Two standard Full-width Roll-out Trays (FWROT)

● PE
● APC
RD12
RD15
● RD18
● RD21
1ROT
2ROT
4ROT
1FWROT
2FWROT
2DROT
4DROT
2DFWROT
CFO

Universal Base Full-Height Double Door w/Two Deep Full-Width Trays

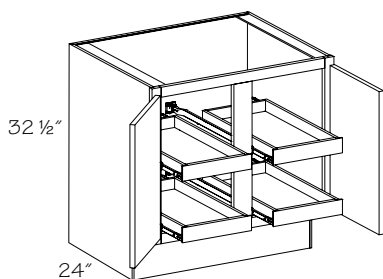


- UB24 BUTT.FH.2DFWT**
- UB27 (Butt).FH.2DFWT**
- UB30 BUTT.FH.2DFWT**
- UB33 BUTT.FH.2DFWT**
- UB36 BUTT.FH.2DFWT**

- Full-height doors
- Two Deep Full-width Roll-out Trays (DFWROT)

● PE
● APC
RD12
RD15
RD18
RD21
1ROT
2ROT
4ROT
1FWROT
2FWROT
2DROT
4DROT
2DFWROT
CFO

Universal Base Full-Height Double Door w/Four Trays

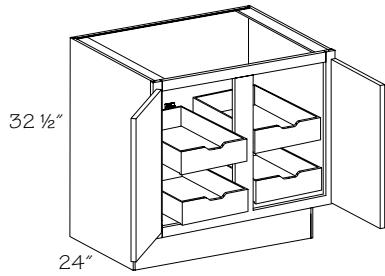


- UB39 .FH.4T**
- UB42 .FH.4T**
- UB45 .FH.4T**
- UB48 .FH.4T**

- Full-height doors
- Four standard Roll-out Trays (ROT)

● PE
● APC
RD12
RD15
● RD18
● RD21
1ROT
2ROT
4ROT
1FWROT
2FWROT
2DROT
4DROT
2DFWROT
CFO

Universal Base Full-Height Double Door w/Four Deep Trays

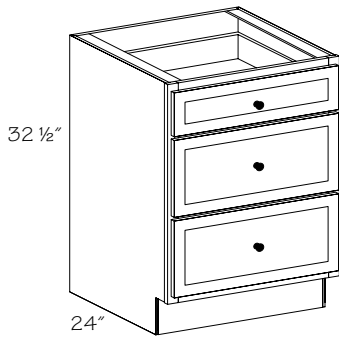


UB39 .FH.4DT
UB42 .FH.4DT
UB45 .FH.4DT
UB48 .FH.4DT

- Full-height doors
- Four Deep Roll-out Trays (DROT)

● PE
● APC
RD12
RD15
RD18
RD21
1ROT
2ROT
4ROT
1FWROT
2FWROT
2DROT
4DROT
2DFWROT
CFO

Universal Base Three Drawer

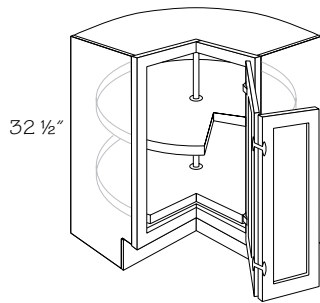


UBD12 .3
UBD15 .3
UBD18 .3
UBD21 .3
UBD24 .3

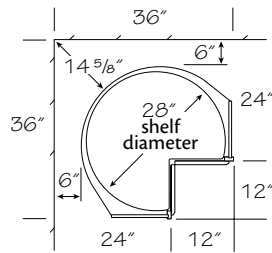
- Standard height top drawer
- Bottom drawers are deep

● PE
● APC
RD12
RD15
● RD18
● RD21
1ROT
2ROT
4ROT
1FWROT
2FWROT
2DROT
4DROT
2DFWROT
● CFO

Universal Lazy Susan



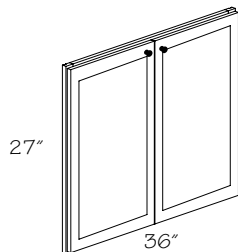
ULS36 R or L



- Specify R or L for single door hinging
- Two 28" diameter high impact, pie-cut revolving white plastic shelves
- Shelves rotate independently of doors and each other
- Shelf load rating of 15 lbs. per square foot, **not** to exceed 50 lbs.
- Shelf height **cannot** be adjusted
- Two piece bi-fold door with independent adjustment
- 168° opening hinges on face frame door
- Full overlay door style face frame stiles are notched to accept door hinges. Door hinging **cannot** be inverted in field
- **Note:** Back barrel will **not** be plywood when APC is ordered

PE
● APC
RD12
RD15
RD18
RD21
1ROT
2ROT
4ROT
1FWROT
2FWROT
2DROT
4DROT
2DFWROT
● CFO

Universal Sink Front Doors

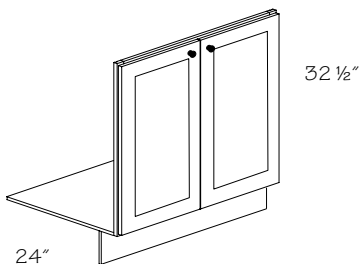


UBSF36 BUTT.FH

- Full-height door
- Includes front frame and appropriate doors only
- **Not** trimmable
- No toe kick
- Bottom panel **not** supplied, order separately. See Sink Front Floor (SFF) in Base Accessories

PE
APC
RD12
RD15
RD18
RD21
1ROT
2ROT
4ROT
1FWROT
2FWROT
2DROT
4DROT
2DFWROT
CFO

Universal Sink Front Kit

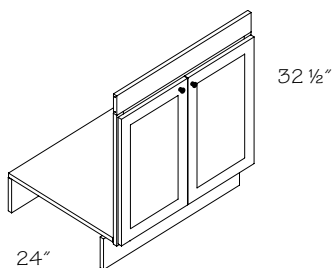


- USFCK30 BUTT.FH**
- USFCK33 BUTT.FH**
- USFCK36 BUTT.FH**
- USFCK42 .FH**

- Full-height door
- Toe Kick Backer assembly shipped unassembled to floor
- Includes floor
- 3/8" thick engineered wood bottom panel with easy clean laminate on one side; back side unfinished
- 1/2" thick engineered wood toeboard

PE
APC
RD12
RD15
RD18
RD21
1ROT
2ROT
4ROT
1FWROT
2FWROT
2DROT
4DROT
2DFWROT
CFO

Universal Removable Sink Front



- URSF30 BUTT**
- URSF33 BUTT**
- URSF36 BUTT**
- URSF42**

- Designed for easy field conversion from a standard sink base functionality to access open space
- Permanently installed countertop support rail is 3 1/2" high x 3/4" thick solid wood
- Doors and frame are shipped pre-assembled
- 3/4" thick removable plywood bottom panel with support hardware / leveling legs and a removable clipped-on toe kick provided
- Matching solid wood baseboard provided for bottom panel support along the kitchen wall
- Frame attached to bottom panel using quick connect (cam-locks) fasteners providing a solid tight joint
- Some field assembly required; instructions and hardware included
- A Universal Access Panel (UAP) can be purchased separately to conceal/protect the water and drain lines. See "Panels" section. Please specify specie and finish
- ☆ Regardless of construction option, model is constructed the same

PE
☆ APC
RD12
RD15
RD18
RD21
1ROT
2ROT
4ROT
1FWROT
2FWROT
2DROT
4DROT
2DFWROT
CFO



Complete flooring under Universal Access Removable Sink Front (URSF) to prepare for the future when sink front and plywood bottom is removed.

Universal Accessories

Construction Options and Modifications

M Maple

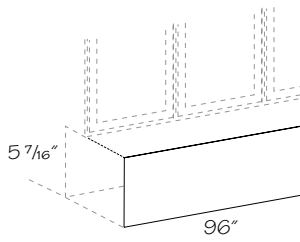
UMTK8

code

- ☆ Available with exceptions
- Available with an upcharge
- ❖ Included as standard
- (Blank) **Not** available

Universal Toe Kick

❖ M



Laminate

UMTK8

UMTK8 .4

Veneer

UWMTK8

UWMTK8 .4

- 5 7/16" high x 96" long x 1/8" thick Medium Density Fiberboard (MDF)
- Veneer, 5 7/16" high x 96" long x 5/32" thick veneered plywood
- Matching easy clean laminate on one side
- Grain direction runs lengthwise (when applicable)

Paneling

Construction Options and Modifications

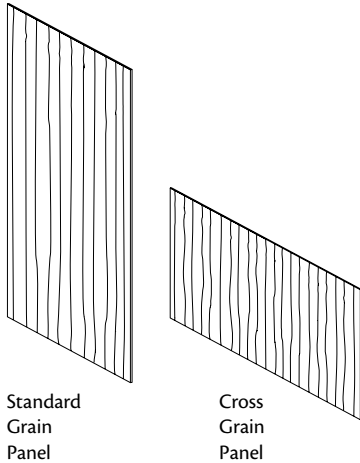
M Maple

WSK	96	48	•2
code	width	height	suffix

- ☆ Available with exceptions
- Available with an upcharge
- ❖ Included as standard
- (Blank) **Not** available

Material dimensions listed may vary slightly from actual dimensions of the product.

Specifications subject to change without notice.



Wood Veneer Paneling

❖ M

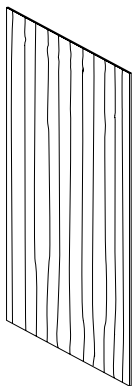
- WSK1230** 11 1/4" x 30"
 - WSK1530** 14 1/4" x 30"
 - WSK2434** 23 1/4" x 34 1/2"
 - WSK4834** 48 x 34 1/2"
 - WSK1242** 11 1/4" x 42"
 - WSK1542** 14 1/4" x 42"
 - **WSK9648** 96" x 48"
 - WSK2484** 23 1/4" x 84"
 - WSK2496** 23 1/4" x 96"
 - WSK4896** 48" x 96"
- Plywood
Finished one side*
- WSK24108** 108"x23 1/4"

- 5/32" thick
- Use to cover exposed backs of Base and Tall cabinets in peninsula or island configurations
- Veneered plywood panel finished on one side

■ **Not** available in painted finishes

Woodgrain Laminate Paneling

❖ M



- VSK4834** 48" x 34 1/2"
- VSK4896** 48" x 96"

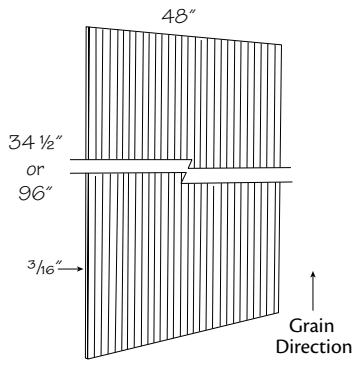
- 3/16" thick
- Use to cover exposed backs of Base and Tall cabinets in peninsula or island configurations
- Medium Density Fiberboard (MDF) panel with easy clean laminate on front side and unfinished backside

Beaded Paneling

◆ M

BEPL4834 48" x 34 1/2"
BEPL4896 48" x 96"

- Can be used as wainscoting or to cover exposed backs of base and tall cabinets in peninsula and island configurations
- 3/16" thick veneered plywood panel
- Finished one side only

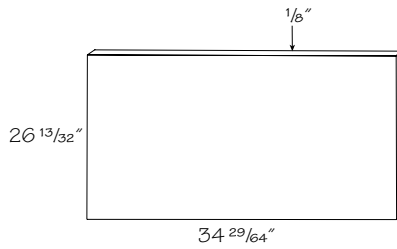


CoreGuard® Panel Backer

◆ M

CGPB36

- Light beige colored engineered polymer
- Used to patch backs of CoreGuard® cabinets



Shelving

Construction Options and Modifications

M Maple

SK	18	12
code	width	depth

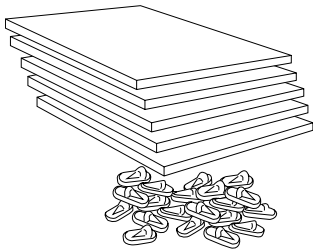
- ☆ Available with exceptions
- Available with an upcharge
- ◆ Included as standard

Material dimensions listed may vary slightly from actual dimensions of the product.

Specifications subject to change without notice.

Shelf Kits

M



*Engineered Wood
Utility Shelf Kit
12" Deep*

- ☆ **SK1512**
- ☆ **SK1812**
- ☆ **SK2412**

*Vanity Linen Shelf Kit
21" Deep*

- ☆ **SK1521**
- ☆ **SK1821**
- ☆ **SK2421**

*Utility Shelf Kit
24" Deep*

- ☆ **SK1524**
- ☆ **SK1824**
- ☆ **SK2424**

*Plywood
Utility Shelf Kit
12" Deep*

- SK3012**
- SK3612**

*Utility Shelf Kit
24" Deep*

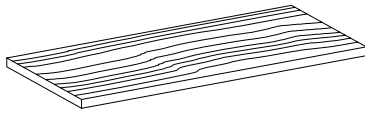
- SK3024**
- SK3624**

☆ Available in All Plywood Construction (APC)

- 3/4" shelves laminated on both sides
- Matching edgebanding applied on the front edge
- Kit includes: five shelves, 20 clear supports, 30" and 36" wide shelf kits also include five clear back supports

Replacement Shelving – Walls

M



12" Deep Wall

WS0912
WS0912 .PE
WS1212
WS1212 .PE
WS1512
WS1512 .PE
WS1812
WS1812 .PE
WS2112
WS2112 .PE
WS2412
WS2412 .PE
WS2712
WS2712 .PE
WS3012
WS3012 .PE
WS3312
WS3312 .PE
WS3612
WS3612 .PE
WS3912
WS3912 .PE
WS4212
WS4212 .PE
WS4512
WS4512 .PE
WS4812
WS4812 .PE
Wall Angle
WAS2424
WAS2727

Wall Corner Angle

WCAS1212
Wall End Corner
WECS1212
Wall Easy Reach
WEZR2424
15" Deep Wall
WS0915
WS1215
WS1515
WS1815
WS2115
WS2415
WS2715
WS3015
WS3315
WS3615
WS3915
WS4215
WS4515
WS4815
Wall Microwave Shelf Cabinet
WMSCS2418
WMSCS2718
Wall Microwave Shelf
WMSSS2715
WMSSS3015
WMSSS2718
WMSSS3018

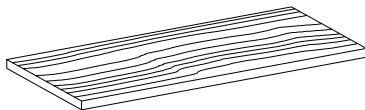
24" Deep Wall

WS0924
WS1224
WS1524
WS1824
WS2124
WS2424
WS2724
WS3024
WS3324
WS3624
WS3924
WS4224
WS4524
WS4824
Peninsula Wall
PWS1812
PWS1812 .PE
PWS2112
PWS2112 .PE
PWS2412
PWS2412 .PE
PWS3012
PWS3012 .PE
PWS3612
PWS3612 .PE
Peninsula Wall Angle
PWAS2424

- 3/4" shelves laminated on both sides
- Size fits interior of cabinet listed
- Includes one shelf
- **Note:** .PE designates replacement shelving for cabinets with plywood ends

Replacement Shelving – Base

M



12" Deep Base Shelf

BS1212
BS1512
BS1812
BS2112
BS2412
BS2712
BS3012
Peninsula Base Shelf
PBS1824
PBS1824 .PE
PBS2124
PBS2124 .PE
PBS2424
PBS2424 .PE
PBS2724
PBS2724 .PE
PBS3024
PBS3024 .PE
PBS3624
PBS3624 .PE

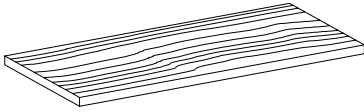
24" Deep Base Shelf

BS1224
BS1224 .BEA
BS1524
BS1824
BS2124
BS2424
BS2424 .BCA
BS2424 .BCD
BS2424 .BEC
BS2724
BS3024
BS3024 .BCD
BS3324
BS3624
BS3624 .BCD
BS3924
BS4224
BS4524
BS4824
BS5424
36" Deep Base Shelf
BS3636 .BCFS

- 3/4" shelves laminated on both sides
- Size fits interior of cabinet listed
- Includes one shelf
- **Note:** .PE designates replacement shelving for cabinets with plywood ends

Replacement Shelving – Tall

M



12" Deep Tall

TS1512

TS1812

TS2412

TS3012

TS3612

21" Deep Tall

TS1521

TS1821

TS2421

24" Deep Tall

TS1524

TS1824

TS2424

TS2724

TS3024

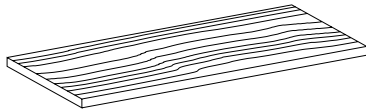
TS3324

TS3624

- 3/4" shelves laminated on both sides
- Size fits interior of cabinet listed
- Includes one shelf

Replacement Shelving – Vanity

M



Vanity Shelf

VS1821

Vanity Wall Shelf

VS1505 .VW

Vanity Mirror Shelf

VS1627 .MC

Vanity Tri-View Mirror Cabinet Shelf

VS24/3630 .TVMC

VS3030 .TVMC.L

VS3030 .TVMC.R

VS3630 .TVMC

Vanity Wall Boutique Shelf

VS2407 .VWB

VS2407 .PE

- 3/4" shelves laminated on both sides
- Size fits interior of cabinet listed
- Includes one shelf
- **Note:** .PE designates replacement shelving for cabinets with plywood ends

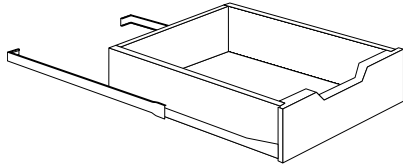
Roll-out Trays

ROT	15	•24
code	width	depth

Material dimensions listed may vary slightly from actual dimensions of the product.

Specifications subject to change without notice.

Deep Roll-out Trays – Full Extension Field Installation

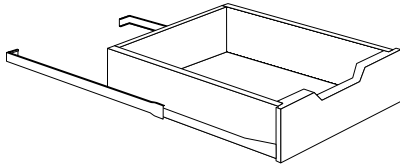


	<i>Width</i>
DROTFX30 .24	25 13/16"
DROTFX33 .24	28 13/16"
DROTFX36 .24	31 13/16"

- Installs in base and Universal Base cabinets with butt doors using pre-drilled holes; rear mounting brackets included for installing in peninsula base cabinets
- See chart for cabinet availability
- 24" depth only
- Trays are made of 1/2" thick solid hardwood; bottoms are .205" thick matching wood grain printed plywood
- 3 3/16" interior height along sides
- 1 15/16" deep finger pull at midpoint of tray front
- Unit slides on full extension side-mount ball bearing runners
- Mounting hardware and runners included
- Natural finish
- Order Example:
For SB30 BUTT•W—order DROTFX30•24
For B33 BUTT—order DROTFX33•24
For UB36 BUTT—order DROTFX36•24

Item	Tray Width	For Use In:
DROTFX30.24	25 13/16"	B30BUTT, B30BUTT.FH, PB30BUTT, SB30BUTT, SB30BUTT.FH, UB30BUTT, UB30BUTT.FH
DROTFX33.24	28 13/16"	B33BUTT, B33BUTT.FH, SB33BUTT, SB33BUTT.FH, UB33BUTT, UB33BUTT.FH
DROTFX36.24	31 13/16"	B36BUTT, B36BUTT.FH, PB36BUTT, SB36BUTT, SB36BUTT.FH, UB36BUTT, UB36BUTT.FH

Deep Roll-out Trays - Field Installation

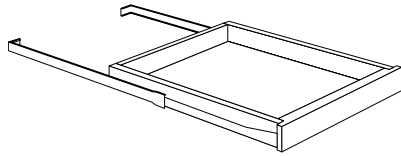


	Width
DROT12 .24	8"
DROT14 .24	9 1/2"
DROT15 .24	11"
DROT16 .24	12 1/2"
DROT18 .24	14"
DROT19 .24	15 1/2"
DROT21 .24	17"
DROT22 .24	18 1/2"
DROT24 .24	20"
DROT27 .24	23"
DROT30 .24	26"
DROT33 .24	29"
DROT36 .24	32"

- Installs in base, universal base and utility cabinets using pre-drilled holes
- See chart for cabinet availability
- 24" depth only
- Trays are made of 1/2" thick solid hardwood; bottoms are .205" thick matching wood grain printed plywood
- 3 3/16" interior height along sides
- 1 15/16" deep finger pull at midpoint of tray front
- Mounting hardware and runners included
- Natural finish
- 3/4 extension runners
- Order Example:
For B12•FH—order DROT12•24
For PB21—order DROT21•24
For BBC42—order DROT14•24

Item	Tray Width	For Use In:
DROT12.24	8"	B12, B12.FH, BCD24DL/R-4D, SB12, UB12, UB12•FH
DROT14.24	9 1/2"	BBC42
DROT15.24	11"	B15, B15.FH, BCD30DL/R-4D, DSB30, SB15, U152484, U152490, U152493, U152496, UB15, UB15.FH
DROT16.24	12 1/2"	BBC45, DSB33
DROT18.24	14"	B18, B18.FH, B54, BCD36DL/R-4D, DSB36, SB18, U182484, U182490, U182493, U182496, UB18, UB18.FH
DROT19.24	15 1/2"	B39, B39.FH, BBC48, SB39, SB39.FH, UB39.FH
DROT21.24	17"	B21, B21.FH, B42, B42.FH, SB21, SB42, SB42.FH, UB21, UB42, UB42.FH
DROT22.24	18 1/2"	B45, B45.FH, BBC51, UB45.FH
DROT24.24	20"	B24, B24 BUTT, B24.FH, B24 BUTT.FH, B48, B48.FH, PBBC27, PBBC27 BUTT, SB24, SB24 BUTT, SB24.FH, SB24 BUTT.FH, SB48, SB48.FH, U242484, U242484 BUTT, U242490, U242490 BUTT, U242493, U242493 BUTT, U242496, U242496 BUTT, UB24, UB24 BUTT, UB24.FH, UB24 BUTT.FH, UB48.FH, UBT24 BUTT
DROT27.24	23"	B27, B27.FH, SB27, SB27.FH, UB27, UB27.FH
DROT30.24	26"	B24, B24 BUTT, B24.FH, B24 BUTT.FH, B48, B48.FH, PBBC27, PBBC27 BUTT, SB24, SB24 BUTT, SB24.FH, SB24 BUTT.FH, SB48, SB48.FH, U242484, U242484 BUTT, U242490, U242490 BUTT, U242493, U242493 BUTT, U242496, U242496 BUTT, UB24, UB24 BUTT, UB24.FH, UB24 BUTT.FH, UB48.FH, UBT24 BUTT
DROT33.24	29"	B33 BUTT, B33 BUTT.FH, SB33 BUTT, SB33 BUTT.FH, UB33 BUTT, UB33 BUTT.FH
DROT36.24	32"	B36 BUTT, B36 BUTT.FH, SB36 BUTT, SB36 BUTT.FH, U362484 BUTT, U362490 BUTT, U362493 BUTT, U362496 BUTT, UB36 BUTT, UB36 BUTT.FH

Roll-out Trays Solid Wood - Field Installation



18" Deep Trays

ROTW15 .18	11 3/4"
ROTW18 .18	14 3/4"
ROTW27 .18	23 3/4"
ROTW30 .18	26 3/4"
<i>21" Deep Trays</i>	
ROTW12 .21	8 3/4"
ROTW15 .21	11 3/4"
ROTW18 .21	14 3/4"
ROTW21 .21	17 3/4"
ROTW27 .21	23 3/4"
ROTW30 .21	26 3/4"
ROTW33 .21	29 3/4"
ROTW36 .21	32 3/4"

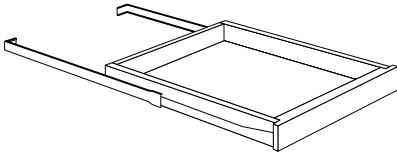
24" Deep Trays

ROTW12 .24	8 3/4"
ROTW15 .24	11 3/4"
ROTW16 .24	13 1/4"
ROTW18 .24	14 3/4"
ROTW19 .24	16 1/4"
ROTW21 .24	17 3/4"
ROTW22 .24	19 1/4"
ROTW24 .24	20 3/4"
ROTW27 .24	23 3/4"
ROTW30 .24	26 3/4"
ROTW33 .24	29 3/4"
ROTW36 .24	32 3/4"

- Installs in base, universal base, utility and vanity cabinets using pre-drilled holes
- See chart for cabinet availability
- 18", 21" and 24" depths only
- 3/16" thick plywood bottom panel finished on the top side with a moisture and stain resistant, easy clean laminate with printed matching wood grain
- Solid hardwood tray core with 3/4" thick front and 1/2" thick sides and back
- Mounting hardware and runners included
- Determine location of plumbing before ordering tray(s)
- 3/4 extension runners
- Natural finish
- Order Example:
For VB152131—order ROTW15•21
For VLC181884—order ROTW18•18
For B27 (Butt)—order ROTW27•24

Item (by depth)	Tray Width	For Use In:
18" depth		
ROTW15.18	11 3/4"	VB151831, VB151834, VB481831.FH, VB481834.FH, VCD301831 DL2/DR2, VCD301834 DL3/DR3, VSB481831.2, VSB481834.2, VSBT601831.2, VSBT601834.2
ROTW18.18	14 3/4"	VB181831, VB181831.FH, VB181834, VB181834.FH, VB541831.FH, VB541834.FH, VCD361831 DL2/DR2, VCD361834 DL3/DR3, VCD421834.8, VCD481834.8, VSB361831.2, VSB361834.2, VSB541831.2, VSB541834.2, VSB481834.2, VSBT601831.2, VSBT601834.2
ROTW27.18	23 3/4"	VB271831.FH, VB271834.FH, VSB271831, VSB271834
ROTW30.18	26 3/4"	VB301831BUTT.FH, VB301834BUTT.FH, VSB301831BUTT, VSB301834BUTT
21" depth		
ROTW12.21	8 3/4"	VB122131, VB122134, VCD242131 DL/R2, VCD242134 DL/R3, VSB422131.2, VSB422134.2
ROTW15.21	11 3/4"	VB152131, VB152134, VB482131.FH, VB482134.FH, VBT602131.FH, VBT602134.FH, VCD302131 DL/R2, VCD302134 DL/R3, VLC152184, VLC152190, VLC152196, VSB482131.2, VSB482134.2, VSBT602131.2, VSBT602134.2
ROTW18.21	14 3/4"	VB182131, VB182131.FH, VB182134, VB182134.FH, VB542131.FH, VB542134.FH, VCD362131 DL/R2, VCD362134 DL/R3, VCD422134.8, VCD482134.8, VLC182184, VLC182190, VLC182196, VSB362131.2, VSB362134.2, VSB422131.2, VSB422134.2, VSB482131.2, VSB482134.2, VSB542131.2, VSB542134.2
ROTW21.21	17 3/4"	VB212131, VB212131.FH, VB212134, VB212134.FH, VB422131.FH, VB422134.FH, VSB422131, VSB422134
ROTW24.21	20 3/4"	VB24, VB2435, VB24BUTT, VB24BUTT.FH, VB2435BUTT, VB2435BUTT.FH, VB24.FH, VB2435.FH, VLC2484, VLC2484B, VLC2490, VLC2490BUTT, VLC2496, VLC2496BUTT, VSB24BUTT, VSB2435BUTT
ROTW27.21	23 3/4"	VB272131.FH, VB272134.FH, VSB272131BUTT, VSB272134
ROTW30.21	26 3/4"	VB302131BUTT.FH, VB302134BUTT.FH, VSB302131BUTT, VSB302134BUTT
ROTW33.21	29 3/4"	VB332131BUTT.FH, VB332134BUTT.FH, VSB332131BUTT, VSB332134BUTT
ROTW36.21	32 3/4"	VB362131BUTT.FH, VB362134BUTT.FH, VSB362131BUTT, VSB362134BUTT
24" depth		
ROTW12.24	8 3/4"	B12, B12.FH, BCD24DL/R-4D, SB12, UB12, UB12.FH
ROTW15.24	11 3/4"	B15, B15.FH, BCD30DL/R-4D, DSB30, SB15, U152484, U152490, U152493, U152496, UB15, UB15.FH
ROTW16.24	13 3/4"	BBC45, DSB33
ROTW18.24	14 3/4"	B18, B18.FH, B54, BCD36DL/R-4D, DSB36, SB18, U182484, U182490, U182493, U182496, UB18, UB18.FH
ROTW19.24	16 3/4"	B39, B39.FH, BBC48, SB39, SB39.FH, UB39.FH
ROTW21.24	17 3/4"	B21, B21.FH, B42, B42.FH, SB21, SB42, SB42.FH, UB21, UB42, UB42.FH
ROTW22.24	19 3/4"	B45, B45.FH, BBC51, UB45.FH
ROTW24.24	20 3/4"	B24, B24BUTT, B24.FH, B24BUTT.FH, B48, B48.FH, PBBC27, PBBC27BUTT, SB24, SB24BUTT, SB24.FH, SB24BUTT.FH, SB48, SB48.FH, U242484, U242484BUTT, U242490, U242490BUTT, U242493, U242493BUTT, U242496, U242496BUTT, UB24, UB24BUTT, UB24.FH, UB24BUTT.FH, UB48.FH, UB24BUTT
ROTW27.24	23 3/4"	B27, B27.FH, SB27, SB27.FH, UB27, UB27.FH
ROTW30.24	26 3/4"	B30BUTT, B30BUTT.FH, SB30BUTT, SB30BUTT.FH, U302484BUTT, U302490BUTT, U302493BUTT, U302496BUTT, UB30BUTT, UB30BUTT.FH
ROTW33.24	29 3/4"	B33BUTT, B33BUTT.FH, SB33BUTT, SB33BUTT.FH, UB33BUTT, UB33BUTT.FH
ROTW36.24	32 3/4"	B36BUTT, B36BUTT.FH, SB36BUTT, SB36BUTT.FH, U362484BUTT, U362490BUTT, U362493BUTT, U362496BUTT, UB36BUTT, UB36BUTT.FH, U362496BUTT, UB36BUTT, UB36BUTT.FH

Roll-out Trays Double Faced - Field Installation

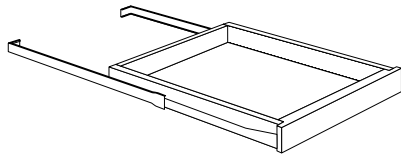


	<i>Width</i>
ROT18 .24.DF	14 3/4"
ROT21 .24.DF	17 3/4"
ROT24 .24.DF	20 3/4"
ROT27 .24.DF	23 3/4"
ROT30 .24.DF	26 3/4"

- Installs in Peninsula Base (PB) cabinets utilizing unique brackets supporting the slides at the rear face frame
- See chart for cabinet availability
- Tray front is made of solid hardwood; tray sides, back and bottom panel are made of engineered wood covered with a moisture and stain-resistant, easy clean laminate. Top edge of sides and back finished with matching edge banding
- Mounting hardware and runners included
- 3/4 extension runners
- Natural finish
- Order Example:
For PB21—order ROT21•24•DF
For PB24 BUTT—order ROT24•24•DF
For PB30 BUTT—order ROT30•24•DF

Item	Tray Width	For Use In:
ROT18.24.DF	14 3/4"	PB18
ROT21.24.DF	17 3/4"	PB21
ROT24.24.DF	20 3/4"	PB24, PB24BUTT
ROT27.24.DF	23 3/4"	PB27
ROT30.24.DF	26 3/4"	PB30BUTT

Roll-out Trays - Field Installation



18" Deep Trays

- ROT12 .18** 8 3/4"
- ROT15 .18** 11 3/4"
- ROT18 .18** 14 3/4"
- ROT24 .18** 20 3/4"
- ROT27 .18** 23 3/4"
- ROT30 .18** 26 3/4"
- ROT33 .18** 29 3/4"
- ROT36 .18** 32 3/4"

21" Deep Tray

- ROT12 .21** 8 3/4"
- ROT15 .21** 11 3/4"
- ROT18 .21** 14 3/4"
- ROT21 .21** 17 3/4"
- ROT24 .21** 20 3/4"
- ROT27 .21** 23 3/4"
- ROT30 .21** 26 3/4"
- ROT33 .21** 29 3/4"
- ROT36 .21** 32 3/4"

24" Deep Tray

- ROT9 .24** 7 1/4"
- ROT12 .24** 8 3/4"
- ROT14 .24** 10 1/4"
- ROT15 .24** 11 3/4"
- ROT16 .24** 13 1/4"
- ROT18 .24** 14 3/4"
- ROT19 .24** 16 1/4"
- ROT21 .24** 17 3/4"
- ROT22 .24** 19 1/4"
- ROT24 .24** 20 3/4"
- ROT27 .24** 23 3/4"
- ROT30 .24** 26 3/4"
- ROT33 .24** 29 3/4"
- ROT36 .24** 32 3/4"

- Installs in base, universal base, utility and vanity cabinets using pre-drilled holes
- See chart for cabinet availability
- 18", 21" and 24" depths only
- Tray front is made of solid hardwood; tray sides, back and bottom panel are made of engineered wood covered with a moisture and stain-resistant, easy clean laminate. Top edge of sides and back finished with matching edge banding
- Mounting hardware and runners included
- Natural finish
- Order Example:
For BBC39—order ROT9•24
For B12—order ROT12•24
For B18•FH—order ROT18•24
For U302496 BUTT—order ROT30•24



Determine the location of plumbing and other obstructions before ordering tray kits

Item 18" depth	Tray Width	For Use In:
ROT12.18	8 3/4"	VB121831, VB121834, VCD241831 DL2/DR2, VCD241834 DL3/DR3, VSB421831.2, VSB421834.2
ROT15.18	11 3/4"	VB151831, VB151834, VB481831.FH, VB481834.FH, VCD301831 DL2/DR2, VCD301834 DL3/DR3, VSB481831.2, VSB481834.2, VSBT601831.2, VSBT601834.2
ROT18.18	14 3/4"	VB181831, VB181831.FH, VB181834, VB181834.FH, VB541831.FH, VB541834.FH, VCD361831 DL2/DR2, VCD361834 DL3/DR3, VCD421834.8, VCD481834.8, VSB361831.2, VSB361834.2, VSB541831.2, VSB541834.2
ROTW24.18	20 3/4"	VB241831, VB241831BUTT, VB241831BUTT.FH, VB241831.FH, VB241834, VB241834BUTT, VB241834BUTT.FH, VB241834.FH, VSB241831BUTT, VSB241834BUTT, VSB271831.FH, VSB271834.FH, VSB271831, VSB271834
ROTW27.18	23 3/4"	VB271831.FH, VB271834.FH
ROTW30.18	26 3/4"	VB301831BUTT.FH, VB301834BUTT.FH, VSB301831BUTT, VSB301834BUTT
ROTW33.18	29 3/4"	VB331831BUTT.FH, VB331834BUTT.FH, VSB331831BUTT, VSB331834BUTT
ROTW36.18	32 3/4"	VB361831BUTT.FH, VB361834BUTT.FH, VSB361831BUTT, VSB361834
21" depth		
ROT12.21	8 3/4"	VB122131, VB122134, VCD242131 DL/R2, VCD242134 DL/R3, VSB422131.2, VSB422134.2
ROT15.21	11 3/4"	VB152131, VB152134, VB482131.FH, VB482134.FH, VBT602131.FH, VBT602134.FH, VCD302131 DL/R2, VCD302134 DL/R3, VLC152184, VLC152190, VLC152196, VSB482131.2, VSB482134.2, VSBT602131.2, VSBT602134.2
ROT18.21	14 3/4"	VB182131, VB182131.FH, VB182134, VB182134.FH, VB542131.FH, VB542134.FH, VCD362131 DL/R2, VCD362134 DL/R3, VCD422134.8, VCD482134.8, VLC182184, VLC182190, VLC182196, VSB362131.2, VSB362134.2, VSB422131.2, VSB422134.2, VSB482131.2, VSB482134.2, VSB542131.2, VSB542134.2
ROT21.21	17 3/4"	VB212131, VB212131.FH, VB212134, VB212134.FH, VB422131.FH, VB422134.FH, VSB422131, VSB422134
ROT24.21	20 3/4"	VB241831, VB241834, VB241831BUTT, VB242131BUTT.FH, VB241834BUTT, VB242134BUTT.FH, VB241831.FH, VB242134.FH, VLC241884, VLC241884BUTT, VLC241890, VLC241890BUTT, VLC241896, VLC241896BUTT, VSB241831BUTT, VSB241834BUTT
ROT27.21	23 3/4"	VB272131.FH, VB272134.FH, VSB272131BUTT, VSB272134
ROT30.21	26 3/4"	VB302131BUTT.FH, VB302134BUTT.FH, VSB302131BUTT, VSB302134BUTT
ROT33.21	29 3/4"	VB332131BUTT.FH, VB332134BUTT.FH, VSB332131BUTT, VSB332134BUTT
ROT36.21	32 3/4"	VB362131BUTT.FH, VB362134BUTT.FH, VSB362131BUTT, VSB362134BUTT
24" depth		
ROTW9.24	7 1/4"	BBC39
ROTW12.24	8 3/4"	B12, B12.FH, BCD24DL/R-4D, SB12, UB12, UB12.FH
ROTW14.24	10 1/4"	BBC42
ROTW15.24	11 3/4"	B15, B15.FH, BCD30DL/R-4D, DSB30, SB15, U152484, U152490, U152493, U152496, UB15, UB15.FH
ROTW16.24	13 3/4"	BBC45, DSB33
ROTW18.24	14 3/4"	B18, B18.FH, B54, BCD36DL/R-4D, DSB36, SB18, U182484, U182490, U182493, U182496, UB18, UB18.FH
ROTW19.24	16 3/4"	B39, B39.FH, BBC48, SB39, SB39.FH, UB39.FH
ROTW21.24	17 3/4"	B21, B21.FH, B42, B42.FH, SB21, SB42, SB42.FH, UB21, UB42, UB42.FH
ROTW22.24	19 3/4"	B45, B45.FH, BBC51, UB45.FH
ROTW24.24	20 3/4"	B24, B24BUTT, B24.FH, B24BUTT.FH, B48, B48.FH, PBBC27, PBBC27BUTT, SB24, SB24BUTT, SB24.FH, SB24BUTT.FH, SB48, SB48.FH, U242484, U242484BUTT, U242490, U242490BUTT, U242493, U242493BUTT, U242496, U242496BUTT, UB24, UB24BUTT, UB24.FH, UB24BUTT.FH, UB48.FH, UBT24BUTT
ROTW27.24	23 3/4"	B27, B27.FH, SB27, SB27.FH, UB27, UB27.FH
ROTW30.24	26 3/4"	B30BUTT, B30BUTT.FH, SB30BUTT, SB30BUTT.FH, U302484BUTT, U302490BUTT, U302493BUTT, U302496BUTT, UB30BUTT, UB30BUTT.FH
ROTW33.24	29 3/4"	B33BUTT, B33BUTT.FH, SB33BUTT, SB33BUTT.FH, UB33BUTT, UB33BUTT.FH
ROTW36.24	32 3/4"	B36BUTT, B36BUTT.FH, SB36BUTT, SB36BUTT.FH, U362484BUTT, U362490BUTT, U362493BUTT, U362496BUTT, UB36BUTT, UB36BUTT.FH

Supports and Valances

Construction Options and Modifications

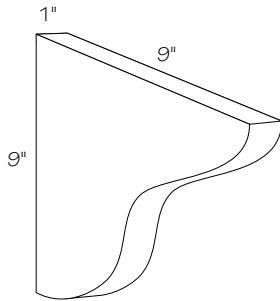
M Maple

V	36	08
code	width	height

- ☆ Available with exceptions
- Available with an upcharge
- ❖ Included as standard
- (Blank) **Not** available

Countertop Support

❖ M

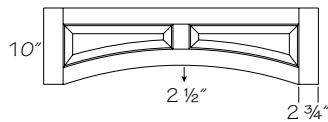


CTS

- For use when extra support for shelves or overhanging countertop is required
- Solid wood
- Vertical wood grain
- Includes 2 recessed metal keyhole brackets installed on backside
- Mounting hardware included
- Available in all finishes
- Sold in pairs

Valance Raised Panel

❖ M

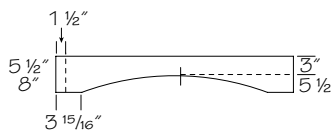


V30 RP
V36 RP
V42 RP
V48 RP

- For use between wall cabinets over windows as a panel to conceal light fixtures
- Solid wood raised center panels with cove profile
- 3/4" thick solid wood stiles and rails
- Finished on both sides
- Can be trimmed in field 2" each end
- Available in all finishes

Valance Shaker

❖ M



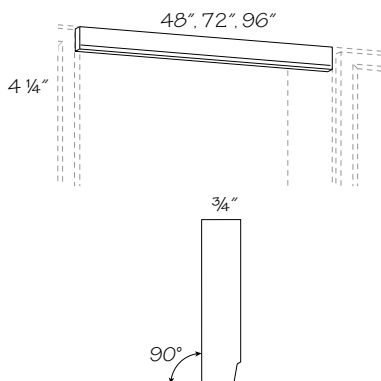
5 1/2" High
V18 SH
V24 SH
V30 SH
V36 SH
V42 SH
V48 SH
V60 SH
V72 SH
V84 SH

8" High
V1808 SH
V2408 SH
V3008 SH
V3608 SH
V4208 SH
V4808 SH
V6008 SH
V7208 SH
V8408 SH

- For use between wall cabinets over windows as a panel to conceal light fixtures
- 3/4" thick solid wood
- Backside **not** intended to be viewed
- Finished on both sides
- No decorative profile along either long edge
- Can be trimmed in field 1 1/2" each end
- Available in all finishes

Valance Traditional

❖ M



V48 T
V72 T
V96 T

- For use between wall cabinets over windows as a panel to conceal light fixtures
- Solid wood
- Front and back sides are finished
- Profiled edge
- Backside **not** intended to be viewed
- Available in all finishes

Moldings

Construction Options and Modifications

M Maple

ACM	8	•UF
code	length	suffix

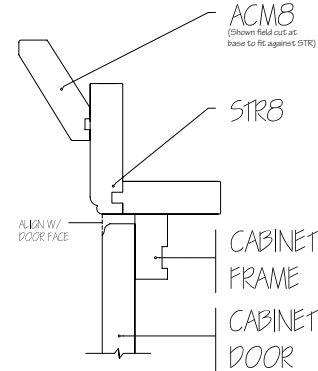
- ☆ Available with exceptions
- Available with an upcharge
- ◆ Included as standard
- (Blank) **Not** available

Molding Stack Information



Supplies for installation

- Miter saw and sharp blade
- Screw gun, drill and bits
- 23 and 18 gauge pins and pinners
- Air compressor and hoses
- Laser or level
- Touch up kit and materials
- White soft rag
- Wood glue
- Clamps
- Hammer, nail set or spring loaded nail set
- Tape measure
- 4 ft. and 6 ft. ladder
- #2 pencil, white pencil and sharpener
- Cover for work area



Installation Tips:

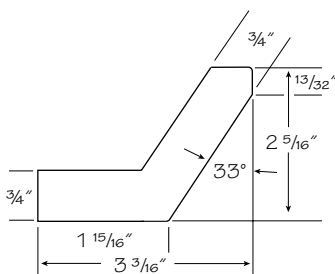
- Cover countertops and work area to ensure a clean, free from damage work situation.
- Use a nail gun with a 23 gauge pin for trim. Standard is typically 18 gauge, however the 23 gauge micro pin makes smallest holes to minimize fill work.
- Expect to lose up to 4" - 7" per cut when planning molding requirements.
- Apply finish material to the cut edges using a Touch Up Pen prior to joining the pieces together. This step will help conceal raw edges if the joint is slightly off.
- Start from either the right or left side when setting the top molding in place. Determine the desired overhang to wall cabinetry and door overlay type. Molding is typically pulled so the bottom edge is flush with the door face, however, the final overhang can be set to the customer's preference. Use the same process for under cabinet molding installation.
- Using Starter Molding is recommended, although, scrap material may be used as mounting blocks as long as they are **not** exposed after installation is complete. Use construction adhesive.
- Side return moldings: Cabinets with decorative end panels applied should have the same overhang as the face. For cabinets that have flush end panels, an overhang of 1/4" is recommended.
- Brad nail and pin length will be determined by the molding thickness (1/2" to 2" should suffice). Starter Molding or mounting blocks can be screwed into place instead of using nails or pins (**Note:** Drilling pilot holes is required when using screws. Be sure to use the proper screw length—based on material thickness). Using wood glue at the joints is recommended.
- After installation is complete, use a fill stick and touch up pen to fill nail holes, fine-tune miter joints and repair other blemishes that may have occurred during the installation process. Wipe clean using a soft cotton cloth.



To add Molding Stacks in your 2020 Design, locate them in the Drag 'N Drop list under: Moldings>Top Moldings>Pre-Stacked Moldings. To view the PDFs, right-click on a specific stack and go to specs.

Angle Crown Molding

◆ M

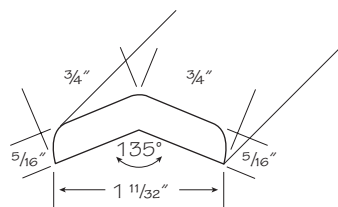


Finished
ACM8
Unfinished
ACM8 .UF

- Solid wood
- Allow sufficient space between top of cabinet and soffit or ceiling to accommodate molding
- Installs directly to top of cabinet
- Unfinished Maple recommended for use to finish White in the field
- Molding will be solid hardwood and match the colors of our Maple finishes
- Offered in individual 8' lengths

Angled Outside Corner Molding

❖ M

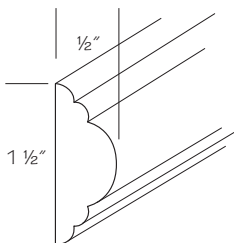


AOSC8

- Solid wood
- Used to cover joint when two panels meet at 135°
- Backs **not** finished
- Molding will be solid hardwood and match the colors of our Maple finishes
- Offered in individual 8' lengths

Chair Rail

❖ M

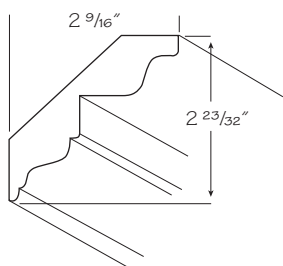


CR8

- Solid wood
- Can also be used as a countertop nosing
- Backs **not** finished
- Molding will be solid hardwood and match the colors of our Maple finishes
- Offered in individual 8' lengths

Classic Crown Molding

❖ M

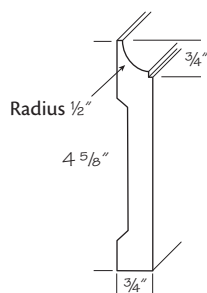


**CCM8
CCM .SW10**

- Solid wood
- Allow sufficient space between top of cabinet and soffit or ceiling to accommodate molding
- Backs **not** finished
- Molding will be solid hardwood and match the colors of our Maple finishes
- Offered in individual 8' and 10' lengths

Contemporary Base Board

❖ M

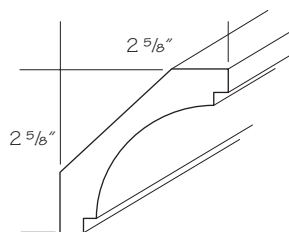


CBB8

- Solid wood
- Backs **not** finished
- Molding will be solid hardwood and match the colors of our Maple finishes
- Offered in individual 8' lengths

Contemporary Crown Molding

❖ M

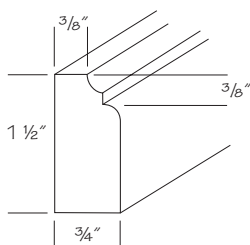


**CTC8
CTC -SW10**

- Solid wood
- Allow sufficient space between top of cabinet and soffit or ceiling to accommodate molding
- Backs **not** finished
- Molding will be solid hardwood and match the colors of our maple finishes
- Offered in individual 8' and 10' lengths

Countertop Wood Edge

❖ M

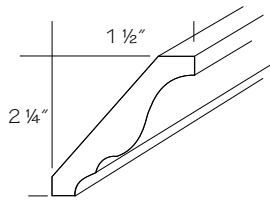


CTWE8

- Solid wood
- Used as countertop nosing
- Can be used under wall cabinets to conceal light fixtures
- Backs **not** finished
- Molding will be solid hardwood and match the colors of our Maple finishes
- Offered in individual 8' lengths

Crown Molding

❖ M

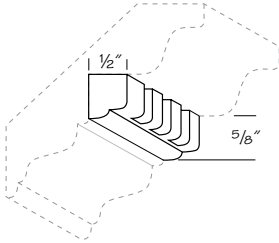


CM8
CM .SW10

- Solid wood
- Allow sufficient space between top of cabinet and soffit or ceiling to accommodate molding
- Backs **not** finished
- Molding will be solid hardwood and match the colors of our Maple finishes
- Offered in individual 8' and 10' lengths

Dentil Molding

❖ M

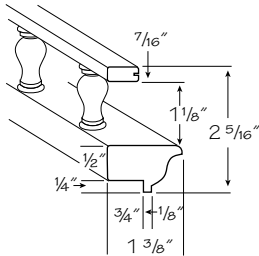


DM8

- Solid wood
- Used to decorate/trim space between doors and ceilings/soffit. Can be combined with Classic Crown Molding (CCM8) to create a cornice effect
- Backs **not** finished
- Molding will be solid hardwood and match the colors of our Maple finishes
- Offered in individual 8' lengths
- **Note:** Dentil Molding (DM8) shown used with Classic Crown Molding (CCM8)

Galley Rail

❖ M

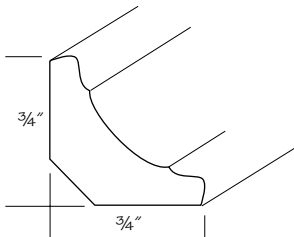


GR8

- Solid wood
- Used to trim top of wall cabinets for decorative effect
- Spindles are on 3" centers
- Finished on all sides
- Molding will be solid hardwood and match the colors of our Maple finishes
- Offered in individual 8' lengths

Inside Corner Molding

❖ M

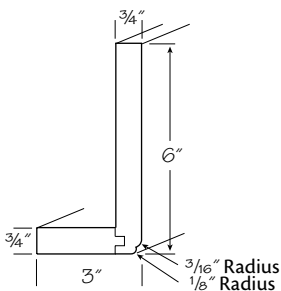


ICM8

- Solid wood
- Backs **not** finished
- Molding will be solid hardwood and match the colors of our Maple finishes
- Offered in individual 8' lengths

Large Starter Molding

❖ M

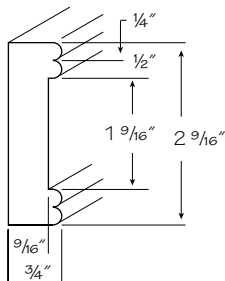


LSTR8

- Solid wood
- Used at top of wall and tall cabinets to allow attachment of crown molding or as a filler between cabinet and ceiling/soffit
- Shipped in one piece
- Backs **not** finished
- Molding will be solid hardwood and match the colors of our Maple finishes
- Offered in individual 8' lengths

Library Molding

❖ M

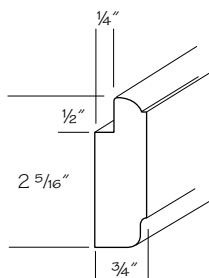


LM8

- Solid wood
- Includes a 1 9/16" wide flat recess so that it can be combined with other decorative moldings
- Backs **not** finished
- Molding will be solid hardwood and match the colors of our Maple finishes
- Offered in individual 8' lengths

Mirror Molding

❖ M

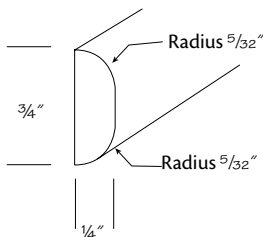


MM8

- Solid wood
- Used to trim and support mirror glasses
- Can be used with 1/8" or 1/4" thick mirror glass or picture framing. 1/8" mirror glass requires 1/8" Masonite backer
- Backs **not** finished
- Molding will be solid hardwood and match the colors of our Maple finishes
- Offered in individual 8' lengths

Narrow Batten Molding

❖ M

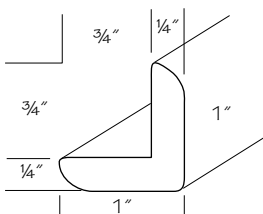


NBM8

- Solid wood
- Backs **not** finished
- Molding will be solid hardwood and match the colors of our Maple finishes
- Offered in individual 8' lengths

Outside Corner Molding

❖ M

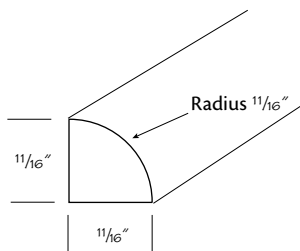


OSC8

- Solid wood
- Used to finish outside corner where two panels meet at 90°
- Backs **not** finished
- Molding will be solid hardwood and match the colors of our Maple finishes
- Offered in individual 8' lengths

Quarter Round Molding

❖ M

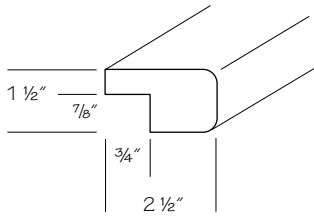


QR8

- Solid wood
- Can be used to trim between toe kick and floor
- Backs **not** finished
- Molding will be solid hardwood and match the colors of our Maple finishes
- Offered in individual 8' lengths

Radius Cabinet Molding

❖ M



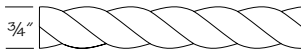
RCM8

- Solid wood
- Used as decorative molding above or below wall cabinets. Can also be used to conceal light fixtures
- Backs **not** finished
- Molding will be solid hardwood and match the colors of our Maple finishes
- Offered in individual 8' lengths

Rope Molding

❖ M

RM8

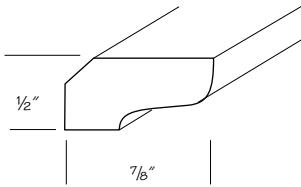


- Solid wood
- Half round
- Right twist
- 3/8" thick and 3/4" wide
- Backs **not** finished
- Can be combined with Classic Crown Molding (CCM8)
- Molding will be solid hardwood and match the colors of our Maple finishes
- Offered in individual 8' lengths

Scribe Cove Molding

❖ M

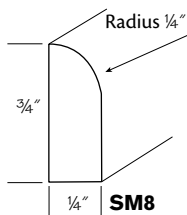
SCV8



- Solid wood
- Allow sufficient space between top of cabinet and soffit or ceiling to accommodate molding
- Backs **not** finished
- Molding will be solid hardwood and match the colors of our Maple finishes
- Offered in individual 8' lengths

Scribe Molding

❖ M



Solid wood

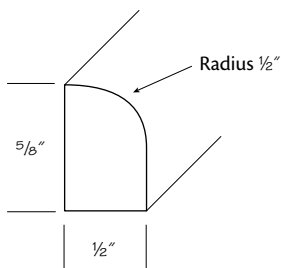
SM8

- Solid wood
- SM8 **not** finished on bottom or backside
- Molding will be solid hardwood and match the colors of our Maple finishes
- Offered in individual 8' lengths

Shoe Molding

❖ M

SHO8

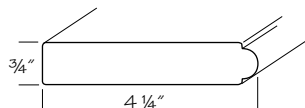


- Solid wood
- Used as inside corner molding or trim between toe kick and floor
- Backs **not** finished
- Molding will be solid hardwood and match the colors of our Maple finishes
- Offered in individual 8' lengths

Single Bead Pilaster

❖ M

SBP8

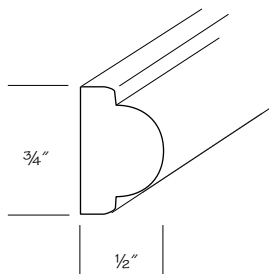


- Solid wood
- Finished on all sides
- Used as decorative trim panel vertically between Base, Vanity, Tall and Wall cabinets. Can also be used as a decorative valance
- Molding will be solid hardwood and match the colors of our Maple finishes
- Offered in individual 8' lengths

Single Bead Round Edge

❖ M

SBRE8

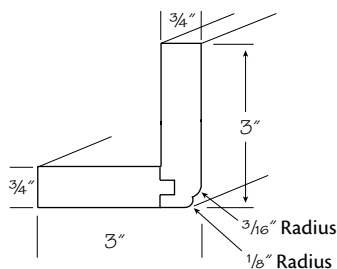


- Solid wood
- Backs **not** finished
- Used to trim the front edge of panels
- Molding will be solid hardwood and match the colors of our Maple finishes
- Offered in individual 8' lengths

Small Starter Molding

❖ M

STR8

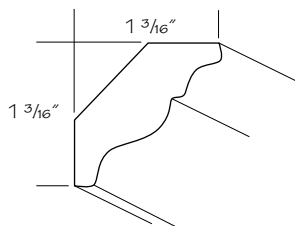


- Solid wood
- Used at top of wall and tall cabinets to allow attachment of crown molding or as a filler between cabinet and ceiling/soffit
- Shipped in one piece
- Backs **not** finished
- Molding will be solid hardwood and match the colors of our Maple finishes
- Offered in individual 8' lengths

Soffit Crown Molding

❖ M

SCM8 SCM .SW10

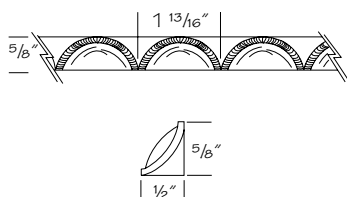


- Solid wood
- Allow sufficient space between top of cabinet and soffit or ceiling to accommodate molding
- Backs **not** finished
- Molding will be solid hardwood and match the colors of our Maple finishes
- Offered in individual 8' and 10' lengths

Tapestry Insert Molding

❖ M

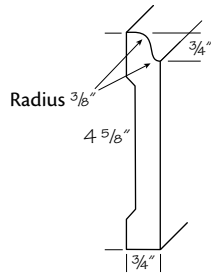
Finished TIM8 Unfinished TIM8 .UF



- Solid wood
- Hand carved details provide a custom, "one-of-a-kind" look
- Grain direction runs lengthwise
- Design is 1 13/16" wide and repeats 53 times in 8'
- Can be combined with Classic Crown Molding (CCM8)
- Flat on two sides
- Molding will be solid hardwood and match the colors of our Maple finishes
- Offered in individual 8' lengths

Traditional Base Board

❖ M

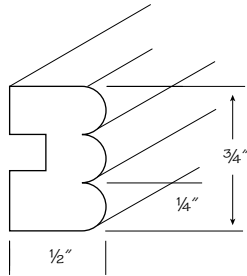


TBB8

- Solid wood
- Backs **not** finished
- Molding will be solid hardwood and match the colors of our Maple finishes
- Offered in individual 8' lengths

Triple Bead Edging

❖ M

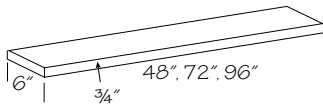


TBE8

- Solid wood
- Backs **not** finished
- Used to trim front edge of panels. Can also be combined with Classic Crown Molding (CCM8)
- Molding will be solid hardwood and match the colors of our Maple finishes
- Offered in individual 8' lengths

Solid Wood Stock

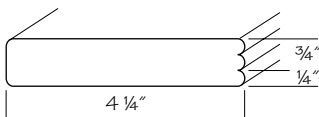
❖ M

SWS4
SWS6
SWS8

- 3/4" thick solid wood
- Grain direction runs lengthwise
- Can be used for valance, filler, shelf or other matching finish, cut-to-size applications
- Finished on both sides and both long edges
- Molding will be solid hardwood and match the colors of our Maple finishes
- Offered in individual 4', 6' or 8' lengths

Triple Bead Pilaster

❖ M

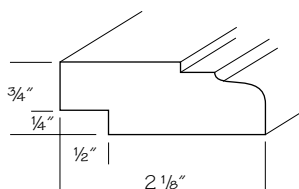


TBP8

- Solid wood
- Finished on all sides
- Used as decorative trim panel vertically between Base, Vanity, Tall and Wall cabinets. Can also be used as a decorative valance
- Molding will be solid hardwood and match the colors of our Maple finishes
- Offered in individual 8' lengths

Under Cabinet Molding

❖ M

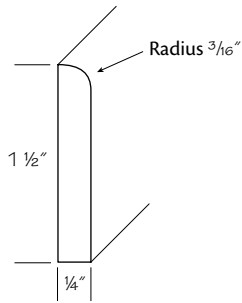


UCM8

- Solid wood
- Can be used under wall cabinets to conceal light fixtures
- Profile complements most door styles
- All surfaces finished
- Can be combined with Wood Veneer Paneling (WSK) to create a flush color-matched underside
- Molding will be solid hardwood and match the colors of our Maple finishes
- Offered in individual 8' lengths

Wide Scribe Molding

❖ M

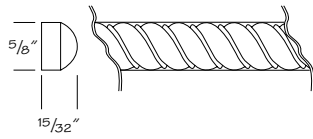


WSM8

- Solid wood
- Backs **not** finished
- Molding will be solid hardwood and match the colors of our Maple finishes
- Offered in individual 8' lengths

Windmere Rope Molding

❖ M



Finished

WRM8

Unfinished

WRM8 .UF

- Solid wood
- Hand carved details provide a custom, "one-of-a-kind" look
- Grain direction runs lengthwise
- Flat on three sides
- Right twist
- Can be combined with Classic Crown Molding (CCM8)
- Molding will be solid hardwood and match the colors of our Maple finishes
- Offered in individual 8' lengths

Molding Accents

Construction Options and Modifications

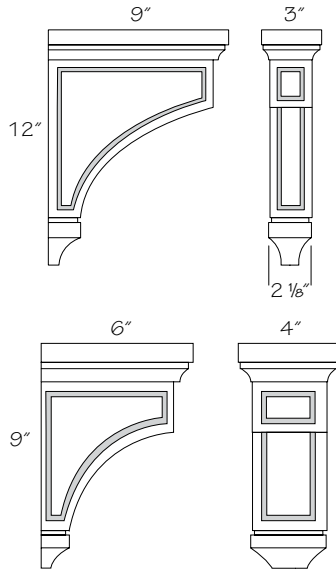
M Maple

SP	5	36
code	width	height

- ☆ Available with exceptions
- Available with an upcharge
- ❖ Included as standard
- (Blank) **Not** available

Estero Corbel

❖ M

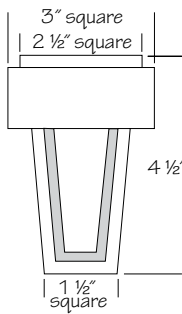


Finished
ECB312
ECB49
 Unfinished
ECB312 .UF
ECB49 .UF

- Solid wood
- Hand carved details provide a custom, “one-of-a-kind” look
- Vertical wood grain
- Includes two recessed metal keyhole brackets
- Does **not** include screws

Estero Foot

❖ M

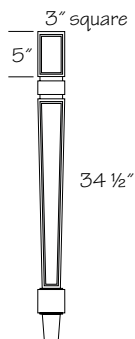


Finished
EFT
 Unfinished
EFT .UF

- Solid wood
- Hand carved details provide a custom, “one-of-a-kind” look
- Vertical wood grain
- Unfinished Maple recommended for use to finish White in the field
- Matches toespace of height of base, tall, and vanity cabinets, except Universal Cabinets

Estero Leg

❖ M

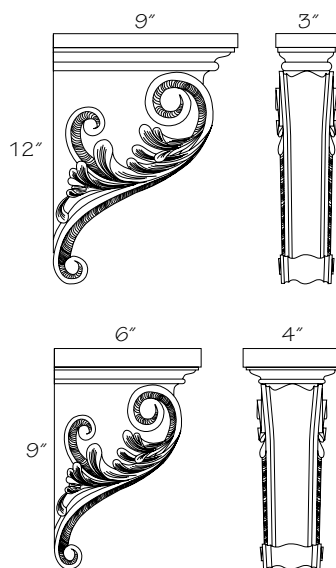


Finished
ELB34
 Unfinished
ELB34 .UF

- Solid wood
- Vertical wood grain
- Matches height of base cabinets
- Unfinished Maple recommended for use to finish White in the field

Tapestry Corbel

◆ M



Finished

TCB312

TCB49

Unfinished

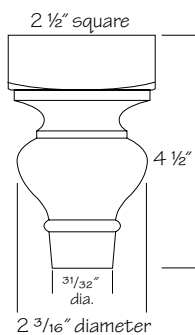
TCB312 .UF

TCB49 .UF

- Solid wood
- Hand carved details provide a custom, "one-of-a-kind" look
- Vertical wood grain
- Includes two recessed metal keyhole brackets
- Does **not** include screws

Tapestry Foot

◆ M



Finished

TFT

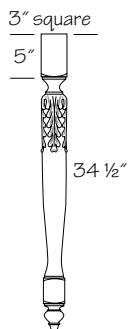
Unfinished

TFT .UF

- Solid wood
- Vertical wood grain
- Matches toespaces of height of base, tall, and vanity cabinets, except Universal Cabinets

Tapestry Leg

◆ M



Finished

TLB34

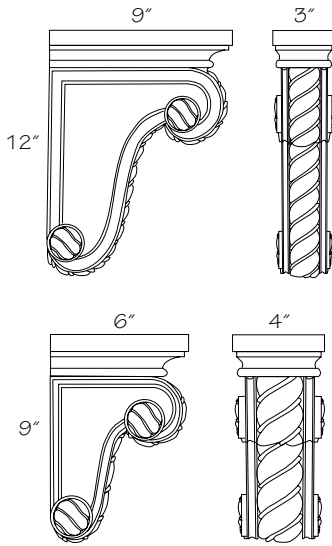
Unfinished

TLB34 .UF

- Solid wood
- Vertical wood grain
- Matches height of base cabinets

Windmere Corbel

◆ M

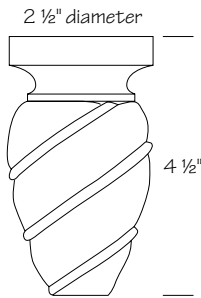


Finished
WCB312
WCB49
Unfinished
WCB312 .UF
WCB49 .UF

- Solid wood
- Hand carved details provide a custom, "one-of-a-kind" look
- Vertical wood grain
- Includes two recessed metal keyhole brackets
- Does **not** include screws

Windmere Foot

◆ M

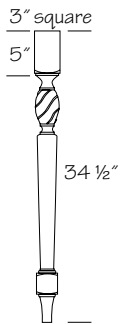


Finished
WDFT
Unfinished
WDFT .UF

- Solid wood
- Vertical wood grain
- Matches toespace of height of base, tall, and vanity cabinets, except Universal Cabinets
- Unfinished Maple recommended for use to finish White in the field

Windmere Leg

◆ M

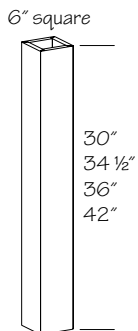


Finished
WDLB34
Unfinished
WDLB34 .UF

- Solid wood
- Vertical wood grain
- Matches height of base cabinets
- Unfinished Maple recommended for use to finish White in the field

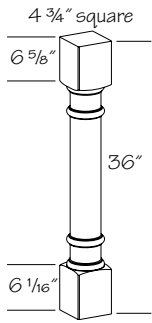
Plain Square Posts

◆ M



PSP6X6 .30
PSP6X6 .34
PSP6X6 .36
PSP6X6 .42

- Solid wood
- Vertical wood grain
- 1/8" thick radius corners
- **Not** available unfinished
- Mitered corners provide the appearance of one piece solid wood
- 3/4" thick solid wood sides with 4 1/2" square hollow center

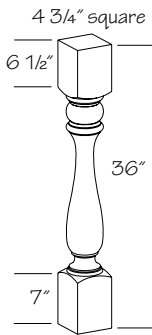


Roman Spindles

◆ M

Finished
RSP536
RSP542
Unfinished
RSP536 .UF
RSP542 .UF

- Solid wood
- Vertical wood grain
- For 34 1/2" tall applications, order a RSP536 and field cut

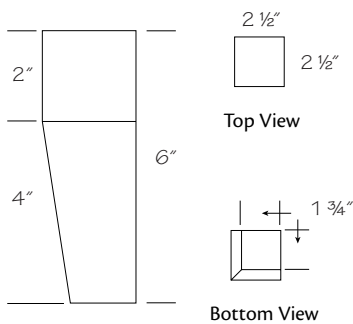


Spindles

◆ M

Finished
SP536
SP542
Unfinished
SP536 .UF
 ☆ **SP542 .UF**

- Solid wood
- Vertical wood grain
- 1/8" thick radius corners
- For 34 1/2" tall applications, order a SP536 and field cut

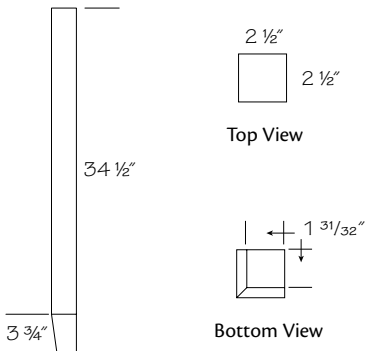


Tapered Foot

◆ M

Finished
TPL
Unfinished
TPL .UF

- Solid wood
- Vertical wood grain
- Does **not** match toespace height of Base, Tall, Vanity or Universal cabinets, **must** be trimmed



Tapered Leg

◆ M

Finished
TPL34
Unfinished
TPL34 .UF

- Solid wood
- Vertical wood grain
- Matches height of base cabinets
- Trim to fit installation

Decorative Hardware

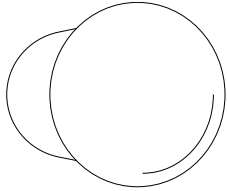
HK123

code

Color variation may exist between decorative hardware designs that share same finish color.

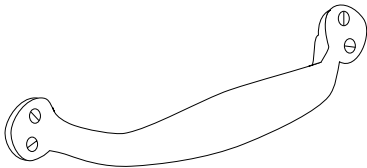
All pulls and knobs include necessary screws.

White Ceramic Knob



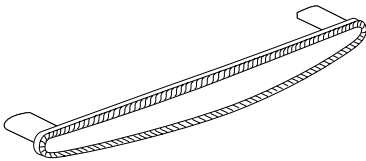
HK02 27mm x 33mm

Satin Nickel Suitcase Pull



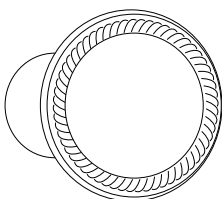
- ※ **HP103** 96mm, 3 25/32" center
- ※ ADA compliant

Satin Nickel Rope Pull



HP106 96mm, 3 25/32" center

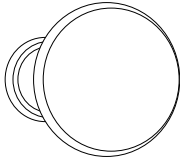
Satin Nickel Rope Knob



HK107 23mm x 30mm

Solid Bright Brass Knob

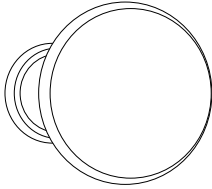
HK108 27mm x 30mm



Nickel Knob

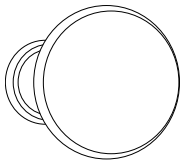
HK109 Brushed Satin 27mm x 30mm

HK110 Black 27mm x 30mm



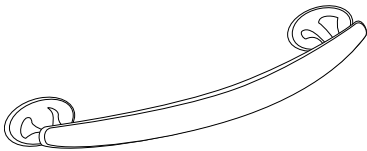
Bright Chrome Knob

HK111 27mm x 30mm



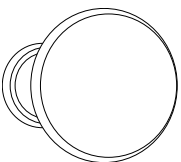
Satin Aluminum Boat Cleat Transitional Pull

HP112 96mm, 3 25/32" center



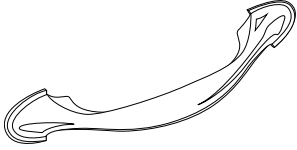
Satin Aluminum Knob

HK117 27mm x 30mm



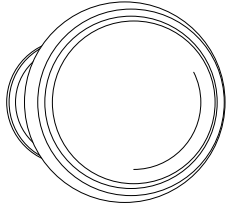
Satin Nickel Traditional Pull

HP118 3" center



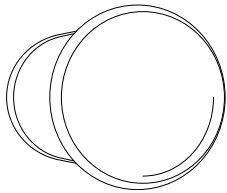
Antique Iron Knob

HK119 28mm x 36mm



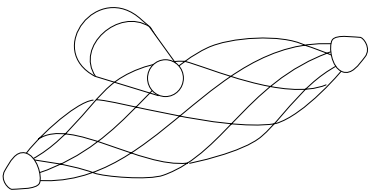
Satin Nickel Round Knob

HK120 28mm x 36mm



Antique Pewter Braided Knob

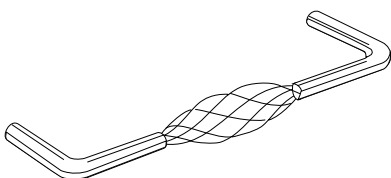
HK123 37mm x 62mm



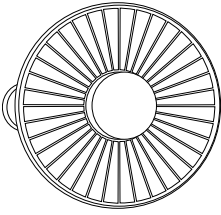
Antique Pewter Braided Pull

※ HP124 128mm, 5 1/32" center

※ ADA compliant

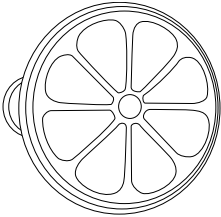


Copper-Pewter Knob



HK125 25mm x 37mm

Flower Knob

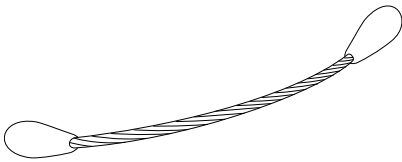


HK126 Rusty 25mm x 37mm

HK127 Dusty Copper 25mm x 37mm

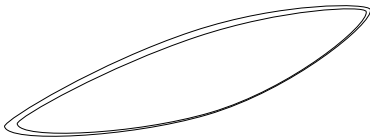
HK128 Antique Pewter 25mm x 37mm

Satin Nickel Wire Cable Pull



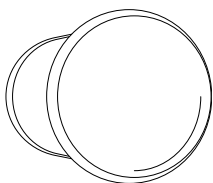
HP131 128mm, 5 1/32" center

Satin Nickel Canoe Pull

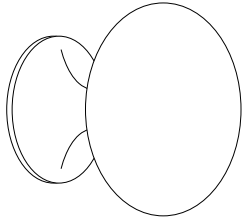
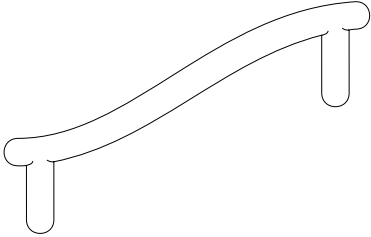


HP135 3 25/32" center

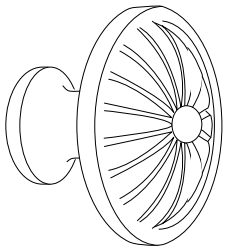
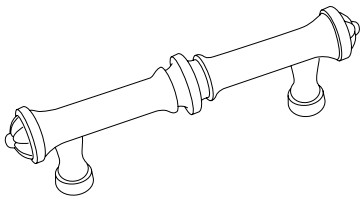
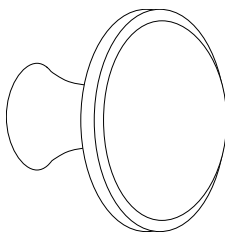
Modern Satin Nickel Knob



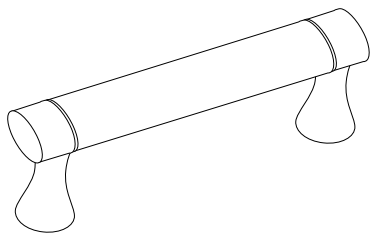
HK137 25mm x 30mm

Satin Nickel Football Shaped Knob**HK138** 37mm x 35mm**Fusilli Pull**

- * **HP139** Satin Nickel 96mm, 3 25/32" center
- * **HP140** White 96mm, 3 25/32" center
- * ADA compliant

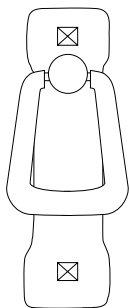
Brushed Satin Pewter French Tassel Round Knob**HK150** 31mm x 38mm**Brushed Satin Pewter French Tassel Pull****HP151** 3" center**Black Ceramic Insert Round Knob****HK152** 31mm x 35mm

Black Ceramic Insert Pull



HP153 3" center

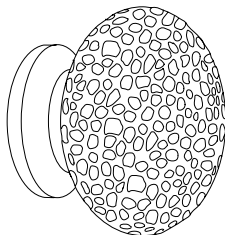
Tumbled Dark Gunmetal Mission Style Ringed Pendant Pull



※ **HP154** 64mm, 2 33/64" center

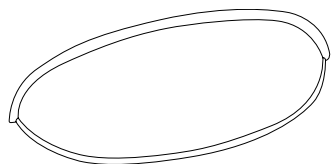
※ Designed to be installed vertically

Tumbled Dark Gunmetal Round Knob



HK155 29mm x 37mm

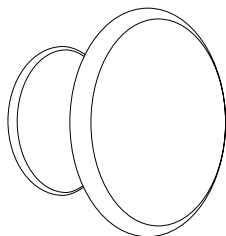
Oil Rubbed Bronze Cup Pull



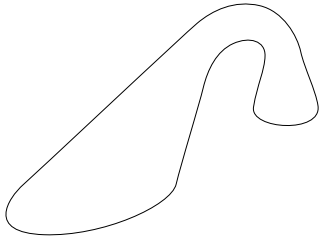
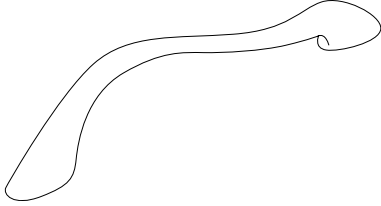
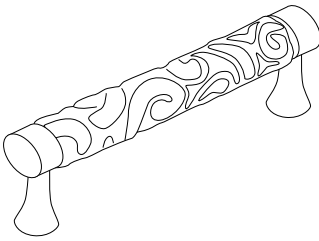
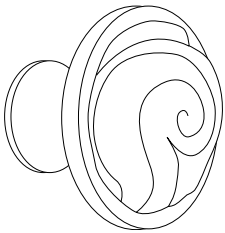
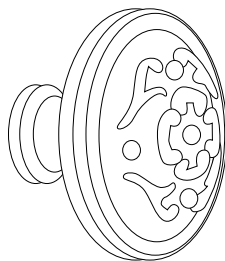
※ **HP156** 64mm, 2 33/64" center

※ ADA compliant

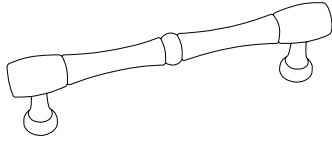
Oil Rubbed Bronze Round Knob



HK157 28mm x 36mm

Satin Nickel Diminishing Knob**HK158** 20mm x 50mm, 1 17/64" center**Satin Nickel Wavy Pull****HP159** 128mm, 5 1/32" center**Ochre Finished Ceramic Totem Pull****HP160** 96mm, 3 25/32" center**Ochre Finished Ceramic Totem Knob****HK161** 32mm x 35mm**Venetian Bronze Copper French Lace Knob****HK162** 32mm x 38mm

Traditional Pull



HP163	Chrome	96mm, 3 25/32" center
HP164	Satin Nickel	96mm, 3 25/32" center
HP165	Bright Brass	96mm, 3 25/32" center
HP166	Black Nickel	96mm, 3 25/32" center

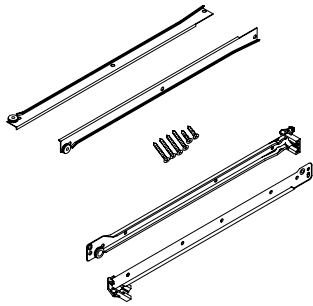
Notes

Hardware

GDESM18KIT

code

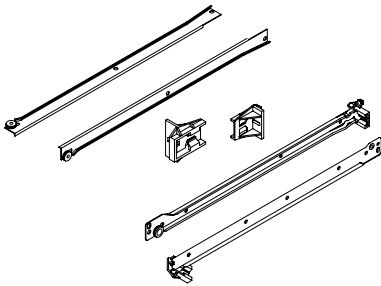
3/4 Extension Side Mount Roller Guide Kit



PSMROTR18
PSMROTR21
PSMROTR24

- 75 lbs. capacity
- White epoxy coated steel
- Kit includes left and right guides and mounting hardware
- 18 deep used on 18" deep cabinets
- 21 deep used on 21" deep cabinets
- 24 deep used on 24" deep cabinets
- One kit per carton

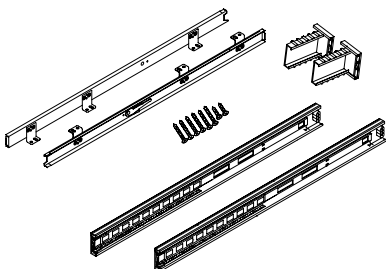
3/4 Extension Side Mount Roller Guide Peninsula Base Kit



PSMROTRPB24

- 75 lbs. capacity
- White epoxy coated steel
- Kit includes left and right guides and mounting hardware
- Used on Peninsula Base (PB) cabinets
- One kit per carton

Full Extension Side Mount Ball Bearing Guide Kit



*21" Deep
For DFD Cabinets*

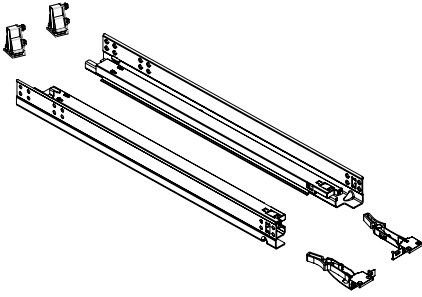
PFXSMBBK21

*24" Deep
For BSD Cabinets*

PFXSMBBK24

- 75 lbs. capacity
- Full extension guide, pulls out past the face frame
- Kit includes left and right guides and mounting hardware
- One kit per carton

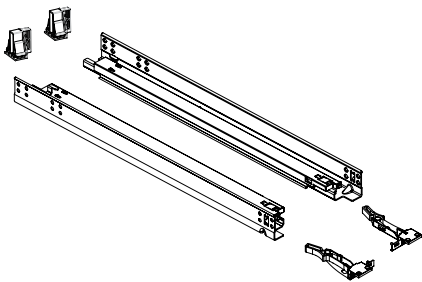
Full Extension Under Mount Guide Kit



PFXSCDR18
PFXSCDR21
PFXSCDR24

- 75 lbs. capacity
- Full extension guide, pulls out past the face frame
- Kit includes left and right guides and mounting hardware
- 18 deep used on 18" deep cabinets
- 21 deep used on 21" deep cabinets
- 24 deep used on 24" deep cabinets
- One kit per carton

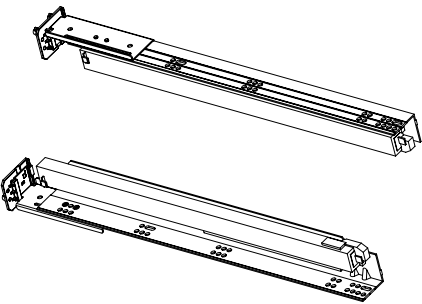
Full Extension Under Mount Peninsula Base Guide Kit



PFXSCDRPB24

- 75 lbs. capacity
- Full extension guide, pulls out past the face frame
- 24 deep used on 24" deep cabinets
- One kit per carton

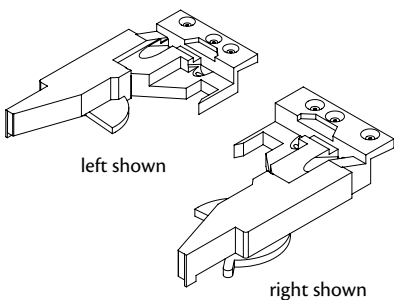
Full Extension Heavy Duty Under Mount Guide Set



PHDFXSCDR24

- 75 lbs. capacity
- Full extension guide, pulls out past the face frame
- Set includes left and right guides
- Used on Base Pots and Pans Storage (BPPS) cabinets
- One set per carton

Locking Device - Full Extension Heavy Duty Under Mount Guides

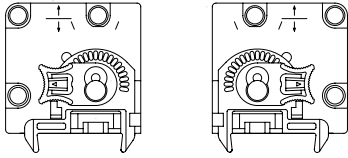


Left
HDFXSCDC .L
Right
HDFXSCDC .R

- Used on Base Pots and Pans Storage (BPPS) cabinets
- One per carton

Rear Adjustment Adapter - Full Extension Heavy Duty Under Mount Soft-close Guides

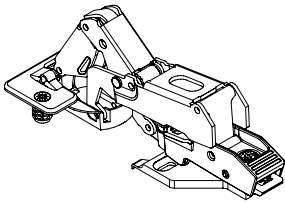
PHDFXSCRM



- Attaches using the guide holes in the back of the cabinet
- Used on Base Pots and Pans Storage (BPPS) cabinets
- Includes a left and right rear adjustment adapter
- One set per carton

170° Hinge

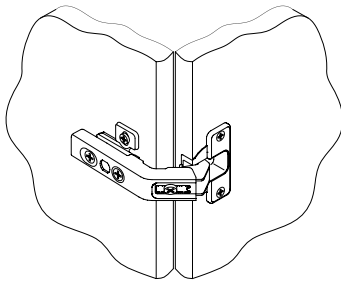
RH170EZ



- Nickel plated finish
- Includes hinge and mounting plate
- Used on 1/2" and full overlay Base Corner Revolving (BCR), Lazy Susan (LS) and Wall Easy Reach (WEZR) cabinets
- Offered individually

Bi-Fold Hinge

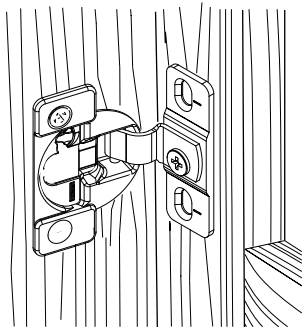
RHBF



- Nickel plated finish
- Includes hinge and mounting plate
- Used on 1/2" and full overlay Base Corner Revolving (BCR), Lazy Susan (LS) and Wall Easy Reach (WEZR) cabinets
- Offered individually

Face Mount Hinge

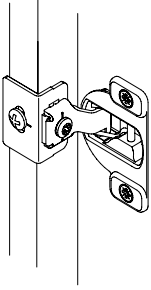
PHFM .SC Soft-Close 6-Way PHFM 6-Way



- Nickel plated finish
- Soft-close hinges have soft-close action; standard hinges do **not**
- Used on 1/2" and full overlay Wall Microwave Cabinet (WMC) and Oven Cabinet Universal (O_U) cabinets
- Offered as a pair

Full Overlay 4-Way Hinge

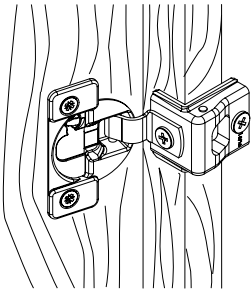
PH4FO



- Nickel plated finish
- 4 way door adjustment
- Includes hinges and mounting screws
- Used on full overlay 39" and 42" high Wall Cabinets with glass/prepared for glass
- Offered as a pair

Full Overlay 6-Way Hinge

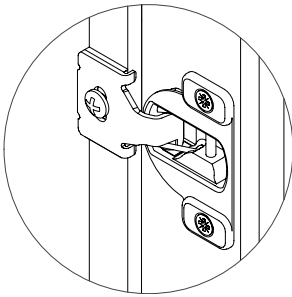
PH6FO .SC Soft-Close 6-Way
PH6FO 6-Way



- Nickel plated finish
- Soft-close hinges have soft-close action; standard hinges do **not**
- 6 way door adjustment
- Includes hinges and mounting screws
- Used on full overlay cabinets
- Offered as a pair

1/2" Overlay 2 Way Hinge

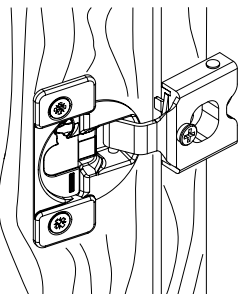
PH2PO



- Nickel plated finish
- 2 way door adjustment
- Includes hinges and mounting screws
- Used on 1/2" Overlay 39" and 42" high Wall Cabinets glass/prepared for glass
- Offered as a pair

1/2" Overlay 6-Way Hinge

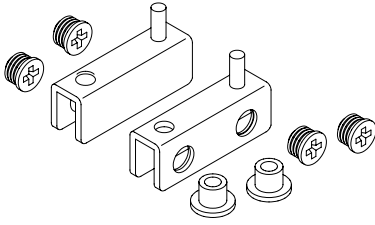
PH6PO .SC Soft-Close 6-Way
PH6PO 6-Way



- Nickel plated finish
- Soft-close hinges have soft-close action; standard hinges do **not**
- 6 way door adjustment
- Includes hinges and mounting screws
- Used on 1/2" Overlay cabinets
- Offered as a pair

Medicine Cabinet Pack Hinge

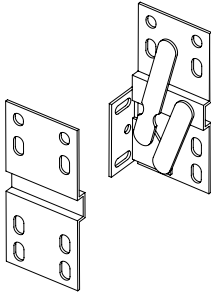
RHP .TVMC



- Nickel plated finish
- Includes upper and lower hinge, bushings and mounting screws
- Used on Mirror Cabinet (MC) and Tri-View Medicine Cabinet (TV) cabinets
- Offered individually

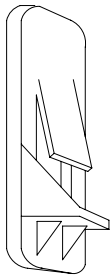
Utility Tray Hinge

PHUTK



- Nickel plated finish
- Includes left/right hinges and mounting screws
- Used on Sink Base (SB) w/Utility Tray cabinets and Utility Tray Kits (UTK)
- Offered as a pair

3/4" Shelf Clip with Stop



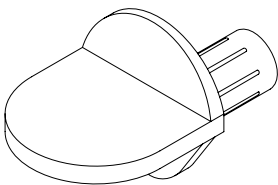
Left Clip Shown

Left
BOX .SC34.L
Right
BOX .SC34.R

- Clear plastic locking clip with front edge restraint
- Used for base cabinets with Half Depth Shelf Option
- 20 per box

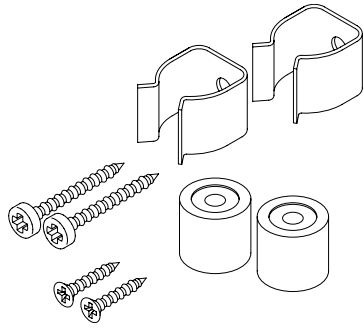
Shelf Support Center

BOX .CSC



- Clear plastic center shelf support
- Used to support the front edge of shelf, insert into hole in back of center stile
- Ten per box

Vent Clip Pack

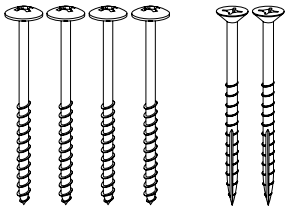


BOX .VC

- Used to attach false drawer fronts on Sink Base and select Vanity Cabinets
- Includes two clips, two post and mounting screws per pack
- Offered individually

Installation Screws

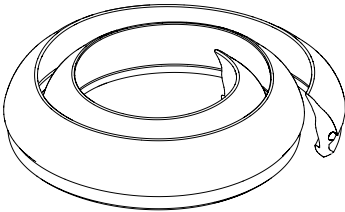
BOX .INSC



- Screws are 2 1/2" long
- Offered in quantities of 100

Glass Retainer

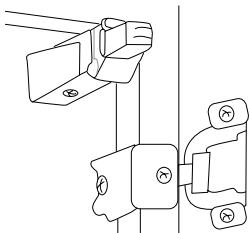
GDRS



- For use Prepared for Bistro Glass (_DRS.PREP_), Prepared for Savannah Mullion Glass (_SV.PREP_) and Prepared for Traditional Mullion (_MD.PREP_)
- Available in rolls of 10 ft.

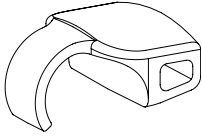
Adjustable Door Buffer Kit

FADBK



- Soft-closing technology provides smooth and silent closure of door
- One required per door; PC, U, VLC and UF cabinets require two
- Mounting hardware included
- One per carton
- **Note:** Requires field installation

Soft-close Angle Restrictor Clip

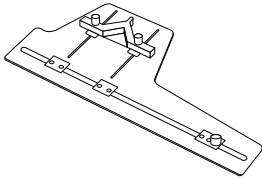


SCARC

- Reduces opening angle to 85°
- Works with soft-close hinge on full and 1/2" overlay door styles
- **Cannot** be used in cabinets that are installed with accessories, such as trays
- Four per carton

Hardware Template Kit

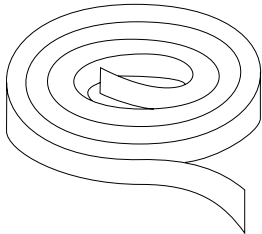
HTK



- Handy drill jig for universal hardware drilling
- High-impact grey polycarbonate template with hardened steel drill bushings
- Adjustable for use with all drawers and doors
- One per carton

Edge Banding

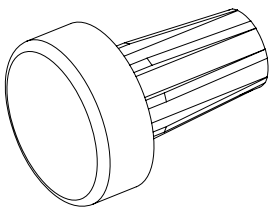
EDB25



- Used for finishing edges of panels
- Roll is 25' long, 15/16" wide and 14 mil thick
- Melamine edge banding with pre-applied hot melt adhesive
- Available in all finishes
- One roll per carton

Permaset Bumpers

BOX •PSDB



- Opaque "Eversoft" rubber door bumpers
- Ten per box

Touch-Up

QST	•C58M
code	finish

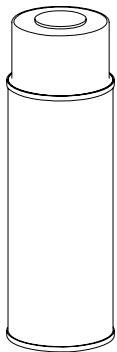
Cabinet Care Kit



CCK

- One 8 oz. squeeze bottle of concentrated wood cleaner
- One 8 oz. squeeze bottle of cabinet/furniture polish and restorer
- Two 13" x 12" cleaning and polishing cloths
- One 17" x 13" dusting cloth

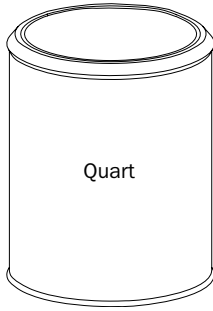
Aerosol Can



ACCO	Cognac
ACCV	Canvas
ACD98	Moonshine
ACGY	Greyloft
ACHS	Honey Spice
ACKA	Kaffé
ACMD	Midnight
ACPBG	Pebble Grey
ACPC	Peppercorn
ACWH	Dove White

- 13 oz. aerosol spray can

Touch-Up Quart



Paint

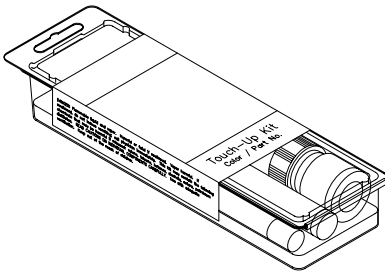
QPCV	Canvas
QPD98	Moonshine
QPGY	Greyloft
QPMD	Midnight
QPPBG	Pebble Grey
QPWH	Dove White

Stain

QSTCO	Cognac
QSTHS	Honey Spice
QSTKA	Kaffé
QSTPC	Peppercorn

- Matching stain, paint, and clear sealer/topcoat
- Available in quarts only

Touch-Up Kit



TUKCO	Cognac
TUKCV	Canvas
TUKD98	Moonshine
TUKGY	Greyloft
TUKHS	Honey Spice
TUKKA	Kaffé
TUKMD	Midnight
TUKPBG	Pebble Grey
TUKPC	Peppercorn
TUKWH	Dove White

- Available in all finishes
- Used for final touch up and detailing
- Kit includes Touch Up Pen (TP), Fill Stick (FS), a bottle of touch up topcoat and a plastic storage case

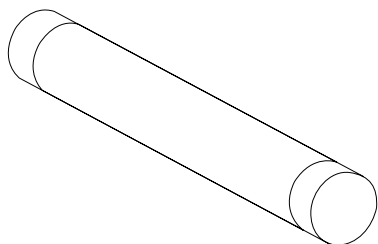
Touch-Up Pen



TPCO	Cognac
TPCV	Canvas
TPD98	Moonshine
TPGY	Greyloft
TPHS	Honey Spice
TPKA	Kaffé
TPMD	Midnight
TPPBG	Pebble Grey
TPPC	Peppercorn
TPWH	Dove White

- Felt tip marker with matching stain or paint
- Available in all finishes

Fill Stick



FSCO	Cognac
FSCV	Canvas
FSD98	Moonshine
FSGY	Greyloft
FSHS	Honey Spice
FSKA	Kaffé
FSMD	Midnight
FSPBG	Pebble Grey
FSPC	Peppercorn
FSWH	Dove White

- Matching putty crayon
- Available in all finishes

How to Use This Section

This guide allows you to choose from a complete line of doors and drawer fronts for replacement as well as special applications such as appliance fronts, whirlpool skirts, wainscoting, etc.

This part lists all replacement doors and drawer fronts by their nomenclature. They are sorted by their nominal height (last two numbers of the nomenclature) from largest to smallest.

To choose doors and drawer fronts for special decorative applications, use the Sizes section and look in the appropriate overlay column to determine which doors and drawer fronts are needed. Then look up the door(s) and drawer front(s) in the Price List catalog under the price column number appropriate to your door style.

To find replacement drawer boxes and replacement operational end doors in 2020 go to: Accessories>Replacement Parts>Replacement Part. Right click and select Specs to view.

Replacement Door & Drawer Front Information

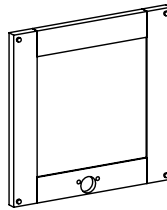
Replacement doors may be ordered for wall or base application. When ordering, specify door style, hinging and •W (wall) or •B (base). Any arch doors ordered as •B will be shipped in a square design.

Example: You need a replacement door for a wall 1830, hinged left.

Order: RD1830L•W

Replacement doors are prepared for hinges. Replacement doors and drawer fronts are shipped with pliable bumpers attached.

Replacement doors with Bistro Glass, Savanna Glass, or Traditional Mullion Glass installed are available on select cabinets. To order, determine the replacement door(s) required and add desired glass insert.



Example: You need a Bistro Glass insert for a wall 1830, hinged left.

Order: RD1830L•W-1BIS1
Pricing: RD1830L•W

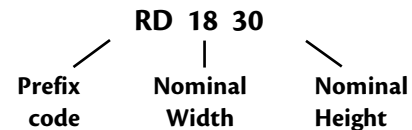
+ 1 Bistro Insert for 12"-30" high
= Total for replacement door with insert installed

Example: You need a Traditional Mullion Glass insert for a wall 1836, hinged left.

Order: RD1836L•W-1MD2
Pricing: RD1836L•W

+ 1 Traditional Mullion Insert for 36"-42" high
= Total for mullion door with insert installed

Replacement doors and drawer fronts are coded for easy reference. The prefix codes indicate door or drawer and usage. The first two digits indicate nominal width and the second two digits indicate nominal height.



Prefix codes are as follows:

RD	replacement door
RDB	replacement door butt
RDBBC	replacement door base blind corner
RDBCA	replacement door blind corner angle
RDEZR*	replacement door easy reach (two doors hinged together)
RDBPP	replacement door base pots and pans
RDBWBT	replacement door base waste basket top mount
RDDFD	replacement door desk file drawer
RDWBC	replacement door wall blind corner
RDW	replacement drawer front
RDWSFA	replacement drawer sink front angle
RDWVSB	replacement drawer vanity sink base

PART	Full Overlay	1/2" Overlay
RD0927	8 5/8x26 5/8"	7 1/4x25"
RD0930	8 5/8x29 5/8"	7 1/4x28"
RD0936	8 5/8x35 5/8"	7 1/4x34"
RD0939	8 5/8x38 5/8"	7 1/4x37"
RD0942	8 5/8x41 5/8"	7 1/4x40"
RD1218	11 5/8x17 5/8"	10 1/4x16"
RD1221	11 5/8x20 1/8"	10 1/4x18 1/2"
RD1224	11 5/8x23 1/8"	10 1/4x21 1/2"
RD1227	11 5/8x26 5/8"	10 1/4x25"
RD1230	11 5/8x29 5/8"	10 1/4x28"
RD1236	11 5/8x35 5/8"	10 1/4x34"
RD1239	11 5/8x38 5/8"	10 1/4x37"
RD1242	11 5/8x41 5/8"	10 1/4x40"
RD1263	11 5/8x61 5/16"	10 1/4x60 1/2"
RD1421	14x20 1/8"	12 5/8x18 1/2"
RD1424	14x23 1/8"	12 5/8x21 1/2"
RD1427	14x26 5/8"	12 5/8x25"
RD1430	14x29 5/8"	12 5/8x28"
RD1518	14 5/8x17 5/8"	13 1/4x16"
RD1521	14 5/8x20 1/8"	13 1/4x18 1/2"
RD1524	14 5/8x23 1/8"	13 1/4x21 1/2"
RD1527	14 5/8x26 5/8"	13 1/4x25"
RD1530	14 5/8x29 5/8"	13 1/4x28"
RD1536	14 5/8x35 5/8"	13 1/4x34"
RD1539	14 5/8x38 5/8"	13 1/4x37"
RD1542	14 5/8x41 5/8"	13 1/4x40"
RD1563	14 5/8x61 5/16"	13 1/4x60 1/2"
RD1812	17 5/8x11 5/8"	16 1/4x10"
RD1818	17 5/8x17 5/8"	16 1/4x16"
RD1821	17 5/8x20 1/8"	16 1/4x18 1/2"
RD1824	17 5/8x23 1/8"	16 1/4x21 1/2"
RD1827	17 5/8x26 5/8"	16 1/4x25"
RD1830	17 5/8x29 5/8"	16 1/4x28"
RD1836	17 5/8x35 5/8"	16 1/4x34"
RD1839	17 5/8x38 5/8"	16 1/4x37"
RD1842	17 5/8x41 5/8"	16 1/4x40"
RD1848	17 5/8x47 5/8"	16 1/4x46"
RD1863	17 5/8x61 5/16"	16 1/4x60 1/2"
RD1921	20x20 1/8"	18 5/8x18 1/2"
RD1924	20x23 1/8"	18 5/8x21 1/2"
RD2112	20 5/8x11 5/8"	19 1/4x10"
RD2115	20 5/8x14 5/8"	19 1/4x13"
RD2118	20 5/8x17 5/8"	19 1/4x16"
RD2121	20 5/8x20 1/8"	19 1/4x18 1/2"
RD2124	20 5/8x23 1/8"	19 1/4x21 1/2"
RD2127	20 5/8x26 5/8"	19 1/4x25"
RD2130	20 5/8x29 5/8"	19 1/4x28"
RD2136	20 5/8x35 5/8"	19 1/4x34"
RD2139	20 5/8x38 5/8"	19 1/4x37"
RD2142	20 5/8x41 5/8"	19 1/4x40"
RD2163	20 5/8x61 5/16"	19 1/4x60 1/2"
RD2412	23 5/8x11 5/8"	22 1/4x10"
RD2415	23 5/8x14 5/8"	22 1/4x13"
RD2418	23 5/8x17 5/8"	22 1/4x16"
RD2421	23 5/8x20 1/8"	22 1/4x18 1/2"
RD2424	23 5/8x23 1/8"	22 1/4x21 1/2"
RD2427	23 5/8x26 5/8"	22 1/4x25"
RD2430	23 5/8x29 5/8"	22 1/4x28"

PART	Full Overlay	1/2" Overlay
RD2436	23 5/8x35 5/8"	22 1/4x34"
RD2439	23 5/8x38 5/8"	22 1/4x37"
RD2442	23 5/8x41 5/8"	22 1/4x40"
RD2463	23 5/8x61 5/16"	22 1/4x60 1/2"
RD2712	13 1/4x11 5/8"	12 9/16x10"
RD2715	13 1/4x14 5/8"	12 9/16x13"
RD2718	13 1/4x17 5/8"	12 9/16x16"
RD2721	13 1/4x20 1/8"	12 9/16x18 1/2"
RD2724	13 1/4x23 1/8"	12 9/16x21 1/2"
RD2727	13 1/4x26 5/8"	12 9/16x25"
RD2730	13 1/4x29 5/8"	12 9/16x28"
RD2736	13 1/4x35 5/8"	12 9/16x34"
RD2739	13 1/4x38 5/8"	12 9/16x37"
RD2742	13 1/4x41 5/8"	12 9/16x40"
RD3012	14 3/4x11 5/8"	14 1/16x10"
RD3015	14 3/4x14 5/8"	14 1/16x13"
RD3018	14 3/4x17 5/8"	14 1/16x16"
RD3021	14 3/4x20 1/8"	14 1/16x18 1/2"
RD3024	14 3/4x23 1/8"	14 1/16x21 1/2"
RD3027	14 3/4x26 5/8"	14 1/16x25"
RD3030	14 3/4x29 5/8"	14 1/16x28"
RD3036	14 3/4x35 5/8"	14 1/16x34"
RD3039	14 3/4x38 5/8"	14 1/16x37"
RD3042	14 3/4x41 5/8"	14 1/16x40"
RD3063	14 3/4x61 5/16"	14 1/16x60 1/2"
RD3321	16 1/8x20 1/8"	14 3/4x18 1/2"
RD3324	16 1/8x23 1/8"	14 3/4x21 1/2"
RD3330	16 1/8x29 5/8"	14 3/4x28"
RD3336	16 1/8x35 5/8"	14 3/4x34"
RD3339	16 1/8x38 5/8"	14 3/4x37"
RD3342	16 1/8x41 5/8"	14 3/4x40"
RD3612	17 3/4x11 5/8"	17 1/16x10"
RD3615	17 3/4x14 5/8"	17 1/16x13"
RD3618	17 3/4x17 5/8"	17 1/16x16"
RD3621	17 3/4x20 1/8"	17 1/16x18 1/2"
RD3624	17 3/4x23 1/8"	17 1/16x21 1/2"
RD3627	17 3/4x26 5/8"	17 1/16x25"
RD3630	17 3/4x29 5/8"	17 1/16x28"
RD3636	17 3/4x35 5/8"	17 1/16x34"
RD3639	17 3/4x38 5/8"	17 1/16x37"
RD3642	17 3/4x41 5/8"	17 1/16x40"
RD3663	17 3/4x61 5/16"	17 1/16x60 1/2"
RD3912	19 1/8x11 5/8"	17 3/4x10"
RD3915	19 1/8x14 5/8"	17 3/4x13"
RD3918	19 1/8x17 5/8"	17 3/4x16"
RD3921	19 1/8x20 1/8"	17 3/4x18 1/2"
RD3924	19 1/8x23 1/8"	17 3/4x21 1/2"
RD3927	19 1/8x26 5/8"	17 3/4x25"
RD3930	19 1/8x29 5/8"	17 3/4x28"
RD3936	19 1/8x35 5/8"	17 3/4x34"
RD3939	19 1/8x38 5/8"	17 3/4x37"
RD3942	19 1/8x41 5/8"	17 3/4x40"
RD4512	22 1/8x11 5/8"	20 3/4x10"
RD4515	22 1/8x14 5/8"	20 3/4x13"
RD4518	22 1/8x17 5/8"	20 3/4x16"
RD4524	22 1/8x23 1/8"	20 3/4x21 1/2"
RD4527	22 1/8x26 5/8"	20 3/4x25"
RD4530	22 1/8x29 5/8"	20 3/4x28"

PART	Full Overlay	1/2" Overlay
RD4536	22 1/8x35 5/8"	20 3/4x34"
RD4539	22 1/8x38 5/8"	20 3/4x37"
RD4542	22 1/8x41 5/8"	20 3/4x40"
RDB2415	11 3/4x14 5/8"	11 1/16x13"
RDB2418	11 3/4x17 5/8"	11 1/16x16"
RDB2421	11 3/4x20 1/8"	11 1/16x18 1/2"
RDB2424	11 3/4x23 1/8"	11 1/16x21 1/2"
RDB2427	11 3/4x26 5/8"	11 1/16x25"
RDB2430	11 3/4x29 5/8"	11 1/16x28"
RDB2436	11 3/4x35 5/8"	11 1/16x34"
RDB2439	11 3/4x38 5/8"	11 1/16x37"
RDB2442	11 3/4x41 5/8"	11 1/16x40"
RDB2463	11 3/4x61 5/16"	11 1/16x60 1/2"
RDB3312	16 1/4x11 5/8"	15 9/16x10"
RDB3315	16 1/4x14 5/8"	15 9/16x13"
RDB3318	16 1/4x17 5/8"	15 9/16x16"
RDB3321	16 1/4x20 1/8"	15 9/16x18 1/2"
RDB3324	16 1/4x23 1/8"	15 9/16x21 1/2"
RDB3327	16 1/4x26 5/8"	15 9/16x25"
RDB3330	16 1/4x29 5/8"	15 9/16x28"
RDB3336	16 1/4x35 5/8"	15 9/16x34"
RDB3339	16 1/4x38 5/8"	15 9/16x37"
RDB3342	16 1/4x41 5/8"	15 9/16x40"
RDBBC3624	10 1/8x23 1/8"	8 3/4x21 1/2"
RDBBC3924	13 1/8x23 1/8"	11 3/4x21 1/2"
RDBCA2430	16 15/32x29 5/8"	15 25/32x28"
RDBPP0930	8 5/8x29 5/8"	7 1/4x28"
RDBWBT1524	14 5/8x23 1/8"	13 1/4x21 1/2"
RDBWBT1824	17 5/8x23 1/8"	16 1/4x21 1/2"
RDDFD15	14 5/8x17 5/8"	13 1/4x16"
RDDFD18	17 5/8x17 5/8"	16 1/4x16"
RDDFD21	20 5/8x17 5/8"	19 1/4x16"
RDDFD24	23 5/8x17 5/8"	22 1/4x16"
RDEZR33	7 15/16x29 5/8"	7 1/4x28"
RDEZR36	10 15/16x29 5/8"	10 1/4x28"
RDEZR3627	10 15/16x26 5/8" EZR	10 1/4x25"
RDSFA3924	18 7/8x23 1/8"	19x21 1/2"
RDSFA4224	23 1/8x23 1/8"	23 1/4x21 1/2"
RDW1206	6 1/8x11 5/8"	5 1/2x10 1/4"
RDW1211	10 5/8x11 5/8"	9x10 1/4"
RDW1215	11 3/8x11 5/8"	10 3/8x10 1/4"
RDW1217	9 3/4x11 5/8"	N/A
RDW1506	6 1/8x14 5/8"	5 1/2x13 1/4"
RDW1511	10 5/8x14 5/8"	9x13 1/4"
RDW1515	11 3/8x14 5/8"	10 3/8x13 1/4"
RDW1517	9 3/4x14 5/8"	N/A
RDW1804	4 1/8x17 5/8"	3 1/2x16 1/4"
RDW1806	6 1/8x17 5/8"	5 1/2x16 1/4"
RDW1811	10 5/8x17 5/8"	9x16 1/4"
RDW1815	11 3/8x17 5/8"	10 3/8x16 1/4"
RDW1817	9 3/4x17 5/8"	N/A
RDW2006	6 1/8x20"	5 1/2x18 5/8"
RDW2106	6 1/8x20 5/8"	5 1/2x19 1/4"
RDW2111	10 5/8x20 5/8"	9x19 1/4"
RDW2115	11 3/8x20 5/8"	10 3/8x19 1/4"
RDW2117	9 3/4x20 5/8"	N/A
RDW2404	4 1/8x23 5/8"	3 1/2x22 1/4"
RDW2406	6 1/8x23 5/8"	5 1/2x22 1/4"

PART	Full Overlay	1/2" Overlay
RDW2406.UBT	6 1/8x23 5/8"	5 1/2x22 1/4"
RDW2411	10 5/8x23 5/8"	9x22 1/4"
RDW2415	11 3/8x23 5/8"	10 3/8x22 1/4"
RDW2417	9 3/4x23 5/8"	N/A
RDW2706	6 1/8x26 5/8"	5 1/2x25 1/4"
RDW2711	N/A	9x25 1/4"
RDW2715	11 3/8x26 5/8"	10 3/8x25 1/4"
RDW2716	14 5/8x26 5/8"	13 1/4x25 1/4"
RDW2717	9 3/4x26 5/8"	N/A
RDW3004	4 1/8x29 5/8"	3 1/2x28 1/4"
RDW3006	6 1/8x29 5/8"	5 1/2x28 1/4"
RDW3015	11 3/8x29 5/8"	10 3/8x28 1/4"
RDW3016	14 5/8x29 5/8"	13 1/4x28 1/4"
RDW3306	6 1/8x32 5/8"	5 1/2x31 1/4"
RDW3315	11 3/8x32 5/8"	10 3/8x31 1/4"
RDW3316	14 5/8x32 5/8"	13 1/4x31 1/4"
RDW3604	4 1/8x35 5/8"	3 1/2x34 1/4"
RDW3606	6 1/8x35 5/8"	5 1/2x34 1/4"
RDW3615	11 3/8x35 5/8"	10 3/8x34 1/4"
RDW3616	14 5/8x35 5/8"	13 1/4x34 1/4"
RDW3906	6 1/8x38 5/8"	5 1/2x37 1/4"
RDW4506	6 1/8x22 1/8"	5 1/2x20 3/4"
RDWBBC3606	6 1/8x10 1/8"	5 1/2x8 3/4"
RDWBBC3906	6 1/8x13 1/8"	5 1/2x11 3/4"
RDWBBC4206	6 1/8x16 1/8"	5 1/2x14 3/4"
RDWBBC4506	6 1/8x19 1/8"	5 1/2x17 3/4"
RDWBC2430	10 1/8x29 5/8"	8 3/4x28"
RDWBC2436	10 1/8x35 5/8"	8 3/4x34"
RDWBC2439	10 1/8x38 5/8"	8 3/4x37"
RDWBC2442	10 1/8x41 5/8"	8 3/4x40"
RDWBC2724	13 1/8x23 1/8"	11 3/4x21 1/2"
RDWBC2730	13 1/8x29 5/8"	11 3/4x28"
RDWBC2736	13 1/8x35 5/8"	11 3/4x34"
RDWBC2739	13 1/8x38 5/8"	11 3/4x37"
RDWBC2742	13 1/8x41 5/8"	11 3/4x40"
RDWEZR2430	10 15/16x29 5/8" EZR	10 1/4x28"
RDWEZR2436	10 15/16x35 5/8" EZR	10 1/4x34"
RDWEZR2439	10 15/16x38 5/8" EZR	10 1/4x37"
RDWEZR2442	10 15/16x41 5/8" EZR	10 1/4x40"
RDWSFA3906	6 1/8x18 7/8"	5 1/2x19"
RDWSFA4206	6 1/8x23 1/8"	5 1/2x23 1/4"
RDWVSB6006	6 1/8x28 3/8"	5 1/2x27"

Notes

CODE	PAGE	CODE	PAGE	CODE	PAGE	CODE	PAGE	CODE	PAGE
1		A		B24R.2FWT	E2	B48.FH.4T	E7	BFF3	G10
1812.PE	K4	ACCO	M8	B24R.FH	E5	B54	E2	BFOL3.30	E32
1BIS1	C9	ACCV	M8	B24R.FH.2DFWT	E6	B54.6DT	E5	BFOL3X3	E32
1BIS2	C9	ACD98	M8	B24R.FH.2FWT	E6	B54.6T	E4	BFOL6.30	E32
1DRS.PREP1	C9	ACGY	M8	B27	E2	B9R.FH	E5	BFP3	E25
1DRS.PREP2	C9	ACHS	M8	B27.2DFWT	E3	BB3	E33	BFP6	E25
1FWROT	C11	ACKA	M8	B27.2FWT	E3	BB6	E33	BMC242434	E18
1MD.PREP1	C10	ACM8	L2	B27.FH	E5	BBC39R	E20	BMC272434	E18
1MD.PREP2	C10	ACM8.UF	L2	B27.FH.2DFWT	E7	BBC42R	E20	BMC302434	E18
1MD1	C10	ACMD	M8	B27.FH.2FWT	E6	BBC45R	E20	BOCU30	E17
1MD2	C10	ACPCBG	M8	B2712.FH	E6	BBC48R	E20	BOCU33	E17
1ROT	C10	ACPC	M8	B3012BUTT.FH	E6	BBC51R	E20	BOX.CSC	M5
1SV.PREP1	C9	ACWH	M8	B30BUTT	E2	BC315	E33	BOX.INSC	M6
1SV.PREP2	C9	AOSC8	L3	B30BUTT.2DFWT	E3	BC327	E33	BOX.SC34.L	M5
1SV1	C9	AP	C7	B30BUTT.2DFWTFX	E4	BC615	E33	BOX.SC34.R	M5
1SV2	C9	APC	C7	B30BUTT.2FWT	E3	BC627	E33	BOX.VC	M6
				B30BUTT.2FWTFX	E3	BCA24BUTT	E24	BPP9	E25
				B30BUTT.FH	E5	BCD24DR.4D	E9	BPPS27.2	E10
2		B		B30BUTT.FH.2DFWT	E7	BCD24DR.4D.2DFWT	E9	BPPS30.2	E10
2112.PE	K4	B1212R.FH	E5	B30BUTT.FH.2FWT	E6	BCD24DR.4D.2FWT	E9	BPPS33.2	E10
2412.PE	K4	B12R	E1	B33BUTT	E2	BCD30DR.4D	E9	BPPS36.2	E10
2BIS1	C9	B12R.2DFWT	E3	B33BUTT.2DFWT	E3	BCD30DR.4D.2DFWT	E9	BS1212	K4
2BIS2	C9	B12R.2FWT	E2	B33BUTT.2FWT	E3	BCD30DR.4D.2FWT	E9	BS1224	K4
2DFWROT	C13	B12R.FH	E5	B33BUTT.FH	E5	BCD36DR.4D	E9	BS1224.BEA	K4
2DROT	C12	B12R.FH.2DFWT	E6	B33BUTT.FH.2DFWT	E7	BCD36DR.4D.2DFWT	E9	BS1512	K4
2DRS.PREP1	C9	B12R.FH.2FWT	E6	B33BUTT.FH.2FWT	E6	BCD36DR.4D.2FWT	E9	BS1524	K4
2DRS.PREP2	C9	B1512R.FH	E5	B36BUTT	E2	BCFS36R	E23	BS1812	K4
2FWROT	C12	B15R	E1	B36BUTT.2DFWT	E3	BD12	E10	BS1824	K4
2MD.PREP1	C10	B15R.2DFWT	E3	B36BUTT.2DFWTFX	E4	BD12.3	E10	BS2112	K4
2MD.PREP2	C10	B15R.2FWT	E2	B36BUTT.2FWT	E3	BD15	E10	BS2124	K4
2MD1	C10	B15R.FH	E5	B36BUTT.2FWTFX	E3	BD15.3	E10	BS2412	K4
2MD2	C10	B15R.FH.2DFWT	E6	B36BUTT.FH	E5	BD18	E10	BS2424	K4
2ROT	C10	B15R.FH.2FWT	E6	B36BUTT.FH.2DFWT	E7	BD18.3	E10	BS2424.BCA	K4
2SV.PREP1	C9	B1812R.FH	E5	B36BUTT.FH.2FWT	E6	BD21	E10	BS2424.BCD	K4
2SV.PREP2	C9	B18R	E1	B39	E2	BD21.3	E10	BS2424.BEC	K4
2SV1	C9	B18R.2DFWT	E3	B39.4DT	E4	BD24	E10	BS2712	K4
2SV2	C9	B18R.2FWT	E2	B39.4T	E4	BD24.3	E10	BS2724	K4
		B18R.FH	E5	B39.FH	E5	BD27	E10	BS3012	K4
3		B18R.FH.2DFWT	E6	B39.FH.4DT	E7	BD27.3	E10	BS3024	K4
3012.PE	K4	B18R.FH.2FWT	E6	B39.FH.4T	E7	BD30.3	E10	BS3024.BCD	K4
36.PE	K4	B2112R.FH	E5	B42	E2	BD33.3	E10	BS3324	K4
3ROT	C11	B21R	E1	B42.4DT	E4	BD36.3	E10	BS3624	K4
		B21R.2DFWT	E3	B42.4T	E4	BEA12R	E24	BS3624.BCD	K4
4		B21R.2FWT	E2	B42.FH	E5	BEC24	E24	BS3636.BCFS	K4
4BIS1	C9	B21R.FH	E5	B42.FH.4DT	E7	BEP3	E34	BS3924	K4
4DROT	C12	B21R.FH.2DFWT	E6	B42.FH.4T	E7	BEP6	E34	BS4224	K4
4DRS.PREP1	C9	B21R.FH.2FWT	E6	B45	E2	BEPL4834	K2	BS4524	K4
4MD.PREP1	C10	B2412BUTT.FH	E6	B45.4DT	E4	BEPL4896	K2	BS4824	K4
4MD1	C10	B2412R.FH	E5	B45.4T	E4	BF3	E32	BS5424	K4
4ROT	C11	B24BUTT	E2	B45.FH	E5	BF3	G10	BWBFMK.2	E27
4SV.PREP1	C9	B24BUTT.2DFWT	E3	B45.FH.4DT	E7	BF3X3	E32	BWBFMK.ROT	E27
4SV1	C9	B24BUTT.2FWT	E3	B45.FH.4T	E7	BF3X3	G10	BWBT15	E25
		B24BUTT.FH	E5	B48	E2	BF6	E32	BWBT18.2	E26
		B24BUTT.FH.2DFWT	E7	B48.4DT	E4	BF6	G10		
6		B24BUTT.FH.2FWT	E6	B48.4T	E4	BFC615	E33		
6DROT	C12	B24R	E1	B48.FH	E5	BFC627	E33		
6ROT	C11	B24R.2DFWT	E3	B48.FH.4DT	E7	BFF3	E33		

CODE	PAGE	CODE	PAGE	CODE	PAGE	CODE	PAGE	CODE	PAGE
C		DROT15.24	K7	FS2184	I2	HK158	L20	MTEP2184	F6
		DROT16.24	K7	FS3013	I2	HK161	L20	MTEP2190	F6
CBB8	L3	DROT18.24	K7	FS3013.HD	I2	HK162	L20	MTEP2193	F6
CCK	M8	DROT19.24	K7	FS3021	I2	HP103	L14	MTEP2196	F6
CCM.SW10	L3	DROT21.24	K7	FS3021.HD	I2	HP106	L14	MTEP2484	F6
CCM8	L3	DROT22.24	K7	FS3613	I2	HP112	L15	MTEP2490	F6
CDK18	E30	DROT24.24	K7	FS3613.HD	I2	HP118	L16	MTEP2493	F6
CFO	C13	DROT27.24	K7	FS3621	I2	HP124	L16	MTEP2496	F6
CGPB36	K2	DROT30.24	K7	FS3621.HD	I2	HP131	L17	MTK8	E31
CLDF	C8	DROT33.24	K7	FSCO	M10	HP135	L17	MTK8.4	E31
CM.SW10	L4	DROT36.24	K7	FSCV	M10	HP139	L18	MVEP2131	G10
CM8	L4	DROTFX30.24	K6	FSD98	M10	HP140	L18	MVEP2134	G10
CR8	L3	DROTFX33.24	K6	FSGY	M10	HP151	L18	MWEP1230	D26
CTC.SW10	L3	DROTFX36.24	K6	FSHS	M10	HP153	L19	MWEP1236	D26
CTC8	L3	DRPD	C8	FSKA	M10	HP154	L19	MWEP1239	D26
CTS	L1	DSB30	E13	FSMD	M10	HP156	L19	MWEP1242	D26
CTWE8	L3	DSB33	E13	FSPBG	M10	HP159	L20		
		DSB36	E13	FSPC	M10	HP160	L20	N	
		DSR12	D23	FSTB1813	I3	HP163	L21	NBM8	L5
DDO15R	H1	DSR15	D23	FSTB1821	I3	HP164	L21		
DDO18R	H1	DSR18	D23	FSTB3013	I3	HP165	L21	O	
DDO21R	H1	DWP	E18	FSTB3021	I3	HP166	L21	O24	H3
DDO24R	H1	DWP.RP	E18	FSTB3613	I3	HTK	M7	O30	H3
DDR12	H1	DWTEP96	F6	FSTB3621	I3			O36	H3
DDR15	H1			FSWH	M10	I		OC272484S	F3
DDR18	H1	E		FTBV18	I3	ICM8	L4	OC272484U	F3
DDR21	H1	ECB312	L10	FTBV30	I3	ID15	C8	OC272490S	F3
DDR24	H1	ECB312.UF	L10	FTBV36	I3	ID18	C8	OC272490U	F3
DELETE ME	L5	ECB49	L10			ID21	C8	OC272493S	F3
DEP2431	H3	ECB49.UF	L10	G		ID24	C8	OC272493U	F3
DFD15	H2	EDB25	M7	GDRS	M6	ILR8	L4	OC272496S	F3
DFD18	H2	EFT	L10	GR8	L4			OC272496U	F3
DFD21	H2	EFT.UF	L10			L		OC302484BUTTS	F3
DFD24	H2	ELB34	L10	H		LM8	L5	OC302484BUTTU	F3
DIP30	E17	ELB34.UF	L10	HDFXSCDC.L	M2	LS18.1	D22	OC302490BUTTS	F3
DKD24	H2			HDFXSCDC.R	M2	LS18.3	D23	OC302490BUTTU	F3
DKD2418	H2	F		HK02	L14	LS33R	E22	OC302493BUTTS	F3
DKD30	H2	FADBK	M6	HK107	L14	LS36R	E22	OC302493BUTTU	F3
DKD3018	H2	FBRK18	E28	HK108	L15	LS36R.WLS	E22	OC302496BUTTS	F3
DKD36	H2	FE3.30	D24	HK109	L15	LSA36R	E23	OC302496BUTTU	F3
DKD3618	H2	FE3.42	D24	HK110	L15	LSK45	E27	OC332484BUTTS	F3
DKDT24	H2	FE3.60	D24	HK111	L15	LSK48	E27	OC332484BUTTU	F3
DKDT2418	H2	FEP1353	I1	HK117	L15	LSTR8	L4	OC332490BUTTS	F3
DKDT30	H2	FEP1353.CE	I2	HK119	L16	LW1530	D15	OC332490BUTTU	F3
DKDT3018	H2	FEP1384	I1	HK120	L16	LW3015	D15	OC332493BUTTS	F3
DKDT36	H2	FEP1384.CE	I2	HK123	L16			OC332493BUTTU	F3
DKDT3618	H2	FEP2153	I1	HK125	L17	M		OC332496BUTTS	F3
DM8	L4	FEP2153.CE	I2	HK126	L17	MBEP2434	E34	OC332496BUTTU	F3
DMTB	E29	FEP2184	I1	HK127	L17	MC1627.PC	G8	OCO18	D23
DOKN	E30	FEP2184.CE	I2	HK128	L17	MDEP	H3	OCO24	D23
DOKW	E30	FFE3.30	D25	HK137	L17	MI	C8	OCO30	D23
DOS18R	D21	FFE3.36	D25	HK138	L18	MM8	L5	OCO36	D23
DOS24BUTT	D21	FFE3.39	D25	HK150	L18	MTEP1284	F6	OCS27	F5
DPK	E29	FFE3.42	D25	HK152	L18	MTEP1290	F6	OCS30	F5
DPR18	F4	FS1384	I2	HK155	L19	MTEP1290	F6	OCS33	F5
DROT12.24	K7	FS1813	I2	HK157	L19	MTEP1293	F6	ODK27	F3
DROT14.24	K7	FS1821	I2			MTEP1296	F6	ODK30	F3

CODE	PAGE	CODE	PAGE	CODE	PAGE	CODE	PAGE	CODE	PAGE		
ODK33	F3	PFXSMBBK24	M1	R		ROTW18.18	K8	SB33BUTT.W.UT	E12		
OSC8	L5	PH2PO	M4			ROTW18.21	K8	SB3627BUTT.W	E12		
P		PH4FO	M4		RCM8	L6	ROTW18.24	K8	SB3627BUTT.W.UT	E13	
		PH6FO	M4		RD12	C8	ROTW19.24	K8	SB36BUTT.CG	E11	
	PB18	E7	PH6FO.SC		M4	RD15	C8	ROTW21.21	K8	SB36BUTT.CG.UT	E11
	PB18.2DFWT	E8	PH6PO		M4	RD18	C8	ROTW21.24	K8	SB36BUTT.W	E12
	PB18.2FWT	E8	PH6PO.SC		M4	RD21	C8	ROTW22.24	K8	SB36BUTT.W.FH	E13
	PB21	E7	PHDFXSCDR24		M2	RD9	C8	ROTW24.24	K8	SB36BUTT.W.UT	E12
	PB21.2DFWT	E8	PHDFXSCRMB		M3	RH170EZ	M3	ROTW27.18	K8	SB39.W	E12
	PB21.2FWT	E8	PHFM		M3	RHB	D19	ROTW27.21	K8	SB39.W.FH	E13
	PB24	E7	PHFM.SC	M3	RHBF	M3	ROTW27.24	K8	SB39.W.UT	E12	
	PB24.2DFWT	E8	PHUTK	M5	RHF3024SP	D18	ROTW30.18	K8	SB42.W	E12	
PB24.2FWT	E8	PSMROTR18	M1	RHF3624SP	D18	ROTW30.21	K8	SB42.W.FH	E13		
PB24BUTT	E8	PSMROTR21	M1	RHP.TVMC	M5	ROTW30.24	K8	SB42.W.UT	E12		
PB24BUTT.2DFWT	E9	PSMROTR24	M1	RM8	L6	ROTW33.21	K8	SB4227.W	E12		
PB24BUTT.2FWT	E8	PSMROTRPB24	M1	ROT12.18	K10	ROTW33.24	K8	SB4227.W.UT	E13		
PB27	E8	PSP6X6.30	L12	ROT12.21	K10	ROTW36.21	K8	SB48.W	E12		
PB27.2DFWT	E9	PSP6X6.34	L12	ROT12.24	K10	ROTW36.24	K8	SB48.W.FH	E13		
PB27.2FWT	E8	PSP6X6.36	L12	ROT14.24	K10	RSF30BUTT	E15	SB48.W.UT	E12		
PB30BUTT	E8	PSP6X6.42	L12	ROT15.18	K10	RSF33BUTT	E15	SBA36R	E14		
PB30BUTT.2DFWT	E9	PW1824	D7	ROT15.21	K10	RSF36BUTT	E15	SBA42R	E14		
PB30BUTT.2FWT	E8	PW1830	D7	ROT15.24	K10	RSF42	E15	SBP8	L7		
PB36BUTT	E8	PW2124	D7	ROT16.24	K10	RSP536	L13	SBRE8	L7		
PB36BUTT.2DFWT	E9	PW2130	D7	ROT18.18	K10	RSP536.UF	L13	SCARC	M7		
PB36BUTT.2FWT	E8	PW2418	D6	ROT18.21	K10	RSP542	L13	SCM.SW10	L7		
PBBC27BUTT	E21	PW2418BUTT	D6	ROT18.24	K10	RSP542.UF	L13	SCM8	L7		
PBBC27BUTT.2DFWT	E21	PW2424	D7	ROT18.24.DF	K9			SCV8	L6		
PBBC27BUTT.2FWT	E21	PW2424BUTT	D7	ROT19.24	K10	S		SDC18	D20		
PBBC27R	E20	PW2430	D7	ROT21.21	K10				SDC24	D20	
PBBC27R.2DFWT	E21	PW2430BUTT	D7	ROT21.24	K10		SB12R.W	E12	SDC30	D20	
PBBC27R.2FWT	E21	PW3018BUTT	D6	ROT21.24.DF	K9		SB15R.W	E12	SDC36	D20	
PBS1824	K4	PW3024BUTT	D7	ROT22.24	K10		SB18R.W	E12	SDIK15	E30	
PBS1824.PE	K4	PW3030BUTT	D7	ROT24.18	K10		SB21R.W	E12	SDIK18	E30	
PBS2124	K4	PW3618BUTT	D6	ROT24.21	K10		SB24BUTT.W	E12	SDIK21	E30	
PBS2124.PE	K4	PW3624BUTT	D7	ROT24.24	K10		SB24BUTT.W.FH	E13	SDIK24	E30	
PBS2424	K4	PW3630BUTT	D7	ROT24.24.DF	K9		SB24BUTT.W.UT	E12	SF24BUTT	E14	
PBS2424.PE	K4	PWA2430R	D12	ROT27.18	K10		SB24R.W	E12	SF24BUTT.FH	E14	
PBS2724	K4	PWAS2424	K4	ROT27.21	K10	SB24R.W.FH	E13	SF24R	E14		
PBS2724.PE	K4	PWBC2730R	D12	ROT27.24	K10	SB24R.W.UT	E12	SF30BUTT	E14		
PBS3024	K4	PWS1812	K4	ROT27.24.DF	K9	SB27.W	E12	SF30BUTT.FH	E14		
PBS3024.PE	K4	PWS2112	K4	ROT30.18	K10	SB27.W.FH	E13	SF36BUTT	E14		
PBS3624	K4	PWS2412	K4	ROT30.21	K10	SB27.W.UT	E12	SF36BUTT.FH	E14		
PBS3624.PE	K4	PWS3012	K4	ROT30.24	K10	SB2727.W	E12	SFA36.FH	E15		
PC362484BUTT	F2	PWS3612	K4	ROT30.24.DF	K9	SB2727.W.UT	E13	SFA36R	E15		
PC362490BUTT	F2			ROT33.18	K10	SB3027BUTT.W	E12	SFA39R	E15		
PC362493BUTT	F2	Q		ROT33.21	K10	SB3027BUTT.W.UT	E13	SFA42R	E15		
PC362496BUTT	F2		QPCV	M9	ROT33.24	K10	SB30BUTT.CG	E11	SFAF4242	E32	
PCSK3612	F4		QPD98	M9	ROT36.18	K10	SB30BUTT.CG.UT	E11	SFF2336	E32	
PDO30	E31		QPGY	M9	ROT36.21	K10	SB30BUTT.W	E12	SGH30	D23	
PDO36	E31		QPMD	M9	ROT36.24	K10	SB30BUTT.W.FH	E13	SGH36	D23	
PE	C7		QPPBG	M9	ROT9.24	K10	SB30BUTT.W.UT	E12	SHO8	L6	
PEB	C7		QPWH	M9	ROTW12.21	K8	SB3327BUTT.W	E12	SK1512	K3	
PFXSCLR18	M2		QR8	L5	ROTW12.24	K8	SB3327BUTT.W.UT	E13	SK1521	K3	
PFXSCLR21	M2		QSTCO	M9	ROTW15.18	K8	SB33BUTT.CG	E11	SK1524	K3	
PFXSCLR24	M2		QSTHS	M9	ROTW15.21	K8	SB33BUTT.CG.UT	E11	SK1812	K3	
PFXSCLR24	M2	QSTKA	M9	ROTW15.24	K8	SB33BUTT.W	E12	SK1821	K3		
PFXSCLR24	M2	QSTPC	M9	ROTW16.24	K8	SB33BUTT.W.FH	E13	SK1824	K3		

CODE	PAGE	CODE	PAGE	CODE	PAGE	CODE	PAGE	CODE	PAGE
SK2412	K3	TPKA	M10	U182490R	F2	UB21R	J1	UBD18.3	J6
SK2421	K3	TPL	L13	U182493R	F2	UB21R.2DFWT	J2	UBD21.3	J6
SK2424	K3	TPLUF	L13	U182496R	F2	UB21R.2FWT	J2	UBD24.3	J6
SK3012	K3	TPL34	L13	U241284BUTT	F1	UB24BUTT	J1	UBSF36BUTT.FH	J6
SK3024	K3	TPL34.UF	L13	U241284R	F1	UB24BUTT.2DFWT	J2	UBT24BUTT	J3
SK3612	K3	TPMD	M10	U241290BUTT	F1	UB24BUTT.2FWT	J2	UBT24BUTT.2DFWT	J4
SK3624	K3	TPPBG	M10	U241290R	F1	UB24BUTT.FH	J5	UBT24BUTT.2FWT	J3
SM8	L6	TPPC	M10	U241293BUTT	F1	UB24BUTT.FH.2DFWT	J5	UCM8	L8
SP536	L13	TPWH	M10	U241293R	F1	UB24BUTT.FH.2FWT	J5	UCS36	D22
SP536.UF	L13	TS1512	K5	U241296BUTT	F1	UB24R	J1	UCSC2424	D22
SP542	L13	TS1521	K5	U241296R	F1	UB24R.2DFWT	J2	ULS36R	J6
SP542.UF	L13	TS1524	K5	U242484BUTT	F2	UB24R.2FWT	J2	UMTK8	J8
SPR	F4	TS18	D20	U242484R	F2	UB24R.FH	J4	UMTK8.4	J8
STB	E29	TS1812	K5	U242490BUTT	F2	UB24R.FH.2DFWT	J4	URSF30BUTT	J7
STR8	L7	TS1821	K5	U242490R	F2	UB24R.FH.2FWT	J4	URSF33BUTT	J7
SWEOS30	D13	TS1824	K5	U242493BUTT	F2	UB27	J1	URSF36BUTT	J7
SWEOS36	D13	TS24	D20	U242493R	F2	UB27.2DFWT	J2	URSF42	J7
SWEOS42	D13	TS2412	K5	U242496BUTT	F2	UB27.2FWT	J2	USFCK30BUTT.FH	J7
SWS4	L7	TS2421	K5	U242496R	F2	UB27.FH	J5	USFCK33BUTT.FH	J7
SWS6	L7	TS2424	K5	U301284BUTT	F1	UB27.FH.2DFWT	J5	USFCK36BUTT.FH	J7
SWS8	L7	TS2724	K5	U301290BUTT	F1	UB27.FH.2FWT	J5	USFCK42.FH	J7
		TS30	D20	U301293BUTT	F1	UB30BUTT	J1	UST12	E28
		TS3012	K5	U301296BUTT	F1	UB30BUTT.2DFWT	J2	UST15	E28
TBB8	L8	TS3024	K5	U302484BUTT	F2	UB30BUTT.2FWT	J2	UTK12	E31
TBE8	L8	TS3324	K5	U302490BUTT	F2	UB30BUTT.FH	J5	UTK22	E31
TBP8	L8	TS3612	K5	U302493BUTT	F2	UB30BUTT.FH.2DFWT	J5	UWMTK8	J8
TCB312	L11	TS3624	K5	U302496BUTT	F2	UB30BUTT.FH.2FWT	J5	UWMTK8.4	J8
TCB312.UF	L11	TSA2418	D20	U361284BUTT	F1	UB33BUTT	J1		
TCB49	L11	TSA2718	D20	U361290BUTT	F1	UB33BUTT.2DFWT	J2	V	
TCB49.UF	L11	TUKCO	M9	U361293BUTT	F1	UB33BUTT.2FWT	J2	V1808SH	L1
TEP1 1/2.84	F6	TUKCV	M9	U361296BUTT	F1	UB33BUTT.FH	J5	V18SH	L1
TEP1 1/2.96	F6	TUKD98	M9	U362484BUTT	F2	UB33BUTT.FH.2DFWT	J5	V2408SH	L1
TF3.84	F5	TUKGY	M9	U362490BUTT	F2	UB33BUTT.FH.2FWT	J5	V245SH	L1
TF3.90	F5	TUKHS	M9	U362493BUTT	F2	UB36BUTT	J1	V3008SH	L1
TF3.93	F5	TUKKA	M9	U362496BUTT	F2	UB36BUTT.2DFWT	J2	V30RP	L1
TF3.96	F5	TUKMD	M9	UAP30	E16	UB36BUTT.2FWT	J2	V30SH	L1
TFF3.84	F5	TUKPBG	M9	UAP33	E16	UB36BUTT.FH	J5	V3608SH	L1
TFF3.90	F5	TUKPC	M9	UAP36	E16	UB36BUTT.FH.2DFWT	J5	V36RP	L1
TFF3.93	F5	TUKWH	M9	UAP42	E16	UB36BUTT.FH.2FWT	J5	V36SH	L1
TFF3.96	F5	TV2430.PC	G8	UB12R	J1	UB39.FH	J5	V4208SH	L1
TFOL3.84	F5	TV3030.PC	G8	UB12R.2DFWT	J2	UB39.FH.4DT	J6	V42RP	L1
TFOL3.90	F5	TV3630.PC	G8	UB12R.2FWT	J2	UB39.FH.4T	J5	V42SH	L1
TFOL3.93	F5			UB12R.FH	J4	UB42	J1	V4808SH	L1
TFOL3.96	F5	U		UB12R.FH.2DFWT	J4	UB42.4DT	J3	V48RP	L1
TFT	L11	U151284R	F1	UB12R.FH.2FWT	J4	UB42.4T	J3	V48SH	L1
TFT.UF	L11	U151290R	F1	UB15R	J1	UB42.FH	J5	V48T	L1
TIM8	L7	U151293R	F1	UB15R.2DFWT	J2	UB42.FH.4DT	J6	V6008SH	L1
TIM8.UF	L7	U151296R	F1	UB15R.2FWT	J2	UB42.FH.4T	J5	V605H	L1
TKBK36	E31	U152484R	F2	UB15R.FH	J4	UB45.FH	J5	V7208SH	L1
TKBK6	E31	U152490R	F2	UB15R.FH.2DFWT	J4	UB45.FH.4DT	J6	V725H	L1
TLB34	L11	U152493R	F2	UB15R.FH.2FWT	J4	UB45.FH.4T	J5	V72T	L1
TLB34.UF	L11	U152496R	F2	UB18R	J1	UB48.FH	J5	V8408SH	L1
TPCO	M10	U181284R	F1	UB18R.2DFWT	J2	UB48.FH.4DT	J6	V845H	L1
TPCV	M10	U181290R	F1	UB18R.2FWT	J2	UB48.FH.4T	J5	V96T	L1
TPD98	M10	U181293R	F1	UB18R.FH	J4	UB9R.FH	J4	VB121831R	G4
TPGY	M10	U181296R	F1	UB18R.FH.2DFWT	J4	UBD12.3	J6	VB121834R	G4
TPHS	M10	U182484R	F2	UB18R.FH.2FWT	J4	UBD15.3	J6		

CODE	PAGE	CODE	PAGE	CODE	PAGE	CODE	PAGE	CODE	PAGE
VB122131R	G4	VB392134.FH	G5	VCD301834DL3	G3	VLC242184BUTT	G6	VSB541831.3	G2
VB122134R	G4	VB421831.FH	G5	VCD301834DR3	G3	VLC242184R	G6	VSB541834.2	G2
VB151831R	G4	VB421834.FH	G5	VCD302131DL2	G3	VLC242190BUTT	G6	VSB541834.4	G3
VB151834R	G4	VB422131.FH	G5	VCD302131DR2	G3	VLC242190R	G6	VSB541834.4	G3
VB152131R	G4	VB422134.FH	G5	VCD302134DL3	G3	VLC242196BUTT	G6	VSB542131.2	G2
VB152134R	G4	VB481831.FH	G5	VCD302134DR3	G3	VLC242196R	G6	VSB542131.3	G2
VB181831R	G4	VB481834.FH	G5	VCD361831DL2	G3	VS1505.VW	K5	VSB542131.3	G2
VB181831R.FH	G4	VB482131.FH	G5	VCD361831DR2	G3	VS1627.MC	K5	VSB542134.2	G2
VB181834R	G4	VB482134.FH	G5	VCD361834DL3	G3	VS1821	K5	VSB542134.4	G3
VB181834R.FH	G4	VB541831.FH	G5	VCD361834DR3	G3	VS24/3630.TVMC	K5	VSB542134.4	G3
VB182131R	G4	VB541834.FH	G5	VCD362131DL2	G3	VS2407.PE	K5	VSBT601831.2	G2
VB182131R.FH	G4	VB542131.FH	G5	VCD362131DR2	G3	VS2407.VWB	K5	VSBT601831.3	G2
VB182134R	G4	VB542134.FH	G5	VCD362134DL3	G3	VS3030.TVMC.L	K5	VSBT601834.2	G2
VB182134R.FH	G4	VBD121831.3	G6	VCD362134DR3	G3	VS3030.TVMC.R	K5	VSBT601834.4	G3
VB211831R	G4	VBD121834.3	G6	VCD421831.6	G3	VS3630.TVMC	K5	VSBT602131.2	G2
VB211831R.FH	G4	VBD121834.4	G6	VCD421831.6	G3	VS241831BUTT	G1	VSBT602131.3	G2
VB211834R	G4	VBD122131.3	G6	VCD421834.8	G4	VS241834BUTT	G1	VSBT602134.2	G2
VB211834R.FH	G4	VBD122134.3	G6	VCD421834.8	G4	VS242131BUTT	G1	VSBT602134.4	G3
VB212131R	G4	VBD122134.4	G6	VCD422131.6	G3	VS242134BUTT	G1	VSK4834	K1
VB212131R.FH	G4	VBD151831.3	G6	VCD422131.6	G3	VS271831	G1	VSK4896	K1
VB212134R	G4	VBD151834.3	G6	VCD422134.8	G4	VS271834	G1	VW1530R	G7
VB212134R.FH	G4	VBD151834.4	G6	VCD422134.8	G4	VS272131	G1	VWB2430BUTT	G7
VB241831BUTT	G4	VBD152131.3	G6	VCD481831.6	G3	VS272134	G1	VWB2648	G7
VB241831BUTT.FH	G5	VBD152134.3	G6	VCD481831.6	G3	VS301831BUTT	G1		
VB241831R	G4	VBD152134.4	G6	VCD481834.8	G4	VS301834BUTT	G1		
VB241831R.FH	G4	VBD181831.3	G6	VCD481834.8	G4	VS302131BUTT	G1		
VB241834BUTT	G4	VBD181834.3	G6	VCD482131.6	G3	VS302134BUTT	G1		
VB241834BUTT.FH	G5	VBD181834.4	G6	VCD482131.6	G3	VS331831BUTT	G1		
VB241834R	G4	VBD182131.3	G6	VCD482134.8	G4	VS331834BUTT	G1		
VB241834R.FH	G4	VBD182134.3	G6	VCD482134.8	G4	VS332131BUTT	G1		
VB242131BUTT	G4	VBD182134.4	G6	VCDT601831.6	G3	VS332134BUTT	G1		
VB242131BUTT.FH	G5	VBD211831.3	G6	VCDT601834.8	G4	VS361831.2	G2		
VB242131R	G4	VBD211834.3	G6	VCDT602131.6	G3	VS361831BUTT	G1		
VB242131R.FH	G4	VBD211834.4	G6	VCDT602134.8	G4	VS361834.2	G2		
VB242134BUTT	G4	VBD212131.3	G6	VF3.31	G9	VS361834BUTT	G1		
VB242134BUTT.FH	G5	VBD212134.3	G6	VFF3.31	G9	VS362131.2	G2		
VB242134R	G4	VBD212134.4	G6	VHRO18	G9	VS362131BUTT	G1		
VB242134R.FH	G4	VBD241831.3	G6	VLC151884R	G6	VS362134.2	G2		
VB271831.FH	G5	VBD241834.3	G6	VLC151890R	G6	VS362134BUTT	G1		
VB271834.FH	G5	VBD241834.4	G6	VLC151896R	G6	VS391831	G1		
VB272131.FH	G5	VBD242131.3	G6	VLC152184R	G6	VS391834	G1		
VB272134.FH	G5	VBD242134.3	G6	VLC152190R	G6	VS392131	G1		
VB301831BUTT.FH	G5	VBD242134.4	G6	VLC152196R	G6	VS392134	G1		
VB301834BUTT.FH	G5	VBT601831.FH	G5	VLC181848R	G7	VS421831	G1		
VB302131BUTT.FH	G5	VBT601834.FH	G5	VLC181884R	G6	VS421831.2	G2		
VB302134BUTT.FH	G5	VBT602131.FH	G5	VLC181890R	G6	VS421834	G1		
VB331831BUTT.FH	G5	VBT602134.FH	G5	VLC181896R	G6	VS421834.2	G2		
VB331834BUTT.FH	G5	VCD241831DL2	G3	VLC182148R	G7	VS422131	G1		
VB332131BUTT.FH	G5	VCD241831DR2	G3	VLC182184R	G6	VS422131.2	G2		
VB332134BUTT.FH	G5	VCD241834DL3	G3	VLC182190R	G6	VS422134	G1		
VB361831BUTT.FH	G5	VCD241834DR3	G3	VLC182196R	G6	VS422134.2	G2		
VB361834BUTT.FH	G5	VCD242131DL2	G3	VLC241884BUTT	G6	VS481831.2	G2		
VB362131BUTT.FH	G5	VCD242131DR2	G3	VLC241884R	G6	VS481834.2	G2		
VB362134BUTT.FH	G5	VCD242134DL3	G3	VLC241890BUTT	G6	VS482131.2	G2		
VB391831.FH	G5	VCD242134DR3	G3	VLC241890R	G6	VS482134.2	G2		
VB391834.FH	G5	VCD301831DL2	G3	VLC241896BUTT	G6	VSB541831.2	G2		
VB392131.FH	G5	VCD301831DR2	G3	VLC241896R	G6	VSB541831.3	G2		

W

W1224R	D3
W1230R	D4
W1236R	D5
W1239R	D5
W1242R	D5
W1524R	D3
W1530R	D4
W1536R	D5
W1539R	D5
W1542R	D5
W1824R	D3
W1830R	D4
W1836R	D5
W1839R	D5
W1842R	D5
W2124R	D3
W2130R	D4
W2136R	D5
W2139R	D5
W2142R	D5
W2418BUTT	D2
W2418R	D2
W2424BUTT	D3
W2424R	D3
W2430BUTT	D4
W2430R	D4
W2436BUTT	D5
W2436R	D5
W2439BUTT	D5
W2439R	D5
W2442BUTT	D5
W2442R	D5

CODE	PAGE	CODE	PAGE	CODE	PAGE	CODE	PAGE	CODE	PAGE
W2712	D1	W4242	D5	WCB49	L12	WFP3.30	D21	WR3012BUTT	D1
W2715	D2	W4512	D1	WCB49.UF	L12	WFP6.30	D21	WR3015BUTT	D2
W2718	D2	W4515	D2	WCD3015	D14	WHB36.620	D19	WR3018BUTT	D3
W2724	D3	W4518	D2	WCD3615	D14	WHCC362442P	D18	WR3312BUTT	D1
W2730	D4	W4524	D3	WDFT	L12	WHCV362442	D19	WR3315BUTT	D2
W2736	D5	W4530	D4	WDFT.UF	L12	WHL36	D19	WR3318BUTT	D3
W2739	D5	W4812	D1	WDLB34	L12	WMC271836	D16	WR3612BUTT	D1
W2742	D5	W4815	D2	WDLB34.UF	L12	WMC271845	D16	WR3615BUTT	D2
W3012BUTT	D1	W4818	D2	WEC1230	D13	WMC301836BUTT	D16	WR3618BUTT	D3
W3015BUTT	D2	W4824	D3	WEC1236	D13	WMC301845BUTT	D16	WR3624BUTT	D3
W3018BUTT	D2	W4830	D4	WEC1239	D13	WMS271218	D17	WR3627BUTT	D4
W3021BUTT	D3	W930R	D4	WEC1242	D13	WMS271518	D17	WR3912	D1
W3024BUTT	D3	W936R	D5	WECS1212	K4	WMS301218	D17	WR3915	D2
W3027BUTT	D4	W939R	D5	WEZR2424	K4	WMS301518	D17	WR3918	D3
W3030BUTT	D4	W942R	D5	WEZR2430R	D11	WMSC241236	D17	WR3924	D3
W3036BUTT	D5	WA2430R	D10	WEZR2436R	D11	WMSC271230	D17	WR3927	D4
W3039BUTT	D5	WA2436R	D10	WEZR2439R	D11	WMSC271236	D17	WR4212	D1
W3042BUTT	D5	WA2439R	D10	WEZR2442R	D11	WMSC271242	D17	WR4218	D3
W3312BUTT	D1	WA2442R	D10	WF1.30	D24	WMSCS2418	K4	WR4224	D3
W3315BUTT	D2	WA2730R	D10	WF2.30	D24	WMSCS2718	K4	WRM8	L9
W3318BUTT	D2	WA2736R	D10	WF3.30	D24	WMS2715	K4	WRM8.UF	L9
W3321BUTT	D3	WA2739R	D10	WF3.36	D24	WMS2718	K4	WS0912	K4
W3324BUTT	D3	WA2742R	D10	WF3.39	D24	WMS3015	K4	WS0912.PE	K4
W3327BUTT	D4	WAS2424	K4	WF3.42	D24	WMS3018	K4	WS0915	K4
W3330BUTT	D4	WAS2727	K4	WF3X3.30	D24	WMTK8	E31	WS0924	K4
W3336BUTT	D5	WB3.30	D25	WF3X3.42	D24	WMTK8.4	E31	WS1212	K4
W3339BUTT	D5	WB3.42	D25	WF6.30	D24	WOC1524	D14	WS1212.PE	K4
W3342BUTT	D5	WB6.30	D25	WF6.36	D24	WOC1530	D14	WS1215	K4
W3612BUTT	D1	WB6.42	D25	WF6.39	D24	WOC1536	D14	WS1224	K4
W3615BUTT	D2	WBC2730R	D9	WF6.42	D24	WOC1539	D14	WS1512	K4
W3618BUTT	D2	WBC2736R	D9	WFC61530	D25	WOC1542	D14	WS1512.PE	K4
W3621BUTT	D3	WBC2739R	D9	WFC61536	D25	WOC1824	D14	WS1515	K4
W3624BUTT	D3	WBC2742R	D9	WFC61542	D25	WOC1830	D14	WS1524	K4
W3627BUTT	D4	WBC3024R	D9	WFF3.12	D24	WOC1836	D14	WS1812	K4
W3630BUTT	D4	WBC3030R	D9	WFF3.15	D24	WOC1839	D14	WS1812.PE	K4
W3636BUTT	D5	WBC3036R	D9	WFF3.18	D24	WOC1842	D14	WS1815	K4
W3639BUTT	D5	WBC3039R	D9	WFF3.24	D24	WOC1848	D14	WS1824	K4
W3642BUTT	D5	WBC3042R	D9	WFF3.30	D24	WOC1854	D14	WS2112	K4
W3912	D1	WBC3330R	D9	WFF3.36	D24	WOC1860	D14	WS2112.PE	K4
W3915	D2	WBC3336R	D9	WFF3.39	D24	WOC2124	D14	WS2115	K4
W3918	D2	WBC3339R	D9	WFF3.42	D24	WOC2130	D14	WS2124	K4
W3921	D3	WBC3342R	D9	WFOL3.12	D24	WOC2136	D14	WS2412	K4
W3924	D3	WBC3630R	D9	WFOL3.15	D24	WOC2139	D14	WS2412.PE	K4
W3927	D4	WBC3924R	D9	WFOL3.18	D24	WOC2142	D14	WS2415	K4
W3930	D4	WBC3930R	D9	WFOL3.21	D24	WOC2148	D14	WS2424	K4
W3936	D5	WBC3936R	D9	WFOL3.24	D24	WOC2154	D14	WS2712	K4
W3939	D5	WBC3939R	D9	WFOL3.27	D24	WOC2160	D14	WS2712.PE	K4
W3942	D5	WBC3942R	D9	WFOL3.30	D24	WOC2424	D14	WS2715	K4
W4212	D1	WBC4530R	D9	WFOL3.36	D24	WOC2430	D14	WS2724	K4
W4215	D2	WBC5130R	D9	WFOL3.39	D24	WOC2436	D14	WS3012	K4
W4218	D2	WCA1230R	D13	WFOL3.42	D24	WOC2439	D14	WS3012.PE	K4
W4221	D3	WCA1236R	D13	WFOL6.21	D24	WOC2442	D14	WS3015	K4
W4224	D3	WCA1239R	D13	WFOL6.24	D24	WOC2448	D14	WS3024	K4
W4227	D4	WCA1242R	D13	WFOL6.30	D24	WOC2454	D14	WS3312	K4
W4230	D4	WCAS1212	K4	WFOL6.36	D24	WOC2460	D14	WS3312.PE	K4
W4236	D5	WCB312	L12	WFOL6.39	D24	WOC3012	D14	WS3315	K4
W4239	D5	WCB312.UF	L12	WFOL6.42	D24	WOC3612	D14	WS3324	K4

CODE	PAGE	CODE	PAGE	CODE	PAGE	CODE	PAGE	CODE	PAGE
WS3612	K4								
WS3612.PE	K4								
WS3615	K4								
WS3624	K4								
WS3912	K4								
WS3912.PE	K4								
WS3915	K4								
WS3924	K4								
WS4212	K4								
WS4212.PE	K4								
WS4215	K4								
WS4224	K4								
WS4512	K4								
WS4512.PE	K4								
WS4515	K4								
WS4524	K4								
WS4812	K4								
WS4812.PE	K4								
WS4815	K4								
WS4824	K4								
WSK1230	K1								
WSK1242	K1								
WSK1530	K1								
WSK1542	K1								
WSK24108	K1								
WSK2434	K1								
WSK2484	K1								
WSK2496	K1								
WSK4834	K1								
WSK4896	K1								
WSK9648	K1								
WSM8	L9								
WTDK16	E28								
WTDRO12	E28								
WTDRO9	E28								
WWRS1530	D15								
WWRS1830	D15								
WWRS2430	D15								
WWRS3015	D15								
WWRS3018	D15								
WWRS3615	D15								
WWRS3618	D15								

Notes

Notes



KraftMaid Momentum® - Kitchen

Setting Global Options in 20-20 Design

1. In Design, place at least one item on the floor plan from a **KraftMaid Momentum®** catalog.
2. Select **Styles & Pricing**.
3. Select **KraftMaid Momentum®** catalog from list on left.
4. On the **Catalog Styles** tab, double click on any category to open the Global Style Validation (GSV) window.
5. Beginning with **Wood Species Selection**, GSV will guide you through each selection, narrowing your options based on your previous selection.
 - a. **Wood Species Selection** (Required, make a selection)
 - b. **Door Style Selection** (Required, make a selection)
 - c. **Finish Selection** (Required, make a selection)
 - d. **Drawer Front Options** (Optional, make a selection or select No Option)
 - e. **Construction Options** (Optional, make a selection or select No Option)
 - f. **Door Pulls** (Optional, make a selection or select No Pulls)
 - g. **Drawer Pulls** (Optional, make a selection or select No Pulls)
6. Once you have selected all options, click **Submit**. GSV will return all selections to the **Catalog Styles** tab.
7. On the **Catalog Charges** tab, set **Value** to the **Item #** for your desired Door Style
8. Click **Close** to return to Design
9. Proceed to create your **Lowe's Quote** or **Sell to Genesis** once the design is finished.

Door Code	Door Style	SKU #	Promo #
AK4M2	Deveron Maple - Full	489053	534284
AK2M2	Fox Ridge Maple Square - Full	489053	534284
AJ9M2	Kingston Maple	489053	534284
AK7M2	Ruxton Maple	489053	534284



KraftMaid Cabinetry is proud to have earned the KCMA Certification Seal for all door styles.

KraftMaid cabinetry carries the seal of the Kitchen Cabinet Manufacturers Association (KCMA) Certification Program, which assures that our cabinets meet or exceed the rigorous standards set by the American National Standards Institute (ANSI). Our cabinets are also independently tested to ANSI/KCMA A161.1-2000 and paragraph 611-1.1, "HUD Minimum Property Standards-Housing 4910.1" 9-8-86.

KraftMaid cabinetry demonstrates its commitment to environmental sustainability through meeting or exceeding the requirements as outlined in the Environmental Stewardship Program certification, administered by the KCMA.

All KraftMaid facilities have also obtained ISO 1 4001 certificate of approval, demonstrating our commitment to reducing the impact of operations on the environment.

KRAFTMAID CABINETS TOOK ON 13 TOUGH KCMA TESTS AND PASSED THEM ALL...BEAUTIFULLY!

- Shelves and bottoms are loaded at 15 pounds per square foot to ensure no excessive deflection or visible sign of joint separation or failure.
- Mounted wall cabinets are loaded to ensure that the cabinet will accept net loading in compliance with ANSI A161.1-2000 requirements.
- A load of up to 250 pounds is applied against the inside of cabinet fronts to ensure reliable front joints.
- A 3 pound steel ball is "drop tested" against shelves, cabinet bottoms and drawer bottoms to ensure cabinets will withstand dropping of cans and other items.
- Cabinets are impact tested by striking the center of a closed and opened door with a 10 pound sandbag.
- Cabinet doors are weighted with 65 pounds and operated 10 times to test the ability of the door and hinges to withstand loading.
- Doors are opened and closed for 25,000 cycles to ensure durability under the stress of normal usage.
- Drawers and drawer mechanisms are tested at 15 pounds per square foot and operated through 25,000 opening and closing cycles to assure durability.
- A 3 pound weight is dropped 10 times against drawer assembly to ensure that drawer front assembly will withstand the impact of closing.
- Cabinets are hot box tested at temperatures up to 120 degrees F to ensure finish will withstand high heat.
- Cabinets are cycle tested at temperatures ranging from -5 degrees F to + 120 degrees F to ensure finish will withstand temperature changes.
- A 24-hour soap and water solution test checks finish ability to withstand exposure to detergents and moisture.
- Finish is exposed to vinegar, grape juice, olive oil, lemon juice, 100 proof alcohol and more to ensure no appreciable discoloration, stain, or whitening of the finish.



Kitchen Cabinet Manufacturers Association



All products impact the environment. For ESP program criteria, visit greencabinetsource.org.