



METER MAINS

NEC 2020-compliant meter mains for single family metering

Siemens now introduces an NEC 2020 section 230.71-compliant, single family metering solution. These new 400A meter mains have two 200A main breaker compartments. This limits exposure to live components on the line side of the service disconnect to improve safety for those working closely with the equipment. The meter mains are offered in non-EUSERC and EUSERC configurations.

usa.siemens.com/powerdistribution

SIEMENS

Features

- 2 service disconnects in separate compartments
 - Main breakers not included. Please see wiring diagram for accepted breaker types.
- Meter socket rating: 320A continuous, 400A Max.
- 1 phase, 3 wire, 120/240V
- Applicable for overhead & underground or underground only environments
- 200A Max for PV or alternate energy applications
- Available for NEMA type 3R enclosures
- UL-listed
- Can be surface mounted

400A Meter Mains

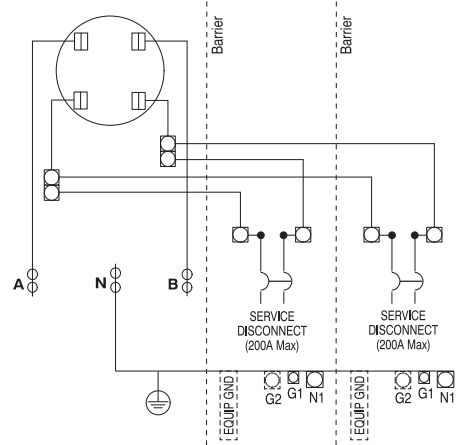
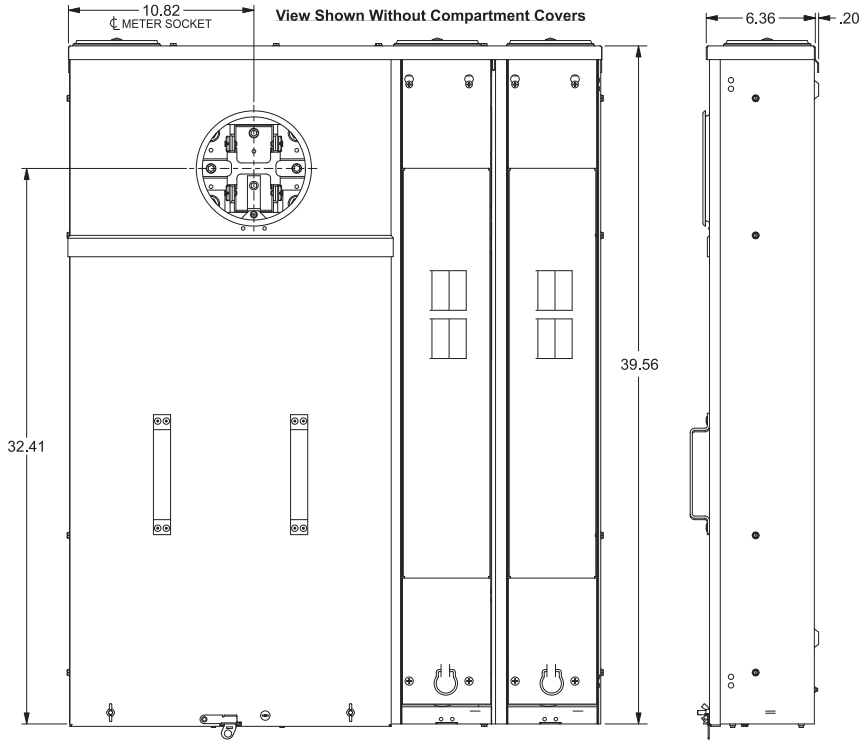
Catalog Number	Amp Rating (Cont.)	Utility Incoming	Bypass Type	No. of Spaces	No. of Circuits	Dimensions (inches)			Short Circuit Rating	Mounting	Cover Type
						H	W	D			
MK0402L1400SC	320	OH/UG	None	4	2	8	34	43	22,000	Surface	Ring
MK0402L1400RLM	320	OH/UG	Lever	4	2	6.37	29	27.27	22,000	Surface	Ringless
MK0402L1400SCS	320	OH/UG	Manual	4	2	8	34	43	22,000	Surface	Ring

Solar 400A Meter Mains

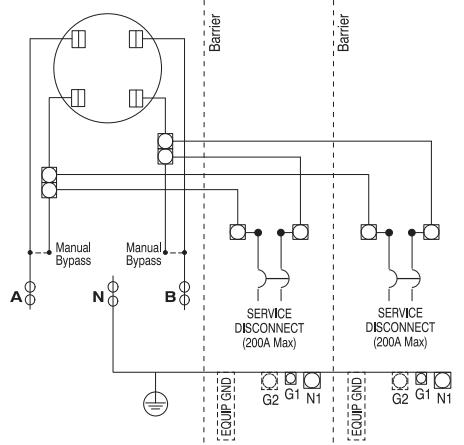
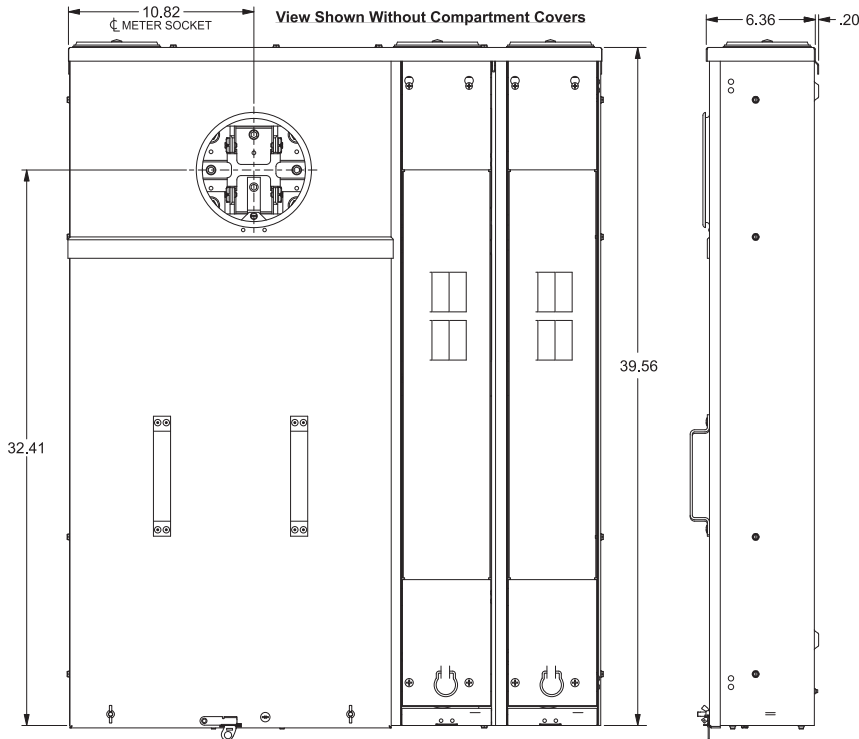
Catalog Number	Amp Rating (Cont.)	Utility Incoming	Bypass Type	No. of Spaces	No. of Circuits	Dimensions (inches)			Short Circuit Rating	Mounting	Cover Type	Max. PV Input Amps
						H	W	D				
MK0603S1400SD	320	UG	None	6	3	8	40.5	40.5	22,000	Surface	Ring	200A
MK0603S1400SCS	320	OH/UG	Manual	6	3	9	42	43.75	22,000	Surface	Ring	200A
MK0603S1400SDS	320	UG	Manual	6	3	9	42	43.75	22,000	Surface	Ring	200A
MK0603S1400SC	320	OH/UG	None	6	3	9	42	43.75	22,000	Surface	Ring	200A

Dimensions and Wiring Schematics

MK0402L1400SC

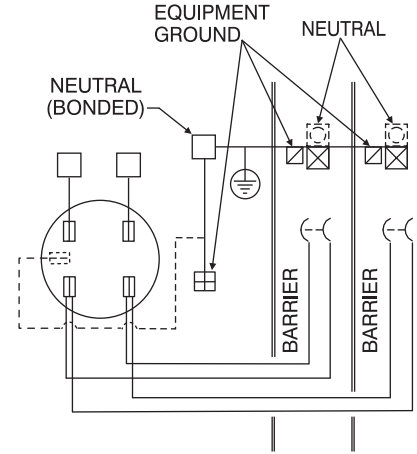
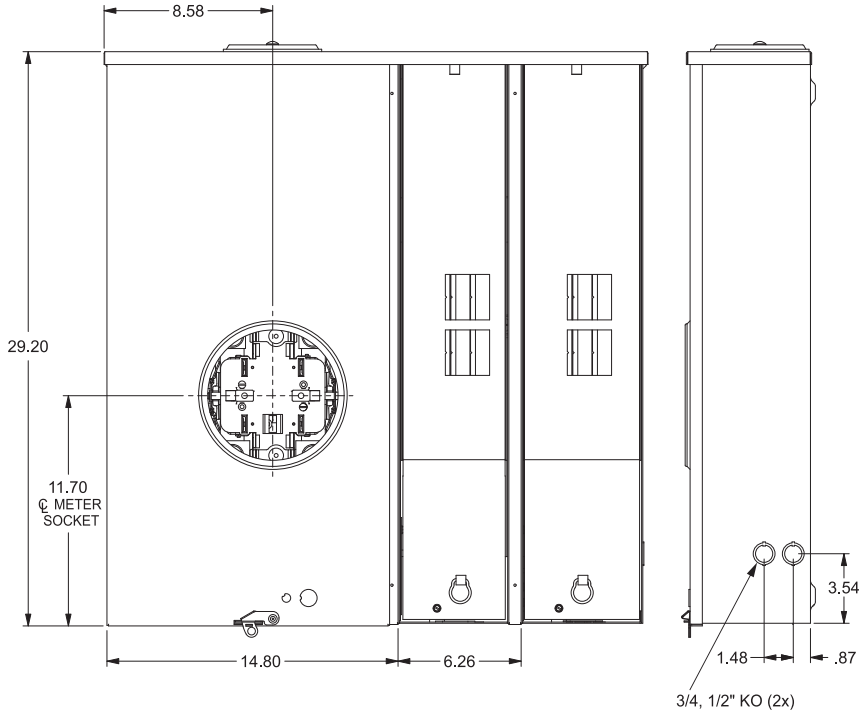


MK0402L1400SCS

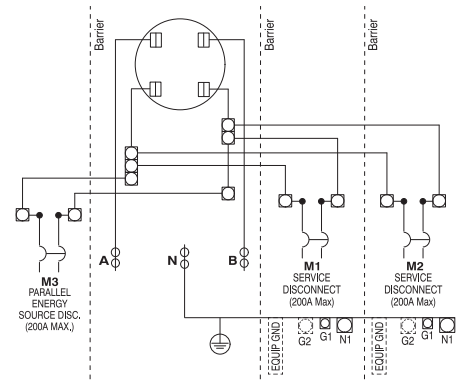
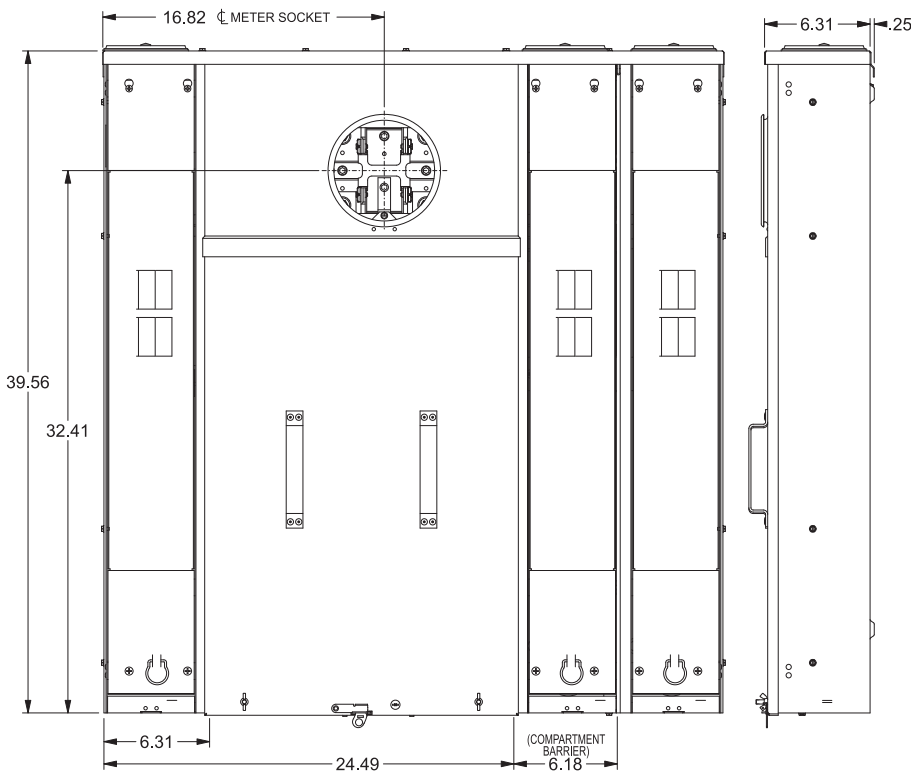


Dimensions and Wiring Schematics (continued)

MK0402L1400RLM

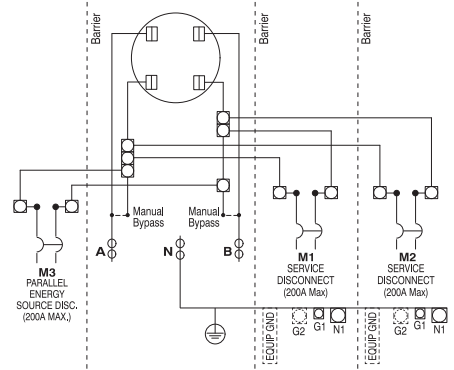
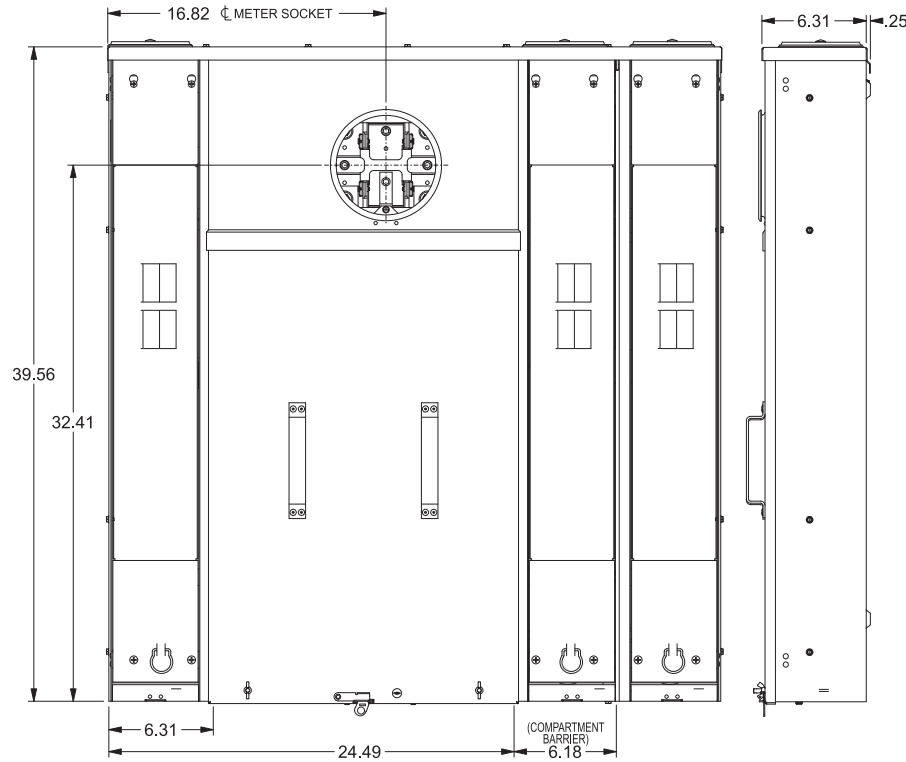


MK0603S1400SD

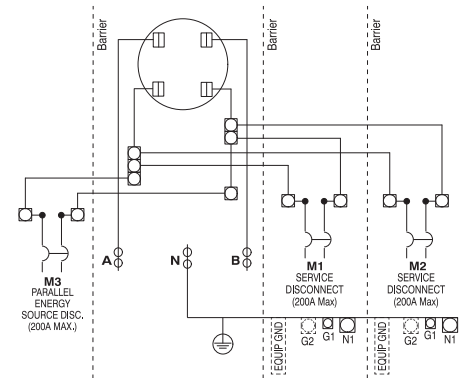
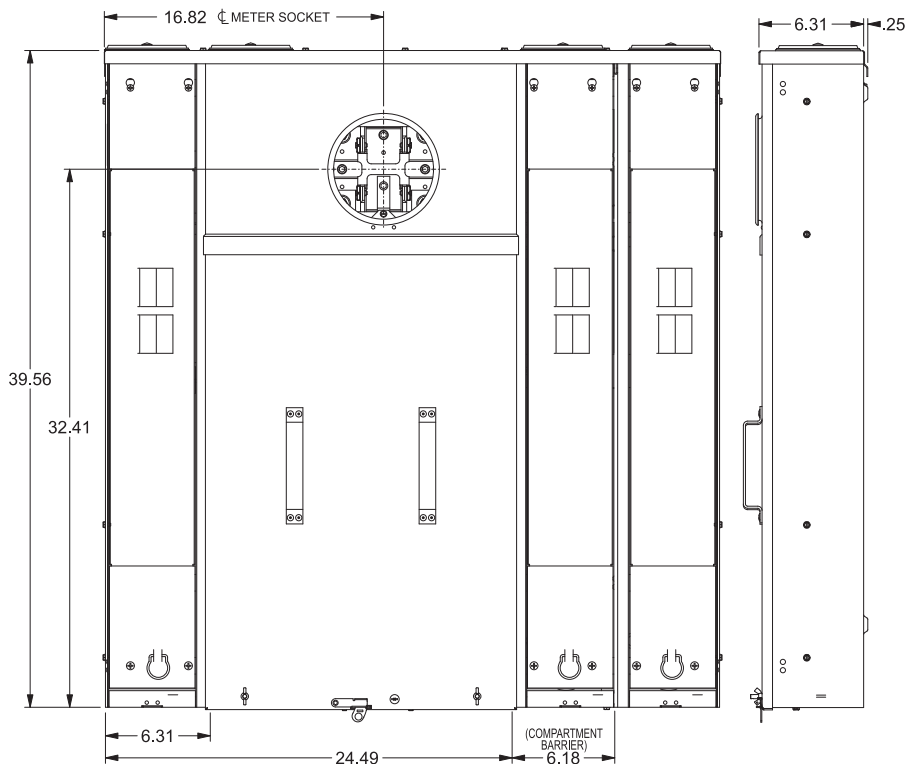


Dimensions and Wiring Schematics (continued)

MK0603S1400SDS

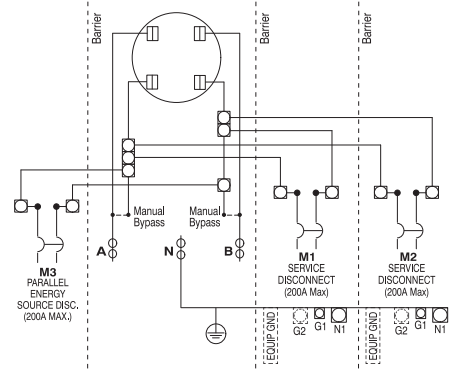
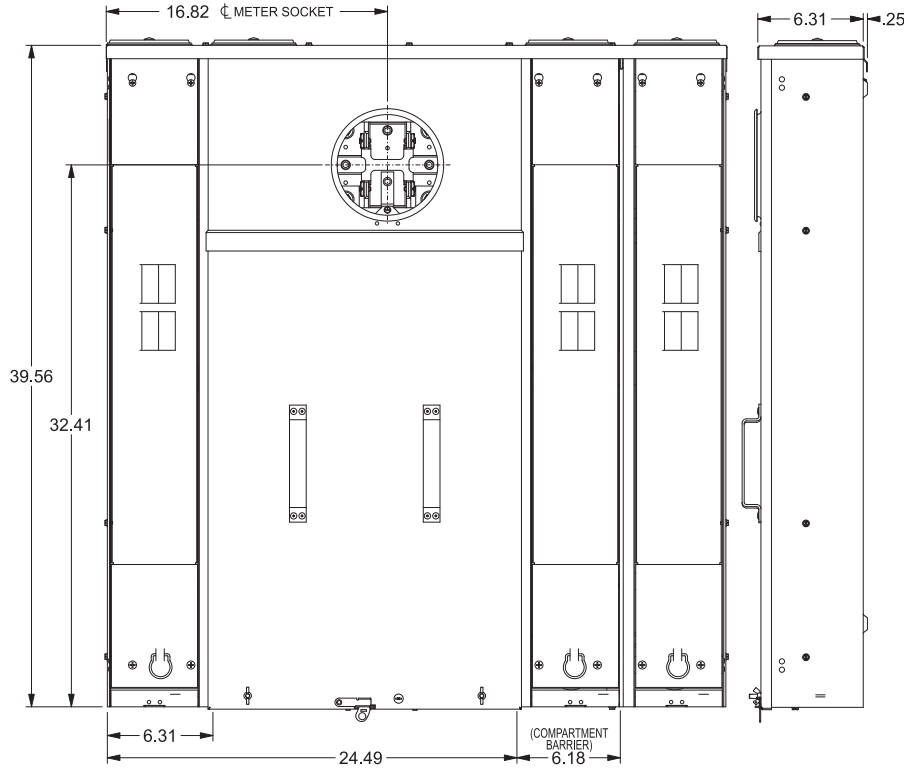


MK0603S1400SC



Dimensions and Wiring Schematics (continued)

MK0603S1400SCS



Legal Manufacturer

Siemens Industry, Inc.
3617 Parkway Ln
Peachtree Corners, GA 30092
United States of America
Telephone: +1 (800) 333-7421
www.usa.siemens.com/powerdistribution

Order No. RPFL-NECMM-0821
© 08.2021, Siemens Industry, Inc.

This document contains a general description of available technical options only, and its effectiveness will be subject to specific variables including field conditions and project parameters. Siemens does not make representations, warranties, or assurances as to the accuracy or completeness of the content contained herein. Siemens reserves the right to modify the technology and product specifications in its sole discretion without advance notice.

SIEMENS