



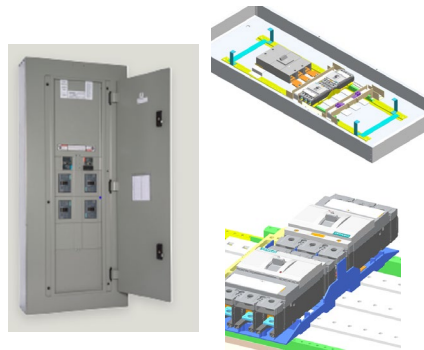
3VA Integration Panelboards & Switchboards

January 2022

3VA UL Integration into Apparatus

SIEMENS
Ingenuity for Life

Panels / SWBD Integration



3VA52 – 250A
in P3 Twin Mounted



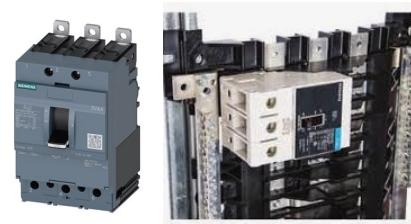
2018



3VA52 3VA61/2 – 150A/250A (DG/FG/FD successor)
in P4, P5, SWBD



2019



3VA41 – 125A (xGB successor) in RP1

3VA53/63 – 400A (JD successor) as main in RP1

3VA52/61/62 – 150A/250A in P2 & P3

3VA41 – 125A in P2, P3, P4, & P5 Panelboards & SWBD



2020



3VA53/63/54/64 – 400/600A (Single Mt.)

3VA53/63/54/64 – 400/600A (Twin Mt.)

in Switchboards & remaining Panelboards



2021



3VA55/65/66 – 800-1000A (January 2022)

3VAx7/8/9 – 1200-2000A Panelboards & Switchboard



2022/23

3VA41 125A Breakers Launched Fall 2020

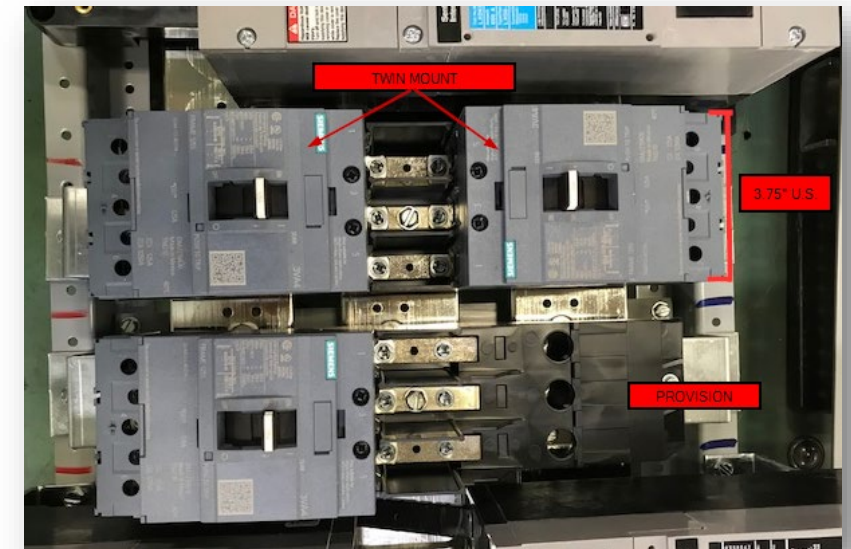


3VA41 125A

- Thermal Magnetic Trip Unit
- “Bolt-on” Panelboard breaker
- Replacement for Legacy ED, xGB, & GB2 breakers
- Available in 1P, 1P(2P), 2P or 3P construction
- Accessory “side car” no longer required, fit within breaker footprint

Features & Benefits:

- Twin mount in 3.75” of Unit Space
- Access to lugs without removing entire dead front
- New 3VA41 strap kit is reverse compatible with xGB (NGB, HGB, LGB) frames
- Available in high density configuration → fit (6) 2P breakers in 7.5” Unit Space)



3VA41 125A (UL TYPE: SEAB, MEAB, HEAB) / NGB, HGB, LGB Frames Strap Kits			
Panel Type	Kit Type	*NEW* 3VA41 OR xGB Strap Kit	Kit Short Description
P4	Distributor Kit	S3VA41T	3VA41/xGB CU STRAP KIT TWIN MT P4, SP5
P5/SWB	Distributor Kit	S3VA41TD	3VA41/xGB CU STRAP KIT TWIN MT P5/SWB
P5/SWB	Distributor Kit-HD	S3VA41TDHD	3VA41/xGB CU HIGH DENSITY STRAP P5/SWB

3VA61 150A & 3VA52/3VA62 250A Breakers Launched in June 2019

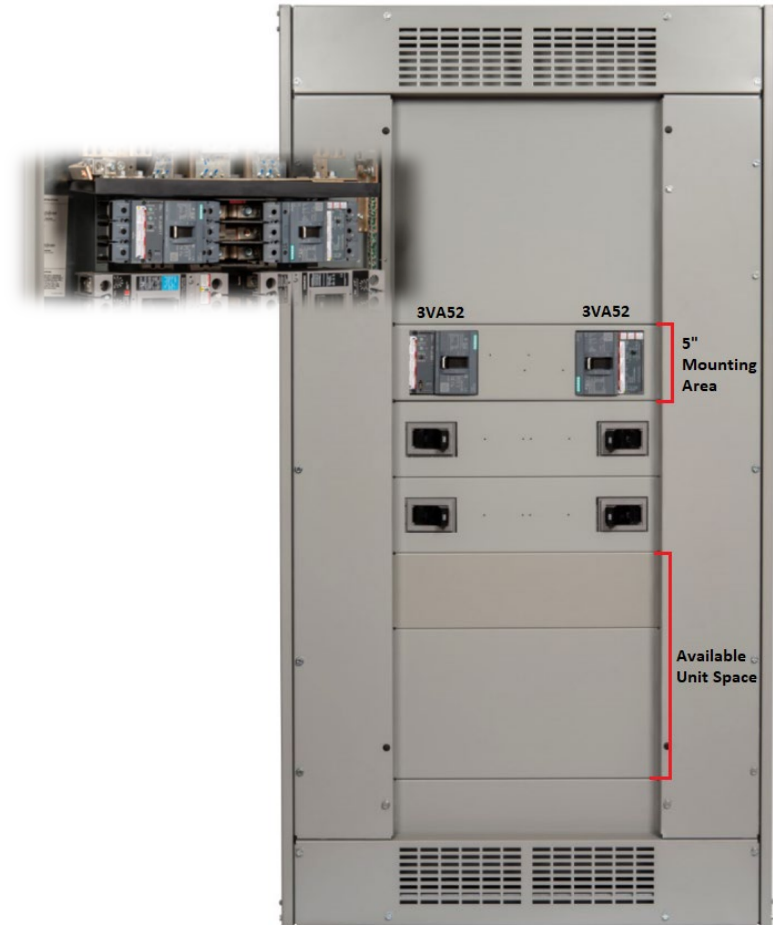
SIEMENS
Ingenuity for Life

3VA61 150A & 3VA52/3VA62 250A:

- 3VA61/62 → Electronic Trip Units (ETU)
 - Replacement for 3VL DG & FG
 - Basic metering through trip unit
- 3VA52 → Thermal Magnetic Trip Units (TMTU)
 - Replacement for Sentron FD
 - Available in 2P(3P), 3P

Features & Benefits:

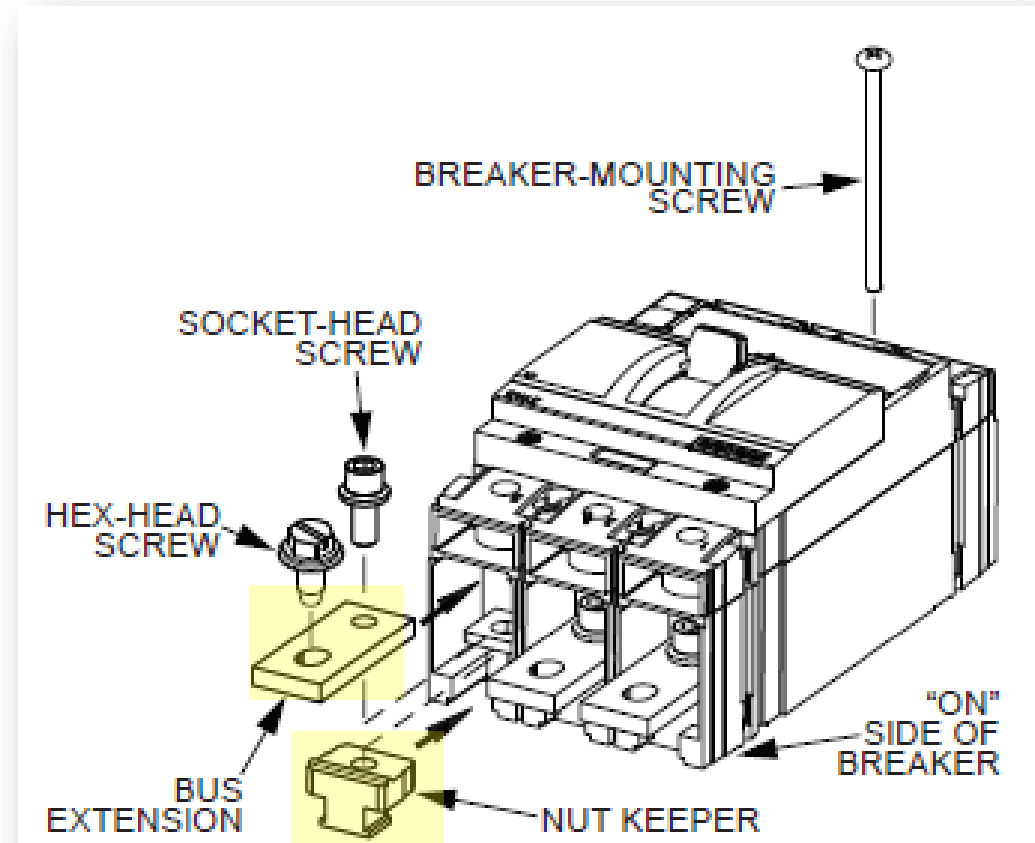
- Twin mount in 5" of Unit Space
- Visible & accessible trip unit through dead front
- Access to lugs without removing entire dead front
- Flexibility to mount TMTU across from ETU
- Flexibility to mount 150A across from 250A
 - e.g., 3VA61 across from either a 3VA52 or 3VA62



3VA61, 3VA52, & 3VA62 Strap Kits Breaker Connecting Hardware

3VA vs. Legacy Breakers:

- 3VA connecting hardware
 - Nut keepers → 3VA frame specific
 - Bus extensions → to connect to base strap
- Ease of breaker mounting
- Minimize strap kit material & labor cost
- Nut keepers allow for flexible lug offering



3VA 150/250A breaker

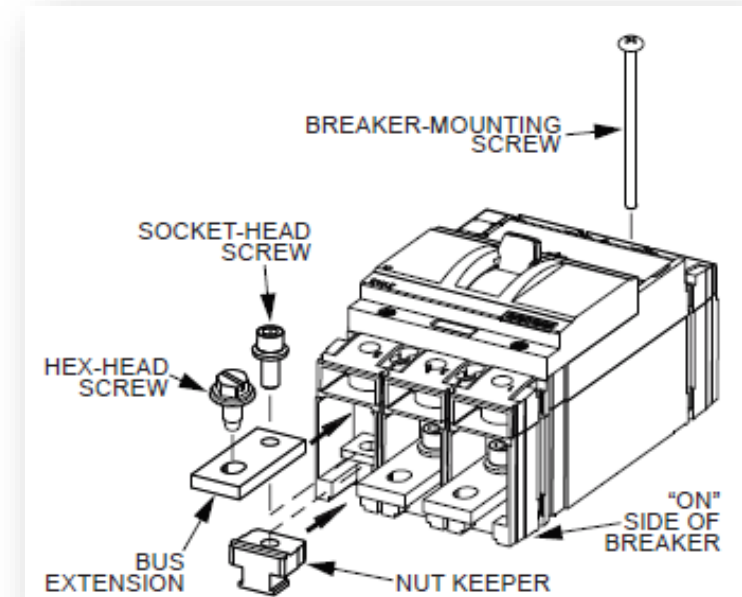
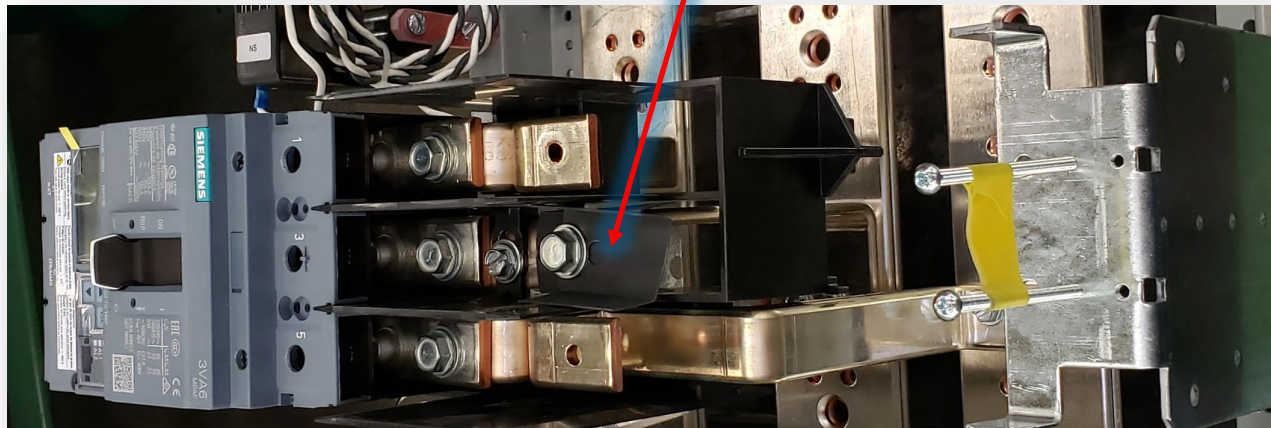
3VA52, 3VA61, & 3VA62 Factory Installed Provisions Pre-May 2021



Original Launch (June 2019)

- Nut keepers or bus extensions sold separately
- Provision kit **#S3VA52PR** required, one per 3VA breaker
- Provision kit contains enough components for either (1) 3VA5 or(1) 3VA6 breaker

“B” phase prov. barrier



3VA Provision Kit **#S3VA52PR**


THIS SPACE IS FOR THE FIELD ADDITION OF SIEMENS TYPE **3VA52** (HFAS, MFAS, CFAS), **3VA61** (MDAE, HDAE, CDAE, LDAE) OR **3VA62** (MFAE, HFAE, CFAE, LFAE) BREAKER, **250A MAX.**
THE USE OF ANY OTHER DEVICE MAY CAUSE DAMAGE OR PERSONAL INJURY.
BREAKER PROVISION KIT # **S3VA52PR** REQUIRED TO INSTALL EACH BREAKER.
Siemens Industry, Inc. Norcross, GA 15-A-1073-01 Rev.00

This label is affixed to the filler plate for every 3VA52, 3VA61 or 3VA62 provision that leaves the factory today (Pre May 2021)

3VA52, 3VA61, & 3VA62 Factory Installed Provisions June 2021 onwards

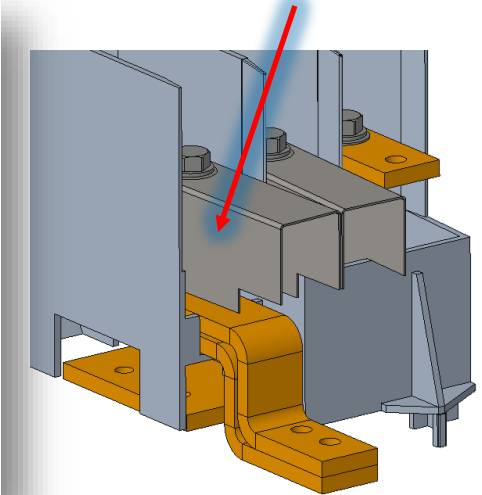
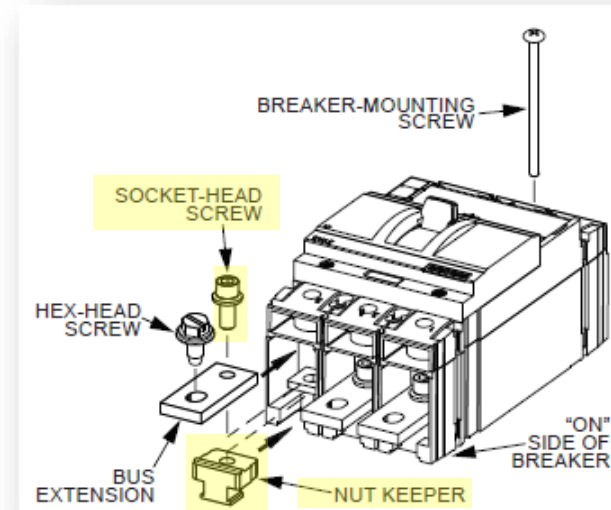
SIEMENS
Ingenuity for life
New prov. barrier

Re-launch:

- Bus extensions integrated to main strap
- Revision to provision barrier to meet UL clearance
- Nut keepers **must** be purchased with breaker
- Multiple ways to order the Nut Keepers:
 - For 3VA52 breakers, order kit #3VA9233-0QA00 (kit of 3) 
 - For 3VA61/62 breakers, order kit #3VA9243-0QA00 (kit of 3)
 - Order with breaker, nut keeper installed at factory → "2" as the 12th digit:

3VA 6 1 40 - 5 HL 3 1 0 A A0

Connection Technology	
Blank, punched copper bar without any lugs	1
Nut keeper kit, line and load	2
Nut keeper kit, load end only	3
Aluminum wire connector, load end only	4
Wire connector, line end only	5
Wire connector, line and load	6



Ordering Information

The catalog numbers listed here are for complete, non-interchangeable trip circuit breakers without lugs.

For factory installed nut keepers (3VA92330QA00), change the 12th digit of the catalog number to "2" (required to install a breaker in a panelboard or switchboard that has a provision). (For example, a 35KA @480VAC, 150A, 3-pole, 3VA52 with nut keepers would be catalog number 3VA5215-5ED32-0AA0).

THIS SPACE IS FOR THE FIELD ADDITION OF A SIEMENS 3VA52 (TYPE HFAS, MFAS, CFAS) 3VA61 (TYPE MDAE, HDAE, CDAE, LDAE) OR 3VA62 (TYPE MFAE, HFAE, CFAE, LFAE) BREAKER, 250A MAX.
THE USE OF ANY OTHER DEVICE MAY CAUSE DAMAGE OR PERSONAL INJURY. **NUT KEEPER ACCESSORIES ARE REQUIRED WHEN ORDERING THE BREAKER.** CONSULT SIEMENS SALES FOR ADDITIONAL INFORMATION.
Siemens Industry, Inc. Norcross, GA 11-B-1068-01 Rev.00

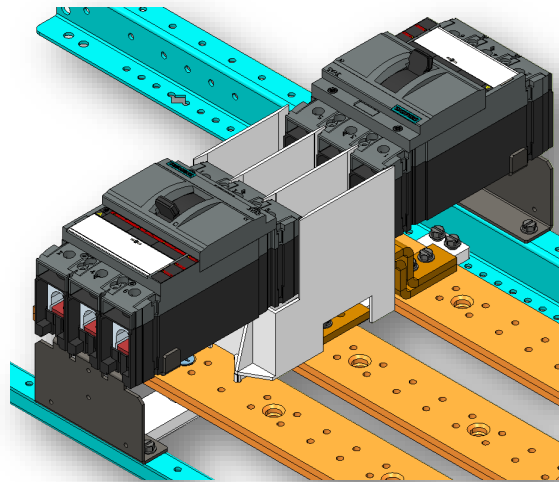
This label will be affixed to the filler plate for every 3VA52, 3VA61 or 3VA62 provision that leaves the factory starting in May 2021

3VA52, 3VA61, & 3VA62 Strap Kits

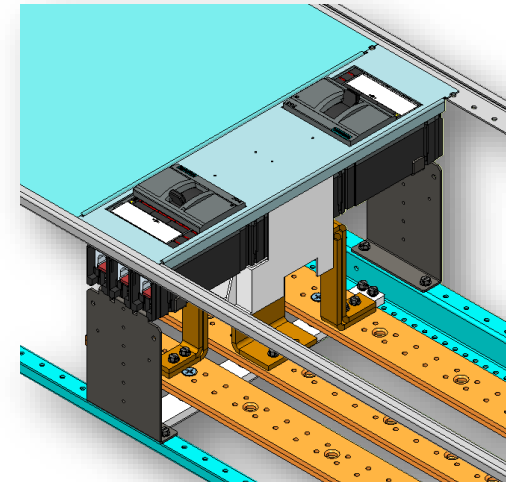
When do you need Distributor kit?

- When you have an available 5" of Unit Space in an existing Power Panel or Switchboard, order one of the following:
 - P4 → #S3VA52T, kit contains components to mount (2) 3VA breakers including nut keepers & bus extensions. No further kits required.
 - P5/SWBD → #S3VA52TD, kit contains components to mount (2) 3VA breakers including nut keepers & bus extensions. No further kits required.
- Strap kit installation instructions are available in Download Center

3VA52/61/62 150A & 250A KITS		3VA
P4	Distributor Kit	S3VA52T
P5/SWBD	Distributor Kit	S3VA52TD



P4 "Shallow" Kit



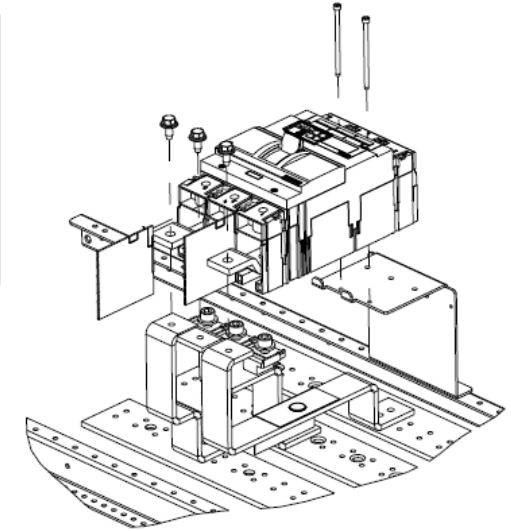
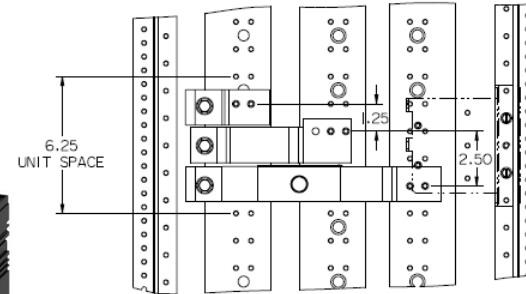
P5/SWBD "Deep" Kit

3VA53/63 400A & 3VA54/64 600A Single Mount Breakers Launched in May 2021



3VA53/63 400A & 3VA54/64 600A :

- 3VA63/64 → Electronic Trip Units (ETU)
 - Replacement for 3VL JG & LG
 - Basic metering through trip unit
- 3VA53/54 → Thermal Magnetic Trip Units (TMTU)
 - Replacement for Sentron JD & LD
 - Available in 2P(3P), 3P



Features & Benefits:

- Single mount in 6.25” of Unit Space
- Improved footprint for TMTU breakers (prev. 8.75” required)
- Main or Branch horizontal mount applications
- Trip unit is visible & accessible through dead front
- Strap kits →
 - Factory assemblies offer both AL & CU assemblies
 - Distributor kits are CU only

3VA53/63 (SINGLE) 400A		NEW 3VA KIT CATALOG #
P4	Distributor Kit	S3VA53T*
P5/SWBD	Distributor Kit	S3VA53TD*
3VA54/64 (SINGLE) 600A		
P4	Distributor Kit	S3VA54T*
P5/SWBD	Distributor Kit	S3VA54TD*
3VA53/63/54/64 (per breaker) 400A & 600A		
P4, P5/SWBD	Provision Kit	S3VA53PR*

* Now available

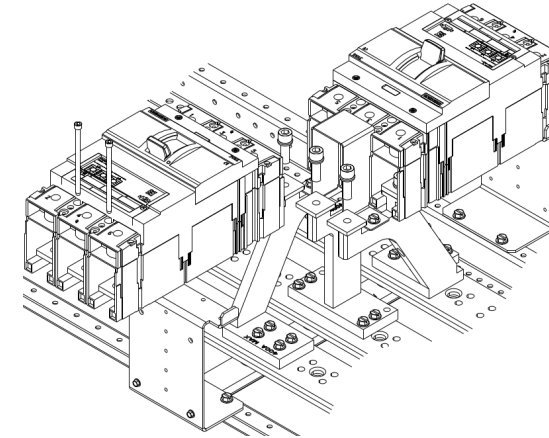
3VA53/63 400A & 3VA54/64 600A Twin Mount Breakers

Launched November 2021 COMPAS release!



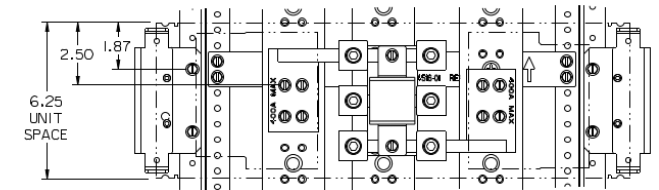
3VA53/63 400A & 3VA54/64 600A :

- 3VA63/64 → Electronic Trip Units (ETU)
 - Replacement for 3VL JG & LG
 - Basic metering through trip unit
- 3VA53/54 → Thermal Magnetic Trip Units (TMTU)
 - Replacement for Sentron JD & LD
 - Available in 2P(3P), 3P



Features & Benefits:

- Twin mount in 6.25" of Unit Space
 - 600A requires 46"W section
- Improved footprint for TMTU breakers (prev. 8.75" required)
- Trip unit is visible & accessible through dead front
- Strap kits → Factory & Distributor assemblies CU only



3VA53/63 (TWIN) 400A		NEW 3VA KIT CATALOG #
P5/SWBD	Distributor Kit	S3VA53T2D*
P5/SWBD	Bus Kit (OEM)	KS3VA53T2DB*
3VA54/64 (Twin) 600A		
P5/SWBD	Distributor Kit	S3VA54T2D*
P5/SWBD	Bus Kit (OEM)	KS3VA54T2DB*

*Not yet released

3VA53/63 400A & 3VA54/64 600A Twin Mount Breakers

Minimum Wire Bending Requirements per NEC



As a minimum, wire bending space (as required per NEC Tables 312.6(A) and 312.6(B)) for this product is based on wire or cable sizes (per NEC Table 310.16).

400A 3VA53 (Type **MJAS**, **HJAS**, **CJAS**) and
400A 3VA63 (Type **MJAE**, **HJAE**, **CJAE**, **LJAE**) or
600A 3VA54 (Type **MLAS**, **HLAS**, **CLAS**) and
600A 3VA64 (Type **MLAE**, **HLAE**, **CLAE**, **LLAE**):

Mount Type:	Single					Dual			
	No			Yes		No		Yes	
With SEM3:	No			Yes		No		Yes	
Enclosure Width:	32"	38"	46"	38"	46"	38"	46"	38"	46"
(2) 500 kcmil	✓	✓	✓	—	*	—	✓	—	—
(1) 500 kcmil	✓	✓	✓	**	✓	✓	✓	—	✓
(2) 250 kcmil	✓	✓	✓	**	✓	✓	✓	—	✓
✓ Applicable for 400A & 600A					* 600A CT only				
— Not applicable					** 400A CT only				

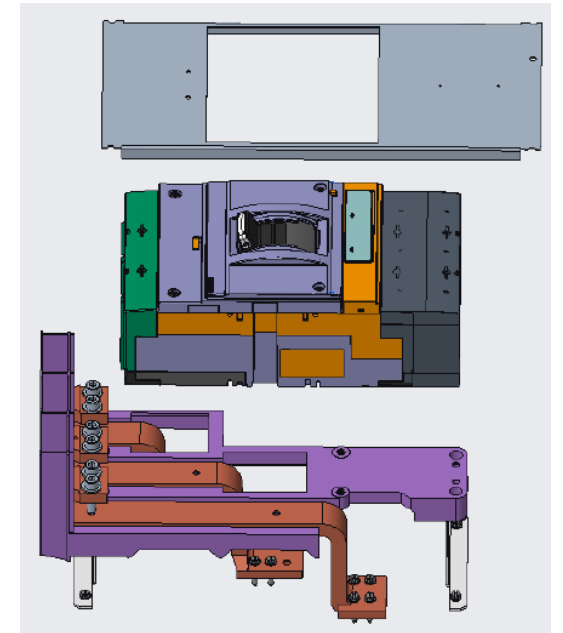
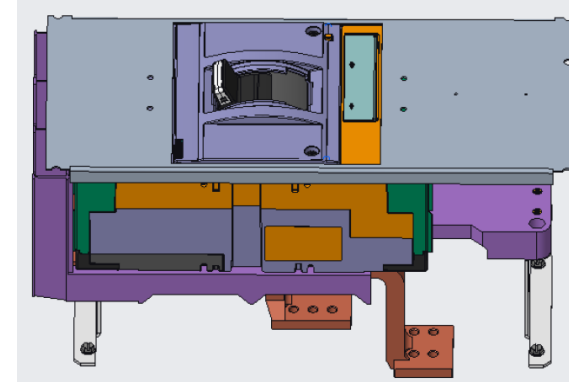
3VA55/65 800A & 3VA66 1000A Single Mount Breakers

Coming soon in the January 2022 COMPAS Release!



3VA55/65 800A & 3VA64 1000A:

- 3VA65/66 → Electronic Trip Units (ETU)
 - Replacement for 3VL MG & NG 1000A Trip
 - Basic metering through trip unit
- 3VA55 → Thermal Magnetic Trip Units (TMTU)
 - Replacement for Sentron MD
 - Available in 2P(3P), 3P



Features & Benefits:

- Single mount in 8.75” of Unit Space
- Improved footprint for TMTU breakers (prev. 10.00” unit space required)
- Common strap kit between 3VA55, 3VA65 & 3VA66 breakers
- New 3VA66 1000A frame offers footprint & price savings vs. 1200AF/1000AT N frame breaker

3VA55/65, 3VA66 800A & 1000A	New 3VA kits	Description
P4	S3VA55T*	3VA55/65/66 800/1000A CU STRAP KIT P4
P4	KS3VA55TB*	3VA55/65/66 800/1000A CU OEM BUS KIT P4
P5/SWBD	S3VA55TD*	3VA55/65/66 800/1000A CU STRP KT P5/SWBD
P5/SWBD	KS3VA55TDB*	3VA55/65/66 800/1000A CU OEM BUS P5/SWBD

*Not yet released

3VA55 & 3VA65 800A and 3VA66 1000A breakers

Minimum Wire Bending Requirements per NEC



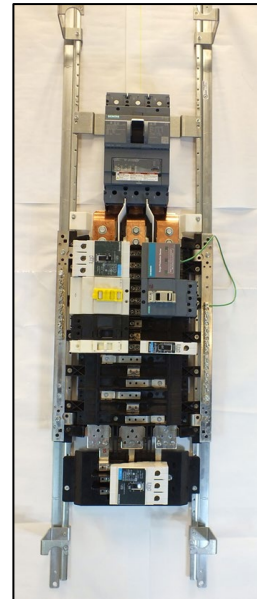
As a minimum, wire bending space (as required per NEC Tables 312.6(A) and 312.6(B)) for this product is based on wire or cable sizes (per NEC Table 310.16). 800A MAX 3VA55 (Type MMAS, HMAS, CMAS) or 800A MAX 3VA65 (Type MMAE, HMAE, CMAE) or 1000A MAX 3VA66 (Type MMNAE, HMNAE, CMNAE):									
* NO RESTRICTIONS	Maximum Conductor		Enclosure Conductor Restrictions						
	Siemens Lug	Qty.	Size (kcmil)	32" Wide		38" Wide		46" Wide	
Qty.				Size (kcmil)	Qty.	Size (kcmil)	Non-SEM3	SEM3 (800A)	
							Qty.	Size (kcmil)	
	3VA9573-0J.23	2	600	*	*	*	*	*	
	3VA9673-0J.32	3	400	*	*	*	*	*	
	3VA9673-0J.24	2	750	1	750	*	*	1 750	
	3VA9673-0J.34	3	750	Not allowed		2	750	*	2 600-700 1 750
	3VA9673-0J.43	4	500	3	300-500	*	*	3 300-500	
	3VA9673-0J.44	4	600	Not allowed		3	600	*	3 300-500 2 600

Launched Projects Key Benefits Recap



• P1 Lighting Panels

- Main & Sub-feed - 3VA41, 3VA52, 3VA61, 3VA62, 3VA53, 3VA63
- Branch – 3VA41
- First ETU available as a Main
- Main & Branch kits allow mixing of 3VA41 & xGB

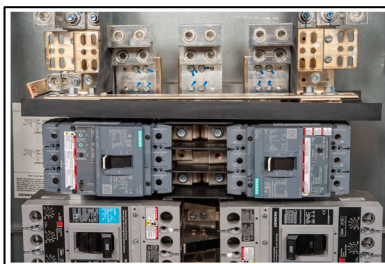


• P2 Lighting Panels

- 3VA41 Branch allow mixing with xGB
- 3VA52/61/62 Main/Branch
- Trip unit accessible thru cover
- Horizontal Main in Unit Space
- Eliminate need for Subfeed 250A breaker: single mount in unit space

• P3 Lighting Panels

- Same as P2
- 800A Main Breaker ETU/TMTU
- New 30"W vented encl.
- >6 large frame branch (>250A)



P4/P5 Power Panels & Switchboard Distribution

- 3VA41 125A Branch
 - New strap kit is reverse compatible with xGB
- 3VA61 150A, 3VA52/62 250A Branch:
 - Twin Mount - TMTU across from ETU
 - Improved access to TU & Lugs
- 3VA53, 3VA63 400A & 3VA54, 3VA64 600A Mains or Branches
 - Single Mount
 - Improved footprint for TMTU
 - *Twin Mount releasing November 2021*



3VA Call to Action

- Configure and quote with 3VA Breakers
 - More competitive pricing vs. legacy frames
 - Footprint & Features
 - Availability, Legacy frames are ramping down
- Enhancements will continue with 3VA products in Panelboards & Switchboards
 - Up to 1000A main/branch in Power Panel & SWBD Distribution (January 2022)
 - Individual Mount Switchboard applications (2022/3)
 - 3VA Large Frame Integration 1200-2000A (Q1 2023)
- SpeedFax →
 - Section 7 MCCB for latest breaker information
 - Section 11 & 13 PBSB in progress
- Be on the lookout for new product announcements via SMU, Compas GO Announcement section, SRC & DRC

Contact info



Faizan Najmi

Product Manager

P4 & P5 Power Panels

Switchboards

- Email: Faizan.Najmi@siemens.com
- Phone: (214) 215-7022

