

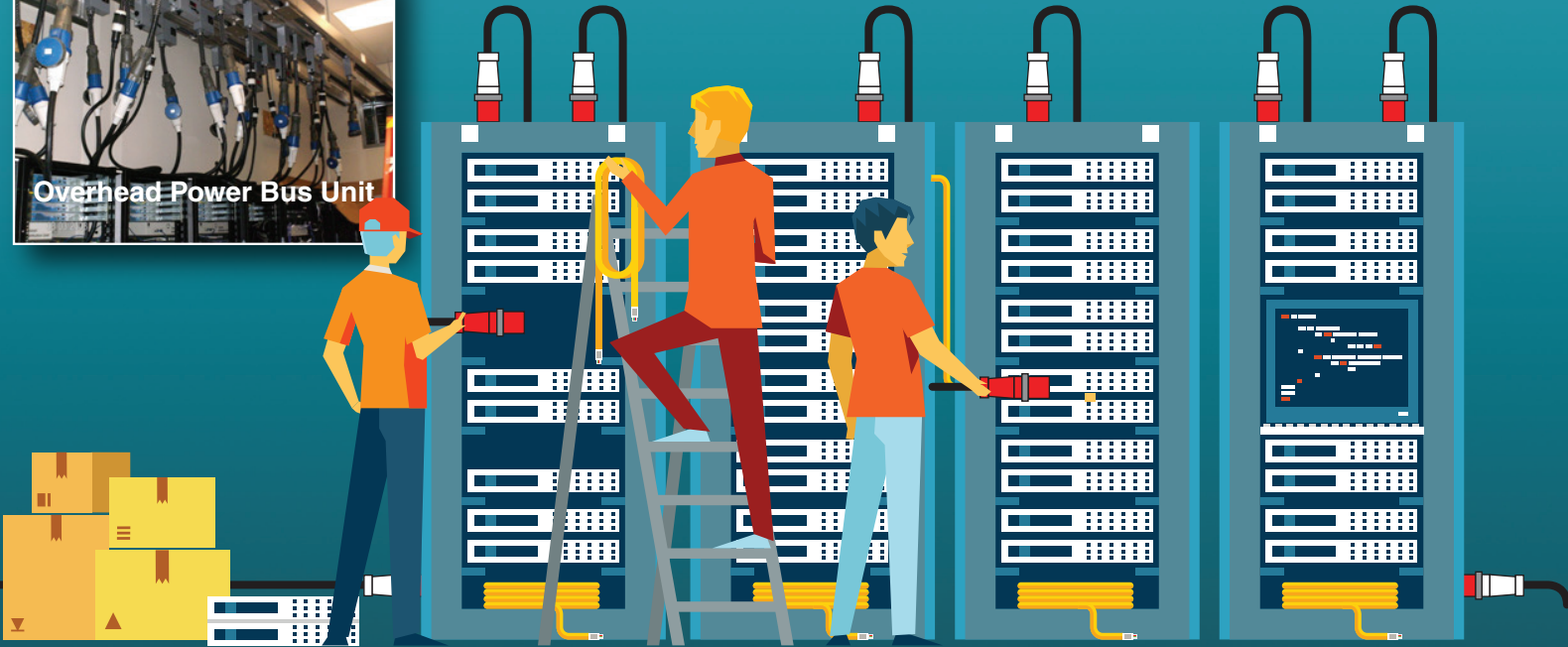


**WALTHER-WERKE**  
FORTSCHRITT SEIT 1897

# Data Center Solutions



Overhead Power Bus Unit



Under Floor Bussing System

**IEC 60309-1 & 2 UL Listed Pin and Sleeve Devices**



**WALTHER-WERKE**  
FORTSCHRITT SEIT 1897



**Walther Electric** is an international company that is committed to outstanding service and providing electrical interconnect products and power distribution systems to customers & industries around the world. Walther Corporate Headquarters is located in Eisenberg, Germany with full service subsidiaries in The United States, The United Kingdom, France and Austria. Our “Global Team” is made up of highly respected and industry qualified representative agents in more than 70 countries.

Established in 1897 - and from the very beginning Walther has been known for its progressive engineering and innovative product designs and manufacturing capabilities. All Walther products are designed and manufactured to not only meet but to exceed industry requirements for greater safety and customer performance demand.

Walther Electric’s innovative and technical product portfolio includes IEC 60309 Pin & Sleeve interconnect devices, Procon “Heavy Duty” rectangular connectors, power distribution units and systems, motor disconnect and switched safety devices, “e-Mobility” electric vehicle charging interconnect devices and charging stations.

At our North American Headquarters located in Somerset, New Jersey we are proud of our “Engineering and Technical Team” coupled with a talented inside support staff that is always ready to assist you “Our Customer” in the design/specification process and in the manufacturing of “YOUR” power distribution or control system requirements.

When you are in need of quality electrical interconnects, power distribution systems, and industry knowledgeable service, call Walther Electric, **“WE ARE”** your complete solution provider.



# Walther IEC60309 Part Number System

Example: Part Number 269419

<b>2</b>	<b>6</b>	<b>9</b>	<b>4</b>	<b>19</b>
<b>Device Type 1st Digit</b>	<b>Amperage Rating 2nd Digit</b>	<b>Versions (Environmental) 3rd Digit</b>	<b>Poles and Wires 4th Digit</b>	<b>Clock Position 5th &amp; 6th Digit</b>
1= Female Socket-Outlet (Surface (Mount))	1= 20A North American 16A International	0= One top entry (splash proof)	3= 2 Pole + G or 1 Pole + N + G	1 Hour = 01 2 Hour = 02 3 Hour = 03 4 Hour = 04 5 Hour = 05 6 Hour = 06 7 Hour = 07 8 Hour = 08 9 Hour = 09 10 Hour = 10 11 Hour = 11 12 Hour = 12 1 Hour = 13 2 Hour = 14 3 Hour = 15 4 Hour = 16 5 Hour = 17 6 Hour = 18 7 Hour = 19 8 Hour = 20 9 Hour = 21 10 Hour = 22 11 Hour = 23 12 Hour = 24
	3= 30A North American 32A International	1= Three entries (splash proof)	4= 3 Pole + G or 2 Pole + N + G	
2= Male Plug	6= 60A North American 63A International	0= With cable entry boot (splash proof)	5= 3 Pole + N + G	
3= Female Connector	7= 100A North American 125A International	1= With strain relief conn. (splash proof)	7= 6 Pole + G	
4= Female Receptacle Socket-Outlet (Panel Mount Straight)		9= With strain relief conn. (Watertight)		
5= Female Receptacle Socket-Outlet (Panel Mount Angled)		0= Various mounting and 1= Flange sizes 2= (splash proof)		
		4= Two-Piece (splash proof)		
		7= Various mounting and 8= flange sizes 9= (Watertight)		
		0= Surface Mount Angled (splash proof)		
		1= Panel Mount Angled (splash proof)		
		5= Panel Mount Straight (splash proof)		
		6= Two-Piece (splash proof)		
		8= Surface Mount (Watertight)		
		9= Panel Mount (Watertight)		

# IEC60309 Pin & Sleeve Devices

Your best Connection for "Dual Rated" Certified & UL Listed Pin & Sleeve Interconnects for Data Center Applications

## 16/20A & 30/32A



Current Rating	Voltage AC	Clock Position of Ground	Poles	Plug IP67	Plug IP44	Connector IP67	Connector IP44	Receptacle IP67	Receptacle IP44	Inlet IP67	Inlet IP44
16/20A	200-250V	6	2P + G	219306	210306	319306	310306	419306	410306	619306	615306
16/20A	380-415V	6	3P + G	219406	210406	319406	310406	419406	410406	619406	615406
16/20A	200-250V	9	3P + G	219409	210409	319409	310409	419409	410409	619409	615409
16/20A	120/208V	9	3P +N +G	219509	210509	319509	310509	419509	410509	619509	615509
16/20A	200/346V 240/415V	6	3P +N +G	219	210 or 211	319	310 or 311	419	410	619	615
30/32A	200-250V	6	2P + G	239306	230306	339306	330306	439306	430306	639306	635306
30/32A	380-415V	6	3P + G	239406	230406	339406	330406	439406	430406	639406	635406
30/32A	200-250V	9	3P + G	239409	230409	339409	330409	439409	430409	639409	635409
30/32A	120/208V	9	3P +N +G	239509	230509	339509	330509	439509	430509	639509	635509
30/32A	200/346V 240/415V	6	3P +N +G	239	230-5c/10AWG 232-5c/8AWG	339	330- 5c/10AWG 332-5c/8AWG	439	430	639	635

Note: IP67 Water Tight, IP44 Splash Proof

## 60/63A & 100/125A



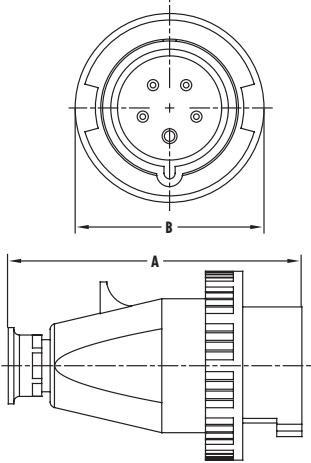
Current Rating	Voltage AC	Clock Position of Ground	Poles	Plug IP67	Plug IP44	Connector IP67	Connector IP44	Receptacle IP67	Receptacle IP44	Inlet IP67	Inlet IP44
60/63A	200-250V	6	2P + G	269306	260306	369306	360306	469306	460306	669306	665306
60/63A	380-415V	6	3P + G	269406	261406 or 260406	369406	361406 or 360406	469406	460406	669406	665406
60/63A	200-250V	9	3P + G	269409	261409 or 260409	369409	361409 or 360409	469409	460409	669409	665409
60/63A	120/208V	9	3P +N +G	269509	261509 or 260509	369509	361509 or 360509	469509	460509	669509	665509
60/63A	200/346V 240/415V	6	3P +N +G	269	261 or 260	369	361 or 360	469	460	669	665
100/125A	200-250V	6	2P + G	279306		379306		479306		679306	
100/125A	380-415V	6	3P + G	279406		379406		479406		679406	
100/125A	200-250V	9	3P + G	279409		379409		479409		679409	
100/125A	120/208V	9	3P +N +G	279509		379509		479509		679509	
100/125A	200/346V 240/415V	6	3P +N +G	279		379		479		679	

Note: Walther 100/125A interconnects are IP67 Only



# IEC60309 Pin & Sleeve Devices

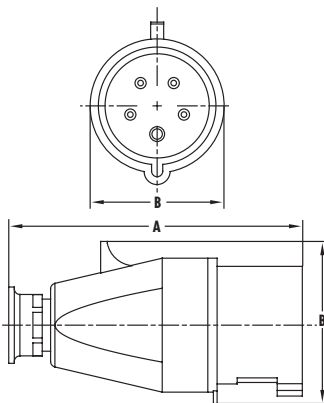
## WATERTIGHT PLUGS (IP67)



Amps N.A.	Intl.	Type	Dimensions		Cord Grip Range		
			A	B	N. American	International	
20	16	3 Wire	inch	4.96	2.83	0.275-0.530	0.275-0.530
			mm	126	72	7.0-13.5	7.0-13.5
20	16	4 Wire	inch	5.20	3.19	0.395-0.825	0.275-0.630
			mm	132	81	10.0-21.0	7.0-16.0
20	16	5 Wire	inch	5.20	3.46	0.395-0.825	0.275-0.630
			mm	132	88	10.0-21.0	7.0-16.0
30	32	3 Wire	inch	6.14	3.78	0.395-0.825	0.395-0.825
			mm	156	96	10.0-21.0	10.0-21.0
30	32	4 Wire	inch	6.14	3.78	0.650-1.10	0.395-0.825
			mm	156	96	16.5-28.0	10.0-21.0
30	32	5 Wire	inch	6.14	4.06	0.650-1.10	0.395-0.825
			mm	156	103	16.5-28.0	10.0-21.0
60	63	3, 4, & 5 Wire	inch	9.57	4.33	0.650-1.50	0.650-1.50
			mm	243	110	16.5-38.0	16.5-38.0
100	125	3, 4, & 5 Wire	inch	12.40	5.12	0.950-1.90	0.950-1.90
			mm	315	130	24.0-48.0	24.0-48.0

## SPLASH PROOF PLUGS (IP44)

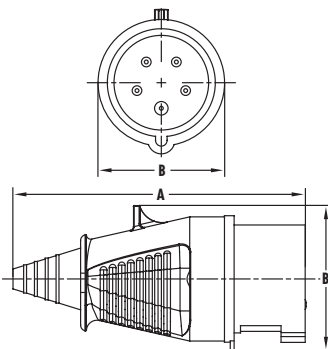
(with cable gland)



Amps N.A.	Intl.	Type	Dimensions		Cord Grip Range		
			A	B	N. American	International	
20	16	3 Wire	inch	4.84	2.36	0.275-0.530	0.275-0.530
			mm	123	60	7.0-13.5	7.0-13.5
20	16	4 Wire	inch	5.16	2.68	0.395-0.825	0.275-0.630
			mm	131	68	10.0-21.0	7.0-16.0
20	16	5 & 7 Wire	inch	5.16	2.95	0.395-0.825	0.275-0.630
			mm	131	75	10.0-21.0	7.0-16.0
30	32	3 Wire	inch	6.10	3.11	0.395-0.825	0.395-0.825
			mm	155	79	10.0-21.0	10.0-21.0
30	32	4 Wire	inch	6.10	3.11	0.650-1.10	0.395-0.825
			mm	155	79	16.5-28.0	10.0-21.0
30	32	5 & 7 Wire	inch	6.10	3.46	0.650-1.10	0.395-0.825
			mm	155	88	16.5-28.0	10.0-21.0
60	63	3, 4, & 5 Wire	inch	9.45	3.82	0.650-1.50	0.650-1.50
			mm	240	97	16.5-38.0	16.5-38.0

## SPLASH PROOF PLUGS (IP44)

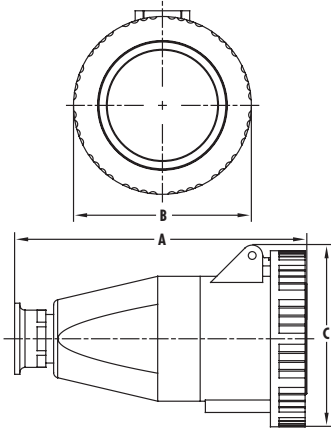
(with cable sleeve)



Amps N.A.	Intl.	Type	Dimensions		Cord Grip Range		
			A	B	N. American	International	
20	16	3 Wire	inch	5.63	2.36	0.275-0.675	0.275-0.675
			mm	143	60	7.0-17.0	7.0-17.0
20	16	4 Wire	inch	5.79	2.68	0.315-0.800	0.315-0.800
			mm	147	68	8.0-20.0	8.0-20.0
20	16	5 & 7 Wire	inch	6.02	2.95	0.315-0.800	0.315-0.800
			mm	153	75	8.0-20.0	8.0-20.0
30	32	3 Wire	inch	7.13	3.11	0.590-0.950	0.435-0.950
			mm	181	79	15.0-24.0	11.0-24.0
30	32	4 Wire	inch	7.13	3.11	0.590-0.950	0.435-0.95
			mm	181	79	15.0-24.0	11.0-24.0
30	32	5 & 7 Wire	inch	7.13	3.46	0.590-0.950	0.435-0.95
			mm	181	88	15.0-24.0	11.0-24.0
60	63	3, 4, & 5 Wire	inch	9.92	3.82	0.635-1.30	0.600-1.30
			mm	252	97	16.0-33.0	15.0-33.0

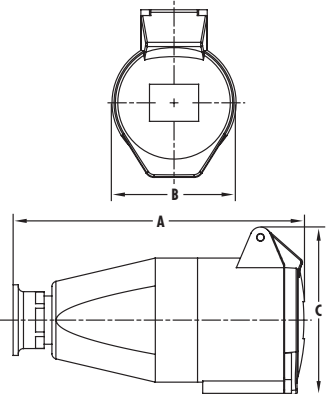
# IEC60309 Pin & Sleeve Devices

## WATERTIGHT CONNECTORS (IP67)



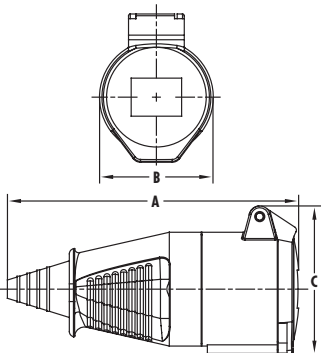
Amps		Type	Dimensions			Cord Grip Range	
N.A.	Intl.		A	B	C	N. American	International
20	16	3 Wire	inch 5.35 mm 136	2.83 72	3.07 78	0.275-0.530 7.0-13.5	0.275-0.530 7.0-13.5
20	16	4 Wire	inch 5.63 mm 143	3.19 81	3.35 85	0.395-0.825 10.0-21.0	0.275-0.630 7.0-16.0
20	16	5 Wire	inch 5.63 mm 143	3.46 88	3.58 91	0.395-0.825 10.0-21.0	0.275-0.630 7.0-16.0
30	32	3 Wire	inch 6.97 mm 177	3.78 96	3.78 96	0.395-0.825 10.0-21.0	0.395-0.825 10.0-21.0
30	32	4 Wire	inch 6.97 mm 177	3.78 96	3.78 96	0.650-1.10 16.5-28.0	0.395-0.825 10.0-21.0
30	32	5 Wire	inch 6.97 mm 177	4.06 103	4.13 105	0.650-1.10 16.5-28.0	0.395-0.825 10.0-21.0
60	63	3, 4, & 5 Wire	inch 10.0 mm 255	4.33 110	4.61 117	0.650-1.50 16.5-38.0	0.650-1.50 16.5-38.0
100	125	3, 4, & 5 Wire	inch 13.1 mm 332	5.12 130	5.12 130	0.950-1.90 24.0-48.0	0.950-1.90 24.0-48.0

## SPLASH PROOF CONNECTORS (IP44) (with cable gland)



Amps		Type	Dimensions			Cord Grip Range	
N.A.	Intl.		A	B	C	N. American	International
20	16	3 Wire	inch 5.32 mm 135	2.01 51	2.68 68	0.275-0.530 7.0-13.5	0.275-0.530 7.0-13.5
20	16	4 Wire	inch 5.95 mm 151	2.56 65	3.35 85	0.395-0.825 10.0-21.0	0.275-0.630 7.0-16.0
20	16	5 & 7 Wire	inch 5.95 mm 151	2.56 65	3.35 85	0.395-0.825 10.0-21.0	0.275-0.630 7.0-16.0
30	32	3 Wire	inch 6.73 mm 171	2.83 72	3.58 91	0.395-0.825 10.0-21.0	0.395-0.825 10.0-21.0
30	32	4 Wire	inch 6.73 mm 171	2.83 72	3.58 91	0.650-1.10 16.5-28.0	0.395-0.825 10.0-21.0
30	32	5 & 7 Wire	inch 6.73 mm 171	2.83 72	3.86 98	0.650-1.10 16.5-28.0	0.395-0.825 10.0-21.0
60	63	3, 4, & 5 Wire	inch 10.0 mm 255	3.78 96	4.49 114	0.650-1.50 16.5-38.0	0.650-1.50 16.5-38.0

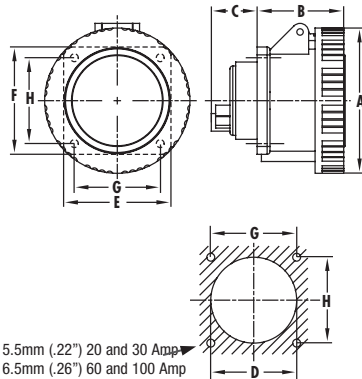
## SPLASH PROOF CONNECTORS (IP44) (with cable sleeve)



Amps		Type	Dimensions			Cord Grip Range	
N.A.	Intl.		A	B	C	N. American	International
20	16	3 Wire	inch 6.06 mm 154	2.01 51	2.69 68.4	0.275-0.675 7.0-17.0	0.275-0.675 7.0-17.0
20	16	4 Wire	inch 6.54 mm 166	2.56 65	2.97 75.4	0.315-0.800 8.0-20.0	0.315-0.800 8.0-20.0
20	16	5 & 7 Wire	inch 6.54 mm 166	2.56 65	3.29 83.5	0.315-0.800 8.0-20.0	0.315-0.800 8.0-20.0
30	32	3 Wire	inch 7.72 mm 196	2.83 72	3.54 90	0.590-0.950 15.0-24.0	0.435-0.950 11.0-24.0
30	32	4 Wire	inch 7.72 mm 196	2.83 72	3.54 90	0.590-0.950 15.0-24.0	0.435-0.95 11.0-24.0
30	32	5 & 7 Wire	inch 7.72 mm 196	2.83 72	3.78 96	0.590-0.950 15.0-24.0	0.435-0.95 11.0-24.0
60	63	3, 4, & 5 Wire	inch 10.5 mm 266	3.78 96	4.41 112	0.635-1.30 16.0-33.0	0.600-1.30 15.0-33.0

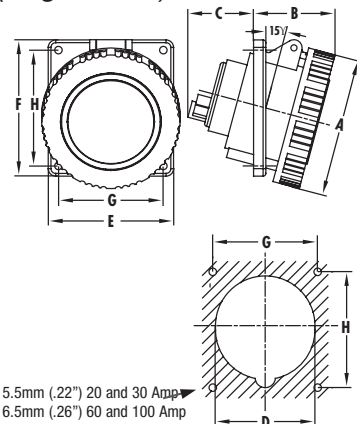
# IEC60309 Pin & Sleeve Devices

## WATERTIGHT RECEPTACLE (IP67) (Straight)



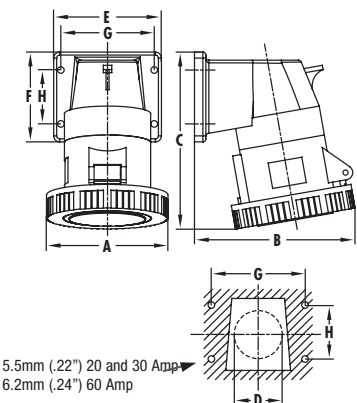
Amps		Type	Dimensions									
N.A.	Intl.		A	B	C	D	E	F	G	H		
20	16	3 Wire	inch	2.82	2.05	1.10	1.81	2.44	2.44	1.85	1.85	
			mm	71.5	52	28	46	62	62	47	47	
20	16	4 Wire	inch	31.9	2.05	1.10	2.36	2.95	2.95	2.36	2.36	
			mm	81	52	28	60	75	75	60	60	
20	16	5 Wire	inch	3.46	2.05	1.10	2.36	2.95	2.95	2.36	2.36	
			mm	88	52	28	60	75	75	60	60	
30	32	3 & 4 Wire	inch	3.78	2.56	1.06	2.36	2.95	2.95	2.36	2.36	
			mm	96	65	27	60	75	75	60	60	
30	32	5 Wire	inch	4.06	2.56	1.06	2.36	2.95	2.95	2.36	2.36	
			mm	103	65	27	60	75	75	60	60	
60	63	3, 4, & 5 Wire	inch	4.29	3.27	2.05	3.54	3.94	4.21	3.03	3.35	
			mm	109	83	52	90	100	107	77	85	
100	125	3, 4, & 5 Wire	inch	5.12	3.78	2.52	3.54	4.49	4.49	3.54	3.54	
			mm	130	96	64	90	114	114	90	90	

## WATERTIGHT RECEPTACLE (IP67) (Angled 15°)



Amps		Type	Dimensions									
N.A.	Intl.		A	B	C	D	E	F	G	H		
20	16	3 Wire	inch	2.82	1.93	1.61	2.01	2.44	2.68	1.85	1.85	
			mm	71.5	49	41	51	62	68	47	47	
20	16	4 Wire	inch	3.19	2.05	1.50	2.87	3.62	3.94	3.03	3.35	
			mm	81	52	38	73	92	100	77	85	
20	16	5 Wire	inch	3.46	2.05	1.50	2.87	3.62	3.94	3.03	3.35	
			mm	88	52	38	73	92	100	77	85	
30	32	3 & 4 Wire	inch	3.78	2.20	1.85	2.87	3.62	3.94	3.03	3.35	
			mm	96	56	47	73	92	100	77	85	
30	32	5 Wire	inch	4.06	2.36	1.85	2.87	3.62	3.94	3.03	3.35	
			mm	103	60	47	73	92	100	77	85	
60	63	3, 4, & 5 Wire	inch	4.29	3.23	2.52	3.19	3.94	4.21	3.03	3.35	
			mm	109	82	64	81	100	107	77	85	
100	125	3, 4, & 5 Wire	inch	5.12	3.70	2.95	3.54	4.49	4.49	3.54	3.54	
			mm	130	94	75	90	114	114	90	90	

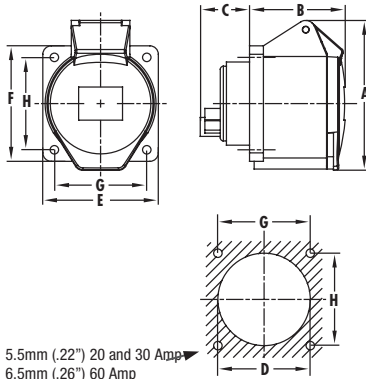
## WATERTIGHT RECEPTACLE (IP67) (Angled 80°)



Amps		Type	Dimensions									
N.A.	Intl.		A	B	C	D max	E	F	G	H		
20	16	3 Wire	inch	2.83	3.46	4.29	1.18	2.56	2.05	2.17	1.18	
			mm	72	88	109	30	65	52	55	30	
20	16	4 Wire	inch	3.19	4.25	4.84	1.50	3.15	2.60	2.68	1.57	
			mm	81	108	123	38	80	66	68	40	
20	16	5 Wire	inch	3.46	4.25	4.84	1.50	3.15	2.60	2.68	1.57	
			mm	88	108	123	38	80	66	68	40	
30	32	3 & 4 Wire	inch	3.78	4.76	5.71	1.73	3.54	2.95	3.07	1.77	
			mm	96	121	145	44	90	75	78	45	
30	32	5 Wire	inch	4.06	4.84	5.71	1.73	3.54	2.95	3.07	1.77	
			mm	103	123	145	44	90	75	78	45	
60	63	3, 4, & 5 Wire	inch	4.33	5.63	7.99	2.20	4.49	4.49	3.54	3.54	
			mm	110	143	203	56	114	114	90	90	

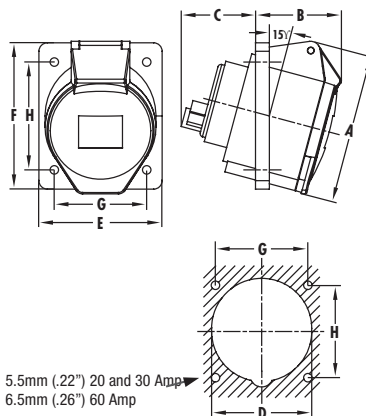
# IEC60309 Pin & Sleeve Devices

## SPLASH PROOF RECEPTACLES (IP44) (Straight)



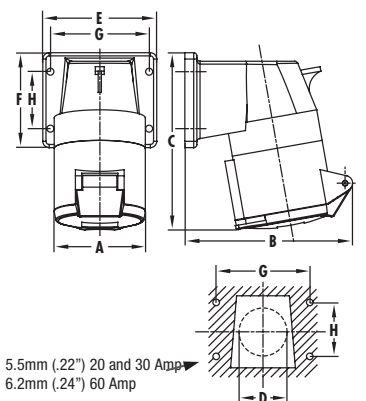
Amps		Type	Dimensions									
N.A.	Intl.		A	B	C	D	E	F	G	H		
20	16	3 Wire	inch	2.68	2.05	1.10	1.81	2.44	2.44	1.85	1.85	
			mm	68	52	28	46	62	62	47	47	
20	16	4 & 5 Wire	inch	3.35	2.09	1.10	2.36	2.95	2.95	2.36	2.36	
			mm	85	53	28	60	75	75	60	60	
20	16	7 Wire	inch	3.35	2.09	1.10	2.36	3.15	3.15	2.36	2.36	
			mm	85	53	28	60	80	80	60	60	
30	32	3 & 4 Wire	inch	3.58	2.56	1.06	2.36	2.95	2.95	2.36	2.36	
			mm	91	65	27	60	75	75	60	60	
30	32	5 Wire	inch	3.86	2.56	1.06	2.36	2.95	2.95	2.36	2.36	
			mm	98	65	27	60	75	75	60	60	
30	32	7 Wire	inch	3.86	2.56	1.06	2.36	3.15	3.15	2.36	2.36	
			mm	98	65	27	60	80	80	60	60	
60	63	3, 4, & 5 Wire	inch	4.49	3.35	2.05	3.54	3.94	4.21	3.03	3.35	
			mm	114	85	52	90	100	107	77	85	

## SPLASH PROOF RECEPTACLE (IP44) (Angled 15°)



Amps		Type	Dimensions									
N.A.	Intl.		A	B	C	D	E	F	G	H		
20	16	3 Wire	inch	2.68	1.77	1.61	2.01	2.44	2.68	1.85	1.85	
			mm	68	45	41	51	62	68	47	47	
20	16	4 Wire	inch	3.35	2.01	1.50	2.36	2.95	2.95	2.36	2.36	
			mm	85	51	38	60	75	75	60	60	
20	16	5 Wire	inch	3.35	2.01	1.50	2.56	2.95	3.35	2.36	2.36	
			mm	85	51	38	65	75	85	60	60	
30	32	3 Wire	inch	3.58	2.05	1.85	2.64	2.95	3.54	2.36	2.36	
			mm	91	52	47	67	75	90	60	60	
30	32	4 Wire	inch	3.85	2.05	1.85	2.64	2.95	3.54	2.36	2.36	
			mm	91	52	47	67	75	90	60	60	
30	32	5 Wire	inch	3.86	2.20	1.85	2.70	3.15	3.74	2.36	2.36	
			mm	98	56	47	68.5	80	95	60	60	
60	63	3, 4, & 5 Wire	inch		3.11	2.52	3.19	3.94	4.21	3.03	3.35	
			mm		79	64	81	100	107	77	85	

## SPLASH PROOF RECEPTACLE (IP44) (Angled 80°)



Amps		Type	Dimensions									
N.A.	Intl.		A	B	C	D max	E	F	G	H		
20	16	3 Wire	inch	2.01	3.43	4.57	1.18	2.56	2.05	2.17	1.18	
			mm	51	87	116	30	65	52	55	30	
20	16	4 Wire	inch	2.56	4.33	4.80	1.50	3.15	2.60	2.68	1.57	
			mm	65	110	122	38	80	66	68	40	
20	16	5 & 7 Wire	inch	2.56	4.33	4.80	1.50	3.15	2.60	2.68	1.57	
			mm	65	110	122	38	80	66	68	40	
30	32	3 Wire	inch	2.83	4.72	5.55	1.73	3.54	2.95	3.07	1.77	
			mm	72	120	141	44	90	75	78	45	
30	32	4 Wire	inch	2.83	4.72	5.55	1.73	3.54	2.95	3.07	1.77	
			mm	72	120	141	44	90	75	78	45	
30	32	5 & 7 Wire	inch	2.83	4.88	5.59	1.73	3.54	2.95	3.07	1.77	
			mm	72	124	142	44	90	75	78	45	
60	63	3, 4, & 5 Wire	inch	3.78	5.51	7.64	2.20	4.49	4.49	3.54	3.54	
			mm	96	140	194	56	114	114	90	90	



## ELECTRICAL

<b>Insulation Resistance</b> Per IEC60309-1, Clause 19	500V for 1 min. Resistance $\geq 5M \Omega$
<b>Dielectric Strength</b> Per IEC60309-1, Clause 19	3000V for 1 min.
<b>Norm. Operation, Connect &amp; Disconnect Cycles</b> Per IEC60309-1, Clause 21	See Table 1
<b>Breaking Capacity</b> Per IEC60309-1, Clause 20	Tested at 110 % of the rated operating voltage and 125% of the rated current.
<b>Temperature Rise</b> Per IEC60309-1, Clause 22	Maximum 50 K rise at full rated current.

## MECHANICAL

<b>Cable Secureness</b> Per IEC60309, Clause 23	See Table 2
<b>Impact</b> Per IEC60309, Clause 24	A device is wired with a 2.25m length of flexible cord and dropped from a height of 75 cm, 8 times. The device is then tested for applicable degrees of protection against moisture.

## ENVIRONMENTAL

<b>Flammability</b> Per IEC60309-1, Clause 27	Self-extinguishing
<b>Ambient Temperature Range</b>	Minimum: -25°C with impact Maximum: 90°C
<b>Moisture Resistance</b>	Watertight (IP67): Device immersed for 24 hours in water at a temp. of 25°C, the highest point of the device being 5cm (2") below the water level. Splash proof (IP44): Device is sprayed with water for 10 minutes and immediately afterwards subjected to splashing water in all directions (360°).
<b>UV Resistance</b>	Exposed plastic materials are UV stabilized.



### DECLARATION OF CONFORMITY

WALTHER WERKE, Ferdinand Walther GmbH  
Ramsener Strasse 6  
67304 Eisenberg

We declare, under our sole responsibility, the conformity of the following products and standards:

Plugs and Sockets (Pin and Sleeve devices)  
DIN EN 60 309, T. 1  
DIN EN 60 309, T. 2

This declaration of conformity is according to the EC regulations 73/23, 91/368 and 89/336 (Low Voltage Directive), module A, in consideration of DIN EN 45 014.



TABLE 1 Minimum test requirements

Connect and Disconnect Cycles			
Device Rating Amperes	Cycles with Load at Rated Current and Voltage	No-Load Cycles	Sequence
16	5000 p.f of 0.6	0	-
32	1000 p.f of 0.6	1000	Alternating
63	1000 p.f of 0.6	1000	Alternating
125	250 p.f of 0.7	250	Alternating

The test sequence is conducted by using a no-load, followed by a load sequence.

TABLE 2

Cable Secureness Test			
Device Rating Amperes	Force	Torque	Maximum Displacement
	N	N•m	mm
16	80	0.350	2
32	100	0.425	2
63	120	0.8	2
125	200	1.5	2

The flexible cord or cable is twisted and pulled. Values for the applied twisting torque and force of pull are shown in Table 2. In all cases the cord displacement is less than 2mm.



## UL LISTINGS

You may choose to <b>Refine Your Search.</b>		
Company Name	Category Name	Link to File
WALTHER ELECTRIC	Attachment Plugs, Pin-and-Sleeve Type	<a href="#">QLHN.E329476</a>
WALTHER ELECTRIC	Cord Sets and Power-supply Cords	<a href="#">ELBZ.E464235</a>
WALTHER ELECTRIC	Cord Sets and Power-supply Cords Certified for Canada	<a href="#">ELBZ7.E464235</a>
WALTHER ELECTRIC	Industrial Control Panels	<a href="#">NITW.E319917</a>
WALTHER ELECTRIC	Industrial Control Panels Certified for Canada	<a href="#">NITW7.E319917</a>
WALTHER ELECTRIC	Portable Power-distribution Panels	<a href="#">QPSM.E339385</a>
WALTHER ELECTRIC	Wiring Assemblies	<a href="#">QOYZ.E361992</a>
WALTHER ELECTRIC	Wiring Harnesses - Component	<a href="#">ZPFW2.E464234</a>
WALTHER ELECTRIC	Wiring Harnesses Certified for Canada - Component	<a href="#">ZPFW8.E464234</a>



DIN EN ISO 9001  
Certificate Registration No. 4678-01



# IEC60309 Pin & Sleeve Devices • Accessories

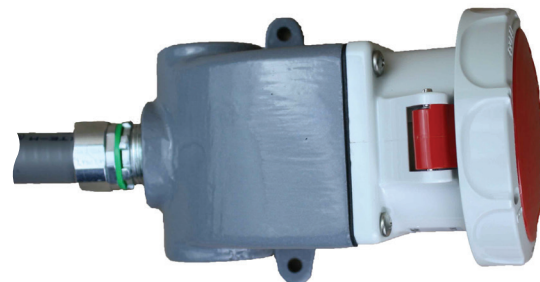
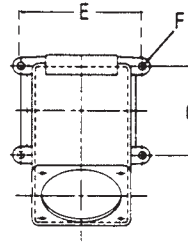
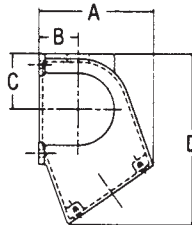
**BACK BOXES** for use with Walther straight watertight and splash proof receptacles.



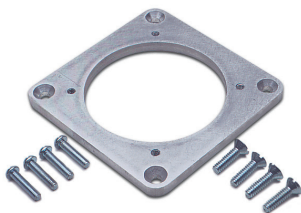
Cat. No.	Description	Hub Size	Dimensions (inches)							Cubic Inch Capacity
			A	B	C	D	E	F	G	
BE3-B75	20° angle for 20A,	3/4"	3.34	0.97	1.12	4.12	4.00	0.25		20.4
BE3-B100	4 and 5 wire recepts. and all 30A recepts.	1"								
BE6-B125	20° angle for all	1 1/4"	4.41	1.41	2.09	5.63	5.00	0.28	3.00	59.7
BE6-B150	60A receptacles	1 1/2"								
BE10-B150	20° angle for all	1 1/2"	5.18	1.78	2.50	7.71	5.50	.34	4.00	96.6
BE10-B200	100A receptacles	2"								

## Cast Aluminum Junction Boxes for Straight Watertight and Splash proof Female Receptacles

Epoxy-coated junction boxes are corrosion resistant and designed to pass the 500-hour salt spray test, the UL hose down and external icing tests.



**BACK BOX ADAPTER PLATES** for use with Hubbell back boxes.



Cat. No.	Walther Receptacle	For use with Hubbell Back Box
BB20-3W	20A, 3 Wire	BB201W, BB301W, FT202W or FT302W
BB20-345W	20A, 4 & 5 Wire 30A, 3, 4 & 5 Wire	BB201W, BB301W, FT202W or FT302W
BB60-345W	60A, 3, 4 & 5 Wire	BB601W, BB602W or FW60/100
BB100-345W	100A, 3, 4 & 5 Wire	BB1001W, BB1002W or FW60/100



# IEC60309 Pin & Sleeve Devices • Accessories

## Cable Assembly Nomenclature

<b>WE</b>	<b>XX</b>	<b>X</b>	<b>X</b>	<b>X</b>	<b>X</b>	<b>XX</b>	<b>X</b>	<b>X</b>
CABLE	LENGTH: (ft)	UNIT:	CONDOC:	AMPS:	VOLTAGE:	CLOCK: I/O	HEADS:	CERTS:
	01 = 1	S= IP44	0 = 1C	1 = 20A	1 = 250		1 = MALE	1=UL
	02 = 2	W= IP67	1 = 3C	2 = 30A	2 = 277	CLOCK	2 = FEMALE	2=CSA
	00 = 100		2 = 4C	3 = 60A	3 = 480	POSITION	3 = M, F	3=CE
			3 = 5C	4 = 100A	4 = 125/250		S = SPECIAL	
					5 = 3PH 250			
					6 = 3PH 480			
					7 = 3PH 120/208			
					8 = 3PH 277/480			

### SAMPLE 1: **WE10S2260731**

Cable Assembly 10.5ft, IP44, 4 Wires, 30A, 3PH 480V, Clock 07, Plug and Connector, UL Listed



### SAMPLE 2: **WE00S3380731**

Cable Assembly 100ft, IP67, 5 Wires, 60A, 3ph 277/480V, Clock 07, Plug and Connector, UL Listed



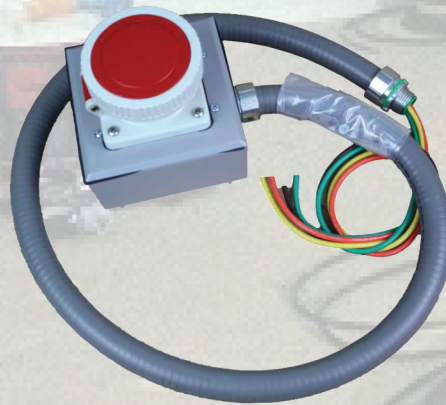
# Flexible Conduit Assembly Part Number Guide

## Flexible Metal Conduit Assembly P# Format Nomenclature

FCA	XX	X	X	X	X	X	X
SEAL TIGHT	LENGTH (ft)	SEAL TIGHT	BOX TYPE	AMPS/WIRES	VOLTAGE	CONFIGURATION	HEADS
01 = 1		1 = 1/2" BLUE	1 = MASONRY	1 = 20A 3W	1 = 250	1 = USA IP44	1 = MALE
02 = 2		2 = 1/2" RED	2 = WEATHER	2 = 20A 4W	2 = 277	2 = USA IP67	2 = FEMALE
00 = 100		3 = 1/2" YELLOW	3 = BACK BOX	3 = 20A 5W	3 = 480	3 = INT. IP44	3 = M, F
		4 = 1/2" GREY	0 = NOT USED	4 = 30A 3W	4 = 125/250	4 = INT. IP67	S = SPECIAL
		5 = 3/4" BLUE		5 = 30A 4W	5 = 3PH 250		
		6 = 3/4" RED		6 = 30A 5W	6 = 3PH 480		
		7 = 3/4" YELLOW			7 = 3PH 120/208		
		8 = 3/4" GREY			8 = 3PH 277/480		
					9 = 3PH 230/400		

### SAMPLE 1: FCA03425622

Gang box assembly, 3FT Flex, weather box, 30A, 4-wire, 3PH, 480V, UL Listed



### SAMPLE 2: FCA03801811

Flex conduit, 3 FT - 1/2" Flex, 20A, 5-wire, 3PH, 277/480V, UL Listed.



# Flexible Metal Conduit Assembly 20A 3PH



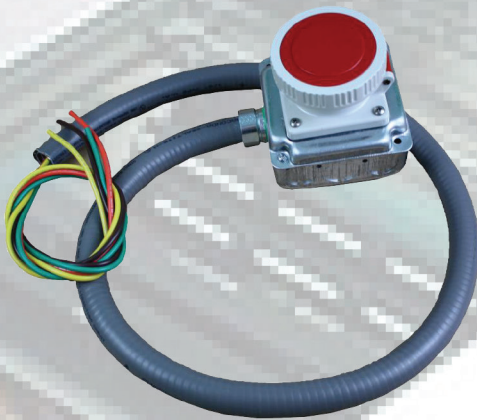
**PART NO:** FCA03422622

**DESCRIPTION:** Assembly of 20A, 480V IEC WITH 4 WIRE #12 AWG IN Flexible Metal Conduit.

**APPLICATION:** construction, under raised floor site...etc

## SPECIFICATIONS

<b>IEC</b>	20A 480V IP67
<b>Box</b>	2 Gang Weather Box
<b>Conduit</b>	UL 1/2" Liquid-Tight Flexible Metal
<b>Wire</b>	UL 4 WIRE # 12 AWG
<b>Fitting</b>	1/2" UL
<b>Approximate Dimensions</b>	3 FT
<b>Approximate Weight</b>	4 LB



**PART NO:** FCA03412622

**DESCRIPTION:** Assembly of 20A, 480V IEC WITH 4 WIRE #12 AWG IN Flexible Metal Conduit.

**APPLICATION:** under Raised floor, construction site...etc

## SPECIFICATIONS

<b>IEC</b>	20A 480V IP67
<b>Box</b>	Masonry 4" Square Junction Box
<b>Conduit</b>	UL 1/2" Liquid-Tight Flexible Metal
<b>Wire</b>	UL 4 WIRE # 12 AWG
<b>Fitting</b>	1/2" UL
<b>Approximate Dimensions</b>	3 FT
<b>Approximate Weight</b>	4 LB

# Flexible Metal Conduit Assembly 30A 3PH



**PART NO:** FCA03825622

**DESCRIPTION:** Assembly of 30A, 480V IEC WITH 4 WIRE #10 AWG IN Flexible Metal Conduit.

**APPLICATION:** construction, under raised floor site...etc

## SPECIFICATIONS

<b>IEC</b>	30A 480V IP67
<b>Box</b>	2 Gang Weather Box
<b>Conduit</b>	UL 3/4" Liquid-Tight Flexible Metal
<b>Wire</b>	UL 4 WIRE # 10 AWG
<b>Fitting</b>	3/4" UL
<b>Approximate Dimensions</b>	3 FT
<b>Approximate Weight</b>	5 LB



**PART NO:** FCA04436942

**DESCRIPTION:** Assembly of 30A, 400/240V IEC WITH 5 WIRE #10AWG IN Flexible Metal Conduit.

**APPLICATION:** under raised floor, construction site...etc

## SPECIFICATIONS

<b>IEC</b>	30A 400V IP67
<b>Box</b>	Cast Back Box
<b>Conduit</b>	UL 1/2" Liquid-Tight Flexible Metal
<b>Wire</b>	UL 5 WIRE # 10 AWG
<b>Fitting</b>	1/2" UL
<b>Approximate Dimensions</b>	4 FT
<b>Approximate Weight</b>	5 LB

# 50A, 28.8kW Connector Option for Tap Box and PDU's



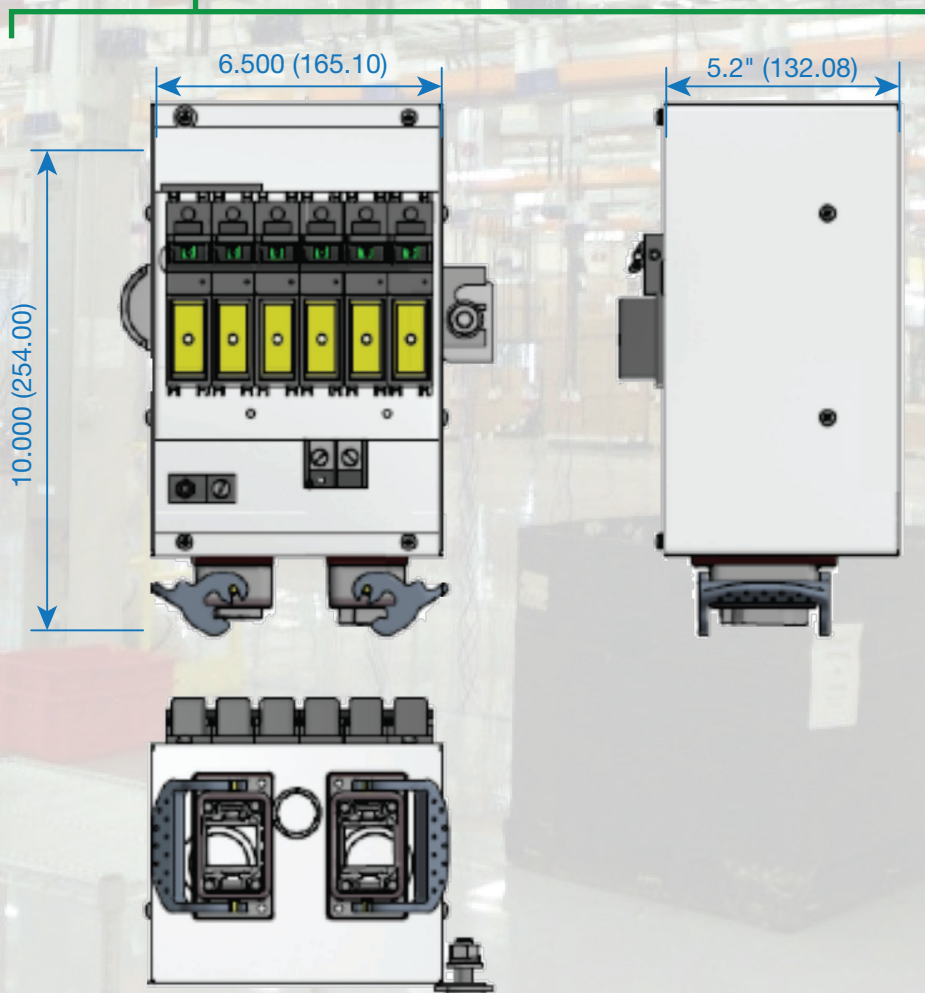
- Walther Cable assemblies or connectors are available to all manufacturers.
- Same Tap Box enclosures as hardwired.
- 30 amp pin and sleeve connector (17.3kW).
- Procon connector 11.5kW more power than the 30A IEC309 for a total of 28.8kW



Rated at 30 amps



Rated at 50 amps



# POWER SUPPLY CORD 50A, 3PH, 28-8kw@415V

## MALE

### Part No. ACAB3F6PM

#### Description:

Procon modular cable assembly, 3FT, 8/5c Type W UL, 50 A, 2000V, modular plug, B6 hood with latch, MOB6 Male Frame, 3.1P Male contact carrier and MO3 Pin contact and M40-15 cable gland.

#### Applications:

Data center, power drops.

#### Specifications

<b>Housing</b>	B6 Hood with Latch
<b>Frame</b>	MOB6 Female
<b>Contact Carrier</b>	3.1P Male Contact
<b>Contact Sleeve</b>	MO3 Sleeve
<b>Cable Approvals</b>	Type with portable power cable 200V
<b>UL: E2071132</b>	Oil resistant, oil resistant inners,
<b>cUL: E20711132</b>	sunlight resistant, 90°C wet or dry,
<b>MSHA: P-7K-268101</b>	8 AWG size, 5 conductor
<b>Conductor Size</b>	8 AWG
<b>Conductor Stranding</b>	133 7x19
<b>Insulation Thickness</b>	0.06"
<b>Nominal O.D.</b>	1.07"
<b>Ampacity</b>	52A



## FEMALE

### Part No. ACAB8F6PF

#### Description:

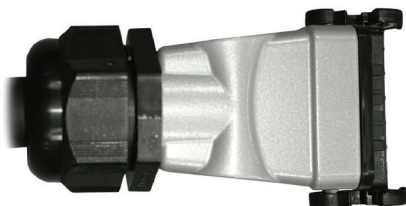
Procon modular cable assembly, 3FT, 8/5c Type W UL, 50 A, 2000V, modular plug, B6 hood with latch, MOB6 Female Frame, 3.1P Female contact carrier and MO3 Pin contact and M40-15 cable gland.

#### Applications:

Data center, power drops.

#### Specifications

<b>Housing</b>	B6 Hood with Latch
<b>Frame</b>	MOB6 Female
<b>Contact Carrier</b>	3.1P Female Contact
<b>Contact Sleeve</b>	MO3 Sleeve
<b>Cable Approvals</b>	Type with portable power cable 200V
<b>UL: E2071132</b>	Oil resistant, oil resistant inners,
<b>cUL: E20711132</b>	sunlight resistant, 90°C wet or dry,
<b>MSHA: P-7K-268101</b>	8 AWG size, 5 conductor
<b>Conductor Size</b>	8 AWG
<b>Conductor Stranding</b>	133 7x19
<b>Insulation Thickness</b>	0.06"
<b>Nominal O.D.</b>	1.07"
<b>Ampacity</b>	52A



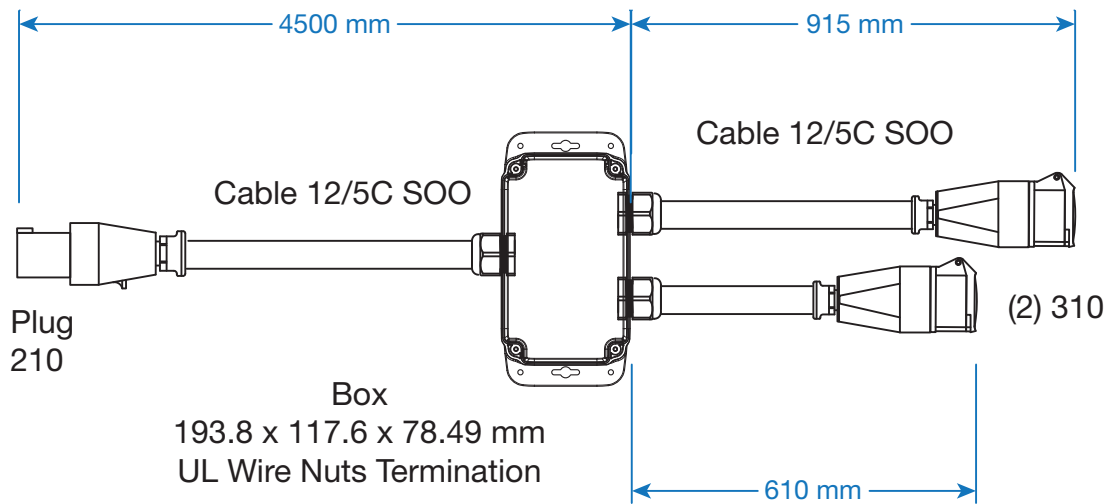


# Walther Electric “Y” Splitter Solutions!

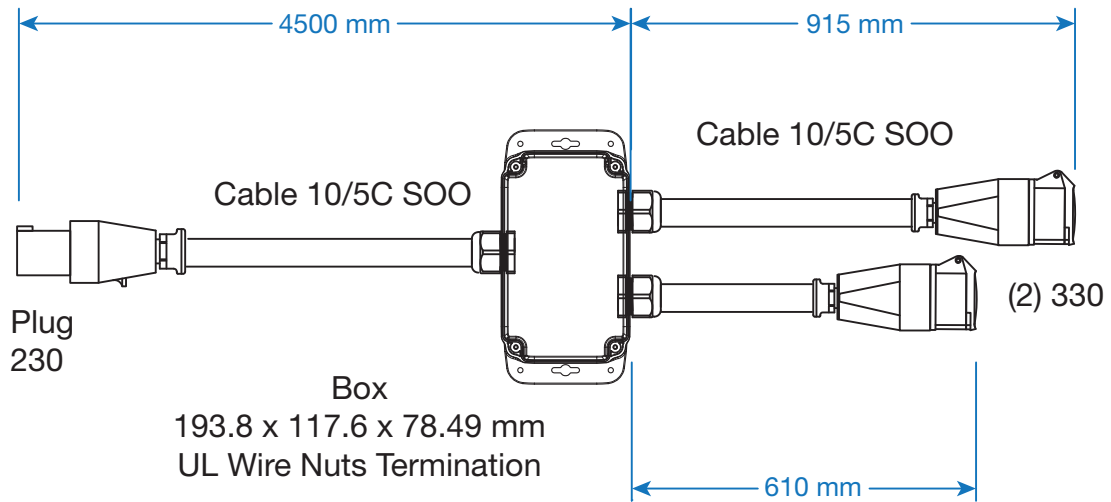
Power from  
Tap Box to PDU's!



## 20 AMP “Y” Splitter Assembly



## 30 AMP “Y” Splitter Assembly

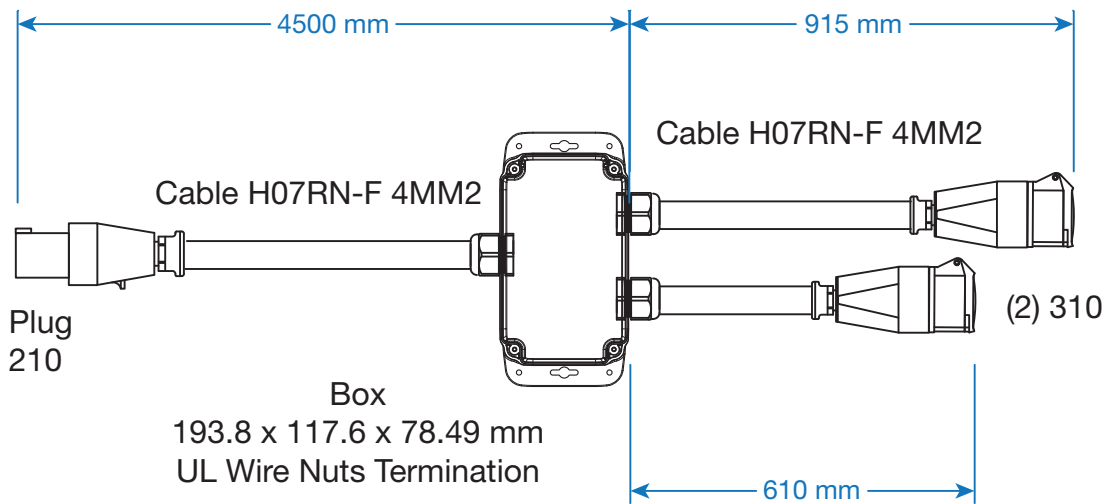


# Walther Electric “Y” Splitter Solutions!

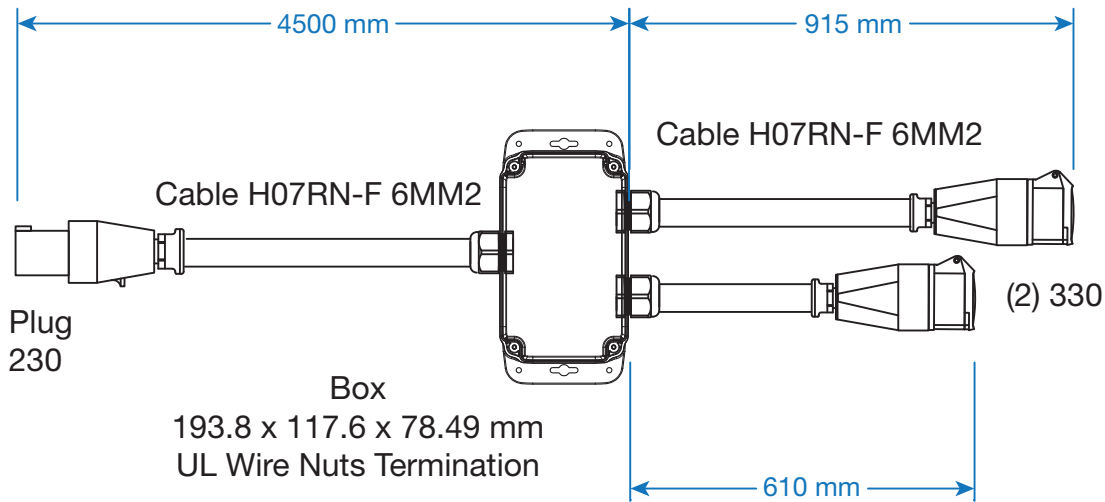
Power from  
Tap Box to PDU's!



## 20 AMP “Y” Splitter Assembly - Harmonized Cable



## 30 AMP “Y” Splitter Assembly - Harmonized Cable



# NEW WALTHER RACK MOUNTED PDU's!

## Custom PDU 60A 3PH - Rack Mount PDU 60 amp-5 wire-480V



### Features and Benefits

- Metal Enclosure, Rack Mount
- Standard 19" Rack Design
- Internal breakers are protected by a transparent hinged cover

**PART NO:** RK06I43

**DESCRIPTION:** Rack Mount  
PDU 277/480 V, 3PH+N+G

**INPUT:** IEC 60A

**OUTPUT:** (3) 30A IEC

**APPLICATION:** Data Centers

### SPECIFICATIONS

<b>Rating</b>	60 A, 277/480V 5 Wire, 3P+N+G
<b>Input</b>	60A IEC Inlet 665519
<b>Output</b>	(3) 30A IEC 430519
<b>Overcurrent Protection</b>	(3) 30A 3 Pole, MCB
<b>Approximate Dimensions</b>	L 19" W 14" H 5.5"
<b>Approximate Weight</b>	13 lbs

## Custom PDU 60A 3PH - Rack Mount Splitter 60 amp- 5 wire-208V



### Features and Benefits

- Metal Enclosure, Rack Mount
- Standard 19" Rack Design
- Internal breakers are protected by a transparent hinged cover

**PART NO:** RK06I53

**DESCRIPTION:** Rack Mount  
PDU 120/208 V, 3PH+N+G

**INPUT:** IEC 60A

**OUTPUT:** (3) 30A IEC

**APPLICATION:** Data Centers

### SPECIFICATIONS

<b>Rating</b>	60 A, 277/480V 5 Wire, 3P+N+G
<b>Input</b>	60A IEC Inlet 665519
<b>Output</b>	(3) 30A IEC 430519
<b>Overcurrent Protection</b>	(3) 30A 3 Pole, MCB
<b>Approximate Dimensions</b>	L 19" W 14" H 5.5"
<b>Approximate Weight</b>	13 lbs





**PIN & SLEEVE DEVICES**

Walther Pin & Sleeve Devices are manufactured to IEC 60309-1 & 2 standards and are interchangeable anywhere in the world with other manufacturers who conform to these IEC specifications: material, ground-pin location, size and color. Walther introduced and wrote the standard for the first IEC 60309 Pin & Sleeve Devices as they are known today. IEC 60309 devices are typically used to supply power for stationary or portable applications – i.e. electrically operated equipment: generator sets, compressors, welders, heating and cooling equipment, lighting or similar apparatus – anytime quick-safe connect/disconnect capabilities are required.



**MECHANICAL INTERLOCK DEVICES**

Walther IEC 60309 Mechanical Interlocks are designed to combine a disconnect switch and receptacle into one compact unit. The mechanical interlock receptacles are built for safety first by eliminating the possibility of making or breaking the circuit under load or by making a haphazard connection. Walther MIs cannot be energized, turned on, until completely plugged in and then they cannot be disconnected, plug removed, until the power is turned off. Units are available in Water-Tight IP67 (NEMA 4X) and Splash-Proof IP44 and MCB Breakered versions.



**POWER DISTRIBUTION UNITS & SYSTEMS**

Walther Electric offers unique, custom-built power distribution units and systems, integrating multiple variations of receptacles plus the installation of a power inlet that combined in a single unit is industry referred to and identified as a “Combination Outlet.” Combination outlets combine multiple like receptacles or an assortment of various different receptacles in one compact enclosure. By integrating numerous receptacles into one electrical enclosure, multiple conduit runs with individual branch circuit wiring can be eliminated. As a result, installation and material costs are significantly reduced. Walther combination outlets are shipped completely wired and ready for use. In most applications only one connection to an incoming current supply and it is ready for use.



**CUSTOM CABLE ASSEMBLIES**

Walther’s UL Custom Cable Assemblies are available in 6’/10’/25’/50’ and 100’ lengths. Other lengths are available via special quote. Walther IEC 60309 Plugs or Connectors are the most common termination devices used, but virtually every other type of NEMA device or CAM- style pins are also used. Plus custom splitter enclosure units are available.



**PROCON HEAVY DUTY CONNECTORS: CAST ALUMINUM & PLASTIC**

Walther Procon™ Heavy Duty Rectangular Connectors provide a safe, error free connection of multiple wire control and power circuitry from 4 to 216 pins. Devices require minimal installation space while providing maximum termination density for use in machine tools, robotics, material handling equipment, conveyors and for virtually all other types of electrical industrial machinery or electronic equipment. Devices replace the need for on-site hardwire installation requirements – simply mate the multi-pin inserts, snap on the cover hood and energize. Wash-down area units are available with an IP68 (Ingress Protection) rating.



**Remote Access Interface Ports**

Walther Remote-Access Interface Ports allow access to data and power from the outside of an enclosure – accomplished by installation of a panel-mount housing interface to the outside of a panel that contains a PLC or computer. The Walther Remote-Access Interface Ports allow users to interface the PLC or computer without opening the panel door thereby eliminating the potential safety hazards associated with an energized open electrical panel. Use eliminates the basic requirements of the mandated (NFPA-70E) need for arc-flash protective equipment and garments.



**MANUAL DISCONNECT SWITCHES**

Walther standard Manual Disconnect Switches combine a horsepower-rated switch in a tough, non-metallic NEMA 4X enclosure for safe surface-mount motor load disconnects. Several other models are available, including surface-mount Fused and Stainless Steel versions plus door-mounted rotary and toggle switch units. All models accept auxiliary contacts.



**FITTINGS & ADAPTERS**

Walther offers a complete-range of Fittings and Adapters with NPT, Metric or PG threads. Units are available in Aluminum, Brass-Nickel Plated and Nylon. Products include Strain-Relief cord connectors with a range of 0.079” to 1.38”, PG to NPT, Metric to NPT, PG to Metric and Metric to PG adapters. All units meet or exceed UL, CSA and VDE specifications.



**E-MOBILITY CHARGING PLUGS, RECEPTACLES AND EV CHARGING STATIONS**

Walther is a worldwide leading manufacturer and supplier of E-Mobility (Electric Vehicle) charging plugs, receptacles and full-service EV Charging Stations. Nearly all industrialized nations, as well as a European-wide agreement, have already implemented the use of public charging stations or have established procedures to immediately advance E-Mobility especially in congested urban areas to help keep air clean and to help protect fossil fuel reserves. The future of the environment belongs to electric vehicles.

F. Walther Electric Corporation, Inc.

12F World's Fair Drive, Somerset, NJ 08873

(800) 925-8437 toll free | 800.925.8437 phone | (732) 537-9209 fax

custserv@waltherelectric.com | www.waltherelectric.com