



# TRAILER SPARE PARTS

AXLES, SUSPENSION, LANDING LEGS & KINGPINS

Ver 1

<b>PRODUCT IDENTIFICATION .....</b>	<b>4-7</b>
Axle & suspension identification .....	4-5
Coding & identification .....	6-7
<b>KINGPINS .....</b>	<b>8-9</b>
<b>LANDING LEGS .....</b>	<b>10-14</b>
Mark V & V HD Landing Legs .....	10-13
Landing Leg Spares .....	13
ATLAS 55 + LG700 Landing Legs .....	14
<b>TWISTLOCKS .....</b>	<b>15</b>
<b>TOOLS .....</b>	<b>16-17</b>
<b>DISC-BRAKE AXLES .....</b>	<b>18-47</b>
ZI9-19W axle - (Wabco Caliper INTEGRAL rotor) - Dual Wheels.....	18-19
ZIL9-19W - (Brake SBW PAN 19-1) Overslung Steer Axle - Dual Wheels.....	20-22
ZIL9-19W - (Brake SBW PAN 19-1) Underslung – Steer Axle - Dual Wheels.....	23-25
ZI9-22K01 - (Brake SBK 2243-11S) -SK7 - Dual Wheels.....	26-27
SKRZ9019W axle - (Wabco Caliper) PAN19-1 - Dual Wheels.....	28-29
SKRZ9019K axle - (Knorr-Bremse Caliper) - Dual Wheels.....	30-31
SKRZ9022K axle - (Knorr-Bremse Caliper) - Dual Wheels.....	32-33
SKRB9019W Intradisc axle - INTEGRAL - (Wabco Caliper) Single Wheels .....	34-35
SKRB 9019W - Brake SBW PAN 19-1 Single Wheels.....	36-37
SKRLB9019W Intradisc steer axle - INTEGRAL - (Wabco Caliper) Single Wheels.....	38-39
SKRB9022K Intradisc axle - INTEGRAL - (Knorr-Bremse Caliper) Single Wheels.....	40-41
SKRLB9022K Intradisc steer axle - INTEGRAL - (Knorr-Bremse Caliper) Single Wheels.....	42-43
BIZL9-22K01 steer axle SBK 2243-11S 01 Brake - Knorr-Bremse - Single Wheel.....	44-45
BI9-22K01 axle SBK 2243 01 (SK7) Brake - Knorr-Bremse - Single Wheel.....	46-47

<b>DRUM-BRAKE AXLES .....</b>	<b>48-72</b>
Z9-4218 NG axle (used on Intradrum) - Dual Wheels.....	48-49
Z9-3720 - (Brake SNK 367 x 200) axle - Dual Wheels.....	50-52
Z11-3020 Low Loader NG axle - Dual Wheels.....	53-54
ZL11-3020 Low Loader NG steer axle - Dual Wheels.....	55-57
KRZ 16242 axle - Dual Wheels.....	58-60
SKRZ9042 axle - Dual Wheels.....	61-62
SKRZ9037 axle (before 15.02.98) - Dual Wheels.....	63-65
SKRZ9037 axle (after 15.02.98) - Dual Wheels.....	66-67
SKRZ9030 axle - Dual Wheels.....	68-69
SKRZ12342/18 axle - Dual Wheels.....	70-72
<b>SUSPENSIONS .....</b>	<b>73-86</b>
Intra suspension range - Intradisc / Intradrum (IO - Overslung / IU - Underslung) .....	73-76
Air Suspension IU27/2000 30V90 .....	77-78
MODUL suspension (M - Overslung) .....	79-81
MODUL suspension (U - Underslung) .....	82-84
AR313 Tag axle MODUL suspension .....	85-86
<b>J-SERIES AXLES .....</b>	<b>87-104</b>
RZ 12242/18C & RZ 10242/18C axles - K2 Hub (10x285.75PCD) .....	87-89
RZ 12242/18C & RZ 10242/18C axles - K2 Hub (10x335PCD) .....	90-92
RZT 12242/18C & RZT 10242/18C axles - K2 Hub (5 spoke) .....	93-95
RZ 12242/18C axle - Std. Hub (10x285.75PCD) .....	96-98
RZ 12242/18C axle - Std. Hub (10x335PCD) .....	99-101
RZT 12242/18C axle - Std. Hub (5 Spoke) .....	102-104
<b>KEDI AXLES .....</b>	<b>105-107</b>
<b>CONDITIONS OF SALE .....</b>	<b>108-109</b>
<b>WARRANTY .....</b>	<b>110-111</b>

## AIR SUSPENSION SYSTEM, TYPE INTRA

Intra suspension is connected to the axle by brackets.



The axle type designation (Version), identification number and serial number (see type plate) are required for the warranty procedure.

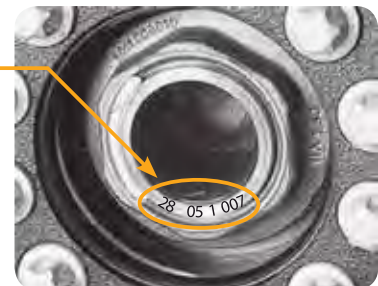
## AIR SUSPENSION SYSTEM, TYPE MODUL

Modul suspension is connected to the axle by U-Bolts.



SAF-HOLLAND GMBH D-63856 BESENBACH · GERMANY			
Version <b>S9-4218</b>	Serial No. <b>284 05 1 007</b>		
Type <b>SNK4218-115</b>	Ident No. <b>147 84 60 2 58 0</b>		
Test Report <b>TDB0381</b>	Perm axle cap. stat. <b>9000 kg</b>		
	V max. <b>105 km/h</b>		
AN 1754524		SN 284051007	

Identification if the type plate is missing: The Serial No. of the axle is embossed in the axle end on the right-hand side (as seen in the direction of travel).





When ordering spare parts quote correct axle identification & serial no., refer to the axle type plate.  
Please provide the following information from the type plate (as below) to ensure correct parts are ordered.

- 1 Axle type (example: "SKRZ 9019W", "SKRLB 9022KI" or "Z9-4218" etc.)
- 2 Ident No. (example: "147 83 25 7 6 69 0" or "171 91 50 7 49 1" etc.)
- 3 Serial No. (example: "167 06 3 648" etc.)

## TYPE PLATE FROM MID-2004

OTTO SAUER ACHSENFABRIK GMBH D-63856 BESSENBACH GERMANY			
Type	<b>SKRB9022WI</b>	Serial No.	<b>229 04 3 229</b>
Basis Type	<b>SBW2243-11S</b>	Ident No.	<b>247 96 38 7 48 1</b>
Test Report	<b>36110702</b>	Perm. axle cap. stat.	<b>9000 kg</b>
		V max.	<b>105 km/h</b>
AN 1280397		SN 229043229	

## TYPE PLATE UP TO MID-2004

OTTO SAUER ACHSENFABRIK KEILBERG D-63854 BESSENBACH / G E R M A N Y			
TYP			
Ident.-No. /Prod.-No.			
zul. Last kg perm. cap. charge adm.	STAT.	TECH.	v max. km/h max. speed vitesse maxi.
TDB-No.		Grundtyp	

## Axle serial number code (up to July 2009)

The serial number looks like this:

DDDYXNNN

DDD = Production day

YY = Production year

X = Site

NNN = Running number per day, year and site

## Axle serial number code (from July 2009)

The serial number looks like this:

XX YY DDD NNNN

XX = Site

YY = Production year

DDD = Production day

NNN = Running number per day

SAF-HOLLAND GMBH D-63856 BESSENBACH • GERMANY			
Version	<b>B9-22K01</b>	Serial No.	<b>11 09 156 0020</b>
Type	<b>SBK2243-11S</b>	Ident No.	<b>347 96 21 7 49 01</b>
Test Report	<b>36110303</b>	Perm. axle cap. stat.	<b>9000 kg</b>
<b>Made in Germany</b>		V max.	<b>105 km/h</b>
AN 3335528		SN 11091560020	

## SAF "SKR...: axle type codes

<b>XXXXX</b> 0000XX	Axle type/generation	SKR	= Super Compact Bearings Round Axle
XXX <b>XX</b> 0000XX	Axle type	(-) L	= Rigid axle = Self-steer axle
XXXX <b>X</b> 0000XX	Tyres/wheels	S B Z	= Single wheels without offset = Single wheels with offset = Twin wheels
XXXXX <b>0000</b> XX	Axle load capacity	90 11	= 9 tonnes load capacity - 11 tonnes load capacity
XXXXX 00 <b>00</b> XX	Brake size	30 37 42 19 22	= Drum diameter 300 mm = Drum diameter 367 mm = Drum diameter 420 mm = Disc brake for 19.5" tyres (Rotor dia. 377 mm) = Disc brake for 22.5" tyres (Rotor dia. 430 mm)
XXXXX 0000 <b>XX</b>	Additional information	W WI K KI	= Wabco caliper classic disc brake rotor = Wabco caliper INTEGRAL disc brake rotor = Knorr caliper classic disc brake rotor = Knorr caliper INTEGRAL disc brake rotor

## New type codes for the new axle generation with disc brakes

<b>XXX0</b> -0X0	Tyres / wheels	S B Z	= Single wheels without offset = Single wheels with offset = Twin wheels
<b>XX</b> X0-0X0	Type of brake disc	I (-)	= INTEGRAL technology = Conventional brake disc
XXX <b>0</b> -0X0	Type of axle	(-) NL VL ZL	= Rigid axles = Self-steering axles = Self-steering axles = Steering axles, twin wheels
XXX <b>0</b> -0X0	Axle load	9 11	= 9 tonnes axle load = 11 tonnes axle load
XXX0- <b>0</b> X0	Brake size	19 22	= 19.5" disc brake = 22.5" disc brake
XXX0- <b>0</b> X0	Brake manufacturer	K W	= KNORR = WABCO
XXX0-0X <b>0</b>	Brake generation	(-) 01	

## New type codes for the new axle generation with drum brakes

<b>XX</b> 0-00	Tyres / wheels	S B Z	= Single wheels without offset = Single wheels with offset = Twin wheels
<b>XX</b> 0-00	Type of axle	(-) L ZL	= Rigid axles = Self-steering axles = Steering axles, twin wheels
<b>XX</b> <b>0</b> -00	Axle load	9 11	= 9 tonnes axle load = 11 tonnes axle load
<b>XX</b> 0- <b>00</b>	Drum diameter	30 37 42	= 300 mm = 367 mm = 420 mm
<b>XX</b> 0- <b>00</b>	Brake shoe width	15 18 20	= 150 mm = 180 mm = 200 mm

---

---

---

---

---

---

---

---

---

---

---

---

---

---

---

---

---

---

---

---

---

---

---

---

---

---

---

---

---

---

## Bolt On Kingpins

Type 65					
Part No	Description	Size	D Value	CRN	Torque
<b>662101609K</b>	50mm Kingpin & 8 bolts (M14x30)	50mm	210kN	16671	200Nm
<b>KPB62818</b>	50mm Kingpin on 8mm mounting plate & 8 bolts	50mm	210kN	16671	200Nm
<b>KPB62018</b>	50mm Kingpin on 10mm mounting plate & 8 bolts	50mm	210kN	16671	200Nm
<b>KPB62218</b>	50mm Kingpin on 12mm mounting plate & 8 bolts	50mm	210kN	16671	200Nm
<b>KPBS0001</b>	50mm Kingpin on 16mm mounting plate & 8 bolts	50mm	210kN	16671	200Nm



Type 67					
Part No	Description	Size	D Value	CRN	Torque
<b>KPB51042BK</b>	90mm Kingpin & 8 bolts (M14x35)	90mm	260kN	16670	240Nm
<b>KPB62010</b>	90mm Kingpin on 8mm mounting plate & 8 bolts	90mm	260kN	16670	240Nm
<b>KPB62012</b>	90mm Kingpin on 10mm mounting plate & 8 bolts	90mm	260kN	16670	240Nm
<b>KPB62014</b>	90mm Kingpin on 12mm mounting plate & 8 bolts	90mm	260kN	16670	240Nm
<b>KPBS0003</b>	90mm Kingpin on 16mm mounting plate & 8 bolts	90mm	260kN	16670	240Nm



## Replaceable Style Kingpin

Part No	Description	Size	D Value	CRN	Torque
<b>XA0676</b>	50mm Kingpin only - suits replaceable style housing	50mm	200kN	16673	400Nm
<b>XA0677</b>	90mm Kingpin only - suits replaceable style housing	90mm	200kN	16674	400Nm
<b>KP0882</b>	50mm Kingpin & 10mm square housing	50mm	200kN	16673	400Nm
<b>KP0883</b>	50mm Kingpin & 12mm square housing	50mm	200kN	16673	400Nm
<b>KP0884</b>	90mm Kingpin & 10mm square housing	90mm	200kN	16674	400Nm
<b>KP0885</b>	90mm Kingpin & 12mm square housing	90mm	200kN	16674	400Nm
<b>XA0767</b>	Replaceable housing only - 10mm				
<b>XA0768</b>	Replaceable housing only - 12mm				



## Mushroom Style Weldable Kingpin

Part No	Description	Size	D Value	CRN	Torque
<b>KPT809EF</b>	50mm kingpin with 8mm flat plate	50mm	151kN	16672	Weld
<b>KPT809F</b>	50mm kingpin with 10mm flat plate	50mm	151kN	16672	Weld
<b>KPT809BF</b>	50mm kingpin with 12mm flat plate	50mm	151kN	16672	Weld

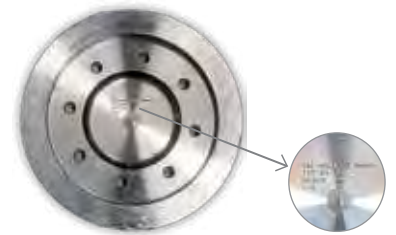


## Accessories

Bolt Kits		
Part No	Description	Size
<b>3341292808</b>	Bolt Kit Qty 8 - to suit Type 65 - 50mm kingpin	M14 x 30
<b>RK330218</b>	Bolt Kit Qty 8 - to suit Type 65 - 50mm kingpin (Pre 2018)	M14 x 35
<b>KP90BK</b>	Bolt Kit Qty 8 - to suit Type 67 - 90mm kingpin	M14 x 35
<b>RK08868</b>	Bolt Kit Qty 8 - to suit 50 & 90mm kingpin (XA0676 & XA0677)	3/4" x 2"

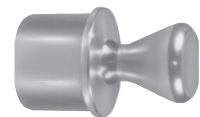


Housing - back plate		
Part No	Description	Size
<b>BP5103808</b>	Housing Only Suits 8mm Plate	50mm / 90mm
<b>BP5103810</b>	Housing Only Suits 10mm Plate	50mm / 90mm
<b>BP5103812</b>	Housing Only Suits 12mm Plate	50mm / 90mm
<b>BP5103816</b>	Housing Only Suits 16mm Plate	50mm / 90mm



Size is on unit (t = 8/10/12/16)

Misc.		
<b>TF0110</b>	Kingpin Gauge Tester	
<b>GL0303000</b>	Kingpin Lock	
<b>TF0237</b>	Jaw Test Plug 50mm	



## MARK V



## MARK V HD



SELF LEVELLING  
(Elephant feet/Sandshoe)

### Landing Legs with Self levelling Feet (Elephant feet/Sandshoe)

Part No	Description	Model	Static Lift	Travel		Retracted		Extended		Outer Case	Wt
				in	mm	in	mm	in	mm		
<b>LGS1Z001</b>	14" Landing Leg Set - incl geared and slave leg	Standard Set	90,720kg	13.5	343	24.8	630	41.3	1049	640	93
<b>LGS3Z001</b>	17" Landing Leg Set - incl geared and slave leg	Standard Set	90,720kg	16.5	419	27.8	706	44.3	1125	720	95
<b>LGS4Z001</b>	18" Landing Leg Set - incl geared and slave leg	Standard Set	90,720kg	17.6	447	28.9	734	49.5	1257	740	97
<b>LGS5Z001</b>	19" Landing Leg Set - incl geared and slave leg	Standard Set	90,720kg	18.7	475	30	762	51.8	1316	770	99
<i>Set comes with 1 metre Cross Shaft and option of short or long Crank Handle.</i>											
<b>XAS81Z001</b>	14" Geared leg with self levelling foot	Geared Leg		13.5	343	24.8	630	41.3	1049	640	52
<b>XAS83Z001</b>	17" Geared leg with self levelling foot	Geared Leg		16.5	419	27.8	706	44.3	1125	720	52
<b>XAS84Z001</b>	18" Geared leg with self levelling foot	Geared Leg		17.6	447	28.9	734	49.5	1257	740	52
<b>XAS85Z001</b>	19" Geared leg with self levelling foot	Geared Leg		18.7	475	30	762	51.8	1316	770	52
<b>XAS91Z001</b>	14" Slave Leg only with self levelling foot	Slave Leg		13.5	343	24.8	630	41.3	1049	640	41
<b>XAS93Z001</b>	17" Slave Leg only with self levelling foot	Slave Leg		16.5	419	27.8	706	44.3	1125	720	41
<b>XAS94Z001</b>	18" Slave Leg only with self levelling foot	Slave Leg		17.6	447	28.9	734	49.5	1257	740	41
<b>XAS95Z001</b>	19" Slave Leg only with self levelling foot	Slave Leg		18.7	475	30	762	51.8	1316	770	41





STANDARD SKID

## Landing Legs with Skid Feet

Part No	Description	Model	Static Lift	Travel		Retracted		Extended		Outer Case	Wt
				in	mm	in	mm	in	mm		
LGS1Z115	14" Landing Leg Set - incl geared and slave leg	Standard Set	90,720kg	13.5	343	24.8	630	42.2	1072	640	98
LGS3Z115	17" Landing Leg Set - incl geared and slave leg	Standard Set	90,720kg	16.5	419	27.8	706	48.2	1224	720	99
LGH4Z312	18" Landing Leg Set - incl geared and slave leg	Heavy Duty	90,720kg	17.6	447	28.9	734	49.5	1257	740	148
LGS5Z115	19" Landing Leg Set - incl geared and slave leg	Standard Set	90,720kg	18.7	475	30	762	52.7	1339	770	101

*Set comes with 1 metre Cross Shaft and option of short or long Crank Handle.*

LGS81Z115	14" Geared leg with skid foot	Geared Leg		13.5	343	24.8	630	41.3	1049	640	55
LGS83Z115	17" Geared leg with skid foot	Geared Leg		16.5	419	27.8	706	44.3	1125	720	55
LGH84Z312	18" Geared leg with skid foot	HD Geared Leg		17.6	447	28.9	734	49.5	1257	740	74
LGS85Z115	19" Geared leg with skid foot	Geared Leg		18.7	475	30	762	51.8	1316	770	55
LGS91Z115	14" Slave Leg only with skid foot	Slave Leg		13.5	343	24.8	630	41.3	1049	640	43
LGS93Z115	17" Slave Leg only with skid foot	Slave Leg		16.5	419	27.8	706	44.3	1125	720	43
LGH94Z312	18" Slave Leg only with skid foot	HD Slave Leg		17.6	447	28.9	734	49.5	1257	740	62
LGS95Z115	19" Slave Leg only with skid foot	Slave Leg		18.7	475	30	762	51.8	1316	770	43



WHEEL

## Landing Legs with Wheeled Feet

Part No	Description	Model	Static Lift	Travel		Retracted		Extended		Outer Case	Wt
				in	mm	in	mm	in	mm		
LGS1Z103	14" Landing Leg Set - incl geared and slave leg	Standard Set	90,720kg	13.5	343	24.8	630	42.2	1072	640	101
LGS3Z103	17" Landing Leg Set - incl geared and slave leg	Standard Set	90,720kg	16.5	419	27.8	706	48.2	1224	720	102
LGS5Z103	19" Landing Leg Set - incl geared and slave leg	Standard Set	90,720kg	18.7	475	30	762	49.5	1257	770	105

*Set comes with 1 metre Cross Shaft and option of short or long Crank Handle.*

LGS81Z103	14" Geared leg with wheeled foot	Geared Leg		13.5	343	24.8	630	41.3	1049	640	56
LGS83Z103	17" Geared leg with wheeled foot	Geared Leg		16.5	419	27.8	706	44.3	1125	720	56
LGS85Z103	19" Geared leg with wheeled foot	Geared Leg		18.7	475	30	762	51.8	1316	770	56
LGS91Z103	14" Slave Leg only with wheeled foot	Slave Leg		13.5	343	24.8	630	41.3	1049	640	45
LGS93Z103	17" Slave Leg only with wheeled foot	Slave Leg		16.5	419	27.8	706	44.3	1125	720	45
LGS95Z103	19" Slave Leg only with wheeled foot	Slave Leg		18.7	475	30	762	51.8	1316	770	45



## Landing Legs with Rocker Feet

Part No	Description	Model	Static Lift	Travel		Retracted		Extended		Outer Case	Wt
				in	mm	in	mm	in	mm		
<b>LGS1Z120</b>	14" Landing Leg Set - incl geared and slave leg	Standard Set	90,720kg	13.5	343	24.8	630	41.1	1044	640	106
<b>LGS3Z120</b>	17" Landing Leg Set - incl geared and slave leg	Standard Set	90,720kg	16.5	419	27.8	706	47.1	1196	720	109
<b>LGH4Z320</b>	18" Landing Leg Set - incl geared and slave leg	Heavy Duty	90,720kg	17.6	447	28.9	734	49.5	1257	740	148
<b>LGS5Z120</b>	19" Landing Leg Set - incl geared and slave leg	Standard Set	90,720kg	18.7	475	30	762	51.5	1308	770	112
<i>Set comes with 1 metre Cross Shaft and option of short or long Crank Handle.</i>											
<b>LGS81Z120</b>	14" Geared leg with rocker foot	Geared Leg		13.5	343	24.8	630	41.3	1049	640	59
<b>LGS83Z120</b>	17" Geared leg with rocker foot	Geared Leg		16.5	419	27.8	706	44.3	1125	720	59
<b>LGH84Z320</b>	18" Geared leg with rocker foot	HD Geared Leg		17.6	447	28.9	734	49.5	1257	740	74
<b>LGS85Z120</b>	19" Geared leg with rocker foot	Geared Leg		18.7	475	30	762	51.8	1316	770	59
<b>LGS91Z120</b>	14" Slave Leg only with rocker foot	Slave Leg		13.5	343	24.8	630	41.3	1049	640	47
<b>LGS93Z120</b>	17" Slave Leg only with rocker foot	Slave Leg		16.5	419	27.8	706	44.3	1125	720	47
<b>LGH94Z320</b>	18" Slave Leg only with rocker foot	HD Slave Leg		17.6	447	28.9	734	49.5	1257	740	62
<b>LGS95Z120</b>	19" Slave Leg only with rocker foot	Slave Leg		18.7	475	30	762	51.8	1316	770	47
<b>LGS3Z120R</b>	17" Landing Leg Set - incl geared and slave leg	Reverse Gear Set	90,720kg	16.5	419	27.8	706	47.1	1196	720	118
<b>LGS5Z120R</b>	19" Landing Leg Set - incl geared and slave leg	Reverse Gear Set	90,720kg	18.7	475	30	762	51.5	1308	770	121



COMPENSATING

## Landing Legs with Compensating Feet

Part No	Description	Model	Static Lift	Travel		Retracted		Extended		Outer Case	Wt
				in	mm	in	mm	in	mm		
LGS1Z109	14" Landing Leg Set - incl geared and slave leg	Standard Set	90,720kg	13.5	343	24.8	630	41.1	1044	640	112
LGS3Z109	17" Landing Leg Set - incl geared and slave leg	Standard Set	90,720kg	16.5	419	27.8	706	47.1	1196	720	118
LGS5Z109	19" Landing Leg Set - incl geared and slave leg	Standard Set	90,720kg	18.7	475	30	762	51.5	1308	770	121
<i>Set comes with 1 metre Cross Shaft and option of short or long Crank Handle.</i>											
LGS81Z109	14" Geared leg with compensating foot	Geared Leg		13.5	343	24.8	630	41.3	1049	640	60
LGS83Z109	17" Geared leg with compensating foot	Geared Leg		16.5	419	27.8	706	44.3	1125	720	60
LGS85Z109	19" Geared leg with compensating foot	Geared Leg		18.7	475	30	762	51.8	1316	770	60
LGS91Z109	14" Slave Leg only with compensating foot	Slave Leg		13.5	343	24.8	630	41.3	1049	640	48
LGS93Z109	17" Slave Leg only with compensating foot	Slave Leg		16.5	419	27.8	706	44.3	1125	720	48
LGS95Z109	19" Slave Leg only with compensating foot	Slave Leg		18.7	475	30	762	51.8	1316	770	48
LGS3Z109R	17" Landing Leg Set - incl geared and slave leg	Reverse Gear Set	90,720kg	16.5	419	27.8	795	47.1	1196	720	118
LGS5Z109R	19" Landing Leg Set - incl geared and slave leg	Reverse Gear Set	90,720kg	18.7	475	30	823	51.5	1308	770	121

## Landing Leg Spares

### Landing Leg Crank Handles

#### SPEED CRANKS

Vertical Folding

Part No	Description	A Length
112023	Speed Crank Handle	355mm
112025	Speed Crank Handle	508mm

#### OEM MARK V Crank Handles

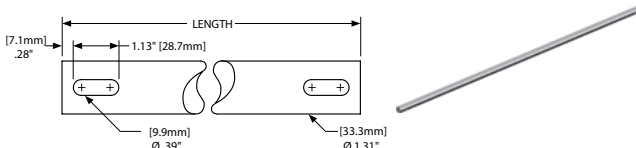
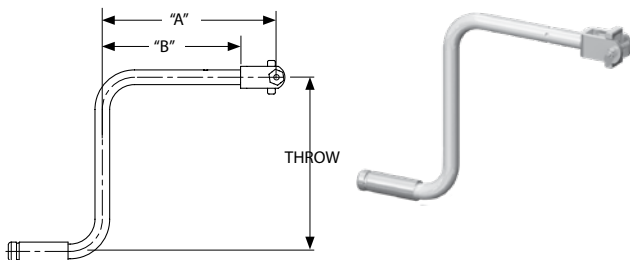
Vertical Folding

Part No	Description	A Length
XAV9010A	Crank handle long	450mm
XAV902A	Crank handle short	314mm

### Landing Leg Cross Shafts

#### CROSS DRIVE SHAFT

Part No	Description	A Length
LG00943950P06	Cross Drive Shaft for landing legs	1mtre / 39.5"
LG0094	Cross Drive Shaft for landing legs	1730mm



## ATLAS 55



## LG700



STANDARD SKID



COMPENSATING



ROCKER

### Atlas 55 Landing Legs

Part No	Description	Model	Static Lift	Travel		Retracted		Extended		Outer Case	Wt
				in	mm	in	mm	in	mm		
<b>LG4019S</b>	19" Landing Leg Set - incl geared and slave leg	Skid Feet	77,000kg	19	482.6	33.7	856	41.3	1049	762	81
<b>LG4019C</b>	19" Landing Leg Set - incl geared and slave leg	Comp Feet	77,000kg	19	482.6	33.7	856	44.3	1125	762	98
<b>LG4019R</b>	19" Landing Leg Set - incl geared and slave leg	Rocker Feet	77,000kg	19	482.6	33.7	856	44.3	1125	762	98



### LG700 Landing Leg Kit

Part No	Description	Model	Static Lift	Travel		Retracted		Extended		Outer Case	Wt
				in	mm	in	mm	in	mm		
<b>LG700</b>	Binkley Leg Spring Lift Handle- KIT	Standard	9,090kg	26	660	24.38	619	50.38	1280	784	30

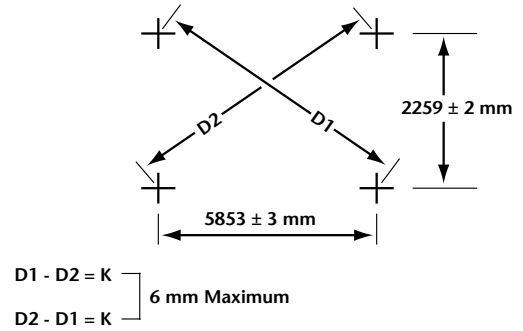
SAF-Holland's retractable twistlocks offer one handed easy operation and with its open design ensures easy maintenance.

The securing head retracts below the deck level which allows for the cartage of both containerised and non-containerised loads. An additional feature is the supporting of the Twistlock throughout the entire shaft length.

The operating lever has a positive lock through the full 90 degrees and offers visible detection of incorrect locking.

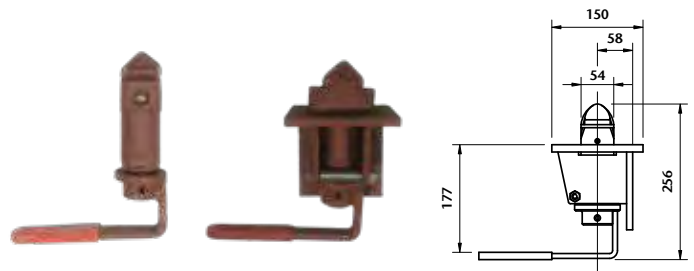
The twistlock is simply installed to any trailer configuration, made to ISO 1496 and ISO 1161 standards. Axial load rating 105kN.

## TWISTLOCK INSTALLATION TOLERANCES



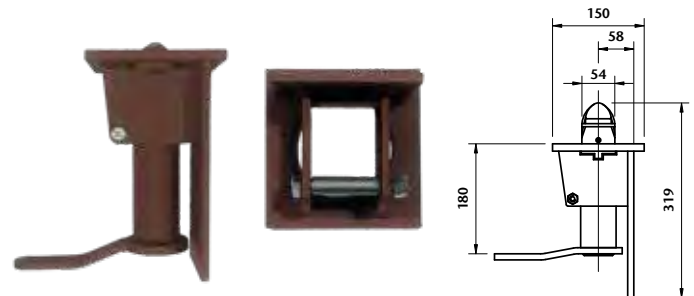
### Standard Twistlock

Part No	Description	Information
HTL001	Twistlock assembly standard (256mm length)	105kN
HTL002	Twistlock body (standard size)	140mm body
HTL003	Twistlock register (standard size) - drop handle	256mm



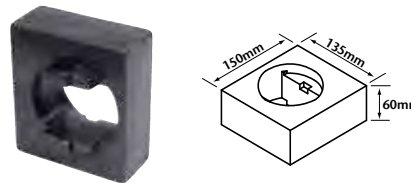
### Extended Twistlock

Part No	Description	Information
HTL004	Twistlock assembly extended (319mm length)	105kN
HTL005	Twistlock body (extended size)	252mm body
HTL006	Twistlock register (extended size)	319mm
HTL010	Twistlock assembly (252mm body) and drop handle	Uses HTL003 & HTL005



### Packer Block

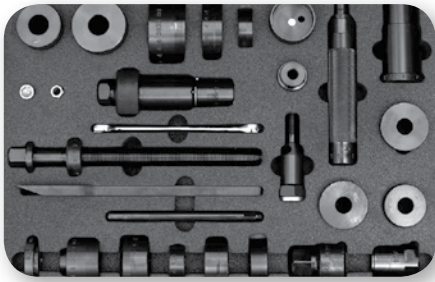
Part No	Description	Size (mm)
HTL007	Twistlock Packer Block (suits extended size)	150 x 135 x 60



### Short Handle

Part No	Description	Information
HTL008	Twistlock assembly standard - short handle	Uses HTL002 & HTL009
HTL009	Twistlock register standard - short handle	Short handle
HTL011	Twistlock assembly - 252mm body and short handle	Uses HTL005 & HTL009





**1. UNIVERSAL DISC BRAKE TOOL KIT**

SAF Part No. 3434332800



**2. AXLE NUT WRENCH W.A.F. 140MM (INTRADISC)**

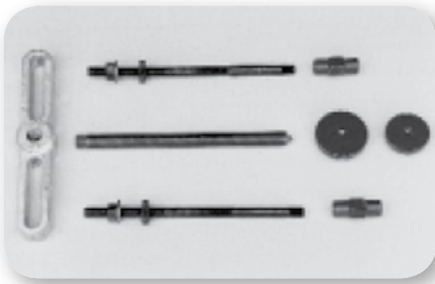
SAF Part No. 1012002400



**2a. AXLE NUT WRENCH W.A.F. 85MM**

(JSAF + Integral)

SAF Part No. 2501880



**3. UNIVERSAL HUB PULLER 285 PCD**

SAF Part No. 4434382200



**4. 3D BUSH TOOL (INTRADISC)**

SAF Part No. 3434332600



**5. RING/OPEN-END SPANNER WITH ADAPTOR WAF 8 / 10 MM**

SAF Part No. 3434332700



**6. WHEEL CAP REMOVAL LEVER**

SAF Part No. 1434104100

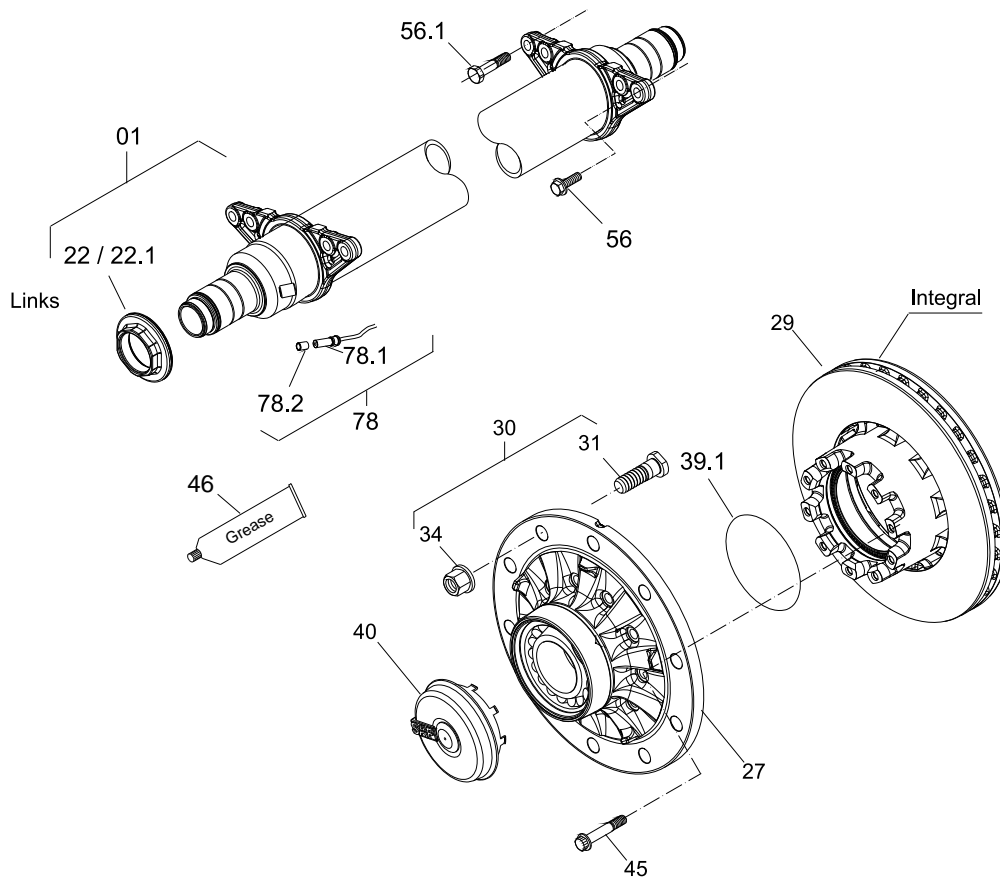
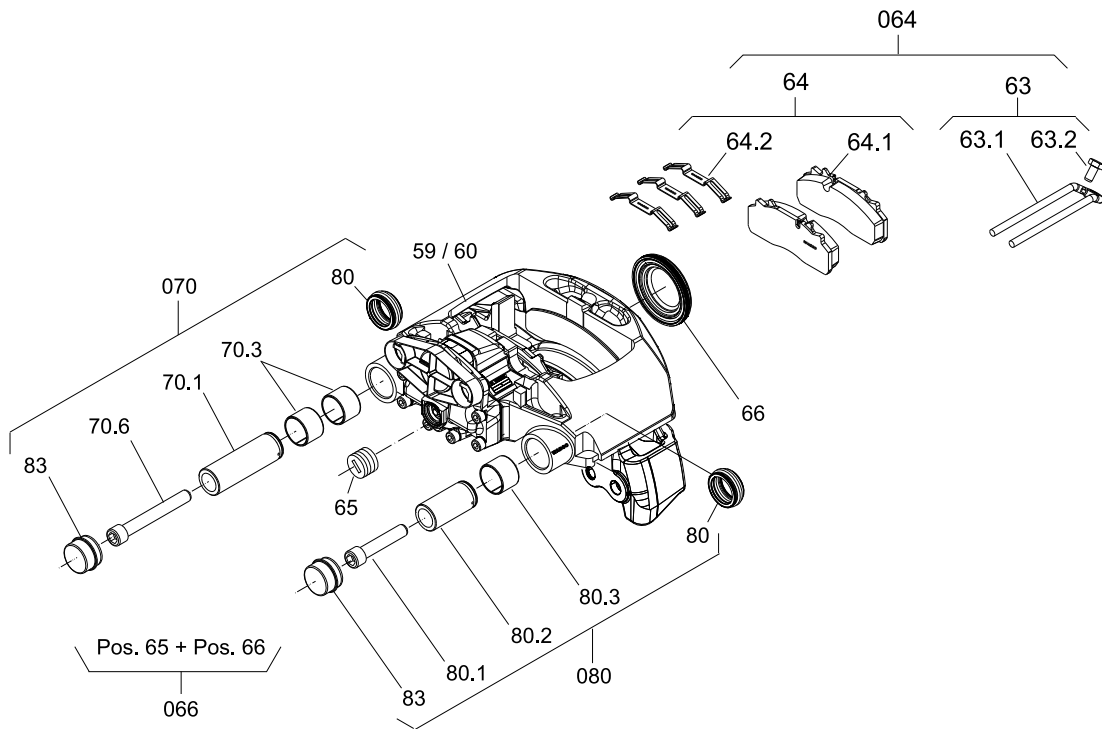




# ZI9-19W Intradisc INTEGRAL axle



WABCO CALIPER INTEGRAL ROTOR - DUAL WHEELS



ZI9-19W Intradisc INTEGRAL axle

IPL\_17\_300\_0

Intradisc Integral Axle				
Version ZI9-19W Disc brake - dual wheels - Wabco caliper.				
Description	Part No.	Notes		
Full hub to Hub axle - Overslung	IOZI919W-3	10stud-335PCD - (no airbags or shockers)		
Full hub to Hub axle - Overslung	IOZI919W-7	8stud-275PCD - (no airbags or shockers)		
Full hub to Hub axle - Overslung	IOZI919W-8	10stud-285PCD - (no airbags or shockers)		
Full hub to Hub axle - Underslung	IUZI919W-3	10stud-335PCD - (no airbags or shockers)		
Full hub to Hub axle - Underslung	IUZI919W-7	8stud-275PCD - (no airbags or shockers)		
Full hub to Hub axle - Underslung	IUZI919W-8	10stud-285PCD - (no airbags or shockers)		
Beam only - Overslung	03516328000	Beam only with trailing arms.		
Beam only - Underslung	03516327700	Beam only with trailing arms.		

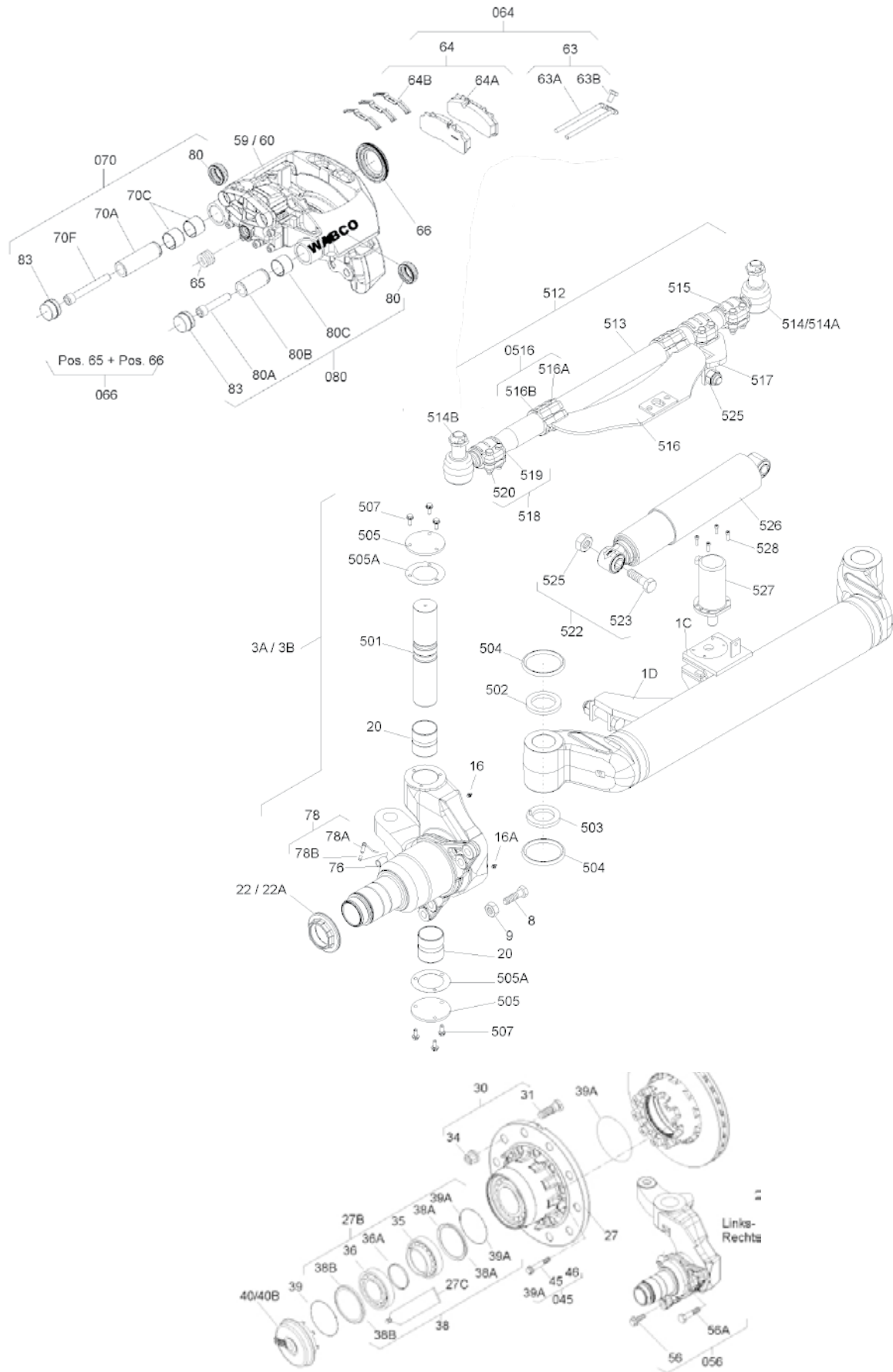
  

Item	Part No.	Qty	Description	Qty per Axle
1	See type plate	1	Axle beam assembly (See Ident. No. on the type plate) Bare beam U/03516327700 0/03516328000	1
22	1011008600	1	Axle nut RH - M75x1.5/SW85 (without groove)	1
22.1	1011008500	1	Axle nut LH - M75x1.5/SW85 (with groove)	1
27	3307304900	1	Hub unit - INTEGRAL - 10x285.75PCD	2
27	3307304800	1	Hub unit - INTEGRAL - 8x275PCD	2
27	3307305500	1	Hub unit - INTEGRAL - 10x335PCD	1
29	3079001601	1	Brake disc (INTEGRAL rotor) - Dual steel/alloy wheels - 10x285.75PCD, 10x335PCB 8x275PCD	2
31	1303112810	1	Wheel stud - M22x1.5x103 - Dual steel/alloy wheels (stepped body)	16/20
34	4247301201	1	Wheel nut M22x1.5x27 - SW32 (4 247 3012 20 Box 20)	16/20
34	33272215	1	Wheel nut M22x1.5x27 - SW33	16/20
39.1	4315007500	1	O-ring, hub seal, 92mmx4	1
40	3304010201	1	Hub cap/ Hub cap O ring 4315008200	2
40.2	4304010301	1	Hub cap for hubodometer + Seal	2
45	4375100912	1	Hub/rotor bolts M14x1.5x65 – 12pt socket	20
45-46-39.1	3434366300		Hub kit – 10 x M14 bolts, hub o-ring and grease	
56	4375100610	1	Bolt with collar M18 - Caliper	6
56.1	4375100810	1	Centering bolt M18 - Caliper	2
59	3080007200	1	Brake caliper assy, WABCO RH	1
60	3080007100	1	Brake caliper assy, WABCO LH	1
064	3057008000	1	Brake pad kit (incl. 63, 64.1, 64.2 & 65) - 4 Pads	1
066	34343829 00	1	Repair-kit (incl. 65 & 66)	2
070	3434382701	1	Guide pin kit (incl. 65, 66, 70.1 - 70.6 & 080) Caliper Repair Kit	2
78	3029024200	1	ABS Sensor and clamping sleeve kit	2
78.1	4410350010	1	Sensor ABS Wabco	2
78.2	8997598824	1	Clamping sleeve - ABS	2
	3434302218	1	Intra integral bearing and seal kit	1
	3434302500	1	Seal Kit	1
Avail.	3434366000	1	Caliper bolt kit ZI9-19W Axle suits One Caliper (4 bolts)	1
	3606304900	1	Hub and rotor assy 10 x 285	1
Tools	2501880	1	Hub nut socket (SW85mm) (Option 4 434 382 800L)	1
	2501871	1	Universal hub puller	1
	3434332800	1	SAF universal toolbox (Wabco & Knorr calipers)	1
	3434332700	1	SAF ratchet wrench	1

# ZIL9-19W Brake SBW PAN19-1



## OVERSLUNG



ZIL9-19W Brake SBW PAN19-1

Item	Part No.	Qty	Description	Dimensions / reference	Qty per Axle
<b>01</b>	03516328000	1	Axle beam		1
<b>1C</b>		1	Reverse gear lock		1
<b>1D</b>		1	Shock mount bracket		1
<b>3A</b>	3222186100	1	Steering knuckel assembly left	Pos. 4-9, 16-20, 22 ,25,	1
<b>501-506</b>		1			
<b>3B</b>	3222186200	1	Steering knuckel assembly right	Pos. 4-9, 16-20, 22 ,25,	1
<b>501-506</b>		1			
<b>8</b>	4343208001	1	Screw	M20x110	2
<b>9</b>	4342101780	1	Nut	M20	2
<b>16</b>	4201000100	1	Grease nipple	16L/AM8x1	2
<b>16A</b>	4201000200	1	Grease nipple	23,5L/BM8x1	2
<b>20</b>	4230017000	1	Bearing bush	ø65/60x70	4
<b>22</b>	1011008600	1	Axle nut right	M75x1,5/SW85	1
<b>22A</b>	1011008500	1	Axle nut left	M75x1,5/SW85	1
<b>27</b>	3307304900	1	Hub unit INTEGRAL 285 PCD	TK285,75-10L	2
<b>27B</b>	3434302218	1	Repair kit wheel bearing	88mm	2
<b>29</b>	3079001601	1	Brake disc INTEGRAL 19.5"	ø 377mm x50x145	2
<b>31</b>	1303112810	1	Wheel bolt	M22x1,5x103 - ALU	20
<b>34</b>	4247301201	1	Wheel bolt nut	M22x1,5x27H/SW32	20
<b>35</b>		1	Roller bearing	B/S/Z-Serie	2
<b>36</b>		1	Roller bearing	B/S/Z-Serie	2
<b>36A</b>		1	Holding ring		2
<b>38</b>	3434302500	1	Repair kit grease change	Pos. 27C, 36A, 38A, 38B, 39A	2
<b>38A</b>		1	Sealing ring (inside)	D112/138,5x11	2
<b>38B</b>		1	Sealing ring (outside)	D112/138,5x6	2
<b>39</b>		1	O-ring	ø139,07x5,33	2
<b>39A</b>	4315007500	1	O-ring	ø92x4	2
<b>40</b>	3304010201	1	Hub cap incl. O-Ring	S/Z/ZI/BI	2
<b>40B</b>	4304010301	1	Wheel cap assembly + hubodometer	S/Z/ZI/BI	2
<b>45</b>	4375100912	1	Double hex rotor bolt	M14	20
<b>045</b>		1	Accessories disc brake	Pos. 39A, 45, 46	2
<b>46</b>	5387001503	1	Grease	RENOLIT PASTE AZO-1 /	2
		1		5g Beute	
<b>056</b>	3434366000	1	Brake calliper fixing bolts kit	Pos. 56, 56.1	2
<b>56</b>	4375100610	1	Double hex bolt	M18x1,5x55	6
<b>56A</b>	4375100810	1	Pivot retaining bolt	M18x1,5x55	2
<b>59</b>	3080007100	1	Brake calliper assembly left	PAN19-1 - 4 Loch -	1
		1		inklusive P	
<b>60</b>	3080007200	1	Brake calliper assembly right	PAN19-1 - 4 Loch -	1
		1		inklusive	
<b>63</b>		1	Mounting plate kit (Knorr)	Pos. 63.1-63.2	2
<b>63A</b>		1	Mounting plate (Wabco)		2
<b>63B</b>		1	Bow screw (Wabco)		2
<b>064</b>	3057008000	1	Brake lining kit	19,5" - Pos. 63, 64.1, 64.2	1
<b>64A</b>		1	Brake lining		4

# ZIL9-19W Brake SBW PAN19-1

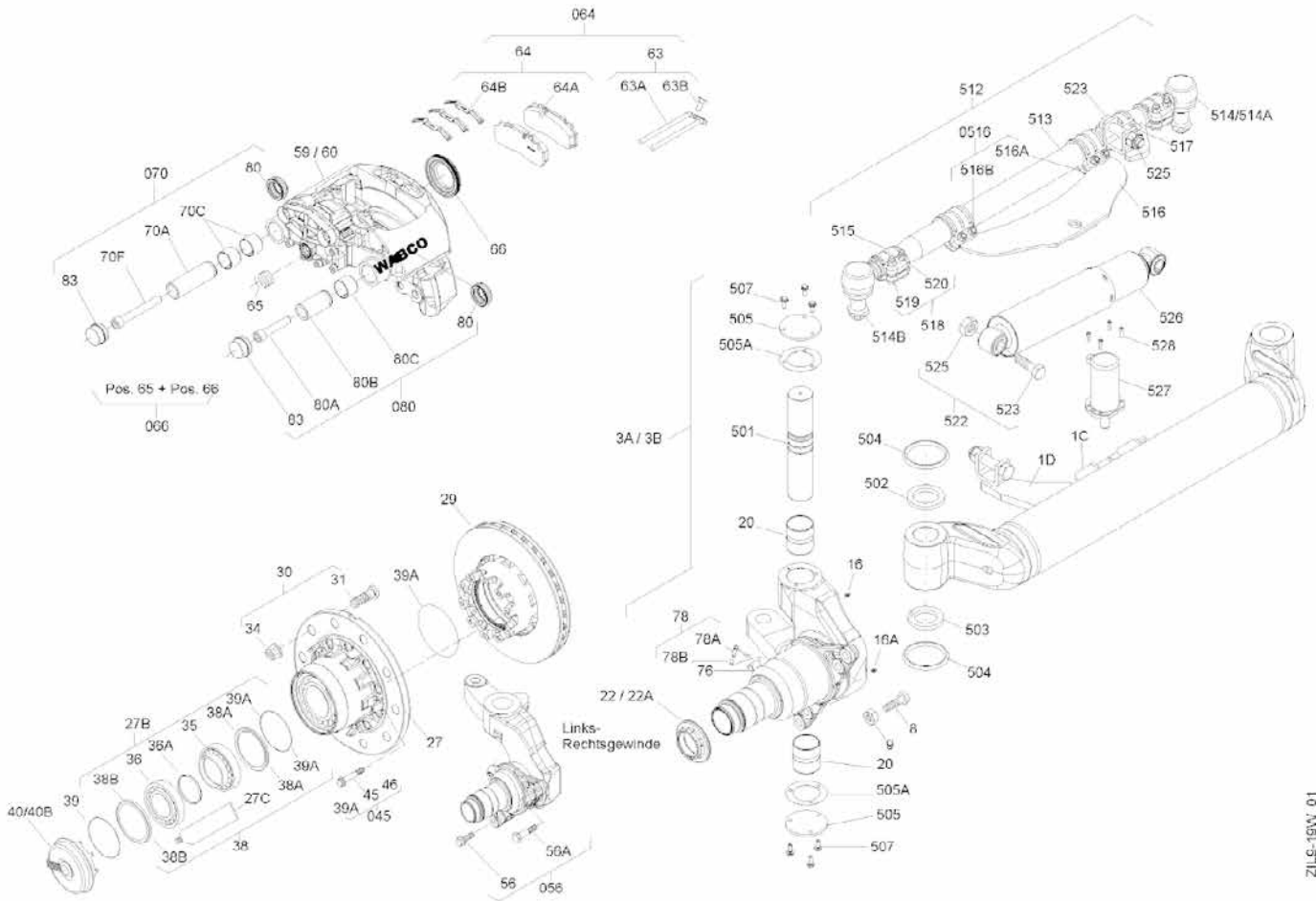


## OVERSLUNG – *continued*

Item	Part No.	Qty	Description	Dimensions / reference	Qty per Axle
<b>64B</b>		1	Spring clamp		4
<b>65</b>		1	Plug (Wabco)		2
<b>66</b>	3434382900	1	Guide-/seal kit (Wabco)		2
<b>66</b>		1	Protecting cap (Wabco)		2
<b>70</b>	3434382701	1	Guide-/seal kit		2
<b>70A</b>		1	Guide pin (Wabco)		2
<b>70C</b>		1	Bush (HALDEX)		4
<b>70F</b>		1	Cylinder screw (Knorr)		2
<b>76</b>		1	Holder	19/13 H11x26	2
<b>78</b>	3029024200	1	ABS sensor	Pos. 78.1, 78.2	2
<b>78A</b>	4029107000	1	Sensor		2
<b>78B</b>		1	Locating sleeve		2
<b>80</b>		1	Bellow (Knorr)		2
<b>80</b>		1	Guide-/seal kit		2
<b>80A</b>		1	Cylinder screw (Knorr)		2
<b>80B</b>		1	Guide pin (Wabco)		2
<b>80C</b>		1	Bush (HALDEX)		2
<b>83</b>		1	Cap (Knorr)		4
<b>500</b>	3434365700	1	Repair kit steering knuckle	Pos. 20, 501-507	2
<b>501</b>		1	Steering bolt	ø60x298	2
<b>502</b>		1	Thrust plate	ø90/62x9,8	2
<b>503</b>		1	Thrust plate	unten / down	2
<b>504</b>		1	O-ring	ø84x11	4
<b>505</b>		1	Cover plate	ø100x6/TK80	4
<b>505A</b>		1	Gasket	ø100/64,5x0,5	4
<b>507</b>		1	Screw	M8x22-KL90	12
<b>512</b>	3357020600	1	Track rod assembly	58x1080-1139	1
<b>513</b>		1	Track rod	58x980	1
<b>514</b>	2205000300	1	Ball joint left	Konus 38	1
<b>514A</b>	2205000400	1	Ball joint right	Konus 38	1
<b>514B</b>	4202101150	1	Castle nut	M30x1,5	2
<b>515</b>		1	Collar	ø48	2
<b>516</b>	2193004600	1	Lock plate		1
<b>516</b>	3341202319	1	Screw assembly	M12x1,5x65	6
<b>516A</b>		1	Screw	M12x1,5x65	6
<b>516B</b>		1	Safety flange	M12x1,5	6
<b>517</b>		1	Clamping piece		1
<b>518</b>		1	Screw assembly	M12x1,5x62	4
<b>519</b>		1	Screw	M12x1,5x62	4
<b>520</b>		1	Safety flange	M12x1,5	4
<b>522</b>	3341002319	1	Screw assembly	Pos. 523-525	2
<b>523</b>	4343002388	1	Screw	M24x110	2
<b>525</b>	4247401480	1	Safety flange	M24	2
<b>526</b>	2376101300	1	Shock absorber		1
<b>527</b>	4454300400	1	Cylinder	ø65x50	1
<b>528</b>	4375400188	1	Cylinder screw (Knorr)	M6x20	4

ZIL9-19W Brake SBW PAN19-1





ZIL9-19W\_01

ZIL9-19W Brake SBW PAN19-1

# ZIL9-19W Brake SBW PAN19-1

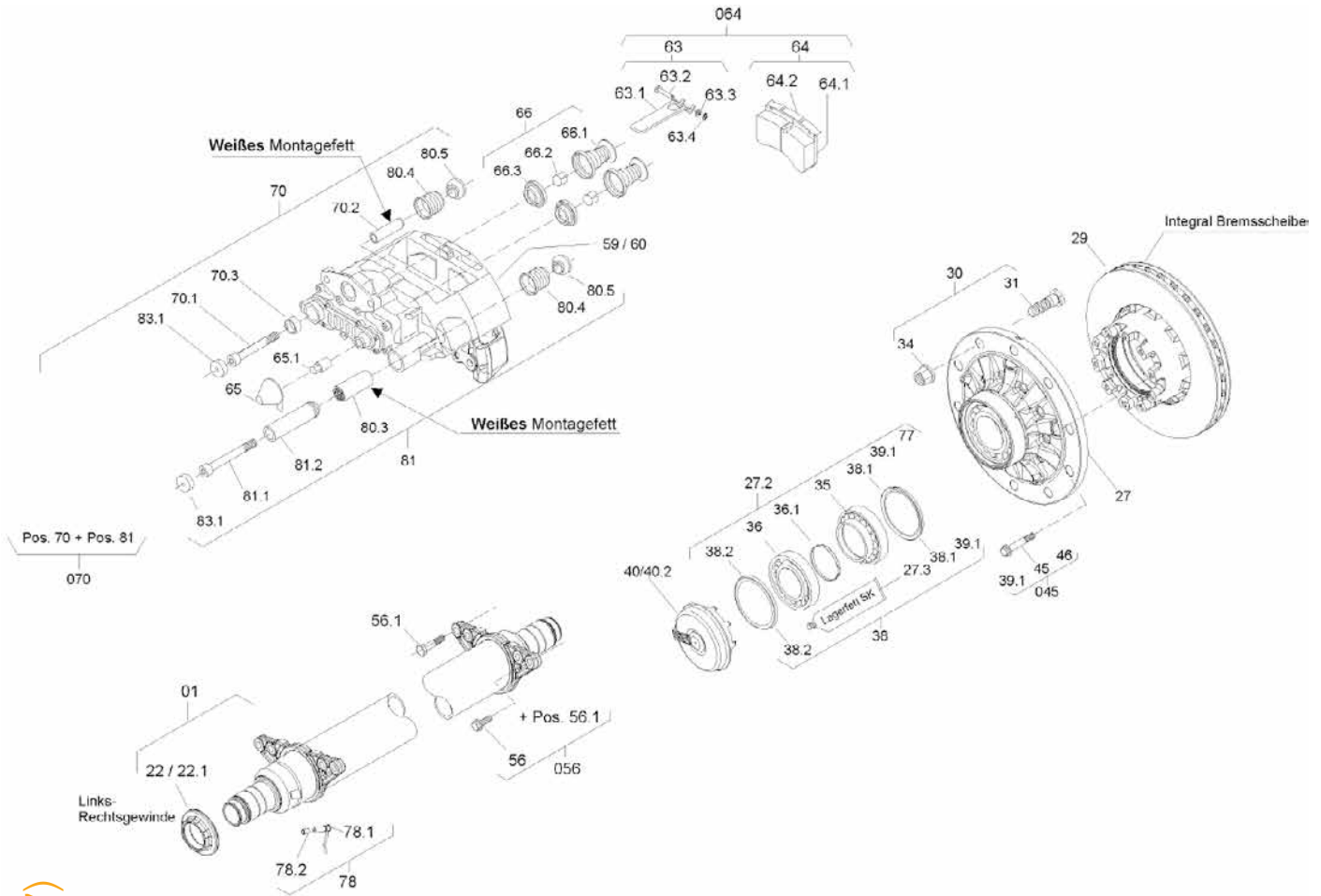


## UNDERSLUNG – *continued*

Item	Part No.	Qty	Description	Dimensions / reference	Qty per Axle
<b>1</b>		1	Axle beam assembly		1
<b>3A</b>	3222185900	1	Steering knuckel assembly left		1
<b>3B</b>	3222186000	1	Steering knuckel assembly right		1
<b>8</b>	4343208001	1	Screw	M20x110	2
<b>9</b>	4342001780	1	Nut	M20	2
<b>16A</b>	4201000200	1	Grease nipple	23,5L/BM8x1	4
<b>20</b>	4230017000	1	Bearing bush	ø65/60x70	4
<b>22</b>	1011008600	1	Axle nut right	M75x1,5/SW85	1
<b>22A</b>	1011008500	1	Axle nut left	M75x1,5/SW85	1
<b>27</b>	3307304900	1	Hub unit INTEGRAL	TK285,75-10L	2
<b>27B</b>	3434302218	1	Repair kit wheel bearing	88mm	2
<b>29</b>	3079001601	1	Brake disc INTEGRAL	ø 377mm x50x145	2
<b>31</b>	1303112810	1	Wheel bolt	M22x1,5x103 - ALU	20
<b>34</b>	4247301201	1	Wheel bolt nut	M22x1,5x27H/SW32	20
<b>35</b>		1	Roller bearing	B/S/Z-Serie	2
<b>36</b>		1	Roller bearing	B/S/Z-Serie	2
<b>36A</b>		1	Holding ring		2
<b>38</b>	3434302500	1	Repair kit grease change		2
<b>38A</b>		1	Sealing ring (inside)	ø112/138,5x11	2
<b>38B</b>		1	Sealing ring (outside)	ø112/138,5x6	2
<b>39</b>		1	O-ring	ø139,07x5,33	2
<b>39A</b>	4315007500	1	O-ring	ø92x4	2
<b>40</b>	3304010201	1	Hub cap incl. O-Ring	S/Z/ZI/BI	2
<b>40B</b>	3304010302	1	Wheel cap assembly / hubodometer	S/Z/ZI/BI	2
<b>45</b>	4375100912	1	Double hex bolt	M14	20
<b>45</b>		1	Accessories disc brake		2
<b>46</b>	5387004203	1	SAF LiLube Easy Fit	5g	2
<b>056</b>	3434366000	1	Brake calliper fixing bolts kit		2
<b>56</b>	4375100610	1	Double hex bolt	M18x1,5x55	6
<b>56A</b>	4375100810	1	Pivot retaining bolt	M18x1,5x55	2
<b>59</b>	3080007101	1	Brake calliper assembly left	PAN19-1 - 4 Loch - inklusive P	1
<b>60</b>	3080007201	1	Brake calliper assembly right	PAN19-1 - 4 Loch - inklusive	1
<b>63</b>		1	Mounting plate kit (Knorr)		2
<b>63A</b>		1	Mounting plate (Wabco)		2
<b>63B</b>		1	Bow screw (Wabco)		2
<b>63E</b>	3424200100	1	Brake pad wear indicator	WABCO 19,5"	1
<b>64</b>	3057008000	1	Brake lining kit	19,5"	1
<b>64A</b>		1	Brake lining		4
<b>64B</b>		1	Spring clamp		4
<b>65</b>		1	Plug (Wabco)		2
<b>66</b>	3434382900	1	Guide-/seal kit (Wabco)		2
<b>66</b>		1	Protecting cap (Wabco)		2

ZIL9-19W Brake SBW PAN19-1

Item	Part No.	Qty	Description	Dimensions / reference	Qty per Axle
70	3434382701	1	Guide-/seal kit		2
70A		1	Guide pin (Wabco)		2
70C		1	Bush (HALDEX)		4
70F		1	Cylinder screw (Knorr)		2
76		1	Holder	19/13 H11x26	2
78	3029024200	1	ABS sensor kit		2
78A	4029107000	1	Sensor		2
78B		1	Locating sleeve		2
80		1	Bellow (Knorr)		2
80		1	Guide-/seal kit		2
80A		1	Cylinder screw (Knorr)		2
80B		1	Guide pin (Wabco)		2
80C		1	Bush (HALDEX)		2
83		1	Cap (Knorr)		4
500	3434365700	1	Repair kit steering knuckle		2
501		1	Steering bolt	ø60x298	2
502		1	Thrust plate	ø90/62x9,8	2
503		1	Thrust plate	uten / down	2
504		1	O-ring	ø84x11	4
505		1	Cover plate	ø100x6/TK80	4
505A		1	Gasket	ø100/64,5x0,5	4
507		1	Screw	M8x22-KL90	12
512	3357020600	1	Track rod assembly	ø58x1080-1139mm	1
513		1	Track rod	58x980	1
514	2205000300	1	Ball joint left	Konus 38	1
514A	2205000400	1	Ball joint right	Konus 38	1
514B	4202101150	1	Castle nut	M30x1,5	2
515		1	Collar	ø48	2
516	2193004600	1	Lock plate		1
516	3341202319	1	Screw assembly	M12x1,5x70	6
516A		1	Screw	M12x1,5x70	6
516B		1	Safety flange	M12x1,5	6
517		1	Clamping piece		1
518		1	Screw assembly	M12x1,5x62	4
519		1	Screw	M12x1,5x62	4
520		1	Safety flange	M12x1,5	4
522	3341002319	1	Screw assembly	M24x110	2
523	4343002388	1	Screw	M24x110	2
525	4247401480	1	Safety flange	M24	2
526	2376101300	1	Shock absorber		1
527	4454300400	1	Cylinder	ø65x50	1
528	4375400188	1	Cylinder screw (Knorr)	M6x20	4



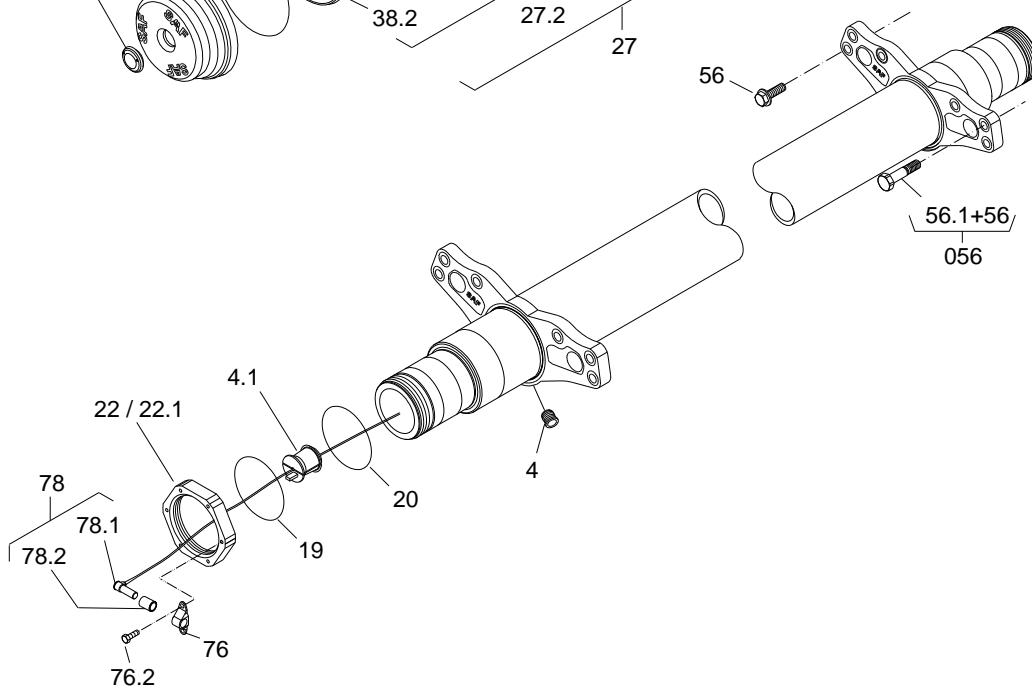
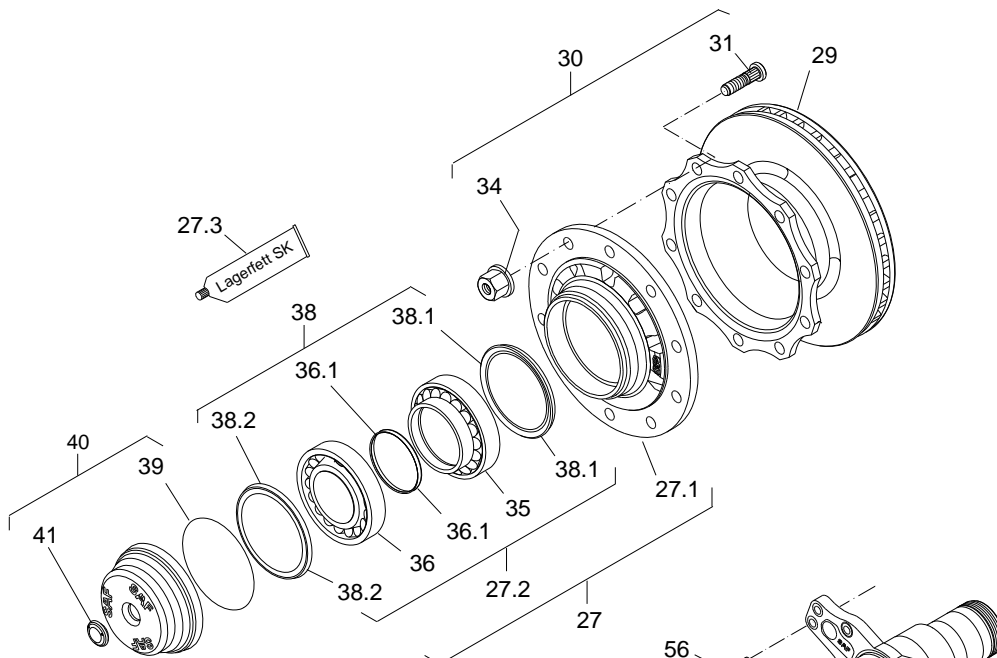
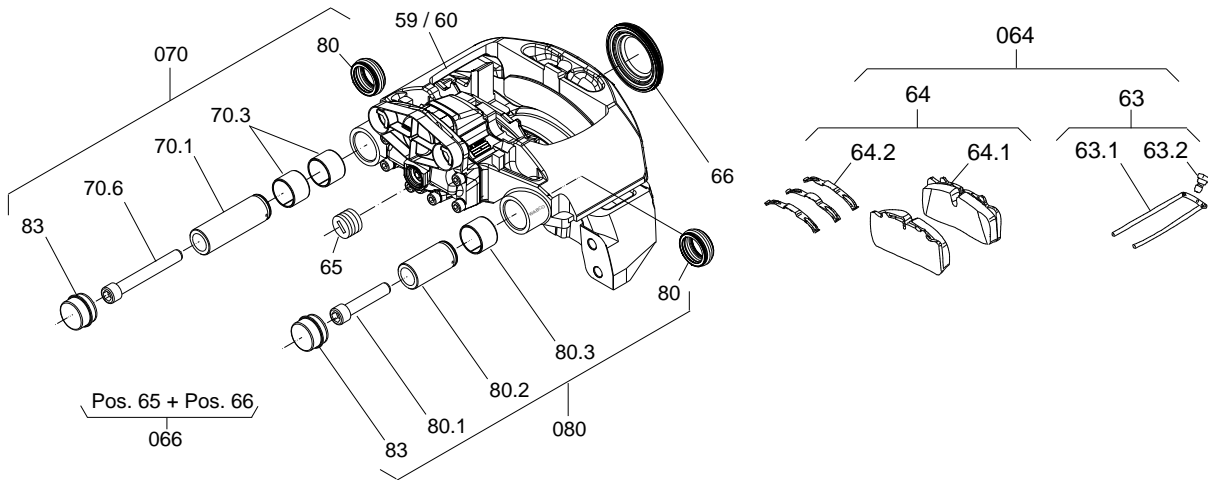
ZI9-22K01 Brake SBK 2243-11S (SK7)

Item	Part No.	Qty	Description	Dimensions / reference	Qty per Axle
22	1011008600	1	Axle nut right	M75x1,5/SW85	1
22.1	1011008500	1	Axle nut left	M75x1,5/SW85	1
27	3307304900	1	Hub unit INTEGRAL 285 PCD 10 Stud	TK285,75-10L	2
27.2	3434302218	1	Repair kit wheel bearing	88mm	2
29	3079001501	1	Brake disc INTEGRAL 22.5"	ø 430mm x45x135	2
31	1303112810	1	Wheel bolt	M22x1,5x103 - ALU	20
34	4247301201	1	Wheel bolt nut	M22x1,5x27H/SW32	20
35		1	Roller bearing	B/S/Z-Serie	2
36		1	Roller bearing	B/S/Z-Serie	2
36.1		1	Holding ring		2

Item	Part No.	Qty	Description	Dimensions / reference	Qty per Axle
<b>38</b>	3434302500	1	Repair kit grease change		2
<b>38.1</b>		1	Sealing ring (inside)	Ø112/138,5x11	2
<b>38.2</b>		1	Sealing ring (outside)	Ø112/138,5x6	2
<b>39</b>		1	O-ring	Ø139,07x5,33	2
<b>39.1</b>	4315007500	1	O-ring	Ø92x4	2
<b>40</b>	3304010201	1	Hub cap incl. O-Ring	S/Z/ZI/BI	2
<b>40.2</b>	3304010301	1	Wheel cap assembly / hubodometer	S/Z/ZI/BI	2
<b>45</b>		1	Accessories disc brake		2
<b>45</b>	4375100912	1	Double hex bolt	M14	20
<b>46</b>	5387004203	1	SAF LiLube Easy Fit	5g	2
<b>56</b>	3434366000	1	Brake calliper fixing bolts kit		2
<b>56</b>	4375100610	1	Double hex bolt	M18x1,5x55	6
<b>56.1</b>	4375100810	1	Pivot retaining bolt	M18x1,5x55	2
<b>59</b>	3080005901	1	Brake calliper assembly left	SBK2243 01	1
<b>60</b>	3080006001	1	Brake calliper assembly right	SBK2243 01	1
<b>63</b>		1	Mounting plate kit (Knorr)	22,5"	2
<b>63.1</b>		1	Mounting plate (Wabco)	22,5"	2
<b>63.2</b>		1	Guide pin (Wabco)	22,5"	2
<b>63.3</b>		1	Washer (Knorr)	22,5"	2
<b>63.4</b>		1	Cotter pin (Knorr)	22,5"	2
<b>64</b>	3057008500	1	Brake lining kit	22,5"	1
<b>64.1</b>		1	Brake lining	22,5"	4
<b>64.2</b>		1	Spring clamp		4
<b>65</b>		1	Adjusting cap (Knorr)		2
<b>65.1</b>		1	Adaptor (Knorr)		2
<b>66</b>	3434381400	1	Thrust member	SN/SK	2
<b>66.1</b>		1	Thruster with bellows		4
<b>66.2</b>		1	Bush (Knorr)		4
<b>66.3</b>		1	Sealing ring		4
<b>70</b>	3434381500	1	Guide-/seal kit	SK7, (SN7 ab Ausf. 3 080...21)	2
<b>70</b>		1	Guide-/seal kit		2
<b>70.1</b>		1	Cylinder screw (Knorr)	M16x1,5	2
<b>70.2</b>		1	bushing guide with guide bush (Knorr)		2
<b>70.3</b>		1	Guide bush (Knorr)		2
<b>77</b>		1	Exciter ring	90 Zähne	2
<b>78</b>	3029024200	1	ABS sensor		2
<b>78.1</b>	4029107000	1	Sensor		2
<b>78.2</b>		1	Locating sleeve		2
<b>80.3</b>		1	Brass bush		2
<b>80.4</b>		1	Bellow (Knorr)		2
<b>80.5</b>		1	O-ring		2
<b>81</b>		1	Guide-/seal kit		2
<b>81.1</b>		1	Cylinder screw (Knorr)		2
<b>81.2</b>		1	Bushing guide (Knorr)		2
<b>83.1</b>		1	Steel cap (Knorr)		2

# SK RZ 9019W Intradisc axle

WABCO CALIPER PAN19-1 - DUAL WHEELS



SK RZ 9019W Intradisc axle

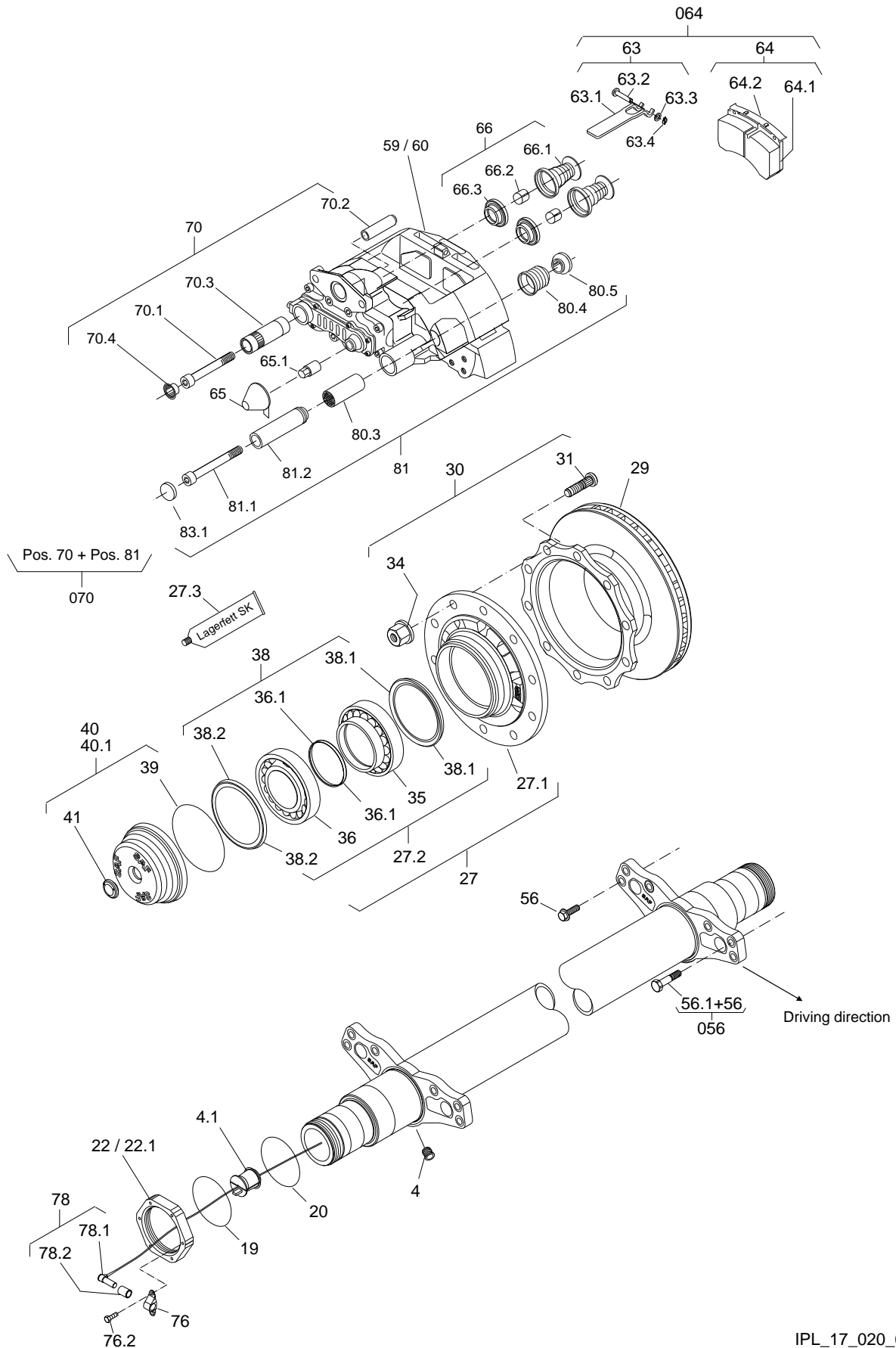
IPL\_17\_031\_0



Item	Part No.	Qty	Description	Qty per Axle
1	See type plate	1	Axle beam assembly (See Ident. No. on the type plate) Bare beam IO 0351644000 IU 351653500	1
4	4337202800	1	ABS Protection plug	2
4.1	4337202900	1	ABS cable plug (inside of spindle)	2
19	4315005200	1	Axle nut lock O-Ring $\phi$ 116x3	2
20	4315005600	1	Spindle O-Ring $\phi$ 110x2	2
22	1011007001	1	Axle nut RH - M120x2/SW140 (without groove)	1
22.1	1011007101	1	Axle nut LH - M120x2/SW140 (with groove)	1
27	3307302600	1	Hub assembly (Incl.27.1, 35, 36, 36.1, 38.1 & 38.2) - Dual alloy wheels - 8x275PCD	2
27	3307302501	1	Hub assembly (Incl.27.1, 35, 36, 36.1, 38.1 & 38.2) - Dual steel wheels - 8x275PCD	2
27	3307303300	1	Hub assembly (Incl.27.1, 35, 36, 36.1, 38.1 & 38.2) - Dual alloy wheels - 10x285.75PCD	2
27.2	3434301201	1	Bearing and seal kit (Incl. 20, 27.3, 35, 36, 36.1 & 38)	2
27.3	5387001105	1	Bearing grease pack (230gr)	2
29	4079000400	1	Brake disc (rotor) - Dual steel only wheels - 8x275PCD Star face	2
29	4079001400	1	Brake disc (rotor) - Dual steel/alloy wheels - 8x275PCD Round face	2
29	4079001201	1	Brake disc (rotor) - Dual steel/alloy wheels - 10x285.75PCD	2
31	1303107512	1	Wheel stud - M22x1.5x93 - Dual steel wheels	16/20
31	1303111210	1	Wheel stud - M22x1.5x112 - Dual steel/alloy wh. (straight body - used with 1 095 1057 00 sleeve)	16/20
31	1303112510	1	Wheel stud - M22x1.5x112 - Dual steel/alloy wheels (stepped body)	16/20
N.A.	1095105700	1	Wheel stud sleeve (used with 1 303 1112 10 stud)	16/20
34	4247301201	1	Wheel nut M22x1.5x27 - SW32	16/20
34	33272215	1	Wheel nut M22x1.5x27 - SW33	16/20
38	3434301401	1	Seal repair kit (Incl. 20, 27.3, 36.1, 38.1 & 38.2)	2
39	4315005400	1	Hub cap O-Ring $\phi$ 182x4	2
40	3304109200	1	Hub cap assembly - Chromed - (Incl. 39-41)	2
40	3304009200	1	Hub cap assembly - Matt finish - (Incl. 39-41)	2
41	4337202601	1	Protection plug	2
N.A.	1094003701	1	Hubodometer installation washer	1
56	4343291410	1	Bolt with collar M16x1.5	10
56.1	4375100410	1	Centering bolt M16x1.5	2
59	3080003200	1	Brake caliper assy, WABCO PAN19-1, RH c/w brake pads	1
60	3080003300	1	Brake caliper assy, WABCO PAN19-1, LH c/w brake pads	1
64	3057008000	1	Brake pad kit (incl. 63, 64.1, 64.2 & 65)	1
66	3434382900	1	Repair-kit (incl. 65 & 66)	2
70	3434382701	1	Guide pin kit (incl. 65, 66, 70.1 - 70.6 & 080) Caliper Repair Kit	2
76	4189005100	1	Sensor mount bracket	2
76.2	4343206700	1	Sensor mount screw M6x12 (self tapping)	4
Tools	1012002400	1	Hub nut socket (SW140mm)	1
	2501871	1	Universal hub puller	1
	3434332800	1	SAF universal toolbox (Wabco & Knorr calipers)	1
	3434332700	1	SAF ratchet wrench	1
	6401959232	1	Main piston seal kit with piston. Suit WABCO pan 19 & 22 caliper	1

# SK RZ 9019K axle

KNORR CALIPER SN6 - DUAL WHEELS



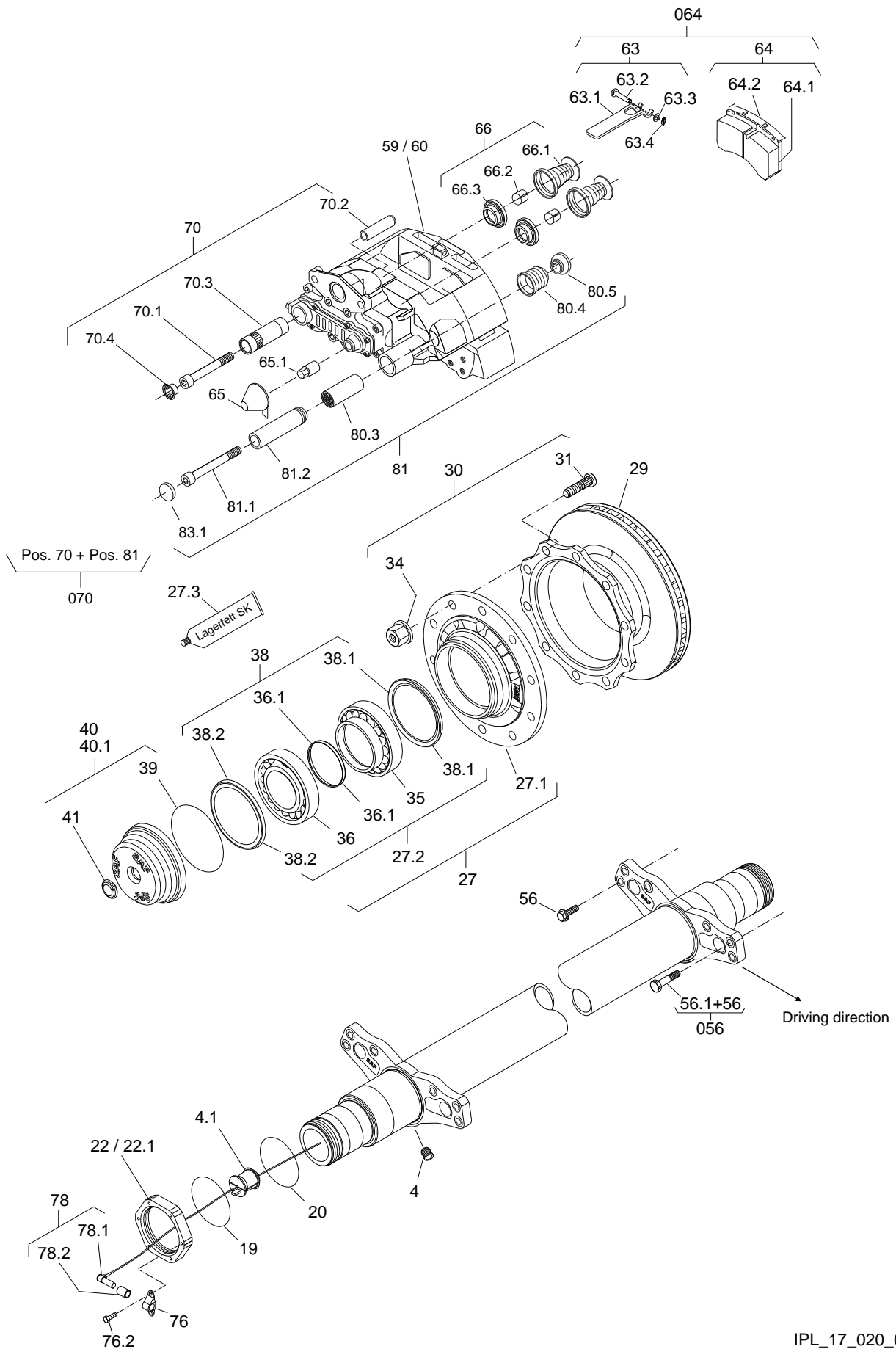
SK RZ 9019K axle

IPL\_17\_020\_0

Item	Part No.	Qty	Description	Qty per Axle
1	See type plate	1	Axle beam assembly (See Ident. No. on the type plate)	1
4	4337202800	1	ABS Protection plug	2
4.1	4337202900	1	ABS cable plug (inside of spindle)	2
19	4315005200	1	Axle nut lock O-Ring $\phi$ 116x3	2
20	4315005600	1	Spindle O-Ring $\phi$ 110x2	2
22	1011007001	1	Axle nut RH - M120x2/SW140 (without groove)	1
22.1	1011007101	1	Axle nut LH - M120x2/SW140 (with groove)	1
27	3307302600	1	Hub assembly (Incl.27.1, 35, 36, 36.1, 38.1 & 38.2) - Dual alloy wheels - 8x275PCD - 8 Stud - 19.5"	2
27	3307302501	1	Hub assembly (Incl.27.1, 35, 36, 36.1, 38.1 & 38.2) - Dual steel wheels - 8x275PCD - 8 Stud - 19.5"	2
27	3307303300	1	Hub assembly (Incl.27.1, 35, 36, 36.1, 38.1 & 38.2) - Dual alloy wheels - 10x285.75PCD - 10 Stud	2
27.2	3434301201	1	Bearing and seal kit (Incl. 20, 27.3, 35, 36, 36.1 & 38)	2
27.3	5387001105	1	Bearing grease pack (230gr)	2
29	4079000400	1	Brake disc (rotor) - Dual steel only wheels - 8x275PCD Star shaped mount	2
29	4079001400	1	Brake disc (rotor) - Dual steel/alloy wheels - 8x275PCD Round face	2
29	4079001201	1	Brake disc (rotor) - Dual steel/alloy wheels - 10x285.75PCD	2
31	1303107512	1	Wheel stud - M22x1.5x93 - Dual steel wheels	16/20
31	1303111210	1	Wheel stud - M22x1.5x112 - Dual steel/alloy wh. (straight body - used with 1 095 105700 sleeve)	16/20
31	1303112510	1	Wheel stud - M22x1.5x112 - Dual steel/alloy wheels (stepped body)	16/20
N.A.	1095105700	1	Wheel stud sleeve (used with 1 303 1112 10 stud)	16/20
34	4247301201	1	Wheel nut M22x1.5x27 - SW32	16/20
34	4373004300	1	Wheel nut M22x1.5x27 - SW32 - Dual alloy sleeved	16/20
34		1	Wheel nut M22x1.5x27 - SW33	16/20
38	3434301401	1	Seal repair kit (Incl. 20, 27.3, 36.1, 38.1 & 38.2)	2
39	4315005400	1	Hub cap O-Ring $\phi$ 182x4	2
40	3304109200	1	Hub cap assembly - Chromed - (Incl. 39-41)	2
40	3304009200	1	Hub cap assembly - Matt finish - (Incl. 39-41)	2
41	4337202601	1	Protection plug	2
N.A.	1094003701	1	Hubodometer installation washer	1
56	4343291410	1	Bolt with collar M16x1.5	10
56.1	4375100410	1	Centering bolt M16x1.5	2
59	3080002401	1	Brake caliper assy, Knorr Bremse (SN6) - RH c/w brake pads	1
60	3080002501	1	Brake caliper assy, Knorr Bremse (SN6) - LH c/w brake pads	1
63		1	Lining holder kit (incl. 63.1 - 63.4)	2
64	3057007800	1	Brake lining kit (incl 64.1 & 64.2)	1
66	3434381400	1	Tappet kit SN6 & SN7 (incl. 66.1 - 66.3)	2
70	3434381200	1	Guide/Seal kit SN6 & SN7 (incl. 65, 70.1 - 70.3 & 81)	2
76	4189005100	1	Sensor mount bracket	2
76.2	4343206700	1	Sensor mount screw M6x12 (self tapping)	4
Tools	1012002400	1	Hub nut socket (SW 140 mm)	1
	2501871	1	Universal hub puller	1
	3434332800	1	SAF universal toolbox (Wabco & Knorr calipers)	1
	2501890	1	3D bush replacement tool.(Suit 10 x 285 only)	1
	5387004203	1	SAF Fitting Paste 5gm (to be applied to spindles)	1
	3434332700	1	SAF ratchet wrench	1

# SK RZ 9022K axle

KNORR CALIPER SN7 - DUAL WHEELS



SK RZ 9022K axle

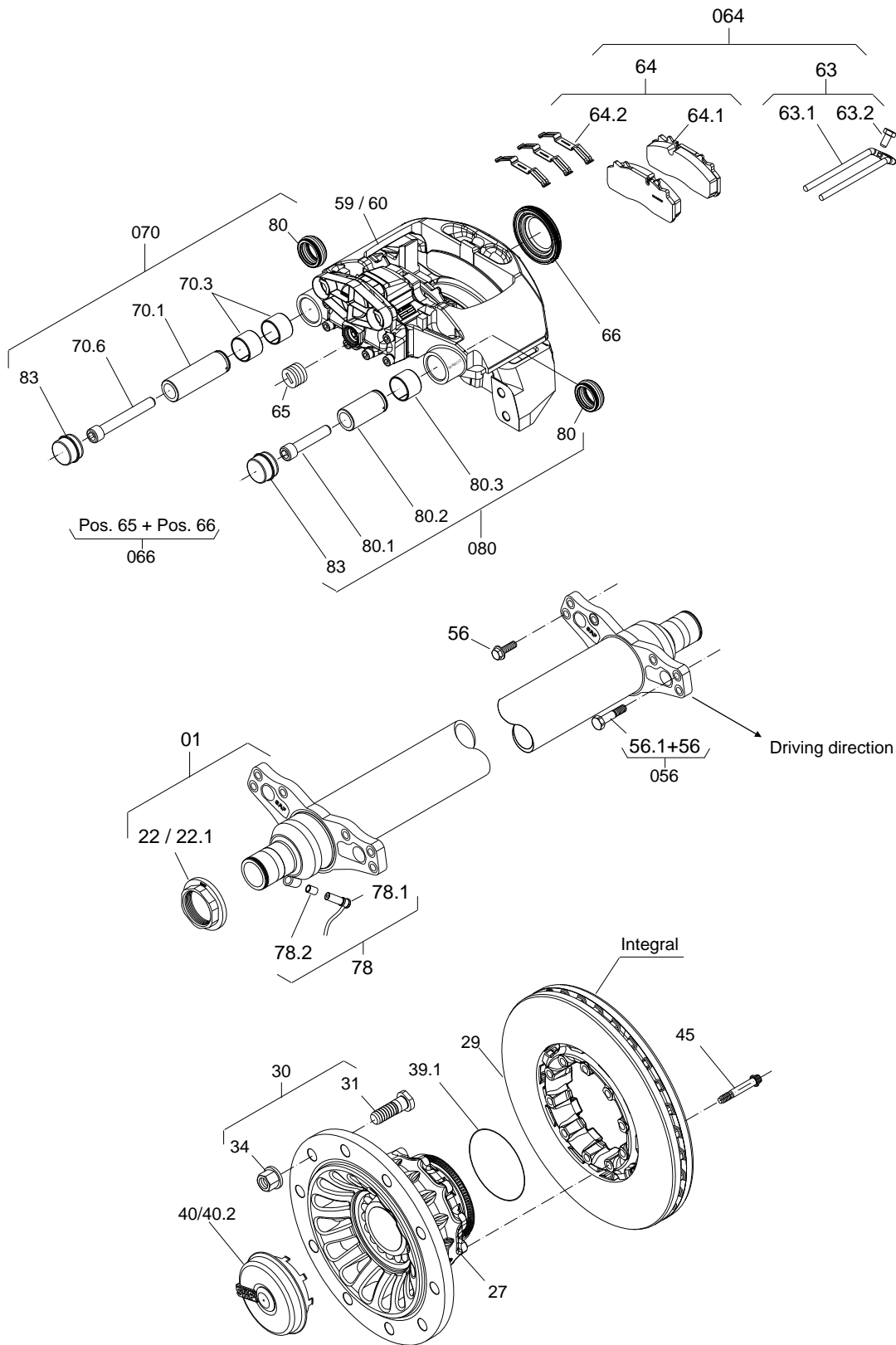
IPL\_17\_020\_0

Item	Part No.	Qty	Description	Qty per Axle
1	See type plate	1	Axle beam assembly (See Ident. No. on the type plate)	1
4	4337202800	1	ABS Protection plug	2
4.1	4337202900	1	ABS cable plug (inside of spindle)	2
19	4315005200	1	Axle nut lock O-Ring $\Phi$ 116x3	2
20	4315005600	1	Spindle O-Ring $\Phi$ 110x2	2
22	1011007001	1	Axle nut RH - M120x2/SW140 (without groove)	1
22.1	1011007101	1	Axle nut LH - M120x2/SW140 (with groove)	1
27	3307302900	1	Hub assembly (Incl. 27.1, 35, 36, 36.1, 38.1 & 38.2) - Dual alloy wheels - 10x335PCD	2
27.2	3434301201	1	Bearing and seal kit (Incl. 20, 27.3, 35, 36, 36.1 & 38)	2
27.3	5387001105	1	Bearing grease pack (230gr)	2
29	4079000300	1	Brake disc (rotor) - Dual alloy wheels - 10x335PCD	2
31	1303107512	1	Wheel stud - M22x1.5x93 - Dual steel wheels	20
31	1303111210	1	Wheel stud - M22x1.5x112 - Dual steel/alloy wheels	20
34	4247301201	1	Wheel nut M22x1.5x27 - SW32	20
34	33272215	1	Wheel nut M22x1.5x27 - SW33	20
38	3434301401	1	Seal repair kit (Incl. 20, 27.3, 36.1, 38.1 & 38.2)	1
39	4315005400	1	Hub cap O-Ring $\Phi$ 182x4	2
40	3304007200	1	Hub cap assembly - Without ABS pole wheel - (Incl. 39-41)	2
40	3304007600	1	Hub cap assembly - With ABS pole wheel - (Incl. 39-41)	2
41	4337202601	1	Protection plug	2
N.A.	1094003701	1	Hubodometer installation washer	1
56	4343291410	1	Bolt with collar M16x1.5	10
56.1	4375100410	1	Centering bolt M16x1.5	2
59	3080003001	1	Brake caliper assy, Knorr Bremse (SN7) - RH	1
60	3080003101	1	Brake caliper assy, Knorr Bremse (SN7) - LH	1
63		1	Lining holder kit (incl. 63.1 - 63.4)	2
64	3057007700	1	Brake lining kit (incl. 63, 64.1, 64.2, 65 & 65.1) - 4 Pads - 1 Axle	1
66	3434381400	1	Tappet kit SN6 & SN7 (incl. 66.1 - 66.3)	2
70	3434381200	1	Guide/Seal kit SN6 & SN7 (incl. 65, 70.1 - 70.3 & 81)	2
70	3434381500	1	Guide/Seal kit SN6 & SN7 (incl. 65, 70.1 - 70.3 & 81) for the Calipers with P. N. 3_080_..._21	2
76	4189005100	1	Sensor mount bracket - ABS	2
76.2	4343206700	1	Sensor mount screw M6x12 (self tapping) - ABS	4
Tools	1012002400	1	Hub nut socket (SW 140 mm)	1
	2501871	1	Universal hub puller	1
	3434332800	1	SAF universal toolbox (Wabco & Knorr calipers)	1
	2501890	1	3D bush replacement tool. (Suit 10 x 285 only)	1
	5387004203	1	SAF Fitting Paste 5gm (to be applied to spindles)	1
	3434332700	1	SAF ratchet wrench	1

# SK RB 9019W Intradisc INTEGRAL axle



WABCO CALIPER PAN19-1 - SINGLE WHEELS



SK RB 9019W Intradisc INTEGRAL axle

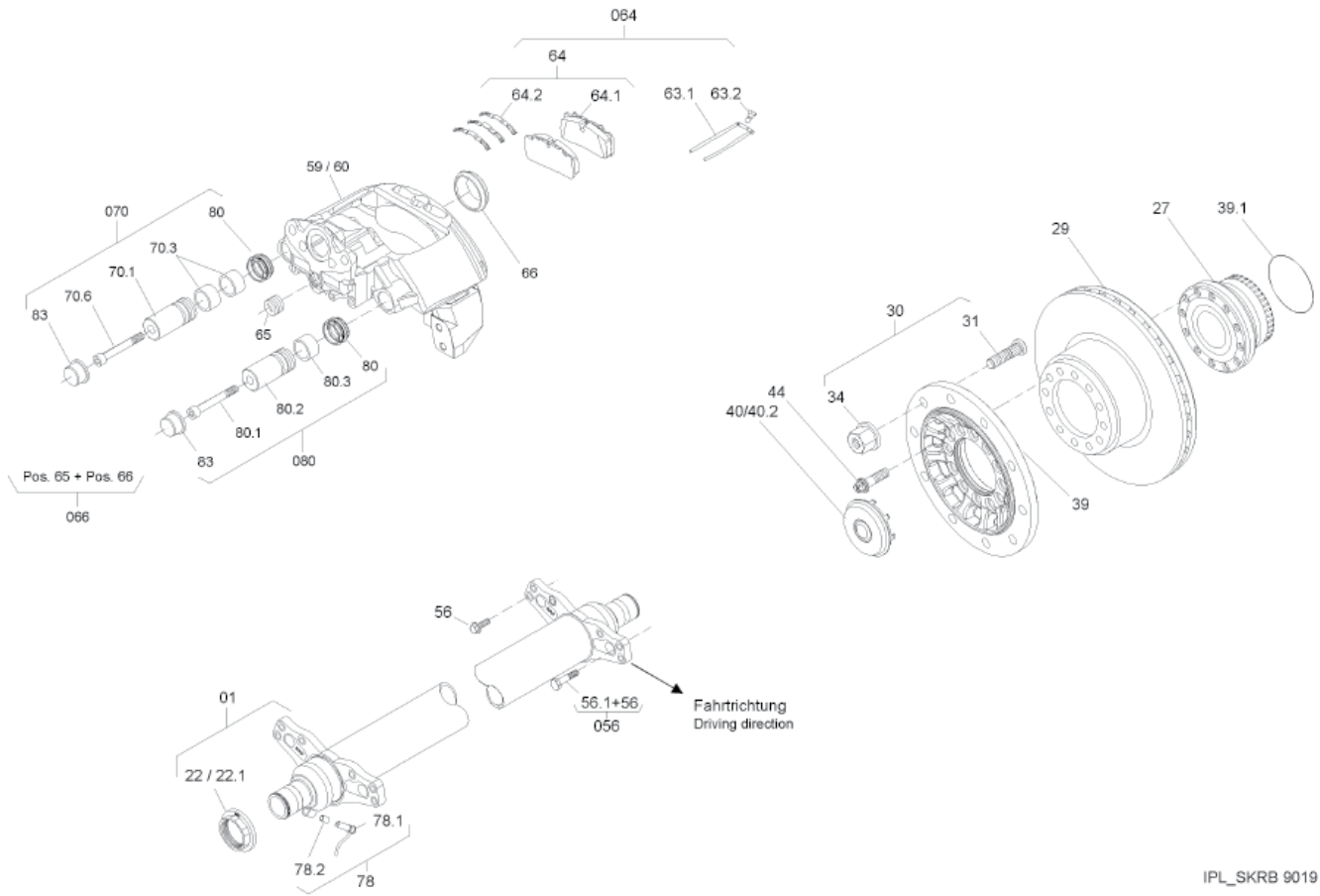
IPL\_17\_040\_0

Item	Part No.	Qty	Description	Qty per Axle
<b>1</b>	See type plate	1	Axle beam assembly (See Ident. No. on the type plate)	1
<b>22</b>	1011008800	1	Axle nut RH - M72x1.5 / SW85	1
<b>22.1</b>	1011008700	1	Axle nut LH - M72x1.5 / SW85	1
<b>27</b>	3307303001	1	Hub unit INTEGRAL - 10x335PCD	2
<b>29</b>	4079001002	1	Brake disc INTEGRAL - 377 mm	2
<b>31</b>	1303112010	1	Wheel Stud M22x1,5x78 - Single Alloy Wheels	20
<b>34</b>	4247301201	1	Wheel nut M22x1.5x27 - SW32	20
<b>39.1</b>	4315007500	1	O-Ring - $\phi$ 92x4	2
<b>40</b>	3304010201	1	Hub cap black slimline	2
<b>40.2</b>	4304010301	1	Hub cap for hubodometer	2
<b>45</b>	4375100512	1	Torx Bolt 12Pt. Head - Rotor	20
<b>56</b>	4343291410	1	Bolt with collar M16x1.5 - Caliper	10
<b>56.1</b>	4375100410	1	Centering bolt M16x1.5 - Caliper	2
<b>59</b>	3080003200	1	Brake caliper assy, WABCO PAN19-1, RH	1
<b>60</b>	3080003300	1	Brake caliper assy, WABCO PAN19-1, LH	1
<b>64</b>	3057008000	1	Brake pad kit (incl. 63, 64.1, 64.2 & 65) - 4 Pads - 1 Axle	1
<b>66</b>	3434382900	1	Repair-kit (incl. 65 & 66)	2
<b>70</b>	3434382701	1	Guide pin kit (incl. 65, 66, 70.1 - 70.6 & 080)	2
	4434382800	1	Hub nut socket (SW85mm)	1
	2501871	1	Universal hub puller	1
	3434332800	1	SAF universal toolbox (Wabco & Knorr calipers)	1
<b>Tools</b>	2501890	1	3D bush replacement tool. (Suit 10 x 285 only)	1
	5387004203	1	SAF Fitting Paste 5gm (to be applied to spindles)	1
	3434332700	1	SAF ratchet wrench	1

# SKRB 9019W Brake SBW PAN19-1



WABCO CALIPER - SINGLE WHEELS



IPL\_SKRB 9019

SKRB 9019W Brake SBW PAN19-1

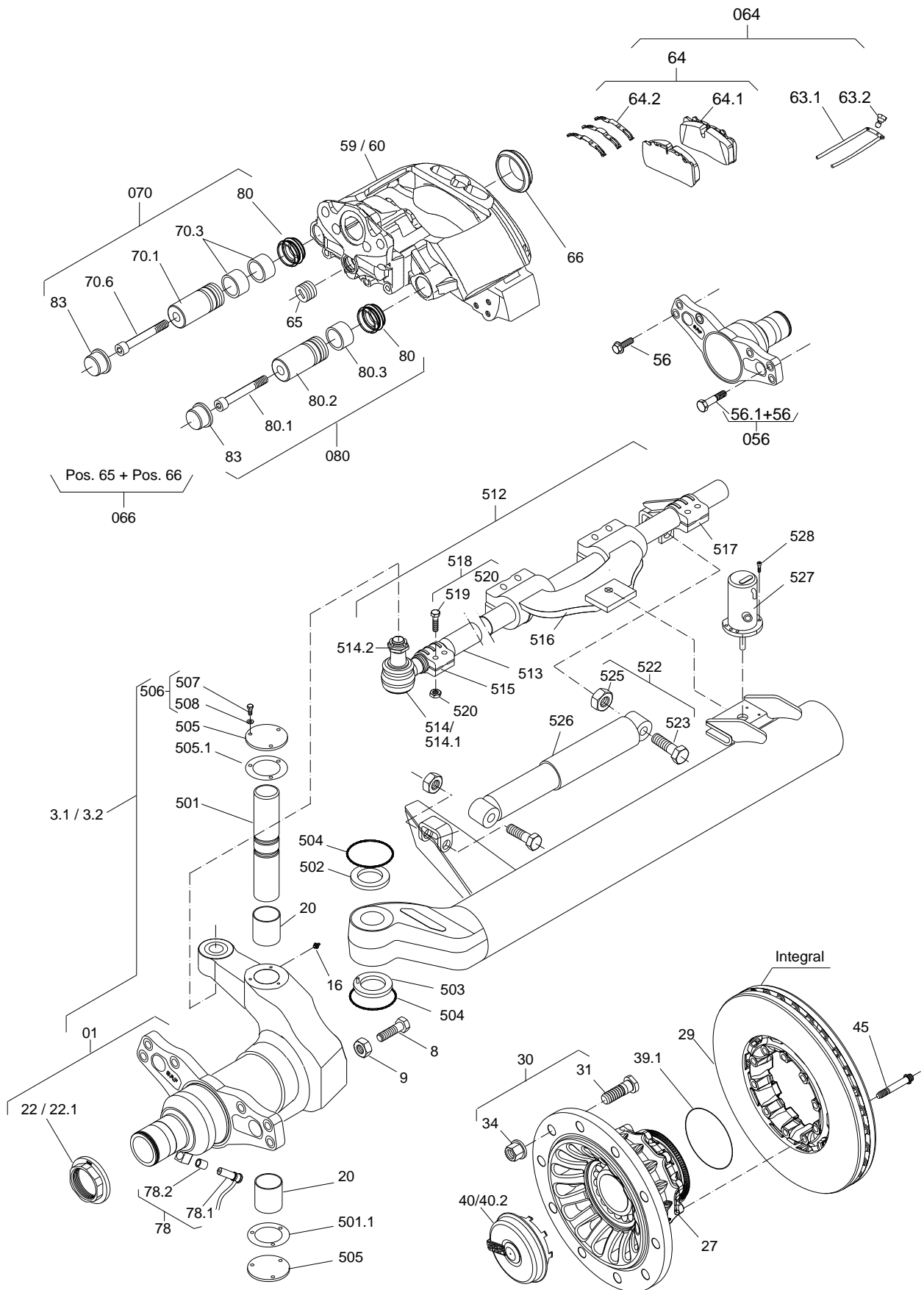


Item	Part No.	Qty	Description	Dimensions / reference	Qty per Axle
1		1	Axle beam assembly		1
22	1011008800	1	Axle nut right	M72x1,5	1
22.1	1011008700	1	Axle nut left	M72x1,5	1
27	3434365000	1	Hub-Unit kit	Pos. 39.1, 44	2
29		1	Brake disc	Ø 377mm x45x139,5	2
30		1	Wheel bolt assembly MZ/ALU	Pos.31,34	20
31	1303112010	1	Wheel bolt	M22x1,5x78	20
34	4247301201	1	Wheel bolt nut	M22x1,5x27H/SW32	20
39	1146200402	1	Flange	TK335/10L	2
39.1	4315007500	1	O-ring	Ø92x4	2
40	3304009300	1	Wheel cap assembly - Hubcap	Pos.39	2
40.2		1	Wheel cap assembly/ hubodometer	Pos. 39 - SKRB 9019/9022	2
44	4343280110	1	Torque bolt	M18x1,5x65	24
56	4343291410	1	Screw	M16x1,5x55	10
56	3434365600	1	Brake calliper fixing bolts		2
56.1	4375100410	1	Pivot retaining bolt - Caliper	M16x1,5/D19x55	2
59	3080003200	1	Brake calliper assembly right	PAN19-1 inklusive Pads	1
60	3080003300	1	Brake calliper assembly left	PAN19-1 inklusive Pads	1
63		1	Mounting plate kit 19.5" (Wabco)	Pos. 63.1-63.2	2
63.1		1	Mounting plate (Wabco)		2
63.2		1	Bow screw (Wabco)		2
64	3057008000	1	Brake lining kit (Wabco) - 4 Pads	19,5" - Pos. 63, 64.1, 64.2	1
64.1		1	Brake lining 19.5" (Wabco)		4
64.2		1	Spring clamp (Wabco)		4
65		1	Plug (Wabco)		2
66		1	Protecting cap (Wabco)		2
70	3434382701	1	Guide-/seal kit (Wabco)		2
70.1		1	Guide pin (Wabco)		2
70.3		1	Bush (Wabco)		4
70.6		1	Cylinder screw (Wabco)		2
78	3029024200	1	WABCO - INTRA- ABS sensor		2
78		1	ABV / WABCO -Modul- (VGL.Nr. 441 032 922 2)	Pos. 78.1, 78.2	2
78.1	4029106800	1	Sensor -INTRA-		2
78.1	4029104200	1	Sensor -Modul-		2
78.2	4029101300	1	Clamping bush		2
80		1	Bellow (Wabco)		2
80		1	Mounting plate kit 19.5" (Wabco)	Pos. 63.1-63.2	2
80.1		1	Cylinder screw (Wabco)		2
80.2		1	Guide pin (Wabco)		2
80.3		1	Bush (Wabco)		2
83		1	Cap (Wabco)		2

# SK RLB 9019W Intradisc INTEGRAL steer axle



WABCO CALIPER PAN19-1 - SINGLE WHEELS



SK RLB 9019W Intradisc INTEGRAL steer axle

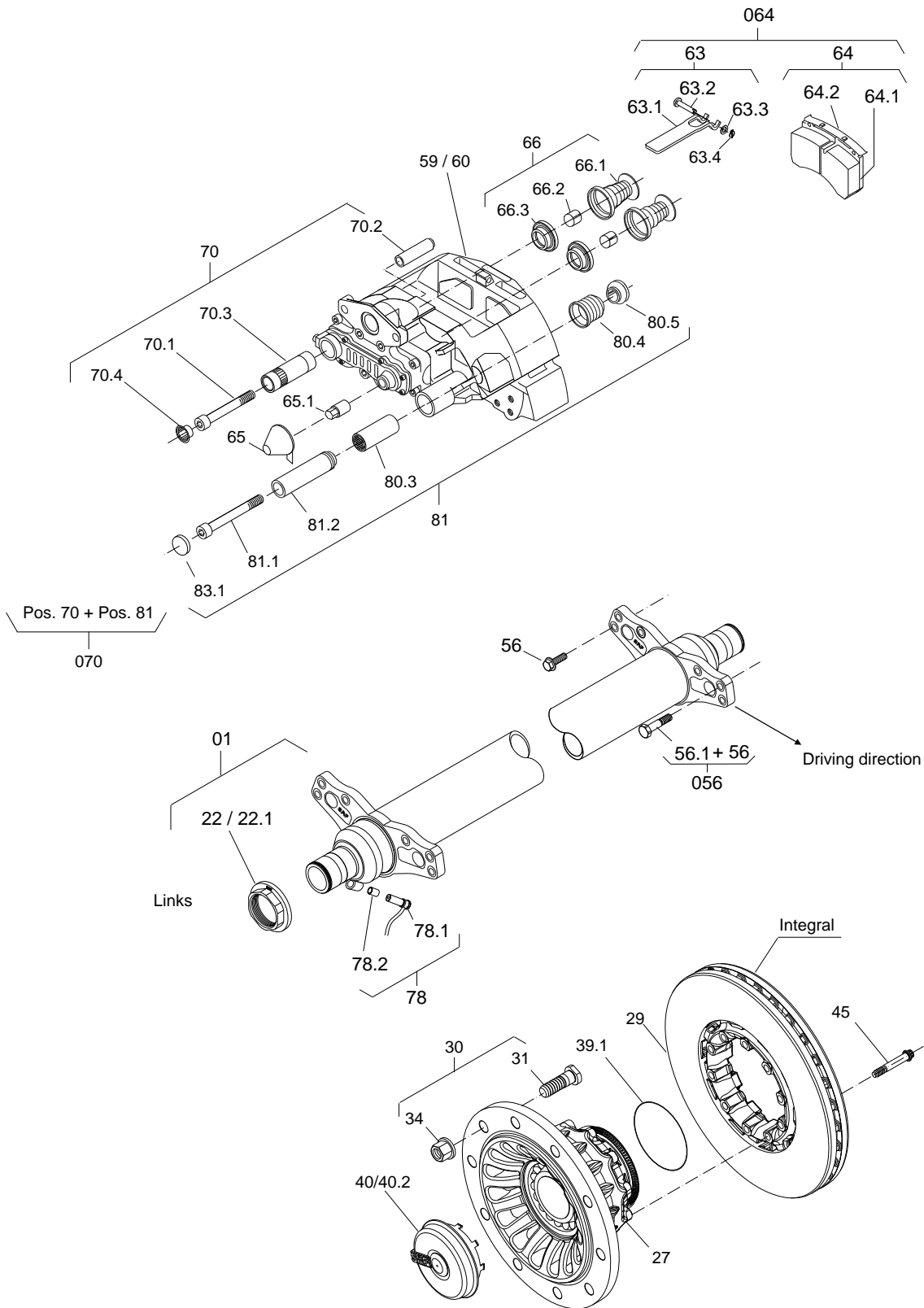
IPL\_19\_011\_0

Item	Part No.	Qty	Description	Qty per Axle
<b>1</b>	See type plate	1	Axle beam assembly (See Ident. No. on the type plate)	1
<b>3.1</b>	See type plate	1	Steering knuckle LH (See Ident. No. on the type plate)	1
<b>3.2</b>	See type plate	1	Steering knuckle RH (See Ident. No. on the type plate)	1
<b>8</b>	4343101401	1	Bolt steering stop M20	2
<b>9</b>	4342001780	1	Nut M20	2
<b>16</b>	4201000100	1	Grease nipple AM 8x1 - 16mm lg.	2
<b>17</b>	4201000200	1	Grease nipple BM 8x1 - 23.5mm lg.	2
<b>20</b>	4230017000	1	Bronze bush $\phi$ 65/60x70	4
<b>22</b>	1011008800	1	Axle nut RH - M72x1.5 / SW85	1
<b>22.1</b>	1011008700	1	Axle nut LH - M72x1.5 / SW85	1
<b>27</b>	3307303001	1	Hub unit INTEGRAL - 10x335PCD	2
<b>29</b>	4079001002	1	Brake disc INTEGRAL - 377 mm - 19.5" 10x335PCD	2
<b>31</b>	1303112010	1	Wheel Stud M22x1,5x78 - Single Alloy Wheels	20
<b>34</b>	4247301201	1	Wheel nut M22x1.5x27 - SW32	20
<b>39.1</b>	4315007500	1	O-Ring - $\phi$ 92x4	2
<b>40</b>	3304010201	1	Hub cap	2
<b>40.2</b>	4304010301	1	Hub cap for hubodometer	2
<b>45</b>	4375100512	1	Torx Bolt 12Pt. Head - Rotor	20
<b>56</b>	4343291410	1	Bolt with collar M16x1.5 - Caliper	10
<b>56.1</b>	4375100410	1	Centering bolt M16x1.5 - Caliper	2
<b>59</b>	3080003200	1	Brake caliper assy, WABCO PAN19-1, RH	1
<b>60</b>	3080003300	1	Brake caliper assy, WABCO PAN19-1, LH	1
<b>64</b>	3057008000	1	Brake pad kit (incl. 63, 64.1, 64.2 & 65) - (4 Pads)	1
<b>66</b>	3434382900	1	Repair-kit (incl. 65 & 66) - Caliper	2
<b>70</b>	3434382701	1	Guide pin kit (incl. 65, 66, 70.1 - 70.6 & 080) - Caliper Repair Kit	2
<b>500</b>	3434365700	1	Repair-kit steering knuckle (incl. 20 & 501-508)	2
<b>506</b>		1	Bolt-kit (incl. 506 & 507)	12
<b>512</b>	3357014000	1	Track rod assembly (incl. 513 - 515 & 519 - 520)	1
<b>514</b>	2205000300	1	Ball joint LH	1
<b>514.1</b>	2205000400	1	Ball joint RH	1
<b>514.2</b>	4202101150	1	Castle nut	2
<b>516</b>	2193002901	1	Axle-lock plate	1
<b>517</b>		1	Clamping bracket	1
<b>518</b>	3341202319	1	Bolt-kit M12 (incl. 519 & 520) 65 x 5	10
<b>522</b>	3341002319	1	Bolt-kit M24 (incl. 523 - 525)	2
<b>523</b>	4343002388	1	Bolt M24 3.0 x 110	2
<b>525</b>	4247401480	1	Lock nut M24	2
<b>526</b>	2376101300	1	Shock Absorber	1
<b>527</b>	4454300400	1	Axle-lock cylinder	1
<b>528</b>	4375400188	1	Allen-Screw M6	4
	4434382800L	1	Hub nut socket (SW85mm)	1
	2501871	1	Universal hub puller	1
<b>Tools</b>	3434332800	1	SAF universal toolbox (Wabco & Knorr calipers)	1
	5387004203	1	SAF Fitting Paste 5gm (to be applied to spindles)	1
	3434332700	1	SAF ratchet wrench	1

# SK RB 9022K Intradisc INTEGRAL axle



KNORR CALIPER SN7 - SINGLE WHEELS



SK RB 9022K Intradisc INTEGRAL axle

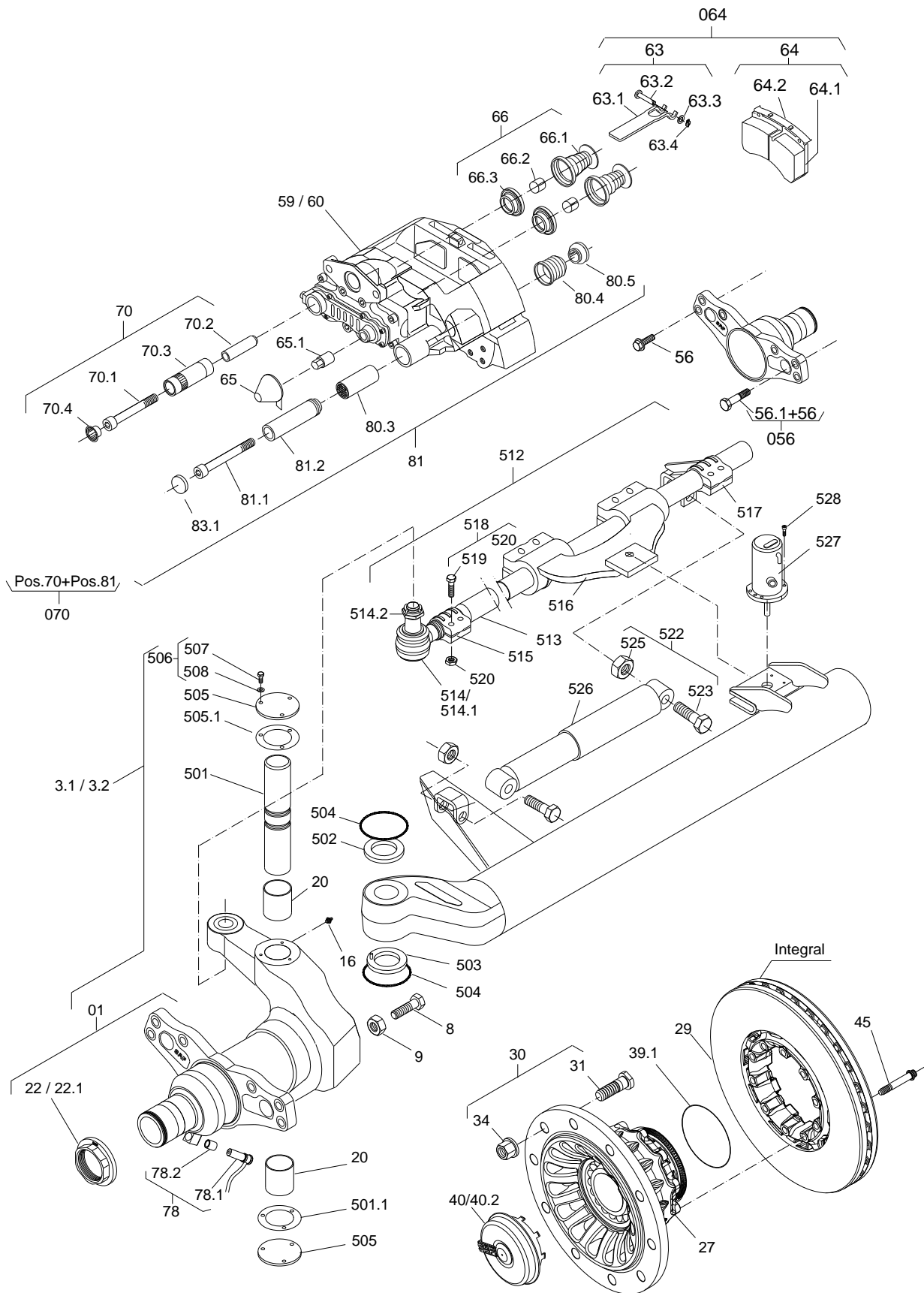
IPL\_17\_010\_0

Item	Part No.	Qty	Description	Qty per Axle
<b>1</b>	See type plate	1	Axle beam assembly (See Ident. No. on the type plate)	1
<b>22</b>	1011008800	1	Axle nut RH - M72x1.5 / SW85	1
<b>22.1</b>	1011008700	1	Axle nut LH - M72x1.5 / SW85	1
<b>27</b>	3307303001	1	Hub unit INTEGRAL -10x335PCD	2
<b>29</b>	4079001304	1	Brake disc INTEGRAL - 430 mm	2
<b>31</b>	1303112010	1	Wheel Stud M22x1,5x78 - Single Alloy Wheels	20
<b>34</b>	4247301201	1	Wheel nut M22x1.5x27 - SW32	20
<b>39.1</b>	4315007500	1	O-Ring - $\phi$ 92x4	2
<b>40</b>	3304010201	1	Hub cap	2
<b>40.2</b>	4304010301	1	Hub cap for hubodometer	2
<b>45</b>	4375100512	1	Torx Bolt 12Pt. Head - Rotor Bolt	20
<b>56</b>	4343291410	1	Bolt with collar M16x1.5 - Caliper	10
<b>56.1</b>	4375100410	1	Centering bolt M16x1.5 - Caliper	2
<b>59</b>	3080003001	1	Brake caliper assy, Knorr Bremse (SN7) - RH	1
<b>60</b>	3080003101	1	Brake caliper assy, Knorr Bremse (SN7) - LH	1
<b>63</b>		1	Lining holder kit (incl. 63.1 - 63.4)	2
<b>64</b>	3057007700	1	Brake lining kit (incl. 63, 64.1, 64.2, 65 & 65.1)	1
<b>66</b>	3434381400	1	Tappet kit SN6 & SN7 (incl. 66.1 - 66.3)	2
<b>70</b>	3434381200	1	Guide/Seal kit SN6 & SN7 (incl. 65, 70.1 - 70.3 & 81)	2
<b>70</b>	3434381500	1	Guide/Seal kit SN6 & SN7 (incl. 65, 70.1 - 70.3 & 81) for the Calipers with P. N. 3_080_..._21	2
	4434382800	1	Hub nut socket (SW85mm)	1
	4434382200	1	Universal hub puller	1
<b>Tools</b>	3434332800	1	SAF universal toolbox (Wabco & Knorr calipers)	1
	5387004203	1	SAF fitting paste (to be applied on spindles)	1
	3434332700	1	SAF ratchet wrench	1

# SK RLB 9022K Intradisc INTEGRAL steer axle



KNORR CALIPER SN7 - SINGLE WHEELS



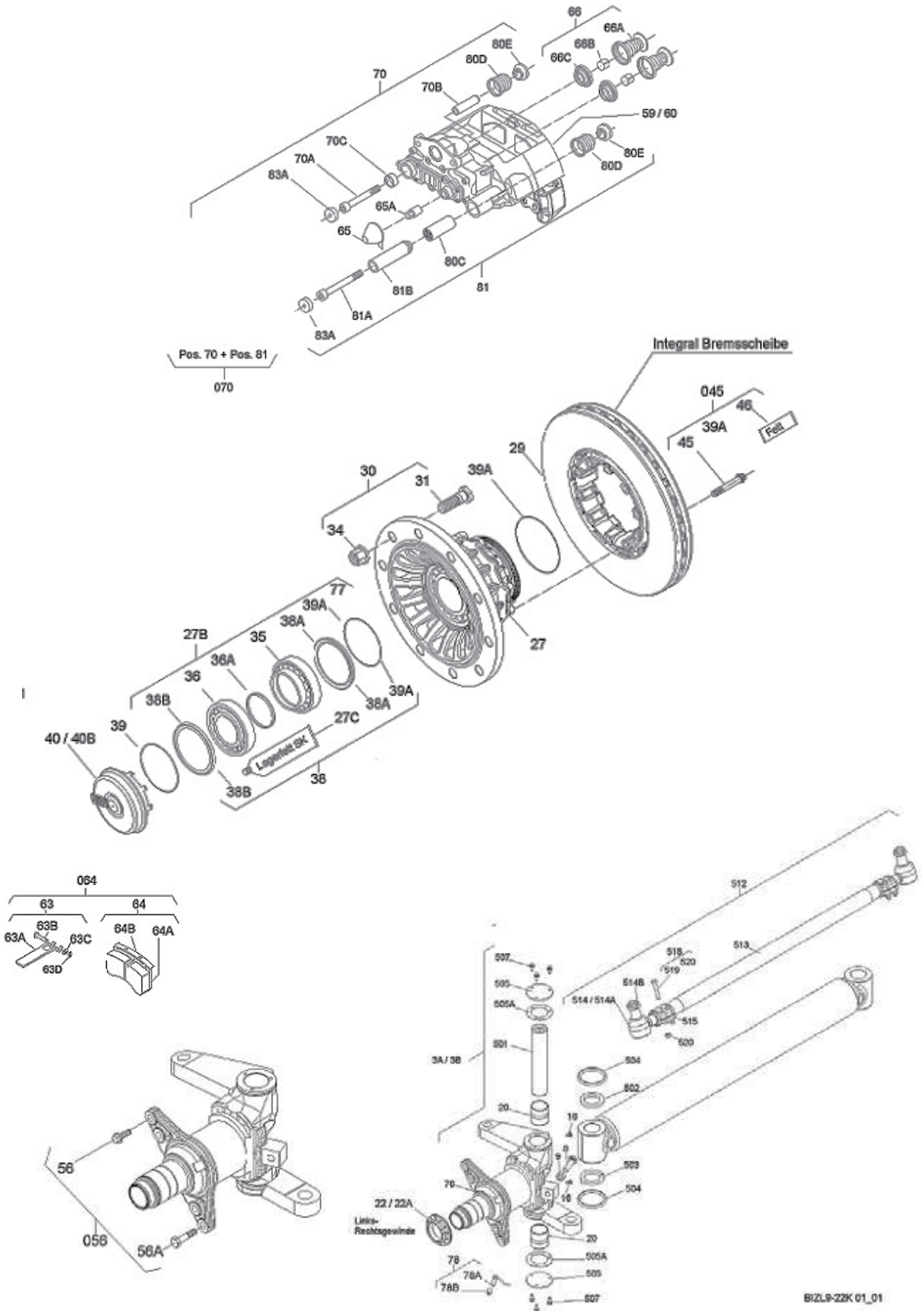
SK RLB 9022K Intradisc INTEGRAL steer axle

IPL\_19\_001\_0

Item	Part No.	Qty	Description	Qty per Axle
1	See type plate	1	Axle beam assembly (See Ident. No. on the type plate)	1
3.1	See type plate	1	Steering knuckle LH (See Ident. No. on the type plate)	1
3.2	See type plate	1	Steering knuckle RH (See Ident. No. on the type plate)	1
8	4343101401	1	Bolt steering stop M20	2
9	4342001780	1	Nut M20	2
16	4201000100	1	Grease nipple AM 8x1 - 16mm lg.	2
17	4201000200	1	Grease nipple BM 8x1 -23.5mm lg.	2
20	4230017000	1	Bronze bush $\phi$ 65/60x70	4
22	1011008800	1	Axle nut RH - M72x1.5 / SW85	1
22.1	1011008700	1	Axle nut LH - M72x1.5 / SW85	1
27	3307303001	1	Hub unit INTEGRAL - 10x335PCD	2
29	4079001304	1	Brake disc INTEGRAL - 430 mm Knorr	2
31	1303112010	1	Wheel Stud M22x1,5x78 - Single Alloy Wheels	20
34	4247301201	1	Wheel nut M22x1.5x27 - SW32	20
39.1	4315007500	1	O-Ring - $\phi$ 92x4	2
40	3304010201	1	Hub cap	2
40.2	4304010301	1	Hub cap for hubodometer	2
45	4375100512	1	Torx Bolt 12Pt. Head	20
56	4343291410	1	Bolt with collar M16x1.5	10
56.1	4375100410	1	Centering bolt M16x1.5	2
59	3080003001	1	Brake caliper assy, Knorr Bremse (SN7) - RH	1
60	3080003101	1	Brake caliper assy, Knorr Bremse (SN7) - LH	1
63		1	Lining holder kit (incl. 63.1 - 63.4)	2
64	3057007700	1	Brake lining kit (incl. 63, 64.1, 64.2, 65 & 65.1)	1
66	3434381400	1	Tappet kit SN6 & SN7 (incl. 66.1 - 66.3)	2
70	3434381200	1	Guide/Seal kit SN6 & SN7 (incl. 65, 70.1 - 70.3 & 81)	2
70	3434381500	1	Guide/Seal kit SN6 & SN7 (incl. 65, 70.1 - 70.3 & 81) for the Calipers with P. N. 3_080_..._21	2
500	3434365700	1	Repair-kit steering knuckle (incl. 20 & 501-508)	2
506		1	Bolt-kit (incl. 506 & 507)	12
512	3357014000	1	Track rod assembly (incl. 513 - 515 & 519 - 520)	1
514	2205000300	1	Ball joint LH	1
514.1	2205000400	1	Ball joint RH	1
514.2	4202101150	1	Castle nut	2
516	2193002901	1	Axle-lock plate	1
517		1	Clamping bracket	1
518	3341202319	1	Bolt-kit M12 (incl. 519 & 520)	10
522	3341002319	1	Bolt-kit M24 (incl. 523 - 525)	2
523	4343002388	1	Bolt M24 x 3.0 x 110	2
525	4247401480	1	Lock nut M24	2
526	2376101300	1	Shock Absorber	1
527	4454300400	1	Axle-lock cylinder	1
528	4375400188	1	Allen-Screw M6	4
	4434382800	1	Hub nut socket (SW85mm)	1
	4434382200	1	Universal hub puller	1
<b>Tools</b>	3434332800	1	SAF universal toolbox (Wabco & Knorr calipers)	1
	5387004203	1	SAF fitting paste (to be applied on spindles)	1
	3434332700	1	SAF ratchet wrench	1



Ident. No 178900674820



Axle BIZL9-22K01 Brake SBK 2243-11S 01

BIZL9-22K\_01\_01



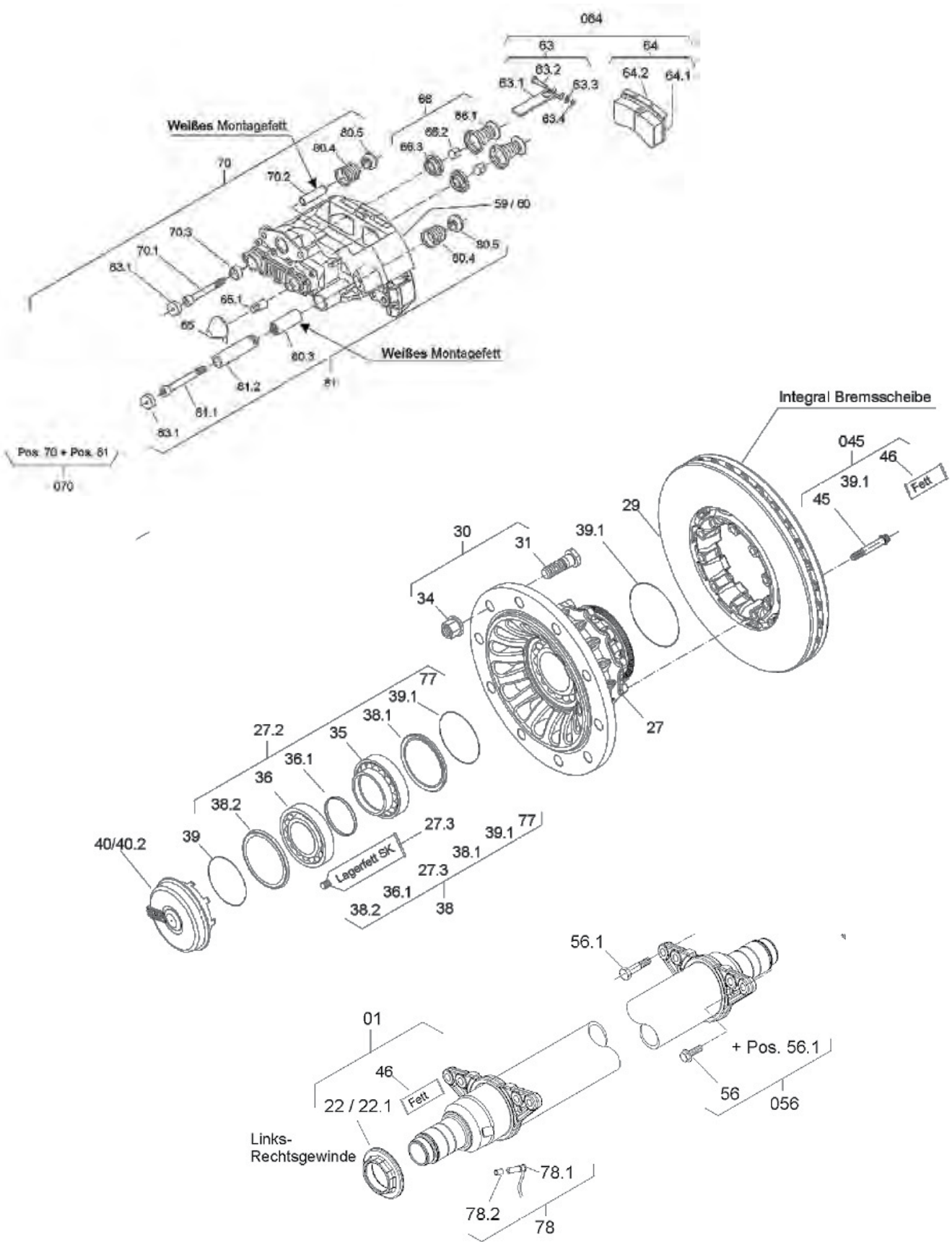
Ident. No 178900674820

Item	Part No.	Qty	Description	Qty per Axle
8	4343101401	1	Screw M20x70	2
9	4342001780	1	Nut M20	2
16	4201000100	1	Grease nipple 16L/AM8x1	4
20	4230017000	1	Bearing bush ø65/60x70	4
22	1011008600	1	Axle nut right M75x1,5/SW85	1
22A	1011008500	1	Axle nut left M75x1,5/SW85	1
27	3307304502	1	Hub unit TK335-10L	2
27B	3434302001	1	Repair kit wheel bearing	2
27C	5387001105	1	Grease LiLube Expert	2
29	4079001304	1	Brake disc INTEGRAL ø 430mm x48 - 10 Stud 335PCD	2
30		1	Wheel bolt assembly Pos. 31, 34	20
31	1303111811	1	Wheel bolt M22x1,5x68	20
34	4247402001	1	Wheel bolt nut M22x1,5x27H/SW32	20
38	3434302401	1	Repair kit grease change Pos. 27.3, 36.1, 38.1, 38.2, 39.1, 77	2
39A	4315007500	1	O-ring ø92x4	2
40	3304010201	1	Hub cap incl. O-Ring S/Z/ZI/BI	2
40B	3304010301	1	Wheel cap assembly / hubodometer S/Z/ZI/BI	2
45		1	Accessories disc brake INTEGRAL RB/BI	2
45	4375100512	1	Double hex bolt M12x1,5x75	20
46	5387002309	1	Grease RENOLIT PASTE AZ0-1 / 5g Beute	2
56	3434366000	1	Brake calliper fixing bolts Pos. 56, 56.1 (4 bolts)	2
56	4375100610	1	Double hex bolt M18x1,5x55	6
56A	4375100810	1	Pivot retaining bolt M18x1,5x55	2
59	3080006001	1	Brake calliper assembly right SBK2243 01	1
60	3080005901	1	Brake calliper assembly left SBK2243 01	1
64	3057008500	1	Brake lining kit 22,5" - Pos. 63, 64.1, 64.2	1
65		1	Adjusting cap (Knorr) Pos. 65.1 (65A)	2
66	3434381400	1	Thrust member SN/SK Pos. 66.1, 66.2, 66.3 Caliper Repair Kit	2
70	3434381500	1	Guide/seal kit SK7, (SN7 ab Ausf. 3 080...21) Caliper Repair Kit SK7	2
78	3029023100	1	ABS Sensor (VGL.Nr. 441 032 921 2) Pos. 78.1, 78.2	2
78A		1	Sensor -Modul-	2
78B	4029101300	1	Clamping bush - Sensor	2
501		1	Steering bolt ø60x298 - VSE	2
502		1	Thrust plate ø90/62x9,8	2
503		1	Thrust plate unten / down	2
504		1	O-ring ø84x11	4
505		1	Cover plate ø100x6/TK80	4
505A		1	Gasket ø100/64,5x0,5	4
507		1	Screw M8x22-KL90	12
512	3357020400	1	Track rod assembly ø58x1380	1
514	2205000300	1	Ball joint left Konus 38	1
514A	2205000400	1	Ball joint right Konus 38	1
514B	4202101150	1	Castle nut M30x1,5	2
518	3341202319	1	Screw assembly M12x1,5x62	4
519		1	Screw M12x1,5x62	4
520		1	Safety flange M12x1,5	4

# Axle BI9-22K01 Brake SBK 2243 01 (SK7)



Ident. No 147910674920



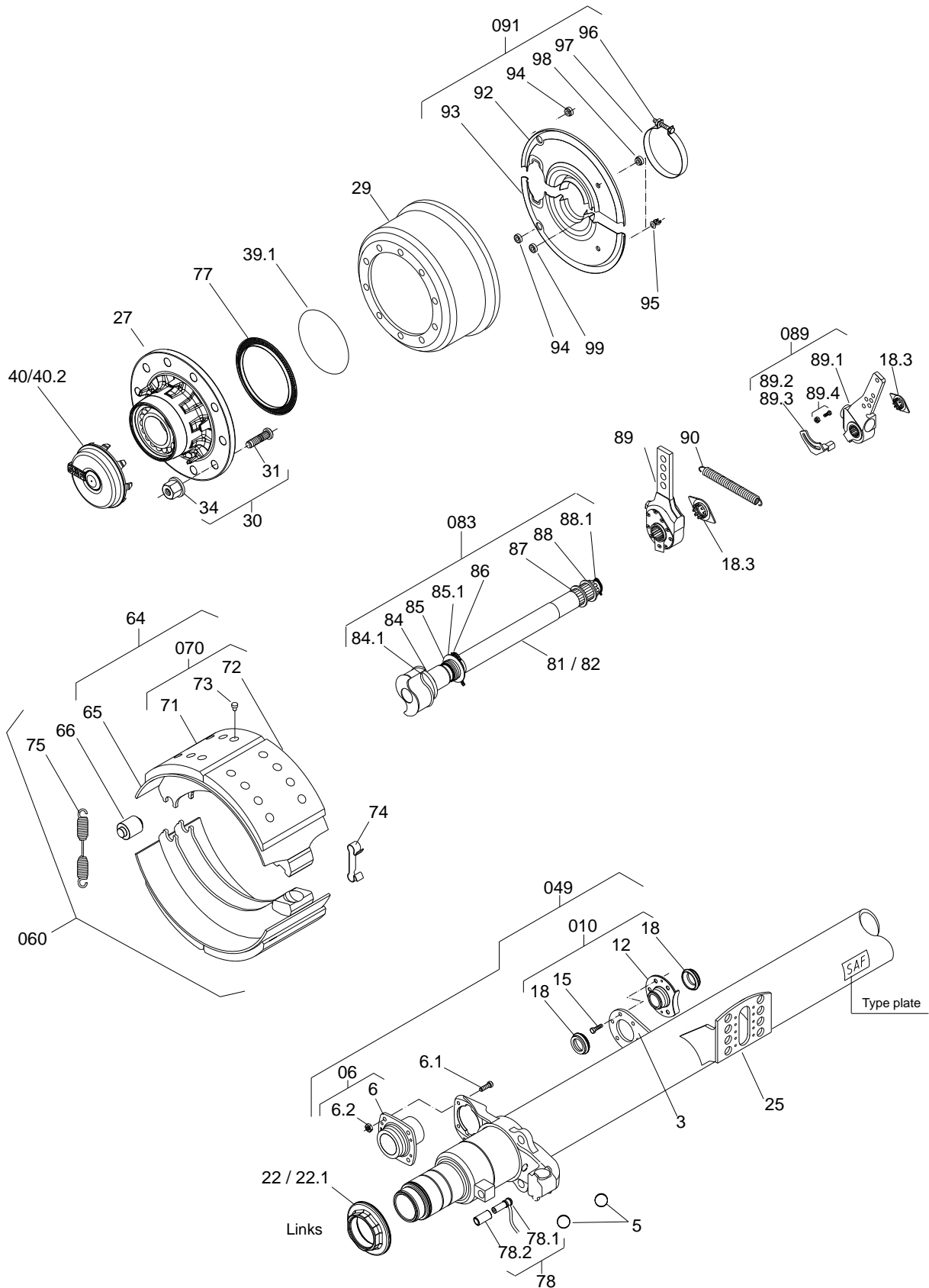
Axle BI9-22K01 Brake SBK 2243 01 (SK7)

Ident. No 147910674920

Item	Part No.	Qty	Description	Qty per Axle
22	1011008600	1	Axle nut right M75x1,5/SW85	1
22.1	1011008500	1	Axle nut left M75x1,5/SW85	1
27	3307304502	1	Hub unit TK335-10L - 10 Stud 335PCD	2
27.2	3434402001	1	Repair kit wheel bearing	2
29	4079001304	1	Brake disc INTEGRAL ø 430mm x48	2
31	1303112010	1	Wheel bolt M22x1,5x78	20
34	4247301201	1	Wheel bolt nut M22x1,5x27H/SW32	20
38	3434402001	1	Repair kit grease change Pos. 27.3, 36.1, 38.1, 38.2, 39.1, 77	2
39.1	4315007500	1	O-ring ø92x4	2
40	3304010201	1	Hub cap incl. O-Ring S/Z/ZI/BI	2
40.2	3304010301	1	Wheel cap assembly / hubodometer S/Z/ZI/BI	2
45		1	Accessories disc brake INTEGRAL RB/BI	2
45	4375100512	1	Double hex bolt M12x1,5x75	20
46	5387002309	1	Grease RENOLIT PASTE AZ0-1 / 5g Beute	2
56	4375100610	1	Double hex bolt M18x1,5x55	6
56	3434366000	1	Brake calliper fixing bolts Pos. 56, 56.1	2
56.1	4375100810	1	Pivot retaining bolt M18x1,5x55	2
59	3080005901	1	Brake calliper assembly left SBK2243 01	1
60	3080006001	1	Brake calliper assembly right SBK2243 01	1
64	3057008500	1	Brake lining kit 22,5" - Pos. 63, 64.1, 64.2	1
65		1	Adjusting cap (Knorr) Pos. 65.1 (65A)	2
66	3434381400	1	Thrust member SN/SK Pos. 66.1, 66.2, 66.3 Caliper Repair Kit	2
70	3434381500	1	Guide-/seal kit SK7, (SN7 ab Ausf. 3 080...21) Caliper Repair Kit	2

# Z9-4218 NG axle (used on Intradrum)

DRUM BRAKE 420X180 - 10X285.75PCD - DUAL WHEELS



Z9-4218 NG axle (used on Intradrum)

IPL\_03\_111\_0

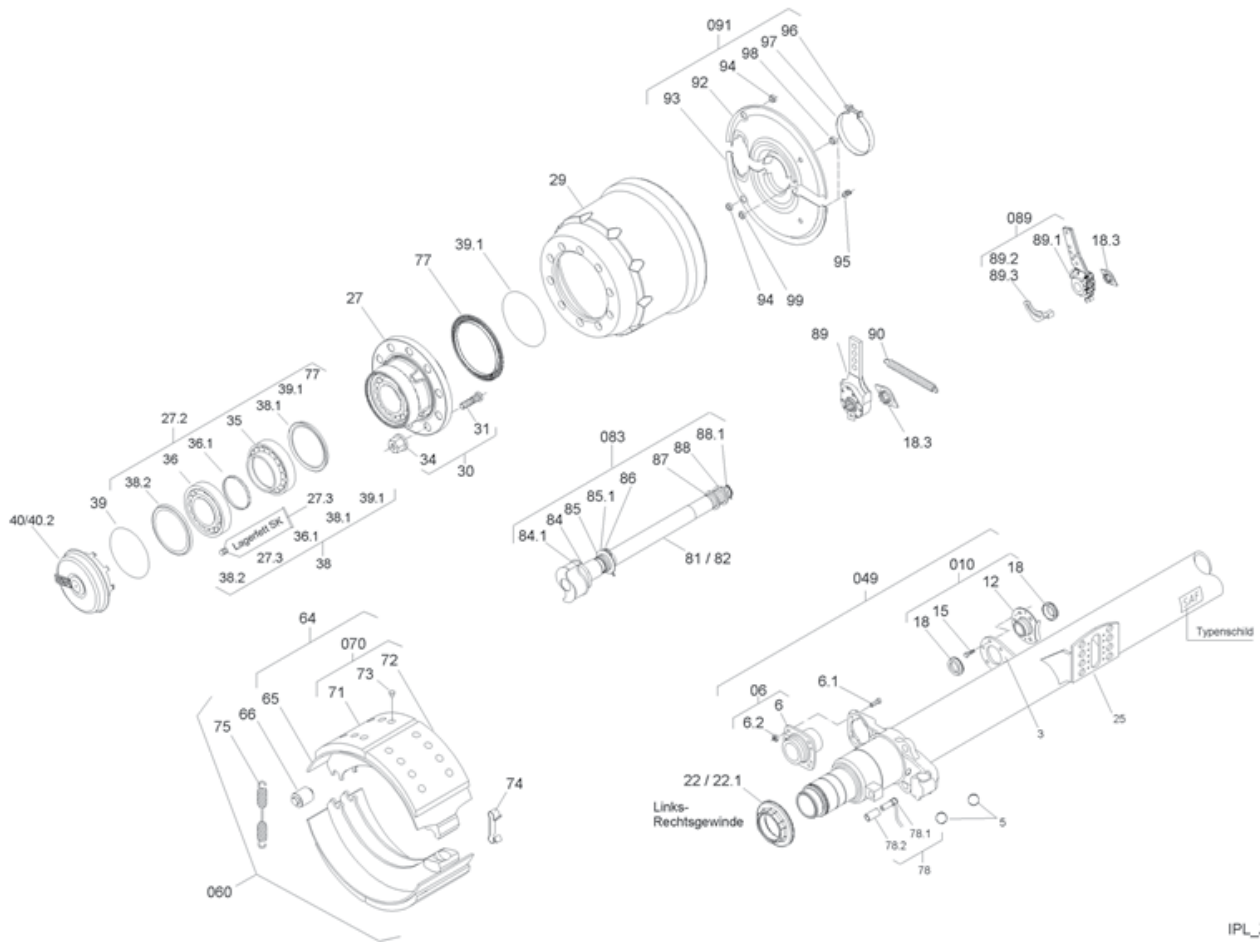
# Z9-4218 NG axle (used on Intradrum)

## DRUM BRAKE 420X180 - 10X285.75PCD - DUAL WHEELS

Item	Part No.	Qty	Description	Qty per Axle
1	IUZ094218-8	1	IU - Intradrum - complete axle module with brakes	1
1	IOZ094218-8	1	IO - Intradrum - complete axle module with brakes	1
4	4337202800	1	Rubber plug - ABS	2
5	4199100200	1	Anchor ball 40 mm	4
06	3268005000	1	S-cam bush kit - SNK 420/367 (Incl. Pos. 6 & 6.2)	2
6.1	4051700110	1	Bolt M8x25	8
010	3268004700	1	Inner S-cam bush kit (Incl. Pos. 12-18)	2
18.3	4187001000	1	Wear indicator - S-Cam	2
22	1011008600	1	Hub nut M75x1.5 - RH - (spanner 85 mm)	1
	40445	1	Locking mechanism for spindle nut	1
	3434302500	1	Seal Kit	1
	3434301918	1	Bearing and seal kit	1
22.1	1011008500	1	Hub nut M75x1.5 - LH - (spanner 85 mm)	1
27	3307305700	1	Hub unit - Intradrum - 10x285.75PCD	2
27	3307305200	1	Hub unit - Intradrum - 10x335PCD	2
29	1064029800	1	Brake drum - $\Phi$ 420x180 - 10x285.75PCD	2
29	1064026002	1	Brake drum - $\Phi$ 420x180 - 10x335PCD	2
30	3302114500	1	Wheel bolt kit (Incl. Pos. 31 & 34)	1
31	1303111210	1	Wheel bolt M22x1.5X112	20
34	4247301201	1	Wheel nut M22x1.5X27 - (spanner 32 mm)	20
39.1	4315007500	1	O-ring - $\Phi$ 92x4	2
40	3304010201	1	Hubcap - with O-ring	2
	4315008200	1	Hub cap O-ring	1
	4373004700	1	Outer Seal	1
40.2	4304010301	1	Hubcap for hubodometer - with O-ring	2
049	3434365200	1	Camshaft Repair Kit	2
64	3055012000	1	Brake shoe assembly - with lining	4
66	1265001900	1	Cam roller	4
70	3057396000	1	Brake lining kit (Incl. Pos. 71-73)	1
74	1151000800	1	Retaining clamp	2
75	1447005801	1	Return spring	2
77	4029107000	1	ABS pole-wheel - 90	2
78	3029023100	1	ABS kit (Incl. Pos. 78.1, 78.2 & Renolit paste)	2
81	2262111502	1	Camshaft LH - 698 mm	1
82	2262111402	1	Camshaft RH - 698 mm	1
83	3317001600	1	Camshaft replacement kit (Incl. Pos. 85-88.1 & 18.3)	2
89	4175031400	1	Slack adjuster	2
89	3434350202	1	Auto-slack adjuster kit (Incl. Pos. 89.1-89.3 & 18.3)	1
89.2	4018006301	1	Bracket Anchor LH	1
89.3	4018006401	1	Bracket Anchor RH	1
90	1447003600	1	Return spring	2
91	3005017300	1	Dust cover pair (Incl. Pos. 92-94 & 96-99)	2
95		1	Cable clip	2
Tools	4434382800L	1	Hub nut socket (SW85mm) for NG axles (2501880)	1
	2501871	1	Universal hub puller	1
	5387004203	1	SAF fitting paste (to be applied on spindles)	1

Z9-4218 NG axle (used on Intradrum)

# Z9-3720 Brake SNK 367 X 200



IPL\_Z9-3720\_02

Z9-3720 Brake SNK 367 X 200

Item	Part No.	Qty	Description	Dimensions / reference	Qty per Axle
3		1	Spherical mounting plate	SNK 367	2
5	4199100200	1	Ball	ø40	4
6	3268005000	1	Compact cam bearing anchor bracket	SNK420/367	2
6		1	Camshaft bearing	SNK420/367	2
6.1	4051700110	1	Bolt	M8x25	8
6.2		1	Safety flange	M8-10	8
10	3268004700	1	Compact cam bearing anchor bracket		2
12		1	Camshaft bearing		2
15		1	Screw	M8x22-KL90	10
18	4131000800	1	Bellow (Knorr) - Rubber boot	ø60/36,6x17	4
18.3	4187001000	1	Wearing gauge		2
22	1011008500	1	Axle nut left	M75x1,5/SW85	1
22.1	1011008600	1	Axle nut right	M75x1,5/SW85	1
25		1	Brake cylinder support		2
27	3307305001	1	Hub unit - 8 Stud 275PCD	TK275/8	2
27.2	3434401900	1	Repair kit hub unit		2
27.3	5387003104	1	Grease	LiLube Expert	2
29	1064027700	1	Brake drum	260H/367/8-23 TK275	2
30	3302107600	1	Wheel bolt assembly	M22x1,5x31h SW32	16
31	1303107512	1	Wheel bolt	M22x1,5x93	16
34	4247301201	1	Wheel bolt nut	M22x1,5x27H/SW32	16
35		1	Roller bearing	B/S/Z-Serie	2
36		1	Roller bearing	B/S/Z-Serie	2
36.1		1	Holding ring		2
38	3434302500	1	Repair kit grease change		2
38.1		1	Sealing ring (outside)	ø112/138,5x6	2
38.2		1	Sealing ring (inside)	ø112/138,5x11	2
39		1	O-ring	ø139,07x5,33	2
39.1	4315007500	1	O-ring	ø92x4	2
40	3304010201	1	Hub cap incl. O-Ring	S/Z/ZI/BI	2
40.2	3304010301	1	Wheel cap assembly / hubodometer	S/Z/ZI/BI	2
49	3434365200	1	Repair kit camshaft bearing		1
60		1	Brake kit	SNK367x200	1
64	3055012800	1	Brake shoe assembly with linings		4
65		1	Brake shoe assembly without linings		4
66	1265001900	1	Cam roller	ø36,2x53	4
70		1	Brake lining kit	SNK367x200	1
71		1	Brake lining	SNK367x200	4
72		1	Brake lining	SNK367x200	4
73		1	Rivet kit	B8x15	1
74	1151000800	1	Spring clamp	SNK367/420	2
75	1447005801	1	Return spring	ø32,8x232	2
77	4029107000	1	Exciter ring	90 Zähne	2
78	3029023100	1	ABS / WABCO -Modul- (VGL.Nr. 441 032 921 2)		2
78.1		1	Sensor -Modul-		2
78.2	4029101300	1	Clamping bush		2

# Z9-3720 Brake SNK 367 X 200

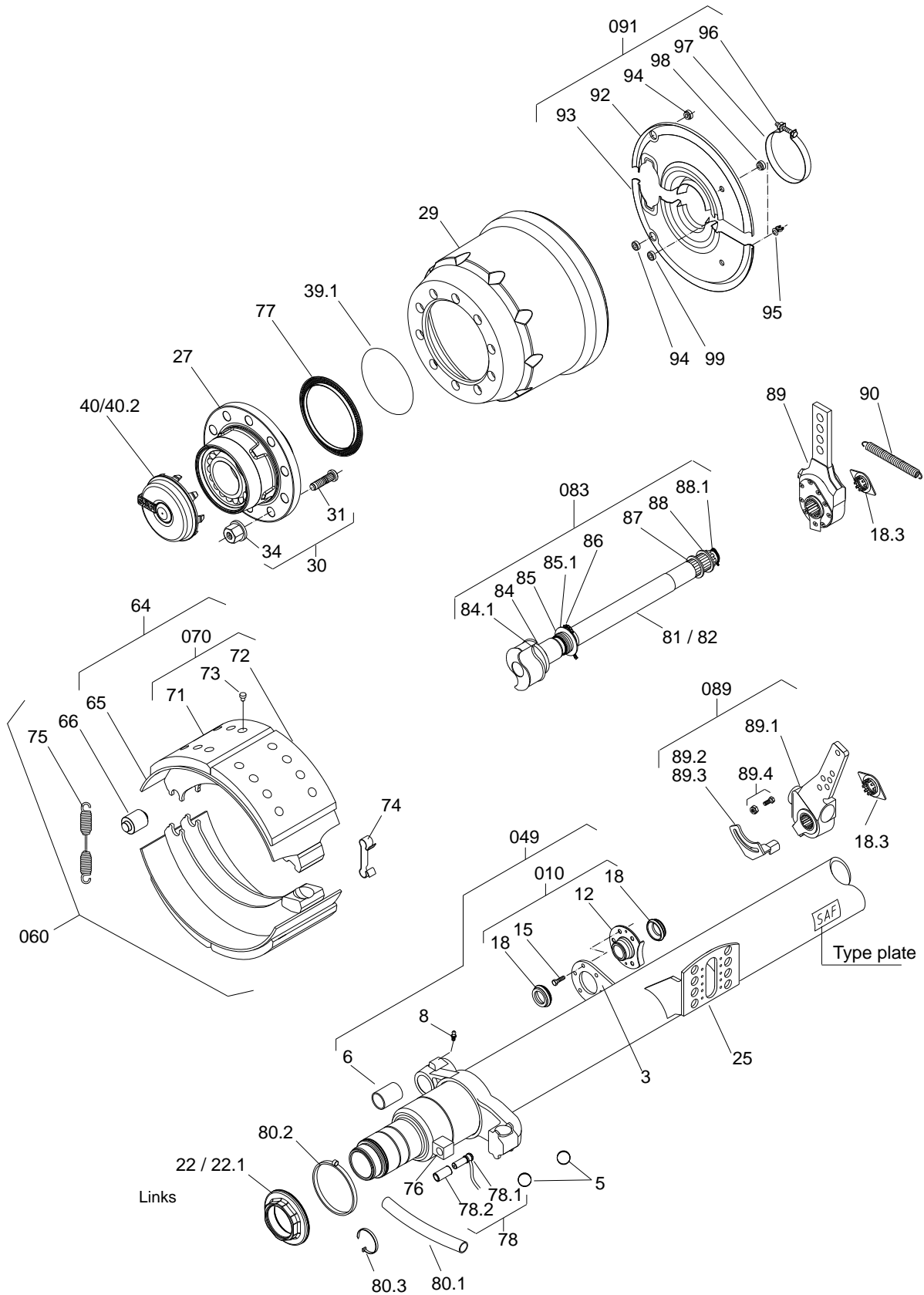


– continued

Item	Part No.	Qty	Description	Dimensions / reference	Qty per Axle
81	2262110902	1	Camshaft left	669	1
82	2262110802	1	Camshaft right	669	1
83	3317001600	1	Repair kit camshaft		2
84		1	O-ring	ø45x4	2
84.1		1	Spacer	52,5/46,7x4	2
85		1	Disc spring	ø63/43x1,75	2
85.1		1	Shaft seal	ø45x60x7	2
86		1	Spring clamp	ø39	2
87		1	Washer (Knorr)	ø51/38,8x1,5	2
88		1	Washer (Knorr)	ø51/28,1x1,5	6
88.1		1	Spring clamp	ø23	2
89	2175029400	1	Slack adjuster		2
89		1	Automatic slack adjuster assembly	SAF	2
89.1		1	Slack adjuster	S-ASA5	2
89.2		1	Anchor bracket left		1
89.3		1	Anchor bracket right		1
89.4	3341102200	1	Screw assembly	M8x30	4
90	1447003700	1	Return spring	ø25,8x2,8x148	2
91	3005017100	1	Dust shield assembly		2
92		1	Dust shield left		2
93		1	Dust shield right		2
94	4337200801	1	Protecting cap (Wabco)	ø31,75x9,52	4
95		1	cable holder		2
96	4343107588	1	Screw	M8x40	2
97	4194202500	1	Band clamp	ø130x20	2
98	4337202700	1	Protecting cap		4
99	4177301800	1	Rubber funnel ABS	ø18x8	2

Z9-3720 Brake SNK 367 X 200





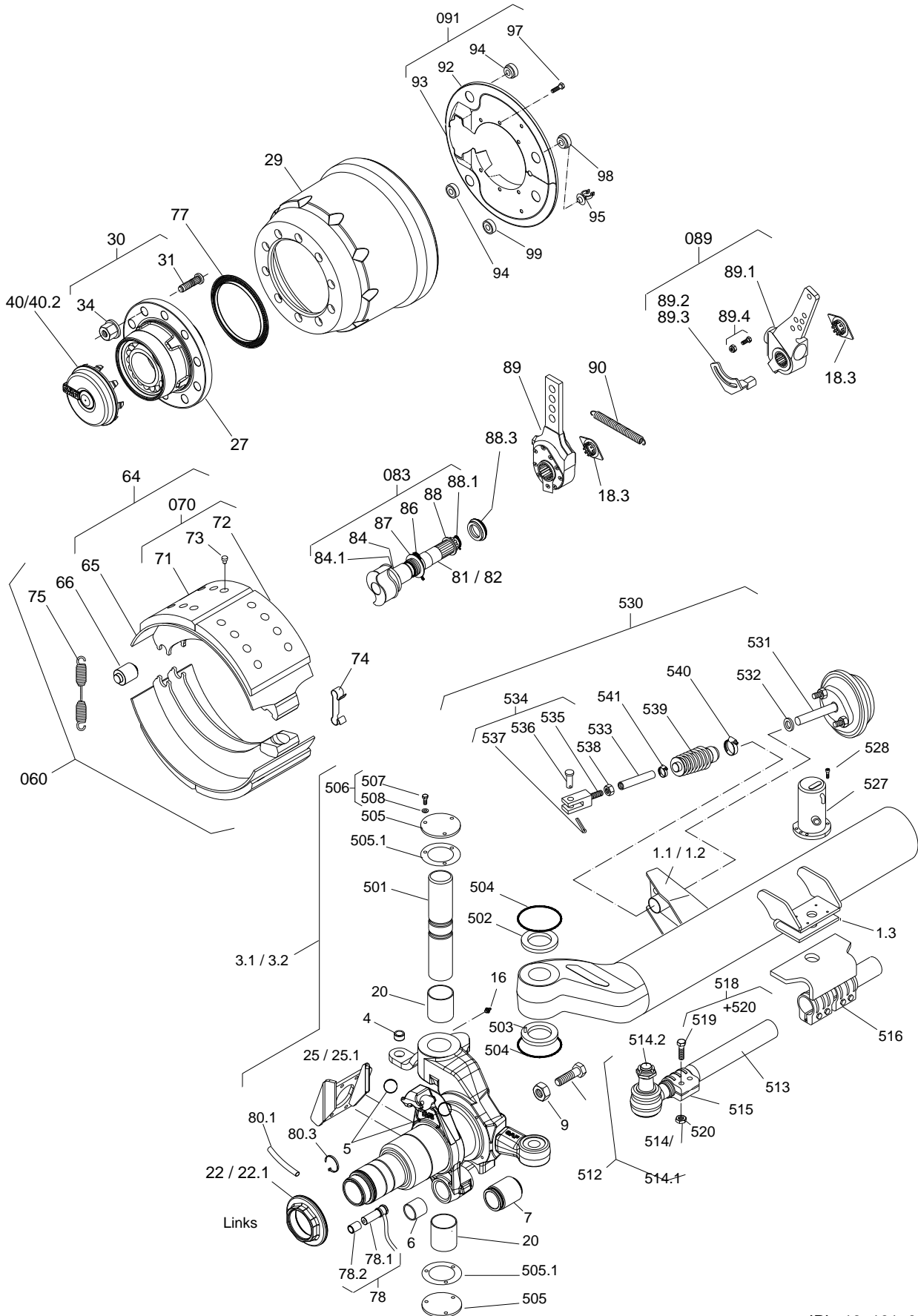
# Z11-3020 low loader NG axle



## DRUM BRAKE 300X200 - DUAL WHEELS – *continued*

Item	Part No.	Qty	Description	Qty per Axle
<b>1</b>	See type plate	1	Axle beam assembly (See Ident. No. on the type plate)	1
<b>5</b>	4199100200	1	Anchor ball 40mm	4
<b>6</b>	4230018000	1	Cam bronze bush - $\Phi$ 50/46x40	2
<b>8</b>	4201000100	1	Grease nipple AM 8x1 - 16 lg.	4
<b>10</b>	3268004700	1	Camshaft bearing assembly (incl. 12-18)	2
<b>18.3</b>	4187001000	1	Wear indicator	2
<b>22</b>	1011008600	1	Axle nut RH - M75x1.5 (spanner 85 mm)	1
<b>22.1</b>	1011008500	1	Axle nut LH - M75x1.5 (spanner 85 mm)	1
<b>27</b>	3307304600	1	Hub unit assembly - 10x225PCD	2
<b>29</b>	1064027300	1	Brake drum - $\Phi$ 300x200 - 10x225PCD	2
<b>31</b>	1303107512	1	Wheel bolt - M22x1,5x 93	20
<b>34</b>	4247301201	1	Wheel nut - M22x1,5 x27	20
<b>39.1</b>	4315007500	1	O-Ring - $\Phi$ 92x4	2
<b>40</b>	3304010201	1	Hub cap	2
<b>40.2</b>	4304010301	1	Hub cap for hubodometer	2
<b>49</b>		1	Camshaft bushing repair kit (incl. 6-8, 010, 18.3, 84-88.1 & 90) Use 010 + 6	1
<b>64</b>	3055012901	1	Brake shoe assembly with linings	4
<b>66</b>	1265001900	1	Cam-roller	4
<b>70</b>		1	Brake lining kit (incl. 71-73)	1
<b>74</b>	1151001300	1	Retaining clamp	2
<b>75</b>	1447006000	1	Return spring	2
<b>77</b>		1	ABS Pole wheel - 80	2
<b>80.1</b>		1	Cable protect. hose	2
<b>80.2</b>		1	Band clamp	2
<b>80.3</b>		1	Fastener ring	2
<b>81</b>	2262150300	1	Camshaft LH - 497.5mm long	1
<b>82</b>	2262150400	1	Camshaft RH - 497.5mm long	1
<b>83</b>	3317001600	1	Camshaft kit (incl. 84-88.1 & 18.3)	2
<b>89</b>	2175029400	1	Slack adjuster - manual	2
<b>89</b>	3434350202	1	Auto-Slack adjuster kit (incl. 89.1-89.3 & 18.3)	1
<b>90</b>	1447002502	1	Return spring	2
<b>91</b>	3005016100	1	Dust cover kit (incl. 92-94 & 96-99)	2
<b>95</b>		1	Cable clip	2
<b>96</b>	3434402100	1	Bearing Repair Kit	2
	4434382800L	1	Hub nut socket (SW85mm) for NG Axles	1
<b>Tools</b>	2501875	1	Universal hub puller	1
	5387004203	1	SAF fitting paste (to be applied on spindles)	1

Z11-3020 low loader NG axle



IPL\_19\_101\_0

# ZL11-3020 low loader NG steer axle

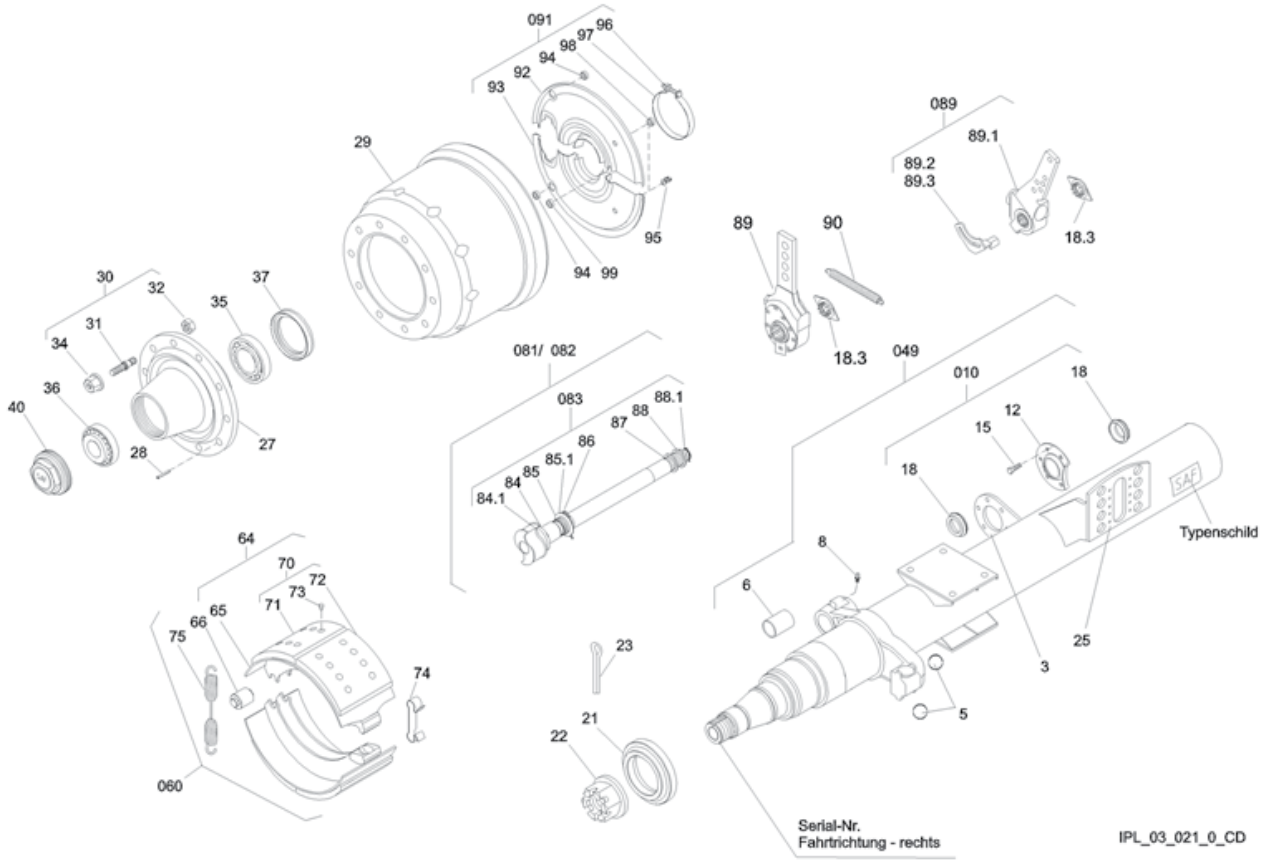


## DRUM BRAKE 300X200 - DUAL WHEELS – *continued*

Item	Part No.	Qty	Description	Qty per Axle
<b>1</b>	See type plate	1	Axle beam assembly (See Ident. No. on the type plate)	1
<b>3.1</b>	a.r.	1	Steering knuckle LH (See Ident. No. on the type plate)	1
<b>3.2</b>	a.r.	1	Steering knuckle RH (See Ident. No. on the type plate)	1
<b>4</b>		1	Bush $\Phi 25/18 \times 14.5$	2
<b>5</b>	4199100200	1	Anchor ball 40mm	4
<b>6</b>	4230018000	1	Cam bronze bush $\Phi 50/46 \times 40$	2
<b>7</b>	1230010604	1	Camshft. bronze bush $\Phi 42/38.1 \times 44.9$	2
<b>8</b>	4343101401	1	Bolt steering stop M20x70	2
<b>9</b>	4342001780	1	Nut M20	2
<b>16</b>	4201000100	1	Grease nipple AM 8x1 - 16mm lg.	6
<b>17</b>	4201000200	1	Grease nipple BM 8x1 - 23.5mm lg.	2
<b>18.3</b>	4187001000	1	Wear indicator	2
<b>20</b>	4230017000	1	Bronze bush $\Phi 65/60 \times 70$	4
<b>22</b>	1011008600	1	Axle nut RH - M75x1.5 (spanner 85 mm)	1
<b>22.1</b>	1011008500	1	Axle nut LH - M75x1.5 (spanner 85 mm)	1
<b>27</b>	3307304600	1	Hub unit assembly - 10x225PCD	2
<b>29</b>	1064027300	1	Brake drum - $\Phi 300 \times 200$ - 10x225PCD	2
<b>31</b>	1303107512	1	Wheel bolt - M22x1,5x 93	20
<b>34</b>	4247301201	1	Wheel nut - M22x1,5 x27	20
<b>40</b>	4304010200	1	Hub cap	2
<b>60</b>	3434365500	1	Brake Kit SNK 300x200 (incl. 64, 74 & 75)	1
<b>64</b>	3055012901	1	Brake shoe assembly with linings	4
<b>66</b>	1265001900	1	Cam-roller	4
<b>70</b>		1	Brake lining kit (incl. 71-73)	1
<b>74</b>	1151001300	1	Retaining clamp	2
<b>75</b>	1447006000	1	Return spring	2
<b>77</b>		1	ABS Pole wheel - 80	2
<b>81</b>	2262150100	1	Camshaft LH - 258.5mm long	1
<b>82</b>	2262150200	1	Camshaft RH - 258.5mm long	1
<b>83</b>	3317001600	1	Camshaft kit (incl. 84-88.1 & 18.3)	2
<b>89</b>	3434350601	1	Auto-Slack adjuster kit (incl. 89.1-89.4 & 18.3) Axle Ident No. 171_11_07_1_67_1	1
<b>89</b>		1	Auto-Slack adjuster kit (incl. 89.1-89.4 & 18.3) Axle Ident No. 171_11_08_1_67_1	1
<b>90</b>	1447002502	1	Return spring - Axle Ident No. 171_11_07_1_67_1	2
<b>90</b>	1447003600	1	Return spring - Axle Ident No. 171_11_08_1_67_1	2
<b>91</b>	3005018300	1	Dust cover kit (incl. 92-94 & 97-99)	2
<b>95</b>		1	Cable clip	2
<b>500</b>	3434365700	1	Repair-kit steering knuckle (incl. 20 & 501-508)	2
<b>500.1</b>		1	Repair-kit steering knuckle (incl. 20, 502-507, 539, 540 & 541)	1
<b>512</b>	3357014300	1	Track rod assembly (incl. 513-515 & 519-520)	1
<b>516</b>		1	Axle-lock plate	1
<b>527</b>	4454300400	1	Axle-lock cylinder	1
<b>528</b>	4375400188	1	Allen-Screw M6x20	4
<b>530</b>	3233001400	1	Stabilizing kit assembly (incl. 531-541)	2
<b>531</b>		1	Stabilizing chamber 30"	2
<b>532</b>		1	Spherical washer	2

ZL11-3020 low loader NG steer axle

Item	Part No.	Qty	Description	Qty per Axle
<b>533</b>	1103002000	1	Push-rod - L=370mm	2
<b>534</b>	3161001100	1	Clevis set	2
<b>535</b>	1161001100	1	Clevis	2
<b>536</b>	1051200200	1	Clevis pin	2
<b>537</b>	4353000900	1	Split-pin	2
<b>538</b>	4342100880	1	Nut M20	2
<b>539</b>	1131000400	1	Rubber collar	2
<b>540</b>	1194000700	1	Clamp band	2
<b>541</b>	1194000800	1	Clamp band	2
<b>Tools</b>	4434382800	1	Hub nut socket (SW85mm) for NG Axles	1
	4434382200	1	Universal hub puller	1
	4387001506	1	SAF fitting paste (to be applied on spindles)	1



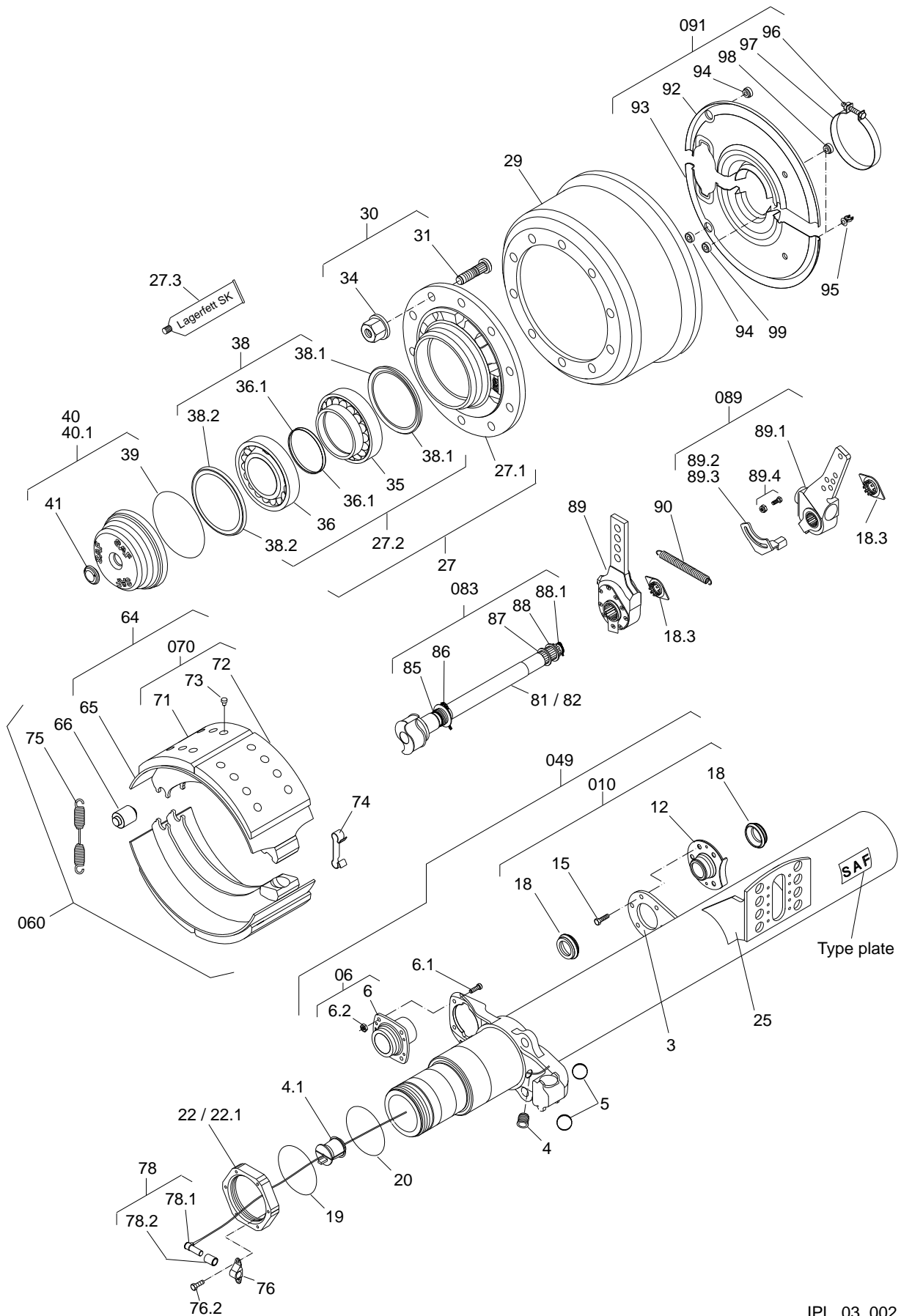
IPL\_03\_021\_0\_CD

Item	Part No.	Qty	Description	Dimensions / reference	Qty per Axle
3	1043101300	1	Spherical mounting plate	SNK420	2
5	4199100200	1	Ball	ø40	4
6	4230018000	1	Bearing bush	ø50/46x40	2
8	4201000100	1	Grease nipple	16L/AM8x1	2
10	3268004700	1	Compact cam bearing anchor bracket		2
12		1	Camshaft bearing		2
15	4343291201	1	Screw	M8x22-KL90	10
18	4131000800	1	Bellow (Knorr)	ø60/36,6x17	4
18.3	4187000900	1	Wearing gauge		2
21	1368006300	1	Race washer	180/109,9x45	2
22	1011007900	1	Axle nut	M60x2/56H/SW85	2
23	4353001600	1	Cotter pin (Knorr)	10x80	2
25	1171138102	1	Brake cylinder support		2
27	2307105400	1	Hub		2
28	1198000600	1	Drive pin	ø6x19,5	2
29	1064029200	1	Brake drum	287H/420/10-23 TK335	2
30	3302102800	1	Wheel bolt assembly	M22x2x25h SW32	20
31	1303102811	1	Wheel bolt	M22x2/M22x2x108	20
32	4342000910	1	Nut	M22x2x17H	20
34	4342001510	1	Nut	M22x2x25H	20
35	4200002800	1	Roller bearing	32221A 105/190x53	2
36	4200003400	1	Roller bearing	32314A 70/150x54	2
37	4373000600	1	Shaft seal	ø180x200x15 B2	2
40	1304001900	1	Wheel cap	M155x3/75H/SW130	2
49	3434364001	1	Repair kit camshaft bearing		1
60	3434365400	1	Brake kit	SNK420x200	1
64	3055012200	1	Brake shoe assembly with linings		4
65	3054012200	1	Brake shoe assembly without linings		4
66	1265001900	1	Cam roller	ø36,2x53	4
70	3057396600	1	Brake lining kit	SNK420x200	1
71		1	Brake lining	SNK420x200	4
72		1	Brake lining	SNK420x200	4
73	3267000764	1	Rivet kit	B8x15	1
74	1151000800	1	Spring clamp	SNK367/420	2
75	1447005801	1	Return spring	ø32,8x232	2
76	1189002201	1	Holder	30x25x60	2
76.2	4375401388	1	Screw	M8x30	4
77	4029103100	1	Exciter ring	100 Zähne	2
78	3029023100	1	ABV / WABCO -Modul- (VGL.Nr. 441 032 921 2)		2
78.1	3029100290	1	Sensor -Modul-		2
78.2	4029101300	1	Clamping bush		2
80.1	4338001000	1	Protective hose	17x1,5x250	2
80.2	4194202100	1	Collar	ø140-160x9	2
80.3	1194400100	1	Clamp ring	ø24,5/21,5x6	2

– continued

Item	Part No.	Qty	Description	Dimensions / reference	Qty per Axle
81		1	Camshaft assembly left (SNK420/367)		1
82		1	Camshaft assembly right (SNK420/367)		1
83	3317001600	1	Repair kit camshaft		2
84		1	O-ring	ø45x4	2
84.1		1	Spacer	52,5/46,7x4	2
85		1	Disc spring	ø63/43x1,75	2
85.1		1	Shaft seal	ø45x60x7	2
86		1	Spring clamp	ø39	2
87		1	Washer (Knorr)	ø51/38,8x1,5	2
88		1	Washer (Knorr)	ø51/28,1x1,5	6
88.1		1	Spring clamp	ø23	2
89	2175029400	1	Slack adjuster		2
89	3434350204	1	Automatic slack adjuster assembly	SAF	1
89.1	4175037400	1	Slack adjuster	S-ASA5	2
89.2		1	Anchor bracket left		1
89.3		1	Anchor bracket right		1
89.4	3341102200	1	Screw assembly	M8x30	4
90	1447003600	1	Return spring	ø22,5x2,5x185	2
91	3005017301	1	Dust shield assembly		2
92		1	Dust shield left	SNK420	2
93		1	Dust shield right	SNK420	2
94	4337200801	1	Protecting cap (Wabco)	ø31,75x9,52	4
95	4189004400	1	cable holder		2
96	4343107588	1	Screw	M8x40	2
97	4194202301	1	Claming piece	ø149x20	2
98	4337202700	1	Protecting cap		4
99	4177301800	1	Rubber funnel ABS	ø18x8	2





IPL\_03\_002\_0

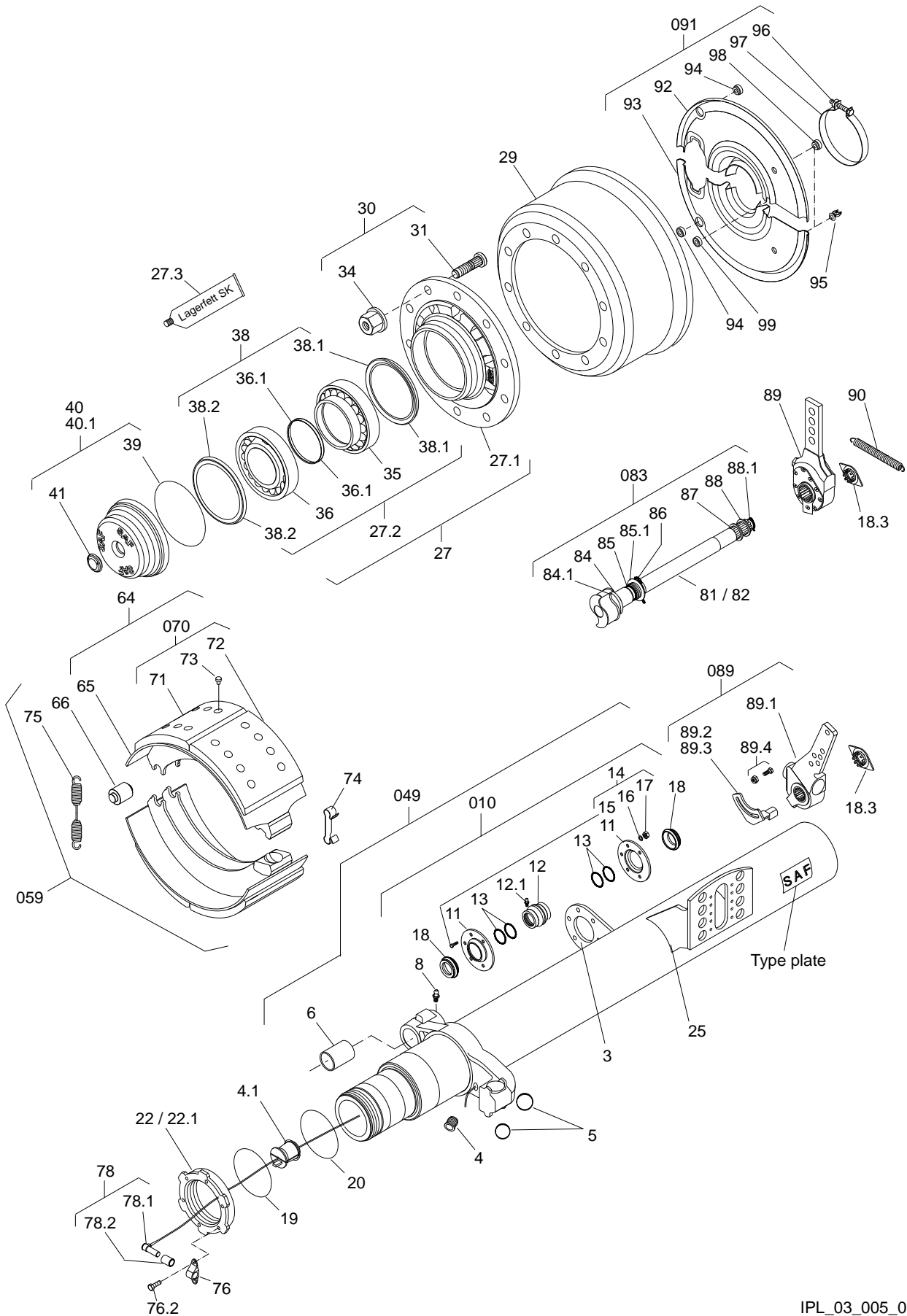
# SK RZ 9042 axle



## DRUM BRAKE 420X180/200 - DUAL WHEELS – *continued*

Item	Part No.	Qty	Description	Qty per Axle
1	See type plate	1	Axle beam assembly (See Ident. No. on the type plate)	1
3	1350200104	1	Cam bushing lock plate	2
4	4337202800	1	ABS Protection plug	2
4.1	4337202900	1	ABS cable plug (inside of spindle)	2
5	4199100200	1	Anchor ball - 40mm	4
6	3268005000	1	Cam bush unit - SNK420/367 - (incl. 6 & 6.2)	2
6.1	4051700110	1	Locating bolt - M8x25	8
10	3268004700	1	Camshaft bush & fixing kit - (incl. 12-18)	2
18.3	4187001000	1	Wear indicator	2
19	4315005200	1	Axle nut lock O-Ring $\phi$ 116x3	2
20	4315005600	1	Spindle O-Ring $\phi$ 110x2	2
22	1011007001	1	Axle nut RH - M120x2/SW140	1
22.1	1011007101	1	Axle nut LH - M120x2/SW140	1
27	3307301600	1	Hub-unit 10x285.75PCD - (incl. 27.1, 35, 36, 36.1, 38.1 & 38.2)	2
27	3307301500	1	Hub-unit 10x335PCD - (incl. 27.1, 35, 36, 36.1, 38.1 & 38.2)	2
27.2	3434301201	1	Hub-Bearing repl. Kit - (incl. 20, 27.3, 35, 36, 36.1 & 38)	2
27.3	5387001105	1	Bearing grease pack	2
29	1064029800	1	Brake drum - SNK420x180 - 10x285.75PCD	2
29	1064026002	1	Brake drum - SNK420x180 - 10x335PCD	2
29	1064027000	1	Brake drum - SNK420x200 - 10x335PCD	2
31	1303111210	1	Wheel bolt - Alloy Wh. - M22x1,5x112	20
34	4247301201	1	Wheel nut - M22x1,5 x27	20
38	3434301401	1	Hub seal kit - (incl. 20, 27.3, 36.1, 38.1 & 38.2)	1
39	4315005400	1	Hub cap O-Ring $\phi$ 182x4	2
40	3304007200	1	Hub cap assembly - Without ABS pole wheel - (Incl. 39-41)	2
40	3304007600	1	Hub cap assembly- With ABS pole wheel - (Incl. 39-41)	2
N.A.	1094003701	1	Hubodometer installation washer	1
41	4337202602	1	Protection plug	2
64	3055012000	1	Brake shoe assembly with linings - SNK420x180	4
64	3055012200	1	Brake shoe assembly with linings - SNK420x200	4
66	1265001900	1	Cam-roller	4
70	3057396000	1	Brake lining kit - (incl. 71-73) - SNK420x180	1
70	3057396600	1	Brake lining kit - (incl. 71-73) - SNK420x200	1
74	1151000800	1	Retaining clamp	2
75	1447005801	1	Return spring	2
76	4189005100	1	Sensor mount bracket	2
76.2	4343206700	1	Sensor mount screw M6x12 (self tapping)	4
81	2262111502	1	Camshaft LH - 698mm	1
82	2262111402	1	Camshaft RH - 698mm	1
83	3317001600	1	Camshaft replacement kit - (incl. 85-88.1 & 18.3)	2
89	3434350202	1	Auto-Slack adjuster kit - (incl. 89.1-89.3 & 18.3)	1
90	1447003600	1	Return spring	2
91	3005017300	1	Dust cover pair - (incl. 92-94 & 96-99)	2
95	4189004400	1	Cable clip	2
	1012002400	1	Hub nut socket (SW 140 mm)	1
<b>Tools</b>	2501871	1	Universal hub puller	1
	5387004203	1	SAF fitting paste (to be applied on spindles)	1

SK RZ 9042 axle



SK RZ 9037 axle (before 14.02.98)

IPL\_03\_005\_0

# SK RZ 9037 axle (before 14.02.98)



## DRUM BRAKE 367X200/180 - DUAL WHEELS – *continued*

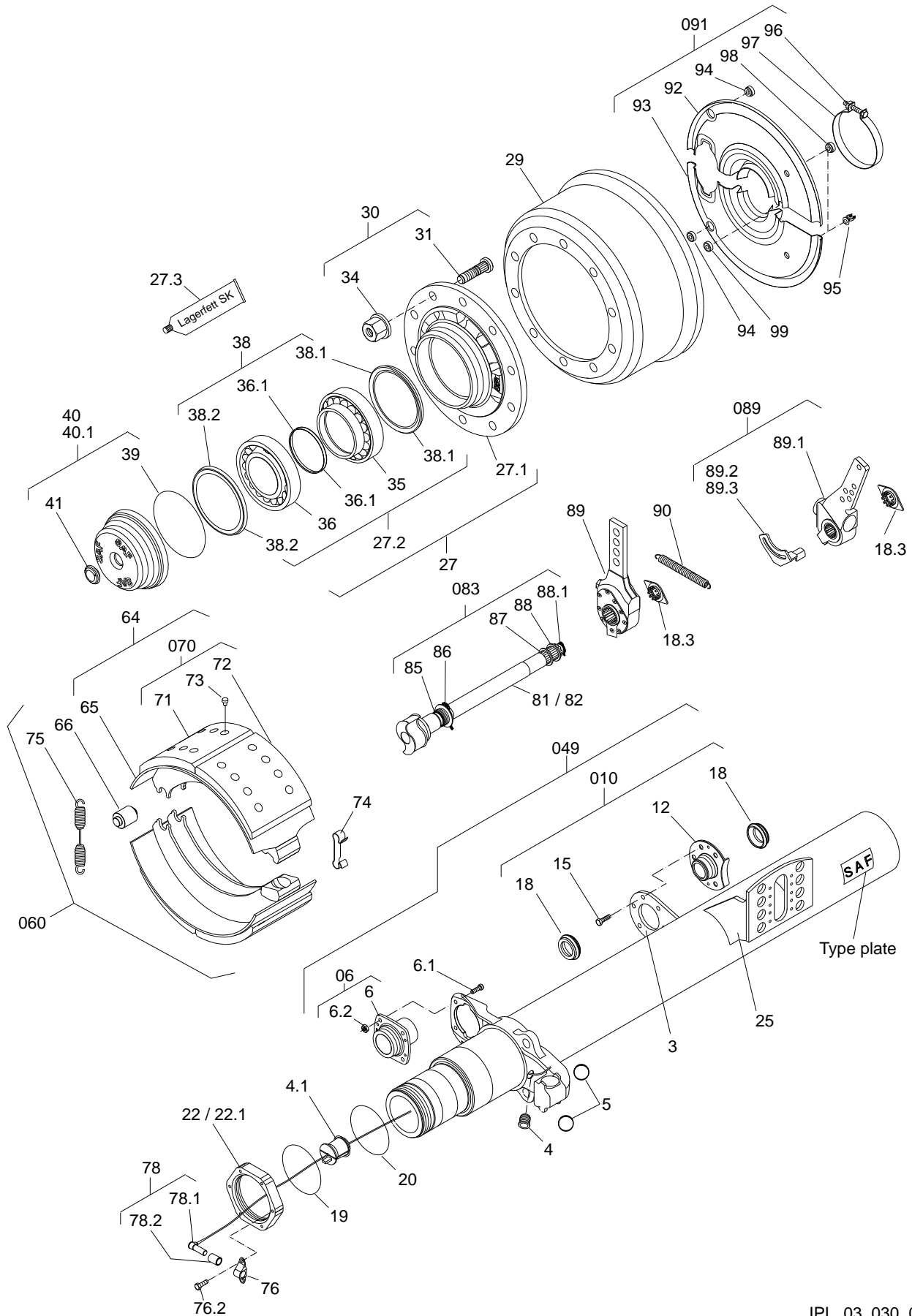
Item	Part No.	Qty	Description	Qty per Axle
1	See type plate	1	Axle beam assembly (See Ident. No. on the type plate)	1
4	4337202800	1	ABS Protection plug	2
4.1	4337202900	1	ABS cable plug (inside of spindle)	2
5	4199100200	1	Anchor ball - 40mm	4
6	4230018000	1	Cam bronze bush $\phi 50/46 \times 40$	2
8	4201002600	1	Grease nipple - M8x36	2
12	3230100204	1	Camshaft bearing with 12.1 & 13	2
15	4343102288	1	Hex bolt - M8x30	12
16	4141000100	1	Spring washer - A8	12
17	4342001380	1	Hex nut - M8	12
18	4131000800	1	Camshaft bellows	4
18.3	4187001000	1	Wear indicator	2
19	4315006000	1	Axle nut lock O-Ring $\phi 96 \times 3$	2
20	4315006600	1	Spindle O-Ring $\phi 90 \times 2.5$	2
22	1011007600	1	Hub nut RH-thread - M100x2 / SW140	1
22.1	1011007700	1	Hub nut LH-thread - M100x2 / SW140	1
27	3307301000	1	Hub-unit - Dual steel wh. 8x275PCD - (incl. 27.1, 35, 36, 36.1, 38.1 & 38.2)	2
27	3307301300	1	Hub-unit - Dual alloy wh. 8x275PCD - (incl. 27.1, 35, 36, 36.1, 38.1 & 38.2)	2
27.2	3434301100	1	Hub-Bearing repl. Kit - (incl. 20, 27.3, 35, 36, 36.1 & 38)	2
27.3	5387001105	1	Bearing grease	2
29	1064027700	1	Brake drum - SNK367x200 - 8x275PCD	2
29	1064028000	1	Brake drum - SNK367x180 - 8x275PCD	2
31	1303107512	1	Wheel bolt - Dual steel wheels - M22x1,5x 93	16
31	1303111210	1	Wheel bolt - Dual alloy wheels - M22x1,5x 112	16
34	4247301201	1	Wheel nut - M22x1,5 x27	16
38	3434301300	1	Hub seal kit - (incl. 20, 27.3, 36.1, 38.1 & 38.2)	2
39	4315006100	1	Hub cap O-Ring $\phi 158 \times 4$	2
40	3304007900	1	Hub cap assembly without ABS pole wheel - (incl. 39-41)	2
40.1	5304009000	1	Hub cap assembly with ABS pole wheel - 90 - (incl. 39-41)	2
41	4337202601	1	Plug	2
49	3434364200	1	Camshaft bushing repair kit - (incl. 6/6.2, 010, 18.3, 19-20, 39, 84-88.1 & 90)	1
64	3055012800	1	Brake shoe assembly with linings - SNK367x200	4
66	1265001900	1	Cam roller	4
70	3057397000	1	Brake lining kit - (incl. 71-73) - SNK367x200	1
70	3057316800	1	Brake lining kit - (incl. 71-73) - SNK367x180	1
73	3267000764	1	Rivet kit	1
74	1151000800	1	Retaining clamp	2
75	1447005801	1	Return spring	2
76	4189007100	1	Sensor mount bracket	2
76.2	4343206700	1	Sensor mount screw M6x12 (self tapping)	4
78	3029023200	1	ABV kit (incl. Renolit Paste)	2
81	2262110902	1	Camshaft LH - 669mm	1
82	2262110802	1	Camshaft RH - 669mm	1

SK RZ 9037 axle (before 14.02.98)

Item	Part No.	Qty	Description	Qty per Axle
<b>83</b>	3317001600	1	Camshaft replacement kit - (incl. 85-88.1 & 18.3)	2
<b>89</b>	2175029400	1	Slack adjuster	2
<b>89</b>	3434350202	1	Auto-Slack adjuster kit - (incl. 89.1-89.3 & 18.3)	1
<b>90</b>	1447017100	1	Return spring	2
<b>91</b>	3005017100	1	Dust cover pair - (incl. 92-94 & 96-99)	2
<b>Tools</b>	1012002400	1	Hub nut socket (SW 140 mm)	1
	2501871	1	Universal hub puller	1
	5387004203	1	SAF fitting paste (to be applied on spindles)	1

# SK RZ 9037 axle (after 15.02.98)

DRUM BRAKE 367X200 - DUAL WHEELS



SK RZ 9037 axle (after 15.02.98)

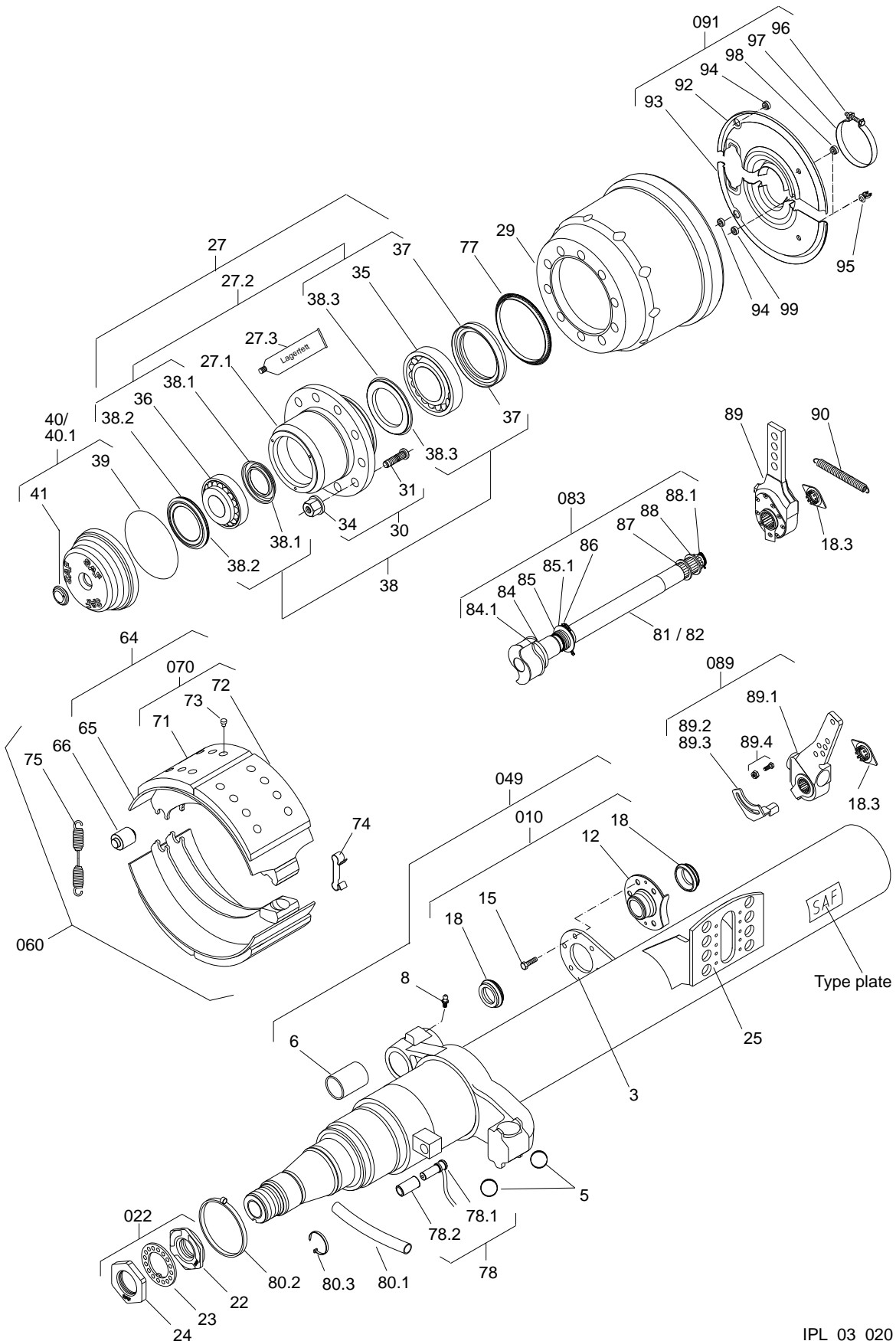
IPL\_03\_030\_0

Item	Part No.	Qty	Description	Qty per Axle
1	See type plate	1	Axle beam assembly (See Ident. No. on the type plate)	1
4	4337202800	1	ABS Protection plug	2
4.1	4337202900	1	ABS cable plug (inside of spindle)	2
5	4199100200	1	Anchor ball - 40mm	4
6	3268005000	1	Cam bush unit - SNK420/367 - (incl. 6 & 6.2)	2
6.1	4051700110	1	Locating bolt - M8x25	8
10	3268004700	1	Camshaft bush & fixing kit - (incl. 12-18)	2
18.3	4187001000	1	Wear indicator	2
19	4315006000	1	Axle nut lock O-Ring $\varnothing$ 96x3	2
20	4315006600	1	Spindle O-Ring $\varnothing$ 90x2.5	2
22	1011007600	1	Hub nut RH-thread - M100x2 / SW140	1
22.1	1011007700	1	Hub nut LH-thread - M100x2 / SW140	1
27	3307301000	1	Hub-unit - Dual steel wh. 8x275PCD - (incl. 27.1, 35, 36, 36.1, 38.1 & 38.2)	2
27	3307301300	1	Hub-unit - Dual alloy wh. 8x275PCD - (incl. 27.1, 35, 36, 36.1, 38.1 & 38.2)	2
27.2	3434301100	1	Hub-Bearing repl. Kit - (incl. 20, 27.3, 35, 36, 36.1 & 38)	2
27.3	5387001105	1	Bearing grease	2
29	1064027700	1	Brake drum - SNK367x200 - 8x275PCD	2
31	1303107512	1	Wheel bolt -Dual steel wheels - M22x1,5x 93	16
31	1303111210	1	Wheel bolt -Dual alloy wheels - M22x1,5x 112	16
34	4247301201	1	Wheel nut - M22x1,5 x27	16
38	3434301300	1	Hub seal kit - (incl. 20, 27.3, 36.1, 38.1 & 38.2)	2
39	4315006100	1	Hub cap O-Ring $\varnothing$ 158x4	2
40	3304007901	1	Hub cap assembly without ABS pole wheel - (incl. 39-41)	2
40.1	5304009000	1	Hub cap assembly with ABS pole wheel - 90 - (incl. 39-41)	2
41	4337202601	1	Plug	2
49	3434364200	1	Camshaft bushing repair kit - (incl. 6/6.2, 010, 18.3, 19-20, 39, 84-88.1 & 90)	1
64	3055012800	1	Brake shoe assembly with linings - SNK367x200	4
66	1265001900	1	Cam roller	4
70	3057397000	1	Brake lining kit - (incl. 71-73) - SNK367x200	1
74	1151000800	1	Retaining clamp	2
75	1447005801	1	Return spring	2
76	4189007100	1	Sensor mount bracket	2
76.2	4343206700	1	Sensor mount screw M6x12 (self tapping)	4
81	2262110902	1	Camshaft LH - 669mm	1
82	2262110802	1	Camshaft RH - 669mm	1
83	3317001600	1	Camshaft replacement kit - (incl. 85-88.1 & 18.3)	2
89	2175029400	1	Slack adjuster	2
89	3434350202	1	Auto-Slack adjuster kit - (incl. 89.1-89.3 & 18.3)	1
90	1447002502	1	Return spring	2
91	3005017100	1	Dust cover pair - (incl. 92-94 & 96-99)	2
95	4189004400	1	Cable clip	2
Tools	1012002400	1	Hub nut socket (SW 140 mm)	1
	4434382200	1	Universal hub puller	1
	5387004203	1	SAF fitting paste (to be applied on spindles)	1

# SK RZ 9030 axle



DRUM BRAKE 300X200 - 10 STUD 225 PCD - DUAL WHEELS



SK RZ 9030 axle

IPL\_03\_020\_0



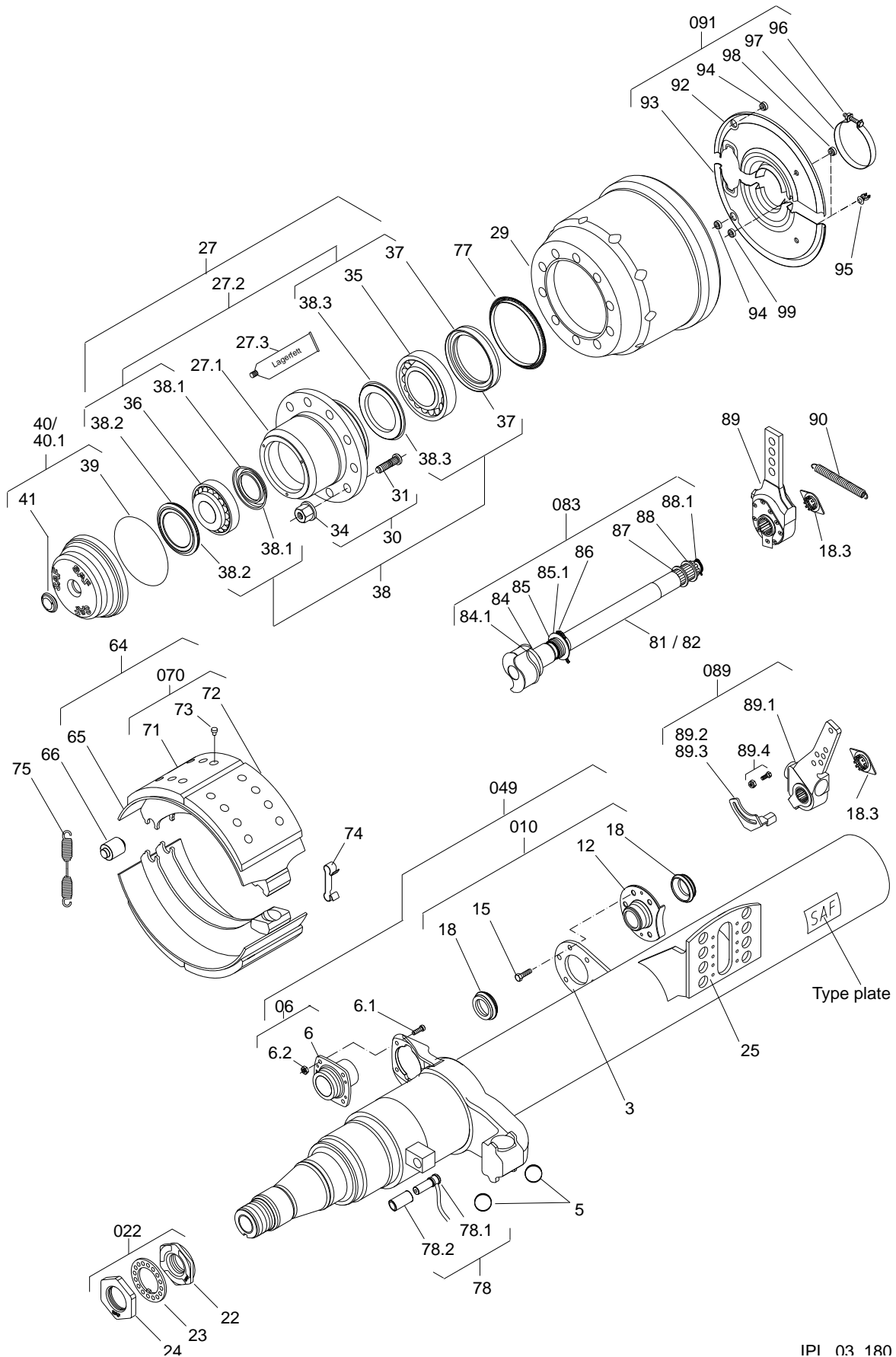
## DRUM BRAKE 300X200 - 10 STUD 225 PCD - DUAL WHEELS

Item	Part No.	Qty	Description	Qty per Axle
1	See type plate	1	Axle beam assembly (See Ident. No. on the type plate)	1
5	4199100200	1	Anchor ball 40mm	4
6	4230018000	1	Cam bronze bush $\phi 50/46 \times 40$	2
8	4201000100	1	Grease nipple AM 8x1 - 16mm lg.	4
10	3268004700	1	Camshaft bearing kit	1
18	4131000800	1	Camshaft bellows	4
18.3	4187001000	1	Wear indicator	2
22	3011004000	1	Axle nut kit	2
22	1011004002	1	Inner axle nut - M56x2, Socket 85	2
23	1345000801	1	Retaining washer	2
24	4011003901	1	Outer axle nut - M56x2 Socket 85	2
27	3307205600	1	Hub unit assembly - 10x225PCD	2
27.2	3434301600	1	Bearing kit (incl. Pos. 27.3, 35, 36, 37 & 38.1 - 38.3)	2
29	1064027300	1	Brake drum - $\phi 300 \times 200$ - 10x225PCD	2
31	1303107512	1	Wheel bolt - M22x1,5x 93	20
34	4247301201	1	Wheel nut - M22x1,5 x27	20
35	4200100600	1	Inner wheel bearing 218 248/210	2
36	4200006000	1	Outer wheel bearing 33213	2
37	4373003501	1	Hub seal	2
38	3434301700	1	Seal kit (incl. Pos. 27.3, 37 & 38.1-38.3)	1
39	4315006400	1	O-Ring - $\phi 148 \times 4$	2
40	3304008600	1	Hub cap assy - (incl. Pos. 39 & 41)	2
41	4337202601	1	Protection plug	2
64	3055012901	1	Brake shoe assembly with linings	4
66	1265001900	1	Cam-roller	4
70		1	Brake lining kit (incl. 71-73)	1
74	1151001300	1	Retaining clamp	2
75	1447006000	1	Return spring	2
81	2262150100	1	Camshaft LH - 662.5mm long	1
82	2262150200	1	Camshaft RH - 662.5mm long	1
83	3317001600	1	Camshaft kit (incl. 84-88.1 & 18.3)	2
89	2175029400	1	Slack adjuster	2
89	3434350202	1	Auto-Slack adjuster kit (incl. 89.1-89.4 & 18.3)	1
90	1447003700	1	Return spring	2
91	3005016100	1	Dust cover kit (incl. 92-94 & 96-99)	2
95		1	Cable clip	2
Tools	4434382800L	1	Hub nut socket	1
	2501871	1	Universal hub puller	1

# SK RZ 12342/18 axle



DRUM BRAKE 420X180 - 10 STUD 285 PCD - DUAL WHEELS



SK RZ 12342/18 axle

IPI 03 180 0

Item	Part No.	Qty	Description	Qty per Axle
1	See type plate	1	Axle beam assembly (See Ident. No. on the type plate)	1
3	4199100200	1	Anchor ball 40mm	4
5	4199100200	1	Anchor ball 40mm	4
6	4199100200	1	Anchor ball 40mm	4
06	3268005000	1	Camshaft bearing assembly	2
6.1	4051700110	1	Bolt (M8x25)	8
6.2	250003	1	Locknut (M8-10)	8
010	3268004700	1	Camshaft bearing assembly (Pos. 12, 15, 18)	2
12		1	Camshaft bearing	2
15		1	Screw (M8x22-KL90)	10
18	4131000800	1	Bellow (Φ60/36, 6x17)	4
18.3	4187001000	1	Wearing gauge	2
022	3011004001	1	Axle nut (M56x2/SW85)	2
22	1011004002	1	Axle nut with lock bolt (M56x2/14,5/SW85)	2
23	1345000801	1	Locking plate (Φ93/TK74x4,75)	2
24	4011003901	1	Axle nut (M56x2/12H/SW85)	2
27	3307303900	1	Hub unit (10x285.75PCD)	2
27	3307303500	1	Hub unit (10x335PCD) with bearings + Pole Ring	2
27.3	5387001105	1	Grease (RENOLIT LX-PEP 2/230g)	2
29	1064029800	1	Brake drum (Φ420x180-10x285.75PCD)	2
29	1064026002	1	Brake drum (Φ420x180-10x335PCD)	2
30	3302114500	1	Wheel bolt assembly (M22x1, 5x31h SW32)	20
31	1303111210	1	Wheel bolt (M22x1 5x1/2)	20
34	4247301201	1	Wheel bolt nut (M22x1, 5x27H/SW32)	20
35	4200100600	1	Roller bearing (KHM218248/HM218210) - Inner	2
36	4200006000	1	Roller bearing (33213 65/120x41) - Outer	2
37	4373003501	1	Hub seal	2
38	3434301700	1	Repair kit grease change (Pos. 27.3, 37, 38.1, 38.2, 38.3)	2
38.1	1337004000	1	Protecting cap (Φ106/66x15)	2
38.2	1092200100	1	Sealing ring- outside (Φ127/86x12)	2
38.3	1092200200	1	Sealing ring- inside (Φ143/95x9)	2
39	4315006400	1	O-ring (Φ148x4)	2
40	3304008600	1	Hub cap assembly (Pos. 39, 40, 41)	2
N/A		1	Hub cap	2
41	4337202601	1	Plug	2
049	3434364200	1	Repair kit camshaft bearing	1
060	3434365300	1	Shoe kit (SNK420x180)	1
64	3055012000	1	Brake shoe assembly with linings	4
65		1	Brake shoe assembly without linings	4
66	1265001900	1	Cam roller (Φ36, 2x53)	4
070	3057396000	1	Brake lining kit (SNK420x180 - Pos. 71-73) - 8 pads	1
71		1	Brake lining (SNK420x180)	4
72		1	Brake lining (SNK420/180)	4
74	1151000800	1	Retaining clamp (SNK367/420)	2
75	1447005801	1	Return spring (Φ32, 8x232)	2

# SK RZ 12342/18 axle



DRUM BRAKE 420X180 - 10 STUD 285 PCD - DUAL WHEELS

Item	Part No.	Qty	Description	Qty per Axle
<b>76</b>		1	ABS sensor bracket (4kt30x33)	2
<b>77</b>	4029100101	1	Exciter ring (100 teeth) Pole Ring	2
<b>78</b>	3029023100	1	ABS kit (Pos. 78.1, 78.2)	2
<b>78.1</b>		1	Sensor- Modul-	2
<b>78.2</b>	4029101300	1	Clamping bush - ABS	2
<b>81</b>	2262111402	1	Camshaft right- 698mm	1
<b>82</b>	2262111502	1	Camshaft left- 698mm	1
<b>83</b>	3317001600	1	Replacement kit- camshaft	2
<b>89</b>	3434350202	1	Automatic slack adjuster assembly (S-ABA)	2
<b>89.1</b>	4175024900	1	Automatic slack adjuster	2
<b>89.2</b>	4018006301	1	Anchor bracket left	1
<b>89.3</b>	4018006401	1	Anchor bracket right	1
<b>89.4</b>	3341102200	1	Screw assembly(M8x30) Bolt + Nut + Washer	2
<b>90</b>	1447003600	1	Return spring (Φ22,5x2,5x185) - Slack Adjuster	2
<b>091</b>	3005017300	1	Dust shield assembly	2
<b>95</b>		1	Cable clip	2

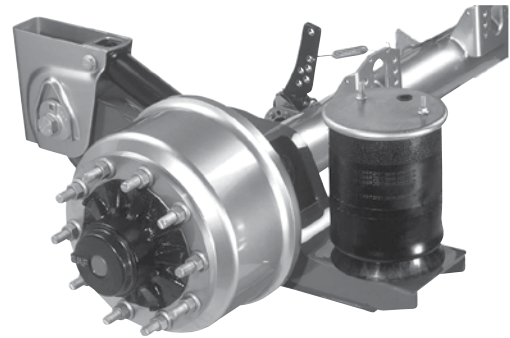
SK RZ 12342/18 axle

## INTRADISC



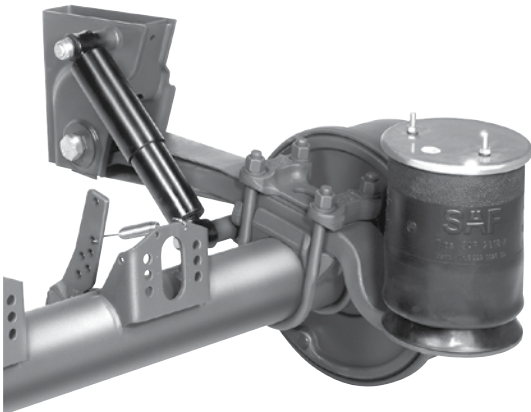
\*Welded Bracket Fitment

## INTRADRUM



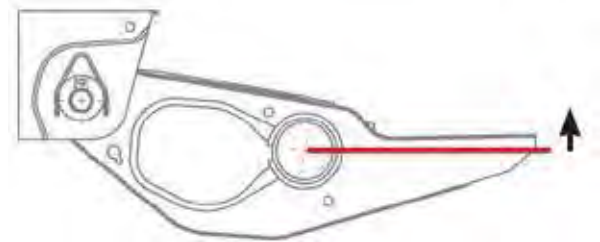
\*Welded Bracket Fitment

## MODUL

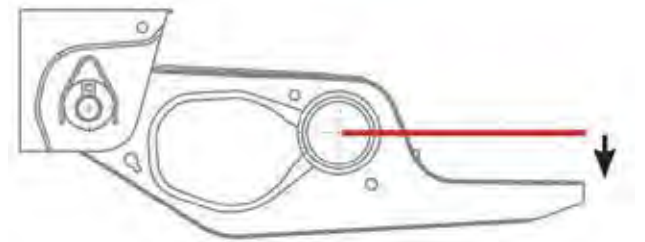


\*U Bolt Fitment

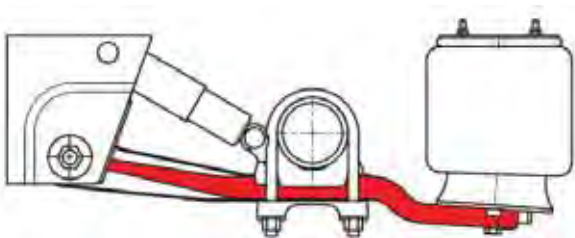
## OVERSLUNG



## UNDERSLUNG



## UNDERSLUNG



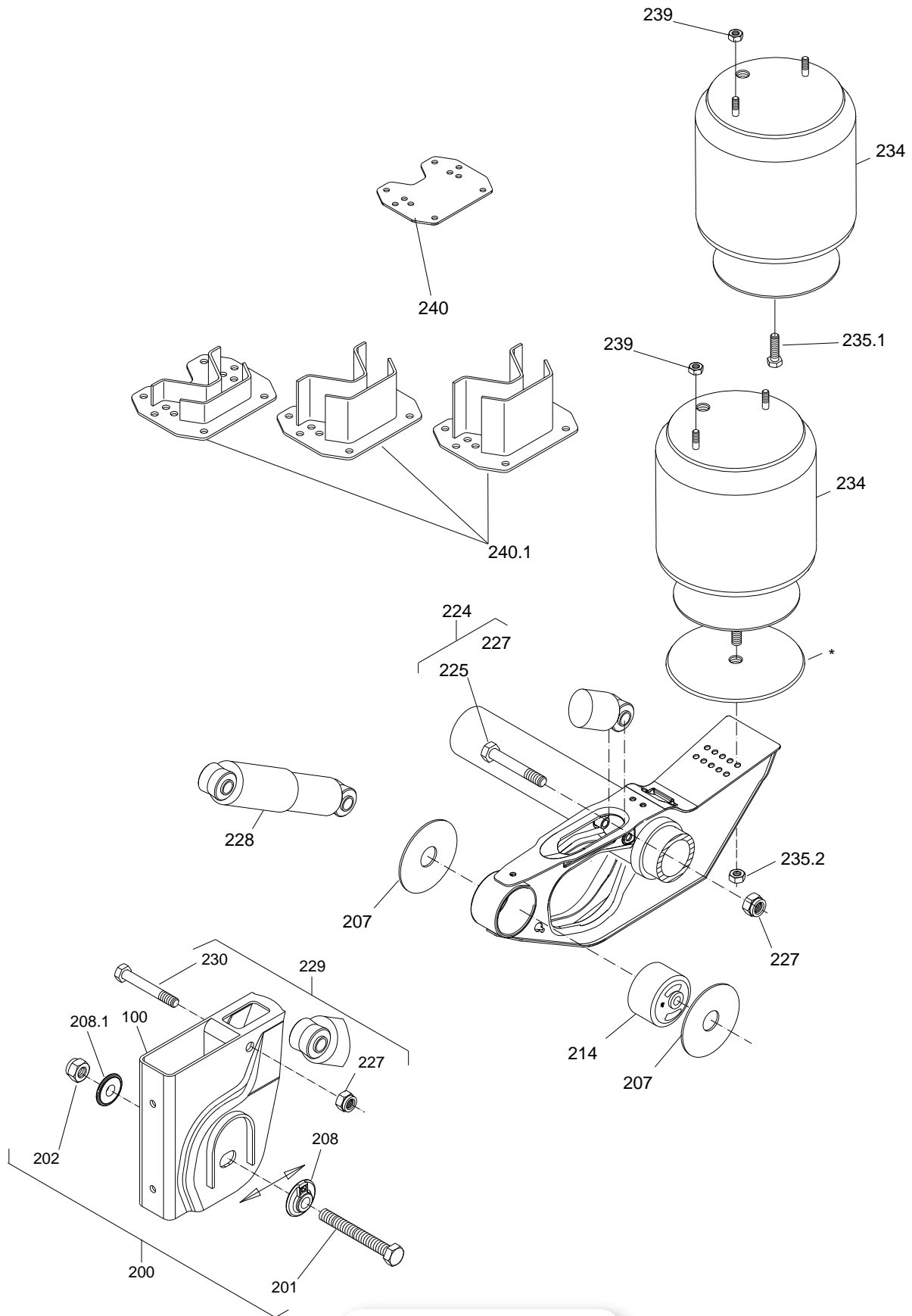
## OVERSLUNG



# Intra susp. range (Intradisc / Intradrum)



IO - OVERSLUNG & IU - UNDERSLUNG



**RK2377 - Hanger repair kit,**  
includes repair boss, bolt,  
nut, washers.

Intra susp. range (Intradisc / Intradrum)

Item	Part No.	Qty	Description	Qty per Axle
100	2183082502	1	Intra hanger - steel - 200H	2
100	2183082602	1	Intra hanger - steel - 250H	2
100	2183082701	1	Intra hanger - steel - 300H	2
100	2183082801	1	Intra hanger - steel - 350H	2
100	2183083000	1	Intra hanger - alloy - 250H	2
100	2183083100	1	Intra hanger - alloy - 300H	2
100	2183083200	1	Intra hanger - alloy - 350H	2
100		1	Intra cross member - self steer - 200H	1
100		1	Intra cross member - self steer - 250H	1
100		1	Intra cross member - self steer - 300H	1
200	3341104819	1	Pivot bolt kit (incl. 201 & 202) - Suits steel hanger	2
201	4343104888	1	Pivot bolt M30x205 - suits steel hanger	2
201	4343105388	1	Pivot bolt M30x240 - suits alloy hanger	2
202	4247402280	1	Lock nut M30	2
207	4331502900	1	Wear pad - plastic	4
208	1123000101	1	Alignment washer - eccentric 102 x 20	2
208.1	1101200100	1	Washer 5 x 20	2
214	4177303500	1	Pivot bush	2
224	3341280210	1	Shock bolt kit bottom - M20X155 (Bolt + Nut)	2
225	4343280210	1	Shock bolt - M20x155 - bottom	2
227	4247404410	1	Nut M20 - flanged	4
228	2376008400	1	Shock absorber - standard - Part no. on shocker	2
228	2376008500	1	Shock absorber - standard - Part no. on shocker	2
228	2376507000	1	Shock absorber - road friendly	2
228	2376507100	1	Shock absorber - road friendly	2
228	2376507200	1	Shock absorber - road friendly	2
229	3044105400	1	Shock bolt kit- top - alloy hanger	2
230	4343280310	1	Shock bolt - M20x125 - top - steel hanger (125mm under bolthead)	2
230	4343280410	1	Shock bolt - M20x205 - top - alloy hanger	2
	1097000800	1	Spacer washer - alloy hanger 5 x 10	4
234	3228103300	1	Air bag - SAF 2619V - 300mm dia (incl. 235.2 & 239) 1 Bolt - Part no. on unit	2
234	3228104100	1	Air bag - SAF 2924V - 350mm dia - long 1 Bolt - Part no. on unit	2
234	3228104200	1	Air bag - SAF 2919V - 350mm	2
235.1	4343103688	1	Hex bolt M16x40 (for SAF 0027 & 1041 bags)	2
235.2	4247400780	1	Lock nut M16 (for SAF 0033 bags)	2
239	4247404710	1	Lock nut M12	4
240	1043026101	1	Air bag plate 5mm - top 5 x 195 x 245	2
240.1	2237008101	1	Air bag pedestal - 50mm	2
240.1	2237008001	1	Air bag pedestal - 100mm	2
240.1	2237008201	1	Air bag pedestal - 150mm	2

# Intra susp. range (Intradisc / Intradrum)

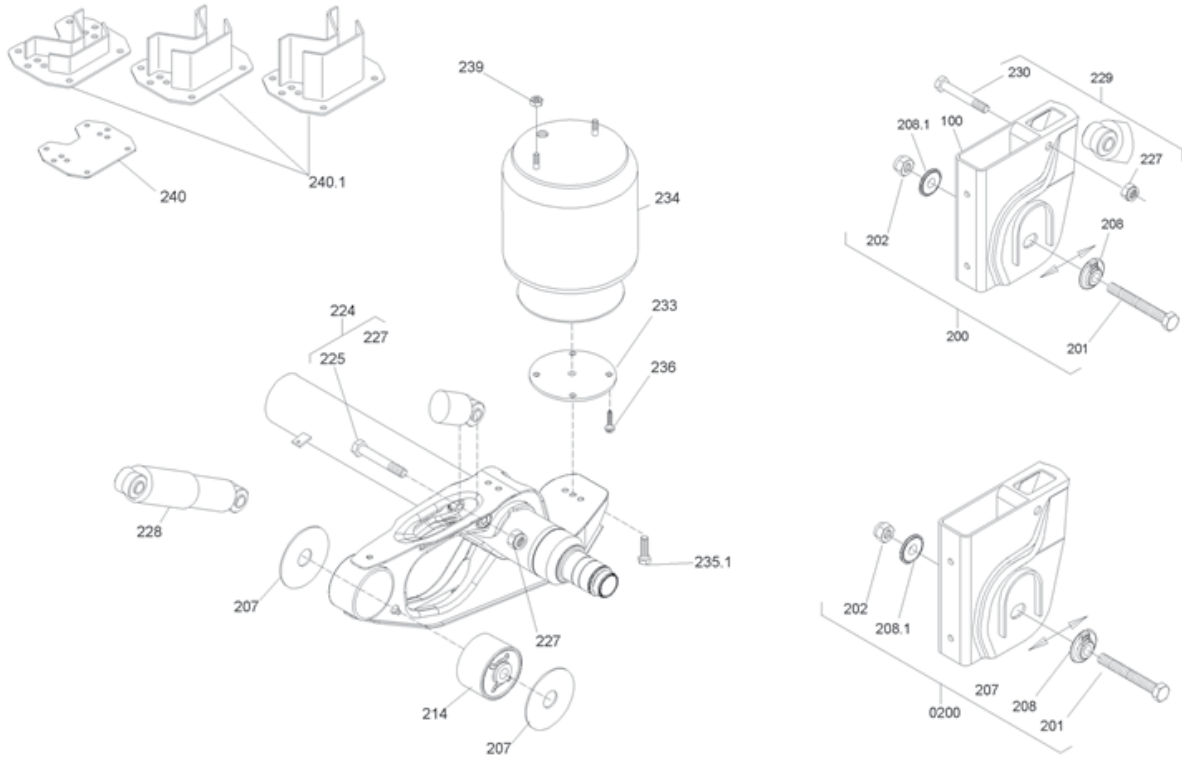


IO - OVERSLUNG & IU - UNDERSLUNG – *continued*

Item	Part No.	Qty	Description	Qty per Axle
<b>*N.A.</b>	1284605200	1	Air bag plate 5mm - bottom (for 60mm offset bags)	2
	RK2377	1	Hanger Pivot Repair Kit	2
	1012002400	1	Hub nut socket (SW140mm)	1
	4434382800L	1	Hub nut socket (SW85mm) for NG axles	1
	2501871	1	Universal hub puller - 285PCD	1
<b>Tools</b>	3434332800	1	SAF universal toolbox (Wabco & Knorr calipers)	1
	2501890	1	3-D bush replacement tool - Intra	1
	5387004203	1	SAF fitting paste (to be applied on spindles)	1
	3434332700	1	SAF ratchet wrench	1

Intra susp. range (Intradisc / Intradrum)





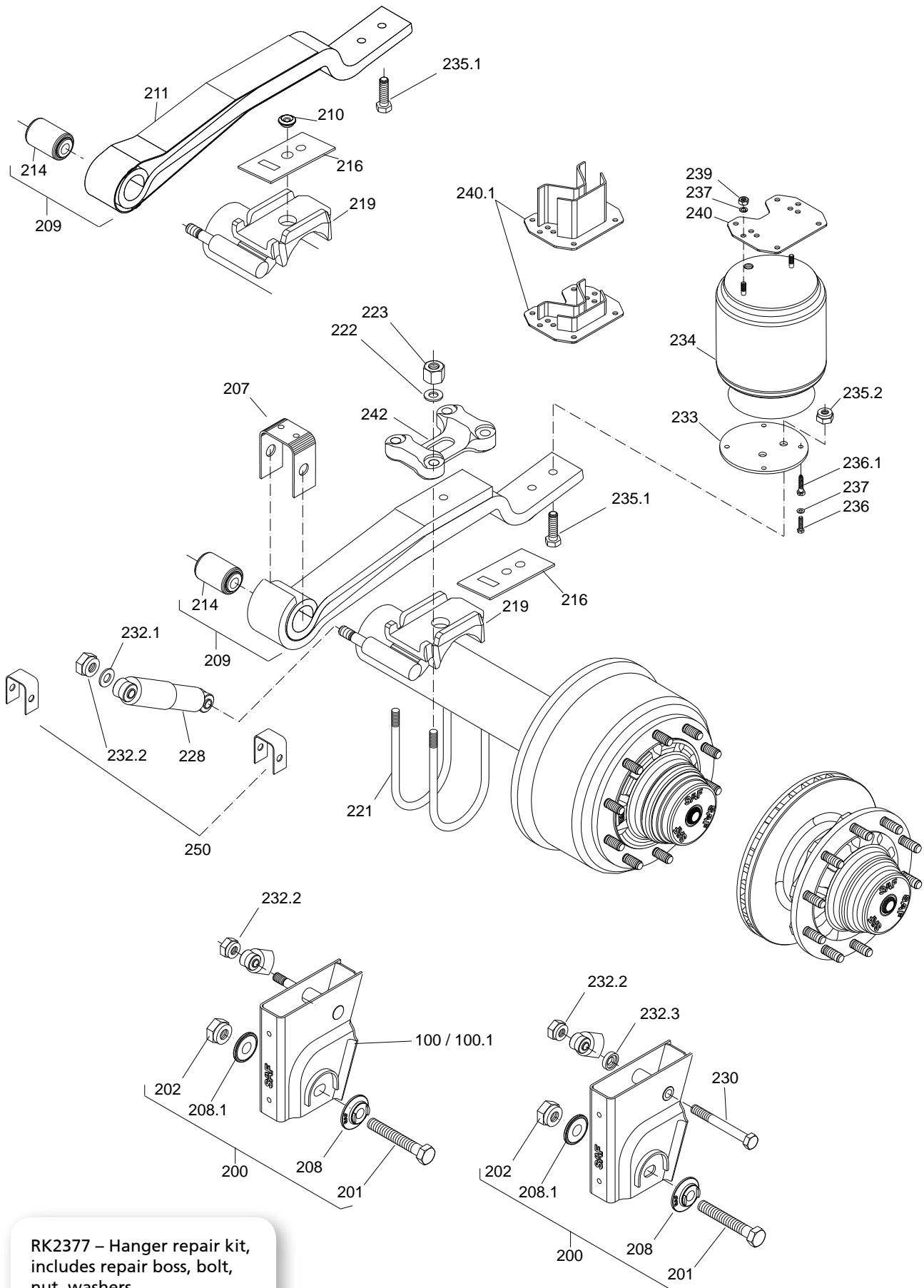
IPL\_IU\_003\_Mega

# Air Suspension IU27/2000 30V90



## MEGA SUSPENSION – *continued*

Item	Part No.	Qty	Description	Dimensions / reference	Qty per Axle
			Axle BI9-19K Brake SBK 1937 (SN6)		
100	2183082502	1	Hanger bracket	200H	2
200	3341104819	1	Screw assembly	M30	2
201	4343104888	1	Bolt M30x205	M30x205	2
202	4247402280	1	Safety flange M30 Nut	M30	2
207	4331502900	1	Sealing washer	ø170/60,5x4,75	4
208	1123000101	1	Eccentric washer	ø102x20	2
208.1	1101200100	1	Thrust washer	ø88/30,5x20	2
214	4177302800	1	Rubber bush		2
224	3341280210	1	Screw assembly	M20x1,5	2
225	4343280210	1	Screw	M20x1,5x155	2
227	4247404410	1	Flange nut	M20x1,5	4
228		1	Shock absorber		2
229	3341280310	1	Screw assembly	M20x1,5	2
230	4343280310	1	Screw	M20x1,5x125	2
233	2043030600	1	Mounting plate		2
234		1	Air bag	SAF2926V	2
235.1	4343103688	1	Screw	M16x40	2
236	4343500188	1	Countersink screw	M12x30	8
239	4247404710	1	Safety flange	M12	4
240		1	Air suspension plate		2
240.1		1	Top mounting bracket		2



**RK2377 – Hanger repair kit,**  
 includes repair boss,  
 bolt,  
 nut, washers.

Item	Part No.	Qty	Description	Qty per Axle
100	2183075101	1	Hanger - 250mm Pivot Height - LH New Generation Old No. 2183074501	1
100	2183075201	1	Hanger - 250mm Pivot Height - RH New Generation Old No. 2183074601	1
100	2183075301	1	Hanger - 290mm Pivot Height - LH New Generation Old No. 2183074701	1
100	2183075401	1	Hanger - 290mm Pivot Height - RH New Generation Old No. 2183074801	1
100	2183075500	1	Hanger - 355mm Pivot Height - LH Alt. No. 2183074901	1
100	2183075600	1	Hanger - 355mm Pivot Height - RH Alt. No. 2183075001	1
200	3341104819	1	Pivot Bolt Assy. (incl. Bolt M30x205 & Lock Nut M30)	2
201	4343104888	1	Pivot Bolt M30x205	2
202	4247402280	1	Lock Nut M30	2
207	4405207100	1	U-Profile	2
208	1123000101	1	Flanged Eccentric Washer	2
208.1	1101200100	1	Flanged Washer	2
209	3155108700	1	Trailing Arm Single-Leaf 51 mm (EN) (Incl. 211&214) Supersedes Single-Leaf 48mm (E) 3155103602 & Twin-Leaf 38/38mm (N) 3155102701	2
209	3155103501	1	Trailing Arm Twin-Leaf 43/43 mm (S) (Incl. 214)	2
210	4208200100	1	Trust Block (for single-leaf trailing arm only)	2
211	1345100502	1	Security Strap (for single-leaf trailing arm only)	2
214	4177301000	1	Bush HD 68/30x104	2
216	1345003000	1	Locking Plate 95x5x225 (suits single leaf trailing arm)	2
216	1345000703	1	Locking Plate 95x5x225 (suits twin leaf trailing arm)	2
219	2010045300M	1	Spring Seat LH - suits axle $\phi$ 127mm - bolt 2501812	1
219	2010045400M	1	Spring Seat RH - suits axle $\phi$ 127mm - bolt 2501812	1
219	2010042901M	1	Spring Seat LH (with shock bolt stud for 146mm axle) - Disc/Drum	1
219	2010043001M	1	Spring Seat RH (with shock bolt stud for 146mm axle) - Disc/Drum	1
221	1402007101	1	U-Bolt (M22x1.5 - 267lg - for single leaf arm and 127mm axle)	4
221	1402007201	1	U-Bolt (M22x1.5 - 304lg - for twin leaf arm and 127mm axle)	4
221		1	U-Bolt (M22x1.5 - 307lg - for twin leaf arm and 133mm axle)	4
221	1402006401	1	U-Bolt (M22x1.5 - 285.5lg - for single leaf arm and 146mm axle)	4
221	1402006501	1	U-Bolt (M22x1.5 - 321.5lg - for twin leaf arm and 146mm axle)	4
222	1331020400	1	U-Bolt Washer - 39/22.5x3	8
222	1331017700	1	U-Bolt Washer - 40/22x6 (For AR313 suspensions)	8
223	4342004710	1	U-Bolt Nut M22x1.5	8
228	2376002600	1	Shock Absorber - Standard - number on shocker	2
228	2376502600	1	Shock Absorber - Road Friendly - number on shocker	2
230	4343203488	1	Top Shock Bolt M24x2x250	2
232.2	4247404080	1	Lock Nut M24x2	4
232.3	1097001100	1	Shock Washer	2
233	1043032700	1	Air Bag Plate $\phi$ 240x15 - 55mm Offset - LH	1
233	1043032800	1	Air Bag Plate $\phi$ 240x15 - 55mm Offset - RH	1
233	2043028900	1	Air Bag Plate $\phi$ 240x15 - 70mm Offset - LH	1
233	2043029000	1	Air Bag Plate $\phi$ 240x15 - 70mm Offset - RH	1

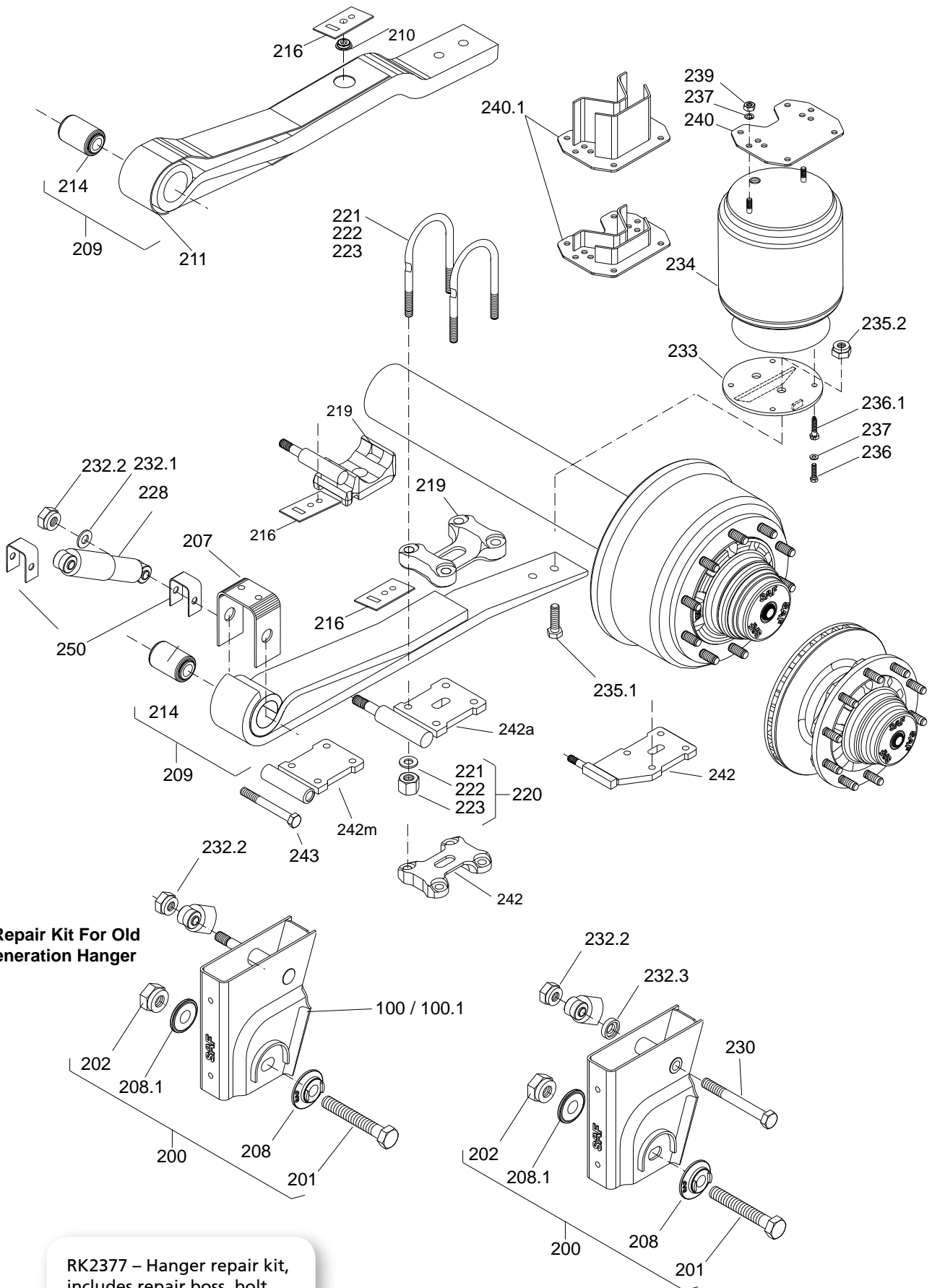
Item	Part No.	Qty	Description	Qty per Axle
234	3228002900	1	Air Bag SAF2618V (300mm DIA) 4 Bolt - without 236.1, 237 & 239)	2
234	3228002700	1	Air Bag SAF2918V (350mm DIA) 4 Bolt	2
234	3228003100	1	Air Bag SAF2923V (350mm DIA) 4 Bolt - long - without 236, 237 & 239)	2
235.1	4343500888	1	Countersunk bolt M20x80	4
235.2	4247401280	1	Lock Nut M20	4
236	4343100788	1	Hex Bolt M12x30 - Suits air bag	6
236.1	4343203700	1	Cut Screw 10x40	6
237	4141000300	1	Spring Washer A12	4
239	4342000460	1	Hex Nut M12	4
240	1043026101	1	Air Bag Plate - 5mm 195 x 245	2
240.1	2237007001	1	Air Bag Pedestal - 40mm	2
240.1	2237007101	1	Air Bag Pedestal - 70mm	2
240.1	2237008001	1	Air Bag Pedestal - 100mm	2
240.1	2237008201	1	Air Bag Pedestal - 150mm	2
242	1350008810	1	Clamping Plate for 127/133mm axle	2
242	1350008610	1	Clamping Plate for 146mm axle	2
243	2501812	1	Bolt - Spring Seat M24 x 2 x 190	2
250	XBAS0004	1	Shock Strap Bracket (2mm thick) - New style	4
	4247404080	1	Nut - Spring Seat M24 x 2	2

AIR BAG	Description	Article number - code	Tap view
<b>Side view</b> 	2618V Hmin = 180 mm Hmax = 550 mm Ø 300 mm plastic piston	3228002900	
	2918V Hmin = 180 mm / Hmax = 520 mm Ø 350 mm steel piston	3228002700	
	2923V Hmin = 225 mm / Hmax = 625 mm Ø 350 mm steel piston	3228003100	

SHOCK ABSORBER	Part Number	Stroke	L Min	L Max	Style
<b>Side view</b> 	2376002600	170 mm	325 mm	495 mm	Standard
	2376502600	170 mm	325 mm	495 mm	Road Friendly

# MODUL suspension

## U - UNTERSUNG



\* Repair Kit For Old Generation Hanger

RK2377 – Hanger repair kit, includes repair boss, bolt, nut, washers.

MODUL suspension

Item	Part No.	Qty	Description	Qty per Axle
100	2183075101	1	Hanger - 250mm Pivot Height - LH Alt. 2 183 0745 01 - Steel	1
100	2183075201	1	Hanger - 250mm Pivot Height - RH Alt. 2 183 0746 01 - Steel	1
100	2183075301	1	Hanger - 290mm Pivot Height - LH Alt. 2 183 0747 01 - Steel	1
100	2183075401	1	Hanger - 290mm Pivot Height - RH Alt. 2 183 0748 01 - Steel	1
100	2183075500	1	Hanger - 355mm Pivot Height - LH Alt. 2 183 0749 01 - Steel	1
100	2183075600	1	Hanger - 355mm Pivot Height - RH Alt. 2 183 0750 01 - Steel	1
200	3341104819	1	Pivot Bolt Assy. (incl. Bolt M30x205 & Lock Nut M30)	2
201	4343104888	1	Pivot Bolt M30x205 - Suits steel hanger	2
202	4247402280	1	Lock Nut M30 - Suits steel hanger	2
207	4405207100	1	Thrust Plate - 70 x 5 x 368	2
208	1123000101	1	Flanged Eccentric Washer 102 x 20	2
208.1	1101200100	1	Thrust Washer 5 x 20	2
209	3155108600	1	Trailing Arm Single-Leaf 51 mm (EN) (Incl. 211&214) Supersedes Single-Lead 48mm (E) 3 155 1044 01 & Twin-Leaf 38/38mm (N) 3 155 1046 01	2
209	3155104800	1	Trailing Arm Twin-Leaf 43/43 mm (S) (Incl. 214)	2
210	4208200100	1	Trust Block (for single-leaf trailing arm only)	2
211	1345100901	1	Security Strap (for single-leaf trailing arm only)	2
214	4177301000	1	Bush HD 68/30x104 - Rubber	2
216	1345003000	1	Locking Plate 95x5x225 (suits single leaf trailing arm)	2
216	1345000703	1	Locking Plate 95x5x225 (suits twin leaf trailing arm)	2
219	1010044500	1	Spring Seat (without shock bolt stud for 127mm axle)	2
219	1010037200	1	Spring Seat (without shock bolt stud for 133mm axle - Steer)	2
219	1010036802	1	Spring Seat (without shock bolt stud for 146mm axle) - Disc	2
219		1	Spring Seat (without shock bolt stud for 146mm axle) - Old Style	2
219	2010043701	1	Spring Seat LH (with shock bolt stud for 146mm axle) - Disc	1
219	2010043801	1	Spring Seat RH (with shock bolt stud for 146mm axle) - Disc	1
219		1	Spring Seat LH (with shock bolt stud for 146mm axle) - Drum	1
219		1	Spring Seat RH (with shock bolt stud for 146mm axle) - Drum	1
219	2010045300M	1	Spring Seat LH (with shock bolt stud for 127mm axle) - U Susp Shock above the trailing arm	1
219	2010045400M	1	Spring Seat RH (with shock bolt stud for 127mm axle) - U Susp Shock above the trailing arm	1
221	1402007101	1	U-Bolt (M22x1.5 - 267lg - for single leaf arm and 127mm axle)	4
221	1402007201	1	U-Bolt (M22x1.5 - 304lg - for twin leaf arm and 127mm axle)	4
221		1	U-Bolt (M22x1.5 - 307lg - for twin leaf arm and 133mm axle)	4
221	1402006401	1	U-Bolt (M22x1.5 - 285.5lg - for single leaf arm and 146mm axle)	4
221	1402006501	1	U-Bolt (M22x1.5 - 321.5lg - for twin leaf arm and 146mm axle)	4
222	1331017700	1	U-Bolt Washer - 40/22x6 For AR313 susp.	8
223	4342004710	1	U-Bolt Nut M22x1.5	8
228	2376002700	1	Shock Absorber - Standard - Number on unit - underslung	2
228	2376002600	1	Shock Absorber - Standard - Number on unit - overslung	2
228	2376003100	1	Shock Absorber - Standard - underslung	2

Item	Part No.	Qty	Description	Qty per Axle
228	2376503100	1	Shock Absorber - Road Friendly - underslung	2
230	4343203488	1	Top Shock Bolt - M24x2x250	2
232.2	4247404080	1	Lock Nut M24x2	2
232.3	1097001100	1	Shock Washer	1
233	1043032700	1	Air Bag Plate $\Phi$ 240x15 - 55mm Offset - LH	1
233	1043032800	1	Air Bag Plate $\Phi$ 240x15 - 55mm Offset - RH	1
233	2043028900	1	Air Bag Plate $\Phi$ 240x15 - 70mm Offset - LH	1
233	2043029000	1	Air Bag Plate $\Phi$ 240x15 - 70mm Offset - RH	2
234	3228002900	1	Air Bag SAF2618V (300mm DIA - without 236.1, 237 & 239)	2
234	3228002700	1	Air Bag SAF2918V (350mm DIA - without 236, 237 & 239)	2
234	3229003100	1	Air Bag SAF2923V (350mm DIA - long - without 236, 237 & 239)	4
235.1	4343500888	1	Countersunk bolt M20x80235.24 247 4012 804 Lock Nut M20	6
236	4343100788	1	Hex Bolt M12x30	6
236.1	4343203700	1	Cut Screw 10x40	4
237	4141000300	1	Spring Washer A12	4
239	4342000460	1	Hex Nut M12	2
240	1043026101	1	Air Bag Plate - 5mm	2
240.1	2237007001	1	Air Bag Pedestal - 40mm	2
240.1	2237007101	1	Air Bag Pedestal - 70mm	2
240.1	2237008001	1	Air Bag Pedestal - 100mm	2
242	2350020100	1	Clamping Plate LH - (with shock bolt 230 for 127mm axle)	1
242	2350020000	1	Clamping Plate RH - (with shock bolt 230 for 127mm axle)	1
242	1350008800	1	Clamping Plate for 127/133mm axle	2
242	1350008610	1	Clamping Plate for 146mm axle	1
242	2350009701	1	Clamping Plate LH - (with shock bolt stud for 146mm axle) - Disc (U33)	1
242	2350009801	1	Clamping Plate RH - (with shock bolt stud for 146mm axle) - Disc (U33)	1
242	2350012600	1	Clamping Plate - (with shock bolt stud for 146mm axle) - Disc (U25)	2
243	2501812	1	Bolt M24x2mmx190mm	4
250	XBAS0004	1	Shock strap bracket (2mm thick) - New Style	4

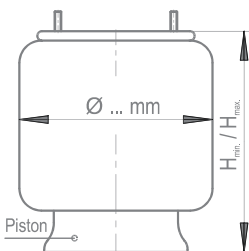
### AIR BAG

Side view

Description

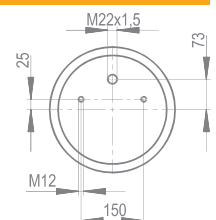
Article number - code

Tap view



2618V Hmin = 180 mm  
Hmax = 550 mm  
Ø 300 mm  
plastic piston

3228002900

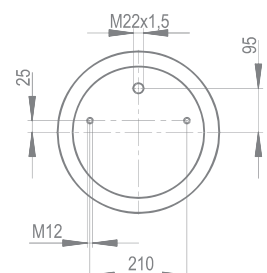


2918V Hmin = 180 mm / Hmax = 520 mm  
Ø 350 mm  
steel piston

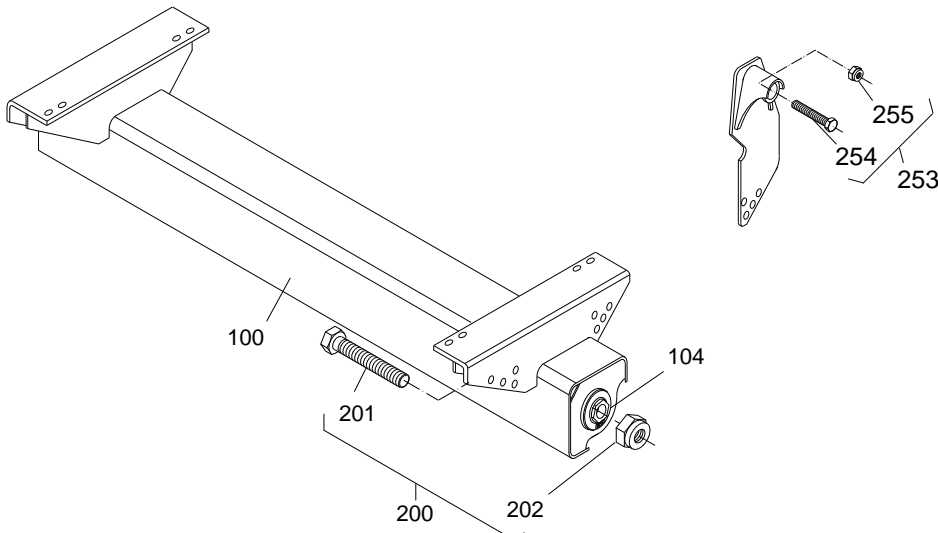
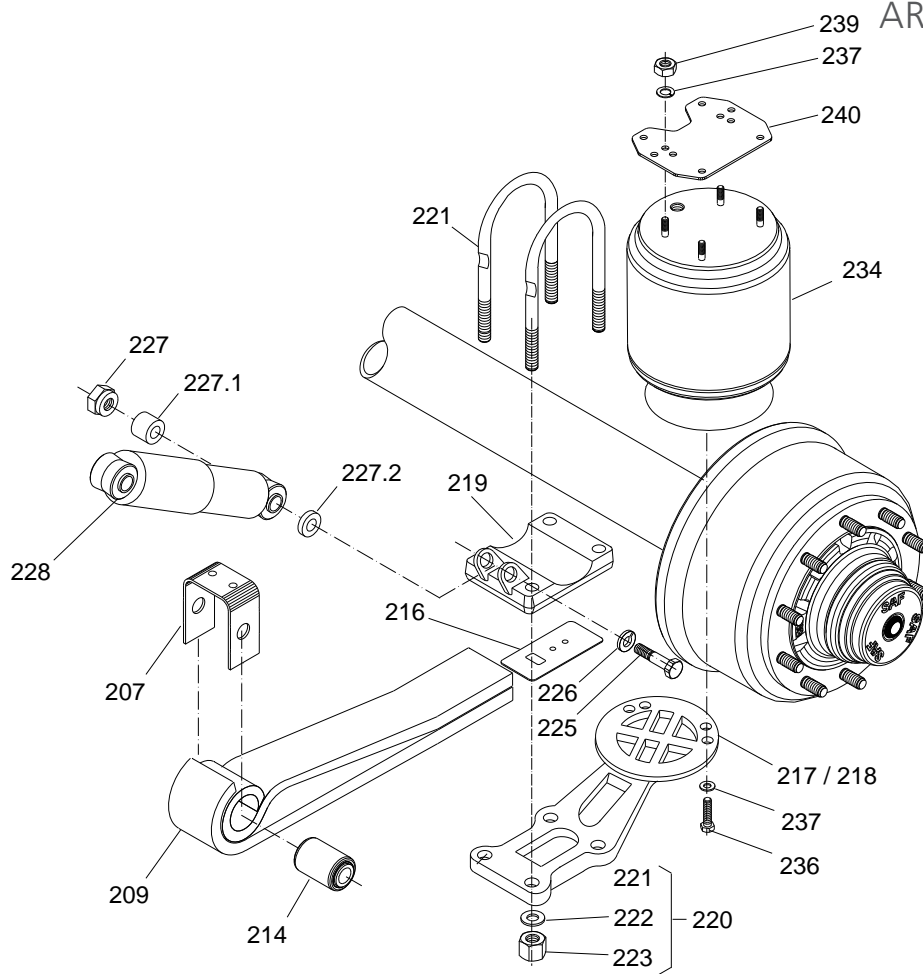
3228002700

2923V Hmin = 225 mm / Hmax = 625 mm  
Ø 350 mm  
steel piston

3228003100



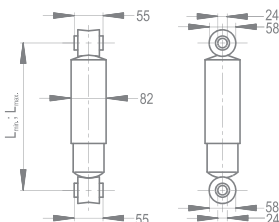




IPL\_13\_020\_0

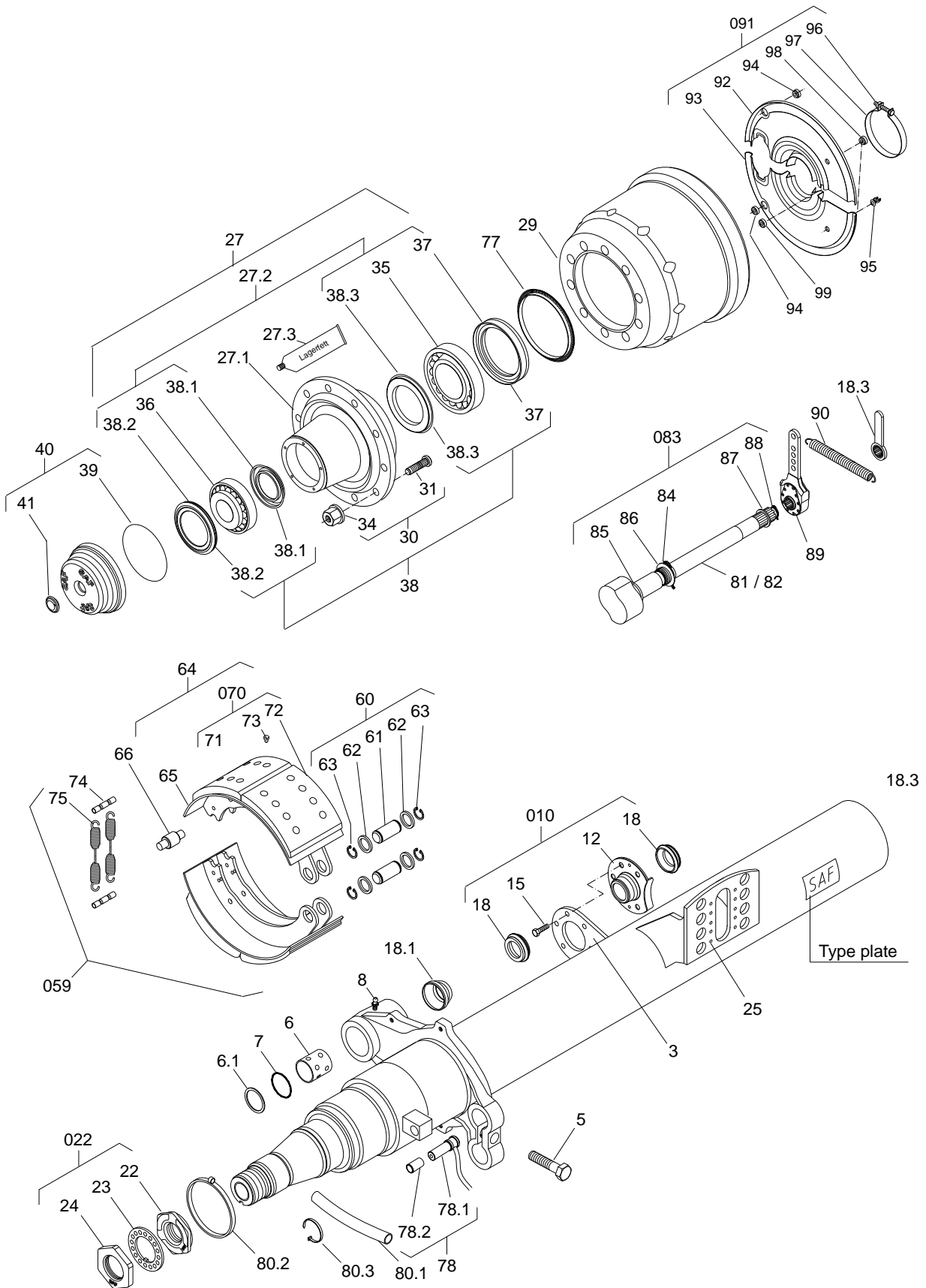
### SHOCK ABSORBER

Side view



Part Number	Stroke	L Min	L Max	Style
2376502600	170mm	325mm	495mm	Road Friendly
2376002600	170 mm	325 mm	495 mm	Standard
2376002700	140mm	292mm	424mm	Standard
2376003100	190 mm	350 mm	540 mm	Standard
2376503100	190mm	350mm	540mm	Road Friendly

Item	Part No.	Qty	Description	Qty per Axle
100	2291024201	1	Crossmember (MAN M2000 - drum brake)	1
100	2291047000	1	Crossmember (MAN M2000 - disc brake)	1
100		1	Crossmember (VOLVO - disc brake)	1
104	1251200300	1	Pivot flange	4
200	3341104819	1	Kit Pivot bolt & nut (incl. 201 & 202)	2
201	4343104888	1	Pivot Bolt M30x205 - suits steel hanger	2
202	4247402280	1	Lock Nut M30	2
207	4405207100	1	U - Profile 70 x 5 x 368	2
209	3155100802	1	Trailing arm 43/43 & bush assy.	2
214	4177301000	1	Bush HD 68/30x104	2
216	1345000703	1	Locking Plate 95x5x225 (suits twin leaf trailing arm)	2
217	1236000900	1	Air bag carrier LH	1
218	1236001000	1	Air bag carrier RH	1
219		1	Spring seat LH (MAN M2000 - drum brake)	1
219		1	Spring seat RH (MAN M2000 - drum brake)	1
219		1	Spring seat (MAN M2000 - disc brake)	2
219		1	Spring seat (VOLVO - disc brake)	2
220	3401007300	1	U-Bolt Kit (incl. 221-223) - (MAN M2000 - drum brake)	4
220		1	U-Bolt Kit (incl. 221-223) - (MAN M2000 - disc brake)	4
220		1	U-Bolt Kit (incl. 221-223) - (VOLVO - disc brake)	4
221	1402007301	1	U-Bolt (M22x1.5 - 326lg - for twin leaf arm and 127mm axle)	4
221	1402009901	1	U-Bolt (M22x1.5 - 363.5lg - for twin leaf arm and 146mm axle)	4
221	1402008101	1	U-Bolt (M22x1.5 - 383.5lg - for twin leaf arm and 146mm axle)	4
222	1331017700	1	Spring washer - U bolt	8
223	4342004710	1	U-Bolt Nut M22x1.5x25	8
225	4343011088	1	Bolt M20x110	2
226	2501233	1	Washer	2
227	4247401280	1	Lock nut M20	2
227.1	1095104201	1	Spacers $\Phi$ 28/20x14	2
227.2	1095104301	1	Spacers $\Phi$ 28/20x4	2
228	2376000302	1	Shock absorber (MAN - drum & VOLVO - disc)	2
228	2376001001	1	Shock absorber (MAN - disc)	2
234	3229003500	1	Air bag SAF 2623V (MAN M2000 - disc & drum). 2 x stud.	2
234	2229000300	1	Air bag 1T19E2 (VOLVO - disc). 4 x stud.	2
236	4343292210	1	Bolt M12 x 30	6
239	4247404710	1	Lock nut M12	8
240	1043026101	1	Mounting plate upper 5 x 195 x 245	2
253	3341012219	1	Bolt-kit (incl. 254 & 255) M20 x 85	2
254		1	Bolt 20x85 - Use Kit Above	2
255	4247401280	1	Nut M20	2



# Axle RZ 12242/18C & RZ 10242/18C



## K2 HUB (10X285.75PCD) – *continued*

Ident. No C 147 10 05 6 69 0 & Ident. No C 147 12 14 6 69 0

Item	Part No.	Qty	Description	Qty per Axle
5	4343290400	1	Bolt M16, self locking	2
6	1230010604	1	Camshaft bronze bush	2
6.1	1094003400	1	Spacer ring	2
7	4315004800	1	O-Ring 38	2
8	4201000500	1	Grease nipple M10	4
010	3268004700	1	Camshaft bush & bearing kit (incl. 12-18)	2
12	3268004500	1	Camshaft bush unit	2
15	4343291201	1	Screw, self locking	10
18	4131000800	1	Rubber boot	4
18.1	1173300200	1	Rubber boot	2
18.3	4187000900	1	Wear indicator	2
022	3011004000	1	Axle nut kit (incl. 22-24) * Req star washer in addition to kit.	2
22	1011004002	1	Inner axle nut - M56x2, Socket 85	2
23	1345000801	1	Retaining washer - Star lock tab washer 2501690	2
24	4011003901	1	Outer axle nut - M56x2 Socket 85	2
27	3307303900	1	Hub assy - RZ 12242 - K2 - 10x285.75PCD	2
27.2	3434301600	1	Bearing & seal kit (incl. Pos. 27.3, 35, 36, 37 & 38.1 - 38.3)	2
27.3	5387001105	1	Bearing grease	2
29	1064030500	1	Brake drum, 420x180 - 262 lg - 10x285.75PCD	2
30	3302114500	1	Wheel bolt & nut kit, incl. pos. 31 & 34	20
31	1303111201	1	Wheel bolt - 112 lg. - intermediate (for alloy & steel wheels)	20
34	4247301201	1	Wheel nut - M22x1.5 - 27lg - Socket 32	20
34	33272215	1	Wheel nut - M22x1.5 - 27lg - Socket 33	20
35	4200100600	1	Inner wheel bearing - 218 248/210	2
36	4200006000	1	Outer wheel bearing - 33213	2
37	4373003501	1	Hub seal	2
38	3434301700	1	Seal kit (incl. Pos. 27.3, 37 & 38.1-38.3)	2
38.1	1337004000	1	Sleeve - $\Phi$ 106x66x15	2
38.2	1092200100	1	Seal - $\Phi$ 127x86x12	2
38.3	1092200200	1	Seal - $\Phi$ 143x95x9	2
39	4315006400	1	O-Ring - $\Phi$ 148x4	2
40	3304008600	1	Hub cap assy - (incl. Pos. 39 & 41)	2
N.A.	1304008600	1	Hub Cap	2
41	4337202601	1	Plug	2
059	3077022300	1	Brake shoe/lining kit SNF 420x180 (incl. 60, 64 & 75)	2
60	3213002301	1	Anchor pin kit (incl. pos. 61-63)	4
61	1214002301	1	Anchor pin	4
62	1331001300	1	Washer	8
63	4348100400	1	Circlip	8
64	3055013300	1	Brake shoe assembly (with linings incl. pos. 65-74)	4
65	2056012000	1	Brake shoe - metal part	4
66	1265002100	1	Camshaft roller	4
70	3057391200	1	Brake lining kit (incl. pos. 71-73)	1
71 & 72	1057991200	1	Linings (OEM thickness of 17.5mm)	8

Axle RZ 12242/18C & RZ 10242/18C

Ident. No C 147 10 05 6 69 0 & Ident. No C 147 12 14 6 69 0

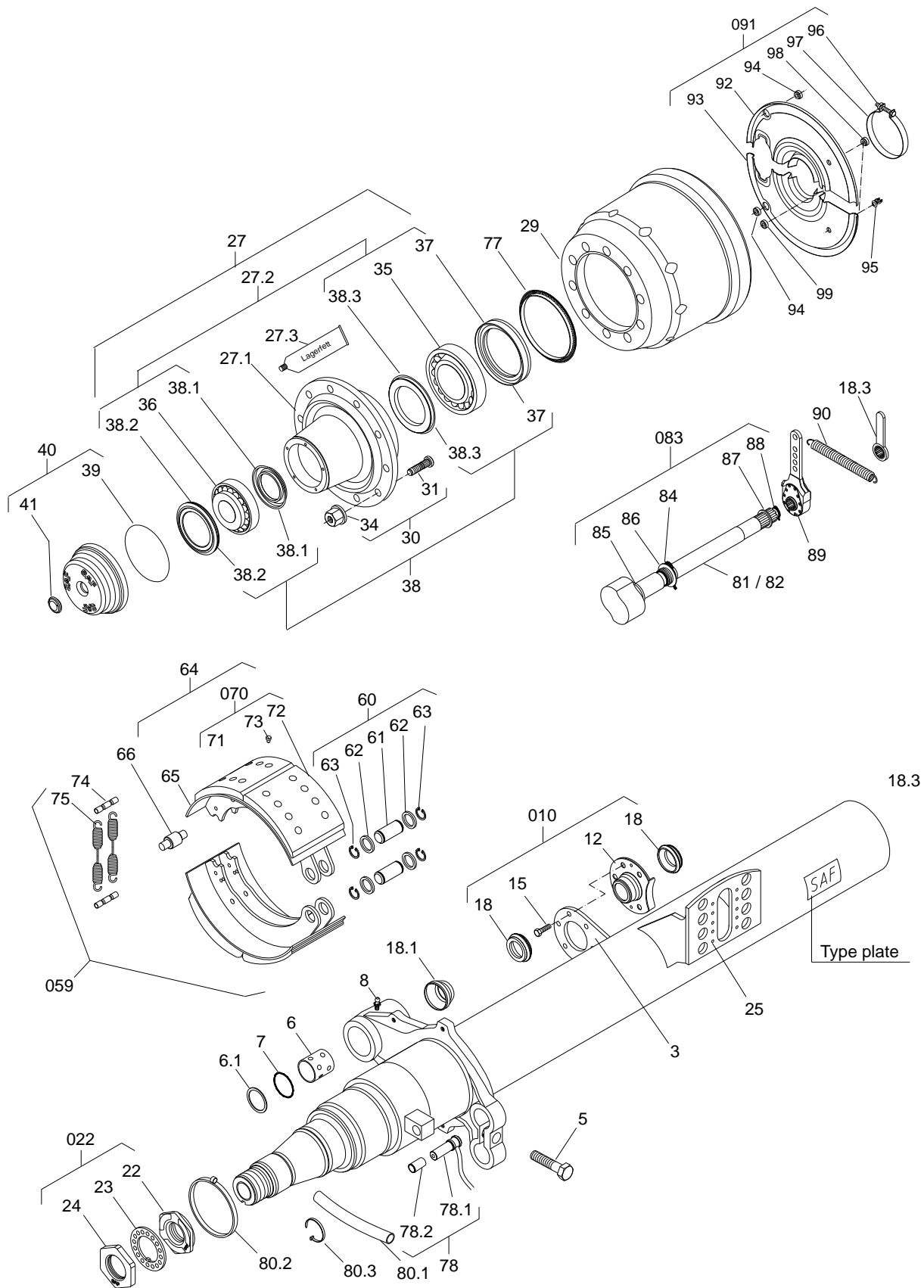
Item	Part No.	Qty	Description	Qty per Axle
73	1267000700	1	Rivet kit (incl. 80ea of B8x15)	1
74	1395100500	1	Retaining pin	4
75	1447003800	1	Return spring	4
77	4029103100	1	Pole ring ABS, 100	2
78	3029023100	1	ABS Sensor kit (incl. sensor, sleeve & paste)	2
80.1	4338001000	1	Cable protecting hose	2
80.2	4194201800	1	Band clamp	2
80.3	1194400100	1	Fastener ring	2
81	2262026902	1	Camshaft LH, 668 lg	1
82	2262027002	1	Camshaft RH, 668 lg	1
83	3317000400	1	Camshaft installation replacement kit (incl. Pos. 84-88)	2
84	4348100600	1	Circlip	2
85	1331005600	1	Washer - $\phi 60/38.2 \times 1.75$	2
86	1133100200	1	Spring washer	2
87	1331001500	1	Washer - $\phi 51/38.8 \times 1.5$	12
88	4348100500	1	Circlip	2
89	2175030600	1	Manual Slack Adjuster ( $\phi 12.7$ mm holes)	2
90	1447003600	1	Return Spring	2
91	3005021900	1	Dust shield pair, incl. pos. 92-94 & 96-99	2
92	1005021900	1	Dust cover, LH	2
93	1005022000	1	Dust cover, RH	2
94	4337200801	1	Plug, lining inspection	4
95	4189004400	1	Cable clip	2
96	4343107588	1	Screw, M8x40	2
97	4194202500	1	Band clamp	2
98	4337202700	1	Plug	4
99	4177301800	1	Grommet	2

# Axle RZ 12242/18C & RZ 10242/18C



## K2 HUB (10X335PCD)

Ident. No C 147 10 03 6 69 0 & Ident. No C 147 12 01 6 69 0



Axle RZ 12242/18C & RZ 10242/18C

IPL\_02\_103\_0

Ident. No C 147 10 03 6 69 0 & Ident. No C 147 12 01 6 69 0

Item	Part No.	Qty	Description	Qty per Axle
5	4343290400	1	Bolt M16, self locking	2
6	1230010604	1	Camshaft bronze bush	2
6.1	1094003400	1	Spacer ring 38	2
7	4315004800	1	O-Ring 38	2
8	4201000500	1	Grease nipple M10	4
010	3268004700	1	Camshaft bush & bearing kit (incl. 12-18)	2
12		1	Camshaft bush unit	2
15		1	Screw, self locking	10
18	4131000800	1	Rubber boot	4
18.1	1173300200	1	Rubber boot	2
18.3	4187000900	1	Wear Indicator	2
022	3011004001	1	Axle nut kit (incl. 22-24) - Washer 2501690	2
22	1011004002	1	Inner axle nut - M56x2, Socket 85	2
23	1345000801	1	Retaining washer	2
24	4011003901	1	Outer axle nut - M56x2 Socket 85	2
27	3307303500	1	Hub Assy. - RZ 12242 - K2 - 10x335PCD	2
27.2	3434301600	1	Bearing kit (incl. Pos. 27.3, 35, 36, 37 & 38.1 - 38.3)	2
27.3	5387001105	1	Bearing grease	2
29	1064032600	1	Brake drum, 420x180 - 262 lg - 10x335PCD	2
30	3302114500	1	Wheel bolt & nut kit, incl. pos. 31&34	20
31	1303111210	1	Wheel bolt - intermediate (for alloy & steel wheels) M22 x 1.5 x 112	20
34	4247301201	1	Wheel nut - M22x1.5 - 27lg - Socket 32	20
34	33272215	1	Wheel nut - M22x1.5 - 27lg - Socket 33	20
35	4200100600	1	Inner wheel bearing 218 248/210	2
36	4200006000	1	Outer wheel bearing 33213	2
37	4373003501	1	Hub seal	2
38	3434301700	1	Seal kit (incl. Pos. 27.3, 37 & 38.1-38.3)	2
38.1	1337004000	1	Sleeve - $\Phi$ 106x66x15	2
38.2	1092200100	1	Seal - $\Phi$ 127x86x12	2
38.3	1092200200	1	Seal - $\Phi$ 143x95x9	2
39	4315006400	1	O-Ring - $\Phi$ 148x4	2
40	3304008600	1	Hub cap assy - (incl. Pos. 39 & 41)	2
N.A.	1304001600	1	Hub Cap	2
41	4337202602	1	Plug	2
60	3213002301	1	Anchor pin kit (incl. pos. 61-63)	4
61		1	Anchor pin	4
62		1	Washer	8
63		1	Circlip	8
64	3055013300	1	Brake shoe assembly (with linings)	4
65	2056012000	1	Brake shoe - metal part	4
66	1265002100	1	Camshaft roller	4
070	3057391200	1	Brake lining kit (incl. pos. 71-73)	1
71 & 72		1	Linings (OEM thickness of 17.5mm)	8

# Axle RZ 12242/18C & RZ 10242/18C



## K2 HUB (10X335PCD) – *continued*

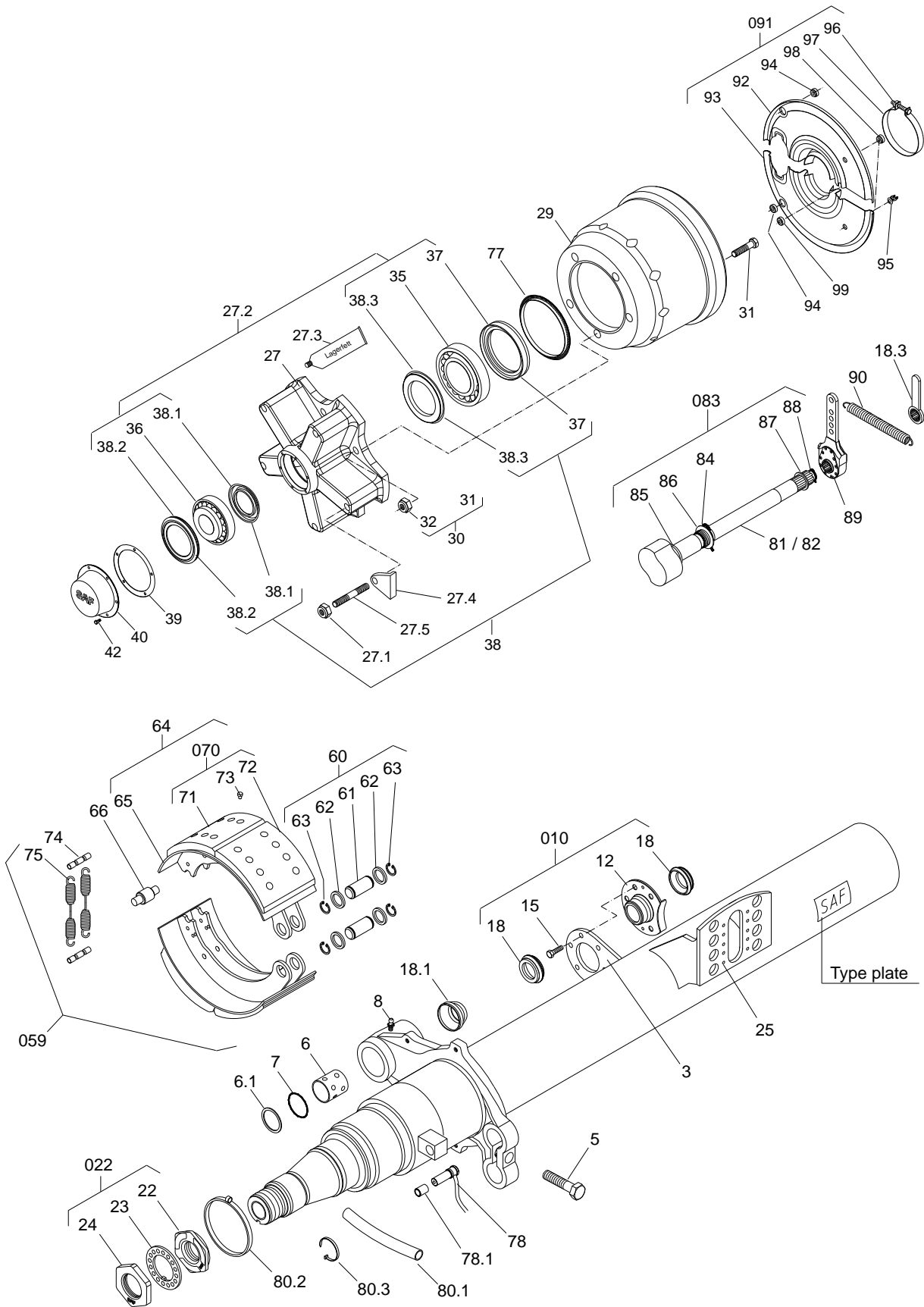
Ident. No C 147 10 03 6 69 0 & Ident. No C 147 12 01 6 69 0

Item	Part No.	Qty	Description	Qty per Axle
73		1	Rivet kit (incl. 80ea of B8x15)	1
74	1395100500	1	Retaining pin	4
75	1447003800	1	Return spring	4
77		1	Pole ring ABS, 100	2
078	3029023100	1	ABS Sensor kit (incl. sensor, sleeve & paste)	2
80.1		1	Cable protecting hose	2
80.2		1	Band clamp	2
80.3		1	Fastener ring	2
81	2262026902	1	Camshaft LH, 668	1
82	2262027002	1	Camshaft RH, 668	1
083	3317000400	1	Camshaft install. replacement kit, incl. Pos. 84-88	2
84		1	Circlip	2
85		1	Washer - $\phi$ 60/38.2x1.75	2
86		1	Spring washer	2
87		1	Washer - $\phi$ 51/38.8x1.5	12
88	4348100500	1	Circlip	2
89	2175030600	1	Manual Slack Adjuster ( $\phi$ 12.7mm holes) Auto slack JSAF BP21103	2
90	1447003600	1	Return Spring	2
91	3005021900	1	Dust shield pair, incl. pos. 92-94 & 96-99	2
92		1	Dust cover, LH	2
93		1	Dust cover, RH	2
94	4337200801	1	plug, lining inspection	4
95		1	Cable clip	2
96	4343107588	1	Screw, M8x40	2
97	4194202500	1	Band clamp	2
98	4337202700	1	Plug	4
99	4177301800	1	Grommet	2

Axle RZ 12242/18C & RZ 10242/18C



Ident. No C 147 10 04 6 01 0 & Ident. No C 147 12 02 6 01 0



IPL\_02\_107\_0

# Axle RZT 12242/18C & RZT 10242/18C



## K2 HUB - 5 SPOKE – *continued*

Ident. No C 147 10 04 6 01 0 & Ident. No C 147 12 02 6 01 0

Item	Part No.	Qty	Description	Qty per Axle
5	4343290400	1	Bolt M16, self locking	2
6	1230010604	1	Camshaft bronze bush 38	2
6.1	1094003400	1	Spacer ring 38	2
7	4315004800	1	O-Ring 38	2
8	4201000500	1	Grease nipple M10	4
010	3268004700	1	Camshaft bush & bearing kit (incl. pos. 12-18)	2
12		1	Camshaft bush unit	2
15		1	Screw, self locking M8	10
18	4131000800	1	Rubber boot	4
18.1	1173300200	1	Rubber boot	2
18.3	4187000900	1	Wear indicator	2
022	3011004001	1	Axle nut kit (incl. 22-24) - Washer 2501690	2
22	1011004002	1	Inner axle nut - M56x2, Socket 85	2
23	1345000801	1	Retaining washer	2
24	4011003901	1	Outer axle nut - M56x2 Socket 85	2
27	1398005600	1	Hub - 5 Spoke	2
27.1	4342290300	1	Nut - Wheel Clamp - 3/4"	10
27.2	3434301600	1	Bearing kit (incl. positions 27.3, 35, 36, 37 & 38.1-38.3)	2
27.3	5387001105	1	Bearing grease	2
27.4	4398401000	1	Clamp	10
27.5	1051104400	1	Stud - 3/4"	10
29	1064030600	1	Brake drum, 420x180 - 208 lg - 5-Spoke	2
30	3341292419	1	Wheel bolt & nut kit, incl. pos, 31-32	20
31	4343292488	1	Wheel bolt - intermediate (for alloy & steel wheels) M22 x 1.5 x 112	20
32	4247404880	1	Nut 3/4"	10
35	4200100600	1	Inner wheel bearing 218 248/210	2
36	4200006000	1	Outer wheel bearing 33213	2
37	4373003501	1	Hub seal	2
38	3434301700	1	Bearing seal kit (incl. positions 27.3, 37, & 38.1 - 38.3) For one wheel only	2
38.1	1337004000	1	Sleeve $\phi$ 106x66x15	2
38.2	1092200100	1	Seal $\phi$ 127x86x12	2
38.3	1092200200	1	Seal $\phi$ 143x95x9	2
39	1093000500	1	Gasket	2
40	1304001600	1	Hub cap	2
41	4337202601	1	Plug	2
42	4343291888	1	Screw 5/16" - 18 x 20	12
60	3213002301	1	Anchor pin kit (incl. pos, 61-63)	4
61		1	Anchor pin kit (incl. pos, 61-63)	4
62		1	Anchor pin kit (incl. pos, 61-63)	8
63		1	Anchor pin kit (incl. pos, 61-63)	8
64	3055013300	1	Brake shoe assembly (with linings incl. pos. 65-74)	4
65	2056012000	1	Brake shoe - metal part	4
66	1265002100	1	Camshaft roller	4
070	3057391200	1	Brake lining kit (incl. pos. 71-73)	1
71 & 72		1	Linings (OEM thickness of 17.5mm)	8

Axle RZT 12242/18C & RZT 10242/18C

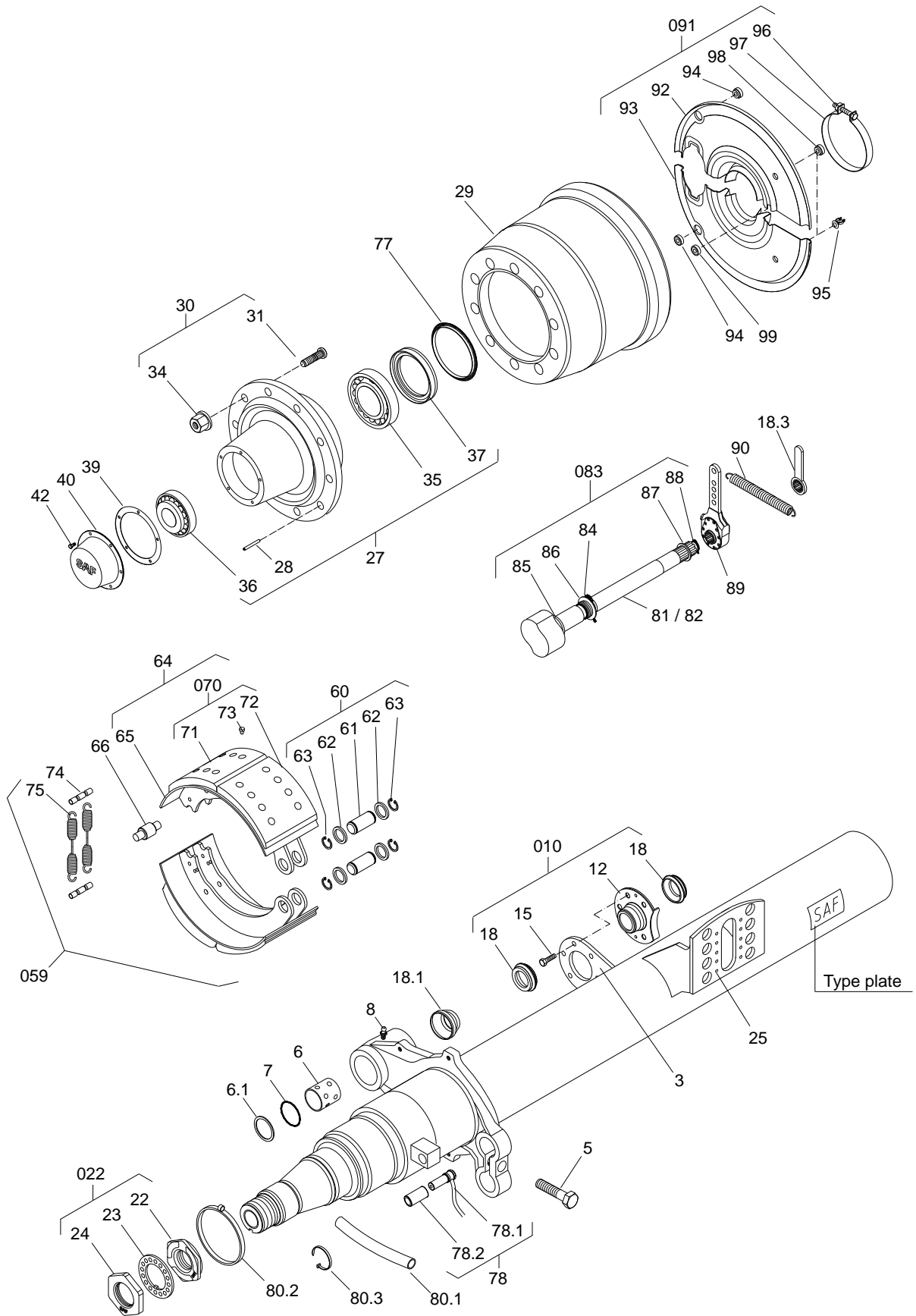
Ident. No C 147 10 04 6 01 0 & Ident. No C 147 12 02 6 01 0

Item	Part No.	Qty	Description	Qty per Axle
73		1	Rivet kit (incl. 80ea of B8x15)	1
74	1395100500	1	Retaining pin	4
75	1447003800	1	Return spring	4
77		1	Pole ring ABS, 100	2
078	3029023100	1	ABS Sensor kit (incl. sensor, sleeve & paste)	2
80.1		1	Cable protecting hose	2
80.2		1	Band clamp	2
80.3		1	Fastener ring	2
81	2262026902	1	Camshaft LH, 668	1
82	2262027002	1	Camshaft RH, 668	1
083	3317000400	1	Camshaft install. replacement kit, incl. Pos. 84-88	2
84		1	Circlip	2
85		1	Washer, $\phi 60/38.2 \times 1.75$	2
86		1	Spring washer	2
87		1	Washer, $\phi 51/38.8 \times 1.5$	12
88		1	Circlip	2
89	2175030600	1	Manual Slack Adjuster $\phi 12.7$ sleeve dia.	2
90	1447003600	1	Return Spring	2
091	3005021900	1	Dust shield pair, incl. pos. 92-94 & 96-99	2
92		1	Dust cover, LH	2
93		1	Dust cover, RH	2
94	4337200801	1	plug, lining inspection	4
95		1	Cable clip	2
96	4343107588	1	Screw, M8x40	2
97	4194202500	1	Band clamp	2
98	4337202700	1	Plug	4
99	4177301800	1	Grommet	2

# Axle RZ 12242/18C

STD. HUB (10X285.75PCD)

Ident. No C 147 12 02 6 69 0



Axle RZ 12242/18C

IPL\_02\_101\_0

Ident. No C 147 12 02 6 69 0

Item	Part No.	Qty	Description	Qty per Axle
1	2500486300	1	Axle Beam Assembly	1
3	1043100200	1	Bracket Camshaft bush	2
5	4343290400	1	Bolt M16, self locking	2
6	1230010604	1	Camshaft bronze bush	2
6.1	1094003400	1	Spacer ring	2
7	4315004800	1	O-Ring 38	2
8	4201000500	1	Grease nipple M10	4
010	3268004700	1	Camshaft bush & bearing kit (incl. 12-18)	2
12		1	Camshaft bush & bearing kit (incl. 12-18)	2
15		1	Camshaft bush & bearing kit (incl. 12-18)	10
18	4131000800	1	Rubber boot	4
18.1	1173300200	1	Rubber boot	2
18.3	4187000900	1	Wear indicator	2
022	3011004001	1	Axle nut kit (incl. 22-24) - Washer 2501690	2
22	1011004002	1	Inner axle nut - M56x2, Socket 85	2
23	1345000801	1	Retaining washer	2
24	4011003901	1	Outer axle nut - M56x2 Socket 85	2
27	3307303900	1	Hub Assy - Standard 10x285.75PCD	2
27.3	5387001105	1	Bearing Grease	2
29	1064030500	1	Brake drum, 420x180 - 262 lg - 10x285.75PCD	2
30	3302114500	1	Wheel bolt & nut kit, incl. pos. 31&34	20
31		1	Wheel bolt & nut kit, incl. pos. 31&34	20
32		1	Wheel bolt & nut kit, incl. pos. 31&34	
34	4247301201	1	Wheel nut - M22x1.5 - 27lg - Socket 32	20
34	33272215	1	Wheel nut - M22x1.5 - 27lg - Socket 33	20
35	4200100600	1	Inner wheel bearing 218 248/210	2
36	4200006000	1	Outer wheel bearing 33213	2
37	4373003501	1	Hub seal	2
39	1093000500	1	Gasket	2
40	1304001600	1	Hub cap	2
42	4375200388	1	Screw M8	12
059		1	Brake shoe/lining kit SNF 420x180 (incl. 60, 64 & 75)	2
60	3213002301	1	Anchor pin kit (incl. pos. 61-63)	4
61		1	Anchor pin	4
62		1	Washer	8
63		1	Circlip	8
64	3055013300	1	Brake shoe assembly (with linings incl. pos. 65-74)	4
65	2056012000	1	Brake shoe - metal part	4
66	1265002100	1	Camshaft roller	4
070	3057391200	1	Brake lining kit (incl. pos. 71-73)	1
71 & 72		1	Linings (OEM thickness of 17.5mm)	8

# Axle RZ 12242/18C



## STD. HUB (10X285.75PCD)E – *continued*

Ident. No C 147 12 02 6 69 0

Item	Part No.	Qty	Description	Qty per Axle
73		1	Rivet kit (incl. 80ea of B8x15)	1
74	1395100500	1	Retaining pin	4
75	1447003800	1	Return spring	4
77		1	Pole ring ABS, 100	2
78	3029023100	1	ABS Sensor kit (incl. sensor, sleeve & paste)	2
80.1		1	Cable protecting hose	2
80.2		1	Band clamp	2
80.3		1	Fastener ring	2
81	2262026902	1	Camshaft LH, 668	1
82	2262027002	1	Camshaft RH, 668	1
083	3317000400	1	Camshaft install. replacement kit, incl. Pos. 84-88	2
84		1	Camshaft install. replacement kit, incl. Pos. 84-88	2
85		1	Camshaft install. replacement kit, incl. Pos. 84-88	2
86		1	Camshaft install. replacement kit, incl. Pos. 84-88	2
87		1	Camshaft install. replacement kit, incl. Pos. 84-88	12
88		1	Camshaft install. replacement kit, incl. Pos. 84-88	2
89	2175030600	1	Manual Slack Adjuster (Ø12.7mm holes)	2
90	1447003600	1	Return Spring	2

### For axles manufactured up to 30/06/2004

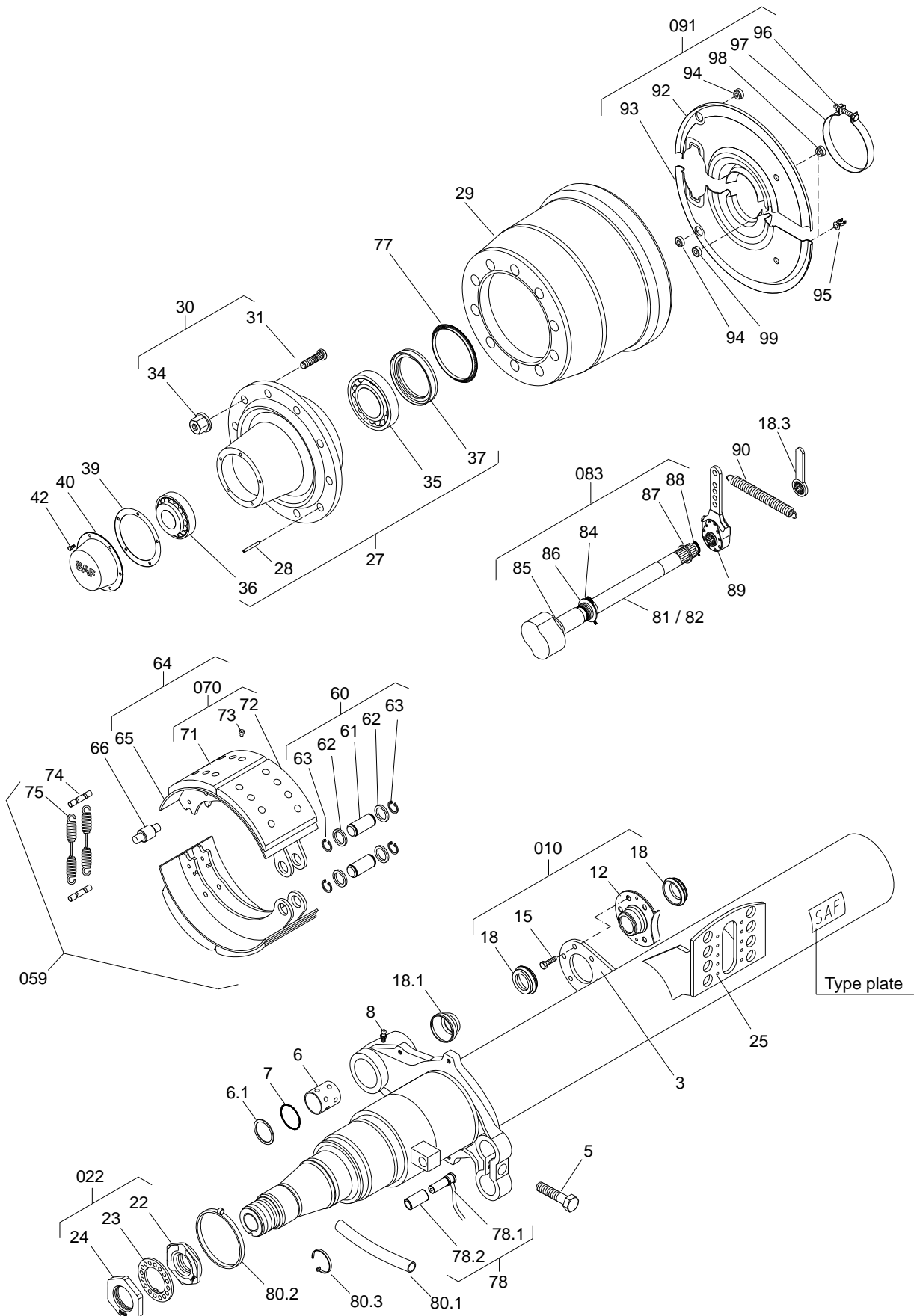
Item	Part No.	Qty	Description	Qty per Axle
091	3005017300	1	Dust shield pair, incl. pos. 92-94 & 96-99	2
92		1	Dust shield pair, incl. pos. 92-94 & 96-99	2
93		1	Dust shield pair, incl. pos. 92-94 & 96-99	2
94	4337200801	1	plug, lining inspection	4
95		1	Cable clip	2
96	4343107588	1	Screw, M8x40	2
97	4194202301	1	Band clamp	2
98	4337202700	1	Plug	4
99	4177301800	1	Grommet	2

### For axles manufactured after 01/07/2004

Item	Part No.	Qty	Description	Qty per Axle
91	3005021900	1	Dust shield pair, incl. pos. 92-94 & 96-99	2
92	1005021900	1	Dust cover, LH	2
93	1005022000	1	Dust cover, RH	2
94	4337200801	1	plug, lining inspection	4
95	4189004400	1	Cable clip	2
96	4343107588	1	Screw, M8x40	2
97	4194202500	1	Band clamp	2
98	4337202700	1	Plug	4
99	4177301800	1	Grommet	2

Axle RZ 12242/18C

Ident. No C 147 12 03 6 69 0



IPL\_02\_101\_0

# Axle RZ 12242/18C



## STD. HUB (10X335PCD) – *continued*

Ident. No C 147 12 03 6 69 0

Item	Part No.	Qty	Description	Qty per Axle
1		1	Axle Beam Assembly	1
3		1	Bracket Camshaft bush	2
5	4343290400	1	Bolt M16, self locking	2
6	1230010604	1	Camshaft bronze bush	2
6.1	1094003400	1	Spacer ring	2
7	4315004800	1	O-Ring 38	2
8	4201000500	1	Grease nipple M10	4
010	3268004700	1	Camshaft bush & bearing kit (incl. 12-18)	2
12		1	Camshaft bush & bearing kit (incl. 12-18)	2
15		1	Camshaft bush & bearing kit (incl. 12-18)	10
18	4131000800	1	Rubber boot	4
18.1	1173300200	1	Rubber boot	2
18.3	4187000900	1	Wear Indicator	2
022	3011004001	1	Axle nut kit (incl. 22-24) - Washer 2501690	2
22	1011004002	1	Inner axle nut - M56x2, Socket 85	2
23	1345000801	1	Retaining washer	2
24	4011003901	1	Outer axle nut - M56x2 Socket 85	2
27	3307303800	1	Hub Assy - Standard 10x335PCD	2
27.3	5387001105	1	Bearing Grease	2
29	1064030400	1	Brake drum, 420x180 - 262 lg - 10x335PCD	2
30	3302114500	1	Wheel bolt & nut kit, incl. pos. 31&34	20
31	1303111210	1	Wheel bolt - 112 lg. - intermediate (for alloy & steel wheels)	20
34	4247301201	1	Wheel nut - M22x1.5 - 27lg - Socket 32	20
34	33272215	1	Wheel nut - M22x1.5 - 27lg - Socket 33	20
35	4200100600	1	Inner wheel bearing - 218 248/210	2
36	4200006000	1	Outer wheel bearing - 33213	2
37	4373003501	1	Hub seal	2
39	1093000500	1	Gasket	2
40	1304001600	1	Hub cap	2
42	4375200388	1	Screw M8	12
059		1	Brake shoe/lining kit SNF 420x180 (incl. 60, 64 & 75)	2
60	3213002301	1	Anchor pin kit (incl. pos. 61-63)	4
61		1	Anchor pin	4
62		1	Washer	8
63		1	Circlip	8
64	3055013300	1	Brake shoe assembly (with linings incl. pos. 65-74)	4
65	2056012000	1	Brake shoe - metal part	4
66	1265002100	1	Camshaft roller	4
070	3057391200	1	Brake lining kit (incl. pos. 71-73)	1
71 & 72	1057991200	1	Linings (OEM thickness of 17.5mm)	8
73		1	Rivet kit (incl. 80ea of B8x15)	1

Axle RZ 12242/18C



Ident. No C 147 12 03 6 69 0

Item	Part No.	Qty	Description	Qty per Axle
73		1	Rivet kit (incl. 80ea of B8x15)	1
74	1395100500	4	Retaining pin	2
75	1447003800	4	Return spring	2
77		2	Pole ring ABS, 100	2
078	3029023100	2	ABS Sensor kit (incl. sensor, sleeve & paste)	2
80.1		2	Cable protecting hose	4
80.2		2	Band clamp	2
80.3		2	Fastener ring	2
81	2262026902	1	Camshaft LH, 668 lg	10
82	2262027002	1	Camshaft RH, 668 lg	4
083	3317000400	2	Camshaft installation replacement kit (incl. Pos. 84-88)	2
84		2	Circlip	2
85		2	Washer - $\phi 60/38.2 \times 1.75$	2
86		2	Spring washer	2
87		12	Washer - $\phi 51/38.8 \times 1.5$	2
88		2	Circlip	2
89	2175030600	2	Manual Slack Adjuster ( $\phi 12.7$ mm holes)	2
90	1447003600	2	Return Spring	2

### For axles manufactured up to 30/06/2004

Item	Part No.	Qty	Description	Qty per Axle
091	3005017300	1	Dust shield pair, incl. pos. 92-94 & 96-99	2
92		1	Dust shield pair, incl. pos. 92-94 & 96-99	2
93		1	Dust shield pair, incl. pos. 92-94 & 96-99	2
94	4337200801	1	plug, lining inspection	4
95		1	Cable clip	2
96	4343107588	1	Screw, M8x40	2
97		1	Band clamp	2
98	4337202700	1	Plug	4
99	4177301800	1	Grommet	2

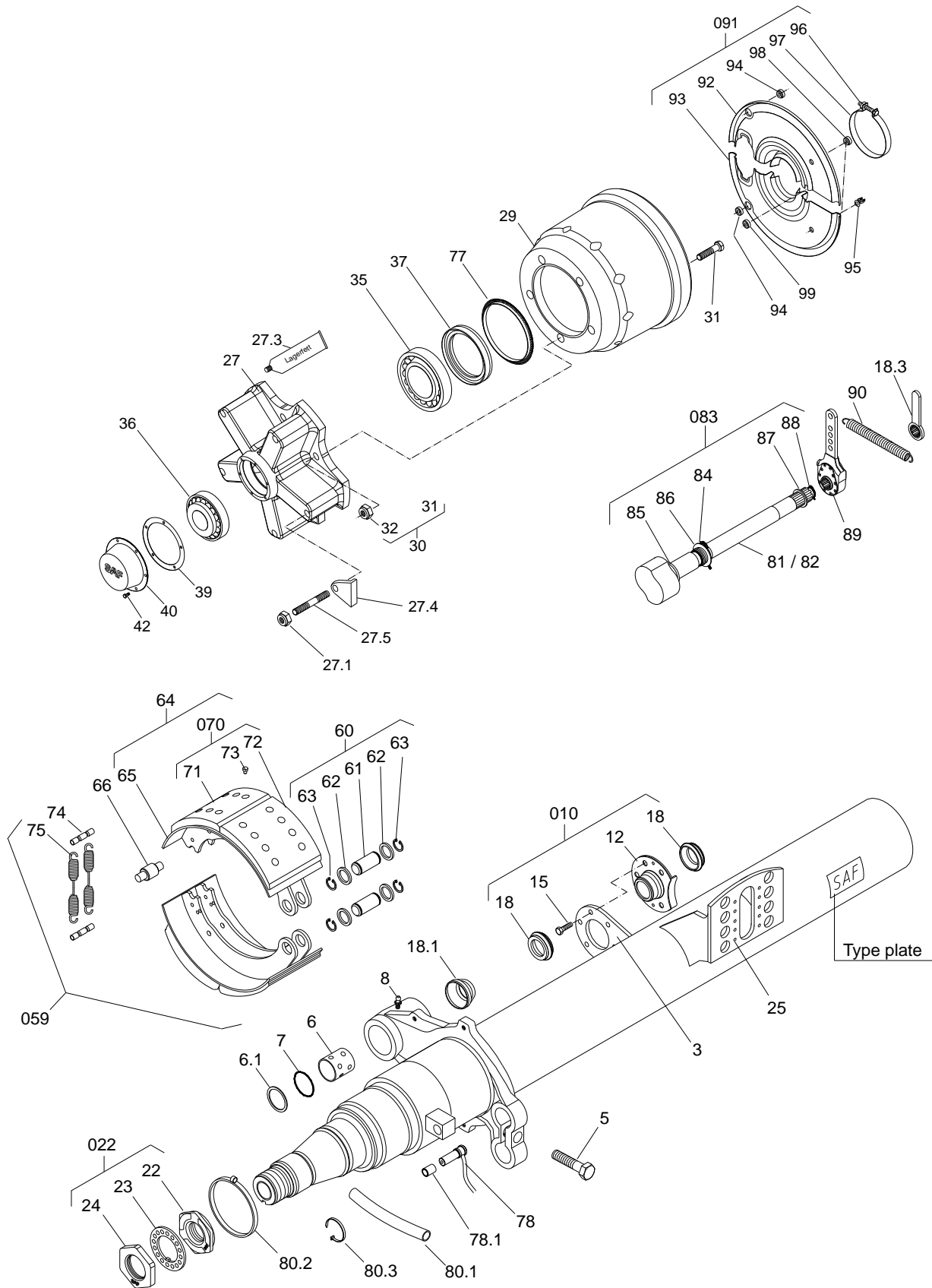
### For axles manufactured after 01/07/2004

Item	Part No.	Qty	Description	Qty per Axle
091	3005021900	1	Dust shield pair, incl. pos. 92-94 & 96-99	2
92		1	Dust cover, LH	2
93		1	Dust cover, RH	2
94	4337200801	1	plug, lining inspection	4
95		1	Cable clip	2
96	4343107588	1	Screw, M8x40	2
97	4194202500	1	Band clamp	2
98	4337202700	1	Plug	4
99	4177301800	1	Grommet	2

# Axle RZT 12242/18C

STD. HUB (5 SPOKE)

Ident. No C 147 12 01 6 01 0



Axle RZT 12242/18C

IPL\_02\_100\_0

Ident. No C 147 12 01 6 01 0

Item	Part No.	Qty	Description	Qty per Axle
1		1	Axle Beam Assembly	1
3		1	Bracket Camshaft bush	2
5	4343290400	1	Bolt M16, self locking	2
6	1230010604	1	Camshaft bronze bush	2
6.1	1094003400	1	Spacer ring	2
7	4315004800	1	O-Ring 38	2
8	4201000500	1	Grease nipple M10	4
010	3268004700	1	Camshaft bush & bearing kit (incl. pos. 12-18)	2
12		1	Camshaft bush & bearing kit (incl. pos. 12-18)	2
15		1	Camshaft bush & bearing kit (incl. pos. 12-18)	10
18	4131000800	1	Rubber boot	4
18.1	1173300200	1	Rubber boot	2
18.3	4187000900	1	Wear indicator	2
022	3011004001	1	Axle nut kit (incl. 22-24)	2
22	1011004002	1	Inner axle nut - M56x2, Socket 85	2
23	1345000801	1	Retaining washer	2
24	4011003901	1	Outer axle nut - M56x2 Socket 85	2
27	1398005600	1	Hub - 5 Spoke	2
27.1	4342290300	1	Nut - Wheel Clamp - 3/4"	10
27.3	5387001105	1	Bearing grease 150g	2
27.4	4398401000	1	Clamp	10
27.5	1051104400	1	Stud - 3/4"	10
29	1064032600	1	Brake drum, 420x180 - 208 lg	2
30	3341292419	1	Wheel bolt & nut kit, incl. pos, 31-32	10
31		1	Wheel bolt & nut kit, incl. pos, 31-32	10
32		1	Wheel bolt & nut kit, incl. pos, 31-32	20
35	4200100600	1	Inner wheel bearing 218 248/210	2
36	4200006000	1	Outer wheel bearing 33213	2
37	4373003501	1	Hub seal	2
39	1093000500	1	Gasket - 5 spoke	2
40	1304001600	1	Hub cap - 5 spoke	2
42	4343291888	1	Screw 5/16"-18 x 20	12
059		1	Brake shoe/lining kit SNF 420x180 (incl. 60, 64 & 75)	2
60	3213002301	1	Anchor pin kit (incl. pos, 61-63)	4
61		1	Anchor pin kit (incl. pos, 61-63)	4
62		1	Anchor pin kit (incl. pos, 61-63)	8
63		1	Anchor pin kit (incl. pos, 61-63)	8
64	3055013300	1	Brake shoe assembly (with linings incl. pos. 65-74)	4
65	2056012000	1	Brake shoe - metal part	4
66	1265002100	1	Camshaft roller	4
71 & 72		1	Linings (OEM thickness of 17.5mm)	8
73		1	Rivet kit (incl. 80ea of B8x15)	1

# Axle RZT 12242/18C



## STD. HUB (5 SPOKE) – *continued*

Ident. No C 147 12 01 6 01 0

Item	Part No.	Qty	Description	Qty per Axle
070	3057391200	1	Brake lining kit (incl. pos. 71-73)	1
71 & 72		1	Linings (OEM thickness of 17.5mm)	8
73		1	Rivet kit (incl. 80ea of B8x15)	1
74	1395100500	1	Retaining pin	4
75	1447003800	1	Return spring	4
77		1	Pole ring ABS, 100	2
078	3029023100	1	ABS Sensor kit (incl. sensor, sleeve & paste)	2
80.1		1	Cable protecting hose	2
80.2		1	Band clamp	2
80.3		1	Fastener ring	2
81	2262026902	1	Camshaft LH, 668	1
82	2262027002	1	Camshaft RH, 668	1
083	3317000400	1	Camshaft install. replacement kit, incl. Pos. 84-88	2
84		1	Circlip	2
85		1	Washer, $\phi 60/38.2 \times 1.75$	2
86		1	Spring washer	2
87		1	Washer, $\phi 51/38.8 \times 1.5$	12
88		1	Circlip	2
89	2175030600	1	Manual Slack Adjuster $\phi 12.7$ sleeve dia.	2
90	1447003600	1	Return Spring	2

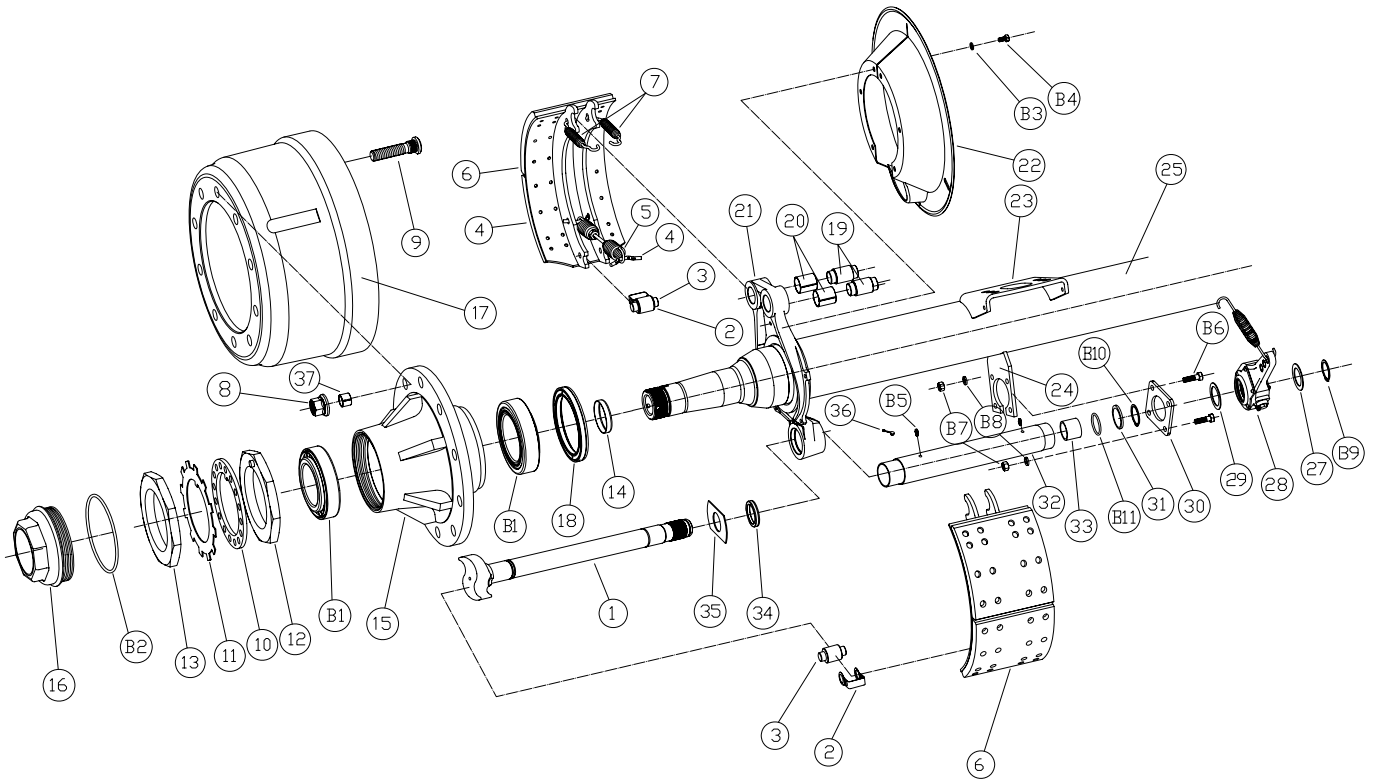
### For axles manufactured up to 30/06/2004

Item	Part No.	Qty	Description	Qty per Axle
091	3005017300	1	Dust shield pair, incl. pos. 92-94 & 96-99	2
92		1	Dust shield pair, incl. pos. 92-94 & 96-99	2
93		1	Dust shield pair, incl. pos. 92-94 & 96-99	2
94	4337200801	1	Plug, lining inspection	4
95		1	Cable clip	2
96	4343107588	1	Screw, M8x40	2
97		1	Band clamp	2
98	4337202700	1	Plug	4
99	4177301800	1	Grommet	2

### For axles manufactured after 01/07/2004

Item	Part No.	Qty	Description	Qty per Axle
091	3005021900	1	Dust shield pair, incl. pos. 92-94 & 96-99	2
92		1	Dust cover, LH	2
93		1	Dust cover, RH	2
94	4337200801	1	plug, lining inspection	4
95		1	Cable clip	2
96	4343107588	1	Screw, M8x40	2
97	4194202500	1	Band clamp	2
98	4337202700	1	Plug	4
99	4177301800	1	Grommet	2

Axle RZT 12242/18C



Axle Type	Capacity	Brake	Stud	PCD	Axle	Track
K1328501	11.5t	420x180	10 Stud	285.75	127mm	1850mm
K1333501	11.5t	420x180	10 Stud	335	127mm	1850mm
K1350001	11.5t	420x180	5 Stud	5 Spoke	127mm	1850mm

# Kedi Axle K1328501



11.5T 127mm 10 STUD 285 PCD – *continued*

Item	Part No.	Qty	Description	Qty per Axle
1	K131011013L	1	Camshaft (10 splines, Left)	2
1	K131011013R	1	Camshaft (10 splines, Right)	2
2	K131020101	1	Retainer Roller	4
3	K131030101	1	Brake Shoe Roller	4
4	K131040101	1	Pin Return Spring	4
5	K131050101	1	Heavy Duty Return Spring	2
6	K131060101K	1	Brake Shoe Assembly 420*180mm (MB21 Carlisle Brake Lining)	4
7	K131070101	1	Anchor Pin Spring	4
8	K131090101	1	Flange Nut M22*1.5	20
9	K131100206	1	Wheel Stud M22*1.5*125	20
10	K131110201	1	Adjusting Washer	2
11	K131110301	1	Stop Washer	2
12	K131120301	1	Adjusting Nut	2
13	K131120302	1	Axle Locknut	2
14	K131130103	1	Axle Stop Cover	2
15	K131151302AWP	1	Hub - 10 x 285 PCD - including Pole Ring	2
16	K131140124A	1	Blank Hub Cap (K131140124H - HUB0)	2
17	K131161302	1	Brake Drum - 10 x 285 PCD	2
18	K131170101	1	Hub Seal (φ108)	2
19	K131180101	1	Spider Supporting Roller	4
20	K131190101	1	Spider Supporting Bush	4
22	K131210101	1	Dust Cover	2
25	K1328501	1	Axle beam – 11.5t -127mm - 10 stud 285PCD	1
25	K1333501	1	Axle beam – 11.5t – 127mm – 10 stud 335PCD	1
	K131230265	1	Nameplate	1
27	K131290101	1	Washer φ38.5	2
28	K131301011	1	Auto Slack Adjuster (10 splines)	2
29	K131290102	1	Washer φ41.7	4
31	K131290106	1	Cam Tube Washer	2
33	K131320302	1	Camshaft Bush	4
32	K131480102	1	Cam Tube and bracket	2
34	K131170201	1	Camshaft Oil Seal	2
35	K131290201	1	Long Washer	2
B1	K13B101001	1	Bearing HM518445/10	4
B2	K13B103001	1	O Ring φ150*5.3 - Hub Cap	2
B4	K13B105001	1	Stud M8*16	12
B6	K13B105002	1	Stud M10*30	8
B7	K13B107001	1	Nut M10	8
B9	K13B108001	1	Circlip 38	2
B10	K13B108002	1	Circlip 42	2
B11	K13B103002	1	O Ring φ39.7*3.55	2
15	1151303A	1	Hub Assy 10x335 PCD	2
17	1161303A	1	Brake Drum 10x335 PCD	2
17	1161364	1	Brake Drum 5 Spoke	2
Tool	ACC5963900		Kedi Hub Cap Socket	

Kedi Axle K1328501



## 1. INTERPRETATION

“Company” means SAF-HOLLAND (Aust.) Pty. Ltd. “Customer” means the person to or for whom Goods are supplied by the Company. “Delivery Date” has the meaning given in clause 4(b). “Goods” means the goods, which are the subject matter of these terms. “Implied Warranties,” mean any term, condition or warranty implied law.

## 2. OPERATION

- (a) All orders for and supply of Goods shall be governed by these conditions of sale.
- (b) A Customer shall be deemed to have accepted these conditions of sale by placing an order with the Company.

## 3. ORDERS

- (a) The Customer may order Goods only by completing the order forms approved by the Company from time to time.
- (b) The Company is not obliged to accept any order for Goods. The Company may accept an order only by notifying the Customer in writing or by delivering the Goods described in the order to the Customer or to a carrier.
- (c) The Customer authorises the Company to complete any uncompleted order form received from the Customer and agrees to be bound by the terms of such a completed order form.
- (d) The Customer cannot cancel an order, which has been accepted by the Company, without prior written consent of the Company. The Customer acknowledges that if the Company accepts the cancellation, the Company may charge a cancellation fee.

## 4. DELIVERY AND RISK

- (a) Delivery of goods is conditional upon availability. The Customer acknowledges that the Company shall be under no liability for late delivery.
- (b) Delivery shall be deemed to take place at the time of physical taking of the Goods by the Customer or by a carrier whether engaged by the Company or by the Customer (“Delivery Date”).
- (c) Goods shall be at Customer’s risk on and from the Delivery Date.
- (d) Subject to Implied Warranties, which are not capable of exclusion or limitation, the Company’s responsibility for damage or shortage ceases on and from the Delivery Date.
- (e) All delivery and return costs shall be borne by the Customer, unless otherwise specified.

## 5. PRICES AND PAYMENT

- (a) The provision of a price list is not to be construed as an offer to sell.
- (b) Prices are subject to withdrawal or change without notice.
- (c) If partial delivery is made proportionate payment shall apply. If the Customer is in breach of any obligation, the Company has the right not to fulfil any unexecuted part orders.
- (d) The prices charged for the Goods will be those ruling at the Delivery Date.
- (e) Unless stated to the contrary, prices do not include taxes, duties, levies, imports or charges for which the Customer will be responsible.
- (f) The Company may recover from the Customer interest on any unpaid amounts at a rate (set out on the invoice).
- (g) Subject to clause 5(h) payment of the full purchase price for the Goods is due and payable within 30 days of the date specified on the invoice.
- (h) The full purchase price for the Goods shall become immediately due and payable if the Customer, takes or has taken or instituted against it any action or proceeding whether voluntary or compulsory which has object or may result in the bankruptcy or winding up of the Customer (other than a voluntary winding up for the purposes of amalgamation or reconstruction) or is placed under official management or a receiver, receiver and manager or administrator is appointed over the whole or any part of its undertaking or the Customer is unable to pay its debts if and when they fall due.

## 6. RETURNS

- (a) Subject to any Implied Warranties which are not capable of exclusion or limitation, credit will not be issued for Goods returned unless the Company believes it appropriate, and:
  - i. Invoice numbers are quoted; and
  - ii. The Customer notifies the Company immediately on receipt of Goods.
- (b) Subject to any Implied Warranties which are not capable of exclusion or limitation, credit will not be issued for Goods made to order.
- (c) The Customer must provide the reasons for return upon request by the Company.
- (d) Subject to any Implied Warranties which are not capable of exclusion or limitation, a penalty restocking fee of 15% of the value of the goods being returned will be charged on all goods returned after the expiration of 30 days from the original delivery date.
- (e) Subject to any Implied Warranties, which are not capable of exclusion or limitation, no goods will be returned without the customer firstly obtaining goods return number from the Company.
- (f) Subject to any Implied Warranties, which are not capable of exclusion or limitation, no goods will be accepted as being returned for credit upon the expiration of six (6) calendar months from the original delivery date.



## 7. RISK AND INSURANCE

- (a) The Customer at its own expense must insure Goods on and from the Delivery Date.

## 8. PROPERTY

- (a) Title to Goods remains in the Company until:
- The full purchase price and all other sums payable by the Customer to the Company in respect of the Goods are paid; or
  - The Customer sells or disposes of the Goods to its customers in the ordinary cause of business.
- (b) While title to the Goods remains in the Company, the Customer shall have no ownership or rights in the Goods and shall, while possesses of the same, hold only as a mere bailee for the Company.
- (c) Until the full purchase price and all other sums payable by the Customer to the Company in respect of the Goods are paid the Customer shall store the Goods separately so that they are clearly identifiable and shall label the Goods in a way which clearly manifests the Company's title (and shall not transform the Goods or incorporate the Goods into other products).
- (d) Notwithstanding anything in this clause the Customer may sell or dispose of the Goods to its customers in the ordinary course of business in which case the Customer shall:
- Hold the process of sale for the Company and shall not mix any of the proceeds of sale with its own money but shall ensure that all receipts are kept separate and identifiable; and
  - Where requested by the Company assign to the Customer the benefit of any claim against a third party.
- (e) If the Customer fails to pay the full purchase price for the Goods by the due date and the Goods are in the Customer's possession or control, the Company or its representative may enter the Customer's premises or any premises where the Company reasonably believes the Goods are kept and remove the Goods and the Customer shall assist and indemnify the Company in relation to such removal.

## 9. PACKAGING

The Company recommends that deliveries to country areas be packed in timber crates to prevent transit damage.

## 10. WARRANTIES

- (a) If the liability of the Company to the Customer for any breach of any Implied Warranty is capable of exclusion it is excluded.
- (b) If the liability of the Company to the customer for any breach of any Implied Warranty is capable of limitation it is limited to resupplying or replacing the Goods.
- (c) Subject to any Implied Warranties which are not capable of exclusion or limitation:
- The Company makes no warranties in relation to the Goods;
  - The Company, its servants, agents and contractors shall not be liable for any loss, damage or injury (including without limitation any loss of profit, indirect or consequential loss) arising from the supply or use of the Goods or for any act or omission (including negligence) of the Company;
  - The Customer indemnifies the Company from any loss, damage or injury resulting from any claims or demands by any third party relating in any way to the Goods.
- (d) These conditions of sale supersede and exclude all prior and other discussion and arrangements relating to the supply of the Goods.

## 11. GENERAL

- (a) Special conditions embodied in Customer's orders are not considered binding unless specifically agreed to in writing by the Company.
- (b) These conditions of sale are governed by the law of Victoria and the Customer agrees to submit to the jurisdiction of Victorian courts and tribunals.
- (c) Subject to any Implied warranties which are not capable of exclusion or limitation, the Company reserves the right to charge a restocking fee of 15%.
- (d) The Customer acknowledges that the minimum amount of any order is \$100.00.
- (e) The Customer acknowledges some Goods are not kept as stock lines. It is the Customer's responsibility to check lead times for Goods they have ordered.

CS-1b



## WARRANTY

### SAF MODUL SUSPENSION AND J-SERIES AXLE WARRANTY

SAF-HOLLAND (AUST.) PTY. LTD. warrants all SAF MODUL suspensions and J-Series axles manufactured by it, when properly installed, to be free from defects in material and workmanship under normal use and service.

- SAF MODUL suspensions and J-Series axles are covered for a period of one (1) year from the date of installation.
- The axle beam has five (5) years warranty for structural and manufacturing defects only.

The warranty is void with respect to any product which has been altered in any way from its manufactured condition, such as intentional modification, accident, corrosion, misuse failure to provide necessary and reasonable maintenance and is exclusive of normal wear.

The sole responsibility of SAF-HOLLAND under this warranty is limited to repairing or replacing at the factory any part or parts which are returned, with transportation charges prepaid, and are found to be defective to the satisfaction of SAF-HOLLAND.

Written authorization from SAF-HOLLAND must be obtained prior to returning any part or parts.

No charges for transportation or for labour performed on SAF-HOLLAND products by unauthorized persons will be allowed under this warranty.

SAF-HOLLAND shall not be liable, in any event, for proximate, incidental, consequential or other damages, including but not limited to damages for loss of production or injury to persons or property arising out of any breach of this warranty.

Hubodometer must be fitted to each trailer to ensure warranty is valid. If not fitted the warranty is null and void. Records will be compared to inspection and preventative maintenance manual to ensure accuracy.

THERE ARE NO WARRANTIES, EXPRESSED OR IMPLIED, INCLUDING THE WARRANTY OF MERCHANTABILITY OR A WARRANTY OF FITNESS FOR A PARTICULAR PURPOSE EXTENDING BEYOND THAT SET FORTH ABOVE.

SAF-HOLLAND reserves the right, without prior notice, to change specifications and dimensions as designs are altered and/or improved.

Options and features other than those shown may be provided.

W-2a



## WARRANTY

### SAF INTRADRUM WARRANTY

SAF-HOLLAND (AUST.) PTY. LTD. warrants all SAF Intradrum axle suspension assemblies manufactured by it.

- Lifetime warranty is offered on Axle Connection for normal on-road operation.
- Shock Absorber, Hub Unit and Pivot Bush, when properly installed, to be free from defects in material and workmanship under normal use and service, are covered for a period of up to 1,000,000 km or six (6) years on sealed road application only and 500,000 km or three (3) years for off-road application.
- Automatic Slack Adjusters have 300,000 km warranty or two (2) years.
- Other Parts are covered for one (1) year against manufacturing fault only.

Excluded from the warranty are normal wear and tear parts, damaged due to extreme force, incorrect operation and subsequent damage.

Brake balance between Truck and Trailer must be checked regularly and damage of wheel bearings and brake components will not be warrantable if balance is out side recommendation. Regular inspection and preventative maintenance procedures must be carried out in accordance to SAF maintenance manual. The warranty is void with respect to any product which has been altered in any way from its manufactured condition, such as intentional modification, accident, corrosion, misuse failure to provide necessary and reasonable maintenance and is exclusive of normal wear.

The sole responsibility of SAF-HOLLAND under this warranty is limited to repairing or replacing at the factory any part or parts which are returned, with transportation charges prepaid, and are found to be defective to the satisfaction of SAF-HOLLAND.

Written authorization from SAF-HOLLAND must be obtained prior to returning any part or parts.

No charges for transportation or for labour performed on SAF-HOLLAND products by unauthorized persons will be allowed under this warranty.

SAF-HOLLAND shall not be liable, in any event, for proximate, incidental, consequential or other damages, including but not limited to damages for loss of production or injury to persons or property arising out of any breach of this warranty.

Hubodometer must be fitted to each trailer to ensure warranty is valid. If not fitted the warranty is null and void. Records will be compared to inspection and preventative maintenance manual to ensure accuracy.

THERE ARE NO WARRANTIES, EXPRESSED OR IMPLIED, INCLUDING THE WARRANTY OF MERCHANTABILITY OR A WARRANTY OF FITNESS FOR A PARTICULAR PURPOSE EXTENDING BEYOND THAT SET FORTH ABOVE.

SAF-HOLLAND reserves the right, without prior notice, to change specifications and dimensions as designs are altered and/or improved.

Options and features other than those shown may be provided.

W-3



## SAF INTRADISC WARRANTY

SAF-HOLLAND (AUST.) PTY. LTD. warrants all SAF Intradisc axle suspension assemblies manufactured by it.

- Lifetime warranty is offered on Axle Connection for normal on-road operation.
- Shock Absorber, Wheel Bearings and Pivot Bush, when properly installed, to be free from defects in material and workmanship under normal use and service, is covered for a period of up to 1,000,000 km or six (6) years on sealed road application only and 500,000 km or three (3) years for off-road application.
- Brake Caliper has a two (2) year warranty against manufacturing fault.
- The Disc Rotor has two (2) year's unlimited mileage against manufacturing failure.
- Other Parts are covered for one (1) year against manufacturing fault only.

Excluded from the warranty are normal wear and tear parts, damaged due to extreme force, incorrect operation and subsequent damage. Brake balance between Truck and Trailer must be checked regularly and damage of wheel bearings and brake components will not be warrantable if balance is out side recommendation. Damage to brake components including premature Pad wear, Caliper or Rotor damage through brake code specification being used which differ from our specified data will not be covered under the terms of the warranty. Regular inspection and preventative maintenance procedures must be carried out in accordance to SAF maintenance manual. The warranty is void with respect to any product which has been altered in any way from its manufactured condition, such as intentional modification, accident, corrosion, misuse failure to provide necessary and reasonable maintenance and is exclusive of normal wear.

The sole responsibility of SAF-HOLLAND under this warranty is limited to repairing or replacing at the factory any part or parts which are returned, with transportation charges prepaid, and are found to be defective to the satisfaction of SAF-HOLLAND. Written authorization from SAF-HOLLAND must be obtained prior to returning any part or parts.

No charges for transportation or for labour performed on SAF-HOLLAND products by unauthorized persons will be allowed under this warranty.

SAF-HOLLAND shall not be liable, in any event, for proximate, incidental, consequential or other damages, including but not limited to damages for loss of production or injury to persons or property arising out of any breach of this warranty.

Hubodometer must be fitted to each trailer to ensure warranty is valid. If not fitted the warranty is null and void. Records will be compared to inspection and preventative maintenance manual to ensure accuracy.

THERE ARE NO WARRANTIES, EXPRESSED OR IMPLIED, INCLUDING THE WARRANTY OF MERCHANTABILITY OR A WARRANTY OF FITNESS FOR A PARTICULAR PURPOSE EXTENDING BEYOND THAT SET FORTH ABOVE.

SAF-HOLLAND reserves the right, without prior notice, to change specifications and dimensions as designs are altered and/or improved.

Options and features other than those shown may be provided.

W-4



## SAF MODUL SUSPENSION WITH 146MM AXLE DIAMETER WARRANTY

SAF-HOLLAND (AUST.) PTY. LTD. warrants all SAF MODUL air suspensions, axles (both drum and disc) manufactured by it, when properly installed, to be free from defects in material and workmanship under normal use and service.

- The axle beam has five (5) years for structural and manufacturing defects only.
- The axle hub and bearings are covered for 1,000,000 km or six (6) years, on sealed road application only and 500,000 km or three (3) years for off-road application, whichever comes first.
- Brake caliper and disc rotor both have two (2) years warranty for structural and manufacturing defects.
- All other parts are warranted for one (1) year.

Excluded from the warranty shall be all damage caused intentionally or by gross negligence or by improper or inappropriate handling or the failure to observe the operating, service and installation instructions. Normal wear and tear shall also be excluded from said warranty such as brake linings, drums, brake rollers and springs, disc pads and rotors. Our warranty obligations shall be voided if the goods supplied by us are repaired or modified, parts are used that are not original SAF parts or if SAF identification plates are removed.

Brake balance between truck and trailer must be checked regularly and damage of wheel bearings and brake components will not be warrantable if balance is outside recommendation. The warranty is void with respect to any product which has been altered in any way from its manufactured condition, such as intentional modification, accident, corrosion, misuse failure to provide necessary and reasonable maintenance and is exclusive of normal wear. The sole responsibility of SAF-HOLLAND under this warranty is limited to repairing or replacing at the factory any part or parts which are returned, with transportation charges prepaid, and are found to be defective to the satisfaction of SAF-HOLLAND. Written authorization from SAF-HOLLAND must be obtained prior to returning any part or parts. No charges for transportation or for labour performed on SAF-HOLLAND products by unauthorized persons will be allowed under this warranty.

SAF-HOLLAND shall not be liable, in any event, for proximate, incidental, consequential or other damages, including but not limited to damages for loss of production or injury to persons or property arising out of any breach of this warranty

Hubodometer must be fitted to each trailer to ensure warranty is valid. If not fitted the warranty is null and void.

Records will be compared to inspection and preventative maintenance manual to ensure accuracy.

THERE ARE NO WARRANTIES, EXPRESSED OR IMPLIED, INCLUDING THE WARRANTY OF MERCHANTABILITY OR A WARRANTY OF FITNESS FOR A PARTICULAR PURPOSE EXTENDING BEYOND THAT SET FORTH ABOVE.

SAF-HOLLAND reserves the right, without prior notice, to change specifications and dimensions as designs are altered and/or improved. Options and features other than those shown may be provided.

W-5



TRAILER AXLES AND  
SUSPENSION SYSTEMS



COUPLING AND LIFTING  
TECHNOLOGIES



SUSPENSIONS FOR  
TRUCKS AND BUSES



SUSPENSIONS AND COMPONENTS  
FOR COMMERCIAL VEHICLES



BUS AIR SUSPENSION  
SYSTEMS



V. ORLANDI

COUPLING AND LIFTING  
TECHNOLOGIES



TRAILER AXLES AND  
SUSPENSION SYSTEMS

[safholland.com.au](http://safholland.com.au)

**SAF-HOLLAND (Aust.) Pty. Ltd.**

PO Box 63 · 115 High St · Melton Vic 3337  
Tel: (03) 9971 7900 Fax: (03) 9743 6763

ABN: 79004371215  
Sales: 1300 131 613  
Email: [sales@safholland.com.au](mailto:sales@safholland.com.au)  
Web: [www.safholland.com.au](http://www.safholland.com.au)