

SurroundVideo® WDR IP Megapixel Dome Cameras

H.264 All-in-One 180° and 360° Panoramic WDR True Day/Night Indoor/Outdoor Dome IP Cameras



180° Panoramic WDR

360° Panoramic WDR

Camera Models

| 12MP Panoramic 180° | 12MP Panoramic 360° |
|---------------------|---------------------|
| AV12186DN | AV12366DN |

The H.264 12MP SurroundVideo® WDR is the industry's first wide dynamic range panoramic camera. The new SurroundVideo® WDR is an all-in-one solution with a dynamic range of up to 100dB at full resolution, has a dual encoder (H.264 and MJPEG), an impact-resistant dome, and is 50% smaller than previous SurroundVideo® models. A SurroundVideo® camera can replace multiple fixed or PTZ cameras by recording the entire panoramic field of view with the ability to zoom into multiple regions of interest—a return on investment that's easily measured.



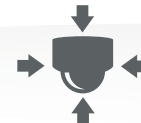
180° Panoramic



360° Panoramic



Wide Dynamic Range



All-in-One Dome Solution with Integrated Lens



Impact / Weather Resistant
IK-10 and IP66 Rated



Pixel Binning Mode



True Day/Night with IR Cut Filter



Dual Encoder
H.264/MJPEG

Features:

- Industry's First 12MP WDR Panoramic Megapixel Cameras
- True WDR up to 100dB at Full Resolution: See Clearly in Shaded and Bright Light Conditions Simultaneously
- Forensic Zooming – Zoom Live or After the Event While Recording Full Field-of-View in HD – Replace PTZ Devices
- Binning Mode for Strong Low Light Performance
- Bit Rate Control and Multi-Streaming
- True Day/Night Functionality with Electro-Mechanical IR Cut Filter
- Outdoor Rated IP66 and IK-10 Impact-Resistant Housing
- Total PoE Solution (No External Power Required)
- PoE and Auxiliary Power: 12–48V DC/24V AC
- Easily Adjustable 2-Axis Camera Gimbal with 360° Pan and 90° Tilt
- +/- 5° Electrical Vertical Alignment to Locate Each Sensor Position (180° Series)
- +/- 7° Mechanical Tilt Adjustment to Locate Each Sensor Angle (360° Series)
- Complete Mounting Options
- Dual Encoder H.264/MJPEG
- Privacy Mask, Motion Detection, Flexible Cropping, Bit Rate Control and Multi-Streaming
- Fast Frame Rates 5.2fps @ 12MP
- Reduced Overall System Cost



Camera Imaging

| Model | AV12186DN | | AV12366DN | |
|------------------------------------|--------------------------------|----------------------|--------------------------------|----------------------|
| Image Sensor | 4 x 3MP CMOS WDR | | 4 x 3MP CMOS WDR | |
| Optical Format | 1/3.2" Progressive Scan | | 1/3.2" Progressive Scan | |
| Pixel Pitch | 2.2µm | | 2.2µm | |
| Minimum Illumination | Color | 0.5 Lux @ F2.0 | Color | 0.5 Lux @ F2.0 |
| | Color Binning | 0.25 Lux @ F2.0 | Color Binning | 0.25 Lux @ F2.0 |
| | True Day/Night | 0 Lux, IR sensitive | True Day/Night | 0 Lux, IR sensitive |
| Full Field of View (FOV)Resolution | Total | 8192 H x 1536 V | Total | 8192 H x 1536 V |
| | Per Sensor | 2048 H x 1536 V | Per Sensor | 2048 H x 1536 V |
| 1/4 Resolution | Total | 4096 H x 768 V | Total | 4096 H x 768 V |
| | Per Sensor | 1024 H x 768 V | Per Sensor | 1024 H x 768 V |
| Dynamic Range | Up to 100dB at Full Resolution | | Up to 100dB at Full Resolution | |
| Lens | 5.4mm, M12, F2.0, 1/3.2" | | 2.6mm, M12, F2.0, 1/2.5" | |
| Video Frame Rates | Max | 5.2fps (8192 x 1536) | Max | 5.2fps (8192 x 1536) |
| | | 16.7fps (4096 x 768) | | 16.7fps (4096 x 768) |

Data Transmission

| | |
|-------------------|--|
| Compression Type | H.264 (MPEG-4, Part 10)/Motion JPEG |
| | 21 levels of quality |
| Network Protocols | RTSP, RTP/TCP, RTP/UDP, HTTP, DHCP, TFTP |
| Network Interface | 100Base-T Ethernet |
| Multi-Streaming | 8 non-identical streams (2 per sensor) |

Electrical

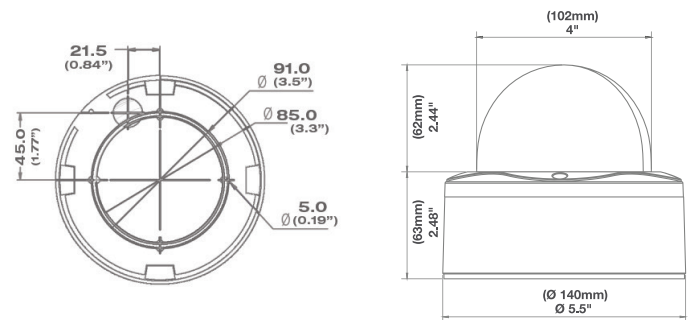
| | |
|-----------------------|--------------------------------|
| Input/Output | General purpose opto-coupled |
| Power Over Ethernet | PoE 802.3af, Class 3 |
| Auxiliary Power | 12-48V DC and 24V AC |
| Max Power Consumption | 14 Watts Max (Auxiliary Power) |

Programmability

| |
|--|
| Auto adjustment between WDR and LDR modes |
| Binning Mode |
| Privacy mask |
| Flexible Cropping (resolution windowing down to 1x1 pixel for JPEG and 2x2 pixels for H.264) |
| +/-5° Digital Vertical Alignment to adjust images (AV12186DN) |
| On-camera real-time motion detection with up to 1024 detection zones (per sensor) |
| Auto multi-matrix white balance |
| 50/60Hz selectable flicker control |
| Electronic pan, tilt, zoom (PTZ) |
| Programmable shutter speed to help control motion blur |
| MoonLight™ Mode: extended exposure and proprietary noise cancellation |
| Programmable resolution, brightness, saturation, gamma, sharpness, tint |
| Simultaneous delivery of full field-of-view and zoomed images |
| Bandwidth and storage savings by running at 1/4 resolution |
| Bit rate and bandwidth limit control |

Mechanical

| | | |
|-----------------------|---|---------------------------------|
| Casing | Die-cast aluminum chassis with 4" polycarbonate dome bubble | |
| | IP66 weather proof standard | |
| | Impact resistant, IK-10 rated | |
| Gimbal | Easily adjustable, 2-axis w/360° pan and 90° tilt | |
| Total Unit Dimensions | Unit | Ø 5.5" (140mm) x 4.9" H (125mm) |
| | Bubble Only | Ø 4.0" (102mm) x 2.4" H (62mm) |
| Weight | Unit | 2.8lbs (1.27kg) |
| | Packaged | 3.4lbs (1.54kg) |



Compliance

| | |
|-------------------|----------------------------|
| Industry Standard | ONVIF Profile S Conformant |
| Listings | UL (CB) |
| FCC Compliance | 47 CFR 15 Class A |
| Environmental | RoHS, REACH, WEEE |

Accessories

| | |
|---------|------------------------------------|
| MD-WMT2 | Wall Mount w/1.5" NPT |
| SV-EBA | Electrical Box Adapter for MD-WMT2 |
| MD-CAP | Wall Mount Cap Only w/1.5" NPT |
| MD-CMT | Pendant Mount |
| MD-FMA | Flush Mount |
| MD-CRMA | Corner Mount Adapter |
| MD-PMA | Pole Mount Adapter |
| MD-EBA | Electrical Box Adapter |
| SV-JBA | Junction Box Adapter |

Environmental

| | |
|--------------------------|---|
| Protection Ratings | IP66 water/dust protection rating |
| | IK-10 impact-resistant polycarbonate dome |
| Operating temperature | -40°C (-40°F) to +50°C (122°F) |
| Humidity | 0% to 90% (non-condensing) |
| Stable image temperature | 0°C (32°F) to +50°C (122°F) |
| Storage temperature | -40°C (-40°F) to +60°C (140°F) |