



CONNECT AND PROTECT

Varistar Electronics



SCHROFF

Cabinets – Varistar Electronics

OVERVIEW

MAIN KATALOG

- Cabinets 1
- Wall mounted cases 2
- Accessories for cabinets and wall mounted cases . . 3
- Climate control . . 4
- Electronics cases 5
- Subracks/ 19" chassis 6
- Front panels, plug-in units 7
- Systems 8
- Power supply units 9
- Backplanes 10
- Connectors, front panel component system 11
- Appendix 12



01008004



01009002

01005014

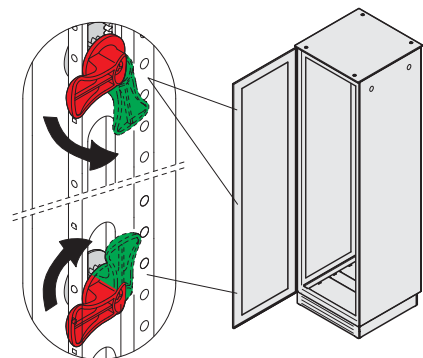
19" panel mounts integrated in decorative frame

All-round gasketing to IP 55



01009002

Side panels with quick-release fastener, optionally lockable



01005014

3-point locking with contradirectional bolts

Cabinets – Varistar Electronics

OVERVIEW

THE UNIVERSAL CABINET FOR ELECTRONICS

- Selectable stability, static load-carrying capacity up to 800 kg
- Professional solutions for cable ducting
- Variable ventilation concepts, active and passive
- Various versions in ServicePLUS configuration

VARISTAR DECO



01004001

- Open at front, with deco frame and integrated 19" panel mounts

VARISTAR IP 20



01004002

- With glass door and single point locking

VARISTAR IP 55



01004003

- With glass or steel door and 3-point locking

SERVICEPLUS

- e.g. individual configuration and assembly
- e.g. modifications (cut-outs, special colours)
- e.g. variants of uprights (Slim-Line, Heavy-Duty)
- e.g. custom solutions (special sizes)

Overview 1.10

VARISTAR Platform 1.4
Dimensions 1.8

VARISTAR Deco 1.12
VARISTAR IP 20 1.13
VARISTAR IP 55 1.14

Accessories

Lever handle 1.15
Base plate 1.15
Base/plinth 1.16
Mounting plate 1.17
19" swing frame 1.18
19 panel/slide mount 1.19
19" fixing materials kit, M6 1.19
Slide rails 1.20
19" shelves 1.21
Depth members 1.24
C horizontal rail 1.24
Cable tie, Velcro 1.26

ServicePLUS IP 20 1.27
ServicePLUS IP 55 1.39
ServicePLUS Interior configuration 1.44

VARISTAR EMC 1.54
VARISTAR Seismic 1.84
VARISTAR datacom and Networking Technology 1.124
VARISTAR air/water heat exchanger 1.224

Cabinets – Varistar Electronics

VARISTAR DECO



- Open at front (no door)
- 19" panel mounts integrated into decoration frame
- Rear door with single point locking, side panels with quick release fastener
- Static load-carrying capacity 400 kg (Slim-Line)

DELIVERY COMPRISES (assembled)

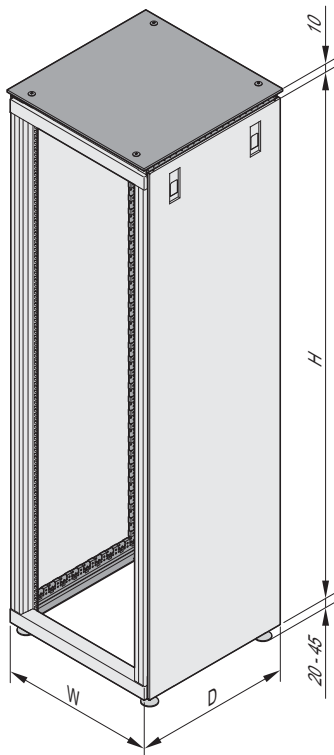
| Item | Qty | Description |
|------|-----|--|
| 1 | 1 | Welded basic frame, Slim-Line, St profile, zinc-plated, powder-coated, RAL 7021 |
| 2 | 4 | Adjustable foot, assembled |
| 3 | 1 | Raised top cover, St, RAL 7021, with 10 mm air gap all around |
| 4 | 1 | Decorative frame, Al, integrated 19" panel mounts at the front, RAL 7035 |
| 5 | 2 | Adapter bracket, St, 2 mm, RAL 7035, front, for assembling shelves and slide rails |
| 6 | 1 | Rear door, St, 180° hinge, single point locking and key with safety lock, RAL 7035 |
| 7 | 2 | Side panel, St, with quick-release fastener, RAL 7035 |
| 8 | 1 | GND/earthing kit, supplied loose |

ORDER INFORMATION

| Height U | Height H mm | Width W mm | Depth D mm | Part no. |
|----------|-------------|------------|------------|------------------|
| 38 | 1800 | 600 | 600 | 10130-001 |
| 38 | 1800 | 600 | 800 | 10130-002 |
| 42 | 2000 | 600 | 600 | 10130-003 |
| 42 | 2000 | 600 | 800 | 10130-004 |

01004001

| | |
|--|------------------|
| Castors load-carrying capacity 400 kg, PS/St, PU 4 pieces, 2 locking, 2 non locking | 23130-077 |
| Castors with integrated adjustable feet load-carrying capacity 400 kg, PU 4 pieces | 23130-078 |
| Lever handle for single point locking with push button, 1 piece | 23130-067 |
| DIN profile half cylinder, common locking for lever handle (1 key fits all locks) incl. 2 keys | 25127-995 |
| Lifting eye for raised top cover PU 4 pieces | 23130-085 |



01004151

NOTE

- Lever handle can be added to rear door
- For more dimensions and versions see ServicePLUS IP 20, starting on page 1.27
- Please order base plate separately, see page 1.15
- Please order base/plinth separately, see page 1.16
- For assembly of shelves and slide rails another pair of panel/slide mounts is necessary, see page 1.19

Cabinets – Varistar Electronics

VARISTAR IP 20



- With glazed front door
- Doors with single point locking, side panels with quick release fastener
- Type of protection IP 20
- Static load-carrying capacity 400 kg (Slim-Line)

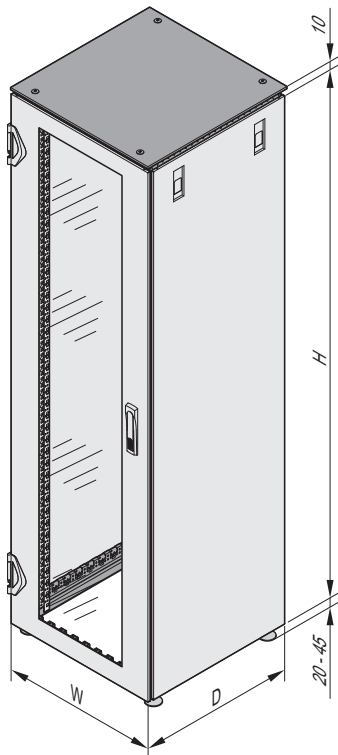
DELIVERY COMPRISES (assembled)

| Item | Qty | Description |
|------|-----|---|
| 1 | 1 | Welded basic frame, Slim-Line, St profile, zinc-plated, powder-coated, RAL 7021 |
| 2 | 4 | Adjustable foot, assembled |
| 3 | 1 | Raised top cover, St, RAL 7021, with 10 mm air gap all around |
| 4 | 1 | Front door, glazed, safety glass, 6 mm, 180° hinge, RAL 7035, single point locking, key lock cover |
| 5 | 1 | Rear door, St, 180° hinge, RAL 7035, single point locking, key with safety lock |
| 6 | 2 | Side panel, St, quick-release fastener with safety lock, RAL 7035 |
| 7 | 2 | 19" panel/slide mount with EIA cut-outs, St, RAL 7035, assembled at front, depth-adjustable in 25 mm increments |
| 8 | 1 | GND/earthing kit, enclosed loose |

ORDER INFORMATION

| Height U | Height H mm | Width W mm | Depth D mm | Part no. |
|--|-------------|------------|------------|------------------|
| 38 | 1800 | 600 | 600 | 10130-005 |
| 38 | 1800 | 600 | 800 | 10130-006 |
| 42 | 2000 | 600 | 600 | 10130-007 |
| 42 | 2000 | 600 | 800 | 10130-008 |
| Castors load-carrying capacity 400 kg, PS/St, PU 4 pieces, 2 locking, 2 non locking | | | | 23130-077 |
| Castors with integrated adjustable feet load-carrying capacity 400 kg, PU 4 pieces | | | | 23130-078 |
| Lever handle for single point locking with push button, 1 piece | | | | 23130-067 |
| DIN profile half cylinder, common locking for lever handle (1 key fits all locks) incl. 2 keys | | | | 25127-995 |
| Lifting eye for raised top cover PU 4 pieces | | | | 23130-085 |

01004002



01004152

NOTE

- Lever handle can be added to the doors
- For other dimensions and versions see ServicePLUS configuration IP 20, from page 1.27
- Please order base plate separately, see page 1.15
- Please order base/plinth separately, see page 1.16
- For assembly of shelves and slide rails another pair of panel/slide mounts is necessary, see page 1.19

Cabinets – Varistar Electronics

VARISTAR IP 55



01005006



01005014

- With glazed or steel front door
- Doors with 3-point locking and screw-fixed side panels
- Type of protection IP 55
- Static load-carrying capacity 400 kg (Slim-Line)

DELIVERY COMPRISES (assembled)

| Item | Qty | Description |
|------|-----|---|
| 1 | 1 | Welded basic frame, Slim-Line, St profile, zinc-plated, powder-coated, RAL 7021, with all around rubber seals |
| 2 | 4 | Adjustable foot, assembled |
| 3 | 1 | Flat top cover, St, RAL 7021 |
| 4 | 1 | Front door, St or glazed, RAL 7035, 180° hinge, 3-point locking, lever handle |
| 5 | 1 | Rear panel, screw fixed, St, RAL 7035 |
| 6 | 2 | Side panel, screw fixed, St, RAL 7035 |
| 7 | 1 | Base plate, multi-piece, with cover plate, St, RAL 7021, with gasket |
| 8 | 2 | 19" panel/slide mount with EIA cut-outs, AlZn, assembled at front, depth-adjustable in 25 mm increments |
| 9 | 1 | GND/earthing kit, enclosed loose |

ORDER INFORMATION

| Height U | Height H mm | Width W mm | Depth D mm | Description | Part no. |
|--|-------------|------------|------------|------------------|------------------|
| 42 | 2000 | 600 | 600 | With glazed door | 10130-021 |
| 42 | 2000 | 600 | 600 | With steel door | 10130-022 |
| Castors load-carrying capacity 400 kg, PS/St, PU 4 pieces, 2 locking, 2 non locking | | | | | 23130-077 |
| Castors with integrated adjustable feet load-carrying capacity 400 kg, PU 4 pieces | | | | | 23130-078 |
| DIN profile half cylinder, common locking for lever handle (1 key fits all locks) incl. 2 keys | | | | | 25127-995 |
| Lifting eye for top cover PU 4 pieces | | | | | 23130-072 |

NOTE

- For other dimensions and versions see ServicePLUS configuration IP 55, from page 1.39
- Please order base/plinth separately, see page 1.16
- For assembly of shelves and slide rails another pair of panel/slide mounts is necessary, see page 1.19

Cabinets – Varistar Electronics

LEVER HANDLE FOR SINGLE POINT LOCKING



- For installation instead of key lock insert
- To open press push-button
- DIN profile half cylinder retrofittable

DELIVERY COMPRISES

| Item | Qty | Description |
|------|-----|---------------------------------------|
| 1 | 1 | Lever handle for single point locking |
| 2 | 1 | Assembly kit |

ORDER INFORMATION

| Description | Part No. |
|---------------------------------------|------------------|
| Lever handle for single point locking | 23130-067 |

Accessories

| | |
|---|------------------|
| DIN profile half cylinder, common locking for lever handle (1 key type 333 fits all locks) incl. 2 keys | 25127-995 |
|---|------------------|

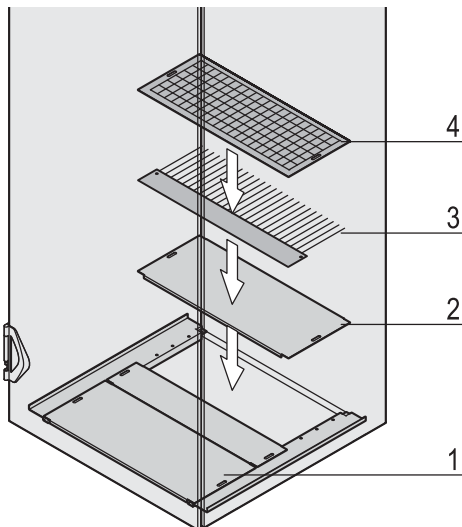
01005016

| | |
|--|------------------|
| DIN profile half cylinder, common locking for lever handle (1 key type 2233 fits all locks) incl. 2 keys | 60130-402 |
|--|------------------|

NOTE

- Other locks such as ASSA, KABA or RONIS available on request

BASE PLATE, MULTI-PIECE



1: Base plate, multi-piece; 2: Cover plate; 3: Brush strip; 4: Filter kit

- The multi-piece base plate is open at the rear
- The opening may be completed
 - with a filter mat
 - with a brush strip for the cable entry
 - with a cover plate

DELIVERY COMPRISES (kit)

| Item | Qty | Description |
|------|-----|--|
| 1 | 1 | Multi-piece base plate, St, 1.5 mm, RAL 7021 |
| 5 | 1 | Assembly kit |

ORDER INFORMATION

| Width mm | Depth mm | Part no. |
|----------|----------|------------------|
| 600 | 600 | 23130-001 |
| 600 | 800 | 23130-002 |

| | |
|---|------------------|
| Item 2 Cover plate for base plate, multi-piece for 600 mm wide base plate, 200 mm deep, incl. assembly kit, 1 piece | 23130-076 |
|---|------------------|

01004050

| | |
|---|------------------|
| Item 3 Brush strip for base plate for 600 mm width base plate, 200 mm deep, incl. assembly kit, 1 piece | 23130-074 |
|---|------------------|

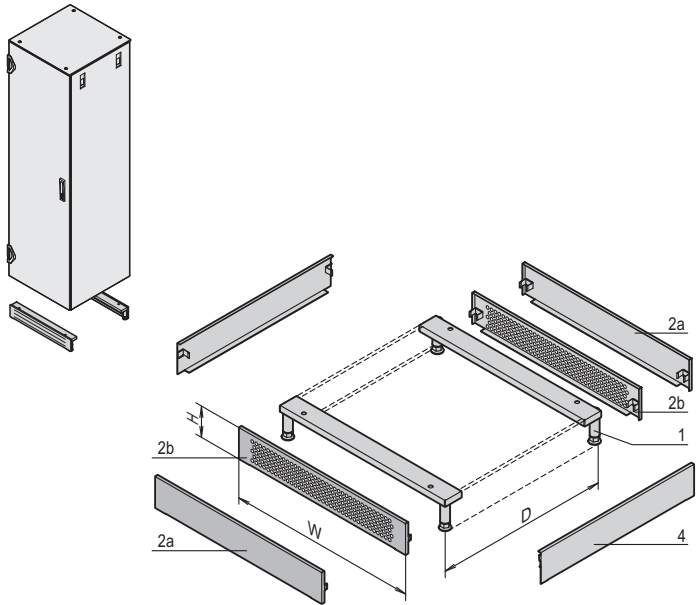
| | |
|--|------------------|
| Item 4 Filter mat white, class M1 in accordance with EN 799-G3, for 600 mm wide base plate, 200 mm deep, incl. assembly kit, 1 piece | 23130-075 |
|--|------------------|

NOTE

- Is assembled from inside
- Please order cover plate, brush strip or filter mat separately

Cabinets – Varistar Electronics

STATIONARY BASE



D = cabinet depth

- Static load-carrying capacity 1000 kg
- Removable covers allow cable entry from all sides
- Cannot be used in conjunction with castors
- Plinth height 100 mm, with feet adjustable from 112 to 132 mm
- Versions
 - Front/rear trim perforated
 - Front/rear trim solid

DELIVERY COMPRISES (kit)

| Item | Qty | Description |
|------|-----|---------------------------------------|
| 1 | 2 | Support with feet, St, 3 mm |
| 2a | 2 | Solid trim, St, 1.5 mm, RAL 7021 |
| 2b | 2 | Perforated trim, St, 1.5 mm, RAL 7021 |
| 3 | 1 | Assembly kit |

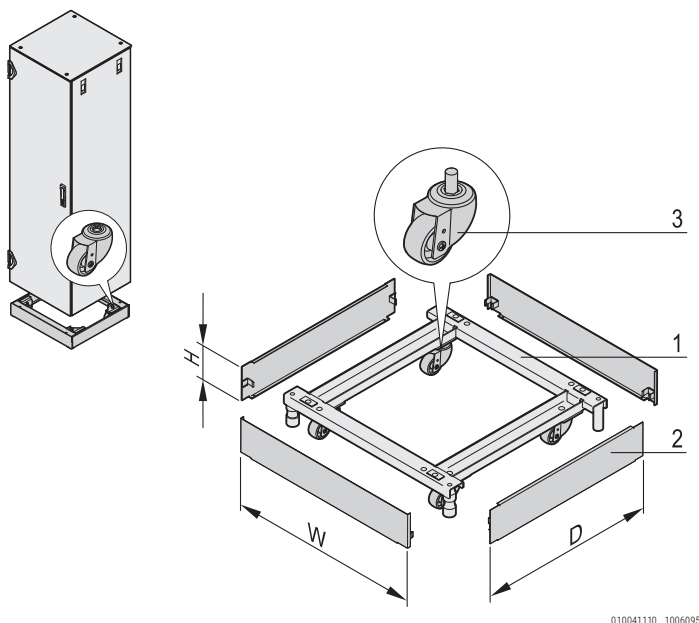
ORDER INFORMATION

| For cabinet width W mm | Front/rear trim | Part no. |
|---|-----------------|------------------|
| 600 | perforated | 23130-187 |
| 600 | plain | 23130-387 |
| Item 4 Side trim height 100 mm, depth 600 mm, PU 2 pieces | | 23130-169 |
| Item 4 Side trim height 100 mm, depth 800 mm, PU 2 pieces | | 23130-170 |

NOTE

- Please order side trims (item 4) separately

BASE/PLINTH, MOBILE



- Load-carrying capacity on castors 400 kg, on adjustable feet 1000 kg
- Plinth height H = 100 mm, with feet adjustable from 126 to 134 mm

DELIVERY COMPRISES

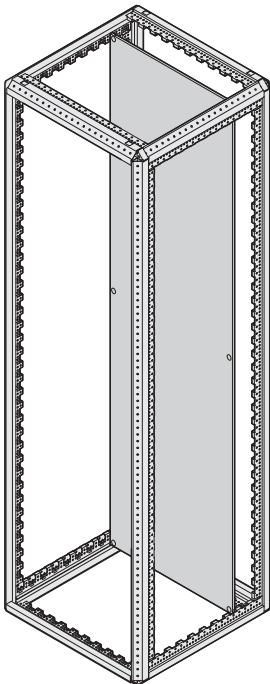
| Item | Qty | Description |
|------|-----|---|
| 1 | 1 | Frame, St, 3 mm, RAL 7021, with adjustable feet |
| 2 | 4 | Trim, St, 1.5 mm, RAL 7021 |
| 3 | 4 | Castor |
| 4 | 1 | Assembly kit |

ORDER INFORMATION

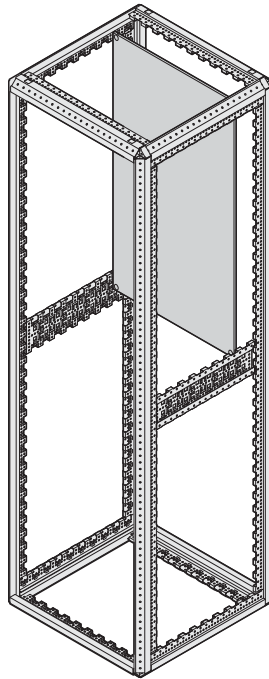
| For cabinet width mm | For cabinet depth mm | Part no. |
|----------------------|----------------------|------------------|
| 600 | 600 | 23130-208 |
| 600 | 800 | 23130-209 |

Cabinets – Varistar Electronics

MOUNTING PLATE



Full height



For partial-height mounting

010080520 1008053

- For mounting electrical components and sub-assemblies incl. cabling
- Mounting pitch 25 mm in depth and 50 mm in height for partial-height mounting
- Depth members are required for partial-height mounting
- Static load
 - 450 kg at full height, mounted to rear
 - 600 kg at full height, mounted to rear, with additional strengthening brackets

DELIVERY COMPRISES

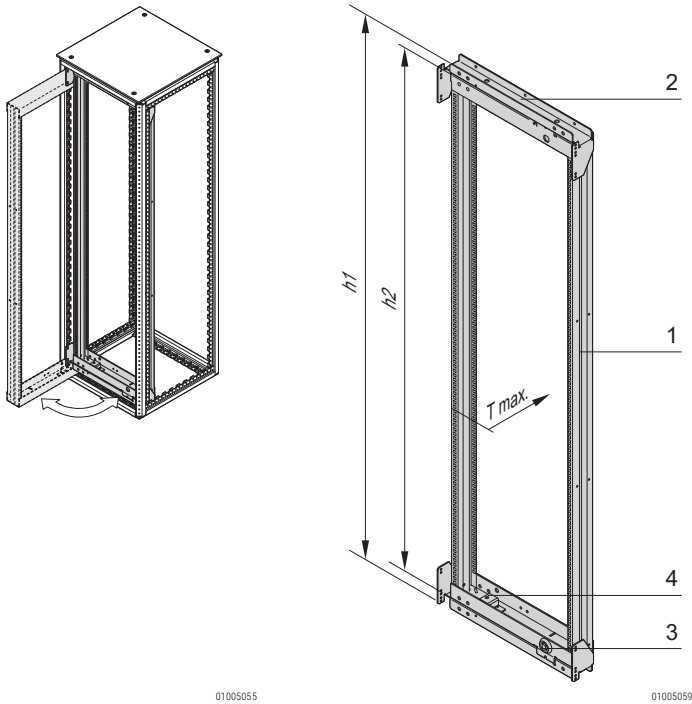
| Item | Qty | Description |
|------|-----|---------------------------------------|
| 1 | 1 | Mounting plate, St, 3 mm, zinc-plated |
| 2 | 1 | Assembly kit |

ORDER INFORMATION

| For cabinet height mm | Width mm | Part no. |
|---|-------------|------------------|
| 1200 for partial-height mounting | 600 | 23130-413 |
| 1800 | 600 | 23130-405 |
| 2000 | 600 | 23130-407 |
| Strengthening bracket for mounting plate PU 2 pieces | | 23130-418 |
| Depth member St, 2 mm, for cabinet depth 600 mm, 2 pieces | | 23130-081 |
| Depth member St, 2 mm, for cabinet depth 800 mm, 2 pieces | | 23130-082 |

Cabinets – Varistar Electronics

19" SWING FRAME



- Can accommodate 19" chassis and 19" subracks
- For full height or partial-height mounting
- Pivot point can be selected right or left
- Load-carrying capacity 150 kg

DELIVERY INCLUDES (kit)

| Item | Qty | Description |
|------|-----|---------------------------------|
| 1 | 1 | Swing frame, St, 2 mm, RAL 7021 |
| 2 | 2 | Support bar, St, 3 mm, RAL 7021 |
| 3 | 2 | Square lock, 8 mm, incl. 2 keys |
| 4 | 2 | 120° hinge |
| 5 | 1 | Assembly kit |

ORDER INFORMATION

| For cabinet height mm | Height h1 U | Height h2 U | Part no. |
|----------------------------------|----------------|----------------|-----------|
| 900 for partial-height mounting | 16 | 12 | 21130-740 |
| 1200 for partial-height mounting | 24 | 21 | 21130-741 |
| 1400 for partial-height mounting | 29 | 25 | 21130-742 |
| 1600 for partial-height mounting | 33 | 30 | 21130-743 |
| 1800 | 38 | 34 | 21130-744 |
| 2000 | 42 | 39 | 21130-745 |
| 2200 | 47 | 43 | 21130-746 |

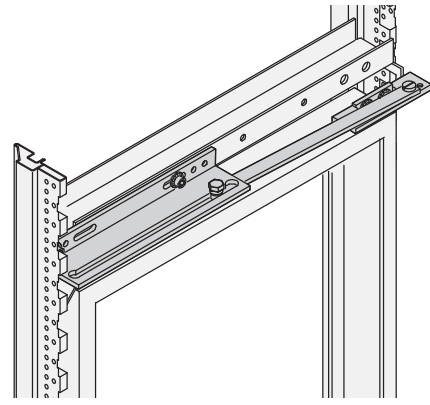
Accessories

| | |
|--|------------------|
| Swing frame stop max. swing angle 120°, St, zinc-plated, 1 piece | 23130-158 |
| Security lock to replace the square lock, PU 1 lock incl. 2 keys | 60113-267 |
| Spare key for security lock, 1 piece | 60220-003 |
| Slide rails for swing frames PU 2 pieces | 23130-183 |

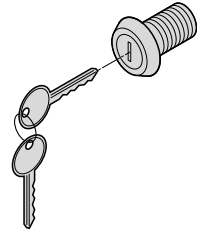
NOTE

- 19" swing frames can be assembled:
 - Directly on the cabinet frame
 - In 50 mm increments by aid of depth members (depth-adjustable)
- For partial-height mounting, depth members are necessary, see page 1.24

Swing frame stop



Security lock



Slide rail

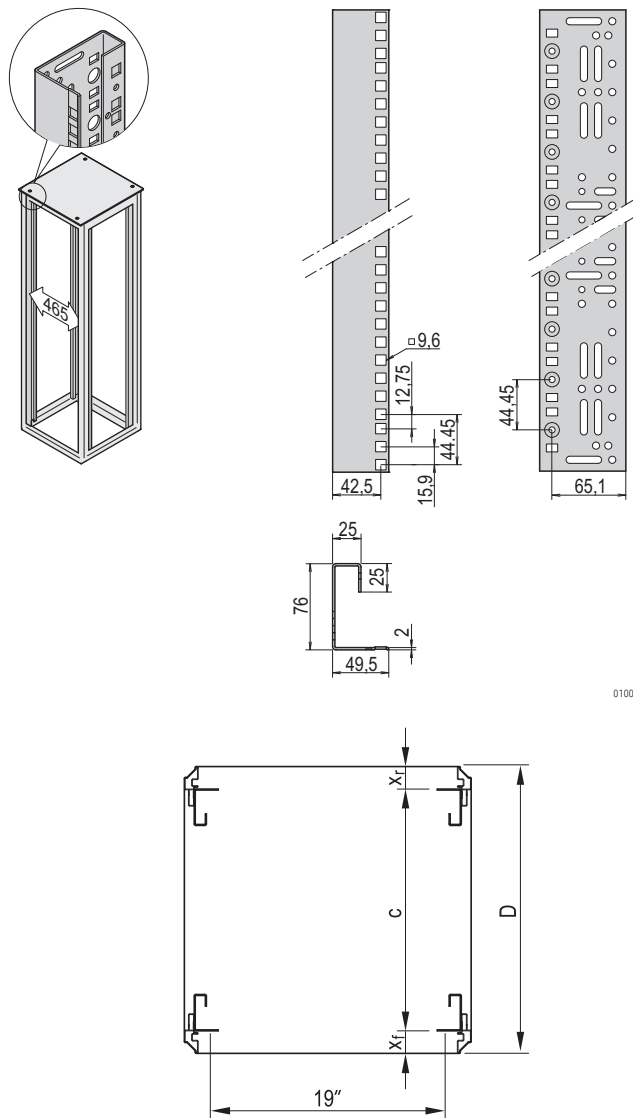


Sliding rails mounted on the swing frame



Cabinets – Varistar Electronics

19" PANEL/SLIDE MOUNT WITH UNIVERSAL PITCH (EIA)



Standard assembly dimension $x_r = x_f = 50$ mm

- Assembly in 600 mm wide cabinets directly on the frame
- Depth-adjustable in 25 mm increments
- In accordance with IEC 60297-1 (DIN 41 494, part 1)

DELIVERY COMPRISES

| Item | Qty | Description |
|------|-----|---|
| 1 | 2 | 19" panel/slide mount, St, 1.75 mm, finish AlZn, RAL 7035 or RAL 7021 |
| 2 | 1 | Assembly kit, incl. GND/earthing |

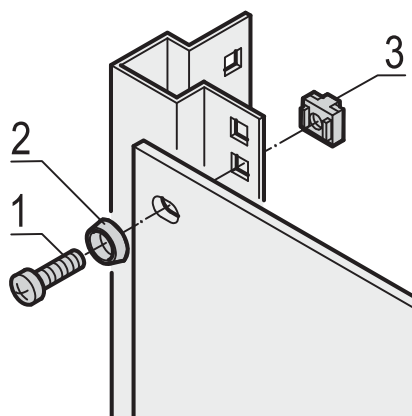
ORDER INFORMATION

| For cabinet height mm | Usable height U | Length mm | AlZn Part no. | RAL 7035 Part no. | RAL 7021 Part no. |
|---|-----------------|-----------|------------------|-------------------|-------------------|
| Partial-height mounting | 8 | 395 | 23130-037 | 23130-027 | 23130-017 |
| Partial-height mounting | 12 | 545 | 23130-038 | 23130-028 | 23130-018 |
| Partial-height mounting | 16 | 745 | 23130-039 | 23130-029 | 23130-019 |
| Partial-height mounting | 20 | 895 | 23130-040 | 23130-030 | 23130-020 |
| Partial-height mounting | 24 | 1095 | 23130-031 | 23130-021 | 23130-011 |
| Partial-height mounting | 29 | 1295 | 23130-032 | 23130-022 | 23130-012 |
| Partial-height mounting | 33 | 1495 | 23130-033 | 23130-023 | 23130-013 |
| 1800 | 38 | 1695 | 23130-034 | 23130-024 | 23130-014 |
| 2000 | 42 | 1895 | 23130-035 | 23130-025 | 23130-015 |
| Dimensioning strip for 19" panel mounts, paper, white, serial numbered from 1 ... 47 U, PU 4 pieces | | | | | 25127-997 |

NOTE

- For 19" partial-height mounting depth members are necessary
- Metric panel/slide mounts available on request

19" ASSEMBLY KIT, M6



- For front panels, distribution fields and other components

DELIVERY COMPRISES

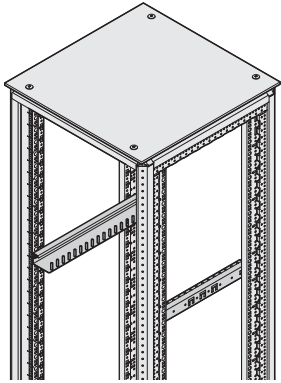
| Item | Description |
|------|---|
| 1 | Panhead screw, M6 x 16, St, zinc-plated |
| 2 | Plastic washer, black |
| 3 | Cage nut, M6, St, zinc-plated |

ORDER INFORMATION

| Description | Qty/PU | Part no. |
|---------------------------------------|--------|------------------|
| 19" assembly kit (screw, washer, nut) | 50 | 21101-809 |
| 19" assembly kit (screw, washer, nut) | 100 | 21101-810 |

Cabinets – Varistar Electronics

SLIDE RAILS

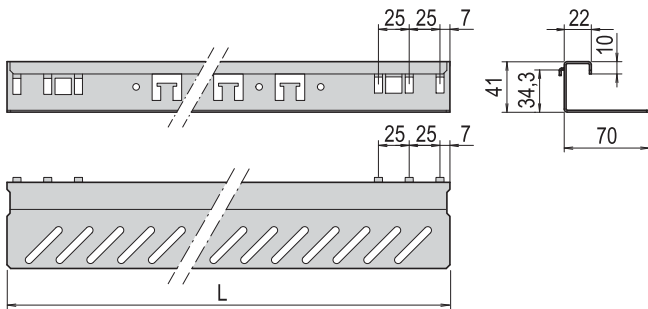


- For assembly on 19" panel/slide mounts
- Assembly in 1 U increments (snap-in, bolt-on)
- Wide support surface (48 mm)
- 2 versions
 - Static load-carrying capacity 25 kg per pair
 - Static load-carrying capacity 100 kg per pair

DELIVERY COMPRISES

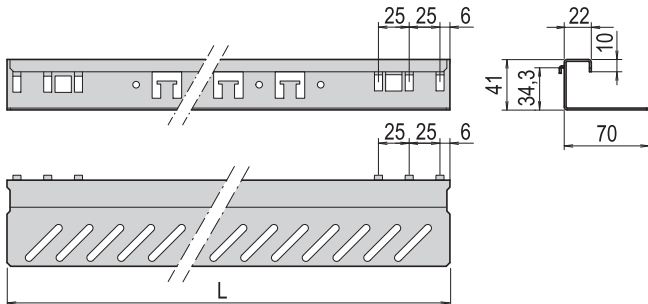
| Item | Qty | Description |
|------|-----------------------|---|
| 1 | see Order information | Slide rail, AlZn, 1.5 mm (static load-carrying capacity 25 kg), or 2.5 mm (static load-carrying capacity 100 kg), zinc-plated |
| 2 | 1 | Assembly kit incl. GND/earthing |

01004056



Static load-carrying capacity 25 kg

01005086



Static load-carrying capacity 100 kg

01004058

ORDER INFORMATION

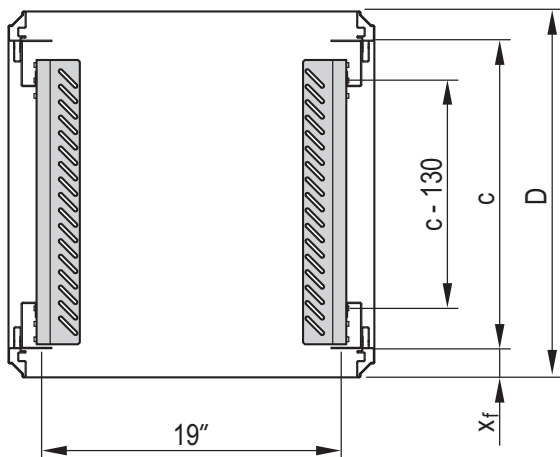
Static load carrying capacity 25 kg

| For cabinet depth D mm | x_f mm | c mm | Length L mm | Qty/PU | Part no. |
|------------------------|----------|------|-------------|--------|------------------|
| 600 | 50 | 500 | 456 | 2 | 23130-096 |
| 600 | 50 | 500 | 456 | 10 | 23130-101 |
| 800 | 50 | 700 | 656 | 2 | 23130-097 |
| 800 | 50 | 700 | 656 | 10 | 23130-102 |

ORDER INFORMATION

Static load carrying capacity 100 kg

| For cabinet depth D mm | x_f mm | c mm | Length L mm | Qty/PU | Part no. |
|------------------------|----------|------|-------------|--------|------------------|
| 600 | 50 | 500 | 458 | 2 | 23130-118 |
| 600 | 50 | 500 | 458 | 10 | 23130-123 |
| 800 | 50 | 700 | 658 | 2 | 23130-119 |
| 800 | 50 | 700 | 658 | 10 | 23130-124 |

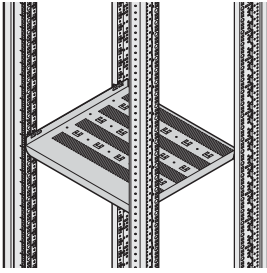


c = pitch of the 19" panel/slide mounts
 x_f = standard dimension
 D = cabinet depth

01004130

Cabinets – Varistar Electronics

19" FIXED SHELF, 75 KG



- Static load-carrying capacity 75 kg (150 kg with strengthening rail)
- Mounting height 1 U, for mounting on four panel/slide mounts
- With hammer head perforation to fix cable ties

DELIVERY COMPRISES

| Item | Qty | Description |
|------|-----|---|
| 1 | 1 | Perforated shelf, St, 1.5 mm (colour see Order Information) |
| 2 | 1 | Assembly kit incl. GND/earthing |

01004066

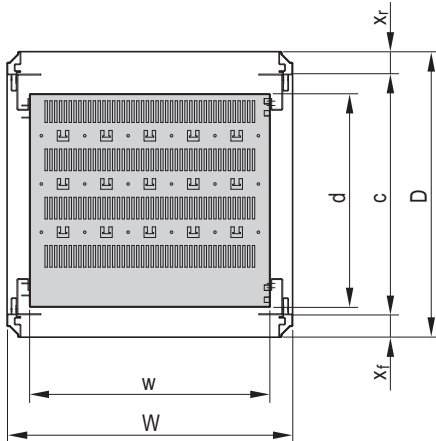
ORDER INFORMATION

| For cabinet depth | Usable surface w x d | x_f | c | RAL 7035 Part no. | RAL 7021 Part no. |
|--|----------------------|-------|--------|-------------------|-------------------|
| 600 mm | 495 x 442 mm | 50 mm | 500 mm | 22130-303 | 21130-303 |
| 800 mm | 495 x 642 mm | 50 mm | 700 mm | 22130-305 | 21130-305 |
| Strengthening rail for stationary 19" shelf PU 1 piece | | | | | 23130-310 |

NOTE

- Cable ducting with cable ties, see page 1.26
- Other sizes, see ServicePLUS, page 1.49

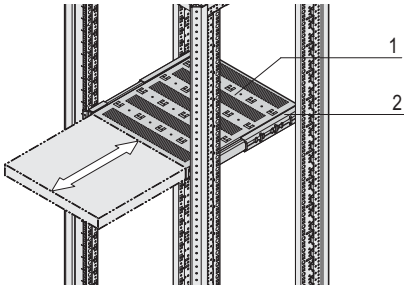
01004067



c = max. pitch of the 19" slide mounts
 x_f, x_r = standard assembly dimension

Cabinets – Varistar Electronics

19" TELESCOPIC SHELF, 30 KG



- Static load-carrying capacity at full extension 30 kg
- Mounting height 1 U, for mounting on four 19" panel/slide mounts
- Incl. telescopic slides
- Hammer head perforation to fix cable ties
- 2 versions
 - Full depth
 - Depth shortened by 100 mm for rear cable ducting

01004068

DELIVERY COMPRISES

| Item | Qty | Description |
|------|-----|---|
| 1 | 1 | Perforated shelf, St, 1.5 mm (colour see Order Information) |
| 2 | 2 | Telescopic slide |
| 3 | 1 | Assembly kit |

ORDER INFORMATION

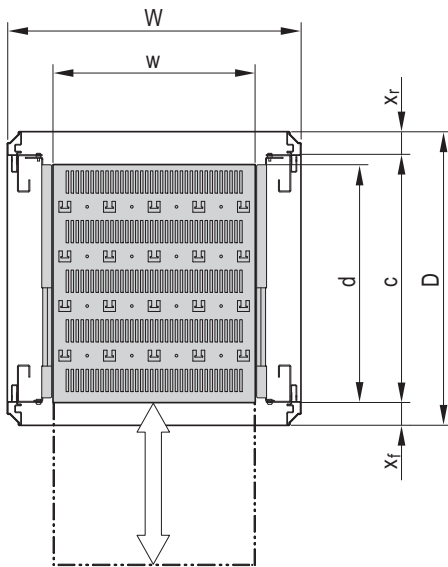
Full depth

| For cabinet depth | Usable surface w x d | x_f | c | RAL 7035 Part no. | RAL 7021 Part no. |
|--|----------------------|-------|--------|-------------------|-------------------|
| 600 mm | 417 x 482 mm | 50 mm | 500 mm | 22130-343 | 21130-343 |
| 800 mm | 417 x 682 mm | 50 mm | 700 mm | 22130-345 | 21130-345 |
| GND/earthing for telescopic 19" shelf PU 1 kit, for VARISTAR | | | | | 23130-140 |

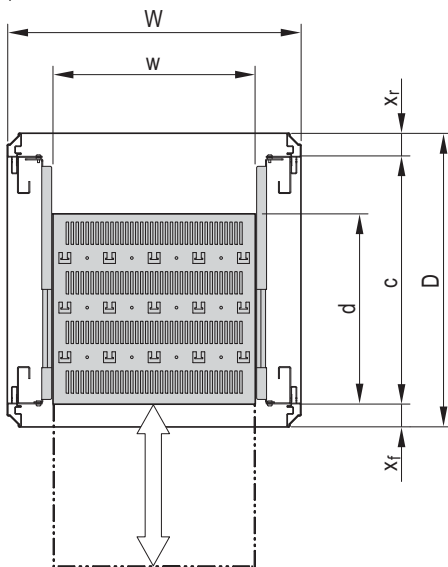
NOTE

- Cable ducting with cable ties, see page 1.26

Full depth



Shortened depth



01004069

ORDER INFORMATION

Shortened by 100 mm

| For cabinet depth | Usable surface w x d | x_f | c | RAL 7035 Part no. | RAL 7021 Part no. |
|--|----------------------|-------|--------|-------------------|-------------------|
| 600 mm | 417 x 382 mm | 50 mm | 500 mm | 22130-342 | 21130-342 |
| 800 mm | 417 x 582 mm | 50 mm | 700 mm | 22130-344 | 21130-344 |
| GND/earthing for telescopic 19" shelf PU 1 kit, for VARISTAR | | | | | 23130-140 |

NOTE

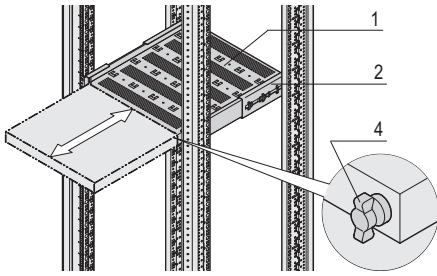
- Cable ducting with cable ties, see page 1.26

c = max. pitch of the 19" panel/slide mounts
 x_f, x_r = standard assembly dimension

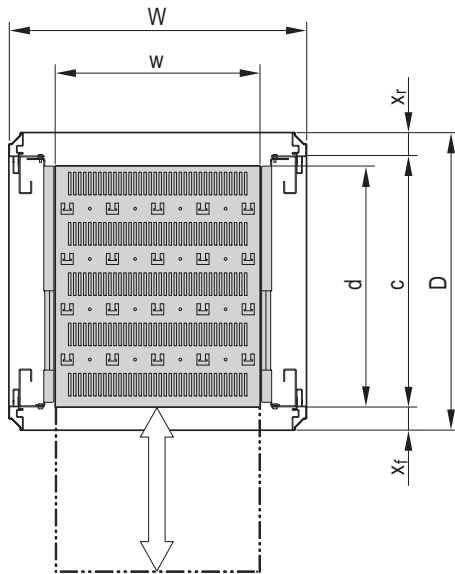
01004070

Cabinets – Varistar Electronics

19" TELESCOPIC SHELF, 70 KG

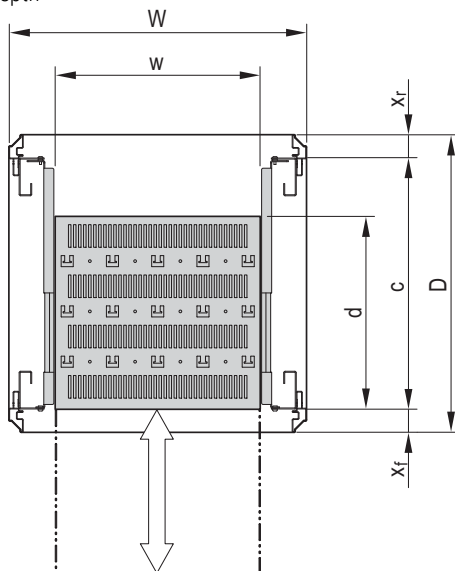


Full depth



c = max. pitch for 19" panel/slidemounts

Shortened depth



c = max. pitch of the 19" slide mounts
 x_f, x_r = standard assembly dimension

- Static load-carrying capacity at full extension 70 kg
- Mounting height 2 U, for mounting on four 19" panel/slide mounts
- Incl. telescopic slides
- Locking with T-bar lock possible
- Hammer head perforation to fix cable ties
- 2 versions
 - Full depth
 - Depth shortened by 100 mm for rear cable ducting

01004071

DELIVERY COMPRISES

| Item | Qty | Description |
|------|-----|---|
| 1 | 1 | Perforated shelf, St, 1.5 mm (colour see Order Information) |
| 2 | 2 | Telescopic slide |
| 3 | 1 | Assembly kit |

ORDER INFORMATION

Full depth

| For cabinet depth | Usable surface w x d | x_f | c | RAL 7035 Part no. | RAL 7021 Part no. |
|-------------------|----------------------|-------|--------|-------------------|-------------------|
| 600 mm | 405 x 482 mm | 50 mm | 500 mm | 22130-353 | 21130-353 |
| 800 mm | 405 x 682 mm | 50 mm | 700 mm | 22130-355 | 21130-355 |

Item 4 T-bar lock for 1 telescopic shelf (can be mounted right or left), 1 piece **23130-092**

GND/earthing for telescopic 19" shelf PU 1 kit, for VARISTAR **23130-140**

NOTE

- Please order T-bar lock (item 4) separately
- Cable ducting with cable ties, see page 1.26

01004069

ORDER INFORMATION

Shortened by 100 mm

| For cabinet depth | Usable surface w x d | x_f | c | RAL 7035 Part no. | RAL 7021 Part no. |
|-------------------|----------------------|-------|--------|-------------------|-------------------|
| 600 mm | 405 x 382 mm | 50 mm | 500 mm | 22130-352 | 21130-352 |
| 800 mm | 405 x 582 mm | 50 mm | 700 mm | 22130-354 | 21130-354 |

Item 4 T-bar lock for 1 telescopic shelf (can be mounted right or left), 1 piece **23130-092**

GND/earthing for telescopic 19" shelf PU 1 kit, for VARISTAR **23130-140**

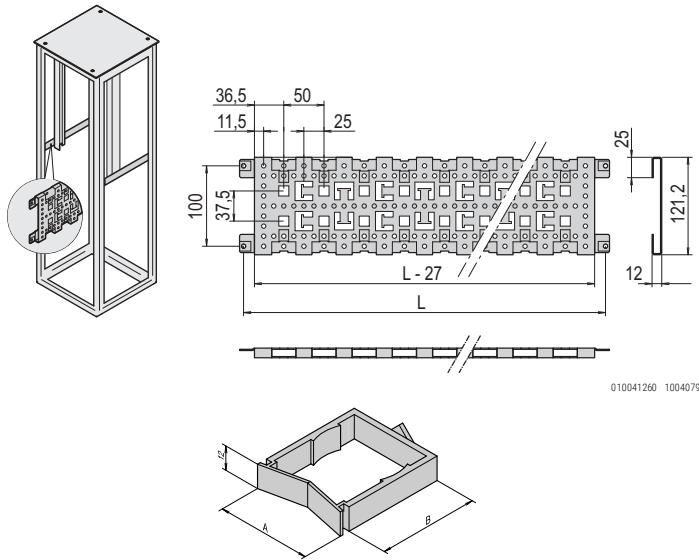
NOTE

- Please order T-bar lock (item 4) separately
- Cable ducting with cable ties, see page 1.26

01004070

Cabinets – Varistar Electronics

DEPTH MEMBER



Cable eye

- For fitting shortened 19" panel/slide mounts and mounting plates
- Cable ducting by means of cable ties and cable eye

DELIVERY COMPRISES

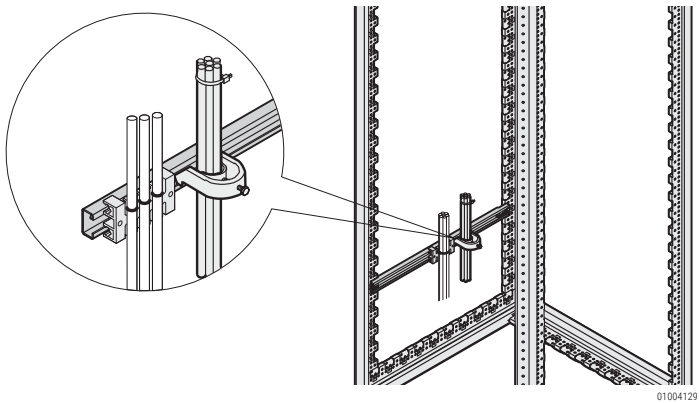
| Item | Qty | Description |
|------|-----|---------------------------------------|
| 1 | 2 | Depth member, St, 1.5 mm, finish AlZn |
| 2 | 1 | Assembly kit incl. GND/earthing |

ORDER INFORMATION

| Description | For cabinet depth mm | Part no. |
|--|----------------------|------------------|
| Depth member | 600 | 23130-081 |
| Depth member | 800 | 23130-082 |
| Cable eye A = 38 mm, B = 25 mm, PU 25 pieces | | 21101-151 |
| Cable eye A = 47 mm, B = 50 mm, PU 25 pieces | | 21101-150 |

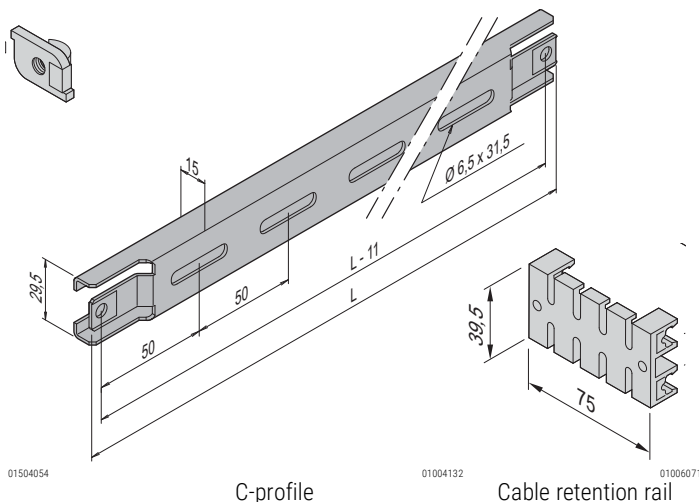
- Cable ducting with cable ties, see page 1.26

C-PROFILE FOR THE CABINET DEPTH



Cable retention rail and cable shell mounted on C-profile

Slide nut



C-profile

Cable retention rail

- For cable ducting in lateral area of cabinet
- For cable shells and cable retention rails

DELIVERY COMPRISES

| Item | Qty | Description |
|------|-----|---------------------------------|
| 1 | 2 | C-profile, St, 1.5 mm, AlZn |
| 2 | 1 | Assembly kit incl. GND/earthing |

ORDER INFORMATION

| For cabinet depth mm | Length L mm | Part no. |
|----------------------|-------------|------------------|
| 600 | 460 | 23130-086 |
| 800 | 660 | 23130-087 |

Accessories

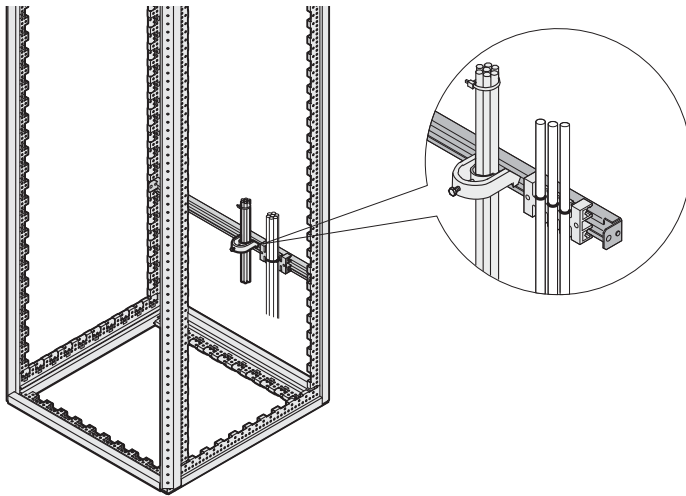
| | |
|---|------------------|
| Cable retention rail for C-rail Width 75 mm, length 39.5 mm, PU 5 piece | 60118-472 |
| Cable shell for cable bundle 18 ... 22 mm, PU 10 pieces | 20118-775 |
| Cable shell for cable bundle 22 ... 26 mm, PU 10 pieces | 20118-776 |
| Cable shell for cable bundle 26 ... 30 mm, PU 10 pieces | 20118-777 |
| Cable shell for cable bundle 30 ... 34 mm, PU 10 pieces | 20114-728 |
| Cable shell for cable bundle 34 ... 38 mm, PU 10 pieces | 20114-729 |
| Cable shell for cable bundle 38 ... 42 mm, PU 10 pieces | 20114-730 |
| Cable shell for cable bundle 42 ... 46 mm, PU 10 pieces | 20114-731 |
| Cable shell for cable bundle 46 ... 50 mm, PU 10 pieces | 20118-778 |
| Slide nut for C-profile, PU 10 piece | 21120-140 |

NOTE

- Cable ties and Velcro for cable retention rail see page 1.26

Cabinets – Varistar Electronics

C-PROFILE FOR CABINET WIDTH



- For cable ducting in rear or front area of cabinet
- For cable shells and cable retention rails

DELIVERY COMPRISES

| Item | Qty | Description |
|------|-----|------------------------------------|
| 1 | 2 | C-profile, St, 1.5 mm, finish AlZn |
| 2 | 1 | Assembly kit incl. GND/earthing |

ORDER INFORMATION

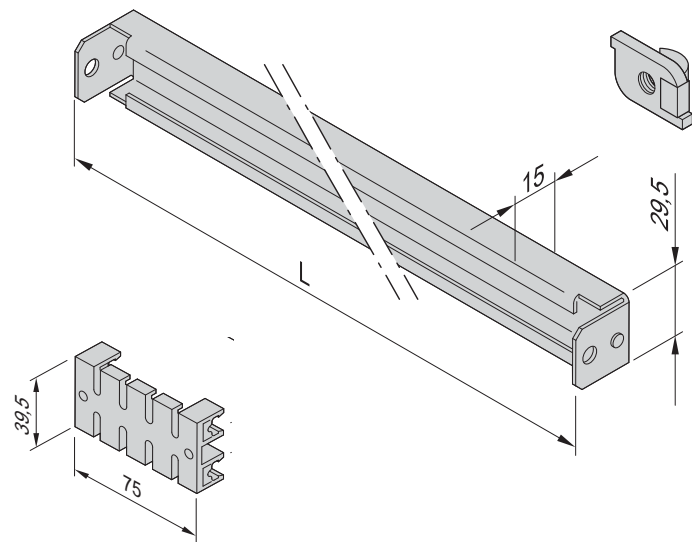
| For cabinet width mm | Length mm | Part no. |
|-------------------------|--------------|------------------|
| 600 | 550 | 23130-333 |
| 800 | 750 | 23130-334 |

Accessories

| | |
|--|------------------|
| Cable retention rail for C-rail Width 75 mm, length 39.5 mm, PU 5 pieces | 60118-472 |
| Cable shell for cable bundle 18 ... 22 mm, PU 10 pieces | 20118-775 |
| Cable shell for cable bundle 22 ... 26 mm, PU 10 pieces | 20118-776 |
| Cable shell for cable bundle 26 ... 30 mm, PU 10 pieces | 20118-777 |
| Cable shell for cable bundle 30 ... 34 mm, PU 10 pieces | 20114-728 |
| Cable shell for cable bundle 34 ... 38 mm, PU 10 pieces | 20114-729 |
| Cable shell for cable bundle 38 ... 42 mm, PU 10 pieces | 20114-730 |
| Cable shell for cable bundle 42 ... 46 mm, PU 10 pieces | 20114-731 |
| Cable shell for cable bundle 46 ... 50 mm, PU 10 pieces | 20118-778 |
| Slide nut for C-profile, PU 10 pieces | 21120-140 |

C-profile

Slide nut



01006071

Cable retention rail

01006064

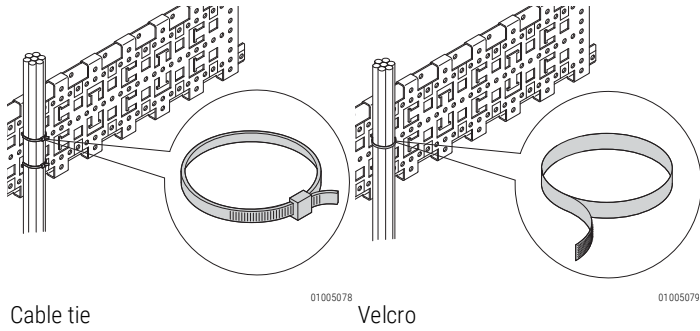
01504054

NOTE

- Cable ties and Velcro for cable retention rail see page 1.26

Cabinet accessories – Varistar Electronics

CABLE TIES, VELCRO



Cable tie

Velcro

- Fixing materials kit for cable ducting

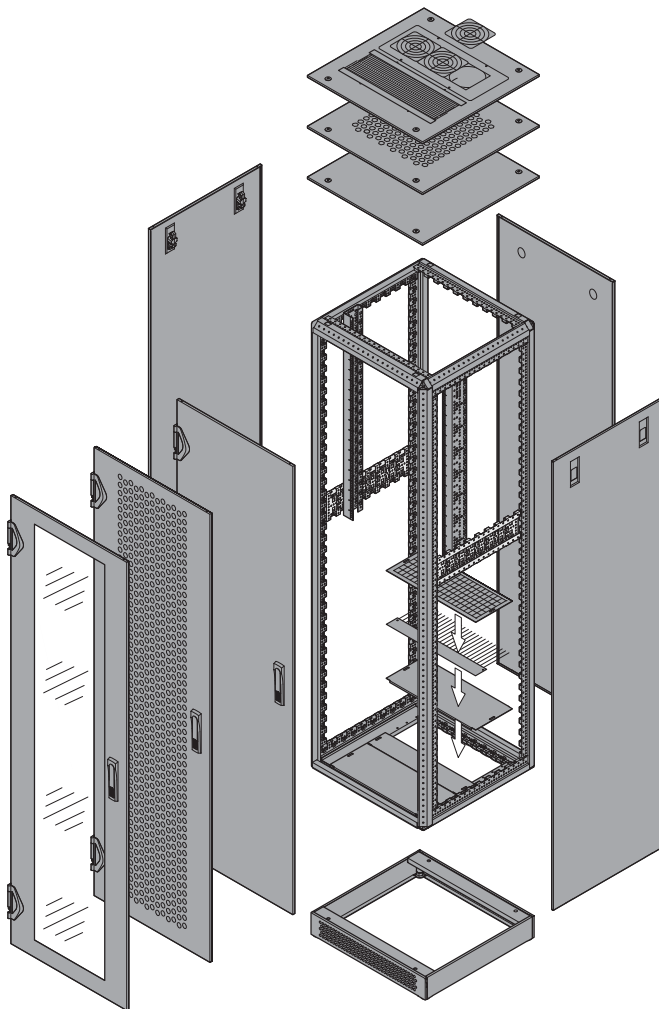
ORDER INFORMATION

| Description | Part no. |
|---|------------------|
| Cable tie, Plastic, 92 mm x 2.5 mm, PU 25 pieces | 20118-351 |
| Cable tie, Plastic, 186 mm x 5 mm, PU 25 pieces | 20118-352 |
| Cable tie, Plastic, 360 mm x 5 mm, PU 25 pieces | 20118-353 |
| Velcro strip, PE/PA, black, length 300 mm, PU 10 pieces | 20118-624 |

Cabinets – Varistar Electronics

VARISTAR IP 20 SERVICEPLUS: CONFIGURATION AND ASSEMBLY

- Dimensions:
 - Height: 29 ... 47 U (1400 ... 2200 mm)
 - Width: 600 and 800 mm
 - Depth: 300, 600 and 800 mm
- 2 colour combinations:
 - Frame and covers in black grey (RAL 7021)
 - Frame, top cover and base in black grey (RAL 7021); Side panel, door and rear panel in light grey (RAL 7035)
- Build your cabinet out of individual components (please suffix each part number with /05)
- Once you have selected the desired cabinet dimensions, the row number (first column of the configuration tables) will guide you through all subsequent configuration pages that apply to these dimensions (see example below)
- The cabinet is assembled by us and ready for despatch within 10 working days



01004077

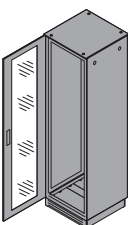
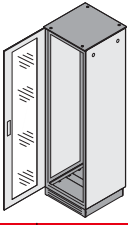
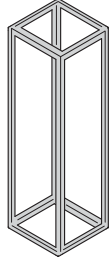
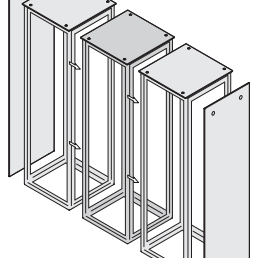
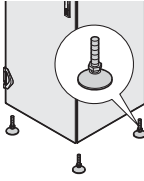
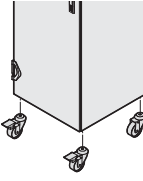
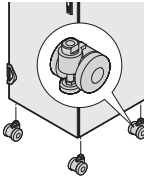
Example configuration (here: row 10)

| Qty | Description | Order no. |
|-----|--|--------------|
| 1 | Frame Slim-Line, height 2000 mm, width 600 mm, depth 800 mm, 1 piece | 20130-019/05 |
| 1 | Side panel with quick-release fastener, RAL 7021, PU 2 pieces | 21130-051/05 |
| 2 | Safety lock for side panel, PU 4 pieces | 23130-132/05 |
| 1 | Rear panel, screw-fixed, RAL 7021, 1 piece | 21130-069/05 |
| 1 | Glazed door with single point locking, RAL 7021, IP 20, 1 piece | 21130-129/05 |
| 1 | Adjustable feet, PU 4 pieces | 23130-079/05 |
| .. | | |

| | Page |
|--|------|
| Frames, side-by-side mounting kits, adjustable feet, castors | 1.28 |
| Side panels, rear panels | 1.29 |
| Decorative frames, glazed doors | 1.30 |
| Steel doors | 1.31 |
| Double doors | 1.32 |
| Flat top covers, lifting eyes | 1.33 |
| Flat top cover assemblies with cut-out zones | 1.34 |
| Fan top covers | 1.35 |
| Bases/plinths | 1.36 |
| Connecting plates for short doors/rear panels | 1.37 |
| Interior configuration for IP 20 and IP 55 | |
| 19" panel/slide mounts | 1.44 |
| ETSI panel/slide mounts | 1.45 |
| Swing frames | 1.46 |
| Mounting plate, stationary shelves, 75 kg | 1.47 |
| Telescopic shelves, 70 kg | 1.48 |
| 19" shelves 1 U, fixed 75 kg, telescopic 30 kg | 1.49 |
| 19" telescopic shelf, 2 U, 70 kg | 1.50 |
| Slide rails, depth members | 1.51 |
| Cable ductings | 1.52 |
| Cable ties, Velcro | 1.53 |

Cabinets – Varistar Electronics

VARISTAR IP 20
FRAMES, SIDE-BY-SIDE MOUNTING KITS, ADJUSTABLE FEET, CASTORS
ORDER INFORMATION

| | | | | | Frame | | Side-by-side mounting kit IP 20 | Side-by-side mounting kit IP 55 (with gasketing) | Adjustable feet | Castors | |
|--|--------------------|-------|-------|-----|---|---|---|--|---|---|---|
| | | | | | Slim-Line 400 kg | Heavy-Duty 800 kg | | | | With 2 jacking feet | With adjustable feet |
|  <p>Completely in RAL 7021 (black grey)</p>  <p>Colour combination RAL 7035 (light grey)/RAL 7021 (black grey)</p> | | | | |  <p>01004078</p> | |  <p>01004117</p> |  <p>01004081</p> |  <p>01004082</p> |  <p>01004156</p> | |
| | | | | | static load-carrying capacity: 400 kg, St, 1.5 mm, zinc-plated, with central GND/earthing point; please order adjustable feet or castors separately | static load-carrying capacity: 800 kg, St, 1.5 mm, zinc-plated, with central GND/earthing point; please order adjustable feet or castors separately | side-by-side mounting bracket (4 pieces). St; RAL 7021, not in combination with decorative frame | side-by-side mounting bracket (4 pieces). St, RAL 7021, incl. gasketing to cover the gap between two racks; not in combination with decorative frame | for the frame, static load-carrying capacity: 100 kg, cannot be used with base/plinth | for the frame, static load-carrying capacity: 400 kg, cannot be used with base/plinth | for the frame, static load-carrying capacity: 400 kg, cannot be used with base/plinth |
| No. | Cabinet dimensions | | | | 1 piece assembled | 1 piece assembled | PU 1 kit supplied loose | PU 1 kit supplied loose | PU 4 pieces assembled | PU 4 pieces | PU 4 pieces |
| | Height | Width | Depth | | | | | | | | |
| | U | mm | mm | mm | | | | | | | |
| Completely in RAL 7021 | | | | | RAL 7021 | RAL 7021 | RAL 7021 | | | | |
| 1 | 29 | 1400 | 600 | 600 | 20130-005 | 20130-055 | 23130-061 | 23130-062 | 23130-079 | 23130-077 | 23130-078 |
| 2 | 29 | 1400 | 600 | 800 | 20130-006 | 20130-056 | | | | | |
| 3 | 33 | 1600 | 600 | 600 | 20130-009 | 20130-059 | 23130-061 | 23130-062 | 23130-079 | 23130-077 | 23130-078 |
| 4 | 33 | 1600 | 600 | 800 | 20130-010 | 20130-060 | | | | | |
| 5 | 38 | 1800 | 600 | 600 | 20130-013 | 20130-063 | 23130-061 | 23130-062 | 23130-079 | 23130-077 | 23130-078 |
| 6 | 38 | 1800 | 600 | 800 | 20130-014 | 20130-064 | | | | | |
| 7 | 38 | 1800 | 800 | 600 | 20130-015 | 20130-065 | 23130-061 | 23130-062 | 23130-079 | 23130-077 | 23130-078 |
| 8 | 42 | 2000 | 600 | 300 | 20130-017 | - | 23130-061 | 23130-062 | 23130-079 | 23130-077 | 23130-078 |
| 9 | 42 | 2000 | 600 | 600 | 20130-018 | 20130-068 | 23130-061 | 23130-062 | 23130-079 | 23130-077 | 23130-078 |
| 10 | 42 | 2000 | 600 | 800 | 20130-019 | 20130-069 | | | | | |
| 11 | 42 | 2000 | 800 | 600 | 20130-022 | 20130-072 | 23130-061 | 23130-062 | 23130-079 | 23130-077 | 23130-078 |
| 12 | 42 | 2000 | 800 | 800 | 20130-023 | 20130-073 | | | | | |
| 13 | 47 | 2200 | 600 | 300 | 20130-026 | - | 23130-061 | 23130-062 | 23130-079 | 23130-077 | 23130-078 |
| 14 | 47 | 2200 | 600 | 600 | 20130-027 | 20130-077 | 23130-061 | 23130-062 | 23130-079 | 23130-077 | 23130-078 |
| 15 | 47 | 2200 | 600 | 800 | 20130-028 | 20130-078 | | | | | |
| 16 | 47 | 2200 | 800 | 800 | 20130-032 | 20130-082 | 23130-061 | 23130-062 | 23130-079 | 23130-077 | 23130-078 |
| Colour combinations | | | | | RAL 7021 | RAL 7021 | RAL 7021 | | | | |
| 17 | 29 | 1400 | 600 | 600 | 20130-005 | 20130-055 | 23130-061 | 23130-062 | 23130-079 | 23130-077 | 23130-078 |
| 18 | 29 | 1400 | 600 | 800 | 20130-006 | 20130-056 | | | | | |
| 19 | 33 | 1600 | 600 | 600 | 20130-009 | 20130-059 | 23130-061 | 23130-062 | 23130-079 | 23130-077 | 23130-078 |
| 20 | 33 | 1600 | 600 | 800 | 20130-010 | 20130-060 | | | | | |
| 21 | 38 | 1800 | 600 | 600 | 20130-013 | 20130-063 | 23130-061 | 23130-062 | 23130-079 | 23130-077 | 23130-078 |
| 22 | 38 | 1800 | 600 | 800 | 20130-014 | 20130-064 | | | | | |
| 23 | 38 | 1800 | 800 | 600 | 20130-015 | 20130-065 | 23130-061 | 23130-062 | 23130-079 | 23130-077 | 23130-078 |
| 24 | 42 | 2000 | 600 | 300 | 20130-017 | - | 23130-061 | 23130-062 | 23130-079 | 23130-077 | 23130-078 |
| 25 | 42 | 2000 | 600 | 600 | 20130-018 | 20130-068 | 23130-061 | 23130-062 | 23130-079 | 23130-077 | 23130-078 |
| 26 | 42 | 2000 | 600 | 800 | 20130-019 | 20130-069 | | | | | |
| 27 | 42 | 2000 | 800 | 600 | 20130-022 | 20130-072 | 23130-061 | 23130-062 | 23130-079 | 23130-077 | 23130-078 |
| 28 | 42 | 2000 | 800 | 800 | 20130-023 | 20130-073 | | | | | |
| 29 | 47 | 2200 | 600 | 300 | 20130-026 | - | 23130-061 | 23130-062 | 23130-079 | 23130-077 | 23130-078 |
| 30 | 47 | 2200 | 600 | 600 | 20130-027 | 20130-077 | 23130-061 | 23130-062 | 23130-079 | 23130-077 | 23130-078 |
| 31 | 47 | 2200 | 600 | 800 | 20130-028 | 20130-078 | | | | | |
| 32 | 47 | 2200 | 800 | 800 | 20130-032 | 20130-082 | 23130-061 | 23130-062 | 23130-079 | 23130-077 | 23130-078 |

 Other dimensions and configurations online (with basket) at www.schroff.biz/conf

Cabinets – Varistar Electronics

VARISTAR IP 20
SIDE PANELS, REAR PANELS
ORDER INFORMATION

| | | | | | | Side panel | | Screw-fixed side panel | Rear panel | | Screw-fixed rear panel |
|--|--------------------|----------|----------|-----|-----------------------|--|---|------------------------------|--|---|------------------------------|
| | | | | | | With quick release fastener | Lock | | With quick release fastener | Lock | |
| <p>Completely in RAL 7021 (black grey)</p> <p>Colour combination RAL 7035 (light grey)/RAL 7021 (black grey)</p> | | | | | | <p>01004084</p> | <p>01004072</p> | <p>01004083</p> | <p>01004087</p> | <p>01004072</p> | <p>01004085</p> |
| | | | | | | St, 1 mm, incl. GND/earthing, please order lock separately | for quick-release fasteners of one side panel; 4 locks sufficient for 2 side panels | St, 1 mm, incl. GND/earthing | St, 1 mm, incl. GND/earthing, please order lock separately | for quick-release fasteners of rear panel | St, 1 mm, incl. GND/earthing |
| No. | Cabinet dimensions | | | | PU 2 pieces assembled | PU 4 pieces assembled | PU 2 pieces assembled | 1 piece assembled | PU 2 pieces assembled | 1 piece assembled | |
| | Height U | Width mm | Depth mm | mm | | | | | | | |
| Completely in RAL 7021 | | | | | | RAL 7021 | RAL 7021 | RAL 7021 | RAL 7021 | RAL 7021 | |
| 1 | 29 | 1400 | 600 | 600 | 21130-043 | | 21130-003 | 21130-093 | 23130-133 | 21130-063 | |
| 2 | 29 | 1400 | 600 | 800 | 21130-044 | 23130-132 | 21130-004 | 21130-093 | 23130-133 | 21130-063 | |
| 3 | 33 | 1600 | 600 | 600 | 21130-045 | | 21130-005 | 21130-095 | 23130-133 | 21130-065 | |
| 4 | 33 | 1600 | 600 | 800 | 21130-046 | 23130-132 | 21130-006 | 21130-095 | 23130-133 | 21130-065 | |
| 5 | 38 | 1800 | 600 | 600 | 21130-047 | | 21130-007 | 21130-097 | 23130-133 | 21130-067 | |
| 6 | 38 | 1800 | 600 | 800 | 21130-048 | 23130-132 | 21130-008 | 21130-097 | 23130-133 | 21130-067 | |
| 7 | 38 | 1800 | 800 | 600 | 21130-047 | 23130-132 | 21130-007 | 21130-098 | 23130-133 | 21130-068 | |
| 8 | 42 | 2000 | 600 | 300 | 21130-049 | 23130-132 | 21130-009 | 21130-099 | 23130-133 | 21130-069 | |
| 9 | 42 | 2000 | 600 | 600 | 21130-050 | 23130-132 | 21130-010 | 21130-099 | 23130-133 | 21130-069 | |
| 10 | 42 | 2000 | 600 | 800 | 21130-051 | 23130-132 | 21130-011 | 21130-099 | 23130-133 | 21130-069 | |
| 11 | 42 | 2000 | 800 | 600 | 21130-050 | 23130-132 | 21130-010 | 21130-100 | 23130-133 | 21130-070 | |
| 12 | 42 | 2000 | 800 | 800 | 21130-051 | 23130-132 | 21130-011 | 21130-100 | 23130-133 | 21130-070 | |
| 13 | 47 | 2200 | 600 | 300 | 21130-054 | 23130-132 | 21130-014 | 21130-101 | 23130-133 | 21130-071 | |
| 14 | 47 | 2200 | 600 | 600 | 21130-055 | 23130-132 | 21130-015 | 21130-101 | 23130-133 | 21130-071 | |
| 15 | 47 | 2200 | 600 | 800 | 21130-056 | 23130-132 | 21130-016 | 21130-101 | 23130-133 | 21130-071 | |
| 16 | 47 | 2200 | 800 | 800 | 21130-056 | 23130-132 | 21130-016 | 21130-102 | 23130-133 | 21130-072 | |
| Colour combinations | | | | | | RAL 7035 | RAL 7035 | RAL 7035 | RAL 7035 | RAL 7035 | |
| 17 | 29 | 1400 | 600 | 600 | 22130-043 | | 22130-003 | 22130-093 | 23130-133 | 22130-063 | |
| 18 | 29 | 1400 | 600 | 800 | 22130-044 | 23130-132 | 22130-004 | 22130-093 | 23130-133 | 22130-063 | |
| 19 | 33 | 1600 | 600 | 600 | 22130-045 | | 22130-005 | 22130-095 | 23130-133 | 22130-065 | |
| 20 | 33 | 1600 | 600 | 800 | 22130-046 | 23130-132 | 22130-006 | 22130-095 | 23130-133 | 22130-065 | |
| 21 | 38 | 1800 | 600 | 600 | 22130-047 | | 22130-007 | 22130-097 | 23130-133 | 22130-067 | |
| 22 | 38 | 1800 | 600 | 800 | 22130-048 | 23130-132 | 22130-008 | 22130-097 | 23130-133 | 22130-067 | |
| 23 | 38 | 1800 | 800 | 600 | 22130-047 | 23130-132 | 22130-007 | 22130-098 | 23130-133 | 22130-068 | |
| 24 | 42 | 2000 | 600 | 300 | 22130-049 | 23130-132 | 22130-009 | 22130-099 | 23130-133 | 22130-069 | |
| 25 | 42 | 2000 | 600 | 600 | 22130-050 | 23130-132 | 22130-010 | 22130-099 | 23130-133 | 22130-069 | |
| 26 | 42 | 2000 | 600 | 800 | 22130-051 | 23130-132 | 22130-011 | 22130-099 | 23130-133 | 22130-069 | |
| 27 | 42 | 2000 | 800 | 600 | 22130-050 | 23130-132 | 22130-010 | 22130-100 | 23130-133 | 22130-070 | |
| 28 | 42 | 2000 | 800 | 800 | 22130-051 | 23130-132 | 22130-011 | 22130-100 | 23130-133 | 22130-070 | |
| 29 | 47 | 2200 | 600 | 300 | 22130-054 | 23130-132 | 22130-014 | 22130-101 | 23130-133 | 22130-071 | |
| 30 | 47 | 2200 | 600 | 600 | 22130-055 | 23130-132 | 22130-015 | 22130-101 | 23130-133 | 22130-071 | |
| 31 | 47 | 2200 | 600 | 800 | 22130-056 | 23130-132 | 22130-016 | 22130-101 | 23130-133 | 22130-071 | |
| 32 | 47 | 2200 | 800 | 800 | 22130-056 | 23130-132 | 22130-016 | 22130-102 | 23130-133 | 22130-072 | |

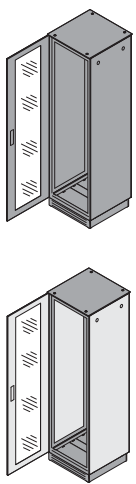

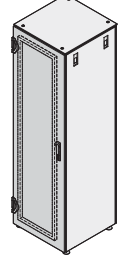
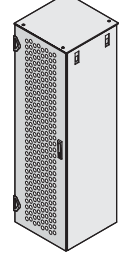
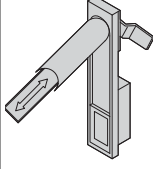
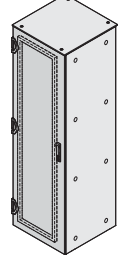
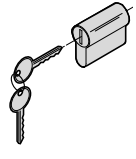

Cabinets – Varistar Electronics

VARISTAR IP 20
DECORATIVE FRAMES, GLAZED DOORS
ORDER INFORMATION

| | | | | | Deco frame | | Glazed door | | Glazed door | | DIN profile half cylinder | |
|--|----------|----------|----------|-----|---|---------------------|---|-------------------|--|---------------------------|---------------------------|--|
| | | | | | Deco frame | Adapter bracket | Single point locking | Lever handle | 3-point locking | DIN profile half cylinder | DIN profile half cylinder | |
| <p>Completely in RAL 7021 (black grey)</p> <p>Colour combination RAL 7035 (light grey)/RAL 7021 (black grey)</p> | | | | | <p>Al, 19° plane integrated, front open, incl. GND/earthing, no door can be fitted</p> <p>St, 2 mm, for deco frame, for assembly of slide rails and shelves</p> | | <p>St, 1.5 mm, Sekurit glass 6 mm, opening angle 180°, lock cover, incl. GND/earthing</p> <p>with push button for doors with single point locking</p> | | <p>St, 1.5 mm, Sekurit glass, 6 mm, opening angle 180°, lever handle with push button, incl. GND/earthing</p> <p>for lever handle, common locking, key type 333</p> <p>for lever handle, common locking, key type 2233</p> | | | |
| Cabinet dimensions | | | | | 1 piece assembled | PU 1 pair assembled | 1 piece assembled | 1 piece assembled | 1 piece assembled | 1 piece assembled | 1 piece assembled | |
| No. | Height U | Width mm | Depth mm | | | | | | | | | |
| Completely in RAL 7021 | | | | | RAL 7021 | RAL 7021 | RAL 7021 | | RAL 7021 | | | |
| 1 | 29 | 1400 | 600 | 600 | 21130-232 | 23130-221 | 21130-123 | 23130-067 | 21130-183 | 25127-995 | 60130-402 | |
| 2 | 29 | 1400 | 600 | 800 | | | | | | | | |
| 3 | 33 | 1600 | 600 | 600 | 21130-233 | 23130-222 | 21130-125 | 23130-067 | 21130-185 | 25127-995 | 60130-402 | |
| 4 | 33 | 1600 | 600 | 800 | | | | | | | | |
| 5 | 38 | 1800 | 600 | 600 | 21130-234 | 23130-223 | 21130-127 | 23130-067 | 21130-187 | 25127-995 | 60130-402 | |
| 6 | 38 | 1800 | 600 | 800 | | | | | | | | |
| 7 | 38 | 1800 | 800 | 600 | - | - | 21130-128 | 23130-067 | 21130-188 | 25127-995 | 60130-402 | |
| 8 | 42 | 2000 | 600 | 300 | 21130-235 | 23130-224 | 21130-129 | 23130-067 | 21130-189 | 25127-995 | 60130-402 | |
| 9 | 42 | 2000 | 600 | 600 | | | | | | | | |
| 10 | 42 | 2000 | 600 | 800 | 21130-235 | 23130-224 | 21130-129 | 23130-067 | 21130-189 | 25127-995 | 60130-402 | |
| 11 | 42 | 2000 | 800 | 600 | | | | | | | | |
| 12 | 42 | 2000 | 800 | 800 | - | - | 21130-130 | 23130-067 | 21130-190 | 25127-995 | 60130-402 | |
| 13 | 47 | 2200 | 600 | 300 | 21130-236 | 23130-225 | 21130-131 | 23130-067 | 21130-191 | 25127-995 | 60130-402 | |
| 14 | 47 | 2200 | 600 | 600 | | | | | | | | |
| 15 | 47 | 2200 | 600 | 800 | 21130-236 | 23130-225 | 21130-131 | 23130-067 | 21130-191 | 25127-995 | 60130-402 | |
| 16 | 47 | 2200 | 800 | 800 | - | - | 21130-132 | 23130-067 | 21130-192 | 25127-995 | 60130-402 | |
| Colour combinations | | | | | RAL 7035 | RAL 7035 | RAL 7035 | | RAL 7035 | | | |
| 17 | 29 | 1400 | 600 | 600 | 22130-232 | 23130-231 | 22130-123 | 23130-067 | 22130-183 | 25127-995 | 60130-402 | |
| 18 | 29 | 1400 | 600 | 800 | | | | | | | | |
| 19 | 33 | 1600 | 600 | 600 | 22130-233 | 23130-232 | 22130-125 | 23130-067 | 22130-185 | 25127-995 | 60130-402 | |
| 20 | 33 | 1600 | 600 | 800 | | | | | | | | |
| 21 | 38 | 1800 | 600 | 600 | 22130-234 | 23130-233 | 22130-127 | 23130-067 | 22130-187 | 25127-995 | 60130-402 | |
| 22 | 38 | 1800 | 600 | 800 | | | | | | | | |
| 23 | 38 | 1800 | 800 | 600 | - | - | 22130-128 | 23130-067 | 22130-188 | 25127-995 | 60130-402 | |
| 24 | 42 | 2000 | 600 | 300 | 22130-235 | 23130-234 | 22130-129 | 23130-067 | 22130-189 | 25127-995 | 60130-402 | |
| 25 | 42 | 2000 | 600 | 600 | | | | | | | | |
| 26 | 42 | 2000 | 600 | 800 | 22130-235 | 23130-234 | 22130-129 | 23130-067 | 22130-189 | 25127-995 | 60130-402 | |
| 27 | 42 | 2000 | 800 | 600 | | | | | | | | |
| 28 | 42 | 2000 | 800 | 800 | - | - | 22130-130 | 23130-067 | 22130-190 | 25127-995 | 60130-402 | |
| 29 | 47 | 2200 | 600 | 300 | 22130-236 | 23130-235 | 22130-131 | 23130-067 | 22130-191 | 25127-995 | 60130-402 | |
| 30 | 47 | 2200 | 600 | 600 | | | | | | | | |
| 31 | 47 | 2200 | 600 | 800 | 22130-236 | 23130-235 | 22130-131 | 23130-067 | 22130-191 | 25127-995 | 60130-402 | |
| 32 | 47 | 2200 | 800 | 800 | - | - | 22130-132 | 23130-067 | 22130-192 | 25127-995 | 60130-402 | |

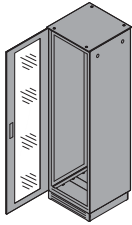
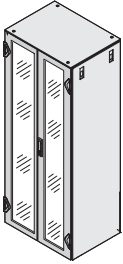
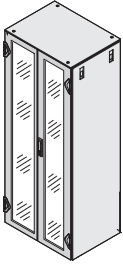
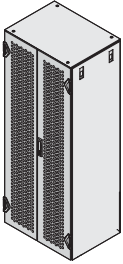
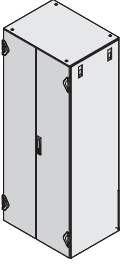
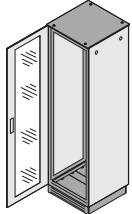
Cabinets – Varistar Electronics

VARISTAR IP 20
STEEL DOORS
ORDER INFORMATION

| | | | | | Steel door, single point locking | | | | Steel door 3-point locking | DIN profile half cylinder | DIN profile half cylinder |
|--|--------------------|----------|----------|-------------------|---|--|---|--|--|---|---|
| | | | | | Plain | Solid, inner surface with mounting frame | Perforated | Lever handle | | | |
|  <p>Completely in RAL 7021 (black grey)</p> <p>Colour combination RAL 7035 (light grey)/RAL 7021 (black grey)</p> | | | | |  <p>01004089</p> |  <p>01008067</p> |  <p>01004090</p> |  <p>01004147</p> |  <p>01008085</p> |  <p>01004148</p> |  <p>01004148</p> |
| | | | | | St, 1 mm, opening angle 180°, key, incl. GND/earthing | St, 1.5 mm, opening angle 180°, lock cover incl. GND/earthing, designed to carry extensive cut-outs and assemblies | St, 1.5 mm, opening angle 180°, key, incl. GND/earthing | with push button for doors with single point locking | St, 1.5 mm, opening angle 180°, inner side with mounting frame, lever handle with built-in push button, incl. GND/earthing | for lever handle, common locking, key type 333 | for lever handle, common locking, key type 2233 |
| No. | Cabinet dimensions | | | 1 piece assembled | 1 piece assembled | 1 piece assembled | 1 piece assembled | 1 piece assembled | 1 piece assembled | 1 piece assembled | 1 piece assembled |
| | Height U | Width mm | Depth mm | | | | | | | | |
| Completely in RAL 7021 | | | | | RAL 7021 | RAL 7021 | RAL 7021 | | RAL 7021 | | |
| 1 | 29 | 1400 | 600 | 600 | 21130-108 | 21130-568 | 21130-138 | 23130-067 | 21130-153 | 25127-995 | 60130-402 |
| 2 | 29 | 1400 | 600 | 800 | 21130-110 | 21130-570 | 21130-140 | 23130-067 | 21130-155 | 25127-995 | 60130-402 |
| 3 | 33 | 1600 | 600 | 600 | 21130-112 | 21130-572 | 21130-142 | 23130-067 | 21130-157 | 25127-995 | 60130-402 |
| 4 | 33 | 1600 | 600 | 800 | 21130-113 | 21130-573 | 21130-143 | 23130-067 | 21130-158 | 25127-995 | 60130-402 |
| 5 | 38 | 1800 | 600 | 600 | 21130-114 | 21130-574 | 21130-144 | 23130-067 | 21130-159 | 25127-995 | 60130-402 |
| 6 | 38 | 1800 | 600 | 800 | 21130-114 | 21130-574 | 21130-144 | 23130-067 | 21130-159 | 25127-995 | 60130-402 |
| 7 | 38 | 1800 | 800 | 600 | 21130-114 | 21130-574 | 21130-144 | 23130-067 | 21130-159 | 25127-995 | 60130-402 |
| 8 | 42 | 2000 | 600 | 300 | 21130-114 | 21130-574 | 21130-144 | 23130-067 | 21130-159 | 25127-995 | 60130-402 |
| 9 | 42 | 2000 | 600 | 600 | 21130-114 | 21130-574 | 21130-144 | 23130-067 | 21130-159 | 25127-995 | 60130-402 |
| 10 | 42 | 2000 | 600 | 800 | 21130-114 | 21130-574 | 21130-144 | 23130-067 | 21130-159 | 25127-995 | 60130-402 |
| 11 | 42 | 2000 | 800 | 600 | 21130-115 | 21130-575 | 21130-145 | 23130-067 | 21130-160 | 25127-995 | 60130-402 |
| 12 | 42 | 2000 | 800 | 800 | 21130-115 | 21130-575 | 21130-145 | 23130-067 | 21130-160 | 25127-995 | 60130-402 |
| 13 | 47 | 2200 | 600 | 300 | 21130-116 | 21130-576 | 21130-146 | 23130-067 | 21130-161 | 25127-995 | 60130-402 |
| 14 | 47 | 2200 | 600 | 600 | 21130-116 | 21130-576 | 21130-146 | 23130-067 | 21130-161 | 25127-995 | 60130-402 |
| 15 | 47 | 2200 | 600 | 800 | 21130-116 | 21130-576 | 21130-146 | 23130-067 | 21130-161 | 25127-995 | 60130-402 |
| 16 | 47 | 2200 | 800 | 800 | 21130-117 | 21130-577 | 21130-147 | 23130-067 | 21130-162 | 25127-995 | 60130-402 |
| Colour combinations | | | | | RAL 7035 | RAL 7035 | RAL 7035 | | RAL 7035 | | |
| 17 | 29 | 1400 | 600 | 600 | 22130-108 | 22130-568 | 22130-138 | 23130-067 | 22130-153 | 25127-995 | 60130-402 |
| 18 | 29 | 1400 | 600 | 800 | 22130-110 | 22130-570 | 22130-140 | 23130-067 | 22130-155 | 25127-995 | 60130-402 |
| 19 | 33 | 1600 | 600 | 600 | 22130-112 | 22130-572 | 22130-142 | 23130-067 | 22130-157 | 25127-995 | 60130-402 |
| 20 | 33 | 1600 | 600 | 800 | 22130-113 | 22130-573 | 22130-143 | 23130-067 | 22130-158 | 25127-995 | 60130-402 |
| 21 | 38 | 1800 | 600 | 600 | 22130-114 | 22130-574 | 22130-144 | 23130-067 | 22130-159 | 25127-995 | 60130-402 |
| 22 | 38 | 1800 | 600 | 800 | 22130-114 | 22130-574 | 22130-144 | 23130-067 | 22130-159 | 25127-995 | 60130-402 |
| 23 | 38 | 1800 | 800 | 600 | 22130-114 | 22130-574 | 22130-144 | 23130-067 | 22130-159 | 25127-995 | 60130-402 |
| 24 | 42 | 2000 | 600 | 300 | 22130-114 | 22130-574 | 22130-144 | 23130-067 | 22130-159 | 25127-995 | 60130-402 |
| 25 | 42 | 2000 | 600 | 600 | 22130-114 | 22130-574 | 22130-144 | 23130-067 | 22130-159 | 25127-995 | 60130-402 |
| 26 | 42 | 2000 | 600 | 800 | 22130-114 | 22130-574 | 22130-144 | 23130-067 | 22130-159 | 25127-995 | 60130-402 |
| 27 | 42 | 2000 | 800 | 600 | 22130-115 | 22130-575 | 22130-145 | 23130-067 | 22130-160 | 25127-995 | 60130-402 |
| 28 | 42 | 2000 | 800 | 800 | 22130-115 | 22130-575 | 22130-145 | 23130-067 | 22130-160 | 25127-995 | 60130-402 |
| 29 | 47 | 2200 | 600 | 300 | 22130-116 | 22130-576 | 22130-146 | 23130-067 | 22130-161 | 25127-995 | 60130-402 |
| 30 | 47 | 2200 | 600 | 600 | 22130-116 | 22130-576 | 22130-146 | 23130-067 | 22130-161 | 25127-995 | 60130-402 |
| 31 | 47 | 2200 | 600 | 800 | 22130-116 | 22130-576 | 22130-146 | 23130-067 | 22130-161 | 25127-995 | 60130-402 |
| 32 | 47 | 2200 | 800 | 800 | 22130-117 | 22130-577 | 22130-147 | 23130-067 | 22130-162 | 25127-995 | 60130-402 |

Cabinets – Varistar Electronics

VARISTAR IP 20
DOUBLE DOORS
ORDER INFORMATION

| | | | | | | Double door, 3-point locking | | | DIN profile half cylinder | | | | | | | | |
|--|----------|----------|----------|-----|--|---|-------------------|-------------------|---|--|--|---|--|--|---|--|--|
| | | | | | | Glazed | Perforated | Plain | | | | | | | | | |
|  <p>Completely in RAL 7021 (black grey)</p> | | | | | |  <p>01005065</p> | | |  <p>01005066</p> | | |  <p>01005064</p> | | |  <p>01004148</p> | | |
|  <p>Colour combination RAL 7035 (light grey) / RAL 7021 (black grey)</p> | | | | | | frame, St, 1.5 mm, Securit glass, 6 mm, opening angle 180°, lever handle with push button, incl. GND/earthing | | | St, 1.5 mm, opening angle 180°, lever handle with push button, incl. GND/earthing | | | St, 1.5 mm, opening angle 180°, lever handle with push button, incl. GND/earthing | | | for lever handle, common locking | | |
| Cabinet dimensions | | | | | | | | | | | | | | | | | |
| No. | Height U | Width mm | Depth mm | | | 1 piece assembled | 1 piece assembled | 1 piece assembled | 1 piece assembled | | | | | | | | |
| Completely in RAL 7021 | | | | | | RAL 7021 | RAL 7021 | RAL 7021 | RAL 7021 | | | | | | | | |
| 1 | 29 | 1400 | 600 | 600 | | 21130-454 | 21130-213 | 21130-486 | 25127-995 | | | | | | | | |
| 2 | 29 | 1400 | 600 | 800 | | | | | | | | | | | | | |
| 3 | 33 | 1600 | 600 | 600 | | 21130-456 | 21130-215 | 21130-488 | 25127-995 | | | | | | | | |
| 4 | 33 | 1600 | 600 | 800 | | | | | | | | | | | | | |
| 5 | 38 | 1800 | 600 | 600 | | 21130-458 | 21130-217 | 21130-490 | 25127-995 | | | | | | | | |
| 6 | 38 | 1800 | 600 | 800 | | | | | | | | | | | | | |
| 7 | 38 | 1800 | 800 | 600 | | 21130-459 | 21130-218 | 21130-491 | 25127-995 | | | | | | | | |
| 8 | 42 | 2000 | 600 | 300 | | 21130-460 | 21130-219 | 21130-492 | 25127-995 | | | | | | | | |
| 9 | 42 | 2000 | 600 | 600 | | 21130-460 | 21130-219 | 21130-492 | 25127-995 | | | | | | | | |
| 10 | 42 | 2000 | 600 | 800 | | | | | | | | | | | | | |
| 11 | 42 | 2000 | 800 | 600 | | 21130-461 | 21130-220 | 21130-493 | 25127-995 | | | | | | | | |
| 12 | 42 | 2000 | 800 | 800 | | | | | | | | | | | | | |
| 13 | 47 | 2200 | 600 | 300 | | 21130-462 | 21130-221 | 21130-494 | 25127-995 | | | | | | | | |
| 14 | 47 | 2200 | 600 | 600 | | 21130-462 | 21130-221 | 21130-494 | 25127-995 | | | | | | | | |
| 15 | 47 | 2200 | 600 | 800 | | | | | | | | | | | | | |
| 16 | 47 | 2200 | 800 | 800 | | 21130-463 | 21130-222 | 21130-495 | 25127-995 | | | | | | | | |
| Colour combinations | | | | | | RAL 7035 | RAL 7035 | RAL 7035 | | | | | | | | | |
| 17 | 29 | 1400 | 600 | 600 | | 22130-454 | 22130-213 | 22130-486 | 25127-995 | | | | | | | | |
| 18 | 29 | 1400 | 600 | 800 | | | | | | | | | | | | | |
| 19 | 33 | 1600 | 600 | 600 | | 22130-456 | 22130-215 | 22130-488 | 25127-995 | | | | | | | | |
| 20 | 33 | 1600 | 600 | 800 | | | | | | | | | | | | | |
| 21 | 38 | 1800 | 600 | 600 | | 22130-458 | 22130-217 | 22130-490 | 25127-995 | | | | | | | | |
| 22 | 38 | 1800 | 600 | 800 | | | | | | | | | | | | | |
| 23 | 38 | 1800 | 800 | 600 | | 22130-459 | 22130-218 | 22130-491 | 25127-995 | | | | | | | | |
| 24 | 42 | 2000 | 600 | 300 | | 22130-460 | 22130-219 | 22130-492 | 25127-995 | | | | | | | | |
| 25 | 42 | 2000 | 600 | 600 | | 22130-460 | 22130-219 | 22130-492 | 25127-995 | | | | | | | | |
| 26 | 42 | 2000 | 600 | 800 | | | | | | | | | | | | | |
| 27 | 42 | 2000 | 800 | 600 | | 22130-461 | 22130-220 | 22130-493 | 25127-995 | | | | | | | | |
| 28 | 42 | 2000 | 800 | 800 | | | | | | | | | | | | | |
| 29 | 47 | 2200 | 600 | 300 | | 22130-462 | 22130-221 | 22130-494 | 25127-995 | | | | | | | | |
| 30 | 47 | 2200 | 600 | 600 | | 22130-462 | 22130-221 | 22130-494 | 25127-995 | | | | | | | | |
| 31 | 47 | 2200 | 600 | 800 | | | | | | | | | | | | | |
| 32 | 47 | 2200 | 800 | 800 | | 22130-463 | 22130-222 | 22130-495 | 25127-995 | | | | | | | | |

Cabinets – Varistar Electronics

VARISTAR IP 20
FLAT TOP COVERS, LIFTING EYES
ORDER INFORMATION

| | | | | | Flat top cover | | Spacer | | |
|--|--------------------|----------|----------|-------------------|--------------------------------|--|---|---|---|
| | | | | | Plain flush top cover | Perforated | Lifting eye | Spacer | Lifting eye |
| <p>Completely in RAL 7021 (black grey)</p> <p>Colour combination RAL 7035 (light grey)/RAL 7021 (black grey)</p> | | | | | <p>01004096</p> | <p>01004097</p> | <p>01004100</p> | <p>01004099</p> | <p>01004100</p> |
| | | | | | St, 1.5 mm, incl. GND/earthing | St, 1.5 mm, fully perforated, incl. GND/earthing | for top cover, applications and load in accordance with DIN 582 | St, zinc-plated, for raising a top cover by 10 mm | for raised flat top cover, application and static load-carrying capacity in accordance with DIN 582 |
| No. | Cabinet dimensions | | | 1 piece assembled | 1 piece assembled | PU 4 pieces assembled | PU 4 pieces assembled | PU 4 pieces assembled | |
| | Height U | Width mm | Depth mm | | | | | | |
| Completely in RAL 7021 | | | | | RAL 7021 | RAL 7021 | | | |
| 1 | 29 | 1400 | 600 | 600 | 21130-242 | 21130-262 | 23130-072 | 23130-068 | 23130-085 |
| 2 | 29 | 1400 | 600 | 800 | 21130-243 | 21130-263 | | | |
| 3 | 33 | 1600 | 600 | 600 | 21130-242 | 21130-262 | 23130-072 | 23130-068 | 23130-085 |
| 4 | 33 | 1600 | 600 | 800 | 21130-243 | 21130-263 | | | |
| 5 | 38 | 1800 | 600 | 600 | 21130-242 | 21130-262 | 23130-072 | 23130-068 | 23130-085 |
| 6 | 38 | 1800 | 600 | 800 | 21130-243 | 21130-263 | | | |
| 7 | 38 | 1800 | 800 | 600 | 21130-246 | 21130-266 | 23130-072 | 23130-068 | 23130-085 |
| 8 | 42 | 2000 | 600 | 300 | 21130-241 | 21130-261 | 23130-072 | 23130-068 | 23130-085 |
| 9 | 42 | 2000 | 600 | 600 | 21130-242 | 21130-262 | 23130-072 | 23130-068 | 23130-085 |
| 10 | 42 | 2000 | 600 | 800 | 21130-243 | 21130-263 | | | |
| 11 | 42 | 2000 | 800 | 600 | 21130-246 | 21130-266 | 23130-072 | 23130-068 | 23130-085 |
| 12 | 42 | 2000 | 800 | 800 | 21130-247 | 21130-267 | | | |
| 13 | 47 | 2200 | 600 | 300 | 21130-241 | 21130-261 | 23130-072 | 23130-068 | 23130-085 |
| 14 | 47 | 2200 | 600 | 600 | 21130-242 | 21130-262 | 23130-072 | 23130-068 | 23130-085 |
| 15 | 47 | 2200 | 600 | 800 | 21130-243 | 21130-263 | | | |
| 16 | 47 | 2200 | 800 | 800 | 21130-247 | 21130-267 | 23130-072 | 23130-068 | 23130-085 |
| Colour combinations | | | | | RAL 7021 | RAL 7021 | | | |
| 17 | 29 | 1400 | 600 | 600 | 21130-242 | 21130-262 | 23130-072 | 23130-068 | 23130-085 |
| 18 | 29 | 1400 | 600 | 800 | 21130-243 | 21130-263 | | | |
| 19 | 33 | 1600 | 600 | 600 | 21130-242 | 21130-262 | 23130-072 | 23130-068 | 23130-085 |
| 20 | 33 | 1600 | 600 | 800 | 21130-243 | 21130-263 | | | |
| 21 | 38 | 1800 | 600 | 600 | 21130-242 | 21130-262 | 23130-072 | 23130-068 | 23130-085 |
| 22 | 38 | 1800 | 600 | 800 | 21130-243 | 21130-263 | | | |
| 23 | 38 | 1800 | 800 | 600 | 21130-246 | 21130-266 | 23130-072 | 23130-068 | 23130-085 |
| 24 | 42 | 2000 | 600 | 300 | 21130-241 | 21130-261 | 23130-072 | 23130-068 | 23130-085 |
| 25 | 42 | 2000 | 600 | 600 | 21130-242 | 21130-262 | 23130-072 | 23130-068 | 23130-085 |
| 26 | 42 | 2000 | 600 | 800 | 21130-243 | 21130-263 | | | |
| 27 | 42 | 2000 | 800 | 600 | 21130-246 | 21130-266 | 23130-072 | 23130-068 | 23130-085 |
| 28 | 42 | 2000 | 800 | 800 | 21130-247 | 21130-267 | | | |
| 29 | 47 | 2200 | 600 | 300 | 21130-241 | 21130-261 | 23130-072 | 23130-068 | 23130-085 |
| 30 | 47 | 2200 | 600 | 600 | 21130-242 | 21130-262 | 23130-072 | 23130-068 | 23130-085 |
| 31 | 47 | 2200 | 600 | 800 | 21130-243 | 21130-263 | | | |
| 32 | 47 | 2200 | 800 | 800 | 21130-247 | 21130-267 | 23130-072 | 23130-068 | 23130-085 |

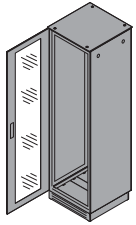
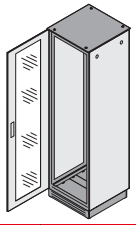
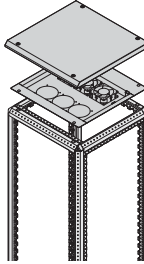
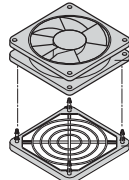
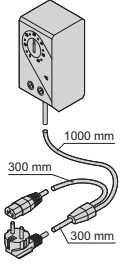
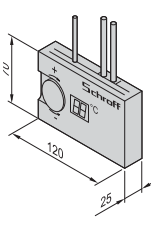
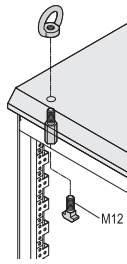
Cabinets – Varistar Electronics

VARISTAR IP 20
FLAT TOP COVER ASSEMBLIES WITH CUT-OUT ZONES
ORDER INFORMATION

| | | | | | | Flat top cover with cut-out zones | Top cover assemblies | | | | | |
|--|----------|----------|----------|-----|-----------|---|--|---|--|---|--|--|
| | | | | | | | Brush strip | Fan insert | Thermostat | Top cover plate, perforated | Edge protection | Lifting eye |
| <p>Completely in RAL 7021 (black grey)</p> <p>Colour combination RAL 7035 (light grey)/RAL 7021 (black grey)</p> | | | | | | <p>01004098</p> <p>St, 1.5 mm, incl. GND/earthing, number of cut-outs and dimension drawings see page 1.9</p> | <p>01006092</p> <p>nylon, black, one brush strip covers a lateral cut-out, two brush strips cover a center cut-out</p> | <p>01004102</p> <p>230 V_{AC}, with three fans, 410 m³/h, completely wired, connecting cable IEC 320</p> | <p>01108052</p> <p>with mains cable 230 V_{AC} (SCHUKO/UTE plug/IEC 60320 C13 socket), adjustment range 0 ... 60°C</p> | <p>01009056</p> <p>St, 1.5 mm, 6 mm hole diameter, incl. GND/earthing</p> | <p>41003065</p> <p>PVC, 3 m, black, for open cut-out zones</p> | <p>01004100</p> <p>for top cover, applications and load in accordance with DIN 582</p> |
| Cabinet dimensions | | | | | | | | | | | | |
| No. | Height U | Width mm | Depth mm | | | 1 piece assembled | PU 2 pieces assembled | 1 piece assembled | 1 piece assembled | 1 piece assembled | 1 piece enclosed loose | PU 4 pieces assembled |
| Completely in RAL 7021 | | | | | | RAL 7021 | RAL 7021 | | | RAL 7021 | | |
| 1 | 29 | 1400 | 600 | 600 | 21130-252 | | 23130-069 | 23130-070 | 20118-750 | 23130-071 | 28127-281 | 23130-072 |
| 2 | 29 | 1400 | 600 | 800 | 21130-253 | | | | | | | |
| 3 | 33 | 1600 | 600 | 600 | 21130-252 | | 23130-069 | 23130-070 | 20118-750 | 23130-071 | 28127-281 | 23130-072 |
| 4 | 33 | 1600 | 600 | 800 | 21130-253 | | | | | | | |
| 5 | 38 | 1800 | 600 | 600 | 21130-252 | | 23130-069 | 23130-070 | 20118-750 | 23130-071 | 28127-281 | 23130-072 |
| 6 | 38 | 1800 | 600 | 800 | 21130-253 | | | | | | | |
| 7 | 38 | 1800 | 800 | 600 | 21130-256 | | 23130-069 | 23130-070 | 20118-750 | 23130-071 | 28127-281 | 23130-072 |
| 8 | 42 | 2000 | 600 | 300 | - | - | - | - | - | - | - | - |
| 9 | 42 | 2000 | 600 | 600 | 21130-252 | | 23130-069 | 23130-070 | 20118-750 | 23130-071 | 28127-281 | 23130-072 |
| 10 | 42 | 2000 | 600 | 800 | 21130-253 | | | | | | | |
| 11 | 42 | 2000 | 800 | 600 | 21130-256 | | 23130-069 | 23130-070 | 20118-750 | 23130-071 | 28127-281 | 23130-072 |
| 12 | 42 | 2000 | 800 | 800 | 21130-257 | | | | | | | |
| 13 | 47 | 2200 | 600 | 300 | - | - | - | - | - | - | - | - |
| 14 | 47 | 2200 | 600 | 600 | 21130-252 | | 23130-069 | 23130-070 | 20118-750 | 23130-071 | 28127-281 | 23130-072 |
| 15 | 47 | 2200 | 600 | 800 | 21130-253 | | | | | | | |
| 16 | 47 | 2200 | 800 | 800 | 21130-257 | | 23130-069 | 23130-070 | 20118-750 | 23130-071 | 28127-281 | 23130-072 |
| Colour combinations | | | | | | RAL 7021 | RAL 7021 | | | RAL 7021 | | |
| 17 | 29 | 1400 | 600 | 600 | 21130-252 | | 23130-069 | 23130-070 | 20118-750 | 23130-071 | 28127-281 | 23130-072 |
| 18 | 29 | 1400 | 600 | 800 | 21130-253 | | | | | | | |
| 19 | 33 | 1600 | 600 | 600 | 21130-252 | | 23130-069 | 23130-070 | 20118-750 | 23130-071 | 28127-281 | 23130-072 |
| 20 | 33 | 1600 | 600 | 800 | 21130-253 | | | | | | | |
| 21 | 38 | 1800 | 600 | 600 | 21130-252 | | 23130-069 | 23130-070 | 20118-750 | 23130-071 | 28127-281 | 23130-072 |
| 22 | 38 | 1800 | 600 | 800 | 21130-253 | | | | | | | |
| 23 | 38 | 1800 | 800 | 600 | 21130-256 | | 23130-069 | 23130-070 | 20118-750 | 23130-071 | 28127-281 | 23130-072 |
| 24 | 42 | 2000 | 600 | 300 | - | - | - | - | - | - | - | - |
| 25 | 42 | 2000 | 600 | 600 | 21130-252 | | 23130-069 | 23130-070 | 20118-750 | 23130-071 | 28127-281 | 23130-072 |
| 26 | 42 | 2000 | 600 | 800 | 21130-253 | | | | | | | |
| 27 | 42 | 2000 | 800 | 600 | 21130-256 | | 23130-069 | 23130-070 | 20118-750 | 23130-071 | 28127-281 | 23130-072 |
| 28 | 42 | 2000 | 800 | 800 | 21130-257 | | | | | | | |
| 29 | 47 | 2200 | 600 | 300 | - | - | - | - | - | - | - | - |
| 30 | 47 | 2200 | 600 | 600 | 21130-252 | | 23130-069 | 23130-070 | 20118-750 | 23130-071 | 28127-281 | 23130-072 |
| 31 | 47 | 2200 | 600 | 800 | 21130-253 | | | | | | | |
| 32 | 47 | 2200 | 800 | 800 | 21130-257 | | 23130-069 | 23130-070 | 20118-750 | 23130-071 | 28127-281 | 23130-072 |

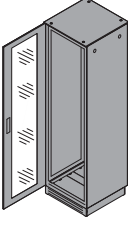

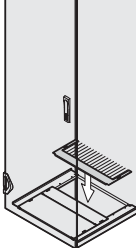
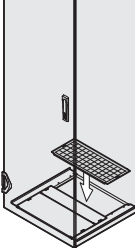
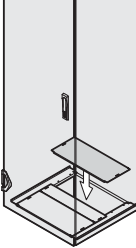

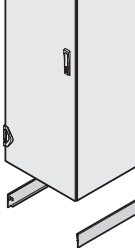
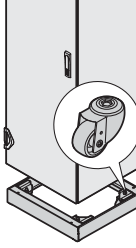
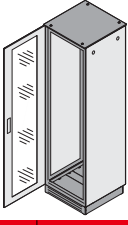
Cabinets – Varistar Electronics

VARISTAR IP 20
FAN TOP COVERS
ORDER INFORMATION

| | | | | | Fan top cover | | | | |
|--|----|-----------|----------|----------|---|---|--|---|---|
| | | | | | Top cover for 6 fans | Replacement fan for fan top | Thermostat | Speed control | Lifting eye |
|  <p>Completely in RAL 7021 (black grey)</p>  <p>Colour combination RAL 7035 (light grey)/RAL 7021 (black grey)</p> | | | | |  <p>01005060</p> |  <p>ksa44844</p> |  <p>01108052</p> |  <p>01105055</p> |  <p>01005085</p> |
| | | | | | St, 1.5 mm, raised cover, 3 axial fans, 230 V _{AC} , incl. cabling and GN D/earthing, connecting cable 2.5 m, SCHUKO/IEC60320 C12 plug | fan with grille for top assembly, 230 V _{AC} , 38x119x119 mm, for 50 Hz, 162 m ³ /h | with mains cable 230 V _{AC} (SCHUKO/UTE plug/IEC 60320 C13 socket), adjustment range 0 ... 60°C | fully wired, 90 ... 264 V _{AC} , input SCHUKO/UTE plug, outlet IEC 60320 C13 socket, external NTC sensor 1.5 m | for fan top cover, applications and static load-carrying capacity in accordance with DIN 582 |
| Cabinet dimensions | | | | | | | | | |
| No. | U | Height mm | Width mm | Depth mm | 1 piece | 1 piece | 1 piece | 1 piece | PU 4 pieces |
| | | | | | assembled | assembled | assembled | assembled | assembled |
| Completely in RAL 7021 | | | | | RAL 7021 | | | | |
| 1 | 29 | 1400 | 600 | 600 | 21130-400 | 23130-165 | 20118-750 | 60715-005 | 23130-090 |
| 2 | 29 | 1400 | 600 | 800 | 21130-401 | 23130-165 | 20118-750 | 60715-005 | 23130-090 |
| 3 | 33 | 1600 | 600 | 600 | 21130-400 | 23130-165 | 20118-750 | 60715-005 | 23130-090 |
| 4 | 33 | 1600 | 600 | 800 | 21130-401 | 23130-165 | 20118-750 | 60715-005 | 23130-090 |
| 5 | 38 | 1800 | 600 | 600 | 21130-400 | 23130-165 | 20118-750 | 60715-005 | 23130-090 |
| 6 | 38 | 1800 | 600 | 800 | 21130-401 | 23130-165 | 20118-750 | 60715-005 | 23130-090 |
| 7 | 38 | 1800 | 800 | 600 | 21130-402 | 23130-165 | 20118-750 | 60715-005 | 23130-090 |
| 8 | 42 | 2000 | 600 | 300 | – | – | – | – | – |
| 9 | 42 | 2000 | 600 | 600 | 21130-400 | 23130-165 | 20118-750 | 60715-005 | 23130-090 |
| 10 | 42 | 2000 | 600 | 800 | 21130-401 | 23130-165 | 20118-750 | 60715-005 | 23130-090 |
| 11 | 42 | 2000 | 800 | 600 | 21130-402 | 23130-165 | 20118-750 | 60715-005 | 23130-090 |
| 12 | 42 | 2000 | 800 | 800 | 21130-403 | 23130-165 | 20118-750 | 60715-005 | 23130-090 |
| 13 | 47 | 2200 | 600 | 300 | – | – | – | – | – |
| 14 | 47 | 2200 | 600 | 600 | 21130-400 | 23130-165 | 20118-750 | 60715-005 | 23130-090 |
| 15 | 47 | 2200 | 600 | 800 | 21130-401 | 23130-165 | 20118-750 | 60715-005 | 23130-090 |
| 16 | 47 | 2200 | 800 | 800 | 21130-403 | 23130-165 | 20118-750 | 60715-005 | 23130-090 |
| Colour combinations | | | | | RAL 7021 | | | | |
| 17 | 29 | 1400 | 600 | 600 | 21130-400 | 23130-165 | 20118-750 | 60715-005 | 23130-090 |
| 18 | 29 | 1400 | 600 | 800 | 21130-401 | 23130-165 | 20118-750 | 60715-005 | 23130-090 |
| 19 | 33 | 1600 | 600 | 600 | 21130-400 | 23130-165 | 20118-750 | 60715-005 | 23130-090 |
| 20 | 33 | 1600 | 600 | 800 | 21130-401 | 23130-165 | 20118-750 | 60715-005 | 23130-090 |
| 21 | 38 | 1800 | 600 | 600 | 21130-400 | 23130-165 | 20118-750 | 60715-005 | 23130-090 |
| 22 | 38 | 1800 | 600 | 800 | 21130-401 | 23130-165 | 20118-750 | 60715-005 | 23130-090 |
| 23 | 38 | 1800 | 800 | 600 | 21130-402 | 23130-165 | 20118-750 | 60715-005 | 23130-090 |
| 24 | 42 | 2000 | 600 | 300 | – | – | – | – | – |
| 25 | 42 | 2000 | 600 | 600 | 21130-400 | 23130-165 | 20118-750 | 60715-005 | 23130-090 |
| 26 | 42 | 2000 | 600 | 800 | 21130-401 | 23130-165 | 20118-750 | 60715-005 | 23130-090 |
| 27 | 42 | 2000 | 800 | 600 | 21130-402 | 23130-165 | 20118-750 | 60715-005 | 23130-090 |
| 28 | 42 | 2000 | 800 | 800 | 21130-403 | 23130-165 | 20118-750 | 60715-005 | 23130-090 |
| 29 | 47 | 2200 | 600 | 300 | – | – | – | – | – |
| 30 | 47 | 2200 | 600 | 600 | 21130-400 | 23130-165 | 20118-750 | 60715-005 | 23130-090 |
| 31 | 47 | 2200 | 600 | 800 | 21130-401 | 23130-165 | 20118-750 | 60715-005 | 23130-090 |
| 32 | 47 | 2200 | 800 | 800 | 21130-403 | 23130-165 | 20118-750 | 60715-005 | 23130-090 |

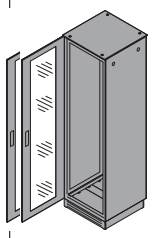
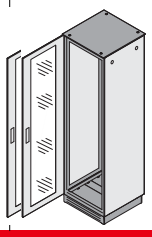
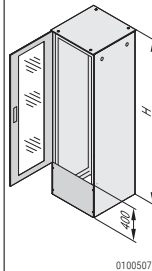
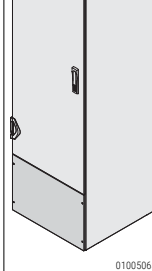
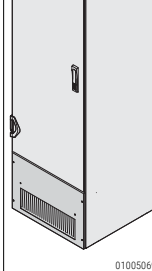
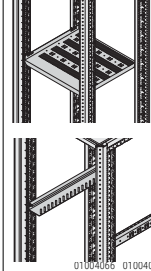
Cabinets – Varistar Electronics

VARISTAR IP 20
BASES/PLINTHS
ORDER INFORMATION

| | | | | | Base plate | Brush strip | Dust filter set | Cover plate | Base/plinth | Side covers | Base/plinth, mobile |
|--|--------------------|----------|----------|-----|--|---|---|---|--|---|---|
| | | | | | Base plate, multi-piece | | | | Base/plinth, ventilated | | |
|  <p>Completely in RAL 7021 (black grey)</p> | | | | |  <p>01004104</p> |  <p>01004105</p> |  <p>01004059</p> |  <p>01004106</p> |  <p>01004110</p> |  <p>01004053</p> |  <p>01004111</p> |
|  <p>Colour combination RAL 7035 (light grey)/RAL 7021 (black grey)</p> | | | | | <p>St, 1.5 mm, multi-piece, opening to rear 200 mm deep (no rear opening with 300 mm cabinet depth), incl. GND/earthing; dimension drawings see page 1.9</p> | <p>nylon, black</p> | <p>filter mat, white, class M1, in accordance with EN 799-G3</p> | <p>St, 1.5 mm, please order gasket IP55 separately</p> | <p>support with adjustable feet and 2 trims, perforated, static load-carrying capacity 1000 kg; please order side trims separately</p> | <p>St, 1.5 mm</p> | <p>support, St, 3 mm, trim, St, 1.5 mm, static load-carrying capacity on castors 400 kg, on adjustable feet 1000 kg</p> |
| No. | Cabinet dimensions | | | | 1 piece assembled | 1 piece assembled | 1 piece assembled | 1 piece assembled | PU 1 kit assembled | PU 1 pair assembled | 1 piece assembled |
| | Height U | Width mm | Depth mm | | | | | | | | |
| Completely in RAL 7021 | | | | | RAL 7021 | RAL 7021 | | RAL 7021 | RAL 7021 | RAL 7021 | RAL 7021 |
| 1 | 29 | 1400 | 600 | 600 | 23130-001 | | | | 23130-187 | 23130-169 | 23130-208 |
| 2 | 29 | 1400 | 600 | 800 | 23130-002 | 23130-074 | 23130-075 | 23130-076 | | 23130-170 | 23130-209 |
| 3 | 33 | 1600 | 600 | 600 | 23130-001 | | | | 23130-187 | 23130-169 | 23130-208 |
| 4 | 33 | 1600 | 600 | 800 | 23130-002 | 23130-074 | 23130-075 | 23130-076 | | 23130-170 | 23130-209 |
| 5 | 38 | 1800 | 600 | 600 | 23130-001 | | | | 23130-187 | 23130-169 | 23130-208 |
| 6 | 38 | 1800 | 600 | 800 | 23130-002 | 23130-074 | 23130-075 | 23130-076 | | 23130-170 | 23130-209 |
| 7 | 38 | 1800 | 800 | 600 | 23130-005 | 23130-134 | 23130-135 | 23130-136 | 23130-194 | 23130-169 | 23130-212 |
| 8 | 42 | 2000 | 600 | 300 | 23130-009 | 23130-074 | 23130-075 | - | 23130-187 | 23130-166 | - |
| 9 | 42 | 2000 | 600 | 600 | 23130-001 | | | | 23130-187 | 23130-169 | 23130-208 |
| 10 | 42 | 2000 | 600 | 800 | 23130-002 | 23130-074 | 23130-075 | 23130-076 | | 23130-170 | 23130-209 |
| 11 | 42 | 2000 | 800 | 600 | 23130-005 | | | | 23130-194 | 23130-169 | 23130-212 |
| 12 | 42 | 2000 | 800 | 800 | 23130-006 | 23130-134 | 23130-135 | 23130-136 | | 23130-170 | 23130-213 |
| 13 | 47 | 2200 | 600 | 300 | 23130-009 | 23130-074 | 23130-075 | - | 23130-187 | 23130-166 | - |
| 14 | 47 | 2200 | 600 | 600 | 23130-001 | | | | 23130-187 | 23130-169 | 23130-208 |
| 15 | 47 | 2200 | 600 | 800 | 23130-002 | 23130-074 | 23130-075 | 23130-076 | | 23130-170 | 23130-209 |
| 16 | 47 | 2200 | 800 | 800 | 23130-006 | 23130-134 | 23130-135 | 23130-136 | 23130-194 | 23130-170 | 23130-213 |
| Colour combinations | | | | | RAL 7021 | RAL 7021 | | RAL 7021 | RAL 7021 | RAL 7021 | RAL 7021 |
| 17 | 29 | 1400 | 600 | 600 | 23130-001 | | | | 23130-187 | 23130-169 | 23130-208 |
| 18 | 29 | 1400 | 600 | 800 | 23130-002 | 23130-074 | 23130-075 | 23130-076 | | 23130-170 | 23130-209 |
| 19 | 33 | 1600 | 600 | 600 | 23130-001 | | | | 23130-187 | 23130-169 | 23130-208 |
| 20 | 33 | 1600 | 600 | 800 | 23130-002 | 23130-074 | 23130-075 | 23130-076 | | 23130-170 | 23130-209 |
| 21 | 38 | 1800 | 600 | 600 | 23130-001 | | | | 23130-187 | 23130-169 | 23130-208 |
| 22 | 38 | 1800 | 600 | 800 | 23130-002 | 23130-074 | 23130-075 | 23130-076 | | 23130-170 | 23130-209 |
| 23 | 38 | 1800 | 800 | 600 | 23130-005 | 23130-134 | 23130-135 | 23130-136 | 23130-194 | 23130-169 | 23130-212 |
| 24 | 42 | 2000 | 600 | 300 | 23130-009 | 23130-074 | 23130-075 | - | 23130-187 | 23130-166 | - |
| 25 | 42 | 2000 | 600 | 600 | 23130-001 | | | | 23130-187 | 23130-169 | 23130-208 |
| 26 | 42 | 2000 | 600 | 800 | 23130-002 | 23130-074 | 23130-075 | 23130-076 | | 23130-170 | 23130-209 |
| 27 | 42 | 2000 | 800 | 600 | 23130-005 | | | | 23130-194 | 23130-169 | 23130-212 |
| 28 | 42 | 2000 | 800 | 800 | 23130-006 | 23130-134 | 23130-135 | 23130-136 | | 23130-170 | 23130-213 |
| 29 | 47 | 2200 | 600 | 300 | 23130-009 | 23130-074 | 23130-075 | - | 23130-187 | 23130-166 | - |
| 30 | 47 | 2200 | 600 | 600 | 23130-001 | | | | 23130-187 | 23130-169 | 23130-208 |
| 31 | 47 | 2200 | 600 | 800 | 23130-002 | 23130-074 | 23130-075 | 23130-076 | | 23130-170 | 23130-209 |
| 32 | 47 | 2200 | 800 | 800 | 23130-006 | 23130-134 | 23130-135 | 23130-136 | 23130-194 | 23130-170 | 23130-213 |

Cabinets – Varistar Electronics

VARISTAR IP 20
CONNECTING PLATES FOR SHORT DOORS/REAR PANELS
ORDER INFORMATION

| | Dimensioning connecting plate door/rear panel | Connecting plate for door and rear panel | | | Other VARISTAR interior mounting parts |
|--|---|--|--|--|---|
| | | Plain | With brush strip | Assembly kit | |
|  <p>Completely in RAL 7021 (black grey)</p>  <p>Colour combination RAL 7035 (light grey)/RAL 7021 (black grey)</p> |  <p>01005071</p> <p>door and rear panel must be selected 400 mm shorter than the cabinet height; cannot be used with double door</p> |  <p>01005063</p> <p>St, 1 mm, assembly also possible at top, height 400 mm, please order assembly kit separately in conjunction with rear panel</p> |  <p>01005069</p> <p>St, 1 mm, assembly also possible at top, height 400 mm, please order assembly kit separately in conjunction with rear panel</p> | <p>only required if rear panel with quick-release fastener is assembled above the connecting plate</p> |  <p>01004055 01004056</p> <p>rack shelves, 19" shelves, slide rails, cable ducting</p> |
| <p>Height Width</p> <p>mm mm</p> | | 1 piece assembled | 1 piece assembled | PU 1 kit assembled | |
| Completely in RAL 7021 | | RAL 7021 | RAL 7021 | | |
| 400 600 | | 21130-472 | 21130-478 | 23130-164 | from page 1.44 |
| 400 800 | | 21130-473 | 21130-479 | 23130-164 | |
| Colour combinations | | RAL 7035 | RAL 7035 | | |
| 400 600 | | 22130-472 | 22130-478 | 23130-164 | from page 1.44 |
| 400 800 | | 22130-473 | 22130-479 | 23130-164 | |

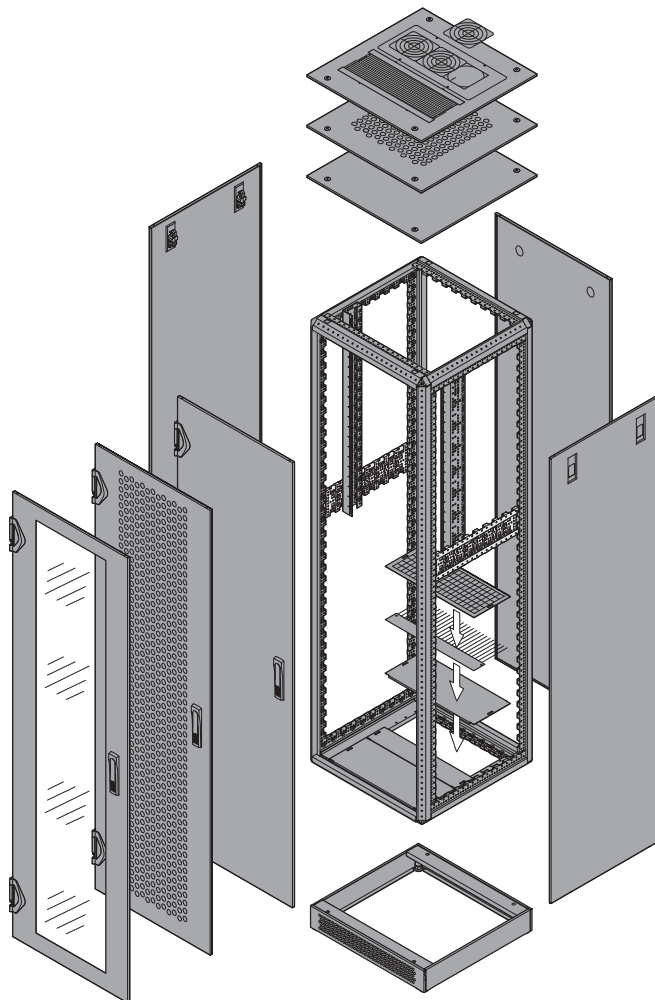
Cabinets – Varistar Electronics



Cabinets – Varistar Electronics

VARISTAR IP 55 SERVICEPLUS: CONFIGURATION AND ASSEMBLY

- Dimensions:
 - Height: 29 ... 47 U (1400 ... 2200 mm)
 - Width: 600 and 800 mm
 - Depth: 300, 600 and 800 mm
- 2 colour combinations:
 - Frame and covers in black grey (RAL 7021)
 - Frame, top cover and base in black grey (RAL 7021); Side panel, door and rear panel in light grey (RAL 7035)
- Build your cabinet out of individual components (please suffix each part number with /05)
- Once you have selected the desired cabinet dimensions, the row number (first column of the configuration tables) will guide you through all subsequent configuration pages that apply to these dimensions (see example below)
- The cabinet is assembled by us and ready for despatch within 10 working days



01004077

Example configuration (here: row 10)

| Qty | Description | Part no. |
|-----|--|--------------|
| 1 | Frame Slim-Line, height 2000 mm, width 600 mm, depth 800 mm, 1 piece | 20130-019/05 |
| 1 | IP 55 gasketing kit, 1 piece | 23130-064/05 |
| 1 | Side panel, screw-fixed, RAL 7021, PU 2 pieces | 21130-011/05 |
| 1 | Rear panel, screw-fixed, RAL 7021, 1 piece | 21130-069/05 |
| 1 | Glazed door with 3-point locking, RAL 7021, IP 55, 1 piece | 21130-189/05 |
| 1 | Adjustable feet, PU 4 pieces | 23130-079/05 |
| ... | | |

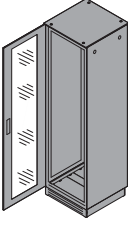
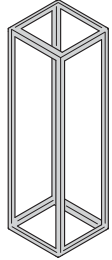
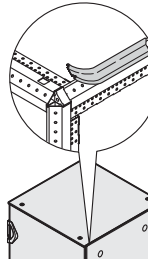
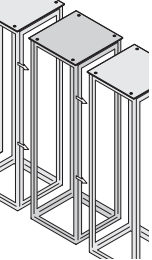
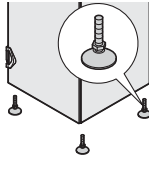
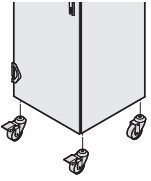
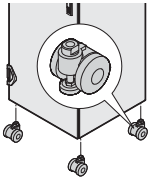
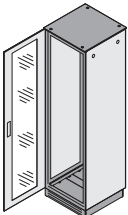
| | Page |
|--|------|
| Frames, side-by-side mounting kits, adjustable feet, castors | 1.40 |
| Side panels, rear panels, doors, top covers | 1.41 |
| Flat top covers, lifting eyes | 1.42 |
| Connecting plates for short doors/rear panels | 1.43 |

Interior configuration for IP 20 and IP 55

| | |
|--|------|
| 19" panel/slide mounts | 1.44 |
| ETSI panel/slide mounts | 1.45 |
| Swing frames | 1.46 |
| Mounting plates, stationary shelves, 75 kg | 1.47 |
| Telescopic shelves, 70 kg | 1.48 |
| 19" shelves 1 U, fixed 75 kg, telescopic 30 kg | 1.49 |
| 19" telescopic shelves, 2 U, 70 kg | 1.50 |
| Slide rails, depth members | 1.51 |
| Cable ductings | 1.52 |
| Cable ties, Velcro | 1.53 |

Cabinets – Varistar Electronics

VARISTAR IP 55
FRAMES, SIDE-BY-SIDE MOUNTING KITS, ADJUSTABLE FEET, CASTORS
ORDER INFORMATION

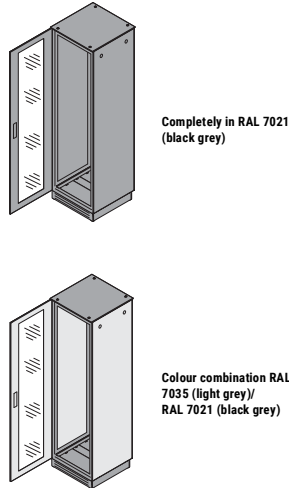

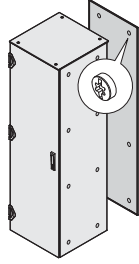


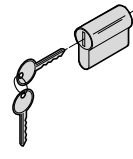

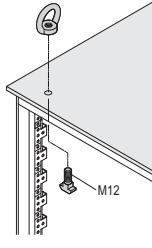
| | Frame | | Gasket kit IP 55 | Side-by-side mounting kit IP 55 (with gasketing) | Adjustable feet | Castors | |
|--|--|--|--|---|--|---|---|
| | Slim-Line 400 kg | Heavy-Duty 800 kg | | | | with 2 jacking feet | with adjustable feet |
|  <p>Completely in RAL 7021 (black grey)</p> |  |  |  |  |  |  | |
|  <p>Colour combination RAL 7035 (light grey)/RAL 7021 (black grey)</p> | <p>static load-carrying capacity: 400 kg, St, 1.5 mm, zinc-plated, with central GND/earthing point; please order adjustable feet or castors separately</p> | <p>static load-carrying capacity: 800 kg, St, 1.5 mm, zinc-plated, with central GND/earthing point; please order adjustable feet or castors separately</p> | <p>seals are glued to the frame, so that all cladding parts conform to protection type IP 55</p> | <p>side-to-side mounting bracket (4 pieces), St, RAL 7021, incl. gasketing to cover the gap between two racks; cannot be used with decorative frame</p> | <p>for the frame, static load-carrying capacity: 100 kg, cannot be used with base/plinth</p> | <p>for the frame, static load-carrying capacity: 40 kg, cannot be used with base/plinth</p> | <p>for the frame, static load-carrying capacity: 40 kg, cannot be used with base/plinth</p> |

| No. | Cabinet dimensions | | | | 1 piece assembled | 1 piece assembled | PU 1 kit assembled | PU 1 kit supplied loose | PU 4 pieces assembled | PU 4 pieces | PU 4 pieces |
|-------------------------------|--------------------|----------|----------|-----|-------------------|-------------------|--------------------|-------------------------|-----------------------|------------------|------------------|
| | Height U | Width mm | Depth mm | mm | | | | | | | |
| Completely in RAL 7021 | | | | | RAL 7021 | RAL 7021 | | | | | |
| 1 | 29 | 1400 | 600 | 600 | 20130-005 | 20130-055 | 23130-064 | 23130-062 | 23130-079 | 23130-077 | 23130-078 |
| 2 | 29 | 1400 | 600 | 800 | 20130-006 | 20130-056 | | | | | |
| 3 | 33 | 1600 | 600 | 600 | 20130-009 | 20130-059 | 23130-064 | 23130-062 | 23130-079 | 23130-077 | 23130-078 |
| 4 | 33 | 1600 | 600 | 800 | 20130-010 | 20130-060 | | | | | |
| 5 | 38 | 1800 | 600 | 600 | 20130-013 | 20130-063 | 23130-064 | 23130-062 | 23130-079 | 23130-077 | 23130-078 |
| 6 | 38 | 1800 | 600 | 800 | 20130-014 | 20130-064 | | | | | |
| 7 | 38 | 1800 | 800 | 600 | 20130-015 | 20130-065 | 23130-064 | 23130-062 | 23130-079 | 23130-077 | 23130-078 |
| 8 | 42 | 2000 | 600 | 300 | 20130-017 | - | 23130-064 | 23130-062 | 23130-079 | 23130-077 | 23130-078 |
| 9 | 42 | 2000 | 600 | 600 | 20130-018 | 20130-068 | 23130-064 | 23130-062 | 23130-079 | 23130-077 | 23130-078 |
| 10 | 42 | 2000 | 600 | 800 | 20130-019 | 20130-069 | | | | | |
| 11 | 42 | 2000 | 800 | 600 | 20130-022 | 20130-072 | 23130-064 | 23130-062 | 23130-079 | 23130-077 | 23130-078 |
| 12 | 42 | 2000 | 800 | 800 | 20130-023 | 20130-073 | | | | | |
| 13 | 47 | 2200 | 600 | 300 | 20130-026 | - | 23130-064 | 23130-062 | 23130-079 | 23130-077 | 23130-078 |
| 14 | 47 | 2200 | 600 | 600 | 20130-027 | 20130-077 | 23130-064 | 23130-062 | 23130-079 | 23130-077 | 23130-078 |
| 15 | 47 | 2200 | 600 | 800 | 20130-028 | 20130-078 | | | | | |
| 16 | 47 | 2200 | 800 | 800 | 20130-032 | 20130-082 | 23130-064 | 23130-062 | 23130-079 | 23130-077 | 23130-078 |
| Colour combinations | | | | | RAL 7021 | RAL 7021 | | | | | |
| 17 | 29 | 1400 | 600 | 600 | 20130-005 | 20130-055 | 23130-064 | 23130-062 | 23130-079 | 23130-077 | 23130-078 |
| 18 | 29 | 1400 | 600 | 800 | 20130-006 | 20130-056 | | | | | |
| 19 | 33 | 1600 | 600 | 600 | 20130-009 | 20130-059 | 23130-064 | 23130-062 | 23130-079 | 23130-077 | 23130-078 |
| 20 | 33 | 1600 | 600 | 800 | 20130-010 | 20130-060 | | | | | |
| 21 | 38 | 1800 | 600 | 600 | 20130-013 | 20130-063 | 23130-064 | 23130-062 | 23130-079 | 23130-077 | 23130-078 |
| 22 | 38 | 1800 | 600 | 800 | 20130-014 | 20130-064 | | | | | |
| 23 | 38 | 1800 | 800 | 600 | 20130-015 | 20130-065 | 23130-064 | 23130-062 | 23130-079 | 23130-077 | 23130-078 |
| 24 | 42 | 2000 | 600 | 300 | 20130-017 | - | 23130-064 | 23130-062 | 23130-079 | 23130-077 | 23130-078 |
| 25 | 42 | 2000 | 600 | 600 | 20130-018 | 20130-068 | 23130-064 | 23130-062 | 23130-079 | 23130-077 | 23130-078 |
| 26 | 42 | 2000 | 600 | 800 | 20130-019 | 20130-069 | | | | | |
| 27 | 42 | 2000 | 800 | 600 | 20130-022 | 20130-072 | 23130-064 | 23130-062 | 23130-079 | 23130-077 | 23130-078 |
| 28 | 42 | 2000 | 800 | 800 | 20130-023 | 20130-073 | | | | | |
| 29 | 47 | 2200 | 600 | 300 | 20130-026 | - | 23130-064 | 23130-062 | 23130-079 | 23130-077 | 23130-078 |
| 30 | 47 | 2200 | 600 | 600 | 20130-027 | 20130-077 | 23130-064 | 23130-062 | 23130-079 | 23130-077 | 23130-078 |
| 31 | 47 | 2200 | 600 | 800 | 20130-028 | 20130-078 | | | | | |
| 32 | 47 | 2200 | 800 | 800 | 20130-032 | 20130-082 | 23130-064 | 23130-062 | 23130-079 | 23130-077 | 23130-078 |

Other dimensions and configurations online (with basket) at www.schroff.biz/conf

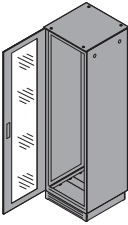
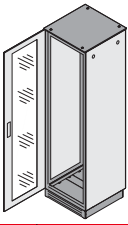

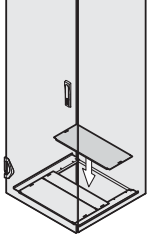
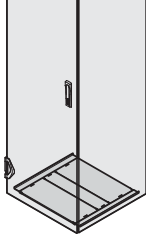
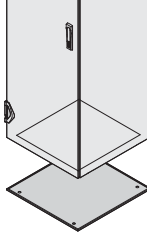
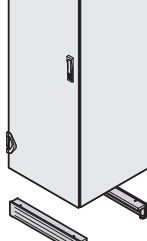
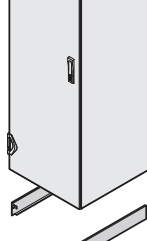
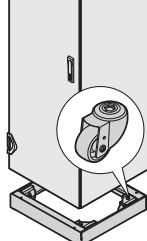
Cabinets – Varistar Electronics

VARISTAR IP 55
SIDE PANELS, REAR PANELS, DOORS, TOP COVERS
ORDER INFORMATION

| | | | | | Screw-fixed side panel | Screw-fixed rear panel | Glazed door 3-point locking | Steel door 3-point locking | DIN profile half cylinder | Plain flush top cover | Lifting eye |
|--|--------------------|-----------|----------|----------|---|---|---|--|---|---|--|
|  <p>Completely in RAL 7021 (black grey)</p> <p>Colour combination RAL 7035 (light grey)/RAL 7021 (black grey)</p> | | | | |  01004083 St, 1 mm, incl. GND/earthing |  01004085 St, 1 mm, incl. GND/earthing |  01004091 St, 1.5 mm, Sekurit glass, 6 mm, opening angle 180°, lever handle with push button, incl. GND/earthing |  01008085 St, 1.5 mm, opening angle 180°, inner side with mounting frame, lever handle with built-in push button, incl. GND/earthing |  01004148 for lever handle, common locking |  01004096 St, 1.5 mm, incl. GND/earthing |  01004100 for top cover, applications and load in compliance with DIN 582 |
| No. | Cabinet dimensions | | | | PU 2 pieces assembled | 1 piece assembled | 1 piece assembled | 1 piece assembled | 1 piece assembled | 1 piece assembled | PU 4 pieces assembled |
| | U | Height mm | Width mm | Depth mm | | | | | | | |
| Completely in RAL 7021 | | | | | | | | | | | |
| | | | | | RAL 7021 | RAL 7021 | RAL 7021 | RAL 7021 | | RAL 7021 | |
| 1 | 29 | 1400 | 600 | 600 | 21130-003 | | 21130-183 | 21130-153 | 25127-995 | 21130-242 | 23130-072 |
| 2 | 29 | 1400 | 600 | 800 | 21130-004 | 21130-063 | 21130-183 | 21130-153 | 25127-995 | 21130-243 | 23130-072 |
| 3 | 33 | 1600 | 600 | 600 | 21130-005 | | 21130-185 | 21130-155 | 25127-995 | 21130-242 | 23130-072 |
| 4 | 33 | 1600 | 600 | 800 | 21130-006 | 21130-065 | 21130-185 | 21130-155 | 25127-995 | 21130-243 | 23130-072 |
| 5 | 38 | 1800 | 600 | 600 | 21130-007 | | 21130-187 | 21130-157 | 25127-995 | 21130-242 | 23130-072 |
| 6 | 38 | 1800 | 600 | 800 | 21130-008 | 21130-067 | 21130-187 | 21130-157 | 25127-995 | 21130-243 | 23130-072 |
| 7 | 38 | 1800 | 800 | 600 | 21130-007 | 21130-068 | 21130-188 | 21130-158 | 25127-995 | 21130-246 | 23130-072 |
| 8 | 42 | 2000 | 600 | 300 | 21130-009 | 21130-069 | 21130-189 | 21130-159 | 25127-995 | 21130-241 | 23130-072 |
| 9 | 42 | 2000 | 600 | 600 | 21130-010 | 21130-069 | 21130-189 | 21130-159 | 25127-995 | 21130-242 | 23130-072 |
| 10 | 42 | 2000 | 600 | 800 | 21130-011 | 21130-069 | 21130-189 | 21130-159 | 25127-995 | 21130-243 | 23130-072 |
| 11 | 42 | 2000 | 800 | 600 | 21130-010 | 21130-070 | 21130-190 | 21130-160 | 25127-995 | 21130-246 | 23130-072 |
| 12 | 42 | 2000 | 800 | 800 | 21130-011 | 21130-070 | 21130-190 | 21130-160 | 25127-995 | 21130-247 | 23130-072 |
| 13 | 47 | 2200 | 600 | 300 | 21130-014 | 21130-071 | 21130-191 | 21130-161 | 25127-995 | 21130-241 | 23130-072 |
| 14 | 47 | 2200 | 600 | 600 | 21130-015 | 21130-071 | 21130-191 | 21130-161 | 25127-995 | 21130-242 | 23130-072 |
| 15 | 47 | 2200 | 600 | 800 | 21130-016 | 21130-071 | 21130-191 | 21130-161 | 25127-995 | 21130-243 | 23130-072 |
| 16 | 47 | 2200 | 800 | 800 | 21130-016 | 21130-072 | 21130-192 | 21130-162 | 25127-995 | 21130-247 | 23130-072 |
| Colour combinations | | | | | | | | | | | |
| | | | | | RAL 7035 | RAL 7035 | RAL 7035 | RAL 7035 | | RAL 7021 | |
| 17 | 29 | 1400 | 600 | 600 | 22130-003 | | 22130-183 | 22130-153 | 25127-995 | 21130-242 | 23130-072 |
| 18 | 29 | 1400 | 600 | 800 | 22130-004 | 22130-063 | 22130-183 | 22130-153 | 25127-995 | 21130-243 | 23130-072 |
| 19 | 33 | 1600 | 600 | 600 | 22130-005 | | 22130-185 | 22130-155 | 25127-995 | 21130-242 | 23130-072 |
| 20 | 33 | 1600 | 600 | 800 | 22130-006 | 22130-065 | 22130-185 | 22130-155 | 25127-995 | 21130-243 | 23130-072 |
| 21 | 38 | 1800 | 600 | 600 | 22130-007 | | 22130-187 | 22130-157 | 25127-995 | 21130-242 | 23130-072 |
| 22 | 38 | 1800 | 600 | 800 | 22130-008 | 22130-067 | 22130-187 | 22130-157 | 25127-995 | 21130-243 | 23130-072 |
| 23 | 38 | 1800 | 800 | 600 | 22130-007 | 22130-068 | 22130-188 | 22130-158 | 25127-995 | 21130-246 | 23130-072 |
| 24 | 42 | 2000 | 600 | 300 | 22130-009 | 22130-069 | 22130-189 | 22130-159 | 25127-995 | 21130-241 | 23130-072 |
| 25 | 42 | 2000 | 600 | 600 | 22130-010 | 22130-069 | 22130-189 | 22130-159 | 25127-995 | 21130-242 | 23130-072 |
| 26 | 42 | 2000 | 600 | 800 | 22130-011 | 22130-069 | 22130-189 | 22130-159 | 25127-995 | 21130-243 | 23130-072 |
| 27 | 42 | 2000 | 800 | 600 | 22130-010 | 22130-070 | 22130-190 | 22130-160 | 25127-995 | 21130-246 | 23130-072 |
| 28 | 42 | 2000 | 800 | 800 | 22130-011 | 22130-070 | 22130-190 | 22130-160 | 25127-995 | 21130-247 | 23130-072 |
| 29 | 47 | 2200 | 600 | 300 | 22130-014 | 22130-071 | 22130-191 | 22130-161 | 25127-995 | 21130-241 | 23130-072 |
| 30 | 47 | 2200 | 600 | 600 | 22130-015 | 22130-071 | 22130-191 | 22130-161 | 25127-995 | 21130-242 | 23130-072 |
| 31 | 47 | 2200 | 600 | 800 | 22130-016 | 22130-071 | 22130-191 | 22130-161 | 25127-995 | 21130-243 | 23130-072 |
| 32 | 47 | 2200 | 800 | 800 | 22130-016 | 22130-072 | 22130-192 | 22130-162 | 25127-995 | 21130-247 | 23130-072 |

Cabinets – Varistar Electronics

VARISTAR IP 55
FLAT TOP COVERS, LIFTING EYES
ORDER INFORMATION

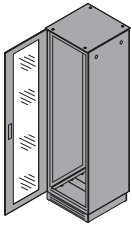
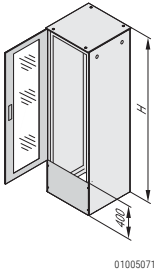
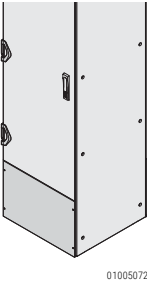
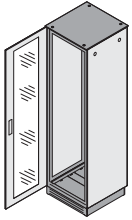
| | | | | | Base plate | Cover plate | Seal IP 55 | Base plate, one-piece, EMC, IP 55 | Base/plinth | Side cover | Base/plinth, mobile |
|--|--------------------|----------|----------|-----|---|---|---|---|---|---|--|
| | | | | | Base plate, multi-piece | | | | Base/plinth, ventilated | | |
|  <p>Completely in RAL 7021 (black grey)</p>  <p>Colour combination RAL 7035 (light grey)/RAL 7021 (black grey)</p> | | | | |  <p>01004104</p> |  <p>01004106</p> |  <p>01004073</p> |  <p>01004051</p> |  <p>01004110</p> |  <p>01004053</p> |  <p>01004111</p> |
| | | | | | St, 1.5 mm, multi-piece, opening to rear 200 mm deep (no rear opening with 300 mm cabinet depth), incl. GND/earthing, dimension drawings see page 1.9 | St, 1.5 mm, please order gasket IP55 separately | for base plate with cover | AlZn, 1.5 mm, incl. GND/earthing, assembly from outside | support with adjustable feet and 2 trims, perforated, static load-carrying capacity 1000 kg; please order side trims separately | St, 1.5 mm | support, St, 3 mm, trim, St, 1.5 mm, static load-carrying capacity on castors 400 kg, on adjustable feet 1000 kg |
| No. | Cabinet dimensions | | | | 1 piece assembled | 1 piece assembled | 1 piece assembled | 1 piece assembled | PU 1 kit assembled | PU 1 pair assembled | 1 piece assembled |
| | Height U | Width mm | Depth mm | | | | | | | | |
| Completely in RAL 7021 | | | | | RAL 7021 | RAL 7021 | | AlZn | RAL 7021 | RAL 7021 | RAL 7021 |
| 1 | 29 | 1400 | 600 | 600 | 23130-001 | 23130-076 | 23130-073 | 21130-281 | 23130-187 | 23130-169 | 23130-208 |
| 2 | 29 | 1400 | 600 | 800 | 23130-002 | 23130-076 | 23130-073 | 21130-282 | 23130-187 | 23130-170 | 23130-209 |
| 3 | 33 | 1600 | 600 | 600 | 23130-001 | 23130-076 | 23130-073 | 21130-281 | 23130-187 | 23130-169 | 23130-208 |
| 4 | 33 | 1600 | 600 | 800 | 23130-002 | 23130-076 | 23130-073 | 21130-282 | 23130-187 | 23130-170 | 23130-209 |
| 5 | 38 | 1800 | 600 | 600 | 23130-001 | 23130-076 | 23130-073 | 21130-281 | 23130-187 | 23130-169 | 23130-208 |
| 6 | 38 | 1800 | 600 | 800 | 23130-002 | 23130-076 | 23130-073 | 21130-282 | 23130-187 | 23130-170 | 23130-209 |
| 7 | 38 | 1800 | 800 | 600 | 23130-005 | 23130-036 | 23130-073 | 21130-283 | 23130-194 | 23130-169 | 23130-212 |
| 8 | 42 | 2000 | 600 | 300 | 23130-009 | - | 23130-073 | 21130-285 | 23130-187 | 23130-166 | - |
| 9 | 42 | 2000 | 600 | 600 | 23130-001 | 23130-076 | 23130-073 | 21130-281 | 23130-187 | 23130-169 | 23130-208 |
| 10 | 42 | 2000 | 600 | 800 | 23130-002 | 23130-076 | 23130-073 | 21130-282 | 23130-187 | 23130-170 | 23130-209 |
| 11 | 42 | 2000 | 800 | 600 | 23130-005 | 23130-036 | 23130-073 | 21130-283 | 23130-194 | 23130-169 | 23130-212 |
| 12 | 42 | 2000 | 800 | 800 | 23130-006 | 23130-036 | 23130-073 | 21130-284 | 23130-194 | 23130-170 | 23130-213 |
| 13 | 47 | 2200 | 600 | 300 | 23130-009 | - | 23130-073 | 21130-285 | 23130-187 | 23130-166 | - |
| 14 | 47 | 2200 | 600 | 600 | 23130-001 | 23130-076 | 23130-073 | 21130-281 | 23130-187 | 23130-169 | 23130-208 |
| 15 | 47 | 2200 | 600 | 800 | 23130-002 | 23130-076 | 23130-073 | 21130-282 | 23130-187 | 23130-170 | 23130-209 |
| 16 | 47 | 2200 | 800 | 800 | 23130-006 | 23130-076 | 23130-073 | 21130-284 | 23130-194 | 23130-170 | 23130-213 |
| Colour combinations | | | | | RAL 7021 | RAL 7021 | | AlZn | RAL 7021 | RAL 7021 | RAL 7021 |
| 17 | 29 | 1400 | 600 | 600 | 23130-001 | 23130-076 | 23130-073 | 21130-281 | 23130-187 | 23130-169 | 23130-208 |
| 18 | 29 | 1400 | 600 | 800 | 23130-002 | 23130-076 | 23130-073 | 21130-282 | 23130-187 | 23130-170 | 23130-209 |
| 19 | 33 | 1600 | 600 | 600 | 23130-001 | 23130-076 | 23130-073 | 21130-281 | 23130-187 | 23130-169 | 23130-208 |
| 20 | 33 | 1600 | 600 | 800 | 23130-002 | 23130-076 | 23130-073 | 21130-282 | 23130-187 | 23130-170 | 23130-209 |
| 21 | 38 | 1800 | 600 | 600 | 23130-001 | 23130-076 | 23130-073 | 21130-281 | 23130-187 | 23130-169 | 23130-208 |
| 22 | 38 | 1800 | 600 | 800 | 23130-002 | 23130-076 | 23130-073 | 21130-282 | 23130-187 | 23130-170 | 23130-209 |
| 23 | 38 | 1800 | 800 | 600 | 23130-005 | 23130-036 | 23130-073 | 21130-283 | 23130-194 | 23130-169 | 23130-212 |
| 24 | 42 | 2000 | 600 | 300 | 23130-009 | - | 23130-073 | 21130-285 | 23130-187 | 23130-166 | - |
| 25 | 42 | 2000 | 600 | 600 | 23130-001 | 23130-076 | 23130-073 | 21130-281 | 23130-187 | 23130-169 | 23130-208 |
| 26 | 42 | 2000 | 600 | 800 | 23130-002 | 23130-076 | 23130-073 | 21130-282 | 23130-187 | 23130-170 | 23130-209 |
| 27 | 42 | 2000 | 800 | 600 | 23130-005 | 23130-036 | 23130-073 | 21130-283 | 23130-194 | 23130-169 | 23130-212 |
| 28 | 42 | 2000 | 800 | 800 | 23130-006 | 23130-036 | 23130-073 | 21130-284 | 23130-194 | 23130-170 | 23130-213 |
| 29 | 47 | 2200 | 600 | 300 | 23130-009 | - | 23130-073 | 21130-285 | 23130-187 | 23130-166 | - |
| 30 | 47 | 2200 | 600 | 600 | 23130-001 | 23130-076 | 23130-073 | 21130-281 | 23130-187 | 23130-169 | 23130-208 |
| 31 | 47 | 2200 | 600 | 800 | 23130-002 | 23130-076 | 23130-073 | 21130-282 | 23130-187 | 23130-170 | 23130-209 |
| 32 | 47 | 2200 | 800 | 800 | 23130-006 | 23130-076 | 23130-073 | 21130-284 | 23130-194 | 23130-170 | 23130-213 |

Cabinets – Varistar Electronics

VARISTAR IP 55

CONNECTING PLATES FOR SHORT DOORS/REAR PANELS

ORDER INFORMATION

| | | Dimensioning connecting plate door/rear panel | Connecting plate |
|---|-------------|---|---|
|  <p>Completely in RAL 7021 (black grey)</p> | |  <p>01005071</p> |  <p>01005072</p> |
|  <p>Colour combination RAL 7035 (light grey)/RAL 7021 (black grey)</p> | | <p>door and rear panel must be selected 400 mm shorter than the cabinet height; cannot be used with double door</p> | <p>St, 1 mm, can also be fitted in upper part, height 400 mm, with assembly kit</p> |
| Height mm | Width mm | | 1 piece assembled |
| Completely in RAL 7021 | | | RAL 7021 |
| 400 | 600 | | 21130-504 |
| 400 | 800 | | 21130-505 |
| Colour combinations | | | RAL 7035 |
| 400 | 600 | | 22130-504 |
| 400 | 800 | | 22130-505 |

Cabinets – Varistar Electronics

INTERIOR MOUNTING 19" PANEL/SLIDE MOUNTS

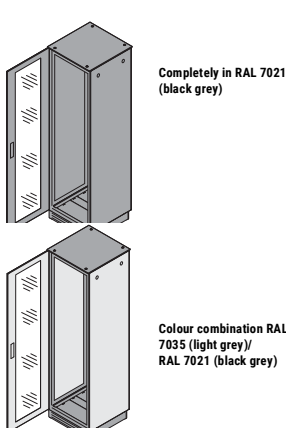
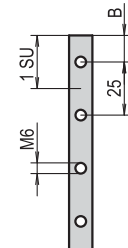
ORDER INFORMATION

| | | | | | Dimension Standard fitting | | 19" panel/slide mounts EIA | | U height identification for 19" panel/slide mount | 19" assembly kit M6 | Adapter bracket for reduced width |
|--|--------------------|----------|----------|----------|--|----------------------------|--|-----------------------|---|---|--|
| | | | | | | | Painted RAL 7021 | AlZn | | | |
| <p>Completely in RAL 7021 (black grey)</p> <p>Colour combination RAL 7035 (light grey)/RAL 7021 (black grey)</p> | | | | | <p>01004146</p> | | <p>01004112</p> | | <p>00505050</p> | <p>sc128</p> | <p>01004128</p> |
| | | | | | x_f = distance from front c = pitch of 19" panel/slide mounts D = cabinet depth W = cabinet width | | St, 1.75 mm; reduced-width adapter bracket required for 800 mm width; depth members are required for partial-height mounting | | paper strip, white, serial numbered from 1 ... 47 H | assembly kit: item 1: screws, item 2: cage nuts, item 3: washers | St, 2 mm, finish AlZn, for fixing the 19" panel/slide mounts in 800 mm wide cabinets |
| No. | Cabinet dimensions | | | x_f mm | c mm | 19" panel/slide mounts EIA | | PU 4 pieces assembled | PU 50 pieces supplied loose | PU 4 pieces assembled | |
| | Height U | Width mm | Depth mm | | | PU 1 pair assembled | PU 1 pair assembled | | | | |
| Completely in RAL 7021 | | | | | | | | | | | |
| | | | | | | RAL 7021 | AlZn | | | AlZn | |
| 1 | 29 | 1400 | 600 | 600 | 50 | 500 | 23130-012 | 23130-032 | 25127-997 | 21101-809 | - |
| 2 | 29 | 1400 | 600 | 800 | 50 | 700 | 23130-012 | 23130-032 | 25127-997 | 21101-809 | - |
| 3 | 33 | 1600 | 600 | 600 | 50 | 500 | 23130-013 | 23130-033 | 25127-997 | 21101-809 | - |
| 4 | 33 | 1600 | 600 | 800 | 50 | 700 | 23130-013 | 23130-033 | 25127-997 | 21101-809 | - |
| 5 | 38 | 1800 | 600 | 600 | 50 | 500 | 23130-014 | 23130-034 | 25127-997 | 21101-809 | - |
| 6 | 38 | 1800 | 600 | 800 | 50 | 700 | 23130-014 | 23130-034 | 25127-997 | 21101-809 | - |
| 7 | 38 | 1800 | 800 | 600 | 50 | 500 | 23130-014 | 23130-034 | 25127-997 | 21101-809 | 23130-091 |
| 8 | 42 | 2000 | 600 | 300 | 50 | 200 | 23130-015 | 23130-035 | 25127-997 | 21101-809 | - |
| 9 | 42 | 2000 | 600 | 600 | 50 | 500 | 23130-015 | 23130-035 | 25127-997 | 21101-809 | - |
| 10 | 42 | 2000 | 600 | 800 | 50 | 700 | 23130-015 | 23130-035 | 25127-997 | 21101-809 | - |
| 11 | 42 | 2000 | 800 | 600 | 50 | 500 | 23130-015 | 23130-035 | 25127-997 | 21101-809 | 23130-091 |
| 12 | 42 | 2000 | 800 | 800 | 150 | 500 | 23130-015 | 23130-035 | 25127-997 | 21101-809 | - |
| 13 | 47 | 2200 | 600 | 300 | 50 | 200 | 23130-016 | 23130-036 | 25127-997 | 21101-809 | - |
| 14 | 47 | 2200 | 600 | 600 | 50 | 500 | 23130-016 | 23130-036 | 25127-997 | 21101-809 | - |
| 15 | 47 | 2200 | 600 | 800 | 50 | 700 | 23130-016 | 23130-036 | 25127-997 | 21101-809 | - |
| 16 | 47 | 2200 | 800 | 800 | 150 | 500 | 23130-016 | 23130-036 | 25127-997 | 21101-809 | 23130-091 |
| Colour combinations | | | | | | | | | | | |
| | | | | | | RAL 7035 | AlZn | | | AlZn | |
| 17 | 29 | 1400 | 600 | 600 | 50 | 500 | 23130-022 | 23130-032 | 25127-997 | 21101-809 | - |
| 18 | 29 | 1400 | 600 | 800 | 50 | 700 | 23130-022 | 23130-032 | 25127-997 | 21101-809 | - |
| 19 | 33 | 1600 | 600 | 600 | 50 | 500 | 23130-023 | 23130-033 | 25127-997 | 21101-809 | - |
| 20 | 33 | 1600 | 600 | 800 | 50 | 700 | 23130-023 | 23130-033 | 25127-997 | 21101-809 | - |
| 21 | 38 | 1800 | 600 | 600 | 50 | 500 | 23130-024 | 23130-034 | 25127-997 | 21101-809 | - |
| 22 | 38 | 1800 | 600 | 800 | 50 | 700 | 23130-024 | 23130-034 | 25127-997 | 21101-809 | - |
| 23 | 38 | 1800 | 800 | 600 | 50 | 500 | 23130-024 | 23130-034 | 25127-997 | 21101-809 | 23130-091 |
| 24 | 42 | 2000 | 600 | 300 | 50 | 200 | 23130-025 | 23130-035 | 25127-997 | 21101-809 | - |
| 25 | 42 | 2000 | 600 | 600 | 50 | 500 | 23130-025 | 23130-035 | 25127-997 | 21101-809 | - |
| 26 | 42 | 2000 | 600 | 800 | 50 | 700 | 23130-025 | 23130-035 | 25127-997 | 21101-809 | - |
| 27 | 42 | 2000 | 800 | 600 | 50 | 500 | 23130-025 | 23130-035 | 25127-997 | 21101-809 | 23130-091 |
| 28 | 42 | 2000 | 800 | 800 | 150 | 500 | 23130-025 | 23130-035 | 25127-997 | 21101-809 | - |
| 29 | 47 | 2200 | 600 | 300 | 50 | 200 | 23130-026 | 23130-036 | 25127-997 | 21101-809 | - |
| 30 | 47 | 2200 | 600 | 600 | 50 | 500 | 23130-026 | 23130-036 | 25127-997 | 21101-809 | - |
| 31 | 47 | 2200 | 600 | 800 | 50 | 700 | 23130-026 | 23130-036 | 25127-997 | 21101-809 | - |
| 32 | 47 | 2200 | 800 | 800 | 150 | 500 | 23130-026 | 23130-036 | 25127-997 | 21101-809 | 23130-091 |

Cabinets – Varistar Electronics

INTERIOR MOUNTING ETSI PANEL/SLIDE MOUNTS

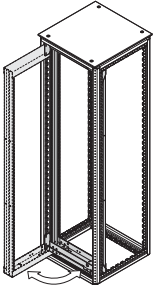


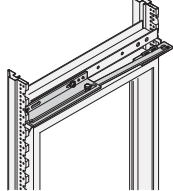
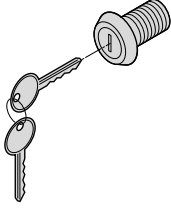
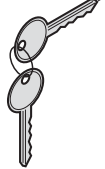
ORDER INFORMATION

| | | | | | ETSI panel/slide mount | |
|---|--------------------|------|-----|-----|---|---------------------|
| | | | | | Dimensions | Panel/slide mount |
|  | | | | |  <p>in accordance with ETS 300119-3 and IEC 60917-211; SU = 25 mm</p> <p>St, 2 mm, Al-Zn finish, suitable only for Slim-Line frame; shelves available on request</p> | |
| No. | Cabinet dimensions | | | | Height SU | PU 1 pair assembled |
| | U | mm | mm | mm | | |
| Completely in RAL 7021 | | | | | AlZn | |
| 1 | 29 | 1400 | 600 | 600 | 50 | 23130-052 |
| 2 | 29 | 1400 | 600 | 800 | 50 | 23130-052 |
| 3 | 33 | 1600 | 600 | 600 | 60 | 23130-053 |
| 4 | 33 | 1600 | 600 | 800 | 60 | 23130-053 |
| 5 | 38 | 1800 | 600 | 600 | 68 | 23130-054 |
| 6 | 38 | 1800 | 600 | 800 | 68 | 23130-054 |
| 7 | 38 | 1800 | 800 | 600 | 68 | 23130-054 |
| 8 | 42 | 2000 | 600 | 300 | 76 | 23130-055 |
| 9 | 42 | 2000 | 600 | 600 | 76 | 23130-055 |
| 10 | 42 | 2000 | 600 | 800 | 76 | 23130-055 |
| 11 | 42 | 2000 | 800 | 600 | 76 | 23130-055 |
| 12 | 42 | 2000 | 800 | 800 | 76 | 23130-055 |
| 13 | 47 | 2200 | 600 | 300 | 84 | 23130-056 |
| 14 | 47 | 2200 | 600 | 600 | 84 | 23130-056 |
| 15 | 47 | 2200 | 600 | 800 | 84 | 23130-056 |
| 16 | 47 | 2200 | 800 | 800 | 84 | 23130-056 |
| Colour combinations | | | | | AlZn | |
| 17 | 29 | 1400 | 600 | 600 | 50 | 23130-052 |
| 18 | 29 | 1400 | 600 | 800 | 50 | 23130-052 |
| 19 | 33 | 1600 | 600 | 600 | 60 | 23130-053 |
| 20 | 33 | 1600 | 600 | 800 | 60 | 23130-053 |
| 21 | 38 | 1800 | 600 | 600 | 68 | 23130-054 |
| 22 | 38 | 1800 | 600 | 800 | 68 | 23130-054 |
| 23 | 38 | 1800 | 800 | 600 | 68 | 23130-054 |
| 24 | 42 | 2000 | 600 | 300 | 76 | 23130-055 |
| 25 | 42 | 2000 | 600 | 600 | 76 | 23130-055 |
| 26 | 42 | 2000 | 600 | 800 | 76 | 23130-055 |
| 27 | 42 | 2000 | 800 | 600 | 76 | 23130-055 |
| 28 | 42 | 2000 | 800 | 800 | 76 | 23130-055 |
| 29 | 47 | 2200 | 600 | 300 | 84 | 23130-056 |
| 30 | 47 | 2200 | 600 | 600 | 84 | 23130-056 |
| 31 | 47 | 2200 | 600 | 800 | 84 | 23130-056 |
| 32 | 47 | 2200 | 800 | 800 | 84 | 23130-056 |

Cabinets – Varistar Electronics


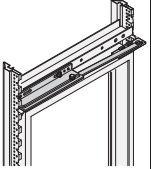
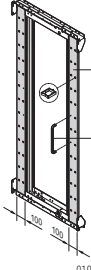
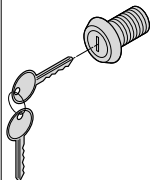
INTERIOR MOUNTING SWING FRAMES FOR CABINET WIDTH 600 MM

ORDER INFORMATION

| | | | Swing frame | Slide rail for swing frame | Stop 120° | Safety lock | Spare key |
|--|---------------|-------|---|---|--|---|---|
|  | | |  01005070 |  01018051 |  01005061 |  01015060 |  01015059 |
| | | | St, 2 mm, RAL 7021, load-carrying capacity: 150 kg, 120° hinge, square locks incl. 2 keys | | St; for safety reasons a swing frame stop is recommended | for swing frame, instead of square lock, incl. 2 keys | |
| Height | Usable height | Width | 1 piece assembled | PU 2 pieces assembled | PU 1 kit assembled | 1 piece assembled | PU 2 pieces supplied loose |
| U | U | mm | | | | | |
| Partial height | 12 | 600 | 21130-740 | 23130-183 | 23130-158 | 60113-267 | 60220-003 |
| | 21 | 600 | 21130-741 | 23130-183 | 23130-158 | 60113-267 | 60220-003 |
| | 25 | 600 | 21130-742 | 23130-183 | 23130-158 | 60113-267 | 60220-003 |
| | 30 | 600 | 21130-743 | 23130-183 | 23130-158 | 60113-267 | 60220-003 |
| | 34 | 600 | 21130-744 | 23130-183 | 23130-158 | 60113-267 | 60220-003 |
| | 39 | 600 | 21130-745 | 23130-183 | 23130-158 | 60113-267 | 60220-003 |
| | 43 | 600 | 21130-746 | 23130-183 | 23130-158 | 60113-267 | 60220-003 |

INTERIOR MOUNTING SWING FRAMES FOR CABINET WIDTH 800 MM

ORDER INFORMATION

| | | | Swing frame 120° | | Swing frame 160° | | Slide rail for swing frame | Swing frame trim | | Safety lock |
|--|---------------|-------|--|---|---|---|--|--|--|---|
| | | | Swing frame 120° | Stop 120° | Swing frame 160° | Stop 160° | | Asymmetrical assembly | Symmetrical assembly | |
|  | | |  01005070 |  01005061 |  01005070 |  01005061 |  01015060 |  01005058 |  01005057 |  01015060 |
| | | | St, 2 mm, RAL 7021, load-carrying capacity 150 kg, 120° hinge, square locks incl. 2 keys (Dimension) | St; for safety reasons a swing frame stop is recommended | St, 2 mm, RAL 7021, load-carrying capacity 150 kg, 160° hinge, square locks incl. 2 keys | St, swing frame stop is recommended for safety reasons | | St, 1.5 mm, RAL 7021, trim (item 1, width 200 mm) incl. handle (item 2) and cut-out for cable eyes | St, 1.5 mm, RAL 7021, trim (item 1, 2 x width 100 mm) incl. handle (item 2) and cut-out for cable eyes | for swing frame, instead of square lock, incl. 2 keys |
| Height | Usable height | Width | 1 piece assembled | PU 1 kit assembled | 1 piece assembled | PU 1 kit assembled | PU 2 pieces assembled | 1 piece assembled | PU 2 pieces assembled | 1 piece assembled |
| U | U | mm | | | | | | | | |
| Partial height | 12 | 800 | 21130-747 | 23130-158 | 21130-761 | 23130-159 | 23130-184 | – | – | 60113-267 |
| | 21 | 800 | 21130-748 | 23130-158 | 21130-762 | 23130-159 | 23130-184 | 21130-432 | 21130-442 | 60113-267 |
| | 25 | 800 | 21130-749 | 23130-158 | 21130-763 | 23130-159 | 23130-184 | 21130-433 | 21130-443 | 60113-267 |
| | 30 | 800 | 21130-750 | 23130-158 | 21130-764 | 23130-159 | 23130-184 | 21130-434 | 21130-444 | 60113-267 |
| | 34 | 800 | 21130-751 | 23130-158 | 21130-765 | 23130-159 | 23130-184 | 21130-435 | 21130-445 | 60113-267 |
| | 39 | 800 | 21130-752 | 23130-158 | 21130-766 | 23130-159 | 23130-184 | 21130-436 | 21130-446 | 60113-267 |
| | 43 | 800 | 21130-753 | 23130-158 | 21130-767 | 23130-159 | 23130-184 | 21130-437 | 21130-447 | 60113-267 |

Cabinets – Varistar Electronics

INTERIOR MOUNTING MOUNTING PLATE, STATIONARY SHELVES, 75 KG

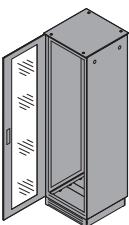
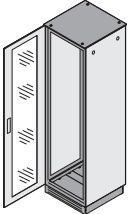
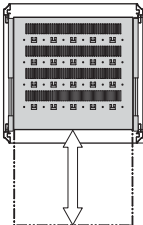
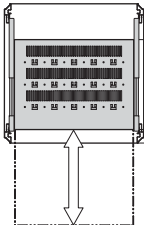
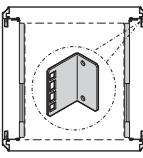
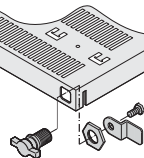
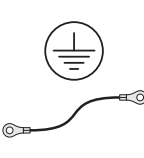
ORDER INFORMATION

| | | | | | Mounting plate | | Strengthening brackets | Stationary shelf | Stationary shelf | | |
|--|--------------------|-----------|----------|----------|--|--------------------|---|--|--|---|--|
| | | | | | Full height | Height 1200 mm | | Full depth | Shortened by 100 mm | Depth member, 3 rows | |
| <p>Completely in RAL 7021 (black grey)</p> <p>Colour combination RAL 7035 (light grey)/RAL 7021 (black grey)</p> | | | | | <p>01008052 01008053</p> | | <p>01008080</p> | <p>01004142 01004142</p> | <p>01004126</p> | | |
| | | | | | St, zinc-plated, 3 mm, static load-carrying capacity up to 450 kg (rear mounted); strengthening bracket increases static load-carrying capacity; please order separately | | St profile, increases static load-carrying capacity of mounting plate to 150 kg | St, 1.5 mm, static load-carrying capacity 75 kg, 1 U, incl. GND/earthing | St, 1.5 mm, static load-carrying cap. 75 kg, 1 U, depth 479 mm, incl. GND/earthing, for recessed installation order depth members separately | length 460 mm, St, 1.5 mm, finish AlZn; required for recessed shelf | |
| No. | Cabinet dimensions | | | | 1 piece assembled | 1 piece assembled | PU 2 pieces assembled | 1 piece assembled | 1 piece assembled | PU 1 pair assembled | |
| | U | Height mm | Width mm | Depth mm | | | | | | | |
| Completely in RAL 7021 | | | | | zinc-plated | zinc-plated | RAL 7021 | RAL 7021 | RAL 7021 | AlZn | |
| 1 | 29 | 1400 | 600 | 600 | – | 23130-413 | 23130-418 | 21130-323 | 21130-322 | 23130-081 | |
| 2 | 29 | 1400 | 600 | 800 | – | 23130-413 | 23130-418 | 21130-325 | 21130-324 | 23130-082 | |
| 3 | 33 | 1600 | 600 | 600 | – | 23130-413 | 23130-418 | 21130-323 | 21130-322 | 23130-081 | |
| 4 | 33 | 1600 | 600 | 800 | – | 23130-413 | 23130-418 | 21130-325 | 21130-324 | 23130-082 | |
| 5 | 38 | 1800 | 600 | 600 | 23130-405 | 23130-413 | 23130-418 | 21130-323 | 21130-322 | 23130-081 | |
| 6 | 38 | 1800 | 600 | 800 | 23130-405 | 23130-413 | 23130-418 | 21130-325 | 21130-324 | 23130-082 | |
| 7 | 38 | 1800 | 800 | 600 | 23130-406 | 23130-414 | 23130-418 | 21130-333 | 21130-332 | 23130-081 | |
| 8 | 42 | 2000 | 600 | 300 | 23130-407 | 23130-413 | 23130-418 | – | – | – | |
| 9 | 42 | 2000 | 600 | 600 | 23130-407 | 23130-413 | 23130-418 | 21130-323 | 21130-322 | 23130-081 | |
| 10 | 42 | 2000 | 600 | 800 | 23130-407 | 23130-413 | 23130-418 | 21130-325 | 21130-324 | 23130-082 | |
| 11 | 42 | 2000 | 800 | 600 | 23130-408 | 23130-414 | 23130-418 | 21130-333 | 21130-332 | 23130-081 | |
| 12 | 42 | 2000 | 800 | 800 | 23130-408 | 23130-414 | 23130-418 | 21130-335 | 21130-334 | 23130-082 | |
| 13 | 47 | 2200 | 600 | 300 | – | 23130-413 | 23130-418 | – | – | – | |
| 14 | 47 | 2200 | 600 | 600 | – | 23130-413 | 23130-418 | 21130-323 | 21130-322 | 23130-081 | |
| 15 | 47 | 2200 | 600 | 800 | – | 23130-413 | 23130-418 | 21130-325 | 21130-324 | 23130-082 | |
| 16 | 47 | 2200 | 800 | 800 | – | 23130-414 | 23130-418 | 21130-335 | 21130-334 | 23130-082 | |
| Colour combinations | | | | | zinc-plated | zinc-plated | RAL 7021 | RAL 7035 | RAL 7035 | AlZn | |
| 17 | 29 | 1400 | 600 | 600 | – | 23130-413 | 23130-418 | 22130-323 | 22130-322 | 23130-081 | |
| 18 | 29 | 1400 | 600 | 800 | – | 23130-413 | 23130-418 | 22130-325 | 22130-324 | 23130-082 | |
| 19 | 33 | 1600 | 600 | 600 | – | 23130-413 | 23130-418 | 22130-323 | 22130-322 | 23130-081 | |
| 20 | 33 | 1600 | 600 | 800 | – | 23130-413 | 23130-418 | 22130-325 | 22130-324 | 23130-082 | |
| 21 | 38 | 1800 | 600 | 600 | 23130-405 | 23130-413 | 23130-418 | 22130-323 | 22130-322 | 23130-081 | |
| 22 | 38 | 1800 | 600 | 800 | 23130-405 | 23130-413 | 23130-418 | 22130-325 | 22130-324 | 23130-082 | |
| 23 | 38 | 1800 | 800 | 600 | 23130-406 | 23130-414 | 23130-418 | 22130-333 | 22130-332 | 23130-081 | |
| 24 | 42 | 2000 | 600 | 300 | 23130-407 | 23130-413 | 23130-418 | – | – | – | |
| 25 | 42 | 2000 | 600 | 600 | 23130-407 | 23130-413 | 23130-418 | 22130-323 | 22130-322 | 23130-081 | |
| 26 | 42 | 2000 | 600 | 800 | 23130-407 | 23130-413 | 23130-418 | 22130-325 | 22130-324 | 23130-082 | |
| 27 | 42 | 2000 | 800 | 600 | 23130-408 | 23130-414 | 23130-418 | 22130-333 | 22130-332 | 23130-081 | |
| 28 | 42 | 2000 | 800 | 800 | 23130-408 | 23130-414 | 23130-418 | 22130-335 | 22130-334 | 23130-082 | |
| 29 | 47 | 2200 | 600 | 300 | – | 23130-413 | 23130-418 | – | – | – | |
| 30 | 47 | 2200 | 600 | 600 | – | 23130-413 | 23130-418 | 22130-323 | 22130-322 | 23130-081 | |
| 31 | 47 | 2200 | 600 | 800 | – | 23130-413 | 23130-418 | 22130-325 | 22130-324 | 23130-082 | |
| 32 | 47 | 2200 | 800 | 800 | – | 23130-414 | 23130-418 | 22130-335 | 22130-334 | 23130-082 | |

Cabinets – Varistar Electronics

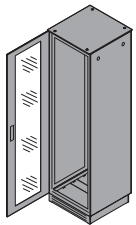
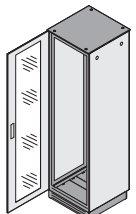
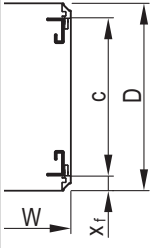
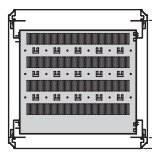
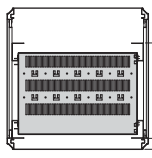
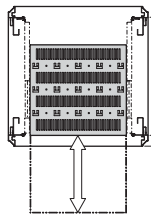
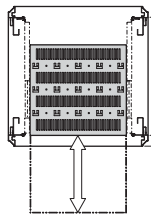
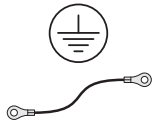
INTERIOR MOUNTING TELESCOPIC SHELVES, 70 KG

ORDER INFORMATION

| | | | | | | Telescopic shelf, 2 U | | | | | | | | | |
|--|----|-----------|----------|----------|--|---|---------------------|---|------------------|---|-----------------|---|--|---|--|
| | | | | | | Full depth | Shortened by 100 mm | Mounting bracket | T-bar lock | GND/earthing | | | | | |
|  <p>Completely in RAL 7021 (black grey)</p>  <p>Colour combination RAL 7035 (light grey)/RAL 7021 (black grey)</p> | | | | | |  <p>01004144</p> | |  <p>01004145</p> | |  <p>01005054</p> | |  <p>01004125</p> | |  <p>05904052</p> | |
| | | | | | | St, 1.5 mm, static load-carrying capacity 70/50 kg (width 600/800 mm), incl. telescopic slide, please order mounting bracket separately | | St, 1.5 mm, static load-carrying capacity 70/50 kg (width 600/800 mm), incl. telescopic slide, please order mounting bracket separately | | St, finish AlZn | | to lock the telescopic shelf | | for telescopic shelf | |
| Cabinet dimensions | | | | | | 1 piece assembled | | PU 4 pieces assembled | | 1 piece assembled | | PU 1 kit assembled | | | |
| No. | U | Height mm | Width mm | Depth mm | | RAL 7021 | RAL 7021 | AlZn | | | | | | | |
| Completely in RAL 7021 | | | | | | RAL 7021 | RAL 7021 | AlZn | | | | | | | |
| 1 | 29 | 1400 | 600 | 600 | | 21130-353 | 21130-352 | 23130-274 | 23130-092 | 23130-140 | | | | | |
| 2 | 29 | 1400 | 600 | 800 | | 21130-355 | 21130-354 | 23130-274 | 23130-092 | 23130-140 | | | | | |
| 3 | 33 | 1600 | 600 | 600 | | 21130-353 | 21130-352 | 23130-274 | 23130-092 | 23130-140 | | | | | |
| 4 | 33 | 1600 | 600 | 800 | | 21130-355 | 21130-354 | 23130-274 | 23130-092 | 23130-140 | | | | | |
| 5 | 38 | 1800 | 600 | 600 | | 21130-353 | 21130-352 | 23130-274 | 23130-092 | 23130-140 | | | | | |
| 6 | 38 | 1800 | 600 | 800 | | 21130-355 | 21130-354 | 23130-274 | 23130-092 | 23130-140 | | | | | |
| 7 | 38 | 1800 | 800 | 600 | | 21130-373 | 21130-372 | 23130-274 | 23130-092 | 23130-140 | | | | | |
| 8 | 42 | 2000 | 600 | 300 | | - | - | - | - | - | | | | | |
| 9 | 42 | 2000 | 600 | 600 | | 21130-353 | 21130-352 | 23130-274 | 23130-092 | 23130-140 | | | | | |
| 10 | 42 | 2000 | 600 | 800 | | 21130-355 | 21130-354 | 23130-274 | 23130-092 | 23130-140 | | | | | |
| 11 | 42 | 2000 | 800 | 600 | | 21130-373 | 21130-372 | 23130-274 | 23130-092 | 23130-140 | | | | | |
| 12 | 42 | 2000 | 800 | 800 | | 21130-375 | 21130-374 | 23130-274 | 23130-092 | 23130-140 | | | | | |
| 13 | 47 | 2200 | 600 | 300 | | - | - | - | - | - | | | | | |
| 14 | 47 | 2200 | 600 | 600 | | 21130-353 | 21130-352 | 23130-274 | 23130-092 | 23130-140 | | | | | |
| 15 | 47 | 2200 | 600 | 800 | | 21130-355 | 21130-354 | 23130-274 | 23130-092 | 23130-140 | | | | | |
| 16 | 47 | 2200 | 800 | 800 | | 21130-375 | 21130-374 | 23130-274 | 23130-092 | 23130-140 | | | | | |
| Colour combinations | | | | | | RAL 7035 | RAL 7035 | AlZn | | | RAL 7021 | | | | |
| 17 | 29 | 1400 | 600 | 600 | | 22130-353 | 22130-352 | 23130-274 | 23130-092 | 23130-140 | | | | | |
| 18 | 29 | 1400 | 600 | 800 | | 22130-355 | 22130-354 | 23130-274 | 23130-092 | 23130-140 | | | | | |
| 19 | 33 | 1600 | 600 | 600 | | 22130-353 | 22130-352 | 23130-274 | 23130-092 | 23130-140 | | | | | |
| 20 | 33 | 1600 | 600 | 800 | | 22130-355 | 22130-354 | 23130-274 | 23130-092 | 23130-140 | | | | | |
| 21 | 38 | 1800 | 600 | 600 | | 22130-353 | 22130-352 | 23130-274 | 23130-092 | 23130-140 | | | | | |
| 22 | 38 | 1800 | 600 | 800 | | 22130-355 | 22130-354 | 23130-274 | 23130-092 | 23130-140 | | | | | |
| 23 | 38 | 1800 | 800 | 600 | | 22130-373 | 22130-372 | 23130-274 | 23130-092 | 23130-140 | | | | | |
| 24 | 42 | 2000 | 600 | 300 | | - | - | - | - | - | | | | | |
| 25 | 42 | 2000 | 600 | 600 | | 22130-353 | 22130-352 | 23130-274 | 23130-092 | 23130-140 | | | | | |
| 26 | 42 | 2000 | 600 | 800 | | 22130-355 | 22130-354 | 23130-274 | 23130-092 | 23130-140 | | | | | |
| 27 | 42 | 2000 | 800 | 600 | | 22130-373 | 22130-372 | 23130-274 | 23130-092 | 23130-140 | | | | | |
| 28 | 42 | 2000 | 800 | 800 | | 22130-375 | 22130-374 | 23130-274 | 23130-092 | 23130-140 | | | | | |
| 29 | 47 | 2200 | 600 | 300 | | - | - | - | - | - | | | | | |
| 30 | 47 | 2200 | 600 | 600 | | 22130-353 | 22130-352 | 23130-274 | 23130-092 | 23130-140 | | | | | |
| 31 | 47 | 2200 | 600 | 800 | | 22130-355 | 22130-354 | 23130-274 | 23130-092 | 23130-140 | | | | | |
| 32 | 47 | 2200 | 800 | 800 | | 22130-375 | 22130-374 | 23130-274 | 23130-092 | 23130-140 | | | | | |

Cabinets – Varistar Electronics

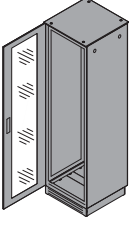
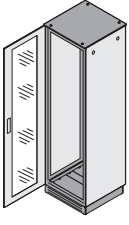
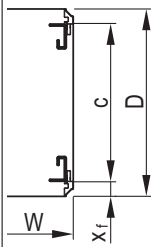
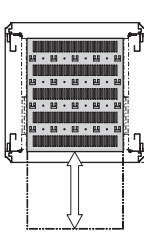
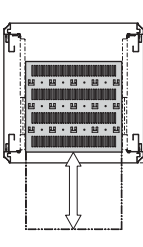
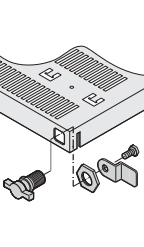
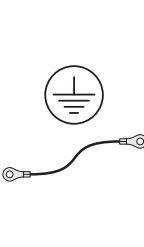
INTERIOR MOUNTING 19" SHELVES 1 U, STATIONARY 75 KG, TELESCOPIC 30 KG
ORDER INFORMATION

| | | Dimension Standard fitting | | 19" stationary shelf, 1 U, 75 kg | | 19" telescopic shelf, 1 U, 30 kg | | GND/earthing | | | |
|--|--------------------|--|-------------|---|---|--|--|---|-------------------|-------------------|--------------------|
| | | | | Full depth | Shortened by 100 mm | Full depth | Shortened by 100 mm | | | | |
|  <p>Completely in RAL 7021 (black grey)</p> | |  <p>01004146</p> | |  <p>01004118</p> |  <p>01004119</p> |  <p>01004123</p> |  <p>01004122</p> |  <p>05904052</p> | | | |
|  <p>Colour combination RAL 7035 (light grey)/ RAL 7021 (black grey)</p> | | <p>x_f = distance from front c = pitch of 19" panel/slide mounts D = cabinet depth W = cabinet width</p> | | <p>St, 1.5 mm, static load-carrying capacity 75 kg, depth 600 mm, incl. GND/earthing</p> | <p>St, 1.5 mm, static load-carrying capacity 75 kg, depth 500 mm, incl. GND/earthing</p> | <p>St, 1.5 mm, static load-carrying capacity 30 kg, incl. telescopic slide; please order GND/earthing kit separately</p> | <p>St, 1.5 mm, static load-carrying capacity 30 kg, incl. telescopic slide; please order GND/earthing kit separately</p> | <p>for telescopic shelf</p> | | | |
| No. | Cabinet dimensions | | | | x_f mm | c mm | RAL 7021 | | RAL 7021 | | PU 1 kit assembled |
| | U | Height mm | Width mm | Depth mm | | | 1 piece assembled | 1 piece assembled | 1 piece assembled | 1 piece assembled | |
| Completely in RAL 7021 | | | | | | | | | | | |
| 1 | 29 | 1400 | 600 | 600 | 50 | 500 | 21130-303 | 21130-302 | 21130-343 | 21130-342 | 23130-140 |
| 2 | 29 | 1400 | 600 | 800 | 50 | 700 | 21130-305 | 21130-304 | 21130-345 | 21130-344 | 23130-140 |
| 3 | 33 | 1600 | 600 | 600 | 50 | 500 | 21130-303 | 21130-302 | 21130-343 | 21130-342 | 23130-140 |
| 4 | 33 | 1600 | 600 | 800 | 50 | 700 | 21130-305 | 21130-304 | 21130-345 | 21130-344 | 23130-140 |
| 5 | 38 | 1800 | 600 | 600 | 50 | 500 | 21130-303 | 21130-302 | 21130-343 | 21130-342 | 23130-140 |
| 6 | 38 | 1800 | 600 | 800 | 50 | 700 | 21130-305 | 21130-304 | 21130-345 | 21130-344 | 23130-140 |
| 7 | 38 | 1800 | 800 | 600 | 50 | 500 | 21130-303 | 21130-302 | 21130-343 | 21130-342 | 23130-140 |
| 8 | 42 | 2000 | 600 | 300 | 50 | 200 | - | - | - | - | - |
| 9 | 42 | 2000 | 600 | 600 | 50 | 500 | 21130-303 | 21130-302 | 21130-343 | 21130-342 | 23130-140 |
| 10 | 42 | 2000 | 600 | 800 | 50 | 700 | 21130-305 | 21130-304 | 21130-345 | 21130-344 | 23130-140 |
| 11 | 42 | 2000 | 800 | 600 | 50 | 500 | 21130-303 | 21130-302 | 21130-343 | 21130-342 | 23130-140 |
| 12 | 42 | 2000 | 800 | 800 | 150 | 500 | 21130-303 | 21130-302 | 21130-343 | 21130-342 | |
| 13 | 47 | 2200 | 600 | 300 | 50 | 200 | - | - | - | - | - |
| 14 | 47 | 2200 | 600 | 600 | 50 | 500 | 21130-303 | 21130-302 | 21130-343 | 21130-342 | 23130-140 |
| 15 | 47 | 2200 | 600 | 800 | 50 | 700 | 21130-305 | 21130-304 | 21130-345 | 21130-344 | 23130-140 |
| 16 | 47 | 2200 | 800 | 800 | 150 | 500 | 21130-303 | 21130-302 | 21130-343 | 21130-342 | 23130-140 |
| Colour combinations | | | | | | | | | | | |
| 17 | 29 | 1400 | 600 | 600 | 50 | 500 | 22130-303 | 22130-302 | 22130-343 | 22130-342 | 23130-140 |
| 18 | 29 | 1400 | 600 | 800 | 50 | 700 | 22130-305 | 22130-304 | 22130-345 | 22130-344 | 23130-140 |
| 19 | 33 | 1600 | 600 | 600 | 50 | 500 | 22130-303 | 22130-302 | 22130-343 | 22130-342 | 23130-140 |
| 20 | 33 | 1600 | 600 | 800 | 50 | 700 | 22130-305 | 22130-304 | 22130-345 | 22130-344 | 23130-140 |
| 21 | 38 | 1800 | 600 | 600 | 50 | 500 | 22130-303 | 22130-302 | 22130-343 | 22130-342 | 23130-140 |
| 22 | 38 | 1800 | 600 | 800 | 50 | 700 | 22130-305 | 22130-304 | 22130-345 | 22130-344 | 23130-140 |
| 23 | 38 | 1800 | 800 | 600 | 50 | 500 | 22130-303 | 22130-302 | 22130-343 | 22130-342 | 23130-140 |
| 24 | 42 | 2000 | 600 | 300 | 50 | 200 | - | - | - | - | - |
| 25 | 42 | 2000 | 600 | 600 | 50 | 500 | 22130-303 | 22130-302 | 22130-343 | 22130-342 | 23130-140 |
| 26 | 42 | 2000 | 600 | 800 | 50 | 700 | 22130-305 | 22130-304 | 22130-345 | 22130-344 | 23130-140 |
| 27 | 42 | 2000 | 800 | 600 | 50 | 500 | 22130-303 | 22130-302 | 22130-343 | 22130-342 | 23130-140 |
| 28 | 42 | 2000 | 800 | 800 | 150 | 500 | 22130-303 | 22130-302 | 22130-343 | 22130-342 | |
| 29 | 47 | 2200 | 600 | 300 | 50 | 200 | - | - | - | - | - |
| 30 | 47 | 2200 | 600 | 600 | 50 | 500 | 22130-303 | 22130-302 | 22130-343 | 22130-342 | 23130-140 |
| 31 | 47 | 2200 | 600 | 800 | 50 | 700 | 22130-305 | 22130-304 | 22130-345 | 22130-344 | 23130-140 |
| 32 | 47 | 2200 | 800 | 800 | 150 | 500 | 22130-303 | 22130-302 | 22130-343 | 22130-342 | 23130-140 |

Cabinets – Varistar Electronics

INTERIOR MOUNTING 19" TELESCOPIC SHELF, 2 U, 70 KG

ORDER INFORMATION

| | | | | | Dimension Standard fitting | | Telescopic shelf, 2 U, 70 kg | | | |
|--|--------------------|----------|----------|----------|---|-------------------|---|---|---|---|
| | | | | | | | Full depth | Shortened by 100 mm | T-bar lock | GND/earthing |
|  <p>Completely in RAL 7021 (black grey)</p>  <p>Colour combination RAL 7035 (light grey)/RAL 7021 (black grey)</p> | | | | |  <p>01004146</p> | |  <p>01004123</p> |  <p>01004122</p> |  <p>01004125</p> |  <p>05904052</p> |
| | | | | | X_f = distance from front c = pitch of 19" panel/slide mounts D = cabinet depth W = cabinet width | | St, 1.5 mm, RAL 7021, static load-carrying capacity 70 kg, width 417 mm, depth 482 mm, incl. telescopic slide, please order, T-bar lock and earthing kit separately | St, 1.5 mm, RAL 7021, static load-carrying capacity 70 kg, width 400 mm, depth 682 mm, incl. telescopic slide, please order, T-bar lock and earthing kit separately | to lock the telescopic shelf | for telescopic shelf |
| No. | Cabinet dimensions | | | X_f mm | c mm | 1 piece assembled | 1 piece assembled | 1 piece assembled | PU 1 kit assembled | |
| | Height U | Width mm | Depth mm | | | | | | | |
| Completely in RAL 7021 | | | | | | | | | | |
| 1 | 29 | 1400 | 600 | 600 | 50 | 500 | 21130-353 | 21130-352 | 23130-092 | 23130-140 |
| 2 | 29 | 1400 | 600 | 800 | 50 | 700 | 21130-355 | 21130-354 | | |
| 3 | 33 | 1600 | 600 | 600 | 50 | 500 | 21130-353 | 21130-352 | 23130-092 | 23130-140 |
| 4 | 33 | 1600 | 600 | 800 | 50 | 700 | 21130-355 | 21130-354 | | |
| 5 | 38 | 1800 | 600 | 600 | 50 | 500 | 21130-353 | 21130-352 | 23130-092 | 23130-140 |
| 6 | 38 | 1800 | 600 | 800 | 50 | 700 | 21130-355 | 21130-354 | 23130-092 | 23130-140 |
| 7 | 38 | 1800 | 800 | 600 | 50 | 500 | 21130-353 | 21130-352 | 23130-092 | 23130-140 |
| 8 | 42 | 2000 | 600 | 300 | 50 | 200 | - | - | - | - |
| 9 | 42 | 2000 | 600 | 600 | 50 | 500 | 21130-353 | 21130-352 | 23130-092 | 23130-140 |
| 10 | 42 | 2000 | 600 | 800 | 50 | 700 | 21130-355 | 21130-354 | | |
| 11 | 42 | 2000 | 800 | 600 | 50 | 500 | 21130-353 | 21130-352 | 23130-092 | 23130-140 |
| 12 | 42 | 2000 | 800 | 800 | 150 | 500 | 21130-353 | 21130-352 | | |
| 13 | 47 | 2200 | 600 | 300 | 50 | 200 | - | - | - | - |
| 14 | 47 | 2200 | 600 | 600 | 50 | 500 | 21130-353 | 21130-352 | 23130-092 | 23130-140 |
| 15 | 47 | 2200 | 600 | 800 | 50 | 700 | 21130-355 | 21130-354 | | |
| 16 | 47 | 2200 | 800 | 800 | 150 | 500 | 21130-353 | 21130-352 | 23130-092 | 23130-140 |
| Colour combinations | | | | | | | | | | |
| 17 | 29 | 1400 | 600 | 600 | 50 | 500 | 22130-353 | 22130-352 | 23130-092 | 23130-140 |
| 18 | 29 | 1400 | 600 | 800 | 50 | 700 | 22130-355 | 22130-354 | | |
| 19 | 33 | 1600 | 600 | 600 | 50 | 500 | 22130-353 | 22130-352 | 23130-092 | 23130-140 |
| 20 | 33 | 1600 | 600 | 800 | 50 | 700 | 22130-355 | 22130-354 | | |
| 21 | 38 | 1800 | 600 | 600 | 50 | 500 | 22130-353 | 22130-352 | 23130-092 | 23130-140 |
| 22 | 38 | 1800 | 600 | 800 | 50 | 700 | 22130-355 | 22130-354 | | |
| 23 | 38 | 1800 | 800 | 600 | 50 | 500 | 22130-353 | 22130-352 | 23130-092 | 23130-140 |
| 24 | 42 | 2000 | 600 | 300 | 50 | 200 | - | - | - | - |
| 25 | 42 | 2000 | 600 | 600 | 50 | 500 | 22130-353 | 22130-352 | 23130-092 | 23130-140 |
| 26 | 42 | 2000 | 600 | 800 | 50 | 700 | 22130-355 | 22130-354 | | |
| 27 | 42 | 2000 | 800 | 600 | 50 | 500 | 22130-353 | 22130-352 | 23130-092 | 23130-140 |
| 28 | 42 | 2000 | 800 | 800 | 150 | 500 | 22130-353 | 22130-352 | | |
| 29 | 47 | 2200 | 600 | 300 | 50 | 200 | - | - | - | - |
| 30 | 47 | 2200 | 600 | 600 | 50 | 500 | 22130-353 | 22130-352 | 23130-092 | 23130-140 |
| 31 | 47 | 2200 | 600 | 800 | 50 | 700 | 22130-355 | 22130-354 | | |
| 32 | 47 | 2200 | 800 | 800 | 150 | 500 | 22130-353 | 22130-352 | 23130-092 | 23130-140 |

Cabinets – Varistar Electronics

INTERIOR MOUNTING SLIDE RAILS, DEPTH MEMBERS

ORDER INFORMATION

| | | | | | Dimension Standard fitting | | Slide rail | | Short slide rail | Depth member, 3 rows | |
|-------------------------------|--------------------|-------------|-------------|-----|--|-----------|---|------------------|--|---|---|
| | | | | | | | 25 kg | 100 kg | | | |
| | | | | | | | | | | | |
| | | | | | <small>01004146</small> X_f = distance from front c = pitch of 19" panel/slide mounts D = cabinet depth W = cabinet width | | St, 1.5 mm, finish AlZn, static load-carrying capacity 25 kg/pair | | St, 2.5 mm, zinc-plated, static load-carrying capacity 100 kg/pair | St, 1.5 mm, finish AlZn, static load-carrying capacity 15 kg/pair | length 460 mm, St, 1.5 mm, finish AlZn; required for recessed shelf |
| No. | Cabinet dimensions | | | | X_f mm | c mm | PU 2 pieces supplied loose | | PU 1 kit supplied loose | PU 1 pair assembled | |
| | Height U | Width mm | Depth mm | mm | | | AlZn | zinc-plated | | AlZn | AlZn |
| Completely in RAL 7021 | | | | | | | | | | | |
| 1 | 29 | 1400 | 600 | 600 | 50 | 500 | 23130-096 | 23130-118 | | 23130-081 | |
| 2 | 29 | 1400 | 600 | 800 | 50 | 700 | 23130-097 | 23130-119 | 23130-094 | 23130-082 | |
| 3 | 33 | 1600 | 600 | 600 | 50 | 500 | 23130-096 | 23130-118 | | 23130-081 | |
| 4 | 33 | 1600 | 600 | 800 | 50 | 700 | 23130-097 | 23130-119 | 23130-094 | 23130-082 | |
| 5 | 38 | 1800 | 600 | 600 | 50 | 500 | 23130-096 | 23130-118 | | 23130-081 | |
| 6 | 38 | 1800 | 600 | 800 | 50 | 700 | 23130-097 | 23130-119 | 23130-094 | 23130-082 | |
| 7 | 38 | 1800 | 800 | 600 | 50 | 500 | 23130-096 | 23130-118 | 23130-094 | 23130-081 | |
| 8 | 42 | 2000 | 600 | 300 | 50 | 200 | 23130-099 | 23130-116 | 23130-094 | - | |
| 9 | 42 | 2000 | 600 | 600 | 50 | 500 | 23130-096 | 23130-118 | | 23130-081 | |
| 10 | 42 | 2000 | 600 | 800 | 50 | 700 | 23130-097 | 23130-119 | 23130-094 | 23130-082 | |
| 11 | 42 | 2000 | 800 | 600 | 50 | 500 | 23130-096 | 23130-118 | | 23130-081 | |
| 12 | 42 | 2000 | 800 | 800 | 150 | 500 | 23130-096 | 23130-118 | 23130-094 | 23130-082 | |
| 13 | 47 | 2200 | 600 | 300 | 50 | 200 | 23130-099 | 23130-116 | 23130-094 | - | |
| 14 | 47 | 2200 | 600 | 600 | 50 | 500 | 23130-096 | 23130-118 | | 23130-081 | |
| 15 | 47 | 2200 | 600 | 800 | 50 | 700 | 23130-097 | 23130-119 | 23130-094 | 23130-082 | |
| 16 | 47 | 2200 | 800 | 800 | 150 | 500 | 23130-096 | 23130-118 | 23130-094 | 23130-082 | |
| Colour combinations | | | | | | | | | | | |
| 17 | 29 | 1400 | 600 | 600 | 50 | 500 | 23130-096 | 23130-118 | | 23130-081 | |
| 18 | 29 | 1400 | 600 | 800 | 50 | 700 | 23130-097 | 23130-119 | 23130-094 | 23130-082 | |
| 19 | 33 | 1600 | 600 | 600 | 50 | 500 | 23130-096 | 23130-118 | | 23130-081 | |
| 20 | 33 | 1600 | 600 | 800 | 50 | 700 | 23130-097 | 23130-119 | 23130-094 | 23130-082 | |
| 21 | 38 | 1800 | 600 | 600 | 50 | 500 | 23130-096 | 23130-118 | | 23130-081 | |
| 22 | 38 | 1800 | 600 | 800 | 50 | 700 | 23130-097 | 23130-119 | 23130-094 | 23130-082 | |
| 23 | 38 | 1800 | 800 | 600 | 50 | 500 | 23130-096 | 23130-118 | 23130-094 | 23130-081 | |
| 24 | 42 | 2000 | 600 | 300 | 50 | 200 | 23130-099 | 23130-116 | 23130-094 | - | |
| 25 | 42 | 2000 | 600 | 600 | 50 | 500 | 23130-096 | 23130-118 | | 23130-081 | |
| 26 | 42 | 2000 | 600 | 800 | 50 | 700 | 23130-097 | 23130-119 | 23130-094 | 23130-082 | |
| 27 | 42 | 2000 | 800 | 600 | 50 | 500 | 23130-096 | 23130-118 | | 23130-081 | |
| 28 | 42 | 2000 | 800 | 800 | 150 | 500 | 23130-096 | 23130-118 | 23130-094 | 23130-082 | |
| 29 | 47 | 2200 | 600 | 300 | 50 | 200 | 23130-099 | 23130-116 | 23130-094 | - | |
| 30 | 47 | 2200 | 600 | 600 | 50 | 500 | 23130-096 | 23130-118 | | 23130-081 | |
| 31 | 47 | 2200 | 600 | 800 | 50 | 700 | 23130-097 | 23130-119 | 23130-094 | 23130-082 | |
| 32 | 47 | 2200 | 800 | 800 | 150 | 500 | 23130-096 | 23130-118 | 23130-094 | 23130-082 | |

Cabinets – Varistar Electronics

INTERIOR MOUNTING CABLE DUCTINGS

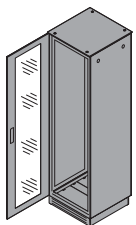
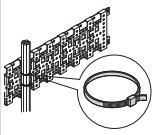
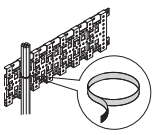

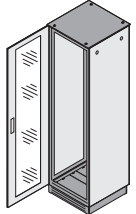


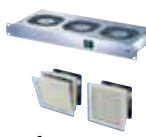
ORDER INFORMATION

| | | | | | Cable ducting with C-profile | | | | | | | | | | | | | | | | | | | | | | | | |
|--|--------------------|------|-----|-----|--|----------------------------|-----------------------------|-----------------------------|----------------------------|--|--|--|--|--|-----------------------------------|--|--|--|--|--|--|--|--|--|---|--|--|--|--|
| | | | | | C-rail for cabinet depth | C-rail for cabinet width | Slide nut | Cable shell | Cable support for C-rail | | | | | | | | | | | | | | | | | | | | |
| <p>Completely in RAL 7021 (black grey)</p> <p>Colour combination RAL 7035 (light grey) / RAL 7021 (black grey)</p> | | | | | <p>01006109</p> <p>St, 1.5 mm, finish AlZn</p> | | | | | <p>01006107</p> <p>St, 1.5 mm, finish AlZn</p> | | | | | <p>01504054</p> <p>for C-rail</p> | | | | | <p>vm1009</p> <p>for C-rail or for cable support rail, for cable bundles of 42 ... 46 mm, further dimensions see page 1.24</p> | | | | | <p>01006110</p> <p>PA, UL 94 V-0, black, assembly by clipping onto the C-rail</p> | | | | |
| No. | Cabinet dimensions | | | | PU 2 pieces supplied loose | PU 2 pieces supplied loose | PU 10 pieces supplied loose | PU 10 pieces supplied loose | PU 5 pieces supplied loose | | | | | | | | | | | | | | | | | | | | |
| | U | mm | mm | mm | | | | | | | | | | | | | | | | | | | | | | | | | |
| Completely in RAL 7021 | | | | | AlZn | AlZn | | | | | | | | | | | | | | | | | | | | | | | |
| 1 | 29 | 1400 | 600 | 600 | 23130-086 | 23130-333 | 21120-140 | 20114-731 | 60118-472 | | | | | | | | | | | | | | | | | | | | |
| 2 | 29 | 1400 | 600 | 800 | 23130-087 | 23130-333 | 21120-140 | 20114-731 | 60118-472 | | | | | | | | | | | | | | | | | | | | |
| 3 | 33 | 1600 | 600 | 600 | 23130-086 | 23130-333 | 21120-140 | 20114-731 | 60118-472 | | | | | | | | | | | | | | | | | | | | |
| 4 | 33 | 1600 | 600 | 800 | 23130-087 | 23130-333 | 21120-140 | 20114-731 | 60118-472 | | | | | | | | | | | | | | | | | | | | |
| 5 | 38 | 1800 | 600 | 600 | 23130-086 | 23130-333 | 21120-140 | 20114-731 | 60118-472 | | | | | | | | | | | | | | | | | | | | |
| 6 | 38 | 1800 | 600 | 800 | 23130-087 | 23130-333 | 21120-140 | 20114-731 | 60118-472 | | | | | | | | | | | | | | | | | | | | |
| 7 | 38 | 1800 | 800 | 600 | 23130-086 | 23130-334 | 21120-140 | 20114-731 | 60118-472 | | | | | | | | | | | | | | | | | | | | |
| 8 | 42 | 2000 | 600 | 300 | – | – | – | – | – | | | | | | | | | | | | | | | | | | | | |
| 9 | 42 | 2000 | 600 | 600 | 23130-086 | 23130-333 | 21120-140 | 20114-731 | 60118-472 | | | | | | | | | | | | | | | | | | | | |
| 10 | 42 | 2000 | 600 | 800 | 23130-087 | 23130-333 | 21120-140 | 20114-731 | 60118-472 | | | | | | | | | | | | | | | | | | | | |
| 11 | 42 | 2000 | 800 | 600 | 23130-086 | 23130-334 | 21120-140 | 20114-731 | 60118-472 | | | | | | | | | | | | | | | | | | | | |
| 12 | 42 | 2000 | 800 | 800 | 23130-087 | 23130-334 | 21120-140 | 20114-731 | 60118-472 | | | | | | | | | | | | | | | | | | | | |
| 13 | 47 | 2200 | 600 | 300 | – | – | – | – | – | | | | | | | | | | | | | | | | | | | | |
| 14 | 47 | 2200 | 600 | 600 | 23130-086 | 23130-333 | 21120-140 | 20114-731 | 60118-472 | | | | | | | | | | | | | | | | | | | | |
| 15 | 47 | 2200 | 600 | 800 | 23130-087 | 23130-333 | 21120-140 | 20114-731 | 60118-472 | | | | | | | | | | | | | | | | | | | | |
| 16 | 47 | 2200 | 800 | 800 | 23130-087 | 23130-334 | 21120-140 | 20114-731 | 60118-472 | | | | | | | | | | | | | | | | | | | | |
| Colour combinations | | | | | AlZn | AlZn | | | | | | | | | | | | | | | | | | | | | | | |
| 17 | 29 | 1400 | 600 | 600 | 23130-086 | 23130-333 | 21120-140 | 20114-731 | 60118-472 | | | | | | | | | | | | | | | | | | | | |
| 18 | 29 | 1400 | 600 | 800 | 23130-087 | 23130-333 | 21120-140 | 20114-731 | 60118-472 | | | | | | | | | | | | | | | | | | | | |
| 19 | 33 | 1600 | 600 | 600 | 23130-086 | 23130-333 | 21120-140 | 20114-731 | 60118-472 | | | | | | | | | | | | | | | | | | | | |
| 20 | 33 | 1600 | 600 | 800 | 23130-087 | 23130-333 | 21120-140 | 20114-731 | 60118-472 | | | | | | | | | | | | | | | | | | | | |
| 21 | 38 | 1800 | 600 | 600 | 23130-086 | 23130-333 | 21120-140 | 20114-731 | 60118-472 | | | | | | | | | | | | | | | | | | | | |
| 22 | 38 | 1800 | 600 | 800 | 23130-087 | 23130-333 | 21120-140 | 20114-731 | 60118-472 | | | | | | | | | | | | | | | | | | | | |
| 23 | 38 | 1800 | 800 | 600 | 23130-086 | 23130-334 | 21120-140 | 20114-731 | 60118-472 | | | | | | | | | | | | | | | | | | | | |
| 24 | 42 | 2000 | 600 | 300 | – | – | – | – | – | | | | | | | | | | | | | | | | | | | | |
| 25 | 42 | 2000 | 600 | 600 | 23130-086 | 23130-333 | 21120-140 | 20114-731 | 60118-472 | | | | | | | | | | | | | | | | | | | | |
| 26 | 42 | 2000 | 600 | 800 | 23130-087 | 23130-333 | 21120-140 | 20114-731 | 60118-472 | | | | | | | | | | | | | | | | | | | | |
| 27 | 42 | 2000 | 800 | 600 | 23130-086 | 23130-334 | 21120-140 | 20114-731 | 60118-472 | | | | | | | | | | | | | | | | | | | | |
| 28 | 42 | 2000 | 800 | 800 | 23130-087 | 23130-334 | 21120-140 | 20114-731 | 60118-472 | | | | | | | | | | | | | | | | | | | | |
| 29 | 47 | 2200 | 600 | 300 | – | – | – | – | – | | | | | | | | | | | | | | | | | | | | |
| 30 | 47 | 2200 | 600 | 600 | 23130-086 | 23130-333 | 21120-140 | 20114-731 | 60118-472 | | | | | | | | | | | | | | | | | | | | |
| 31 | 47 | 2200 | 600 | 800 | 23130-087 | 23130-333 | 21120-140 | 20114-731 | 60118-472 | | | | | | | | | | | | | | | | | | | | |
| 32 | 47 | 2200 | 800 | 800 | 23130-087 | 23130-334 | 21120-140 | 20114-731 | 60118-472 | | | | | | | | | | | | | | | | | | | | |

Cabinets – Varistar Electronics

INTERIOR MOUNTING CABLE TIES, VELCRO

ORDER INFORMATION

| | | | | | Cable tie | Velcro | General components |
|---|----|-----------|----------|----------|--|---|--|
|  <p>Completely in RAL 7021 (black grey)</p> | | | | |  |  | Mechanics  from page 3.2 |
|  <p>Colour combination RAL 7035 (light grey)/RAL 7021 (black grey)</p> | | | | | plastic, 92 mm x 2.5 mm, further dimensions see page 1.26 <small>01005078</small> | black, length 300 mm, further dimensions see page 1.26 <small>01005079</small> | Electrics  from page 3.29 |
| Cabinet dimensions | | | | | PU 25 pieces supplied loose | PU 10 pieces supplied loose | |
| No. | U | Height mm | Width mm | Depth mm | | | |
| Completely in RAL 7021 | | | | | | | |
| 1 | 29 | 1400 | 600 | 600 | 20118-351 | 20118-624 | Power distribution  from page 3.50 |
| 2 | 29 | 1400 | 600 | 800 | 20118-351 | 20118-624 | |
| 3 | 33 | 1600 | 600 | 600 | 20118-351 | 20118-624 | |
| 4 | 33 | 1600 | 600 | 800 | 20118-351 | 20118-624 | |
| 5 | 38 | 1800 | 600 | 600 | 20118-351 | 20118-624 | |
| 6 | 38 | 1800 | 600 | 800 | 20118-351 | 20118-624 | |
| 7 | 38 | 1800 | 800 | 600 | 20118-351 | 20118-624 | |
| 8 | 42 | 2000 | 600 | 300 | – | – | |
| 9 | 42 | 2000 | 600 | 600 | 20118-351 | 20118-624 | |
| 10 | 42 | 2000 | 600 | 800 | 20118-351 | 20118-624 | |
| 11 | 42 | 2000 | 800 | 600 | 20118-351 | 20118-624 | |
| 12 | 42 | 2000 | 800 | 800 | 20118-351 | 20118-624 | |
| 13 | 47 | 2200 | 600 | 300 | – | – | |
| 14 | 47 | 2200 | 600 | 600 | 20118-351 | 20118-624 | |
| 15 | 47 | 2200 | 600 | 800 | 20118-351 | 20118-624 | |
| 16 | 47 | 2200 | 800 | 800 | 20118-351 | 20118-624 | |
| Colour combinations | | | | | | | |
| 17 | 29 | 1400 | 600 | 600 | 20118-351 | 20118-624 | Climate control  from page 4.0 |
| 18 | 29 | 1400 | 600 | 800 | 20118-351 | 20118-624 | |
| 19 | 33 | 1600 | 600 | 600 | 20118-351 | 20118-624 | |
| 20 | 33 | 1600 | 600 | 800 | 20118-351 | 20118-624 | |
| 21 | 38 | 1800 | 600 | 600 | 20118-351 | 20118-624 | |
| 22 | 38 | 1800 | 600 | 800 | 20118-351 | 20118-624 | |
| 23 | 38 | 1800 | 800 | 600 | 20118-351 | 20118-624 | |
| 24 | 42 | 2000 | 600 | 300 | – | – | |
| 25 | 42 | 2000 | 600 | 600 | 20118-351 | 20118-624 | |
| 26 | 42 | 2000 | 600 | 800 | 20118-351 | 20118-624 | |
| 27 | 42 | 2000 | 800 | 600 | 20118-351 | 20118-624 | |
| 28 | 42 | 2000 | 800 | 800 | 20118-351 | 20118-624 | |
| 29 | 47 | 2200 | 600 | 300 | – | – | |
| 30 | 47 | 2200 | 600 | 600 | 20118-351 | 20118-624 | |
| 31 | 47 | 2200 | 600 | 800 | 20118-351 | 20118-624 | |
| 32 | 47 | 2200 | 800 | 800 | 20118-351 | 20118-624 | |

Cabinets – Varistar Platform

TWO LOAD-CARRYING CLASSES, ONE ACCESSORY RANGE: THE VARISTAR FRAMES



Varistar is the only cabinet platform that allows identical accessories to be combined with two basic frames. The cabinet is available in Slim-Line (narrow) or Heavy-Duty (robust) profiles.

SLIM-LINE PROFILE

The Slim-Line version is based on very thin steel profiles in order to obtain the greatest opening width between the uprights. This frame can accommodate either 19" equipment or metric components to ETS 3000-119-3. With a maximum load of 400 kg* on the 19" plane the frame is still highly robust and suitable for demanding applications in electronics or data and network technology.

HEAVY-DUTY PROFILE

The Heavy-Duty frame, on the other hand, is designed for use with heavy loads or in regions susceptible to earthquakes. It offers on the one hand maximum stability for a load of up to 800 kg* on the 19" plane and, thanks to its high bending stiffness, can meet the shock and vibration requirements such as occur in railway and traffic signal installations, in the control of rotating machines, on commercial ships or in low-level military installations. In the IEC 61587-2 earthquake test the Heavy-Duty frame qualified for use in Bellcore Zone 3. Equipped with very simple, low-cost strengthening brackets, the Varistar Seismic version meets the demands of Bellcore Zone 4.



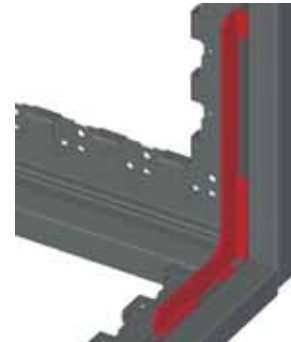
01006035

Slim-Line profile



01006034

Heavy-Duty profile



01008062

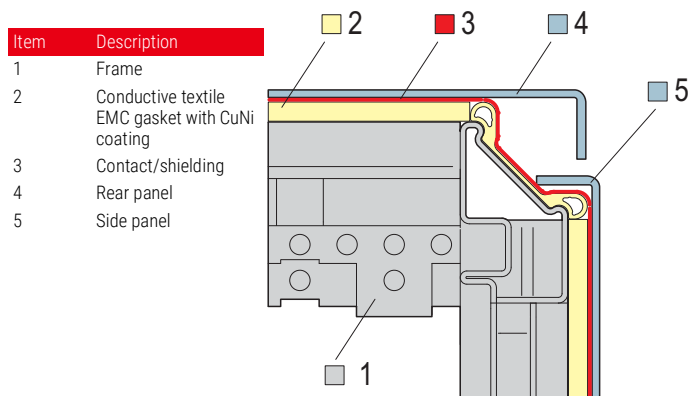
Heavy-duty profile with strengthening bracket

| | Standard | Slim-Line | Heavy-Duty |
|-------------------------------|-------------|--|--|
| Static load-carrying capacity | IEC 61587-1 | 400 kg * | 800 kg * |
| Type of protection | IEC 60529 | IP 20, IP 55 | IP 20, IP 55 |
| Shock test | IEC 61587-1 | Maximum acceleration: 5 g Duration: 11 ms | Maximum acceleration: 5 g Duration: 11 ms |
| Vibration test | IEC 61587-1 | Frequency: 5 Hz -100 Hz Acceleration: 1 g | Frequency: 5 Hz -100 Hz Acceleration: 1 g |
| Earthquake test | IEC 61587-2 | | Standard: up to Bellcore Zone 3, acceleration: 3 g, Frequency: 1 Hz ... 5 Hz With strengthening: up to Bellcore Zone 4, acceleration: 5 g, Frequency: 2 Hz ... 5 Hz |
| EMC shielding | IEC 61587-3 | 60 dB at 1 GHz, 40 dB at 3 GHz | 60 dB at 1 GHz, 40 dB at 3 GHz |
| Installing options | | 19" or ETS | 19" |

* The figures for static load-carrying capacity are based on the test procedure of IEC 61587-1. In this procedure the cabinet must withstand being moved about on the floor and dropped from a height of 1000 mm onto a hard surface while carrying the maximum load, without sustaining substantial deformations to the frame or to the 19" panel/ slide mounts. The possible loading for the Varistar frame is therefore, under normal operating conditions, considerably higher than the test value given under IEC 61587-1.

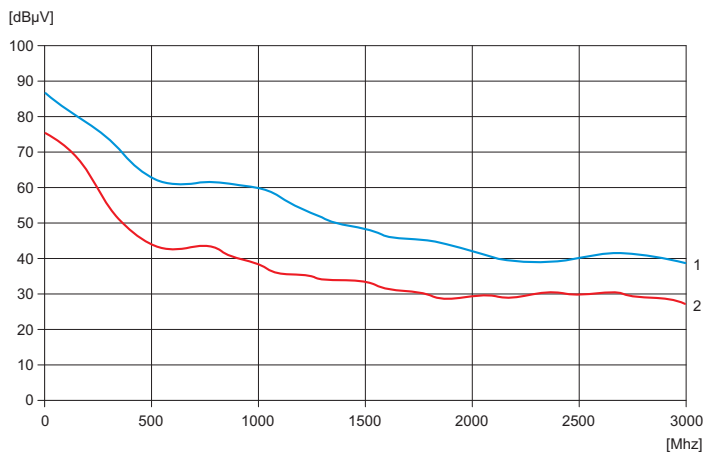
Cabinets – Varistar Platform

DECIDEDLY DIFFERENT: THE VARISTAR SEALING AND SHIELDING CONCEPT



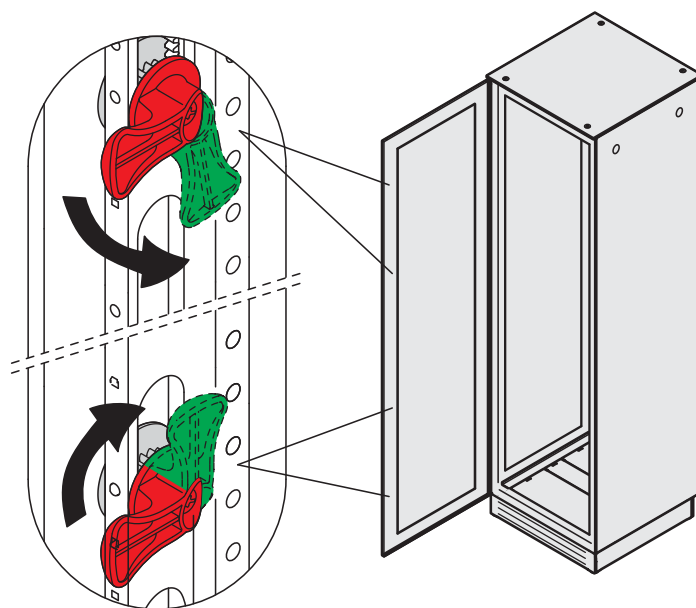
In most shielding designs currently available, conductive seals or springs connect the cover parts to the cabinet frame. The points of contact have thus to be kept conductive and corrosion-free. With VARISTAR, however, the conductive textile gaskets connect the cladding parts together directly, with two results: A considerably better shielding performance of 60 dB at 1 GHz (and 40 dB at 3 GHz) is obtained than with conventional designs. There is no longer any need for expensive treatment of the frame surface. The textile EMC gasket is at the same time also a shield against dust and water to IP 55. Where no shielding is required, a rubber gasket offering the same IP 55 protection is used. Both gaskets are fitted to the 45°-angled surface of the exterior of the frame.

Shielding up to 3 GHz



1: Cabinet with solid door 2: Cabinet with perforated door

SMOOTH-RUNNING AND ABSOLUTELY TIGHT: THE VARISTAR LOCKING SYSTEM

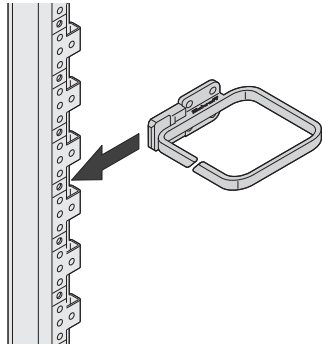


The latching system also contributes to protection class and shielding. The innovative locking bar accepts a variable number of deadbolts, depending on the cabinet height, to ensure the most even compression of the gaskets. And best of all: Activating the locking bar causes the latches to move in the opposite direction. Thus the frictional forces of the bolts are balanced out and a resulting lopsided vertical force on the door is avoided. The doors close easily and with an absolute seal. EMC doors are fitted with 4-point locking, IP and server doors with 3-point locking.

Cabinets – Varistar Platform

PEERLESS AND EFFICIENT: THE VARISTAR PROFILE (SLIM-LINE AND HEAVY-DUTY)

19" brackets are fixed without depth members



0100403401006105

The VARISTAR profile has fixing holes in all three axes (height, width, depth), following a 25 mm grid. This allows for the greatest variability in the fitting of components and accessories. Thus for example 19" panel/slide mounts may be installed in a 600 mm wide cabinet without additional depth members. This saves costs and provides stability on the 19" plane. The intricately shaped form of the profile offers further new assembly possibilities. Cable eyes, for instance, can be plugged directly into the frame whilst fixing themselves.

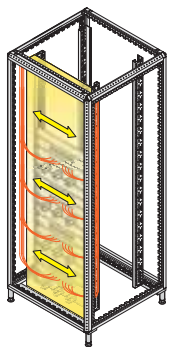
Self-fixing cable eyes

NEW AND WELL THOUGHT OUT: VARISTAR CABLE MANAGEMENT

Schroff has divided the available space in the VARISTAR into zones and given a simple description of the position and use of these zones. The coloured arrows show the direction of the cable ducting.

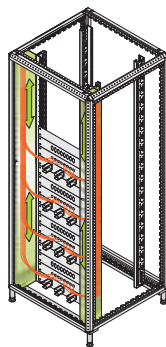
For each zone a range of accessories has been developed to suit the conditions in the cabinet, which simplifies cabling and thus helps to include as many connections as possible in a distribution cabinet. The VARISTAR profile with its many fixing options has thus proved a real boon.

Zone 1



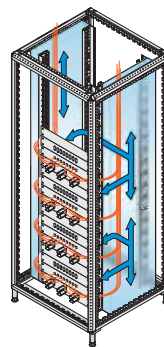
01006087

Zone 2



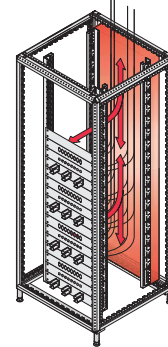
01006088

Zone 3



01006085

Zone 4



01006086

- In front of the 19" plane
- In this zone the patch cables are ducted horizontally between the distribution fields

- On the right and left hand side, next to the 19" plane
- In this zone patch cables are ducted vertically in a kind of channel to the individual components

- Zone 3 is located laterally behind the 19" plane across the cabinet depth, mainly for 800 mm wide cabinets
- In this zone entering cable bundles are fixed in the cabinet, parted and ducted to the rear of the distribution fields

- Zone 4 is located in the rear across the cabinet width
- Alternative to zone 3 for only 600 mm wide cabinets or when cable entry is at the rear of the cabinet

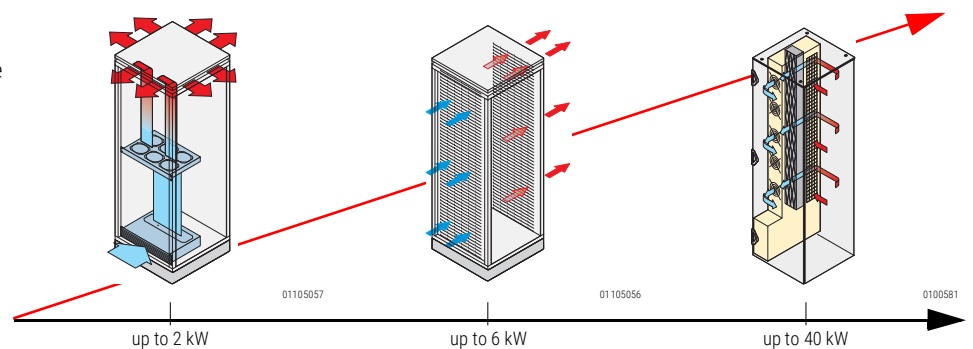
Cabinets – Varistar Platform

HEAT DISSIPATION TO EXACT REQUIREMENTS: COOLING CONCEPTS FOR VARISTAR

Depending on installed heat dissipation and the surroundings, VARISTAR offers various cooling options and also good conditions for problem-free operation of the installed equipment.

Either top cover fans are used to assist the heat dissipation or perforated doors with 78 % air throughput are fitted.

Additionally, VARISTAR LHX 20/40 with assembled air/water heat exchanger allows to cool especially strained appliances with water. And that for up to 40 kW per cabinet.



Fan unit, positioned inside



78 % air throughput



Air/water heat exchanger

CLASSIC AND CONSISTENT: VARISTAR COLOUR AND DESIGN

As well as its functional aspects, in the development of VARISTAR the design of the individual components and their combined effect on the appearance of the cabinet was always a priority. The cabinet gains its characteristic, unmistakable look from the high narrow door with the memorable hinges and the very thin, almost inconspicuous top cover edge. While rack, base and cover are offered in black grey (RAL 7021) for all standard cabinets, a choice of two colour options are available - even in our standard programme - for side panels, doors and rear panels:

Either entirely black grey (RAL 7021), as is the contemporary look in data centres and recording studios. Or in light grey (RAL 7035), whereby an attractive combination of mainly light surfaces with a few dark accents is obtained.

Alternatively, VARISTAR can be supplied in many RAL colours within 15 working days, or even as a combination of two special colours. The current range of colours can be seen online at www.schroff.de/modification.



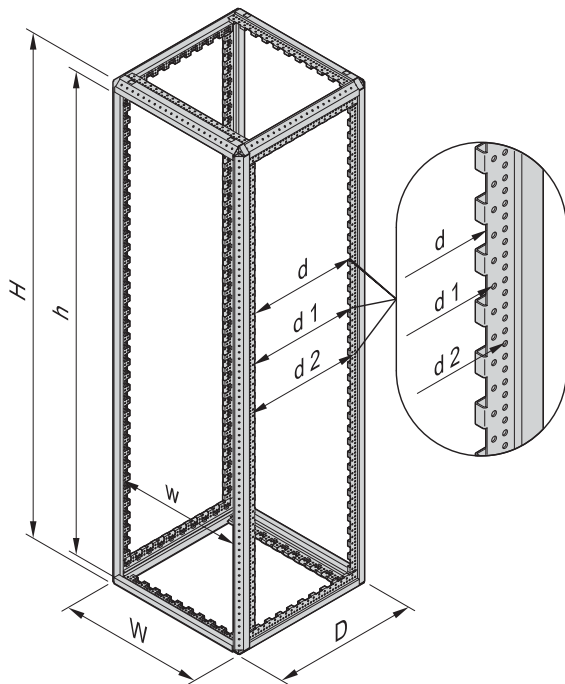
Colour RAL 7021 (black grey)



Colour combination RAL 7035/RAL 7021 (light grey/black grey)

Cabinets – Varistar Platform

FRAME DIMENSIONS



Height

| Cabinet height | | Frame | |
|----------------|----|-------|------|
| mm | U | H mm | h mm |
| 1200 | 24 | 1192 | 1102 |
| 1400 | 29 | 1392 | 1302 |
| 1600 | 33 | 1592 | 1502 |
| 1800 | 38 | 1792 | 1702 |
| 2000 | 42 | 1992 | 1902 |
| 2200 | 47 | 2192 | 2102 |

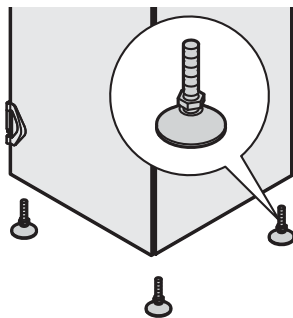
Width

| Cabinet width | Frame W | Slim-Line w | Heavy-Duty w |
|---------------|---------|-------------|--------------|
| mm | mm | mm | mm |
| 600 | 592 | 535 | 502 |
| 800 | 792 | 735 | 702 |

Depth

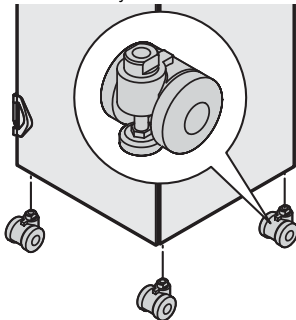
| Cabinet depth | D | Frame d | d ₁ | d ₂ |
|---------------|------|---------|----------------|----------------|
| mm | mm | mm | mm | mm |
| 300 | 292 | 128.8 | 150 | 175 |
| 600 | 592 | 428.8 | 450 | 475 |
| 800 | 792 | 628.8 | 650 | 675 |
| 900 | 892 | 728.8 | 750 | 775 |
| 1000 | 992 | 828.8 | 850 | 875 |
| 1100 | 1092 | 928.8 | 950 | 975 |
| 1200 | 1192 | 1028.8 | 1050 | 1075 |

Adjustable feet

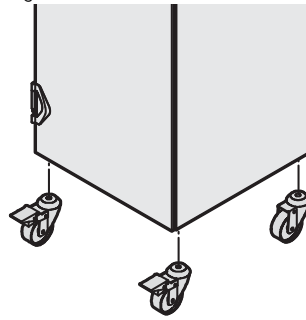


01005087

Castors with adjustable feet



Locking castors

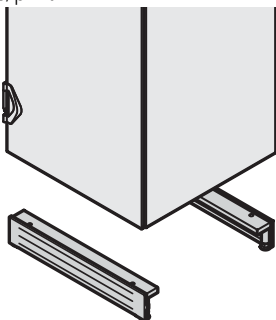


01004081

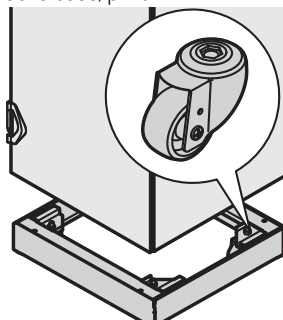
Height of adjustable feet, castors, base/plinth

| | |
|------------------------------|--------------------|
| Adjustable feet | 20 ... 40 mm |
| Locking castors | 85 mm |
| Castors with adjustable feet | 85 ... 95 mm |
| Base/plinth (feet) | 112 ... 132 mm |
| Base/plinth, mobile | 126.5 ... 134.5 mm |

Base/plinth



Mobile base/plinth

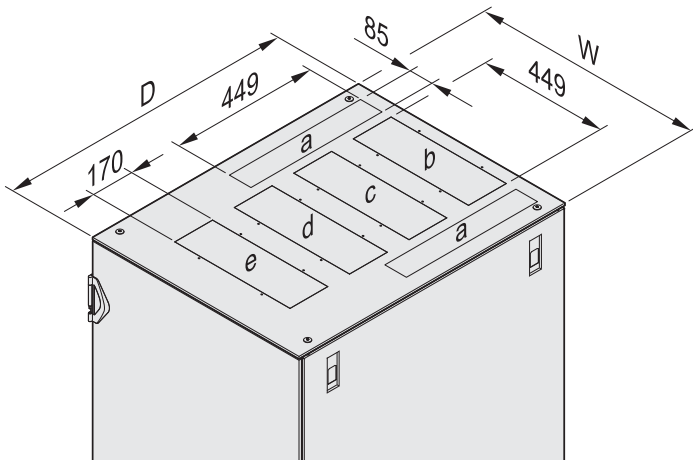


0100408201004156

0100411001004111

Cabinets – Varistar Platform

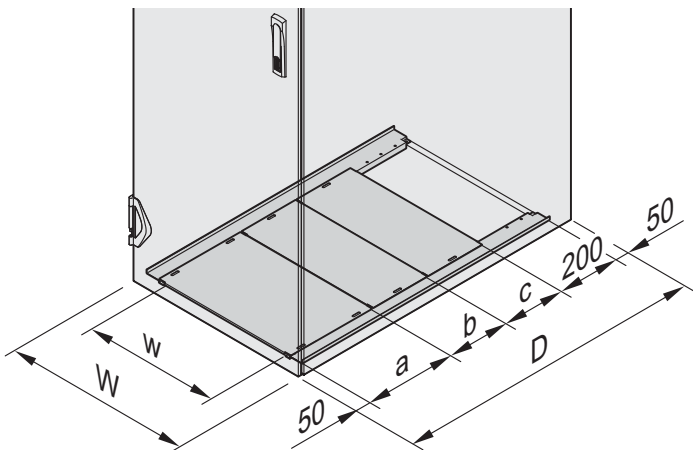
TOP COVER WITH CUT-OUT ZONES



01006097

| D | W = 600 mm | | | | | W = 800 mm | | | | |
|------|------------|---|---|---|---|------------|---|---|---|---|
| | a | b | c | d | e | a | b | c | d | e |
| 600 | - | ✓ | ✓ | - | - | - | ✓ | ✓ | - | - |
| 800 | - | ✓ | ✓ | ✓ | - | ✓ | ✓ | ✓ | ✓ | - |
| 900 | - | ✓ | ✓ | ✓ | - | ✓ | ✓ | ✓ | ✓ | - |
| 1000 | - | ✓ | ✓ | ✓ | ✓ | ✓ | ✓ | ✓ | ✓ | ✓ |
| 1100 | - | ✓ | ✓ | ✓ | ✓ | ✓ | ✓ | ✓ | ✓ | ✓ |
| 1200 | - | ✓ | ✓ | ✓ | ✓ | ✓ | ✓ | ✓ | ✓ | ✓ |

BASE PLATE, MULTI-PIECE



01006096

| D | Depth in mm | | |
|------|-------------|-----|-----|
| | a | b | c |
| 600 | 300 | - | - |
| 800 | 300 | 200 | - |
| 900 | 300 | 300 | - |
| 1000 | 300 | 200 | 200 |
| 1100 | 300 | 300 | 200 |
| 1200 | 300 | 300 | 300 |

| Cabinet width W mm | Opening width w mm |
|--------------------------|--------------------------|
| 600 | 426 |
| 800 | 626 |

North America

Warwick, RI, USA

Tel +1.800.525.4682

San Diego, CA, USA

Tel +1.800.854.7086

Europe, Middle East & India

Straubenhardt, Germany

Tel +49 7082 794 0

Betschdorf, France

Tel +33 3 88 90 64 90

Warsaw, Poland

Tel +48 22 209 98 35

Hemel Hempstead,

Great Britain

Tel +44 1442 24 04 71

Lainate, Italy

Tel +39 02 932 714 1

Dubai, United Arab Emirates

Tel +971 4 37 81 700

Bangalore, India

Tel +91 80 67152000

Istanbul, Turkey

Tel +90 216 250 7374

Asia Pacific

Shanghai, China

Tel +86 21 2412 6943

Singapore

Tel +65 6768 5800

Shin-Yokohama, Japan

Tel +81 45 476 0271

Our powerful portfolio of brands:

CADDY ERICO HOFFMAN RAYCHEM SCHROFF TRACER



[nVent.com/SCHROFF](https://www.nVent.com/SCHROFF)