

CONNECT AND PROTECT

Front Panels


nvent

SCHROFF

Modules – Front panels

OVERVIEW
MAIN CATALOG

- Cabinets 1
- Wall mounted cases 2
- Accessories for cabinets and wall mounted cases .. 3
- Climate control .. 4
- Electronics cases 5
- Subracks/ 19" chassis 6
- Front panels, plug-in units 7
- Systems 8
- Power supply units 9
- Backplanes 10
- Connectors, front panel component system 11
- Appendix 12

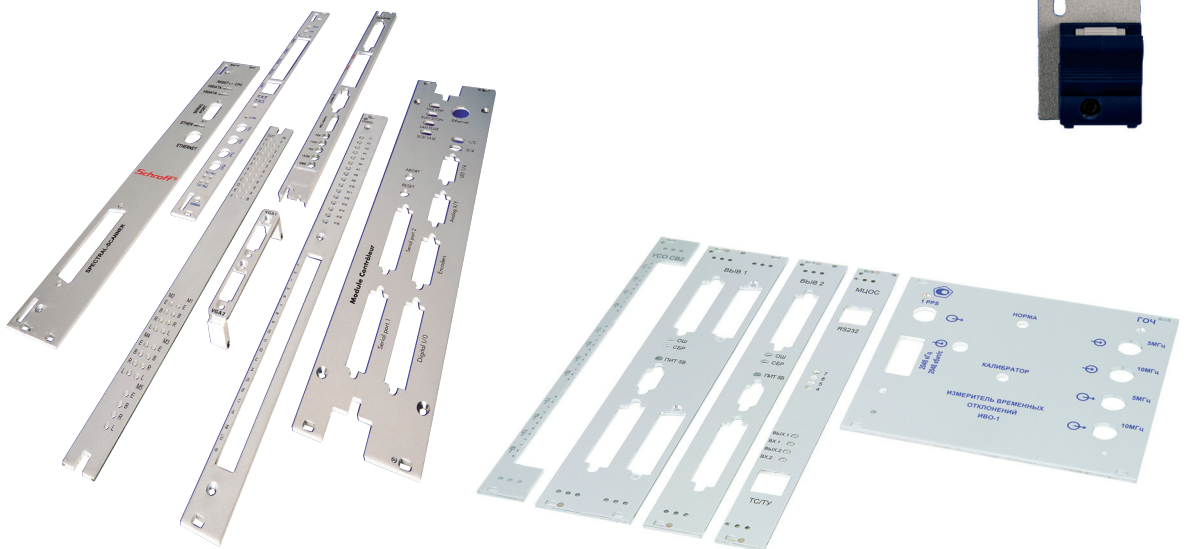

STANDARDS

- IEC 60297-3-101/IEEE 1101.1/10

SERVICEPLUS

- e.g. individual colouring
- e.g. customised cut-outs
- e.g. printing
- e.g. mounting service
- e.g. special dimensions

04292001



32304003

04210001 04603009

Modules – Front panels

OVERVIEW

FRONT PANELS FOR FITTING IN SUBRACKS, CASES AND SYSTEMS

- Extensive standard range with various finishes and materials (aluminium or stainless steel)
- Front Panel Express:
Fast delivery service of customised versions (from 2 days)
- EMC shielding retrofittable

Overview 7.2

Front panels
Unshielded 7.4
Shieldable 7.5
EMC stainless steel
gaskets 7.6
Assembly tool 7.6

Front panels
Shieldable
(U profile) 7.7
EMC textile gasket . 7.6

Further front panels
Hinged 7.8
Hinged, shielded . . . 7.9
For D-Sub
connectors 7.10
For Coax
connectors 7.11
3 U with GND/
earthing 7.11
Mezzanine front
panels 7.12

Assembly kit 7.107
AdvancedTCA front
panels 8.12
MicroTCA front
panels 8.65
AdvancedMC front
panels 8.60



04292001

FRONT PANELS, UNSHIELDED

- Aluminium, clear anodised
- Aluminium, clear pre-anodised, cut edge untreated
- Aluminium, front anodised, rear passivated (conductive)
- Other finishes on request



04600006

FRONT PANELS SHIELDABLE, FLAT

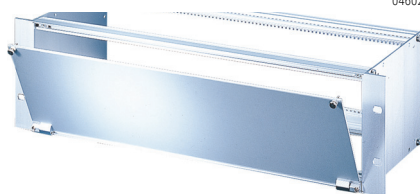
- With lateral grooves to fit EMC gaskets (stainless steel)
- Compatible with the shielded U profile version



04602004

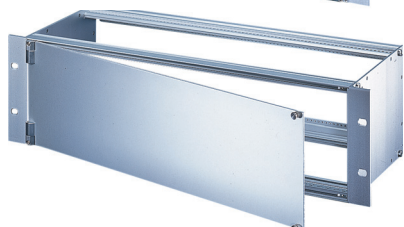
FRONT PANELS, SHIELDABLE, U PROFILE

- With lateral groove to fix a textile self-adhesive EMC gasket
- Compatible with the shielded flat version
- High robustness through U profile



FURTHER FRONT PANELS

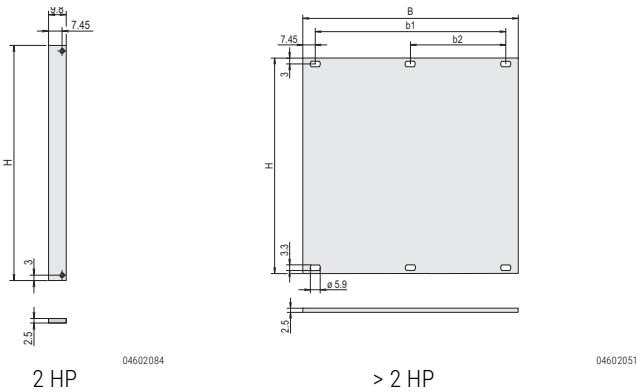
- Hinged/folding front panels
- Front panels with GND/earthing
- Mezzanine front panels
- AdvancedTCA front panels
- MicroTCA front panels
- AdvancedMC front panels



04295001 04295002

Modules – Front panels

FRONT PANELS, UNSHIELDED



- Front panel, Al, 2.5 mm
- Versions:
 - Al, anodised
 - Al, anodised, cut edges plain
 - Al, front anodised, rear passivated (conductive)

NOTE

- Other sizes and finishes available on request
- Please order fixing material separately, see chapter Assembly parts, page 7.107

ORDER INFORMATION

| Height | H | Width | B | b1 | b2 | Qty | Anodised, cut edges plain | Anodised | Front anodised, rear passivated (conductive) |
|--------|-------|-------|-------|--------------------|---------------------|-------------------------------|---------------------------|------------------|--|
| U | mm | HP | mm | mm | mm | 1). | Part No. | Part No. | Part No. |
| 1 | 39.5 | 84 | 426.4 | 411.5 | 203.2 | 1 | - | - | 20850-426 |
| 2 | 84.0 | 28 | 141.9 | 127.0 | - | 1 piece (SPQ 5) ¹⁾ | - | - | 30847-458 |
| 2 | 84.0 | 42 | 213.0 | 198.1 | 101.6 | 1 | - | - | 30847-459 |
| 2 | 84.0 | 63 | 319.7 | 304.8 | 157.5 | 1 | - | - | 30847-460 |
| 2 | 84.0 | 84 | 426.4 | 411.5 | 203.2 | 1 | 30818-271 | 30807-416 | 30847-461 |
| 3 | 128.4 | 2 | 9.8 | - | - | 1 piece (SPQ 5) ¹⁾ | 30810-433 | 30810-432 | 30847-470 |
| 3 | 128.4 | 3 | 14.9 | - | - | 1 piece (SPQ 5) ¹⁾ | 30818-272 | 30807-508 | 30847-471 |
| 3 | 128.4 | 4 | 20.0 | - | - | 1 piece (SPQ 5) ¹⁾ | 30818-273 | 30807-481 | 30838-043 |
| 3 | 128.4 | 5 | 25.0 | - | - | 1 piece (SPQ 5) ¹⁾ | 30818-274 | 30807-510 | 30838-044 |
| 3 | 128.4 | 6 | 30.1 | - | - | 1 piece (SPQ 5) ¹⁾ | 30818-275 | 30807-482 | 30838-045 |
| 3 | 128.4 | 7 | 35.2 | - | - | 1 piece (SPQ 5) ¹⁾ | 30818-276 | 30807-509 | 30838-046 |
| 3 | 128.4 | 8 | 40.3 | 25.4 ²⁾ | - | 1 piece (SPQ 5) ¹⁾ | 30818-277 | 30807-484 | 30838-047 |
| 3 | 128.4 | 10 | 50.5 | 35.6 | - | 1 piece (SPQ 5) ¹⁾ | 30818-279 | 30807-483 | 30838-049 |
| 3 | 128.4 | 12 | 60.6 | 45.7 | - | 1 piece (SPQ 5) ¹⁾ | 30818-281 | 30807-485 | 30838-051 |
| 3 | 128.4 | 14 | 70.8 | 55.9 | - | 1 piece (SPQ 5) ¹⁾ | 30818-282 | 30807-501 | 30838-053 |
| 3 | 128.4 | 21 | 106.3 | 91.4 | - | 1 piece (SPQ 5) ¹⁾ | 30818-289 | 30807-487 | 30838-060 |
| 3 | 128.4 | 28 | 141.9 | 127.0 | - | 1 piece (SPQ 5) ¹⁾ | 30818-296 | 30807-496 | 30838-067 |
| 3 | 128.4 | 42 | 213.0 | 198.1 | 101.6 ²⁾ | 1 | 30818-310 | 30807-494 | 30838-081 |
| 3 | 128.4 | 63 | 319.7 | 304.8 | 157.5 | 1 | 30818-331 | 30808-067 | 30838-102 |
| 3 | 128.4 | 84 | 426.4 | 411.5 | 203.2 | 1 | 30818-352 | 30807-506 | 30838-123 |
| 4 | 128.4 | 28 | 141.9 | 127.0 | - | 1 piece (SPQ 5) ¹⁾ | - | - | 30847-462 |
| 4 | 128.4 | 42 | 213.0 | 198.1 | 101.6 ²⁾ | 1 | - | - | 30847-463 |
| 4 | 128.4 | 63 | 319.7 | 304.8 | 157.5 | 1 | - | - | 30847-464 |
| 4 | 172.9 | 84 | 426.4 | 411.5 | 203.2 | 1 | 30818-434 | 30807-596 | 30847-465 |
| 5 | 128.4 | 28 | 141.9 | 127.0 | - | 1 piece (SPQ 5) ¹⁾ | - | - | 30847-466 |
| 5 | 128.4 | 42 | 213.0 | 198.1 | 101.6 ²⁾ | 1 | - | - | 30847-467 |
| 5 | 128.4 | 63 | 319.7 | 304.8 | 157.5 | 1 | - | - | 30847-468 |
| 5 | 172.9 | 84 | 426.4 | 411.5 | 203.2 | 1 | 30818-434 | 30807-596 | 30847-469 |
| 6 | 261.8 | 2 | 9.8 | - | - | 1 piece (SPQ 5) ¹⁾ | 30818-747 | 30818-741 | 30847-472 |
| 6 | 261.8 | 4 | 20.0 | - | - | 1 piece (SPQ 5) ¹⁾ | 30818-518 | 30807-778 | 30838-124 |
| 6 | 261.8 | 5 | 25.0 | - | - | 1 piece (SPQ 5) ¹⁾ | 30818-519 | 30807-777 | 30838-125 |
| 6 | 261.8 | 6 | 30.1 | - | - | 1 piece (SPQ 5) ¹⁾ | 30818-520 | 30807-752 | 30838-126 |
| 6 | 261.8 | 7 | 35.2 | - | - | 1 piece (SPQ 5) ¹⁾ | 30818-521 | - | 30838-127 |
| 6 | 261.8 | 8 | 40.3 | 25.4 ²⁾ | - | 1 piece (SPQ 5) ¹⁾ | 30818-522 | 30807-779 | 30838-128 |
| 6 | 261.8 | 10 | 50.5 | 35.6 | - | 1 piece (SPQ 5) ¹⁾ | 30818-524 | 30807-753 | 30838-130 |
| 6 | 261.8 | 12 | 60.6 | 45.7 | - | 1 piece (SPQ 5) ¹⁾ | 30818-526 | 30807-755 | 30838-132 |
| 6 | 261.8 | 14 | 70.8 | 55.9 | - | 1 piece (SPQ 5) ¹⁾ | 30818-528 | 30807-758 | 30838-134 |
| 6 | 261.8 | 16 | 80.9 | 66.0 | - | 1 piece (SPQ 5) ¹⁾ | 30818-530 | 30807-780 | 30838-136 |
| 6 | 261.8 | 21 | 106.3 | 91.4 | - | 1 piece (SPQ 5) ¹⁾ | 30818-535 | 30807-757 | 30838-141 |
| 6 | 261.8 | 28 | 141.9 | 127.0 | - | 1 piece (SPQ 5) ¹⁾ | 30818-542 | 30807-766 | 30838-148 |
| 6 | 261.8 | 42 | 213.0 | 198.1 | 101.6 ²⁾ | 1 | 30818-556 | 30807-764 | 30838-162 |
| 6 | 261.8 | 63 | 319.7 | 304.8 | 157.5 | 1 | 30818-577 | 30807-771 | 30838-183 |
| 6 | 261.8 | 84 | 426.4 | 411.5 | 203.2 | 1 | 30818-598 | 30807-776 | 30838-204 |
| 9 | 395.1 | 84 | 426.4 | 411.5 | 203.2 | 1 | - | - | 30847-556 |

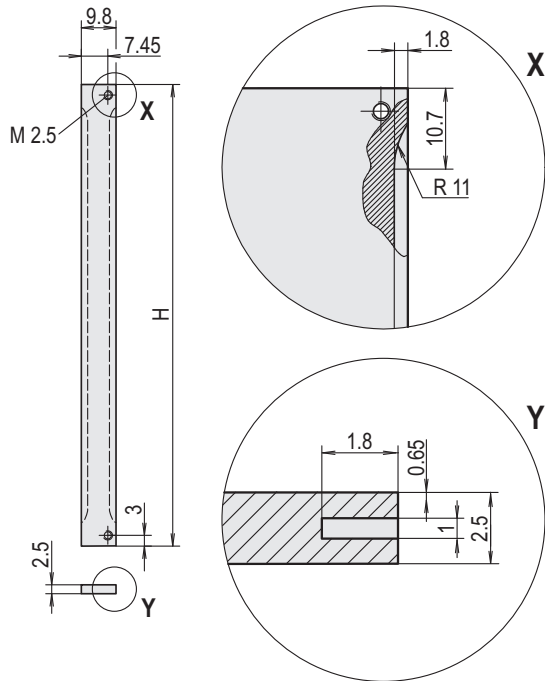
1) SPQ (standard pack quantity): Order number includes 1 piece, but delivery is exclusively made in standard pack quantity (SPQ); please order at least the SPQ quantity or a multiple thereof

2) This dimension is only available for "front anodised, rear iridescent green chromated" version

- Please order fixing material (sleeves, collar screws) separately, see page 7.107

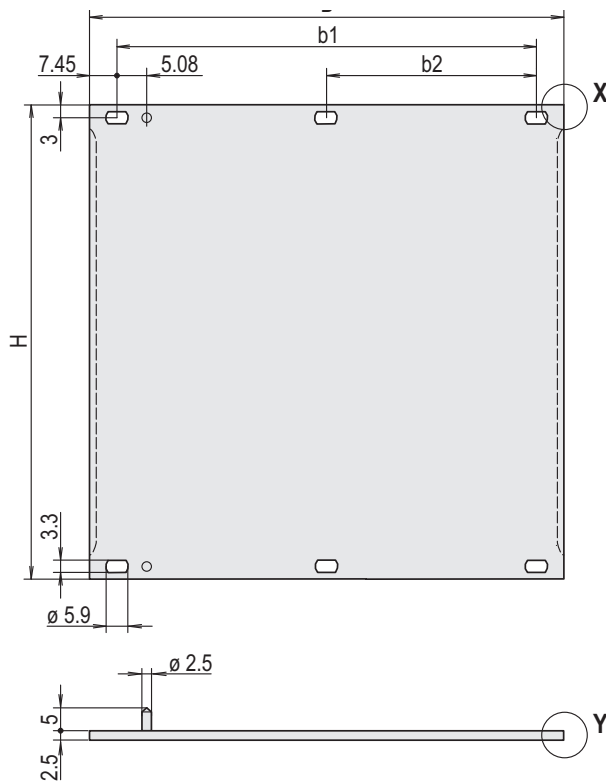
Modules – Front panels

FRONT PANELS, SHIELDABLE



2 HP

04602052



> 2 HP

04608154

- Front panel, Al, 2.5 mm, front anodised, rear passivated (conductive), 2 alignment pins pressed-in, stainless steel
- Shielding with stainless steel EMC gasket

ORDER INFORMATION

| Height H U | mm | Width HP | B mm | b1 mm | b2 mm | Align- ment pin | Qty | Part no. |
|---------------|-------|-------------|---------|----------|----------|-----------------------|-------------------------|------------------|
| 2 | 84 | 84 | 426.4 | 411.5 | 203.2 | - | 1 | 30846-588 |
| 3 | 128.4 | 2 | 9.8 | - | - | - | 1 (SPQ 5) ¹⁾ | 30846-864 |
| 3 | 128.4 | 3 | 14.9 | - | - | x | 1 (SPQ 5) ¹⁾ | 20846-425 |
| 3 | 128.4 | 4 | 20 | - | - | x | 1 (SPQ 5) ¹⁾ | 20846-426 |
| 3 | 128.4 | 5 | 25 | - | - | x | 1 (SPQ 5) ¹⁾ | 20846-427 |
| 3 | 128.4 | 6 | 30.1 | - | - | x | 1 (SPQ 5) ¹⁾ | 20846-428 |
| 3 | 128.4 | 7 | 35.2 | - | - | x | 1 (SPQ 5) ¹⁾ | 20846-429 |
| 3 | 128.4 | 8 | 40.3 | 25.4 | - | x | 1 (SPQ 5) ¹⁾ | 20846-430 |
| 3 | 128.4 | 10 | 50.5 | 35.6 | - | x | 1 (SPQ 5) ¹⁾ | 20846-431 |
| 3 | 128.4 | 12 | 60.6 | 45.7 | - | x | 1 (SPQ 5) ¹⁾ | 20846-432 |
| 3 | 128.4 | 14 | 70.8 | 55.9 | - | x | 1 (SPQ 5) ¹⁾ | 20846-433 |
| 3 | 128.4 | 21 | 106.3 | 91.4 | - | x | 1 (SPQ 5) ¹⁾ | 20846-434 |
| 3 | 128.4 | 28 | 141.9 | 127 | - | x | 1 (SPQ 5) ¹⁾ | 20846-436 |
| 3 | 128.4 | 42 | 213 | 198.1 | 101.6 | x | 1 | 20846-437 |
| 3 | 128.4 | 63 | 319.7 | 304.8 | 157.5 | x | 1 | 20846-438 |
| 3 | 128.4 | 84 | 426.4 | 411.5 | 203.2 | - | 1 | 30846-676 |
| 4 | 172.9 | 84 | 426.4 | 411.5 | 203.2 | - | 1 | 30846-683 |
| 6 | 261.8 | 2 | 9.8 | - | - | - | 1 (SPQ 5) ¹⁾ | 30846-865 |
| 6 | 261.8 | 4 | 20 | - | - | x | 1 (SPQ 5) ¹⁾ | 20846-443 |
| 6 | 261.8 | 5 | 25 | - | - | x | 1 (SPQ 5) ¹⁾ | 20846-444 |
| 6 | 261.8 | 6 | 30.1 | - | - | x | 1 (SPQ 5) ¹⁾ | 20846-445 |
| 6 | 261.8 | 7 | 35.2 | - | - | x | 1 (SPQ 5) ¹⁾ | 20846-446 |
| 6 | 261.8 | 8 | 40.3 | 25.4 | - | x | 1 (SPQ 5) ¹⁾ | 20846-447 |
| 6 | 261.8 | 10 | 50.5 | 35.6 | - | x | 1 (SPQ 5) ¹⁾ | 20846-448 |
| 6 | 261.8 | 12 | 60.6 | 45.7 | - | x | 1 (SPQ 5) ¹⁾ | 20846-449 |
| 6 | 261.8 | 14 | 70.8 | 55.9 | - | x | 1 (SPQ 5) ¹⁾ | 20846-450 |
| 6 | 261.8 | 16 | 80.9 | 66 | - | x | 1 (SPQ 5) ¹⁾ | 20846-456 |
| 6 | 261.8 | 21 | 106.3 | 91.4 | - | x | 1 (SPQ 5) ¹⁾ | 20846-451 |
| 6 | 261.8 | 28 | 141.9 | 127 | - | x | 1 (SPQ 5) ¹⁾ | 20846-452 |
| 6 | 261.8 | 42 | 213 | 198.1 | 101.6 | x | 1 | 20846-453 |
| 6 | 261.8 | 63 | 319.7 | 304.8 | 157.5 | x | 1 | 20846-454 |
| 6 | 261.8 | 84 | 426.4 | 411.5 | 203.2 | - | 1 | 30846-771 |
| 9 | 395.1 | 84 | 426.4 | 411.5 | 203.2 | - | 1 | 30846-859 |

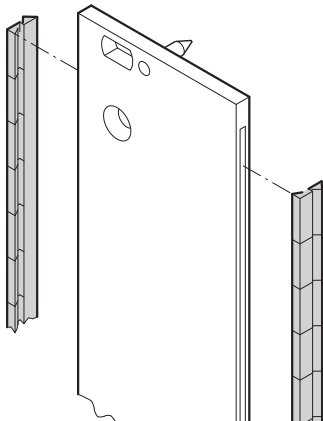
Delivery is exclusively made in Standard Pack Quantity (SPQ): Please order at least 5 pieces or a multiple.
Pricing is per individual item.

NOTE

- Please order fixing material (sleeves, collar screws) separately, see page 7.107
- Please order stainless steel EMC gasket separately, see page 7.6

Modules – Front panels

STAINLESS STEEL EMC GASKET



- The stainless steel EMC gaskets are inserted into the lateral slots of the shieldable front panels (2 pieces per front panel)

DELIVERY COMPRISES

| Item | Qty | Description |
|------|--------|------------------------------|
| 1 | 10/100 | EMC gasket (stainless steel) |

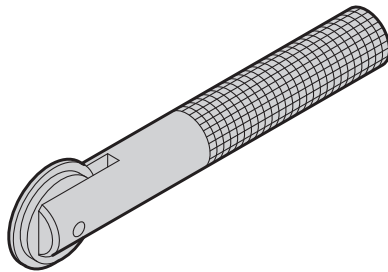
ORDER INFORMATION

| Height U | Height mm | Qty/PU | Part no. |
|---|-----------|--------|------------------|
| 2 | 52 | 10 | 21101-775 |
| 3 | 97 | 10 | 21101-705 |
| 3 | 97 | 100 | 21101-706 |
| 4 | 142 | 10 | 21101-713 |
| 4 | 142 | 100 | 21101-714 |
| 5 | 187 | 10 | 21101-777 |
| 5 | 187 | 100 | 21101-778 |
| 6 | 232 | 10 | 21101-707 |
| 6 | 232 | 100 | 21101-708 |
| 9 | 367 | 10 | 21101-709 |
| 9 | 367 | 100 | 21101-710 |
| Assembly tool for EMC gasket (stainless steel), 1 piece | | | 24560-270 |

NOTE

- Please order assembly tool separately

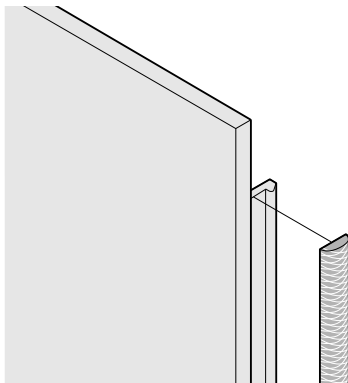
Montagewerkzeug



bga45760

aza45937

TEXTILE EMC GASKET



- Textile EMC gasket is glued laterally on the front panel, in the groove of the right-hand profile
- 2 temperature ranges
 - Temperature range -40... +70 °C
 - Temperature range -40... +85 °C

DELIVERY INCLUDES

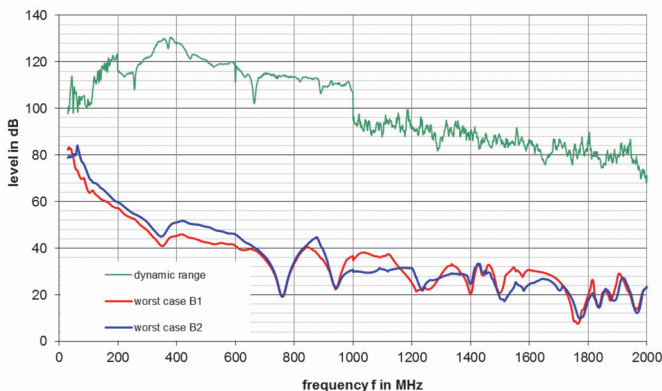
| Item | Qty | Description |
|------|-----------------------|---|
| 1 | see Order Information | EMC textile gasket, core: TPE foam (-40... +70 °C), Core: silicon with hollow chamber (-40... +85 °C), sleeve: textile cladding with CuNi coating |

ORDER INFORMATION

| Height U | Height mm | Qty/PU piece | Part no. Temperature range -40... +70 °C | Part no. Temperature range -40... +85 °C |
|----------|-----------|--------------|--|--|
| 2 | 52 | 10 | 21101-857 | 21102-857 |
| 3 | 97 | 10 | 21101-853 | 21102-853 |
| 3 | 97 | 100 | 21101-854 | 21102-854 |
| 4 | 142 | 10 | 21101-858 | 21102-858 |
| 5 | 187 | 10 | 21101-978 | 21102-978 |
| 6 | 232 | 10 | 21101-855 | 21102-855 |
| 6 | 232 | 100 | 21101-856 | 21102-856 |
| 9 | 365 | 10 | 21101-859 | 21102-859 |
| 9 | 365 | 100 | 21101-904 | – |

EMC characteristic (typical, green)

B1 (red): -40 ... -70 °C, B2 (blue): -40 ... -85 °C



04602054

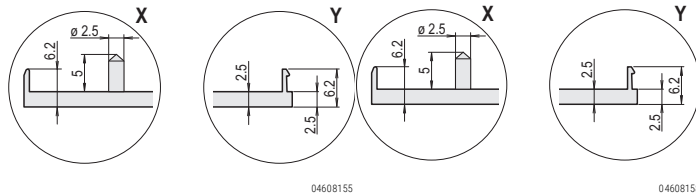
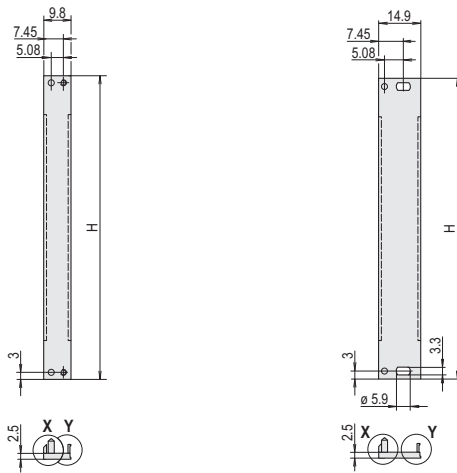
04614052

Modules – Front panels

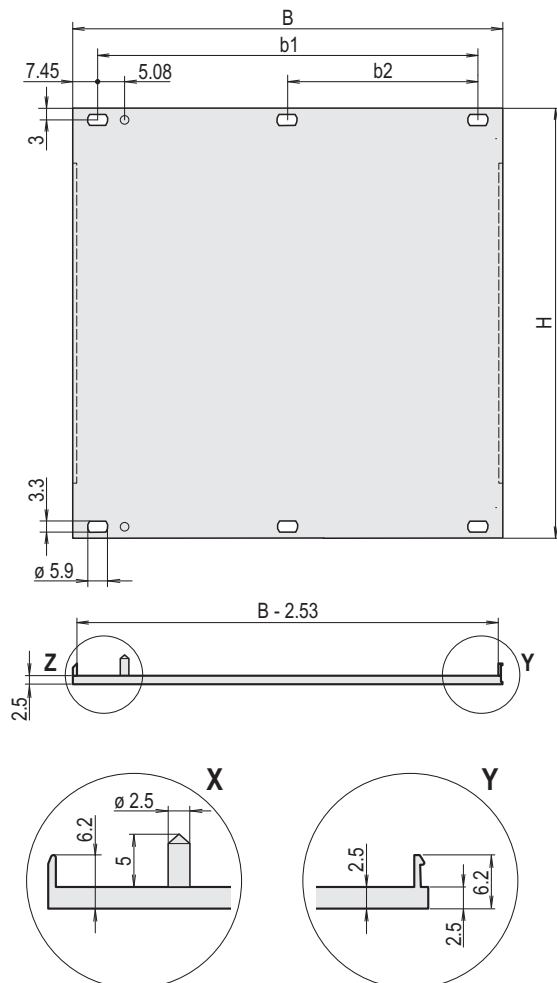
FRONT PANELS, U PROFILE, SHIELDABLE

2 HP

3 U



> 3 HP



- High stability through U profile
- Front panel, U profile, Al, front anodised, rear conductive, 2 alignment pins pressed-in, stainless steel
- Differences in the finish between 2 ... 12 HP and 14 ... 84 HP

ORDER INFORMATION

| Height H | Width B | b1 | b2 | Align- | Qty | Part No. | | |
|----------|---------|----|-------|--------|----------|----------|-------------------------------|------------------|
| U | mm | HP | mm | mm | ment pin | | | |
| 2 | 84 | 28 | 141.9 | 127 | - | x | 1 piece (SPQ 5) ¹⁾ | 20848-206 |
| 2 | 84 | 42 | 213 | 198.1 | 101.6 | x | 1 | 20848-260 |
| 2 | 84 | 63 | 319.7 | 304.8 | 157.5 | x | 1 | 20848-261 |
| 2 | 84 | 84 | 426.4 | 411.5 | 203.2 | - | 1 | 20848-262 |
| 3 | 128.4 | 2 | 9.8 | - | - | x | 1 piece (SPQ 5) ¹⁾ | 30849-001 |
| 3 | 128.4 | 3 | 14.9 | - | - | x | 1 piece (SPQ 5) ¹⁾ | 30849-004 |
| 3 | 128.4 | 4 | 20 | - | - | x | 1 piece (SPQ 5) ¹⁾ | 30848-354 |
| 3 | 128.4 | 5 | 25 | - | - | x | 1 piece (SPQ 5) ¹⁾ | 30848-378 |
| 3 | 128.4 | 6 | 30.1 | - | - | x | 1 piece (SPQ 5) ¹⁾ | 30848-380 |
| 3 | 128.4 | 7 | 35.2 | - | - | x | 1 piece (SPQ 5) ¹⁾ | 30848-382 |
| 3 | 128.4 | 8 | 40.3 | 25.4 | - | x | 1 piece (SPQ 5) ¹⁾ | 30848-356 |
| 3 | 128.4 | 9 | 45.4 | 30.5 | - | x | 1 piece (SPQ 5) ¹⁾ | 30848-384 |
| 3 | 128.4 | 10 | 50.5 | 35.6 | - | x | 1 piece (SPQ 5) ¹⁾ | 30848-386 |
| 3 | 128.4 | 12 | 60.6 | 45.7 | - | x | 1 piece (SPQ 5) ¹⁾ | 30848-358 |
| 3 | 128.4 | 14 | 70.8 | 55.9 | - | x | 1 piece (SPQ 5) ¹⁾ | 20848-013 |
| 3 | 128.4 | 16 | 80.9 | 66 | - | x | 1 piece (SPQ 5) ¹⁾ | 20848-015 |
| 3 | 128.4 | 21 | 106.3 | 91.4 | - | x | 1 piece (SPQ 5) ¹⁾ | 20848-020 |
| 3 | 128.4 | 28 | 141.9 | 127 | - | x | 1 piece (SPQ 5) ¹⁾ | 20848-027 |
| 3 | 128.4 | 42 | 213 | 198.1 | 101.6 | x | 1 | 20848-047 |
| 3 | 128.4 | 63 | 319.7 | 304.8 | 157.5 | x | 1 | 20848-068 |
| 3 | 128.4 | 84 | 426.4 | 411.5 | 203.2 | - | 1 | 20848-097 |
| 4 | 172.9 | 28 | 141.9 | 127 | - | x | 1 piece (SPQ 5) ¹⁾ | 20848-268 |
| 4 | 172.9 | 42 | 213 | 198.1 | 101.6 | x | 1 | 20848-269 |
| 4 | 172.9 | 63 | 319.7 | 304.8 | 157.5 | x | 1 | 20848-270 |
| 4 | 172.9 | 84 | 426.4 | 411.5 | 203.2 | - | 1 | 20848-271 |
| 5 | 217.4 | 28 | 141.9 | 127 | - | x | 1 piece (SPQ 5) ¹⁾ | 20848-647 |
| 5 | 217.4 | 42 | 213 | 198.1 | 101.6 | x | 1 | 20848-648 |
| 5 | 217.4 | 63 | 319.7 | 304.8 | 157.5 | x | 1 | 20848-649 |
| 5 | 217.4 | 84 | 426.4 | 411.5 | 203.2 | - | 1 | 20848-650 |
| 6 | 261.8 | 2 | 9.8 | - | - | x | 1 piece (SPQ 5) ¹⁾ | 30849-002 |
| 6 | 261.8 | 4 | 20 | - | - | x | 1 piece (SPQ 5) ¹⁾ | 30848-355 |
| 6 | 261.8 | 5 | 25 | - | - | x | 1 piece (SPQ 5) ¹⁾ | 30848-379 |
| 6 | 261.8 | 6 | 30.1 | - | - | x | 1 piece (SPQ 5) ¹⁾ | 30848-381 |
| 6 | 261.8 | 7 | 35.2 | - | - | x | 1 piece (SPQ 5) ¹⁾ | 30848-383 |
| 6 | 261.8 | 8 | 40.3 | 25.4 | - | x | 1 piece (SPQ 5) ¹⁾ | 30848-357 |
| 6 | 261.8 | 9 | 45.4 | 30.5 | - | x | 1 piece (SPQ 5) ¹⁾ | 30848-385 |
| 6 | 261.8 | 10 | 50.5 | 35.6 | - | x | 1 piece (SPQ 5) ¹⁾ | 30848-387 |
| 6 | 261.8 | 12 | 60.6 | 45.7 | - | x | 1 piece (SPQ 5) ¹⁾ | 30848-359 |
| 6 | 261.8 | 14 | 70.8 | 55.9 | - | x | 1 piece (SPQ 5) ¹⁾ | 20848-106 |
| 6 | 261.8 | 16 | 80.9 | 66 | - | x | 1 piece (SPQ 5) ¹⁾ | 20848-108 |
| 6 | 261.8 | 21 | 106.3 | 91.4 | - | x | 1 piece (SPQ 5) ¹⁾ | 20848-113 |
| 6 | 261.8 | 28 | 141.9 | 127 | - | x | 1 piece (SPQ 5) ¹⁾ | 20848-120 |
| 6 | 261.8 | 42 | 213 | 198.1 | 101.6 | x | 1 | 20848-139 |
| 6 | 261.8 | 63 | 319.7 | 304.8 | 157.5 | x | 1 | 20848-160 |
| 6 | 261.8 | 84 | 426.4 | 411.5 | 208.3 | - | 1 | 20848-189 |
| 9 | 395.1 | 84 | 426.4 | 411.5 | 203.2 | - | 1 | 20848-280 |

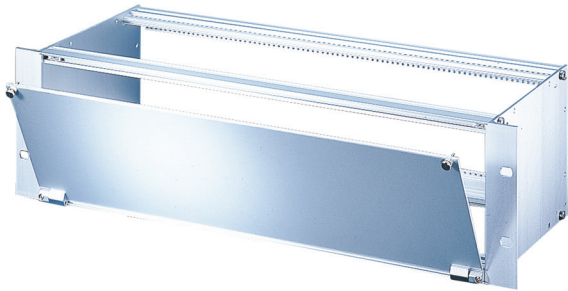
1) Delivery is exclusively made in Standard Pack Quantity (SPQ): Please order at least 5 pieces or a multiple. Pricing is per individual item.

NOTE

- Differences in finish between 2 ... 12 HP and 14 ... 84 HP
- 2 ... 12 HP: one-part U-profile
- 14 ... 84 HP: multi-part U-profile (front panel with crimped profiles)
- Please order fixing material (sleeves, collar screws) separately, see page 7.107
- Please order textile EMC gasket separately, see page 7.6

Modules – Front panels

FRONT PANELS, BOTTOM-HINGED



- Suitable for subracks (europacPRO) and cases (ratiopacPRO, propacPRO, compacPRO)
- Front panel can be unhinged at 135° (not ratiopacPRO) opening angle
- The useable width is not restricted
- Mounts on the horizontal rails
- 2 versions:
 - unshielded
 - shielded, U front panel with textile EMC gasket

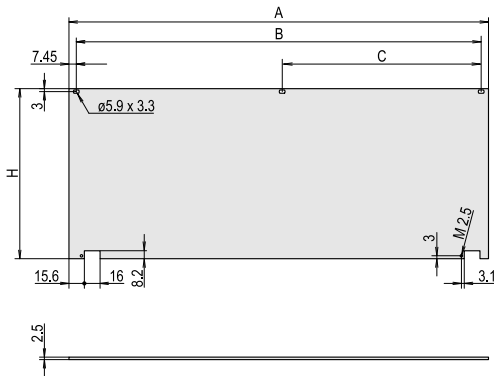
04295001

DELIVERY COMPRISES (kit)

| Item | Qty | | Description |
|------|---------------|---------------|--|
| | Unshielded | Shielded | |
| 1 | 1 | - | Front panel, hinged, Al, 2.5 mm, anodised, cut edges plain |
| 1a | - | 1 | Front panel, U profile, hinged, Al, 2.5 mm, front anodised, rear passivated (conductive) |
| 2 | 2 | 2 (28 HP) / 3 | Hinge, Zn die-cast, nickel-plated |
| 3 | 2 / 3 (84 HP) | 2 (28 HP) / 3 | Sleeve, PA |
| 4 | 2 / 3 (84 HP) | 2 (28 HP) / 3 | Collar screw M2.5 x 12.3, nickel-plated |
| 5 | - | 1 | EMC textile gasket, core: foam, sleeve: textile cladding with CuNi coating |
| 6 | 1 | 1 | Assembly kit |

04602080

Unshielded



ORDER INFORMATION

| Dimensions | | | |
|------------|-------|------------------|------------------|
| Height | Width | Unshielded | Shielded |
| U | HP | Part no. | Part no. |
| 3 | 28 | 20838-280 | 20848-608 |
| 3 | 42 | 20838-271 | 20848-599 |
| 3 | 63 | 20838-272 | 20848-600 |
| 3 | 84 | 20838-273 | 20848-601 |
| 4 | 42 | 20838-277 | 20848-605 |
| 4 | 63 | 20838-278 | 20848-606 |
| 4 | 84 | 20838-279 | 20848-607 |
| 6 | 28 | - | 20848-696 |
| 6 | 42 | 20838-274 | 20848-602 |
| 6 | 63 | 20838-275 | 20848-603 |
| 6 | 84 | 20838-276 | 20848-604 |

Shielded

04602079

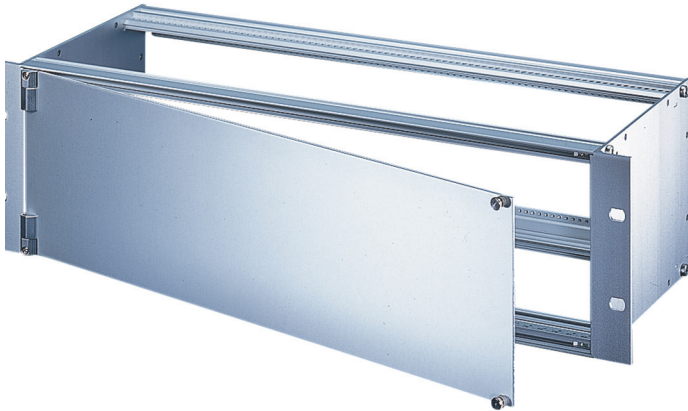
DIMENSIONS

| Dimensions | | | | | | | |
|------------|-------|-------|-------|-------|-------|-------|-------------------|
| Height | Width | A | B | C | D | H | Shielded Part no. |
| U | HP | mm | mm | mm | mm | mm | |
| 3 | 28 | 141.9 | 127.0 | - | - | 128.4 | 20848-608 |
| 3 | 42 | 213.0 | 198.1 | 101.6 | 86.4 | 128.4 | 20848-599 |
| 3 | 63 | 319.7 | 304.8 | 157.5 | 137.2 | 128.4 | 20848-600 |
| 3 | 84 | 426.4 | 411.5 | 203.2 | 193.0 | 128.4 | 20848-601 |
| 4 | 42 | 213.0 | 198.1 | 101.6 | 86.4 | 172.9 | 20848-605 |
| 4 | 63 | 319.7 | 304.8 | 157.5 | 137.2 | 172.9 | 20848-606 |
| 4 | 84 | 426.4 | 411.5 | 203.2 | 193.0 | 172.9 | 20848-607 |
| 6 | 28 | 141.9 | 127.0 | - | - | 261.8 | 20848-696 |
| 6 | 42 | 213.0 | 198.1 | 101.6 | 86.4 | 261.8 | 20848-602 |
| 6 | 63 | 319.7 | 304.8 | 157.5 | 137.2 | 261.8 | 20848-603 |
| 6 | 84 | 426.4 | 411.5 | 203.2 | 193.0 | 261.8 | 20848-604 |

| Dimensions | | | | | | | Unshielded |
|------------|-------|-------|-------|-------|-------|--|------------------|
| Height | Width | A | B | C | H | | Part no. |
| U | HP | mm | mm | mm | mm | | |
| 3 | 28 | 141.9 | 127.0 | - | 128.4 | | 20838-280 |
| 3 | 42 | 213.0 | 198.1 | - | 128.4 | | 20838-271 |
| 3 | 63 | 319.7 | 304.8 | - | 128.4 | | 20838-272 |
| 3 | 84 | 426.4 | 411.5 | 203.2 | 128.4 | | 20838-273 |
| 4 | 42 | 213.0 | 198.1 | - | 172.9 | | 20838-277 |
| 4 | 63 | 319.7 | 304.8 | - | 172.9 | | 20838-278 |
| 4 | 84 | 426.4 | 411.5 | - | 172.9 | | 20838-279 |
| 6 | 42 | 213.0 | 198.1 | - | 261.8 | | 20838-274 |
| 6 | 63 | 319.7 | 304.8 | - | 261.8 | | 20838-275 |
| 6 | 84 | 426.4 | 411.5 | 203.2 | 261.8 | | 20838-276 |

Modules – Front panels

FRONT PANEL, HINGED, SHIELDED



- Suitable for subracks (europacPRO) and cases (ratiopacPRO, propacPRO, compacPRO)
- Mounts on horizontal rails
- Front panel with textile EMC gasket
- Hinges can be fitted on left or right

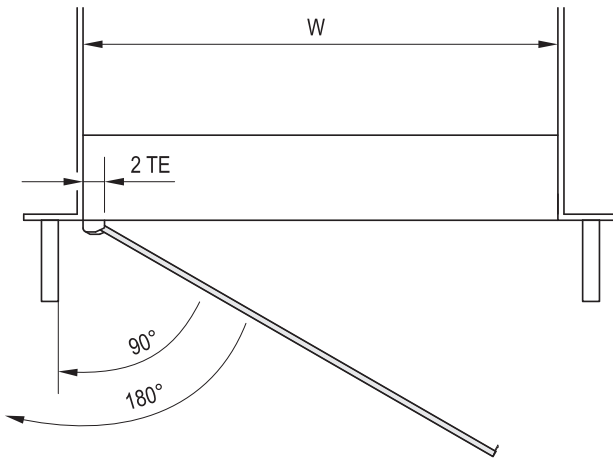
DELIVERY COMPRISES (kit)

| Item | Qty | Description |
|------|-----|---|
| 1 | 1 | Front panel, hinged, Al, 2.5 mm, front anodised, rear passivated (conductive) |
| 2 | 2 | Hinge, Zn die-cast, chrome-plated |
| 3 | 1 | Textile EMC gasket, core: foam, sleeve: textile cladding with CuNi coating |
| 4 | 1 | Assembly kit |

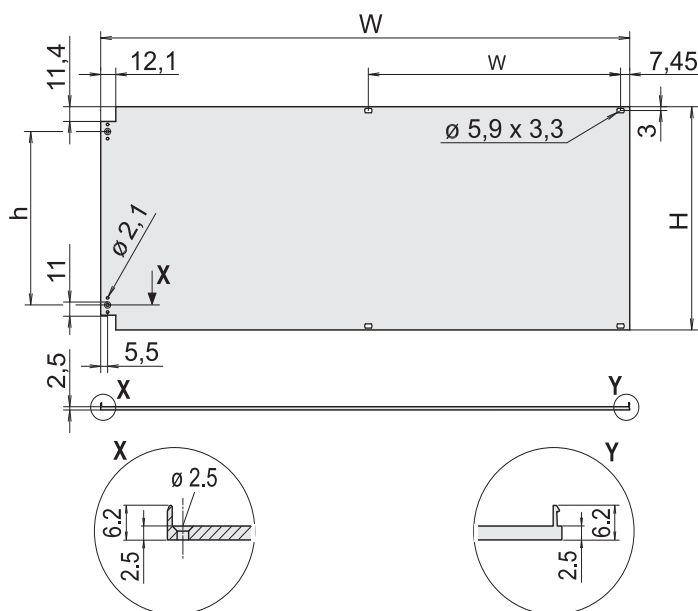
04295002

ORDER INFORMATION

| Height U | H mm | h mm | W mm | w mm | Part no. |
|----------|-------|-------|-------|-------|------------------|
| 3 | 128.4 | 89.9 | 426.4 | 203.2 | 20848-611 |
| 6 | 261.8 | 223.2 | 426.4 | 203.2 | 20848-617 |



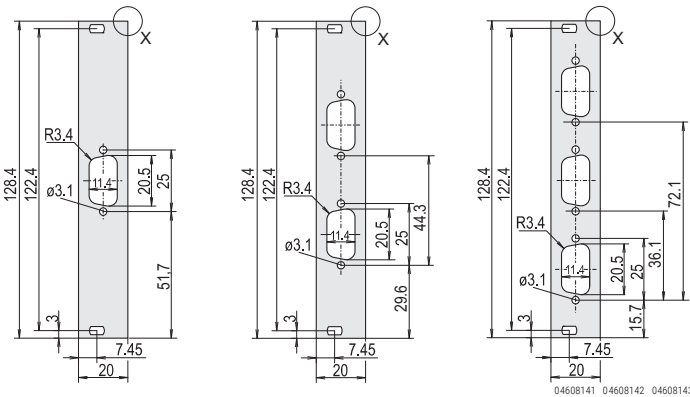
06106053



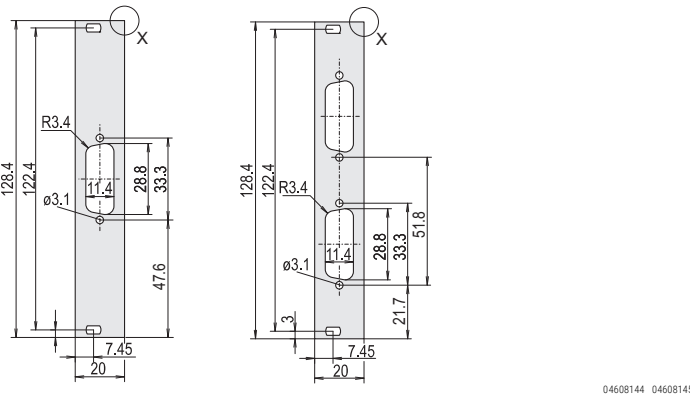
04602081

Modules – Front panels

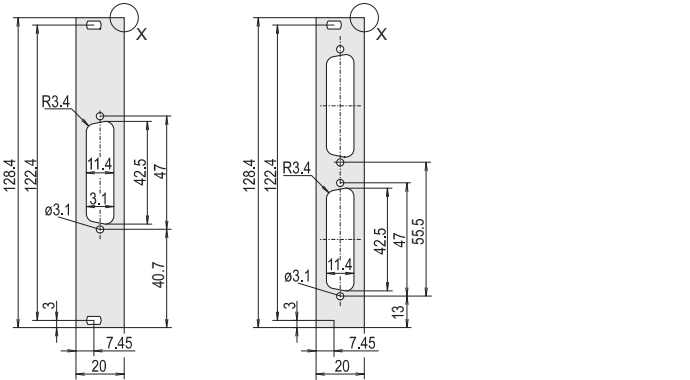
FRONT PANELS FOR D-SUB CONNECTORS



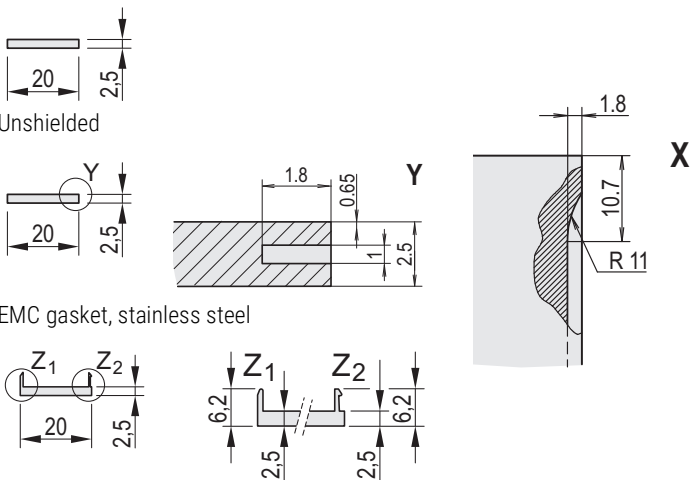
Cut-out 9-pin



Cut-out 15-pin



Cut-out 25-pin



For textile EMC gasket

- 3 U/4 HP
- Aluminium, front anodised, rear ipassivated (conductive)
- Shielding through: stainless steel EMC or textile EMC gasket (please order separately)

DELIVERY COMPRISES

| Item | Description |
|------|---|
| 1a | Front panel, Al, 2.5 mm, front anodised, rear passivated (conductive) |
| 1b | Front panel, Al, 2.5 mm, front anodised, rear passivated (conductive); for EMC stainless steel gasket |
| 1c | Front panel, U profile, Al, 2.5 mm, front anodised, rear conductive; for EMC gasket (textile) |

ORDER INFORMATION

| Cut-out | Qty | Unshielded | For EMC gasket | |
|--------------|-----------------|------------------|--------------------------|------------------|
| | | Part no. | Stainless steel Part no. | Textile Part no. |
| 1 × 9-polig | 1 piece (SPQ 5) | 30118-341 | 30118-348 | 30849-749 |
| 2 × 9-polig | 1 piece (SPQ 5) | 30118-344 | 30118-351 | 30849-750 |
| 3 × 9-polig | 1 piece (SPQ 5) | 30118-347 | 30118-354 | 30849-751 |
| 1 × 15-polig | 1 piece (SPQ 5) | 30118-342 | 30118-349 | 30849-752 |
| 2 × 15-polig | 1 piece (SPQ 5) | 30118-345 | 30118-352 | 30849-753 |
| 1 × 25-polig | 1 piece (SPQ 5) | 30118-343 | 30118-350 | 30849-754 |
| 2 × 25-polig | 1 piece (SPQ 5) | 30118-346 | 30118-353 | 30849-755 |

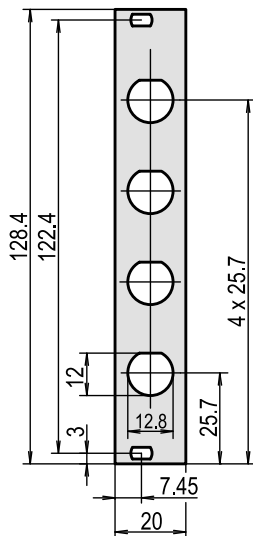
Delivery is exclusively made in Standard Pack Quantity (SPQ): Please order at least 5 pieces or a multiple. Pricing is per individual item.

NOTE

- Please order fixing material (sleeves, collar screws) separately, see page 7.107
- Please order stainless steel EMC gasket separately, see page 7.6
- Please order textile EMC gasket separately, see page 7.6

Modules – Front panels

FRONT PANELS FOR COAX CONNECTORS



04602057

- 3 U/4 HP
- Aluminium, 2.5 mm, front anodised, rear passivated (conductive)

ORDER INFORMATION

| Description | Qty/PU | Part no. |
|------------------------------|--------|------------------|
| Cut-out 4 x Coax, unshielded | 1 | 30118-355 |

NOTE

- Please order fixing material (sleeves, collar screws) separately, see page 7.107

FRONT PANELS 3 U WITH GND/EARTHING CONNECTION



02998001

- Earthed front panel (protection class 1)

DELIVERY COMPRISES (items 1 – 3 assembled)

| Item | Qty | Description |
|------|-----|---|
| 1 | 1 | Front panel 3 U, Al, 2.5 mm, front anodised, rear ipassivated (conductive) with GND/earthing connection |
| 2 | 4 | Plastic sleeve, PA, grey |
| 3 | 4 | Collar screws, M2.5 x 11 and 12.3 Pozidrive, St, nickel-plated |
| 4 | 1 | GND/earthing kit, length of GND/earthing cable 320 mm |

ORDER INFORMATION

| Height | Width | Qty | Part no. |
|--------|-------|-----------------|------------------|
| U | HP | | |
| 3 | 7 | 1 piece (SPQ 5) | 20119-159 |
| 3 | 14 | 1 piece (SPQ 5) | 20119-160 |
| 3 | 21 | 1 piece (SPQ 5) | 20119-161 |
| 3 | 28 | 1 piece (SPQ 5) | 20119-162 |
| 3 | 42 | 1 | 20119-163 |

Delivery is exclusively made in Standard Pack Quantity (SPQ): Please order at least 5 pieces or a multiple.
Pricing is per individual item.

NOTE

- Please order fixing material (sleeves, collar screws) separately, see page 7.107

North America

Warwick, RI, USA

Tel +1.401.738.1722

San Diego, CA, USA

Tel +1.858.740.2400

Europe, Middle East & India

Straubenhardt, Germany

Tel +49 7082 794 0

Betschdorf, France

Tel +33 3 88 90 64 90

Warsaw, Poland

Tel +48 22 209 98 35

**Hemel Hempstead,
Great Britain**

Tel +44 1442 24 04 71

Lainate, Italy

Tel +39 02 932 714 1

Dubai, United Arab Emirates

Tel +971 4 82 38 666

Bangalore, India

Tel +91 80 6715 8900

Istanbul, Turkey

Tel +90 541 368 0941

Asia Pacific

Shanghai, China

Tel +86 21 2412 6943

Singapore

Tel +65 6768 5800

Shin-Yokohama, Japan

Tel +81 45 476 0271

Our powerful portfolio of brands:

CADDY ERICO HOFFMAN RAYCHEM SCHROFF TRACER



[nVent.com/SCHROFF](https://www.nVent.com/SCHROFF)