













# Klapp-Stromwandler (snap-on), Trenn-Stromwandler (verschraubt)

## Clamp on /Split Core Current Transformers 0...600A (AC)

MODEL	SWL-5A	SWL-50A	SWL-100A	SWL-200A
SHAPE				
FEATURE - APPLIATION	SMALL SIZE - FOR CURRENT MEASUREMENT & POWER MONITORING OF 5A CIRCUIT	SMALL SIZE - FOR CURRENT MEASUREMENT & POWER MONITORING OF FEEDER LINES	MIDDLE SIZE - FOR CURRENT MEASUREMENT & POWER MONITORING OF FEEDER LINES	MIDDLE SIZE - FOR CURRENT MEASUREMENT & POWER MONITORING
MEASURING RANGE	AC 0,01~5A	AC 0,1~50A	AC 0,1~100A	AC 0,1~200A
NOMINAL TRANS. RATIO	3000:1	3000:1	3000:1	3000:1
CT SIZE (INSIDE DIAMETER)	10 mm	10 mm	16 mm	24 mm
MAX. APPLICABLE CURRENT	AC10A	AC100A	AC200A	AC300A
DIMENSION/WEIGHT	25x33x41mm /60g	26x23x48mm /45g	31x30x54mm /85g	36x45x76mm /190g
REMARK	M3 Output Terminal With Stopper against slipping off from wire Inflammable PP Resin	M3 Output Terminal With Stopper against slipping off from wire Inflammable PP Resin	M3 Output Terminal With Stopper against slipping off from wire Inflammable PP Resin	M3 Output Terminal With Stopper against slipping off from wire Inflammable PP Resin
PAGE	2	2	2	2

MODEL	SWXT-100A	SWXT-200A	SWXT-300A	SWXT-400A
SHAPE				
FEATURE - APPLIATION	FOR GENERAL METER, 1A OUTPUT FIXING METHOD	FOR GENERAL METER, 1A OUTPUT FIXING METHOD	FOR GENERAL METER, 5A OUTPUT FIXING METHOD	FOR GENERAL METER, 5A OUTPUT FIXING METHOD
RATED PRIMARY CURRENT	AC 100A	AC 200A	AC 300A	AC 400A
RATED SECONDARY CURRENT	1A	1A	5A	5A
RATED BURDEN (VA)	0,2VA	0,2VA	5VA	5VA
CT SIZE (INSIDE DIAMETER)	35mm	35mm	35mm	35mm
MAX. APPLICABLE CURRENT	AC120A	AC240A	AC360A	AC480A
DIMENSION/WEIGHT	127x95x40mm /550g	127x95x40mm /550g	127x95x40mm /550g	127x95x40mm /550g
REMARK	With Switch for Output Short-Circuit With Metal Fixing Parts	With Switch for Output Short-Circuit With Metal Fixing Parts	With Switch for Output Short-Circuit With Metal Fixing Parts	With Switch for Output Short-Circuit With Metal Fixing Parts
PAGE	4	4	4	4

MODEL	SWL-400A	SWL-600A	KSWL-1-03	EHY-77L	MODEL
SHAPE					SHAPE
FEATURE - APPLIATION	MIDDLE SIZE - FOR CURRENT MEASUREMENT & POWER MONITORING	BIG SIZE - FOR CURRENT MEASUREMENT & POWER MONITORING	SMALLEST SIZE - FOR LOW CURRENT MEASUREMENT & PULSE DETECTION	SMALL SIZE - FOR LOW CURRENT MEASUREMENT & PULSE DETECTION	FEATURE - APPLIATION
MEASURING RANGE	AC 0,1~400A	AC 0,1~600A	AC 0,1mA~8A	AC 1mA~100A	MEASURING RANGE
NOMINAL TRANS. RATIO	6000 : 1	9000 : 1	800 : 1	4000 : 1	NOMINAL TRANS. RATIO
CT SIZE (INSIDE DIAMETER)	35mm	35mm	3mm	22mm	CT SIZE (INSIDE DIAMETER)
MAX. APPLICABLE CURRENT	AC 600A	AC 800A	AC 10A	AC 120A	MAX. APPLICABLE CURRENT
DIMENSION/WEIGHT	60x40x80mm /310g	60x40x80mm /350g	24x28x12mm /8g	26x23x48mm /200g	DIMENSION/WEIGHT
REMARK	M3 Output Terminal With Stopper against slipping off from wire Inflammable PP Resin	M3 Output Terminal With Stopper against slipping off from wire Inflammable PP Resin	High Sensitive Type noiseproof ability Inflammable PP Resin	High Sensitive Type noiseproof ability with 4m Shield Wire	REMARK
PAGE	3	3	3	3	PAGE

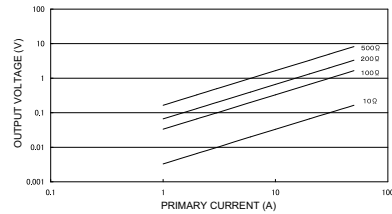
MODEL	SWXT-600A	SWL-100Y	SWL-200Y	SWL-400Y	MODEL
SHAPE					SHAPE
FEATURE - APPLIATION	FOR GENERAL METER, 5A OUTPUT FIXING METHOD	FOR GENERAL METER, 1A OUTPUT CLAMP METHOD	FOR GENERAL METER, 1A OUTPUT CLAMP METHOD	FOR GENERAL METER, 1A OUTPUT CLAMP METHOD	FEATURE - APPLIATION
RATED PRIMARY CURRENT	AC 600A	AC 100A	AC 200A	AC 400A	RATED PRIMARY CURRENT
RATED SECONDARY CURRENT	5A	1A	1A	1A	RATED SECONDARY CURRENT
RATED BURDEN (VA)	5VA	0,2VA	0,2VA	0,2VA	RATED BURDEN (VA)
CT SIZE (INSIDE DIAMETER)	35mm	24mm	35mm	35mm	CT SIZE (INSIDE DIAMETER)
MAX. APPLICABLE CURRENT	AC720A	AC 120A	AC 240A	AC 480A	MAX. APPLICABLE CURRENT
DIMENSION/WEIGHT	127x95x40mm /550g	36x45x76mm /190g	60x40x80mm /310g	60x40x80mm /310g	DIMENSION/WEIGHT
REMARK	With Switch for Output Short-Circuit With Metal Fixing Parts	M3 Output Terminal With Stopper against Slipping off from wire Inflammable PP Resin	M3 Output Terminal With Stopper against Slipping off from wire Inflammable PP Resin	M3 Output Terminal With Stopper against Slipping off from wire Inflammable PP Resin	REMARK
PAGE	4	4	4	4	PAGE

## SPLIT CORE TYPE FOR AC CURRENT SWL SERIES

### MODEL SWL-5A



■ CHARACTERISTIC OF OUTPUT VOLTAGE



### FEATURES

**Most Suitable for Current Measurement in the terminal feeder.**  
**With Stopper hardly slipping off from the wires.**  
**No need the specified connector due to the terminal output.**  
**Safety Design with Open Protective Element & Inflammable Material.**

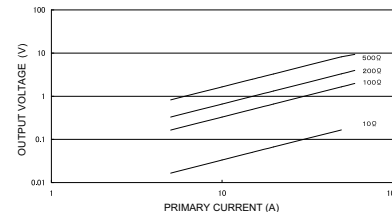
### ■ SPECIFICATIONS

Applicable Current : AC 0.01~5Arms  
 Output Characteristic : refer to the drawing of output voltage characteristic  
 Output Example : AC16.6mV±1% (50A/10Ω)  
 Phase Accuracy : -1.5°±0.5° (5A)  
 Nominal CT Ratio : 3000:1  
 Inside Diameter : Ø10mm  
 Max. Capable Current : 10Arms continuous  
 Open Protective Element : 7.5V  
 Applicable Frequency : 10Hz~50KHz  
 Rated Voltage : Less than AC600V for low voltage circuit of coated wires  
 Withstanding Voltage : AC2200V/1 minute  
 (between output terminal and outer case)  
 Insulation Resistance : more than 100MΩ by 500V insulation tester  
 (between output terminal and outer case)  
 Operation Temperature : -20~50°C, less than 80%RH w/o condensation  
 Material of Outer Case : P.P. (Inflammable Grade: based on UL94V-0)  
 Material of Core : Ferrite  
 Capable CT Open/Close : Approx. 100 times  
 Dimension/Weight : 25(W)x33(D)x41(H)mm /Approx. 60gs.

### MODEL SWL-50A



■ CHARACTERISTIC OF OUTPUT VOLTAGE



### FEATURES

**Most Suitable for Current Measurement in the terminal feeder.**  
**With Stopper hardly slipping off from the wires.**  
**No need the specified connector due to the terminal output.**  
**Safety Design with Open Protective Element & Inflammable Material.**

### ■ SPECIFICATIONS

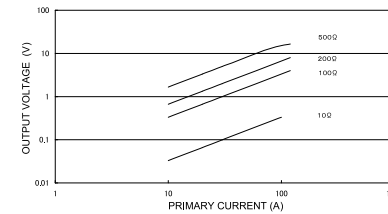
Applicable Current : AC 0.1~50Arms  
 Output Characteristic : refer to the drawing of output voltage characteristic  
 Output Example : AC166.6mV±1% (50A/10Ω)  
 Phase Accuracy : -1.4°±0.5° (50A)  
 Nominal CT Ratio : 3000:1  
 Inside Diameter : Ø10mm  
 Max. Capable Current : 100Arms continuous  
 Open Protective Element : 7.5V  
 Applicable Frequency : 10Hz~50KHz  
 Rated Voltage : Less than AC600V for low voltage circuit of coated wires  
 Withstanding Voltage : AC2200V/1 minute  
 (between output terminal and outer case)  
 Insulation Resistance : more than 100MΩ by 500V insulation tester  
 (between output terminal and outer case)  
 Operation Temperature : -20~50°C, less than 80%RH w/o condensation  
 Material of Outer Case : P.P. (Inflammable Grade: based on UL94V-0)  
 Material of Core : Ferrite  
 Capable CT Open/Close : Approx. 100 times  
 Dimension/Weight : 26(W)x23(D)x48(H)mm /Approx. 45gs.

## SPLIT CORE TYPE FOR AC CURRENT SWL SERIES

### MODEL SWL-100A



■ CHARACTERISTIC OF OUTPUT VOLTAGE



### FEATURES

**Most Suitable for Current Measurement in the feeder.**  
**With Stopper hardly slipping off from the wires.**  
**No need the specified connector due to the terminal output.**  
**Safety Design with Open Protective Element & Inflammable Material.**

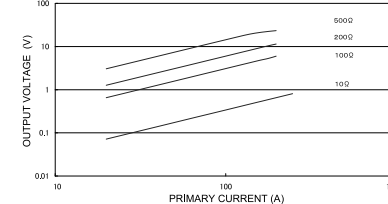
### ■ SPECIFICATIONS

Applicable Current : AC 0.1~100Arms  
 Output Characteristic : refer to the drawing of output voltage characteristic  
 Output Example : AC166.6mV±1% (100A/10Ω)  
 Phase Accuracy : -0.7°±0.5° (100A)  
 Nominal CT Ratio : 3000:1  
 Inside Diameter : Ø16mm  
 Max. Capable Current : 200Arms continuous  
 Open Protective Element : 7.5V  
 Applicable Frequency : 10Hz~50KHz  
 Rated Voltage : Less than AC600V for low voltage circuit of coated wires  
 Withstanding Voltage : AC2200V/1 minute  
 (between output terminal and outer case)  
 Insulation Resistance : more than 100MΩ by 500V insulation tester  
 (between output terminal and outer case)  
 Operation Temperature : -20~50°C, less than 80%RH w/o condensation  
 Material of Outer Case : P.P. (Inflammable Grade: based on UL94V-0)  
 Material of Core : Ferrite  
 Capable CT Open/Close : Approx. 100 times  
 Dimension/Weight : 31(W)x30(D)x54(H)mm /Approx. 85gs.

### MODEL SWL-200A



■ CHARACTERISTIC OF OUTPUT VOLTAGE



### FEATURES

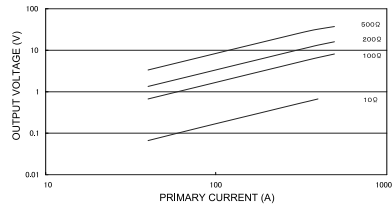
**Most Suitable for Current Measurement in the feeder.**  
**With Stopper hardly slipping off from the wires.**  
**No need the specified connector due to the terminal output.**  
**Safety Design with Open Protective Element & Inflammable Material.**

### ■ SPECIFICATIONS

Applicable Current : AC 0.1~200Arms  
 Output Characteristic : refer to the drawing of output voltage characteristic  
 Output Example : AC666.6mV±1% (200A/10Ω)  
 Phase Accuracy : -0.3°±0.5° (200A)  
 Nominal CT Ratio : 3000:1  
 Inside Diameter : φ24mm  
 Max. Capable Current : 300Arms continuous  
 Open Protective Element : 7.5V  
 Applicable Frequency : 10Hz~50KHz  
 Rated Voltage : Less than AC600V for low voltage circuit of coated wires  
 Withstanding Voltage : AC2200V/1 minute  
 (between output terminal and outer case)  
 Insulation Resistance : more than 100MΩ by 500V insulation tester  
 (between output terminal and outer case)  
 Operation Temperature : -20~50°C, less than 80%RH w/o condensation  
 Material of Outer Case : P.P. (Inflammable Grade: based on UL94V-0)  
 Material of Core : Ferrite  
 Capable CT Open/Close : Approx. 100 times  
 Dimension/Weight : 36(W)x45(D)x76(H)mm /Approx. 190gs.

**MODEL SWL-400A**

■ CHARACTERISTIC OF OUTPUT VOLTAGE

**FEATURES**

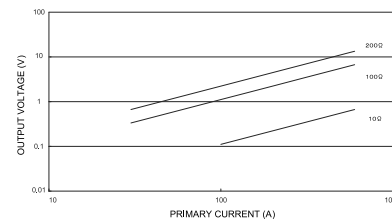
**Most Suitable for Current Measurement of the Main Cables.**  
**With Stopper hardly slipping off from the wires.**  
**No need the specified connector due to the terminal output.**  
**Safety Design with Open Protective Element & Inflammable Material.**

## ■ SPECIFICATIONS

Applicable Current :	AC 0.1~ 400Arms
Output Characteristic :	refer to the drawing of output voltage characteristic
Output Example :	AC666.6mV± 1% (400A/10Ω )
Phase Accuracy :	-0.1° ± 0.5° (400A)
Nominal CT Ratio :	6000:1
Inside Diameter :	∅ 35mm
Max. Capable Current :	600Arms continuous
Open Protective Element :	3.0V
Applicable Frequency :	50Hz~10KHz
Rated Voltage :	Less than AC600V for low voltage circuit of coated wires
Withstanding Voltage :	AC2200V/1 minute (between output terminal and outer case)
Insulation Resistance :	more than 100MΩ by 500V insulation tester (between output terminal and outer case)
Operation Temperature :	-20~ 50°C, less than 80%RH w/o condensation
Material of Outer Case :	P.P. (Inflammable Grade: based on UL94V-0)
Material of Core :	Ferrite
Capable CT Open/Close :	Approx. 100 times
Dimension/Weight :	60(W)x 40(D)x 80(H)mm /Approx. 310gs.

**MODEL SWL-600A**

■ CHARACTERISTIC OF OUTPUT VOLTAGE

**FEATURES**

**Most Suitable for Current Measurement of the Main Cables.**  
**With Stopper hardly slipping off from the wires.**  
**No need the specified connector due to the terminal output.**  
**Safety Design with Open Protective Element & Inflammable Material.**

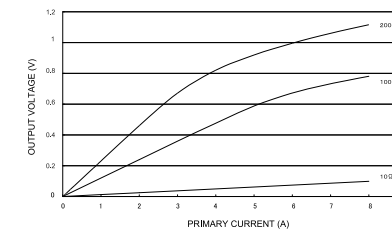
## ■ SPECIFICATIONS

Applicable Current :	AC 0.1~ 600Arms
Output Characteristic :	refer to the drawing of output voltage characteristic
Output Example :	AC666.6mV± 1% (600A/10Ω )
Phase Accuracy :	0° ± 0.5° (600A)
Nominal CT Ratio :	9000:1
Inside Diameter :	∅ 35mm
Max. Capable Current :	800Arms continuous
Open Protective Element :	3.0V
Applicable Frequency :	50Hz~10KHz
Rated Voltage :	Less than AC600V for low voltage circuit of coated wires
Withstanding Voltage :	AC2200V/1 minute (between output terminal and outer case)
Insulation Resistance :	more than 100MΩ by 500V insulation tester (between output terminal and outer case)
Operation Temperature :	-20~ 50°C, less than 80%RH w/o condensation
Material of Outer Case :	P.P. (Inflammable Grade: based on UL94V-0)
Material of Core :	Silicon Steel
Capable CT Open/Close :	Approx. 100 times
Dimension/Weight :	60(W)x 40(D)x 80(H)mm /Approx. 350gs.

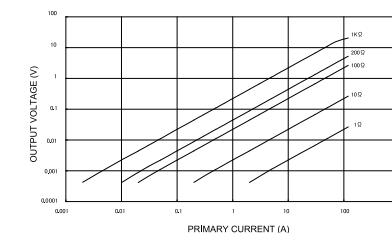
**MODEL KSWL-1-03****TKSWR-03**

Detects by a built-in printed circuit DC-pulses of 0.3mA...1A and outputs the signal (open collector) to lighten a LED when the pulse continues for 10ms.  
 Bohrung/window ∅3mm. Dimensionen: 21(28)x18x27mm=H mit Litzenanschluss AWG24, L= 200mm mit JST-connector.

■ CHARACTERISTIC OF OUTPUT VOLTAGE

**MODEL EHY-77L**

■ CHARACTERISTIC OF OUTPUT VOLTAGE

**FEATURES**

**Suitable for operation check by detecting pulse current and for the detection of wire connection or disconnection of the internal circuit of equipment.**  
**Wide Range of 0.1mA - 8A.**  
**Ultra super compact & lightweight.**  
**High sensitive and strong for outer magnetic field influence.**

## ■ SPECIFICATIONS

Applicable Current :	AC 0.1mA~8Arms
Output Characteristic :	refer to the drawing of output voltage characteristic
Output Example :	AC12.3mV± 5% (1A/10Ω )
Nominal CT Ratio :	800:1
Inside Diameter :	∅ 3mm
Max. Capable Current :	10Arms continuous
Applicable Frequency :	10Hz~ 5KHz
Rated Voltage :	Less than AC600V for low voltage circuit of coated wires
Withstanding Voltage :	AC2200V/1 minute (between output terminal and outer case)
Insulation Resistance :	more than 100MΩ by 500V insulation tester (between output terminal and outer case)
Operation Temperature :	-10~ 50°C, less than 80%RH w/o condensation
Material of Outer Case :	P.P. (Inflammable Grade: based on UL94V-0)
Material of Core :	Ferrite
Capable CT Open/Close :	Approx. 100 times
Dimension/Weight :	24(W)x 12(D)x 28(H)mm /Approx. 8gs.

**FEATURES**

**Suitable for operation check by detecting pulse current and for the detection of wire connection or disconnection of the internal circuit of equipment.**  
**Wide Range of 1mA - 100A.**  
**Ultra super compact & lightweight.**  
**High sensitive and strong for outer magnetic field influence.**

## ■ SPECIFICATIONS

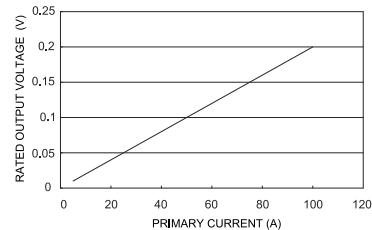
Applicable Current :	AC 1mA~100Arms
Output Characteristic :	refer to the drawing of output voltage characteristic
Output Example :	AC19.1mV± 5% (200A/430Ω )
Nominal CT Ratio :	4000:1
Inside Diameter :	∅ 22mm
Max. Capable Current :	100Arms continuous
Applicable Frequency :	10Hz~ 5KHz
Rated Voltage :	Less than AC600V for low voltage circuit of coated wires
Withstanding Voltage :	AC2200V/1 minute (between output terminal and outer case)
Insulation Resistance :	more than 100MΩ by 500V insulation tester (between output terminal and outer case)
Operation Temperature :	-10~ 50°C, less than 80%RH w/o condensation
Material of Outer Case :	ABS Resin
Material of Core :	Ferrite
Capable CT Open/Close :	Approx. 100 times
Dimension/Weight :	26(W)x 23(D)x 48(H)mm /Approx. 200gs.

## Trennbare AC-Klappstromwandler SWXT-100A...600A trennbar verschraubt

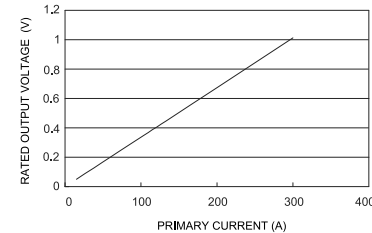
Split Core Current Transformers 100A...600A/1A & 5A



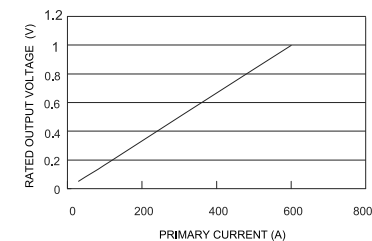
■ CHARACTERISTIC OF OUTPUT VOLTAGE/RL=0,2 Ohm  
SWXT-100



■ CHARACTERISTIC OF OUTPUT VOLTAGE/RL=0,2 Ohm  
SWXT-300



■ CHARACTERISTIC OF OUTPUT VOLTAGE/RL=0,2 Ohm  
SWXT-600



### FEATURE

**1A or 5A Output Types for General Metering Systems.**  
**With Short-circuit Switch of Secondary Output for the safety.**  
**High Accuracy equivalent to the first degree of general metering.**  
**Easy to apply by split core type with fixing metal parts.**

#### ■ SPECIFICATION SWXT-100/-200

Rated Primary Current : AC 100A/SWXT-100  
AC 200A/SWXT-200

Rated Secondary Current : 1A  
0.2VA

Comparative Error :  $\pm 1.0\% \text{In} \pm 1.0\% 0.2\text{In}$   
Phase Accuracy :  $\pm 1.5^\circ \text{In} \pm 2.0^\circ 0.2\text{In}$

Output Characteristic : refer to the drawing of output voltage characteristic

Inside Diameter :  $\varnothing 35\text{mm}$

Max. Capable Current : AC 120A/CTS-100  
AC 240A/CTS-200

Open Protection : With output short-circuit switch

Applicable Frequency : 50/60Hz

Rated Voltage : Less than AC600V for low voltage circuit of coated wires

Withstanding Voltage : AC2200V/1 minute  
(between output terminal and outer case)

Insulation Resistance : more than 100M $\Omega$  by 500V insulation tester  
(between output terminal and outer case)

Operation Temperature : -10~50°C, less than 80%RH w/o condensation

Material of Outer Case : Inflammable ABS Resin (based on UL94V-0)

Material of Core : Silicon Steel

Dimension/Weight : 127(W)x40(D)x95(H)mm/ Approx. 550gs.

#### ■ SPECIFICATION SWXT-300/-400/-600

Rated Primary Current : AC 300A/SWXT-300  
AC 400A/SWXT-400  
AC 600A/SWXT-600

Rated Secondary Current : 5A  
5VA

Comparative Error :  $\pm 1.0\% \text{In} \pm 1.0\% 0.2\text{In}$   
Phase Accuracy :  $\pm 1.5^\circ \text{In} \pm 2.0^\circ 0.2\text{In}$

Output Characteristic : refer to the drawing of output voltage characteristic

Inside Diameter :  $\varnothing 35\text{mm}$

Max. Capable Current : AC 360A/SWXT-300  
AC 480A/SWXT-400  
AC 720V/SWXT-600

Open Protection : With output short-circuit switch

Applicable Frequency : 50/60Hz

Rated Voltage : Less than AC600V for low voltage circuit of coated wires

Withstanding Voltage : AC2200V/1 minute  
(between output terminal and outer case)

Insulation Resistance : more than 100M $\Omega$  by 500V insulation tester  
(between output terminal and outer case)

Operation Temperature : -10~50°C, less than 80%RH w/o condensation

Material of Outer Case : Inflammable ABS Resin (based on UL94V-0)

Material of Core : Silicon Steel

Dimension/Weight : 127(W)x40(D)x95(H)mm /Approx. 550gs.  
Über Montagewinkel (Fuss) 80x70  
Lochdistanz 66x55, 4x $\varnothing$ 5.4

## AC-Klappstromwandler SWL-100...400-Y-Series mit Kunststoff-Scharnier

Split Core Current Transformers 100A 200A 400A / 1A



### FEATURES

**1A Output Type for General Metering Systems.**  
**Easy to apply by split core type with stopper hardly slipping off from the wire.**  
**No need to specified connector due to the terminal output.**  
**Safety Design with Open Protective Element & Inflammable Material.**

#### ■ SPECIFICATIONS SWL-100Y

Rated Primary Current : AC 100A

Rated Secondary Current : 1A

Rated Burden (VA) : 0.2VA

Comparative Error :  $\pm 1.0\% \text{In} \pm 1.0\% 0.2\text{In}$

Phase Accuracy :  $\pm 1.5^\circ \text{In} \pm 2.0^\circ 0.2\text{In}$

Output Characteristic : refer to the drawing of output voltage characteristic

Inside Diameter :  $\varnothing 24\text{mm}$

Max. Capable Current : AC 120A

Open Protective Element : 7.5V

Applicable Frequency : 10Hz-5KHz

Rated Voltage : Less than AC600V for low voltage circuit of coated wires

Withstanding Voltage : AC2200V/1 minute  
(between output terminal and outer case)

Insulation Resistance : more than 100M $\Omega$  by 500V insulation tester  
(between output terminal and outer case)

Operation Temperature : -10~50°C less than 80%RH w/o condensation

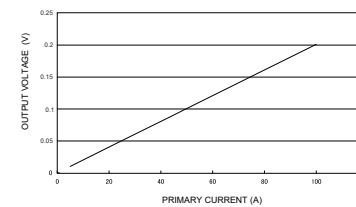
Material of Outer Case : P.P. (Inflammable Grade: based on UL94V-0)

Material of Core : Ferrite

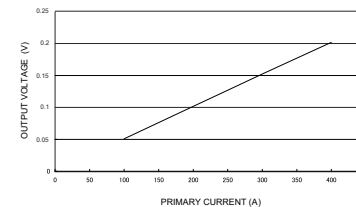
Capable CT Open/Close : Approx. 100 times

Dimension/Weight : 36(W)x45(D)x76(H)mm /Approx. 190gs.

■ CHARACTERISTIC OF OUTPUT VOLTAGE



■ CHARACTERISTIC OF OUTPUT VOLTAGE



#### ■ SPECIFICATIONS SWL-200Y/-400Y

Rated Primary Current : AC 200A/SWL-200Y  
AC 400A/SWL-400Y

Rated Secondary Current : 1A

Rated Burden (VA) : 0.2VA

Comparative Error :  $\pm 1.0\% \text{In} \pm 1.0\% 0.2\text{In}$

Phase Accuracy :  $\pm 1.5^\circ \text{In} \pm 2.0^\circ 0.2\text{In}$

Output Characteristic : refer to the drawing of output voltage characteristic

Inside Diameter :  $\varnothing 35\text{mm}$

Max. Capable Current : AC 240A/...-200Y  
AC 480A/...-400Y

Open Protective Element : 3.0V

Applicable Frequency : 10Hz-5KHz

Rated Voltage : Less than AC600V for low voltage circuit of coated wires

Withstanding Voltage : AC2200V/1 minute  
(between output terminal and outer case)

Insulation Resistance : more than 100M $\Omega$  by 500V insulation tester  
(between output terminal and outer case)

Operation Temperature : -10~50°C, less than 80%RH w/o condensation

Material of Outer Cas : P.P. (Inflammable Grade: based on UL94V-0)

Material of Core : Ferrite

Capable CT Open/Close : Approx. 100 times

Dimension/Weight : 60(W)x40(D)x80(H)mm /Approx. 310gs.

Aktive Klapp- & Trenn-Stromwandler (HALL-) für DC auf Anfrage & unter [www.pewatron.com](http://www.pewatron.com)

## We are here for you. Addresses and Contacts.

---

Headquarter Switzerland:

Angst+Pfister Sensors and Power AG  
Thurgauerstrasse 66  
CH-8050 Zurich  
Phone +41 44 877 35 00  
[sensorsandpower@angst-pfister.com](mailto:sensorsandpower@angst-pfister.com)

Office Germany:

Angst+Pfister Sensors and Power Deutschland GmbH  
Edisonstraße 16  
D-85716 Unterschleißheim  
Phone +49 89 374 288 87 00  
[sensorsandpower.de@angst-pfister.com](mailto:sensorsandpower.de@angst-pfister.com)

Scan here and get an overview of personal contacts!



[sensorsandpower.angst-pfister.com](https://sensorsandpower.angst-pfister.com)