

17256

Five CICS Multi-versioning Scenarios that Reduce the Risk of Change

Catherine Moxey

catherine_moxey@uk.ibm.com



#SHAREorg



SHARE is an independent volunteer-run information technology association that provides education, professional networking and industry influence.

Copyright (c) 2015 by SHARE Inc.  Except where otherwise noted, this work is licensed under <http://creativecommons.org/licenses/by-nc-sa/3.0/>



Please Note:

- IBM's statements regarding its plans, directions, and intent are subject to change or withdrawal without notice at IBM's sole discretion.
- Information regarding potential future products is intended to outline our general product direction and it should not be relied on in making a purchasing decision.
- The information mentioned regarding potential future products is not a commitment, promise, or legal obligation to deliver any material, code or functionality. Information about potential future products may not be incorporated into any contract.
- The development, release, and timing of any future features or functionality described for our products remains at our sole discretion.

Performance is based on measurements and projections using standard IBM benchmarks in a controlled environment. The actual throughput or performance that any user will experience will vary depending upon many factors, including considerations such as the amount of multiprogramming in the user's job stream, the I/O configuration, the storage configuration, and the workload processed. Therefore, no assurance can be given that an individual user will achieve results similar to those stated here.

Abstract

- CICS Transaction Server V5.2 introduces many new features that will help you manage the application lifecycle, in particular the transition from the current version of an application to a new version of an application. Think ‘newcopy’, but smarter. The CICS Application and Platform capabilities introduced in CICS TS V5 will help you manage applications as a single entity, reduce the risk associated with application updates, and provide you with capabilities to roll back to an earlier version of an application if things don't go to plan. Come to this session to see five examples of how the multi-version capabilities in CICS TS V5.2 can help you better control application changes in your organization.

Topics

- Cloud enablement in CICS: Quick Recap
- 5 compelling reasons for CICS Cloud
 1. Web Scenario: New Features
 2. Traditional 3270 Scenario: Bug Fix
 3. MQ Scenario: Application roll-out
 4. Server Consolidation Scenario
 5. Application Modernization Scenario
- How does it work?

What is Cloud Computing?

NIST Definition :

- Cloud computing is a model for enabling ubiquitous, convenient, on-demand network access to
- a shared pool of configurable computing resources (e.g., networks, servers, storage, applications, and services)
 - that can be rapidly provisioned and released
 - with minimal management effort or service provider interaction
- Composed of 5 essential characteristics, 3 service models, 4 deployment models.

4 Deployment Models

- Private cloud
- Public cloud
- Hybrid cloud
- Community cloud



3 Service Models

- Software as a Service (SaaS)
- Platform as a Service (PaaS)
- Infrastructure as a Service (IaaS)

5 Characteristics

- Rapid elasticity
- Broad network access
- Resource pooling
- Measured service
- On-demand self-service

<http://csrc.nist.gov/publications/nistpubs/800-145/SP800-145.pdf>

What is Cloud Computing?

NIST Definition :

- Cloud computing is a model for enabling ubiquitous, convenient, on-demand network access to
- a shared pool of configurable computing resources (e.g., networks, servers, storage, applications, and services)
 - that can be rapidly provisioned and released
 - with minimal management effort or service provider interaction
- Composed of 5 essential characteristics, 3 service models, 4 deployment models.

4 Deployment Models

- **Private cloud**
- **Public cloud**
- **Hybrid cloud**
- **Community cloud**



3 Service Models

- **Software as a Service (SaaS)**
- **Platform as a Service (PaaS)**
- **Infrastructure as a Service (IaaS)**

5 Characteristics

- **Rapid elasticity**
- **Broad network access**
- **Resource pooling**
- **Measured service**
- **On-demand self-service**

<http://csrc.nist.gov/publications/nistpubs/800-145/SP800-145.pdf>

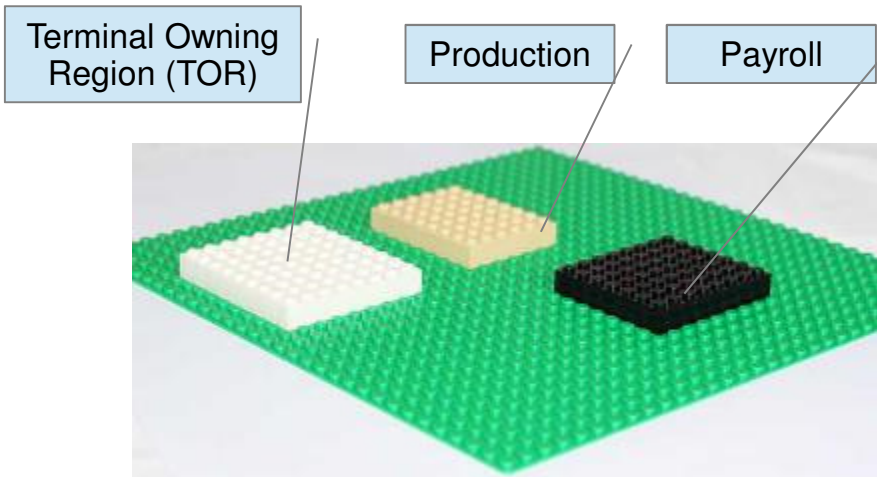
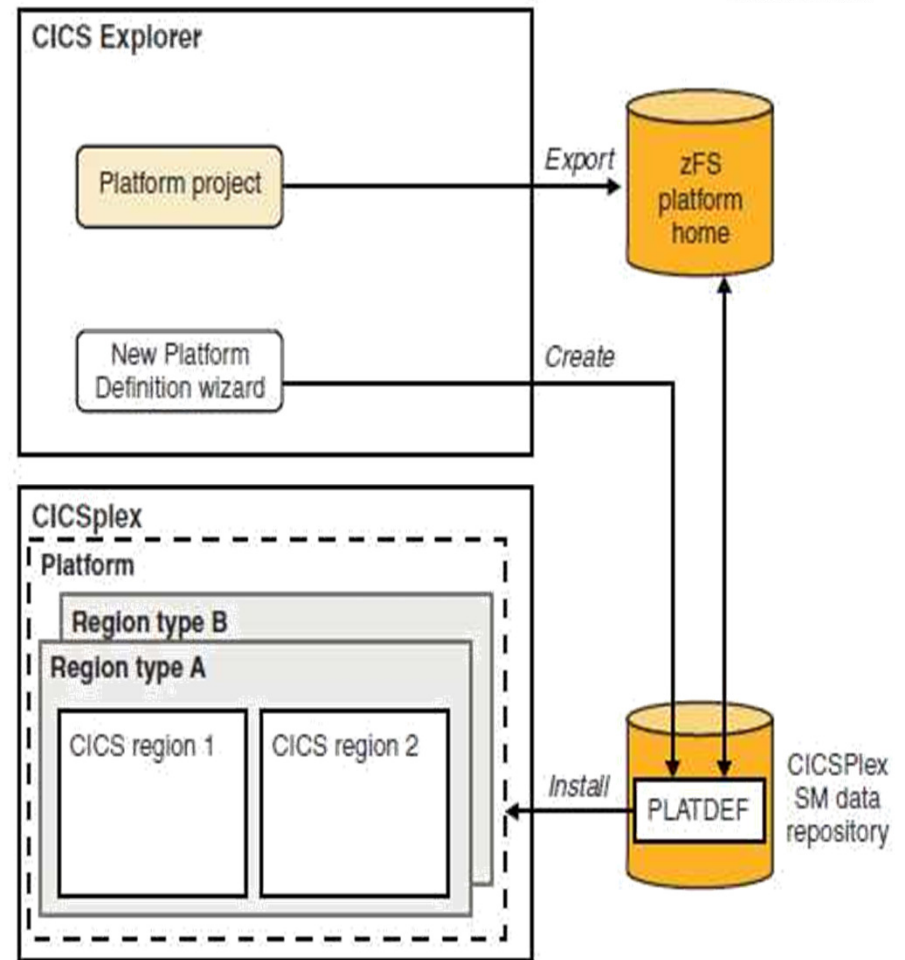
A CICS Region: you already know (and love)



Complete your session evaluations online at www.SHARE.org/Orlando-Eval

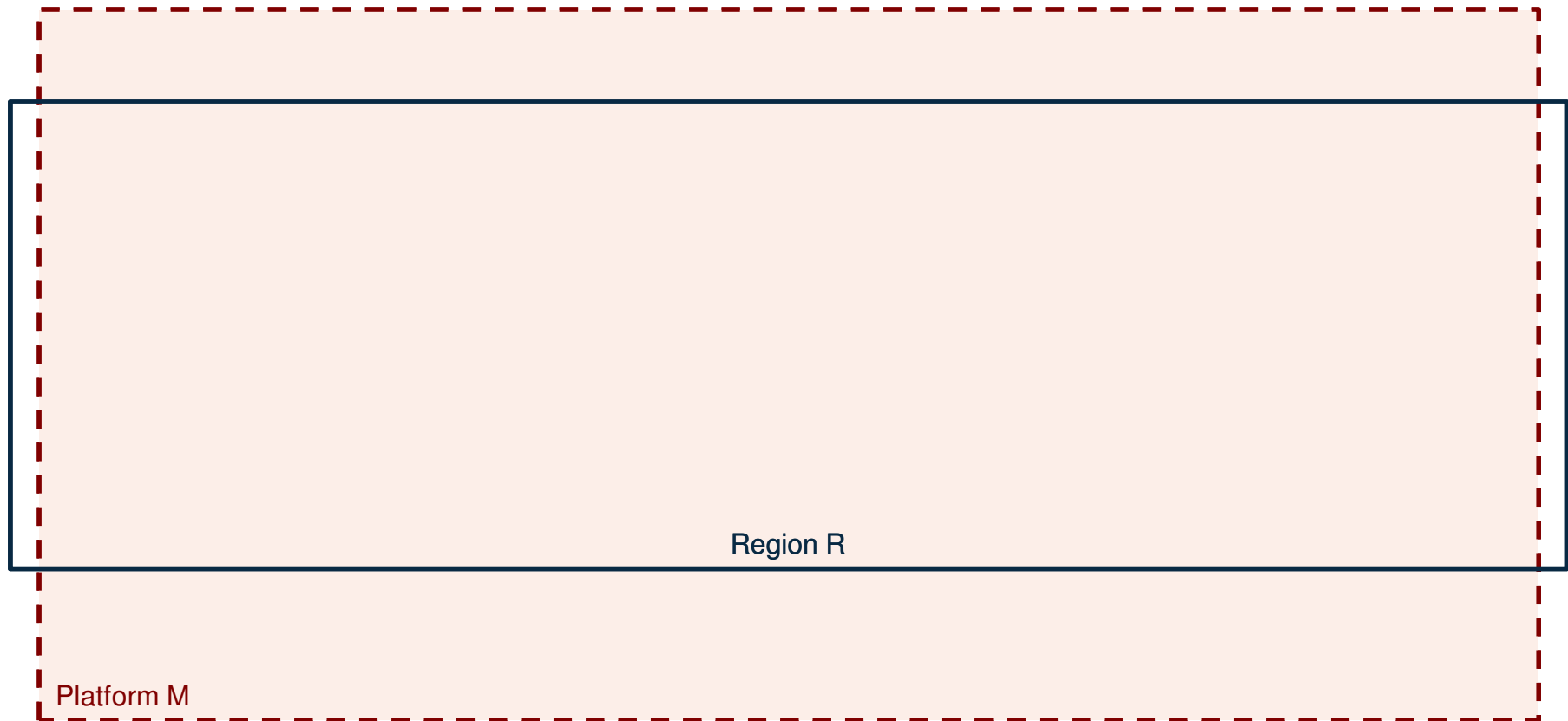
Stage 1: Create a platform

- Simple layer of abstraction to decouple applications from the underlying complexities of a CICS topology
- Consists of **Region Types**
 - logical grouping collecting CICS regions with common characteristics
 - enables them to be managed as a unit in a platform
 - Created: define a region type & set up new CICS region definitions
 - Adopted: adopt existing CICS system group (CSYSGRP) as region type with its existing CICS regions



Complete your session evaluations online at www.SHARE.org/Orlando-Eval

A CICS Platform: abstraction of underlying CICS Region topology to simplify deployment

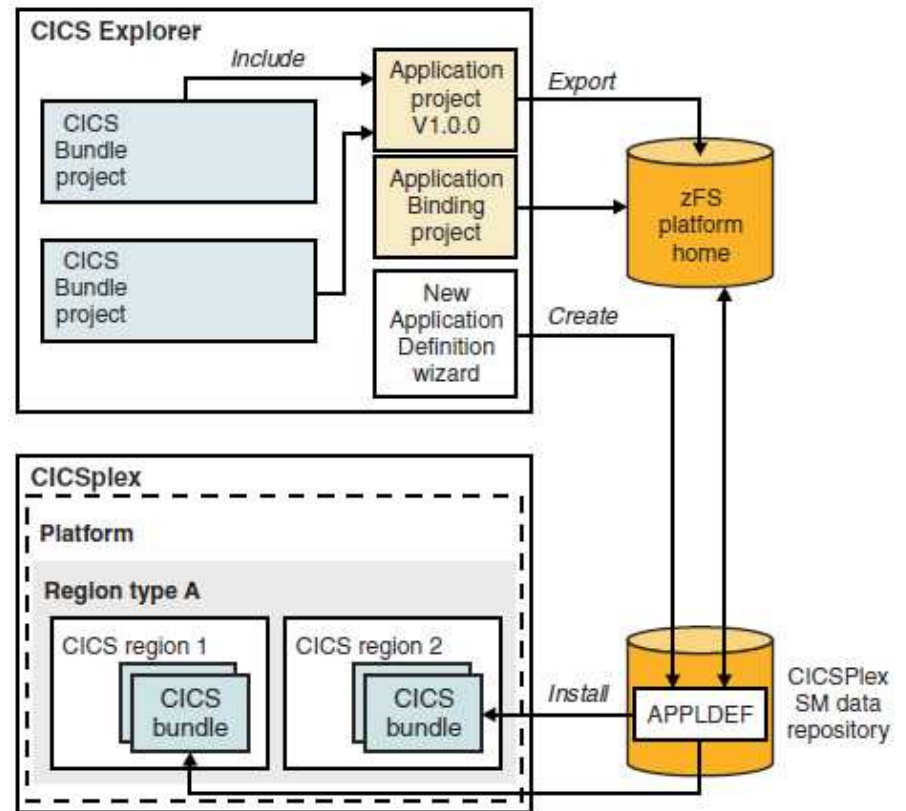


Complete your session evaluations online at www.SHARE.org/Orlando-Eval

Stage 2: Create an application and application entry points

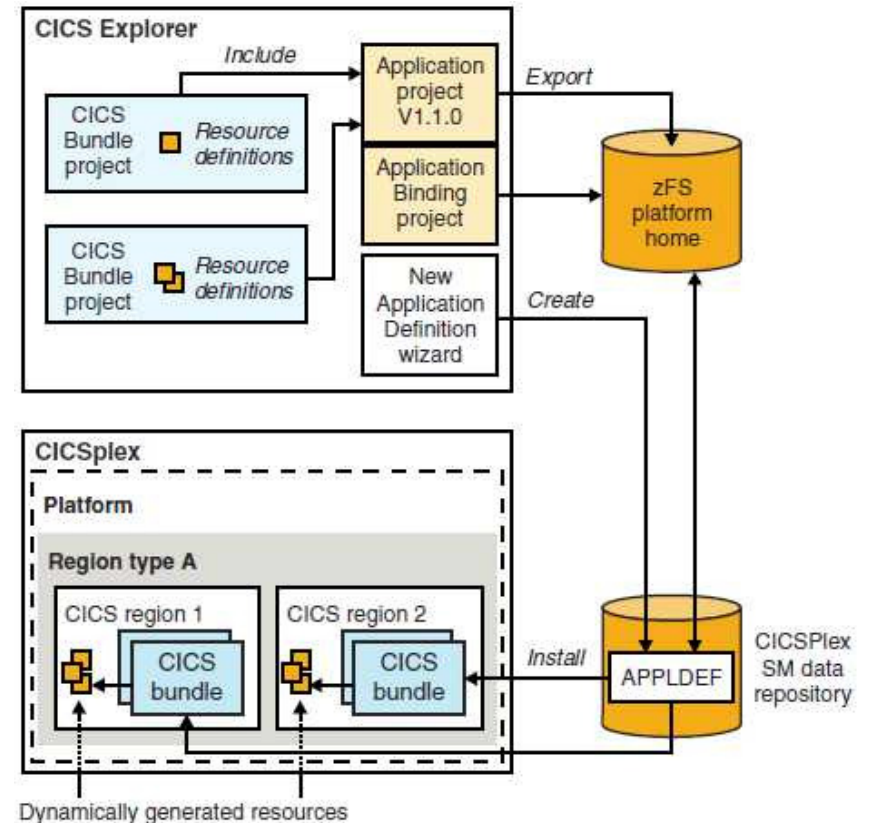
- Package CICS application in Application bundle
- Deploy > manage > monitor as single entity across multiple regions in platform
- Application entry points
 - identify resources as access points to Application
 - Program, URIMAP, **Transaction***
 - control users' access to different Application versions
- Bind application to platform for additional characteristics

* In CICS TS V5.3 open beta

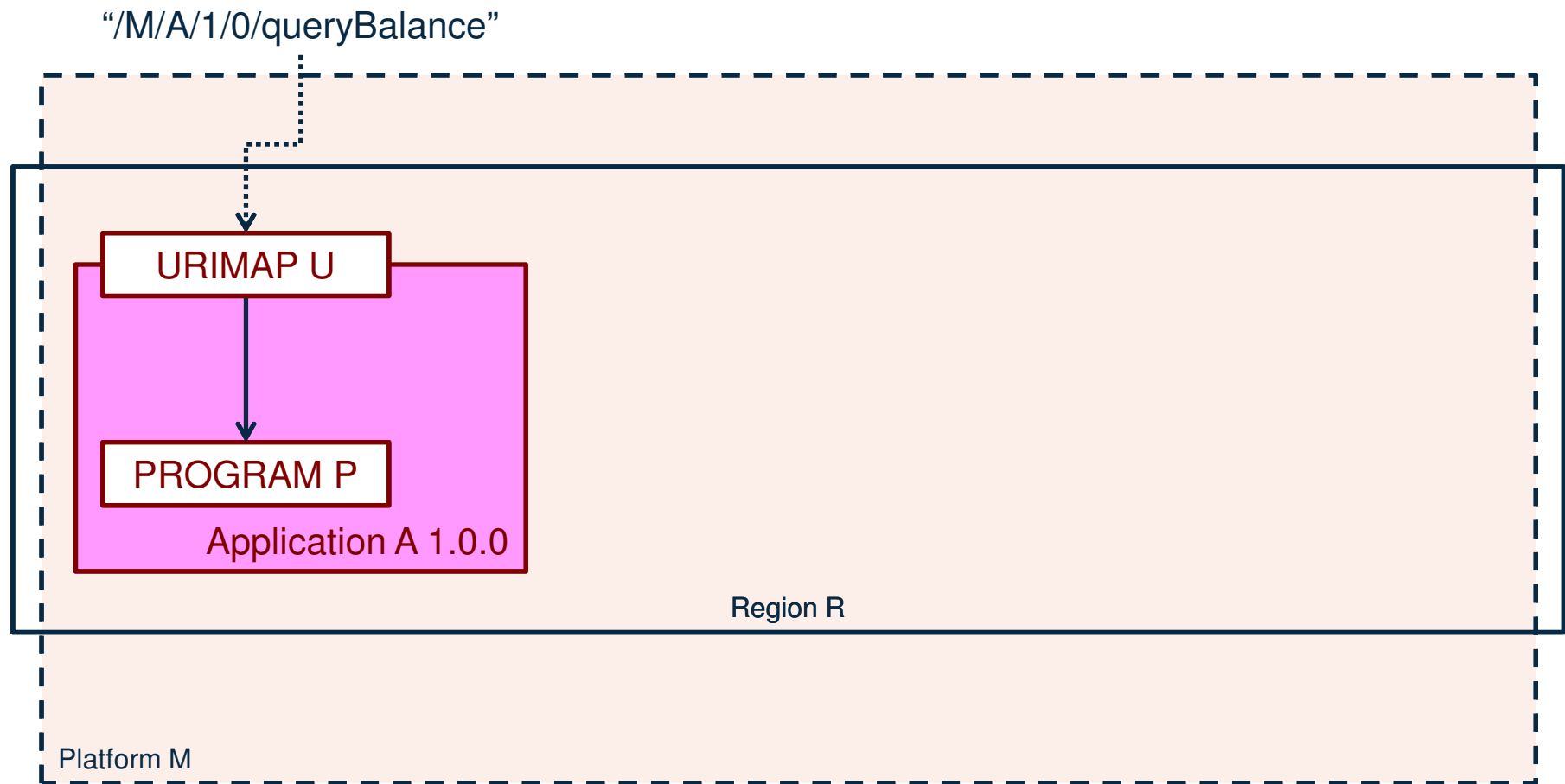


Stage 3: Add resources for the application

- Transfer responsibility for creating, installing, managing resources
- Don't modify resources individually (use CICS Bundle/Application operations)
- Application architects: carefully consider which resources to tie to CICS Bundle lifecycle
- Specify resource separately and declare as import (dependency) if resource
 - cannot be defined in a CICS bundle
 - has different lifecycle
 - should not be private (LIBRARY or PROGRAM)

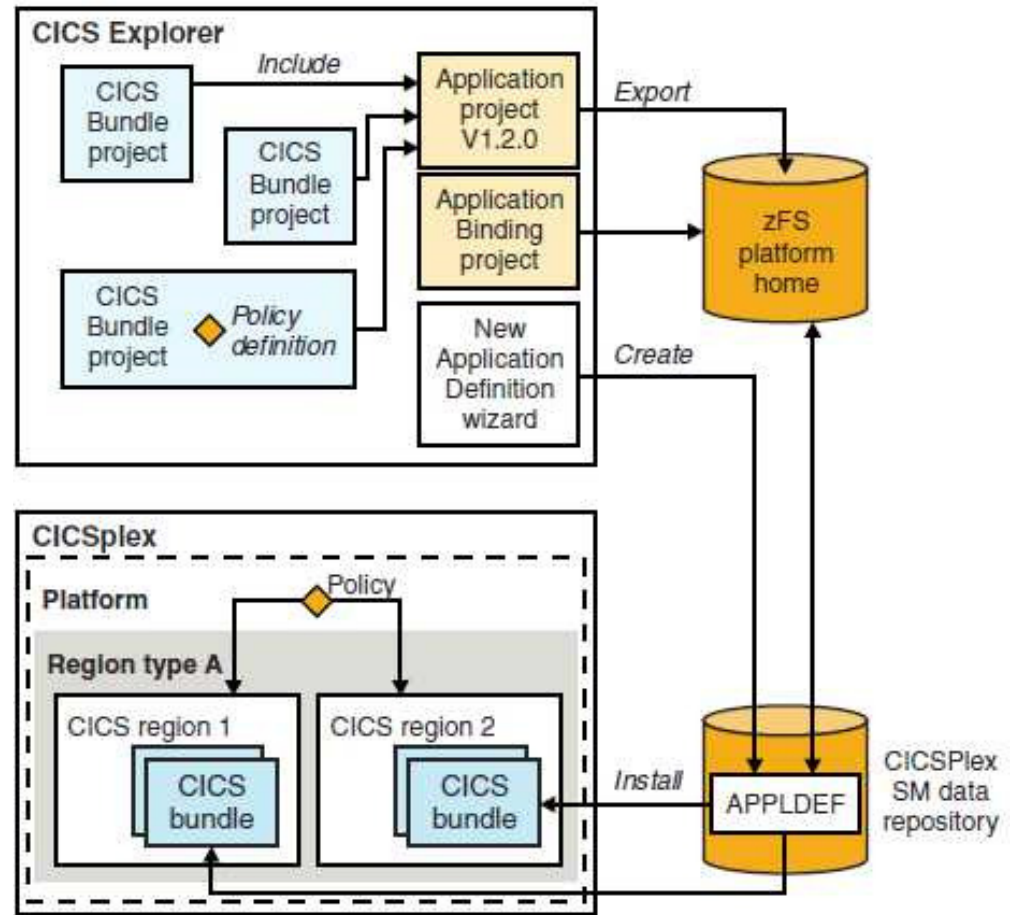


A CICS Application: name, version, entry point and (optionally) resources

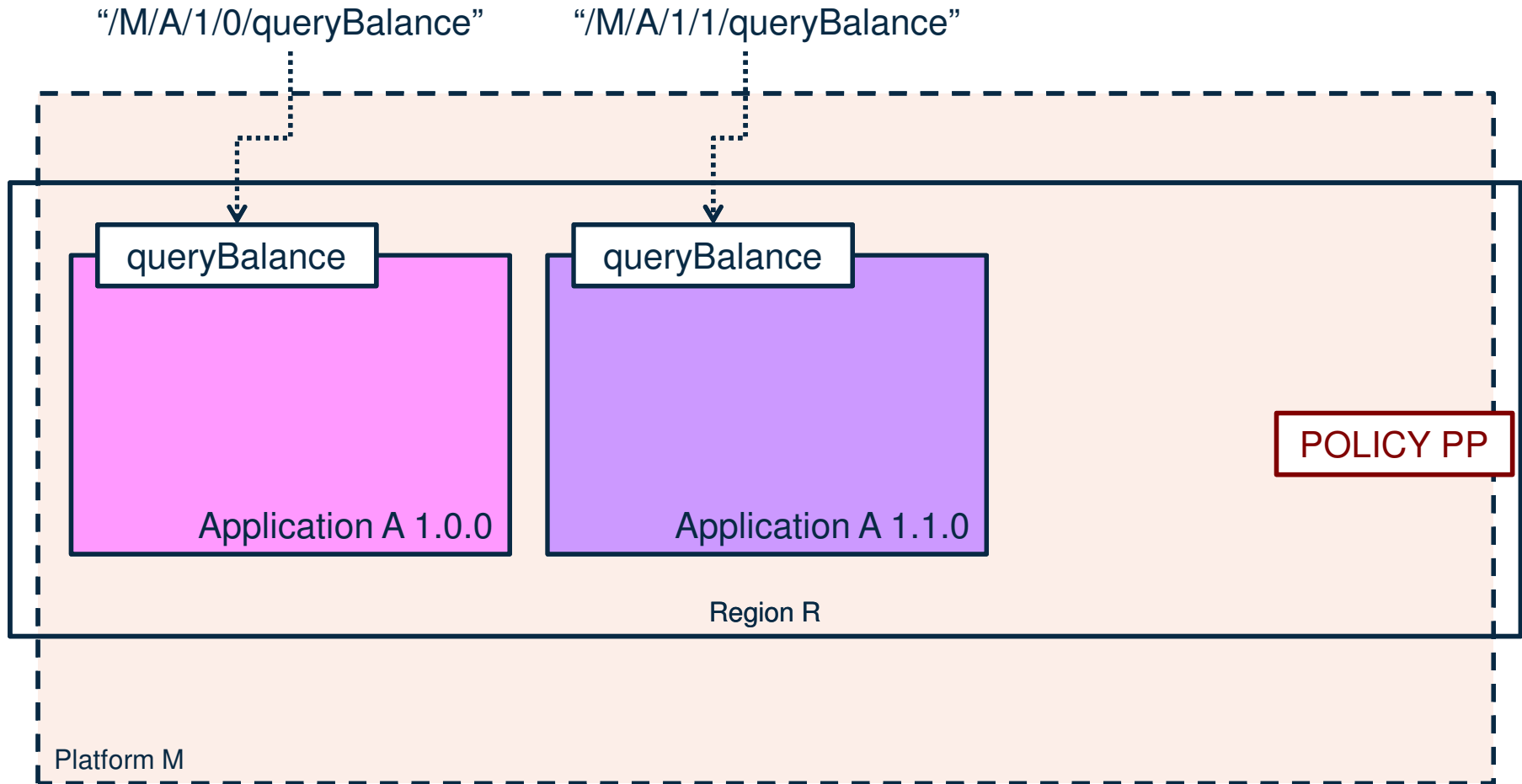


Stage 4: Add a policy

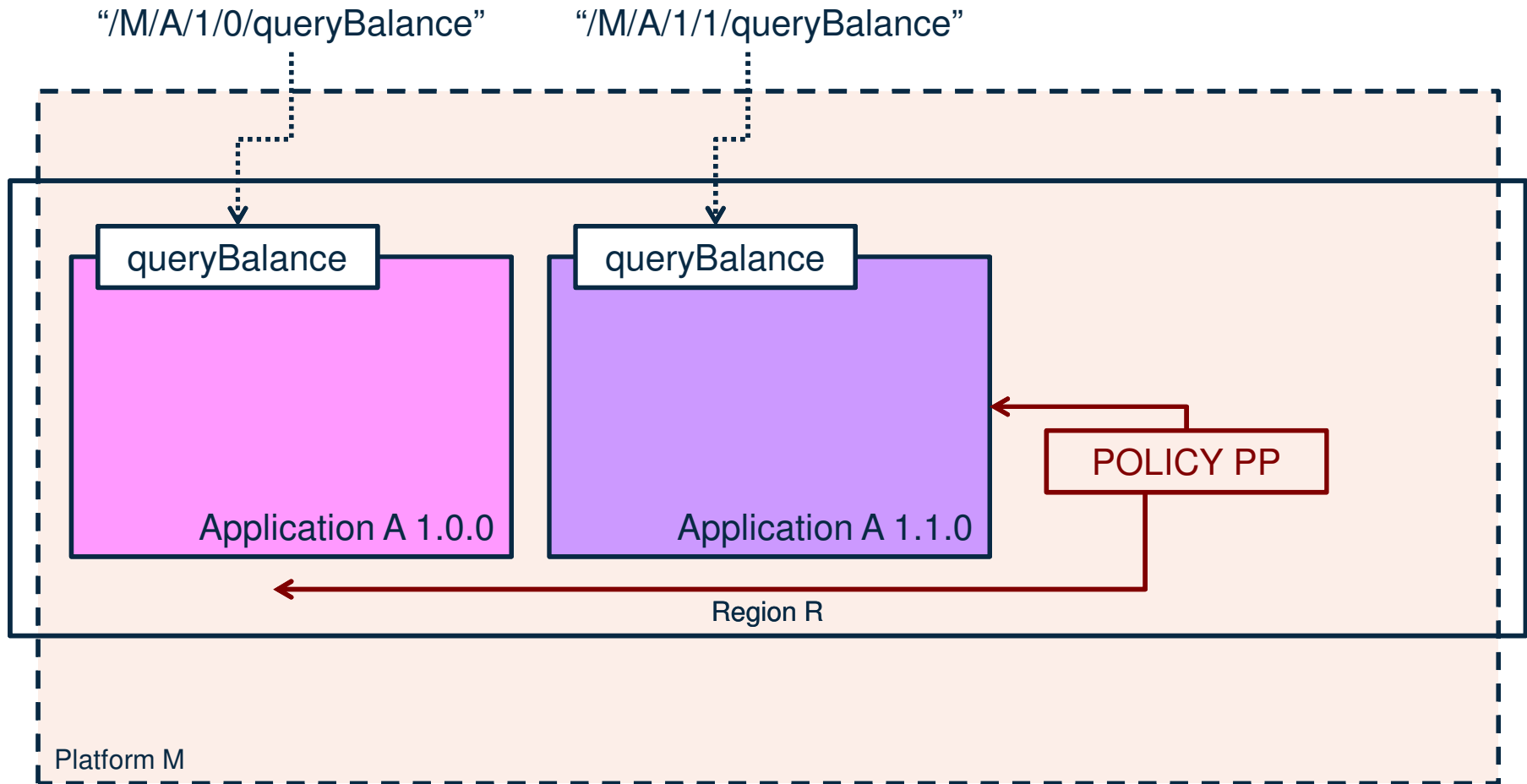
- XML definition
- Rules to describe controls or actions
- For one or more application tasks
- Threshold conditions to manage behaviour of user tasks
- e.g. define a threshold for the amount of storage allocated by a user task, and make CICS issue a message if the threshold is exceeded
- *“My systems work perfectly—it’s the applications that are the problem!”*



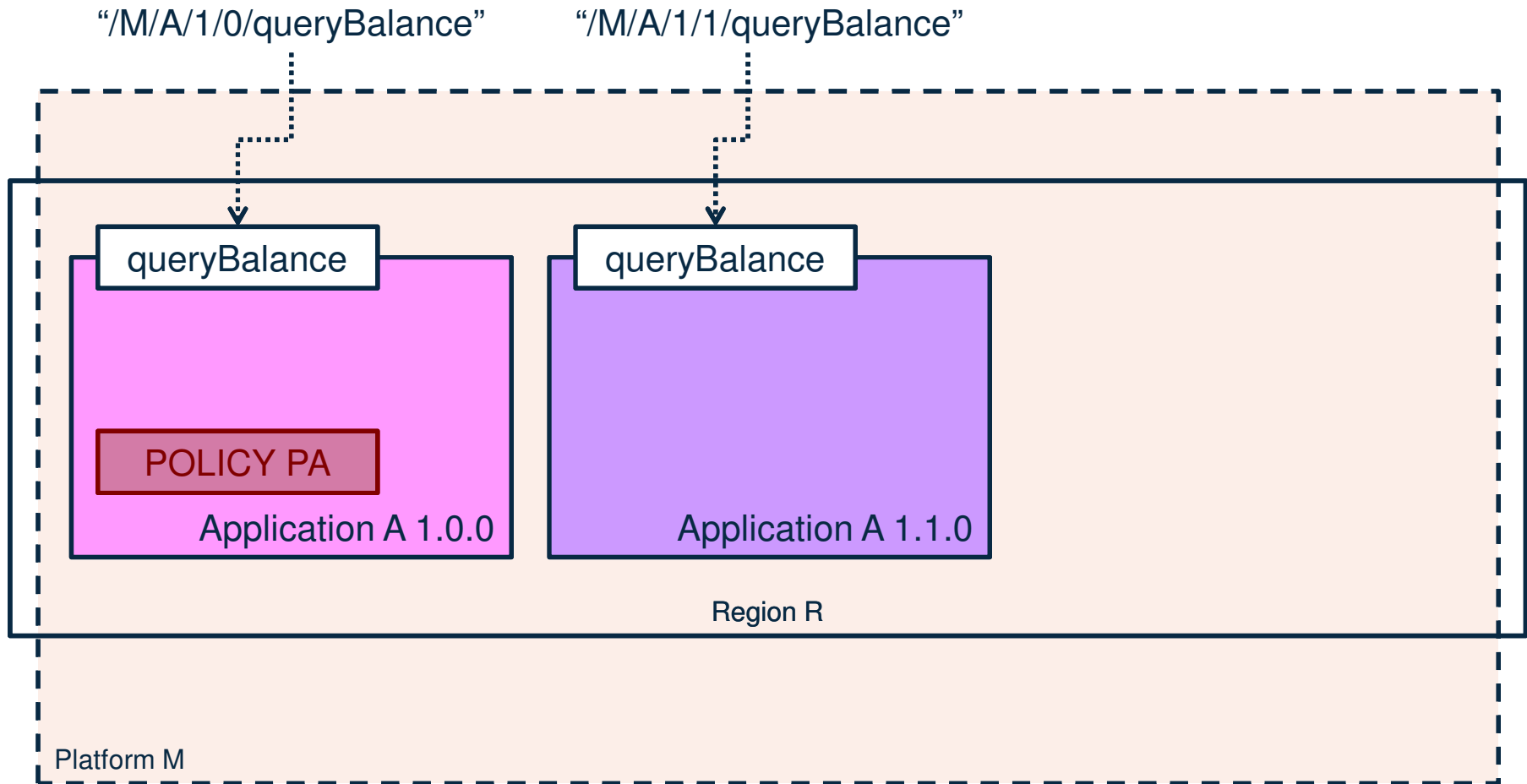
A CICS Policy: resource, threshold & action



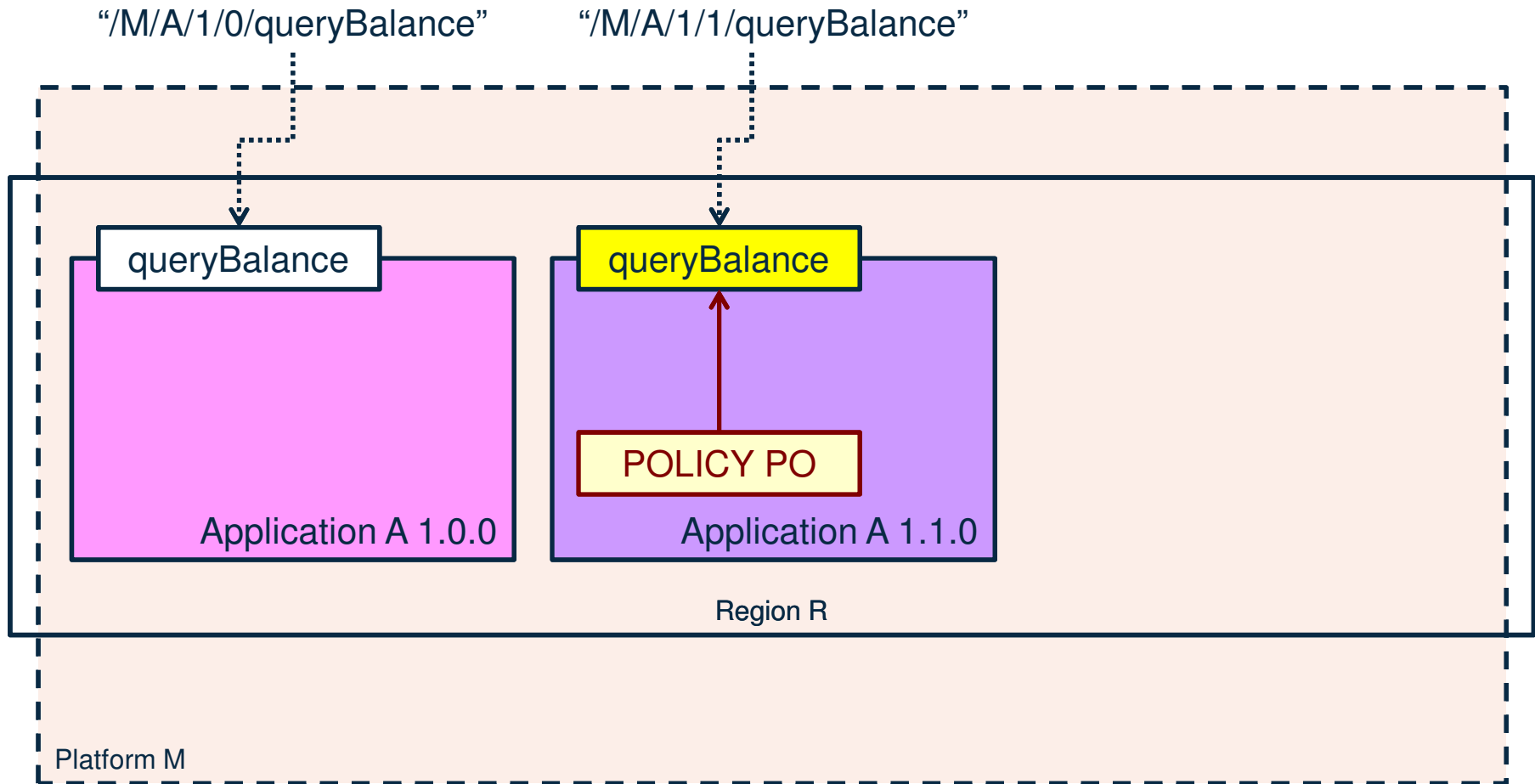
A CICS Policy: resource, threshold & action scoped to platform



A CICS Policy: resource, threshold & action scoped to application

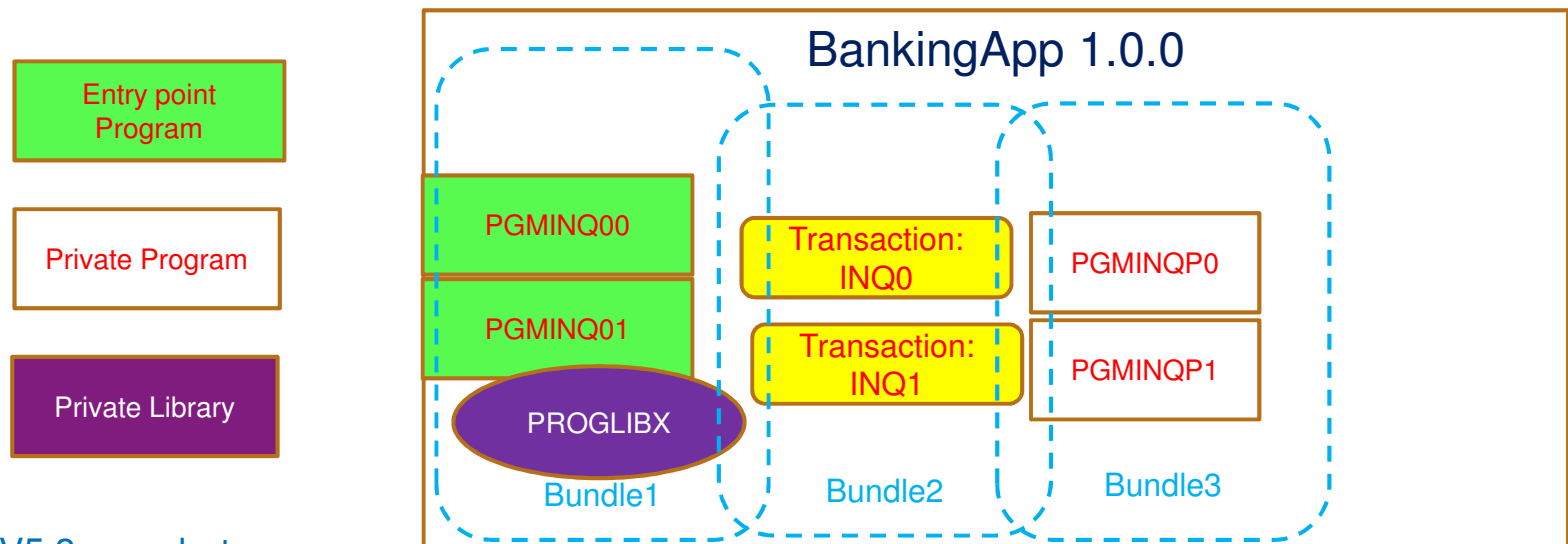


A CICS Policy: resource, threshold & action scoped to specific operation



What is Application Multi-Versioning?

- Provide end-user access to two or more versions of an application hosted on the same platform using private **PROGRAM** and **LIBRARY** (and **Transaction***) resources (and scoped policies)
- Quickly switch back and forth between two different versions of an application using the **AVAILABLE | UNAVAILABLE** state
- Route requests from users to different versions of an application using **INVOKE APPLICATION API**



* In CICS TS V5.3 open beta

Complete your session evaluations online at www.SHARE.org/Orlando-Eval

Why do I need Application Multi-versioning?



Agile methodologies allow developers to increase the rate of change of applications in response to business needs

IT operations needs to respond by deploying applications into production more frequently while reducing cost and maintaining reliability

Multi-versioning allows you to deploy new applications, application features or bug fixes while minimizing any impact to existing users or requiring additional infrastructure

Complete your session evaluations online at www.SHARE.org/Orlando-Eval

Five CICS Multi-Versioning Scenarios

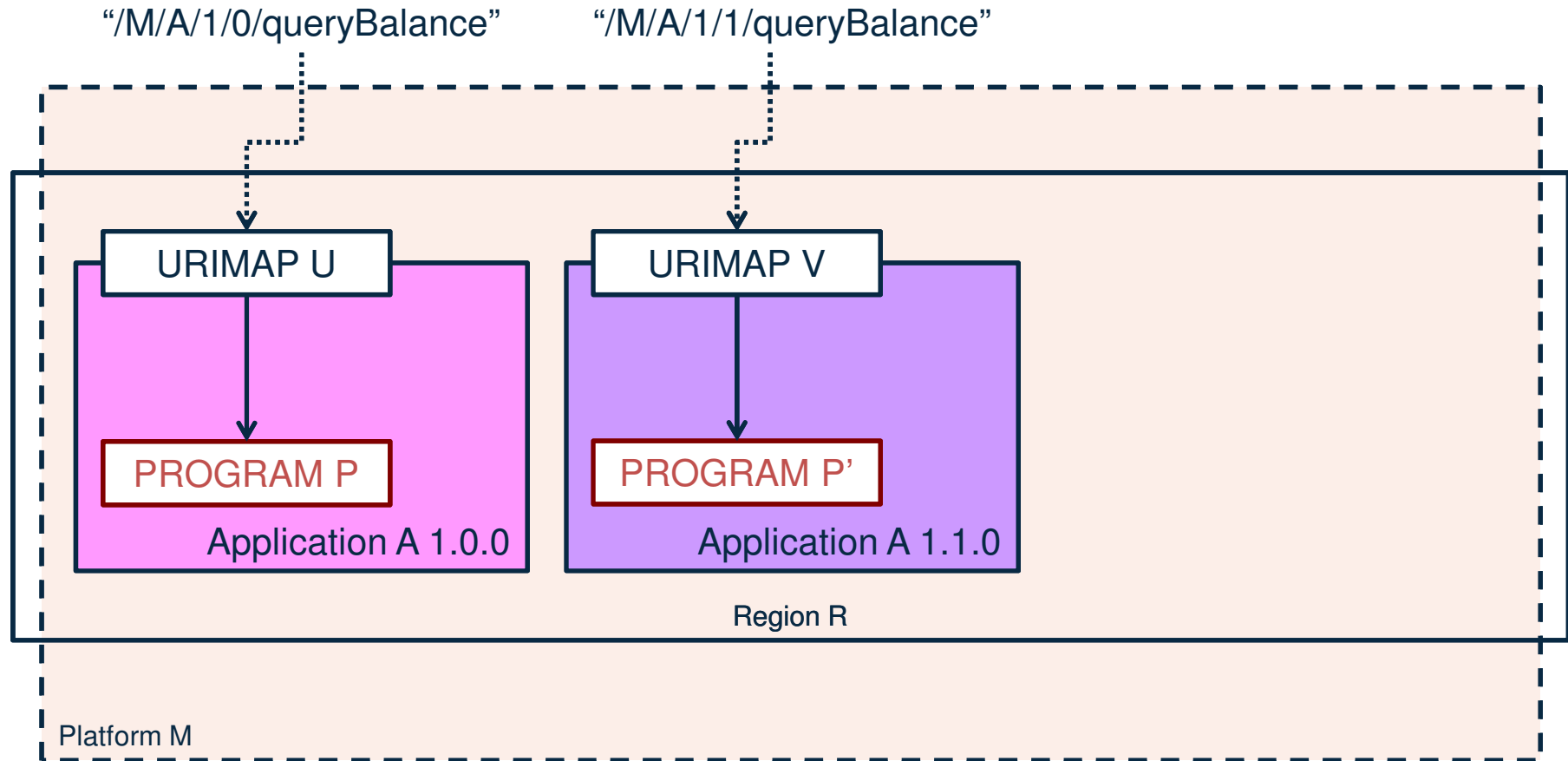
1. Web Scenario: New Features
2. Traditional 3270 Scenario: Bug Fix
3. MQ Scenario: Application Roll-out
4. Server Consolidation
5. Application Modernization
6. Add your own scenarios here....

Complete your session evaluations online at www.SHARE.org/Orlando-Eval

Web Scenario: New Features

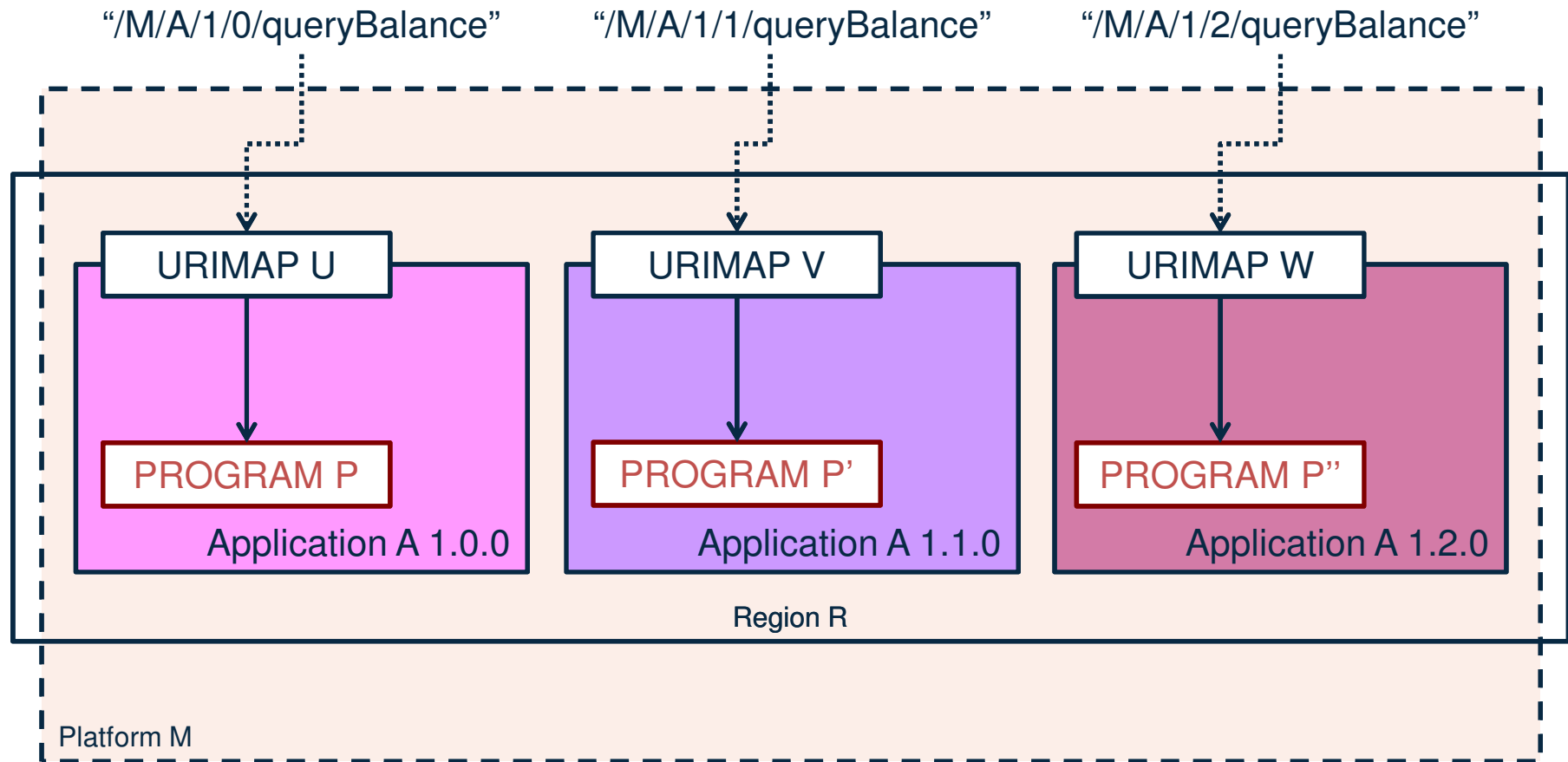
“The mobile guys need a new feature but I’m concerned about the potential performance impact for the existing high volume web site. This is a pilot so I really don’t want to spin up new regions just to support a few users. I’m also still trying to move the back office users off an old version of the application.”

Application versions 1.0.0 & 1.1.0 are hosted on the same Region(s)

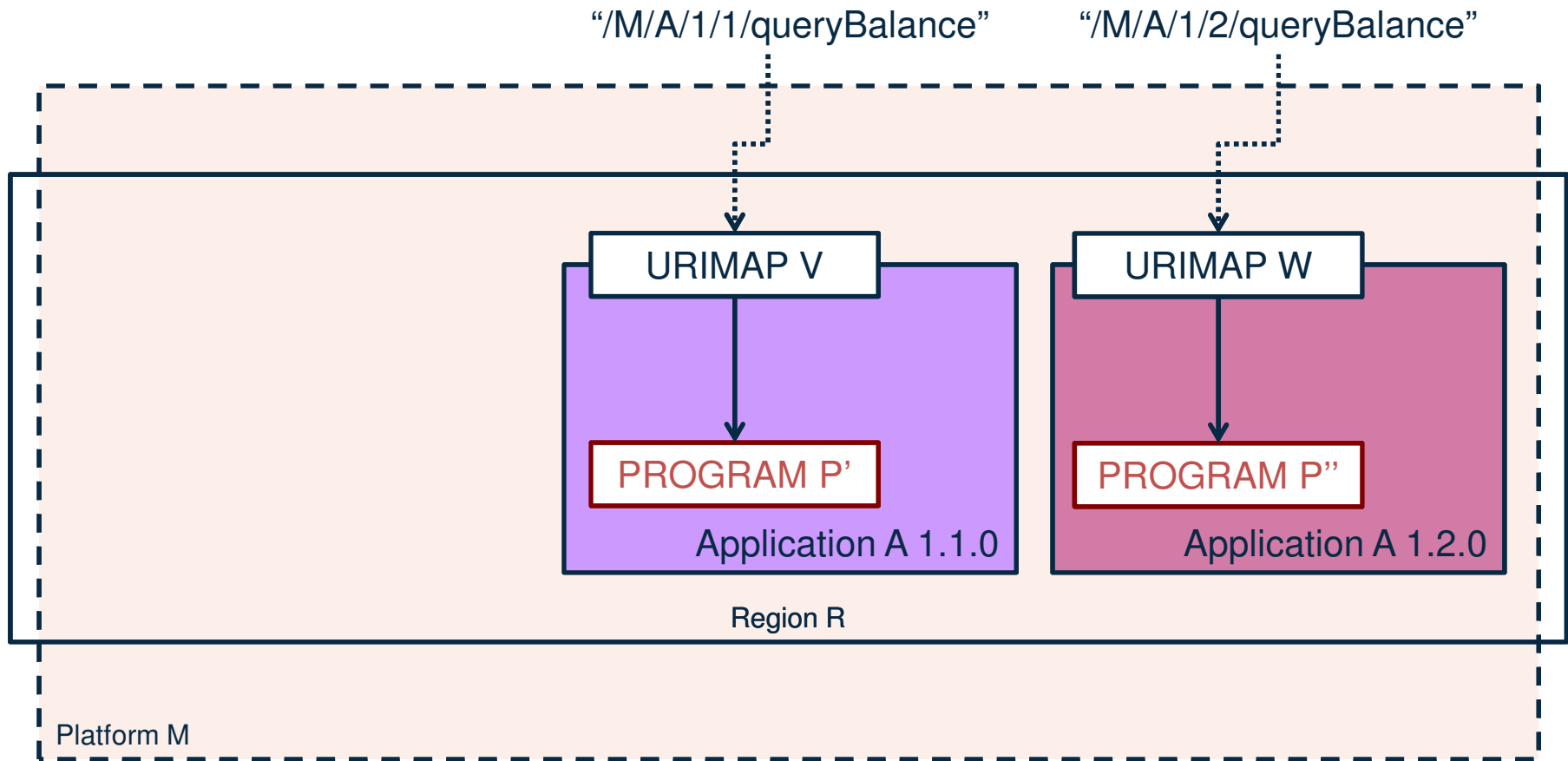


Complete your session evaluations online at www.SHARE.org/Orlando-Eval

Can simply add version 1.2.0 without affecting the users of versions 1.0.0 and 1.1.0



Can eventually retire version 1.0.0 when users have moved to a higher version (see from Monitoring data)



Demo

Hosting two versions of a CICS application
concurrently on the same platform
using the
CICS Transaction Server for z/OS V5.2
and CICS Explorer V5.2

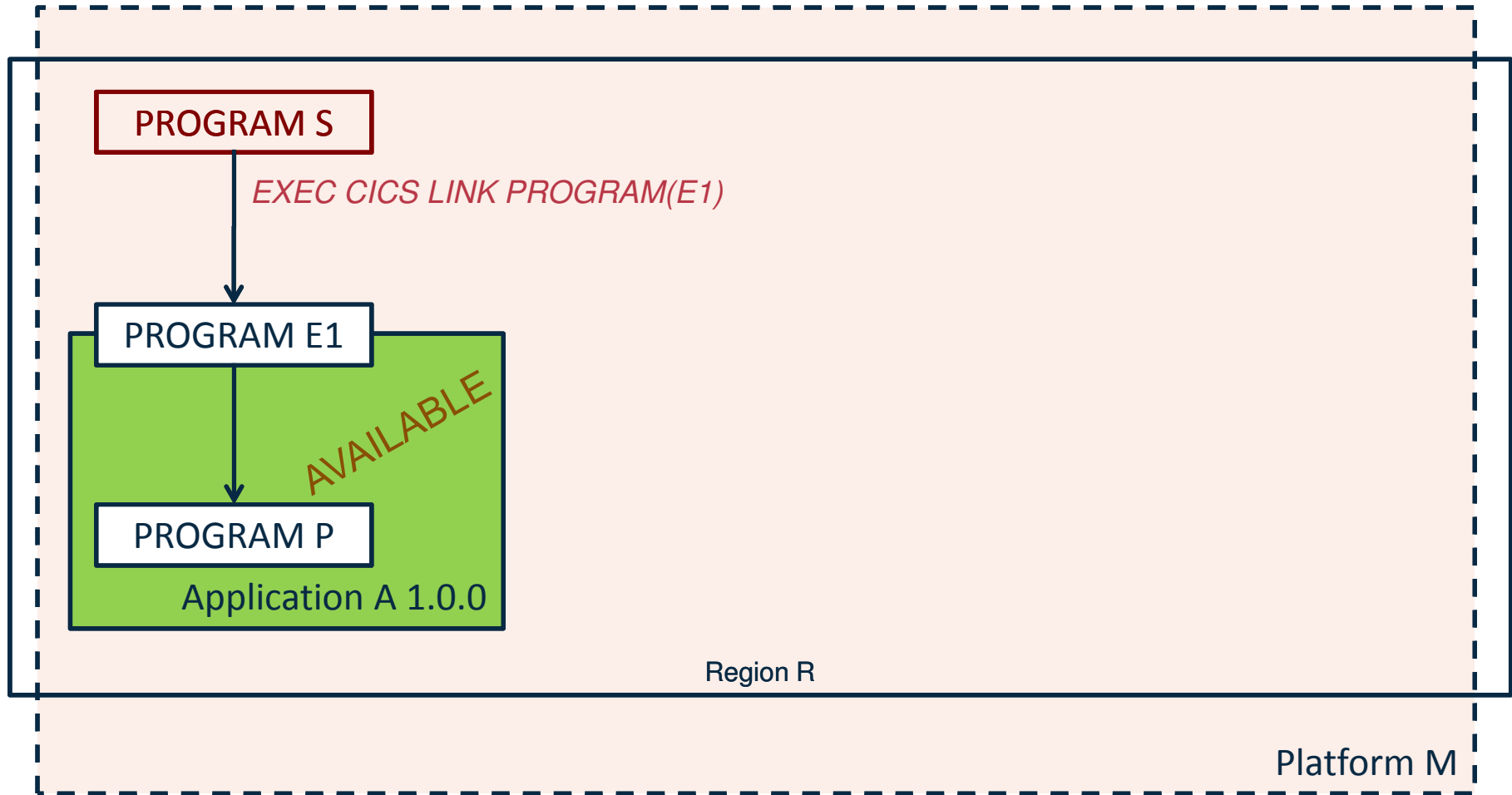
http://ibmtdemo.edgesuite.net/software/http/cics/Cloud_web_application_concurrent_versions.mp4

Complete your session evaluations online at www.SHARE.org/Orlando-Eval

Traditional 3270 Scenario: Bug Fix

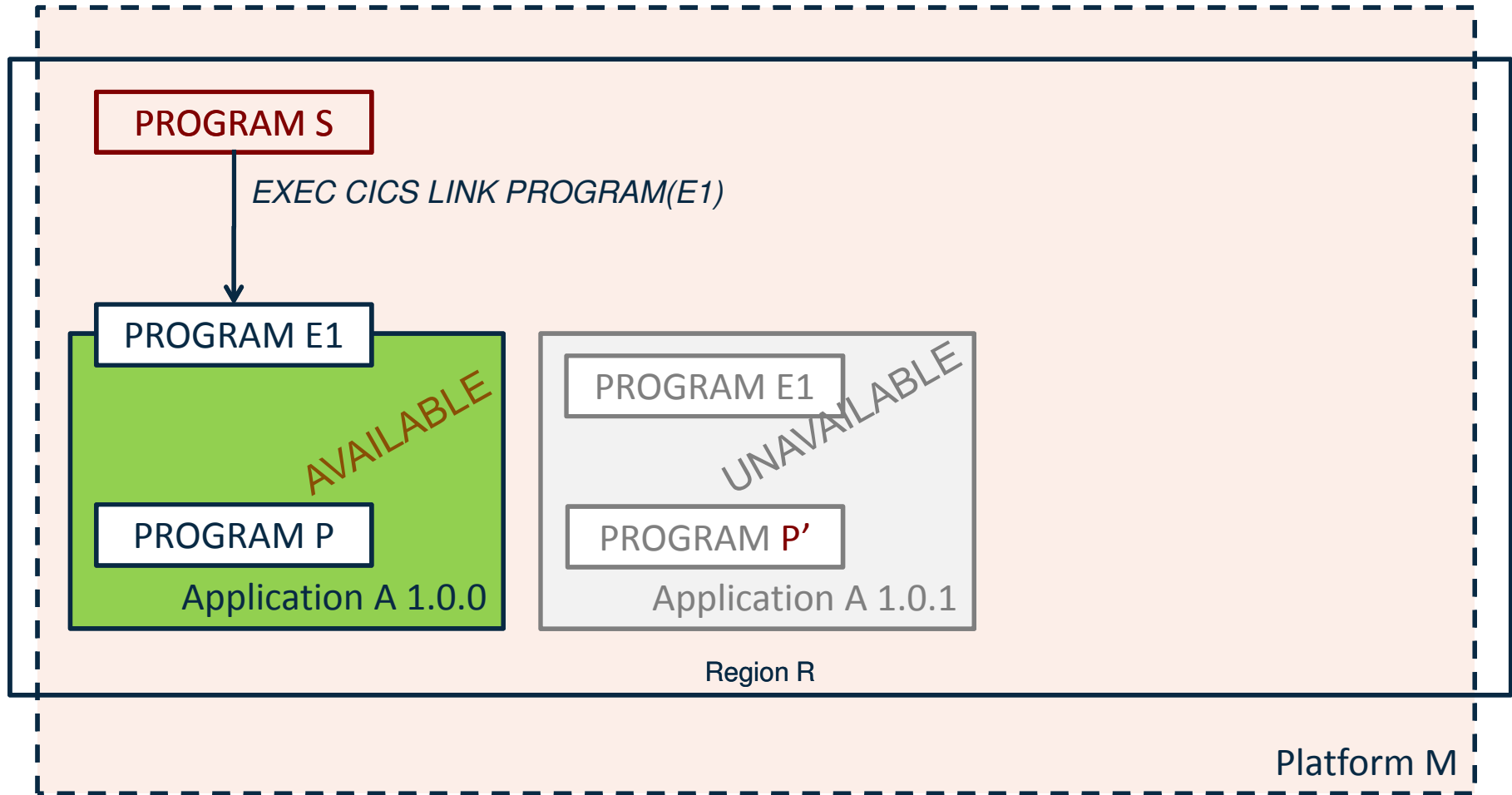
“I need to apply a hot fix to an application in production but I want to use the same process that I use for my weekly updates so I get an audit trail and correct monitoring data. I really want to make sure it’s installed correctly before making it live while the existing version is still being used. Also if the update makes things worse I want to rollback the change as quickly as possible”

Application version 1.0.0 has a bug

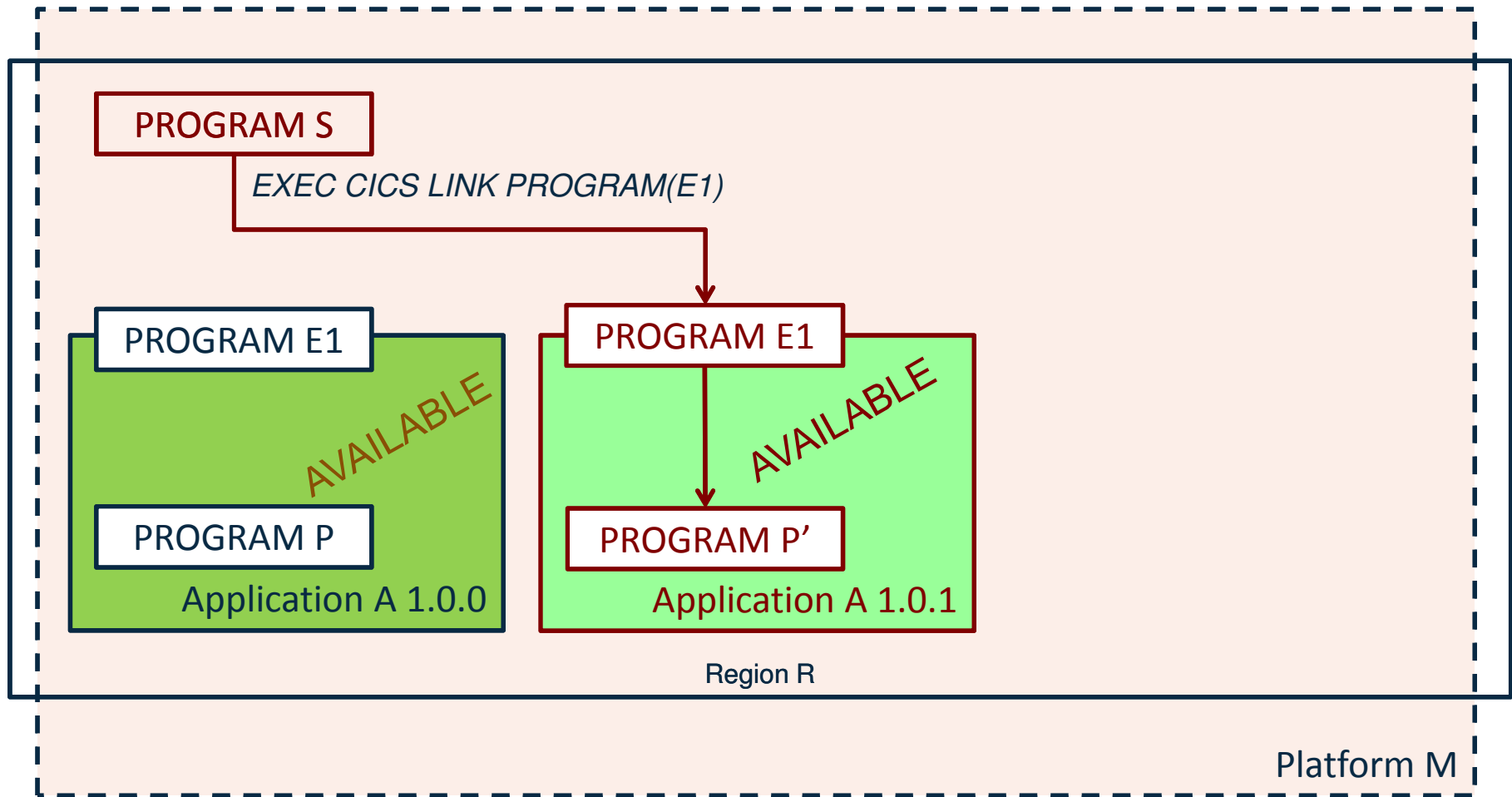


Complete your session evaluations online at www.SHARE.org/Orlando-Eval

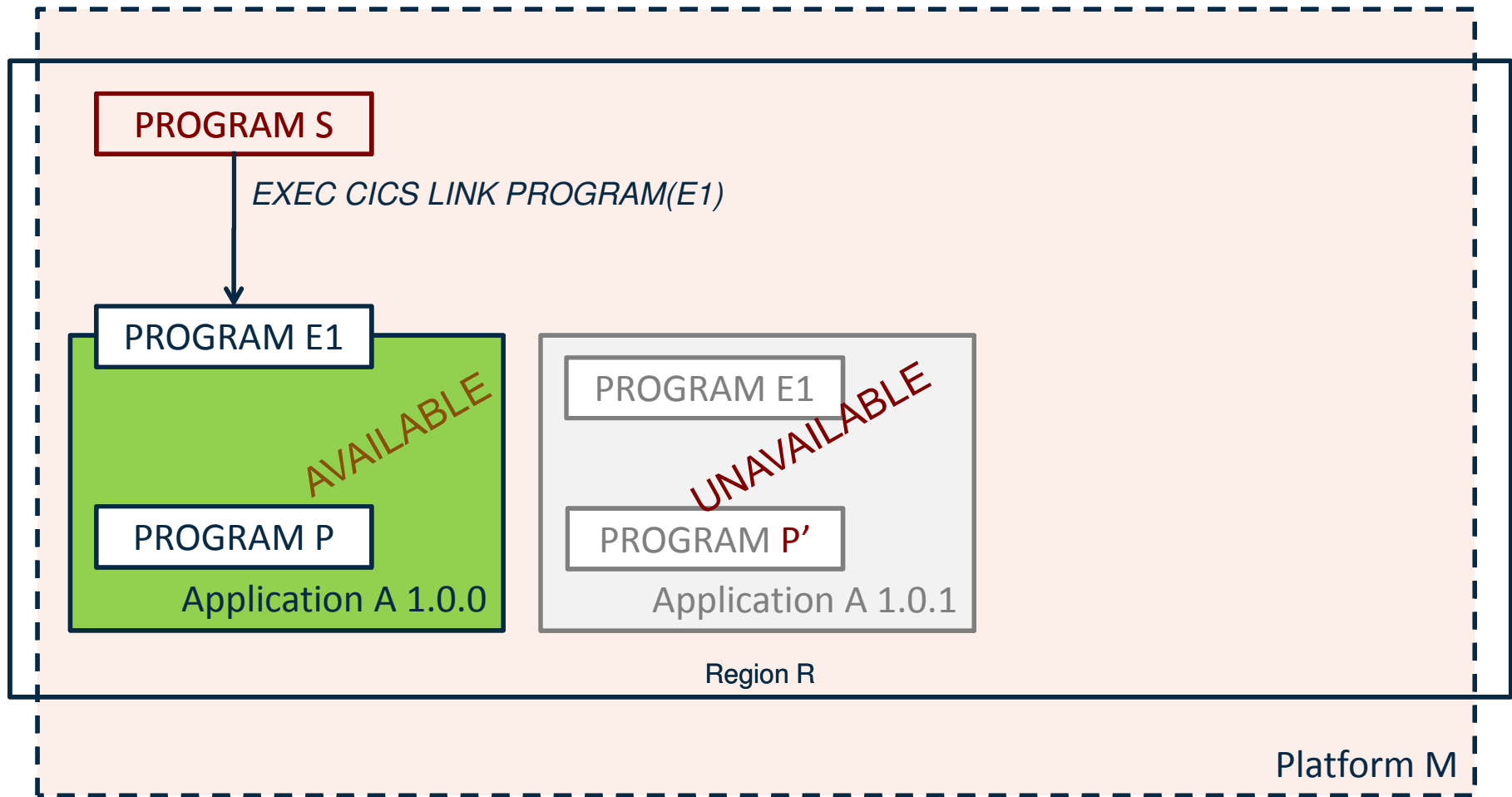
INSTALL and ENABLE version 1.0.1 but requests still go to version 1.0.0



Make application version 1.0.1 AVAILABLE so it receives new requests



If there is a problem make version 1.0.1 UNAVAILABLE to rollback to version 1.0.0



Demo

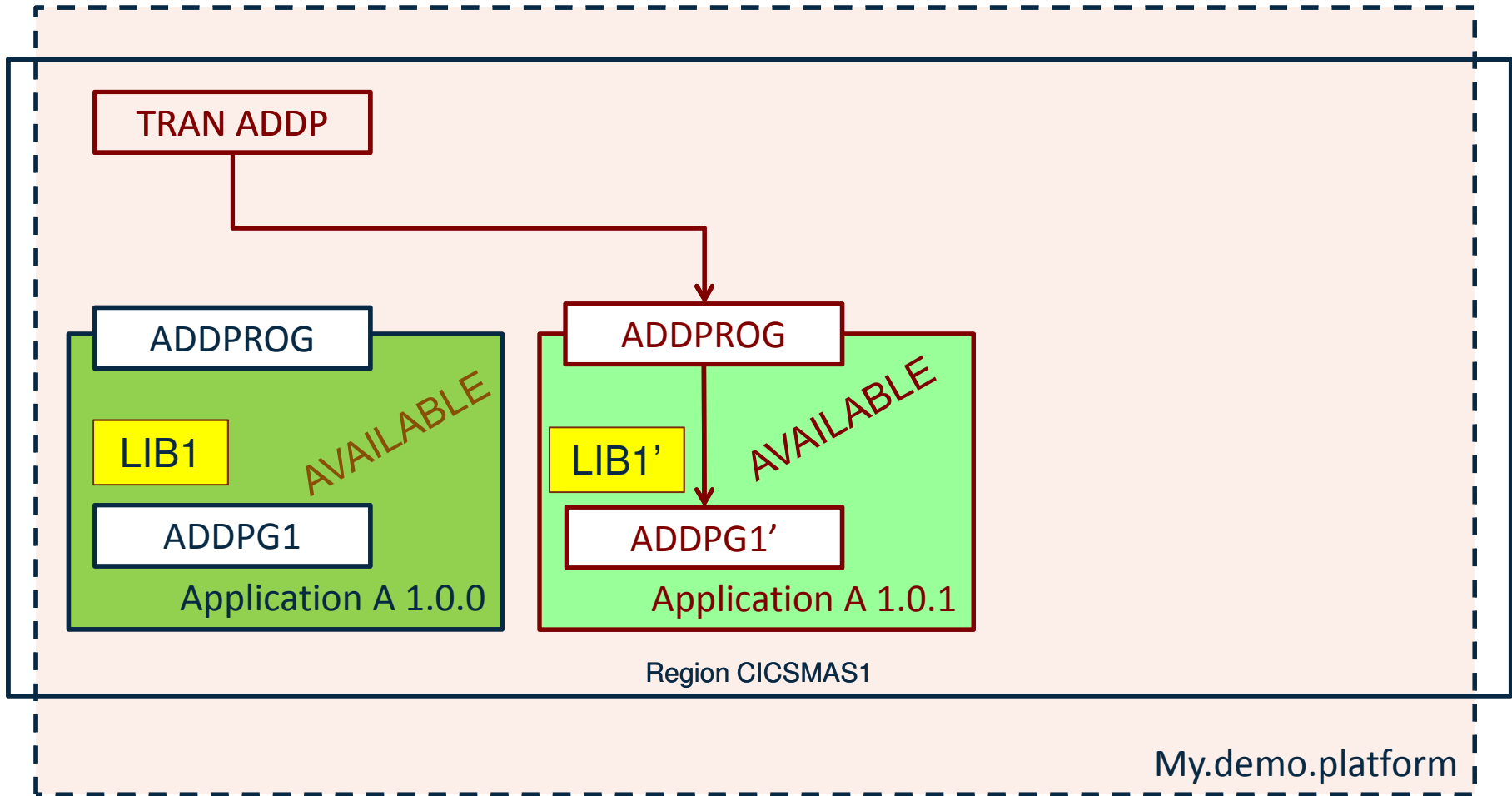


Provisioning application updates with
no loss of service using
CICS Transaction Server for z/OS V5.2
and CICS Explorer V5.2

http://ibmtvdemo.edgesuite.net/software/http/cics/Cloud_application_update.mp4

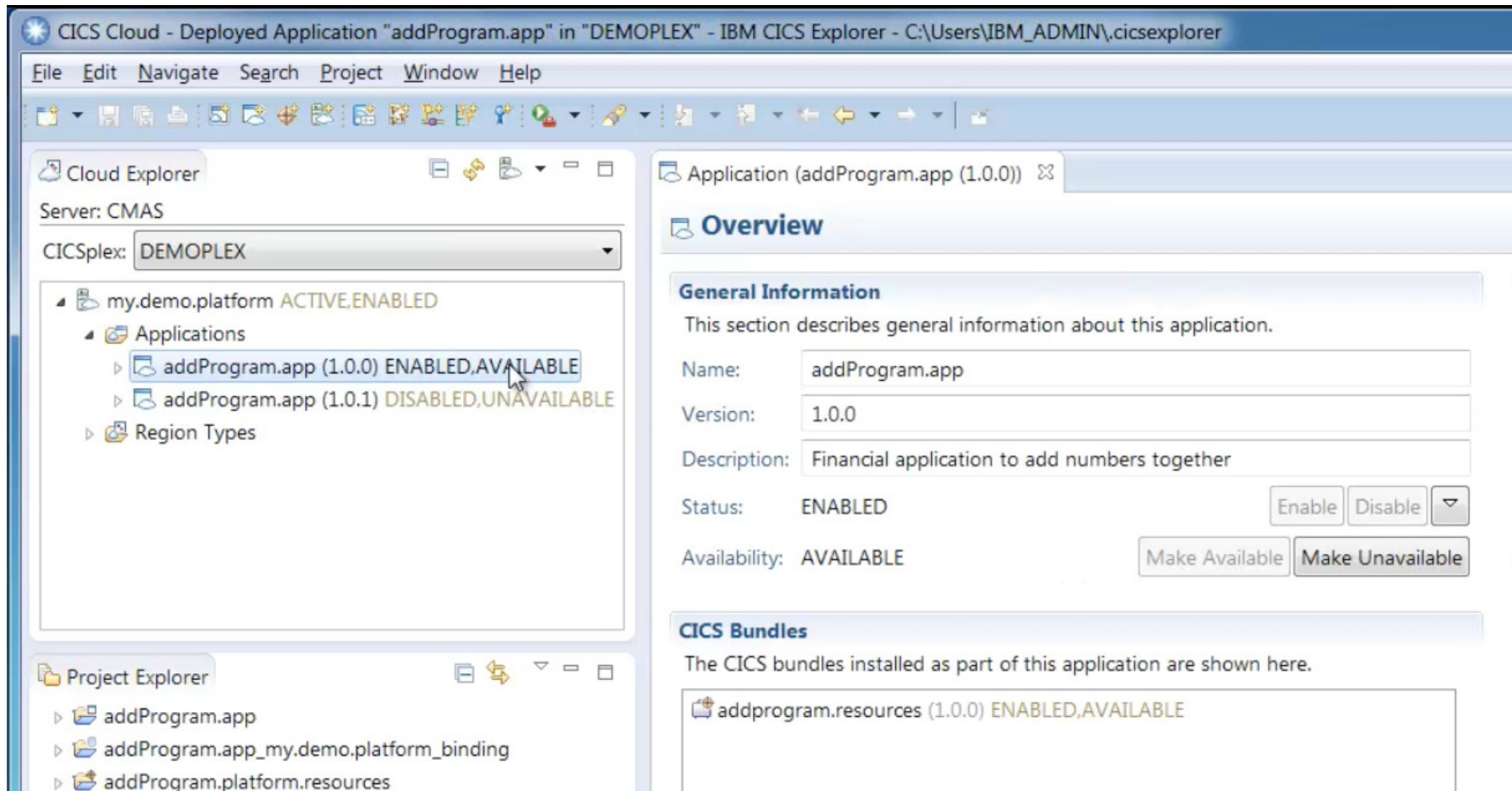
Complete your session evaluations online at www.SHARE.org/Orlando-Eval

Demo: addProgram.app



My.demo.platform

Application addProgram.app version 1.0.0 is enabled and available

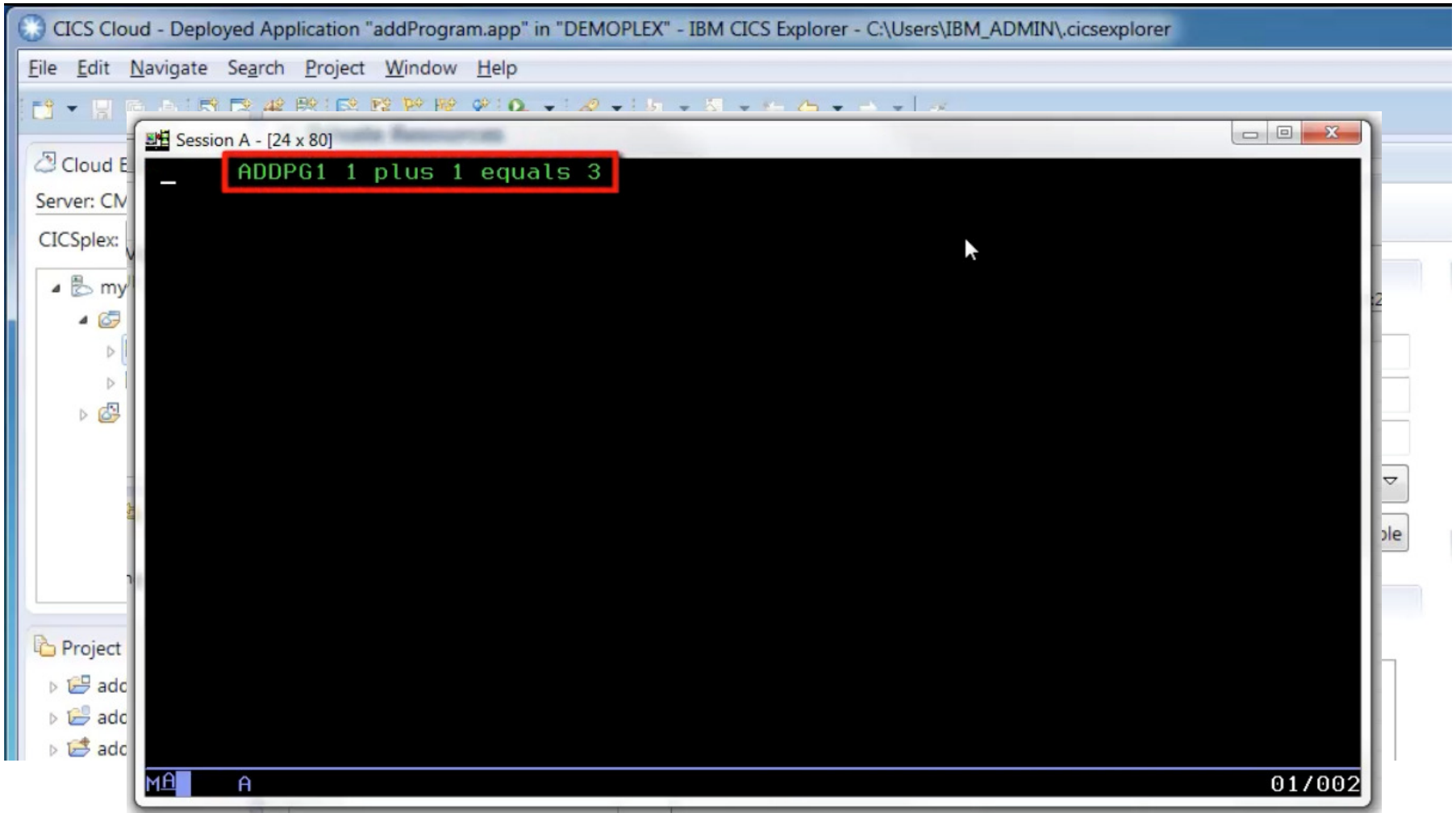


The screenshot displays the IBM CICS Explorer interface. The title bar reads "CICS Cloud - Deployed Application 'addProgram.app' in 'DEMOPLEX' - IBM CICS Explorer - C:\Users\IBM_ADMIN\cicsexplorer". The main window is divided into several panes:

- Cloud Explorer:** Shows the server "CMAS" and the CICSplex "DEMOPLEX". Under "my.demo.platform ACTIVE,ENABLED", the "Applications" folder is expanded, showing "addProgram.app (1.0.0) ENABLED,AVAILABLE" (highlighted with a mouse cursor), "addProgram.app (1.0.1) DISABLED,UNAVAILABLE", and "Region Types".
- Project Explorer:** Shows the project structure: "addProgram.app", "addProgram.app_my.demo.platform_binding", and "addProgram.platform.resources".
- Overview:** Provides details for the selected application:
 - General Information:** Name: addProgram.app, Version: 1.0.0, Description: Financial application to add numbers together, Status: ENABLED (with Enable/Disable buttons), Availability: AVAILABLE (with Make Available/Make Unavailable buttons).
 - CICS Bundles:** Lists "addprogram.resources (1.0.0) ENABLED,AVAILABLE".

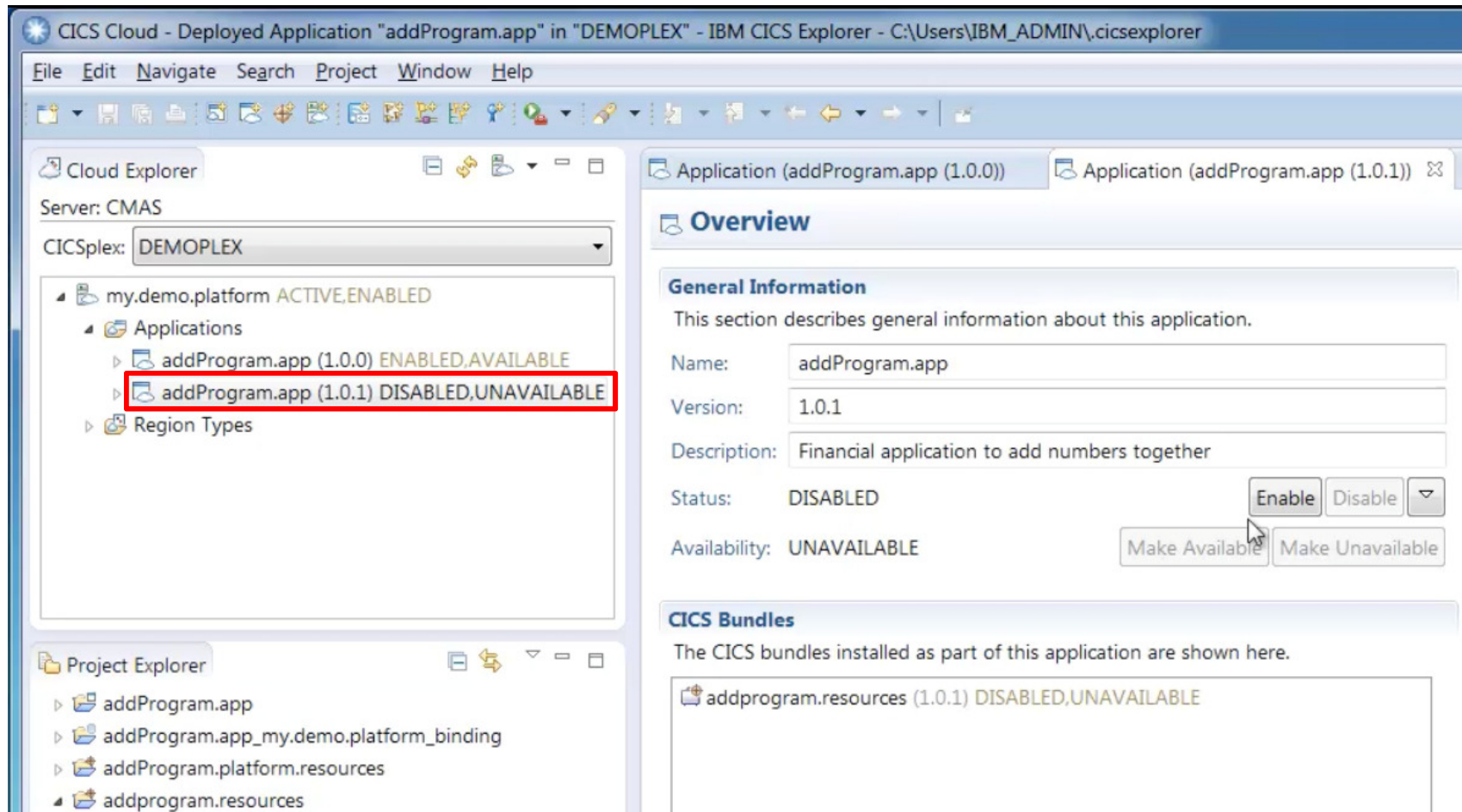
Complete your session evaluations online at www.SHARE.org/Orlando-Eval

However, it has a bug ...



Complete your session evaluations online at www.SHARE.org/Orlando-Eval

To fix the bug we first enable version 1.0.1 of addProgram.app



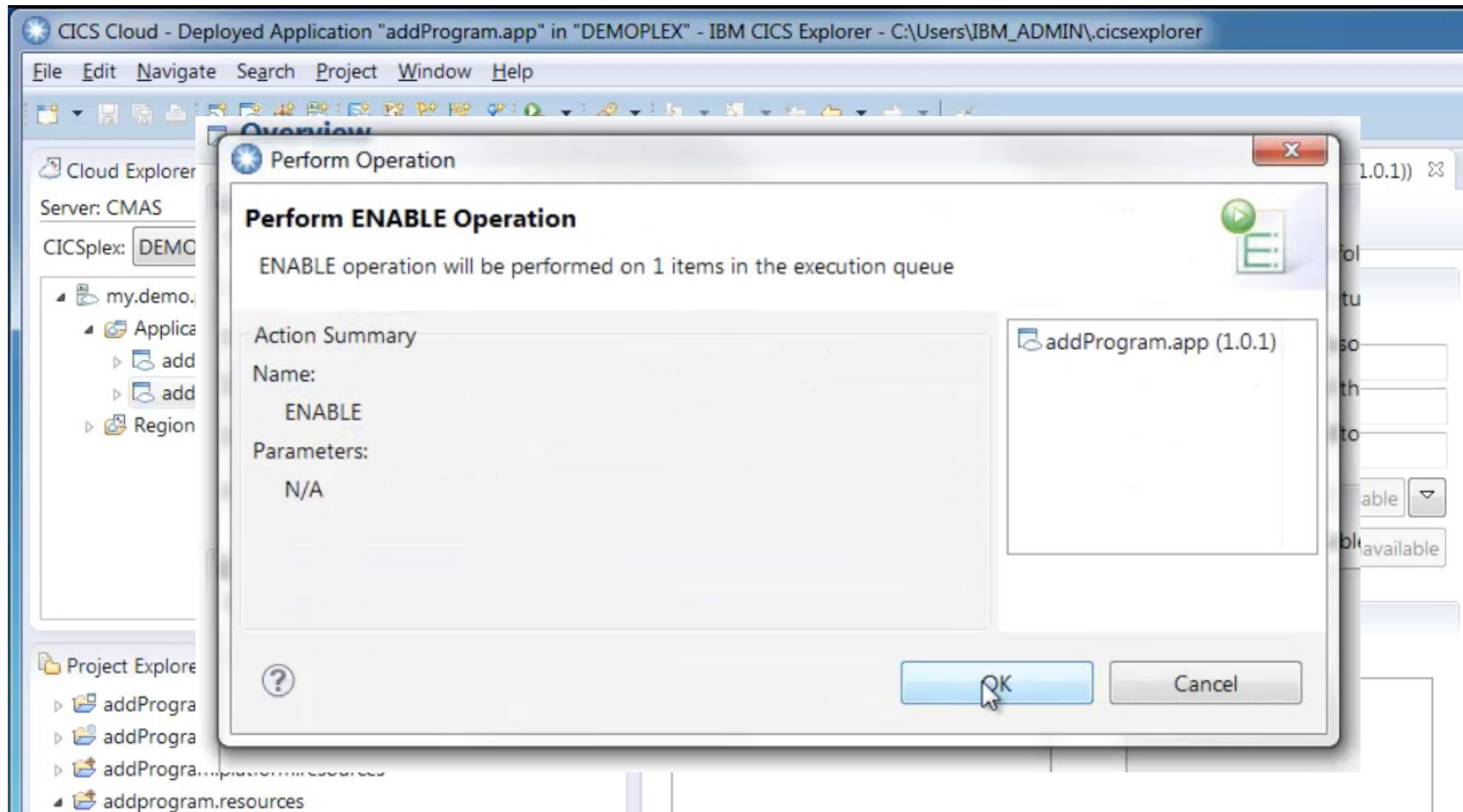
The screenshot shows the IBM CICS Explorer interface for a deployed application named "addProgram.app" in the "DEMOPLEX" environment. The application is currently in a "DISABLED, UNAVAILABLE" state. The interface includes a Cloud Explorer on the left showing the application structure, a Project Explorer at the bottom left, and an Overview panel on the right. The Overview panel contains the following information:

- General Information:**
 - Name: addProgram.app
 - Version: 1.0.1
 - Description: Financial application to add numbers together
 - Status: DISABLED
 - Availability: UNAVAILABLE
- CICS Bundles:**
 - addprogram.resources (1.0.1) DISABLED, UNAVAILABLE

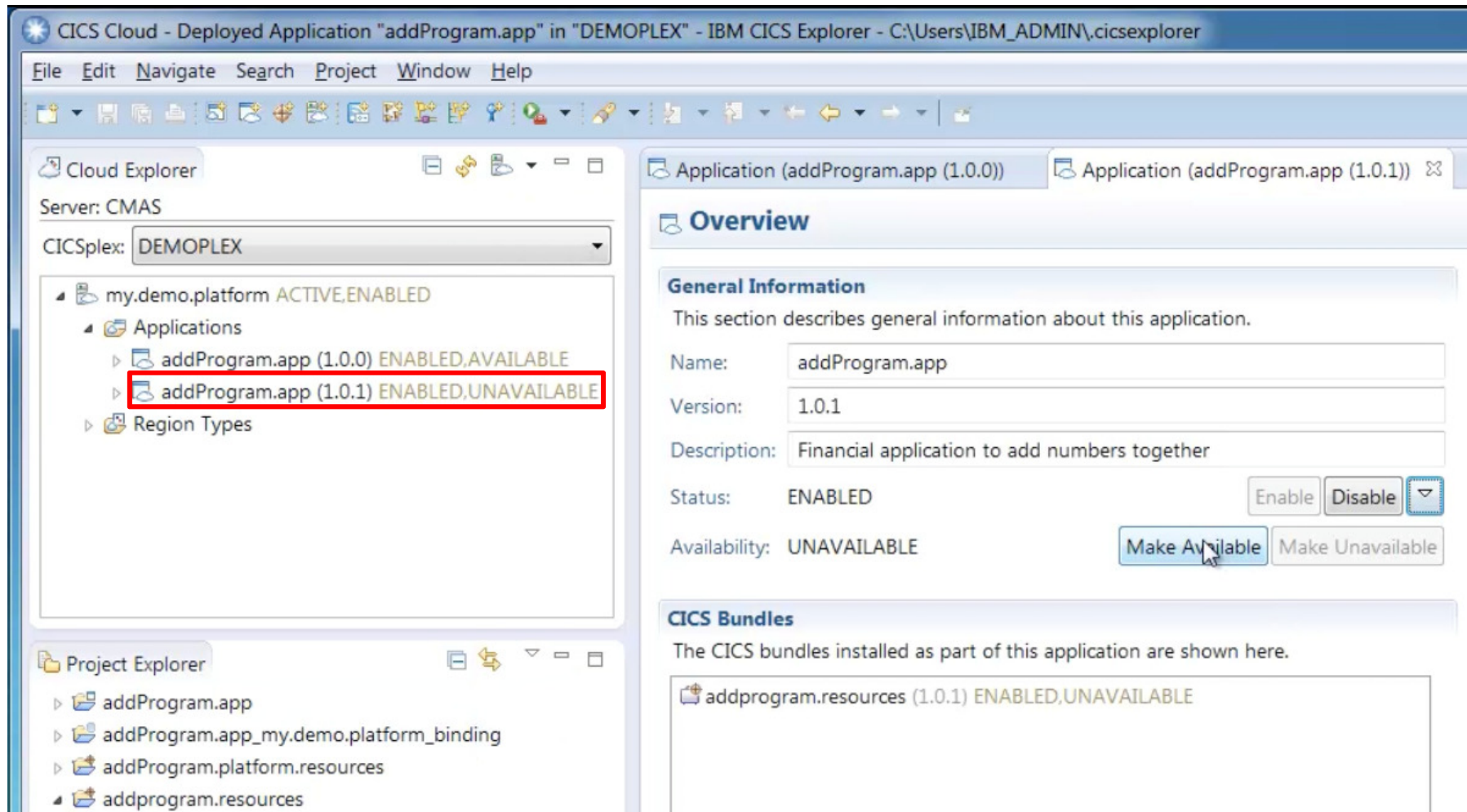
Buttons for "Enable", "Disable", "Make Available", and "Make Unavailable" are visible in the Overview panel.

Complete your session evaluations online at www.SHARE.org/Orlando-Eval

To fix the bug we first enable version 1.0.1 of addProgram.app ...



... ensuring it was deployed correctly and its dependencies are satisfied

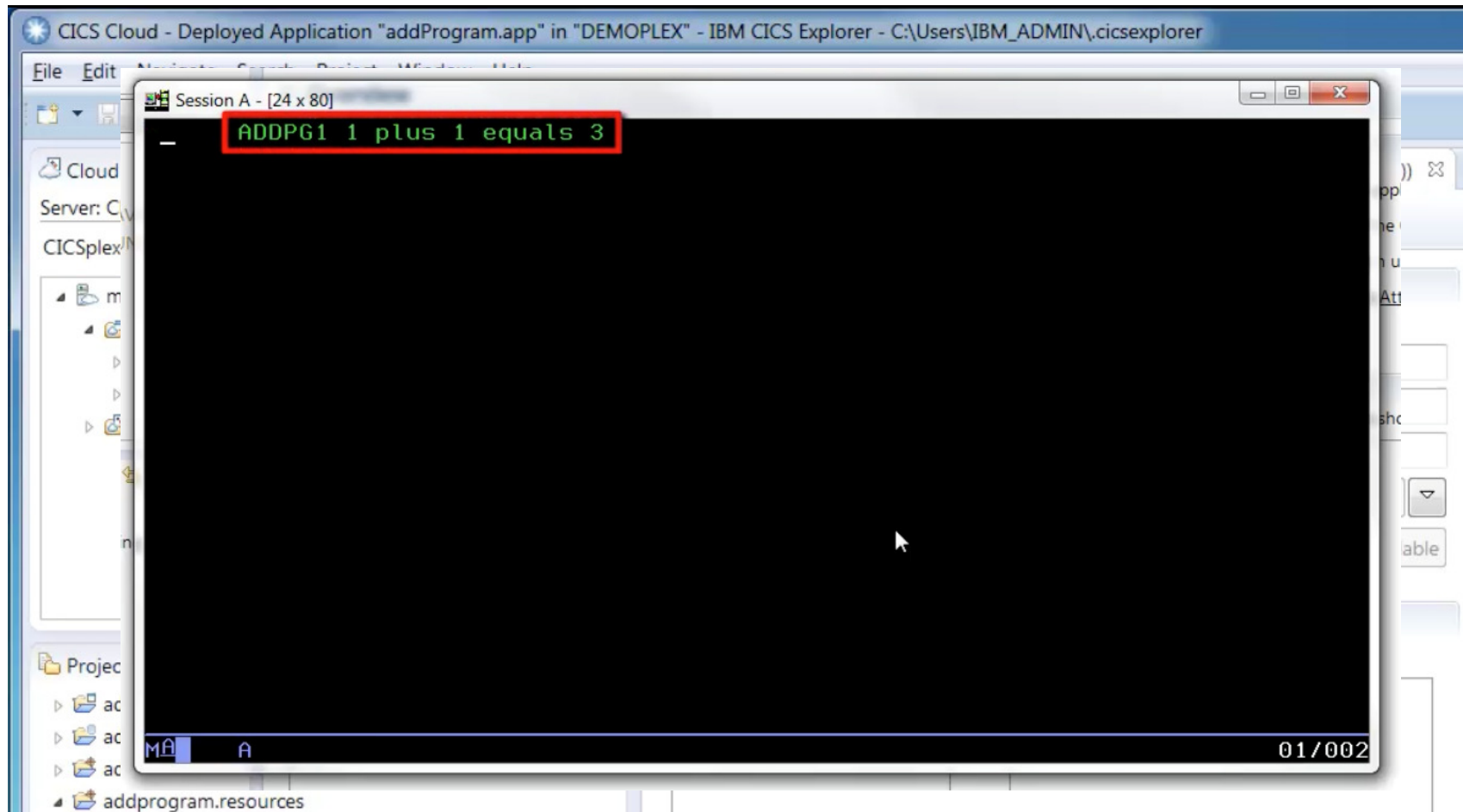


The screenshot displays the IBM CICS Explorer interface. The title bar reads "CICS Cloud - Deployed Application 'addProgram.app' in 'DEMOPLEX' - IBM CICS Explorer - C:\Users\IBM_ADMIN\cicsexplorer". The main window is divided into several panes:

- Cloud Explorer:** Shows the server "CMAS" and CICSplex "DEMOPLEX". Under "my.demo.platform ACTIVE,ENABLED", the "Applications" folder contains:
 - addProgram.app (1.0.0) ENABLED,AVAILABLE
 - addProgram.app (1.0.1) ENABLED,UNAVAILABLE** (highlighted with a red box)
 - Region Types
- Project Explorer:** Lists project files: addProgram.app, addProgram.app_my.demo.platform_binding, addProgram.platform.resources, and addprogram.resources.
- Application (addProgram.app (1.0.1)) Overview:** Provides details for the selected application:
 - General Information:** Name: addProgram.app, Version: 1.0.1, Description: Financial application to add numbers together, Status: ENABLED (with Enable/Disable buttons), Availability: UNAVAILABLE (with Make Available/Make Unavailable buttons).
 - CICS Bundles:** Lists installed bundles: addprogram.resources (1.0.1) ENABLED,UNAVAILABLE.

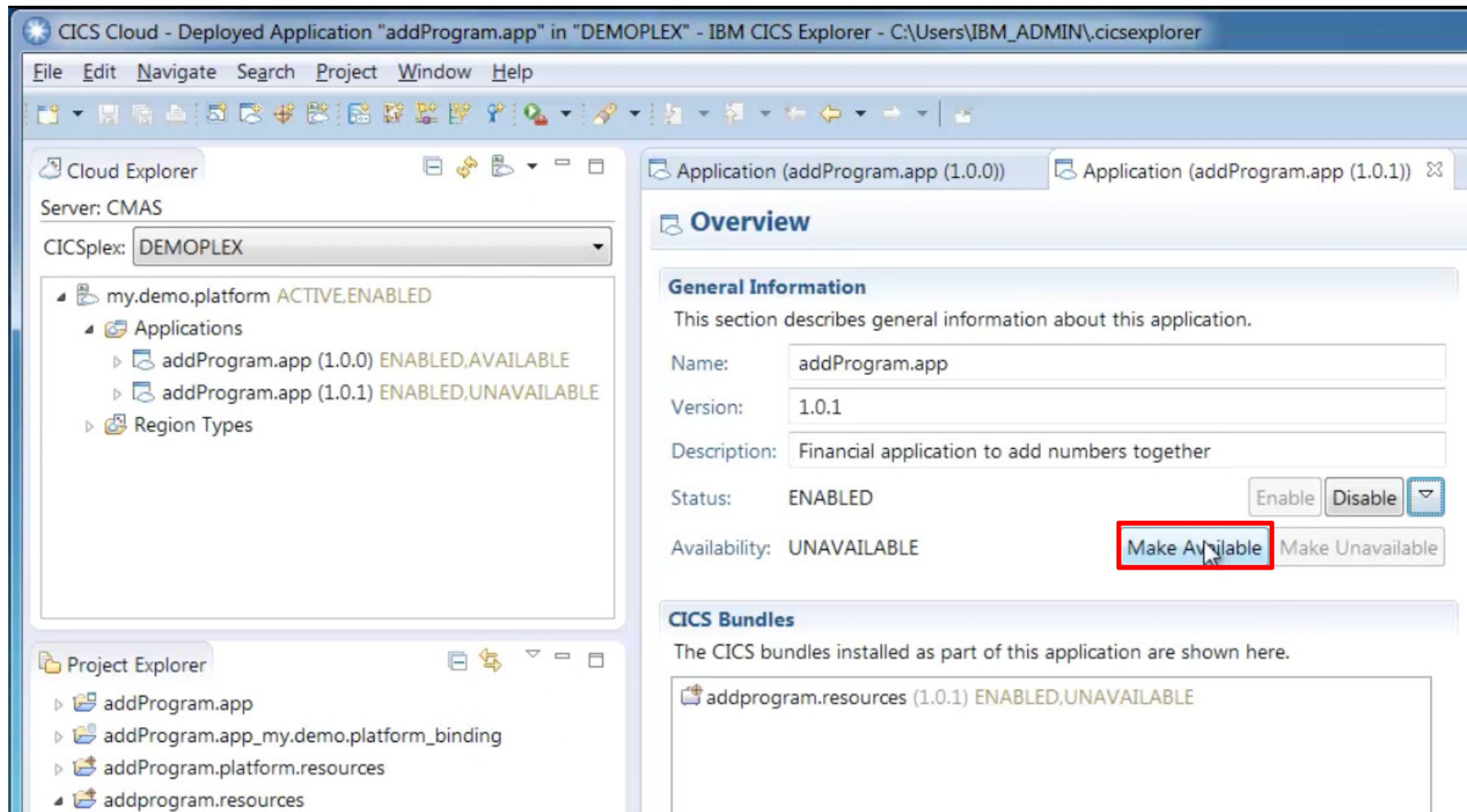
Complete your session evaluations online at www.SHARE.org/Orlando-Eval

But users still access addProgram.app version 1.0.0



Complete your session evaluations online at www.SHARE.org/Orlando-Eval

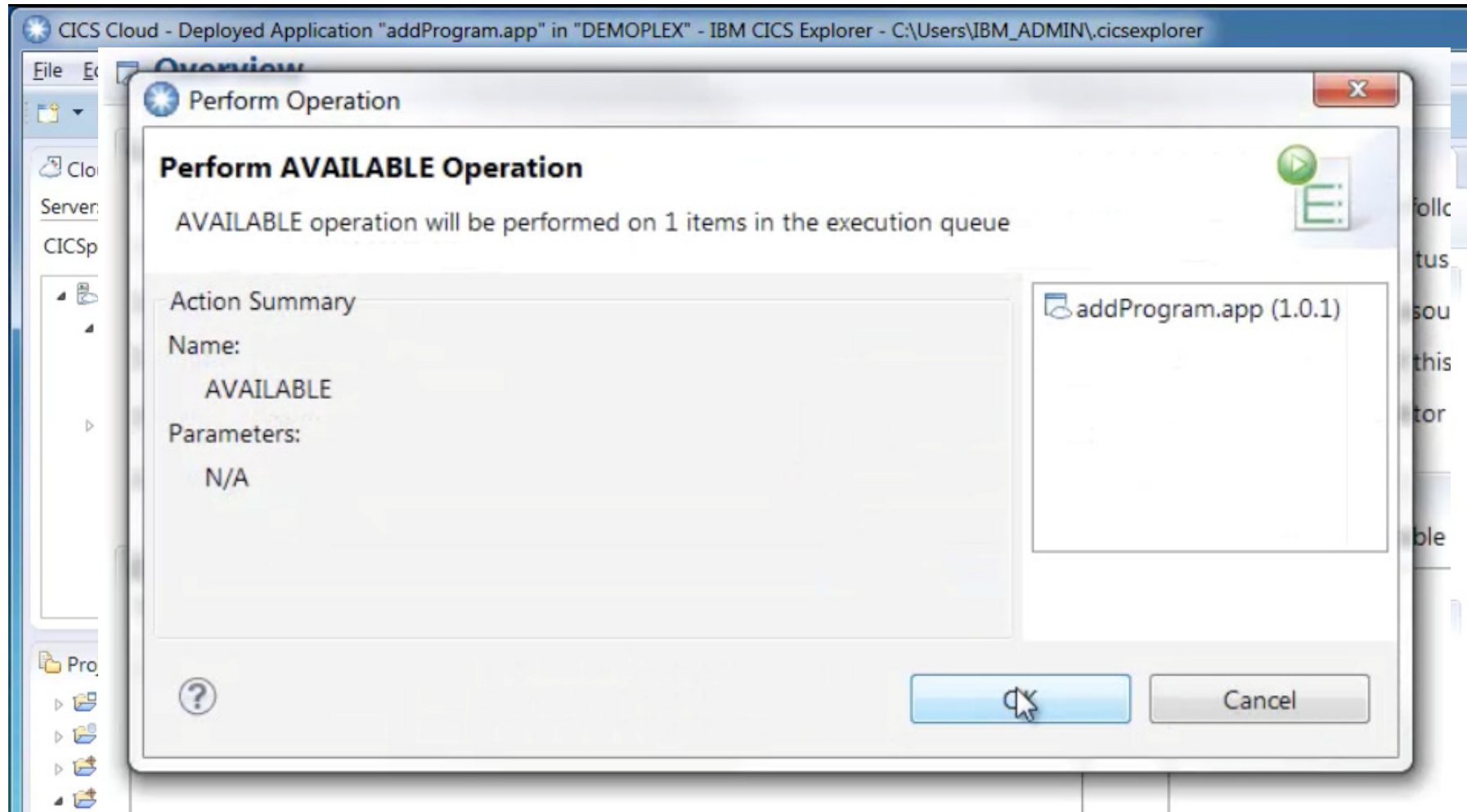
We now make addProgram.app version 1.0.1 available



The screenshot shows the IBM CICS Explorer interface. The title bar reads "CICS Cloud - Deployed Application 'addProgram.app' in 'DEMOPLEX' - IBM CICS Explorer - C:\Users\IBM_ADMIN\cicsexplorer". The interface includes a menu bar (File, Edit, Navigate, Search, Project, Window, Help) and a toolbar. On the left, the "Cloud Explorer" pane shows a tree view for "my.demo.platform ACTIVE,ENABLED" with sub-items: "Applications" (containing "addProgram.app (1.0.0) ENABLED,AVAILABLE" and "addProgram.app (1.0.1) ENABLED,UNAVAILABLE") and "Region Types". Below it, the "Project Explorer" pane shows a tree view for "addProgram.app" with sub-items: "addProgram.app_my.demo.platform_binding", "addProgram.platform.resources", and "addprogram.resources". The main area displays the "Overview" for "Application (addProgram.app (1.0.1))". Under "General Information", the fields are: Name: addProgram.app, Version: 1.0.1, Description: Financial application to add numbers together, Status: ENABLED (with Enable, Disable, and a dropdown menu), and Availability: UNAVAILABLE. The "Make Available" button is highlighted with a red box. Below this, the "CICS Bundles" section shows "addprogram.resources (1.0.1) ENABLED,UNAVAILABLE".

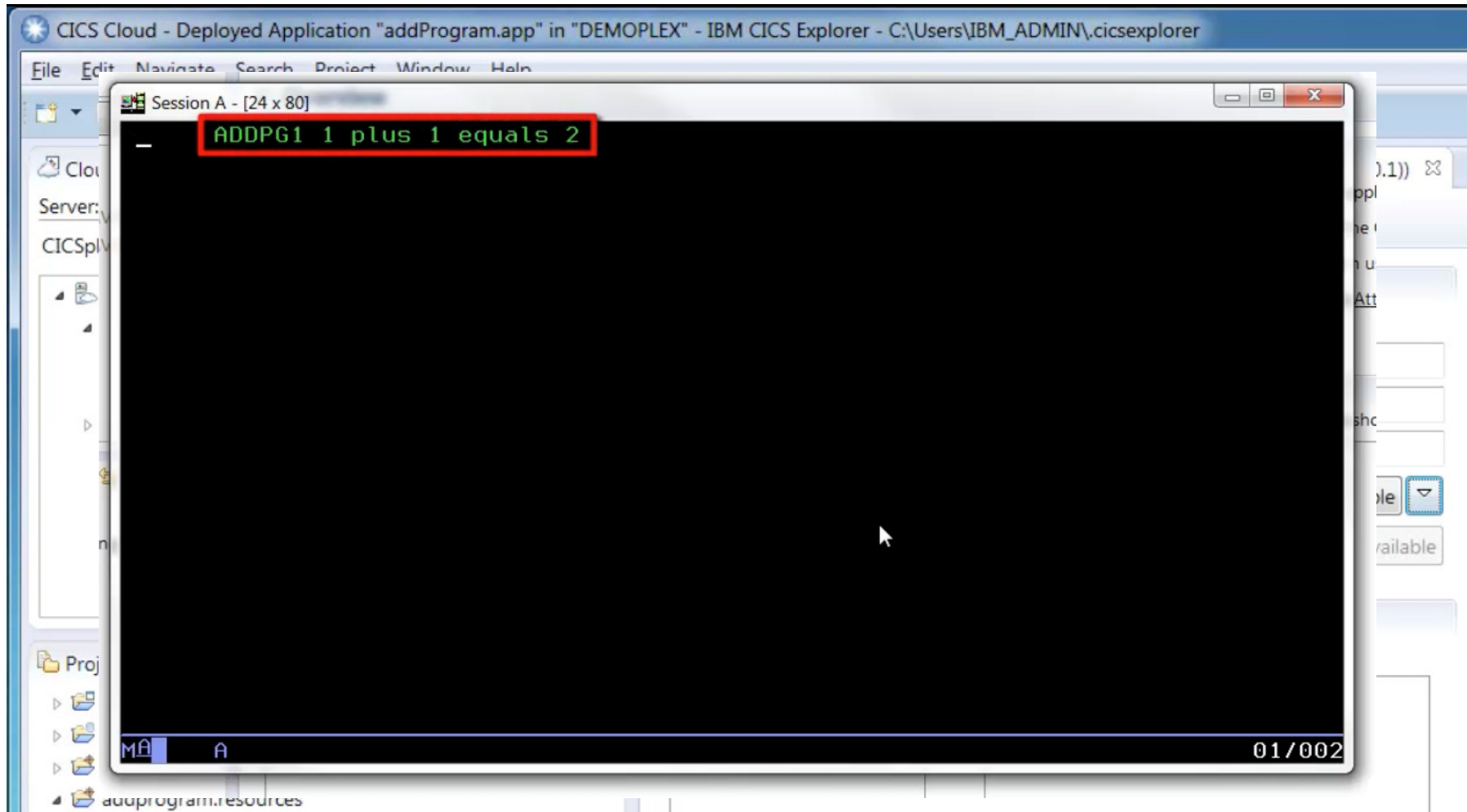
Complete your session evaluations online at www.SHARE.org/Orlando-Eval

We now make addProgram.app version 1.0.1 available



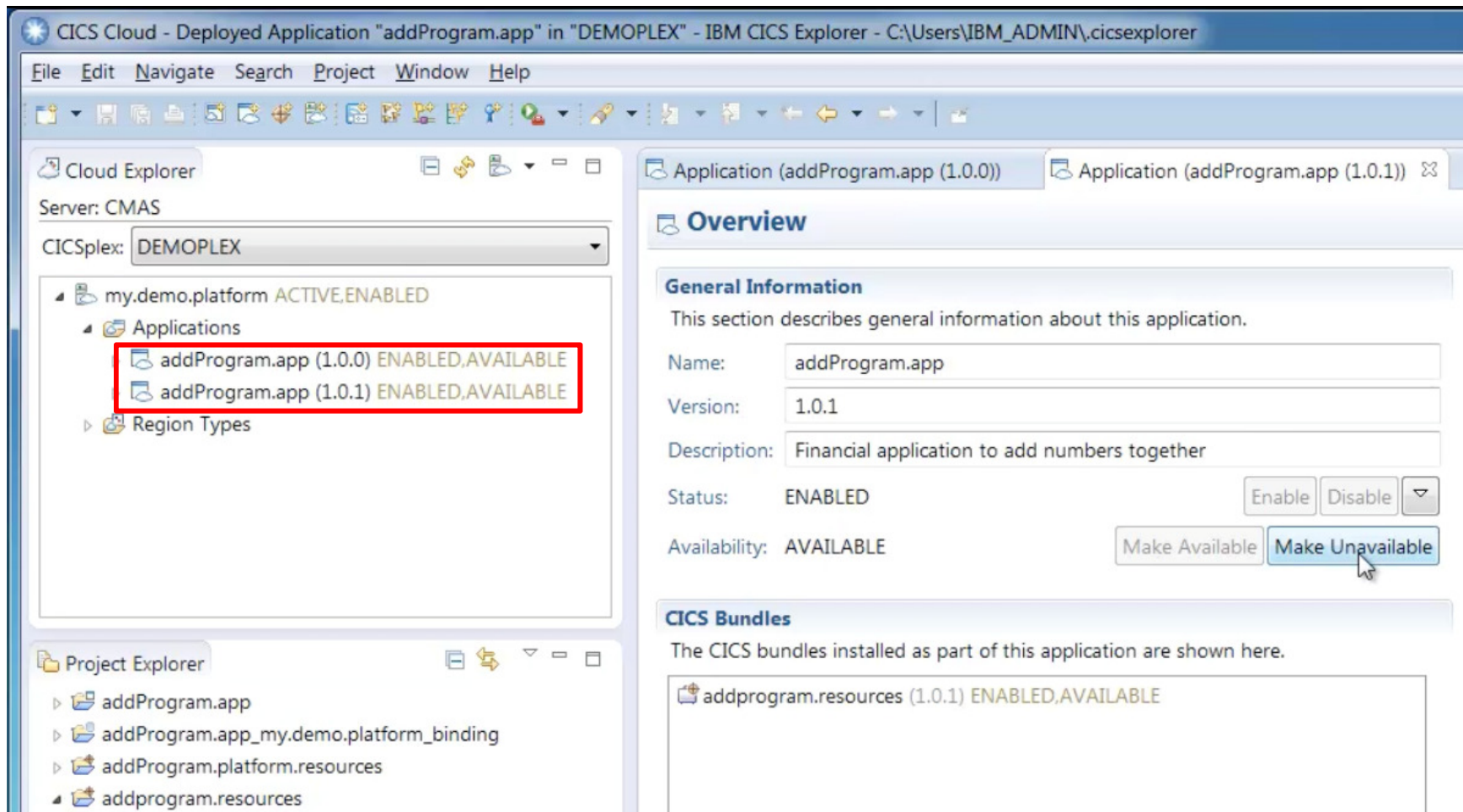
Complete your session evaluations online at www.SHARE.org/Orlando-Eval

and users now get access to addProgram.app version 1.0.1 with the bug fix



Complete your session evaluations online at www.SHARE.org/Orlando-Eval

Both version 1.0.0 and 1.0.1 are available but CICS always choses the highest version



CICS Cloud - Deployed Application "addProgram.app" in "DEMOPLEX" - IBM CICS Explorer - C:\Users\IBM_ADMIN\cicsexplorer

File Edit Navigate Search Project Window Help

Cloud Explorer
Server: CMAS
CICSplex: DEMOPLEX

- my.demo.platform ACTIVE,ENABLED
 - Applications
 - addProgram.app (1.0.0) ENABLED,AVAILABLE
 - addProgram.app (1.0.1) ENABLED,AVAILABLE
 - Region Types

Project Explorer

- addProgram.app
- addProgram.app_my.demo.platform_binding
- addProgram.platform.resources
- addprogram.resources

Application (addProgram.app (1.0.0)) Application (addProgram.app (1.0.1))

Overview

General Information

This section describes general information about this application.

Name: addProgram.app

Version: 1.0.1

Description: Financial application to add numbers together

Status: ENABLED

Availability: AVAILABLE

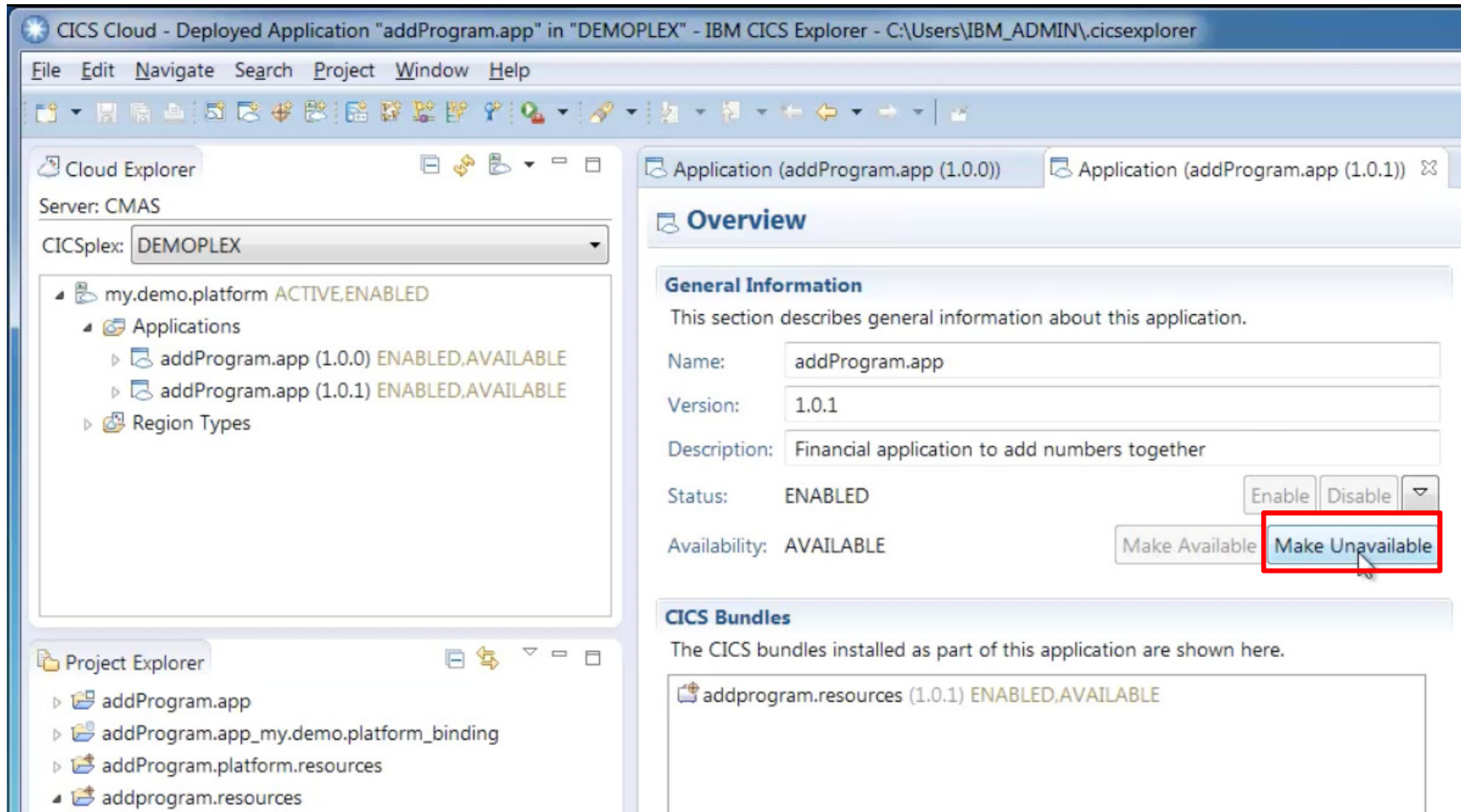
CICS Bundles

The CICS bundles installed as part of this application are shown here.

- addprogram.resources (1.0.1) ENABLED,AVAILABLE

Complete your session evaluations online at www.SHARE.org/Orlando-Eval

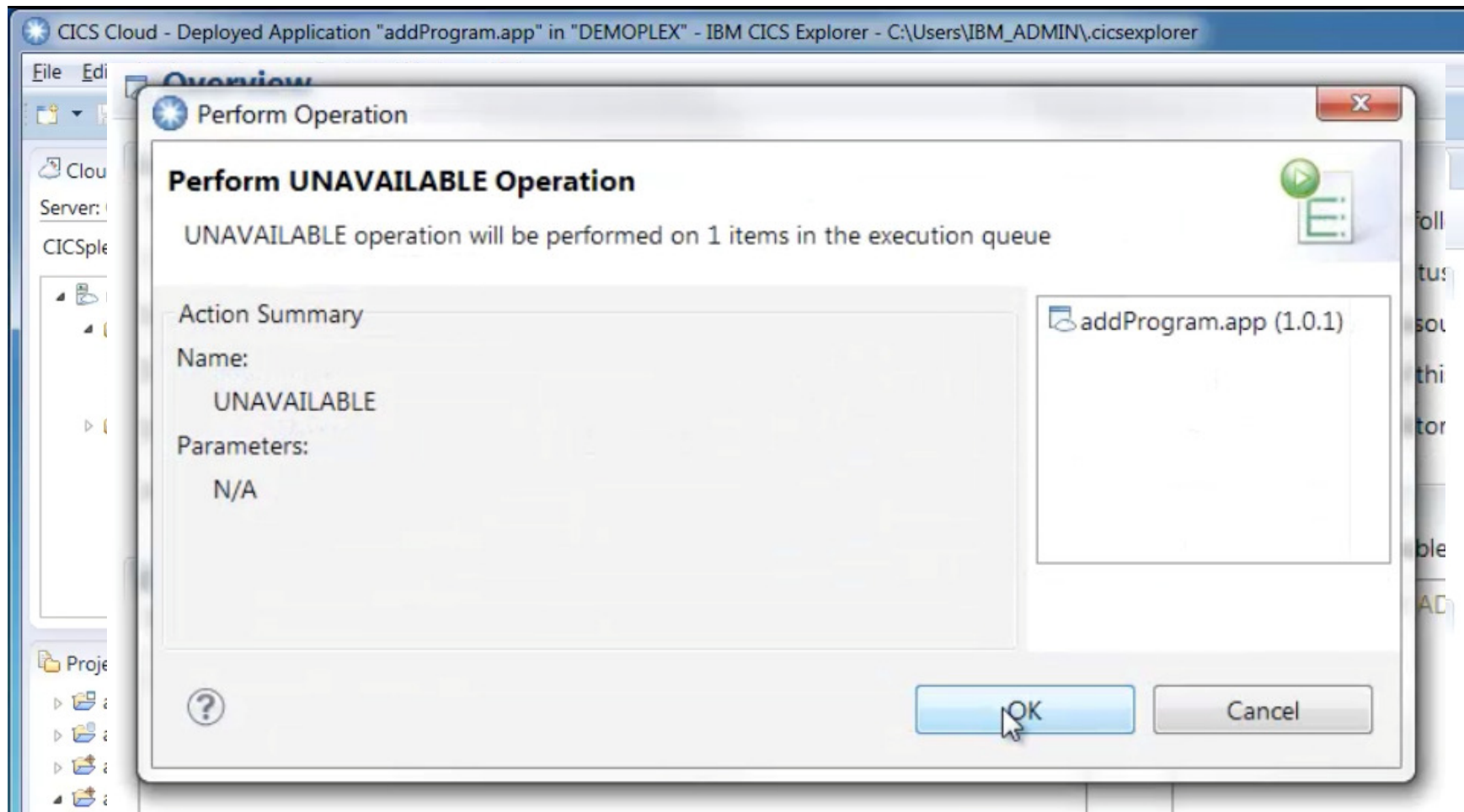
However, if there is a problem with version 1.0.1 ...



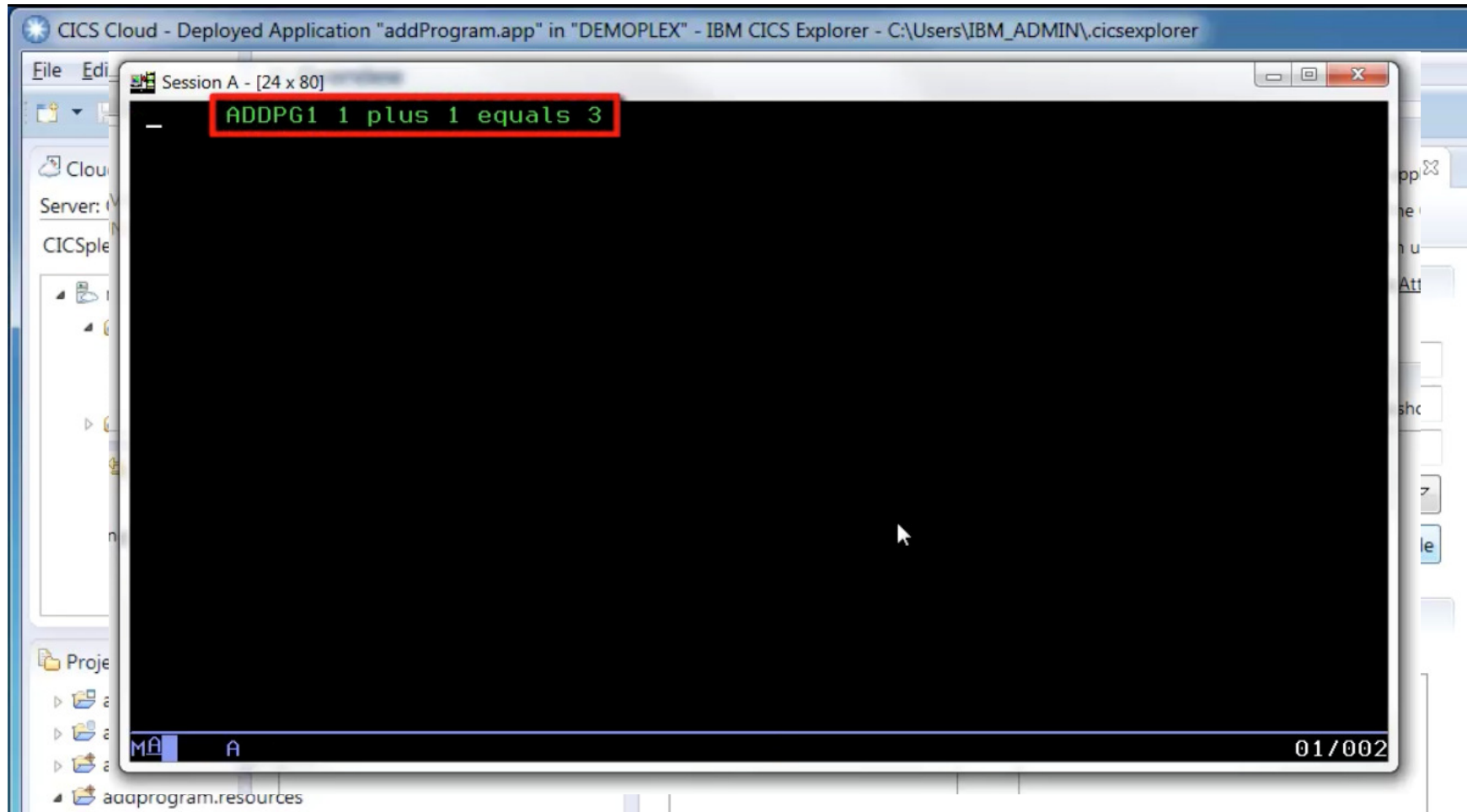
The screenshot shows the IBM CICS Explorer interface. The title bar reads "CICS Cloud - Deployed Application 'addProgram.app' in 'DEMOPLEX' - IBM CICS Explorer - C:\Users\IBM_ADMIN\cicsexplorer". The interface includes a menu bar (File, Edit, Navigate, Search, Project, Window, Help) and a toolbar. On the left, the "Cloud Explorer" pane shows a tree view for "Server: CMAS" and "CICSplex: DEMOPLEX". Under "my.demo.platform ACTIVE,ENABLED", there are "Applications" including "addProgram.app (1.0.0) ENABLED,AVAILABLE" and "addProgram.app (1.0.1) ENABLED,AVAILABLE". The "Project Explorer" pane at the bottom left shows a file tree for "addProgram.app". The main area displays the "Overview" for "Application (addProgram.app (1.0.1))". Under "General Information", fields include Name: "addProgram.app", Version: "1.0.1", and Description: "Financial application to add numbers together". The Status is "ENABLED" with "Enable" and "Disable" buttons. The Availability is "AVAILABLE" with "Make Available" and "Make Unavailable" buttons. The "Make Unavailable" button is highlighted with a red box. Below this is the "CICS Bundles" section, which lists "addprogram.resources (1.0.1) ENABLED,AVAILABLE".

Complete your session evaluations online at www.SHARE.org/Orlando-Eval

... you can simply make it unavailable to backout the fix



... and users will again have access to version 1.0.0

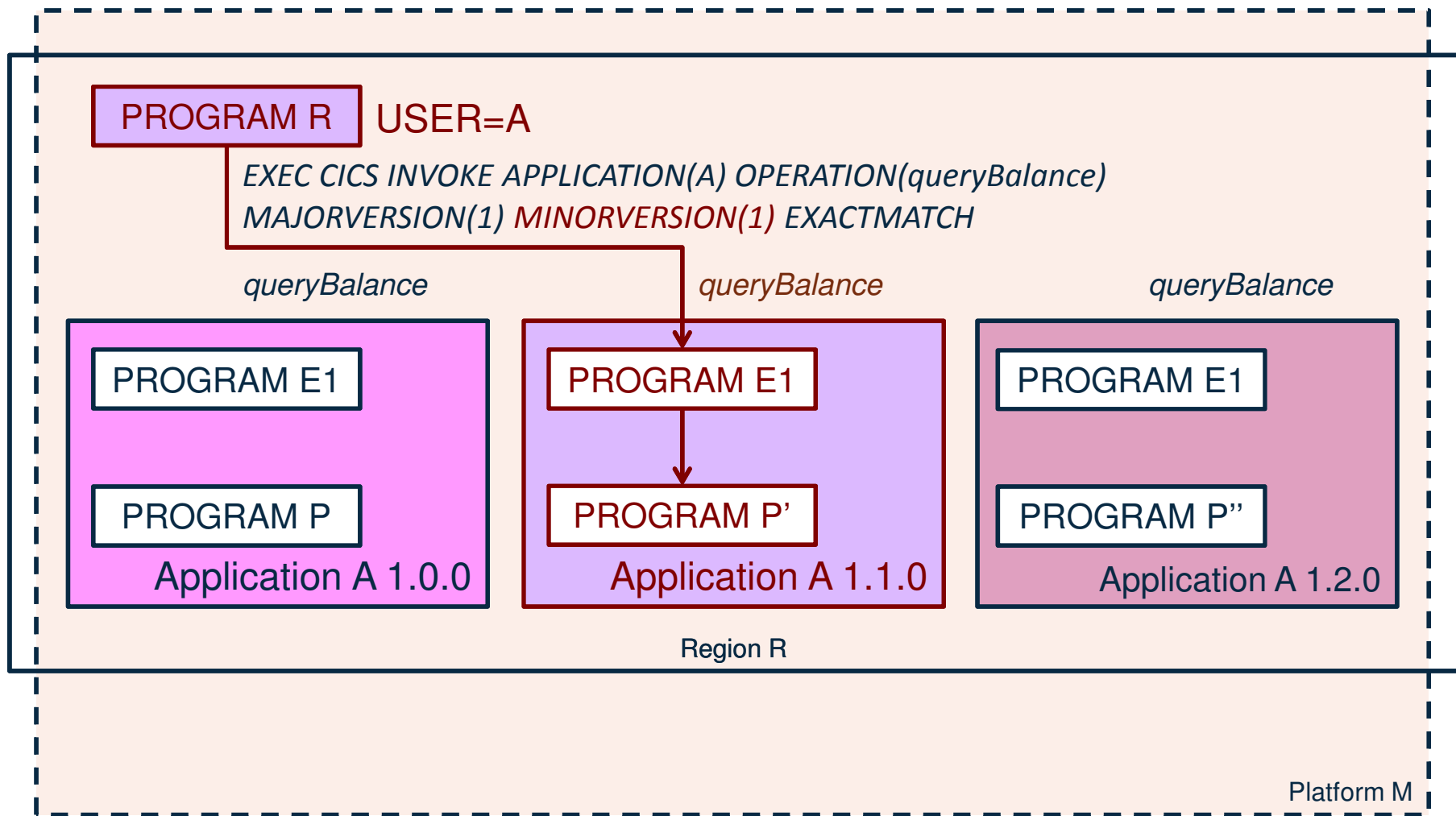


Complete your session evaluations online at www.SHARE.org/Orlando-Eval

MQ Scenario: Application roll-out

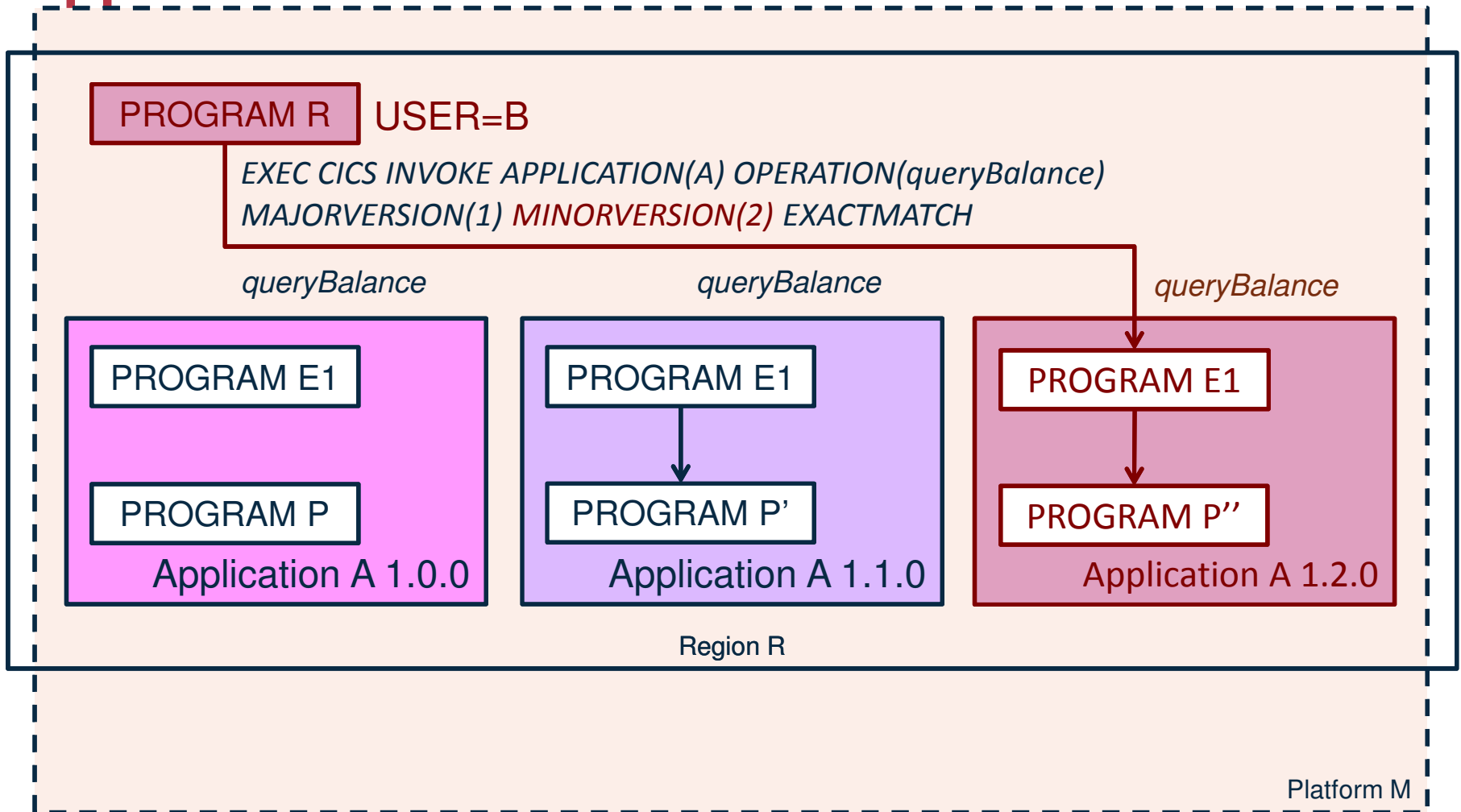
“When rolling out a new version of an application I want to initially give access to just 10% of my users. That way I can reduce the impact of any potential problems related to either the new features or to the platform because of performance. The requests arrive over MQ so I want to use origin data to route each one to the appropriate application version”

Most users get application version 1.1.0

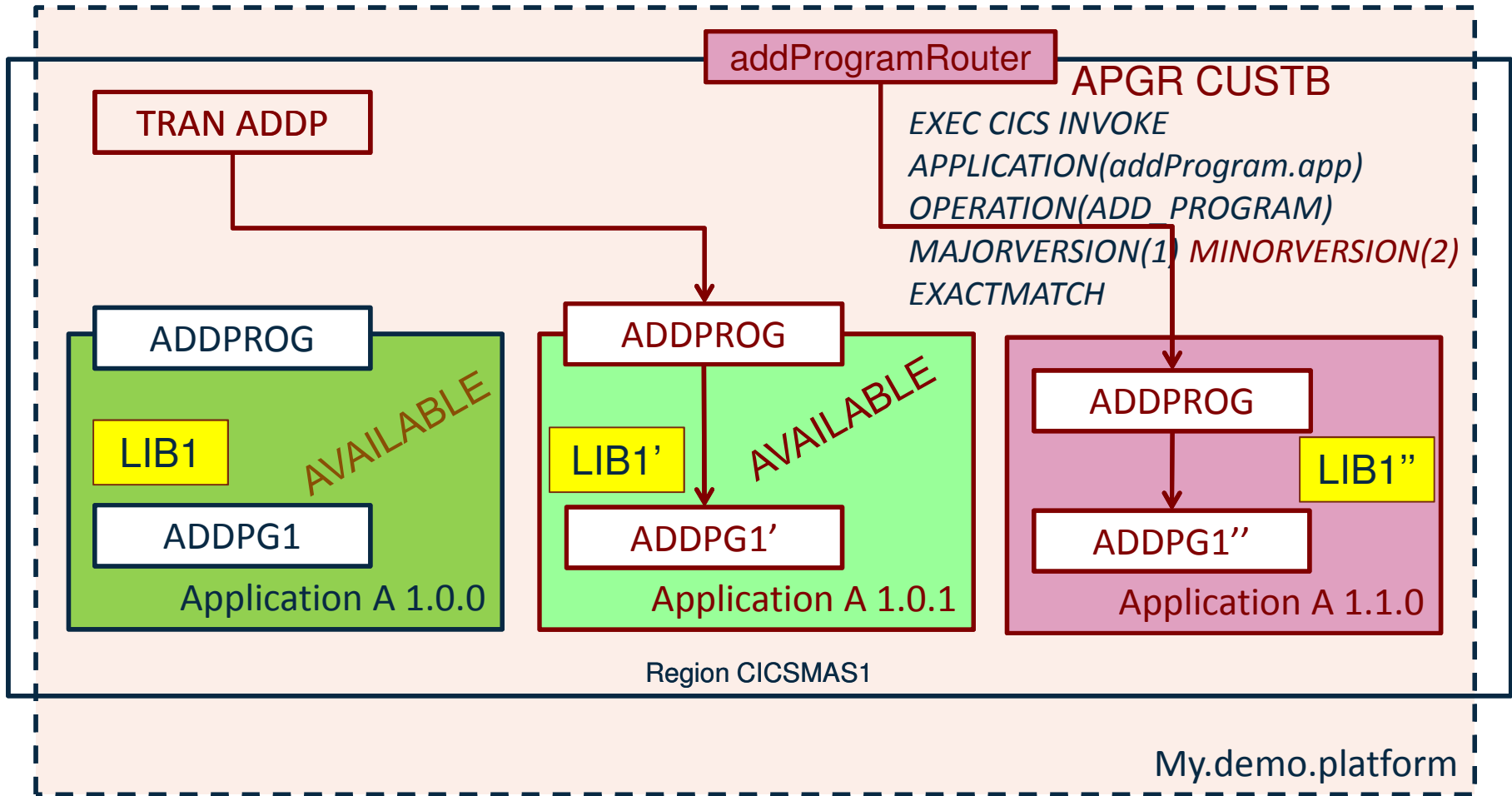


Complete your session evaluations online at www.SHARE.org/Orlando-Eval

“Early access” users get the latest application version 1.2.0



Demo: addProgramRouter

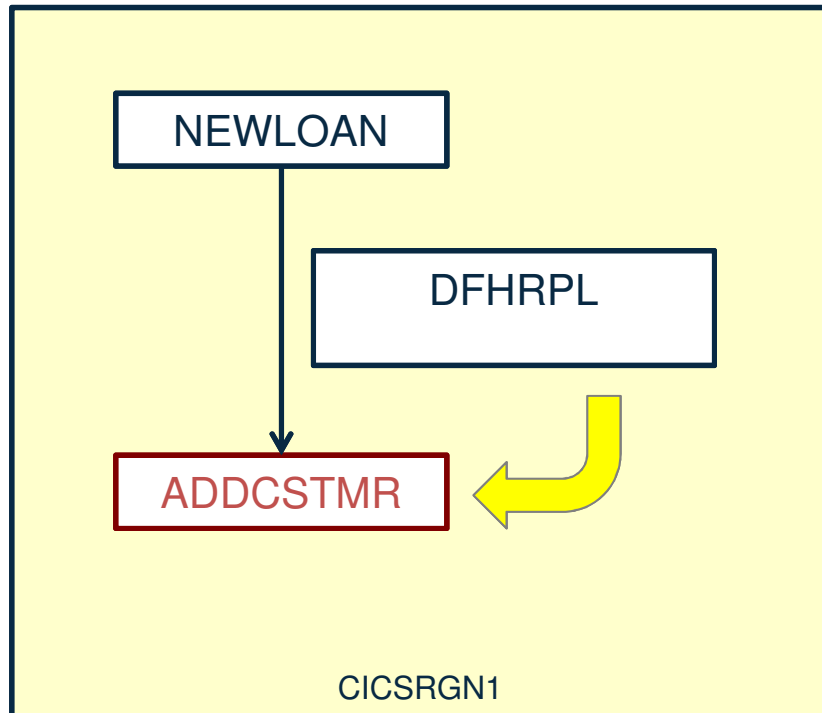


Server Consolidation Scenario

“I have two applications (one of which was developed by a company we acquired) that currently run on different sets of CICS regions. I’d like to take advantage of the recent scalability improvements especially being able to increase MAXTASK. However, I know that their PROGRAM name clashes which prevent these applications from being hosted together.”

The Home Loan application has an ADDCSTMR program

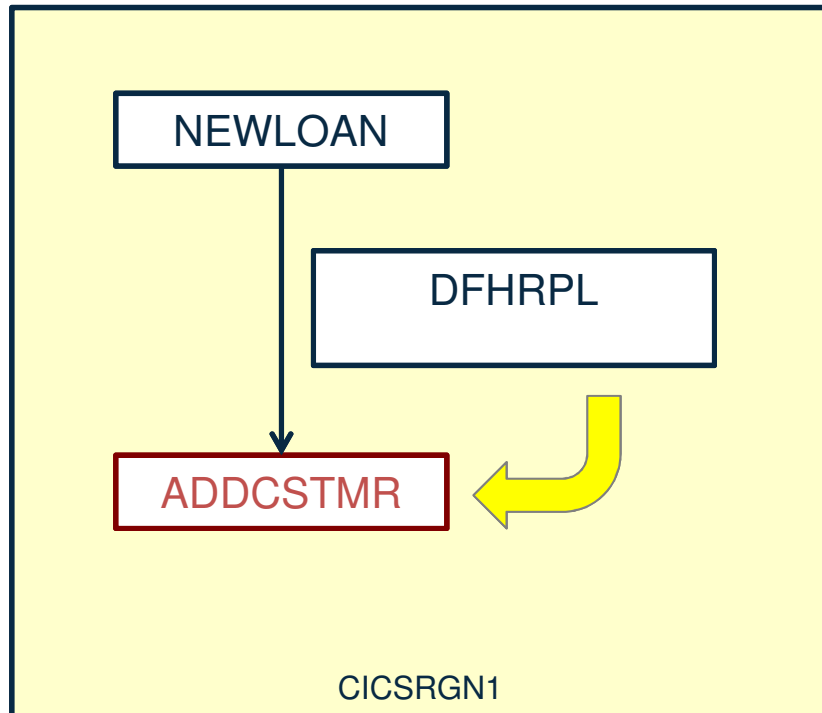
Home Loan



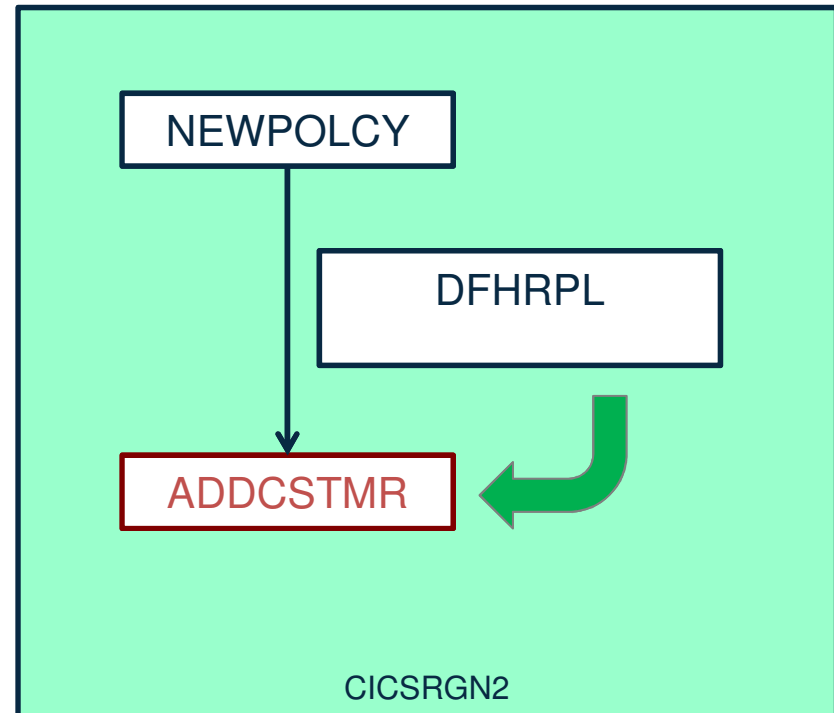
Complete your session evaluations online at www.SHARE.org/Orlando-Eval

Unfortunately the Fire Insurance application also has an ADDCSTMR program so must be kept separate

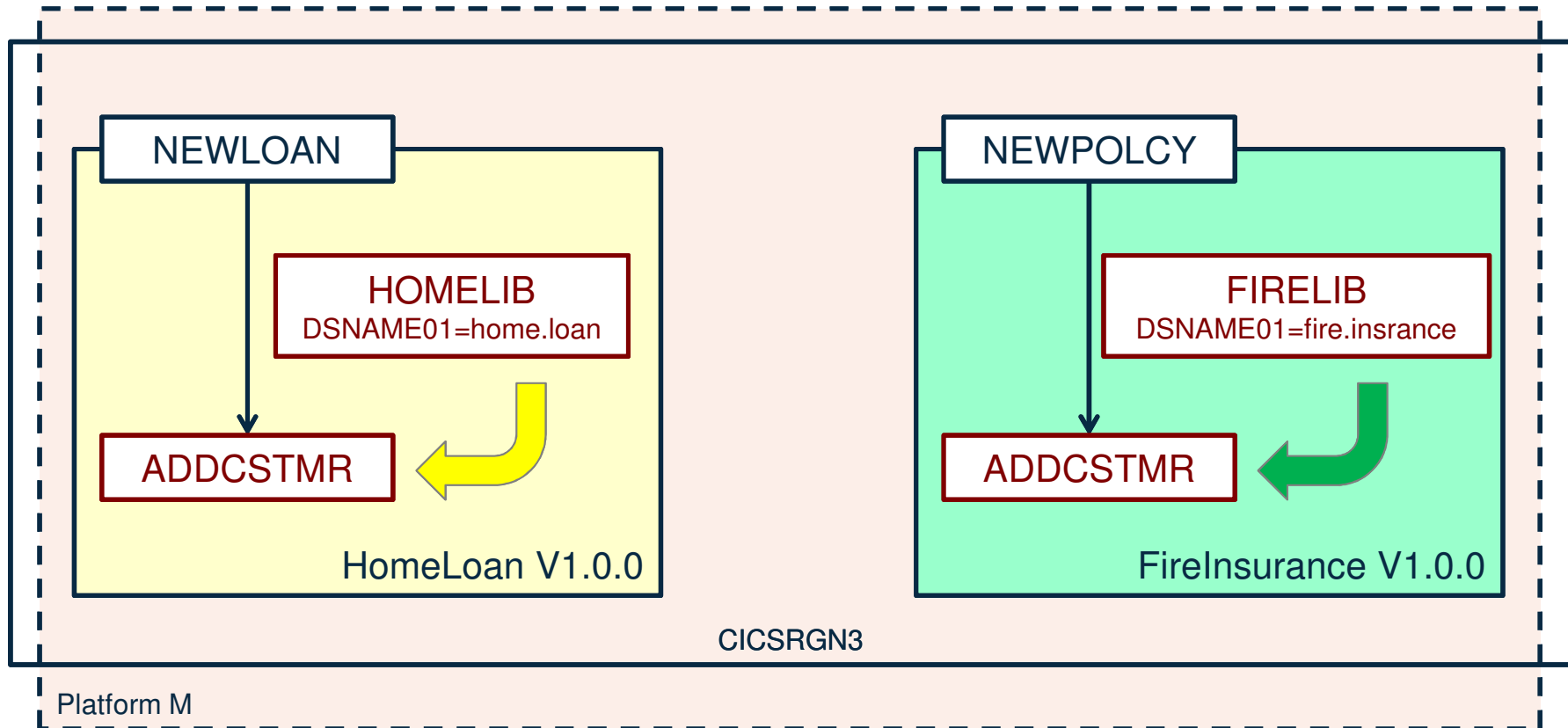
Home Loan



Fire Insurance



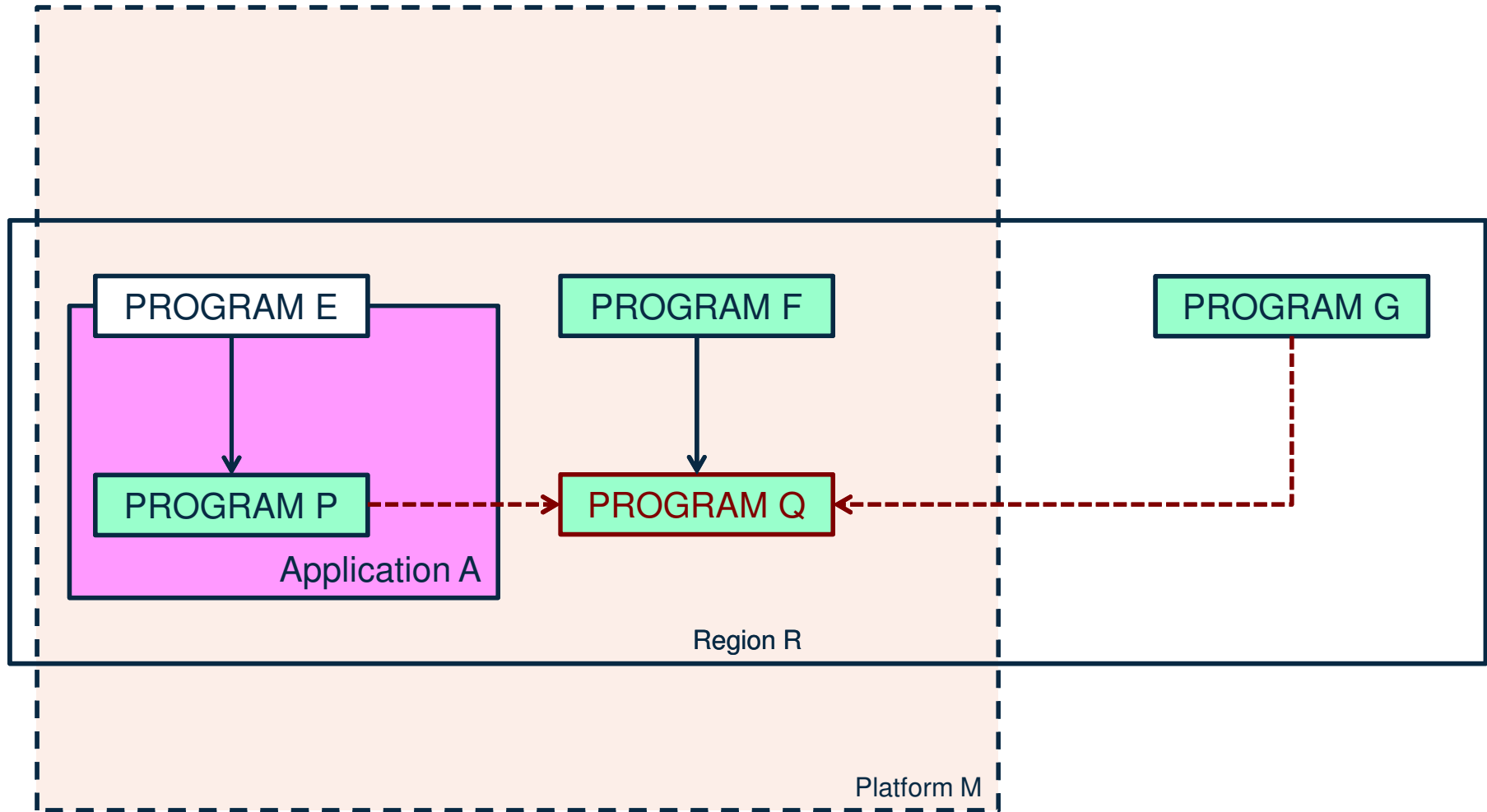
HomeLoan and FireInsurance both with ADDCSTMR installed into the same Region(s)



Application Modernization Scenario

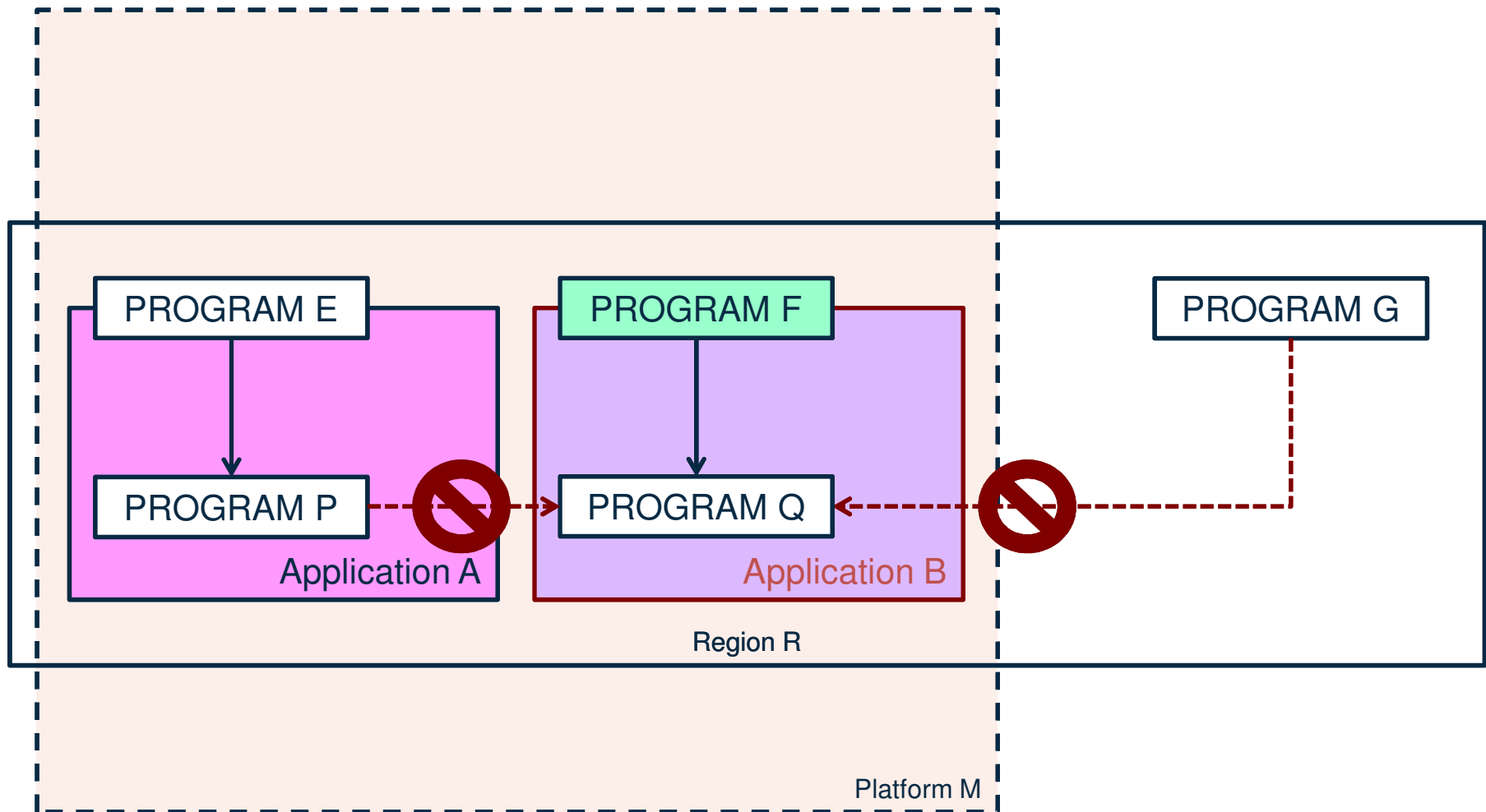
“We have spent a lot of time using CICS Interdependency Analyzer (IA) to understand the call structure of one of our applications. This has enabled us to add more validation logic to avoid ABENDs when a copybook changes and someone hasn’t recompiled all the right modules. But now we need to ensure no one bypasses these new checks.”

Any PROGRAM in the Region can LINK to PROGRAM Q avoiding the checks in PROGRAM F



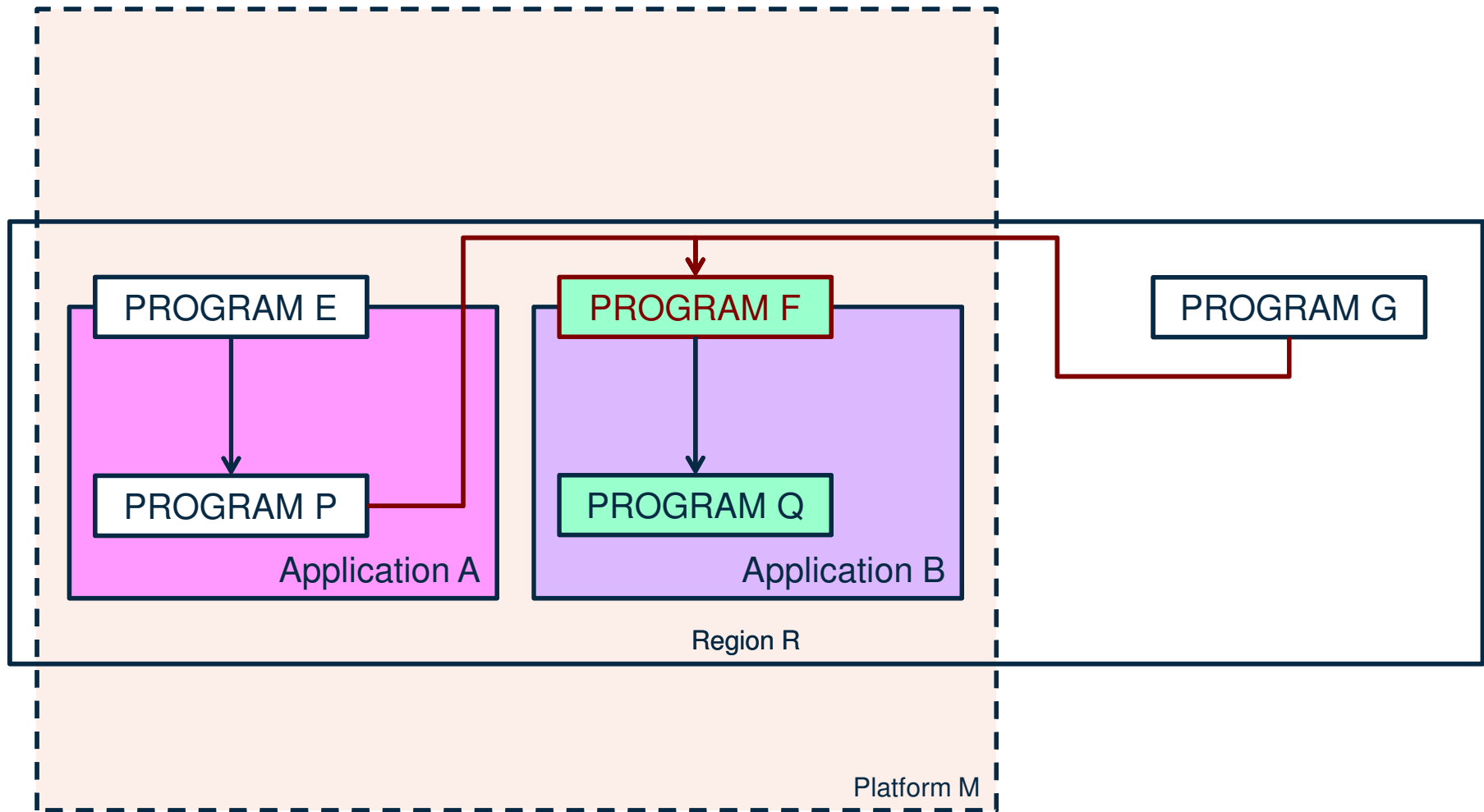
Complete your session evaluations online at www.SHARE.org/Orlando-Eval

PROGRAM Q is now private to Application B

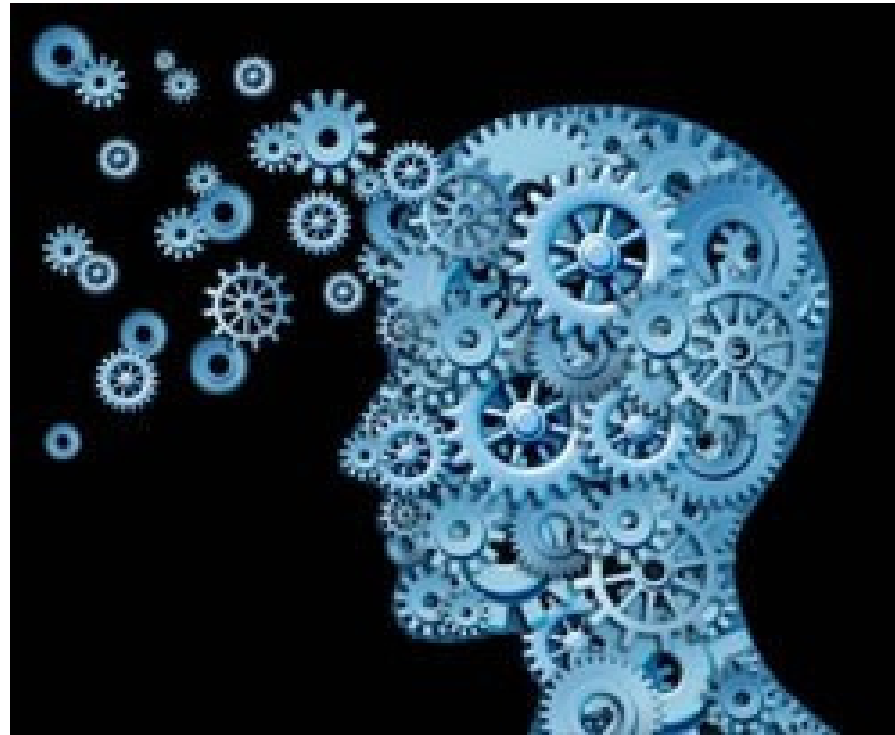


Complete your session evaluations online at www.SHARE.org/Orlando-Eval

Must LINK through PROGRAM F entry point



Complete your session evaluations online at www.SHARE.org/Orlando-Eval



HOW DOES IT WORK?

Complete your session evaluations online at www.SHARE.org/Orlando-Eval

Application Multi-versioning

Entry Points

PROGRAM, URIMAP, TRANSACTION (CICS TS V5.3 open beta)

Resources

LIBRARY, PROGRAM, POLICY

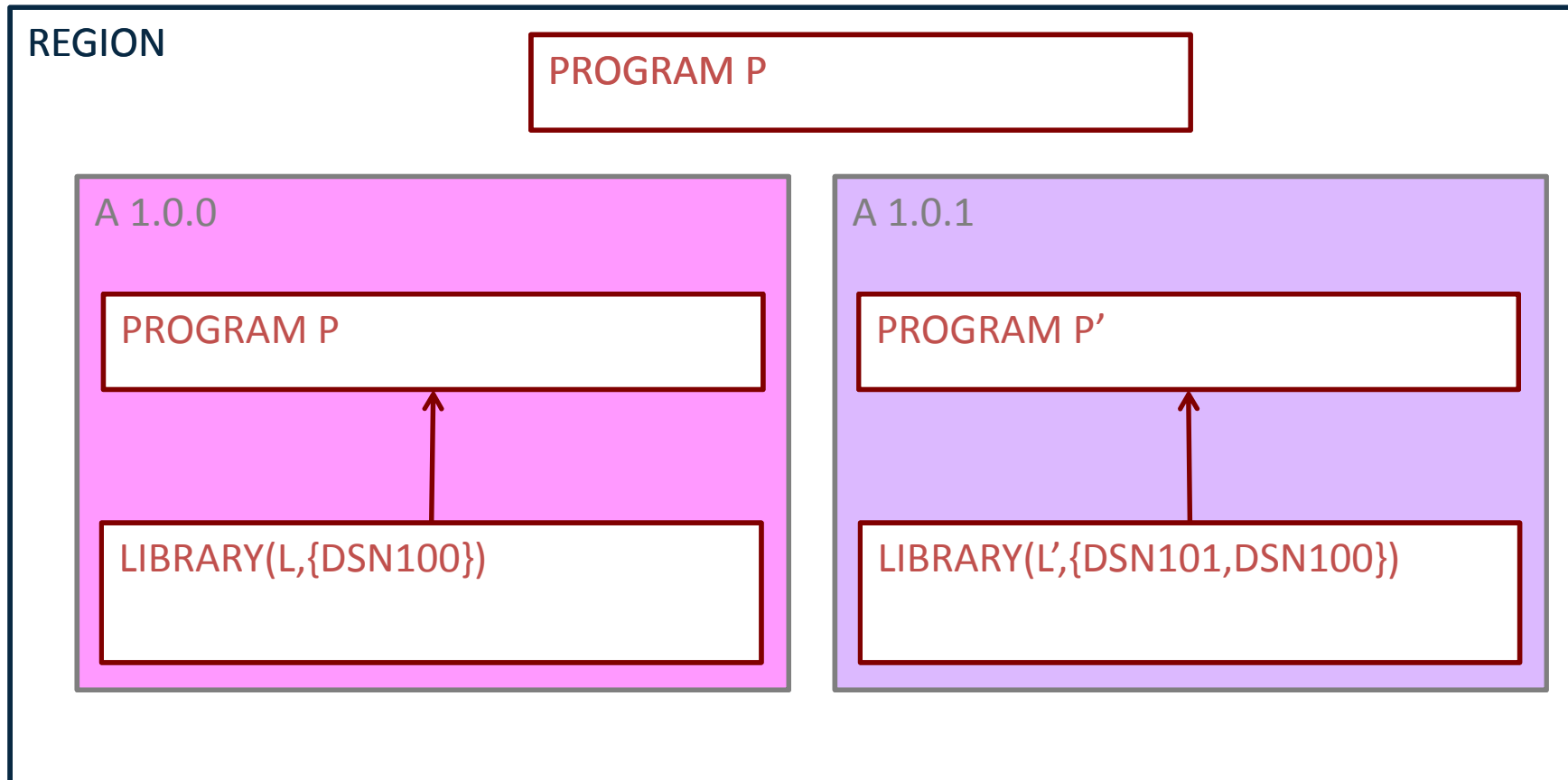
Capability

Provide end user access to two or more versions of an application hosted on the same platform by using the new private **PROGRAM** and **LIBRARY** resources

Quickly switch back and forth between two different versions of an application using the **AVAILABLE | UNAVAILABLE** state

Route requests from users to different versions of an application using the new **INVOKE APPLICATION API**

LIBRARY Resources not added to global search order



AVAILABLE | UNAVAILABLE application status

- New AVAILABLE | UNAVAILABLE state
 - CICS application
 - CICS bundle
 - URIMAP entry point
- UNAVAILABLE
 - “Close the door”
 - Existing tasks complete normally
 - No new requests
- AVAILABLE
 - “Open the door”
 - Measure resource usage
 - Enforce policy
 - Control access (for packaged resources)

EXEC CICS INVOKE APPLICATION

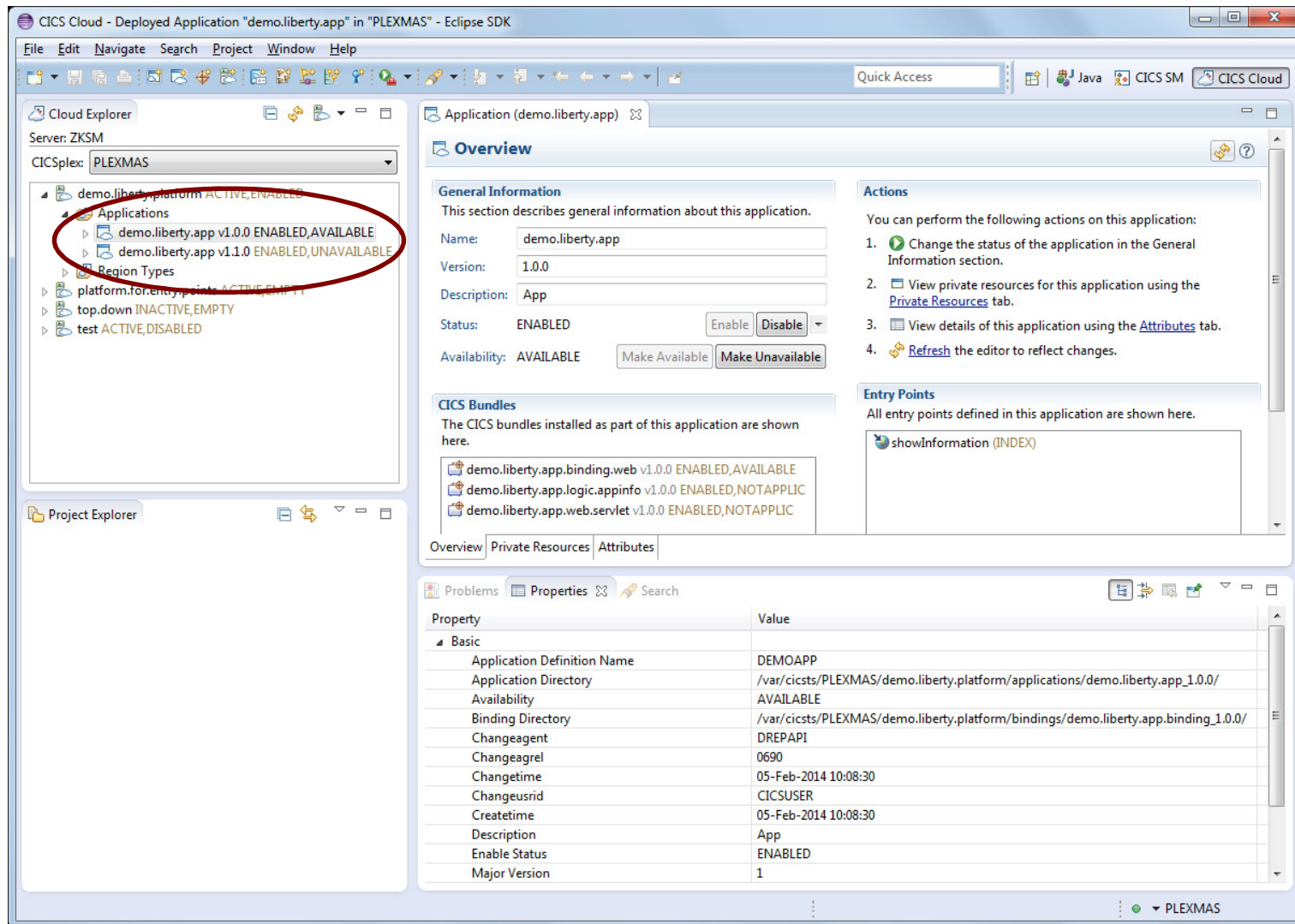
- EXEC CICS LINK PROGRAM()
- EXEC CICS INVOKE APPLICATION()
 - OPERATION()
 - OPERATION() MAJORVERSION() MINORVERSION() MINIMUM
 - OPERATION() MAJORVERSION() MINORVERSION() EXACTMATCH PLATFORM()
- JCICS Application.invoke()



CICS CLOUD EXPLORER

Complete your session evaluations online at www.SHARE.org/Orlando-Eval

Managing Multi-Versioned Applications



Cloud Explorer
Server: ZKSM
CICSplex: PLEXMAS

- demo.liberty.platform ACTIVE, ENABLED
 - Applications
 - demo.liberty.app v1.0.0 ENABLED, AVAILABLE
 - demo.liberty.app v1.1.0 ENABLED, UNAVAILABLE
 - Region Types
- platform.for.entry.points ACTIVE, EMPTY
- top.down INACTIVE, EMPTY
- test ACTIVE, DISABLED

Application (demo.liberty.app) Overview

General Information
This section describes general information about this application.

Name: demo.liberty.app
Version: 1.0.0
Description: App
Status: ENABLED (Enable/Disable)
Availability: AVAILABLE (Make Available/Make Unavailable)

CICS Bundles
The CICS bundles installed as part of this application are shown here.

- demo.liberty.app.binding.web v1.0.0 ENABLED, AVAILABLE
- demo.liberty.app.logic.appinfo v1.0.0 ENABLED, NOTAPPLIC
- demo.liberty.app.web.servlet v1.0.0 ENABLED, NOTAPPLIC

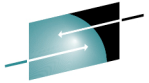
Entry Points
All entry points defined in this application are shown here.

- showInformation (INDEX)

Properties

Property	Value
Application Definition Name	DEMOAPP
Application Directory	/var/cicsts/PLEXMAS/demo.liberty.platform/applications/demo.liberty.app_1.0.0/
Availability	AVAILABLE
Binding Directory	/var/cicsts/PLEXMAS/demo.liberty.platform/bindings/demo.liberty.app.binding_1.0.0/
Changeagent	DREPAPI
Changeagrel	0690
Changetime	05-Feb-2014 10:08:30
Changeusrid	CICSUSER
Createtime	05-Feb-2014 10:08:30
Description	App
Enable Status	ENABLED
Major Version	1

Complete your session evaluations online at www.SHARE.org/Orlando-Eval



Application Lifecycle

The screenshot shows the Cloud Explorer interface for a server named 'ZKSM' and a CICSplex named 'PLEXMAS'. The tree view shows the following structure:

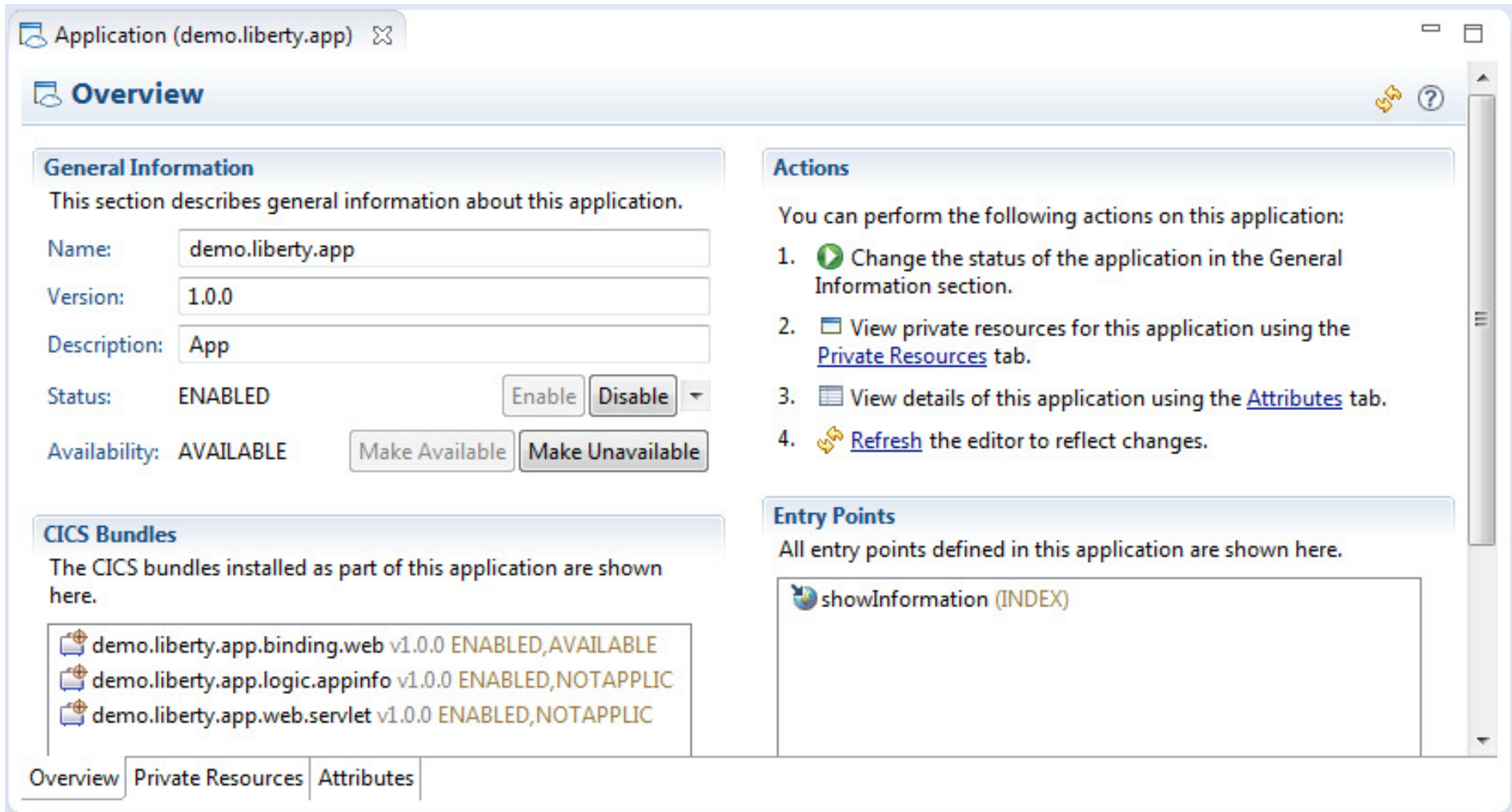
- demo.liberty.platform ACTIVE,ENABLED
 - Applications
 - demo.liberty.app v1.0.0 ENABLED,AVAILA
 - demo.liberty.app v1.1.0 ENABLED,UNAVA
 - Region Types
- platform.for.entry.points ACTIVE,EMPTY
- top.down INACTIVE,EMPTY
- test ACTIVE,DISABLED

The context menu for 'demo.liberty.app v1.1.0' is open, showing the following options:

- New
- Open
- Discard
- Enable
- Disable
- Make Available** (highlighted with a red circle)
- Make Unavailable
- Refresh (F5)
- Search

Complete your session evaluations online at www.SHARE.org/Orlando-Eval

New *Online* Application Editor



The screenshot shows a web-based application editor interface. At the top, there is a browser-like title bar with the text 'Application (demo.liberty.app)'. Below this is a navigation bar with a home icon and the word 'Overview'. The main content area is divided into several sections:

- General Information:** This section describes general information about the application. It contains several input fields: 'Name' (demo.liberty.app), 'Version' (1.0.0), and 'Description' (App). Below these are status controls: 'Status' is set to 'ENABLED' with 'Enable' and 'Disable' buttons; 'Availability' is set to 'AVAILABLE' with 'Make Available' and 'Make Unavailable' buttons.
- CICS Bundles:** This section lists the CICS bundles installed as part of the application. It shows three bundles: 'demo.liberty.app.binding.web v1.0.0 ENABLED,AVAILABLE', 'demo.liberty.app.logic.appinfo v1.0.0 ENABLED,NOTAPPLIC', and 'demo.liberty.app.web.servlet v1.0.0 ENABLED,NOTAPPLIC'.
- Actions:** This section provides instructions on what can be done with the application. It lists four actions: 1. Change the status of the application in the General Information section. 2. View private resources for this application using the [Private Resources](#) tab. 3. View details of this application using the [Attributes](#) tab. 4. [Refresh](#) the editor to reflect changes.
- Entry Points:** This section shows all entry points defined in the application. It lists one entry point: 'showInformation (INDEX)'.

At the bottom of the interface, there is a tabbed navigation bar with three tabs: 'Overview' (selected), 'Private Resources', and 'Attributes'.

Complete your session evaluations online at www.SHARE.org/Orlando-Eval

Private Resources

Application (demo.liberty.app) Private Resources

Structure

- demo.liberty.app v1.0.0
 - logic
 - IYK3ZKSW
 - web
 - IYK3ZKSW

Private Resources

Programs LIBRARYs LIBRARY DS Names

Name:

CNX0211I Context: IYK3ZKSW. Resource: PROGRAM. 1 records collected at 24-Feb-2014 15:32:36

Region	Name	Status	Concurrent ...	Language	Operation N...
IYK3ZKSW	BDCGETAI	ENABLED	0	C	

Private Resources

Programs LIBRARYs LIBRARY DS Names

Name:

CNX0211I Context: IYK3ZKSW. Resource: LIBRARY. 1 records collected at 24-Feb-2014 15:30:01

Region	Name	Search Position	Ranking	Critical Status	Enable Sta...	Numdsnames
IYK3ZKSW	APPMV	1	50	NONCRITICAL	ENABLED	1

Private Resources

Programs LIBRARYs LIBRARY DS Names

Name:

CNX0211I Context: IYK3ZKSW. Resource: LIBDSN. 1 records collected at 24-Feb-2014 15:30:27

Region	Name	D..	DS Name	DS Name Search Position
IYK3ZKSW	APPMV	1	BENCOX.APP-MV.DEMO.LOAD	1001

Complete your session evaluations online at www.SHARE.org/Orlando-Eval

Application demo.liberty.app 1.0.0 vs. 1.1.0: BUNDLE



Application (demo.liberty.app) Overview

General Information
This section describes general information about this application.

Name: demo.liberty.app
Version: 1.0.0
Description: App
Status: ENABLED [Enable] [Disable] ▾
Availability: AVAILABLE [Make Available] [Make Unavailable]

CICS Bundles
The CICS bundles installed as part of this application are shown here.

- demo.liberty.app.binding.web v1.0.0 ENABLED, AVAILABLE
- demo.liberty.app.logic.appinfo v1.0.0 ENABLED, NOTAPPLIC
- demo.liberty.app.web.servlet v1.0.0 ENABLED, NOTAPPLIC

Overview | Private Resources | Attributes

Application (demo.liberty.app) Overview

General Information
This section describes general information about this application.

Name: demo.liberty.app
Version: 1.1.0
Description: App
Status: ENABLED [Enable] [Disable] ▾
Availability: UNAVAILABLE [Make Available] [Make Unavailable]

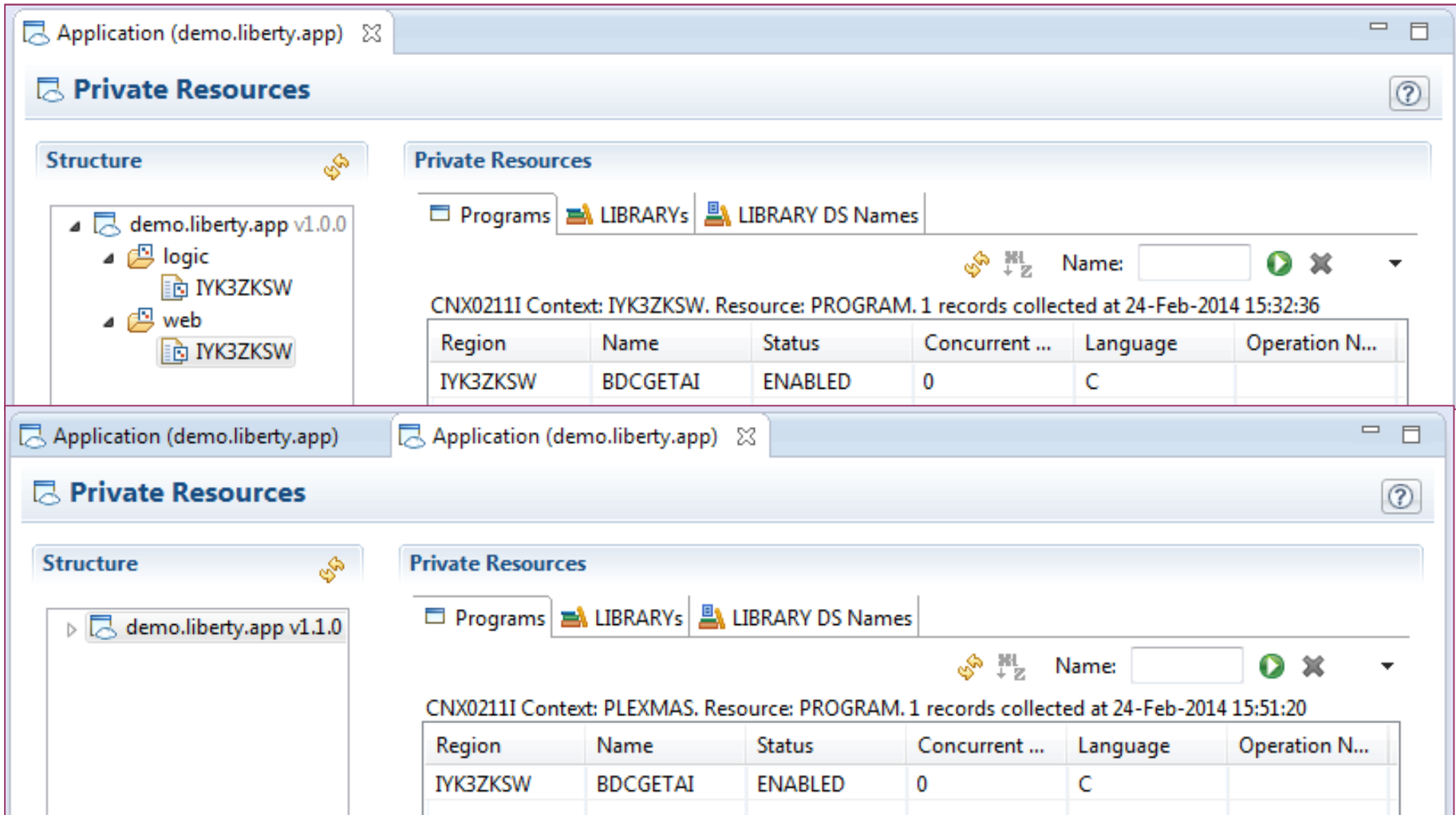
CICS Bundles
The CICS bundles installed as part of this application are shown here.

- demo.liberty.app.binding.web v1.1.0 ENABLED, UNAVAILABLE
- demo.liberty.app.logic.appinfo v1.1.0 ENABLED, NOTAPPLIC
- demo.liberty.app.web.servlet v1.1.0 ENABLED, NOTAPPLIC

Overview | Private Resources | Attributes

Complete your session evaluations online at www.SHARE.org/Orlando-Eval

Application demo.liberty.app 1.0.0 vs. 1.1.0: PROGRAM



The top screenshot shows the configuration for 'demo.liberty.app v1.0.0'. The 'Structure' pane shows a tree with 'logic' and 'web' folders, each containing an 'IYK3ZKSW' resource. The 'Private Resources' pane shows the 'PROGRAM' resource for the 'IYK3ZKSW' context, with a table of records:

Region	Name	Status	Concurrent ...	Language	Operation N...
IYK3ZKSW	BDCGETAI	ENABLED	0	C	

The bottom screenshot shows the configuration for 'demo.liberty.app v1.1.0'. The 'Structure' pane shows a single 'demo.liberty.app v1.1.0' resource. The 'Private Resources' pane shows the 'PROGRAM' resource for the 'PLEXMAS' context, with a table of records:

Region	Name	Status	Concurrent ...	Language	Operation N...
IYK3ZKSW	BDCGETAI	ENABLED	0	C	

Complete your session evaluations online at www.SHARE.org/Orlando-Eval

Application demo.liberty.app 1.0.0 vs. 1.1.0: LIBRARY

Private Resources

Programs LIBRARYs LIBRARY DS Names

Name:

CNX0211I Context: IYK3ZKSW. Resource: LIBRARY. 1 records collected at 24-Feb-2014 15:30:01

Region	Name	Search Position	Ranking	Critical Status	Enable Sta...	Numdsnames
IYK3ZKSW	APPMV	1	50	NONCRITICAL	ENABLED	1

Programs LIBRARYs LIBRARY DS Names

Name:

CNX0211I Context: IYK3ZKSW. Resource: LIBDSN. 1 records collected at 24-Feb-2014 15:30:27

Region	Name	D..	DS Name	DS Name Search Position
IYK3ZKSW	APPMV	1	BENCOX.APP-MV.DEMO.LOAD	1001

Private Resources

Programs LIBRARYs LIBRARY DS Names

Name:

CNX0211I Context: PLEXMAS. Resource: LIBRARY. 1 records collected at 24-Feb-2014 16:04:01

Region	Name	Search Position	Ranking	Critical Status	Enable Sta...	Numdsnames
IYK3ZKSW	APPMV	1	50	NONCRITICAL	ENABLED	1

Programs LIBRARYs LIBRARY DS Names

Name:

CNX0211I Context: PLEXMAS. Resource: LIBDSN. 1 records collected at 24-Feb-2014 15:51:25

Region	Name	DS Number	DS Name	DS Name Search Position
IYK3ZKSW	APPMV	1	BENCOX.APP-MV.DEMO.LOAD2	1001

Complete your session evaluations online at www.SHARE.org/Orlando-Eval

IBM CICS Transaction Server V5.3 open beta



enterprise grade mixed language application serving



Service Agility

Enhanced support for Java and the WebSphere Liberty Profile

- Additional Liberty features
- Enhanced interoperability
- Simplified management
- Enhanced Java SE support



Operational Efficiency

Performance optimizations, enhanced metrics and additional security

- Web service optimizations
- Performance improvements
- Enhanced metrics
- Additional security options



Cloud with DevOps

New cloud and DevOps support to automate CICS deployments

- Automated builds
- Scripted deployments
- UrbanCode Deploy support
- Enhanced cloud enablement

Updated July 2015

Complete your session evaluations online at www.SHARE.org/Orlando-Eval

CICS TS V5.3 open beta : Cloud with DevOps



New cloud and DevOps support to automate CICS deployments

Automated builds

Scripted
deployments

A built CICS project that resides in zFS, can now be programmatically deployed across CICS systems using a set of scripting commands.

UrbanCode Deploy
support

DFHDPLOY is a new batch utility to support the automated provisioning of CICS bundles, OSGi bundles within CICS bundles, and CICS applications.

Enhanced cloud
enablement

DFHDPLOY commands can be used to deploy CICS bundles and CICS applications into a desired state, such as 'enabled' or 'available' as well as undeploy and remove them.

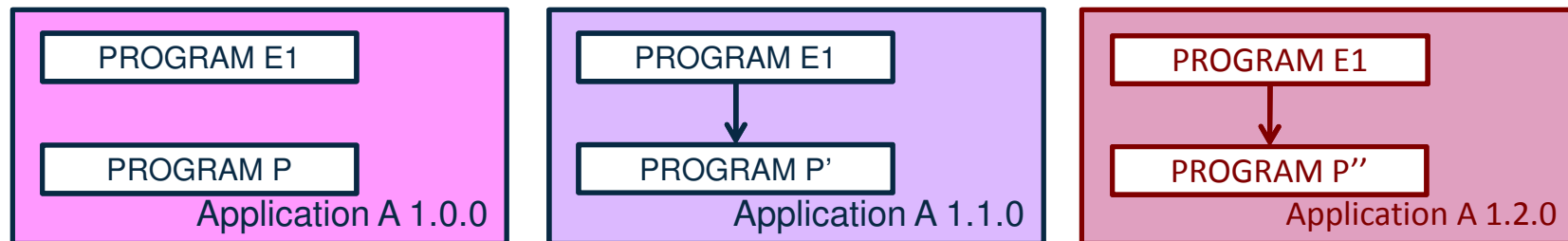
Complete your session evaluations online at www.SHARE.org/Orlando-Eval

Summary

Use multi-versioning to deploy new applications, application features or bug fixes while minimizing any impact to existing users or requiring additional infrastructure

Implement the different scenarios using private PROGRAM and LIBRARY resources, the AVAILABLE | UNAVAILABLE application status, and INVOKE APPLICATION API

Manage multi-versioned applications in Explorer with the new online editor



Complete your session evaluations online at www.SHARE.org/Orlando-Eval

More Information



- **IBM Redbooks publication (“Cloud Enabling IBM CICS”):**
<http://www.redbooks.ibm.com/abstracts/sg248114.html?Open>
- **Blog (CICSdev):**
<https://www.ibm.com/developerworks/mydeveloperworks/blogs/cicsdev/tags/blog>
 - *What is CICS Application Multi-versioning?*
 - *How can I phase in the new version of a CICS Application?*
 - *Quick start CICS Explorer projects for “Cloud Enabling CICS”*
- **Demos:**
<http://www.ibm.com/software/htp/cics/tserver/v52/library/demos.html>
 - *Provisioning application updates with no loss of service*
 - *Hosting two versions of a CICS application concurrently on the same platform*
- **Podcasts:**
<http://www.ibm.com/software/os/systemz/podcasts/websphereonz/>
 - *CICS V5.2 - Multi-Versioning*
- **Scenarios:** https://www-01.ibm.com/support/knowledgecenter/SSGMCP_5.2.0/com.ibm.cics.ts.scenarios.doc/topics/Scenarios.html
 - *Updating an application on a platform*
 - *Hosting two versions of a CICS application concurrently on the same platform*



Cloud Enabling IBM CICS



Discover how to quickly cloud enable a traditional IBM 3270-COBOL VSAM application

Use CICS Explorer to develop and deploy a multi-versioned application

Understand the benefits of threshold policy

Ruhus Credle
Isabel Arnold
Andrew Bates
Michael Baylis
Pradeep Gohil
Christopher Higgins
Daniel Millwood
Ian J Mitchell
Catherine Moxey
Geoffrey Pirie
Indrajit Singh
Stewart Smith
Matthew Webster

ibm.com/redbooks

Redbooks



I ♥ CICS



Complete your session evaluations online at www.SHARE.org/Orlando-Eval