

# Shenandoah *Value* SERIES **Pro**<sup>™</sup>

SPECIFICATION GUIDE & PARTS DIRECTORY  
SEPTEMBER 2020



# Welcome

Welcome to the Specification and Parts Guide for our Shenandoah Value Series Pro™.

This guide has been formatted to make designing with our cabinetry clear and easy! It contains information and specifications for our Shenandoah Value Series Pro products that make "look-ups" a snap!

If you would like further clarification about any of our products or processes, please call your exclusive Shenandoah Value Series Pro Customer Care Department at 877-569-3774.

## Continuous Improvement

In keeping with our policy of continuous product refinement, Shenandoah Value Series Pro reserves the right to change specifications in design and materials as conditions require.

Please visit [resources.shenandoahcabinetry.com/shenandoah-pro](https://resources.shenandoahcabinetry.com/shenandoah-pro) for all your designer needs.

## September 2020 Update

The color blue is used to highlight items which are newly available or modified for Shenandoah Value Series Pro. All of these items are color coded blue for easy identification and include:

### Discontinued Door Styles & Finishes

- Tacoma (including Espresso, Honey and Tawny finishes)
- Glenfield (including Espresso, Honey and Tawny finishes)

# Contents

<b>Warranty</b> .....	4
<b>Door Style Collections</b> .....	5
Canterbury® .....	6
Fairfax .....	7
Devon® .....	8
<b>Standard Cabinet Specifications</b> .....	11
Certification .....	12
Cabinet Specifications .....	13
Finishing System .....	14
Wood Species & Materials .....	15
Wall Cabinet Construction .....	16
Base Cabinet Construction .....	17
Hardware .....	18
Cabinet Dimensions .....	19
Installation Guidelines .....	22
Overlay Dimensions .....	24
<b>Construction Options</b> .....	25
Legend & Examples .....	26
Inverted Frame Option .....	27
Recessed Toe Kick Option .....	27
Reduced Depth Option .....	28
Increased Depth Option .....	29
Remove Dovetail Side-Glide Option .....	29
Void Top Drawer Option .....	30
Void Door Option .....	30
Matching Interior Option .....	31
Cabinet Front Only Option .....	31
Specialty Door Options .....	32
Mullion Frame Door and Open Frame Door Options .....	33
Decorative Glass Inserts .....	34
<b>Wall Cabinets</b> .....	39
Standard .....	40
With Spice Rack .....	45
Refrigerator .....	46
Wall Top Hinge .....	48
Microwave .....	49
Peninsula .....	51
Blind .....	54
Blind Peninsula .....	58
Corner .....	60
Wall End Angle .....	64
Specialty .....	65
Range Hoods .....	67
Accessories .....	69
<b>Base Cabinets</b> .....	71
Standard .....	72
Base With Accessories .....	74
Full-Height .....	78
Full-Height With Accessories .....	79
Drawer Base .....	82
Peninsula .....	84
Full-Height Peninsula .....	85
<b>Base Cabinets (continued)</b> .....	
Sink/Cooktop Base .....	86
Sink/Cooktop Front .....	88
Sink Base with Factory Installed Accessories .....	89
Blind Corner .....	92
Blind Peninsula Corner .....	94
Corner .....	95
Specialty .....	99
Accessories .....	101
<b>Desk Cabinets and Bookshelves</b> .....	105
Desk Base .....	106
Specialty .....	108
Bookshelves .....	109
Accessories .....	110
<b>Tall Cabinets</b> .....	111
Utility .....	112
Single Oven .....	117
Single Oven with Organizer .....	119
Double Oven .....	120
Accessories .....	121
<b>Vanity Cabinets</b> .....	125
Standard Height .....	126
Base Height .....	131
Specialty .....	135
Vanity Linen .....	136
Accessories .....	138
<b>Universal Design Cabinets</b> .....	141
Base .....	142
Accessories .....	145
<b>Moldings</b> .....	147
Molding Stacks .....	148
Moldings .....	158
<b>Panels, Fillers &amp; Decorative Items</b> .....	169
Panels .....	170
Toe Kick .....	173
Decorative Matching Doors .....	174
Fillers .....	176
Decorative Blocks .....	180
Valances .....	182
Corbels .....	184
Legs & Feet .....	186
Countertop Support .....	189
Furniture Toe Kick .....	190
Posts & Blocks .....	192
Installation Items .....	194
<b>Decorative Hardware</b> .....	197
<b>Parts Directory</b> .....	206
<b>Index</b> .....	261

# Consumer Lifetime Limited Warranty

## Shenandoah Value Series Pro™ Consumer Lifetime Limited Warranty

The manufacturer of Shenandoah Value Series Pro™ hereby warrants to the original purchaser, for residential applications only, that all Shenandoah Value Series Pro, cabinets and accessories, are free from defects in materials and workmanship. This warranty runs for as long as you own your home and begins upon the date of delivery to you. This warranty is expressly limited to repair or replacement of the defective part at the discretion of the manufacturer of Shenandoah Value Series Pro, and does not include labor for removal or replacement. This warranty does not extend to defects caused by improper handling, storage, installation, assembly or disassembly, intentional damage, product modifications, exposure to the elements including humidity which may result in warping or splitting, accidental misuse, abuse or negligence. Natural woods may vary in texture, color and wood grain, and exhibit subtle changes as they age. For example, wood joints may eventually have visible cracking around the joint area and cabinet colors may darken or lighten over time. Sunlight, smoke, moisture, household cleaners and other environmental conditions may cause materials to vary from their original color and/or to warp, split or crack. These variations are considered to be the nature of the material in relation to its environmental exposure and are not covered under this warranty.

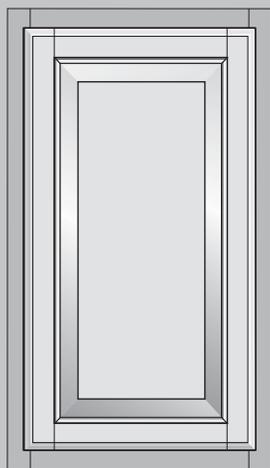
## Additional Limitations and Disclaimers

THE MANUFACTURER OF SHENANDOAH VALUE SERIES PRO MAKES NO OTHER WARRANTIES OTHER THAN THOSE SET FORTH HEREIN AND ALL OTHER WARRANTIES ARE HEREBY DISCLAIMED. THE IMPLIED WARRANTIES OF MERCHANTABILITY AND FITNESS FOR A PARTICULAR PURPOSE ARE LIMITED IN DURATION TO THE LENGTH OF THE LIMITED WARRANTY PERIOD. THE LIMITED WARRANTIES SET FORTH HEREIN ARE LIMITED TO THE FIRST AND ORIGINAL BUYER AND ARE NOT TRANSFERABLE THEREAFTER. IN NO EVENT SHALL THE MANUFACTURER OF SHENANDOAH VALUE SERIES PRO BE LIABLE FOR INCIDENTAL OR CONSEQUENTIAL DAMAGES TO THE PURCHASER OR TO ANY THIRD PARTY, INCLUDING, WITHOUT LIMITATION, DAMAGES ARISING FROM PERSONAL INJURY, LOST PROFITS, LOSS OF BUSINESS OPPORTUNITY, LOSS OF PROPERTY, ECONOMIC LOSSES, OR STATUTORY OR EXEMPLARY DAMAGES, WHETHER FROM NEGLIGENCE, WARRANTY, STRICT LIABILITY OR OTHERWISE. Some states do not allow the exclusion or limitation of incidental or consequential damages, or limitations on how long an implied warranty lasts, so the above limitations and exclusions may not apply to you. This warranty gives you specific legal rights, and you may also have other rights, which vary from state to state.

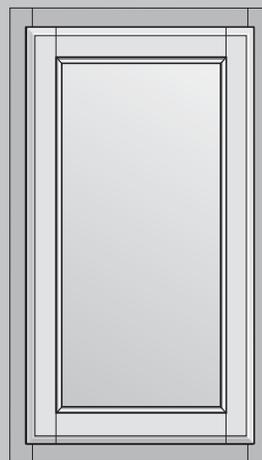
## Claims

All claims for defective cabinets and accessories must be submitted to the manufacturer in writing and must specify the defects present in the cabinets and accessories. After the manufacturer has had an opportunity to inspect the cabinets and accessories, it will, at their discretion, either replace defective cabinets and accessories or repair any defects in the cabinets and accessories. All claims must be submitted to the following address: Shenandoah Value Series Pro Claims Department, Post Office Box 1980, Winchester, Virginia 22604.

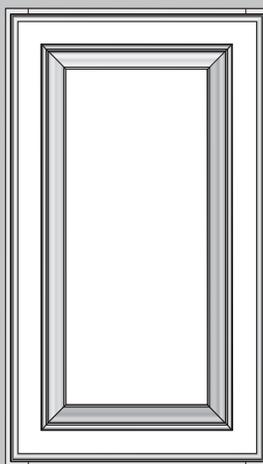
# Door Styles



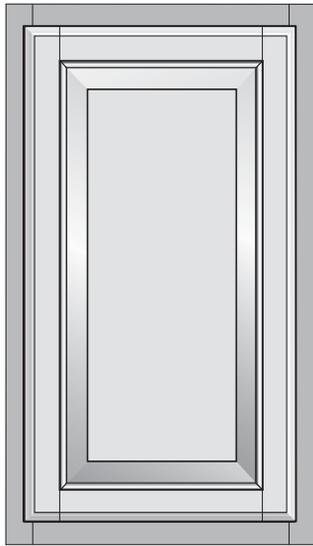
Canterbury



Fairfax



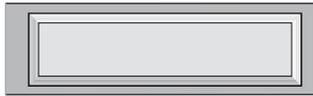
Devon



Door



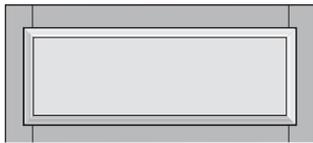
Door Cross Section



Kneehole Drawer Front



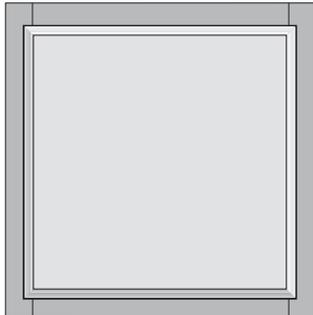
Kneehole Drawer Cross Section



Standard Drawer Front



Standard Drawer Cross Section



Large Drawer Front



Large Drawer Cross Section

# Canterbury

## Door Style Details:

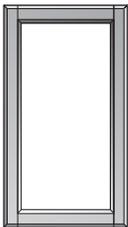
<b>Species:</b>	Hardwood
<b>Door Description:</b>	Raised Panel
<b>Door Rail &amp; Stile Width:</b>	1 7/8"
<b>Drawer Description:</b>	Decorative Slab
<b>Overlay:</b>	Standard Overlay Door (SOL)
<b>Hinge:</b>	Standard Overlay (SOL) Hidden Hinge
<b>Hardware:</b>	Decorative Hardware Strongly Recommended

## Available Finishes:

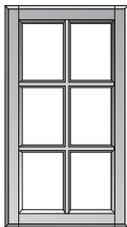
FINISH	STYLE CODE
Nutmeg	R5V
Rye	R5T
Spice	R5S

### Specialty Doors (SD) Available for this Door Style:

See Page 32 for details and restrictions.



OFD



MFD

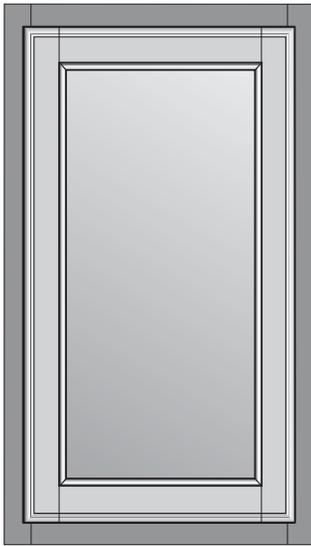
# Fairfax

## Door Style Details:

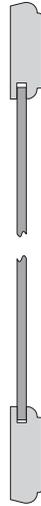
<b>Species:</b>	Hardwood
<b>Door Description:</b>	Flat Panel
<b>Door Rail &amp; Stile Width:</b>	1 7/8"
<b>Drawer Description:</b>	Decorative Slab
<b>Overlay:</b>	Standard Overlay Door (SOL)
<b>Hinge:</b>	Standard Overlay (SOL) Hidden Hinge
<b>Hardware:</b>	Decorative Hardware Strongly Recommended

## Available Finishes:

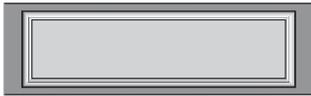
FINISH	STYLE CODE
Nutmeg	P5V
Spice	P5S
Rye	P5T



Door



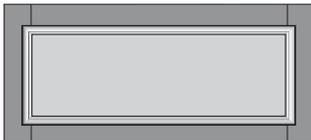
Door Cross Section



Kneehole Drawer Front



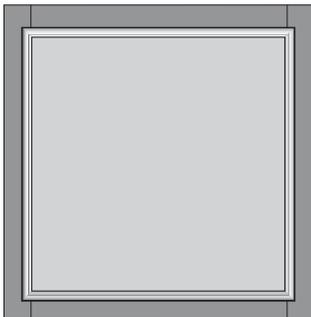
Kneehole Drawer Cross Section



Standard Drawer Front



Standard Drawer Cross Section



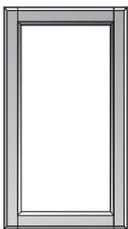
Large Drawer Front



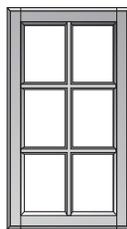
Large Drawer Cross Section

### Specialty Doors (SD) Available for this Door Style:

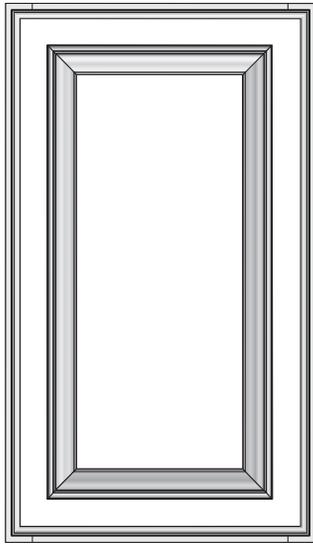
See Page 32 for details and restrictions.



OFD



MFD



Door



Door Cross Section



Kneehole Drawer Front



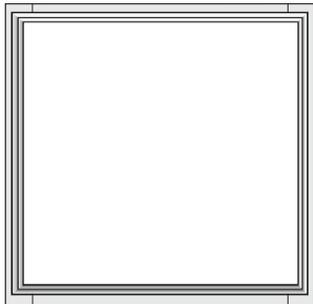
Kneehole Drawer Cross Section



Standard Drawer Front



Standard Drawer Cross Section



Large Drawer Front



Large Drawer Cross Section

# Devon

## Door Style Details:

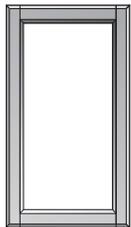
<b>Species:</b>	Thermofoil
<b>Door Description:</b>	Raised Panel
<b>Door Rail &amp; Stile Width:</b>	2 1/4"
<b>Drawer Description:</b>	Decorative Slab
<b>Overlay:</b>	Full Overlay Door (FOL)
<b>Hinge:</b>	Full Overlay (FOL) Hidden Hinge
<b>Hardware:</b>	Requires Decorative Hardware

## Available Finishes:

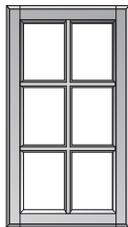
FINISH	STYLE CODE
White	I3W

### Specialty Doors (SD) Available for this Door Style:

See Page 32 for details and restrictions.



OFD

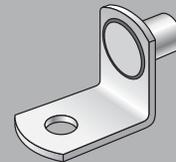
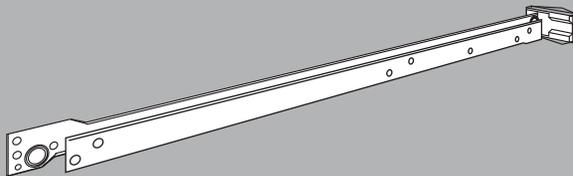
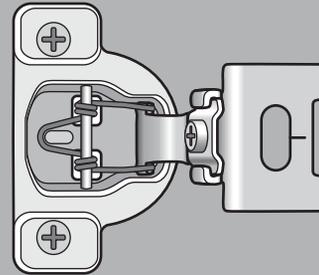
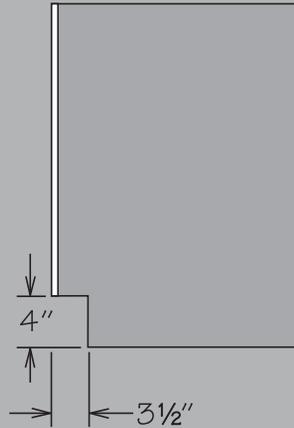
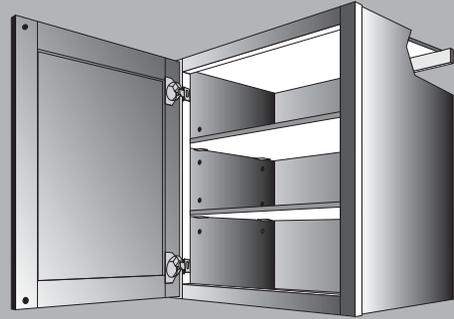
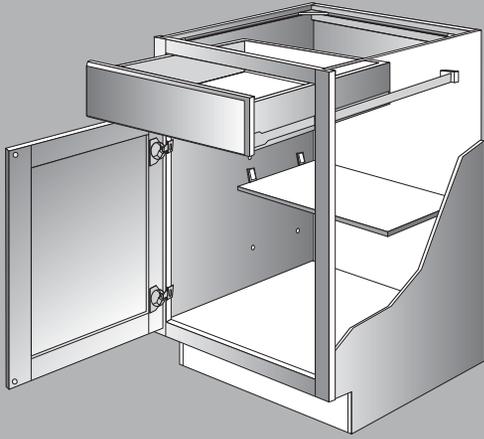


MFD

Lined writing area with horizontal rules for notes.



# Standard Cabinet Specifications



## KCMA Certified

All cabinetry manufactured by Shenandoah Value Series Pro is certified by the Kitchen Cabinet Manufacturing Association.

KCMA sets the American National Standards Institute/KCMA 161.1- 2000 uniform performance and construction standards for kitchen and vanity cabinets. The program is referenced by U.S. Government Agencies, architects, builders, remodelers, and other specifiers.

Cabinets that bear the KCMA seal of certification are recognized as a quality product with the ability to perform after a rigorous battery of tests, simulating years of typical household use. Tests are performed by approved third-party independent laboratories.

Shenandoah Value Series Pro is proud to display the KCMA seal of certification for cabinet construction.



## Environmentally Responsible Stewardship

As a leading U.S. manufacturer of fine cabinetry, American Woodmark Corporation and its Shenandoah Value Series Pro brand is committed to conducting business in a manner that both protects the environment and safeguards public health and safety. To achieve this end, the company proactively identifies potential environmental risks and monitors compliance with appropriate federal, state, local and internal standards.

Shenandoah Value Series Pro has received certification by the Kitchen Cabinet Manufacturers Association (KCMA) Environmental Stewardship Program on all products. The certification was awarded based on compliance across a broad range of activity including air quality, product resource management, process resource management, environmental stewardship and community relations.

The company works with all suppliers to encourage sustainable forestry practices. Particle board and plywood are purchased from suppliers that meet the Composite Panel Association requirements for Environmentally Preferable Products including formaldehyde emissions that comply with ANSI Standards.

The company uses leading edge technologies to limit both hazardous and non-hazardous emissions, byproducts, and waste. Ongoing, formal programs identify opportunities for recycling and reusing materials. When waste ultimately requires disposal, steps are taken to minimize the environmental impact.

The American Woodmark Foundation supports local programs serving the community, including activities focused on maintaining the quality of life.

Our company is dedicated to doing our part in the preservation and sustainability of the environment.



### Cabinet Front Face Frames

Cabinet front face frames are made from  $\frac{3}{4}$ " x  $1\frac{5}{8}$ " solid hardwood. They are kiln-dried to prevent warping and finished with our BeautyGuard finishing system. Face frame joints are precision fixtured, pressure fitted and mechanically fastened.

### Cabinet Side Panels

Cabinet side panels are  $\frac{1}{2}$ " thick engineered wood. The exterior sides match cabinet finish and interior sides are finished with a natural woodgrain look using our TuffTech® finishing system. They are captured into a grooved front face frame and secured using high-strength fasteners and glue.

### Cabinet Tops, Bottoms and Floors

Tops, bottoms and floors are  $\frac{1}{2}$ " thick engineered wood. The exteriors and interiors are finished with a natural woodgrain look using our TuffTech finishing system. They are fitted and glued into the cabinet front face frame grooves, then captured in the grooves of the cabinet side panels.

### Cabinet Back

The cabinet back is made from  $\frac{1}{8}$ " thick hardboard substrate. The inside cabinet surface is finished in a natural woodgrain look using our TuffTech finishing system.

### Hanging Rails

The Base and Vanity top hanging rail is  $\frac{3}{4}$ " thick solid wood, mortise and tenon joined and glued into the cabinet side panels. The Wall cabinet hanging rails are  $\frac{1}{2}$ " thick engineered wood, glued and pinned into the cabinet back, side panels, top and bottom.

### Standard Cabinet Shelves

Wall, Base, Desk and Vanity cabinet shelves are  $\frac{1}{2}$ " thick engineered wood. The shelves are finished with a natural woodgrain look using our TuffTech finishing system. Shelves are banded on one side with edge banding. All shelves are adjustable and meet KCMA load standards of 15 pounds per square foot.

### Tall and Universal Design Cabinet Shelves

Utility, Oven, Vanity Linen and all Universal Design cabinet shelves are  $\frac{3}{4}$ " thick engineered wood. The shelves are finished with a natural woodgrain look using our TuffTech finishing system. Shelves are banded on one side with edge banding. All shelves are adjustable and meet KCMA load standards of 15 pounds per square foot.

### Drawer Systems

All drawers are  $\frac{1}{2}$ " thick engineered wood or  $\frac{5}{8}$ " thick dovetail hardwood. All drawers have a printed MDF bottom finished using our TuffTech finishing system. Base cabinets, Double Ovens, Desk, Universal Design and 21" deep Vanity cabinets feature 18" drawers with side-mounted drawer glides. The 18" deep Vanity cabinets will feature 15" deep drawers with side-mounted drawer glides. The drawers meet KCMA load standards of 15 pounds per square foot.

### Corner Blocks

Corner blocks are attached to help ensure cabinet squareness and allow for proper countertop installation.

### Hinges

Fully concealed Hidden Hinges® are standard on all door styles.

### Inset Toe Kick

Inset toe kicks are made of  $\frac{1}{2}$ " thick unfinished engineered wood. Standard toe kick dimensions are 4" high and recessed  $3\frac{1}{2}$ ". Universal Design toe kick dimensions are 8" high and recessed  $6\frac{1}{2}$ ".

**BTK8 or BTK8 UD (matching toe kick) required for installation.**

## CONTINUOUS IMPROVEMENT

In keeping with our policy of continuous product refinement, American Woodmark reserves the right to change specifications in design and materials as conditions require.

## Finishing Systems

The finishing systems used on our products are designed to ensure the beauty and durability of our cabinetry. State-of-the-art equipment allows precise sanding, filling and finish coverage of each of our products.

### BeautyGuard® Finishing System

BeautyGuard is an extremely sophisticated and environmentally responsible coating that offers durability, ease of cleaning and water resistance. We use a combination of mechanical systems to bring out the richness, luster and natural grain definition of the wood, as well as computerized automation to ensure color consistency and surface smoothness. Our BeautyGuard Finishing System is a rigorous multi-step process that includes sanding, brushing, cleaning, stain application, computerized oven drying and a catalyzed topcoat to protect and beautify cabinets for years to come.

### TuffTech Finishing System

Our TuffTech finishing system uses high quality materials to finish our cabinet side panels, shelves, tops, bottoms and floors. These materials ensure our cabinets are durable, easy to clean, and resistant to stain and discoloration.

### Environmentally Responsible Finishing

Our panel finishing system uses only water-based paints and fillers, yielding neither hazardous waste nor water contamination. Our acrylic and urethane materials are 100% solids, dried using high intensity lights, yielding no atmospheric emissions. Our products are extremely resistant to stains and surface damage that can be caused by common household chemicals. Our products exceed KCMA and ANSI standards for resistance to stains like coffee, grape juice and moisture.

## Cabinet Care

Remove dust from cabinets frequently with a soft lint-free cloth. The cloth may be slightly dampened with water or a spray type dust remover. Wood and laminate cabinet surfaces may be polished once every few months with a high quality, non-oil based furniture polish. Do not use a paste wax type material. Wax build-up is difficult to remove and will leave a residue that attracts dust and moisture. Polishes containing silicon should not be used. Clean spills immediately. Use a clean cloth and mild soap if necessary. Wipe dry with a clean soft cloth. Do not use detergents, citrus cleaners, ammonia-based cleaners, chlorine-based cleaners, steel wool, soap pads or abrasive cleaners on cabinets.

Extra care should be taken that cabinet finishes are not exposed to heat in excess of 200° Fahrenheit (174° for thermofoil door styles). Do not place or mount small appliances beneath wall cabinets. These appliances (such as coffee makers and toasters) can produce excessive heat, which can damage the finish of cabinets. Do not expose doors or drawer fronts (especially thermofoil) to heat created from self-cleaning ovens or ranges. The HSK (Heat Shield Kit) should be used when thermofoil cabinets are installed or mounted directly next to ovens or ranges.

### Allow Cabinets To Age Beautifully

Our cabinets showcase the careful selection of natural and engineered materials to achieve the best possible look. While every effort is made to match wood grain as closely as possible, no two pieces of wood are exactly alike, even from the same tree. These differences in natural color and grain mean that each piece will respond differently to the finishing materials used. For example, close-grained woods absorb less and will vary in color from more open-grained pieces from the very same tree. It's these variations that contribute to the beauty and distinction of quality wood products. However, exposure to sunlight, smoke and chemicals may cause some materials to fade or vary from their original color over time.

This is why cabinets, doors, drawer fronts and accessories added at a later date may not exactly match cabinets installed now. For the same reasons, door samples or displays may not represent the exact color of cabinets received at the time of shipment. Consumers should also read all cleaning agent instructions carefully before application.

Due to changes that occur from natural and environmental factors a cabinet is exposed to over its lifetime, we cannot be responsible for the variations that occur in the finish of natural and engineered materials as they age.

## Door Species & Characteristics

Shenandoah Value Series Pro incorporates solid hardwoods and hardwood veneers. These are natural materials with inherent variations. As such, our quality standards establish tolerance ranges for matching the hardwood pieces. Consumers should review actual samples of hardwoods in our buying centers and cabinet displays to help establish realistic expectations of variations involving wood grain, color tones, presence of knots and so forth.

These variations are at the heart of the unique natural beauty of finished hardwood. In addition, exposure of wood products to sunlight, some chemical agents and smoke can cause wood colors to change over time.

### Hardwoods

Hardwoods have a dense structure and come from broad-leaved deciduous trees such as maple, oak, birch, cherry, hickory, poplar, or ash species. We use a combination of these to achieve a great looking and highly durable product. Natural features include:

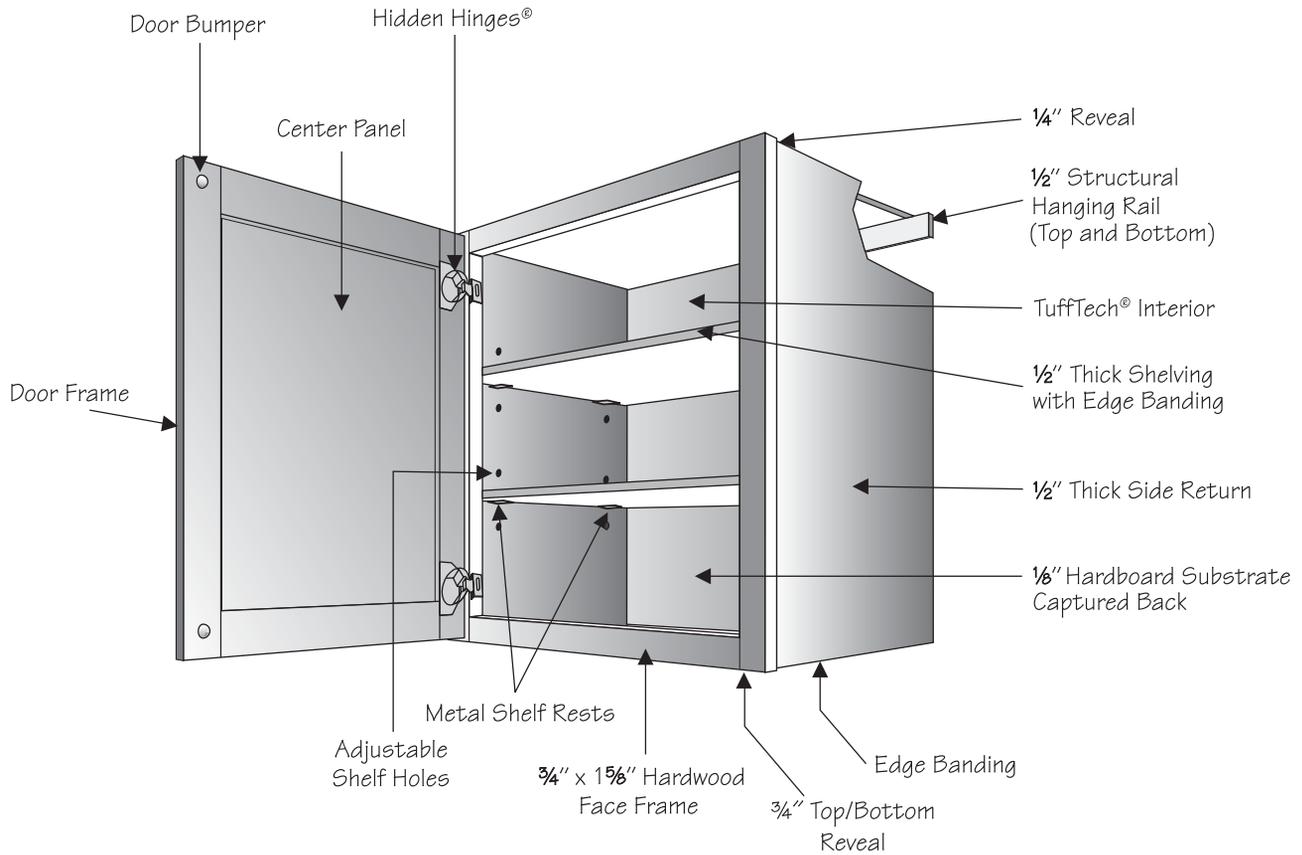
- Light blonde tones to dark reddish brown tones
- Small black and reddish brown minerals streaks or deposits that darken with stain
- Wavy, curly bird's-eye or burl graining as well as worm tracking across the grain that will darken when stained
- Variations within a single door

### Thermofoil

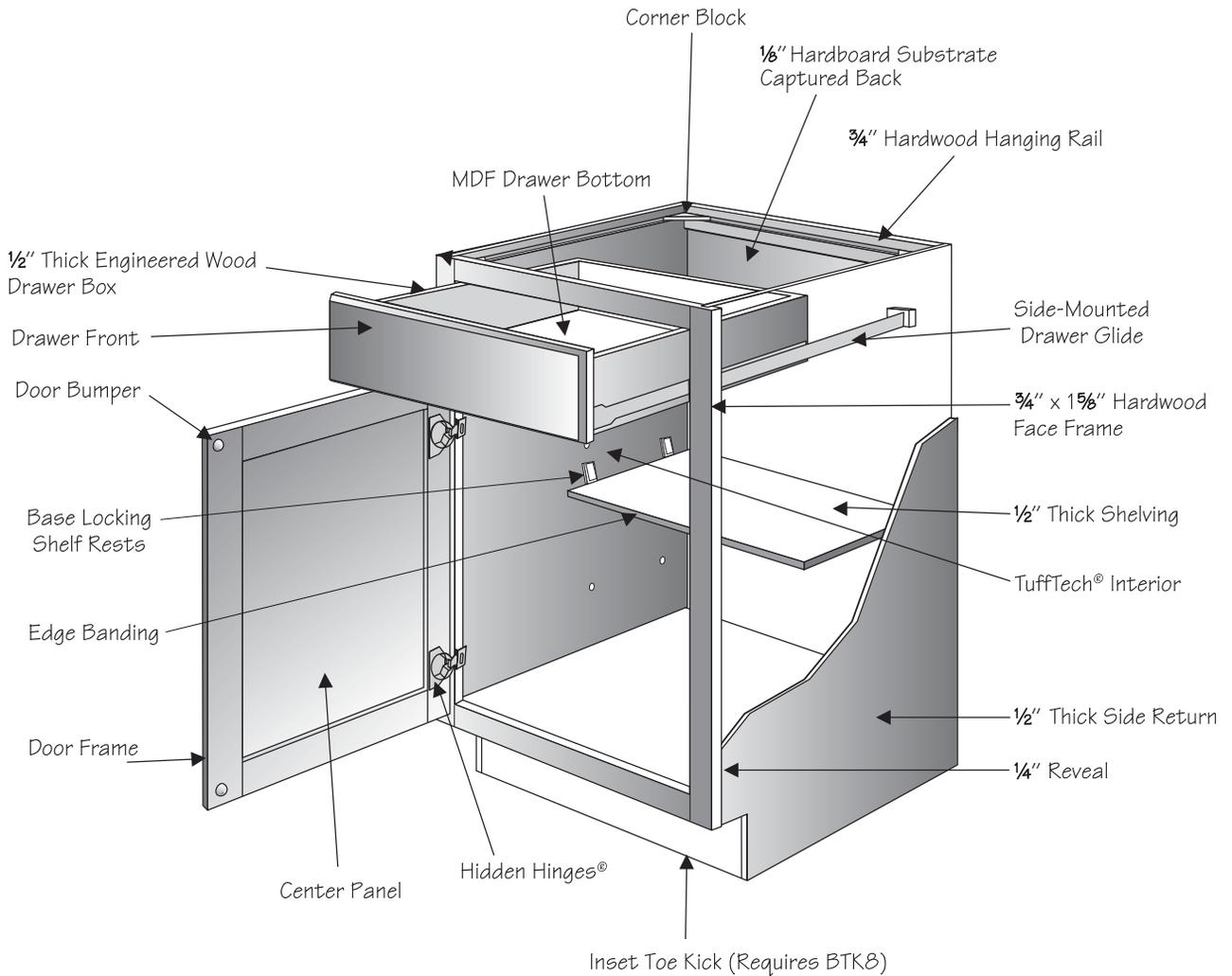
Thermofoil is thick vinyl film bonded to warp-resistant engineered wood which allow cabinet doors and drawer fronts to exhibit the same styling and detail found in hardwood doors.

- The color is consistent throughout the film
- The core is medium density fiberboard (MDF) with a white melamine back
- The surface is durable, easy to clean and especially resistant to chipping and cracking

The drawing below illustrates and identifies the parts of a standard Shenandoah Value Series Pro wall cabinet.

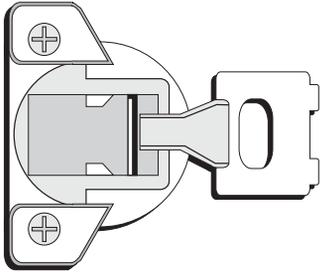


The drawing below illustrates and identifies the parts of a standard Shenandoah Value Series Pro base cabinet.



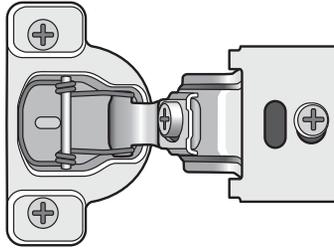
**NOTE:** Base single door cabinets are hinged left and can be reversed in the field.

**Standard Overlay (SOL) Door Hinge**



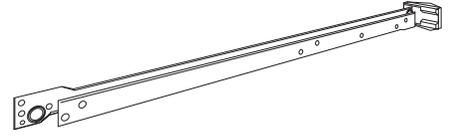
All steel construction with nickel-plated finish, 3/16" Standard Overlay hinge. Hinge allows less than 3/16" frame-to-door gap. Up/down adjustment of 1/4". Exceeds industry standard for durability. Standard feature on all Standard Overlay (SOL) door styles. Hinges permit doors to open to approximately 105 degrees.

**Full Overlay (FOL) Door Hinge**



All steel construction with nickel-plated finish, 17/16" Full Overlay hinge. Hinge allows less than 3/16" frame-to-door gap. Adjustability allows superior up/down adjustment of 1/4" and side-to-side adjustment of 1/4". Exceeds industry standard for durability. Standard feature on all Full Overlay (FOL) door styles. Hinges permit doors to open to approximately 105 degrees.

**Side-Mounted Drawer Glides**



This glide system features twin self-aligning side-mounted glides. They are constructed of epoxy coated steel for quiet opening and closing. Rollers are made of Delrin for smooth operation.

**Metal Shelf Rest**



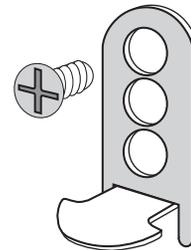
1/4" steel, nickel plated. Standard feature on all wall cabinets and bookshelves.

**Base Locking Shelf Rest**



Locks base shelves in place and prevents shelves from sliding. Designed to allow easy shelf removal. Molded from clear high-strength polycarbonate. Standard feature on all base and tall cabinets.

**Mullion Shelf Rest**

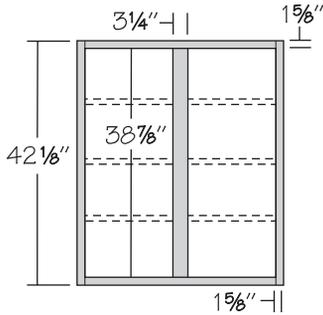


Six position adjustability allows for superior alignment of shelf with mullion. Metal construction. Standard feature on all Mullion Frame Door cabinets.

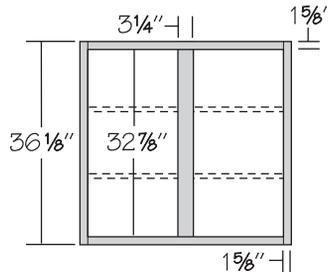
These illustrations specify dimensions of vertical stiles and horizontal rails, inset toe kick, cabinet heights and standard interior opening heights for Wall, Base, Vanity, Desk and Tall cabinets. For Wall cabinets with batten, there is no center stile.

**Wall Cabinets**

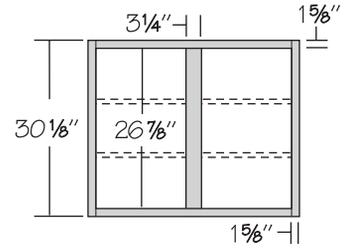
**Wall Cabinet  
42" High**



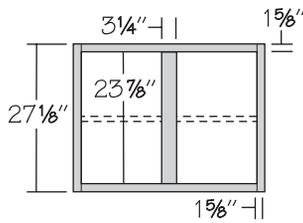
**Wall Cabinet  
36" High**



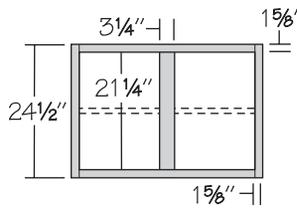
**Wall Cabinet  
30" High**



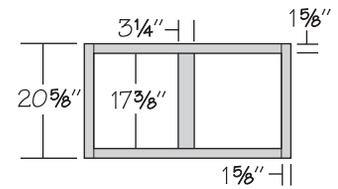
**Wall Cabinet  
27" High**



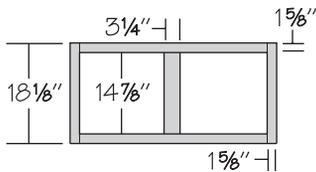
**Wall Cabinet  
24" High**



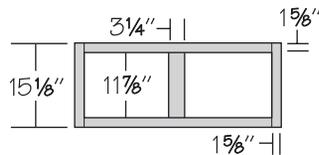
**Wall Cabinet  
21" High**



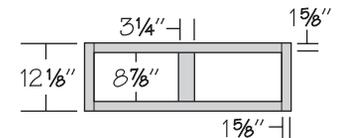
**Wall Cabinet  
18" High**



**Wall Cabinet  
15" High**

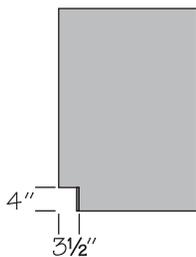


**Wall Cabinet  
12" High**

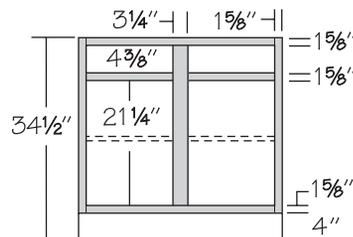


**Base Cabinets**

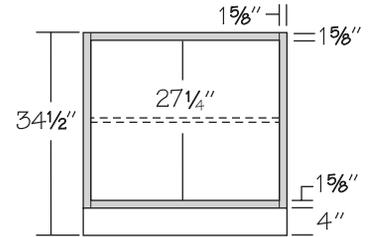
**Inset Toe Kick**



**Base Cabinet**



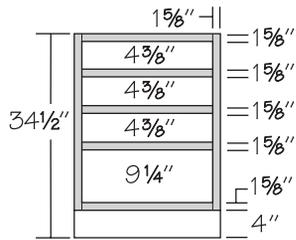
**Full-Height Base Cabinet**



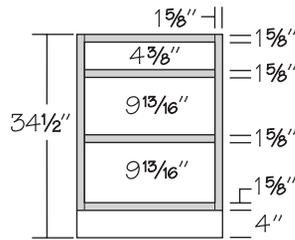
Inset toe kick construction requires BTK8 matching toe kick - must be ordered separately.

**Drawer Base Cabinets**

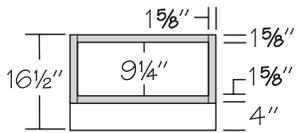
4 Drawer Base Cabinet



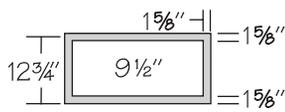
3 Drawer Base Cabinet



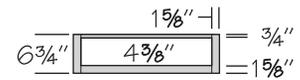
Pedestal Drawer Base Cabinet



Furniture Drawer Cabinet 12" High

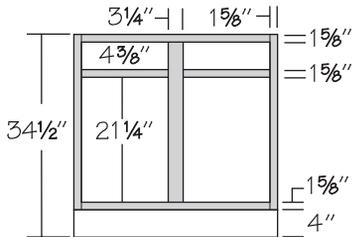


Furniture Drawer Cabinet 6" High

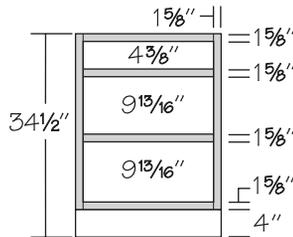


**Vanity Cabinets**

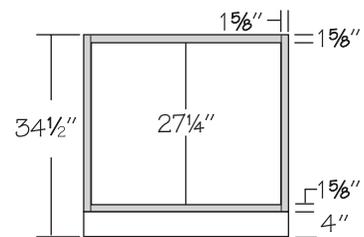
Vanity Base Cabinet Base Height



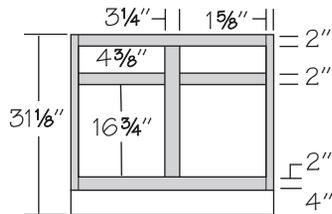
Vanity Drawer Base Base Height



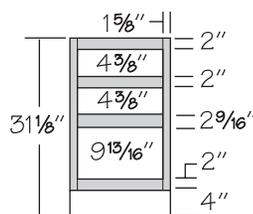
Vanity Full-Height Base Cabinet



Vanity Base Cabinet Standard Height

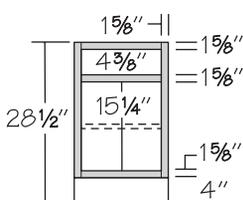


Vanity Drawer Base Standard Height

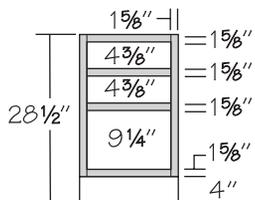


**Desk Cabinets**

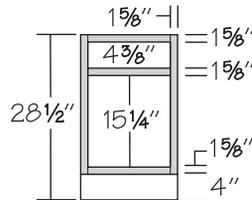
Desk Base Cabinet



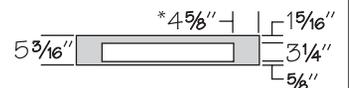
Desk Drawer Cabinet



Desk File Pull Out



Kneehole Drawer

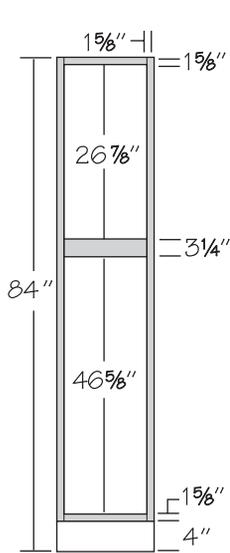


Trimmable in height to 4"

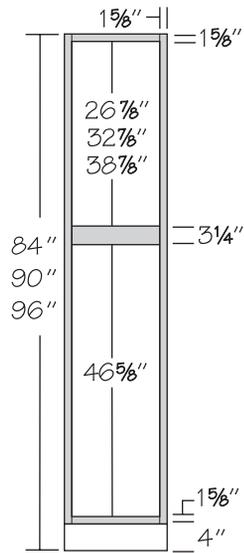
\*Dimension for KDC36/33 is 3 3/4"

Tall Cabinets

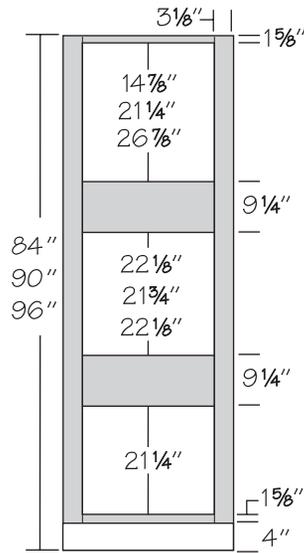
Vanity Linen Cabinet



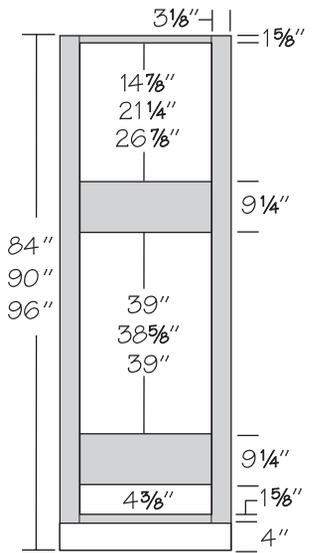
Utility Cabinet



Single Oven Cabinet\*



Double Oven Cabinet\*

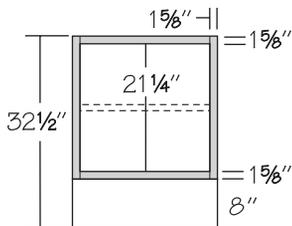


\*Actual height of oven opening shown. For actual width, maximum width and maximum height dimensions, please refer to Cut Out Dimensions Chart in specific cabinet SKU box.

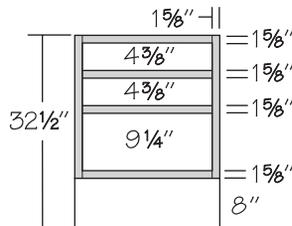
STANDARD CABINET SPECS

Universal Design Cabinets

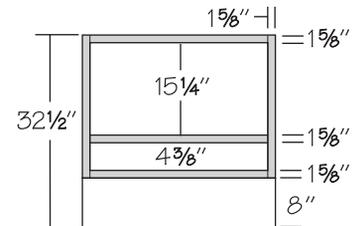
Universal Design Base



Universal Design Drawer Base

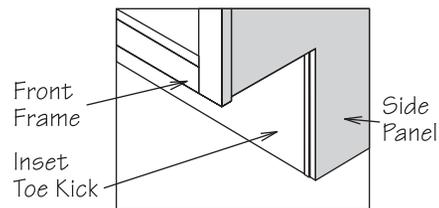
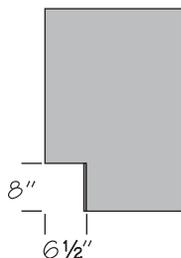


Universal Design Base Multi-Use



Universal Design Inset Toe Kick

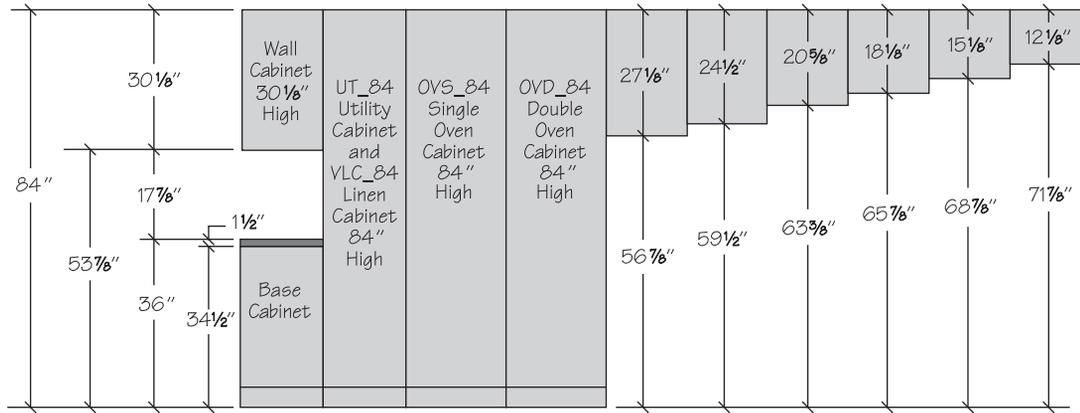
Universal Design Inset Toe Kick



Inset toe kick construction requires BTK8 UD matching toe kick - must be ordered separately.

These illustrations specify dimensions of the height requirements for top alignment of Wall and Tall cabinets (Linen, Utility, Oven) installation.

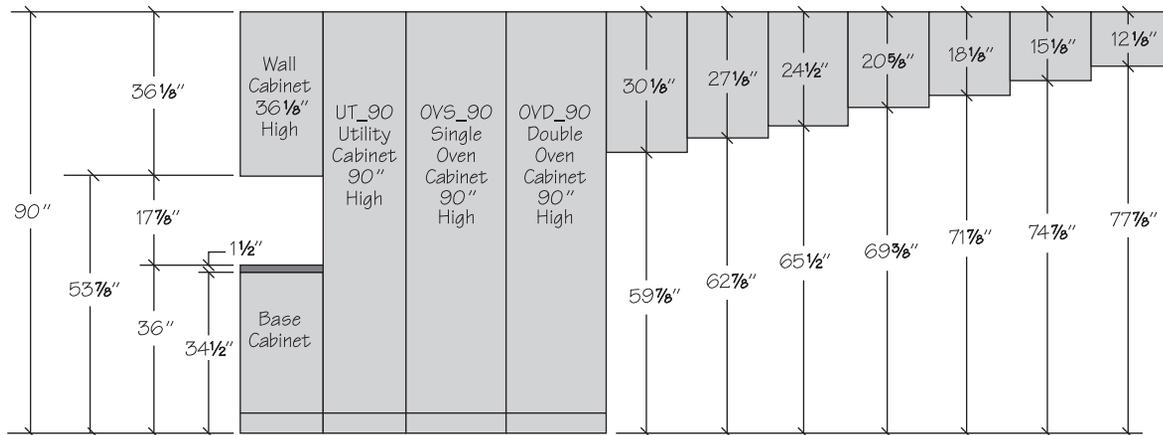
### 84" Top Alignment Cabinet Installation



**Notes:**

- 84" top alignment cabinet installation includes standard Wall cabinets (30 1/8" high) installed 53 7/8" above the finished floor, allowing 17 7/8" clearance between the Wall cabinets and a standard countertop height of 36".
- Tall cabinetry (Linen, Utility, Oven) is 84" high.
- **When selecting cabinetry for installation above or near any appliance, refer to the appliance manufacturer's specifications for clearance and venting requirements.**

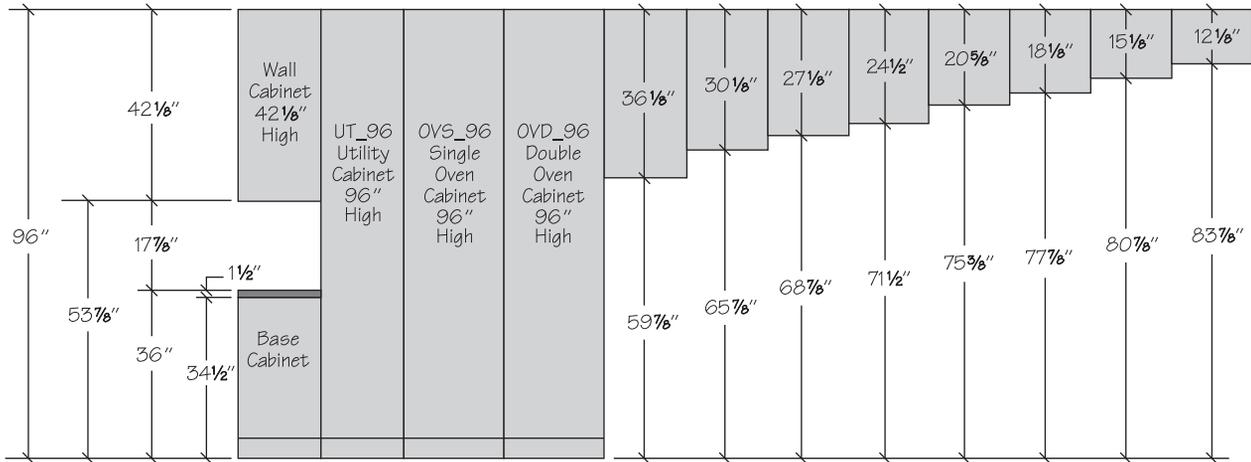
### 90" Top Alignment Cabinet Installation



**Notes:**

- 90" top alignment cabinet installation includes taller Wall cabinets (36 1/8" high) installed 53 7/8" above the finished floor, allowing 17 7/8" clearance between the Wall cabinets and a standard countertop height of 36".
- Tall cabinetry (Utility, Oven) is 90" high.
- **When selecting cabinetry for installation above or near any appliance, refer to the appliance manufacturer's specifications for clearance and venting requirements.**

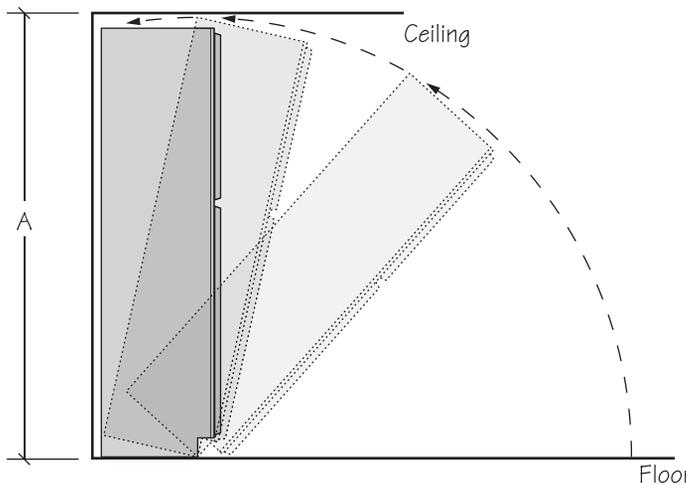
### 96" Top Alignment Cabinet Installation



**Notes:**

- 96" top alignment cabinet installation includes full-height Wall cabinets (42 1/8" high) installed 53 7/8" above the finished floor, allowing 17 7/8" clearance between the Wall cabinets and a standard countertop height of 36".
- Tall cabinetry (Utility, Oven) is 96" high.
- **When selecting cabinetry for installation above or near any appliance, refer to the appliance manufacturer's specifications for clearance and venting requirements.**

### Ceiling Height Requirements for Tall Cabinets



Height	Cabinet Depth	Minimum Ceiling Height A
84"	12"	84 7/16"
84"	18"	85 1/4"
84"	24"	86 1/2"
90"	12"	90 1/2"
90"	18"	91 5/16"
90"	24"	92 5/16"
96"	12"	96"
96"	18"	96"
96"	24"	96"

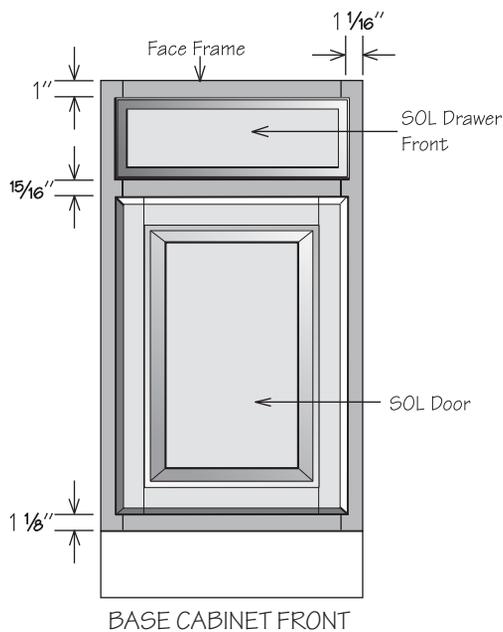
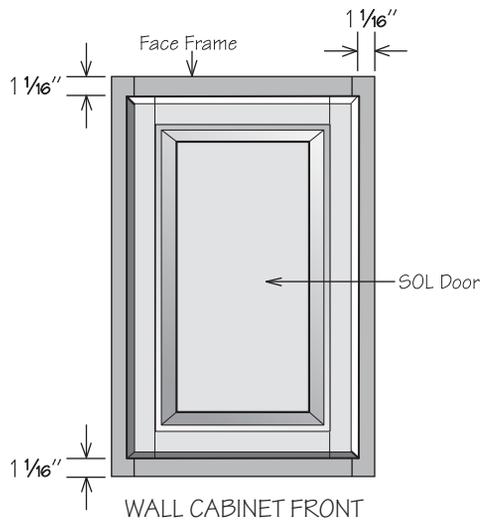
**Notes**

- 96" high Utility cabinets have 4" toe kick assembly shipped inside cabinet.

The drawings shown below illustrate the relationship between the cabinet face frame and Standard Overlay (SOL) and Full Overlay (FOL) doors. They show the amount of the cabinet face frame that is visible when Standard Overlay doors or Full Overlay doors are selected.

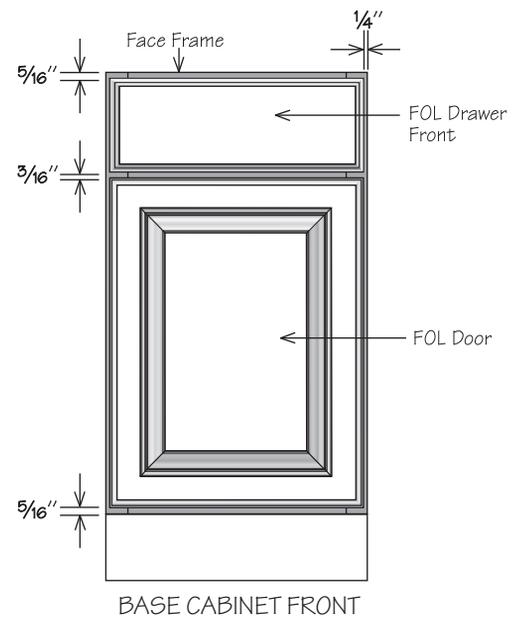
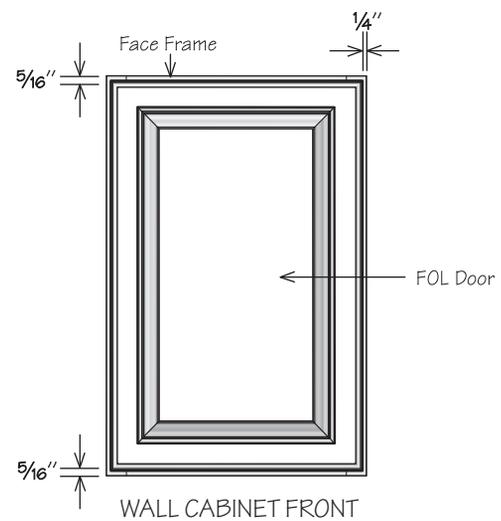
### Standard Overlay

Standard Overlay (SOL) doors are sized to show about an inch of the cabinet face frame, giving the door some visual depth.

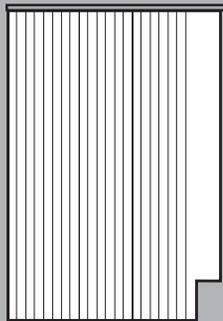
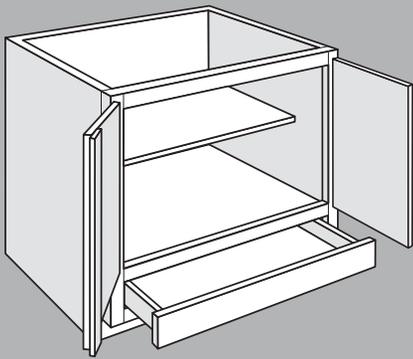
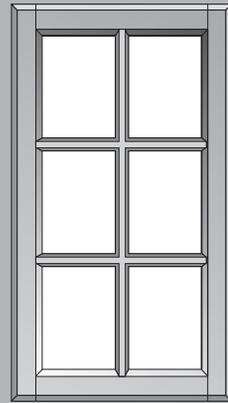
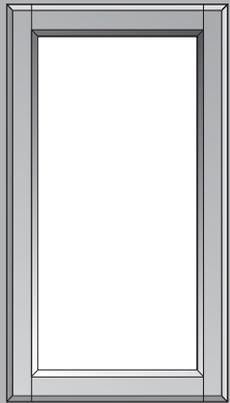


### Full Overlay

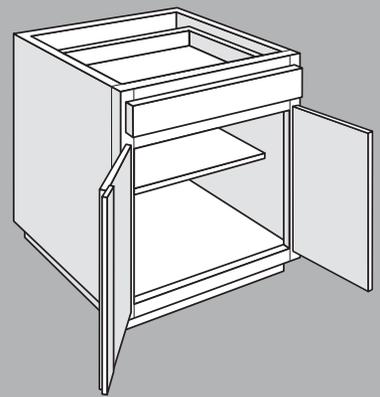
Full Overlay (FOL) doors are sized to cover nearly all of the cabinet face frame. Full Overlay door styles require Decorative Hardware. **To facilitate proper door operation, include at least a 1" filler between the hinged side of Full Overlay cabinets and deeper adjacent objects including cabinets, walls, appliances and countertops.**



# Construction Options



23 | 21 | 19 | 17 | 15 | 13 | 11 | 9 | 7 | 5 |  
24' 22 20 18 16 14 12 10 8 6 4'



CONSTRUCTION OPTION	CODE
Cabinet Front Only Option	CFO
Increased Depth Option	ID
Inverted Frame Option	IF
Matching Interior Option	MI
Recessed Toe Kick Option	RTKL (Recessed Toe Kick Left) RTKR (Recessed Toe Kick Right) RTKB (Recessed Toe Kick Both)
Reduced Depth Option	RD
Remove Dovetail Side-Glide Option	XDTSG
Void Door Option - NO Molding	VDO-DFH (Drilled For Hinges)
Void Door Options - INCLUDING Molding	VDO-SAM (Shaker Accent Molding) VDO-SBAM (Single Bead Accent Molding) VDO-TBAM (Triple Bead Accent Molding)
Void Top Drawer Option	VTD
SPECIALTY DOOR (SD) OPTIONS	CODE
Mullion Frame Door	MFD
Open Frame Door	OFD

- When the option appears, it indicates the construction option is available for all SKU's in the product box unless otherwise noted.

In this product box, all SKUs (B36, B39, B42 and B48) are available with Cabinet Front Only, Inverted Frame, Reduced Depth and Recessed Toe Kick options.

**Base Cabinet**  
2 Doors, 2 Drawers

B36 B39 B42 B48	<table style="width: 100%; border-collapse: collapse;"> <tr><td style="text-align: center;">CFO</td></tr> <tr><td style="text-align: center;">IF</td></tr> <tr><td style="text-align: center;">RD</td></tr> <tr><td style="text-align: center;">RTK</td></tr> </table>	CFO	IF	RD	RTK
CFO					
IF					
RD					
RTK					

- When a square ■ is included within the icon and next to the SKU, it indicates the construction option is ONLY available for that specific SKU.

In this product box, the W930, W1230, W1530, W1830, W2130 and W2430 are available with the Void Door or Matching Interior Options as the Specialty Door (SD) cabinets feature Matching Interior standard.

**Wall Cabinet**  
30" High, 1 Door

■ W930 ■ W1230 ■ W1530 ■ W1830 ■ W2130 ■ W2430	<table style="width: 100%; border-collapse: collapse;"> <tr><td style="text-align: center;">CFO</td></tr> <tr><td style="text-align: center;">ID</td></tr> <tr><td style="text-align: center;">■ MI</td></tr> <tr><td style="text-align: center;">RD</td></tr> <tr><td style="text-align: center;">■ VDO</td></tr> </table>	CFO	ID	■ MI	RD	■ VDO
CFO						
ID						
■ MI						
RD						
■ VDO						

- When a construction icon is not listed, it indicates the construction option is NOT available for any SKU in the product box.

In this product box, none of the SKUs are available with Matching Interior or Void Door Options as these icons are not listed.

**Base Cabinet**  
1 Door, 1 Drawer

B12 B15 B18 B21 B24	<table style="width: 100%; border-collapse: collapse;"> <tr><td style="text-align: center;">CFO</td></tr> <tr><td style="text-align: center;">IF</td></tr> <tr><td style="text-align: center;">RD</td></tr> <tr><td style="text-align: center;">RTK</td></tr> </table>	CFO	IF	RD	RTK
CFO					
IF					
RD					
RTK					

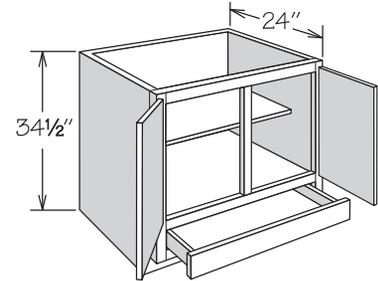
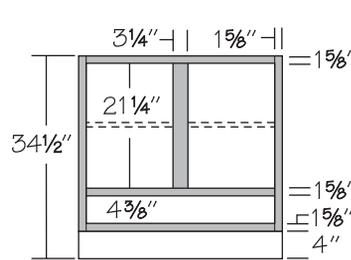
## Inverted Frame Option

IF

The Inverted Frame Option is available for most Standard Base cabinets, Base Cabinets with Factory Installed Wastebasket(s) and Base Pot and Pan Organizer Cabinets (see individual cabinet specifications for  IF icon verifying this option availability).

### Notes:

- Drawer(s) below full cabinet floor.
- Available with Reduced Depth Option (RD) and Recessed Toe Kick (RTK).



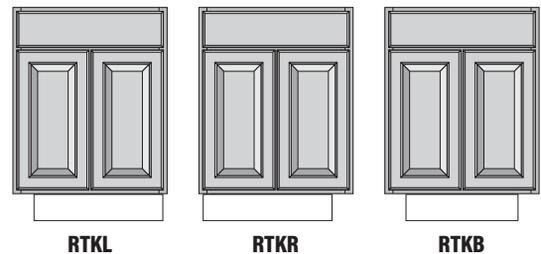
## Recessed Toe Kick Option

RTK

The Recessed Toe Kick Option is available on most Base, Desk and Vanity base cabinets (refer to individual cabinet specifications for  RTK verifying this option availability). When the Recessed Toe Kick Option is selected, left, right or both must be specified.

### Notes:

- Recommended for cabinets at the end of a run, especially in island and peninsula designs.
- Recessed side(s) are constructed of 1/2" thick unfinished engineered wood and are recessed 3/2" to match front of cabinet.
- **Recessed Toe Kick box is not flush on non-recessed side.**
- Blind Corner Base cabinets (BLB\_) are only available with the Recessed Toe Kick Both Option (RTKB).
- BEA12FH, BEA24 FH Base End Angle, BPP9 Base Pantry Pull Out, BPPUS9 Base Pantry Pull Out Utensil Storage, BTDP9 Base Tray Divider Pull Out, TB9 and TB9 TDS cabinets are not available with the Recessed Toe Kick Both Option (RTKB).
- Not available for cabinets with the Reduced Depth Cabinet Option of RD-8 and lower.
- Not available for Peninsula Base cabinets with the Reduced Depth Option of RD-11 and lower.
- For Peninsula Base cabinets, the drawer side indicates the front of the cabinet.
- Peninsula Base cabinets ordered with Recessed Toe Kick Option must be secured to the floor through the cabinet bottom into bracing secured to the floor.
- Base Toe Kick (BTK8) required for front and any exposed side(s).



## Reduced Depth Option

**RD**

The Reduced Depth Option should be used when ordering less than standard depth cabinets. The Reduced Depth Option is available in 1" increments; minimum depth is 4". Vanity and Desk cabinets will reduce to standard Reduced Depth increments (i.e. Vanity cabinets with RD-20 will measure 20" in depth).

Orders specifying Reduced Depth Option must show the total cabinet depth.

Example: Cabinet: B24  
Option: RD-17 (Reduced to 17" Deep)

**Notes:**

- There is a potential tipping hazard for Reduced Depth cabinets until they are mounted to a wall.
- Adjustable shelves are reduced in 1" increments to match Reduced Depth Option selected on cabinet(s).
- Peninsula Base cabinets reduced to 11" or less will not have an inset toe kick.
- Half-depth shelves are reduced in 1" increments for cabinets reduced to 11" or less.
- Universal Design cabinets reduced to 9" or less will not have an inset toe kick.
- All cabinets reduced to 5" or less will not have an inset toe kick.
- All cabinets reduced to 8" or less are not available with the Recessed Toe Kick Option.
- Universal Design cabinets reduced to 11" or less are not available with the Recessed Toe Kick Option (RTK).
- Reduced Depth restrictions:
  - 24" Deep Wall Top Hinge cabinets are only available with RD-23 through RD-8
  - 12" Deep Wall Top Hinge cabinets are only available with RD-11 through RD-8
  - Base End Angle (BEA12FH) cabinets are only available with RD-23 through RD-18
  - Kneehole Drawer cabinets are only available with RD-20 through RD-12
  - 24" Deep Furniture Drawer cabinets are only available with RD-23 through RD-13
- Adding the Reduced Depth Option does not remove adjustable shelf(s) (where applicable).
- When ordering Reduced Depth accessories, specify the depth of the cabinet for which the accessory is intended (e.g., SK3624-RD21 would be ordered for a UT3624 X 84 RD21).

Reduced Depth	Drawer Depth Base & 24" Deep Desk Cabinets	Drawer Depth Vanity & 21" Deep Desk Cabinets	Sliding Shelf Depth	Deep Dovetail Sliding Shelf Depth
RD-23	18"	—	18"	18"
RD-22	18"	—	18"	18"
RD-21	18"	—	16"	18"
RD-20	15"	15"	16"	15"
RD-19	15"	15"	16"	15"
RD-18	15"	15"	15"	15"
RD-17	12"	12"	14"	12"
RD-16	12"	12"	13"	12"
RD-15	12"	12"	12"	12"
RD-14	9"	9"	11"	9"
RD-13	9"	9"	10"	9"
RD-12	9"	9"	9"	9"
RD-11 to RD-6	No Drawer	No Drawer	Not Available	Not Available
RD-5 or RD-4	No Drawer	No Drawer	Not Available	Not Available

## Increased Depth Option

ID

The Increased Depth Option is available for most Wall cabinets up to 36" wide and all Bookshelves (refer to individual cabinet specifications for  icon verifying this option availability). The Increased Depth Option is available in 1" increments; maximum depth is 24".

Orders specifying Increased Depth Option must show the total cabinet depth.

Example: Cabinet: W1530

Option: ID-14 (Increase to 14" Deep)

### Notes:

#### Wall Cabinets:

- Adjustable shelves are increased in 1" increments to match Increased Depth Option selected on cabinet(s).
- Wall cabinets increased to more than 18" deep must be stacked, floor mounted or installed over a refrigerator.
- All Increased Depth cabinets must be securely attached in one of the following combinations: to studs in back wall and both sides (e.g., two adjacent cabinets or one adjacent cabinet and a wall) OR to studs in back wall, one side and top.

#### Peninsula Wall (PW) and Blind Peninsula Wall (BLPW) Cabinets:

- Increased Depth PW and BLPW cabinets up to 15" deep may be mounted at ceiling height using standard installation procedures.
- PW and BLPW cabinets increased to more than 15" deep must be stacked or floor mounted.
- When mounting cabinet at ceiling height, the cabinet must be securely attached to the ceiling rafters and to at least one other properly mounted cabinet or studs in wall.
- Additional 2" x 4" bracing may be required above ceiling if cabinets are not located directly below a rafter.
- Mount cabinet to the ceiling using mounting screws of sufficient length to go through ceiling treatment and into the rafter at least 1". Screws must be installed at both front and back of cabinet on 16" centers (maximum span), with at least four screws per cabinet.

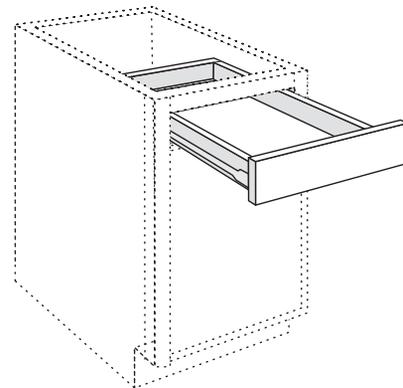
## Remove Dovetail Side-Glide Option

XDTSG

The Remove Dovetail Side-Glide Option removes the preselected Dovetail Side-Glide Option that converts the 1/2" thick engineered wood drawer body to a 5/8" thick hardwood dovetail drawer.

### Notes:

- Available for cabinets with drawer(s).
- Not available on Kneehole Drawer Cabinets (KDC) which feature dovetail drawers standard.
- Not available for BTDP9, BPP\_\_\_, BFP3 and BSDC6 cabinets.
- For cabinets with pull-out or roll-out accessories, the Remove Dovetail Side-Glide Option (XDTSG) only applies to cabinet drawers.



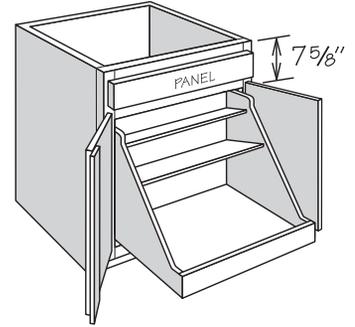
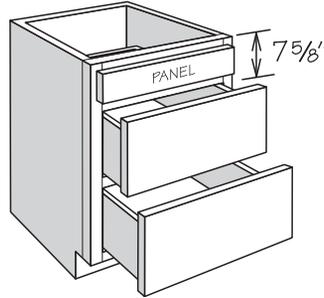
## Void Top Drawer Option

**VTD**

The Void Top Drawer Option is available for most 3 Drawer Base, 4 Drawer Base, Base with Sliding Shelves, Base with Pot & Pan Organizer and Peninsula Base cabinets (see individual cabinet specifications for  icon verifying this option availability).

### Notes:

- This option removes any top drawer body and glide system and replaces it with a false panel.
- When used with a drop-in appliance, there is a height clearance of 7 5/8" from the top of the cabinet to the top of the door/drawer opening below the voided drawer.
- Removal of the top rail is not recommended.
- Subtract 1 1/2" from width and depth for available top opening. Removal of corner blocks may be required.
- Refer to appliance manufacturer's specifications for adequate clearances and required installation materials.



## Void Door Option

**VDO**

The Void Door Option is available for most Wall cabinets. All void door cabinets ship without doors, battens or hinges - center stiles remain. All void door Wall Top Hinge cabinets ship without door, lid stays and hinges. Refer to the descriptions below to select the correct option for your layout:

### VDO-DFH (Drilled For Hinges)

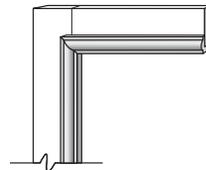
- Use this option when doors will be ordered separately in a complementing finish.
- **Cabinet stiles are pre-drilled for door hinges.**

### VDO-SBAM (Single Bead Accent Molding)

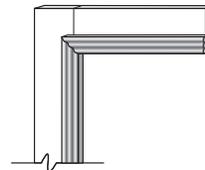
### VDO-TBAM (Triple Bead Accent Molding)

### VDO-SAM (Shaker Accent Molding)

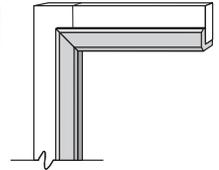
- Use these options to create decorative open cabinets.
- **Cabinet stiles are pre-drilled for door hinges -** Decorative Accent Moldings will conceal hinge holes.
- **Molding is to be cut and field installed at the job site.**
- **When matching interior is desired, the Matching Interior Option must be selected for all door styles.**



**VDO-SBAM**  
Single Bead Accent  
Molding



**VDO-TBAM**  
Triple Bead Accent  
Molding



**VDO-SAM**  
Shaker Accent  
Molding

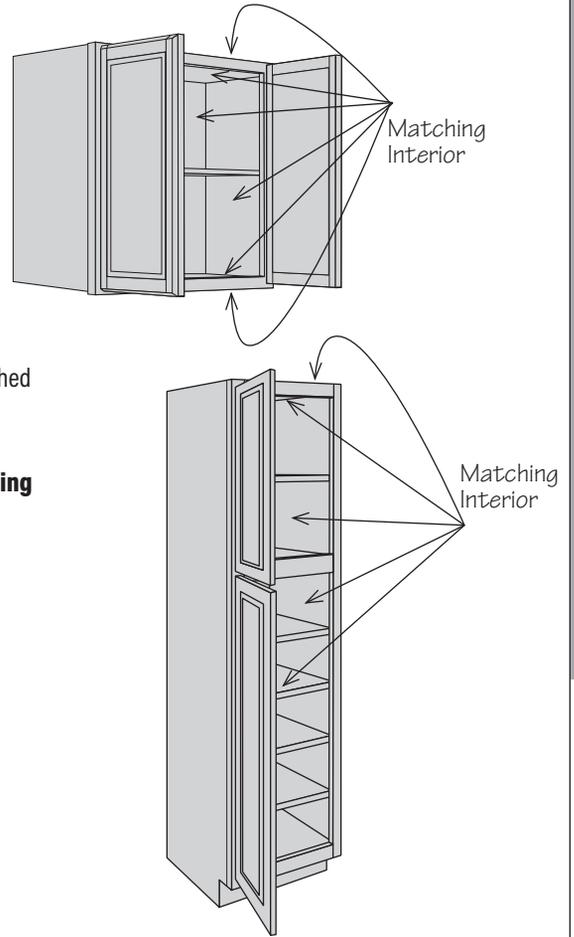
## Matching Interior Option

MI

The Matching Interior Option is available for Wall cabinets (with exceptions noted below), Utility cabinets, Vanity Linen cabinets and Refrigerator Return Panels. This option matches the cabinet's interior to that of the cabinet's exterior sides.

**Notes:**

- Cabinetry with the Matching Interior Option features two-sided engineered wood TuffTech finish side panels finished to match cabinet exterior.
- Recommended for cabinets with the Void Door Option (VDO).
- Not available for any Wall cabinet with a standard matching interior (including all Specialty Door cabinets).
- All finished surfaces of the Wall, Utility and Vanity Linen cabinets will be color matched including shelves, back, interior and exterior of returns, top and bottom, Corner Wall back post and back side of Peninsula Wall face frames.
- **Interior accessories in Matching Interior cabinets (e.g., Spice Rack Kit, Sliding Shelves, Pantry Swing Out Kit) will remain natural finish.**
- **Cabinets with the Matching Interior Option features 3/4" shelving.**



CONSTRUCTION OPTIONS

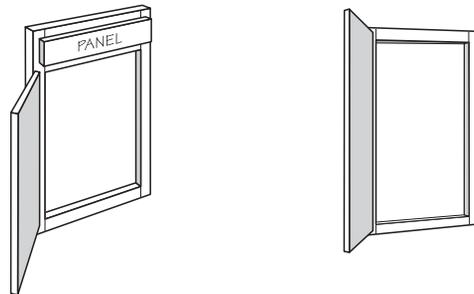
## Cabinet Front Only Option

CFO

The Cabinet Front Only Option is available for most cabinets with a frame (see individual cabinet specifications for  CFO icon verifying this option availability).

**Notes:**

- This option consists of the cabinet frame, door(s), drawer front(s), battens and hinges.
- Toe kicks are not included.



## Specialty Door (SD) Options

Specialty Door cabinets are available for most Wall, Utility and Vanity Linen cabinet sizes. All Specialty Door cabinets include Matching Interior as standard (see page 31 for Matching Interior construction) and require one of the specialty door options below. Specialty Door options for Utility and Vanity Linen cabinets applies to top door(s) only.

### Open Frame Door (OFD) notes:

- Features door frame only with no mullions or center panel.
- Decorative Glass Inserts and appropriate glass clips are shipped separately from the cabinet for field installation – see pages 34-37 for available Glass Inserts.
- See page 33 for door style profiles.

### Mullion Frame Door (MFD) notes:

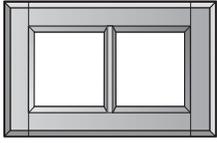
- Features grid-style mullions.
- Not available for Wall Top Hinge cabinets.
- Decorative Glass Inserts and appropriate glass clips are shipped separately from the cabinet for field installation – see pages 34-37 for available Glass Inserts.
- See page 33 for door style profiles.

## Specialty Door Availability by Door Size

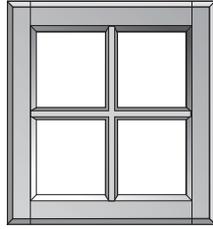
Door Width	Cabinet Door Height									
	12" High Wall	15" High Wall	18" High Wall	24" High Wall	30" High Wall	36" High Wall	42" High Wall	84" High Utility or Vanity Linen	90" High Utility	96" High Utility
12" Wide			●	●	●	●	●	●	●	●
13" Wide			●	●	●	●	●			
15" Wide	●	●	●	●	●	●	●	●	●	●
16" Wide		●	●	●	●	●	●			
18" Wide	●	●	●	●	●	●	●	●	●	●
19" Wide	●	●	●	●	●					
21" Wide			●	●	●	●	●			
30" Wide		■	■							
36" Wide		■	■							

- Available with all Specialty Door Options
- Wall Top Hinge cabinets only - not available with the MFD Option

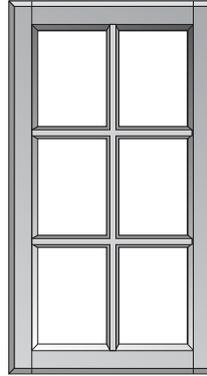
Standard Profiles for MFD



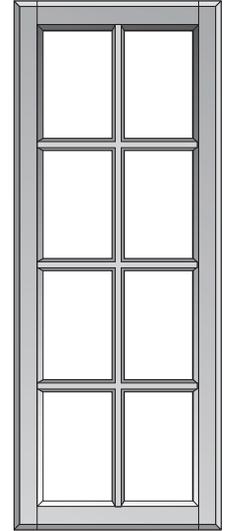
12" High Wall Cabinet



15", 18" or 24"  
High Wall Cabinet

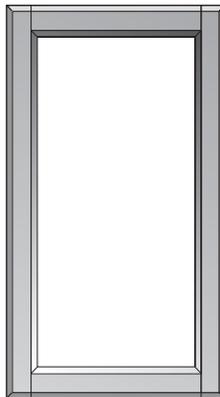


30" or 36" High Wall Cabinet  
84" or 90" High Utility Cabinet  
84" High Vanity Linen Cabinet



42" High Wall Cabinet  
96" High Utility Cabinet

Standard Profile for OFD



All Cabinet Heights

**Afton Glass**



**Antiqued Afton Glass**



**Clear Glass**



OFD

- 5/16" overall thickness
- Afton has a clear glass design using zinc coming with clear beveled diamonds
- Antiqued Afton has a clear glass design using bronze patina coming with clear beveled diamonds
- Features one row of diamonds for 12"-18" high doors and two rows for 21" or higher doors
- Features one column of diamonds for 12" - 13" wide doors and two columns for 15" or wider doors
- Spacing will vary according to glass width and height
- Includes appropriate Decorative Glass Clips
- Not available for Wall Top Hinge cabinets
- Order as DGI-\_\_AFTON or ANTIQUED AFTON, refer to Parts Directory for nomenclature and dimensions

MFD

OFD

- 1/8" thick panel
- Clear glass
- Tempered safety glass
- Includes appropriate Decorative Glass Clips
- Order as DGI-\_\_CLEAR, refer to Parts Directory for nomenclature and dimensions

**Fincastle Glass**



**Antiqued Fincastle Glass**



**Derbyshire Seeded Glass**



OFD

- 5/16" overall thickness
- Fincastle has a clear glass design using zinc coming
- Antiqued Fincastle has a clear glass design using bronze patina coming
- Not available for 12" high doors
- Includes appropriate Decorative Glass Clips
- Not available for Wall Top Hinge cabinets
- All sizes features 3 vertical coming lines, spacing will vary according to glass width
- Order as DGI-\_\_FINCASTLE or ANTIQUED FINCASTLE, refer to Parts Directory for nomenclature and dimensions

MFD

OFD

- 5/16" thick panel
- Clear seeded glass
- Laminated safety glass
- Includes appropriate Decorative Glass Clips
- Order as DGI-\_\_DERBYSHIRE, refer to Parts Directory for nomenclature and dimensions

**Frosted Glass**



OFD
MFD

- 1/8" thick panel
- Frosted glass with etched finish
- Tempered safety glass
- Includes appropriate Decorative Glass Clips based on glass thickness
- Order as DGI-\_\_\_\_FROSTED, refer to Parts Directory for nomenclature and dimensions

**Frosted Ash Glass**



OFD
MFD

- 1/8" thick panel
- Gray tinted glass
- Tint is manufactured in material - not a film
- Tempered safety glass
- Includes appropriate Decorative Glass Clips based on glass thickness
- Order as DGI-\_\_\_\_FROSTED ASH, refer to Parts Directory for nomenclature and dimensions

**Frosted Umber Glass**



OFD
MFD

- 1/8" thick panel
- Bronze tinted glass
- Tint is manufactured in material - not a film
- Tempered safety glass
- Includes appropriate Decorative Glass Clips based on glass thickness
- Order as DGI-\_\_\_\_FROSTED UMBER, refer to Parts Directory for nomenclature and dimensions

**Havana Glass**



OFD
MFD

- 1/8" thick panel
- Bronze tinted glass with a two-sided acid etched pattern - one horizontal and one vertical
- Tempered safety glass
- Includes appropriate Decorative Glass Clips based on glass thickness
- Order as DGI-\_\_\_\_HAVANA, refer to Parts Directory for nomenclature and dimensions

**Impression Glass**



OFD
MFD

- 1/8" thick panel
- Sculptural glass
- Tempered safety glass
- Includes appropriate Decorative Glass Clips based on glass thickness
- Order as DGI-\_\_\_\_IMPRESSION, refer to Parts Directory for nomenclature and dimensions

**Lucent Glass**



OFD
MFD

- 1/8" thick panel
- Sculptural glass
- Tempered safety glass
- Includes appropriate Decorative Glass Clips based on glass thickness
- Order as DGI-\_\_\_\_LUCENT, refer to Parts Directory for nomenclature and dimensions

**Meredith Glass**



**OFD**

- 1/4" overall thickness (1/8" beveled edge thickness)
- Clear glass design with 1/4" wide beveled edges
- Tempered safety glass
- Includes appropriate Decorative Glass Clips based on glass thickness
- Order as DGI-\_\_\_MEREDITH, refer to Parts Directory for nomenclature and dimensions

**Mirror Glass**



**OFD**

**MFD**

- 1/4" thick panel
- Laminated safety glass
- White vinyl in between glass layers
- Includes appropriate Decorative Glass Clips based on glass thickness
- Order as DGI-\_\_\_MIRROR, refer to Parts Directory for nomenclature and dimensions

**Radiance Glass**



**OFD**

**MFD**

- 1/4" thick panel
- Clear glass with randomized bronze/copper fabric
- Randomized patterns may result in inherent variations between adjacent pieces
- Laminated safety glass
- Includes appropriate Decorative Glass Clips based on glass thickness
- Order as DGI-\_\_\_RADIANCE, refer to Parts Directory for nomenclature and dimensions

**Ribbed Glass**



**OFD**

**MFD**

- 1/4" thick panel
- Clear ribbed glass
- Tempered safety glass
- Includes appropriate Decorative Glass Clips based on glass thickness
- Not available for Wall Top Hinge cabinets
- Order as DGI-\_\_\_RIBBED, refer to Parts Directory for nomenclature and dimensions

**Twilight Glass**



**OFD**

**MFD**

- 1/4" thick panel
- Laminated safety glass
- Clear glass with randomized silver fabric
- Randomized patterns may result in inherent variations between adjacent pieces
- Includes appropriate Decorative Glass Clips based on glass thickness
- Order as DGI-\_\_\_TWILIGHT, refer to Parts Directory for nomenclature and dimensions

**Woven Glass**

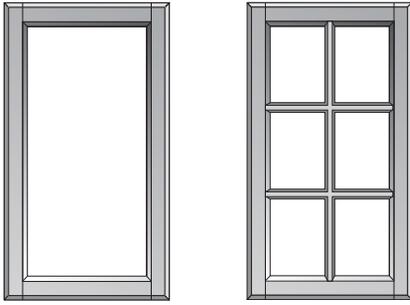


**OFD**

**MFD**

- 1/4" thick panel
- Acid-etched fabric pattern
- Low-iron glass
- Tempered safety glass
- Includes appropriate Decorative Glass Clips based on glass thickness
- Order as DGI-\_\_\_WOVEN, refer to Parts Directory for nomenclature and dimensions

Prepped for Glass



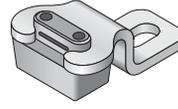
OFD  
MFD

- For customer installed inserts up to 1/2" thick
- Refer to page 33 for standard profiles
- Decorative Glass Clips not included - order separately

Decorative Glass Clips



CLIP DGI 1/8



CLIP DGI 1/4



CLIP DGI 5/16

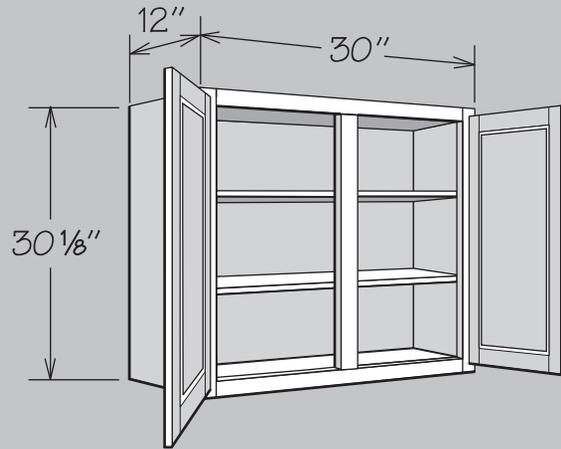
CLIP DGI 1/8  
CLIP DGI 1/4  
CLIP DGI 5/16

- For installation of Decorative Glass Insert
- Order one bag (six clips) per door
- See chart below for correct glass pairing

Glass Insert	CLIP DGI 1/8	CLIP DGI 1/4	CLIP DGI 5/16
Afton			●
Antiqued Afton			●
Antiqued Fincastle			●
Clear	●		
Derbyshire			●
Fincastle			●
Frosted	●		
Frosted Ash	●		
Frosted Umber	●		
Havana	●		
Impression	●		
Lucent	●		
Meredith	●		
Mirror		●	
Radiance		●	
Ribbed	●		
Twilight		●	
Woven	●		



# Wall Cabinets



## Dimensions

Width	Height	Depth
9" to 48"	12" to 42"	Standard 12" or 24" (Increased Depth & Reduced Depth optional on select cabinets)

## SKU Coding

W	30	30
Cabinet Type (e.g., W=Wall)	width in inches	height in inches

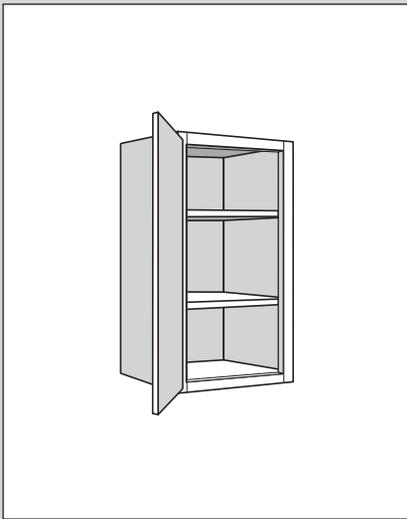
## Construction Options & Modifications

- CFO** ..... Cabinet Front Only
- ID** ..... Increased Depth
- MI** ..... Matching Interior
- RD** ..... Reduced Depth
- VDO** ..... Void Door Option

## Specialty Door (SD) Cabinet Options

- MFD** ..... Mullion Frame Door
- OFD** ..... Open Frame Door

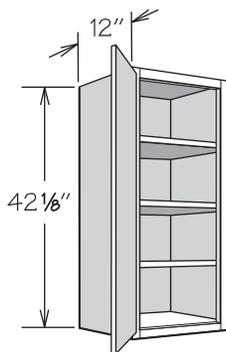
Standard Wall Cabinets



Standard Wall cabinets range from 9" to 48" wide, 12" to 42" high and are 12" deep.

For increased depth cabinets, please refer to the installation notes listed in the Increased Depth Construction Option section, on page 29.

Wall Cabinet  
42" High, 1 Door

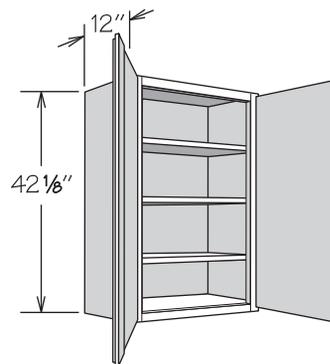


- W942
- W1242
- W1542
- W1842
- W2142
- W1242 SD
- W1542 SD
- W1842 SD
- W2142 SD

CFO
ID
■ MI
RD
■ VDO

- Three adjustable shelves

Wall Cabinet  
42" High, 2 Doors with Batten

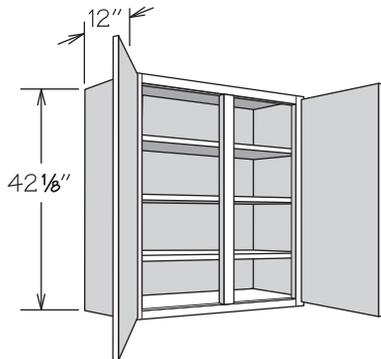


- W2442
- W2442 SD

CFO
ID
■ MI
RD
■ VDO

- Left door with batten
- Three adjustable shelves

Wall Cabinet  
42" High, 2 Doors

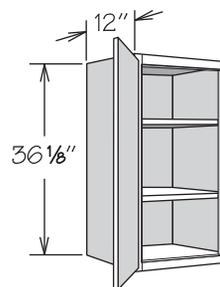


- W2742
- W3042
- W3342
- W3642
- W3042 SD
- W3342 SD
- W3642 SD

CFO
ID
■ MI
RD
■ VDO

- Three adjustable shelves

Wall Cabinet  
36" High, 1 Door



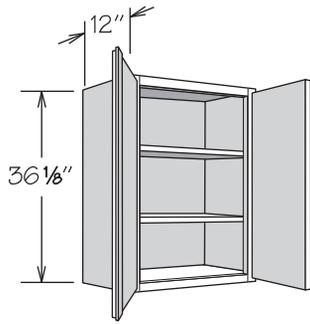
- W936
- W1236
- W1536
- W1836
- W2136
- W1236 SD
- W1536 SD
- W1836 SD
- W2136 SD

CFO
ID
■ MI
RD
■ VDO

- Two adjustable shelves

**Wall Cabinet**

36" High, 2 Doors with Batten



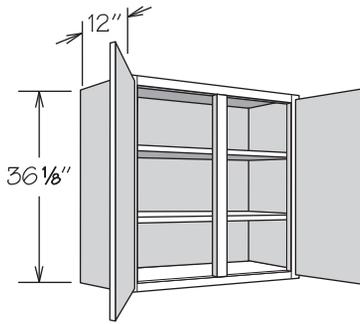
- W2436
- W2436 SD

CFO
ID
■ MI
RD
■ VDO

- Left door with batten
- Two adjustable shelves

**Wall Cabinet**

36" High, 2 Doors



- W2736
- W3036
- W3336
- W3636

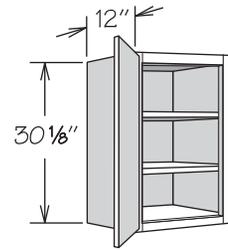
- W3036 SD
- W3336 SD
- W3636 SD

CFO
ID
■ MI
RD
■ VDO

- Two adjustable shelves

**Wall Cabinet**

30" High, 1 Door



- W930
- W1230
- W1530
- W1830
- W2130
- W2430

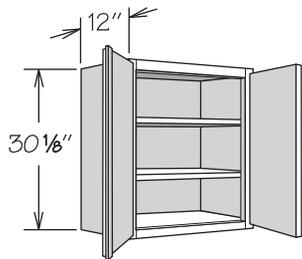
- W1230 SD
- W1530 SD
- W1830 SD
- W2130 SD

CFO
ID
■ MI
RD
■ VDO

- Two adjustable shelves

**Wall Cabinet**

30" High, 2 Doors with Batten



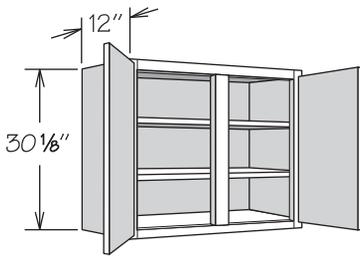
- W2430 1B
- W2430 1B SD

CFO
ID
■ MI
RD
■ VDO

- Left door with batten
- Two adjustable shelves

**Wall Cabinet**

30" High, 2 Doors



- W2730
- W3030
- W3330
- W3630

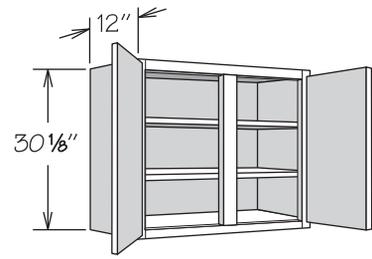
- W3030 SD
- W3330 SD
- W3630 SD

CFO
ID
■ MI
RD
■ VDO

- Two adjustable shelves

**Wall Cabinet**

30" High, 2 Doors



- W3930
- W4230
- W4830

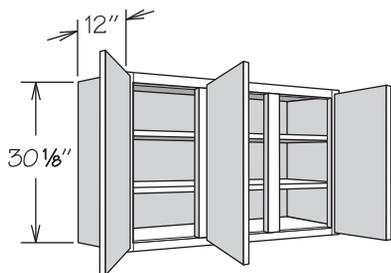
- W3930 SD
- W4230 SD

CFO
■ MI
RD
■ VDO

- Two adjustable shelves

**Wall Cabinet**

30" High, 3 Doors



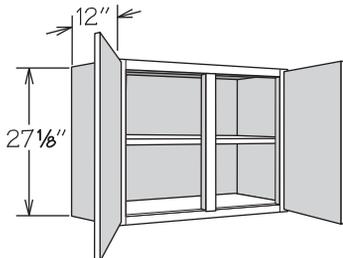
■ W4530  
W4530 SD

CFO
■ MI
■ RD
■ VDO

- Two adjustable shelves
- Hinged as shown
- Center door hinged left and can be reversed in the field

**Wall Cabinet**

27" High, 2 Doors



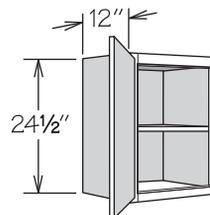
W3027

CFO
ID
■ MI
■ RD
■ VDO

- One adjustable shelf

**Wall Cabinet**

24" High, 1 Door



■ W1224  
■ W1524  
■ W1824  
■ W2124

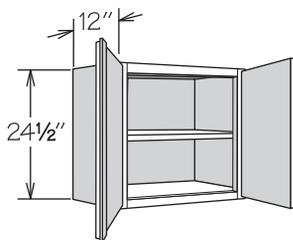
CFO
ID
■ MI
■ RD
■ VDO

W1224 SD  
W1524 SD  
W1824 SD  
W2124 SD

- One adjustable shelf

**Wall Cabinet**

24" High, 2 Doors with Batten



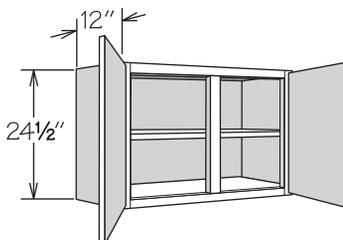
■ W2424 1B  
W2424 1B SD

CFO
ID
■ MI
■ RD
■ VDO

- Left door with batten
- One adjustable shelf

**Wall Cabinet**

24" High, 2 Doors



■ W2724  
■ W3024  
■ W3324  
■ W3624

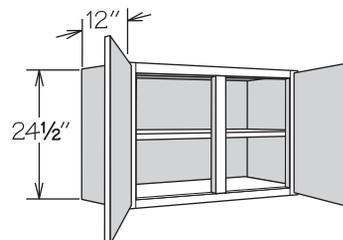
CFO
■ MI
■ RD
■ VDO

W3024 SD  
W3324 SD  
W3624 SD

- One adjustable shelf

**Wall Cabinet**

24" High, 2 Doors

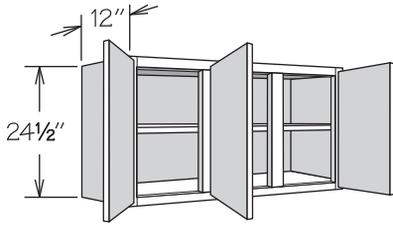


■ W3924  
■ W4224  
W3924 SD  
W4224 SD

CFO
■ MI
■ RD
■ VDO

- One adjustable shelf

**Wall Cabinet**  
24" High, 3 Doors

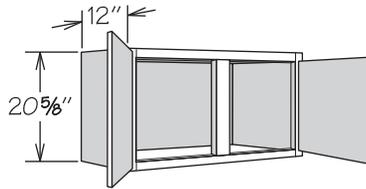


- W4524  
W4524 SD

CFO
■ MI
RD
■ VDO

- One adjustable shelf
- Hinged as shown
- Center door hinged left and can be reversed in the field

**Wall Cabinet**  
21" High, 2 Doors

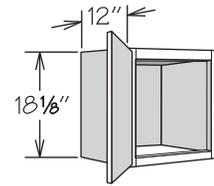


- W3021
- W3321
- W3621
- W3921

CFO
■ ID
MI
RD
■ VDO

- No shelf
- Not drilled for adjustable shelf

**Wall Cabinet**  
18" High, 1 Door



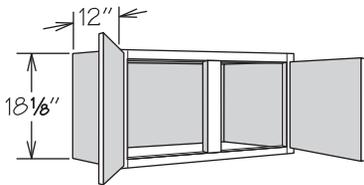
- W1218
- W1518
- W1818
- W2118

CFO
ID
■ MI
RD
■ VDO

- W1218 SD
- W1518 SD
- W1818 SD
- W2118 SD

- No shelf
- Not drilled for adjustable shelf

**Wall Cabinet**  
18" High, 2 Doors



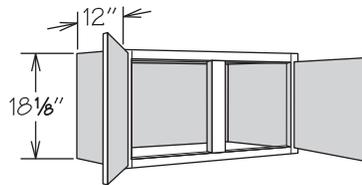
- W2418
- W2718
- W3018
- W3318
- W3618

CFO
ID
■ MI
RD
■ VDO

- W2418 SD
- W3018 SD
- W3318 SD
- W3618 SD

- No shelf
- Not drilled for adjustable shelf

**Wall Cabinet**  
18" High, 2 Doors

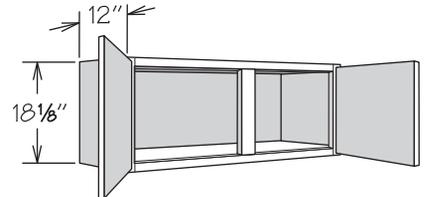


- W4218
- W4218 SD

CFO
ID
■ MI
RD
■ VDO

- No shelf
- Not drilled for adjustable shelf

**Wall Cabinet**  
18" High, 2 Doors

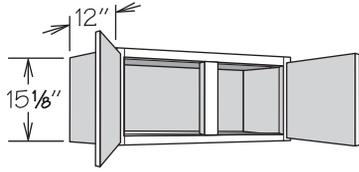


- W3918
- W3918 SD

CFO
■ MI
RD
■ VDO

- No shelf
- Not drilled for adjustable shelf

**Wall Cabinet**  
15" High, 2 Doors

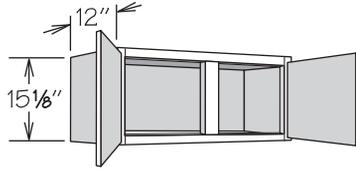


- W3015
- W3315
- W3615
- W3015 SD
- W3315 SD
- W3615 SD

CFO
ID
■ MI
RD
■ VDO

- No shelf
- Not drilled for adjustable shelf

**Wall Cabinet**  
15" High, 2 Doors

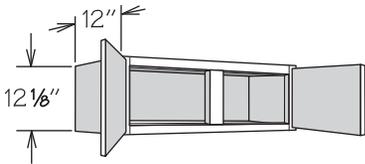


- W3915
- W3915 SD

CFO
■ MI
RD
■ VDO

- No shelf
- Not drilled for adjustable shelf

**Wall Cabinet**  
12" High, 2 Doors

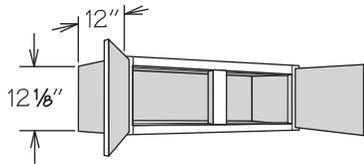


- W3012
- W3312
- W3612
- W3012 SD
- W3612 SD

CFO
ID
■ MI
RD
■ VDO

- No shelf
- Not drilled for adjustable shelf

**Wall Cabinet**  
12" High, 2 Doors

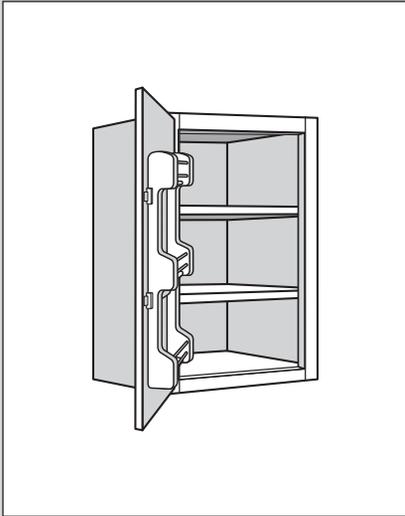


- W3912
- W3912 SD

CFO
■ MI
RD
■ VDO

- No shelf
- Not drilled for adjustable shelf

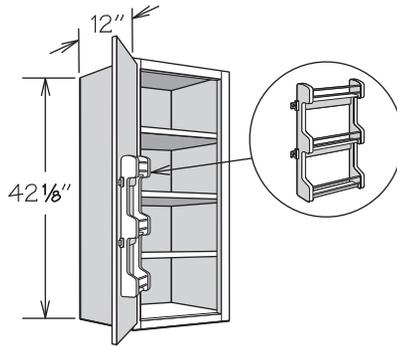
**Wall Cabinets with Spice Rack**



Wall cabinets with Spice Rack range from 15" to 21" wide, 30" to 42" high and are 12" deep.

For increased depth cabinets, please refer to the installation notes listed in the Increased Depth Option Section.

**Wall Cabinet**  
42" High, 1 Door with Spice Rack

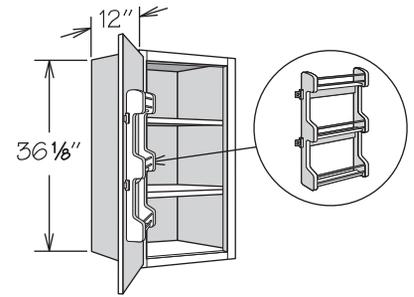


W1542 SR  
W1842 SR  
W2142 SR

ID
MI

- Three adjustable shelves
- Spice Rack Kit packaged separately for field installation
- Position adjustable shelves prior to installation
- Kit in natural finish solid wood features chrome rails and three fixed shelves

**Wall Cabinet**  
36" High, 1 Door with Spice Rack

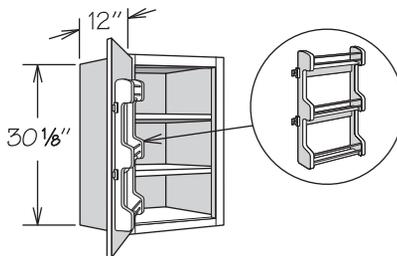


W1536 SR  
W1836 SR  
W2136 SR

ID
MI

- Two adjustable shelves
- Spice Rack Kit packaged separately for field installation
- Position adjustable shelves prior to installation
- Kit in natural finish solid wood features chrome rails and three fixed shelves

**Wall Cabinet**  
30" High, 1 Door with Spice Rack

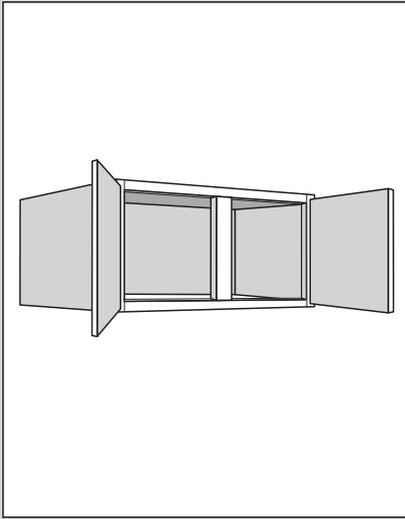


W1530 SR  
W1830 SR  
W2130 SR

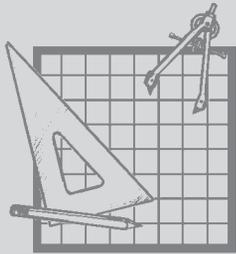
ID
MI

- Two adjustable shelves
- Spice Rack Kit packaged separately for field installation
- Position adjustable shelves prior to installation
- Kit in natural finish solid wood features chrome rails and three fixed shelves

**Refrigerator Wall Cabinets**



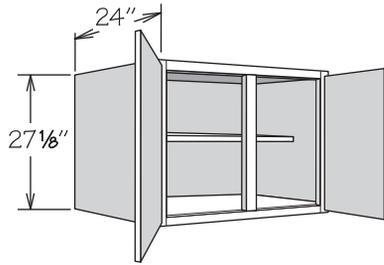
Refrigerator Wall cabinets range from 12" to 27" high and are 24" deep.



To ensure proper door function on a Refrigerator Wall cabinet, allow enough clearance for the top hinge(s) on the refrigerator door. Review refrigerator manufacturer's specifications for dimensions and clearance requirements.

**Refrigerator Wall**

27" High x 24" Deep



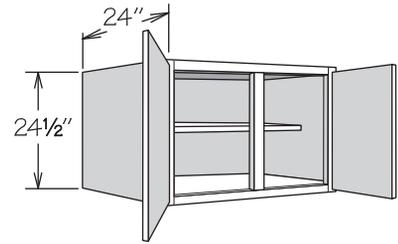
W3027 X 24 DP

CFO
MI
RD
VDO

- One adjustable half-depth shelf
- Each side of cabinet must be attached to a cabinet, wall or Refrigerator Return Panel

**Refrigerator Wall**

24" High x 24" Deep



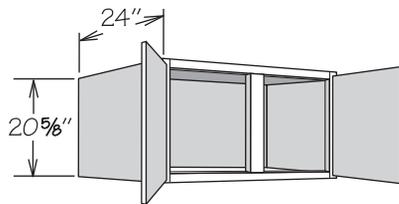
■ W3024 X 24 DP  
 ■ W3324 X 24 DP  
 ■ W3624 X 24 DP  
 W3024 X 24 DP SD  
 W3324 X 24 DP SD  
 W3624 X 24 DP SD

CFO
■ MI
RD
■ VDO

- One adjustable half-depth shelf
- Each side of cabinet must be attached to a cabinet, wall or Refrigerator Return Panel

**Refrigerator Wall**

21" High x 24" Deep



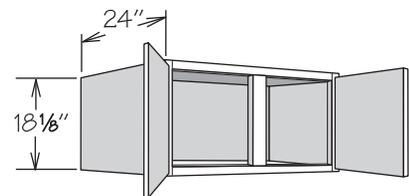
W3021 X 24 DP  
 W3321 X 24 DP  
 W3621 X 24 DP  
 W3921 X 24 DP

CFO
MI
RD
VDO

- No shelf
- Not drilled for adjustable shelf
- Each side of cabinet must be attached to a cabinet, wall or Refrigerator Return Panel

**Refrigerator Wall**

18" High x 24" Deep

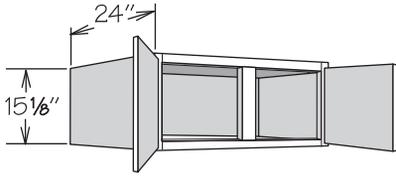


■ W3018 X 24 DP  
 ■ W3318 X 24 DP  
 ■ W3618 X 24 DP  
 W3018 X 24 DP SD  
 W3318 X 24 DP SD  
 W3618 X 24 DP SD

CFO
■ MI
RD
■ VDO

- No shelf
- Not drilled for adjustable shelf
- Each side of cabinet must be attached to a cabinet, wall or Refrigerator Return Panel

**Refrigerator Wall**  
15" High x 24" Deep

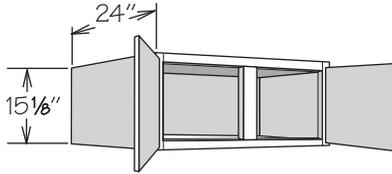


- W3015 X 24 DP
- W3315 X 24 DP
- W3615 X 24 DP
- W3015 X 24 DP SD
- W3315 X 24 DP SD
- W3615 X 24 DP SD

CFO
■ MI
RD
■ VDO

- No shelf
- Not drilled for adjustable shelf
- Each side of cabinet must be attached to a cabinet, wall or Refrigerator Return Panel

**Refrigerator Wall**  
15" High x 24" Deep

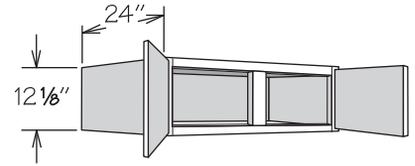


- W3915 X 24 DP
- W3915 X 24 DP SD

CFO
■ MI
RD
■ VDO

- No shelf
- Not drilled for adjustable shelf
- Each side of cabinet must be attached to a cabinet, wall or Refrigerator Return Panel

**Refrigerator Wall**  
12" High x 24" Deep

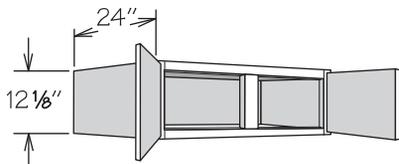


- W3012 X 24 DP
- W3312 X 24 DP
- W3612 X 24 DP
- W3012 X 24 DP SD
- W3612 X 24 DP SD

CFO
■ MI
RD
■ VDO

- No shelf
- Not drilled for adjustable shelf
- Each side of cabinet must be attached to a cabinet, wall or Refrigerator Return Panel

**Refrigerator Wall**  
12" High x 24" Deep

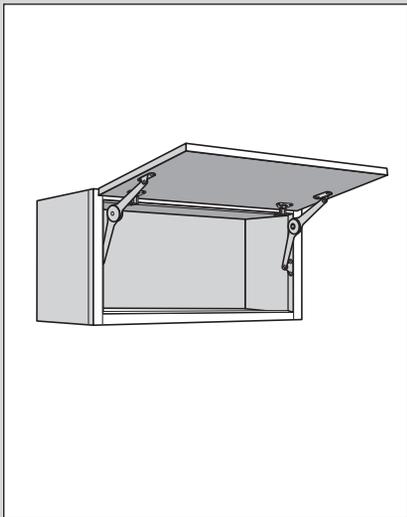


- W3912 X 24 DP
- W3912 X 24 DP SD

CFO
■ MI
RD
■ VDO

- No shelf
- Not drilled for adjustable shelf
- Each side of cabinet must be attached to a cabinet, wall or Refrigerator Return Panel

Wall Top Hinge Cabinets

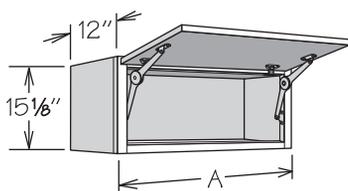


Wall Top Hinge cabinets are 30" or 36" wide, 15" or 18" high and 12" or 24" deep.

Wall Top Hinge cabinets use a standard wall door in horizontal orientation. Rail and stile configuration and insert panel grain direction will differ from standard wall cabinets.

For Increased Depth cabinets, please refer to the installation notes listed in the Increased Depth Construction Option Section.

Wall Top Hinge  
15" High

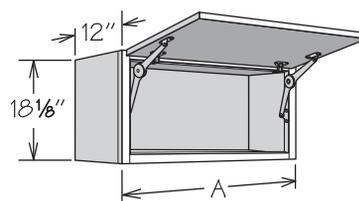


	A
WTH3015	30"
WTH3615	36"

<ul style="list-style-type: none"> <li>■ WTH3015</li> <li>■ WTH3615</li> <li>WTH3015 SD</li> <li>WTH3615 SD</li> </ul>	■ ID
	■ MI
	RD
	■ VDO

- No shelf
- Features one pair of factory installed field adjustable door stay that support door securely at any angle up to 105 degrees
- Cabinet can be flipped to open downwards and door stay can be adjusted to support door
- Wall Top Hinge Specialty Door cabinets not available with the MFD option
- Only available with RD-11 through RD-8

Wall Top Hinge  
18" High

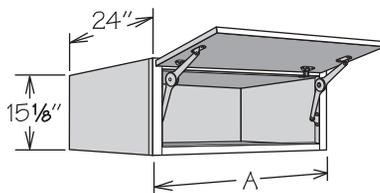


	A
WTH3018	30"
WTH3618	36"

<ul style="list-style-type: none"> <li>■ WTH3018</li> <li>■ WTH3618</li> <li>WTH3018 SD</li> <li>WTH3618 SD</li> </ul>	■ ID
	■ MI
	RD
	■ VDO

- No shelf
- Features one pair of factory installed field adjustable door stay that support door securely at any angle up to 105 degrees
- Cabinet can be flipped to open downwards and door stay can be adjusted to support door
- Wall Top Hinge Specialty Door cabinets not available with the MFD option
- Only available with RD-11 through RD-8

Wall Top Hinge  
15" High x 24" Deep

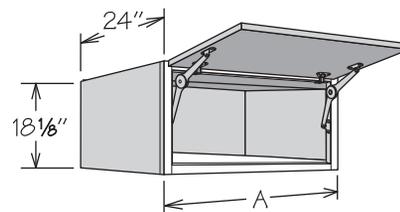


	A
WTH3015 X 24DP	30"
WTH3615 X 24DP	36"

<ul style="list-style-type: none"> <li>■ WTH3015 X 24DP</li> <li>■ WTH3615 X 24DP</li> <li>WTH3015 X 24DP SD</li> <li>WTH3615 X 24DP SD</li> </ul>	■ MI
	RD
	■ VDO

- No shelf
- Features one pair of factory installed field adjustable door stay that support door securely at any angle up to 105 degrees
- Cabinet can be flipped to open downwards and door stay can be adjusted to support door
- Each side of cabinet must be attached to a cabinet, wall or Refrigerator Return Panel
- Wall Top Hinge Specialty Door cabinets not available with the MFD option
- Only available with RD-23 through RD-8

Wall Top Hinge  
18" High x 24" Deep

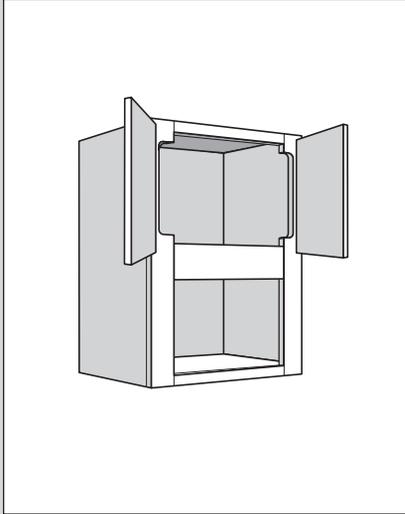


	A
WTH3018 X 24DP	30"
WTH3618 X 24DP	36"

<ul style="list-style-type: none"> <li>■ WTH3018 X 24DP</li> <li>■ WTH3618 X 24DP</li> <li>WTH3018 X 24DP SD</li> <li>WTH3618 X 24DP SD</li> </ul>	■ MI
	RD
	■ VDO

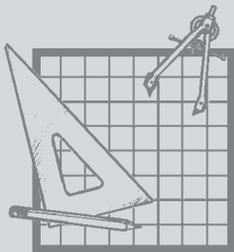
- No shelf
- Features one pair of factory installed field adjustable door stay that support door securely at any angle up to 105 degrees
- Cabinet can be flipped to open downwards and door stay can be adjusted to support door
- Each side of cabinet must be attached to a cabinet, wall or Refrigerator Return Panel
- Wall Top Hinge Specialty Door cabinets not available with the MFD option
- Only available with RD-23 through RD-8

**Microwave Wall Cabinets**



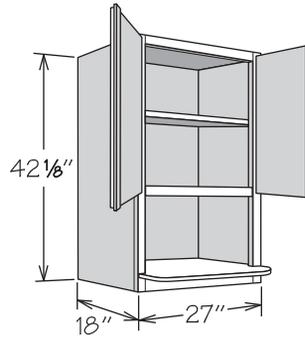
Microwave Wall Cabinets range from 24" to 30" wide, 36" or 42" high and 12", 18" or 21" deep.

Microwave Wall Cabinets must be installed between two adjacent cabinets or one cabinet and a wall.



When a Microwave Wall cabinet is used in a design, remember to place the cabinet between two adjacent cabinets OR one cabinet and the wall. Review microwave manufacturer's specifications for dimensions and adequate clearances for venting requirements.

**Wall Microwave  
42" High, 2 Doors with Batten**

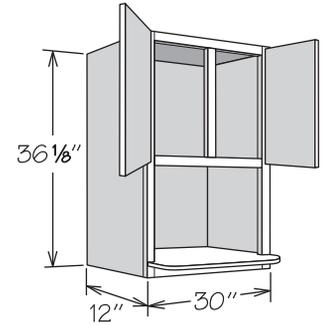


WMSC271842

RD
VDO

- Left door with batten
- Cabinet interior, microwave shelf opening and one adjustable shelf finished to match cabinet exterior
- 3/4" plywood microwave shelf included - not field trimmable
- Designed to accommodate countertop style microwave
- Unit must be installed between two adjacent cabinets or one cabinet and wall
- Lower frame opening (including shelf): 23 3/4" W x 15 1/4" H x 23 3/4" D
- Features (2) DRI1324 doors
- **Refer to appliance manufacturer's specifications for adequate clearances**

**Wall Microwave  
36" High, 2 Doors**

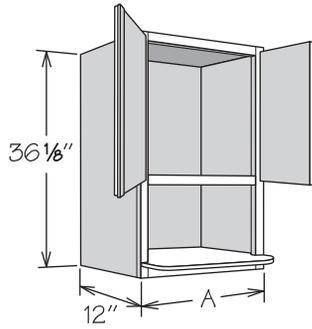


WMSC301236

RD
VDO

- Cabinet interior and microwave shelf opening finished to match cabinet exterior
- 3/4" plywood microwave shelf included - not field trimmable
- Designed to accommodate countertop style microwave
- Unit must be installed between two adjacent cabinets or one cabinet and wall
- Lower frame opening (including shelf): 26 3/4" W x 18 3/4" H x 17 3/4" D
- Features (2) DRI1515 doors
- **Refer to appliance manufacturer's specifications for adequate clearances**

**Wall Compact Microwave**  
36" High, 2 Doors with Batten

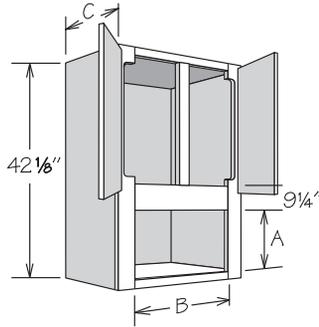


	A
WCMSC241236	24"
WCMSC271236	27"

WCMSC241236 WCMSC271236	RD
	VDO

- Left door with batten
- Cabinet interior and microwave shelf opening finished to match cabinet exterior
- 3/4" plywood microwave shelf included - not field trimmable
- Designed to accommodate countertop style microwave
- Unit must be installed between two adjacent cabinets or one cabinet and wall
- Lower frame opening (including shelf):  
WCMSC241236: 20 3/4" W x 15 5/8" H x 17 3/4" D  
WCMSC271236: 23 3/4" W x 15 5/8" H x 17 3/4" D
- 24" features (2) DR1218 doors
- 27" features (2) DR1318 doors
- **Refer to appliance manufacturer's specifications for adequate clearances**

**Microwave Wall**  
42" High, 30" Wide

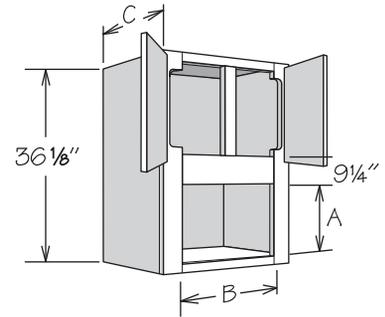


	A Actual	A Max. (FOL)	A Max. (SOL)	B Actual Opening	B Max. Opening	C Depth
WMC301842	12 1/4"	19 1/2"	20"	23 3/4"	28"	18"
WMC302142	12 1/4"	19 1/2"	20"	23 3/4"	28"	21"

WMC301842 WMC302142	ID
	RD
	MI

- Unit must be installed between two adjacent cabinets or one cabinet and wall
- Designed to accommodate microwaves with trim kit
- A cutout exists in the door area where the 3/8" stiles are routed to 1 5/8"
- **Refer to appliance manufacturers specifications for adequate clearances**
- Not drilled for adjustable shelf
- WMC301842 and WMC302142 feature (2) DR1521 doors

**Microwave Wall**  
36" High, 30" Wide

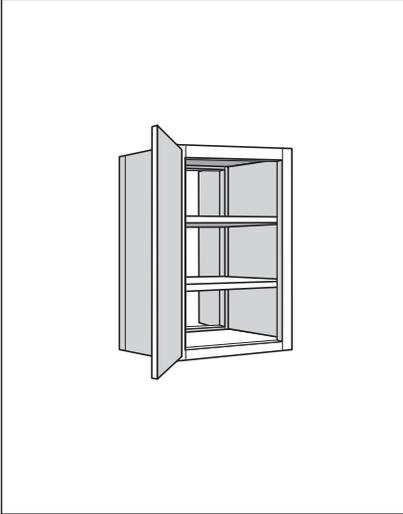


	A Actual	A Max. (FOL)	A Max. (SOL)	B Actual Opening	B Max. Opening	C Depth
WMC301836	11 1/4"	19 1/2"	20"	23 3/4"	28"	18"
WMC302136	11 1/4"	19 1/2"	20"	23 3/4"	28"	21"

WMC301836 WMC302136	ID
	RD
	MI

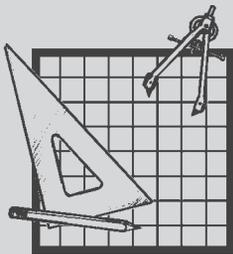
- Unit must be installed between two adjacent cabinets or one cabinet and wall
- Designed to accommodate microwaves with trim kit
- A cutout exists in the door area where the 3/8" stiles are routed to 1 5/8"
- **Refer to appliance manufacturers specifications for adequate clearances**
- Not drilled for adjustable shelf
- WMC301836 and WMC302136 feature (2) DR1515 doors

Peninsula Wall Cabinets



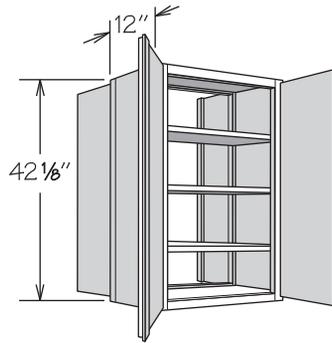
Peninsula Wall cabinets range in size from 12" to 42" wide, 18" to 42" high and are 12" deep with doors on both sides of the cabinet.

For increased depth cabinets, please refer to the installation notes listed in the Increased Depth Construction Option section.



When designing with Peninsula Wall Cabinets, remember to include material such as Finished Shelving to cover the bottom of the cabinets.

Peninsula Wall  
42" High, 4 Doors with Batten

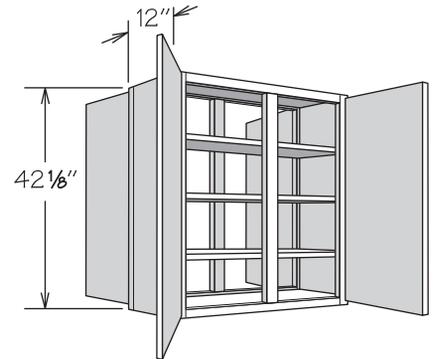


■ PW2442  
PW2442 SD

ID
■ MI
RD
■ VDO

- Left doors with batten
- Three adjustable shelves

Peninsula Wall  
42" High, 4 Doors

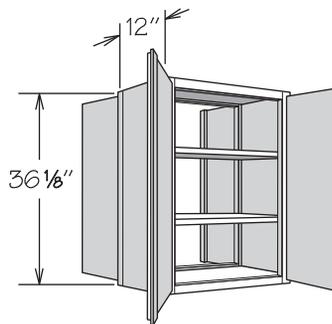


■ PW3042  
■ PW3642  
PW3042 SD  
PW3642 SD

ID
■ MI
RD
■ VDO

- Three adjustable shelves

Peninsula Wall  
36" High, 4 Doors with Batten

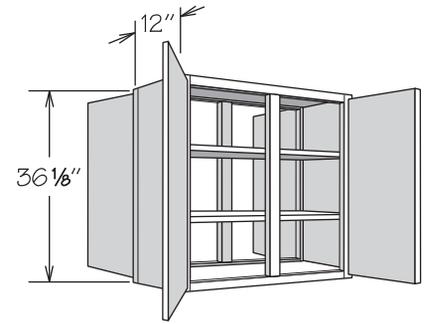


■ PW2436  
PW2436 SD

ID
■ MI
RD
■ VDO

- Left doors with batten
- Two adjustable shelves

Peninsula Wall  
36" High, 4 Doors



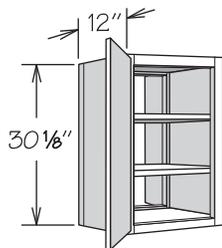
■ PW3036  
■ PW3636  
PW3036 SD  
PW3636 SD

ID
■ MI
RD
■ VDO

- Two adjustable shelves

**Peninsula Wall**

30" High, 2 Doors



- PW1230
- PW1530
- PW1830
- PW2430

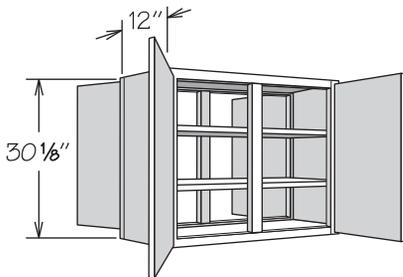
PW1230 SD  
PW1530 SD  
PW1830 SD

ID
■ MI
RD
■ VDO

- Two adjustable shelves
- Hinged as shown

**Peninsula Wall**

30" High, 4 Doors



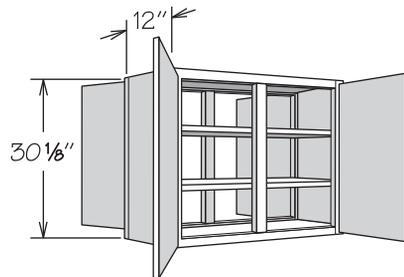
- PW3030
- PW3630
- PW3030 SD
- PW3630 SD

ID
■ MI
RD
■ VDO

- Two adjustable shelves

**Peninsula Wall**

30" High, 4 Doors



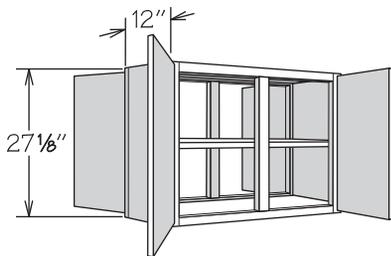
- PW4230
- PW4230 SD

■ MI
RD
■ VDO

- Two adjustable shelves

**Peninsula Wall**

27" High, 4 Doors



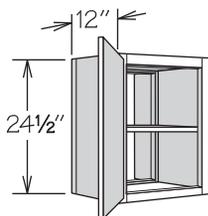
PW3027

ID
■ MI
RD
■ VDO

- One adjustable shelf

**Peninsula Wall**

24" High, 2 Doors



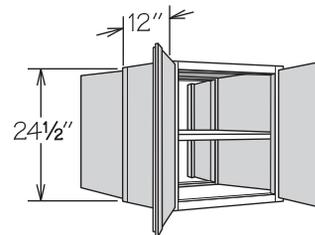
- PW1224
- PW1824
- PW1224 SD
- PW1824 SD

ID
■ MI
RD
■ VDO

- One adjustable shelf
- Hinged as shown

**Peninsula Wall**

24" High, 4 Doors with Batten



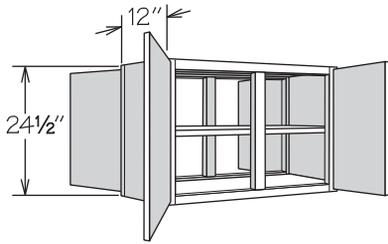
- PW2424 1B
- PW2424 1B SD

ID
■ MI
RD
■ VDO

- One adjustable shelf
- Left doors with battens

**Peninsula Wall**

24" High, 4 Doors



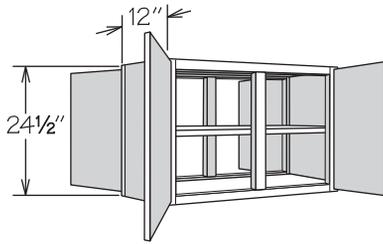
- PW3024
- PW3624
- PW3024 SD
- PW3624 SD

■ ID
■ MI
■ RD
■ VDO

- One adjustable shelf

**Peninsula Wall**

24" High, 4 Doors



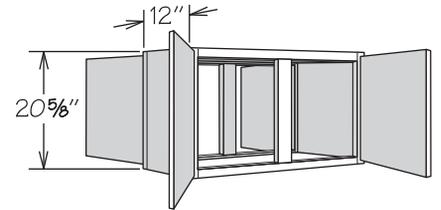
- PW4224
- PW4224 SD

■ MI
■ RD
■ VDO

- One adjustable shelf

**Peninsula Wall**

21" High, 4 Doors



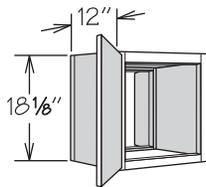
- PW3021
- PW3621

■ ID
■ MI
■ RD
■ VDO

- No shelf
- Not drilled for adjustable shelf

**Peninsula Wall**

18" High, 2 Doors



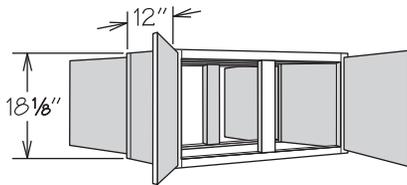
- PW1818
- PW1818 SD

■ ID
■ MI
■ RD
■ VDO

- No shelf
- Not drilled for adjustable shelf
- Hinged as shown

**Peninsula Wall**

18" High, 4 Doors



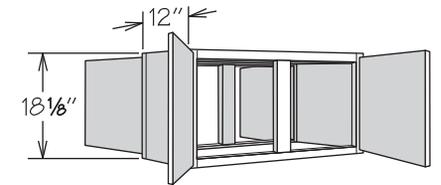
- PW2418
- PW3018
- PW3618
- PW2418 SD
- PW3018 SD
- PW3618 SD

■ ID
■ MI
■ RD
■ VDO

- No shelf
- Not drilled for adjustable shelf

**Peninsula Wall**

18" High, 4 Doors

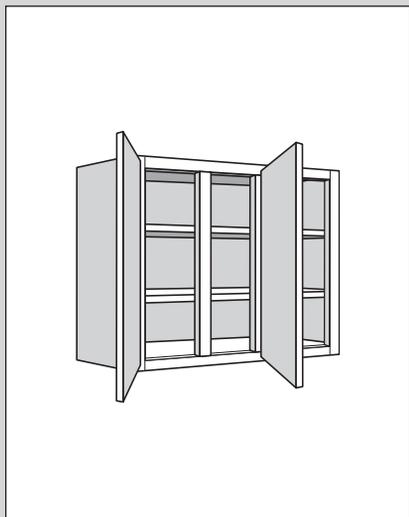


- PW4218
- PW4218 SD

■ MI
■ RD
■ VDO

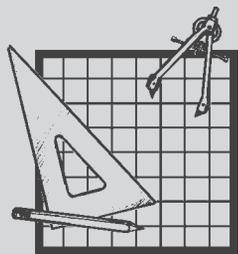
- No shelf
- Not drilled for adjustable shelf

Blind Wall Cabinets



Blind Wall cabinets range in width from 24" to 48" and in height from 24" to 42".

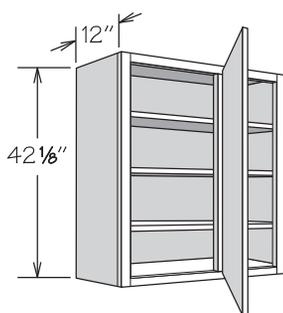
For increased depth cabinets, please refer to the installation notes listed in the Increased Depth Construction Option section.



When a Blind Wall cabinet is used in a design, remember to include the appropriate filler. For a finished, decorative look add an Overlay Filler (Full Overlay door styles) to Universal Fillers or Decorative Blocks to a Fluted Beaded Filler.

Blind Wall

42" High, 1 Door



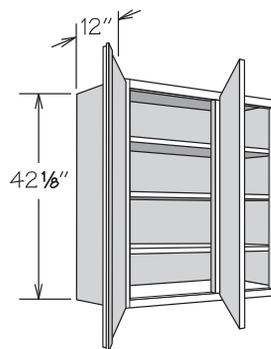
- BLW24/2742
  - BLW30/3342
  - BLW33/3642
- BLW24/2742 SD  
BLW30/3342 SD  
BLW33/3642 SD

CFO
ID
■ MI
■ RD
■ VDO

- Three adjustable shelves
- Includes 1/8" panel to cover blind opening (field trim and install)
- Refer to Blind Wall cabinet Installation Chart for specifications
- **Must order Universal Filler separately**

Blind Wall

42" High, 2 Doors with Batten



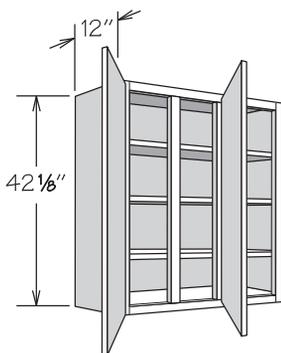
- BLW36/3942
- BLW36/3942 SD

CFO
ID
■ MI
■ RD
■ VDO

- Left door with batten
- Three adjustable shelves
- Includes 1/8" panel to cover blind opening (field trim and install)
- Refer to Blind Wall cabinet Installation Chart for specifications
- **Must order Universal Filler separately**

Blind Wall

42" High, 2 Doors



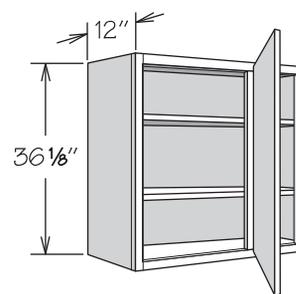
- BLW39/4242
  - BLW42/4542
- BLW42/4542 SD

CFO
■ MI
■ RD
■ VDO

- Three adjustable shelves
- Includes 1/8" panel to cover blind opening (field trim and install)
- Refer to Blind Wall cabinet Installation Chart for specifications
- **Must order Universal Filler separately**

Blind Wall

36" High, 1 Door



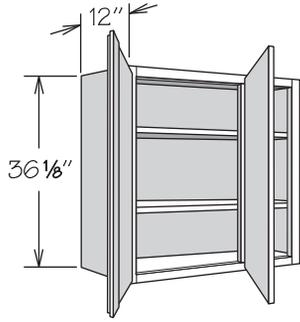
- BLW24/2736
  - BLW30/3336
  - BLW33/3636
- BLW24/2736 SD  
BLW30/3336 SD  
BLW33/3636 SD

CFO
ID
■ MI
■ RD
■ VDO

- Two adjustable shelves
- Includes 1/8" panel to cover blind opening (field trim and install)
- Refer to Blind Wall cabinet Installation Chart for specifications
- **Must order Universal Filler separately**

**Blind Wall**

36" High, 2 Doors with Batten



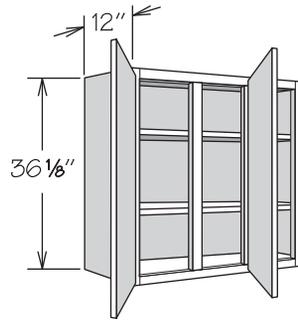
- BLW36/3936
- BLW36/3936 SD

CFO
ID
■ MI
RD
■ VDO

- Left door with batten
- Two adjustable shelves
- Includes 1/8" panel to cover blind opening (field trim and install)
- Refer to Blind Wall cabinet Installation Chart for specifications
- **Must order Universal Filler separately**

**Blind Wall**

36" High, 2 Doors



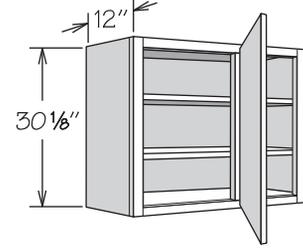
- BLW39/4236
- BLW42/4536
- BLW42/4536 SD

CFO
■ MI
RD
■ VDO

- Two adjustable shelves
- Includes 1/8" panel to cover blind opening (field trim and install)
- Refer to Blind Wall cabinet Installation Chart for specifications
- **Must order Universal Filler separately**

**Blind Wall**

30" High, 1 Door



- BLW24/2730
- BLW27/3030
- BLW30/3330
- BLW33/3630
- BLW36/3930

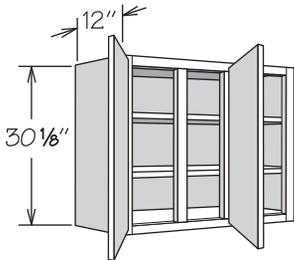
CFO
ID
■ MI
RD
■ VDO

- BLW24/2730 SD
- BLW27/3030 SD
- BLW30/3330 SD
- BLW33/3630 SD

- Two adjustable shelves
- Includes 1/8" panel to cover blind opening (field trim and install)
- Refer to Blind Wall cabinet Installation Chart for specifications
- **Must order Universal Filler separately**

**Blind Wall**

30" High, 2 Doors



- BLW39/4230
- BLW42/4530
- BLW45/4830
- BLW48/5130

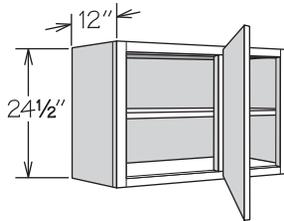
CFO
■ MI
RD
■ VDO

- BLW42/4530 SD
- BLW45/4830 SD
- BLW48/5130 SD

- Two adjustable shelves
- Includes 1/8" panel to cover blind opening (field trim and install)
- Refer to Blind Wall cabinet Installation Chart for specifications
- **Must order Universal Filler separately**

**Blind Wall**

24" High, 1 Door



- BLW24/2724
- BLW27/3024
- BLW30/3324
- BLW33/3624

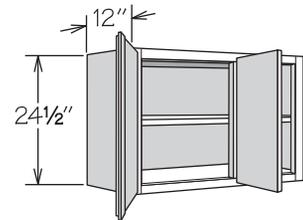
CFO
ID
■ MI
RD
■ VDO

- BLW24/2724 SD
- BLW27/3024 SD
- BLW30/3324 SD
- BLW33/3624 SD

- One adjustable shelf
- Includes 1/8" panel to cover blind opening (field trim and install)
- Refer to Blind Wall cabinet Installation Chart for specifications
- **Must order Universal Filler separately**

**Blind Wall**

24" High, 2 Doors with Batten

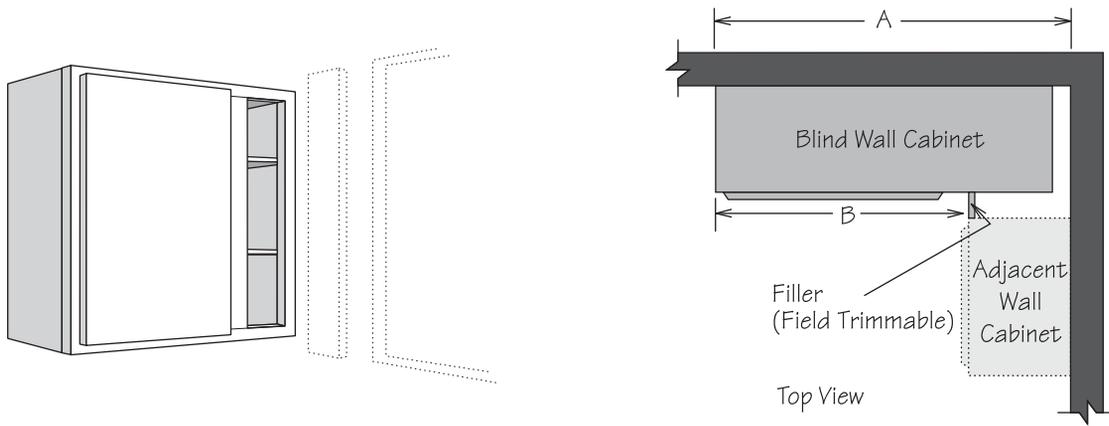


- BLW36/3924 1B
- BLW36/3924 1B SD

CFO
ID
■ MI
RD
■ VDO

- Left door with batten
- One adjustable shelf
- Includes 1/8" panel to cover blind opening (field trim and install)
- Refer to Blind Wall cabinet Installation Chart for specifications
- **Must order Universal Filler separately**

### Blind Wall Cabinet Installation Chart



### Full Overlay (FOL) Door Styles

Full Overlay door styles require decorative hardware, which has been calculated into dimensions.  
 \*Dimension requirements do not include optional Overlay Fillers - add 1/8" if Overlay Fillers will be used.

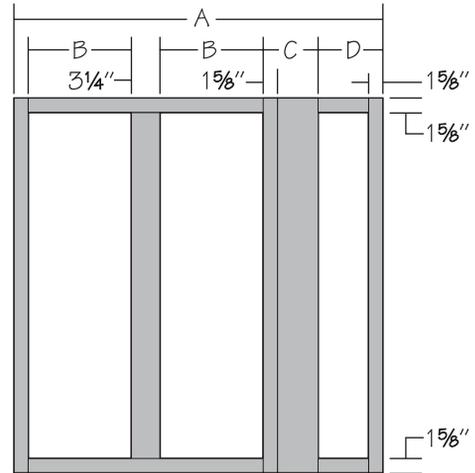
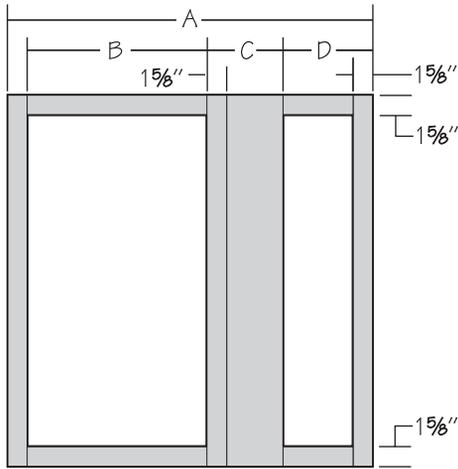
Cabinet	Actual Cabinet Width	Door Opening	Door(s)	Wall Space A			Exposed Frame B	
				Minimum Space*	Maximum Pull	Maximum Space	Minimum Space*	Maximum Space
BLW24/27	24"	8 3/4"	DR12__	26 1/4"	1 1/4"	28"	14 1/4"	16"
BLW27/30	27"	11 1/4"	DR15__	29 1/4"	1 1/4"	31"	17 1/4"	19"
BLW30/33	30"	14 3/4"	DR18__	32 1/4"	1 1/4"	34"	20 1/4"	22"
BLW33/36	33"	17 3/4"	DR21__	35 1/4"	1 1/4"	37"	23 1/4"	25"
BLW36/3930	36"	20 3/4"	DR2430	38 1/4"	1 1/4"	40"	26 1/4"	28"
BLW36/39 (1B)	36"	20 3/4"	DR12__ (2)	38 1/4"	1 1/4"	40"	26 1/4"	28"
BLW39/42	39"	10 3/4"	DR13__ (2)	41 1/4"	1 1/4"	43"	29 1/4"	31"
BLW42/45	42"	11 3/4"	DR15__ (2)	44 1/4"	1 1/4"	46"	32 1/4"	34"
BLW45/48	45"	13 3/4"	DR16__ (2)	47 1/4"	1 1/4"	49"	35 1/4"	37"
BLW48/51	48"	14 3/4"	DR18__ (2)	50 1/4"	1 1/4"	52"	38 1/4"	40"

### Standard Overlay (SOL) Door Styles

Wall Space A requirements include optional decorative hardware clearance.  
 \*1/4" may be deducted if decorative hardware is not used.

Cabinet	Actual Cabinet Width	Door Opening	Door(s)	Wall Space A			Exposed Frame B	
				Minimum Space*	Maximum Pull*	Maximum Space*	Minimum Space	Maximum Space
BLW24/27	24"	8 3/4"	DR12__	25 3/8"	2 5/8"	28"	13 3/8"	16"
BLW27/30	27"	11 1/4"	DR15__	28 3/8"	2 5/8"	31"	16 3/8"	19"
BLW30/33	30"	14 3/4"	DR18__	31 3/8"	2 5/8"	34"	19 3/8"	22"
BLW33/36	33"	17 3/4"	DR21__	34 3/8"	2 5/8"	37"	22 3/8"	25"
BLW36/3930	36"	20 3/4"	DR2430	37 3/8"	2 5/8"	40"	25 3/8"	28"
BLW36/39 (1B)	36"	20 3/4"	DR12__ (2)	37 3/8"	2 5/8"	40"	25 3/8"	28"
BLW39/42	39"	10 3/4"	DR13__ (2)	40 3/8"	2 5/8"	43"	28 3/8"	31"
BLW42/45	42"	11 3/4"	DR15__ (2)	43 3/8"	2 5/8"	46"	31 3/8"	34"
BLW45/48	45"	13 3/4"	DR16__ (2)	46 3/8"	2 5/8"	49"	34 3/8"	37"
BLW48/51	48"	14 3/4"	DR18__ (2)	49 3/8"	2 5/8"	52"	37 3/8"	40"

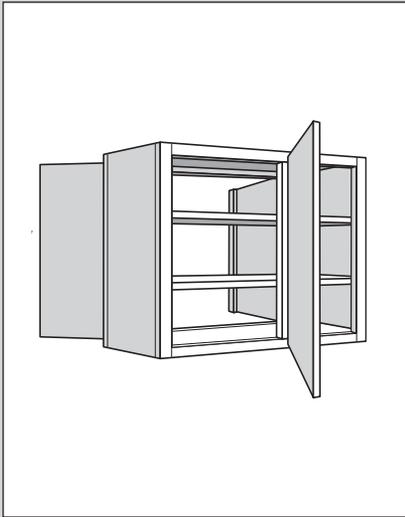
Blind Wall Cabinet Dimensions



Cabinet	Cabinet Width		Door Opening	
	A	B	C	D
BLW24/27	24"	8 3/4"	6 1/4"	7 3/8"
BLW27/30	27"	11 3/4"	6 1/4"	7 3/8"
BLW30/33	30"	14 3/4"	6 1/4"	7 3/8"
BLW33/36	33"	17 3/4"	6 1/4"	7 3/8"
BLW36/3930	36"	20 3/4"	6 1/4"	7 3/8"
BLW36/39 (1B)	36"	20 3/4"	6 1/4"	7 3/8"

Cabinet	Cabinet Width		Door Opening	
	A	B	C	D
BLW39/42	39"	10 3/4"	6 1/4"	7 3/8"
BLW42/45	42"	11 3/4"	6 1/4"	7 3/8"
BLW45/48	45"	13 3/4"	6 1/4"	7 3/8"
BLW48/51	48"	14 3/4"	6 1/4"	7 3/8"

Blind Peninsula Wall Cabinets

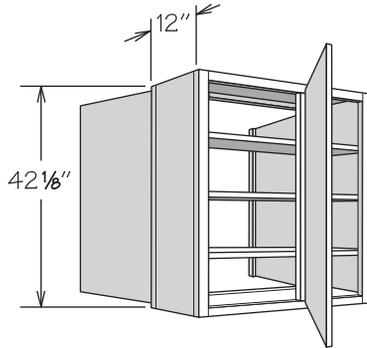


For increased depth cabinets, please refer to the installation notes listed in the Increased Depth Construction Option section.

WALL CABINETS

Blind Peninsula Wall

42" High, 3 Doors



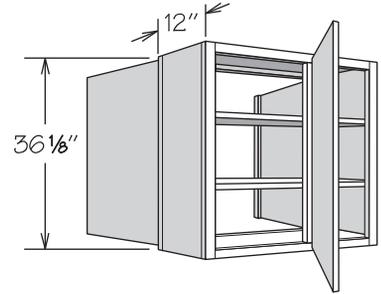
■ BLPW2442  
BLPW2442 SD

■ ID
■ MI
■ RD
■ VDO

- Left door with batten on peninsula side
- Three adjustable shelves
- Includes 1/8" panel to cover blind opening (field trim and install)
- Refer to Blind Peninsula Wall cabinet Installation Chart for specifications
- **Must order Universal Filler separately**

Blind Peninsula Wall

36" High, 3 Doors



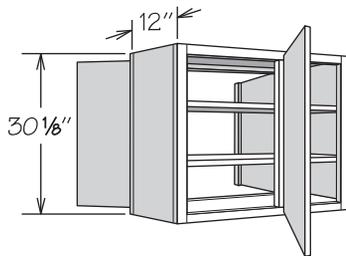
■ BLPW2436  
BLPW2436 SD

■ ID
■ MI
■ RD
■ VDO

- Left door with batten on peninsula side
- Two adjustable shelves
- Includes 1/8" panel to cover blind opening (field trim and install)
- Refer to Blind Peninsula Wall cabinet Installation Chart for specifications
- **Must order Universal Filler separately**

Blind Peninsula Wall

30" High, 3 Doors



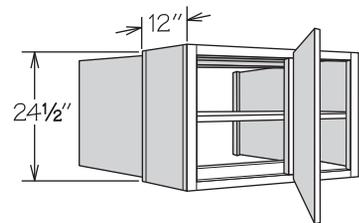
■ BLPW2430 1B  
BLPW2430 1B SD

■ ID
■ MI
■ RD
■ VDO

- Left door with batten on peninsula side
- Two adjustable shelves
- Includes 1/8" panel to cover blind opening (field trim and install)
- Refer to Blind Peninsula Wall cabinet Installation Chart for specifications
- **Must order Universal Filler separately**

Blind Peninsula Wall

24" High, 3 Doors

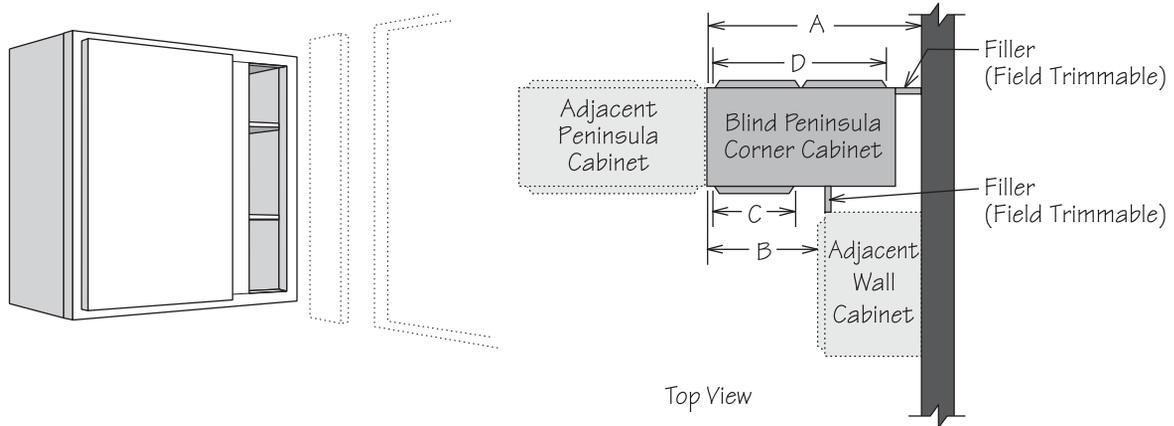


■ BLPW2424 1B  
BLPW2424 1B SD

■ ID
■ MI
■ RD
■ VDO

- Left door with batten on peninsula side
- One adjustable shelf
- Includes 1/8" panel to cover blind opening (field trim and install)
- Refer to Blind Peninsula Wall cabinet Installation Chart for specifications
- **Must order Universal Filler separately**

### Blind Peninsula Wall Cabinet Installation Chart



WALL CABINETS

#### Full Overlay Door Styles

Full Overlay door styles require decorative hardware, which has been calculated into dimensions.

\*Must use these dimensions if optional Overlay Fillers will be used.

Cabinet	Actual Cabinet Width	Door Opening C	Door C	Door Opening D	Doors (2) D	Wall Space A			Exposed Frame B		Filler (at wall)	
						Minimum Space	Maximum Pull	Maximum Space*	Minimum Space	Maximum Space*	Minimum	Maximum*
BLPW2424 1B	24"	8 3/4"	DR1224	20 3/4"	DR1224	26 1/4"	3/4"	27"	14 1/4"	15"	2 1/4"	3"
BLPW2430 1B	24"	8 3/4"	DR1230	20 3/4"	DR1230	26 1/4"	3/4"	27"	14 1/4"	15"	2 1/4"	3"
BLPW2436	24"	8 3/4"	DR1236	20 3/4"	DR1236	26 1/4"	3/4"	27"	14 1/4"	15"	2 1/4"	3"
BLPW2442	24"	8 3/4"	DR1242	20 3/4"	DR1242	26 1/4"	3/4"	27"	14 1/4"	15"	2 1/4"	3"

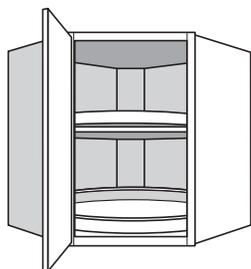
#### Standard Overlay Door Styles

Wall Space A requirements include optional decorative hardware clearance.

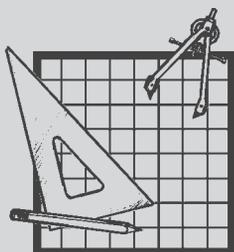
\*1 1/4" may be deducted if decorative hardware is not used.

Cabinet	Actual Cabinet Width	Door Opening C	Door C	Door Opening D	Doors (2) D	Wall Space A			Exposed Frame B		Filler (at wall)	
						Minimum Space*	Maximum Pull*	Maximum Space*	Minimum Space	Maximum Space	Minimum	Maximum
BLPW2424 1B	24"	8 3/4"	DR1224	20 3/4"	DR1224	25 3/8"	1 1/8"	27"	13 3/8"	15"	1 1/8"	3"
BLPW2430 1B	24"	8 3/4"	DR1230	20 3/4"	DR1230	25 3/8"	1 1/8"	27"	13 3/8"	15"	1 1/8"	3"
BLPW2436	24"	8 3/4"	DR1236	20 3/4"	DR1236	25 3/8"	1 1/8"	27"	13 3/8"	15"	1 1/8"	3"
BLPW2442	24"	8 3/4"	DR1242	20 3/4"	DR1242	25 3/8"	1 1/8"	27"	13 3/8"	15"	1 1/8"	3"

Corner Wall Cabinets



Corner Wall cabinets range in height from 18" to 42".

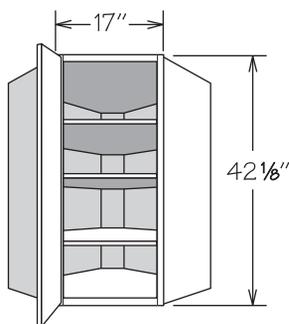
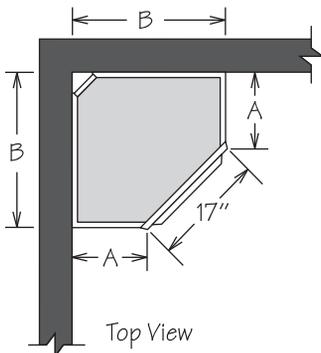


To ensure proper door function, cabinets or other design elements deeper than 12" should not be placed on either side of the Corner Wall cabinet.

If the Corner Wall cabinet is deeper than the adjacent cabinets, fillers are recommended for placement left and right of the Corner Wall to ensure proper door operation on standard depth wall cabinets.

For a finished, decorative look add Overlay Fillers (Full Overlay door styles) to Universal Fillers or Decorative Blocks to Fluted Beaded Fillers.

Corner Wall  
42" High



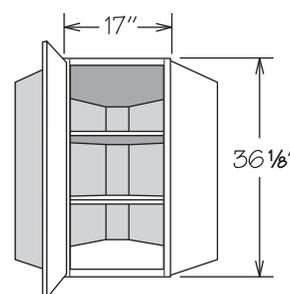
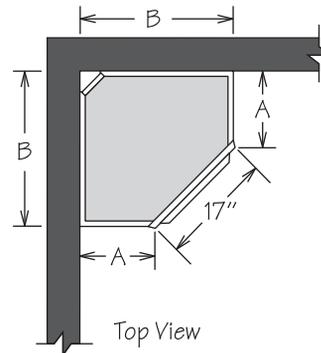
	A	B
CW2442	12"	24"
CW2742	15"	27"

- CW2442
- CW2742
- CW2442 SD
- CW2742 SD

- MI
- VDO

- Three adjustable shelves
- Door opening is 11 3/4" wide
- Features a DR1542 door

Corner Wall  
36" High



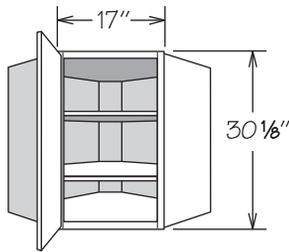
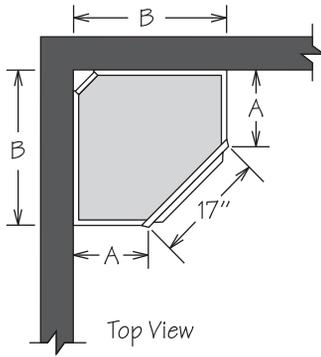
	A	B
CW2436	12"	24"
CW2736	15"	27"

- CW2436
- CW2736
- CW2436 SD
- CW2736 SD

- MI
- VDO

- Two adjustable shelves
- Door opening is 11 3/4" wide
- Features a DR1536 door

**Corner Wall**  
30" High



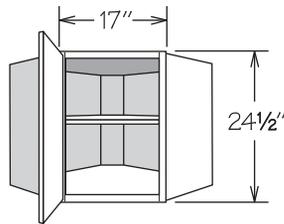
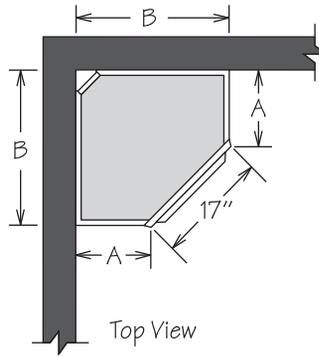
	A	B
CW2430	12"	24"
CW2730	15"	27"

- CW2430
- CW2730
- CW2430 SD
- CW2730 SD

- MI
- VDO

- Two adjustable shelves
- Door opening is 11 3/4" wide
- Features a DR1530 door

**Corner Wall**  
24" High



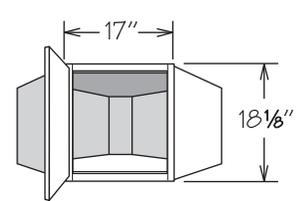
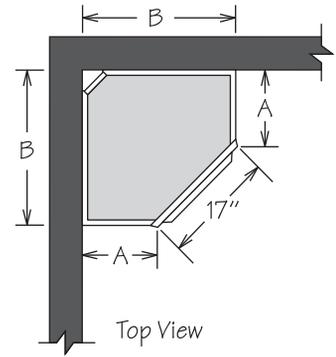
	A	B
CW2424	12"	24"
CW2724	15"	27"

- CW2424
- CW2724
- CW2424 SD
- CW2724 SD

- MI
- VDO

- One adjustable shelf (non-removable)
- Door opening is 11 3/4" wide
- Features a DR1524 door
- Glass Shelf Kit not available

**Corner Wall**  
18" High



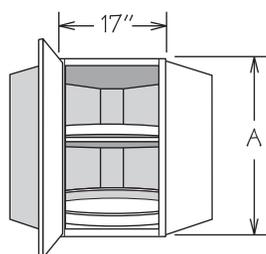
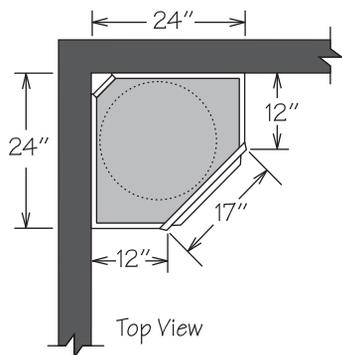
	A	B
CW2418	12"	24"
CW2718	15"	27"

- CW2418
- CW2718
- CW2418 SD
- CW2718 SD

- MI
- VDO

- No shelf
- Door opening is 11 3/4" wide
- Features a DR1518 door
- Glass Shelf Kit not available

**Corner Wall  
with Wood Spin Units**

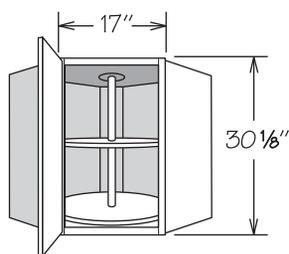
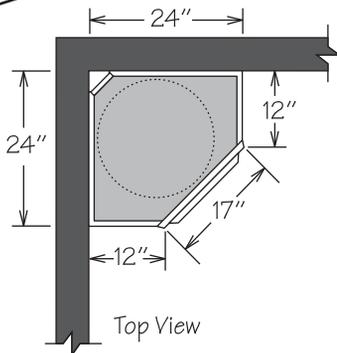


	A
CWS2430 WD	30 1/8"
CWS2436 WD	36 1/8"
CWS2442 WD	42 1/8"

- CWS2430 WD
  - CWS2436 WD
  - CWS2442 WD
- CWS2430 WD SD  
CWS2436 WD SD  
CWS2442 WD SD
- |       |
|-------|
| ■ MI  |
| ■ VDO |

- Fixed wood spin unit mounted on cabinet floor
- 30" and 36" high feature one wood spin unit attached to 3/4" adjustable shelf
- 42" high features two wood spin units attached to 3/4" adjustable shelf
- Natural finish wood spin units feature 1" lip and are 18" in diameter
- Door opening is 11 3/4" wide
- Features a 15" wide door:  
CWS2430 WD = DR1530  
CWS2436 WD = DR1536  
CWS2442 WD = DR1542

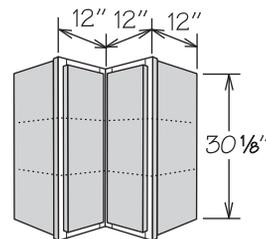
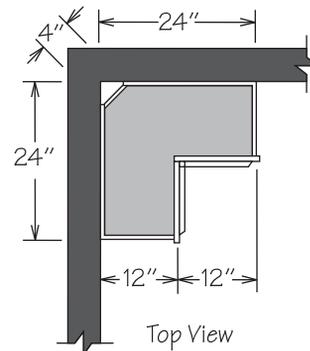
**Corner Wall  
with Plastic Spin Shelves**



- CWS2430
  - CWS2430 SD
- |       |
|-------|
| ■ MI  |
| ■ VDO |

- Features two 18" diameter full round spin shelves with pole (top shelf adjustable)
- Shelves are white high strength plastic
- Door opening is 11 3/4" wide
- Features a DR1530 door

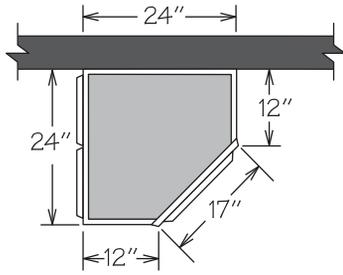
**Wall Easy Reach**



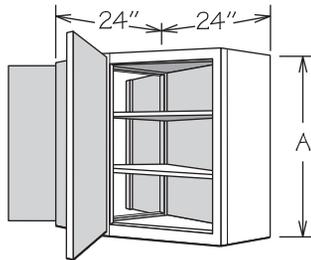
- WER2430
- |    |
|----|
| MI |
|----|

- Features two adjustable shelves

**Peninsula Corner Wall**



Top View



	A
PWCW2430 1B	30 1/8"
PWCW2436	36 1/8"
PWCW2442	42 1/8"

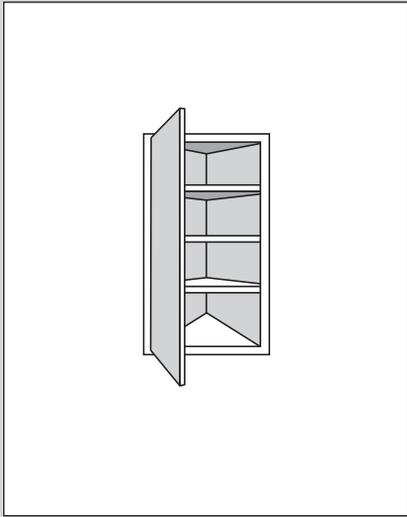
- PWCW2430 1B
- PWCW2436
- PWCW2442

- PWCW2430 1B SD
- PWCW2436 SD
- PWCW2442 SD

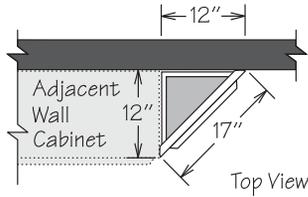
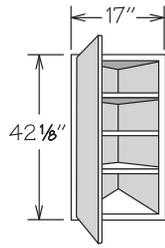
- MI
- VDO

- Left door with batten on peninsula side
- 30" and 36" high feature two adjustable shelves
- 42" high features three adjustable shelves
- Recommend attachment to soffit or ceiling and to all adjacent cabinets

Wall End Angle Cabinets



Wall End Angle  
42" High

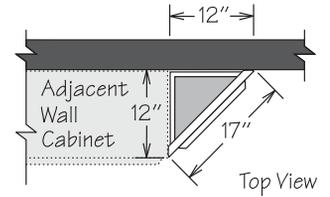
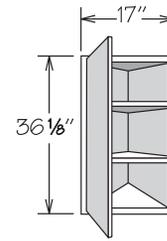


■ WEA1242  
WEA1242 SD

■ MI  
■ VDO

- Requires 12" x 12" space
- Three adjustable shelves
- Features a DR1542 door

Wall End Angle  
36" High

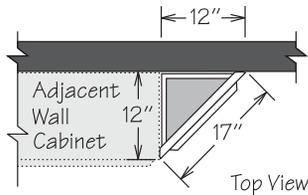
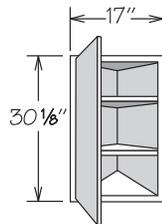


■ WEA1236  
WEA1236 SD

■ MI  
■ VDO

- Requires 12" x 12" space
- Two adjustable shelves
- Features a DR1536 door

Wall End Angle  
30" High

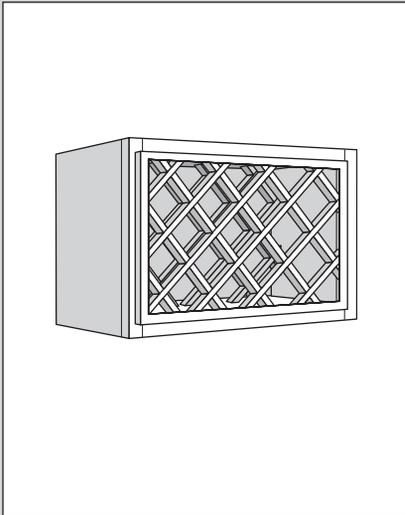


■ WEA1230  
WEA1230 SD

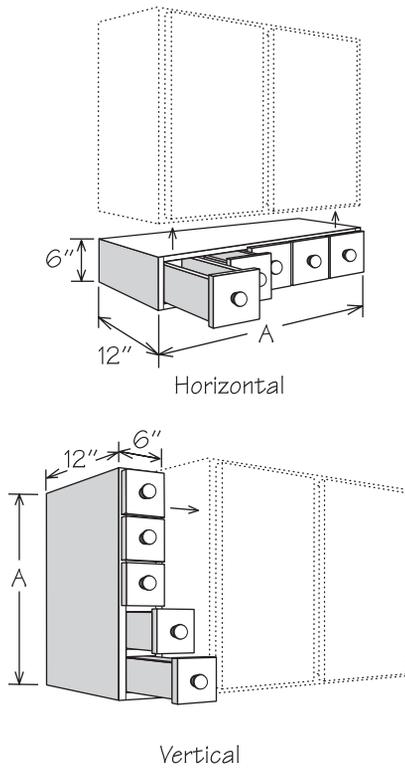
■ MI  
■ VDO

- Requires 12" x 12" space
- Two adjustable shelves
- Features a DR1530 door

Specialty Wall Cabinets



Spice Drawer Cabinet

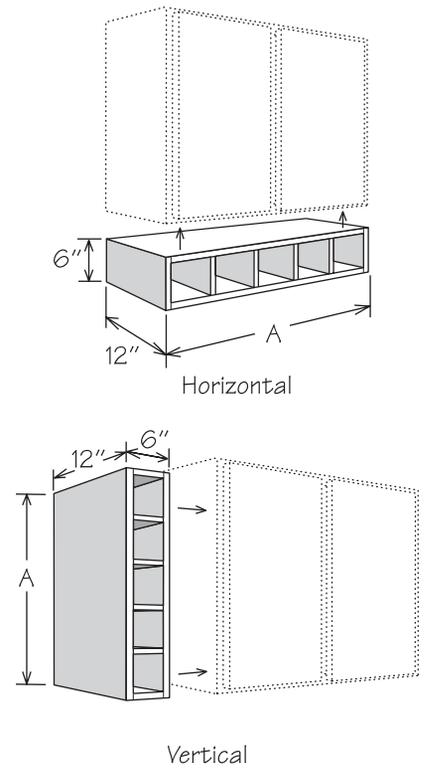


	A	Number of Drawers
SDC18	18"	3
SDC24	24"	4
SDC30	30"	5
SDC36	36"	6

SDC18  
SDC24  
SDC30  
SDC36

- Designed for horizontal or vertical installation
- Vertical installation may require the use of fillers and/or molding which must be ordered separately
- Features veneered engineered wood finished to match cabinet exterior
- Flush sides
- All wood drawer body with dovetail construction
- Features ½" thick drawer fronts
- Thermofoil door styles feature white porcelain knobs
- Wood door styles feature matching wood knobs

Storage Cube

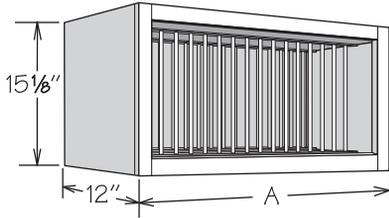


	A	Number of Openings
SC30	30"	5
SC36	36"	6
SC42	42"	7

SC30  
SC36  
SC42

- Designed for horizontal or vertical installation
- Vertical installation may require the use of fillers and/or molding which must be ordered separately
- Opening size is 5" wide x 4½" high (horizontal) which will accommodate most wine bottles and various other storage needs
- Features ¾" veneered engineered wood finished to match cabinet exterior
- Interior finished to match cabinet exterior
- Flush sides
- Cannot be retrofitted with Spice Drawer cabinet drawers

Wall China Cabinet

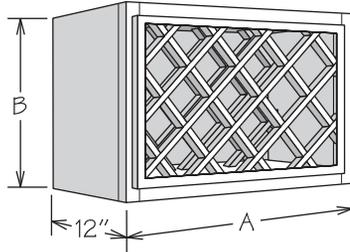


	A	Number of Plates
WCC2415	24"	9
WCC3015	30"	12
WCC3615	36"	15

WCC2415  
WCC3015  
WCC3615

- Interior finished to match cabinet exterior
- Use with 1 1/2" diameter (or smaller) dinner plates
- Spindles can be removed for cleaning
- Spindles shipped uninstalled
- Accent Molding recommended - order separately
- Use of Accent Molding will reduce available plate diameter to 11"

Wine Rack Cabinet

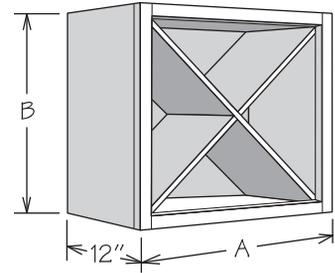


	A	B	Number of Bottles
WRC1530	15"	30 1/2"	10
WRC1830	18"	30 1/2"	11
WRC3015	30"	15 1/2"	10
WRC3018	30"	18 1/2"	11
WRC3615	36"	15 1/2"	13

WRC1530  
WRC1830  
WRC3015  
WRC3018  
WRC3615

- Interior finished to match cabinet exterior
- Wine bottle opening is 4" x 4"
- Cabinet must be installed between two adjacent cabinets or one cabinet and wall

Wine Storage Cabinet

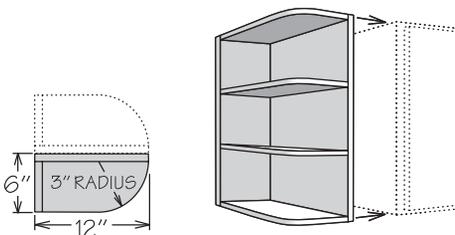


	A	B	Number of Bottles
WSC1818	18"	18 1/2"	12
WSC2424	24"	24 1/2"	30

WSC1818  
WSC2424

- Interior finished to match cabinet exterior
- Standard cabinet sides are 1/2" engineered wood with TuffTech finish
- Features 3/4" plywood partitions
- Cabinet must be installed between two adjacent cabinets or one cabinet and wall
- Accent Molding recommended - order separately

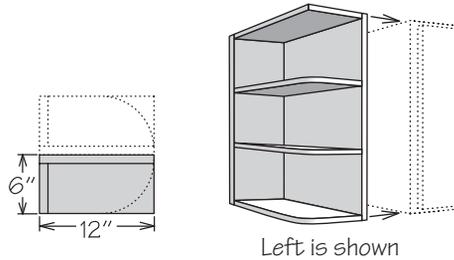
Shelf End Wall  
Round Top and Bottom



SEW30  
SEW36  
SEW42

- Interior finished to match cabinet exterior
- Invert for left or right
- Features 1/2" veneered engineered wood back and side
- Top, bottom and non-adjustable shelves are 3/4" veneered engineered wood with 3" radius
- 30" and 36" high feature two shelves
- 42" high features three shelves
- 1 1/8" screw recommended from inside of adjacent cabinet for installation

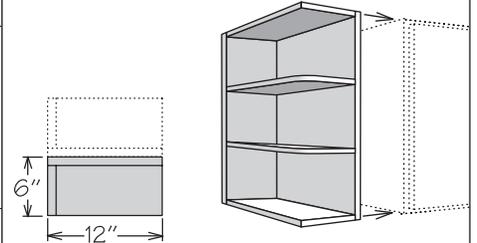
Shelf End Wall  
Square Top and Round Bottom



SEW30L SQT  
SEW30R SQT  
SEW36L SQT  
SEW36R SQT  
SEW42L SQT  
SEW42R SQT

- Interior finished to match cabinet exterior
- **Must be ordered as right or left - NOT reversible**
- Features 1/2" veneered engineered wood back and side
- Top, bottom and non-adjustable shelves are 3/4" veneered engineered wood
- Bottom and intermediate shelves feature a 3" radius
- 30" and 36" high feature two shelves
- 42" high features three shelves
- 1 1/8" screw recommended from inside of adjacent cabinet for installation

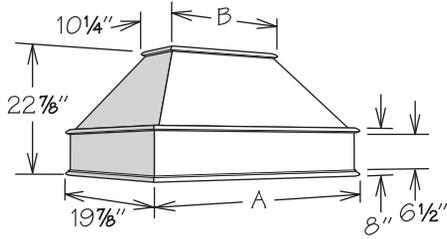
Shelf End Wall  
Square Top and Bottom



SEW30 SQT  
SEW36 SQT  
SEW42 SQT

- Interior finished to match cabinet exterior
- Invert for left or right
- Features 1/2" veneered engineered wood back and side
- Top, bottom and non-adjustable shelves are 3/4" veneered engineered wood
- Intermediate shelves feature a 3" radius
- 30" and 36" high feature two shelves
- 42" high features three shelves
- 1 1/8" screw recommended from inside of adjacent cabinet for installation

**Straight Valance Range Hood**

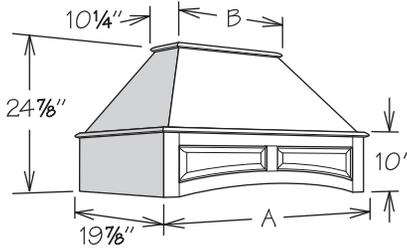


	A	B
RH3624 SV	37 3/4"	18 3/4"
RH4224 SV	43 3/4"	24 3/4"
RH4824 SV	49 3/4"	30 3/4"

RH3624 SV  
RH4224 SV  
RH4824 SV

- Wall mounted installation only
- Silver metallic liner included
- Order range hood blower separately
- May be accessorized with Range Hood Chimney - order separately

**Raised Panel Arched Valance Range Hood**

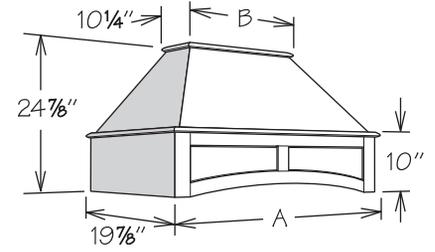


	A	B
RH3624 AV	37 3/4"	18 3/4"
RH4224 AV	43 3/4"	24 3/4"
RH4824 AV	49 3/4"	30 3/4"

RH3624 AV  
RH4224 AV  
RH4824 AV

- Wall mounted installation only
- Silver metallic liner included
- Order range hood blower separately
- May be accessorized with Range Hood Chimney - order separately

**Flat Panel Arched Valance Range Hood**

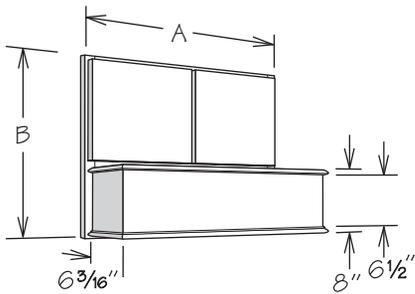


	A	B
RH3624 FV	37 3/4"	18 3/4"
RH4224 FV	43 3/4"	24 3/4"
RH4824 FV	49 3/4"	30 3/4"

RH3624 FV  
RH4224 FV  
RH4824 FV

- Wall mounted installation only
- Silver metallic liner included
- Order range hood blower separately
- May be accessorized with Range Hood Chimney - order separately

**Wall Range Hood Straight Valance**

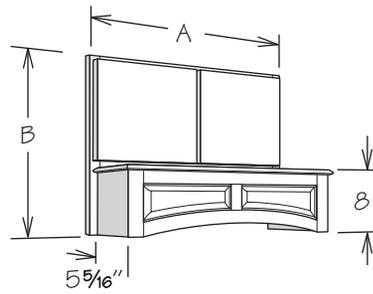


	A	B	Doors
WRH3024 SV	30"	24"	(2) DR1515
WRH3624 SV	36"	24"	(2) DR1815
WRH3030 SV	30"	30"	(2) DR1521
WRH3630 SV	36"	30"	(2) DR1821T

WRH3024 SV  
WRH3624 SV  
WRH3030 SV  
WRH3630 SV

- Must be installed between two wall cabinets
- Wall Range Hood features center stile behind doors
- Range Hood doors will match door style ordered
- Door opens to allow for duct work installation and wiring
- Silver metallic liner included
- Order range hood blower separately
- Not intended for use with RHVENT 960

**Wall Range Hood Raised Panel Arched Valance**

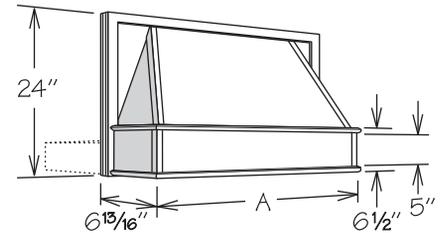


	A	B	Doors
WRH3024 AV	30"	24"	(2) DR1515
WRH3624 AV	36"	24"	(2) DR1815
WRH3030 AV	30"	30"	(2) DR1521
WRH3630 AV	36"	30"	(2) DR1821

WRH3024 AV  
WRH3624 AV  
WRH3030 AV  
WRH3630 AV

- Must be installed between two wall cabinets
- Wall Range Hood features center stile behind doors
- Range Hood doors will match door style ordered
- Door opens to allow for duct work installation and wiring
- Silver metallic liner included
- Order range hood blower separately
- Not intended for use with RHVENT 960

**Tapered Range Hood**

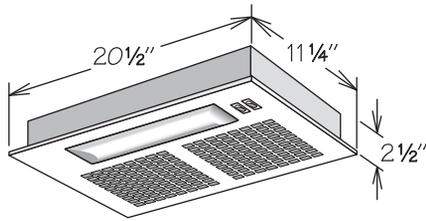


	A
RH3024 T	30"
RH3624 T	36"

RH3024 T  
RH3624 T

- Must be installed between two wall cabinets
- Silver metallic liner included
- Order range hood blower separately
- Not intended for use with RHVENT 960

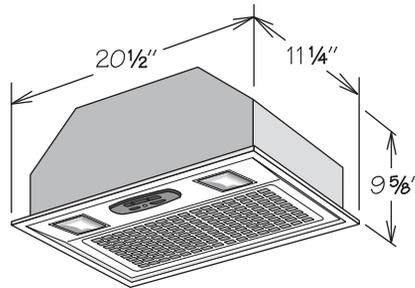
**Range Hood Blower  
250 CFM Vented**



RHVENT 250

- Designed for vented installation where exhaust is vented to exterior of home
- Durable, powder-coated silver finish
- Features a two-speed motor and enclosed light controlled by rocker switches
- 6 3/8" fan provides 250 CFM air delivery and sound level of 8.0 sones
- Includes one-piece washable aluminum mesh filter
- Requires 7" round duct for venting to exterior (not included)
- Installation and care instructions included
- Liner not included

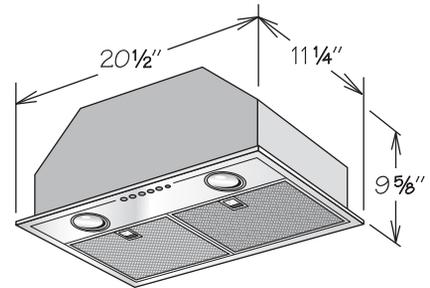
**Range Hood Blower  
390 CFM Vented**



RHVENT 390

- Designed for vented installation where exhaust is vented to exterior of home
- Durable, powder-coated silver finish
- Features a multi-speed fan and enclosed light controlled by separate switches
- Centrifugal blower provides 390 CFM air delivery and sound level of 5.5 sones
- Includes one-piece washable aluminum mesh filter
- Requires 6" round duct for venting to exterior (not included)
- Installation and care instructions included
- Liner not included

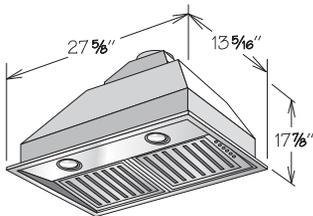
**Range Hood Blower  
500 CFM Vented**



RHVENT 500

- Designed for vented installation where exhaust is vented to exterior of home
- Durable, stainless steel with brushed finish
- Features a multi-speed fan and enclosed light controlled by separate switches
- Centrifugal blower provides 500 CFM air delivery and sound level of 8.0 sones
- Includes two 12V 20W halogen lamps
- Includes two washable filters with stainless steel covers
- Requires 6" round duct for venting to exterior (not included)
- Installation and care instructions included
- Liner not included

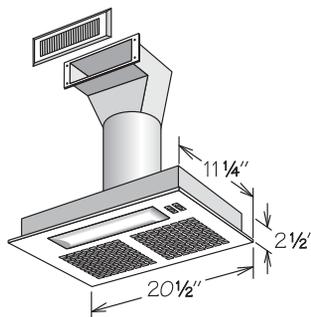
**Range Hood Blower  
960 CFM - Vented**



RHVENT 960

- Designed for vented installation where exhaust is vented to exterior of home
- Durable stainless steel with brushed finish
- Features a 4-speed push-button control to offer greater CFM flexibility; 960 CFM, 660 CFM, 480 CFM and 300 CFM
- Centrifugal blower provides 960 CFM air delivery and sound level of 5.1 sones on highest speed
- Includes two 20-watt halogen lamps
- Stainless baffle filters are easily removed for cleaning (dishwasher safe)
- 10 minute delay off timer
- Requires 7" round duct for venting to exterior (not included)
- Installation and care instructions included
- Not designed for use with the following:
  - Tapered Range Hoods
  - Wall Range Hoods (Straight Valance and Arched Valance)

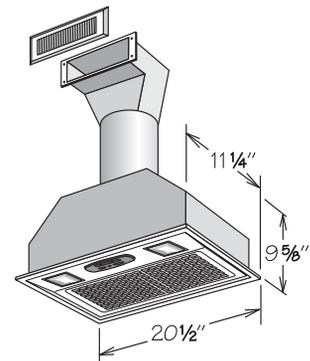
**Range Hood Blower  
250 CFM Recirculating**



RHVENT 250R

- Designed for recirculating installation where exhaust is vented back into kitchen
- Includes ductwork, metal soffit air grille, charcoal filter(s) and clips
- Durable, powder-coated silver finish
- Features a two-speed motor and enclosed light controlled by rocker switches
- 6 3/8" fan provides 250 CFM air delivery and sound level of 8.0 sones
- Installation and care instructions included
- Liner not included
- 3" x 10" cutout required for metal grille
- Metal grille measures 5 3/8" x 11 1/4"

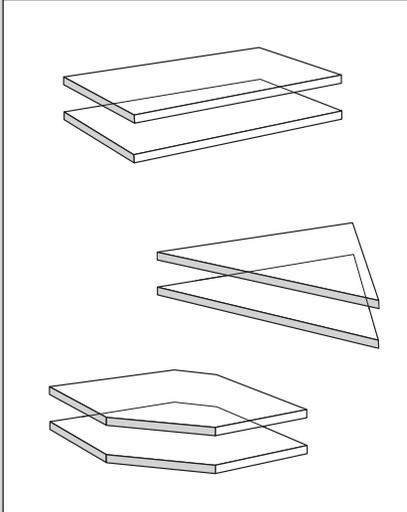
**Range Hood Blower  
390 CFM Recirculating**



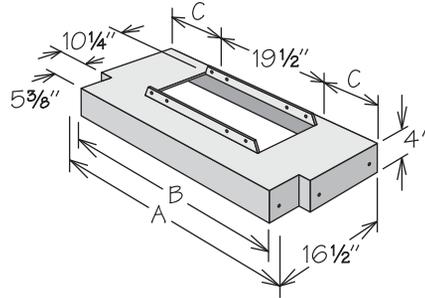
RHVENT 390R

- Designed for recirculating installation where exhaust is vented back into kitchen
- Includes ductwork, metal soffit air grille, charcoal filter(s) and clips
- Durable, powder-coated silver finish
- Features a multi-speed fan and enclosed light controlled by separate switches
- Centrifugal blower provides 390 CFM air delivery and sound level of 5.5 sones
- Installation and care instructions included
- Liner not included
- 3" x 10" cutout required for metal grille
- Metal grille measures 5 3/8" x 11 1/4"

Accessories



Tapered Hood Liner

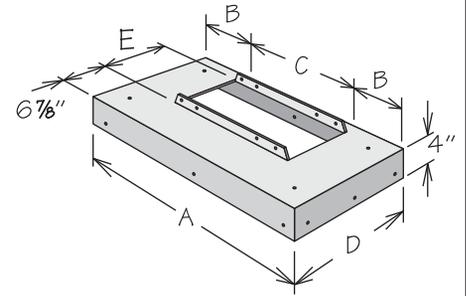


	A	B	C
RHLINER 30	29 15/16"	26 3/16"	5 7/32"
RHLINER 36	35 5/16"	32 3/16"	8 7/32"

RHLINER 30  
RHLINER 36

- Liner is silver metallic powder-coated metal
- For use with RH\_\_T, WRH\_\_SV or WRH\_\_AV (liner included with Range Hood)

Straight Valance Hood Liner

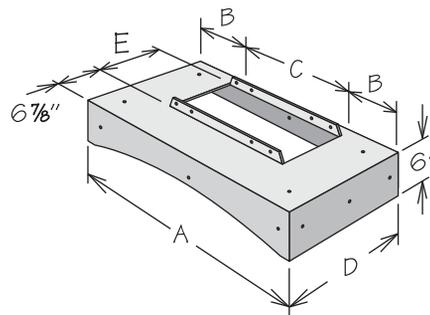


	A	B	C	D	E
RHLINER 36S	34 1/32"	7 7/16"	19 1/2"	18 1/4"	10 1/4"
RHLINER 42S	40 9/32"	10 7/16"	19 1/2"	18 1/4"	10 1/4"
RHLINER 48S	46 5/32"	13 3/16"	19 1/2"	18 1/4"	10 1/4"
RHLINER 36S SL1	34 1/32"	3 3/4"	26 3/16"	18 3/8"	12 7/16"
RHLINER 42S SL1	40 9/32"	6 3/4"	26 3/16"	18 3/8"	12 7/16"
RHLINER 48S SL1	46 5/32"	9 3/4"	26 3/16"	18 3/8"	12 7/16"

RHLINER 36S                      RHLINER 36S SL1  
RHLINER 42S                      RHLINER 42S SL1  
RHLINER 48S                      RHLINER 48S SL1

- Liner is silver metallic powder-coated metal
- For use with RH\_\_SV (liner included with Range Hood)
- RHLINER \_\_S SL1 must be used for RHVENT 960 blower

Arched Valance Hood Liner

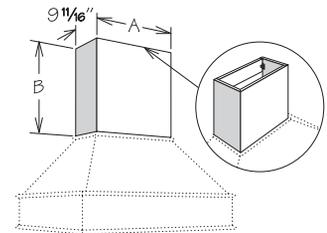


	A	B	C	D	E
RHLINER 36A	34 17/32"	7 7/32"	19 1/2"	18 1/4"	10 1/4"
RHLINER 42A	40 17/32"	10 7/32"	19 1/2"	18 1/4"	10 1/4"
RHLINER 48A	46 17/32"	13 3/32"	19 1/2"	18 1/4"	10 1/4"
RHLINER 36A SL1	34 17/32"	3 3/8"	26 3/16"	18 1/4"	12 1/8"
RHLINER 42A SL1	40 17/32"	6 7/8"	26 3/16"	18 1/4"	12 1/8"
RHLINER 48A SL1	46 17/32"	9 7/8"	26 3/16"	18 1/4"	12 1/8"

RHLINER 36A                      RHLINER 36A SL1  
RHLINER 42A                      RHLINER 42A SL1  
RHLINER 48A                      RHLINER 48A SL1

- Liner is silver metallic powder-coated metal
- Liner features front arch to correspond with the Arched or Flat Valance Range Hood
- For use with RH\_\_AV or RH\_\_FV (liner included with Range Hood)
- RHLINER \_\_A SL1 must be used for RHVENT 960 blower

Range Hood Chimney

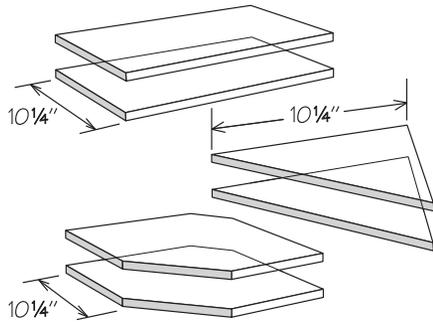


	A	B
RHC3623	17 3/8"	23 1/2"
RHC4223	23 3/8"	23 1/2"
RHC4823	29 3/8"	23 1/2"
RHC3631	17 3/8"	31 1/2"
RHC4231	23 3/8"	31 1/2"
RHC4831	29 3/8"	31 1/2"

RHC3623                      RHC3631  
RHC4223                      RHC4231  
RHC4823                      RHC4831

- Field trimmable in height
- All door styles feature 3/4" solid wood finished to match cabinet exterior
- Features two chimney mounting blocks with metal fasteners
- For use with Straight Valance, Arched Valance or Flat Valance Range Hood

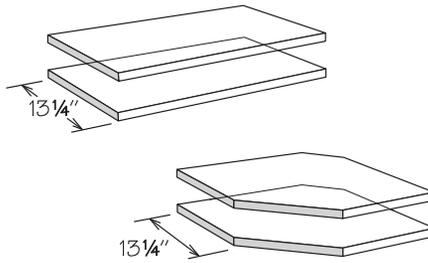
### Glass Shelf Kit 12" Deep



GSK12	GSK30
GSK15	GSK33
GSK18	GSK36
GSK21	GSKCW24
GSK24	GSKWEA12
GSK27	

- For use in 12" deep wall cabinets
- Glass Shelf Kit includes two 1/4" high-strength tempered glass shelves
- Kit does not include shelf rests
- Refer to individual SKU box for availability and number of shelves required
- Tempered glass cannot be field trimmed
- Glass Shelf Kits 12" - 24" wide have a 15 lb. per square foot load rating
- Glass Shelf Kits 27" - 36" wide have a 5 lb. per square foot load rating

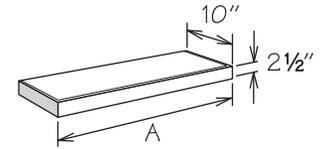
### Glass Shelf Kit 15" Deep



GSK12-15	GSK27-15
GSK15-15	GSK30-15
GSK18-15	GSK33-15
GSK21-15	GSK36-15
GSK24-15	GSKCW27

- For use in wall cabinets increased to 15" deep
- Glass Shelf Kit includes two 1/4" high-strength tempered glass shelves
- Kit does not include shelf rests
- Refer to individual SKU box for number of shelves required and/or available
- Tempered glass cannot be field trimmed
- Glass Shelf Kits 12" - 24" wide have a 15 lb. per square foot load rating
- Glass Shelf Kits 27" - 36" wide have a 5 lb. per square foot load rating

### Floating Shelf

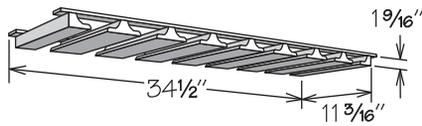


SKU	A	Max. Load
FLSH2410	24"	30 lbs.
FLSH3010	30"	37 lbs.
FLSH3610	36"	45 lbs.
FLSH4210	42"	52 lbs.
FLSH4810	48"	60 lbs.

FLSH2410  
FLSH3010  
FLSH3610  
FLSH4210  
FLSH4810

- Not trimmable
- Finished on all sides to match cabinet exterior
- Features veneered engineered wood top and bottom and solid wood front and sides
- When installed between two cabinets, Wall End Panels (WEP) are recommended for adjacent cabinets
- Must be secured to studs in wall
- Installation instructions, mounting brackets and screws included

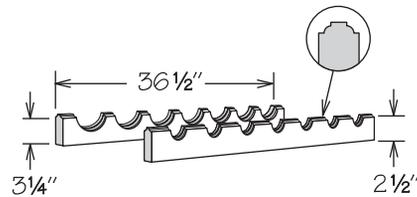
### Stem Glass Holder



SGH36U

- For installation below 36" wide wall cabinet
- Field trimmable for installation below 30", 24" or 18" wide wall cabinets
- Features solid wood finished to match cabinet exterior
- Maximum stem glass base is 3/2" in diameter
- Not sized to fit modified depth cabinets

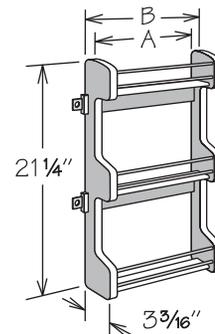
### Wine Rack



WR36

- Accommodates seven bottles
- Field trimmable to 24" (five bottles) or 30" (six bottles)
- Features solid wood finished to match cabinet exterior

### Spice Rack Kit

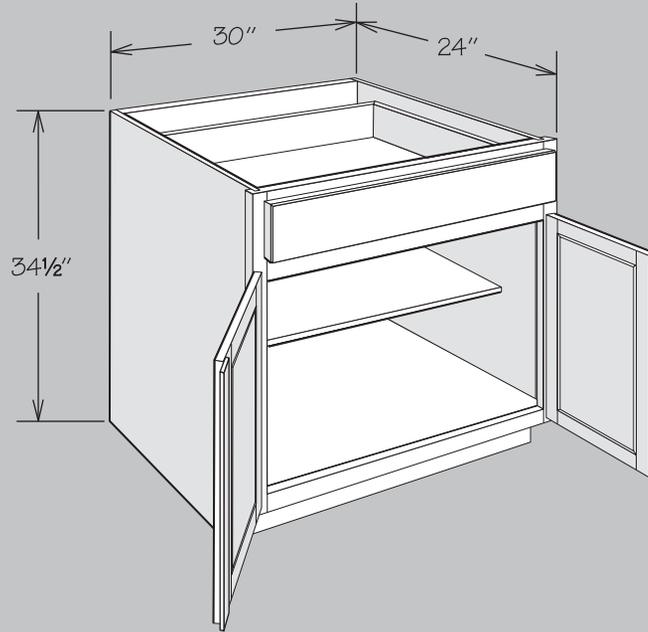


	A	B
SRK15	9 1/2"	10 1/2"
SRK18	12 1/2"	13 1/2"
SRK21	15 1/2"	16 1/2"

SRK15  
SRK18  
SRK21

- Field installation accessory
- Kit features natural finish solid wood with chrome rails and three fixed shelves
- Position cabinet adjustable shelves prior to installation
- For wall cabinets 30" or higher
- SRK15 mounts to 15" wide door
- SRK18 mounts to 18" wide door
- SRK21 mounts to 21" wide door

# Base Cabinets



## Dimensions

Width	Height	Depth
6" to 48"	34½" (Reduced Depth optional on select cabinets)	24"

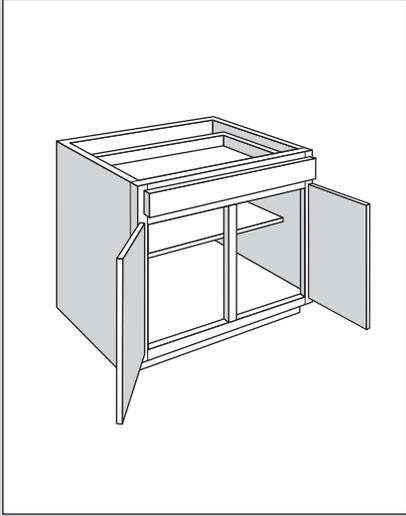
## SKU Coding

<b>B</b>	<b>30</b>	<b>1B</b>
Cabinet Type (e.g., B=Base)	width in inches	Door Type

## Construction Options & Modifications

- CFO** ..... Cabinet Front Only
- ID** ..... Increased Depth
- IF** ..... Inverted Frame
- RD** ..... Reduced Depth
- RTK** ..... Recessed Toe Kick
- VTD** ..... Void Top Drawer
- XDTSG** ..... Remove Dovetail Side Glides

**Standard Base Cabinets**

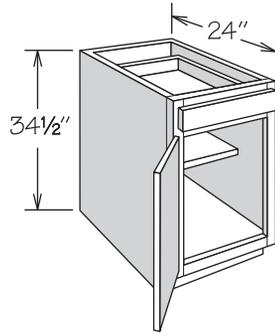


Standard Base cabinets are 34½" high by 24" deep and range from 12" to 48" wide.

Single door Standard Base cabinets are hinged left and can be reversed in the field.

Inset toe kick construction requires BTK8 matching toe kick - must be ordered separately.

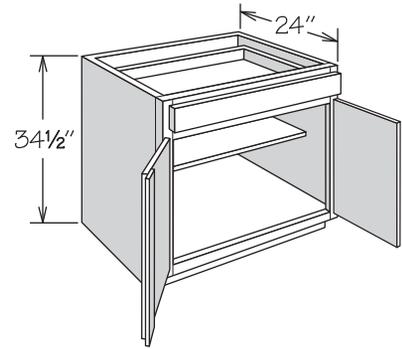
**Base Cabinet**  
1 Door, 1 Drawer



B12	CFO
B15	IF
B18	RD
B21	RTK
B24	XDTSG

- Half-depth adjustable shelf

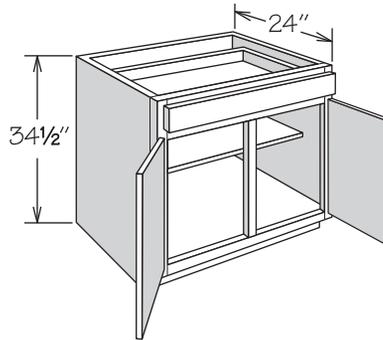
**Base Cabinet**  
2 Doors with Batten, 1 Drawer



B24 1B	CFO
B30 1B	IF
B33 1B	RD
B36 1B 1TD	RTK
	XDTSG

- Left door with batten
- Half-depth adjustable shelf
- Center support for shelf provided

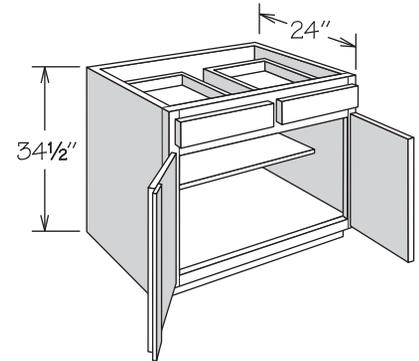
**Base Cabinet**  
2 Doors, 1 Drawer



B27	CFO
B30	IF
B33	RD
B36 1TD	RTK
	XDTSG

- Half-depth adjustable shelf
- Center support for shelf provided

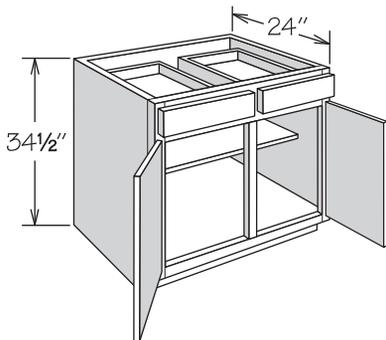
**Base Cabinet**  
2 Doors with Batten, 2 Drawers



B36 1B	CFO
	IF
	RD
	RTK
	XDTSG

- Left door with batten
- Half-depth adjustable shelf
- Center support for shelf provided

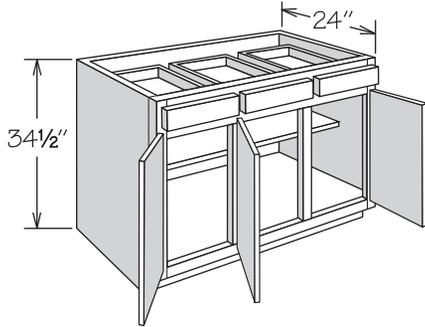
**Base Cabinet**  
2 Doors, 2 Drawers



B36	CFO
B39	IF
B42	RD
B48	RTK
	XDTSG

- Half-depth adjustable shelf
- Center support for shelf provided

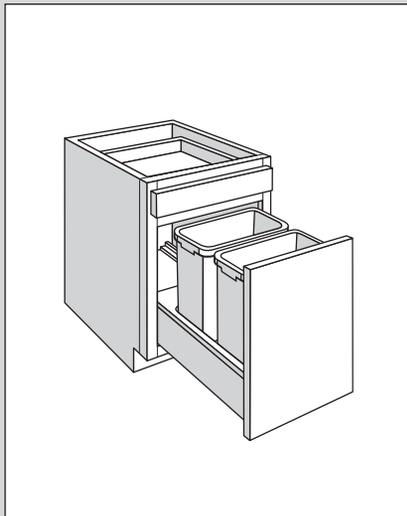
**Base Cabinet**  
3 Doors, 3 Drawers



B45	CFO
	IF
	RD
	RTK
	XDTSG

- Half-depth adjustable shelf
- Center support for shelf provided
- Hinged as shown - center door can be reversed in the field

**Base Cabinets with Accessories**



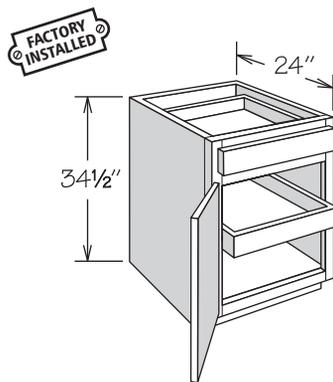
Base Cabinets with Accessories are 34½" high by 24" deep and range from 12" to 48" wide.

Single door Base Cabinets with Accessories are hinged left and can be reversed in the field.

Inset toe kick construction requires BTK8 matching toe kick - must be ordered separately.

**Base Cabinet**

1 Door, 1 Drawer  
1 Sliding Shelf



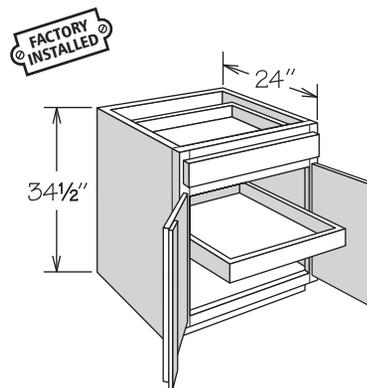
B12 SS1  
B15 SS1  
B18 SS1  
B21 SS1  
B24 SS1

RD
RTK
VTD
XDTSG

- Sliding Shelf in center position is not adjustable
- Engineered wood Sliding Shelf included

**Base Cabinet**

2 Doors with Batten, 1 Drawer  
1 Sliding Shelf



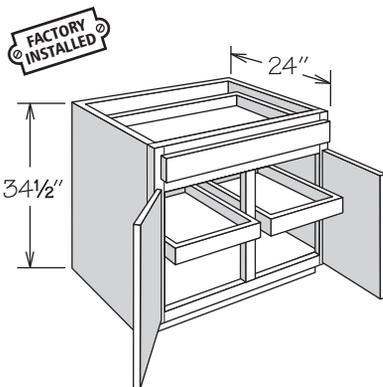
B24 SS1 1B

RD
RTK
VTD
XDTSG

- Left door with batten
- Sliding Shelf in center position is not adjustable
- Engineered wood Sliding Shelf included

**Base Cabinet**

2 Doors, 1 Drawer  
2 Sliding Shelves



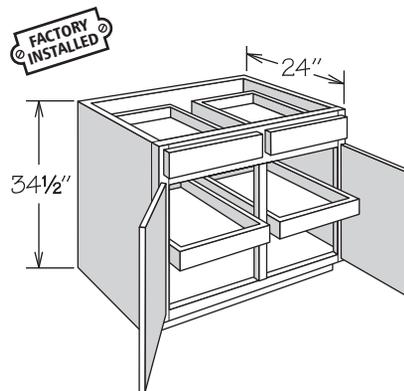
B27 SS1  
B30 SS1  
B33 SS1  
B36 SS1 1TD

RD
RTK
VTD
XDTSG

- Sliding Shelves in center position are not adjustable
- Engineered wood Sliding Shelves included

**Base Cabinet**

2 Doors, 2 Drawers  
2 Sliding Shelves

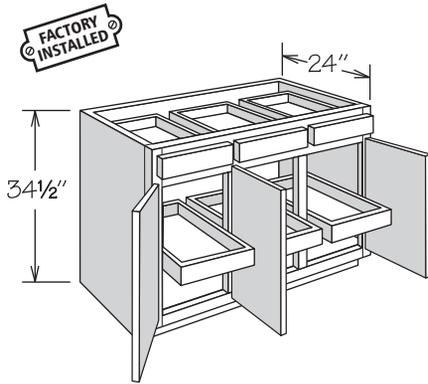


B36 SS1  
B39 SS1  
B42 SS1  
B48 SS1

RD
RTK
VTD
XDTSG

- Sliding Shelves in center position are not adjustable
- Engineered wood Sliding Shelves included

**Base Cabinet**  
3 Doors, 3 Drawers  
3 Sliding Shelves

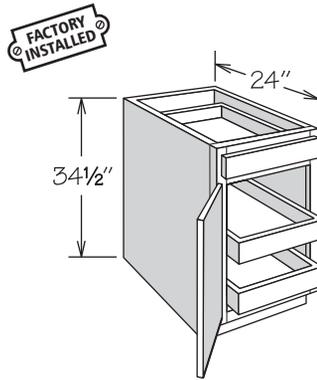


B45 SS1

RD
RTK
VTD
XDTSG

- Sliding Shelves in center position are not adjustable
- Hinged as shown - can be reversed in the field
- Engineered wood Sliding Shelves included

**Base Cabinet**  
1 Door, 1 Drawer  
2 Sliding Shelves

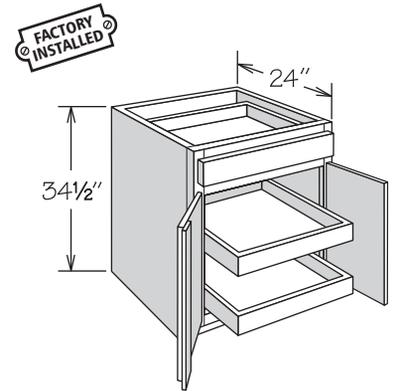


B12 SS2  
B15 SS2  
B18 SS2  
B21 SS2  
B24 SS2

RD
RTK
VTD
XDTSG

- Sliding Shelves are not adjustable
- Engineered wood Sliding Shelves included

**Base Cabinet**  
2 Doors with Batten, 1 Drawer  
2 Sliding Shelves

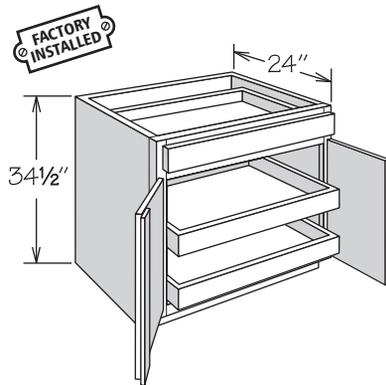


B24 SS2 1B

RD
RTK
VTD
XDTSG

- Left door with batten
- Sliding Shelves are not adjustable
- Engineered wood Sliding Shelves included

**Base Cabinet**  
2 Doors with Batten, 1 Drawer  
2 Sliding Shelves

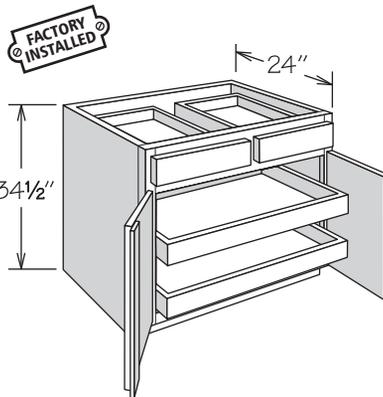


B30 1B SS2  
B33 1B SS2  
B36 SS2 1TD 1B

RD
RTK
VTD
XDTSG

- Left door with batten
- Sliding Shelves are not adjustable
- Engineered wood Sliding Shelves included

**Base Cabinet**  
2 Doors with Batten, 2 Drawers  
2 Sliding Shelves

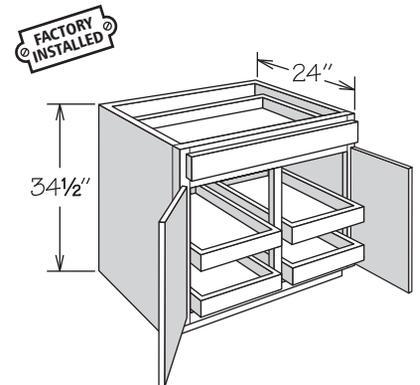


B36 SS2 1B

RD
RTK
VTD
XDTSG

- Left door with batten
- Sliding Shelves are not adjustable
- Engineered wood Sliding Shelves included

**Base Cabinet**  
2 Doors, 1 Drawer  
4 Sliding Shelves

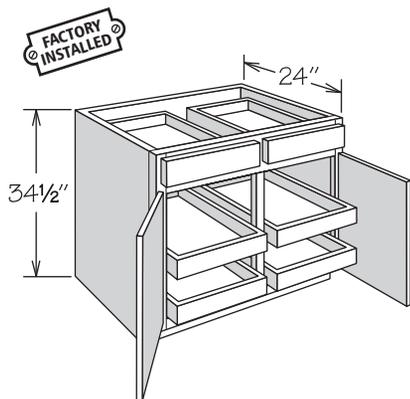


B27 SS2  
B30 SS2  
B33 SS2  
B36 SS2 1TD

RD
RTK
VTD
XDTSG

- Sliding Shelves are not adjustable
- Engineered wood Sliding Shelves included

**Base Cabinet**  
2 Doors, 2 Drawers  
4 Sliding Shelves

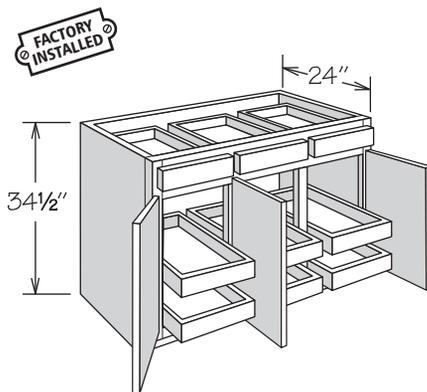


B36 SS2  
B39 SS2  
B42 SS2  
B48 SS2

RD
RTK
VTD
XDTSG

- Sliding Shelves are not adjustable
- Engineered wood Sliding Shelves included

**Base Cabinet**  
3 Doors, 3 Drawers  
6 Sliding Shelves

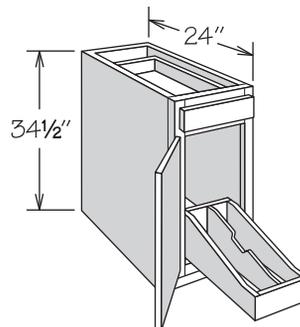


B45 SS2

RD
RTK
VTD
XDTSG

- Sliding Shelves are not adjustable
- Hinged as shown - can be reversed in the field
- Engineered wood Sliding Shelves included

**Base Cabinet**  
with Factory Installed  
Roll Out Tray Divider

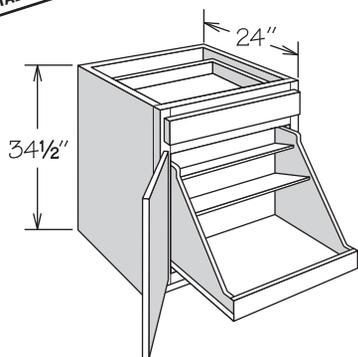


B12 ROTD  
B15 ROTD

RTK
XDTSG

- Organizer in natural finish solid wood and wood veneer with MDF bottom and Side-Mounted Drawer Glides
- Front of organizer features dovetail construction
- No shelf
- B12 ROTD features two compartments (one partition)
- B15 ROTD features three compartments (two partitions)
- Partition(s) are field installed

**Base Pot and Pan Organizer Cabinet**  
1 Door, 1 Drawer

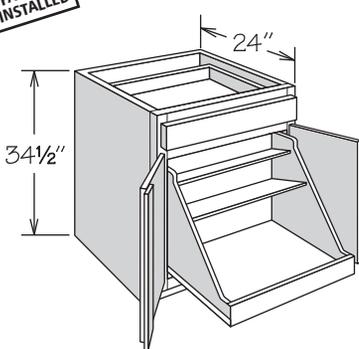


B24 BPP0

IF
RD
RTK
VTD
XDTSG

- Organizer in natural finish solid wood and wood veneer with MDF bottom and Side-Mounted Drawer Glides
- Front of organizer features dovetail construction
- Top shelf measures 6 3/8" deep
- Middle shelf measures 9 3/4" deep

**Base Pot and Pan Organizer Cabinet**  
2 Doors with Batten, 1 Drawer

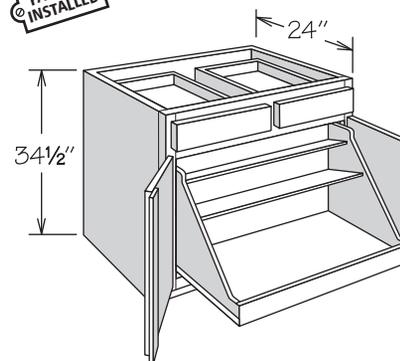


B24 1B BPP0  
B30 1B BPP0  
B33 1B BPP0  
B36 1B 1TD BPP0

IF
RD
RTK
VTD
XDTSG

- Left door with batten
- Organizer in natural finish solid wood and wood veneer with MDF bottom and Side-Mounted Drawer Glides
- Front of organizer features dovetail construction
- Top shelf measures 6 3/8" deep
- Middle shelf measures 9 3/4" deep

**Base Pot and Pan Organizer Cabinet**  
2 Doors with Batten, 2 Drawers

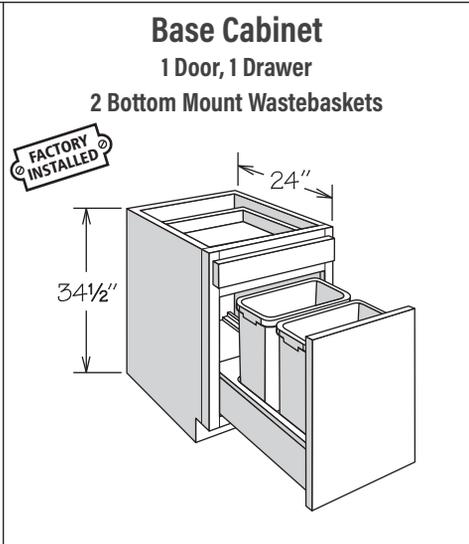
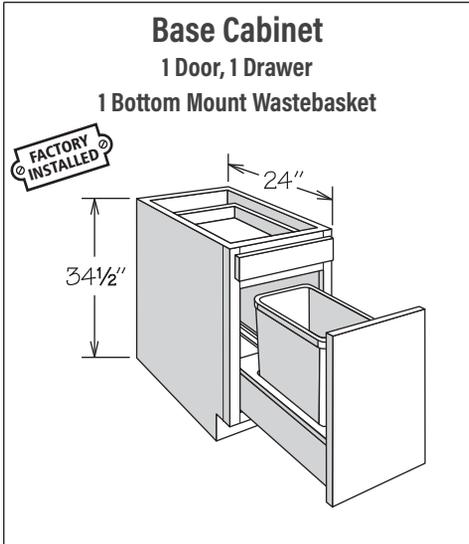


B36 1B BPP0

IF
RTK
VTD
XDTSG

- Left door with batten
- Organizer in natural finish solid wood and wood veneer with MDF bottom and Side-Mounted Drawer Glides
- Front of organizer features dovetail construction
- Top shelf measures 6 3/8" deep
- Middle shelf measures 9 3/4" deep

BASE CABINETS

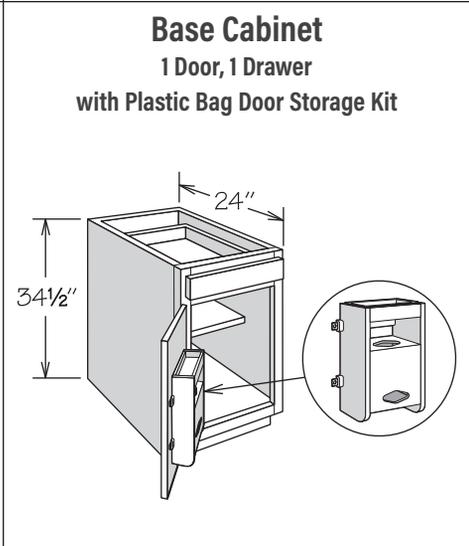
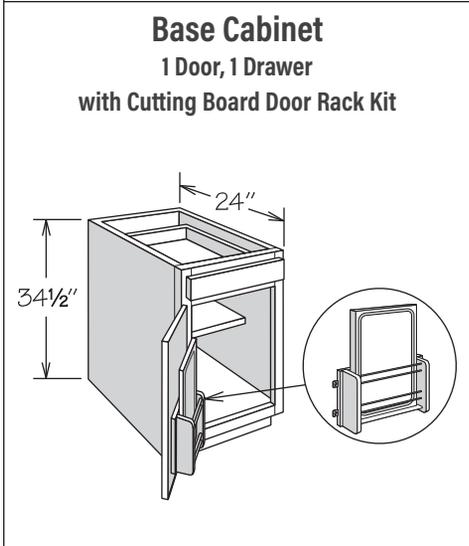


BWBB15	IF
	RTK
	XDTSG

BWBB15-2 BWBB18-2 BWBB21-2	IF
	RTK
	XDTSG

- One standard top drawer
- Features one silver plastic 35-quart capacity bin
- Wastebasket rests in a natural finish wood frame
- Features heavy-duty 132-pound rated glides
- Decorative hardware strongly recommended

- One standard top drawer
- Features two silver plastic bins:
  - BWBB15-2 is 27-quart capacity
  - BWBB18-2 and BWBB21-2 are 35-quart capacity
- Wastebaskets rest in a natural finish wood frame
- Features heavy-duty 132-pound rated glides
- Decorative hardware strongly recommended



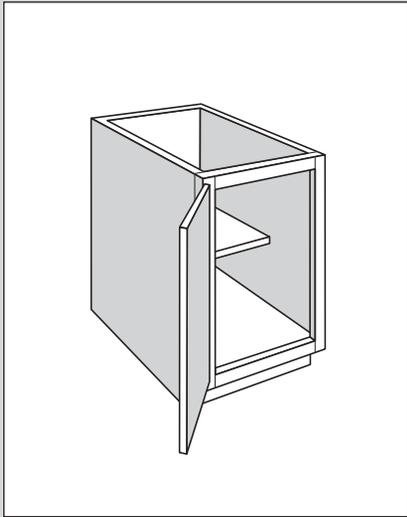
B18 CBDR	RTK
	XDTSG

B15 PBDSU B18 PBDSU	RTK
	XDTSG

- Cutting Board Door Rack Kit packaged separately for field installation
- Kit in natural finish solid wood features chrome rails
- Cannot be used with Sliding Shelves
- Solid wood cutting board is NOT dishwasher safe
- Cutting Board measures 15 5/16" x 10 3/16" x 1 3/16"

- Plastic Bag Door Storage Unit packaged separately for field installation
- Unit in natural finish solid wood and wood veneer
- Cannot be used with Sliding Shelves
- Removable white plastic tray is NOT dishwasher safe

**Full-Height Base Cabinets**

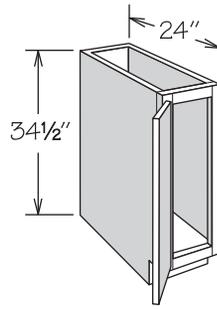


Full-Height Base Cabinets are 34½" High by 24" Deep and range from 9" to 36" wide.

Single door Full-Height Base cabinets are hinged left and can be reversed in the field.

Inset Toe Kick construction requires BTK8 matching toe kick - must be ordered separately.

**Base Cabinet  
1 Door, No Shelf**

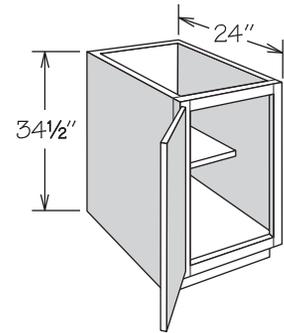


TB9

CFO
RD
RTK

- No shelf
- Full-height door
- For vertical tray storage
- Order S924 adjustable shelf separately
- Not available with Recessed Toe Kick Both (RTKB) Option

**Full-Height Base Cabinet  
1 Door**

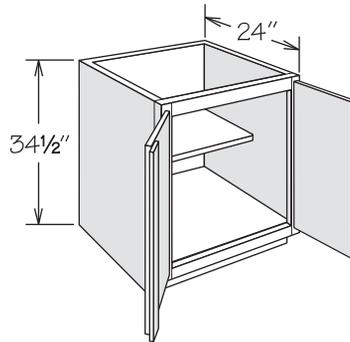


B12 FH  
B15 FH  
B18 FH  
B21 FH

CFO
RD
RTK

- Half-depth adjustable shelf
- Full-height door

**Full-Height Base Cabinet  
2 Doors with Batten**

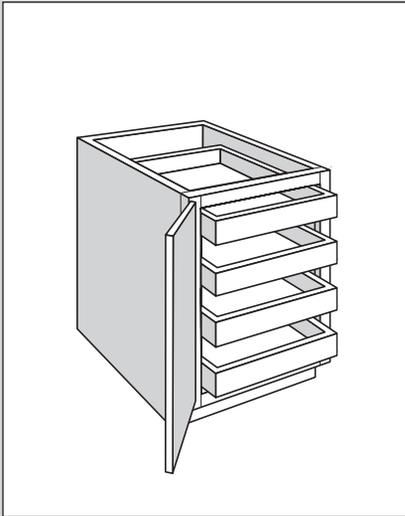


B24 1B FH  
B30 1B FH  
B36 1B FH

CFO
RD
RTK

- Left door with batten
- Half-depth adjustable shelf
- Full-height doors

**Full-Height Base Cabinets with Accessories**

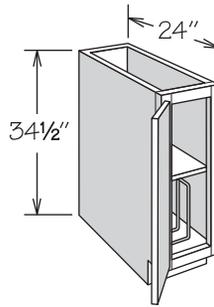


Full-Height Base Cabinets with accessories are 34½" high by 24" deep and range from 9" to 30" wide.

Single door Full-Height Base Cabinets are hinged left and can be reversed in the field.

Inset Toe Kick construction requires BTK8 matching toe kick - must be ordered separately.

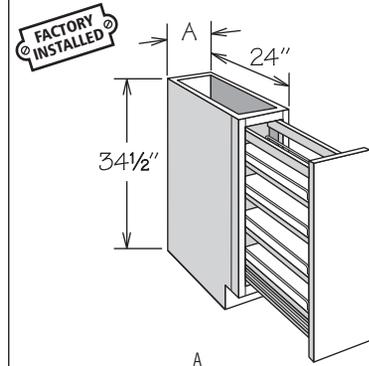
**Base Cabinet No Drawer with Tray Divider and Shelf**



TB9 TDS	RD
	RTK

- Full-height door
- Full-depth adjustable shelf
- TD3 Cabinet Tray Divider packaged separately for field installation
- Only available with RD-23 through RD-14
- Not available with Recessed Toe Kick Both (RTKB) Option

**Base Pantry Pull Out**

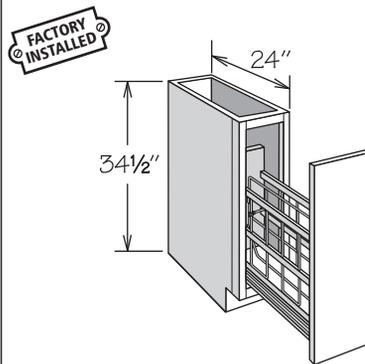


A	
BPP9	9"
BPP12	12"

BPP9 BPP12	RTK
---------------	-----

- Full-height door
- Features heavy-duty full access glides
- One fixed and three adjustable shelves with chrome rails
- Decorative hardware strongly recommended
- BPP9 not available with Recessed Toe Kick Both (RTKB) Option

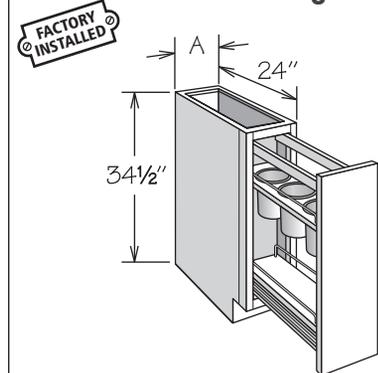
**Base Tray Divider Pull Out**



BTDP9	RTK
-------	-----

- Full-height door
- Features heavy-duty full-access glides
- Tray divider is adjustable to accommodate various storage solutions
- Adjustable T-Bar included for storage customization
- Decorative hardware strongly recommended
- Not available with Recessed Toe Kick Both (RTKB) Option

**Base Pantry Pull Out Utensil Storage**

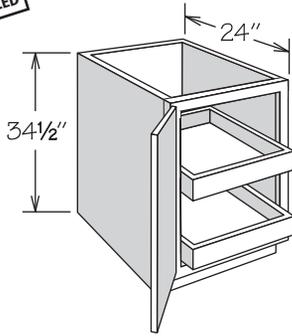


A	
BPPUS9	9"
BPPUS12	12"

BPPUS9 BPPUS12	RTK
-------------------	-----

- Full-height door
- Features heavy-duty full access glides
- Bottom natural finish fixed shelf with chrome rails
- Upper natural finish fixed shelf with chrome rails and three stainless steel removable storage bins
- Stainless steel bins measure 5 ¼" wide x 6 ⅞" deep
- Decorative hardware strongly recommended
- BPPUS9 not available with Recessed Toe Kick Both (RTKB) Option

**Full-Height Base Cabinet**  
1 Door, 2 Sliding Shelves

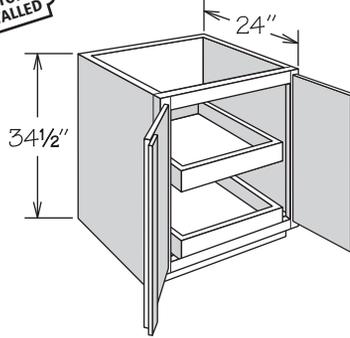


B18 FH SS2

RD  
RTK

- Full-height door
- Two engineered wood Sliding Shelves included

**Full-Height Base Cabinet**  
2 Doors with Batten,  
2 Sliding Shelves

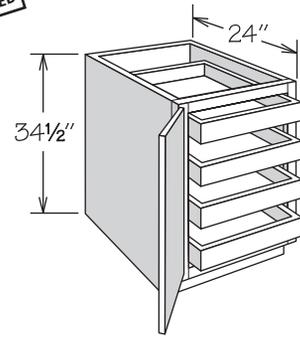


B24 1B FH SS2  
B30 1B FH SS2

RD  
RTK

- Left door with batten
- Full-height doors
- Two engineered wood Sliding Shelves included

**Full-Height Base Cabinet**  
1 Door, 4 Sliding Shelves

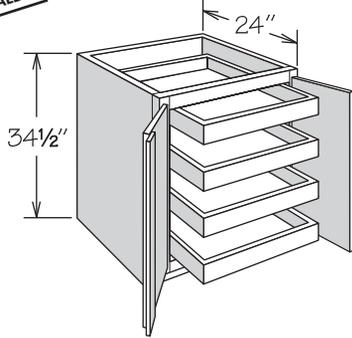


B18 FH SS4

RD  
RTK

- Full-height door
- Four engineered wood Sliding Shelves included

**Full-Height Base Cabinet**  
2 Doors with Batten,  
4 Sliding Shelves

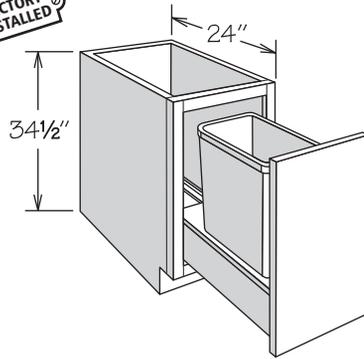


B24 1B FH SS4  
B30 1B FH SS4

RD  
RTK

- Left door with batten
- Full-height doors
- Four engineered wood Sliding Shelves included

**Full-Height Base Cabinet**  
1 Door, 1 Bottom Mount Wastebasket

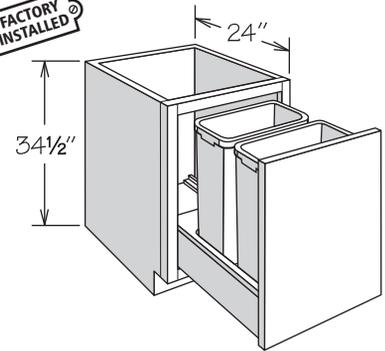


BWBB15 FH  
BWBB18 FH

RTK

- Full-height door
- Features one silver plastic 50-quart capacity bin
- Wastebasket rests in a natural finish wood frame with full-access heavy-duty 132-pound rated glides
- Decorative hardware strongly recommended

**Full-Height Base Cabinet**  
1 Door, 2 Bottom Mount Wastebaskets



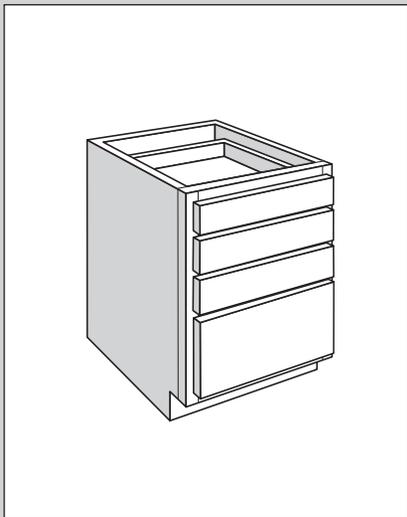
BWBB21-2 FH

RTK

- Full-height door
- Features two silver plastic 50-quart capacity bins
- Wastebasket rests in a natural finish wood frame with full-access heavy-duty 132-pound rated glides
- Decorative hardware strongly recommended



**Drawer Base Cabinets**

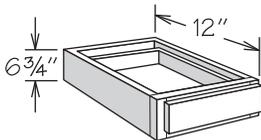


Drawer Base cabinets are 6 3/4" to 34 1/2" high by 12" to 24" deep and range from 12" to 36" wide.

Inset toe kick construction requires BTK8 matching toe kick - must be ordered separately.

BASE CABINETS

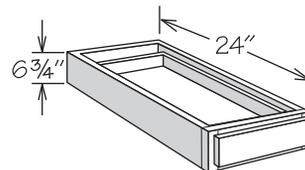
**6" High Furniture  
Drawer Cabinet  
12" Deep**



FD121206	CFO XDTSG
FD151206	
FD181206	
FD211206	
FD241206	
FD271206	
FD301206	
FD331206	

- One standard drawer
- No toe kick
- Bottom of cabinet must be fully supported

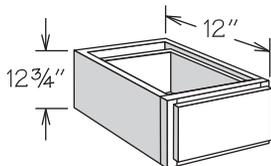
**6" High Furniture  
Drawer Cabinet  
24" Deep**



FD122406	CFO RD XDTSG
FD152406	
FD182406	
FD212406	
FD242406	
FD272406	
FD302406	
FD332406	

- One standard drawer
- No toe kick
- Only available with RD-23 through RD-13
- Bottom of cabinet must be fully supported

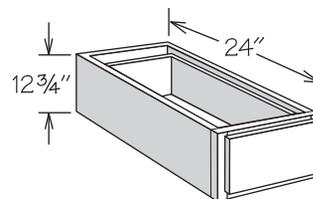
**12" High Furniture  
Drawer Cabinet  
12" Deep**



FD121212	CFO XDTSG
FD151212	
FD181212	
FD211212	
FD241212	
FD271212	
FD301212	
FD331212	

- One large drawer
- No toe kick
- Bottom of cabinet must be fully supported

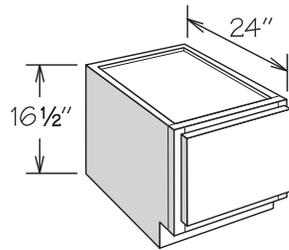
**12" High Furniture  
Drawer Cabinet  
24" Deep**



FD122412	CFO RD XDTSG
FD152412	
FD182412	
FD212412	
FD242412	
FD272412	
FD302412	
FD332412	

- One large drawer
- No toe kick
- Only available with RD-23 through RD-13
- Bottom of cabinet must be fully supported

**Pedestal Drawer Cabinet**

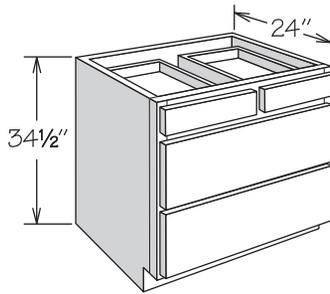


PD1217 1DWR  
 PD1517 1DWR  
 PD1817 1DWR  
 PD2117 1DWR  
 PD2417 1DWR  
 PD2717 1DWR  
 PD3017 1DWR  
 PD3317 1DWR  
 PD3617 1DWR

CFO
RD
RTK
XDTSG

- One large drawer
- Cabinet features a solid top

**Drawer Base Cabinet  
4 Drawers**

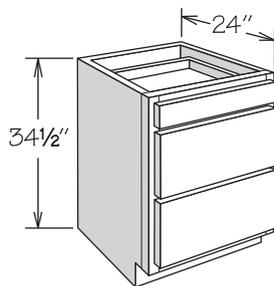


DB36

CFO
RD
RTK
VTD
XDTSG

- Two standard and two large drawers

**Drawer Base Cabinet  
3 Drawers**

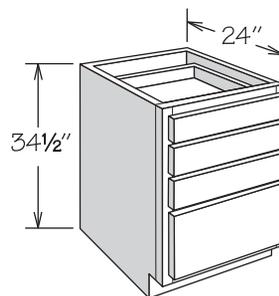


DB12      DB27  
 DB15      DB30  
 DB18      DB33  
 DB21      DB36 1TD  
 DB24

CFO
RD
RTK
VTD
XDTSG

- One standard and two large drawers

**Drawer Base Cabinet  
4 Drawers**

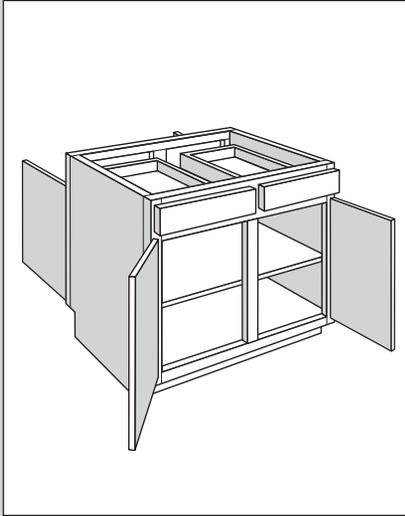


DB12 4DWR  
 DB15 4DWR  
 DB18 4DWR  
 DB21 4DWR  
 DB24 4DWR

CFO
RD
RTK
VTD
XDTSG

- One large and three standard drawers

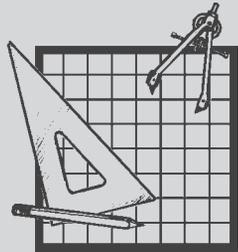
**Peninsula Base Cabinets**



Peninsula Base cabinets are 34 1/2" high by 24" deep and range from 12" to 42" wide.

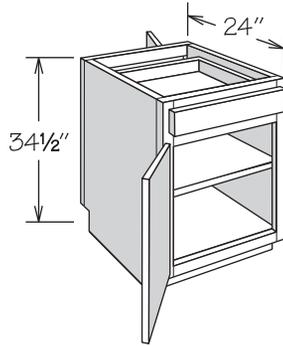
Single door Peninsula Base cabinets are hinged left and can be reversed in the field.

Inset toe kick construction requires BTK8 matching toe kick - must be ordered separately.



When selecting the Recessed Toe Kick Option, the drawer side indicates the front of the cabinet in order to correctly select Recessed Toe Kick Right or Left.

**Peninsula Base  
2 Doors, 1 Drawer**

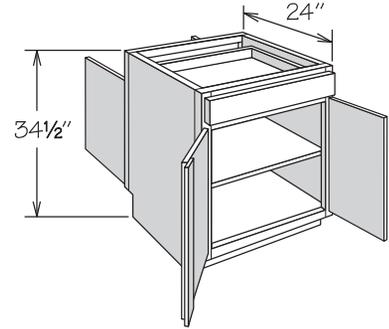


PB12  
PB18  
PB24

RD
RTK
VTD
XDTSG

- Full-depth adjustable shelf
- Drawer accessible on one side only
- Panel on opposite side of drawer

**Peninsula Base  
4 Doors with Batten, 1 Drawer**

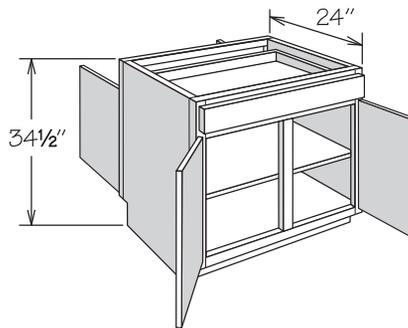


PB24 1B

RD
RTK
VTD
XDTSG

- Left doors with battens
- Full-depth adjustable shelf
- Drawer accessible on one side only
- Panel on opposite side of drawer

**Peninsula Base  
4 Doors, 1 Drawer**

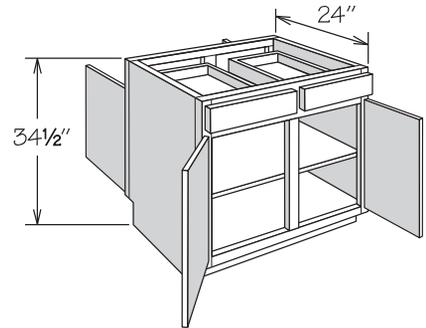


PB30  
PB36 1TD

RD
RTK
VTD
XDTSG

- Full-depth adjustable shelf
- Drawer accessible on one side only
- Panel on opposite side of drawer

**Peninsula Base  
4 Doors, 2 Drawers**

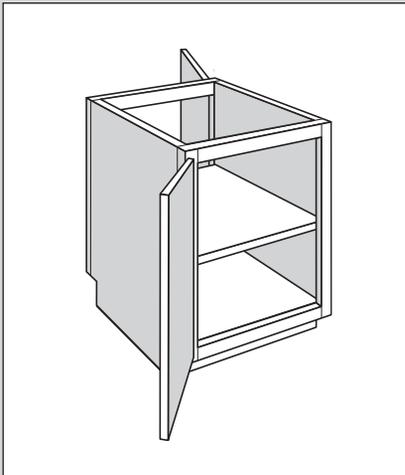


PB36  
PB42

RD
RTK
VTD
XDTSG

- Full-depth adjustable shelf
- Drawers accessible on one side only
- PB36 features one panel on opposite side of drawers
- PB42 features two panels on opposite side of drawers

**Full-Height Peninsula Base Cabinets**

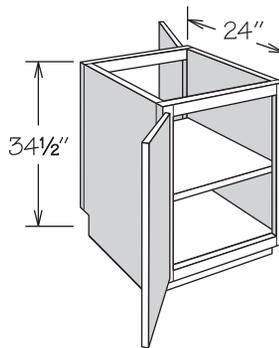


Peninsula Base cabinets are 34 1/2" high by 24" deep and range from 12" to 42" wide.

Single door Peninsula Base cabinets are hinged left and can be reversed in the field.

Inset Toe Kick construction requires BTK8 matching toe kick - must be ordered separately.

**Full-Height Peninsula Base  
2 Doors**

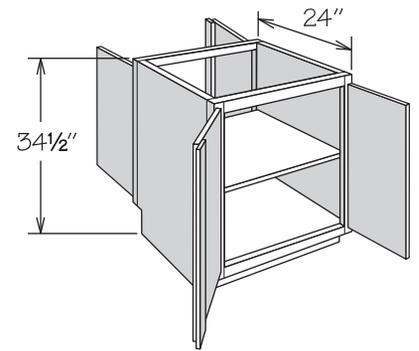


PB12 FH  
PB18 FH

RD
RTK

- Full-depth adjustable shelf

**Full-Height Peninsula Base  
4 Doors with Battens**

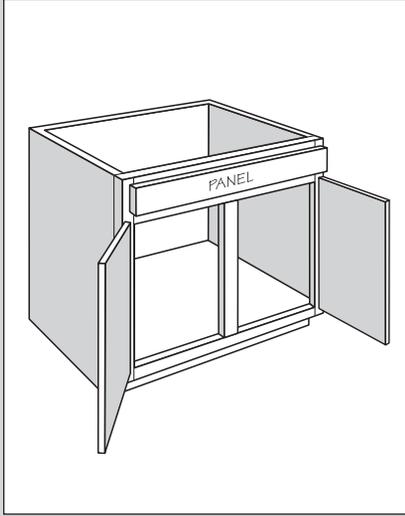


PB24 1B FH  
PB30 1B FH  
PB36 1B FH

RD
RTK

- Full-depth adjustable shelf
- Left doors with battens

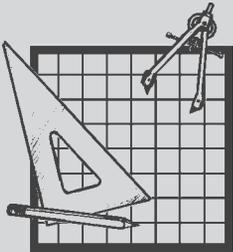
**Sink/Cooktop Base Cabinets**



Sink/Cooktop Base cabinets are 34½" high by 24" deep and range from 18" to 48" wide.

Single door Sink/Cooktop Base cabinets are hinged left and can be reversed in the field.

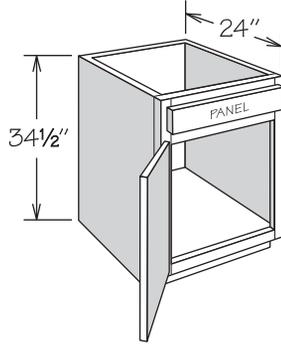
Inset toe kick construction requires BTK8 matching toe kick - must be ordered separately.



When placing a Sink/Cooktop Base cabinet in a design, select a cabinet at least 3" wider than the sink or cooktop to allow for installation clips. Review manufacturer's specifications for dimensions and adequate clearance requirements.

If a Corner Sink Base cabinet or front is selected, remember to place the dishwasher a minimum of 15" from the cabinet to allow for adequate standing space and proper appliance door operation.

**Sink/Cooktop Base**  
1 Door, 1 Panel

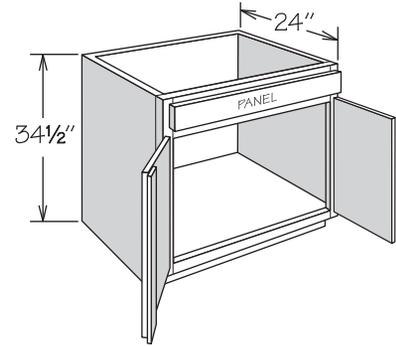


SB18  
SB21  
SB24

RD  
RTK

- No shelf
- Full-height back
- Subtract 1½" from width and depth for available opening - removal of corner blocks may be required
- **Refer to sink or appliance manufacturer's specifications for adequate clearance and required installation materials**

**Sink/Cooktop Base**  
2 Doors with Batten, 1 Panel

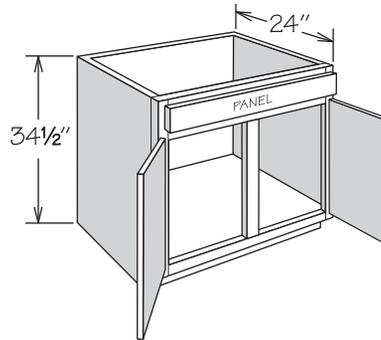


SB24 1B  
SB30 1B  
SB33 1B  
SB36 1B

RD  
RTK

- Left door with batten
- No shelf
- Full-height back
- Subtract 1½" from width and depth for available opening - removal of corner blocks may be required
- **Refer to sink or appliance manufacturer's specifications for adequate clearance and required installation materials**

**Sink/Cooktop Base**  
2 Doors, 1 Panel

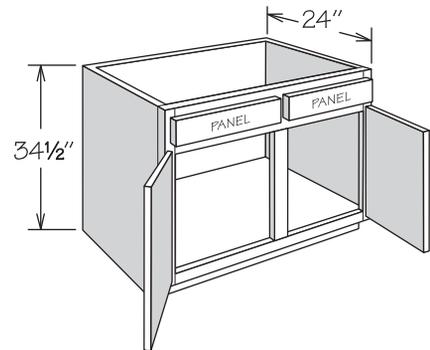


SB27  
SB30  
SB33  
SB36

RD  
RTK

- No shelf
- Full-height back
- Subtract 1½" from width and depth for available opening - removal of corner blocks may be required
- **Refer to sink or appliance manufacturer's specifications for adequate clearance and required installation materials**

**Sink/Cooktop Base**  
2 Doors, 2 Panels

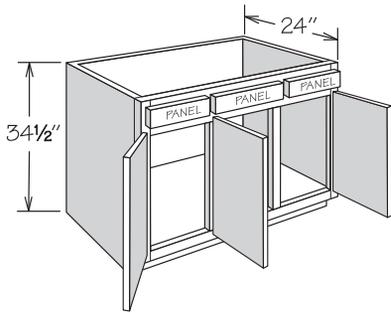


SB39  
SB42  
SB48

RD  
RTK

- No shelf
- Full-height back
- Subtract 1½" from width and depth for available opening - removal of corner blocks may be required
- **Refer to sink or appliance manufacturer's specifications for adequate clearance and required installation materials**

**Sink/Cooktop Base**  
3 Doors, 3 Panels

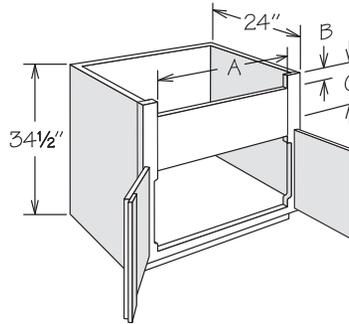


SB45

RD  
RTK

- No shelf
- Full-height back
- Subtract 1/2" from width and depth for available opening - removal of corner blocks may be required
- Hinged as shown - can be reversed in the field
- **Refer to sink or appliance manufacturer's specifications for adequate clearance and required installation materials**

**Deep Sink/Range Base Cabinet**  
2 Doors with Batten



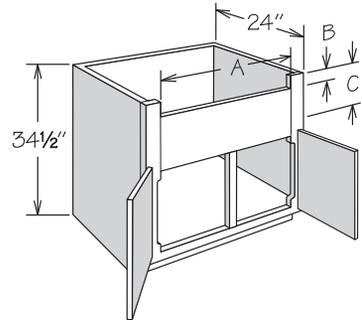
Cut Out	A		B	C	
	Min.	Max.		Max. FOL	Max. SOL
DSB30 1B	23 3/4"	28"	2 7/8"	10"	10 1/2"
DSB33 1B	26 3/4"	31"	2 7/8"	10"	10 1/2"
DSB36 1B	29 3/4"	34"	2 7/8"	10"	10 1/2"

DSB30 1B  
DSB33 1B  
DSB36 1B

RD  
RTK

- Left door with batten
- Accommodates farm sinks
- Stiles at apron are 3/8" wide and trimmable
- A cutout exists in the door area where the 3/8" stiles are routed to 1/8"
- **Refer to sink or appliance manufacturer's specifications for adequate clearance and required installation materials**

**Deep Sink/Range Base Cabinet**  
2 Doors



Cut Out	A		B	C	
	Min.	Max.		Max. FOL	Max. SOL
DSB39	32 3/4"	37"	2 7/8"	10"	10 1/2"

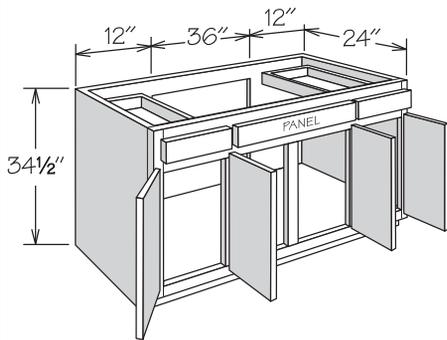
DSB39

RD  
RTK

- Accommodates farm sinks
- Stiles at apron are 3/8" wide and trimmable
- A cutout exists in the door area where the 3/8" stiles are routed to 1/8"
- **Refer to sink or appliance manufacturer's specifications for adequate clearance and required installation materials**

**Utility Base**

4 Doors, 2 Drawers, 1 Panel



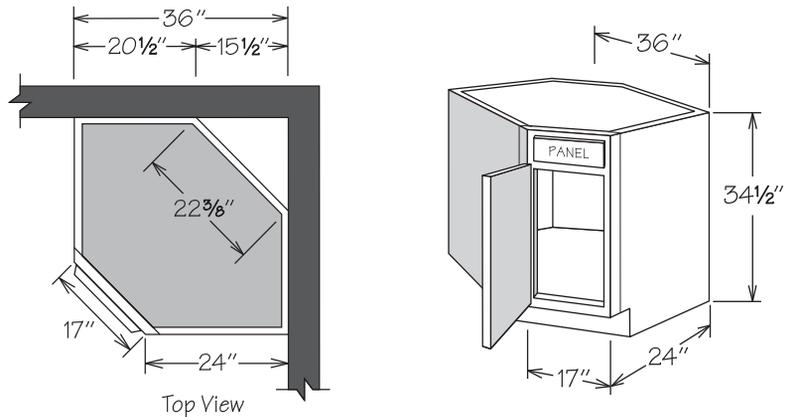
UB60

CFO  
RD  
RTK  
XDTSG

- No shelves
- Open area for plumbing access
- Subtract 1 1/2" from depth and dimension 36" for available sink bowl opening
- **Refer to sink or appliance manufacturer's specifications for adequate clearance and required installation materials**

**Corner Sink Base**

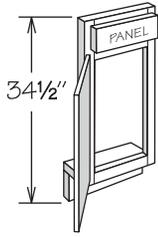
1 Door, 1 Panel



CSB36

- No shelf
- Sides are finished
- Cabinet requires a minimum of 34" to fit through doorway (removal of cabinet door recommended)
- Additional space recommended if appliance is installed on either side of this cabinet for proper appliance door operation
- Cabinet features solid top which must be field cut for sink installation as per manufacturer's specifications
- **Maximum sink width is 25 3/4" if cut out is 4" back from front of face frame**
- **Refer to sink or appliance manufacturer's specifications for adequate clearance and required installation materials**

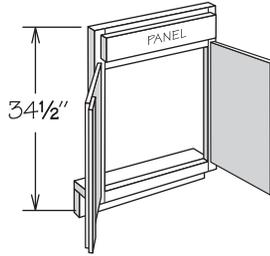
**Sink/Cooktop Front**  
1 Door, 1 Panel



SF12  
SF15  
SF18  
SF21  
SF24

- Sink/Cooktop Front not trimmable
- **Order floors and returns separately (trimming may be required) - refer to Panel Section for availability**

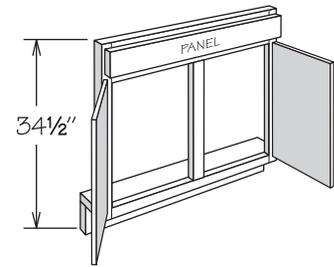
**Sink/Cooktop Front**  
2 Doors with Batten, 1 Panel



SF24 1B

- Left door with batten
- Sink/Cooktop Front not trimmable
- **Order floors and returns separately (trimming may be required) - refer to Panel Section for availability**

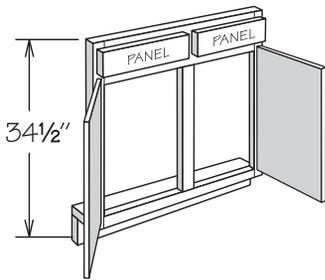
**Sink/Cooktop Front**  
2 Doors, 1 Panel



SF27  
SF30  
SF33  
SF36

- Sink/Cooktop Front not trimmable
- **Order floors and returns separately (trimming may be required) - refer to Panel Section for availability**

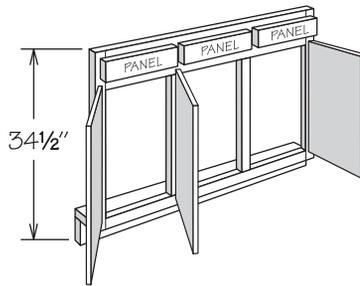
**Sink/Cooktop Front**  
2 Doors, 2 Panels



SF39  
SF42  
SF48

- Sink/Cooktop Front not trimmable
- **Order floors and returns separately (trimming may be required) - refer to Panel Section for availability**

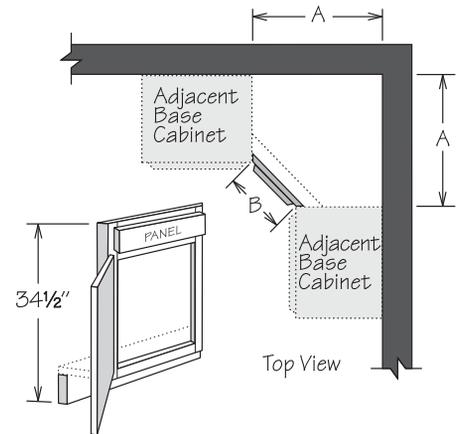
**Sink/Cooktop Front**  
3 Doors, 3 Panels



SF45

- Sink/Cooktop Front not trimmable
- Hinged as shown - can be reversed in the field
- **Order floors and returns separately (trimming may be required) - refer to Panel Section for availability**

**Corner Sink Front**  
1 Door, 1 Panel

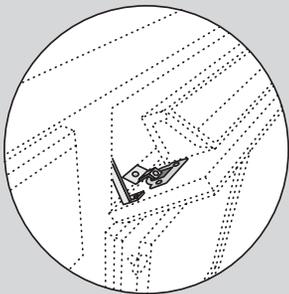
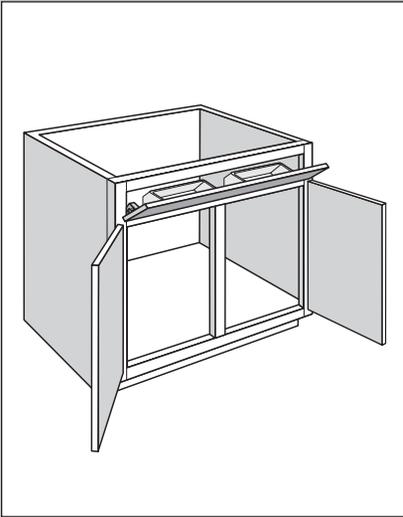


	A	B
CSF36	35 <sup>31</sup> / <sub>32</sub> "	16 <sup>15</sup> / <sub>16</sub> "
CSF42	42 <sup>11</sup> / <sub>32</sub> "	25 <sup>15</sup> / <sub>16</sub> "

CSF36  
CSF42

- Corner Sink Front not trimmable
- Vertical edges of frame are mitered to attach to adjacent cabinet frames
- Toe kick shipped loose
- **Order floors and returns separately (trimming may be required) - refer to Panel Section for availability**

**Sink Base Cabinets with Factory Installed Accessories**



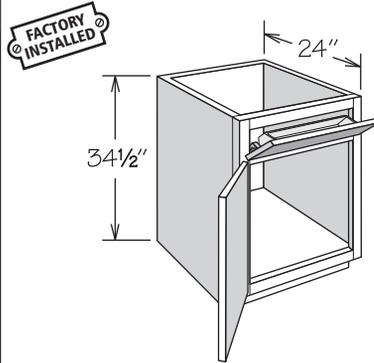
Sink Base cabinets with Factory Installed Accessories feature Tilt-Out Trays with Hidden Hinges.

Sink Base cabinets with Factory Installed Accessories are 34½" high by 24" deep and range from 18" to 48" wide.

Single door Sink Base cabinets with Factory Installed Accessories are hinged left and can be reversed in the field.

Inset toe kick construction requires BTK8 matching toe kick - must be ordered separately.

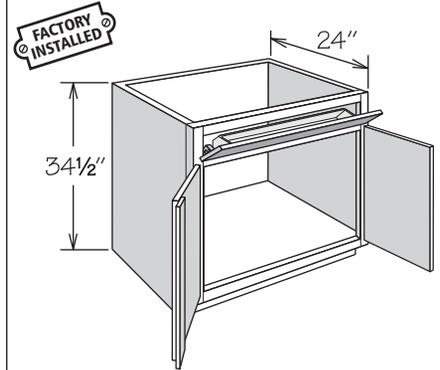
**Sink Base**  
1 Door, 1 Panel with  
Factory Installed Tilt-Out Tray



Stainless	Plastic	RD
SB18 STO	SB18 TO	RTK
SB21 STO	SB21 TO	
SB24 STO	SB24 TO	

- No shelf
- Full-height back
- Subtract 1½" from width and 3¾" from depth for available sink bowl opening - removal of corner blocks may be required
- Tilt-Out Trays are NOT dishwasher safe
- Refer to sink manufacturer's specifications for adequate clearance and required installation materials

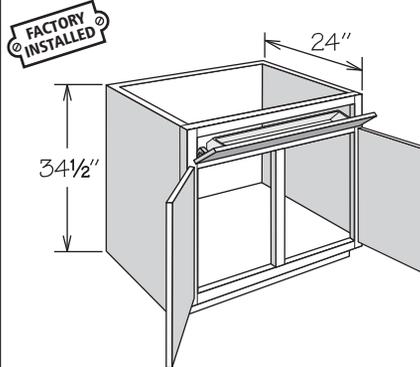
**Sink Base**  
2 Doors with Batten, 1 Panel with  
Factory Installed Tilt-Out Tray



Stainless	Plastic	RD
SB24 1B STO	SB24 1B TO	RTK
SB30 1B STO	SB30 1B TO	

- Left door with batten
- No shelf
- Full-height back
- Subtract 1½" from width and 3¾" from depth for available sink bowl opening - removal of corner blocks may be required
- Tilt-Out Trays are NOT dishwasher safe
- Refer to sink manufacturer's specifications for adequate clearance and required installation materials

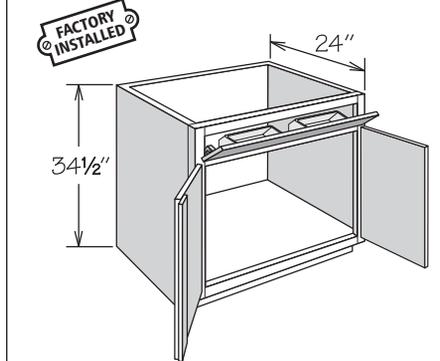
**Sink Base**  
2 Doors, 1 Panel with  
Factory Installed Tilt-Out Tray



Stainless	Plastic	RD
SB27 STO	SB27 TO	RTK
SB30 STO	SB30 TO	

- No shelf
- Full-height back
- Subtract 1½" from width and 3¾" from depth for available sink bowl opening - removal of corner blocks may be required
- Tilt-Out Trays are NOT dishwasher safe
- Refer to sink manufacturer's specifications for adequate clearance and required installation materials

**Sink Base**  
2 Doors with Batten, 1 Panel with  
Factory Installed Tilt-Out Trays

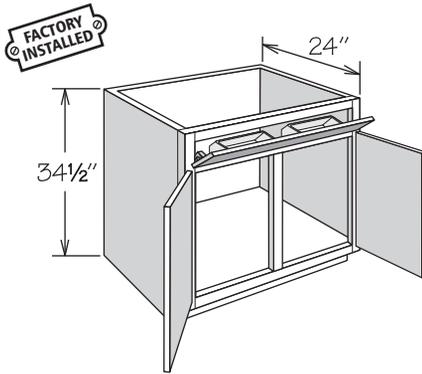


Stainless	Plastic	RD
SB33 1B STO	SB33 1B TO	RTK
SB36 1B STO	SB36 1B TO	

- Left door with batten
- No shelf
- Full-height back
- Subtract 1½" from width and 3¾" from depth for available sink bowl opening - removal of corner blocks may be required
- Tilt-Out Trays are NOT dishwasher safe
- Refer to sink manufacturer's specifications for adequate clearance and required installation materials

**Sink Base**

2 Doors, 1 Panel with  
Factory Installed Tilt-Out Trays

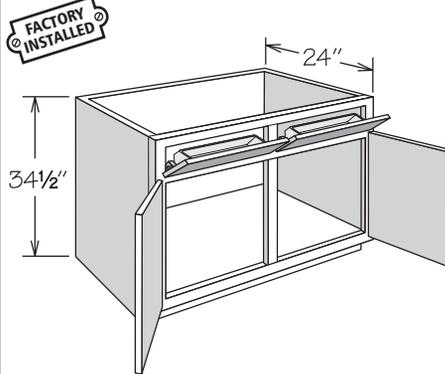


Stainless	Plastic	RD
SB33 STO	SB33 TO	RTK
SB36 STO	SB36 TO	

- No shelf
- Full-height back
- Subtract 1½" from width and 3¾" from depth for available sink bowl opening - removal of corner blocks may be required
- Tilt-Out Trays are NOT dishwasher safe
- **Refer to sink manufacturer's specifications for adequate clearance and required installation materials**

**Sink Base**

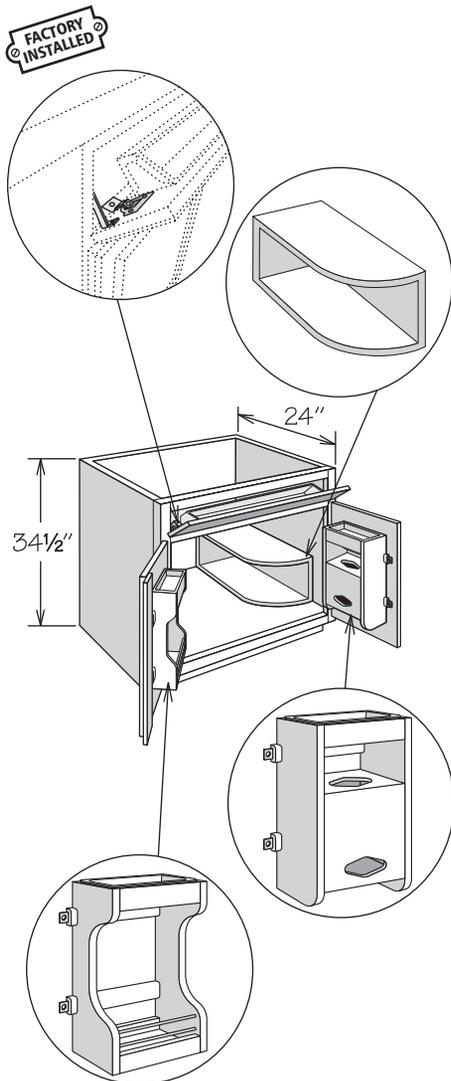
2 Doors, 2 Panels with  
Factory Installed Tilt-Out Trays



Stainless	Plastic	RD
SB39 STO	SB39 TO	RTK
SB42 STO	SB42 TO	
SB48 STO	SB48 TO	

- No shelf
- Full-height back
- Subtract 1½" from width and 3¾" from depth for available sink bowl opening - removal of corner blocks may be required
- Tilt-Out Trays are NOT dishwasher safe
- **Refer to sink manufacturer's specifications for adequate clearance and required installation materials**

**30" Sink Base  
Multi-Storage Cabinet**  
2 Doors with Batten, 1 Panel

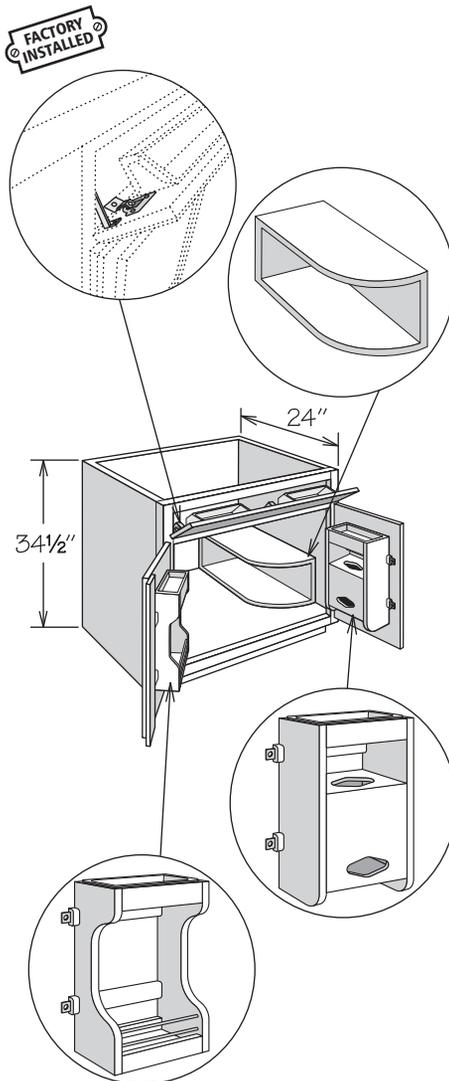


SBMS30 1B STO

RTK

- Left door with batten
- Full-height back
- Features factory installed Sink Base Door Storage Unit (SBDSU15) on left door, Plastic Bag Door Storage Unit (PBDSU15) on right door and one Stainless Tilt-Out Tray (STO TRAY 22)
- Sink Base Multi-Storage Shelf (SBMSS) shipped separately for field installation left or right
- Sink Base Multi-Storage Shelf measures 8 3/8" wide x 8" high x 17 1/2" deep
- Subtract 1 1/2" from width and 3 3/4" from depth for available sink bowl opening - removal of corner blocks may be required
- Tilt-Out Tray and Door Storage Unit trays are NOT dishwasher safe
- **Refer to sink manufacturer's specifications for adequate clearance and required installation materials**

**36" Sink Base  
Multi-Storage Cabinet**  
2 Doors with Batten, 1 Panel

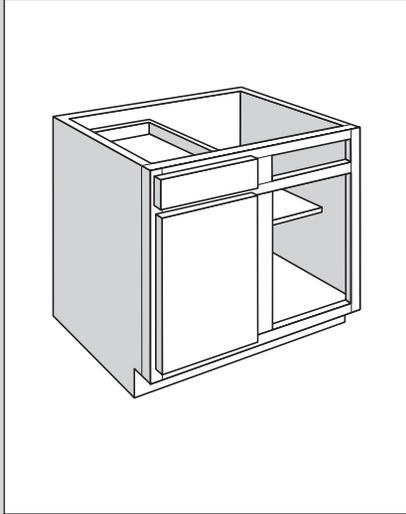


SBMS36 1B STO

RTK

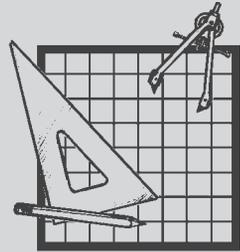
- Left door with batten
- Full-height back
- Features factory installed Sink Base Door Storage Unit (SBDSU18) on left door, Plastic Bag Door Storage Unit (PBDSU18) on right door and two Stainless Tilt-Out Trays (STO TRAY 11)
- Sink Base Multi-Storage Shelf (SBMSS) shipped separately for field installation left or right
- Sink Base Multi-Storage Shelf measures 8 3/8" wide x 8" high x 17 1/2" deep
- Subtract 1 1/2" from width and 3 3/4" from depth for available sink bowl opening - removal of corner blocks may be required
- Tilt-Out Trays and Door Storage Unit trays are NOT dishwasher safe
- **Refer to sink manufacturer's specifications for adequate clearance and required installation materials**

**Blind Corner Base Cabinets**



Blind Corner Base cabinets are 34½" high by 24" deep. The visible width of these cabinets ranges from 13¾" to 28" wide.

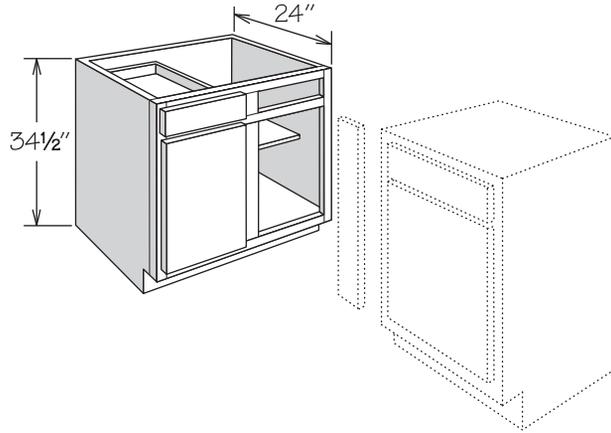
Inset toe kick construction requires BTK8 matching toe kick - must be ordered separately.



When a Blind Corner Base cabinet is used in a design, remember to include the appropriate filler. For a finished, decorative look add an Overlay Filler (Full Overlay door styles) to Universal Fillers or Decorative Blocks to a Fluted Beaded Filler.

**Blind Corner Base**

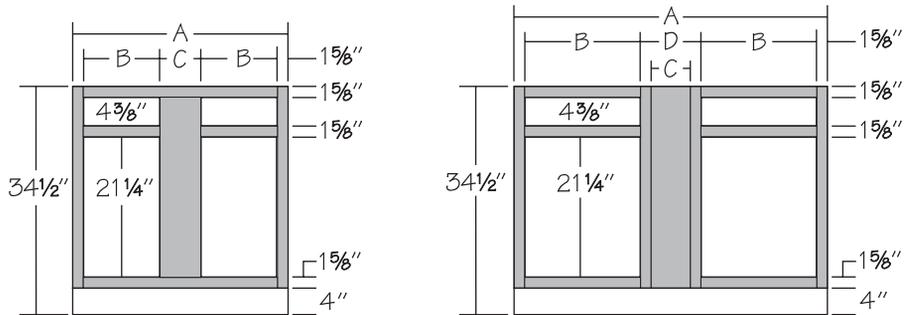
1 Door, 1 Drawer



BLB36/39	CFO
BLB39/42	RD
BLB42/45	RTK
BLB45/48	XDTSG
BLB48/51	

- Half-depth adjustable shelf
- Blind base door and drawer are installed in the left section
- Refer to the chart on following page for installation specifications
- Includes ½" panel to cover blind opening (field trim and install)
- Recessed Toe Kick (RTK) only available as Both (RTKB)
- **Door and drawer can be reversed in the field as blind sections are identical**
- **Must order Universal Filler separately**

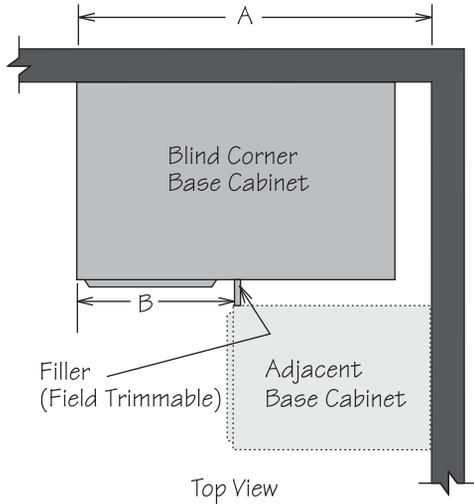
**Blind Corner Base Cabinet Dimensions**



Cabinet	Cabinet Width	Door Opening	C
BLB36/39	27"	8¾"	6¼"
BLB39/42	33"	11¾"	6¼"
BLB42/45	39"	14¾"	6¼"
BLB45/48	45"	17¾"	6¼"

Cabinet	Cabinet Width	Door Opening	C	D
BLB48/51	48"	17¾"	6"	9¼"

**Blind Corner Base Installation Chart**



**Full Overlay (FOL) Door Styles**

Full Overlay door styles require decorative hardware, which has been calculated into dimensions.  
 \*Dimension requirements do not include optional Overlay Fillers – add 1/8" if Overlay Fillers will be used, except for BLB48/51 add 1/2".

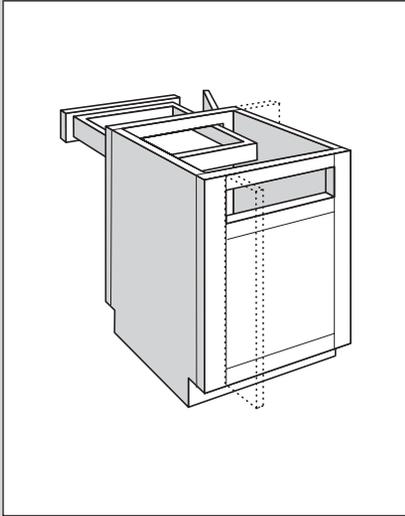
Cabinet	Actual Cabinet Width	Door Opening	Door	Wall Space A			Exposed Frame B	
				Minimum Space*	Maximum Pull	Maximum Space	Minimum Space*	Maximum Space
BLB36/39	27"	8 3/4"	DR1224	38 1/4"	1 3/4"	40"	14 1/4"	16"
BLB39/42	33"	11 1/4"	DR1524	41 1/4"	1 3/4"	43"	17 1/4"	19"
BLB42/45	39"	14 3/4"	DR1824	44 1/4"	1 3/4"	46"	20 1/4"	22"
BLB45/48	45"	17 3/4"	DR2124	47 1/4"	1 3/4"	49"	23 1/4"	25"
BLB48/51	48"	17 3/4"	DR2124	48"	4"	52"	24"	28"

**Standard Overlay (SOL) Door Styles**

Wall Space A requirements include optional decorative hardware clearance.  
 \*1/4" may be deducted if decorative hardware is not used.

Cabinet	Actual Cabinet Width	Door Opening	Door	Wall Space A			Exposed Frame B	
				Minimum Space*	Maximum Pull*	Maximum Space*	Minimum Space	Maximum Space
BLB36/39	27"	8 3/4"	DR1224	37 3/4"	2 3/8"	40"	13 3/8"	16"
BLB39/42	33"	11 1/4"	DR1524	40 3/8"	2 3/8"	43"	16 3/8"	19"
BLB42/45	39"	14 3/4"	DR1824	43 3/8"	2 3/8"	46"	19 3/8"	22"
BLB45/48	45"	17 3/4"	DR2124	46 3/8"	2 3/8"	49"	22 3/8"	25"
BLB48/51	48"	17 3/4"	DR2124	48"	4"	52"	24"	28"

**Blind Peninsula Corner  
Base Cabinets**

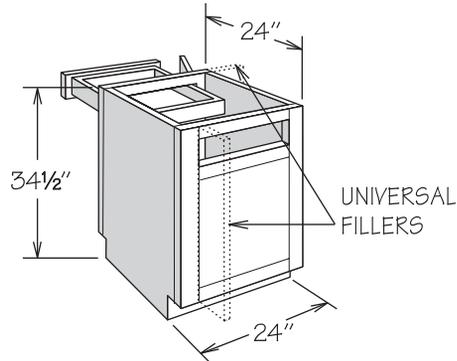


Blind Peninsula Corner Base cabinets are 34½" high by 24" deep.

Inset toe kick construction requires BTK8 matching toe kick - must be ordered separately.

**Blind Peninsula Corner Base**

1 Door, 1 Drawer

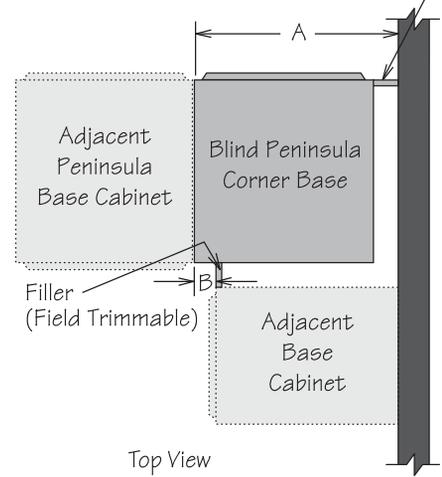


PBC24  
PBC24 1B

RD  
XDTSG

- PBC24 1B features left door with batten
- Half-depth adjustable shelf
- Can be installed left or right
- Universal fillers are recommended for use between PBC24 and wall and adjoining base cabinet or appliance for hardware clearance and proper door operation
- Refer to the chart below for installation specifications
- Roll out accessories are not recommended
- **Must order Universal Fillers separately**

Filler (Field Trimmable)



Top View

**Blind Peninsula Corner Base Installation Chart**

**Full Overlay (FOL) Door Styles**

Full Overlay door styles require decorative hardware, which has been calculated into dimensions.

\*Must use these dimensions if optional Overlay Fillers will be used.

Cabinet	Actual Cabinet Width	Door Opening	Door(s)	Wall Space A			Exposed Frame B		Filler (at wall)	
				Min. Space	Max. Pull	Max. Space*	Min. Space	Max. Space*	Min.	Max.*
PBC24	24"	20 ¾"	DR2424	26 ¼"	¾"	27"	2 ¼"	3"	2 ¼"	3"
PBC24 1B	24"	20 ¾"	DR1224 (2)	26 ¼"	¾"	27"	2 ¼"	3"	2 ¼"	3"

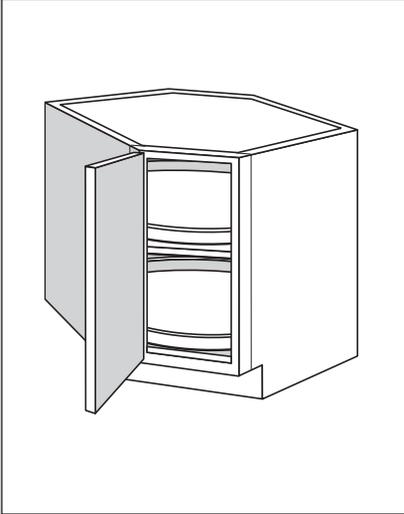
**Standard Overlay (SOL) Door Styles**

Wall Space A requirements include optional decorative hardware clearance.

\*1 ¼" may be deducted if decorative hardware is not used.

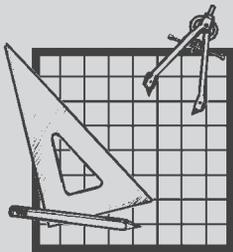
Cabinet	Actual Cabinet Width	Door Opening	Door(s)	Wall Space A			Exposed Frame B		Filler (at wall)	
				Min. Space*	Max. Pull*	Max. Space*	Min. Space	Max. Space	Min.	Max.
PBC24	24"	20 ¾"	DR2424	25 ¾"	1 ½"	27"	1 ¾"	3"	1 ¾"	3"
PBC24 1B	24"	20 ¾"	DR1224 (2)	25 ¾"	1 ½"	27"	1 ¾"	3"	1 ¾"	3"

Corner Base Cabinets



Inset toe kick construction requires BTK8 matching toe kick - must be ordered separately.

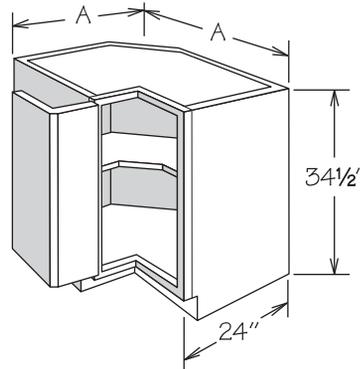
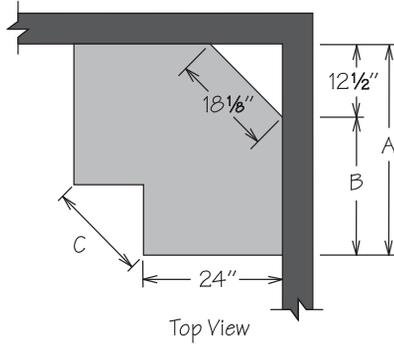
Corner Base Cabinets, excluding CAR36, require a minimum of 34" to fit through doorway (removal of cabinet door recommended).



To ensure proper door function on a Corner Base cabinet, a 3" Filler or Dishwasher Return is recommended for placement between the cabinet and any appliance or other design element deeper than 24".

In addition the Corner Base cabinet should be hinged opposite (e.g., if a range is placed to the right of a Corner Base, the cabinet should be hinged left).

Base Easy Reach

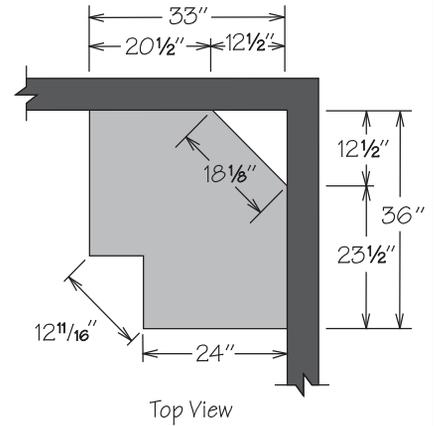


	A	B	C
BER33	33"	20 1/2"	10 1/8"
BER36	36"	23 1/2"	14 5/8"

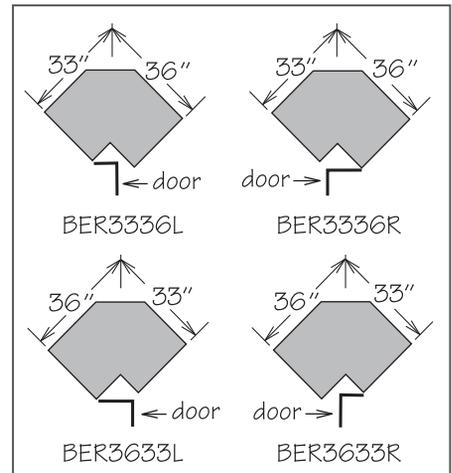
BER33L	BER36L
BER33R	BER36R

- One adjustable half-depth shelf (non-removable)
- **All door styles must be ordered hinged left or right**
- Sides are finished
- Doors open 170 degrees
- Cabinet requires a minimum of 34" to fit through doorway (removal of cabinet door recommended)
- Additional space recommended if appliance is installed on the hinge side of this cabinet for proper door operation
- Cabinet features solid top

Asymmetrical Base Easy Reach



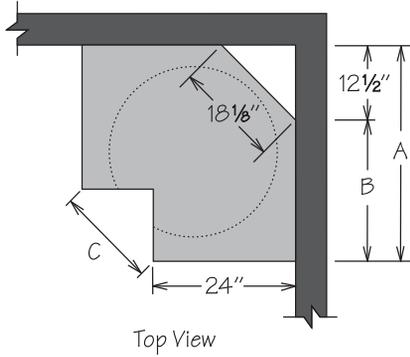
NOTE: For front view illustration, refer to the 20-20 catalog.



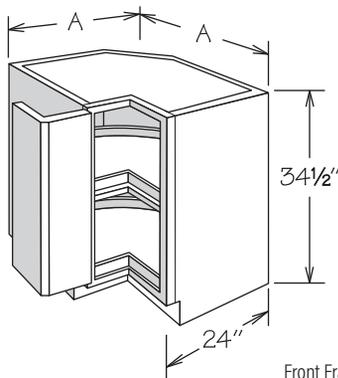
BER3336R	BER3633R
BER3336L	BER3633L

- One adjustable half-depth shelf (non-removable)
- **All door styles must be ordered hinged left or right**
- Sides are finished
- Doors open 170 degrees
- Cabinet requires a minimum of 34" to fit through doorway (removal of cabinet door recommended)
- Additional space recommended if appliance is installed on the hinge side of this cabinet for proper door operation
- Cabinet features solid top

**Base Super Susan with Wood Spin Units**



Top View



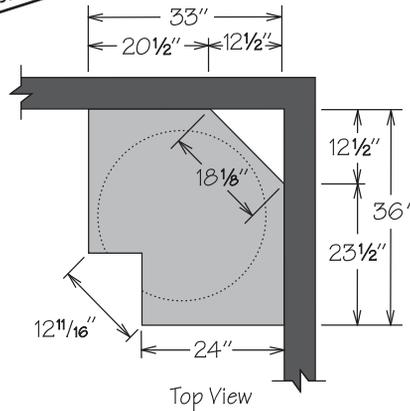
Front Frame Opening

	A	B	C
BSS33 WD	33"	20 1/2"	10 7/16"
BSS36 WD	36"	23 1/2"	14 5/8"

BSS33L WD	BSS36L WD
BSS33R WD	BSS36R WD

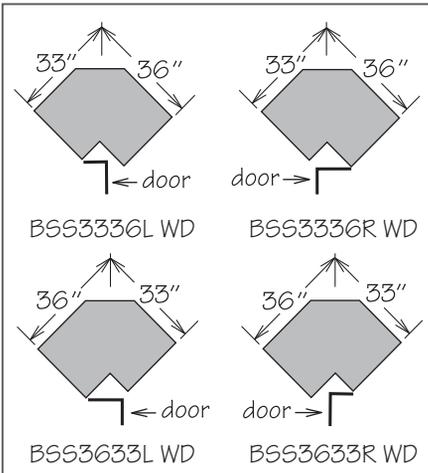
- Fixed wood spin unit mounted on cabinet floor
- Features one wood spin unit attached to 3/4" adjustable shelf
- Natural finish wood spin units feature 1" lip
- Wood spin diameter is 28" for BSS33 and 32" for BSS36
- **All door styles must be ordered hinged left or right**
- Sides are finished
- Doors open 170 degrees
- Cabinet requires a minimum of 34" to fit through doorway (removal of cabinet door recommended)
- Additional space recommended if appliance is installed on the hinge side of this cabinet for proper door operation
- Cabinet features solid top

**Asymmetrical Base Super Susan with Wood Spin Units**



Top View

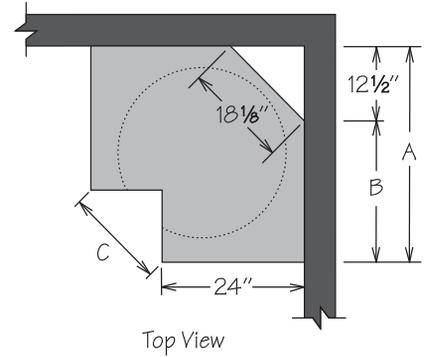
**NOTE:** For front view illustration, refer to the 20-20 catalog.



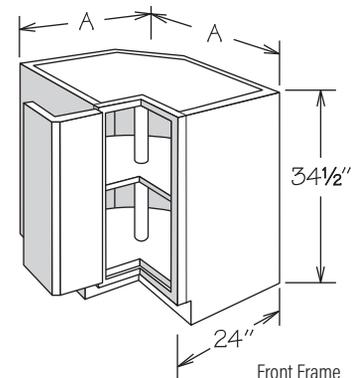
BSS3336R WD	BSS3633R WD
BSS3336L WD	BSS3633L WD

- Fixed wood spin unit mounted on cabinet floor
- Features one wood spin unit attached to 3/4" adjustable shelf
- Natural finish wood spin units feature 1" lip and are 28" in diameter
- **All door styles must be ordered hinged left or right**
- Sides are finished
- Doors open 170 degrees
- Cabinet requires a minimum of 34" to fit through doorway (removal of cabinet door recommended)
- Additional space recommended if appliance is installed on the hinge side of this cabinet for proper door operation
- Cabinet features solid top

**Base Super Susan with Plastic Spin Shelves**



Top View



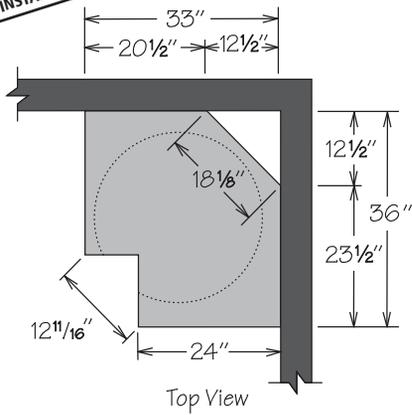
Front Frame Opening

	A	B	C
BSS33	33"	20 1/2"	10 7/16"
BSS36	36"	23 1/2"	14 5/8"

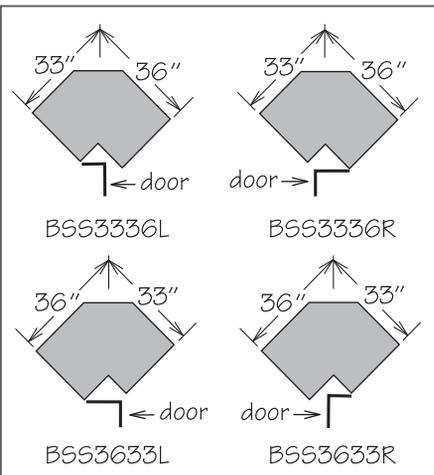
BSS33L	BSS36L
BSS33R	BSS36R

- BSS33 features two 28" diameter white spin shelves with pole (top shelf adjustable)
- BSS36 features two 32" diameter white spin shelves with pole (top shelf adjustable)
- **All door styles must be ordered hinged left or right**
- Sides are finished
- Doors open 170 degrees
- Cabinet requires a minimum of 34" to fit through doorway (removal of cabinet door recommended)
- Additional space recommended if appliance is installed on the hinge side of this cabinet for proper door operation
- Cabinet features solid top

**Asymmetrical Base Super Susan  
with Plastic Spin Shelves**



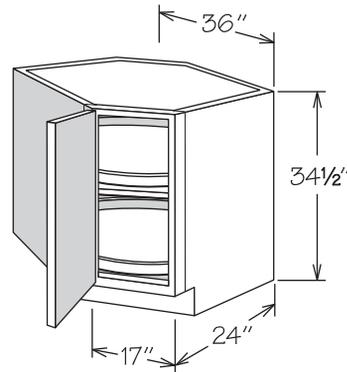
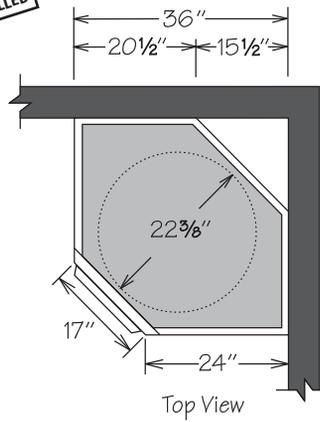
NOTE: For front view illustration, refer to the 20-20 catalog.



BSS3336L      BSS3633L  
BSS3336R      BSS3633R

- Features two 28" diameter white spin shelves with pole (top shelf adjustable)
- **All door styles must be ordered hinged left or right**
- Sides are finished
- Doors open 170 degrees
- Cabinet requires a minimum of 34" to fit through doorway (removal of cabinet door recommended)
- Additional space recommended if appliance is installed on the hinge side of this cabinet for proper door operation
- Cabinet features solid top

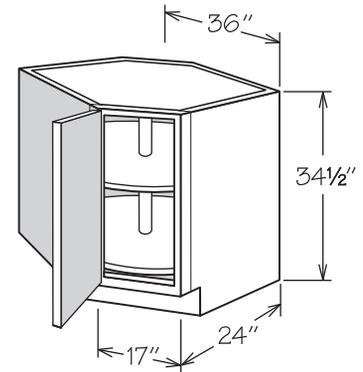
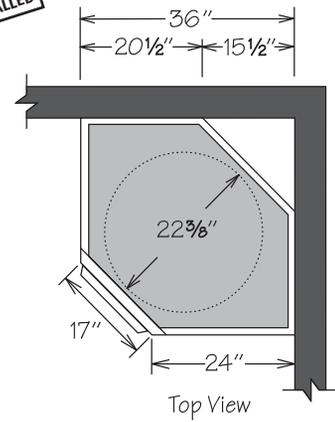
**Corner Base  
with Wood Spin Units**



CBS36 WD

- Fixed wood spin unit mounted on cabinet floor
- Features one wood spin unit attached to 3/4" adjustable shelf
- Natural finish wood spin units feature 1" lip and are 28" in diameter
- Sides are finished
- Cabinet requires a minimum of 34" to fit through doorway (removal of cabinet door recommended)
- Additional space recommended if appliance is installed on the hinge side of this cabinet for proper door operation
- Cabinet features solid top

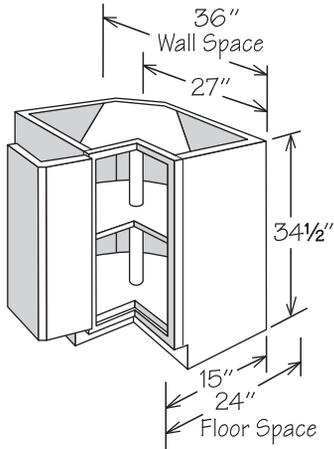
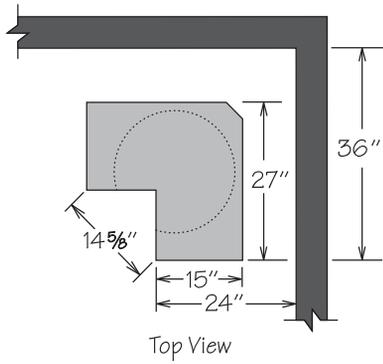
**Corner Base  
with Plastic Spin Shelves**



CBS36

- Features two 28" diameter full round white spin shelves with pole (top shelf adjustable)
- Sides are finished
- Cabinet requires a minimum of 34" to fit through doorway (removal of cabinet door recommended)
- Additional space recommended if appliance is installed on the hinge side of this cabinet for proper door operation
- Cabinet features solid top

**Corner Base Carousel**

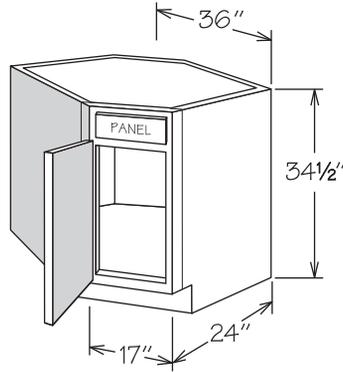
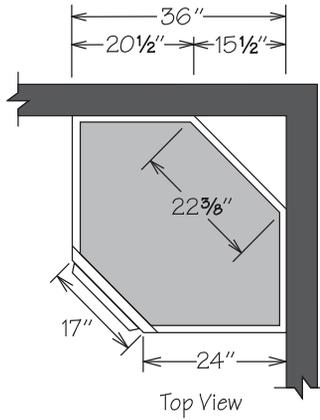


CAR36L CAR36L WD  
CAR36R CAR36R WD

- CAR36 features two 24" diameter white spin shelves with pole (top shelf adjustable)
- CAR36 WD features two 24" diameter natural finish solid hardwood spin shelves with pole (top shelf adjustable)
- **All door styles must be ordered hinged left or right**
- Sides are unfinished
- Doors open 170 degrees
- If unit has an exposed side, order end panel separately
- Additional support for countertop in back is necessary
- Additional space recommended if appliance is installed on the hinge side of this cabinet for proper door operation
- **Unit must be pulled to install in a 36" x 36" space**

**Corner Sink Base**

1 Door, 1 Panel

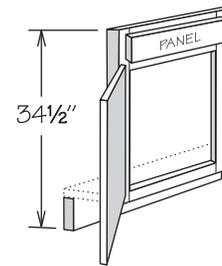
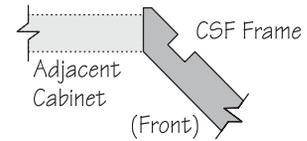
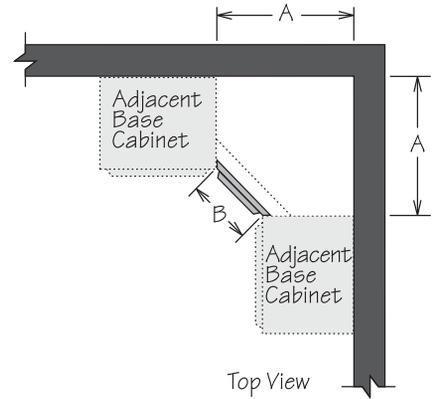


CSB36

- No shelf
- Sides are finished
- Cabinet requires a minimum of 34" to fit through doorway (removal of cabinet door recommended)
- Additional space recommended if appliance is installed on either side of this cabinet for proper appliance door operation
- Cabinet features solid top which must be field cut for sink installation as per manufacturer's specifications
- **Maximum sink width is 25 3/4" if cut out is 4" back from face of front frame**
- **Refer to manufacturer's specifications for adequate clearance and required installation materials**

**Corner Sink Front**

1 Door, 1 Panel

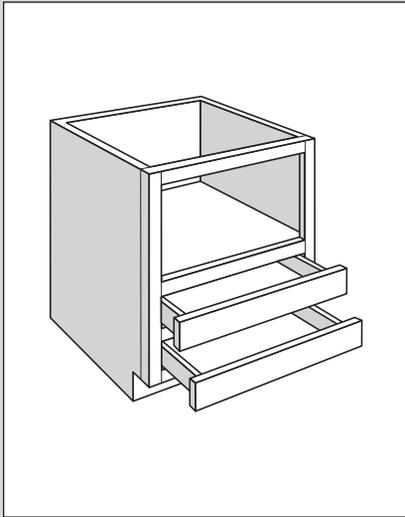


	A	B
CSF36	35 3/32"	16 5/16"
CSF42	42 7/32"	25 5/16"

CSF36  
CSF42

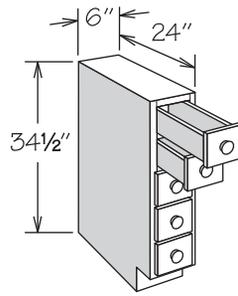
- Corner Sink Front not trimmable
- Vertical edges of frame are mitered to attach to adjacent cabinet frames
- Toe kick shipped loose
- **Order floors and returns separately (trimming may be required) - refer to Panel section for availability**

Specialty Base Cabinet



Inset toe kick construction requires BTK8 matching toe kick - must be ordered separately.

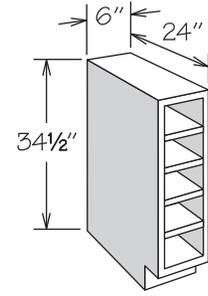
Base Spice Drawer Cabinet



BSDC6

- Features veneered engineered wood finished to match cabinet exterior
- Five individual full-depth drawers
- Flush sides
- All wood drawer body with dovetail construction
- Wood door styles feature matching wood knobs
- Thermofoil door styles feature white porcelain knobs

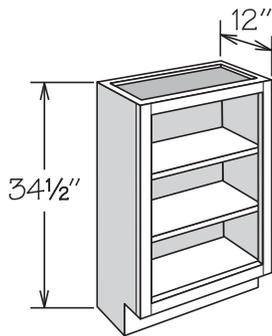
Base Wine Rack Cabinet



BWRC6

- Features veneered engineered wood finished to match cabinet exterior
- Interior finished to match cabinet exterior
- Accommodates five wine bottles
- Each opening measures 5" high by 4 1/2" wide
- 3/4" thick sides and shelves
- Flush sides
- Cannot be retrofitted with Base Spice Drawer Cabinet drawers

Base Bookshelf

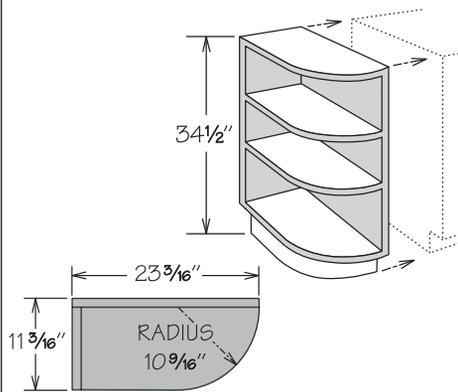


BSPLY2434

ID
RD
RTK

- Features plywood box construction
- Interior finished to match cabinet exterior
- Features two adjustable 3/4" plywood shelves
- Shelving packaged separately for field installation

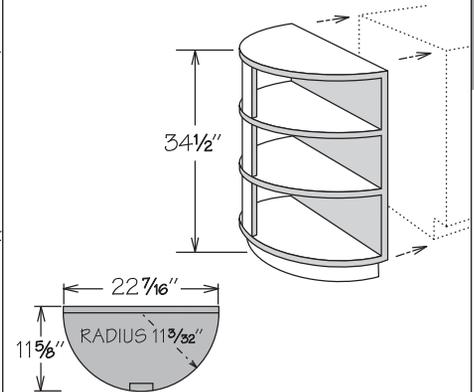
Shelf End Base



SEB

- Features veneered engineered wood finished to match cabinet exterior
- Interior finished to match cabinet exterior
- 3/4" shelves
- Distance between shelves is 9 3/8"
- 7/8" screw recommended from inside of adjacent cabinet for installation
- Toe kick is removable - invert unit for right or left
- **Cabinet dimensions are for reference purposes ONLY - countertop must be measured and fabricated after cabinet installation**

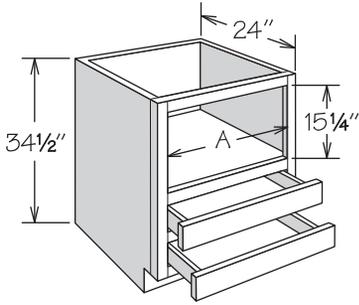
Shelf End Peninsula Base



SEPB

- Features veneered engineered wood finished to match cabinet exterior
- Interior finished to match cabinet exterior
- 3/4" shelves
- Distance between shelves is 9 3/8"
- 7/8" screw recommended from inside of adjacent cabinet for installation
- **Cabinet dimensions are for reference purposes ONLY - countertop must be measured and fabricated after cabinet installation**

**Base Microwave Cabinet**  
2 Drawers

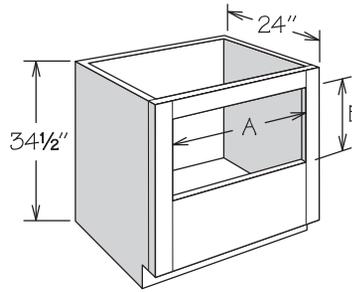


	A
BMC24	20 3/4"
BMC27	23 3/4"
BMC30	26 3/4"

BMC24 BMC27 BMC30	RD
	RTK
	XDTSG

- Microwave opening finished to match cabinet exterior
- Designed to accommodate countertop style microwave
- Features two standard depth drawers
- Accent Molding recommended - order separately
- **Refer to appliance manufacturer's specifications for adequate clearances**

**Base Oven Cabinet Universal**



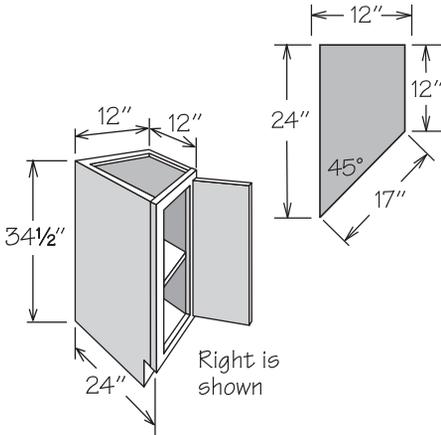
Cut Out	A		B	
	Min.	Max.	Min.	Max.*
BOCU27	20 3/4"	24 15/16"	18 1/4"	29"
BOCU30	23 3/4"	27 7/8"	18 1/4"	29"
BOCU33	26 3/4"	30 3/8"	18 1/4"	29"

\*Trimming/removal of top rail required

BOCU27 BOCU30 BOCU33	RD
	RTK

- Designed for mounting single oven below countertop
- 3" top rail is field removable and field trimmable
- 3/8" stiles
- Will accommodate certain cooktops (in conjunction with undercounter oven) or drop-in ranges
- **Most ovens require a top rail of varying heights to create a finished look and to allow for the oven door to clear the countertop when opened**
- **Refer to appliance manufacturer's specifications for adequate clearances and required installation materials**
- Heat Shield Kit (HSK) recommended for Thermofoil door styles

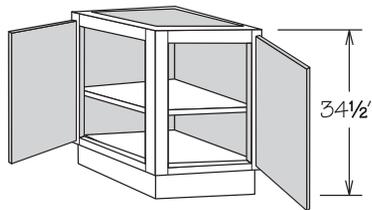
**Base End Angle**  
1 Door



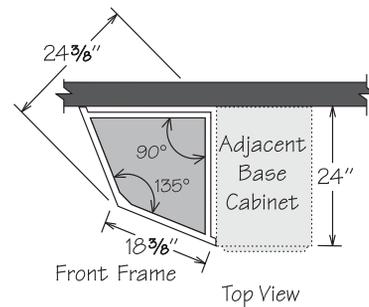
BEA12L FH BEA12R FH	RD
	RTK

- One adjustable shelf
- Must order left or right
- Recessed Toe Kick (RTK) only available on 12" side
- Only available with RD-23 through RD-18
- **Cabinet dimensions are for reference purposes ONLY - countertop must be measured and fabricated after cabinet installation**

**Base End Angle**  
2 Doors

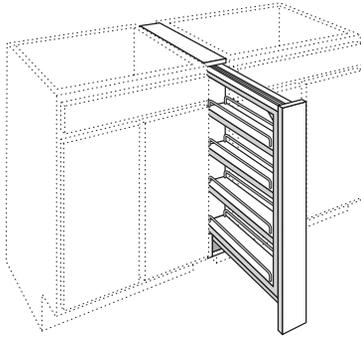


BEA24 FH
----------



- Requires 24" x 24" space
- One adjustable shelf
- **Cabinet dimensions are for reference purposes ONLY - countertop must be measured and fabricated after cabinet installation**

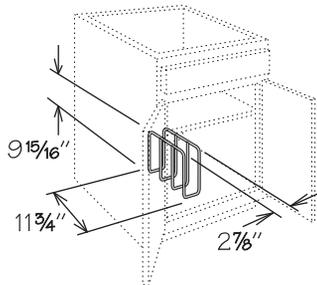
**Base Filler Pull Out**



BFP3

- Must be installed between two base cabinets behind the face frames in 3" of floor space
- Cannot be installed next to an appliance or at the end of a run
- No side panels or toe kick
- Filler shipped unattached for field installation
- An overlay filler is recommended for Full Overlay door styles - order separately
- Features full-access ball bearing glides
- One fixed and three adjustable 2 1/2" wide wood shelves feature chrome rails
- Decorative hardware strongly recommended

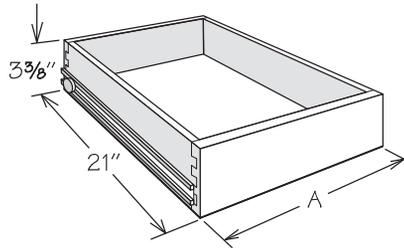
**Cabinet Tray Divider**



TD3

- Field installation accessory
- Chrome finish
- For use in 24" deep cabinets or cabinets with RD-23 through RD-14
- Mounting hardware included

**Deep Dovetail Sliding Shelf Kit**

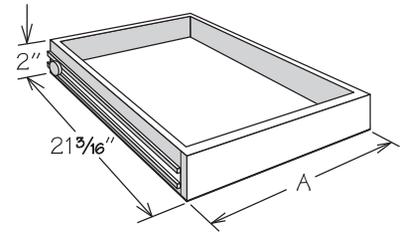


	A
DSSK12	7 3/4"
DSSK13	9 1/4"
DSSK15	10 3/4"
DSSK16	11 1/4"
DSSK18	13 3/4"
DSSK19	15 1/4"
DSSK21	16 3/4"
DSSK24	19 3/4"
DSSK30	25 3/4"
DSSK33	28 3/4"
DSSK36	31 3/4"

		RD
DSSK12	DSSK21	
DSSK13	DSSK24	
DSSK15	DSSK30	
DSSK16	DSSK33	
DSSK18	DSSK36	
DSSK19		

- Field installation accessory
- Hardwood dovetail drawer with MDF bottom and Side-Mounted Drawer Glides
- Includes Deep Dovetail Sliding Shelf, all glide hardware and instructions
- DSSKs can be used with all single and two door base cabinets
- DSSK drill template is required for all two door cabinets that have a fixed center stile - contact Customer Care for drill template

**Sliding Shelf Kit**

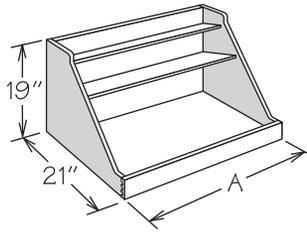


	A
SSK12	8 1/2"
SSK13	10"
SSK15	11 1/2"
SSK16	13"
SSK18	14 1/2"
SSK19	16"
SSK21	17 1/2"
SSK24	20 1/2"
SSK30	26 1/2"
SSK33	29 1/2"
SSK36	32 1/2"

		RD
SSK12	SSK21	
SSK13	SSK24	
SSK15	SSK30	
SSK16	SSK33	
SSK18	SSK36	
SSK19		

- Field installation accessory
- Engineered wood drawer with solid hardwood front, MDF bottom and Side-Mounted Drawer Glides
- Includes Sliding Shelf, all glide hardware and instructions
- SSKs can be used with all single and two door base cabinets
- SSK drill template is required for all two door cabinets that have fixed center stile - contact Customer Care for drill template

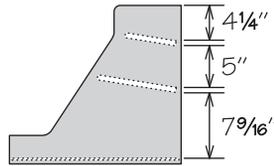
**Base Pot & Pan Organizer Kit**



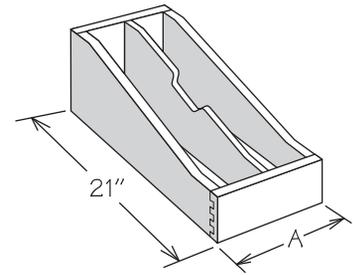
	A	Base Cabinet Size	Oven Cabinet Size
BPP0K24	19 3/4"	24"	27"
BPP0K27	22 3/4"	—	30"
BPP0K30	25 3/4"	30"	33"
BPP0K33	28 3/4"	33"	—
BPP0K36	31 3/4"	36"	—

BPP0K24  
BPP0K27  
BPP0K30  
BPP0K33  
BPP0K36

- Field installation accessory
- Natural finish solid wood and wood veneer with MDF bottom and Side-Mounted Drawer Glides
- Front of organizer features dovetail construction
- Top shelf measures 6 3/8" deep
- Middle shelf measures 9 3/4" deep
- Not sized to fit Reduced Depth cabinets



**Roll Out Tray Divider Kit**

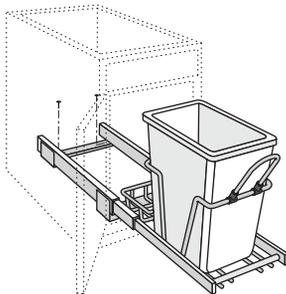


	A	Cabinet Size
ROTDK12	7 3/4"	12"
ROTDK15	10 3/4"	15"

ROTDK12  
ROTDK15

- Field installation accessory
- Natural finish solid wood and wood veneer with MDF bottom and Side-Mounted Drawer Glides
- Front of organizer features dovetail construction
- ROTDK12 features two compartments (one partition)
- ROTDK15 features three compartments (two partitions)
- Partitions(s) are field installed
- Not sized to fit Reduced Depth cabinets

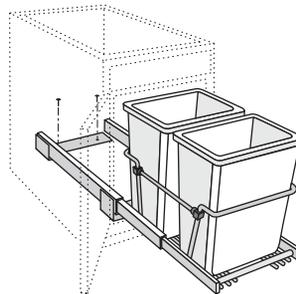
**Wastebasket Unit**



WBU15

- Field installation accessory
- Features one white 35 quart plastic bin, chrome wire rack with storage bin and full-access glides
- Mounts in B15 (11 3/4") or wider cabinet opening
- Unit measures 10 3/8" W x 19 1/4" H x 22" D
- Not sized to fit Reduced Depth cabinets

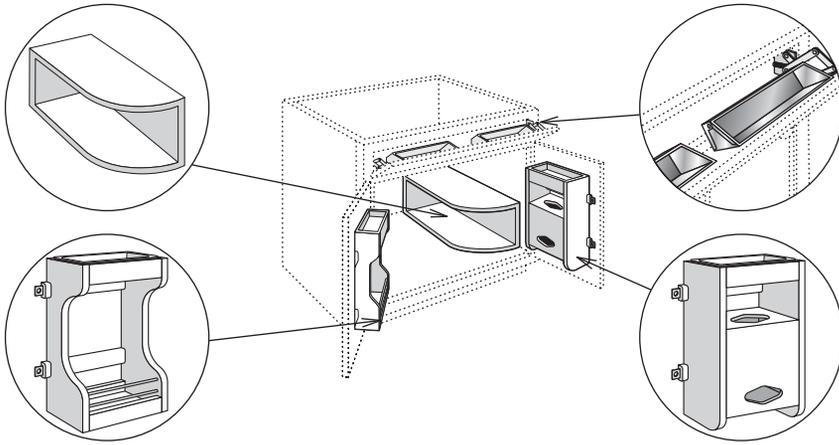
**Base Recycling Kit**



BR2B15

- Field installation accessory
- Features two white 27 quart plastic bins, chrome wire rack and full-access glides
- Mounts in B18 (14 3/4") or wider cabinet opening
- Unit measures 11 3/8" W x 19 1/4" H x 22 3/4" D
- Not sized to fit Reduced Depth cabinets

### Sink Base Multi-Storage Kit

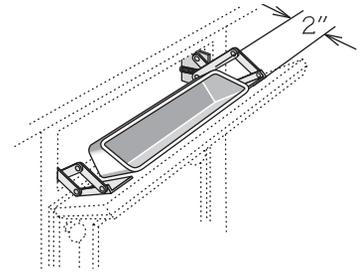


SBMS30 KIT  
SBMS36 KIT

- Field installation accessory
- Not sized to fit Reduced Depth cabinets
- Tilt-Out Trays and door storage unit trays are NOT dishwasher safe

- SBMS30 KIT for 30" sink base only and features:
  - 15" Sink Base Door Storage Unit (SBDSU15)
  - 15" Plastic Bag Door Storage Unit (PBDSU15)
  - Sink Base Multi-Storage Shelf (SBMSS)
  - One Stainless Tilt-Out Tray Kit (STO TRAY 22)
- SBMS36 KIT for 36" sink base only and features:
  - 18" Sink Base Door Storage Unit (SBDSU18)
  - 18" Plastic Bag Door Storage Unit (PBDSU18)
  - Sink Base Multi-Storage Shelf (SBMSS)
  - Two Stainless Tilt-Out Tray Kits (STO TRAY 11)

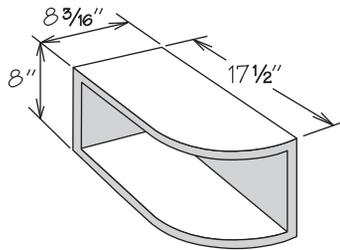
### Tilt-Out Tray Kit



Plastic TO TRAY 11 TO TRAY 14 TO TRAY 22	Stainless STO TRAY 11 STO TRAY 14 STO TRAY 22
---	--

- Field installation accessory
- Kit features tray and one pair of scissor hinges
- Order units individually
- TO TRAY 11 or STO TRAY 11:  
Order one unit for SB18  
Order two units for SB33 or SB36
- TO TRAY 14 or STO TRAY 14:  
Order one unit for SB21, SB24, SB27 or CSF42  
Order two units for SB39, SB42 or SB48
- TO TRAY 22 or STO TRAY 22:  
Order one unit for SB30
- Sink Front units match Sink Base sizes as noted above
- Tilt-Out Trays are NOT dishwasher safe

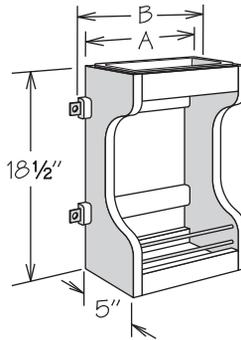
### Sink Base Multi-Storage Shelf



SBMSS

- Field installation accessory
- 3/4" plywood with natural finish
- Invert for left or right installation

### Sink Base Door Storage Unit

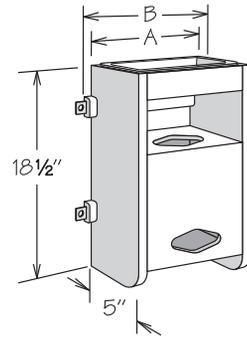


	A	B
SBDSU15	9"	10 1/2"
SBDSU18	10 1/2"	13 1/2"

SBDSU15  
SBDSU18

- Field installation accessory
- Natural finish solid wood
- Two fixed shelves
- Cannot be used with Sliding Shelves
- Removable white plastic tray is NOT dishwasher safe
- SBDSU15 mounts to 15" or 16" wide base doors
- SBDSU18 mounts to 18" or 19" wide base doors

### Plastic Bag Door Storage Unit

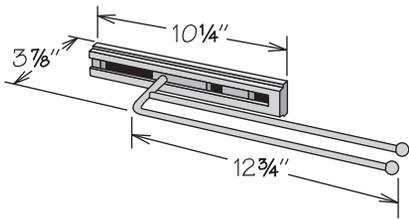


	A	B
PBDSU15	9"	10 1/2"
PBDSU18	10 1/2"	13 1/2"

PBDSU15  
PBDSU18

- Field installation accessory
- Natural finish solid wood and wood veneer
- Cannot be used with Sliding Shelves
- Removable white plastic tray is NOT dishwasher safe
- PBDSU15 mounts to 15" or 16" wide base doors
- PBDSU18 mounts to 18" or 19" wide base doors

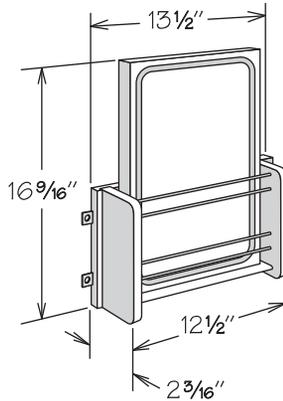
**Sliding Towel Bar**



STB

- Field installation accessory
- Two chrome finish towel bars
- Mounts to cabinet side panel
- Pulls out 7" for easy access
- For use in 24" deep cabinets or cabinets with RD-23 through RD-14

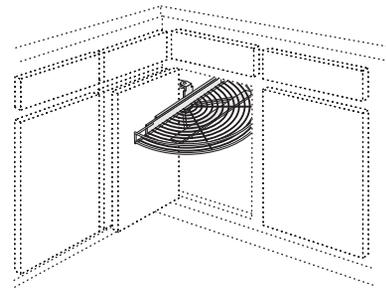
**Cutting Board Door Rack Kit**



CBDRK18

- Field installation accessory
- Natural finish solid wood with chrome rails
- Cannot be used with Sliding Shelves
- Solid wood cutting board is NOT dishwasher safe
- Cutting board measures 15 5/8" x 10 3/8" x 1 3/8"
- CBDRK18 mounts to 18" or 19" wide base doors

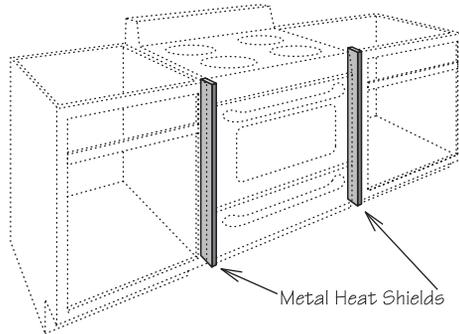
**Corner Lazy Susan**



CLS45F

- Field installation accessory
- One 2 1/2" high chrome wire shelf per unit
- For use with BLB45/48 or BLB48/51
- More than one unit can be installed
- Order units individually
- 34" long x 16" deep from center
- Attaches to back of face frame
- Not sized to fit Reduced Depth cabinets

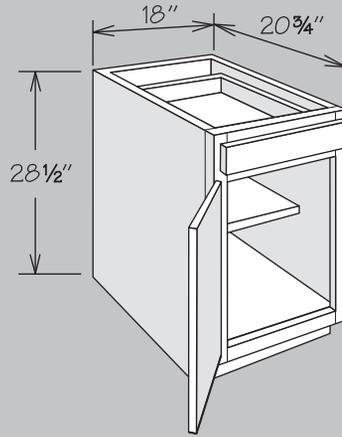
**Heat Shield Kit**



HSK

- Field installation accessory
- **Available for Thermofoil door styles only**
- Recommended for use as a heat shield for all Thermofoil door styles
- Protects doors and drawer fronts from adjacent heat source Av (built-in ovens, under counter ovens, drop-in or free-standing ranges)
- Kit features the following items finished to match cabinet exterior:
  - Two 3/8" metal heat shields
  - One strip of wood QM8 WD molding shield (not required for Base installation)

# Desk Cabinets & Bookshelves



## Dimensions

Width	Height	Depth
12" to 36"	28½" to 96"	12" to 24" (Reduced Depth optional on select cabinets)

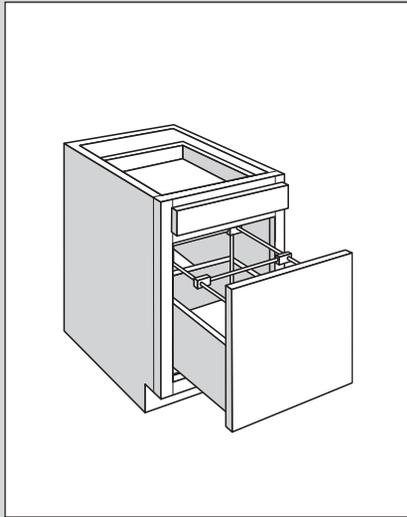
## SKU Coding

DDO	18	21
Cabinet Type (e.g., DDO= Desk Door Cabinet)	width in inches	depth in inches

## Construction Options & Modifications

- CF0** ..... Cabinet Front Only
- ID** ..... Increased Depth (Bookshelves Only)
- RD** ..... Reduced Depth
- RTK** ..... Recessed Toe Kick
- XDTSG** ..... Remove Dovetail Side-Glide

**Desk Base Cabinets**



Desk Base cabinets are 12" to 24" wide, 28½" high and 20¾" or 24" deep.

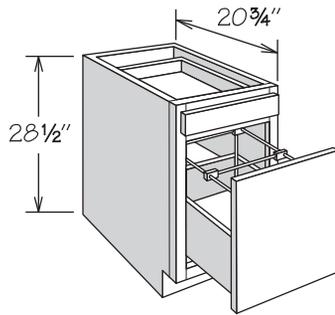
Single door Desk Base cabinets are hinged left and can be reversed in the field.

Inset toe kick construction requires BTK8 matching toe kick - must be ordered separately.

DESK CABINETS & BOOKSHELVES

**Desk File Pull Out**

1 Drawer, 1 Door Pull Out, 21" Deep



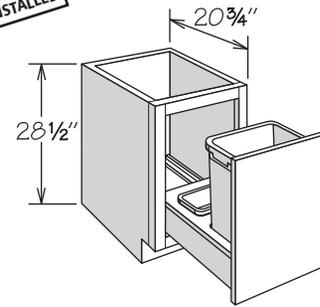
DFDC1821

RTK

- One standard top drawer
- File system installs in a natural finish drawer body
- File system packaged separately for field installation
- Accepts letter or legal-size hanging files
- Decorative hardware strongly recommended

**Desk Wastebasket Cabinet**

1 Door, 1 Bottom Mount Wastebasket  
21" Deep



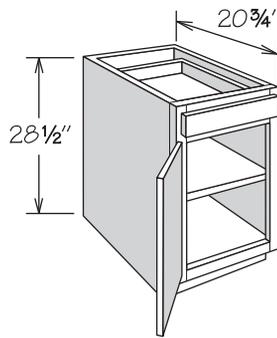
DWBB1821

RTK

- Full-height door
- Features one silver plastic 35-quart capacity bin
- Wastebasket rests in a natural finish wood frame with full-access heavy-duty 132-pound rated glides
- Includes bag storage tray at rear
- Storage tray NOT dishwasher safe
- Decorative hardware strongly recommended

**Desk Door Cabinet**

1 Door, 1 Drawer  
21" Deep



DD01221  
DD01521  
DD01821  
DD02121

CFO

RD

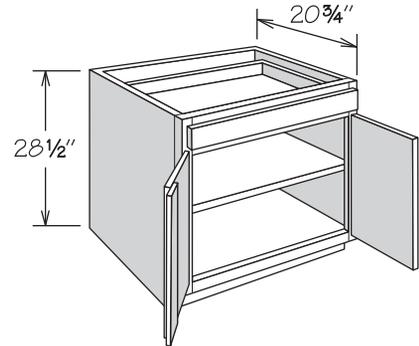
RTK

XDTSG

- One full-depth adjustable shelf
- May be accessorized with one Sliding Shelf

**Desk Door Cabinet**

2 Doors with Batten, 1 Drawer  
21" Deep



DD02421

CFO

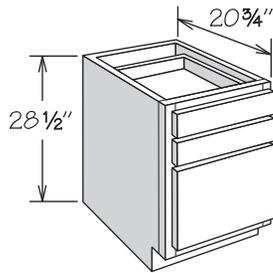
RD

RTK

XDTSG

- Left door with batten
- One full-depth adjustable shelf
- May be accessorized with one Sliding Shelf

**Desk Drawer Cabinet**  
21" Deep

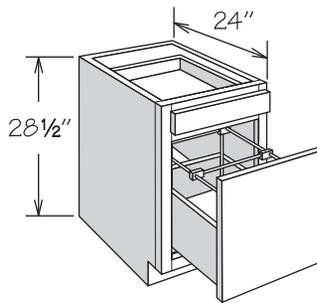


DDR1221  
DDR1521  
DDR1821  
DDR2121  
DDR2421

CFO
RD
RTK
XDTSG

- One large and two standard drawers
- Large drawer cannot be used as a file drawer

**Desk File Pull Out**  
1 Drawer, 1 Door Pull Out, 24" Deep

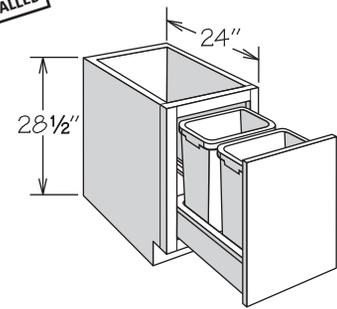


DFDC1824

RTK
XDTSG

- One standard top drawer
- File system installs in a natural finish drawer body
- File system packaged separately for field installation
- Accepts letter or legal-size hanging files
- Decorative hardware strongly recommended

**Desk Wastebasket Cabinet**  
1 Door, 2 Bottom Mount Wastebaskets  
24" Deep

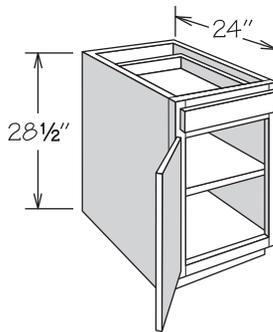


DWBB1824

RTK
-----

- Full-height door
- Features two silver plastic 35-quart capacity bins
- Wastebasket rests in a natural finish wood frame with full-access heavy-duty 132-pound rated glides
- Decorative hardware strongly recommended

**Desk Door Cabinet**  
1 Door with Batten, 1 Drawer  
24" Deep

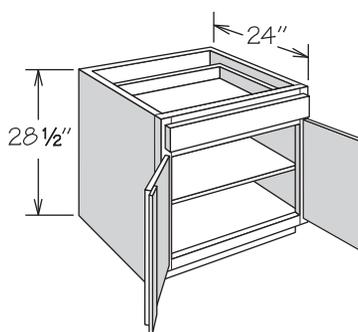


DD01224  
DD01524  
DD01824  
DD02124

CFO
RD
RTK
XDTSG

- One full-depth adjustable shelf
- May be accessorized with one Sliding Shelf

**Desk Door Cabinet**  
2 Doors with Batten, 1 Drawer  
24" Deep

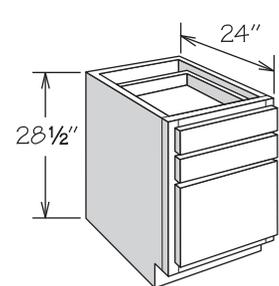


DD02424

CFO
RD
RTK
XDTSG

- Left door with batten
- One full-depth adjustable shelf
- May be accessorized with one Sliding Shelf

**Desk Drawer Cabinet**  
24" Deep

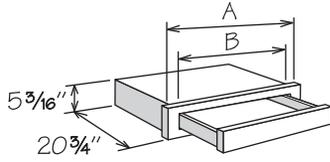


DDR1224  
DDR1524  
DDR1824  
DDR2124  
DDR2424

CFO
RD
RTK
XDTSG

- One large and two standard drawers
- Large drawer cannot be used as a file drawer

**Kneehole Drawer Cabinet**

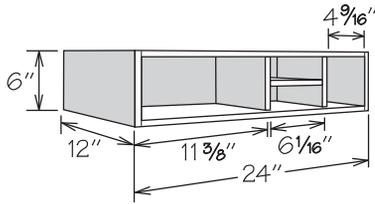


	A	B	Max. Trim
KDC27/21	27"	17 3/4"	21" (3" each side)
KDC33/27	33"	23 3/4"	27" (3" each side)
KDC36/33	36"	29 3/4"	33" (1 1/2" each side)

KDC27/21 KDC33/27 KDC36/33	<b>RD</b>

- Features dovetail drawer standard
- Designed for Desk or Vanity installation
- Field trimmable in depth to 18" or available with RD-20 through RD-12
- Field trimmable in height to 4 3/4"
- Drawer front complements door style

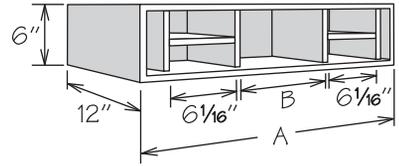
**Shelf Under Cabinet Organizer  
24"**



SUC024
--------

- SUC024 installs below 24" wide wall cabinet
- Features 1/2" veneered engineered wood finished to match cabinet exterior
- Flush sides
- Opening is 5" high

**Shelf Under Cabinet Organizer  
27" & 30"**

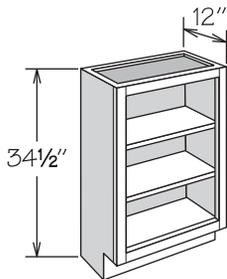


	A	B
SUC027	27"	8 7/8"
SUC030	30"	11 5/8"

SUC027 SUC030
------------------

- SUC027 installs below 27" wide wall cabinet
- SUC030 installs below 30" wide wall cabinet
- Features 1/2" veneered engineered wood finished to match cabinet exterior
- Flush sides
- Opening is 5" high

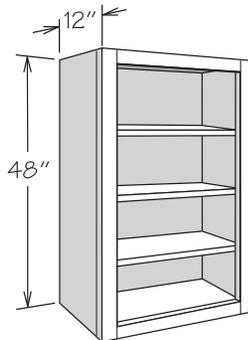
**Base Bookshelf  
34 1/2" High**



BSPLY2434	<b>ID</b>
	<b>RD</b>
	<b>RTK</b>

- Features plywood box construction
- Interior finished to match cabinet exterior
- Features two adjustable 3/4" plywood shelves
- Shelving packaged separately for field installation

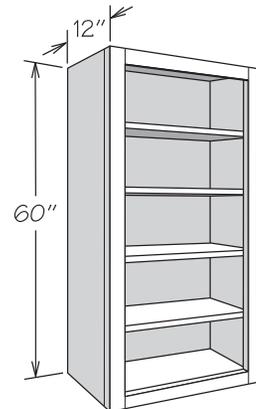
**Wall Bookshelves  
48" High**



BSPLY1848 BSPLY2448 BSPLY3048 BSPLY3648	<b>ID</b>
	<b>RD</b>

- Features plywood box construction
- Interior finished to match cabinet exterior
- Features three adjustable 3/4" plywood shelves
- Shelving packaged separately for field installation

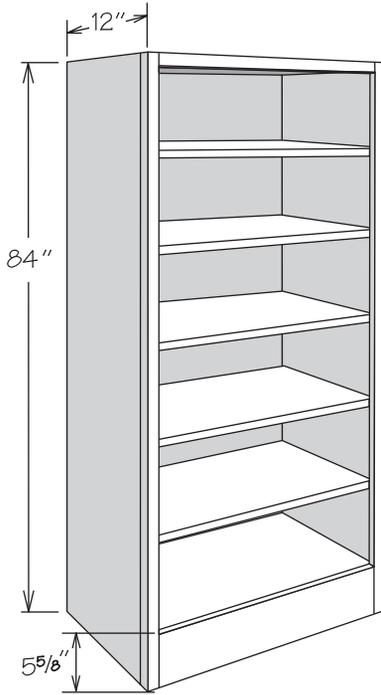
**Wall Bookshelves  
60" High**



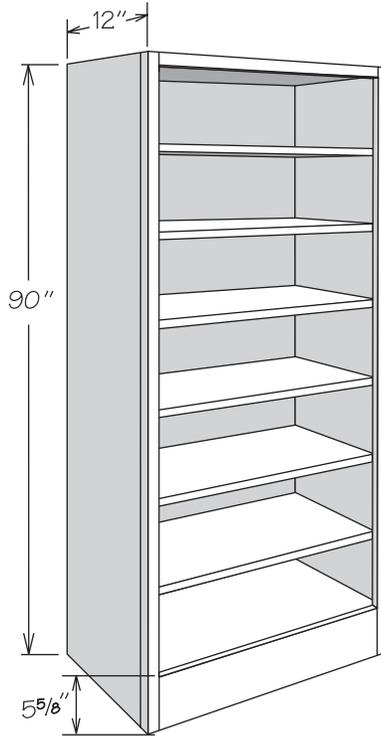
BSPLY1860 BSPLY2460 BSPLY3060 BSPLY3660	<b>ID</b>
	<b>RD</b>

- Features plywood box construction
- Interior finished to match cabinet exterior
- Features four adjustable 3/4" plywood shelves
- Shelving packaged separately for field installation

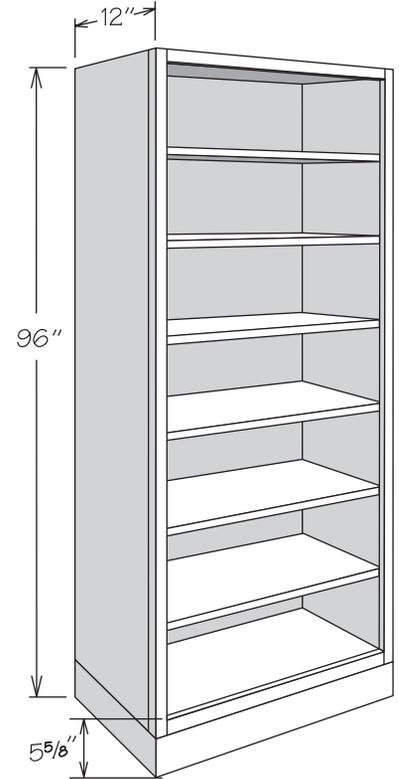
**Tall Bookshelves**  
84" High



**Tall Bookshelves**  
90" High



**Tall Bookshelves**  
96" High



BSPLY1884  
BSPLY2484  
BSPLY3084  
BSPLY3684

ID
RD

- Features plywood box construction
- Interior finished to match cabinet exterior
- Flush furniture toe kick
- Features five adjustable 3/4" plywood shelves
- Shelving packaged separately for field installation

BSPLY1890  
BSPLY2490  
BSPLY3090  
BSPLY3690

ID
RD

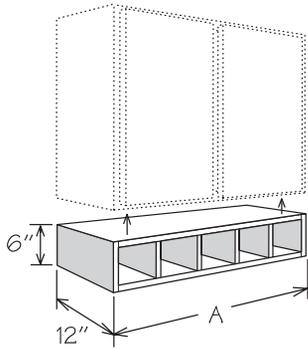
- Features plywood box construction
- Interior finished to match cabinet exterior
- Flush furniture toe kick
- Features six adjustable 3/4" plywood shelves
- Shelving packaged separately for field installation

BSPLY1896  
BSPLY2496  
BSPLY3096  
BSPLY3696

ID
RD

- Features plywood box construction
- Interior finished to match cabinet exterior
- Flush furniture toe kick shipped unattached
- Features six adjustable 3/4" plywood shelves
- Shelving packaged separately for field installation

**Storage Cube**

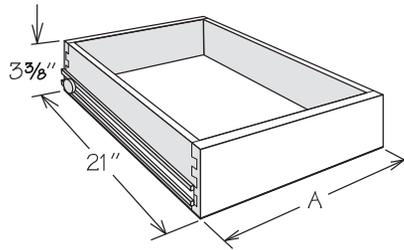


	A	Number of Openings
SC30	30"	5
SC36	36"	6
SC42	42"	7

SC30	
SC36	
SC42	

- Designed for horizontal or vertical installation
- Vertical installation may require the use of fillers and/or molding which must be ordered separately
- Opening size is 5" wide x 4½" high (horizontal) which will accommodate various storage needs
- Features ¾" veneered engineered wood finished to match cabinet exterior
- Interior finished to match cabinet exterior
- Flush sides
- Cannot be retrofitted with Spice Drawer cabinet drawers

**Deep Dovetail Sliding Shelf Kit**

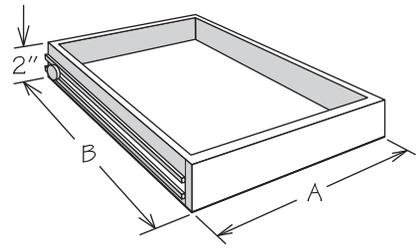


	A	B
DSSK12	7 ¾"	21"
DSSK15	10 ¾"	21"
DSSK18	13 ¾"	21"
DSSK21	16 ¾"	21"
DSSK24	19 ¾"	21"
DSSK1221	7 ¾"	18"
DSSK1521	10 ¾"	18"
DSSK1821	13 ¾"	18"
DSSK2121	16 ¾"	18"
DSSK2421	19 ¾"	18"

		RD
DSSK12	DSSK1221	
DSSK15	DSSK1521	
DSSK18	DSSK1821	
DSSK21	DSSK2121	
DSSK24	DSSK2421	

- Field installation accessory
- Hardwood dovetail drawer with MDF bottom and Side-Mounted Drawer Glides
- Includes Deep Dovetail Sliding Shelf, all glide hardware and instructions

**Sliding Shelf Kit**

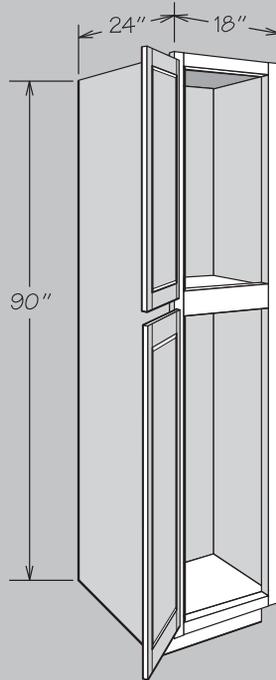


	A	B
SSK12	8 ½"	21 ¾"
SSK15	11 ½"	21 ¾"
SSK18	14 ½"	21 ¾"
SSK21	17 ½"	21 ¾"
SSK24	20 ½"	21 ¾"
SSK1221	8 ½"	18 ¾"
SSK1521	11 ½"	18 ¾"
SSK1821	14 ½"	18 ¾"
SSK2421	20 ½"	18 ¾"

		RD
SSK12	SSK1221	
SSK15	SSK1521	
SSK18	SSK1821	
SSK21	SSK2421	
SSK24		

- Field installation accessory
- Engineered wood drawer with solid hardwood front, MDF bottom and Side-Mounted Drawer Glides
- Includes Sliding Shelf, all glide hardware and instructions

# Tall Cabinets



## Dimensions

Width	Depth	Height
12" to 36"	12" to 24" (Reduced Depth optional on select cabinets)	84" to 96"

## SKU Coding

<b>UT</b>	<b>18</b>	<b>24</b>	<b>X</b>	<b>90</b>
Cabinet Type (e.g., UT= Utility Cabinet)	width in inches	depth in inches		height in inches

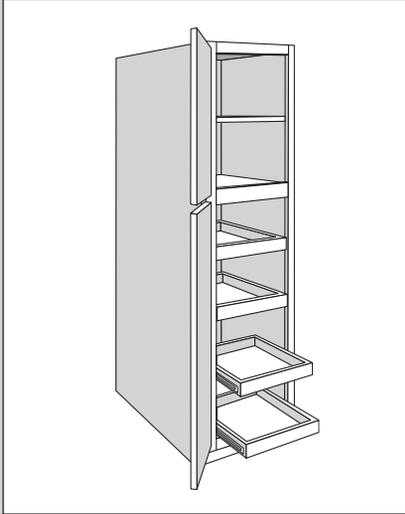
## Construction Options & Modifications

<b>CFO</b>	Cabinet Front Only
<b>MI</b>	Matching Interior
<b>RD</b>	Reduced Depth
<b>XDTSG</b>	Remove Dovetail Side-Glide

## Specialty Door (SD) Cabinet Options

<b>MFD</b>	Mullion Frame Door
<b>OFD</b>	Open Frame Door

Utility Cabinets



Utility cabinets range in size from 12" to 36" wide, 84" to 96" high and from 12" to 24" deep.

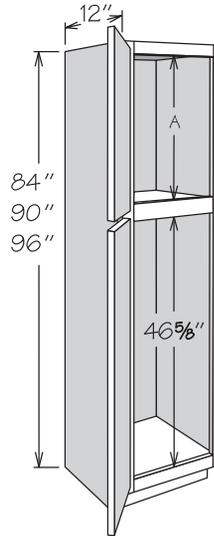
All Utility cabinet bottom doors will have a center rail with the exception of Thermofoil door styles.

Specialty Door selections on Utility cabinets apply to top door(s) only.

Inset toe kick construction requires BTK8 matching toe kick - must be ordered separately.

See page 23 for Ceiling Height Requirements information.

Utility Cabinet  
12" Deep • 2 Doors  
No Shelves



	A
84" High	26 7/8"
90" High	32 7/8"
96" High	38 7/8"

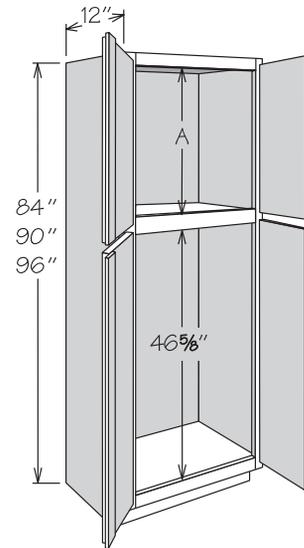
- UT1212 X 84
- UT1512 X 84
- UT1812 X 84
- UT1512 X 90
- UT1812 X 90
- UT1512 X 96
- UT1812 X 96

- UT1212 X 84 SD
- UT1512 X 84 SD
- UT1812 X 84 SD
- UT1512 X 90 SD
- UT1812 X 90 SD
- UT1512 X 96 SD
- UT1812 X 96 SD

CFO
■ MI
RD

- Shelving and optional interior accessories may be ordered separately - refer to Utility Cabinet Accessories for details
- 4" inset toe kick assembly shipped inside 96" high cabinet

Utility Cabinet  
12" Deep • 4 Doors with Battens  
No Shelves



	A
84" High	26 7/8"
90" High	32 7/8"
96" High	38 7/8"

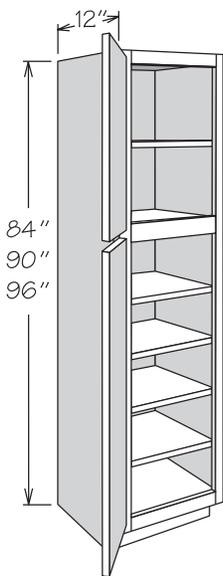
- UT2412 X 84
- UT2412 X 90
- UT2412 X 96

- UT2412 X 84 SD
- UT2412 X 90 SD
- UT2412 X 96 SD

CFO
■ MI
RD

- Left doors with battens
- Shelving and optional interior accessories may be ordered separately - refer to Utility Cabinet Accessories for details
- 4" inset toe kick assembly shipped inside 96" high cabinet

**Utility Cabinet**  
 12" Deep • 2 Doors  
 with Adjustable Shelves



	Number Shelves Top Section	Number Shelves Lower Section
84" High	1	4
90" High	2	4
96" High	3	4

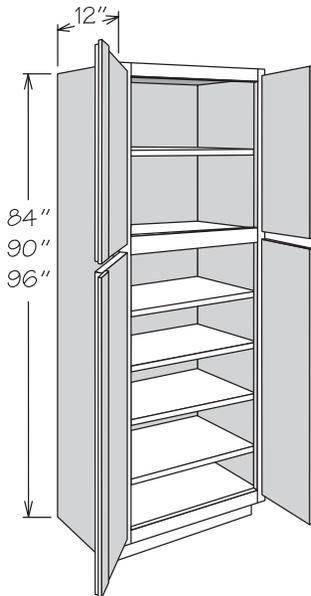
- UT1212 X 84 AS
- UT1512 X 84 AS
- UT1812 X 84 AS
- UT1512 X 90 AS
- UT1812 X 90 AS
- UT1512 X 96 AS
- UT1812 X 96 AS

- UT1212 X 84 AS SD
- UT1512 X 84 AS SD
- UT1812 X 84 AS SD
- UT1512 X 90 AS SD
- UT1812 X 90 AS SD
- UT1512 X 96 AS SD
- UT1812 X 96 AS SD

- Full-depth adjustable shelves are 3/4" engineered wood and edge banded on front edge only
- All shelving packaged separately for field installation
- 4" inset toe kick assembly shipped inside 96" high cabinet

■ MI  
 RD

**Utility Cabinet**  
 12" Deep • 4 Doors with Battens  
 with Adjustable Shelves



	Number Shelves Top Section	Number Shelves Lower Section
84" High	1	4
90" High	2	4
96" High	3	4

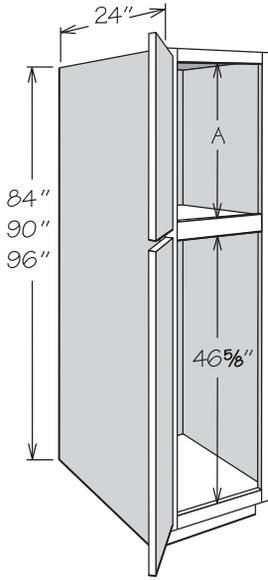
- UT2412 X 84 AS
- UT2412 X 90 AS
- UT2412 X 96 AS

- UT2412 X 84 AS SD
- UT2412 X 90 AS SD
- UT2412 X 96 AS SD

- Left doors with battens
- Full-depth adjustable shelves are 3/4" engineered wood and edge banded on front edge only
- All shelving packaged separately for field installation
- 4" inset toe kick assembly shipped inside 96" high cabinet

■ MI  
 RD

**Utility Cabinet**  
24" Deep • 2 Doors  
No Shelves



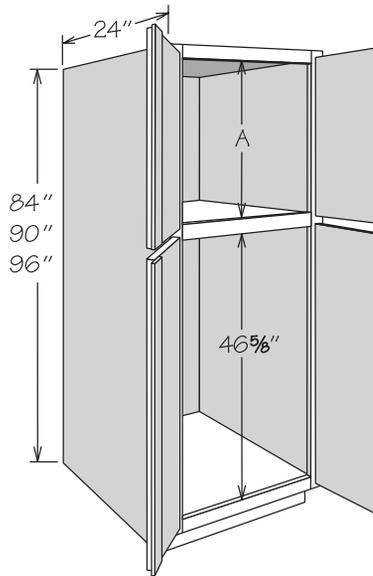
	A
84" High	26 7/8"
90" High	32 7/8"
96" High	38 7/8"

- UT1224 X 84
- UT1524 X 84
- UT1824 X 84
- UT1524 X 90
- UT1824 X 90
- UT1524 X 96
- UT1824 X 96
- UT1224 X 84 SD
- UT1524 X 84 SD
- UT1824 X 84 SD
- UT1524 X 90 SD
- UT1824 X 90 SD
- UT1524 X 96 SD
- UT1824 X 96 SD

CFO
■ MI
■ RD

- Shelving and optional interior accessories may be ordered separately - refer to Utility Cabinet Accessories for details
- Cabinet backs are pre-drilled to accept up to four Sliding Shelves in lower section
- 4" inset toe kick assembly shipped inside 96" high cabinet

**Utility Cabinet**  
24" Deep • 4 Doors with Battens  
No Shelves



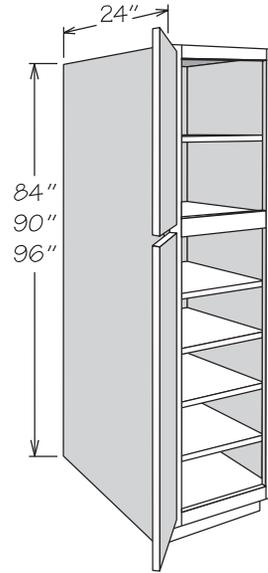
	A
84" High	26 7/8"
90" High	32 7/8"
96" High	38 7/8"

- UT2424 X 84
- UT3024 X 84
- UT3624 X 84
- UT2424 X 90
- UT3024 X 90
- UT3624 X 90
- UT2424 X 96
- UT3024 X 96
- UT3624 X 96
- UT2424 X 84 SD
- UT3024 X 84 SD
- UT3624 X 84 SD
- UT2424 X 90 SD
- UT3024 X 90 SD
- UT3624 X 90 SD
- UT2424 X 96 SD
- UT3024 X 96 SD
- UT3624 X 96 SD

CFO
■ MI
■ RD

- Left doors with battens
- Shelving and optional interior accessories may be ordered separately - refer to Utility Cabinet Accessories for details
- Cabinet backs are pre-drilled to accept up to four Sliding Shelves in lower section
- 4" inset toe kick assembly shipped inside 96" high cabinet

**Utility Cabinet**  
24" Deep • 2 Doors  
with Adjustable Shelves



	Number Shelves Top Section	Number Shelves Lower Section
84" High	1	4
90" High	2	4
96" High	3	4

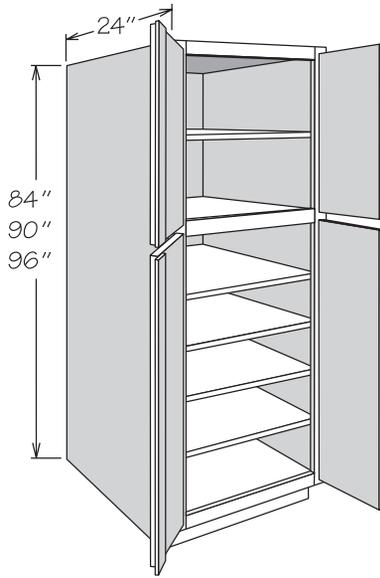
- UT1224 X 84 AS
- UT1524 X 84 AS
- UT1824 X 84 AS
- UT1524 X 90 AS
- UT1824 X 90 AS
- UT1524 X 96 AS
- UT1824 X 96 AS
- UT1224 X 84 AS SD
- UT1524 X 84 AS SD
- UT1824 X 84 AS SD
- UT1524 X 90 AS SD
- UT1824 X 90 AS SD
- UT1524 X 96 AS SD
- UT1824 X 96 AS SD

MI
■ RD

- Full-depth adjustable shelves are 3/4" engineered wood and edge banded on front edge only
- All shelving packaged separately for field installation
- 4" inset toe kick assembly shipped inside 96" high cabinet

**Utility Cabinet**

24" Deep • 4 Doors with Battens  
with Adjustable Shelves



	Number Shelves Top Section	Number Shelves Lower Section
84" High	1	4
90" High	2	4
96" High	3	4

- UT2424 X 84 AS
- UT3024 X 84 AS
- UT3624 X 84 AS
- UT2424 X 90 AS
- UT3024 X 90 AS
- UT3624 X 90 AS
- UT2424 X 96 AS
- UT3024 X 96 AS
- UT3624 X 96 AS

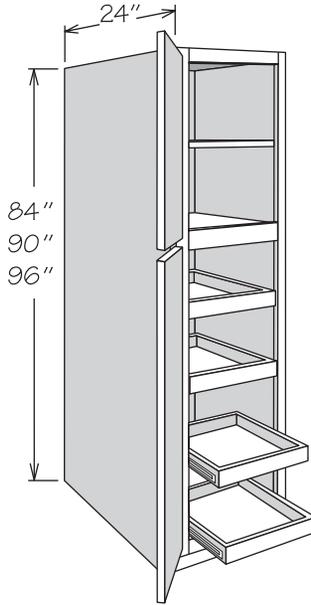
- UT2424 X 84 AS SD
- UT3024 X 84 AS SD
- UT3624 X 84 AS SD
- UT2424 X 90 AS SD
- UT3024 X 90 AS SD
- UT3624 X 90 AS SD
- UT2424 X 96 AS SD
- UT3024 X 96 AS SD
- UT3624 X 96 AS SD

- Left doors with battens
- Full-depth adjustable shelves are 3/4" engineered wood and edge banded on front edge only
- All shelving packaged separately for field installation
- 4" inset toe kick assembly shipped inside 96" high cabinet

■ MI  
RD

**Utility Cabinet**

24" Deep • 2 Doors  
with Sliding Shelves



	Number Shelves Top Section	Number Sliding Shelves
84" High	1	4
90" High	2	4
96" High	3	4

- UT1224 X 84 4SSK
- UT1524 X 84 4SSK
- UT1824 X 84 4SSK
- UT1524 X 90 4SSK
- UT1824 X 90 4SSK
- UT1524 X 96 4SSK
- UT1824 X 96 4SSK

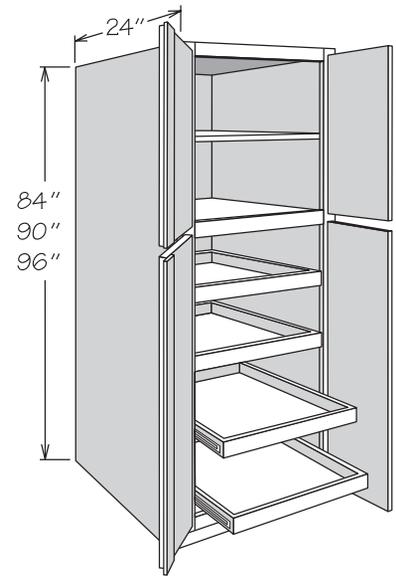
- UT1224 X 84 4SSK SD
- UT1524 X 84 4SSK SD
- UT1824 X 84 4SSK SD
- UT1524 X 90 4SSK SD
- UT1824 X 90 4SSK SD
- UT1524 X 96 4SSK SD
- UT1824 X 96 4SSK SD

- Full-depth adjustable shelves are 3/4" engineered wood and edge banded on front edge only
- All shelving and Sliding Shelves packaged separately for field installation
- 4" inset toe kick assembly shipped inside 96" high cabinet

■ MI  
RD

**Utility Cabinet**

24" Deep • 4 Doors with Battens  
with Sliding Shelves



	Number Shelves Top Section	Number Sliding Shelves
84" High	1	4
90" High	2	4
96" High	3	4

- UT2424 X 84 4SSK
- UT3024 X 84 4SSK
- UT3624 X 84 4SSK
- UT2424 X 90 4SSK
- UT3024 X 90 4SSK
- UT3624 X 90 4SSK
- UT2424 X 96 4SSK
- UT3024 X 96 4SSK
- UT3624 X 96 4SSK

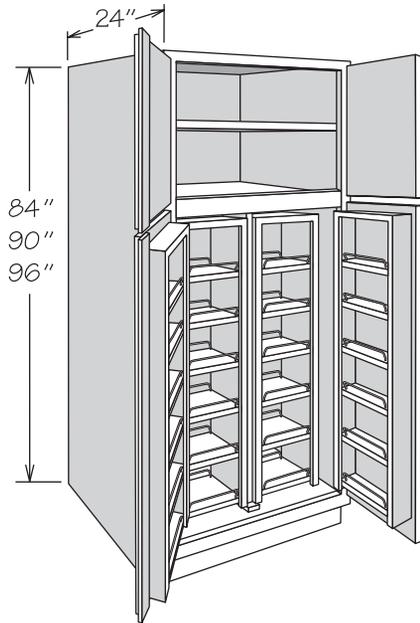
- UT2424 X 84 4SSK SD
- UT3024 X 84 4SSK SD
- UT3624 X 84 4SSK SD
- UT2424 X 90 4SSK SD
- UT3024 X 90 4SSK SD
- UT3624 X 90 4SSK SD
- UT2424 X 96 4SSK SD
- UT3024 X 96 4SSK SD
- UT3624 X 96 4SSK SD

- Left doors with battens
- Full-depth adjustable shelves are 3/4" engineered wood and edge banded on front edge only
- All shelving and Sliding Shelves packaged separately for field installation
- 4" inset toe kick assembly shipped inside 96" high cabinet

■ MI  
RD

**Utility Cabinet**

24" Deep • 4 Doors with Battens  
with Pantry Storage



Number Shelves  
Top Section

84" High	1
90" High	2
96" High	3

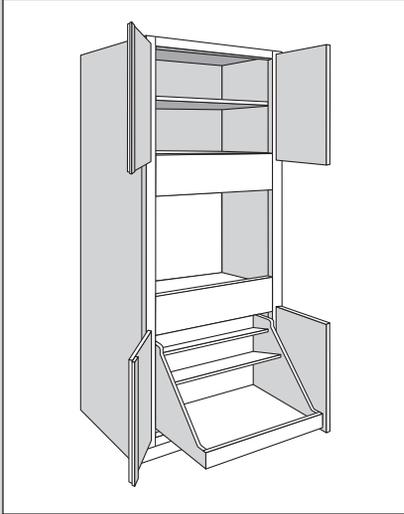
- UT3624 X 84 PCDS
- UT3624 X 90 PCDS
- UT3624 X 96 PCDS

UT3624 X 84 PCDS SD  
UT3624 X 90 PCDS SD  
UT3624 X 96 PCDS SD

■ MI

- Left doors with battens
- Accessories and shelving packaged separately for field installation and include:
  - **Pantry Swing Out Kit (PCSK36)**
  - **Two Pantry Door Shelf Kits (PDSK18)**
  - **Utility Cabinet Shelf and Pilaster Kit (PSK36)**
- Full-depth adjustable shelves are ¾" engineered wood and edge banded on front edge only
- 4" inset toe kick assembly shipped inside 96" high cabinet
- **Minimum filler width of 4½" recommended for installation of this cabinet next to deeper adjacent objects including cabinets, walls, appliances and countertops**

Oven Cabinets

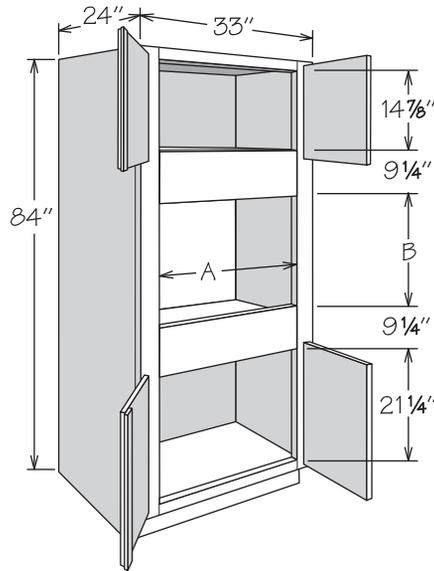


Oven cabinets range in size from 27" to 33" wide, from 84" to 96" high and are 24" deep.

Inset toe kick construction requires BTK8 matching toe kick - must be ordered separately.

See page 23 for Ceiling Height Requirements information.

Single Oven Cabinet  
84" High • 4 Doors with Battens

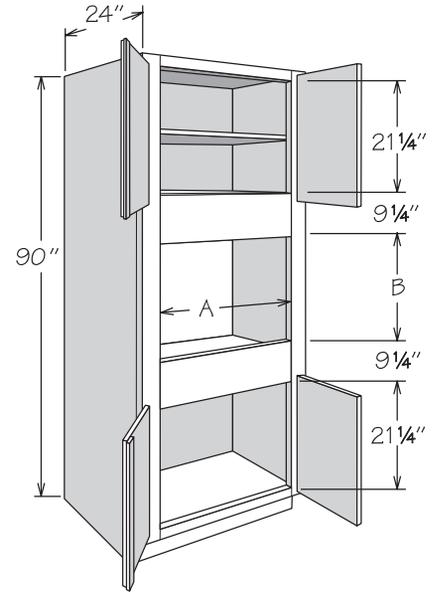


Cut Out Dimensions	A		B	
	Actual	Max.	Actual	Max.
OVS2784	20 3/4"	25"	22 1/2"	37 3/8"
OVS3084	23 3/4"	28"	22 1/2"	37 3/8"
OVS3384	26 3/4"	31"	22 1/2"	37 3/8"

OVS2784 OVS3084 OVS3384	CFO
	RD

- Left doors with battens
- 3/8" stiles
- Features face-mount hinges
- **Order Oven Support Shelf (OSS\_\_)** separately
- **Refer to appliance manufacturer's specifications for adequate clearances and required installation materials**
- Heat Shield Kit (HSK) recommended for Thermofoil door styles

Single Oven Cabinet  
90" High • 4 Doors with Battens



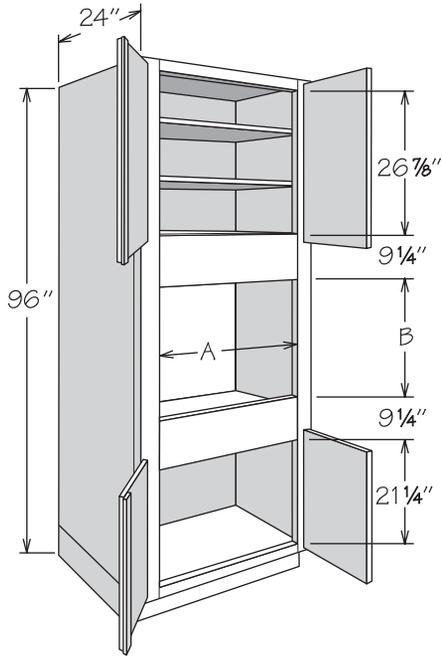
Cut Out Dimensions	A		B	
	Actual	Max.	Actual	Max.
OVS2790 AS	20 3/4"	25"	21 3/4"	37"
OVS3090 AS	23 3/4"	28"	21 3/4"	37"
OVS3390 AS	26 3/4"	31"	21 3/4"	37"

OVS2790 AS OVS3090 AS OVS3390 AS	CFO
	RD

- Left doors with battens
- 3/8" stiles
- Features face-mount hinges
- Features one full-depth 3/4" engineered wood shelf edge banded on front edge only (for top section)
- Shelf packaged separately for field installation
- **Order Oven Support Shelf (OSS\_\_)** separately
- **Refer to appliance manufacturer's specifications for adequate clearances and required installation materials**
- Heat Shield Kit (HSK) recommended for Thermofoil door styles

Single Oven Cabinet

96" High • 4 Doors with Battens



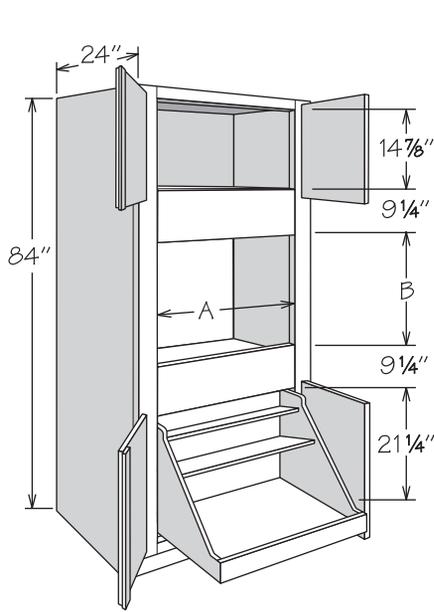
Cut Out Dimensions	A		B	
	Actual	Max.	Actual	Max.
OVS2796 AS	20 3/4"	25"	22 1/8"	37 3/8"
OVS3096 AS	23 3/4"	28"	22 1/8"	37 3/8"
OVS3396 AS	26 3/4"	31"	22 1/8"	37 3/8"

TALL CABINETS

OVS2796 AS	CFO
OVS3096 AS	RD
OVS3396 AS	

- Left doors with battens
- 3/4" stiles
- Features face-mount hinges
- Features two full-depth 3/4" engineered wood shelves edge banded on front edge only (for top section)
- Shelving packaged separately for field installation
- 4" inset toe kick assembly shipped inside cabinet
- **Order Oven Support Shelf (OSS\_\_)** separately
- **Refer to appliance manufacturer's specifications for adequate clearances and required installation materials**
- Heat Shield Kit (HSK) recommended for Thermofoil door styles

**Single Oven Cabinet**  
84" High • 4 Doors with Battens  
with Base Pot & Pan Organizer

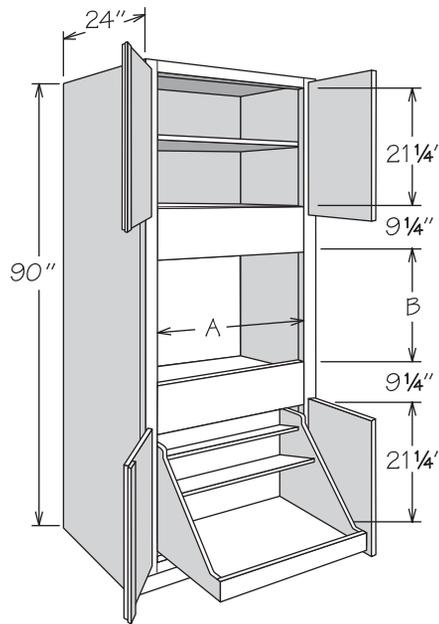


Cut Out Dimensions	A		B	
	Actual	Max.	Actual	Max.
OVS2784 BPP0	20 3/4"	25"	22 1/8"	37 3/8"
OVS3084 BPP0	23 3/4"	28"	22 1/8"	37 3/8"
OVS3384 BPP0	26 3/4"	31"	22 1/8"	37 3/8"

OVS2784 BPP0  
OVS3084 BPP0  
OVS3384 BPP0

- Left doors with battens
- 3 1/8" stiles
- Features face-mount hinges
- Base Pot & Pan Organizer packaged separately for field installation
- Organizer in natural finish solid wood and wood veneer with MDF bottom and Side-Mounted Drawer Glides
- Front of organizer features dovetail construction
- Organizer top shelf measures 6 3/8" deep
- Organizer middle shelf measures 9 3/4" deep
- **Order Oven Support Shelf (OSS\_\_)** separately
- **Refer to appliance manufacturer's specifications for adequate clearances and required installation materials**
- Heat Shield Kit (HSK) recommended for Thermofoil door styles

**Single Oven Cabinet**  
90" High • 4 Doors with Battens  
with Base Pot & Pan Organizer

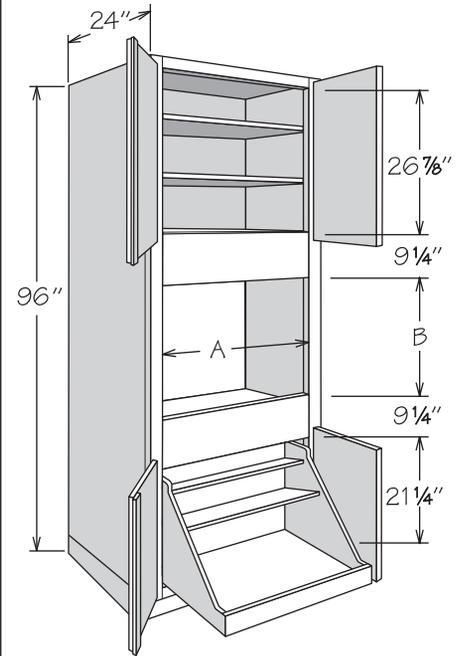


Cut Out Dimensions	A		B	
	Actual	Max.	Actual	Max.
OVS2790 BPP0	20 3/4"	25"	21 3/4"	37"
OVS3090 BPP0	23 3/4"	28"	21 3/4"	37"
OVS3390 BPP0	26 3/4"	31"	21 3/4"	37"

OVS2790 BPP0  
OVS3090 BPP0  
OVS3390 BPP0

- Left doors with battens
- 3 1/8" stiles
- Features face-mount hinges
- Features one full-depth 3/4" engineered wood shelf edge banded on front edge only (for top section)
- Shelf and Base Pot & Pan Organizer packaged separately for field installation
- Organizer in natural finish solid wood and wood veneer with MDF bottom and Side-Mounted Drawer Glides
- Front of organizer features dovetail construction
- Organizer top shelf measures 6 3/8" deep
- Organizer middle shelf measures 9 3/4" deep
- **Order Oven Support Shelf (OSS\_\_)** separately
- **Refer to appliance manufacturer's specifications for adequate clearances and required installation materials**
- Heat Shield Kit (HSK) recommended for Thermofoil door styles

**Single Oven Cabinet**  
96" High • 4 Doors with Battens  
with Base Pot & Pan Organizer



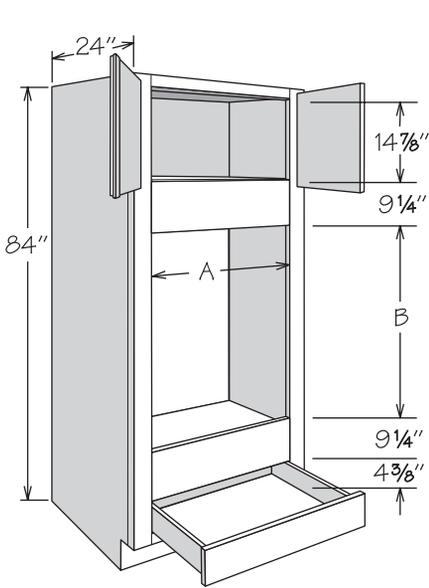
Cut Out Dimensions	A		B	
	Actual	Max.	Actual	Max.
OVS2796 BPP0	20 3/4"	25"	22 1/8"	37 3/8"
OVS3096 BPP0	23 3/4"	28"	22 1/8"	37 3/8"
OVS3396 BPP0	26 3/4"	31"	22 1/8"	37 3/8"

OVS2796 BPP0  
OVS3096 BPP0  
OVS3396 BPP0

- Left doors with battens
- 3 1/8" stiles
- Features face-mount hinges
- Features two full-depth 3/4" engineered wood shelves edge banded on front edge only (for top section)
- Shelving and Base Pot & Pan Organizer packaged separately for field installation
- Organizer in natural finish solid wood and wood veneer with MDF bottom and Side-Mounted Drawer Glides
- Front of organizer features dovetail construction
- Organizer top shelf measures 6 3/8" deep
- Organizer middle shelf measures 9 3/4" deep
- **Order Oven Support Shelf (OSS\_\_)** separately
- 4" inset toe kick assembly shipped inside cabinet
- **Refer to appliance manufacturer's specifications for adequate clearances and required installation materials**
- Heat Shield Kit (HSK) recommended for Thermofoil door styles

**Double Oven Cabinet**

84" High • 2 Doors with Batten,  
1 Drawer



Cut Out Dimensions	A		B	
	Actual	Max.	Actual	Max.*
OVD2784	20 3/4"	25"	39"	54 1/4"
OVD3084	23 3/4"	28"	39"	54 1/4"
OVD3384	26 3/4"	31"	39"	54 1/4"

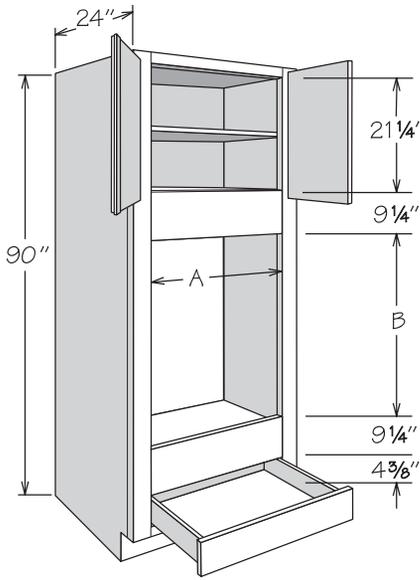
\*Maximum height by removing drawer unit and frame horizontal is 60 1/4"

OVD2784	CFO
OVD3084	RD
OVD3384	XDTSG

- Left door with batten
- 3/8" stiles
- Features face-mount hinges
- **Order Oven Support Shelf (OSS\_\_)** separately
- **Refer to appliance manufacturer's specifications for adequate clearances and required installation materials**
- Heat Shield Kit (HSK) recommended for Thermofoil door styles

**Double Oven Cabinet**

90" High • 2 Doors with Batten,  
1 Drawer



Cut Out Dimensions	A		B	
	Actual	Max.	Actual	Max.*
OVD2790 AS	20 3/4"	25"	38 3/8"	53 3/8"
OVD3090 AS	23 3/4"	28"	38 3/8"	53 3/8"
OVD3390 AS	26 3/4"	31"	38 3/8"	53 3/8"

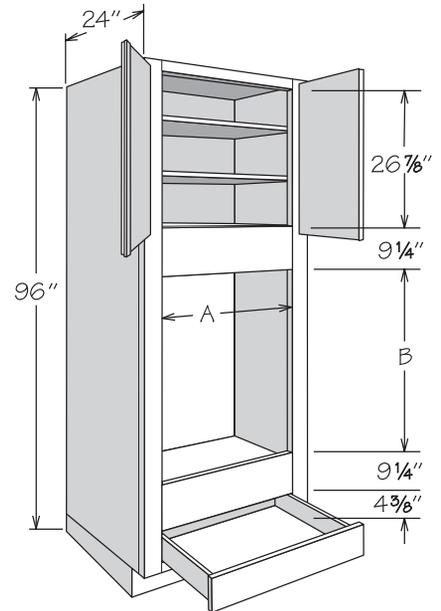
\*Maximum height by removing drawer unit and frame horizontal is 60 1/4"

OVD2790 AS	CFO
OVD3090 AS	RD
OVD3390 AS	XDTSG

- Left door with batten
- 3/8" stiles
- Features face-mount hinges
- Features one full-depth 3/4" engineered wood shelf edge banded on front edge only (for top section)
- Shelf packaged separately for field installation
- **Order Oven Support Shelf (OSS\_\_)** separately
- **Refer to appliance manufacturer's specifications for adequate clearances and required installation materials**
- Heat Shield Kit (HSK) recommended for Thermofoil door styles

**Double Oven Cabinet**

96" High • 2 Doors with Batten,  
1 Drawer



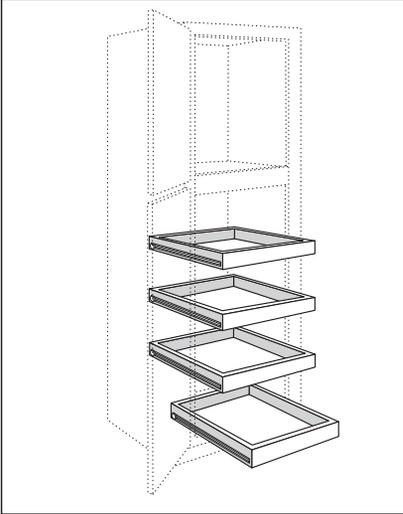
Cut Out Dimensions	A		B	
	Actual	Max.	Actual	Max.*
OVD2796 AS	20 3/4"	25"	39"	54 1/4"
OVD3096 AS	23 3/4"	28"	39"	54 1/4"
OVD3396 AS	26 3/4"	31"	39"	54 1/4"

\*Maximum height by removing drawer unit and frame horizontal is 60 1/4"

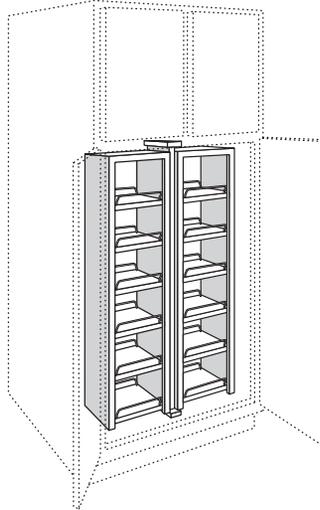
OVD2796 AS	CFO
OVD3096 AS	RD
OVD3396 AS	XDTSG

- Left door with batten
- 3/8" stiles
- Features face-mount hinges
- Features two full-depth 3/4" engineered wood shelves edge banded on front edge only (for top section)
- Shelving packaged separately for field installation
- 4" inset toe kick assembly shipped inside cabinet
- **Order Oven Support Shelf (OSS\_\_)** separately
- **Refer to appliance manufacturer's specifications for adequate clearances and required installation materials**
- Heat Shield Kit (HSK) recommended for Thermofoil door styles

## Utility Cabinet Accessories



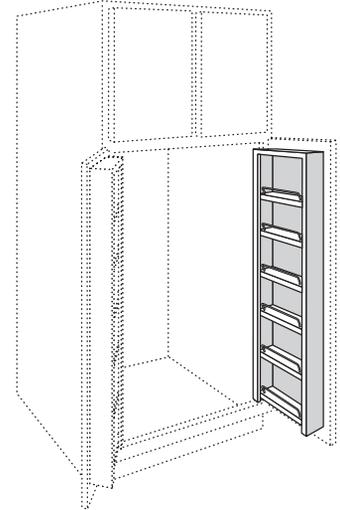
## Pantry Swing Out Kit



PCSK36

- Field installation accessory
- For use inside UT3624 X \_\_
- Can be used with PDSK18 and/or PSK36
- Natural finish unit features two fixed and ten adjustable shelves with chrome rail
- Overall dimensions:  
25 3/4" wide x 45" high x 7 1/2" deep
- Not sized to fit Reduced Depth cabinets
- **Minimum filler width of 4 1/2" recommended for installation of a cabinet with this accessory next to deeper adjacent objects including cabinets, walls, appliances and countertops**

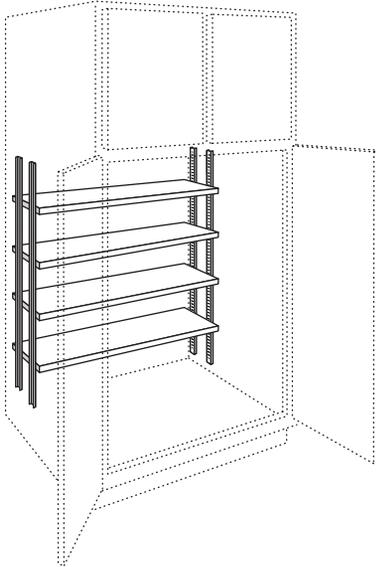
## Pantry Door Shelf Kit



PDSK18

- Field installation accessory
- For use inside UT3624 X \_\_ or UT18 \_\_
- Order each door unit separately
- Can be used with PCSK36 and/or PSK36
- Natural finish unit features one fixed and five adjustable shelves with chrome rail
- Overall dimensions:  
12" wide x 45" high x 4" deep
- Not sized to fit Reduced Depth cabinets
- **Minimum filler width of 4 1/2" recommended for installation of a cabinet with this accessory next to deeper adjacent objects including cabinets, walls, appliances and countertops**

**Utility Cabinet Shelf & Pilaster Kit**

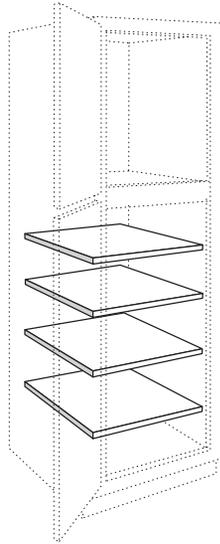


PSK36

MI
RD

- Field installation accessory
- Kit features four 9" deep shelves edge banded on front edge only, four 3/8" zinc pilasters, screws and installation instructions
- For use inside UT3624 X \_\_\_
- Field trimmable for use inside various widths
- Can be used with PCSK36 and/or PDSK18

**Tall Cabinet Adjustable Shelf or Shelf Kit**



**Adjustable Shelf**

**12" Deep**

- S1212
- S1512
- S1812
- S2412
- S3612

**24" Deep**

- S1224
- S1524
- S1824
- S2424
- S2724
- S3024
- S3324
- S3624

**4 Pack Shelf Kit**

**12" Deep**

- SK1212
- SK1512
- SK1812
- SK2412
- SK3612

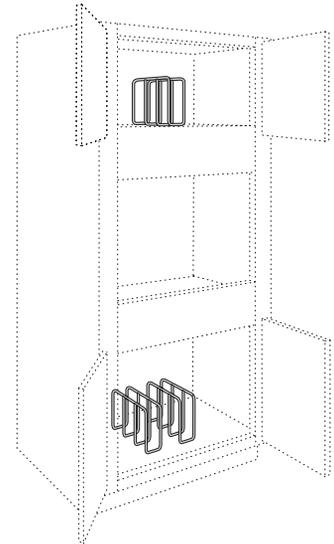
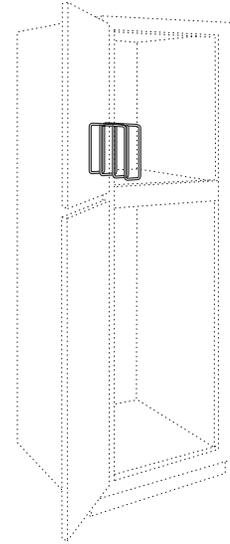
**24" Deep**

- SK1224
- SK1524
- SK1824
- SK2424
- SK2724
- SK3024
- SK3324
- SK3624

MI
RD

- Field installation accessory
- 3/4" engineered wood
- Edge banded on front edge only
- CLIP LOCK shelf rests included

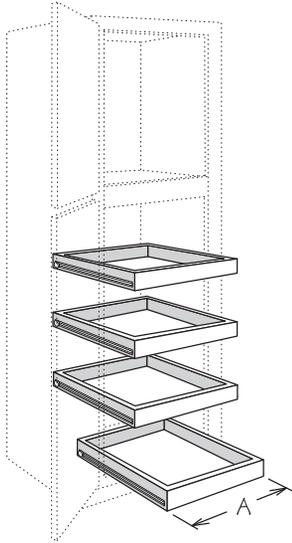
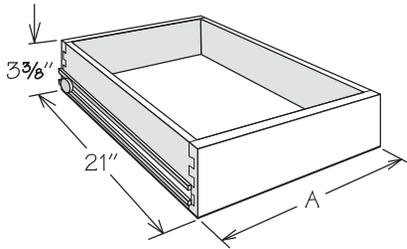
**Cabinet Tray Divider**



TD3

- Field installation accessory
- Chrome finish
- Mounting hardware included
- Overall dimensions: 2 1/2" wide x 9 5/8" high x 11 3/4" deep
- **Order Cabinet Tray Dividers individually**
- For use in 24" deep cabinets or cabinets with RD-23 through RD-14

**Deep Dovetail Sliding Shelf Kit**



	A
DSSK12	7 3/4"
DSSK15	10 3/4"
DSSK18	13 3/4"
DSSK24	19 3/4"
DSSK30	25 3/4"
DSSK36	31 3/4"

**Sliding Shelf Kit**

DSSK12  
DSSK15  
DSSK18  
DSSK24  
DSSK30  
DSSK36

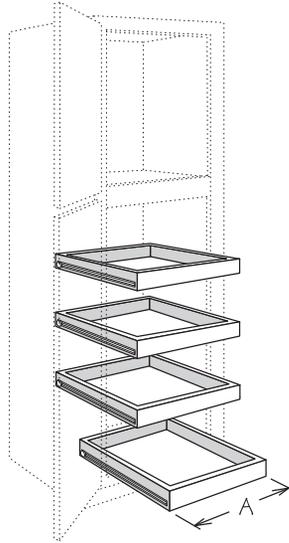
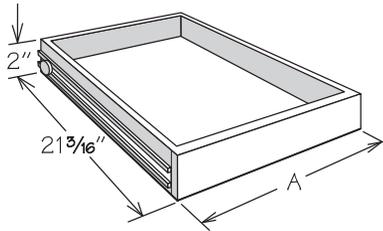
**4 Pack Sliding Shelf Kit**

DSS12-4K  
DSS15-4K  
DSS18-4K  
DSS24-4K  
DSS30-4K  
DSS36-4K

- Field installation accessory
- Hardwood dovetail drawer with MDF bottom and Side-Mounted Drawer Glides
- Includes Deep Dovetail Sliding Shelf, all glide hardware and instructions

RD

**Sliding Shelf Kit**



	A
SSK12	8 1/2"
SSK15	11 1/2"
SSK18	14 1/2"
SSK24	20 1/2"
SSK30	26 1/2"
SSK36	32 1/2"

**Sliding Shelf Kit**

SSK12  
SSK15  
SSK18  
SSK24  
SSK30  
SSK36

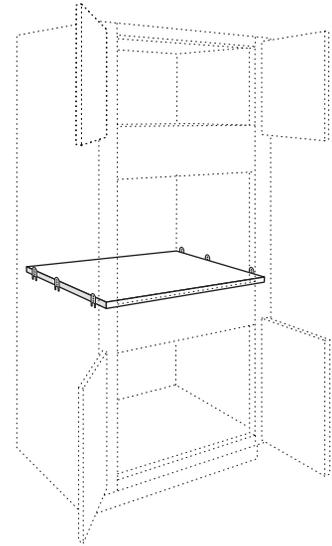
**4 Pack Sliding Shelf Kit**

USS12-4K  
USS15-4K  
USS18-4K  
USS24-4K  
USS30-4K  
USS36-4K

- Field installation accessory
- Engineered wood drawer with solid hardwood front, MDF bottom and Side-Mounted Drawer Glides
- Includes Sliding Shelf, all glide hardware and instructions

RD

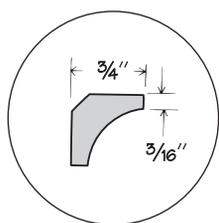
**Oven Support Shelf**



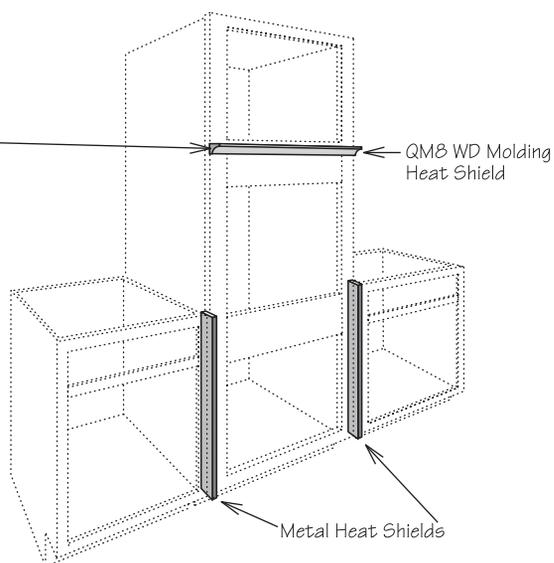
OSS27  
OSS30  
OSS33

- Features 3/4" unfinished engineered wood shelf and six mounting clips with screws
- Will support up to 300 lbs when installed per included installation instructions
- **Refer to appliance manufacturer's specifications for adequate clearances and weight requirements**

## Heat Shield Kit



QM8 WD Molding Detail



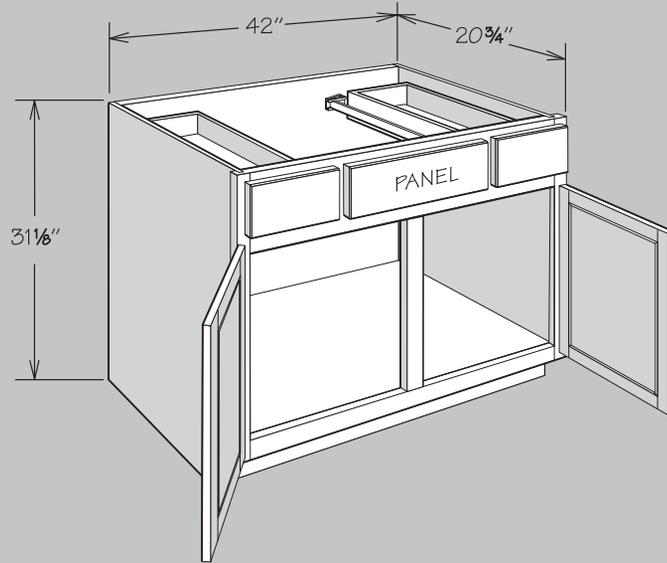
QM8 WD Molding Heat Shield

Metal Heat Shields

HSK

- Field installation accessory
- **Available for Thermofoil door styles only**
- Recommended for use as a heat shield for all Thermofoil door styles
- Protects doors and drawer fronts from adjacent heat source (built-in ovens, under counter ovens, drop-in or free-standing ranges)
- Kit features the following items finished to match cabinet exterior:  
Two  $\frac{3}{16}$ " metal heat shields One strip of wood QM8 WD molding shield

# Vanity Cabinets



## Dimensions

Width	Height	Depth
12" to 60"	31 1/8" to 84"	18" to 20 3/4" (Reduced Depth optional on select cabinets)

## SKU Coding

VAN	42
Cabinet Type (e.g., VAN=Vanity Sink Base)	width in inches

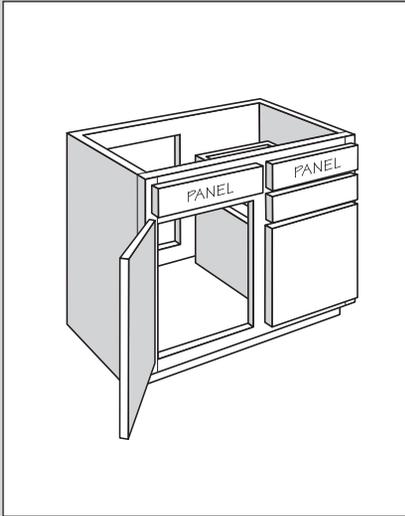
## Construction Options & Modifications

- CFO** ..... Cabinet Front Only
- MI** ..... Matching Interior
- RD** ..... Reduced Depth
- RTK** ..... Recessed Toe Kick
- XDTSG** ..... Remove Dovetail Side-Glide

## Specialty Door (SD) Cabinet Options

- MFD** ..... Mullion Frame Door
- OFD** ..... Open Frame Door

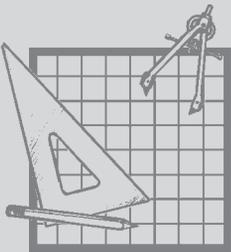
**31 1/8" Standard Height  
Vanity Cabinets**



Standard Height Vanity cabinets are 31 1/8" high, 12" to 60" wide and 18" or 20 3/4" deep.

Single door Standard Height Vanity cabinets are hinged left and can be reversed in the field.

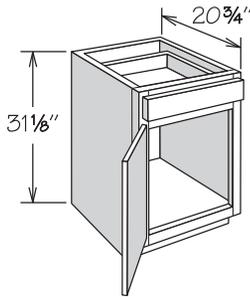
Inset toe kick construction requires BTK8 matching toe kick—must be ordered separately.



Refer to sink manufacturer's specifications for adequate clearance and required installation materials.

When placing a Standard Height Vanity Sink Base cabinet in a design, select a cabinet at least 3" wider than the sink to allow for installation clips. Review manufacturer's specifications for dimensions and adequate clearance requirements.

**Vanity Base  
1 Door, 1 Drawer • 31 1/8" High**

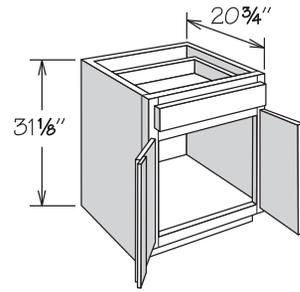


VB12  
VB15  
VB18  
VB21

CFO  
RD  
RTK  
XDTSG

- No shelf

**Vanity Base  
2 Doors with Batten, 1 Drawer • 31 1/8" High**

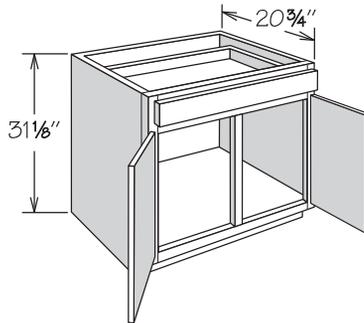


VB24

CFO  
RD  
RTK  
XDTSG

- No shelf
- Left door with batten

**Vanity Base  
2 Doors, 1 Drawer • 31 1/8" High**

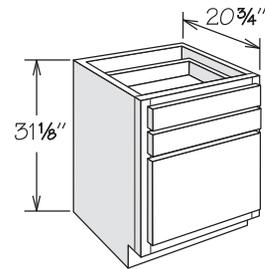


VB27  
VB30  
VB33  
VB36

CFO  
RD  
RTK  
XDTSG

- No shelf

**Vanity Drawer Base  
3 Drawers • 31 1/8" High**



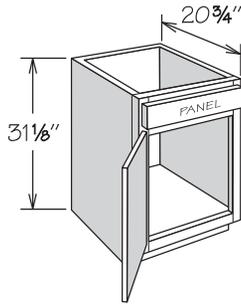
VDB12  
VDB15  
VDB18  
VDB21  
VDB24

CFO  
RD  
RTK  
XDTSG

- One large and two standard drawers

**Vanity Sink Base**

1 Door, 1 Panel • 31 1/8" High



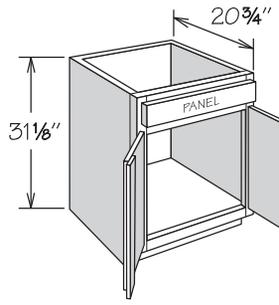
VSB15  
VSB18  
VSB21

CFO
RD
RTK

- No shelf
- Subtract 1/2" from depth and width for available sink bowl opening

**Vanity Sink Base**

2 Doors with Batten, 1 Panel • 31 1/8" High



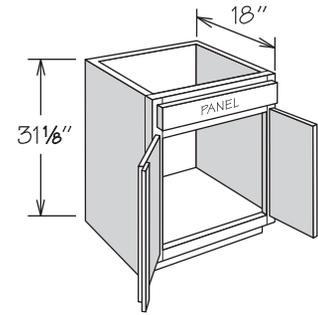
VSB24

CFO
RD
RTK

- No shelf
- Left door with batten
- Subtract 1/2" from depth and width for available sink bowl opening

**Vanity Sink Base - 18" Deep**

2 Doors with Batten, 1 Panel • 31 1/8" High



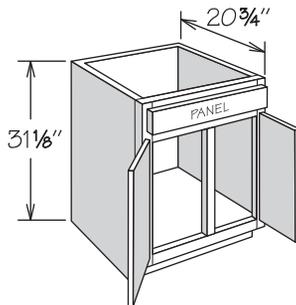
VSB2418

CFO
RD
RTK

- No shelf
- Left door with batten
- Subtract 1/2" from depth and width for available sink bowl opening

**Vanity Sink Base**

2 Doors, 1 Panel • 31 1/8" High



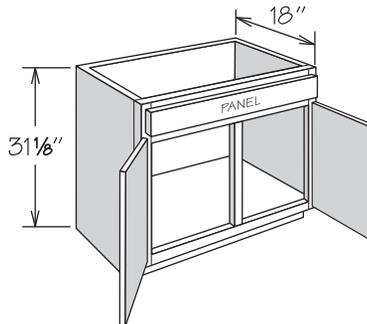
VSB27  
VSB30  
VSB33  
VSB36

CFO
RD
RTK

- No shelf
- Subtract 1/2" from depth and width for available sink bowl opening

**Vanity Sink Base - 18" Deep**

2 Doors, 1 Panel • 31 1/8" High



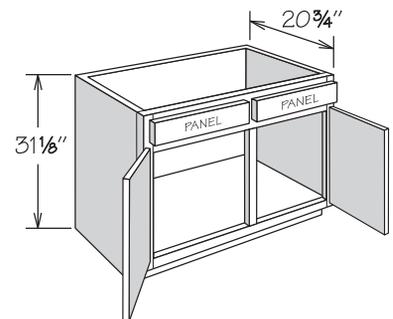
VSB3018  
VSB3618

CFO
RD
RTK

- No shelf
- Subtract 1/2" from depth and width for available sink bowl opening

**Vanity Sink Base**

2 Doors, 2 Panels • 31 1/8" High



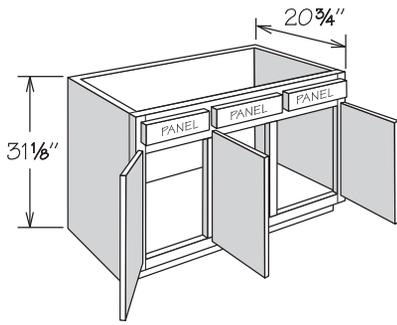
VSB39  
VSB42

CFO
RD
RTK

- No shelf
- Subtract 1/2" from depth and width for available sink bowl opening

**Vanity Sink Base**

3 Doors, 3 Panels • 31 1/8" High

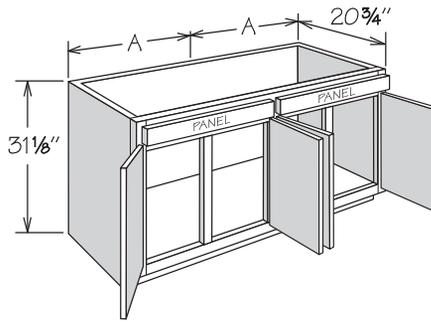


VSB48	CFO
	RD
	RTK

- No shelf
- Subtract 1 1/2" from depth and width for available sink bowl opening
- Hinged as shown - center door may be reversed in field

**Vanity Sink Base**

4 Doors, 2 Panels • 31 1/8" High



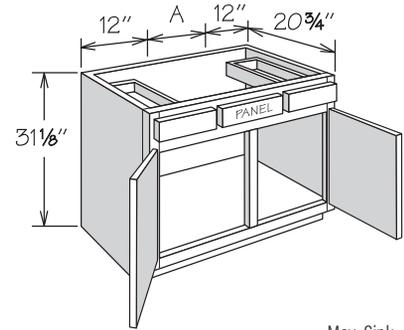
	A
VSB54	27"
VSB60	30"

VSB54 VSB60	CFO
	RD
	RTK

- No shelf
- Subtract 1 1/2" from depth and each dimension A for available sink bowl openings

**Vanity Sink Base**

2 Doors, 2 Drawers • 31 1/8" High



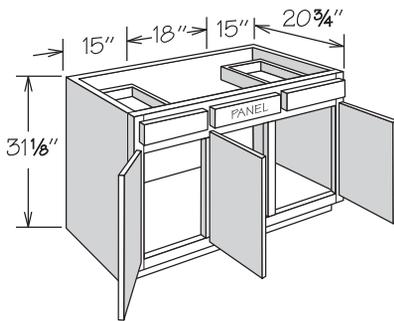
	A	Max. Sink Opening
VAN36	12"	18"
VAN39	15"	18"
VAN42	18"	21"

VAN36 VAN39 VAN42	CFO
	RD
	RTK
	XDTSG

- No shelf
- Top drawer on each side of sink bowl opening
- Subtract 1 1/2" from depth for available sink bowl opening
- VAN36 features two 10" drawer bodies with 12" drawer fronts

**Vanity Sink Base**

3 Doors, 2 Drawers • 31 1/8" High

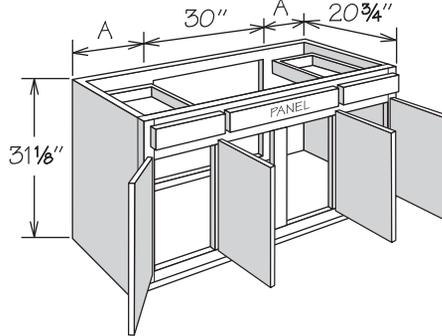


VAN48	CFO
	RD
	RTK
	XDTSG

- No shelf
- Top drawer on each side of sink bowl opening
- Subtract 1 1/2" from depth for available sink bowl opening
- Hinged as shown - center door may be reversed in field
- Maximum sink opening 21"

**Vanity Sink Base**

4 Doors, 2 Drawers • 31 1/8" High



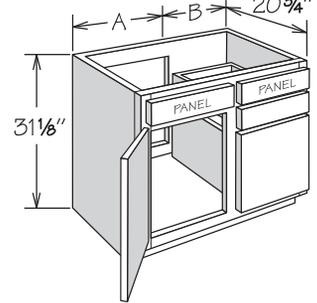
	A
VAN54	12"
VAN60	15"

VAN54 VAN60	CFO
	RD
	RTK
	XDTSG

- No shelf
- Top drawer on each side of sink bowl opening
- Subtract 1 1/2" from depth for available sink bowl opening
- Maximum sink opening 33"

**Vanity Combo Sink Base**

1 Door, 2 Drawers • 31 1/8" High

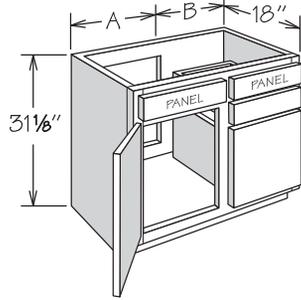


	A	B
VSDB24	12"	12"
VSDB27	15"	12"
VSDB30	18"	12"
VSDB33	21"	12"
VSDB36	21"	15"

VSDB24 VSDB27 VSDB30	VSDB33 VSDB36	CFO
		RD
		RTK
		XDTSG

- No shelf
- Open area for plumbing access
- Allow for plumbing placement to clear drawers
- Drawers available on right or left side (please specify)
- Cabinet shown is right indicating drawers on the right side of the cabinet
- Subtract 1 1/2" from depth and overall cabinet width for available sink bowl opening

**Vanity Combo Sink Base**  
18" Deep • 31 1/8" High

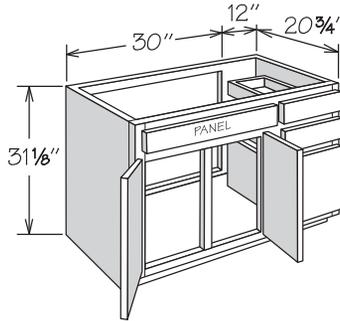


	A	B
VSDB2418	12"	12"
VSDB2718	15"	12"
VSDB3018	18"	12"
VSDB3318	21"	12"
VSDB3618	21"	15"

VSDB2418	VSDB3318	<b>CFO</b>
VSDB2718	VSDB3618	<b>RD</b>
VSDB3018		<b>RTK</b>
		<b>XDTSG</b>

- No shelf
- Open area for plumbing access
- Allow for plumbing placement to clear drawers
- Drawers available on right or left side (please specify)
- Cabinet shown is right indicating drawers on the right side of the cabinet
- Subtract 1 1/2" from depth and overall cabinet width for available sink bowl opening

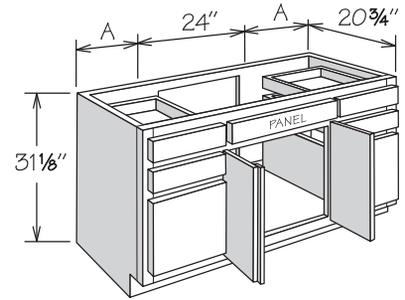
**Vanity Combo Sink Base**  
2 Doors, 3 Drawers • 31 1/8" High



VSDB42	<b>CFO</b>
	<b>RD</b>
	<b>RTK</b>
	<b>XDTSG</b>

- No shelf
- Open area for plumbing access
- Allow for plumbing placement to clear drawers
- Drawers available on right or left side (please specify)
- Cabinet shown is right indicating drawers on the right side of the cabinet
- Subtract 1 1/2" from depth and 30" dimension for available sink bowl opening
- Requires off center sink bowl opening

**Vanity Combo Sink Base**  
2 Doors with Batten, 6 Drawers  
31 1/8" High

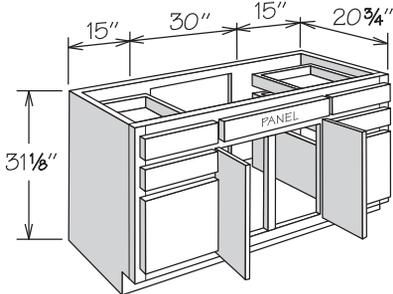


	A
VSDB48D	12"
VSDB54D	15"

VSDB48D	<b>CFO</b>
VSDB54D	<b>RD</b>
	<b>RTK</b>
	<b>XDTSG</b>

- No shelf
- Open area for plumbing access
- Left door with batten
- Subtract 1 1/2" from depth and 24" dimension for available sink bowl opening

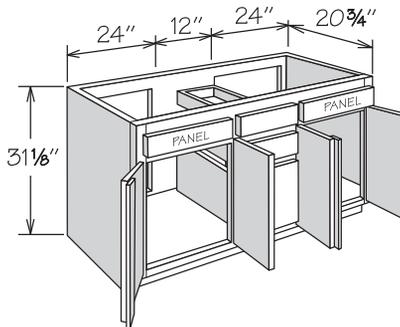
**Vanity Combo Sink Base**  
2 Doors, 6 Drawers • 31 1/8" High



VSDB60D	<b>CFO</b>
	<b>RD</b>
	<b>RTK</b>
	<b>XDTSG</b>

- No shelf
- Open area for plumbing access
- Subtract 1 1/2" from depth and 30" dimension for available sink bowl opening

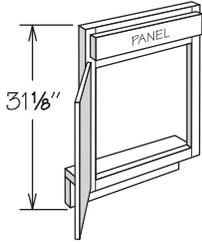
**Vanity Combo Sink Base**  
4 Doors with Batten, 3 Drawers  
31 1/8" High



VSDB60C	<b>CFO</b>
	<b>RD</b>
	<b>RTK</b>
	<b>XDTSG</b>

- No shelf
- Left doors with battens
- Open area for plumbing access
- Subtract 1 1/2" from depth and each 24" dimension for available sink bowl openings

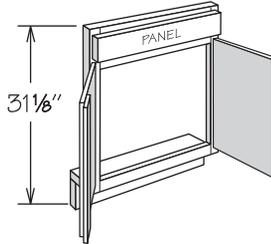
**Vanity Sink Front**  
1 Door, 1 Panel • 31 1/8" High



VSF21

- Vanity Sink Front not trimmable
- **Order floors and returns separately (trimming may be required) - refer to Panel Section for availability**

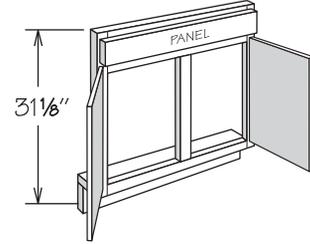
**Vanity Sink Front**  
2 Doors with Batten, 1 Panel • 31 1/8" High



VSF24

- Vanity Sink Front not trimmable
- Left door with batten
- **Order floors and returns separately (trimming may be required) - refer to Panel Section for availability**

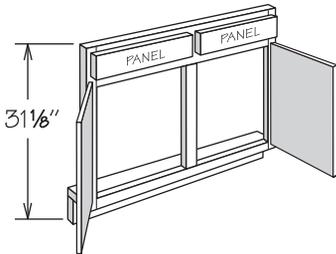
**Vanity Sink Front**  
2 Doors, 1 Panel • 31 1/8" High



VSF30  
VSF36

- Vanity Sink Front not trimmable
- **Order floors and returns separately (trimming may be required) - refer to Panel Section for availability**

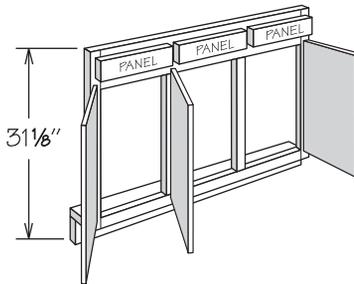
**Vanity Sink Front**  
2 Doors, 2 Panels • 31 1/8" High



VSF39  
VSF42

- Vanity Sink Front not trimmable
- **Order floors and returns separately (trimming may be required) - refer to Panel Section for availability**

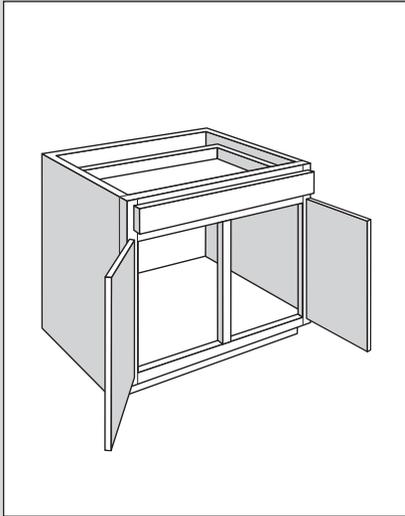
**Vanity Sink Front**  
3 Doors, 3 Panels • 31 1/8" High



VSF48

- Vanity Sink Front not trimmable
- Hinged as shown - center door may be reversed in field
- **Order floors and returns separately (trimming may be required) - refer to Panel Section for availability**

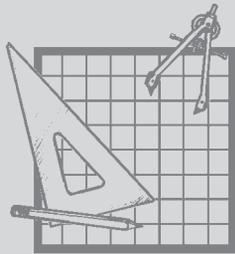
**34½" Base Height  
Vanity Cabinets**



Base Height Vanity cabinets are 34½" high, 12" to 60" wide and 18" or 20¾" deep.

Single door Base Height Vanity cabinets are hinged left and can be reversed in the field.

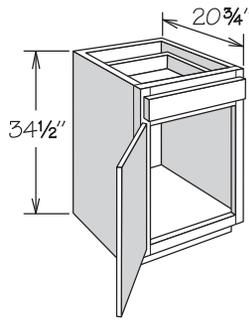
Inset toe kick construction requires BTK8 matching toe kick—must be ordered separately.



**Check sink manufacturer's specifications for adequate clearance and required installation materials.**

When placing a Base Height Vanity Sink Base cabinet in a design, select a cabinet at least 3" wider than the sink to allow for installation clips. Review manufacturer's specifications for dimensions and adequate clearance requirements.

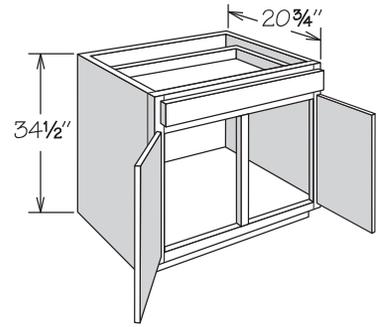
**Vanity Base  
1 Door, 1 Drawer • 34½" High**



VB1234H VB1534H VB1834H VB2134H	CFO
	RD
	RTK
	XDTSG

- No shelf

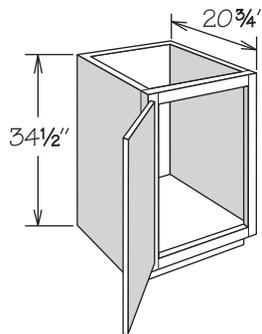
**Vanity Base  
2 Doors, 1 Drawer • 34½" High**



VB2434H VB2734H VB3034H VB3334H VB3634H	CFO
	RD
	RTK
	XDTSG

- No shelf
- VB2434H features two doors with a batten

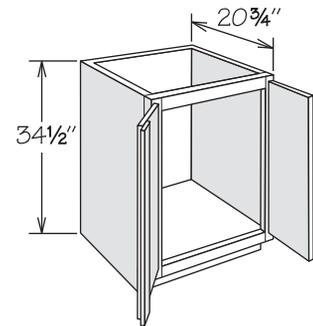
**Full-Height Vanity Base  
1 Door • 34½" High**



VB1234H FH VB1534H FH VB1834H FH VB2134H FH	CFO
	RD
	RTK

- Full-height door
- No shelf

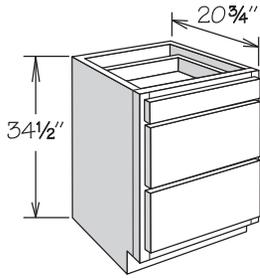
**Full-Height Vanity Base  
2 Doors with Batten • 34½" High**



VB2434H 1B FH VB3034H 1B FH VB3634H 1B FH	CFO
	RD
	RTK

- Full-height doors
- Left door with batten
- No shelf

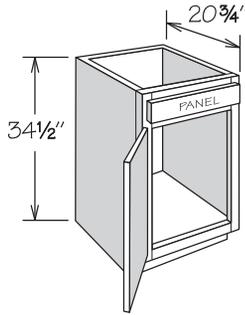
**Vanity Drawer Base**  
3 Drawers • 34½" High



VDB1234H	CFO
VDB1534H	RD
VDB1834H	RTK
VDB2134H	XDTSG
VDB2434H	

- One standard and two large drawers

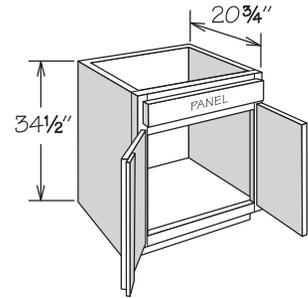
**Vanity Sink Base**  
1 Door, 1 Panel • 34½" High



VSB1534H	CFO
VSB1834H	RD
VSB2134H	RTK

- No shelf
- Subtract 1½" from depth and width for available sink bowl opening - removal of corner blocks may be required

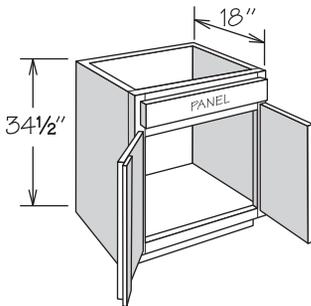
**Vanity Sink Base**  
2 Doors with Batten, 1 Panel • 34½" High



VSB2434H	CFO
	RD
	RTK

- No shelf
- Left door with batten
- Subtract 1½" from depth and width for available sink bowl opening - removal of corner blocks may be required

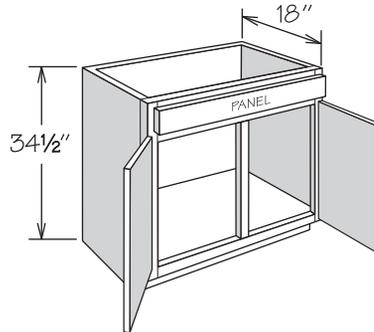
**Vanity Sink Base - 18" Deep**  
2 Doors with Batten, 1 Panel • 34½" High



VSB241834H	CFO
	RD
	RTK

- No shelf
- Left door with batten
- Subtract 1½" from depth and width for available sink bowl opening - removal of corner blocks may be required

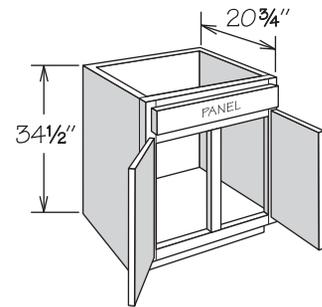
**Vanity Sink Base - 18" Deep**  
2 Doors, 1 Panel • 34½" High



VSB301834H	CFO
VSB361834H	RD
	RTK

- No shelf
- Subtract 1½" from depth and width for available sink bowl opening - removal of corner blocks may be required

**Vanity Sink Base**  
2 Doors, 1 Panel • 34½" High

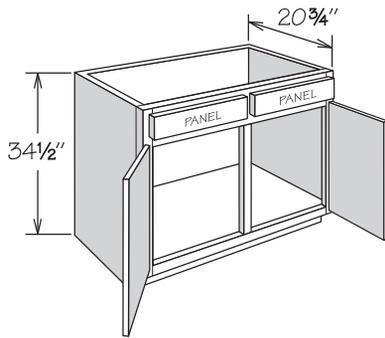


VSB2734H	CFO
VSB3034H	RD
VSB3334H	RTK
VSB3634H	

- No shelf
- Subtract 1½" from depth and width for available sink bowl opening - removal of corner blocks may be required

**Vanity Sink Base**

2 Doors, 2 Panels • 34½" High



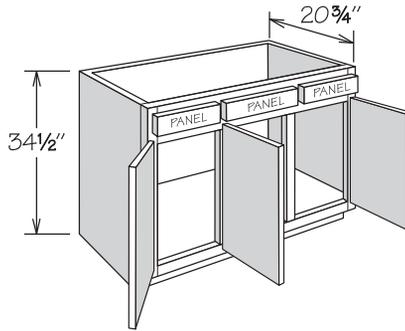
VSB3934H  
VSB4234H

CFO
RD
RTK

- No shelf
- Subtract 1 ½" from depth and width for available sink bowl opening - removal of corner blocks may be required

**Vanity Sink Base**

3 Doors, 3 Panels • 34½" High



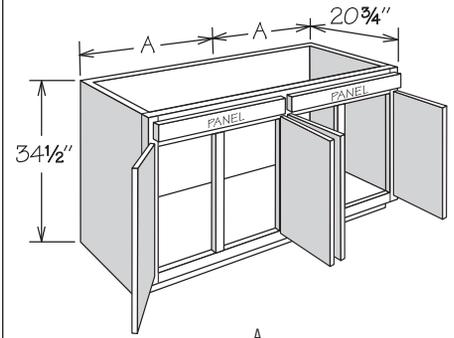
VSB4834H

CFO
RD
RTK

- No shelf
- Subtract 1 ½" from depth and width for available sink bowl opening - removal of corner blocks may be required
- Hinged as shown - center door may be reversed in field

**Vanity Sink Base**

4 Doors, 2 Panels • 34½" High



	A
VSB5434H	27"
VSB6034H	30"

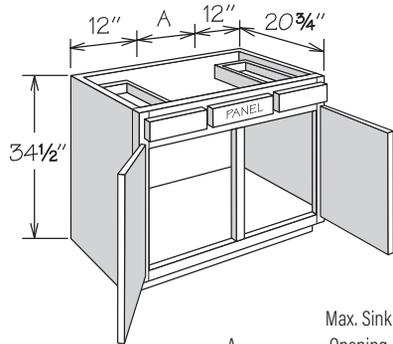
VSB5434H  
VSB6034H

CFO
RD
RTK

- No shelf
- Subtract 1 ½" from depth and each dimension A for available sink bowl openings - removal of corner blocks may be required

**Vanity Sink Base**

2 Doors, 2 Drawers • 34½" High



	A	Max. Sink Opening
VAN3634H	12"	18"
VAN3934H	15"	21"
VAN4234H	18"	18"

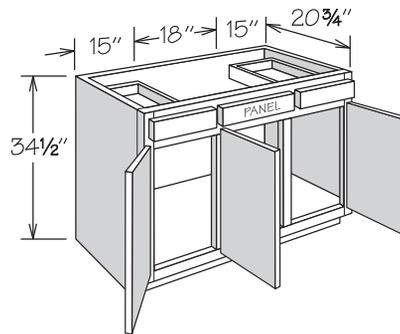
VAN3634H  
VAN3934H  
VAN4234H

CFO
RD
RTK
XDTSG

- No shelf
- Top drawer on each side of sink bowl opening
- Subtract 1 ½" from depth for available sink bowl opening - removal of corner blocks may be required
- VAN3634H features two 10" drawer bodies with 12" drawer fronts

**Vanity Sink Base**

3 Doors, 2 Drawers • 34½" High



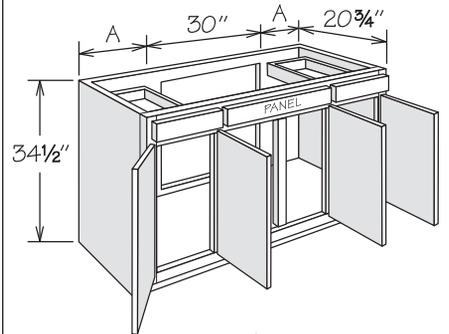
VAN4834H

CFO
RD
RTK
XDTSG

- No shelf
- Top drawer on each side of sink bowl opening
- Subtract 1 ½" from depth for available sink bowl opening - removal of corner blocks may be required
- Hinged as shown - center door may be reversed in field
- Maximum sink opening 21"

**Vanity Sink Base**

4 Doors, 2 Drawers • 34½" High



	A
VAN5434H	12"
VAN6034H	15"

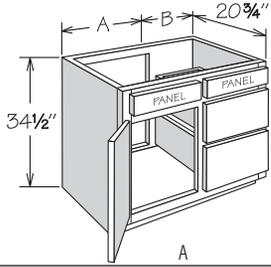
VAN5434H  
VAN6034H

CFO
RD
RTK
XDTSG

- No shelf
- Open area for plumbing access
- Allow for plumbing placement to clear drawers
- Top drawer on each side of sink bowl opening
- Subtract 1 ½" from depth for available sink bowl opening - removal of corner blocks may be required
- Maximum sink opening 33"

**Vanity Combo Sink Base**

1 Door, 2 Drawers • 34½" High



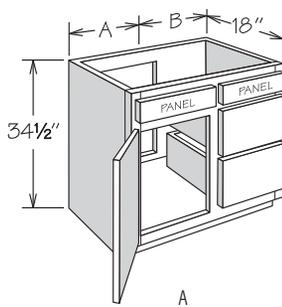
	A	B
VSDB2434H	12"	12"
VSDB2734H	15"	12"
VSDB3034H	18"	12"
VSDB3334H	21"	12"
VSDB3634H	21"	15"
VSDB3934H	21"	18"

VSDB2434H	CFO
VSDB2734H	RD
VSDB3034H	RTK
VSDB3334H	XDTSG
VSDB3634H	
VSDB3934H	

- No shelf
- Open area for plumbing access
- Allow for plumbing placement to clear drawers
- Drawers available on right or left side (please specify)
- Cabinet shown is right indicating drawers on the right side of the cabinet
- Subtract 1 ½" from depth and overall cabinet width for available sink bowl opening - removal of corner blocks may be required

**Vanity Combo Sink Base**

18" Deep • 34½" High



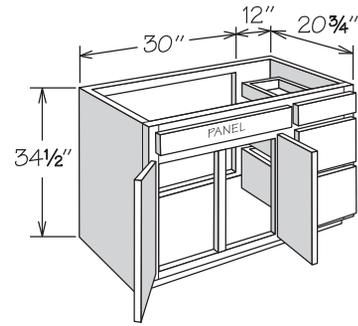
	A	B
VSDB241834H	12"	12"
VSDB271834H	15"	12"
VSDB301834H	18"	12"
VSDB331834H	21"	12"
VSDB361834H	21"	15"

VSDB241834H	CFO
VSDB271834H	RD
VSDB301834H	RTK
VSDB331834H	XDTSG
VSDB361834H	

- No shelf
- Open area for plumbing access
- Allow for plumbing placement to clear drawers
- Drawers available on right or left side (please specify)
- Cabinet shown is right indicating drawers on the right side of the cabinet
- Subtract 1 ½" from depth and overall cabinet width for available sink bowl opening - removal of corner blocks may be required

**Vanity Combo Sink Base**

2 Doors, 3 Drawers • 34½" High

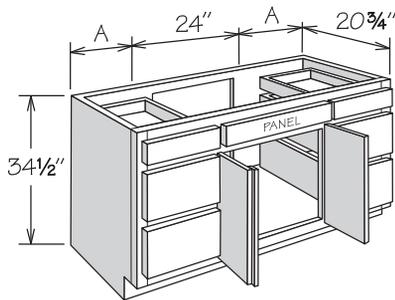


VSDB4234H	CFO
	RD
	RTK
	XDTSG

- No shelf
- Open area for plumbing access
- Allow for plumbing placement to clear drawers
- Drawers available on right or left side (please specify)
- Cabinet shown is right indicating drawers on the right side of the cabinet
- Subtract 1 ½" from depth and 30" dimension for available sink bowl opening
- Requires off center sink bowl opening - removal of corner blocks may be required

**Vanity Combo Sink Base**

2 Doors with Batten,  
6 Drawers • 34½" High



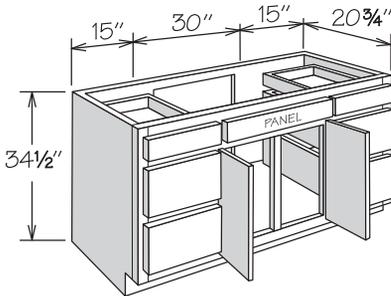
	A
VSDB4834HD	12"
VSDB5434HD	15"

VSDB4834HD	CFO
VSDB5434HD	RD
	RTK
	XDTSG

- No shelf
- Open area for plumbing access
- Allow for plumbing placement to clear drawers
- Left door with batten
- Subtract 1 ½" from depth and 24" dimension for available sink bowl opening - removal of corner blocks may be required

**Vanity Combo Sink Base**

2 Doors, 6 Drawers • 34½" High

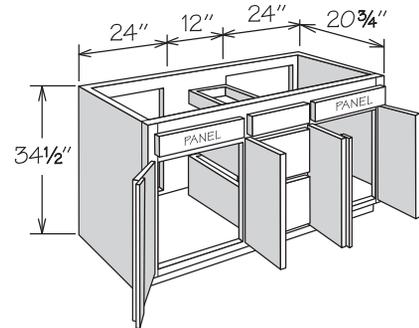


VSDB6034HD	CFO
	RD
	RTK
	XDTSG

- No shelf
- Open area for plumbing access
- Allow for plumbing placement to clear drawers
- Subtract 1 ½" from depth and dimension 30" for available sink bowl opening - removal of corner blocks may be required

**Vanity Combo Sink Base**

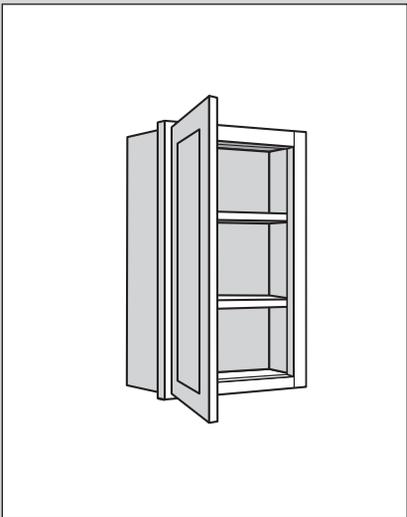
4 Doors with Battens,  
3 Drawers • 34½" High



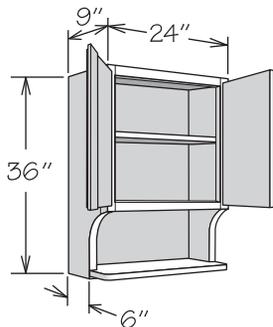
VSDB6034HC	CFO
	RD
	RTK
	XDTSG

- No shelf
- Open area for plumbing access
- Allow for plumbing placement to clear drawers
- Left doors with battens
- Subtract 1 ½" from depth and each 24" dimension for available sink bowl openings - removal of corner blocks may be required

Specialty Vanity Cabinet



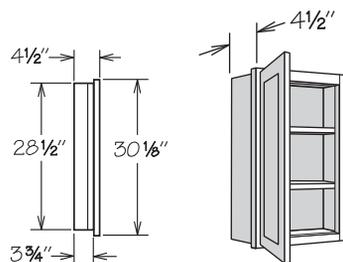
Valet Cabinet



VC2436

- Left door with batten
- Matching Interior standard
- Flush sides
- Bottom opening: 22 1/2" x 10 1/8"
- Features a fixed shelf
- Sides and bottom shelf feature 3/4" engineered wood veneered on both sides

Medicine Cabinet

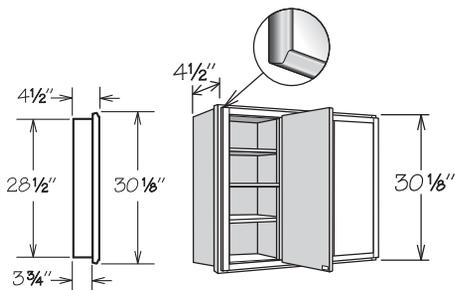


	Overall Width	Overall Height	Cut Out Width Recess Mount	Cut Out Height Recess Mount
MC1530	15"	30 1/8"	14 1/2"	28 1/2"
MCM1530	15"	30 1/8"	14 1/2"	28 1/2"

MC1530  
MCM1530

- Two adjustable engineered wood shelves
- Surface or recess mount
- **MCM1530 features a mirrored door**
- For surface mount installation of wood door styles, trim and apply WEP30 to match finish on exterior sides to cabinet frame - order separately
- Thermofoil White features Matching Interior standard

Tri-View Mirror



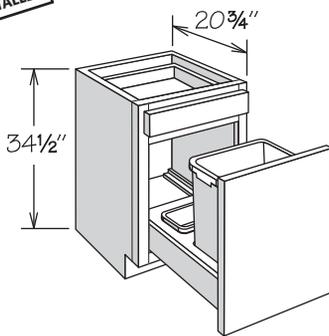
	Overall Width	Overall Height	Cut Out Width Recess Mount	Cut Out Height Recess Mount
TV3030	30"	30 1/8"	28 1/2"	28 1/2"
TV3630	36"	30 1/8"	34 1/2"	28 1/2"

TV3030  
TV3630

- All three mirrored doors swing open for easy access to the six adjustable shelves
- Surface or recess mount
- For surface mount installation of wood door styles, trim and apply WEP30 to match finish on exterior sides to cabinet frame - order separately
- Chrome hardware
- Thermofoil White features Matching Interior standard

Vanity Wastebasket

1 Door, 1 Bottom Mount Wastebasket  
34 1/2" High

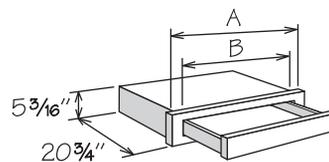


VWBB1834H

RTK  
XDTSG

- One standard top drawer
- Features one silver plastic 35-quart capacity bin
- Wastebasket rests in a natural finish wood frame with full-access heavy-duty 132-pound rated glides
- Includes bag storage tray at rear
- Storage tray NOT dishwasher safe
- Decorative hardware strongly recommended

Kneehole Drawer Cabinet



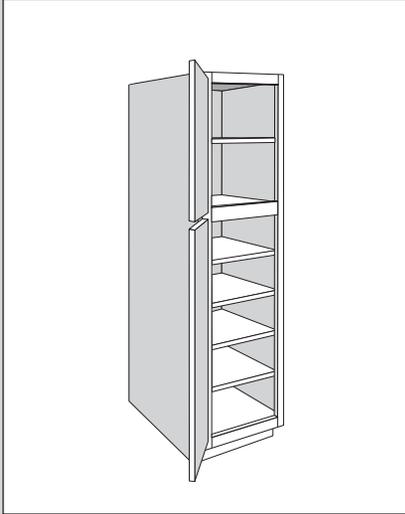
	A	B	Max. Trim
KDC27/21	27"	17 3/4"	21" (3" each side)
KDC33/27	33"	23 3/4"	27" (3" each side)
KDC36/33	36"	29 3/4"	33" (1 1/2" each side)

KDC27/21  
KDC33/27  
KDC36/33

RD

- Designed for Desk or Vanity application
- Features dovetail drawer as standard construction
- Field trimmable in height to 4 3/4"
- Field trimmable in depth to 18" or available with RD-20 through RD-12

**Vanity Linen Cabinets**



Vanity Linen cabinets range in size from 12" to 24" wide, are 84" high and 20 3/4" deep.

Single door Vanity Linen cabinets are hinged left and can be reversed in the field.

All Vanity Linen cabinet bottom doors will have a center rail with the exception of Thermofoil door styles.

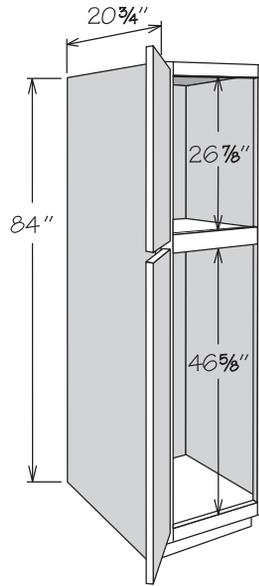
Specialty Door selections on Vanity Linen cabinets apply to top door(s) only.

Inset toe kick construction requires BTK8 matching toe kick—must be ordered separately.

See page 23 for Ceiling Height Requirements information.

**Vanity Linen Cabinet**

**2 Doors  
No Shelves**



- VLC122184
- VLC152184
- VLC182184

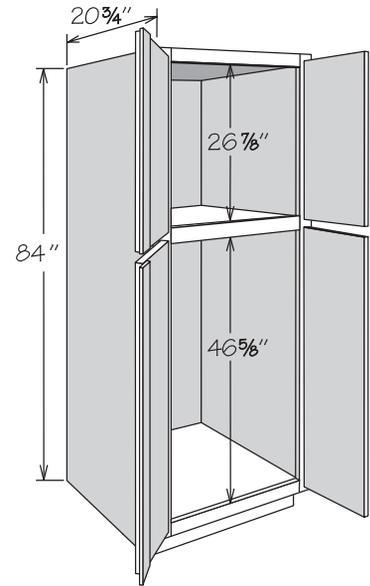
VLC122184 SD  
VLC152184 SD  
VLC182184 SD

CFO
■ MI
RD

- Shelving and optional interior accessories may be ordered separately – refer to Vanity Linen cabinet Accessories for details
- Cabinet backs are pre-drilled to accept up to four Sliding Shelves in lower section

**Vanity Linen Cabinet**

**4 Doors with Battens  
No Shelves**

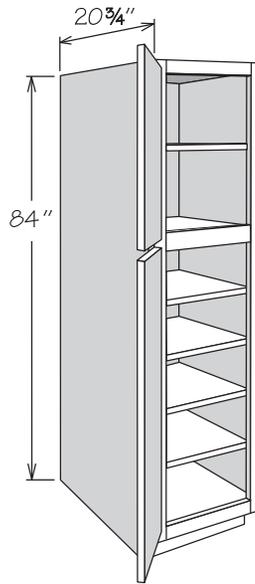


- VLC242184
- VLC242184 SD

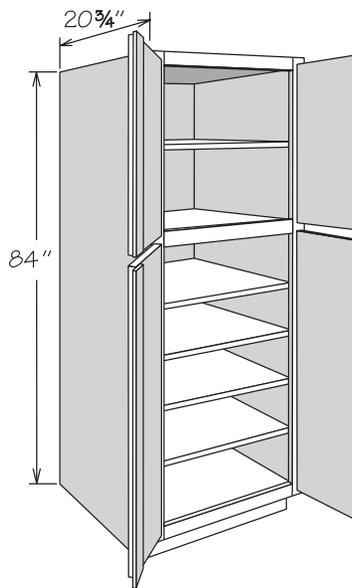
CFO
■ MI
RD

- Left doors with battens
- Shelving and optional interior accessories may be ordered separately – refer to Vanity Linen cabinet Accessories for details
- Cabinet backs are pre-drilled to accept up to four Sliding Shelves in lower section

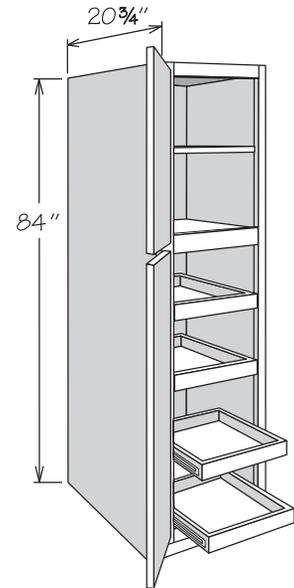
**Vanity Linen Cabinet**  
2 Doors with Adjustable Shelves



**Vanity Linen Cabinet**  
4 Doors with Battens  
with Adjustable Shelves



**Vanity Linen Cabinet**  
2 Doors with Sliding Shelves



- VLC122184 AS
- VLC152184 AS
- VLC182184 AS

- VLC122184 AS SD
- VLC152184 AS SD
- VLC182184 AS SD

■ MI
■ RD

- Features one full-depth shelf in top section and four full-depth shelves in lower section
- Full-depth adjustable shelves are 3/4" engineered wood and edge banded on front edge only
- Adjustable shelves packaged separately for field installation

- VLC242184 AS
- VLC242184 AS SD

■ MI
■ RD

- Left doors with battens
- Features one full-depth shelf in top section and four full-depth shelves in lower section
- Full-depth adjustable shelves are 3/4" engineered wood and edge banded on front edge only
- Adjustable shelves packaged separately for field installation

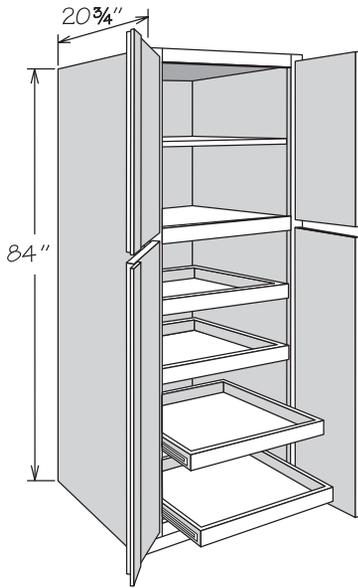
- VLC122184 4SSK
- VLC152184 4SSK
- VLC182184 4SSK

- VLC122184 4SSK SD
- VLC152184 4SSK SD
- VLC182184 4SSK SD

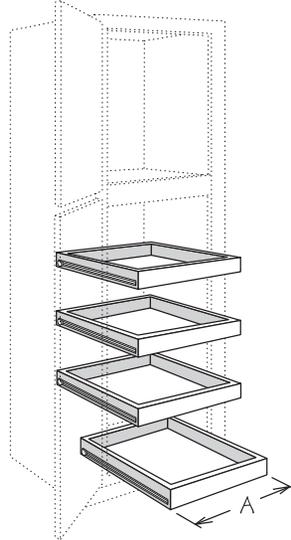
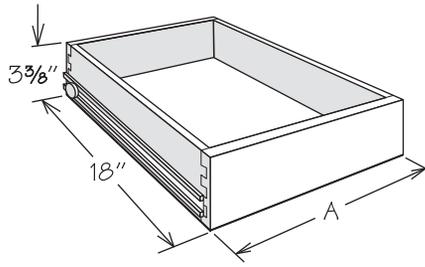
■ MI
■ RD

- Features one full-depth adjustable shelf in top section and four Sliding Shelves in lower section
- Full-depth adjustable shelf is 3/4" engineered wood and edge banded on front edge only
- Adjustable shelf and Sliding Shelves packaged separately for field installation
- Four engineered wood Sliding Shelves included

**Vanity Linen Cabinet**  
4 Doors with Batten  
with Sliding Shelves

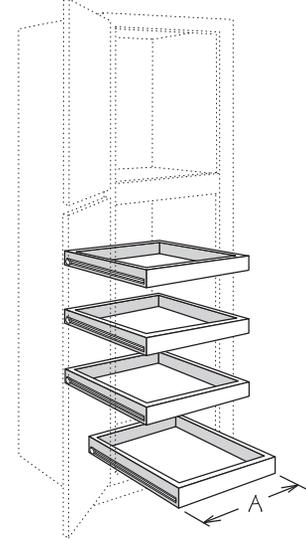
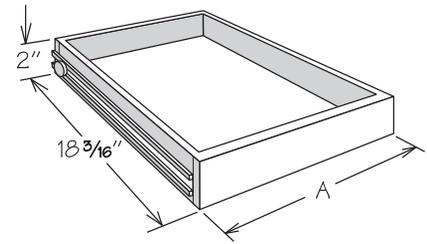


**Deep Dovetail Sliding Shelf Kit**



	A
DSSK1221	7 3/4"
DSSK1521	10 3/4"
DSSK1821	13 3/4"
DSSK2421	19 3/4"

**Sliding Shelf Kit**



	A
SSK1221	8 1/2"
SSK1521	11 1/2"
SSK1821	14 1/2"
SSK2121	17 1/2"
SSK2421	20 1/2"

VANITY CABINETS

- VLC242184 4SSK
- VLC242184 4SSK SD

■ MI  
RD

- Deep Sliding Shelf Kit**
- DSSK1221
  - DSSK1521
  - DSSK1821
  - DSSK2421

RD

- 4 Pack Deep Sliding Shelf Kit**
- DSSK1221-4K
  - DSSK1521-4K
  - DSSK1821-4K
  - DSSK2421-4K

- Sliding Shelf Kit**
- SSK1221
  - SSK1521
  - SSK1821
  - SSK2121
  - SSK2421

RD

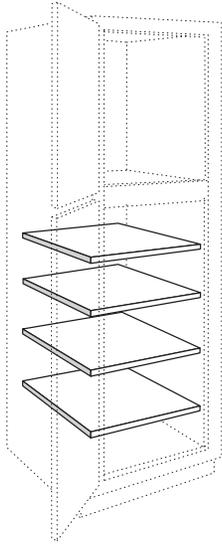
- 4 Pack Sliding Shelf Kit**
- USS1221-4K
  - USS1521-4K
  - USS1821-4K
  - USS2421-4K

- Left doors with battens
- Features one full-depth adjustable shelf in top section and four Sliding Shelves in lower section
- Full-depth adjustable shelf is 3/4" engineered wood and edge banded on front edge only
- Adjustable shelf and Sliding Shelves packaged separately for field installation
- Four engineered wood Sliding Shelves included

- Field installation accessory
- Hardwood dovetail drawer with MDF bottom and Side-Mounted Drawer Glides
- Includes Deep Dovetail Sliding Shelf, all glide hardware and instructions

- Field installation accessory
- Engineered wood drawer with solid hardwood front, MDF bottom and Side-Mounted Drawer Glides
- Includes Sliding Shelf, all glide hardware and instructions

**Adjustable Shelf**



**Adjustable Shelf**

S1221  
S1521  
S1821  
S2421

**4 Pack Shelf Kit**

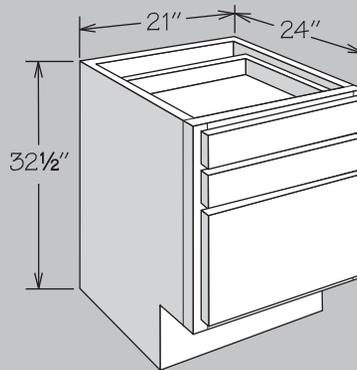
SK1221  
SK1521  
SK1821  
SK2421

MI
RD

- Field installation accessory
- ¾" engineered wood
- Edge banded on front edge only
- CLIP LOCK shelf rests included



# Universal Design Cabinets for Accessible Kitchen Layouts



## Dimensions

Width	Height	Depth	Inset Toe Kick
12" to 45"	32½"	24"	8" High
		(Reduced Depth optional on select cabinets)	6½" Deep

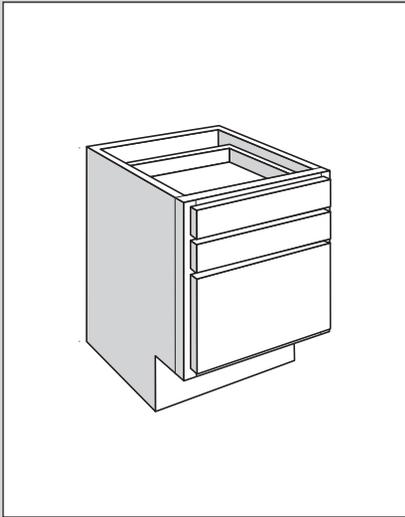
## SKU Coding

DB	21	UD
Cabinet Type (e.g., DB = Drawer Base)	width in inches	Universal Design

## Construction Options & Modifications

<b>CFO</b>	.....	Cabinet Front Only
<b>RD</b>	.....	Reduced Depth
<b>RTK</b>	.....	Recessed Toe Kick
<b>VTD</b>	.....	Void Top Drawer
<b>XDTSG</b>	.....	Remove Dovetail Side-Glide

**Universal Design Cabinets**



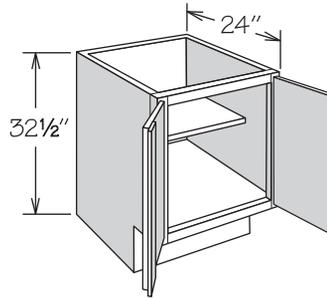
Universal Design Base Cabinets are 32½" high by 24" deep. The toe kick is 8" high and 6½" deep to accommodate most wheelchair footrests.

Single-door Universal Design Base Cabinets are hinged left and can be reversed in the field.

Inset toe kick construction requires BTK8 UD matching toe kick - must be ordered separately.

**Universal Design Base Cabinet**

2 Doors with Batten, Adjustable Shelf



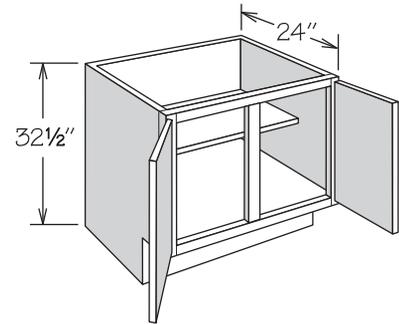
B24 1B UD

CFO
RD
RTK

- Left door with batten
- ¾" half-depth adjustable shelf
- Center support for shelf provided

**Universal Design Base Cabinet**

2 Doors, Adjustable Shelf



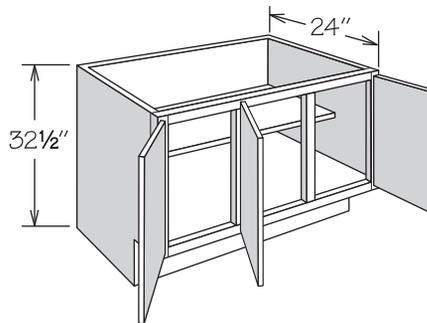
B27 UD  
B30 UD  
B33 UD  
B36 UD  
B39 UD  
B42 UD

CFO
RD
RTK

- ¾" half-depth adjustable shelf
- Center support for shelf provided

**Universal Design Base Cabinet**

3 Doors, Adjustable Shelf



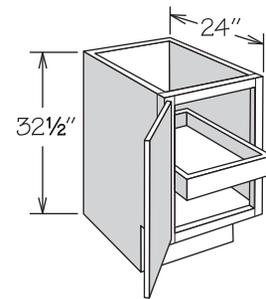
B45 UD

CFO
RD
RTK

- ¾" half-depth adjustable shelf
- Center support for shelf provided
- Hinged as shown - can be reversed in the field

**Universal Design Base Cabinet**

1 Door, 1 Sliding Shelf



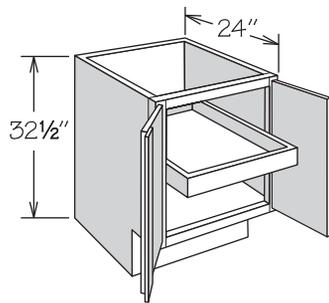
B12 SS1 UD  
B15 SS1 UD  
B18 SS1 UD  
B21 SS1 UD

RD
RTK

- Sliding Shelf in center position not adjustable
- Engineered wood Sliding Shelf included
- Recessed Toe Kick Both (RTKB) not available for the B12 SS1 UD and B15 SS1 UD

**Universal Design  
Base Cabinet**

2 Doors with Batten, 1 Sliding Shelf



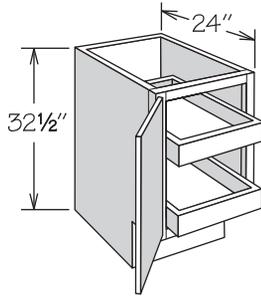
B24 1B SS1 UD

RD  
RTK

- Left door with batten
- Sliding Shelf in center position not adjustable
- Engineered wood Sliding Shelf included

**Universal Design  
Base Cabinet**

1 Door, 2 Sliding Shelves



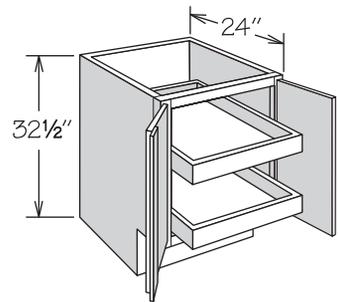
B12 SS2 UD  
B15 SS2 UD  
B18 SS2 UD  
B21 SS2 UD

RD  
RTK

- Sliding Shelves are not adjustable
- Engineered wood Sliding Shelves included
- Recessed Toe Kick Both (RTKB) not available for the B12 SS2 UD and B15 SS2 UD

**Universal Design  
Base Cabinet**

2 Doors with Batten, 2 Sliding Shelves



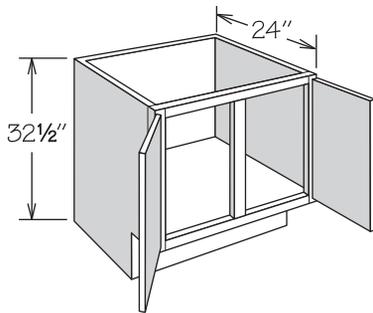
B24 1B SS2 UD

RD  
RTK

- Left door with batten
- Sliding Shelves are not adjustable
- Engineered wood Sliding Shelves included

**Universal Design  
Sink Base**

2 Doors



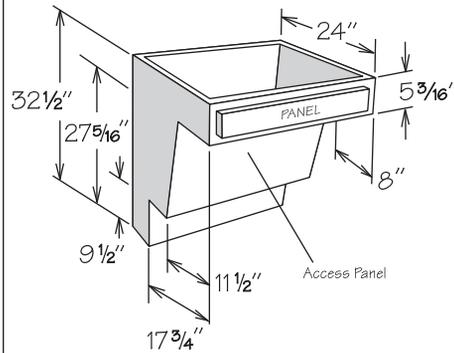
SB30 UD  
SB33 UD  
SB36 UD

CFO  
RD  
RTK

- No shelf
- Full-height back
- Subtract 1 1/2" from width and depth for available sink bowl opening
- Refer to sink manufacturer's specifications for adequate clearance and required installation materials

**Universal Design  
Base Plumbing Skirt**

1 Panel

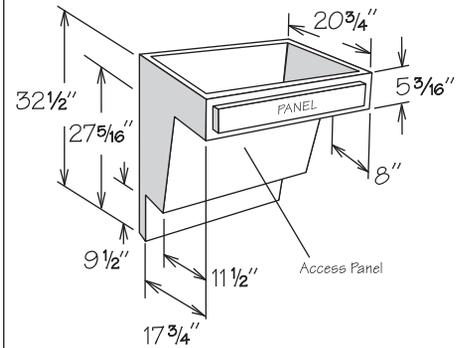


BPS30 UD  
BPS36 UD

- Features plywood sides
- Removable front access panel
- Subtract 1 1/2" from width and depth for available sink bowl opening
- Maximum available depth inside cabinet for sink bowl is 5"
- Water lines, drains and P-Trap must be installed at 6" maximum from wall
- Refer to sink manufacturer's specifications for adequate clearance and required installation materials
- Matching toe kick included - BTK8 UD not required

**Universal Design  
Vanity Plumbing Skirt**

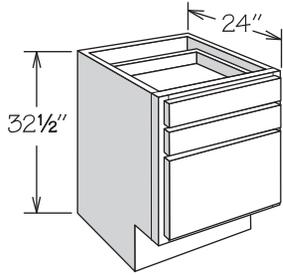
1 Panel



VPS30 UD  
VPS36 UD

- Features plywood sides
- Removable front access panel
- Subtract 1 1/2" from width and depth for available sink bowl opening
- Maximum available depth inside cabinet for sink bowl is 5"
- Water lines, drains and P-Trap must be installed at 6" maximum from wall
- Refer to sink manufacturer's specifications for adequate clearance and required installation materials
- Matching toe kick included - BTK8 UD not required

**Universal Design  
Drawer Base Cabinet**  
3 Drawers

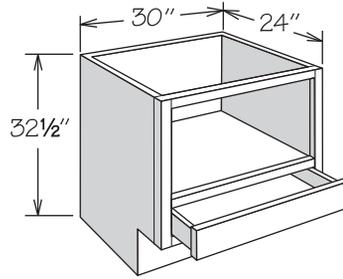


DB12 UD  
DB15 UD  
DB18 UD  
DB21 UD  
DB24 UD

CFD
RD
RTK
VTD
XDTSG

- One large and two standard drawers
- Recessed Toe Kick Both (RTKB) not available for the DB12 UD and DB15 UD

**Universal Design  
Base Multi-Use**  
1 Drawer

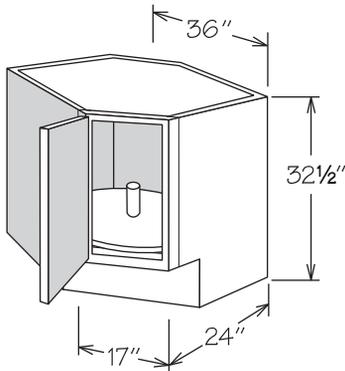


BMU30 UD

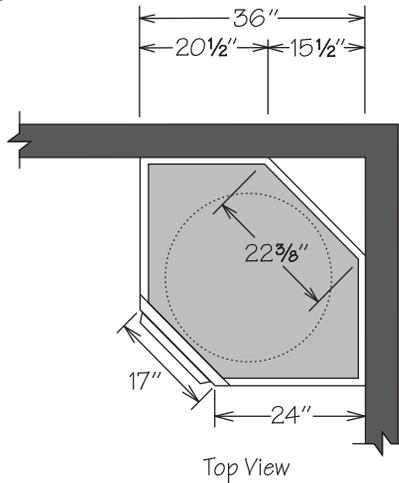
CFD
RD
RTK
XDTSG

- Designed to accommodate countertop style microwaves or small appliances below countertop
- Opening dimensions: 26 3/4" wide X 15 1/4" high
- Interior finished to match cabinet exterior
- Accent Molding recommended (order separately)
- **Refer to appliance manufacturer's specifications for adequate clearances and required installation materials**

**Universal Design  
Corner Base Susan**  
1 Door

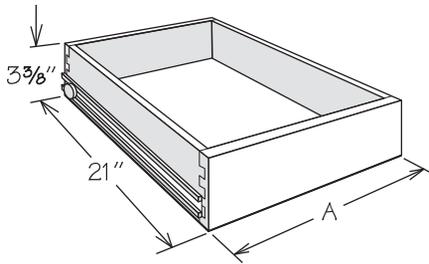


CBS36 UD



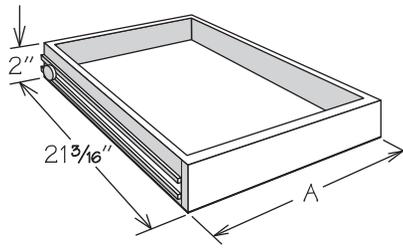
- Features one 28" diameter full round white spin shelf mounted on floor
- Sides are finished
- Cabinet requires a minimum of 34" to fit through doorway (removal of cabinet door recommended)
- Additional space recommended if appliance is installed on the hinge side of this cabinet for proper door operation

**Deep Dovetail Sliding Shelf Kit**



	A
DSSK12	7 3/4"
DSSK13	9 1/4"
DSSK15	10 3/4"
DSSK16	11 1/4"
DSSK18	13 3/4"
DSSK19	15 1/4"
DSSK21	16 3/4"
DSSK24	19 1/4"

**Sliding Shelf Kit**



	A
SSK12	8 1/2"
SSK13	10"
SSK15	11 1/2"
SSK16	13"
SSK18	14 1/2"
SSK19	16"
SSK21	17 1/2"
SSK24	20 1/2"

DSSK12	DSSK19	<b>RD</b>
DSSK13	DSSK21	
DSSK15	DSSK24	
DSSK16		
DSSK18		

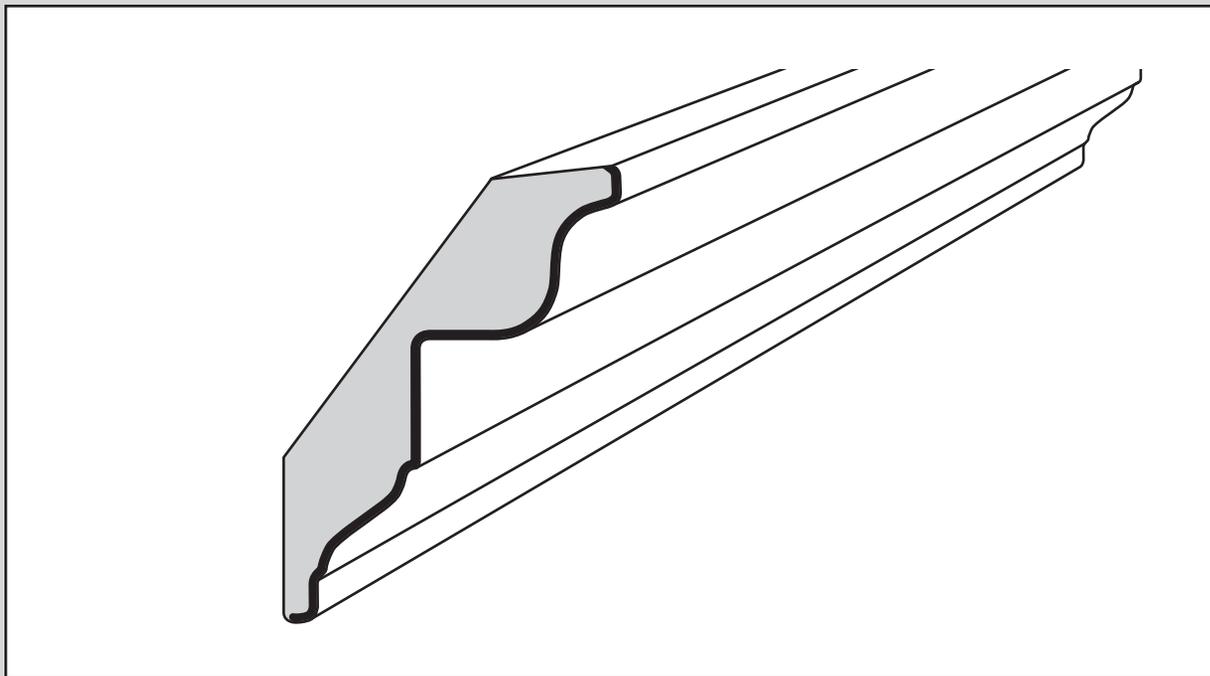
SSK12	SSK19	<b>RD</b>
SSK13	SSK21	
SSK15	SSK24	
SSK16		
SSK18		

- Field installation accessory
- Hardwood dovetail drawer with MDF bottom and Side-Mounted Drawer Glides
- Includes Deep Dovetail Sliding Shelf, all glide hardware and instructions
- DSSKs can be used with all single and two door base cabinets
- DSSK drill template is required for all two door cabinets that have a fixed center stile - contact Customer Care for drill template

- Field installation accessory
- Engineered wood drawer with solid hardwood front, MDF bottom and Side-Mounted Drawer Glides
- Includes Sliding Shelf, all glide hardware and instructions
- SSKs can be used with all single and two door base cabinets
- SSK drill template is required for all two door cabinets that have fixed center stile - contact Customer Care for drill template



# Moldings



All moldings are available in all finishes, unless otherwise noted.

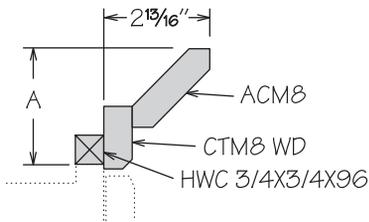
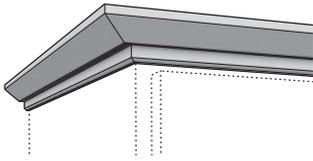
Bold line indicates finished surfaces.

Moldings that are made from individual pieces of wood may vary in color.

Molding stacks are ordered as a kit and if returned, must be returned as a kit.

For inspiration and tools to design additional molding build-ups, including build-ups inspired by the Molding Stacks, visit Designer Resources at:  
<http://resources.ShenandoahCabinetry.com/Shenandoah-Pro>.

**Molding Stack**  
MS ACM8 100

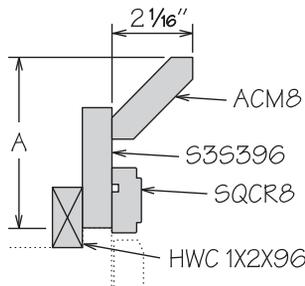
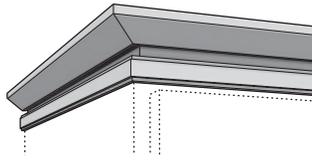


	Height Shown	A Min.	A Max.
MS ACM8 100	3"	2 3/8"	3"

**MS ACM8 100**

- Height dimensions are the above-face-frame height when used as shown
- Pre-packaged molding kit includes:
  - ACM8
  - CTM8 WD
  - HWC 3/4X3/4X96
- Molding Stacks shipped unassembled
- Molding Stacks to be cut, assembled and field installed at job site
- Only one finish can be specified per Molding Stack
- Molding Stack diagram included
- Refer to specifications on individual molding included in molding stack

**Molding Stack**  
MS ACM8 200

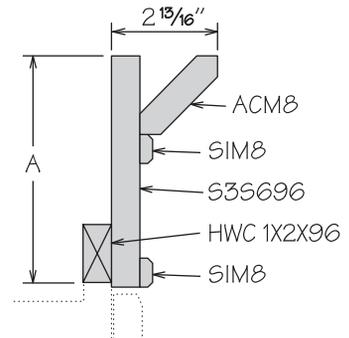
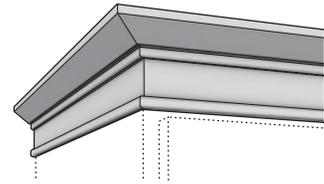


	Height Shown	A Min.	A Max.
MS ACM8 200	4 1/4"	3 3/8"	4 1/2"

**MS ACM8 200**

- Height dimensions are the above-face-frame height when used as shown
- Pre-packaged molding kit includes:
  - ACM8
  - S3S396
  - SQCR8
  - HWC 1X2X96
- Molding Stacks shipped unassembled
- Molding Stacks to be cut, assembled and field installed at job site
- Only one finish can be specified per Molding Stack
- Molding Stack diagram included
- Refer to specifications on individual molding included in molding stack

**Molding Stack**  
MS ACM8 300

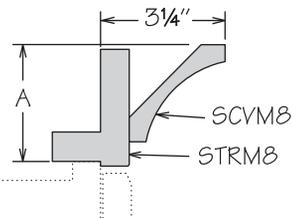
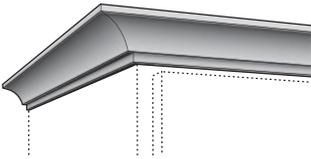


	Height Shown	A Min.	A Max.
MS ACM8 300	5 3/8"	5 1/8"	7 3/8"

**MS ACM8 300**

- Height dimensions are the above-face-frame height when used as shown
- Pre-packaged molding kit includes:
  - ACM8
  - SIM8 (2)
  - S3S696
  - HWC 1X2X96
- Molding Stacks shipped unassembled
- Molding Stacks to be cut, assembled and field installed at job site
- Only one finish can be specified per Molding Stack
- Molding Stack diagram included
- Refer to specifications on individual molding included in molding stack

**Molding Stack**  
MS SCVM8 100

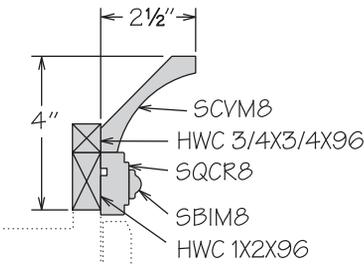
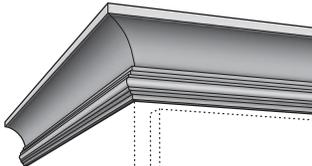


	Height Shown	A Min.	A Max.
MS SCVM8 100	3"	2 7/8"	4 3/4"

MS SCVM8 100

- Height dimensions are the above-face-frame height when used as shown
- Pre-packaged molding kit includes:
  - SCVM8
  - STRM8
- Molding Stacks shipped unassembled
- Molding Stacks to be cut, assembled and field installed at job site
- Only one finish can be specified per Molding Stack
- Molding Stack diagram included
- Refer to specifications on individual molding included in molding stack

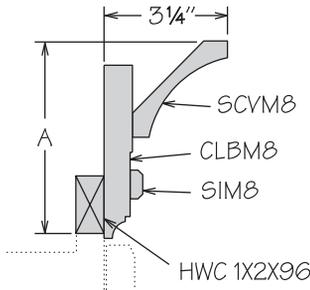
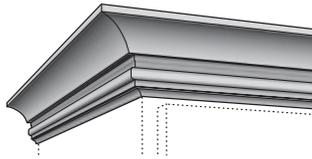
**Molding Stack**  
MS SCVM8 200



MS SCVM8 200

- Height dimension is the above-face-frame height when used as shown
- Pre-packaged molding kit includes:
  - SCVM8
  - SQCR8
  - SBIM8
  - HWC 3/4X3/4X96
  - HWC 1X2X96
- Molding Stacks shipped unassembled
- Molding Stacks to be cut, assembled and field installed at job site
- Only one finish can be specified per Molding Stack
- Molding Stack diagram included
- Refer to specifications on individual molding included in molding stack

**Molding Stack**  
MS SCVM8 300

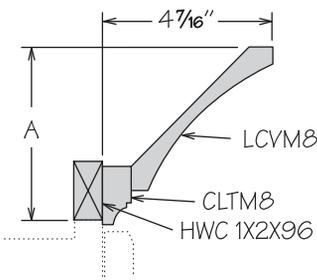
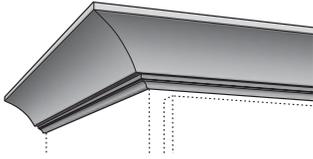


	Height Shown	A Min.	A Max.
MS SCVM8 300	5"	4 5/8"	6 1/4"

MS SCVM8 300

- Height dimensions are the above-face-frame height when used as shown
- Pre-packaged molding kit includes:
  - SCVM8
  - CLBM8
  - SIM8
  - HWC 1X2X96
- Molding Stacks shipped unassembled
- Molding Stacks to be cut, assembled and field installed at job site
- Only one finish can be specified per Molding Stack
- Molding Stack diagram included
- Refer to specifications on individual molding included in molding stack

**Molding Stack**  
MS LCV8 100

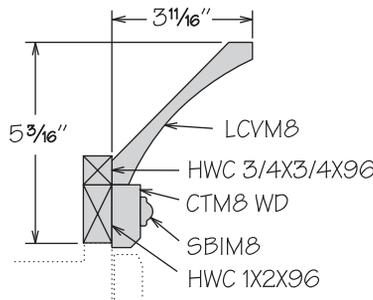
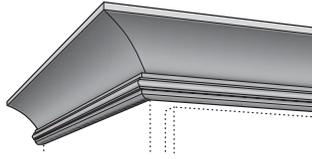


	Height Shown	A Min.	A Max.
MS LCV8 100	4 7/16"	4 1/8"	4 7/16"

MS LCV8 100

- Height dimensions are the above-face-frame height when used as shown
- Pre-packaged molding kit includes:
  - LCV8
  - CLM8
  - HWC 1X2X96
- Molding Stacks shipped unassembled
- Molding Stacks to be cut, assembled and field installed at job site
- Only one finish can be specified per Molding Stack
- Molding Stack diagram included
- Refer to specifications on individual molding included in molding stack

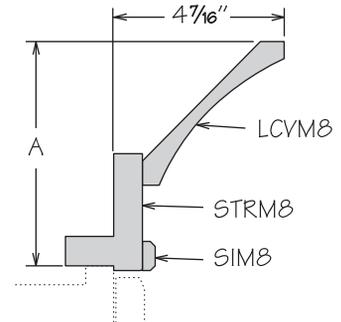
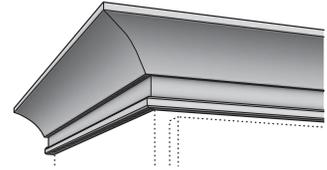
**Molding Stack**  
MS LCV8 200



MS LCV8 200

- Height dimension is the above-face-frame height when used as shown
- Pre-packaged molding kit includes:
  - LCV8
  - CTM8 WD
  - SBIM8
  - HWC 3/4X3/4X96
  - HWC 1X2X96
- Molding Stacks shipped unassembled
- Molding Stacks to be cut, assembled and field installed at job site
- Only one finish can be specified per Molding Stack
- Molding Stack diagram included
- Refer to specifications on individual molding included in molding stack

**Molding Stack**  
MS LCV8 300

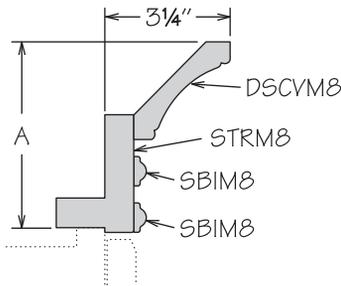
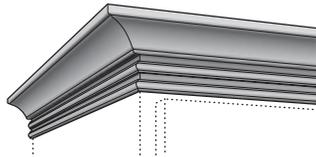


	Height Shown	A Min.	A Max.
MS LCV8 300	5 3/4"	4 5/8"	5 5/8"

MS LCV8 300

- Height dimensions are the above-face-frame height when used as shown
- Pre-packaged molding kit includes:
  - LCV8
  - STRM8
  - SIM8
- Molding Stacks shipped unassembled
- Molding Stacks to be cut, assembled and field installed at job site
- Only one finish can be specified per Molding Stack
- Molding Stack diagram included
- Refer to specifications on individual molding included in molding stack

**Molding Stack**  
MS DSCVM8 100

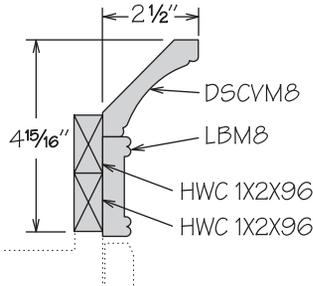
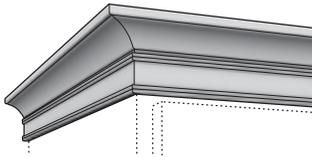


	Height Shown	A Min.	A Max.
MS DSCVM8 100	4 3/4"	3 7/8"	4 3/4"

**MS DSCVM8 100**

- Height dimensions are the above-face-frame height when used as shown
- Pre-packaged molding kit includes:
  - DSCVM8
  - STRM8
  - SBIM8 (2)
- Molding Stacks shipped unassembled
- Molding Stacks to be cut, assembled and field installed at job site
- Only one finish can be specified per Molding Stack
- Molding Stack diagram included
- Refer to specifications on individual molding included in molding stack

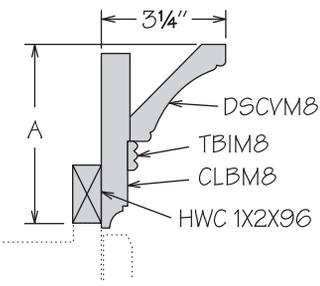
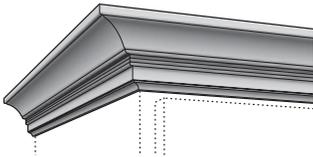
**Molding Stack**  
MS DSCVM8 200



**MS DSCVM8 200**

- Height dimension is the above-face-frame height when used as shown
- Pre-packaged molding kit includes:
  - DSCVM8
  - LBM8
  - HWC 1X2X96 (2)
- Molding Stacks shipped unassembled
- Molding Stacks to be cut, assembled and field installed at job site
- Only one finish can be specified per Molding Stack
- Molding Stack diagram included
- Refer to specifications on individual molding included in molding stack

**Molding Stack**  
MS DSCVM8 300

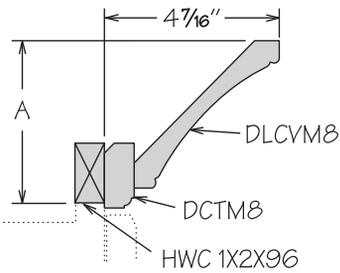
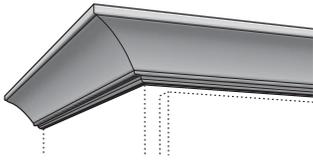


	Height Shown	A Min.	A Max.
MS DSCVM8 300	4 5/8"	4 5/8"	6 1/4"

**MS DSCVM8 300**

- Height dimensions are the above-face-frame height when used as shown
- Pre-packaged molding kit includes:
  - DSCVM8
  - TBIM8
  - CLBM8
  - HWC 1X2X96
- Molding Stacks shipped unassembled
- Molding Stacks to be cut, assembled and field installed at job site
- Only one finish can be specified per Molding Stack
- Molding Stack diagram included
- Refer to specifications on individual molding included in molding stack

**Molding Stack**  
MS DLCVM8 100

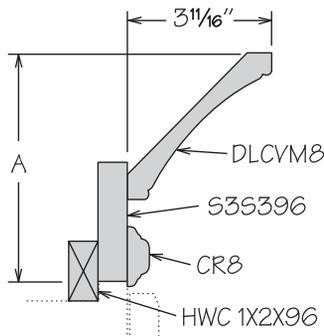
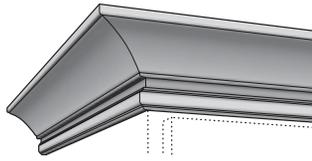


	Height Shown	A Min.	A Max.
MS DLCVM8 100	4 1/8"	3 13/16"	4 9/16"

**MS DLCVM8 100**

- Height dimensions are the above-face-frame height when used as shown
- Pre-packaged molding kit includes:
  - DLCVM8
  - DCTM8
  - HWC 1X2X96
- Molding Stacks shipped unassembled
- Molding Stacks to be cut, assembled and field installed at job site
- Only one finish can be specified per Molding Stack
- Molding Stack diagram included
- Refer to specifications on individual molding included in molding stack

**Molding Stack**  
MS DLCVM8 200

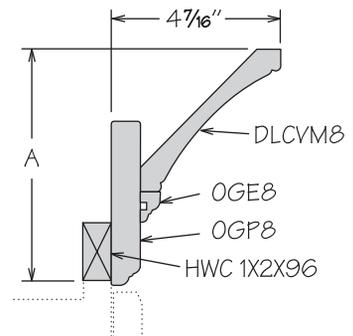
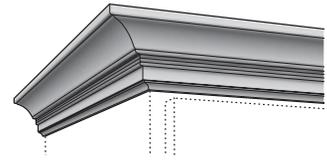


	Height Shown	A Min.	A Max.
MS DLCVM8 200	5 3/4"	5 1/8"	6 1/8"

**MS DLCVM8 200**

- Height dimensions are the above-face-frame height when used as shown
- Pre-packaged molding kit includes:
  - DLCVM8
  - S3S396
  - CR8
  - HWC 1X2X96
- Molding Stacks shipped unassembled
- Molding Stacks to be cut, assembled and field installed at job site
- Only one finish can be specified per Molding Stack
- Molding Stack diagram included
- Refer to specifications on individual molding included in molding stack

**Molding Stack**  
MS DLCVM8 300

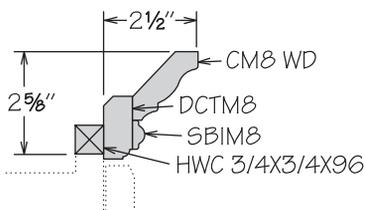
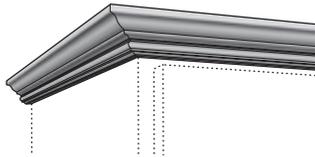


	Height Shown	A Min.	A Max.
MS DLCVM8 300	6"	4 3/4"	7 1/8"

**MS DLCVM8 300**

- Height dimensions are the above-face-frame height when used as shown
- Pre-packaged molding kit includes:
  - DLCVM8
  - OGE8
  - OGP8
  - HWC 1X2X96
- Molding Stacks shipped unassembled
- Molding Stacks to be cut, assembled and field installed at job site
- Only one finish can be specified per Molding Stack
- Molding Stack diagram included
- Refer to specifications on individual molding included in molding stack

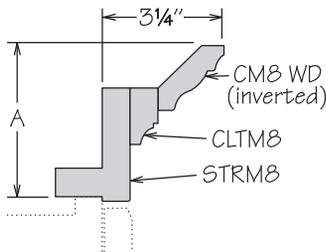
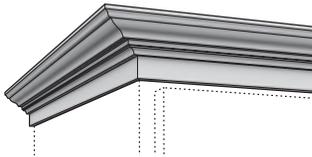
**Molding Stack**  
MS CM8 100



MS CM8 100

- Height dimension is the above-face-frame height when used as shown
- Pre-packaged molding kit includes:
  - CM8 WD
  - DCTM8
  - SBIM8
  - HWC 3/4X3/4X96
- Molding Stacks shipped unassembled
- Molding Stacks to be cut, assembled and field installed at job site
- Only one finish can be specified per Molding Stack
- Molding Stack diagram included
- Refer to specifications on individual molding included in molding stack

**Molding Stack**  
MS CM8 200

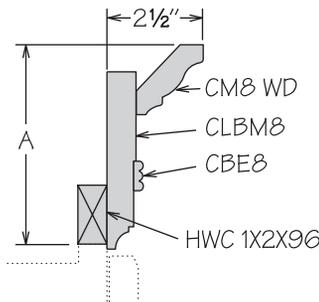
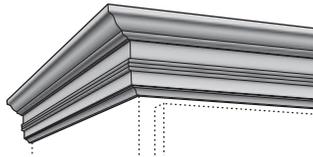


	Height Shown	A Min.	A Max.
MS CM8 200	4"	2 7/8"	4"

MS CM8 200

- Height dimensions are the above-face-frame height when used as shown
- Pre-packaged molding kit includes:
  - CM8 WD
  - CLTM8
  - STRM8
- Molding Stacks shipped unassembled
- Molding Stacks to be cut, assembled and field installed at job site
- Only one finish can be specified per Molding Stack
- Molding Stack diagram included
- Refer to specifications on individual molding included in molding stack

**Molding Stack**  
MS CM8 300

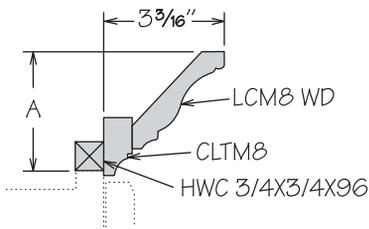
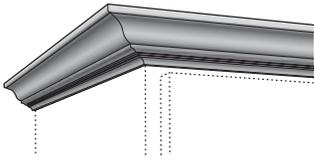


	Height Shown	A Min.	A Max.
MS CM8 300	5 1/8"	4 3/8"	5 3/8"

MS CM8 300

- Height dimensions are the above-face-frame height when used as shown
- Pre-packaged molding kit includes:
  - CM8 WD
  - CLBM8
  - CBE8
  - HWC 1X2X96
- Molding Stacks shipped unassembled
- Molding Stacks to be cut, assembled and field installed at job site
- Only one finish can be specified per Molding Stack
- Molding Stack diagram included
- Refer to specifications on individual molding included in molding stack

**Molding Stack**  
MS LCM8 100

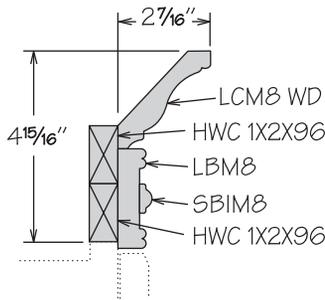
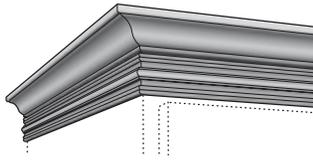


	Height Shown	A Min.	A Max.
MS LCM8 100	3 1/8"	2 15/16"	3 5/8"

**MS LCM8 100**

- Height dimensions are the above-face-frame height when used as shown
- Pre-packaged molding kit includes:
  - LCM8 WD
  - CLM8
  - HWC 3/4X3/4X96
- Molding Stacks shipped unassembled
- Molding Stacks to be cut, assembled and field installed at job site
- Only one finish can be specified per Molding Stack
- Molding Stack diagram included
- Refer to specifications on individual molding included in molding stack

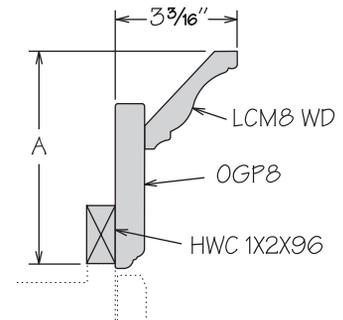
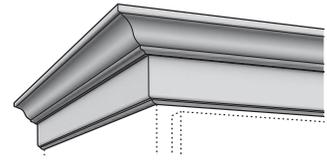
**Molding Stack**  
MS LCM8 200



**MS LCM8 200**

- Height dimension is the above-face-frame height when used as shown
- Pre-packaged molding kit includes:
  - LCM8 WD
  - LBM8
  - SBIM8
  - HWC 1X2X96 (2)
- Molding Stacks shipped unassembled
- Molding Stacks to be cut, assembled and field installed at job site
- Only one finish can be specified per Molding Stack
- Molding Stack diagram included
- Refer to specifications on individual molding included in molding stack

**Molding Stack**  
MS LCM8 300

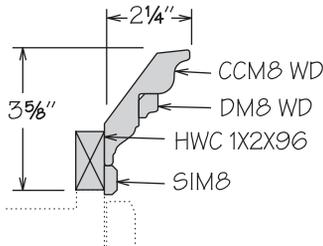
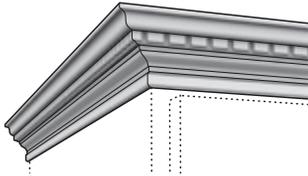


	Height Shown	A Min.	A Max.
MS LCM8 300	5 1/2"	4 1/4"	6"

**MS LCM8 300**

- Height dimensions are the above-face-frame height when used as shown
- Pre-packaged molding kit includes:
  - LCM8 WD
  - OGP8
  - HWC 1X2X96
- Molding Stacks shipped unassembled
- Molding Stacks to be cut, assembled and field installed at job site
- Only one finish can be specified per Molding Stack
- Molding Stack diagram included
- Refer to specifications on individual molding included in molding stack

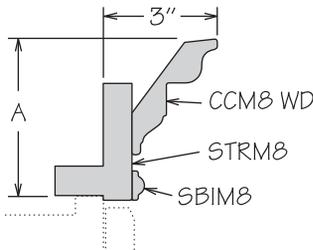
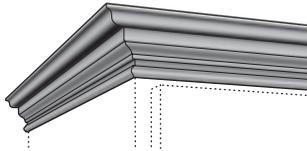
**Molding Stack**  
MS CCM8 100



MS CCM8 100

- Height dimension is the above-face-frame height when used as shown
- Pre-packaged molding kit includes:
  - CCM8 WD
  - DM8 WD
  - SIM8
  - HWC 1X2X96
- Molding Stacks shipped unassembled
- Molding Stacks to be cut, assembled and field installed at job site
- Only one finish can be specified per Molding Stack
- Molding Stack diagram included
- Refer to specifications on individual molding included in molding stack

**Molding Stack**  
MS CCM8 200

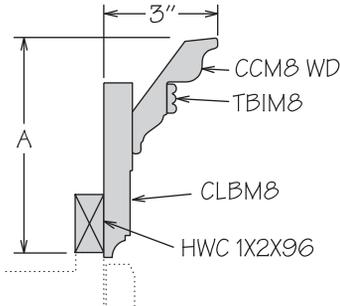
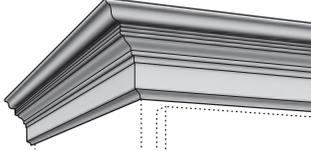


	Height Shown	A Min.	A Max.
MS CCM8 200	4"	3 5/8"	4 3/4"

MS CCM8 200

- Height dimensions are the above-face-frame height when used as shown
- Pre-packaged molding kit includes:
  - CCM8 WD
  - STRM8
  - SBIM8
- Molding Stacks shipped unassembled
- Molding Stacks to be cut, assembled and field installed at job site
- Only one finish can be specified per Molding Stack
- Molding Stack diagram included
- Refer to specifications on individual molding included in molding stack

**Molding Stack**  
MS CCM8 300

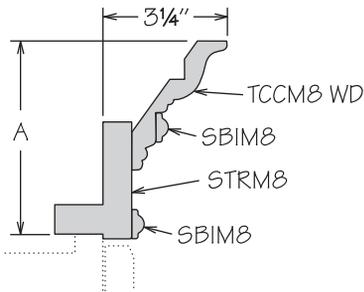
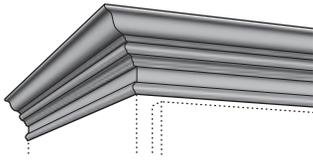


	Height Shown	A Min.	A Max.
MS CCM8 300	5 1/2"	5 1/8"	6 1/4"

MS CCM8 300

- Height dimensions are the above-face-frame height when used as shown
- Pre-packaged molding kit includes:
  - CCM8 WD
  - TBIM8
  - CLBM8
  - HWC 1X2X96
- Molding Stacks shipped unassembled
- Molding Stacks to be cut, assembled and field installed at job site
- Only one finish can be specified per Molding Stack
- Molding Stack diagram included
- Refer to specifications on individual molding included in molding stack

**Molding Stack**  
MS TCCM8 100

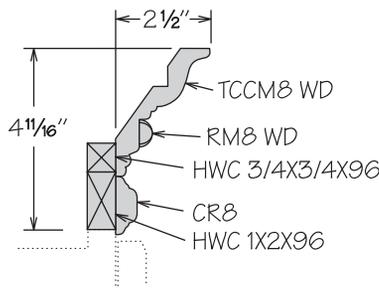
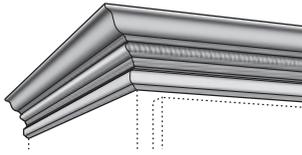


	Height Shown	A Min.	A Max.
MS TCCM8 100	5"	3 15/16"	5 1/4"

**MS TCCM8 100**

- Height dimensions are the above-face-frame height when used as shown
- Pre-packaged molding kit includes:
  - TCCM8 WD
  - SBIM8 (2)
  - STRM8
- Molding Stacks shipped unassembled
- Molding Stacks to be cut, assembled and field installed at job site
- Only one finish can be specified per Molding Stack
- Molding Stack diagram included
- Refer to specifications on individual molding included in molding stack

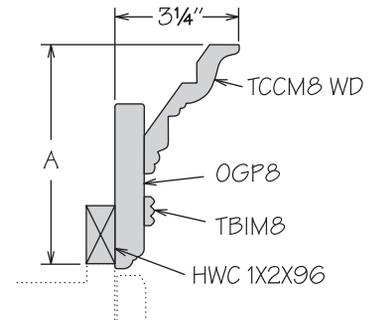
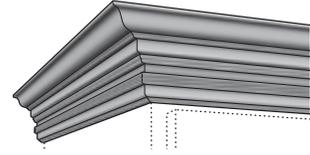
**Molding Stack**  
MS TCCM8 200



**MS TCCM8 200**

- Height dimension is the above-face-frame height when used as shown
- Pre-packaged molding kit includes:
  - TCCM8 WD
  - RM8 WD
  - CR8
  - HWC 3/4X3/4X96
  - HWC 1X2X96
- Molding Stacks shipped unassembled
- Molding Stacks to be cut, assembled and field installed at job site
- Only one finish can be specified per Molding Stack
- Molding Stack diagram included
- Refer to specifications on individual molding included in molding stack

**Molding Stack**  
MS TCCM8 300

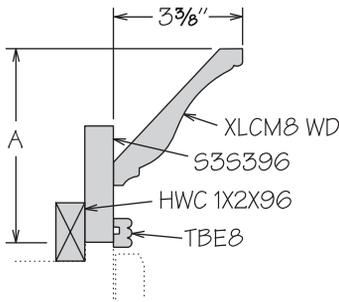
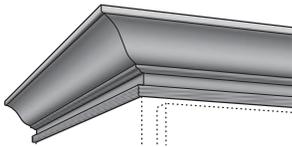


	Height Shown	A Min.	A Max.
MS TCCM8 300	5 3/8"	4 1/2"	6 1/2"

**MS TCCM8 300**

- Height dimensions are the above-face-frame height when used as shown
- Pre-packaged molding kit includes:
  - TCCM8 WD
  - OGP8
  - TBIM8
  - HWC 1X2X96
- Molding Stacks shipped unassembled
- Molding Stacks to be cut, assembled and field installed at job site
- Only one finish can be specified per Molding Stack
- Molding Stack diagram included
- Refer to specifications on individual molding included in molding stack

**Molding Stack**  
MS XLCM8 100

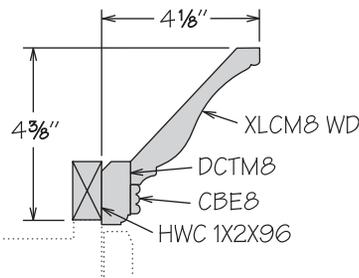
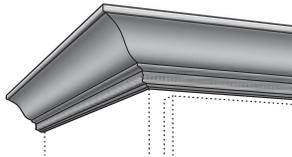


	Height Shown	A Min.	A Max.
MS XLCM8 100	5"	4 1/4"	5 5/8"

MS XLCM8 100

- Height dimensions are the above-face-frame height when used as shown
- Pre-packaged molding kit includes:
  - XLCM8 WD
  - S3S396
  - TBE8
  - HWC 1X2X96
- Molding Stacks shipped unassembled
- Molding Stacks to be cut, assembled and field installed at job site
- Only one finish can be specified per Molding Stack
- Molding Stack diagram included
- Refer to specifications on individual molding included in molding stack

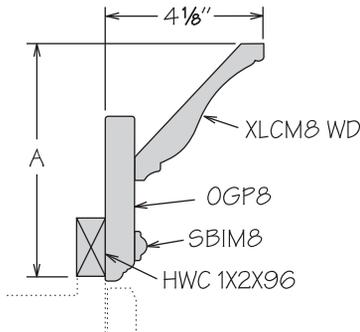
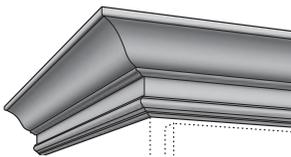
**Molding Stack**  
MS XLCM8 200



MS XLCM8 200

- Height dimension is the above-face-frame height when used as shown
- Pre-packaged molding kit includes:
  - XLCM8 WD
  - DCTM8
  - CBE8
  - HWC 1X2X96
- Molding Stacks shipped unassembled
- Molding Stacks to be cut, assembled and field installed at job site
- Only one finish can be specified per Molding Stack
- Molding Stack diagram included
- Refer to specifications on individual molding included in molding stack

**Molding Stack**  
MS XLCM8 300

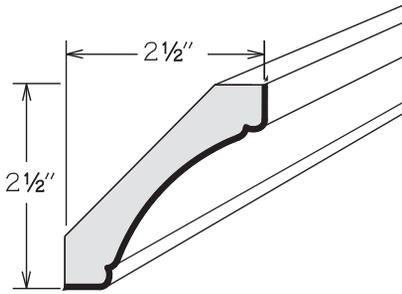


	Height Shown	A Min.	A Max.
MS XLCM8 300	6"	4 1/4"	7 1/4"

MS XLCM8 300

- Height dimensions are the above-face-frame height when used as shown
- Pre-packaged molding kit includes:
  - XLCM8 WD
  - OGP8
  - SBIM8
  - HWC 1X2X96
- Molding Stacks shipped unassembled
- Molding Stacks to be cut, assembled and field installed at job site
- Only one finish can be specified per Molding Stack
- Molding Stack diagram included
- Refer to specifications on individual molding included in molding stack

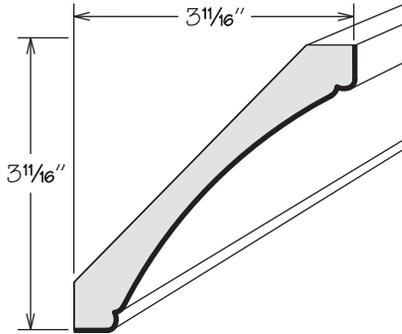
**Decorative Small Cove Molding**



DSCVM8

- Features solid wood finished to match cabinet exterior
- 8 feet long

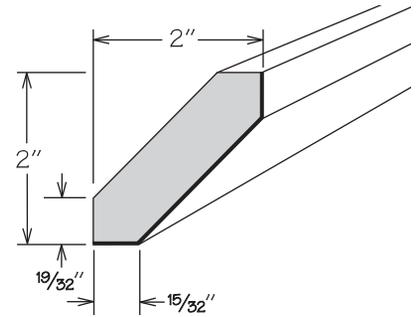
**Decorative Large Cove Molding**



DLCVM8

- Features solid wood finished to match cabinet exterior
- 8 feet long

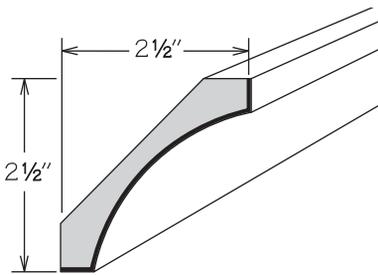
**Angle Crown Molding**



ACM8

- Wood door styles feature solid wood finished to match cabinet exterior
- When ordered as a Molding Stack, Thermofoil door styles feature painted solid wood
- 8 feet long

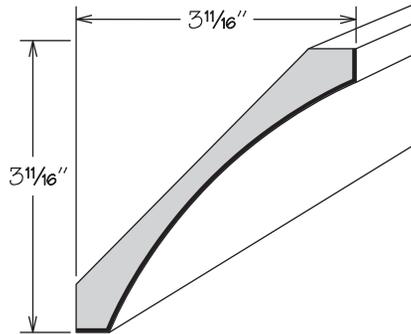
**Small Cove Molding**



SCVM8

- Features solid wood finished to match cabinet exterior
- 8 feet long

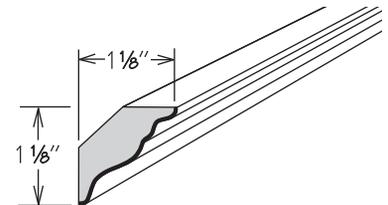
**Large Cove Molding**



LCVM8

- Features solid wood finished to match cabinet exterior
- 8 feet long

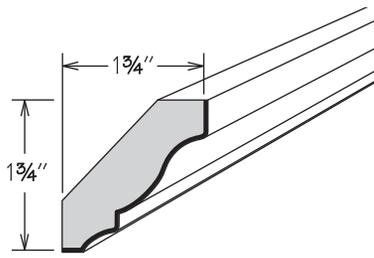
**Soffit Crown Molding**



SCM8 WD

- Features solid wood finished to match cabinet exterior
- Thermofoil door styles are Thermofoil-wrapped MDF
- 8 feet long

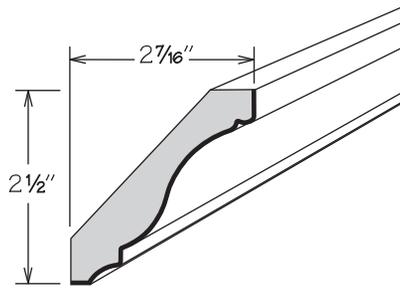
**Crown Molding**



CM8 WD

- Wood door styles feature solid wood finished to match cabinet exterior
- When ordered as a Molding Stack, Thermofoil door styles feature painted solid wood
- 8 feet long

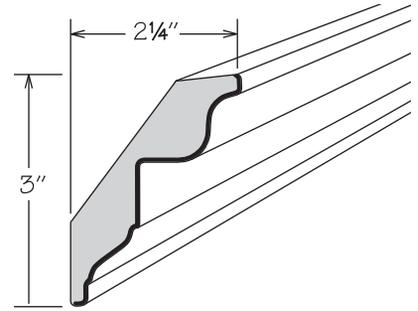
**Large Crown Molding**



LCM8 WD

- Features solid wood finished to match cabinet exterior
- 8 feet long

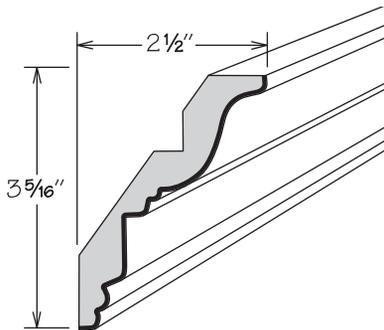
**Classic Crown Molding**



CCM8 WD

- Features solid wood finished to match cabinet exterior
- When ordered as a Molding Stack, Thermofoil door styles feature painted solid wood
- May use CBE8, DM8 WD, RM8 WD, SBIM8, SIM8, TBE8 or TBIM8 as accent
- 8 feet long

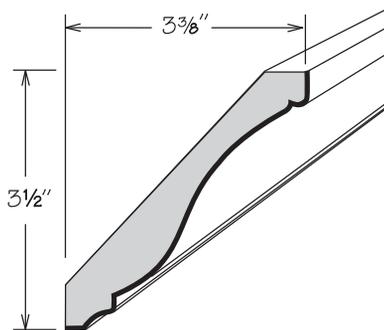
**Traditional Classic Crown Molding**



TCCM8 WD

- Wood door styles feature solid wood finished to match cabinet exterior
- When ordered as a Molding Stack, Thermofoil door styles feature painted solid wood
- May use CBE8, DM8 WD, RM8 WD, SBIM8, SIM8, TBE8 or TBIM8 as accent
- 8 feet long

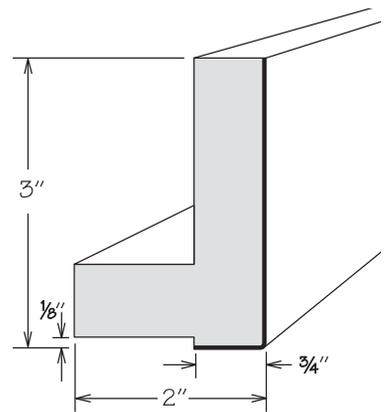
**Extra Large Crown Molding**



XLCM8 WD

- Features solid wood finished to match cabinet exterior
- 8 feet long

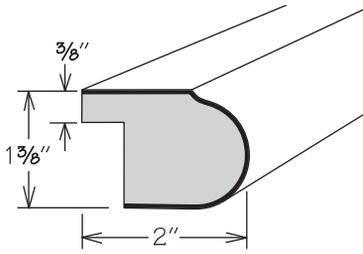
**Starter Molding**



STRM8

- Features solid wood finished to match cabinet exterior
- 8 feet long

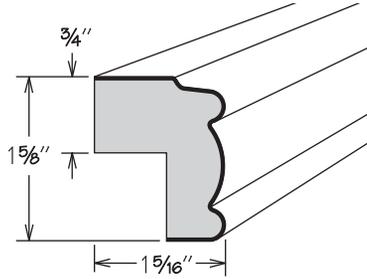
**Light Rail Molding**



LR8  
LR8 WD

- Wood door styles are veneer-wrapped MDF finished to match cabinet exterior (LR8 WD)
- Thermofoil door styles are Thermofoil-wrapped MDF (LR8)
- 8 feet long

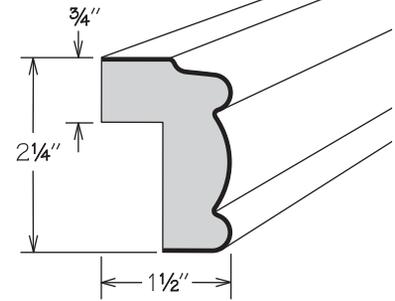
**Small Traditional Light Rail Molding**



STLR8

- Features solid wood finished to match cabinet exterior
- 8 feet long

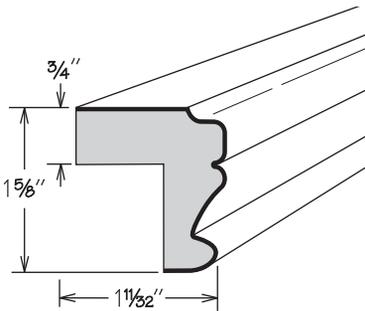
**Traditional Light Rail Molding**



TLR8

- Wood door styles feature solid wood finished to match cabinet exterior
- Thermofoil door styles are Thermofoil-wrapped MDF
- 8 feet long

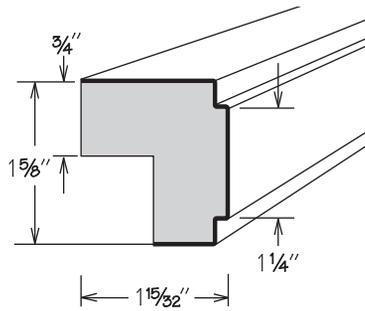
**Ogee Light Rail Molding**



OGLR8

- Features solid wood finished to match cabinet exterior
- 8 feet long

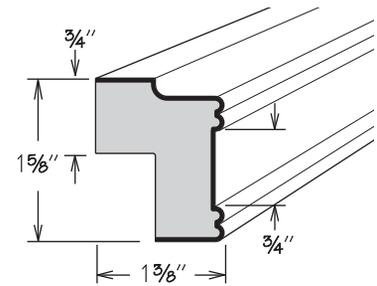
**Square Light Rail Molding**



SQLR8

- Features solid wood finished to match cabinet exterior
- 8 feet long

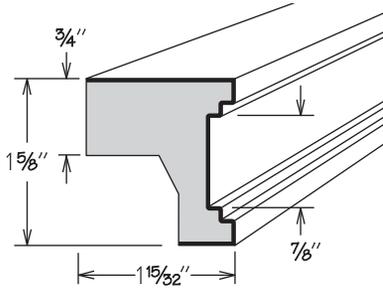
**Inset Light Rail Molding**



ILR8

- Features solid wood finished to match cabinet exterior
- May use CBE8, RM8 WD, SBIM8, SIM8, TBE8 or TBIM8 as accent
- 8 feet long

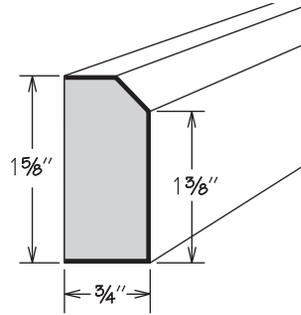
**Square Inset Light Rail Molding**



SQILR8

- Features solid wood finished to match cabinet exterior
- May use CBE8, RM8 WD, SBIM8, SIM8, TBE8 or TBIM8 as accent
- 8 feet long

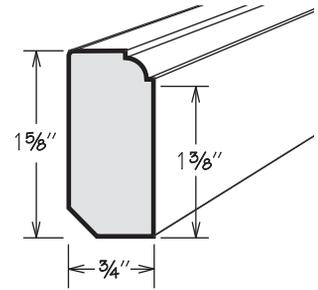
**Countertop Edge Molding**



CTM8 WD

- Features solid wood finished to match cabinet exterior
- 8 feet long
- Can be used as light rail molding

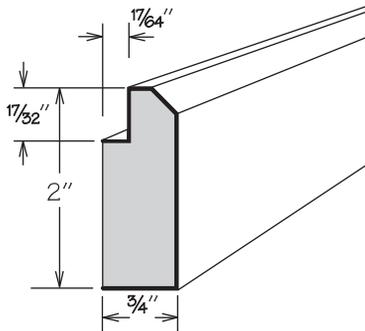
**Decorative Countertop Edge Molding**



DCTM8

- Features solid wood finished to match cabinet exterior
- 8 feet long
- Can be used as light rail molding

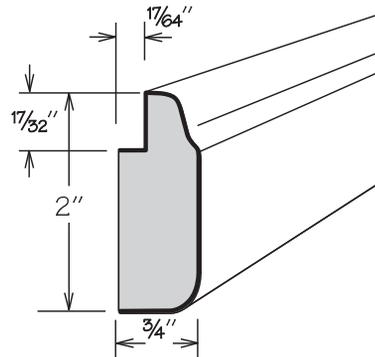
**Shaker Mirror Molding**



SMM8

- Features solid wood finished to match cabinet exterior
- 8 feet long

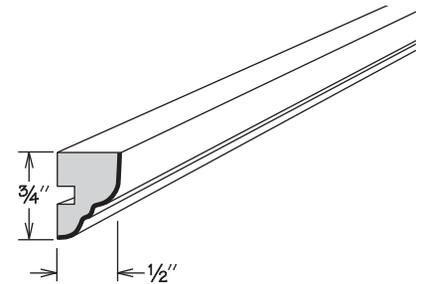
**Mirror Molding**



MM8

- Features solid wood finished to match cabinet exterior
- 8 feet long

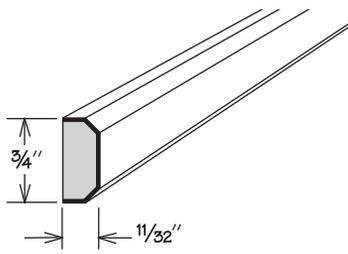
**Ogee Molding**



OGE8

- Features solid wood finished to match cabinet exterior
- 8 feet long

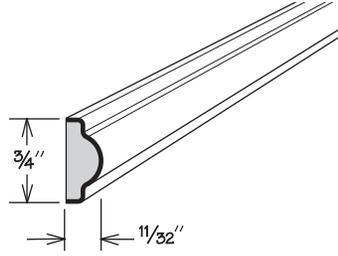
**Shaker Insert Molding**



SIM8

- Features solid wood finished to match cabinet exterior
- 8 feet long

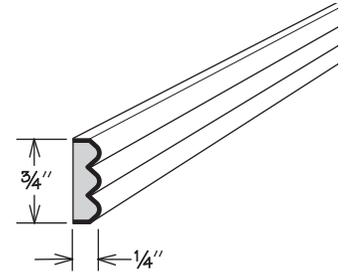
**Single Bead Insert Molding**



SBIM8

- Features solid wood finished to match cabinet exterior
- 8 feet long

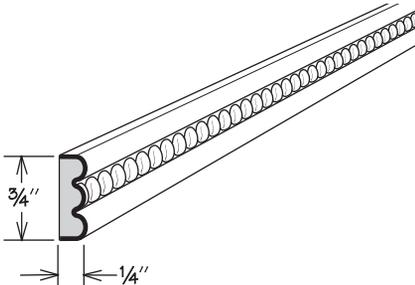
**Triple Bead Insert Molding**



TBIM8

- Features solid wood finished to match cabinet exterior
- 8 feet long

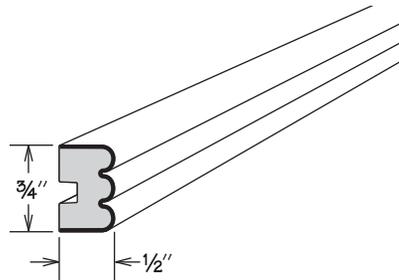
**Center Beaded Insert Molding**



CBE8

- Features solid wood finished to match cabinet exterior
- May be used as accent on CCM8 WD, TCCM8 WD and ILR8
- 8 feet long

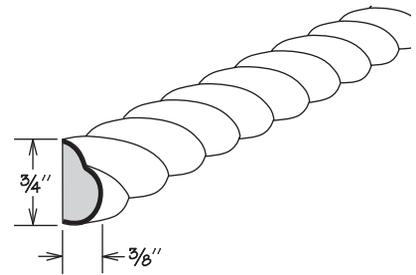
**Triple Bead Edge Molding**



TBE8

- Features solid wood finished to match cabinet exterior
- May be used as accent on CCM8 WD, TCCM8 WD and ILR8
- 8 feet long

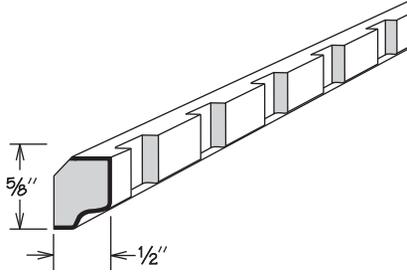
**Rope Molding**



RM8 WD

- Features solid wood finished to match cabinet exterior
- May be used as accent on CCM8 WD, TCCM8 WD and ILR8
- 8 feet long

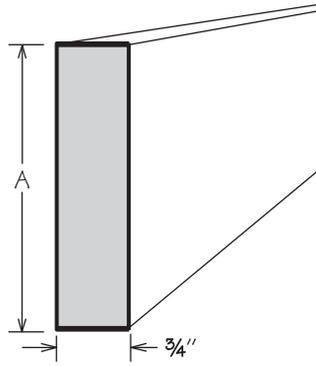
**Dentil Molding**



DM8 WD

- Features solid wood finished to match cabinet exterior
- May be used as accent on CCM8 WD and TCCM8 WD
- 8 feet long

**4-Sided Stock**

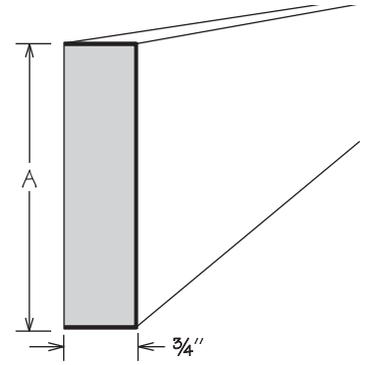


	A
S4S396	3"
S4S696	6"

S4S396  
S4S696

- Features solid wood finished to match cabinet exterior
- 8 feet long
- May also be used in vertical applications (as a filler) or horizontal applications (as furniture toe)

**3-Sided Stock**

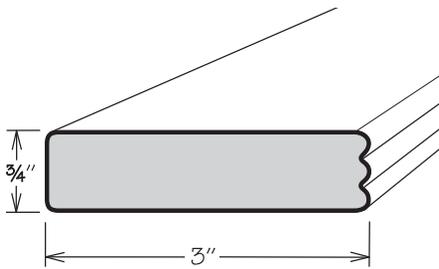


	A
S3S396	3"
S3S696	6"

S3S396  
S3S696

- Features solid wood finished to match cabinet exterior
- 8 feet long
- May also be used in vertical applications (as a filler) or horizontal applications (as furniture toe)

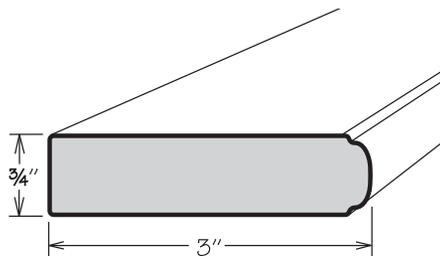
**Triple Bead Molding**



TBM8

- Features solid wood finished to match cabinet exterior
- 8 feet long

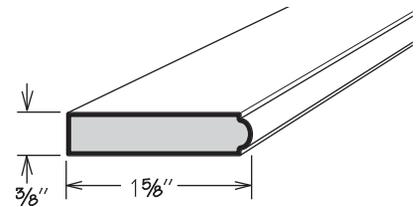
**Single Bead Molding**



SBM8

- Features solid wood finished to match cabinet exterior
- 8 feet long

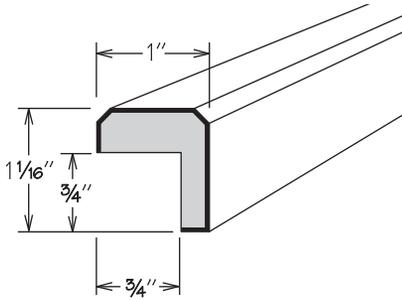
**Small Single Bead Molding**



SSBM8

- Features solid wood finished to match cabinet exterior
- 8 feet long

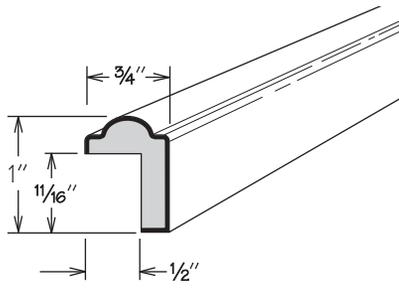
**Shaker Accent Molding**



SAM8 WD

- Features solid wood finished to match cabinet exterior
- May be used as accent on Wall China, Wine Storage, Base Microwave and Void Door cabinets
- 8 feet long

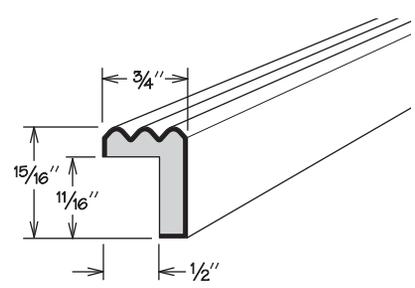
**Single Bead Accent Molding**



SBAM8 WD

- Features solid wood finished to match cabinet exterior
- May be used as accent on Wall China, Wine Storage, Base Microwave and Void Door cabinets
- 8 feet long

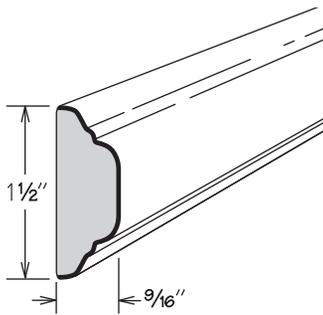
**Triple Bead Accent Molding**



TBAM8 WD

- Features solid wood finished to match cabinet exterior
- May be used as accent on Wall China, Wine Storage, Base Microwave and Void Door cabinets
- 8 feet long

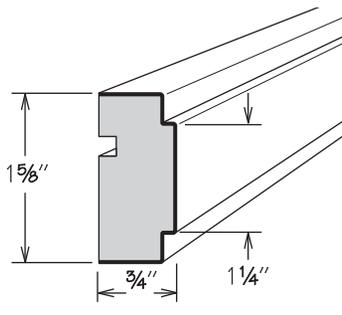
**Chair Rail Molding**



CR8

- Features solid wood finished to match cabinet exterior
- 8 feet long

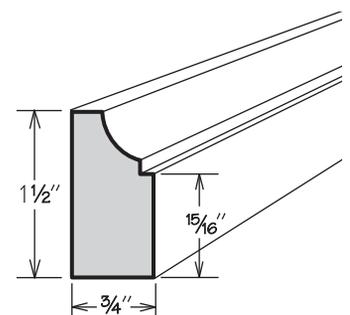
**Square Chair Rail Molding**



SQCR8

- Features solid wood finished to match cabinet exterior
- 8 feet long

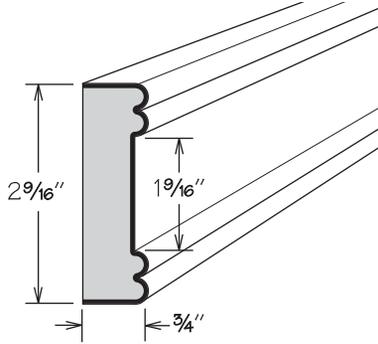
**Classic Trim Molding**



CLTM8

- Features solid wood finished to match cabinet exterior
- 8 feet long

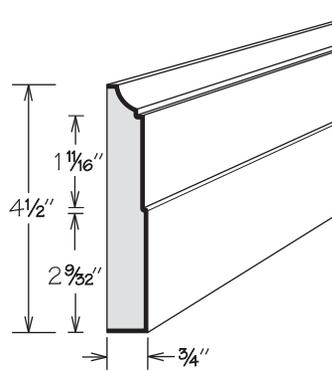
**Library Molding**



LBM8

- Features solid wood finished to match cabinet exterior
- 8 feet long

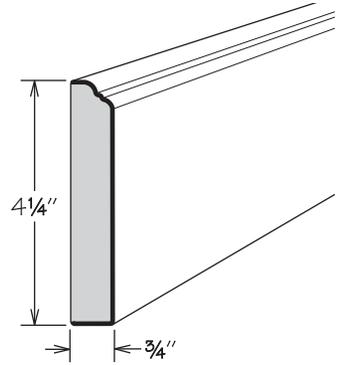
**Classic Baseboard Molding**



CLBM8

- Features solid wood finished to match cabinet exterior
- 8 feet long

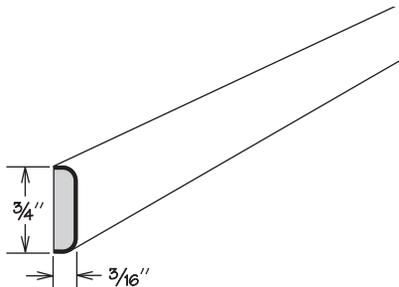
**Ogee Pilaster Molding**



OGP8

- Wood door styles feature solid wood finished to match cabinet exterior
- Thermofoil door styles feature Thermofoil-wrapped MDF
- When ordered as a Molding Stack, Thermofoil door styles feature painted solid wood
- For use in furniture toe or top molding applications
- 8 feet long

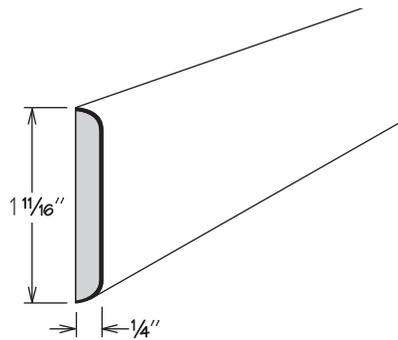
**Batten Molding**



BM8 WD

- Features solid wood finished to match cabinet exterior
- 8 feet long

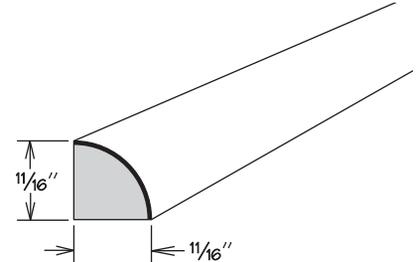
**Wide Batten Molding**



WBM8

- Features solid wood finished to match cabinet exterior
- 8 feet long

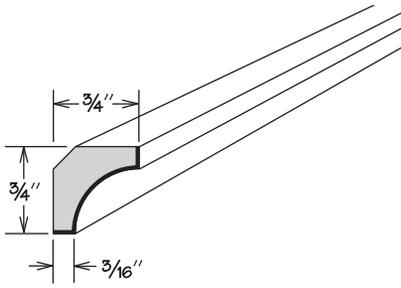
**Quarter Round Molding**



QR8

- Features solid wood finished to match cabinet exterior
- 8 feet long

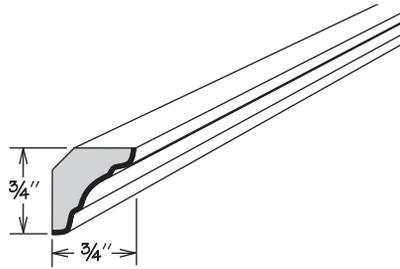
**Inside Corner Molding**



QM8 WD

- Features solid wood finished to match cabinet exterior
- 8 feet long

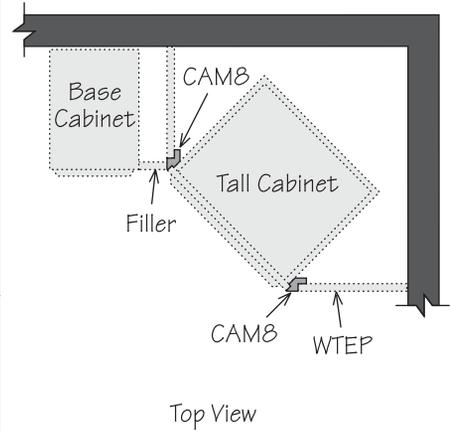
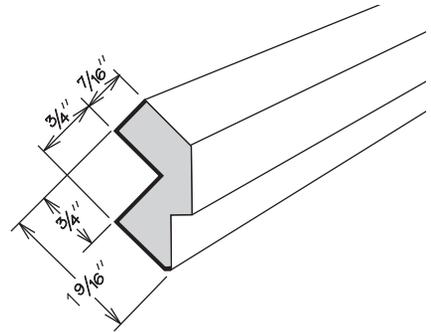
**Decorative Inside Corner Molding**



ICM8

- Features solid wood finished to match cabinet exterior
- 8 feet long

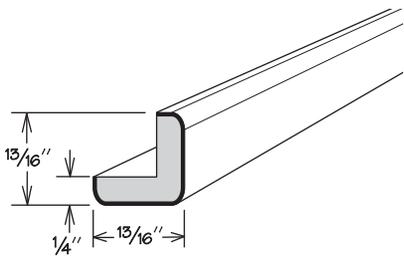
**Cabinet Angle Molding**



CAM8

- Features solid wood finished to match cabinet exterior
- Used in corner application to place cabinet at 45-degree angle
- 8 feet long

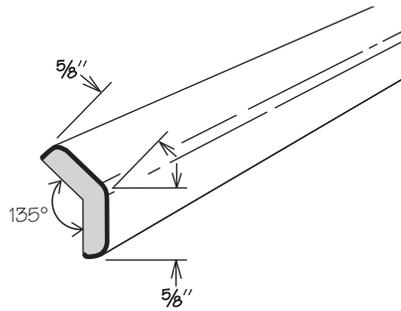
**Outside Corner Molding**



OCM8

- Features solid wood finished to match cabinet exterior
- 8 feet long

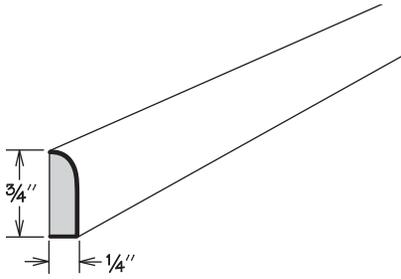
**Angled Outside Corner Molding**



AOSC8

- Features solid wood finished to match cabinet exterior
- 8 feet long

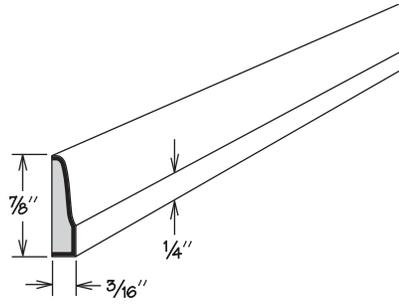
**Scribe Molding**



SM8 WD

- Features solid wood finished to match cabinet exterior
- 8 feet long

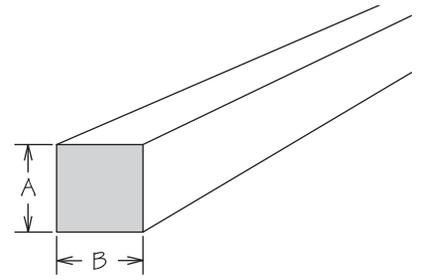
**Straight Trim Molding**



UM8 WD

- Features solid wood finished to match cabinet exterior
- 8 feet long

**Cleat**



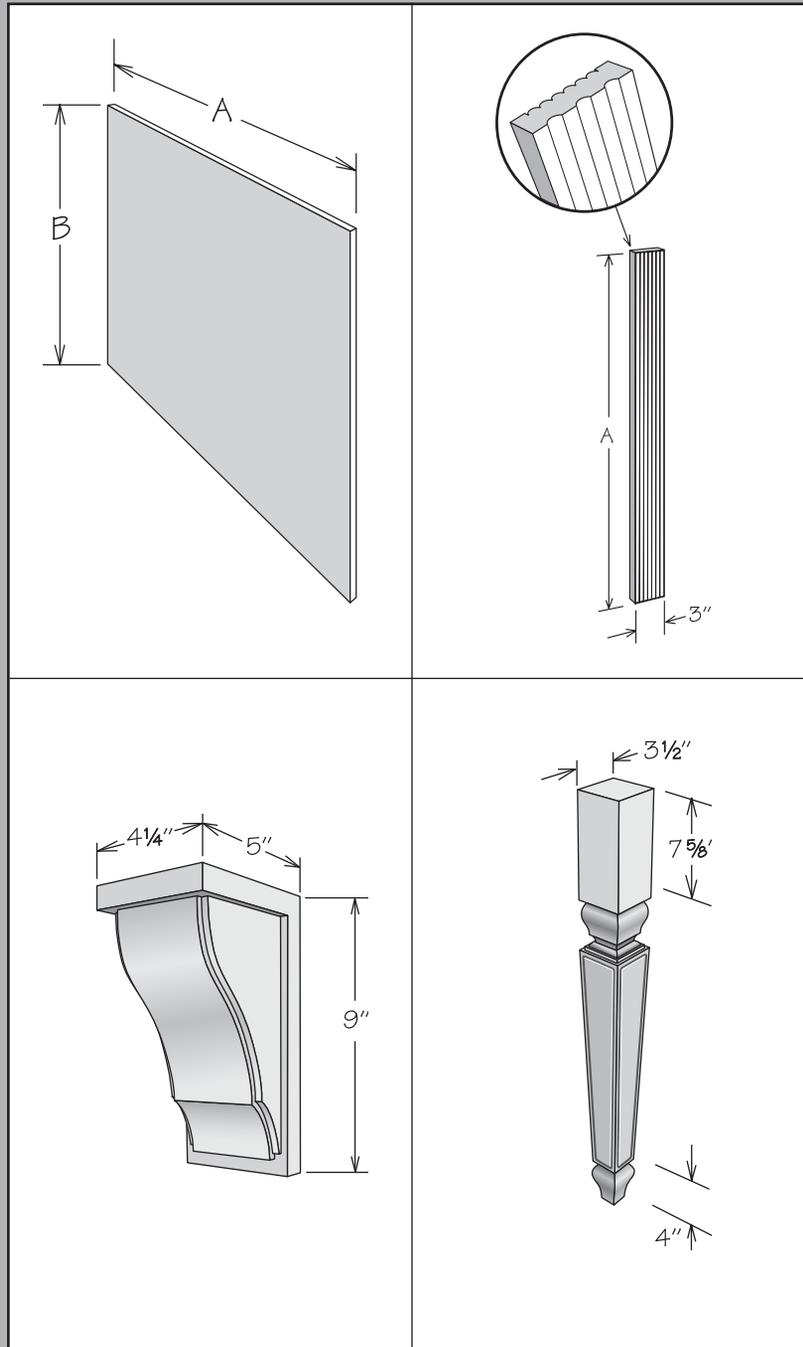
	A	B
HWC 1/2X1/2X96	1/2"	1/2"
HWC 3/4X3/4X96	3/4"	3/4"
HWC 1X2X96	3/4"	1 1/2"
HWC 2X4X96	1 1/2"	3 1/2"

HWC 1/2X1/2X96  
HWC 3/4X3/4X96  
HWC 1X2X96  
HWC 2X4X96

- Unfinished
- HWC1/2X1/2X96 and HWC3/4X3/4X96 are shipped in two 48" long pieces

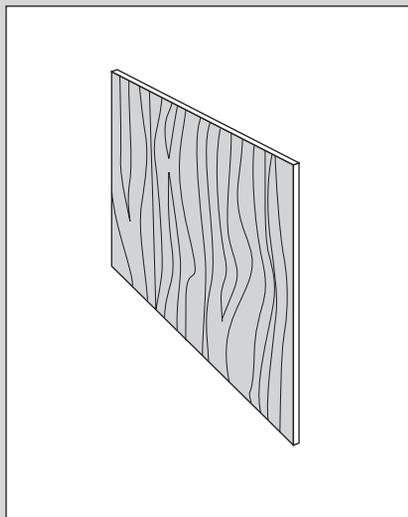


# Panels, Fillers & Decorative Items

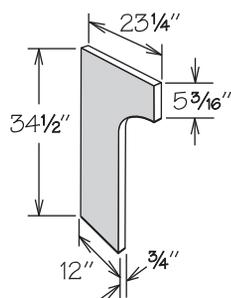


All panels, fillers and decorative items are available in all finishes, unless otherwise noted.

**Panels**



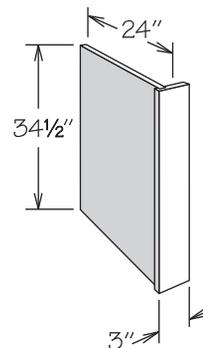
**Desk End Panel**



DEP

- Features 3/4" engineered wood with TuffTech finish - both sides finished to match cabinet exterior
- Recommend QM8 WD be ordered for installation to ensure proper attachment to wall
- Field trimmable

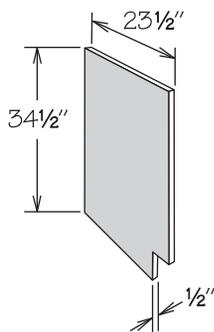
**Dishwasher Return**



DWR3

- Reversible for left or right installation
- Solid wood front
- Features 1/2" engineered wood with TuffTech finish - outside finished to match cabinet exterior and inside with a natural woodgrain look
- Attaching blocks included
- Field trimmable to 1" in width
- Can be notched for toe kick in the field

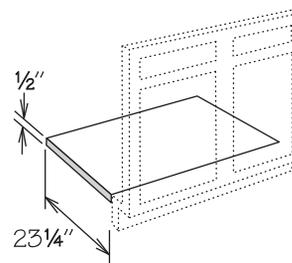
**Sink/Vanity Front Return**



SFRR  
SFRL

- Features 1/2" engineered wood with TuffTech finish - outside finished to match cabinet exterior and inside with a natural woodgrain look
- Specify left or right
- Attaching blocks included
- Field trimmable

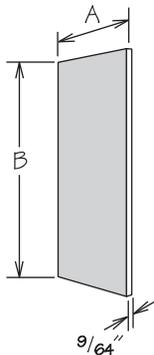
**Sink/Vanity Front Floor**



FL24      FL60  
FL36      FL72  
FL36X36  
FL48  
FL48X48

- Features 1/2" engineered wood with TuffTech finish - one side finished with a natural woodgrain look
- 1/2" oversize in width
- FL36X36 to be used for CSF36 (trim to fit)
- FL48X48 to be used for CSF42 (trim to fit)
- Field trimmable

### End Panel

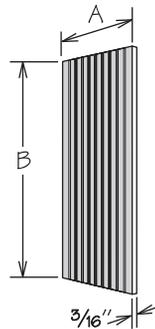


	A	B
WEP30	11¼"	30½"
WEP42	11¼"	42½"
WEP48	11¼"	48"
WEP1542	14¼"	42½"
BEP34	23¼"	34½"
TEP84	23¼"	84"
TEP96	23¼"	96"
TEP120	23¼"	120"

WEP30  
WEP42  
WEP48  
WEP1542  
BEP34  
TEP84  
TEP96  
TEP120

- Features plywood or engineered wood finished on one side to match cabinet exterior
- Field trimmable

### Grooved End Panel

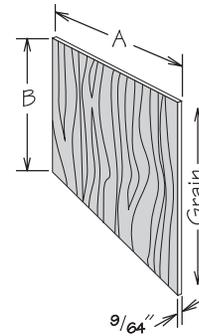


	A	B
WEP30 GROOVED	11¼"	30½"
WEP42 GROOVED	11¼"	42½"
WEP48 GROOVED	11¼"	48"
WEP1542 GROOVED	14¼"	42½"
BEP34 GROOVED	23¼"	34½"
TEP84 GROOVED	23¼"	84"
TEP96 GROOVED	23¼"	96"

WEP30 GROOVED  
WEP42 GROOVED  
WEP48 GROOVED  
WEP1542 GROOVED  
BEP34 GROOVED  
TEP84 GROOVED  
TEP96 GROOVED

- Grooved every 1½" on one side
- Features ⅜" plywood finished on one side to match cabinet exterior
- Field trimmable

### Finished Paneling

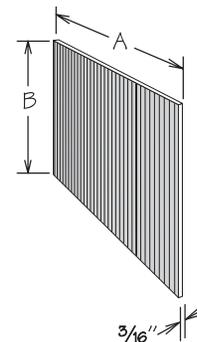


	A	B
FP4834	48"	34½"
FP4896	48"	96"
FP9634	96"	34½"
FP9648	96"	48"

FP4834  
FP4896  
FP9634  
FP9648

- Features plywood or engineered wood finished on one side to match cabinet exterior
- Field trimmable

### Grooved Finished Paneling

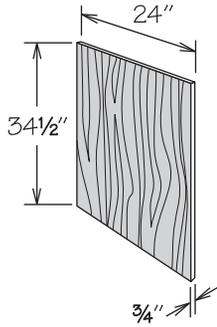


	A	B
FP4834 GROOVED	48"	34½"
FP4896 GROOVED	48"	96"
FP9634 GROOVED	96"	34½"

FP4834 GROOVED  
FP4896 GROOVED  
FP9634 GROOVED

- Grooved every 1½" on one side
- Features ⅜" plywood finished on one side to match cabinet exterior
- **FP9634 Grooved paneling is shipped as two 48" wide x 34½" high panels**
- Field trimmable

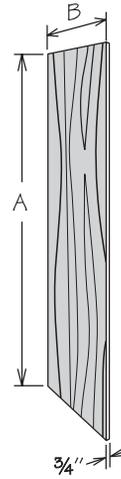
**Wood Base End Panel**



WBEP

- Features engineered wood finished to match cabinet exterior on both sides
- Edge banded on both long edges
- Field trimmable

**Wood Tall End Panel**



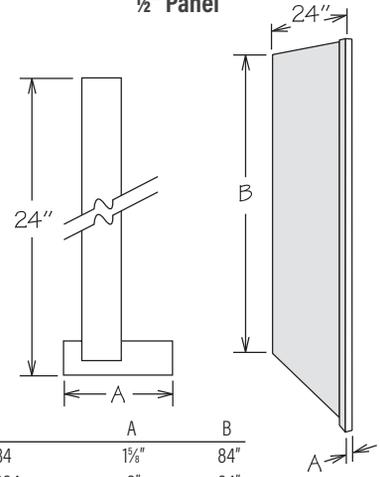
	A	B
WTEP84	84"	24"
WTEP96	96"	24"
WTEP120	120"	24"
DWTEP84	84"	32"
DWTEP96	96"	32"

WTEP84	DWTEP84
WTEP96	DWTEP96
WTEP120	

- Features engineered wood finished to match cabinet exterior on both sides
- Edge banded on both long edges
- Field trimmable

**Refrigerator Return**

1/2" Panel



	A	B
RR84	1 1/2"	84"
RR384	3"	84"
RR96	1 1/2"	96"
RR396	3"	96"

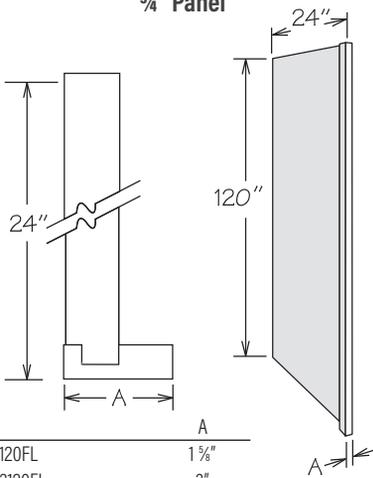
RR84	RR96
RR384	RR396

MI

- Reversible for left or right installation
- Solid wood front
- Features 1/2" engineered wood with TuffTech finish - outside finished to match cabinet exterior and inside with a natural woodgrain look
- Field trimmable

**Refrigerator Return**

3/4" Panel



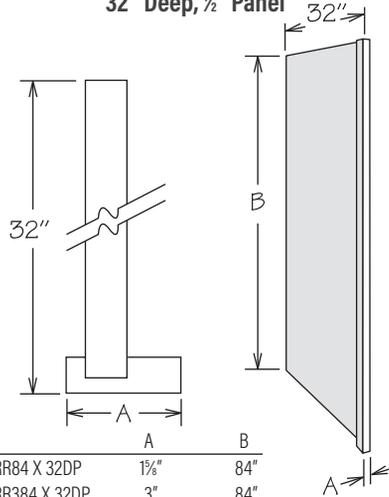
	A
RR120FL	1 1/2"
RR3120FL	3"

RR120FL  
RR3120FL

- Reversible for left or right installation
- Solid wood front
- Features 3/4" engineered wood with TuffTech finish - both sides finished to match cabinet exterior
- Field trimmable

**Refrigerator Return**

32" Deep, 1/2" Panel



	A	B
RR84 X 32DP	1 1/2"	84"
RR384 X 32DP	3"	84"
RR96 X 32DP	1 1/2"	96"
RR396 X 32DP	3"	96"

RR84 X 32DP	RR384 X 32DP
RR96 X 32DP	RR396 X 32DP

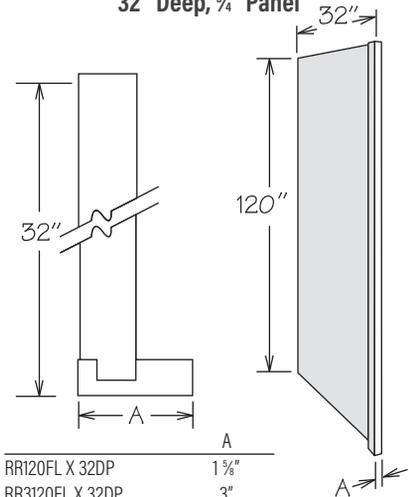
MI

RD

- Reversible for left or right installation
- Solid wood front
- Features 1/2" plywood finished on the outside to match cabinet exterior and TuffTech natural woodgrain look on the inside
- Field trimmable, can be notched for toe kick

**Refrigerator Return**

32" Deep, 3/4" Panel



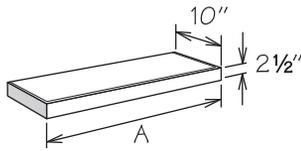
	A
RR120FL X 32DP	1 1/2"
RR3120FL X 32DP	3"

RR120FL X 32DP  
RR3120FL X 32DP

RD

- Reversible for left or right installation
- Solid wood front
- Features 3/4" plywood finished to match cabinet exterior on both sides
- Field trimmable, can be notched for toe kick

### Floating Shelf

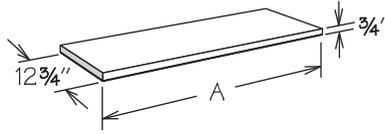


SKU	A	Max. Load
FLSH2410	24"	30 lbs.
FLSH3010	30"	37 lbs.
FLSH3610	36"	45 lbs.
FLSH4210	42"	52 lbs.
FLSH4810	48"	60 lbs.

FLSH2410  
FLSH3010  
FLSH3610  
FLSH4210  
FLSH4810

- Not trimmable
- Finished on all sides to match cabinet exterior
- Features veneered engineered wood top and bottom and solid wood front and sides
- When installed flush between two cabinets, Wall End Panel (WEP) is recommended for adjacent cabinets
- Must be secured to studs in wall
- Installation instructions, mounting brackets and screws included

### Finished Shelf

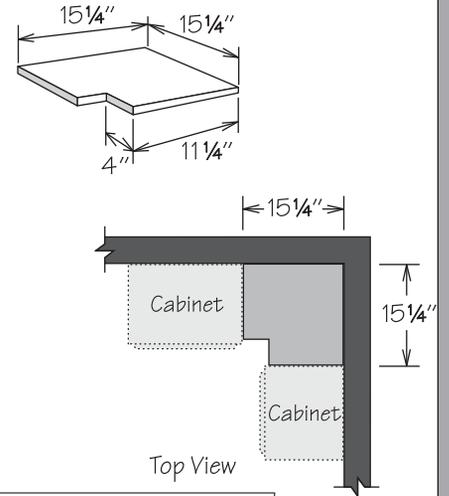


	A
FS4812	48 1/4"
FS6012	60 1/4"
FS7212	72 1/4"

FS4812  
FS6012  
FS7212

- Field trimmable
- Veneered engineered wood, edge banded all sides
- Finished to match cabinet exterior

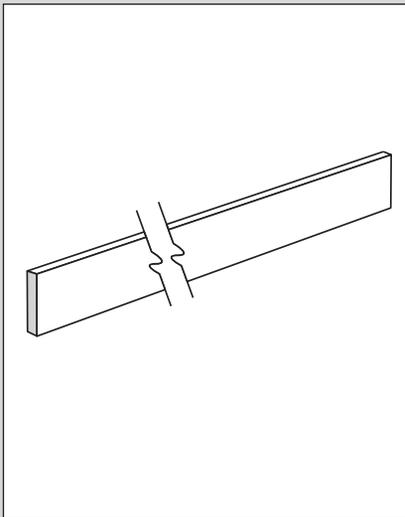
### Blind Corner Closure



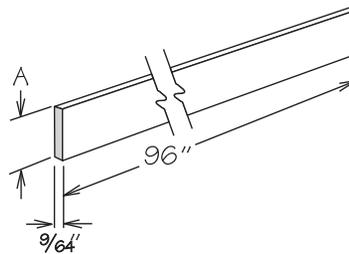
BLC1515

- Features 1/2" engineered wood with TuffTech finish - both sides finished with a natural woodgrain look
- Field trimmable

### Toe Kicks



### Base Toe Kick

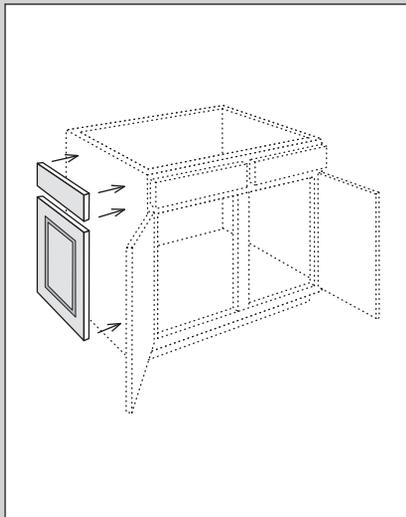


	A
BTK8	3 3/8"
BTK8 UD	8"

BTK8  
BTK8 UD

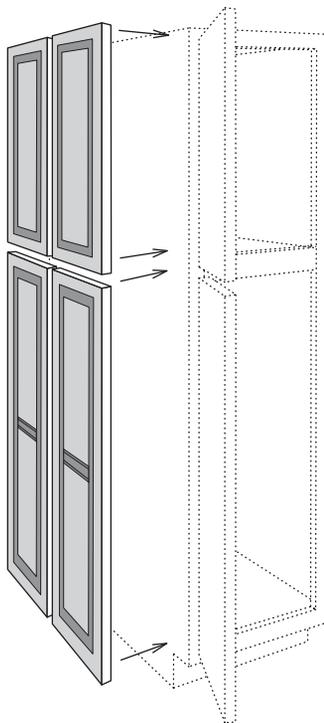
- Features plywood or engineered wood finished on one side to match cabinet exterior
- Putty Stick and TU Marker are recommended for exposed ends

### Decorator Matching Doors



Decorator Matching Doors are not sized for Reduced Depth (RD) or Increased Depth (ID) cabinets.

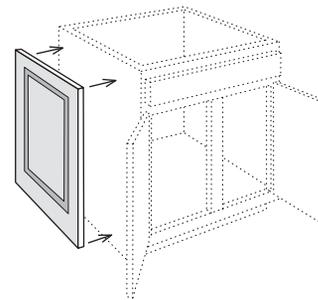
### Decorator Matching Doors Tall Cabinets



DMDT8412  
DMDT8424  
DMDT9012  
DMDT9024  
DMDT9612  
DMDT9624

- TEP84/TEP96 panel is required for installation
- Attaches to side of Utility or Oven cabinet
- Matches style and finish of cabinet doors
- 24" deep features four doors (as shown)
- 12" deep features two doors
- DMDT bottom doors will have a center rail with the exception of Thermofoil door styles
- Refer to the Parts Directory section of this guide for dimensions

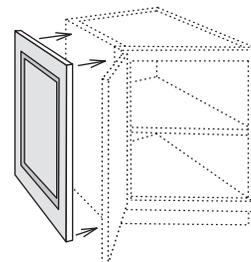
### Decorator Matching Doors Base Cabinets



DMDB

- BEP34 panel is required for installation
- Attaches to side of Base cabinet
- Matches style and finish of cabinet doors
- Refer to the Parts Directory section of this guide for dimensions

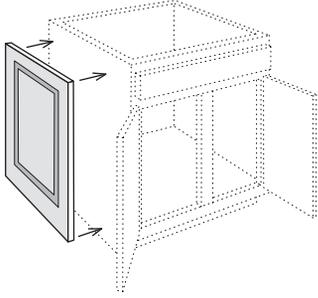
### Decorator Matching Doors BEA12 Base Cabinets



DMDBEA12

- WEP42 panel is required for installation
- Attaches to side of BEA12FH or BSPLY2434
- Matches style and finish of cabinet doors
- Refer to the Parts Directory section of this guide for dimensions

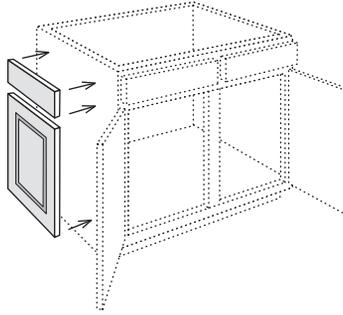
**Decorator Matching Doors**  
Desk Cabinets



DMDD21  
DMDD24

- BEP34 panel is required for installation
- Attaches to side of 21" or 24" deep Desk cabinet
- Matches style and finish of cabinet doors
- Refer to the Parts Directory section of this guide for dimensions

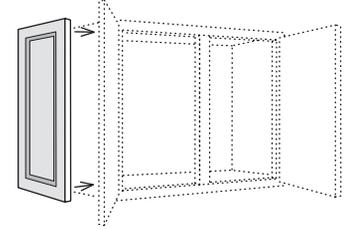
**Decorator Matching Doors**  
Vanity Cabinets



DMDV

- BEP34 panel is required for installation
- Attaches to side of 20 3/4" deep x 31 1/8" high Vanity cabinet
- For 18" deep x 31 1/8" high Vanity cabinetry, order DDF18 and DR1821 ND
- For Base Height Vanity order DR21FH ND door for 20 3/4" deep or DR18FH ND for 18" deep cabinetry
- Matches style and finish of cabinet doors
- Refer to the Parts Directory section of this guide for dimensions

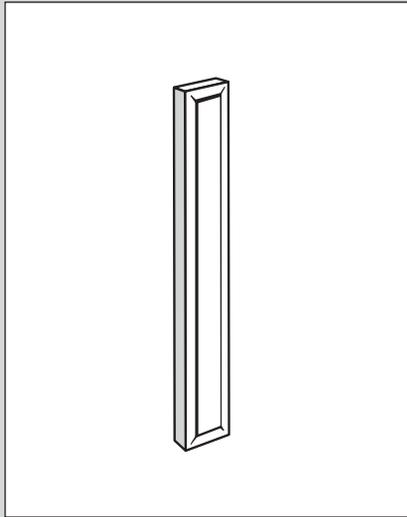
**Decorator Matching Doors**  
Wall Cabinets



DMDW18  
DMDW24  
DMDW30  
DMDW36  
DMDW42

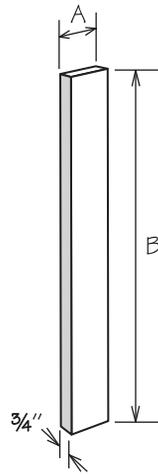
- WEP30/WEP42 panel is required for installation
- Attaches to side of Wall cabinet
- Matches style and finish of cabinet doors
- Refer to the Parts Directory section of this guide for dimensions

Fillers



To facilitate proper door operation, include at least a 1" filler between the hinged side of Full Overlay door styles and deeper adjacent objects including cabinets, walls, appliances and countertops.

Universal Filler

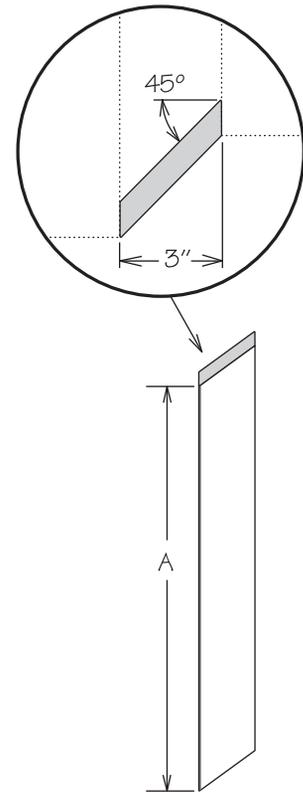


	A	B
UF3	3"	30 1/2"
UF6	6"	30 1/2"
UF342	3"	42 1/8"
UF642	6"	42 1/8"
UF380	3"	80"
UF680	6"	80"
UF392	3"	92"
UF692	6"	92"
UF3120	3"	120"

- |        |       |
|--------|-------|
| UF3    | UF6   |
| UF342  | UF642 |
| UF380  | UF680 |
| UF392  | UF692 |
| UF3120 |       |

- 3/4" solid wood
- Finished on front and all four edges to match cabinet exterior
- Field trimmable

Universal Filler Extension

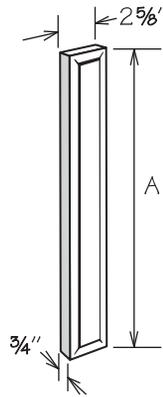


	A
UF E3	30 1/2"
UF E342	42 1/8"

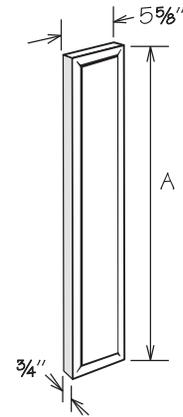
- |         |
|---------|
| UF E3   |
| UF E342 |

- For wall or base application
- 3/4" solid wood
- Finished on front and all four edges to match cabinet exterior
- Field trimmable

### 3" Overlay Filler



### 6" Overlay Filler



BOF3	WOF312
DOF3	WOF315
	WOF318
TOF384	WOF321
TOF390	WOF324
TOF396	WOF327
	WOF330
VOF3	WOF336
	WOF342

	A
BOF3	29 7/8"
DOF3	23 3/8"
TOF384	79 3/8"
TOF390	85 3/8"
TOF396	91 3/8"
VOF3	26 1/2"
WOF312	11 1/8"
WOF315	14 9/16"
WOF318	17 1/16"
WOF321	20"
WOF324	23 7/8"
WOF327	26 1/2"
WOF330	29 1/2"
WOF336	35 1/2"
WOF342	41 1/2"

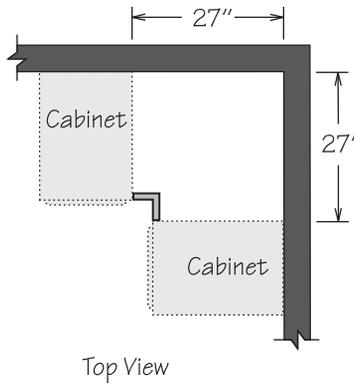
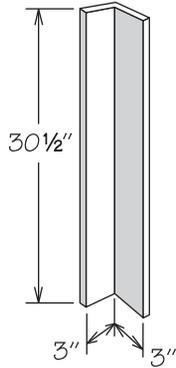
	A
WOF630	29 1/2"
WOF636	35 1/2"
WOF642	41 1/2"

WOF630
WOF636
WOF642

- For Full Overlay Thermofoil door styles only
- Outside profile matches door
- Features thermofoil-wrapped MDF
- Indicate door style when ordering
- Not field trimmable
- Must be mounted to a Universal Filler - order separately

- For Full Overlay Thermofoil door styles only
- Outside profile matches door
- Features thermofoil-wrapped MDF
- Indicate door style when ordering
- Not field trimmable
- Must be mounted to a Universal Filler - order separately

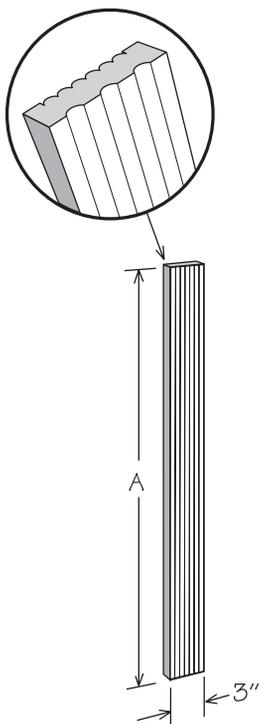
### Base Corner Filler



BCF27
-------

- 3/4" solid wood
- Finished on front and all four edges to match cabinet exterior
- Field trimmable

**Fluted Beaded Filler**  
Reversible - 3" Wide

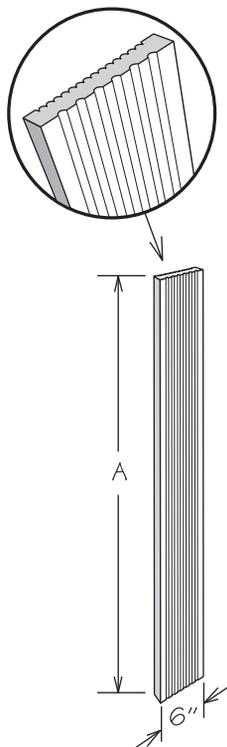


	A
FBF3	30½"
FBF342	42½"
FBF384	84"
FBF396	96"

FBF3  
FBF342  
FBF384  
FBF396

- Filler is fluted on one side and beaded on reverse
- Finished on all sides to match cabinet exterior
- Field trimmable
- ¾" solid wood
- Apply 3" wide decorative blocks for accent
- Designer note: Ensure correct side is exposed when installed

**Fluted Beaded Filler**  
Reversible - 6" Wide

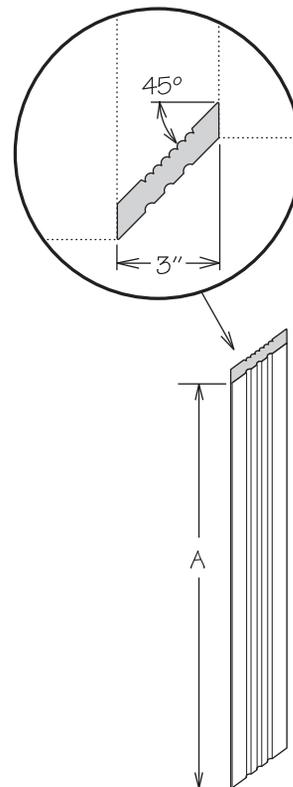


	A
FBF6	30½"
FBF642	42½"
FBF684	84"
FBF696	96"

FBF6  
FBF642  
FBF684  
FBF696

- Filler is fluted on one side and beaded on reverse
- Finished on all sides to match cabinet exterior
- Field trimmable
- ¾" solid wood
- Apply 6" wide decorative blocks for accent
- Designer note: Ensure correct side is exposed when installed

**Fluted Beaded Filler Extension**  
Reversible

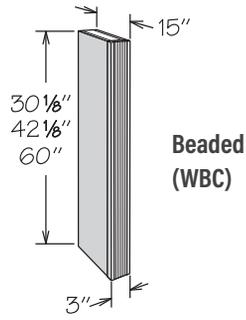


	A
FBF E3	30½"
FBF E342	42½"

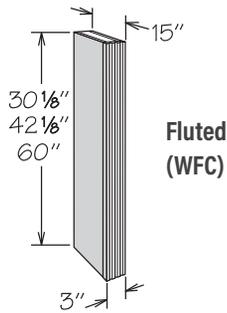
FBF E3  
FBF E342

- For wall or base application
- Filler is fluted on one side and beaded on reverse
- Finished on all sides to match cabinet exterior
- Field trimmable
- ¾" solid wood
- Apply 3" wide decorative blocks for accent
- Designer note: Ensure correct side is exposed when installed

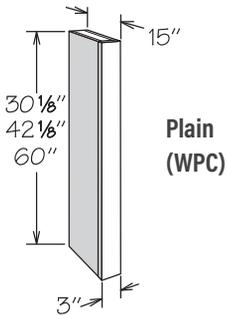
**Wall Column Filler**



**Beaded (WBC)**

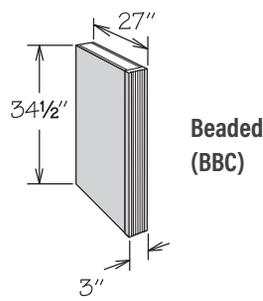


**Fluted (WFC)**

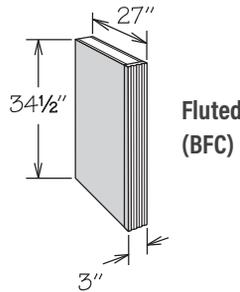


**Plain (WPC)**

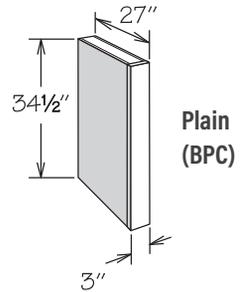
**Base Column Filler**



**Beaded (BBC)**

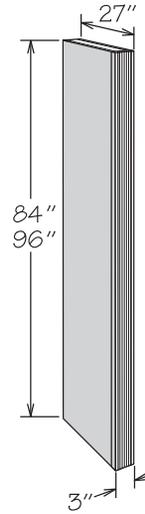


**Fluted (BFC)**

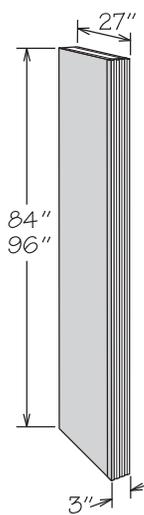


**Plain (BPC)**

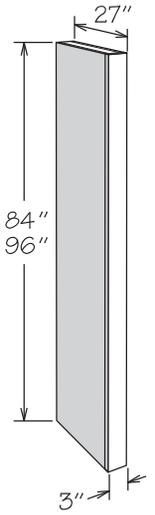
**Tall Column Filler**



**Beaded (TBC)**



**Fluted (TFC)**



**Plain (TPC)**

- WBC31530
- WBC31542
- WBC31560
- WFC31530
- WFC31542
- WFC31560
- WPC31530
- WPC31542
- WPC31560

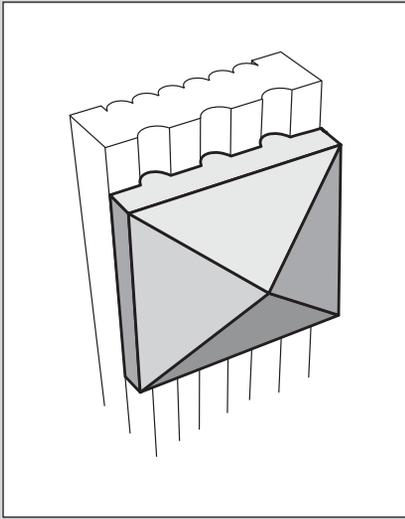
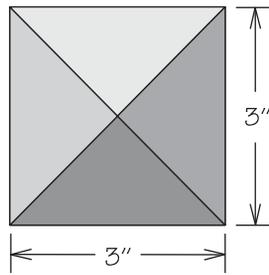
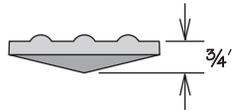
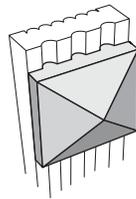
- BBC32734
- BFC32734
- BPC32734

- TBC32784
- TBC32796
- TFC32784
- TFC32796
- TPC32784
- TPC32796

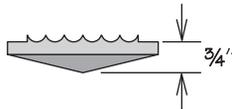
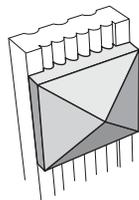
- 3" wide x 3/4" thick solid wood front
- Finished veneered sides are flush with face
- Reversible for left or right installation
- Top and bottom edges of returns are edge banded to match cabinet exterior
- Field trimmable to any depth
- Field trimmable in height as noted below:
  - W\_C31530 field trimmable to 27", 24 1/2", 20", 18", 15" or 12"
  - W\_C31542 field trimmable to 36"
  - W\_C31560 field trimmable to 48" or 54"

- 3" wide x 3/4" thick solid wood front
- Finished veneered engineered wood sides are flush with face
- Reversible for left or right installation
- Top and bottom edges of returns are edge banded to match cabinet exterior
- Field trimmable to any depth
- Field trimmable in height as noted below:
  - B\_C32734 field trimmable to 31" or 28 1/2"

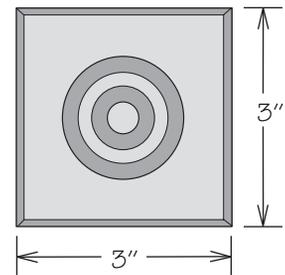
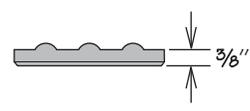
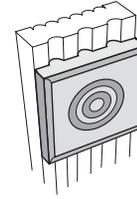
- 3" wide x 3/4" thick solid wood front
- Finished veneered engineered wood sides are flush with face
- Reversible for left or right installation
- Top and bottom edges of returns are edge banded to match cabinet exterior
- Field trimmable to any depth
- Field trimmable in height as noted below:
  - T\_C32796 field trimmable to 90"
  - T\_C32784 is not field trimmable in height

**Decorative Blocks****Pyramid Block - 3"****Fluted****FB3X3 PYRAMID**

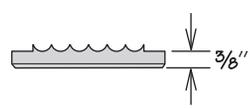
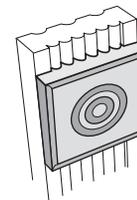
- Apply to FLUTED side of 3" reversible filler, reversible filler extension or fluted column filler
- Features solid wood finished to match cabinet exterior

**Beaded****BB3X3 PYRAMID**

- Apply to BEADED side of 3" reversible filler, reversible filler extension or beaded column filler
- Features solid wood finished to match cabinet exterior

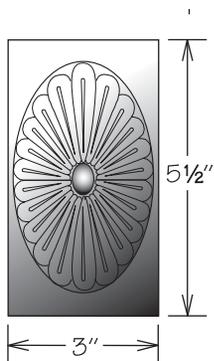
**Rosette Block - 3"****Fluted****FB3X3 ROSETTE**

- Apply to FLUTED side of 3" reversible filler, reversible filler extension or fluted column filler
- Features solid wood finished to match cabinet exterior

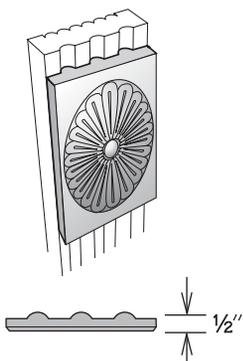
**Beaded****BB3X3 ROSETTE**

- Apply to BEADED side of 3" reversible filler, reversible filler extension or beaded column filler
- Features solid wood finished to match cabinet exterior

**Aster Block - 3"**



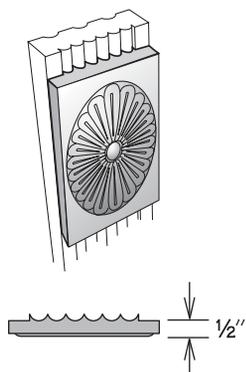
**Fluted**



FB3X6 ASTER

- Apply to FLUTED side of 3" reversible filler, reversible filler extension or fluted column filler
- Features solid wood finished to match cabinet exterior

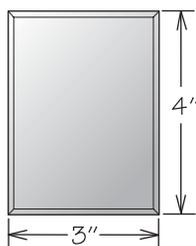
**Beaded**



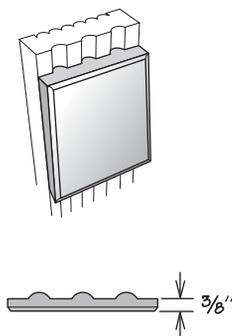
BB3X6 ASTER

- Apply to BEADED side of 3" reversible filler, reversible filler extension or beaded column filler
- Features solid wood finished to match cabinet exterior

**Plinth Block - 3"**



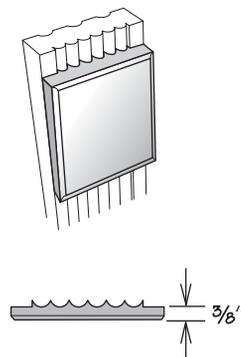
**Fluted**



FB3X4 PLINTH

- Apply to FLUTED side of 3" reversible filler, reversible filler extension or fluted column filler
- Features solid wood finished to match cabinet exterior

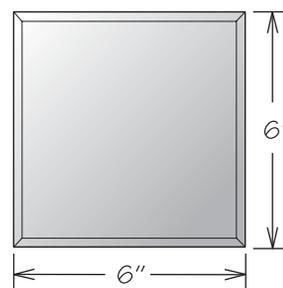
**Beaded**



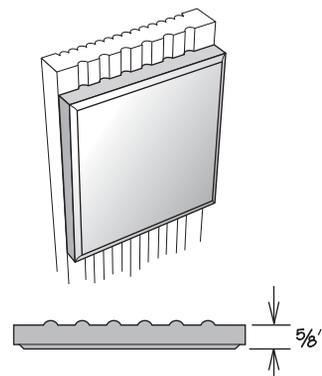
BB3X4 PLINTH

- Apply to BEADED side of 3" reversible filler, reversible filler extension or beaded column filler
- Features solid wood finished to match cabinet exterior

**Plinth Block - 6"**



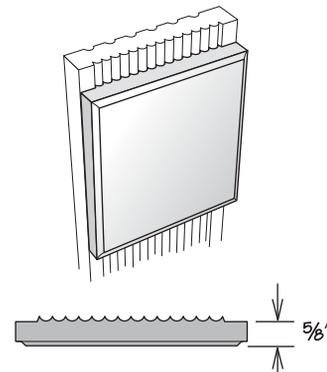
**Fluted**



FB6X6 PLINTH

- Apply to FLUTED side of 6" reversible filler
- Features solid wood finished to match cabinet exterior

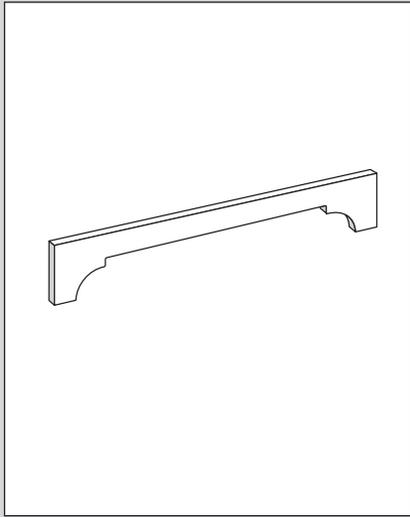
**Beaded**



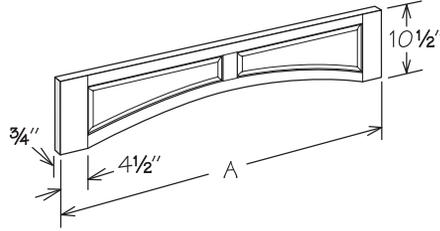
BB6X6 PLINTH

- Apply to BEADED side of 6" reversible filler
- Features solid wood finished to match cabinet exterior

**Valances**



**Raised Panel Arched Valance**

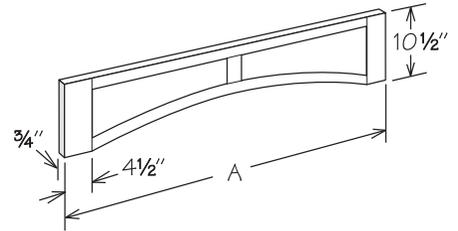


	A	Maximum Trim (3" Each End)	Number of Panels
V36 RP	36"	30"	2
V42 RP	42"	36"	2
V48 RP	48"	42"	2
V54 RP	54"	48"	3
V60 RP	60"	54"	3
V66 RP	66"	60"	3
V72 RP	72"	66"	3

V36 RP      V60 RP  
 V42 RP      V66 RP  
 V48 RP      V72 RP  
 V54 RP

- Field trimmable
- Features solid wood finished to match cabinet exterior
- Dimension from height of arch to top of valance is 8 1/2"

**Flat Panel Arched Valance**

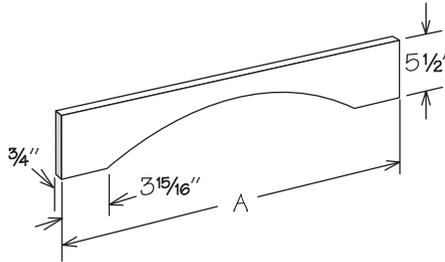


	A	Maximum Trim (3" Each End)	Number of Panels
V36 FP	36"	30"	2
V42 FP	42"	36"	2
V48 FP	48"	42"	2
V54 FP	54"	48"	3
V60 FP	60"	54"	3
V66 FP	66"	60"	3
V72 FP	72"	66"	3

V36 FP      V60 FP  
 V42 FP      V66 FP  
 V48 FP      V72 FP  
 V54 FP

- Field trimmable
- Features solid wood finished to match cabinet exterior
- Dimension from height of arch to top of valance is 8 1/2"

**Shaker Valance**

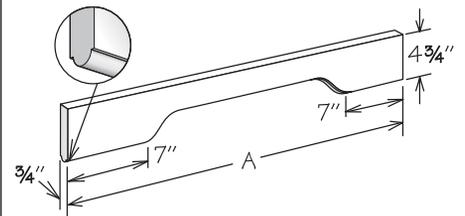


	A	Maximum Trim (3 1/2" each end)
V30 SH	30 1/4"	24"
V36 SH	36 1/4"	30"
V42 SH	42 1/4"	36"
V48 SH	48 1/4"	42"
V60 SH	60 1/4"	54"
V72 SH	72 1/4"	66"

V30 SH  
 V36 SH  
 V42 SH  
 V48 SH  
 V60 SH  
 V72 SH

- Field trimmable
- Features solid wood finished to match cabinet exterior
- Dimension from height of arch to top of valance is 2 1/4"

**Arched Valance**

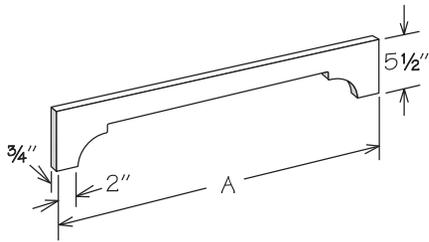


	A	Maximum Trim (6 1/2" each end)
V36 AR	36 1/4"	24"
V48 AR	48 1/4"	36"
V60 AR	60 1/4"	48"
V72 AR	72 1/4"	60"

V36 AR  
 V48 AR  
 V60 AR  
 V72 AR

- Field trimmable
- Features solid wood finished to match cabinet exterior
- Dimension from height of arch to top of valance is 2 1/2"

**Crown Valance**

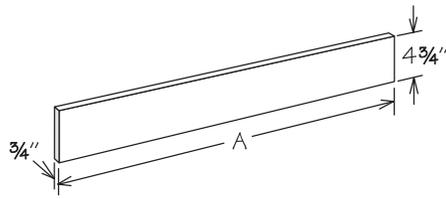


	A	Maximum Trim (1 1/2" each end)
V30 CR	30 1/4"	27 1/4"
V36 CR	36 1/4"	33 1/4"
V42 CR	42 1/4"	39 1/4"
V48 CR	48 1/4"	45 1/4"
V60 CR	60 1/4"	57 1/4"
V72 CR	72 1/4"	69 1/4"

V30 CR      V48 CR  
 V36 CR      V60 CR  
 V42 CR      V72 CR

- Field trimmable
- Features solid wood finished to match cabinet exterior
- Dimension from height of arch to top of valance is 2 1/4"

**Straight Valance**

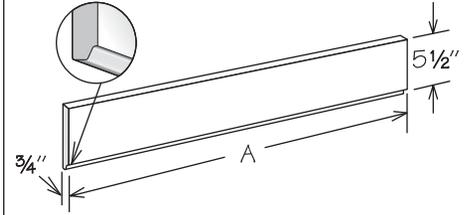


	A
V48 S	48 1/4"
V72 S	72 1/4"

V48 S  
 V72 S

- Field trimmable
- Features solid wood finished to match cabinet exterior

**Traditional Valance**

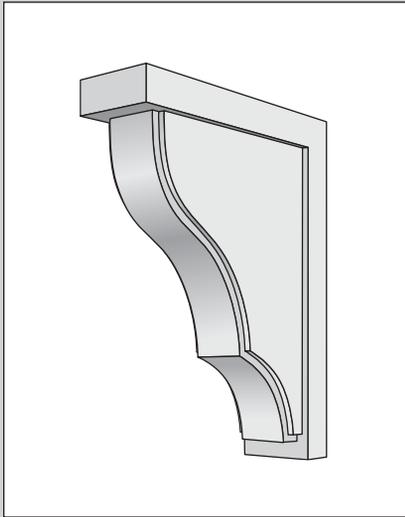


	A
V36 T	36 1/4"
V72 T	72 1/4"
V96 T	96 1/4"

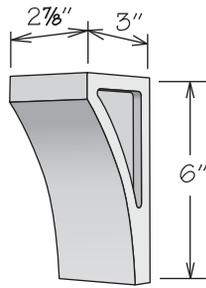
V36 T  
 V72 T  
 V96 T

- Field trimmable
- Features solid wood finished to match cabinet exterior

**Corbels**



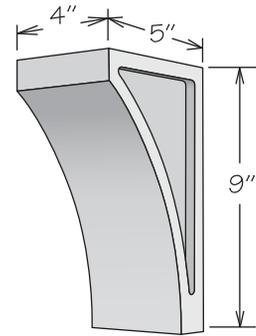
**Small Cove Corbel**



CC36

- Features solid wood finished to match cabinet exterior
- Recessed mounting clips included
- For decorative use only
- Designed to complement the Parker legs and foot

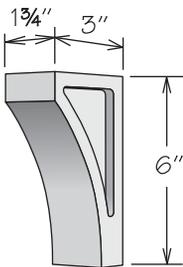
**Medium Cove Corbel**



CC49

- Features solid wood finished to match cabinet exterior
- Recessed mounting clips included
- For decorative use only
- Designed to complement the Parker legs and foot

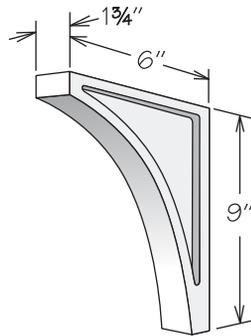
**Small Narrow Cove Corbel**



CC26

- Features solid wood finished to match cabinet exterior
- Recessed mounting clips included
- For decorative use only
- Designed to complement the Parker legs and foot

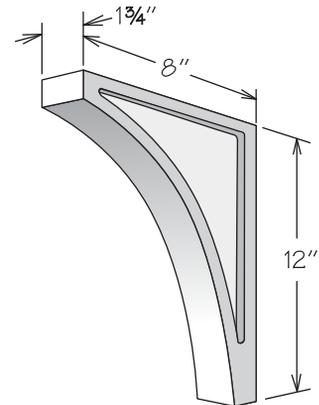
**Medium Narrow Cove Corbel**



CC29

- Features solid wood finished to match cabinet exterior
- Recessed mounting clips included
- For decorative use only
- Designed to complement the Parker legs and foot

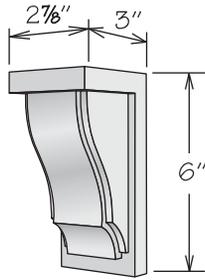
**Large Narrow Cove Corbel**



CC212

- Features solid wood finished to match cabinet exterior
- Recessed mounting clips included
- For decorative use only
- Designed to complement the Parker legs and foot

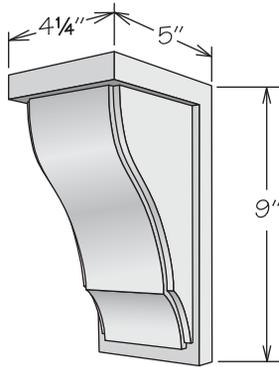
**Small Finley Corbel**



FC36

- Features solid wood finished to match cabinet exterior
- Recessed mounting clips included
- For decorative use only
- Designed to complement the Orlean legs and foot

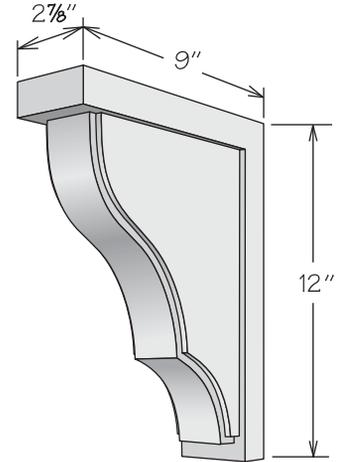
**Medium Finley Corbel**



FC49

- Features solid wood finished to match cabinet exterior
- Recessed mounting clips included
- For decorative use only
- Designed to complement the Orlean legs and foot

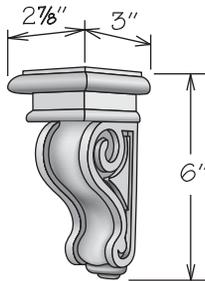
**Large Finley Corbel**



FC312

- Features solid wood finished to match cabinet exterior
- Recessed mounting clips included
- For decorative use only
- Designed to complement the Orlean legs and foot

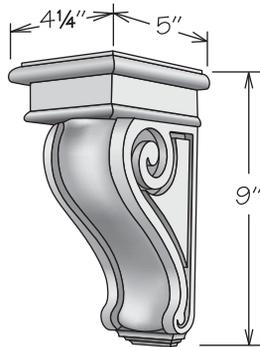
**Small Rosette Corbel**



RC36

- Features solid wood finished to match cabinet exterior
- Recessed mounting clips included
- For decorative use only
- Designed to complement the Chantilly legs and foot

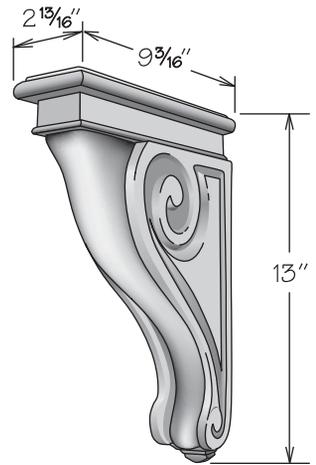
**Medium Rosette Corbel**



RC49

- Features solid wood finished to match cabinet exterior
- Recessed mounting clips included
- For decorative use only
- Designed to complement the Chantilly legs and foot

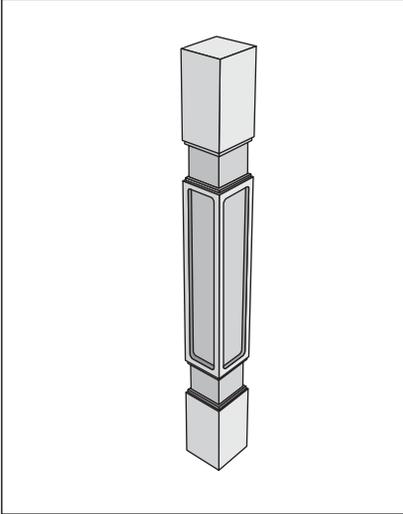
**Large Rosette Corbel**



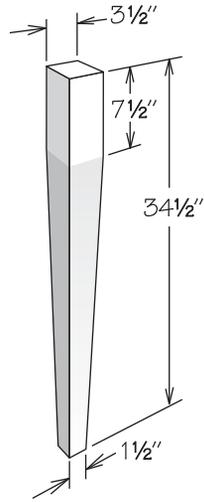
RC313

- Features solid wood finished to match cabinet exterior
- Recessed mounting clips included
- For decorative use only
- Designed to complement the Chantilly legs and foot

**Legs, Feet & Posts**



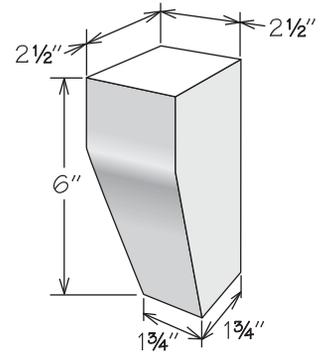
**Base Tapered Leg**



BTPL

- Features solid wood finished to match cabinet exterior
- Tapered on all sides
- Field trimmable

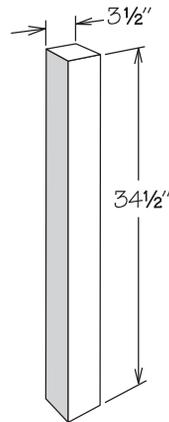
**Tapered Foot**



TPF

- Features solid wood finished to match cabinet exterior
- Field trimmable to 4" high
- Tapered on two sides

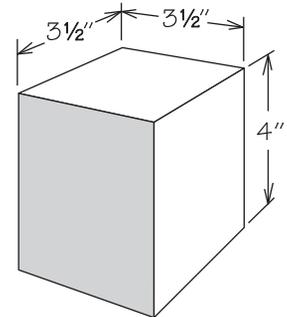
**Base Square Leg**



BSQL

- Features solid wood finished to match cabinet exterior
- Field trimmable

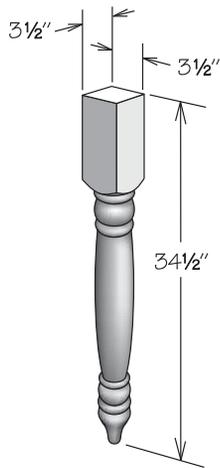
**Base Square Foot**



BSQF

- Features solid wood finished to match cabinet exterior
- Designed as toe kick accent

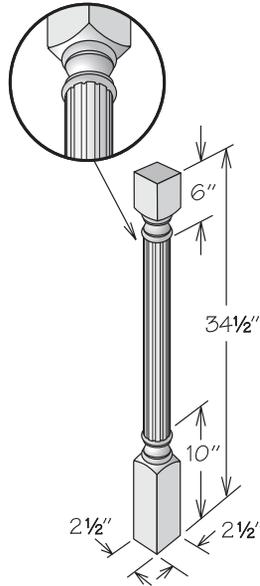
**Base Turned Leg**



BTL

- Features solid wood finished to match cabinet exterior
- Field trimmable to 28 1/2" high

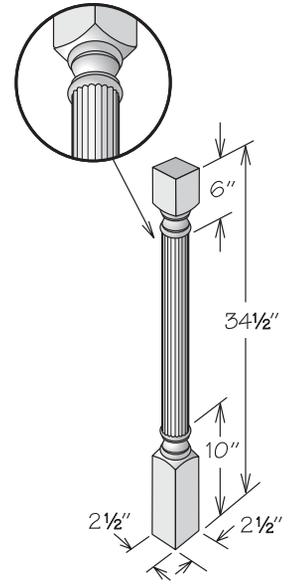
**Full-Turned Post Fluted**



POST234 F

- Features solid wood with fluted round post finished to match cabinet exterior
- Field trimmable to 28 1/2" high

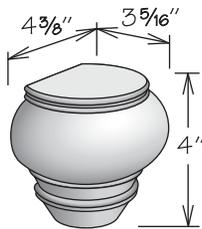
**Full-Turned Post Beaded**



POST234 B

- Features solid wood with beaded round post finished to match cabinet exterior
- Field trimmable to 28 1/2" high

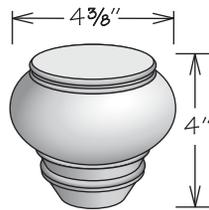
**Accent Turned Foot**



ATF

- Features solid wood finished to match cabinet exterior
- Designed as toe kick accent

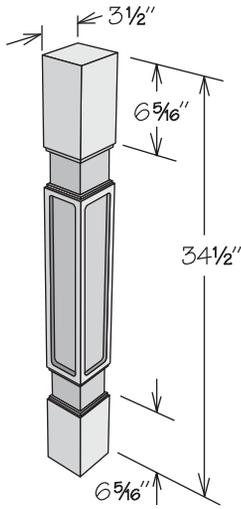
**Accent Turned Foot  
Full Round**



ATF FR

- Features solid wood finished to match cabinet exterior
- Designed as toe kick accent

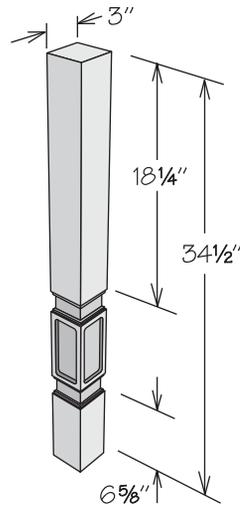
**Parker Decorative Leg**



PDL

- Features solid wood finished to match cabinet exterior
- Field trimmable
- Designed to complement the Cove corbels

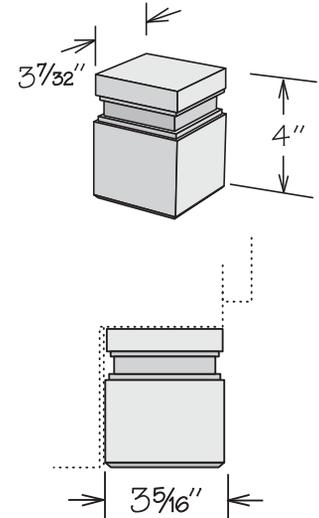
**Parker Furniture Leg**



PFL

- Features solid wood finished to match cabinet exterior
- Field trimmable
- Designed to complement the Cove corbels

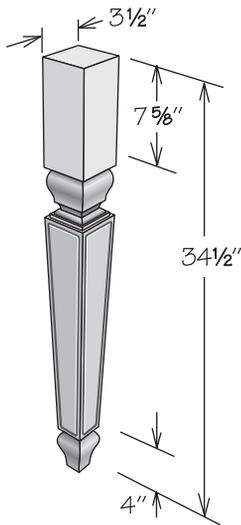
**Parker Decorative Foot**



PDF

- Features solid wood finished to match cabinet exterior
- Designed as toe kick accent
- Designed to complement the Cove corbels

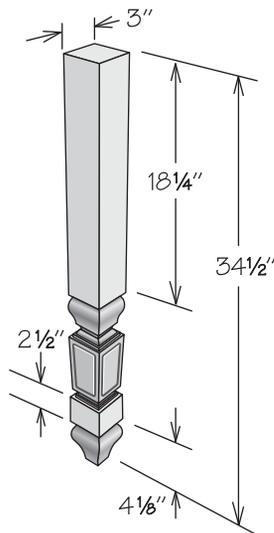
**Orlean Decorative Leg**



ODL

- Features solid wood finished to match cabinet exterior
- Field trimmable
- Designed to complement the Finley corbels

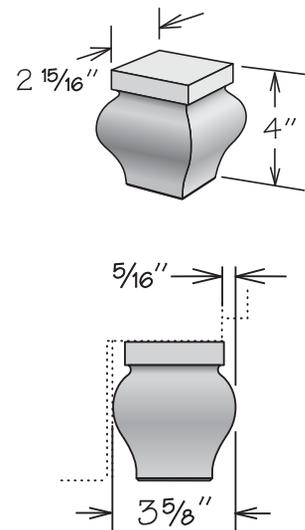
**Orlean Furniture Leg**



OFL

- Features solid wood finished to match cabinet exterior
- Field trimmable
- Designed to complement the Finley corbels

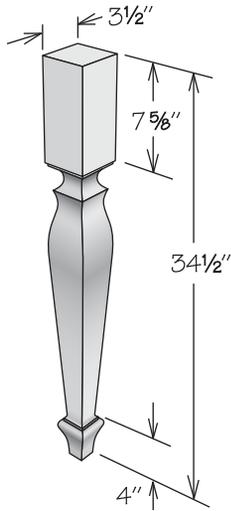
**Orlean Decorative Foot**



ODF

- Features solid wood finished to match cabinet exterior
- Designed as toe kick accent
- Designed to complement the Finley corbels

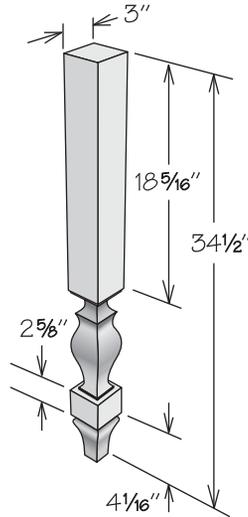
**Chantilly Decorative Leg**



CDL

- Features solid wood finished to match cabinet exterior
- Field trimmable
- Designed to complement the Rosette corbels

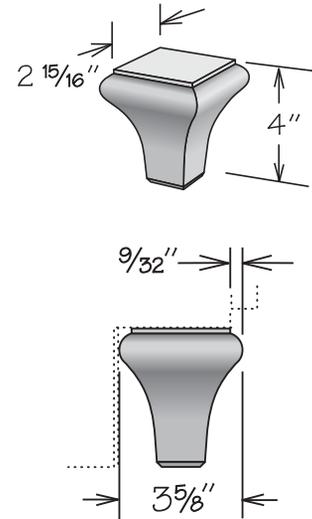
**Chantilly Furniture Leg**



CFL

- Features solid wood finished to match cabinet exterior
- Field trimmable
- Designed to complement the Rosette corbels

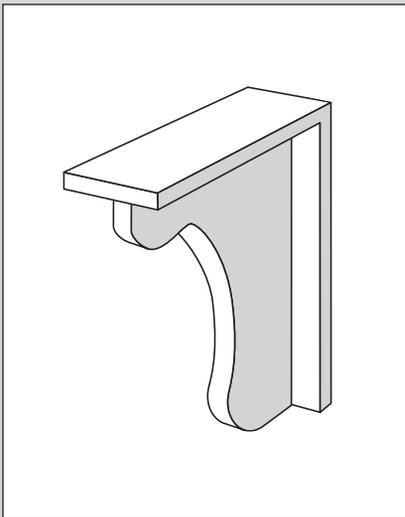
**Chantilly Decorative Foot**



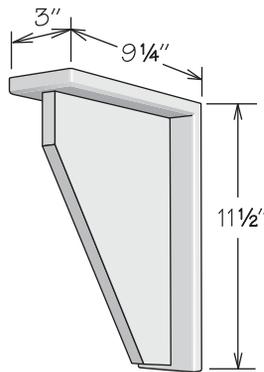
CDF

- Features solid wood finished to match cabinet exterior
- Designed as toe kick accent
- Designed to complement the Rosette corbels

**Countertop Support**



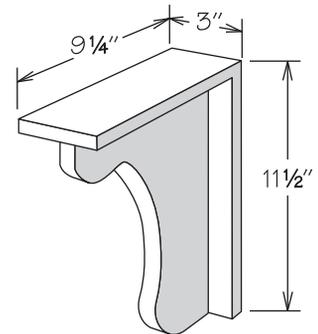
**Angled Countertop Support**



AS12

- Features 5/8" solid wood finished to match cabinet exterior
- Field installation accessory
- For decorative use only

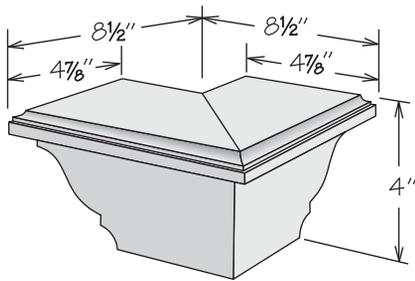
**Curved Countertop Support**



CS12

- Features 5/8" solid wood finished to match cabinet exterior
- Field installation accessory
- For decorative use only

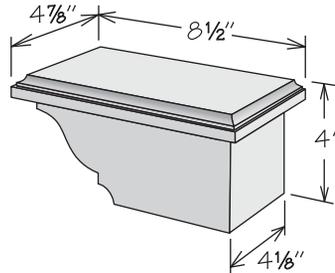
### Decorative Furniture Toe Kick Corner



DFTK-C

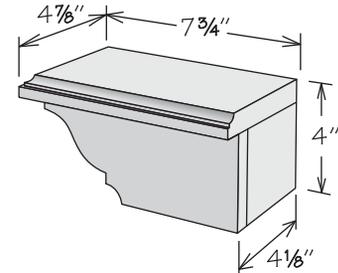
- Features solid wood finished to match cabinet exterior
- **Only for use on cabinet with Recessed Toe Kick Option (RTK)**
- Decorator Matching Door and BEP panel recommended
- Field trimmable
- Reversible for left or right installation

### Decorative Furniture Toe Kick End

DFTK-E L  
DFTK-E R

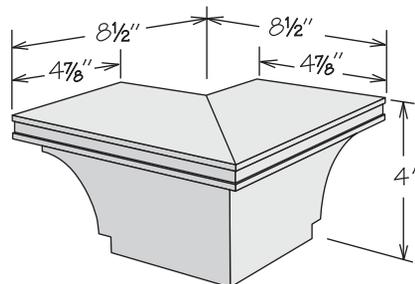
- Features solid wood finished to match cabinet exterior
- **Recommended for end-of-run application when space allows for an overhang (i.e. end-of-run not against a wall, stand alone vanity, etc.)**
- Decorator Matching Door and BEP panel recommended
- Field trimmable
- Right shown

### Decorative Furniture Toe Kick

DFTK L  
DFTK R

- Features solid wood finished to match cabinet exterior
- **Recommended for applications that do not allow for an overhang (i.e. against a wall, panel or when using a left and right together)**
- Features flush end
- Field trimmable
- Right shown

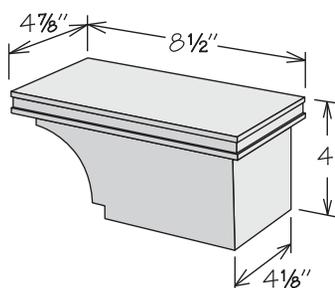
### Classic Furniture Toe Kick Corner



CFTK-C

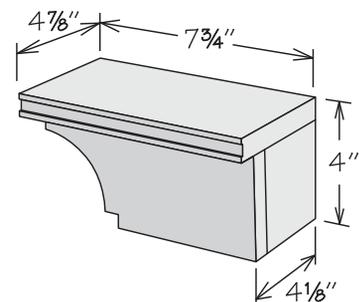
- Features solid wood finished to match cabinet exterior
- **Only for use on cabinet with Recessed Toe Kick Option (RTK)**
- Decorator Matching Door and BEP panel recommended
- Field trimmable
- Reversible for left or right installation

### Classic Furniture Toe Kick End

CFTK-E L  
CFTK-E R

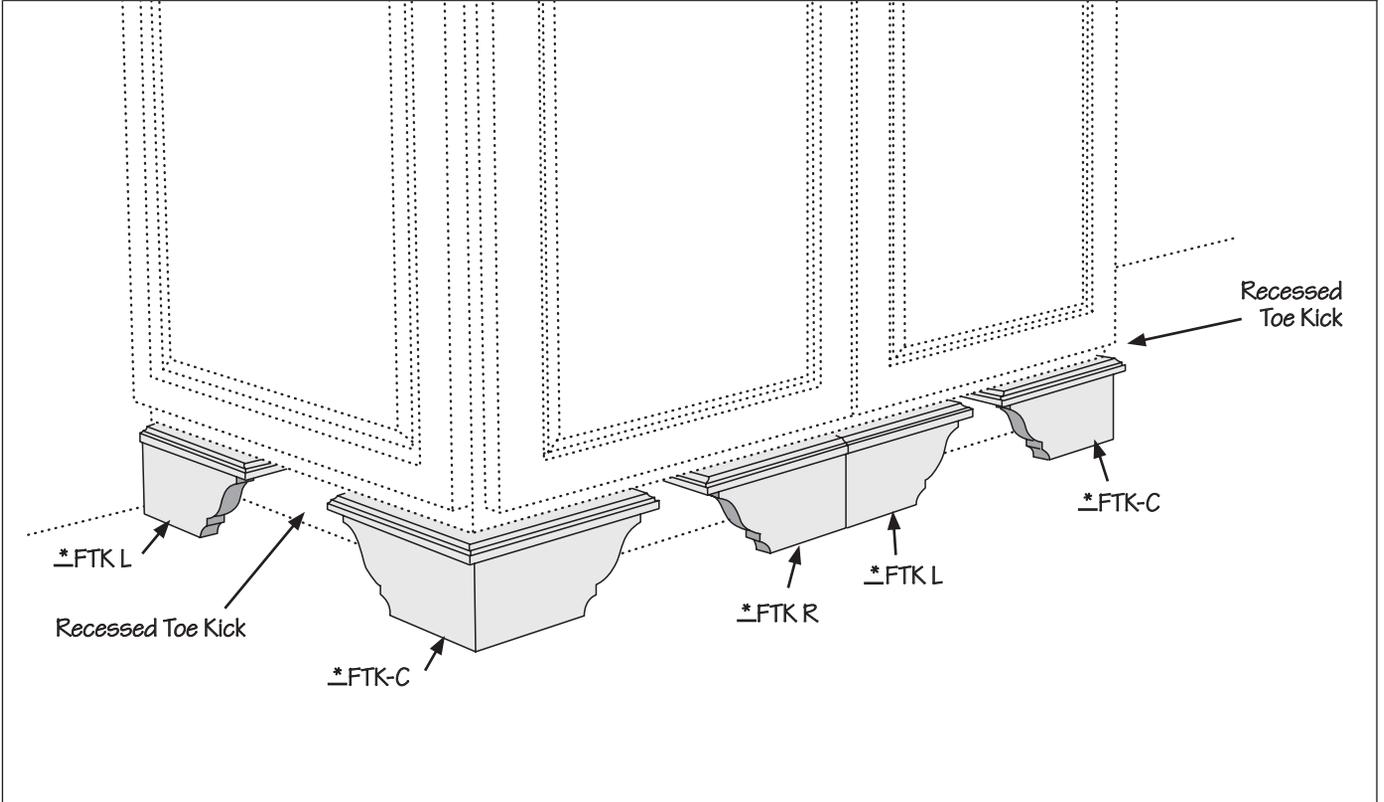
- Features solid wood finished to match cabinet exterior
- **Recommended for end-of-run application when space allows for an overhang (i.e. end-of-run not against a wall, stand alone vanity, etc.)**
- Decorator Matching Door and BEP panel recommended
- Field trimmable
- Right shown

### Classic Furniture Toe Kick

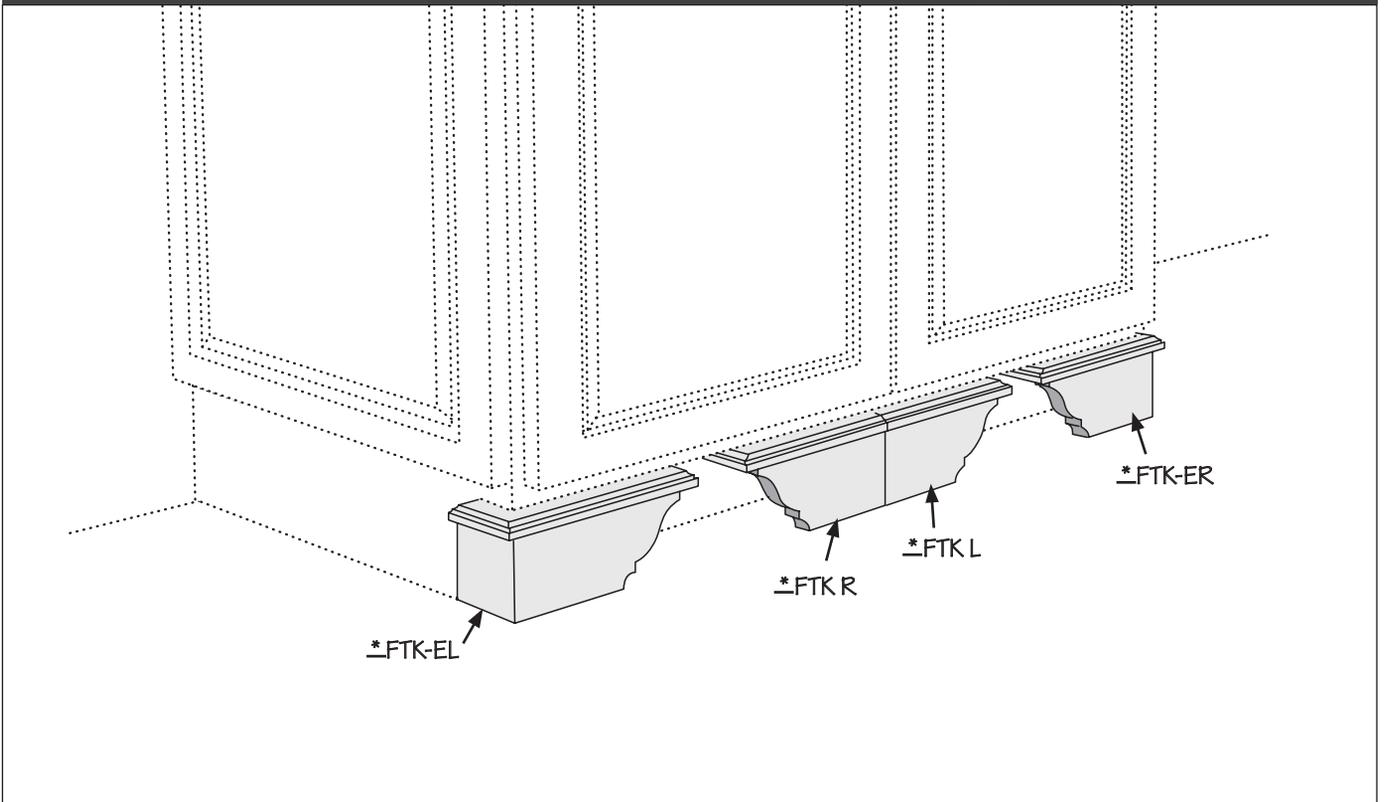
CFTK L  
CFTK R

- Features solid wood finished to match cabinet exterior
- **Recommended for applications that do not allow for an overhang (i.e. against a wall, panel or when using a left and right together)**
- Features flush end
- Field trimmable
- Right shown

**Decorative Furniture Toe Kick - Recessed Toe Kick Application**

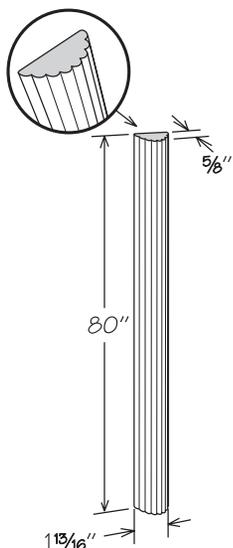


**Decorative Furniture Toe Kick - Standard Toe Kick Application**

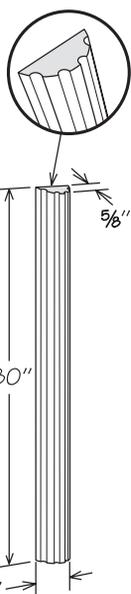


Replace \* with "D" for Decorative or "C" for Classic

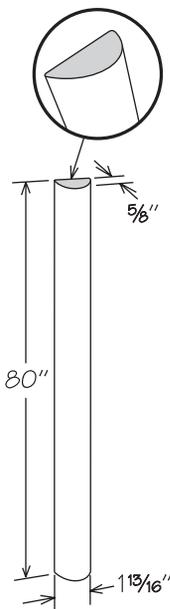
Split Post



Beaded (B)



Fluted (F)

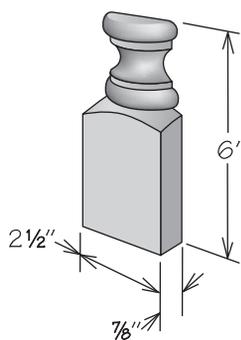


Plain (P)

SPLT POST80 B  
SPLT POST80 F  
SPLT POST80 P

- Features solid wood finished to match cabinet exterior
- Field trimmable
- Use with Traditional Split Blocks and Collar to create design element
- **Must be mounted to a Universal Filler - order separately**

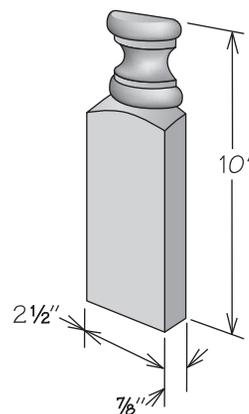
Traditional Split Block - 6"



SPLT BLOCK26 T

- Features solid wood finished to match cabinet exterior
- For floor or wall application
- **Must be mounted to a Universal Filler - order separately**

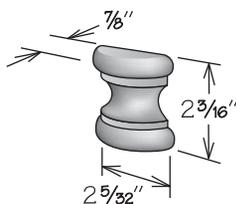
Traditional Split Block - 10"



SPLT BLOCK210 T

- Features solid wood finished to match cabinet exterior
- For floor application
- **Must be mounted to a Universal Filler - order separately**

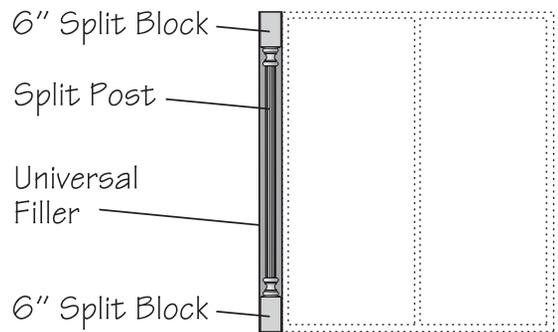
Traditional Split Collar



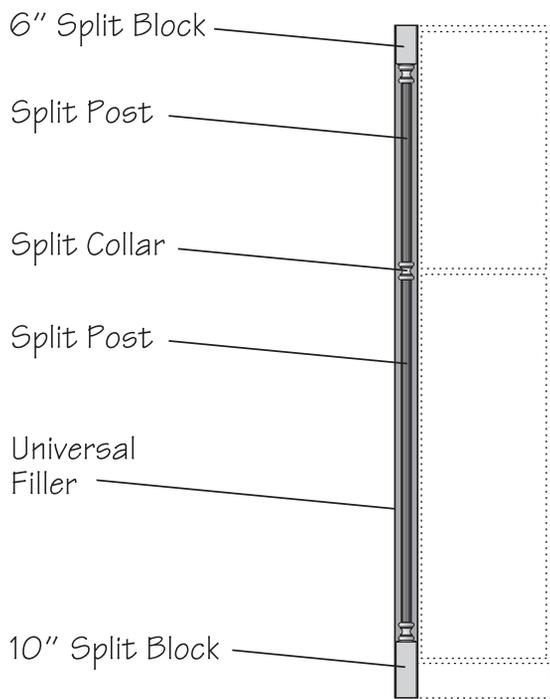
SPLT COLLAR T

- Features solid wood finished to match cabinet exterior
- **Must be mounted to a Universal Filler - order separately**

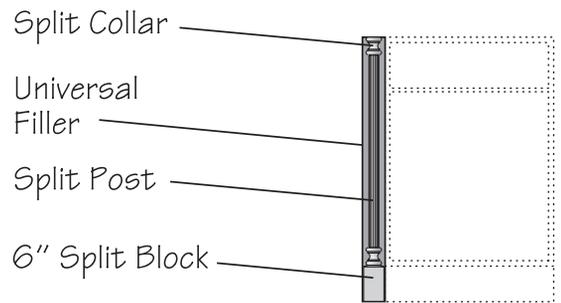
**Suggested Design Applications**



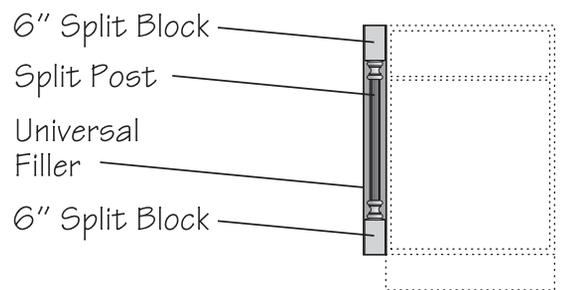
Wall Cabinet



Tall Cabinet



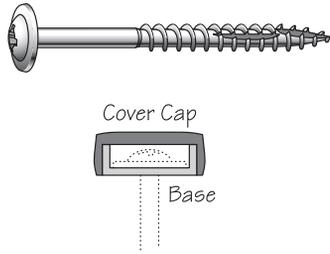
Base Cabinet



Base Cabinet

Installation Items

Screws & Screw Cover Caps

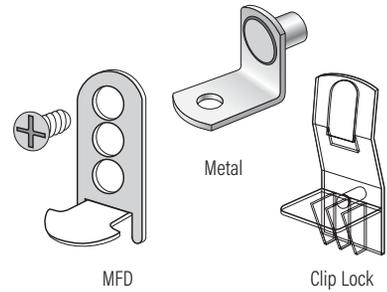


SCREW INST 2.5 BX100  
(Box of 100)

COVER CAP 10MM TAN  
COVER CAP 10MM WHT  
(Bag of 50)

- Installation screws are Phillips panhead 2½" long
- Cover caps used to conceal head of installation screw

Shelf Rests



SHELF REST METAL 4PK  
(Package of 4 – Wall Cabinets  
or Bookshelves)

SHELF REST METAL 12  
(Package of 12 – Wall Cabinets  
or Bookshelves)

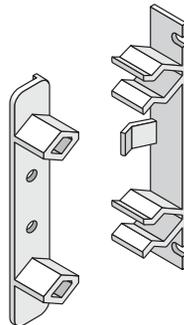
SHELF REST MFD PK  
(Package of 8 – MFD Cabinets)

CLIP LOCK SHELF 4 PK  
(Package of 4 – Base Cabinets)

CLIP LOCK 3/4 4 PK  
(Package of 4 – Tall Cabinets)

- Metal and MFD shelf rests are nickel plated steel
- MFD shelf rests are six position adjustable for alignment of shelf with mullion
- Clip Lock shelf rests are molded clear high-strength polycarbonate

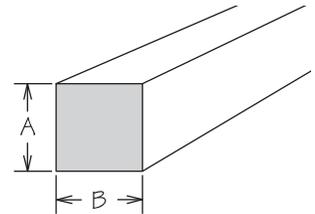
Dummy Drawer Front Fastener



DDF FASTENER

- For installation of one dummy drawer front
- Kit features:
  - Two sets of DDF Fasteners
  - Eight screws
  - One Instruction Sheet
- Please refer to cabinet specifications as some cabinets will require more than one kit

Cleat

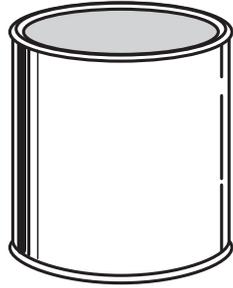


	A	B
HWC 1/2X1/2X96	½"	½"
HWC 3/4X3/4X96	¾"	¾"
HWC 1X2X96	¾"	1½"
HWC 2X4X96	1½"	3½"

HWC 1/2X1/2X96  
HWC 3/4X3/4X96  
HWC 1X2X96  
HWC 2X4X96

- Unfinished
- HWC 1/2X1/2X96 and HWC 3/4X3/4X96 are shipped in two 48" long pieces

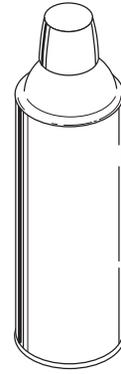
**Stain**



STAIN PINT  
STAIN QUART  
STAIN TOP COAT PINT  
STAIN TOP COAT QUART

- STAIN PINT (QUART) for use on all standard finishes
- **STAIN TOP COAT strongly recommended for application over ALL finishes - order separately**
- Indicate species and finish when ordering
- PINT covers approximately 40 square feet
- QUART covers approximately 80 square feet
- Instructions included

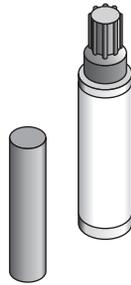
**Spray Stain**



SPRAY STAIN CLEAR  
SPRAY STAIN TINTED

- SPRAY STAIN TINTED available for hardwood door styles excluding Nutmeg
- SPRAY STAIN CLEAR for use as top coat for all door styles
- Indicate finish when ordering
- 11 ounce aerosol spray can

**Putty Stick & Marker**



PUTTY STICK EXT QTY1  
PUTTY STICK EXT QTY2  
PUTTY STICK INTERIOR

TU MARKER EXT QTY1  
TU MARKER EXT QTY2  
TU MARKER INTERIOR

Finish Color	Putty Stick	TU Marker
Nutmeg	PUTTY STICK EXT QTY2	TU MARKER EXT QTY1
Rye	PUTTY STICK EXT QTY1	TU MARKER EXT QTY1
Spice	PUTTY STICK EXT QTY1	TU MARKER EXT QTY1
Interior	PUTTY STICK INTERIOR	TU MARKER INTERIOR
White	PUTTY STICK EXT QTY2	TU MARKER EXT QTY2

- Indicate finish when ordering
- Refer to chart to order correct QTY
- Putty Stick - for filling minor dents, gouges and scratches made during or after installation
- Touch Up Marker - adds color to minor surface scratches



# Decorative Hardware



- Shenandoah Value Series Pro does not recommend drilling through any door/drawer joint for installation of decorative hardware
- Door and drawer fronts must be adjusted before installing decorative hardware
- Some decorative hardware has restrictions for use on certain door styles which will be indicated with restriction specific icons followed by the door style(s) that have the restriction.

**NR12** not recommended on 12" drawers

## Example

Restriction: **NR12** Any Door Style

Explanation: This specific hardware is not recommended on 12" drawers for any door style.

## Classic • Tier 1



**Classic Pull**  
Satin Nickel  
PULL 3172SN

3" Center • Overall Length: 5 5/8"



**Classic Pull**  
Polished Chrome  
PULL 3172PC

3" Center • Overall Length: 5 5/8"



**Classic Pull**  
Weathered Nickel  
PULL 3172WN

3" Center • Overall Length: 5 5/8"



**Classic Pull**  
Verona Bronze  
PULL 3172VB

3" Center • Overall Length: 5 5/8"



**Classic Knob**  
Satin Nickel  
KNOB 3173SN



**Classic Knob**  
Polished Chrome  
KNOB 3173PC



**Classic Knob**  
Weathered Nickel  
KNOB 3173WN



**Classic Knob**  
Verona Bronze  
KNOB 3173VB

## Arched • Tier 1



**Arched Pull**  
Satin Nickel  
PULL 3652SN

3" Center • Overall Length: 4 7/8"



**Arched Pull**  
Verona Bronze  
PULL 3652VB

3" Center • Overall Length: 4 7/8"

## Elliptical • Tier 1



**Elliptical Knob**  
Satin Nickel  
KNOB 3124SN



**Elliptical Knob**  
Polished Chrome  
KNOB 3124PC

## Twisted Crescent • Tier 1



**Twisted Crescent Pull**  
Satin Nickel  
PULL 3122SN

96mm Center • Overall Length: 5 1/8"

## Button • Tier 1



**Button Knob**  
Satin Nickel  
KNOB 3213SN

## T-Bar • Tier 1



**T-Bar Knob**  
Satin Nickel  
KNOB 4703SN



**T-Bar Knob**  
Verona Bronze  
KNOB 4703VB

## Barrel • Tier 2



**Large Barrel Pull**  
Satin Nickel  
PULL 3079SN  
5" Center • Overall Length: 5 5/8"



**Large Barrel Pull**  
Antique Pewter Copper  
PULL 3079APC  
5" Center • Overall Length: 5 5/8"



**Large Barrel Pull**  
Verona Bronze  
PULL 3079VB  
5" Center • Overall Length: 5 5/8"



**Small Barrel Pull**  
Satin Nickel  
PULL 3078SN  
3 3/4" Center • Overall Length: 4 5/8"



**Small Barrel Pull**  
Antique Pewter Copper  
PULL 3078APC  
3 3/4" Center • Overall Length: 4 5/8"



**Small Barrel Pull**  
Verona Bronze  
PULL 3078VB  
3 3/4" Center • Overall Length: 4 5/8"

## Bow • Tier 2



**Bow Pull**  
Satin Nickel  
PULL 3129SN  
5" Center • Overall Length: 7 3/4"



**Bow Pull**  
Verona Bronze  
PULL 3129VB  
5" Center • Overall Length: 7 3/4"

## Toggle • Tier 2



**Toggle Knob**  
Satin Nickel  
KNOB 3239SN



**Toggle Knob**  
Verona Bronze  
KNOB 3239VB

## Rope • Tier 2



**Rope Knob**  
Satin Nickel  
KNOB 3231SN



**Rope Knob**  
Weathered Nickel  
KNOB 3231WN



**Rope Knob**  
Oiled Bronze  
KNOB 3231OB

## Cup • Tier 2



**Cup Pull**  
Satin Nickel  
PULL 3105SN  
3" Center • Overall Length: 4 5/8"



**Cup Pull**  
Weathered Nickel  
PULL 3105WN  
3" Center • Overall Length: 4 5/8"



**Cup Pull**  
Verona Bronze  
PULL 3105VB  
3" Center • Overall Length: 4 5/8"

## Rounded Cup • Tier 2



**Rounded Cup Pull**  
Satin Nickel  
PULL 3107SN  
3" Center • Overall Length: 3 7/8"



**Rounded Cup Pull**  
Weathered Nickel  
PULL 3107WN  
3" Center • Overall Length: 3 7/8"



**Rounded Cup Pull**  
Verona Bronze  
PULL 3107VB  
3" Center • Overall Length: 3 7/8"

## Contour • Tier 2



**Flat Contour Pull**  
Satin Nickel  
PULL 3230SN  
96mm Center • Overall Length: 5 1/4"



**Flat Contour Pull**  
Weathered Nickel  
PULL 3230WN  
96mm Center • Overall Length: 5 1/4"



**Flat Contour Pull**  
Oiled Bronze  
PULL 3230OB  
96mm Center • Overall Length: 5 1/4"

## Tab • Tier 2



**Tab Pull - 6"**  
Satin Nickel  
PULL 1061SN  
4 1/2" Center • Overall Length: 6"



**Tab Pull - 3"**  
Satin Nickel  
PULL 1057SN  
2 1/4" Center • Overall Length: 3"



**Tab Pull - 1 3/4"**  
Satin Nickel  
PULL 1052SN  
1 1/4" Center • Overall Length: 1 3/4"

**Stamped • Tier 2**



**Stamped Knob**  
Satin Nickel  
KNOB 3563SN



**Stamped Knob**  
Polished Nickel  
KNOB 3563PN



**Stamped Knob**  
Weathered Nickel  
KNOB 3563WN



**Stamped Knob**  
Verona Bronze  
KNOB 3563VB

**Slotted • Tier 2**



**Slotted Pull**  
Satin Nickel  
PULL 3125SN  
96mm Center • Overall Length: 5 3/8"



**Slotted Pull**  
Polished Chrome  
PULL 3125PC  
96mm Center • Overall Length: 5 3/8"

**Oak Leaf • Tier 2**



**Oak Leaf Pull**  
Antique Bronze  
PULL 3218AB  
3" Center • Overall Length: 4 1/2"



**Oak Leaf Knob**  
Antique Bronze  
KNOB 3216AB

**Beveled • Tier 2**



**Beveled Knob**  
Satin Nickel  
KNOB 3103SN



**Beveled Knob**  
Antique Pewter Copper  
KNOB 3103APC



**Beveled Knob**  
Verona Bronze  
KNOB 3103VB



**Beveled Knob**  
Matte Black  
KNOB 3103MB

**Turned • Tier 2**



**Turned Knob**  
Brushed Tin  
KNOB 3327BT



**Turned Knob**  
Brushed Nickel  
KNOB 3327BN

**Craftsman • Tier 2**



**Craftsman Pull**  
Matte Black  
PULL 3104MB  
3" Center • Overall Length: 4 5/8"

## Rectangular • Tier 3



**Rectangular Pull**  
Satin Nickel  
PULL 3502SN

96mm Center • Overall Length: 4 1/8"



**Rectangular Pull**  
Polished Nickel  
PULL 3502PN

96mm Center • Overall Length: 4 1/8"



**Rectangular Pull**  
Verona Bronze  
PULL 3502VB

96mm Center • Overall Length: 4 1/8"



**Rectangular Pull**  
Matte Black  
PULL 3502MB

96mm Center • Overall Length: 4 1/8"



**Rectangular Knob**  
Satin Nickel  
KNOB 3503SN



**Rectangular Knob**  
Polished Nickel  
KNOB 3503PN



**Rectangular Knob**  
Verona Bronze  
KNOB 3503VB



**Rectangular Knob**  
Matte Black  
KNOB 3503MB

## Sculpted • Tier 3



**Sculpted Pull**  
Satin Nickel  
PULL 4302SN

96mm Center • Overall Length: 4 5/8"



**Sculpted Pull**  
Polished Chrome  
PULL 4302PC

96mm Center • Overall Length: 4 5/8"



**Sculpted Pull**  
Brushed Tin  
PULL 4302BT

96mm Center • Overall Length: 4 5/8"



**Sculpted Pull**  
Verona Bronze  
PULL 4302VB

96mm Center • Overall Length: 4 5/8"



**Sculpted Knob**  
Satin Nickel  
KNOB 4303SN



**Sculpted Knob**  
Polished Chrome  
KNOB 4303PC



**Sculpted Knob**  
Brushed Tin  
KNOB 4303BT



**Sculpted Knob**  
Verona Bronze  
KNOB 4303VB

**Twist • Tier 3**



**Twist Pull**  
French Nickel  
PULL 3101FN

5" Center • Overall Length: 5 15/16"



**Twist Pull**  
Verona Bronze  
PULL 3101VB

5" Center • Overall Length: 5 15/16"



**Twist Knob**  
French Nickel  
KNOB 3102FN



**Twist Knob**  
Verona Bronze  
KNOB 3102VB

**Turned • Tier 3**



**Turned Pull**  
Brushed Tin  
PULL 3328BT

5" Center • Overall Length: 5 15/16"



**Turned Pull**  
Brushed Nickel  
PULL 3328BN

5" Center • Overall Length: 5 15/16"

**Elegant • Tier 3**



**Elegant Pull**  
Satin Nickel  
PULL 4950SN

96mm Center • Overall Length: 5 3/8"



**Elegant Pull**  
Verona Bronze  
PULL 4950VB

96mm Center • Overall Length: 5 3/8"

**Vintage • Tier 3**



**Vintage Pull**  
Brushed Nickel  
PULL 4960BN

96mm Center • Overall Length: 4 3/8"



**Vintage Pull**  
Brushed Tin  
PULL 4960BT

96mm Center • Overall Length: 4 3/8"

**Rustic • Tier 3**



**Rustic Pull**  
Rubbed Bronze  
PULL 3337RB

5" Center • Overall Length: 6"



**Rustic Knob**  
Rubbed Bronze  
KNOB 3336RB

**Reeded • Tier 3**



**Large Reeded Pull**  
Verona Bronze  
PULL 3332VB

5" Center • Overall Length: 6 3/8"



**Small Reeded Pull**  
Verona Bronze  
PULL 3331VB

3 3/4" Center • Overall Length: 5 1/8"



**Reeded Knob**  
Verona Bronze  
KNOB 3330VB

## Beaded • Tier 3



**Beaded Pull  
Satin Nickel**  
PULL 3562SN

96mm Center • Overall Length: 4 1/2"



**Beaded Pull  
Polished Nickel**  
PULL 3562PN

96mm Center • Overall Length: 4 1/2"



**Beaded Pull  
Weathered Nickel**  
PULL 3562WN

96mm Center • Overall Length: 4 1/2"



**Beaded Pull  
Verona Bronze**  
PULL 3562VB

96mm Center • Overall Length: 4 1/2"

## T-Bar • Tier 3



**T-Bar Pull - 12 3/8"**  
**Satin Nickel**  
PULL 4730SN

256mm Center • Overall Length: 12 3/8"



**T-Bar Pull - 12 3/8"**  
**Verona Bronze**  
PULL 4730VB

256mm Center • Overall Length: 12 3/8"

**NR12** Any door style



**T-Bar Pull - 8 5/8"**  
**Satin Nickel**  
PULL 4712SN

160mm Center • Overall Length: 8 5/8"



**T-Bar Pull - 8 5/8"**  
**Verona Bronze**  
PULL 4712VB

160mm Center • Overall Length: 8 5/8"



**T-Bar Pull - 5 1/4"**  
**Satin Nickel**  
PULL 4701SN

3" Center • Overall Length: 5 1/4"



**T-Bar Pull - 5 1/4"**  
**Verona Bronze**  
PULL 4701VB

3" Center • Overall Length: 5 1/4"



# Parts Directory

## Wall Cabinets

Standard	208
With Spice Rack	209
Wall Top Hinge	209
Peninsula	210
Blind	210
Blind Peninsula	211
Corner	211
Peninsula Corner	211
Wall Easy Reach	211
Wall End Angle	212
Microwave	212
Refrigerator	212
Wall Range Hoods	212

## Base Cabinets

Furniture Drawers	213
Pedestal Drawers	213
With Full Height Door	214
Base End Angle	214
Standard	215
With Sliding Shelves	215
With Door Accessory	216
With Roll Out Tray Divider	216
With Bottom Mount Wastebaskets	216
Base Pot and Pan Organizer	216
Peninsula	216
Blind Corner	216
Blind Peninsula Corner	216

## Drawer Base Cabinets

Base Spice Drawer	217
Spice Drawer Cabinet	217
Three Drawer	217
Base Microwave	217
Four Drawer	217

## Sink Base Cabinets

Corner Sink Base, Corner Sink Front	218
Deep Sink Base	218
Sink/Range Base and Front	218
Sink with Factory Installed Tilt-Out Tray(s)	218
Sink Base Multi-Storage Cabinet	218

## Corner Base Cabinets

## Desk & Office Cabinets

With Bottom Mount Wastebasket(s)	220
Desk Door	220
File Pull Out Base	220
Desk Drawer	230
Kneehole Drawer	225

## Tall Cabinets

Utility With Adjustable Shelves	221
Utility With Sliding Shelves	222
Utility With Pantry Storage	222
Double Oven	223
Single Oven	223
Single Oven with Organizer	224

## Vanity Cabinets

Vanity Drawer Base 31 1/8" High	225
Vanity Drawer Base 34 1/2" High	225
Vanity Base 31 1/8" High	226
Vanity Sink Base With Top Drawers 31 1/8" High	226
Vanity Combo Sink Base 18" Deep, 31 1/8" High	226
Vanity Combo Sink Base 31 1/8" High	227
Vanity Base 34 1/2" High	227
With Factory Installed Wastebasket 34 1/2" High	227
Vanity Sink Base With Top Drawers 34 1/2" High	227
Vanity Combo Sink Base 18" Deep, 34 1/2" High	228
Vanity Combo Sink Base 34 1/2" High	228
Vanity Sink Base 31 1/8" High	229
Vanity Sink Front	229
Vanity Sink Base 34 1/2" High	229
Vanity Linen	230
Medicine Cabinet	230
Tri-View Mirror	230
Valet	230

## Universal Design

Base, With Sliding Shelves, Corner Base, Sink Base	231
Base Multi-Use, Drawer Base, Plumbing Skirt	231

## Decorator Matching Doors

## Dimensions

Doors	233
Decorative Glass Inserts	234
Drawer Fronts	234
Shelves	235
Drawer Bodies	236

## Accessories

Miscellaneous Parts	238
---------------------	-----

## Replacement Drawer Reference

240

**DOOR NOMENCLATURE LEGEND**

DR__	Doors must be ordered as hinged left (invert for right hinging) or as no drill Example: SKU: DR1230 Option: Left Hinge
DR__SD	Specialty Doors are used for Mullion Frame & Open Frame options Example: SKU: DR1230 SD Option: OFD - Open Frame Door Option: Left Hinge
DR__FH	Full-Height Door for Full-Height Base, Full-Height Peninsula Base and Full-Height Vanity Base Example: SKU: DR15FH Option: Left Hinge
DR__V	Standard height Vanity door Example: SKU: DR1821V Option: Right Hinge

**DRAWER/PANEL FRONT NOMENCLATURE LEGEND**

DDF__	Drawer/Panel Front for Base, Desk or Vanity cabinet
DDF__M	Large Drawer Front for Full Overlay cabinet
DDF__D	Large Drawer Front for Standard Overlay cabinet
DDF__VD	Large Drawer Front for Full Overlay standard height Vanity cabinet
DDFOV__	Drawer Front for Full Overlay Oven cabinet
DDFKDC__	Drawer Front for Kneehole Drawer cabinet

**ADJUSTABLE SHELVING NOMENCLATURE LEGEND****Adjustable Shelving Notes:**

Bookshelves and Microwave Wall Cabinet replacement shelves feature Matching Interior standard - MI Shelving NOT available

Specialty Door cabinets feature Matching Interior Standard, replacement shelves must be ordered as \_\_" SHELF **MI**

__" SHELF ADJ	Adjustable Shelf - Standard Construction ½" Example: 12" SHELF ADJ
__" SHELF MI	For Matching Interior ¾" Adjustable Shelving, replace ADJ with MI Example: 12" SHELF <b>MI</b>

**DRAWER BODY NOMENCLATURE LEGEND**

DRB__ X __DP SG	Standard ½" thick engineered wood drawer body Example: DRB15 X 18DP SG
DRB__ X __DP DT SG	For pre-selected ¾" thick dovetail hardwood drawer body, insert DT into nomenclature Example: DRB15 X 18DP <b>DT</b> SG

Part Name	Dimensions
DRB * X 18DP DT SG	* x 3 21/32" x 18"
DRB * X 15DP DT SG	* x 3 21/32" x 15"
DRB * M X 18DP DT SG	* x 6 3/4" x 18"
DRB * M X 15DP DT SG	* x 6 3/4" x 15"

Replace \* with dimension from standard drawer, standard and pre-selected drawers use the same width dimension.

**PARTS DIRECTORY: Wall Cabinets**

**PARTS: WALL CABINETS**

SKU	Qty	DOOR	SPECIALTY DOOR	GLASS INSERT	Qty	ADJUSTABLE SHELF
			Specialty doors require a specialty door selection			*For Matching Interior Adjustable Shelf, refer to Parts Directory Legend
		Part Name	Part Name	Part Name		*Part Name
<b>STANDARD WALL • 42" HIGH</b>						
W942	1	DR942	-	-	3	9" SHELF
W1242	1	DR1242	DR1242 SD	DGI-1242	3	12" SHELF
W1542	1	DR1542	DR1542 SD	DGI-1542	3	15" SHELF
W1842	1	DR1842	DR1842 SD	DGI-1842	3	18" SHELF
W2142	1	DR2142	DR2142 SD	DGI-2142	3	21" SHELF
W2442	2	DR1242	DR1242 SD	DGI-1242	3	24" SHELF
W2742	2	DR1342	-	-	3	27" SHELF ADJ
W3042	2	DR1542	DR1542 SD	DGI-1542	3	30" SHELF ADJ
W3342	2	DR1642	DR1642 SD	DGI-1642	3	33" SHELF ADJ
W3642	2	DR1842	DR1842 SD	DGI-1842	3	36" SHELF ADJ
<b>STANDARD WALL • 36" HIGH</b>						
W936	1	DR936	-	-	2	9" SHELF
W1236	1	DR1236	DR1236 SD	DGI-1236	2	12" SHELF
W1536	1	DR1536	DR1536 SD	DGI-1536	2	15" SHELF
W1836	1	DR1836	DR1836 SD	DGI-1836	2	18" SHELF
W2136	1	DR2136	DR2136 SD	DGI-2136	2	21" SHELF
W2436	2	DR1236	DR1236 SD	DGI-1236	2	24" SHELF
W2736	2	DR1336	-	-	2	27" SHELF ADJ
W3036	2	DR1536	DR1536 SD	DGI-1536	2	30" SHELF ADJ
W3336	2	DR1636	DR1636 SD	DGI-1636	2	33" SHELF ADJ
W3636	2	DR1836	DR1836 SD	DGI-1836	2	36" SHELF ADJ
<b>STANDARD WALL • 30" HIGH</b>						
W930	1	DR930	-	-	2	9" SHELF
W1230	1	DR1230	DR1230 SD	DGI-1230	2	12" SHELF
W1530	1	DR1530	DR1530 SD	DGI-1530	2	15" SHELF
W1830	1	DR1830	DR1830 SD	DGI-1830	2	18" SHELF
W2130	1	DR2130	DR2130 SD	DGI-2130	2	21" SHELF
W2430	1	DR2430	-	-	2	24" SHELF
W2430 1B	2	DR1230	DR1230 SD	DGI-1230	2	24" SHELF
W2730	2	DR1330	-	-	2	27" SHELF ADJ
W3030	2	DR1530	DR1530 SD	DGI-1530	2	30" SHELF ADJ
W3330	2	DR1630	DR1630 SD	DGI-1630	2	33" SHELF ADJ
W3630	2	DR1830	DR1830 SD	DGI-1830	2	36" SHELF ADJ
W3930	2	DR1930	DR1930 SD	DGI-1930	2	39" SHELF ADJ
W4230	2	DR2130	DR2130 SD	DGI-2130	2	42" SHELF ADJ
W4530	3	DR1530	DR1530 SD	DGI-1530	2	45" SHELF ADJ
W4830	2	DR2430	-	-	2	48" SHELF ADJ
<b>STANDARD WALL • 27" HIGH</b>						
W3027	2	DR1527	-	-	1	30" SHELF ADJ
<b>STANDARD WALL • 24" HIGH</b>						
W1224	1	DR1224	DR1224 SD	DGI-1224	1	12" SHELF
W1524	1	DR1524	DR1524 SD	DGI-1524	1	15" SHELF
W1824	1	DR1824	DR1824 SD	DGI-1824	1	18" SHELF
W2124	1	DR2124	DR2124 SD	DGI-2124	1	21" SHELF
W2424 1B	2	DR1224	DR1224 SD	DGI-1224	1	24" SHELF
W2724	2	DR1324	-	-	1	27" SHELF ADJ
W3024	2	DR1524	DR1524 SD	DGI-1524	1	30" SHELF ADJ
W3324	2	DR1624	DR1624 SD	DGI-1624	1	33" SHELF ADJ
W3624	2	DR1824	DR1824 SD	DGI-1824	1	36" SHELF ADJ
W3924	2	DR1924	DR1924 SD	DGI-1924	1	39" SHELF ADJ
W4224	2	DR2124	DR2124 SD	DGI-2124	1	42" SHELF ADJ
W4524	3	DR1524	DR1524 SD	DGI-1524	1	45" SHELF ADJ

SKU	Qty	DOOR	SPECIALTY DOOR	GLASS INSERT	Qty	ADJUSTABLE SHELF
			Specialty doors require a specialty door selection			*For Matching Interior Adjustable Shelf, refer to Parts Directory Legend
		Part Name	Part Name	Part Name		*Part Name
<b>STANDARD WALL • 21" HIGH</b>						
W3021	2	DR1521	-	-	-	-
W3321	2	DR1621	-	-	-	-
W3621	2	DR1821	-	-	-	-
W3921	2	DR1921	-	-	-	-
<b>STANDARD WALL • 18" HIGH</b>						
W1218	1	DR1218	DR1218 SD	DGI-1218	-	-
W1518	1	DR1518	DR1518 SD	DGI-1518	-	-
W1818	1	DR1818	DR1818 SD	DGI-1818	-	-
W2118	1	DR2118	DR2118 SD	DGI-2118	-	-
W2418	2	DR1218	DR1218 SD	DGI-1218	-	-
W2718	2	DR1318	-	-	-	-
W3018	2	DR1518	DR1518 SD	DGI-1518	-	-
W3318	2	DR1618	DR1618 SD	DGI-1618	-	-
W3618	2	DR1818	DR1818 SD	DGI-1818	-	-
W3918	2	DR1918	DR1918 SD	DGI-1918	-	-
W4218	2	DR2118	DR2118 SD	DGI-2118	-	-
<b>STANDARD WALL • 15" HIGH</b>						
W3015	2	DR1515	DR1515 SD	DGI-1515	-	-
W3315	2	DR1615	DR1615 SD	DGI-1615	-	-
W3615	2	DR1815	DR1815 SD	DGI-1815	-	-
W3915	2	DR1915	DR1915 SD	DGI-1915	-	-
<b>STANDARD WALL • 12" HIGH</b>						
W3012	2	DR1512	DR1512 SD	DGI-1512	-	-
W3312	2	DR1612	-	-	-	-
W3612	2	DR1812	DR1812 SD	DGI-1812	-	-
W3912	2	DR1912	DR1912 SD	DGI-1912	-	-
<b>WALL WITH SPICE RACK • 42" HIGH</b>						
W1542 SR	1	DR1542	-	-	3	15" SHELF
W1842 SR	1	DR1842	-	-	3	18" SHELF
W2142 SR	1	DR2142	-	-	3	21" SHELF
<b>WALL WITH SPICE RACK • 36" HIGH</b>						
W1536 SR	1	DR1536	-	-	2	15" SHELF
W1836 SR	1	DR1836	-	-	2	18" SHELF
W2136 SR	1	DR2136	-	-	2	21" SHELF
<b>WALL WITH SPICE RACK • 30" HIGH</b>						
W1530 SR	1	DR1530	-	-	2	15" SHELF
W1830 SR	1	DR1830	-	-	2	18" SHELF
W2130 SR	1	DR2130	-	-	2	21" SHELF
<b>WALL TOP HINGE • 15" HIGH</b>						
WTH3015	1	DR1530	DR3015 WTH SD	DGI-1530	-	-
WTH3615	1	DR1536	DR3615 WTH SD	DGI-1536	-	-
<b>WALL TOP HINGE • 18" HIGH</b>						
WTH3018	1	DR1830	DR3018 WTH SD	DGI-1830	-	-
WTH3618	1	DR1836	DR3618 WTH SD	DGI-1836	-	-
<b>WALL TOP HINGE • 15" HIGH X 24" DEEP</b>						
WTH3015 X 24DP	1	DR1530	DR3015 WTH SD	DGI-1530	-	-
WTH3615 X 24DP	1	DR1536	DR3615 WTH SD	DGI-1536	-	-
<b>WALL TOP HINGE • 18" HIGH X 24" DEEP</b>						
WTH3018 X 24DP	1	DR1830	DR3018 WTH SD	DGI-1830	-	-
WTH3618 X 24DP	1	DR1836	DR3618 WTH SD	DGI-1836	-	-

## PARTS DIRECTORY: Wall Cabinets

SKU	Qty	DOOR	SPECIALTY DOOR	GLASS INSERT	Qty	ADJUSTABLE SHELF
			Specialty doors require a specialty door selection			*For Matching Interior Adjustable Shelf, refer to Parts Directory Legend
		Part Name	Part Name	Part Name		*Part Name
<b>PENINSULA WALL • 42" HIGH</b>						
PW2442	4	DR1242	DR1242 SD	DGI-1242	3	24" SHELF PW
PW3042	4	DR1542	DR1542 SD	DGI-1542	3	30" SHELF PW
PW3642	4	DR1842	DR1842 SD	DGI-1842	3	36" SHELF PW
<b>PENINSULA WALL • 36" HIGH</b>						
PW2436	4	DR1236	DR1236 SD	DGI-1236	2	24" SHELF PW
PW3036	4	DR1536	DR1536 SD	DGI-1536	2	30" SHELF PW
PW3636	4	DR1836	DR1836 SD	DGI-1836	2	36" SHELF PW
<b>PENINSULA WALL • 30" HIGH</b>						
PW1230	2	DR1230	DR1230 SD	DGI-1230	2	12" SHELF PW
PW1530	2	DR1530	DR1530 SD	DGI-1530	2	15" SHELF PW
PW1830	2	DR1830	DR1830 SD	DGI-1830	2	18" SHELF PW
PW2430	2	DR2430	-	-	2	24" SHELF PW
PW3030	4	DR1530	DR1530 SD	DGI-1530	2	30" SHELF PW
PW3630	4	DR1830	DR1830 SD	DGI-1830	2	36" SHELF PW
PW4230	4	DR2130	DR2130 SD	DGI-2130	2	42" SHELF PW
<b>PENINSULA WALL • 27" HIGH</b>						
PW3027	4	DR1527	-	-	1	30" SHELF PW
<b>PENINSULA WALL • 24" HIGH</b>						
PW1224	2	DR1224	DR1224 SD	DGI-1224	1	12" SHELF PW
PW1824	2	DR1824	DR1824 SD	DGI-1824	1	18" SHELF PW
PW2424 1B	4	DR1224	DR1224 SD	DGI-1224	1	24" SHELF PW
PW3024	4	DR1524	DR1524 SD	DGI-1524	1	30" SHELF PW
PW3624	4	DR1824	DR1824 SD	DGI-1824	1	36" SHELF PW
PW4224	4	DR2124	DR2124 SD	DGI-2124	1	42" SHELF PW
<b>PENINSULA WALL • 21" HIGH</b>						
PW3021	4	DR1521	-	-	-	-
PW3621	4	DR1821	-	-	-	-
<b>PENINSULA WALL • 18" HIGH</b>						
PW1818	2	DR1818	DR1818 SD	DGI-1818	-	-
PW2418	4	DR1218	DR1218 SD	DGI-1218	-	-
PW3018	4	DR1518	DR1518 SD	DGI-1518	-	-
PW3618	4	DR1818	DR1818 SD	DGI-1818	-	-
PW4218	4	DR2118	DR2118 SD	DGI-2118	-	-
<b>BLIND WALL • 42" HIGH</b>						
BLW24/2742	1	DR1242	DR1242 SD	DGI-1242	3	24" SHELF
BLW30/3342	1	DR1842	DR1842 SD	DGI-1842	3	30" SHELF ADJ
BLW33/3642	1	DR2142	DR2142 SD	DGI-2142	3	33" SHELF ADJ
BLW36/3942	2	DR1242	DR1242 SD	DGI-1242	3	36" SHELF ADJ
BLW39/4242	2	DR1342	-	-	3	39" SHELF ADJ
BLW42/4542	2	DR1542	DR1542 SD	DGI-1542	3	42" SHELF ADJ
<b>BLIND WALL • 36" HIGH</b>						
BLW24/2736	1	DR1236	DR1236 SD	DGI-1236	2	24" SHELF
BLW30/3336	1	DR1836	DR1836 SD	DGI-1836	2	30" SHELF ADJ
BLW33/3636	1	DR2136	DR2136 SD	DGI-2136	2	33" SHELF ADJ
BLW36/3936	2	DR1236	DR1236 SD	DGI-1236	2	36" SHELF ADJ
BLW39/4236	2	DR1336	-	-	2	39" SHELF ADJ
BLW42/4536	2	DR1536	DR1536 SD	DGI-1536	2	42" SHELF ADJ

SKU	Qty	DOOR	SPECIALTY DOOR	GLASS INSERT	Qty	ADJUSTABLE SHELF
			Specialty doors require a specialty door selection			*For Matching Interior Adjustable Shelf, refer to Parts Directory Legend
		Part Name	Part Name	Part Name		*Part Name
<b>BLIND WALL • 30" HIGH</b>						
BLW24/2730	1	DR1230	DR1230 SD	DGI-1230	2	24" SHELF
BLW27/3030	1	DR1530	DR1530 SD	DGI-1530	2	27" SHELF ADJ
BLW30/3330	1	DR1830	DR1830 SD	DGI-1830	2	30" SHELF ADJ
BLW33/3630	1	DR2130	DR2130 SD	DGI-2130	2	33" SHELF ADJ
BLW36/3930	1	DR2430	-	-	2	36" SHELF ADJ
BLW39/4230	2	DR1330	-	-	2	39" SHELF ADJ
BLW42/4530	2	DR1530	DR1530 SD	DGI-1530	2	42" SHELF ADJ
BLW45/4830	2	DR1630	DR1630 SD	DGI-1630	2	45" SHELF ADJ
BLW48/5130	2	DR1830	DR1830 SD	DGI-1830	2	48" SHELF ADJ
<b>BLIND WALL • 24" HIGH</b>						
BLW24/2724	1	DR1224	DR1224 SD	DGI-1224	1	24" SHELF
BLW27/3024	1	DR1524	DR1524 SD	DGI-1524	1	27" SHELF ADJ
BLW30/3324	1	DR1824	DR1824 SD	DGI-1824	1	30" SHELF ADJ
BLW33/3624	1	DR2124	DR2124 SD	DGI-2124	1	33" SHELF ADJ
BLW36/3924 1B	2	DR1224	DR1224 SD	DGI-1224	1	36" SHELF ADJ
<b>BLIND PENINSULA WALL</b>						
BLPW2442	3	DR1242	DR1242 SD	DGI-1242	3	24" SHELF PW
BLPW2436	3	DR1236	DR1236 SD	DGI-1236	2	24" SHELF PW
BLPW2430 1B	3	DR1230	DR1230 SD	DGI-1230	2	24" SHELF PW
BLPW2424 1B	3	DR1224	DR1224 SD	DGI-1224	1	24" SHELF PW
<b>CORNER WALL • 42" HIGH</b>						
CW2442	1	DR1542	DR1542 SD	DGI-1542	3	CW SHELF ADJ
CW2742	1	DR1542	DR1542 SD	DGI-1542	3	CW27 SHELF ADJ
CWS2442 WD	1	DR1542	DR1542 SD	DGI-1542	3	CWS24 SHELF WD NP
<b>CORNER WALL • 36" HIGH</b>						
CW2436	1	DR1536	DR1536 SD	DGI-1536	2	CW SHELF ADJ
CW2736	1	DR1536	DR1536 SD	DGI-1536	2	CW27 SHELF ADJ
CWS2436 WD	1	DR1536	DR1536 SD	DGI-1536	2	CWS24 SHELF WD NP
<b>CORNER WALL • 30" HIGH</b>						
CW2430	1	DR1530	DR1530 SD	DGI-1530	2	CW SHELF ADJ
CW2730	1	DR1530	DR1530 SD	DGI-1530	2	CW27 SHELF ADJ
CWS2430	1	DR1530	DR1530 SD	DGI-1530	1	CWS UNIT RAS
CWS2430 WD	1	DR1530	DR1530 SD	DGI-1530	2	CWS24 SHELF WD NP
<b>CORNER WALL • 24" HIGH</b>						
CW2424	1	DR1524	DR1524 SD	DGI-1524	-	-
CW2724	1	DR1524	DR1524 SD	DGI-1524	-	-
<b>CORNER WALL • 18" HIGH</b>						
CW2418	1	DR1518	DR1518 SD	DGI-1518	-	-
CW2718	1	DR1518	DR1518 SD	DGI-1518	-	-
<b>WALL EASY REACH</b>						
WER2430	1	DR1230 WER DRILL	-	-	2	WER SHELF
	1	DR1230 WER ND				
<b>PENINSULA CORNER WALL</b>						
PWCW2442	1	DR1542	DR1542 SD	DGI-1542	3	PWCW SHELF ADJ
	2	DR1242	DR1242 SD	DGI-1242		
PWCW2436	1	DR1536	DR1536 SD	DGI-1536	2	PWCW SHELF ADJ
	2	DR1236	DR1236 SD	DGI-1236		
PWCW2430 1B	1	DR1530	DR1530 SD	DGI-1530	2	PWCW SHELF ADJ
	2	DR1230	DR1230 SD	DGI-1230		

## PARTS DIRECTORY: Wall Cabinets

SKU	Qty	DOOR	SPECIALTY DOOR	GLASS INSERT	Qty	ADJUSTABLE SHELF
			Specialty doors require a specialty door selection			*For Matching Interior Adjustable Shelf, refer to Parts Directory Legend
		Part Name	Part Name	Part Name		*Part Name
<b>WALL END ANGLE</b>						
WEA1242	1	DR1542	DR1542 SD	DGI-1542	3	WEA SHELF
WEA1236	1	DR1536	DR1536 SD	DGI-1536	2	WEA SHELF
WEA1230	1	DR1530	DR1530 SD	DGI-1530	2	WEA SHELF
<b>REFRIGERATOR WALL • 27" HIGH X 24" DEEP</b>						
W3027 X 24 DP	2	DR1527	-	-	1	30" SHELF ADJ
<b>REFRIGERATOR WALL • 24" HIGH X 24" DEEP</b>						
W3024 X 24 DP	2	DR1524	DR1524 SD	DGI-1524	1	30" SHELF ADJ
W3324 X 24 DP	2	DR1624	DR1624 SD	DGI-1624	1	33" SHELF ADJ
W3624 X 24 DP	2	DR1824	DR1824 SD	DGI-1824	1	36" SHELF ADJ
<b>REFRIGERATOR WALL • 21" HIGH X 24" DEEP</b>						
W3021 X 24 DP	2	DR1521	-	-	-	-
W3321 X 24 DP	2	DR1621	-	-	-	-
W3621 X 24 DP	2	DR1821	-	-	-	-
W3921 X 24 DP	2	DR1921	-	-	-	-
<b>REFRIGERATOR WALL • 18" HIGH X 24" DEEP</b>						
W3018 X 24 DP	2	DR1518	DR1518 SD	DGI-1518	-	-
W3318 X 24 DP	2	DR1618	DR1618 SD	DGI-1618	-	-
W3618 X 24 DP	2	DR1818	DR1818 SD	DGI-1818	-	-
<b>REFRIGERATOR WALL • 15" HIGH X 24" DEEP</b>						
W3015 X 24 DP	2	DR1515	DR1515 SD	DGI-1515	-	-
W3315 X 24 DP	2	DR1615	DR1615 SD	DGI-1615	-	-
W3615 X 24 DP	2	DR1815	DR1815 SD	DGI-1815	-	-
W3915 X 24 DP	2	DR1915	DR1915 SD	DGI-1915	-	-
<b>REFRIGERATOR WALL • 12" HIGH X 24" DEEP</b>						
W3012 X 24 DP	2	DR1512	DR1512 SD	DGI-1512	-	-
W3312 X 24 DP	2	DR1612	-	-	-	-
W3612 X 24 DP	2	DR1812	DR1812 SD	DGI-1812	-	-
W3912 X 24 DP	2	DR1912	DR1912 SD	DGI-1912	-	-
<b>MICROWAVE WALL • 42" HIGH</b>						
WMC301842	2	DR1521	-	-	-	-
WMC302142	2	DR1521	-	-	-	-
<b>MICROWAVE WALL • 42" HIGH</b>						
WMSC271842	2	DR1324	-	-	1	WMSC2718 TOP SHELF
<b>MICROWAVE WALL • 36" HIGH</b>						
WMC301836	2	DR1515	-	-	-	-
WMC302136	2	DR1515	-	-	-	-
<b>MICROWAVE WALL • 36" HIGH</b>						
WMSC301236	2	DR1515	-	-	-	-
<b>COMPACT MICROWAVE WALL</b>						
WCMSC241236	2	DR1218	-	-	-	-
WCMSC271236	2	DR1318	-	-	-	-
<b>WALL RANGE HOOD • 30" HIGH</b>						
WRH3030 SV	2	DR1521	-	-	-	-
WRH3630 SV	2	DR1821	-	-	-	-
WRH3030 AV	2	DR1521	-	-	-	-
WRH3630 AV	2	DR1821	-	-	-	-
<b>WALL RANGE HOOD • 24" HIGH</b>						
WRH3024 SV	2	DR1515	-	-	-	-
WRH3624 SV	2	DR1815	-	-	-	-
WRH3024 AV	2	DR1515	-	-	-	-
WRH3624 AV	2	DR1815	-	-	-	-

SKU	Qty	DRAWER FRONT		DRAWER BODY
		Full Overlay	Standard Overlay	
		Part Name	Part Name	Part Name
<b>FURNITURE DRAWERS • 12" DEEP • 6" HIGH</b>				
FD121206	1	DDF12	DDF12	DRB12 X 9DP SG
FD151206	1	DDF15	DDF15	DRB15 X 9DP SG
FD181206	1	DDF18	DDF18	DRB18 X 9DP SG
FD211206	1	DDF21	DDF21	DRB21 X 9DP SG
FD241206	1	DDF24	DDF24	DRB24 X 9DP SG
FD271206	1	DDF27	DDF27	DRB27 X 9DP SG
FD301206	1	DDF30	DDF30	DRB30 X 9DP SG
FD331206	1	DDF33	DDF33	DRB33 X 9DP SG
FD361206	1	DDF36	DDF36	DRB36 X 9DP SG
<b>FURNITURE DRAWERS • 24" DEEP • 6" HIGH</b>				
FD122406	1	DDF12	DDF12	DRB12 X 18DP SG
FD152406	1	DDF15	DDF15	DRB15 X 18DP SG
FD182406	1	DDF18	DDF18	DRB18 X 18DP SG
FD212406	1	DDF21	DDF21	DRB21 X 18DP SG
FD242406	1	DDF24	DDF24	DRB24 X 18DP SG
FD272406	1	DDF27	DDF27	DRB27 X 18DP SG
FD302406	1	DDF30	DDF30	DRB30 X 18DP SG
FD332406	1	DDF33	DDF33	DRB33 X 18DP SG
FD362406	1	DDF36	DDF36	DRB36 X 18DP SG
<b>FURNITURE DRAWERS • 12" DEEP • 12" HIGH</b>				
FD121212	1	DDF12M	DDF12D	DRB12M X 9DP SG
FD151212	1	DDF15M	DDF15D	DRB15M X 9DP SG
FD181212	1	DDF18M	DDF18D	DRB18M X 9DP SG
FD211212	1	DDF21M	DDF21D	DRB21M X 9DP SG
FD241212	1	DDF24M	DDF24D	DRB24M X 9DP SG
FD271212	1	DDF27M	DDF27D	DRB27M X 9DP SG
FD301212	1	DDF30M	DDF30D	DRB30M X 9DP SG
FD331212	1	DDF33M	DDF33D	DRB33M X 9DP SG
FD361212	1	DDF36M	DDF36D	DRB36M X 9DP SG
<b>FURNITURE DRAWERS • 24" DEEP • 12" HIGH</b>				
FD122412	1	DDF12M	DDF12D	DRB12M X 18DP SG
FD152412	1	DDF15M	DDF15D	DRB15M X 18DP SG
FD182412	1	DDF18M	DDF18D	DRB18M X 18DP SG
FD212412	1	DDF21M	DDF21D	DRB21M X 18DP SG
FD242412	1	DDF24M	DDF24D	DRB24M X 18DP SG
FD272412	1	DDF27M	DDF27D	DRB27M X 18DP SG
FD302412	1	DDF30M	DDF30D	DRB30M X 18DP SG
FD332412	1	DDF33M	DDF33D	DRB33M X 18DP SG
FD362412	1	DDF36M	DDF36D	DRB36M X 18DP SG
<b>PEDESTAL DRAWERS</b>				
PD1217 1DWR	1	DDF12M	DDF12D	DRB12M X 18DP SG
PD1517 1DWR	1	DDF15M	DDF15D	DRB15M X 18DP SG
PD1817 1DWR	1	DDF18M	DDF18D	DRB18M X 18DP SG
PD2117 1DWR	1	DDF21M	DDF21D	DRB21M X 18DP SG
PD2417 1DWR	1	DDF24M	DDF24D	DRB24M X 18DP SG
PD2717 1DWR	1	DDF27M	DDF27D	DRB27M X 18DP SG
PD3017 1DWR	1	DDF30M	DDF30D	DRB30M X 18DP SG
PD3317 1DWR	1	DDF33M	DDF33D	DRB33M X 18DP SG
PD3617 1DWR	1	DDF36M	DDF36D	DRB36M X 18DP SG

SKU	Qty	DOOR		Qty	ADJUSTABLE SHELF AND/OR ACCESSORY
		Full Overlay	Standard Overlay		*For Matching Interior Adjustable Shelf, refer to Parts Directory Legend
		Part Name	Part Name		*Part Name
<b>FULL HEIGHT BASE</b>					
TB9	1	DR9FH	DR930	-	-
B12 FH	1	DR12FH	DR1230	1	12" SHELF
B15 FH	1	DR15FH	DR1530	1	15" SHELF
B18 FH	1	DR18FH	DR1830	1	18" SHELF
B21 FH	1	DR21FH	DR2130	1	21" SHELF
B24 1B FH	2	DR12FH	DR1230	1	24" SHELF
B30 1B FH	2	DR15FH	DR1530	1	30" SHELF ADJ
B36 1B FH	2	DR18FH	DR1830	1	36" SHELF ADJ
<b>FULL HEIGHT BASE WITH ACCESSORY</b>					
TB9 TDS	1	DR9FH	DR930	1	9" SHELF 24DP
BTDP9	1	DR9FH ND	DR930 ND	1	BTDP9 KIT
BPP9	1	DR9FH ND	DR930 ND	1	BPP9 KIT
BPP12	1	DR12FH ND	DR1230 ND	1	BPP12 KIT
BPPUS9	1	DR9FH ND	DR930 ND	1	BPPUS9 KIT
BPPUS12	1	DR12FH ND	DR1230 ND	1	BPPUS12 KIT
<b>FULL HEIGHT BASE WITH TWO SLIDING SHELVES</b>					
B18 FH SS2	1	DR18FH	DR1830	2	SSK18
B24 1B FH SS2	2	DR12FH	DR1230	2	SSK24
B30 1B FH SS2	2	DR15FH	DR1530	2	SSK30
<b>FULL HEIGHT BASE WITH FOUR SLIDING SHELVES</b>					
B18 FH SS4	1	DR18FH	DR1830	4	SSK18
B24 1B FH SS4	2	DR12FH	DR1230	4	SSK24
B30 1B FH SS4	2	DR15FH	DR1530	4	SSK30
<b>FULL-HEIGHT BASE WITH BOTTOM MOUNT WASTEBASKET(S)</b>					
BWBB15 FH	1	DR15FH ND	DR1530 ND	1	BWBB15 FH _OL KIT
BWBB18 FH	1	DR18FH ND	DR1830 ND	1	BWBB18 FH _OL KIT
BWBB21-2 FH	1	DR21FH ND	DR2130 ND	1	BWBB21-2 FH _OL KIT
<b>BASE END ANGLE</b>					
BEA12FH	1	DR15FH	DR1530 ND	1	BEA12 SHELF
BEA24FH	2	DR18FH	DR1830 ND	1	BEA SHELF
<b>FULL HEIGHT PENINSULA BASE</b>					
PB12 FH	2	DR12FH	DR1230	1	12" SHELF PB
PB18 FH	2	DR18FH	DR1830	1	18" SHELF PB
PB24 1B FH	4	DR12FH	DR1230	1	24" SHELF PB
PB30 1B FH	4	DR15FH	DR1530	1	30" SHELF PB
PB36 1B FH	4	DR18FH	DR1830	1	36" SHELF PB
<b>VANITY FULL HEIGHT BASE • 34 1/2" HIGH</b>					
VB1234H FH	1	DR12FH	DR1230	-	-
VB1534H FH	1	DR15FH	DR1530	-	-
VB1834H FH	1	DR18FH	DR1830	-	-
VB2134H FH	1	DR21FH	DR2130	-	-
VB2434H 1B FH	2	DR12FH	DR1230	-	-
VB3034H 1B FH	2	DR15FH	DR1530	-	-
VB3634H 1B FH	2	DR18FH	DR1830	-	-

SKU	DOOR		ADJUSTABLE SHELF AND/OR ACCESSORY		DRAWER/PANEL FRONT		DRAWER BODY	
	Qty	Part Name	Qty	*Part Name	Qty	Part Name	Qty	*Part Name
			*For Matching Interior Adjustable Shelf, refer to Parts Directory Legend				*For upgraded Dovetail Side-Glide drawer body, refer to Parts Directory Legend	
<b>STANDARD BASE</b>								
B12	1	DR1224	1	12" SHELF	1	DDF12	1	DRB12 X 18DP SG
B15	1	DR1524	1	15" SHELF	1	DDF15	1	DRB15 X 18DP SG
B18	1	DR1824	1	18" SHELF	1	DDF18	1	DRB18 X 18DP SG
B21	1	DR2124	1	21" SHELF	1	DDF21	1	DRB21 X 18DP SG
B24	1	DR2424	1	24" SHELF	1	DDF24	1	DRB24 X 18DP SG
B24 1B	2	DR1224	1	24" SHELF	1	DDF24	1	DRB24 X 18DP SG
B27	2	DR1324	1	27" SHELF ADJ	1	DDF27	1	DRB27 X 18DP SG
B30 / B30 1B	2	DR1524	1	30" SHELF ADJ	1	DDF30	1	DRB30 X 18DP SG
B33 / B33 1B	2	DR1624	1	33" SHELF ADJ	1	DDF33	1	DRB33 X 18DP SG
B36 / B36 1B	2	DR1824	1	36" SHELF ADJ	2	DDF18	2	DRB18 X 18DP SG
B36 1TD / B36 1B 1TD	2	DR1824	1	36" SHELF ADJ	1	DDF36	1	DRB36 X 18DP SG
B39	2	DR1924	1	39" SHELF ADJ	2	DDF19	2	DRB19 X 18DP SG
B42	2	DR2124	1	42" SHELF ADJ	2	DDF21	2	DRB21 X 18DP SG
B45	3	DR1524	1	45" SHELF ADJ	3	DDF15	3	DRB15 X 18DP SG
B48	2	DR2424	1	48" SHELF ADJ	2	DDF24	2	DRB24 X 18DP SG
<b>BASE WITH ONE SLIDING SHELF</b>								
B12 SSI	1	DR1224	1	SSK12	1	DDF12	1	DRB12 X 18DP SG
B15 SSI	1	DR1524	1	SSK15	1	DDF15	1	DRB15 X 18DP SG
B18 SSI	1	DR1824	1	SSK18	1	DDF18	1	DRB18 X 18DP SG
B21 SSI	1	DR2124	1	SSK21	1	DDF21	1	DRB21 X 18DP SG
B24 SSI	1	DR2424	1	SSK24	1	DDF24	1	DRB24 X 18DP SG
B24 SSI 1B	2	DR1224	1	SSK24	1	DDF24	1	DRB24 X 18DP SG
<b>BASE WITH TWO HORIZONTAL SLIDING SHELVES</b>								
B27 SSI	2	DR1324	2	SSK13	1	DDF27	1	DRB27 X 18DP SG
B30 SSI	2	DR1524	2	SSK15	1	DDF30	1	DRB30 X 18DP SG
B33 SSI	2	DR1624	2	SSK16	1	DDF33	1	DRB33 X 18DP SG
B36 SSI	2	DR1824	2	SSK18	2	DDF18	2	DRB18 X 18DP SG
B36 SSI 1TD	2	DR1824	2	SSK18	1	DDF36	1	DRB36 X 18DP SG
B39 SSI	2	DR1924	2	SSK19	2	DDF19	2	DRB19 X 18DP SG
B42 SSI	2	DR2124	2	SSK21	2	DDF21	2	DRB21 X 18DP SG
B48 SSI	2	DR2424	2	SSK24	2	DDF24	2	DRB24 X 18DP SG
<b>BASE WITH THREE HORIZONTAL SLIDING SHELVES</b>								
B45 SSI	3	DR1524	3	SSK15	3	DDF15	3	DRB15 X 18DP SG
<b>BASE WITH TWO VERTICAL SLIDING SHELVES</b>								
B12 SS2	1	DR1224	2	SSK12	1	DDF12	1	DRB12 X 18DP SG
B15 SS2	1	DR1524	2	SSK15	1	DDF15	1	DRB15 X 18DP SG
B18 SS2	1	DR1824	2	SSK18	1	DDF18	1	DRB18 X 18DP SG
B21 SS2	1	DR2124	2	SSK21	1	DDF21	1	DRB21 X 18DP SG
B24 SS2	1	DR2424	2	SSK24	1	DDF24	1	DRB24 X 18DP SG
B24 SS2 1B	2	DR1224	2	SSK24	1	DDF24	1	DRB24 X 18DP SG
B30 SS2 1B	2	DR1524	2	SSK30	1	DDF30	1	DRB30 X 18DP SG
B33 SS2 1B	2	DR1624	2	SSK33	1	DDF33	1	DRB33 X 18DP SG
B36 SS2 1B	2	DR1824	2	SSK36	2	DDF18	2	DRB18 X 18DP SG
B36 SS2 1TD 1B	2	DR1824	2	SSK36	1	DDF36	1	DRB36 X 18DP SG

## PARTS DIRECTORY: Base Cabinets

SKU	Qty	DOOR		ADJUSTABLE SHELF AND/OR ACCESSORY		DRAWER/PANEL FRONT		DRAWER BODY	
		Part Name	Qty	*Part Name	Qty	Part Name	Qty	*Part Name	
*For Matching Interior Adjustable Shelf, refer to Parts Directory Legend									
*For upgraded Dovetail Side-Glide drawer body, refer to Parts Directory Legend									
<b>BASE WITH FOUR SLIDING SHELVES</b>									
B27 SS2	2	DR1324	4	SSK13	1	DDF27	1	DRB27 X 18DP SG	
B30 SS2	2	DR1524	4	SSK15	1	DDF30	1	DRB30 X 18DP SG	
B33 SS2	2	DR1624	4	SSK16	1	DDF33	1	DRB33 X 18DP SG	
B36 SS2	2	DR1824	4	SSK18	2	DDF18	2	DRB18 X 18DP SG	
B36 SS2 ITD	2	DR1824	4	SSK18	1	DDF36	1	DRB36 X 18DP SG	
B39 SS2	2	DR1924	4	SSK19	2	DDF19	2	DRB19 X 18DP SG	
B42 SS2	2	DR2124	4	SSK21	2	DDF21	2	DRB21 X 18DP SG	
B48 SS2	2	DR2424	4	SSK24	2	DDF24	2	DRB24 X 18DP SG	
<b>BASE WITH SIX SLIDING SHELVES</b>									
B45 SS2	3	DR1524	6	SSK15	3	DDF15	3	DRB15 X 18DP SG	
<b>BASE WITH ROLL OUT TRAY DIVIDER</b>									
B12 ROTD	1	DR1224	1	ROTDK12	1	DDF12	1	DRB12 X 18DP SG	
B15 ROTD	1	DR1524	1	ROTDK15	1	DDF15	1	DRB15 X 18DP SG	
<b>BASE POT AND PAN ORGANIZER CABINET</b>									
B24 BPP0	1	DR2424	1	BPP0K24	1	DDF24	1	DRB24 X 18DP SG	
B24 1B BPP0	2	DR1224	1	BPP0K24	1	DDF24	1	DRB24 X 18DP SG	
B30 1B BPP0	2	DR1524	1	BPP0K30	1	DDF30	1	DRB30 X 18DP SG	
B33 1B BPP0	2	DR1624	1	BPP0K33	1	DDF33	1	DRB33 X 18DP SG	
B36 1B BPP0	2	DR1824	1	BPP0K36	2	DDF18	2	DRB18 X 18DP SG	
B36 1B ITD BPP0	2	DR1824	1	BBP0K36	1	DDF36	1	DRB36 X 18DP SG	
<b>BASE WITH BOTTOM MOUNT WASTEBASKET(S)</b>									
BWBB15	1	DR1524 ND	1	BWBB15_OL KIT	1	DDF15	1	DRB15 X 18DP SG	
BWBB15-2	1	DR1524 ND	1	BWBB15-2_OL KIT	1	DDF15	1	DRB15 X 18DP SG	
BWBB18-2	1	DR1824 ND	1	BWBB18-2_OL KIT	1	DDF18	1	DRB18 X 18DP SG	
BWBB21-2	1	DR2124 ND	1	BWBB21-2_OL KIT	1	DDF21	1	DRB21 X 18DP SG	
<b>BASE WITH DOOR ACCESSORY</b>									
B15 PBDSU	1	DR1524	1	15" SHELF	1	DDF15	1	DRB15 X 18DP SG	
B18 PBDSU	1	DR1824	1	18" SHELF	1	DDF18	1	DRB18 X 18DP SG	
B18 CBDR	1	DR1824	1	18" SHELF	1	DDF18	1	DRB18 X 18DP SG	
<b>PENINSULA BASE</b>									
PB12	2	DR1224	1	12" SHELF PB	2	DDF12	1	DRB12 X 18DP SG	
PB18	2	DR1824	1	18" SHELF PB	2	DDF18	1	DRB18 X 18DP SG	
PB24	2	DR2424	1	24" SHELF PB	2	DDF24	1	DRB24 X 18DP SG	
PB24 1B	4	DR1224	1	24" SHELF PB	2	DDF24	1	DRB24 X 18DP SG	
PB30	4	DR1524	1	30" SHELF PB	2	DDF30	1	DRB30 X 18DP SG	
PB36	4	DR1824	1	36" SHELF PB	2	DDF18	2	DRB18 X 18DP SG	
					1	DDF36			
PB36 ITD	4	DR1824	1	36" SHELF PB	2	DDF36	1	DRB36 X 18DP SG	
PB42	4	DR2124	1	42" SHELF PB	4	DDF21	2	DRB21 X 18DP SG	
<b>BLIND CORNER</b>									
BLB36/39	1	DR1224	1	27" SHELF ADJ	1	DDF12	1	DRB12 X 18DP SG	
BLB39/42	1	DR1524	1	33" SHELF ADJ	1	DDF15	1	DRB15 X 18DP SG	
BLB42/45	1	DR1824	1	39" SHELF ADJ	1	DDF18	1	DRB18 X 18DP SG	
BLB45/48	1	DR2124	1	45" SHELF ADJ	1	DDF21	1	DRB21 X 18DP SG	
BLB48/51	1	DR2124	1	48" SHELF ADJ	1	DDF21	1	DRB21 X 18DP SG	
<b>BLIND PENINSULA CORNER</b>									
PBC24	1	DR2424	1	24" SHELF PB	1	DDF24	1	DRB24 X 18DP SG	
PBC24 1B	2	DR1224	1	24" SHELF PB	1	DDF24	1	DRB24 X 18DP SG	
<b>UTILITY BASE</b>									
UB60	2	DR1224	-	-	2	DDF12	2	DRB12 X 18DP SG	
	2	DR1824			1	DDF36			

SKU	Qty	DRAWER FRONT		DRAWER BODY
		Full Overlay	Standard Overlay	*For upgraded Dovetail Side-Glide drawer body, refer to Parts Directory Legend
		Part Name	Part Name	*Part Name
<b>BASE SPICE DRAWER CABINET</b>				
BSDC6	5	DDF SDC	DDF SDC	DRB6 BSDC6
<b>SPICE DRAWER CABINET</b>				
SDC18	3	DDF SDC	DDF SDC	DRB6 SDC30
SDC24	4	DDF SDC	DDF SDC	DRB6 SDC30
SDC30	5	DDF SDC	DDF SDC	DRB6 SDC30
SDC36	6	DDF SDC	DDF SDC	DRB6 SDC30
<b>THREE DRAWER BASE CABINET</b>				
DB12	1	DDF12	DDF12	DRB12 X 18DP SG
	2	DDF12M	DDF12D	DRB12M X 18DP SG
DB15	1	DDF15	DDF15	DRB15 X 18DP SG
	2	DDF15M	DDF15D	DRB15M X 18DP SG
DB18	1	DDF18	DDF18	DRB18 X 18DP SG
	2	DDF18M	DDF18D	DRB18M X 18DP SG
DB21	1	DDF21	DDF21	DRB21 X 18DP SG
	2	DDF21M	DDF21D	DRB21M X 18DP SG
DB24	1	DDF24	DDF24	DRB24 X 18DP SG
	2	DDF24M	DDF24D	DRB24M X 18DP SG
DB27	1	DDF27	DDF27	DRB27 X 18DP SG
	2	DDF27M	DDF27D	DRB27M X 18DP SG
DB30	1	DDF30	DDF30	DRB30 X 18DP SG
	2	DDF30M	DDF30D	DRB30M X 18DP SG
DB33	1	DDF33	DDF33	DRB33 X 18DP SG
	2	DDF33M	DDF33D	DRB33M X 18DP SG
DB36 1TD	1	DDF36	DDF36	DRB36 X 18DP SG
	2	DDF36M	DDF36D	DRB36M X 18DP SG
<b>FOUR DRAWER BASE CABINET</b>				
DB12 4DWR	3	DDF12	DDF12	DRB12 X 18DP SG
	1	DDF12M	DDF12D	DRB12M X 18DP SG
DB15 4DWR	3	DDF15	DDF15	DRB15 X 18DP SG
	1	DDF15M	DDF15D	DRB15M X 18DP SG
DB18 4DWR	3	DDF18	DDF18	DRB18 X 18DP SG
	1	DDF18M	DDF18D	DRB18M X 18DP SG
DB21 4DWR	3	DDF21	DDF21	DRB21 X 18DP SG
	1	DDF21M	DDF21D	DRB21M X 18DP SG
DB24 4DWR	3	DDF24	DDF24	DRB24 X 18DP SG
	1	DDF24M	DDF24D	DRB24M X 18DP SG
DB36	2	DDF18	DDF18	DRB18 X 18DP SG
	2	DDF36M	DDF36D	DRB36M X 18DP SG
<b>BASE MICROWAVE CABINET</b>				
BMC24	2	DDF24	DDF24	DRB24 X 18DP SG
BMC27	2	DDF27	DDF27	DRB27 X 18DP SG
BMC30	2	DDF30	DDF30	DRB30 X 18DP SG

PARTS: BASE CABINETS

SKU	Qty	DOOR		PANEL FRONT	
		Part Name	Qty	Part Name	Qty
<b>CORNER SINK BASE</b>					
CSB36	1	DR1524	1	DDF15	
<b>CORNER SINK FRONT</b>					
CSF36	1	DR1524	1	DDF15	
CSF42	1	DR2424	1	DDF24	
<b>DEEP SINK BASE</b>					
DSB30 1B	2	DR1521	-	-	
DSB33 1B	2	DR1621	-	-	
DSB36 1B	2	DR1821	-	-	
DSB39	2	DR1921	-	-	
<b>SINK/RANGE BASE AND FRONT</b>					
SF12	1	DR1224	1	DDF12	
SF15	1	DR1524	1	DDF15	
SB18 / SF18	1	DR1824	1	DDF18	
SB21 / SF21	1	DR2124	1	DDF21	
SB24 / SF24	1	DR2424	1	DDF24	
SB24 1B / SF24 1B	2	DR1224	1	DDF24	
SB27 / SF27	2	DR1324	1	DDF27	
SB30 / SB30 1B / SF30	2	DR1524	1	DDF30	
SB33 / SB33 1B / SF33	2	DR1624	1	DDF33	
SB36 / SB36 1B / SF36	2	DR1824	1	DDF36	
SB39 / SF39	2	DR1924	2	DDF19	
SB42 / SF42	2	DR2124	2	DDF21	
SB45 / SF45	3	DR1524	3	DDF15	
SB48 / SF48	2	DR2424	2	DDF24	
<b>SINK BASE WITH FACTORY INSTALLED TILT-OUT TRAY(S)</b>					
SB18 STO (TO)	1	DR1824	1	DDF18 DRILL	
SB21 STO (TO)	1	DR2124	1	DDF21 DRILL	
SB24 STO (TO)	1	DR2424	1	DDF24 DRILL	
SB24 1B STO (TO)	2	DR1224	1	DDF24 DRILL	
SB27 STO (TO)	2	DR1324	1	DDF27 DRILL	
SB30 STO (TO)	2	DR1524	1	DDF30 DRILL	
SB33 STO (TO)	2	DR1624	1	DDF33 DRILL	
SB36 STO (TO)	2	DR1824	1	DDF36 DRILL	
SB39 STO (TO)	2	DR1924	2	DDF19 DRILL	
SB42 STO (TO)	2	DR2124	2	DDF21 DRILL	
SB48 STO (TO)	2	DR2424	2	DDF24 DRILL	
<b>SINK BASE MULTI-STORAGE CABINET</b>					
SBMS30 1B STO	2	DR1524	1	DDF30 DRILL	
SBMS36 1B STO	2	DR1824	2	DDF18 DRILL	

SKU	Qty	DOOR		ACCESSORY	
		Part Name	Qty	Part Name	Qty
<b>CORNER BASE</b>					
BER33 (L/R)	1	DR930 BER DRILL	-	-	-
	1	DR930 BER ND	-	-	-
BER3336L	1	DR930 BER DRILL	-	-	-
	1	DR1230 BER ND	-	-	-
BER3336R	1	DR930 BER ND	-	-	-
	1	DR1230 BER DRILL	-	-	-
BER36 (L/R)	1	DR1230 BER DRILL	-	-	-
	1	DR1230 BER ND	-	-	-
BER3633L	1	DR1230 BER DRILL	-	-	-
	1	DR930 BER ND	-	-	-
BER3633R	1	DR1230 BER ND	-	-	-
	1	DR930 BER DRILL	-	-	-
BSS33 (L/R)	1	DR930 BER DRILL	1	BSS33 UNIT RAS	-
	1	DR930 BER ND	-	-	-
BSS33 (L/R) WD	1	DR930 BER DRILL	2	BSS33 SHELF WD NP	-
	1	DR930 BER ND	-	-	-
BSS3336L	1	DR930 BER DRILL	1	BSS33 UNIT RAS	-
	1	DR1230 BER ND	-	-	-
BSS3336L WD	1	DR930 BER DRILL	2	BSS3336 SHELF WD NP	-
	1	DR1230 BER ND	-	-	-
BSS3336R	1	DR930 BER ND	1	BSS33 UNIT RAS	-
	1	DR1230 BER DRILL	-	-	-
BSS3336R WD	1	DR930 BER ND	2	BSS3336 SHELF WD NP	-
	1	DR1230 BER DRILL	-	-	-
BSS36 (L/R)	1	DR1230 BER DRILL	1	BSS36 UNIT RAS	-
	1	DR1230 BER ND	-	-	-
BSS36 (L/R) WD	1	DR1230 BER DRILL	2	BSS36 SHELF WD NP	-
	1	DR1230 BER ND	-	-	-
BSS3633L	1	DR1230 BER DRILL	1	BSS33 UNIT RAS	-
	1	DR930 BER ND	-	-	-
BSS3633L WD	1	DR1230 BER DRILL	2	BSS3633 SHELF WD NP	-
	1	DR930 BER ND	-	-	-
BSS3633R	1	DR1230 BER ND	1	BSS33 UNIT RAS	-
	1	DR930 BER DRILL	-	-	-
BSS3633R WD	1	DR1230 BER ND	2	BSS3633 SHELF WD NP	-
	1	DR930 BER DRILL	-	-	-
CAR36 (L/R)	1	DR1230 BER DRILL	1	CAR36 UNIT RAS	-
	1	DR1230 BER ND	-	-	-
CAR36 (L/R) WD	1	DR1230 BER DRILL	2	CAR36 SHELF WD	-
	1	DR1230 BER ND	1	BSSCWSCAR T-SHAFT RAS	-
	1		1	WOOD SPIN SHELF HDW	-
CBS36	1	DRCBS36	1	CBS36 UNIT RAS	-
CBS36 WD	1	DRCBS36	2	CBS SHELF WD NP	-

PARTS: BASE CABINETS

SKU	Qty	DOOR		ADJUSTABLE SHELF / ACCESSORY		DRAWER / PANEL FRONT		DRAWER BODY
		Part Name	Qty	*Part Name	Qty	Full Overlay	Standard Overlay	*Part Name
Part Name	Qty	Part Name	Qty	Part Name	Qty	Part Name	Part Name	Part Name
<b>DESK WITH BOTTOM MOUNT WASTEBASKET(S)</b>								
DWBB1821	1	DR1824 ND	1	DWBB1821_OL KIT	-	-	-	-
DWBB1824	1	DR1824 ND	1	DWBB1824_OL KIT	-	-	-	-
<b>DESK DOOR • 21" DEEP</b>								
DD01221	1	DR1218	1	VLC1221 SHELF ADJ	1	DDF12	DDF12	DRB12 X 18DP SG
DD01521	1	DR1518	1	VLC1521 SHELF ADJ	1	DDF15	DDF15	DRB15 X 18DP SG
DD01821	1	DR1818	1	VLC1821 SHELF ADJ	1	DDF18	DDF18	DRB18 X 18DP SG
DD02121	1	DR2118	1	21" SHELF 21DP	1	DDF21	DDF21	DRB21 X 18DP SG
DD02421	2	DR1218	1	24" SHELF 21DP	1	DDF24	DDF24	DRB24 X 18DP SG
<b>DESK DOOR • 24" DEEP</b>								
DD01224	1	DR1218	1	12" SHELF 24DP	1	DDF12	DDF12	DRB12 X 18DP SG
DD01524	1	DR1518	1	15" SHELF 24DP	1	DDF15	DDF15	DRB15 X 18DP SG
DD01824	1	DR1818	1	18" SHELF 24DP	1	DDF18	DDF18	DRB18 X 18DP SG
DD02124	1	DR2118	1	21" SHELF 24DP	1	DDF21	DDF21	DRB21 X 18DP SG
DD02424	2	DR1218	1	24" SHELF 24DP	1	DDF24	DDF24	DRB24 X 18DP SG
<b>DESK DRAWER BASE CABINET • 21" DEEP</b>								
DDR1221	-	-	-	-	2	DDF12	DDF12	DRB12 X 18DP SG
					1	DDF12M	DDF12D	DRB12M X 18DP SG
DDR1521	-	-	-	-	2	DDF15	DDF15	DRB15 X 18DP SG
					1	DDF15M	DDF15D	DRB15M X 18DP SG
DDR1821	-	-	-	-	2	DDF18	DDF18	DRB18 X 18DP SG
					1	DDF18M	DDF18D	DRB18M X 18DP SG
DDR2121	-	-	-	-	2	DDF21	DDF21	DRB21 X 18DP SG
					1	DDF21M	DDF21D	DRB21M X 18DP SG
DDR2421	-	-	-	-	2	DDF24	DDF24	DRB24 X 18DP SG
					1	DDF24M	DDF24D	DRB24M X 18DP SG
<b>DESK DRAWER BASE CABINET • 24" DEEP</b>								
DDR1224	-	-	-	-	2	DDF12	DDF12	DRB12 X 18DP SG
					1	DDF12M	DDF12D	DRB12M X 18DP SG
DDR1524	-	-	-	-	2	DDF15	DDF15	DRB15 X 18DP SG
					1	DDF15M	DDF15D	DRB15M X 18DP SG
DDR1824	-	-	-	-	2	DDF18	DDF18	DRB18 X 18DP SG
					1	DDF18M	DDF18D	DRB18M X 18DP SG
DDR2124	-	-	-	-	2	DDF21	DDF21	DRB21 X 18DP SG
					1	DDF21M	DDF21D	DRB21M X 18DP SG
DDR2424	-	-	-	-	2	DDF24	DDF24	DRB24 X 18DP SG
					1	DDF24M	DDF24D	DRB24M X 18DP SG
<b>DESK FILE PULL OUT CABINET</b>								
DFDC1821	1	DR1818 ND	1	DFDC FILE UNIT 21	1	DDF18	DDF18	DRB18 X 18DP SG DRB18M X 18DP SG
DFDC1824	1	DR1818 ND	1	DFDC FILE UNIT 24	1	DDF18	DDF18	DRB18 X 18DP SG DRB18M X 18DP SG

SKU	Qty	DOOR	SPECIALTY DOOR	GLASS INSERT	Qty	ADJUSTABLE SHELF
			*Specialty doors require a specialty door selection			*For Matching Interior Adjustable Shelf, refer to Parts Directory Legend
		Part Name	Part Name	Part Name		*Part Name
<b>UTILITY WITH ADJUSTABLE SHELVES • 12" DEEP X 84" HIGH</b>						
UT1212 X 84 AS	1	DRI230	DRI230 SD	DGI-1230	5	S1212
	1	DRI250				
UT1512 X 84 AS	1	DRI530	DRI530 SD	DGI-1530	5	S1512
	1	DRI550				
UT1812 X 84 AS	1	DRI830	DRI830 SD	DGI-1830	5	S1812
	1	DRI850				
UT2412 X 84 AS	2	DRI230	DRI230 SD	DGI-1230	5	S2412
	2	DRI250				
<b>UTILITY WITH ADJUSTABLE SHELVES • 12" DEEP X 90" HIGH</b>						
UT1512 X 90 AS	1	DRI536	DRI536 SD	DGI-1536	6	S1512
	1	DRI550				
UT1812 X 90 AS	1	DRI836	DRI836 SD	DGI-1836	6	S1812
	1	DRI850				
UT2412 X 90 AS	2	DRI236	DRI236 SD	DGI-1236	6	S2412
	2	DRI250				
<b>UTILITY WITH ADJUSTABLE SHELVES • 12" DEEP X 96" HIGH</b>						
UT1512 X 96 AS	1	DRI542	DRI542 SD	DGI-1542	7	S1512
	1	DRI550				
UT1812 X 96 AS	1	DRI842	DRI842 SD	DGI-1842	7	S1812
	1	DRI850				
UT2412 X 96 AS	2	DRI242	DRI242 SD	DGI-1242	7	S2412
	2	DRI250				
<b>UTILITY WITH ADJUSTABLE SHELVES • 24" DEEP X 84" HIGH</b>						
UT1224 X 84 AS	1	DRI230	DRI230 SD	DGI-1230	5	S1224
	1	DRI250				
UT1524 X 84 AS	1	DRI530	DRI530 SD	DGI-1530	5	S1524
	1	DRI550				
UT1824 X 84 AS	1	DRI830	DRI830 SD	DGI-1830	5	S1824
	1	DRI850				
UT2424 X 84 AS	2	DRI230	DRI230 SD	DGI-1230	5	S2424
	2	DRI250				
UT3024 X 84 AS	2	DRI530	DRI530 SD	DGI-1530	5	S3024
	2	DRI550				
UT3624 X 84 AS	2	DRI830	DRI830 SD	DGI-1830	5	S3624
	2	DRI850				
<b>UTILITY WITH ADJUSTABLE SHELVES • 24" DEEP X 90" HIGH</b>						
UT1524 X 90 AS	1	DRI536	DRI536 SD	DGI-1536	6	S1524
	1	DRI550				
UT1824 X 90 AS	1	DRI836	DRI836 SD	DGI-1836	6	S1824
	1	DRI850				
UT2424 X 90 AS	2	DRI236	DRI236 SD	DGI-1236	6	S2424
	2	DRI250				
UT3024 X 90 AS	2	DRI536	DRI536 SD	DGI-1536	6	S3024
	2	DRI550				
UT3624 X 90 AS	2	DRI836	DRI836 SD	DGI-1836	6	S3624
	2	DRI850				

## PARTS DIRECTORY: Utility Cabinets

SKU	Qty	DOOR	SPECIALTY DOOR	GLASS INSERT	Qty	ADJUSTABLE SHELF AND/OR ACCESSORY
			*Specialty doors require a specialty door selection			*For Matching Interior Adjustable Shelf, refer to Parts Directory Legend
		Part Name	Part Name	Part Name		*Part Name
<b>UTILITY WITH ADJUSTABLE SHELVES • 24" DEEP X 96" HIGH</b>						
UT1524 X 96 AS	1	DR1542	DR1542 SD	DGI-1542	7	S1524
	1	DR1550				
UT1824 X 96 AS	1	DR1842	DR1842 SD	DGI-1842	7	S1824
	1	DR1850				
UT2424 X 96 AS	2	DR1242	DR1242 SD	DGI-1242	7	S2424
	2	DR1250				
UT3024 X 96 AS	2	DR1542	DR1542 SD	DGI-1542	7	S3024
	2	DR1550				
UT3624 X 96 AS	2	DR1842	DR1842 SD	DGI-1842	7	S3624
	2	DR1850				
<b>UTILITY WITH SLIDING SHELVES • 84" HIGH</b>						
UT1224 X 84 4SSK	1	DR1230	DR1230 SD	DGI-1230	1	S1224
	1	DR1250			4	SSK12
UT1524 X 84 4SSK	1	DR1530	DR1530 SD	DGI-1530	1	S1524
	1	DR1550			4	SSK15
UT1824 X 84 4SSK	1	DR1830	DR1830 SD	DGI-1830	1	S1824
	1	DR1850			4	SSK18
UT2424 X 84 4SSK	2	DR1230	DR1230 SD	DGI-1230	1	S2424
	2	DR1250			4	SSK24
UT3024 X 84 4SSK	2	DR1530	DR1530 SD	DGI-1530	1	S3024
	2	DR1550			4	SSK30
UT3624 X 84 4SSK	2	DR1830	DR1830 SD	DGI-1830	1	S3624
	2	DR1850			4	SSK36
<b>UTILITY WITH SLIDING SHELVES • 90" HIGH</b>						
UT1524 X 90 4SSK	1	DR1536	DR1536 SD	DGI-1536	2	S1524
	1	DR1550			4	SSK15
UT1824 X 90 4SSK	1	DR1836	DR1836 SD	DGI-1836	2	S1824
	1	DR1850			4	SSK18
UT2424 X 90 4SSK	2	DR1236	DR1236 SD	DGI-1236	2	S2424
	2	DR1250			4	SSK24
UT3024 X 90 4SSK	2	DR1536	DR1536 SD	DGI-1536	2	S3024
	2	DR1550			4	SSK30
UT3624 X 90 4SSK	2	DR1836	DR1836 SD	DGI-1836	2	S3624
	2	DR1850			4	SSK36
<b>UTILITY WITH SLIDING SHELVES • 96" HIGH</b>						
UT1524 X 96 4SSK	1	DR1542	DR1542 SD	DGI-1542	3	S1524
	1	DR1550			4	SSK15
UT1824 X 96 4SSK	1	DR1842	DR1842 SD	DGI-1842	3	S1824
	1	DR1850			4	SSK18
UT2424 X 96 4SSK	2	DR1242	DR1242 SD	DGI-1242	3	S2424
	2	DR1250			4	SSK24
UT3024 X 96 4SSK	2	DR1542	DR1542 SD	DGI-1542	3	S3024
	2	DR1550			4	SSK30
UT3624 X 96 4SSK	2	DR1842	DR1842 SD	DGI-1842	3	S3624
	2	DR1850			4	SSK36
<b>UTILITY WITH PANTRY STORAGE • 24" DEEP X 84" HIGH</b>						
UT3624 X 84 PCDS	2	DR1830	DR1830 SD	DGI-1830	1	S3624
	2	DR1850			1	PCKS36
					2	PDSK18
					1	PSK36
<b>UTILITY WITH PANTRY STORAGE • 24" DEEP X 90" HIGH</b>						
UT3624 X 90 PCDS	2	DR1836	DR1836 SD	DGI-1836	2	S3624
	2	DR1850			1	PCKS36
					2	PDSK18
					1	PSK36
<b>UTILITY WITH PANTRY STORAGE • 24" DEEP X 96" HIGH</b>						
UT3624 X 96 PCDS	2	DR1842	DR1842 SD	DGI-1842	3	S3624
	2	DR1850			1	PCKS36
					2	PDSK18
					1	PSK36

SKU	Qty	DOOR		ADJUSTABLE SHELF		DRAWER FRONT		DRAWER BODY
						Full Overlay	Standard Overlay	*For upgraded Dovetail Side-Glide drawer body, refer to Parts Directory Legend
		Part Name	Qty	*Part Name	Qty	Part Name	Part Name	*Part Name
<b>DOUBLE OVEN CABINETS • 84" HIGH</b>								
OVD2784	2	DR1318	-	-	1	DDFOV27	DDF27	DRB24 X 18DP SG
OVD3084	2	DR1518	-	-	1	DDFOV30	DDF30	DRB27 X 18DP SG
OVD3384	2	DR1618	-	-	1	DDFOV33	DDF33	DRB30 X 18DP SG
<b>DOUBLE OVEN CABINETS • 90" HIGH</b>								
OVD2790 AS	2	DR1324	1	S2724	1	DDFOV27	DDF27	DRB24 X 18DP SG
OVD3090 AS	2	DR1524	1	S3024	1	DDFOV30	DDF30	DRB27 X 18DP SG
OVD3390 AS	2	DR1624	1	S3324	1	DDFOV33	DDF33	DRB30 X 18DP SG
<b>DOUBLE OVEN CABINETS • 96" HIGH</b>								
OVD2796 AS	2	DR1330	2	S2724	1	DDFOV27	DDF27	DRB24 X 18DP SG
OVD3096 AS	2	DR1530	2	S3024	1	DDFOV30	DDF30	DRB27 X 18DP SG
OVD3396 AS	2	DR1630	2	S3324	1	DDFOV33	DDF33	DRB30 X 18DP SG

SKU	Qty	DOOR		ADJUSTABLE SHELF AND/OR ACCESSORY	
		Part Name	Qty	Part Name	Qty
<b>SINGLE OVEN CABINETS • 84" HIGH</b>					
OVS2784	2	DR1318	-	-	-
	2	DR1324	-	-	-
OVS3084	2	DR1518	-	-	-
	2	DR1524	-	-	-
OVS3384	2	DR1618	-	-	-
	2	DR1624	-	-	-
<b>SINGLE OVEN CABINETS • 90" HIGH</b>					
OVS2790 AS	4	DR1324	1	S2724	
OVS3090 AS	4	DR1524	1	S3024	
OVS3390 AS	4	DR1624	1	S3324	
<b>SINGLE OVEN CABINETS • 96" HIGH</b>					
OVS2796 AS	2	DR1330	2	S2724	
	2	DR1324			
OVS3096 AS	2	DR1530	2	S3024	
	2	DR1524			
OVS3396 AS	2	DR1630	2	S3324	
	2	DR1624			

PARTS: TALL CABINETS

224 PARTS DIRECTORY: Single Oven Cabinets

PARTS: TALL CABINETS

SKU	DOOR		ADJUSTABLE SHELF AND/OR ACCESSORY	
	Qty	Part Name	Qty	Part Name
*For Matching Interior Adjustable Shelf, refer to Parts Directory Legend				
<b>SINGLE OVEN CABINETS WITH ORGANIZER • 84" HIGH</b>				
OVS2784 BPP0	2	DR1318	1	BBPOK24
	2	DR1324		
OVS3084 BPP0	2	DR1518	1	BPP0K27
	2	DR1524		
OVS3384 BPP0	2	DR1618	1	BPP0K30
	2	DR1624		
<b>SINGLE OVEN CABINETS WITH ORGANIZER • 90" HIGH</b>				
OVS2790 BPP0	4	DR1324	1	S2724
			1	BPP0K24
OVS3090 BPP0	4	DR1524	1	S3024
			1	BPP0K27
OVS3390 BPP0	4	DR1624	1	S3324
			1	BPP0K30
<b>SINGLE OVEN CABINETS WITH ORGANIZER • 96" HIGH</b>				
OVS2796 BBP0	2	DR1330	2	S2724
	2	DR1324	1	BPP0K24
OVS3096 BPP0	2	DR1530	2	S3024
	2	DR1524	1	BPP0K27
OVS3396 BPP0	2	DR1630	2	S3324
	2	DR1624	1	BPP0K30

SKU	Qty	DRAWER / PANEL FRONT		DRAWER BODY
		Full Overlay	Standard Overlay	*For upgraded Dovetail Side-Glide drawer body, refer to Parts Directory Legend
		Part Name	Part Name	Part Name
<b>STANDARD HEIGHT VANITY DRAWER BASE • 31 1/8" HIGH</b>				
VDB12	2	DDF12	DDF12	DRB12 X 18DP SG
	1	DDF12VD	DDF12D	DRB12M X 18DP SG
VDB15	2	DDF15	DDF15	DRB15 X 18DP SG
	1	DDF15VD	DDF15D	DRB15M X 18DP SG
VDB18	2	DDF18	DDF18	DRB18 X 18DP SG
	1	DDF18VD	DDF18D	DRB18M X 18DP SG
VDB21	2	DDF21	DDF21	DRB21 X 18DP SG
	1	DDF21VD	DDF21D	DRB21M X 18DP SG
VDB24	2	DDF24	DDF24	DRB24 X 18DP SG
	1	DDF24VD	DDF24D	DRB24M X 18DP SG
<b>BASE HEIGHT VANITY DRAWER BASE • 34 1/2" HIGH</b>				
VDB1234H	1	DDF12	DDF12	DRB12 X 18DP SG
	2	DDF12M	DDF12D	DRB12M X 18DP SG
VDB1534H	1	DDF15	DDF15	DRB15 X 18DP SG
	2	DDF15M	DDF15D	DRB15M X 18DP SG
VDB1834H	1	DDF18	DDF18	DRB18 X 18DP SG
	2	DDF18M	DDF18D	DRB18M X 18DP SG
VDB2134H	1	DDF21	DDF21	DRB21 X 18DP SG
	2	DDF21M	DDF21D	DRB21M X 18DP SG
VDB2434H	1	DDF24	DDF24	DRB24 X 18DP SG
	2	DDF24M	DDF24D	DRB24M X 18DP SG
<b>KNEEHOLE DRAWER CABINET</b>				
KDC27/21	1	DDFKDC27/21	DDFKDC27/21	DRBKDC27X 15DP DT SG
KDC33/27	1	DDFKDC33/27	DDFKDC33/27	DRBKDC33X 15DP DT SG
KDC36/33	1	DDFKDC36/33	DDFKDC36/33	DRBKDC36X 15DP DT SG

## PARTS DIRECTORY: Vanity Cabinets

SKU	Qty	DOOR		DRAWER/PANEL FRONT			DRAWER BODY
		Part Name	Qty	Full Overlay		Qty	*For upgraded Dovetail Side-Glide drawer body, refer to Parts Directory Legend
				Part Name	Part Name		*Part Name
<b>VANITY BASE • 31 1/8" HIGH</b>							
VB12	1	DR1221V	1	DDF12	DDF12	1	DRB12 X 18DP SG
VB15	1	DR1521V	1	DDF15	DDF15	1	DRB15 X 18DP SG
VB18	1	DR1821V	1	DDF18	DDF18	1	DRB18 X 18DP SG
VB21	1	DR2121V	1	DDF21	DDF21	1	DRB21 X 18DP SG
VB24	2	DR1221V	1	DDF24	DDF24	1	DRB24 X 18DP SG
VB27	2	DR1321V	1	DDF27	DDF27	1	DRB27 X 18DP SG
VB30	2	DR1521V	1	DDF30	DDF30	1	DRB30 X 18DP SG
VB33	2	DR1621V	1	DDF33	DDF33	1	DRB33 X 18DP SG
VB36	2	DR1821V	1	DDF36	DDF36	1	DRB36 X 18DP SG
<b>VANITY SINK BASE WITH TOP DRAWERS • 31 1/8" HIGH</b>							
VAN36	2	DR1821V	3	DDF12	DDF12	2	DRB10 X 18DP SG
VAN39	2	DR1921V	2	DDF12	DDF12	2	DRB12 X 18DP SG
			1	DDF15	DDF15		
VAN42	2	DR2121V	2	DDF12	DDF12	2	DRB12 X 18DP SG
			1	DDF18	DDF18		
VAN48	2	DR1521V	2	DDF15	DDF15	2	DRB15 X 18DP SG
			1	DDF18	DDF18		
VAN54	2	DR1221V	2	DDF12	DDF12	2	DRB12 X 18DP SG
			2	DDF30	DDF30		
VAN60	4	DR1521V	2	DDF15	DDF15	2	DRB15 X 18DP SG
			1	DDF30	DDF30		
<b>VANITY COMBO SINK BASE • 18" DEEP X 31 1/8" HIGH</b>							
VSDB2418	1	DR1221V	3	DDF12	DDF12	1	DRB12 X 15DP SG
			1	DDF12VD	DDF12D		
VSDB2718	1	DR1521V	1	DDF15	DDF15	1	DRB12 X 15DP SG
			2	DDF12	DDF12		
			1	DDF12VD	DDF12D		
VSDB3018	1	DR1821V	1	DDF18	DDF18	1	DRB12 X 15DP SG
			2	DDF12	DDF12		
			1	DDF12VD	DDF12D		
VSDB3318	1	DR2121V	1	DDF21	DDF21	1	DRB12 X 15DP SG
			2	DDF12	DDF12		
			1	DDF12VD	DDF12D		
VSDB3618	1	DR2121V	1	DDF21	DDF21	1	DRB15 X 15DP SG
			2	DDF15	DDF15		
			1	DDF15VD	DDF15D		

SKU	Qty	DOOR		DRAWER/PANEL FRONT			DRAWER BODY
		Part Name	Qty	Full Overlay		Standard Overlay	*For upgraded Dovetail Side-Glide drawer body, refer to Parts Directory Legend
				Part Name	Qty		Part Name
<b>VANITY COMBO SINK BASE • 31 1/8" HIGH</b>							
VSDB24	1	DRI221V	3	DDF12	DDF12	1	DRB12 X 18DP SG
			1	DDF12VD	DDF12D	1	DRB12M X 18DP SG
VSDB27	1	DRI521V	1	DDF15	DDF15	1	DRB12 X 18DP SG
			2	DDF12	DDF12	1	DRB12M X 18DP SG
			1	DDF12VD	DDF12D		
VSDB30	1	DRI821V	1	DDF18	DDF18	1	DRB12 X 18DP SG
			2	DDF12	DDF12	1	DRB12M X 18DP SG
			1	DDF12VD	DDF12D		
VSDB33	1	DR2121V	1	DDF21	DDF21	1	DRB12 X 18DP SG
			2	DDF12	DDF12	1	DRB12M X 18DP SG
			1	DDF12VD	DDF12D		
VSDB36	1	DR2121V	1	DDF21	DDF21	1	DRB15 X 18DP SG
			2	DDF15	DDF15	1	DRB15M X 18DP SG
			1	DDF15VD	DDF15D		
VSDB42	2	DRI521V	1	DDF30	DDF30	2	DRB12 X 18DP SG
			2	DDF12	DDF12	1	DRB12M X 18DP SG
			1	DDF12VD	DDF12D		
VSDB48D	2	DRI221V	1	DDF24	DDF24	4	DRB12 X 18DP SG
			4	DDF12	DDF12	2	DRB12M X 18DP SG
			2	DDF12VD	DDF12D		
VSDB54D	2	DRI221V	1	DDF24	DDF24	4	DRB15 X 18DP SG
			4	DDF15	DDF15	2	DRB15M X 18DP SG
			2	DDF15VD	DDF15D		
VSDB60C	4	DRI221V	2	DDF24	DDF24	2	DRB12 X 18DP SG
			2	DDF12	DDF12	1	DRB12M X 18DP SG
			1	DDF12VD	DDF12D		
VSDB60D	2	DRI521V	1	DDF30	DDF30	4	DRB15 X 18DP SG
			4	DDF15	DDF15	2	DRB15M X 18DP SG
			2	DDF15VD	DDF15D		
<b>VANITY BASE • 34 1/2" HIGH</b>							
VB1234H	1	DR1224	1	DDF12	DDF12	1	DRB12 X 18DP SG
VB1534H	1	DR1524	1	DDF15	DDF15	1	DRB15 X 18DP SG
VB1834H	1	DR1824	1	DDF18	DDF18	1	DRB18 X 18DP SG
VB2134H	1	DR2124	1	DDF21	DDF21	1	DRB21 X 18DP SG
VB2434H	2	DR1224	1	DDF24	DDF24	1	DRB24 X 18DP SG
VB2734H	2	DR1324	1	DDF27	DDF27	1	DRB27 X 18DP SG
VB3034H	2	DR1524	1	DDF30	DDF30	1	DRB30 X 18DP SG
VB3334H	2	DR1624	1	DDF33	DDF33	1	DRB33 X 18DP SG
VB3634H	2	DR1824	1	DDF36	DDF36	1	DRB36 X 18DP SG
<b>VANITY WITH BOTTOM MOUNT BASE WASTEBASKET • 34 1/2" HIGH</b>							
VWBB1834H	1	DR1824 ND	1	DDF18	DDF18	1	DRB18 X 18DP SG
						1	VWBB1834H_OL KIT
<b>VANITY SINK BASE WITH TOP DRAWERS • 34 1/2" HIGH</b>							
VAN3634H	2	DR1824	3	DDF12	DDF12	2	DRB10 X 18DP SG
VAN3934H	2	DR1924	2	DDF12	DDF12	2	DRB12 X 18DP SG
			1	DDF15	DDF15		
VAN4234H	2	DR2124	2	DDF12	DDF12	2	DRB12 X 18DP SG
			1	DDF18	DDF18		
VAN4834H	2	DR1524	2	DDF15	DDF15	2	DRB15 X 18DP SG
	1	DR1824	1	DDF18	DDF18		
VAN5434H	2	DR1224	2	DDF12	DDF12	2	DRB12 X 18DP SG
	2	DR1524	1	DDF30	DDF30		
VAN6034H	4	DR1524	2	DDF15	DDF15	2	DRB15 X 18DP SG
			1	DDF30	DDF30		

PARTS: VANITY CABINETS

## PARTS DIRECTORY: Vanity Cabinets

SKU	Qty	DOOR		DRAWER/PANEL FRONT			DRAWER BODY
		Part Name	Qty	Full Overlay		Qty	*For upgraded Dovetail Side-Glide drawer body, refer to Parts Directory Legend
				Part Name	Part Name		
<b>VANITY COMBO SINK BASE • 18" DEEP X 34 1/2" HIGH</b>							
VSDB241834H	1	DR1224	2	DDF12	DDF12	2	DRB12M X 15DP SG
			2	DDF12M	DDF12D		
VSDB271834H	1	DR1524	1	DDF15	DDF15	2	DRB12M X 15DP SG
			1	DDF12	DDF12		
			2	DDF12M	DDF12D		
VSDB301834H	1	DR1824	1	DDF18	DDF18	2	DRB12M X 15DP SG
			1	DDF12	DDF12		
			2	DDF12M	DDF12D		
VSDB331834H	1	DR2124	1	DDF21	DDF21	2	DRB12M X 15DP SG
			1	DDF12	DDF12		
			2	DDF12M	DDF12D		
VSDB361834H	1	DR2124	1	DDF21	DDF21	2	DRB15M X 15DP SG
			1	DDF15	DDF15		
			2	DDF15M	DDF15D		
<b>VANITY COMBO SINK BASE • 34 1/2" HIGH</b>							
VSDB2434H	1	DR1224	2	DDF12	DDF12	2	DRB12M X 18DP SG
			2	DDF12M	DDF12D		
VSDB2734H	1	DR1524	1	DDF15	DDF15	2	DRB12M X 18DP SG
			1	DDF12	DDF12		
			2	DDF12M	DDF12D		
VSDB3034H	1	DR1824	1	DDF18	DDF18	2	DRB12M X 18DP SG
			1	DDF12	DDF12		
			2	DDF12M	DDF12D		
VSDB3334H	1	DR2124	1	DDF21	DDF21	2	DRB12M X 18DP SG
			1	DDF12	DDF12		
			2	DDF12M	DDF12D		
VSDB3634H	1	DR2124	1	DDF21	DDF21	2	DRB15M X 18DP SG
			1	DDF15	DDF15		
			2	DDF15M	DDF15D		
VSDB3934H	1	DR2124	1	DDF21	DDF21	2	DRB18M X 18DP SG
			1	DDF18	DDF18		
			2	DDF18M	DDF18D		
VSDB4234H	2	DR1524	1	DDF30	DDF30	1	DRB12 X 18DP SG
			1	DDF12	DDF12	2	DRB12M X 18DP SG
			2	DDF12M	DDF12D		
VSDB4834HD	2	DR1224	1	DDF24	DDF24	2	DRB12 X 18DP SG
			2	DDF12	DDF12	4	DRB12M X 18DP SG
			4	DDF12M	DDF12D		
VSDB5434HD	2	DR1224	1	DDF24	DDF24	2	DRB15 X 18DP SG
			2	DDF15	DDF15	4	DRB15M X 18DP SG
			4	DDF15M	DDF15D		
VSDB6034HC	4	DR1224	2	DDF24	DDF24	1	DRB15 X 18DP SG
			1	DDF12	DDF12	2	DRB15M X 18DP SG
			2	DDF12M	DDF12D		
VSDB6034HD	2	DR1524	1	DDF30	DDF30	2	DRB12 X 18DP SG
			2	DDF15	DDF15	4	DRB12M X 18DP SG
			4	DDF15M	DDF15D		

SKU	Qty	DOOR		DRAWER / PANEL FRONT	
		Part Name	Qty	*Part Name	Qty
<b>VANITY SINK BASE • 31 1/8" HIGH</b>					
VSB15	1	DR152IV	1	DDF15	
VSB18	1	DR182IV	1	DDF18	
VSB21 / VSF21	1	DR212IV	1	DDF21	
VSB24 / VSF24	2	DR122IV	1	DDF24	
VSB27	2	DR132IV	1	DDF27	
VSB30 / VSF30	2	DR152IV	1	DDF30	
VSB33	2	DR162IV	1	DDF33	
VSB36 / VSF36	2	DR182IV	1	DDF36	
VSB39 / VSF39	2	DR192IV	2	DDF19	
VSB42 / VSF42	2	DR212IV	2	DDF21	
VSB48 / VSF48	2	DR152IV	2	DDF15	
	1	DR182IV	1	DDF18	
VSB54	4	DR132IV	2	DDF27	
VSB60	4	DR152IV	2	DDF30	
<b>VANITY SINK BASE • 18" DEEP X 31 1/8" HIGH</b>					
VSB2418	2	DR122IV	1	DDF24	
VSB3018	2	DR152IV	1	DDF30	
VSB3618	2	DR182IV	1	DDF36	
<b>VANITY SINK BASE • 34 1/2" HIGH</b>					
VSB1534H	1	DR1524	1	DDF15	
VSB1834H	1	DR1824	1	DDF18	
VSB2134H	1	DR2124	1	DDF21	
VSB2434H	2	DR1224	1	DDF24	
VSB2734H	2	DR1324	1	DDF27	
VSB3034H	2	DR1524	1	DDF30	
VSB3334H	2	DR1624	1	DDF33	
VSB3634H	2	DR1824	1	DDF36	
VSB3934H	2	DR1924	2	DDF19	
VSB4234H	2	DR2124	2	DDF21	
VSB4834H	2	DR1524	2	DDF15	
	1	DR1824	1	DDF18	
VSB5434H	4	DR1324	2	DDF27	
VSB6034H	4	DR1524	2	DDF30	
<b>VANITY SINK BASE • 18" DEEP X 34 1/2" HIGH</b>					
VSB241834H	2	DR1224	1	DDF24	
VSB301834H	2	DR1524	1	DDF30	
VSB361834H	2	DR1824	1	DDF36	

PARTS: VANITY CABINETS

## PARTS DIRECTORY: Vanity Cabinets

SKU	Qty	DOOR	Qty	SPECIALTY DOOR	DECORATIVE GLASS INSERT	Qty	ADJUSTABLE SHELF
				Specialty doors must be ordered as left or right and require a specialty door selection.			*For Matching Interior Adjustable Shelf, refer to Parts Directory Legend
		Part Name		Part Name	Part Name		*Part Name
<b>VANITY LINEN CABINETS • WITH ADJUSTABLE SHELVES</b>							
VLC122184 AS	1 1	DRI230 DRI250	1	DRI230 SD	DGI-1230	5	SI221
VLC152184 AS	1 1	DRI530 DRI550	1	DRI530 SD	DGI-1530	5	SI521
VLC182184 AS	1 1	DRI830 DRI850	1	DRI830 SD	DGI-1830	5	
VLC242184 AS	2 2	DRI230 DRI250	2	DRI230 SD	DGI-1230	5	S2421
<b>VANITY LINEN CABINETS • WITH SLIDING SHELVES</b>							
VLC122184 4SSK	1 1	DRI230 DRI250	1	DRI230 SD	DGI-1230	1 4	SI221 SSK1221
VLC152184 4SSK	1 1	DRI530 DRI550	1	DRI530 SD	DGI-1530	1 4	SI521 SSK1521
VLC182184 4SSK	1 1	DRI830 DRI850	1	DRI830 SD	DGI-1830	1 4	SI821 SSK1821
VLC242184 4SSK	2 2	DRI230 DRI250	2	DRI230 SD	DGI-1230	1 4	S2421 SSK2421
<b>MEDICINE CABINET</b>							
MC1530	1	DRI530	-	-	-	-	-
MCM1530	1	DRMCM1530	-	-	-	-	-
<b>TRI-VIEW MIRROR</b>							
TV3030	3	MIRROR TV3030	-	-	-	3 3	TV30 SHELF 9 TV30 SHELF 18
TV3630	3	MIRROR TV3630	-	-	-	3 3	TV36 SHELF 11 TV36 SHELF 22
<b>VALET CABINET</b>							
VC2436	2	DRI224	-	-	-	-	-

SKU	Qty	DOOR		ADJUSTABLE SHELF/ACCESSORY	
		Part Name	Qty	*Part Name	Qty
<b>UNIVERSAL DESIGN BASE</b>					
B24 1B UD	2	DR1224	1	24" SHELF 3/4	
B27 UD	2	DR1324	1	27" SHELF 3/4	
B30 UD	2	DR1524	1	30" SHELF 3/4	
B33 UD	2	DR1624	1	33" SHELF 3/4	
B36 UD	2	DR1824	1	36" SHELF 3/4	
B39 UD	2	DR1924	1	39" SHELF 3/4	
B42 UD	2	DR2124	1	42" SHELF 3/4	
B45 UD	3	DR1524	1	45" SHELF 3/4	
<b>UNIVERSAL DESIGN BASE WITH ONE SLIDING SHELF</b>					
B12 SS1 UD	1	DR1224	1	SSK12	
B15 SS1 UD	1	DR1524	1	SSK15	
B18 SS1 UD	1	DR1824	1	SSK18	
B21 SS1 UD	1	DR2124	1	SSK21	
B24 1B SS1 UD	2	DR1224	1	SSK24	
<b>UNIVERSAL DESIGN BASE WITH TWO SLIDING SHELVES</b>					
B12 SS2 UD	1	DR1224	2	SSK12	
B15 SS2 UD	1	DR1524	2	SSK15	
B18 SS2 UD	1	DR1824	2	SSK18	
B21 SS2 UD	1	DR2124	2	SSK21	
B24 1B SS2 UD	2	DR1224	2	SSK24	
<b>UNIVERSAL DESIGN CORNER BASE SUSAN</b>					
CBS36 UD	1	DR1524	1	CBS36 SHELF RAS	
<b>UNIVERSAL DESIGN SINK BASE</b>					
SB30 UD	2	DR1524	-	-	
SB33 UD	2	DR1624	-	-	
SB36 UD	2	DR1824	-	-	

SKU	Qty	DRAWER FRONT		DRAWER BODY
		Full Overlay	Standard Overlay	*For upgraded Dovetail Side-Glide drawer body, refer to Parts Directory Legend
		Part Name	Part Name	*Part Name
<b>UNIVERSAL DESIGN BASE MULTI-USE</b>				
BMU30 UD	1	DDF30	DDF30	DRB30 X 18DP SG
<b>UNIVERSAL DESIGN DRAWER BASE</b>				
DB12 UD	2	DDF12	DDF12	DRB12 X 18DP SG
	1	DDF12M	DDF12D	DRB12M X 18DP SG
DB15 UD	2	DDF15	DDF15	DRB15 X 18DP SG
	1	DDF15M	DDF15D	DRB15M X 18DP SG
DB18 UD	2	DDF18	DDF18	DRB18 X 18DP SG
	1	DDF18M	DDF18D	DRB18M X 18DP SG
DB21 UD	2	DDF21	DDF21	DRB21 X 18DP SG
	1	DDF21M	DDF21D	DRB21M X 18DP SG
DB24 UD	2	DDF24	DDF24	DRB24 X 18DP SG
	1	DDF24M	DDF24D	DRB24M X 18DP SG
<b>UNIVERSAL DESIGN BASE PLUMBING SKIRT</b>				
BPS30 UD	1	DDFKDC33/27	DDFKDC33/27	-
BPS36 UD	1	DDFKDC36/33	DDFKDC36/33	-
<b>UNIVERSAL DESIGN VANITY PLUMBING SKIRT</b>				
VPS30 UD	1	DDFKDC33/27	DDFKDC33/27	-
VPS36 UD	1	DDFKDC36/33	DDFKDC36/33	-

SKU	Qty	DECORATOR MATCHING DOOR	
		Full Overlay	Standard Overlay
		Part Name	Part Name
<b>DECORATOR MATCHING BASE DOORS</b>			
DMDB	1	DR2430 ND	DR2430 ND
DMDBEA12	1	DR12FH ND	DR1230 ND
<b>DECORATOR MATCHING DESK DOORS</b>			
DMDD21	1	DR2124 ND	DR2124 ND
DMDD24	1	DR2424 ND	DR2424 ND
<b>DECORATOR MATCHING TALL DOORS</b>			
DMDT8412	1	DR1230 ND	DR1230 ND
	1	DR1250 ND	DR1250 ND
DMDT8424	2	DR1230 ND	DR1230 ND
	2	DR1250 ND	DR1250 ND
DMDT9012	1	DR1236 ND	DR1236 ND
	1	DR1250 ND	DR1250 ND
DMDT9024	2	DR1236 ND	DR1236 ND
	2	DR1250 ND	DR1250 ND
DMDT9612	1	DR1242 ND	DR1242 ND
	1	DR1250 ND	DR1250 ND
DMDT9624	2	DR1242 ND	DR1242 ND
	2	DR1250 ND	DR1250 ND
<b>DECORATOR MATCHING WALL DOORS</b>			
DMDW18	1	DR1218 ND	DR1218 ND
DMDW24	1	DR1224 ND	DR1224 ND
DMDW30	1	DR1230 ND	DR1230 ND
DMDW36	1	DR1236 ND	DR1236 ND
DMDW42	1	DR1242 ND	DR1242 ND
<b>DECORATOR MATCHING VANITY DOORS</b>			
DMDV	1	DR2121 ND	DR2121 ND
	1	DDF21	DDF21

PART NAME	DOOR DIMENSIONS	
	Full Overlay	Standard Overlay
	Dimensions	Dimensions
<b>50" HIGH</b>		
DR1250	11 9/16" x 49 1/4"	9 7/8" x 47 3/4"
DR1550	14 9/16" x 49 1/4"	12 7/8" x 47 3/4"
DR1850	17 9/16" x 49 1/4"	15 7/8" x 47 3/4"
<b>42" HIGH</b>		
DR942	8 9/16" x 41 1/2"	
DR1242	11 9/16" x 41 1/2"	9 7/8" x 40"
DR1342	13 1/16" x 41 1/2"	11 3/8" x 40"
DR1542	14 9/16" x 41 1/2"	12 7/8" x 40"
DR1642	16 1/16" x 41 1/2"	14 3/8" x 40"
DR1842	17 9/16" x 41 1/2"	15 7/8" x 40"
DR2142	20 9/16" x 41 1/2"	18 7/8" x 40"
<b>36" HIGH</b>		
DR936	8 9/16" x 35 1/2"	6 7/8" x 34"
DR1236	11 9/16" x 35 1/2"	9 7/8" x 34"
DR1336	13 1/16" x 35 1/2"	11 3/8" x 34"
DR1536	14 9/16" x 35 1/2"	12 7/8" x 34"
DR1636	16 1/16" x 35 1/2"	14 3/8" x 34"
DR1836	17 9/16" x 35 1/2"	15 7/8" x 34"
DR2136	20 9/16" x 35 1/2"	18 7/8" x 34"
<b>30" HIGH</b>		
DR930	8 9/16" x 29 1/2"	6 7/8" x 28"
DR930 BER DRILL	7 3/4" x 29 7/8"	7" x 28"
DR930 BER ND	7 3/4" x 29 7/8"	7" x 28"
DR1230	11 9/16" x 29 1/2"	9 7/8" x 28"
DR1230 BER DRILL	10 3/4" x 29 7/8"	10" x 28"
DR1230 BER ND	10 3/4" x 29 7/8"	10" x 28"
DR1230 WER DRILL	10 3/4" x 29 1/2"	10" x 28"
DR1230 WER ND	10 3/4" x 29 1/2"	10" x 28"
DR1330	13 1/16" x 29 1/2"	11 3/8" x 28"
DR1530	14 9/16" x 29 1/2"	12 7/8" x 28"
DR1630	16 1/16" x 29 1/2"	14 3/8" x 28"
DR1830	17 9/16" x 29 1/2"	15 7/8" x 28"
DR1930	19 1/16" x 29 1/2"	17 3/8" x 28"
DR2130	20 9/16" x 29 1/2"	18 7/8" x 28"
DR2430	23 9/16" x 29 1/2"	21 7/8" x 28"
<b>27" HIGH</b>		
DR1527	14 9/16" x 26 1/2"	12 7/8" x 25"
<b>24" HIGH</b>		
DR1224	11 9/16" x 23 7/8"	9 7/8" x 22 3/8"
DR1324	13 1/16" x 23 7/8"	11 3/8" x 22 3/8"
DR1524	14 9/16" x 23 7/8"	12 7/8" x 22 3/8"
DR1624	16 1/16" x 23 7/8"	14 3/8" x 22 3/8"
DR1824	17 9/16" x 23 7/8"	15 7/8" x 22 3/8"
DR1924	19 1/16" x 23 7/8"	17 3/8" x 22 3/8"
DR2124	20 9/16" x 23 7/8"	18 7/8" x 22 3/8"
DR2424	23 9/16" x 23 7/8"	21 7/8" x 22 3/8"

PART NAME	DOOR DIMENSIONS	
	Full Overlay	Standard Overlay
	Dimensions	Dimensions
<b>21" HIGH</b>		
DR1221V	11 9/16" x 20"	9 7/8" x 18 1/2"
DR1321V	13 1/16" x 20"	11 3/8" x 18 1/2"
DR1521	14 9/16" x 20"	12 7/8" x 18 1/2"
DR1521V	14 9/16" x 20"	12 7/8" x 18 1/2"
DR1621	16 1/16" x 20"	14 3/8" x 18 1/2"
DR1621V	16 1/16" x 20"	14 3/8" x 18 1/2"
DR1821	17 9/16" x 20"	15 7/8" x 18 1/2"
DR1821V	17 9/16" x 20"	15 7/8" x 18 1/2"
DR1921	19 1/16" x 20"	17 3/8" x 18 1/2"
DR1921V	19 1/16" x 20"	17 3/8" x 18 1/2"
DR2121	20 9/16" x 20"	18 7/8" x 18 1/2"
DR2121V	20 9/16" x 20"	18 7/8" x 18 1/2"
<b>18" HIGH</b>		
DR1218	11 9/16" x 17 1/2"	9 7/8" x 16"
DR1318	13 1/16" x 17 1/2"	11 3/8" x 16"
DR1518	14 9/16" x 17 1/2"	12 7/8" x 16"
DR1618	16 1/16" x 17 1/2"	14 3/8" x 16"
DR1818	17 9/16" x 17 1/2"	15 7/8" x 16"
DR1918	19 1/16" x 17 1/2"	17 3/8" x 16"
DR2118	20 9/16" x 17 1/2"	18 7/8" x 16"
<b>15" HIGH</b>		
DR1515	14 9/16" x 14 1/2"	12 7/8" x 13"
DR1615	16 1/16" x 14 1/2"	14 3/8" x 13"
DR1815	17 9/16" x 14 1/2"	15 7/8" x 13"
DR1915	19 1/16" x 14 1/2"	17 3/8" x 13"
<b>12" HIGH</b>		
DR1512	14 9/16" x 11 1/2"	12 7/8" x 10"
DR1612	16 1/16" x 11 1/2"	14 3/8" x 10"
DR1812	17 9/16" x 11 1/2"	15 7/8" x 10"
DR1912	19 1/16" x 11 1/2"	17 3/8" x 10"
<b>WALL TOP HINGE DOORS</b>		
DR3015 WTH	29 1/2" x 14 9/16"	28" x 12 7/8"
DR3018 WTH	29 1/2" x 17 9/16"	28" x 15 7/8"
DR3615 WTH	35 1/2" x 14 9/16"	34" x 12 7/8"
DR3618 WTH	35 1/2" x 17 9/16"	34" x 15 7/8"
<b>FULL-HEIGHT DOORS</b>		
DR9FH	8 9/16" x 29 7/8"	-
DR12FH	11 9/16" x 29 7/8"	-
DR15FH	14 9/16" x 29 7/8"	-
DR18FH	17 9/16" x 29 7/8"	-
DR21FH	20 9/16" x 29 7/8"	-
DRCBS36	14 9/16" x 29 7/8"	12 7/8" x 28"
<b>MEDICINE CABINET DOORS</b>		
DRMCM1530	14 9/16" x 29 1/2"	12 7/8" x 28"
MIRROR TV3030	8 13/16" x 26 1/2"	8 13/16" x 26 1/2"
MIRROR TV3630	10 13/16" x 26 1/2"	10 13/16" x 26 1/2"

PARTS: DIMENSIONS

## DECORATIVE GLASS INSERT DIMENSIONS

PART NAME	Full Overlay	Standard Overlay
	Dimensions	Dimensions
<b>12" WIDE</b>		
DGI-1242	8" x 37 15/16"	6 21/64" x 36 25/64"
DGI-1236	8" x 31 15/16"	6 21/64" x 30 25/64"
DGI-1230	8" x 25 15/16"	6 21/64" x 24 25/64"
DGI-1224	8" x 20 5/16"	6 21/64" x 18 49/64"
DGI-1218	8" x 13 15/16"	6 21/64" x 12 25/64"
<b>15" WIDE</b>		
DGI-1542	11" x 37 15/16"	9 21/64" x 36 25/64"
DGI-1536	11" x 31 15/16"	9 21/64" x 30 25/64"
DGI-1530	11" x 25 15/16"	9 21/64" x 24 25/64"
DGI-1524	11" x 20 5/16"	9 21/64" x 18 49/64"
DGI-1518	11" x 13 15/16"	9 21/64" x 12 25/64"
DGI-1515	11" x 10 15/16"	9 21/64" x 9 25/64"
DGI-1512	11" x 7 15/16"	9 21/64" x 6 25/64"
<b>16" WIDE</b>		
DGI-1642	12 1/8" x 37 15/16"	10 53/64" x 36 25/64"
DGI-1636	12 1/8" x 31 15/16"	10 53/64" x 30 25/64"
DGI-1630	12 1/8" x 25 15/16"	10 53/64" x 24 25/64"
DGI-1624	12 1/8" x 20 5/16"	10 53/64" x 18 49/64"
DGI-1618	12 1/8" x 13 15/16"	10 53/64" x 12 25/64"
DGI-1615	12 1/8" x 10 15/16"	10 53/64" x 9 25/64"
<b>18" WIDE</b>		
DGI-1842	14" x 37 15/16"	12 21/64" x 36 25/64"
DGI-1836	14" x 31 15/16"	12 21/64" x 30 25/64"
DGI-1830	14" x 25 15/16"	12 21/64" x 24 25/64"
DGI-1824	14" x 20 5/16"	12 21/64" x 18 49/64"
DGI-1818	14" x 13 15/16"	12 21/64" x 12 25/64"
DGI-1815	14" x 10 15/16"	12 21/64" x 9 25/64"
DGI-1812	14" x 7 15/16"	12 21/64" x 6 25/64"
<b>19" WIDE</b>		
DGI-1930	15 1/8" x 25 15/16"	13 53/64" x 24 25/64"
DGI-1924	15 1/16" x 19 7/8"	13 53/64" x 18 49/64"
DGI-1918	15 1/8" x 13 15/16"	13 53/64" x 12 25/64"
DGI-1915	15 1/8" x 10 15/16"	13 53/64" x 9 25/64"
DGI-1912	15 1/8" x 7 15/16"	13 53/64" x 6 25/64"
<b>21" WIDE</b>		
DGI-2142	17" x 37 15/16"	15 21/64" x 36 25/64"
DGI-2136	17" x 31 15/16"	15 21/64" x 30 25/64"
DGI-2130	17" x 25 15/16"	15 21/64" x 24 25/64"
DGI-2124	17" x 20 5/16"	15 21/64" x 18 49/64"
DGI-2118	17" x 13 15/16"	15 21/64" x 12 25/64"

## DRAWER FRONT DIMENSIONS

PART NAME	Full Overlay	Standard Overlay
	Dimensions	Dimensions
<b>STANDARD DRAWER FRONT</b>		
DDF12	11 9/16" x 5 13/16"	9 7/8" x 5 1/8"
DDF15	14 9/16" x 5 13/16"	12 7/8" x 5 1/8"
DDF18	17 9/16" x 5 13/16"	15 7/8" x 5 1/8"
DDF19	19 1/16" x 5 13/16"	17 3/8" x 5 1/8"
DDF21	20 9/16" x 5 13/16"	18 7/8" x 5 1/8"
DDF24	23 9/16" x 5 13/16"	21 7/8" x 5 1/8"
DDF27	26 9/16" x 5 13/16"	24 7/8" x 5 1/8"
DDF30	29 9/16" x 5 13/16"	27 7/8" x 5 1/8"
DDF33	32 9/16" x 5 13/16"	30 7/8" x 5 1/8"
DDF36	35 9/16" x 5 13/16"	33 7/8" x 5 1/8"
DDF18 DRILL	17 9/16" x 5 13/16"	15 7/8" x 5 1/8"
DDF19 DRILL	19 1/16" x 5 13/16"	17 3/8" x 5 1/8"
DDF21 DRILL	20 9/16" x 5 13/16"	18 7/8" x 5 1/8"
DDF24 DRILL	23 9/16" x 5 13/16"	21 7/8" x 5 1/8"
DDF27 DRILL	26 9/16" x 5 13/16"	24 7/8" x 5 1/8"
DDF30 DRILL	29 9/16" x 5 13/16"	27 7/8" x 5 1/8"
DDF33 DRILL	32 9/16" x 5 13/16"	30 7/8" x 5 1/8"
DDF36 DRILL	35 9/16" x 5 13/16"	33 7/8" x 5 1/8"
<b>LARGE DRAWER FRONT</b>		
DDF12D	-	9 7/8" x 10 13/16"
DDF12M	11 9/16" x 11 27/32"	-
DDF12VD	11 9/16" x 13 3/8"	-
DDF15D	-	12 7/8" x 10 13/16"
DDF15M	14 9/16" x 11 27/32"	-
DDF12VD	11 9/16" x 13 3/8"	-
DDF15D	-	12 7/8" x 10 13/16"
DDF15VD	14 9/16" x 13 3/8"	-
DDF18D	-	15 7/8" x 10 13/16"
DDF18M	17 9/16" x 11 27/32"	-
DDF18VD	17 9/16" x 13 3/8"	-
DDF21D	-	18 7/8" x 10 13/16"
DDF21M	20 9/16" x 11 27/32"	-
DDF21VD	20 9/16" x 13 3/8"	-
DDF24D	-	21 7/8" x 10 13/16"
DDF24M	23 9/16" x 11 27/32"	-
DDF24VD	23 9/16" x 13 3/8"	-
DDF27D	-	24 7/8" x 10 13/16"
DDF27M	26 9/16" x 11 27/32"	-
DDF30D	-	27 7/8" x 10 13/16"
DDF30M	29 9/16" x 11 27/32"	-
DDF33D	-	30 7/8" x 10 13/16"
DDF33M	32 9/16" x 11 27/32"	-
DDF36D	-	33 7/8" x 10 13/16"
DDF36M	35 9/16" x 11 27/32"	-
<b>MISCELLANEOUS DRAWER FRONT</b>		
DDFKDC27/21	20 9/16" x 4 7/16"	18 7/8" x 3 3/4"
DDFKDC33/27	26 9/16" x 4 7/16"	24 7/8" x 3 3/4"
DDFKDC36/33	32 9/16" x 4 7/16"	30 7/8" x 3 3/4"
DDF SDC	5 11/16" x 5 1/2" x 1/2"	5 11/16" x 5 1/2" x 1/2"
DDFOV27	26 9/16" x 7 7/16"	-
DDFOV30	29 9/16" x 7 7/16"	-
DDFOV33	32 9/16" x 7 7/16"	-

SHELF DIMENSIONS	
PART NAME	Dimensions (W x H x D)
	<b>1/2" SHELVES</b>
9" SHELF	7 1/4" x 1/2" x 10 1/4"
12" SHELF	10 1/4" x 1/2" x 10 1/4"
15" SHELF	13 1/4" x 1/2" x 10 1/4"
18" SHELF	16 1/4" x 1/2" x 10 1/4"
21" SHELF	19 1/4" x 1/2" x 10 1/4"
24" SHELF	22 1/4" x 1/2" x 10 1/4"
21" SHELF 2IDP	19 3/16" x 1/2" x 18 7/8"
24" SHELF 2IDP	22 3/16" x 1/2" x 18 7/8"
9" SHELF 24DP	7 3/16" x 1/2" x 22 1/8"
12" SHELF 24DP	10 3/16" x 1/2" x 22 1/8"
15" SHELF 24DP	13 3/16" x 1/2" x 22 1/8"
18" SHELF 24DP	16 3/16" x 1/2" x 22 1/8"
21" SHELF 24DP	19 3/16" x 1/2" x 22 1/8"
24" SHELF 24DP	22 3/16" x 1/2" x 22 1/8"
27" SHELF ADJ	25 1/4" x 1/2" x 10 1/4"
30" SHELF ADJ	28 1/4" x 1/2" x 10 1/4"
33" SHELF ADJ	31 1/4" x 1/2" x 10 1/4"
36" SHELF ADJ	34 1/4" x 1/2" x 10 1/4"
39" SHELF ADJ	37 1/4" x 1/2" x 10 1/4"
42" SHELF ADJ	40 1/4" x 1/2" x 10 1/4"
45" SHELF ADJ	43 1/4" x 1/2" x 10 1/4"
48" SHELF ADJ	46 1/4" x 1/2" x 10 1/4"
12" SHELF PB	10 3/16" x 1/2" x 22 1/8"
18" SHELF PB	16 3/16" x 1/2" x 22 1/8"
24" SHELF PB	22 3/16" x 1/2" x 22 1/8"
30" SHELF PB	28 3/16" x 1/2" x 22 1/8"
36" SHELF PB	34 3/16" x 1/2" x 22 1/8"
42" SHELF PB	40 3/16" x 1/2" x 22 1/8"
24" SHELF PW	22 1/4" x 1/2" x 10 1/4"
30" SHELF PW	28 1/4" x 1/2" x 10 1/4"
36" SHELF PW	34 1/4" x 1/2" x 10 1/4"
12" SHELF PW	10 1/4" x 1/2" x 10 1/4"
15" SHELF PW	13 1/4" x 1/2" x 10 1/4"
18" SHELF PW	16 1/4" x 1/2" x 10 1/4"
24" SHELF PW	22 1/4" x 1/2" x 10 1/4"
42" SHELF PW	40 1/4" x 1/2" x 10 1/4"
VLC1221 SHELF ADJ	10 3/16" x 1/2" x 18 7/8"
VLC1521 SHELF ADJ	13 3/16" x 1/2" x 18 7/8"
VLC1821 SHELF ADJ	16 3/16" x 1/2" x 18 7/8"
<b>3/4" SHELVES</b>	
24" SHELF 3/4	22 1/4" x 3/4" x 10 1/4"
27" SHELF 3/4	25 1/4" x 3/4" x 10 1/4"
30" SHELF 3/4	28 1/4" x 3/4" x 10 1/4"
33" SHELF 3/4	31 1/4" x 3/4" x 10 1/4"
36" SHELF 3/4	34 1/4" x 3/4" x 10 1/4"
39" SHELF 3/4	37 1/4" x 3/4" x 10 1/4"
42" SHELF 3/4	40 1/4" x 3/4" x 10 1/4"
45" SHELF 3/4	43 1/4" x 3/4" x 10 1/4"

SHELF DIMENSIONS	
PART NAME	Dimensions (W x H x D)
	<b>3/4" SHELVES</b>
SI524	13 3/16" x 3/4" x 22 1/8"
SI824	16 3/16" x 3/4" x 22 1/8"
S2424	22 3/16" x 3/4" x 22 1/8"
S3024	28 3/16" x 3/4" x 22 1/8"
S3624	34 3/16" x 3/4" x 22 1/8"
SI224	10 3/16" x 3/4" x 22 1/8"
SI212	10 1/4" x 3/4" x 10 1/4"
SI512	13 1/4" x 3/4" x 10 1/4"
SI812	16 1/4" x 3/4" x 10 1/4"
S2412	22 1/4" x 3/4" x 10 1/4"
SI221	10 3/16" x 3/4" x 18 7/8"
SI521	13 3/16" x 3/4" x 18 7/8"
SI821	16 3/16" x 3/4" x 18 7/8"
S2421	22 3/16" x 3/4" x 18 7/8"
S2724	25 3/16" x 3/4" x 22 1/8"
S3324	31 3/16" x 3/4" x 22 1/8"
<b>SLIDING SHELF KITS</b>	
SSK12	8 1/2" x 2" x 21 3/16"
SSK15	11 1/2" x 2" x 21 3/16"
SSK18	14 1/2" x 2" x 21 3/16"
SSK21	17 1/2" x 2" x 21 3/16"
SSK24	20 1/2" x 2" x 21 3/16"
SSK13	10" x 2" x 21 3/16"
SSK16	13" x 2" x 21 3/16"
SSK19	16" x 2" x 21 3/16"
SSK30	26 1/2" x 2" x 21 3/16"
SSK33	29 1/2" x 2" x 21 3/16"
SSK36	32 1/2" x 2" x 21 3/16"
SSK1221	8 1/2" x 2" x 18 3/16"
SSK1521	11 1/2" x 2" x 18 3/16"
SSK1821	14 1/2" x 2" x 18 3/16"
SSK2421	20 1/2" x 2" x 18 3/16"
<b>BASE POT &amp; PAN ORGANIZER</b>	
BPPOK24	19 3/4" x 19" x 21"
BPPOK27	22 3/4" x 19" x 21"
BPPOK30	25 3/4" x 19" x 21"
BPPOK33	28 3/4" x 19" x 21"
BPPOK36	31 3/4" x 19" x 21"
<b>MISCELLANEOUS SHELVES</b>	
PCKS36	25 5/8" x 45" x 7 1/2"
PDSKI8	12" x 45" x 4"
TV30 SHELF 9	8 7/8" x 1/2" x 3"
TV30 SHELF 18	17 9/32" x 1/2" x 3"
TV36 SHELF 11	10 7/8" x 1/2" x 3"
TV36 SHELF 22	21 9/32" x 1/2" x 3"
WMSC2718 TOP SHELF	25 1/4" x 3/4" x 16 1/4"

STANDARD DRAWER BODY DIMENSIONS

PART NAME

Dimensions (W x H x D)

18" DEEP

DRB10 X 18DP SG	6 7/32" x 3 5/8" x 18"
DRB12 X 18DP SG	7 23/32" x 3 5/8" x 18"
DRB12M X 18DP SG	7 23/32" x 7 3/4" x 18"
DRB15 X 18DP SG	10 23/32" x 3 5/8" x 18"
DRB15M X 18DP SG	10 23/32" x 7 3/4" x 18"
DRB18 X 18DP SG	13 23/32" x 3 5/8" x 18"
DRB18M X 18DP SG	13 23/32" x 7 3/4" x 18"
DRB19 X 18DP SG	15 7/32" x 3 5/8" x 18"
DRB21 X 18DP SG	16 23/32" x 3 5/8" x 18"
DRB21M X 18DP SG	16 23/32" x 7 3/4" x 18"
DRB24 X 18DP SG	19 23/32" x 3 5/8" x 18"
DRB24M X 18DP SG	19 23/32" x 7 3/4" x 18"
DRB27 X 18DP SG	22 23/32" x 3 5/8" x 18"
DRB27M X 18DP SG	22 23/32" x 7 3/4" x 18"
DRB30 X 18DP SG	25 23/32" x 3 5/8" x 18"
DRB30M X 18DP SG	25 23/32" x 7 3/4" x 18"
DRB33 X 18DP SG	28 23/32" x 3 5/8" x 18"
DRB33M X 18DP SG	28 23/32" x 7 3/4" x 18"
DRB36 X 18DP SG	31 23/32" x 3 5/8" x 18"
DRB36M X 18DP SG	31 23/32" x 7 3/4" x 18"

15" DEEP

DRB12 X 15DP SG	7 23/32" x 3 5/8" x 15"
DRB12M X 15DP SG	7 23/32" x 7 3/4" x 15"
DRB15 X 15DP SG	10 23/32" x 3 5/8" x 15"
DRB15M X 15DP SG	10 23/32" x 7 3/4" x 15"
DRB18 X 15DP SG	13 23/32" x 3 5/8" x 15"
DRB18M X 15DP SG	13 23/32" x 7 3/4" x 15"
DRB19 X 15DP SG	15 7/32" x 3 5/8" x 15"
DRB21 X 15DP SG	16 23/32" x 3 5/8" x 15"
DRB21M X 15DP SG	16 23/32" x 7 3/4" x 15"
DRB24 X 15DP SG	19 23/32" x 3 5/8" x 15"
DRB24M X 15DP SG	19 23/32" x 7 3/4" x 15"
DRB27 X 15DP SG	22 23/32" x 3 5/8" x 15"
DRB27M X 15DP SG	22 23/32" x 7 3/4" x 15"
DRB30 X 15DP SG	25 23/32" x 3 5/8" x 15"
DRB30M X 15DP SG	25 23/32" x 7 3/4" x 15"
DRB33 X 15DP SG	28 23/32" x 3 5/8" x 15"
DRB33M X 15DP SG	28 23/32" x 7 3/4" x 15"
DRB36 X 15DP SG	31 23/32" x 3 5/8" x 15"
DRB36M X 15DP SG	31 23/32" x 7 3/4" x 15"

STANDARD DRAWER BODY DIMENSIONS

PART NAME

Dimensions (W x H x D)

12" DEEP

DRB12 X 12DP SG	7 23/32" x 3 5/8" x 12"
DRB12M X 12DP SG	7 23/32" x 7 3/4" x 12"
DRB15 X 12DP SG	10 23/32" x 3 5/8" x 12"
DRB15M X 12DP SG	10 23/32" x 7 3/4" x 12"
DRB18 X 12DP SG	13 23/32" x 3 5/8" x 12"
DRB18M X 12DP SG	13 23/32" x 7 3/4" x 12"
DRB19 X 12DP SG	15 7/32" x 3 5/8" x 12"
DRB21 X 12DP SG	16 23/32" x 3 5/8" x 12"
DRB21M X 12DP SG	16 23/32" x 7 3/4" x 12"
DRB24 X 12DP SG	19 23/32" x 3 5/8" x 12"
DRB24M X 12DP SG	19 23/32" x 7 3/4" x 12"
DRB27 X 12DP SG	22 23/32" x 3 5/8" x 12"
DRB27M X 12DP SG	22 23/32" x 7 3/4" x 12"
DRB30 X 12DP SG	25 23/32" x 3 5/8" x 12"
DRB30M X 12DP SG	25 23/32" x 7 3/4" x 12"
DRB33 X 12DP SG	28 23/32" x 3 5/8" x 12"
DRB33M X 12DP SG	28 23/32" x 7 3/4" x 12"
DRB36 X 12DP SG	31 23/32" x 3 5/8" x 12"
DRB36M X 12DP SG	31 23/32" x 7 3/4" x 12"

9" DEEP

DRB12 X 9DP SG	7 23/32" x 3 5/8" x 9"
DRB12M X 9DP SG	7 23/32" x 7 3/4" x 9"
DRB15 X 9DP SG	10 23/32" x 3 5/8" x 9"
DRB15M X 9DP SG	10 23/32" x 7 3/4" x 9"
DRB18 X 9DP SG	13 23/32" x 3 5/8" x 9"
DRB18M X 9DP SG	13 23/32" x 7 3/4" x 9"
DRB21 X 9DP SG	16 23/32" x 3 5/8" x 9"
DRB21M X 9DP SG	16 23/32" x 7 3/4" x 9"
DRB24 X 9DP SG	19 23/32" x 3 5/8" x 9"
DRB24M X 9DP SG	19 23/32" x 7 3/4" x 9"
DRB27 X 9DP SG	22 23/32" x 3 5/8" x 9"
DRB27M X 9DP SG	22 23/32" x 7 3/4" x 9"
DRB30 X 9DP SG	25 23/32" x 3 5/8" x 9"
DRB30M X 9DP SG	25 23/32" x 7 3/4" x 9"
DRB33 X 9DP SG	28 23/32" x 3 5/8" x 9"
DRB33M X 9DP SG	28 23/32" x 7 3/4" x 9"
DRB36 X 9DP SG	31 23/32" x 3 5/8" x 9"
DRB36M X 9DP SG	31 23/32" x 7 3/4" x 9"

DOVETAIL DRAWER BODY DIMENSIONS	
PART NAME	Dimensions (W x H x D)
	<b>18" DEEP</b>
DRB10 X 18DP DT DT SG	6 7/32" x 3 21/32" x 18"
DRB12 X 18DP DT DT SG	7 23/32" x 3 21/32" x 18"
DRB12M X 18DP DT DT SG	7 23/32" x 6 3/4" x 18"
DRB15 X 18DP DT DT SG	10 23/32" x 3 21/32" x 18"
DRB15M X 18DP DT DT SG	10 23/32" x 6 3/4" x 18"
DRB18 X 18DP DT DT SG	13 23/32" x 3 21/32" x 18"
DRB18M X 18DP DT DT SG	13 23/32" x 6 3/4" x 18"
DRB19 X 18DP DT DT SG	15 7/32" x 3 21/32" x 18"
DRB21 X 18DP DT DT SG	16 23/32" x 3 21/32" x 18"
DRB21M X 18DP DT DT SG	16 23/32" x 6 3/4" x 18"
DRB24 X 18DP DT DT SG	19 23/32" x 3 21/32" x 18"
DRB24M X 18DP DT DT SG	19 23/32" x 6 3/4" x 18"
DRB27 X 18DP DT DT SG	22 23/32" x 3 21/32" x 18"
DRB27M X 18DP DT DT SG	22 23/32" x 6 3/4" x 18"
DRB30 X 18DP DT DT SG	25 23/32" x 3 21/32" x 18"
DRB30M X 18DP DT DT SG	25 23/32" x 6 3/4" x 18"
DRB33 X 18DP DT DT SG	28 23/32" x 3 21/32" x 18"
DRB33M X 18DP DT DT SG	28 23/32" x 6 3/4" x 18"
DRB36 X 18DP DT DT SG	31 23/32" x 3 21/32" x 18"
DRB36M X 18DP DT DT SG	31 23/32" x 6 3/4" x 18"
<b>15" DEEP</b>	
DRB12 X 15DP DT DT SG	7 23/32" x 3 21/32" x 15"
DRB12M X 15DP DT DT SG	7 23/32" x 6 3/4" x 15"
DRB15 X 15DP DT DT SG	10 23/32" x 3 21/32" x 15"
DRB15M X 15DP DT DT SG	10 23/32" x 6 3/4" x 15"
DRB18 X 15DP DT DT SG	13 23/32" x 3 21/32" x 15"
DRB18M X 15DP DT DT SG	13 23/32" x 6 3/4" x 15"
DRB19 X 15DP DT DT SG	15 7/32" x 3 21/32" x 15"
DRB21 X 15DP DT DT SG	16 23/32" x 3 21/32" x 15"
DRB21M X 15DP DT DT SG	16 23/32" x 6 3/4" x 15"
DRB24 X 15DP DT DT SG	19 23/32" x 3 21/32" x 15"
DRB24M X 15DP DT DT SG	19 23/32" x 6 3/4" x 15"
DRB27 X 15DP DT DT SG	22 23/32" x 3 21/32" x 15"
DRB27M X 15DP DT DT SG	22 23/32" x 6 3/4" x 15"
DRB30 X 15DP DT DT SG	25 23/32" x 3 21/32" x 15"
DRB30M X 15DP DT DT SG	25 23/32" x 6 3/4" x 15"
DRB33 X 15DP DT DT SG	28 23/32" x 3 21/32" x 15"
DRB33M X 15DP DT DT SG	28 23/32" x 6 3/4" x 15"
DRB36 X 15DP DT DT SG	31 23/32" x 3 21/32" x 15"
DRB36M X 15DP DT DT SG	31 23/32" x 6 3/4" x 15"

DOVETAIL DRAWER BODY DIMENSIONS	
PART NAME	Dimensions (W x H x D)
	<b>12" DEEP</b>
DRB12 X 12DP DT SG	7 23/32" x 3 21/32" x 12"
DRB12M X 12DP DT SG	7 23/32" x 6 3/4" x 12"
DRB15 X 12DP DT SG	10 23/32" x 3 21/32" x 12"
DRB15M X 12DP DT SG	10 23/32" x 6 3/4" x 12"
DRB18 X 12DP DT SG	13 23/32" x 3 21/32" x 12"
DRB18M X 12DP DT SG	13 23/32" x 6 3/4" x 12"
DRB19 X 12DP DT SG	15 7/32" x 3 21/32" x 12"
DRB21 X 12DP DT SG	16 23/32" x 3 21/32" x 12"
DRB21M X 12DP DT SG	16 23/32" x 6 3/4" x 12"
DRB24 X 12DP DT SG	19 23/32" x 3 21/32" x 12"
DRB24M X 12DP DT SG	19 23/32" x 6 3/4" x 12"
DRB27 X 12DP DT SG	22 23/32" x 3 21/32" x 12"
DRB27M X 12DP DT SG	22 23/32" x 6 3/4" x 12"
DRB30 X 12DP DT SG	25 23/32" x 3 21/32" x 12"
DRB30M X 12DP DT SG	25 23/32" x 6 3/4" x 12"
DRB33 X 12DP DT SG	28 23/32" x 3 21/32" x 12"
DRB33M X 12DP DT SG	28 23/32" x 6 3/4" x 12"
DRB36 X 12DP DT SG	31 23/32" x 3 21/32" x 12"
DRB36M X 12DP DT SG	31 23/32" x 6 3/4" x 12"
<b>9" DEEP</b>	
DRB12 X 9DP DT SG	7 23/32" x 3 21/32" x 9"
DRB12M X 9DP DT SG	7 23/32" x 6 3/4" x 9"
DRB15 X 9DP DT SG	10 23/32" x 3 21/32" x 9"
DRB15M X 9DP DT SG	10 23/32" x 6 3/4" x 9"
DRB18 X 9DP DT SG	13 23/32" x 3 21/32" x 9"
DRB18M X 9DP DT SG	13 23/32" x 6 3/4" x 9"
DRB21 X 9DP DT SG	16 23/32" x 3 21/32" x 9"
DRB21M X 9DP DT SG	16 23/32" x 6 3/4" x 9"
DRB24 X 9DP DT SG	19 23/32" x 3 21/32" x 9"
DRB24M X 9DP DT SG	19 23/32" x 6 3/4" x 9"
DRB27 X 9DP DT SG	22 23/32" x 3 21/32" x 9"
DRB27M X 9DP DT SG	22 23/32" x 6 3/4" x 9"
DRB30 X 9DP DT SG	25 23/32" x 3 21/32" x 9"
DRB30M X 9DP DT SG	25 23/32" x 6 3/4" x 9"
DRB33 X 9DP DT SG	28 23/32" x 3 21/32" x 9"
DRB33M X 9DP DT SG	28 23/32" x 6 3/4" x 9"
DRB36 X 9DP DT SG	31 23/32" x 3 21/32" x 9"
DRB36M X 9DP DT SG	31 23/32" x 6 3/4" x 9"
<b>MISCELLANEOUS DRAWER BODIES</b>	
DRB6 BSDC6	4 29/32" x 4 3/4" x 22 15/16"
DRB6 SDC30	4 29/32" x 4 3/4" x 10 15/16"
DRBKDC27X 15DP DT SG	16 23/32" x 2 15/32" x 15"
DRBKDC33X 15DP DT SG	22 23/32" x 2 15/32" x 15"
DRBKDC36X 15DP DT SG	28 23/32" x 2 15/32" x 15"

## MISCELLANEOUS PARTS &amp; ACCESSORIES

## HINGES

Part Name	Description
HINGE 170 FRAMED	Door-to-frame hinge for BER, BSS, CAR or WER cabinet
HINGE FOL 6WY 45	Adjustable Full Overlay (FOL) door hinge
HINGE SOL 4WY 45	Adjustable Standard Overlay (SOL) door hinge
HINGE ER	Hinge for BER, BSS, CAR or WER cabinet
HINGE KIT TRI-VIEW	Hinge Kit for Tri-View Mirror
HINGE FACEMOUNT 45	Facemount oven hinge
HINGE TILT OUT 45	Hinge for Factory Installed Tilt-Out Tray
PCSK HINGE	Center Hinge for PCSK36

GLIDES/TRACKS/CHANNELS FOR 24" DEEP BASE,  
24" DEEP DESK OR SLIDING SHELVES

Part Name	Description
CHANNEL 21L	Left channel for 24" deep Base
CHANNEL 21R	Right channel for 24" deep Base
CHANNEL SS1 L	Left channel for 24" deep Base/Desk, Deep Sliding Shelf or Sliding Shelf
CHANNEL SS1 R	Right channel for 24" deep Base/Desk, Deep Sliding Shelf or Sliding Shelf
GLIDE HD FAL24	Left Full Access Hidden Glide for 24" deep Wastebasket Cabinets
GLIDE HD FAR24	Right Full Access Hidden Glide for 24" deep Wastebasket Cabinets
TRACK GA 21L	Left track for 24" deep Base/Desk, Deep Sliding Shelf or Sliding Shelf
TRACK GA 21R	Right track for 24" deep Base/Desk, Deep Sliding Shelf or Sliding Shelf

GLIDES/TRACKS/CHANNELS FOR 21" DEEP VANITY,  
21" DEEP DESK OR VANITY LINEN

Part Name	Description
CHANNEL V L	Left channel for 21" deep Vanity/Desk
CHANNEL V R	Right channel for 21" deep Vanity/Desk
GLIDE HD FAL21	Left Full Access Glide for 21" deep Wastebasket Cabinets
GLIDE HD FAR21	Right Full Access Glide for 21" deep Wastebasket Cabinets
TRACK V L	Left track for 21" deep Vanity/Desk
TRACK V R	Right track for 21" deep Vanity/Desk

## TRACKS/CHANNELS FOR 18" DEEP VANITY AND KNEEHOLE DRAWER CABINET

Part Name	Description
CHANNEL V 18L	Left channel for 18" deep Vanity or Knee-hole Drawer
CHANNEL V 18R	Right channel for 18" deep Vanity or Knee-hole Drawer
TRACK GA 16L	Left track for 18" deep Vanity or Knee-hole Drawer
TRACK GA 16R	Right track for 18" deep Vanity or Knee-hole Drawer

## BATTEN (MUST BE ORDERED AS FULL OVERLAY OR STANDARD OVERLAY)

Part Name	Description
BATTEN DR15HIGH	Batten for 15" high door
BATTEN DR18HIGH _OL	Batten for 18" high door
BATTEN DR18V	Batten for 18" high Vanity door
BATTEN DR21DSB _OL	Batten for Deep Sink Base door
BATTEN DR24HIGH _OL	Batten for 24" high door
BATTEN DR30HIGH _OL	Batten for 30" high door
BATTEN DR36HIGH _OL	Batten for 36" high door
BATTEN DR42HIGH _OL	Batten for 42" high door
BATTEN DR50HIGH _OL	Batten for 50" high door
BATTEN DRFH HIGH _OL	Batten for Full Height Base door

## CLIPS / BRACKETS

Part Name	Description
BRACKET CHAN B	Back bracket for side-mount Sliding Shelves
BRACKET GL HD BOT	Bottom bracket for Wastebasket Cabinets
CLIP HD DRB BACK L	Left back bracket for Wastebasket Cabinets
CLIP HD DRB BACK R	Right back bracket for Wastebasket Cabinets
BRACKET RED DP REAR	Back bracket for reduced depth Side-Mounted Glide
CLIP DDF	Drawer front clip
CLIP LOCK 3/4 4 PK	Package of four locking shelf rests for Universal Design and Tall cabinet shelves
CLIP LOCK SHELF 4 PK	Package of four locking shelf rests for Base cabinet shelves
CLIP MIRROR MCM FOL	Clip for MCM1530 Full Overlay Mirror door
CLIP MIRROR MCM SOL	Clip for MCM1530 Standard Overlay Mirror door
CLIP MIRROR TRIVIEW	Clip for TV3030/TV3630 Tri-View Mirror door
CLIP PILASTER	Shelf Rest for PSK36 Shelf & Pilaster Kit
CLIP REAR SHELF	Middle shelf rest for 30" or wider Wall cabinet shelf
CLIP SHELF NP SPIN	Locking shelf clip for NP Spin Units (Base 4 required, Wall 5 required)
DRB HD MOUNT CLIP L	Left drawer release clip for Wastebasket Cabinets
DRB HD MOUNT CLIP R	Right drawer release clip for Wastebasket Cabinets
MOUNT BRACKET GA SS1	Bracket for Side-Mounted Channels
SHELF REST METAL 4PK	Package of four metal shelf rests for Wall or Bookshelf shelves
SHELF REST METAL 12	Package of twelve metal shelf rests for Wall or Bookshelf shelves
SHELF REST MFD PK	Package of eight shelf rest for Mullion Frame Door Wall cabinet shelves
SHELF REST OSS 6PK	Clips for Oven Support Shelf Kit
SHELF SUPT ADJ BASE	Middle shelf rest for 30" or wider Base cabinet shelf

## TILT-OUT TRAY KITS (FIELD INSTALLED)

Part Name	Description
STO/TO TRAY 11	Order (1) for SB18 - Order (2) for SB33, SB33 1B, SB36 or SB36 1B
STO/TO TRAY 14	Order (1) for SB21, SB24, SB24 1B, SB27 or CSF42
	Order (2) for SB39, SB42, or SB48
STO/TO TRAY 22	Order (1) for SB30, SB30 1B

## WHITE PLASTIC SPIN SHELVES AND PARTS

Part Name	Description
BSSCAR HUB RAS	With rollers, fits into shelf for pole attachment
BSSCWSCAR BRKT RAS	Top and bottom mounting brackets
BSSCWSCAR COLLAR ASM	Locking adjustable shelf collar for top shelf
BSSCWSCAR T-SHAFT RA	Metal post on which shelves spin (1 required)
BSS33 SHELF RAS	White spin shelf for BSS33/BSS3336/BSS3633 (2 required)
BSS36 SHELF RAS	White spin shelf for BSS36 (2 required)
CAR SHELF RAS	White spin shelf for CAR36 (2 required)
CBS SHELF RAS	White spin shelf for CBS36 (2 required)
CWS HUB RAS	With rollers, fits into shelf for pole attachment
CWS SHELF RAS	White spin shelf for CWS2430 (2 required)

## WOOD SPIN SHELF UNITS

Part Name	Description
BSS33 SHELF WD NP	Wood spin unit and shelf for BSS33 WD
BSS3336 SHELF WD NP	Wood spin unit and shelf for BSS3336 WD
BSS36 SHELF WD NP	Wood spin unit and shelf for BSS36 WD
BSS3633 SHELF WD NP	Wood spin unit and shelf for BSS3633 WD
CBS36 SHELF WD NP	Wood spin unit and shelf for CBS36 WD
CWS24 SHELF WD NP	Wood spin unit and shelf for
	CWS2430 WD, CWS2436 WD and CWS2442 WD
CWS24 SHELFWDNPMI	Wood spin unit and Matching Interior shelf for CWS2430 WD, CWS2436 WD and CWS2442 WD

## MISCELLANEOUS PARTS &amp; ACCESSORIES

MISCELLANEOUS	
Part Name	Description
BASE CORNER BLOCK WD	Corner block
BFP3 FRONT FILLER	Filler for BFP3 Base Filler Pull Out
BPP9 KIT	Kit for BPP9 Base Pull Out
BPPUS9 KIT	Kit for BPPUS9 Base Pull Out Utensil Storage
BPPUS12 KIT	Kit for BPPUS12 Base Pull Out Utensil Storage
BDP9 KIT	Kit for BDP9 Base Tray Divider Pull Out
BUMPER CLEAR	Door bumper (Strip of 4 bumpers)
BUMPER CLEAR 55	Door bumper (Strip of 55 bumpers)
BUMPER CLEAR DWR	Drawer bumper (Strip of 4 bumpers)
BWBB15 FH FOL KIT	Wastebasket kit for FOL BWBB15 FH
BWBB15 FH SOL KIT	Wastebasket kit for SOL BWBB15 FH
BWBB15 FOL KIT	Wastebasket kit for FOL BWBB15
BWBB15 SOL KIT	Wastebasket kit for SOL BWBB15
BWBB15-2 FOL KIT	Wastebasket kit for FOL BWBB15-2
BWBB15-2 SOL KIT	Wastebasket kit for SOL BWBB15-2
BWBB18 FH FOL KIT	Wastebasket kit for FOL BWBB18 FH
BWBB18 FH SOL KIT	Wastebasket kit for SOL BWBB18 FH
BWBB18-2 FOL KIT	Wastebasket kit for FOL BWBB18-2
BWBB18-2 SOL KIT	Wastebasket kit for SOL BWBB18-2
BWBB21-2 FH FOL KIT	Wastebasket kit for FOL BWBB21-2 FH
BWBB21-2 FH SOL KIT	Wastebasket kit for SOL BWBB21-2 FH
BWBB21-2 FOL KIT	Wastebasket kit for FOL BWBB21-2
BWBB21-2 SOL KIT	Wastebasket kit for SOL BWBB21-2
COVER CAP 10MM TAN	Tan cover cap for cabinet backs (2 per pack)
COVER CAP 10MM WHT	White cover cap for cabinet backs (2 per pack)
DFDC FILE UNIT 21	Replacement File Pull Out Kit for DFDC1821
DFDC FILE UNIT 24	Replacement File Pull Out Kit for DFDC1824
DWBB1821 FOL KIT	Wastebasket kit for FOL DWBB1821
DWBB1821 SOL KIT	Wastebasket kit for SOL DWBB1821
DWBB1824 FOL KIT	Wastebasket kit for FOL DWBB1824
DWBB1824 SOL KIT	Wastebasket kit for SOL DWBB1824
FRAME SPACER BPP9	Unit stabilizer and frame spacer for BPP9, BPPUS9, BPPUS12 and BDP9
KNOB SDC	Wooden knob for SDC/BSDC6
LATCH TILT OUT TRAY	Replacement Latch for Factory Installed Tilt-Out Tray
MAG CATCH TV BLK	Black magnetic catch for TV3030/TV3630 Tri-View Mirror
MC SHELF HDW	Package of 4 shelf clips for MC/MCM cabinet
MIRROR TV3030	Mirror for TV3030
MIRROR TV3630	Mirror for TV3630
PK36	Pilaster kit for PSK36 Shelf & Pilaster Kit
PULL TRIVIEW	Chrome pull for TV3030/TV3630 Tri-View Mirror
ROT DIVIDER KIT	Divider for ROTDK12/ROTDK15
ROT PROTECTOR	End plastic protector on Sliding Shelves
TRAY ST TILT OUT 11	Stainless Tray ONLY for Factory Installed Tilt-Out
TRAY ST TILT OUT 14	Stainless Tray ONLY for Factory Installed Tilt-Out
TRAY ST TILT OUT 24	Stainless Tray ONLY for Factory Installed Tilt-Out
TRAY TILT OUT 11	Plastic Tray ONLY for Factory Installed Tilt-Out
TRAY TILT OUT 14	Plastic Tray ONLY for Factory Installed Tilt-Out
TRAY TILT OUT 24	Plastic Tray ONLY for Factory Installed Tilt-Out
VWBB1834H FOL KIT	Wastebasket kit for FOL VWBB1834H
VWBB1834H SOL KIT	Wastebasket kit for SOL VWBB1834H

MISCELLANEOUS (CONTINUED)	
Part Name	Description
WASTEBASKET 27QT SLV	Replacement 27-quart silver trashcan
WASTEBASKET 35QT SLV	Replacement 35-quart silver trashcan
WASTEBASKET 50QT SLV	Replacement 50-quart silver trashcan
WCC DOWEL	Dowel for WCC cabinet
WCC24 4PC RAIL	Top and bottom dowel rails for WCC2415
WCC30 4PC RAIL	Top and bottom dowel rails for WCC3015
WCC36 4PC RAIL	Top and bottom dowel rails for WCC3615
WOOD SPIN HOLE PLUG	Access hole plug for wood spin shelf on CBS and CWS cabinets
WTH DOOR STAY	Door Stay for Wall Top Hinge cabinet (2 needed)
WTH DR STAY DR BRK	Door Bracket for WTH DOOR STAY (2 needed)
WTH DR STAY FR BRK	Frame bracket for WTH DOOR STAY (2 needed)
WTH HEX KEY BAG	Hex Key for WTH DOOR STAY (1 needed)

MISCELLANEOUS SHELVING	
Part Name	Description
BS18 SHELF 1PK	Single Shelf for BSPLY18
BS18 SHELF 4PK	4 Pack Shelf Kit for BSPLY18
BS24 SHELF 1PK	Single Shelf for BSPLY24
BS24 SHELF 4PK	4 Pack Shelf Kit for BSPLY24
BS30 SHELF 1PK	Single Shelf for BSPLY30
BS30 SHELF 4PK	4 Pack Shelf Kit for BSPLY30
BS36 SHELF 1PK	Single Shelf for BSPLY36
BS36 SHELF 4PK	4 Pack Shelf Kit for BSPLY36
S369	Shelf for PSK36 Shelf & Pilaster Kit
WCMSC2412 SHELF	Microwave shelf for WCMSC241236
WCMSC2712 SHELF	Microwave shelf for WCMSC271236
WCMSC2712 SHELF	Microwave shelf for WCMSC271236
WCMSC2718 SHELF	Microwave shelf for WCMSC271836
WCMSC3012 SHELF	Microwave shelf for WCMSC301236

SCREWS	
Part Name	Description
SCREW BATTEN/DDF 1"	Screw for batten strip
SCREW CHANNEL	Channel installation screw (1 per channel)
SCREW DDF 1 1/4"	Drawer front installation screw
SCREW DDF SDC 7/8"	SDC drawer front installation screw (1 per drawer body)
SCREW EXTENDER RD	Screw for RD extender (1 per extender)
SCREW HINGE/DR	Hinge-to-door screw (2 per door)
SCREW HINGE/FR	Hinge-to-frame screw (1 per hinge)
SCREW TRACK	Track screw (3 per track)

## REPLACEMENT DRAWER REFERENCE

## REPLACEMENT PARTS FOR SIDE-MOUNTED 18" DEEP VANITY/KNEEHOLE DRAWERS

Part Name	Description
DRB__ x 15DP SG	Small standard drawer body
DRB__ x 15DP DT SG	Small upgraded dovetail drawer body
DRB__M x 15DP SG	Large standard drawer body
DRB__M x 15DP DT SG	Large upgraded dovetail drawer body
DRBKDC_X 15DP DT SG	Kneehole drawer body
CHANNEL V 18L	Left channel for drawer - attaches to cabinet (qty 1 per drawer)
CHANNEL V 18R	Right channel for drawer - attaches to cabinet (qty 1 per drawer)
TRACK GA 16L	Left track for drawer - attaches to drawer body (qty 1 per drawer)
TRACK GA 16R	Right track for drawer - attaches to drawer body (qty 1 per drawer)
BRACKET CHAN B	Back bracket for channel - attaches channel to cabinet (qty 2 per drawer)
SCREW CHANNEL	Channel screw - attaches channel to face frame (qty 1 per drawer)
SCREW TRACK	Track screw - attaches track to drawer body (qty 3 per drawer)

## REPLACEMENT PARTS FOR SIDE-MOUNTED 24" DEEP BASE AND DESK DRAWERS

Part Name	Description
DRB__ x 18DP SG	Small standard drawer body
DRB__ x 18DP DT SG	Small upgraded dovetail drawer body
DRB__M x 18DP SG	Large standard drawer body
DRB__M x 18DP DT SG	Large upgraded dovetail drawer body
CHANNEL 21L	Left channel for drawer - attaches to cabinet (qty 1 per drawer)
CHANNEL 21R	Right channel for drawer - attaches to cabinet (qty 1 per drawer)
TRACK GA 21L	Left track for drawer - attaches to drawer body (qty 1 per drawer)
TRACK GA 21R	Right track for drawer - attaches to drawer body (qty 1 per drawer)
BRACKET CHAN B	Back bracket for channel - attaches channel to cabinet (qty 2 per drawer)
SCREW CHANNEL	Channel screw - attaches channel to face frame (qty 1 per drawer)
SCREW TRACK	Track screw - attaches track to drawer body (qty 3 per drawer)

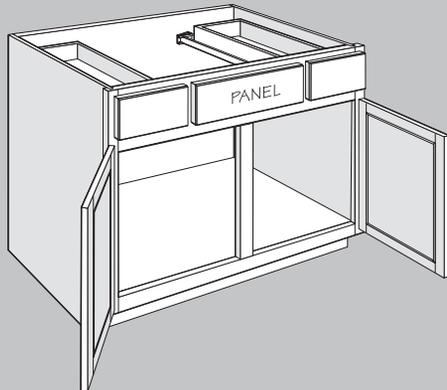
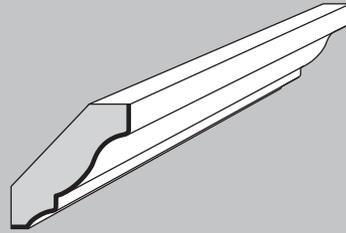
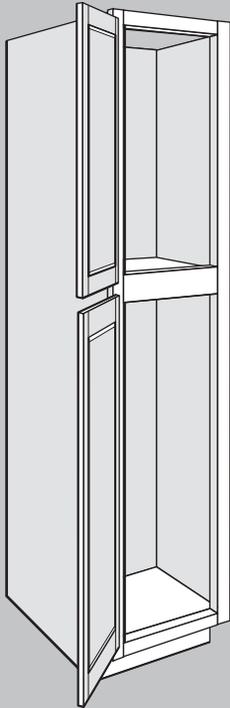
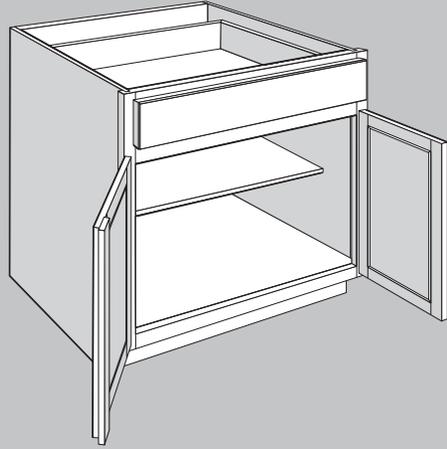
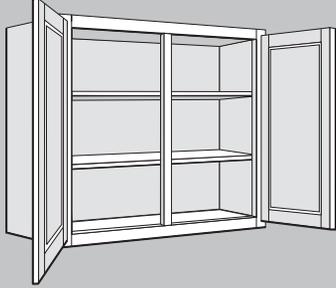
## REPLACEMENT PARTS FOR SIDE-MOUNTED 21" DEEP VANITY AND DESK DRAWERS

Part Name	Description
DRB__ x 18DP SG	Small standard drawer body
DRB__ x 18DP DT SG	Small upgraded dovetail drawer body
DRB__M x 18DP SG	Large standard drawer body
DRB__M x 18DP DT SG	Large upgraded dovetail drawer body
CHANNEL V L	Left channel for drawer - attaches to cabinet (qty 1 per drawer)
CHANNEL V R	Right channel for drawer - attaches to cabinet (qty 1 per drawer)
TRACK V L	Left track for drawer - attaches to drawer body (qty 1 per drawer)
TRACK V R	Right track for drawer - attaches to drawer body (qty 1 per drawer)
BRACKET CHAN B	Back bracket for channel - attaches channel to cabinet (qty 2 per drawer)
SCREW CHANNEL	Channel screw - attaches channel to face frame (qty 1 per drawer)
SCREW TRACK	Track screw - attaches track to drawer body (qty 3 per drawer)

## REPLACEMENT PARTS FOR 24" DEEP SLIDING SHELVES WITH SIDE-MOUNTED GLIDES

Part Name	Description
SSK__	Sliding Shelf Kit
DSSK__	Deep Dovetail Sliding Shelf Kit
CHANNEL SS1L	Left channel for sliding shelf - attaches to cabinet (qty 1 per drawer)
CHANNEL SS1R	Right channel for sliding shelf - attaches to cabinet (qty 1 per drawer)
TRACK GA 21L	Left track for sliding shelf - attaches to drawer body (qty 1 per drawer)
TRACK GA 21R	Right track for sliding shelf - attaches to drawer body (qty 1 per drawer)
BRACKET CHAN B	Back bracket for channel - attaches channel to cabinet (qty 2 per drawer)
SCREW CHANNEL	Channel screw - attaches channel to face frame (qty 1 per sliding shelf)
SCREW TRACK	Track screw - attaches track to drawer body (qty 3 per drawer)

# Index



	SKU	Spec
<b>A</b>		
Accent Turned Foot	ATF	187
Accent Turned Foot, Full Round	ATF-FR	187
Adjustable Shelf 4-Pack Kit	SK__	139
Adjustable Shelf Kit	S/SK__	122
Adjustable Shelf	S__	139
Afton Decorative Glass Insert	DGI-__AFTON	34
Angle Crown Molding	ACM8	158
Angled Outside Corner Molding	AOSC8	166
Antiqued Afton Decorative Glass Insert	DGI-__ANTIQUED AFTON	34
Antiqued Fincastle Decorative Glass Insert	DGI-__ANTIQUED FINCASTLE	34
Arched Valance	V__AR	182
Aster Block - 3"	FB3X6 AS	181
Asymmetrical Base Easy Reach	BER__	95
Asymmetrical Base Super Susan With Plastic Spin Shelves	BSS__	97
Asymmetrical Base Super Susan With Wood Spin Units	BSS__WD	96
<b>B</b>		
Base Bookshelf	BSPLY2434	108
Base Bookshelves	BSPLY2434	99
Base Cabinet, 1 Factory Installed Wastebasket	BWBB15	77
Base Cabinet, 2 Factory Installed Wastebaskets	BWBB__-2	77
Base Cabinet, 4 Sliding Shelves	B__SS2	76
Base Cabinet, 6 Sliding Shelves	B45 SS2	76
Base Cabinet Construction	-	17
Base Cabinet Decorator Matching Doors	DMDB	174
Base Cabinet Dimensions	-	19
Base Cabinet, Four Sliding Shelves	B__SS1	75
Base Cabinet, One Sliding Shelf	B__SS1	74
Base Cabinet, Standard	B__	72
Base Cabinet Tray Divider Pull Out	BTDP9	79
Base Cabinet, Two Sliding Shelves	B__SS1	74
Base Cabinet With Cutting Board Door Rack Kit	B18 CBDR	77
Base Cabinet With Factory Installed Roll Out Tray Divider	B__ROTD	76
Base Cabinet With Plastic Bag Door Storage Kit	B__PBDSU	77
Base Cabinet With Pot and Pan Organizer	B__BPPO	76
Base Column Filler	B__C__	179
Base Corner Filler	BCF27	177
Base Easy Reach	BER__	95
Base End Angle	BEA__FH	100
Base Filler Pull Out	BFP3	101
Base Microwave Cabinet	BMC__	100
Base Oven Cabinet Universal	BOCU__	100
Base Pantry Pull Out	BPP__	79
Base Pantry Pull Out Utensil Storage	BPPUS__	79
Base Pot & Pan Organizer Kit	BPPOK__	102
Base Recycling Kit	BR2B15	102
Base Spice Drawer Cabinet	BSDC6	99
Base Square Foot	BSQF	186
Base Square Leg	BSQL	186
Base Super Susan With Plastic Spin Shelves	BSS__	96
Base Super Susan With Wood Spin Units	BSS__WD	96
Base Tapered Leg	BTPL	186
Base Toe Kick	BTK8	173
Base Turned Leg	BTL	187

	SKU	Spec
Base Wine Rack Cabinet	BWRC6	99
Batten Molding	BM8	165
BeautyGuard Finishing System	-	14
Blind Corner Base	BLB__	92
Blind Corner Base Installation Chart	-	93
Blind Corner Closure	BLC1515	173
Blind Peninsula Corner Base	PBC__	94
Blind Peninsula Wall Cabinet	BLPW__	58
Blind Peninsula Wall Cabinet Installation Chart	-	59
Blind Wall Cabinet	BLW__	54
Blind Wall Cabinet Dimensions	-	57
Blind Wall Cabinet Installation Chart	-	56
<b>C</b>		
Cabinet Angle Molding	CAM8	166
Cabinet Care	-	14
Cabinet Front Only Option	CFO	31
Cabinet Specifications	-	13
Cabinet Tray Divider	TD3	101
Cabinet Tray Divider	TD3	122
Ceiling Height Requirements	-	23
Center Beaded Insert Molding	CBE8	162
Chair Rail Molding	CR8	164
Chantilly Decorative Foot	CDF	189
Chantilly Decorative Leg	CDL	189
Chantilly Furniture Leg	CFL	189
Classic Baseboard Molding	CLBM8	165
Classic Crown Molding	CCM8	159
Classic Toe Kick	CFTK_	190
Classic Toe Kick Corner	CFTK-C	190
Classic Toe Kick End	CFTK-E_	190
Classic Trim Molding	CLTM8	164
Clear Decorative Glass Insert	DGI-__CLEAR	34
Cleat	HWC__	167, 194
Construction Option Legend	-	26
Construction Options	-	25
Corbels	-	184
Corner Base Carousel	CAR	98
Corner Base With Plastic Spin Shelves	CBS36	97
Corner Base With Wood Spin Units	CBS36 WD	97
Corner Lazy Susan	CLS45F	104
Corner Sink Base	CSB36	87
Corner Sink Front	CSF__	88
Corner Wall Cabinet	CW_	60
Corner Wall, Plastic Spin	CWS2430	62
Corner Wall, Wood Spin	CWS24__WD	62
Countertop Edge Molding	CTM8 WD	161
Countertop Supports	_S12	189
Cove Corbels	CC__	184
Cover Caps	COVER CAP	194
Crown Molding	CM8 WD	159
Crown Valance	V__ CR	183
Cutting Board Door Rack Kit	CBDRK__	104

	SKU	Spec
<b>D</b>		
Decorative Countertop Edge Molding	DCTM8	161
Decorative Glass Clips	CLIP DGI__	37
Decorative Hardware	KNOB/PULL	197
Decorative Inside Corner Molding	ICM8	166
Decorative Large Cove Molding	DLCVM8	158
Decorative Small Cove Molding	DSCVM8	158
Decorative Toe Kick Corner	DFTK-C	190
Decorative Toe Kick	DFTK_	190
Decorative Toe Kick End	DFTK-E_	190
Deep Dovetail Sliding Shelf 4-Pack Kit	DSS__ -4K	123
Deep Dovetail Sliding Shelf Kit	DSSK__	101
Deep Dovetail Sliding Shelf Kit	DSSK__	110
Deep Dovetail Sliding Shelf Kit	DSSK__	123
Deep Dovetail Sliding Shelf Kit	DSSK__	145
Deep Sink/Range Base Cabinet	DSB__	87
Deep Sliding Shelf Kit	DSSK/DSSK__ -4K	138
Dentil Molding	DM8 WD	163
Derbyshire Decorative Glass Insert	DGI-__ DERBYSHIRE	34
Desk Cabinet Decorator Matching Doors	DMDD__	174
Desk Cabinet Dimensions	-	20
Desk Door Cabinet, 21" Deep	DDO__21	106
Desk Door Cabinet, 24" Deep	DDO__24	107
Desk Drawer Cabinet, 21" Deep	DDR__21	107
Desk Drawer Cabinet, 24" Deep	DDR__24	107
Desk End Panel	DEP	170
Desk File Pull Out, 21" Deep	DFDC1821	106
Desk File Pull Out, 24" Deep	DFDC1824	107
Desk Wastebasket Cabinet, 21" Deep	DWBT1821	106
Desk Wastebasket Cabinet, 24" Deep	DWBT1824	107
Dishwasher Return	DWR3	170
Door Species & Characteristics	-	15
Door Style Collections	-	5
Drawer Base Cabinet, 3 Drawers	DB__	83
Drawer Base Cabinet, 4 Drawers	DB__4DWR	83
Drawer Base Cabinet Dimensions	-	20
Dummy Drawer Front Fastener	DDF FASTENER	194
<b>E</b>		
End Panel	_EP__	171
Environmentally Responsible Stewardship	-	12
Extra Large Crown Molding	XLCM8 WD	159
<b>F</b>		
Fillers	UF__	176
Fincastle Decorative Glass Insert	DGI-__ FINCASTLE	34
Finished Paneling	FP__	171
Finished Shelf	FS__12	172
Finishing System Specifications	-	14
Finley Corbels	FC__	185
Flat Panel Arched Valance Range Hood	RH____ FV	67
Flat Panel Arched Valance	V__ FP	182
Floating Shelf	FLSH__	172
Floating Shelf	FLSH__	70

	SKU	Spec
Fluted Beaded Filler Extension	FBF E3__	178
Fluted Beaded Filler	FBF__	178
Four-Sided Stock	S4S__	163
Frosted Ash Decorative Glass Insert	DGI-__FROSTED ASH	35
Frosted Decorative Glass Insert	DGI-__FROSTED	35
Frosted Umber Decorative Glass Insert	DGI-__FROSTED UMBER	35
Full-Height Base Cabinet, 2 Factory Installed Wastebaskets	BWBB21-2 FH	80
Full-Height Base Cabinet, 2 Sliding Shelves	B__ FH SS2	80
Full-Height Base Cabinet, 4 Deep Roll Out Trays	B__ FH 4FWT	80
Full-Height Base Cabinet	TB9/B__ FH	78
Full-Height Base Cabinet With Tray Divider and Shelf	TB9 TDS	79
Full-Height Peninsula Base	PB__ FH	85
Furniture Drawer Cabinets	FD__	82
<b>G</b>		
Glass Shelf Kit	GSK__	70
Grooved End Panel	_EP__ GROOVED	171
Grooved Finished Paneling	FP__ GROOVED	171
<b>H</b>		
Hardware, Decorative	KNOB/PULL	197
Hardware Specifications	-	18
Havana Decorative Glass Insert	DGI-__HAVANA	35
Heat Shield Kit	HSK	104
Heat Shield Kit	HSK	124
Hinges	-	18
<b>I</b>		
Impression Decorative Glass Insert	DGI-__IMPRESSION	35
Increased Depth Cabinet Option	ID	29
Inset Light Rail Molding	ILR8 WD	160
Inside Corner Molding	QM8 WD	166
Installation Guidelines	-	22
Installation Items	-	194
Inverted Frame Cabinet Option	IF	27
<b>K</b>		
KCMA Certification	-	12
Kneehole Drawer Cabinet	KDC__	108
Kneehole Drawer Cabinet	KDC__	135
<b>L</b>		
Large Cove Molding	LCVM8	158
Large Crown Molding	LCM8 WD	159
Library Molding	LBM8	165
Light Rail Molding	LR8 WD	160
Lucent Decorative Glass Insert	DGI-__LUCENT	35
<b>M</b>		
Matching Interior Cabinet Option	MI	31
Medicine Cabinet	MC/MCM__	135
Meredith Decorative Glass Insert	DGI-__MEREDITH	36
Microwave Wall	WMC__	50

	SKU	Spec
Mirror Decorative Glass Insert	DGI-__MIRROR	36
Mirror Molding	MM8	161
Molding Stacks, Angled Crown	MS ACM8 ____	148
Molding Stacks, Classic Crown	MS CCM8 ____	155
Molding Stacks, Crown	MS CM8 ____	153
Molding Stacks, Decorative Large Cove	MS DLCVM8 ____	152
Molding Stacks, Decorative Small Cove	MS DSCVM8 ____	151
Molding Stacks, Extra Large Crown	MS XLCM8 ____	157
Molding Stacks, Large Cove	MS LCV8 ____	150
Molding Stacks, Large Crown	MS LCM8 ____	154
Molding Stacks, Small Cove	MS SCVM8 ____	149
Molding Stacks, Traditional Classic Crown	MS TCCM8 ____	156
Mullion Frame Door Option	MFD	33
<b>O</b>		
Ogee Light Rail Molding	OGLR8 WD	160
Ogee Molding	OGE8	161
Ogee Pilaster Molding	OGP8	165
Open Frame Door Option	OFD	33
Orlean Decorative Foot	ODF	188
Orlean Decorative Leg	ODL	188
Orlean Furniture Leg	OFL	188
Outside Corner Molding	OCM8	166
Oven Cabinet, Double	OVD__	120
Oven Cabinet, Single	OVS__	117
Oven Support Shelf	OSS__	123
Overlay Dimensions	-	24
Overlay Filler	__OF__	177
<b>P</b>		
Pantry Door Shelf Kit	PDSK18	121
Pantry Swing Out Kit	PCSK36	121
Parker Decorative Foot	PDF	188
Parker Decorative Leg	PDL	188
Parker Furniture Leg	PFL	188
Pedestal Drawer Cabinets	PD____	83
Peninsula Base Cabinet	PB__	84
Peninsula Corner Wall Cabinet	PWCW__	63
Peninsula Wall Cabinet	PW__	51
Plastic Bag Door Storage Unit	PBDSU__	103
Plinth Block - 3"	__B3X4 PLINTH	181
Plinth Block - 6"	__B6X6 PLINTH	181
Prepped for Glass Decorative Insert	__FD PREPPED	37
Putty Stick	PUTTY STICK	195
Pyramid Block - 3"	FB3X3 PYRAMID	180
<b>Q</b>		
Quarter Round Molding	QR8	165
<b>R</b>		
Radiance Decorative Glass Insert	DGI-__RADIANCE	36
Raised Panel Arched Valance Range Hood	RH____ AV	67
Raised Panel Arched Valance	V__ RP	182

	SKU	Spec
Range Hood Blower	RHVENT__	68
Range Hood Chimney	RHC__	69
Range Hood Liner, Arched Valance	RHLINER__ A	69
Range Hood Liner, Straight Valance	RHLINER__ S	69
Range Hood Liner, Tapered	RHLINER__	69
Recessed Toe Kick Option	RTK	27
Reduced Depth Cabinet Option	RD	28
Refrigerator Return Panel	RR__	172
Refrigerator Wall Cabinet	W__ X 24 DP	46
Remove Dovetail Side-Glide Option	XDTSG	29
Ribbed Decorative Glass Insert	DGI-__ RIBBED	36
Roll Out Tray Divider Kit	ROTDK__	102
Rope Molding	RM8 WD	162
Rosette Block - 3"	FB3X3 ROSETTE	180
Rosette Corbels	RC__	185

**S**

Screws, Installation	SCREW	194
Scribe Molding	SM8 WD	167
Shaker Accent Molding	SAM8 WD	164
Shaker Insert Molding	SIM8 WD	162
Shaker Mirror Molding	SMM8	161
Shaker Valance	V__ SH	182
Shelf, Adjustable	S/SK__	122
Shelf End Base	SEB	99
Shelf End Peninsula Base	SEPB	99
Shelf End Wall, Round Top and Bottom	SEW__	66
Shelf End Wall, Square Top and Bottom	SEW__ SQT B	66
Shelf End Wall, Square Top and Round Bottom	SEW__ SQT	66
Shelf, Floating	FLSH__	172
Shelf Rests	-	18
Shelf Rests	SHELF REST	194
Shelf Under Cabinet Organizer	SUCO__	108
Side-Mounted Drawer Glides	-	18
Single Bead Accent Molding	SBAM8 WD	164
Single Bead Insert Molding	SBIM8	162
Single Bead Molding	SBM8	163
Sink Base Door Storage Unit	SBDSU__	103
Sink Base Multi-Storage Cabinet	SBMS__ BUTT STO	91
Sink Base Multi-Storage Kit	SBMS__ KIT	103
Sink Base Multi-Storage Shelf	SBMSS	103
Sink Base With Factory Installed Tilt-Out Tray(s)	SB__ STO/TO	89
Sink/Range Base Cabinet	SB__	86
Sink/Range Front	SF__	88
Sink/Vanity Front Floor	FL__	170
Sink/Vanity Front Return	SFR	170
Sliding Shelf 4-Pack Kit	USS__ -4K	123
Sliding Shelf 4-Pack Kit	USS__ 4K	138
Sliding Shelf Kit	SSK__	101
Sliding Shelf Kit	SSK__	110
Sliding Shelf Kit	SSK__	123
Sliding Shelf Kit	SSK__	138
Sliding Shelf Kit	SSK__	145

	SKU	Spec
Sliding Towel Bar	STB	104
Small Cove Molding	SCVM8	158
Small Single Bead Molding	SSBM8	163
Small Traditional Light Rail Molding	STLR8 WD	160
Soffit Crown Molding	SCM8 WD	158
Specialty Door Option	SD	32
Spice Drawer Cabinet	SDC__	65
Spice Rack Kit	SRK__	70
Split Post	SPLT POST80__	192
Spray Stain	SPRAY STAIN	195
Square Chair Rail Molding	SQCR8	164
Square Inset Light Rail Molding	SQILR8	161
Square Light Rail Molding	SQLR8 WD	160
Stain	STAIN	195
Standard Cabinet Specifications	-	11
Starter Molding	STRM8	159
Stem Glass Holder	SGH36U	70
Storage Cube	SC__	65
Storage Cube	SC__	110
Straight Trim Molding	UM8 WD	167
Straight Valance Range Hood	RH____ SV	67
Straight Valance	V__ S	183

## T

Tall Bookshelves	BSPLY__	109
Tall Cabinet Decorator Matching Doors	DMDT__	175
Tall Cabinet Dimensions	-	21
Tall Column Filler	T__C__	179
Tapered Foot	TPF	186
Tapered Range Hood	RH____ T	67
Three-Sided Stock	S3S__	163
Tilt-Out Tray Kit	TO/STO TRAY__	103
Touchup Marker	TU MARKER	195
Traditional Classic Crown Molding	TCCM8	159
Traditional Light Rail Molding	TLR8 WD	160
Traditional Split Block	SPLT BLOCK2__ T	192
Traditional Split Collar	SPLT COLLAR T	192
Traditional Valance	V__ T	183
Triple Bead Accent Molding	TBAM8 WD	164
Triple Bead Edge Molding	TBE8	162
Triple Bead Insert Molding	TBIM8	162
Triple Bead Molding	TBM8	163
Tri-View Mirror	TV__	135
TuffTech Finishing System	-	14
Twilight Decorative Glass Insert	DGI-__ TWILIGHT	36

## U

Universal Design Base Cabinet, One Sliding Shelf	B__ SS1 UD	142
Universal Design Base Cabinet, Two Sliding Shelves	B__ SS2 UD	143
Universal Design Base Multi-Use Cabinet	BMU30 UD	144
Universal Design Cabinet Dimensions	-	21
Universal Design Corner Base Susan Cabinet	CBS36 UD	144
Universal Design Drawer Base Cabinet	DB__ UD	144

	SKU	Spec
Universal Design Inset Toe Kick Dimensions	-	21
Universal Design Plumbing Skirt	_PS3_UD	143
Universal Filler Extension	UF E3__	176
Universal Filler	UF__	176
Utility Cabinet, 12" Deep	UT__ 12 X __	112
Utility Cabinet, 12" Deep, With Adjustable Shelves	UT__ 12 X __ AS	113
Utility Cabinet, 24" Deep	UT__ 24 X 84	114
Utility Cabinet, 24" Deep, With Adjustable Shelves	UT__ 24 X __ AS	114
Utility Cabinet, 24" Deep, With Pantry Storage	UT3624 X __ PCDS	116
Utility Cabinet, 24" Deep, With Sliding Shelves	UT__ 24 X __ 4SSK	115
Utility Cabinet Shelf & Pilaster Kit	PSK36	122
<b>V</b>		
Valances	V__	182
Valet Cabinet	VC2436 BUTT	135
Vanity Base, 34 1/2" High	VB__ 34H	131
Vanity Base	VB__	126
Vanity Cabinet Decorator Matching Doors	DMDV	174
Vanity Cabinet Dimensions	-	20
Vanity Combo Sink Base, 31 1/8" High	VSDB__	129
Vanity Combo Sink Base, 34 1/2" High	VSDB__ 34H	134
Vanity Drawer Base, 34 1/2" High	VDB__ 34H	132
Vanity Drawer Base	VDB__	126
Vanity Linen Cabinet	VLC__	136
Vanity Linen Cabinet, With Adjustable Shelves	VLC__ AS	137
Vanity Linen Cabinet, With Sliding Shelves	VLC__ 4SSK	137
Vanity Sink Base, 31 1/8" High	VSDB/VAN__	127
Vanity Sink Base, 34 1/2" High	VSDB/VAN__ 34H	132
Vanity Sink Front, 31 1/8" High	VSF__	130
Vanity Wastebasket	VWBB1834H	135
Void Door Cabinet Option	VDO	30
Void Top Drawer Option	VTD	30
<b>W</b>		
Wall Bookshelves	BSPLY__	108
Wall Cabinet Construction	-	16
Wall Cabinet Decorator Matching Doors	DMDW__	174
Wall Cabinet Dimensions	-	19
Wall Cabinet, Standard	W__	40
Wall Cabinet With Spice Rack	W__ SR	45
Wall China Cabinet	WCC__	66
Wall Column Filler	W_C__	179
Wall Compact Microwave	WCMSC__	50
Wall Easy Reach	WER__	62
Wall End Angle Cabinet	WEA12__	64
Wall Microwave Cabinet, With Shelf	WMSC__	49
Wall Range Hood, Raised Panel Arched Valance	WRH__ AV	67
Wall Range Hood, Straight Valance	WRH__ SV	67
Wall Top Hinge Cabinet	WTH__	48
Warranty Information	-	4
Wastebasket Unit	WBU15	102
White Overlay Filler	WOF	177
Wide Batten Molding	WBM8	165

---

	SKU	Spec
Wine Rack Cabinet	WRC__	66
Wine Rack	WR36	70
Wine Storage Cabinet	WSC__	66
Wood Base End Panel	WBEP	172
Wood Tall End Panel	WTEP__	172
Woven Decorative Glass Insert	DGI-__WOVEN	36