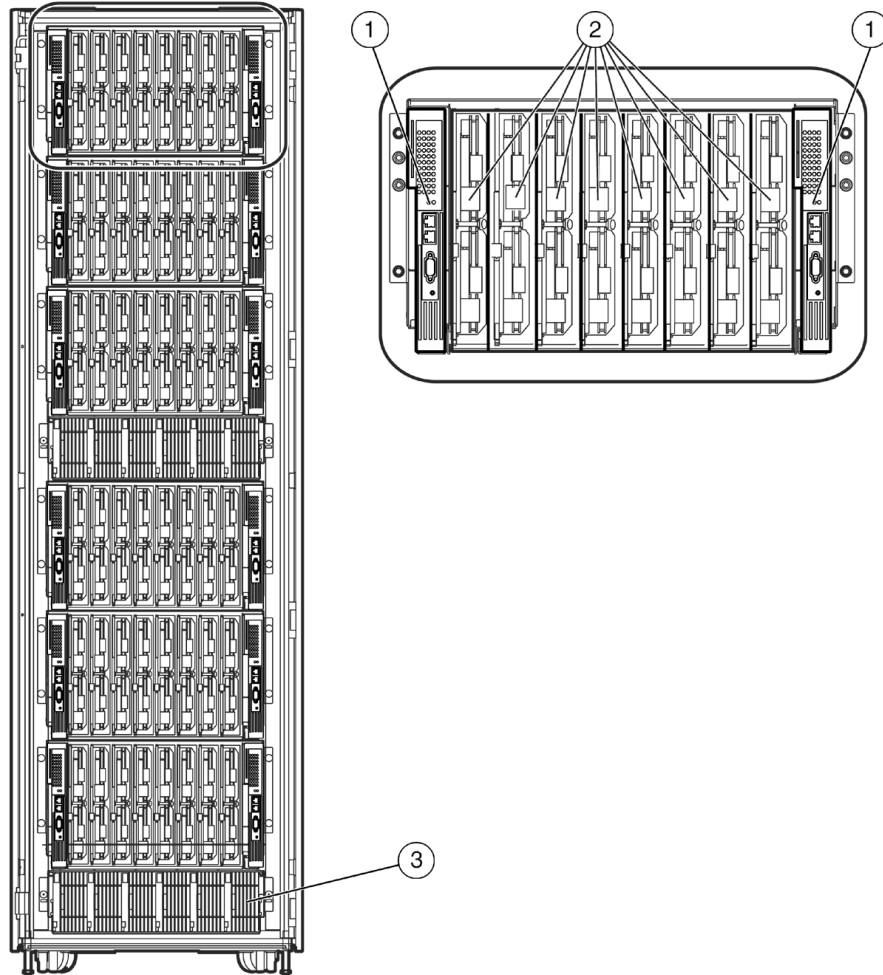


Overview

HP ProLiant BL20p Generation 3 (G3)

42U Rack with ProLiant BL20p G3 System Installed



1. BL p-Class interconnects (2) in BL p-Class server blade enclosure (interconnect switch shown)
2. BL20p G3 server blades (8) in BL p-Class server blade enclosure
3. HP BladeSystem p-Class power enclosure with hot-plug power supplies (6)

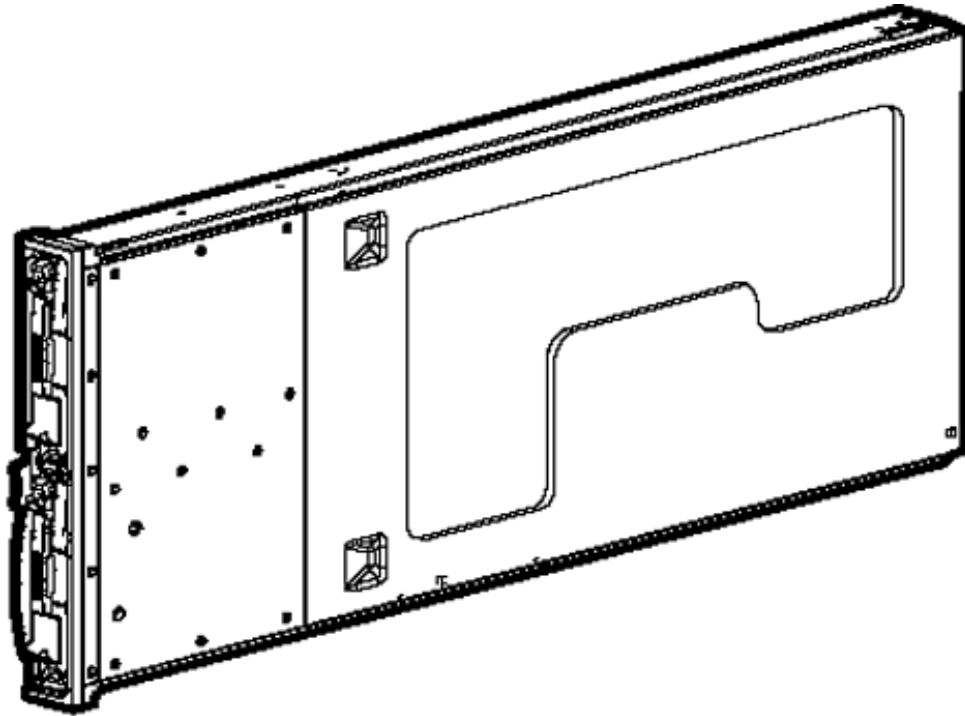
What's New

- Up to two 3.6GHz/800MHz Intel Xeon processors with 2M L2 cache.

Overview

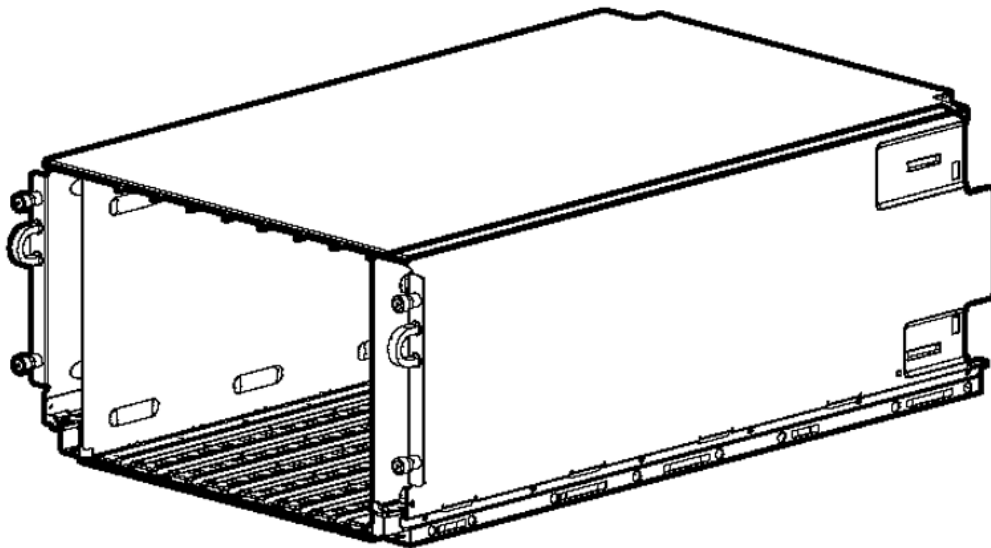
At A Glance

- Performance dual processor server blade designed with enterprise availability
- ProLiant BL20p Generation 3 Server Blade includes:
- Intel Xeon 3.0GHz/2M, 3.2 GHz-2MB, 3.4 GHz-2MB or 3.6 GHz-2M processor (dual capability) **with Hyper-Threading and EM64t Technology**
- BL20pG3 Dual Port Fibre Channel Adapter (2-Gb) option for SAN connectivity
- Intel E7520 Chipset
- 1024-MB or 2048-MB PC3200 Registered ECC 400MHz DDR2 memory, (2 x 1 Interleaved Memory), expandable to 8 GB
- Four NC7781 PCI-X Gigabit NICs (embedded)
- One additional 10/100 NIC dedicated to iLO Management
- Smart Array 6i (integrated on system board Controller with optional battery-backed write cache)
- Wide Ultra3 SCSI Drive Cage standard supports up to two 1" Wide Ultra3 hot plug hard drives
- Integrated Lights-Out (iLO) Advanced Management (ASIC on motherboard)
- New Power Regulator for ProLiant delivering server level, policy based power management with industry leading energy efficiency and savings on system power and cooling costs.
- Integrated Lights-Out featuring new firmware v 1.70 with support for Power Regulator for ProLiant and introducing support for the draft DMTF System Management Architecture for Server Hardware Command Line Protocol standard
- Plugs vertically into 6U enclosure
- I/O cable with two USB ports, one video port, one iLO port and kernel debug port. The cable was specifically designed to aid in initial server image deployment.
- Cisco GESM and GbE2 Interconnect Switch option for Gigabit Ethernet network adapter consolidation
- Integrated Access Tool for blade management and enhanced server blade documentation including Best Practices and Common Procedures guides
- **ProLiant BL p-Class Server Blade Enclosure:**
 - Server blades and interconnects blind mate into server blade enclosures for network connection and power
 - Server blade enclosure is 6U and holds up to 8 ProLiant BL20p G3 server blades and 2 interconnects
 - Types of interconnects available: GbE Interconnect Switches, CGESM and GbE2 Interconnect Switches with optional Fibre Channel pass through, Patch Panels or Patch Panel 2 with Fibre Channel pass through
- **HP BladeSystem BL p-Class Power Enclosure:**
 - Use BL p-Class sizing tool to determine power based on your configuration
<http://h30099.www3.hp.com/configurator/calc/Power%20Calculator%20Catalog.xls>
 - Choose the HP BladeSystem p-Class 3U power enclosure
 - Power enclosure is 3U and holds up to 6 hot-plug power supplies
 - Choose single-phase or three-phase power
 - HP BladeSystem power enclosures with power supplies not needed if using facility -48VDC \pm 10% in this case purchase DC option kit
- **HP BladeSystem p-Class Power Distribution (only required with the 3U power enclosure):**
 - Distributes power from the power enclosures to the server blade enclosures
 - Four power distribution choices:
 - BL p-Class scalable bus bar
 - BL p-Class mini bus bar
 - BL p-Class power bus box
 - Dual power input kit for mini bus bar
- BL 20p G3 server blade, server blade enclosure, interconnects and power enclosure protected by a limited three year warranty with optional service uplifts available
NOTE: Power requirements for a ProLiant BL p-Class system: 200V - 240V AC, 30 amp or facility DC -48V \pm 10%.
- The HP BladeSystem Management Suite is delivered in a convenient to purchase pack which includes a BL p-Class Server Blade Enclosure, a single copy of Systems Insight Manager (SIM) and 8 licenses for each of the following products: Rapid Deployment Pack (RDP), Performance Management Pack (PMP) and the Vulnerability and Patch Management Pack (VPM)



ProLiant BL20p G3 Server Blade

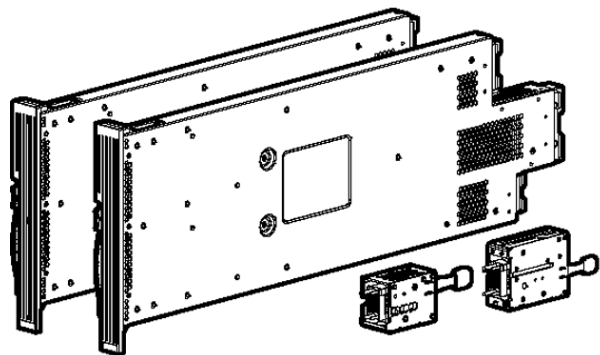
+



BL p-Class Server Blade Enclosure

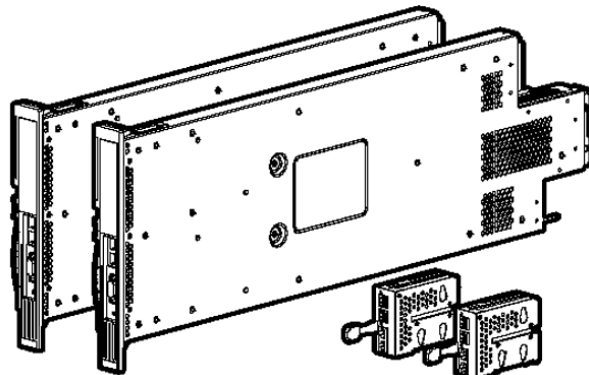
+

Overview



Patch Panel (shown) or
Patch Panel 2

OR



GbE Interconnect Switch (shown) or GbE2 Interconnect Switch
or CGESM Interconnect Switch
(fiber or copper-based)

BL p-Class Interconnects

+

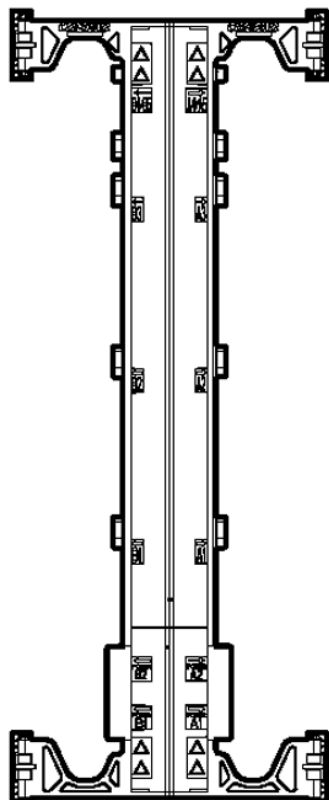


BL p-Class power enclosures and power supplies

OR

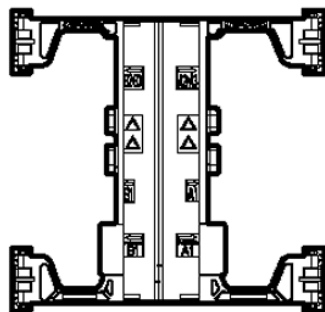
Facility DC

Overview



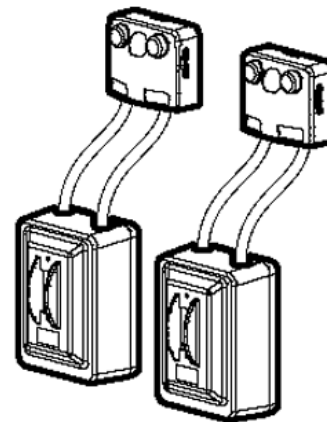
Scalable bus bar

OR

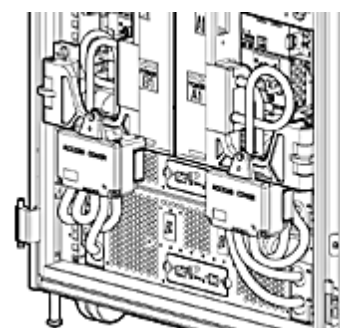


Mini bus bar

OR



Bus boxes



Dual power input kit for mini bus bar

BL p-Class power distribution

Configuration Steps

- For a complete configuration of the ProLiant BL20p G3, do the following:

1. Select desired model, configuration and quantity of ProLiant BL20pG3 server blades.

PLUS

2. Decide how many HP BladeSystem p-Class Server Blade Enclosures to purchase (each enclosure can hold up to 8 ProLiant BL20p G3 server blades):

HP BladeSystem p-Class server blade enclosure with 8 Rapid Deployment Pack licenses (281404-B21)

Or

HP BladeSystem p-Class server blade enclosure with Rapid Deployment Pack trial (243564-B21)

Or

HP BladeSystem p-Class server blade enclosure with enhanced backplane components with 8 Rapid Deployment Pack licenses (281404-B22)

Or

HP BladeSystem p-Class server blade enclosure with enhanced backplane components with 8 Rapid Deployment Pack trial (243564-B22)

NOTE: HP BladeSystem p-Class server blade enclosures with enhanced backplane components may be required depending on which BL20p G3 model is selected.

Or

BL p-Class server blade enclosure with the HP BladeSystem Management Suite which is delivered in a convenient to purchase pack that includes a single copy of Systems Insight Manager (SIM) and 8 licenses for each of the following products: Rapid Deployment Pack (RDP), Performance Management Pack (PMP) and the Vulnerability and Patch Management Pack

Overview

(VPM).(380625-B22)

Or

Optional HP BladeSystem p-Class Server Blade Enclosure Upgrade Kit (option)(354100-B21)

NOTE: Server Blade Enclosure Upgrade Kit (354100-B21) contains enhanced backplane components and enables a field upgrade of a blade enclosure to support BL p-class blades and provide a single, physical iLO port for the enclosure.

PLUS

3. Select an Interconnect Kit. Most Interconnect Kits contain a pair of interconnects. The Cisco Gigabit Ethernet Switch Module Interconnect Kit contains a single switch. One pair of interconnects is required with each ProLiant BL p-Class server blade enclosure:

RJ-45 Patch Panel 2 with Fibre Channel pass through (required for Fibre Channel connectivity on BL20p G3 when using the patch panel interconnect) (306465-B21)

Or

RJ-45 Patch Panel (230766-B21)

Or

Quantity (2) Cisco Gigabit Switch Module for HP BladeSystem p-Class Interconnect Kit (with 16 10/100/1000 T/TX/T downlink ports, 2 RJ-45 10/100/1000 T/TX/T uplink ports, and 4 SFP ports) (378926-B21), with or without any combination of up to 4 10/100/1000 T/TX/T RJ-45 SFP Module (378928-B21) or 1000BASE SX Fiber SFP Module (378929-B21), with or without ProLiant BL p-Class Storage Connectivity Kit (with 16 Fibre Channel connectors) (321745 -B21) (required for ProLiant BLxxp xx Fibre Channel connectivity when using the CGESM Interconnect Switch)

Or

Quantity (2) Cisco Gigabit Switch Module for HP BladeSystem p-Class Interconnect Kit (with 16 10/100/1000 T/TX/T downlink ports, 2 RJ-45 10/100/1000 T/TX/T uplink ports, and 4 SFP ports populated with (2) 10/100/1000 T/TX/T SFP modules) (378927-B21), with or without optional ProLiant BL p-Class Storage Connectivity Kit (with 16 Fibre Channel connectors) (321745 -B21) (required for ProLiant BLxxp xx Fibre Channel connectivity when using the CGESM Interconnect Switch)

Or

BL p-Class C-GbE2 Interconnect Kit (with 16 10/100/1000 T/TX/T downlink ports, 6 RJ-45 10/100/1000 T/TX/T uplink ports) (283192-B21), with or without optional ProLiant BL p-Class Storage Connectivity Kit (with 16 Fibre Channel connectors) (321745 -B21) (required for ProLiant BLxxp xx Fibre Channel connectivity when using the GbE2 Interconnect Switch)

Or

BL p-Class F-GbE2 Interconnect (with 16 10/100/1000 T/TX/T downlink ports, 4 LC 1000 SX and 2 RJ-45 10/100/1000 T/TX/T uplink ports) (283193-B21), with or without optional ProLiant BL p-Class Storage Connectivity Kit (with 16 Fibre Channel connectors) (321745 -B21) (required for ProLiant BLxxp xx Fibre Channel connectivity when using the GbE2 Interconnect Switch)

Or

BL p-Class C-GbE Interconnect Kit (with 4 RJ-45 10/100/1000 T/TX/T uplink ports and 16 RJ-45 10/100 T/TX downlink ports) (249655-B21)

Or

BL p-Class F-GbE Interconnect Kit (with 4 LC 1000 SX uplink ports and 16 RJ-45 10/100 T/TX downlink ports) (279720-B21)

PLUS

4. Select HP BladeSystem p-Class power enclosure and power supplies based on configuration. Use p-Class sizing tool to help determine power configuration: <http://h30099.www3.hp.com/configurator/calc/Power%20Calculator%20Catalog.xls>.

NOTE: Power enclosures and supplies are not needed if using facility DC (-48V ± 10%).

Single phase 3U power enclosure with four power supplies (Single-phase 3U power enclosure holds a max of four power supplies) (NA/JPN- 239162-001) (INTL - 239162-421)

Or

Three-phase 3U power enclosure with six power supplies (Three-phase 3U power enclosure holds a max of six power supplies) (NA/JPN- 230769-001) (INTL - 230769-421)

Overview

(3U Power enclosures and supplies can also be purchased separately see options list)

PLUS

5. Select power distribution:

Scalable bus bar - Supports up to 5 server blade enclosures* (240560-B21)

Or

Mini bus bar - Supports up to 3 server blade enclosures* (240559-B21)

Or

Power Bus Box - Supports only 1 server blade enclosure* (240562-B21)

Or

Dual Power Input Kit for Mini Bus Bar - required for support of two power enclosures. (364565-B21)

Or

Dual Power Input Kit for Mini Bus Bar - required for support of two power enclosures. (364565-B21)

***NOTE:** Maximum depends upon power input

Standard Features (Server Blade)

Processor	Intel Xeon processor 3.6 GHz - 2MB Intel Xeon processor 3.6 GHz/800 MHz - 1MB Intel Xeon processor 3.4 GHz - 2MB Intel Xeon processor 3.4 GHz/800 MHz - 1MB Intel Xeon processor 3.2 GHz - 2MB Intel Xeon processor 3.2 GHz/800 MHz - 1MB Intel Xeon processor 3.0 GHz - 2MB		
Upgradeability	Upgradeable to dual processing.		
Cache Memory	1-MB Level 2 Cache (Depending on model) 2-MB Level 2 Cache (Depending on model)		
Chipset	Intel E7520 chipset		
Memory Protection	2-way interleaved PC3200 DDR2 SDRAM running at 400MHz		
Memory	Standard	1024 MB or 2048 MB (depending on model)	
	Maximum	8 GB	
		NOTE: Memory must be installed in pairs.	
Network Adapter	Five network adapters total: Four NC7781 PCI-X Gigabit NICs (embedded) with WOL and PXE One 10/100 iLO NIC dedicated to management NOTE: Must use HP BladeSystem p-class server blade enclosure with enhanced backplane to utilize all four NIC's (281404-B22).		
Manageability	Integrated Lights-Out (iLO) Management Advanced (ASIC on the System Board)		
Internal Storage	Hard Drives	None ship standard	
Maximum Internal Storage	SCSI	600 GB (internal drive cage)	(2 x 300 GB Wide Ultra320, 1" drive)

Standard Features (Server Blade)

Fiber Channel on the BL20p G3

The following items are needed to connect the ProLiant BL20p G3 to the SAN:

1. ProLiant BL 20p G3 with Dual-port Fibre Channel Adapter installed
 - The BL20pG3 dual-port Fibre Channel Adapter is compatible with the new ProLiant BL20p G3 (cannot be used for ProLiant BL20pG2 or BL30p)
 - Two ports on each Dual-port Fibre Channel Mezzanine Card provide a redundant Fibre Channel connection to each server blade
 - Supports up to 2 Gb/s and backward compatible with existing 1 Gb/s Fibre Channel equipment
 - Uses the QLogic chipset
 - Includes two small form factor pluggable transceivers with LC connectors for installation into the Patch Panel 2, CGESM, or GbE2 Interconnect Switch (with the Storage Connectivity Kit)
 - The ProLiant BL20p G3 can be ordered with the Dual-port Fibre Channel Adapter installed or the Dual-port Fibre Channel Adapter Option Kit can be ordered separately.
and
- 2A. BL p-Class Patch Panel 2 (with Fibre Channel pass through) interconnect option
 - Allows pass through of both Ethernet and Fibre Channel signals
 - Ethernet signals exit out the rear of the RJ-45 Patch Panel G2; Fibre Channel signals exit out the front of the RJ-45 Patch Panel G2
8 Fibre Channel small form factor pluggable (SPF) transceiver slots on the front of each RJ-45 patch panel 2 (16 Fibre Channel connections per server blade enclosure); for insertion of SPF transceivers included with the BL20p G3 Dual-port Fibre Channel
or
- 2B. BL p-Class C-GbE2 or F-GbE2 or CGESM Interconnect Kit plus the optional Storage Connectivity Kit
 - Allows LAN signal consolidation and pass through of BL20p G3 Fibre Channel signals
 - Both LAN Ethernet signals and SAN Fibre Channel signals exit out the rear of the GbE2 or CGESM Interconnect Switch (with the Storage Connectivity Kit option) via dedicated modular interconnect modules
 - 8 Fibre Channel small form factor pluggable (SPF) transceiver slots on the back of each GbE2 or CGESM Interconnect Switch (16 Fibre Channel SPF slots per server blade enclosure)
 - SPF transceivers are included with the BL20p G3 Dual-port Fibre Channel Adapter
and
3. Compatible SAN
 - Optimized for StorageWorks arrays: HSG80 (MA8000, EMA12000, EMA16000); EVA5000; EVA3000; XP48, XP128, XP512, XP1024; HP StorageWorks Modular Smart Array 1000
 - Compatible with select 3rd party SANs (please see blade storage page for more details
<http://h18000.www1.hp.com/products/servers/proliant-bl/p-class/storage.html>)

Expansion Slots

No PCI slots all features are integrated

I/O cable connectors:

(2)USB ports, (1) video port, (1) iLO port and (1) kernel debug port

(2) I/O cable ships with every server blade enclosure

Connects to the front of the server blade for aid in 1st server blade deployment and troubleshooting

Tested USB devices (keyboard, mouse, floppy) are listed in the "Options" section of this QuickSpecs

Standard Features (Server Blade Enclosure and Interconnects)

HP BladeSystem ProLiant BL p-Class Server Blade Enclosure and Interconnects

ProLiant BL p-Class Server Blade Enclosures	<p>6U (10.5-inch), 19-inch wide</p> <p>Holds up to 8 ProLiant BL20p G3 servers blades</p> <p>10 bays per server blade enclosure 8 bays for server blades</p> <p>2 outside bays for interconnect modules (RJ-45 Patch Panel, RJ-45 Patch Panel 2, GbE Interconnect Switch, GbE2 or CGESM Interconnect Switch)</p> <p>Server blades blind mate into the server blade enclosure backplane for power and data connections</p> <p>NOTE: ProLiant HP BladeSystem p-Class server blade enclosures with enhanced backplane components might be required depending on which BL20p G3 model is selected.</p> <p>http://www.hp.com/go/bladeSystem/enclosure/compatibility</p> <p>NOTE: Server Blade Enclosure Upgrade Kit (354100-B21) contains enhanced backplane components and enables a field upgrade of a blade enclosure to support specific BL20p G3 models and provide a single, physical iLO port for the enclosure.</p> <p>Server blade management module attached to the back of each HP BladeSystem p-Class server blade enclosure to report events all servers and provide asset and inventory information</p>
--	---

HP BladeSystem p-Class Power Requirements	<p>Redundant 200V - 240V AC, 30 amp single-phase for NA and International</p> <p>Redundant 208V 30amp 3-phase 4 wire, NA</p> <p>Redundant 380 - 415V 20A 3-phase 5 wire, Intl</p> <p>Redundant -48VDC \pm 10%</p>
--	--

ProLiant BL p-Class Interconnect Switch Option	<p>The Cisco Gigabit Ethernet Switch Module (CGESM) Interconnect Kit () are for applications that require network adapter consolidation to 1000 Mbps (Gigabit Ethernet) in a Cisco infrastructure. The CGESM supports the same and BL35p Fibre Channel pass-through as the GbE2.</p> <ul style="list-style-type: none">• The Cisco Gigabit Ethernet Switch Module Interconnect kit includes one CGESM Interconnect Switch or one CGESM Interconnect Switch populated with two (2) RJ-45 10/100/1000 T/TX/T Small Form Factor Pluggable (SFP) Modules.• Quantity 2 Cisco Gigabit Ethernet Switch Module Interconnect kits provide two CGESM Interconnect Switches providing any combination of up to twelve (12) RJ-45 10/100/1000 T/TX/T or Fiber SX external ports per server blade enclosure.
---	--

(Two switches per kit)
(Every HP BladeSystem p-Class server blade enclosure requires two interconnect switches OR two RJ-45 patch panels)

The optional ProLiant BL p-Class Storage Connectivity Kit (321745 -B21) is required for BL35p Fibre Channel pass-through when using either the CGESM Interconnect Kit.

The interconnect switches provide up to a 32 to 1 server networking cable reduction per server enclosure depending on the mix of BL20p, BL20p G2, BL20pG3, and BL40p servers. Each interconnect switch (two per enclosure) reduces up to sixteen internal server network (NIC) ports to six external ports (four on a modular rear mounting interconnect module and two on the switch front panel). This provides a total of twelve external ports per server blade enclosure. Only one to all twelve external ports may be used per server blade enclosure.

Standard Features (Server Blade Enclosure and Interconnects)

The GbE2 Interconnect Kits (C-GbE2 and F-GbE2) are for applications that require network adapter consolidation to 1000 Mbps (Gigabit Ethernet) and BL25p Fibre Channel pass-through.

- The ProLiant BL p-Class F-GbE2 Interconnect Kit includes two GbE2 Interconnect Switches and two QuadSX Interconnect Modules that provide eight (8) LC 1000 SX and four (4) RJ-45 10/100/1000 T/TX/T external ports per server blade enclosure.
- The ProLiant BL p-Class C-GbE2 Interconnect Kit includes two GbE2 Interconnect Switches and two QuadT2 Interconnect Modules that provide twelve (12) RJ-45 10/100/1000 T/TX/T external ports per server blade enclosure.
- The optional ProLiant BL p-Class Storage Connectivity Kit (321745 -B21) is required for BL25p Fibre Channel pass-through when using either the C-GbE2 or F-GbE2 Interconnect Kit.

The GbE Interconnect Kits (C-GbE and F-GbE) are for applications that require network adapter consolidation to 100 Mbps (Fast Ethernet).

- The ProLiant BL p-Class F-GbE Interconnect Kit includes two GbE Interconnect Switches and two DualTSX Interconnect Modules that provide four (4) LC 1000 SX and eight (8) RJ-45 10/100 T/TX external ports per server blade enclosure.
- The ProLiant BL p-Class C-GbE Interconnect Kit includes two GbE Interconnect Switches and two QuadT Interconnect Modules that provide four (4) RJ-45 10/100/1000 T/TX/T and eight (8) RJ-45 10/100 T/TX external ports per server blade enclosure.

Also included (per Interconnect Switch):

- One (1) RS-232 DB-9 front panel out-of-band management port
- Redundant crosslink ports connecting the two interconnect switches
- Redundant power inputs and on-board redundant fans
- Hot-plug and hot- remove with configuration retention and no need to cable/re-cable
- Power ON, management, and per port status and speed LED indicators
- Reset/power momentary push-button switch
- HP ProLiant BL Interconnect Switch Management Utilities and User Documentation CD
- Fully pre-configured for rapid deployment and immediate operation

The GbE Interconnect Kits (C-GbE and F-GbE) are for applications that require network adapter consolidation to 100 Mbps (Fast Ethernet).

- The ProLiant BL p-Class F-GbE Interconnect Kit includes two GbE Interconnect Switches and two DualTSX Interconnect Modules that provide four (4) LC 1000 SX and eight (8) RJ-45 10/100 T/TX external ports per server blade enclosure.
- The ProLiant BL p-Class C-GbE Interconnect Kit includes two GbE Interconnect Switches and two QuadT Interconnect Modules that provide four (4) RJ-45 10/100/1000 T/TX/T and eight (8) RJ-45 10/100 T/TX external ports per server blade enclosure.

ProLiant BL Interconnect Switch Management System and Utilities:

Full featured web-based and scriptable command line (CLI) interfaces, password protected multi-level user accounts, Telnet, SNMP, BootP client, port mirroring, port-based VLANs and VLAN tagging, EtherChannel compatible multi-port trunking, network time protocol, spanning tree protocol, broadcast/multicast storm control, flow control, human readable/writeable configuration file, TFTP client, IP address security restrictions, auto-MDI/MDIX, auto-negotiation and auto-sensing of speed and duplex mode, and more.

Standard Features (Server Blade Enclosure and Interconnects)

ProLiant BL p-Class Storage Connectivity Kit Option (supports two CGESM or GbE2 switches per kit)

The Storage Connectivity Kit is used if BL20p G3 Fibre Channel signal pass-through is desired when using the CGESM or GbE2 Interconnect Switch. Therefore, both LAN cable consolidation and SAN connectivity is possible using a single interconnect option. Order one Storage Connectivity Kit per server blade enclosure for BL20p G3 Fibre Channel pass through.

The Storage Connectivity Kit includes two OctalFC Interconnect Modules that provide sixteen open transceiver slots for the pluggable small form factor transceivers that come with each BL20p G3 Dual port Fibre Channel Adapter. The Storage Connectivity Kit supports up to eight BL20p G3 servers (for a total of sixteen Fibre Channel signals).

ProLiant BL p-Class RJ-45 Patch Panel (Two patch panels per kit) (Every BL p-Class server blade enclosure requires two Interconnect switches OR two RJ-45 patch panels)

6U (10.5-inch), Plugs into HP BladeSystem p-Class 6U server blade enclosures

Used to pass NIC signals from all server blades in server blade enclosure out as RJ-45 connections

Supports Gigabit Ethernet network adapters

16 RJ-45 connectors on the back of each BL p-Class 6U RJ-45 Patch Panel (32 RJ-45 connections per server blade enclosure)

ProLiant BL p-Class RJ-45 Patch Panel 2 (with Fibre Channel pass through) (Two patch panels per kit) (Every BL p-Class server blade enclosure requires two Interconnect switches OR two RJ-45 patch panels)

6U (10.5-inch), Plugs into HP BladeSystem p-Class 6U server blade enclosures

Used to pass NIC signals from all server blades in server blade enclosure out as RJ-45 connections also used to pass Fibre Channel signals for SAN connectivity

Supports Gigabit Ethernet network adapters

16 RJ-45 connectors on the back of each RJ-45 patch panel 2 (32 RJ-45 connections per server blade enclosure)

Fibre Channel, pass through

Fibre Channel signals travel from a ProLiant BL20p G3 with a BL20pG3 Dual-Port Fibre Channel Adapter through p-Class server blade enclosure backplane. The Fibre Channel signals are terminated through the RJ-45 Patch Panel 2 in the interconnect bays. To provide redundancy each server blade has two Fibre Channel signals and one Fibre Channel signal terminates through the right RJ-45 Patch Panel 2, one Fibre Channel signal travels terminates through the left RJ-45 Patch Panel 2.

8 Fibre Channel small form factor pluggable (SPF) transceiver slots on the front of each RJ-45 patch panel 2 (16 Fibre Channel connections per server blade enclosure); for insertion of SPF transceivers included with the BL20p G3 Dual-port Fibre Channel Adapter

Required Network Cabling

10Base-T	Categories 3, 4 or 5 UTP (100 meters) EIA/TIA-568 100-ohm STP (100 meters)
100Base-TX	Category 5 UTP (100 meters) EIA/TIA-568 100-ohm STP (100 meters)
1000Base-T	Category 5 UTP (100 meters) EIA/TIA-568 100-ohm STP (100 meters)
1000Base-SX	50/125 μ m Multimode Fiber, 400 MHz/Km (500 meters) 50/125 μ m Multimode Fiber, 500 MHz/Km (550 meters) 62.5/125 μ m Multimode Fiber, 160 MHz/Km (220 meters) 62.5/125 μ m Multimode Fiber, 200 MHz/Km (275 meters)

NOTE: For cabling information, refer to the Web site at:
<http://www.compaq.com/products/servers>.

Standard Features (Power System and Rack Information)

HP BladeSystem p-Class Power System and Rack Information

NOTE: To determine power configuration please refer to the HP BladeSystem p-Class Overview and Planning Whitepaper and sizing tool at <http://h18000.www1.hp.com/products/servers/proliant-bl/p-class/20p/index.html>.

HP BladeSystem p-Class 3U Power Enclosure

3U (5.25-inch), 19-inch wide, 29-inch deep (0.48-meter wide, 0.74-meter deep), Dual input single phase and three phase models available.

HP BladeSystem p-Class power enclosure provides external, shared hot-plug power. Each three-phase power enclosure houses up to six hot-plug power supplies each single-phase power enclosures hold up to four hot-plug power supplies to power the BL p-Class server blades and interconnects

Please use the sizing utility to determine the power needed for each configuration

<http://www.hp.com/go/ bladesystem/powercalculator>

Power enclosures and power supplies are not needed if using facility DC (-48V DC \pm 10%). If using facility DC, only Facility DC Power Connection kit part number (240563-B21) is needed.

HP BladeSystem p-Class Power Distribution (only required with 3U power enclosure)

In the ProLiant HP BladeSystem p-Class infrastructure, redundant -48 VDC power (from the power enclosures or facility DC power) is distributed from the power enclosures to the server blade enclosures through the bus bar system. Hinges attach the HP BladeSystem bus bars to the rails in a rack. The bus bars swing open from the center to enable easy rear access to the server blades and network cables. Power is distributed redundantly through independent A- and B-sided bus bars.

Three different power distribution solutions are available depending on the maximum number of server blade enclosures planned for the rack:

- HP BladeSystem p-Class scalable bus bar
- HP BladeSystem p-Class mini bus bar
- HP BladeSystem p-Class power bus box

NOTE: To support a full 42U rack of BL20p server blades (6 server blade enclosures), two mini bus bars are needed.

	Power Enclosures Supported	Server Blade Enclosures Supported	Max. Rack Space Occupied
Scalable Bus Bar	1 or 2	up to 5	36U
Mini Bus Bar	1 or 2	up to 3	21U
Power Bus Box	1	1	9U
	Dual power input kit for mini bus bar option (364565-B21) required to support two power enclosures.		
	NOTE: To support a full 42U rack of BL p-Class server blades, use two stacked pairs of mini bus bars.		

Required Power Source

Two 30amp redundant power feeds per power enclosure

Connectors

-NEMA receptacles (NA/Japan)

NA 1-phase L6-30, 250v, 30A 3-wire

NA 3-phase L15-30, 250V, 30A, 4-wire

-IEC 309 Pin & Sleeve connectors (International)

Intl 1-phase 250V, 32A, 3- pin (2 pole + ground)

Intl 3-phase 380-415V, 32A, 5--pin (4 pole + ground)

Optimized for power cabling from bottom and network cabling from top

Standard Features

ProLiant Essentials Foundation Pack Software for the ProLiant BL Server

ProLiant Essentials Rapid Deployment Pack

Rapid Deployment Pack (RDP) is an automated deployment and provisioning solution for all ProLiant servers. RDP includes the Altiris Deployment Solution and ProLiant Integration Module featuring ProLiant server pre-configured events for OS installation, and optimized software drivers, firmware and management agents. Every RDP CD includes 10-node trial licenses for evaluation purposes. RDP requires a license for each server deployed and is available for purchase with blade servers. For more information, visit <http://www.hp.com/servers/rdp>.

HP Systems Insight Manager

HP Systems Insight Manager (HP SIM) help maximize system uptime and performance and reduce system maintenance costs by providing proactive notification of problems before those problems result in unplanned downtime or reduced productivity. HP SIM is easy to set up to work with the Insight Management Agents, integrated Light-Out and Remote Insight Light-Out Edition, and Version Control Agents to deliver robust fault, configuration, and asset management as well as remote administration. With HP Systems Insight Manager customers will also be able to take advantage of role-based security; the ability to manage ProLiant, Integrity, and HP9000 systems; and plug-ins for storage, client, printer, and power management as well as server rapid deployment, performance management, and workload management. For more details on HP Systems Insight Manager visit <http://www.hp.com/go/hpsim>.

Management Agents

The Management Agents form the foundation for HP's Intelligent Manageability strategy. They provide direct, browser-based access to in-depth instrumentation built into HP servers, workstations, desktops, and portables, and send alerts to HP Systems Insight Manager and other enterprise management applications in case of subsystem or environmental failures. For additional information about the Management Agents and other management products from HP, please visit the management Web site at <http://www.hp.com/servers/manage>.

Subscriber's Choice

Subscriber's Choice Driver and Support Alerts/Notifications is a web-based email subscription service that provides software and driver change notifications for ProLiant products. Sign up at <http://www.hp.com/go/subscriberschoice> and customize your profile to receive various new alerts as they become available, on a weekly or monthly basis.

ROMPaq, support software, and configuration utilities

The latest software, drivers, and firmware fully optimized and tested for your ProLiant server and options, available in the RDP CD, SmartStart or downloadable from Software and Drivers download pages, linked from the SmartStart website at <http://www.hp.com/go/support>.

Insight Diagnostics Online Edition

The most advanced configuration analysis, reporting and troubleshooting utilities used by HP and at your fingertips, available in SmartStart.

NOTE: For more information regarding ProLiant Essentials Software, please see the following URL: <http://www.hp.com/servers/proliantessentials>

Standard Features

Optional ProLiant Essentials Value Packs

Optional software offerings that selectively extend the functionality of an Adaptive Infrastructure to address specific business problems and needs:

- Workload Management Pack - provides easier management of complex environments, improving overall server utilization and enabling Windows® 2000 customers for the first time to confidently deploy multiple applications on a single multiprocessor ProLiant Server.
- Performance Management Pack - a performance management solution that identifies and explains hardware performance bottlenecks on ProLiant servers and attached options enabling users to better utilize their valuable resources.
- Intelligent Networking Pack - detects and analyzes network bottlenecks or broken network linkages and steers traffic to the optimum route based on network conditions.
- Vulnerability and Patch Management Pack - identifies and remediates software security vulnerabilities due to missing patches as well as operating system configurations that can be exploited by viruses, worms and other blended threats.
- Virtual Machine Management Pack - provides central management and control of virtual machines from Microsoft and VMware. Integrated approach provides the ability to manage other physical and virtual resources from a single management console.

NOTE: Flexible and volume quantity license kits are available for ProLiant Essentials Value Packs. Refer to <http://www.hp.com/servers/proliantessentials> or the various ProLiant Essentials Value Pack product QuickSpecs for more information.

SmartStart

SmartStart is a tool that simplifies single server setup, providing a rapid way to deploy reliable and consistent server configurations. SmartStart 7.00 and later can now deploy the ProLiant BL20P G3 and ProLiant BL40P servers, using the I/O port with an attached USB CD-ROM device. To obtain a copy of SmartStart for your blade server, redeem the coupon that is included with your Blade server or order your copy from the SmartStart web site. For more information, please visit the SmartStart Web site at <http://www.hp.com/servers/smartstart>.

SmartStart version supported (minimum): SmartStart 6.20

OS Support

Microsoft® Windows
LINUX

NOTE: For a more complete and up-to-date listing of supported OS and versions, please visit our OS Support Matrix at: <http://www.hp.com/go/supportos>.

NOTE: For an up-to-date listing of the latest drivers available for the ProLiant BL p-Class, please see: <http://www.compaq.com/support/files/server/us/index.html>.

NOTE: For a more complete and up-to-date information on Linux support, please visit HP Linux website at <http://h18000.www1.hp.com/products/servers/linux/hpLinuxcert.html>.

Standard Features

Intelligent Manageability	<ul style="list-style-type: none">Integrated Lights-Out Advanced (iLO)<ul style="list-style-type: none">Virtual Text and Graphical Remote Console *Virtual CD-ROM*Virtual Floppy *Virtual Power Button ControlDedicated LAN ConnectivityAutomatic IP Configuration via DHCP/DNS/WINSIndustry Standard 128-bit Secure Sockets Layer (SSL) SecurityIML and iLO Event LoggingSupport for 12 user accounts with customizable access privilegesAutomatic Server Recovery-2 (ASR-2)Insight Manager 7HP Systems Insight ManagerRedundant ROMRemote Flash ROMROM Based Setup Utility (RBSU)Advanced Configuration and Power Interface Specification Ready (ACPI)Server and Interconnect Switch Health LogsRedundant Power Supply UtilityPre-Failure Warranty (covers processors, as well as hard drives and memory)Interconnect Switch Management System and Utilities (Interconnect Switch option)Integrated Management Log (IML)Off-Line Backup Processor capabilityDynamic sector repairing and drive parameter tracking (with Smart Array controllers)Network adapter teaming set-up utility <p>* Advanced features such as Graphical Remote Console and Virtual Floppy are included with the BL p-Class server.</p>
----------------------------------	---

Availability	<ul style="list-style-type: none">Power redundancy: Redundant AC feeds into power enclosures, redundant DC feeds from power enclosure to server blade enclosures,N + N redundant power suppliesDual-Port Fibre Channel Mezzanine Card for redundant SAN connectionTwo hot-plug SCSI hard drive bays and integrated RAID (Smart Array 5i Plus) on every server blade (Battery-backed write cache is optional.)Redundant ROM on each server bladeECC MemoryNetwork adapter teaming (network fault tolerance, transmit load balancing, switch-assisted load balancing)Interconnects Switch Availability
---------------------	---

Standard Features

- Hot-plug and hot- remove with configuration retention and no need to cable/re-cable
- Two network connections per server blade bay (four NICs total) routed to two redundant interconnect switches
- Redundant Ethernet inter-switch communication with two sets of redundant Ethernet uplink ports per each interconnect switch
- Redundant front panel ports per each interconnect switch for diagnostics, management, and additional uplinks
- Redundant serial ports
- Compatibility with PVST+ (CGESM or GbE2 switch) and 802.1D Spanning tree protocol support for loop-free path redundancy
- Static IEEE 802.3ad (EtherChannel compatible) trunking with automatic port load balancing and failover
- Redundant configuration files and operating system firmware images in memory (GbE2 switch)
- Redundant fans per each interconnect switch
- Redundant 1+1 power to each interconnect switch
- Support for ProLiant network adapter teaming
- Redundant configurable community strings and SNMP trap manager hosts
- Redundant configurable silo server, DNS server, and default gateways (GbE2 switch)

Security	Power-on password Administrator's password Integrated Lights-Out has 12 customizable user accounts and SSL encryption Integrated Lights-Out can be disabled via a Global Setting Interconnect switch multilevel user names and passwords, management interface time out period setting, SSH*, SCP secure copy protocol*, port-based IEEE 802.1Q tagged VLANs, RADIUS user authentication and authorization*, and IP address restriction * CGESM or GbE2 Interconnect Switch only
-----------------	---

Minimum Rack Requirements	Mounts in ProLiant, and Telco racks and Third Party racks that meet the following criteria: <ul style="list-style-type: none">• Compatible with 19-inch Standard EIA rail sets• EIA rail-to-rail depth is 29 - 30"• Cabinet depth must be at least 36-inch deep overall (Additional min. 3.5-inch clearance from rear RETMA rail to rear door, inclusive in the 36-inch overall depth)• Ample room for top and bottom cable egress (approximately 8 square inches for full rack configuration with patch panel)• Must be capable of supporting 1600 lb (for full rack configuration)• Perforated front and rear doors to accommodate front-to-back cooling• Must have 65% open perforation on server blade enclosure doors to support airflow requirements• Optimized for use with the HP 10000 Series racks <p>NOTE: If using Compaq 7000 Series rack, Rack Extension Kit and High Air Flow Rack Door options are required.</p>
----------------------------------	--

Standard Features

Rack Airflow Requirements

Rack 10000 series Cabinets

The increasing power of new high-performance processor technology requires increased cooling efficiency for rack-mounted servers. The 10000 Series Racks provide enhanced airflow for maximum cooling, allowing these racks to be fully loaded with servers using the latest processors.

CAUTION: If a third-party rack is used, observe the following additional requirements to ensure adequate airflow and to prevent damage to the equipment:

- Front and rear doors: If your 42U server rack includes closing front and rear doors, you must allow 830 square inches (5,350 sq cm) of hole evenly distributed from top to bottom to permit adequate airflow (equivalent to the required 64 percent open area for ventilation).
- Side: The clearance between the installed rack component and the side panels of the rack must be a minimum of 2.75 inches (7 cm).

CAUTION: Always use blanking panels to fill all remaining empty front panel U-spaces in the rack. This arrangement ensures proper airflow. Using a rack without blanking panels results in improper cooling that can lead to thermal damage.

NOTE: For additional information, refer to the Setup and Installation Guide or the Documentation CD provided with the server, or to the server documentation located in the Support section at the following URL: <http://www.hp.com/servers/bl20p>.

Factory Express Portfolio for Servers and Storage

HP Factory Express offers configuration, customization, integration and deployment services for HP servers and storage products. Customers can choose how their factory solutions are built, tested, integrated, shipped and deployed.

Factory Express offers service packages for simple configuration, racking, installation, complex configuration and design services as well as individual factory services, such as image loading, asset tagging, and custom packaging. HP products supported through Factory Express include a wide array of servers and storage: HP Integrity, HP ProLiant, HP ProLiant Server Blades, HP BladeSystem, HP 9000 servers as well as the MSA1000, VA7xxx, EVA3000 & EVA5000, XP, rackable tape libraries and configurable network switches.

For more information on how to order please contact your sales representative or go to <http://www.hp.com/go/factory-express>.

Service and Support

Three-year limited warranty, including hardware diagnostic support, pre-failure warranty (coverage of hard drives, memory and processors). The warranty is fully supported by HP Services and a worldwide network of resellers and service providers. In addition 90-day's getting started software telephone support may be covered under the warranty or available for an additional fee. Enhancements to warranty services are available through HP Care Pack services.

NOTE: Server Blade Limited Warranty includes 3 year Parts, 3 year Labor, 3-year on-site support.

NOTE: Server Blade Enclosure and Interconnects Limited Warranty includes 3 year Parts, 3 year Labor, 3-year on-site support.

Care Pack services provide a range of life cycle support options that let you choose the service levels that meet your business requirements, from basic to mission-critical.

A full range of HP Care Pack hardware and software services are available including:

- Installation and start up
- Education courses
- Extended onsite hardware coverage hours from same business day 13 hours, 5 day to 24 hours, 7 days call window with options including 4-hour response or 6-hour Call To Repair
- Comprehensive range of software technical support for Microsoft, Linux, ProLiant Essentials and

Standard Features

VMWare-based IT solutions helping to deliver high level of application availability. Response times range from 30 mins for critical problems to 2 hours.

- System Management, Performance Services and Mission Critical Support Solution

HP Care Pack services for ProLiant BL p-Class server blades, cover the server blade and the p-Class blade enclosure that the server blade is installed in as well as interconnects, power enclosure with power supplies and power distribution.

NOTE: For more information on HP Care Pack services, contact any of our worldwide sales offices or resellers or visit our worldwide Web site on the internet at: <http://www.hp.com/hps/carepack>

NOTE: For more complete information on HP Services offerings, customers and resellers, please visit us at: <http://www.hp.com/hps>

NOTE: Additional information regarding worldwide limited warranty and technical support is available at:

<http://h18004.www1.hp.com/products/servers/platforms/warranty/index.html>

Models

HP ProLiant BL20p G3 X3.6 2MB, 2GB (2P) 380636-B21	Processor(s)	(2) Intel Xeon 3.6 GHz standard (up to 2 supported)
	Cache Memory	2-MB Level 2 writeback per processor
	Memory	2048-MB (Standard) to 8-GB (Maximum) of 2-way interleaved capable PC3200 DDR2 SDRAM running at 400MHz (2x1 GB)
	Network Adapter	Four NC7781 PCI-X Gigabit NICs (embedded) with WOL and PXE One additional 10/100 NIC dedicated to iLO Management
	Storage Controller	Smart Array 6i Controller (integrated on system board)
	Hard Drives	None ship standard
	Internal Storage	Up to 600-GB maximum (with optional hard drives)
	Optical Drive	None
	Form Factor	Plugs vertically into ProLiant BL p-Class Server Blade Enclosure

HP ProLiant BL20p G3 X3.4 2MB, 2GB (2P) 380634-B21	Processor(s)	(2) Intel Xeon 3.4 GHz standard (up to 2 supported)
	Cache Memory	2-MB Level 2 writeback per processor
	Memory	2048-MB (Standard) to 8-GB (Maximum) of 2-way interleaved capable PC3200 DDR2 SDRAM running at 400MHz (2x1 GB)
	Network Adapter	Four NC7781 PCI-X Gigabit NICs (embedded) with WOL and PXE One additional 10/100 NIC dedicated to iLO Management
	Storage Controller	Smart Array 6i Controller (integrated on system board)
	Hard Drives	None ship standard
	Internal Storage	Up to 600-GB maximum (with optional hard drives)
	Optical Drive	None
	Form Factor	Plugs vertically into ProLiant BL p-Class Server Blade Enclosure

HP ProLiant BL20p G3 X3.4 2MB, 1GB (1P) 380633-B21	Processor(s)	(1) Intel Xeon 3.4 GHz standard (up to 2 supported)
	Cache Memory	2-MB Level 2 writeback per processor
	Memory	1024-MB (Standard) to 8-GB (Maximum) of 2-way interleaved capable PC3200 DDR2 SDRAM running at 400MHz (2x512MB)
	Network Adapter	Four NC7781 PCI-X Gigabit NICs (embedded) with WOL and PXE One additional 10/100 NIC dedicated to iLO Management
	Storage Controller	Smart Array 6i Controller (integrated on system board)
	Hard Drives	None ship standard
	Internal Storage	Up to 600-GB maximum (with optional hard drives)
	Optical Drive	None
	Form Factor	Plugs vertically into ProLiant BL p-Class Server Blade Enclosure

Models

HP ProLiant BL20p G3 X3.2 2MB, 1GB (1P) 380631-B21	Processor(s)	(1) Intel Xeon 3.2 GHz standard (up to 2 supported)
	Cache Memory	2-MB Level 2 writeback per processor
	Memory	1024-MB (Standard) to 8-GB (Maximum) of 2-way interleaved capable PC3200 DDR2 SDRAM running at 400MHz (2x512MB)
	Network Adapter	Four NC7781 PCI-X Gigabit NICs (embedded) with WOL and PXE One additional 10/100 NIC dedicated to iLO Management
	Storage Controller	Smart Array 6i Controller (integrated on system board)
	Hard Drives	None ship standard
	Internal Storage	Up to 600-GB maximum (with optional hard drives)
	Optical Drive	None
	Form Factor	Plugs vertically into ProLiant BL p-Class Server Blade Enclosure

HP ProLiant BL20p G3 X3.0 2MB, 1GB (1P) 380632-B21	Processor(s)	(1) Intel Xeon 3.0 GHz standard (up to 2 supported)
	Cache Memory	2-MB Level 2 writeback per processor
	Memory	1024-MB (Standard) to 8-GB (Maximum) of 2-way interleaved capable PC3200 DDR2 SDRAM running at 400MHz (2x512MB)
	Network Adapter	Four NC7781 PCI-X Gigabit NICs (embedded) with WOL and PXE One additional 10/100 NIC dedicated to iLO Management
	Storage Controller	Smart Array 6i Controller (integrated on system board)
	Hard Drives	None ship standard
	Internal Storage	Up to 600-GB maximum (with optional hard drives)
	Optical Drive	None
	Form Factor	Plugs vertically into ProLiant BL p-Class Server Blade Enclosure

HP ProLiant BL20p G3 X3.6 1MB, 1GB (1P) 368328-B21	Processor(s)	(1) Intel Xeon 3.6 GHz standard (up to 2 supported)
	Cache Memory	1-MB Level 2 writeback per processor
	Memory	1024-MB (Standard) to 8-GB (Maximum) of 2-way interleaved capable PC3200 DDR2 SDRAM running at 400MHz (2x512MB)
	Network Adapter	Four NC7781 PCI-X Gigabit NICs (embedded) with WOL and PXE One additional 10/100 NIC dedicated to iLO Management
	Storage Controller	Smart Array 6i Controller (integrated on system board)
	Hard Drives	None ship standard
	Internal Storage	Up to 600-GB maximum (with optional hard drives)
	Optical Drive	None
	Form Factor	Plugs vertically into ProLiant BL p-Class Server Blade Enclosure

Models

HP ProLiant BL20p G3 X3.6 1MB, 2GB (2P) with FC Adapter 361411-B21	Processor(s)	(2) Intel Xeon 3.6 GHz standard (up to 2 supported)
	Cache Memory	1-MB Level 2 writeback per processor
	Memory	2048-MB (Standard) to 8-GB (Maximum) of 2-way interleaved capable PC3200 DDR2 SDRAM running at 400MHz (2x1 GB)
	Network Adapter	Four NC7781 PCI-X Gigabit NICs (embedded) with WOL and PXE One additional 10/100 NIC dedicated to iLO Management
	Storage Controller	Smart Array 6i Controller (integrated on system board)
	Hard Drives	None ship standard
	Internal Storage	Up to 600-GB maximum (with optional hard drives)
	Optical Drive	None
	Form Factor	Plugs vertically into ProLiant BL p-Class Server Blade Enclosure
	Dual Port Fibre Channel Adapter	Provides redundant SAN connection

HP ProLiant BL20p G3 X3.4-1MB, 2GB (2P) with FC Adapter 347954-B21	Processor(s)	(2) Intel Xeon 3.4 GHz standard (up to 2 supported)
	Cache Memory	1-MB Level 2 writeback per processor
	Memory	2048-MB (Standard) to 8-GB (Maximum) of 2-way interleaved capable PC3200 DDR2 SDRAM running at 400MHz (2x1 GB)
	Network Adapter	Four NC7781 PCI-X Gigabit NICs (embedded) with WOL and PXE One additional 10/100 NIC dedicated to iLO Management
	Storage Controller	Smart Array 6i Controller (integrated on system board)
	Hard Drives	None ship standard
	Internal Storage	Up to 600-GB maximum (with optional hard drives)
	Optical Drive	None
	Form Factor	Plugs vertically into ProLiant BL p-Class Server Blade Enclosure
	Dual Port Fibre Channel Adapter	Provides redundant SAN connection

HP ProLiant BL20p G3 X3.4-1MB, 1GB (1P) 347955-B21	Processor(s)	(1) Intel Xeon 3.4 GHz standard (up to 2 supported)
	Cache Memory	1-MB Level 2 writeback per processor
	Memory	1024-MB (Standard) to 8-GB (Maximum) of 2-way interleaved capable PC3200 DDR2 SDRAM running at 400MHz (2x512MB)
	Network Adapter	Four NC7781 PCI-X Gigabit NICs (embedded) with WOL and PXE One additional 10/100 NIC dedicated to iLO Management
	Storage Controller	Smart Array 6i Controller (integrated on system board)
	Hard Drives	None ship standard
	Internal Storage	Up to 600-GB maximum (with optional hard drives)
	Optical Drive	None
	Form Factor	Plugs vertically into ProLiant BL p-Class Server Blade Enclosure

Models

HP ProLiant BL20p G3 X3.2-1MB, 1GB (1P) 347957-B21	Processor(s)	(1) Intel Xeon 3.2 GHz standard (up to 2 supported)
	Cache Memory	1-MB Level 2 writeback per processor
	Memory	1024-MB (Standard) to 8-GB (Maximum) of 2-way interleaved capable PC3200 DDR2 SDRAM running at 400MHz (2x512MB)
	Network Adapter	Four NC7781 PCI-X Gigabit NICs (embedded) with WOL and PXE One additional 10/100T NIC dedicated to iLO Management
	Storage Controller	Smart Array 6i Controller (integrated on system board)
	Hard Drives	None ship standard
	Internal Storage	Up to 600-GB maximum (with optional hard drives)
	Optical Drive	None
	Form Factor	Plugs vertically into ProLiant BL p-Class Server Blade Enclosure

HP ProLiant BL20p G3 X3.2-1MB, 2GB (2P) with FC Adapter 347956-B21	Processor(s)	(2) Intel Xeon 3.2 GHz standard (up to 2 supported)
	Cache Memory	1-MB Level 2 writeback per processor
	Memory	2048-MB (Standard) to 8-GB (Maximum) of 2-way interleaved capable PC3200 DDR2 SDRAM running at 400MHz (2x1 GB)
	Network Adapter	Four NC7781 PCI-X Gigabit NICs (embedded) with WOL and PXE One additional 10/100T NIC dedicated to iLO Management
	Storage Controller	Smart Array 6i Controller (integrated on system board)
	Hard Drives	None ship standard
	Internal Storage	Up to 600-GB maximum (with optional hard drives)
	Optical Drive	None
	Form Factor	Plugs vertically into ProLiant BL p-Class Server Blade Enclosure
Dual Port Fibre Channel Adapter	Provides redundant SAN connection	

NOTE: For additional information on ProLiant BL20p Blades starter bundles, please see the following URL:

http://h18004.www1.hp.com/products/quickspecs/11567_div/11567_div.HTML (Worldwide)

http://h18004.www1.hp.com/products/quickspecs/11567_na/11567_na.HTML (North America)

Configuration Information Factory Integrated Models (North America only)

NOTE: HP does not allow factory integration of options into standard models listed above.

Configure-to-order servers must start with a CTO Chassis.

NOTE: This product offering does not support HP Factory Express Server Configuration Level 1.

Step 1: Base Server Blade Configuration

Models	HP ProLiant BL20p G3 CTO Blade (North America)	364472-405
	Configurable Model ships with:	
	Four NC7781 PCI-X Gigabit NICs (embedded) with WOL and PXE	
	One additional 10/100 NIC dedicated to iLO Management	
	Smart Array 6i Plus Controller (integrated on system board)	

Step 2: Choose Required Options (one of the following from each list unless otherwise noted):

	For single processor configuration choose:	
Processors	Intel Xeon 3.6 GHz-2M Processor Option Kit FIO BASE	381021-L21
	Intel Xeon 3.4 GHz-2M Processor Option Kit FIO BASE	381020-L21
	Intel Xeon 3.2 GHz-2M Processor Option Kit FIO BASE	381019-L21
	Intel Xeon 3.0 GHz-2M Processor Option Kit FIO BASE	381018-L21
	Intel X3.6GHz/800-1M BL20pG3 FIO BASE	355928-L21
	Intel X3.2GHz/800-1M BL20pG3 FIO BASE	361413-L21
	Intel X3.4GHz/800-1M BL20pG3 FIO BASE	361412-L21
	For dual-processor configurations choose one each of the matching pair of processors	
	Intel Xeon 3.6 GHz-2M Processor Option Kit FIO BASE	381021-L21
	Intel Xeon 3.6 GHz-2M Processor Option Kit	381021-B21
	Intel Xeon 3.4 GHz-2M Processor Option Kit FIO BASE	381020-L21
	Intel Xeon 3.4 GHz-2M Processor Option Kit	381020-B21
	Intel Xeon 3.2 GHz-2M Processor Option Kit FIO BASE	381019-L21
	Intel Xeon 3.2 GHz-2M Processor Option Kit	381019-B21
	Intel Xeon 3.0 GHz-2M Processor Option Kit FIO BASE	381018-L21
	Intel Xeon 3.0 GHz-2M Processor Option Kit	381018-B21
	Intel X3.6GHz/800-1M BL20pG3 FIO BASE	355928-L21
	Intel X3.6GHz/800-1M BL20pG3	355928-B21
	Intel X3.2GHz/800-1M BL20pG3 FIO BASE	361413-L21
	Intel X3.2GHz/800-1M BL20pG3	361413-B21
	Intel X3.4GHz/800-1M BL20pG3 FIO BASE	361412-L21
	Intel X3.4GHz/800-1M BL20pG3	361412-B21

Configuration Information Factory Integrated Models (North America only)

Memory	NOTE: Two-way memory interleaving is enabled when an identical pair of DIMMs is installed.	
	HP ProLiant 1GB PC2-3200 2x512	343055-B21
	NOTE: Must order in pairs	
	HP ProLiant 2GB PC2-3200 2x1GB	343056-B21
	NOTE: Must order in pairs	
	HP ProLiant 4GB PC2-3200 2 x 2 GB	375004-B21
	NOTE: Must order in pairs	

Step 3: Choose Additional Factory Integratable Options

Fibre Channel Options	FC Adapter Card BL20p G3	361426-B21
-----------------------	--------------------------	------------

Step 4: Choose Additional Options for Factory Integration

NOTE: For additional options, including server blade enclosure with enhanced backplanes, interconnect options and power subsystem options, please refer to the "Options" section below.

Options

ProLiant Essentials Value Pack Software	ProLiant Essentials Vulnerability and Patch Management Pack, 1-Server + 10 Desktop Bundle License	389941-B21
	ProLiant Essentials Vulnerability and Patch Management Pack, Single-Server License	371645-B21
	ProLiant Essentials Vulnerability and Patch Management Pack, 10-Server License	372029-B21
	ProLiant Essentials Vulnerability and Patch Management Pack, Flexible-Quantity License	371646-B21
	ProLiant Essentials Vulnerability and Patch Management Pack, Tracking License for New Servers	371647-B21
	ProLiant Essentials Vulnerability and Patch Management Pack, Tracking License for Installed servers	378372-B21
	ProLiant Essentials Virtual Machine Management Pack, SINGLE LIC IP CCAO-WGR	372214-B21
	ProLiant Essentials Virtual Machine Management Pack, FLEX LIC IP CCAO-WGR	372215-B21
	ProLiant Essentials Virtual Machine Management Pack, TRACKING LIC IP CCAO-WGR	372216-B21
	ProLiant Essentials Server Migration Pack, 10 - Server License	390739-B21
	NOTE: This license allows 10 servers to be migrated from a physical server to 10 virtual machines. Or this license can be used to migrate 10 virtual machines from one virtualization layer i.e. VMware GSX to a different virtualization layer such as VMware ESX or Microsoft Virtual Server 2005.	
	ProLiant Essentials Server Migration Pack, Single-Server License	375345-B21
	ProLiant Essentials Server Migration Pack, Flexible-Quantity License	375346-B21
	ProLiant Essentials Server Migration Pack, Tracking license	375347-B21
	ProLiant Essentials Intelligent Networking Pack, Single Server License	372906-B21
	NOTE: For use with a single server. Contains one license with a unique license activation key and documentation.	
	ProLiant Essentials Intelligent Networking Pack, Flexible License	372950-B21
	NOTE: For use with multiple servers. This part number can be used to purchase multiple licenses with a single activation key. The quantity ordered for this part number will be the quantity of licenses included in the kit in the form of a corresponding activation key. Use the same key to activate all licenses in the actual quantity ordered. For a given order, one kit will be delivered with the activation key, and documentation.	
	ProLiant Essentials Intelligent Networking Pack, Tracking License	372951-B21
	NOTE: For use with signed and implemented Activation Key Agreements only. Purchase of this part number entitles the customer to deploy additional licenses of the product under the terms of the existing Activation Key Agreement.	
NOTE: Nothing is delivered in conjunction with the purchase of this part number. Visit http://h18004.www1.hp.com/products/servers/proliantessentials/license/akalic.html for more information on Activation Key Agreements.		
ProLiant Essentials Performance Management Pack, Single-Server License	306696-B21	
NOTE: For use with a single server. Contains one license with a unique license activation key and documentation.		
ProLiant Essentials Performance Management Pack, 10-Server License	374055-B21	
NOTE: For use with up to 10 servers. Contains 10 licenses with one unique license activation key and documentation.		

Options

ProLiant Essentials Performance Management Pack, Flexible-Quantity License NOTE: For use with multiple servers. This part number can be used to purchase multiple licenses with a single activation key. The quantity ordered of this part number will be the quantity of licenses included in the kit in the form of a corresponding activation key. Use the same key to activate all licenses in the actual quantity ordered. For a given order, one kit will be delivered with activation key, and documentation.	306697-B21
ProLiant Essentials Performance Management Pack, Tracking license NOTE: For use with signed and implemented Activation Key Agreements only. Purchase of this part number entitles the customer to deploy additional licenses of the product under the terms of the existing Activation Key Agreement. NOTE: Nothing is delivered in conjunction with the purchase of this part number. Visit http://h18004.www1.hp.com/products/servers/proliantessentials/license/akalic.html for more information on Activation Key Agreements.	306698-B21
Rapid Deployment Pack, 10 User, V1.x NOTE: This license allows 10 servers to be managed and deployed via the Deployment Server. NOTE: Not necessary if you purchase the server blade enclosure with 8 Rapid Deployment Pack licenses 281404-B21. NOTE: Rapid Deployment pack is now available in Linux only environments.	269817-B21
Rapid Deployment Pack, 10 User, V1.x (Japan) NOTE: This license allows 10 servers to be managed and deployed via the Deployment Server. NOTE: Not necessary if you purchase the server blade enclosure with 8 Rapid Deployment Pack licenses 281404-B21. NOTE: Rapid Deployment pack is now available in Linux only environments.	269817-291
Rapid Deployment Pack, 1 User, V1.x NOTE: This license allows 1 servers to be managed and deployed via the Deployment Server. NOTE: Not necessary if you purchase the server blade enclosure with 8 Rapid Deployment Pack licenses 281404-B21. NOTE: Rapid Deployment pack is now available in Linux only environments.	267196-B21
Rapid Deployment Pack, 1 User, V1.x (Japan) NOTE: This license allows 1 servers to be managed and deployed via the Deployment Server. NOTE: Not necessary if you purchase the server blade enclosure with 8 Rapid Deployment Pack licenses 281404-B21. NOTE: Rapid Deployment pack is now available in Linux only environments.	267196-291
Flexible Quantity License Kit	302127-B21
License-Only - for use with a Master License Agreement	302128-B21
ProLiant Essentials Workload Management Pack (Featuring Resource Partitioning Manager version 2.0) NOTE: For more information regarding ProLiant Essentials Software, please see the following URL: http://hp.com/servers/proliantessentials . NOTE: Flexible and volume quantity license kits are available for ProLiant Essentials Value Packs. Refer to URL http://hp.com/servers/proliantessentials or the various ProLiant Essentials Value Pack product QuickSpecs for more information.	303284-B21

Options

Processor	Intel Xeon 3.6 GHz-2M Processor Option Kit	381021-B21
	Intel Xeon 3.4 GHz-2M Processor Option Kit	381020-B21
	Intel Xeon 3.2 GHz-2M Processor Option Kit	381019-B21
	Intel Xeon 3.0 GHz-2M Processor Option Kit	381018-B21
	Intel Xeon 3.6 GHz-1M Processor Option Kit	355928-B21
	Intel Xeon 3.4 GHz-1M Processor Option Kit	361412-B21
	Intel Xeon 3.2 GHz-1M Processor Option Kit	361413-B21

Memory (SDRAM DIMMs)	4GB of Advanced ECC PC3200 DDR2-400 SDRAM DIMM Memory Kit (2 x 2 GB)	375004-B21
	2GB of Advanced ECC PC3200 DDR2-400 SDRAM DIMM Memory Kit (2 x 1 GB)	343056-B21
	1GB of Advanced ECC PC3200 DDR2-400 SDRAM DIMM Memory Kit (2 x 512 MB)	343055-B21

Hard Drives	Ultra320 SCSI – Universal Hot Plug	
	300-GB 10,000 rpm U320 Universal Hard Drive (1")	350964-B22
	146.8-GB 10,000 rpm U320 Universal Hard Drive (1")	286716-B22
	72.8-GB 10,000 rpm U320 Universal Hard Drive (1")	286714-B22
	72.8-GB 15,000 rpm U320 Universal Hard Drive (1")	286778-B22
	146.8-GB 15,000 rpm U320 Universal Hard Drive (1")	347708-B22
	36.4-GB 15,000 rpm U320 Universal Hard Drive (1")	286776-B22

Storage Controllers	128MB Battery Backed Write Cache Enabler Option Kit	346914-B21
	<p>NOTE: Please see the following Controller QuickSpecs for Technical Specifications such as PCI Bus, PCI Peak Data Transfer Rate, SCSI Protocols supported, SCSI Peak Data Transfer Rate, Channels, SCSI Ports, Drives supported, Cache, RAID support, and additional information:</p> <p>http://h18000.www1.hp.com/products/quickspecs/12030_div/12030_div.HTML (Smart Array 6i)</p>	

ProLiant BL20p G3 - Fibre Channel Adapter	Dual port Fibre Channel Adapter (2-Gb) for ProLiant BL20p G3	361426-B21
	<p>NOTE: When using this card, the Patch Panel 2 , CGESM or GbE2 Interconnect Switch (with Storage Connectivity Kit) must be used to provide the Fibre Channel pass through.</p> <p>NOTE: The BL20pG2 dual-port Fibre Channel adapter is not compatible with the BL20pG3.</p>	

Options

HP BladeSystem p-Class Server Blade Enclosures	HP BladeSystem p-Class Server Blade Enclosure with the HP BladeSystem Management Suite NOTE: Includes a BL p-Class Server Blade Enclosure, a single copy of Systems Insight Manager (SIM) and 8 licenses for each of the following products: Rapid Deployment Pack (RDP), Performance Management Pack (PMP) and the Vulnerability and Patch Management Pack (VPM).	380625-B22
	HP BladeSystem p-Class Server Blade Enclosure (ProLiant Essentials Rapid Deployment Pack Trial)	243564-B21
	HP BladeSystem p-Class Server Blade Enclosure (8 ProLiant Essentials Rapid Deployment Pack Licenses)	281404-B21
	HP BladeSystem p-Class Server Blade Enclosure with enhanced backplane components (ProLiant Essentials Rapid Deployment Pack Trial)	243564-B22
	HP BladeSystem p-Class Server Blade Enclosure with enhanced backplane components (8 ProLiant Essentials Rapid Deployment Licenses) NOTE: ProLiant BL p-Class server blade enclosures with enhanced backplane components may be required depending on which BL20pG3 model is selected.	281404-B22
	For additional information regarding Blade Enclosure Compatibility, please visit the following URL: ftp://ftp.compaq.com/pub/products/servers/proliant-bl/20p-encl-compatibilty-matrix.pdf	
	HP BladeSystem p-Class Server Blade Enclosure Upgrade Kit (option) NOTE: Server Blade Enclosure Upgrade Kit (354100-B21) contains enhanced backplane components and enables a field upgrade of a blade enclosure to support BL p-class blades and provide a single, physical iLO port for the enclosure.	354100-B21
HP BladeSystem p-Class Interconnects	ProLiant BL p-Class RJ-45 Patch Panel 2 with Fibre pass-through (pair) (required for FC connectivity) NOTE: Only one interconnect kit required per server blade enclosure.	306465-B21
	ProLiant BL p-Class RJ-45 Patch Panel (pair) NOTE: Only one interconnect kit required per server blade enclosure.	230766-B21
	Cisco Gigabit Ethernet Switch Module for HP BladeSystem p-Class Interconnect Kit Base Unit only NOTE: Two CGESM interconnect kits required per server blade enclosure.	378926-B21
	Cisco Gigabit Ethernet Switch Module for HP BladeSystem p-Class Interconnect Kit Base Unit (populated with two RJ-45 10/100/1000 T/TX/T Small Form Factor Pluggable (SFP) Modules) NOTE: Two CGESM interconnect kits required per server blade enclosure.	378927-B21
	Cisco RJ-45 10/100/1000 T/TX/T SFP Module	378928-B21
	Cisco Fiber SX SFP Module	378929-B21
	ProLiant BL p-Class C-GbE2 Interconnect Kit (with pair of GbE2 Interconnect Switches and two QuadT2 Interconnect Modules) NOTE: Only one interconnect kit required per server blade enclosure.	283192-B21
	ProLiant BL p-Class F-GbE2 Interconnect Kit (with pair of GbE2 Interconnect Switches and two QuadSX Interconnect Modules) NOTE: Only one interconnect kit required per server blade enclosure.	283193-B21
	ProLiant BL p-Class Storage Connectivity Kit (with pair of OctalFC Interconnect Modules and two Fibre Channel signal conditioning cards)	321745-B21

Options

NOTE: Required for BL20P G3 Fibre Channel signal pass through when using the GbE2 Interconnect Switch.	
NOTE: Only one Storage Connectivity Kit required per each GbE2 Interconnect Kit.	
ProLiant BL p-Class C-GbE Interconnect Kit (with pair of GbE Interconnect Switches and two QuadT Interconnect Modules)	249655-B21
NOTE: Only one interconnect kit required per server blade enclosure.	
NOTE: The GbE Interconnect Switch supports server NIC speeds to 100 Mbps. It is recommended that a patch panel, CGESM or GbE2 Interconnect Switch option be used if server NIC speeds to 1000 Mbps are required.	
NOTE: To meet applicable radio frequency (RF) emission limits, the sidewall panels on the ends of any individual rack or a series of coupled racks and the front and rear doors must be installed in any racks containing more than one ProLiant BL p-Class GbE Interconnect Kit.	
ProLiant BL p-Class F-GbE Interconnect Kit (with pair of GbE Interconnect Switches and two DualTSX Interconnect Modules)	279720-B21
NOTE: Only one interconnect kit required per server blade enclosure.	
NOTE: The GbE Interconnect Switch supports server NIC speeds to 100 Mbps. It is recommended that a patch panel option be used if server NIC speeds to 1000 Mbps are required.	
NOTE: To meet applicable radio frequency (RF) emission limits, the sidewall panels on the ends of any individual rack or a series of coupled racks and the front and rear doors must be installed in any racks containing more than one ProLiant BL p-Class GbE Interconnect Kit.	

HP BladeSystem p-Class Power Options

NOTE: Use p-Class sizing tool to help determine power configuration: http://h30099.www3.hp.com/configurator/powercalcs.asp	
Single Phase Power Enclosure with 4 power supplies (NA/JPN) (Single Phase Power Enclosure holds a maximum of 4 power supplies; no need to order additional power supplies with this option kit)	239162-001
Single Phase Power Enclosure with 4 power supplies (Int'l) (Single Phase Power Enclosure holds a maximum of 4 power supplies; no need to order additional power supplies with this option kit)	239162-421
3 Phase Power Enclosure with 6 power supplies (NA/JPN) (3 Phase Power Enclosure holds a maximum of 6 power supplies; no need to order additional power supplies with this option kit)	230769-001
3 Phase Power Enclosure with 6 power supplies (Int'l) (3 Phase Power Enclosure holds a maximum of 6 power supplies; no need to order additional power supplies with this option kit)	230769-421
Single Phase Power Enclosure (empty) (NA/JPN) (Holds up to 4 power supplies; power supplies are not included in this kit)	231710-001
Single Phase Power Enclosure (empty) (Int'l) (Holds up to 4 power supplies; power supplies are not included in this kit)	231710-421
3 Phase Power Enclosure (empty) (NA/JPN) (Holds up to 6 power supplies; power supplies are not included in this kit)	231709-001
3 Phase Power Enclosure (empty) (Int'l) (Holds up to 6 power supplies; power supplies are not included in this kit)	231709-421
Single 3U Power Supply	239161-B21
Facility DC Power Connection	240563-B21

Options

Power Distribution (only required with 3U power enclosure)	HP BladeSystem p-Class Scalable Bus Bar	240560-B21
	HP BladeSystem p-Class Mini Bus Bar	240559-B21
	HP BladeSystem p-Class Bus Power Box	240562-B21
	Dual Power Input Kit for Mini Bus Bar	364565-B21

Other Options	HP BladeSystem p-Class Diagnostic Station	230743-B21
	<p>NOTE: The Diagnostic Station allows access to the ProLiant BL20p server blade and the BL p-Class interconnect switch outside of the server enclosure. The option provides power and a data interface so that "offline" upgrade and diagnostic functions may be performed.</p>	
	HP BladeSystem p-Class Power Enclosure Shipping Bracket Option Kit	365044-B21
	<p>NOTE: Used to secure one power enclosure in a rack when moving</p>	

Tape Libraries

HP StorageWorks MSL6000 Tape Library

MSL6030, 1 drive, 30 slots, Ultrium 460, RM	330731-B22
MSL6030, 2 drive, 30 slots, Ultrium 460, RM	330731-B23
MSL6030, 1 drive, 30 slots, Ultrium 460, RM with embedded FC router	330731-B24
MSL6030, 2 drive, 30 slots, Ultrium 460, RM with embedded FC router	330731-B25
MSL6060, 2 drive, 60 slot, Ultrium 460, RM	331196-B21
MSL6060, 2 drive, 60 slot, Ultrium 460, RM with embedded FC router	331196-B22

NOTE: Please reference the [MSL6000 Tape Library QuickSpecs at http://www.hp.com/go/automation](http://www.hp.com/go/automation) for additional information needed to create a complete solution; reference current compatibility information at <http://www.hp.com/go/ebs>

HP StorageWorks MSL5026S2 Tape Library

MSL5026S2, 1 drive, 26 slots, SDLT 320, RM	293472-B22
MSL5026S2, 2 drive, 26 slots, SDLT 320, RM	293472-B23
MSL5026S2, 1 drive, 26 slots, SDLT 320, RM with embedded FC router	293472-B24
MSL5026S2, 2 drive, 26 slots, SDLT 320, RM with embedded FC router	293472-B25

NOTE: Please reference the [MSL5026S2 Tape Library QuickSpecs at http://www.hp.com/go/automation](http://www.hp.com/go/automation) for additional information needed to create a complete solution; reference current compatibility information at <http://www.hp.com/go/ebs>

HP StorageWorks MSL5052S2 Tape Library

MSL5052S2, 2 drive, 52 slots, SDLT 320, RM	293474-B21
MSL5052S2, 2 drive, 52 slots, SDLT 320, RM with embedded FC router	293474-B24

NOTE: Please reference the [MSL5052S2 Tape Library QuickSpecs at http://www.hp.com/go/automation](http://www.hp.com/go/automation) for additional information needed to create a complete solution; reference current compatibility information at <http://www.hp.com/go/ebs>

HP StorageWorks MSL5030 Tape Library

MSL5030, 1 drive, 30 slots, Ultrium 230, RM	301897-B22
MSL5030, 2 drive, 30 slots, Ultrium 230, RM	301897-B23
MSL5030, 1 drive, 30 slots, Ultrium 230, RM with embedded FC router	301897-B24
MSL5030, 2 drive, 30 slots, Ultrium 230, RM with embedded FC router	301897-B25

Options

NOTE: Please reference the MSL5030 Tape Library QuickSpecs at <http://www.hp.com/go/automation> for additional information needed to create a complete solution; reference current compatibility information at <http://www.hp.com/go/ebs>

HP StorageWorks MSL5060 Tape Library

MSL5060, 2 drive, 60 slots, Ultrium 230, RM 301899-B22

MSL5060, 2 drive, 60 slots, Ultrium 230, RM with embedded FC router 301899-B23

NOTE: Please reference the MSL5060 Tape Library QuickSpecs at <http://www.hp.com/go/automation> for additional information needed to create a complete solution; reference current compatibility information at <http://www.hp.com/go/ebs>

HP StorageWorks ESL E-Series Tape Libraries

ESL Extended 712e Tape Library, 0 drive, 712 LTO slots AA934B

ESL Extended 630e Tape Library, 0 drive, 630 SDLT slots AA935B

ESL Extended 322e Tape Library, 0 drive, 322 LTO slots AA939B

ESL Extended 286e Tape Library, 0 drive, 286 SDLT slots AA940B

ESL E Ultrium 460 drive kit AA937A

ESL E-Series Ultrium 460-FC drive kit AA941A

ESL E SDLT 320 drive kit AA936A

ESL E e2400-FC 2G Interface Controller AA928A

NOTE: Please reference the ESL E-Series Tape Libraries QuickSpecs at <http://www.hp.com/go/automation> for additional information needed to create a complete solution; reference current compatibility information at <http://www.hp.com/go/ebs>.

Ultra Density Optical Jukeboxes

1000ux, 2 drive, 32 slot jukebox AA965A

1900ux, 4 drive, 64 slot jukebox AA966A

1900ux, 4 mixed drive, 64 slot jukebox AA968A

2300ux, 2 drive, 76 slot jukebox AA967A

3800ux, 4 drive, 128 slot jukebox AA969A

3800ux, 6 drive, 128 slot jukebox AA970A

7100ux, 4 drive, 238 slot jukebox AA973A

7100ux, 6 drive, 238 slot jukebox AA971A

7100ux, 10 drive, 238 slot jukebox AA972A

7100ux, 6 mixed drive, 238 slot jukebox AA974A

NOTE: Please reference the Ultra Density Optical Jukebox QuickSpecs at <http://www.hp.com/go/optical> for additional information needed to create a complete solution.

Options

Magneto-Optical Jukeboxes

HP StorageWorks 9.1 GB Mid-range Optical Jukeboxes	
300mx, 2 drive, 32 slot jukebox	C1150M
600mx, 4 drive, 64 slot jukebox	C1160M
700mx, 2 drive, 76 slot jukebox	C1170M

NOTE: Please reference the Magneto-Optical Jukebox data sheets at <http://www.hp.com/go/optical> for additional information needed to create a complete solution

HP StorageWorks 9.1 GB High-end Optical Jukeboxes

1200mx, 4 drive, up to 128 slots	C1104M
1200mx, 6 drive, up to 128 slots	C1105M
2200mx, 4 drive, up to 238 slots	C1111M
2200mx, 6 drive, up to 238 slots	C1107M
2200mx, 10 drive, up to 238 slots	C1110M

NOTE: Please reference the Magneto-Optical Jukebox data sheets at <http://www.hp.com/go/optical> for additional information needed to create a complete solution.

HP StorageWorks Modular Smart Array 1000

HP StorageWorks Modular Smart Array 1000	201723-B22
Modular Smart Array 1000 Controller	218231-B22
Modular Smart Array Fibre Channel I/O Module	218960-B21
Modular Smart Array hub 2/3	286763-B21
HP StorageWorks Modular Smart Array 1000	201723-B22

NOTE: Please see the StorageWorks Modular Smart Array 1000 QuickSpecs for additional options and configuration information at:
http://h18000.www1.hp.com/products/quickspecs/11033_na/11033_na.HTML
 (North America)
http://h18000.www1.hp.com/products/quickspecs/11033_div/11033_div.HTML
 (Worldwide)

Options

Cluster Options	<p>NOTE: For additional information regarding the HP ProLiant Cluster for HA/F500 please see the following QuickSpecs at: http://h18000.www1.hp.com/products/quickspecs/10232_na/10232_na.html (North America) http://h18000.www1.hp.com/products/quickspecs/10232_div/10232_div.html (Worldwide)</p>	
	HP Serviceguard for Linux ProLiant Cluster A.11.15 for SUSE SLES 8 / UnitedLinux 1.0 and Red Hat EL 3 (2 node license cluster kit).	305199-B24
	<p>NOTE: Kit includes 2 licenses, documentation and an Ethernet crossover cable.</p>	
	HP Serviceguard for Linux ProLiant Cluster A.11.16 for SUSE SLES 9 and Red Hat EL 3 (2 node license cluster kit)	305199-B25
	<p>NOTE: For additional information regarding the HP Serviceguard for Linux License, please see the following QuickSpecs at: http://h18000.www1.hp.com/products/quickspecs/11518_na/11518_na.html (North America) http://h18000.www1.hp.com/products/quickspecs/11518_div/11518_div.html (Worldwide)</p>	
USB Options	USB 1.44-MB External Diskette Drive (Carbonite)	DC141B
	USB Optical Scroll Mouse (Carbonite)	DD441B
	256MB HP Drive Key II (USB 2.0)	PH657A
HP Rack 5000 Series (Graphite Metallic)	HP 5642 Rack - Unassembled	358254-B21
Rack Options for Rack 5000 Series	Stabilizer Kit for 5642 Rack (Graphite Carbon)	374493-B21
	<p>NOTE: The stabilizing kit is used to prevent rack from tipping over.</p>	
	Baying Kit for 5642 Rack (Graphite Carbon)	374499-B21
	<p>NOTE: The baying kit is used to join two or more HP 5642 racks.</p>	
Rack 10000 Series (Graphite Metallic)	Rack, HP Infrastructure 42U (HV)	379005-001
	Rack, HP Infrastructure 42U (LV)	379006-001
	HP S10614 (14U) Rack Cabinet - Shock Pallet	292302-B22
	HP Rack 10647 (47U) Cabinet - Pallet	245160-B21
	HP Rack 10647 (47U) Cabinet - Crated	245160-B23
	HP Rack 10642 (42U) Cabinet - Pallet	245161-B21
	HP Rack 10642 (42U) Cabinet - Shock Pallet	245161-B22
	HP Rack 10642 (42U) Cabinet - Crated	245161-B23
	HP Rack 10636 (36U) Cabinet - Pallet	245162-B21
	HP Rack 10636 (36U) Cabinet - Shock Pallet	245162-B22
	HP Rack 10636 (36U) Cabinet - Crate	245162-B23
	HP Rack 10622 (22U) Cabinet - Pallet	245163-B21
	HP Rack 10622 (22U) Cabinet - Shock Pallet	245163-B22
HP Rack 10622 (22U) Cabinet - Crated	245163-B23	

Options

NOTE: -B21 (pallet) used to ship empty racks shipped on a truck
 -B22 (shock pallet) used to ship racks with equipment installed (by custom systems, VARs and Channels)
 -B23 (crated) used for air shipments of empty racks
 Not all HP equipment is qualified to be shipped in the Rack 10000 series.

NOTE: Please see the Rack 10000 QuickSpecs for Technical Specifications such as height, width, depth, weight, and color:

http://h18000.www1.hp.com/products/quickspecs/10995_div/10995_div.HTML
 (Worldwide)

http://h18000.www1.hp.com/products/quickspecs/10995_na/10995_na.HTML
 (North America)

NOTE: For additional information regarding Rack Cabinets, please see the following URL: <http://h18000.www1.hp.com/products/servers/proliantstorage/rack-options/index.html>

Rack Options for HP Rack 10000 Series	HP Light kit for 10000 series rack	361589-B21
	HP Plinth kit for 10000 series rack	251960-B21
	42U Side Panel – Graphite Metallic	246099-B21
	36U Side Panel – Graphite Metallic	246102-B21
	47U Side Panel – Graphite Metallic	255486-B21

NOTE: For additional information regarding Rack Options, please see the following URL: <http://h18000.www1.hp.com/products/servers/proliantstorage/rack-options/index.html>.

TFT5600 Rack Keyboard Monitor	221546-xx1
TFT7210R Rack Mounted 17" Monitor	348373-B21

NOTE: For a complete list of Monitors please view the following URL: <http://h18004.www1.hp.com/products/monitors/>

1U Rack Keyboard & Drawer (Carbon)	257054-xx1
------------------------------------	------------

Country Code Key (for 1U Rack Keyboard & Drawer (PN 257054-xx1))

XX = 001	US	XX = 091	Norway
XX = 031	UK	XX = 101	Sweden/Finland
XX = 041	Germany	XX = 111	Switzerland
XX = 051	France	XX = 131	Portugal
XX = 061	Italy	XX = 181	Belgium
XX = 071	Spain	XX = 291	Japan
XX = 081	Denmark	XX = B31	International

NOTE: For additional information regarding Rack Options, please see the following URL: <http://h18000.www1.hp.com/products/servers/proliantstorage/rack-options/index.html>.

Options

HP KVM Switch Options	IP Console Switch Box (KVM/IP), 1 x 1 x 16	262585-B21
	IP Console Switch Box (KVM/IP) , 3 x 1 x 16	262586-B21
	Serial Interface adapter - 1 Pack with power supply	373035-B21
	Interface adapter - USB 1.0 (single pack)	336047-B21
	CAT5e Cable 3', 4 pack	263474-B21
	CAT5e Cable 6', 8 pack	263474-B22
	CAT5e Cable 12', 8 pack	263474-B23
	CAT5e Cable 20', 4 pack	263474-B24
	CAT5e Cable 40', 1 pack	263474-B25

NOTE: For additional information regarding HP KVM Switches and options, please see the following URL:

<http://h18004.www1.hp.com/products/servers/proliantstorage/rack-options/list.html/#console>

Rack Options for Telco Racks	ProLiant BL p-Class Bus Bar Telco Rack Kit	245249-B21
	ProLiant BL p-Class Enclosure Telco Rack Kit	266076-B21

Service and Support Offerings (HP Care Pack Services)

NOTE: The HP Care Pack services for ProLiant BL p-Class server blades, cover the server blade and the p-Class blade enclosure that the server blade is installed in as well as interconnects, power enclosure with power supplies and power distribution.

Hardware Services On-site Service

4-Hour On-site Service, 5-Day x 13-Hour Coverage, 3 Years	UA204A
4-Hour On-site Service, 5-Day x 13-Hour Coverage, 3 Years, Electronic	UA204E
4-Hour On-site Service, 7-Day x 24-Hour Coverage, 3 Years	UA205A
4-Hour On-site Service, 7-Day x 24-Hour Coverage, 3 Years, Electronic	UA205E
6-Hour Call to Repair, On-site Service, 7-Day x 24-Hour Coverage, 3 Years	UA206A
6-Hour Call to Repair, On-site Service, 7-Day x 24-Hour Coverage, 3 Years, Electronic	UA206E

Options

Installation & Start-up Services

ProLiant BL p-Class Blade Server Hardware Installation UA219A

ProLiant BL p-Class Blade Server Hardware Installation, Electronic UA219E

ProLiant BL p-Class Enclosure and Server Blade Hardware Installation U4971A

ProLiant BL p-Class Enclosure and Server Blade Hardware Installation, Electronic U4971E

Provides for the Installation and Start-up of ProLiant Essentials Rapid Deployment Pack on a Customer supplied server designated as a Deployment Server. Includes the deployment of a single server. This new server will be deployed using either one of the pre-configured scripts or an image. In addition, the service will provide for the capture and storage of the configuration of the newly deployed server and orientation on product usage. To be delivered during standard office ours, standard office days. U5683A

Provides for the Installation and Start-up of ProLiant Essentials Rapid Deployment Pack on a Customer supplied server designated as a Deployment Server. Includes the deployment of a single server. This new server will be deployed using either one of the pre-configured scripts or an image. In addition, the service will provide for the capture and storage of the configuration of the newly deployed server and orientation on product usage. To be delivered during standard office ours, standard office days. Electronic. U5683E

NOTE: For more information, customer/resellers can contact

<http://www.hp.com/hps/carepack/services/>

Memory

ProLiant BL20p G3 Server Blade (2P Model)

Standard Memory

2048-MB PC3200 Registered DDR2 SDRAM DIMM installed (2 x 1 GB SDRAM DIMM)

Standard Memory Plus Optional Memory

Up to 6144-MB of DDR2 SDRAM DIMM memory is available with the installation of optional DDR-2 SDRAM DIMM memory expansion kits.

Standard Memory Replaced with Optional Memory

Up to 8192-MB of DDR2 SDRAM DIMM memory is available with the removal of standard memory and the installation of optional SDRAM DDR DIMM memory expansion kits.

Memory		Slot			
		1	2	3	4
Standard	2048 MB	1024 MB	1024 MB	Empty	Empty
Optional	6144 MB	1024 MB	1024 MB	2048 MB	2048 MB
Maximum	8192 MB	2048 MB	2048 MB	2048 MB	2048 MB

Following are memory options available from HP:

- 4096MB of Advanced ECC PC3200 DDR2-400 SDRAM DIMM Memory Kit (2 x 2 GB) 375004-B21
- 2048MB of Advanced ECC PC3200 DDR2 SDRAM DIMM Memory Kit (2 x 1 GB) 343056-B21
- 1024MB of Advanced ECC PC3200 DDR2 SDRAM DIMM Memory Kit (2 x 512 MB) 343055-B21

ProLiant BL20p G3 Server Blade (1P Model)

Standard Memory

1024-MB PC3200 400MHz Registered DDR2 SDRAM DIMM installed

Standard Memory Plus Optional Memory

Up to 5120-MB of DDR2 SDRAM DIMM memory is available with the installation of optional DDR SDRAM DIMM memory expansion kits.

Standard Memory Replaced with Optional Memory

Up to 8192-MB of DDR2 SDRAM DIMM memory is available with the removal of standard memory and the installation of optional DDR2 SDRAM DIMM memory expansion kits.

Memory		Slot			
		1	2	3	4
Standard	1024 MB	512 MB	512 MB	Empty	Empty
Optional	5120 MB	512 MB	512 MB	2048 MB	2048 MB
Maximum	8192 MB	2048 MB	2048 MB	2048 MB	2048 MB

Following are memory options available from HP:

- 4096MB of Advanced ECC PC3200 DDR2-400 SDRAM DIMM Memory Kit (2 x 2 GB) 375004-B21
- 2048MB of Advanced ECC PC3200 DDR2 SDRAM DIMM Memory Kit (2 x 1 GB) 343056-B21
- 1024MB of Advanced ECC PC3200 DDR2 SDRAM DIMM Memory Kit (2 x 512 MB) 343055-B21

Technical Specifications

HP BladeSystem p-Class Server Blade Enclosure with enhanced backplane components	Dimensions	Height	10.5 in (26.67 cm)		
		Width	17.60 in (44.70 cm)		
		Depth	28.86 in (73.30 cm)		
	Input Specifications	Rated input voltage	-43 VDC to -53 VDC	Nominal -48 VDC	
		Rated input current	125 A at -48 VDC		
		Rated input Power	6000 W		
	Individual Server Blade Bay Ratings	Rated input voltage	-43 VDC to -53 VDC	Nominal -48 VDC	
		Rated input current	14.6 A at -48 VDC		
		Rated input Power	700 W		
	Temperature Range	Operating	50° to 95° F (10° to 35° C)		
Non-Operating		-22° to 140° F (-30° to 60° C)			
Relative Humidity (non-condensing)	Operating	20% to 80%			
	Non-Operating	5% to 95%			
Wet Bulb Temperature	Operating	82.4° F (28° C)			
	Non-Operating	101.7° F (38.7° C)			

NOTE: Operating temperature has an altitude derating of 34° F (1° C) per 1,000 ft (304.8 m). No direct sunlight. Upper operating limit is 10,000 ft (3,048 m) or 70Kpa/10.1 psia. Upper non-operating limit is 30,000 ft (9,144 m) or 30.3 KPa/4.4 psia. Storage maximum humidity of 95% is based on a maximum temperature of 113° F (45° C). Altitude maximum for storage is 70 KPa.

Operating and Performance Specifications for RJ-45 Patch Panel 2 with Fiber Channel pass through	Dimensions	Height	10.405 in (26.43 cm)		
		Width	1.535 in (3.899 cm)		
		Depth	27.697 in (70.35 cm)		
	Capability	IEEE 802.2, 802.3, 802.3u			
	Network Transfer Rate	10 Base-T (half-duplex)	10 Mbps		
		10 Base-T (full-duplex)	20 Mbps		
		100 Base-TX (half-duplex)	100 Mbps		
		100 Base-TX (full-duplex)	200 Mbps		
		1000 Base-TX (full-duplex)	1000 Mbps		
	Fiber Channel SAN Connector	Velio VC1070 re-timer	Auto-rate negotiate between 2G and 1G		
Network		RJ-45 in the back.			
Cable Support	Fiber Channel SAN	Pluggable SFP optical slot in the front.			
	10 Base-TX	Categories 3, 4, or 5 UTP (2 or 4 pair); up to 328 ft (100 m)			
	100 Base-TX	Category 5 UTP (2 pair); up to 328 ft/100 m			
	1000 Base-TX	Category 5E (4 pair); up to 328 ft (100 m)			
	Fiber Channel	SFP optical cable			
EMI	FCC Class A				
	ICES-003 Class A				
	AS/NZS 3548 Class A				
	VCCI Class A				

Technical Specifications

NOTE: Operating temperature has an altitude derating of 34° F (1° C) per 1,000 ft (304.8 m). No direct sunlight. Upper operating limit is 10,000 ft (3,048 m) or 70Kpa/10.1 psia. Upper non-operating limit is 30,000 ft (9,144 m) or 30.3 KPa/4.4 psia. Storage maximum humidity of 95% is based on a maximum temperature of 113° F (45° C). Altitude maximum for storage is 70 KPa.

Operating and Performance Specifications for RJ-45 Patch Panel	Dimensions	Height	10.405 in (26.43 cm)
		Width	1.535 in (3.899 cm)
		Depth	27.697 in (70.35 cm)
	Capability	IEEE 802.2, 802.3, 802.3u	
	Network Transfer Rate	10 Base-T (half-duplex)	10 Mbps
		10 Base-T (full-duplex)	20 Mbps
		100 Base-TX (half-duplex)	100 Mbps
		100 Base-TX (full-duplex)	200 Mbps
		1000 Base-TX (full-duplex)	1000 Mbps
	Connector	Network	RJ-45 in the back
	Cable Support	10 Base-TX	Categories 3, 4, or 5 UTP (2 or 4 pair); up to 328 ft (100 m)
		100 Base-TX	Category 5 UTP (2 pair); up to 328 ft (100 m)
		1000 Base-TX	Category 5E (4 pair); up to 328 ft (100 m)
	Power Requirements	200 mA at + 5V DC; 500 mA at -48V	
Temperature Range	Operating	50° to 95° F (10° to 35° C)	
	Non-operating	-22° to 140° F (-30° to 60° C)	
Relative Humidity (non-condensing)	Operating	20% to 80%	
	Non-operating	5% to 95%	
Wet Bulb Temperature	Operating	82.4° F (28° C)	
	Non-operating	101.7° F (38.7° C)	

NOTE: Operating temperature has an altitude derating of 34° F (1° C) per 1,000 ft (304.8 m). No direct sunlight. Upper operating limit is 10,000 ft (3,048 m) or 70Kpa/10.1 psia. Upper non-operating limit is 30,000 ft (9,144 m) or 30.3 KPa/4.4 psia. Storage maximum humidity of 95% is based on a maximum temperature of 113° F (45° C). Altitude maximum for storage is 70 KPa.

Operating and Performance Specifications for GbE Interconnect Switch	Dimensions	Height	10.405 in (26.43 cm)
		Width	1.535 in (3.899 cm)
		Depth	27.697 in (70.35 cm)
	Weight	11.5 lb/5.2 kg per interconnect switch	
	Performance	9.6 Gbps external port bandwidth per server blade enclosure (full duplex)	
		Forwarding rate 0.15 million pps per 10/100 port, 1.5 million pps per gigabit port, (64-byte packets)	
		Non-blocking, full-wire speed for all connections	
		Auto-MDI/MDIX, auto-negotiation and auto-sensing with full-duplex support	
	Forwarding Mode	Store and forward	
	MAC Addresses	8,191 per interconnect switch; MAC address based filtering and MAC address packet priority configuring	

Technical Specifications

Forwarding Table Age Time	Maximum age: 1 to 1,000,000 seconds; default: 300 seconds	
Memory	32MB Main, 6MB flash and 16MB packet buffer per interconnect switch	
Compliance	IEEE 802.3, 802.3u, 802.3ab, 802.3x, 802.3z (F-GbE only), 802.1D, 802.1p, 802.3ac, 802.3ad (Static), and 802.1Q SNMP v1 (RFC 1157) and RMON v1 (RFC 1757) groups 1, 2, 3, and 9 MIB-II (RFC 1213), Bridge MIB (RFC 1493), Interface Group MIB (RFC 2863), Ethernet MIB (RFC 1643), 802.1Q Extended Bridge MIB (RFC 2674), Entity MIB (RFC 2037), SNMP Trap Convention (RFC 1215), Bridge Trap (RFC 1493), Remote Monitoring Traps (RFC 1757), and HP Enterprise Switch MIBs and Environmental Traps IGMP v1 (RFC 1112), IGMP v2 (RFC 2236), SNMP (RFC 1361), Telnet (RFC 854), TFTP client (RFC 783), BootP client, (RFC 2132), DHCP client, (RFC 2131) and ZModem,	
Network Transfer Rate	10 Base-T (half-duplex)	10 Mbps
	10 Base-T (full-duplex)	20 Mbps
	100 Base-TX (half-duplex)	100 Mbps
	100 Base-TX (full-duplex)	200 Mbps
	1000 Base-TX (half-duplex)	1000 Mbps
	1000 Base-TX (full-duplex)	2000 Mbps
	1000 Base-SX (full-duplex)	2000 Mbps
Connector	12 RJ-45, 2 DB-9 (C-GbE Interconnect Kit) 4 LC fiber, 8 RJ-45, 2 DB-9 (F-GbE Interconnect Kit)	
EMI	FCC Class A ICES-003 Class A AS/NZS 3548 Class A VCCI Class A	
Safety	UL/CUL Listed Accessory CE	
Power Requirements	-48VDC: 1050 mA, 50 W maximum (per interconnect switch)	
Temperature Range	Operating	50° to 95° F (10° to 35° C)
	Non-operating	-22° to 140° F (-30° to 60° C)
Relative Humidity (non-condensing)	Operating	20% to 80%
	Non-operating	5% to 95%
Wet Bulb Temperature	Operating	82.4° F (28° C)
	Non-operating	101.7° F (38.7° C)

NOTE: Operating temperature has an altitude derating of 34° F (1° C) per 1,000 ft (304.8 m). No direct sunlight. Upper operating limit is 10,000 ft (3,048 m) or 70Kpa/10.1 psia. Upper non-operating limit is 30,000 ft (9,144 m) or 30.3 KPa/4.4 psia. Storage maximum humidity of 95% is based on a maximum temperature of 113° F (45° C). Altitude maximum for storage is 70 KPa.

Operating and Performance

Dimensions	Height	10.405 in (26.43 cm)
	Width	1.535 in (3.899 cm)



Technical Specifications

Specifications for GbE2 Interconnect Switch

Weight	Depth	27.697 in (70.35 cm)
Performance	12.0 lb/5.4 kg per interconnect switch	
Forwarding Mode	24 Gbps External port bandwidth per server blade enclosure (full duplex)	
MAC Addresses	Forwarding rate 1.5 million pps per gigabit port (64-byte packets)	
Forwarding Table Age Time	Auto-MDI/MDIX, auto-negotiation and auto-sensing with full-duplex support	
Memory	Store and forward	
Compliance	2,048 per interconnect switch	
	Maximum age: 1 to 65535 seconds; default: 300 seconds	
	128MB Main, 32MB flash and 2MB packet buffer per interconnect switch	
	IEEE 802.3, 802.3u, 802.3ab, 802.3x, 802.3z (F-GbE2 only), 802.1D, 802.3ac, 802.3ad (Static), and 802.1Q	
	SNMP v1 (RFC 1157), MIB-II (RFC 1213), Bridge MIB (RFC 1493), Interface Group MIB (RFC 2863), Ethernet MIB (RFC 1643), 802.1Q Extended Bridge MIB, Entity MIB (RFC 2037), RADIUS Authentication MIB, 802.3-2002 MIB, SNMP Trap Convention (RFC 1215), Bridge Trap (RFC 1493), Remote Monitoring Traps (RFC 1757) and HP Enterprise Switch MIBs and Environmental Traps	
	RADIUS (RFC 2138), Telnet (RFC 854), TFTP client (RFC 783), SSH v1.5, SCP v1.5, NTP v2 (RFC 1119), BootP client (RFC 2132), and XModem	
Network Transfer Rate	10 Base-T (half-duplex)	10 Mbps
	10 Base-T (full-duplex)	20 Mbps
	100 Base-TX (half-duplex)	100 Mbps
	100 Base-TX (full-duplex)	200 Mbps
	1000 Base-TX (half-duplex)	1000 Mbps
	1000 Base-TX (full-duplex)	2000 Mbps
	1000 Base-SX (full-duplex)	2000 Mbps
Connector	12 RJ-45, 2 DB-9 (C-GbE2 Interconnect Kit)	
	8 LC fiber, 4 RJ-45, 2 DB-9 (F-GbE2 Interconnect Kit)	
EMI	FCC Class A	
	ICES-003 Class A	
	AS/NZS 3548 Class A	
	VCCI Class A	
Safety	UL/CUL Listed Accessory	
	CE	
Power Requirements	48VDC: 2040 mA, 98 W maximum (per interconnect switch without Storage Connectivity Kit)	
	48VDC: 2355 mA, 113 W maximum (per interconnect switch with Storage Connectivity Kit)	
Temperature Range	Operating	50° to 95° F (10° to 35° C)
	Non-operating	-22° to 140° F (-30° to 60° C)
Relative Humidity (non-condensing)	Operating	20% to 80%
	Non-operating	5% to 95%
Wet Bulb Temperature	Operating	82.4° F (28° C)
	Non-operating	101.7° F (38.7° C)

Technical Specifications

NOTE: Operating temperature has an altitude derating of 34° F/1° C per 1,000 ft/304.8 m. No direct sunlight. Upper operating limit is 10,000 ft/3,048 m or 70Kpa/10.1 psia. Upper non-operating limit is 30,000 ft/9,144 m or 30.3 KPa/4.4 psia. Storage maximum humidity of 95% is based on a maximum temperature of 113° F/45° C. Altitude maximum for storage is 70 KPa.

Operating and Performance Specifications for CGESM Interconnect Switch	Dimensions	Height	10.405 in (26.43 cm)
		Width	1.6 in (4.06 cm)
		Depth	28 in (71.12 cm)
	Weight	11.5 lb/5.2 kg per interconnect switch	
	Performance	28 Gbps Maximum Forwarding Bandwidth. 38.7mpps Maximum Forwarding Rate (64 Byte Packets)	
		9018 Bytes Jumbo Frames MTU	
		Non-blocking architecture. Wire Speed Performance on all ports	
		Auto-MDI/MDIX, auto-negotiation and auto-sensing with full-duplex support	
	Forwarding Mode	Store and forward	
	MAC Addresses	8000 MAC/physical address Table Size	
Memory	128-MB DRAM Memory. 16-MB Flash Memory		
Compliance	IEEE 802.1s, IEEE 802.1w, IEEE 802.1x, IEEE 802.3ad, IEEE 802.3x full duplex on 10BASE-T, 100BASE-TX, and, IEEE 802.1D Spanning-Tree Protocol, IEEE 802.1p CoS Prioritization, IEEE 802.1Q VLAN, IEEE 802.3 10BASE-T specification, IEEE 802.3u 100BASE-TX specification, IEEE 802.3ab 1000BASE-T specification, IEEE 802.3z 1000BASE-X specification RMON I and II standards, SNMPv1, SNMPv2c, and SNMPv3 (RFC1493) , CISCO-CDP-MIB, CISCO-CLUSTER-MIB, CISCO-CONFIG-MAN-MIB, CISCO-ENTITY-FRU-CONTROL-MIB, CISCO-ENVMON-MIB, CISCO-FLASH-MIB, CISCO-FTP-CLIENT-MIB, CISCO-IGMP-FILTER-MIB, CISCO-IMAGE-MIB, CISCO-IP-STAT-MIB, CISCO-MAC-NOTIFICATION-MIB, CISCO-MEMORY-POOL-MIB, CISCO-PAGP-MIB, CISCO-PING-MIB, CISCO-PROCESS-MIB, CISCO-RTTMON-MIB, CISCO-STP-EXTENSIONS-MIB, CISCO-SYSLOG-MIB, CISCO-TCP-MIB, CISCO-VLAN-IFTABLE-RELATIONSHIP-MIB, CISCO-VLAN-MEMBERSHIP-MIB, CISCO-VTP-MIB, ENTITY-MIB, ETHERLIKE-MIB, IF-MIB (in and out counters for VLANs are not supported), IGMP-MIB, OLD-CISCO-CHASSIS-MIB, OLD-CISCO-FLASH-MIB, OLD-CISCO-INTERFACES-MIB, OLD-CISCO-IP-MIB, OLD-CISCO-SYS-MIB, OLD-CISCO-TCP-MIB, OLD-CISCO-TS-MIB, RFC1213-MIB (per the agent capabilities specified in the, CISCO-RFC1213-CAPABILITY.my), RFC1253-MIB, RMON-MIB, RMON2-MIB, SNMP-FRAMEWORK-MIB, SNMP-MPD-MIB, SNMP-NOTIFICATION-MIB, SNMP-TARGET-MIB, SNMPv2-MIB, TCP-MIB, UDP-MIB		
	1000BASE-T ports, 1000BASE-X (SFP), 1000BASE-SX		
Network Transfer Rate	10 Base-T (half-duplex)	10 Mbps	
	10 Base-T (full-duplex)	20 Mbps	
	100 Base-TX (half-duplex)	100 Mbps	
	100 Base-TX (full-duplex)	200 Mbps	
	1000 Base-TX (half-duplex)	1000 Mbps	
	1000 Base-TX (full-duplex)	2000 Mbps	
	1000 Base-SX (full-duplex)	2000 Mbps	

Technical Specifications

Connector	4 SFP, 2 RJ-45 10/100/1000 T/TX/T, 1 DB-9	
EMI	FCC Part 15 Class A EN 55022: 1998 (CISPR22) EN 55024: 1998 (CISPR24) CNS 13438 Class A MIC CD MIC AS/NZS 3548 Class A CE VCCI Class A	
Safety	UL to UL 60950, Third Edition C-UL to CAN/CSA C22.2 No. 60950-00, Third Edition TUV/GS to EN 60950:2000 CB to IEC 60950 with all country deviations NOM to NOM-019-SCFI CE Marking	
Power Requirements	-48VDC: 1050 mA, 125 W maximum (per interconnect switch)	
Temperature Range	Operating	50 to 95°F (10 to 35°C)
	Non-operating	-22 to 140°F (-30 to 60°C)
Relative Humidity (non-condensing)	Operating	20% to 85%
	Non-operating	5% to 95%
Wet Bulb Temperature	Operating	82.4° F (28° C)
	Non-operating	101.7° F (38.7° C)

NOTE: Operating temperature has an altitude derating of 34° F (1° C) per 1,000 ft (304.8 m). No direct sunlight. Upper operating limit is 10,000 ft (3,048 m) or 70Kpa/10.1 psia. Upper non-operating limit is 30,000 ft (9,144 m) or 30.3 KPa/4.4 psia. Storage maximum humidity of 95% is based on a maximum temperature of 113° F (45° C). Altitude maximum for storage is 70 KPa.

Operating and Performance Specifications for 3U HP BladeSystem Power Enclosures (North America/Japan)

		Single-Phase Model	Three-Phase Model
Dimensions	Height	5.25 in (13.34 cm)	5.25 in (13.34 cm)
	Width	27.15 in (68.96 cm)	27.15 in (68.96 cm)
	Depth	17.60 in (44.7 cm)	17.60 in (44.7 cm)
Weights	No Hot-Plug Power Supplies	47.5 lb (21.55 kg)	47.5 lb (21.55 kg)
	All Hot-Plug Power Supplies	99.5 lb (45.13 kg)	125.5 lb (56.93 kg)
Input Requirements	Rated input voltage	200 VAC to 240 VAC	200 VAC to 240 VAC line to line
	Rated input frequency	50 Hz to 60 Hz	50 Hz to 60 Hz
	Rated input current per side	24A	24A per phase
	Rated input power per side	5760 W	9976 W
	Power cord	1 NEMA L6-30P per side	1 NEMA L15-30 per side

Technical Specifications

Output Voltage Specifications	Rated output voltage	-48.8 VDC to -54 VDC	-48.8 VDC to -54 VDC
	Rated output current	99A	170A
	Rated output power	4298 W	8310 W
	Nominal power	4158 W at 208 VAC	7202 W at 208 VAC
Ambient Temperature Range (See NOTE)	Operating	50° to 95° F (10° to 35° C)	50° to 95° F (10° to 35° C)
	Shipping	-22° to 140° F (-30° to 60° C)	-22° to 140° F (-30° to 60° C)
Relative humidity, non-condensing (See NOTE)	Operating	20% to 80%	20% to 80%
	Non-operating	5% to 95%	5% to 95%
Wet Bulb Temperature	Operating	82.4° F (28° C)	82.4° F (28° C)
	Non-operating	101.7° F (38.7° C)	101.7° F (38.7° C)

NOTE: Operating temperature has an altitude derating of 34° F (1° C) per 1,000 ft (304.8 m). No direct sunlight. Upper operating limit is 10,000 ft (3,048 m) or 70Kpa/10.1 psia. Upper non-operating limit is 30,000 ft (9,144 m) or 30.3 KPa/4.4 psia. Storage maximum humidity of 95% is based on a maximum temperature of 113° F (45° C). Altitude maximum for storage is 70 KPa.

Operating and Performance Specifications for 3U Power Enclosures (International)

		Single-Phase Model	Three-Phase Model
Dimensions	Height	5.25 in (13.34 cm)	5.25 in (13.34 cm)
	Width	27.15 in (68.96 cm)	27.15 in (68.96 cm)
	Depth	17.60 in (44.7 cm)	17.60 in (44.7 cm)
Weights	No Hot-Plug Power Supplies	47.5 lb (21.55 kg)	47.5 lb (21.55 kg)
	All Hot-Plug Power Supplies	99.5 lb (45.13 kg)	125.5 lb (56.93 kg)
Input Requirements	Rated input voltage	200 VAC to 240 VAC	6.25 A at -48 VDC 200 VAC to 240 VAC line to neutral
	Rated input frequency	50 Hz to 60 Hz	50 Hz to 60 Hz
	Rated input current per side	24A	20A per phase
	Rated input power per side	5760 W	10,552 W
	Power cord	1 IEC 309 3-pin, 32A per side	1 IEC 309 5-pin, 32A per side
Output Voltage Specifications	Rated output voltage	-48.8 VDC to -54 VDC	-48.8 VDC to -54 VDC
	Rated output current	99A	180A
	Rated output power	4798 W	8790 W
	Nominal power	4598 W at 208 VAC	8790 W at 230 VAC L-N
Ambient Temperature Range (See NOTE)	Operating	50° to 95° F (10° to 35° C)	50° to 95° F (10° to 35° C)
	Shipping	-22° to 140° F (-30° to 60° C)	-22° to 140° F (-30° to 60° C)

Technical Specifications

Relative humidity, non-condensing (See NOTE)	Operating	20% to 80%	20% to 80%
	Non-operating	5% to 95%	5% to 95%
Wet Bulb Temperature	Operating	82.4° F (28° C)	82.4° F (28° C)
	Non-operating	101.7° F (38.7° C)	101.7° F (38.7° C)

NOTE: Operating temperature has an altitude derating of 34° F (1° C) per 1,000 ft (304.8 m). No direct sunlight. Upper operating limit is 10,000 ft (3,048 m) or 70Kpa/10.1 psia. Upper non-operating limit is 30,000 ft (9,144 m) or 30.3 KPa/4.4 psia. Storage maximum humidity of 95% is based on a maximum temperature of 113° F (45° C). Altitude maximum for storage is 70 KPa.

Operating and Performance Specifications for Power Distribution Devices	Power Bus Box	Mini Bus Bar	Scalable Bus Bar
Power Enclosures or facility DC feeds Supported (3U each)	1	1	2
Server blade enclosures supported (6U each)	1	3	5
Total rack height of supported enclosures	9U	21U	36U
Dimensions			
Height	5.1 in (12.95 cm)	19.45 in (49.40 cm)	48.57 in (123.37 cm)
Width	3.6 in (9.14 cm) each	19.74 in (50.14 cm)	19.74 in (50.14 cm)
Depth	3.25 in (8.26 cm)	2.2 in (5.59 cm)	2.2 in (5.59 cm)
Weight	3.62 lb (1.64 kg)	13.2 lb (5.9 kg)	26 lb (11.79 kg)
Rated Operating Voltage	-43.2 VDC to -54 VDC	-43.2 VDC to -54 VDC	-43.2 VDC to -54 VDC
Max Total Power Supported	3000 W	9000 W	15000 W
Total Max Input Current At Minimum Voltage	69.44 A at -43.2VDC	208.32 A at -43.2 VDC	347.2 A at -43.2 VDC (equivalent of 175A per feed)
Total Max Input Current At Nominal Voltage	62.5 A at -48VDC	187.5 A at -48 VDC	312.5 A at -48 VDC (equivalent of 175A per feed)
Max Current Per Power Feed	70A	70A	210A
Max Local Ambient Temperature	149° F (65° C)	149° F (65° C)	149° F (65° C)

NOTE: All systems support redundant A & B feeds. Scalable bus bar supports dual A and dual B feeds.

Technical Specifications

Operating and Performance Specifications for Facility DC

Voltage	Nominal input voltage	-48 VDC	
	Operating voltage range	-48VDC \pm 10% or -43.2 VDC to -52.8 VDC	
	Max Input voltage slew rate	0.5V/ μ S	
	Redundant feed voltages* (A & B)	*A and B feeds must differ by no more than 5VDC during steady state operation	
	Ripple/Noise	480 mV PARD**	
	Overshoot	Must remain within regulation limits on all feeds during startup or shutdown	
	Voltage transients	Must not exceed -60 VDC	
	Current	Max steady state input current	62.5A per server blade enclosure installed at -48VDC
		Max steady state current per feed/total	
		Power bus boxes	70 A/70A
	Mini bus bars	210 A/210A	
	Scalable bus bars	210 A/350A or equivalent of 175A per feed*	
In-rush current	Must support up to 2X the maximum operating current per server blade enclosure (125 A) for up to 1.0 mS		
Input over-current	Customer provided fusing for facility DC feeds that protects the system from catastrophic over-current within 20 μ S. Fuse should sustain all in-rush and operating currents.		
Max Input Current Slew Rate	1A/ μ S		
Max Rated Power	3000W per server blade enclosure		
Connections and Cables	Compaq provided facility DC cable connection kit: <ul style="list-style-type: none"> • The facility DC connection kit supports the connection of up to four - 48VDC, RETURN pairs and ground <p>The power cable assemblies consist of 1/0AWG, color-coded, flexible cable rated at 105° C, terminated with bus mating connectors at one end and unterminated at the other end. The cable length provided enables the customer to route to a fuse panel within or adjacent to the rack.</p>		

NOTE: *All systems support redundant A and B feeds. Scalable bus bars support dual A and dual B feeds.

** Periodic and random noise (PARD). Maximum allowable peak-to-peak ripple and noise (as measured at the load on any output channel). The ripple and noise is measured over a 20 Hz to 100 MHz frequency band. A resistive load (non-electronic) is used for this measurement. Each output is by-passed to return by a 10 μ F tantalum capacitor with an ESR less than 100 milli-Ohms in parallel with a 0.47 μ F ceramic capacitor, at the point of load. The load cable is 12 feet of twisted wire capable of carrying the current. The printed wiring board assembly is installed in its enclosure for this measurement, or the measurement leads are properly shielded with Earth grounds applied to the insert.

Technical Specifications

© Copyright 2005 Hewlett-Packard Development Company, L.P.

The information contained herein is subject to change without notice.

Microsoft and Windows NT are US registered trademarks of Microsoft Corporation. Intel is a US registered trademark of Intel Corporation.

The only warranties for HP products and services are set forth in the express warranty statements accompanying such products and services. Nothing herein should be construed as constituting an additional warranty. HP shall not be liable for technical or editorial errors or omissions contained herein.