



OPERATION INSTALLATION MAINTENANCE

MANUAL

FOR HALE FLEX SERIES

SINGLE STAGE BOOSTER PUMPS



BY
HALE PRODUCTS, INC.
A Unit of IDEX Corporation
607 NW 27th Ave, Ocala, FL 34475
(800) 533.3569
(800) 520.3473 (FAX)
www.haleproducts.com



TABLE OF CONTENTS

Section	Title	Page
1.	SAFETY.....	1
1.1.	Safety Headings.....	1
1.2.	Training	1
1.3.	Safety Summary	1
2.	GENERAL INSTRUCTIONS.....	5
2.1.	Overview.....	5
2.2.	Pump Specifications and Numbering.....	5
2.2.1	Optional Pump Panel Identification Plates.....	5
2.2.2	Identification Plate.....	6
3.	TRANSPORT AND STORAGE	7
3.1.	Shipping, Movement, And Installation Preparations.....	7
3.2.	Pump Gearbox Shipped Without Fluid	7
3.3.	Storage.....	7
4.	PUMP OVERVIEW	9
5.	INSTALLATION	11
5.1.	Warnings And Cautions.....	11
5.2.	Risk Assessment	11
5.3.	Special Tools.....	11
5.4.	Mounting A Hale Booster Pump	11
5.4.1	Hardware Requirements	13
5.4.1.1	Mounting Hardware.....	13
5.4.1.2	Thread Lock, Bonding, Or Sealant Compound	13
5.4.1.3	Driveshaft Hardware	14
5.4.2	Inlet And Discharge Connections.....	14
5.4.3	Booster Pump Drains.....	14
5.4.4	Priming Connections.....	14
6.	COMMISSIONING, STARTUP, OPERATION, AND SHUTDOWN.....	15
6.1.	Installation Verification	15
6.2.	Performance Verification	15
6.3.	Initial Startup	15
6.4.	Draft Operation Notes	17
6.5.	Hydrant Or Relay Operation	18



TABLE OF CONTENTS – CONTINUED

Section	Title	Page
6.6.	Pump Cavitation	18
6.6.1	Discharge Pressure Cavitation Warning Signs.....	18
6.6.2	Vacuum Compound Gauge Warning Signs.....	18
6.6.3	General Considerations to Prevent Cavitation	19
6.7.	Post Operation Notes	19
7.	PREVENTIVE MAINTENANCE	21
7.1.	Preventive Maintenance Plan and Schedule.....	21
7.2.	Maintenance Log.....	21
7.3.	Extreme Conditions Maintenance Guidelines	21
7.3.1	Freezing Weather.....	22
7.3.2	Contaminated Water.....	22
7.4.	Booster Pump Preventive Maintenance Procedures	22
7.4.1	After Each Use.....	22
7.4.2	Quarterly Maintenance (every three months)	22
7.4.2.1	Check Gearbox Fluid Level	22
7.4.2.2	Perform Vacuum Test.....	23
7.4.3	Annual Pump Maintenance.....	23
7.4.3.1	Performance Testing.....	23
7.4.3.1.1	Test Procedure	23
7.4.4	Triennial Pump Maintenance	24
7.4.4.1	Fluid Change Procedure.....	24
7.4.4.1.1	Recommended Gearbox Lubricants	26
8.	SYMPTOMS, CAUSES, AND REMEDIES.....	27
8.1.	Loss Of Suction Fault Flow Chart.....	27
8.1.1	Loss Of Suction Symptoms, Causes, And Remedies	29
8.2.	Cavitation Fault Flow Chart.....	30
8.2.1	Cavitation Symptoms, Causes, And Remedies	31
APPENDIX A.	MANUFACTURER'S INFORMATION.....	A-1
	MANUFACTURER'S INFORMATION.....	A-1
	WARRANTY	A-1



LIST OF FIGURES

Number	Title	Page
Figure 1.	Pump Panel Identification Plate (Placard)	5
Figure 2.	Pump Serial Number Locations	6
Figure 3.	Pump Model Codes	6
Figure 4.	Hale Booster Pump Inlet And Outlet.....	9
Figure 5.	Visually Determining Engine Or Opposite Engine Rotation	10
Figure 6.	Typical Booster Pump Mounting.....	12
Figure 7.	Grade 5 And Class 8.8 Bolt Marking.....	13
Figure 8.	Grade 8 And Class 10.9 Bolt Marking.....	14
Figure 9.	Check Gearbox Oil Level.....	16
Figure 10.	Gearbox Drain	24
Figure 11.	Fill Gearbox With Fluid.....	25
Figure 12.	Fluid Level	25
Figure 13.	Loss Of Suction Fault Flow Chart.....	28
Figure 14.	Cavitation Fault Flow Chart.....	30

LIST OF TABLES

Number	Title	Page
Table 1.	Hale Flex Series Single Stage Booster Pump Drawings	9
Table 2.	Flex Series Inlet And Discharge Connections	14
Table 3.	Preventive Maintenance Plan and Schedule.....	21
Table 4.	Fluid Change Tools And Consumables List.....	24
Table 5.	Recommended Gearbox Lubricant.....	26
Table 6.	Loss Of Suction SCR Table.....	29
Table 7.	Cavitation SCR Table	31



Abbreviations And Acronyms

Abbreviations used in this manual are commonly used units of measure and are NOT defined or listed. The acronyms used in this manual are defined below.

AHJ	Authority Having Jurisdiction
CV	Constant Velocity
EN 1028-1	Fire-Fighting Pumps Centrifugal Pumps - General And Safety Requirements
FAST	Factory Authorized Service Team
NFPA	National Fire Protection Association
NPT	American National Standard Taper Pipe Thread
OEM	Original Equipment Manufacturer
PPE	Personal Protection Equipment
PTO	Power Take Off
SAE	Society of Automotive Engineers
SB	Service Bulletin
SCR	Symptom, Cause, Remedy
TRV	Thermal Relief Valve

1. SAFETY

Read and comply with all safety items in this manual before operating the pump. Only fully trained personnel may operate or maintain pump.

If EN 1028 is applicable to the user, the end user must maintain the equipment in an operational condition, as per regulation 5 in the Provision and Use of Work Equipment Regulations 1998.

1.1. Safety Headings

DANGERS, WARNINGS, CAUTIONS, or NOTICES that immediately precede a step apply directly to that step and all sub steps. DANGERS, WARNINGS, CAUTIONS, or NOTICES that precede an entire procedure apply to the entire procedure. DANGERS, WARNINGS, CAUTIONS, and NOTICES consist of two parts: a heading (that identifies possible result if disregarded) and a statement of the hazard (that provides the minimum precautions). NOTES are used to highlight operating or maintenance procedures, practices, conditions or statements that are not essential to protection of personnel or equipment. NOTES may precede or follow the step or procedure, depending upon the information and how it pertains to the procedure/step. The headings used and their definitions are.

ATTENTION ⚠ DANGER

INDICATES A HAZARDOUS SITUATION, WHICH IF NOT AVOIDED WILL RESULT IN SERIOUS INJURY OR DEATH.

ATTENTION ⚠ WARNING

INDICATES A HAZARDOUS SITUATION, WHICH IF NOT AVOIDED COULD RESULT IN SERIOUS INJURY OR DEATH.

ATTENTION ⚠ CAUTION

INDICATES A POTENTIALLY HAZARDOUS SITUATION, WHICH IF NOT AVOIDED MAY RESULT IN MINOR OR MODERATE INJURY.

IMPORTANT ⚠ NOTICE

ADDRESSES PRACTICES NOT RELATED TO PERSONAL INJURY.

NOTE

Highlights an essential aspect of an operating or maintenance procedure, condition, or statement and/or provides pertinent ancillary information.

1.2. Training

Pump Training is available through the Hale Training Academy and may be accessed via the Hale Products Inc. website (www.haleproducts.com), Godiva Verified Training (godiva.co.uk), or through your local dealer or vehicle manufacturer.

1.3. Safety Summary

The following warnings are used in this manual. A booster pump is not a complete machine and safety as well as performance is impacted by installation as well as use.

ATTENTION ⚠ WARNING

A PRESSURE HAZARD MAY EXIST EVEN WHEN THE PUMP IS NOT RUNNING. PRIOR TO REMOVING HOSES, OR CAPS FROM PUMP CONNECTIONS, RELIEVE PRESSURE BY OPENING DRAINS. BLEEDER VALVES SHOULD ALSO BE USED WHEN CONNECTING TO AN INTAKE FROM PRESSURIZED SOURCE.



ATTENTION ⚠ WARNING

ALWAYS FOLLOW LOCAL GUIDELINES FROM THE AHJ AND THE APPARATUS MANUFACTURER.

ATTENTION ⚠ WARNING

ALWAYS FOLLOW PROPER OPERATING PROCEDURES. THE PUMP OPERATOR AND INDIVIDUALS AROUND THE APPARATUS MUST BE FAMILIAR WITH THE PUMP OPERATING INSTRUCTIONS AS WELL AS OTHER OPERATING GUIDELINES FOR THE APPARATUS, AND ACCESSORIES.

ATTENTION ⚠ WARNING

ALWAYS STOP THE ENGINE, SET THE PARKING BRAKE, AND CHOCK THE WHEELS BEFORE GOING UNDER THE TRUCK FOR ANY REASON.

ATTENTION ⚠ WARNING

DO NOT EXCEED OPERATING PRESSURE LIMITS OF PUMP, INSTALLED PLUMBING, HOSE(S), OR EQUIPMENT IN USE.

ATTENTION ⚠ WARNING

DO NOT LEAVE THE DRIVERS POSITION IN THE CAB OR OPEN THE THROTTLE UNLESS ALL SAFETY INTERLOCK INDICATORS ARE ILLUMINATED.

ATTENTION ⚠ WARNING

DO NOT REACH INSIDE THE PUMP SUCTION WHEN THE ENGINE IS RUNNING. CONTACT WITH MOVING COMPONENTS MAY RESULT IN SERIOUS INJURY. DO NOT REMOVE OR ALTER GUARDS.

ATTENTION ⚠ WARNING

OPEN AT LEAST ONE DISCHARGE VALVE SLIGHTLY TO PREVENT THE PUMP FROM OVERHEATING. IF THE PUMP RUNS COMPLETELY CLOSED, IT MAY HEAT THE WATER ENOUGH TO SCALD A PERSON.

ATTENTION ⚠ WARNING

OPERATORS, INSTALLERS, AND MAINTENANCE PERSONNEL MUST BE TRAINED AND QUALIFIED FOR ALL THE ACTIVITIES THEY PERFORM.

ATTENTION ⚠ WARNING

THE PUMP SHIFT CONTROL AND PUMP SHIFT INDICATOR SYSTEM ON THE APPARATUS MUST BE INSTALLED IN ACCORDANCE WITH MANUFACTURERS INSTRUCTIONS AND REGULATIONS SUCH AS NFPA.

ATTENTION ⚠ CAUTION

ALL BOOSTER PUMPS WEIGH OVER 100 LBS. USE APPROPRIATELY RATED LIFTING EQUIPMENT. IMPROPER LIFTING (OR UNDERRATED EQUIPMENT) RESULTS IN A STRIKE/CRUSH HAZARD.

ATTENTION ⚠ CAUTION

ALWAYS USE PROPER PPE. OIL MAY BE TOXIC. DISPOSE OF OIL PROPERLY PER AHJ GUIDELINES.



ATTENTION ▲ CAUTION

DO NOT REPLACE FASTENERS WITH OTHER THAN HALE PART NUMBERS PROVIDED.

ATTENTION ▲ CAUTION

FOLLOW DEPARTMENT PROCEDURES TO SET WHEEL CHOCKS WHEN PUMPING.

ATTENTION ▲ CAUTION

USE PPE TO PROTECT HANDS AND FINGERS FROM SHARP EDGES. THE EDGES OF THE BLADES ON THE INDUCER OR IMPELLER MAY BE SHARP.

IMPORTANT ▲ NOTICE

ALLOWING INTAKE PRESSURES TO FALL BELOW ESTABLISHED LIMITS MAY RESULT IN DAMAGE TO THE WATER SUPPLY PIPING WHEN PUMPING FROM HYDRANT.

IMPORTANT ▲ NOTICE

BEFORE LAY OUT AND INSTALLATION OF THE DRIVELINE, CONSULT APPARATUS AND/OR DRIVELINE COMPONENT MANUFACTURER FOR GUIDANCE AND REFER TO HALE SB90 FOR ALIGNMENT OF DRIVESHAFT AND PUMP DRIVE.

IMPORTANT ▲ NOTICE

CHECK MAGNETIC DRAIN PLUG FOR DEBRIS. IF SIGNIFICANT METAL FRAGMENTS ARE PRESENT, REPORT CONDITION TO AHJ SO SERVICE CAN BE PERFORMED.

IMPORTANT ▲ NOTICE

DO NOT ALLOW A WHIRLPOOL AT THE SUCTION STRAINER WHEN DRAFTING.

IMPORTANT ▲ NOTICE

DO NOT EXCEED 15 DEGREE ANGLE IN OPERATION OF PUMP SYSTEM.

IMPORTANT ▲ NOTICE

DO NOT EXCEED POWER TRAIN LIMITS WHEN INSTALLING A PUMP. A MEANS TO CONTROL THE ENGINE OUTPUT WHEN PTO IS ENGAGED SHOULD BE CONSIDERED.

IMPORTANT ▲ NOTICE

DO NOT OPERATE PUMP WITHOUT SUCTION STRAINER IN PLACE.

IMPORTANT ▲ NOTICE

DO NOT OPERATE PUMP WITHOUT WATER OR WITHOUT DISCHARGING WATER FOR EXTENDED TIME, IT MAY OVERHEAT CAUSING DAMAGE.

IMPORTANT ▲ NOTICE

DO NOT RUN ENGINE HIGHER THAN 1200 RPM DURING PRIMING.

IMPORTANT ▲ NOTICE

DO NOT RUN THE PRIMER FOR MORE THAN 45 SECONDS. IF PRIME IS NOT ACHIEVED IN 30 - 45 SECONDS, STOP AND LOOK FOR AIR LEAKS OR BLOCKED SUCTION HOSE.

IMPORTANT ▲ NOTICE

DO NOT USE THE RED IDLE BUTTON UNLESS AN EMERGENCY AS DEFINED BY THE AHJ EXISTS.



IMPORTANT ▲ NOTICE

FAILURE TO INSTALL THE ENGINE SPEED INTERLOCK SYSTEM PROPERLY MAY RESULT IN PTO DAMAGE.

IMPORTANT ▲ NOTICE

FOLLOW PTO AND VEHICLE MANUFACTURER PTO INSTRUCTIONS.

IMPORTANT ▲ NOTICE

HALE PUMPS ARE SHIPPED WITHOUT OIL. FILL GEARBOX WITH FLUID LISTED IN TABLE 5 BEFORE OPERATION.

IMPORTANT ▲ NOTICE

IF THE DISCHARGE PRESSURE DOES NOT INCREASE, AND INTAKE GAUGE READING DOES NOT FALL BELOW ZERO (0), OR THE PRIMING PUMP DOES NOT DISCHARGE WATER TO THE GROUND WITHIN 30 SECONDS, STOP THE PUMP AND CHECK FOR AIR LEAKS.

IMPORTANT ▲ NOTICE

OPEN AT LEAST ONE DISCHARGE VALVE SLIGHTLY TO PREVENT THE PUMP FROM OVERHEATING. OVERHEATING CAN DAMAGE THE PUMP SEAL, AND OTHER PUMP PARTS.

IMPORTANT ▲ NOTICE

PUMP ASSEMBLY HAS BOTH METRIC AND SAE HARDWARE.

IMPORTANT ▲ NOTICE

PUMP DISCHARGE PRESSURE SHOULD INCREASE WITH ENGINE SPEED WHEN OPENING THROTTLE. IF ENGINE SPEED INCREASES WITHOUT INCREASE IN PRESSURE, THE PUMP MAY BE CAVITATING.

2. GENERAL INSTRUCTIONS

This manual covers the Hale Flex Series of single stage booster pumps and provides basic information on Hale AP, CBP, MBP, or RSD Flex Series of booster pumps when local procedures do NOT exist. Basics of operation, installation verification, and maintenance are covered.

Additional information is available in FSG-MNL-00184, Technical Manual For Hale Single Stage Booster Pumps. This manual and additional information such as pump curves and rating charts can be found on the flash drive provided with the pump or on the Hale website (www.haleproducts.com).

ATTENTION ⚠ WARNING

ALWAYS FOLLOW LOCAL GUIDELINES FROM THE AHJ AND THE APPARATUS MANUFACTURER.

2.1. Overview

This manual ONLY covers the Flex Series of single stage booster pumps.

2.2. Pump Specifications and Numbering

Each pump has a unique serial number that can be found in multiple locations. Model numbers define major pump features.

For detailed booster pump specifications, refer to the Hale Products website (www.haleproducts.com). Hale Products Inc. policy is one of continuous development. Hale therefore reserve the right to amend specifications without notice or obligation.

2.2.1 Optional Pump Panel Identification Plates

Figure 1 shows the Hale pump panel identification plate. This placard has the same data as the identification plate on the pump. The placard is optional and shipped loose with the pump when selected.

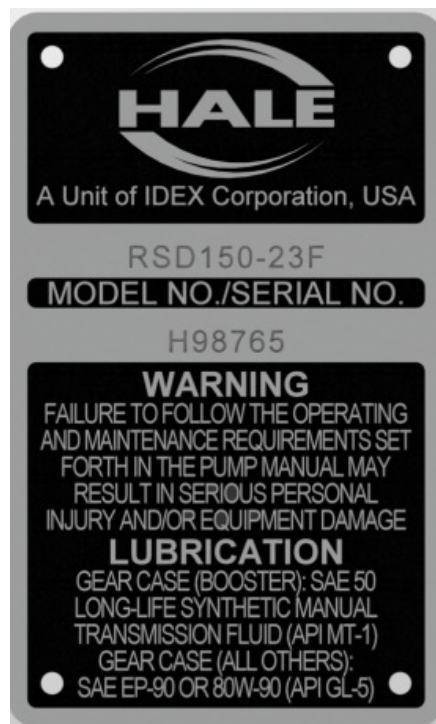


Figure 1. Pump Panel Identification Plate (Placard)

2.2.2 Identification Plate

The plate is stamped with the appropriate model, input drive type, capacity (NFPA rated flow shown) and units code, gear ratio code, gearbox type code, and serial number. Figure 1 is an example of Hale pump identification plate marking conventions

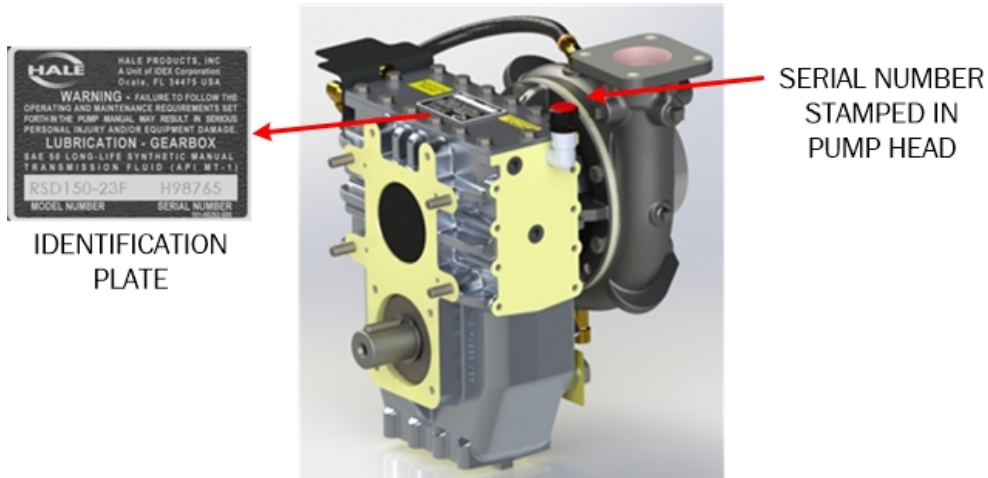


Figure 2. Pump Serial Number Locations

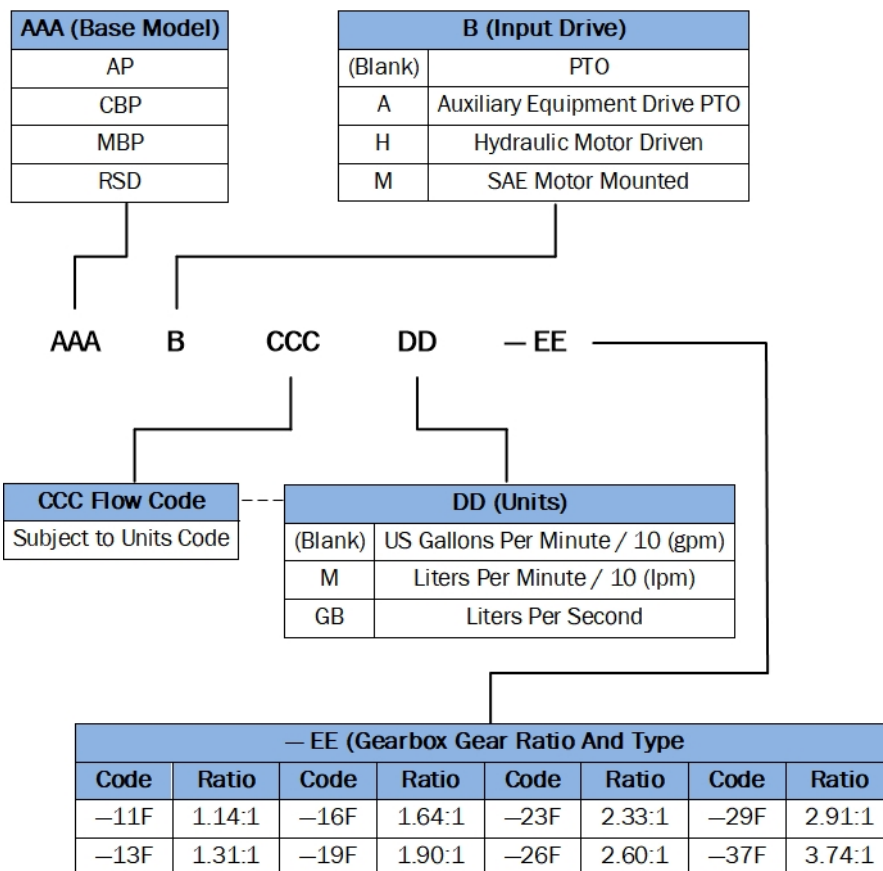


Figure 3. Pump Model Codes



3. TRANSPORT AND STORAGE

Ship, move, and store a Hale Flex booster pump according to the information herein.

3.1. Shipping, Movement, And Installation Preparations

Hale Flex booster pumps use packaging suitable for shipping and indoor storage. Never stack pumps on top of one another.

Upon receipt, inspect the packaging and pump. If any damage has occurred, take clear detailed pictures, and file a claim with the carrier. Contact Hale Customer Support immediately (hale.customer.service@idexcorp.com).

3.2. Pump Gearbox Shipped Without Fluid

IMPORTANT ▲ NOTICE

HALE FLEX SERIES PUMPS ARE SHIPPED WITHOUT GEAR OIL. FILL THE GEARBOX WITH MANUAL TRANSMISSION FLUID SPECIFIED IN TABLE 5 BEFORE OPERATING.

Fill the gearbox to the proper level with the fluid listed in paragraph 7.4.4.1.1, Recommended Gearbox Lubricants. See paragraph 7.4.4.1, for instructions to fill the gearbox with fluid.

3.3. Storage

Hale Flex Series pumps should be stored indoors in a protected environment before installation. If the pump needs to be stored for more than six months, see Hale Service Bulletin SB150 on the Hale website.



THIS PAGE INTENTIONALLY BLANK.

4. PUMP OVERVIEW

All Hale Flex Series single stage booster pumps feature an integral gearbox and a self-adjusting mechanical seal and are volute style centrifugal pumps. The AP, CBP, and MBP pumps provide one inlet and one outlet. The RSD provides an additional auxiliary side discharge (see Figure 4), typically used to provide mounting for a TRV or an anode.

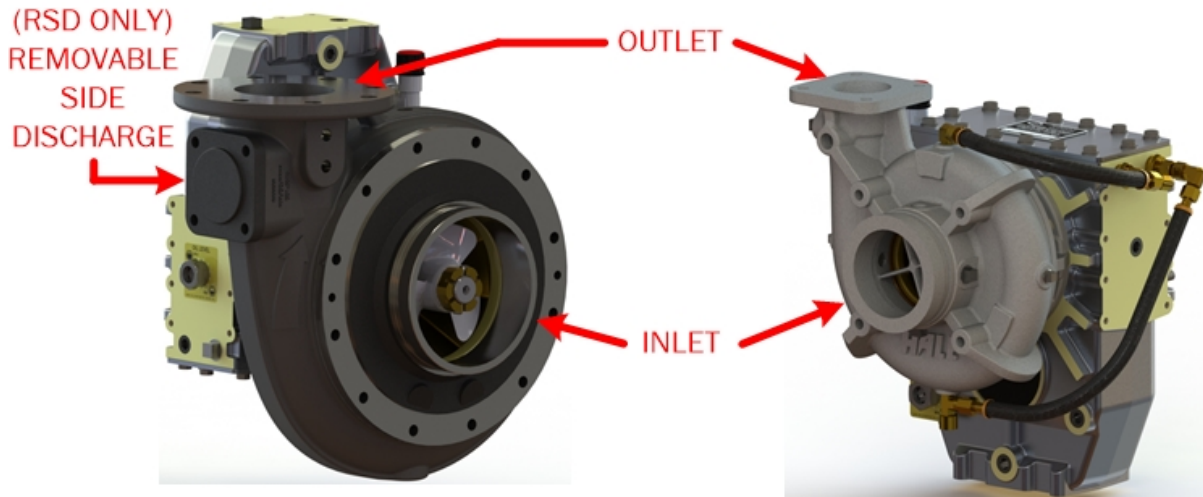


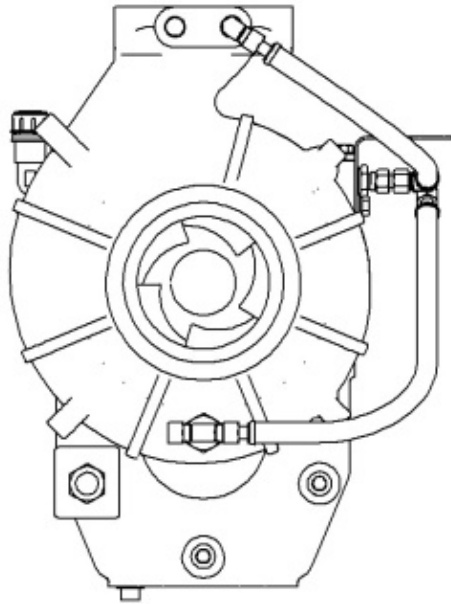
Figure 4. Hale Booster Pump Inlet And Outlet

Standard construction includes a bronze impeller and wrap around wear rings in an iron pump body. All bronze construction is an option. The pumps are designed for water and need an external primer (to evacuate air) to pump water from a static source. All Hale Flex Series single stage booster pumps support outlet rotation, see Table 1 for the applicable drawing. The drawings are located on the flash drive provided with the pump or on the Hale Products website (www.haleproducts.com).

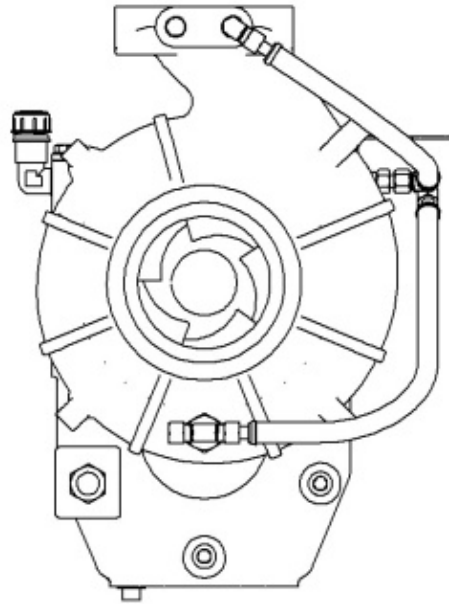
Table 1. Hale Flex Series Single Stage Booster Pump Drawings

Flex Series Pump	Drawing	Flex Series Pump	Drawings
AP	FSG-PL-01483	MBP	FSG-PL-01486
CBP	FSG-PL-01482	RSD	FSG-PL-01487

Hale Flex Series single stage booster pumps are available for engine rotation or opposite engine rotation to match the PTO (except MBP – ER only). Figure 5 shows both rotations and how to recognize them. Verify the pump model matches the rotation of the PTO.



**Engine
Rotation**



**Opposite
Engine
Rotation**

Figure 5. Visually Determining Engine Or Opposite Engine Rotation

Additional theory of operation is provided in FSG-MNL-00184, Technical Manual For Hale Single Stage Booster Pumps that is located on the flash drive provided with the pump or available from the TECH RESOURCE CENTER on the Hale Products website (halproducts.com).



5. INSTALLATION

This section provides basic information for the installation of Hale booster pumps. Installation personnel should be qualified in pump and plumbing installation and vehicle manufacture.

5.1. Warnings And Cautions

Before attempting to install the pump, read all of the following safety precautions and follow them carefully.

ATTENTION ⚠ WARNING

THE PUMP SHIFT CONTROL AND PUMP SHIFT INDICATOR SYSTEM ON THE APPARATUS MUST BE INSTALLED IN ACCORDANCE WITH MANUFACTURERS INSTRUCTIONS AND REGULATIONS SUCH AS NFPA.

IMPORTANT ⚠ NOTICE

BEFORE LAY OUT AND INSTALLATION OF THE DRIVELINE, CONSULT APPARATUS AND/OR DRIVELINE COMPONENT MANUFACTURER FOR GUIDANCE AND REFER TO HALE SB90 FOR ALIGNMENT OF DRIVESHAFT AND PUMP DRIVE.

IMPORTANT ⚠ NOTICE

HALE PUMPS ARE SHIPPED WITHOUT OIL. FILL GEARBOX WITH FLUID LISTED IN TABLE 5 BEFORE OPERATION. FAILURE TO PROPERLY FILL GEARBOX WILL RESULT IN DAMAGE AND VOID WARRANTY.

5.2. Risk Assessment

When EN 1028 applies, the pump installer shall develop and deliver a method statement and risk assessment of operations when installing a Hale booster pump on firefighting apparatus.

5.3. Special Tools

Observe all torque requirements and see FSG-MNL-00184, Technical Manual For Hale Single Stage Booster Pumps for additional information. When conducting testing/verifications for installation purposes, bearings temperatures can be checked using an infrared thermometer.

5.4. Mounting A Hale Booster Pump

ATTENTION ⚠ WARNING

A PRESSURE HAZARD MAY EXIST EVEN WHEN THE PUMP IS NOT RUNNING. PRIOR TO REMOVING HOSES, OR CAPS FROM PUMP CONNECTIONS, RELIEVE PRESSURE BY OPENING DRAINS. BLEEDER VALVES SHOULD ALSO BE USED WHEN CONNECTING TO AN INTAKE FROM PRESSURIZED SOURCE.

ATTENTION ⚠ WARNING

ALWAYS STOP THE ENGINE, SET THE PARKING BRAKE, AND CHOCK THE WHEELS BEFORE GOING UNDER THE TRUCK FOR ANY REASON.

ATTENTION ⚠ WARNING

OPEN AT LEAST ONE DISCHARGE VALVE SLIGHTLY TO PREVENT THE PUMP FROM OVERHEATING. IF THE PUMP RUNS COMPLETELY CLOSED, IT MAY HEAT THE WATER ENOUGH TO SCALD A PERSON.

ATTENTION ⚠ WARNING

THE PUMP SHIFT CONTROL AND PUMP SHIFT INDICATOR SYSTEM ON THE APPARATUS MUST BE INSTALLED IN ACCORDANCE WITH MANUFACTURERS INSTRUCTIONS AND REGULATIONS SUCH AS NFPA.

IMPORTANT ⚠ NOTICE

BEFORE LAY OUT AND INSTALLATION OF THE DRIVELINE, CONSULT APPARATUS AND/OR DRIVELINE COMPONENT MANUFACTURER FOR GUIDANCE AND REFER TO HALE SB90 FOR ALIGNMENT OF DRIVESHAFT AND PUMP DRIVE.

IMPORTANT ⚠ NOTICE

DO NOT EXCEEDING POWER TRAIN LIMITS WHEN INSTALLING A PUMP. A MEANS TO CONTROL THE ENGINE OUTPUT WHEN PTO IS ENGAGED SHOULD BE CONSIDERED.

IMPORTANT ⚠ NOTICE

FAILURE TO INSTALL THE ENGINE SPEED INTERLOCK SYSTEM PROPERLY MAY RESULT IN PTO DAMAGE.

IMPORTANT ⚠ NOTICE

HALE PUMPS ARE SHIPPED WITHOUT OIL. FILL GEARBOX WITH FLUID LISTED IN TABLE 5 BEFORE OPERATION.

IMPORTANT ⚠ NOTICE

OPEN AT LEAST ONE DISCHARGE VALVE SLIGHTLY TO PREVENT THE PUMP FROM OVERHEATING. OVERHEATING CAN DAMAGE THE PUMP SEAL, AND OTHER PUMP PARTS.

Figure 6 shows the recommended mounting brackets an OEM should provide to mount a Hale Flex series single stage booster pump. (Hale does NOT supply mounting brackets.) Mount a pump using both the pump body and the gearbox. Refer to the applicable pump model and installation sheet of the drawing for mounting details and dimensions as follows.

- FSG-PL-01481
- FSG-PL-01482
- FSG-PL-01483
- FSG-PL-01486
- FSG-PL-01487

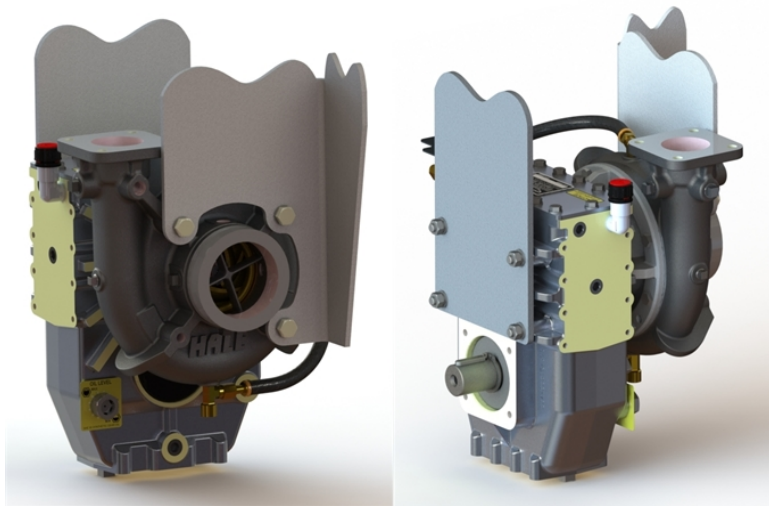


Figure 6. Typical Booster Pump Mounting

Design the installation with consideration NOT to transmit loads or twisting moments (AKA angular mass or rotational inertia) to (or through) the pump assembly from the apparatus (chassis, frame, bodywork, or suction and discharge piping connections). In addition, DO NOT USE THE MOUNTING HARDWARE to eliminate voids between the bracket(s) and the pump body or gearbox mounting faces. If the bracket(s) do not align with the pump/gearbox machined surfaces, reposition the bracket(s) (or use shims/spacers) to ensure the mounting does NOT twist the pump/gearbox.

Attach the OEM provided primary rigid support bracket to the pump body. For an AP, CBP, or RSD use a minimum of three (3) pump body-mounting bosses (CBP and AP) or studs (RSD). For an MBP use a minimum of four (4) pump body-mounting bosses. The pump body-mounting bosses require SAE grade 8 (or better) fasteners to attachment to the bracket(s) (The fasteners are NOT supplied by Hale.)

Attach an OEM provided secondary support bracket to the gearbox using a minimum of three (3) gearbox metric mounting studs. (The drive side of the gearbox provides ten (10) M10-1.5 threaded holes.) Hale supplies four (4) M10 studs, flat washers, lock washers, and nuts to secure the OEMs mounting bracket(s) to the gearbox.

When mounting a Flex series pump, provide easy access to the lubrication maintenance points on the gearbox (drain, fill, and sight glass). The gearbox drawing FSG-PL-01481, Sheet 5 shows the gearbox lubrication points. The drawing can be found on the flash drive provided with the pump or on the Hale website (www.haleproducts.com).

The drive shaft from the PTO to the pump should conform to the driveline manufacturers requirements and typically has an angle of 4 degrees or more with cardan type shafts. CV type shafts have their own criteria and the supplier of the driveline should be consulted for proper installation. Hale bulletin (SB90) also address best practices for driveline angles and installations. This bulletin can be found on the memory stick provided with the pump or on the Hale website (www.haleproducts.com).

Follow PTO manufacturers guidelines for pump drive. Mass moments of inertia can be found on the Hale drawings (typically on Sheet 1).

Support valves and pump plumbing to minimize the loads on the pump assembly.

5.4.1 Hardware Requirements

Do NOT install used (reuse) nylon type self-locking hardware.

5.4.1.1 Mounting Hardware

IMPORTANT ▲ NOTICE

PUMP ASSEMBLY HAS BOTH METRIC AND SAE HARDWARE

SAE grade 5 or metric class 8.8 (or better) bolts are required for all mounting hardware. All fasteners should be installed with a locking anaerobic adhesive/sealant, see paragraph 5.4.3.2, Thread Lock, Bonding. See Figure 7 to identify grade 5 (or class 8.8) bolts from their markings.

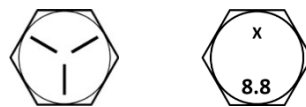


Figure 7. Grade 5 And Class 8.8 Bolt Marking

5.4.1.2 Thread Lock, Bonding, Or Sealant Compound

Loctite™ thread lock, bonding, or sealant (or suitable equivalent/substitute) shall be used when directed. Loctite™ Thread Lock was used during factory assembly for all fasteners/hardware requiring

the use of a thread lock. Additionally, Loctite™ for sealing NPT fittings/plugs listed below as Sealant below.

- Thread Lock
243 or 680
- Sealant
580 or 592

Loctite® is a Registered Trade Mark of the Henkel Corporation.

5.4.1.3 Driveshaft Hardware

Grade 8 or metric class 10.9 (or better) bolts are required for all driveline hardware. Figure 8 shows a sample of grade 8 (or class 10.9) bolt markings.

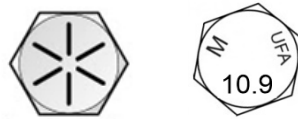


Figure 8. Grade 8 And Class 10.9 Bolt Marking

5.4.2 Inlet And Discharge Connections

Table 2 lists the available inlet and discharge connections for Hale Flex Series single stage booster pumps.

Table 2. Flex Series Inlet And Discharge Connections

PUMP MODEL	INLET		DISCHARGE	
	VIC	THREAD	FLANGE	THREAD
AP	5 INCH	N/A	115 Flange-(Four 7/16-14 UNC On 4-3/8 Bolt Circle)	N/A
			M Flange (Four 7/16-14 UNC On 5-3/4 Bolt Circle)	
CBP	4 INCH	3 NPT	115 Flange-(Four 15/32-In Holes On 4-3/8 Bolt Circle)	2 NPT
MBP	6 INCH	N/A	M Flange (Four 15/32-In Holes On 5-3/4 Bolt Circle)	N/A
RSD	6 INCH	N/A	4 ASA Flange (Eight 11/16-In Holes On 7-1/2 Bolt Circle)	N/A
			115 Flange-(Four 15/32-In Holes On 4-3/8 Bolt Circle)	

5.4.3 Booster Pump Drains

Hale Flex Series single stage booster pumps provide NPT threaded ports for drain installation. Use care to ensure water isn't trapped in drain plumbing. Trapped water could cause damage in freezing temperatures.

5.4.4 Priming Connections

Air must be pulled out of the suction plumbing leading to the pump at the highest point. Installations that have multiple high points will need multiple priming connections to make sure all the air is removed from suction piping during priming.



6. COMMISSIONING, STARTUP, OPERATION, AND SHUTDOWN

This section provides basic information for the commissioning, startup, operation, and shutdown of the Hale booster pump only. All operators should be trained and qualified.

ATTENTION ⚠ WARNING

ALWAYS FOLLOW PROPER OPERATING PROCEDURES. THE PUMP OPERATOR AND INDIVIDUALS AROUND THE APPARATUS MUST BE FAMILIAR WITH THE PUMP OPERATING INSTRUCTIONS AS WELL AS OTHER OPERATING GUIDELINES FOR THE APPARATUS, AND ACCESSORIES.

6.1. Installation Verification

Hale recommends using NFPA 1901, ANNEX B, Figure B.5.1(a), Fire Apparatus Delivery Inspection Form or similar guide as well as purchasing specs to inspect a new apparatus.

6.2. Performance Verification

Hale provides the OEM/apparatus builder a certification that the pump meets or exceeds the performance requirements when the pump was manufactured. Once the OEM/apparatus builder has installed the pump the completed apparatus should be tested. Performance testing data should be part of the delivery documentation provided by the OEM/apparatus builder. Actual installed performance may be determined by the powertrain and gear ratios selected so refer to rating chart and vehicle manufacturer performance data for limits on pump performance and operating pressure limits.

6.3. Initial Startup

ATTENTION ⚠ WARNING

ALWAYS FOLLOW PROPER OPERATING PROCEDURES. THE PUMP OPERATOR AND INDIVIDUALS AROUND THE APPARATUS MUST BE FAMILIAR WITH THE PUMP OPERATING INSTRUCTIONS AS WELL AS OTHER OPERATING GUIDELINES FOR THE APPARATUS, AND ACCESSORIES.

ATTENTION ⚠ WARNING

DO NOT EXCEED OPERATING PRESSURE LIMITS OF PUMP, INSTALLED PLUMBING, HOSE(S), OR EQUIPMENT IN USE.

ATTENTION ⚠ WARNING

DO NOT REACH INSIDE THE PUMP SUCTION WHEN THE ENGINE IS RUNNING. CONTACT WITH MOVING COMPONENTS MAY RESULT IN SERIOUS INJURY. DO NOT REMOVE OR ALTER GUARDS.

ATTENTION ⚠ CAUTION

ALWAYS USE PROPER PPE. OIL MAY BE TOXIC. DISPOSE OF OIL PROPERLY PER AHJ GUIDELINES.

ATTENTION ⚠ CAUTION

FOLLOW DEPARTMENT PROCEDURES TO SET WHEEL CHOCKS WHEN PUMPING

IMPORTANT ⚠ NOTICE

HALE PUMPS ARE SHIPPED WITHOUT OIL. FILL GEARBOX WITH FLUID LISTED IN TABLE 5 BEFORE OPERATION.

IMPORTANT ▲ NOTICE

FOLLOW PTO AND VEHICLE MANUFACTURER PTO INSTRUCTIONS.

IMPORTANT ▲ NOTICE

OPEN AT LEAST ONE DISCHARGE VALVE SLIGHTLY TO PREVENT THE PUMP FROM OVERHEATING. OVERHEATING CAN DAMAGE THE PUMP SEAL, AND OTHER PUMP PARTS.

Before the initial startup of pump check the following:

- Verify the gearbox is filled to the proper level with the proper lubricant (see Figure 9)

GEARBOX OIL LEVEL



MINIMUM MAXIMUM

Figure 9. Check Gearbox Oil Level

- Verify gearbox cooling tubes are connected
- Verify pump rotation is correct
- Clean the system thoroughly to remove dirt or debris in the piping system
- Check all strainers
- Hydro and vacuum test to verify no leaks
- Fill on board water tank

IMPORTANT ▲ NOTICE

DO NOT OPERATE PUMP WITHOUT SUCTION STRAINER IN PLACE.

Then perform the following steps.

- A. Fully close discharge and drain valves.
- B. Follow OEM and PTO manufacturer instructions to engage pump PTO
- C. Open tank to pump valve.

IMPORTANT ▲ NOTICE

DO NOT RUN THE PRIMER FOR MORE THAN 45 SECONDS. IF PRIME IS NOT ACHIEVED IN 30 - 45 SECONDS, STOP AND LOOK FOR AIR LEAKS OR BLOCKED SUCTION HOSE.

- D. Prime pump if there is no discharge pressure on Gage(s)
- E. Open any recirculation or cooling lines.
- F. Verify safety and throttle interlock indicators (are provided and) are on.
- G. Increase speed to obtain desired pressure.
- H. Open tank fill (crack valve or 1/8 open) (or set desired autofill level).
- I. If discharge pressure gage bounces (or drops), prime pump again (to evacuate air).
- J. Monitor water tank level during test. Do not run pump dry.



- K. If pump fails to reach desired pressure, perform the following:
1. Stop pump (disengage PTO).
 2. Check for leaks and prime pump again.
 3. Restart pump.
- L. Monitor pump for vibration and noise, leakage, or loss of performance.

IMPORTANT ▲ NOTICE

DO NOT USE THE RED IDLE BUTTON UNLESS AN EMERGENCY AS DEFINED BY THE AHJ EXISTS.

- M. Stop pump if anything is out of norm, shut down the pump immediately and correct the problem.

IMPORTANT ▲ NOTICE

DO NOT OPERATE PUMP WITHOUT WATER OR WITHOUT DISCHARGING WATER FOR EXTENDED TIME, IT MAY OVERHEAT CAUSING DAMAGE.

IMPORTANT ▲ NOTICE

DO NOT EXCEED 15 DEGREE ANGLE IN OPERATION OF PUMP SYSTEM.

- N. Operate pump for 10 minutes to evaluate operation and return to idle, close discharge valves, and then disengage PTO to stop pump.

6.4. Draft Operation Notes

ATTENTION ▲ WARNING

DO NOT LEAVE THE DRIVERS POSITION IN THE CAB OR OPEN THE THROTTLE UNLESS ALL SAFETY INTERLOCK INDICATORS ARE ILLUMINATED.

IMPORTANT ▲ NOTICE

PUMP DISCHARGE PRESSURE SHOULD INCREASE WITH ENGINE SPEED WHEN OPENING THROTTLE. IF ENGINE SPEED INCREASES WITHOUT INCREASE IN PRESSURE, THE PUMP MAY BE CAVITATING.

IMPORTANT ▲ NOTICE

DO NOT RUN ENGINE HIGHER THAN 1200 RPM DURING PRIMING.

IMPORTANT ▲ NOTICE

IF THE DISCHARGE PRESSURE DOES NOT INCREASE, AND INTAKE GAUGE READING DOES NOT FALL BELOW ZERO (0), OR THE PRIMING PUMP DOES NOT DISCHARGE WATER TO THE GROUND WITHIN 30 SECONDS, STOP THE PUMP AND CHECK FOR AIR LEAKS.

IMPORTANT ▲ NOTICE

DO NOT ALLOW A WHIRLPOOL AT THE SUCTION STRAINER WHEN DRAFTING.

Draft operation involves lifting water from static source to the pump. Special considerations must be made for draft operations, so in addition to the instructions in paragraph 6.3, note the following.

- Keep all valves closed until discharge pressure is achieved.
- Lift should not exceed 10 feet (3m) per NFPA. Lift capability can be reduced by different conditions. See FSG-MNL-00184, Technical Manual For Hale Single Stage Booster Pumps, Table 3, Table 5, and Table 6 for losses information.

- Suction hose should not have humps in it for best draft operation.
- Suction hose should be in clean area and not pull debris off the bottom of water source.
- Suction hose rubber washer must be in excellent shape to hold vacuum.
- Suction strainer should be clean and should be rated for flow of the pump.
- When priming the compound gauge should move to lower vacuum even before water is discharged. If it doesn't move during priming, stop pump and check for leaks.
- Open valves slowly and allow hose to fill. Maintain pressure with primer as required.
- Adjust throttle and discharge valves to attain desired flow and pressure.
- Set pressure control per its operating instructions (if so equipped).
- To shut down, reduce throttle and close valves (to hold prime) before disengaging pump.

For additional information, see FSG-MNL-00184, Technical Manual For Hale Single Stage Booster Pumps. The manual is contained on the flash drive provided with the pump or on the Hale Products website (www.haleproducts.com).

6.5. Hydrant Or Relay Operation

IMPORTANT ▲ NOTICE

ALLOWING INTAKE PRESSURES TO FALL BELOW ESTABLISHED LIMITS MAY RESULT IN DAMAGE TO THE WATER SUPPLY PIPING WHEN PUMPING FROM HYDRANT.

A hydrant or relay operation delivers water to the pump inlet with positive pressure. Operation is similar to tank operation (refer to paragraph 6.3) with some differences noted below.

- Tank to Pump valve should remain closed when operating from positive inlet pressure.
- Primer is not typically needed. Open any discharge valve, including tank fill to evacuate air from pump and plumbing.
- Bleed off all air from water supply hoses before opening intake valve or beginning pumping operations.
- Cavitation is possible from hydrant or relay, see Section 6.6.

6.6. Pump Cavitation

Cavitation – The sudden formation and collapse of low- pressure bubbles in the pump flow. The resulting forces can be as damaging as striking the metal with a hammer. Cavitation within a pump may sound like a hammer banging or rocks or sometimes it is described as ‘marbles’.

Cavitation can occur while pumping from draft, in relay, or from a hydrant. The operator must be aware of the warning signs and correct the situation, or serious damage to the pump may occur.

The way to eliminate cavitation is to increase water supply to the pump, or decrease the amount of water discharged from the pump.

See FSG-MNL-00184, Technical Manual For Hale Single Stage Booster Pumps, for more information and charts on how different conditions affect pump lift and cavitation.

6.6.1 Discharge Pressure Cavitation Warning Signs

In a properly functioning pump, an increase in RPM will increase the discharge pressure and volume. If an increase in engine RPM that does not cause an increase in the pump discharge pressure, the pump is most likely in cavitation. Gauge needle bounce is a common sign of cavitation.

6.6.2 Vacuum Compound Gauge Warning Signs

The operator should not depend entirely on the vacuum (compound) gauge to indicate when a pump is nearing cavitation. The vacuum gauge does not take into account ambient temperature or atmospheric pressure and is not always accurate near zero on the scale.



6.6.3 General Considerations to Prevent Cavitation

Consider the following to avoid conditions that lead to cavitation.

- Regularly inspect suction hoses and gaskets to check for air leaks.
- Use the proper suction hose size and length for the pump flow rating.
- Use caution with intake valves to minimize pressure loss.
- Cavitation can also occur when air enters the pump. If an air leak is suspected, discontinue pumping and perform pressure and vacuum leak tests.
- Low barometer from a storm and high water temperature can increase cavitation.
- Know your elevation. Pump performance is reduced at higher elevations where there is less air pressure to push the water into the pump (similar to low barometer).

6.7. Post Operation Notes

Unless local procedures exist, perform the following steps at the end of all operations.

- A. Return to idle slowly.

NOTE

Use the red idle button ONLY when an emergency exists.

- B. If local procedures require storing the pump dry, drain pump.

NOTE

If salt water (sea or brackish), contaminated water, or foam solution was used; flush the pump with fresh water.

- C. Fill out pump run log. (Typically, indicating total pumping time and report all issues or malfunctions and/or irregularities to AHJ immediately.)



THIS PAGE INTENTIONALLY BLANK.



7. PREVENTIVE MAINTENANCE

See FSG-MNL-00184, Technical Manual For Hale Single Stage Booster Pumps, on the flash drive provided with the pump or on the Hale website (www.haleproducts.com) for additional information. A local FAST can also be found on the Hale website and may be used for additional assistance with maintenance/service.

7.1. Preventive Maintenance Plan and Schedule

Table 3 provides the preventive maintenance plan and schedule used for all Hale Flex Series single stage booster pumps.

Table 3. Preventive Maintenance Plan and Schedule

Interval	Check/Test	Action Required	Item(s) Required
After Each Use (or at Shift Change)			
	Flush if Contaminated	Flush pump thoroughly with clean water	Supply of clean water
	Leakage	Check for water or oil leaks (wipe off road dirt and debris)	Shop Rags
Quarterly (Every 3 Months)			
	Fluid Level Check	Check gearbox fluid level using sight glass (See paragraph 7.4.2.1, Check Gearbox Fluid Level)	None
	Perform Vacuum Check	Use installed primer to pull vacuum on pump and valves (See paragraph 7.4.2.2, Perform Vacuum Test)	None
Annually (Every 12 Months)			
	Perform Pump Performance Test	Check the pump (according to the rating) at each capacity and compare the results to when the pump was first placed in service	Supply of clean water, hoses and calibrated test equipment
Triennial (Every 36 Months)			
	Fluid Change	Drain fluid from gearbox and refill with new fluid (See paragraph 7.4.4.1, Fluid Change Procedure)	SAE 50 Long-life synthetic manual transmission fluid

7.2. Maintenance Log

An accurate maintenance log can provide key insights when pump problems arise; preventing extended down times, and shortens troubleshooting.

Sample maintenance logs are provided in FSG-MNL-00184, Technical Manual For Hale Single Stage Booster Pumps that is contained on the flash drive provided with the pump or on the Hale website (www.haleproducts.com).

7.3. Extreme Conditions Maintenance Guidelines

Extreme conditions occur when the pump has been operated in extreme heat/cold for extended periods or when pumping from a water source that contains sediment or other material that is harmful to the pump. Extreme conditions indicate a need for increased maintenance frequency.



7.3.1 Freezing Weather

Installations in colder climates may have special cold weather features. Refer to apparatus manufacturer/OEM documentation and to the additional information provided below.

- Maintain water circulation in cold weather to prevent freezing.
- Some installations may provide an air fitting (or fittings) to purge water from the plumbing.
- Some installations may need to use antifreeze to winterize the apparatus properly during cold storage.

7.3.2 Contaminated Water

After pumping salt water, contaminated water or foam solution, or if water containing sand or other foreign matter was used, connect the pump to a fresh water hydrant or other source of clean fresh water and flush the contaminants out of the pump.

7.4. Booster Pump Preventive Maintenance Procedures

Perform procedures provided in the following paragraphs on the schedule indicated in Table 3.

7.4.1 After Each Use

- A. Inspect the following:
 1. Suction hose
 2. Rubber washers
 3. Suction tube cap washers
 4. Suction hose adapters
 5. Suction strainer(s)
- B. Remove any foreign matter from hose(s) and coupling(s).
- C. Replace all worn or damaged washer(s) and lubricate as required.
- D. Verify all discharge and drain valves are closed.
- E. Tighten suction caps.
- F. If procedures call for a wet pump, open tank fill valve (removes trapped air).
 1. Close valve after several minutes.
 2. Check apparatus for signs of leaks.

7.4.2 Quarterly Maintenance (every three months)

Perform the following every three months at a minimum (more often if conditions indicate the need).

7.4.2.1 Check Gearbox Fluid Level

Only use lubricants referenced in paragraph 7.4.4.1.1., Recommended Gearbox Lubricants.

If the type of fluid found in the gearbox is unknown, perform a fluid change as instructed in paragraph 7.4.4.1, Fluid Change Procedure.

- A. Locate Oil Level Sight Glass. (See Hale drawing FSG-PL-01481, found on the flash drive provided with the pump or on the Hale website [www.haleproducts.com].)
- B. Visually check fluid level. (See Figure 9, on page 16.)
- C. If fluid level is out of range, perform applicable portion of Fluid Change Procedure. (See paragraph 7.4.4.1 on page 24.)



7.4.2.2 Perform Vacuum Test

Verify pump maintains a vacuum as follows.

- A. Close all valves.
- B. Ensure all caps are in place and tightened.
- C. Use primer to pull vacuum of at least 20 in Hg.
- D. Verify apparatus maintains vacuum for 5-10 minutes.

NOTE

A vacuum loss of up to 2 inches per minute is the maximum loss permitted.

7.4.3 Annual Pump Maintenance

Perform procedures provided in the following paragraphs on the schedule indicated in Table 3.

7.4.3.1 Performance Testing

The yearly performance test consists of checking the pump performance and comparing the results to when the pump first placed in service. One place to record the performance tests results is on Figure C.3(c) found in Annex C of NFPA 1911.

Pump Testing Overview

The performance test provides a measure of any performance deterioration. Testing the pump under the same conditions each year is key to understanding if there are any concerns with pump performance. Using the original vehicle pump test data delivered with the apparatus, repeat this test at delivery and record this data as the base line performance.

Because pump performance specifies both flow and pressure, it is necessary to restrict the flow somewhat to build up the pump pressure. In normal pumping, this restriction would be caused by the friction loss in the lines and the nozzle. However, depending on line loss alone would require a large amount of hose for some tests. It is common practice to use short lengths of hose and gate the discharge valves at the pump to maintain pressure.

Testing Equipment And Materials

NOTE

Refer to local procedures for pump testing procedures and practices.

To accurately test pumper performance, requires a calibrated Pitot gauge (or a calibrated flow meter) and a vacuum gauge (or manometer) as well as a calibrated discharge pressure gauge.

Use pressure readings from the Pitot gauge. The volume pumped is then determined by referring to nozzle tables. The Akron Brass website (www.AkronBrass.com) has a variety of flow test kits available.

7.4.3.1.1 Test Procedure

NOTES

Run engine for 15 to 20 minutes to stabilize engine temperature before running pump performance tests.

During annual test, pressure control functions, electrical systems and complete truck operation should be verified in addition to pump performance.

If the apparatus does not reach performance levels, refer to FSG-MNL-00184, Technical Manual For Hale Single Stage Booster Pumps.

The annual pump test is defined by the original pump performance specification and testing. Whether EN, NFPA, or other standards were used to specify the apparatus construction; using the same testing annually compared to the original specification data provides proactive information for pump maintenance. Utilize test durations long enough to ensure the engine, drivetrain, and pump are all in proper working order.

7.4.4 Triennial Pump Maintenance

The gearbox is filled with 1 to 1.5 Qt of SAE 50 long-life synthetic manual transmission fluid of type [API MT-1]. The fluid must be changed once every three (3) years (36 months) at a minimum (more often if conditions indicate). Use ONLY lubricants listed in paragraph 7.4.4.1.1, Recommended Gearbox Lubricants. Lubricate the gearbox as instructed in paragraph 7.4.4.1, Fluid Change Procedure.

7.4.4.1 Fluid Change Procedure

ATTENTION ⚠ CAUTION

ALWAYS USE PROPER PPE. OIL MAY BE TOXIC. DISPOSE OF OIL PROPERLY PER AHJ GUIDELINES.

Refer to Table 4 for a list of the tools and consumables required to change the gearbox fluid.

Table 4. Fluid Change Tools And Consumables List

Standard Tools	Special Tools	Consumables
PPE (for Handling Oil)	None	Shop Rag(s) (As Required)
9/16 in wrench (or 8-Point Socket And Ratchet)		SAE 50 Long-life synthetic manual transmission fluid (API MT-1) (Max 1.5 Qt)
Oil Safe Catch Container (2 Qt or larger)		
Funnel (Optional)		

- A. Locate magnetic Oil Drain Plug (See FSG-PL-01481 found on the flash drive provided with the pump or on the Hale website [www.haleproducts.com].) (See Figure 10. for an example location.)



Figure 10. Gearbox Drain

- B. Place Oil Safe Catch Container. (See Figure 10.)
- C. Drain fluid. (Remove magnetic drain plug.) (See Figure 10.)

IMPORTANT ▲ NOTICE

CHECK MAGNETIC DRAIN PLUG FOR DEBRIS. IF SIGNIFICANT METAL FRAGMENTS ARE PRESENT, REPORT CONDITION TO AHJ SO SERVICE CAN BE PERFORMED.

- D. Inspect, clean, and install magnetic drain plug. (See FSG-MNL-00184, Technical Manual For Hale Single Stage Booster Pumps, if excessive metal is found on drain plug. This manual and additional information can be found on the flash drive provided with the pump or on the Hale website [www.haleproducts.com].)

NOTE

A funnel may make adding fluid easier and safer.

- E. Add fluid. (See Figure 11) (Remove Oil Fill Breather and add proper fluid until sight glass indicates 1/2 to 3/4 covered by fluid. See Figure 12.)

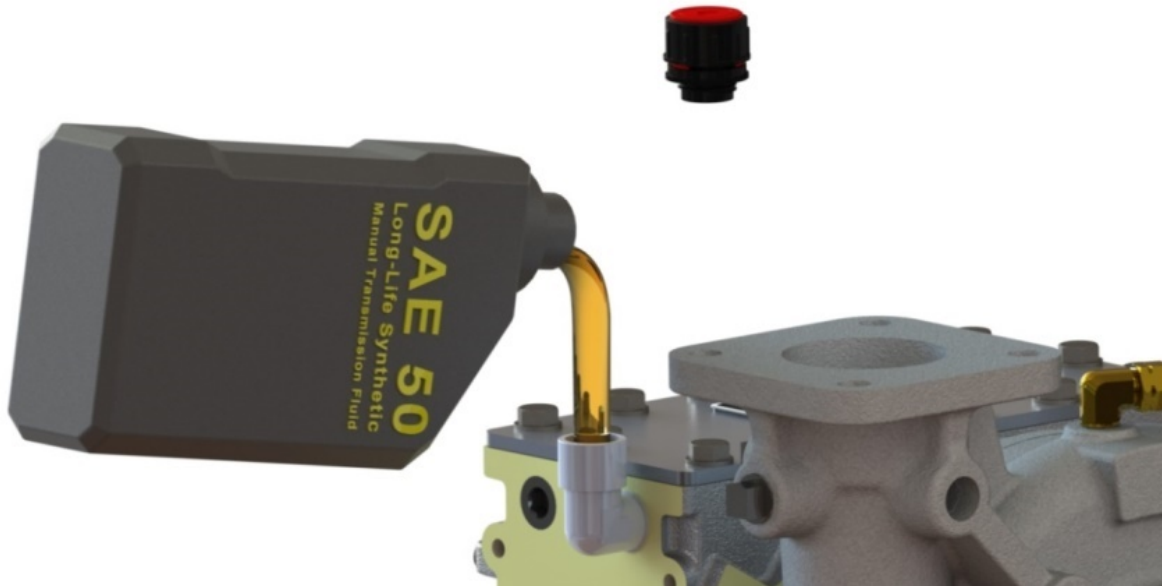


Figure 11. Fill Gearbox With Fluid



Figure 12. Fluid Level



7.4.4.1.1 Recommended Gearbox Lubricants

The lubricant listed in Table 5 is required to ensure continued service and operation across the ambient temperature range of -0° to $+120^{\circ}$ F.

Additional information on lubricants is found in FSG-MNL-00184, Technical Manual For Hale Single Stage Booster Pumps.

Table 5. Recommended Gearbox Lubricant

Gearbox Lubrication Table		
Temperature Range	Lubricant <u>1</u> /	Capacity
0 ° to +120 °F (-20 ° to +50 °C)	SAE 50 Long-Life Synthetic Manual Transmission Fluid (Specification API MT-1)	1 - 1.5 Qt

NOTE 1/ Gearbox lubricants can also meet one or more of the following specifications:

ZF FreedomLine

EATON PS-164 Rev. 7

MACK TO-A Plus

MERITOR 0-81

NAVISTAR / INTERNATIONAL TMS 6816

ROCKWELL/EATON/FULLER CD-50 (PS-081)

Equivalent gearbox lubricants:

AMSOIL SAE 50 Long-Life Synthetic Transmission Oil

Marathon Full Synthetic SAE-50

International Fleetrite Synthetic SAE 50 Transmission Oil

Castrol Syngear CD 50

BP Syn-Gear CD-50

Citgo Synthetic Gear Lube CD 50

Chevron DELO Syn Trans HD SAE 50

ConocoPhillips Triton Synthetic Transoil 50

ConocoPhillips Kendall SHP Synthetic Transoil 50

Roadranger SAE 50

ExxonMobil Delvac Synthetic Transmission Fluid 50

Shell SPIRAX GSX SAE 50

Mack Bulldog Syn Trans Lube SAE 50

Shell SPIRAX S6 GME 50

Pennzoil Long-Life Transmission Fluid EW-50

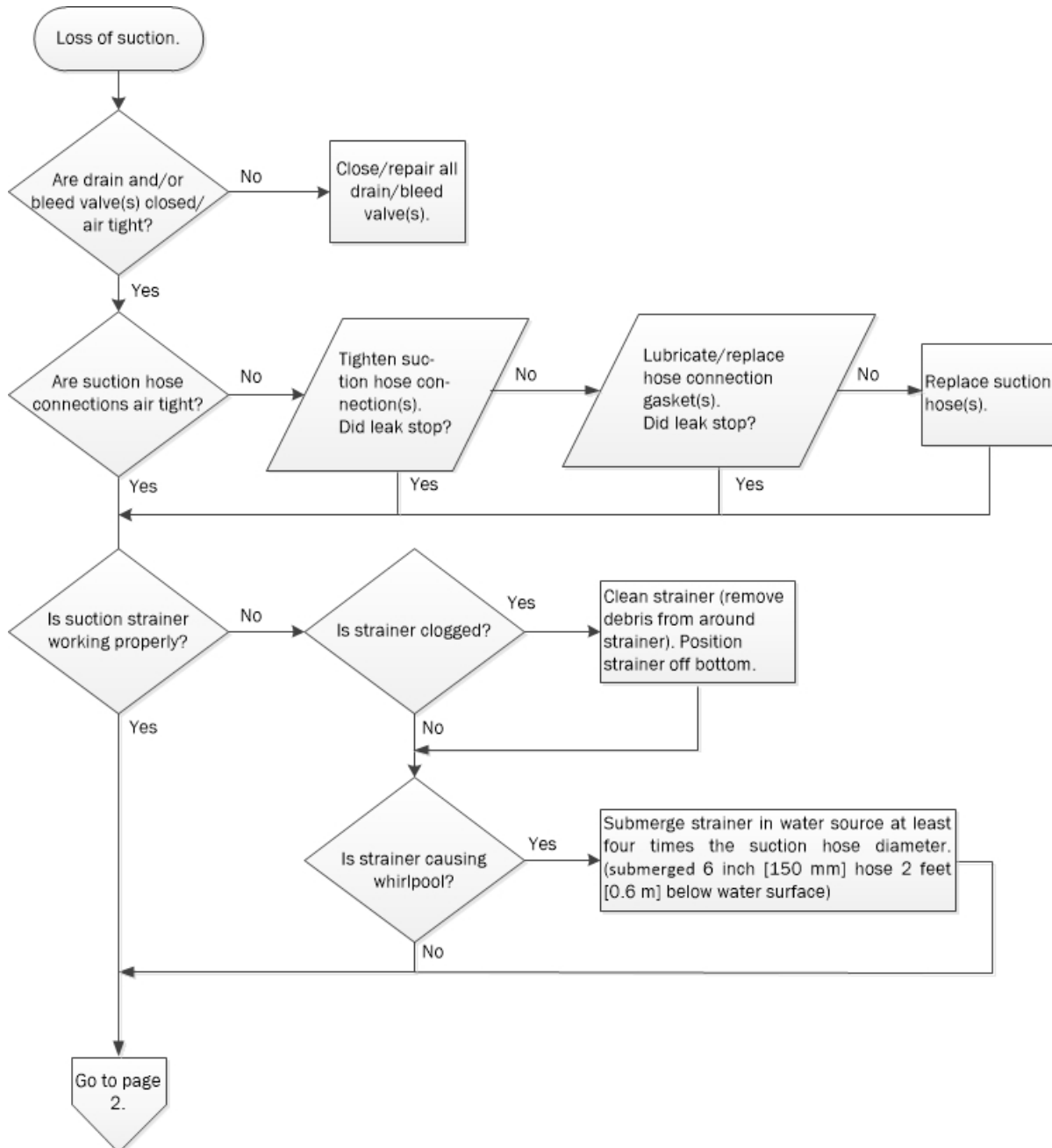
Valvoline HD Synthetic Trans Oil SAE 50

Super S SuperSyn Trans-Fluid 50

8. SYMPTOMS, CAUSES, AND REMEDIES

Use the flow charts and/or the SCR table provided on the following pages to troubleshoot an operator correctable fault. Refer to FSG-MNL-00184, Technical Manual For Hale Single Stage Booster Pumps, if the pump experiences a fault other than one listed herein. The technical manual and additional information such as drawings, pump curves, and rating charts can be found on the flash drive provided with the pump or on the Hale website (www.haleproducts.com).

8.1. Loss Of Suction Fault Flow Chart



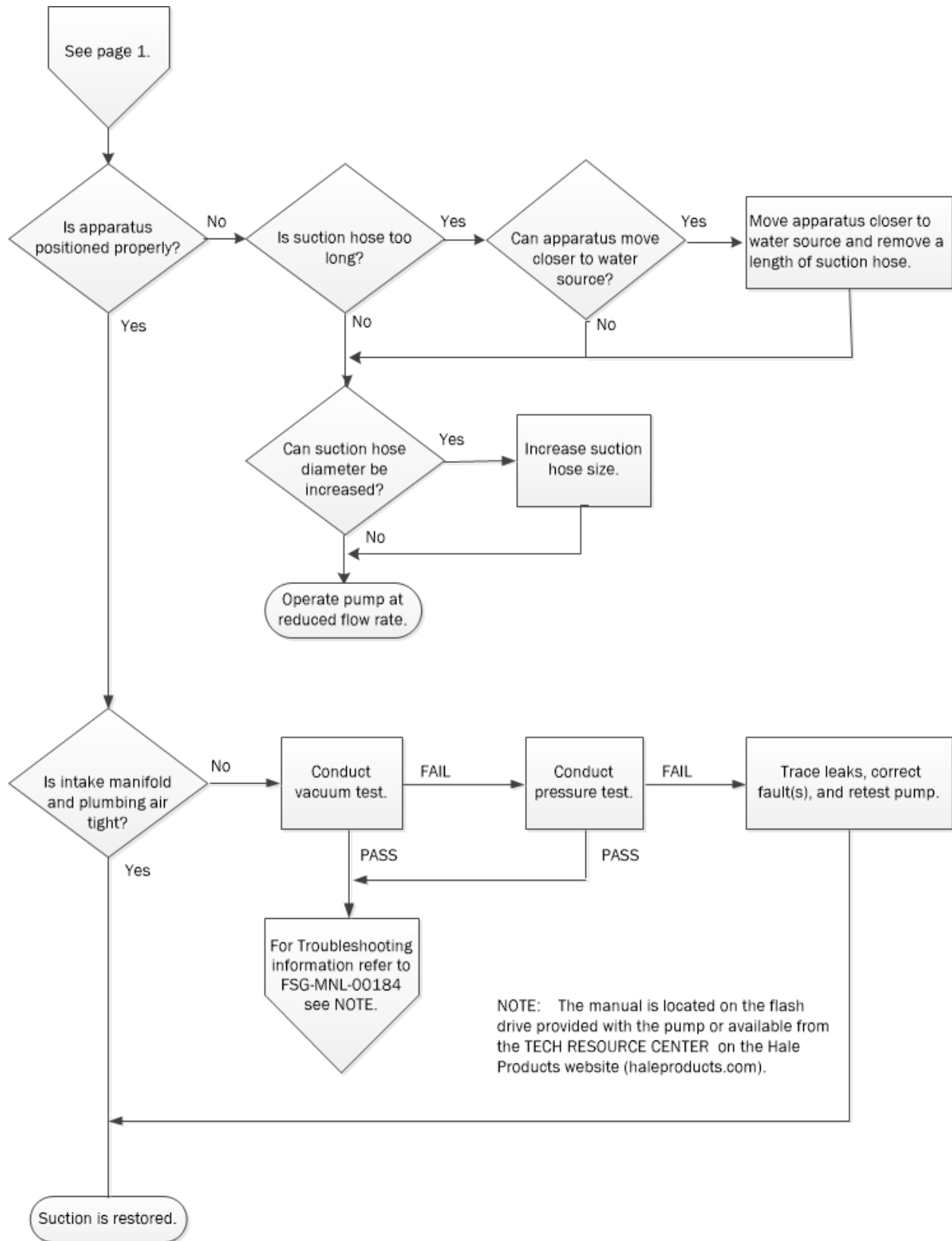


Figure 13. Loss Of Suction Fault Flow Chart



8.1.1 Loss Of Suction Symptoms, Causes, And Remedies

Table 6 provides the primary symptoms, causes, and remedies for troubleshooting cavitation issues. Cavitation limits pump performance and can damage the pump. Refer to Technical Manual for more information.

Table 6. Loss Of Suction SCR Table

SYMPTOM	CAUSE	REMEDY
Loss of Suction	Suction Drain Valve And/or Air Bleed Valve Open Or Leaking	Verify all suction drain valves and/or air bleeder valves are closed.
		Document leak (isolate to device if possible) and remove apparatus from service IAW AHJ. See NOTE.
	Suction Hose Connections Not Tight	Tighten hose connection(s).
		Replace with different hose(s).
	Suction Hose Connection Gaskets Leaking	Lubricate hose connection gasket(s).
		Replace hose connection gasket(s).
	Suction Hose Strainer Clogged	Clean strainer and remove debris from water around strainer.
		Keep strainer off bottom of water source.
	Whirlpool Near Suction Hose Strainer	Submerge strainer end of hose in water source at least 4X suction hose diameter size. (submerge a 6 inch [150 mm] suction hose 2 feet [0.6 m] below water surface)
	Pump Too Far From Water Source <ul style="list-style-type: none"> • Suction Hose Too Long • Suction Lift Too High 	If possible, move pump closer to water source and remove a section of suction hose.
		If possible, use larger diameter suction hose(s).
		If possible, reduce lift height.
		Operate pump at a reduced flow rate.
Truck Intake Manifold and Plumbing Leaking	Document leak (isolate to device if possible) and remove apparatus from service IAW AHJ. See NOTE.	

NOTE: For troubleshooting information, refer to FSG-MNL-00184. The manual is contained on the flash drive provided with the pump or available from the TECH RESOURCE CENTER on the Hale Products website (haleproducts.com).

8.2. Cavitation Fault Flow Chart

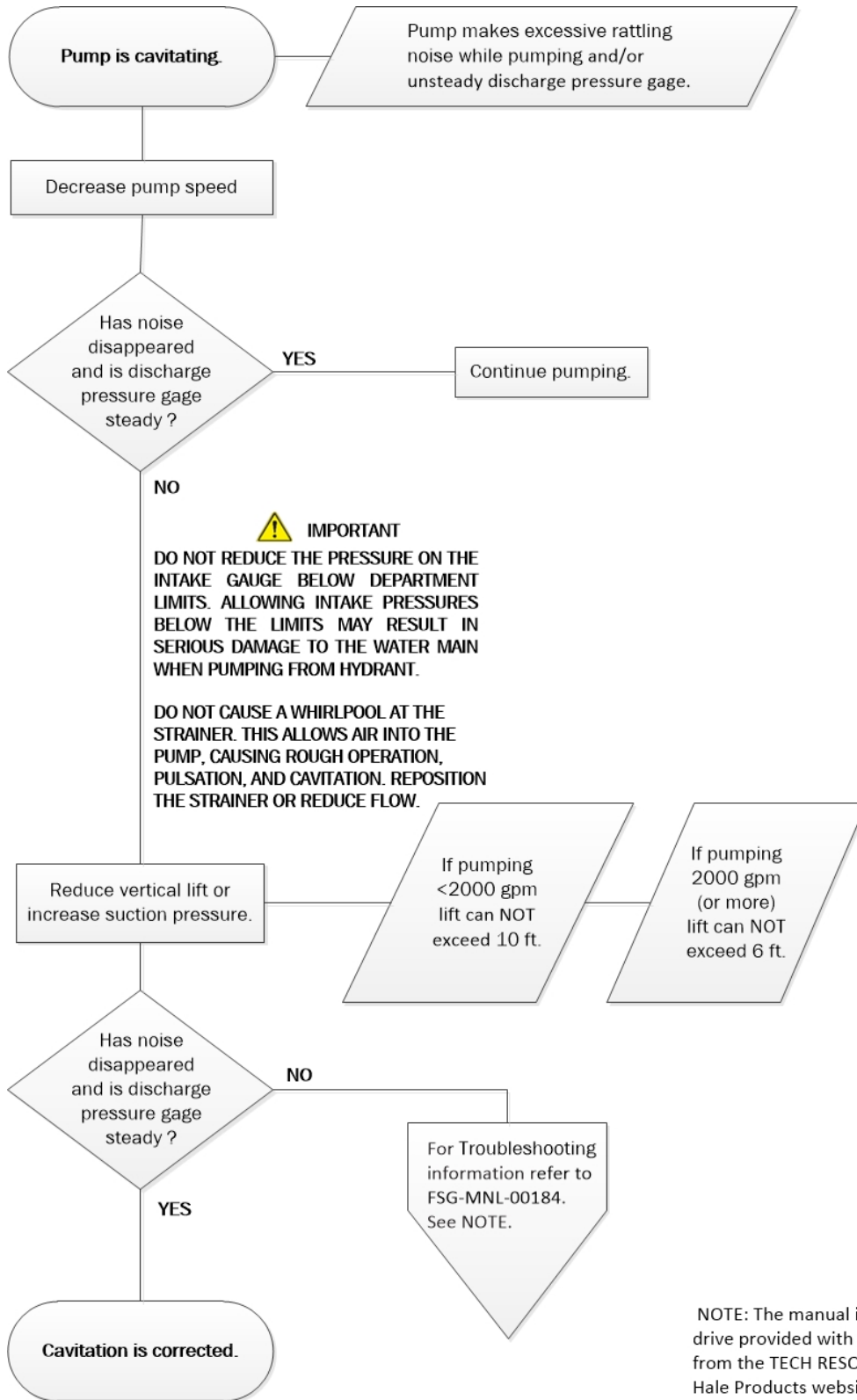


Figure 14. Cavitation Fault Flow Chart

8.2.1 Cavitation Symptoms, Causes, And Remedies

Table 7 provides the primary symptoms, causes, and remedies for troubleshooting cavitation issues. Cavitation limits pump performance and can damage the pump. Refer to Technical Manual for more information.

Table 7. Cavitation SCR Table

SYMPTOM	CAUSE	REMEDY
Pump Is Cavitating <ul style="list-style-type: none"> Pump makes excessive rattling noise while pumping and/or unsteady discharge pressure gauge. Note as the throttle is increased there should be a corresponding increase in pump discharge pressure. If the throttle is increased and the discharge pressure does not increase or decreases, the pump is operating in cavitation. 	Operating Beyond Pump Capability	Reduce pump's RPM to either reduce flow rate and/or reduce discharge pressure.
		Gate the discharge valve(s) to reduce flow and maintain pressure.
		Add more and/or larger intake lines to increase flow rate to pump.
	Intake Restriction <ul style="list-style-type: none"> Collapsed Suction Hose If Equipped, Partially Closed Intake Valve(s) Suction Hose Strainer Clogged 	Replace with different hose(s).
		If equipped, make sure all intake valves are fully opened.
		Clean strainer and remove debris from water around strainer.
		Keep strainer off bottom of water source.
	Pump Too Far From Water Source <ul style="list-style-type: none"> Suction Hose Too Long Suction Lift Too High 	Move pump closer to water source and remove a section length of suction hose or.
		Use a larger diameter size of suction hose or.
		Operate pump at a reduced flow rate.
	Exceeding Capacity Of Supply Source <ul style="list-style-type: none"> Hydrant Operation Relay Operation 	Do not reduce the pressure on the intake gauge below department limits.
		If department does not have an intake gauge pressure limit, do not allow intake gauge pressure to fall below 15 psig (105 kPa).
	Water Temperature Too High	Reduce pump's RPM to either reduce flow rate and/or reduce discharge pressure.
		Gate the discharge valve(s) to reduce flow and maintain pressure.
		Locate a source of cooler water.



THIS PAGE INTENTIONALLY BLANK.



APPENDIX A. MANUFACTURER'S INFORMATION

This section provides a list that includes the name, address, and telephone number of the manufacturer's points of contact. Each provides the name address and telephone number of the manufacturer's representative and/or service organization that can provide replacements and is most convenient to the project sight.

Additionally, included herein is warranty information.

MANUFACTURER'S INFORMATION

Division	Address	Telephone
Class 1	Mailing: 607 NW 27th Ave, Ocala, FL 34475 Email: https://www.haleproducts.com	(800) 533-3569
Hale Products	Mailing: 607 NW 27th Ave, Ocala, FL 34475 Email: https://www.haleproducts.com	(800) 533-3569
Godiva LTD (A Unit of IDEX Corp.)	Mailing: Charles Street, Warwick, England, CV34 5LR Email: godiva@idexcorp.com	Tel: +44 (0) 1926 623600 FAX: +44 (0) 1926 623666

WARRANTY

See the Hale website (www.haleproducts.com) for product specific warranty and warranty procedures.