

PRIMERGY RX600 S5

System configurator and order-information guide

October 2011

Contents

Instructions

Configuration diagram

Configurator

- 0 System software
- I Basic unit
- II Processor
- III Memory
- IV USB devices / optical devices
- V Hard disk drives
- VI Tape Devices
- VII Internal SAS RAID Controller
- VIII External SCSI / SAS controller
- IX Fibre Channel controller
- X Communication / Network / CNA / IB
- XI Energy Star
- XII iRMC S2 advanced pack / TPM
- XIII Optional PSU / Power Cord

Change report



PRIMERGY Server

Instructions

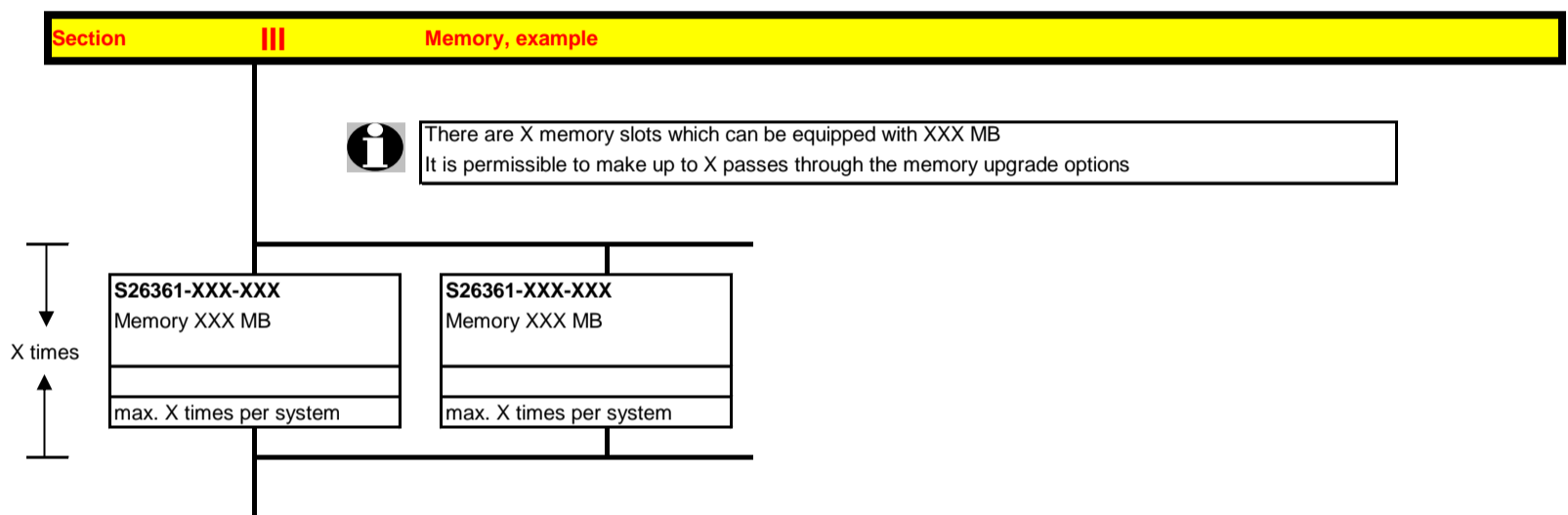
This document contains basic product and configuration information that will enable you to configure your system via PC-/System-Architect

Only these tools will ensure a fast and proper configuration of your PRIMERGY server or your complete PRIMERGY Rack system.

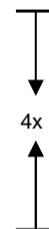
You can configure your individual PRIMERGY server in order to adjust your specific requirements.

The System configurator is divided into several chapters that are identical to the current price list and PC-/System-Architect.

Please follow the lines. If there is a junction, you can choose which way or component you would like to take. Go through the configurator by following the lines from the top to the bottom.



In one chapter you can only select as many components (here 4x) as the arrow indicates.



Please note that there are information symbols which indicate necessary information.



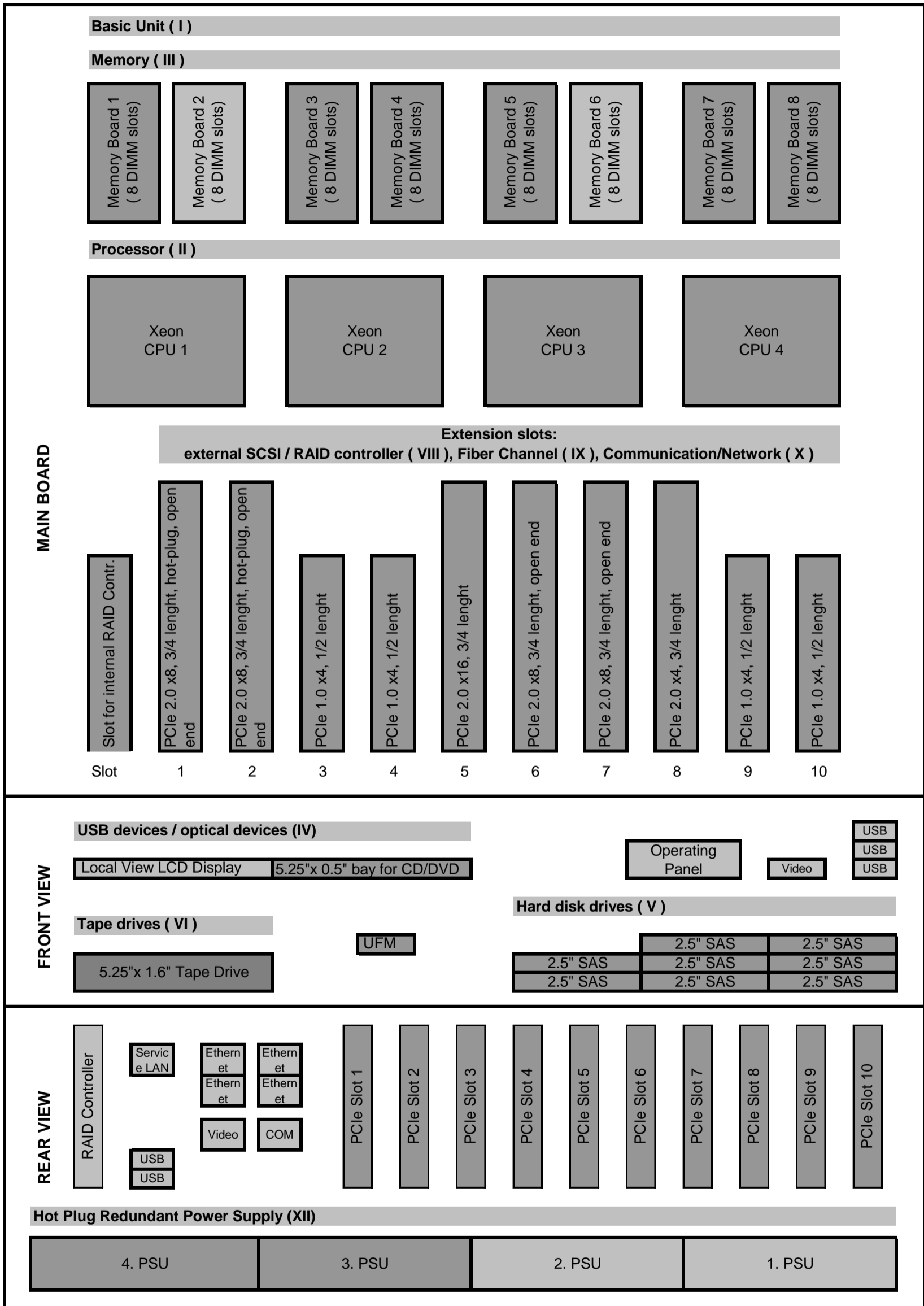
Further information in the internet see:

http://ts.fujitsu.com/products/standard_servers/index.html (internet)

https://partners.ts.fujitsu.com/com/order-supply/configurators/primergy_config/current/P (extranet)

Prices and availability see price list and PC-/System-Architect.
 Subject to change and errors excepted.

Configuration diagram PRIMERGY RX600 S5



Key: Included in basic unit
 Option

Start "PRIMERGY RX600 S5"

Section O SW Configurator 64 bit (EM64T / IA64)

with OEM-Software
for PRIMERGY Server

without OEM-Software
for PRIMERGY Server

i For all SW products please refer to the corresponding software configurator accessible via the Extranet under "Configuration & Tools, -All configurations, -Software, URL see below.

OEM- SW is bound to HW and is not allowed to be ordered separately.
 Exceptions: VMware SW, Citrix XenServer

VMware-Software
 - VirtualCenter Management Server for any server released for Windows Server 2003
 - Virtual Infrastructure 3 for PRIMERGY > except all mono PRIMERGY systems
 - ESX2 for PRIMERGY RX/TX300S2, RX/TX600S3, BX620S2, BX630 Dual/Quad, BX630 8-way

Citrix XenServer / Essentials for XenServer
 - XenCenter Management Server for any server released for Windows 2000/XP/Vista and Server 2003/2008
 - XenServer and Essentials for XenServer released for RX600 S5

Microsoft Hyper-V Server and System Center
 - Microsoft System Center Virtual Machine Manager Workgroup Edition for any server released for Windows Server 2008 R2
 - Microsoft System Center Essentials Management Suite for any server released for Windows Server 2008 SP2
 - Microsoft Hyper-V Server 2008 R2

Microsoft - Windows Server 2008 R2 Server Licenses
 - Windows Server 2008 R2 Datacenter
 - Windows Server 2008 R2 Enterprise
 - Windows Server 2008 R2 Standard

only EM64T	Linux - Software *) **)
	# Open Enterprise Server ***) - SuSE Linux ES (OEM): LO - Red Hat EL (OEM): LO

Microsoft - Windows Server 2008 Server Licenses
 - Windows Server 2008 Datacenter
 - Windows Server 2008 Enterprise
 - Windows Server 2008 Standard

PRIMECLUSTER *)
 - Clustering
 - Load Balancing

Microsoft - Windows Server 2008 Client Access Licenses
 - Windows Server 2008 Device CAL
 - Windows Server 2008 User CAL
 - Windows Server 2008 Remote Desktop Services Device CAL
 - Windows Server 2008 Remote Desktop Services User CAL

only EM64T	QuickTransit (QT)
	Transition Solaris Apps. to x86-64 PY with Linux

only EM64T	MultiPath, Duplex Data Manager (DDM)
	Windows, Linux (W-DDM)

i Details eg. version numbers are published on the page referred to

only EM64T	Manageability Software: V**)
	- iRMC advanced Pack
	- RemoteView Software
	- RemoteView Service Board
	- RemoteView Diagnosis
	- RemoteDeploy

i *) Pay attention to the PRIMECLUSTER release and ordering information in the Extranet under <https://partners.ts.fujitsu.com/com/products/software/cluster%20technology/primecluster/Pages/default.aspx>

i **) Pay attention to release and order information in PRINCE -> Operating System <https://partners.ts.fujitsu.com/com/products/servers/primergy/Pages/default.aspx>

i ***) Supply over distribution or procurement from FSC VP BC Software

You'll find single software configurators and release lists (OS-matrix / system management / security) under following addresses:

for internal users: <http://sp.ts.fujitsu.com/dmsp/docs/osrel.xlsx>
 for partners: <https://partners.ts.fujitsu.com/com/products/servers/primergy/Pages/default.aspx>

Continue with PRIMERGY HW configurator

Start PRIMERGY RX600 S5

Section | Basic unit

PRIMERGY RX600 S5

Rack unit 4U with

- 2 hot-plug power supplies (additional PSU as option)
- 2 memory boards (up to 6 additional boards optional)
- LCD-Display for LocalView (Service Display)
- 1 bay (0,5" height) for optical disc drives
- 1x 5.25" bays FH (1,6" high) for accessible drives
- 8 bays for 2.5" SAS/SATA HDD's
- Power cord for rackmounting (ICE 320 C14->C13 plug)
- no Rack-mounting kit included

Base unit **Standard** with

- 8x Fan (redundant)

S26361-K1287-V400 ★

Systemboard with

- Intel 7500 chipset with serial QPI links (Quick Path Interconnect)
- 10 PCI-Express Slots
 - 2x PCIe 1.0 x4 (2x half length)
 - 3x PCIe 2.0 x4 (1x half length, 2x 3/4 length)
 - 4x PCIe 2.0 x8 (4x 3/4 length; 2x hot plug)
 - 1x PCIe 2.0 x16 (1x 3/4 length)
- 4x socket for Xeon 75xx processor
- SATA controller on-board (for ODD)
- iRMC S2 (integrated Remote Management Controller) with graphics controller and 10/100Mbit Service LAN-port
- 2x Dual-Port GBit LAN Controller on-board (4 ports, WOL-capable)
- SAS RAID controller as option
- ServerView Suite Software package
incl. ServerStart, ServerBooks, Management Software and Updates

Interfaces:

Front side

- 3x USB 2.0
- 1x VGA (15 pin)

Rear Side

- 2x USB 2.0
- 1x VGA (15 pin)
- 1x RS-232-C (serial, 9 pin)
- 4x on board LAN RJ45, 1x Service LAN RJ45

Internal

- 1x internal USB Interfaces for backup device
- 1x internal port for uSSD Module (Embedded vSphere ESXi 4.0)

no PS/2 connection for KB / Mouse (USB must be used instead)

S26361-F2735-E111 ★

No Rackmount-Kit option

Only for loose deliveries

No mounting in Racks possible

max. 1x per system

S26361-F2735-E202 ★

RMK-F2_3-xU-Servers_Drop-in telescopic rails, full extraction, toolless mounting

consisting of

- 1 pair of telescopic rails with easy-mounting-clips and drop-in mechanism

1x per system

S26361-F2735-E7 ★

Cable management PC-Rack

- for FJ Primecenter / Datacenter racks
- not for 3rd party

1x per system

S26361-F2201-E20 ★

2U cable arm

- for 3rd party racks

1x per system

S26361-F2735-L202

RMK-F2_3-xU-Servers_Drop-in

for loose delivery

S26361-F2735-L7

Cable management PC-Rack

for loose delivery

S26361-F2201-L20

2U cable arm 3rd party racks

for loose delivery

Cable arm has to be mounted above rack mount kit.

"Rack-mounting ex factory"

This service is to be ordered once per installable server/storage subsystem, in order to get the server/storage subsystem mounted into the PRIMERGY racks. In case of the 46 U PRIMERGY Rack, this service has to be ordered, to get the mounting kits and the cables installed.

PRIMERGY PRIMECENTER-rack

SNP:SY-F1647E301-P ★

Installation ex works for one server or subsystem.

Hereby the rack will be delivered completely pre-mounted and all wired connections are tested.

With racks 12U, 24U, 38U:
Systems and components will be delivered installed in the rack

With racks 46U:
Systems and components will be delivered separately

To be ordered only together with a PRIMERGY PRIMECENTER rack
e.g.:
S26361-K826-V10x

refer configurator PC-Rack

max. 1x per System

A

A

Section II Processor



Two CPU must be configured as minimum, as maximum 4 CPU's are possible.
 Later upgrading to a 3 or 4 processor system is also possible,
 but requires possibly adding of PSU modules.
 Extension CPUs must be identical to the already installed CPU's.

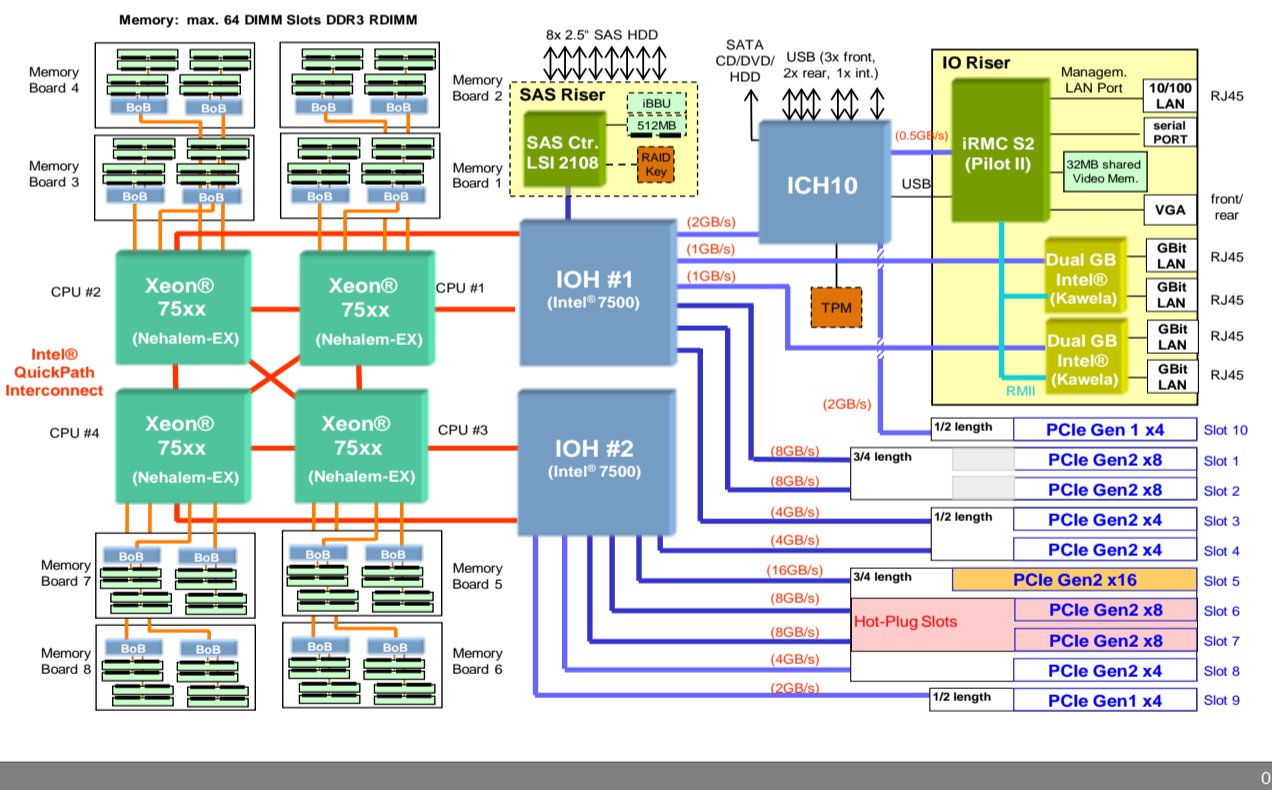
Following CPU's can be configured max. 4x per system
 As minimum two CPU's must be configured

Quad-Socket CPU's
 - 1x Intel Xeon processor 7500 series
 incl. passive heat sink
 occupies socket for one CPU

E7520 (4 core 1.86Ghz / 18M / 4.8GT/s 95W)	S26361-F3999-E520	
E7530 (6 core 1.86Ghz / 12M / 5.8GT/s 105W)	S26361-F3999-E530	
E7540 (6 core 2.00Ghz / 18M / 6.4GT/s 105W)	S26361-F3999-E540	extended lead time
X7542 (6 core 2.67Ghz / 18M / 5.8GT/s 130W)	S26361-F3999-E542	
L7545 (6 core 1.86Ghz / 18M / 5.86GT/s 95W (LV))	S26361-F3999-E545	extended lead time
X7550 (8 core 2.00Ghz / 18M / 6.4GT/s 130W)	S26361-F3999-E550	
X7560 (8 core 2.26Ghz / 24M / 6.4GT/s 130W)	S26361-F3999-E560	extended lead time ★
L7555 (8 core 1.86Ghz / 24M / 5.86GT/s 95W (LV))	S26361-F3999-E555	extended lead time

2x - 4x

RX600 S5 Architecture



B

B

Section III Memory

Memory configuration modes

There are three different configuration modes:

- Independend mode (no special order code)
- Interleaving mode (S26361-F4003-E2)
- Mirroring mode (S26361-F4003-E3)

-Interleaving Mode (S26361-F4003-E2)

In Interleaving mode the cache lines will be distributed over different memory boards for better performance.

Interleaving mode **requires 2 memory boards per CPU.**

All DIMMS must be identical (same capacity and technology)!

Three types of interleaving are available:

2-way interleaving (also called "Intra Socket Interleaving")

The data are distributed over the memory controller of each CPU.

This type is possible with 2, 3 or 4 CPUs.

Each CPU requires 1, 2, 3 or 4 set of DIMM's (with 4 Modules each).

4-way interleaving mode (also called "Inter Socket Interleaving")

The data are distributed over the memory controller of two CPUs.

Each CPU requires 1, 2 or 4 set of DIMM's (with 4 DIMM's each).

8-way interleaving mode (also called "Inter Socket Interleaving")

The data are distributed over the memory controller of four CPUs.

This type is only possible with 4 CPUs

and requires 4, 8, 12 or 16 set of DIMMs (with 4 DIMM's each).

The default setting for this mode ex factory is 2-way Interleaving.

-Mirroring mode (S26361-F4003-E3)

In mirroring mode, all data are copied within the main memory.

Therefore only 50 % of the total memory is available for the operating system.

This mode allows hot plug of memory boards

Mirroring mode **requires 2 memory boards per CPU.**

All DIMMS must be identical (same capacity and technology)!

Two types of mirroring modes are available:

Intrasocket Mirroring

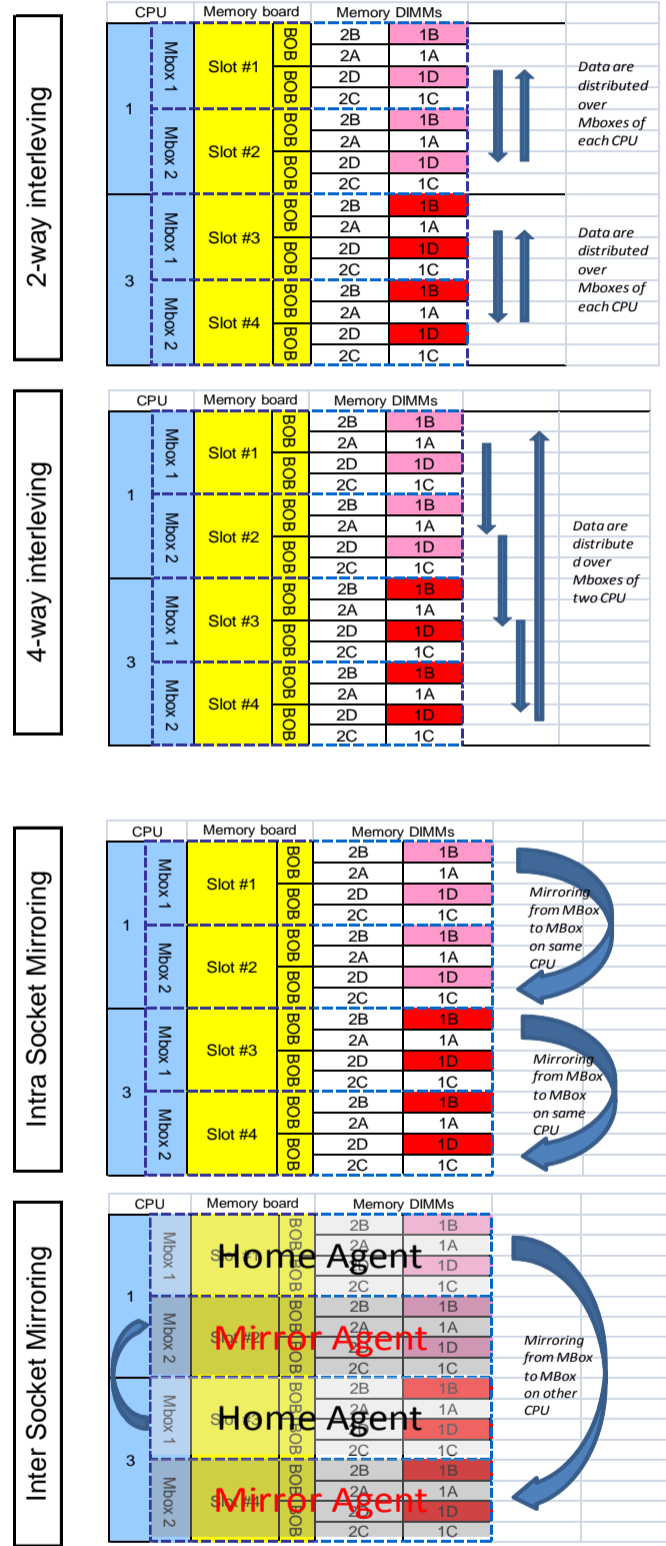
Memory will be mirrored from one memory controller to the other memory controller within the same CPU.

Intrasocket Mirroring is possible for all CPU configurations (2, 3 or 4).

Intersocket Mirroring

Memory will be mirrored from one memory controller to an memory controller on another CPU (home agent to mirror agent).

Intersocket mirroring is only possible with 4 CPUs (not with 2 or 3 CPUs).



C

C



Max. Capacity / Features

The system can be equipped with up to 64 DIMMs (distributed on 8 memory boards)
Each DIMM slot can optionally be equipped with 2GB, 4GB, or 8GB DDR3 DIMM modules,
so the maximal memory size is 512 GB with 8GB modules.
ECC with SDDC (Chipkill) is standard for RX600 S5.
Max. Memory Speed depends on CPU QPI Speed, but is limited to 1066 MHz.

S26361-F4003-E2 Interleaving Mode Installation BIOS setup for Interleaving mode Preinstallation ex factory max. 1x per system	S26361-F4003-E3 Mirrored Mode Installation BIOS setup for Mirrored mode Preinstallation ex factory max. 1x per system
--	--

S26361-F4003-E643 Memory 8GB DDR3 Single Rank consisting of 4x 2GB modules SR occupies 4 memory slots max. 16x per system	S26361-F4003-E642 Memory 16GB DDR3, Single Rank consisting of 4x 4GB modules SR occupies 4 memory slots max. 16x per system	as long as stock lasts S26361-F4003-E644 ★ Memory 16GB DDR3 Dual Rank consisting of 4x 4GB modules DR occupies 4 memory slots max. 16x per system	S26361-F4003-E645 Memory 32GB DDR3 Dual Rank consisting of 4x 8GB modules DR occupies 4 memory slots max. 16x per system	S26361-F4003-E646 Memory 64GB DDR3 Quad Rank consisting of 4x 16GB modules QR occupies 4 memory slots max. 16x per system
--	--	---	---	--

up to 3x
memory
upgrades
in base unit

S26361-F4003-E643 Memory 8GB DDR3 Single Rank consisting of 4x 2GB modules SR occupies 4 memory slots max. 16x per system	S26361-F4003-E642 Memory 16GB DDR3, Single Rank consisting of 4x 4GB modules SR occupies 4 memory slots max. 16x per system	as long as stock lasts S26361-F4003-E644 ★ Memory 16GB DDR3 Dual Rank consisting of 4x 4GB modules DR occupies 4 memory slots max. 16x per system	S26361-F4003-E645 Memory 32GB DDR3 Dual Rank consisting of 4x 8GB modules DR occupies 4 memory slots max. 16x per system	S26361-F4003-E646 Memory 64GB DDR3 Quad Rank consisting of 4x 16GB modules QR occupies 4 memory slots max. 16x per system
--	--	---	---	--

up to 6
additional
memory boards

S26361-F3990-E100 ★ Memory Board RX600 S5 for 8 DIMM modules max. 6x per system		Per CPU max. 2 Memory Boards can be installed - with 2 CPU = max. 4 Memory boards (two included in the Base unit) - with 3 CPU = max. 6 Memory boards - with 4 CPU = max. 8 Memory boards
---	--	---

with
up to 12x
memory
upgrades

S26361-F4003-E643 Memory 8GB DDR3 Single Rank consisting of 4x 2GB modules SR occupies 4 memory slots max. 16x per system	S26361-F4003-E642 Memory 16GB DDR3, Single Rank consisting of 4x 4GB modules SR occupies 4 memory slots max. 16x per system	as long as stock lasts S26361-F4003-E644 ★ Memory 16GB DDR3 Dual Rank consisting of 4x 4GB modules DR occupies 4 memory slots max. 16x per system	S26361-F4003-E645 Memory 32GB DDR3 Dual Rank consisting of 4x 8GB modules DR occupies 4 memory slots max. 16x per system	S26361-F4003-E646 Memory 64GB DDR3 Quad Rank consisting of 4x 16GB modules QR occupies 4 memory slots max. 16x per system
--	--	---	---	--



Loose delivery / upgrade memory

8GB (4x2) DDR3 1333 MHz PC3-10600 rg s	single rank	S26361-F4003-L643
16GB (4x4) DDR3 1333 MHz PC3-10600 rg s	single rank	S26361-F4003-L642
16GB (4x4) DDR3 1333 MHz PC3-10600 rg d	dual rank	S26361-F4003-L644
32GB (4x8) DDR3 1333 MHz PC3-10600 rg d	dual rank	S26361-F4003-L645
64GB (4x16) DDR3 1066 MHz PC3-8500 rg q	quad rank	S26361-F4003-L646

limited availability

After the introduction of 16GB (4x4) Single Rank memory modules,
please pay attention on the right choice for field upgrade:
In order to keep interleaving mode or mirror mode operation,
already installed and upgraded memory modules need to be identical.

D

D

Section IV USB devices / optical devices / UFM



Setup RX600 S5 by SV Installation Manager is supported with following configurations:
built in CD/DVD or USB CD/DVD, no Floppy disk drive:
 UNC Network share reachable



Following USB Components are available

1) USB DVD SM / Blu-Ray External SuperMulti Drive External Blu-Ray Drive	as soon as available
2) USB Keyboard: KBPC PX D, professional keyboard	S26381-K340-V120
3) USB Mouse: Laser Moue USB/PS2 Combo	S26381-K430-L100
4) USB Sticks: MyUSBS A910 8GB, MLC Flash MyUSBS A910 16GB, MLC Flash	S26391-F6048-L208 S26391-F6048-L216

Additionally a monitor can be connected to the VGA 15-pin interface.

One UFM (USB Flash Module) can be configured
 The UFM is bundeld with VMWare offering:

VMware ESXi 4.1 Embedded UFM Device	S26361-F2341-E431
-------------------------------------	-------------------



S26361-F3531-E2
Blu-ray Combo slim SATA
6x BD-ROM, 16x DVD, 40x CD
BD DL and all CD/DVD formats
0.5 x 5.25", black bezel
max. 1x per system

S26361-F3269-E2 ★
DVD-RW supermulti slim SATA
all formats, DUAL/DL, DVD-RAM
only W2K, W3K and Linux
0.5 x 5.25", black bezel
max. 1x per system

E

E

Section V Hard disk drives

max. 8

A. SSD SATA 2.5"

S26361-F3298-E32
SSD 32GB
Solid State Disk
SATA 3Gb/s
hot plug/hot replace tray
max. 8x per system

B. BC SATA 2,5"

S26361-F3601-E250
HD 250GB 7.2krpm 2.5"
7200rpm, <9,5ms, 32MB Cache
BC SATA
hot plug/hot replace tray
max. 8x per system

S26361-F3601-E500
HD 500GB 7.2krpm 2.5"
7200rpm, <9,5ms, 32MB Cache
BC SATA
hot plug/hot replace tray
max. 8x per system

C. HDD SAS 10krpm 2.5"

SAS 6Gb/s 2.5" with hot plug/hot replace tray	
146GB 10000rpm, <4,5ms, 8MB Cache	S26361-F4482-E114
300GB 10000rpm, <4,5ms, 8MB Cache	S26361-F4482-E130
450GB 10000rpm, <4,5ms, 8MB Cache	S26361-F4482-E145
600GB 10000rpm, <4,5ms, 8MB Cache	S26361-F4482-E160
900GB 10000rpm, <4,5ms, 8MB Cache	S26361-F4482-E190

i configuration of SAS-HDDs requires SAS RAID controller

as soon as available

C. HDD SAS 15krpm 2.5"

73GB 15krpm, <4,5ms, 8MB Cache	S26361-F4482-E573 ★
146GB 15krpm, <4,5ms, 8MB Cache	S26361-F4482-E514
300GB 15krpm, <4,5ms, 8MB Cache	S26361-F4482-E530
max. 8x per system	

as soon as available

Section VI PCIe-SSD

only on special release

S26361-F4522-E321
PCIe-SSD 320GB MLC
ioDrive 320GB
PCIe 1.1
PCIe x4, Low Profile
max. 2x per system

S26361-F4522-E641
PCIe-SSD 640GB MLC
ioDrive 640GB
PCIe 1.1
PCIe x4, Low Profile
max. 2x per system

i No mix of 320GB and 640GB SSD possible

F

F

Section VII Tapes devices

1x

A) RDX USB Drive (connectet to internal USB port)

S26361-F3857-E4
RDX drive USB 5.25" internal
80-320GB, 25MB/s, USB 2.0
Connector: USB "B"
with USB cable
incl. description (Ger/US)
without RDX cartridges
1.6 * 5.25", black bezel
max. 1x per system



RDX cartridges must be ordered separately
RDX 160GB = S26361-F3857-L160
RDX 320GB = S26361-F3857-L320
RDX 500GB = S26361-F3857-L500
RDX 1TB = S26361-F3857-L600
10x RDX160 = S26361-F3857-L169
10x RDX320 = S26361-F3857-L329

B) DDS USB Drive (connectet to internal USB port)

S26361-F3324-E4
Tape drive DDS Gen5 USB 5.25"
36GB, 3MB/s, USB 2.0
Connector: USB "B"
with USB cable
incl. description (Ger/US)
cleaning cartridge
1.6 * 5.25", black bezel
max. 1x per system

S26361-F3325-E4
Tape drive DDS Gen6 USB 5.25"
80GB, 6MB/s, USB 2.0
Connector: USB "B"
with USB cable
incl. description (Ger/US)
cleaning cartridge
1.6 * 5.25", black bezel
max. 1x per system

C) LTO SAS Drive (connected with PCIe SAS controller)

S26361-F3257-E4
4 port SAS RAID Controller
LSI
MegaRAID SAS 1064
no Cache, no BBU
RAID 0, 1 & 1E
SAS 3Gb/sec
4 internal ports
PCIe x4, 160mm
max. 1x per system

S26361-F4009-E4
Tape drive LTO2HH Ultrium SAS
200GB, 24MB/s, SAS 3Gb
Connector: mini-SAS
incl. SAS cable
incl. description (Ger/US)
cleaning cartridge
1.6 * 5.25", black bezel
max. 1x per system

S26361-F3561-E4
Tape drive LTO3HH Ultrium SAS
400GB, 60MB/s, SAS 3Gb
Connector: mini-SAS
incl. SAS cable
incl. description (Ger/US)
cleaning cartridge
1.6 * 5.25", black bezel
max. 1x per system

S26361-F3626-E1
Tape drive LTO4HH Ultrium SAS
800GB, 120MB/s, SAS 3Gb
Connector: SATA
incl. SAS cable
incl. description (Ger/US)
cleaning cartridge
1.6 * 5.25", black bezel
max. 1x per system

S26361-F3627-E1
Tape drive LTO5HH Ultrium SAS
1500GB, 140MB/s, SAS 6Gb
Connector: mini-SAS
incl. SAS cable
incl. description (Ger/US)
cleaning cartridge
1.6 * 5.25", black bezel
max. 1x per system

G

G

Section VIII internal SAS RAID 0/1 and RAID5 Controller for HDD's

S26361-F3554-E8
 RAID Ctrl SAS 6G 8port internal
 Based on chip LSI SAS 2008
 LSI MegaRAID
 no Cache, no BBU
RAID 0, 1 & 1E
 Support for 3Gb/s and 6Gb/s
 SATA and SAS hard drives
 PCIe x4
 Low-profile MD2 form factor
 max. 1x per system



RAID controller must be ordered, if at least one internal HDD is configured!

1x

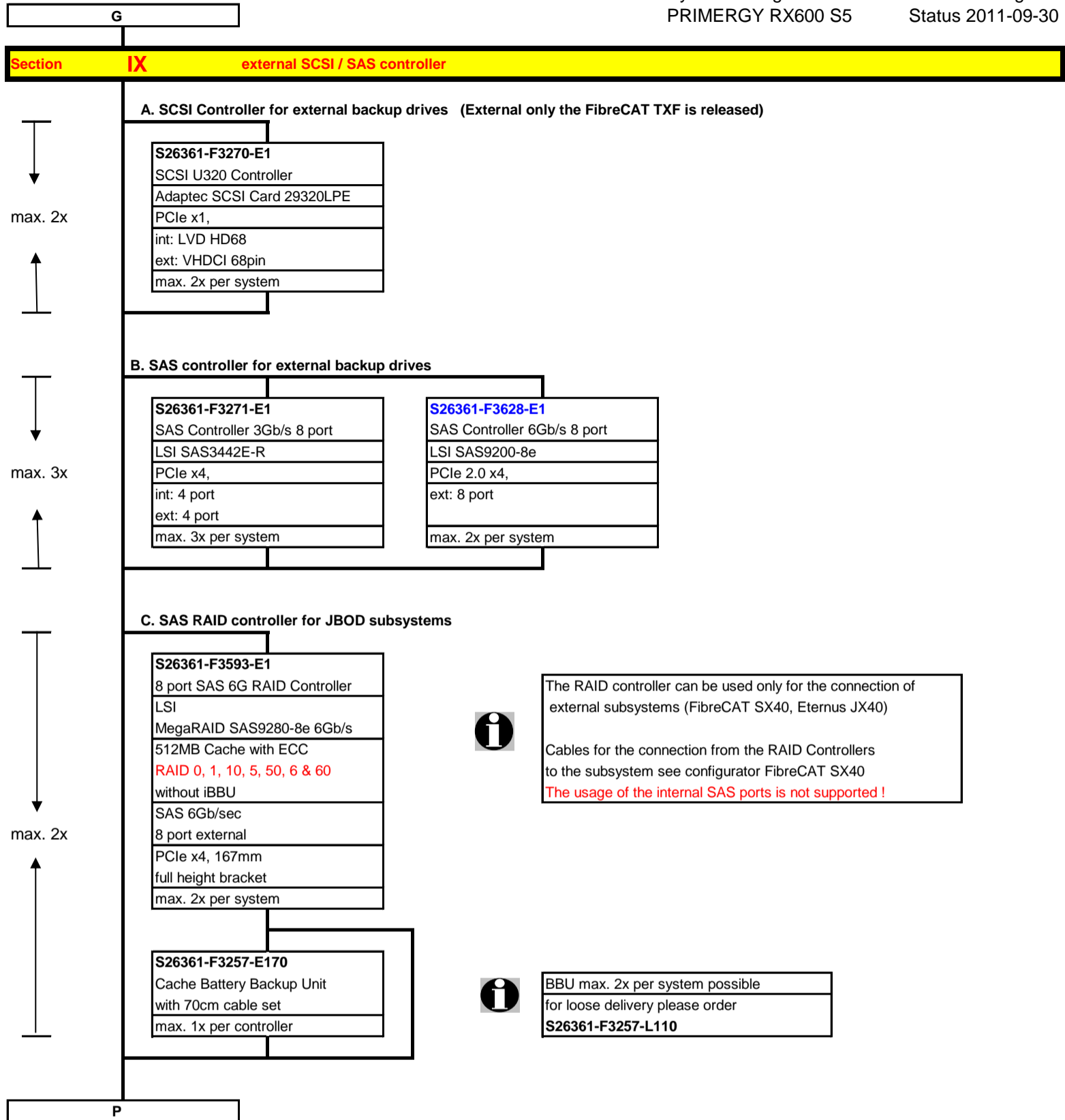
S26361-F3554-E512 ★
 RAID Ctrl SAS 6G 8port internal
 Based on chip LSI SAS 2108
 LSI MegaRAID
 512MB Cache with ECC
RAID 0, 1, 10, 5, 50, 6, 60
 optional BBU
 Support for 3Gb/s and 6Gb/s
 SATA and SAS hard drives
 PCIe x4
 Low-profile MD2 form factor
 max. 1x per system

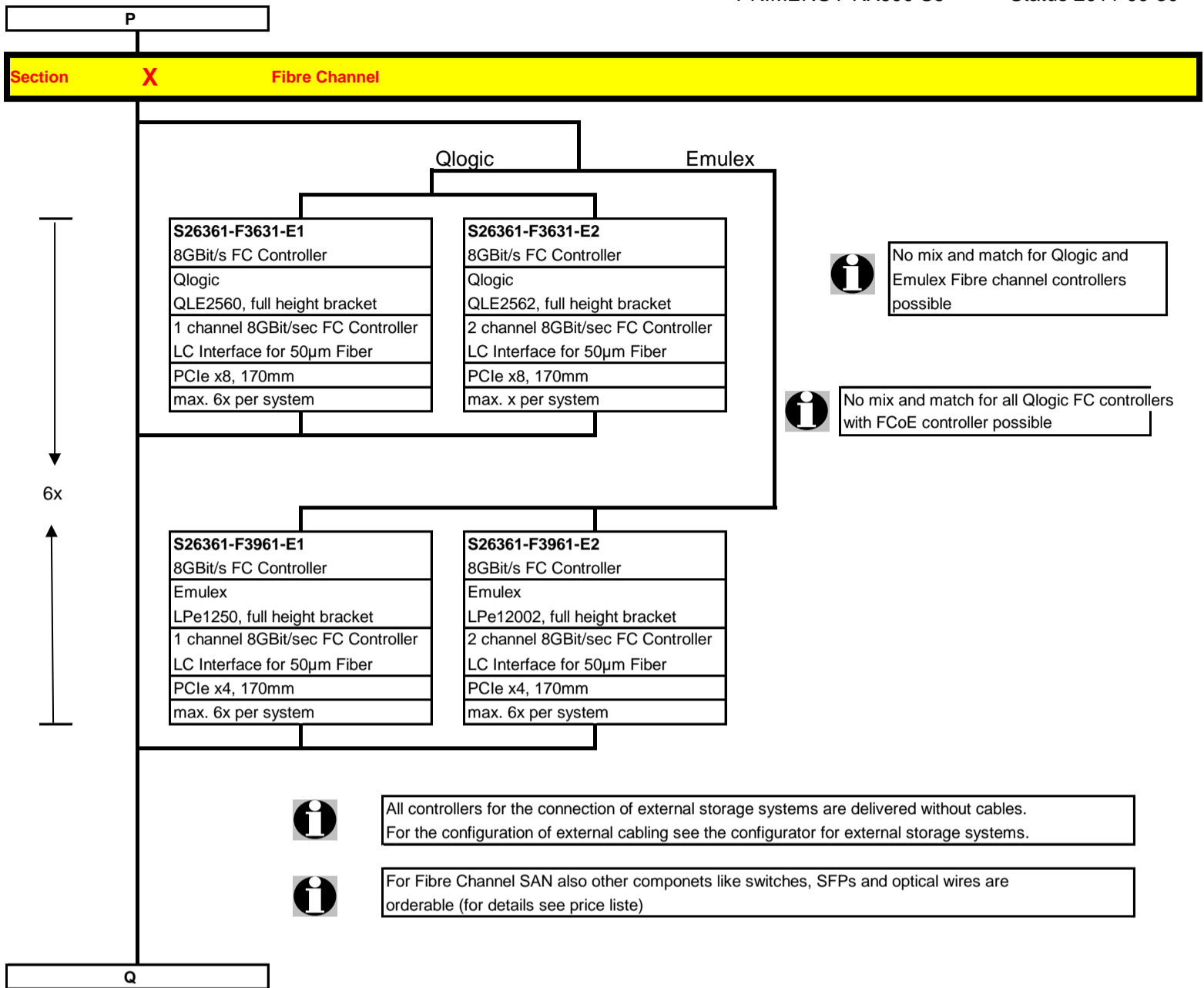
S26361-F3257-E170 ★
 Cache Battery Backup Unit
 with 70cm cable set
 max. 1x per controller



BBU max. 2x per system possible
 for loose delivery please order
S26361-F3257-L110

H





Section XI Communication / Network / CNA / IB

on-board LAN Controller
 2x Dual Gbit Ethernet Contr. on-board
 Intel 82576 NS (Kawela wo/IPsec)
 ext: 4x RJ45 connector, Cat 5



Teaming: Failover, Load Balancing
 The Intel LAN Controllers Pro 1000MT, 1000MF, 1000PT, 1000PF can be used with the on-board controller in Teaming Mode. Two onboard LAN ports can likewise educate a team.

A) Single Port LAN Adapter PCIe

S26361-F3242-E1 (Sheepshead Bay) ★
 Gigabit Ethernet Contr. 1000SX
 Eth Ctrl 1x1Gbit PCIe Pro/1000PF LC
 Intel PRO/1000 PF Server Adapter
 PCIe x4
 ext: LC-connector
 max. 4x per system

B) Dual Port LAN Adapter PCIe x4/x8

S26361-F3610-E2
 Gigabit Ethernet Controller Dual 1000TX
 Eth Ctrl 2x1Gbit PCIe x4 D2735 Cu
 Intel Kawela based 2 port Server Adapter
 PCIe x4,
 ext: for RJ45-plug, Cat 5
 max. 4x per system

Loose Delivery: S26361-F3610-L502

C) Quad Port LAN Adapter PCIe x4

S26361-F3611-E1
 Gigabit Ethernet Controller Quad 1000TX
 Eth Ctrl 4x1Gbit PCIe x4 D2745 Cu
 Intel Barton Hills based 4 Port Server Ad.
 PCIe x4,
 ext: for RJ45-plug, Cat 5
 max. 4x per system



I1

I1

D) 10GbE 2-Port SFP+ for MMF Module and SFP+ Twinax Cable

S26361-F3629-E2
10 Gigabit Ethernet Contr. dual port SFP+
Eth Ctrl 2x1Gbit PCIe x4 D2755
Intel Niantec based 2 port Server Adapter
PCIe x8
ext:SFP+ for MMF LC Module or Twinax cable
max. 4x per system



The controller is delivered without SFP+ modules for optical cables, these must be ordered separately. Without SFP+ modules copper twinax cables are supported.

The adapter is also available as loose delivery with FH and LP bracket included: S26361-F3629-L502

S26361-F3986-E3
SFP+ Module MMF 10GbE LC
SFP+ module for 10 Gbit Ethernet FO cabling
ext:LC-connector
max. 2x per adapter



The SFP+ Module is also available as loose delivery S26361-F3986-L3

Instead SFP+ Modules, SFP+ twinax cables from the switch vendors may be used

S26361-F3592-E2
10Gbit/s CNA
Emulex
OCe10102
2 channel 10Gbit/sec CNA
SFP+ Cage
PCIe x8, 170mm
max. 6x per system



No mix and match for QLogic FC controllers with FCoE controller possible



All controllers for the connection of external storage systems are delivered without cables. For the configuration of external cabling see the configurator for external storage systems.

S26361-F3592-E108
SFP+ Module MMF 10GbE LC
SFP+ module for 10 Gbit FCoE Ethernet FO cabling
ext:LC-connector
max. 2x per adapter



The SFP+ Module is also available as loose delivery S26361-F3592-L108

Instead SFP+ Modules, SFP+ twinax cables from the switch vendors may be used

E) Infiniband HCA's

S26361-F4475-E102
IB HCA 40Gb 1 port QDR
IB HCA 1x 40Gb
PCIe 2.0 (5,0GT/s)
PCIe x8, low profile
ext: 1x QSFP-connector
max.4x per system



S26361-F4475-L102
for loose delivery



Low Profile PCIe form factor with exchangeable Full Height (FH) or Low Profile (LP) bracket

S26361-F3996-E500
InfiniBand Cu Cable 40Gb costimized
QSFP, 1m and 3m
max. 1x per adapter



If additional length of copper cable or optical cable are needed, then they must be ordered from the cable vendor directly

Copper cable are also available for loose delivery as
 S26361-F3996-L101, QSFP, 40Gb, 1m
 S26361-F3996-L103, QSFP, 40Gb, 3m

S26361-F4475-E202
IB HCA 40Gb 2 port QDR
IB HCA 2x 40Gb
PCIe 2.0 (5,0GT/s)
PCIe x8, low profile
ext: 2x QSFP-connector
max. 4x per system

S26361-F4475-L202
for loose delivery



Low Profile PCIe form factor with exchangeable Full Height (FH) or Low Profile (LP) bracket

S26361-F3996-E500
InfiniBand Cu Cable 40Gb costimized
QSFP, 1m and 3m
max. 2x per adapter



If additional length of copper cable or optical cable are needed, then they must be ordered from the cable vendor directly

Copper cable are also available for loose delivery as
 S26361-F3996-L101, QSFP, 40Gb, 1m
 S26361-F3996-L103, QSFP, 40Gb, 3m

max. 2x controller

J

4
4
4

J

Section XI Energy Star

S26361-F3301-E601
 RX600 S5 E-Star Fam1
 Limits configuration in accordance
 with Energy Star requirements
 max. 1x per system

The following order components out of the specific sections
 are allowed together with RX600 S5 E-Star Fam1:

Quad-Socket CPU's
 - 1x Intel Xeon processor 7500 series
 with 1066 or 1333MHz Frontside Bus
 occupies socket for one CPU

X7560 (8 core 2.26Ghz / 24M / 6.4GT/s 130W)	S26361-F3999-E560
--	--------------------------

Always 4x per system (Config < 4 CPU is out of Energy Star specification)

Memory

16GB (4x 4GB DDR modules)	S26361-F4003-E644
----------------------------------	--------------------------

max. 16x per system

Interleaving Mode Installation	S26361-F4003-E2
---------------------------------------	------------------------

max. 1x per system

Mirrored Mode Installation	S26361-F4003-E3
-----------------------------------	------------------------

max. 1x per system

Memory Board RX600 S5	S26361-F3990-E100
------------------------------	--------------------------

max. 8x per system

DVD Drives

DVD-RW supermulti slim SATA	S26361-F3269-E2
------------------------------------	------------------------

max. 1x per system

Hard Disk Drives

HD 73GB 15krpm 2.5"	S26361-F4482-E573
----------------------------	--------------------------

max. 8x per system

Internal SAS RAID 5 Controller for HDD's

RAID Ctrl SAS 6G 8port internal	S26361-F3554-E512
--	--------------------------

max. 1x per system

Cache Battery Backup Unit	S26361-F3257-E170
----------------------------------	--------------------------

max. 1x per controller

Fibre Channel Controller (4x pro system)

1 channel 4GBit/s Emulex LPe1150	S26361-F3306-E1
---	------------------------

max. 2x per system

2 channel 4GBit/s Emulex LPe11002	S26361-F3306-E2
--	------------------------

max. 2x per system

Gigabit Ethernet Controller

Gigabit Ethernet Controller Quad 1000TX	S26361-F3462-E1
--	------------------------

max. 2x per system

System Management Products

iRMC S2 advanced pack	S26361-F1790-E241
------------------------------	--------------------------

max. 1x per system

TPM Module	S26361-F3552-E1
-------------------	------------------------

max. 1x per system

K

J

Section XII System Management Products (RemoteView)

S26361-F1790-E241 ★
iRMC S2 advanced pack
 integrated remote management controller
 activation key for
 graphical console redirection
 and remote media redirection
 max. 1x per system

S26361-F3552-E1 ★
 TPM Module
 Trusted Platform Module on Motherboard
 Use according to import restrictions
 max. 1x per system

i Be aware of import restrictions!
 Loose delivery for later
 integration possible for customer.

S26361-F3552-L1
 TPM Module add-on kit
 for later integration (loose delivery)
 Trusted Platform Module on Motherboard
 Use according to import restrictions
 max. 1x per system

Section XIII Optional PSU / power cords

i Base system will be shipped with two power cords ICE320 C14->C13 for rack installation.
 Country specific power cords are not required.

i In addition to the base configuration with two power supplies units (1+1 redundancy)
 max. two addition PSU's can be installed.

 Configurations with more than 2 CPU's or more than 2 memory boards
 requiring one additional PSU (2+1 redundancy).

 For configurations with more than 6 memory boards or if phase redundancy/dual power feed
 is requested two additional PSU's needed. (3+1 or 2+2 redundancy).

S26113-F561-E10 ★
 3rd / 4rd power supply module
 850W, hot plug
 for max. configuration
 incl. 1x power cord ICE320 C14->C13
 max. 2x per system

i **For later upgrade the following kit is available:**
S26113-F561-L10
 3rd / 4rd power supply module
 850W, hot plug
 for max. configuration
 incl. 1x power cord ICE320 C14->C13
 max. 2x per system

End PRIMERGY RX600 S5

