

FibreCAT TXF

System configurator and order-information guide

December 2012

Contents

Instructions
Configuration diagram TXF
Backup Devices
Configuration Cables
TXF Cabling
Table of drives
Change Report



Instructions

This document contains basic product and configuration information that will enable you to configure your system via PC-/ System-Architect.

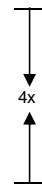
Only these tools will ensure a fast and proper configuration of your PRIMERGY server or your complete PRIMERGY Rack system.

You can configure your individual PRIMERGY server in order to adjust your specific requirements.

The System configurator is divided into several chapters that are identical to the current price list and PC-/ SystemArchitect.

Please follow the lines. If there is a junction, you can choose which way or component you would like to take. Go through the configurator by following the lines from the top to the bottom.

In one chapter you can only select as many components (here 4x) as the arrow indicates.



Please note that there are information symbols which indicate necessary information.



For further information see:

http://ts.fujitsu.com/products/standard_servers/inc (internet)

https://partners.ts.fujitsu.com/com/order-supply/configurators/primergy_config/current/Pages/default.aspx (extranet)

Prices and availability see price list and PC-/ SystemArchitect.
Subject to change and errors excepted.

Configuration diagram FibreCAT TXF

System unit (I)

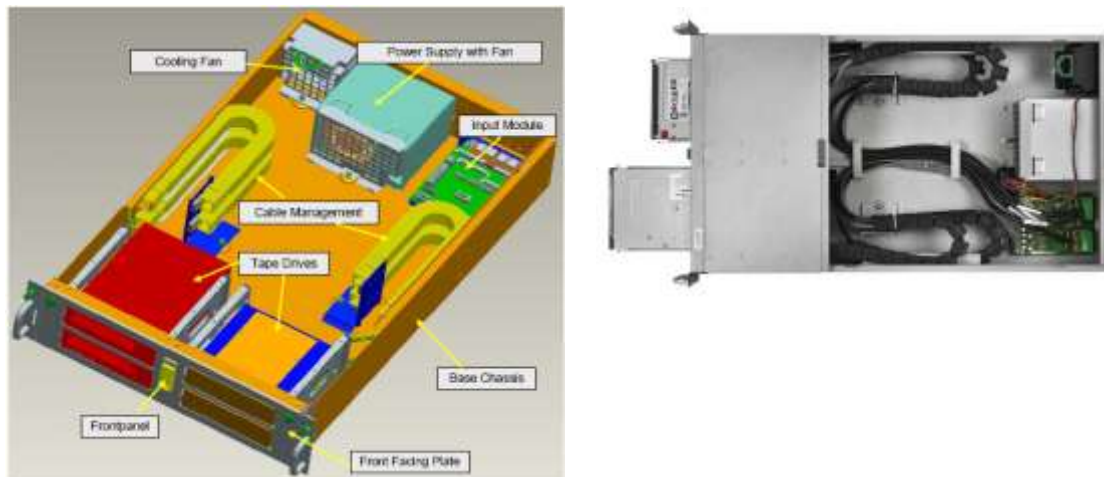
FibreCAT TXF is a flexible, high available and service friendly rack enclosure for up to 4 half high (HH) backup devices with SAS or USB interface. The enclosure can be installed with one SAS or USB interface module (IOM) with 4 external connectors (to server host bus adapters or USB ports) and internal connectors to devices. Each IOM provides power management functionality and supervision/identification of drives, PSU, additional fan, drives and enclosure temperature. Front panel with "warm replace/easy click" functionality.

Local management via LED front panel with power switch functions:



If the power switch on the front panel is in location "remote" the drive DC connectors are powered only if the assigned server is switched on. This function allows replacing a drive without switching off the enclosure totally. Backup devices assigned to other servers are then not affected and can continue their work.

Mechanical construction and functional components:



The enclosure will be delivered with PSU, additional fan, front LED panel, power cord and one 1U support bracket for rackmount kit installation into PRIMECENTER racks. Up to 4 HH 5 1/4" backup devices with installed device rails can be mounted toolless from the front into the enclosure. Depending on backup device up to either 4 SAS or USB cable kits (cable chain with I/O cable and DC cable) can be configured. Empty drive slots will be closed ex factory with dummy panels.

System unit (external / internal SAS cabling)

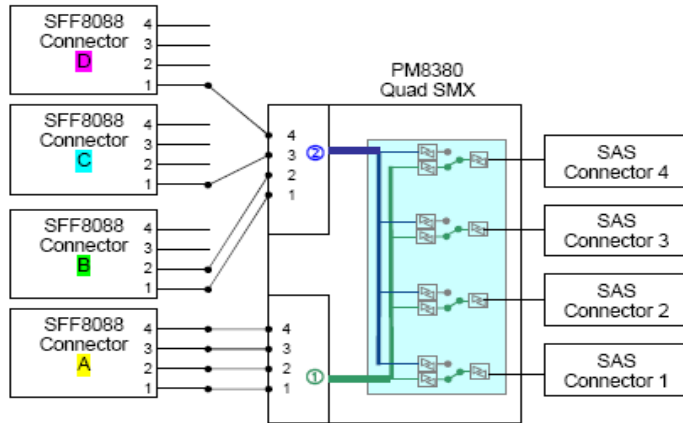
(planned to be released with LTO4 SAS drive in October 2008)

Configuration of SAS drives with SAS IOM and SAS cable kits - minimum 1 SAS drive/cable kit/IOM

Located at the bracket which is accessible from the rear side of the enclosure there are four SFF8088 style MiniSAS connectors each containing 4 SAS lanes. The SAS lanes are connected to a PM8380 Multiplexer/Repeater IC according following figure

SAS point-to-point cable kits

4 point-to-point SAS cable-kits (SAS <-> SATA) can be configured in one enclosure.



Four drives can be connected up to 4 different servers.

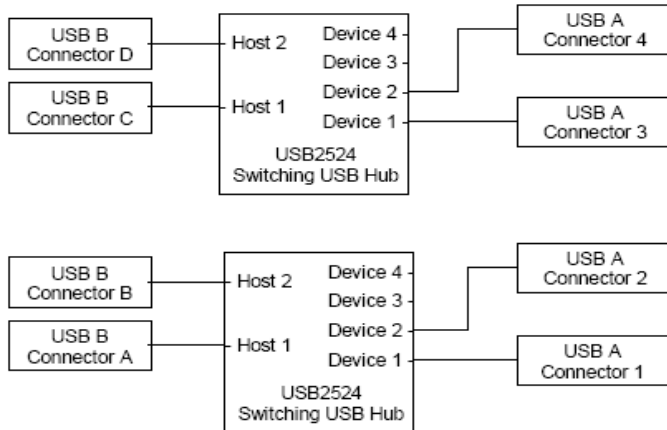
One server can be connected to one LTO 4 SAS drive (point-to-point-connection).

Certain SAS LTO4 tape drives, released in 02/2009, are available with SATA connector.

System unit (external / internal USB cabling)

Configuration of USB drives with USB IOM and USB cable kits - minimum 1 USB drive/cable kit/IOM

Located at the bracket which is accessible from the rear side of the enclosure there are four USB B connectors. The USB busses are connected to two USB2524 ICs according following figure:



USB point-to-point cable kits

4 point-to-point USB cable-kits (USB-B <-> USB-A) can be configured in one enclosure.

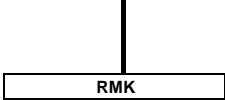
Four USB drives can be connected up to 4 different servers.
One server can be connected to one, two or 4 USB drives.

Configuration of the FibreCAT TXF rack enclosure for backup devices

S26361-K1228-V100
19" basic unit 3U for max 4 HH 5.25" backup devices
warm replaceable from front side, internal cable management
can optionally be ordered with one I/O modul for SAS or USB

Basic Unit includes :

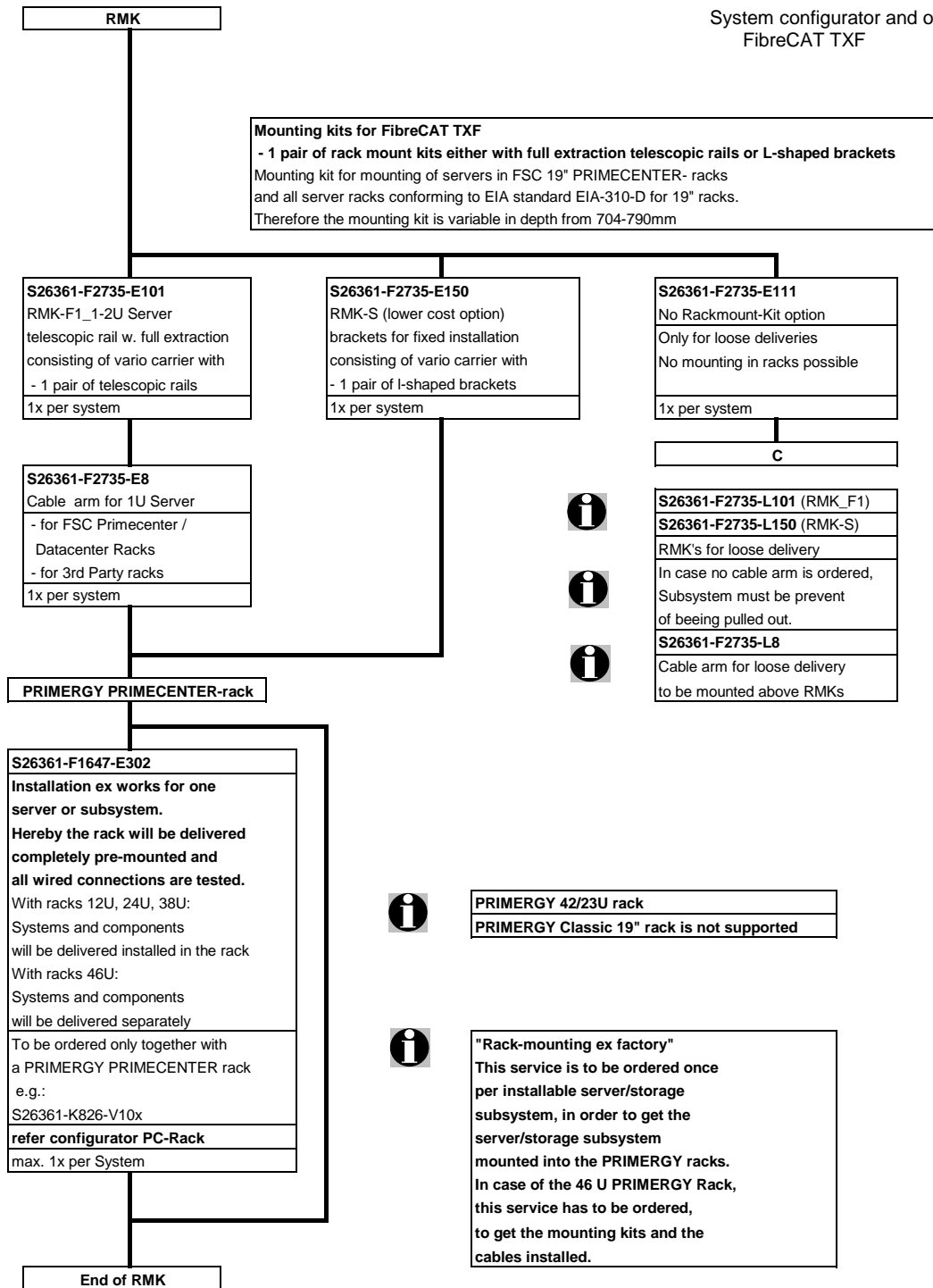
- power supply 230W with PFC
- up to 4x dummy panels for closing empty slots
- 4 half height 5.25" backup devices
- 3 U height
- one 1U support bracket for PC and DC racks: S26361-F2735-E10
- power cord



The max. cable length from server to TXF:
SCSI 5m (UHD-UHD or UHD-HD)
SAS 4m (SFF8088 - SFF8470)
USB 5m (A-B)
SAS 6m (SFF8088 - SFF8088) not yet released



S26361-F2735-E111
No Rackmount-Kit option



Mounting kits for FibreCAT TXF
- 1 pair of rack mount kits either with full extraction telescopic rails or L-shaped brackets
Mounting kit for mounting of servers in FSC 19" PRIMECENTER- racks and all server racks conforming to EIA standard EIA-310-D for 19" racks.
Therefore the mounting kit is variable in depth from 704-790mm

S26361-F2735-E101
RMK-F1_1-2U Server
telescopic rail w. full extraction consisting of vario carrier with - 1 pair of telescopic rails
1x per system

S26361-F2735-E150
RMK-S (lower cost option)
brackets for fixed installation consisting of vario carrier with - 1 pair of l-shaped brackets
1x per system

S26361-F2735-E111
No Rackmount-Kit option
Only for loose deliveries
No mounting in racks possible
1x per system

S26361-F2735-E8
Cable arm for 1U Server
- for FSC Primecenter / Datacenter Racks
- for 3rd Party racks
1x per system

C

S26361-F2735-L101 (RMK_F1)
S26361-F2735-L150 (RMK-S)
RMK's for loose delivery
In case no cable arm is ordered, Subsystem must be prevent of beeing pulled out.
S26361-F2735-L8
Cable arm for loose delivery to be mounted above RMKs

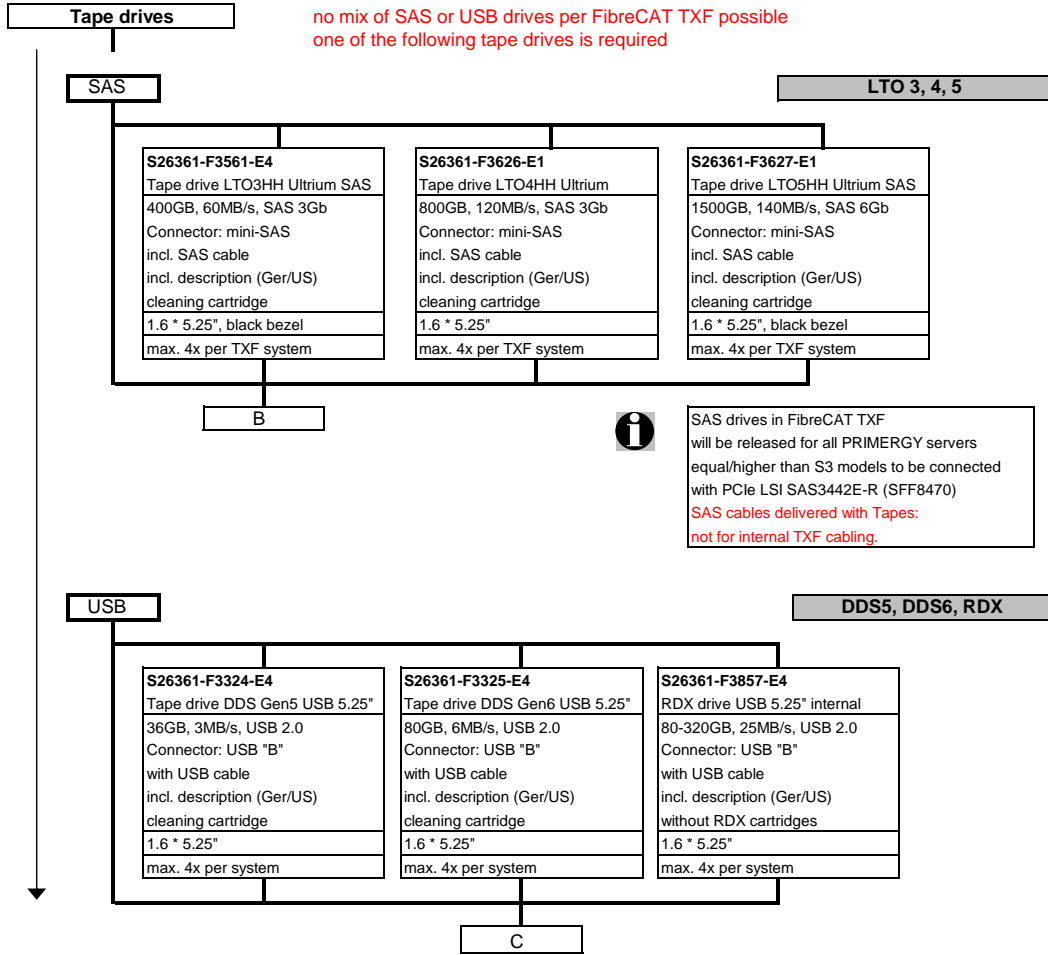
PRIMERGY PRIMECENTER-rack

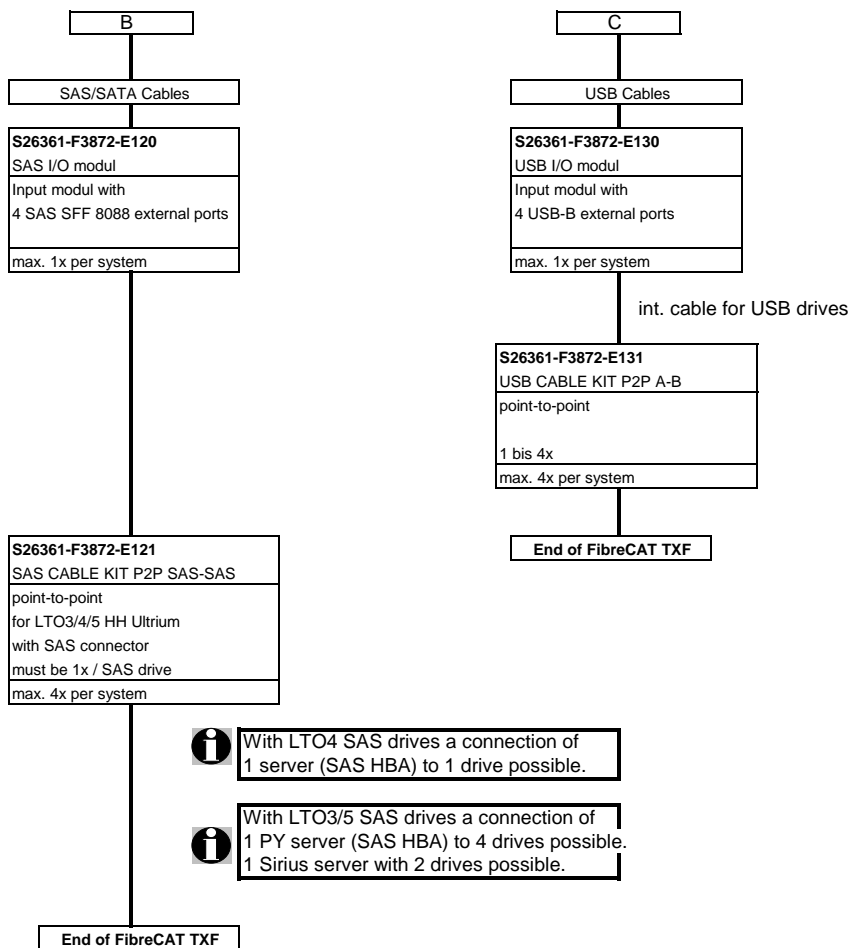
S26361-F1647-E302
Installation ex works for one server or subsystem.
Hereby the rack will be delivered completely pre-mounted and all wired connections are tested.
With racks 12U, 24U, 38U:
Systems and components will be delivered installed in the rack
With racks 46U:
Systems and components will be delivered separately
To be ordered only together with a PRIMERGY PRIMECENTER rack
e.g.:
S26361-K826-V10x
refer configurator PC-Rack
max. 1x per System

PRIMERGY 42/23U rack
PRIMERGY Classic 19" rack is not supported

"Rack-mounting ex factory"
This service is to be ordered once per installable server/storage subsystem, in order to get the server/storage subsystem mounted into the PRIMERGY racks.
In case of the 46 U PRIMERGY Rack, this service has to be ordered, to get the mounting kits and the cables installed.

End of RMK





External cabling between FTS Servers (Controller) and FibreCAT TXF

PRIMERGY / SES servers	cable no. customised	lengths			FibreCAT TXF
		2.0m	4.0m	5.0m	
External SAS Controller					
<input type="radio"/> SG-(X)PCIE8SAS-E-Z (SES)	● S26361-F3246-E880		L40		● ● FibreCAT TXF m. SAS-IOM
<input checked="" type="checkbox"/> S26361-F3271-E1/-E201	☒ S26361-F3246-E870	L20	L40		● ● FibreCAT TXF m. SAS-IOM
Internal USB Controller					
<input checked="" type="checkbox"/> all PY Server with USB-A	■ S26361-F3960-E500	L20		L50	□ □ FibreCAT TXF m. USB-IOM

- SAS SFF 8088 connector (2 mini SAS connectors latched)
- ☒ SAS SFF 8470 connector (screw connection)

- USB-A connector
- USB-B connector

More information on cabling

For selecting the external cables refer also to the above overview about cabling and pay attention to the backup devices in use.

no installation ex works:

External SAS cable	8470-8088	2.0m	S26361-F3246-L203
External SAS cable	8470-8088	4.0m	S26361-F3246-L403

External SAS cable	8088-8088	4.0m	S26361-F3246-L402	Released for Sparc Enterprise Servers (SES)
--------------------	-----------	------	--------------------------	---

installation ex works:

External SAS cable	(8088-8088)	length customized	S26361-F3246-E880	as soon as released for Sparc Enterprise Servers
External SAS cable	(8470-8088)	length customized	S26361-F3246-E870	

also for cascading

no installation ex works:

External USB cable		2.0m	S26361-F3960-L20
External USB cable		5.0m	S26361-F3960-L50

installation ex works:

External USB cable		length customized	S26361-F3960-E500
--------------------	--	-------------------	--------------------------

also for cascading

FibreCAT TXF rack mountable peripheral Expansion unit for accessible devices

FibreCAT TXF is a flexible, high available and service friendly 3U rack enclosure for up to 4 half high (HH) backup devices with SCSI, USB or SAS interface. The enclosure can be installed with one SCSI, USB or SAS interface module (IOM) with 4 external connectors (to server host bus adapters) and internal connectors to devices. Each IOM provides power management functionality and supervision/identification of drives, PSU, additional fan, drive and enclosure temperature. Front panel with "warm replace/easy click" functionality. FibreCAT TXF is released for PRIMERGY and SPARC Enterprise Servers with the above mentioned controllers.

FibreCAT TXF LINKS

FibreCAT TXF

http://ts.fujitsu.com/products/standard_servers/storage/fibrecat_txf.html

FibreCAT TXF Technical overview

<https://partners.ts.fujitsu.com/sites/dmsp/docs/other/pf-fibrecat-tn-en.doc>

FibreCAT TXF configuration diagram

<http://sp.ts.fujitsu.com/dmsp/docs/cnfgtxf.pdf>

FibreCAT TXF data sheet

<http://sp.ts.fujitsu.com/dmsp/docs/ds-fibrecat-tn-en.pdf>

Backup devices configurations

Overview, delivery and media information for PRIMERGY tape devices:

<https://partners.ts.fujitsu.com/com/products/servers/primergy/rackcomp/components/drives/Pages/default.aspx>

FSC SAS Devices			Connector			Form factor
Product name	Product number		SATA signal + Power	SAS SFF8482 incl. Power	SAS SFF8482 + Power	1,6" half height
LTO3HH Ultrium Tape 400 GB	F3561-E4			X		
LTO4HH Ultrium Tape 800 GB	F3626-E1			X		X
LTO5HH Ultrium Tape 1500 GB	F3627-E1			X		X

FSC USB Devices				Connector		Form factor
Product name	Product number			USB A	USB B	1,6" half height
DDS Gen5 Tape 36 GB	F3324-E4				X	X
DDS Gen6 Tape 80 GB	F3325-E4				X	X
RDX 5,25"	F3857-E4				X	X

Change Report

Date	Ordernumber	Changes
2011-04-30		EOL of SCSI parts
2010-12-01	S26361-F3872-E11x	SCSI IOM due to EOL of SCSI tape devices - while stocks last
2010-09-15	several	New order no. for USB devices DDS and RDX
2010-09-13	S26361-F3626-E1	New order no. for LTO4HH Ultrium SAS
2010-08-13	S26361-F3627-E1	New: LTO5HH Ultrium SAS
2009-06-01	S26361-F3561-E4 S26361-F3872-E121	Release of LTO3HH Ultrium SAS and TXF internal cable kit
2009-02-05	S26361-F3872-E120	Release of SAS version (IOM and internal SAS cabling)
2008-10-28	S26361-F3225-E3	Tape drive DDS Gen6 - as soon as available
2008-10-28	S26361-F3964-E3	Tape drive LTO2HH Ultrium LC - as soon as available
2008-10-28	S26361-F3157-E3	Tape Kit LTO2HH Ultrium 200GB no longer available
2008-09-01		First release