

LIGHTING

TEF 2440 LUMINAIRE

ZONE 2 & SAFE AREA

Subject to change without prior notice TPS2040 REV. A 30.06.2017



Tranbergs luminaires are all designed for use in rough environments. It is the policy of Tranberg to provide products and services that meet the highest standards of quality in the industry and the performance needs and expectations of our customers. The design of Tranberg luminaires is based on many years of experience and extensive research in the field of professional Marine lighting. Carefully selected materials are used to ensure maximum performance, low maintenance and a long trouble free life.

APPLICATION

- Deck lighting
- Signal lighting
- Obstacle marking
- Zone 2 and safe area

FEATURES AND BENEFITS

- Rugged construction
- Easy to install and maintain
- Proven ingress protection
- Long lamp life using compact fluorescent tube
- Versatility offering variable mounting positions, optional internal lamp reflector. Wide range of coloured globes available
- Short ignition time at low temperatures
- Resistant to vibrations

TECHNICAL DATA

| | |
|---------------------------------|---|
| Material: | Acid proof stainless steel, powder coated (RAL 9002) Globe : polycarbonate lexan |
| Input voltage: | 230 VAC 50/60Hz 120 VAC 60Hz |
| Light source: | PL-C Compact fluorescent tube, max. 13W |
| Lamp holder: | G24D/1 |
| Power consumption: | 18W |
| Light output: | >10 candela red >80 candela yellow >90 candela white |
| Weight: | 1,9 kg. |
| Colour globes available: | White, yellow, red, blue, green and amber |
| IP-rating: | IP66/67 |
| Standard cable entries: | 1 x M25 cable gland 1 x M25 stoppingplug |
| Certificates: | ExnA II T3/T4 II 3 G |
| For use in Zone: | Zone 2 and safe area |
| Tamb: | -25°C to +45°C |

APPROVALS AND CERTIFICATES

NEMKO 03ATEX3336

TEF 2440 LUMINAIRE

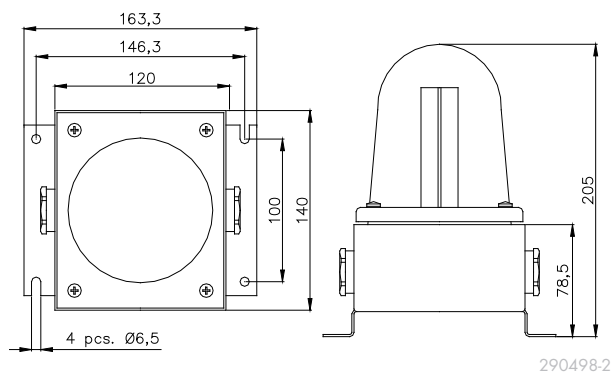
DESCRIPTION

| | Part No. |
|---|----------|
| Luminaire clear, 1 x 13W 230 VAC 50/60Hz | 2440 000 |
| Luminaire green, 1 x 13W 230 VAC 50/60Hz | 2440 001 |
| Luminaire red, 1 x 13W 230 VAC 50/60Hz | 2440 002 |
| Luminaire amber, 1 x 13W 230 VAC 50/60Hz | 2440 003 |
| Luminaire blue, 1 x 13W 230 VAC 50/60Hz | 2440 004 |
| Luminaire yellow, 1 x 13W 230 VAC 50/60Hz | 2440 103 |
| | |
| Luminaire amber, 1 x 13W 120 VAC 50/60Hz | 2440 015 |
| Luminaire red, 1 x 13W 120 VAC 50/60Hz | 2440 016 |
| Luminaire clear, 1 x 13W 120 VAC 50/60Hz | 2440 017 |
| Luminaire blue, 1 x 13W 120 VAC 50/60Hz | 2440 018 |

SPARE PARTS

| | Part No. |
|---|-----------|
| Globe clear, without gasket, spare part kit 230V | 2548 |
| Globe green, without gasket, spare part kit 230V | 2592 |
| Globe red, without gasket, spare part kit 230V | 2553 |
| Globe yellow amber, without gasket, spare part kit 230V | 2557 |
| Globe blue, without gasket, spare part kit 230V | 2593 |
| Silicongasket for globe | 5001 0021 |
| Ballast and lamp holder, spare part kit 230V | 2510 |
| Globe retainer ring | 2547 |
| Fluorescent tube, PLC 13W/84 230V | 9400 060 |
| Fluorescent tube, PLC 10W/84 230V | 9400 062 |
| Fluorescent tube, PLC 13W 120V | 9400 064 |
| Globe clear, without gasket, spare part kit 120V | 2848 |
| Globe blue, without gasket, spare part kit 120V | 3000 |
| Globe red, without gasket, spare part kit 120V | 2847 |
| Globe yellow amber, without gasket, spare part kit 120V | 2810 |

DIMENSIONS



R. Stahl Tranberg AS

E info@stahl-tranberg.com | stahl-tranberg.com

Main office: Strandsvingen 6 | N-4032 Stavanger | Norway | T +47 51 57 89 00 | F +47 51 57 89 50

Office Oslo: Luhrtoppen 2 | N-1470 Lørenskog | Norway | T +47 24 08 44 10