

# TRANBERG® LIGHTING

TEF 2460 Obstruction Light LED

Zone 1, Zone 2 & Safe Area



TRANBERG® luminaires are all designed for use in rough environments. It is the policy of R. Stahl Tranberg to provide products and services that meet the highest standards of quality in the industry, the performance needs and expectations of

our customers. The design of TRANBERG® luminaires is based on many years of experience and extensive research in the field of professional Marine lighting.

Carefully selected materials are used to ensure maximum performance, low maintenance and a long trouble free life.

## Application

- Obstruction light
- General marking/ warning light
- Zone 1, zone 2 and safe area

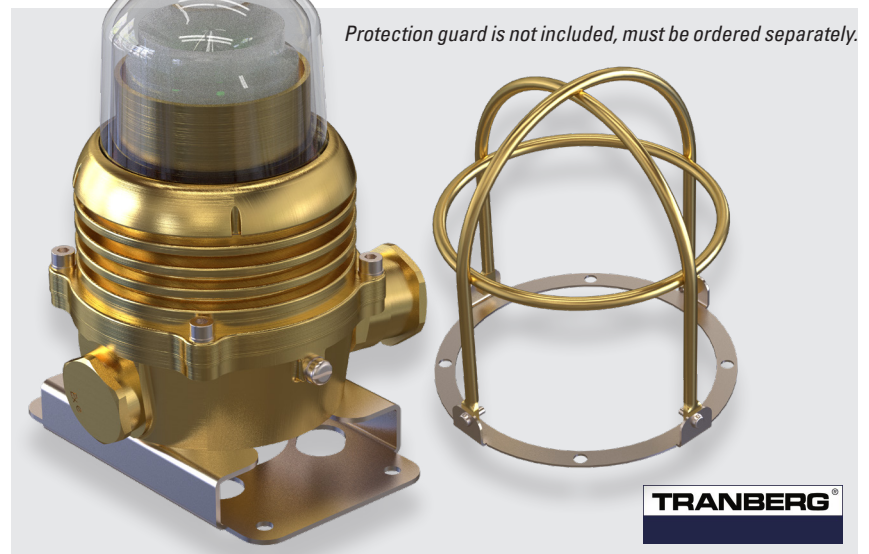
## Features and benefits

- Integrated terminal box with drain plug/breather
- Maintenance free
- Rugged construction
- Encapsulated electronics. No risk of water intrusion to LED's and electronics
- Instant light
- 32 cd versions comply with ICAO Annex 14 Vol. 1 Low Intensity Type B.
- 10 cd versions complies with ICAO Annex 14 Vol. 1 Low Intensity Type A and CAA UK CAP168 / CAP437 Low Intensity Group A.
- RED+IR versions comply with CAA Norway BSL E 2-1:2014, Low Intensity Type A & B.

## Approvals and certificates

IECEX Pre 14.0009

Presafe 14ATEX4571



## Technical Data

<b>ATEX/Ex classification:</b>	Ex eb mb op is IIC T5 Gb
<b>For use in Zone:</b>	Zone 1, zone 2 and safe area
<b>Material:</b>	Hot-forged brass alloy with polycarbonate dome
<b>Power consumption:</b>	Model dependent, 5-10 W
<b>Input Voltage/ Light output:</b>	100-254 V ±10% 50/60 Hz
	24 V DC ±30%
	(Depending on model)
<b>Service life:</b>	50,000 hours
<b>Tamb:</b>	-55°C...+55°C
<b>Ingress protection:</b>	IP66/67
<b>Weight:</b>	4,5 kg
<b>Wire Connection:</b>	0,5mm <sup>2</sup> to 4mm <sup>2</sup> .
<b>Cable entries:</b>	2x M25x1,5 threaded cable entries. Delivered with one cable gland and one stopping plug.

TRANBERG STAHL

THE STRONGEST LINK.

## R. STAHL TRANBERG AS

Main office | Strandsvingen 6 | N-4032 Stavanger, Norway | T +47 51 57 89 00 | E info.no-st@r-stahl.com | stahl-tranberg.com  
Oslo office | Luhrtoppen 2 | N-1470 Lørenskog, Norway | T +47 24 08 44 10 | E info.no-os@r-stahl.com | stahl-tranberg.com

# TRANBERG® LIGHTING

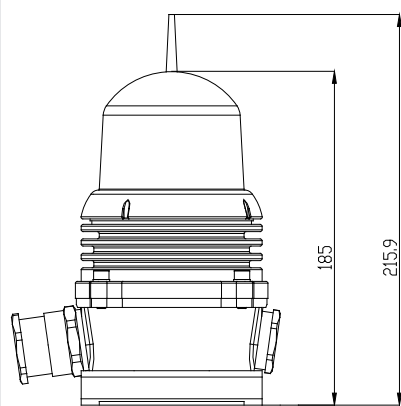
TEF 2460 Obstruction Light LED

Zone 1, Zone 2 & Safe Area

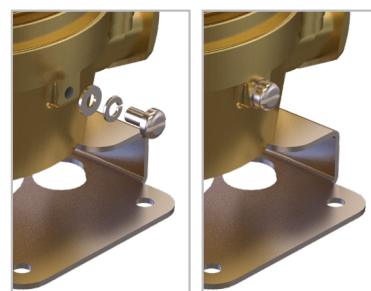
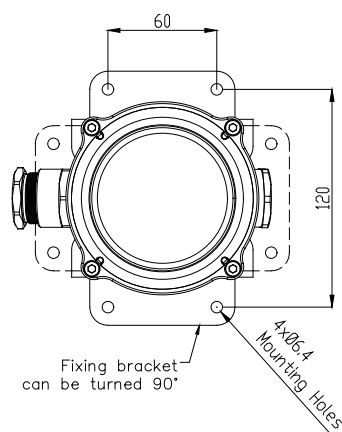
Description	Part No
Obstruction Light Red LED Omni-directional 32cd. 100-254V AC	2460160
Obstruction Light Red LED Omni-directional 32cd. 24V DC	2460162
Obstruction Light Red LED Omni-directional 10cd. 100-254V AC	2460165
Obstruction Light Red LED Omni-directional 10cd. 24V DC	2460166
Obstruction Light Red LED + IR LED Omni-directional 32cd. 24V DC	2460167
Obstruction Light Red LED + IR LED Omni-directional 10cd. 24V DC	2460168

Spare Parts	Part No.
Dome with gasket	5631
Terminal insert	5632
Cable gland M25 Ø11-15/15-20mm	6222502
Stopping plug M25	6502500
Drain plug	7302101
Adaptor for TEF2430 fixing bracket	5633
Protection Guard kit	7165

## Dimensions



000A108346



Earth screw with spring lock washer and washer.