

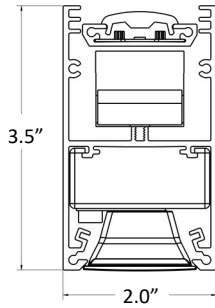
Sculptura

Direct / Indirect

Type:	
Project:	
REP/Agent:	
Order #:	



DIMENSIONS



FEATURES

- Seamless glare eliminating shade
- UGR < 19
- Extruded aluminum single piece housing
- 2', 4', 6' and 8' individual units, or continuous rows
- Linear runs with proprietary joiner design
- Direct and Indirect light levels can be set to any combination at the factory
- Efficacy up to 137lm/W
- Textured powder coat finishes available in white, black, and silver
- Premium finishes also available
- Approved for dry and damp locations
- 0-10v dimming is standard
- Dim to 1% of output current is standard
- 90 CRI (R9 50min) available
- CA Title 24 / JA8 installation compatible



ORDERING LOGIC

SCULPTDI	-	-	-	-	-	-	-	-	-					
SERIES	-	LENGTH	-	DIRECT LUMENS PER FT	-	INDIRECT LUMENS PER FOOT	-	DIRECT DISTRIBUTION	-	INDIRECT DISTRIBUTION	-	CCT	-	CRI
SCULPTDI	-	xx=Run Length	-	350=350 LPF	-	350=350 LPF	-	B50=Black Reflector, 50°	-	CL=Clear Lens	-	30K=3000K	-	80=80
	-	Sxx=Symmetric Run Length	-	500=500 LPF	-	500=500 LPF	-	B80=Black Reflector, 80°	-	BW=Batwing	-	35K=3500K	-	90=90
	-	_x_RECT=Rectangle	-	750=750 LPF	-	750=750 LPF	-	W50=White Reflector, 50°	-		-	40K=4000K	-	
	-	_x_L=L-Shape	-	1000=1000 LPF	-	1000=1000 LPF	-	W80=White Reflector, 80°	-		-	50K=5000K	-	
	-	_x_x_U=U-Shape	-	XXX=Custom LPF	-	XXX=Custom LPF	-		-		-	TW=Tunable White ¹	-	
	-		-	<i>Dual Driver required if total fixture lumens exceed 11,500</i>			-		-		-	(2700-6500K)	-	

FINISH	-	MOUNTING	-	VOLTAGE	-	ELECTRICAL	-	OPTIONS
STANDARD	-	CABLES WITH CANOPY KITS	-	U= 120-277	-	1C=Single Circuit	-	SPECIALTY DRIVERS (Standard driver is 0-10V, dim to 1% output current)
PW=Powder Coat White	-	ACW05=White Cord 5'	-	C= 347	-	DD=Single Circuit with Dual Drivers	-	DT1=eldoLED EcoDrive Dim to 1% (0-10V)
PB=Powder Coat Black	-	ACW10=White Cord 10'	-		-	<i>(required if total lumens exceed 11,500)</i>	-	DTZ=eldoLED SoloDrive Dim to 0.1% (0-10V)
PS=Powder Coat Silver	-	ACB05=Black Cord 5'	-		-	2C=Separate D/I Circuits	-	PSRD=Philips Sensor Ready (DALI) Driver
	-	ACB10=Black Cord 10'	-		-	<i>(separate control of direct and indirect)</i>	-	LDE1=Lutron Hi-Lume EcoSystem LED driver with Soft-on, Fade-to-Black
PREMIUM	-	CABLES WITH LOOPS	-		-	MC=Multiple Circuits	-	TW-A=Tunable White, 0-10v ²
RALxxxx= Powder Coat	-	ALW10=White Cord 10'	-		-	<i>(multiple switch legs across run length)</i>	-	TW-EL=eldoLED DUALdrive Tunable White (DALI) ²
RAL xxxx (Gloss Finish)	-	ALB10=Black Cord 10'	-		-	EC=Emergency Circuit	-	PSQ02U=Lutron T-Series 1% 2-Channel Tunable White driver ²
PSFx=Prem Stock Finish	-	WALL MOUNTS	-		-	<i>(separate power drops for EC fixtures)</i>	-	BATTERIES
(See Pg. 6)	-	AWM=Architectural Wall Mt	-		-	GTD=Generator Transfer Device	-	#EMB6=6W EM Battery (# indicates quantity)
	-	WM=Wall Mount	-		-		-	#EMB10=10W EM Battery (# indicates quantity)
CUSTOM	-	EWM=Extruded Wall Mount	-		-		-	#EMB15=15W EM Battery (# indicates quantity)
PO=Powder Other	-	STEM WITH CANOPY KITS	-		-		-	SENSORS
	-	STEMWxx= Stem White, xx"	-		-		-	DMxx%=Daylight/Motion Sensor (xx%= % Min. Dimming)
	-	STEMBxx= Stem Black, xx"	-		-		-	VDO=Lutron Vive Integral fixture control (RF w/ daylight and occupancy)

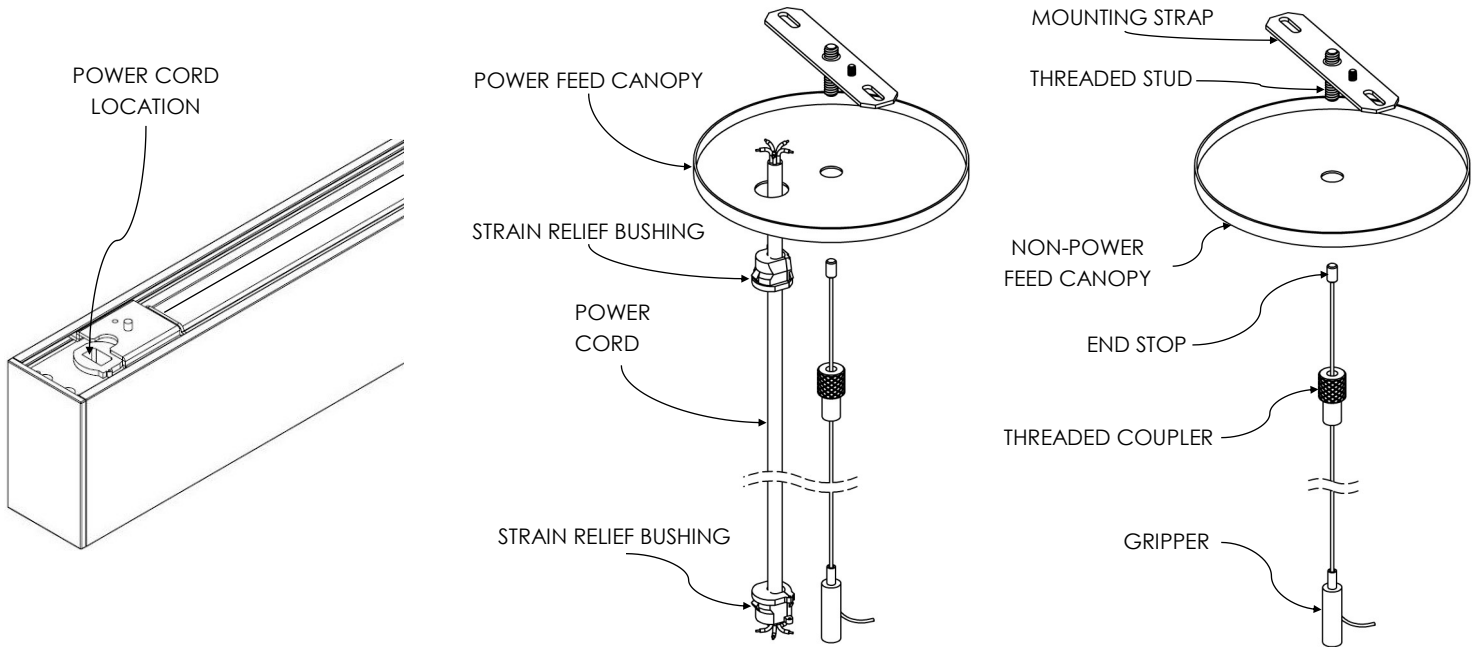
EXAMPLE: SCULPTDI-40-500-750-B80-BW-35K-80-PB-ACWB0-U-1C-1EMB10

¹ Tunable White Driver must be specified in options
² 50 Watt Max. Dual driver required for higher fixture wattage

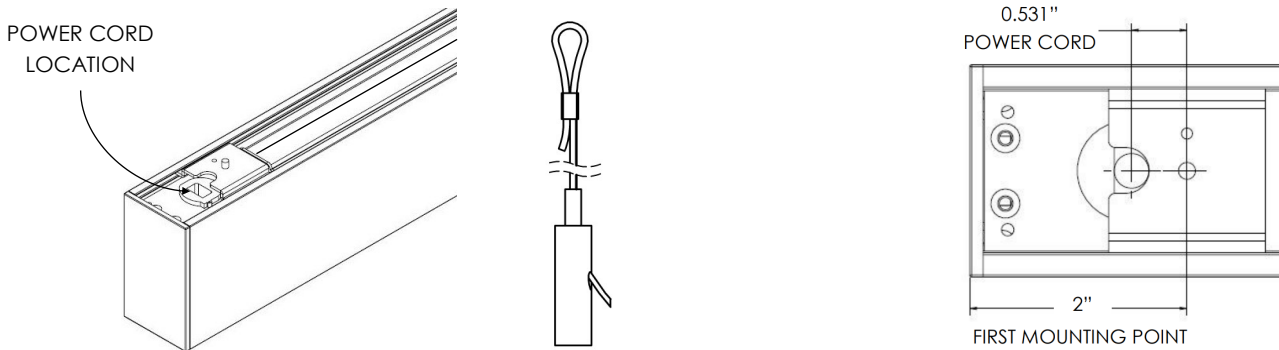
Type:	
Project:	
REP/Agent:	
Order #:	

MOUNTING OPTIONS

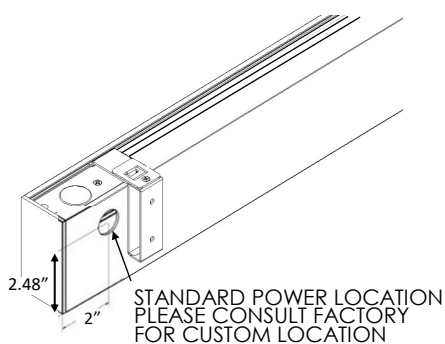
ACxxx (Aircraft Cable with Canopy) - Drywall, Solid, Tile (On-Grid), Tile (Off-Grid)



ALxxx (Aircraft Cable with Loops)

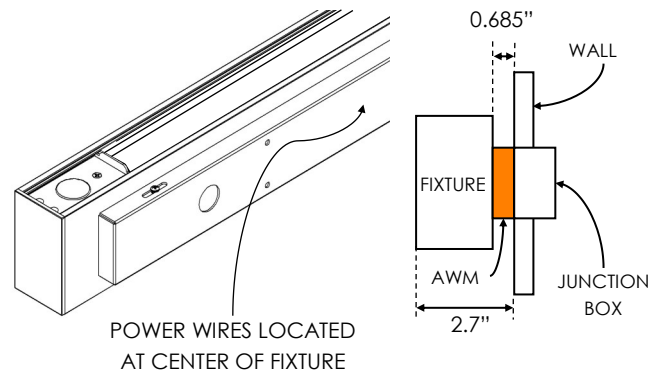


WM (Wall Mount)



2.48"
2"
STANDARD POWER LOCATION
PLEASE CONSULT FACTORY
FOR CUSTOM LOCATION

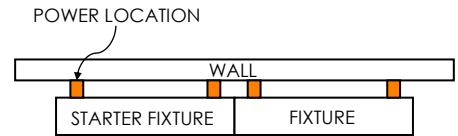
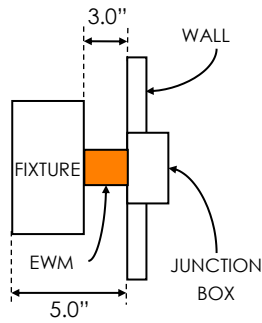
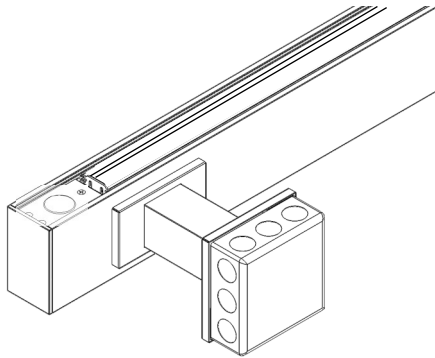
AWM (Architectural Wall Mount)



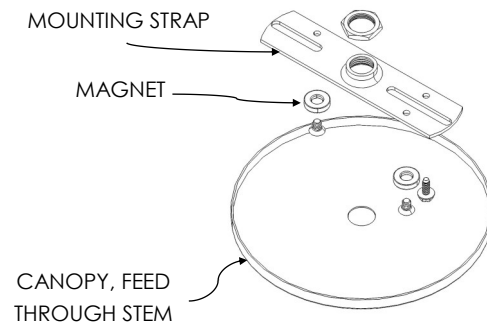
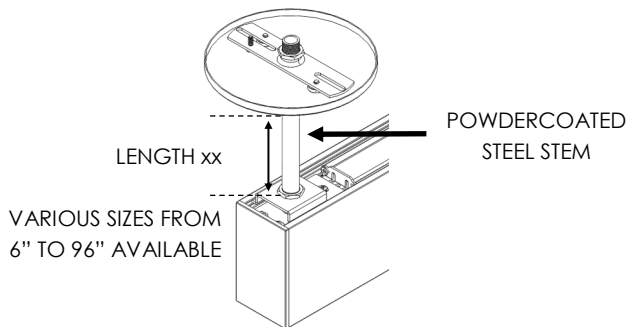
Type:	
Project:	
REP/Agent:	
Order #:	

MOUNTING OPTIONS, CONTINUED

EWM (Extruded Wall Mount)



STEMWxx, STEMBxx (Stem Mount)



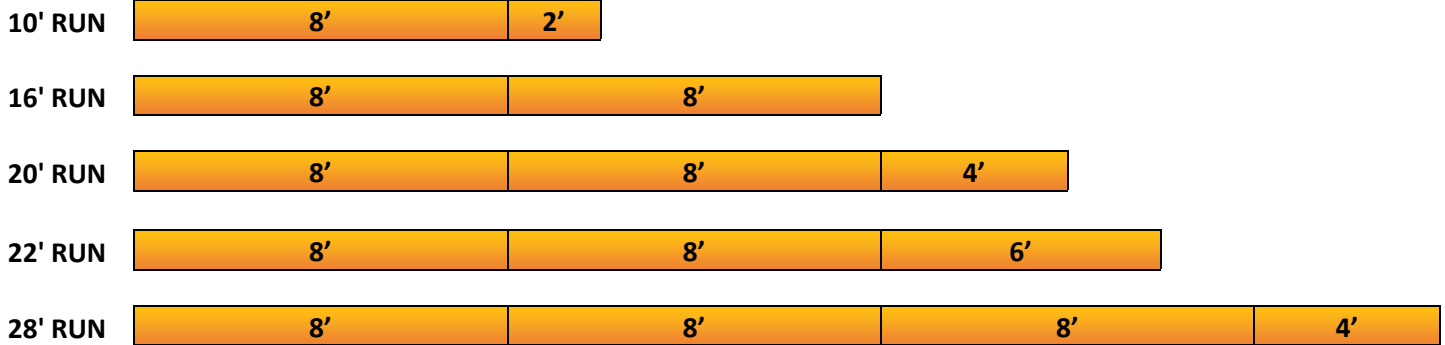
Type:	
Project:	
REP/Agent:	
Order #:	

ROW CONFIGURATIONS

xx (Run Length)

The standard construction of run lengths is to build with as many 8' sections as possible and finish the run with a shorter length fixture if necessary.

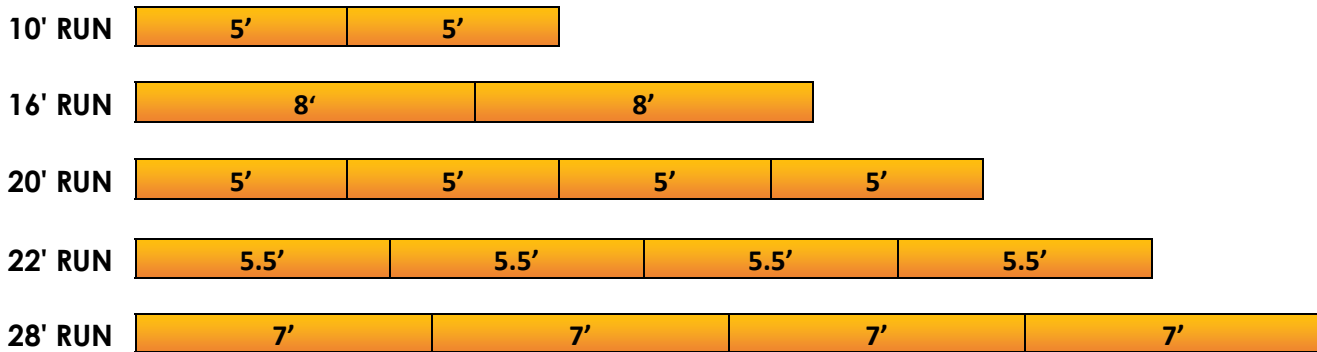
Examples of the standard construction of runs over 8' are as follows:



SRxx (Symmetric Run)

The construction of SRxx is to build with equal length fixtures. Please indicate this on your P.O. when placing your order.

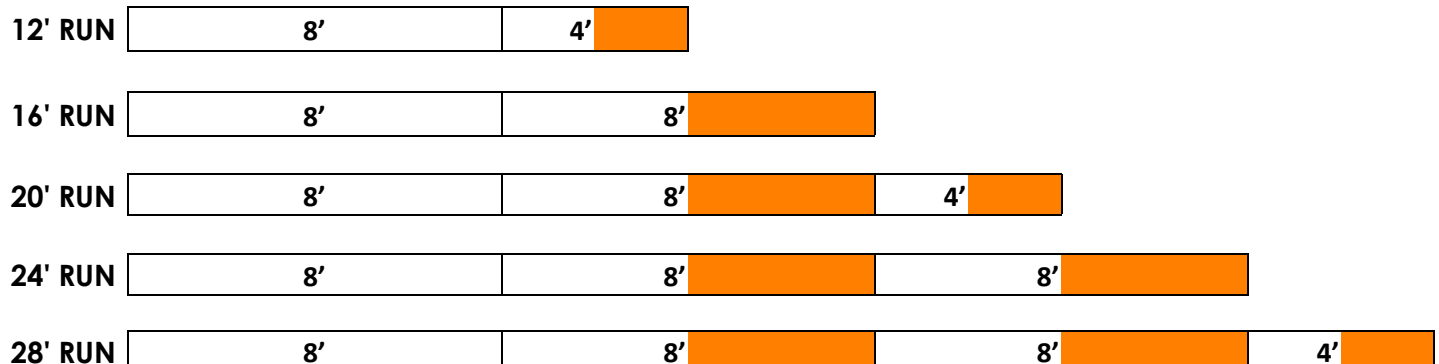
Examples of symmetric construction of runs over 8' are as follows:



MOUNTING LOCATIONS

Each starter or individual fixture will be provided with (2) mounting supports (). Each additional fixture will be provided with (1) support which can be located anywhere along the 2nd half of the fixture (highlighted below):

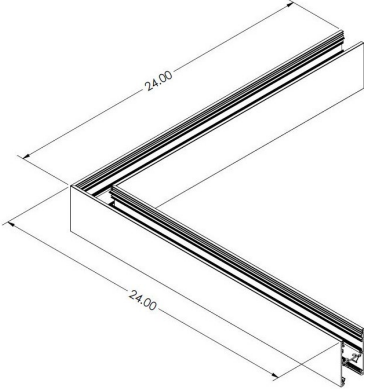
Examples of continuous run mounting locations are as follows:



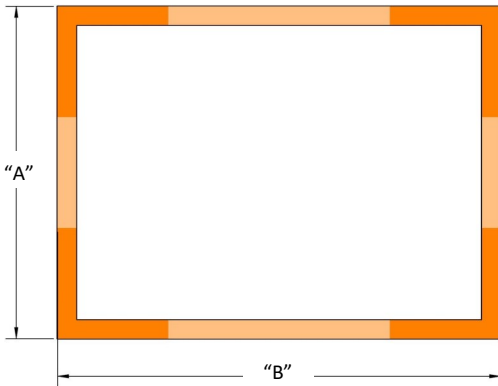
Type:	
Project:	
REP/Agent:	
Order #:	

JOINT SHAPE CONFIGURATION WITH MITER CUTS

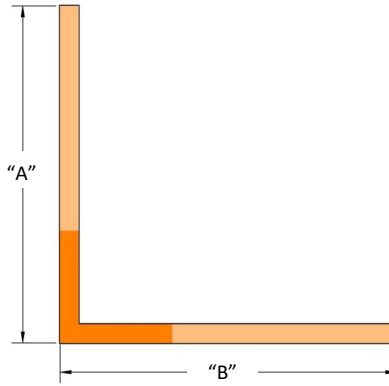
We provide joint configurations in the stock size of 24" X 24" as shown below.



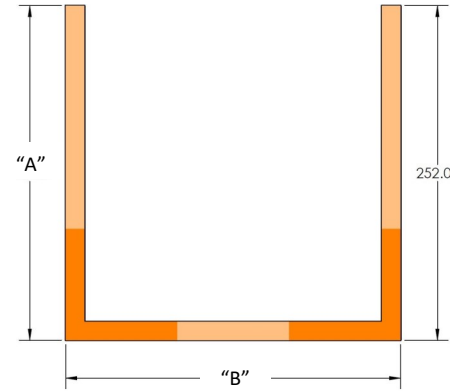
_x_RECT
Rectangle
Supply AxB dimensions



_x_L
L-Shape
Supply AxB dimensions



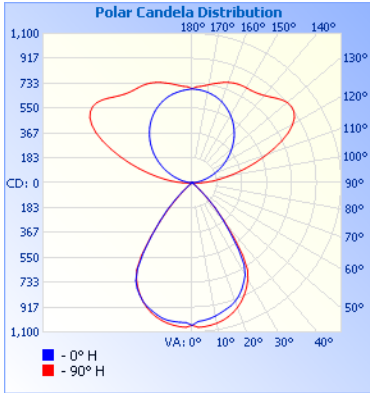
_x_x_U
U-Shape
Supply AxBxC dimensions



Type:	
Project:	
REP/Agent:	
Order #:	

PERFORMANCE

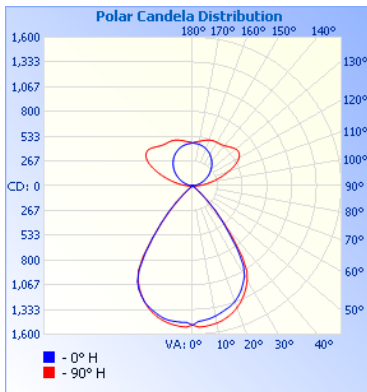
SCULPTDI-X-350-750-B80-BW (80+ CRI)



Model	Lumens	Watts	LPW
SCULPTDI-4-350-750-B80-BW-30K	4,400	37	120
SCULPTDI-4-350-750-B80-BW-35K	4,400	36	123
SCULPTDI-4-350-750-B80-BW-40K	4,400	35	126
SCULPTDI-4-350-750-B80-BW-50K	4,400	34	130

Model	Lumens	Watts	LPW
SCULPTDI-8-350-750-B80-BW-30K	8,800	69	127
SCULPTDI-8-350-750-B80-BW-35K	8,800	68	130
SCULPTDI-8-350-750-B80-BW-40K	8,800	66	133
SCULPTDI-8-350-750-B80-BW-50K	8,800	64	137

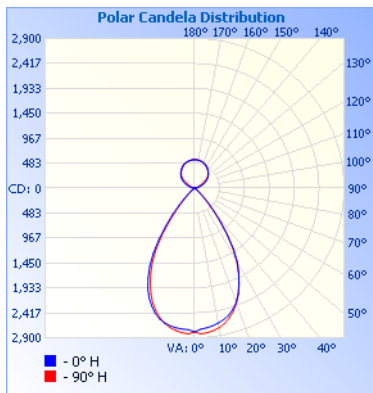
SCULPTDI-X-500-500-B80-BW (80+ CRI)



Model	Lumens	Watts	LPW
SCULPTDI-4-500-500-B80-BW-30K	4,000	34	119
SCULPTDI-4-500-500-B80-BW-35K	4,000	33	122
SCULPTDI-4-500-500-B80-BW-40K	4,000	32	125
SCULPTDI-4-500-500-B80-BW-50K	4,000	31	129

Model	Lumens	Watts	LPW
SCULPTDI-8-500-500-B80-BW-30K	8,000	63	126
SCULPTDI-8-500-500-B80-BW-35K	8,000	62	129
SCULPTDI-8-500-500-B80-BW-40K	8,000	61	132
SCULPTDI-8-500-500-B80-BW-50K	8,000	59	136

SCULPTDI-X-750-350-B50-CL (80+ CRI)



Model	Lumens	Watts	LPW
SCULPTDI-4-750-350-B50-CL-30K	4,400	38	110
SCULPTDI-4-750-350-B50-CL-35K	4,400	37	113
SCULPTDI-4-750-350-B50-CL-40K	4,400	36	116
SCULPTDI-4-750-350-B50-CL-50K	4,400	35	120

Model	Lumens	Watts	LPW
SCULPTDI-8-750-350-B50-CL-30K	8,800	72	117
SCULPTDI-8-750-350-B50-CL-35K	8,800	70	120
SCULPTDI-8-750-350-B50-CL-40K	8,800	69	123
SCULPTDI-8-750-350-B50-CL-50K	8,800	67	127

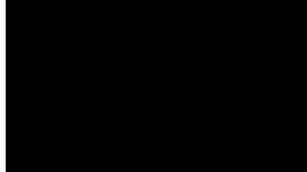
Type:	
Project:	
REP/Agent:	
Order #:	

FINISHES

STANDARD FINISHES



WHITE MINI TEXTURE



BLACK MINI TEXTURE

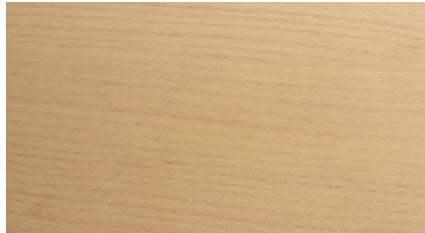


SILVER SPARKLE TEXTURE

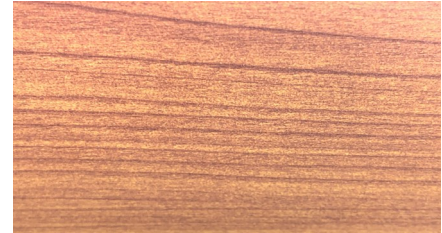
PREMIUM STOCK FINISHES



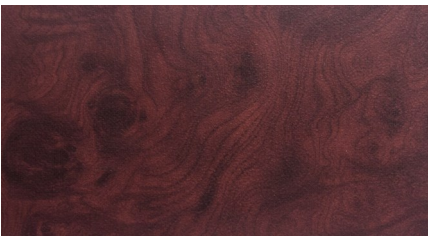
PSF001 (WOOD#1)



PSF002 (WOOD#2)



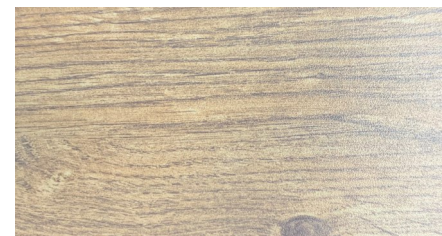
PSF003 (WOOD#3)



PSF004 (WOOD#4)



PSF005 (WOOD#5)



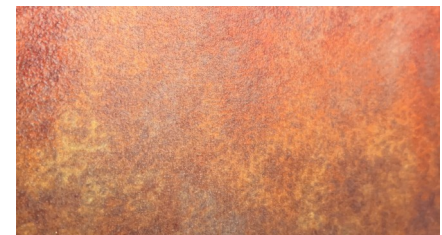
PSF006 (WOOD#6)



PSF007 (STONE #1)



PSF008 (STONE #2)



PSF009 (METAL #1)

NOTE: A minimal impact to lead times will apply to products specified with Premium Stock Finishes (PSF). It is not to be assumed that these finishes are stocked in our warehouse, but rather, are readily available to us for your project.

All other custom finishes (PO) will incur a set up fee and will add an extended lead time to your project.

Type:	
Project:	
REP/Agent:	
Order #:	

SPECIFICATIONS

Housing

Nominal 2" x 3 1/2" square housing of continuous extruded 6063 T5 aluminum.

Color

Colors for the housing are available in a powder coated white, black, silver and woodgrain with end cap to match. Consult factory for custom colors.

Luminaire Length

2', 4', 6' or 8' lengths are available for a single stand-alone section. Using internal joiners, these sections can be joined to form longer rows.

End Caps

Injection molded flat end caps are mechanically attached with no exposed fasteners to enhance architectural aesthetic and prevent light leak (woodgrain is standard in metal).

Source

Lumen packages are available in four color temperature options (3000K, 3500K, 4000K and 5000K) — all within 2.5 MacAdam ellipses.

Certification

Intertek cETLus Listed. RoHS (Restriction of Hazardous Substances) and Buy American Act compliant.

Battery

Philips Bodine lithium ion battery providing up to 780lm(6W) or up to 1300lm(10W) for 90 minutes. UL924 listed. Class 2 compliant. Meets Title 20 CEC (California Energy Commission) efficiency standards.

Environment

Suitable for dry and damp locations.
Operating temp.: -40°C to +50°C
-40°F to +122°F

Dimming Driver

Universal Lighting Technologies (ULT) Everline series of LED drivers allows tunable output currents to achieve infinite configurations of output. UL Class 2 recognized. 0-10v interface can be wired as Class 1 or Class 2 circuit. Included 2.5Kw ring and wave overcurrent protection, isolation of each individual output and a fully potted driver to protect from heat and vibration. Power factor <.93

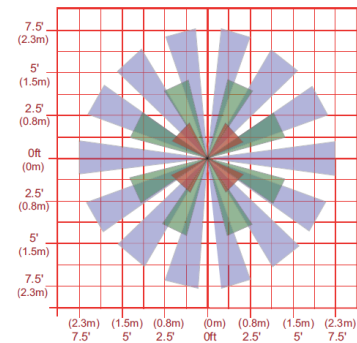
Packaging

Sustainably manufactured outside cardboard box and biodegradable, protective poly-foam luminaire inserts.

CONTROL

Sensor

Wattstopper FS-205 v2 Low Voltage PIR. Integrated photosensor for hold-off daylighting control. 24VDC operating voltage. Adjustable time delay (30 seconds to 30 minutes).



COMPANION PRODUCTS

Sculptura Direct



WARRANTY

5-year limited warranty. Complete warranty terms can be located at:

http://www.starteklightingamerica.com/images/pdf/warranty/Beam_Series_Warranty.pdf

Note: Actual performance may differ as a result of installation environment and final application. All values are design or typical values, measured under laboratory conditions, at 25°C (77°F) .