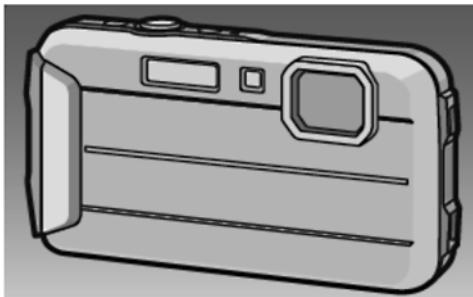


Service Manual

Digital Camera



LUMIX



Model No. **DMC-FT30EG**
DMC-FT30EP
DMC-FT30EF
DMC-FT30EB
DMC-FT30EE
DMC-FT30GC
DMC-FT30GA
DMC-FT30GN
DMC-TS30P
DMC-TS30PC
DMC-TS30PU
DMC-TS30GK

Colour

(K).....Black Type(Except PC/GK)
(A).....Blue Type
(R).....Red Type
(D).....Orange Type(Except GK)

Please use this manual together with the service manual for
Model No.DMC-FT25EB/EE/EF/EG/EP/GA/GC/GF/GN, DMC-TS25P/PC/PU/GK, Order No.DSC1302002CE

WARNING

This service information is designed for experienced repair technicians only and is not designed for use by the general public. It does not contain warnings or cautions to advise non-technical individuals of potential dangers in attempting to service a product. Products powered by electricity should be serviced or repaired only by experienced professional technicians. Any attempt to service or repair the product or products dealt with in this service information by anyone else could result in serious injury or death.

Panasonic[®]

© Panasonic Corporation 2015 Unauthorized copying and distribution is a violation of law.

TABLE OF CONTENTS

	PAGE	PAGE
1 Introduction -----	3	
2 Service Navigation -----	4	
2.1. How to Define the Model Suffix (NTSC or PAL model)-----	4	
3 Replacement Parts List -----	8	
3.1. Electrical Component -----	8	
3.2. Frame and Casing Section -----	8	
3.3. Packing and Accessories Section -----	9	

1 Introduction

- The purpose of issuing this Service Manual is that to introduce the following newly added models.
DMC-FT30EG/EP/EF/EB/EE/GC/GA/GN, DMC-TS30P/PC/PU/GK
- This Service Manual contains technical information which will help service personnel to understand and service the Digital Camera; DMC-FT30EG/EP/EF/EB/EE/GC/GA/GN, DMC-TS30P/PC/PU/GK.
- Since this Service Manual does not cover the same part which is already described in the Original Service Manual for DMC-FT30,TS30 series, when servicing, refer to the descriptions in the Service Manual for DMC-FT25EB/EE/EF/EG/EP/GA/GC/GF/GN,TS25P/PC/PU/GK, Order No.DSC1302002CE.

2 Service Navigation

2.1. How to Define the Model Suffix (NTSC or PAL model)







There are seven kinds of DMC-FT30/TS30, regardless of the colours.

- a) DMC-TS30P/PC
- b) DMC-FT30EB/EF/EG/EP
- c) DMC-FT30EE
- d) DMC-FT30GN
- e) DMC-TS30GK
- f) DMC-FT30GC/GA,DMC-TS30PU

What is the difference is that the "INITIAL SETTINGS" data which is stored in Flash ROM mounted on Main P.C.B.

2.1.1. Defining methods

To define the model suffix to be serviced, refer to the nameplate which is putted on the bottom side of the Unit.

<p>a) DMC-TS30P/PC The nameplate for these models show the following Safety registration mark.</p> 	 <p>Safety registration mark</p>
<p>b) DMC-FT30EB/EF/EG/EP The nameplate for these models show the following Safety registration mark.</p> 	
<p>c) DMC-FT30EE The nameplate for this model show the following Safety registration mark.</p> 	<p>e) DMC-TS30GK The nameplate for this model show the following Safety registration mark.</p> 
<p>d) DMC-FT30GN The nameplate for this model show the following Safety registration mark.</p> 	<p>f) DMC-FT30GC/GA,DMC-TS30PU The nameplate for these models do not show any above safety registration mark.</p>

Note:

After replacing the Main P.C.B., be sure to achieve adjustment.

The Maintenance software (DIAS) is available at "software download" on the "Support Information from NWBG/VDBG-AVC" web-site in "TSN system".

2.1.2. INITIAL SETTINGS

After replacing the Main P.C.B., be sure to perform the initial settings after achieving the adjustment by ordering the following procedure in accordance with model suffix of the unit.

1. IMPORTANT NOTICE:

Before proceeding Initial settings, be sure to read the following CAUTIONS.

CAUTION 1:(INITIAL SETTINGS)

---AFTER REPLACING THE MAIN P.C.B. ---

*.The model suffix can be chosen **JUST ONE TIME.**

(Model suffix : DMC-FT30;"EE/GC/GA/GN",DMC-TS30;"P/PC/PU/GK")

*.Once one of the model suffix has been chosen, the model suffix lists will not be displayed, thus, it can not be changed.

[Note:Only for "EG, EF, EB and EP" models]

*.When one of the "EG, EF, EB and EP" has been chosen, only "EG, EF, EB and EP" are displayed from second times.

CAUTION 2:(Stored picture image data in the unit)

This unit employs "Built-in Memory" for picture image data recording.(Approx.220MB)

After proceeding "INITIAL SETTINGS", the picture image data stored in the unit is erased.

2. PROCEDURES:

- Precautions: Read the above "CAUTION 1" and "CAUTION 2", carefully
- Preparation:
 1. Attach the Battery to the unit.
 2. Set to NORMAL PICTURE mode by operating the mode button.

Note:

If the picture mode is other than NORMAL PICTURE mode, it does not display the initial settings menu.

• Step 1. The temporary cancellation of "INITIAL SETTINGS":

While keep pressing "UP of Cursor button" and MOTION PICTURE button simultaneously, turn the Power on.

• Step 2. The cancellation of "INITIAL SETTINGS":

Press the PLAYBACK button.

Press "UP of Cursor button" and MOTION PICTURE button simultaneously, then turn the Power off.

• Step 3. Turn the Power on:

Turn the Power on.

• **Step 4. Display the "INITIAL SETTINGS" menu:**

While keep pressing MENU/SET and "RIGHT of Cursor button" simultaneously, turn the Power off.

The "INITIAL SETTINGS" menu is displayed.

There are two kinds of "INITIAL SETTINGS" menu form as follows:

[CASE 1. After replacing Main P.C.B.]

When Main P.C.B. has just been replaced, the following model suffix list is displayed as follows. (Six pages in total)

The following table summarizes the model suffix options shown in the six screenshots of the "INITIAL SETTINGS" menu for Case 1:

Screenshot	Page	Selected Option	Available Options	Excluded Models
1	1/6	NONE (JAPAN)	P, EG, PU, GD	(No "Japan domestic" model)
2	2/6	GC	GT, GK, EF, EB	DMC-FT30GC (No "GT" model), DMC-TS30GK, DMC-FT30EF, DMC-FT30EB
3	3/6	EE	GN, PC, PR, GJ	DMC-FT30EE, DMC-FT30GN, DMC-TS30PC, (No "PR" model), (No "GJ" model)
4	4/6	SG	LB, EC, GH, EP	(No "SG" model), (No "LB" model), (No "EC" model), (No "GH" model), DMC-FT30EP
5	5/6	EN	GF, GM, GA, PB	(No "EN" model), (No "GF" model), (No "GM" model), DMC-FT30GA, (No "PB" model)
6	6/6	JPC	EA	(No "JPC" model), (No "EA" model)

[CASE 2. Other than "After replacing Main P.C.B."]

< Other than "EG/EF/EB/EP" models >

< Only "EG/EF/EB/EP" models >

The following table summarizes the model suffix options shown in the three screenshots of the "INITIAL SETTINGS" menu for Case 2:

Screenshot	Page	Selected Option	Available Options	Excluded Models
1	-	GK	TS30	(No "EC" model)
2	1/2	EG	EF, EB, EC, EP	(No "EC" model)
3	2/2	EN	FT30	(No "EN" model)

• **Step 5. Choose the model suffix in "INITIAL SETTINGS": (Refer to "CAUTION 1")**

[Caution: After replacing Main P.C.B.]

(Especially, other than "EG, EF, EB and EP" models)

The model suffix can be chosen, JUST ONE TIME.

Once one of the model suffix have been chosen, the model suffix lists will not be displayed, thus, it can be changed.

Therefore, select the area carefully.

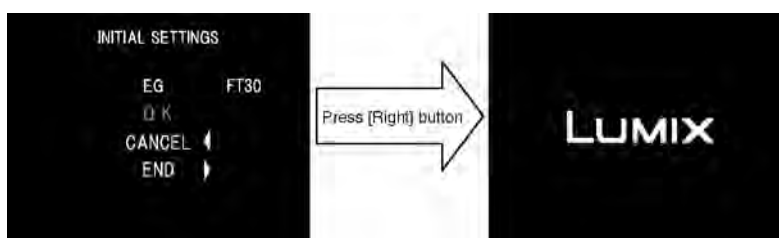
Select the area with pressing "UP / DOWN of Cursor buttons".

• **Step 6. Set the model suffix at "INITIAL SETTINGS":**

Press the "RIGHT" of Cursor buttons".

The only set area is displayed. Press the "RIGHT" of Cursor buttons" after confirmation.

(The unit is powered off automatically.)



• **Step 7. CONFIRMATION:**

Confirm the display of "PLEASE SET THE CLOCK" in concerned language when the unit is turned on again.


When the unit is connected to PC with USB cable, it is detected as removable media.

1) As for your reference, major default setting condition is as shown in the following table.

Default setting (After "INITIAL SETTINGS")

	MODEL	VIDEO OUTPUT	LANGUAGE	DATE	REMARKS
a)	DMC-FT30EB	PAL	English	Date/Month/Year	
b)	DMC-FT30EE	PAL	Russian	Date/Month/Year	
c)	DMC-FT30EF	PAL	English	Date/Month/Year	
d)	DMC-FT30EG	PAL	English	Date/Month/Year	
e)	DMC-FT30EP	PAL	English	Date/Month/Year	
f)	DMC-FT30GA	PAL	English	Date/Month/Year	
g)	DMC-FT30GC	PAL	English	Date/Month/Year	
h)	DMC-FT30GN	PAL	English	Date/Month/Year	
i)	DMC-TS30GK	PAL	Chinese (Simplified)	Year/Month/Date	
j)	DMC-TS30P	NTSC	English	Month/Date/Year	
k)	DMC-TS30PC	NTSC	English	Month/Date/Year	
l)	DMC-TS30PU	NTSC	Spanish	Month/Date/Year	

3 Replacement Parts List

- Note:
1. * Be sure to make your orders of replacement parts according to this list.
 2. **IMPORTANT SAFETY NOTICE**
Components identified with the mark  have the special characteristics for safety.
When replacing any of these components, use only the same type.
 3. Unless otherwise specified,
All resistors are in OHMS, K=1,000 OHMS. All capacitors are in MICRO-FARADS (uf), P=uuF.
 4. The marking (RTL) indicates the retention time is limited for this item. After the discontinuation of this assembly in production, it will no longer be available.
 5. Supply of CD-ROM, in accordance with license protection, is allowable as replacement parts only for customers who accidentally damaged or lost their own.

E.S.D. standards for Electrostatically Sensitive Devices, refer to PREVENTION OF ELECTROSTATIC DISCHARGE (ESD) TO ELECTROSTATICALLY SENSITIVE (ES) DEVICES section.

Definition of Parts supplier:

1. Parts marked with [ENERGY] in the remarks column are supplied from Panasonic Corporation Energy Company.
2. Parts marked with [SPC] in the remarks column are supplied from AVC-CSC-SPC. Others are supplied from PAVCX.

3.1. Electrical Component

COMPARISON CHART:

The following tables show the difference between DMC-FT25/TS25 series and DMC-FT30/TS30 series.

Safety	Ref No.	Original Part No. DMC-FT25/TS25 series	New Part No. DMC-FT30/TS30 series	Part Name & Descriptions	Pcs	Remarks
	FP9006	K1MY15BA0235	K1MY15BA0575	CONNECTOR 15P	1	
	IC6002	RS10405	RS10760	IC	1	

3.2. Frame and Casing Section

COMPARISON CHART:

The following tables show the difference between DMC-FT25/TS25 series and DMC-FT30/TS30 series.

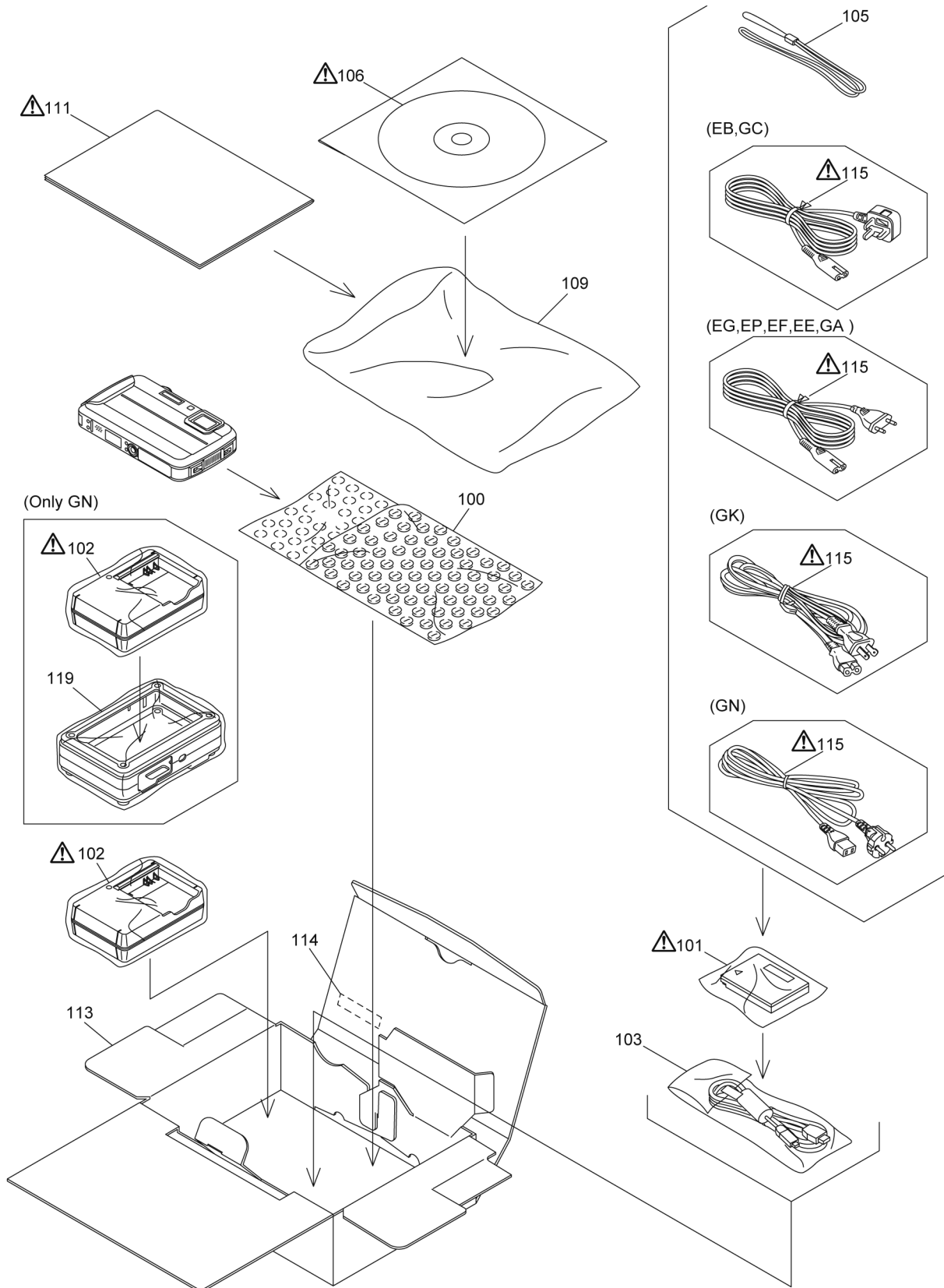
Safety	Ref No.	Original Part No. DMC-FT25/TS25 series	New Part No. DMC-FT30/TS30 series	Part Name & Descriptions	Pcs	Remarks
	4	VEP56146B	VEP56146D	MAIN P.C.B.	1	(RTL) E.S.D.
	6	L0AA01A00125	L0AA01A00175	SPEAKER	1	
	39	VYK6E06	VYK6U49	FRONT ALMI CASE UNIT	1	(-K)
	39	VYK6E12	VYK6U50	FRONT ALMI CASE UNIT	1	(-R)
	39	VYK6E10	VYK6U47	FRONT ALMI CASE UNIT	1	(-A)
	39	-----	VYK6U48	FRONT ALMI CASE UNIT	1	(-D)
	40	VKM0D26	VKM0K12	REAR ALMI CASE	1	(-A)
	40	-----	VKM0J90	REAR ALMI CASE	1	(-D)
	41	VKM0D28	VKM0K13	TOP CASE	1	EG-K/A/R,EP-K/A/R,EF-K/A/R,EB-K/A/R,EE-K/R,GC-K/A/R,GA-K/A/R,GN-K/A/R
	41	VKM0D29	VKM0K13	TOP CASE	1	P-K/A/R,PC-A/R,PU-K/A/R,GK-A/R
	41	-----	VKM0K13	TOP CASE	1	(-D),EE-A

3.3. Packing and Accessories Section

Safety	Ref No.	Part No.	Part Name & Descriptions	Pcs	Remarks
	100	VPF1458	CAMERA BAG	1	EG,EP,EF,EB,EE,GC,GA,GN,GK
▲	101	-----	BATTERY PACK	1	EG,EP,EF,EB,EE,GC,GA,GN,GK
▲	102	DE-A92AC/SXP	BATTERY CHARGER	1	EG,EP,EF,EB,EE,GN
▲	102	DE-A92BC/SXP	BATTERY CHARGER	1	GC,GA,GK
	103	K1HY08YY0031	USB CABLE	1	EG,EP,EF,EB,EE,GC,GA,GN,GK
	105	VFC4297	HAND STRAP	1	EG,EP,EF,EB,EE,GC,GA,GN,GK
▲	106	SFM0076	CD-R(SOFTWARE/INSTRUCTION BOOK)	1	EG,EP,EF,EB See "Notes"
▲	106	SFM0079	CD-R(SOFTWARE/INSTRUCTION BOOK)	1	EE,GC,GA,GN See "Notes"
▲	106	SFM0080	CD-R(SOFTWARE/INSTRUCTION BOOK)	1	GK See "Notes"
	109	VPF1539	POLYETHYLENE BAG	1	EG,EP
	109	VPF1547	POLYETHYLENE BAG	1	EF,EB,EE,GC,GA,GN,GK
▲	111	SQT0721	BASIC O/I (GERMAN/TURKISH)	1	EG
▲	111	SQT0724	BASIC O/I (ITALIAN)	1	EG
▲	111	SQT0723	BASIC O/I (SPANISH/PORTUGUESE)	1	EG
▲	111	SQT0722	BASIC O/I (FRENCH/DUTCH)	1	EG,EF
▲	111	SQT0725	BASIC O/I (SWEDISH/DANISH)	1	EP
▲	111	SQT0726	BASIC O/I (POLISH/CZECH)	1	EP
▲	111	SQT0727	BASIC O/I (HUNGARIAN/FINNISH)	1	EP
▲	111	SQT0728	BASIC O/I (ENGLISH)	1	EB
▲	111	SQT0729	BASIC O/I (RUSSIAN/UKRAINIAN)	1	EE
▲	111	SQT0730	BASIC O/I (ENGLISH/CHINESE(TRADITIONAL))	1	GC,GA
▲	111	SQT0731	BASIC O/I (ARABIC)	1	GC,GA
▲	111	SQT0732	BASIC O/I (VIETNAMESE)	1	GA
▲	111	SQT0734	BASIC O/I (ENGLISH)	1	GN
▲	111	SQT0733	BASIC O/I (CHINESE(SIMPLIFIED))	1	GK
	113	SPK0051	PACKING CASE	1	EG,EP,EF,EB,EE,GC,GA,GN
	113	SPK0052	PACKING CASE	1	GK
	114	VQL2X49	COLOR LABEL	1	EG-K,EP-K,EF-K,EB-K,EE-K,GC-K,GA-K,GN-K
	114	VQL3B09	COLOR LABEL	1	EG-R,EP-R,EF-R,EB-R,EE-R,GC-R,GA-R,GN-R
	114	VQL2Z72	COLOR LABEL	1	EG-D,EP-D,EF-D,EB-D,EE-D,GC-D,GA-D,GN-D
	114	VQL3B10	COLOR LABEL	1	GK-R
▲	115	K2CQ2YY00082	AC CORD	1	EG,EP,EF,EE,GA
▲	115	K2CT3YY00034	AC CORD	1	EB,GC
▲	115	K2CJ2YY00052	AC CORD	1	GN
▲	115	K2CA2YY00130	AC CORD	1	GK
	119	VMG2068	SILICON JACKET	1	GN
	200	VPF1458	CAMERA BAG	1	P,PC,PU
▲	201	-----	BATTERY PACK	1	P,PC,PU
▲	202	DE-A91BA/SXP	BATTERY CHARGER	1	P,PC,PU
	203	K1HY08YY0031	USB CABLE	1	P,PC,PU
	205	VFC4297	HAND STRAP	1	P,PC,PU
▲	206	SFM0075	CD-R(SOFTWARE/INSTRUCTION BOOK)	1	P,PC,PU See "Notes"
	207	VQL2Y50-AM	OPERATING LABEL (CANADIAN-FRENCH)	1	PC
	209	VPF1547	POLYETHYLENE BAG	1	P,PC,PU
▲	211	SQT0718	BASIC O/I (ENGLISH/SPANISH)	1	P
▲	211	SQT0719	BASIC O/I (ENGLISH/CANADIAN FRENCH)	1	PC
▲	211	SQT0720	BASIC O/I (SPANISH)	1	PU
	213	SPK0049	PACKING CASE	1	P,PC
	213	SPK0050	PACKING CASE	1	PU
	214	VQL2X49	COLOR LABEL	1	P-K PU-K
	214	VQL3B09	COLOR LABEL	1	P-R,PC-R,PU-R
	214	VQL2Z72	COLOR LABEL	1	P-D,PC-D,PU-D

Exploded view

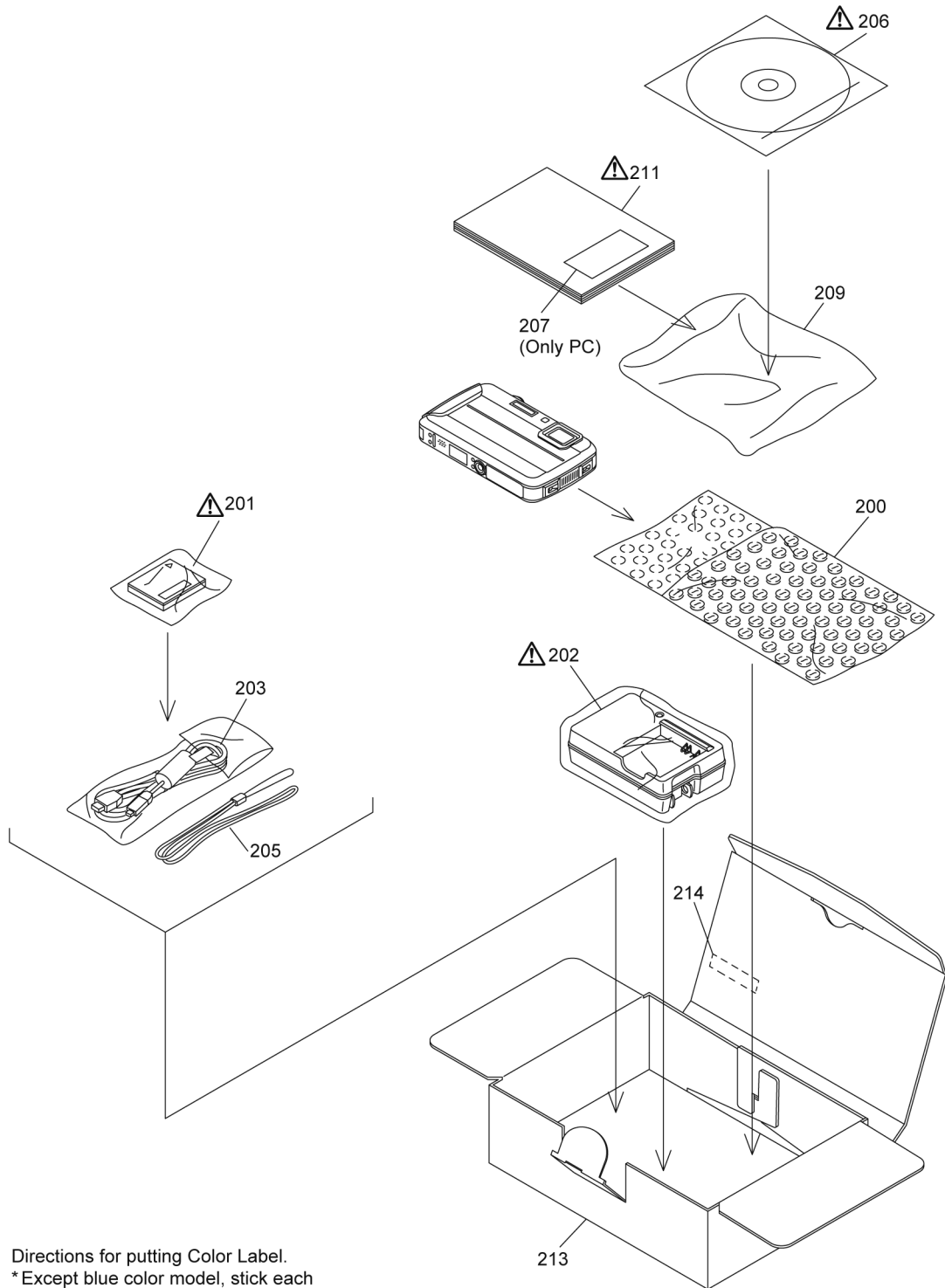
< Except for P / PC / PU >



Directions for putting Color Label.

*Except blue color model, stick each color label (Ref. No. 114) inside the "color indication frame" making sure that the bottom part of the color label is even inside the color indication frame.

< Only P / PC / PU >



Directions for putting Color Label.

*Except blue color model, stick each color label (Ref. No. 214) inside the "color indication frame" making sure that the bottom part of the color label is even inside the color indication frame.