

## 8. Exploded Views and Parts List

8.1 Main Ass'y Exploded view .....	page(8-2)
8.2 OPE & Platen Cover Ass'y (1) Exploded view .....	page(8-3)
OPE & Platen Cover Ass'y (2) Exploded view .....	page(8-4)
8.3 DADF Assembly Exploded view .....	page(8-5)
8.4 Platen Cover Ass'y Exploded view .....	page(8-6)
8.5 DADF SUB Ass'y Exploded view .....	page(8-7)
8.6 Side Cover Ass'y Exploded view .....	page(8-8)
8.7 Cassette Ass'y Exploded view .....	page(8-9)
8.8 Exit Ass'y Exploded view .....	page(8-10)
8.9 Feeder Ass'y Exploded view .....	page(8-11)
8.10 MP Ass'y Exploded view .....	page(8-12)
8.11 Base Frame Exploded view .....	page(8-13)
8.12 Pick-up Ass'y Exploded view .....	page(8-14)
8.13 Drive Ass'y Exploded view .....	page(8-15)
8.14 Main Frame Ass'y Exploded view .....	page(8-16)
8.15 FuserAss'y Exploded view .....	page(8-17)
8.16 SCF Exploded view .....	page(8-18)

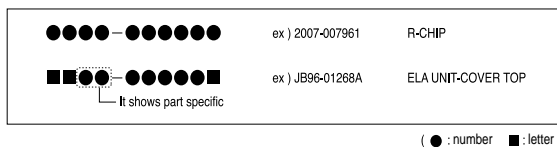
- Exploded drawings and service parts lists are given for items which may be expected to have a higher failure rate.
- Where a failure occurs you can identify the part in the exploded diagram and, using the parts cross reference number, refer to the appropriate parts list to identify the part number.

Note : Parts numbers given here are correct at the time of publication.  
When ordering parts please use the on-line ordering system to check if there have been any changes to part numbers.

### Part Number & Description format.

Part numbers and descriptions are defined according to a company standard. The information below will help you to understand the part number format and assist when ordering spare parts.

- There are two types of Part number format.



**Type 1 :** This format is used throughout Samsung on all product ranges. Typically it is used for small components and electronic parts.

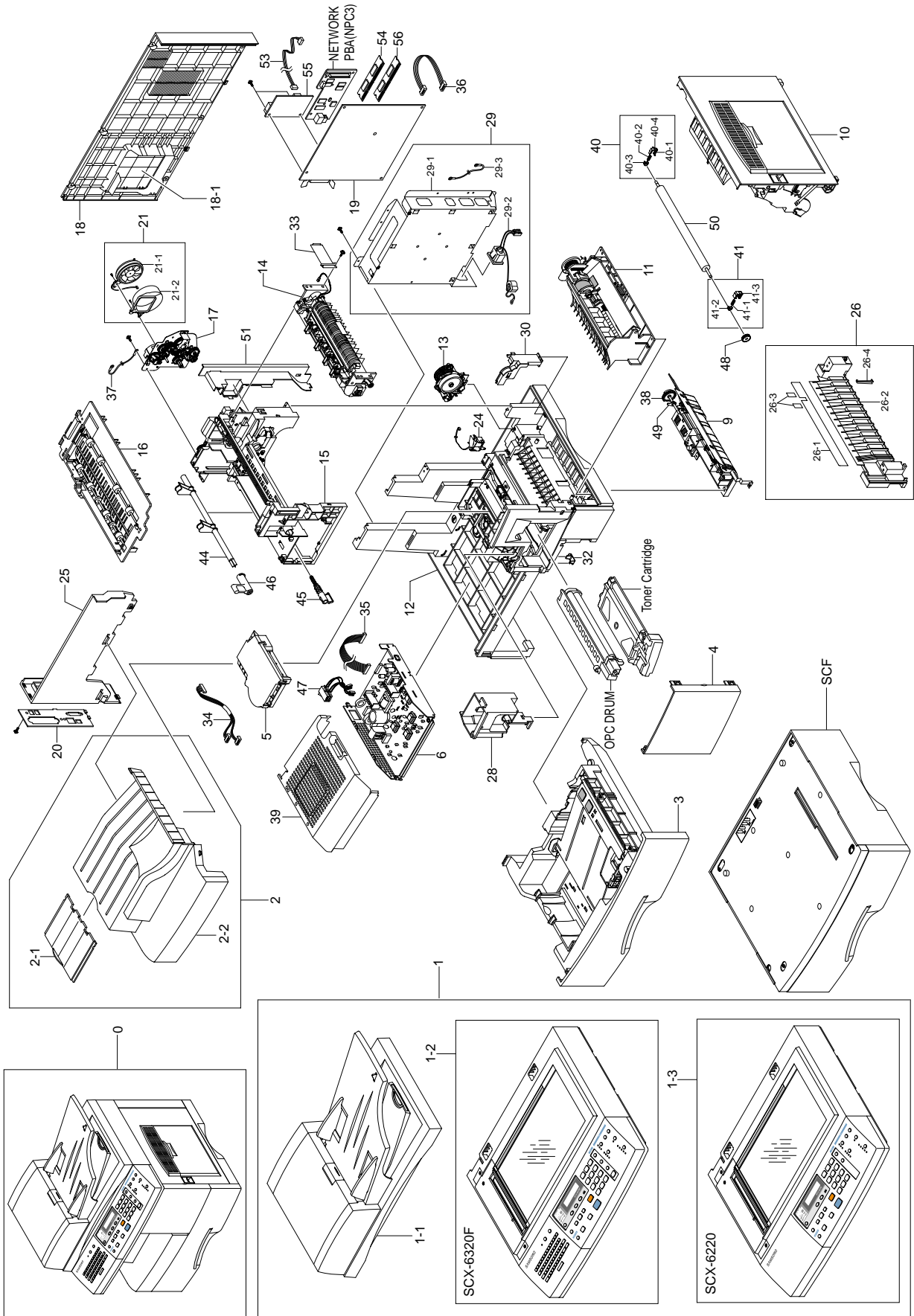
**Type 2 :** This format is controlled by individual Samsung Divisions and is used on specific products, typically for mechanical parts. Type 2 format part numbers fall into 2 categories:

- **A/S privately used part :** It is only used for A/S .
- **Ass'y part :** Assemblies consisting of 2 or more parts. Also used for Service manuals, user guides and diagrams.

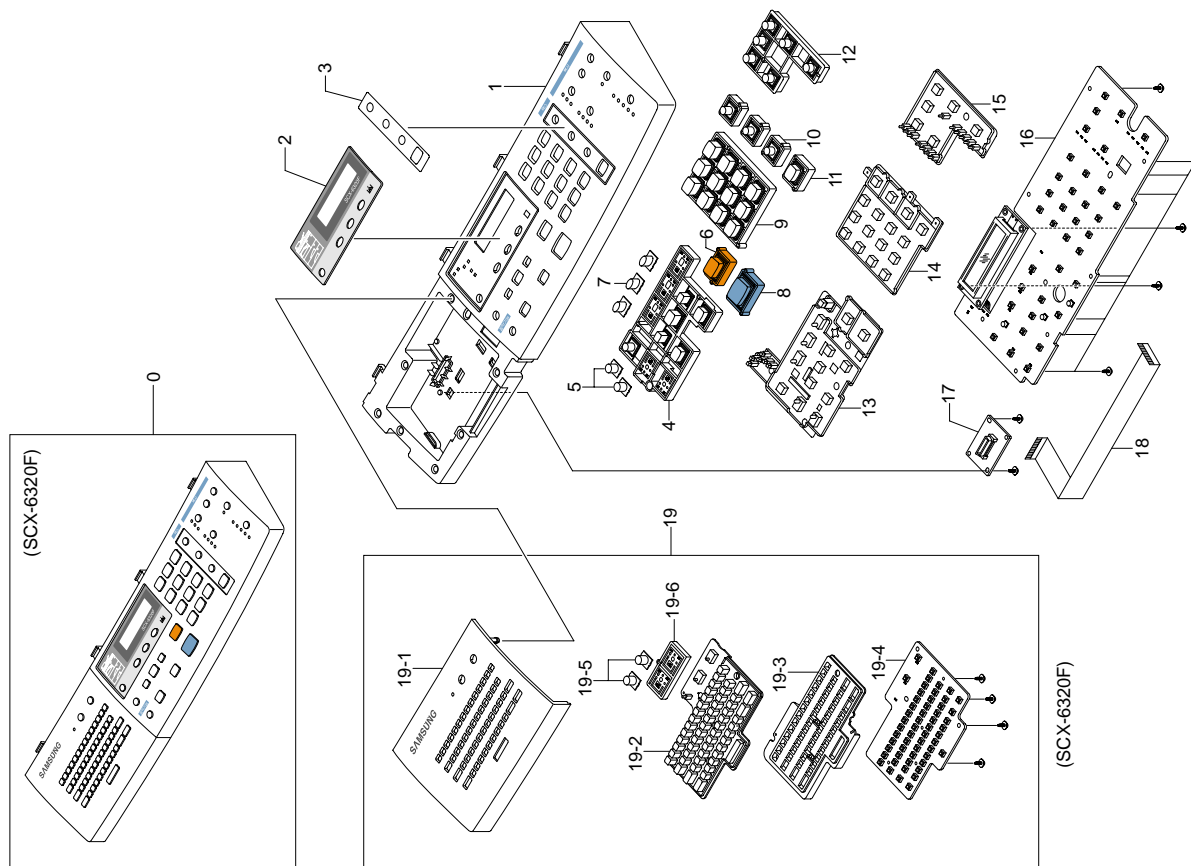
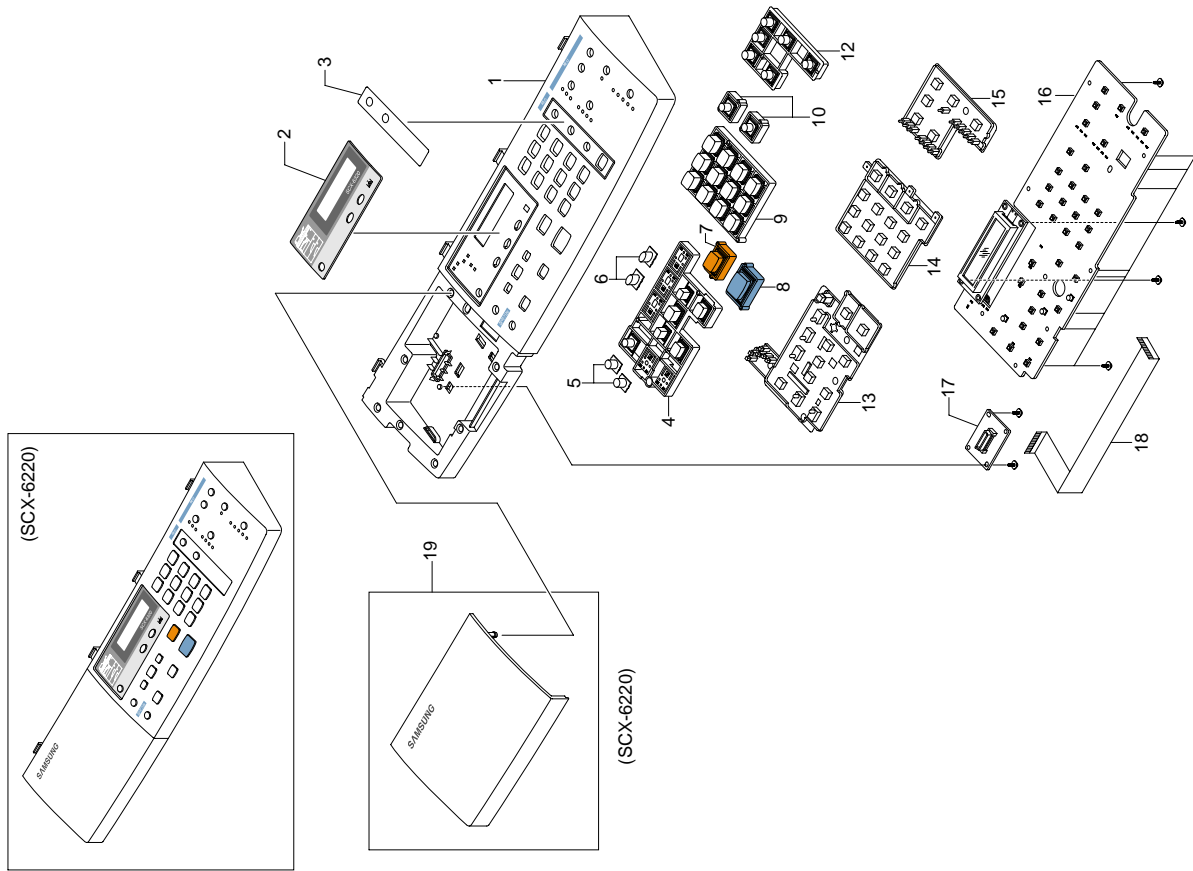
• Ass'y parts and A/S privately used Parts can be distinguished by the part Code and Description. They are always Type 2 format. The 2 leading characters indicate private or assembly parts.

DIVISION	PART CODE	DESCRIPTION
A/S Private	**81-***** (JB81-00039A)	AS-***** (AS-USE)
ASSY Part	**75-***** (JB75-00068A)	MEC-***** (MEC-CHUTE)
ASSY Part	**92-***** (JB92-01131A)	PBA ***** (PBA MAIN-CONTROLLER)
ASSY Part	**97-***** (JB97-01089A)	MEA ***** (MEA UNIT-PULLEY IDLE)

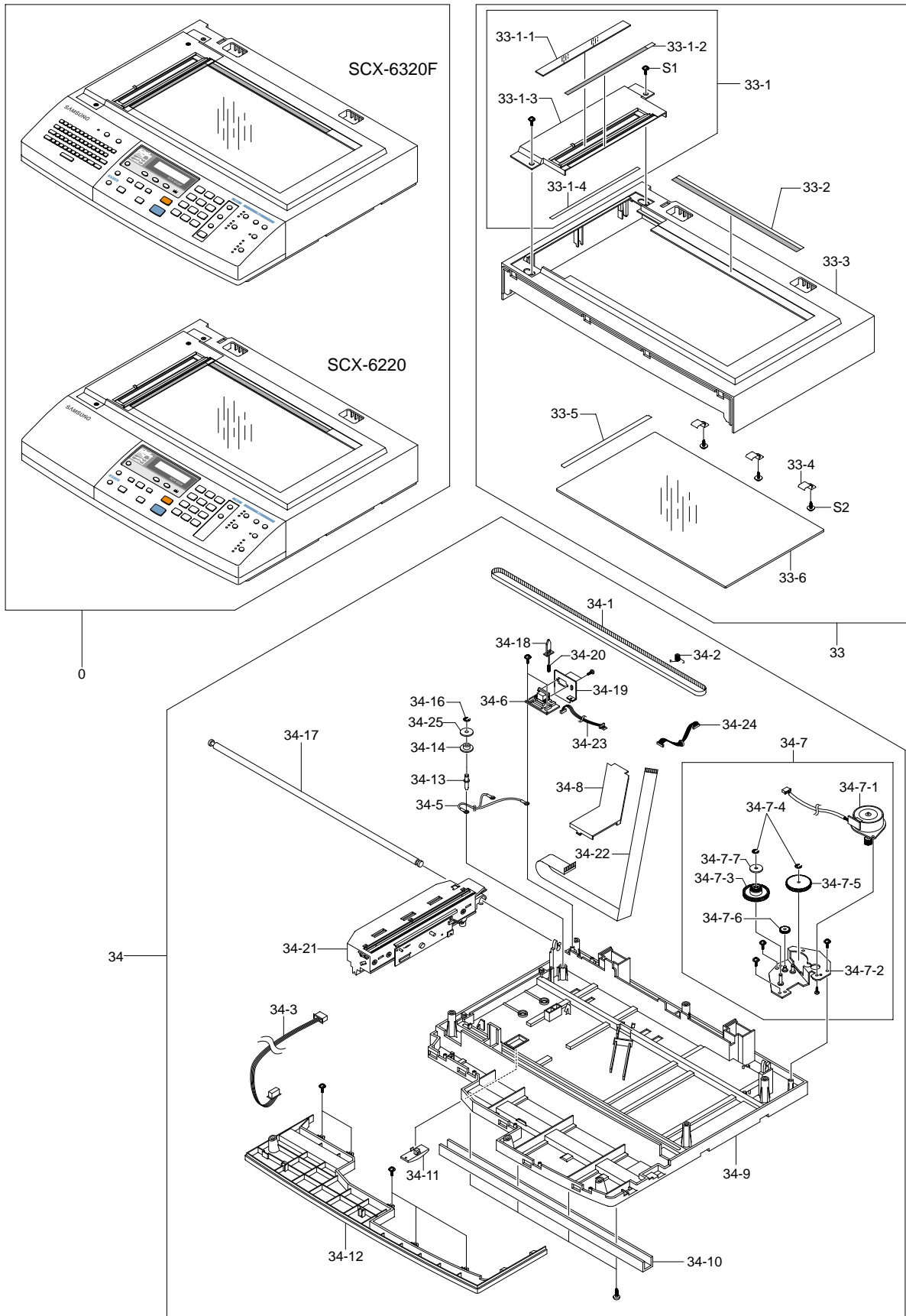
# 8.1 Main Assembly



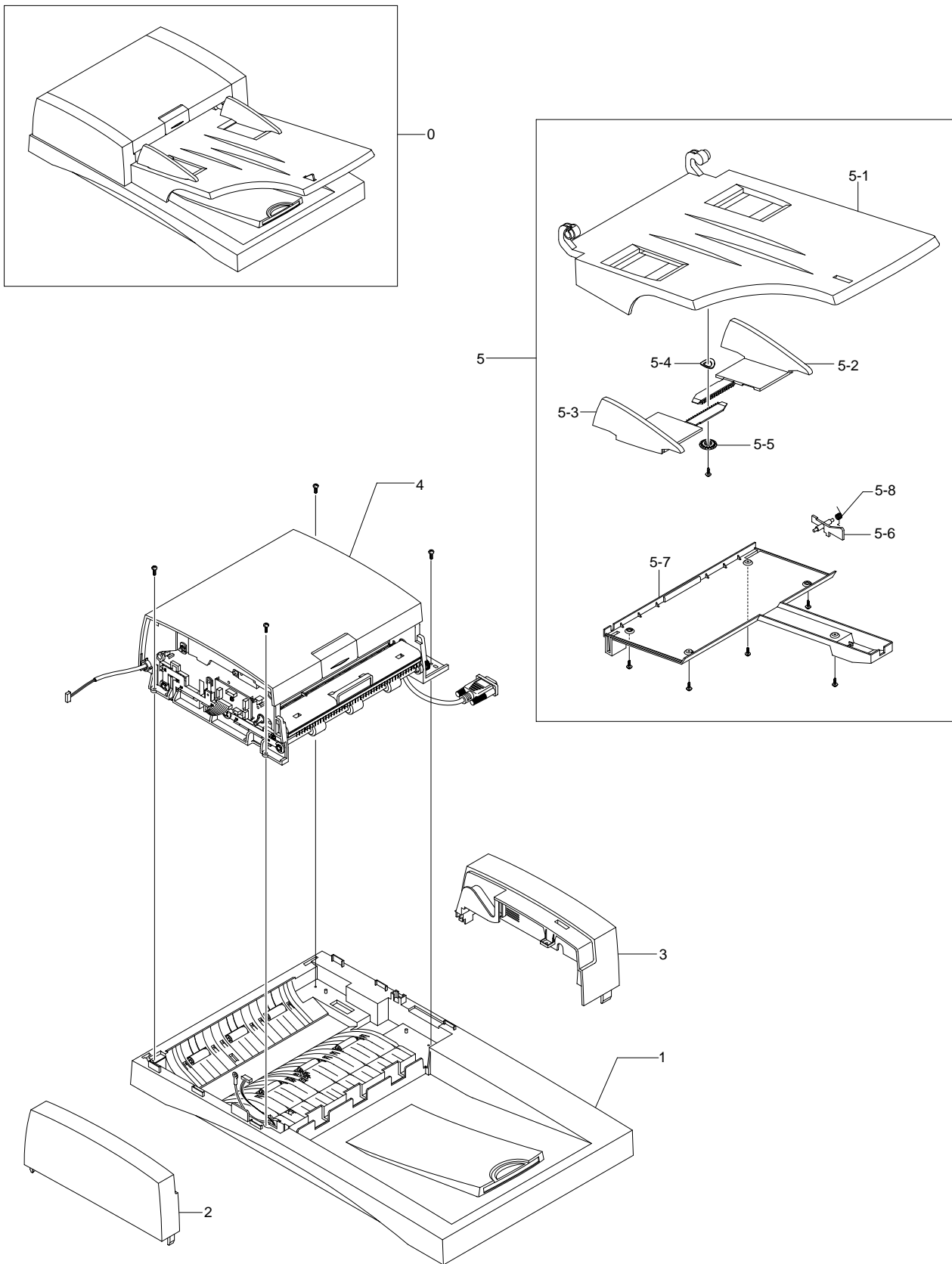
## 8.2 OPE & Platen Cover Ass'y (1)



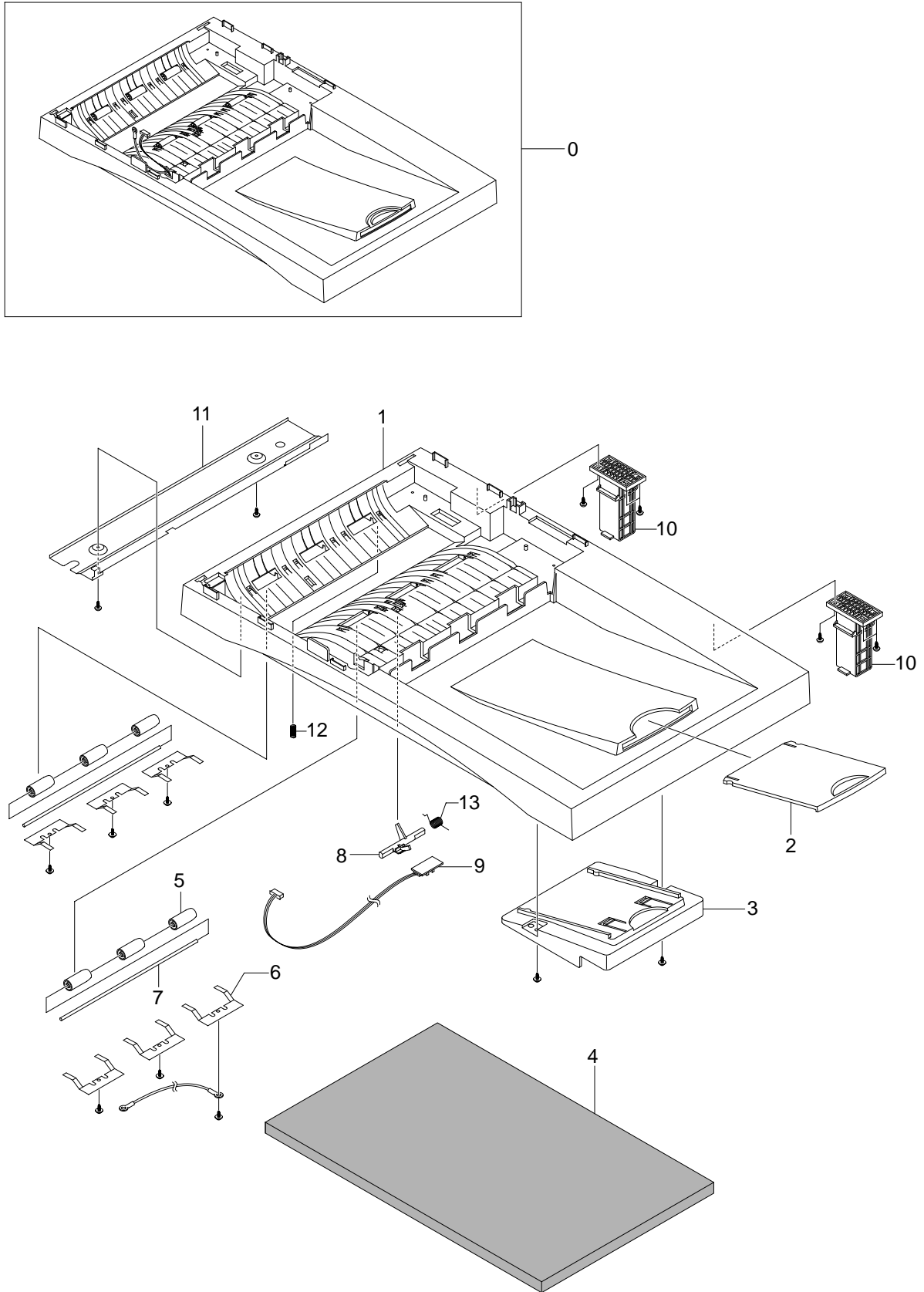
## 8.2 OPE & Platen Cover Ass'y (2)



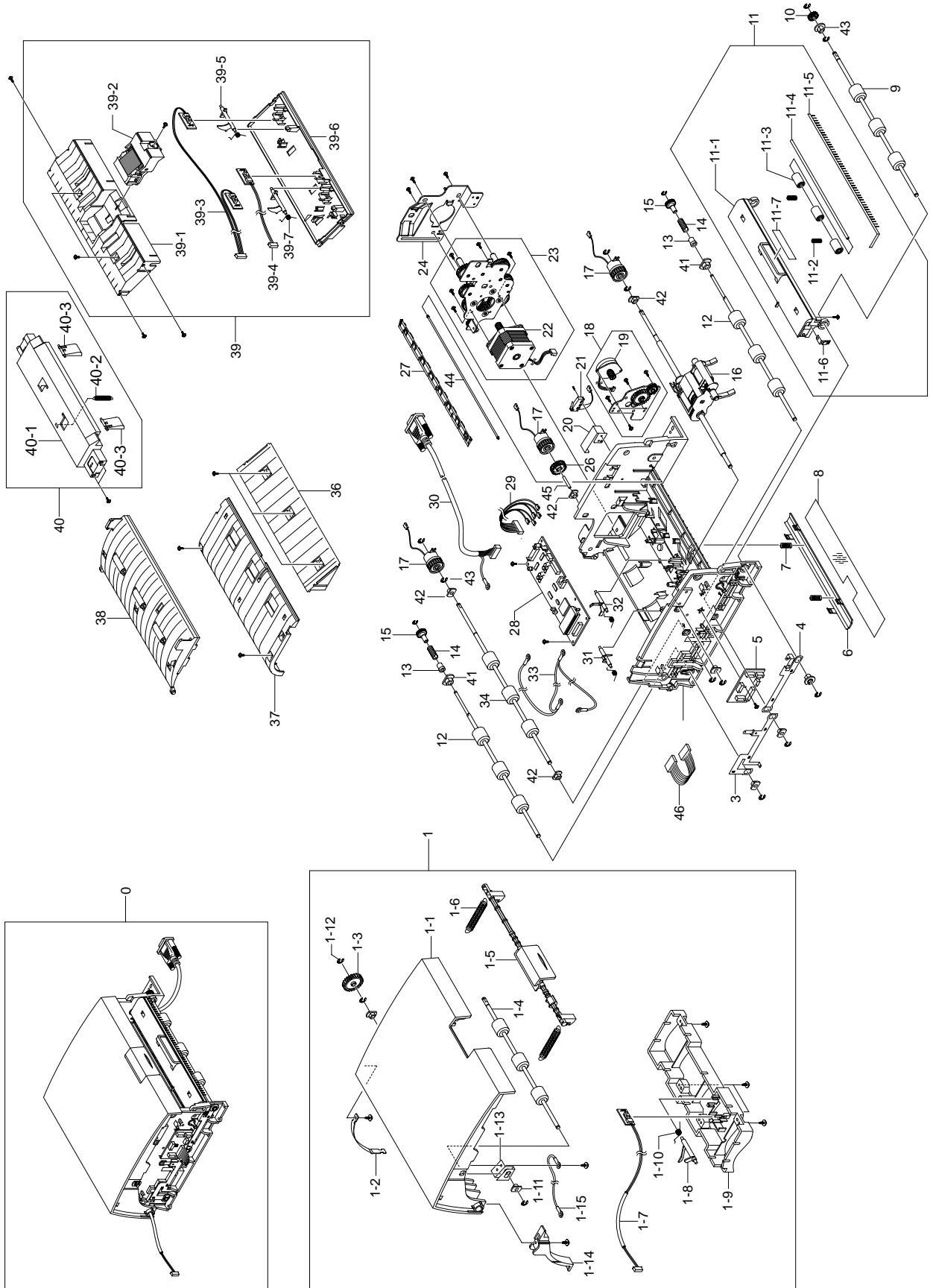
### 8.3 DADF Ass'y



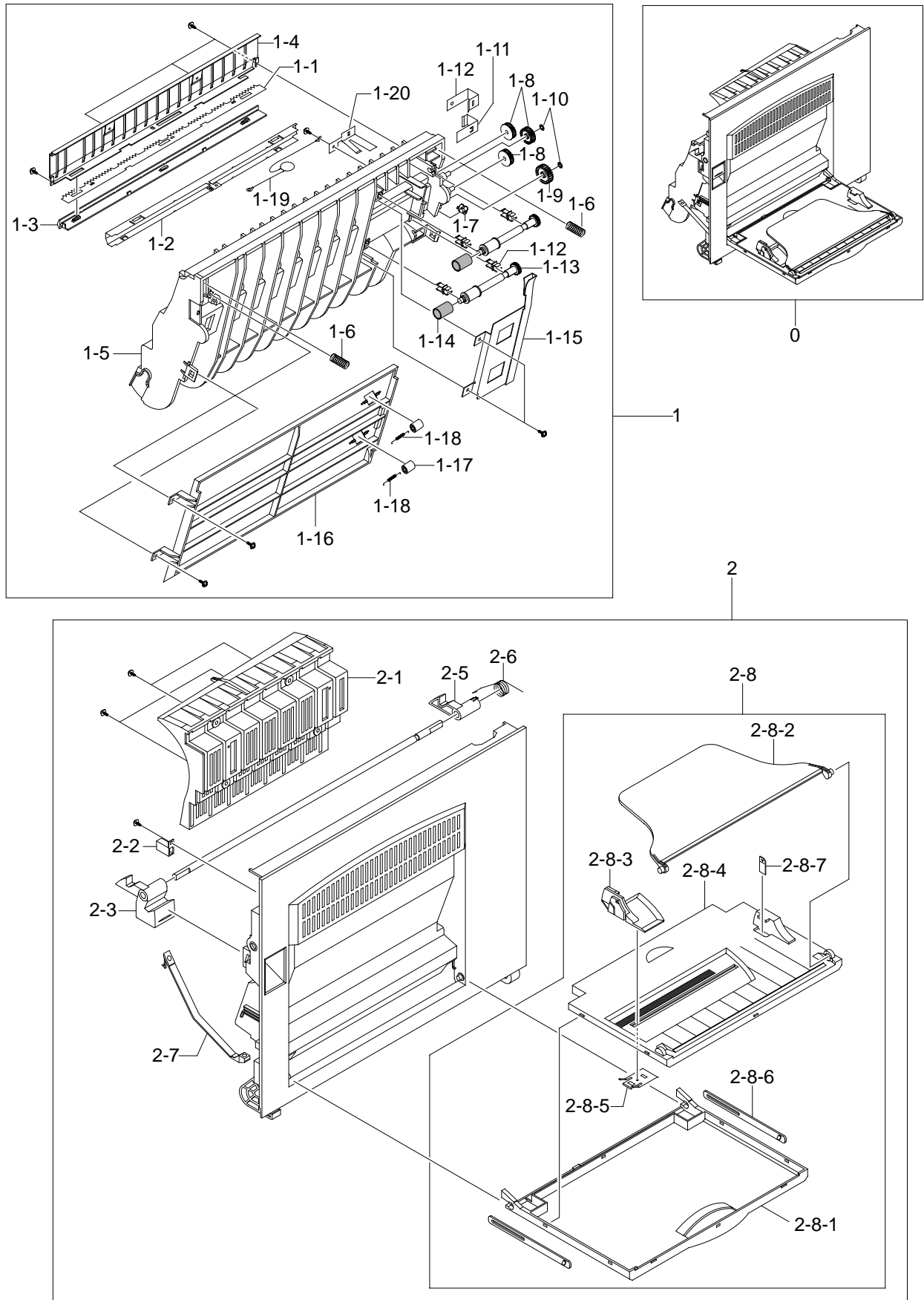
## 8.4 Platen Cover Ass'y



# 8.5 DADF SUB Ass'y

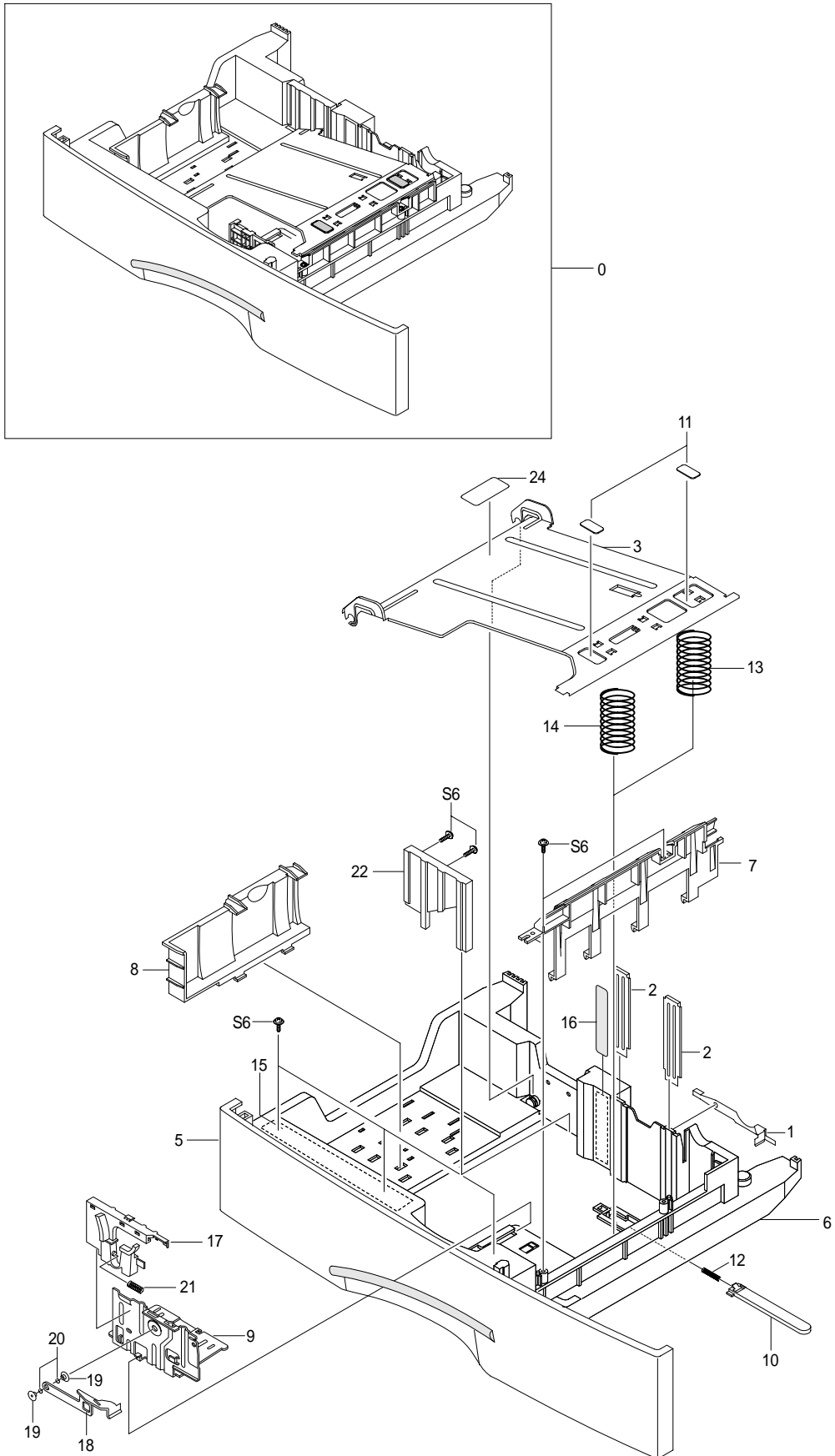


## 8.6 Side Cover Ass'y

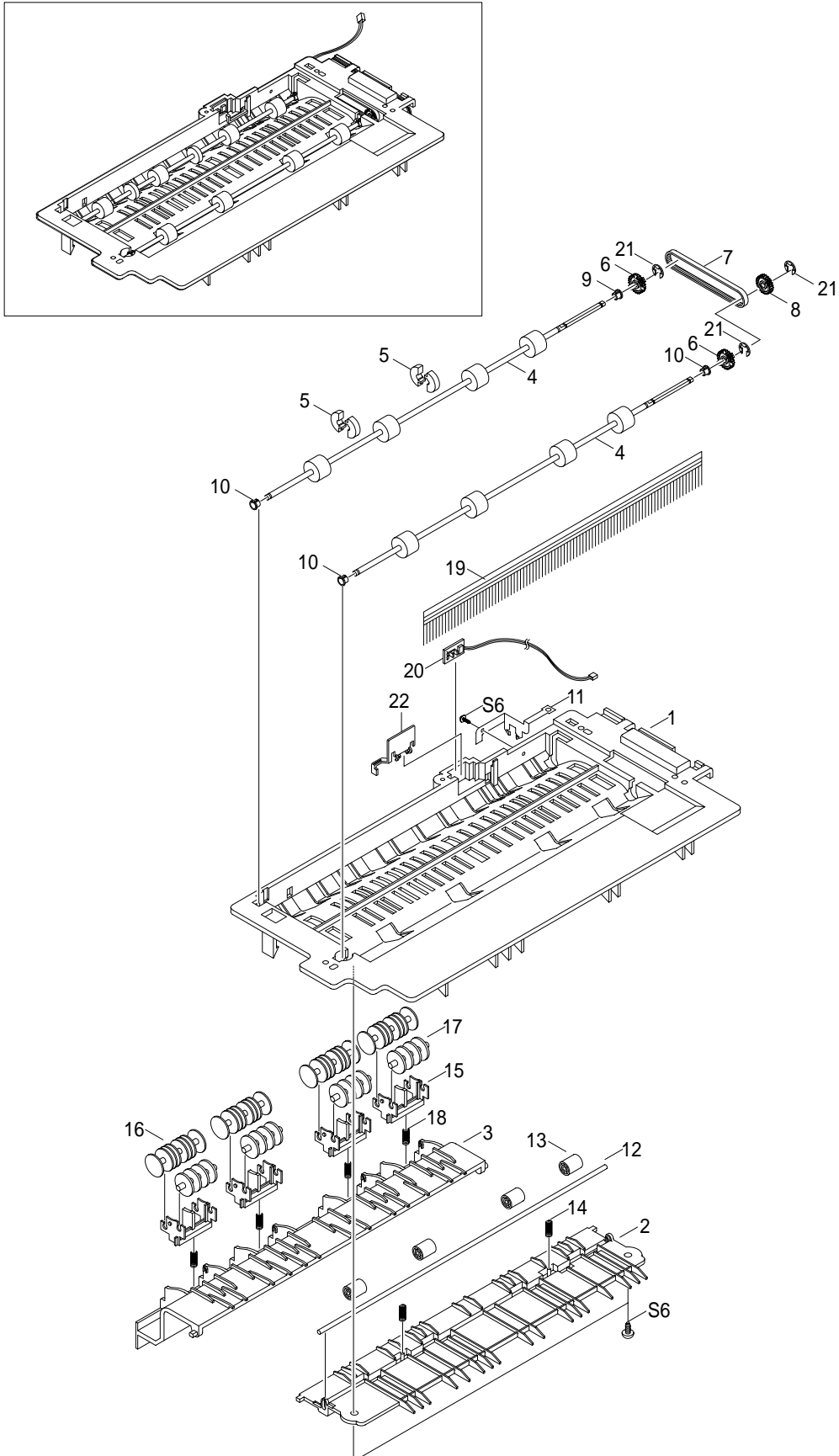




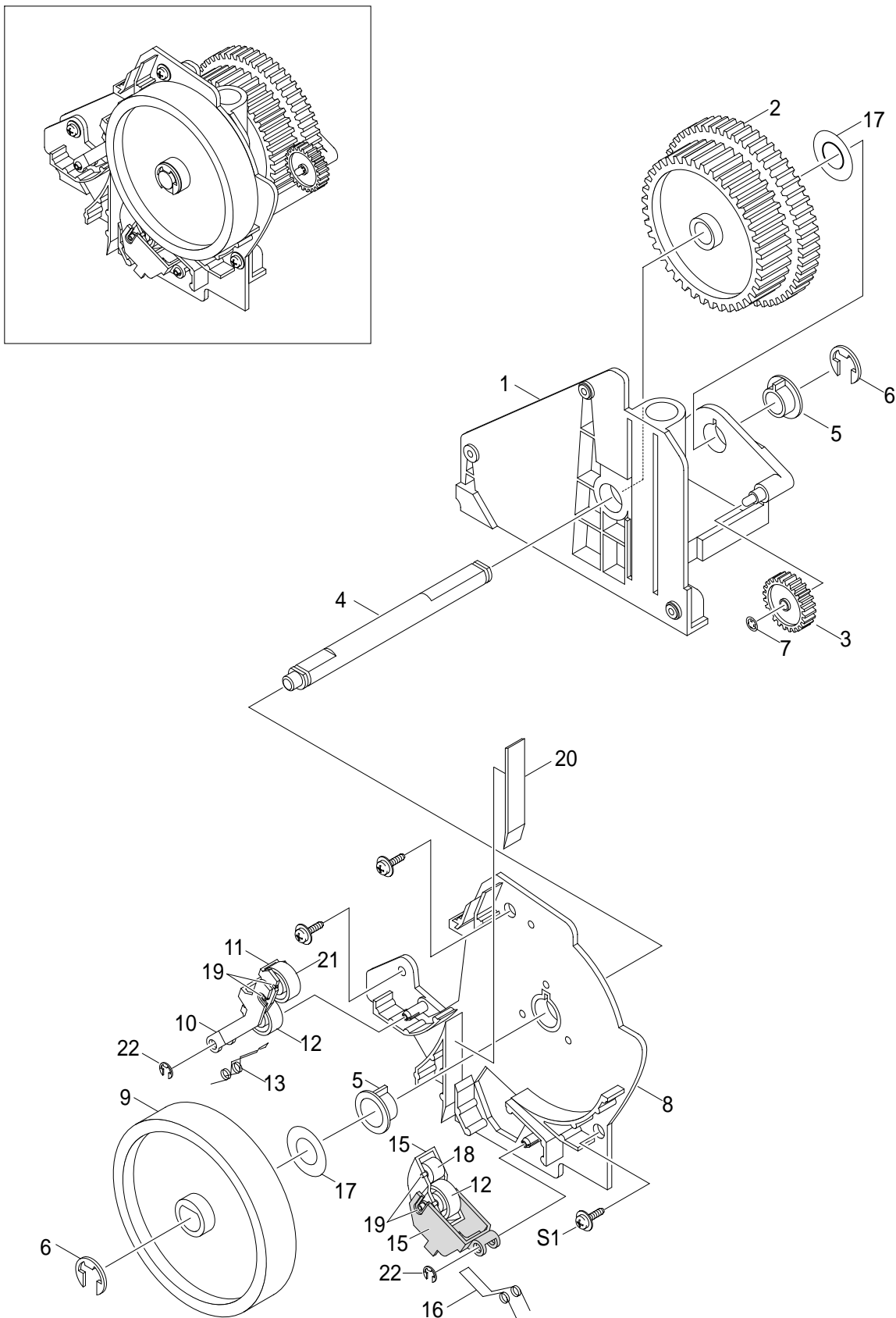
## 8.7 Cassette Ass'y



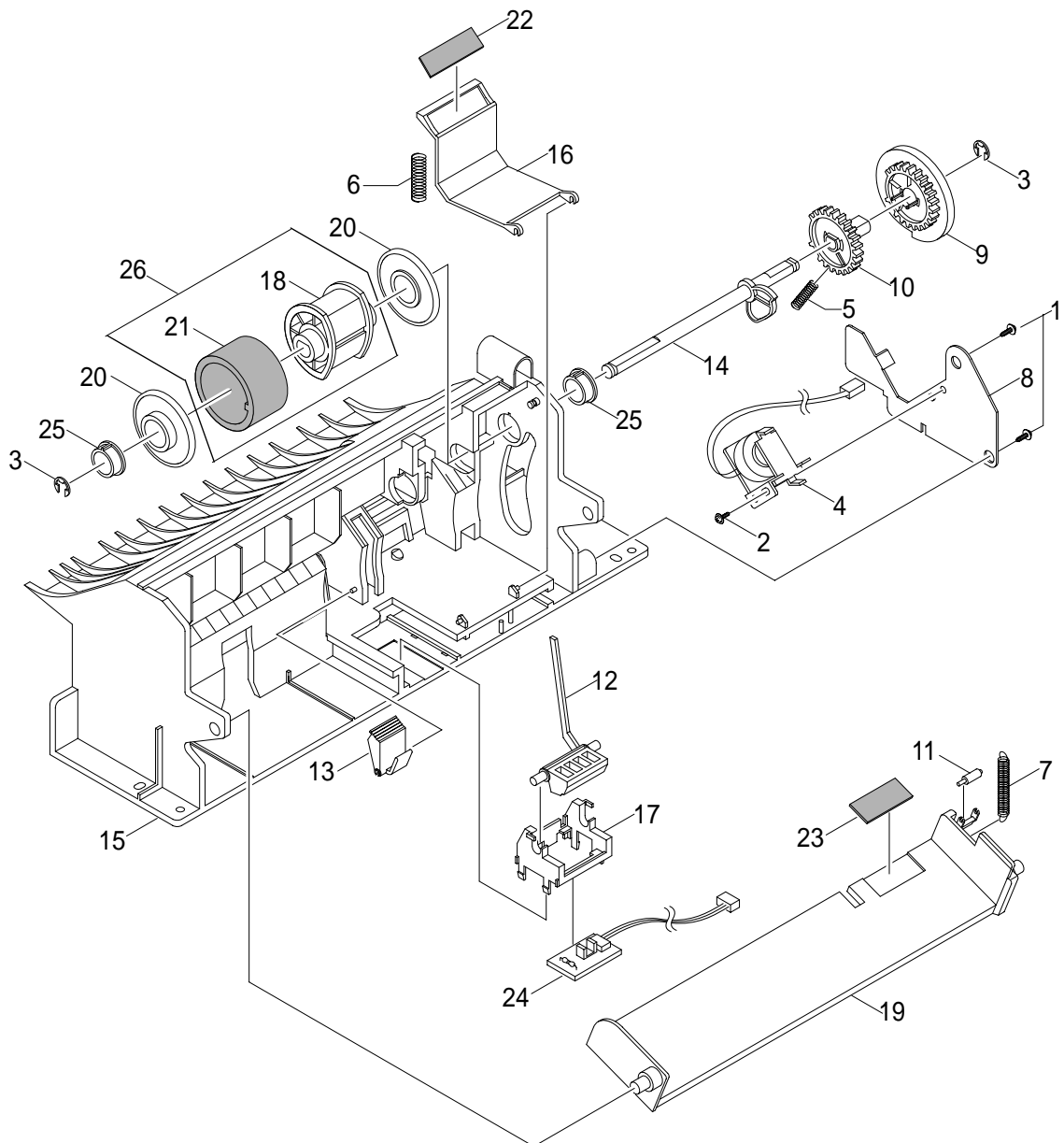
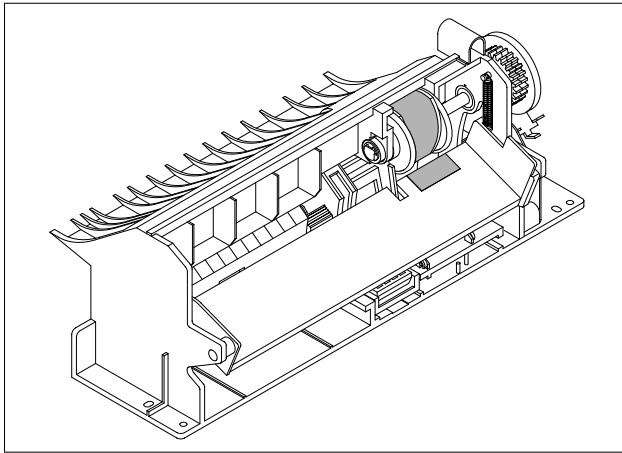
## 8.8 Exit Ass'y



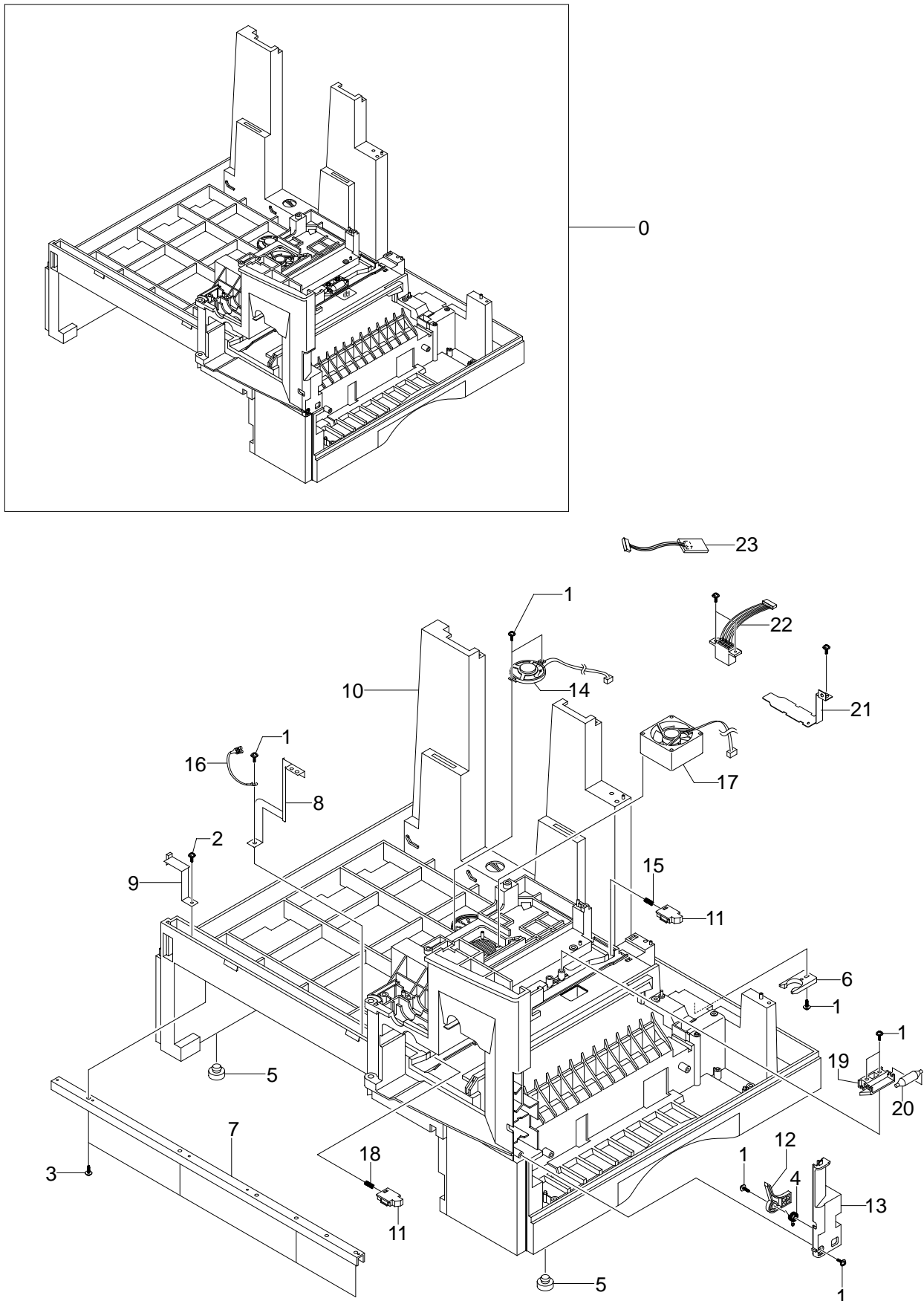
## 8.9 Feeder Ass'y



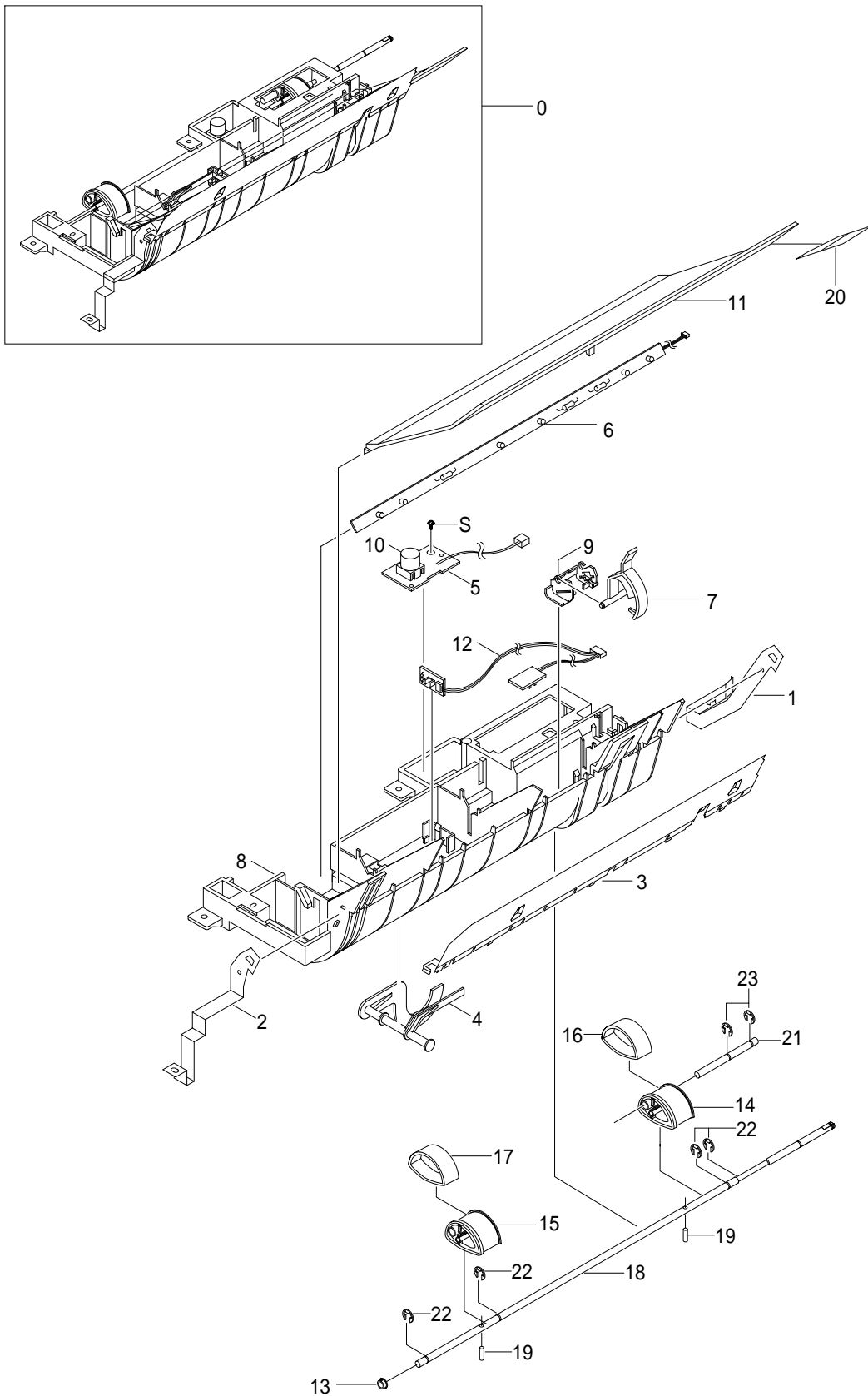
## 8.10 MP Ass'y



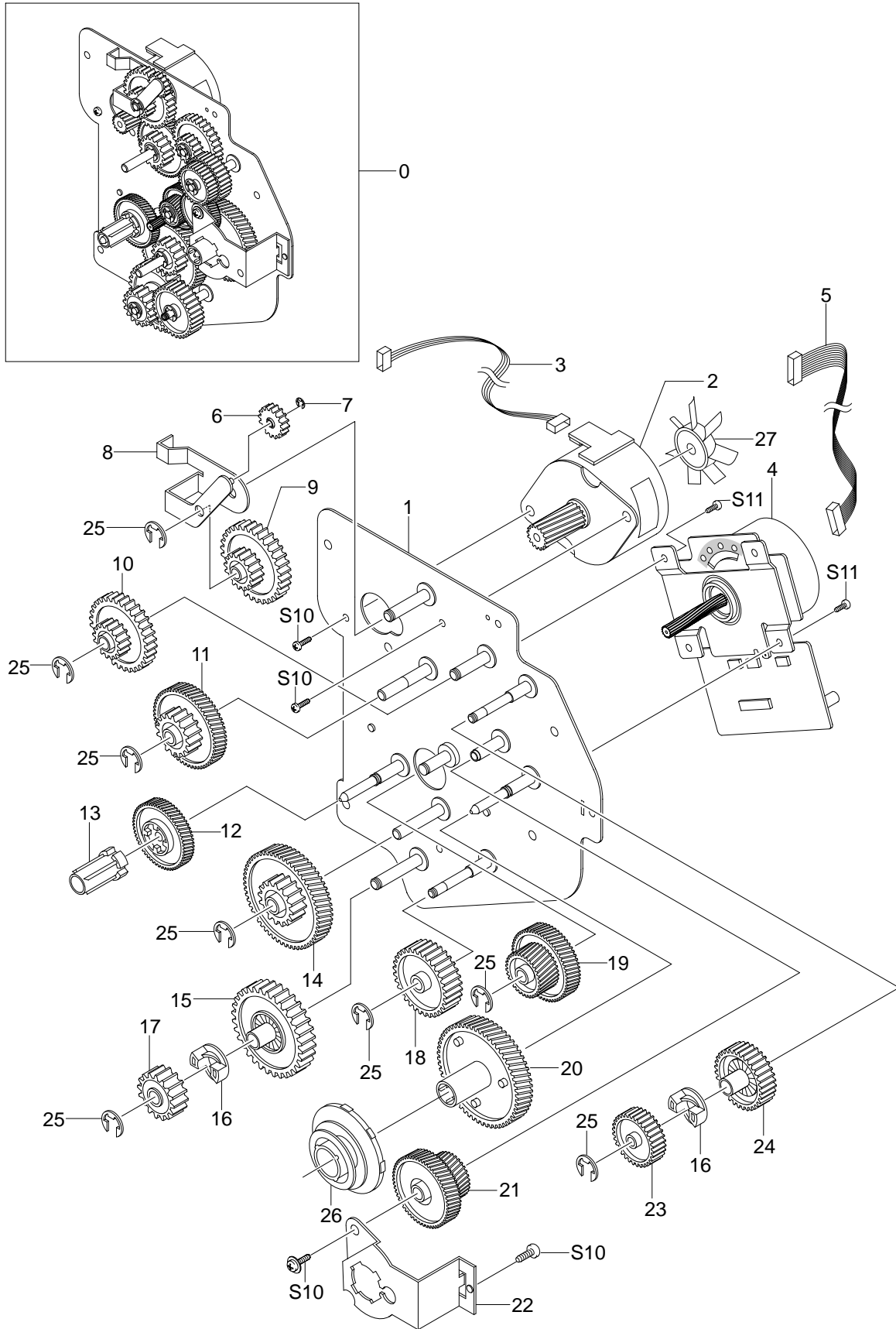
## 8.11 Base Frame



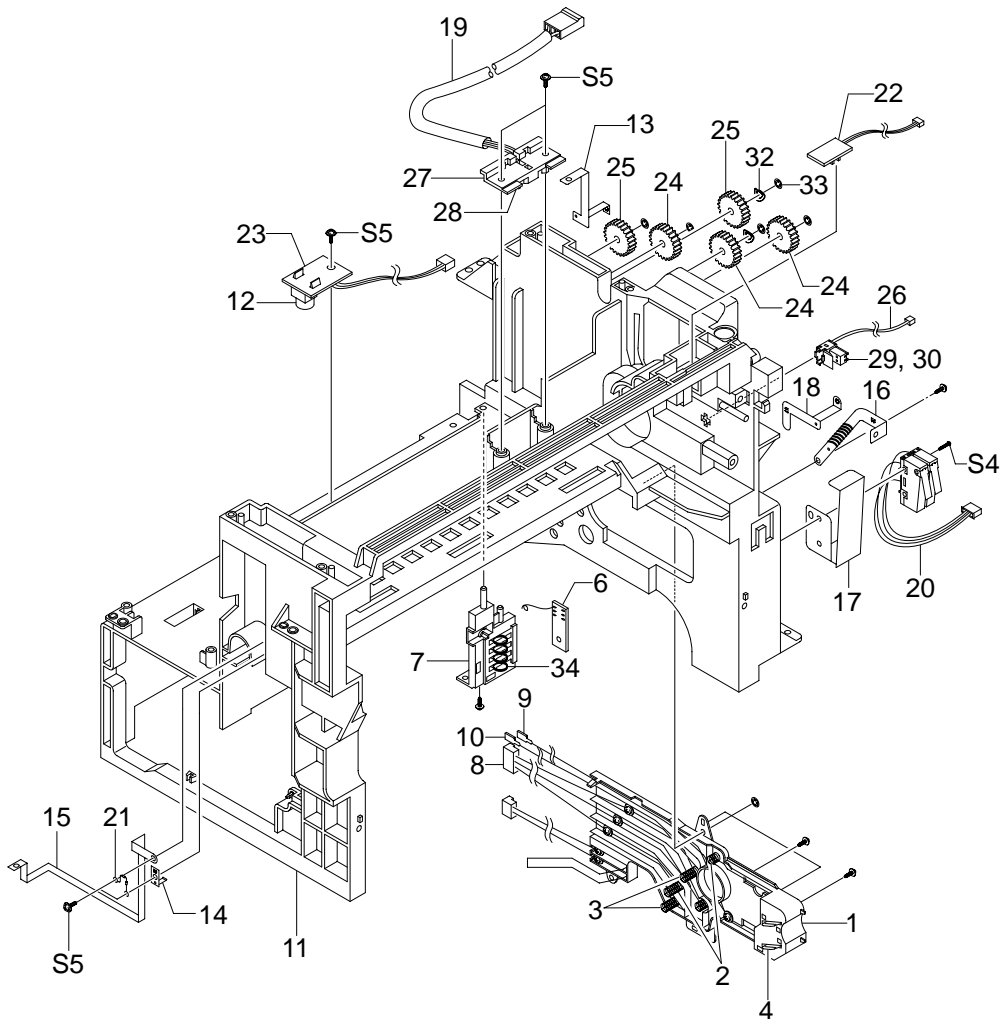
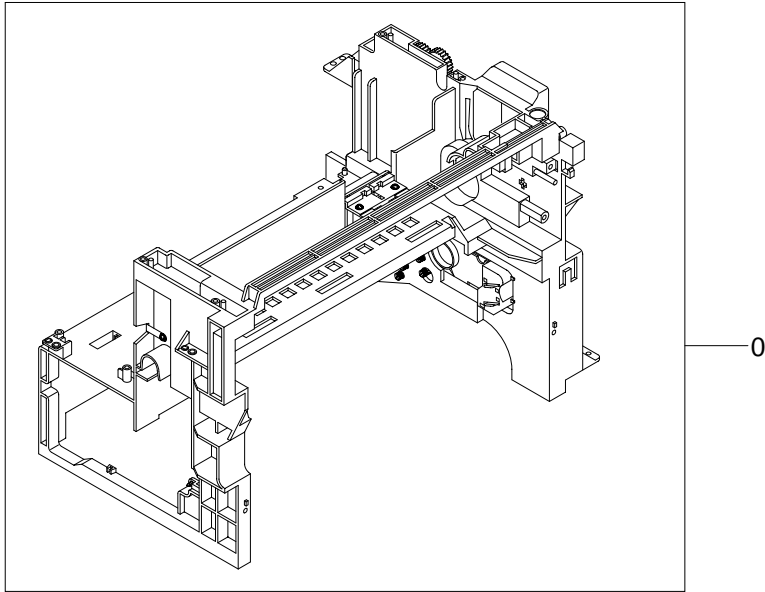
## 8.12 Pick-up Ass'y



### 8.13 Drive Ass'y

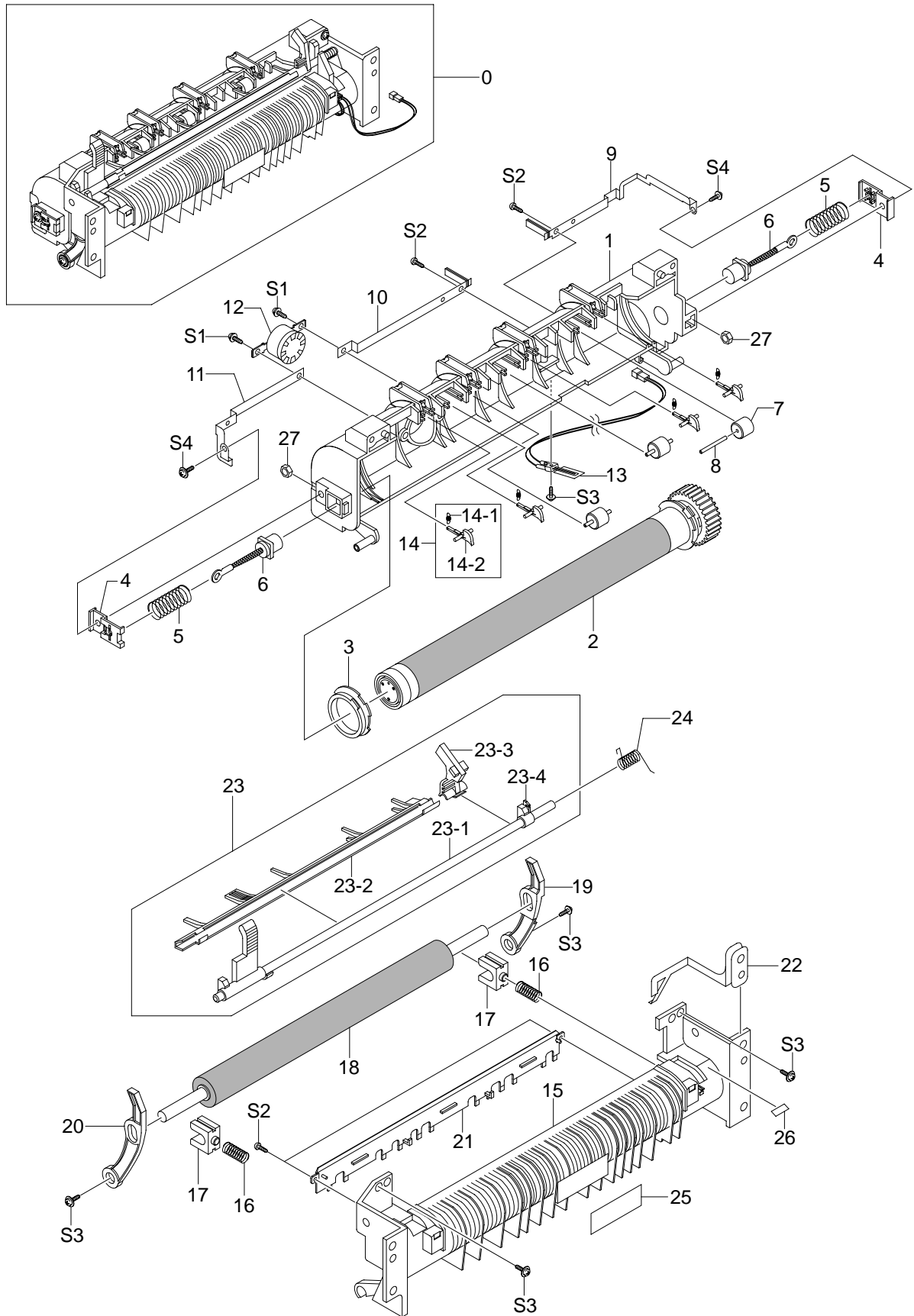


## 8.14 Main Frame Ass'y

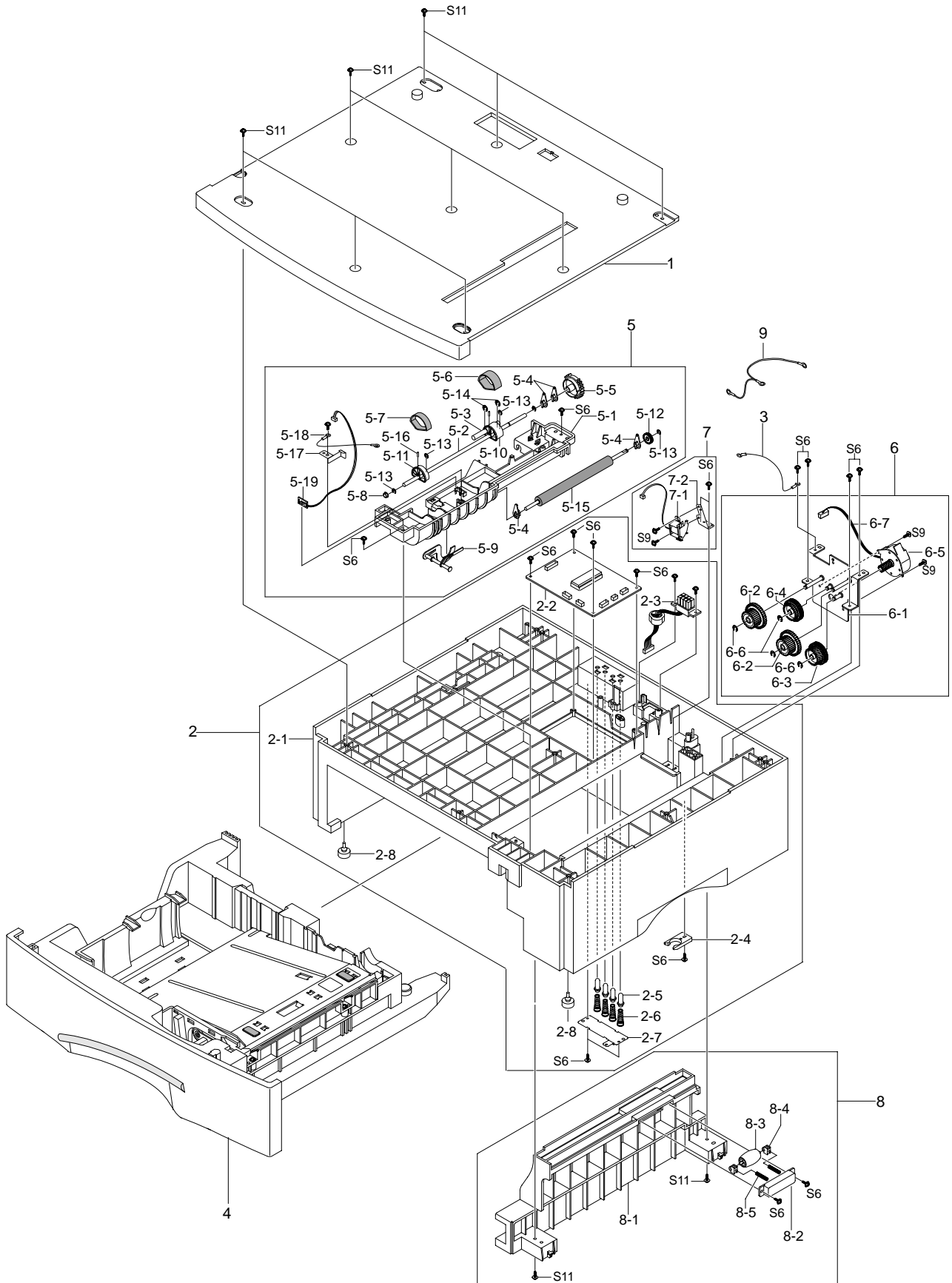




### 8.15 FuserAss'y



## 8.16 SCF



## Service Parts List (Model code : SCX-6320F/XAX)

SA : SERVICE AVAILABLE SNA : SERVICE not AVAILABLE DNA : DELIVERY not AVAILABLE

Drawer#	SEC-Code	Description & Specification	Location	Service
8.1-1-1	JC96-02943A	ELA HOU-DADF;SCX-6320F,XEROX,USA,-,-,-,-	K2929	SA
8.1-1-3	JC96-03164K	ELA HOU-PLATEN_XAX;SCX-6320F,XAX,USA,PLA		SNA
8.1-2	JC97-01556B	MEA UNIT-COVER PA EXIT ASS'Y;SCX-5312F/X	Z2420	SA
8.1-2-1	JC72-00354B	PMO-TRAY EXTENTION MP NE;ML-6060A,HIPS,C	T4118	SA
8.1-3	JC97-01736A	MEA UNIT-CASSETTE;SCX-5315F,SAMSUNG,USA,	K3548	SA
8.1-4	JC97-01572B	MEA UNIT-COVER FRONT ASS'Y;SCX-5312F/XAA	Z2409	SA
8.1-5	JC59-00014C	UNIT-LSU,600DPI,22;SCX-6320F,-,-,600DPI,	L7052	SA
8.1-6	JC44-00065A	SMPS-(V1)+HVPS;SCX-6320F*,AC/DC*,100-1	S7050	SA
8.1-9	JC96-02715B	ELA HOU-PICK UP PLUS(SEC);SCX-5315F,SAMS	P2046	SA
8.1-10	JC96-02183C	ELA HOU-SIDE COVER;SCX-6320F,XEROX,-,SID	Z2280	SA
8.1-11	JC96-02182A	ELA HOU-MP ASS'Y;SCX-5312F,XEROX,-,MP,-,	K3001	SA
8.1-2-2	JC72-00786B	PMO-COVER PAPER EXIT;SCX-5312F/XAA,HIPS,	Z2666	SA
8.1-12	JC96-02958A	ELA HOU-BASE FRAME(4IN1);SCX-6320F,XEROX	B0031	SA
8.1-13	JC97-01850A	MEA UNIT-FEED ROLLER;SCX-6320F,XEROX,USA	F6113	SA
8.1-14	JC96-03021C	ELA HOU-FUSER E_COIL;SCX-6320F,SEC,-,FUS	Z6134	SA
8.1-15	JC96-02959A	ELA HOU-FRAME MAIN;SCX-6320F,XEROX,USA,M	F2056	SA
8.1-16	JC97-01643B	MEA UNIT-EXIT;SCX-6320F,XEROX,USA,SENSOR	E4062	SA
8.1-17	JC96-02957A	ELA HOU-ENGINE DRIVE(MCK2);SCX-6320F,XER	D4022	SA
8.1-18	JC97-01851B	MEA UNIT-REAR COVER;SCX-6320F,SEC,-,MCK2	Z2673	SA
8.1-18-1	JC63-00191A	COVER-M-MAIN REAR;SCX-6320F,PC+ABS,2.5T,		SA
8.1-18-2	JC68-01354B	LABEL(R)-GUIDE DIMM;COMMON,SAMSUNG,TETRO		SNA
8.1-20	JC63-00539A	COVER-M-PANNEL MFP DOM;SCX-6320F,HIPS,2.	Z2214	SA
8.1-21	JC96-02311A	ELA HOU-DUCT FAN;SCX-5312F,XEROX,-,DUCT	D1006	SA
8.1-21-1	JC31-00012A	FAN-DC;AD0624MSA70GL(R1)DOL,ML-5000,PBT+	F5016	SA
8.1-21-2	JC72-00807A	PMO-DUCT FAN;SCX-5100,-,ABS,BLK,V0,-,-	F5024	SA
8.1-24	JC33-00007A	SOLENOID-PICK UP;- ,SCX-5100,DC 24V,80,36	P2163	SA
8.1-25	JC72-00790A	PMO-COVER EXIT REAR;SCX-5100,-,HIPS,IVR(	Z2569	SA
8.1-26	JC97-01624A	MEA UNIT-GUIDE CST PA ASS'Y;SF-830,XAA,-	K3566	SA
8.1-26-1	JC72-00836A	PPR-SHEET/GUIDE PAPER;SCX-5100,PC SHEET,	S5048	SA
8.1-26-2	JC72-00791A	PMO-GUIDE CASSETTE RAIL;SCX-5100,PC+ABS,	C4035	SA
8.1-26-3	JC63-00078A	SHEET-FEED;SCX-5312F,PC,0.2T,10,32,CLEAR		SNA
8.1-26-4	JC70-00244A	IPR-GUIDE CASSETTE PAPER;SCX-5100,SUS304	C4010	SA
8.1-28	JC72-00789A	PMO-DUMMY BASE FRAME;SCX-5100,-,HIPS,IVR	D2060	SA
8.12-8	JC72-00722A	PMO-GUIDE PAPER;SCX-5100,HIPS,IVORY,-,-,	K3913	SA
8.1-29	JC96-02962A	ELA HOU-SHIELD MAIN LOWER;SCX-6320F,XERO	K3038	SA
8.1-29-1	JC63-00316A	SHIELD-P_MAIN LOWER(MC2);SCX-6320F,SECC,	K4262	SNA
8.1-29-2	JC39-00186A	CBF HARNESS-INLET(KOREA);SCX-5100,WIRE H	H1107	SA
8.1-29-3	JB39-00103A	CBF HARNESS-LIU GND;SCX-1110F,WIRE,UL100	L5004	SA
8.1-30	JC72-00801A	PMO-COVER FEED AY;SCX-5100,-,ABS ,BLK,V0	F6164	SA
8.1-32	JC72-00835A	PMO-GUIDE PAPER OUT;SCX-5100,ABS,IV21,-,	K3909	SA
8.1-33	JC63-00072A	SHEET-CONNECTOR;SCX-5312F,PVC,0.5,-,-,BL	Z0019	SA
8.1-34	JC39-00336A	CBF HARNESS-LSU;SCX-6320F,CBF,UL1061,12P	L7002	SA
8.1-35	JC39-00339A	CBF HARNESS-SMPS;SCX-6320F,CBF,UL1061,28	H1210	SA
8.1-38	JC66-00335A	GEAR-PICK_UP;SCX-5100,POM,M0.8,Z47,-,NTR	P2056	SA
8.1-39	JC70-00248A	IPR-SHIELD SMPS UPPER;SCX-5100,SECC,-,T0	S7037	SA
8.1-40	JC97-01573A	MEA UNIT-HOLD GEAR ASS'Y;SCX-5312F,XEROX	G0468	SA
8.1-40-1	JC61-70906A	SPRING ETC-TR_R;ML-165,SUS304WPB,PI0.5,-	Z6056	SA
8.1-40-2	JC72-40228A	PMO-BUSH;ML-80,POM,BLK,-,-	K3846	SA
8.1-40-3	JC72-00884A	PMO-HOLDER GEAR TR;SCX-5312F,PC+ABS,EMBE	G0520	SA
8.1-40-4	JC72-00883A	PMO-HOLDER GND TR;SCX-5312F,PC+ABS,EMBER	K3986	SA
8.1-41	JC97-01574A	MEA UNIT-HOLD GND ASS'Y;SCX-5312F,XEROX,	K3571	SA
8.1-41-1	JC61-70203A	SPRING ETC-PLATE TR;SL-1050,SUS304CSP-3/	Z6055	SA

SA : SERVICE AVAILABLE SNA : SERVICE not AVAILABLE DNA : DELIVERY not AVAILABLE

Drawer#	SEC-Code	Description & Specification	Location	Service
8.1-41-2	JC61-70961A	SPRING ETC-TR_L;ML-6000,SWP-B,PI0.45,-,O	Z6057	SA
8.1-43	JC72-41191A	PMO-BEARING SHAFT;ML-6000,POM,WHT,-,M90-	Z6114	SA
8.1-44	JC72-00799A	PMO-CAM JAM REMOVE;SCX-5100,-,ABS GF20%,	K3859	SA
8.1-45	JC72-00805A	PMO-LOCKER DEVE;SCX-5100,PC+ABS,EMBER GO	L6031	SA
8.1-46	JC72-00804A	PMO-LEVER JAM REMOVE;SCX-5100,ABS,ICE GR	L4052	SA
8.1-47	JC39-00055B	CBF HARNESS-SWITCH GRAY;ML-5200,WIRE HAR	H1260	SA
8.1-48	JC66-40947A	GEAR-TRANSFER;ML-6000,POM,M0.6,Z30,-,BLK	G0448	SA
8.1-50	<a href="#">JC75-00148A</a>	MEC-TRANSFER ROLLER;SCX-5312F,XEROX,SPON	T3010	SA
8.1-51	JC72-00834A	PMO-COVER BRKT MOTER;SCX-5100,HIPS,BLK,-	Z2542	SA
8.1-58	JC63-00192A	COVER-M-MAIN REAR DUMMY;SCX-6320F,HIPS,2		SA
8.2-4	JC64-00164A	KEY-M-ENTER DOM;SCX-6320F,ABS,123.21 * 6	K0033	SNA
8.2-5	JC64-00168A	INDICATOR-M-TONER SAVE;SCX-6320F,PMMA , 1		SNA
8.2-6	JC64-00167A	INDICATOR-M-COPY DOM;SCX-6320F,PMMA , 1.0	K0036	SNA
8.2-7	JC64-00162A	KEY-M-STOP DOM;SCX-6320F,ABS,30.5 * 19.5	K0059	SNA
8.2-8	JC64-00161A	KEY-M-START DOM;SCX-6320F,ABS,32.5 * 20.	K0052	SNA
8.2-9	JC64-00165A	KEY-M-TEL DOM;SCX-6320F,ABS,67.5 * 80.5,	K0062	SNA
8.2-10	JC64-00169A	KEY-M-PAUSE DOM;SCX-6320F,ABS,20 * 20,HB	K0199	SNA
8.2-12	JC64-00163A	KEY-M-DUPLEX DOM;SCX-6320F,ABS,63.5 * 80	K0037	SNA
8.2-13	JC73-00196A	RUBBER-ENTER DOM;SCX-6320F,SILICON,161.2	R1106	SA
8.2-14	JC73-00197A	RUBBER-TEL DOM;SCX-6320F,SILICON,102.99	R1126	SA
8.2-15	JC73-00198A	RUBBER-DUPLEX DOM;SCX-6320F,SILICON,75.0	R1120	SA
8.2-16	JC92-01552B	PBA SUB-OPE_SEC;SCX-6320F,SEC,USA,OPE,-,	M0402	SA
8.2-17	JC92-01553B	PBA SUB-OPE_JOINT;SCX-6320F,SEC,USA,OPE	M0451	SA
8.2-18	JC39-00392A	CBF SIGNAL-OPE_SEC;SCX-6320F,24P,FFC,210	O1014	SNA
8.2-33	JC96-02712B	ELA HOU-SCAN UPPER;SCX-6320F,XEROX,USA,S	K2637	SA
8.2-33-1	JC81-00426B	AS-DUMMY UPPER;SCX-6320F,-,PC ABS,DUMMY		SA
8.2-33-1-1	JC74-00019A	MCT-GLASS ADF;SCX-5100,GLASS,238.4*19*2.	G1009	SA
8.2-33-1-2	JB68-00469A	LABEL(R)-REGISTRATION EDGE(L);COMMON,XER	L0300	SA
8.2-33-1-3	JC72-00759B	PMO-DUMMY UPPER(MC2);SCX-6320F,PC+ABS,IV		SA
8.2-33-1-4	JC63-00074A	SHEET-DUMMY UPPER;SCX-5312F,PET,0.188,22	D2132	SA
8.2-33-2	JC72-00809B	SHEET ABS-REGI_EDGE;SCX-6320F,PC SHEET,N	Z6106	SA
8.2-33-3	JC72-00758A	PMO-COVER SCAN UPPER;SCX-5100,-,HIPS,IV2	Z2693	SA
8.2-33-4	JB70-00148A	IPR-HOLDER GLASS;SCX-1110/XRX,SUS304,-,1	Z4327	SA
8.2-33-5	JC68-00749A	LABEL(P)-SHEET SHADING(B);COMMON,XEROX,Y		SNA
8.2-33-6	JC74-00018A	MCT-GLASS SCANNER(LLEGAL);SCX-5100,GLASS,	G1010	SA
8.2-34	JC96-02936A	ELA HOU-SCAN LOWER;SCX-6320F,XEROX,USA,M	K3027	SA
8.2-34-1	6602-001090	BELT-TIMING GEAR;- ,FIBER GLASS,T3.2,-,94	Z6016	SA
8.2-34-10	JC70-00239A	IPR-CHANNEL BASE FRAME;SCX-5100,SECC,-,T	B0085	SA
8.2-34-11	JC61-00703A	HOLDER-M-CCD(UMAX);SCX-6320F,HIPS,-,-,-	H4025	SA
8.2-34-12	JC72-00753A	PMO-COVER DUMMY LOWER;SCX-5150,-,HIPS,IV	D2049	SA
8.2-34-13	JB70-00154A	ICT-INSERT SHAFT;SCX-1110/XRX,SUM24L,5,-		SNA
8.2-34-14	JB72-00763A	PMO-PULLEY;SCX-1110/XRX,-,POM,WHT,-,-,-	Z4334	SA
8.2-34-15	6003-001256	SCREW-TAPTITE;BH,+ ,B,M4,L10,NI PLT,SWRCH	Z4515	SNA
8.2-34-15	6003-000154	SCREW-TAPTITE;PH,+ ,B,M2,L18,ZPC(YEL),SWR		SA
8.2-34-15	6003-000198	SCREW-TAPTITE;PWH,+ ,B,M3,L12,ZPC(YEL),SW		SNA
8.2-34-15	6003-000221	SCREW-TAPTITE;PWH,+ ,S,M4,L8,ZPC(YEL),SWR		SNA
8.2-34-15	<a href="#">6003-000282</a>	SCREW-TAPTITE;BH,+ , - ,B,M3,L8,ZPC(BLK),SW	Z4517	SA
8.2-34-15	6003-001149	SCREW-TAPTITE;PWH,+ ,S,M4,L10,ZPC(YEL),SW		SA
8.2-34-15	6003-000259	SCREW-TAPTITE;BH,+ ,B,M3,L8,ZPC(YEL),SWRC		DNA
8.2-34-15	<a href="#">6003-000264</a>	SCREW-TAPTITE;PWH,+ , - ,B,M3,L6,ZPC(YEL),S	Z4512	SNA
8.2-34-15	6003-001324	SCREW-TAPTITE;BH,+ ,B,M4,L16,NI PLT,SWRCH		SA
8.2-34-17	JC66-00532A	SHAFT-CCD(UMAX);SCX-6320F,SUM24L,503MM,D	S4091	SA
8.2-34-18	JC72-00755A	PMO-LEVER SENSOR;SCX-5100,POM,BLK,-,-,HB	L4074	SA
8.2-34-19	JC70-00228A	IPR-BRK SCAN BD;SCX-5100,SECC,-,1.0T,-,-	K3269	SA
8.2-34-2	JB61-00059A	SPRING ETC-BELT;SCX-1110/XRX,SUS304WP,¥Ö	B2030	SA
8.2-34-20	JB61-70939A	SPRING ETC-EXIT;SKYDOME,SUS304 WPB,D0.23		SNA

SA : SERVICE AVAILABLE SNA : SERVICE not AVAILABLE DNA : DELIVERY not AVAILABLE

Drawer#	SEC-Code	Description & Specification	Location	Service
8.2-34-21	JC96-02759B	ELA HOU-CCD MODULE;SCX-6320F,XEROX,USA,6	C5014	SA
8.2-34-22	JC39-00236A	CBF SIGNAL-CCD FFC;SCX-5315F,24,FFC,700M	C5008	SA
8.2-34-23	JB39-00077A	CBF HARNESS-SCAN MOTOR;SCX-1110,WIRE,UL,	S0005	SA
8.2-34-24	JC39-00338A	CBF HARNESS-SCAN_DSUB;SCX-6320F,CBF,UL10	Z6027	SA
8.2-34-3	JC39-00340A	CBF HARNESS-OPE;SCX-6320F,CBF,UL1061,7P,	Z6028	SA
8.2-34-5	JB39-00065A	CBF HARNESS-DRIVER GND;SCX-1000S,GND WIR		SNA
8.2-34-6	JC92-01555A	PBA SUB-DSUB;SCX-6320F,XEROX,USA,DSUB,-,		SA
8.2-34-7	JC96-02751A	ELA HOU-SCAN MOTOR;SCX-5315F,SAMSUNG,USA	Z6133	SA
8.2-34-7-1	JB31-00011A	MOTOR STEP-SCAN;M42SP-4TKC,SCX-1110/XRX,	Z4331	SA
8.2-34-7-2	JC61-00702A	BRACKET-MOTOR PLATEN;SCX-6320F,SECC,T1.		SNA
8.2-34-7-3	JC66-00531A	GEAR-TIMING;SCX-6320F,POM(M90-44),M0.5,Z	G0434	SA
8.2-34-7-4	6044-000125	RING-E;ID4,OD9,T0.6,PASS,STSC	R0004	SA
8.2-34-7-5	JC66-00530A	GEAR-REDUCTION73/37;SCX-6320F,POM(M90-44	G0412	SA
8.2-34-7-6	JB66-00083A	GEAR-IDLE;SCX-1110/XRX,POM,0.5,31,-,WHT,	Z4330	SA
8.2-34-7-7	JB72-00764A	PMO-HOLDER BELT;SCX-1110/XRX,-,POM,WHT,-	Z4329	SA
8.2-34-8	JC63-00158A	COVER-M-CCD CABLE;SCX-6320F,HIPS,-,-,-,H	C0045	SA
8.2-34-9	JC63-00157A	COVER-SCAN LOWER(UMAX);SCX-6320F,HIPS,-,	Z2245	SA
8.3-1	JC96-02942A	ELA HOU-COVER PLATEN;SCX-6320F,XEROX,USA	P5163	SA
8.3-2	JC63-00200A	COVER-M_FRONT;SCX-6320F,HIPS,-,-,-,HB,XE	Z2701	SA
8.3-3	JC63-00201A	COVER-M_REAR;SCX-6320F,HIPS,-,-,-,HB,XER	Z2698	SA
8.3-4	JC96-02973A	ELA HOU-DADF_SUB;SCX-6320F,XEROX,USA,DAD	K2030	SA
8.3-5	JC97-01840A	MEA UNIT-TX STACKER;SCX-6320F,XEROX,USA,	Z5024	SA
8.3-5-1	JC72-01253A	PMO-TX STACKER;SCX-6320F,HIPS,IV21,-,HB,		SNA
8.3-5-2	JC61-00739A	GUIDE-M_DOC_LEFT;SCX-6320F,ABS,T2.0,-,-,		SNA
8.3-5-3	JC61-00740A	GUIDE-M_DOC_RIGHT;SCX-6320F,ABS,T2.0,-,-		SNA
8.3-5-4	JF70-10616A	IPR-WASHER SPRING CU;CF3400,SUS301-CSP,-	Z4346	SA
8.3-5-5	JF72-41354A	PMO-GEAR PINION;CF4500,POM,NTR+WHT(DELRI	G0510	SA
8.3-5-6	JC72-01250A	PMO-ACTUATOR LENGTH;SCX-6320F,ABS GF10%,		SA
8.3-5-7	JC72-01254A	PMO-TX STACKER LOWER;SCX-6320F,HIPS,IV21		SA
8.3-5-8	JB61-00076A	SPRING ETC-TORSION DOC (CC2-F);SCX-1110F	O1013	SA
8.4-1	JC63-00198A	COVER-M_PLATEN;SCX-6320F,HIPS,-,-,-,HB,X	P5037	SNA
8.4-2	JC72-01251A	PMO-EXTENTION PLATEN;SCX-6320F,HIPS,IVOR	T4117	SNA
8.4-3	JC61-00746A	GUIDE-M_EXTENTION;SCX-6320F,HIPS,2.5T,-,	G2262	SNA
8.4-5	JG72-40663A	PMO-ROLL PINCH;SF5500,POM(DERLIN 500P),B	Z4350	SA
8.4-6	JC70-00468A	IPR-P_PINCH(SCAN);SCX-6320F,STS301,-,0.5		SNA
8.4-7	JC66-00659A	SHAFT-PINCH;SCX-6320F,SUS,-,PI 2.6,-,-,S	G2324	SA
8.4-8	JC72-00746A	PMO-ACTUATOR SENSOR SCAN;SCX-5150,-,ABS+	S3076	SA
8.4-9	JC92-01562A	PBA SUB-GATE;SCX-6320F,XEROX,USA,GATE SE	H5025	SA
8.4-10	JC97-01839A	MEA UNIT-HINGE(MCK2);SCX-6320F,XEROX,USA	H3041	SA
8.4-11	JC61-00819A	PLATE-P-DUMMY PLATEN;SCX-6320F,SECC,T1.0	D2043	SA
8.4-12	JC61-70925A	SPRING ETC-CHARGE;ML-6000,-,D0.5,ID3.9,-		SA
8.5-1-1	JC63-00195A	COVER-M_OPEN;SCX-6320F,HIPS,-,-,-,HB,XER	Z2658	SA
8.5-1-2	JC72-41396B	PMO-STOPPER EXIT;SF-5100,NYLON,NTR,-,-,P		SA
8.5-1-3	JC66-00565A	GEAR-DADF24(A);SCX-6320F,POM,M1.0,Z24,-,	C9030	SA
8.5-1-3	JC66-00565B	GEAR-DADF24(A);SCX-6345N,SW01,M1.0,Z24,5		SA
8.5-1-4	JC66-00587A	ROLLER-REGI;SCX-6320F,SUM24L+EPDM,D17.38	K4229	SNA
8.5-1-5	JC72-01256A	PMO-LEVER OPEN;SCX-6320F,HIPS,IV21,-,HB,	L4080	SNA
8.5-1-6	JC61-00483A	SPRING ETC-KNOCKUP,MP;SCX-5100,SUS304-WP	Z4206	SA
8.5-1-7	JC92-01561A	PBA SUB-REGI;SCX-6320F,XEROX,USA,REGI SE	H5015	SA
8.5-1-8	JC72-01261A	PMO-ACTUATOR REGI;SCX-6320F,ABS+GF10%,BL		SNA
8.5-1-9	JC66-00588A	ROLLER-EXIT;SCX-6320F,SUM24L+EPDM,D17.38	R1083	SA
8.5-1-10	JC66-00571A	GEAR-DADF_EXIT31;SCX-6320F,POM,M0.5,Z31,		SA
8.5-1-11	JC97-01841A	MEA UNIT-COVER EXIT;SCX-6320F,XEROX,USA,	Z2408	SA
8.5-1-11	JC61-00423A	BUSH-6_D;ML-9400W,BEARING OIL,-,-,-,NTR,	B0025	SA
8.5-1-11-1	JC63-00196A	COVER-M_EXIT;SCX-6320F,ABS,-,-,-,V0,XERO		SNA
8.5-1-11-3	JC72-00906A	PMO-ROLLER IDLE SCAN;SF-830,ROLLER IDLE	K4066	SA

SA : SERVICE AVAILABLE SNA : SERVICE not AVAILABLE DNA : DELIVERY not AVAILABLE

Drawer#	SEC-Code	Description & Specification	Location	Service
8.5-1-11-4	JC66-00661A	SHAFT-EXIT IDLE;SCX-6320F,SUM24L,-,PI 3.	F6100	SA
8.5-1-11-5	JC75-00095A	MEC-BRUSH ANTISTATIC;ML-6060A,SEC,NTR	M0022	SA
8.5-1-11-6	JC63-00203A	GROUND-P-EXIT COVER;SCX-6320F,C5210P 1/2		SNA
8.5-1-11-7	JC68-01244A	LABEL(R)-COVER_EXIT;COMMON,SAMSUNG,POLY		SNA
8.5-1-13	JC63-00315A	GROUND-P DUPLEX;SCX-6320F,C5210P 1/2H,T0		SNA
8.5-1-14	JC63-00408A	COVER-M-HARNESS;SCX-6320F/XRX,HIPS,-,65.	H1327	SNA
8.5-2	JC61-00738A	GUIDE-M_SCAN;SCX-6320F,PC+ABS,3.0T,-,-,I		SNA
8.5-3	JC63-00249A	GROUND-P_SCAN ROLLER;SCX-6320F,SUS301-3/		SNA
8.5-4	JC63-00250A	GROUND-P_EXIT ROLLER;SCX-6320F,SUS301-3/		SNA
8.5-6	JC70-00225A	IPR-BRKT WHITE BAR;SCX-5150,SECC,-,T1.0,	K3289	SA
8.5-7	JC61-00548A	SPRING ETC-WHITE BAR;SCX-5312F,SUS304WPB	Z4294	SA
8.5-5	JC92-01556A	PBA SUB-SENSOR_IF;SCX-6320F,XEROX,USA,SE		SA
8.5-8	JC63-00185A	SHEET-GUIDE PAPER;SCX-6320F,PET,T0.125,-		SNA
8.5-9	JC63-00197A	COVER-M_SENSOR;SCX-6320F,ABS,-,-,-,HB,XE	Z2165	SA
8.5-12	JC66-00585A	ROLLER-SCAN;ML-2150,SUM24L+EPDM,D17.38,2	K3455	SA
8.5-13	JG72-40732A	PMO-BUSHING HOLDER;SF5500,POM,WHT,-,-,HB		SNA
8.5-14	JC61-00062A	SPRING ETC-CLUTCH;ML-4500,SWP,-,7.8,-,21	C9078	SA
8.5-14	JB61-70904A	SPRING ETC-CLUTCH;AMUNDSEN,SWRS82A,D11.4	Z4381	SA
8.5-15	JC66-00570A	GEAR-DADF_SCAN31;SCX-6320F,POM,M0.5,Z31,		SA
8.5-16	JC97-01848A	MEA UNIT-PICK_UP;SCX-6320F,XEROX,USA,DAD	P2023	SA
8.5-17	JC47-00003C	MEP-CLUTCH SMALL;ES24SSM051,SCX-6320F,3.	C9052	SA
8.5-18	JC96-02940A	ELA HOU-DUPLEX MOTOR;SCX-6320F,XEROX,USA	D4021	SA
8.5-19	JC31-00034A	MOTOR STEP-DUPLEX;SP-42RC-140M,SCX-6320F	M2156	SA
8.5-20	JC70-00218A	IPR-GUARD C/O S/W;SCX-5100,SUS301CSP,-,0	K3339	SA
8.5-21	JC39-00332A	CBF HARNESS-COVER_OPEN;SCX-6320F,CBF,UL1	Z2104	SA
8.5-22	JC31-00033A	MOTOR STEP-DADF;X03-42D2-0280,SCX-6320F,	M2155	SA
8.5-23	JC96-02941A	ELA HOU-DADF MOTOR;SCX-6320F,XEROX,USA,D	M2128	SA
8.5-24	JC63-00307A	COVER-P GEAR;SCX-6320F,SECC,1.2T,110,83.	P5106	SA
8.5-27	JC72-01255A	PMO-GATE DUPLEX;SCX-6320F,PC+GF10%,BLK,-		SA
8.5-28	JC92-01554A	PBA SUB-DADF;SCX-6320F,XEROX,USA,DADF,-,	S0047	SA
8.5-29	JC39-00327A	CBF HARNESS-CLUTCH_IF;SCX-6320F,CBF,UL10		SA
8.5-30	JC39-00359A	CBF D SUB CABLE-DADF;SCX-6320F,15/16,16,		SA
8.5-31	JC72-01249A	PMO-ACTUATOR SCAN;SCX-6320F,ABS+GF10%,BL	S0055	SA
8.5-32	JC72-01263A	PMO-ACTUATOR DUPLEX;SCX-6320F,ABS+GF10%,	S0054	SA
8.5-33	JC39-00334A	CBF HARNESS-DADF_GND;SCX-6320F,CBF,UL100		SA
8.5-34	JC66-00589A	ROLLER-DUPLEX;SCX-6320F,SUM24L+EPDM,D17.	D3010	SA
8.5-36	JC61-00737A	GUIDE-M_DUPLEX_INNER;SCX-6320F,HIPS,2.5T	D3024	SA
8.5-37	JC61-00735A	GUIDE-M_DUPLEX_LOWER;SCX-6320F,HIPS,2.5T	D3025	SA
8.5-38	JC97-01843A	MEA UNIT-GUIDE DUPLEX;SCX-6320F,XEROX,US	D3026	SA
8.5-39	JC97-01847A	MEA UNIT-GUIDE_PICK_UP;SCX-6320F,XEROX,U	P2068	SA
8.5-39-1	JC61-00733A	GUIDE-M_PICK_UP_UPPER;SCX-6320F,HIPS,2.5		SNA
8.5-39-2	<a href="#">JC97-01846A</a>	MEA UNIT-HOLDER ADF RUBBER;SCX-6320F,XER	R1043	SA
8.5-39-4	JC92-01564A	PBA SUB-EXIT_OPEN;SCX-6320F,XEROX,USA,EX	M0330	SA
8.5-39-5	JC72-01248A	PMO-ACTUATOR DOC;SCX-6320F,ABS+GF10%,BLK		SA
8.5-39-6	JC61-00732A	GUIDE-M-PICK_UP_LOWER;SCX-6320F,HIPS,2.5		SNA
8.5-40	JC97-01845A	MEA UNIT-SUPPORT PICK_UP;SCX-6320F,XEROX	Z7012	SA
8.5-40-1	JC61-00742A	SUPPORT-M-PICK UP;SCX-6320F,HIPS HB,-,-,		SNA
8.5-40-2	JC61-00482A	SPRING ETC-PICKUP;SCX-5100,SUS304-WPB,PI	P2913	SA
8.5-40-3	JC61-00788A	GUIDE-M_DOC SENSOR;SCX-6320F,HIPS HB,2.5		SNA
8.5-41	JC61-00720A	BUSH-10_D;SCX-6320F,BEARING OIL,PI10,OD1		SNA
8.5-43	JC61-00884A	BUSH-6_D(L);SCX-6320F,REARING OIL,6,14,1		SNA
8.5-44	JC66-00683A	SHAFT-GATE_DUPLEX;SCX-6320F,SUM24L,229.3		SNA
8.5-45	JC66-00662A	SHAFT-REGI;SCX-6320F,SUM24L,47.5,PI 6.0,		SA
8.5-46	JC39-00344A	CBF HARNESS-SENSOR_IF;SCX-6320F,CBF,UL10		SA
8.6-1	JC97-01578B	MEA UNIT-DUPLEX;SCX-6320F,XEROX,USA,SUPL	D3026	SA
8.6-1-1	JC70-10232D	IPR-E-PLATE SAW(MCK2);SCX-6320F,SUS304CS	Z6072	SA

SA : SERVICE AVAILABLE SNA : SERVICE not AVAILABLE DNA : DELIVERY not AVAILABLE

Drawer#	SEC-Code	Description & Specification	Location	Service
8.6-1-2	JC70-00234A	IPR-BRACKET GUIDE B;SCX-5100,SUS,-,0.3,-	G2100	SA
8.6-1-3	JC72-41213B	PMO-HOLDER SAW;SCX-6320F,PC,BLACK,-,-,-		SNA
8.6-1-4	JC70-00229A	IPR-BRACKET GUIDE A;SCX-5100,SECC,-,T0.5	G2099	SA
8.6-1-5	JC72-00731A	PMO-FEED FRAME;SCX-5100,ABS,BLK,-,-,V0,-	F6167	SA
8.6-1-6	JC61-00478A	SPRING ETC-FEED;SCX-5100,SUS304WPB,PI0.7	F6217	SA
8.6-1-7	JC72-00730A	PMO-BUSHING FEED;SCX-5100,POM,BLACK,-,-,-	F6161	SA
8.6-1-8	JC66-00341A	GEAR-DUP IDLER 17;SCX-5100,POM,M0.8,Z17,	G0208	SA
8.6-1-9	JC66-00346A	GEAR-MP/DUP DRV;SCX-5100,POM,SW-01,M0.8,	G0340	SA
8.6-1-10	6044-000001	RING-CS;ID3,OD3,T0.25,BLACK,SUS304	Z4513	SNA
8.6-1-11	JC70-00231A	IPR-BRKT GROUND TR;SCX-5100,C5210P,-,T0.	K3276	SA
8.6-1-12	JG72-40744A	PMO-BUSHING TX(B4);CF5700,POM,NTR+WHT(DE	A1013	SA
8.6-1-13	JC72-00764A	PMO-SHAFT DUP DRIVER;SCX-5100,PC,BLACK,-	S4079	SA
8.6-1-14	JC73-10203A	RPR-RUBBER EXIT;ML-80,EDPM RUBBER,-,-,-	E4164	SA
8.6-1-15	JC70-00233A	IPR-BRKT G DUP;SCX-5100,SECC,-,0.8,-,-	K3275	SA
8.6-1-16	JC72-00732A	PMO-GP LOWER DP;SCX-5100,ABS,BLK,-,-,HB,	K3885	SA
8.6-1-17	JC72-40361A	PMO-ROLLER EXIT;SCF(XR),POM,NATURAL,-,M9	R0015	SNA
8.6-1-18	JC61-70976A	SPRING ETC-FUSER EXIT;ML-7000,SUS304-WPB	S0021	SNA
8.6-1-19	JC39-00036A	CBF HARNESS-OPE GND;SF-5100,#18,UL 1007,	Z6026	SA
8.6-1-20	JC70-00230A	IPR-BRKT GROUND B;SCX-5100,SUS,-,T0.2,-	K3276	SA
8.6-2	JC97-01909A	MEA UNIT-SIDE SUB;SCX-6320F,XEROX,USA,SI	K3619	SA
8.6-2-1	JC72-00806A	PMO-GUIDE DP SIDE;SCX-5100,PC+ABS,BLK,-	K3894	SA
8.6-2-2	JC61-00919A	GUIDE-M-SIDE_PUSH;SCX-6320F,PC+ABS,-,11,		SNA
8.6-2-3	JC72-00762B	PMO-LOCKER OPEN;SCX-5315F,ABS,DARK MOON	L6037	SA
8.6-2-5	JC72-00763A	PMO-LOCKER SIDE R;SCX-5100,ABS,DARK MOON	L6040	SA
8.6-2-6	JC61-00479A	SPRING ETC-LOCKER TORSION;SCX-5100,SUS30	L6057	SA
8.6-2-7	JC72-00766A	PMO-TIE STOPPER;SCX-5100,-,NYLON66,NTR,-	K4094	SA
8.6-2-8	JC97-01577B	MEA UNIT-TRAY;SCX-5315F,XEROX,-,TRAY ASS		SA
8.6-2-8-1	JC72-00776A	PMO-TRAY CASE,MP;SCX-5100,-,HIPS,C8726,V	T4107	SA
8.6-2-8-2	JC72-00778A	PMO-TRAY EXT,MP;SCX-5100,HIPS,C8726,-,-	T4116	SA
8.6-2-8-3	JC72-00547G	PMO-SIDE GUIDE MP;SCX-5315F,ABS,DARK MOO	G2300	SA
8.6-2-8-4	JC72-00777A	PMO-TRAY COVER,MP;SCX-5100,HIPS,C8726,-	T4108	SA
8.6-2-8-5	JB70-10906A	IPR-GUIDE LATCH;AMUNDSEN,STS C304-CSP-3/	G2113	SA
8.6-2-8-6	JC72-00857A	PMO-TRAY LINK,MP;SCX-5312F,PC+ABS,C8726,	T4121	SA
8.6-2-8-7	JC68-00697A	LABEL(R)-HEIGHT,MP;COMMON,-,PC,T0.5,W7.0	L0008	SNA
8.7-2	JC61-00831A	PLATE-P_GUIDE PAPER;SCX-5315F,SUS304 CSP	P5152	SA
8.7-3	JC70-00221A	IPR-PLATE K/UP;SCX-5100,SECC,-,T1.0,-,-	K3372	SA
8.7-5	JC72-00795A	PMO-COVER CASSETTE (C);SCX-5100,-,HIPS,I	Z2547	SA
8.7-6	JC72-00716A	PMO-FRAME CASSETTE;SCX-5100,HIPS,IVR,-,-		SNA
8.7-7	JC61-00825A	GUIDE-FRONT CST PLUS;SCX-5315F,HIPS HB,-		SNA
8.7-8	JC72-00717A	PMO-GUIDE REAR;SCX-5100,-,HIPS,GRN,HB,-	K3917	SA
8.7-9	JC61-00826A	GUIDE-P-SIDE CST;SCX-5315F,SECC,1.2,-,-	Z6054	SA
8.7-10	JC72-41210A	PMO-LOCKER PLATE;ML-6000,POM,WHT,HB,-	L6038	SA
8.7-11	JC69-00474A	PAD-CST PLUS;SCX-5315F,URETHANE,0.9T,25,	Z6069	SA
8.7-12	JG61-70531A	SPRING ETC-LOCKER,PLATE;SF6000,STS304WPB	S0025	SA
8.7-13	6107-001190	SPRING-CS;SWP-B,ZN(YEL),PI1.2,D23.7,L94.		SA
8.7-13	6107-000103	SPRING-CS;STS304-WPB,DEGRE,PI0.45,D3.45,	Z4529	SNA
8.7-13	6107-001219	SPRING-CS;SWOSC-V,-,PI3.2,D12.4,L55.8,-		SA
8.7-14	6107-001191	SPRING-CS;SWP-B,BLK,PI1.1,D23.7,L101.5,-		SA
8.7-15	JC68-00692B	LABEL(R)-INSTRUCTION CST PLUS;COMMON,SAM	Z6067	SA
8.7-16	JC68-00709A	LABEL(R)-HEIGHT CST;COMMON,TETRON,T0.05,	Z6068	SA
8.7-17	JC61-00824A	GUIDE-M-SIDE HANDLE;SCX-5315F,HIPS HB,-		SA
8.7-18	JC70-00325A	IPR-P-FINGER LEFT;ML-2150,SPCC,-,T1.2,-	F0004	SA
8.7-19	JC61-00653A	BUSH-M-FINGER,F;ML-2150,POM,-,-,-,BLK,-	B0028	SA
8.7-20	6031-000023	WASHER-PLAIN;-ID5.9,OD10.0,T0.5,BLK,POL		SNA
8.7-20	6031-001255	WASHER-PLAIN;NYLON,CUTTING,ID5,OD9,T0.5,	W0004	SA
8.7-20	6031-000019	WASHER-PLAIN;-ID6.1,OD8.5,T0.1,BLK,POLY	Z4629	SNA

SA : SERVICE AVAILABLE SNA : SERVICE not AVAILABLE DNA : DELIVERY not AVAILABLE

Drawer#	SEC-Code	Description & Specification	Location	Service
8.7-20	6031-001051	WASHER-PLAIN;M4,ID4.1,OD7.0,T0.13,*,POLY	Z4526	SNA
8.7-20	6031-001247	WASHER-PLAIN;POLYSLIDER,M3,ID3.0,OD7.0,T		SNA
8.7-22	JC61-00840A	GUIDE-M SUB WALL;SCX-5315F,HIPS,2.5,-,-,		SNA
8.8-1	JC72-00708A	PMO-GUIDE-EXIT UPPER;SCX-5100,-,PCABS,IV	E4119	SA
8.8-2	JC72-00710A	PMO-GUIDE-EXIT LOWER;SCX-5100,-,PCABS,IV	E4118	SA
8.8-3	JC72-00712A	PMO-GUIDE-JAM REMOVE;SCX-5100,PC+ABS,IVR	K3961	SA
8.8-4	JC75-00166A	MEC-ROLLER EXIT DRIVE;SCX-6320,-,SUM24L,	E4086	SA
8.8-5	JC72-00833A	PMO-ROLLER DECURL;SCX-5100,POM,WHT,-,-,H	K4062	SA
8.8-6	JC72-40980A	PMO-PULLEY DUPLEX;ML-165,POM,BLK,HB,-	P7024	SA
8.8-7	6602-001084	BELT-TIMING GEAR;30S2M224,RUB(CR),T1.36,	Z6015	SA
8.8-8	JC66-40912A	GEAR-DUPLEX;ML-165,POM,M1.0,Z16,-,WHITE,	D3021	SA
8.8-9	JC72-00885A	PMO-BEARING LARGE DP;SCX-5312F,-,POM,WHT	B1041	SA
8.8-10	JC72-40978A	PMO-BEARING LARGE DP;ML-165,POM,BLACK,-,	B1041	SA
8.8-11	JC70-00252A	IPR-GROUND-EXIT;SCX-5100,SUS304,-,T0.2,-	E4052	SA
8.8-12	JC66-00715A	SHAFT-IDLE LOWER;SCX-6320F,SUM24L,244.4,		SNA
8.8-14	JC61-70911A	SPRING ETC-EXIT ROLL FD;ML-165,SUS304 WP	O1053	SA
8.8-15	JC61-00547A	HOLDER-EXIT(MC);SCX-5312F,PC,-,-,-,WHITE	H0019	SNA
8.8-16	JC72-41007A	PMO-ROLLER FD F;ML-165,POM,BLACK,-,-,-,-	P0048	SA
8.8-17	JC72-41008A	PMO-ROLLER FD R;ML-165,POM,BLACK,-,-,-,-	P0049	SA
8.8-18	JC61-00484A	SPRING ETC-EXIT LOWER IDLE;SCX-5100,SUS3	Z4180	SA
8.8-20	JC92-01400A	PBA SUB-BIN_FULL_SEN.;SCX-5312F,SEC,KORE	M0297	SA
8.8-21	6044-000159	RING-C;ID3,OD7,T0.6,PASS,STSC	Z4357	SA
8.8-22	JC72-00709A	PMO-LEVER-STACKING;SCX-5100,PC(NH-1023P)	L4092	SA
8.9-1	JC72-00821A	PMO-FRAME FEED;SCX-5100,-,ABS GF20%,BLK,	F6171	SA
8.9-2	JC66-00332A	GEAR-FEED;SCX-5100,POM,M9044,M0.8,Z62/54	F6078	SA
8.9-4	JC70-00267A	ICT-SHAFT FEED;SCX-5100,SUM24L,-,-,-,NI		SNA
8.9-5	JC72-41364A	PMO-BUSHING_P/U,MP;ML-6100,POM,BLACK,-,C	P0035	SA
8.9-8	JC61-00849A	BRACKET-PM_FEED(25);SCX-6320F,SUS430,-,9		SNA
8.9-9	JC72-00727A	PMO-ROLLER FEED;SCX-5100,POM+URETAN,BLAC	F6195	SA
8.9-10	JC61-00830A	HOLDER-M_PINCH CST;SCX-5315F,PC+GF20%,-,		SNA
8.9-11	JC72-00725A	PMO-HOLDER PINCH SUB;SCX-5100,PC/GF20%,B	P4012	SA
8.9-12	JC72-40261A	PMO-ROLLER FEED L;ML-80,POM,WHT,-,-,-,-,	F6192	SA
8.9-13	JC61-00871A	HOLDER-PUSH_FEED_CST;SCX-6320F,SWP-B,PI0		SNA
8.9-14	JC72-00724A	PMO-HOLDER PINCH M;SCX-5100,PC+GF20%,BLA	P4012	SA
8.9-15	JC72-40266A	PMO-SUB HOLDER FEED;ML-80,POM,BLK,-,-,-,-,	F6198	SA
8.9-16	JC61-00481A	SPRING ETC-FEED MP;SCX-5100,SUS304-WPB,P	F6218	SA
8.9-17	6031-000021	WASHER-PLAIN;POLY,-,ID6.0,OD16.0,T0.13,B	W0031	SNA
8.9-18	JC72-40262A	PMO-ROLLER FEED S;ML-80,POM,NTR,-,-	F6194	SA
8.9-19	JC70-10230A	IPR-SHAFT FEED IDLER;ML-80,SUM24L,NI,-,-	Z6071	SA
8.9-20	JC63-00259A	SHEET-FEEDER;SCX-5315F,PC,0.25T,-,-,TRAN		SNA
8.9-21	JC72-01315A	PMO-ROLLER PINCH FEED;SCX-6320F,POM,WHT,		SNA
8.10-2	6003-000266	SCREW-TAPTITE;PWH,+S,M3,L6,ZPC(YEL),SWR	Z4516	SNA
8.10-4	JC33-00006A	SOLENOID-MP;- ,SCX-5312F,-,24V,27.8*22.5,	S8014	SA
8.10-5	JC61-00003A	SPRING ETC--CAM MP;ML-6100,SUS304-WPB,0.	S0020	SA
8.10-6	JC61-00549A	SPRING ETC-PICKUP,MP;SCX-5312F,SUS304-WP	P2165	SA
8.10-8	JC70-00237A	IPR-BRACKET SOLENOIDE;SCX-5100,SECC,-,1.	S8009	SA
8.10-9	JC72-00055A	PMO-HOLDER CAM MPF;ML-6100,POM,WHT,-,-	K3984	SNA
8.10-10	JC72-00056A	PMO-GEAR P/U MPF;ML-6100,POM,WHT,-,-	G0509	SA
8.10-11	JC72-00761A	PMO-ROLLER CAM.MP;SCX-5100,POM,WHITE,-,-	K4061	SA
8.10-12	JC72-00767A	PMO-ACTUATOR,MP;SCX-5100,PC,BLACK,-,-,-,-	K3818	SA
8.10-13	JC72-00768A	PMO-ADJUSTER,MP;SCX-5100,POM,BLACK,-,-,-,-	A3001	SA
8.10-14	JC72-00769A	PMO-CAM PICK UP,MP;SCX-5100,PC,BLACK,-,-	P2124	SA
8.10-15	JC72-00770A	PMO-FRAME,MP;SCX-5100,PC/ABS,C8726,-,-,H	F2243	SA
8.10-16	JC72-00771A	PMO-HOLDER PAD,MP;SCX-5100,PC/ABS,BLACK,	P0029	SA
8.10-17	JC72-00772A	PMO-HOLDER SENSOR,MP;SCX-5100,ABS,BLACK,	P0039	SA
8.10-18	JC72-00773A	PMO-HOUSING PICK UP,MP;SCX-5100,POM,BLAC	P2129	SA



SA : SERVICE AVAILABLE SNA : SERVICE not AVAILABLE DNA : DELIVERY not AVAILABLE

Drawer#	SEC-Code	Description & Specification	Location	Service
8.10-19	JC72-00775A	PMO-PLATE KNOCK UP,MP;SCX-5100,ABS+GF20%	K5007	SA
8.10-20	JC72-41027A	PMO-IDLE PICK UP MP;ML-165,POM,BLK,-,-,-	P2131	SA
8.10-21	JC73-00089A	RPR-RUBBER PICK UP,MP;SCX-5100,EPDM,-,-,-	P2147	SA
8.10-22	JC73-00090A	RPR-RCT PAD PICKUP,MP;SCX-5100,SILICON,T	P2146	SA
8.10-23	JC69-00494A	PAD-MP(PLUS);SCX-5315F,URETHANE,0.9T,31,	M0005	SA
8.10-24	<a href="#">JC92-01362A</a>	PBA SUB-MP SEN;SCX-5100,XEROX,USA,MP SEN	M0395	SA
8.11-1	6003-000196	SCREW-TAPTITE;PWH,+,-,B,M3,L10,NI PLT,SWRC	Z4397	SA
8.11-2	6003-000269	SCREW-TAPTITE;BH,+,-,S,M3,L6,ZPC(YEL),SW	Z4513	SA
8.11-6	JC61-00857A	HOLDER-CATCH CST(MC2);SCX-6320F,POM,-,-,33		SNA
8.11-5	JC61-40001A	FOOT-ML80;ML-80,NBR,-,GRAY,-,-,-	F0003	SA
8.11-4	JC61-00486A	SPRING ETC-TORSION;SCX-5100,SUS304WPB,0.	Z4271	SA
8.11-8	JC70-00240A	IPR-GROUND PLATE A(OPC);SCX-5100,SUS304,	O0019	SA
8.11-9	JC70-00241A	IPR-GROUND PLATE B(BASE);SCX-5100,SUS304	P5051	SA
8.11-10	JC72-00779A	PMO-BASE FRAME;SCX-5100,-,HIPS,IVR(C8726	B0128	SA
8.11-11	JC61-00789A	BRACKET-M-PUSH DEVE;SCX-6320F,POM,T1.5,-		SNA
8.11-12	JC72-00781A	PMO-BRACKET SIDE OPEN;SCX-5100,POM,WHITE	O1075	SA
8.11-13	JC72-00785A	PMO-COVER FRONT DUMMY;SCX-5100,-,HIPS,IV	D2052	SA
8.11-14	JC96-01607A	ELA M/M-AUD SPEAKER;SF-5100,SEC,ASSY SPE	S9004	SA
8.11-15	JC61-00550A	SPRING ETC-DEVE REAR;SCX-5312F,SUS304WPB	Z4164	SA
8.11-16	JC39-00179A	CBF HARNESS-OPC GND;SCX-5100,WIRE HARNES	H1181	SA
8.11-17	JC31-00027B	FAN-DC CARDINAL;AD0424LS-C50,ML-2550,-,-	F5017	SA
8.11-18	JC61-00551A	SPRING ETC-DEVE FRONT;SCX-5312F,SUS304WP	Z4163	SA
8.11-19	JC61-00855A	HOLDER-M_ROLLER BOTTOM;SCX-6320F,POM,-,-		SNA
8.11-20	JC66-00684A	SHAFT-DEVE_BOTTOM;SCX-6320F,SUM22L,43.2,		SNA
8.11-21	JC70-00243A	IPR-GROUND PLATE SCF;SCX-5100,SECC,-,T0.	P5054	SA
8.11-22	JC39-00082A	CBF HARNESS-SCF;ML-6060,WIRE HARNESS,UL1	H1227	SA
8.11-23	JC92-01568A	PBA SUB-AIR_TMP;SCX-6320F,XEROX,USA,AIR	M0295	SA
8.12-1	JC70-00238A	IPR-GND FEED;SCX-5100,SUS301,-,T0.15,-,-	F6092	SA
8.12-2	JC70-00235A	IPR-GND INPUT;SCX-5100,SUS301,-,T0.15,-,	K3314	SA
8.12-3	JC70-00222A	IPR-GUIDE INPUT;SCX-5100,SUS304,-,T0.5,-	K3342	SA
8.12-4	JC72-01313A	PMO-M-ACTUATOR_NO PAPER;SCX-5315F,ABS HF	Z6113	SA
8.12-5	JC92-01359A	PBA SUB-TONER_TX;SCX-5100,XEROX,USA,TONE	M0435	SA
8.12-6	JC92-01361A	PBA SUB-PTL;SCX-5100,XEROX,USA,PTL,SR331	M0411	SA
8.12-7	JC72-00721A	PMO-FEED SENSOR;SCX-5100,PC+ABS,BLK,-,-,-	F6169	SA
8.12-9	JC72-00726A	PMO-HOLDER SENSOR FEED;SCX-5100,-,ABS,BL	F6183	SA
8.12-10	JC72-00803A	PMO-LENS TONER SENSOR;SCX-5100,-,ACRYL,T	S3086	SA
8.12-11	JC72-00822A	PMO-PTL PATH;SCX-5100,PC KC7133R,TRP,-,-	K4055	SA
8.12-14	JC61-00822A	HOUSING-M-PICKUP LARGE;SCX-5315F,PC ABS,		SNA
8.12-15	JC61-00823A	HOUSING-M-PICKUP SMALL;SCX-5315F,PC ABS,		SNA
8.12-16	JC73-00145A	RUBBER-ROLLER PICKUP;SCX-5315F,EPDM+IR,P	Z6117	SA
8.12-17	<a href="#">JC73-00163A</a>	RUBBER-PICKUP ROLLER_S;SCX-5315F,EPDM+IR	P2149	SA
8.12-18	JC66-00672A	SHAFT-PICK_UP CST;SCX-5315F,SUM 24L,275.		SNA
8.12-19	JB70-00168A	ICT-PIN ADF;SCX-1110F,STS303,D2.0,-,-,-	I0001	SA
8.12-20	JC63-00083A	SHEET-PTL PATH;SCX-5312F,PC,0.25T,-,-,CL	S5085	SA
8.12-21	JC66-00596A	SHAFT-PICK_UP SUB;SCX-5315F,SUM 22,50,D8	P2156	SA
8.12-23	6044-000231	RING-E;ID5.0,OD11.0,T0.6,PASS,STS304	R0006	SA
8.13-1	JC61-00726A	BRACKET-P-MAIN MOTOR;SCX-6320F,SECC,1.6T		SNA
8.13-2	JC31-00020C	MOTOR STEP-MCK2(MAIN);M49SP-2K,SCX-6320F	Z6024	SA
8.13-3	JC39-00337A	CBF HARNESS-FUSER_MOTO;SCX-6320F,CBF,UL1		SA
8.13-4	JC31-00030A	MOTOR DC-MCK2(BLDC);50M8432040,-,1.6A,-,	Z6025	SA
8.13-5	JC39-00326A	CBF HARNESS-FEED_MOTOR;SCX-6320F,CBF,UL1		SA
8.13-6	JC66-40211B	GEAR-EXIT/U,ID;ML-1605,POM,M1.0,Z16,-,BL	E4045	SA
8.13-8	JC66-00576A	LINK-P-DUPLEX;SCX-6320F,SECC,-,1.6T,-,-,-		SNA
8.13-9	JC66-00349A	GEAR-SWING DRV;ML-6000,POM,M1,Z34/17,-,N	G0429	SA
8.13-10	JC66-00350A	GEAR-31/19;SCX-5100,POM,M1,Z31/19,-,NTR,	G0147	SA
8.13-11	JC66-00345A	GEAR-71/23;SCX-5100,POM,M0.5/1,Z71/23,-,	G0155	SA

SA : SERVICE AVAILABLE SNA : SERVICE not AVAILABLE DNA : DELIVERY not AVAILABLE

Drawer#	SEC-Code	Description & Specification	Location	Service
8.13-12	JC66-00338A	GEAR-DEVE DRV;SCX-5100,POM,M0.5,Z61,-,BL	T2101	SA
8.13-13	JC72-00743A	PMO-DEV/COUPLING;SCX-5100,DE8903,BLK,-,-	K3874	SA
8.13-14	JC66-00337A	GEAR-86/23;SCX-5100,POM,M0.5/0.8,Z86/23,	G0156	SA
8.13-15	JC66-00342A	GEAR-RDCN FEED INNER;SCX-5100,POM,M0.8,Z	F6084	SA
8.13-16	JC66-00340A	GEAR-HUB CLUTCH;SCX-5100,POM,M0.8,Z13,-,	C9033	SA
8.13-17	JC66-00343A	GEAR-RDCN FEED OUTER;SCX-5100,POM,M90-44	F6086	SA
8.13-18	JC66-00348A	GEAR-FEED DRV;SCX-5100,POM,M0.8,Z37,-,NT	F6076	SA
8.13-19	JC66-00580A	GEAR-OPC53/37;SCX-6320F,POM,M0.5,Z53/37,		SNA
8.13-20	JC66-00347A	GEAR-OPC DRV;SCX-5100,POM,M0.6,Z89,-,BLA	G0349	SA
8.13-21	JC66-00581A	GEAR-OPC 55/31;SCX-6320F,POM,M0.5,Z31/55		SNA
8.13-22	JC61-00853A	BRACKET-P-BRAKE;SCX-6320F,SECC,1.2T,-,-,		SNA
8.13-23	JC66-00334A	GEAR-GEAR FUSER DRV OUTER;SCX-5100,POM,M	F4097	SA
8.13-24	JC66-00333A	GEAR-FUSER DRV INNER;SCX-5100,POM,M1,Z29	F4085	SA
8.13-26	JC75-00163A	MEC-BRAKE GEAR;SCX-6320F,SAMSUNG,POM+FEL		SNA
8.13-27	JC72-00825A	PMO-IMPELLER_DRV;ML-6200,NYLON66,BLK,-,-	O1103	SA
8.14-1	JC61-00723A	HOUSING-M-TERMINAL;SCX-6320F,ABS V0,T2.0	Z6052	SA
8.14-2	JC70-00269A	IPR-TERMINAL BLADE;SCX-5100,SUS304WPB,-,	K3421	SA
8.14-3	JC70-00270A	IPR-TERMINAL SUPPLY;SCX-5100,SUS304WPB,-	K3424	SA
8.14-4	JC70-00271A	IPR-TERMINAL TR;SCX-5100,SUS304WPB,-,-,-	K3426	SA
8.14-6	JC92-01567A	PBA SUB-TERMINAL;SCX-6320F,XEROX,USA,TER		SA
8.14-7	JC61-00724A	HOLDER-M-TERMINAL;SCX-6320F,PC,1.5T,-,-,	Z6053	SA
8.14-8	JC39-00170A	CBF HARNESS-BLADE+SUPPLY+DEV;SCX-5100,WI	H1036	SA
8.14-9	JC39-00168A	CBF HARNESS-THV WIRE;SCX-5100,WIRE HARNE	H1268	SA
8.14-10	JC39-00169A	CBF HARNESS-MHV WIRE;SCX-5100,WIRE HARNE	H1161	SA
8.14-11	JC72-00800A	PMO-FRAME MAIN;SCX-5100,-,PC+ABS ,BLK,V0	F2242	SA
8.14-13	JC70-00214A	IPR-GND EXIT;SCX-5100,SUS304CSP,-,0.2T,-	E4050	SA
8.14-14	JC70-00216A	IPR-GND OPC;SCX-5100,SUS301,-,0.2T,-,-,-	O0016	SA
8.14-15	JC70-00217A	IPR-GND OPC BASE;SCX-5100,SUS304CSP,-,0.	O0017	SA
8.14-16	JC63-00409A	GROUND-P-FUSER_MC2;SCX-6320F,SUS304CSP,0		SNA
8.14-18	JC70-00219A	IPR-GND TERMINAL;SCX-5100,C5210P,-,0.2T,	K3317	SA
8.14-19	JC39-00335A	CBF HARNESS-AC_WIRE;SCX-6320F,WIRE HARNE		SA
8.14-20	JC39-00360A	CBF HARNESS-COVER_SW;SCX-6320F,CBF,UL106	Z6030	SA
8.14-21	JB39-00017A	CBF HARNESS-EARTH (TX MOTOR);SF-3100,CBF		SA
8.14-22	JC92-01364A	PBA SUB-EXIT SEN;SCX-5100,XEROX,USA,EXIT	M0330	SA
8.14-23	JC92-01360A	PBA SUB-TONER_RX;SCX-5100,XEROX,USA,TONE	M0433	SA
8.14-25	JC66-40964A	GEAR-EXIT,IDLE(Z17);ML-5000,NYLON66,M1.0	E4040	SA
8.14-26	JC39-00377A	CBF HARNESS-THERM;SCX-6320F,CBF,UL1061,2	Z6032	SA
8.14-27	JC72-41010A	PMO-HOUSING TERMINAL;ML-165,ABS GF10%,BL	H6086	SA
8.14-28	JC70-10961A	IPR-TERMINAL FU;ML-165,C5210P,-,T0.3,-,-	K3422	SA
8.14-29	JC72-00465A	PMO-CAP CONNECTOR U;ML-6060A,POM,BLACK,-	Z0014	SA
8.14-32	JB61-70922A	SPRING ETC-CLUTCH;MJC-810L,SUS304,-,ID4.	C9078	SA
8.14-34	JC63-00333A	GROUND-TERMINAL_CRUM;SCX-6320F,PBW,PI0.6		SNA
8.15-1	JC72-01318A	PMO-UPPER FUSER;SCX-6320F,PET GF30%,BLK,		SNA
8.15-2	JC96-03020C	ELA UNIT-HEAT ROLLER;SCX-6322DN,-,-,110V		SNA
8.15-4	JC63-00353A	COVER-M-BRUSH;SCX-6320F,PET GF 30%,-,25.		SNA
8.15-5	6107-001172	SPRING-CS;SUS304,-,PI0.5,D6.7,L17.5,-,-,	S0035	SA
8.15-6	JC67-00067A	BRUSH-CARBON;SCX-6320F,CU+CABON,-,7.8,7.	Z6066	SA
8.15-8	JC70-00064A	IPR-PIN ROLLER EXIT;SF-5100,SUS304,PI1.8	Z4605	SNA
8.15-9	JC70-00470A	ELECTRODE-P-GEAR;SCX-6320F,-,-,-,-,-		SNA
8.15-10	JC71-00030A	NPR-ELECTRODE M;SCX-5100,C5210P,T0.6,-,-	E0022	SA
8.15-11	JC70-00469A	ELECTRODE-P-FRONT;SCX-6320F,-,-,-,-,-		SNA
8.15-12	4712-001027	THERMOSTAT;125/250VAC,15/7.5A,170+-5C,0C	T0002	SA
8.15-13	1404-001340	THERMISTOR-NTC;2.119KOHM,-,-,0.4MW/C,-,-		SA
8.15-13	1404-001141	THERMISTOR-NTC;5.6Kohm,5%,3200K,2.1mW/C,		SNA
8.15-14	JC97-01587B	MEA UNIT-CLAW;SCX-6320F,XEROX,-,CLAW ASS	Z6155	SA
8.15-14-1	JC61-70909A	SPRING ETC-SAPERATION;ML-165,SUS304 WPB,	Z4254	SA

SA : SERVICE AVAILABLE SNA : SERVICE not AVAILABLE DNA : DELIVERY not AVAILABLE

Drawer#	SEC-Code	Description & Specification	Location	Service
8.15-14-2	JC72-00376B	PMO-GUIDE CLAW;SCX-6320F,LCP,GRAY,-,-,V0	Z6074	SA
8.15-15	JC72-01316A	PMO-LOWER FUSER;SCX-6320F,PET GF30%,BLK,		SNA
8.15-16	JC61-00056A	SPRING ETC-PR(7300);ML-7300,PIANO WIRE,1	O1031	SA
8.15-17	JC66-10901A	BUSH;ML-165,PPS(RBA313N),14,7.2,-,-,-	O1091	SA
8.15-18	JC66-00691A	ROLLER-PRESSURE;SCX-6320F,SILICON,D29,RU		SNA
8.15-19	JC66-00679A	LEVER-M-JAM R;SCX-6320F,PET GF30%,4,-,-,		SNA
8.15-20	JC66-00678A	LEVER-M-JAM F;SCX-6320F,PET GF30%,4,-,-,		SNA
8.15-21	JC72-00817A	PMO-GUIDE INPUT;SCX-5100,PET GF30%,BLK,-	K3904	SA
8.15-22	JC70-00259A	IPR-GROUND FU;SCX-5100,SUS304,-,T0.5,-,-	K3326	SA
8.15-23	JC97-01611B	MEA UNIT-ACTUATOR;SCX-6320F,XEROX,-,ACTU	Z6156	SA
8.15-23-1	JC72-00810A	PMO-ACTUATOR EXIT;SCX-5100,PC+ABS+SUM24,	E4093	SA
8.15-23-2	JC61-00967A	GUIDE-M-DUPLEX;SCX-6320F,PET+GF30%,-,-,2		SNA
8.15-23-3	JC72-00811A	PMO-ARM ACTUATOR;SCX-5100,-,PC,BLK,V0,-,	A0004	SA
8.15-23-4	JC61-00546A	GUIDE-REMOVE;SCX-5312F,PC GF20%,2T,-,-,B		SNA
8.15-24	JC61-00485A	SPRING ETC-ACTUATOR6G;SCX-5100,SUS304-WP	Z4133	SA
8.15-25	JC68-30928B	LABEL(R)-CAU_HOT_FU;COMMON,PVC,40X12,140		SNA
8.15-26	JC68-00408A	LABEL(R)-LV FUSER;COMMON,PVC,-,110V,-,,,	Z4599	SNA
8.15-27	6021-000222	NUT-HEXAGON;2C,M3,ZPC(YEL),SM20C,-	Z4564	SNA
Replacement	3903-000085	CBF-POWER CORD;DT,US,BP3/YES,I(IEC C13/C	C0022	SA
#N/A	6103-001048	SUPPORTER;DASS-T20N,L37.1,NTR,NYLON6/6	Z7002	SA
#N/A	JC39-00347A	CBF HARNESS-LIU;SCX-6320F,CBF,UL1061,14P	L5002	SA
#N/A	JC39-00391A	CBF HARNESS-COUNTER;SCX-6320F,CBF,UL1061		SA
#N/A	JC68-01416B	MANUAL INSTALL-GUIDE;COMMON,SAMSUNG,KORE		SNA
#N/A	JC69-00630A	BOX(P)-MAIN(XAA);SCX-6320F,SUK255 K200,A		SA
#N/A	JC92-01587A	PBA SUB-LIU_USA;SCX-6320F,XEROX,USA,LIU,	L5096	SA
#N/A	JC96-02939A	ELA HOU-ENGINE;SCX-6320F,XEROX,USA,-,-,-		SNA
#N/A	JC96-03165H	ELA HOU-SCANNER XAX;SCX-6320F,SEC,XAX,SC		SA
#N/A	JC96-03168A	ELA HOU-MAIN_MFP;SCX-6320F,SEC,COMMON,MA		SNA
#N/A	JC96-03209A	ELA HOU-COVER;SCX-6320F,SEC,CHINA,-,-,-		SNA
#N/A	JC96-03219A	ELA UNIT-OPC DRUM SET;SCX-6320F,SEC,-,SE		SNA
#N/A	JC96-03220B	ELA UNIT-TONER SET;SCX-6320F,SEC,-,8K,SE		SNA
#N/A	JC99-01457B	PAA WOOD-MATERIAL;SCX-6320F,XEROX,-,MATE		SNA
#N/A	JC99-01794J	PAA WOOD-LABEL(XAX);SCX-6320F,XAX,-,LABE		SNA
#N/A	JC99-01798A	PAA-PACKING(M2_XAA);SCX-6320F,XAA,-,PACK		SNA
#N/A	JC99-01823V	INA-ACCESSORY_XAX;SCX-6320F,XAX,USA,-,-,		SNA
#N/A	0201-001096	ADHESIVE-HM;#3748,YEL,8500CPS,-		SNA
#N/A	0203-000007	TAPE-FILAMENT;3M,T0.15,W18,L55M,TRP		SNA
#N/A	0203-001100	TAPE-OPP MASKING;OPP/W75/CLR,T0.05,W75,L		SNA
#N/A	0203-001159	TAPE-FILAMENT;#8915,T0.15,W12,L55000,CLR		SNA
#N/A	0203-001189	TAPE-ACETATE;#810,T0.05,W12,L65000,TRP,-		SNA
#N/A	0205-001003	GREASE-BEARING;NYOGEL788,DAMPING GREASE,	Z4539	SNA
#N/A	0205-001087	GREASE-BEARING;HANARL RX-405,NOISE DAMPI		SNA
#N/A	0502-000288	TR-POWER;KSD288,NPN,25W,TO-220,-,120-24		SNA
#N/A	0604-000118	PHOTO-COUPLER;TR,20-300%,200mW,DIP-4,ST		SA
#N/A	0604-000142	PHOTO-COUPLER;TR,-,200mW,DIP-4,ST		SA
#N/A	1405-000152	VARIATOR;560V,2500A,14x8.5mm,TP		SA
#N/A	2301-001308	C-FILM,LEAD-PEF;15NF,10%,400V,BK,10.5X4X		SNA
#N/A	2305-000385	C-FILM,LEAD-PEF;470nF,10%,250V,BK,18x6x1		SA
#N/A	3301-001413	CORE-FERRITE;AD,33x12x7mm,1500,2800Gauss	Z4340	SA
#N/A	3501-000203	RELAY-MINIATURE;5V,200MW,1000MA,1FORMC,6		SA
#N/A	3722-000255	JACK-MODULAR;6P/4C,INVERTED,N,ANGLE,STAN		SA
#N/A	6001-000568	SCREW-MACHINE;PH,+ ,M3,L8,NI PLT,SWRCH18A		SA
#N/A	6001-000667	SCREW-MACHINE;PWH,+ ,M3,L8,ZPC(YEL),SM20C		SNA
#N/A	6002-000175	SCREW-TAPPING;PWH,+ ,2,M3,L8,ZPC(YEL),SM2		SA
#N/A	6006-000127	SCREW-MACHINE;WS,PH,+ ,M3,L6,ZPC(YEL),SWR	Z4563	SNA
#N/A	6006-001031	SCREW-MACHINE;WSP,PH,+ ,M3,L10,ZPC(YEL),S		SA

SA : SERVICE AVAILABLE SNA : SERVICE not AVAILABLE DNA : DELIVERY not AVAILABLE

Drawer#	SEC-Code	Description & Specification	Location	Service
#N/A	6902-000288	BAG PE;LDPE,T0.05,W250,L450,TRP,8,2-		SNA
#N/A	6902-000321	BAG PE;HDPE,T0.015,W800,L1300,TRP,28,6M-		SNA
#N/A	6902-000326	BAG PE;HDPE,T0.015,W300,L500,TRP,8,2,-		SNA
#N/A	6902-000332	BAG CONDUCTIVE;PE+CARBON,T0.1,W250,L500,		SNA
#N/A	JB68-00916A	LABEL RATING-BLANK;SF-340,SEC,TETRON,0.0		SNA
#N/A	JC39-00001A	CBF INTERFACE-USB;ML-6100,4,UL2725,1800	K2897	SA
#N/A	JC39-00229A	CBF HARNESS-OPC FUSE;SCX-5312F,WIRE HARN	H0023	SA
#N/A	JC46-00226A	S/W APPLICATION-CD;- ,SCX-6320F,DRV,1.00,		SNA
#N/A	JC61-00965A	BRACKET-P-INNET BOTTOM;SCX-6320F,SECC,T0		SNA
#N/A	JC68-00058A	LABEL(R)-SEVER DEVE;COMMON,-,ART,34*34,-		SNA
#N/A	JC68-00320A	MANUAL-(CARD)SEM SVC CARD;COMMON,SEM,XEM		SNA
#N/A	JC68-00685A	CARD-MANUAL OPC;SCX-5100,-,-,ART,0.2,1		SNA
#N/A	JC68-00686A	CARD-SHEET MANUAL DEVE;SCX-5100,-,ART,-,		SNA
#N/A	JC68-00722A	LABEL(R)-UNLOCK REMINDER;COMMON,PVC,T0.1		SNA
#N/A	JC68-00723A	LABEL(R)-LOCK INDICATOR;COMMON,TETRON,T		SNA
#N/A	JC68-01134A	LABEL(P)-BLANK(FUSER);ML-1710D3,-,WHITE	Z4600	SNA
#N/A	JC68-10209B	LABEL(P)-PACK DEVE;ML-85,ART,34*84,G100,		SNA
#N/A	JC68-10914D	LABEL(P)-SERIAL NO;ML-85,ART,70X15,G100,	Z4619	SNA
#N/A	JC68-10932A	LABEL(P)-BLANK(ML);ML-85,ART,70X60,G100,		SNA
#N/A	JC68-10934C	LABEL(P)-CD LABEL(XAX);COMMON,SEM,ART,10		SNA
#N/A	JC69-00251A	BAG PE;PE+CARBON,T=0.1,170,490,BLACK,-,-		SNA
#N/A	JC69-00453A	BOX(P)-SAFETY PAD;COMMON,LDPE,A,3,45,300		SNA
#N/A	JC69-00458A	CUSHION-CASSETTE;ML-2550/XRX,EPS,30,20,2		SNA
#N/A	JC69-00513A	CUSHION-UPPER SUPP;SCX-6320F,EPS,124.5,2		SNA
#N/A	JC69-00513B	CUSHION-DEVE UPPER;SCX-6320F,EPS,29,122,		SNA
#N/A	JC69-00513C	CUSHION-OPC UPPER;SCX-6320F,EPS,20,84,35		SNA
#N/A	JC69-00535A	CUSHION-HONEY PAD BOT;SCX-6320F,HONEY PA		SNA
#N/A	JC69-00626A	CUSHION-TOP R/L;SCX-6320F/XAA,EPS,160,49		SNA
#N/A	JC70-00220A	IPR-FINGER;SCX-5100,SPCC,-,T1.2,-,-,-,	F0003	SA
#N/A	JC70-00247A	IPR-SHIELD SMPS LOWER;SCX-5100,SECC,-,T0	S7036	SA
#N/A	JC70-00272A	IPR-TERMINAL GND;SCX-5100,C5210P,-,0.7,-	K3423	SA
#N/A	JC70-00298A	IPR-TERMINAL OPC;SCX-5312F,SUS304WPB,PI0		SNA
#N/A	JC72-00463A	PMO-CAP CONNECTOR L;ML-6060A,POM,BLACK,-	Z0013	SA
#N/A	JC72-00792A	PMO-WINDOW SENSOR DEVE;SCX-5100,-,PC,TRP	S3091	SA
#N/A	JC72-00877A	PMO-IMPACT CASSETTE;SCX-5312F,HIPS,BLUE,	C4041	SA
#N/A	JC72-01345A	PMO-BUSHING DP;CLP-500,POM,WHT,ID5MM, OD		SNA
#N/A	JC72-20902A	PEX-ROLLER F/UP(2);ML-5000A,TEFLON,WHT,-	O1106	SA
#N/A	JC92-01405F	PBA SUB-SDRAM(16M);SCX-6320F,SEC,-,100 P		SA
#N/A	JC92-01482B	PBA MAIN-MFP;SCX-6320F,SEC,USA,20PPM,MFP	M0202	SA
#N/A	JC94-00695A	PHANTOM AU JC92-01587A		SNA
#N/A	JC96-02937A	ELA HOU-CRUM;SCX-6320F,XEROX,USA,CRUM,-,		SA
#N/A	JC96-02990B	ELA UNIT-OPC KIT;SCX-6320F,SEC,20K,SET S		SNA
#N/A	JC96-02991C	ELA UNIT-TONER KIT;SCX-6320F,SEC,-,8K,-,		SNA
#N/A	JC96-03035A	ELA HOU-ZENER;SCX-6320F,SAMSUNG,COMMON,Z		SA
#N/A	JC96-03056A	ELA UNIT-TR;SCX-5312F,SEC,DOMESTIC,T/R ,	Z6135	SA
#N/A	JC96-03907A	ELA HOU-FEED EMP SEN;SCX-5315F,SAMSUNG,-	Z6136	SA
#N/A	JF39-50094B	CBF LINE CORD;MINI FAX,-,-,IVR,-	Z4186	SA
#N/A	JF68-10532B	LABEL(P)-BAR CODE;CLP-500,-,YUPO PAPER,1	Z4544	SNA
#N/A	JG26-50001A	TRANS MATCHING;SF6000,-,600/600		SA
#N/A	0201-001183	ADHESIVE-AA;ARON ALPHA #202F,NTR,100,20G		SNA
#N/A	0202-001240	SOLDER-WIRE;HSE-01,-,D3,SN/0.5CU/0.03NI/		SNA
#N/A	0202-001492	SOLDER-WIRE FLUX;HSE-02 LFM48 SR-34 S,-,		SNA
#N/A	0204-000469	THINNER;#4662,-,0.795,-		SNA
#N/A	0204-002978	FLUX;KSP-70M,-,84%,FLUX,SPRAY		SNA
#N/A	0205-001059	GREASE-BEARING;PETAMO GHV 133,BEIGE,15KG	Z4540	SNA
#N/A	0205-001067	GREASE-GRAPHITE;NYOGEL 756G,HYDRO CARBON		SNA

SA : SERVICE AVAILABLE SNA : SERVICE not AVAILABLE DNA : DELIVERY not AVAILABLE

Drawer#	SEC-Code	Description & Specification	Location	Service
#N/A	0205-001080	GREASE-BEARING;NYOGEL 774H,NOISE DAMPING	Z4542	SNA
#N/A	0205-001088	GREASE-BEARING;NICHIMOLY DM-1770X,PTFE,-		SNA
#N/A	0401-000005	DIODE-SWITCHING;1N4148,75V,150mA,DO-35,T		SA
#N/A	0401-000148	DIODE-SWITCHING;1N914,75V,300MA,DO-35,TP		SA
#N/A	0402-000132	DIODE-RECTIFIER;1N4004,400V,1A,DO-41,TP		SA
#N/A	0403-000153	DIODE-ZENER;1N4746A,5%,1000MW,DO-41,TP		SA
#N/A	0403-000716	DIODE-ZENER;MTZJ4.7B,4.59-4.77V,500mW,DO		SA
#N/A	0403-001440	DIODE-ZENER;1N5956BRL/BZY97-C200,188-212		SNA
#N/A	0501-000398	TR-SMALL SIGNAL;KSC945-Y,NPN,250mW,TO-92		SA
#N/A	0501-000501	TR-SMALL SIGNAL;MPSA92,PNP,625mW,TO-92,T		SA
#N/A	0502-000245	TR-POWER;KSB1151-Y,PNP,1.3W,TO-126,-,16		SA
#N/A	0601-001138	LED-IR;ROUND,5mm,150mW,4V,950nm,BK		SNA
#N/A	0601-001500	LED;ROUND,RED,3mm,660nm		SNA
#N/A	0603-001021	PHOTO TR;NPN,20V,5V,20mA,75mW,TP		SA
#N/A	0604-001154	PHOTO-INTERRUPTER;TR,0.2-1.0MA,80MW,DIP,	P0012	SA
#N/A	1405-000170	VARISTOR;82V,1200A,9x4.1mm,TP		SA
#N/A	1405-000226	VARISTOR;-,.25A,5mm,TP		SA
#N/A	2001-000025	R-CARBON;75OHM,5%,1/4W,AA,TP,2.4X6.4MM		SA
#N/A	2001-000027	R-CARBON;100OHM,5%,1/4W,AA,TP,2.4X6.4MM		SA
#N/A	2001-000034	R-CARBON;220OHM,5%,1/4W,AA,TP,2.4X6.4MM		SA
#N/A	2001-000105	R-CARBON;1.5KOHM,5%,1/4W,AA,TP,2.4X6.4MM		SA
#N/A	2001-000110	R-CARBON;10OHM,5%,1/4W,AA,TP,2.4X6.4MM		SA
#N/A	2001-000119	R-CARBON;680OHM,5%,1/4W,AA,TP,2.4X6.4MM		SA
#N/A	2001-000290	R-CARBON;10KOHM,5%,1/8W,AA,TP,1.8X3.2MM		SA
#N/A	2001-000449	R-CARBON;2.2KOHM,5%,1/8W,AA,TP,1.8X3.2MM		SA
#N/A	2001-000591	R-CARBON;3.3KOHM,5%,1/8W,AA,TP,1.8X3.2MM		SA
#N/A	2001-000626	R-CARBON;300OHM,5%,1/4W,AA,TP,2.4X6.4MM		SA
#N/A	2001-000633	R-CARBON;30KOHM,5%,1/8W,AA,TP,1.8X3.2MM		SA
#N/A	2003-000178	R-METAL OXIDE;15Kohm,5%,1W,AA,TP,4.3x12m		SA
#N/A	2004-000284	R-METAL;12Kohm,1%,1/4W,AA,TP,2.4x6.4mm		SA
#N/A	2004-000432	R-METAL;1Kohm,1%,1/4W,AA,TP,2.4x6.4mm		SA
#N/A	2004-000496	R-METAL;2.74Kohm,1%,1/4W,AA,TP,2.4x6.4		SA
#N/A	2004-001773	R-METAL;12ohm,1%,1/4W,AA,TP,2.4x7mm		SNA
#N/A	2009-001143	R-METAL GLAZE;100MOHM,5%,1W,-,TP,3.8X11M		SA
#N/A	2201-000119	C-CERAMIC,DISC;100NF,+80-20%,50V,Y5V,TP,		SA
#N/A	2201-000982	C-CERAMIC,DISC;10nF,+80-20%,50V,Y5V,-,4.		SA
#N/A	2301-000402	C-FILM,LEAD-PEF;1nF,5%,50V,TP,5x7x2.8mm,		SA
#N/A	2401-000480	C-AL;10uF,20%,50V,GP,TP,5x11,5		SA
#N/A	2401-000758	C-AL;0.22UF,20%,50V,GP,TP,5X11,5		SA
#N/A	2401-001775	C-AL;470nF,20%,50V,GP,TP,4x7,5		SA
#N/A	2801-000199	CRYSTAL-UNIT;20MHz,50ppm,28-AAA,16pF,50o		SA
#N/A	2801-003582	CRYSTAL-UNIT;30MHz,50ppm,28-AAA,18pF,80o		SA
#N/A	2801-003886	CRYSTAL-UNIT;12MHz,50ppm,28-AAA,16pF,50o		SNA
#N/A	2801-003960	CRYSTAL-UNIT;28.224MHz,50ppm,28-AAA,18pF		SA
#N/A	2801-004348	CRYSTAL-UNIT;20.43762MHZ,50PPM,HC-49/S,1		SNA
#N/A	3601-001246	FUSE-CARTRIDGE;250V,63mA,FAST-ACTING,GLA		SA
#N/A	3702-000118	CONNECTOR-RIBBON;36P,FEMALE,ANGLE,AU		SNA
#N/A	3702-001159	CONNECTOR-RIBBON;80,MALE,STRAIGHT,AU		SA
#N/A	3708-001637	CONNECTOR-FPC/FFC/PIC;24P,1MM,STRAIGHT,S		SA
#N/A	3709-001131	CONNECTOR-CARD EDGE;100P,1.27MM,STRAIGHT		SNA
#N/A	3711-000164	HEADER-BOARD TO CABLE;1WALL,2P,1R,2.5mm,		SNA
#N/A	3711-000225	HEADER-BOARD TO CABLE;1WALL,4P,1R,2.5MM,		SNA
#N/A	3711-002003	HEADER-BOARD TO CABLE;BOX,26P,2R,2mm,STR		SNA
#N/A	3711-002807	HEADER-BOARD TO CABLE;BOX,6P,1R,2mm,STRA		SNA
#N/A	3711-002809	HEADER-BOARD TO CABLE;BOX,8P,1R,2mm,STRA		SA
#N/A	3711-002811	HEADER-BOARD TO CABLE;BOX,10P,1R,2mm,STR		SNA

SA : SERVICE AVAILABLE SNA : SERVICE not AVAILABLE DNA : DELIVERY not AVAILABLE

Drawer#	SEC-Code	Description & Specification	Location	Service
#N/A	3711-002812	HEADER-BOARD TO CABLE;BOX,11P,1R,2mm,STR		SNA
#N/A	3711-002813	HEADER-BOARD TO CABLE;BOX,12P,1R,2mm,STR		SA
#N/A	3711-003035	HEADER-BOARD TO CABLE;BOX,14P,2R,2mm,STR		SA
#N/A	3711-003408	HEADER-BOARD TO CABLE;BOX,2P,1R,2mm,STRA		SNA
#N/A	3711-003409	HEADER-BOARD TO CABLE;BOX,3P,1R,2mm,STRA		SNA
#N/A	3711-003410	HEADER-BOARD TO CABLE;BOX,4P,1R,2mm,STRA		SNA
#N/A	3711-003411	HEADER-BOARD TO CABLE;BOX,5P,1R,2mm,STRA		SNA
#N/A	3711-003968	HEADER-BOARD TO CABLE;BOX,3P,1R,2.5mm,ST		SA
#N/A	3711-003969	HEADER-BOARD TO CABLE;BOX,2P,1R,2.5mm,ST		SNA
#N/A	3711-003981	HEADER-BOARD TO CABLE;BOX,28P,2R,2mm,STR		SA
#N/A	3722-001101	JACK-USB;4P/1C,AU,IVR,ANGLE,B TYPE		DNA
#N/A	4301-000108	BATTERY-LI;3V,220mAH,BUTTON,20x3.2mm,NO		SA
#N/A	4302-001156	BATTERY-NIH(2ND);3.6V,150MAH,MH 13654(N)		SNA
#N/A	4715-001042	SURGE ABSORBER;400V,20%,500A,-,TP		SNA
#N/A	6002-000101	SCREW-TAPPING;BH,+,2,M3,L10,ZPC(BLK),SWR		SA
#N/A	6009-001286	SCREW-SPECIAL;SWRCH18A,-,PWH,+,M3,L10.5(		SNA
#N/A	JB39-00128A	CBF HARNESS-P1284 FG;SF-430,UL1007,#18,1	H1192	SA
#N/A	JB68-00073A	LABEL(R)-BAR CODE;SF-3000,PY,38X6.5,T0.1		SNA
#N/A	JC02-00021A	TONER-GRINDED;SCX-6320F,MA-96G395,-,8,8,	Z6021	SA
#N/A	JC39-00046A	CBF HARNESS-SCAN GND;SF-5100,#18,UL1007,		SNA
#N/A	JC39-00177A	CBF HARNESS-EXIT_SEN.;SCX-5100,WIRE HARN	H1080	SA
#N/A	JC39-00178A	CBF HARNESS-TONER_RX;SCX-5100,WIRE HARNE	H1271	SA
#N/A	JC39-00180A	CBF HARNESS-FEED+P-EMPTY_SEN.;SCX-5100,W	F6044	SA
#N/A	JC39-00181A	CBF HARNESS-PTL;SCX-5100,WIRE HARNESS,UL	H1212	SA
#N/A	JC39-00182A	CBF HARNESS-MP_SEN.;SCX-5100,WIRE HARNES	H1170	SA
#N/A	JC39-00225A	CBF HARNESS-BIN-FULL_SEN.;SCX-5312F,WIRE		SNA
#N/A	JC39-00342A	CBF HARNESS-AIR_TEMP;SCX-6320F,CBF,UL106	Z6029	SA
#N/A	JC39-40511A	CBF HARNESS;ML-80,JUMPER,AWG22,52mm,SILV	D2176	SA
#N/A	JC41-00130A	PCB-PTL;SCX-5100,FR-1,1L,-,1.6T,193 X 9M		SNA
#N/A	JC41-00131A	PCB-TONER_TX;SCX-5100,FR-1,1L,-,1.2T,28.		SNA
#N/A	JC41-00132A	PCB-TONER_RX;SCX-5100,FR-1,1L,-,1.2T,25X		SNA
#N/A	JC41-00230A	PCB-ZENER;SCX-6320F,FR-1,1L,-,1.6T,30 X		SNA
#N/A	JC41-00233A	PCB-LIU;SCX-6320F,FR-1,1L,-,1.6T,153 X 5		SNA
#N/A	JC60-40902A	SPACER-DEV;,-,-,-,OD19.5,ID6.0,-,-,-,T0		SNA
#N/A	JC61-00569A	PLATE-M-SUPPORT_FU;ML-1210,PPS+PTFE+GF,-		SNA
#N/A	JC61-00790B	HOUSING-M-OPC LOGO;SCX-6320F,ABS+GF20,-,		SNA
#N/A	JC61-00793A	BRACKET-M-BUSHING IN;SCX-6320F,PC+GF20%,		SNA
#N/A	JC61-00794A	BRACKET-M-BUSHING OUT;SCX-6320F,PC+GF20%		SNA
#N/A	JC61-01702A	BUSH-HEAT ROLLER;SCX-6318F,PPS(RFKB-9),2		SNA
#N/A	JC62-00064A	SEAL-AUGER TONER;SCX-5100,URETHANE FOAM,		SNA
#N/A	JC62-00111A	SEAL-OPC LEFT;SCX-6320F,FELT+U-FOAM,NTR,		SNA
#N/A	JC62-00112A	SEAL-OPC RIGHT;SCX-6320F,FELT+U-FOAM,NTR		SNA
#N/A	JC62-00113A	SEAL-BRKT CLEAN;SCX-6320F,URETHANE FOAM,		SNA
#N/A	JC62-00114A	SEAL-BRKT SIDE;SCX-6320F,URETHANE FOAM,B		SNA
#N/A	JC62-00141A	SEAL-DAMPER;SCX-6320F,PORON(LE20),BLK,5T		SNA
#N/A	JC62-00142A	HEAT SINK-P-MC2;SCX-6320F,BRONZE,0.5,7,2		SNA
#N/A	JC63-00255A	COVER-M-DR;SCX-6320F,ABS+GF20%,,-,-,-,-		SNA
#N/A	JC63-00260A	GROUND-P_SHIELD;SCX-5315F,SUS301,T0.15,-		SNA
#N/A	JC66-00309A	GEAR-AGITATOR-1;SCX-5100,POM(M90-44),0.6		SNA
#N/A	JC66-00316A	GEAR-RDCN WTB;SCX-5100,POM(M90-44),0.6,4		SNA
#N/A	JC66-00317A	GEAR-WTB FEEDER;SCX-5100,POM(M90-44),0.6		SNA
#N/A	JC66-00318A	GEAR-COUPLING-WTB,2;SCX-5100,POM(M90-44)		SNA
#N/A	JC66-00319A	GEAR-RDCN AUGER;SCX-5100,POM(M90-44),0.6		SNA
#N/A	JC66-00320A	GEAR-AUGER;SCX-5100,POM(M90-44),0.6,24,1		SNA
#N/A	JC66-00321A	GEAR-COUPLING OPC;SCX-5100,POM(M90-44),0		SNA
#N/A	JC66-00627A	GEAR-M-DEVE26;SCX-6320F,POM(M90-44),0.6,		SNA

SA : SERVICE AVAILABLE SNA : SERVICE not AVAILABLE DNA : DELIVERY not AVAILABLE

Drawer#	SEC-Code	Description & Specification	Location	Service
#N/A	JC66-00628A	GEAR-M-SUPPLY21;SCX-6320F,POM(M90-44),0.		SNA
#N/A	JC66-00629A	GEAR-M-RDCN DRSR;SCX-6320F,POM(M90-44),0		SNA
#N/A	JC66-00630A	GEAR-M-IDLE DRSR27;SCX-6320F,POM(DE8903)		SNA
#N/A	JC66-00631A	GEAR-M-DEVE DRIVE;SCX-6320F,POM,0.4,30,-		SNA
#N/A	JC66-00636A	ROLLER-DEVE;SCX-6320F,NBR+SUS303,20,-,-,	Z6062	SA
#N/A	JC66-00655A	GEAR-M-AGITATOR23;SCX-6320F,POM,0.6,23,-		SNA
#N/A	JC66-00656A	GEAR-M-RDCN AGITATOR;SCX-6320F,POM(DE890		SNA
#N/A	JC66-00677A	ROLLER-SUPPLY;SCX-6320F,SILICON FOAM+SUM		SNA
#N/A	JC66-00693A	GEAR-M-CAP;SCX-6320F,PPS+PTFE+GF,1.0,34,		SNA
#N/A	JC66-00708A	ROLLER-HEAT E-COIL;SCX-6320F,AL PIPE,26.		SNA
#N/A	JC67-00066A	CAP-M END;SCX-6320F,PPS+PTFE+GF,-,-,-,DA		SNA
#N/A	JC68-00720A	LABEL(R)-JAM REMOVE;COMMON,TETRON,T0.05,		SNA
#N/A	JC68-00721A	LABEL(R)-TONER REPLACEMENT;COMMON,-,TETR		SNA
#N/A	JC68-00724A	LABEL(R)-DRUM REPLACEMENT;COMMON,-,TETRO		SNA
#N/A	JC68-00725A	LABEL(R)-CLEAR PAPER PATH;COMMON,TETRON,		SNA
#N/A	JC68-01356A	LABEL(R)-SDRAM;COMMON,SAMSUNG,TETRON,T0.		SNA
#N/A	JC70-00232A	IPR-BRKT GROUND A;SCX-5100,SUS,-,0.2,-,-	K3276	SA
#N/A	JC70-00266A	ICT-SHAFT LOCKER;SCX-5100,SUM24L,-,-,-,N		SNA
#N/A	JC71-00019A	NPR-GROUND OPC;- ,SCX-5100,SUS304 3/4H,T0		SNA
#N/A	JC71-00020A	NPR-ELECTRODE CR;- ,SCX-5100,SUS304 3/4H,		SNA
#N/A	JC71-00036A	ELECTRODE-FU;ML-1210,4,-,-,¥016 CU+SN S		SNA
#N/A	JC72-00681A	PMO-COUPPING-WTB,1;SCX-5100,POM(M90-44),		SNA
#N/A	JC72-00701A	PMO-AUGER TONER;SCX-5100,PC+ABS,BLK,-,GF		SNA
#N/A	JC72-00702A	PMO-COVER ELECTRODE CR;SCX-5100,ABS,BLK,		SNA
#N/A	JC72-00703A	PPR-FILM REAR;SCX-5100,PET,NTR,T0.1,-,HB		SNA
#N/A	JC72-00706A	PPR-FILM OPC;SCX-5100,-,URETHANE,HB,-,N		SNA
#N/A	JC72-00765A	PMO-SIDE COVER;SCX-5100,-,HIPS,IVR,V0,-,	Z2804	SA
#N/A	JC72-00876A	PMO-COVER FRONT (C);SCX-5312F,-,HIPS,IV2	Z2577	SA
#N/A	JC72-01301A	PMO-M-COUPPING DRIVE;SCX-6320F,POM(DE890		SNA
#N/A	JC72-01302A	PMO-M-FLEXIBLE COUPLE;SCX-6320F,POM(M90-		SNA
#N/A	JC72-01303A	PMO-M-COLLAR DISC;SCX-6320F,PPS,NTR,-,-,		SNA
#N/A	JC73-00035A	REX-BLADE CLEANING;ML-6060,URETHANE RUBB		SNA
#N/A	JC73-00080A	RPR-SEAL SUS BLADE;SCX-5100,URETHANE FOA		SNA
#N/A	JC73-00152A	RPR-SEAL SUPPLY;SCX-6320F,PORON,T5,-,-,B		SNA
#N/A	JC73-00153A	RPR-SEAL CAP DEVE;SCX-6320F,URETHAN FOAM		SNA
#N/A	JC73-00154A	RPR-SEAL DEVE_L;SCX-6320F,FELT+PORON,T2.		SNA
#N/A	JC73-00156A	RPR-SEAL DEVE_R;SCX-6320F,FELT+PORON,T2.5		SNA
#N/A	JC73-10017A	RPR-SEAL_BLOCK;ML-80,POLYURETHANE FOAM,T		SNA
#N/A	JC74-00017A	MPR-WASHER DEV IN;ML-1650,PTFE,ID6.0 OD		SNA
#N/A	JC74-10901A	MPR-WASHER SUPPLY;ML-5000,POLY,ID4.1*OD1		SNA
#N/A	JC92-01566A	PBA SUB-CRUM;SCX-6320F,XEROX,USA,CRUM,-,		SA
#N/A	JC92-01782A	PBA SUB-FEED SEN;SCX-6320F,XEROX,-,FEED		SNA
#N/A	JC94-00339A	PHANTOM AU <a href="#">JC92-01362A</a>	Z6088	SNA
#N/A	JC94-00341A	PHANTOM AU JC92-01364A	Z6516	SNA
#N/A	JC94-00369A	PHANTOM AU JC92-01400A		SNA
#N/A	JC94-00691A	PHANTOM AU JC92-01568A		SNA
#N/A	JC94-00747A	PHANTOM AU JC92-01405F		SNA
#N/A	JC94-00754A	PHANTOM AU JC92-01482B		SNA
#N/A	JC96-03166J	ELA HOU-OPE COVER_XAX;SCX-6320F,XAX,USA,		SA
#N/A	JC97-01863A	MEA ETC-BLADE CLEANING;SCX-6320F,SECC,T1		SNA
#N/A	JC97-01864A	MEA ETC-SUS BLADE;SCX-6320F,SUS301-CSP 1		SNA
#N/A	JC97-01867A	MEA UNIT-OPC DRUM;SCX-6320F,XEROX,MCKINL		SNA
#N/A	JC97-01868A	MEA UNIT-ROLLER CR;SCX-6320F,XEROX,-,CR,		SNA
#N/A	JC97-01869A	MEA UNIT-CLEANING ROLL;SCX-6320F,XEROX,-		SNA
#N/A	JC97-01870A	MEA UNIT-BRACKET OPC;SCX-6320F,XEROX,-,B		SNA
#N/A	JC97-01876A	MEA UNIT-GUIDE CR;SCX-6320F,XEROX,MCKINL		SNA

SA : SERVICE AVAILABLE SNA : SERVICE not AVAILABLE DNA : DELIVERY not AVAILABLE

Drawer#	SEC-Code	Description & Specification	Location	Service
#N/A	JC97-01877A	MEA UNIT-BRAKE DAMPER;SCX-6320F,XEROX,MC		SNA
#N/A	JC97-01878A	MEA UNIT-CAP AUGER;SCX-6320F,XEROX,MCKIN		SNA
#N/A	JC97-01879A	MEA UNIT-COVER SIDE;SCX-6320F,XEROX,MCKI		SNA
#N/A	JC97-01881A	MEA UNIT-WTB;SCX-6320F,XEROX,MCKINLEY2,W		SNA
#N/A	JC97-01882B	MEA UNIT-HOUSING DEVE;SCX-6320F,SEC,MCKI		SNA
#N/A	JG72-40960A	PMO-CAP TONER;SF6000,PP,BLK,-,-,VO,-,-,-		SNA
#N/A	0201-001162	ADHESIVE-CYA;LOCTITE403,NTR,1250,20G		SNA
#N/A	0202-000108	SOLDER-CREAM;RMA-20-21L,-,20~38 §-,62.8SS		SNA
#N/A	0202-001459	SOLDER-CREAM;S3X58-M405,-,D20~38§-,96.5SS		SNA
#N/A	0205-001056	GREASE-GRAPHITE;CRS841,WHT,-		SNA
#N/A	0401-000116	DIODE-SWITCHING;MMSD914T1,100V,200MA,SOD		SNA
#N/A	0402-001189	DIODE-RECTIFIER;M4,400V,1A,TS-1,TP		SA
#N/A	0404-000112	DIODE-SCHOTTKY;RB420D,40V,100MA,SOT-23,T		SA
#N/A	0407-000116	DIODE-ARRAY;DAP202K,80V,100mA,CK2-3,SOT-		SA
#N/A	0407-000122	DIODE-ARRAY;KDS226,80V,300mA,C2-3,SOT-23		SA
#N/A	0407-000123	DIODE-ARRAY;DAN202K,80V,100mA,CA2-3,SOT-		SA
#N/A	0501-000010	TR-SMALL SIGNAL;KSC1008,NPN,800mW,TO-92,		SA
#N/A	0501-000279	TR-SMALL SIGNAL;KSA1182-Y,PNP,150mW,SOT-		SA
#N/A	0501-000457	TR-SMALL SIGNAL;MMBT2222A,NPN,350mW,SOT-		SA
#N/A	0601-001226	LED;SMD,RED,1.2x0.8mm,660nm,1.6x0.8mm		SA
#N/A	0801-000477	IC-CMOS LOGIC;74HCT273,D FLIP-FLOP,SOP,2		SA
#N/A	0801-001090	IC-CMOS LOGIC;74HC14,SCHMITT INVERTER,SO		SA
#N/A	0801-002095	IC-CMOS LOGIC;74LCX245,TRANSCEIVER,TSSOP		SA
#N/A	0801-002326	IC-CMOS LOGIC;74LCX32,OR GATE,TSSOP,14,1		SA
#N/A	0801-002446	IC-CMOS LOGIC;74LCX14,SCHMITT INVERTER,T		SNA
#N/A	0801-002484	IC-CMOS LOGIC;74LCX138,3-TO-8 DECODER,TS		SA
#N/A	0801-002591	IC-CMOS LOGIC;74LVX273,D FLIP-FLOP,TSSOP		SA
#N/A	0803-003263	IC-CMOS LOGIC;74LCX07,HEX BUFFER,SOIC,14		SA
#N/A	0904-001851	IC-USC;NET2272,16BIT,TQFP,64P,10X10MM,30		SNA
#N/A	0904-001853	IC-UART;16C550,8BIT,LQFP,48P,7X7X1.4MM,2		SNA
#N/A	0909-000101	IC-REAL TIME CLOCK;4513,SOP,14P,300MIL,0		SA
#N/A	1001-000170	IC-ANALOG SWITCH;MC14051BD,SPDT CMOS,SOP		SA
#N/A	1001-000171	IC-ANALOG SWITCH;MC14053BD,SPDT CMOS,SOP		SNA
#N/A	1003-001535	IC-MOTOR DRIVER;A3977SLP,TSSOP,28P,9.6X4		SA
#N/A	1006-001224	IC-LINE TRANSCEIVER;74LVX161284,TSSOP,48		SA
#N/A	1006-001250	IC-LINE DRIVER;DS90LV017A,SOIC,8P,150MIL		SA
#N/A	1105-001357	IC-DRAM;K4S281632,-,128NBIT,4X2MX16BIT,T		SA
#N/A	1105-001464	IC-DRAM;K4S641632,4MX16BIT,T SOP(II),54P,		SA
#N/A	1106-001228	IC-SRAM;6R1016,64KX16BIT,TSOP,44P,400MIL		SA
#N/A	1106-001457	IC-SRAM;K6F1008U2C,128KX8BIT,TSOP,32P,46		SA
#N/A	1107-001286	IC-FLASH MEMORY;29LV160,2MX8/1MX16BIT,TS		SNA
#N/A	1201-000105	IC-AUDIO AMP;34119,SOP,8P,150MIL,SINGLE,		SA
#N/A	1201-000167	IC-OP AMP;358,SOP,TP,8P,150MIL,DUAL,100V		SNA
#N/A	1202-000164	IC-VOLTAGE COMP.;393,SOP,8P,150MIL,DUAL,		SA
#N/A	1203-001455	IC-POSI.FIXED REG.;1117,DPAK,3P,265MIL,P		SA
#N/A	1203-001519	IC-POSI.ADJUST REG.;LM317,SOT223,3P,274		SA
#N/A	1203-002166	IC-POSI.FIXED REG.;1117DT25,DPAK,4P,240M		SNA
#N/A	1203-002233	IC-RESET;XC61F,SOT-23,3P,-,PLASTIC,0.7/1		SNA
#N/A	1203-002454	IC-POSI.FIXED REG.;FAN1117A,TO-252,3P,25		SA
#N/A	1205-001896	IC-MODEM;FM336R6719-12,QFP,100P,-,PLASTI		SA
#N/A	1205-002258	IC-CLOCK GENERATOR;CY25814SC,SOIC,8P,150		SNA
#N/A	1205-002339	IC-CLOCK GENERATOR;CY25811SC,SOIC,8P,150		SA
#N/A	2001-000016	R-CARBON(S);10HM,5%,1/2W,AA,TP,2.4X6.4MM		SA
#N/A	2001-000362	R-CARBON;150OHM,5%,1/8W,AA,TP,1.8X3.2MM		SA
#N/A	2005-000168	R-WIRE WOUND,NON;0.22ohm,5%,2W,AA,BK,4x1		SA
#N/A	2005-000419	R-WIRE WOUND,NON;0.33ohm,1%,1W,AA,TP,4.3		SNA



SA : SERVICE AVAILABLE SNA : SERVICE not AVAILABLE DNA : DELIVERY not AVAILABLE

Drawer#	SEC-Code	Description & Specification	Location	Service
#N/A	2007-000033	R-CHIP;0ohm,5%,1/4W,TP,3216		SA
#N/A	2007-000070	R-CHIP;0ohm,5%,1/10W,TP,1608		SA
#N/A	2007-000071	R-CHIP;22ohm,5%,1/10W,TP,1608		SA
#N/A	2007-000074	R-CHIP;100ohm,5%,1/10W,TP,1608		SA
#N/A	2007-000075	R-CHIP;220ohm,5%,1/10W,TP,1608		SA
#N/A	2007-000076	R-CHIP;330ohm,5%,1/10W,TP,1608		SA
#N/A	2007-000078	R-CHIP;1Kohm,5%,1/10W,TP,1608		SA
#N/A	2007-000079	R-CHIP;1.8Kohm,5%,1/10W,TP,1608		SA
#N/A	2007-000081	R-CHIP;2.7Kohm,5%,1/10W,TP,1608		SA
#N/A	2007-000082	R-CHIP;3.3Kohm,5%,1/10W,TP,1608		SA
#N/A	2007-000083	R-CHIP;3Kohm,5%,1/10W,TP,1608		SA
#N/A	2007-000084	R-CHIP;4.7Kohm,5%,1/10W,TP,1608		SA
#N/A	2007-000086	R-CHIP;5.6Kohm,5%,1/10W,TP,1608		SA
#N/A	2007-000090	R-CHIP;10Kohm,5%,1/10W,TP,1608		SA
#N/A	2007-000091	R-CHIP;12Kohm,5%,1/10W,TP,1608		SA
#N/A	2007-000092	R-CHIP;15Kohm,5%,1/10W,TP,1608		SA
#N/A	2007-000094	R-CHIP;22Kohm,5%,1/10W,TP,1608		SA
#N/A	2007-000096	R-CHIP;30Kohm,5%,1/10W,TP,1608		SA
#N/A	2007-000097	R-CHIP;47Kohm,5%,1/10W,TP,1608		SA
#N/A	2007-000102	R-CHIP;100Kohm,5%,1/10W,TP,1608		SA
#N/A	2007-000103	R-CHIP;120Kohm,5%,1/10W,TP,1608		SA
#N/A	2007-000104	R-CHIP;150Kohm,5%,1/10W,TP,1608		SA
#N/A	2007-000106	R-CHIP;220Kohm,5%,1/10W,TP,1608		SA
#N/A	2007-000109	R-CHIP;1Mohm,5%,1/10W,TP,1608		SA
#N/A	2007-000113	R-CHIP;33ohm,5%,1/10W,TP,1608		SA
#N/A	2007-000120	R-CHIP;680ohm,5%,1/10W,TP,1608		SA
#N/A	2007-000121	R-CHIP;820ohm,5%,1/10W,TP,1608		SA
#N/A	2007-000123	R-CHIP;1.5Kohm,5%,1/10W,TP,1608		SA
#N/A	2007-000125	R-CHIP;3.9Kohm,5%,1/10W,TP,1608		SA
#N/A	2007-000131	R-CHIP;91Kohm,5%,1/10W,TP,1608		SA
#N/A	2007-000132	R-CHIP;180Kohm,5%,1/10W,TP,1608		SNA
#N/A	2007-000133	R-CHIP;330Kohm,5%,1/10W,TP,1608		SA
#N/A	2007-000134	R-CHIP;33Kohm,5%,1/10W,TP,1608		SA
#N/A	2007-000136	R-CHIP;300Kohm,5%,1/10W,TP,1608		SA
#N/A	2007-000309	R-CHIP;10ohm,5%,1/10W,TP,1608		SA
#N/A	2007-000368	R-CHIP;130Kohm,5%,1/10W,TP,1608		SNA
#N/A	2007-000539	R-CHIP;200ohm,5%,1/10W,TP,1608		SA
#N/A	2007-000708	R-CHIP;3.9Kohm,1%,1/10W,TP,1608		SA
#N/A	2007-000729	R-CHIP;300ohm,5%,1/10W,TP,1608		SA
#N/A	2007-000839	R-CHIP;39ohm,5%,1/10W,TP,1608		SA
#N/A	2007-000965	R-CHIP;5.1Kohm,5%,1/10W,TP,1608		SA
#N/A	2007-001002	R-CHIP;510ohm,5%,1/10W,TP,1608		SA
#N/A	2007-001179	R-CHIP;8.2Kohm,5%,1/10W,TP,1608		SA
#N/A	2007-002768	R-CHIP;6.2Kohm,1%,1/10W,TP,1608		SA
#N/A	2007-007004	R-CHIP;12Kohm,1%,1/10W,TP,1608		SA
#N/A	2007-007547	R-CHIP;2.43Kohm,1%,1/10W,TP,1608		SNA
#N/A	2007-007548	R-CHIP;39.2ohm,1%,1/10W,TP,1608		SA
#N/A	2011-000651	R-NET;10ohm,5%,1/16W,L,CHIP,8P,TP,3216		SA
#N/A	2011-000660	R-NET;1Kohm,5%,1/16W,L,CHIP,8P,TP,3.2x1.		SA
#N/A	2011-001011	R-NET;10Kohm,5%,1/16W,L,CHIP,8P,TP,3.2x1		SNA
#N/A	2011-001093	R-NET;100OHM,5%,1/16W,L,CHIP,8P,TP,3216		SNA
#N/A	2011-001094	R-NET;39OHM,5%,1/16W,L,CHIP,8P,TP		SA
#N/A	2011-001334	RC-NETWORK;1K/5.1K/39ohm,10%,150pF,-,6V,		SNA
#N/A	2203-000041	C-CER,CHIP;0.01nF,0.25pF,50V,C0G,1608		SA
#N/A	2203-000189	C-CER,CHIP;100nF,+80-20%,25V,Y5V,1608		SA
#N/A	2203-000192	C-CER,CHIP;100nF,+80-20%,50V,Y5V,2012		SA

SA : SERVICE AVAILABLE SNA : SERVICE not AVAILABLE DNA : DELIVERY not AVAILABLE

Drawer#	SEC-Code	Description & Specification	Location	Service
#N/A	2203-000236	C-CER,CHIP;0.1nF,5%,50V,C0G,1608		SA
#N/A	2203-000257	C-CER,CHIP;10nF,10%,50V,X7R,1608		SA
#N/A	2203-000440	C-CER,CHIP;1nF,10%,50V,X7R,1608		SA
#N/A	2203-000626	C-CER,CHIP;0.022nF,5%,50V,C0G,1608		SA
#N/A	2203-000681	C-CER,CHIP;0.027nF,5%,50V,C0G,1608		SA
#N/A	2203-000783	C-CER,CHIP;0.33nF,5%,50V,C0G,1608		SA
#N/A	2203-000815	C-CER,CHIP;0.033nF,5%,50V,C0G,1608		SA
#N/A	2203-000998	C-CER,CHIP;0.047nF,5%,50V,C0G,1608		SA
#N/A	2203-001222	C-CER,CHIP;0.82nF,10%,50V,X7R,1608		SA
#N/A	2203-001408	C-CER,CHIP;0.27nF,5%,50V,NP0,1608		SNA
#N/A	2203-001683	C-CER,CHIP;0.068nF,5%,50V,NP0,1608		SA
#N/A	2203-002392	C-CER,CHIP;220nF,+80-20%,50V,Y5V,2012		SA
#N/A	2203-002398	C-CER,CHIP;22nF,10%,50V,X7R,1608		SA
#N/A	2203-005065	C-CER,CHIP;1000nF,+80-20%,10V,Y5V,1608		SA
#N/A	2203-005249	C-CER,CHIP;100nF,10%,50V,X7R,1608		SNA
#N/A	2401-000042	C-AL;100uF,20%,16V,GP,TP,6.3x7,5		SA
#N/A	2401-000310	C-AL;100uF,20%,25V,GP,TP,6.3x11,5		SA
#N/A	2401-000603	C-AL;1UF,20%,50V,GP,TP,5X11,2		SA
#N/A	2401-001185	C-AL;33uF,20%,35V,GP,TP,5x11,5		SNA
#N/A	2401-001363	C-AL;470uF,20%,16V,GP,TP,10x12.5,5		SA
#N/A	2401-002300	C-AL;47uF,20%,50V,GP,TP,6.3x11.5mm		SA
#N/A	2402-000008	C-AL,SMD;47uF,20%,16V,GP,TP,6.6x6.6x5.4		SA
#N/A	2402-000176	C-AL,SMD;10uF,20%,16V,GP,TP,4.3x4.3x5.4		SA
#N/A	2402-000179	C-AL,SMD;47uF,20%,16V,GP,TP,6.6x6.6x5.7m		SA
#N/A	2402-001042	C-AL,SMD;100uF,20%,16V,GP,TP,6.6x6.6x5.4		SA
#N/A	2703-000158	INDUCTOR-SMD;1uH,10%,2012		SNA
#N/A	2901-001178	FILTER-EMI SMD;25V,2A,-,100000pF,2x1.25x		SA
#N/A	3301-000317	BEAD-SMD;120ohm,2012,TP,-,-		SA
#N/A	3301-000325	BEAD-SMD;60ohm,3.2x2.5x1.3mm,400mA,TP,,,		SNA
#N/A	3301-000344	BEAD-RADIAL;200ohm,3.5x0.6x6.5mm,7000mA,		SNA
#N/A	3301-001425	BEAD-SMD;120ohm,3.2x1.6x1.1mm,900mA,TP,,		SNA
#N/A	3301-001594	BEAD-SMD;90ohm,2.0*1.2*1.3mm,-,TP,-,-,-		SA
#N/A	6502-000121	CABLE CLAMP;DAMC-101,D7~8,L19,SCP-1,NTR	Z4538	SNA
#N/A	JC02-00012A	TAPE ETC-DOUBLE TAPE LARGE;SCX-5312F,944		SNA
#N/A	JC02-00013A	TAPE ETC-DOUBLE TAPE SMALL;9448HK,DOUBLE		SNA
#N/A	JC13-00014C	IC ASIC-SPGPM(3);SPGPM_D,SCX-6320F,256PI		SA
#N/A	JC13-00022B	IC ASIC-IMAGE PROCESS;CIP4E,SCX-6320F,20		SNA
#N/A	JC13-00023A	IC ASIC-A/D CONVERTER;AFE_CIP4,SCX-5315F		SA
#N/A	JC13-00033A	IC ASIC-FPGA;AT8UA068CE8-RDTX,SCX-6320F,		SA
#N/A	JC39-00333A	CBF HARNESS-DEVE_CNT;SCX-6320F,CBF,UL106		SA
#N/A	JC41-00133A	PCB-SENSOR;SCX-5100,FR-1,1L,-,1.6T,22X12		SNA
#N/A	JC41-00187B	PCB-MAIN_SEC;SCX-6320F,FR-4,4L,-,1.6T,23		SNA
#N/A	JC41-00215A	PCB-AIR_TMP;SCX-6320F,FR-1,1L,-,1.6T,15X		SNA
#N/A	JC41-00251A	PCB-SDRAM_DIMM;SCX-6320F,FR-4,4,-,1.2T,9		SNA
#N/A	JC60-00007A	FLANGE-M_OPC;SCX-6320F,PC LS-1250,-,28.5		SNA
#N/A	JC61-00552A	SPRING ETC-TS WTB;SCX-5100,SWPB,PIO.7,4.		SNA
#N/A	JC61-00553A	SPRING ETC-ES SHUTTER AUGER;SCX-5100,SUS		SNA
#N/A	JC61-00791A	HOUSING-M-DEVE;SCX-6320F,ABS,-,-,-,BLK,H		SNA
#N/A	JC61-00792A	HOUSING-M-WTB;SCX-6320F,ABS,-,-,-,BLK,HF		SNA
#N/A	JC61-00795A	GUIDE-M-CR;SCX-6320F,ABS+PC,-,-,-,BLK,-		SNA
#N/A	JC61-00796A	BRACKET-P_OPC;SCX-6320F,CR(SPCC),1.2,-,-		SNA
#N/A	JC61-00797A	BRACKET-P_BLADE;SCX-6320F,SECC,1.2,-,-,-		SNA
#N/A	JC61-00798A	BUSH-DEVE SHAFT;SCX-6320F,BRONZE SINTERE		SNA
#N/A	JC61-00799A	BRACKET-P_CLEANING;SCX-6320F,SECC,1.2,-,-		SNA
#N/A	JC62-00066A	SEAL-AUGER CAP;SCX-5100,FLOCKING DOUBLE		SNA
#N/A	JC62-00067A	SEAL-WTB FEEDER;SCX-5100,FLOCKING + EPDM		SNA

SA : SERVICE AVAILABLE SNA : SERVICE not AVAILABLE DNA : DELIVERY not AVAILABLE

Drawer#	SEC-Code	Description & Specification	Location	Service
#N/A	JC63-00254A	COVER-M-SIDE;SCX-6320F,PC 141R,-,-,-,-		SNA
#N/A	JC63-00534J	SHEET-PHONEBOOK(XAX);SCX-6320F,PC,0.25T,		SNA
#N/A	JC63-00536H	COVER-M_OPE(XAX);SCX-6320F,HIPS,2.5T,537		SNA
#N/A	JC64-00094A	SHUTTER-M-WTB;SCX-6320F,PC,2T,-,-,BLK,-		SNA
#N/A	JC64-00095A	WINDOW-M-SENSOR;SCX-6320F,ACRYL(V150),-		SNA
#N/A	JC64-00159H	WINDOW-LCD A(XAX);SCX-6320F,PC,1.0T,147.		SA
#N/A	JC64-00170A	KEY-M-HO DIAL DOM;SCX-6320F,ABS,24.9 * 2	K0219	SNA
#N/A	JC66-00435A	GEAR-IDLE CR 17;ML-2150,POM, F20-03,0.6,		SNA
#N/A	JC66-00436A	GEAR-CLEAN 23;ML-2150,HYTREL5526 ,0.6,23		SNA
#N/A	JC66-00633A	ROLLER-M-SLIDING IN;SCX-6320F,POM,-,-,NT		SNA
#N/A	JC66-00634A	ROLLER-M-SLIDING OUT;SCX-6320F,POM,-,-,N		SNA
#N/A	JC66-00637A	ROLLER-CHARGE;SCX-6320F,EPYCHLORO HYDRIN	Z6063	SA
#N/A	JC66-00638A	ROLLER-CLEANING;SCX-6320F,URETHAN FOAM,1	Z6064	SA
#N/A	JC66-00639A	DRUM-OPC;SCX-6320F,ALUMINIUM,-,30,248,-,	Z6065	SA
#N/A	JC66-00657A	BRAKE-M-OPC DAMPER;SCX-6320F,POM(DE8903)		SNA
#N/A	JC67-00049B	CAP-M_HSG DEV SEC;SCX-6320F,ABS,-,-,-,BL		SNA
#N/A	JC67-00050A	CAP-M-HOUSING WTB;SCX-6320F,ABS,-,-,-,BL		SNA
#N/A	JC67-00064A	CAP-M-AUGER;SCX-6320F,ABS,-,-,-,BLK,-		SNA
#N/A	JC68-01248A	LABEL(R)-WTB;COMMON,-,TETRON,0.05,-,-,EM		SNA
#N/A	JC70-00205A	IPR-ELECTRODE SUPPLY;SCX-5100,SUS301 3/4		SNA
#N/A	JC70-00460A	IPR-P_SUS BLADE;SCX-6320F,SUS301CSP 1/2H		SNA
#N/A	JC72-00686A	PMO-BUSHING AGITATOR;SCX-5100,POM,BLK,-,		SNA
#N/A	JC72-00694A	PMO-SHUTTER AUGER;SCX-5100,ABS,BLK,-,-,H		SNA
#N/A	JC72-00705A	PPR-FILM WTB;SCX-5100,PC8D35,NTR,T0.18,		SNA
#N/A	JC72-00751B	PPR-SPONGE SHEET;SCX-5100,SPONGE+SHEET,W		SA
#N/A	JC72-01300A	PMO-M-LOCKER DEVE;SCX-6320F,PC+ABS,EMBER		SNA
#N/A	JC72-40332A	PMO-BUSHING_CHARGE;ML-80,POM,BLK,HB,-	Z4681	SNA
#N/A	JC72-41051A	PMO-BUSHING RIGHT;ML-6000,POM(M90-44),BL	D2151	SA
#N/A	JC73-00079A	RPR-SEAL SIDE;SCX-5100,URETHANE FOAM ,18	Z6115	SA
#N/A	JC73-00151A	RPR-SEAL SUPPORT_L;SCX-6320F,PORON,T5,-,		SNA
#N/A	JC73-00155A	RPR-SEAL SUPPORT_R;SCX-6320F,PORON,T5,-,		SNA
#N/A	JC94-00689A	PHANTOM AU JC92-01566A		SNA
#N/A	JC94-00690A	PHANTOM AU JC92-01567A		SNA
#N/A	JC94-01103A	SEN PCB V1.0		SNA
#N/A	JC96-03163A	ELA HOU-EMAIL(MC2);SCX-6320F,SEC,USA,OPT	K2966	SA
#N/A	JC97-01842A	MEA UNIT-GUIDE SCAN;SCX-6320F,XEROX,USA,		SNA
#N/A	JC97-01844A	MEA UNIT-COVER OPEN;SCX-6320F,XEROX,USA,	Z2419	SA
#N/A	JC97-01871A	MEA UNIT-AGITATOR2;SCX-6320F,XEROX,-,FIL		SNA
#N/A	JC97-01872A	MEA UNIT-AGITATOR1;SCX-6320F,XEROX,-,FIL		SNA
#N/A	JC97-01880A	MEA UNIT-WTB FEEDER;SCX-6320F,XEROX,MCKI		SNA
#N/A	JC97-01980A	MEA ETC-GEAR EARTH;SCX-6320F,SEC,SEC,GEA	Z6162	SA
#N/A	JF27-60051A	COIL FILTER;CF5400,60uH,50mOHM,18T	Z6165	SA
#N/A	0407-000101	DIODE-ARRAY;DA204K,20V,100mA,C2-3,SOT-23		SA
#N/A	0604-001227	PHOTO-INTERRUPTER;TR,-,200MW,DIP-4,ST		SA
#N/A	1103-001183	IC-EEPROM;24C04,512x8,SOP,8P,5x4mm,2.5/5		SA
#N/A	3701-001143	CONNECTOR-DSUB;15P,3R,FEMALE,ANGLE,AUF		SA
#N/A	3702-001104	CONNECTOR-RIBBON;30P,FEMALE,STRAIGHT,AU		SA
#N/A	3711-000255	HEADER-BOARD TO CABLE;1WALL,5P,1R,2.5MM,		SA
#N/A	3711-002808	HEADER-BOARD TO CABLE;BOX,7P,1R,2mm,STRA		SNA
#N/A	6001-000131	SCREW-MACHINE;BH,+ ,M3,L6,ZPC(YEL),SWRCH1		SNA
#N/A	6002-000300	SCREW-TAPPING;PH,+ ,2,M2,L10,ZPC(YEL),SWR		SA
#N/A	6501-000115	CABLE TIE;DA100,T1,W2.5,L102,NTR,NYLON66		SA
#N/A	JB66-00102A	GEAR-PICK UP IDEL 38;SCX-1110F,POM(DELIN	Z4377	SA
#N/A	JB66-00104A	GEAR-ADF IDLE 34;SCX-1110F,POM(DELIN500P	Z4383	SA
#N/A	JB66-00105A	GEAR-PICK UP 26;SCX-1110F,POM(DELIN500P)	Z4385	SA
#N/A	JB72-00821A	PMO-ADF COLAR;SCX-1110F,POM,NTR,-,-,-,	Z4380	SA

SA : SERVICE AVAILABLE SNA : SERVICE not AVAILABLE DNA : DELIVERY not AVAILABLE

Drawer#	SEC-Code	Description & Specification	Location	Service
#N/A	JB72-00845A	PMO-PICK UP CLUTCH SUB;SCX-1110F,POM(F20	Z4386	SA
#N/A	<a href="#">JB75-00299A</a>	MEC-ADF ROLLER ASSY;SCX-1110F/XRX,XEROX,	Z4387	SA
#N/A	JB75-00300A	MEC-PICK UP ROLLER ASSY;SCX-1110F/XRX,XE	Z4378	SA
#N/A	JC02-00014A	TAPE ETC-ANTI BRUSH;SCX-5312F,9448HK,A/L		SNA
#N/A	JC07-00006A	LCD-DISPLAY;VHC2020SLYC9-1,SCX-6320F,20X	Z6022	SA
#N/A	JC39-00341A	CBF HARNESS-GATE_SEN;SCX-6320F,CBF,UL106		SA
#N/A	JC39-00361A	CBF HARNESS-LCD;SCX-6320F,FLAT,UL2877,8P	Z6031	SA
#N/A	JC41-00141A	PCB-FEED_SENSOR;SCX-5100,FR-1,1L,-,1.6T,		SNA
#N/A	JC41-00218A	PCB-TERMINAL;SCX-6320F,FR-4,2L,-,1.6T,54		SNA
#N/A	JC41-00219A	PCB-CRUM;SCX-6320F,FR-4,2L,-,1.6T,21.8X		SNA
#N/A	JC47-00011A	DAMPER-PICK_UP;SCX-6320F,-,XEROX,JEP2015		SA
#N/A	JC61-00230A	LATCH-ARM;ML-9400W,POM,-,-,WHITE,-		SNA
#N/A	JC61-00729A	HINGE-M-HOUSING;SCX-6320F,DELRIN 100P,-,	H3013	SA
#N/A	JC61-00734A	GUIDE-M_DUPLEX_UPPER;SCX-6320F,ABS,2.5T,		SNA
#N/A	JC61-00736A	GUIDE-M_DUPLEX_MID;SCX-6320F,ABS,2.5T,-,		SNA
#N/A	JC61-00741A	BUSH-M-PAPER STOPPER;SCX-6320F,POM,ID4.3		SNA
#N/A	JC61-00747A	BRACKET-P-DADF MOTOR;SCX-6320F,SECC,T1.2		SNA
#N/A	JC61-00748A	BRACKET-P-DUPLEX MOTOR;SCX-6320F,SECC,T1		SNA
#N/A	JC61-00749A	STOPPER-M-PAPER;SCX-6320F,POM,-,-,WHT,		SNA
#N/A	JC61-00750A	BUSH-M-ADF CLUTCH;SCX-6320F,PPS,7,11.85,		SA
#N/A	JC61-00846A	HINGE-M-PLATEN(MC2);SCX-6320F,DELRIN 100		SNA
#N/A	JC61-00847A	HINGE-M-SLIDER(MC2);SCX-6320F,DELRIN 100		SNA
#N/A	JC61-00854A	SUPPORT-AGITATOR;SCX-6320F,PET FILM(SKC)		SNA
#N/A	JC61-00934A	SUPPORT-SUB AGITATOR1;SCX-6320F,PET0.3T,		SNA
#N/A	JC61-00971A	PLATE-M-KEY BOARD DOM;SCX-6320F,HIPS,1.5		SNA
#N/A	JC61-01551A	SUPPORT-P-HINGE;SCX-6320F,SUS430,T1.0,28		SNA
#N/A	JC61-01563A	SPRING ETC-DUP IDLE;SCX-6345N/XRX,SUS304		SA
#N/A	JC63-00253A	COVER-M-PICK_UP DOC;SCX-6320F,HIPS,-,-,-		SNA
#N/A	JC63-00428A	GROUND-S_REGI;SCX-6320F,SUS304WPB,PI0.7,		SA
#N/A	JC63-00538A	COVER-M-EMAIL DOM;SCX-6320F,HIPS,3.0T,18		SNA
#N/A	JC63-00834A	GROUND-P-DUPLEX IDLE;SCX-6345N/XRX,SUS30		SNA
#N/A	JC64-00166A	KEY-M-NETWORK DOM;SCX-6320F,ABS,49.5 * 2		SNA
#N/A	JC66-00566A	GEAR-DADF24(B);SCX-6320F,POM,M1.0,Z24,-,		SNA
#N/A	JC66-00567A	GEAR-DADF37(A);SCX-6320F,POM,M0.5,Z37,-,		SNA
#N/A	JC66-00568A	GEAR-DADF37(B);SCX-6320F,POM,M0.5,Z37,12		SNA
#N/A	JC66-00569A	GEAR-DADF58;SCX-6320F,POM,M0.5,Z58,6,WHT		SNA
#N/A	JC66-00572A	GEAR-DADF37/24;SCX-6320F,POM,M0.5/1.0,Z3		SNA
#N/A	JC66-00573A	GEAR-DADF58/24;SCX-6320F,POM,M0.5/1.0,Z5		SNA
#N/A	JC66-00574A	GEAR-DADF58/31;SCX-6320F,POM,M0.5,Z58/31		SNA
#N/A	JC66-00584A	SHAFT-M_PICK_UP;ML-2150,ABS GF10%,-,D4.9		SNA
#N/A	JC66-00658A	SHAFT-ADF;SCX-6320F,SUM22,-,D7.0,-,SHA		SNA
#N/A	JC66-00675A	GEAR-M OPC FRONT;SCX-6320F,PC+TEFRON(LS1		SNA
#N/A	JC66-01038A	SHAFT-PINCH DUP IDLE;SCX-6345N/XRX,SUS30		SNA
#N/A	JC66-01134A	SHAFT-SLIDE;SCX-6320F,SUM22 NI,31,6,NTR,		SNA
#N/A	JC68-01246A	LABEL(R)-GUIDE_DUPLEX;COMMON,SAMSUNG,POL		SNA
#N/A	JC70-00280A	ICT-SHAFT HINGE;SCX-5100,SUM24L,NI,4,-,-		SNA
#N/A	JC71-10322B	NPR-EARTH OPC;-ML-80,C5210P-1/2H,T0.2,-		SNA
#N/A	JC72-00699A	PMO-FEEDER WTB;SCX-5100,PC,BLK,T1.5,-,HB		SNA
#N/A	JC72-00752A	PPR-WHITE BAR SHEET;SCX-5100,PET,WHT,T0.	S5050	SA
#N/A	JC72-01304A	PMO-M-AGITATOR1;SCX-6320F,ABS+GF20,BLK,-		SNA
#N/A	JC72-01305A	PMO-M-AGITATOR2;SCX-6320F,ABS+GF20 GR402		SNA
#N/A	JC72-01306A	PPR-FILM AGITATOR1;SCX-6320F,PET SHEET,N		SNA
#N/A	JC72-01307A	PPR-FILM AGITATOR2;SCX-6320F,PET SHEET,B		SNA
#N/A	JC72-10501A	PPR-SEAL,AGITATOR B;SL-1050V,NBR+BR,-,-,		SNA
#N/A	JC73-00114A	RPR-BLADE WTB FEEDER;SCX-5100,URETHANE R		SNA
#N/A	JC73-00195A	RUBBER-KEY BOARD DOM;SCX-6320F,SILICON,1		SA

SA : SERVICE AVAILABLE SNA : SERVICE not AVAILABLE DNA : DELIVERY not AVAILABLE

Drawer#	SEC-Code	Description & Specification	Location	Service
#N/A	JC92-01557B	PBA SUB-EMAIL_SEC;SCX-6320F,SEC,USA,EMAI		SA
#N/A	JC94-00682A	PHANTOM AU JC92-01555A		SNA
#N/A	JC94-00686A	PHANTOM AU JC92-01562A		SNA
#N/A	JC94-00761A	PHANTOM AU JC92-01552B		SNA
#N/A	JC94-00762A	PHANTOM AU JC92-01553B		SNA
#N/A	JC96-03903A	ELA HOU-SUB_DOC_WIDTH;SCX-6320F,XEROX,-,		SA
#N/A	0601-001404	LED;SMD,RED,2.0MM,660MM,1.5X3MM		SNA
#N/A	1103-001045	IC-EEPROM;27E512,512Kbit,64Kx8,DIP,28P,3		SA
#N/A	2001-000111	R-CARBON;150OHM,5%,1/4W,AA,TP,2.4X6.4MM		SA
#N/A	2007-000643	R-CHIP;270ohm,5%,1/10W,TP,1608		SA
#N/A	2801-004082	CRYSTAL-UNIT;25MHZ,30PPM,28-AAA,16PF,700		SNA
#N/A	2802-001069	RESONATOR-CERAMIC;7.37MHZ,0.5%,TP,4.7x4.		SNA
#N/A	3404-000165	SWITCH-TACT;12V,50mA,160gf,6x6mm,SPST	D2158	SA
#N/A	3702-001103	CONNECTOR-RIBBON;30P,MALE,STRAIGHT,AU		SNA
#N/A	3704-000235	SOCKET-IC;28P,DIP,SN,2.54mm		SA
#N/A	3711-003340	HEADER-BOARD TO CABLE;BOX,16P,2R,2mm,STR		SA
#N/A	JB72-00822A	PMO-SLEEVE ADF;SCX-1110F,-,POM,BLK,-,-,-	Z4388	SA
#N/A	JB72-00823A	PMO-SLEEVE PICK UP;SCX-1110F,-,POM,BLK,-	Z4379	SA
#N/A	JB73-00052A	RMO-ADF RUBBER;SCX-1110F,SILICON RUBBER,	Z4373	SA
#N/A	JB73-00054A	RMO-ADF ROLLER;SCX-1110F/XRX,EPDM RUBBER		SNA
#N/A	JB73-00055A	RMO-PICKUP ROLLER;SCX-1110F/XRX,EPDM RUB		SNA
#N/A	JC13-00024A	IC ASIC-OPE;HT48R70A,SCX-5315F,48P,3.3/5		SNA
#N/A	JC39-00328A	CBF HARNESS-REGI_SEN;SCX-6320F,CBF,UL106		SA
#N/A	JC39-00329A	CBF HARNESS-EXIT_OPEN;SCX-6320F,CBF,UL10		SA
#N/A	JC39-00331A	CBF HARNESS-DOC_WIDTH;SCX-6320F,CBF,UL10		SA
#N/A	JC41-00213B	PCB-OPE_SEC;SCX-6320F,FR-1,2L,-,1.6T,344		SNA
#N/A	JC41-00216B	PCB-OPE_JOINT_SEC;SCX-6320F,FR-4,2L,-,1.		SNA
#N/A	JC41-00217A	PCB-DSUB;SCX-6320F,FR-4,2L,-,1.6T,56 X 3		SNA
#N/A	JC61-00387A	SPRING ETC-PAD;ML-9400W,SUS304WPB,PI0.5,	S0028	SA
#N/A	JC61-00744A	HOLDER-M-ADF RUBBER UPPER;SCX-6320F,HIPS		SNA
#N/A	JC61-00745A	HOLDER-M-ADF RUBBER LOWER;SCX-6320F,HIPS		SNA
#N/A	JC63-00186A	SHEET-GUIDE ADF;SCX-6320F,PET,0.125T,-,-		SA
#N/A	JC68-00573A	LABEL(R)-BARCODE;ML-4500,PET,T0.05,10mm,		SNA
#N/A	JC92-01783A	PBA SUB-PAPER SEN;SCX-6320F,XEROX,-,PAPE		SNA
#N/A	JC94-00675A	PHANTOM AU JC92-01556A		SNA
#N/A	JC94-00681A	PHANTOM AU JC92-01554A		SNA
#N/A	JC94-00685A	PHANTOM AU JC92-01561A		SNA
#N/A	JC94-00688A	PHANTOM AU JC92-01564A		SNA
#N/A	JC94-00763A	PHANTOM AU JC92-01557B		SNA
#N/A	0402-000129	DIODE-RECTIFIER;1N4003,200V,1A,DO-41,TP		SA
#N/A	0501-000338	TR-SMALL SIGNAL;2SC2812,NPN,200mW,SOT-23		SA
#N/A	0601-001565	LED;SMD,GRN,1.6X0.8X0.6MM,520NM,1.6X0.8X		SA
#N/A	2005-001058	R-WIRE WOUND;0.39ohm,1%,1W,AA,TP,4.3x12m		SNA
#N/A	2007-000077	R-CHIP;470ohm,5%,1/10W,TP,1608		SA
#N/A	2007-000080	R-CHIP;2Kohm,5%,1/10W,TP,1608		SA
#N/A	2007-000402	R-CHIP;150ohm,5%,1/10W,TP,1608		SA
#N/A	2401-000207	C-AL;100uF,20%,50V,WT,TP,8x12,5		SNA
#N/A	2401-000414	C-AL;10uF,20%,16V,GP,TP,4x7,5		SNA
#N/A	3301-001258	BEAD-SMD;600ohm,1608,100mA,,,,,1.8ohm		SNA
#N/A	JC09-00002A	IC MICOM-DADF;S3P8454XZZ-QWR4,SCX-6320F,		SA
#N/A	JC41-00214B	PCB-EMAIL_SEC;SCX-6320F,FR-4,2L,-,1.6T,1		SNA
#N/A	JC41-00220A	PCB-SENSOR_IF;SCX-6320F,FR-1,1L,-,1.6T,6		SNA
#N/A	JC41-00221A	PCB-DADF;SCX-6320F,FR-4,4L,-,1.6T,164.8		SNA
#N/A	JC94-01104A	OR PCB V1.1		SNA